

# **EA15 Motor**

## **Safety, Operation, Maintenance & Parts Manual**

---

|                         |                   |
|-------------------------|-------------------|
| <b>LT40AC Series MH</b> | <b>rev. D3.00</b> |
| <b>LT40 Series AH</b>   | <b>rev. D3.00</b> |

---



**Safety is our #1 concern!** Read and understand all safety information and instructions before operating, setting up or maintaining this machine.

*November 1998*

*Form #970*

# Table of Contents

# Section-Page

|                  |  |            |
|------------------|--|------------|
| <b>SECTION 1</b> | <b>SAFETY &amp; GENERAL INFORMATION</b>              | <b>1-1</b> |
| 1.1              | Motor Operation .....                                | 1-1        |
| 1.2              | Electrical Operation.....                            | 1-2        |
| <b>SECTION 2</b> | <b>OPERATION</b>                                     | <b>2-1</b> |
| 2.1              | Starting The Motor .....                             | 2-1        |
| <b>SECTION 3</b> | <b>MAINTENANCE</b>                                   | <b>3-1</b> |
| 3.1              | Drive Belt Adjustment.....                           | 3-1        |
| <b>SECTION 4</b> | <b>REPLACEMENT PARTS</b>                             | <b>4-1</b> |
| 4.1              | How To Use The Parts List .....                      | 4-1        |
| 4.2              | Sample Assembly .....                                | 4-1        |
| 4.3              | Motor Starter Assembly .....                         | 4-2        |
| 4.4              | Motor Assembly .....                                 | 4-3        |
| 4.5              | Motor Pulley Guards, EA15 .....                      | 4-4        |
| <b>SECTION 5</b> | <b>ELECTRICAL INFORMATION</b>                        | <b>5-1</b> |
| 5.1              | Electrical Symbol Diagram .....                      | 5-1        |
| 5.2              | Main Electrical Box Components .....                 | 5-4        |
| 5.3              | HD Electrical Box Diagram (HD Sawmills Only).....    | 5-5        |
| 5.4              | HD Electrical Box Components (HD Sawmills Only)..... | 5-5        |
| <b>SECTION 6</b> | <b>BRAKE AIR GAP ADJUSTMENT</b>                      | <b>6-1</b> |

## SECTION 1 SAFETY & GENERAL INFORMATION



**IMPORTANT!** This manual is provided as a supplement to the equipment manufacturer's manuals. This manual takes into account the specific use of engines on the Wood-Mizer sawmill. Only safety, maintenance, and operating procedures that are not provided by the manufacturer are supplied in this manual. Refer to the manufacturer's manual before attempting to operate this equipment.



This symbol calls your attention to instructions concerning your personal safety. Be sure to observe and follow these instructions. This symbol accompanies a signal word. The word **DANGER** indicates an imminently hazardous situation which, if not avoided, will result in death or serious injury. **WARNING** suggests a potentially hazardous situation which, if not avoided, could result in death or serious injury. **CAUTION** refers to potentially hazardous situations which, if not avoided, may result in minor or moderate injury to persons or equipment. Read all safety instructions before operating this equipment and observe all safety warnings!

### 1.1 Motor Operation



**DANGER!** Always be sure the blade is disengaged and all persons are out of the path of the blade before starting the engine or motor. Failure to do so will result in serious injury.



**WARNING!** Do not for any reason adjust the motor drive belts or belt support bracket with the motor running. Doing so may result in serious injury.

**WARNING!** Remove the blade before performing any motor service. Failure to do so may result in serious injury.



**WARNING!** Be sure the power feed switch is in the neutral position before turning the key switch to the (#1) or (#2) position. This prevents accidental carriage movement which may cause serious injury or death.

# 1 Safety & General Information

## *Electrical Operation*

---

### 1.2 Electrical Operation



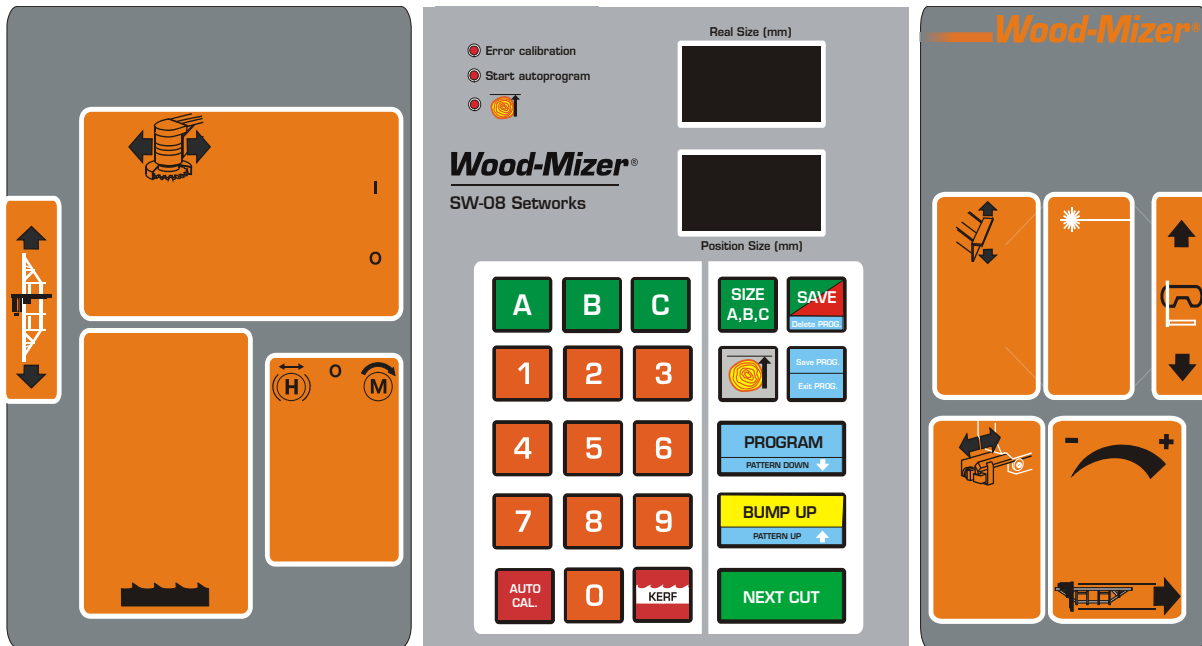
**DANGER!** Make sure all electrical installation, service and/or maintenance work is performed by a qualified electrician and is in accordance with applicable electrical codes.

**DANGER!** Hazardous voltage inside the disconnect box, starter box, and at the electric motor can cause shock, burns, or death. Disconnect and lock out power supply before servicing! Keep all electrical component covers closed and securely fastened during mill operation.

## SECTION 2 OPERATION

### 2.1 Starting The Motor

#### Control Box



RYS. 2-0

### Motor Start



**IMPORTANT!** When starting the machine for the first time, check that main motor rotation direction is as indicated by the arrow located on the motor body (fan guard). If the rotation direction is incorrect, invert the phases in the phase inverter located in the power socket (electric box). Setting the phases in the phase inverter correctly will ensure correct rotation directions of all sawmill motors.



**DANGER!** Always be sure the blade is disengaged and all persons are out of the path of the blade before starting the engine or motor. Failure to do so will result in serious injury.



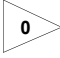
**WARNING!** Be sure the power feed switch is in the neutral position before turning the key switch to the (#1) or (#2) position. This prevents accidental carriage movement which may cause serious injury or death.

Turn the key switch to the start (#1) position and press the “START” button on the control panel.

### Motor Shutoff


Turn the key switch to the off (#0) position and press the “STOP” button on the control panel.

## SECTION 3 MAINTENANCE

 **This symbol** identifies the interval (hours of operation) which each maintenance procedure should be performed. "AR" signifies maintenance procedures which should be performed as required.

### 3.1 Drive Belt Adjustment

 Periodically check all belts for wear. Replace any damaged or worn belts as needed.

 **DANGER!** Do not for any reason adjust the drive belt support with the motor running. Always stop the motor before reaching or looking into the drive belt area.

## SECTION 4 REPLACEMENT PARTS

### 4.1 How To Use The Parts List

- Use the table of contents or the index to locate the assembly that contains the part you need.
- Go to the appropriate section and locate the part in the illustration.
- Use the number pointing to the part to locate the correct part number and description in the table.
- Parts shown indented under another part are included with that part.
- Parts marked with a diamond (◆) are only available in the assembly listed above the part.

See the sample table below. Sample Part #A01111 includes part F02222-2 and subassembly A03333. Subassembly A03333 includes part S04444-4 and subassembly K05555. The diamond (◆) indicates that S04444-4 is not available except in subassembly A03333. Subassembly K05555 includes parts M06666 and F07777-77. The diamond (◆) indicates M06666 is not available except in subassembly K05555.

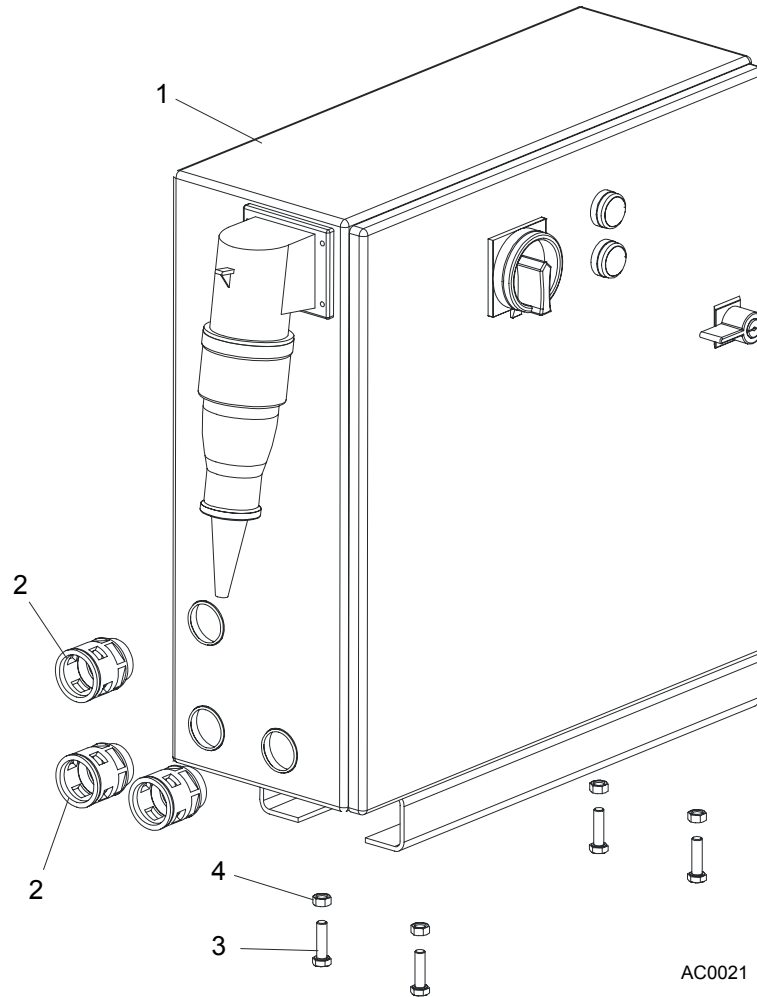
| 4.2 Sample Assembly |  |           |      |   |
|---------------------|--|-----------|------|---|
| REF                 | DESCRIPTION (◆ Indicates Parts Available In Assemblies Only)         | PART #    | QTY. |   |
|                     | <b>SAMPLE ASSEMBLY, COMPLETE (INCLUDES ALL INDENTED PARTS BELOW)</b> | A01111    | 1    |   |
| 1                   | Sample Part  | F02222-2  | 1    |   |
|                     | Sample Subassembly (Includes All Indented Parts Below)               | A03333    | 1    |   |
| 2                   | Sample Part (◆ Indicates Part Is Only Available With A03333)         | S04444-4  | 1    | ◆ |
|                     | Sample Subassembly (Includes All Indented Parts Below)               | K05555    | 1    |   |
| 3                   | Sample Part (◆ Indicates Part Is Only Available With K05555)         | M06666    | 2    | ◆ |
| 4                   | Sample Part  | F07777-77 | 1    |   |

#### To Order Parts:

- From Europe call our European Headquarters and Manufacturing Facility in Kolo, Poland at **+48-63-2626000** or **+48-3912-1319**. From the continental U.S., call **1-800-448-7881** to order parts. Have your customer number, vehicle identification number, and part numbers ready when you call.
- From other international locations, contact the Wood-Mizer distributor in your area for parts.



### 4.3 Motor Starter Assembly

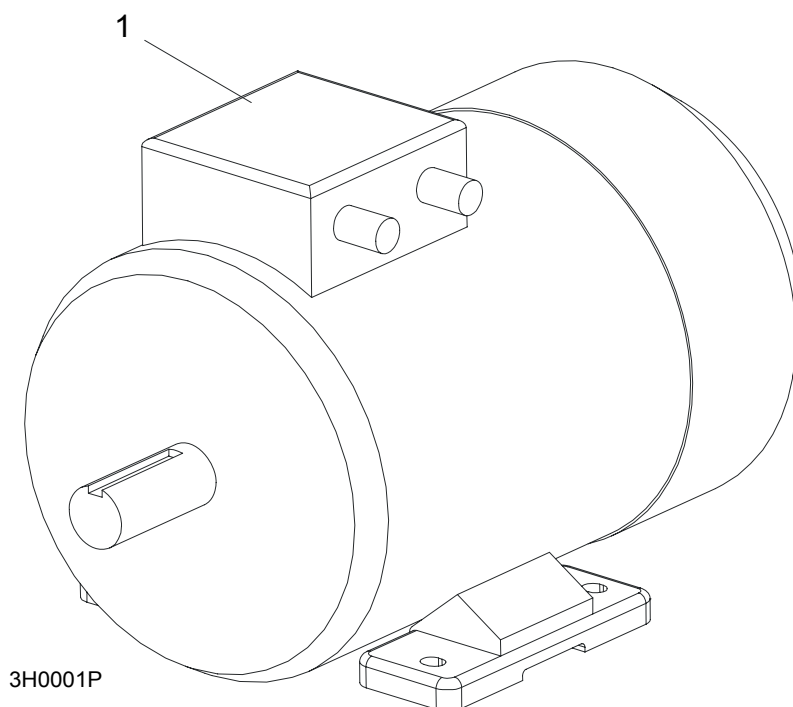


| REF | DESCRIPTION (◆ Indicates Parts Available In Assemblies Only) | PART #   | QTY.   |
|-----|--|----------|--------|
| 1   | Box, AC Super Electric Motor Starter                         | 093021   | 1      |
| 2   | Connector, GP29 Click 6180 0910                              | 086576   | 3      |
| 3   | Bolt, M8 x 30-8.8-B Hex Head                                 | F81002-7 | 4      |
| 4   | Nut, M8-8-B Hex  | F81032-1 | 4      |
|     | Controller, ATV31HU11M2 220V/1.5kW Electric Motor Speed      | 093487   | 1      |
|     | Cord, 61746970 Rill 21                                       | 086557   | 1.15 m |
|     | Cord, 61746980 Rill 29                                       | 086558   | 1.15 m |
|     | Nut, 53019050 GMP-GL 21                                      | 086559   | 1      |
|     | Nut, 53019060 GMP-GL 29                                      | 086560   | 1      |
|     | Ring, 021 Sealing 5200 5750                                  | 086578   | 1      |
|     | Ring, 029 Sealing 5300 1040                                  | 086579   | 1      |
|     | Sleeve, Connector NW 6,3/1                                   | F81079-4 | 4      |

# 4 Replacement Parts

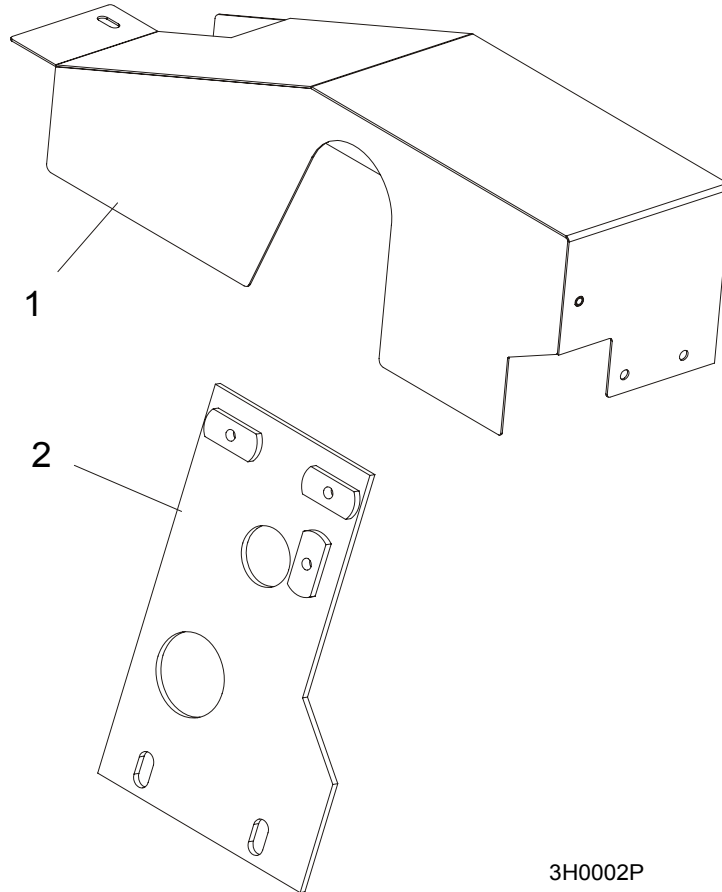
## Motor Assembly

### 4.4 Motor Assembly



| REF | DESCRIPTION (◆ Indicates Parts Available In Assemblies Only)  | PART #   | QTY. |  |
|-----|---|----------|------|--|
|     | <b>MOTOR ASSEMBLY, AC 15HP (11KW) ELECTRIC</b>                | EA15     | 1    |  |
| 1   | <b>MOTOR, 15HP (11KW) 380 VOLT ELECTRIC EURO HPS</b>          | 087391   | 1    |  |
|     | <b>MOTOR, 15HP (11KW) 230 VOLT ELECTRIC (NORWAY ONLY) HPS</b> | 087391-2 | 1    |  |
|     | <b>MOUNT WELDMENT, E15 ELECTRIC MOTOR</b>                     | W85055-1 | 1    |  |
|     | <b>PULLEY, EA15 ELECTRIC MOTOR</b>                            | 087526   | 1    |  |
|     | Bushing, E15 Motor  | 087066   | 1    |  |
|     | <b>BELT, 2BX70 DRIVE</b>                                      | P04857-2 | 1    |  |

### 4.5 Motor Pulley Guards, EA15



| REF | DESCRIPTION (◆ Indicates Parts Available In Assemblies Only) | PART #   | QTY. |  |
|-----|--|----------|------|--|
| 1   | GUARD WELDMENT, EA15 MOTOR PULLEY                            | 085721-1 | 1    |  |
| 2   | BRACKET, EA15 MOTOR PULLEY GUARD                             | 087172   | 1    |  |
|     | SUPPORT, DRIVE BELT (EA15 ONLY)                              | 086231-1 | 1    |  |

**4**

**Replacement Parts**

*Motor Pulley Guards, EA15*

---

## **SECTION 5 ELECTRICAL INFORMATION**

### **5.1 Electrical Symbol Diagram**

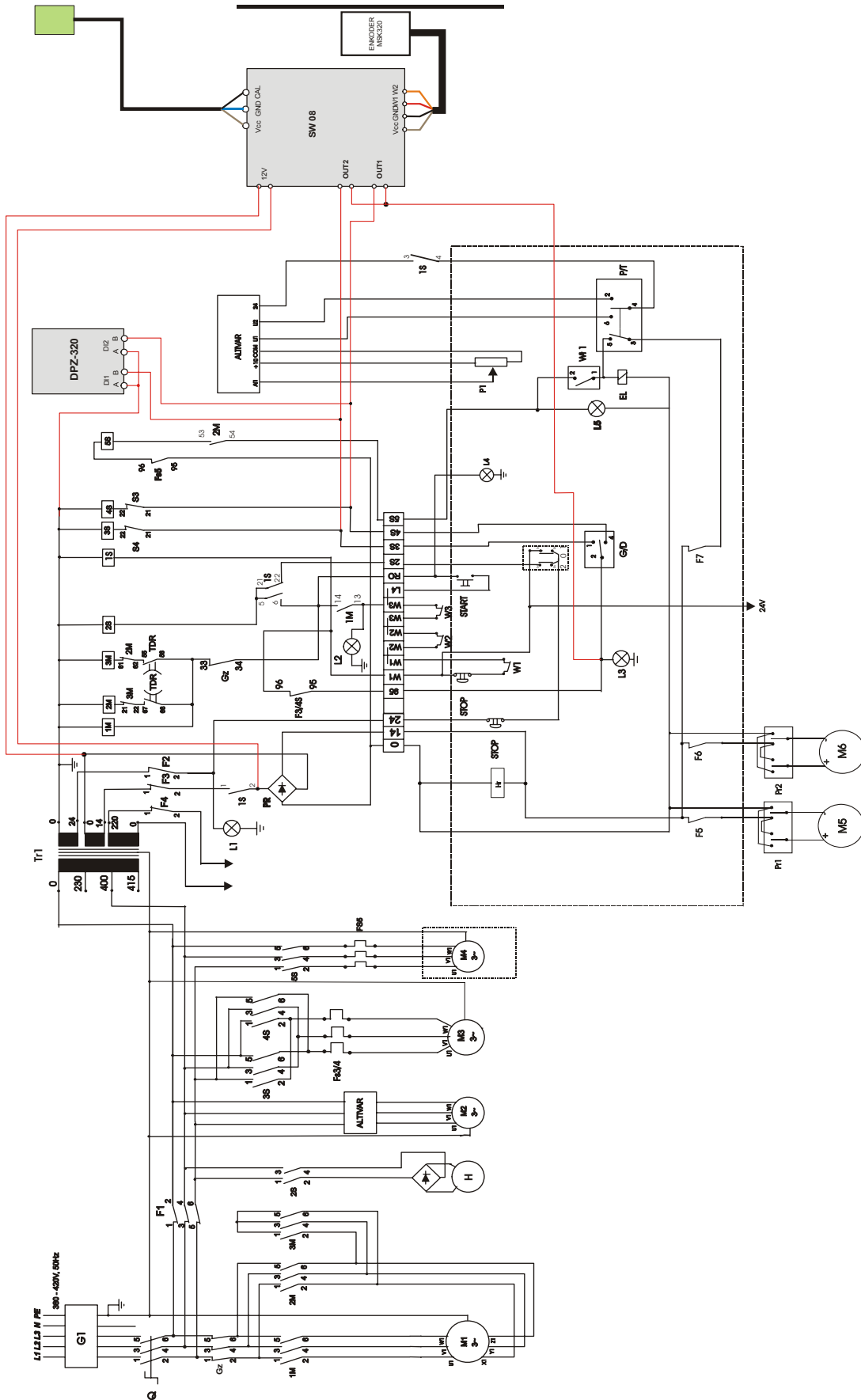


FIG. 5-1 LT40AC + SW08 SYMBOL DIAGRAM.

**Description (See Figure 5-1):**

|                     |  |
|---------------------|--|
| <b>G1-</b>          | Socket 32A 380V                                    |
| <b>Q -</b>          | Main Switch  |
| <b>1M, 2M, 3M -</b> | Soft Start Switch Contactor                        |
| <b>Gz -</b>         | Blade Motor Safety Switch                          |
| <b>2S -</b>         | Brake Contactor                                    |
| <b>3S, 4S -</b>     | Up/Down Switch Contactor                           |
| <b>FS3/4 -</b>      | Up/Down Motor Thermal Relay                        |
| <b>5S -</b>         | Debarker Contactor                                 |
| <b>FS5 -</b>        | Thermal Debarker Relay                             |
| <b>F1 -</b>         | Autoswitch S193                                    |
| <b>M1-</b>          | Blade Motor  |
| <b>M2 -</b>         | Power Feed Motor                                   |
| <b>M3 -</b>         | Up/Down Motor                                      |
| <b>M4 -</b>         | Debarker Motor (Optional)                          |
| <b>M5 -</b>         | Blade Cover Motor                                  |
| <b>M6 -</b>         | Board Return Motor                                 |
| <b>M7 -</b>         | Debarker Arm Motor                                 |
| <b>L1 -</b>         | White Lamp (Power On)                              |
| <b>L2 -</b>         | Green Lamp (Ready To Operate)                      |
| <b>L3 -</b>         | Lamp on the Control Box (Power On)                 |
| <b>L4 -</b>         | Lamp on the Control Box (Ready To Operate)         |
| <b>Pr -</b>         | Bridge-Rectifire                                   |
| <b>W1 -</b>         | Loading Position Limit Switch                      |
| <b>W2, W3 -</b>     | Blade Cover Limit Switch                           |
| <b>F2, F3, F4 -</b> | Autoswitch S193                                    |
| <b>Tr1 -</b>        | Transformer  |
| <b>WS1 -</b>        | Debarker Switch                                    |
| <b>Pr1-</b>         | Blade Cover Motor Switch                           |
| <b>Pr2 -</b>        | Board Return Switch                                |
| <b>Pr3 -</b>        | Debarker Arm Motor Switch                          |
| <b>G/D -</b>        | Up/Down Switch                                     |
| <b>P/T -</b>        | Power Feed Switch                                  |
| <b>ALTIVAR -</b>    | Up/Down Motor Speed Controller                     |
| <b>H -</b>          | Electric Motor Brake                               |
| <b>PrH -</b>        | Electric Motor Bridge-Rectifire (inside the motor) |

## 5.2 Main Electrical Box Components

| ID         | Mfg. Part No.    | Manufacturer | Wood-Mizer Part # | Description                 |
|------------|------------------|--------------|-------------------|-----------------------------|
| Q          | ABB OT45E3       | ABB          | 095473            | Switch                      |
| 1M, 2M     | LC1 D25B7        | SCHNEIDER    | 090923            | Contactora                  |
| 3M         | LC1 D18B7        | SCHNEIDER    | 084306            | Contactora                  |
| 2S         | LC1K0610B7       | SCHNEIDER    | 084308            | Contactora                  |
| 5S         | LP1K0610JD       | SCHNEIDER    | 084323            | Contactora                  |
| 1S, 3S, 4S | LC1K0601B7       | SCHNEIDER    | 084309            | Contactora                  |
| F1         | C60N C10 24349   | SCHNEIDER    | 084317            | Module Switch               |
| F2         | C60N C2 24396    | SCHNEIDER    | 088278            | Module Switch               |
| F3         | C60N C6 24399    | SCHNEIDER    | -                 | Module Switch               |
| F4         | C60N C1 24395    | SCHNEIDER    | 084454            | Module Switch               |
| TR1        | TMM160           | BREVE        | 084315            | Transformer                 |
| TDR        | LADS2            | SCHNEIDER    | 084037            | Time Relay                  |
| PR         | KPBC3508         | -            | 084318            | Bridge-Rectifier            |
| L1         | M22              | MOELLER      | 090488            | White Lamp                  |
| L2         | M22              | MOELLER      | 090488            | Green Lamp                  |
| M2         | STKg80X 4C2      | BESEL        | 086530            | Power Feed Motor            |
| M3         | SKh90-4S2 HPS    | BESEL        | 098901            | Up/Down Drive Motor w/Brake |
| M5         | STKg71X 2C       | BESEL        | 086389            | Debarker Motor              |
| P1         | 1k               | -            | E20519            | Potentiometer 1k            |
| ATV        | ATV31HU11N4      | SCHNEIDER    | 093488            | Motor Speed Controller      |
| W1, W2     | AZ17-11ZRK       | SCHMERSAL    | 094232            | Safety Switch               |
| Fs3/4      | LR2 K0310        | SCHNEIDER    | -                 | Thermal Relay               |
| Fs5        | LR2 K0308        | SCHNEIDER    | 084312            | Thermal Relay               |
| -          | TBD2/AS.0080.12E | COMATEC      | 097651            | Impulse Feeder              |

**TABELA 5-1**

### EA15 version

| ID | Mfg. Part No. | Manufacturer | Wood-Mizer Part #                             | Description          |
|----|---------------|--------------|---|----------------------|
| M1 | -             | INDUKTA      | with brake - 087391<br>without brake - P85186 | Blade Drive Motor    |
| GZ | Gz1M32        | SCHNEIDER    | 088264  | Switch, Motor On/Off |

**TABELA 5-2**



### 5.3 HD Electrical Box Diagram (HD Sawmills Only)

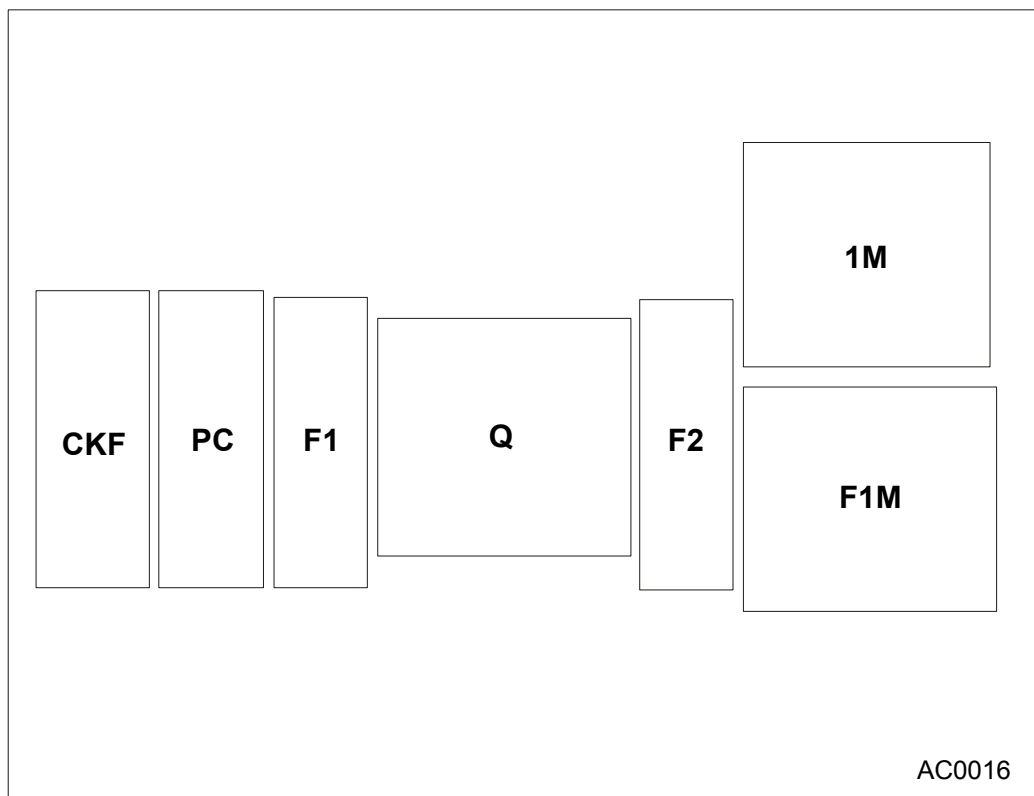


FIG. 5-2

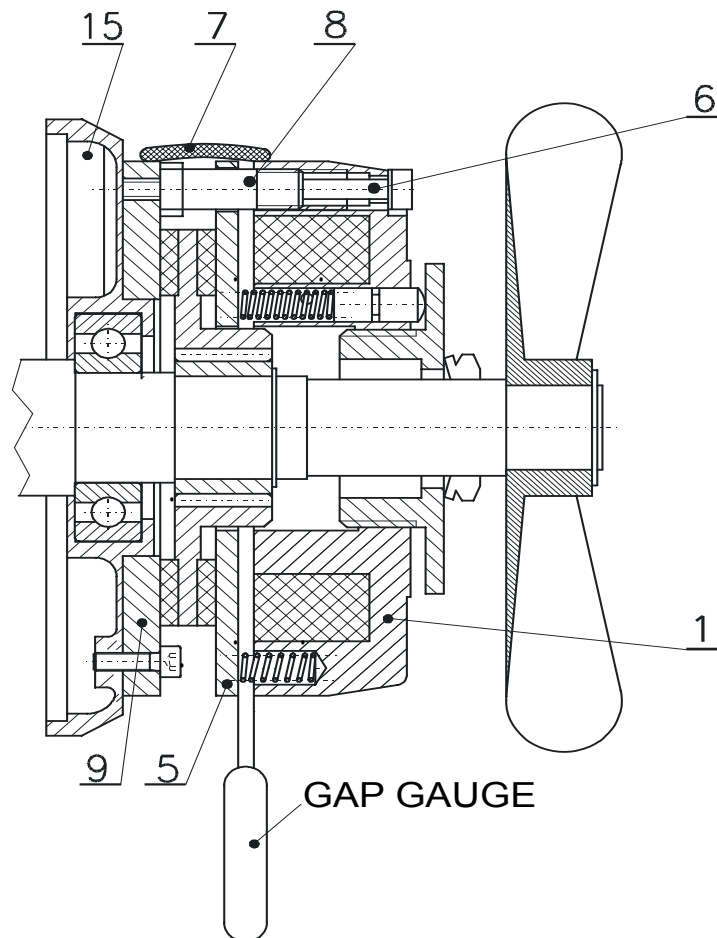
### 5.4 HD Electrical Box Components (HD Sawmills Only)

| ID  | Mfg. Part No. | Manufacturer | Wood-Mizer Part # | Description          |
|-----|---------------|--------------|-------------------|----------------------|
| Q   | ABB OT16E3    | ABB          | 089801            | Switch               |
| 1M  | LC1 K09 B7    | SCHNEIDER    | 084451            | Contacteur           |
| F1  | C60N C1 24395 | SCHNEIDER    | 084454            | Module Switch        |
| F2  | C60N C2 24396 | SCHNEIDER    | 088278            | Module Switch        |
| M   | SLg100L-4PC   | INDUKTA      | -                 | Hydraulic Feed Motor |
| CKF | RM4TG20       | SCHNEIDER    | 084452            | Phase Control Sensor |
| PC  | RE9 RA11 MW7  | SCHNEIDER    | 084453            | Time Relay           |
| F1M | LR2 K0316     | SCHNEIDER    | 084456            | Thermal Relay        |

TABLE 5-3

## SECTION 6 BRAKE AIR GAP ADJUSTMENT

To ensure proper operation of the brake, it is necessary to set correctly the air gap between the armature and the electromagnet. Each time the brake is installed or the brake sub-assemblies are replaced or the motor overheats or the brake is inspected (**the inspection should be performed at least every six months**), check and, if necessary, adjust the brake air gap.



- 1 - body,
- 5 - armature,
- 6 - mounting bolt,
- 7 - brake casing,
- 8 - adjustment bolt,
- 9 - mounting disk,
- 15 - bearing shield.

Adjustment of the brake air gap is performed when the gap has reached the maximum value (see Table 1), and always after dismounting the brake and replacing or performing maintenance of damaged subassemblies.

Table 1

| Parameter | HPS 06 | HPS 08 | HPS 10 | HPS 12 | HPS 14 | HPS 16 | HPS 18 | HPS 20 | HPS 25 |
|-----------|--------|--------|--------|--------|--------|--------|--------|--------|--------|
| "a" nom.  | 0,20   | 0,20   | 0,20   | 0,30   | 0,30   | 0,30   | 0,30   | 0,30   | 0,40   |
| "a" max.  | 0,50   | 0,50   | 0,50   | 0,70   | 0,80   | 1,00   | 1,20   | 1,20   | 1,40   |

To adjust the air gap, perform the following steps :

- Dismount the motor casing,
- Remove the brake casing (7),
- Loosen the mounting bolts (6) half a turn using an adequate allen wrench (see wrench sizes in Table 2),

Table 2

|                  | HPS 06 | HPS 08 | HPS 10 | HPS 12 | HPS 14 | HPS 16 | HPS 18 | HPS 20 | HPS 25 |
|------------------|--------|--------|--------|--------|--------|--------|--------|--------|--------|
| Wrench size (mm) | 3      | 4      | 5      | 5      | 6      | 6      | 6      | 8      | 8      |

- Screw the adjustment bolts (8) in the electromagnet body one turn using an adequate flat wrench (see wrench sizes in Table 3),

Table 3

|                  | HPS 06 | HPS 08 | HPS 10 | HPS 12 | HPS 14 | HPS 16 | HPS 18 | HPS 20 | HPS 25 |
|------------------|--------|--------|--------|--------|--------|--------|--------|--------|--------|
| Wrench size (mm) | 10     | 10     | 12     | 12     | 14     | 14     | 14     | 17     | 17     |

- Place the gap gauge (17) in the gap between the armature (5) and the electromagnet body (1). The thickness of the gauge should equal the nominal brake gap (see Table 1),

- Using the mounting bolts (6), press the body (1) to the armature so that the gap gauge can be removed at slight resistance and at the same resistance insert the gap gauge into gaps located every 120° from the place of the first measurement,

- Unscrew the adjustment bolts (8) so that they rest on the motor bearing shield or on the face of the brake mounting disk (9) (in brakes equipped with this element),

- Tighten the brake mounting bolts (6) and check the gap for correct adjustment with the gap gauge.