

# Wood-Mizer<sup>®</sup> Sawmill

## Parts Manual

---

LT40L DH

rev. E5.08

---



**Safety is our #1 concern!** Read and understand all safety information and instructions before operating, setting up or maintaining this machine.

*May 2002*

# Table of Contents

# Section-Page

Form #948

*General Contact Information*

*Branches & Authorized Sales Centers Wood-Mizer Locations (North and South America)*

|                  |   |            |
|------------------|---|------------|
| <b>SECTION 1</b> | <b>GENERAL INFORMATION</b>                                    | <b>1-1</b> |
| 1.1              | How To Use The Parts List .....                               | 1-1        |
| 1.2              | Sample Assembly .....   | 1-1        |
| <b>SECTION 2</b> | <b>BLADE GUIDE ROLLERS &amp; ARM</b>                          | <b>2-1</b> |
| 2.1              | Blade Guide Assembly, Idle Side (Standard).....               | 2-1        |
| 2.2              | Blade Guide Assembly, Idle Side (Optional).....               | 2-3        |
| 2.3              | Blade Guide Assembly, Drive Side (Optional).....              | 2-4        |
| 2.4              | Idle Side Blade Guide Assembly, Optional (LMS).....           | 2-6        |
| 2.5              | Blade Guide Assembly, Drive Side.....                         | 2-8        |
| 2.6              | Blade Guide Arm & Rollers.....                                | 2-10       |
| 2.7              | Blade Guide Arm Drive Assembly.....                           | 2-11       |
| <b>SECTION 3</b> | <b>BLADE WHEELS &amp; TENSIONER</b>                           | <b>3-1</b> |
| 3.1              | Blade Drive Assembly.....                                     | 3-1        |
| 3.2              | Idle Blade Wheel Assembly .....                               | 3-3        |
| 3.3              | Hydraulic Blade Tensioner Assembly.....                       | 3-4        |
| <b>SECTION 4</b> | <b>SAW HEAD</b>   | <b>4-1</b> |
| 4.1              | Middle Throat Screw.....                                      | 4-1        |
| 4.2              | Water Lube Solenoid Valve (not available in EC version) ..... | 4-1        |
| 4.3              | Clutch Lever Assembly .....                                   | 4-3        |
| 4.4              | Brake Assembly.....   | 4-5        |
| 4.5              | Board Return Assembly .....                                   | 4-6        |
| 4.6              | Water Lube Assembly .....                                     | 4-8        |
| 4.7              | LT40DC Saw Head Decals .....                                  | 4-10       |
| 4.8              | Blade Housing Covers .....                                    | 4-12       |
| 4.9              | Drive Belt Covers .....                                       | 4-14       |
| 4.10             | Sawdust Chute.....  | 4-15       |
| <b>SECTION 5</b> | <b>CONTROL &amp; BATTERY BOXES</b>                            | <b>5-1</b> |
| 5.1              | Control Assembly, LT40 Series DH .....                        | 5-1        |
| 5.2              | Control Assembly (Gas/Diesel), Optional Equipment .....       | 5-3        |
| 5.3              | Control Box Bracket.....                                      | 5-5        |
| 5.4              | Drum Switches .....   | 5-6        |
| 5.5              | Circuit Breakers .....  | 5-7        |
| 5.6              | Solenoid Assemblies .....                                     | 5-8        |
| 5.7              | Battery Box Assembly, LT40 Series .....                       | 5-9        |
| 5.8              | Fuse Box Assembly, LT40 Series .....                          | 5-10       |

# Table of Contents

# Section-Page

|                  |  |            |
|------------------|--|------------|
| <b>SECTION 6</b> | <b>UP/DOWN SYSTEM</b>  | <b>6-1</b> |
| 6.1              | Saw Head V-Brace Mount .....                                 | 6-1        |
| 6.2              | Blade Height Scale .....                                     | 6-2        |
| 6.3              | Up/Down Chain & Sprockets.....                               | 6-4        |
| 6.4              | Up/Down Motor Assembly, LT40 Series .....                    | 6-6        |
| 6.5              | Up/Down Drive Assembly, LT40 Series .....                    | 6-7        |
| <b>SECTION 7</b> | <b>POWER FEED &amp; TRACK ROLLERS</b>                        | <b>7-1</b> |
| 7.1              | Upper Track Rollers And Wipers.....                          | 7-1        |
| 7.2              | Power Feed Assembly, .....                                   | 7-2        |
| 7.3              | Feed Chain/Stop, LT40 Series .....                           | 7-4        |
| 7.4              | Lower Track Rollers .....                                    | 7-6        |
| <b>SECTION 8</b> | <b>BED FRAME ASSEMBLY</b>                                    | <b>8-1</b> |
| 8.1              | Bed Rail Assembly (L Type Frame) .....                       | 8-1        |
| 8.2              | Bed Rail Assembly (L Type Frame) .....                       | 8-2        |
| 8.3              | Bed Rail Assembly (L Type Frame) .....                       | 8-3        |
| 8.4              | Bed Rail Assembly (L Type Frame) .....                       | 8-4        |
| 8.5              | Leg, Stationary .....  | 8-5        |
| 8.6              | Pivot Bed Rail Assembly.....                                 | 8-6        |
| 8.7              | Log Side Support Assembly (Manual) .....                     | 8-7        |
| 8.8              | Board Return Table (LT40L Option) .....                      | 8-9        |
| 8.9              | Board Return Table (LT70L Option) .....                      | 8-11       |
| 8.10             | Bed Frame Decals.....  | 8-13       |
| 8.11             | Saw Head Support Assembly .....                              | 8-14       |
| 8.12             | Long Table .....   | 8-15       |
| 8.13             | LT70 L Saw Head Support Assembly .....                       | 8-17       |
| 8.14             | Tie Down Chain Assembly .....                                | 8-18       |
| 8.15             | Board Return Roller Assembly .....                           | 8-19       |
| <b>SECTION 9</b> | <b>HYDRAULIC SYSTEM</b>                                      | <b>9-1</b> |
| 9.1              | Hydraulic hoses, LT20L/LT40L/LT70L .....                     | 9-1        |
|                  | <i>Protective Conduits, LT70 Series A/DH Hydraulic Hoses</i> |            |
| 9.2              | Hydraulic Control Box LT70L DH15 .....                       | 9-3        |
| 9.3              | Hydraulic Control Box .....                                  | 9-5        |
| 9.4              | Hydraulic Power Supply Strip.....                            | 9-6        |
| 9.5              | Hydraulic Log Loader .....                                   | 9-7        |
| 9.6              | Hydraulic Log Turner.....                                    | 9-8        |
| 9.7              | Hydraulic Log Clamp, Front and Rear.....                     | 9-10       |
| 9.8              | Hydraulic Log Clamp.....                                     | 9-12       |
| 9.9              | Hydraulic Toe Board, Middle.....                             | 9-13       |
| 9.10             | .....  | 9-14       |
| 9.11             | Hydraulic Log Side Supports (L Type Frame).....              | 9-15       |
| 9.12             | Hydraulic Log Clamp .....                                    | 9-17       |

**Table of Contents**

**Section-Page**

9.13 Hydraulic Toe Board .....9-19  
9.14 Power Toe Roller (Option) .....9-20  
9.15 Power Toe Roller (Option) .....9-21

## Getting Service

Wood-Mizer is committed to providing you with the latest technology, best quality and strongest customer service available on the market today. We continually evaluate our customers' needs to ensure we're meeting current wood-processing demands. Your comments and suggestions are welcome.

### *General Contact Information*

From Europe call your local distributor or our European Headquarters and Manufacturing Facility in Koło, Nagórna 114 St, Poland at **+48-63-2626000**. From the continental U.S., call our U.S. Headquarter 8180 West 10th St. Indianapolis, IN 46214, toll-free at **1-800-525-8100**. Ask to speak with a Customer Service Representative. Please have your machine identification number and your customer number ready when you call. The Service Representative can help you with questions about the operation and maintenance of your machine. He also can schedule you for a service call.

### Office Hours:

| Country | Monday - Friday | Saturday       | Sunday |
|---------|-----------------|----------------|--------|
| Poland  | 7 a.m.- 3 p.m.  | Closed         | Closed |
| US      | 8 a.m.- 5 p.m.  | 8 a.m.- 12 p.m | Closed |

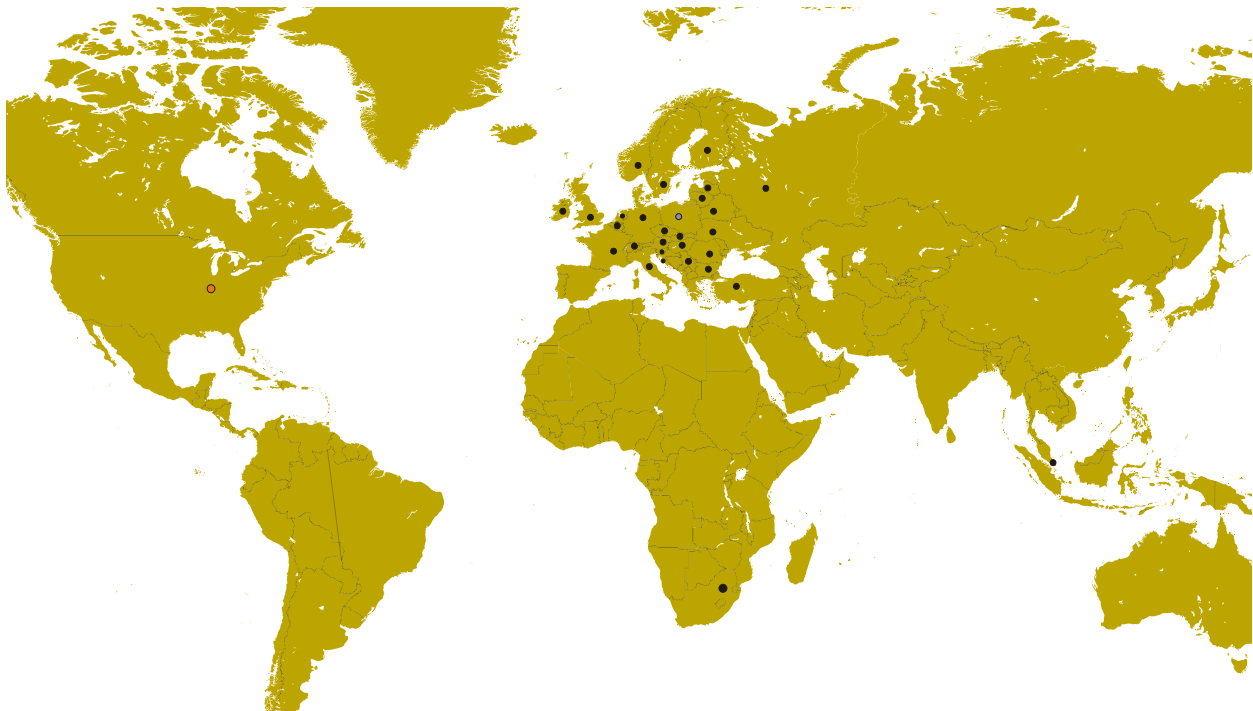
Please have your vehicle identification number and your customer number ready when you call.



Wood-Mizer will accept these methods of payment:

- Visa, Mastercard, or Discover
- COD
- Prepayment
- Net 15 (with approved credit)

Be aware that shipping and handling charges may apply. Handling charges are based on size and quantity of order.

**Branches & Authorized Sales Centers Wood-Mizer Locations (North and South America)**



| EUROPE   |   | UNITED STATES  |
|--|---|--|
| <p> <b>European Headquarters</b><br/> <b>Wood-Mizer Industries Sp. z o.o.</b><br/>                     Nagórna 114, 62-600 Kolo, Poland<br/>                     Tel.: +48-63-26-26-000<br/>                     Fax: +48-63-27-22-327<br/> <a href="http://www.woodmizer.eu">www.woodmizer.eu</a></p>  |   | <p> <b>World Headquarters</b><br/> <b>Wood-Mizer LLC</b><br/>                     8180 West 10th Street<br/>                     Indianapolis, Indiana 46214-2400, USA<br/>                     Tel.: +1-317-271-1542<br/>                     Fax: +1-317-273-1011<br/> <a href="http://www.woodmizer.com">www.woodmizer.com</a></p>                                 |
| <p><b>BELARUS</b><br/> <b>MOST-GRUPP</b><br/>                     Siemashko 15, k.3<br/>                     Minsk 2200116<br/>                     Tel.: +375-17-270-90-08<br/>                     Fax: +375-17-270-90-08<br/>                     GSM: +375-29-649-90-80<br/>                     e-mail: <a href="mailto:most-by@mail.ru">most-by@mail.ru</a></p>  | <p><b>SWITZERLAND Bruno Steiner</b><br/>                     Striegelgasse 2<br/>                     CH-6214 Schenkon<br/>                     Tel.: +41-41-921-13-01<br/>                     Fax: +41-41-922-18-87<br/>                     e-mail: <a href="mailto:info@mobilsaegen.ch">info@mobilsaegen.ch</a></p> | <p><b>RUSSIA Dariusz Mikołajewski</b><br/> <b>OOO WOOD-MIZER INDUSTRIES</b><br/>                     141031, Moscow<br/>                     Reg., Mytishenski raj., pos. Veshki,<br/>                     Zavodskaja str., 3B<br/>                     Tel.Fax: +7(495) 788-72-35<br/>                     Tel.Fax: +7(495) 641-51-60<br/>                     e-mail: <a href="mailto:dariuszm@woodmizer-moscow.ru">dariuszm@woodmizer-moscow.ru</a></p> |
| <p><b>BULGARIA Kalin Simeonov</b><br/> <b>Ecotechproduct</b><br/>                     38 Star Lozenski pat str.<br/>                     Sofia 1186<br/>                     Tel.: +359-2-462-7035<br/>                     Tel.: +359-2-963-1656<br/>                     Tel./Fax<br/>                     : +359-2-979-1710<br/> <b>Kalin Simeonov</b><br/>                     GSM: +3592-963-2559<br/>                     e-mail: <a href="mailto:office@ecotechproduct.com">office@ecotechproduct.com</a></p> | <p><b>HUNGARY Wiktor Turoczy</b><br/> <b>Wood-Mizer Hungary K.F.T.</b><br/>                     Szonyi Ut 67., 2921 Komárom<br/>                     Tel./Fax: +36-34-346-255<br/>                     e-mail: <a href="mailto:woodmizer@woodmizer.hu">woodmizer@woodmizer.hu</a></p>                                   | <p><b>RUSSIA Far East Wladimir Glazaczew</b><br/> <b>"WM Service"</b><br/>                     Krasnoretschenskaya Str.111<br/>                     680006 Khabarovsk<br/>                     Tel./Fax: +7-914-541-1183<br/>                     e-mail: <a href="mailto:wms-khv@mail.ru">wms-khv@mail.ru</a></p>   |

|   |  |   |
|---|--|---|
| <p><b>CROATIA Krešimir Pregernik</b><br/> <b>Pregimex d.o.o.</b><br/> S. Batušića 31, 10090 Zagreb<br/> Tel./Fax: +3851-38-94-668<br/> <b>Krešimir Pregernik</b><br/> GSM: +3851-98-207-106<br/> e-mail: <a href="mailto:Kresimir.Pregernik@gmail.com">Kresimir.Pregernik@gmail.com</a></p>   | <p><b>ITALY Pasquale Felice</b><br/> <b>Wood-Mizer Italia Srl</b><br/> <b>Cda. Capoiaccio SN</b><br/> 86012 Cercemaggiore<br/> Campobasso<br/> Tel./Fax: +39-0874-798-357<br/> GSM: +39-333-281-03-79<br/> e-mail: <a href="mailto:wmitaliasrl@gmail.com">wmitaliasrl@gmail.com</a></p>  | <p><b>SERBIA Dragan Markov</b><br/> <b>Wood-Mizer Balkan d.o.o.</b><br/> Svetosavska GA 3/3; P. Fah 25<br/> 23 300 Kikinda<br/> Tel./Fax: +381-230-25-754<br/> Tel./Fax: +381-230-23-567<br/> GSM: +381-63-568-658<br/> e-mail: <a href="mailto:office@woodmizer.co.yu">office@woodmizer.co.yu</a></p>                        |
| <p><b>CZECH REPUBLIC Miroslav Greill</b><br/> <b>Wood-Mizer CZ s.r.o.</b><br/> Osvaldova 91<br/> 339 01 Klatovy-Luby<br/> Tel./Fax: +420-376-312-220<br/> Fax: +420-376-319-011<br/> <b>Miroslav Greill</b><br/> GSM: +420-723-580-799<br/> e-mail: <a href="mailto:greill@woodmizer.cz">greill@woodmizer.cz</a></p>  |  | <p><b>SLOVAKIA Wiktor Turoczy</b><br/> <b>Wood-Mizer Danubia s.r.o.</b><br/> Hadovce 5, 94501 Komárno<br/> Tel.: +421-35-77-40-316<br/> Fax: +421-35-7740-326<br/> GSM: +421-905-930-972<br/> e-mail: <a href="mailto:woodmizer@woodmizer.sk">woodmizer@woodmizer.sk</a></p>  |
| <p><b>CZECH REPUBLIC Lubomir Kudlik</b><br/> <b>Wood-Mizer Moravia</b><br/> Sovadinova 6<br/> 69002 Breclav<br/> Tel./Fax: +420-519-322-443<br/> <b>Lubomir Kudlik</b><br/> GSM: +420-602-734-792<br/> e-mail: <a href="mailto:info@wood-mizer.net">info@wood-mizer.net</a></p>   | <p><b>LATVIA Vilmars Jansons</b><br/> <b>OBERTS Ltd</b><br/> Gaujas str. 32/2<br/> LV-2167 Marupe, Rigas Raj.<br/> Tel.: +371-7-810-666<br/> Fax: +371-7-810-655<br/> <b>Vilmars Jansons</b><br/> GSM: +371-92-06-966<br/> <b>Andris Orols</b><br/> GSM: +371-28-33-07-90<br/> e-mail: <a href="mailto:andris@oberts.lv">andris@oberts.lv</a></p>  | <p><b>TURKEY</b><br/> <b>Er-Ka Ahsap Profil Kerestecilik San. ve Tic. Ltd. Sti.</b><br/> Adana Keresteciler Sitesi 191 sk No.41<br/> ADANA<br/> Tel.: +90-322-346-15-86<br/> Fax: +90-322-345-17-07<br/> GSM: +90-533-363-18-44<br/> e-mail: <a href="mailto:info@erkaahsap.com.tr">info@erkaahsap.com.tr</a></p>             |
| <p><b>FINLAND Howard Blackburn</b><br/> <b>Oy Falkberg Jordbruk Ab</b><br/> Falkintie 220<br/> 25610 Ylonkyla<br/> Tel.: +358-2732-2253<br/> Fax: +358-2732-2263<br/> <b>Howard Blackburn</b><br/> GSM: +358-440-424-339<br/> e-mail: <a href="mailto:falkberg@woodmizer.fi">falkberg@woodmizer.fi</a></p>  | <p><b>LITHUANIA Andrius Zuzevicius</b><br/> <b>UAB Singlis</b><br/> Savanoriu pr. 187, 2053 Vilnius<br/> Tel.: +370-5-2-32-22-44<br/> Fax: +370-5-2-64-84-15<br/> GSM: +370-620-28-645<br/> e-mail: <a href="mailto:andrius.z@singlis.lt">andrius.z@singlis.lt</a></p> <p><b>Dmitrij Gaiduk</b><br/> GSM: +370-69-84-51-91<br/> e-mail: <a href="mailto:dmitrijus.g@singlis.lt">dmitrijus.g@singlis.lt</a></p> | <p><b>UKRAINE Ivan Vinnicki</b><br/> <b>MOST UKRAINA</b><br/> bul. Myru 3, Bajkivtsi Ternoplskyj r-j<br/> Ternopolska oblast<br/> 47711 Ukraine<br/> Tel/Fax: +38 (0352) 52 37 74<br/> GSM: +38 (067) 352 54 34<br/> GSM: +38 (067) 674 50 68<br/> E-mail: <a href="mailto:most-ukraina@ukr.net">most-ukraina@ukr.net</a></p> |
| <p><b>FRANCE Laurence Serrurier</b><br/> Wood-Mizer France<br/> Zac du Prè Marechal Route de Fruges<br/> 62560 Fauquembergues<br/> Tel: +33-321-930-544<br/> Fax: +33-321-930-990<br/> GSM: +33-607-025-282<br/> Mail: <a href="mailto:lserrurier@woodmizer.fr">lserrurier@woodmizer.fr</a></p>   | <p><b>NORWAY Odd Edvoll</b><br/> <b>Wood-Mizer Nordic AS</b><br/> Vardelia 17, 2020 Skedsmokorset<br/> Tel.: +47-63-87-49-89<br/> Fax: +47-63-87-37-66<br/> GSM: +47-930-42-335<br/> e-mail: <a href="mailto:odd.edvoll@woodmizer.no">odd.edvoll@woodmizer.no</a></p> <p>e-mail: <a href="mailto:firmapost@woodmizer.no">firmapost@woodmizer.no</a></p>  | <p><b>UNITED KINGDOM &amp; IRELAND</b><br/> <b>Wood-Mizer UK</b><br/> Hopfield Barn<br/> Kenward Road, Yalding<br/> Kent ME18 6JP, UK<br/> Tel.: +44-1622-813-201<br/> Fax: +44-1622-815-534<br/> e-mail: <a href="mailto:info@woodmizer.co.uk">info@woodmizer.co.uk</a></p>  |
| <p><b>SLOVENIA Jan Fale</b><br/> <b>FAMTEH d.o.o.</b><br/> Gacnikova pot 2,<br/> 2390 Ravne na Koroskem<br/> Tel.: +386-2-62-04-232<br/> Fax: +386-2-62-04-231<br/> <b>Jan Fale</b><br/> GSM: +386-2-62-04-230<br/> e-mail: <a href="mailto:jan.fale@famteh.si">jan.fale@famteh.si</a></p> <p><b>Matjaz Kolar</b><br/> Tel.: +386-2-62-04-232<br/> GSM: +386-31-775-999<br/> e-mail: <a href="mailto:matjaz.kolar@famteh.si">matjaz.kolar@famteh.si</a></p> |  |   |

|  |   |  |
|--|---|--|
| <p><b>GERMANY Klaus Longmuss</b><br/> <b>Wood-Mizer Sägewerke GmbH</b><br/> Dorfstraße 5, 29485 Schletau<br/> Tel.: +49-5883-9880-10<br/> Fax: +49-5883-9880-20<br/> e-mail: <a href="mailto:info@woodmizer.de">info@woodmizer.de</a></p> <p><b>Klaus Longmuss</b><br/> Tel.: +49-5883-9880-12<br/> GSM: +49-17-298-55-892<br/> e-mail: <a href="mailto:KLongmuss@woodmizer.de">KLongmuss@woodmizer.de</a></p> | <p><b>Subagent:</b><br/> <b>SWEDEN Kjell Larsson</b><br/> <b>Mekwood AB</b><br/> Slingan 14, 812 41 Gästrike-Hammarby<br/> Tel.: +46-290-515-65<br/> <b>Kjell Larsson</b><br/> GSM: +46-706-797-965<br/> e-mail: <a href="mailto:kjell.larsson@mekwood.se">kjell.larsson@mekwood.se</a></p> | <p><b>IRELAND</b><br/> <b>Wood-Mizer Ireland</b><br/> Stephen Brennan<br/> Cum Lahardane Ballina County Mayo<br/> Tel:+353 96 51345</p> <p>E-mail: <a href="mailto:brennanmill@ericom.net">brennanmill@ericom.net</a></p>  |
| <p><b>Subagents:</b><br/> <b>DENMARK Brian Jensen</b><br/> Arnborgvej 9, 7330 Brande- Fasterholt<br/> Tel.: +45-971-88-265<br/> Fax: +45-971-88-266</p> <p><b>Brian Jensen</b><br/> GSM: +45-23-49-5828<br/> e-mail: <a href="mailto:Fasterholt-Savvaerk@Mail.Tele.dk">Fasterholt-Savvaerk@Mail.Tele.dk</a></p>  | <p><b>ROMANIA Adrian Echert</b><br/> <b>SC WOOD-MIZER RO SRL</b><br/> TRANSILVANIEI Nr. 5<br/> Sibiu, Cisnatie 555300<br/> Tel./Fax: : +40-369-405-433<br/> GSM: +40-745-707-323<br/> e-mail: <a href="mailto:aechert@woodmizer.ro">aechert@woodmizer.ro</a></p>                            | <p>Regional Manager - Asia<br/> Wood-Mizer Asia Pte Ltd.<br/> James Wong<br/> Tel: +65 81216910<br/> Fax: +65 6283 8636<br/> WWW: <a href="http://www.woodmizerasia.com">www.woodmizerasia.com</a><br/> E-mail: <a href="mailto:jwong@woodmizerasia.com">jwong@woodmizerasia.com</a></p>   |
| <p><b>Netherlands Chris Dragt</b><br/> Lange Brink 77d,<br/> 7317 BD Apeldoorn<br/> Tel.: +31-55312-1833<br/> Fax: +31-55312-2042<br/> e-mail: <a href="mailto:Info@dragtbosbouw.nl">Info@dragtbosbouw.nl</a></p>  | <p><b>Subagent:</b><br/> <b>ROMANIA M. Echert</b><br/> <b>S.C. Echert Comprod s.r.l</b><br/> Str. Schitului Nr. 6, Apt.7 etajul-1<br/> 725 70 Vatra Dornei, Romania<br/> Tel./Fax: +40-230-374-235<br/> Tel. : +40-740-35-35-74</p>   | <p>Regional Manager - Africa<br/> Wood-Mizer Africa<br/> Jean-Jacques Oelofse<br/> UNIT 3, LEADER PARK, NO: 20 CHARIOT ROAD<br/> STORMILL, EXT 5, Roodepoort,<br/> Johannesburg<br/> Tel: +27 011 473 1313<br/> Fax: +27 011 473 2005<br/> Jean-Jacques Oelofse E-mail:<br/> <a href="mailto:jjoelofse@woodmizerafrika.com">jjoelofse@woodmizerafrika.com</a><br/> Jean-Jacques Oelofse<br/> Skype:jean.jacques.pierre.oelofse</p> |

## USA World Headquarters

*Serving North & South America, Oceania, East Asia*

Wood-Mizer LLC  
8180 West 10th Street  
Indianapolis, IN 46214

Phone: 317.271.1542 or 800.553.0182  
Customer Service: 800.525.8100  
Fax: 317.273.1011  
Email: [infocenter@woodmizer.com](mailto:infocenter@woodmizer.com)

## Brazil Headquarters

*Serving Brazil*

Wood-Mizer do Brasil  
Rua Dom Pedro 1, No: 205 Bairro: Sao Jose  
Ivoti/RS CEP:93.900-000

Tel: +55 51 9894-6461/ +55 21 8030-3338/ +55 51  
3563-4784  
Email: [info@woodmizer.com.br](mailto:info@woodmizer.com.br)

## Canadian Headquarters

*Serving Canada*

Wood-Mizer Canada  
396 County Road 36, Unit B  
Lindsay, ON K9V 4R3

Phone: 705.878.5255 or 877.357.3373  
Fax: 705.878.5355  
Email: [ContactCanada@woodmizer.com](mailto:ContactCanada@woodmizer.com)

## Europe Headquarters

*Serving Europe, Africa, West Asia*

Wood-Mizer Industries Sp z o.o.  
Nagorna 114  
62-600 Kolo, Poland

Phone: +48.63.26.26.000  
Fax: +48.63.27.22.327

## Branches & Authorized Sales Centers

For a complete list of dealers, visit [www.woodmizer.com](http://www.woodmizer.com)



## SECTION 1 GENERAL INFORMATION

### 1.1 How To Use The Parts List

- Use the index above to locate the assembly that contains the part you need.
- Go to the appropriate section and locate the part in the illustration.
- Use the number pointing to the part to locate the correct part number and description in the table.
- Parts shown indented under another part are included with that part.
- Parts marked with a diamond (◆) are only available in the assembly listed above the part.

See the sample table below. Sample Part #A01111 includes part F02222-2 and subassembly A03333. Subassembly A03333 includes part S04444-4 and subassembly K05555. The diamond (◆) indicates that S04444-4 is not available except in subassembly A03333. Subassembly K05555 includes parts M06666 and F07777-77. The diamond (◆) indicates M06666 is not available except in subassembly K05555.

| <b>1.2 Sample Assembly</b> |   |           |      |   |
|----------------------------|---|-----------|------|---|
| REF                        | DESCRIPTION (◆ Indicates Parts Available In Assemblies Only)  | PART #    | QTY. |   |
|                            | Sample Assembly, Complete (Includes All Indented Parts Below) | A01111    | 1    |   |
| 1                          | Sample Part   | F02222-22 | 1    |   |
|                            | Sample Subassembly (Includes All Indented Parts Below)        | A03333    | 1    |   |
| 2                          | Sample Part (◆ Indicates Part Is Only Available With A03333)  | S04444-4  | 1    | ◆ |
|                            | Sample Subassembly (Includes All Indented Parts Below)        | K05555    | 1    |   |
| 3                          | Sample Part (◆ Indicates Part Is Only Available With K05555)  | M06666    | 2    | ◆ |
| 4                          | Sample Part   | F07777-77 | 1    |   |

#### **To Order Parts:**

- From Europe call our European Headquarters and Manufacturing Facility in Kolo, Poland at **+48-63-2626000**. From the continental U.S., call our toll-free Parts hotline at **1-800-525-8100**. Have your customer number, vehicle identification number, and part numbers ready when you call. From other international locations, contact the Wood-Mizer distributor in your area for parts.

#### **Office Hours:**

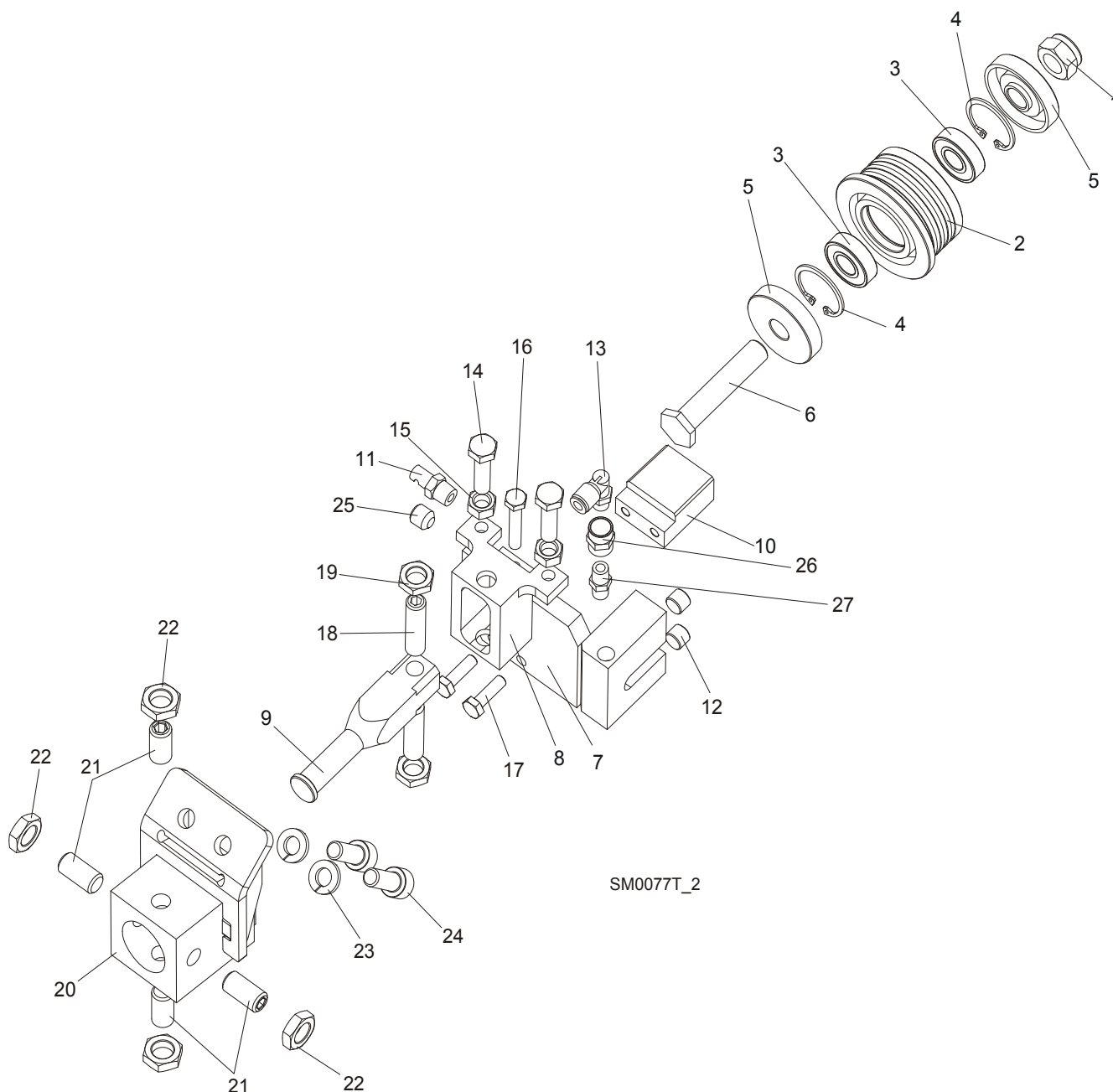
| Country | Monday - Friday | Saturday        | Sunday |
|---------|-----------------|-----------------|--------|
| Poland  | 7-15            | Closed          | Closed |
| US      | 8 a.m.- 5 a.m.  | 8 a.m.- 12 p.m. | Closed |



**CAUTION!** It is strongly recommended that only original spare parts be used.

## SECTION 2 BLADE GUIDE ROLLERS & ARM

### 2.1 Blade Guide Assembly, Idle Side (Standard)



SM0077T\_2

| REF      | DESCRIPTION (◆ Indicates Parts Available In Assemblies Only)                           | PART#         | QTY.     |
|----------|--|---------------|----------|
|          | <b>BLADE GUIDE ASSEMBLY, IDLE SIDE</b>   | <b>092523</b> | <b>1</b> |
|          | <b>BLADE GUIDE ASSEMBLY, IDLE SIDE, EXTENDED</b> (for optional use with 1 1/2" blades) | <b>092994</b> | <b>1</b> |
|          | Roller, Blade Guide Narrow W/Bearings  | 088261        | 1        |
|          | Roller, Blade Guide W/Bearings Extended (for optional use with 1 1/2" blades)          | 092939        | 1        |
| <b>1</b> | Nut, M12-8 Hex Nylon Zinc Lock   | F81034-2      | <b>1</b> |

## Blade Guide Rollers & Arm

### *Blade Guide Assembly, Idle Side (Standard)*

2

|    |   |           |       |  |
|----|---|-----------|-------|--|
| 2  | Roller, Blade Guide Narrow  | 087889    | 1     |  |
|    | Roller, Blade Guide Extended (for optional use with 1 1/2" blades)        | 087890    | 1     |  |
| 3  | Bearing, 6001 2RSR NACHI  | 087893    | 2     |  |
| 4  | Ring, W28 Inside Retaining  | F81090-9  | 2     |  |
| 5  | Washer, Spacer  | 087891-1  | 2 (1) |  |
|    | Washer, Spacer (used with the Extended Roller only) <sup>1</sup>          | 087892-1  | 1     |  |
| 6  | Bolt, Blade Guide Roller Zinc-Plated                                      | 087761-1  | 1     |  |
|    | Bolt, Blade Guide Roller Zinc-Plated (used with the Extended Roller only) | 092940-1  | 1     |  |
| 7  | Block Weldment, Nozzle Zinc-Plated  | 087750-1  | 1     |  |
| 8  | Block, Zinc Plated Roller Guide Adjuster                                  | 087756-1  | 1     |  |
| 9  | Shaft, Zinc-Plated Blade Guide Mount (Narrow Roller)                      | 088255-1  | 1     |  |
|    | Shaft, Zinc-Plated Blade Guide Mount (Wide Roller)                        | 501406-1  | 1     |  |
| 10 | Block, Blade Guide Zinc   | 096956-1  | 1     |  |
| 11 | Nozzle, Blade Water Lube Spray  | 016637    | 1     |  |
| 12 | Plug, M10x1 DIN 906 BN40 "BOSSARD"  | F81015-3  | 2     |  |
| 13 | Fitting, 90° Elbow 1/8NPT-1/4 Tube Swivel                                 | P09736    | 1     |  |
| 14 | Bolt, M8x30 DIN933 A2-70 Stainless Steel                                  | F81002-27 | 2     |  |
| 15 | Nut, M8 DIN934 A2-70 Stainless Steel                                      | F81032-7  | 2     |  |
| 16 | Bolt, M6x30 DIN933 A2-70 Stainless Steel                                  | F81001-37 | 1     |  |
| 17 | Bolt, M6x20-8.8 Hex Head Full Thread Zinc                                 | F81001-2  | 2     |  |
| 18 | Screw, M10x1x40 DIN913 Stainless Steel Set                                | F81015-2  | 2     |  |
| 19 | Nut, M10x1-04-ST-A2 ISO 8675 Thin   | F81033-10 | 2     |  |
| 20 | <b>BLOCK WELDMENT, PAINTED BLADE GUIDE MOUNT</b>                          | 514887-1  | 1     |  |
| 21 | <b>SCREW, M10X1X20 DIN913 STAINLESS STEEL SET</b>                         | F81015-1  | 4     |  |
| 22 | <b>NUT, M10x1-04-ST-A2 ISO 8675 THIN</b>                                  | F81033-10 | 4     |  |
| 23 | <b>WASHER, 8.2 SPLIT LOCK ZINC</b>  | F81054-4  | 2     |  |
| 24 | <b>BOLT, M8 X 20-8.8 SOCKET HEAD</b>                                      | F81002-30 | 2     |  |
| 25 | <b>FITTING, 1/8 NPT SOCKET PIPE PLUG</b>                                  | P30127    | 1     |  |
| 26 | <b>FITTING, 1/8FPT COUPLING</b>   | P05748    | 1     |  |
| 27 | <b>NIPPLE, 1/8 DRY SEAL</b>   | P02764    | 1     |  |

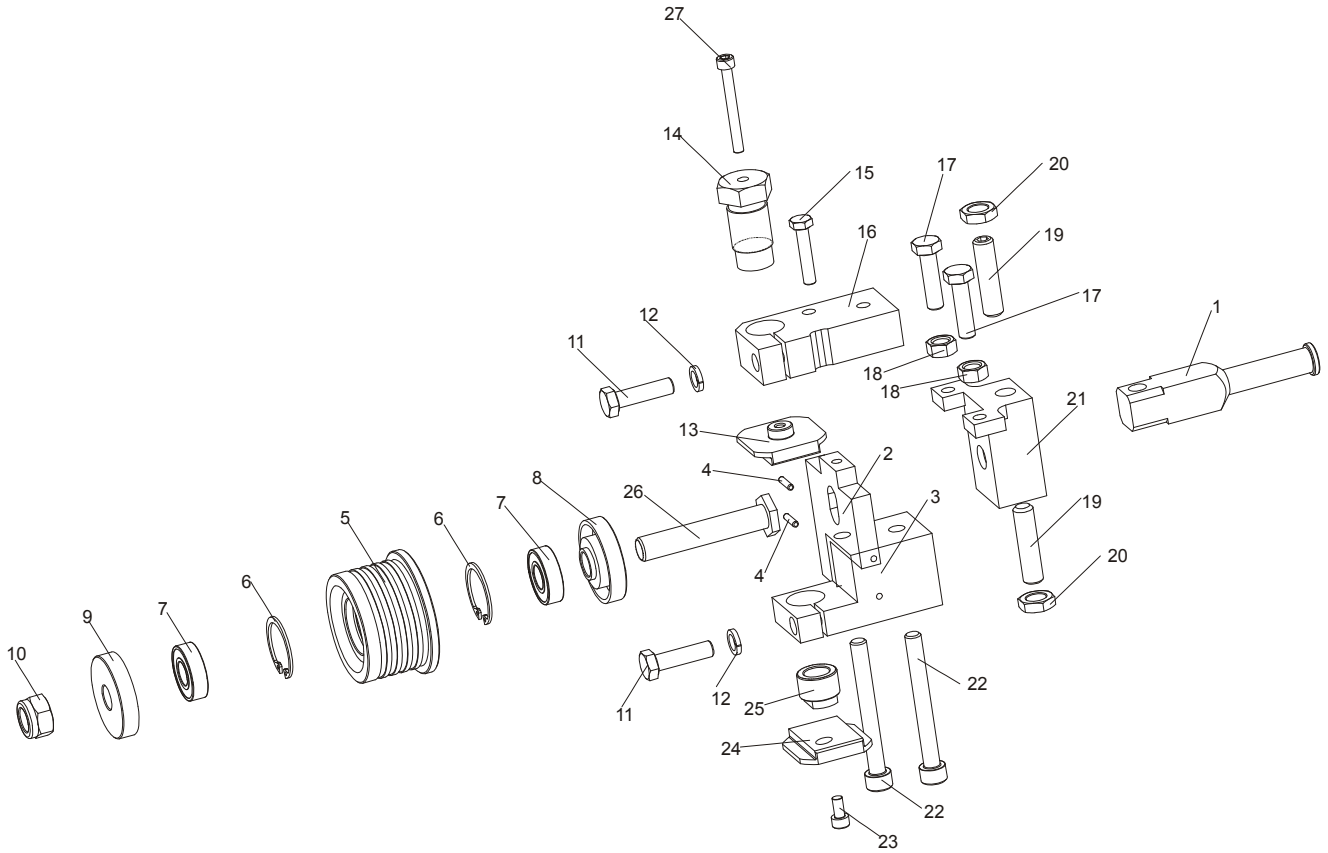
<sup>1</sup> Used only from the flanged side of the roller



# Blade Guide Rollers & Arm

## Blade Guide Assembly, Idle Side (Optional)

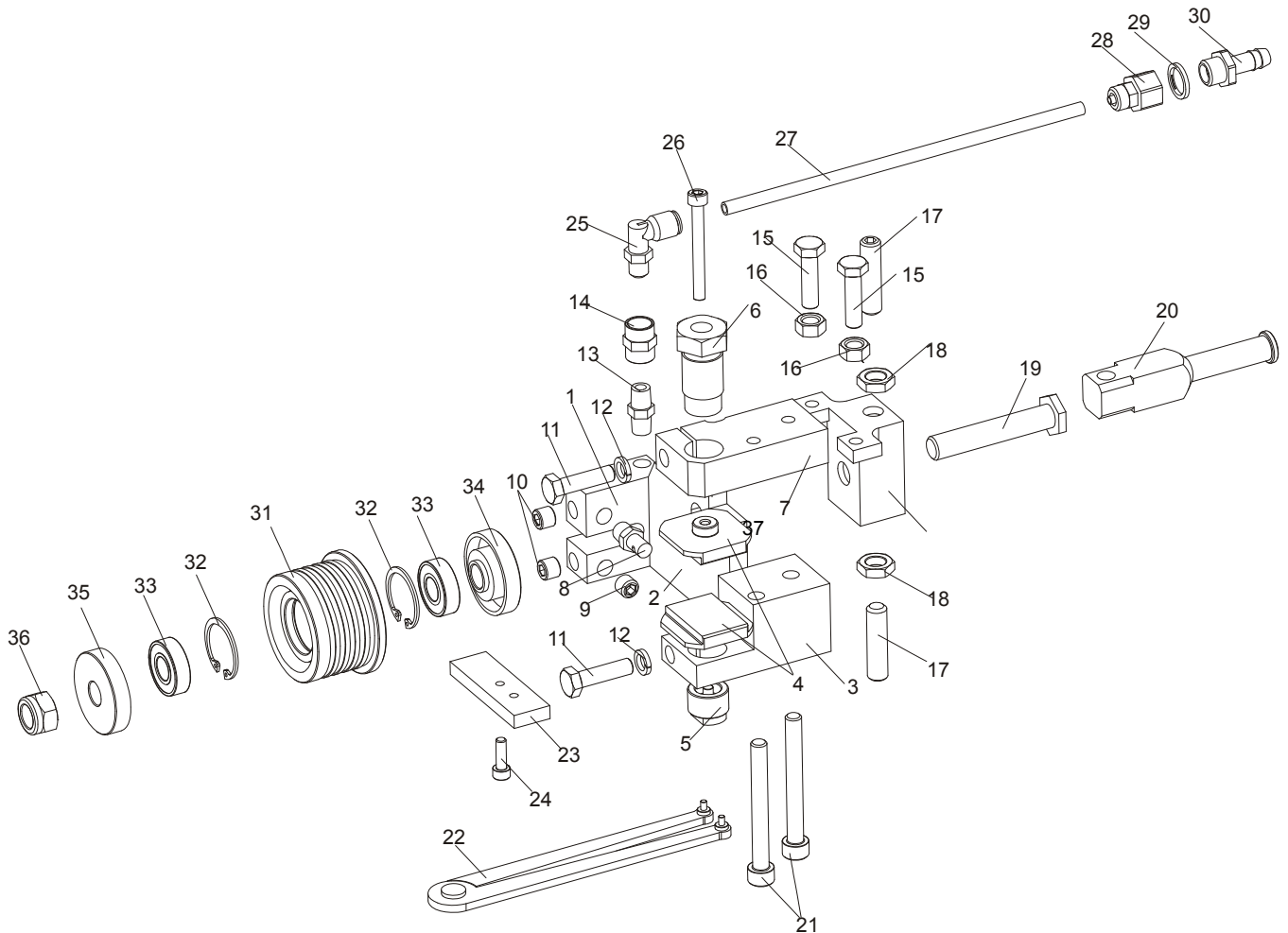
### 2.2 Blade Guide Assembly, Idle Side (Optional)



| REF | DESCRIPTION (◆ Indicates Parts Available In Assemblies Only)                           | PART#         | QTY.     |
|-----|--|---------------|----------|
|     | <b>BLADE GUIDE ASSEMBLY, IDLE SIDE, EXTENDED (for optional use with 1 1/2" blades)</b> | <b>093760</b> | <b>1</b> |
| 1   | SHAFT, ZINC-PLATED BLADE GUIDE MOUNT   | 501406-1      | 1        |
|     | MOUNTING PLATE ASSEMBLY  | 093763-1      | 1        |
| 2   | PLATE, BLADE GUIDE MOUNTING  | 093761        | 1        |
| 3   | BLOCK, LOWER PAD MOUNT   | 093769        | 1        |
| 4   | PIN, 3m6x14 DIN 6325 HRC 60 ROLL   | F81048-6      | 2        |
|     | ROLLER, BLADE GUIDE EXTENDED W/BEARINGS  | 092939        | 1        |
| 5   | ROLLER, BLADE GUIDE EXTENDED   | 087890-0      | 1        |
| 2   | RING, W28 INSIDE RETAINING   | F81090-9      | 2        |
| 7   | BEARING, 6001 2RSR (FAG,SKF)   | 087893        | 2        |
| 8   | RING,ZINC-PLATED SPACER(FOR EXTEND.ROLL)   | 087892-1      | 1        |
| 9   | WASHER, ZINC-PLATED SPACER   | 087891-1      | 1        |
| 10  | NUT, M12-8 HEX NYLON ZINC LOCK   | F81034-2      | 1        |
| 11  | BOLT, M8x30 DIN933 A2-70 STAINLESS STEEL   | F81002-27     | 2        |
| 12  | WASHER, 8.2 SPLIT LOCK ZINC  | F81054-4      | 2        |
| 13  | BLOCK, BLADE GUIDE ZINC-PLATED   | 093430-1      | 1        |
| 14  | BOLT, UPPER BLOCK ADJUSTMENT   | 089515-1      | 1        |
| 15  | BOLT, M6x30 DIN933 A2-70 STAINLESS STEEL   | F81001-37     | 1        |
| 16  | BLOCK, UPPER PAD MOUNT   | 093762-1      | 1        |
| 17  | BOLT, M8x30 DIN933 A2-70. STAINLESS STEEL  | F81002-27     | 2        |
| 18  | NUT, M8 DIN 934 A2-70 STAINLESS STEEL  | F81032-7      | 2        |
| 19  | SCREW, M10x1x40 Din913 SET STAINLESS STEEL   | F81015-2      | 2        |

|    |  |           |   |  |
|----|--|-----------|---|--|
| 20 | NUT, PN-EN ISO 8675-M10X1-04-St-A2 HEX THIN FINE THREAD        | F81033-10 | 2 |  |
| 21 | BLOCK, BLADE DEFLECTION ADJUSTMENT                             | 087756-1  | 1 |  |
| 22 | SCREW, M8x40-8.8 HEX SOCKET HEAD CAP ZINC                      | F81002-29 | 2 |  |
| 23 | SCREW, M5X10 DIN 912 A2-70 HEX SOCKET HEAD CAP STAINLESS STEEL | F81000-23 | 1 |  |
| 24 | BLOCK, BLADE GUIDE ZINC-PLATED                                 | 093430-1  | 1 |  |
| 25 | SCREW, LOWER PAD ADJUSTMENT                                    | 090945-1  | 1 |  |
| 26 | BOLT, EXT. BLADE GUIDE ROLLER LONG                             | 092940-1  | 1 |  |

### 2.3 Blade Guide Assembly, Drive Side (Optional)



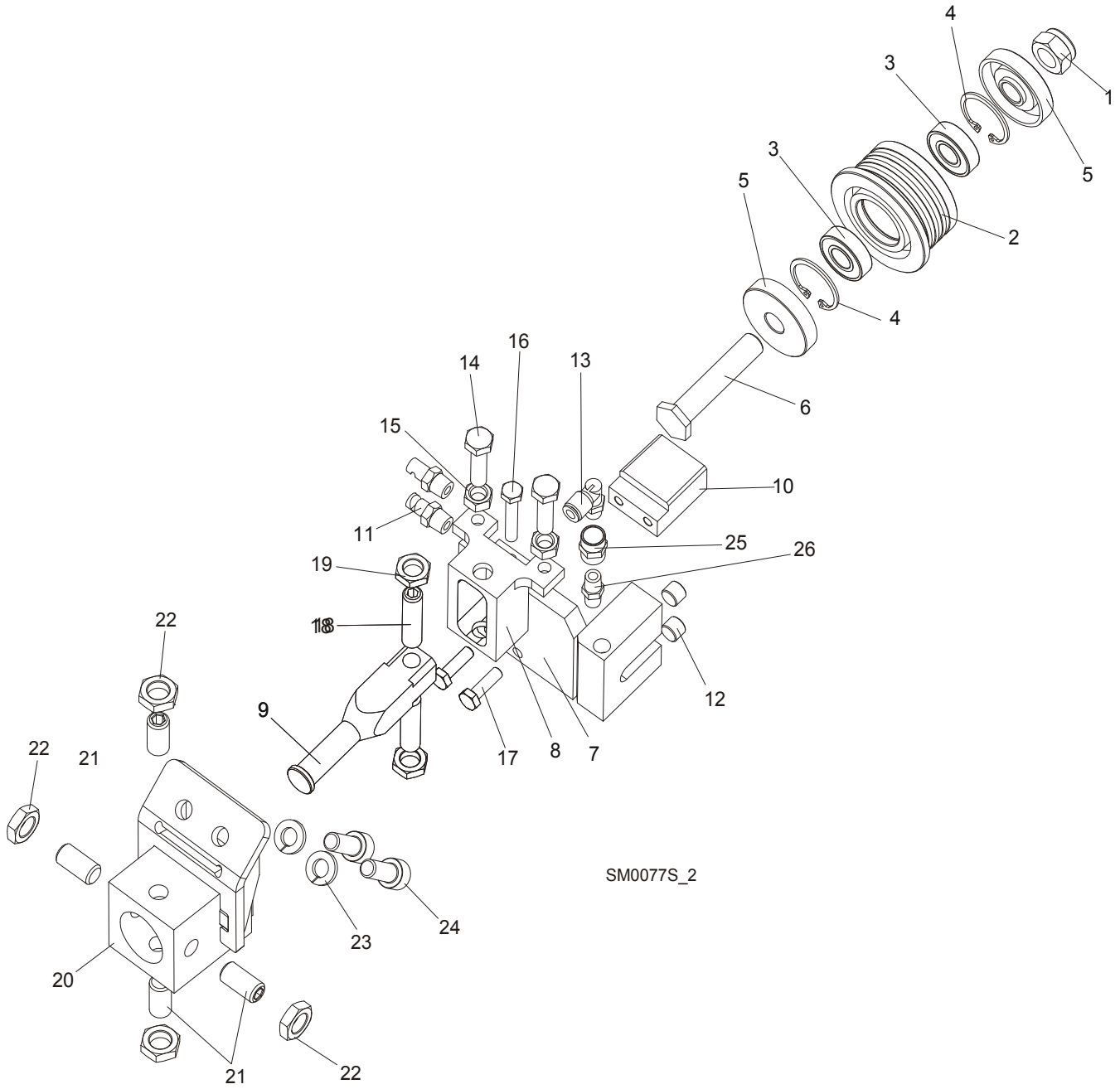
| REF | DESCRIPTION (◆ Indicates Parts Available In Assemblies Only)                           | PART#         | QTY.     |  |
|-----|--|---------------|----------|--|
|     | <b>BLADE GUIDE ASSEMBLY,DRIVE SIDE, EXTENDED</b> (for optional use with 1 1/2" blades) | <b>093768</b> | <b>1</b> |  |
|     | NOZZLE & LOWER BLOCK MOUNT WELDMENT  | 093765        | 1        |  |
| 1   | BLOCK WELDMENT, NOZZLE MOUNTING  | 087751        | 1        |  |
| 2   | PLATE WELDMENT, MAIN   | 093766        | 1        |  |
| 3   | BLOCK, LOWER PAD MOUNT (LEFT)  | 093767        | 1        |  |
| 4   | BLOCK, BLADE GUIDE ZINC-PLATED   | 093430-1      | 2        |  |
| 5   | SCREW, LOWER PAD ADJUSTMENT ZINC-PLATED  | 090945-1      | 1        |  |
| 6   | BOLT, UPPER BLOCK ADJUSTMENT ZINC-PLATED   | 089515-1      | 1        |  |
| 7   | BLOCK, UPPER PAD MOUNT ZINC-PLATED   | 093762-1      | 1        |  |
| 8   | NOZZLE, BLADE WATER LUBE   | 016637        | 1        |  |

## 2

**Blade Guide Rollers & Arm***Blade Guide Assembly, Drive Side (Optional)*

|    |   |           |   |  |
|----|---|-----------|---|--|
| 9  | FITTING, 1/8 NPT SOCKET PIPE PLUG                             | P30127    | 1 |  |
| 10 | PLUG, M10X1 DIN906 BN40 ZINC-PLATED                           | F81015-3  | 2 |  |
| 11 | BOLT, M8X30 DIN933 A2-70 STAINLESS STEEL                      | F81002-27 | 2 |  |
| 12 | WASHER, 8.2 SPLIT LOCK ZINC                                   | F81054-4  | 2 |  |
| 13 | NIPPLE, 1/8 DRY SEAL  | P02764    | 1 |  |
| 14 | FITTING, 1/8FPT COUPLING                                      | P05748    | 1 |  |
| 15 | BOLT, M8X30 DIN933 A2-70 STAINLESS STEEL                      | F81002-27 | 2 |  |
| 16 | NUT, M8 DIN 934 A2-70 STAINLESS STEEL                         | F81032-7  | 2 |  |
| 17 | SCREW, M10X1X40 DIN913 A2-70 STAINLESS STEEL SET              | F81015-2  | 2 |  |
| 18 | NUT, PN-EN ISO 8675-M10X1-04-ST-A2 HEX THIN W/FINE THREAD     | F81033-10 | 2 |  |
| 19 | BOLT, EXT.BLADE GUIDE ROLLER LONG ZINC-PLATED                 | 092940-1  | 1 |  |
| 20 | SHAFT, ZINC-PLATED BLADE GUIDE MOUNT                          | 501406-1  | 1 |  |
| 21 | SCREW, M8X40-8.8 HEX SOCKET HEAD CAP ZINC                     | F81002-29 | 2 |  |
| 22 | SPANNER, 62860-3 (Perschmann) ADJUSTABLE                      | 090949    | 1 |  |
|    | PLATE, BLADE GUIDE ADJUSTMENT COMPLETE                        | 090951    | 1 |  |
| 23 | PLATE, BLADE GUIDE ADJUSTMENT ZINC-PLATED                     | 090805-1  | 1 |  |
| 24 | SCREW, M5X16-8.8 HEX SOCKET HEAD CAP ZINC                     | F81000-25 | 1 |  |
| 25 | ELBOW, 90 DEG 1/8MPT 1/4 TUBE SWIVEL                          | P09736    | 1 |  |
| 26 | SCREW, M5x45 DIN912 A2-70 HEX SOCKET HEAD CAP STAINLESS STEEL | F81000-24 | 1 |  |
|    | FITTING, 10/6.35 COMPLETE REDUCER                             | 092782    | 1 |  |
| 27 | CABLE, COMPLETE REDUCER FITTING                               | 092785    | 1 |  |
| 28 | FITTING, MV13/06 nr 13700 (RECTUS)                            | 092784    | 1 |  |
| 29 | SEAL, G1/4 866-014-000-0 (REXROTH)                            | 090809    | 1 |  |
| 30 | BUSHING, GT13/09 nr 13539 (RECTUS)                            | 092783    | 1 |  |
|    | ROLLER, BLADE GUIDE EXTENDED W/BEARINGS                       | 092939    | 1 |  |
| 31 | ROLLER, BLADE GUIDE EXTENDED                                  | 087890    | 1 |  |
| 32 | RING, W28 INSIDE RETAINING                                    | F81090-9  | 2 |  |
| 33 | BEARING, 6001 2RSR (FAG, SKF)                                 | 087893    | 2 |  |
| 34 | RING, ZINC-PLATED SPACER                                      | 087892-1  | 1 |  |
| 35 | RING, ZINC-PLATED SPACER                                      | 087891-1  | 1 |  |
| 36 | NUT, M12-8 HEX NYLON ZINC LOCK                                | F81034-2  | 1 |  |
| 37 | BLOCK, BLADE DEFLECTION ADJUSTMENT ZINC-PLATED                | 087756-1  | 1 |  |

2.4 Idle Side Blade Guide Assembly, Optional (LMS)



| REF | DESCRIPTION (◆ Indicates Parts Available In Assemblies Only)                           | PART#         | QTY.     |
|-----|--|---------------|----------|
|     | <b>BLADE GUIDE ASSEMBLY, IDLE SIDE</b>   | <b>087749</b> | <b>1</b> |
|     | <b>BLADE GUIDE ASSEMBLY, IDLE SIDE. EXTENDED</b> (for optional use with 1 1/2" blades) | 092996        | 1        |
|     | Roller, Blade Guide Narrow W/Bearings  | 088261        | 1        |
|     | Roller, Blade Guide W/Bearings Extended (for optional use with 1 1/2" blades)          | 092939        | 1        |
| 1   | Nut, M12-8 Hex Nylon Zinc Lock   | F81034-2      | 1        |
| 2   | Roller, Blade Guide Narrow   | 087889        | 1        |



## Blade Guide Rollers & Arm

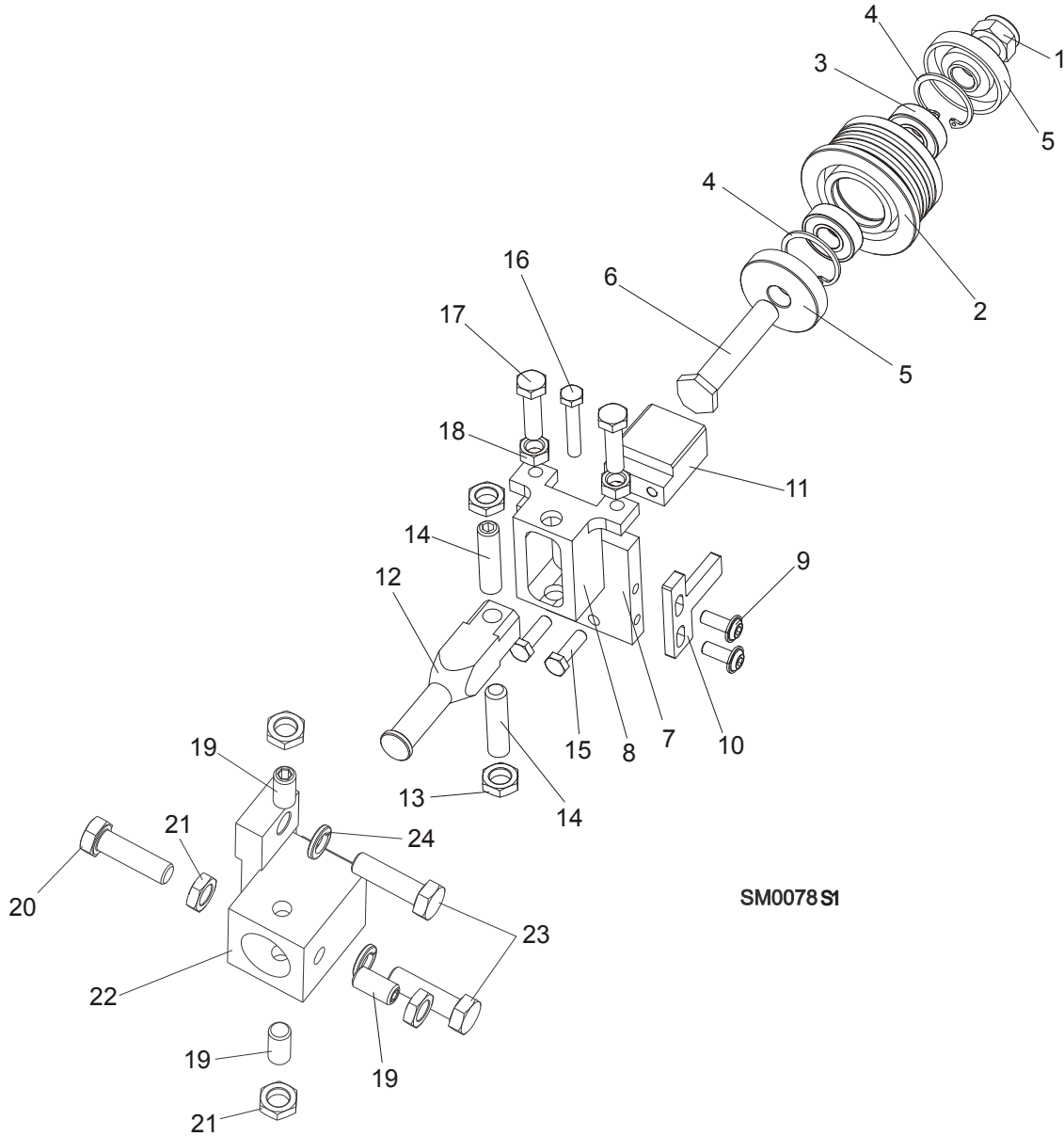
### Idle Side Blade Guide Assembly, Optional (LMS)

|    |   |           |       |  |
|----|---|-----------|-------|--|
|    | Roller, Blade Guide Extended (for optional use with 1 1/2" blades)        | 087890    | 1     |  |
| 3  | Bearing, 6001 2RSR NACHI  | 087893    | 2     |  |
| 4  | Ring, W28 Inside Retaining  | F81090-9  | 2     |  |
| 5  | Washer, Spacer  | 087891    | 2 (1) |  |
|    | Washer, Spacer (used with the Extended Roller only) <sup>1</sup>          | 087892-1  | 1     |  |
| 6  | Bolt, Blade Guide Roller Zinc-Plated                                      | 087761-1  | 1     |  |
|    | Bolt, Blade Guide Roller Zinc Plated (used with the Extended Roller only) | 092940-1  | 1     |  |
| 7  | Block Weldment, Nozzle Zinc-Plated  | 087750-1  | 1     |  |
| 8  | Block, Zinc-Plated Roller Guide Adjuster                                  | 087756-1  | 1     |  |
| 9  | Shaft, Zinc-Plated Blade Guide Mount (Narrow Roller)                      | 088255-1  | 1     |  |
|    | Shaft, Zinc-Plated Blade Guide Mount (Wide Roller)                        | 501406-1  | 1     |  |
| 10 | Block, Blade Guide Zinc   | 096956-1  | 1     |  |
| 11 | Nozzle, Blade Lube Spray  | 033479    | 2     |  |
| 12 | Plug, M10x1 DIN 906 BN40 "BOSSARD"  | F81015-3  | 2     |  |
| 13 | Fitting, 90° Elbow 1/8NPT-1/4 Tube Swivel                                 | P09736    | 1     |  |
| 14 | Bolt, M8x30 DIN933 A2-70 Stainless Steel                                  | F81002-27 | 2     |  |
| 15 | Nut, M8 DIN934 A2-70 Stainless Steel                                      | F81032-7  | 2     |  |
| 16 | Bolt, M6x30 DIN933 A2-70 Stainless Steel                                  | F81001-37 | 1     |  |
| 17 | Bolt, M6x20-8.8 Hex Head Full Thread Zinc                                 | F81001-2  | 2     |  |
| 18 | Screw, M10x1x40 DIN913 Stainless Steel Set                                | F81015-2  | 2     |  |
| 19 | Nut, M10x1-04-ST-A2 ISO 8675 Thin   | F81033-10 | 2     |  |
| 20 | <b>BLOCK WELDMENT, PAINTED BLADE GUIDE MOUNT</b>                          | 514887-1  | 1     |  |
| 21 | <b>SCREW, M10X1X20 DIN913 STAINLESS STEEL SET</b>                         | F81015-1  | 4     |  |
| 22 | <b>NUT, M10x1-04-ST-A2 ISO 8675 THIN</b>                                  | F81033-10 | 4     |  |
| 23 | <b>WASHER, 8.2 SPLIT LOCK ZINC</b>  | F81054-4  | 2     |  |
| 24 | <b>BOLT, M8 X 20-8.8 SOCKET HEAD</b>                                      | F81002-30 | 2     |  |
| 25 | <b>FITTING, 1/8FPT COUPLING</b>   | P05748    | 1     |  |
| 26 | <b>NIPPLE, 1/8 DRY SEAL</b>   | P02764    | 1     |  |

<sup>1</sup> Used only from the flanged side of the roller



## 2.5 Blade Guide Assembly, Drive Side



| REF      | DESCRIPTION (◆ Indicates Parts Available In Assemblies Only)                            | PART#         | QTY.     |
|----------|---|---------------|----------|
|          | <b>BLADE GUIDE ASSEMBLY, DRIVE SIDE</b>   | <b>087748</b> | <b>1</b> |
|          | <b>BLADE GUIDE ASSEMBLY, DRIVE SIDE, Extended</b> (for optional use with 1 1/2" blades) | <b>092995</b> | <b>1</b> |
|          | Roller, Blade Guide Narrow W/Bearings   | 088261        | 1        |
|          | Roller, Blade Guide W/Bearings Extended (for optional use with 1 1/2" blades)           | 092939        | 1        |
| <b>1</b> | Nut, M12-8 Hex Nylon Zinc Lock  | F81034-2      | 1        |
| <b>2</b> | Roller, Blade Guide Narrow  | 087889        | 1        |
|          | Roller, Blade Guide Extended (for optional use with 1 1/2" blades)                      | 087890        | 1        |
| <b>3</b> | Bearing, 6001 2RSR NACHI  | 087893        | 2        |

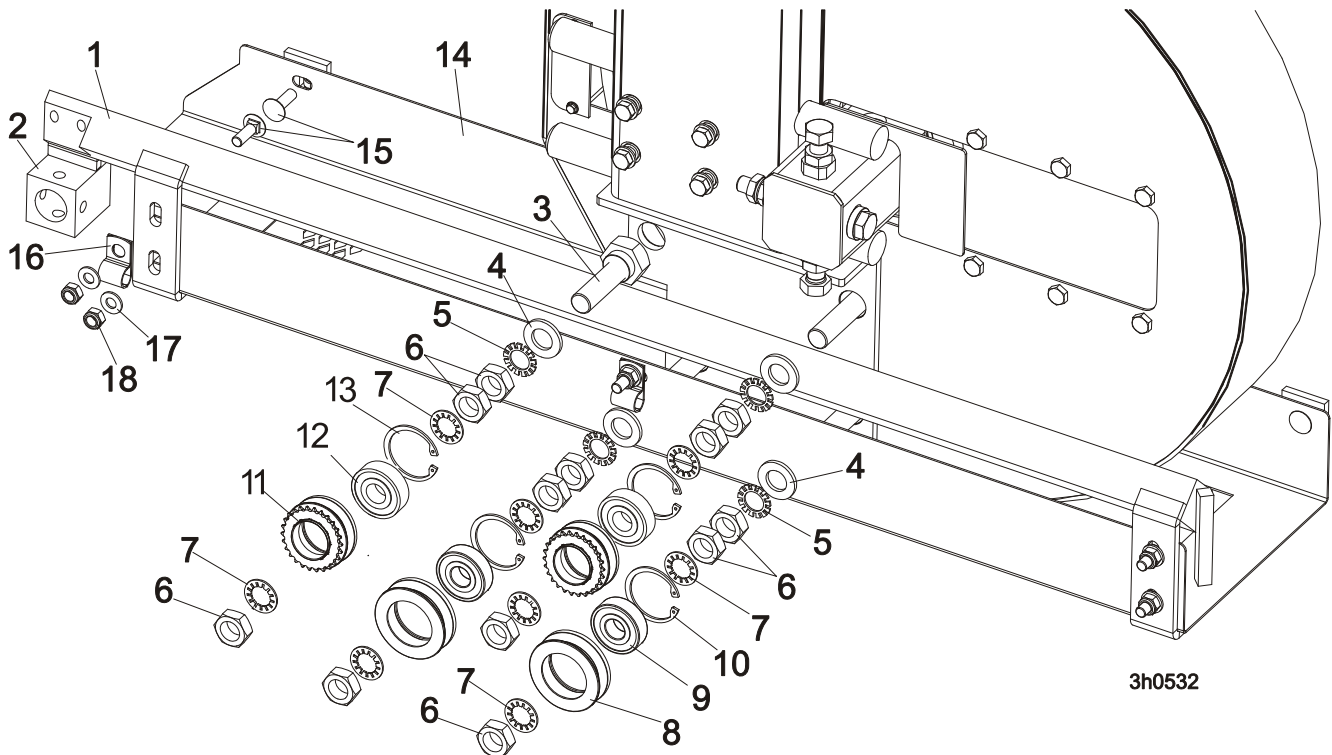
## 2 Blade Guide Rollers & Arm

### Blade Guide Assembly, Drive Side

|    |   |           |       |  |
|----|---|-----------|-------|--|
| 4  | Ring, W28 Inside Retaining  | F81090-9  | 1     |  |
| 5  | Washer, Spacer  | 087891    | 2 (1) |  |
|    | Washer, Spacer (used with the Extended Roller only) <sup>1</sup>          | 087892-1  | 1     |  |
| 6  | Bolt, Blade Guide Roller Zinc-Plated                                      | 087761-1  | 1     |  |
|    | Bolt, Blade Guide Roller Zinc Plated (used with the Extended Roller only) | 092940-1  | 1     |  |
| 7  | Plate, Zinc-Plated Blade Guide Mounting                                   | 087753-1  | 1     |  |
| 8  | Block, Zinc-Plated Roller Guide Adjuster                                  | 087756-1  | 1     |  |
| 9  | Screw, M6x16 BN 11252 "BOSSARD"   | F81001-24 | 2     |  |
| 10 | Wiper, Blade Zinc-Plated  | 087757-1  | 1     |  |
| 11 | Block, Blade Guide Zinc   | 096956-1  | 1     |  |
| 12 | Shaft, Zinc-Plated Blade Guide Mount (Narrow Roller)                      | 088255-1  | 1     |  |
|    | Shaft, Zinc-Plated Blade Guide Mount (Wide Roller)                        | 501406-1  | 1     |  |
| 13 | Nut, M10x1-04-ST-A2 ISO 8675 Thin   | F81033-10 | 2     |  |
| 14 | Screw, M10x1x40 DIN913 Stainless Steel Set                                | F81015-2  | 2     |  |
| 15 | Bolt, M6x20-8.8 Hex Head Full Thread Zinc                                 | F81001-2  | 2     |  |
| 16 | Bolt, M6x30 DIN933 A2-70 Stainless Steel                                  | F81001-37 | 1     |  |
| 17 | Bolt, M8x30 DIN933 A2-70 Stainless Steel                                  | F81002-27 | 2     |  |
| 18 | Nut, M8 DIN934 A2-70 Stainless Steel                                      | F81032-7  | 2     |  |
| 19 | Screw, M10X1X20 DIN913 Stainless Steel Set                                | F81015-1  | 3     |  |
| 20 | <b>BOLT, M10X1X25 DIN 933 STAINLESS STEEL</b>                             | F81003-28 | 1     |  |
| 21 | <b>NUT, M10x1-04-ST-A2 ISO 8675 THIN</b>                                  | F81033-10 | 4     |  |
| 22 | <b>BLOCK WELDMENT, BLADE GUIDE MOUNT</b>                                  | 087744    | 1     |  |
| 23 | <b>BOLT, M10X35-8.8 HEX HEAD FULL THREAD ZINC</b>                         | F81003-17 | 2     |  |
| 24 | <b>WASHER, 10.2 SPLIT LOCK ZINC</b>                                       | F81055-2  | 2     |  |

<sup>1</sup> Used only from the flanged side of the roller

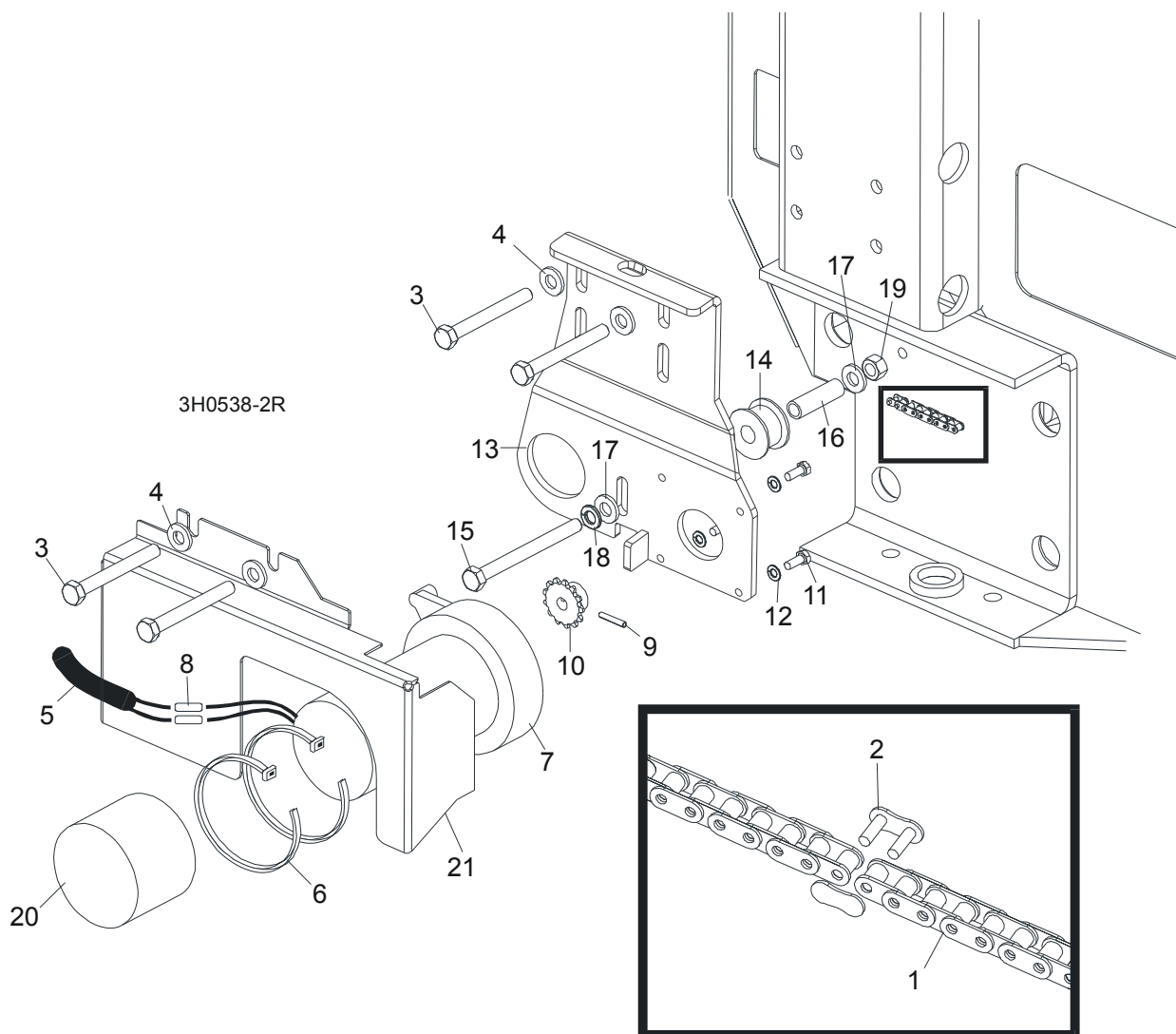
## 2.6 Blade Guide Arm & Rollers



| REF | DESCRIPTION (◆ Indicates Parts Available In Assemblies Only) | PART #                | QTY. |   |
|-----|--|-----------------------|------|---|
| 1   | BLADE GUIDE ARM WELDMENT                                     | 505934-1              | 1    |   |
| 2   | BLOCK WELDMENT, PAINTED BLADE GUIDE MOUNT                    | 514887-1              | 1    |   |
| 3   | BOLT, BLADE GUIDE ARM ROLLER CAM                             | 086508-1              | 4    |   |
|     | BOLT, BLADE GUIDE ARM ROLLER CAM /HARDWOODS                  | 505113-1 <sup>1</sup> | 1    |   |
| 4   | WASHER, 17 FLAT  | F81058-1              | 4    |   |
| 5   | WASHER, 5/8" EXTERNAL STAR                                   | F05011-26             | 4    |   |
| 6   | NUT, 5/8-18 HEX JAM  | F05010-11             | 12   |   |
| 7   | WASHER, 5/8" INTERNAL STAR                                   | F05011-25             | 8    |   |
|     | ROLLER ASSEMBLY, BLADE GUIDE ARM WITH BEARING                | 093855                | 2    |   |
| 8   | Roller, Blade Guide Arm V-Groove                             | 093856-1              | 1    | ◆ |
| 9   | Bearing, 6203-2RSP6-5/8 CX                                   | 095087                | 1    |   |
| 10  | Ring, W40 Retaining  | F81090-3              | 1    |   |
|     | ROLLER ASSEMBLY, BLADE GUIDE ARM WITH BEARING AND SPROCKET   | 501496                | 2    |   |
| 11  | Roller, Blade Guide Arm w/Sprocket                           | 501495-1              | 1    | ◆ |
| 12  | Bearing, 6203-2RSP6-5/8 CX                                   | 095087                | 1    |   |
| 13  | Ring, W40 Retaining  | F81090-3              | 1    | ◆ |
| 14  | GUIDE, BLADE   | 087042-1              | 1    |   |
| 15  | BOLT, M8x20-8.8 Fe/Zn5 PN-M/82406                            | F81002-11             | 7    |   |
| 16  | CLAMP, 1/2EMT COATED   | P07584                | 2    |   |
| 17  | WASHER, 8.4 FLAT ZINC  | F81054-1              | 7    |   |
| 18  | NUT, M8-8-B HEX NYLON ZINC LOCK                              | F81032-2              | 7    |   |

<sup>1</sup> Mount instead of one 086508-1 bolt in LT40 saw head for hardwoods.

## 2.7 Blade Guide Arm Drive Assembly

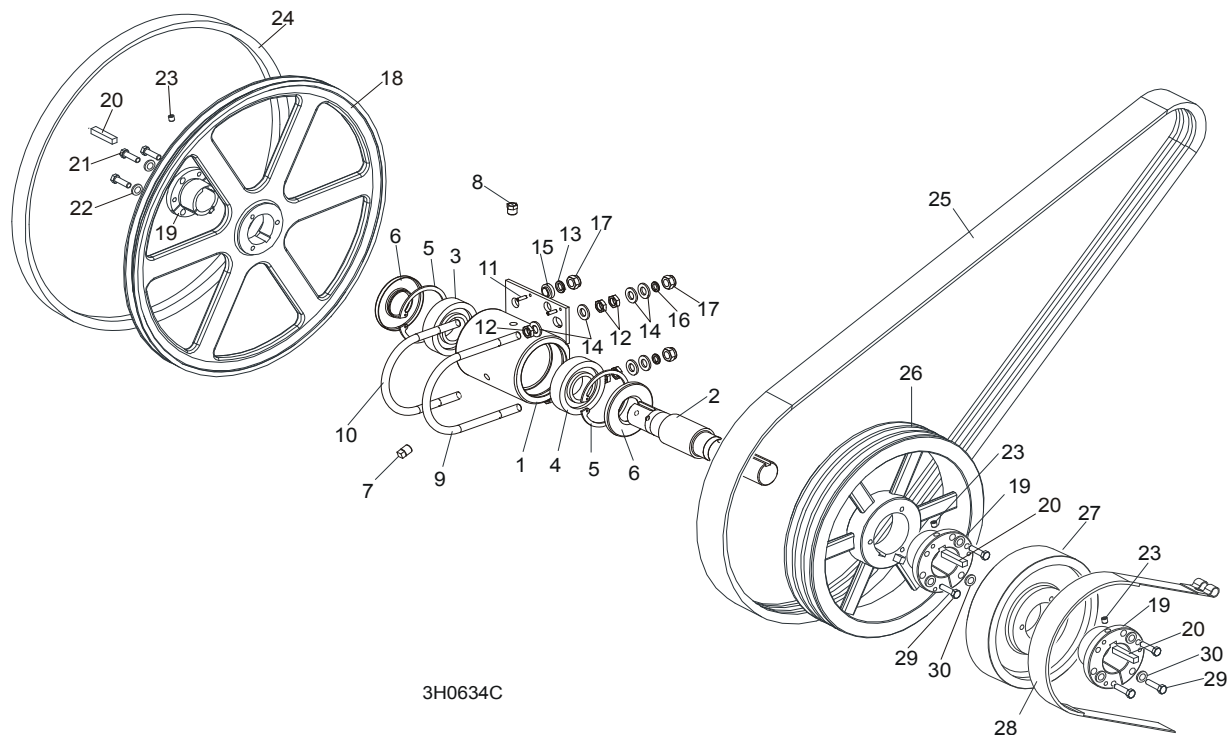


| REF | DESCRIPTION (◆ Indicates Parts Available In Assemblies Only) | PART #    | QTY.   |
|-----|--|-----------|--------|
| 1   | CHAIN, #25 X 20 1/4"   | P09984    | 1      |
| 2   | LINK, #25 MASTER   | P09983    | 1      |
| 3   | BOLT, 5/16-18 X 2 3/4" HEX HEAD GRADE 5                      | F05006-28 | 4      |
| 4   | WASHER, 8.4 FLAT   | F81054-1  | 4      |
| 5   | TUBE, 3/8" X 1/2" NEOPRENE                                   | R01897    | 0,75 m |
| 6   | WRAP, 1/4" X 6" TIE  | F05089-1  | 2      |
|     | <b>DRIVE ASSEMBLY, BLADE GUIDE ARM</b>                       | 091005    | 1      |
|     | Motor Assembly, Blade Guide Arm Replacement                  | A10365    | 1      |
| 7   | Motor, Blade Guide Arm 53:1 Gear                             | P09698-1  | 1      |
|     | Housing, Klauber Motor End                                   | P12756    | 1      |
|     | Gear Kit, Klauber Motor Replacement                          | P12569    | 1      |
|     | Brush Kit, Gear Motor Replacement                            | P12800    | 1      |
|     | Shaft Kit, Klauber Gear Motor Replacement                    | 009695    | 1      |

|    |  |            |   |  |
|----|--|------------|---|--|
| 8  | Connector, 14 Gauge Butt                 | F04875-1   | 2 |  |
| 9  | Pin, 1/8" X 3/4" Roll                    | F05012-6   | 1 |  |
| 10 | Sprocket, Gear Motor #25 14-Tooth        | P09970     | 1 |  |
| 11 | Screw, #10-32 x 1/2" Hex Head            | F05004-60  | 4 |  |
| 12 | Washer, 5.1 Split Lock                   | F81052-2   | 4 |  |
|    | Instruction Sheet, Blade Guide Arm Motor | A10353-296 | 1 |  |
| 13 | Bracket, Blade Guide Arm Motor Mount     | 087994-1   | 1 |  |
| 14 | Roller, Blade Guide Arm Chain Idler      | S09999     | 1 |  |
| 15 | Bolt, M8x90-8.8 Hex Head Full Thread     | F81002-16  | 1 |  |
| 16 | Spacer, 5/16" I.D. X 1 1/2"              | S09996     | 1 |  |
| 17 | Washer, 5/16" SAE Flat                   | F81054-1   | 3 |  |
| 18 | Washer, 8.2 Split Lock                   | F05011-13  | 1 |  |
| 19 | Nut, M8-8-B Hex Lock                     | F81032-1   | 1 |  |
| 20 | Boot, Gear Motor Weather                 | 023720     | 1 |  |
| 21 | <b>COVER, BLADE GUIDE ARM MOTOR</b>      | 093460-1   | 1 |  |

## SECTION 3 BLADE WHEELS & TENSIONER

### 3.1 Blade Drive Assembly



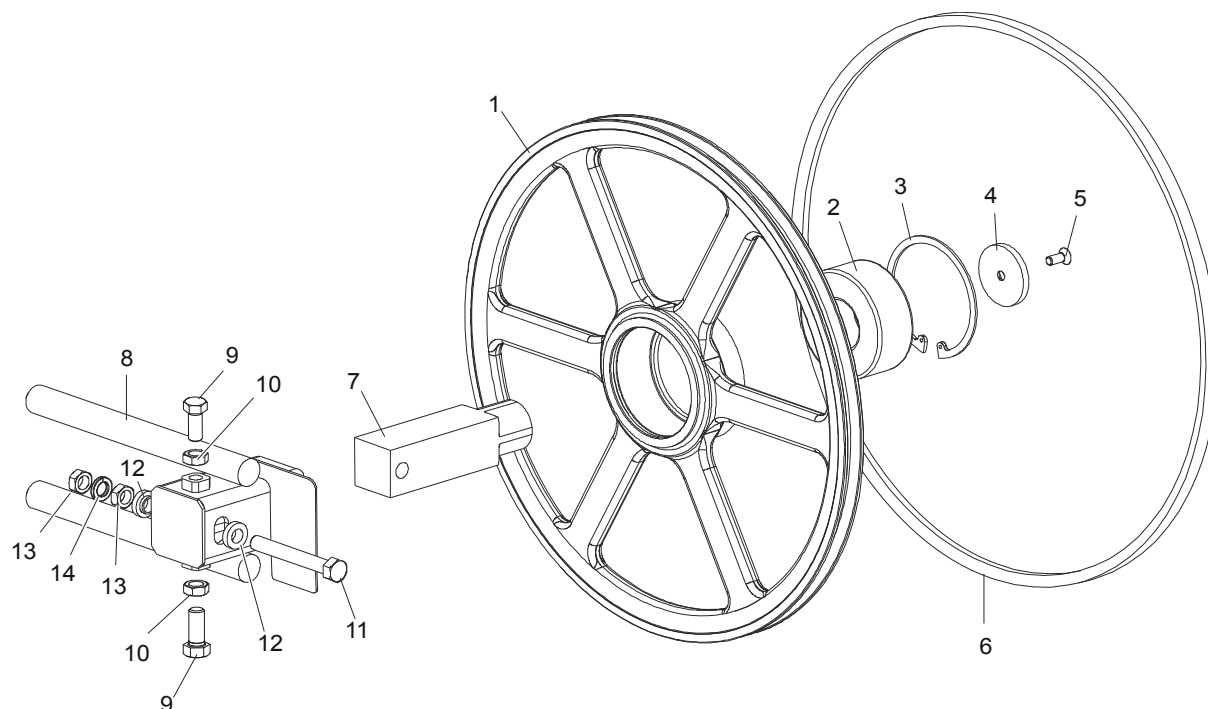
| REF | DESCRIPTION (◆ Indicates Parts Available In Assemblies Only) | PART #    | QTY. |
|-----|--|-----------|------|
|     | <b>BEARING ASSEMBLY, DRIVE</b>                               | 086291    | 1    |
| 1   | Housing, Blade Wheel Drive Bearing                           | 086293    | 1    |
| 2   | Shaft, Blade Wheel Drive                                     | 086292    | 1    |
| 3   | Bearing, Blade Wheel Drive NJ308                             | 085939    | 1    |
| 4   | Bearing, Blade Wheel Drive #6308                             | 085940    | 1    |
| 5   | Ring, 90mm Interior Retaining #117                           | F04254-17 | 2    |
| 6   | Seal, Drive Bearing #CR15890                                 | P10206    | 2    |
| 7   | Plug, 1/4" NPT Square Head                                   | P05498    | 1    |
| 8   | Plug, 1/4" NPT Vented  | P12868    | 1    |
| 9   | Bolt, 1/2-13 Long U  | S10207-1P | 1    |
| 10  | Bolt, 1/2-13 Short U   | S10207-2P | 1    |
| 11  | Pin, 3/16" X 5/8" Roll                                       | F05012-22 | 2    |
| 12  | Nut, M12-04-A Hex Jam  | F81034-6  | 6    |
| 13  | Washer, 12.2 Split Lock                                      | F81056-2  | 2    |
| 14  | Washer, 13 SAE Flat  | F81056-1  | 8    |
| 15  | Spacer, Zinc   | 086769-1  | 2    |
| 16  | Washer, 10.2 Split Lock Zinc                                 | F81055-2  | 2    |
| 17  | Nut, M12-8 Hex Nylon Lock                                    | F81034-2  | 4    |
|     | <b>WHEEL KIT, DRIVE SIDE BLADE</b>                           | 014562    | 1    |
| 18  | Wheel, Drive Side Blade                                      | 016284    | 1    |
| 19  | Bushing, Modified 1 9/16" P1                                 | 087214    | 1    |

|    |  |           |   |  |
|----|--|-----------|---|--|
| 20 | KEY, 9.5h7x9.5x3.8                             | 087384    | 3 |  |
| 21 | BOLT, UNC 1/4"x1 1/2"-8.8 ZINC DIN933 HEX HEAD | F05005-31 | 3 |  |
| 22 | WASHER, 1/4" UNC ZINC SPLIT LOCK               | F81052-21 | 3 |  |
| 23 | SCREW, M8x8-33H ZINC HEX SOCKET SET FLAT POINT | F81014-1  | 3 |  |
| 24 | BELT, BLADE WHEEL B57                          | P04185-2  | 1 |  |
| 25 | BELT, 3BX72 DRIVE (D42)                        | 014085    | 1 |  |
|    | BELT, 3BX73 DRIVE (D38)                        | 091548    | 1 |  |
|    | BELT, 3BX74 DRIVE (E25HP 50HZ)                 | 014249    | 1 |  |
| 26 | PULLEY, 3B5V124 SPECIAL DRIVE                  | 087203-1  | 1 |  |
| 27 | WHEEL, BRAKE                                   | 087204-1  | 1 |  |
| 28 | STRAP, METAL-BACKED BRAKE                      | 014391    | 1 |  |
| 29 | BOLT, M8X35-8.8 ZINC HEX HEAD FULL THREAD      | F81002-13 | 6 |  |
| 30 | WASHER, 8.2 ZINC SPLIT LOCK                    | F81054-4  | 6 |  |

# 3 Blade Wheels & Tensioner

## Idle Blade Wheel Assembly

### 3.2 Idle Blade Wheel Assembly

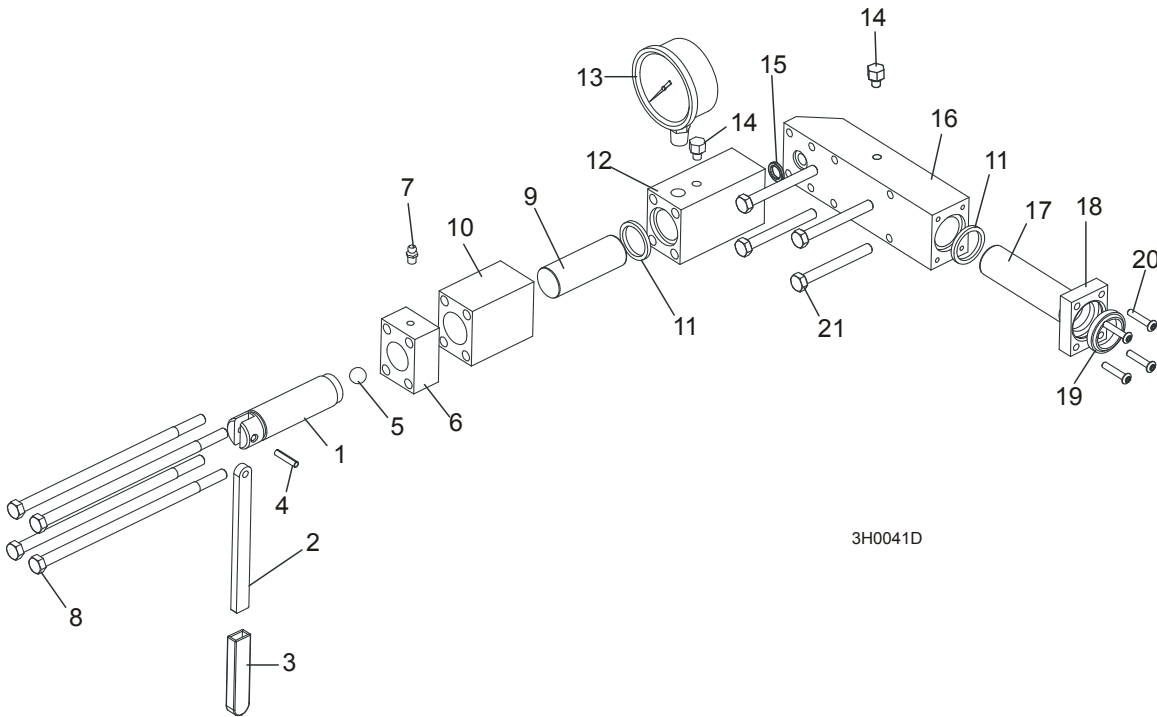


SM0241C

| REF | DESCRIPTION (◆ Indicates Parts Available In Assemblies Only) | PART #    | QTY. |   |
|-----|--|-----------|------|---|
|     | <b>WHEEL ASSEMBLY, IDLE SIDE BLADE</b>                       | 016120    | 1    |   |
| 1   | Wheel, Idle Side Blade                                       | 016013    | 1    | ◆ |
| 2   | Bearing, Idle Side Blade Wheel 3309 B.2RSR TVH FAQ           | 086428    | 1    |   |
| 3   | Ring, 100mm Internal Retaining Beveled                       | F04254-28 | 1    |   |
| 4   | <b>RETAINER, ZINC</b>  | 095929-1  | 1    |   |
| 5   | <b>BOLT, M10x25 -10.9- Fe/Zn5 DIN 7991</b>                   | F81003-82 | 1    |   |
| 6   | <b>BELT, BLADE WHEEL B57</b>                                 | P04185-2  | 1    |   |
| 7   | <b>SHAFT, IDLE BLADE WHEEL</b>                               | 095732    | 1    |   |
| 8   | <b>HOUSING, IDLE BLADE WHEEL SHAFT</b>                       | 087665    | 1    |   |
| 9   | <b>BOLT, 1/2-20 X 1 1/2" HEX HEAD GRADE 5</b>                | F05008-53 | 2    |   |
| 10  | <b>NUT, 1/2-20 HEX JAM</b>                                   | F05010-16 | 2    |   |
| 11  | <b>BOLT, M12x1,25x100-8.8 HEX HEAD FULL THREAD GRADE 2</b>   | F81004-41 | 1    |   |
| 12  | <b>SPACER, 1/2" I.D. FLANGED</b>                             | 086769-1  | 2    |   |
| 13  | <b>NUT, M12x1,25 8.8 HEX JAM</b>                             | F81034-5  | 2    |   |
| 14  | <b>WASHER, 12.2 SPLIT LOCK</b>                               | F81056-2  | 1    |   |



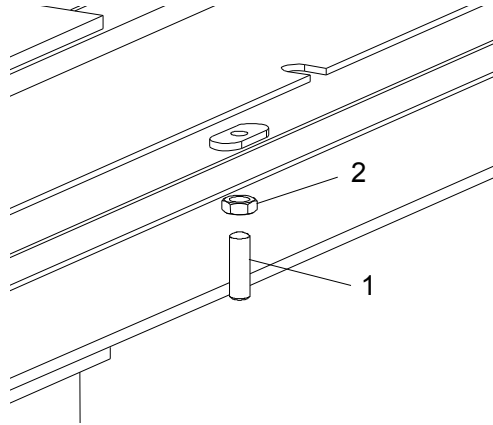
### 3.3 Hydraulic Blade Tensioner Assembly



| REF | DESCRIPTION (◆ Indicates Parts Available In Assemblies Only) | PART #     | QTY. |  |
|-----|--|------------|------|--|
|     | <b>HYDRAULIC BLADE TENSIONER ASSEMBLY</b>                    | A10054     | 1    |  |
|     | Handle Assembly, Hydraulic Blade Tensioner Screw             | A12294     | 1    |  |
| 1   | Screw, Hydraulic Blade Tensioner                             | S10056     | 1    |  |
| 2   | Handle, Hydraulic Tensioner Screw                            | 095930     | 1    |  |
| 3   | Sleeve, Plastic Handle                                       | P08072     | 1    |  |
| 4   | Pin, 3/16" x 7/8" Roll                                       | F05012-11  | 1    |  |
| 5   | Ball, 1/2" Steel   | P02720     | 1    |  |
| 6   | Block, Threaded Tensioner End                                | S10062     | 1    |  |
| 7   | Fitting, 1/4-28 Grease                                       | P05060     | 1    |  |
|     | Instruction Sheet, Tensioner Screw                           | A12294-518 | 1    |  |
| 8   | Bolt, 5/16-18 X 7 1/2" Hex Head Grade 5                      | F05006-43  | 4    |  |
| 9   | Piston, Hydraulic Tensioner Front 2 3/4" Long                | S10060     | 1    |  |
| 10  | Block, Piston Guide  | S10061     | 1    |  |
| 11  | Seal, 1" Diameter  | P10051     | 2    |  |
| 12  | Block, Hydraulic Tensioner Gauge Mounting                    | S10140     | 1    |  |
| 13  | Gauge, 3000 PSI  | 090552     | 1    |  |
| 14  | Plug, Hydraulic Tensioner Fill                               | P10065     | 2    |  |
| 15  | Ring, 5/8" X 3/32" Square "O"                                | P10377     | 1    |  |
| 16  | Block, Rear Tensioner Piston                                 | S10142     | 1    |  |
| 17  | Piston, Hydraulic Tensioner Rear 3 5/8" Long                 | S10059     | 1    |  |
| 18  | Block, Rear Piston End                                       | S10089     | 1    |  |
| 19  | Wiper, 1" Diameter   | P10053     | 1    |  |
| 20  | Bolt, #10-24 X 1" Socket Button Head                         | F05004-43  | 4    |  |
| 21  | Bolt, 5/16-18 X 2 3/4" Hex Head Grade 5                      | F05006-28  | 4    |  |
|     | Instruction Sheet, Hydraulic Tensioner Installation          | A10136-272 | 1    |  |

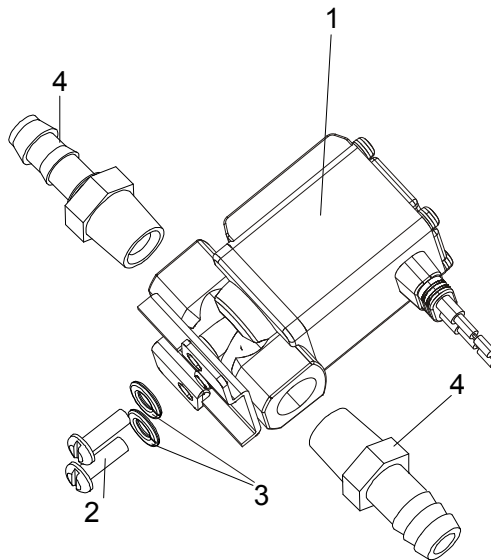
## SECTION 4 SAW HEAD

### 4.1 Middle Throat Screw



| REF | DESCRIPTION (◆ Indicates Parts Available In Assemblies Only) | PART #    | QTY. |  |
|-----|--|-----------|------|--|
| 1   | SCREW, M10X40-45H OVAL POINT SOCKET SET, ZINC                | F81003-61 | 1    |  |
| 2   | NUT, M10-8-B HEX JAM, ZINC                                   | F81033-3  | 1    |  |

### 4.2 Water Lube Solenoid Valve (not available in EC version)



| REF | DESCRIPTION (◆ Indicates Parts Available In Assemblies Only) | PART #    | QTY. |  |
|-----|--|-----------|------|--|
| 1   | VALVE, WATER LUBE SOLENOID                                   | 509113    | 1    |  |
| 2   | SCREW, #10-32X1/2" CROSS SLOT ROUND HEAD                     | F05004-60 | 2    |  |
| 3   | WASHER, 5.1 SPLIT LOCK                                       | F81052-2  | 2    |  |

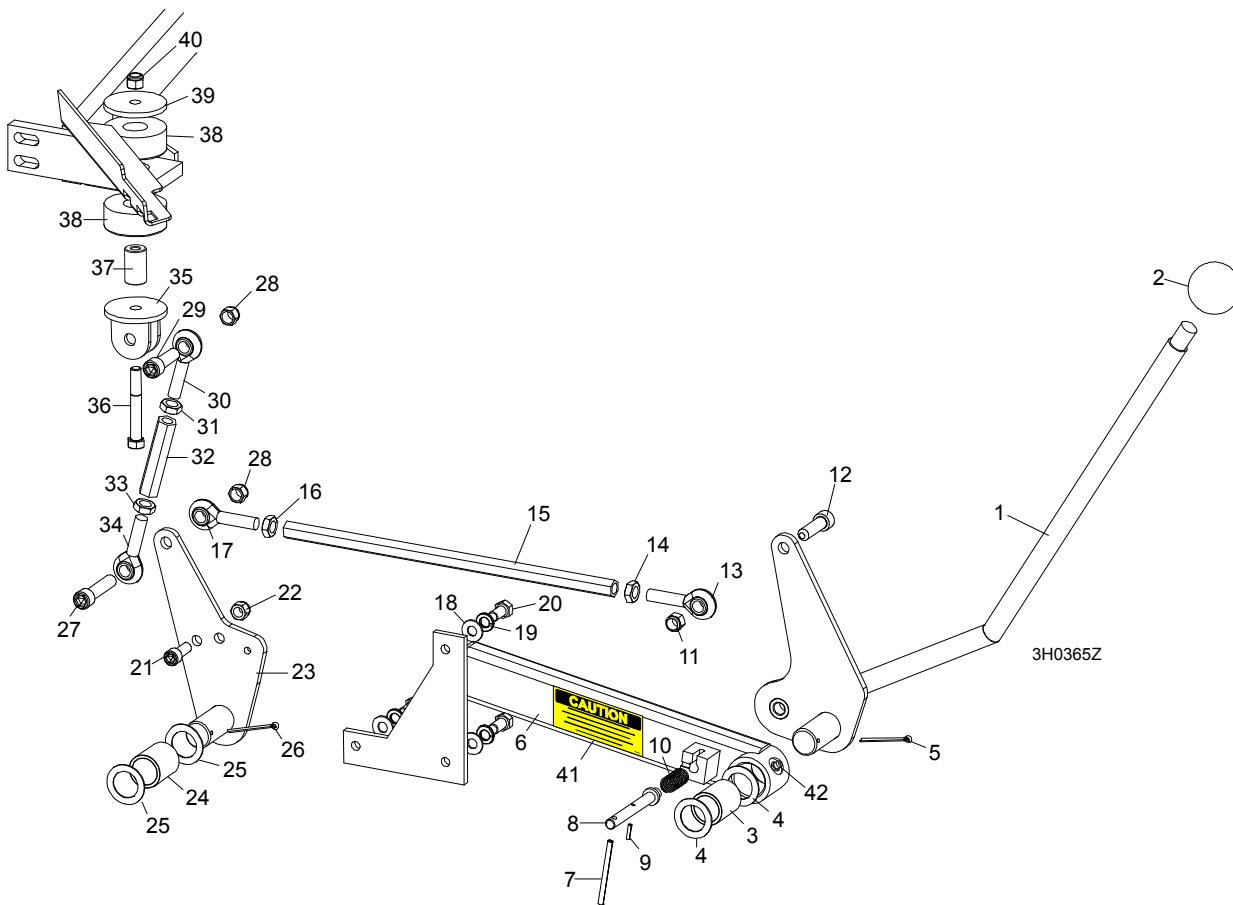
---

|   |                                       |        |   |  |
|---|---------------------------------------|--------|---|--|
| 4 | FITTING, 1/4" MALE NPT 3/8" HOSE BARB | P04682 | 2 |  |
|---|---------------------------------------|--------|---|--|

# 4 Saw Head

## Clutch Lever Assembly

### 4.3 Clutch Lever Assembly

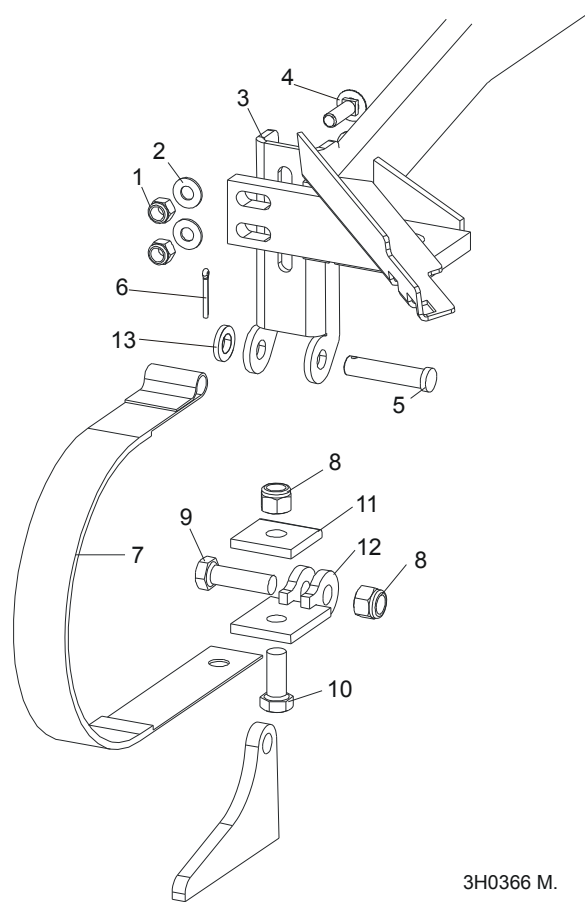


| REF | DESCRIPTION (◆ Indicates Parts Available In Assemblies Only) | PART #    | QTY. |   |
|-----|--|-----------|------|---|
|     | <b>HANDLE ASSEMBLY, EXTENDED CLUTCH/BRAKE</b>                | 086242    | 1    |   |
| 1   | Lever, Clutch/Brake  | 086339-1  | 1    | ◆ |
| 2   | Knob, Plastic Round  | 086337    | 1    |   |
| 3   | Bushing, Clutch/Brake Pivot                                  | P05041    | 1    |   |
| 4   | Washer, Clutch/Brake Pivot                                   | 087051-1  | 2    |   |
| 5   | Pin, 1/8" X 1 3/4" Cotter                                    | F05012-43 | 1    |   |
| 6   | Extension Weldment, Clutch Handle                            | 086244-1  | 1    |   |
| 7   | Pin, 3/16 x 2 1/2" Roll                                      | F05012-27 | 1    |   |
| 8   | Pin, Clutch Detent   | 086243    | 1    | ◆ |
| 9   | Pin, 1/8" x 9/16" Roll                                       | F05012-30 | 1    |   |
| 10  | Spring, .58" OD x 1 1/8"                                     | 021243    | 1    |   |
| 11  | Nut, 7/16-20 Nylon Lock                                      | F05010-83 | 1    |   |
| 12  | Screw, 7/16-20 x 1 1/2" Socket Head                          | F05007-55 | 1    |   |
| 13  | Rod End, 7/16-20 Left Hand Thread                            | P11578    | 1    |   |
| 14  | Nut, 7/16-20 Hex Jam Left Hand Thread                        | F05010-87 | 1    |   |
| 15  | Rod, Clutch Extension  | 015073    | 1    |   |
| 16  | Nut, 7/16-20 Hex Jam   | F05010-38 | 1    |   |
| 17  | Rod End, 7/16-20 Right Hand Thread                           | P11579    | 1    |   |
| 18  | <b>WASHER, 8.4 SAE FLAT</b>                                  | F81054-1  | 3    |   |

|    |   |            |   |  |
|----|---|------------|---|--|
| 19 | WASHER, 8.2 SPLIT LOCK  | F81054-4   | 3 |  |
| 20 | BOLT, M8X20-8.8-B HEX HEAD  | F81002-4   | 3 |  |
| 21 | BOLT ,M10 X 25 SOCKET HEAD  | F81003-32  | 1 |  |
| 22 | NUT, M10-8-B HEX NYLON LOCK   | F81033-1   | 1 |  |
| 23 | PLATE WELDMENT, CLUTCH PIVOT  | 087086-1   | 1 |  |
| 24 | BUSHING, CLUTCH/BRAKE PIVOT   | P05041     | 1 |  |
| 25 | WASHER, CLUTCH/BRAKE PIVOT  | 087051-1   | 2 |  |
| 26 | PIN, 1/8" X 1 3/4" COTTER   | F05012-43  | 1 |  |
| 27 | SCREW, 7/16-20 X 2" SOCKET HEAD                                     | F05007-120 | 1 |  |
| 28 | NUT, 7/16-20 HEX NYLON LOCK   | F05010-83  | 2 |  |
| 29 | SCREW, 7/16-20 X 2" SOCKET HEAD                                     | F05007-120 | 1 |  |
|    | TURNBUCKLE ASSEMBLY, CLUTCH/BRAKE LEVER                             | A12304     | 1 |  |
|    | TURNBUCKLE ASSEMBLY, 3 3/4" CLUTCH/BRAKE LEVER (50Hz Electric Only) | A11576     | 1 |  |
| 30 | Rod End, 7/16-20 Right Hand Thread                                  | P11579     | 1 |  |
| 31 | Nut, 7/16-20 Hex Jam  | F05010-38  | 1 |  |
| 32 | Turnbuckle, 3" Clutch/Brake Lever                                   | S11577     | 1 |  |
|    | Turnbuckle, 3 3/4" Clutch/Brake Lever (50Hz Electric Only)          | S12262     | 1 |  |
| 33 | Nut, 7/16-20 Hex Jam Left Hand Thread                               | F05010-87  | 1 |  |
| 34 | Rod End, 7/16-20 Left Hand Thread                                   | P11578     | 1 |  |
| 35 | BRACKET, CLUTCH MOUNT   | W12411-1   | 1 |  |
| 36 | BOLT, M10X70-8.8 HEX HEAD, ZINC                                     | F81003-20  | 1 |  |
| 37 | SPACER, MOTOR MOUNT VIBRATION BUSHING                               | 506712     | 1 |  |
| 38 | BUSHING, MOTOR MOUNT VIBRATION                                      | P05032     | 2 |  |
| 39 | WASHER, 3/8" I.D. X 2 1/4" O.D. X 3/16" THICK                       | S12412-0   | 1 |  |
| 40 | NUT, 3/8-16 NYLON LOCK  | F05010-10  | 1 |  |
| 41 | DECAL, PLACE PIN IN DETENT POSITION                                 | 085089     | 1 |  |
| 42 | FITTING, M6 GREASE  | 086280     | 1 |  |

# 4 Saw Head Brake Assembly

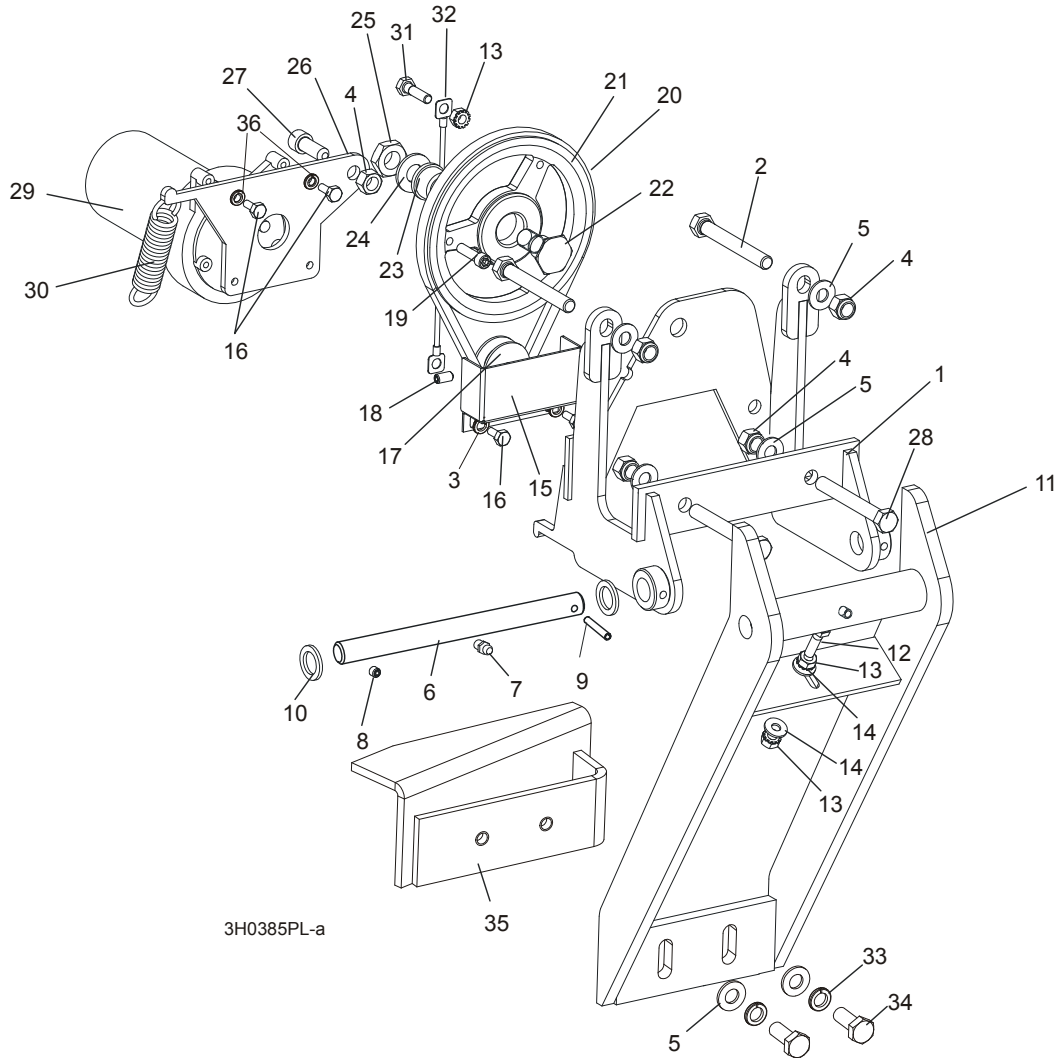
## 4.4 Brake Assembly



3H0366 M.

| REF | DESCRIPTION (◆ Indicates Parts Available In Assemblies Only) | PART #     | QTY. |  |
|-----|--|------------|------|--|
|     | <b>STRAP RETROFIT, SUPER BRAKE</b>                           | 014441     | 1    |  |
| 1   | Nut, 3/8-16 Nylon Lock                                       | F05010-10  | 2    |  |
| 2   | Washer, 10.5 Flat  | F81055-1   | 2    |  |
| 3   | Bracket, Upper Super Brake Strap Mount                       | 014395     | 1    |  |
| 4   | Bolt, 3/8-16 x 1 1/4" Carriage Head Grade 5                  | F05007-127 | 2    |  |
| 5   | Pin, 1/2" x 2 1/4" Clevis                                    | F05012-81  | 1    |  |
| 6   | Pin, 1/8" x 1" Cotter  | F05012-1   | 1    |  |
| 7   | Strap, Upper Pivot Metal Brake                               | 014391     | 1    |  |
| 8   | Nut, M12-8-B Nylon Lock                                      | F81034-2   | 2    |  |
| 9   | Bolt, M12 x 40-8.8 Hex Head                                  | F81004-4   | 1    |  |
| 10  | Bolt, M12 x 30-8.8 Hex Head                                  | F81004-22  | 1    |  |
| 11  | Washer, Brake Strap Clamp                                    | 090063-1   | 1    |  |
| 12  | Bracket Weldment, Brake Lower Pivot Painted                  | 092200-1   | 1    |  |
| 13  | Washer, 13 Flat Zinc   | F81056-1   | 1    |  |

## 4.5 Board Return Assembly



3H0385PL-a

| REF | DESCRIPTION (◆ Indicates Parts Available In Assemblies Only) | PART #     | QTY. |
|-----|--|------------|------|
|     | <b>RETURN ASSEMBLY, BOARD</b>                                | 087839-1   | 1    |
| 1   | Mount Weldment, Board Return                                 | 087788-1   | 1    |
| 2   | Bolt, M10x70-8.8 Fe/Zn5 PN-M/82302 Hex Head                  | F81003-60  | 2    |
| 3   | WASHER, M5, FLAT ZINC  | F81052-1   | 2    |
| 4   | NUT,M10-8-B NYLON HEX ZINC LOCK                              | F81033-1   | 5    |
| 5   | Washer,10.5 Flat   | F81055-1   | 6    |
| 6   | Pin Kit, Board Return Replacement Pivot                      | 087837     | 1    |
| 7   | Fitting, M6 Grease   | 086280     | 1    |
| 8   | Screw, M6 X 8 Black Oxide Socket Head Set Cup Point          | F81013-1   | 1    |
| 9   | Pin, 5 X 30 Roll   | F81044-21  | 1    |
| 10  | Washer, 5/8" x 15/16" x .094 Nylon                           | F05011-19  | 2    |
| 11  | Arm Weldment, Board Return                                   | 087838-1   | 1    |
| 12  | Screw, 1/4-20 x 3/4" Full Thread Hex Head Cap                | F05005-101 | 1    |
| 13  | Nut, 1/4-20 Self Locking                                     | F05010-9   | 3    |

## 4

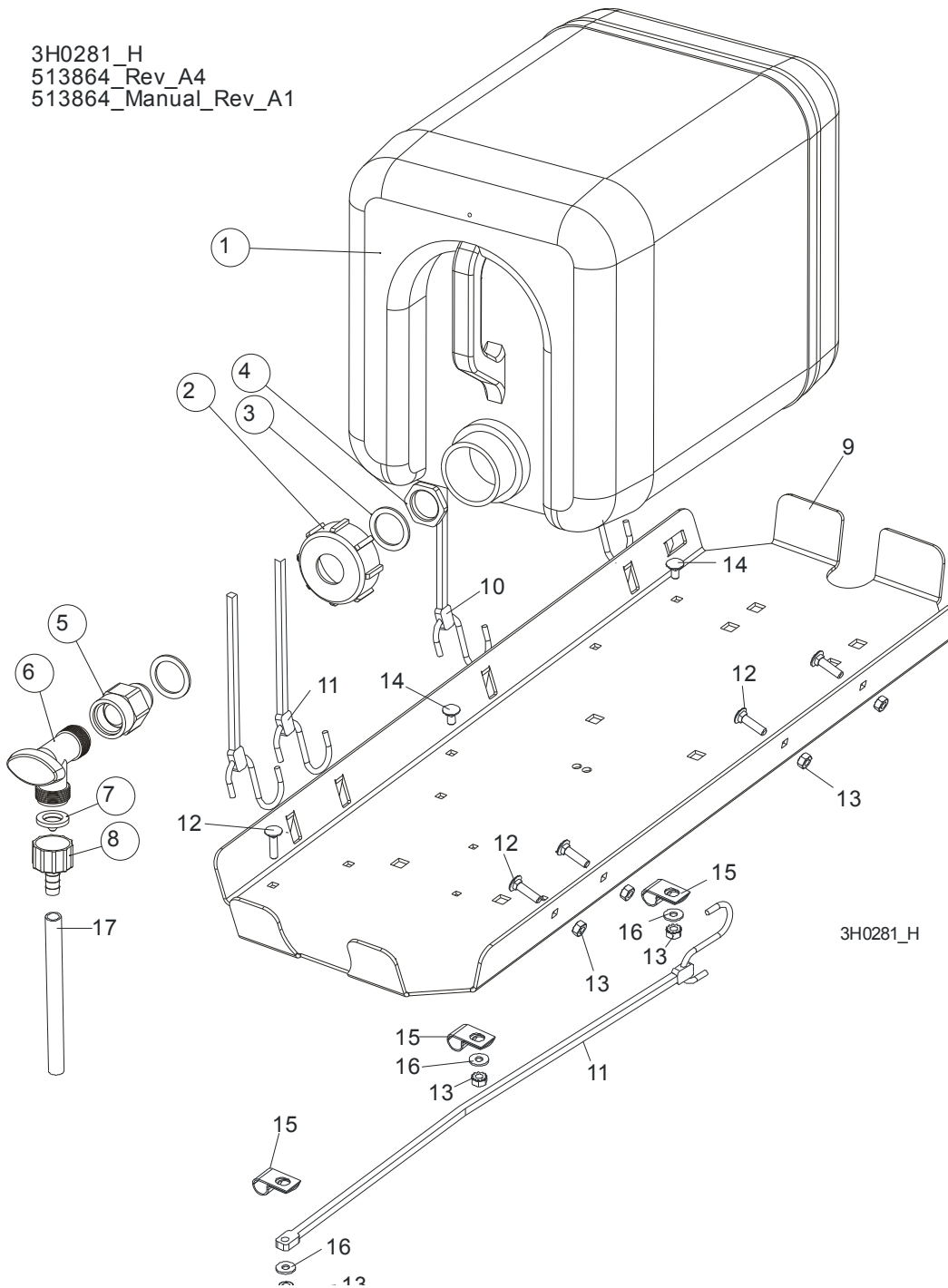
**Saw Head****Board Return Assembly**

|    |   |            |   |  |
|----|---|------------|---|--|
| 14 | Washer, 7.4 Flat                                | F81056-11  | 2 |  |
| 15 | Guard, Board Return Belt Ptd                    | 087985-1   | 1 |  |
| 16 | Screw, 10-32 x 1/2" Hex Head Machine            | F05004-60  | 4 |  |
| 17 | Sheave, 1.42 x .32                              | 015074     | 1 |  |
| 18 | Screw, 1/4-20 Socket Head Set Cup Point Nylon   | F05005-55  | 1 |  |
| 19 | Screw, 1/4-20 x 1" Socket Head Cap              | F05005-89  | 1 |  |
| 20 | Belt, 3L190                                     | 015477     | 1 |  |
| 21 | Sheave, OK50 x 1/2" Modified                    | 015224     | 1 |  |
| 22 | Bolt, Idler Pulley Pivot                        | 015221     | 1 |  |
| 23 | Bushing, 5/8" x 7/8" x 1/2" Bronze              | P05135     | 1 |  |
| 24 | Washer, 13 Flat                                 | F81056-1   | 1 |  |
| 25 | Nut, 1/2-20 Jam Nylon Lock                      | F05010-79  | 1 |  |
| 26 | Plate, Motor Pivot                              | 087871     | 1 |  |
| 27 | Screw, M10 x 25-8.8 Black Oxide Socket Head Cap | F81003-32  | 1 |  |
| 28 | BOLT, M10x75-8.8-Fe/Zn5 PN-M/82101              | F81003-15  | 2 |  |
| 29 | Motor, 53:1 ASA Gear                            | P09698-1   | 1 |  |
| 30 | Spring, 3/4" x 2 7/8" x 12 Gauge                | 015479     | 1 |  |
| 31 | Bolt, 1/4-20 x 1" Hex Head Grade 5              | F05005-101 | 1 |  |
| 32 | Cable, Board Return                             | 016090     | 1 |  |
| 33 | Washer, 10.2 Split                              | F81055-2   | 2 |  |
| 34 | Bolt, 3/8-16 x 3/4" Hex Head                    | F81003-1   | 2 |  |
| 35 | Angle, Board Return                             | 087835-1   | 1 |  |
| 36 | WASHER, M5 SPLIT LOCK                           | F81052-2   | 2 |  |



## 4.6 Water Lube Assembly

3H0281\_H  
513864\_Rev\_A4  
513864\_Manual\_Rev\_A1



| REF | DESCRIPTION (◆ Indicates Parts Available In Assemblies Only) | PART #                    | QTY.     |
|-----|--|---------------------------|----------|
|     | <b>BOTTLE, WATER, COMPLETE.</b>                              | <b>513864</b>             | <b>1</b> |
|     | <b>BOTTLE, WATER, WITH NUT.</b>                              | <b>513865<sup>1</sup></b> | <b>1</b> |
| 1   | BOTTLE, WATER  | 513866                    | 1        |
| 2   | NUT, BOTTLE.   | 513867                    | 1        |
| 3   | SEAL, RUBBER 35x26x2.  | 513869                    | 2        |
| 4   | NUT, PACKING 3/4 NPT.  | 513868                    | 1        |

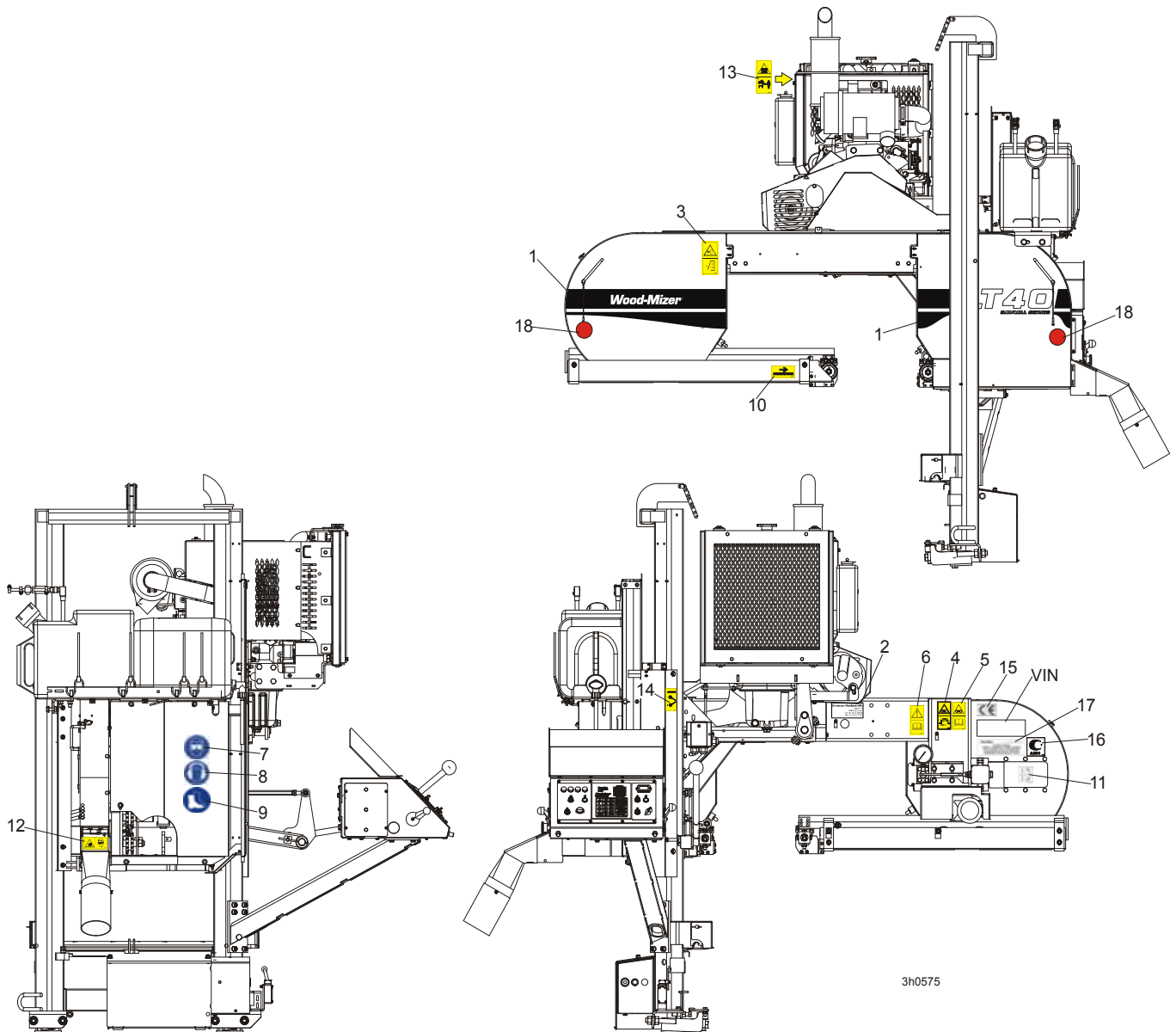
## 4

**Saw Head***Water Lube Assembly*

|    |  |           |       |   |
|----|--|-----------|-------|---|
| 5  | Fitting, 3/4FPT x 3/4MPT Reducer                             | 014636    | 1     |   |
| 6  | Fitting, Water Lube Shutoff Valve                            | 014100    | 1     |   |
| 7  | Filtr NUT  | 016086    | 1     |   |
| 8  | FITTING, 5/8" NPT TO 3/8" HOSE BARB                          | 014113    | 1     |   |
| 9  | <b>Tray, Fuel Tank/Water Bottle</b>                          | 099600-1  | 1     | ◆ |
| 10 | <b>Strap, 24" Rubber (For Fuel Tank - See Engine Manual)</b> | P11258    | 2     |   |
| 11 | <b>Strap, 20" Rubber</b>                                     | P11668    | 3     |   |
| 12 | <b>BOLT, 1/4-20 X 1" CARRIAGE HEAD</b>                       | F05005-34 | 5     |   |
| 13 | <b>NUT, 1/4-20 HEX LOCK</b>                                  | F05010-21 | 7     |   |
| 14 | <b>BOLT, 1/4-20 X 1/2" CARRIAGE HEAD</b>                     | F05005-33 | 2     |   |
| 15 | <b>CLAMP, 1/2" EMT HOSE</b>                                  | P07584    | 3     |   |
| 16 | <b>WASHER, 6.5 FLAT ZINC</b>                                 | F81053-11 | 3     |   |
| 17 | <b>TUBING, WATER LUBE 3/8" I.D.</b>                          | R01885    | 2,1 m |   |

<sup>1</sup> The service number 513865-S includes: 513865, 513869, 513868.

## 4.7 LT40DC Saw Head Decals



3h0575

| REF | DESCRIPTION (◆ Indicates Parts Available In Assemblies Only) | PART #  | QTY. |
|-----|--|---------|------|
| 1   | DECAL, LT40 SERIES SAWMILL                                   | 092763  | 1    |
|     | PICTOGRAPHIC DECAL KIT, LT40DC                               | 099517  | 1    |
| 2   | DECAL, EUROPEAN HEADQUARTERS ADDRESS                         | 015841  | 1    |
| 3   | DECAL, SAWMILL COVERS CAUTION                                | 099220  | 2    |
| 4   | DECAL, BLADE TENSION (PICTOGRAM)                             | 099219  | 1    |
| 5   | DECAL, BLADE TENSION - INSTRUCTIONS (PICTOGRAM)              | 099223  | 1    |
| 6   | DECAL, READ OPERATOR'S MANUAL (PICTOGRAM)                    | 096317  | 1    |
| 7   | DECAL, EYE PROTECTION WARNING (PICTOGRAM)                    | S12004G | 1    |
| 8   | DECAL, EAR PROTECTION WARNING (PICTOGRAM)                    | S12005G | 1    |
| 9   | DECAL, USE SAFETY BOOTS (PICTOGRAM)                          | 501465  | 1    |
| 10  | DECAL, BLADE MOVEMENT DIRECTION (PICTOGRAM)                  | 096321  | 1    |

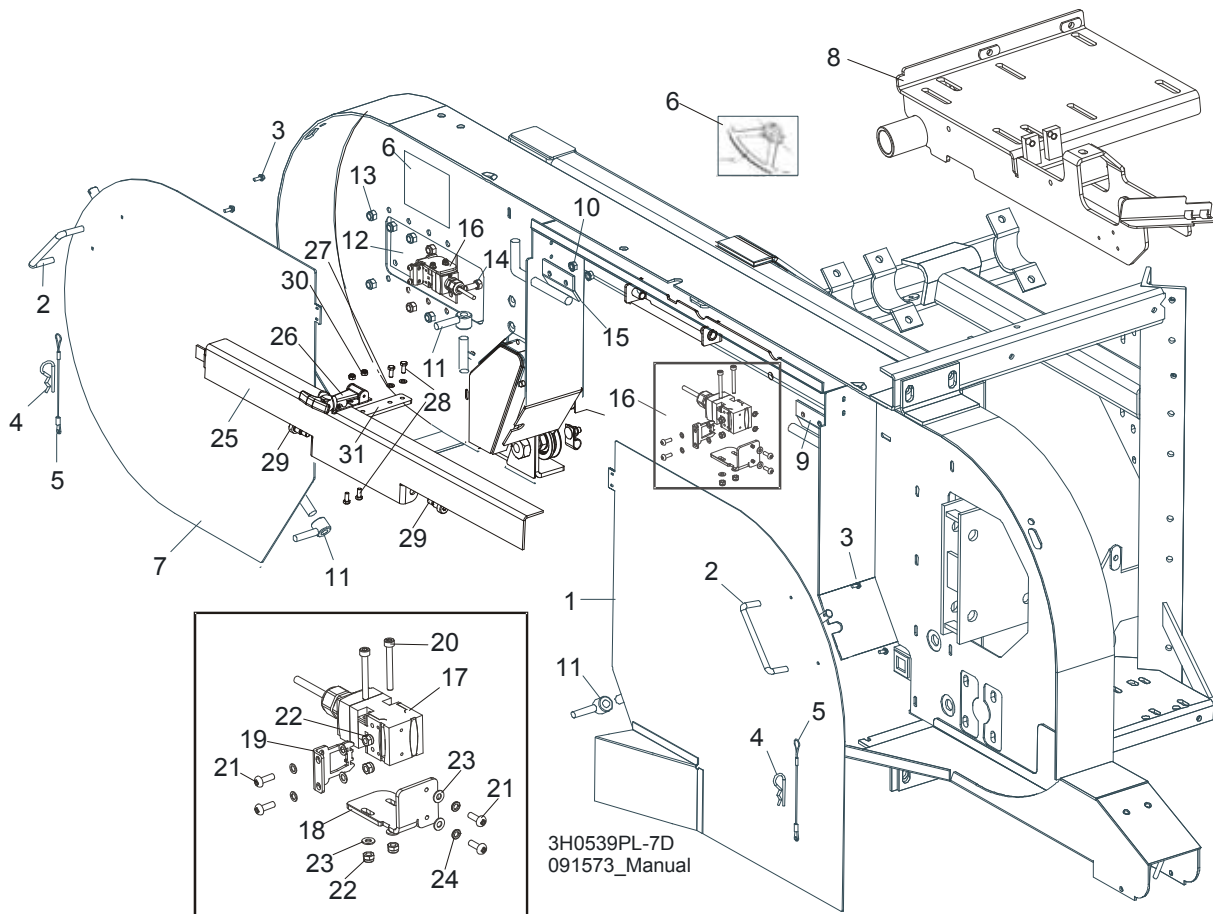
## 4

**Saw Head***LT40DC Saw Head Decals*

---

|    |  |        |   |  |
|----|--|--------|---|--|
| 11 | DECAL, BLADE ALIGNMENT                             | P11789 | 1 |  |
| 12 | DECAL, SAWDUST CHUTE WARNING (PICTOGRAM)           | 099222 | 1 |  |
| 13 | DECAL, KEEP AWAY - HOT PARTS (PICTOGRAM)           | 086099 | 1 |  |
| 14 | DECAL, BLADE DRIVE WARNING (PICTOGRAM)             | 096315 | 1 |  |
| 15 | DECAL, CE CERTIFIED SAWMILL (SMALL)                | P85070 | 2 |  |
| 16 | DECAL, RUSSIAN SAFETY CERTIFICATION                | 099401 | 1 |  |
| 17 | DECAL, INTERNATIONAL SAWMILL NAME                  | 501466 | 1 |  |
|    | <b>DECAL, BLADE SETTING</b>                        | P85066 | 1 |  |
|    | DECAL, KEEP AWAY DANGER, PICTOGRAM                 | 099221 | 1 |  |
|    | DECAL, MAX. OIL PRESSURE, PICTOGRAM                | 099524 | 1 |  |
| 18 | <b>REFLECTOR, 2 DIA RED (MOBILE SAWMILLS ONLY)</b> | P07452 | 1 |  |

## 4.8 Blade Housing Covers



| REF | DESCRIPTION (◆ Indicates Parts Available In Assemblies Only) | PART #                | QTY. |   |
|-----|--|-----------------------|------|---|
|     | <b>COVER ASSEMBLY, DRIVE SIDE BLADE HOUSING WITH HANDLE</b>  | 087165                | 1    |   |
| 1   | Cover Weldment, Drive Side Blade Housing                     | 087159-1              | 1    | ◆ |
| 2   | Handle, Blade Housing Cover                                  | P08065                | 1    |   |
| 3   | Screw, #8-32 x 3/8"  | F05015-8              | 2    |   |
|     | Pin Assembly, Cover Retainer                                 | A11881                | 1    |   |
| 4   | Pin, Safety Retainer   | N/A                   | 1    |   |
| 5   | Cable, 3/64" x 6" Lanyard                                    | N/A                   | 1    |   |
| 6   | <b>DECAL, BLADE SETTING</b>                                  | P85066                | 1    |   |
|     | <b>COVER, IDLE SIDE BLADE HOUSING WITH HANDLE</b>            | 086431                | 1    |   |
| 7   | Cover, Idle Side Blade Housing                               | 086430-1              | 1    | ◆ |
| 2   | Handle, Blade Housing Cover                                  | P08065                | 1    |   |
| 3   | Screw, #8-32 X 3/8" Self-Tap                                 | F05015-8              | 2    |   |
|     | Pin Assembly, Cover Retainer                                 | A11881                | 1    |   |
| 4   | Pin, Safety Retainer   | N/A                   | 1    |   |
| 5   | Cable, 3/64" x 6" Lanyard                                    | N/A                   | 1    |   |
| 8   | <b>MOUNT WELDMENT E15,E20,E25</b>                            | 087736-1 <sup>1</sup> | 1    |   |
| 9   | <b>HINGE, MIDDLE BLADE HOUSING COVER</b>                     | S07522                | 1    |   |
| 10  | <b>NUT, 1/4-20 SELF-LOCKING HEX</b>                          | F05010-9              | 4    |   |
| 11  | <b>NUT, COVER TURN</b>                                       | 086365-1              | 2    |   |
| 12  | <b>PLATE, IDLE BLADE WHEEL GUARD</b>                         | 086230                | 1    |   |

## 4

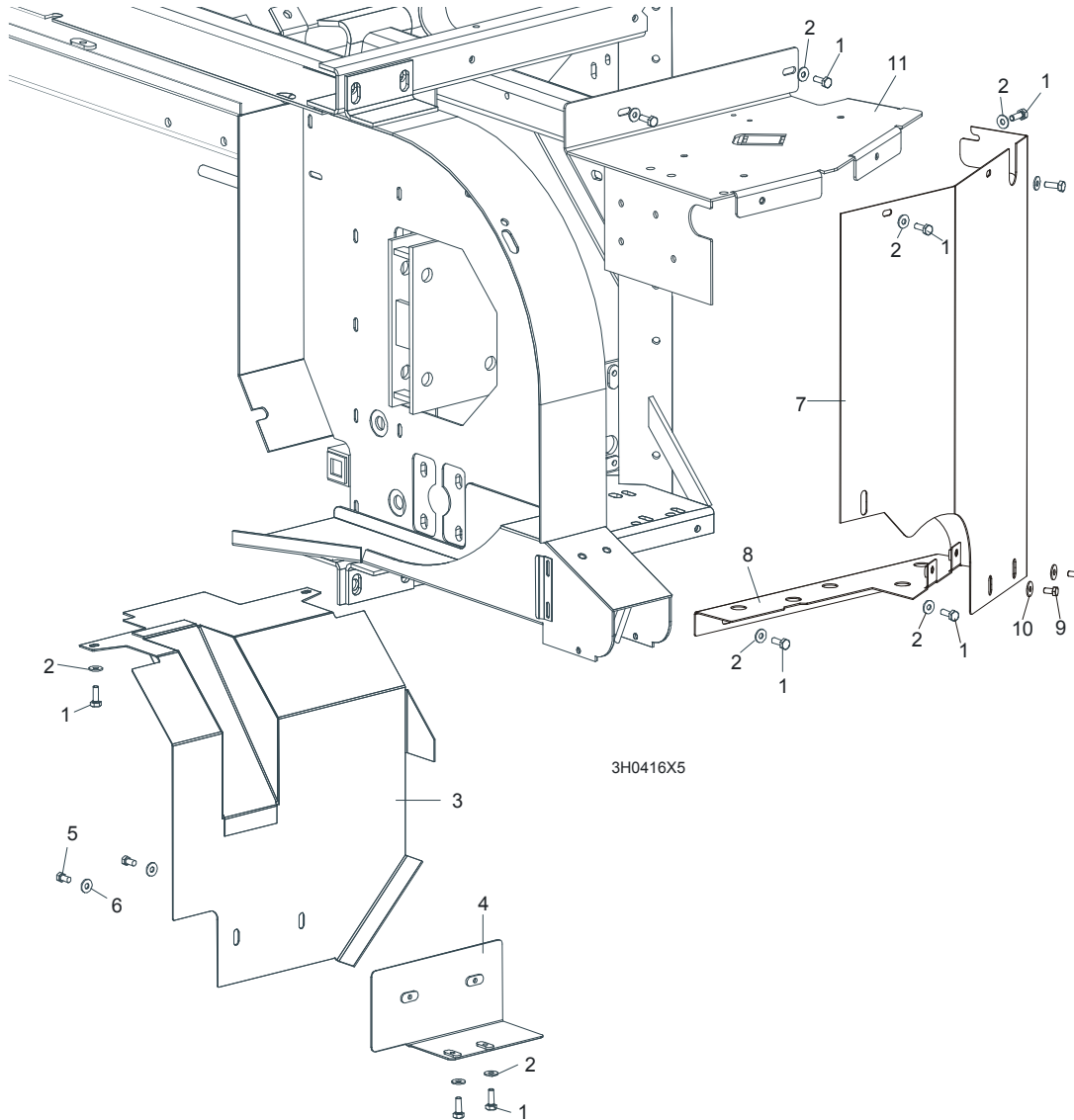
**Saw Head***Blade Housing Covers*

|    |  |                           |          |  |
|----|--|---------------------------|----------|--|
| 13 | <b>NUT, 5/16-18 HEX NYLON LOCK</b>           | F05010-58                 | 6        |  |
| 14 | <b>BOLT, 5/16-18 X 3/4" HEX HEAD GRADE 2</b> | F05006-5                  | 6        |  |
| 15 | <b>HINGE, MIDDLE BLADE HOUSING COVER</b>     | 085336-1                  | 1        |  |
| 16 | <b>SWITCH ASSEMBLY, SAFETY SHUT-OFF</b>      | 094301                    | 2        |  |
| 17 | Safety Switch, AZ17-11ZRK                    | 094232                    | 2        |  |
| 18 | Bracket, Safety Switch Mount Painted         | 094300-1                  | 2        |  |
| 19 | Key, AZ17/170-B5 Safety Switch               | 094422                    | 2        |  |
| 20 | Bolt, M4 x 35-8.8 Socket Head                | F81011-34                 | 4        |  |
| 21 | Screw, M4 x 12-5.8                           | F81011-43                 | 8        |  |
| 22 | Nut, M4 Hex                                  | F81029-1                  | 8        |  |
| 23 | Washer, M4 Split Lock Zinc                   | F81051-1                  | 4        |  |
| 24 | Washer, 4.3                                  | F81051-2                  | 8        |  |
|    | <b>BLADE FLAP ASSEMBLY</b>                   | <b>511645<sup>2</sup></b> | <b>1</b> |  |
| 25 | BLADE COVER LT40                             | 511116-1                  | 1        |  |
| 26 | Latch, Flexible Draw                         | 014829                    | 1        |  |
| 27 | PODKŁADKA 5.3 FE/ZN5 PN-78/M-82005           | F81052-1                  | 2        |  |
| 28 | BOLT, M5 X 12-5.8-Fe/Zn5, PN-M/82105         | F81000-5                  | 4        |  |
| 29 | BOLT, 10/M8 X 12-12.9 ISO-7379               | F81003-62                 | 2        |  |
| 30 | NUT, M5-8-Fe/Zn5 DIN985                      | F81030-2                  | 2        |  |
| 31 | PLATE BLADE COVER LT40                       | 512570-1                  | 1        |  |

<sup>1</sup> Only LT40 AC Sawmills

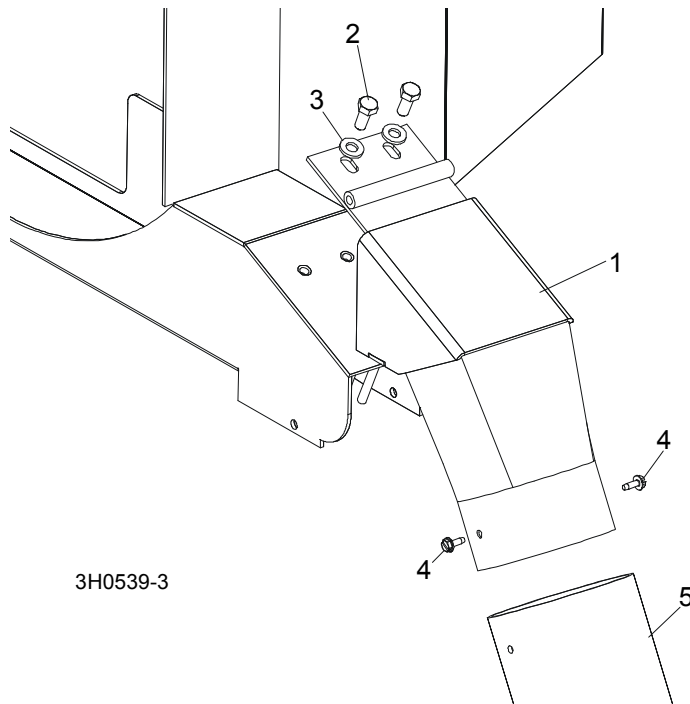
<sup>2</sup> Belongs to 091573

## 4.9 Drive Belt Covers



| REF | DESCRIPTION (◆ Indicates Parts Available In Assemblies Only) | PART #    | QTY. |
|-----|--|-----------|------|
| 1   | <b>BOLT, M6X12-8.8-ZINC</b>                                  | F81001-7  | 11   |
| 2   | <b>WASHER 6,5 ZINC</b>                                       | F81053-11 | 11   |
|     | <b>GUARD ASSEMBLY, CLUTCH LEVER</b>                          | 086290    | 1    |
| 3   | Guard Weldment, Manual Clutch                                | 093398-1  | 1    |
| 4   | Mount Weldment, Clutch Guard                                 | 086275-1  | 1    |
| 5   | Bolt, <b>M6X12-8.8</b> Hex Head Zinc                         | F81001-7  | 2    |
| 6   | Washer, 6.5 Flat Zinc  | F81053-11 | 2    |
|     | <b>GUARD ASSEMBLY, DRIVE PULLEY SIDE</b>                     | 093396    | 1    |
| 7   | Guard Weldment, Side Up/Down                                 | 100474-1  | 1    |
| 8   | Guard Weldment, Saw Head Frame Lower                         | 100473-1  | 1    |
| 9   | Bolt, M6X12-8.8 Hex Head Zinc                                | F81001-7  | 2    |
| 10  | Washer, 6.5 Flat Zinc  | F81053-11 | 2    |
| 11  | <b>GUARD, DRIVE PULLEY TOP</b>                               | 087033-1  | 1    |

**4.10 Sawdust Chute**

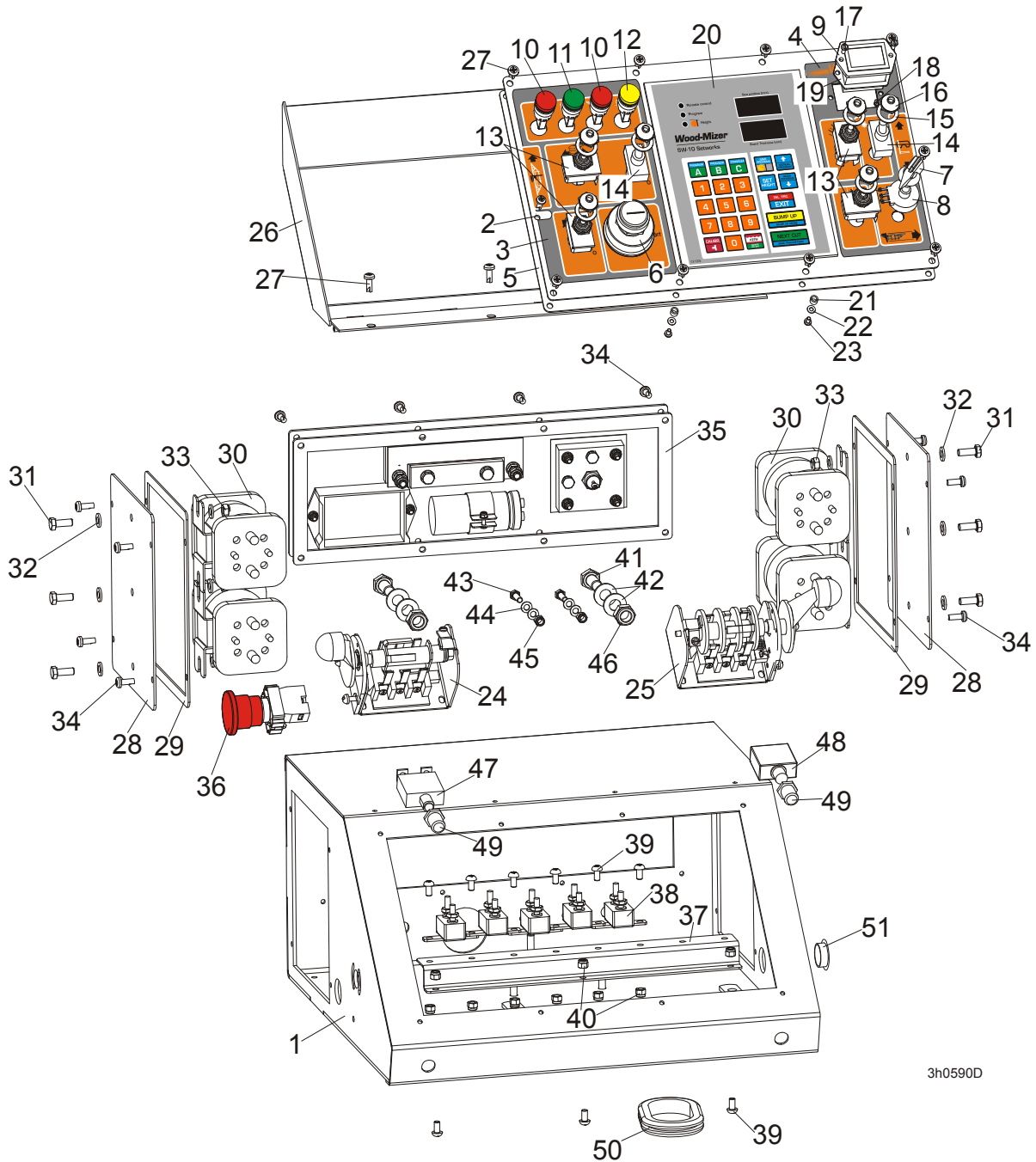


| REF | DESCRIPTION (◆ Indicates Parts Available In Assemblies Only) | PART #    | QTY.  |
|-----|--|-----------|-------|
| 1   | CHUTE, LT40 SAWDUST  | 501500-1  | 1     |
| 2   | BOLT, M8X20-8.8-B-ZINC HEX HEAD                              | F81002-20 | 2     |
| 3   | WASHER 8,4-ZINC ROUND  | F81054-1  | 2     |
| 4   | BOLT, #10-24 X 1/2" SELF-TAPPING                             | F05015-7  | 2     |
| 5   | TUBING, 4" I.D. RUBBER                                       | 086364    | 0.6 m |
|     | STRAP, 20" RUBBER W/HOOK                                     | P11668    | 1     |
|     | BOLT, 1/4-20 X 1 1/4" HEX HEAD FULL THREAD                   | F05005-3  | 1     |
|     | WASHER, 7.4 FLAT   | F81056-11 | 1     |
|     | NUT, 1/4-20 LOCK   | F05010-21 | 1     |



## SECTION 5 CONTROL & BATTERY BOXES

### 5.1 Control Assembly, LT40 Series DH



3h0590D

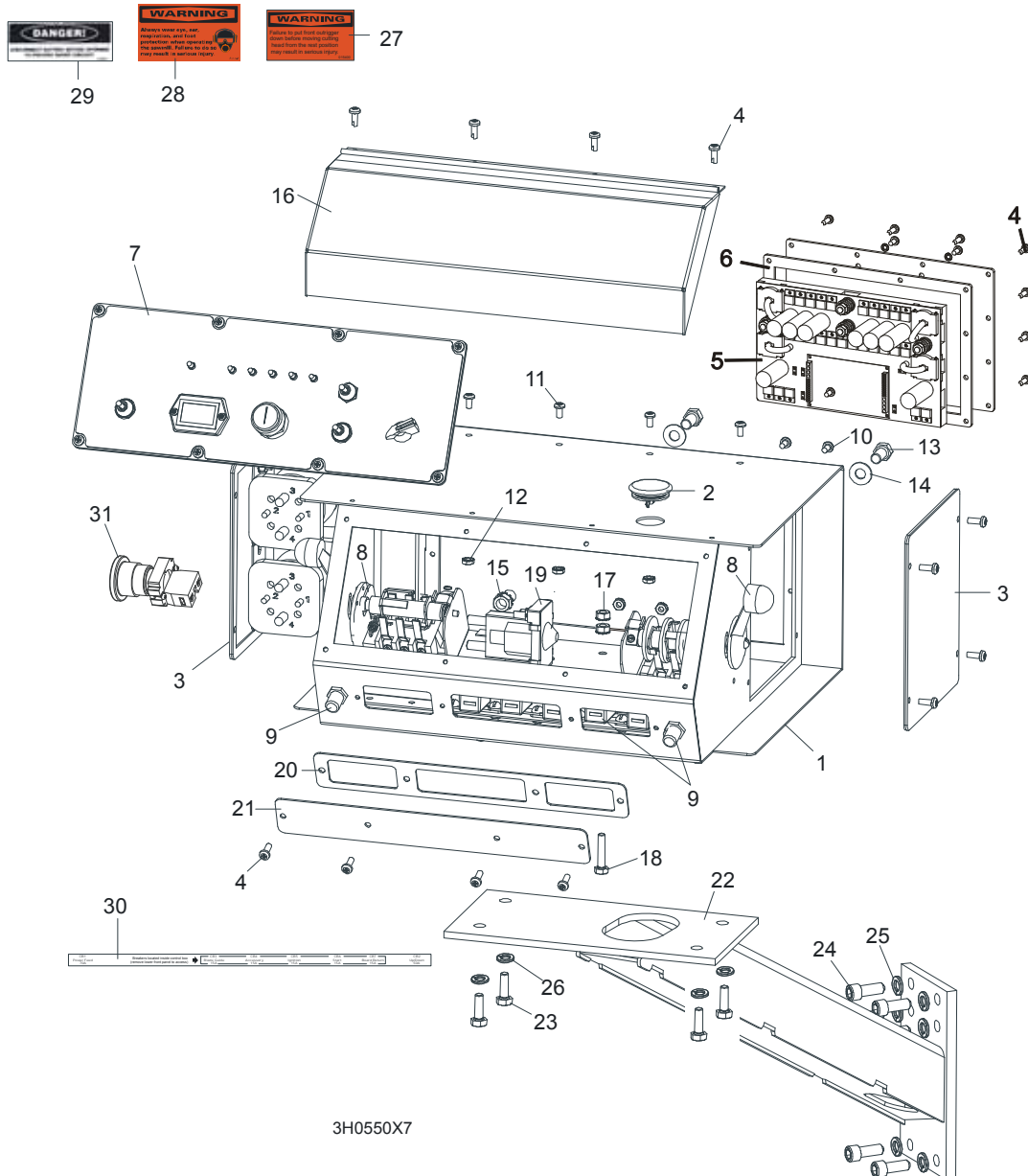
| REF | DESCRIPTION (◆ Indicates Parts Available In Assemblies Only) | PART #   | QTY. |
|-----|--|----------|------|
|     | <b>CONTROL BOX ASSEMBLY, LT40 DC</b>                         | 098375   | 1    |
| 1   | Control Box, LT40  | 098373-1 | 1    |
|     | Panel, LT40 DC Front Control Complete                        | 098691   | 1    |

|    |   |                       |    |   |
|----|---|-----------------------|----|---|
| 2  | Panel, LT20/40 DC Front Control           | 100573-1              | 1  |   |
|    | Panel, LT40 DC Front Control              | 098376-1 <sup>1</sup> | 1  |   |
| 3  | Decal, LT40 DC Control Box Left           | 099595                | 1  |   |
| 4  | Decal, LT40 DC Control Box Right          | 099596                | 1  |   |
| 5  | Gasket, LT20/40 Control Box               | 097132                | 1  |   |
| 6  | Switch, Key                               | P04350                | 1  |   |
| 7  | Knob, Speed Control                       | P06257                | 1  |   |
| 8  | Potentiometer, 1k Feed Rate               | E20519                | 1  |   |
| 9  | Meter, Hour                               | 093166                | 1  |   |
| 10 | Light, XB6AV4BB Red                       | 091099                | 2  |   |
| 11 | Light, XB6AV3BB Green                     | 087348                | 1  |   |
| 12 | Light, XB6AV5BB Yellow                    | 089812                | 1  |   |
| 13 | Switch, Toggle                            | 024200                | 4  |   |
| 14 | Switch, SPST On/Off 15A .25 TABS Toggle   | P03027                | 2  |   |
| 15 | Washer, 1/2x3/4x1/16 Nylon                | P05251-1              | 6  |   |
| 16 | Boot, Toggle Switch                       | P02575                | 6  |   |
| 17 | Bolt, M3x12-8.8 Zinc                      | F81000-12             | 2  |   |
| 18 | Nut, M3-6 Nylon Zinc Lock                 | F81028-2              | 2  |   |
| 19 | Gasket, Hour Meter                        | 093346                | 1  |   |
| 20 | Controller, SW-10 Setworks                | 500628                | 1  |   |
| 21 | Spacer, 4.2x6mm Idler                     | R80671-4              | 6  |   |
| 22 | Washer, 3.2 Flat Zinc                     | F81050-2              | 6  |   |
| 23 | Screw, M3x8-4.8 Zinc                      | F81000-83             | 6  |   |
| 24 | Switch, 1992GS Pwr/Feed (Service Package) | E20438                | 1  |   |
| 25 | Switch, 1992 Up/Down (Service Package)    | E20440                | 1  |   |
| 26 | Cover Weldment, LT20/40 Complete          | 097135-1              | 1  |   |
| 27 | Bolt, #10-24x1/2 Ph Pan Hd, Type 23       | F05015-17             | 14 |   |
|    | Solenoid Assembly, DC Up/Down             | 086747                | 1  |   |
|    | Solenoid Assembly, DC Power Feed          | 086749                | 1  |   |
|    | Cover, Control Box Side Complete          | 086700                | 1  |   |
| 28 | Cover, Control Box Side                   | 086699-1              | 1  |   |
| 29 | Gasket, Control Box Side                  | 015274                | 1  |   |
| 30 | Solenoid, 200A 12V DPST                   | 015417                | 2  |   |
| 31 | BOLT, M6x16 8.8 Fe/Zn5 PN-M/82105         | F81001-15             | 3  |   |
| 32 | Washer, M6 Flat Zinc                      | F81053-1              | 6  |   |
| 33 | Nut, M6, Hex, Nylon Lock Zinc             | F81031-2              | 3  |   |
| 34 | Bolt, #10-24x1/2 Ph Pan Hd, Type 23       | F05015-17             | 12 |   |
|    | Panel Assy, Power Feed Control SMT 97+    | 024412                | 1  |   |
| 35 | Gasket, Power Feed Control                | 015278                | 1  |   |
| 36 | Switch, XB2 BS542 Emergency               | 086556                | 1  |   |
|    | Breaker Assembly, Sawmill Control Circuit | 086746                | 1  |   |
| 37 | Rail, Circuit Breaker                     | 015310                | 1  | ◆ |
| 38 | Breaker, 15A Manual Reset                 | E20430                | 5  | ◆ |
| 39 | Screw, H M5x10 8.8 Zinc                   | F81000-13             | 9  |   |
| 40 | Nut, M5-8 Zinc                            | F81030-2              | 9  |   |
| 41 | Bolt, M10x20mm, Hex Head, Gr 5.8 Zinc     | F81003-1              | 2  |   |
| 42 | Washer, M10 Flat Zinc                     | F81055-1              | 4  |   |
| 43 | Nut, M10 Nylon Hex Zinc Lock              | F81033-1              | 2  |   |

|    |                                       |           |   |  |
|----|---------------------------------------|-----------|---|--|
| 44 | Bolt, M5x16-8.8 Zinc                  | F81000-20 | 2 |  |
| 45 | Washer, M5 Flat Zinc                  | F81052-1  | 4 |  |
| 46 | Nut, M5-8 Zinc                        | F81030-2  | 2 |  |
| 47 | Breaker, 70A Manual Reset Panel Mount | 015527    | 1 |  |
| 48 | Breaker, 50A Manual Reset Panel Mount | 021256    | 1 |  |
| 49 | Boot, Circuit Breaker                 | 021253    | 2 |  |
| 50 | Grommet, Rubber                       | 087065    | 1 |  |
| 51 | Cap, SR1086 22.2 Dia. Hole            | 093544    | 1 |  |

<sup>1</sup> Use in African version only.

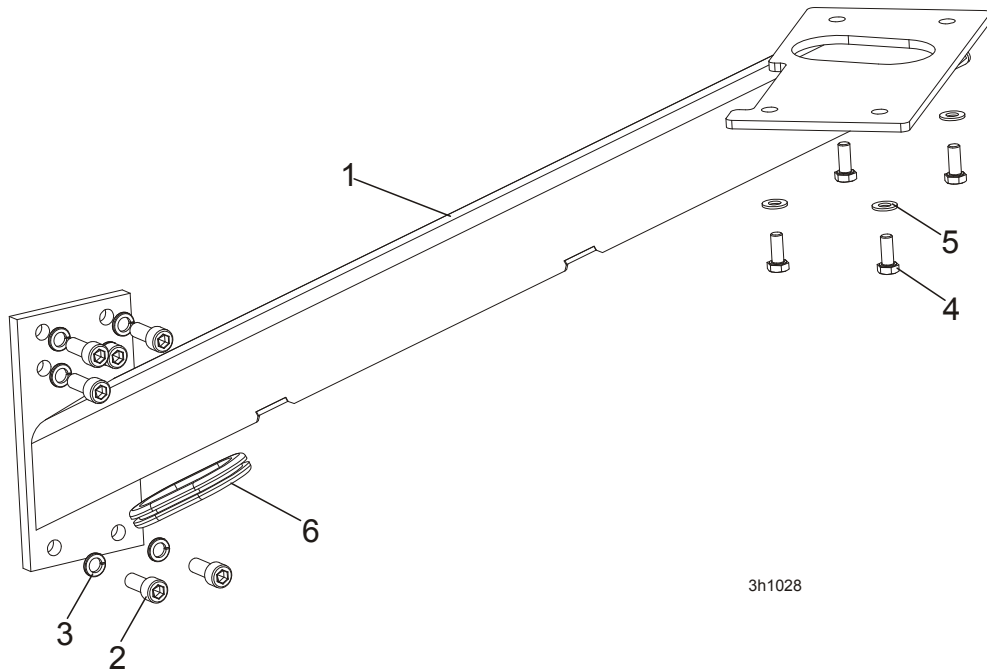
## 5.2 Control Assembly (Gas/Diesel), Optional Equipment



| REF | DESCRIPTION (◆ Indicates Parts Available In Assemblies Only) | PART #   | QTY. |  |
|-----|--|----------|------|--|
|     | <b>CONTROL BOX ASSEMBLY, D42</b>                             | 095000   | 1    |  |
| 1   | DC Control Box   | 095012-1 | 1    |  |
| 2   | Plug, AS075 Oiltite  | E20570   | 1    |  |

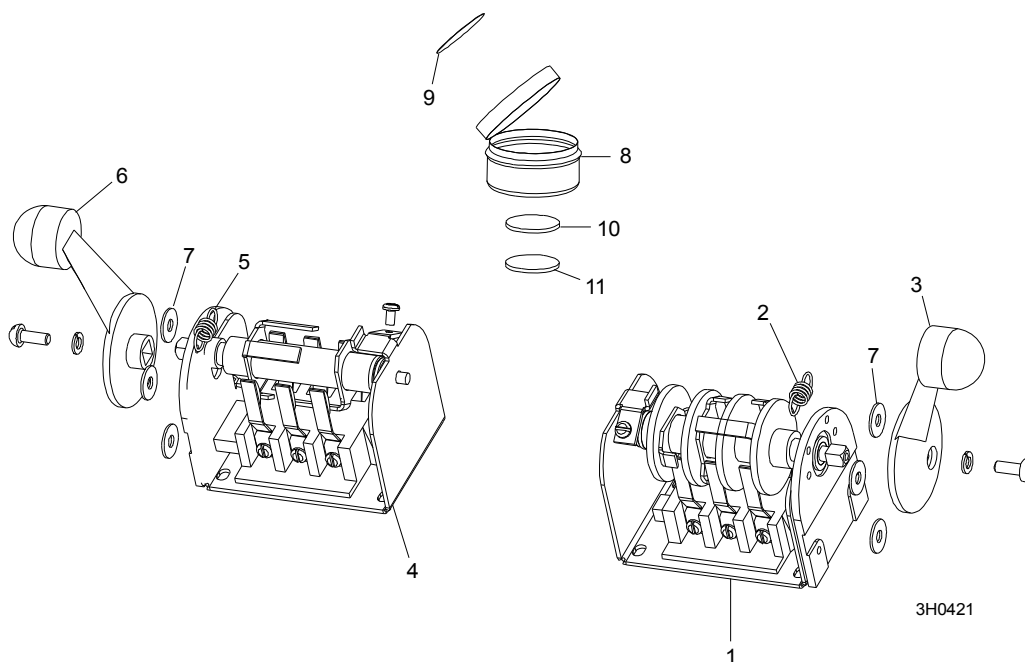
|    |  |            |    |  |
|----|--|------------|----|--|
| 3  | Solenoid Parts ( <a href="#">See Section</a> )                         |            |    |  |
| 4  | Screw, #10-24 x 1/2" Pan Head  | F05015-17  | 16 |  |
| 5  | Panel Assembly, Power Feed Control                                     | 095010-1   | 1  |  |
|    | Circuit Board, Control Box Power Feed                                  | 051667     | 1  |  |
| 6  | Gasket, Rear Access Panel  | 095011     | 1  |  |
| 7  | Front Control Panel & Wiring Harnesses ( <a href="#">Section 5.4</a> ) |            |    |  |
| 8  | Drum Switches ( <a href="#">Section 5.3</a> )                          |            |    |  |
| 9  | Circuit Breakers ( <a href="#">Section 5.5</a> )                       |            |    |  |
| 10 | Screw, #10-24 x 3/8" Phillips Pan Head                                 | F05004-3   | 2  |  |
| 11 | Screw, #10-24 x 3/8" Phillips Pan Head Machine with Neo Washer         | F05004-148 | 4  |  |
| 12 | Nut, #10-24 Self Locking   | F05010-14  | 6  |  |
| 13 | Bolt, 3/8-16 x 3/4" Hex Head   | F05007-27  | 2  |  |
| 14 | Washer, 10.5 Flat  | F81055-1   | 2  |  |
| 15 | Nut, 3/8" Lock Nut   | F05010-19  | 2  |  |
| 16 | Cover, Control Box Hinged  | 015304     | 1  |  |
| 17 | Nut, 1/4-20 Self-locking   | F05010-9   | 2  |  |
| 18 | Bolt, 1/4-20 x 1 1/4" Hex Head Tap                                     | F05005-3   | 1  |  |
| 19 | Solenoid, 200A 12V SPST  | 015470     | 1  |  |
|    | Diode Assembly, Solenoid Coil Chassis GND                              | 087496     | 1  |  |
| 20 | Gasket, Front Access Panel   | 015266     | 1  |  |
| 21 | Panel, Control Box Front Access  | 086704-1   | 1  |  |
| 22 | <b>MOUNT WELDMENT, STANDARD CONTROL BOX</b>                            | 086732-1   | 1  |  |
| 23 | <b>NUT, 5/16-18 SELF-LOCKING HEX</b>                                   | F05010-20  | 4  |  |
| 24 | <b>BOLT, M10 X 25-8.8 SOCKET HEAD</b>                                  | F81003-32  | 4  |  |
| 25 | <b>WASHER, 10.2 SPLIT LOCK</b>   | F81055-2   | 4  |  |
| 26 | <b>WASHER, 3/8" EXTERIOR STAR LOCK</b>                                 | F05011-36  | 4  |  |
| 27 | <b>DECAL, FRONT OUTRIGGER WARNING</b>                                  | 015400     | 1  |  |
| 28 | <b>DECAL, EAR/EYE PROTECTION WARNING</b>                               | S11753     | 1  |  |
| 29 | <b>DECAL, DISCONNECT BATTERY DANGER</b>                                | S12002     | 1  |  |
| 30 | <b>DECAL, CIRCUIT BREAKER ID ('98 SUPER)</b>                           | 024362     | 1  |  |
| 31 | <b>SWITCH, RED EMERGENCY STOP XALJ174F</b>                             | E22703-2   | 1  |  |

### 5.3 Control Box Bracket



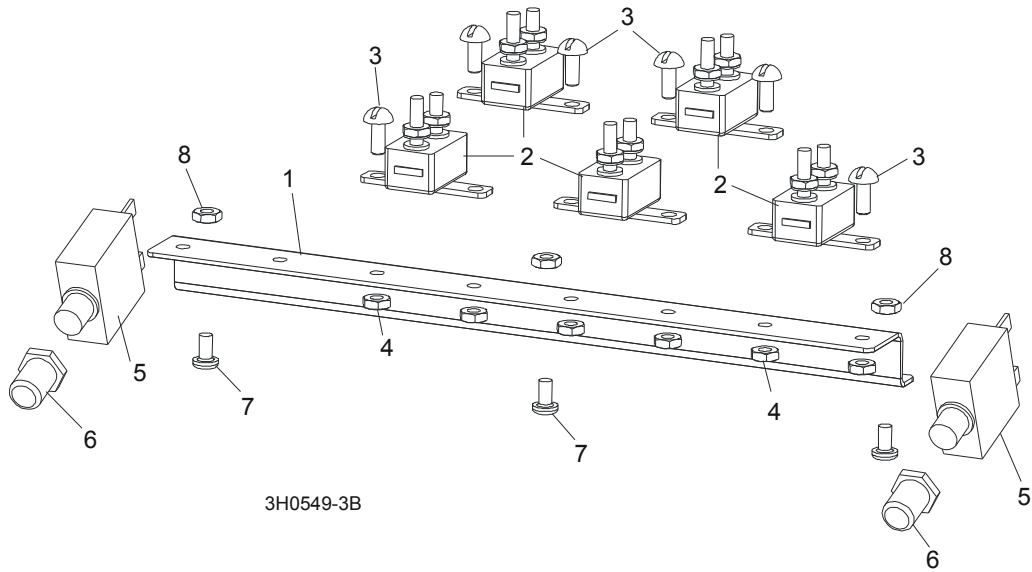
| REF. | DESCRIPTION (◆ Indicates Parts Available In Assemblies Only) | PART #    | QTY. |
|------|--|-----------|------|
| 1    | MOUNT WELDMENT, STANDARD CONTROL BOX                         | 086732-1  | 1    |
| 2    | BOLT, M10x25 8.8 HEX SOCKET HEAD CAP ZINC                    | F81003-32 | 6    |
| 3    | WASHER, 10.2 SPLIT LOCK ZINC                                 | F81055-2  | 6    |
| 4    | BOLT, M8X20-8.8-B HEX HEAD FULL THREAD ZINC                  | F81002-4  | 4    |
| 5    | WASHER, 8.4 FLAT ZINC  | F81054-1  | 4    |
| 6    | GROMMET, RUBBER  | 087065    | 1    |

### 5.4 Drum Switches



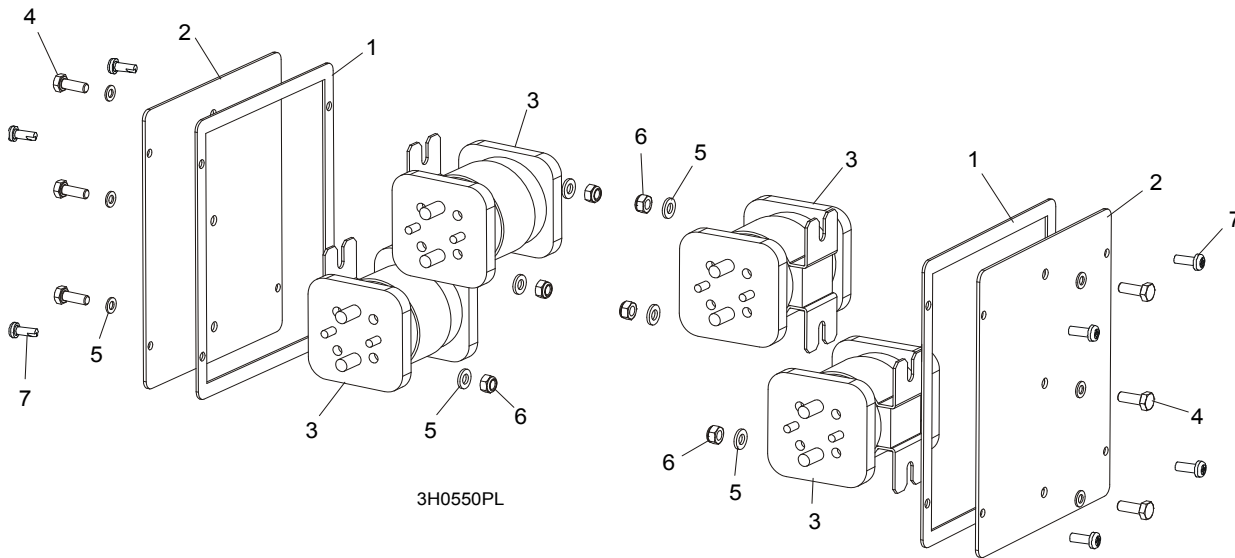
| REF. | DESCRIPTION (◆ Indicates Parts Available In Assemblies Only) | PART #    | QTY.  |   |
|------|--|-----------|-------|---|
|      | <b>SWITCH ASSEMBLY, UP/DOWN DRUM</b>                         | E20440    | 1     |   |
| 1    | Switch, S12 Bulk Drum  | E20440-B  | 1     | ◆ |
| 2    | Spring, Drum Switch  | P12570    | 1     |   |
| 3    | Handle, Drum Switch Replacement                              | P12500    | 1     |   |
|      | <b>SWITCH ASSEMBLY, POWER FEED DRUM</b>                      | E20438    | 1     |   |
| 4    | Switch, S10 Bulk Drum  | E20438-B  | 1     | ◆ |
| 5    | Spring, Drum Switch  | P12570    | 1     |   |
| 6    | Handle, Drum Switch Replacement                              | P12500    | 1     |   |
| 7    | <b>WASHER, #8 SAE FLAT</b>                                   | F05011-41 | 6     |   |
|      | <b>CUP ASSEMBLY, DRUM SWITCH GREASE</b>                      | A20463    | 1     |   |
| 8    | Cup, Plastic Container                                       | P20464    | 1     | ◆ |
| 9    | Decal, Grease Cup Label                                      | P20467    | 1     |   |
| 10   | Pad, Velcro Loop   | P20466    | 1     | ◆ |
| 11   | Pad, Velcro Hook   | P20465    | 1     | ◆ |
|      | Grease, High Temp Drum Switch                                | P20468    | .011m | ◆ |

## 5.5 Circuit Breakers



| REF | DESCRIPTION (◆ Indicates Parts Available In Assemblies Only) | PART #    | QTY. |
|-----|--|-----------|------|
|     | <b>BREAKER ASSEMBLY, SAWMILL CONTROL CIRCUIT</b>             | 015621    | 1    |
| 1   | Rail, Circuit Breaker  | 015310    | 1    |
| 2   | Breaker, 15 Amp Manual Reset                                 | E20430    | 5    |
| 3   | Screw, H M5x10 8.8 Slotted Head Zinc                         | F81000-13 | 6    |
| 4   | Nut, M5-8 Hex Self-Locking Zinc                              | F81030-2  | 6    |
| 5   | <b>BREAKER, 70 AMP MANUAL RESET PANEL MOUNT</b>              | 015527    | 2    |
| 6   | <b>BOOT, CIRCUIT BREAKER</b>                                 | 021253    | 2    |
| 7   | <b>BOLT, M5X12-5.8 ZINC</b>                                  | F81000-5  | 3    |
| 8   | <b>NUT, M5-8 SELF LOCKING ZINC</b>                           | F81030-2  | 3    |

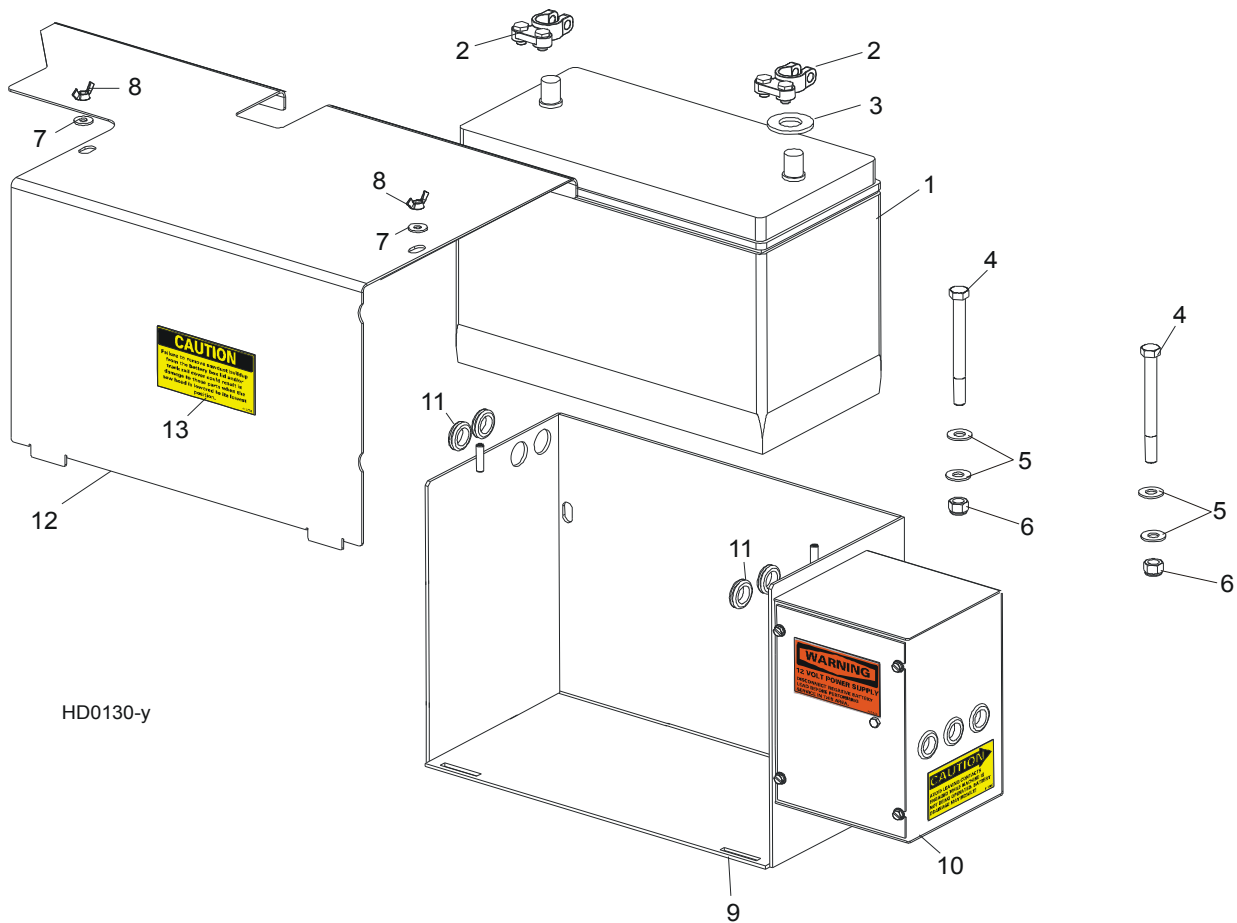
**5.6 Solenoid Assemblies**



| REF | DESCRIPTION (◆ Indicates Parts Available In Assemblies Only) | PART #    | QTY. |
|-----|--|-----------|------|
| 1   | GASKET, SIDE PANEL CONTROL                                   | 015274    | 2    |
| 2   | PANEL WELDMENT, SIDE   | 086699-1  | 2    |
| 3   | SOLENOID, 200A 12V DPST                                      | 015417    | 4    |
| 4   | BOLT, M6X16 8.8 FE/ZN5 PN-M/82105                            | F81001-15 | 6    |
| 5   | WASHER, 6.4 FLAT   | F81053-1  | 12   |
| 6   | NUT, M6-8 HEX  | F81031-2  | 6    |
|     | DIODE ASSEMBLY, SOLENOID COIL CHASSIS GND                    | 087496    | 4    |
| 7   | SCREW, #10-24 X 1/2" PAN HEAD                                | F05015-17 | 8    |



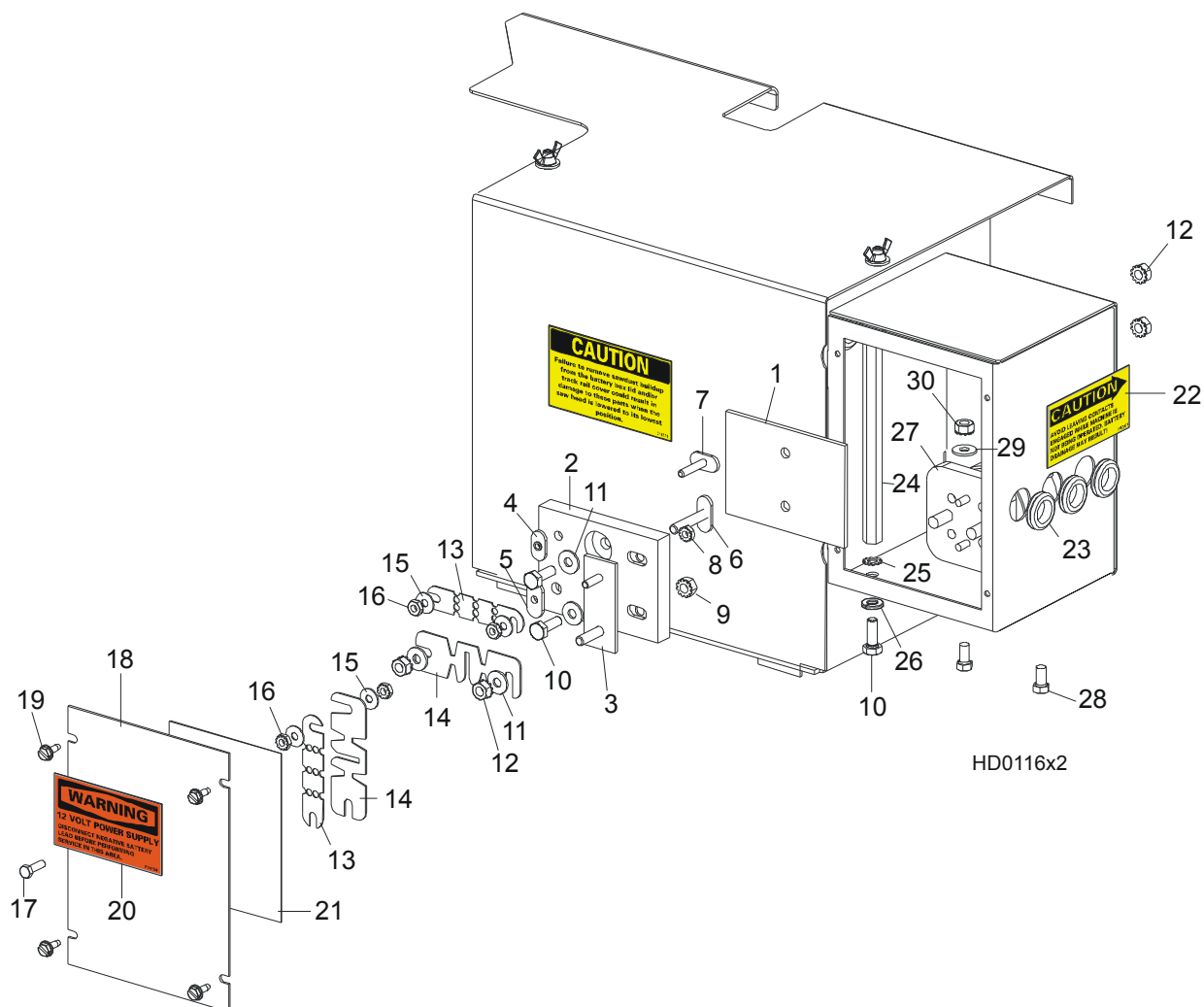
## 5.7 Battery Box Assembly, LT40 Series



HD0130-y

| REF | DESCRIPTION (◆ Indicates Parts Available In Assemblies Only)             | PART NUMBER | QTY. |  |
|-----|--|-------------|------|--|
| 1   | BATTERY, "BANNER" 12V100AH #95751  | 088323      | 1    |  |
|     | <b>BOX ASSEMBLY, LT40SHD/LT40MHD BATTERY</b>                             | 086509      | 1    |  |
| 2   | Terminal, Battery  | P05085      | 2    |  |
| 3   | Washer, Battery Terminal   | P12161      | 1    |  |
| 4   | Bolt, 3/8-16 X 4" Hex Head Grade 2                                       | F05007-4    | 2    |  |
| 5   | Washer, 10.5 Flat  | F81055-1    | 4    |  |
| 6   | Nut, 3/8" Hex Nylon Lock   | F05010-10   | 2    |  |
| 7   | Washer, 7.4 Flat   | F81056-11   | 2    |  |
| 8   | Nut, 1/4-20 Wing   | F05010-13   | 2    |  |
| 9   | Box Weldment, Battery  | 086265-1    | 1    |  |
| 10  | Fuse Box Parts ( <a href="#">See Section 5.8</a> )                       |             |      |  |
| 11  | Grommet, 5/8" Rubber Wire  | P11764      | 5    |  |
|     | Contact Assembly, Hydraulic Positive ( <a href="#">See Section 9.4</a> ) | 085968      | 1    |  |
| 12  | LID WELDMENT, BATTERY BOX SUPER  | 086277-1    | 1    |  |
| 13  | DECAL, BATTERY BOX LID CAUTION   | 014774      | 1    |  |

### 5.8 Fuse Box Assembly, LT40 Series

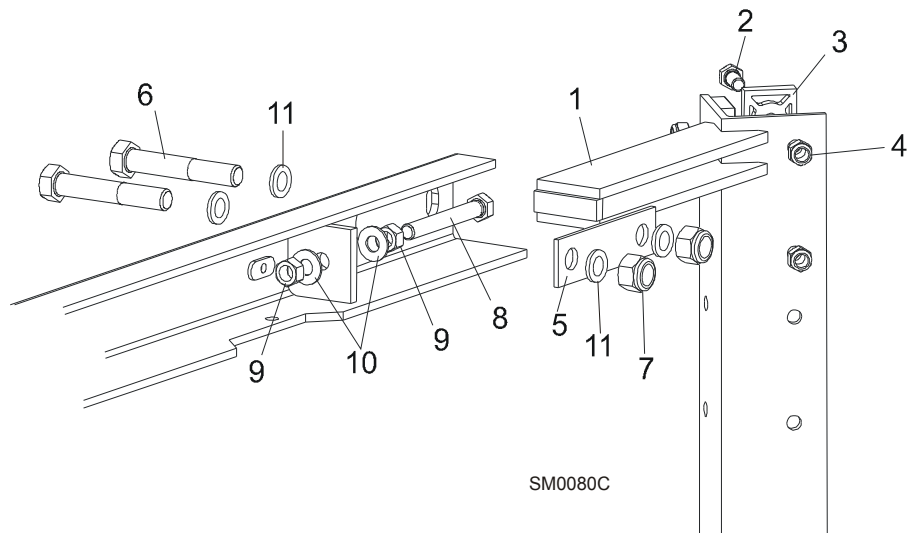


| REF | DESCRIPTION (◆ Indicates Parts Available In Assemblies Only) | PART NUMBER | QTY. |   |
|-----|--|-------------|------|---|
| 1   | PAD, FUSE BOX INSULATOR                                      | 015287      | 1    |   |
|     | <b>FUSE BLOCK ASSEMBLY</b>                                   | 017665      | 1    |   |
| 2   | Block, Fuse Mount  | 015286      | 1    | ◆ |
| 3   | Buss Weldment, Fuse Mount                                    | 015289      | 1    | ◆ |
| 4   | Nut, #10-24 Cadmium Plated Weld                              | S12391      | 1    | ◆ |
| 5   | Nut, 1/4-20 Cadmium Plated Weld                              | S12392      | 1    | ◆ |
| 6   | Stud Weldment, 1/4-20 Fuse                                   | W12389      | 1    | ◆ |
| 7   | Stud Weldment, #10-24 Fuse                                   | W12390      | 1    | ◆ |
| 8   | Nut, #10-24 Self-Locking Hex                                 | F05010-14   | 1    | ◆ |
| 9   | Nut, 1/4-20 Self-Locking Hex                                 | F05010-9    | 1    | ◆ |
| 10  | <b>BOLT, 1/4-20 X 3/4" HEX HEAD FULL THREAD</b>              | F05005-1    | 3    |   |
| 11  | <b>WASHER, 7.4 FLAT</b>                                      | F81056-11   | 4    |   |
| 12  | <b>NUT, 1/4-20 HEX SELF-LOCKING</b>                          | F05010-9    | 4    |   |
| 13  | <b>FUSE LINK, 12 VOLT 150 AMP</b>                            | 023361      | 2    |   |
| 14  | <b>FUSE LINK, 12 VOLT 225 AMP</b>                            | P11550      | 2    |   |

|    |                                    |           |   |  |
|----|------------------------------------|-----------|---|--|
| 15 | WASHER, 5.3 FLAT                   | F81052-1  | 4 |  |
| 16 | NUT, #10-24 HEX SELF-LOCKING       | F05010-14 | 4 |  |
| 17 | SCREW, #10-24 X 5/8" HEX HEAD      | F05004-18 | 1 |  |
| 18 | COVER, FUSE BOX                    | 086272-1  | 1 |  |
| 19 | SCREW, #10-24 X 1/2" SELF-TAPPING  | F05015-7  | 4 |  |
| 20 | DECAL, 12 VOLT WARNING             | P10364    | 1 |  |
| 21 | DECAL, '97 SUPER HYDRAULIC         | 015372    | 1 |  |
| 22 | DECAL, HYDRAULIC CONTACT CAUTION   | P12960    | 1 |  |
| 23 | GROMMET, 5/8" RUBBER WIRE          | P11764    | 3 |  |
| 24 | TERMINAL, EXTENDED HEX STUD        | 015517    | 1 |  |
| 25 | WASHER, 6.4 EXTERIOR STAR          | F81053-2  | 1 |  |
| 26 | WASHER, 6.1 SPLIT LOCK             | F81053-3  | 1 |  |
| 27 | SOLENOID, 200A 12V SPST CONT. DUTY | 015470    | 1 |  |
| 28 | BOLT, 1/4-20 X 1/2" HEX HEAD       | F05005-15 | 2 |  |
| 29 | WASHER, 7.4 FLAT                   | F81056-11 | 2 |  |
| 30 | NUT, 1/4-20 SELF-LOCKING HEX       | F05010-9  | 2 |  |

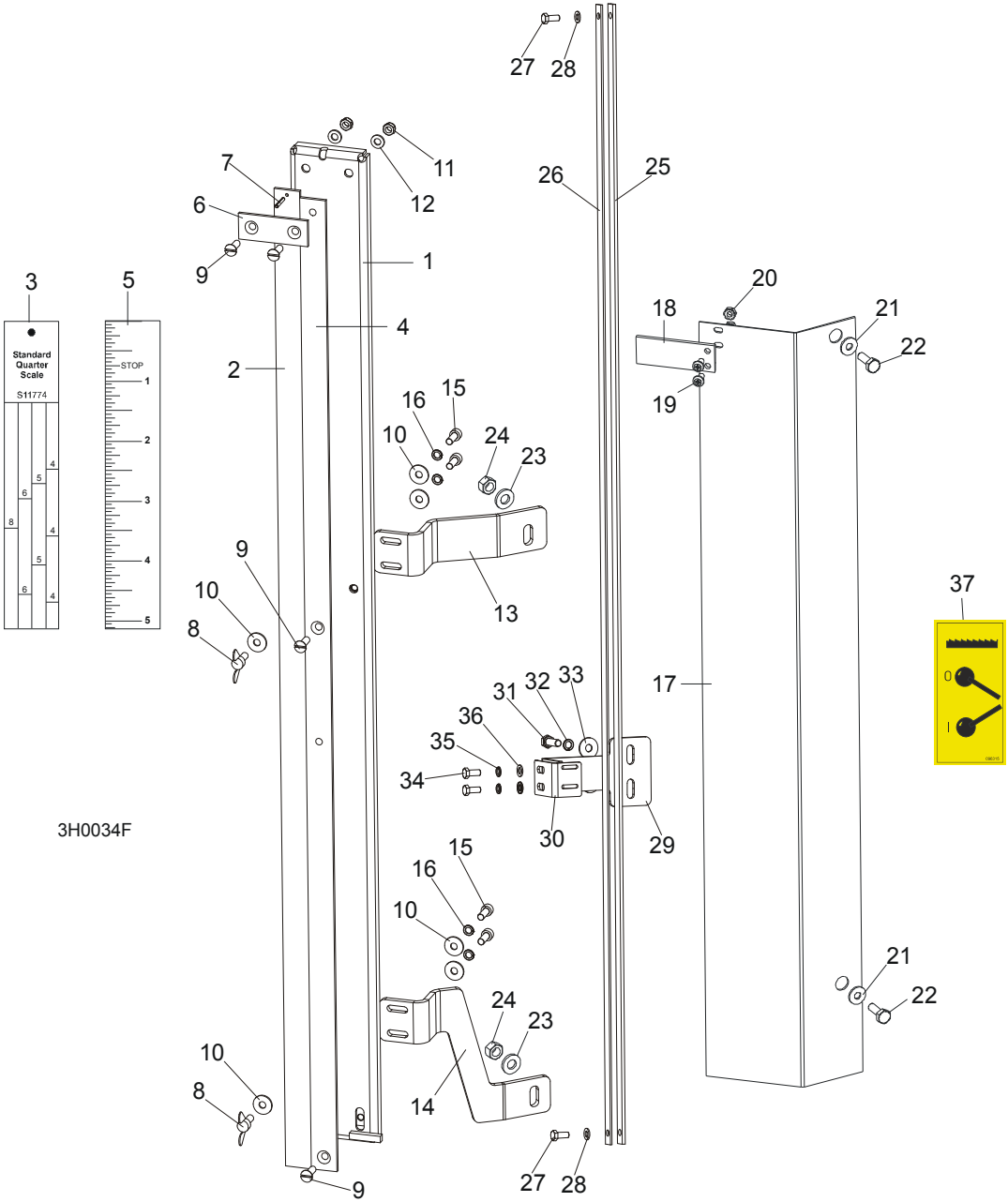
## SECTION 6 UP/DOWN SYSTEM

### 6.1 Saw Head V-Brace Mount



| REF. | DESCRIPTION (◆ Indicates Parts Available In Assemblies Only) | PART #    | QTY. |
|------|--|-----------|------|
| 1    | V-BRACE, SAW HEAD MOUNT                                      | 087125    | 1    |
| 2    | BOLT, M8X20-5.8-ZINC HEX HEAD                                | F81002-4  | 10   |
|      | BOLT, M8X25-8.8-B-ZINC HEX HEAD                              | F81002-5  | 2    |
| 3    | PAD, PLASTIC SLIDE   | M04096    | 6    |
| 4    | NUT, M8-8-B-ZINC HEX NYLON LOCK                              | F81032-2  | 12   |
| 5    | PLATE, V-BRACE WASHER  | 091247    | 2    |
| 6    | BOLT, M12X75-8.8-ZINC  | F81004-21 | 4    |
| 7    | NUT, M12 - 8 NYLON LOCK                                      | F81034-2  | 4    |
| 8    | BOLT, M10X70-8.8-ZINC HEX HEAD                               | F81003-20 | 2    |
| 9    | NUT, M10-8-B-ZINC HEX  | F81033-3  | 4    |
| 10   | WASHER, 10.5 FLAT  | F81055-1  | 4    |
| 11   | WASHER, 13 SPLIT LOCK ZINC                                   | F81056-1  | 8    |

6.2 Blade Height Scale

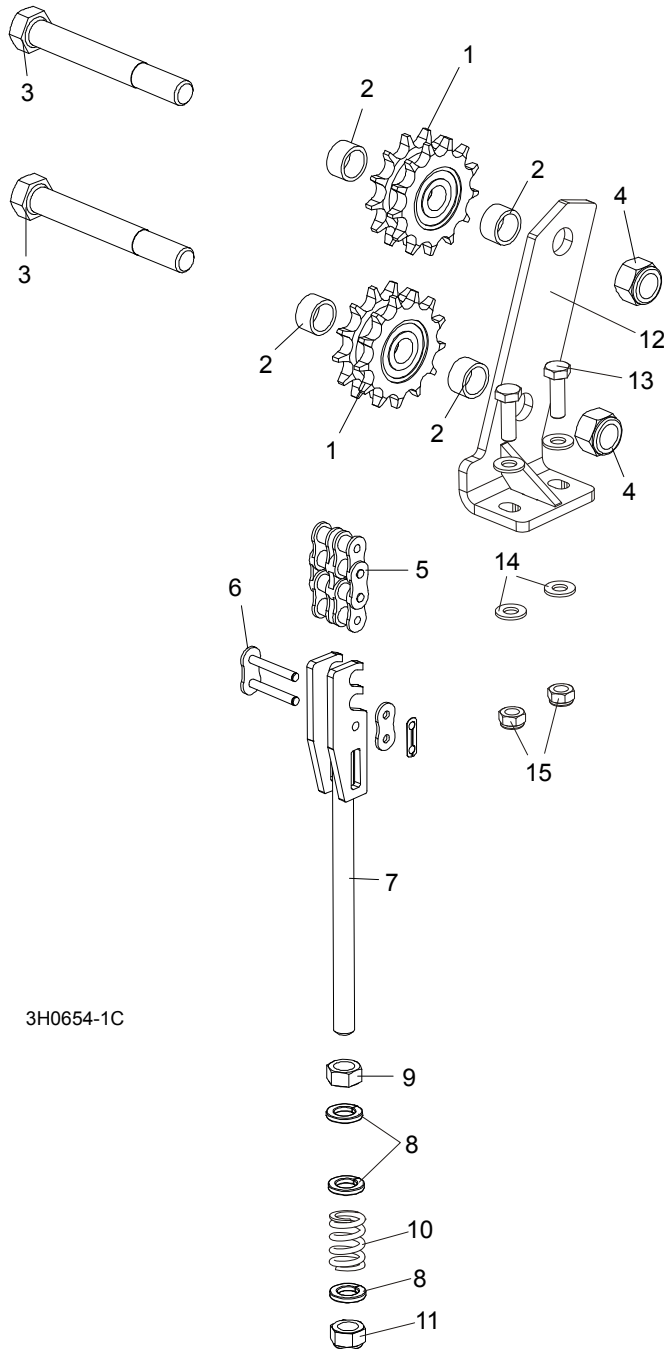


3H0034F

| REF. | DESCRIPTION (◆ Indicates Parts Available In Assemblies Only) | PART #   | QTY. |
|------|--|----------|------|
|      | <b>SCALE, BLADE HEIGHT W/SCANNER</b>                         | 098882   | 1    |
| 1    | Bracket, Scale Mounting                                      | 098890-1 | 1    |
| 2    | Scale, 35" Quarter   | 093342   | 1    |
| 3    | Decal, 35" Standard Quarter Scale                            | 090716   | 1    |
|      | Decal, 35" Grade Hardwood Quarter Scale                      | 090717   | 1    |
| 4    | Scale, 35" Inch  | 093341   | 1    |
| 5    | Decal, 35" Inch  | 090709   | 1    |
| 6    | Strap, Scale Hold-Down                                       | 093134   | 1    |
| 7    | Pin, 3x20 Roll   | F81044-5 | 1    |

|    |  |           |   |   |
|----|--|-----------|---|---|
| 8  | Screw, M6x16 Wing                                | F81001-16 | 2 |   |
| 9  | Screw, M6x20- 4.8-B                              | F81001-31 | 4 |   |
| 10 | Washer, 6.5 Flat                                 | F81053-11 | 7 |   |
| 11 | Nut, M6, Hex, Nylon Lock Zinc                    | F81031-2  | 2 |   |
| 12 | Washer, M6, Flat, Zinc                           | F81053-1  | 2 |   |
| 13 | Bracket, Scale Upper                             | 098880-1  | 1 |   |
| 14 | Bracket, Scale Lower                             | 505618-1  | 1 |   |
| 15 | Bolt, M6x16-8.8 Socket Head                      | F81001-21 | 4 |   |
| 16 | Washer, M6 Split Lock Zinc                       | F81053-3  | 4 |   |
|    | Pointer Assembly, Fixed Scale                    | A12023    | 1 |   |
| 17 | Bracket, Fixed Scale Pointer Mount               | 087044-1  | 1 | ◆ |
| 18 | Indicator, Blade Height Scale                    | 094821    | 1 |   |
| 19 | Screw, M4x12 -5,8-B- Fe/Zn5                      | F81011-43 | 2 |   |
| 20 | Nut, M4-B Fe/Zn5                                 | F81029-1  | 2 |   |
| 21 | Washer, 6.5 Flat                                 | F81053-11 | 2 |   |
| 22 | Bolt, M6x12-8.8-Zinc                             | F81001-7  | 2 |   |
| 23 | Washer, 8.4 Flat                                 | F81054-1  | 2 |   |
| 24 | Nut, M8-8-B Hex Lock                             | F81032-2  | 2 |   |
|    | <b>MAGNETIC STRIP ASSY</b>                       | 097774    | 1 |   |
|    | Bar with Magnetic Strip                          | 098173-1  | 1 |   |
| 25 | Magnetic Strip MB320 (1m)                        | 096014-1  | 1 |   |
| 26 | Bar, Magnetic Strip                              | 098173    | 1 |   |
| 27 | Bolt, M5 X 12-5.8-Fe/Zn5                         | F81000-5  | 2 |   |
| 28 | Washer, M5 Flat Zinc                             | F81052-1  | 2 |   |
|    | <b>BRACKET, SENSOR COMPLETE</b>                  | 100620    | 1 |   |
| 29 | Bracket, Sensor                                  | 100599-1  | 1 |   |
| 30 | Bracket, Sensor                                  | 100619-1  | 1 |   |
| 31 | Bolt, M6x20-8.8 Hex Head Full Thread Zinc        | F81001-2  | 2 |   |
| 32 | Washer, Z6.1 Split Lock Zinc                     | F81053-3  | 2 |   |
| 33 | Washer, 6.5 Flat Zinc                            | F81053-11 | 2 |   |
| 34 | Bolt, M5 X 12-5.8 Hex Head Full Thread Zinc      | F81000-5  | 2 |   |
| 35 | Washer, 5.1 Split Lock Zinc                      | F81052-2  | 2 |   |
| 36 | Washer, 5.3 Flat Zinc                            | F81052-1  | 2 |   |
|    | <b>DECAL KIT, METRIC SCALE</b>                   | K12064    | 1 |   |
|    | Decal, Metric                                    | S11711    | 1 |   |
|    | Decal, Metric 16-40mm                            | P12040-1  | 1 |   |
|    | Decal, Metric 45-63mm                            | P12040-2  | 1 |   |
| 37 | <b>DECAL, CLUTCH HANDLE OPERATION, PICTOGRAM</b> | 096315    | 1 |   |

### 6.3 Up/Down Chain & Sprockets

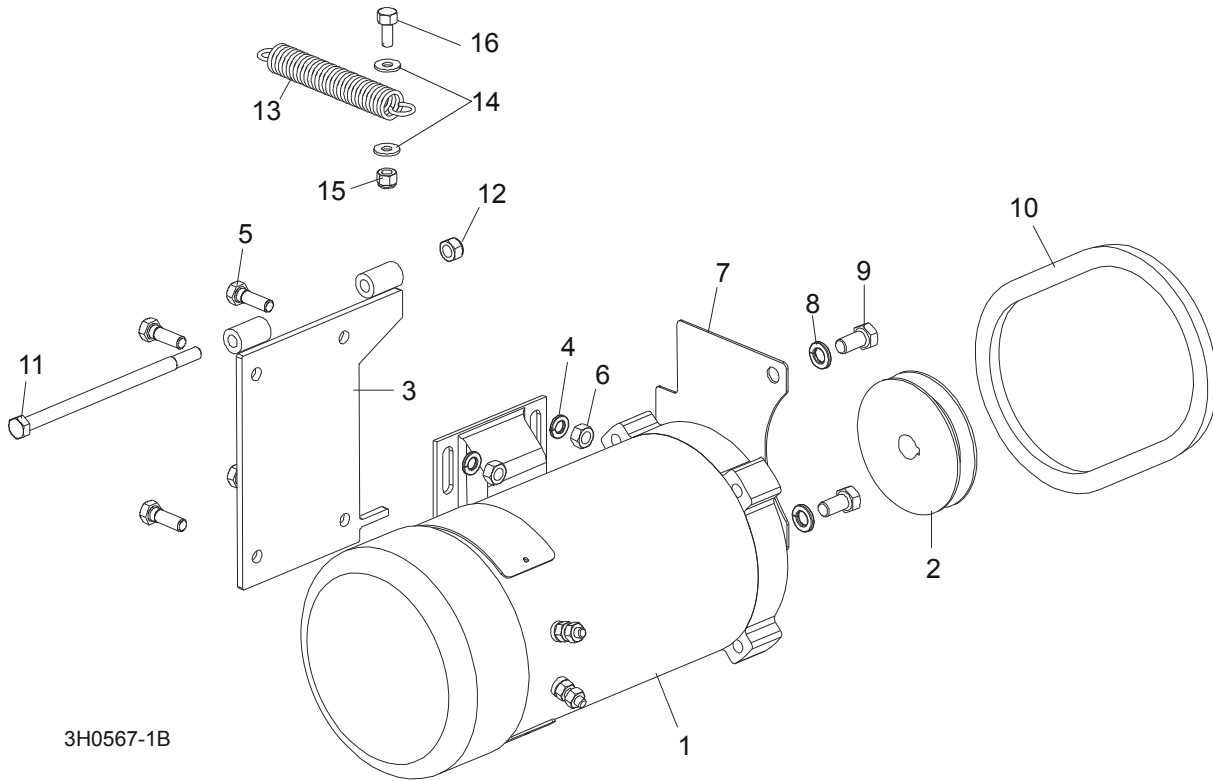


| REF. | DESCRIPTION (◆ Indicates Parts Available In Assemblies Only) | PART #     | QTY. |
|------|--|------------|------|
|      | <b>SPROCKET KIT, UP/DOWN IDLER #50-2</b>                     | 016020     | 1    |
| 1    | Sprocket, Up/Down Idler '98                                  | 016019     | 2    |
| 2    | Washer, Sprocket Spacer                                      | 095927-1   | 4    |
|      | Instruction Sheet, Up/Down Idler Retrofit                    | 016020-541 | 1    |
| 3    | <b>BOLT, 5/8-11 X 5" HEX HEAD GRADE 2</b>                    | F05009-6   | 2    |
| 4    | <b>NUT, 5/8-11 HEX NYLON LOCK</b>                            | F05010-34  | 2    |
| 5    | <b>CHAIN, #50-2 X 75.625" UP/DOWN</b>                        | 015259     | 1    |

|    |   |          |   |   |
|----|---|----------|---|---|
| 6  | <b>LINK, #50-2 MASTER</b>                     | 015258   | 2 |   |
|    | <b>TENSIONER ASSEMBLY, UP/DOWN CHAIN</b>      | 094283   | 1 |   |
| 7  | Bracket, Up/Down Chain Tensioner              | 094281-1 | 1 | ◆ |
| 8  | Washer, M12 Flat Zinc                         | F81056-1 | 3 |   |
| 9  | Nut, M12-8-B Hex                              | F81034-1 | 1 |   |
| 10 | Spring, 14x30x3.2                             | 090797   | 1 |   |
| 11 | Nut, M12 Hex Nylon Zinc Lock                  | F81034-2 | 1 |   |
| 12 | <b>PLATE SPROCKET U/D</b>                     | 507026-1 | 1 |   |
| 13 | <b>BOLT, M8X25-8.8-B HEX HEAD FULL THREAD</b> | F81002-5 | 2 |   |
| 14 | <b>WASHER, 8.4 FLAT ZINC</b>                  | F81054-1 | 4 |   |
| 15 | <b>NUT, M8-8-B HEX NYLON LOCK ZINC</b>        | F81032-2 | 2 |   |



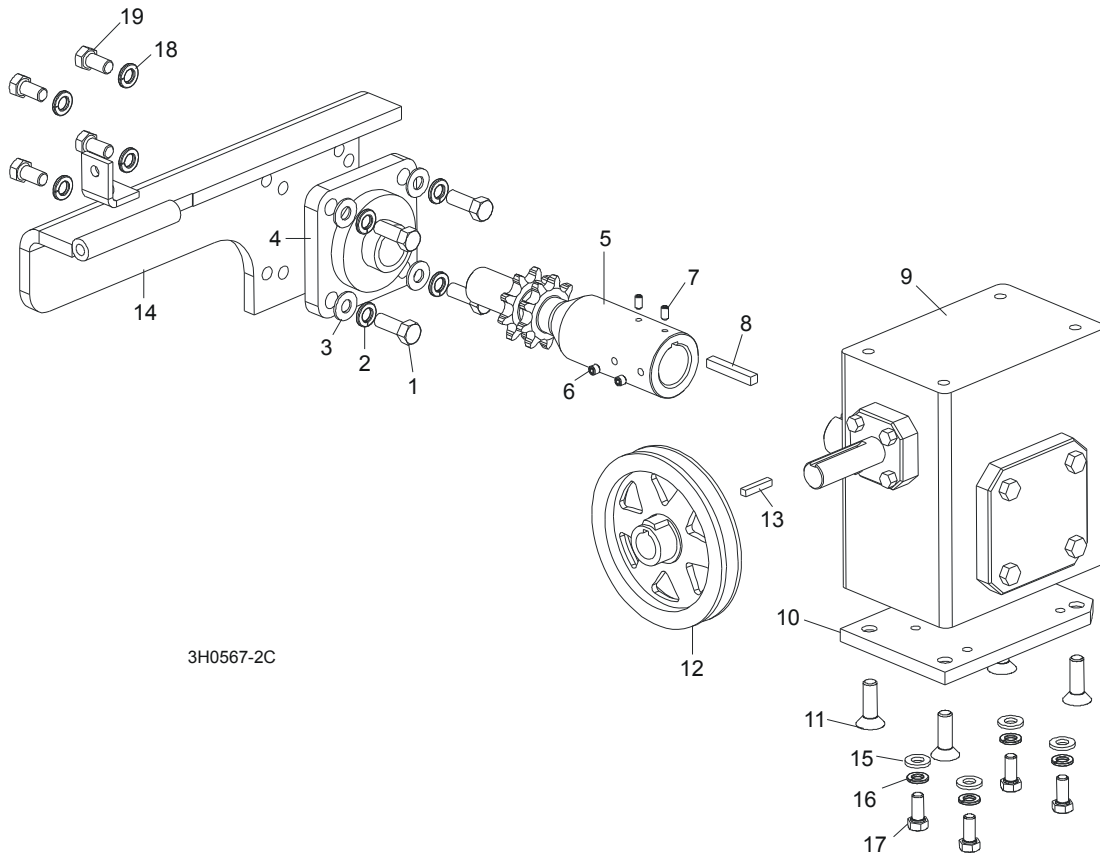
## 6.4 Up/Down Motor Assembly, LT40 Series



3H0567-1B

| REF. | DESCRIPTION (◆ Indicates Parts Available In Assemblies Only)   | PART #    | QTY. |
|------|--|-----------|------|
|      | <b>UP/DOWN MOTOR ASSEMBLY</b>                                  | 092818    | 1    |
| 1    | Motor, 3/4 HP Electric   | 015174    | 1    |
|      | Brush Kit, Power Feed Motor (Includes 2 Brushes and 2 Springs) | 024167    | 1    |
|      | Fan, 3/4 HP Leeson Motor Replacement                           | 016087    | 1    |
|      | BRAKE, HPS 10.84 230VAC LT40                                   | 083607    | 1    |
| 2    | Pulley, AK28 x 5/8"  | 033852    | 1    |
| 3    | Bracket Wldmt, Up/Down Motor                                   | 095738-1  | 1    |
| 4    | Washer, M8, Flat, Zinc   | F81054-1  | 4    |
| 5    | Bolt, M8x20mm, Hex Head, Gr 5.8 Zinc                           | F81002-4  | 4    |
| 6    | Nut, M8, Hexagon, Nylon Lock Zinc                              | F81032-2  | 4    |
| 7    | Guard, Up/Down Sprocket  | 095739-1  | 1    |
| 8    | Washer, 10.2 Split Lock  | F81055-2  | 2    |
| 9    | Bolt, 3/8-16 x 3/4" Hex Head                                   | F05007-27 | 2    |
| 10   | <b>BELT, 4L245</b>   | 038459    | 1    |
| 11   | <b>BOLT, M8X160-8.8-B ZINC</b>                                 | F81002-22 | 1    |
| 12   | <b>NUT, M8-8-B NYLON LOCK HEX ZINC</b>                         | F81032-2  | 1    |
| 13   | <b>SPRING, .75" X 5" X .095" EXTENSION</b>                     | 015569    | 1    |
| 14   | <b>WASHER, 6.5 FLAT ZINC</b>                                   | F81053-11 | 2    |
| 15   | <b>NUT, M6-8-B NYLON LOCK HEX ZINC</b>                         | F81031-2  | 2    |
| 16   | <b>BOLT, M6x25-8.8 ZINC</b>                                    | F81001-20 | 1    |

## 6.5 Up/Down Drive Assembly, LT40 Series



3H0567-2C

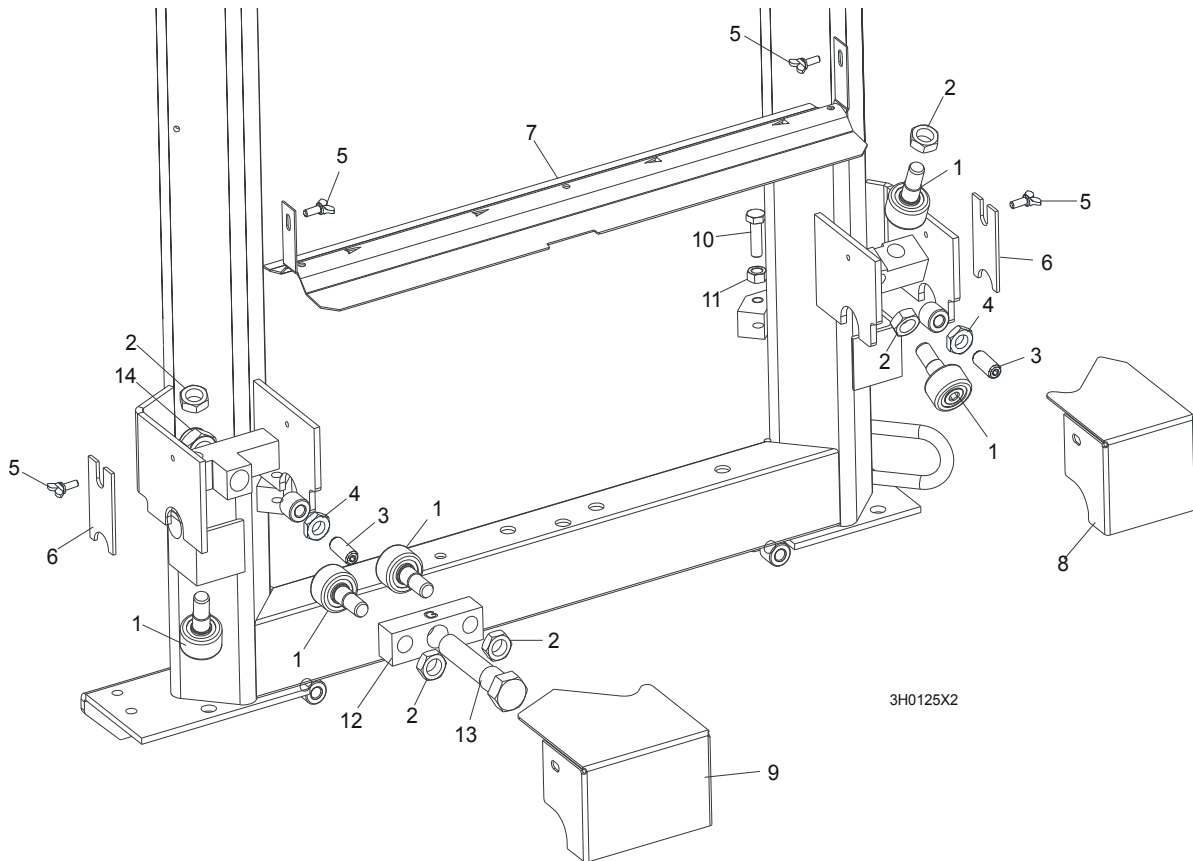
| REF. | DESCRIPTION (◆ Indicates Parts Available In Assemblies Only) | PART #     | QTY. |
|------|--|------------|------|
|      | <b>UP/DOWN DRIVE ASSEMBLY</b>                                | 092817     | 1    |
| 1    | Bolt, 3/8-16 x 1" Hex Head                                   | F05007-7   | 4    |
| 2    | Washer, 10.2 Split Lock                                      | F81055-2   | 4    |
| 3    | Washer, 10.5 Flat  | F81055-1   | 4    |
| 4    | Bearing, Flanged Up/Down                                     | 014090     | 1    |
| 5    | Shaft, Up/Down Sprocket                                      | 092816-1   | 1    |
| 6    | Screw, M8 x 8-33H  | F81014-1   | 2    |
| 7    | Screw, M8 x 8-33H  | F81014-1   | 2    |
| 8    | Key, 1/4" Square x 1 11/16" Long                             | S04124     | 1    |
| 9    | Reducer, Gear Box  | 014074     | 1    |
| 10   | Plate, Gear Box Spacer                                       | 095894-1   | 1    |
| 11   | Bolt, 3/8-16 x 1" Flat Socket Head                           | F05007-110 | 4    |
| 12   | Pulley, Up/Down  | 015256     | 1    |
| 13   | Key, 3/16" Square x 1" Long                                  | S31027     | 1    |
| 14   | Bracket Wldmt, Up/Down Bearing                               | 095893-1   | 1    |
| 15   | <b>WASHER, 8.4 FLAT</b>                                      | F81054-1   | 8    |
| 16   | <b>WASHER, 8.2 SPLIT LOCK</b>                                | F81054-4   | 4    |
| 17   | <b>BOLT, 5/16-18 X 1" HEX HEAD</b>                           | F05006-5   | 4    |
| 18   | <b>WASHER, 10.5 SPLIT LOCK</b>                               | F81055-1   | 4    |
| 19   | <b>BOLT, 3/8-16 X 3/4" HEX HEAD</b>                          | F05007-27  | 4    |

---

|  |  |          |   |  |
|--|--|----------|---|--|
|  | OIL, 8 OZ. MOBIL SHC634 BOTTLED SYNTHETIC GEAR | L04869-4 | 1 |  |
|--|--|----------|---|--|

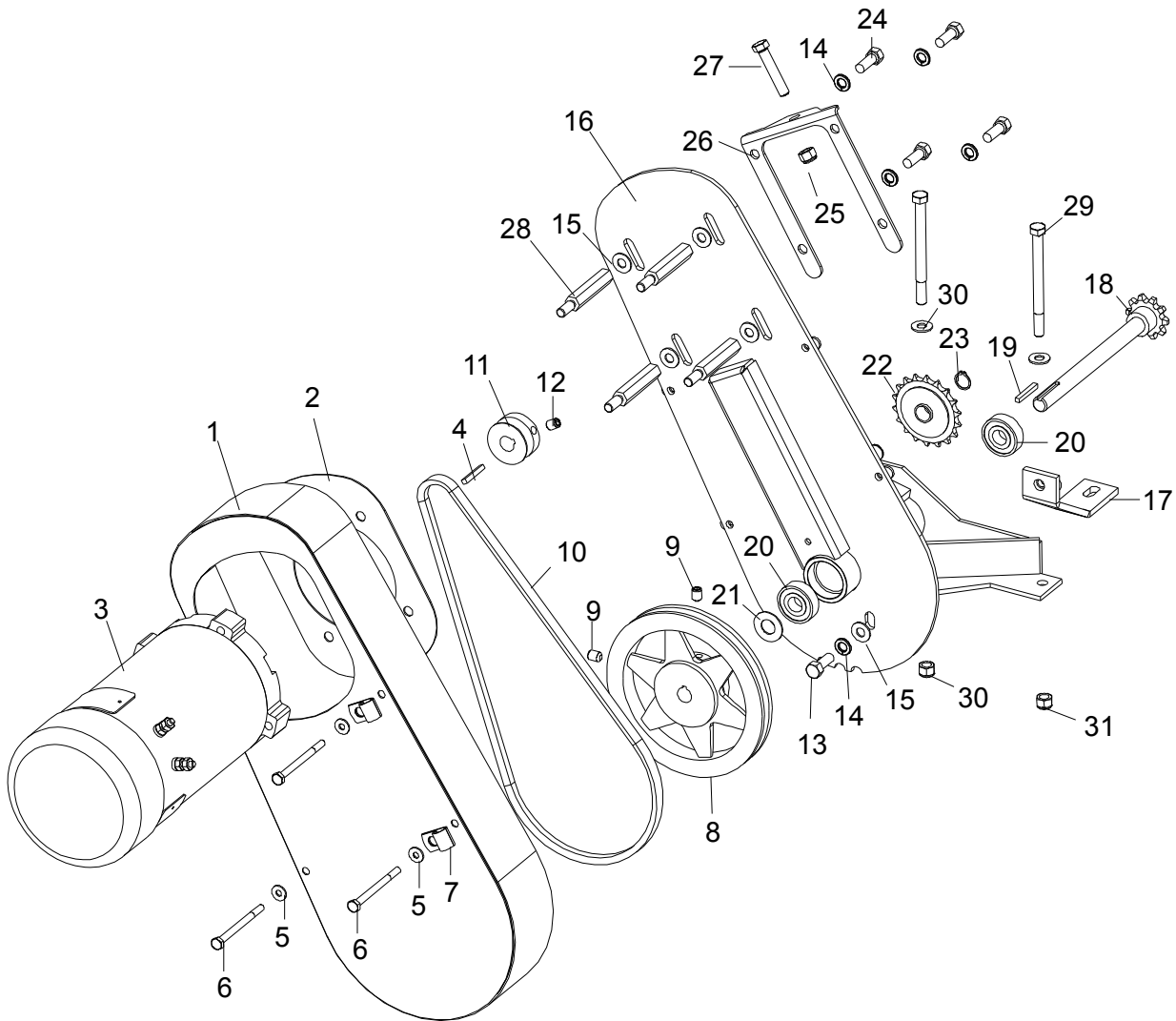
## SECTION 7 POWER FEED & TRACK ROLLERS

### 7.1 Upper Track Rollers And Wipers



| REF | DESCRIPTION (◆ Indicates Parts Available In Assemblies Only) | PART #    | QTY. |
|-----|--|-----------|------|
| 1   | ROLLER, TRACK CAM BEARING (MCGILL)                           | 012797    | 5    |
| 2   | NUT, 5/8-18 HEX JAM  | F05010-11 | 5    |
| 3   | SCREW, M12 X 30 OVAL POINT SET                               | F81004-14 | 2    |
| 4   | NUT, M12-8-B HEX JAM   | F81034-1  | 2    |
| 5   | SCREW, M6 X 16 THUMB   | F81001-16 | 4    |
| 6   | WIPER, PLASTIC TRACK   | M04113    | 2    |
| 7   | COVER, LT40/70 MIDDLE TRACK - SERVICE                        | 092868-S  | 1    |
|     | Cover, LT40/70 Middle Track Ptd                              | 092868-1  | 1    |
|     | Strip, 3/16 X 2 X 23 Felt                                    | S09915    | 1    |
| 8   | HOUSING, UPPER TRACK ROLLER REAR                             | 086913-1  | 1    |
| 9   | HOUSING, UPPER TRACK ROLLER FRONT                            | 086914-1  | 1    |
| 10  | BOLT, M10 X 35-8.8 HEX HEAD                                  | F81003-17 | 2    |
| 11  | NUT, M10-8 HEX JAM   | F81033-3  | 2    |
| 12  | BRACKET, UPPER TRACK ROLLER                                  | 086859-1  | 1    |
| 13  | BOLT, HEX HEAD   | 086911    | 1    |
| 14  | NUT, M20-8 HEX   | F81037-2  | 1    |

7.2 Power Feed Assembly,



3H0619-2

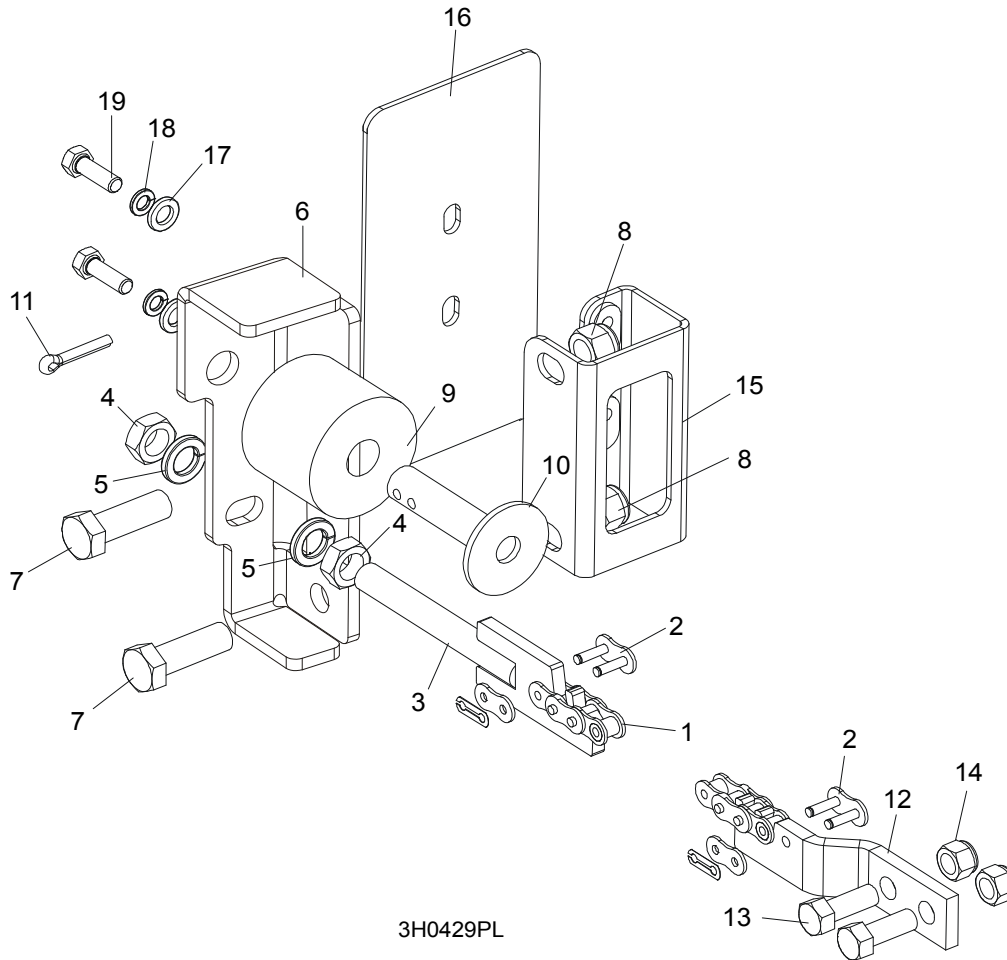
| REF | DESCRIPTION (◆ Indicates Parts Available In Assemblies Only)     | PART #    | QTY. |
|-----|--|-----------|------|
|     | <b>POWER FEED ASSEMBLY</b>                                       | 015125    | 1    |
| 1   | Cover Weldment, Top Power Feed                                   | 015126    | 1    |
| 2   | Plate, Power Feed Motor  | 015133    | 1    |
| 3   | Motor, 3/4HP Power Head Painted                                  | 024169    | 1    |
|     | Brush Kit, Leeson 3/4HP Motor (Includes 2 Brushes and 2 Springs) | 024167    | 1    |
|     | Fan, 3/4 HP Leeson Motor Replacement                             | 016087    | 1    |
| 4   | Key, 3/16" Square x 1 3/8" Long                                  | 016109    | 1    |
| 5   | Washer, 6.5 Flat   | F81053-11 | 4    |
| 6   | Bolt, M6x80 Hex Head Zinc  | F81001-61 | 4    |
| 7   | Clamp, 1/2" EMT Coated   | P07584    | 2    |
| 8   | Sheave, AK71 x 5/8" Power Feed (200ft./min.)                     | 016088    | 1    |

# 7 Power Feed & Track Rollers

## Power Feed Assembly,

|    |  |           |   |   |
|----|--|-----------|---|---|
| 9  | Screw, 5/16-18 x 3/4" Cup Point Set    | F05006-32 | 2 |   |
| 10 | Belt, AX36 (200ft./min.)               | 016083    | 1 |   |
| 11 | Sheave, 1 3/4" Feed Motor              | 015135    | 1 |   |
| 12 | Screw, 3/8"-16 x 1/2" Cup Point Set    | F05007-12 | 1 |   |
| 13 | Bolt, M10x25-8.8 Hex Head Zinc         | F81003-11 | 1 |   |
| 14 | Washer, 10.2 Split Lock                | F81055-2  | 5 |   |
| 15 | Washer, 10.5 Flat                      | F81055-1  | 5 |   |
| 16 | Bracket, Power Feed Mount              | 015162-1  | 1 |   |
| 17 | Brace Weldment, Power Feed Mounting    | 086554-1  | 1 |   |
|    | Shaft Assembly, Power Feed with Key    | 016066    | 1 |   |
| 18 | Shaft Weldment, Power Feed             | 015129    | 1 | ◆ |
| 19 | Key, 3/16" Square x 1 3/8" Long        | 016108    | 1 |   |
| 20 | Bearing, 6203 2RSP6-5/8 CX             | 095087    | 2 |   |
| 21 | Washer, 5/8" x 15/16" x .094" Nylon    | F05011-19 | 1 |   |
| 22 | Sprocket, 40 Idler 18T 5/8" ID         | P04333    | 1 |   |
| 23 | Ring, Z15 Outer Retaining              | F81090-2  | 1 |   |
| 24 | Bolt, 3/8-16 x 3/4" Hex Head           | F05007-27 | 4 |   |
| 25 | Nut, 3/8-16 Hex Nylon Lock             | F05010-10 | 1 |   |
| 26 | Plate, Belt Tensioner                  | 015134    | 1 |   |
| 27 | Bolt, 3/8-16 x 2" Full Thread Hex Head | F05007-16 | 1 |   |
| 28 | Spacer, Power Feed Motor               | 015136    | 4 |   |
| 29 | <b>BOLT, 3/8-16 X 4 1/2" HEX HEAD</b>  | F05007-35 | 2 |   |
| 30 | <b>WASHER, 10.5 FLAT</b>               | F81055-1  | 4 |   |
| 31 | <b>NUT, 3/8-16 HEX NYLON LOCK</b>      | F05010-10 | 2 |   |

### 7.3 Feed Chain/Stop, LT40 Series



3H0429PL

| REF | DESCRIPTION (◆ Indicates Parts Available In Assemblies Only) | PART #                   | QTY. |
|-----|--|--------------------------|------|
| 1   | CHAIN #40 ROLLER 367,5"                                      | 090445                   | 1    |
| 2   | LINK, #40 MASTER   | P04200                   | 2    |
| 3   | TENSIONER WELDMENT, POWER FEED CHAIN                         | 086818-1                 | 1    |
| 4   | NUT, M12-5 HEX JAM   | F81034-4                 | 2    |
| 5   | WASHER, 12.2 SPLIT LOCK                                      | F81056-2                 | 2    |
| 6   | BRACKET, FEED CHAIN REAR MOUNT                               | 087628-1                 | 1    |
| 7   | BOLT, M12 X 40 8.8 HEX HEAD GRADE 5                          | F81004-4                 | 2    |
| 8   | NUT, M12-8 HEX NYLON LOCK                                    | F81034-2                 | 2    |
|     | STOP KIT, RUBBER CARRIAGE                                    | K09630                   | 2    |
| 9   | Stop, Rubber Carriage  | P12165                   | 1    |
| 10  | Pin, Rubber Carriage Stop                                    | W09293                   | 1    |
| 11  | Pin, 3/16" X 1" Cotter                                       | F05012-21                | 1    |
| 12  | BRACKET, FRONT FEED CHAIN MOUNT                              | <a href="#">095733-1</a> | 1    |
| 13  | BOLT, M10x25 8.8 HEX HEAD                                    | F81003-31                | 2    |
| 14  | NUT, M10-8-B HEX NYLON LOCK                                  | F81033-1                 | 2    |
| 15  | BRACKET WELDMENT, REAR MAIN TUBE COVER MOUNT                 | 087105-1                 | 1    |
| 16  | COVER, REAR MAIN TUBE  | 015023                   | 1    |
| 17  | WASHER, 8.4 FLAT   | F81054-1                 | 2    |

# 7 Power Feed & Track Rollers

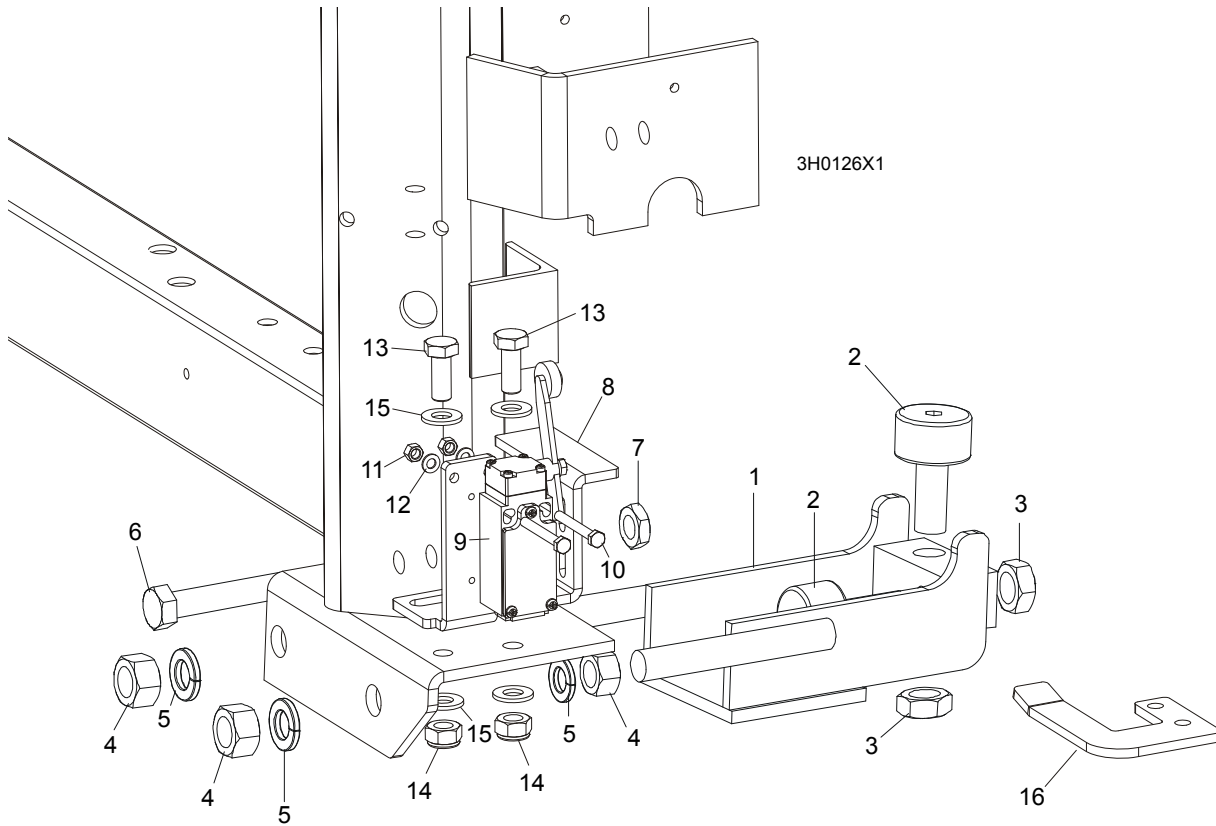
*Feed Chain/Stop, LT40 Series*

---

|    |                          |          |   |  |
|----|--------------------------|----------|---|--|
| 18 | WASHER, 8.2 SPLIT LOCK   | F81054-4 | 2 |  |
| 19 | BOLT, M8x25-8.8 HEX HEAD | F81002-5 | 2 |  |



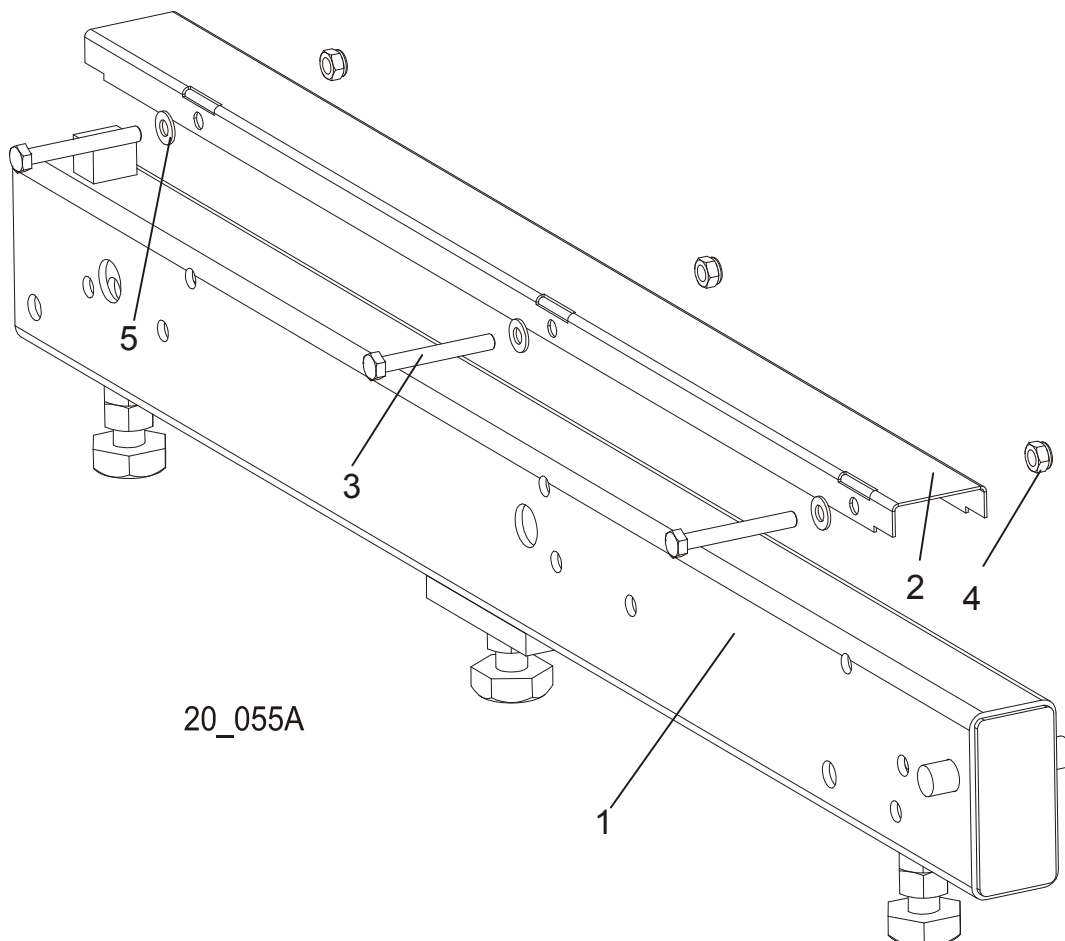
## 7.4 Lower Track Rollers



| REF | DESCRIPTION (◆ Indicates Parts Available In Assemblies Only) | PART #    | QTY. |
|-----|--|-----------|------|
|     | <b>ROLLER ASSEMBLY, LOWER TRACK</b>                          | 098741    | 2    |
| 1   | Bracket, Lower Track Roller Mounting                         | 098740-1  | 1    |
| 2   | Roller, Track Cam Bearing (McGill)                           | 012797    | 2    |
| 3   | Nut, 5/8-18 Hex Jam  | F05010-11 | 2    |
| 4   | Nut, M16, Hexagon, Grade 5.8 Plain                           | F81036-1  | 4    |
| 5   | Washer, 16.3 Split Lock                                      | F81058-2  | 4    |
| 6   | <b>BOLT, M12 X 55-8.8 HEX HEAD FULL THREAD</b>               | F81004-12 | 2    |
| 7   | <b>NUT, M12-8-B HEX JAM</b>                                  | F81034-1  | 2    |
| 8   | <b>BRACKET, POWER SUPPLY STRIP AND LIMIT SWITCH</b>          | 086380-1  | 1    |
| 9   | <b>SWITCH, GLCB01A2B LIMIT</b>                               | 086469    | 1    |
| 10  | <b>BOLT, M5 X 40 8.8 HEX HEAD</b>                            | F81000-11 | 2    |
| 11  | <b>NUT, M5-8</b>   | F81030-1  | 2    |
| 12  | <b>WASHER, 5.3 FLAT</b>                                      | F81052-1  | 2    |
| 13  | <b>BOLT, M10 X 25 8.8</b>                                    | F81003-11 | 2    |
| 14  | <b>NUT, M10 NYLON</b>  | F81033-1  | 2    |
| 15  | <b>WASHER, 10.5 FLAT</b>                                     | F81055-1  | 2    |
| 16  | <b>BRACKET, LIMIT SWITCH</b>                                 | 091852-1  | 1    |

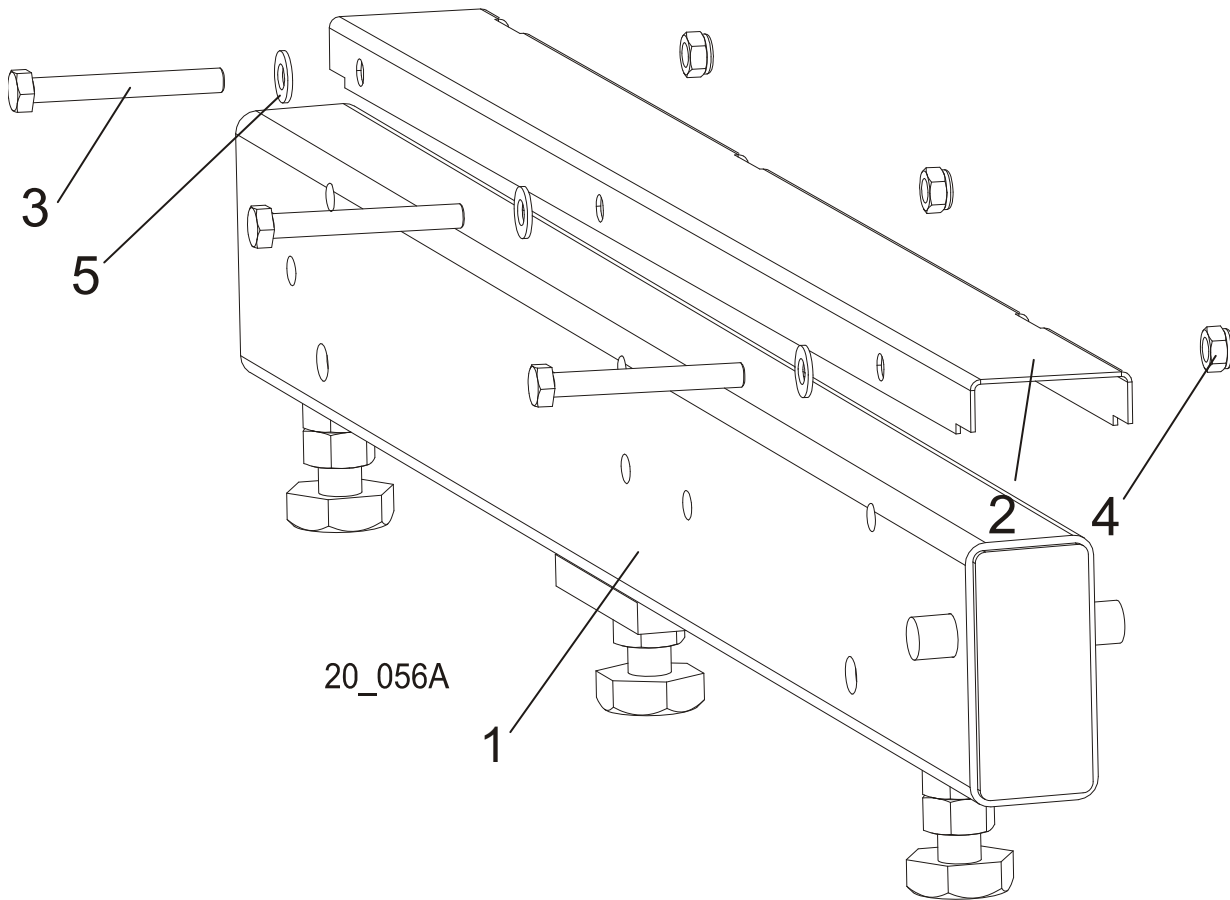
## SECTION 8 BED FRAME ASSEMBLY

### 8.1 Bed Rail Assembly (L Type Frame)



| REF. | DESCRIPTION (◆ Indicates Parts Available In Assemblies Only) | PART #   | QTY. |
|------|--|----------|------|
| 1    | LONG BED RAIL ASSEMBLY                                       | 089385   | 1    |
| 2    | COVER, STAINLESS STEEL BED RAIL                              | 099124   | 1    |
| 3    | BOLT, M8X65-5,8 ZINC HEX HEAD                                | F81002-3 | 3    |
| 4    | NUT, M8-8-B-ZINC HEX NYLON LOCK                              | F81032-2 | 3    |
| 5    | WASHER, 8.4 FLAT ZINC  | F81054-1 | 3    |

**8.2 Bed Rail Assembly (L Type Frame)**

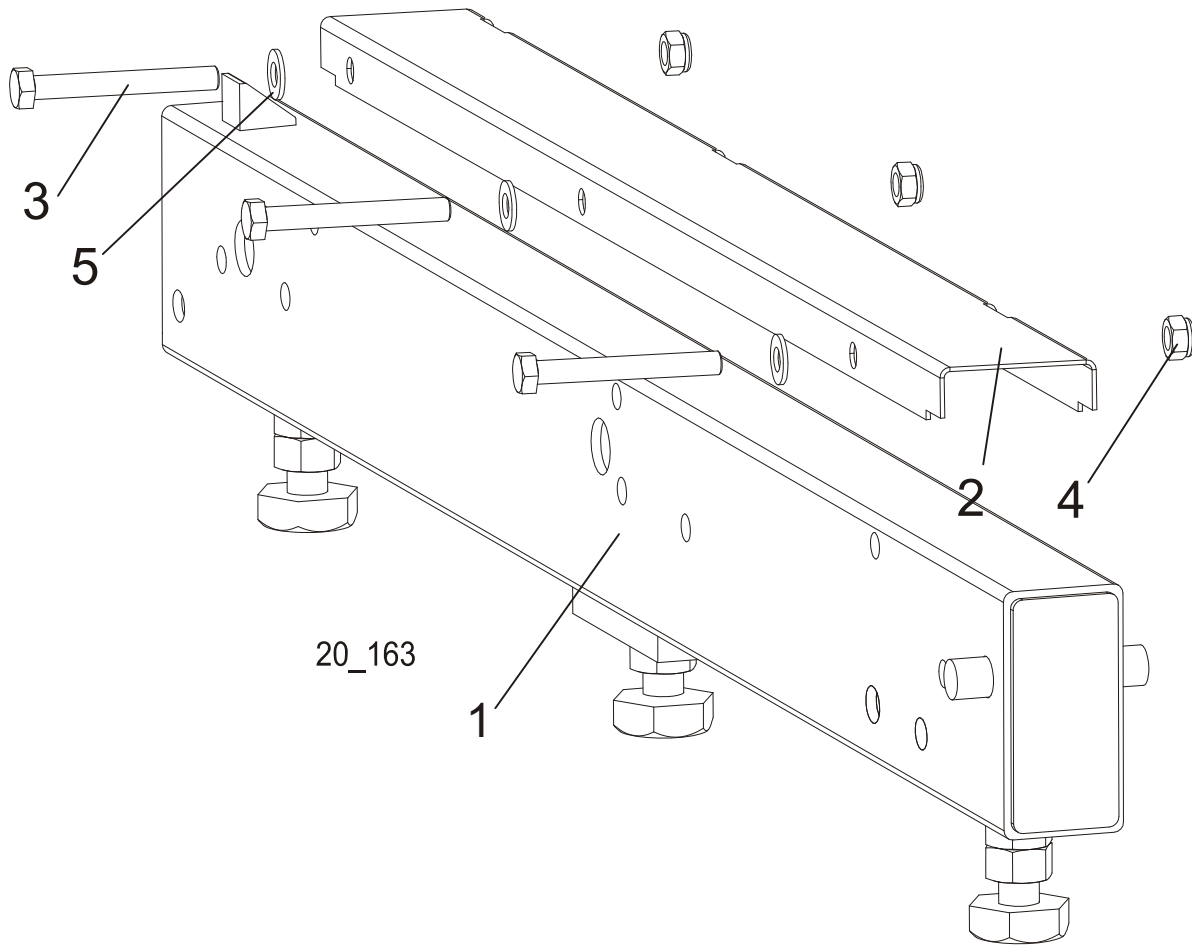


| REF. | DESCRIPTION (◆ Indicates Parts Available In Assemblies Only) | PART #   | QTY. |
|------|--|----------|------|
| 1    | BED RAIL ASSEMBLY, SHORT                                     | 089386   | 1    |
| 2    | COVER, STAINLESS STEEL BED RAIL                              | 099124   | 1    |
| 3    | BOLT, M8X65-5,8 ZINC HEX HEAD                                | F81002-3 | 3    |
| 4    | NUT, M8-8-B-ZINC HEX NYLON LOCK                              | F81032-2 | 3    |
| 5    | WASHER, 8.4 FLAT ZINC  | F81054-1 | 3    |

# 8 BED FRAME ASSEMBLY

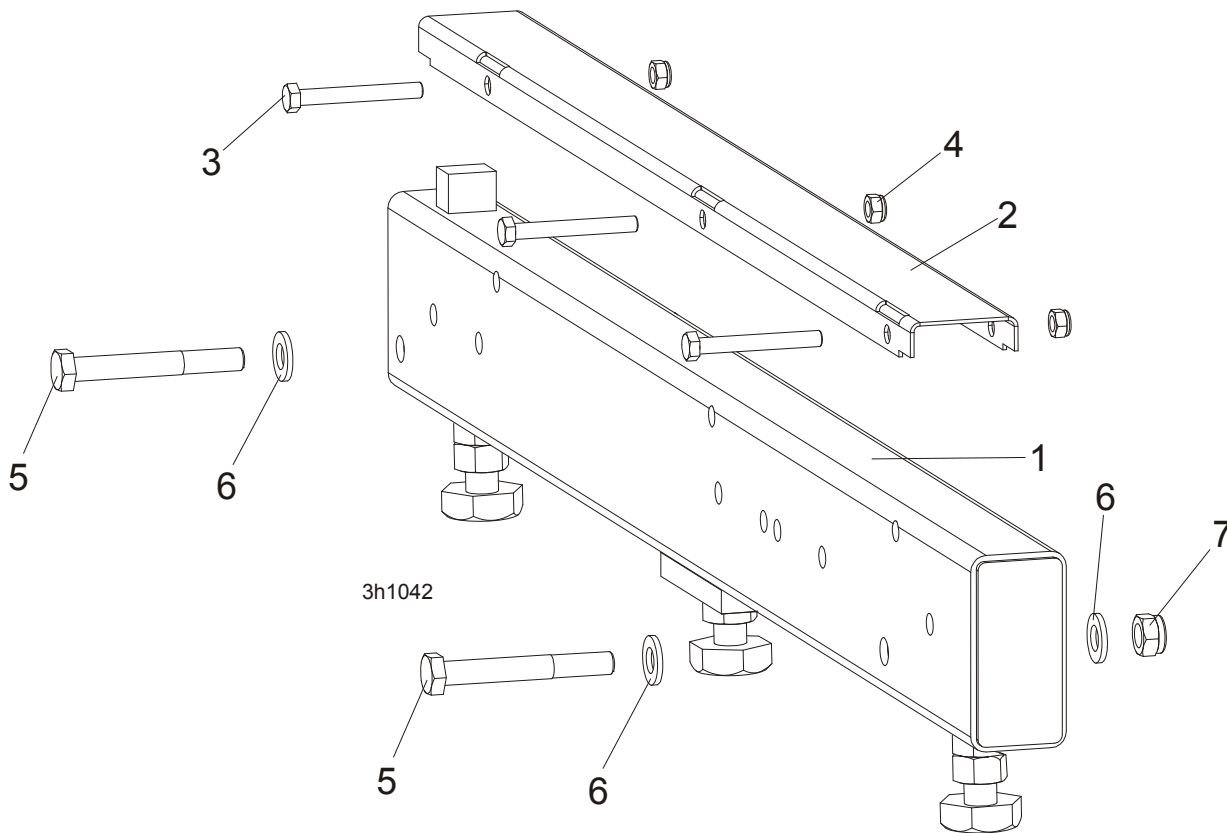
*Bed Rail Assembly (L Type Frame)*

## 8.3 Bed Rail Assembly (L Type Frame)



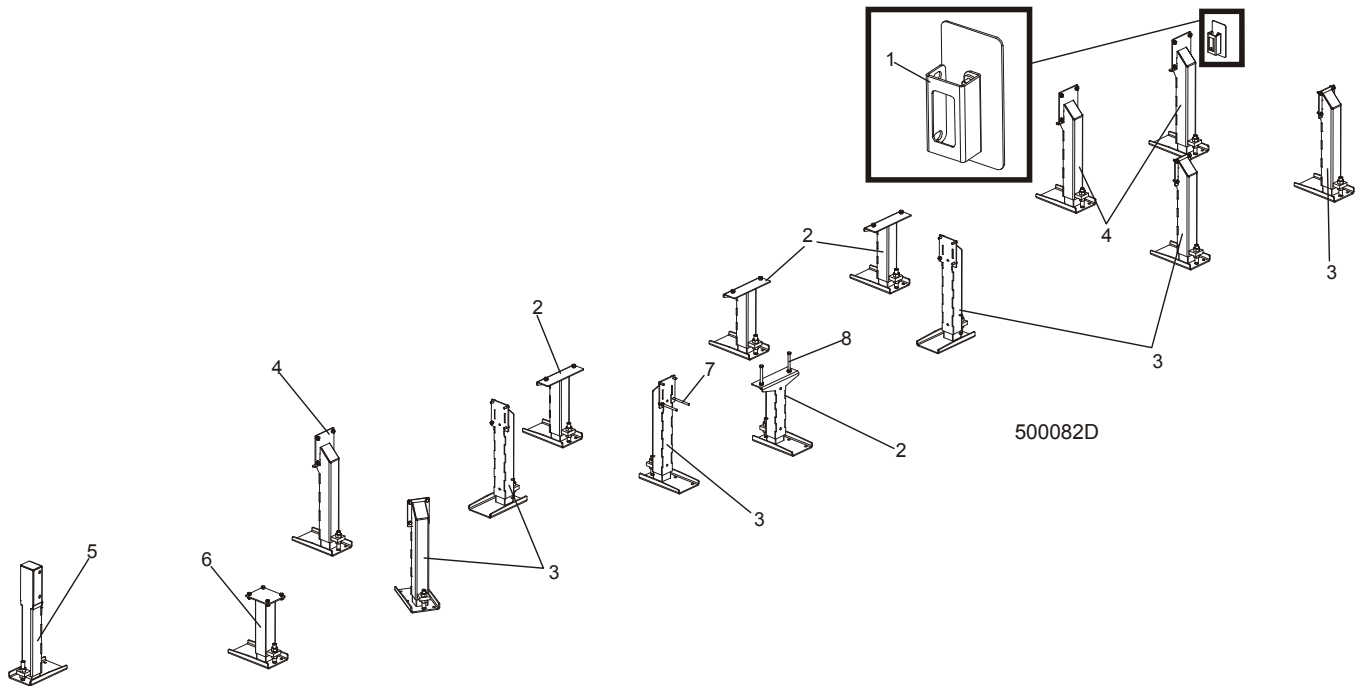
| REF. | DESCRIPTION (◆ Indicates Parts Available In Assemblies Only) | PART #   | QTY. |
|------|--|----------|------|
| 1    | BED TRANSVERSE   | 100680   | 1    |
| 2    | COVER, STAINLESS STEEL BED RAIL                              | 099124   | 1    |
| 3    | BOLT, M8X65-5,8 ZINC HEX HEAD                                | F81002-3 | 3    |
| 4    | NUT, M8-8-B-ZINC HEX NYLON LOCK                              | F81032-2 | 3    |
| 5    | WASHER, 8.4 FLAT ZINC  | F81054-1 | 3    |

### 8.4 Bed Rail Assembly (L Type Frame)



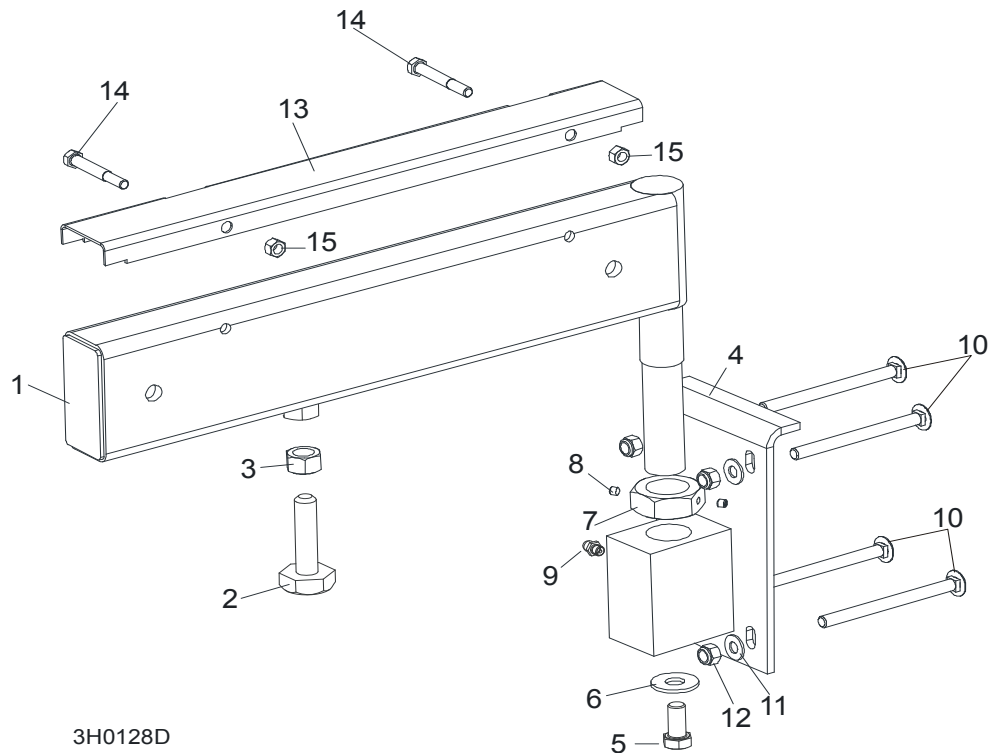
| REF. | DESCRIPTION (◆ Indicates Parts Available In Assemblies Only) | PART #   | QTY. |
|------|--|----------|------|
| 1    | BED RAIL ASSEMBLY  | 096993   | 1    |
| 2    | COVER, STAINLESS STEEL BED RAIL                              | 099124   | 1    |
| 3    | BOLT, M8X65-5,8 ZINC HEX HEAD                                | F81002-3 | 3    |
| 4    | NUT, M8-8-B-ZINC HEX NYLON LOCK                              | F81032-2 | 3    |
| 5    | BOLT, M12X90-8.8 HEX HEAD ZINC                               | F81004-2 | 2    |
| 6    | WASHER, M12, FLAT, ZINC                                      | F81056-1 | 4    |
| 7    | NUT, M12-8 HEX NYLON ZINC LOCK                               | F81034-2 | 2    |

**8.5 Leg, Stationary**



| REF. | DESCRIPTION (◆ Indicates Parts Available In Assemblies Only) | PART #        | QTY.     |
|------|--|---------------|----------|
|      | <b>LEG KIT, "L" FRAME OUTRIGGER STATIONARY</b>               | <b>500531</b> | <b>1</b> |
| 1    | COVER ASSEMBLY, MAIN TUBE                                    | 093052        | 1        |
| 2    | LEG, OUTRIGGER STATIONARY MIDDLE                             | 501637        | 4        |
| 3    | LEG, OUTRIGGER STATIONARY LEFT                               | 501639        | 6        |
| 4    | LEG, OUTRIGGER STATIONARY RIGHT                              | 501640        | 3        |
| 5    | LEG, OUTRIGGER STATIONARY FRONT                              | 501641        | 1        |
| 6    | LEG, STATIONARY  | 505766        | 1        |
| 7    | BOLT, M10x125-8.8 HEX HEAD ZINC                              | F81003-18     | 2        |
| 8    | BOLT, M12x130-8.8-Fe/Zn5 PN-M/82101                          | F81004-36     | 2        |

## 8.6 Pivot Bed Rail Assembly



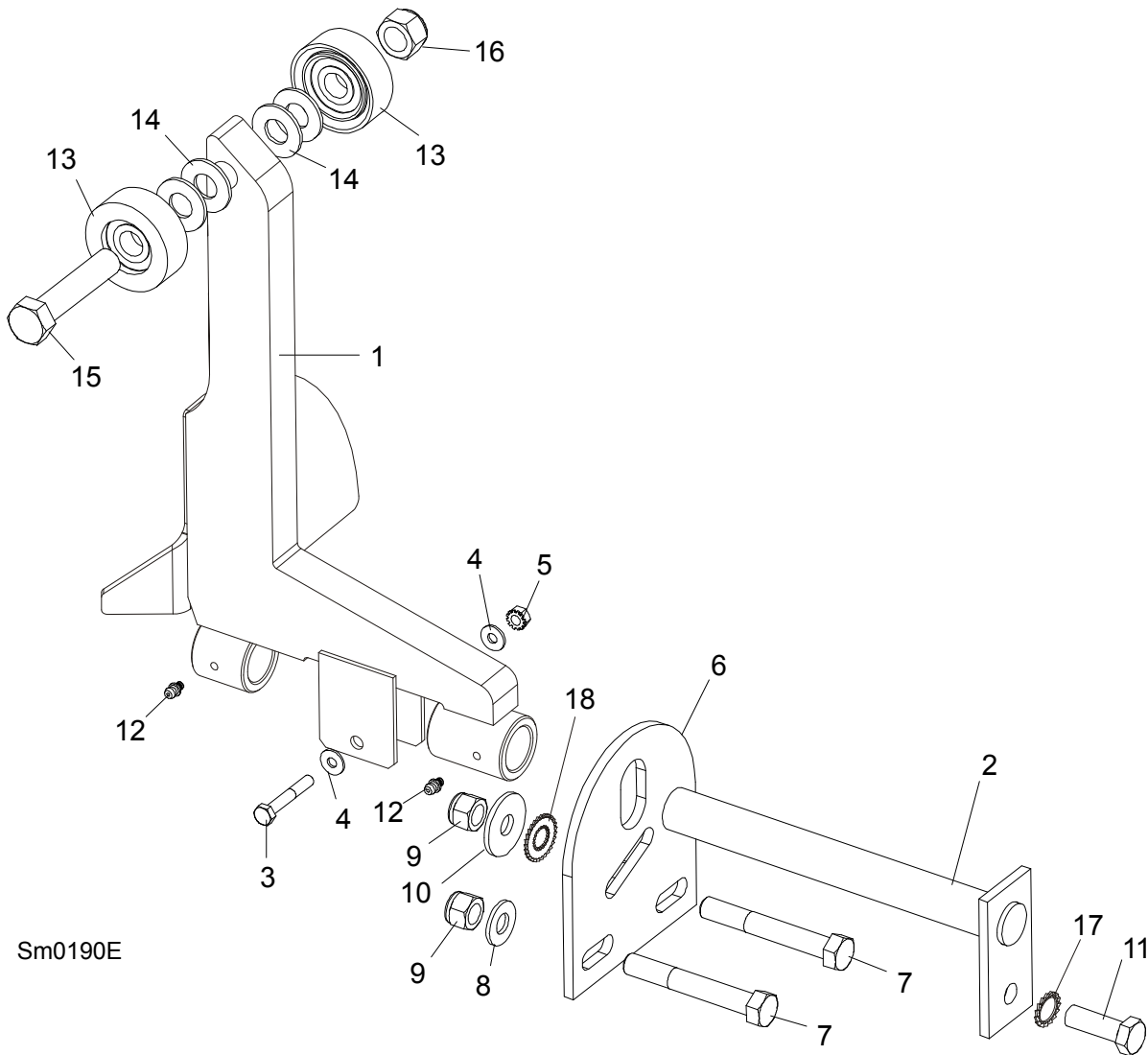
3H0128D

| REF. | DESCRIPTION (◆ Indicates Parts Available In Assemblies Only) | PART#     | QTY. |
|------|--|-----------|------|
|      | <b>PIVOT BED RAIL, COMPLETE</b>                              | 087855    | 2    |
| 1    | Pivot Bed Rail Assembly                                      | 087848-1  | 1    |
|      | Bolt Assembly, Bed Rail Adjustment                           |           | 1    |
| 2    | Bolt, Pivot Bed Rail Adjustment                              | 505006    | 1    |
| 3    | Nut, M16-5.8 Zinc Hex  | F81036-1  | 1    |
| 4    | Bracket, Pivot Bed Rail Mounting                             | 087841-1  | 1    |
| 5    | Bolt, M12x25-8.8 Hex Head Full Thread Zinc                   | F81004-31 | 1    |
| 6    | Washer, 9/16" Zinc Flat                                      | F05011-52 | 1    |
| 7    | Nut, M32x2-04-B Zinc   | 087975    | 1    |
| 8    | Screw, M6x8 Hex Socket Set Cone Point Zinc                   | F81013-1  | 2    |
| 9    | Fitting, 3/16" Straight Grease                               | 086280    | 1    |
| 10   | <b>BOLT, M10X125 8.8 MUSHROOM HEAD SQUARE NECK ZINC</b>      | F81003-34 | 4    |
| 11   | <b>WASHER, 10.5 FLAT</b>                                     | F81055-1  | 8    |
| 12   | <b>NUT, M16-8 HEX NYLON ZINC LOCK</b>                        | F81036-2  | 8    |
|      | <b>COVER KIT, STAINLESS STEEL PIVOT BED RAIL</b>             | N/A       | 2    |
| 13   | Cover, Pivot Bed Rail  | 099123    | 1    |
| 14   | Bolt, M8x65-5.8 Hex Head Zinc                                | F81002-3  | 2    |
| 15   | Nut, M8-8-B Hex Nylon Zinc Lock                              | F81032-2  | 2    |
|      | <b>WRENCH, BED RAIL ADJUSTMENT (See Section 8.3)</b>         | 015970    | 1    |

# 8 BED FRAME ASSEMBLY

## Log Side Support Assembly (Manual)

### 8.7 Log Side Support Assembly (Manual)



Sm0190E

| REF. | DESCRIPTION (◆ Indicates Parts Available In Assemblies Only) | PART #    | QTY. |
|------|--|-----------|------|
| 1    | SUPPORT, LOG SIDE W/GUARD                                    | 099785-1  | 1    |
| 2    | PIN, LOG SIDE SUPPORT PIVOT                                  | 091549-1  | 1    |
| 3    | BOLT, M8X45 - 8.8 HEX HEAD GRADE 5                           | F81002-14 | 1    |
| 4    | WASHER, 8.4 FLAT   | F81054-1  | 2    |
| 5    | NUT, M8-8-B SELF LOCKING                                     | F81032-2  | 1    |
| 6    | PLATE, LOG SIDE SUPPORT END                                  | 091591-1  | 1    |
| 7    | BOLT, M12 X 90-8.8 HEX HEAD                                  | F81004-2  | 2    |
| 8    | WASHER, 13 FLAT  | F81056-1  | 2    |
| 9    | NUT, M12-8 HEX NYLON LOCK                                    | F81034-2  | 3    |
| 10   | WASHER, .5" X 1.63" X 11" GA.                                | 086184    | 1    |
| 11   | BOLT, M12 X 35-8.8 HEX HEAD                                  | F81004-24 | 1    |
| 12   | FITTING, 3/16" GREASE  | P04107    | 2    |
| 13   | ROLLER ASSEMBLY, SIDE SUPPORT                                | 015014-1  | 2    |
| 14   | WASHER, 17 FLAT  | F81058-1  | 2    |
| 15   | BOLT, M16X65-8.8-B HEX HEAD GRADE 5                          | F81006-1  | 1    |



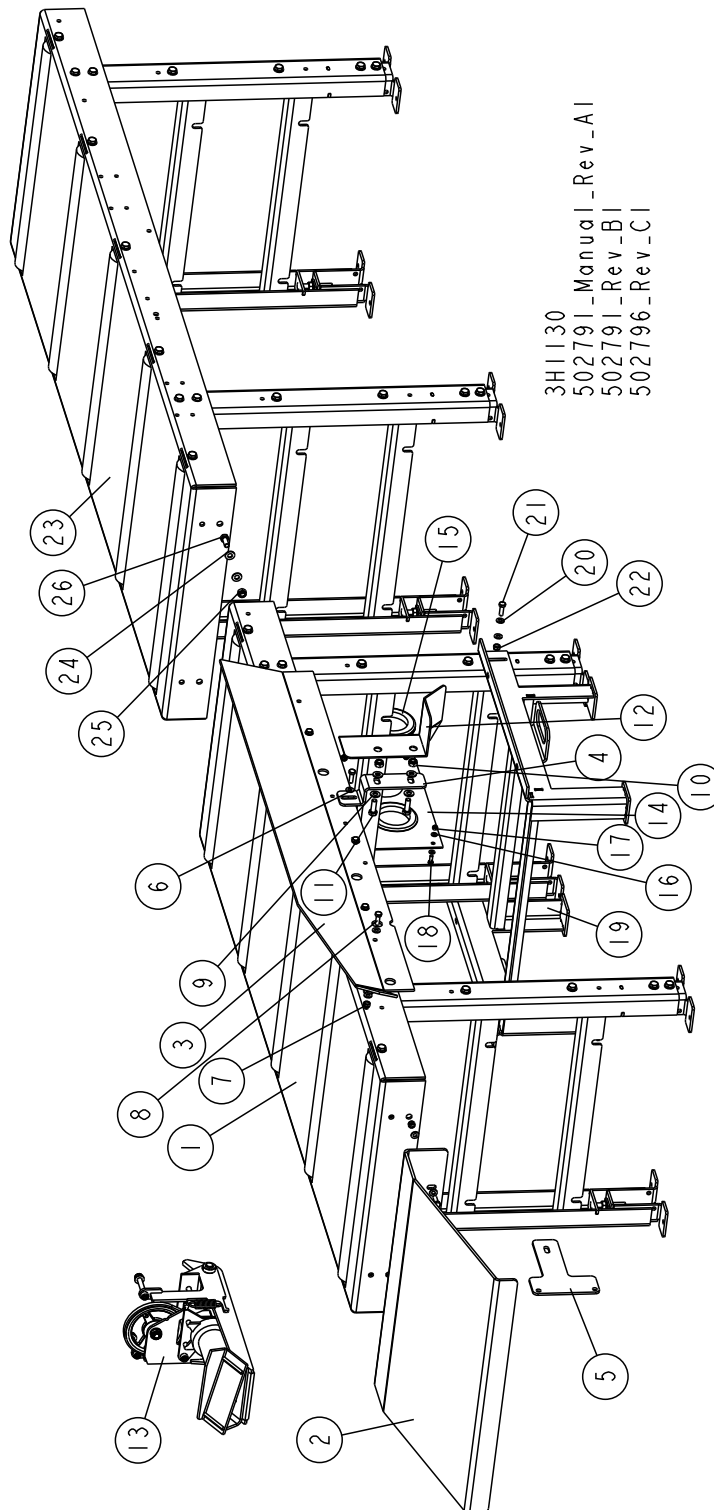
|    |   |            |   |  |
|----|---|------------|---|--|
| 16 | NUT, M16-8 NYLON LOCK                   | F81036-2   | 1 |  |
| 17 | WASHER, SPECIAL BOSART/2S, BN781 M12/13 | F81056-16  | 1 |  |
| 18 | WASHER, SPECIAL BOSART/2S M12/12,3/30,3 | F81056-17  | 1 |  |
|    | INSTRUCTION SHEET, SIDE SUPPORT ROLLER  | 015109-526 | 1 |  |



# BED FRAME ASSEMBLY

Board Return Table (LT40L Option)

## 8.8 Board Return Table (LT40L Option)



| REF. | DESCRIPTION (◆ Indicates Parts Available In Assemblies Only) | PART # | QTY. |
|------|--|--------|------|
|      | TABLE, LT40L DOUBLE  | 502791 | 1    |
|      | TABLE, LT40L LONG  | 502796 | 1    |
|      | TABLE, M FRAME LONG FRONT                                    | 502537 | 1    |

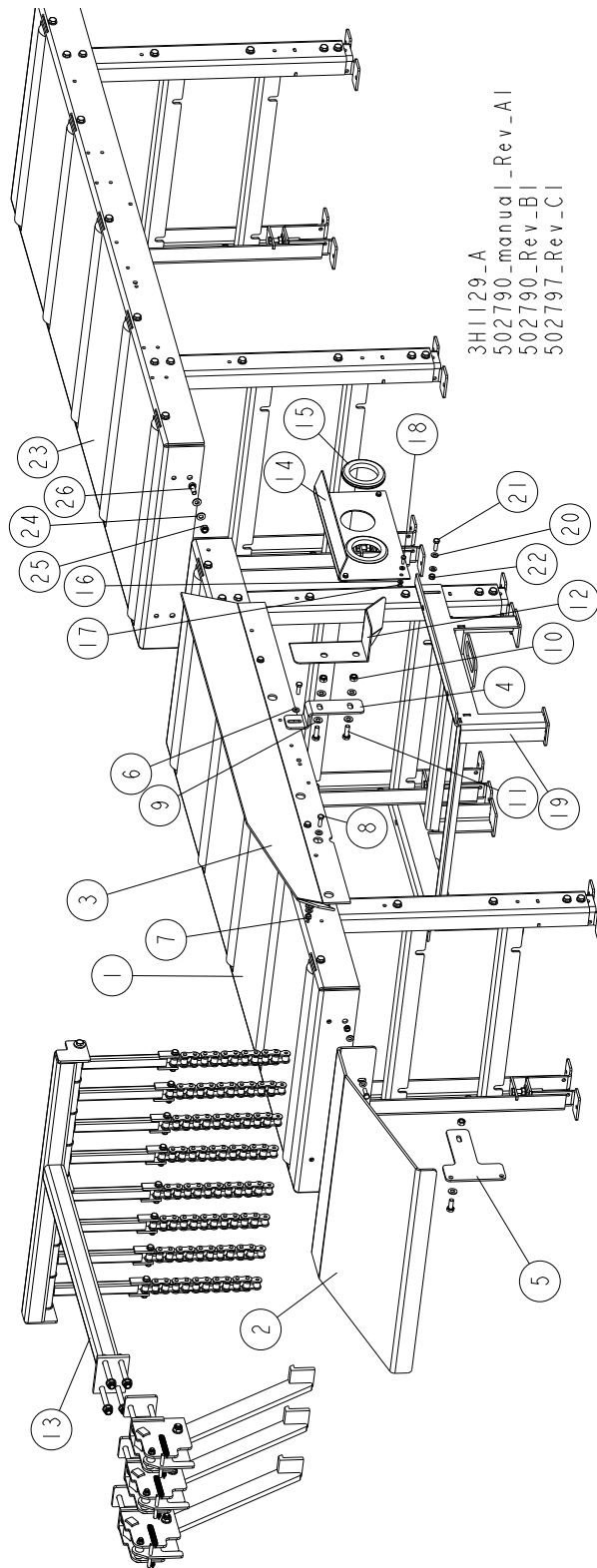
# BED FRAME ASSEMBLY

## Board Return Table (LT40L Option)

8

|    |  |               |          |  |
|----|--|---------------|----------|--|
| 1  | TABLE, M FRAME LONG <a href="#">See Section 8.12</a> | 502539        | 1        |  |
| 2  | PLATE, FRONT, BOARD RETURN TABLE                     | 502814-1      | 1        |  |
| 3  | BRACKET, BOARD RETURN TABLE                          | 501978-1      | 1        |  |
| 4  | BRACKET, TABLE LONG, M                               | 502813-1      | 1        |  |
| 5  | BRACKET, FRONT, TABLE LONG, L                        | 502812-1      | 1        |  |
| 6  | WASHER, 8.4 FLAT, ZINC                               | F81054-1      | 17       |  |
| 7  | NUT, M8-8-B, HEX,NYLON LOCK ZINC                     | F81032-2      | 9        |  |
| 8  | BOLT, M8X25-8.8-B HEX HEAD FULL THREAD               | F81002-5      | 9        |  |
| 9  | WASHER, 10.5 FLAT ZINC                               | F81055-1      | 4        |  |
| 10 | NUT, M10-8-B HEX NYLON ZINC LOCK                     | F81033-1      | 2        |  |
| 11 | BOLT, M10x30-5.8 HEX HEAD FULL THREAD ZINC           | F81003-2      | 2        |  |
| 12 | COVER, HYDRAULIC HOSE - SPECIAL                      | 502500-1      | 1        |  |
| 13 | BOARD RETURN ASSEMBLY                                | 087839-1      | 1        |  |
|    | <b>COVER, HYDRAULIC HOSES COMPLETE</b>               | <b>504262</b> | <b>1</b> |  |
| 14 | PLATE, COVER, HYDRAULIC HOSES COMPLETE               | 504261-1      | 1        |  |
| 15 | COVER, RUBBER 80 MM                                  | 089293        | 2        |  |
| 16 | WASHER, M6, FLAT,ZINC                                | F81053-1      | 8        |  |
| 17 | NUT,M6-8-B HEX,NYLON LOCK ZINC                       | F81031-2      | 4        |  |
| 18 | BOLT M6X16 -8.8 Hex Head Full Thread Zinc            | F81001-32     | 4        |  |
| 19 | MOUNT, HYDRAULIC BOX                                 | 513155-1      | 1        |  |
| 20 | WASHER, 8.4 FLAT, ZINC                               | F81054-1      | 4        |  |
| 21 | BOLT, M8X25-8.8-B HEX HEAD FULL THREAD               | F81002-5      | 2        |  |
| 22 | NUT, M8-8-B, HEX,NYLON LOCK ZINC                     | F81032-2      | 2        |  |
| 23 | TABLE, M FRAME LONG <a href="#">See Section 8.12</a> | 502539        | 1        |  |
| 24 | WASHER, 10.5 FLAT ZINC                               | F81055-1      | 4        |  |
| 25 | NUT, M10-8-B HEX NYLON ZINC LOCK                     | F81033-1      | 2        |  |
| 26 | BOLT, M10-1.5X25MM HH GR8.8                          | F81003-11     | 2        |  |

**8.9 Board Return Table (LT70L Option)**



| REF. | DESCRIPTION (◆ Indicates Parts Available In Assemblies Only) | PART # | QTY. |
|------|--|--------|------|
|      | TABLE, LT70L DOUBLE  | 502790 | 1    |
|      | TABLE, LT70L LONG  | 502797 | 1    |
|      | TABLE, M FRAME LONG FRONT                                    | 502537 | 1    |

# BED FRAME ASSEMBLY

## Board Return Table (LT70L Option)

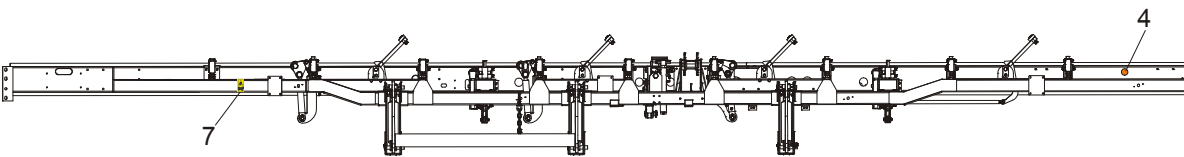
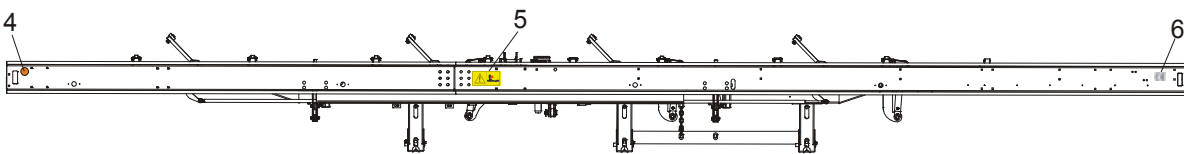
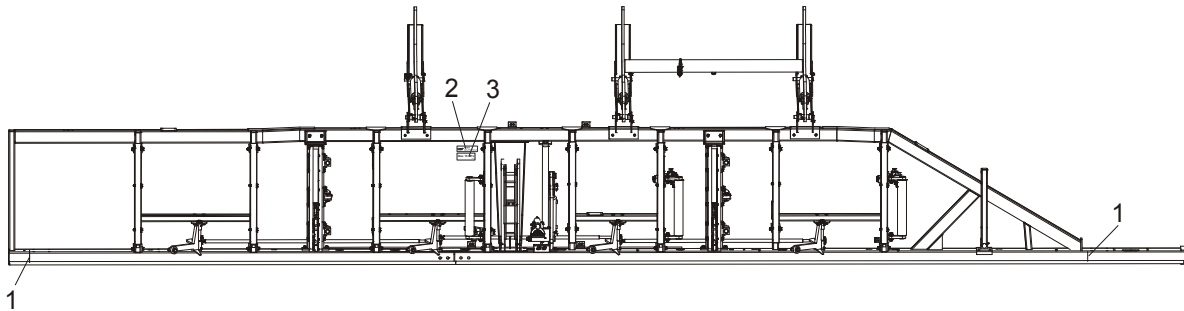
8

|    |   |               |          |  |
|----|---|---------------|----------|--|
| 1  | TABLE, M FRAME LONG <a href="#">See Section 8.10</a>  | 502539        | 1        |  |
| 2  | PLATE, FRONT, BOARD RETURN TABLE                      | 502814-1      | 1        |  |
| 3  | BRACKET, BOARD RETURN TABLE                           | 501978-1      | 1        |  |
| 4  | BRACKET, TABLE LONG, M                                | 502813-1      | 1        |  |
| 5  | BRACKET, FRONT, TABLE LONG, L                         | 502812-1      | 1        |  |
| 6  | WASHER, 8.4 FLAT, ZINC                                | F81054-1      | 17       |  |
| 7  | NUT, M8-8-B, HEX,NYLON LOCK ZINC                      | F81032-2      | 9        |  |
| 8  | BOLT, M8X25-8.8-B HEX HEAD FULL THREAD                | F81002-5      | 9        |  |
| 9  | WASHER, 10.5 FLAT ZINC                                | F81055-1      | 4        |  |
| 10 | NUT, M10-8-B HEX NYLON ZINC LOCK                      | F81033-1      | 2        |  |
| 11 | BOLT, M10x30-5.8 HEX HEAD FULL THREAD ZINC            | F81003-2      | 2        |  |
| 12 | COVER, HYDRAULIC HOSE - SPECIAL                       | 502500-1      | 1        |  |
| 13 | BOARD RETURN ASSEMBLY <a href="#">See Section 4.3</a> | 092757        | 1        |  |
|    | <b>COVER, HYDRAULIC HOSES COMPLETE</b>                | <b>504262</b> | <b>1</b> |  |
| 14 | PLATE, COVER, HYDRAULIC HOSES COMPLETE                | 504261-1      | 1        |  |
| 15 | COVER, RUBBER 80 MM                                   | 089293        | 2        |  |
| 16 | WASHER, M6, FLAT,ZINC                                 | F81053-1      | 8        |  |
| 17 | NUT,M6-8-B HEX,NYLON LOCK ZINC                        | F81031-2      | 4        |  |
| 18 | BOLT M6X16 -8.8 Hex Head Full Thread Zinc             | F81001-32     | 4        |  |
| 19 | MOUNT, HYDRAULIC BOX                                  | 513155-1      | 1        |  |
| 20 | WASHER, 8.4 FLAT, ZINC                                | F81054-1      | 4        |  |
| 21 | BOLT, M8X25-8.8-B HEX HEAD FULL THREAD                | F81002-5      | 2        |  |
| 22 | NUT, M8-8-B, HEX,NYLON LOCK ZINC                      | F81032-2      | 2        |  |
| 23 | TABLE, M FRAME LONG <a href="#">See Section 8.10</a>  | 502539        | 1        |  |
| 24 | WASHER, 10.5 FLAT ZINC                                | F81055-1      | 4        |  |
| 25 | NUT, M10-8-B HEX NYLON ZINC LOCK                      | F81033-1      | 2        |  |
| 26 | BOLT, M10-1.5X25MM HH GR8.8                           | F81003-11     | 2        |  |

# 8 BED FRAME ASSEMBLY

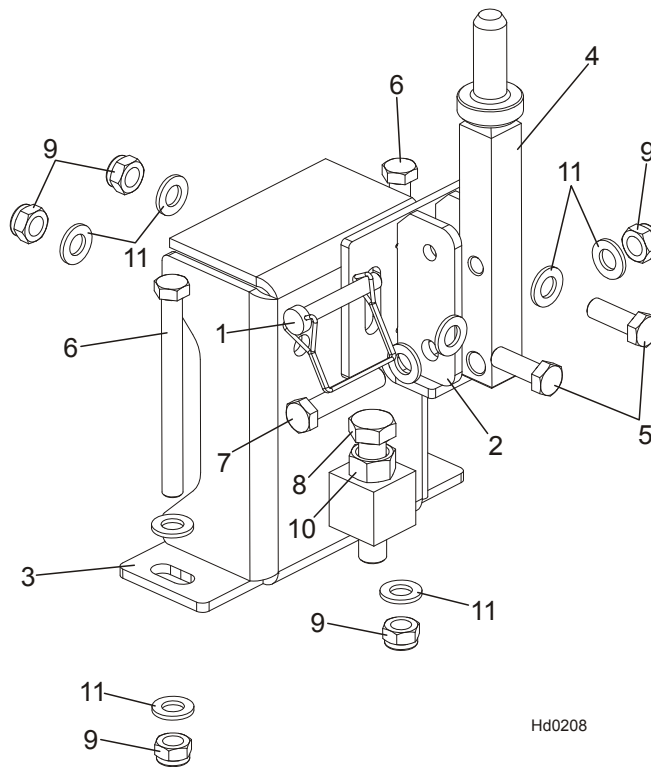
## Bed Frame Decals

### 8.10 Bed Frame Decals



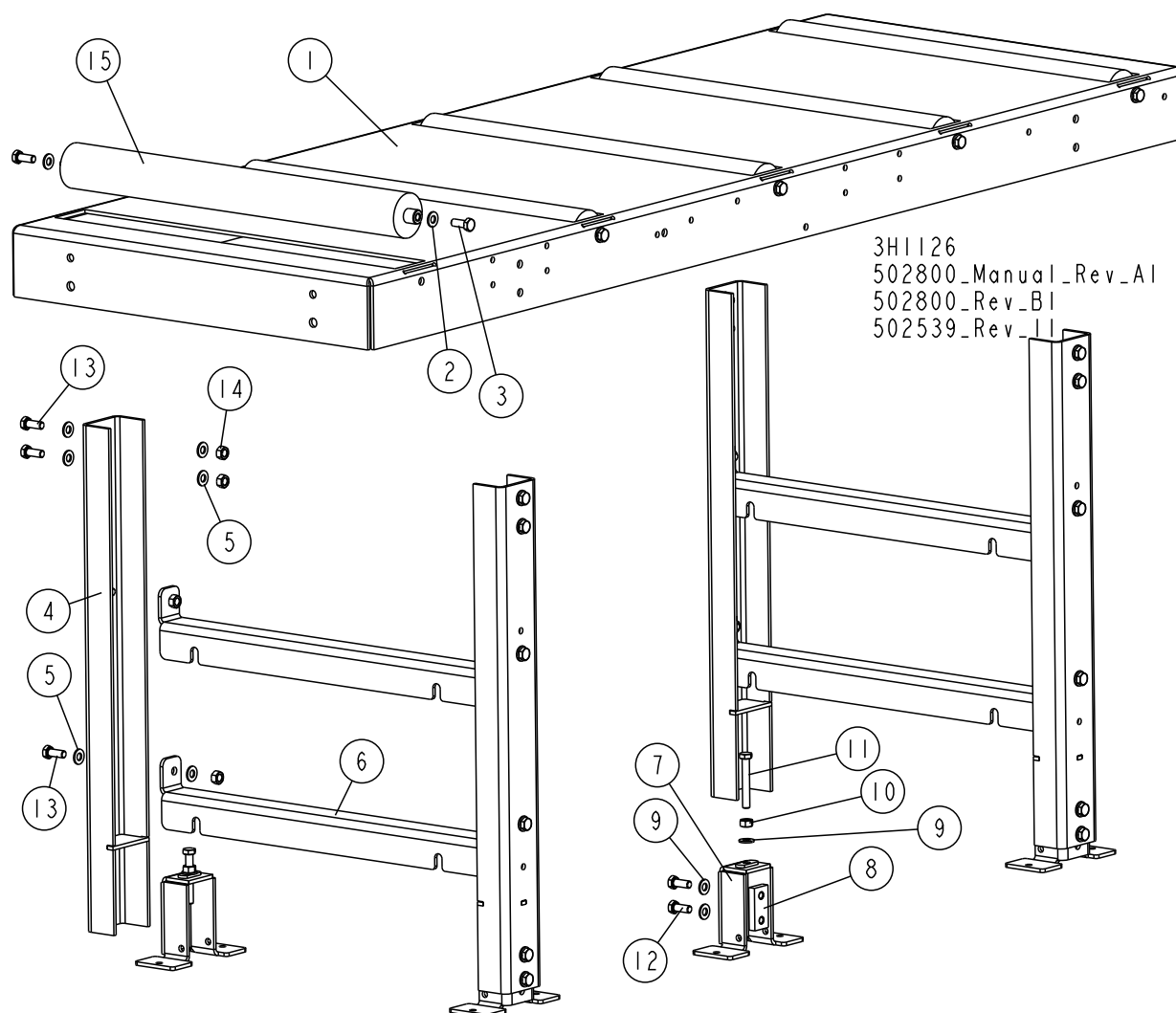
| REF. | DESCRIPTION (◆ Indicates Parts Available In Assemblies Only) | PART # | QTY. |
|------|--|--------|------|
| 1    | DECAL, LOG LENGTH LIMIT                                      | S12051 | 2    |
| 2    | DECAL, HYDRAULIC OIL TYPE                                    | 096323 | 1    |
| 3    | DECAL, HYDRAULIC WORKING PRESSURE                            | 099524 | 1    |
| 4    | DECAL, AMBER REFLECTIVE 2" ROUND                             | P07453 | 2    |
| 5    | DECAL, PINCH POINT DANGER, PICTOGRAM                         | 099542 | 1    |
| 6    | DECAL, CE CERTIFIED SAWMILL, SMALL                           | P85070 | 1    |
| 7    | DECAL, KEEP AWAY DANGER, PICTOGRAM                           | 099221 | 1    |

### 8.11 Saw Head Support Assembly



| REF. | DESCRIPTION (◆ Indicates Parts Available In Assemblies Only) | PART #    | QTY. |
|------|--|-----------|------|
|      | <b>SUPPORT, LT40LE25SAH15-3.0 SAW HEAD REST</b>              | 504631    | 1    |
| 1    | PIN, 3/8 x 2 1/4 SQ WIRE LOCK                                | 014151    | 1    |
| 2    | BRACKET, HORIZONTAL PART                                     | 504634-1  | 1    |
| 3    | SUPPORT, SAW HEAD TRANSPORTATION                             | 504641-1  | 1    |
| 4    | PIN, BRACKET HORIZONTAL                                      | 504644-1  | 1    |
| 5    | BOLT, M12 X 35-8.8-FE/ZN5 HEX HEAD FULL                      | F81004-24 | 2    |
| 6    | BOLT, M12X130-8.8-FE/ZN5 PN-M/82101                          | F81004-36 | 2    |
| 7    | BOLT, M12X60MM, HEX HEAD GR 8.8                              | F81004-5  | 1    |
| 8    | BOLT, M16x80 8.8-B- Fe/Zn5 HEX HEAD FULL                     | F81006-11 | 1    |
| 9    | NUT, M12-8 HEX NYLON ZINC LOCK                               | F81034-2  | 5    |
| 10   | NUT, M16-5.8 HEX ZINC  | F81036-1  | 1    |
| 11   | WASHER, 13 FLAT ZINC   | F81056-1  | 10   |

## 8.12 Long Table

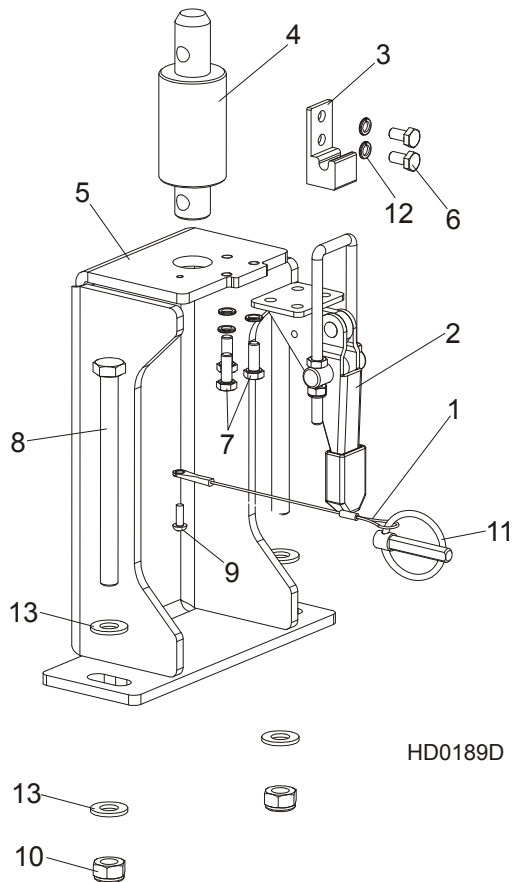


| L.P. | OPIS (♦ wskazuje części dostępne jedynie w zespołach) | NUMER KAT.    | SZT.     |
|------|---|---------------|----------|
|      | <b>LONG TABLE, "M" FRAME</b>                          | <b>502539</b> | <b>1</b> |
| 1    | TABLE WLDMT, BOARD RETURN                             | 512488-1      | 1        |
| 2    | Washer, 10.5 Flat                                     | F81055-1      | 10       |
| 3    | BOLT, M10-1.5X25MM HH GR8.8                           | F81003-11     | 10       |
|      | <b>LEG, TABLE COMPLETE</b>                            | <b>501974</b> | <b>2</b> |
| 4    | LEG, TABLE  | 501976        | 2        |
| 5    | Washer, 10.5 Flat                                     | F81055-1      | 15       |
| 6    | CROSS-BAR, TABLE                                      | 500074-1      | 2        |
|      | <b>COMPLETE, ADJUSTABLE LEG FOOT</b>                  | <b>101014</b> | <b>2</b> |
| 7    | FOOT, LEG ADJUSTABLE                                  | 101022-1      | 1        |
| 8    | PLATE, M10 CLAMPING ZINC-PLATED                       | 101242-1      | 1        |
| 9    | Washer, 10.5 Flat                                     | F81055-1      | 3        |
| 10   | NUT, M10-8-B-HEX ZINC                                 | F81033-3      | 1        |
| 11   | BOLT, M10x70-8.8-HEX HEAD FULL THREAD ZINC            | F81003-20     | 1        |



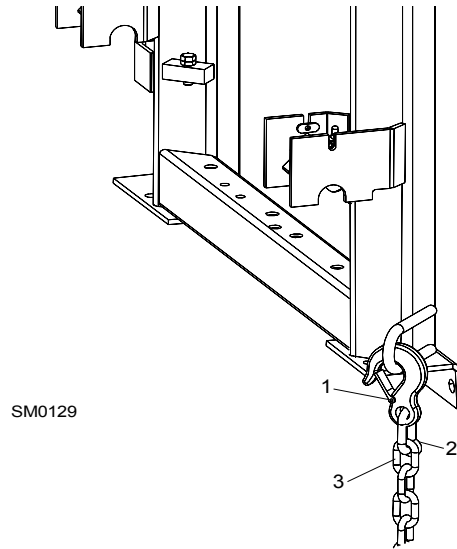
| L.P. | OPIS (◆ wskazuje części dostępne jedynie w zespołach) | NUMER KAT. | SZT. |  |
|------|---|------------|------|--|
| 12   | BOLT, M10x25-8.8-HEX HEAD FULL THREAD ZINC            | F81003-11  | 2    |  |
| 13   | BOLT, M10x25-8.8-HEX HEAD FULL THREAD ZINC            | F81003-11  | 8    |  |
| 14   | NUT, M10-8-B-HEX ZINC                                 | F81033-3   | 8    |  |
| 15   | ROLLER 63.5/20X590                                    | 501090-1   | 5    |  |

**8.13 LT70 L Saw Head Support Assembly**



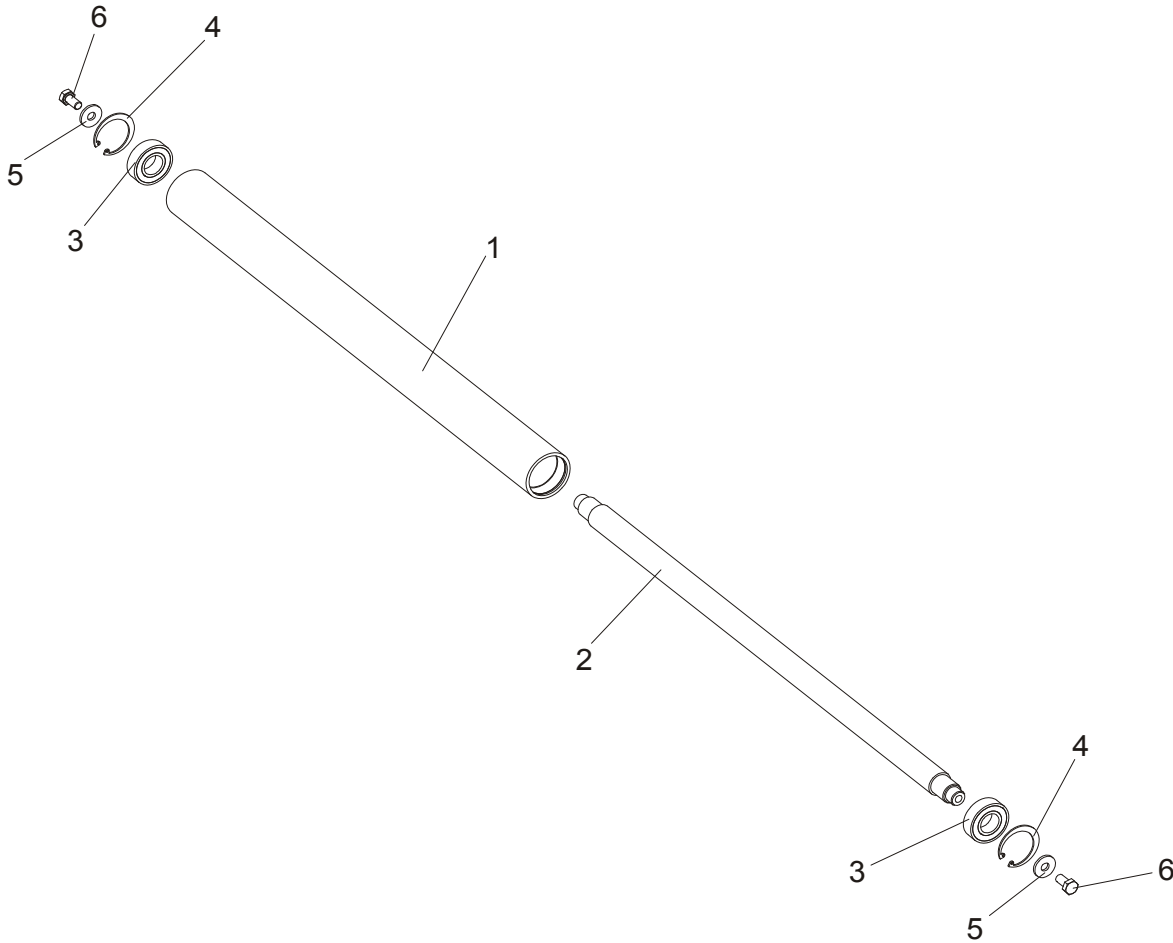
| REF | DESCRIPTION (◆ Indicates Parts Available In Assemblies Only) | PART #    | QTY. |
|-----|--|-----------|------|
|     | <b>SAW HEAD REST PIN W/LATCH CLAMP, LT70L</b>                | 502392    | 1    |
| 1   | LANYARD, 3/64X6"   | 016030    | 1    |
| 2   | CLAMP, GN851.2-320-T4 LATCH                                  | 094656    | 1    |
| 3   | LATCH BRACKET, GN851.2-320-T4 ZINC-PLATED                    | 094659-1  | 1    |
| 4   | PIN, SAW HEAD REST LT20 PTD                                  | 097935-1  | 1    |
| 5   | BRACKET, SAW HEAD REST                                       | 502389-1  | 1    |
| 6   | BOLT, M6x12-8.8 HEX HEAD FULL THREAD ZINC                    | F81001-7  | 2    |
| 7   | BOLT, M6 X 16 8.8 FE/ZN5 PN-M/82105                          | F81001-15 | 3    |
| 8   | BOLT, M10x125-8.8 HEX HEAD ZINC                              | F81003-18 | 2    |
| 9   | SCREW, M4x12 5,8-B CROSS RECESSED PAN HEAD                   | F81011-43 | 1    |
| 10  | NUT, M10-8-B HEX NYLON ZINC LOCK                             | F81033-1  | 2    |
| 11  | PIN, 8 BN914 (BOSSARD 134650) LOCK                           | F81046-2  | 1    |
| 12  | WASHER, Z6.1 SPLIT LOCK ZINC                                 | F81053-3  | 5    |
| 13  | WASHER, 10.5 FLAT ZINC                                       | F81055-1  | 4    |

**8.14 Tie Down Chain Assembly**



| REF | DESCRIPTION (◆ Indicates Parts Available In Assemblies Only) | PART #   | QTY. |
|-----|--|----------|------|
|     | <b>CHAIN ASSEMBLY, TIE DOWN</b>                              | A04376-1 | 1    |
| 1   | Hook, 5/8" Safety Chain                                      | P12075   | 1    |
| 2   | Screw Closed Chain Link, 10                                  | 100767   | 1    |
| 3   | Chain, N-10 x 35, 6 Links                                    | 100951   | 1    |

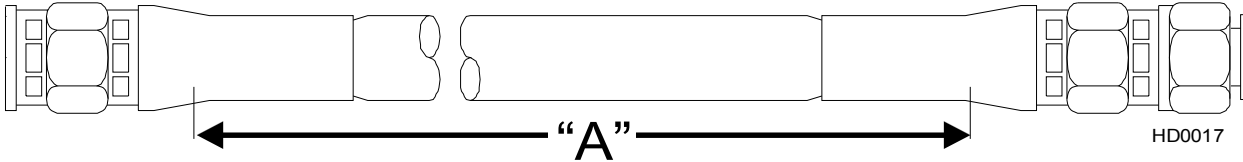
### 8.15 Board Return Roller Assembly



| REF | DESCRIPTION (◆ Indicates Parts Available In Assemblies Only) | PART#    | QTY. |  |
|-----|--|----------|------|--|
|     | <b>ROLLER ASSEMBLY, WM3000 PAINTED</b>                       | 093291   | 1    |  |
|     | Tube, WM3000 Roller  | 091782-1 | 1    |  |
| 1   | Tube, WM3000 Roller  | 091781   | 1    |  |
| 2   | Shaft, WM3000 Roller   | 091793   | 1    |  |
| 3   | Bearing, 6205 2RS  | 091804   | 2    |  |
| 4   | Ring, W50 Inside Retaining                                   | 091805   | 2    |  |
| 5   | Washer, 10.5 Special Flat Zinc                               | F81055-6 | 2    |  |
| 6   | Bolt, M10x20-5.8 Hex Head Full Thread Zinc                   | F81003-1 | 2    |  |

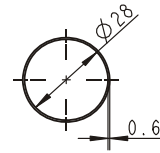
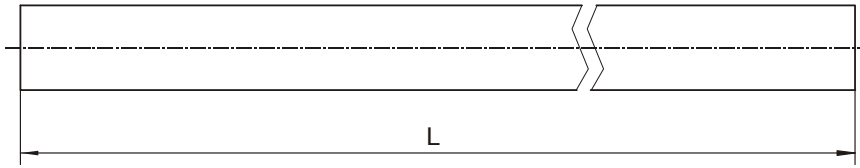
**SECTION 9 HYDRAULIC SYSTEM**

**9.1 Hydraulic Hoses, LT20L/LT40L/LT70L**



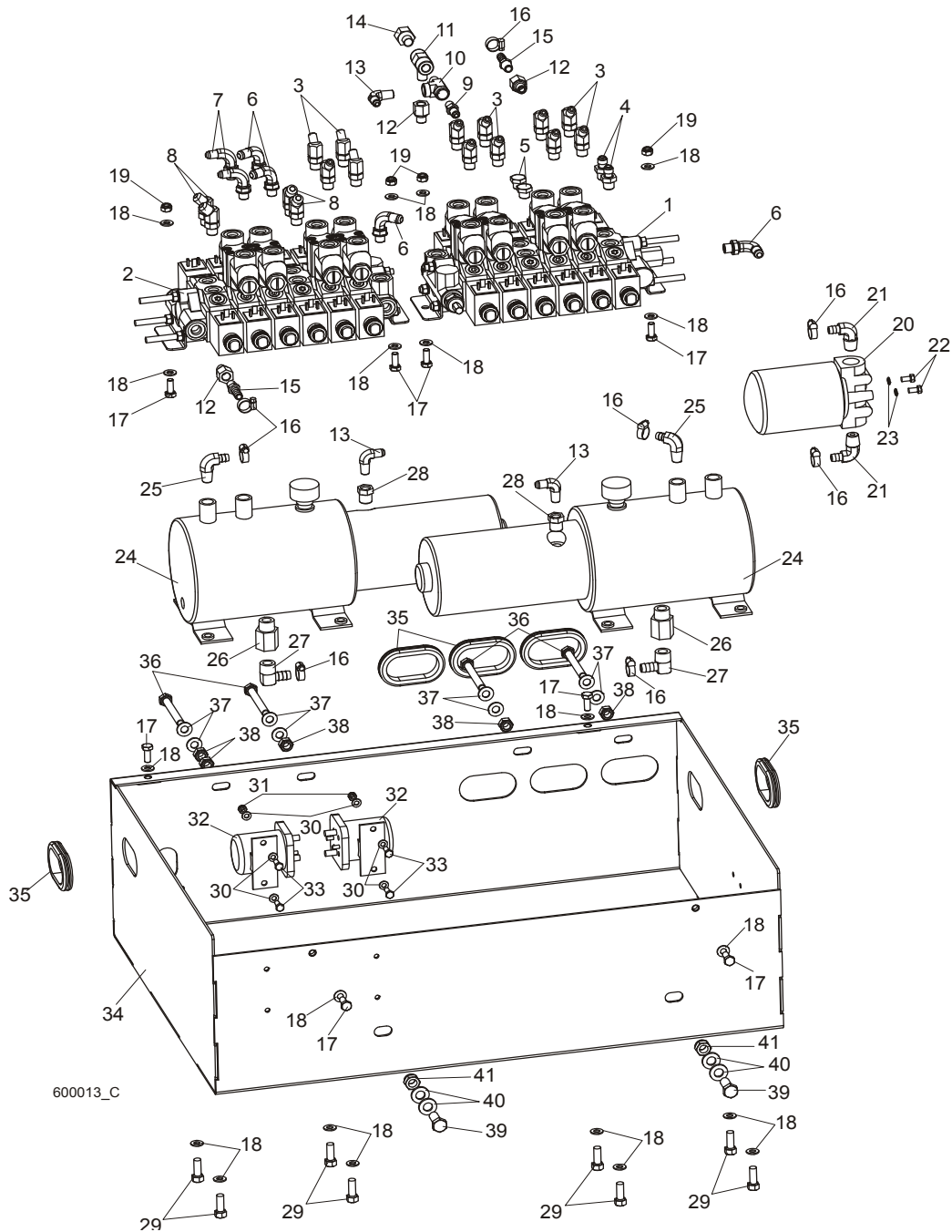
| COLOR CODE        | LENGTH (m) | DESCRIPTION (◆ Indicates Parts Available In Assemblies Only) | PART # | QTY. |
|-------------------|------------|--|--------|------|
| GREEN             | 1.305      | 3/8" TEE FITTING / 3RD LOADER ARM, CYLINDER BOTTOM           | 089808 | 1    |
| RED               | 1.305      | 3/8" TEE FITTING / OIL FLOW DIVIDER                          | 089808 | 1    |
| GREEN             | 2.155      | 3/8" TEE FITTING / 1ST LOADER ARM, CYLINDER BOTTOM           | 091844 | 1    |
| BLUE              | 1.205      | 3/8" TEE FITTING/ OIL FLOW DIVIDER                           | 504834 | 1    |
| NONE              | 10.205     | 1/4" POWER ROLLER UP/DOWN                                    | 506988 | 2    |
| SIVER/BROWN       | 9.705      | 1/4" POWER ROLLER - ROLLER DRIVE - MOTOR                     | 506989 | 2    |
| NONE/ PINK        | 7.205      | 3/8" SIDE SUPPORTS UP/DOWN                                   | 506990 | 2    |
| BROWN/ CHERRY RED | 3.755      | 3/8" SIDE SUPPORTS TO LOG TURNER                             | 506991 | 2    |
| RED/BLUE          | 9.755      | 1/4" CONTROL BOX TO 2ND CLAMP UP/DOWN                        | 506992 | 2    |
| ORANGE/WHITE      | 9.605      | 1/4" CONTROL BOX TO 2ND CLAMP IN/OUT                         | 506993 | 2    |
| GREEN             | 9.005      | 1/4" MIDDLE CLAMP TOP  | 506994 | 1    |
| YELLOW            | 8.705      | 1/4" MIDDLE CLAMP BOTTOM                                     | 506995 | 1    |
| WHITE             | 7.775      | 3/8" MIDDLE CLAMP FRONT END                                  | 506996 | 1    |
| ORANGE            | 7.605      | 3/8" MIDDLE CLAMP REAR END                                   | 506997 | 1    |
| CHERRY RED/BLACK  | 7.205      | 1/4" 2ND TOE BOARD UP/DOWN                                   | 506998 | 2    |
| CHERRY RED//BLACK | 5.905      | 1/4" 1ST TOE BOARD UP/DOWN                                   | 506999 | 2    |
| RED/BLUE          | 6.905      | 1/4" 1ST LOG CLAMP UP/DOWN                                   | 507000 | 2    |
| ORANGE/WHITE      | 6.005      | 1/4" 1ST LOG CLAMP IN/OUT                                    | 507001 | 2    |
| BLUE/RED          | 7.605      | 3/8" CONTROL BOX - LOG LOADER/LOG DECK                       | 507002 | 1    |
| YELLOW            | 2.305      | 3/8" TEE FITTING / 1ST LOADER ARM, CYLINDER BOTTOM           | 507003 | 1    |
| YELLOW            | 0.905      | 3/8" TEE FITTING / 2ND LOADER ARM, CYLINDER TOP              | 507004 | 1    |
| YELLOW            | 1.355      | 3/8" TEE FITTING / 3RD LOADER ARM, CYLINDER TOP              | 507005 | 1    |
| BLUE              | 1.005      | 3/8" TEE FITTING - TEE FITTING                               | 507006 | 1    |
| GREEN             | 0.805      | 3/8" TEE FITTING / 2ND LOADER ARM, CYLINDER BOTTOM           | 507181 | 1    |

*Protective Conduits, LT70 Series A/DH Hydraulic Hoses*



| LENGTH "L" | DESCRIPTION (◆ Indicates Parts Available In Assemblies Only) | PART # | QTY. |
|------------|--|--------|------|
| 0.70       | PROTECTIVE CONDUIT, LOG TURNER HOSE                          | 099761 | 2    |
| 0.28       | PROTECTIVE CONDUIT, IN/OUT CYLINDER HOSE - BOTTOM            | 099762 | 1    |
| 0.45       | PROTECTIVE CONDUIT, IN/OUT CYLINDER HOSE - TOP               | 099763 | 1    |
| 1.35       | PROTECTIVE CONDUIT, UP/DOWN CYLINDER HOSE - BOTTOM           | 099764 | 1    |
| 1.65       | PROTECTIVE CONDUIT, UP/DOWN CYLINDER HOSE - TOP              | 099765 | 1    |

## 9.2 Hydraulic Control Box LT70L DH15



| REF | DESCRIPTION (◆ Indicates Parts Available In Assemblies Only) | PART # | QTY. |
|-----|--|--------|------|
|     | <b>BOX ASSEMBLY, DH15 HYDRAULIC CONTROL</b>                  | 093756 | 1    |
| 1   | Valve, HDS11 6K01-151/MOD 6/062Z0 Hydraulic                  | 088188 | 1    |
| 2   | Valve, HDS11 6K01-151/MOD 6/063Z0 Hydraulic                  | 088189 | 1    |
| 3   | Fitting, #4SAE-#6SAE 45° Elbow                               | 015488 | 12   |
| 4   | Fitting, 1/4" JIC x 3/8" O-Ring                              | P26284 | 2    |
| 5   | Plug, 9/16 -18 JIC Hydraulic Valve                           | 089647 | 2    |
| 6   | Fitting, #6 SAE 3/8" JIC Elbow                               | P12704 | 4    |
| 7   | Fitting, 90° 9/16-18 JIC 7/16-20 JIC Elbow                   | 089642 | 2    |
| 8   | Fitting, 45° #6SAE Elbow                                     | 015489 | 4    |



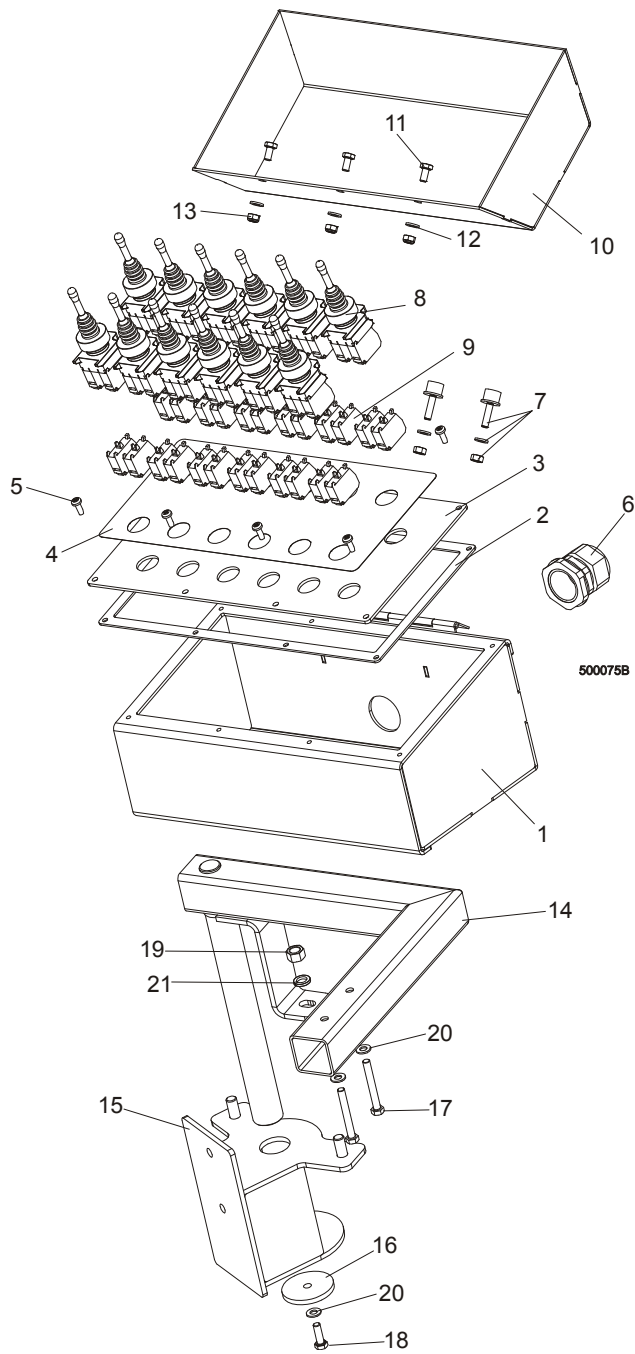
# HYDRAULIC SYSTEM

## Hydraulic Control Box LT70L DH15

|    |   |           |    |  |
|----|---|-----------|----|--|
| 9  | Fitting, C5205x4x4 Male                       | P09143    | 1  |  |
| 10 | Fitting, C3759X4 Male Run Tee                 | P09141    | 1  |  |
| 11 | Fitting, 1/4NPT Branch Tee                    | 015486    | 1  |  |
| 12 | Fitting, #6 SAE Male - 1/4 NPT Female         | 014686    | 3  |  |
| 13 | Fitting, 90° Male Elbow                       | P09142    | 3  |  |
| 14 | Plug, 1/4" NPT Blank                          | 096221    | 1  |  |
| 15 | Fitting, 3/8 Barb - 1/4 NPT                   | 014685    | 2  |  |
| 16 | Clamp, 11/16 Worm                             | P12739    | 8  |  |
| 17 | Bolt, M8 x 20-8.8-B Hex Head Full Thread Zinc | F81002-4  | 8  |  |
| 18 | Washer, 8.4 Zinc Flat                         | F81054-1  | 20 |  |
| 19 | Nut, M8-8-B Hex Nylon Zinc Lock               | F81032-2  | 4  |  |
| 20 | Manifold, 1.2" Hydraulic W/Filter             | P22683    | 1  |  |
| 21 | Fitting, 1/2"NPT - 3/8" Hose Barb Elbow       | P12707    | 2  |  |
| 22 | Bolt, 1/4-20x1/2" Hex Head Grade 2 Zinc       | F05005-15 | 2  |  |
| 23 | Washer, Z 6.1 Split Zinc Lock                 | F81053-3  | 2  |  |
| 24 | Pump W/Motor, Hydraulic                       | P12701    | 2  |  |
| 25 | Fitting, #6-6(3/8"NPT) - 3/8" Hose Barb Elbow | P12708    | 2  |  |
| 26 | Fitting, 1/2NPT-1/2NPT Adapter                | 015995    | 2  |  |
| 27 | Fitting, 1/2NPT-1/2 Hose Barb Elbow           | 015997    | 2  |  |
| 28 | Fitting, 3/8NPT x 1/4NPT Reducer              | 015490    | 2  |  |
| 29 | Bolt, 3/8-16x1 Hex Head Grade 8 Zinc          | F05007-7  | 8  |  |
| 30 | Washer 6.4 Zinc Flat                          | F81053-1  | 8  |  |
| 31 | Nut, M6-8-B Hex Nylon Zinc Lock               | F81031-2  | 4  |  |
| 32 | Solenoid, 200A 12V SPST Hydraulic Pump 1997   | 015470    | 2  |  |
| 33 | Bolt, M6 x 16 8.8 Hex Head Full Thread Zinc   | F81001-15 | 4  |  |
| 34 | Box Weldment, DC 9.5 m Hydraulic Control      | 088105-1  | 1  |  |
| 35 | Grommet, FM54 Rubber                          | 087065    | 5  |  |
| 36 | Bolt, M10 x 80-8.8 Hex Head Zinc              | F81003-50 | 4  |  |
| 37 | Washer, 10.5 Zinc Flat                        | F81055-1  | 8  |  |
| 38 | Nut, M10-8-B Hex Nylon Zinc Lock              | F81033-1  | 5  |  |
| 39 | Bolt, M12 x 30-8.8 Hex Head Full Thread Zinc  | F81004-22 | 2  |  |
| 40 | Washer, 13 Zinc Flat                          | F81056-1  | 4  |  |
| 41 | Nut, M12-8 Hex Nylon Zinc Lock                | F81034-2  | 2  |  |
|    | Matrix, Diode Hydraulic                       | 096963    | 2  |  |
|    | VALVE CONNECTOR, WITH BUILT-IN LED            | 094556    |    |  |



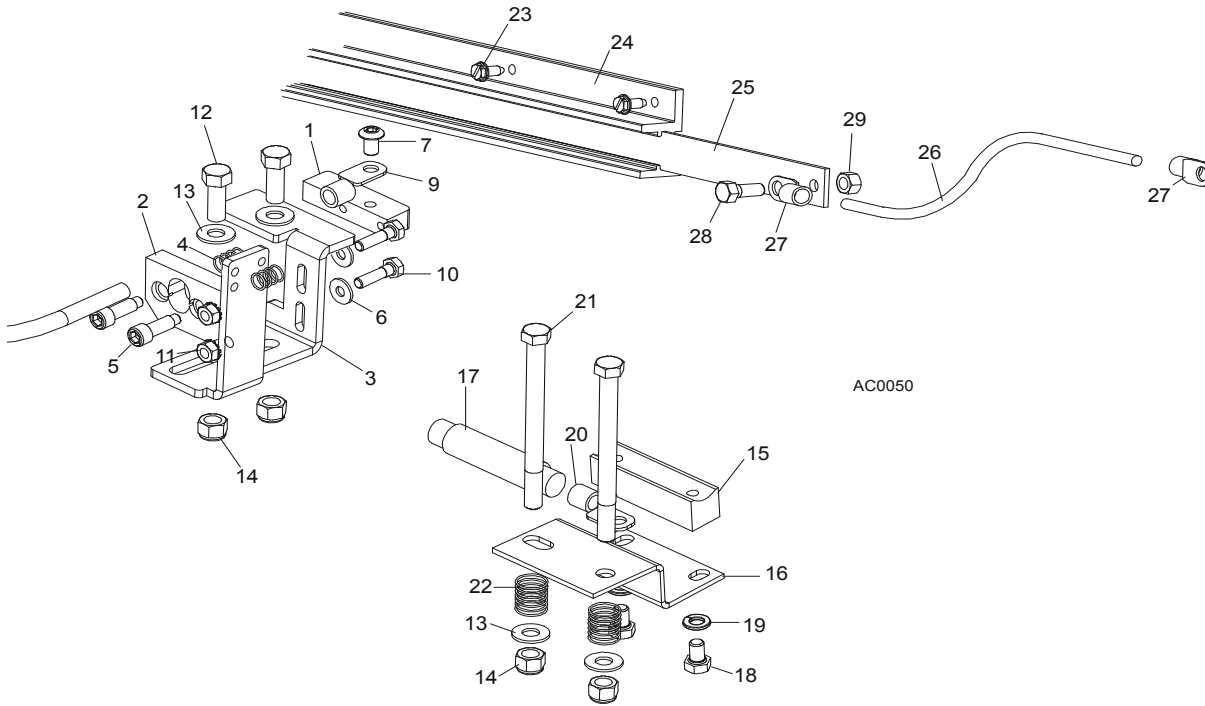
### 9.3 Hydraulic Control Box



| REF. | DESCRIPTION (◆ Indicates Parts Available In Assemblies Only) | PART #    | QTY. |
|------|--|-----------|------|
|      | <b>BOX, 9,5M FRAME HYDRAULIC CONTROL, COMPLETE</b>           | 088178    | 1    |
|      | BOX, 9.5 M FRAME HYDRAULIC CONTROL                           | 088164    | 1    |
| 1    | Box Weldment, Hydraulic Control                              | 088163-1  | 1    |
| 2    | Gasket, 9.5 m Frame  | 089998    | 1    |
| 3    | Panel, Hydraulic Control Box Front 9.5 m                     | 089997-1  | 1    |
| 4    | Decal, Hydraulic Control Box (9 m Frame)                     | 088159    | 1    |
| 5    | Screw, #10-24 x 1/2 Pan Head                                 | F05015-17 | 8    |
| 6    | Seal, DP 29/H Gland  | F81096-1  | 1    |
| 7    | Bumper, A/022 Rubber   | 088376    | 2    |
| 8    | Joystick, PMJN8T3  | 096928    | 12   |

|    |  |          |    |  |
|----|--|----------|----|--|
| 9  | Contact, 1NO PL004002                      | 096929   | 24 |  |
| 10 | Cover, Hydraulic Control Box (9.5 m Frame) | 088172-1 | 1  |  |
| 11 | Bolt, M6X12-8.8 Zinc Hex Head              | F81001-7 | 3  |  |
| 12 | Washer, 6.4 Flat Zinc                      | F81053-1 | 3  |  |
| 13 | Nut, M6-8-B Hex Nylon Lock Zinc            | F81031-2 | 3  |  |
| 14 | ARM, CONTROL BOX PIVOT ZINC-PLATED.        | 088169-1 | 1  |  |
| 15 | MOUNT WELDMENT, CONTROL BOX PIVOT ARM      | 088176-1 | 1  |  |
| 16 | WASHER, PIVOT ARM BASE                     | 088180-1 | 1  |  |
| 17 | BOLT, M8 X 65MM,HH,GRADE 5.8, ZINC         | F81002-3 | 2  |  |
| 18 | BOLT, M8x25-8.8-B HEX HEAD FULL THREAD Z   | F81002-5 | 1  |  |
| 19 | NUT, M12-8-B ZINC HEX                      | F81034-1 | 1  |  |
| 20 | WASHER, 8.4 FLAT ZINC                      | F81054-1 | 3  |  |
| 21 | WASHER, Z12.2 SPLIT LOCK ZINC              | F81056-2 | 1  |  |

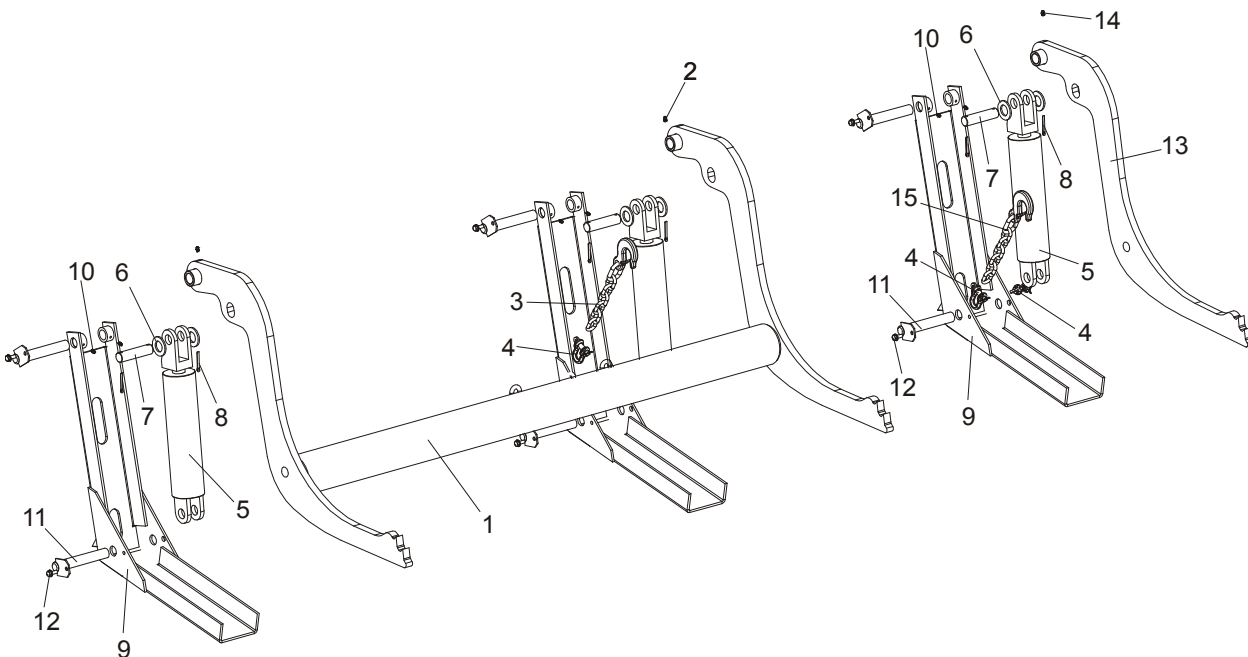
**9.4 Hydraulic Power Supply Strip**



| REF. | DESCRIPTION (◆ Indicates Parts Available In Assemblies Only) | PART #    | QTY. |   |
|------|--|-----------|------|---|
|      | <b>CONTACT KIT, HYDRAULIC 6" POWER SUPPLY</b>                | A12042-N  | 1    |   |
|      | Contact Hardware Kit   | A10073-N  | 1    | ◆ |
|      | Contact Assembly, Hydraulic Power Supply (Positive)          | 085968    | 1    |   |
| 1    | Contact, Hydraulic Power Supply (Positive)                   | 015253    | 1    |   |
| 2    | Insulator, Positive Contact                                  | S10072    | 1    |   |
| 3    | Bracket, Positive Contact Mounting                           | 086380-1  | 1    |   |
| 4    | Spring, Positive Contact                                     | P10077    | 2    |   |
| 5    | Bolt, 5/16" X 3/4" Shoulder (1/4-20 Thread)                  | F05006-44 | 2    |   |
| 6    | Washer, 7.4 Flat   | F81056-11 | 2    |   |
| 7    | Bolt, 5/16-18 x 1/2" Socket Button Head                      | F05006-20 | 1    |   |
|      | Cable Assy, Hydraulic Positive Contact                       | 015885    | 1    |   |

|    |   |           |       |   |
|----|---|-----------|-------|---|
| 8  | Cable, #1 Weld  | R01948    | 0.75m | ◆ |
| 9  | Terminal, 35 Ring #2 Gauge                              | F81066-3  | 2     |   |
| 10 | Bolt, 1/4-20 X 1" Hex Head Grade 2                      | F05005-38 | 2     |   |
| 11 | Nut, 1/4-20 Hex Self-Locking                            | F05010-9  | 2     |   |
| 12 | Bolt, 3/8-16 X 1" Hex Head Grade 5                      | F05007-87 | 2     |   |
| 13 | Washer, 10.5 Flat                                       | F81055-1  | 4     |   |
| 14 | Nut, 3/8-16 Hex Nylon Lock                              | F05010-10 | 4     |   |
|    | Contact Assembly, Hydraulic Power Supply (Ground)       | A10066    | 1     |   |
| 15 | Contact, Hydraulic Power Supply (Ground)                | 015264    | 1     |   |
| 16 | Bracket, Ground Contact Mounting                        | 015265    | 1     |   |
| 17 | Cable, #1 Weld  | R01948    | .63m  | ◆ |
| 18 | Bolt, 5/16-18 X 1/2" Hex Head Grade 5                   | F05006-15 | 2     |   |
| 19 | Washer, 8.2 Split Lock                                  | F81054-4  | 2     |   |
| 20 | Terminal, 35 Ring #2 Gauge                              | F81066-3  | 1     |   |
| 21 | Bolt, 3/8-16 X 4 1/2" Hex Head Grade 2                  | F05007-35 | 2     |   |
| 22 | Spring, Ground Contact                                  | P04282    | 2     |   |
| 23 | Screw, 1/4-20 X 1/2" Slotted Hex Head                   | F05015-1  | 14    |   |
|    | Strip Assembly, 6' Hydraulic Power Supply w/3 ft. Cable | A11977    | 1     |   |
| 24 | Housing, 6' Contact Strip                               | P11976    | 1     |   |
|    | Strip, 6' Contact With Cable                            | A12043-N  | 1     |   |
| 25 | Strip, 6' Contact                                       | S10075    | 1     | ◆ |
| 26 | Cable, #2 Weld  | R80583-21 |       | ◆ |
| 27 | Terminal, 35 Ring #2 Gauge                              | F81066-3  | 2     |   |
| 28 | Bolt, 5/16-18 X 3/4" Hex Head Black Nylon               | F05006-45 | 1     |   |
| 29 | Nut, 5/16-18 Hex Black Nylon                            | F05010-86 | 1     |   |
|    | Tube, 5/8" Heat Shrink                                  | R01950-5  | .03m  | ◆ |
|    | Grommet, 5/8" Wire                                      | P04137    | 1     |   |

## 9.5 Hydraulic Log Loader



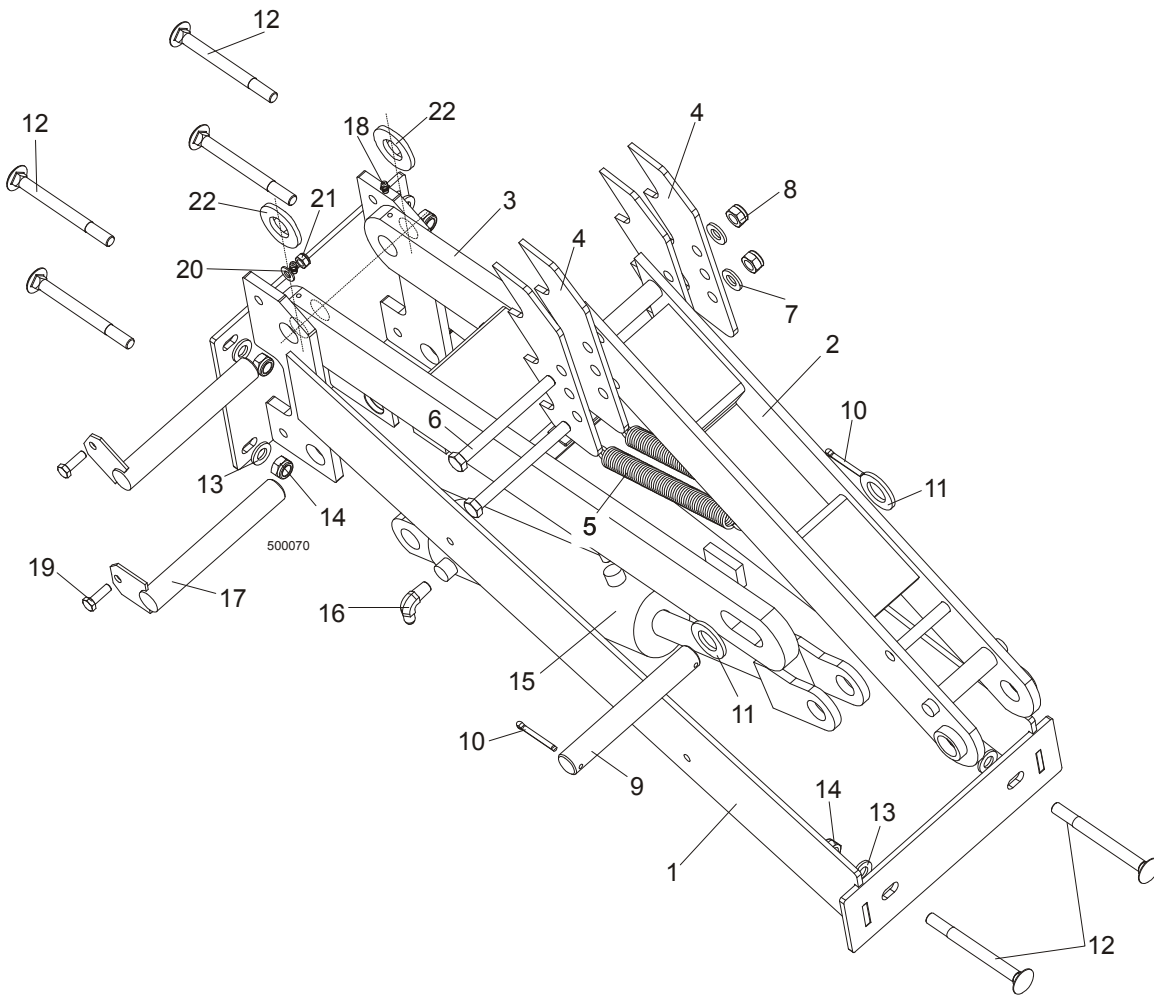


## HYDRAULIC SYSTEM

### Hydraulic Log Turner

| REF. | DESCRIPTION (◆ Indicates Parts Available In Assemblies Only) | PART #    | QTY. |  |
|------|--|-----------|------|--|
|      | <b>HYDRAULIC LOG LOADER, COMPLETE</b>                        | 090044    | 1    |  |
| 1    | Log Loader   | 090006-1  | 1    |  |
| 2    | Fitting, 3/16" Straight Grease                               | P04107    | 2    |  |
| 3    | <b>CHAIN, LOG LOADER SAFETY</b>                              | A04376-1  | 1    |  |
| 4    | <b>SHACKLE, M-D .63</b>                                      | 086540    | 2    |  |
| 5    | <b>CYLINDER, CJ-S95-16-70/32/203 HYDRAULIC</b>               | 088680    | 3    |  |
| 6    | <b>WASHER, 28 FLAT ZINC</b>                                  | F81061-1  | 6    |  |
| 7    | <b>PIN, LOADING ARM CYLINDER MOUNT ZINC</b>                  | 086979-1  | 3    |  |
| 8    | <b>PIN, S-Zn 5x40 COTTER</b>                                 | F81043-31 | 6    |  |
| 9    | Foot, Log Loader   | 090048-1  | 3    |  |
| 10   | Fitting, 3/16" Straight Grease                               | P04107    | 6    |  |
| 11   | <b>PIN, LOADER FOOT MOUNT</b>                                | 099127-1  | 6    |  |
| 12   | <b>SCREW, 5/16-18 x 3/4 SELF-TAPPING</b>                     | F05015-30 | 6    |  |
|      | <b>ARM, LOG LOADING SINGLE - COMPLETE</b>                    | 090051    | 1    |  |
| 13   | Arm, Hydraulic Log Loading                                   | 089657-1  | 1    |  |
| 14   | Fitting, 3/16" Straight Grease                               | P04107    | 1    |  |
| 15   | <b>CHAIN, SINGLE LOG LOADER ARM, 9.5M FRAME</b>              | 090090-1  | 1    |  |

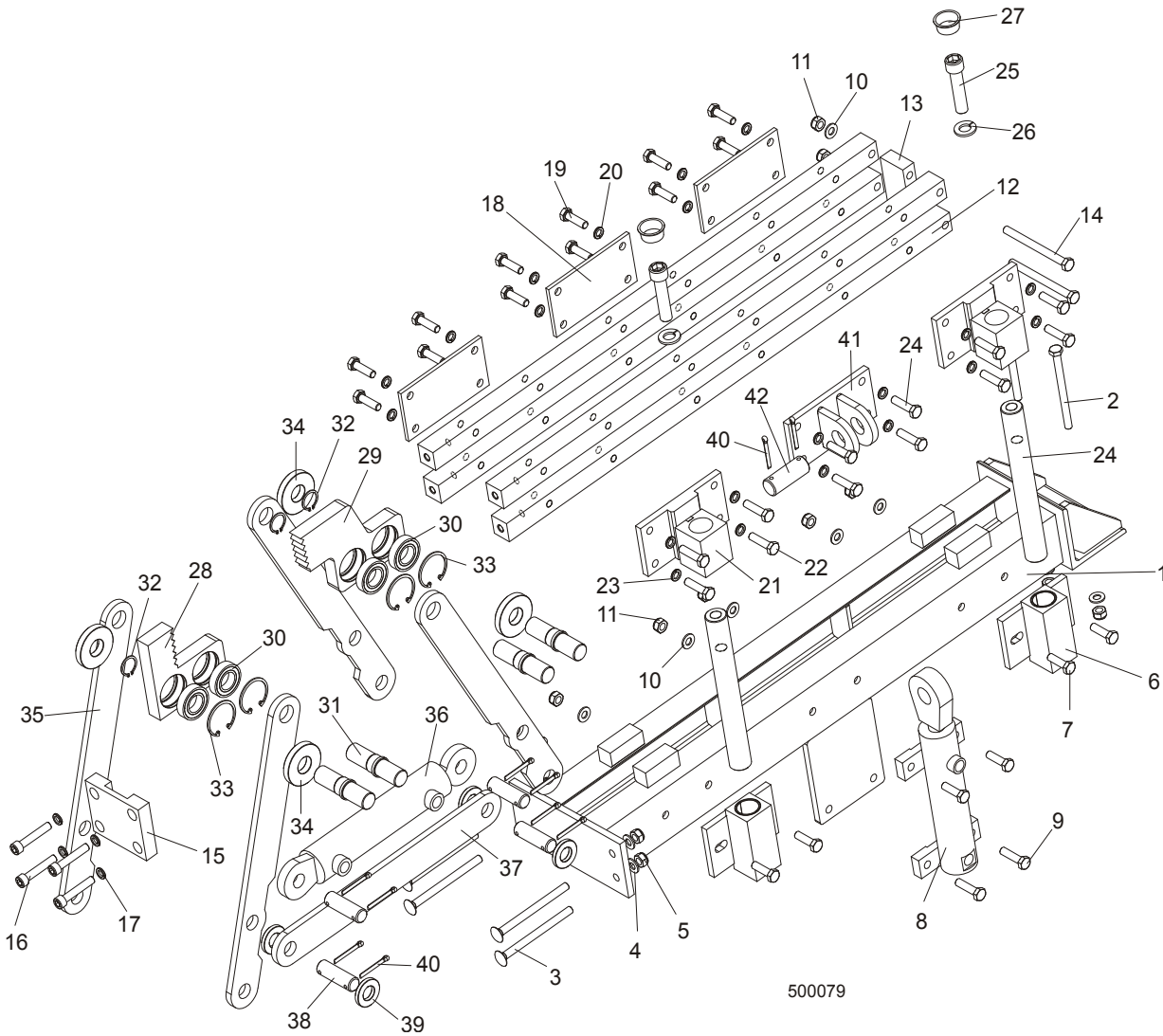
## 9.6 Hydraulic Log Turner



| REF | DESCRIPTION (◆ Indicates Parts Available In Assemblies Only) | PART #    | QTY. |
|-----|--|-----------|------|
|     | <b>HYDRAULIC LOG TURNER, 9.5 M, COMPLETE</b>                 | 088073    | 1    |
| 1   | Bracket, Hydraulic Log Turner Mount                          | 088075-1  | 1    |
| 2   | Arm, Hydraulic Log Turner                                    | 088067-1  | 1    |
| 3   | Arm, Hydraulic Log Turner Link                               | 088060-1  | 1    |
| 4   | Claw, Hydraulic Log Turner                                   | 088082-1  | 4    |
| 5   | Spring, Hydraulic Log Turner                                 | P09136    | 2    |
| 6   | Bolt, M12x130-8.8 Zinc Hex Head                              | F81004-36 | 2    |
| 7   | Washer, 13 Flat Zinc   | F81056-1  | 2    |
| 8   | Nut, M12-8 Hex Nylon Lock                                    | F81034-2  | 2    |
| 9   | Pin, 25X180  | 088664-1  | 1    |
| 10  | Pin, S-Zn 5x40 Cotter  | F81043-31 | 2    |
| 11  | Washer, 25 Flat Zinc   | F81061-3  | 2    |
| 12  | Bolt, M10x120 8.8 Zinc Mushroom Head Square Neck             | F81003-33 | 2    |
| 13  | Washer, 13 Flat Zinc   | F81056-1  | 2    |
| 14  | Nut, M12-8 Hex Nylon Zinc Lock                               | F81034-2  | 2    |
| 15  | Cylinder, CJ-S305-16-63/28/203 Hydraulic                     | 088679    | 1    |
| 16  | Fitting, 90° Elbow   | P09142    | 2    |
| 17  | Pin, Log Turner Mount  | 088667-1  | 2    |
| 18  | Fitting, M6 Grease   | 086280    | 2    |
| 19  | Bolt, M8x25-8.8-B Zinc Hex Head                              | F81002-5  | 2    |

|    |                                 |          |   |  |
|----|---------------------------------|----------|---|--|
| 20 | washer, 8.4 Flat Zinc           | F81054-1 | 2 |  |
| 21 | Nut, M8-8-B Hex Nylon Zinc Lock | F81032-2 | 2 |  |
| 22 | Washer, GTM-2644-015            | 093359   | 2 |  |

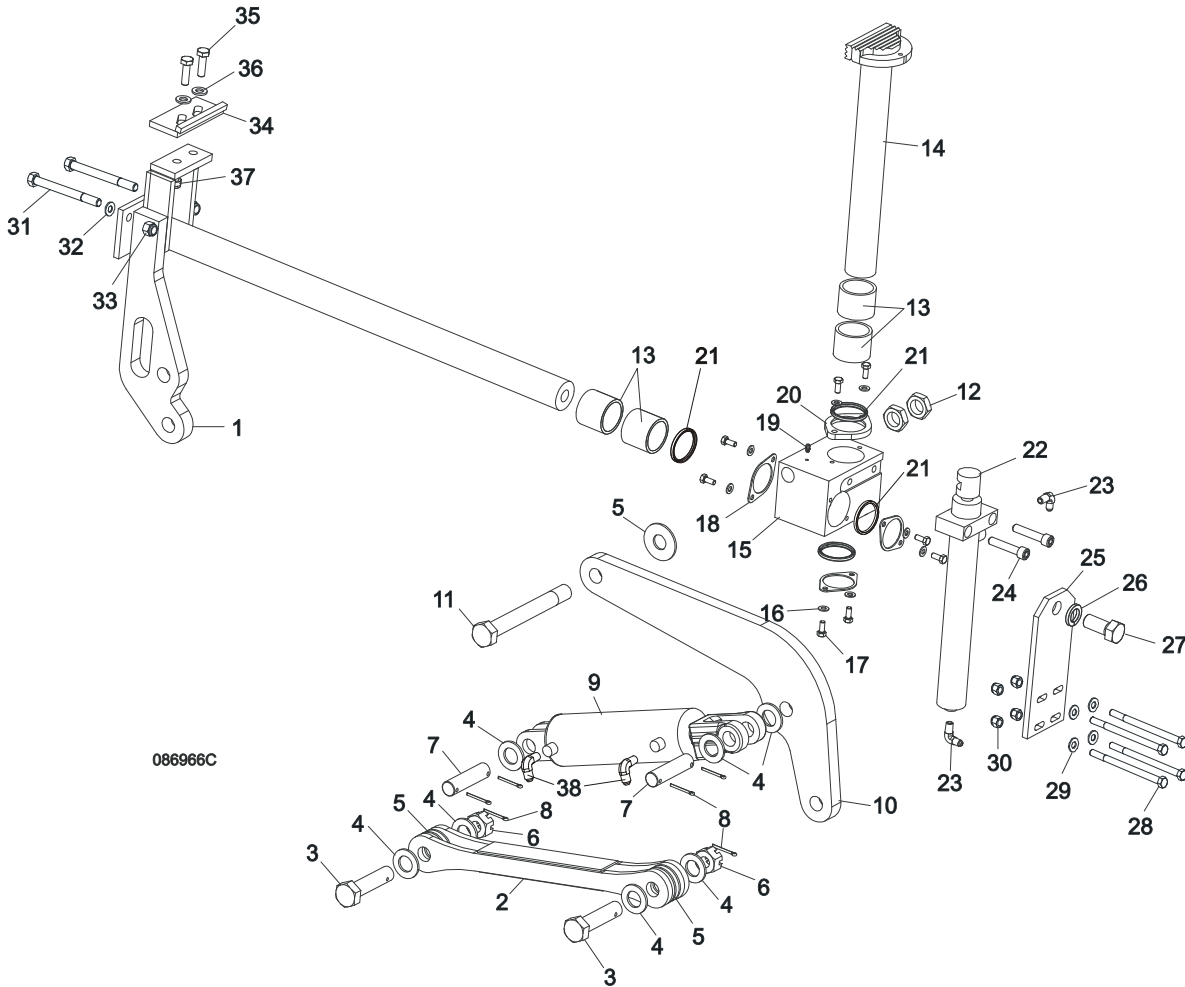
**9.7 Hydraulic Log Clamp, Front and Rear**



| REF. | DESCRIPTION (◆ Indicates Parts Available In Assemblies Only) | PART #    | QTY. |  |
|------|--|-----------|------|--|
|      | <b>CLAMP ASSEMBLY, HYDRAULIC</b>                             | 089545    | 2    |  |
| 1    | Mount Weldment, Hydraulic Log Clamp                          | 088654-1  | 1    |  |
| 2    | Bolt, M10x125-8.8 Zinc Hex Head                              | F81003-18 | 2    |  |
| 3    | Bolt, M10x130-8.8 Zinc Mushroom Head Square Neck             | F81003-36 | 4    |  |
| 4    | Washer, 10.5 Flat Zinc                                       | F81055-1  | 6    |  |
| 5    | Nut, M10-8-B Hex Nylon Zinc Lock                             | F81033-1  | 6    |  |
| 6    | Block, Guide Pin   | 089835-1  | 2    |  |
| 7    | Bolt, M10x35-8.8 Zinc Hex Head Full Thread                   | F81003-17 | 4    |  |
| 8    | Cylinder,CJ7F-16-40/22 + UE2-40W Hydraulic                   | 088662    | 1    |  |

|    |  |               |    |  |
|----|--|---------------|----|--|
| 9  | Bolt, M10x40-8.8 Zinc Hex Head             | F81003-16     | 4  |  |
| 10 | Washer, M10 Flat Zinc                      | F81055-1      | 6  |  |
| 11 | Nut, M10-8-b Hex Nylon Zinc Lock           | F81033-1      | 10 |  |
| 12 | Bar, Clamp Up/Down                         | 089537-1      | 4  |  |
| 13 | Plate, Connecting                          | 088645-1      | 1  |  |
| 14 | Bolt, M10x140-8.8 Zinc Hex Head            | F81003-5      | 2  |  |
| 15 | Plate, Connecting                          | 089533-1      | 1  |  |
| 16 | Bolt, M10x55-8.8 Zinc Hex Socket Head Cap  | F81003-55     | 4  |  |
| 17 | Washer, 10.2 Split Lock Zinc               | F81055-2      | 4  |  |
| 18 | Plate, Log Clamp Rear                      | 089538-1      | 3  |  |
| 19 | Bolt, M10x35-8.8 Zinc Hex Head Full Thread | F81003-17     | 12 |  |
| 20 | Washer, 10.2 Split Lock Zinc               | F81055-2      | 12 |  |
| 21 | Bracket, Guide Pin Mount                   | 089536-1      | 2  |  |
| 22 | Bolt, M10x40-8.8 Zinc Hex Head Full Thread | F81003-16     | 8  |  |
| 23 | Washer, 10.2 Split Lock Zinc               | F81055-2      | 8  |  |
| 24 | Pin, Clamp Up/Down Guide                   | 088631        | 2  |  |
| 25 | Screw, M16x55-8.8 Zinc Hex Socket Head Cap | F81006-18     | 2  |  |
| 26 | Washer, 16.3 Split Lock Zinc               | F81058-2      | 2  |  |
| 27 | Plug, M33 Thread                           | 089839        | 2  |  |
|    | <b>Jaw, Log Clamp Left - Complete</b>      | <b>094700</b> | 1  |  |
| 28 | Jaw, Log Clamp Left                        | 093464-1      | 1  |  |
| 30 | Bearing, 6005 2RS CX                       | 089652        | 4  |  |
| 31 | Shaft, Clamp Jaw Guide                     | 088620-1      | 4  |  |
| 32 | Ring, Z24 Spring Retaining                 | 089654        | 4  |  |
| 33 | Ring, W47 Spring Retaining                 | 089653        | 4  |  |
|    | <b>Jaw, Log Clamp Right - Complete</b>     | <b>094701</b> | 1  |  |
| 29 | Jaw, Log Clamp Right                       | 093465-1      | 1  |  |
| 30 | Bearing, 6005 2RS CX                       | 089652        | 4  |  |
| 31 | Shaft, Clamp Jaw Guide                     | 088620-1      | 4  |  |
| 32 | Ring, Z24 Spring Retaining                 | 089654        | 4  |  |
| 33 | Ring, W47 Spring Retaining                 | 089653        | 4  |  |
| 34 | Washer, Clamp Jaw Spacer                   | 089542        | 4  |  |
| 35 | Bar, Clamp In/Out Side                     | 088622-1      | 4  |  |
| 36 | Cylinder, SJ2F-40/22/145 Hydraulic         | 088661        | 1  |  |
| 37 | Bar, Clamp In/Out Lower                    | 088623-1      | 1  |  |
| 38 | Pin, 20X75                                 | 088657-1      | 4  |  |
| 39 | Spacer, Lower                              | 089541        | 4  |  |
| 40 | Pin, S-Zn 5x40 Cotter                      | F81043-31     | 10 |  |
| 41 | Bracket, Vertical Cylinder Mount Upper     | 089540-1      | 1  |  |
| 42 | Pin, 25X75                                 | 088659-1      | 1  |  |

### 9.8 Hydraulic Log Clamp



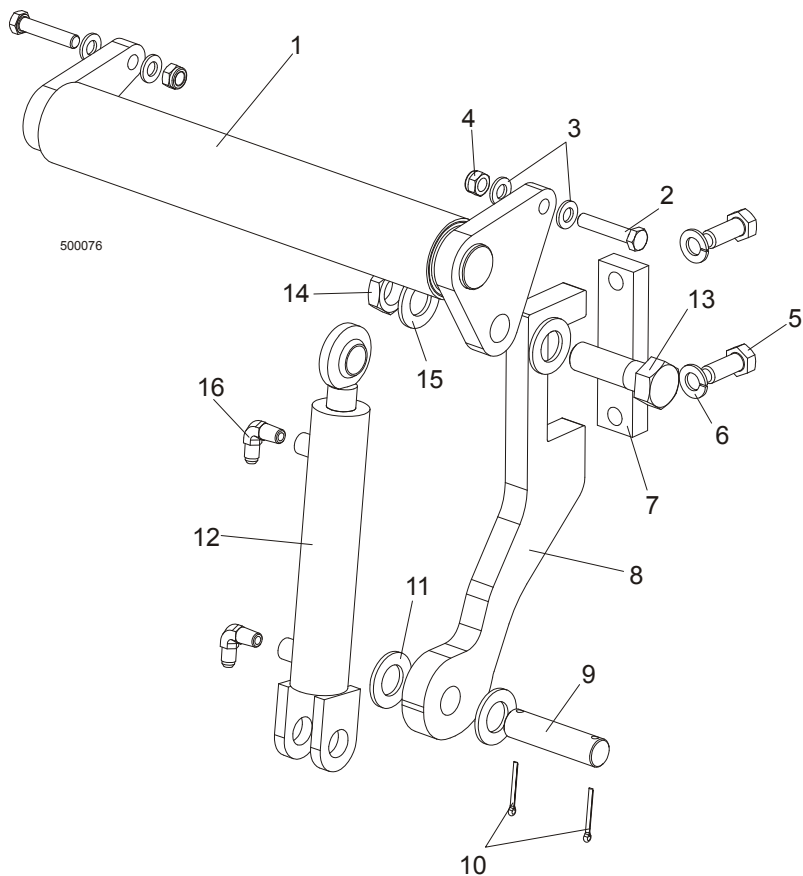
086966C

| REF. | DESCRIPTION (◆ Indicates Parts Available in Assemblies Only) | PART #   | QTY. |
|------|--|----------|------|
|      | <b>HYDRAULIC LOG CLAMP ASSEMBLY</b>                          | 088658   | 1    |
| 1    | Rod Weldment, Log Clamp Slide Ptd                            | 086967-1 | 1    |
| 2    | Arm Weldment, Hydraulic Clamp Link Ptd                       | 086963-1 | 1    |
| 3    | Pin, B 24x95/85-Clevis Zinc                                  | F81049-2 | 1    |
| 4    | Washer, 25 Flat Zinc   | F81061-3 | 8    |
| 5    | Washer, 25X63 Zinc-Plated                                    | 088585-1 | 5    |
| 6    | Nut, Z M20-8-B-Slotted Castle Zinc                           | F81037-3 | 2    |
| 7    | Pin, Hydraulic Cylinder Zinc-Plated                          | 086979-1 | 2    |
| 8    | Pin, S-Zn 6,3x45 Cotter                                      | F81045-2 | 6    |
| 9    | Cylinder, CJ-S96-16-70/32/178 Hydraulic                      | 088589   | 1    |
| 10   | Arm, Hydraulic Log Clamp Link Ptd                            | 086974-1 | 1    |
| 11   | Bolt, M24x217/39 -8.8-B- Hex Head Zinc                       | 088586-1 | 1    |
| 12   | Nut, M24 -04-B- Hex Thin Zinc                                | F81039-3 | 2    |
| 13   | Bushing, 5040BS Self-Lubricating                             | 088660   | 2    |
| 14   | Rod Weldment, Log Clamp Vertical Painted                     | 088582-1 | 1    |
| 15   | Block, Log Clamp Steel Ptd                                   | 088591-1 | 1    |
| 16   | Washer, 8.4 Flat Zinc  | F81054-1 | 8    |
| 17   | Bolt, M8x20-8.8-B-Hex Head Full Thread Zinc                  | F81002-4 | 8    |



|    |   |           |   |  |
|----|---|-----------|---|--|
| 18 | Flange, Clamp Rod Wiper Ptd                       | 088887-1  | 3 |  |
| 19 | Fitting, 3/16" Straight Grease                    | P04107    | 1 |  |
| 20 | Flange, Clamp Rod Wiper Ptd                       | 088887-1  | 1 |  |
| 21 | Wiper, ZZ 50x60x7 Log Clamp Rod                   | 088587    | 1 |  |
| 22 | Cylinder, CJ-S169-16-40/22/254 Hydraulic          | 088590    | 1 |  |
| 23 | Fitting, 1/4" NPT - 1/4" JIC Male Elbow           | P09142    | 2 |  |
| 24 | Screw, M12x55 -8.8-B-Hex Socked Head Cap Zinc     | F81004-23 | 2 |  |
| 25 | Plate, Log Clamp Mount Ptd                        | 086975-1  | 1 |  |
| 26 | Washer, Z 22,5 Split Lock                         | F81059-4  | 1 |  |
| 27 | Bolt, M22x1,5x40 -8.8-B-Hex Head Full Thread Zinc | F81009-1  | 1 |  |
| 28 | Bolt, M10 x 125-8.8 Hex Head Zinc                 | F81003-18 | 4 |  |
| 29 | Washer, 10.5 Flat Zinc                            | F81055-1  | 8 |  |
| 30 | Nut, M10-8-B Hex Nylon Zinc Lock                  | F81033-1  | 4 |  |
| 31 | Bolt, M12x130-8.8-Hex Head Zinc                   | F81004-36 | 2 |  |
| 32 | Washer, 13 Flat Zinc                              | F81056-1  | 2 |  |
| 33 | Nut, M12-8 Hex Zinc                               | F81034-1  | 2 |  |
|    | <b>STOP KIT, CLAMP</b>                            | K09485    | 1 |  |
| 34 | Stop Widmt, Hydraulic Log Clamp Ptd               | 086980-1  | 1 |  |
| 35 | Bolt, M12 x 40 8.8 Hex Head Full Thread Zinc      | F81004-4  | 2 |  |
| 36 | Washer, 13 Flat Zinc                              | F81056-1  | 2 |  |
| 37 | Nut, M12-8 Hex Nylon Zinc Lock                    | F81034-2  | 4 |  |
| 38 | Fitting, 3/8JIC-1/4NPT 90L                        | 015491    | 2 |  |

**9.9 Hydraulic Toe Board, Middle**

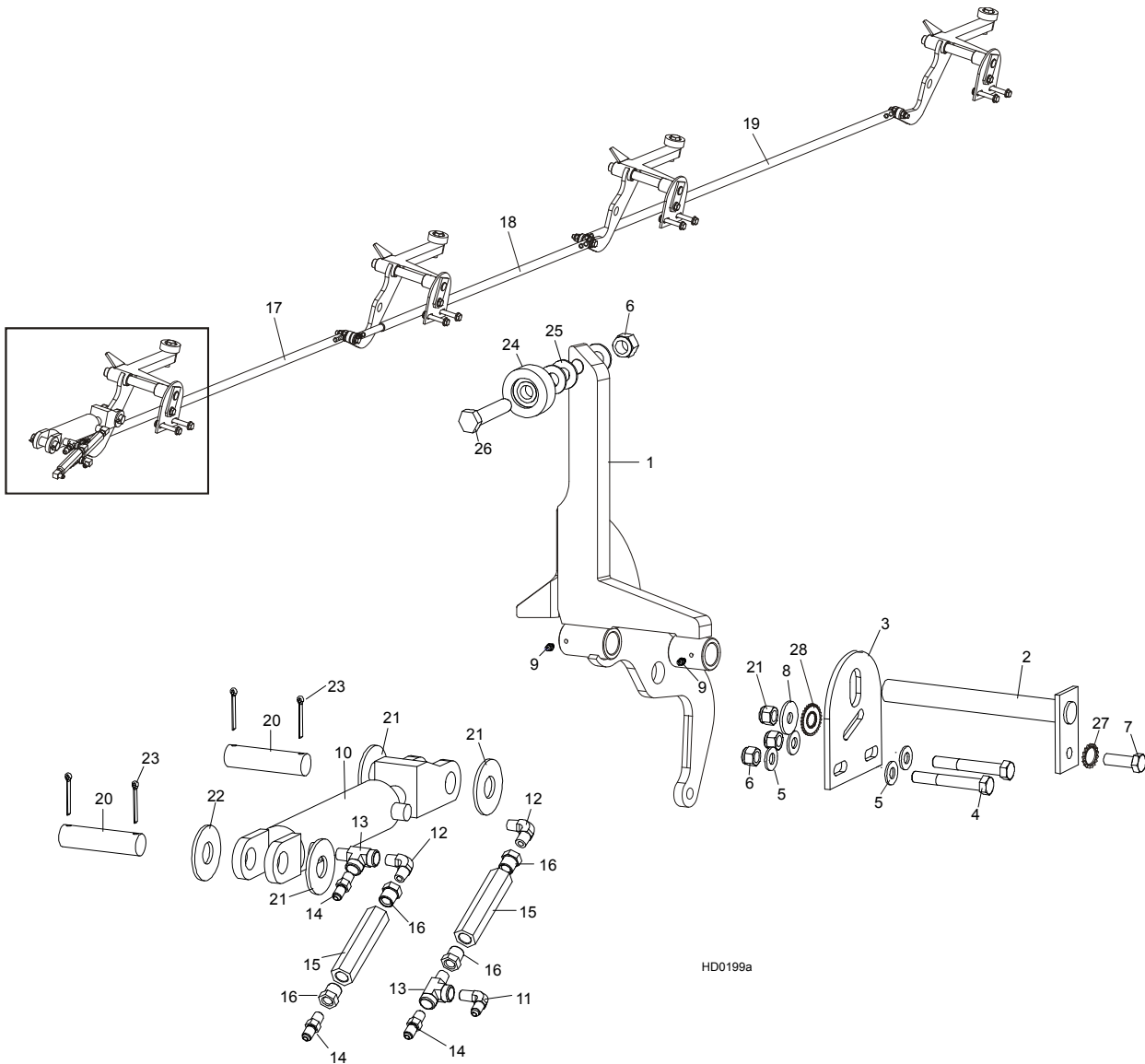


# 9 HYDRAULIC SYSTEM

| REF. | DESCRIPTION (◆ Indicates Parts Available In Assemblies Only) | PART #     | QTY. |
|------|--|------------|------|
|      | <b>HYDRAULIC TOE BOARD ASSEMBLY, MIDDLE</b>                  | 090055     |      |
| 1    | Toe Board Weldment, Hydraulic                                | 086253-1   | 1    |
| 2    | Bolt, M12x60-8.8 Zinc Hex Head                               | F81004-5   | 1    |
| 3    | Washer, 13 Zinc Flat   | F81056-1   | 4    |
| 4    | Pin, S-Zn 2.5x20 Cotter                                      | F81043-1   | 2    |
| 5    | Bolt, M16X40-8.8 Zinc Hex Head Full Thread                   | F81006-13  | 2    |
| 6    | Washer, 16.3 Zinc Split Lock                                 | F81058-2   | 2    |
| 7    | Plate, Hydraulic Toe Board Mount                             | 090086-1   | 1    |
| 8    | Bracket, Hydraulic Toe Board Mount                           | 089990-1   | 1    |
| 9    | Pin, Hydraulic Cylinder Mount Zinc                           | 086979-1   | 1    |
| 10   | Pin, S-Zn 3/16 X 1 1/2" Cotter                               | F05012-23  | 2    |
| 11   | Washer, 28 Zinc Flat   | F81061-1   | 2    |
| 12   | Cylinder, CJ-S170-16-40/25/152 Hydraulic                     | 088681     | 1    |
|      | Seal Kit, 1 1/2" x 6" Hydraulic Cylinder                     | 014547     | 1    |
| 13   | Bolt, 1-8 X 3 1/4 HH Hex Head Grade 5                        | F05009-51  | 1    |
| 14   | Nut, 1"-14   | F05010-117 | 1    |
| 15   | Washer, 28 Zinc Flat   | F81061-1   | 1    |
| 16   | Fitting, C5205x4x4 Male                                      | P09143     | 2    |

## 9.10

9.11 Hydraulic Log Side Supports (L Type Frame)



| REF. | DESCRIPTION (◆ Indicates Parts Available In Assemblies Only) | PART #    | QTY. |
|------|--|-----------|------|
|      | <b>HYDRAULIC LOG SIDE SUPPORTS (L TYPE FRAME)</b>            | 093746    | 1    |
| 1    | <b>SUPPORT, HYDRAULIC LOG SIDE</b>                           | 091653-1  | 4    |
| 2    | <b>PIN, LOG SIDE SUPPORT PIVOT</b>                           | 091549-1  | 4    |
| 3    | <b>PLATE, LOG SIDE SUPPORT END</b>                           | 091591-1  | 4    |
| 4    | <b>BOLT, M12X75-8.8 HEX HEAD ZINC</b>                        | F81004-21 | 8    |
| 5    | <b>WASHER, 13 FLAT ZINC</b>                                  | F81056-1  | 16   |
| 6    | <b>NUT, M12-8 HEX NYLON ZINC LOCK</b>                        | F81034-2  | 12   |
| 7    | <b>BOLT, M12 X 35-8.8 HEX HEAD FULL THREAD ZINC</b>          | F81004-24 | 4    |
| 8    | <b>WASHER, 15 SPECIAL FLAT ZINC</b>                          | F81057-3  | 4    |
| 9    | <b>FITTING, 3/16" GREASE</b>                                 | P04107    | 8    |
|      | <b>CYLINDER ASSY, 2x6 SIDE SUPPORT SUPER</b>                 | 015561    | 1    |
| 10   | Cylinder, CJ-S270-16-50/28/152 Hydraulic                     | 088678    | 1    |
|      | Seal Kit, 6" x 2" Hydraulic Cylinder                         | P12954    | 1    |
| 11   | Fitting, 3/8JIC-1/4NPT 90L                                   | 015491    | 2    |

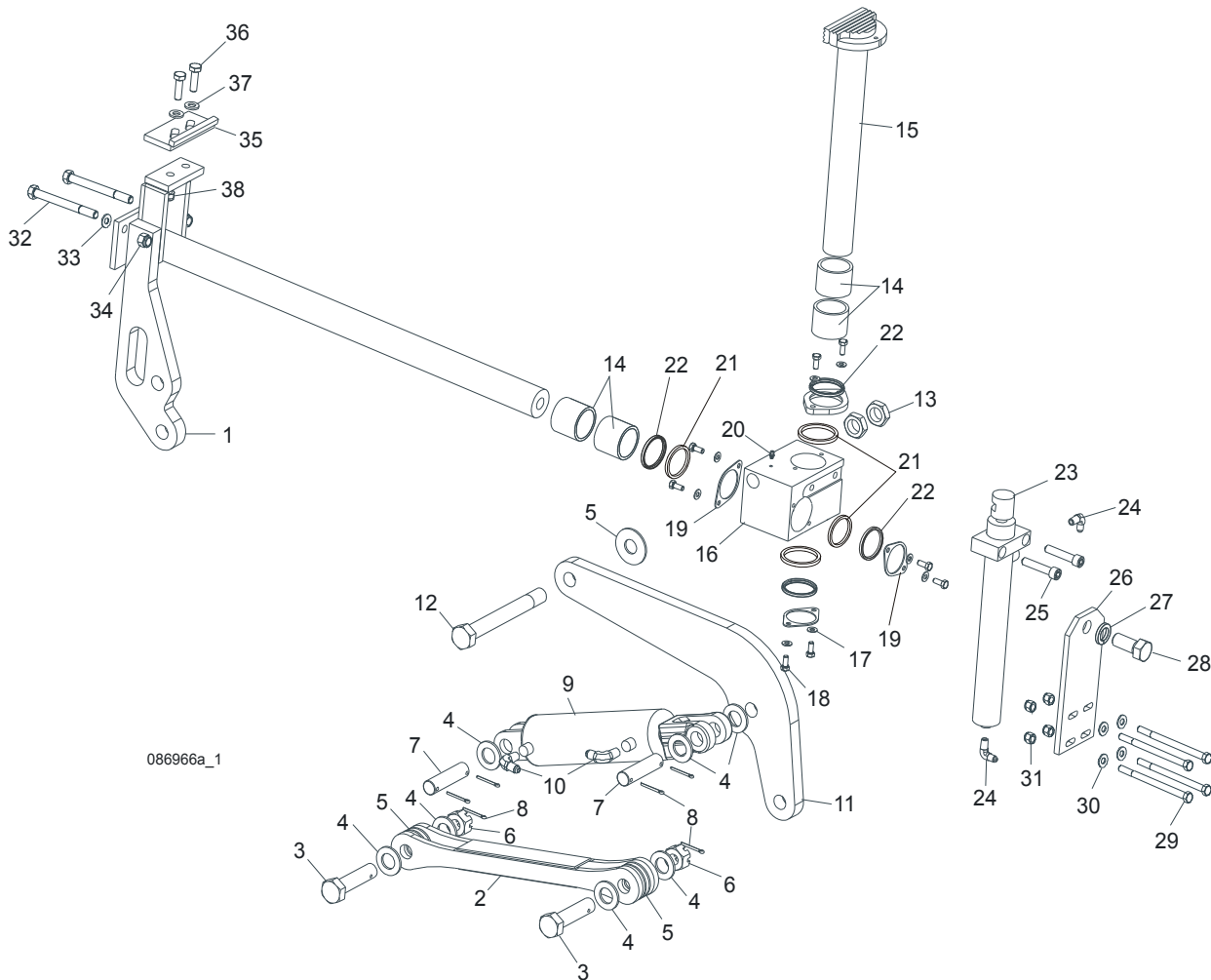


## HYDRAULIC SYSTEM

### Hydraulic Log Side Supports (L Type Frame)

|    |   |            |    |  |
|----|---|------------|----|--|
| 12 | Fitting, C3529x4 90° Pipe                               | P09140     | 4  |  |
| 13 | Fitting, C3759x4 Male 'T'                               | P09141     | 2  |  |
| 14 | Fitting, 3/8JIC-1/4NPT Str                              | 015560     | 2  |  |
| 15 | Valve, Hydraulic Sequence                               | 015484     | 2  |  |
| 16 | Fitting, 3/8" NPT - 1/4" NPT Reducer                    | 015490     | 4  |  |
| 17 | <b>ROD, HYDRAULIC SIDE SUPPORT LINK L-1675 COMPLETE</b> | 089842     | 1  |  |
| 18 | <b>ROD, HYDRAULIC SIDE SUPPORT LINK L-1480 COMPLETE</b> | 089376     | 1  |  |
| 19 | <b>ROD, HYDRAULIC SIDE SUPPORT LINK L-1960 COMPLETE</b> | 089377     | 1  |  |
| 20 | <b>PIN, CYLINDER MOUNT</b>                              | 086979-1   | 2  |  |
| 21 | <b>WASHER, 28 FLAT ZINC</b>                             | F81061-1   | 3  |  |
| 22 | <b>WASHER, 26 FLAT ZINC DIN 1440</b>                    | F81054-8   | 1  |  |
| 23 | <b>PIN, 5 X 40 COTTER</b>                               | F81043-31  | 4  |  |
|    | <b>ROLLER KIT, SIDE SUPPORT</b>                         | 015109     | 4  |  |
| 24 | <b>ROLLER ASSEMBLY, SIDE SUPPORT</b>                    | 015014-1   | 4  |  |
| 25 | <b>WASHER, 17 FLAT ZINC</b>                             | F81058-1   | 12 |  |
| 26 | <b>BOLT, M16x65MM, HH F/THRD, GRADE 5.8, ZINC</b>       | F81006-1   | 4  |  |
| 27 | <b>WASHER, SPECIAL BOSART/2S, BN781 M12/13</b>          | F81056-16  | 4  |  |
| 28 | <b>WASHER, SPECIAL BOSART/2S M12/12,3/30,3</b>          | F81056-17  | 4  |  |
|    | Instruction Sheet, Side Support Roller                  | 015109-526 | 1  |  |

## 9.12 Hydraulic Log Clamp



086966a\_1

| REF | DESCRIPTION (◆ Indicates Parts Available In Assemblies Only) | PART #   | QTY. |
|-----|--|----------|------|
|     | <b>LOG CLAMP ASSEMBLY, TWO-PLANE</b>                         | 088658   | 1    |
| 1   | Rod Weldment, Log Clamp Slide Painted                        | 086967-1 | 1    |
| 2   | Arm Weldment, Hydraulic Clamp Link Painted                   | 086963-1 | 1    |
| 3   | Pin, B 24x95/85 Clevis Zinc                                  | F81049-2 | 1    |
| 4   | Washer, 25 Flat Zinc   | F81061-3 | 8    |
| 5   | Washer, 25x63 Zinc-Plated                                    | 088585-1 | 5    |
| 6   | Nut, M20-8-3 Hex Slotted Castle Zinc                         | F81037-3 | 2    |
| 7   | Pin, Hydraulic Cylinder Zinc-Plated                          | 086979-1 | 2    |
| 8   | Pin, 6.3x45 Cotter Zinc                                      | F81045-2 | 6    |
| 9   | Cylinder, CJ-S96-16-70/32/178 Hydraulic                      | 088589   | 1    |
| 10  | Fitting, 90° Male Elbow                                      | P09142   | 2    |
| 11  | Arm, Hydraulic Log Clamp Link Painted                        | 086974-1 | 1    |
| 12  | Bolt, M24x217/39 -8.8-B Hex Head Zinc                        | 088586-1 | 1    |
| 13  | Nut, M24 -04-B Hex Thin Zinc                                 | F81039-3 | 2    |
| 14  | Bushing, 5040BS Self-Lubricating                             | 088660   | 2    |
| 15  | Rod Weldment, Log Clamp Vertical Painted                     | 088582-1 | 1    |
| 16  | Block, Log Clamp Painted Steel                               | 088591-1 | 1    |
| 17  | Washer, 8.4 Flat Zinc  | F81054-1 | 8    |

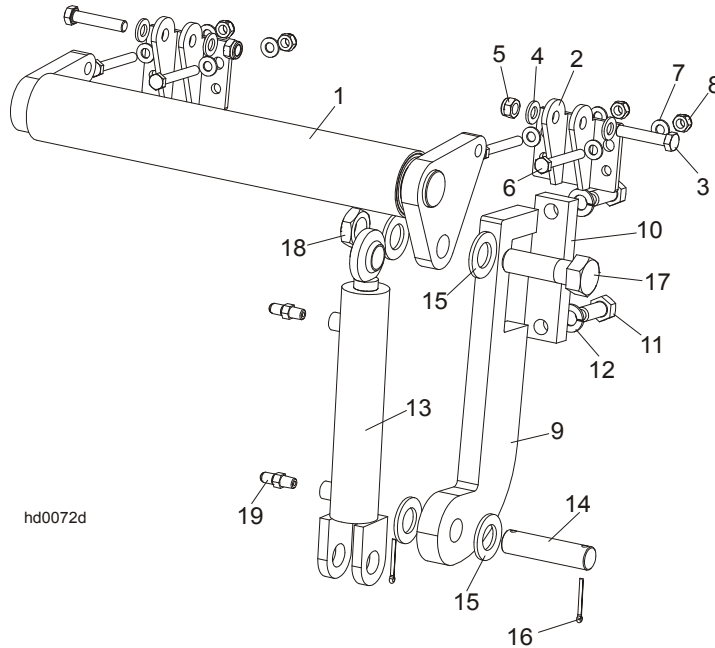


## HYDRAULIC SYSTEM

### Hydraulic Log Clamp

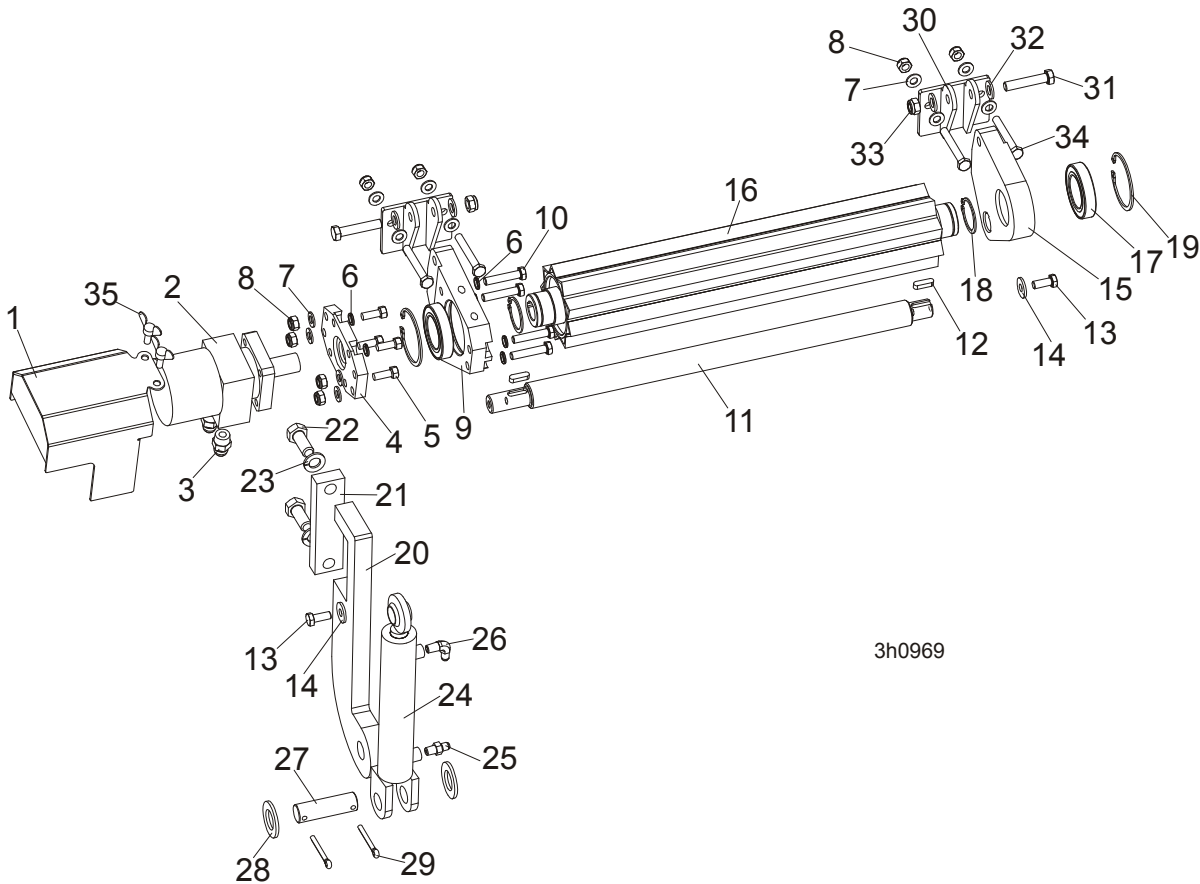
|    |  |           |   |  |
|----|--|-----------|---|--|
| 18 | Bolt, M8x20-8.8-B Hex Head Full Thread Zinc      | F81002-4  | 8 |  |
| 19 | Flange, Clamp Rod Wiper Painted                  | 088887-1  | 3 |  |
| 20 | Fitting, 3/16" Straight Grease                   | P04107    | 1 |  |
| 21 | Spacer, Log Clamp                                | 089324    | 1 |  |
| 22 | Wiper, ZZ 50x60x7 INCO Log Clamp Rod             | 088587    | 1 |  |
| 23 | Cylinder, CJ-S169-16-40/22/254 Hydraulic         | 088590    | 1 |  |
| 24 | Fitting, 90° Male Elbow                          | P09142    | 2 |  |
| 25 | Screw, M12x55-8.8-B Hex Socket Head Cap Zinc     | F81004-23 | 2 |  |
| 26 | Plate, Log Clamp Mount Painted                   | 086975-1  | 1 |  |
| 27 | Washer, Z 22.5 Split Lock Zinc                   | F81059-4  | 1 |  |
| 28 | Bolt, M22x1.5x40-8.8-B Hex Head Full Thread Zinc | F81009-1  | 1 |  |
| 29 | Bolt, M10 x 125-8.8 Hex Head Zinc                | F81003-18 | 4 |  |
| 30 | Washer, 10.5 Flat Zinc                           | F81055-1  | 4 |  |
| 31 | Nut, M10-8-B Hex Nylon Zinc Lock                 | F81033-1  | 4 |  |
| 32 | Bolt, M12 x 140 8.8 Hex Head Zinc                | F81004-37 | 2 |  |
| 33 | Washer, 13 Flat Zinc                             | F81056-1  | 2 |  |
| 34 | Nut, M12-8-B Hex Zinc                            | F81034-1  | 2 |  |
|    | <b>STOP ASSEMBLY, LOG CLAMP</b>                  | K09485    | 1 |  |
| 35 | Stop Weldment, Hydraulic Log Clamp Painted       | 086980-1  | 1 |  |
| 36 | Bolt, M12 x 40 8.8 Hex Head Full Thread Zinc     | F81004-4  | 2 |  |
| 37 | Washer, 13 Flat Zinc                             | F81056-1  | 2 |  |
| 38 | Nut, M12-8 Hex Nylon Zinc Lock                   | F81034-2  | 2 |  |

### 9.13 Hydraulic Toe Board



| REF. | DESCRIPTION (◆ Indicates Parts Available In Assemblies Only) | PART #     | QTY. |
|------|--|------------|------|
|      | <b>HYDRAULIC TOE BOARD - REAR</b>                            | 092634     | 1    |
| 1    | Toe Board Weldment, Hydraulic - Rear                         | 086253-1   | 1    |
| 2    | Bracket, Hydraulic Toe Board                                 | 087903-1   | 2    |
| 3    | Bolt, M12x60mm Hex Head Zinc Grade 8.8                       | F81004-5   | 4    |
| 4    | Washer, M12 Flat Zinc  | F81056-1   | 8    |
| 5    | Nut, M12 Hex Nylon Zinc Lock                                 | F81034-2   | 4    |
| 6    | Bolt, M10x75-8.8 Hex Head Zinc                               | F81003-15  | 8    |
| 7    | Washer, M10 Flat Zinc  | F81055-1   | 16   |
| 8    | Nut, M10 Hex Nylon Zinc Lock                                 | F81033-1   | 8    |
| 9    | Bracket, Hydraulic Toeboard Mount                            | 087729-1   | 2    |
| 10   | Plate, Hydraulic Toeboard Mount                              | 090086-1   | 2    |
| 11   | Bolt, M16x40mm Hex Head Full Thread Zinc Grade 5.8           | F81006-13  | 4    |
| 12   | Washer, 16.3 Split Lock Zinc                                 | F81058-2   | 4    |
| 13   | Cylinder, CJ-S170-16-40/25/152 Hydraulic                     | 088681     | 2    |
| 14   | Pin, Cylinder Mount  | 086979-1   | 2    |
| 15   | Washer, 28 Flat Zinc   | F81061-1   | 8    |
| 16   | Pin, 3/16x1.5 Cotter Zinc                                    | F05012-23  | 4    |
| 17   | Bolt, 1-8x3 1/4 Hex Head Grade 5                             | F05009-51  | 2    |
| 18   | Nut, 1-14 Hex Jam Unplated                                   | F05010-117 | 2    |
| 19   | Fitting, 1/4NPTx1/4JIC Male                                  | P09143     | 4    |

### 9.14 Power Toe Roller (Option)



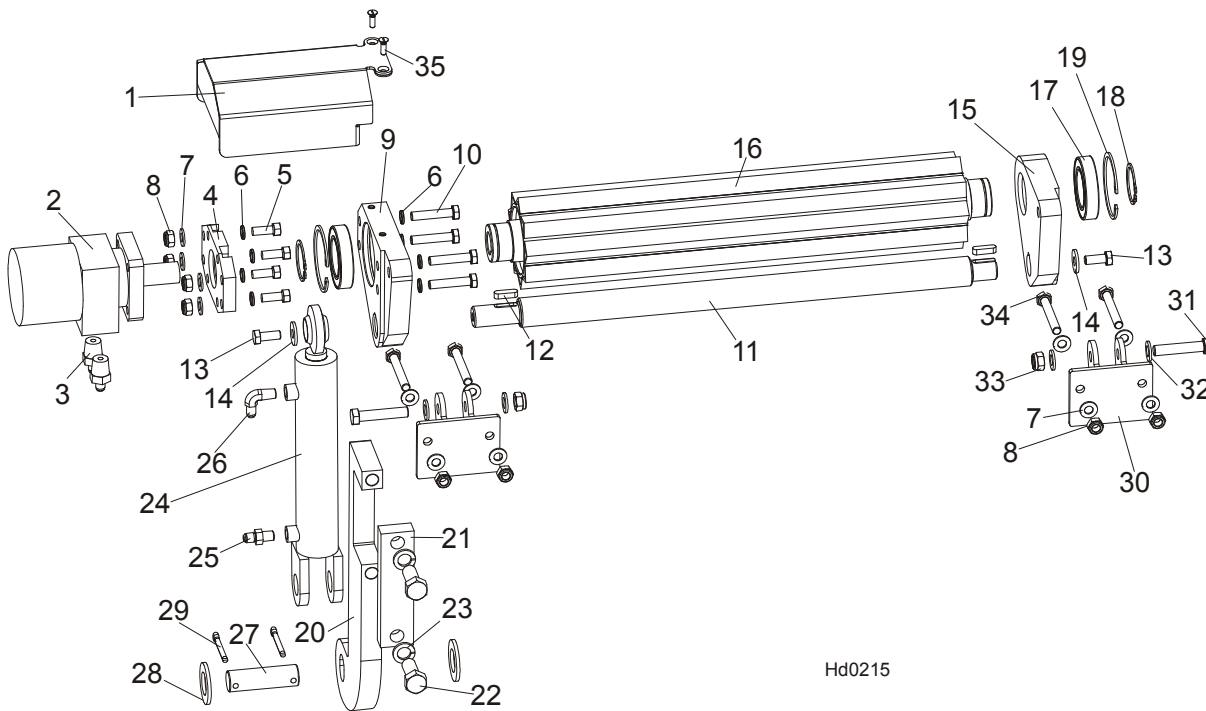
3h0969

| REF. | DESCRIPTION (◆ Indicates Parts Available In Assemblies Only) | PART#         | QTY.     |
|------|--|---------------|----------|
|      | <b>POWER ROLLER</b>  | <b>507649</b> | <b>1</b> |
| 1    | Cover, Hydraulic Motor                                       | 096037-1      | 1        |
| 2    | Motor, MG06-13-13AAAB Hydraulic                              | P21506        | 1        |
| 3    | Fitting, 1/2-14NPT/ 7/16-20UNF                               | 096919        | 2        |
| 4    | Plate, Hydraulic Motor Mount                                 | 096030-1      | 1        |
| 5    | Screw, 3/8-16x1, HHC   | F05007-7      | 4        |
| 6    | Washer, 10.2 Split Lock Zinc                                 | F81055-2      | 4        |
| 7    | Washer, 10,5 Flat Zinc                                       | F81055-1      | 12       |
| 8    | Nut, M10-8-B Nylon Hex Zinc Lock                             | F81033-1      | 8        |
| 9    | Bracket, Side w/HydroMotor Connector                         | 096029-1      | 1        |
| 10   | Bolt, M10x50-8.8-Hex Head Full Thread Zinc                   | F81003-4      | 4        |
| 11   | Rod  | 096034        | 1        |
| 12   | Key, A8x7x28 Parallel  | 096035        | 2        |
| 13   | Bolt, M10x25 8.8 Hex Head Full Thread Zinc                   | F81003-31     | 2        |
| 14   | Washer, 10,5 Zinc Flat Special                               | F81055-6      | 2        |
| 15   | Bracket  | 096031-1      | 1        |
| 16   | Roller, Pivot - Wldmt  | 096028-1      | 1        |
| 17   | Bearing, 6009.2RSR   | 096025        | 2        |
| 18   | Ring, Z 45 Spring Retaining                                  | F81090-32     | 2        |
| 19   | Ring, W 75 Spring Retaining                                  | F81090-41     | 2        |
| 20   | Bracket, Hydraulic Toe Board Mount                           | 089990-1      | 1        |



|    |  |           |   |  |
|----|--|-----------|---|--|
| 21 | Plate, Hydraulic Toe Board Mount           | 090086-1  | 1 |  |
| 22 | Bolt, M16x40-8.8 Hex Head Full Thread Zinc | F81006-13 | 2 |  |
| 23 | Washer, 16,3 Split Lock Zinc               | F81058-2  | 2 |  |
|    | Cylinder, Hydraulic Toe Boards             | 085937    | 1 |  |
| 24 | Cylinder, CJ-S170-16-40/25/152 Hydraulic   | 088681    | 1 |  |
| 25 | Fitting, C5205x4x4 Male                    | P09143    | 1 |  |
| 26 | Fitting, 1/4NPTx1/4JIC Male Elbow          | P09142    | 1 |  |
| 27 | Pin, Hydraulic Cylinder Zinc               | 086979-1  | 1 |  |
| 28 | Washer, 28 Flat Zinc                       | F81061-1  | 2 |  |
| 29 | Pin, S-Zn 6,3x45                           | F81045-2  | 2 |  |
| 30 | Bracket, Toe Board Roller Mount            | 087903-1  | 2 |  |
| 31 | Bolt, M12x60-8.8 Hex Head Zinc             | F81004-5  | 2 |  |
| 32 | Washer, 13 Zinc Flat                       | F81056-1  | 4 |  |
| 33 | Nut, M12-8 Hex Nylon Zinc Lock             | F81034-2  | 2 |  |
| 34 | Bolt, M10x75-8.8-Hex Head Zinc             | F81003-15 | 4 |  |
| 35 | Stud, M6x16 Wing                           | F81001-16 | 2 |  |

**9.15 Power Toe Roller (Option)**



Hd0215

| REF. | DESCRIPTION (◆ Indicates Parts Available In Assemblies Only) | PART#         | QTY.     |  |
|------|--|---------------|----------|--|
|      | <b>POWER ROLLER</b>  | <b>507688</b> | <b>1</b> |  |
| 1    | Cover, Hydraulic Motor                                       | 507690-1      | 1        |  |
| 2    | Motor, MG06-13-13AAAB Hydraulic                              | P21506        | 1        |  |
| 3    | Fitting, 1/2-14NPT/ 7/16-20UNF                               | 096919        | 2        |  |
| 4    | Plate, Hydraulic Motor Mount                                 | 096030-1      | 1        |  |
| 5    | Screw, 3/8-16x1, HHC   | F05007-7      | 4        |  |
| 6    | Washer, 10.2 Split Lock Zinc                                 | F81055-2      | 4        |  |
| 7    | Washer, 10,5 Flat Zinc                                       | F81055-1      | 12       |  |
| 8    | Nut, M10-8-B Nylon Hex Zinc Lock                             | F81033-1      | 8        |  |



# HYDRAULIC SYSTEM

## Power Toe Roller (Option)

|    |  |           |   |  |
|----|--|-----------|---|--|
| 9  | Bracket, Side w/HydroMotor Connector       | 507684-1  | 1 |  |
| 10 | Bolt, M10x50-8.8-Hex Head Full Thread Zinc | F81003-4  | 4 |  |
| 11 | Rod  | 096034    | 1 |  |
| 12 | Key, A8x7x28 Parallel                      | 096035    | 2 |  |
| 13 | Bolt, M10x25 8.8 Hex Head Full Thread Zinc | F81003-31 | 2 |  |
| 14 | Washer, 10,5 Zinc Flat Special             | F81055-6  | 2 |  |
| 15 | Bracket, Side Painted                      | 507687-1  | 1 |  |
| 16 | Roller, Pivot - Wldmt                      | 096028-1  | 1 |  |
| 17 | Bearing, 6009.2RSR                         | 096025    | 2 |  |
| 18 | Ring, Z 45 Spring Retaining                | F81090-32 | 2 |  |
| 19 | Ring, W 75 Spring Retaining                | F81090-41 | 2 |  |
| 20 | Plate, Toe Board Cylinder Mount            | 087729-1  | 1 |  |
| 21 | Plate, Hydraulic Toe Board Mount           | 090086-1  | 1 |  |
| 22 | Bolt, M16x40-8.8 Hex Head Full Thread Zinc | F81006-13 | 2 |  |
| 23 | Washer, 16,3 Split Lock Zinc               | F81058-2  | 2 |  |
|    | Cylinder, Hydraulic Toe Boards             | 085937    | 1 |  |
| 24 | Cylinder, CJ-S170-16-40/25/152 Hydraulic   | 088681    | 1 |  |
| 25 | Fitting, C5205x4x4 Male                    | P09143    | 1 |  |
| 26 | Fitting, 1/4NPTx1/4JIC Male Elbow          | P09142    | 1 |  |
| 27 | Pin, Hydraulic Cylinder Zinc               | 086979-1  | 1 |  |
| 28 | Washer, 28 Flat Zinc                       | F81061-1  | 2 |  |
| 29 | Pin, S-Zn 6,3x45                           | F81045-2  | 2 |  |
| 30 | Bracket, Toe Board Roller Mount            | 087903-1  | 2 |  |
| 31 | Bolt, M12x60-8.8 Hex Head Zinc             | F81004-5  | 2 |  |
| 32 | Washer, 13 Zinc Flat                       | F81056-1  | 4 |  |
| 33 | Nut, M12-8 Hex Nylon Zinc Lock             | F81034-2  | 2 |  |
| 34 | Bolt, M10x75-8.8-Hex Head Zinc             | F81003-15 | 4 |  |
| 35 | Screw, M6x20- 4.8-B Fe/Zn5 PN-85/M-8220    | F81001-31 | 2 |  |