

BMS200/250 SHARPENER

**Safety, Operation, Maintenance
& Parts Manual**

BMS200	rev. B.04
BMS250	rev. B.04



Safety is our #1 concern! Read and understand all safety information and instructions before operating, setting up or maintaining this machine.

August 2001

Form #944_en

**This is the original language
for the manual.**

General Contact Information
 Branches & Authorized Sales Centers Wood-Mizer Locations (North and South America)

SECTION 1	SAFETY & GENERAL INFORMATION	1-1
1.1	If You Need To Order Parts	1-2
1.2	If You Need Service	1-2
1.3	Nomenclature	1-2
1.4	Electrical Safety.....	1-3
1.5	Blade Handling.....	1-3
1.6	Machine Operation	1-3
1.7	Sharpener Components.....	1-5
1.8	Overall Dimensions and Other Technical Data.....	1-6
1.9	Noise Level.....	1-7
1.10	Motor Specifications	1-7
1.11	Coolant Specifications.....	1-7
1.12	Control Panel Components.....	1-8
1.13	Warning Decals Description.....	1-11
SECTION 2	SETUP & OPERATION	2-1
2.1	Machine Start.....	2-1
2.2	Blade Support and Cover Bumper Installation.....	2-2
2.3	Blade Height Adjustment	2-5
2.4	Grinding Wheel Installation	2-6
2.5	Blade Installation.....	2-7
2.6	Face Grind Adjustment.....	2-9
2.7	Grind Depth Adjustment	2-12
2.8	Oil Flow Adjustment	2-12
2.9	Feed Rate Adjustment	2-13
2.10	Magnetic Shut-off (not in BMS200, BMS250 EC Version)	2-13
2.11	Blade Rejection	2-13
2.12	Operation Overview	2-14
2.13	Shutoff.....	2-14
2.14	2" Blade Sharpening.....	2-15
SECTION 3	MAINTENANCE	3-1
3.1	Grinding Wheel Replacement	3-1
3.2	Oil Level.....	3-1
SECTION 4	BMS200/BMS250 MAINTENANCE & TROUBLESHOOTING	4-1
4.1	Sharpener Maintenance	4-1
4.2	Blade Sharpening Tips	4-2
SECTION 5	ALIGNMENT	5-1
5.1	Sharpener Head Stop Alignment.....	5-1
5.2	Sharpener Alignment.....	5-2

SECTION 6	REPLACEMENT PARTS	6-1
6.1	How To Use The Parts List	6-1
6.2	Blade Support Assembly	6-2
6.3	Grinder Assembly	6-3
6.4	Sharpener Mounting Plate	6-6
6.5	Blade Clamp Assembly	6-7
6.6	Oil Pump/Pan, Control Box, BMS250	6-9
6.7	Oil Pump/Pan, Control Box, BMS200	6-11
6.8	Cam Assembly.....	6-13
6.9	Cover Assembly	6-15
6.10	Alignment tool&Blade ProfileTemplate	6-17
SECTION 7	ELECTRICAL INFORMATION	7-1
7.1	Electrical Diagram, BMS200A 230V 50 Hz.....	7-2
7.2	Electrical Components, BMS200A 230V 50 Hz	7-3
7.3	Electrical Diagram, BMS200AU 230V 60 Hz.....	7-4
7.4	Electrical Components, BMS200AU 230V 60 Hz	7-5
7.5	Electrical Diagram, BMS200MU 110V 60 Hz	7-6
7.6	Electrical Components, BMS200MU 110V 60 Hz	7-7
7.7	Electrical Diagram, BMS250AS 230V 50 Hz.....	7-8
7.8	Electrical Components, BMS250AS 230V 50 Hz	7-9
7.9	Electrical Diagram, BMS250AU 230V 60 Hz.....	7-10
7.10	Electrical Components, BMS250AU 230V 60 Hz	7-11
7.11	Electrical Diagram, BMS250MU 110V 60 Hz	7-12
7.12	Electrical Components, BMS250MU 110V 60 Hz	7-13

Manufacturer Data:***Wood-Mizer Industries, Ltd.*****Nagórna 114****62-600 Koło****Poland****Tel. +48 63 26 26 000*****Wood-Mizer Products, Inc.*****8180 West 10th St.****Indianapolis, IN 46214****USA****Tel. 1-800-525-8100**

IMPORTANT! Read the entire Operator's Manual before operating the sharpener. Take notice of all safety warnings throughout this manual and those posted on the equipment. Keep this manual with this equipment at all times, regardless of ownership.

*Wood-Mizer® is a registered trademark of Wood-Mizer Products, Inc.

Getting Service

Wood-Mizer is committed to providing you with the latest technology, best quality and strongest customer service available on the market today. We continually evaluate our customers' needs to ensure we're meeting current wood-processing demands. Your comments and suggestions are welcome.

General Contact Information

From Europe call your local distributor or our European Headquarters and Manufacturing Facility in Koło, Nagórna 114 St, Poland at **+48-63-2626000**. From the continental U.S., call our U.S. Headquarter 8180 West 10th St. Indianapolis, IN 46214, toll-free at **1-800-525-8100**. Ask to speak with a Customer Service Representative. Please have your machine identification number and your customer number ready when you call. The Service Representative can help you with questions about the operation and maintenance of your machine. He also can schedule you for a service call.

Office Hours:

Country	Monday - Friday	Saturday	Sunday
Poland	7 a.m.- 3 p.m.	Closed	Closed
US	8 a.m.- 5 p.m.	8 a.m.- 12 p.m	Closed

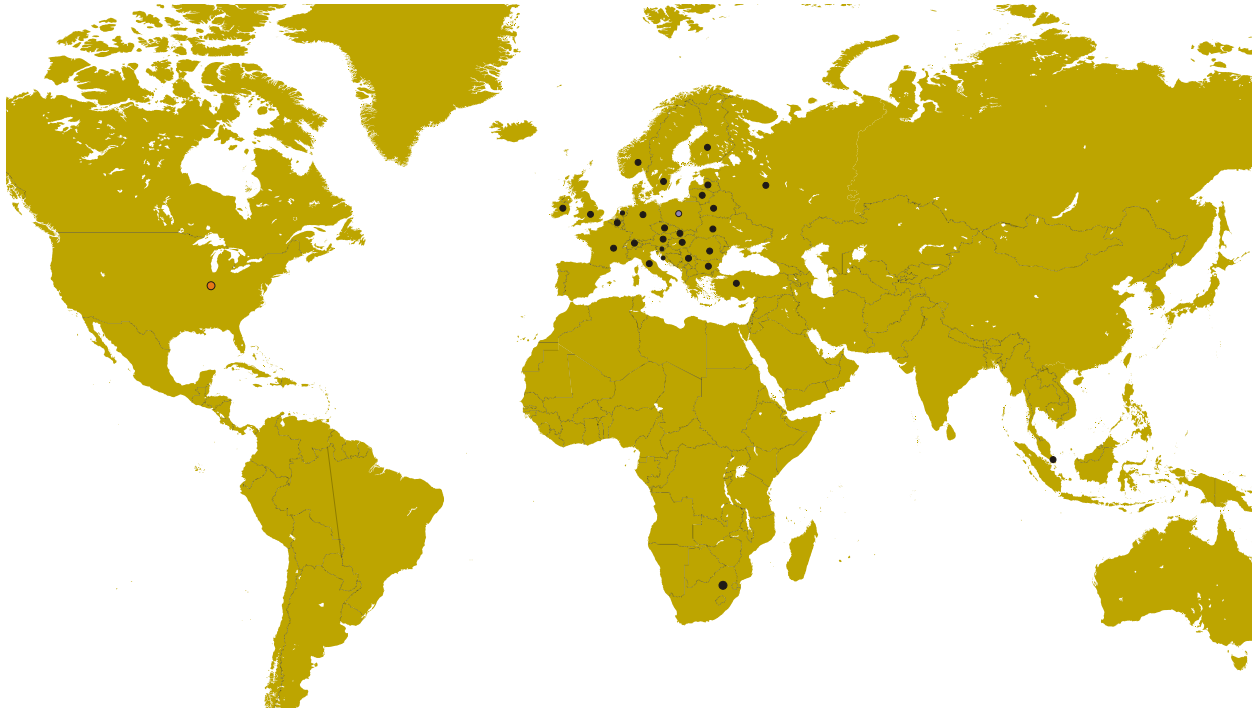
Please have your vehicle identification number and your customer number ready when you call.



Wood-Mizer will accept these methods of payment:

- Visa, Mastercard, or Discover
- COD
- Prepayment
- Net 15 (with approved credit)

Be aware that shipping and handling charges may apply. Handling charges are based on size and quantity of order.

Branches & Authorized Sales Centers Wood-Mizer Locations (North and South America)



EUROPE		UNITED STATES
<p> European Headquarters Wood-Mizer Industries Sp. z o.o. Nagórna 114, 62-600 Kolo, Poland Tel.: +48-63-26-26-000 Fax: +48-63-27-22-327 www.woodmizer.eu</p>		<p> World Headquarters Wood-Mizer LLC 8180 West 10th Street Indianapolis, Indiana 46214-2400, USA Tel.: +1-317-271-1542 Fax: +1-317-273-1011 www.woodmizer.com</p>
<p>BELARUS MOST-GRUPP Siemashko 15, k.3 Minsk 2200116 Tel.: +375-17-270-90-08 Fax: +375-17-270-90-08 GSM: +375-29-649-90-80 e-mail: most-by@mail.ru</p>	<p>SWITZERLAND Bruno Steiner Striegelgasse 2 CH-6214 Schenkon Tel.: +41-41-921-13-01 Fax: +41-41-922-18-87 e-mail: info@mobilsaegen.ch</p>	<p>RUSSIA Dariusz Mikołajewski OOO WOOD-MIZER INDUSTRIES 141031, Moscow Reg., Mytishenski raj., pos. Veshki, Zavodskaja str., 3B Tel.Fax: +7(495) 788-72-35 Tel.Fax: +7(495) 641-51-60 e-mail: dariuszm@woodmizer-moscow.ru</p>
<p>BULGARIA Kalin Simeonov Ecotechproduct 38 Star Lozenski pat str. Sofia 1186 Tel.: +359-2-462-7035 Tel.: +359-2-963-1656 Tel./Fax : +359-2-979-1710 Kalin Simeonov GSM: +3592-963-2559 e-mail: office@ecotechproduct.com</p>	<p>HUNGARY Wiktor Turoczy Wood-Mizer Hungary K.F.T. Szonyi Ut 67., 2921 Komárom Tel./Fax: +36-34-346-255 e-mail: woodmizer@woodmizer.hu</p>	<p>RUSSIA Far East Wladimir Glazaczew "WM Service" Krasnoretschenskaya Str.111 680006 Khabarovsk Tel./Fax: +7-914-541-1183 e-mail: wms-khv@mail.ru</p>

<p>CROATIA Krešimir Pregernik Pregimex d.o.o. S. Batušića 31, 10090 Zagreb Tel./Fax: +3851-38-94-668 Krešimir Pregernik GSM: +3851-98-207-106 e-mail: Kresimir.Pregernik@gmail.com</p>	<p>ITALY Pasquale Felice Wood-Mizer Italia Srl Cda. Capoiaccio SN 86012 Cercemaggiore Campobasso Tel./Fax: +39-0874-798-357 GSM: +39-333-281-03-79 e-mail: wmitaliasrl@gmail.com</p>	<p>SERBIA Dragan Markov Wood-Mizer Balkan d.o.o. Svetosavska GA 3/3; P. Fah 25 23 300 Kikinda Tel./Fax: +381-230-25-754 Tel./Fax: +381-230-23-567 GSM: +381-63-568-658 e-mail: office@woodmizer.co.yu</p>
<p>CZECH REPUBLIC Miroslaw Greill Wood-Mizer CZ s.r.o. Osvaldova 91 339 01 Klatovy-Luby Tel./Fax: +420-376-312-220 Fax: +420-376-319-011 Miroslaw Greill GSM: +420-723-580-799 e-mail: greill@woodmizer.cz</p>		<p>SLOVAKIA Wiktor Turoczy Wood-Mizer Danubia s.r.o. Hadovce 5, 94501 Komárno Tel.: +421-35-77-40-316 Fax: +421-35-7740-326 GSM: +421-905-930-972 e-mail: woodmizer@woodmizer.sk</p>
<p>CZECH REPUBLIC Lubomir Kudlik Wood-Mizer Moravia Sovadinova 6 69002 Breclav Tel./Fax: +420-519-322-443 Lubomir Kudlik GSM: +420-602-734-792 e-mail: info@wood-mizer.net</p>	<p>LATVIA Vilmars Jansons OBERTS Ltd Gaujas str. 32/2 LV-2167 Marupe, Rigas Raj. Tel.: +371-7-810-666 Fax: +371-7-810-655 Vilmars Jansons GSM: +371-92-06-966 Andris Orols GSM: +371-28-33-07-90 e-mail: andris@oberts.lv</p>	<p>TURKEY Er-Ka Ahsap Profil Kerestecilik San. ve Tic. Ltd. Sti. Adana Keresteciler Sitesi 191 sk No.41 ADANA Tel.: +90-322-346-15-86 Fax: +90-322-345-17-07 GSM: +90-533-363-18-44 e-mail: info@erkaahsap.com.tr</p>
<p>FINLAND Howard Blackbourn Oy Falkberg Jordbruk Ab Falkintie 220 25610 Ylonkyla Tel.: +358-2732-2253 Fax: +358-2732-2263 Howard Blackbourn GSM: +358-440-424-339 e-mail: falkberg@woodmizer.fi</p>	<p>LITHUANIA Andrius Zuzevicius UAB Singlis Savanoriu pr. 187, 2053 Vilnius Tel.: +370-5-2-32-22-44 Fax: +370-5-2-64-84-15 GSM: +370-620-28-645 e-mail: andrius.z@singlis.lt</p> <p>Dmitrij Gaiduk GSM: +370-69-84-51-91 e-mail: dmitrijus.g@singlis.lt</p>	<p>UKRAINE Ivan Vinnicki MOST UKRAINA bul. Myru 3, Bajkivtsi Ternoplskyj r-j Ternopolska oblast 47711 Ukraine Tel/Fax: +38 (0352) 52 37 74 GSM: +38 (067) 352 54 34 GSM: +38 (067) 674 50 68 E-mail: most-ukraina@ukr.net</p>
<p>FRANCE Tizoc Chavez Wood-Mizer France 556 chemin des Embouffus, ZAC des Basses Echarrieres 38440 SAINT JEAN DE BOURNAY Tel: +33-4 74 84 84 44 GSM: +33-607 52 02 82 Mail: tchavez@woodmizer.fr</p>	<p>NORWAY Odd Edvoll Wood-Mizer Nordic AS Vardelia 17, 2020 Skedsmokorset Tel.: +47-63-87-49-89 Fax: +47-63-87-37-66 GSM: +47-930-42-335 e-mail: odd.edvoll@woodmizer.no</p> <p>e-mail: firmapost@woodmizer.no</p>	<p>UNITED KINGDOM & IRELAND Wood-Mizer UK Hopfield Barn Kenward Road, Yalding Kent ME18 6JP, UK Tel.: +44-1622-813-201 Fax: +44-1622-815-534 e-mail: info@woodmizer.co.uk</p>
<p>SLOVENIA Jan Fale FAMTEH d.o.o. Gacnikova pot 2, 2390 Ravne na Koroskem Tel.: +386-2-62-04-232 Fax: +386-2-62-04-231 Jan Fale GSM: +386-2-62-04-230 e-mail: jan.fale@famteh.si</p> <p>Matjaz Kolar Tel.: +386-2-62-04-232 GSM: +386-31-775-999 e-mail: matjaz.kolar@famteh.si</p>		

<p>GERMANY Klaus Longmuss Wood-Mizer Sägewerke GmbH Dorfstraße 5, 29485 Schletau Tel.: +49-5883-9880-10 Fax: +49-5883-9880-20 e-mail: info@woodmizer.de</p> <p>Klaus Longmuss Tel.: +49-5883-9880-12 GSM: +49-17-298-55-892 e-mail: KLongmuss@woodmizer.de</p>	<p>Subagent: SWEDEN Kjell Larsson Mekwood AB Slingan 14, 812 41 Gästrike-Hammarby Tel.: +46-290-515-65 Kjell Larsson GSM: +46-706-797-965 e-mail: kjell.larsson@mekwood.se</p>	<p>IRELAND Wood-Mizer Ireland Stephen Brennan Cum Lahardane Ballina County Mayo Tel:+353 96 51345</p> <p>E-mail: brennanmill@ericom.net</p>
<p>Subagents: DENMARK Brian Jensen Arnborgvej 9, 7330 Brande- Fasterholt Tel.: +45-971-88-265 Fax: +45-971-88-266</p> <p>Brian Jensen GSM: +45-23-49-5828 e-mail: Fasterholt-Savvaerk@Mail.Tele.dk</p>	<p>ROMANIA Adrian Echert SC WOOD-MIZER RO SRL TRANSILVANIEI Nr. 5 Sibiu, Cisnădie 555300 Tel./Fax: : +40-369-405-433 GSM: +40-745-707-323 e-mail: aechert@woodmizer.ro</p>	<p>Regional Manager - Asia Wood-Mizer Asia Pte Ltd. James Wong Tel: +65 81216910 Fax: +65 6283 8636 WWW: www.woodmizerasia.com E-mail: jwong@woodmizerasia.com</p>
<p>Netherlands Chris Dragt Lange Brink 77d, 7317 BD Apeldoorn Tel.: +31-55312-1833 Fax: +31-55312-2042 e-mail: Info@dragtbosbouw.nl</p>	<p>Subagent: ROMANIA M. Echert S.C. Echert Comprod s.r.l Str. Schitului Nr. 6, Apt.7 etajul-1 725 70 Vatra Dornei, Romania Tel./Fax: +40-230-374-235 Tel. : +40-740-35-35-74</p>	<p>Regional Manager - Africa Wood-Mizer Africa Jean-Jacques Oelofse UNIT 3, LEADER PARK, NO: 20 CHARIOT ROAD STORMILL, EXT 5, Roodepoort, Johannesburg Tel: +27 011 473 1313 Fax: +27 011 473 2005 Jean-Jacques Oelofse E-mail: jjoelofse@woodmizer africa.com Jean-Jacques Oelofse Skype:jean.jacques.pierre.oelofse</p>

USA World Headquarters

Serving North & South America, Oceania, East Asia

Wood-Mizer LLC
8180 West 10th Street
Indianapolis, IN 46214

Phone: 317.271.1542 or 800.553.0182
Customer Service: 800.525.8100
Fax: 317.273.1011
Email: infocenter@woodmizer.com

Brazil Headquarters

Serving Brazil

Wood-Mizer do Brasil
Rua Dom Pedro 1, No: 205 Bairro: Sao Jose
Ivoti/RS CEP:93.900-000

Tel: +55 51 9894-6461/ +55 21 8030-3338/ +55 51
3563-4784
Email: info@woodmizer.com.br

Canadian Headquarters

Serving Canada

Wood-Mizer Canada
396 County Road 36, Unit B
Lindsay, ON K9V 4R3

Phone: 705.878.5255 or 877.357.3373
Fax: 705.878.5355
Email: ContactCanada@woodmizer.com

Europe Headquarters

Serving Europe, Africa, West Asia

Wood-Mizer Industries Sp z o.o.
Nagorna 114
62-600 Kolo, Poland

Phone: +48.63.26.26.000
Fax: +48.63.27.22.327

Branches & Authorized Sales Centers

For a complete list of dealers, visit www.woodmizer.com

SECTION 1 SAFETY & GENERAL INFORMATION



This symbol calls your attention to instructions concerning your personal safety. Be sure to observe and follow these instructions. This symbol accompanies a signal word. The word **DANGER** indicates an imminently hazardous situation which, if not avoided, will result in death or serious injury. **WARNING** suggests a potentially hazardous situation which, if not avoided, could result in death or serious injury. **CAUTION** refers to potentially hazardous situations which, if not avoided, may result in minor or moderate injury to persons or equipment. Read all safety instructions before operating this equipment and observe all safety warnings!



Warning stripes are placed on areas where a single decal would be insufficient. To avoid serious injury, keep out of the path of any equipment marked with warning stripes.

Read and observe all safety instructions before operating this equipment! Also read any additional manufacturer's manuals and observe any applicable safety instructions including dangers, warnings, and cautions.

Always be sure that all safety decals are clean and readable. Replace all damaged safety decals to prevent personal injury or damage to the equipment. Contact your local distributor, or call your Customer Service Representative to order more decals.

Always properly dispose of all by-products, including debris, coolant and oil.

Safety instructions are listed in this section by the following operations:

- Electrical Safety
- Blade Handling
- Machine Operation

1 Safety & General Information

If You Need To Order Parts

1.1 If You Need To Order Parts

From Europe call your local distributor or our European Headquarters and Manufacturing Facility in Kolo, Nagórna 114 St, Poland at **+48-63-2626000**. From the continental U.S., call our US Headquarters and Manufacturing Facility in Indianapolis, 8180 West 10th Street, USA at **1-800-525-8100**. Please have the machine identification number and your customer number ready when you call. Wood-Mizer will accept these methods of payment:

- Visa, Mastercard, or Discover
- COD
- Prepayment
- Net 15 (with approved credit)

Be aware that shipping and handling charges may apply. Handling charges are based on size and quantity of order. In most cases, items will ship on the day they are ordered. Second Day and Next Day shipping are available at additional cost.

1.2 If You Need Service

From Europe call your local distributor or our European Headquarters and Manufacturing Facility in Kolo, Nagórna 114 St, Poland at **+48-63-2626000**. From the continental U.S., call our US Headquarters and Manufacturing Facility in Indianapolis, 8180 West 10th Street, USA at **1-800-525-8100**. Ask to speak with a Customer Service Representative. Please have your machine identification number and your customer number ready when you call. The Service Representative can help you with questions about the operation and maintenance of your moulder. He can also schedule you for a service call.

Office Hours:

Country	Monday - Friday	Saturday	Sunday
Poland	7 ⁰⁰ -15 ⁰⁰	Closed	Closed
US	8 a.m.- 5 p.m.	8 a.m.- 12 a.m	Closed

1.3 Nomenclature

Machine Name	Version	Electric Standards Code	Voltage Code
BMS	200	S 50Hz EU standards	A 230V 1ph

TABLE 1-1

Possible combinations:

Model	Version	Voltage code	Standard code	Description
BMS	200	M	U	Sharpener / economy /1x110V 60Hz/ UL
BMS	200	A		Sharpener / economy /1x230V 50Hz/
BMS	200	A	U	Sharpener / economy /1x230V 60Hz/ UL
BMS	250	M	U	Sharpener / personal /1x110V 60Hz/ UL
BMS	250	A	U	Sharpener / personal /1x230V 60Hz/ UL
BMS	250	A	S	Sharpener / personal /1x230V 50Hz/ CE

1.4 Electrical Safety



DANGER! Make sure all electrical installation, service and/or maintenance work is performed by a qualified electrician and is in accordance with applicable electrical codes.

DANGER! HAZARDOUS VOLTAGE can cause shock, burns, or death. SHUT OFF & LOCK OUT POWER before performing service in any area of this machine. DO NOT restore power until all access panels are replaced and secured.



WARNING! Always turn off and disconnect power at control console AND at main supply circuit breaker before performing any service to the machine.



DANGER! It is recommended that a 30mA Ground Fault Interrupter (GFI) be used.

1.5 Blade Handling



WARNING! Always wear gloves and eye protection when handling bandsaw blades. Keep all persons away from area when coiling or carrying a blade (4 meters at least).

1.6 Machine Operation



CAUTION! Read thoroughly the operator's manual before operating the sharpener.



DANGER! Make sure all guards and covers are in place and secured before operating the sharpener. Failure to do so may result in serious injury.

DANGER! Keep all persons away from moving parts when operating this machine (2 meters at least). Failing to do so will result in serious injury.

DANGER! Always keep hands away from moving bandsaw blade. Failure to do so will result in serious injury.



WARNING! Always wear eye, ear, respiration, and foot protection when operating this machine. Failure to do so may result in serious injury.

WARNING! Secure all loose clothing and jewelry before operating this machine. Failure to do so may result in serious injury or death.

WARNING! The sharpener should not be operated by persons allergic to ACP-1 oil or its vapors.



CAUTION! The sharpener's work-stand should be equipped with a 4 kg or bigger dry powder extinguisher.

CAUTION! The machine has to be used only for sharpening blades. Otherwise the guarantee will expire.

CAUTION! The machine has to be used only with oil vapour extractor.



IMPORTANT! The illumination at the operator's position should be at least 300lx¹

1.. The light source can not cause stroboscopic effect.

1.7 Sharpener Components

The BMS250 sharpener is designed for sharpening only Wood-Mizer blades with 9.29, 10.30, 13.29, 7.34 and 4.32 profiles.

See Figure 1-1. The major components of the sharpener are shown below.

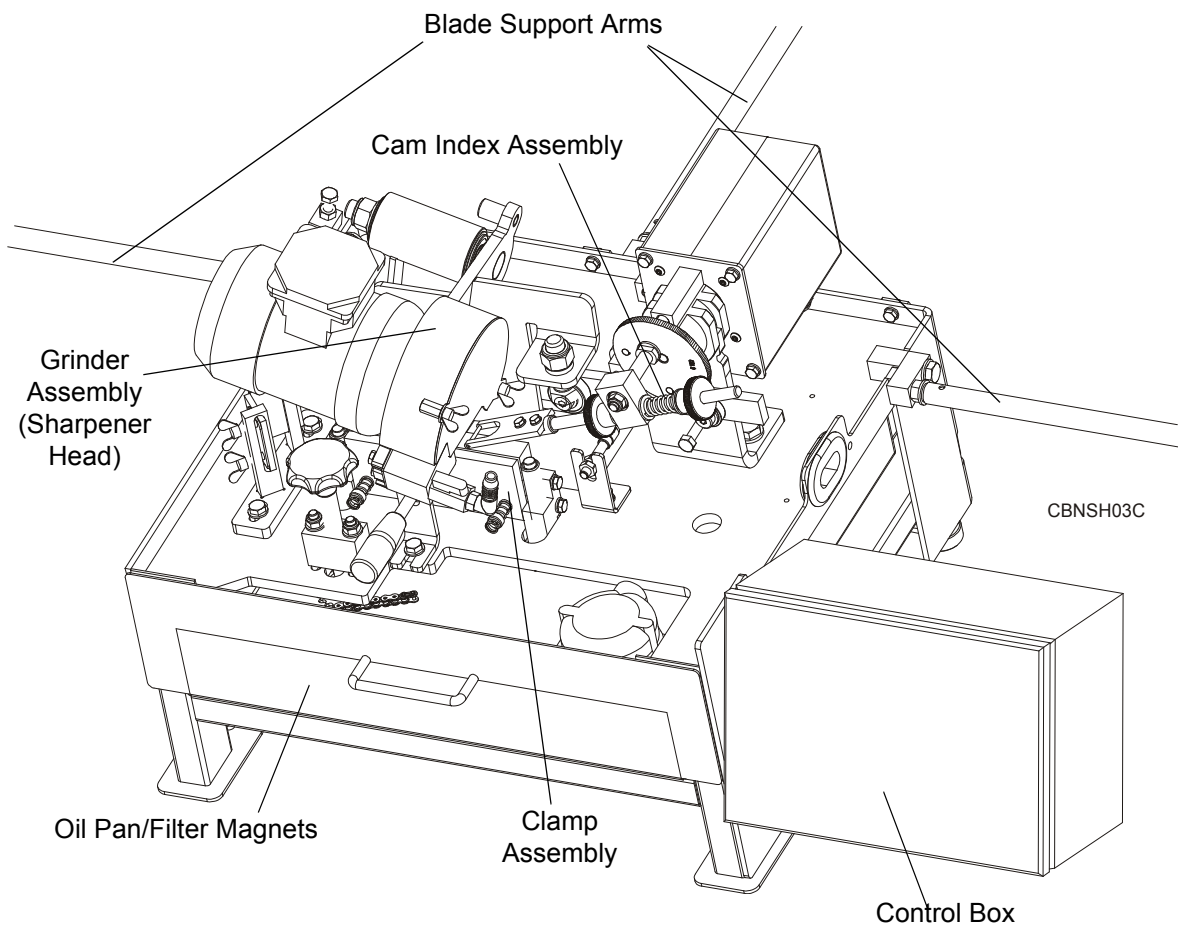


FIG. 1-2

1 Safety & General Information

Overall Dimensions and Other Technical Data

1.8 Overall Dimensions and Other Technical Data

See Table 1-2. The overall dimensions and the weight of the BMS250 sharpener (without the blade support arms) are listed below.

	Length	Width	Height	Weight
BMS250 Sharpener	627mm 24,68"	845mm 33,26"	590mm 23,22"	83kg 183 lb
Sharpener packaged in carton	680mm 26,77"	960mm 37,80"	620mm 24,40"	90kg 198,4 lb

TABLE 1-2

See Figure 1-3. The figure below shows the overall dimensions of the BMS250 sharpener with the blade support arms installed.

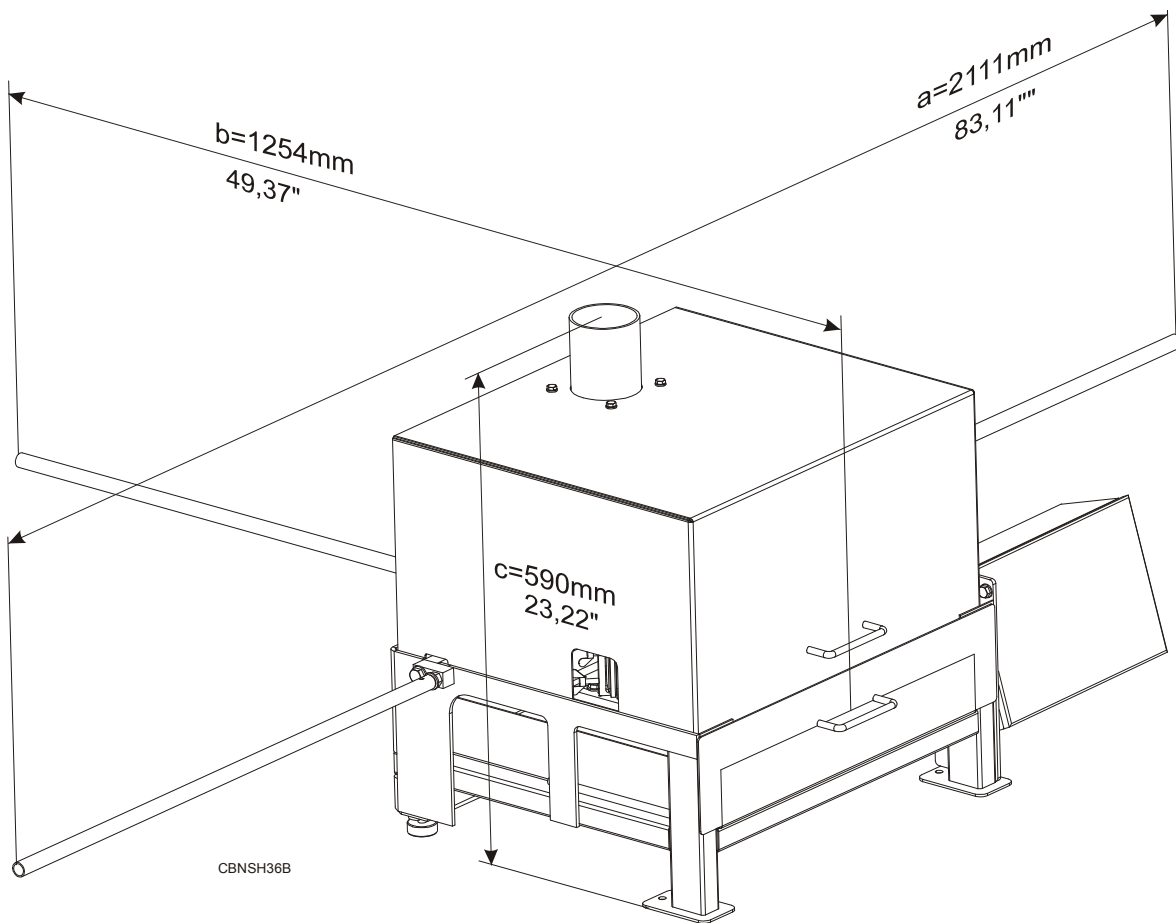


FIG. 1-4

1.9 Noise Level

See Table 1-3. The noise level produced by the BMS250 sharpener is given below ¹.

	Noise Level
BMS250	61,3 dB (A)

TABLE 1-3

1.10 Motor Specifications

See Table 1-4. The grinder motor specifications are listed below.

Motor	Manufacturer	Model	Power	Other Data
Electric	Besel, Poland	SEKg 56 2C2	0.18kW	1.5 A, 2800 r.p.m.

TABLE 1-4

1.11 Coolant Specifications

See Table 1-5. The table below lists the coolant specifications.

Oil Type	Manufacturer	Freezing Point	Flash Point	Autoignition Point
ACP-1E ¹	Orlen	-20° C -4 F	Above 140° C 284 F	250° C 482F

TABLE 1-5

¹ Waste oil must be disposed of in compliance with applicable state and local regulations.

1. The measured values refer to emission levels, not necessarily to noise levels in the workplace. Although there is a relation between emission levels and exposure levels, it is not possible to determine with certainty if preventives are needed or are not needed. The factors affecting a current level of noise exposure during work are inter alia room characteristics and characteristics of other noise sources, e.g. number of machines and machining operations nearby. Also, the permissible exposure level value may vary depending on country. This information enables the machine's user to better identify hazards and a risk .

1 Safety & General Information

Control Panel Components

1.12 Control Panel Components

See Figure 1-5. The BMS250 control panel components and their descriptions are shown below.

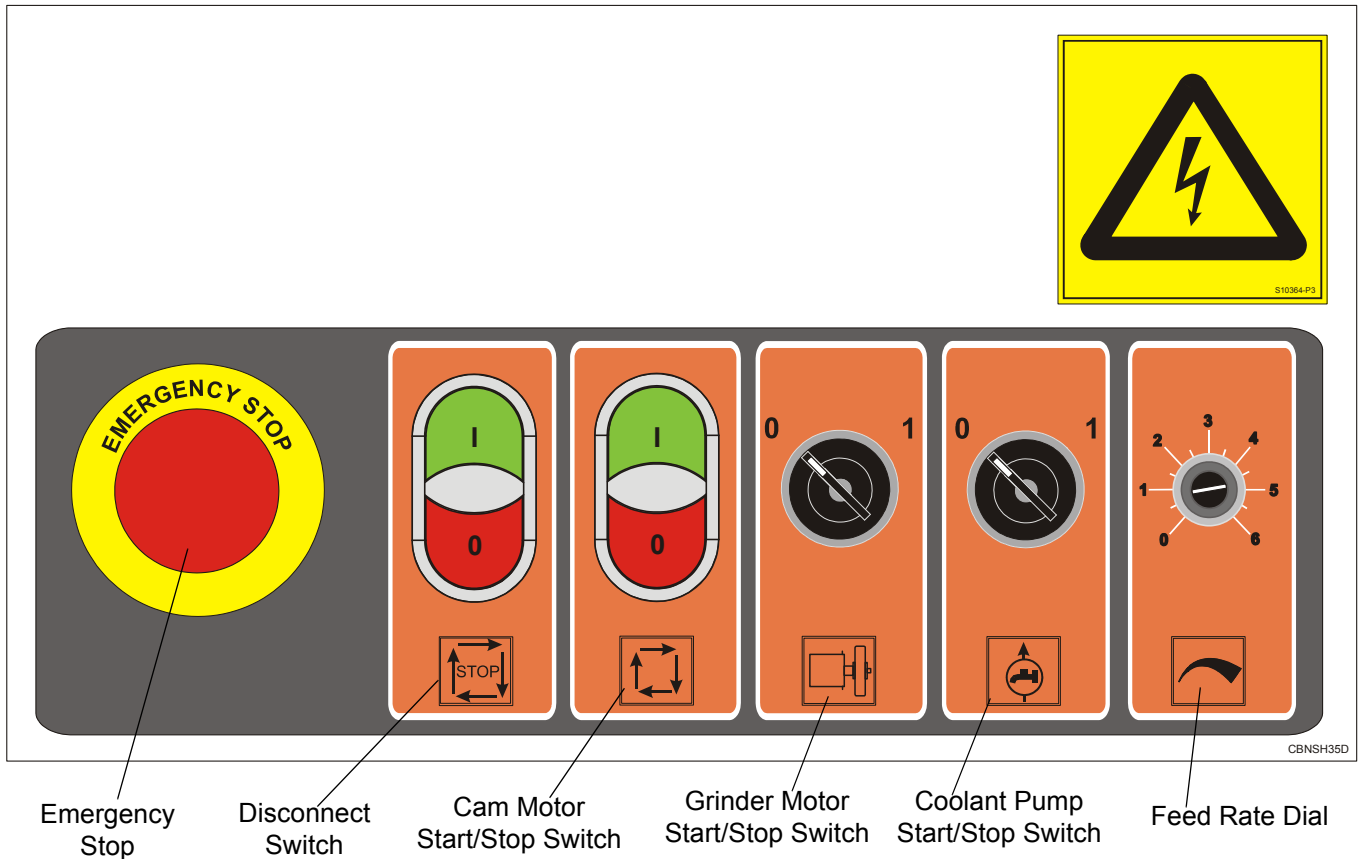


FIG. 1-6

- **Disconnect button**
Turns on/off the sharpener power and the oil pump.

Press "0" on the disconnect switch to turn the sharpener power off (e.g. before servicing or when the sharpener is not in use). NOTE: Press "0" on the disconnect switch before opening the control box door. Disconnect and lock out power supply before servicing!

To reconnect power to equipment, press "1" on the disconnect switch.

- **Feed Rate Dial**
Controls cam speed.

Rotate dial as necessary to increase or decrease cam speed.

- **Grinder Motor Start/Stop Switch**
Starts/Stops grinder motor.

- **Cam Motor Start/Stop Button**

Press the Cam Motor Start Switch to start the cam motor. **NOTE:** Place the Feed Rate Dial in the "0" position before starting the cam motor.

Press the Cam Motor Stop Switch to turn the cam motor off and unclamp the blade.

- **Coolant Pump Start/Stop Switch**

Starts/Stops coolant pump.

- **Emergency Stop**

Stops the sharpener operation.

In case of any dangerous situation or any incorrectness in the sharpener operation, press the emergency stop button. The button will be locked.

To release the emergency stop button, turn it clockwise.

1 Safety & General Information

Control Panel Components

See Figure 1-7. The control panel components of the **BMS200** version and their descriptions are shown below.

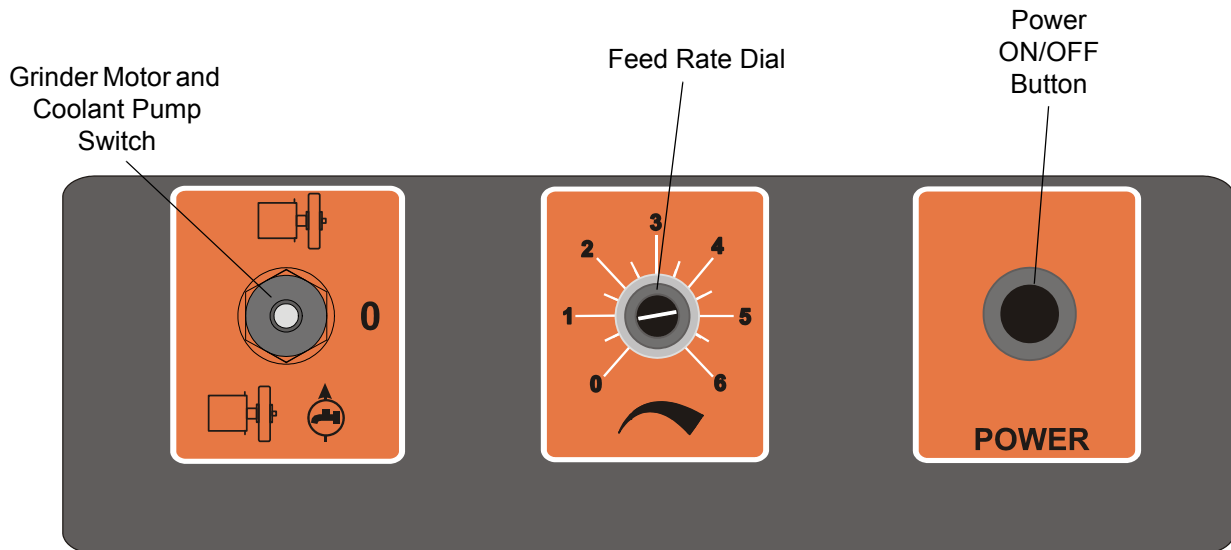


FIG. 1-8

- **Grinder Motor and Coolant Pump Start/Stop Switch**

Starts/Stops grinder motor and coolant pump. Move the switch to upper position to start the grinder motor only (it can be used to adjust the sharpener). Move the switch to lower position to start the grinder motor and the coolant pump.

- **Feed Rate Dial**
Controls cam speed.

Rotate dial as necessary to increase or decrease cam speed. Turn the dial to "0" position to stop the cam.

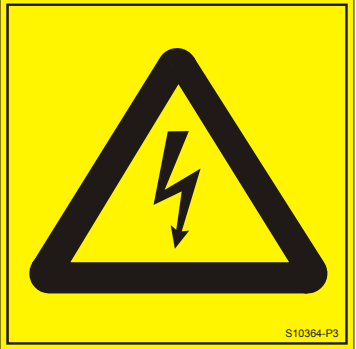


- **Power ON/OFF Button**

Turns on the power to all motors of the sharpener. **NOTE:** Place the Feed Rate Dial in the "0" position before turning on the power.

1.13 Warning Decals Description

See Table 1-6. The pictographic decals that warn and inform the user are shown and described below.

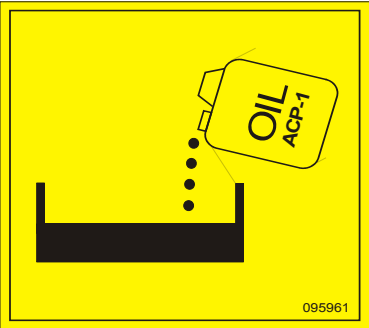


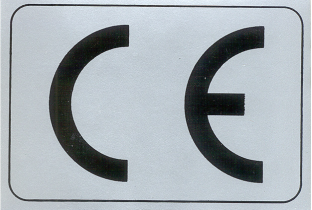
TABLE 1-6

Decal View	Decal No.	Description
	S10364-P3	"Hazardous voltage".
	086362	General warning symbol
	099220	CAUTION! Close all guards and covers before starting the machine.

1 Safety & General Information

Warning Decals Description

TABLE 1-6

 <p>095961</p>	<p>095961</p>	<p>"Use ACP-1 oil."</p>
	<p>S12004G-1</p>	<p>CAUTION! Always wear safety goggles when operating the sharpener!</p>
 <p>S20097C</p>	<p>S20097C</p>	<p>2800 RPM - Motor rotation direction</p>
	<p>P85070</p>	<p>CE safety certification</p>

SECTION 2 SETUP & OPERATION

2.1 Machine Start



IMPORTANT! Before starting to use the machine you have to meet the following conditions:

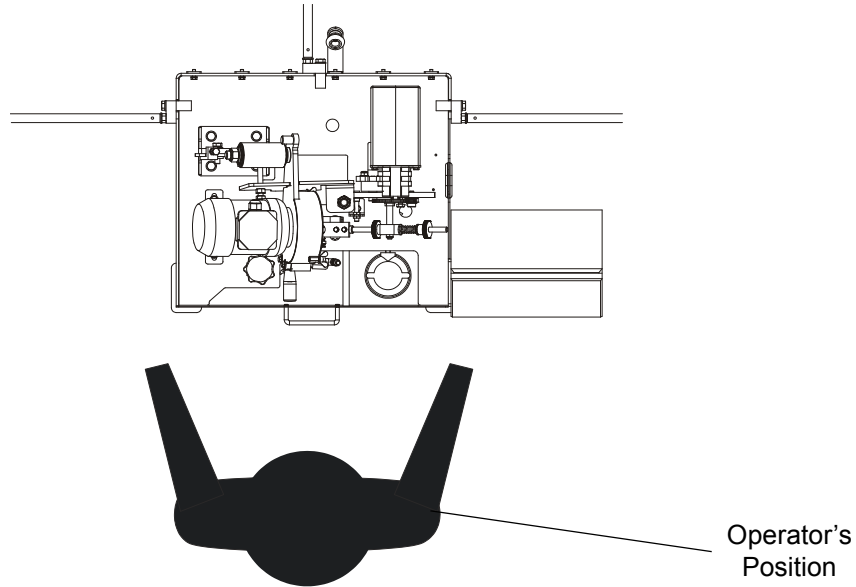
- Fasten the sharpener to a table top using the mounting holes located in the foot plates.
- The sharpener can be operated with a oil vapors exhaust system only.
- The machine can be operated under roof only.
- The sharpener can be operated only in temperature range from 5° C to 40° C (41 - 104° F), at the humidity of up to 80%.
- The oil for cooling the grinding wheel must meet the specifications listed in Table 1-5 on page 7. Water or other liquids must not be used.
- The position of the sharpener's operator is shown below.
- The illumination at the operator's position should be at least 300lx¹

1.. The light source can not cause stroboscopic effect.

2

SETUP & OPERATION

Blade Support and Cover Bumper Installation



- Have a qualified electrician make the power supply. The power supply must meet the specifications given below.

2-Phase Volts	Fuse [A]	Suggested Wire Size
230 VAC	10 A	1.5 mm ² at least 16AWG at least

TABLE 2-0

DANGER! It is recommended that a 30mA Ground Fault Interrupter (GFI) be used.

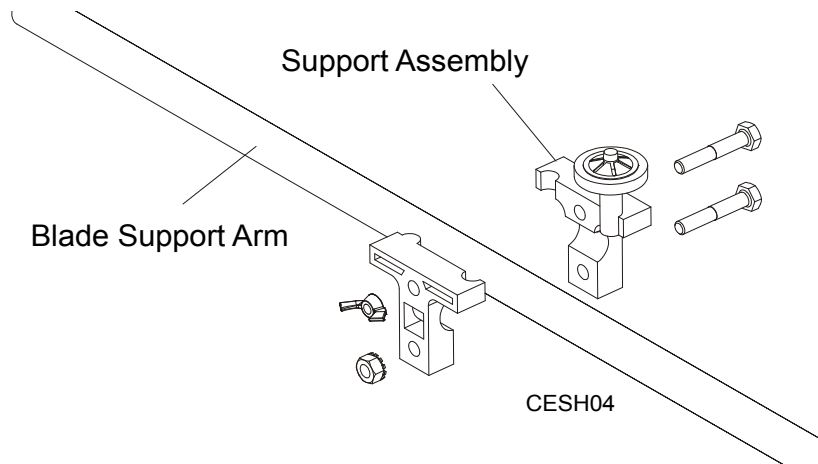
2.2 Blade Support and Cover Bumper Installation

The sharpener includes three blade support arms with guide assemblies.

To install the support arms, lubricate the threaded ends of the arms with grease. Insert one arm into the threaded holes on each side of the sharpener.

1. Each guide assembly consists of a blade support with post, a blade support without post, two bolts, a self-locking nut, and a wing nut.

See Figure 2-1. To install the guides, join one guide assembly around the end of each blade support arm. Face the post outward as shown. Bolt from the hexed side of the guide assembly (these hex-shaped holes will keep the bolts from turning once in place). Secure the bottom bolt with a self-locking nut. Secure the top bolt with a wing nut.



2. Tilt the guides on the left blade support arm slightly backward, toward the rear of the sharpener. Tilt the guides on the right support arm slightly forward, toward the front of the sharpener.
3. Install the bumper of the sharpener cover. Use provided M10x25 bolt and 10,5 flat washer.

2 SETUP & OPERATION

Blade Support and Cover Bumper Installation

See Figure 2-2.

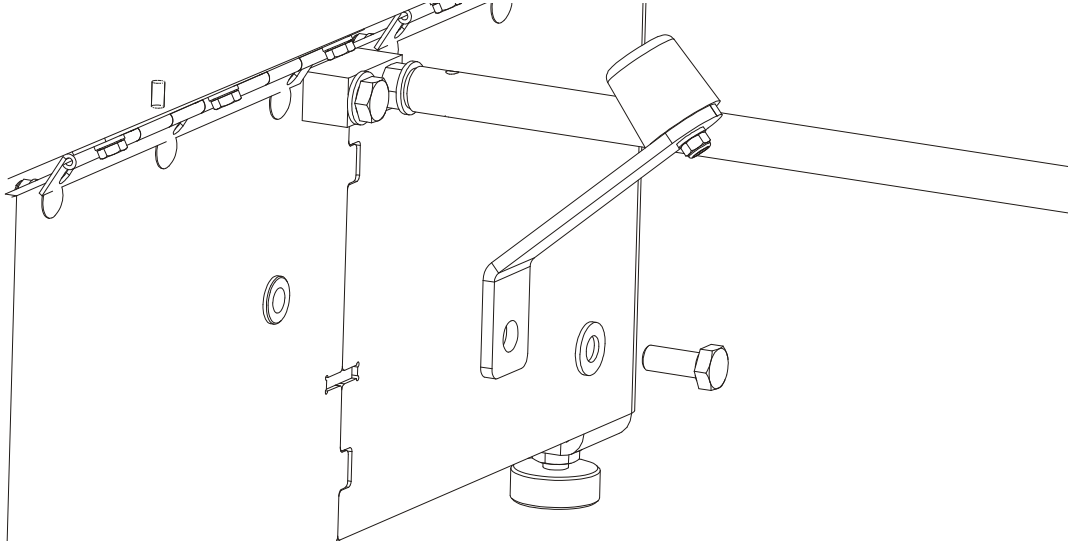


FIG. 2-3

2.3 Blade Height Adjustment

The BMS250 sharpener is equipped with a blade height adjustment assembly that allows smooth height adjustment of 1", 1 1/4", 1 1/2", 1 3/4" and 2" wide blades.

To install the blade, release the blade clamp by pushing the clamp handle down.

See Figure 2-4. Position the blade on the cylindrical rollers of the blade height adjustment screws as shown below. Use the blade height adjustment knob to adjust the blade height.

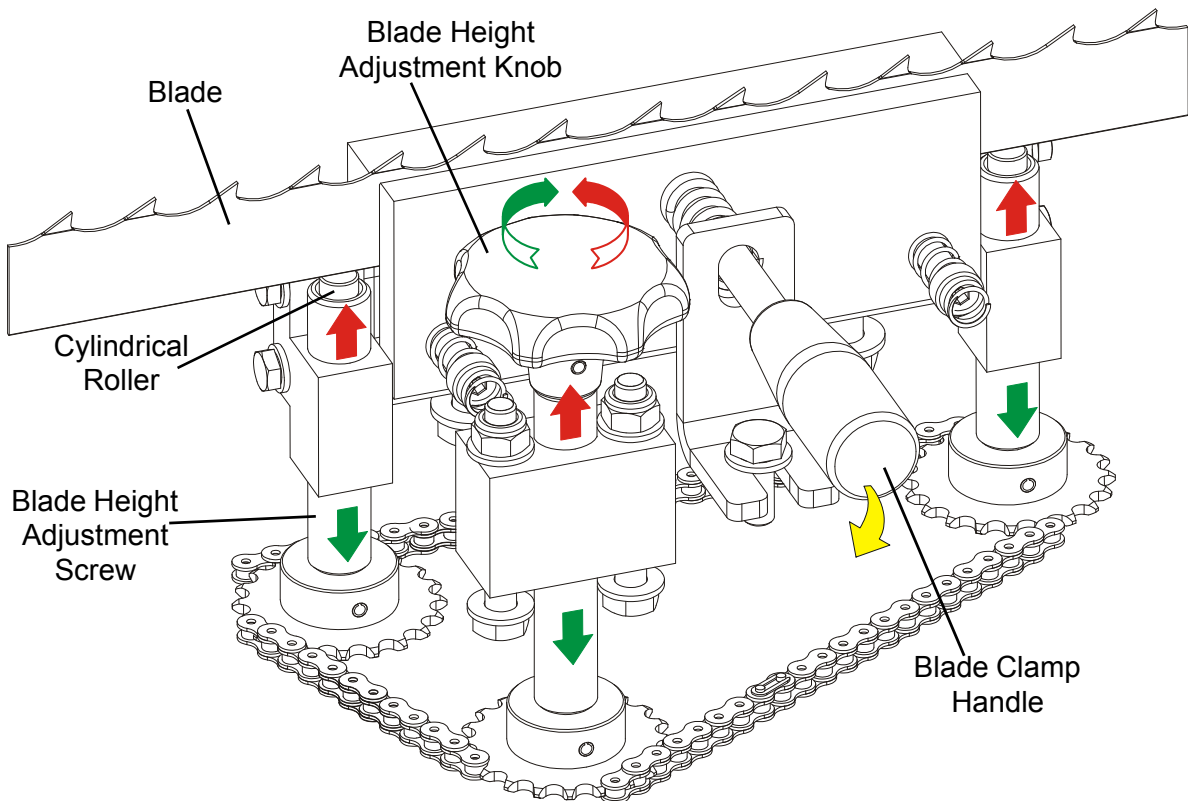


FIG. 2-5

NOTE: After adjusting the blade height, adjust the blade support arms in the vertical plane as necessary so the blade will remain level around its complete length.

2.4 Grinding Wheel Installation

Use a Wood-Mizer approved grinding wheel. To install:

1. Push the START button on the control box and turn the FEED RATE dial up to rotate the cam.
2. Rotate the cam until the sharpener head is at its highest setting. Turn the FEED RATE all the way down and push the STOP button.
3. Remove the grinding wheel cover.
4. Remove the oiler.
5. Remove the arbor nut.
6. Slide a grinding wheel onto the motor shaft. dedicated to work
7. Reinstall the arbor nut and hand tighten. Reinstall the grinding wheel cover and suitable oiler dedicated to work with your grinding wheel. [See Section 6.3](#)



DANGER! Make sure all guards and covers are in place and secured before operating the sharpener. Failure to do so may result in serious injury. Also check that the grinding wheel does not contact the oiler. If it contacts, adjust the oiler out of the way. (The gap between the grinding wheel and the oiler should be .5 – 1 mm, 0,019-0,039".)

8. If the installed grinding wheel is running out axially, unscrew the arbor nut, turn the grinding wheel about 15 degrees and replace the arbor nut. Then check the grinding wheel's rotation. If the axial runout is still present, perform the above-mentioned steps again. Repeat them as necessary until the problem is corrected.
9. After installing and adjusting the grinding wheel, hold the sharpener head up with your hand and turn the back/depth grind knob until you can lower the head and the grinding wheel will not contact the blade. Carefully lower the sharpener head.

2.5 Blade Installation

See Figure 2-6. Before installing a blade, push the cam motor START switch and turn the FEED RATE dial until the cam pivot bolt is at the 2 o'clock position.

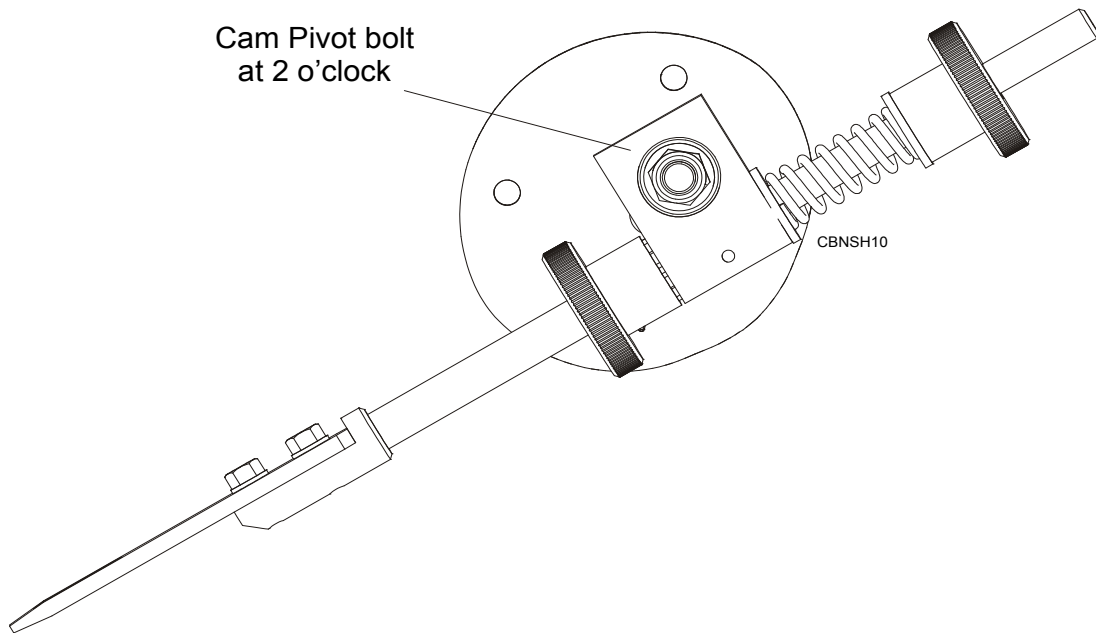


FIG. 2-7

Uncoil a blade and position above the three support assemblies around the sharpener. Check to be sure the teeth on the portion of blade that will be under the grinding wheel point to the right as you face the sharpener. If not, remove the blade and invert it.

2

SETUP & OPERATION

Blade Installation

See Figure 2-8. Position the blade inside the left and rear blade support posts.

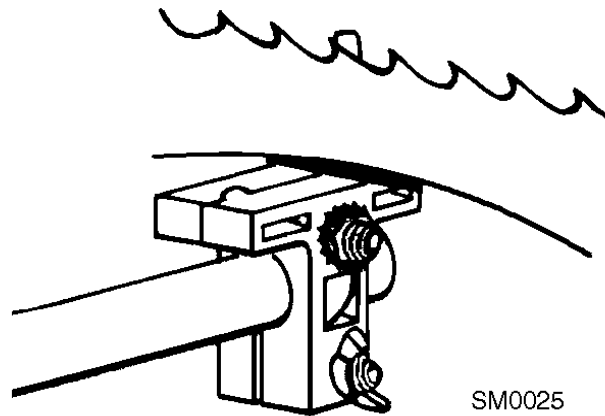


FIG. 2-9

See Figure 2-10. Position the blade outside the right blade guide wheel.

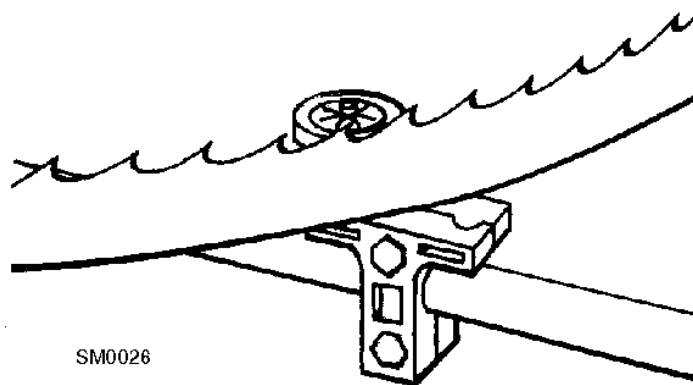


FIG. 2-11

Holding the blade with your left hand, lift the sharpener head. Then raise and hold the indexing arm up, loosen the blade clamping fixture and press the blade between the clamping plates. Lower the indexing arm and the sharpener head.

Make final adjustments to the blade support arms and guide assemblies. Make sure the blade band rests evenly on both blade rest cylindrical rollers. The blade should not touch the bottom of either side guide assembly. All three guide assemblies should lean slightly in the direction the blade travels through them.

Bend the blade wiper on the left side of the sharpener so that it touches the blade. The wiper will wipe coolant from the blade into the oil pan so it does not drip on the floor.

2.6 Face Grind Adjustment

As you operate the sharpener, the cam will rotate causing the index arm to contact a tooth and push it to a position under the grinding wheel. The index arm can be adjusted to leave the tooth closer to or further from the grinding wheel so the tooth face is ground lighter or heavier.

1. Before adjusting the face grind, make sure the cam and grinder motors are off, the feed rate dial is set at "0" and the Sharpener head is raised.
2. Install the blade.
3. Lower the Sharpener head and check to make sure the grinding wheel lightly contacts the entire face of the tooth all the way up to the tip.
4. Turn on the cam motor and slowly increase the FEED RATE until the next tooth is underneath the grinding wheel.

See Figure 2-12. If the face grind is too light, turn the face grind adjustment knob out away from the other knob. If the face grind is too heavy, turn the adjustment knob in toward the other knob.

5. Recheck the face grind on the next tooth and adjust as needed.

2 SETUP & OPERATION

Face Grind Adjustment

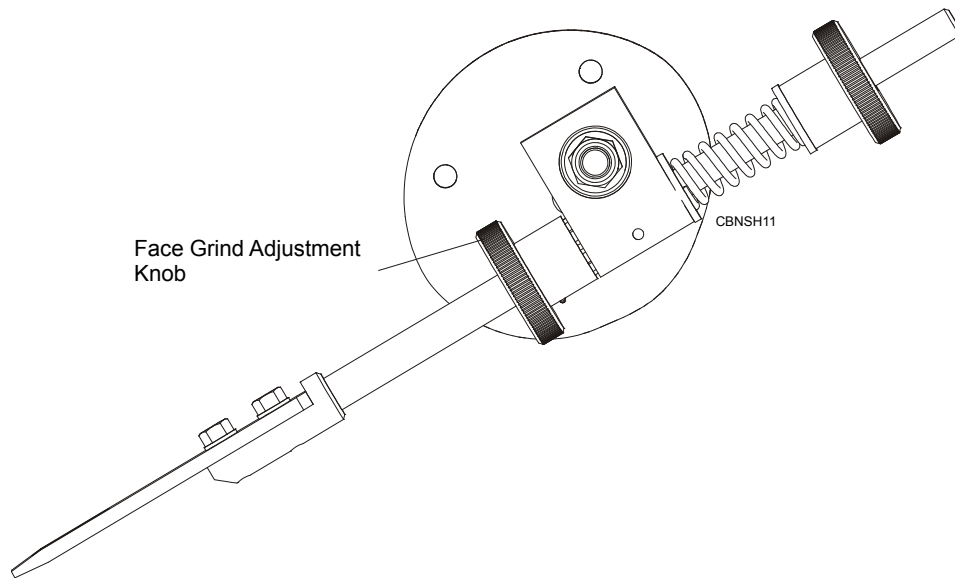


FIG. 2-13

See **Figure 2-14**. Proper position of the grinding wheel to blade during sharpening is shown on the picture below.

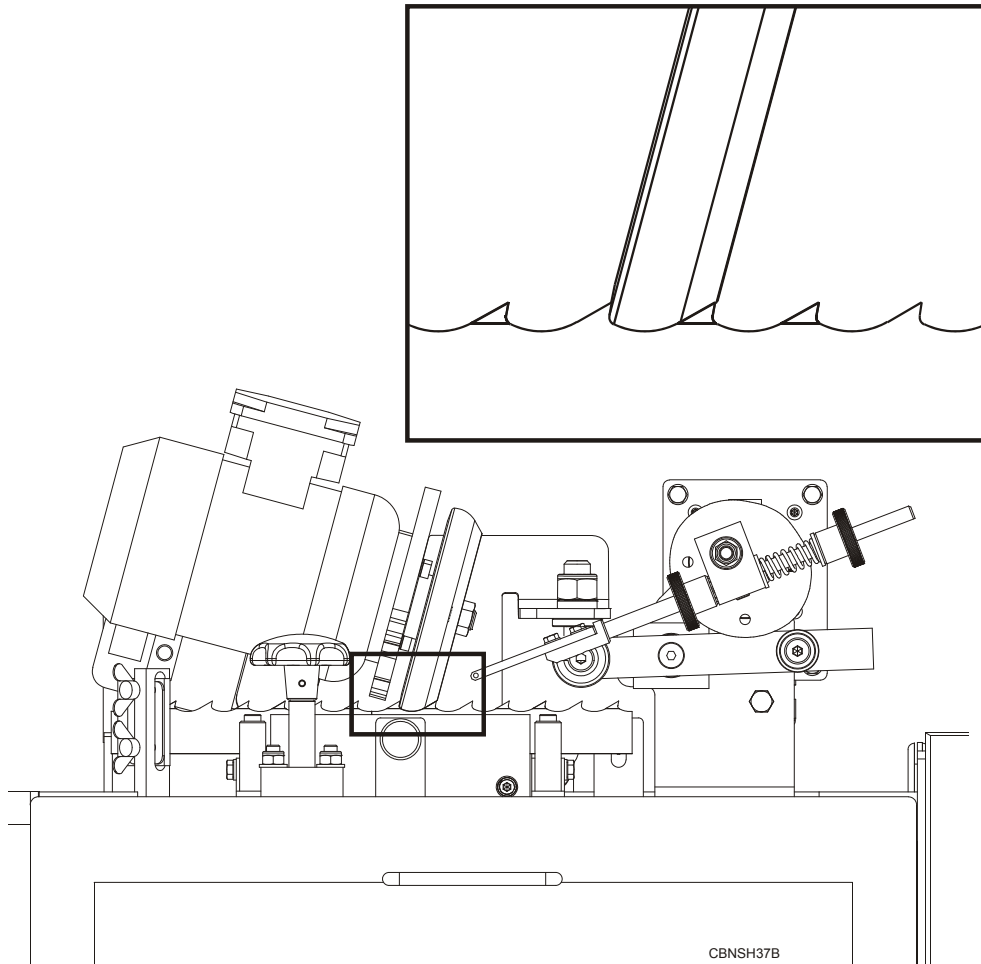


FIG. 2-15

2.7 Grind Depth Adjustment

Tooth height is determined by how much material is removed from the gullet of the blade. The Wood-Mizer sharpener is equipped with a grind depth adjustment bolt that controls how far the grinding head comes down and therefore controls the gullet grind. (See Figure 2-10.)



CAUTION! The grind depth adjustment bolt is factory-set and should not need to be readjusted. The gullet grind should be adjusted by setting the blade height with the blade height adjustment knob. ([See Section 2.3.](#))

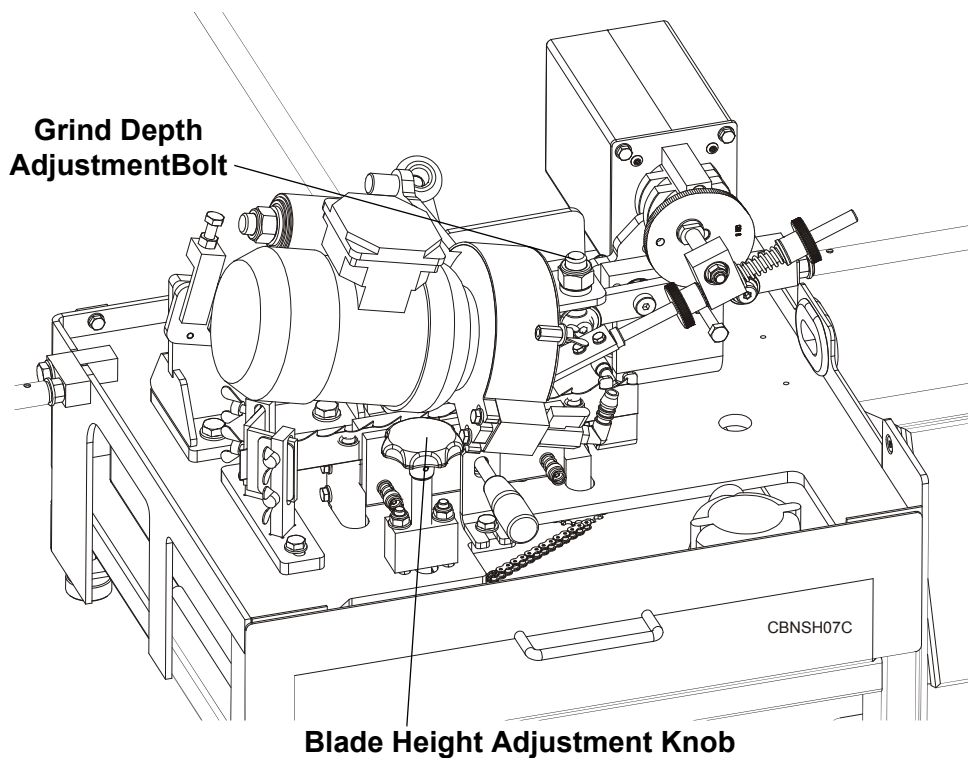


FIG. 2-16

NOTE: Depth grind may be affected as the grinding wheel passes over blade welds.

2.8 Oil Flow Adjustment

To activate blade oiling, open the oil flow control valve located on the oiler.

2.9 Feed Rate Adjustment

The Feed Rate Dial controls cam speed. During the sharpening cycle, adjust cam speed to have as fast of a feed rate as possible without "burning" the blade.

2.10 Magnetic Shut-off (not in BMS200, BMS250 EC Version)

See Figure 2-17. The shut-off sensor is located to the right of the blade clamp assembly. When passed over by a magnet, it automatically shuts down the grinder and cam motors.

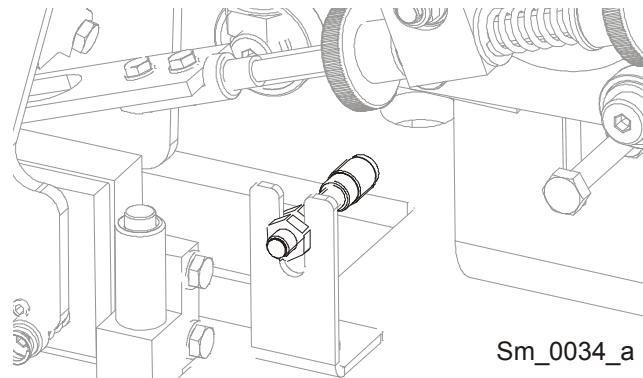


FIG. 2-18

To install, take an orange-painted magnet from the bag assembly. Place the black side of the magnet against the bottom edge of the blade on the inside of the tenth face-ground tooth. After the sensor bracket has shut off the cam and grinder motors, flip the grinder switch into the off position. Remove the magnet.

2.11 Blade Rejection

Sometimes blades cannot be resharpened. Reasons to reject blades for resharpening include:

- the blade is coil set (the blade is over-stressed and will fold on itself),
- the blade is missing 2 or 3 teeth or more in a row,
- the blade band has been twisted,
- the blade band is too low for the grinder (the blade has been sharpened too many times/too much material has already been ground from the blade),
- the blade has no set on one of its sides,

- severe rust is present,
- or the blade has tooth spacing uncommon to Wood-Mizer blades (i.e., a competitor's blade).

2.12 Operation Overview

Use the following steps to guide you through sharpener operation.

1. Adjust the blade clamp for the blade you will be sharpening.
2. Install a grinding wheel if necessary, then install the blade.
3. Adjust face grind and depth grind.
4. Activate the oil flow.
5. Increase the feed rate to a moderate speed. How fast you can grind will be determined by how much material you are removing from the blade. If a heavy grind is required, it is best to go around the blade lightly twice rather than try to grind heavily once.
6. After about ten teeth have been ground, mount the orange-painted magnet right behind the blade wiper. (See Section 2.11.) If you use the BMS200, BMS250 EC, mark the start of sharpening with a sticker or marker.
7. Check the depth grind two to three times during the blade sharpening. Adjust as necessary.

IMPORTANT! After any adjustment, always restart the blade and sharpen in its entirety to ensure symmetry.

2.13 Shutoff

The sharpener will automatically shutoff when blade has been entirely sharpened (not in BMS200, BMS250 EC Version)

Inspect the blade. Repeat sharpening process if necessary. Blades with a bad profile or those which are badly in need of sharpening may have to be ground more than once.

2.14 2" Blade Sharpening

To sharpen 2" blades, it is necessary to mount the bushing supplied with the BMS200/250 sharpener.

See **Figure 2-19**. Mount the bushing to the sharpener head bracket as shown below.

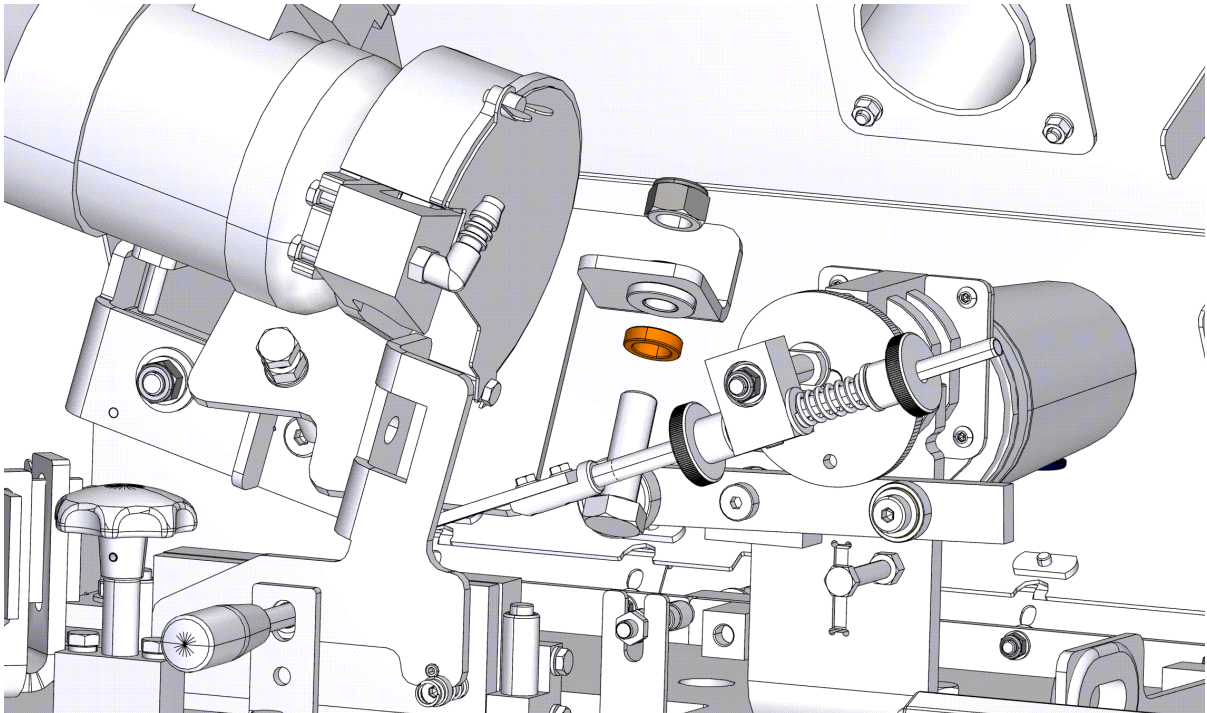


FIG. 2-20

SECTION 3 MAINTENANCE

3.1 Grinding Wheel Replacement

Check the grinding wheel often and change as necessary. Wheels approved for use with the sharpener are available from Wood-Mizer.

The grinding wheel should be in good condition. Replace if worn, the edges look shiny, and/or the wheel is "burning" the blades. **NOTE:** The grinding wheels have a CBN (Cubic Boron Nitride) coating.

1. To replace, shut down and lock out all power to the machine.
2. Remove the grinding wheel cover.
3. Remove the grinding wheel nut, washer plate and grinding wheel.
4. Install the new grinding wheel. Reinstall the washer plate and nut.
5. Reinstall the grinding wheel cover.

3.2 Oil Level

Periodically check the oil level and refill with oil as necessary. The oil level should be kept between 4.5 and 5 litres. Use only Wood-Mizer approved grinding oil.

Filter the oil to remove metal shavings before reusing.

SECTION 4 BMS200/BMS250 MAINTENANCE & TROUBLESHOOTING

4.1 Sharpener Maintenance

Daily:

- Wipe the sharpener dry, remove the blade, lower the head, close the cover and unplug the machine after each day's use.
- Keep clean of dirt, rust, and metal filings.
- Remove the clamp regularly and clean out any buildup that might cause it to not clamp the blade firmly. To do so, unscrew the blade rest bolts and remove the moving clamp plate.

Weekly:

- Clean sediment from the oil pan and filter magnets as needed.
- Keep the oil at such a level that the pump strainer is completely covered with the oil. Replace the oil completely every six months. Oil level should be 40-50mm measured from the bottom of reservoir. Dispose of worn-out oil in compliance with applicable regulations.
- Check sharpener head stop function. [See Section 5.1.](#)

Monthly:

- Check motor and indexer brushes.
- Check plugs and switches.
- Check the axial run-out and the radial run-out on the motor shaft at the place where the grinding wheel is mounted. Do it once a month, using a dial indicator mounted on a magnetic stand. The maximum allowable run-out must be no greater than $\pm .01$ mm, 0,00039".



CAUTION! Regularly clean or replace oil vapors extractor filter (according to manufacturer's recommendation).

4.2 Blade Sharpening Tips

This section covers some of the common problem areas of blade sharpening.

Before removing from the saw, clean the blade by running the waterlube on the blade for 15 seconds. This will remove most of the sap buildup that would otherwise have to be scraped off when it dries. Wipe with a clean dry rag.

Make sure the flow of oil through the oiler assembly is strong.

Sharpen the blade when it first shows signs of dullness. If the blade is extremely dull, due to hitting a rock or some form of foreign matter, sharpen the blade twice lightly, instead of trying to remove too much in one grind. Grinding too much material at once may cause the circuit breaker in the control box to kick out. If this happens, wait 15 seconds. Then turn it on (push circuit breaker down).

SECTION 5 ALIGNMENT

Align the sharpener monthly to ensure quality performance. Also realign the sharpener as necessary (i.e., after the grinding wheel has been impacted by the index pawl).

5.1 Sharpener Head Stop Alignment

Adjust the distance between blade clamp and grinding wheel using the locking bolt, to avoid hitting the blade clamp with the sharpener head (when there is no blade in the clamp).

Distance between grinding wheel and blade clamp should be 2.0-3.0mm, 0,078-0,11".

Repeat the adjustment monthly.

Sharpener head stop adjustment is shown below.

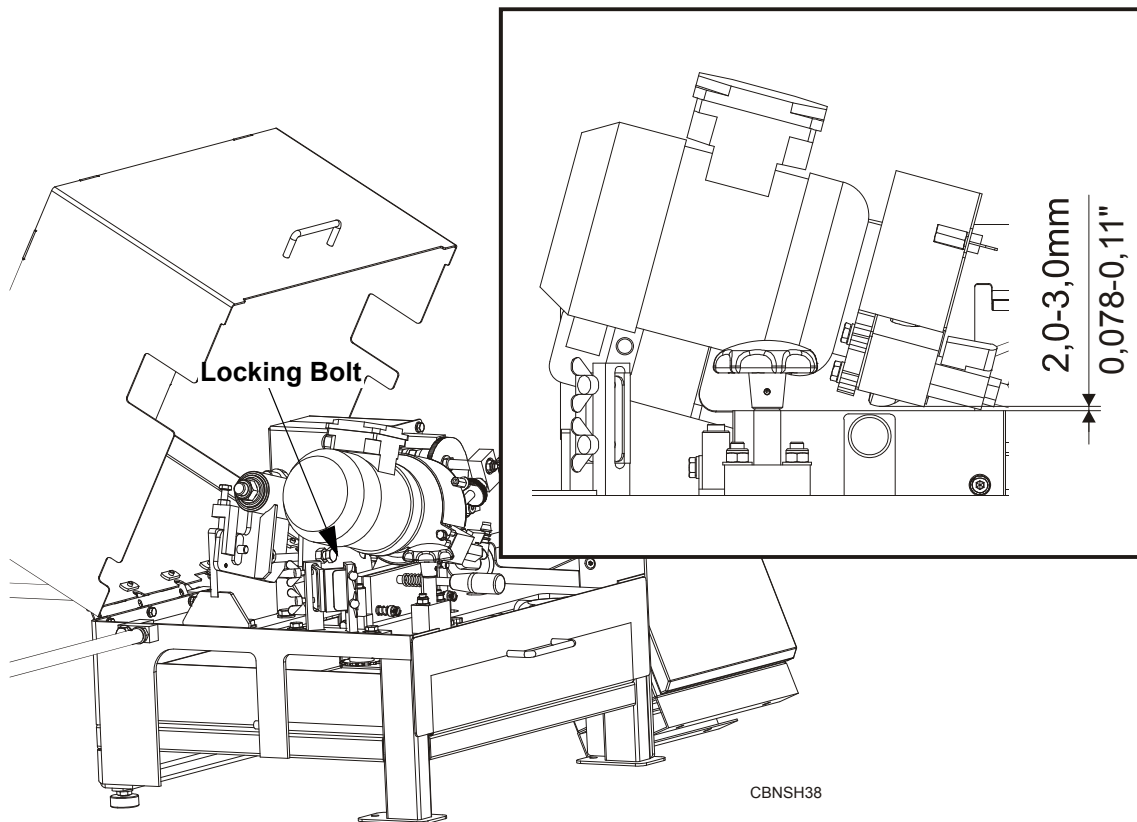


FIG. 5-1

5 Alignment

Sharpener Alignment

5.2 Sharpener Alignment

Use the provided BMS250 sharpener alignment tool as necessary to achieve accurate alignment between the blade clamp and the grinding wheel.

IMPORTANT! Do not adjust the alignment tool bolts. They have been pre-calibrated at the factory to ensure accurate alignment results.

1. **IMPORTANT!** Make sure the grinder motor is OFF. Cycle the cam until the grinding wheel is at the tip of the tooth (about to begin face grind).
2. Remove the grinding wheel cover and sharpener arbor nut. Dismount the oiler. Remove the grinding wheel.
3. Remove the blade rest bolts and moving clamp plate.
4. Install the alignment tool to the grinder motor shaft as shown below.

See Figure 5-2. Position the tool so all three gauge points are in line with the front clamp plate. Secure the tool in position with the sharpener arbor nut.

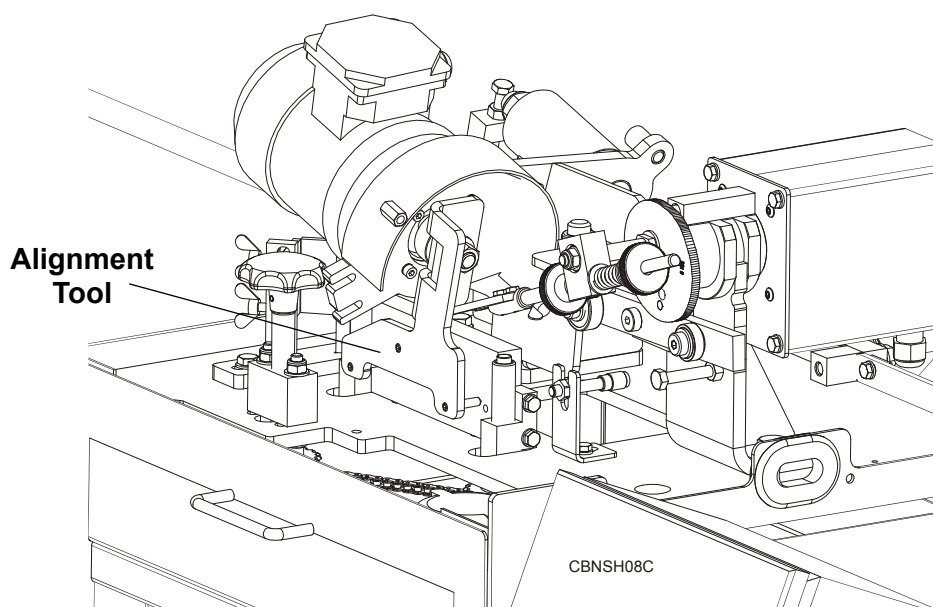


FIG. 5-3

5. Loosen the clamp adjustment bolts.

6. Position the clamp assembly so the front clamp plate touches all three tool gauge points. Secure in position by tightening the clamp adjustment bolts.

See Figure 5-4.

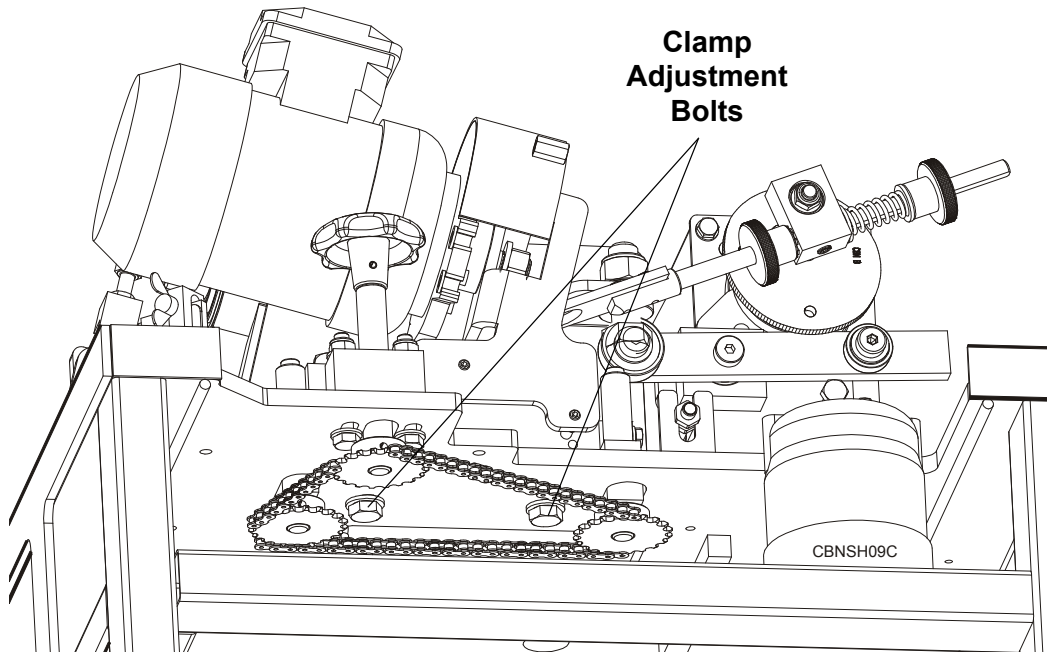


FIG. 5-5

7. Remove the arbor nut and alignment tool.
8. Reinstall the moving clamp plate.
9. Reinstall the grinding wheel and secure in place with the arbor nut.
10. Mount the oiler. Reinstall the grinding wheel cover.

SECTION 6 REPLACEMENT PARTS

6.1 How To Use The Parts List

- Use the table of contents or index to locate the assembly that contains the part you need.
- Go to the appropriate section and locate the part in the illustration.
- Use the number pointing to the part to locate the correct part number and description in the table.
- Parts shown indented under another part are included with that part.
- Parts marked with a diamond (◆) are only available in the assembly listed above the part.

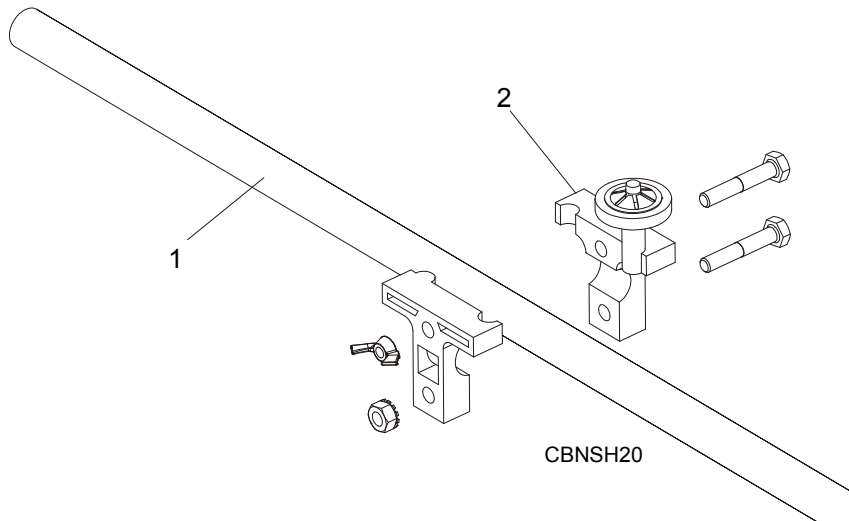
See the sample table below. Sample Part #A01111 includes part F02222-2 and subassembly A03333. Subassembly A03333 includes part S04444-4 and subassembly K05555. The diamond (◆) indicates that S04444-4 is not available except in subassembly A03333. Subassembly K05555 includes parts M06666 and F07777-77. The diamond (◆) indicates M06666 is not available except in subassembly K05555.

Sample Assembly				
REF.	DESCRIPTION (◆ Indicates Parts Available In Assemblies Only)	PART #	QTY.	
	SAMPLE ASSEMBLY, COMPLETE (INCLUDES ALL INDENTED PARTS BELOW)	A01111	1	
1	Sample Part	F02222-22	1	
	Sample Subassembly (Includes All Indented Parts Below)	A03333	1	
2	Sample Part (◆ Indicates Part Is Only Available With A03333)	S04444-4	1	◆
	Sample Subassembly (Includes All Indented Parts Below)	K05555	1	
3	Sample Part (◆ Indicates Part Is Only Available With K05555)	M06666	2	◆
4	Sample Part	F07777-77	1	

To Order Parts:

- From Europe call our European Headquarters and Manufacturing Facility in Kolo, Poland at **+48-63-2626000**. From the continental U.S., call our toll-free Parts hotline at **1-800-448-7881**. Have your customer number, vehicle identification number, and part numbers ready when you call.
- From other international locations, contact the Wood-Mizer distributor in your area for parts.

6.2 Blade Support Assembly

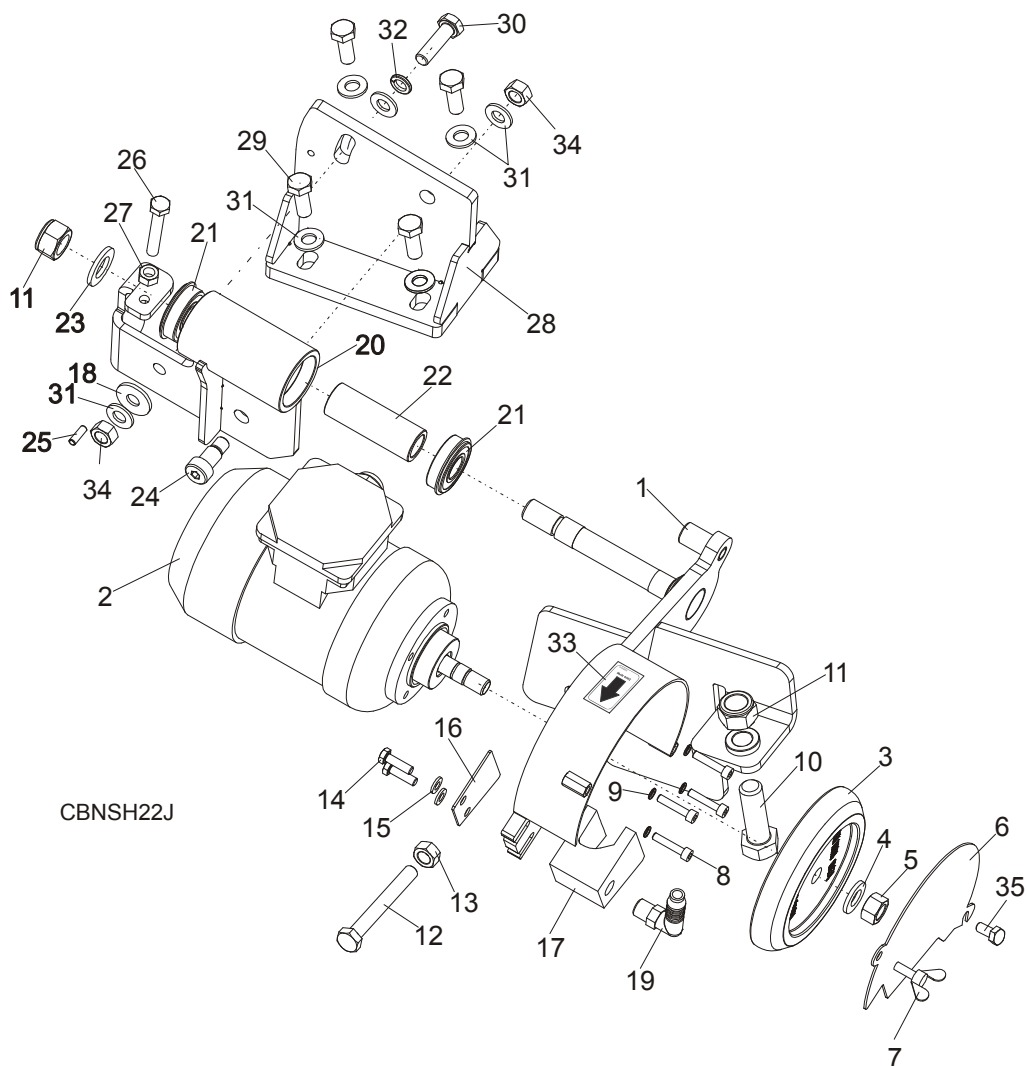


REF.	DESCRIPTION (◆ Indicates Parts Available In Assemblies Only)	PART #	QTY.	
1	BLADE SUPPORT ASSEMBLY, COMPLETE	087518-1	3	
1	GUIDE KIT, BLADE SUPPORT	A10617	1	

6 REPLACEMENT PARTS

Grinder Assembly

6.3 Grinder Assembly



REF.	DESCRIPTION (◆ Indicates Parts Available In Assemblies Only)	PART #	QTY.
	SHARPENER HEAD, BMS250 COMPLETE	097030	1
1	Arm, Sharpener Head Weldment	507795-1	1
2	Motor, SEKg 56-2C2/162A 230V 50Hz	089383	1
	Motor, SEKg 56-2C2/162A 230V 60Hz UL	089383-UL	1
	Motor, SEKg 56-2C2/162A 110V 60Hz UL	093490-UL	1
	Capacitor, BMS250MU Start	061137	1

REPLACEMENT PARTS

Grinder Assembly

6

3	Wheel, 9°/29° 7/8TS .220TH 5" BMS250 Grinding CBN Profile	030380	1	
	Wheel, 10°/30° 7/8" TS .250TH 5" BMS250 Grinding CBN Profile	030381	1	
	Wheel, 13°/29° 7/8TS .300TH 5" BMS250 Grinding CBN Profile	030389	1	
	Wheel, 12°/28° .656TS .200TH 5" BMS250 Grinding CBN Profile	030395	1	
	Wheel, 4°/32° 7/8TS .250TH 5" BMS250 Grinding CBN Profile	050744	1	
	Wheel, 13°/29° 1-1/8TS .330TH 5" BMS250 Grinding CBN Profile	053033	1	
	Wheel, 10°/30° 1-1/8TS .330TH 5" BMS250 Grinding CBN Profile	053034	1	
	Wheel, 7°/34° 7/8" TS .295TH 5" BMS250 Grinding CBN Profile	053294	1	
	Wheel, 10°/30° 3/4TS .260TH 5" BMS250 Grinding CBN Profile	053358	1	
	Wheel, 10°/30° 1/2TS .160TH 5" BMS250 Grinding CBN Profile	053411	1	
	Wheel, 7°/34° 1-1/8TS .330TH 5" BMS250 Grinding CBN Profile	053446	1	
	Wheel, 5" 7°/39.5° 7/8" TS .33TH BMS250 Grinding CBN Profile	066268	1	
4	Washer, M12 Flat Zinc	F81056-1	1	
5	Nut, M12x1,25-8 Hex Zinc	F81034-8	1	
6	Cover, Front Guard	088247-1	1	
7	Bolt, M6x10 FE/ZN5 DIN-316/BN-276	F81001-49	1	
8	Screw, M5x25 -8.8 Hex Socket Head Cap Zinc	F81000-7	4	
9	Washer, 10.2 Split Lock Zinc	F81055-2	1	
10	Bolt, M16x50-8.8 Hex Flat Head	F81006-38	1	
11	Nut, M16-8 Hex Nylon Zinc Lock	F81036-2	2	
12	Bolt, M10-80-8.8 Fe/Zn5 Hex Head Full Thread	F81003-76	1	
13	Nut, M10 -8-B Hex Zinc	F81033-3	1	
14	Bolt, M6x20-8.8 Hex Head Full Thread Zinc	F81001-2	2	
15	Washer, 6.4 Flat Zinc	F81053-1	2	
16	Washer, Oiler Spacer	094060-1	1	
17	Oiler, Sharpener	093193	1	
	Oiler, Sharpener 1-1/8" (Option For BMS 200/250)	509580	1	
18	Washer, 10.5 Zinc Flat Special	F81055-6	1	
19	Stud, WES 10/R 1/4 Elbow	088379	1	
20	Bushing, Sharpener Vertical Pivot	507787-1	1	
21	Bearing w/Ring	086395	2	
22	Bushing, Sharpener Head Spacer	092672	1	
23	Washer, 17 Flat Zinc	F81058-1	1	
24	Screw, 12/M10x16 12.9 Bossard Socket Head Shoulder	F81003-64	1	
25	Pin, 5x16 Roll Fe/Zn Zinc	F81044-3	1	
26	Bolt, M8x50 - 8.8 Hex Head Full Thread Zinc	F81002-19	1	
27	Nut, M8 Hexagon, Grade 5.8 Free Zinc	F81032-1	1	
28	Base Weldment, Sharpener Head	507785-1	1	
29	Bolt, M10X25-8.8-Fe/Zn5	F81003-11	4	
30	Bolt, M10x35 - 8.8 Hex Head Full Thread Zinc	F81003-17	4	
31	Washer, 10.5 Flat Zinc	F81055-1	3	
32	Washer, 5.1 Split Lock Zinc	F81052-2	4	
33	Decal, 2800 RPM Motor Rotation Direction	S20097C ¹	1	

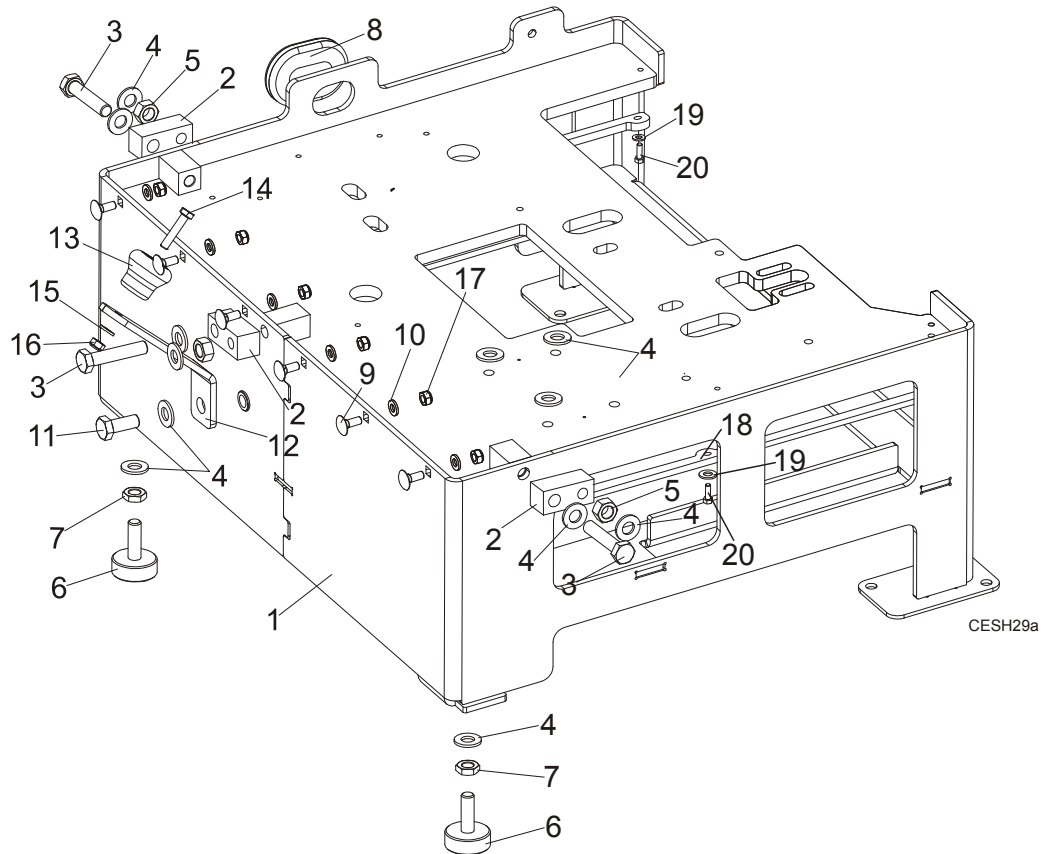
6 REPLACEMENT PARTS

Grinder Assembly

34	Nut, M10-8-B Nylon Hex Zinc Lock	F81033-1	2	
35	Bolt, M6x12-8.8 Hex Head Full Thread Zinc	F81001-7	1	
	OIL GRINDING, CBN (5 liters) ACP-1E (European Market)	083559-1	1	
	OIL GRINDING, CBN (5 gallons) CE150S (US Market)	010740	1	

¹ Belongs to 088855 - BMS250 Decal Kit.

6.4 Sharpener Mounting Plate



REF.	DESCRIPTION (◆ Indicates Parts Available In Assemblies Only)	PART #	QTY.
1	PLATE, BMS250 AC SHARPENER MOUNTING	507777-1	1
2	ARM, BLADE MOUNTING PTD	093183-1	3
3	BOLT, M10X50MM, HEX HEAD FULL THREAD ZINC	F81003-4	3
4	WASHER, 10.5 FLAT ZINC	F81055-1	13
5	NUT, M10-8-B-FE	F81033-3	3
6	foot, base adjust	092839	2
7	NUT, 10MM x 1.25 NYLON	F81033-6	2
8	SEAL RUBBER, WIRE INSIDE DIA 26MM	085613	1
9	Bolt, M6x16 8.8 Hex Head Full THREAD ZINC	F81001-36	6
10	Washer, 6.4 Flat ZINC	F81053-1	6
11	BOLT, M10X25-8.8-FE/ZN5	F81003-11	1
12	BRACKET, CBN-AC COVER WELDMENT	087824	1
13	Bracket, Cover Weldment	087826-1	1
14	Bumper, Cover Bracket	087825	1
15	Bolt, M6x30 5.8 Hex Zinc	F81001-13	1

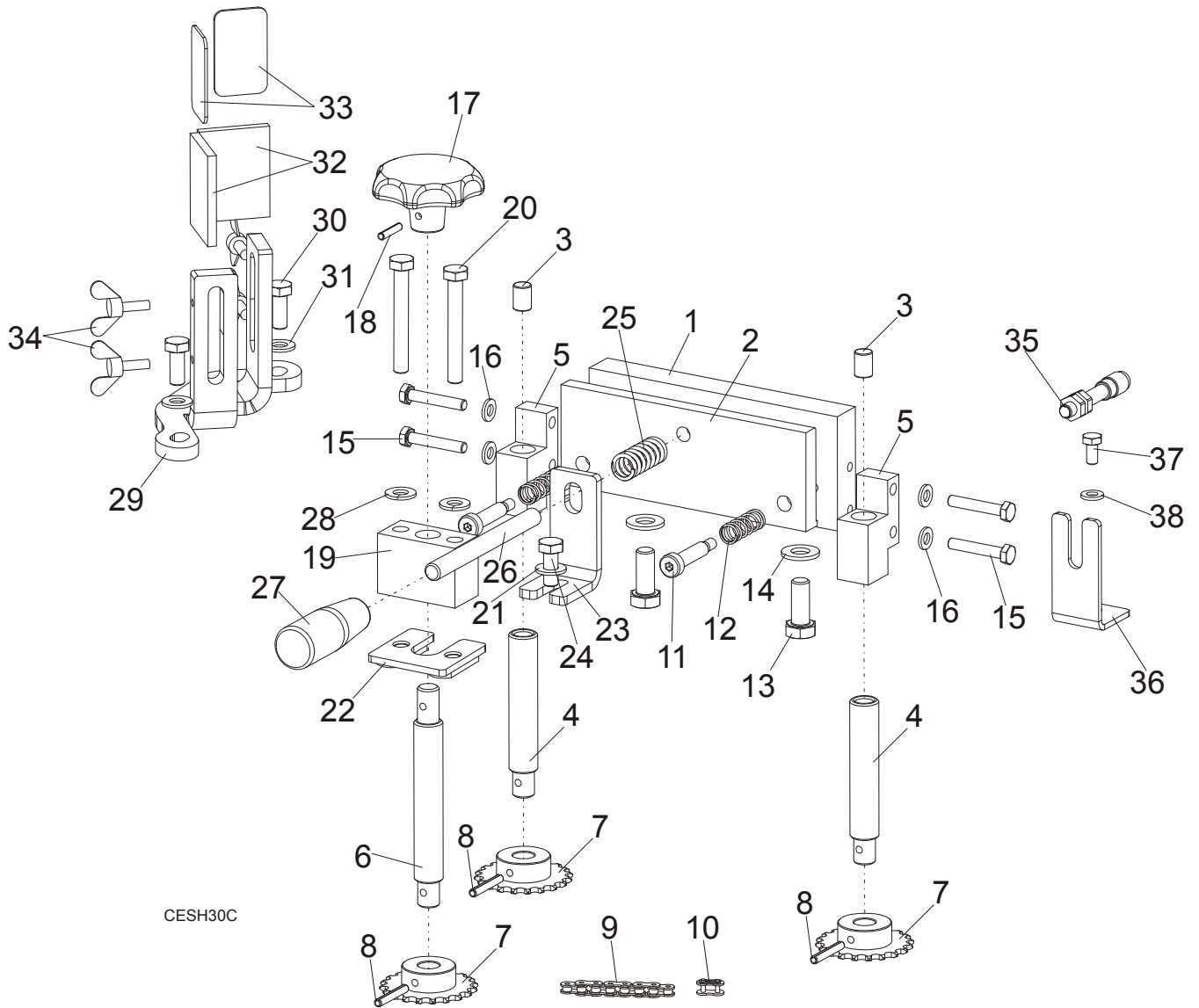
6

REPLACEMENT PARTS

Blade Clamp Assembly

15	Washer, 6.4 Flat Zinc	F81053-1	1	
16	Nut, M6-8-B Hex Nylon Zinc Lock	F81031-2	1	
17	Nut, M6-8-B Hex Nylon Zinc Lock	F81031-2	6	
18	Plate, Sharpener Base	507782	1	
19	Washer, M5, Flat Zinc	f81052-1	7	
20	Bolt, M5x16-8.8 Hex Head Full Thread Zinc	F81000-20	7	

6.5 Blade Clamp Assembly



REPLACEMENT PARTS

Blade Clamp Assembly

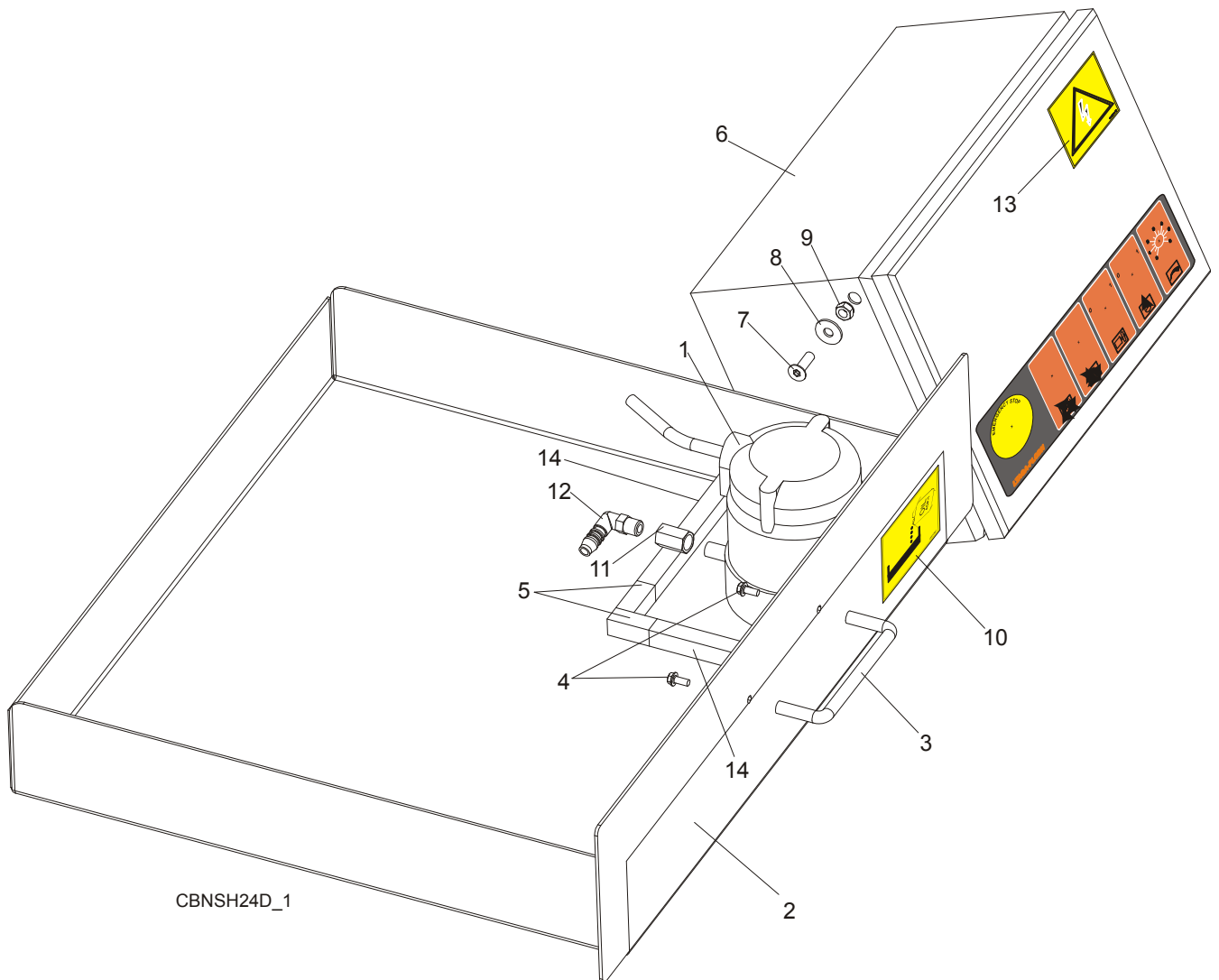
6

REF.	DESCRIPTION (◆ Indicates Parts Available In Assemblies Only)	PART #	QTY.
	BLADE CLAMP WITH BLADE HEIGHT ADJUSTMENT	098512	1
1	PLATE, FIXED CLAMP ZINC-PLATED	097025-1	1
2	PLATE, MOVING CLAMP ZINC-PLATED	097026-1	1
3	ROLLER, ϕ 10x14 CYLINDRICAL	096864	2
4	SCREW, BLADE HEIGHT ADJUSTMENT ZINC-PLATED	096865-1	2
5	BLOCK, THREADED ZINC-PLATED	096866-1	1
6	SCREW, BLADE HEIGHT ADJUSTMENT DRIVING ZINC-PLATED	096867-1	1
7	SPROCKET, 05B-1 Z20 8x3-12H7 ZINC-PLATED	098513-1	3
8	PIN, 4X30 SPRING-TYPE STRAIGHT ZINC-PLATE	F81044-7	3
	CHAIN, BLADE HEIGHT ADJUSTMENT - COMPLETE	098515	1
9	CHAIN, 05B-1-73 DRIVING	098516	1
10	LINK, QRC05B-1 MASTER	098517	1
11	SCREW, 8/M6X30-12.9 SOCKET HEAD SHOULDER	F81001-18	2
12	SPRING, 9X30X1.2 COMPRESSION	088368	2
13	BOLT, M10X25-8.8 HEX HEAD FULL THREAD ZINC	F81003-11	2
14	WASHER, 10.5 FLAT ZINC	F81055-1	2
15	BOLT, M6x35 8.8 HEX HEAD ZINC	f81001-71	4
16	WASHER, 6.4 FLAT ZINC	F81053-1	4
17	KNOB, DIN6336-GG-63-B12-C BLADE HEIGHT ADJUSTMENT	098514	1
18	PIN, PN-EN ISO8752-4X20 ST AOP ROLL	f81044-11	1
19	BLOCK, ADJUSTMENT KNOB MOUNTING ZINC-PLATED	097062-1	1
20	BOLT, M8X60-8.8 HEX HEAD ZINC	f81002-54	2
21	WASHER, 8.4 FLAT ZINC	f81054-1	1
22	NUT, M8 DOUBLE ZINC	503104-1	1
23	BRACKET, BLADE CLAMP SPRING	097069-1	1
24	BOLT, M8X20-8.8 HEX HEAD FULL THREAD ZINC	F81002-4	1
25	SPRING	087376	1
26	STUD-BOLT, 1M10X90-8.8-FE/ZN5	f81003-85	1
27	GRIP, L70 THREAD M10 13870M10	089445	1
28	WASHER, 8.2 SPLIT LOCK ZINC	f81054-4	2
	COMPLETE BLADE WIPER	098526	1
29	BRACKET WELDMENT, BLADE WIPER MOUNT	508426-1	1
30	BOLT, M8X20-8.8 HEX HEAD FULL THREAD ZINC	F81002-4	2
31	WASHER, 8.4 FLAT ZINC	f81054-1	2
32	WIPER, FLEXAM 3T2862 BLADE	087608	2
33	BRACE, BLADE WIPER	088098-1	2
34	SCREW, M5X16 DIN 316 THUMB	f81000-44	4
35	INDUCTIVE SENSOR 48VDC 200MA XS+OPTIONS (not in BMS250 EC Version)	088268	1
36	Bracket, Magnetic Shutoff Sensor Mount (not in BMS250 EC Version)	088366-1	1
37	BOLT, M6x12mm HEX HEAD ZINC (not in BMS250 EC Version)	f81001-7	1
38	Washer, 6.4 Flat Zinc (not in BMS250 EC Version)	F81053-1	1

6 REPLACEMENT PARTS

Oil Pump/Pan, Control Box, BMS250

6.6 Oil Pump/Pan, Control Box, BMS250



REF.	DESCRIPTION (◆ Indicates Parts Available In Assemblies Only)	PART #	QTY.
1	PUMP, AUTO SHARPENER COOLANT	P09836	1
2	PAN, SHARPENER OIL	088201	1
3	HANDLE, 4" W/BOLTS	P08065	1
4	BOLT #8-32x3/8	F05018-5	2
5	MAGNET 50X30X15, OIL FILTER	516220	2
6	BOX, CN SHARPENER CONTROL, 230V 50Hz See Section 7.8	092628	1
	BOX, CBN SHARPENER CONTROL, 230V 60Hz See Section 7.10	092628-5	1
	BOX, CBN SHARPENER CONTROL, 110V 60Hz See Section 7.12	092628-6	1

REPLACEMENT PARTS

Oil Pump/Pan, Control Box, BMS250

6

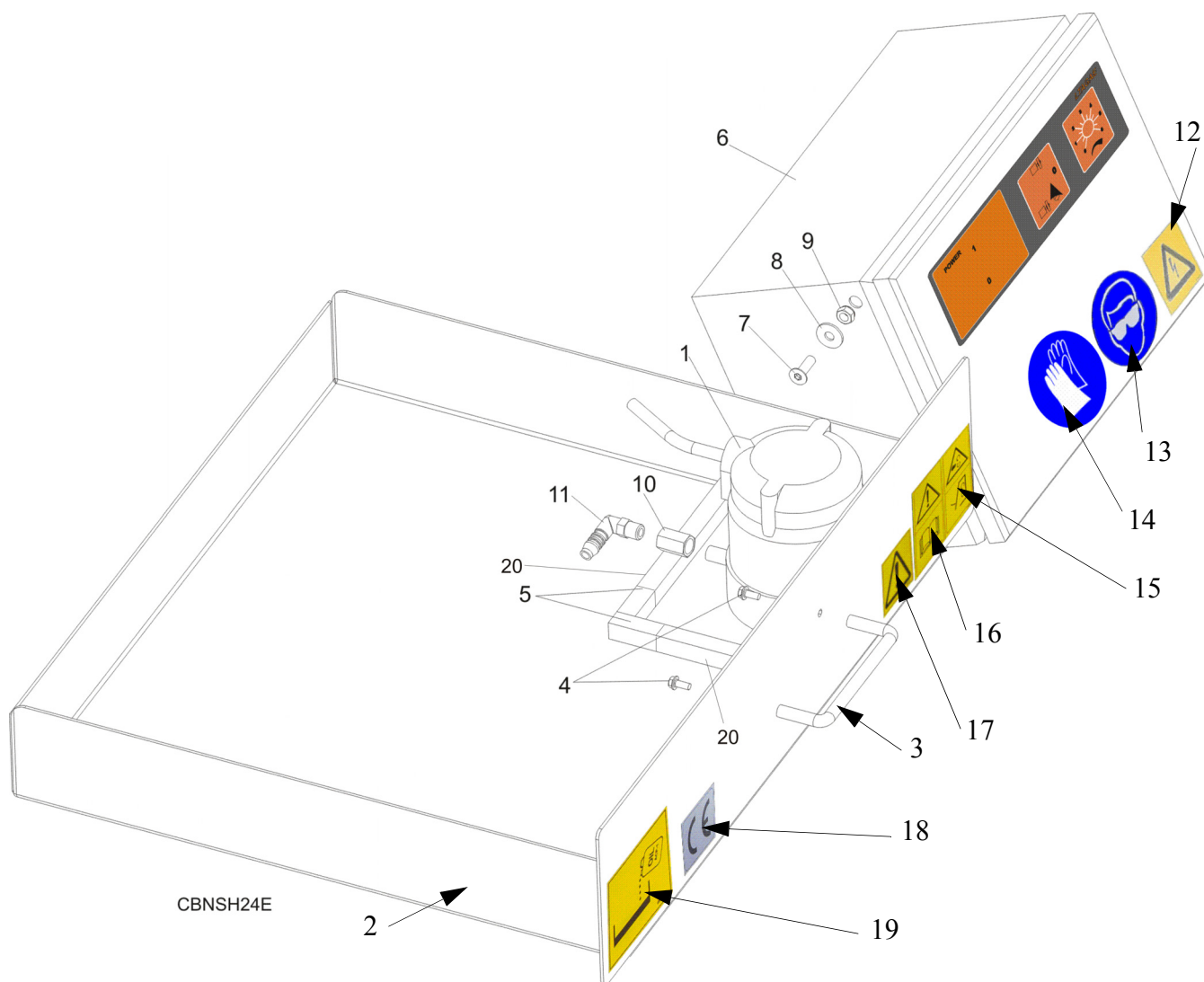
7	SCREW, M6x20-10.9 Fe/Zn5 DIN-7991	F81001-17	2	
8	WASHER, 6.5 FLAT ZINC	F81053-11	2	
9	NUT, M6-8-B HEX NYLON ZINC LOCK	f81031-2	2	
10	DECAL - „OIL" PICTOGRAM	095961 ¹	1	
11	FITTING, 1/4 F.TH./1/4 F.TH.893-302-000-4	090808	1	
12	STUD, WES 10/R 1/4 ELBOW	088379	1	
13	DECAL, ELECTRIC POWER WARNING	S10364-P3 ¹	1	
14	MAGNET 100X30X15, OIL FILTER	516192	2	

¹ Belongs to 088855 - BMS250 Decal Kit.

6 REPLACEMENT PARTS

Oil Pump/Pan, Control Box, BMS200

6.7 Oil Pump/Pan, Control Box, BMS200



REF.	DESCRIPTION (◆ Indicates Parts Available In Assemblies Only)	PART #	QTY.
1	PUMP, AUTO SHARPENER COOLANT	P09836	1
2	PAN, SHARPENER OIL	088201	1
3	HANDLE, 4" W/BOLTS	P08065	1
4	BOLT #8-32x3/8	F05018-5	2
5	MAGNET 50X30X15, OIL FILTER	516220	2
6	BOX, BMS200A SHARPENER CONTROL 230V 50Hz See Section 7.2	507241	1
	BOX, BMS200AU SHARPENER CONTROL 230V 60Hz See Section 7.4	507241-5	1
	BOX, BMS200MU SHARPENER CONTROL 110V 60Hz See Section 7.6	507241-6	1
7	SCREW, M6x20-10.9 Fe/Zn5 DIN-7991	F81001-17	2

REPLACEMENT PARTS

Oil Pump/Pan, Control Box, BMS200

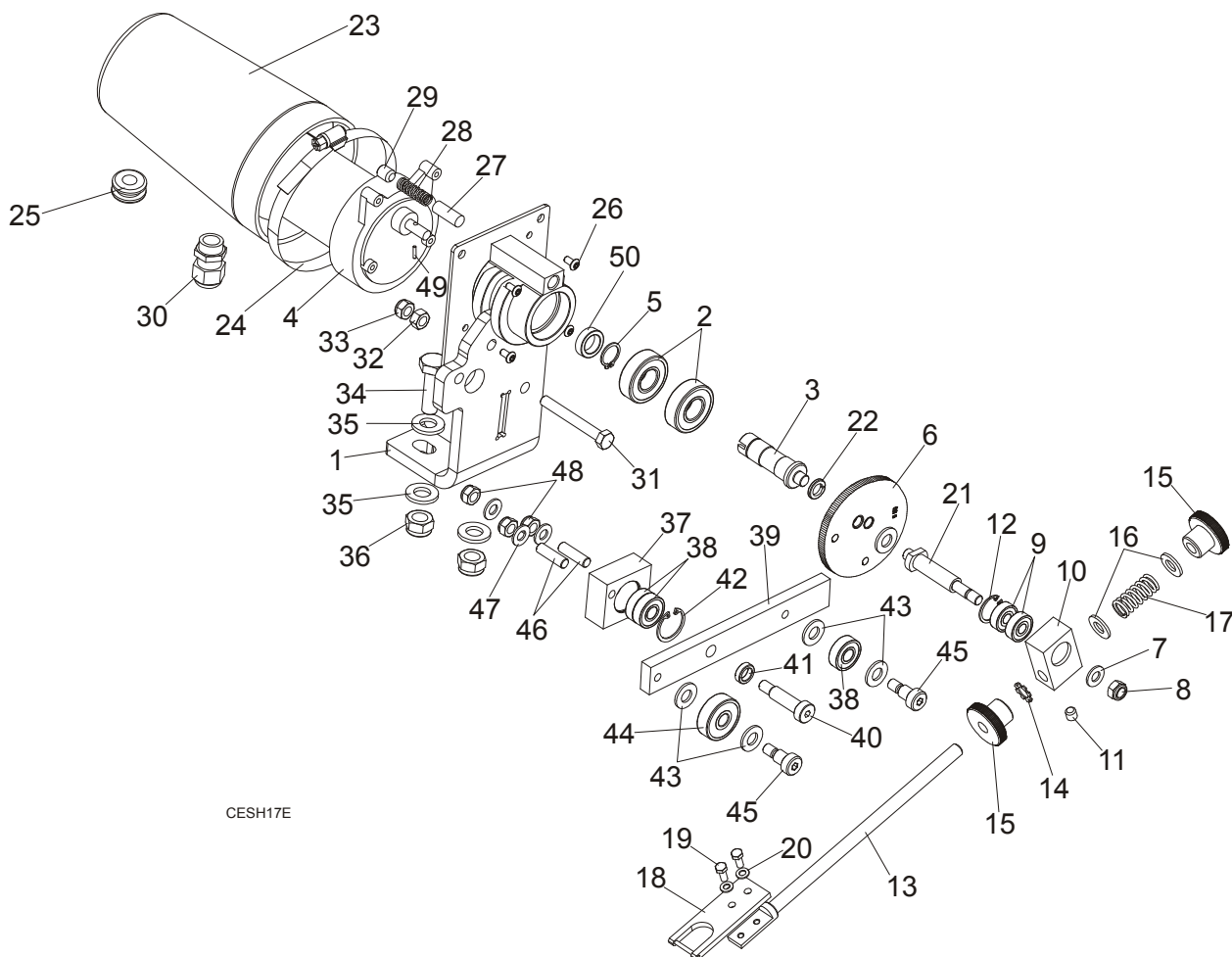
6

8	WASHER, 6.5 FLAT ZINC	F81053-11	2	
9	NUT, M6-8-B HEX NYLON ZINC LOCK	f81031-2	2	
10	FITTING, 1/4 F.TH./1/4 F.TH.893-302-000-4	090808	1	
11	STUD, WES 10/R 1/4 ELBOW	088379	1	
	KIT, BMS200 DECALS	509256	1	
12	DECAL, ELECTRIC POWER WARNING	s10364-p3	1	
13	DECAL, EYE WARNING, SMALL	S12004G-1	1	
14	DECAL, PICTOGRAM, "USE SAFETY GLOVES"	510080	1	
15	DECAL , CLOSE ALL GUARDS BEFORE OPERATING	099220	1	
16	DECAL, READ OPERATOR'S MANUAL (PICTOGRAM)	096317	1	
17	DECAL, GENERAL WARNING "!"	086362	1	
18	DECAL, CE CERTIFIED SAWMILL (SMALL)	P85070	1	
19	DECAL - PICTOGRAM "OIL"	095961	1	
20	MAGNET 100X30X15, OIL FILTER	516192	2	

6 REPLACEMENT PARTS

Cam Assembly

6.8 Cam Assembly



CESH17E

REF.	DESCRIPTION (◆ Indicates Parts Available In Assemblies Only)	PART #	QTY.
	CAM & INDEX ARM DRIVE ASSEMBLY, COMPLETE	098520	1
1	HOUSING WDMT, INDEX CAM DRIVE SHAFT PTD	507790-1	1
2	BEARING, 6203-2RS	086114	2
3	SHAFT, CAM DRIVE	087366	1
4	MOTOR, 1/30HP 62RPM 12VDC 53:1 GEAR	P09698-1	1
5	SNAP RING PN-M/85111	f81090-21	1
6	CAM, AGA PROFILE	057401	1
7	WASHER, 8.4 FLAT ZINC	f81054-1	1
8	NUT, M8-8-B HEX NYLON ZINC LOCK	f81032-2	1
	REPAIR KIT, SHARPENER INDEXER	097462	1
9	BEARING, 608-2RS ROLLER	086197	2

REPLACEMENT PARTS

Cam Assembly

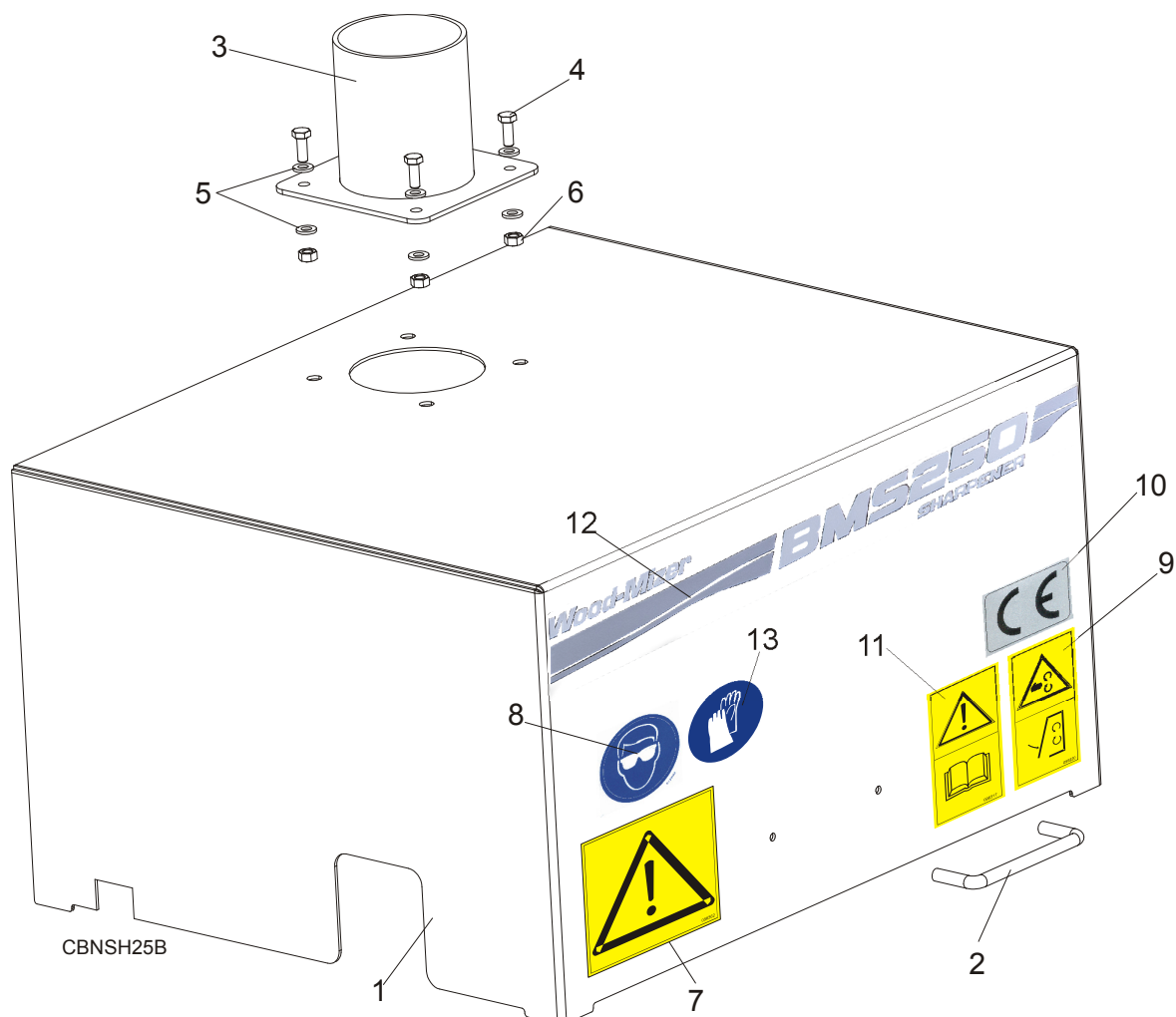
6

10	BLOCK, INDEX - ZINC	087373-1	1	
11	SCREW, M8X8-33H HEX SOCKET SET FLAT POINT	F81014-1	1	
12	RING, W22 RETAINING	f81090-7	1	
13	PAWL WELDMENT, BLADE INDEX - ZINC	087374-1	1	
14	WASHER, 10.5 EXTERNAL RING	f81055-3	1	
15	WASHER, PUSH PAWL	087375	2	
16	WASHER, 10.5 FLAT ZINC	f81055-1	3	
17	SPRING, INDEX ARM	087376	1	
18	PUSHER, BLADE COMPLETE	093358	1	
19	BOLT, M5 X 12-5.8 HEX HEAD FULL THREAD ZINC	f81000-5	2	
20	WASHER, 5.3 FLAT ZINC	f81052-1	2	
21	SHAFT, INDEX CAM - ZINC	087372-1	1	
22	WASHER, 10.2 SPLIT LOCK ZINC	f81055-2	1	
23	GUARD, INDEX ARM MOTOR	507600	1	
24	TIE WRAP	f81095-5	1	
25	GROMMET, RUBBER	025248	1	
26	SCREW, 10-32X3/8 SBHC	f05004-56	4	
27	PIN, CAM BRAKE	s10663	1	
28	SPRING, LC-045E-12	p04734	1	
29	SCREW, M12x12-33H HEX SOCKET FLAT POINT	f81004-15	1	
30	GLAND NUT, TRAILER HITCH, DW 11/H	085388	1	
31	BOLT, M8 X 65MM, HH, GRADE 5.8, ZINC	f81002-3	1	
32	NUT, M8 HEXAGON, GRADE 5.8 FREE ZINC	f81032-1	1	
33	NUT, M8-8-B HEX NYLON ZINC LOCK	f81032-2	1	
34	BOLT, M12x40 8.8 HEX HEAD FULL THR.ZINC	f81004-4	2	
35	WASHER, 13 FLAT ZINC	f81056-1	4	
36	NUT, M12-8 HEX NYLON ZINC LOCK	f81034-2	2	
	COMPLETE CAM LEVER	098522	1	
37	HOUSING, CAM LEVER BEARINGS ZINC-PLATED	098523-1	1	
38	BEARING, 6000 . 2RSR FAG	087471	3	
39	LEVER, CAM ZINC-PLATED	098521-1	1	
40	BOLT, 10/M8X30 12.9 ISO 7379 SHOULDER	f81003-81	1	
41	BUSHING, CAM LEVER SPACER ZINC-PLATED	098524-1	1	
42	RING, W26 PN/M-85111 INSIDE RETAINING	f81090-34	1	
43	WASHER, 10.5 FLAT ZINC	f81055-1	4	
44	BEARING, 6300.2 RSR CX	098519	1	
45	BOLT, 10/M8 X 12-12.9 ISO-7379	f81003-62	2	
46	STUD-BOLT, 1 M8X20-8.8 ZINC-PLATED	f81002-38	2	
47	WASHER, 8.4 FLAT ZINC	f81054-1	3	
48	NUT, M8-8-B HEX NYLON ZINC LOCK	f81032-2	3	
49	PIN, 1/8IN DIA X 9/16IN MODIFIED LENGTH	s10528	1	
50	BUSHING SPACER FI 31 X 38 8	098615	1	

6 REPLACEMENT PARTS

Cover Assembly

6.9 Cover Assembly



REF.	DESCRIPTION (◆ Indicates Parts Available In Assemblies Only)	PART #	QTY.
	SHARPENER COVER, COMPLETE (not in BMS200 Version)	088302	1
1	Cover Weldment	088254-1	1
2	Handle w/Bolts	P08065	1
3	Pipe, Fume Exhaust Connection	087974-1	1
4	Bolt, M6x16 8.8 Hex Head Full Thread Zinc	F81001-15	4
5	Washer, 6.4 Flat Zinc	F81053-1	8
6	Nut, M6 –8 Hex Zinc	F81031-1	4
7	DECAL, GENERAL WARNING	086362 ¹	1
8	DECAL, EYE WARNING, SMALL	S12004G-1 ¹	1
9	DECAL , CLOSE ALL GUARDS BEFORE OPERATING	099220 ¹	1

REPLACEMENT PARTS

Cover Assembly

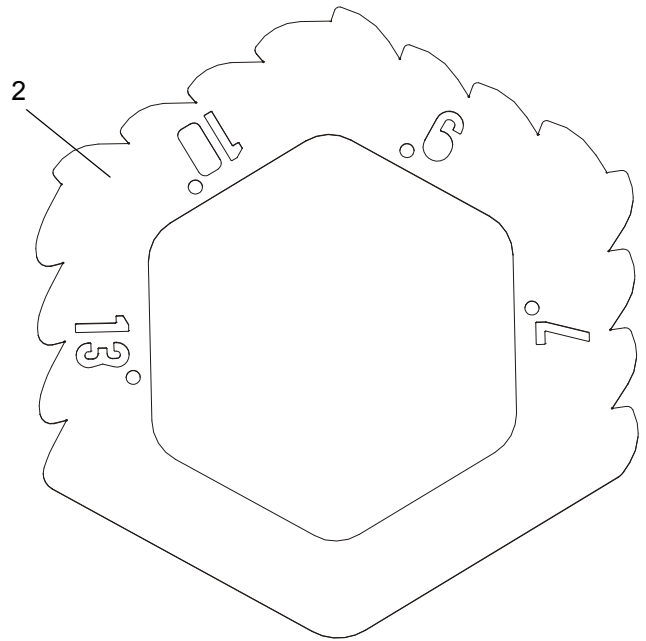
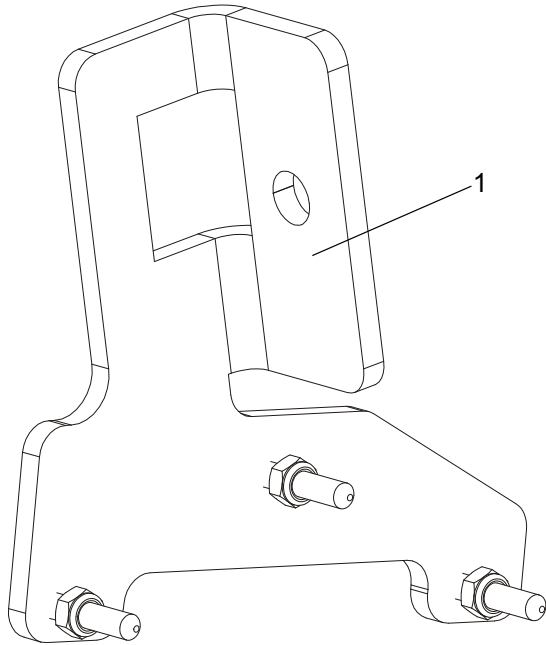
6

10	DECAL, CE CERTIFIED SAWMILL - SMaLL	P85070 ¹	1	
11	DECAL, READ OPERATOR'S MANUAL (PICTOGRAM)	096317 ¹	1	
12	DECAL, BMS250	510083 ¹	1	
13	DECAL, PICTOGRAM, "USE SAFETY GLOVES"	510080	1	

¹ Belongs to 088855 - BMS250 Decal Kit.

6 **REPLACEMENT PARTS**
Alignment tool&Blade ProfileTemplate

6.10 Alignment Tool&Blade ProfileTemplate



REF.	DESCRIPTION (◆ Indicates Parts Available In Assemblies Only)	PART #	QTY.	
1	HOOK ANGLE TEMPLATE, SHARPENER	088382	1	
2	TEMPLATE, BLADE PROFILE	514846-1	1	

SECTION 7 ELECTRICAL INFORMATION

7.1 Electrical Diagram, BMS200A 230V 50 Hz

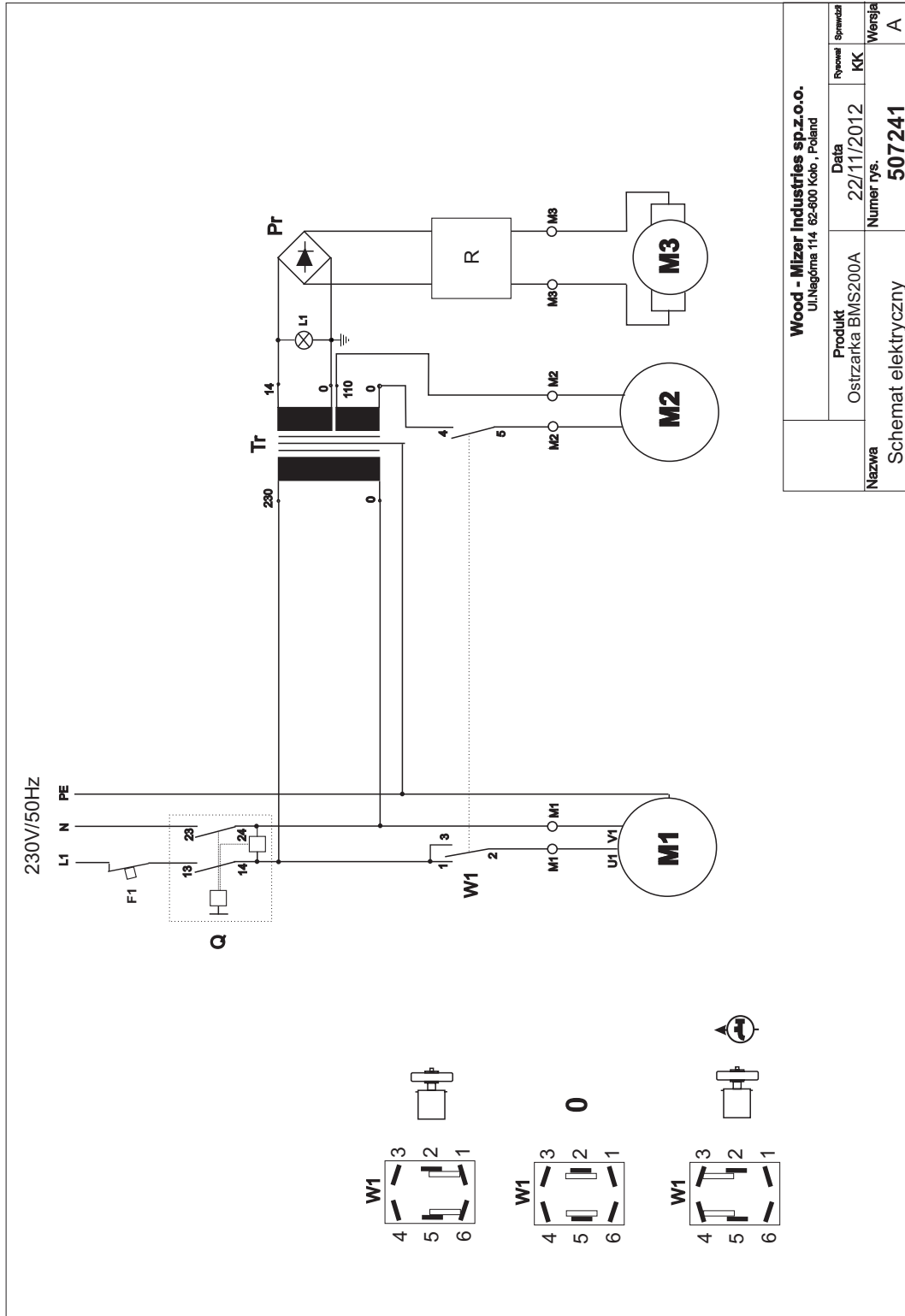


FIG. 7-1

7.2 Electrical Components, BMS200A 230V 50 Hz

Symbol	Manufacturer	Wood-Mizer Part No.	Description
F1	Schneider	091457	Breaker, C60N C10 24401 Circuit
L1		510256	Light, M22 24V
M1	Besel	089383	Motor, SEKg56 2C2 Grinder
M2	--	P09836	Pump, Coolant
M3	--	P09698-1	Cam Drive Motor
PR		084318	Bridge, KBPC 3508 Rectifier
Q	TRIPUS	086570	Switch, 31P097
R	SELBIT	514038-1	Dial, Feed Rate
Tr	NORATEL	090988	Transformer, SU96C-23014110 U₁ - 230V 50/60Hz U₂ - 14V - 4A 110V - 1,1A
W1	CARLING	024588	Switch, DPDT ON/OFF/ON 15A Toggle

7.3 Electrical Diagram, BMS200AU 230V 60 Hz

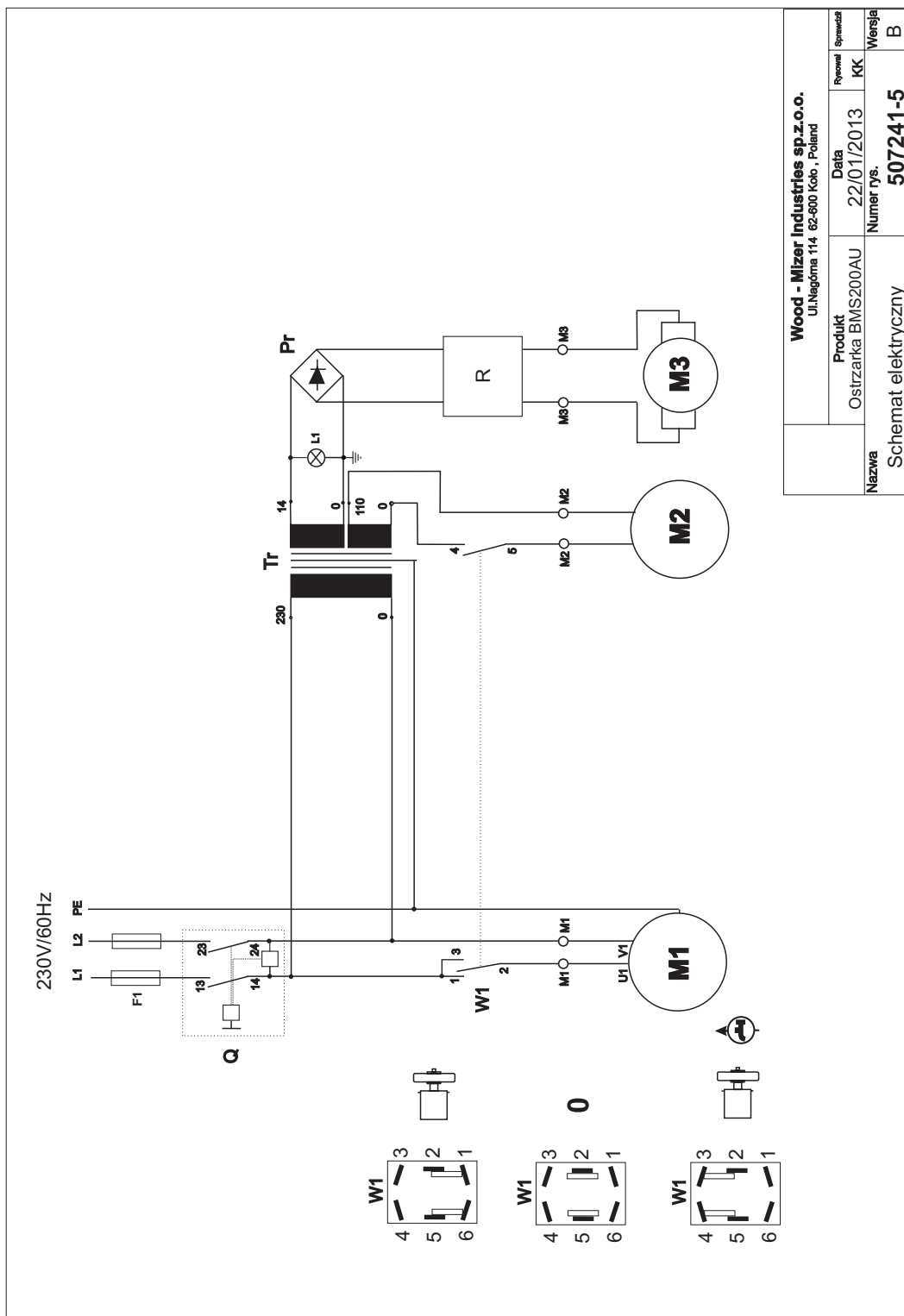
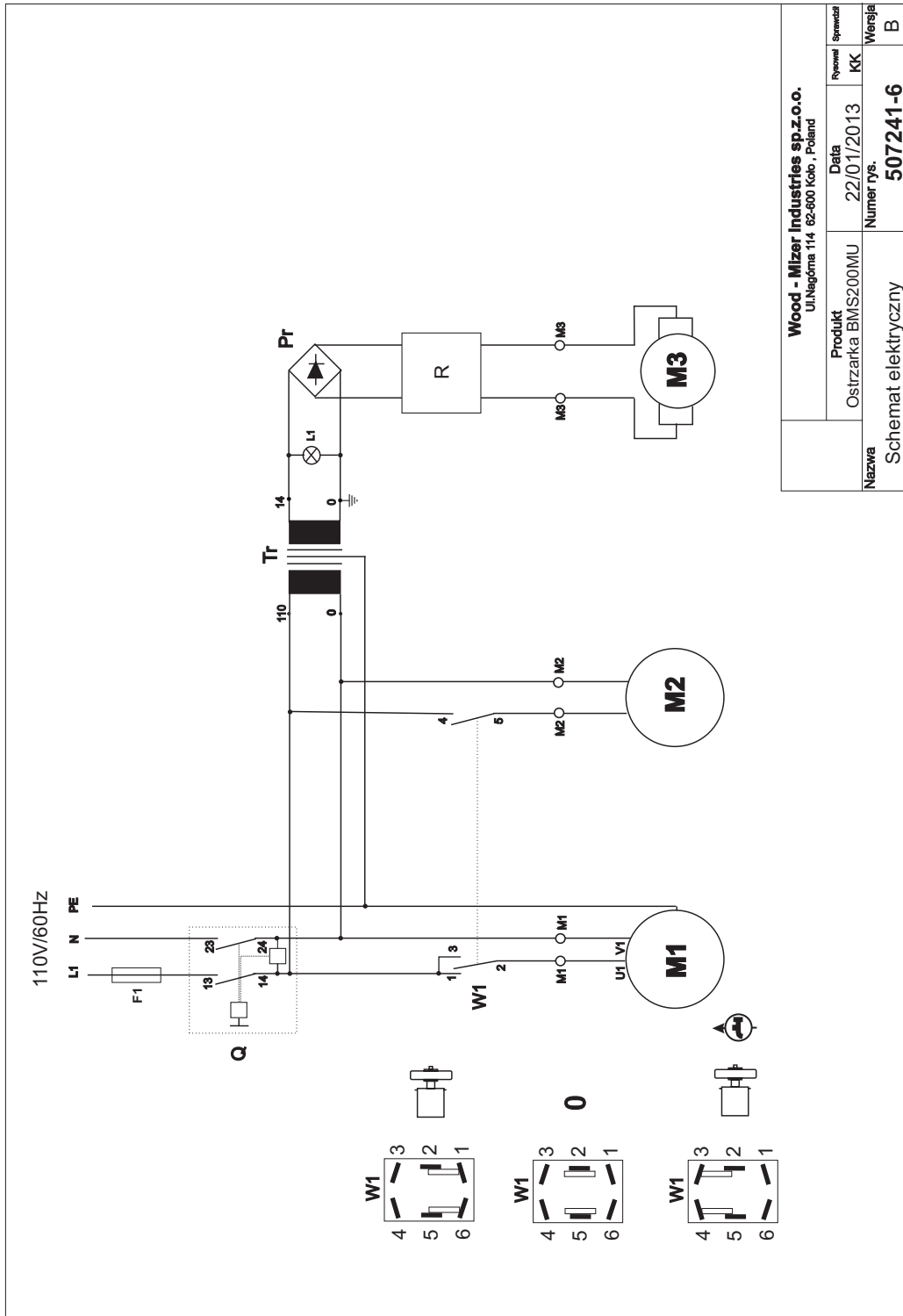


FIG. 7-2

7.4 Electrical Components, BMS200AU 230V 60 Hz

Symbol	Manufacturer	Wood-Mizer Part No.	Description
F1	Schneider	052512 052511	Fuse Blk, 2P Class CC 30A Ind. DIN Fuse, 5A 600V KLDR Class CC
L1		510256	Light M22 24V
M1	Besel	089383-UL	Motor, SEKg56 2C2 Grinder
M2	--	P09836	Pump, Coolant
M3	--	P09698-1	Motor, 1/30HP 62RPM 12VDC 53:1 Gear
PR		084318	Bridge, KBPC 3508 Rectifier
Q	TRIPUS	086570	Switch 31P097
R	SELBIT	514038-1	Dial, Feed Rate
Tr	NORATEL	090988	Transformer SU96C-23014110 U₁ - 230V 50/60Hz U₂ - 14V - 4A 110V - 1,1A
W1	CARLING	024588	Switch, DPDT ON/OFF/ON 15A Toggle
	LEGRAND	024059	Plug, 3 Pin 15A 250VAC Locking

7.5 Electrical Diagram, BMS200MU 110V 60 Hz



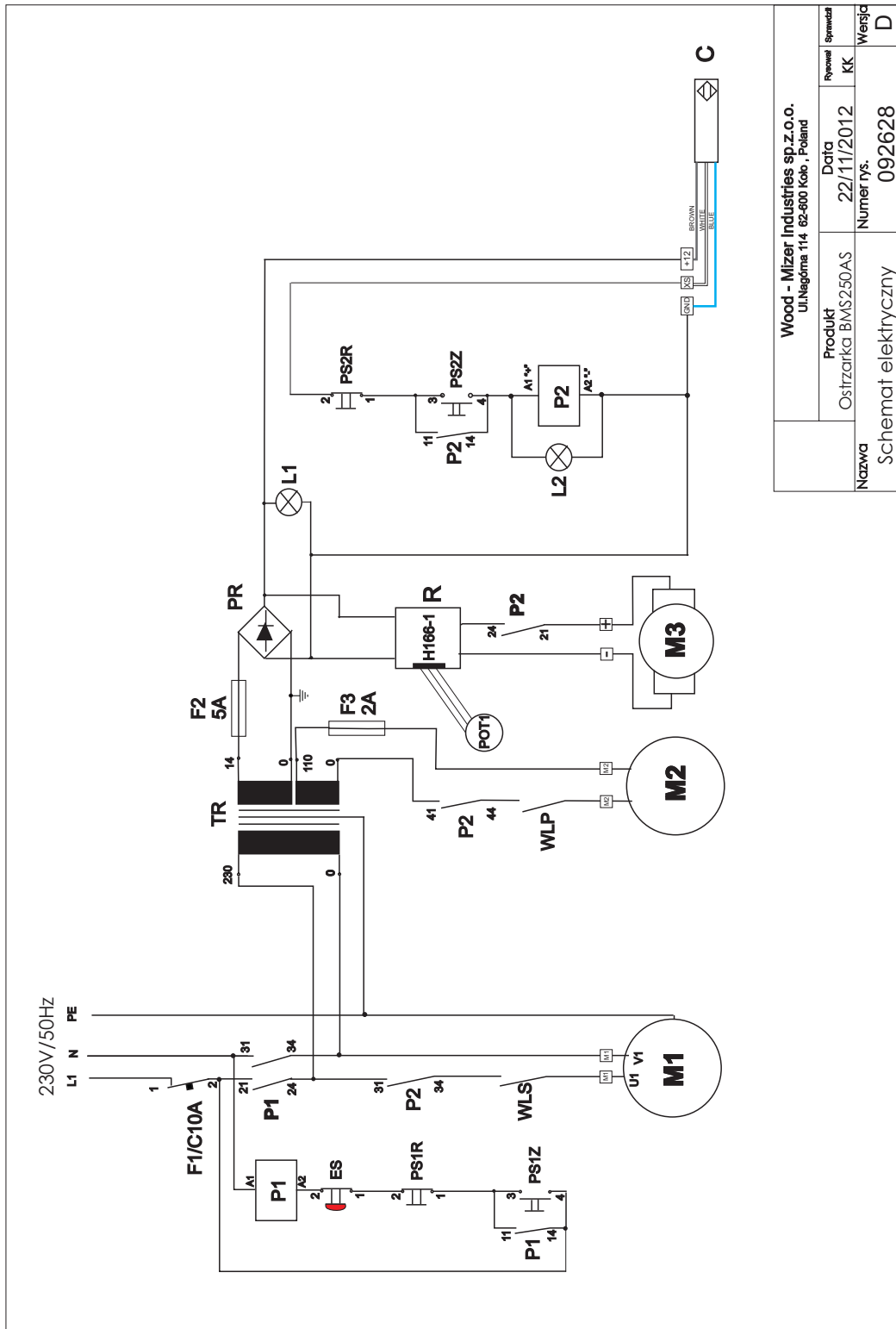
Wood - Mizer Industries sp.z.o.o. Ul.Nagólna 114 62-600 Kolb., Poland	
Produkt	Ostrzarka BMS200MU
Data	22/01/2013
Przebieg	KK
Numer rys.	507241-6
Nazwa	Schemat elektryczny
Wersja	B

FIG. 7-3

7.6 Electrical Components, BMS200MU 110V 60 Hz

Symbol	Manufacturer	Wood-Mizer Part No.	Description
F1	Schneider	052731 051957	Fuseholder, 1P Class CC Finger Safe Fuse, 10A 600V Class CC Delay
L1		510256	Light, M22 24V
M1	Besel	093490-UL	Motor, SEKg56 2C2 110V Grinder
M2	--	P09836	Pump, Coolant
M3	--	P09698-1	Cam Drive Motor
PR		084318	Bridge, KBPC 3508 Rectifier
Q	TRIPUS	086570-6	Switch, 31P058
R	SELBIT	514038-1	Dial, Feed Rate
Tr	Noratel	093491	Transformer SU78A-11014 U₁ - 110V 50/60Hz U₂ - 14V - 4A
W1	CARLING	024588	Switch, DPDT ON/OFF/ON 15A Toggle

7.7 Electrical Diagram, BMS250AS 230V 50 Hz



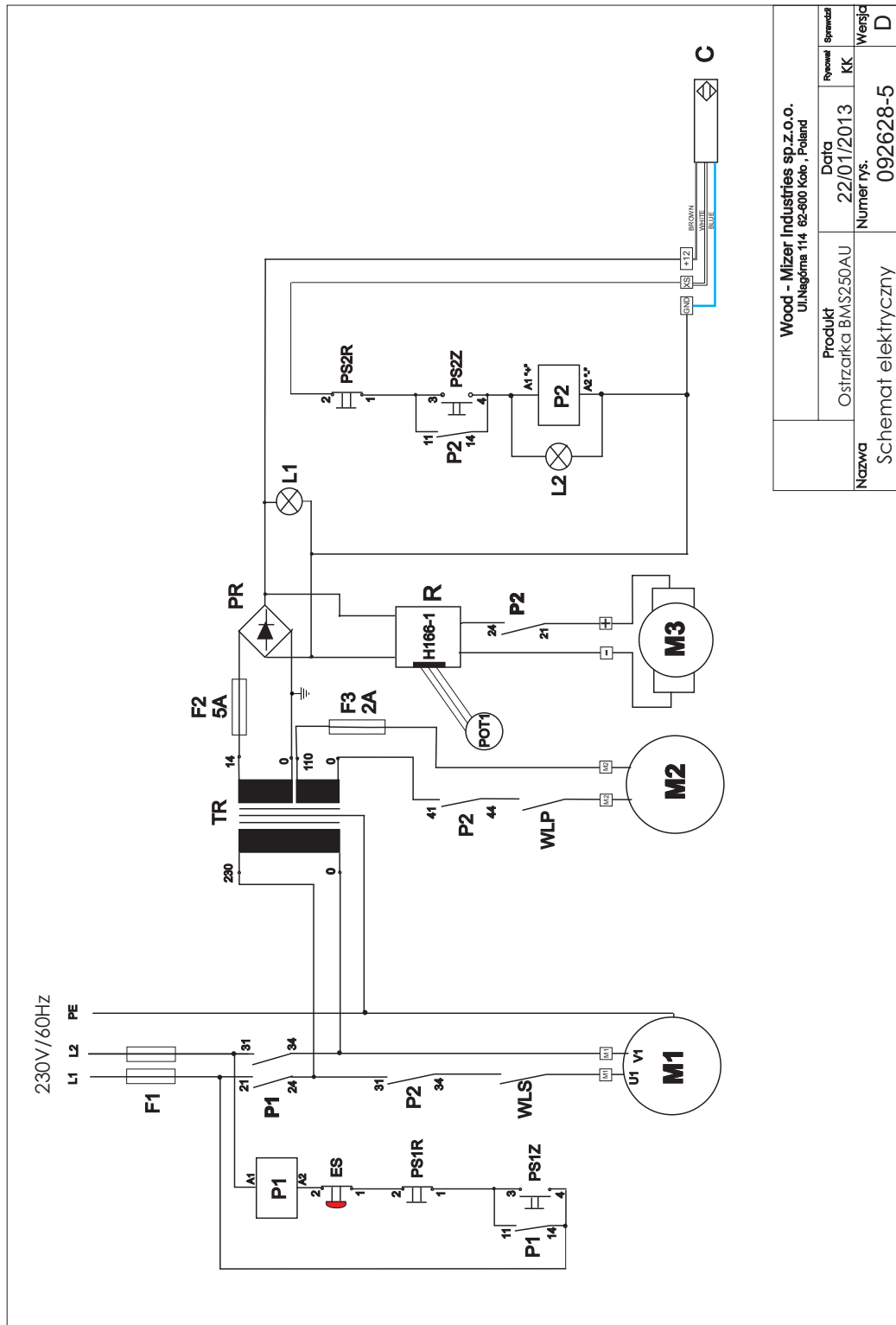
Wood - Mizer Industries sp.z.o.o. Ul.Nagólna 114 62-600 Kob. , Poland		Rybnicki Sprzedaż	
Produkt	Osłizarka BMS250AS	Data	22/11/2012
Nazwa	Schemat elektryczny	Numer rys.	092628
			Wersja
			D

FIG. 7-4

7.8 Electrical Components, BMS250AS 230V 50 Hz

Symbol	Manufacturer	Wood-Mizer Part No.	Description
ES	Schneider	502315	Button, XB7 ES542P Emergency Stop
F1	Schneider	091457	Breaker, C60N C10 24401 Circuit
F2		084621	Fuse, 5A Glass
F3		500455	Fuse, 2A Glass
L1,L2	Schneider	510254	LED, START-STOP Switch
M1	Besel	089383	Motor, SEKg56 2C2 Grinder
M2	--	P09836	Pump, Coolant
M3	--	P09698-1	Cam Drive Motor
PCB	Sobanski	084784	PCB – w/o: P1,P2,F2,F3,R+POT1
PR		084318	Bridge, KBPC 3508 Rectifier
PS1, PS2	Schneider	510254	Switch, START – STOP Complete
P1	Finder	090987	Relay, Finder Type 55.33.8.230.00.10
P2	Finder	091951	Relay, Finder Type 55.33.9.012.00.10
R	SELBIT	514038	Dial, Feed Rate
Tr	NORATEL	090988	Transformer, SU96C-23014110 U₁ - 230V 50/60Hz U₂ - 14V - 4A 110V – 1,1A
WLP	Schneider	083821	Switch, XB7ED21P
WLS	Schneider	083821	Switch, XB7ED21P

7.9 Electrical Diagram, BMS250AU 230V 60 Hz



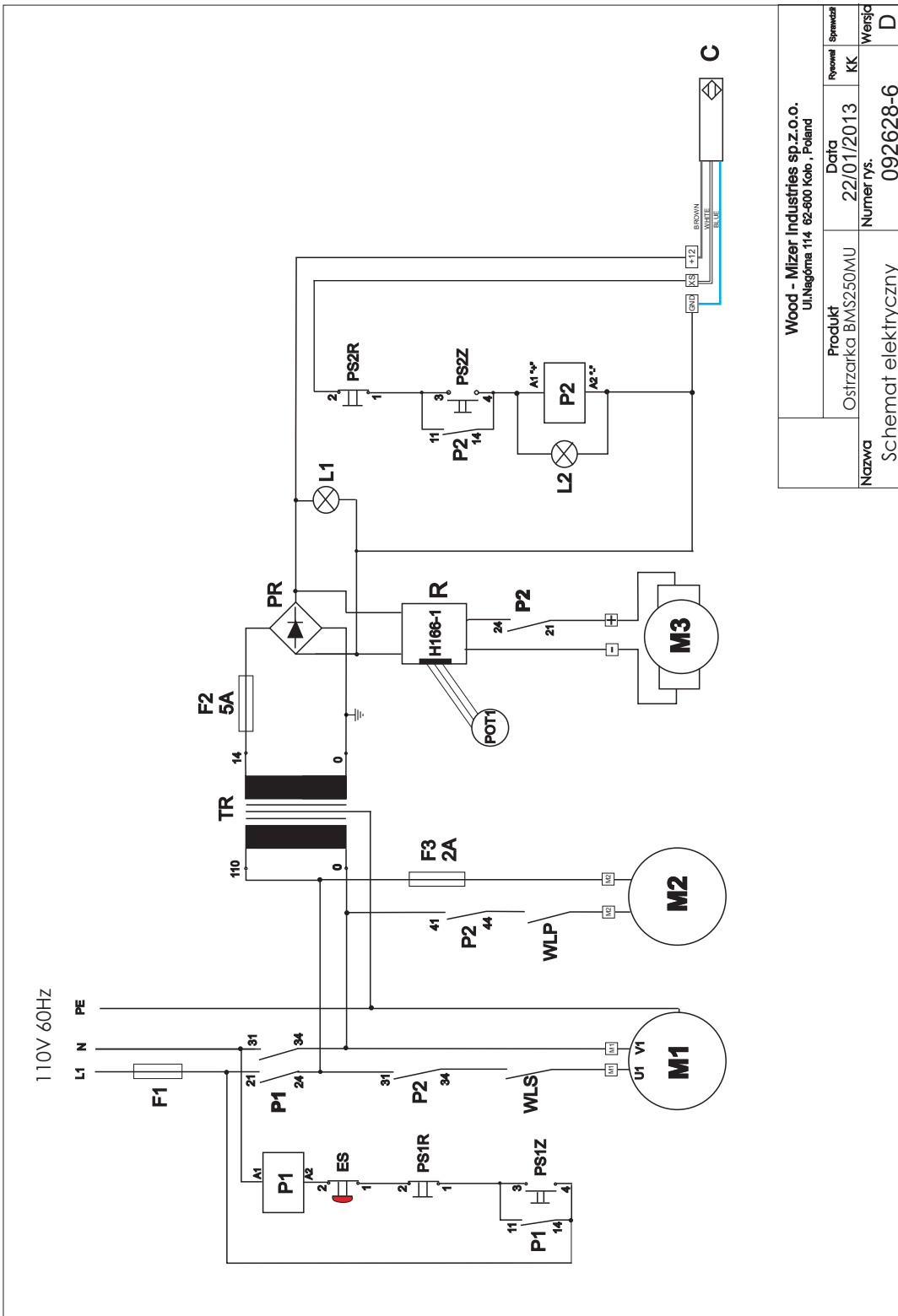
Wood - Mizer Industries sp.z.o.o. Ul.Niegóma 114 62-600 Kolo, Poland	Przeanalizowany Data 22/01/2013	Przeanalizowany Kod KK	Wersja 092628-5
Produkt Ostrzaarka BMS250AU	Numer rys. 092628-5		D
Nazwa Schemat elektryczny			

FIG. 7-5

7.10 Electrical Components, BMS250AU 230V 60 Hz

Symbol	Manufacturer	Wood-Mizer Part No.	Description
ES	Schneider	502315	Button, XB7 ES542P Emergency Stop
F1	Schneider	052512 052511	Fuse Blk, 2P Class CC 30A Ind. DIN Fuse, 5A 600V KLDL Class CC
F2		084621	Fuse, 5A Glass
F3		500455	Fuse, 2A Glass
M1	Besel	089383-UL	Motor, SEKg56 2C2 Grinder
M2	--	P09836	Pump, Coolant
M3	--	P09698-1	Cam Drive Motor
PCB	Sobanski	084784	PCB – w/o: P1,P2,F2,F3,R+POT1
PR		084318	Bridge, KBPC 3508 Rectifier
PS1, PS2	Schneider	510254	Switch, START – STOP Complete
P1	Finder	090987	Relay, Finder Type 55.33.8.230.00.10
P2	Finder	091951	Relay, Finder Type 55.33.9.012.00.10
R	SELBIT	514038	Dial, Feed Rate
Tr	NORATEL	090988	Transformer, SU96C-23014110 U₁ - 230V 50/60Hz U₂ - 14V - 4A 110V – 1,1A
WLP	Schneider	083821	Switch, XB7ED21P
WLS	Schneider	083821	Switch, XB7ED21P
	LEGRAND	024059	Plug, 3 Pin 15A 250VAC Locking

7.11 Electrical Diagram, BMS250MU 110V 60 Hz



Wood - Mizer Industries sp.z.o.o. Ul.Nagólna 114 62-800 Kob. , Poland		Revised Sprawozd	
Produkt	Ostrzyżarka BMS250MU	Data	22/01/2013
Nazwa	Schemat elektryczny	Numer rys.	092628-6
			Wersja D

FIG. 7-6

7.12 Electrical Components, BMS250MU 110V 60 Hz

Symbol	Manufacturer	Wood-Mizer Part No.	Description
ES	Schneider	502315	Button, XB7 ES542P Emergency Stop
F1	Schneider	052731 051957	Fuse holder, 1P Class CC Finger Safe Fuse, 10A 600V Class CC Delay
F2		084621	Fuse, 5A Glass
F3		500455	Fuse, 2A Glass
M1	Besel	093490-UL	Motor, SEKg56 2C2 110V Grinder
M2	--	P09836	Pump, Coolant
M3	--	P09698-1	Cam Drive Motor
PCB	Sobanski	084784	PCB – w/o: P1,P2,F2,F3,R+POT1
PR		084318	Bridge, KBPC 3508 Rectifier
PS1, PS2	Schneider	510254	Switch, START – STOP Complete
P1	Finder	090987-4	Relay, Finder Type 55.33.8.110.00.10
P2	Finder	091951	Relay, Finder Type 55.33.9.012.00.10
R	SELBIT	514038	Dial, Feed Rate
Tr	NORATEL	093491	Transformer, SU78A-11014 U₁ - 110V 50/60Hz U₂ - 14V - 4A
WLP	Schneider	083821	Switch, XB7ED21P
WLS	Schneider	083821	Switch, XB7ED21P

EC declaration of conformity according to EC Machinery Directive 2006/42/EC

We herewith declare,

Wood-Mizer Industries sp. z o.o.
114 Nagórna street, 62-600 Koło; Poland.

That the following described machine in our delivered version complies with the appropriate basic safety and health requirements of the EC Machinery Directive 2006/42/EC based on its design and type, as brought into circulation by us. In case of alteration of the machine, not agreed by us, this declaration is no longer valid.

Designation of the machine: **INDUSTRIAL SHARPENER**

TYPE: BMS200, BMS250

No. of manufacturer:

Applicable EC Directives: EC Machinery Directive 2006/42/EC
EC Electromagnetic Compatibility Directive
2004/108/EC

Used harmonized standards: PN-EN 12100:2010
PN-EN 894-1+A1:2010, PN-EN 1037+A1:2010,
PN-EN 894-2+A1:2010, PN-EN 60204-1:2010
PN-EN 894-3+A1:2010, PN-EN 13849-1:2008,
PN-EN 894-4:2010, PN-EN 953+A1:2009,
PN-EN 01310-2:2010, PN-EN 01310-3:2010,
PN-EN 01310-1:2010

Responsible for Technical Documentation: Adam Kubiak / R&D Manager
Wood-Mizer Industries Sp. z o.o.
62-600 Koło, ul. Nagórna 114
Tel. +48 63 26 26 000

Date/Authorized Signature: 05. 11. 201 **Adam Kubiak**

Title : R&D Manager