

Wood-Mizer®

Parts Manual

LT40L AH

rev. D5.00



Safety is our #1 concern! Read and understand all safety information and instructions before operating, setting up or maintaining this machine.

May 2002

Form #941

Table of Contents

Section-Page

| | | |
|------------------|---|------------|
| SECTION 1 | GENERAL INFORMATION | 1-1 |
| 1.1 | How To Use The Parts List | 1-1 |
| 1.2 | Sample Assembly | 1-1 |
| SECTION 2 | BLADE GUIDE ROLLERS & ARM | 2-1 |
| 2.1 | Blade Guide Assembly, Idle Side (Standard)..... | 2-1 |
| 2.2 | Idle Side Blade Guide Assembly, Optional (LMS)..... | 2-3 |
| 2.3 | Blade Guide Assembly, Drive Side..... | 2-5 |
| 2.4 | Blade Guide Arm & Rollers | 2-7 |
| 2.5 | Blade Guide Arm Drive Assembly..... | 2-8 |
| SECTION 3 | BLADE WHEELS & TENSIONER | 3-1 |
| 3.1 | Blade Drive Assembly, LT40 Series AH | 3-1 |
| 3.2 | Idle Blade Wheel Assembly | 3-3 |
| 3.3 | Hydraulic Blade Tensioner Assembly..... | 3-4 |
| SECTION 4 | SAW HEAD | 4-1 |
| 4.1 | Middle Throat Screw | 4-1 |
| 4.2 | Water Lube Solenoid Valve | 4-1 |
| 4.3 | Board Return Assembly | 4-2 |
| 4.4 | Water Lube Assembly | 4-4 |
| 4.5 | LT40AC Saw Head Decals | 4-6 |
| 4.6 | Blade Housing Covers..... | 4-8 |
| 4.7 | Drive Belt Covers | 4-10 |
| 4.8 | Sawdust Chute | 4-11 |
| SECTION 5 | CONTROL & BATTERY BOXES | 5-1 |
| 5.1 | Control Assembly, LT40 Series AH | 5-1 |
| 5.2 | Drum Switches | 5-3 |
| 5.3 | Circuit Breakers..... | 5-4 |
| SECTION 6 | UP/DOWN SYSTEM | 6-1 |
| 6.1 | Saw Head V-Brace Mount..... | 6-1 |
| 6.2 | Blade Height Scale | 6-2 |
| 6.3 | Up/Down Chain & Sprockets..... | 6-4 |
| 6.4 | Up/Down Motor Assembly, LT40 Series AH..... | 6-6 |
| 6.5 | Up/Down Drive Assembly | 6-7 |
| SECTION 7 | POWER FEED & TRACK ROLLERS | 7-1 |
| 7.1 | Upper Track Rollers And Wipers..... | 7-1 |
| 7.2 | Power Feed Assembly, LT40 Series AH..... | 7-2 |
| 7.3 | Feed Chain/Stop | 7-4 |
| 7.4 | Lower Track Rollers | 7-6 |

Table of Contents

Section-Page

| | | |
|------------------|---|------------|
| SECTION 8 | BED FRAME ASSEMBLY | 8-1 |
| 8.1 | Bed Rail Assembly, Front and Rear | 8-1 |
| 8.2 | Leg, Stationary | 8-3 |
| 8.3 | Pivot Bed Rail Assembly..... | 8-4 |
| 8.4 | Log Side Support Assembly (Manual) | 8-5 |
| 8.5 | Bed Frame Decals..... | 8-6 |
| 8.6 | LT70 L Saw Head Support Assembly..... | 8-7 |
| 8.7 | Tie Down Chain Assembly | 8-8 |
| | | |
| SECTION 9 | HYDRAULIC SYSTEM | 9-1 |
| 9.1 | Hydraulic hoses, LT40/70L AH | 9-1 |
| 9.2 | Hydraulic Control Box, LT40/70 AH15/14 | 9-3 |
| 9.3 | Hydraulic Control Box | 9-5 |
| 9.4 | Hydraulic Power Supply Strip..... | 9-6 |
| 9.5 | Hydraulic Log Loader | 9-7 |
| 9.6 | Hydraulic Log Turner..... | 9-8 |
| 9.7 | Hydraulic Log Clamp,Front and Rear | 9-10 |
| 9.8 | Hydraulic Log Clamp | 9-12 |
| 9.9 | Hydraulic Toe Board, Middle..... | 9-13 |
| 9.10 | | 9-14 |
| 9.11 | Hydraulic Log Side Supports (L Type Frame)..... | 9-15 |
| 9.12 | Hydraulic Log Clamp - main..... | 9-17 |
| 9.13 | Hydraulic Toe Board | 9-19 |

SECTION 1 GENERAL INFORMATION

1.1 How To Use The Parts List

- Use the index above to locate the assembly that contains the part you need.
- Go to the appropriate section and locate the part in the illustration.
- Use the number pointing to the part to locate the correct part number and description in the table.
- Parts shown indented under another part are included with that part.
- Parts marked with a diamond (◆) are only available in the assembly listed above the part.

See the sample table below. Sample Part #A01111 includes part F02222-2 and subassembly A03333. Subassembly A03333 includes part S04444-4 and subassembly K05555. The diamond (◆) indicates that S04444-4 is not available except in subassembly A03333. Subassembly K05555 includes parts M06666 and F07777-77. The diamond (◆) indicates M06666 is not available except in subassembly K05555.

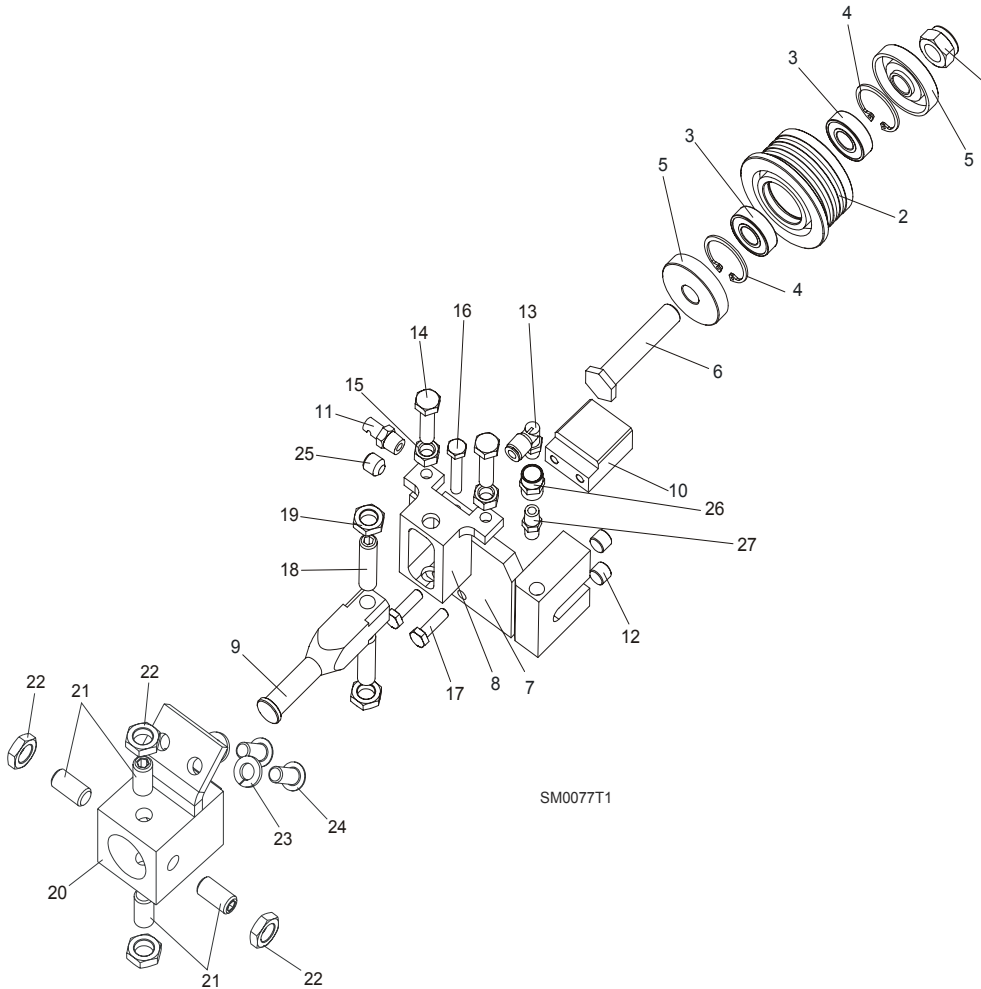
| 1.2 Sample Assembly | | | | |
|----------------------------|---|-----------|------|---|
| REF | DESCRIPTION (◆ Indicates Parts Available In Assemblies Only) | PART # | QTY. | |
| | Sample Assembly, Complete (Includes All Indented Parts Below) | A01111 | 1 | |
| 1 | Sample Part | F02222-22 | 1 | |
| | Sample Subassembly (Includes All Indented Parts Below) | A03333 | 1 | |
| 2 | Sample Part (◆ Indicates Part Is Only Available With A03333) | S04444-4 | 1 | ◆ |
| | Sample Subassembly (Includes All Indented Parts Below) | K05555 | 1 | |
| 3 | Sample Part (◆ Indicates Part Is Only Available With K05555) | M06666 | 2 | ◆ |
| 4 | Sample Part | F07777-77 | 1 | |

To Order Parts:

- From Europe call our European Headquarters and Manufacturing Facility in Kolo, Poland at **+48-63-2626000**. From the continental U.S., call our toll-free Parts hotline at **1-800-448-7881**. Have your customer number, vehicle identification number, and part numbers ready when you call.
- From other international locations, contact the Wood-Mizer distributor in your area for parts.

SECTION 2 BLADE GUIDE ROLLERS & ARM

2.1 Blade Guide Assembly, Idle Side (Standard)



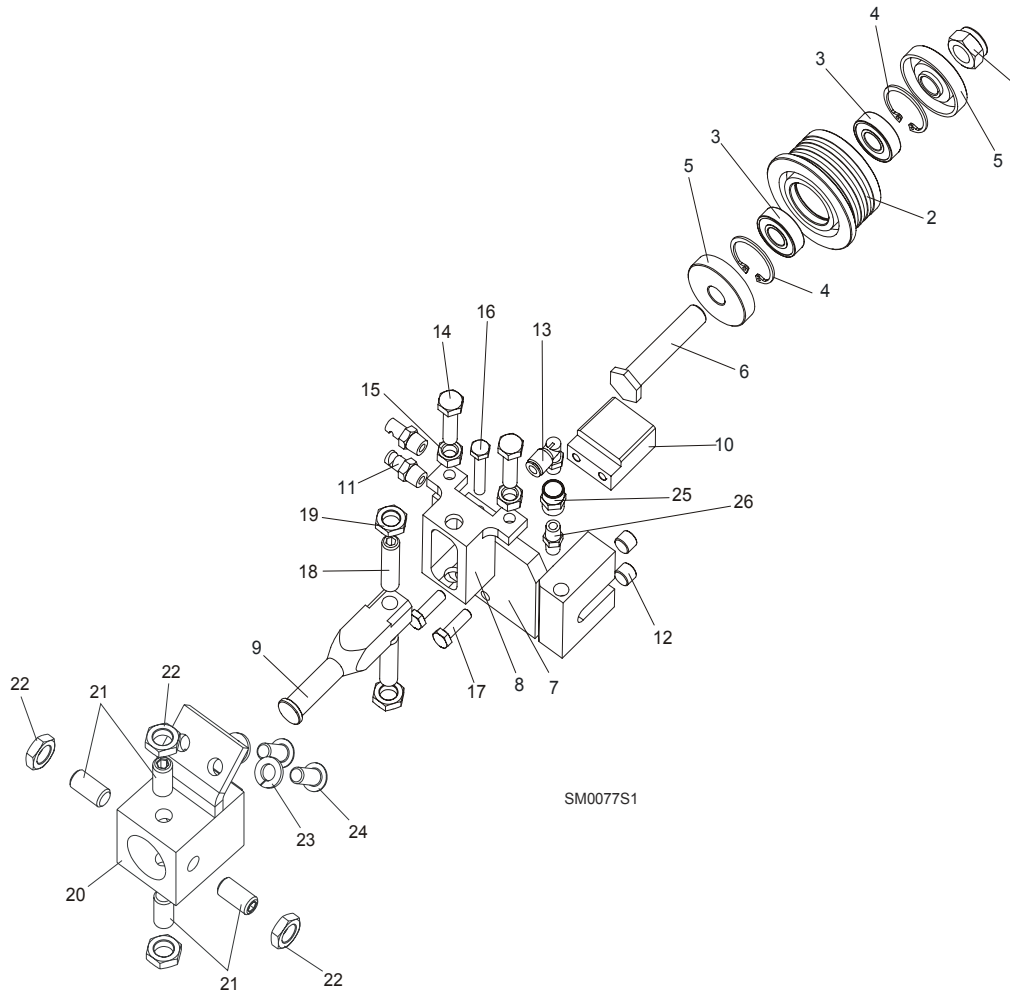
| REF | DESCRIPTION (◆ Indicates Parts Available In Assemblies Only) | PART# | QTY. |
|-----|---|----------|-------|
| | BLADE GUIDE ASSEMBLY, IDLE SIDE | 092523 | 1 |
| | Roller, Blade Guide Narrow W/Bearings | 088261 | 1 |
| | Roller, Blade Guide W/Bearings Extended (for optional use with 1 1/2" blades) | 092939 | 1 |
| 1 | Nut, M12-8 Hex Nylon Zinc Lock | F81034-2 | 1 |
| 2 | Roller, Blade Guide Narrow | 087889 | 1 |
| | Roller, Blade Guide Extended (for optional use with 1 1/2" blades) | 087890 | 1 |
| 3 | Bearing, 6001 2RSR NACHI | 087893 | 2 |
| 4 | Ring, W28 Inside Retaining | F81090-9 | 2 |
| 5 | Washer, Spacer | 087891 | 2 (1) |
| | Washer, Spacer (used with the Extended Roller only) ¹ | 087892-1 | 1 |
| 6 | Bolt, Blade Guide Roller Zinc-Plated | 087761-1 | 1 |
| | Bolt, Blade Guide Roller Zinc Plated (used with the Extended Roller only) | 092940-1 | 1 |
| 7 | Block Weldment, Nozzle Zinc-Plated | 087750-1 | 1 |
| 8 | Block, Zinc-Plated Roller Guide Adjuster | 087756-1 | 1 |

Blade Guide Rollers & Arm*Blade Guide Assembly, Idle Side (Standard)*

| | | | | |
|----|--|------------|---|--|
| 9 | Shaft, Zinc-Plated Blade Guide Mount (Narrow Roller) | 088255-1 | 1 | |
| | Shaft, Zinc-Plated Blade Guide Mount (Wide Roller) | 501406-1 | 1 | |
| 10 | Block, Blade Guide Zinc | 096956-1 | 1 | |
| 11 | Nozzle, Blade Water Lube Spray | 016637 | 1 | |
| 12 | Plug, M10x1 DIN 906 BN40 "BOSSARD" | F81015-3 | 2 | |
| 13 | Fitting, 90° Elbow 1/8NPT-1/4 Tube Swivel | P09736 | 1 | |
| 14 | Bolt, M8x30 DIN933 A2-70 Stainless Steel | F81002-27 | 2 | |
| 15 | Nut, M8 DIN934 A2-70 Stainless Steel | F81032-7 | 2 | |
| 16 | Bolt, M6x30 DIN933 A2-70 Stainless Steel | F81001-37 | 1 | |
| 17 | Bolt, M6x20-8.8 Hex Head Full Thread Zinc | F81001-2 | 2 | |
| 18 | Screw, M10x1x40 DIN913 Stainless Steel Set | F81015-2 | 2 | |
| 19 | Nut, M10x1-04-ST-A2 ISO 8675 Thin | F81033-10 | 2 | |
| 20 | BLOCK WELDMENT, PAINTED BLADE GUIDE MOUNT | 088292-1 | 1 | |
| 21 | SCREW, M10X1X20 DIN913 STAINLESS STEEL SET | F81015-1 | 4 | |
| 22 | NUT, M10x1-04-ST-A2 ISO 8675 THIN | F81033-10 | 4 | |
| 23 | WASHER, 8.2 SPLIT LOCK ZINC | F81054-4 | 2 | |
| 24 | BOLT, 5/16-18X3/4 SOCKET HEAD | F05006-102 | 2 | |
| 25 | FITTING, 1/8 NPT SOCKET PIPE PLUG | P30127 | 1 | |
| 26 | FITTING, 1/8FPT COUPLING | P05748 | 1 | |
| 27 | NIPPLE, 1/8 DRY SEAL | P02764 | 1 | |

¹ Used only from the flanged side of the roller

2.2 Idle Side Blade Guide Assembly, Optional (LMS)

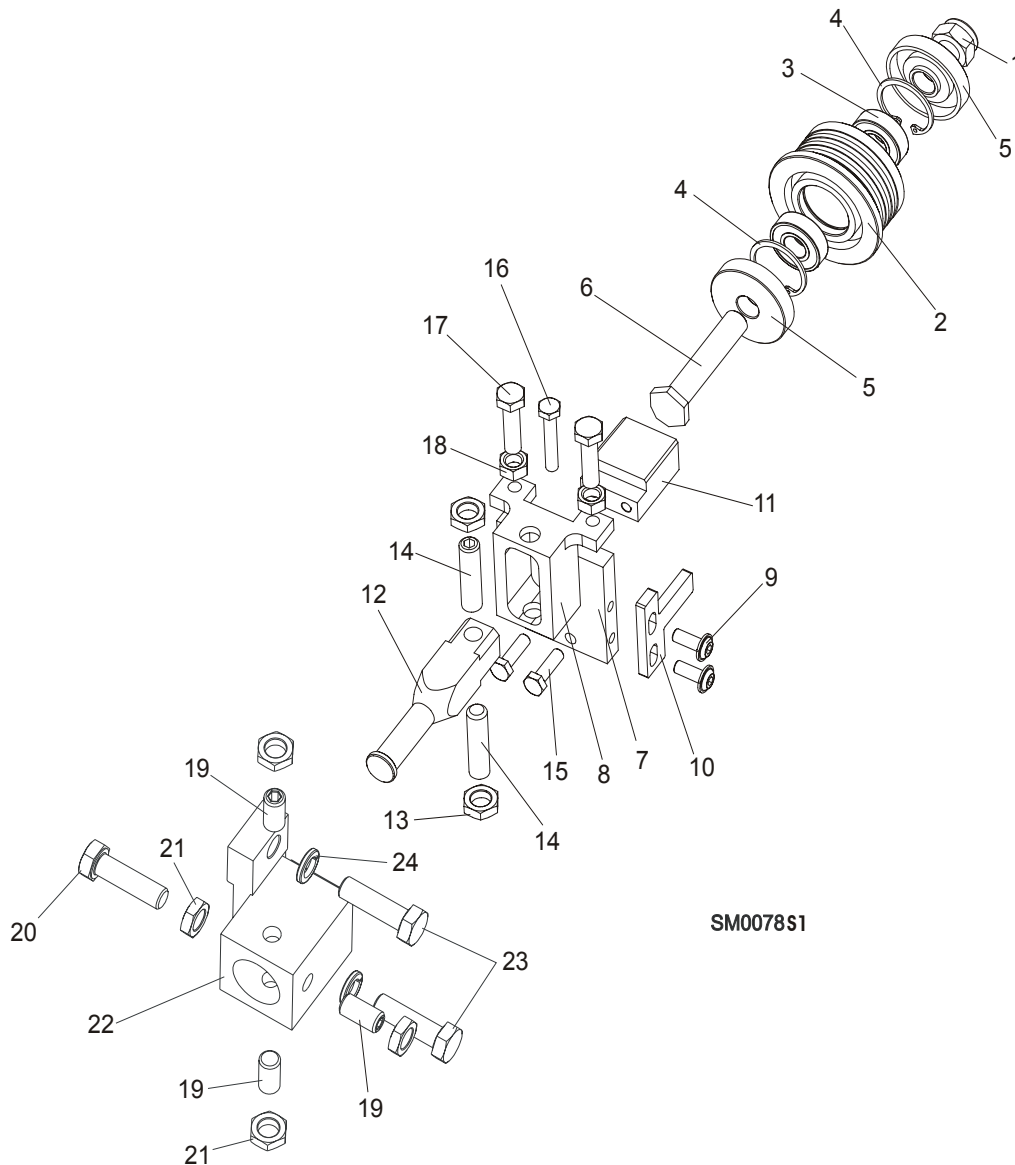


| REF | DESCRIPTION (◆ Indicates Parts Available In Assemblies Only) | PART# | QTY. |
|----------|---|----------|-------|
| | BLADE GUIDE ASSEMBLY, IDLE SIDE | 087749 | 1 |
| | Roller, Blade Guide Narrow W/Bearings | 088261 | 1 |
| | Roller, Blade Guide W/Bearings Extended (for optional use with 1 1/2" blades) | 092939 | 1 |
| 1 | Nut, M12-8 Hex Nylon Zinc Lock | F81034-2 | 1 |
| 2 | Roller, Blade Guide Narrow | 087889 | 1 |
| | Roller, Blade Guide Extended (for optional use with 1 1/2" blades) | 087890 | 1 |
| 3 | Bearing, 6001 2RSR NACHI | 087893 | 2 |
| 4 | Ring, W28 Inside Retaining | F81090-9 | 2 |
| 5 | Washer, Spacer | 087891 | 2 (1) |
| | Washer, Spacer (used with the Extended Roller only) ¹ | 087892-1 | 1 |
| 6 | Bolt, Blade Guide Roller Zinc-Plated | 087761-1 | 1 |
| | Bolt, Blade Guide Roller Zinc Plated (used with the Extended Roller only) | 092940-1 | 1 |
| 7 | Block Weldment, Nozzle Zinc-Plated | 087750-1 | 1 |
| 8 | Block, Zinc-Plated Roller Guide Adjuster | 087756-1 | 1 |
| 9 | Shaft, Zinc-Plated Blade Guide Mount (Narrow Roller) | 088255-1 | 1 |
| | Shaft, Zinc-Plated Blade Guide Mount (Wide Roller) | 501406-1 | 1 |

| | | | | |
|----|---|------------|---|--|
| 10 | Block, Blade Guide Zinc | 096956-1 | 1 | |
| 11 | Nozzle, Blade Lube Spray | 033479 | 2 | |
| 12 | Plug, M10x1 DIN 906 BN40 "BOSSARD" | F81015-3 | 2 | |
| 13 | Fitting, 90° Elbow 1/8NPT-1/4 Tube Swivel | P09736 | 1 | |
| 14 | Bolt, M8x30 DIN933 A2-70 Stainless Steel | F81002-27 | 2 | |
| 15 | Nut, M8 DIN934 A2-70 Stainless Steel | F81032-7 | 2 | |
| 16 | Bolt, M6x30 DIN933 A2-70 Stainless Steel | F81001-37 | 1 | |
| 17 | Bolt, M6x20-8.8 Hex Head Full Thread Zinc | F81001-2 | 2 | |
| 18 | Screw, M10x1x40 DIN913 Stainless Steel Set | F81015-2 | 2 | |
| 19 | Nut, M10x1-04-ST-A2 ISO 8675 Thin | F81033-10 | 2 | |
| 20 | BLOCK WELDMENT, PAINTED BLADE GUIDE MOUNT | 088292-1 | 1 | |
| 21 | SCREW, M10X1X20 DIN913 STAINLESS STEEL SET | F81015-1 | 4 | |
| 22 | NUT, M10x1-04-ST-A2 ISO 8675 THIN | F81033-10 | 4 | |
| 23 | WASHER, 8.2 SPLIT LOCK ZINC | F81054-4 | 2 | |
| 24 | BOLT, 5/16-18X3/4 SOCKET HEAD | F05006-102 | 2 | |
| 25 | FITTING, 1/8FPT COUPLING | P05748 | 1 | |
| 26 | NIPPLE, 1/8 DRY SEAL | P02764 | 1 | |

¹ Used only from the flanged side of the roller

2.3 Blade Guide Assembly, Drive Side



SM0078S1

| REF | DESCRIPTION (◆ Indicates Parts Available In Assemblies Only) | PART# | QTY. |
|-----|---|----------|-------|
| | BLADE GUIDE ASSEMBLY, DRIVE SIDE | 087748 | 1 |
| | Roller, Blade Guide Narrow W/Bearings | 088261 | 1 |
| | Roller, Blade Guide W/Bearings Extended (for optional use with 1 1/2" blades) | 092939 | 1 |
| 1 | Nut, M12-8 Hex Nylon Zinc Lock | F81034-2 | 1 |
| 2 | Roller, Blade Guide Narrow | 087889 | 1 |
| | Roller, Blade Guide Extended (for optional use with 1 1/2" blades) | 087890 | 1 |
| 3 | Bearing, 6001 2RSR NACHI | 087893 | 2 |
| 4 | Ring, W28 Inside Retaining | F81090-9 | 1 |
| 5 | Washer, Spacer | 087891 | 2 (1) |
| | Washer, Spacer (used with the Extended Roller only) ¹ | 087892-1 | 1 |

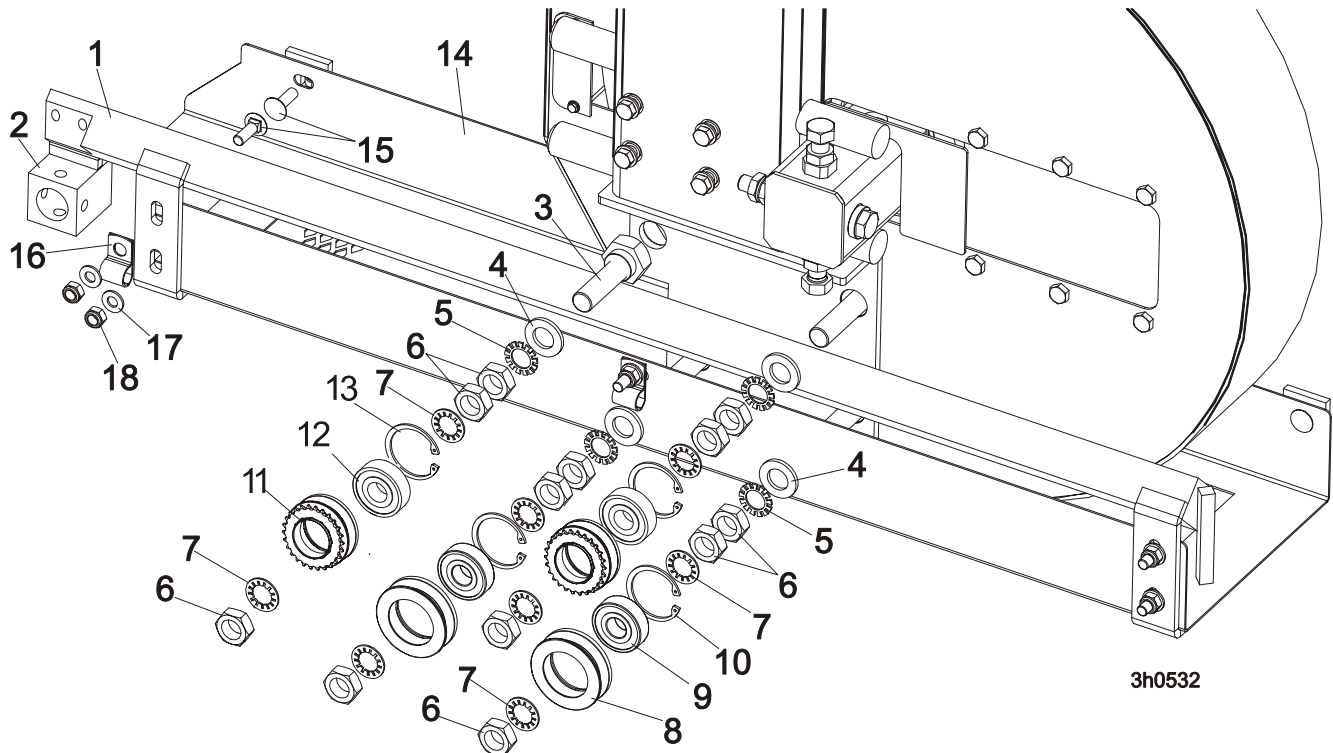
2 Blade Guide Rollers & Arm

Blade Guide Assembly, Drive Side

| | | | | |
|----|---|-----------|---|--|
| 6 | Bolt, Blade Guide Roller Zinc-Plated | 087761-1 | 1 | |
| | Bolt, Blade Guide Roller Zinc Plated (used with the Extended Roller only) | 092940-1 | 1 | |
| 7 | Plate, Zinc-Plated Blade Guide Mounting | 087753-1 | 1 | |
| 8 | Block, Zinc-Plated Roller Guide Adjuster | 087756-1 | 1 | |
| 9 | Screw, M6x16 BN 11252 "BOSSARD" | F81001-24 | 2 | |
| 10 | Wiper, Blade Zinc-Plated | 087757-1 | 1 | |
| 11 | Block, Blade Guide Zinc | 096956-1 | 1 | |
| 12 | Shaft, Zinc-Plated Blade Guide Mount (Narrow Roller) | 088255-1 | 1 | |
| | Shaft, Zinc-Plated Blade Guide Mount (Wide Roller) | 501406-1 | 1 | |
| 13 | Nut, M10x1-04-ST-A2 ISO 8675 Thin | F81033-10 | 2 | |
| 14 | Screw, M10x1x40 DIN913 Stainless Steel Set | F81015-2 | 2 | |
| 15 | Bolt, M6x20-8.8 Hex Head Full Thread Zinc | F81001-2 | 2 | |
| 16 | Bolt, M6x30 DIN933 A2-70 Stainless Steel | F81001-37 | 1 | |
| 17 | Bolt, M8x30 DIN933 A2-70 Stainless Steel | F81002-27 | 2 | |
| 18 | Nut, M8 DIN934 A2-70 Stainless Steel | F81032-7 | 2 | |
| 19 | Screw, M10X1X20 DIN913 Stainless Steel Set | F81015-1 | 3 | |
| 20 | BOLT, M10X1X25 DIN 933 STAINLESS STEEL | F81003-28 | 1 | |
| 21 | NUT, M10x1-04-ST-A2 ISO 8675 THIN | F81033-10 | 4 | |
| 22 | BLOCK WELDMENT, BLADE GUIDE MOUNT | 087744 | 1 | |
| 23 | BOLT, M10X35-8.8 HEX HEAD FULL THREAD ZINC | F81003-17 | 2 | |
| 24 | WASHER, 10.2 SPLIT LOCK ZINC | F81055-2 | 2 | |

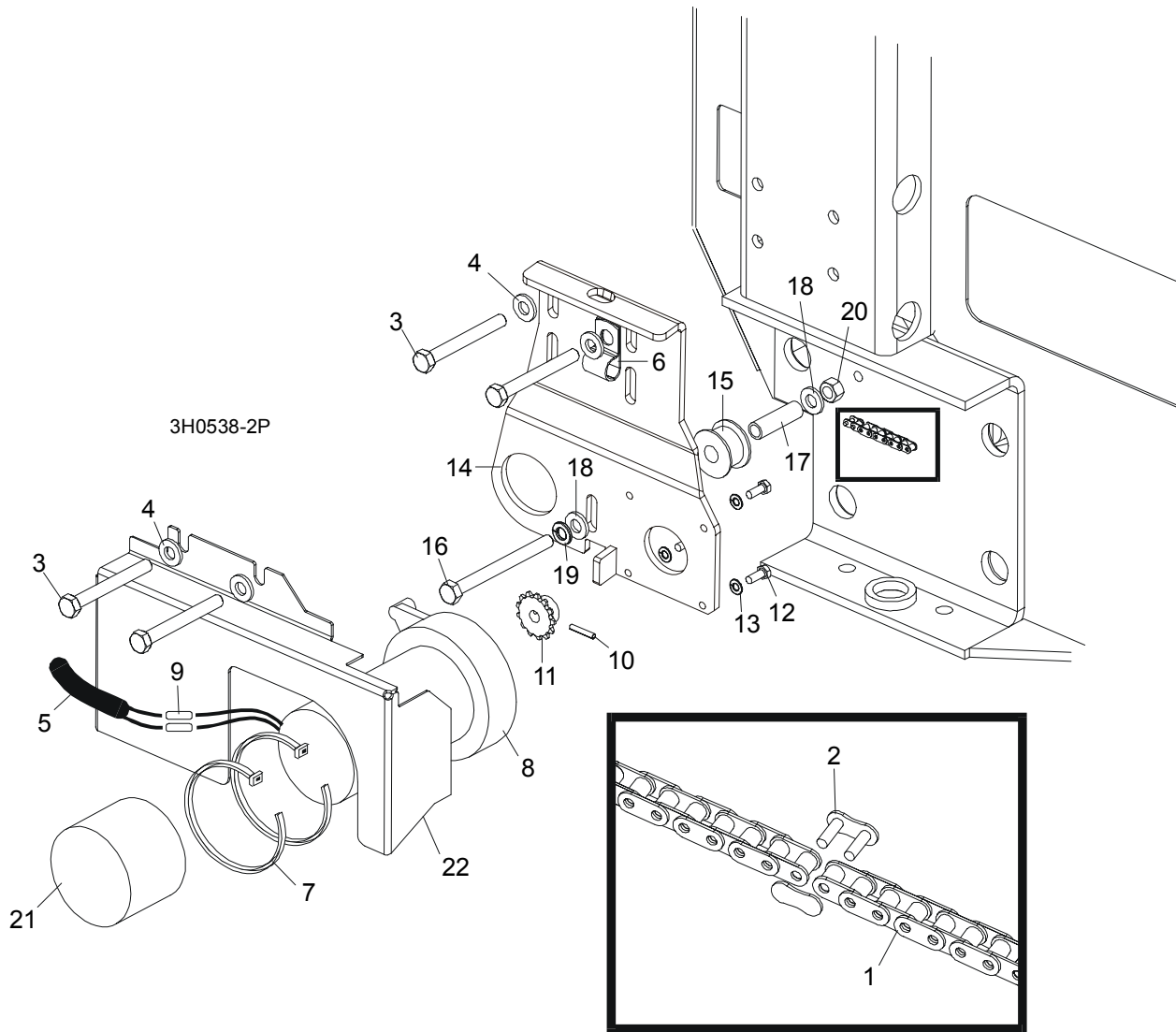
¹ Used only from the flanged side of the roller

2.4 Blade Guide Arm & Rollers



| REF | DESCRIPTION (◆ Indicates Parts Available In Assemblies Only) | PART # | QTY. | |
|-----|---|-----------|------|---|
| 1 | BLADE GUIDE ARM WELDMENT | 087018-1 | 1 | |
| 2 | BLOCK WELDMENT, PAINTED BLADE GUIDE MOUNT | 088292-1 | 1 | |
| 3 | BOLT, BLADE GUIDE ARM ROLLER CAM | 086508-1 | 4 | |
| 4 | WASHER, 17 FLAT | F81058-1 | 4 | |
| 5 | WASHER, 5/8" EXTERNAL STAR | F05011-26 | 4 | |
| 6 | NUT, 5/8-18 HEX JAM | F05010-11 | 12 | |
| 7 | WASHER, 5/8" INTERNAL STAR | F05011-25 | 8 | |
| | ROLLER ASSEMBLY, BLADE GUIDE ARM WITH BEARING | 093855 | 2 | |
| 8 | Roller, Blade Guide Arm V-Groove | 093856-1 | 1 | ◆ |
| 9 | Bearing, 6203-2RSP6-5/8 CX | 095087 | 1 | |
| 10 | Ring, W40 Retaining | F81090-3 | 1 | |
| | ROLLER ASSEMBLY, BLADE GUIDE ARM WITH BEARING AND SPROCKET | 501496 | 2 | |
| 11 | Roller, Blade Guide Arm w/Sprocket | 501495-1 | 1 | ◆ |
| 12 | Bearing, 6203-2RSP6-5/8 CX | 095087 | 1 | |
| 13 | Ring, W40 Retaining | F81090-3 | 1 | ◆ |
| 14 | GUIDE, BLADE | 087042-1 | 1 | |
| 15 | BOLT, M8x20-8.8 Fe/Zn5 PN-M/82406 | F81002-11 | 7 | |
| 16 | CLAMP, 1/2EMT COATED | P07584 | 2 | |
| 17 | WASHER, 8.4 FLAT ZINC | F81054-1 | 7 | |
| 18 | NUT, M8-8-B HEX NYLON ZINC LOCK | F81032-2 | 7 | |

2.5 Blade Guide Arm Drive Assembly

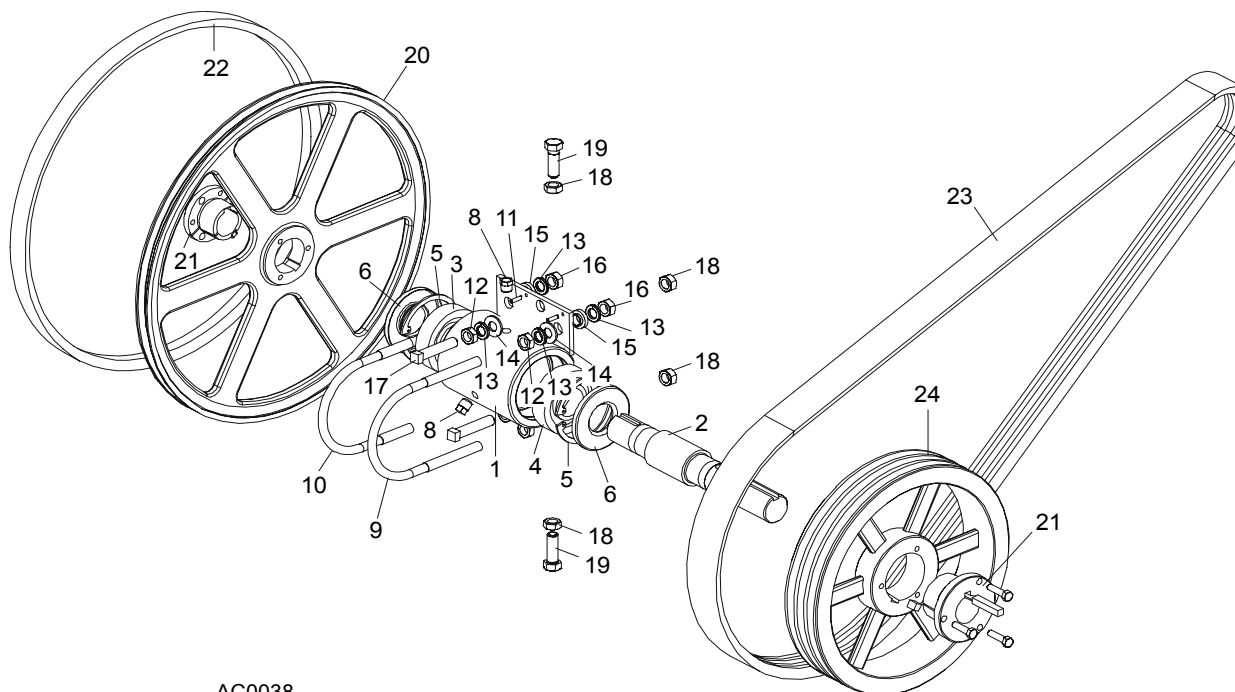


| REF | DESCRIPTION (◆ Indicates Parts Available In Assemblies Only) | PART # | QTY. |
|-----|--|-----------|--------|
| 1 | CHAIN, #25 X 20 1/4" | P09984 | 1 |
| 2 | LINK, #25 MASTER | P09983 | 1 |
| 3 | BOLT, 5/16-18 X 2 3/4" HEX HEAD GRADE 5 | F05006-28 | 4 |
| 4 | WASHER, 8.4 FLAT | F81054-1 | 4 |
| 5 | TUBE, 3/8" X 1/2" NEOPRENE | R01897 | 0,75 m |
| 6 | CLAMP, 1/2" COATED EMT | P07584 | 2 |
| 7 | WRAP, 1/4" X 6" TIE | F05089-1 | 2 |
| | DRIVE ASSEMBLY, BLADE GUIDE ARM | 091005 | 1 |
| | Motor Assembly, Blade Guide Arm Replacement | A10365 | 1 |
| 8 | Motor, Blade Guide Arm 53:1 Gear | P09698-1 | 1 |
| | Housing, Klauber Motor End | P12756 | 1 |
| | Gear Kit, Klauber Motor Replacement | P12569 | 1 |
| | Brush Kit, Gear Motor Replacement | P12800 | 1 |

| | | | | |
|-----------|---|------------|---|--|
| | Shaft Kit, Klauber Gear Motor Replacement | 009695 | 1 | |
| 9 | Connector, 14 Gauge Butt | F04875-1 | 2 | |
| 10 | Pin, 1/8" X 3/4" Roll | F05012-6 | 1 | |
| 11 | Sprocket, Gear Motor #25 14-Tooth | P09970 | 1 | |
| 12 | Screw, #10-32 x 1/2" Hex Head | F05004-60 | 4 | |
| 13 | Washer, 4.1 Split Lock | F81051-4 | 4 | |
| | Instruction Sheet, Blade Guide Arm Motor | A10353-296 | 1 | |
| 14 | Bracket, Blade Guide Arm Motor Mount | 087994-1 | 1 | |
| 15 | Roller, Blade Guide Arm Chain Idler | S09999 | 1 | |
| 16 | Bolt, 5/16-18 X 3 1/2" Hex Head Full Thread | F05006-3 | 1 | |
| 17 | Spacer, 5/16" I.D. X 1 1/2" | S09996 | 1 | |
| 18 | Washer, 5/16" SAE Flat | F81054-1 | 2 | |
| 19 | Washer, 8.4 Split Lock | F05011-13 | 1 | |
| 20 | Nut, 8.2 Hex Lock | F81054-4 | 1 | |
| 21 | Boot, Gear Motor Weather | 023720 | 1 | |
| 22 | COVER, BLADE GUIDE ARM MOTOR | 093460-1 | 1 | |

SECTION 3 BLADE WHEELS & TENSIONER

3.1 Blade Drive Assembly, LT40 Series AH

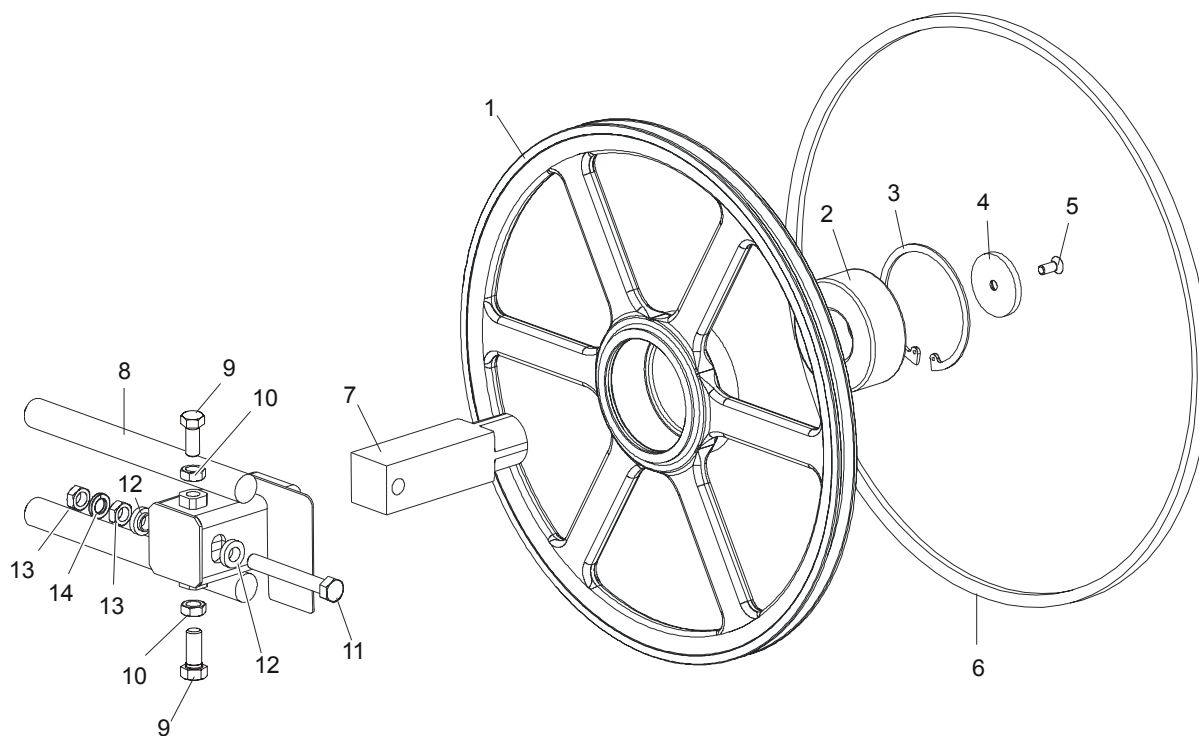


AC0038

| REF | DESCRIPTION (◆ Indicates Parts Available In Assemblies Only) | PART # | QTY. |
|-----|--|------------|------|
| | BEARING ASSEMBLY, BLADE WHEEL DRIVE | 086291 | 1 |
| 1 | Housing, Blade Wheel Drive Bearing | 086293 | 1 |
| 2 | Shaft, Blade Wheel Drive | 086292 | 1 |
| 3 | Bearing, Blade Wheel Drive NJ308 | 085939 | 1 |
| 4 | Bearing, Blade Wheel Drive #6308 | 085940 | 1 |
| 5 | Ring, 90mm Interior Retaining #17 | F04254-17 | 2 |
| 6 | Seal, Drive Bearing #CR15890 | P10206 | 2 |
| 7 | Plug, 1/4" NPT Square Head | P05498 | 1 |
| 8 | Plug, 1/4" NPT Vented | P12868 | 1 |
| 9 | Bolt, 1/2-13 Long U | S10207-1P | 1 |
| 10 | Bolt, 1/2-13 Short U | S10207-2P | 1 |
| 11 | Pin, 3/16" X 5/8" Roll | F05012-22 | 2 |
| 12 | Nut, 1/2-20 Hex Jam | F05010-16 | 4 |
| 13 | Washer, 12.2 Split Lock | F81056-2 | 8 |
| 14 | Washer, 13 SAE Flat | F81056-1 | 4 |
| 15 | Spacer, .510" x .937" x .34" | S04253 | 4 |
| 16 | Nut, 1/2-13 Hex | F05010-35 | 4 |
| 17 | Screw, 1/2-20 x 2 1/2" Square Head Full Thread Set | F05008-110 | 2 |
| 18 | Nut, M12-8 Hex Nylon Lock | F81034-2 | 4 |
| 19 | Bolt, 1/2-20 x 1 1/2" Hex Head Grade 5 | F05008-53 | 2 |
| | Decal, Bearing End-Play | S12750 | 1 |

| | | | | |
|-----------|---|------------|---|--|
| | Instruction Sheet, Bearing Retrofit | K10200-275 | 1 | |
| | WHEEL KIT, DRIVE SIDE BLADE | 014562 | 1 | |
| 20 | Wheel, Drive Side Blade | 016284 | 1 | |
| 21 | Bushing, Modified 1 9/16" P1 | 087214 | 1 | |
| | Instruction Sheet, Drive Side Blade Wheel Replacement | K12987-488 | 1 | |
| 22 | BELT, BLADE WHEEL B57 | P04185 | 1 | |
| 23 | BELT, 3BX72 DRIVE (EA20, EA25) | 014249 | 1 | |
| 24 | PULLEY, 3B124 SK SPECIAL (EA20, EA25) | 087203-1 | 1 | |

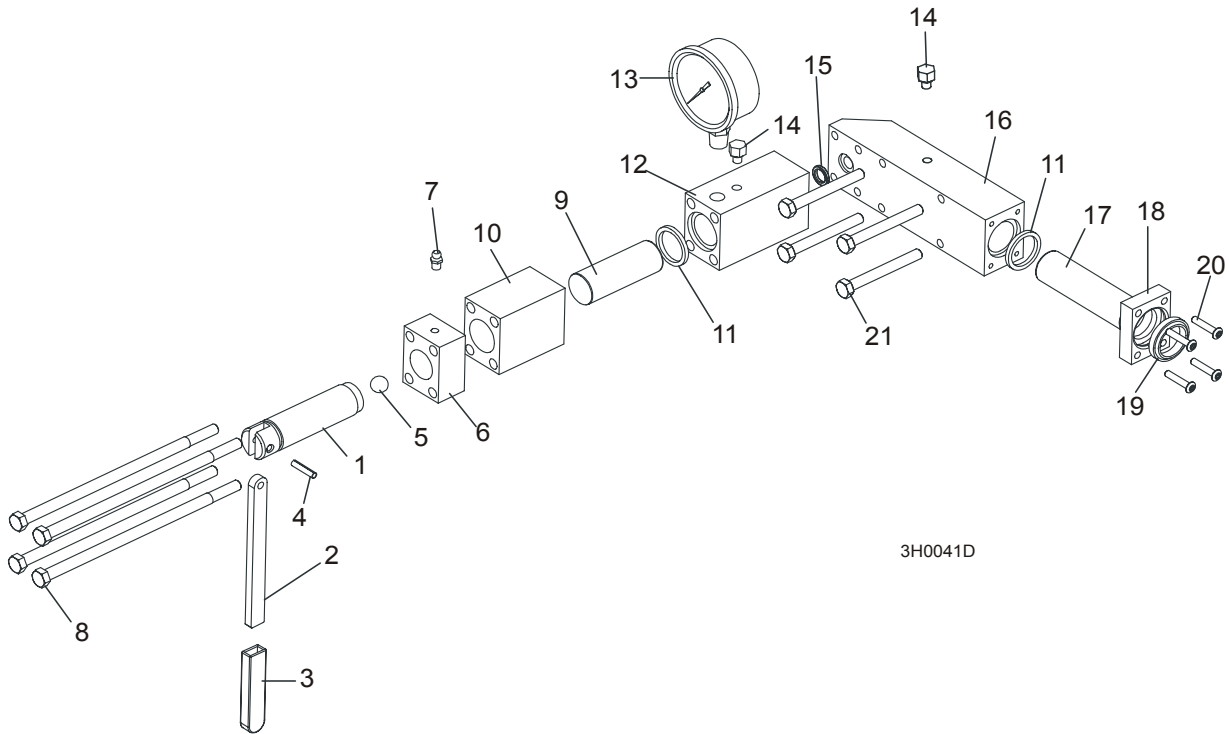
3.2 Idle Blade Wheel Assembly



SM0241C

| REF | DESCRIPTION (◆ Indicates Parts Available In Assemblies Only) | PART # | QTY. | |
|-----|--|-----------|------|---|
| | WHEEL ASSEMBLY, IDLE SIDE BLADE | 016120 | 1 | |
| 1 | Wheel, Idle Side Blade | 016013 | 1 | ◆ |
| 2 | Bearing, Idle Side Blade Wheel 3309 B.2RSR TVH FAQ | 086428 | 1 | |
| 3 | Ring, 100mm Internal Retaining Beveled | F04254-28 | 1 | |
| 4 | RETAINER, ZINC | 095929-1 | 1 | |
| 5 | BOLT, M10x25 -10.9- Fe/Zn5 DIN 7991 | F81003-82 | 1 | |
| 6 | BELT, BLADE WHEEL B57 | P04185 | 1 | |
| 7 | SHAFT, IDLE BLADE WHEEL | 095732 | 1 | |
| 8 | HOUSING, IDLE BLADE WHEEL SHAFT | 016103 | 1 | |
| 9 | BOLT, 1/2-20 X 1 1/2" HEX HEAD GRADE 5 | F05008-53 | 2 | |
| 10 | NUT, 1/2-20 HEX JAM | F05010-16 | 2 | |
| 11 | BOLT, M12x1,25x100-8.8 HEX HEAD FULL THREAD GRADE 2 | F81004-41 | 1 | |
| 12 | SPACER, 1/2" I.D. FLANGED | 086769-1 | 2 | |
| 13 | NUT, M12x1,25 8.8 HEX JAM | F81034-5 | 2 | |
| 14 | WASHER, 12.2 SPLIT LOCK | F81056-2 | 1 | |

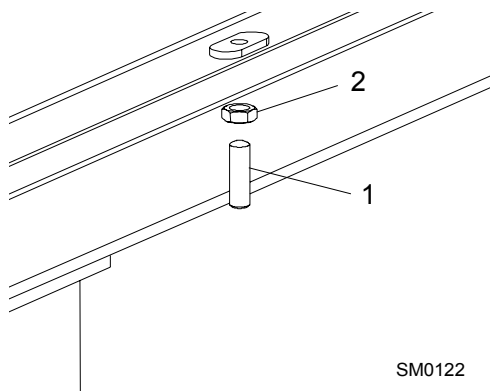
3.3 Hydraulic Blade Tensioner Assembly



| REF | DESCRIPTION (◆ Indicates Parts Available In Assemblies Only) | PART # | QTY. | |
|-----|--|------------|------|--|
| | HYDRAULIC BLADE TENSIONER ASSEMBLY | A10054 | 1 | |
| | Handle Assembly, Hydraulic Blade Tensioner Screw | A12294 | 1 | |
| 1 | Screw, Hydraulic Blade Tensioner | S10056 | 1 | |
| 2 | Handle, Hydraulic Tensioner Screw | 095930 | 1 | |
| 3 | Sleeve, Plastic Handle | P08072 | 1 | |
| 4 | Pin, 3/16" x 7/8" Roll | F05012-19 | 1 | |
| 5 | Ball, 1/2" Steel | P02720 | 1 | |
| 6 | Block, Threaded Tensioner End | S10062 | 1 | |
| 7 | Fitting, 1/4-28 Grease | P05060 | 1 | |
| | Instruction Sheet, Tensioner Screw | A12294-518 | 1 | |
| 8 | Bolt, 5/16-18 X 7 1/2" Hex Head Grade 5 | F05006-43 | 4 | |
| 9 | Piston, Hydraulic Tensioner Front 2 3/4" Long | S10060 | 1 | |
| 10 | Block, Piston Guide | S10061 | 1 | |
| 11 | Seal, 1" Diameter | P10051 | 2 | |
| 12 | Block, Hydraulic Tensioner Gauge Mounting | S10140 | 1 | |
| 13 | Gauge, 3000 PSI | 090552 | 1 | |
| 14 | Plug, Hydraulic Tensioner Fill | P10065 | 1 | |
| 15 | Ring, 5/8" X 3/32" Square "O" | P10377 | 1 | |
| 16 | Block, Rear Tensioner Piston | S10142 | 1 | |
| 17 | Piston, Hydraulic Tensioner Rear 3 5/8" Long | S10059 | 1 | |
| 18 | Block, Rear Piston End | S10089 | 1 | |
| 19 | Wiper, 1" Diameter | P10053 | 1 | |
| 20 | Bolt, #10-24 X 1" Socket Button Head | F05004-43 | 4 | |
| 21 | Bolt, 5/16-18 X 2 3/4" Hex Head Grade 5 | F05006-28 | 4 | |
| | Instruction Sheet, Hydraulic Tensioner Installation | A10136-272 | 1 | |

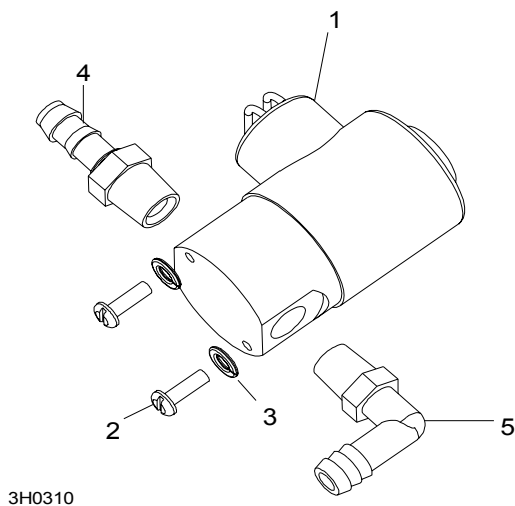
SECTION 4 SAW HEAD

4.1 Middle Throat Screw



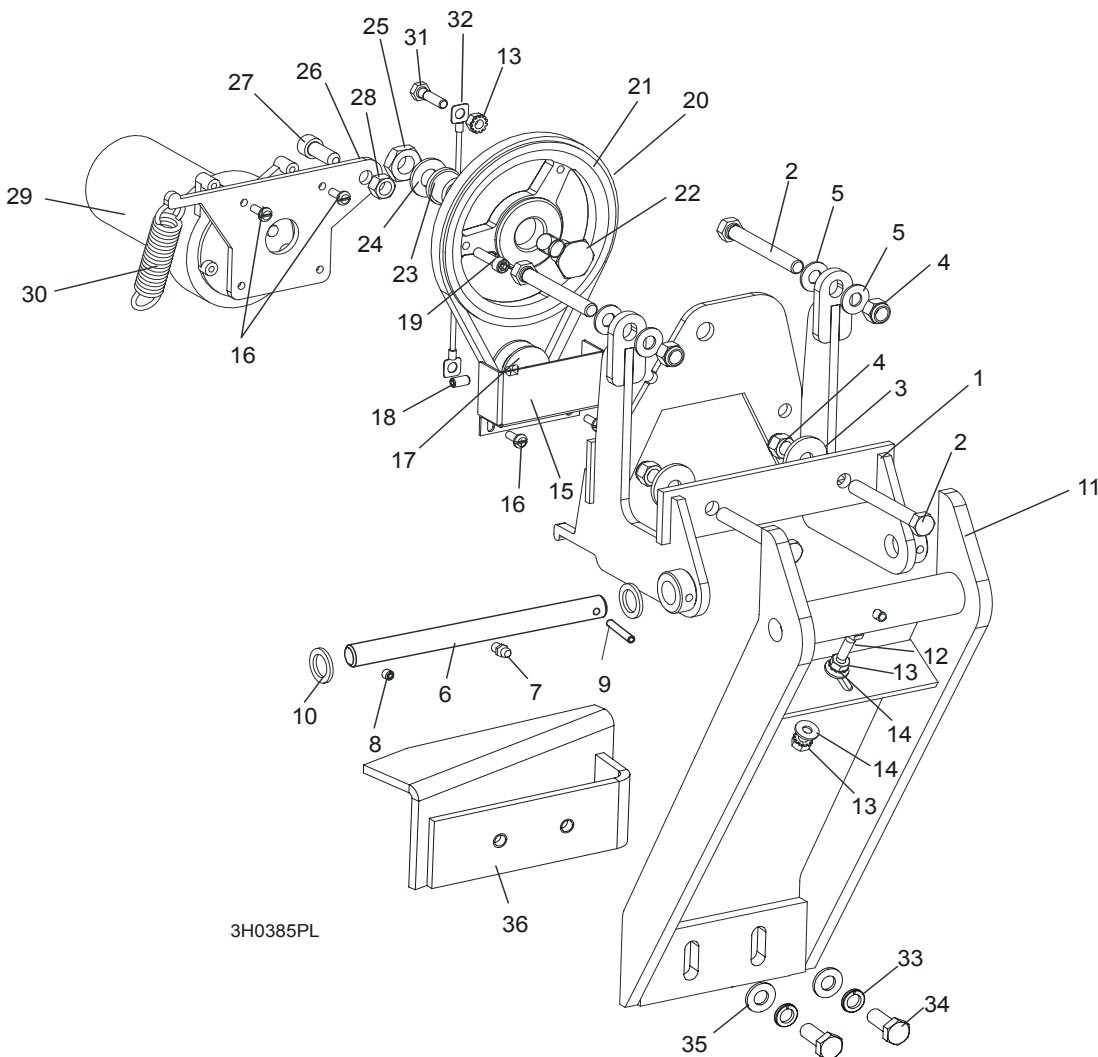
| REF | DESCRIPTION (◆ Indicates Parts Available In Assemblies Only) | PART # | QTY. | |
|-----|--|-----------|------|--|
| 1 | SCREW, 3/8-16 X 1 1/4" OVAL POINT SOCKET SET | F05007-18 | 1 | |
| 2 | NUT, 3/8-16 HEX JAM | F05010-29 | 1 | |

4.2 Water Lube Solenoid Valve



| REF | DESCRIPTION (◆ Indicates Parts Available In Assemblies Only) | PART # | QTY. | |
|-----|--|-----------|------|--|
| 1 | VALVE, WATER LUBE SOLENOID | 016140 | 1 | |
| 2 | SCREW, 4MM X 12 CROSS SLOT ROUND HEAD | F05004-74 | 2 | |
| 3 | WASHER, 4MM SPLIT LOCK | F05011-57 | 2 | |
| 4 | FITTING, 1/4" MALE NPT 3/8" HOSE BARB | P04682 | 1 | |
| 5 | FITTING, 1/4" MALE NPT 3/8" HOSE BARB ELBOW | P04730 | 1 | |

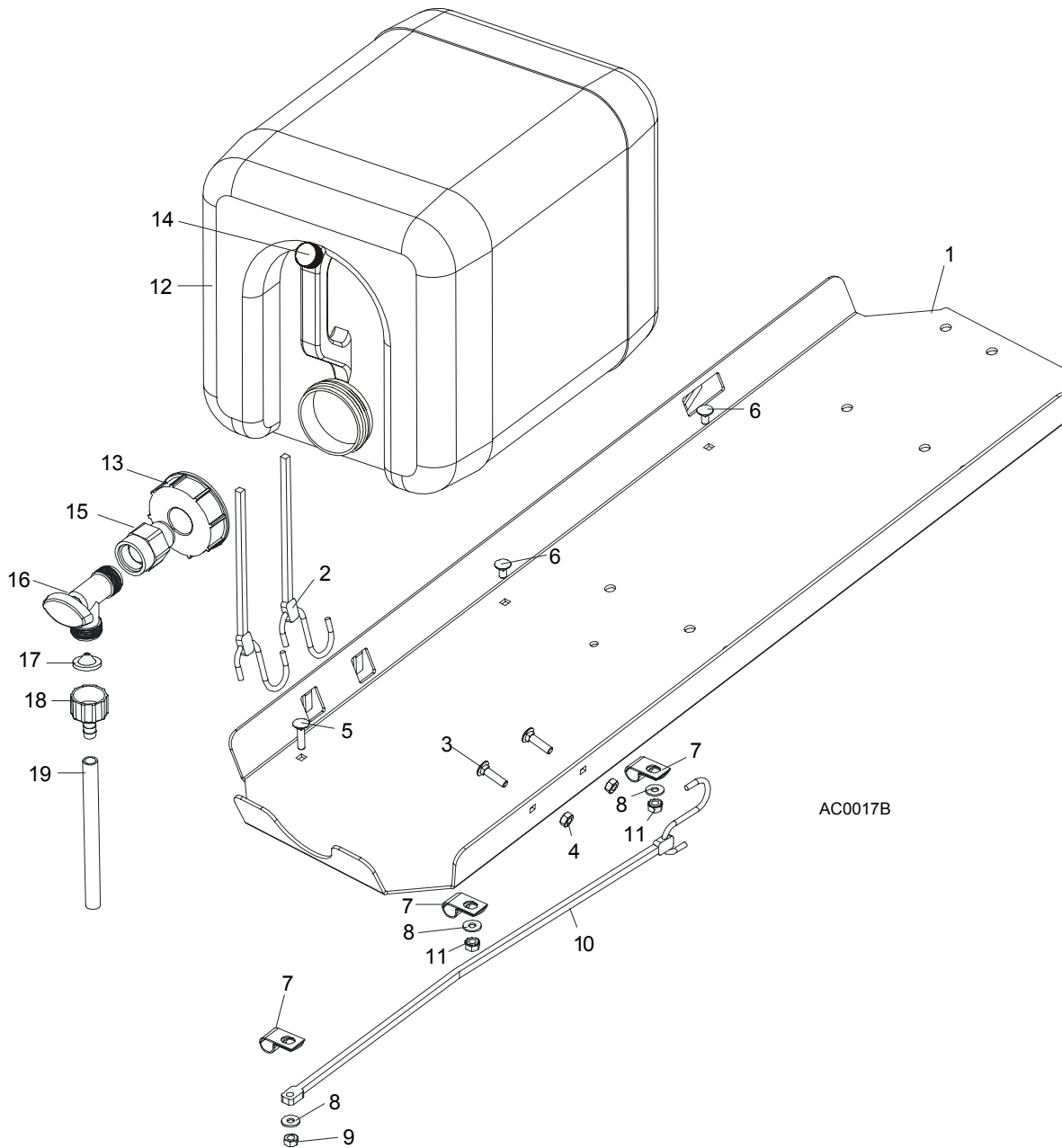
4.3 Board Return Assembly



| REF | DESCRIPTION (◆ Indicates Parts Available In Assemblies Only) | PART # | QTY. |
|-----|--|------------|------|
| | RETURN ASSEMBLY, BOARD | 087839-1 | 1 |
| 1 | Mount Weldment, Board Return | 087788-1 | 1 |
| 2 | Bolt, 3/8-16 x 3" Full Thread Hex Head | F05007-1 | 4 |
| 3 | Washer, 1/8" x 1 1/4" | 015336 | 2 |
| 4 | Nut, 3/8-16 Hex Nylon Lock | F05010-10 | 4 |
| 5 | Washer, 10.5 Flat | F81055-1 | 4 |
| 6 | Pin Kit, Board Return Replacement Pivot | 087837 | 1 |
| 7 | Fitting, M6 Grease | 086280 | 1 |
| 8 | Screw, M6 X 8 Black Oxide Socket Head Set Cup Point | F81013-1 | 1 |
| 9 | Pin, 5 X 30 Roll | F81044-21 | 1 |
| 10 | Washer, 5/8" x 15/16" x .094 Nylon | F05011-19 | 2 |
| 11 | Arm Weldment, Board Return | 087838-1 | 1 |
| 12 | Screw, 1/4-20 x 3/4" Full Thread Hex Head Cap | F05005-101 | 1 |
| 13 | Nut, 1/4-20 Self Locking | F05010-9 | 3 |

| | | | | |
|----|---|------------|---|--|
| 14 | Washer, 7.4 Flat | F81056-11 | 2 | |
| 15 | Guard, Board Return Belt | 015007 | 1 | |
| 16 | Screw, 10-32 x 1/2" Hex Head Machine | F05004-55 | 4 | |
| 17 | Sheave, 1.42 x .32 | 015074 | 1 | |
| 18 | Screw, 1/4-20 Socket Head Set Cup Point Nylon | F05005-55 | 1 | |
| 19 | Screw, 1/4-20 x 1" Socket Head Cap | F05005-89 | 1 | |
| 20 | Belt, 3L190 | 015477 | 1 | |
| 21 | Sheave, OK50 x 1/2" Modified | 015224 | 1 | |
| 22 | Bolt, Idler Pulley Pivot | 015221 | 1 | |
| 23 | Bushing, 5/8" x 7/8" x 1/2" Bronze | P05135 | 1 | |
| 24 | Washer, 13 Flat | F81056-1 | 1 | |
| 25 | Nut, 1/2-20 Jam Nylon Lock | F05010-79 | 1 | |
| 26 | Plate, Motor Pivot | 087871 | 1 | |
| 27 | Screw, M10 x 25-8.8 Black Oxide Socket Head Cap | F81003-32 | 1 | |
| 28 | Nut, 3/8-16 Self Locking | F05010-25 | 1 | |
| 29 | Motor, 53:1 ASA Gear | P09698-1 | 1 | |
| 30 | Spring, 3/4" x 2 7/8" x 12 Gauge | 015479 | 1 | |
| 31 | Bolt, 1/4-20 x 1" Hex Head Grade 5 | F05005-101 | 1 | |
| 32 | Cable, Board Return | 016090 | 1 | |
| 33 | Washer, 10.2 Split | F81055-2 | 2 | |
| 34 | Bolt, 3/8-16 x 3/4" Hex Head | F81003-1 | 2 | |
| 35 | Washer, 10.5 Flat | F81055-1 | 2 | |
| 36 | Angle, Board Return | 087835-1 | 1 | |

4.4 Water Lube Assembly



| REF | DESCRIPTION (◆ Indicates Parts Available In Assemblies Only) | PART # | QTY. | |
|-----|--|-----------|------|---|
| 1 | TRAY, ELECTRIC BOX/WATER BOTTLE | 086528-1 | 1 | ◆ |
| 2 | STRAP, 20" RUBBER | P11668 | 2 | |
| 3 | BOLT, 1/4-20 X 1" CARRIAGE HEAD | F05005-34 | 4 | |
| 4 | NUT, 1/4-20 HEX LOCK | F05010-21 | 4 | |
| 5 | BOLT, 1/4-20 X 1" CARRIAGE HEAD | F05005-34 | 1 | |
| 6 | BOLT, 1/4-20 X 1/2" CARRIAGE HEAD | F05005-33 | 2 | |
| 7 | CLAMP, 1/2" EMT HOSE | P07584 | 3 | |
| 8 | WASHER, 7.4 FLAT | F81056-11 | 3 | |
| 9 | NUT, 1/4-20 HEX LOCK | F05010-21 | 1 | |

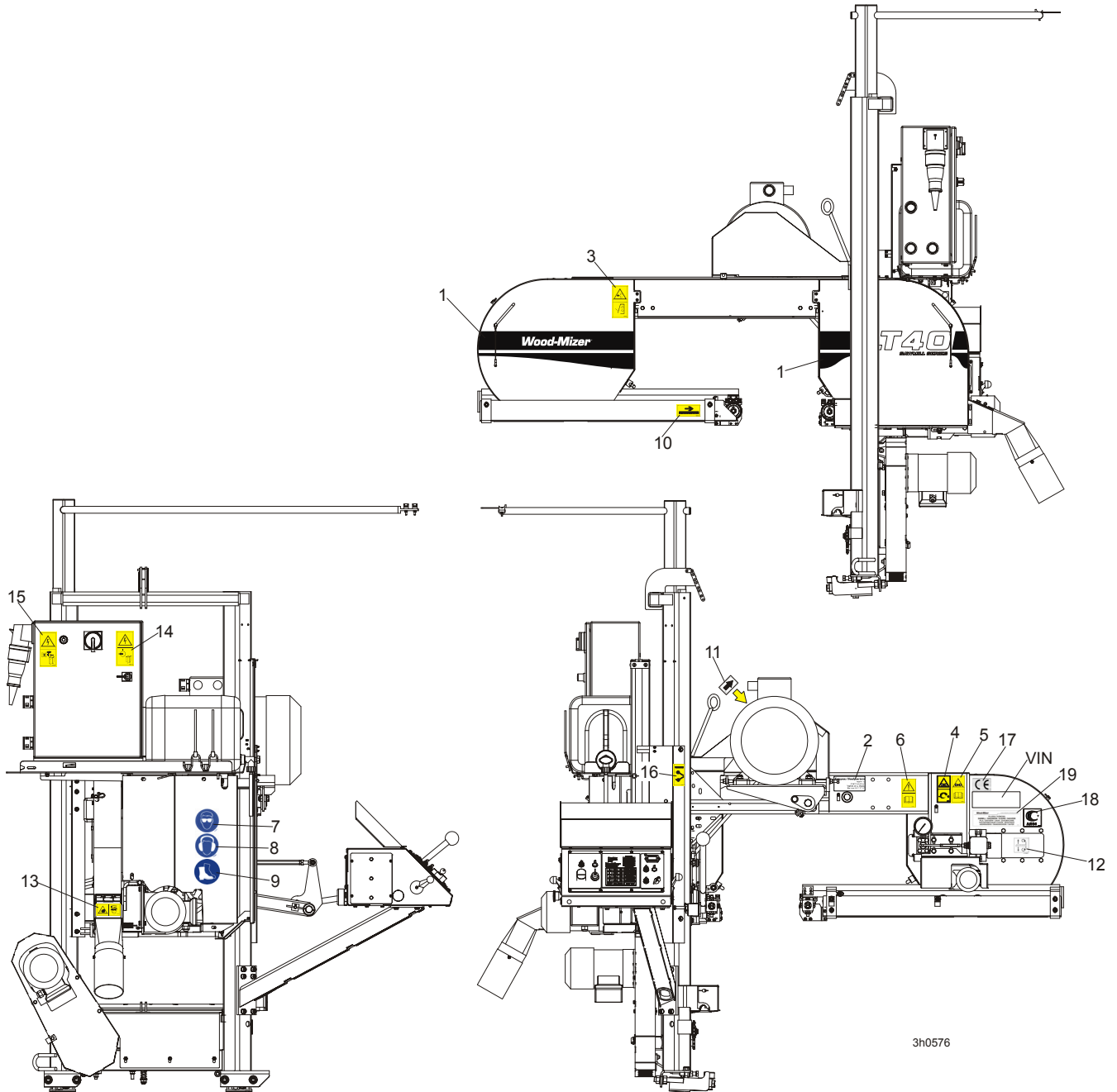
4

Saw Head*Water Lube Assembly*

| | | | | |
|----|--|---------------------|-------|--|
| 10 | STRAP, 15" RUBBER | P07461 | 1 | |
| 11 | NUT, 1/4-20 SELF-LOCKING | F05010-9 | 2 | |
| | BOTTLE, 5-GALLON WATER COMPLETE | 014637-1 | 1 | |
| 12 | BOTTLE, 5-GALLON WATER | 101295 | 1 | |
| 13 | CAP, 5-GALLON WATER BOTTLE | 036745 | 1 | |
| 14 | CAP, VENT VALVE | 061742 | 1 | |
| 15 | FITTING, 3/4FPT X 3/4MPT | 014636 | 1 | |
| 16 | FITTING, WATER LUBE SHUTOFF VALVE | 014100 | 1 | |
| 17 | FILTER, WATER LUBE | 016086 ¹ | 1 | |
| 18 | FITTING, 5/8" NPT TO 3/8" HOSE BARB | 014113 | 1 | |
| 19 | TUBING, WATER LUBE 3/8" I.D. | R01885 | 2,1 m | |

¹ Filter recommended for Super models to prevent debris from entering water lube solenoid valve.

4.5 LT40AC Saw Head Decals



3h0576

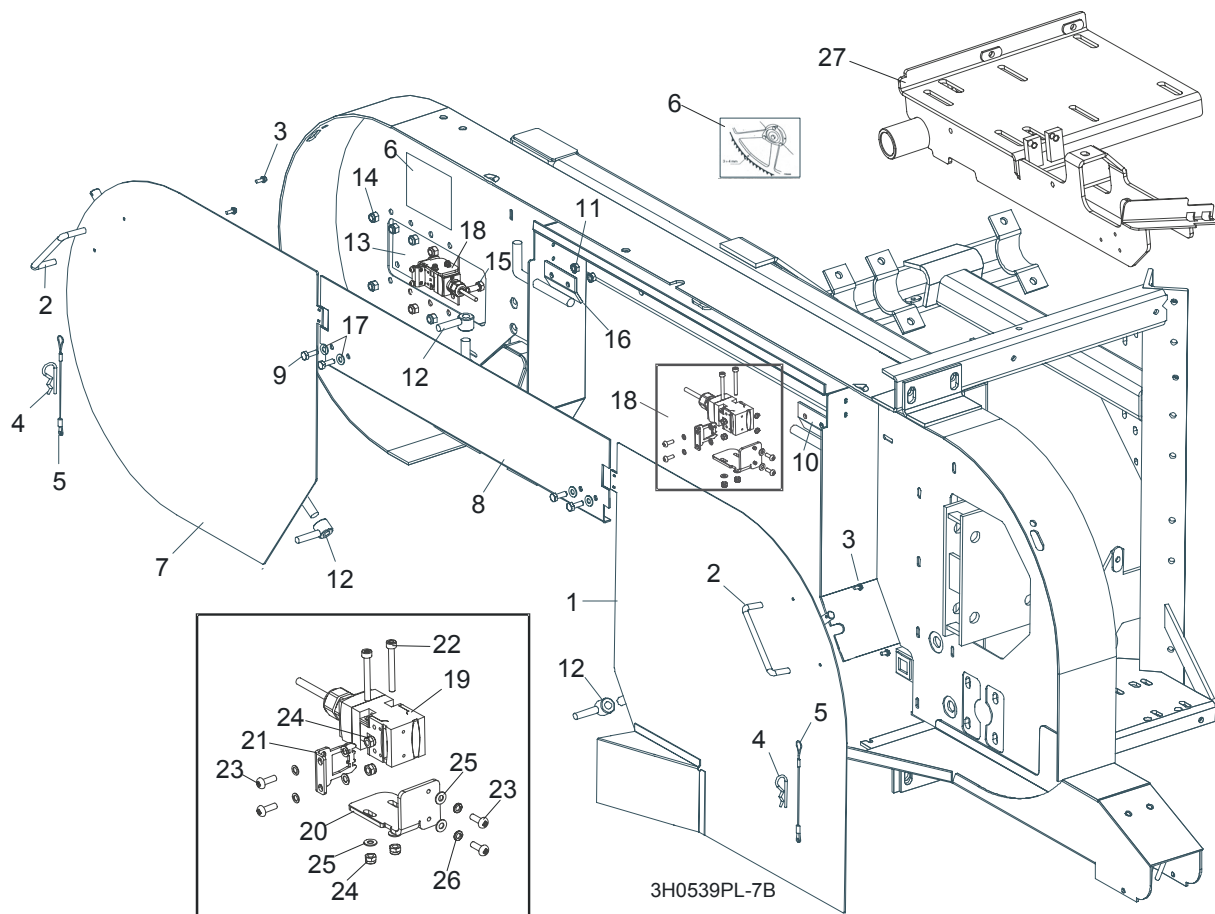
| REF | DESCRIPTION (◆ Indicates Parts Available In Assemblies Only) | PART # | QTY. |
|-----|--|--------|------|
| 1 | DECAL, LT40 SERIES SAWMILL | 092763 | 1 |
| | PICTOGRAPHIC DECAL KIT, LT40AC | 099516 | 1 |
| 2 | DECAL, EUROPEAN HEADQUARTERS ADDRESS | 015841 | 1 |
| 3 | DECAL, SAWMILL COVERS CAUTION | 099220 | 2 |
| 4 | DECAL, BLADE TENSION (PICTOGRAM) | 099219 | 1 |
| 5 | DECAL, BLADE TENSION - INSTRUCTIONS (PICTOGRAM) | 099223 | 1 |
| 6 | DECAL, READ OPERATOR'S MANUAL (PICTOGRAM) | 096317 | 1 |

4

Saw Head*LT40AC Saw Head Decals*

| | | | | |
|----|---|---------|---|--|
| 7 | DECAL, EYE PROTECTION WARNING (PICTOGRAM) | S12004G | 1 | |
| 8 | DECAL, EAR PROTECTION WARNING (PICTOGRAM) | S12005G | 1 | |
| 9 | DECAL, USE SAFETY BOOTS (PICTOGRAM) | 501465 | 1 | |
| 10 | DECAL, BLADE MOVEMENT DIRECTION (PICTOGRAM) | 096321 | 1 | |
| 11 | DECAL, MOTOR ROTATION DIRECTION | S20097 | 1 | |
| 12 | DECAL, BLADE ALIGNMENT | P11789 | 1 | |
| 13 | DECAL, SAWDUST CHUTE WARNING (PICTOGRAM) | 099222 | 1 | |
| 14 | DECAL, HIGH VOLTAGE INSIDE THE ELECTRIC BOX (PICTOGRAM) | 096316 | 1 | |
| 15 | DECAL, REMOVE THE PLUG BEFORE OPENING THE BOX (PICTOGRAM) | 096319 | 1 | |
| 16 | DECAL, BLADE DRIVE WARNING (PICTOGRAM) | 096315 | 1 | |
| 17 | DECAL, CE CERTIFIED SAWMILL (SMALL) | P85070 | 1 | |
| 18 | DECAL, RUSSIAN SAFETY CERTIFICATION | 099401 | 1 | |
| 19 | DECAL, INTERNATIONAL SAWMILL NAME | 501466 | 1 | |

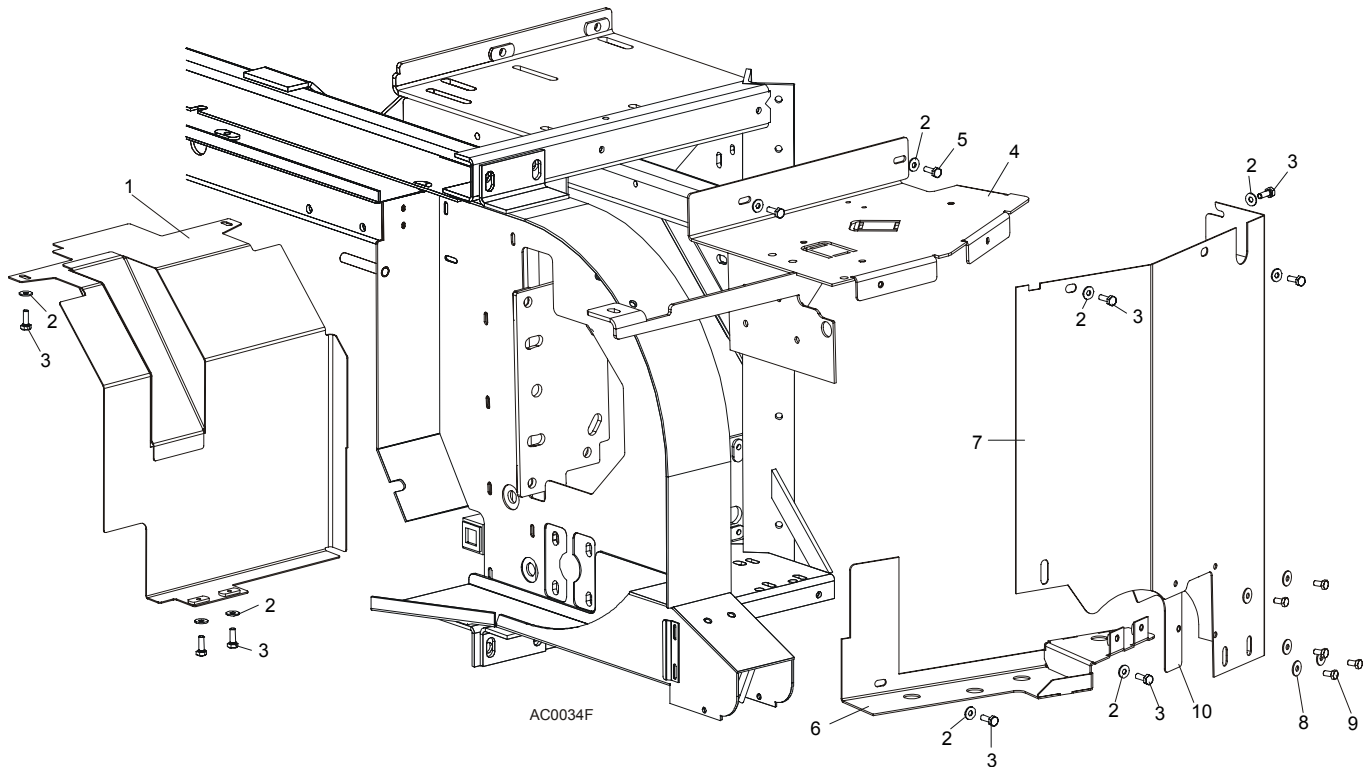
4.6 Blade Housing Covers



| REF | DESCRIPTION (◆ Indicates Parts Available In Assemblies Only) | PART # | QTY. | |
|-----|--|----------|------|---|
| | COVER ASSEMBLY, DRIVE SIDE BLADE HOUSING WITH HANDLE | 086195 | 1 | |
| 1 | Cover Weldment, Drive Side Blade Housing | 087159-1 | 1 | ◆ |
| 2 | Handle, Blade Housing Cover | P08065 | 1 | |
| 3 | Screw, #8-32 x 3/8" | F05015-8 | 2 | |
| | Pin Assembly, Cover Retainer | A11881 | 1 | |
| 4 | Pin, Safety Retainer | N/A | 1 | |
| 5 | Cable, 3/64" x 6" Lanyard | N/A | 1 | |
| 6 | DECAL, BLADE SETTING | P85066 | 1 | |
| | COVER, IDLE SIDE BLADE HOUSING WITH HANDLE | 086431 | 1 | |
| 7 | Cover, Idle Side Blade Housing | 086430-1 | 1 | ◆ |
| 2 | Handle, Blade Housing Cover | P08065 | 1 | |
| 3 | Screw, #8-32 X 3/8" Self-Tap | F05015-8 | 2 | |
| | Pin Assembly, Cover Retainer | A11881 | 1 | |
| 4 | Pin, Safety Retainer | N/A | 1 | |
| 5 | Cable, 3/64" x 6" Lanyard | N/A | 1 | |
| 8 | COVER, MIDDLE BLADE HOUSING | 087326-1 | 1 | |
| 9 | BOLT, 1/4-20 X 3/4" HEX HEAD | F05005-1 | 4 | |

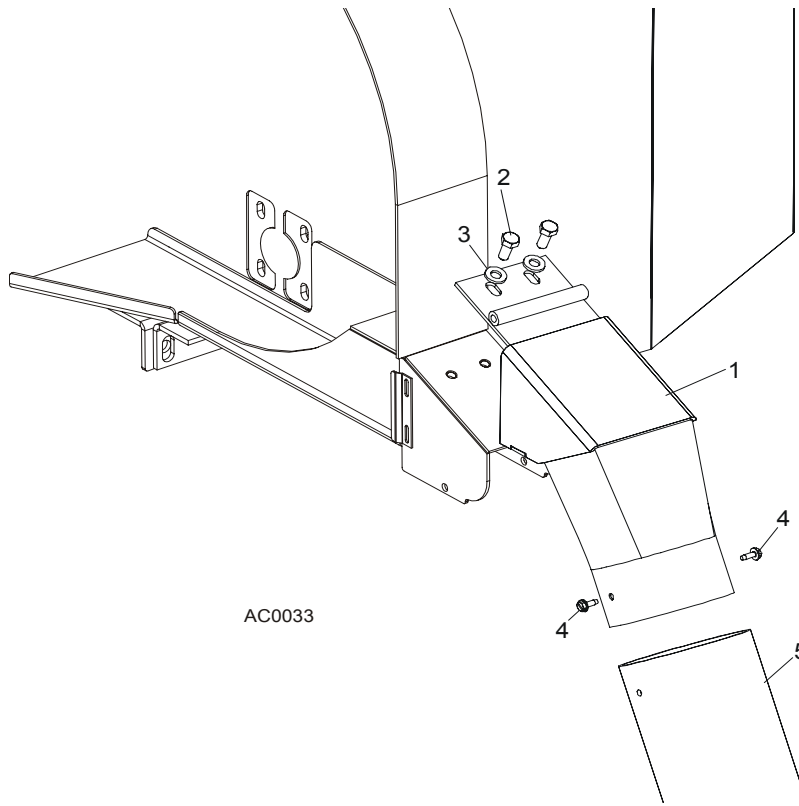
| | | | | |
|----|---------------------------------------|-----------|---|--|
| 10 | HINGE, MIDDLE BLADE HOUSING COVER | S07522 | 1 | |
| 11 | NUT, 1/4-20 SELF-LOCKING HEX | F05010-9 | 4 | |
| 12 | NUT, COVER TURN | 086365-1 | 2 | |
| 13 | PLATE, IDLE BLADE WHEEL GUARD | 086230 | 1 | |
| 14 | NUT, 5/16-18 HEX NYLON LOCK | F05010-58 | 6 | |
| 15 | BOLT, 5/16-18 X 3/4" HEX HEAD GRADE 2 | F05006-5 | 6 | |
| 16 | HINGE, MIDDLE BLADE HOUSING COVER | 085336-1 | 1 | |
| 17 | WASHER 6.4 ZINC | F81053-1 | 4 | |
| 18 | SWITCH ASSEMBLY, SAFETY SHUT-OFF | 094301 | 2 | |
| 19 | Safety Switch, AZ17-11ZRK | 094232 | 2 | |
| 20 | Bracket, Safety Switch Mount Painted | 094300-1 | 2 | |
| 21 | Key, AZ17/170-B5 Safety Switch | 094422 | 2 | |
| 22 | Bolt, M4 x 35-8.8 Socket Head | F81011-34 | 4 | |
| 23 | Screw, M4 x 12-5.8 | F81011-43 | 8 | |
| 24 | Nut, M4 Hex | F81029-1 | 8 | |
| 25 | Washer, M4 Split Lock Zinc | F81051-1 | 4 | |
| 26 | Washer, 4.3 | F81051-2 | 8 | |
| 27 | MOUNT WELDMENT E15,E20,E25 | 087736-1 | 1 | |

4.7 Drive Belt Covers



| REF | DESCRIPTION (◆ Indicates Parts Available In Assemblies Only) | PART # | QTY. |
|-----|--|-----------|------|
| 1 | GUARD, E15/E20/E25 BELT LOWER PAINTED | 087660-1 | 1 |
| 2 | WASHER, 6.5 SPECIAL FLAT ZINC | F81053-11 | 11 |
| 3 | BOLT, M6 X 20-8.8 HEX HEAD FULL THREAD ZINC | F81001-2 | 9 |
| 4 | GUARD WELDMENT, AC SAW HEAD UPPER PAINTED | 086621-1 | 1 |
| 5 | BOLT, M6 X 12-8.8 HEX HEAD FULL THREAD ZINC | F81001-7 | 2 |
| | GUARD, AC SIDE PAINTED COMPLETE (WITHOUT BRAKE) | 100621 | 1 |
| | GUARD, AC SIDE PAINTED COMPLETE (WITH BRAKE) | 100622 | 1 |
| 6 | GUARD, AC LOWER | 087525-1 | 1 |
| 7 | GUARD, AC SIDE PAINTED (WITHOUT BRAKE) | 086420-1 | 1 |
| | GUARD, AC SIDE PAINTED (WITH BRAKE) | 087333-1 | 1 |
| 8 | WASHER, 6.5 SPECIAL FLAT ZINC | F81053-11 | 5 |
| 9 | BOLT, M6 X 12-8.8 HEX HEAD FULL THREAD ZINC | F81001-7 | 5 |
| 10 | PLATE, CAP COMPLETE | 501393-1 | 1 |

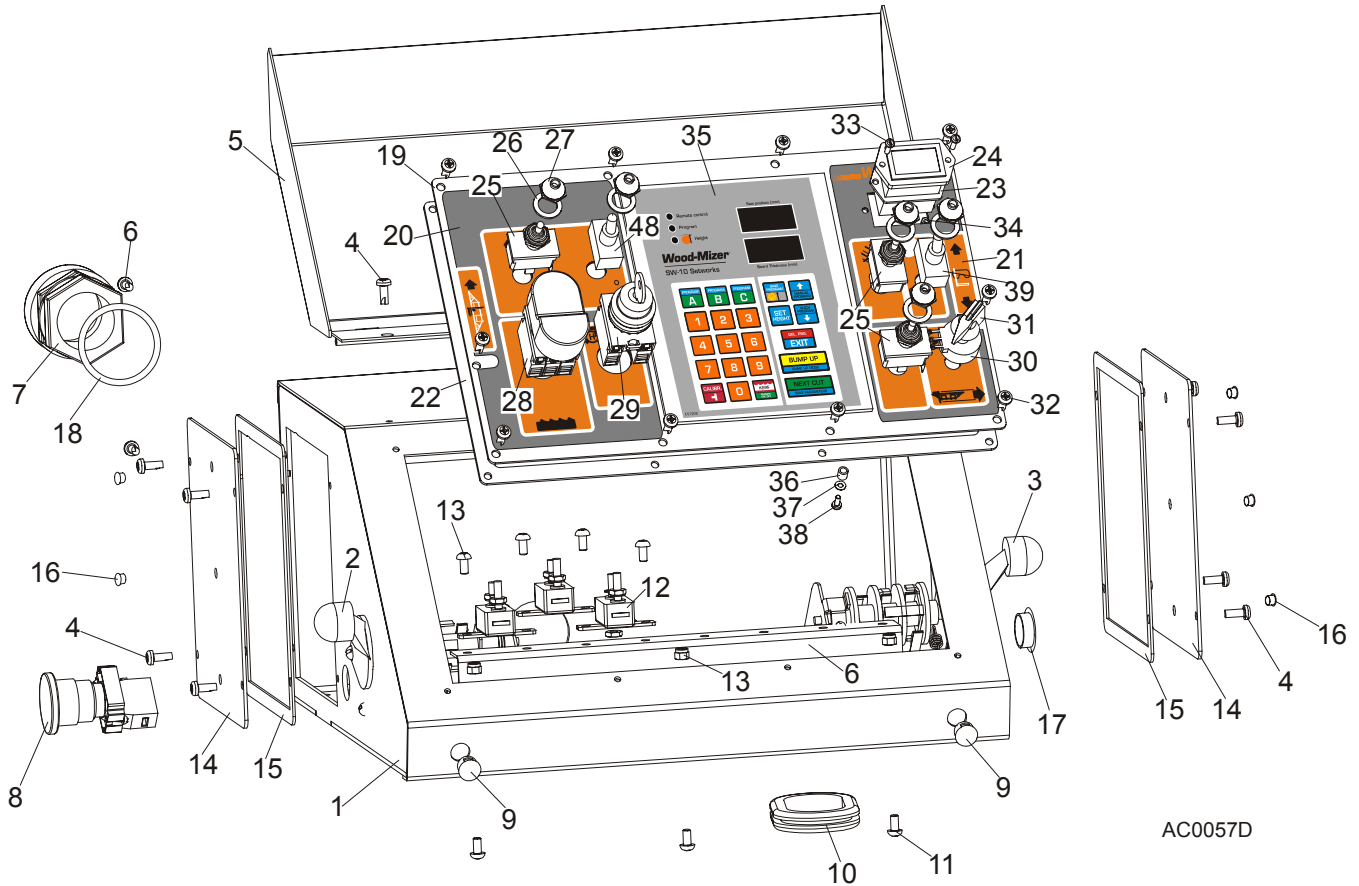
4.8 Sawdust Chute



| REF | DESCRIPTION (◆ Indicates Parts Available In Assemblies Only) | PART # | QTY. | |
|-----|--|-----------|-------|--|
| 1 | CHUTE , LT40 SAWDUST | 501500-1 | 1 | |
| 2 | BOLT, M8x16 | F81002-20 | 2 | |
| 3 | WASHER, 8.4 FLAT | F81054-1 | 2 | |
| 4 | BOLT, #10-24 X 1/2" SELF-TAPPING | F05015-7 | 2 | |
| 5 | TUBING, 4" I.D. RUBBER | 086364 | 0.6 m | |
| | STRAP, 20" RUBBER W/HOOK | P11668 | 1 | |
| | BOLT, 1/4-20 X 1 1/4" HEX HEAD FULL THREAD | F05005-3 | 1 | |
| | WASHER, 7.4 FLAT | F81056-11 | 1 | |
| | NUT, 1/4-20 LOCK | F05010-21 | 1 | |

SECTION 5 CONTROL & BATTERY BOXES

5.1 Control Assembly, LT40 Series AH



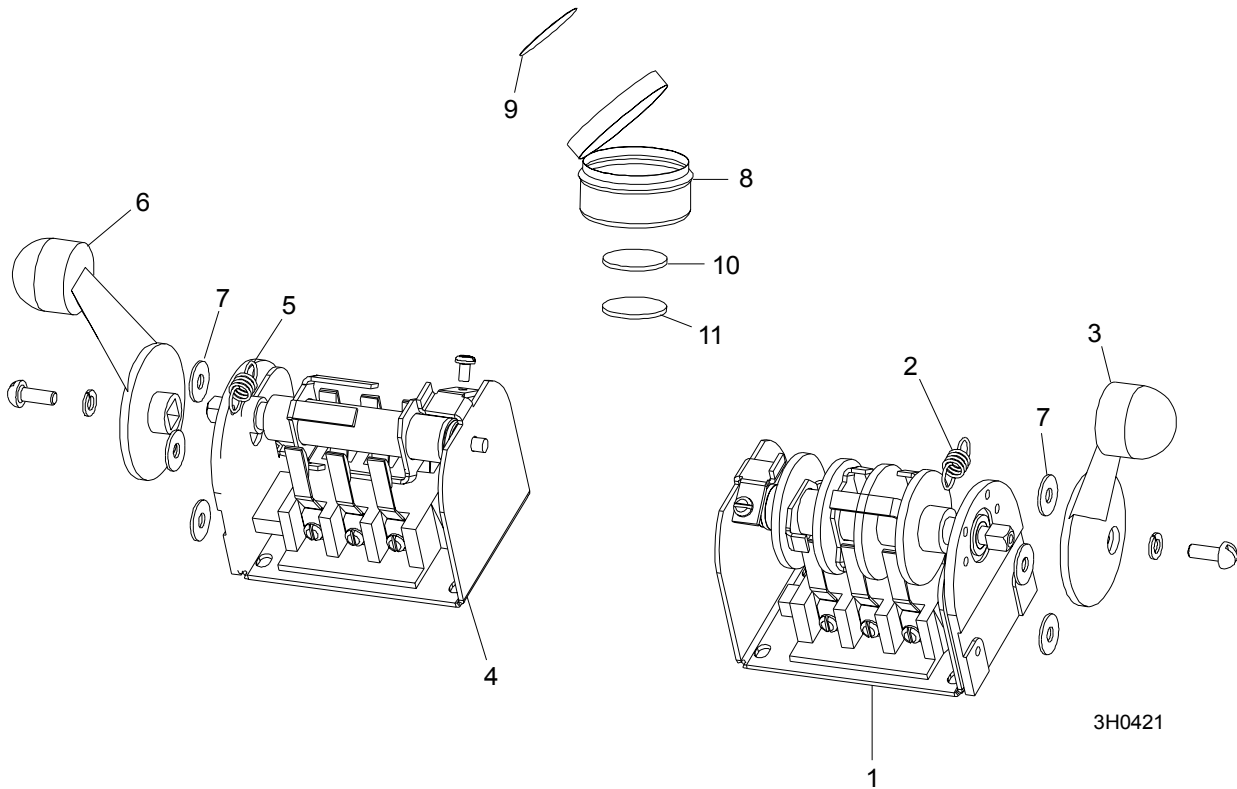
AC0057D

| REF | DESCRIPTION (◆ Indicates Parts Available In Assemblies Only) | PART # | QTY. |
|-----|--|-----------|------|
| | CONTROL BOX ASSEMBLY, LT40 AC | 098690 | 1 |
| 1 | Control Box, LT40AC | 099622-1 | 1 |
| 2 | Switch, 1992GS Pwr/Feed (Service Package) | E20438 | 1 |
| 3 | Switch, 1992 Up/Down (Service Package) | E20440 | 1 |
| 4 | Bolt, #10-24x1/2 Ph Pan Hd, Type 23 | F05015-17 | 12 |
| 5 | Cover Weldment, LT20/40 Complete | 097135-1 | 1 |
| 6 | Rail, Circuit Breaker | 015310 | 1 |
| 7 | Connector, 1 1/4 Straight Metal Conduit | 024402 | 1 |
| 8 | Switch, XB2 BS542 Emergency | 086556 | 1 |
| 9 | Switch, Speed Control | 086773 | 2 |
| 10 | Grommet, Rubber | 087065 | 1 |
| 11 | Screw, H M5x10 8.8 Zinc | F81000-13 | 7 |
| 12 | Breaker, 15A Manual Reset | E20430 | 3 |
| 13 | Nut, M5-8 Zinc | F81030-2 | 3 |
| | Cover, Control Box Side Complete | 086700 | 2 |
| 14 | Cover, Control Box Side | 086699-1 | 1 |
| 15 | Gasket, Control Box Side | 015274 | 1 |

| | | | | |
|----|---|-----------------------|----|--|
| 16 | Cap, SR1086 6.4 Dia. Hole | 099700 | 6 | |
| 17 | Cap, SR1086 22.2 Dia. Hole | 093544 | 1 | |
| 18 | Seal, 1 1/4 Ring LQTI w/Retainer | 015430 | 1 | |
| | Panel, LT40 AC Front Control Complete | 098689 | 1 | |
| 19 | Panel, LT20/40 AC Front Control | 100572-1 | 1 | |
| | Panel, LT40 AC Front Control | 098586-1 ¹ | 1 | |
| 20 | Decal, LT20/40 AC Control Box Left | 099594 | 1 | |
| 21 | Decal, LT40 DC Control Box Right | 099596 | 1 | |
| 22 | Gasket, LT20/40 Control Box | 097132 | 1 | |
| 23 | Gasket, Hour Meter | 093346 | 1 | |
| 24 | Meter, Hour | 093166 | 1 | |
| 25 | Switch, Toggle | 024000 | 3 | |
| 26 | Washer, 1/2x3/4x1/16 Nylon | P05251-1 | 5 | |
| 27 | Boot, Toggle Switch | P02575 | 5 | |
| 28 | Button, 24V Start/Stop | 090452 | 1 | |
| | Membrane M22-T-DD | 090462 | 1 | |
| 29 | Switch, M22 3-position Key | 091361 | 1 | |
| 30 | Potentiometer, 1k Feed Rate | E20519 | 1 | |
| 31 | Knob, Speed Control | P06257 | 1 | |
| 32 | Bolt, #10-24x1/2 Ph Pan Hd, Type 23 | F05015-17 | 10 | |
| 33 | Bolt, M3x12-8.8 Zinc | F81000-12 | 2 | |
| 34 | Nut, M3-6 Nylon Zinc Lock | F81028-2 | 2 | |
| 35 | Controller, SW-10 Setworks | 500628 | 1 | |
| 36 | Spacer, 4.2x6mm Idler | R80671-4 | 6 | |
| 37 | Washer, 3.2 Flat Zinc | F81050-2 | 6 | |
| 38 | Screw, M3x8-4.8 Zinc | F81000-83 | 6 | |
| 39 | Switch, SPST On/Off 15A .25 TABS Toggle | P03027 | 2 | |

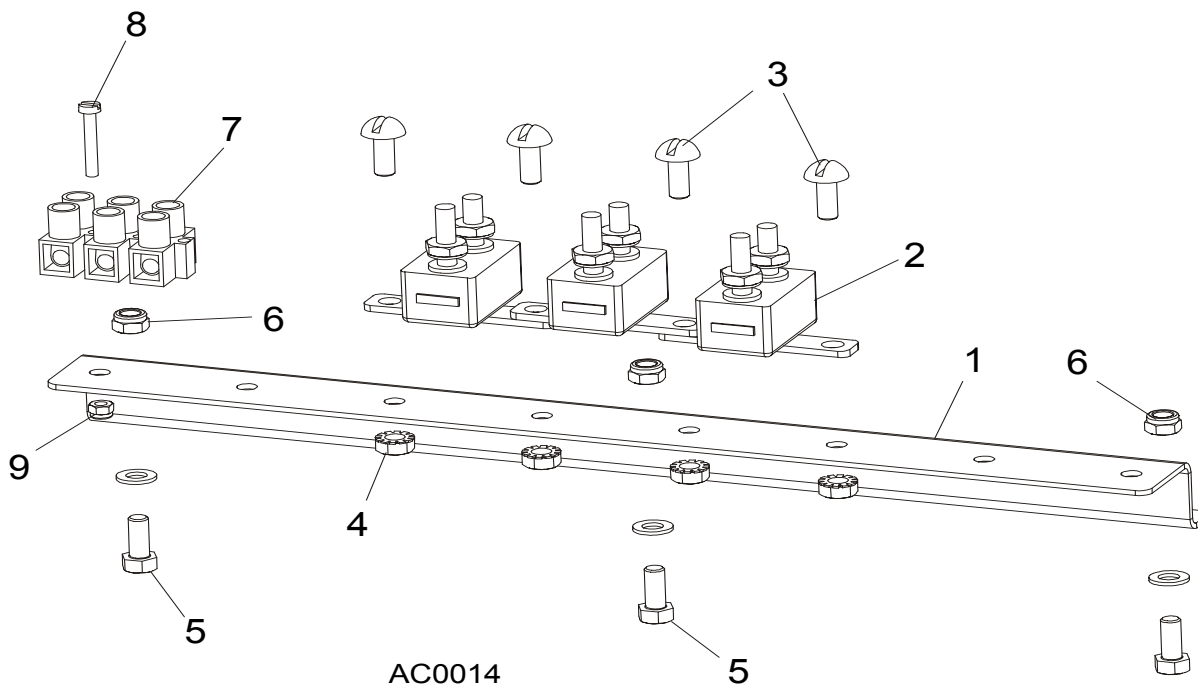
¹ Use in African version only.

5.2 Drum Switches



| REF | DESCRIPTION (◆ Indicates Parts Available In Assemblies Only) | PART # | QTY. | |
|-----|--|-----------|--------|---|
| | SWITCH ASSEMBLY, UP/DOWN DRUM | E20440 | 1 | |
| 1 | Switch, S12 Bulk Drum | E20440-B | 1 | ◆ |
| 2 | Spring, Drum Switch | P12570 | 1 | |
| 3 | Handle, Drum Switch Replacement | P12500 | 1 | |
| | SWITCH ASSEMBLY, POWER FEED DRUM | E20438 | 1 | |
| 4 | Switch, S10 Bulk Drum | E20438-B | 1 | ◆ |
| 5 | Spring, Drum Switch | P12570 | 1 | |
| 6 | Handle, Drum Switch Replacement | P12500 | 1 | |
| 7 | WASHER, #8 SAE FLAT | F05011-41 | 6 | |
| | CUP ASSEMBLY, DRUM SWITCH GREASE | A20463 | 1 | |
| 8 | Cup, Plastic Container | P20464 | 1 | ◆ |
| 9 | Decal, Grease Cup Label | P20467 | 1 | |
| 10 | Pad, Velcro Loop | P20466 | 1 | ◆ |
| 11 | Pad, Velcro Hook | P20465 | 1 | ◆ |
| | Grease, High Temp Drum Switch | P20468 | .011ml | ◆ |

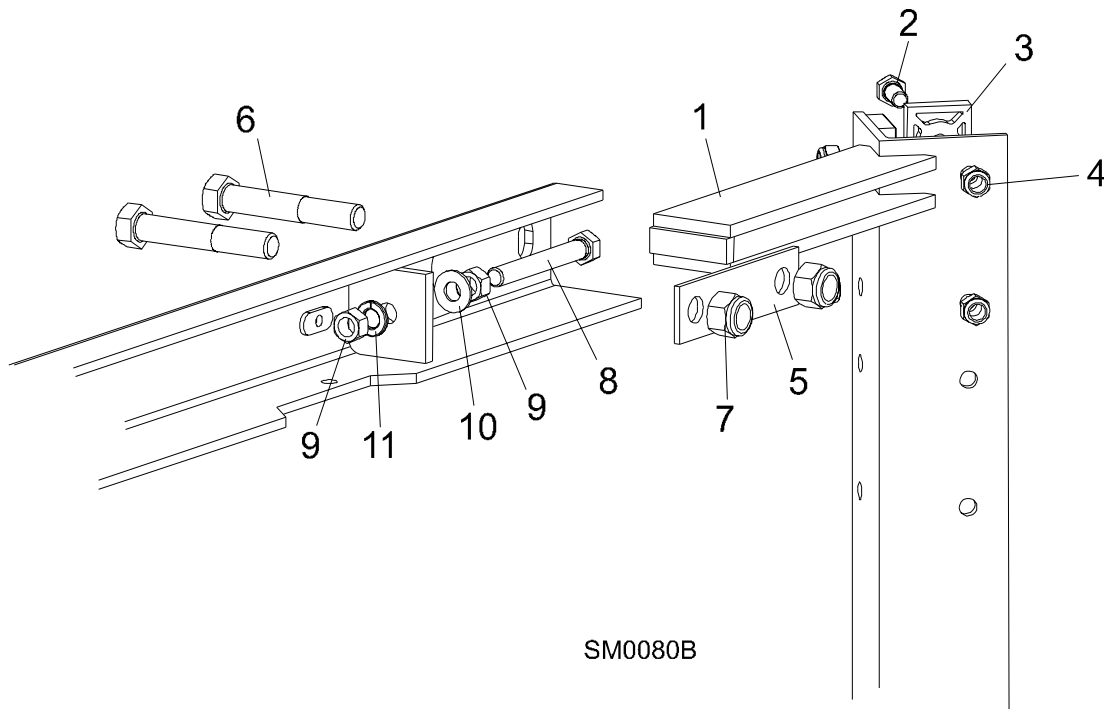
5.3 Circuit Breakers



| REF | DESCRIPTION (◆ Indicates Parts Available In Assemblies Only) | PART # | QTY. |
|-----|--|-----------|------|
| 1 | RAIL, CIRCUIT BREAKER | 015310 | 1 |
| 2 | BREAKER, 15 AMP MANUAL RESET | E20430 | 5 |
| 3 | SCREW, H M5X10 8.8 ZINC | F81000-13 | 4 |
| 4 | NUT, M5-8 ZINC HEX SELF-LOCKING | F81030-2 | 4 |
| 5 | SCREW, M5X12-5.8 ZINC | F81000-5 | 3 |
| 6 | NUT, M5-8 ZINC HEX SELF-LOCKING | F81030-2 | 3 |
| 7 | STRIP, ELECTRIC WIRE | F81086-1 | 1 |
| 8 | SCREW, M3 X 20-5.8 | F81000-8 | 1 |
| 9 | NUT, M3 | F81028-2 | 1 |

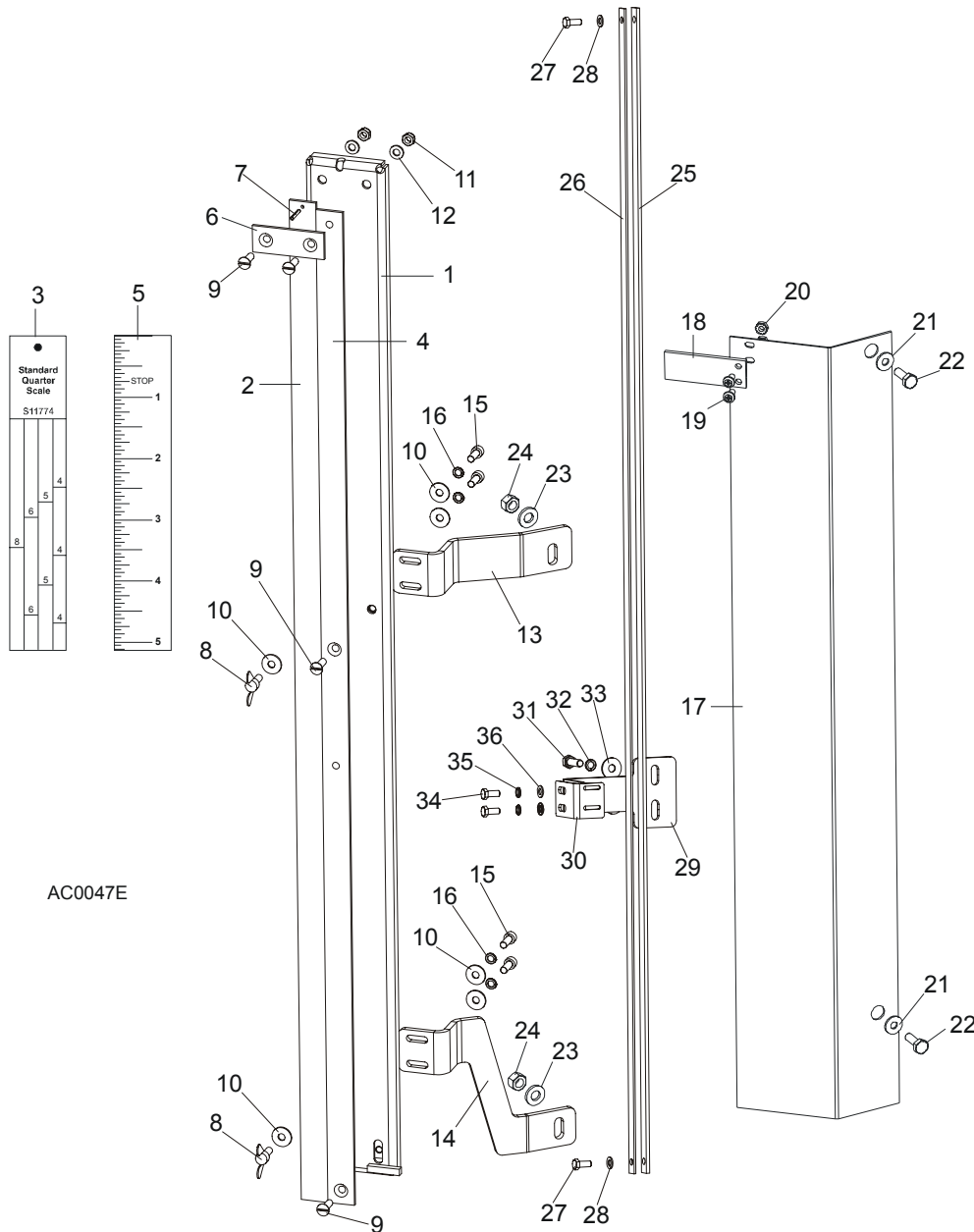
SECTION 6 UP/DOWN SYSTEM

6.1 Saw Head V-Brace Mount



| REF | DESCRIPTION (◆ Indicates Parts Available In Assemblies Only) | PART # | QTY. |
|-----|--|-----------|------|
| 1 | V-BRACE, SAW HEAD MOUNT | 086308 | 1 |
| 2 | BOLT, 5/16-18 X 3/4" HEX HEAD GRADE 5 | F05006-5 | 19 |
| | BOLT, 5/16-18 X 1 1/4" HEX HEAD FULL THREAD | F05006-18 | 5 |
| 3 | PAD, PLASTIC SLIDE | M04096 | 12 |
| 4 | NUT, 5/16-18 NYLON LOCK | F05010-58 | 19 |
| | NUT, 5/16-18 HEX | F05010-17 | 5 |
| 5 | PLATE, V-BRACE WASHER | 091247 | 4 |
| 6 | BOLT, M12 X 40 - 8.8 HEX HEAD | F81004-1 | 4 |
| 7 | NUT, M12 - 8 NYLON LOCK | F81034-2 | 4 |
| 8 | BOLT, 3/8-16 X 3" FULL THREAD | F05007-1 | 2 |
| 9 | NUT, 3/8-16 HEX | F05010-1 | 4 |
| 10 | WASHER, 10.5 FLAT | F81055-1 | 2 |
| 11 | WASHER, 10.2 SPLIT LOCK | F81055-2 | 2 |

6.2 Blade Height Scale

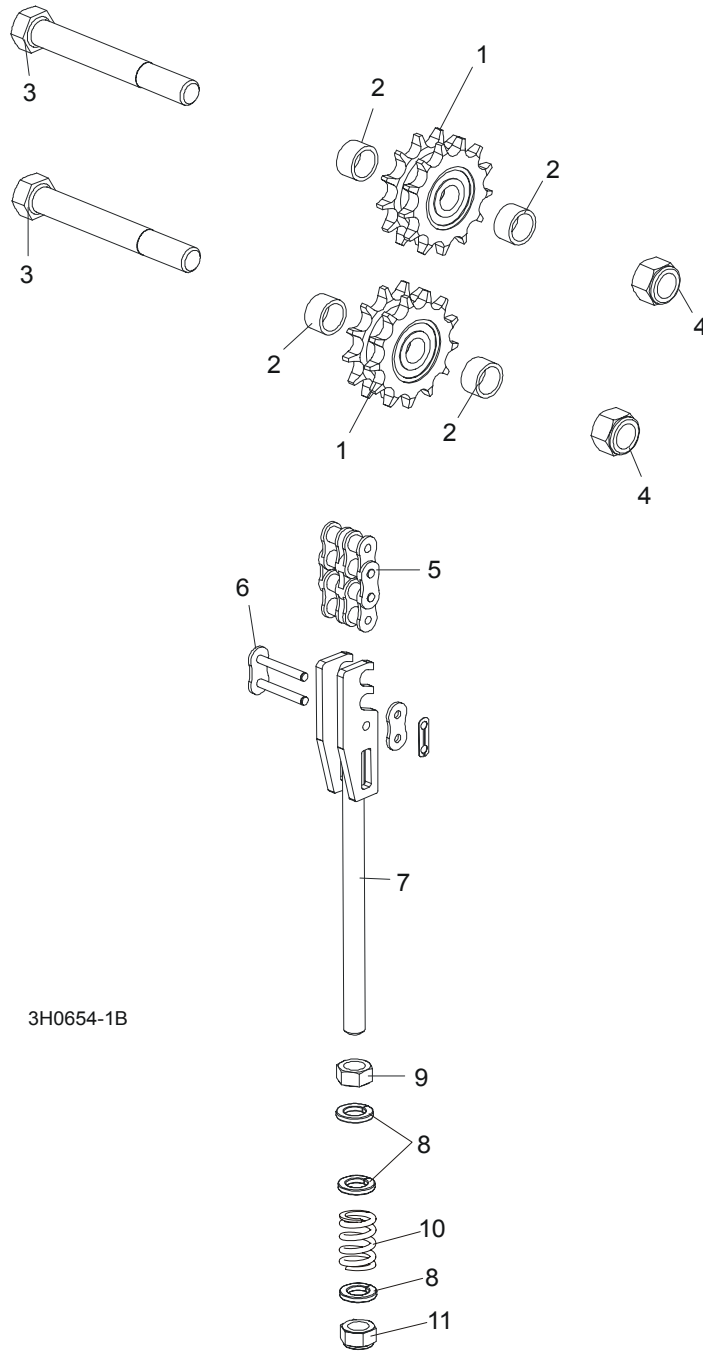


AC0047E

| REF | DESCRIPTION (◆ Indicates Parts Available In Assemblies Only) | PART # | QTY. |
|-----|--|-----------|------|
| | SCALE, BLADE HEIGHT W/SCANNER | 098882 | 1 |
| 1 | Bracket, Scale Mounting | 098890-1 | 1 |
| 2 | Scale, 35" Quarter | 093342 | 1 |
| 3 | Decal, 35" Standard Quarter Scale | 090716 | 1 |
| | Decal, 35" Grade Hardwood Quarter Scale | 090717 | 1 |
| 4 | Scale, 35" Inch | 093341 | 1 |
| 5 | Decal, 35" Inch | 090709 | 1 |
| 6 | Strap, Scale Hold-Down | 093134 | 1 |
| 7 | Pin, 3x20 Roll | F81044-5 | 1 |
| 8 | Screw, M6x16 Wing | F81001-16 | 2 |
| 9 | Screw, M6x20- 4.8-B | F81001-31 | 4 |

| | | | | |
|----|---|-----------|---|---|
| 10 | Washer, 6.5 Flat | F81053-11 | 7 | |
| 11 | Nut, M6, Hex, Nylon Lock Zinc | F81031-2 | 2 | |
| 12 | Washer, M6, Flat, Zinc | F81053-1 | 2 | |
| 13 | Bracket, Scale Upper | 098880-1 | 1 | |
| 14 | Bracket, Scale Lower | 098881-1 | 1 | |
| 15 | Bolt, M6x16-8.8 Socket Head | F81001-21 | 4 | |
| 16 | Washer, M6 Split Lock Zinc | F81053-3 | 4 | |
| | Pointer Assembly, Fixed Scale | A12023 | 1 | |
| 17 | Bracket, Fixed Scale Pointer Mount | 087044-1 | 1 | ◆ |
| 18 | Indicator, Blade Height Scale | 094821 | 1 | |
| 19 | Screw, M4x12 -5,8-B- Fe/Zn5 | F81011-43 | 2 | |
| 20 | Nut, M4-B Fe/Zn5 | F81029-1 | 2 | |
| 21 | Washer, 6.5 Flat | F81053-11 | 2 | |
| 22 | Bolt, M6x12-8.8-Zinc | F81001-7 | 2 | |
| 23 | Washer, 8.4 Flat | F81054-1 | 2 | |
| 24 | Nut, M8-8-B Hex Lock | F81032-2 | 2 | |
| | MAGNETIC STRIP ASSY | 097774 | 1 | |
| | Bar with Magnetic Strip | 098173-1 | 1 | |
| 25 | Magnetic Strip MB320 (1m) | 096014-1 | 1 | |
| 26 | Bar, Magnetic Strip | 098173 | 1 | |
| 27 | Bolt, M5 X 12-5.8-Fe/Zn5 | F81000-5 | 2 | |
| 28 | Washer, M5, Flat zinc | F81052-1 | 2 | |
| | BRACKET, SENSOR COMPLETE | 100620 | 1 | |
| 29 | Bracket, Sensor | 100599-1 | 1 | |
| 30 | Bracket, Sensor | 100619-1 | 1 | |
| 31 | Bolt, M6x20-8.8 Hex Head Full Thread Zinc | F81001-2 | 2 | |
| 32 | Washer, Z6.1 Split Lock Zinc | F81053-3 | 2 | |
| 33 | Washer, 6.5 Flat Zinc | F81053-11 | 2 | |
| 34 | Bolt, M5 X 12-5.8-Fe/Zn5, PN-M/82105 | F81000-5 | 2 | |
| 35 | Washer, 5.1 Split Lock Zinc | F81052-2 | 2 | |
| 36 | Washer, 5.3 Flat Zinc | F81052-1 | 2 | |
| | DECAL KIT, METRIC SCALE | K12064 | 1 | |
| | Decal, Metric | S11711 | 1 | |
| | Decal, Metric 16-40mm | P12040-1 | 1 | |
| | Decal, Metric 45-63mm | P12040-2 | 1 | |

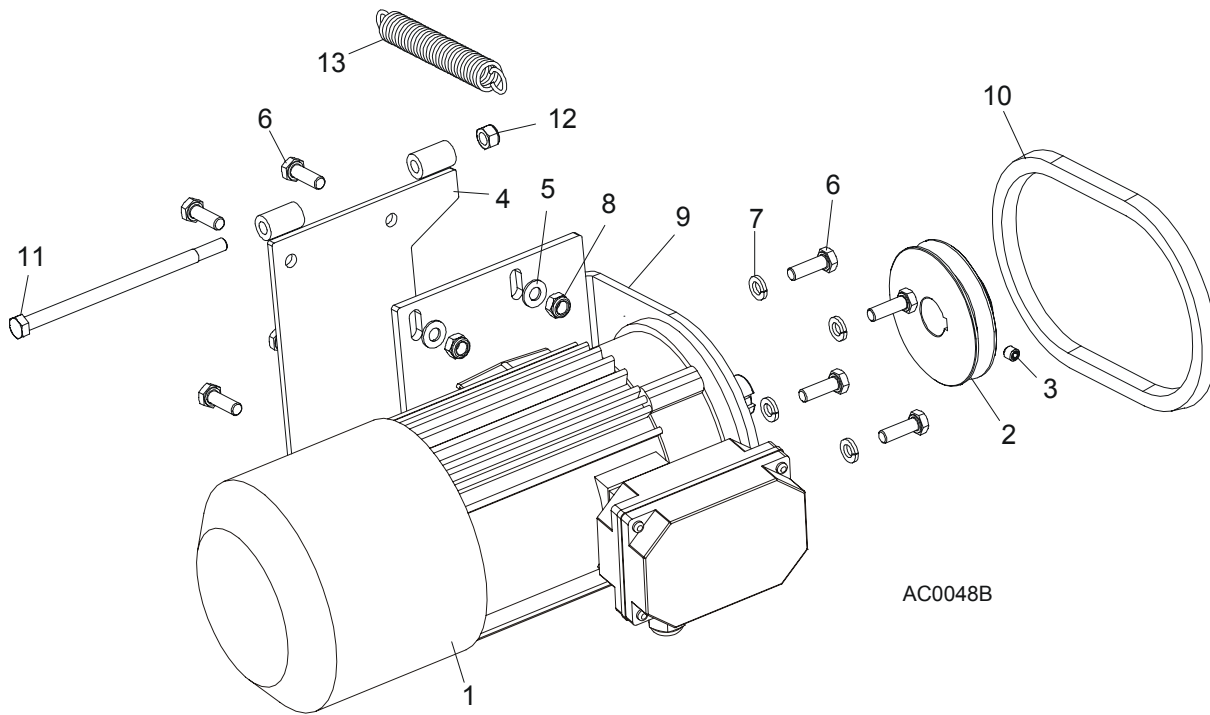
6.3 Up/Down Chain & Sprockets



| REF | DESCRIPTION (◆ Indicates Parts Available In Assemblies Only) | PART # | QTY. |
|-----|--|------------|------|
| | SPROCKET KIT, UP/DOWN IDLER #50-2 | 016020 | 1 |
| 1 | Sprocket, Up/Down Idler '98 | 016019 | 2 |
| 2 | Washer, Sprocket Spacer | 095927-1 | 4 |
| | Instruction Sheet, Up/Down Idler Retrofit | 016020-541 | 1 |
| 3 | BOLT, 5/8-11 X 5" HEX HEAD GRADE 2 | F05009-6 | 2 |
| 4 | NUT, 5/8-11 HEX NYLON LOCK | F05010-34 | 2 |
| 5 | CHAIN, #50-2 X 75.625" UP/DOWN | 015259 | 1 |
| 6 | LINK, #50-2 MASTER | 015258 | 2 |
| | TENSIONER ASSEMBLY, UP/DOWN CHAIN | 094283 | 1 |

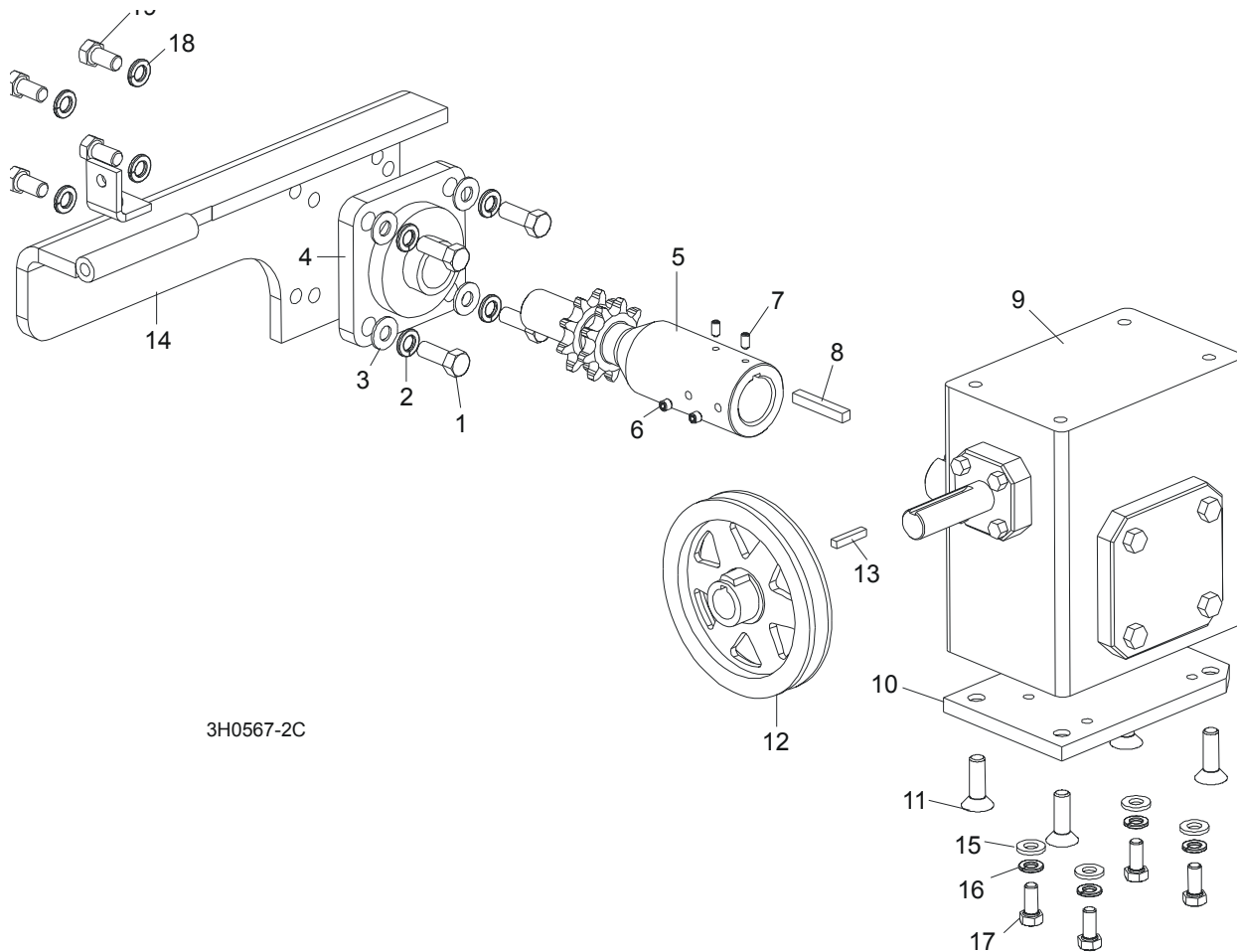
| | | | | |
|-----------|--------------------------------------|----------|---|---|
| 7 | Bracket, Up/Down Chain Tensioner | 094281-1 | 1 | ◆ |
| 8 | Washer, M12, Flat, Zinc | F81056-1 | 3 | |
| 9 | Nut, M12-8-B Hex | F81034-1 | 1 | |
| 10 | Spring, 14x30x3.2 | 090797 | 1 | |
| 11 | Nut, M12, Hexagon, Nylon, Zinc, Lock | F81034-2 | 1 | |

6.4 Up/Down Motor Assembly, LT40 Series AH



| REF | DESCRIPTION (◆ Indicates Parts Available In Assemblies Only) | PART # | QTY. |
|-----|--|-----------|------|
| | UP/DOWN MOTOR ASSEMBLY, LT40AC | 093023 | 1 |
| 1 | Motor, SKh90-4S2 HPS 1,1kW, 1380obr./min 400V (w/brake) | 098901 | 1 |
| 2 | Pulley, AC Up/Down Motor Painted | 086378-1 | 1 |
| 3 | Screw, M8 x 8-33H Hex Socket Set Flat Point Zinc | F81014-1 | 1 |
| 4 | Bracket Wdmt, Up/Down Motor | 095738-1 | 1 |
| 5 | Washer, 8.4 Split Lock | F81054-1 | 4 |
| 6 | Bolt, M8 x 25 8.8 B Hex Head | F81002-4 | 8 |
| 7 | Washer, 8.2 Split Lock | F81054-4 | 4 |
| 8 | Nut, M8 8 B Hex | F81032-2 | 4 |
| 9 | Bracket, AC Up/Down Motor Mount | 086376-1 | 1 |
| 10 | BELT, AX23 | 015257 | 1 |
| 11 | BOLT, M8X160-8.8-B ZINC | F81002-22 | 1 |
| 12 | NUT, M8-8-B NYLON LOCK HEX ZINC | F81032-2 | 1 |
| 13 | SPRING, 3/4x 5x.095 EXTENSION | 015569 | 1 |

6.5 Up/Down Drive Assembly



3H0567-2C

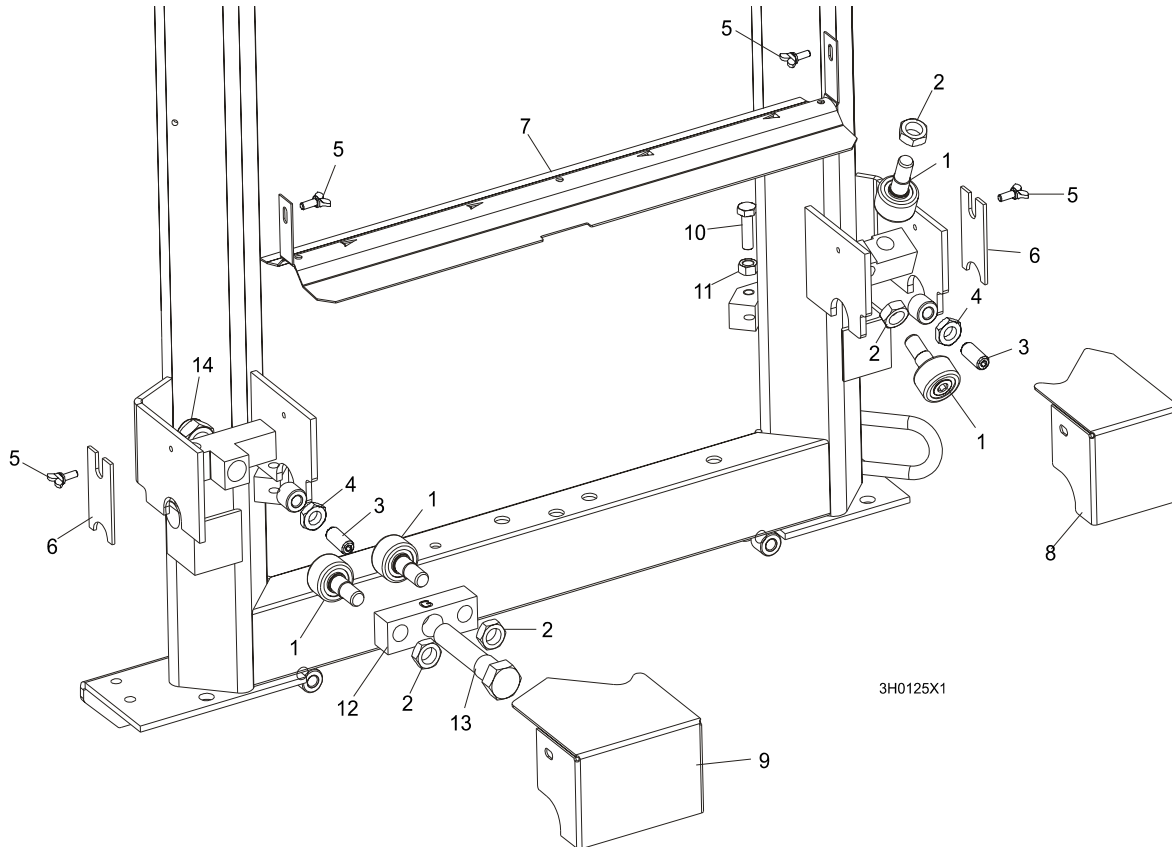
| REF | DESCRIPTION (◆ Indicates Parts Available In Assemblies Only) | PART # | QTY. |
|-----|--|------------|------|
| | UP/DOWN DRIVE ASSEMBLY | 092817 | 1 |
| 1 | Bolt, 3/8-16 x 1" Hex Head | F05007-7 | 4 |
| 2 | Washer, 10.2 Split Lock | F81055-2 | 4 |
| 3 | Washer, 10.5 Flat | F81055-1 | 4 |
| 4 | Bearing, Flanged Up/Down | 014090 | 1 |
| 5 | Shaft, Up/Down Sprocket | 092816-1 | 1 |
| 6 | Screw, M8 x 8-33H | F81014-1 | 2 |
| 7 | Key, 1/4" Square x 1 11/16" Long | S04124 | 1 |
| 8 | Spacer, Up/Down Shaft | 016032 | 1 |
| 9 | Reducer, Gear Box | 014074 | 1 |
| 10 | Plate, Gear Box Spacer | 095894-1 | 1 |
| 11 | Bolt, 3/8-16 x 1" Flat Socket Head | F05007-110 | 4 |
| 12 | Pulley, Up/Down | 015256 | 1 |
| 13 | Key, 3/16" Square x 1" Long | S31027 | 1 |
| 14 | Bracket Wdmt, Up/Down Bearing | 095893-1 | 1 |
| 15 | WASHER, 8.4 FLAT | F81054-1 | 4 |
| 16 | WASHER, 8.2 SPLIT LOCK | F81054-4 | 4 |
| 17 | BOLT, 5/16-18 X 1" HEX HEAD | F05006-5 | 4 |

6**Up/Down System***Up/Down Drive Assembly*

| | | | | |
|----|--|-----------|---|--|
| 18 | WASHER, 10.2 SPLIT LOCK | F81055-2 | 4 | |
| 19 | BOLT, 3/8-16 X 3/4" HEX HEAD | F05007-27 | 4 | |
| | OIL, 8 OZ. MOBIL SHC634 BOTTLED SYNTHETIC GEAR | L04869-4 | 1 | |

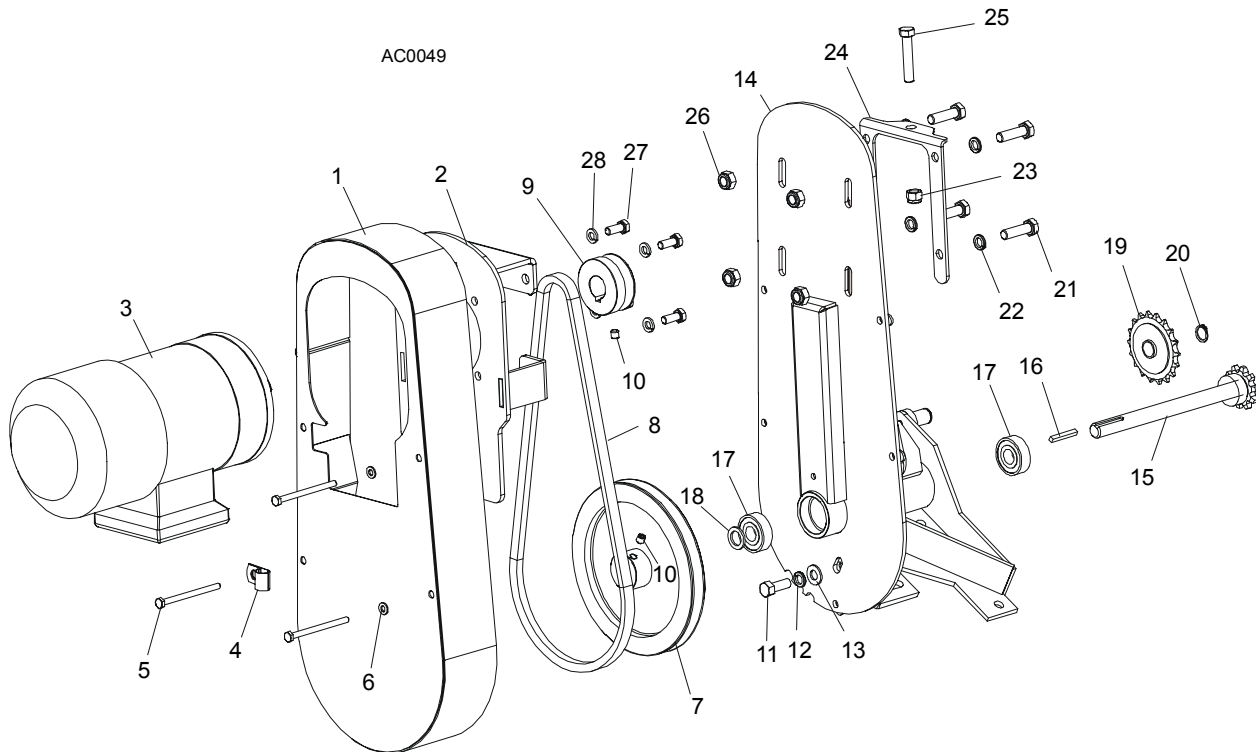
SECTION 7 POWER FEED & TRACK ROLLERS

7.1 Upper Track Rollers And Wipers



| REF | DESCRIPTION (◆ Indicates Parts Available In Assemblies Only) | PART # | QTY. |
|-----|--|-----------|------|
| 1 | ROLLER, TRACK CAM BEARING | P12843 | 4 |
| 2 | NUT, 5/8-18 HEX JAM | F05010-11 | 4 |
| 3 | SCREW, M12 X 30 OVAL POINT SET | F81004-14 | 2 |
| 4 | NUT, M12-8-B HEX JAM | F81034-1 | 2 |
| 5 | SCREW, M6 X 16 THUMB | F81001-16 | 4 |
| 6 | WIPER, PLASTIC TRACK | M04113 | 2 |
| 7 | COVER, LT40/70 MIDDLE TRACK - SERVICE | 092868-S | 1 |
| | Cover, LT40/70 Middle Track Ptd | 092868-1 | 1 |
| | Strip, 3/16 X 2 X 23 Felt | S09915 | 1 |
| 8 | HOUSING, UPPER TRACK ROLLER REAR | 086913-1 | 1 |
| 9 | HOUSING, UPPER TRACK ROLLER FRONT | 086914-1 | 1 |
| 10 | BOLT, M10 X 35-8.8 HEX HEAD | F81003-17 | 2 |
| 11 | NUT, M10-8 HEX JAM | F81033-3 | 2 |
| 12 | BRACKET, UPPER TRACK ROLLER | 086859-1 | 1 |
| 13 | BOLT, HEX HEAD | 086911 | 1 |
| 14 | NUT, M20-8 HEX | F81037-2 | 1 |

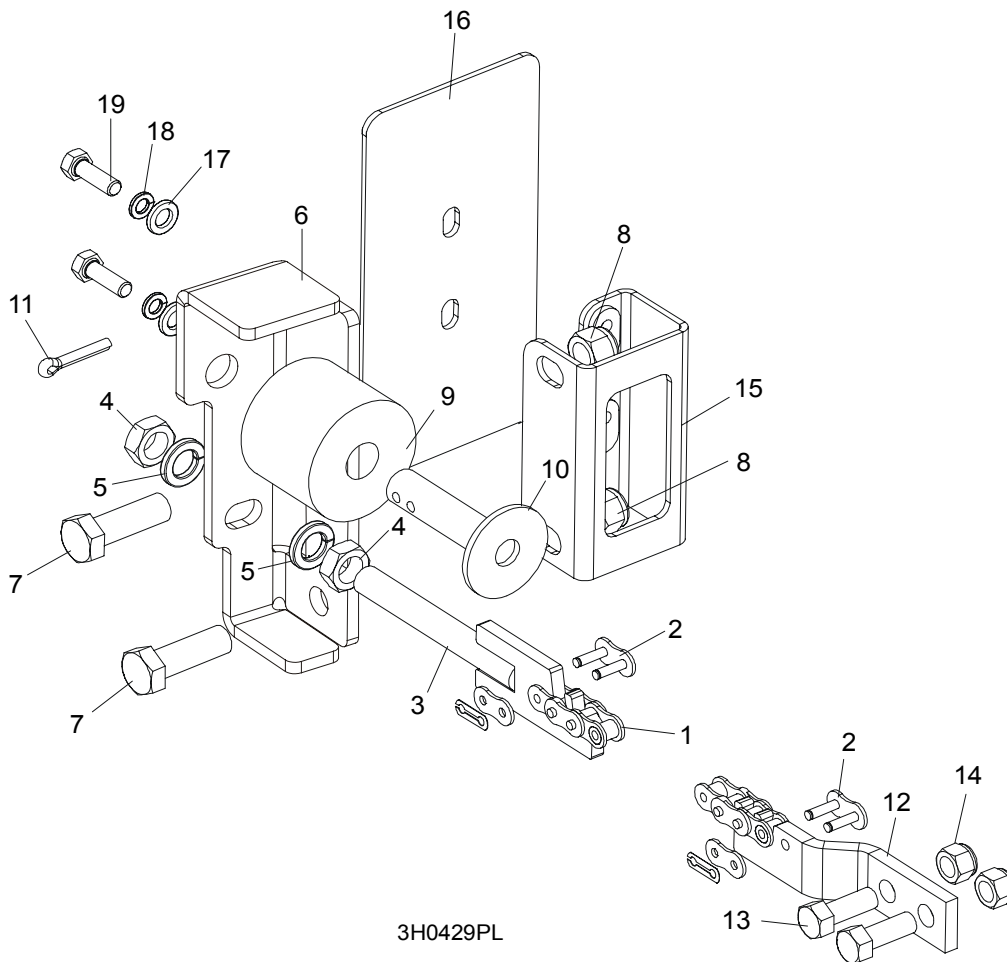
7.2 Power Feed Assembly, LT40 Series AH



| REF | DESCRIPTION (◆ Indicates Parts Available In Assemblies Only) | PART # | QTY. |
|-----|--|-----------|------|
| | POWER FEED ASSEMBLY, AC SUPER | 086522 | 1 |
| 1 | Cover Weldment, Top Power Feed | 015128 | 1 |
| 2 | Plate, Power Feed Motor | 086390 | 1 |
| 3 | Motor, 1100 W Power Feed Painted, AC Super | 086530 | 1 |
| 4 | Clamp, 1/2" EMT Coated | P07584 | 1 |
| 5 | Bolt, M6 x 80 5.8 Hex Head Grade | F81001-61 | 4 |
| 6 | Washer, 6.4 Flat | F81053-1 | 4 |
| 7 | Sheave, Power Feed | 086410-1 | 1 |
| 8 | Belt, Power Feed | 086532 | 1 |
| 9 | Sheave, Feed Motor | 086388-1 | 1 |
| 10 | Screw, M8 X 8-33H Hex Socket Set Flat Point Zinc | F81014-1 | 2 |
| 11 | Bolt, 3/8-16 x 1" Hex Head | F05007-7 | 1 |
| 12 | Washer, 3/8" Split Lock | F05011-4 | 5 |
| 13 | Washer, 3/8" Flat | F05011-3 | 5 |
| 14 | Bracket, Power Feed Mount | 015162 | 1 |
| 15 | Shaft Weldment, Power Feed | 015129 | 1 |
| 16 | Key, 3/16" Square x 1 3/8" Long | 016108 | 1 |
| 17 | Bearing, 6203-2RSP6-5/8 CX | 095087 | 2 |
| 18 | Washer, 5/8" x 15/16" x .094" Nylon | F05011-19 | 1 |
| 19 | Sprocket, 40 Idler 18T 5/8" ID | P04333 | 1 |
| 20 | Ring, Z15 | F81090-2 | 1 |
| 21 | Bolt, M10x35-8.8 Hex Head Full Thread Zinc | F81003-17 | 4 |
| 22 | Washer, 10.2 Split Lock Zinc | F81055-2 | 1 |
| 23 | Nut, 3/8-16 Hex Nylon Lock | F05010-10 | 1 |

| | | | | |
|-----------|---|-----------|---|--|
| 24 | Bracket, Power Feed Mount | 015162-1 | 1 | |
| 25 | Bolt, 3/8-16 x 2" Hex Head Full Thread Zinc | F05007-16 | 1 | |
| 26 | Nut, M10-8-B Hex Nylon Zinc Lock | F81033-1 | 1 | |
| 27 | Bolt, M8x20-8.8-B Hex Head Full Thread Zinc | F81002-4 | 4 | |
| 28 | Washer, 8.2 Split Lock Zinc | F81054-4 | 4 | |

7.3 Feed Chain/Stop

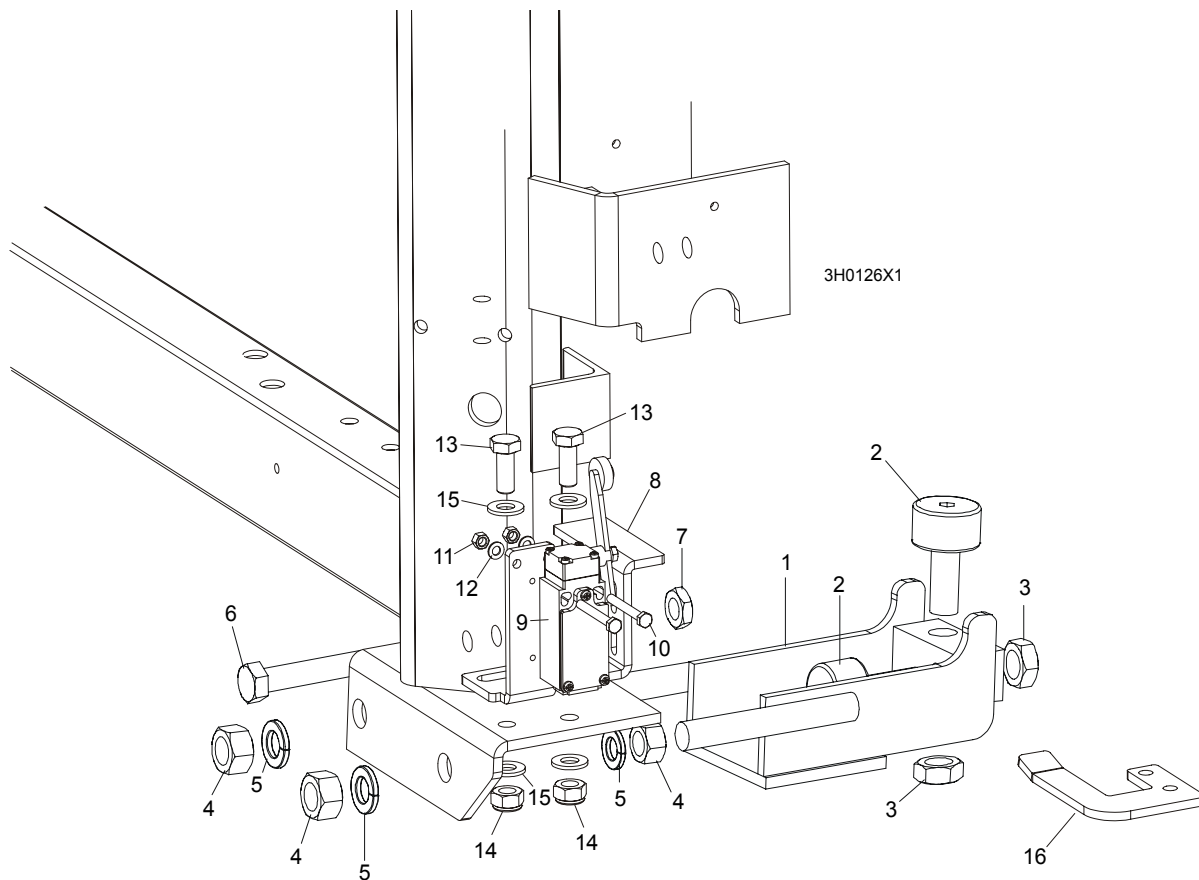


3H0429PL

| REF | DESCRIPTION (◆ Indicates Parts Available In Assemblies Only) | PART # | QTY. |
|-----|--|--------------------------|------|
| | CHAIN KIT, LT30 FEED | K10408 | 1 |
| | CHAIN KIT, LT40 FEED | K10410 | 1 |
| 1 | Chain, #40 X 215" LT30 Feed | 014744 | 1 |
| | Chain, #40 X 267.5" LT40 Feed | 014475 | 1 |
| 2 | Link, #40 Master | P04200 | 2 |
| 3 | Tensioner Weldment, Power Feed Chain | 086818-1 | 1 |
| 4 | Nut, M12-5 Hex Jam | F81034-4 | 2 |
| 5 | Washer, 12.2 Split Lock | F81056-2 | 2 |
| 6 | BRACKET, FEED CHAIN REAR MOUNT | 087628-1 | 1 |
| 7 | BOLT, M12 X 40 8.8 HEX HEAD GRADE 5 | F81004-4 | 2 |
| 8 | NUT, M12-8 HEX NYLON LOCK | F81034-2 | 2 |
| | STOP KIT, RUBBER CARRIAGE | K09630 | 2 |
| 9 | Stop, Rubber Carriage | P12165 | 1 |
| 10 | Pin, Rubber Carriage Stop | W09293 | 1 |
| 11 | Pin, 3/16" X 1" Cotter | F05012-21 | 1 |
| 12 | BRACKET, FRONT FEED CHAIN MOUNT | 095733-1 | 1 |
| 13 | BOLT, 3/8-16 X 1" HEX HEAD | F05007-7 | 2 |
| 14 | NUT, 3/8-16 HEX NYLON LOCK | F05010-10 | 2 |
| 15 | BRACKET WELDMENT, REAR MAIN TUBE COVER MOUNT | 087105-1 | 1 |

| | | | | |
|----|-----------------------------|----------|---|--|
| 16 | COVER, REAR MAIN TUBE | 015023 | 1 | |
| 17 | WASHER, 8.4 FLAT | F81054-1 | 2 | |
| 18 | WASHER, 8.2 SPLIT LOCK | F81054-4 | 2 | |
| 19 | BOLT, 5/16-18 X 1" HEX HEAD | F05006-1 | 2 | |

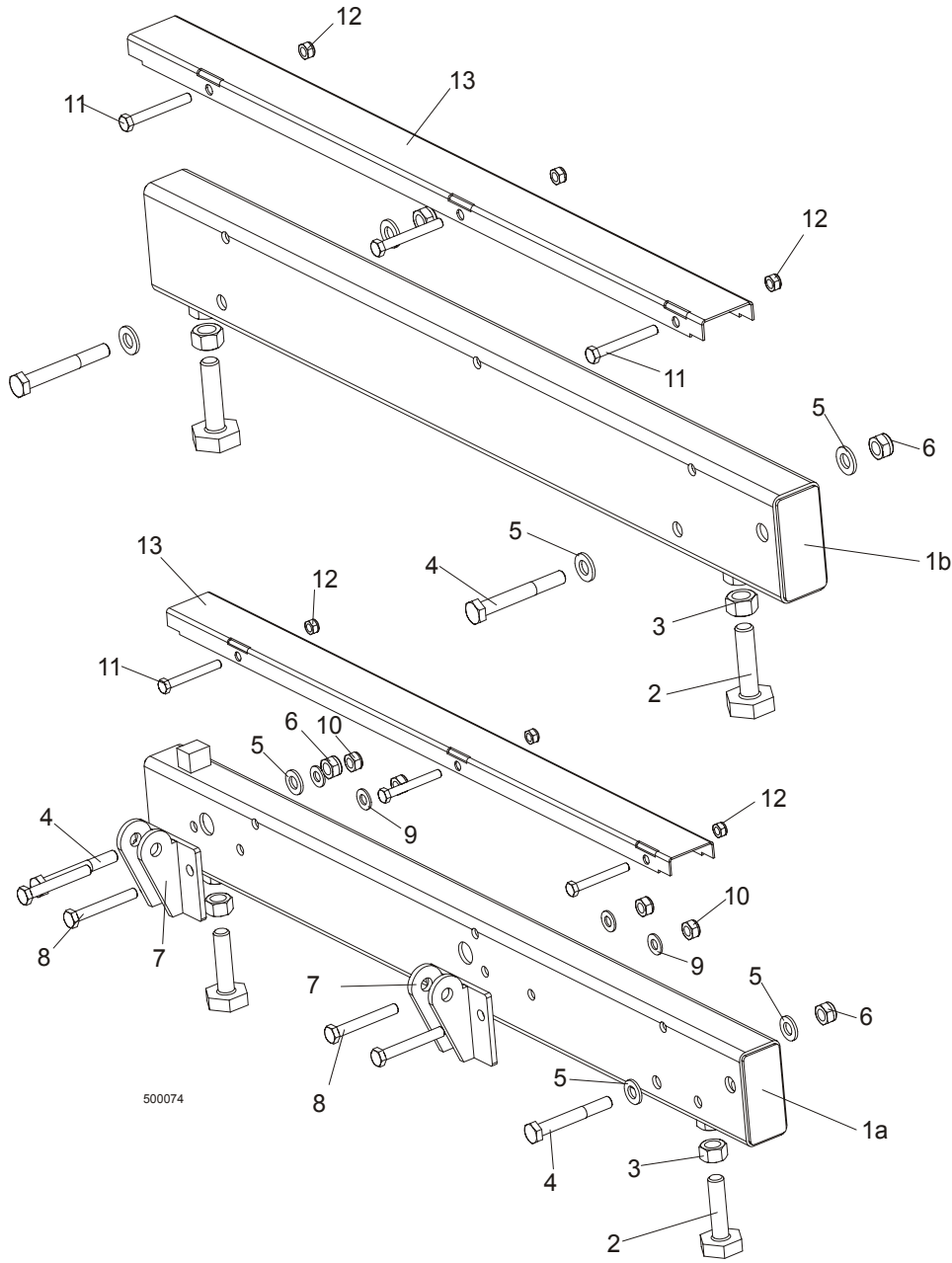
7.4 Lower Track Rollers



| REF | DESCRIPTION (◆ Indicates Parts Available In Assemblies Only) | PART # | QTY. |
|-----|--|------------|------|
| | ROLLER ASSEMBLY, LOWER TRACK | 098741 | 2 |
| 1 | Bracket, Lower Track Roller Mounting | 098740-1 | 1 |
| 2 | Roller, Track Cam Bearing (McGill) | 012797 | 2 |
| 3 | Nut, 5/8-18 Hex Jam | F05010-11 | 2 |
| 4 | Nut, M16, Hexagon, Grade 5.8 Plain | F81036-1 | 4 |
| 5 | Washer, 16.3 Split Lock | F81058-2 | 4 |
| 6 | BOLT, M12 X 55-8.8 HEX HEAD FULL THREAD | F81004-12 | 2 |
| 7 | NUT, M12-8-B HEX JAM | F81034-1 | 2 |
| 8 | BRACKET, POWER SUPPLY STRIP AND LIMIT SWITCH | 086380-1 | 1 |
| 9 | SWITCH, GLCB01A2B LIMIT | 086469 | 1 |
| 10 | BOLT, M5 X 40 8.8 HEX HEAD | F810000-11 | 2 |
| 11 | NUT, M5-8 | F81030-1 | 2 |
| 12 | WASHER, 5.3 FLAT | F81052-1 | 2 |
| 13 | BOLT, M10 X 25 8.8 | F81003-11 | 2 |
| 14 | NUT, M10 NYLON | F81033-1 | 2 |
| 15 | WASHER, 10.5 FLAT | F81055-1 | 2 |
| 16 | BRACKET, LIMIT SWITCH | 091852-1 | 1 |

SECTION 8 BED FRAME ASSEMBLY

8.1 Bed Rail Assembly, Front and Rear



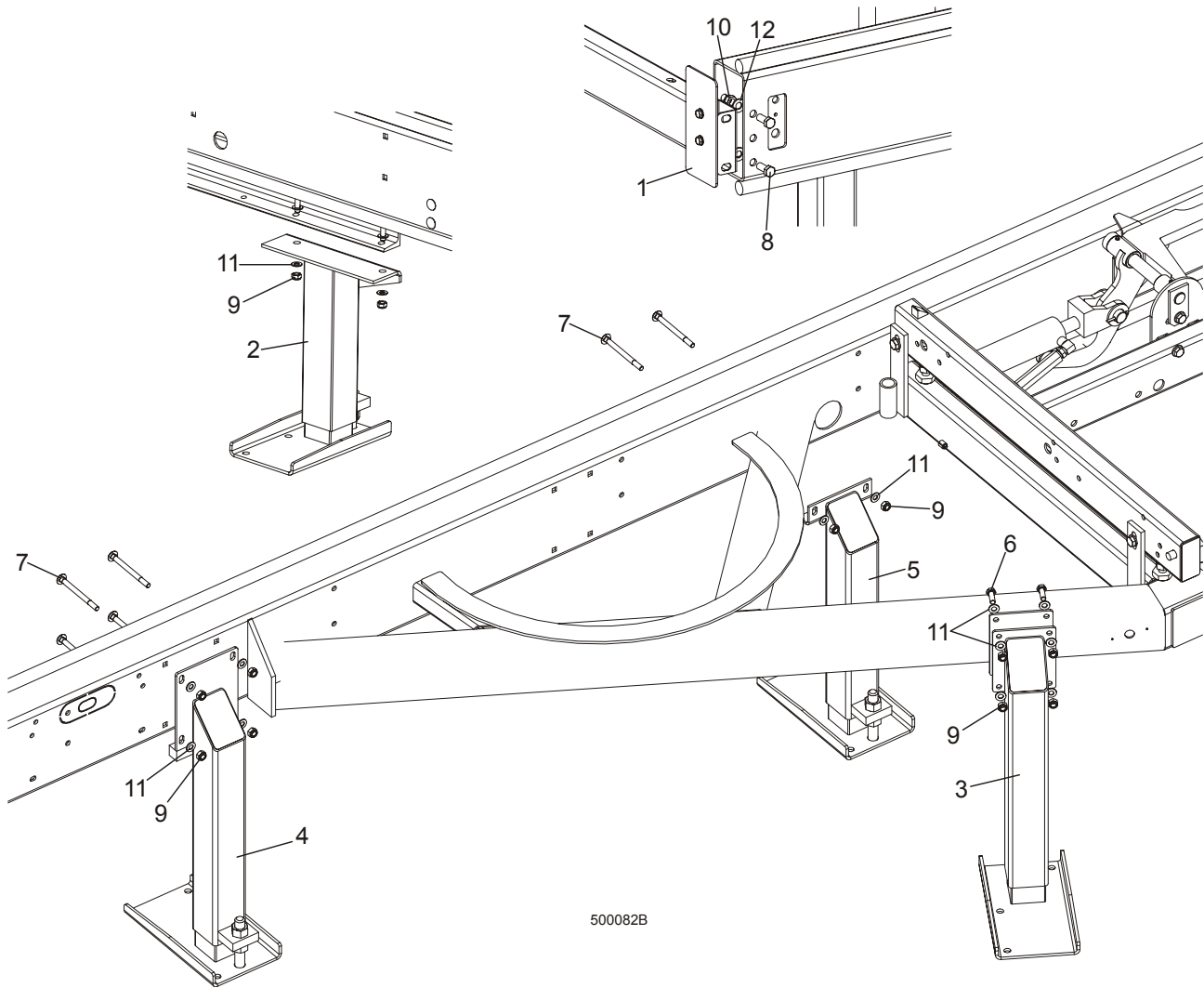
| REF | DESCRIPTION (◆ Indicates Parts Available In Assemblies Only) | PART # | QTY. |
|-----|--|----------|------|
| 1a | BED RAIL ASSEMBLY 1, "L" FRAME | 100680 | 1 |
| | Bed Rail Bolt, Complete (M16 Bolt + 2xNut) | 093710 | 1 |
| 2 | Bolt, M16 Bed Rail Adjustment | 086809 | 1 |
| 3 | Nut, M16-5-B Hex | F81036-5 | 2 |

8

BED FRAME ASSEMBLY*Bed Rail Assembly, Front and Rear*

| | | | | |
|-----------|--|-----------|---|---|
| | BED RAIL ASSEMBLY, LONG | 089385 | 4 | |
| 1a | Bed Rail Tube, Long | 087433 | 1 | ◆ |
| | Bed Rail Bolt, Complete (M16 Bolt + 2xNut) | 093710 | 1 | |
| 2 | Bolt, M16 Bed Rail Adjustment | 086809 | 1 | |
| 3 | Nut, M16-5-B Hex | F81036-5 | 2 | |
| | BED RAIL ASSEMBLY, POWER ROLLER | 095650 | 1 | |
| 1a | Bed Rail Tube, Power Roller | 096994 | 1 | ◆ |
| | Bed Rail Bolt, Complete (M16 Bolt + 2xNut) | 093710 | 3 | |
| 2 | Bolt, M16 Bed Rail Adjustment | 086809 | 1 | |
| 3 | Nut, M16-5-B Hex | F81036-5 | 2 | |
| | BED RAIL ASSEMBLY, SHORT | 089386 | 2 | |
| 1b | Bed Rail Tube, Short | 087878 | 1 | ◆ |
| | Bed Rail Bolt, Complete (M16 Bolt + 2xNut) | 093710 | 1 | |
| 2 | Bolt, M16 Bed Rail Adjustment | 086809 | 1 | |
| 3 | Nut, M16-5-B Hex | F81036-5 | 2 | |
| 4 | BOLT, M12x90-8.8 ZINC HEX HEAD | F81004-2 | 2 | |
| 5 | WASHER, 13 FLAT ZINC | F81056-1 | 4 | |
| 6 | NUT, M12-8 HEX NYLON ZINC LOCK | F81034-2 | 2 | |
| 7 | BRACKET, TOE BOARD ROLLER MOUNT | 087903-1 | 2 | |
| 8 | BOLT, M10x75-8.8 ZINC HEX HEAD | F81003-15 | 4 | |
| 9 | WASHER, 10.5 FLAT ZINC | F81055-1 | 4 | |
| 10 | NUT, M10-8-B HEX NYLON ZINC LOCK | F81033-1 | 4 | |
| 11 | BOLT, M8 x 65-5.8 ZINC HEX HEAD | F81002-3 | 3 | |
| 12 | NUT, M8-8-B HEX NYLON ZINC LOCK | F81032-2 | 3 | |
| 13 | COVER, STAINLESS STEEL BED RAIL | 099124 | 1 | |

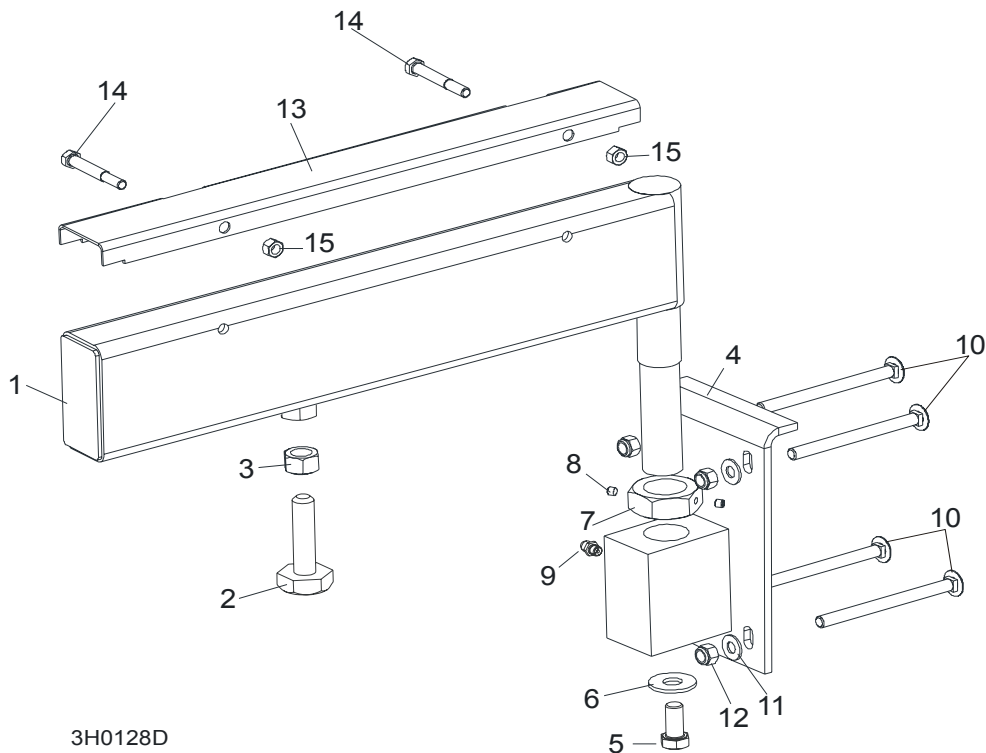
8.2 Leg, Stationary



500082B

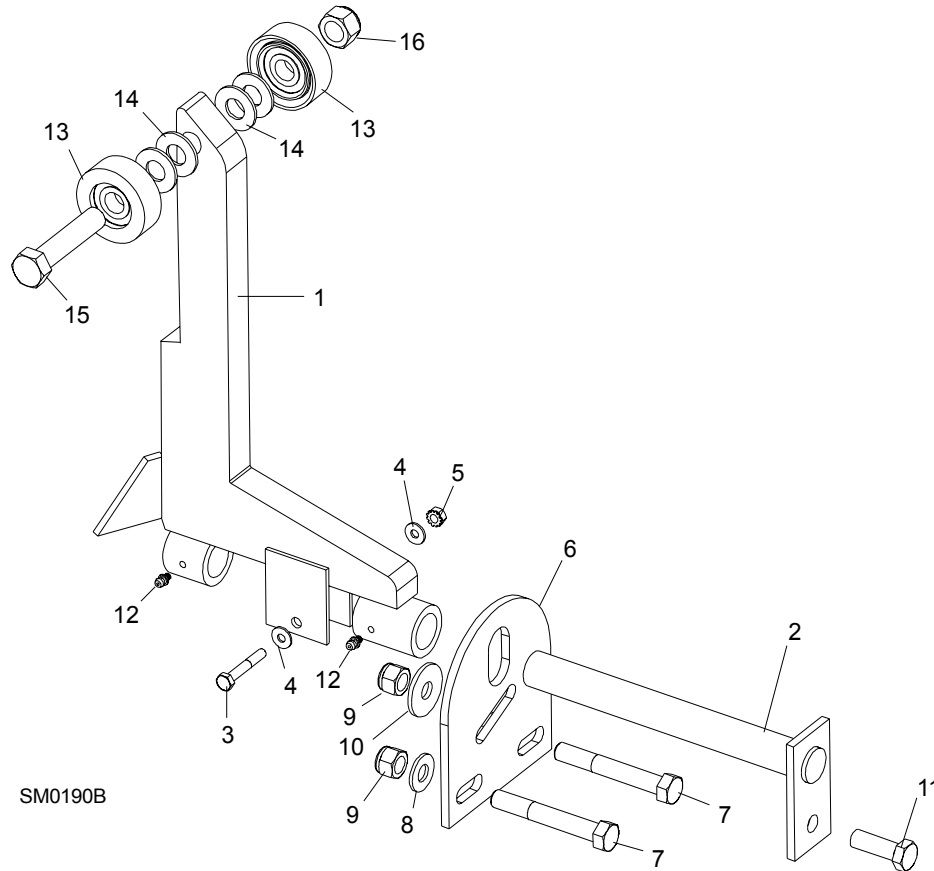
| REF | DESCRIPTION (◆ Indicates Parts Available In Assemblies Only) | PART # | QTY. |
|-----|--|-----------|------|
| 1 | COVER ASSEMBLY, MAIN TUBE | 093052 | 1 |
| 2 | LEG, OUTRIGGER STATIONARY MIDDLE | 501637 | 3 |
| 3 | LEG, OUTRIGGER STATIONARY LEFT | 501639 | 7 |
| 4 | LEG, OUTRIGGER STATIONARY RIGHT | 501640 | 2 |
| 5 | LEG, OUTRIGGER STATIONARY MIDDLE "L" FRAME | 501642 | 1 |
| 6 | BOLT, M10X30-5.8 HEX HEAD FULL THREAD | F81003-2 | 27 |
| 7 | BOLT, M10X120 8.8 ZINC MUSHROOM HEAD SQUARE NECK | F81003-33 | 10 |
| 8 | BOLT, M12X30-8.8 | F81004-22 | 6 |
| 9 | NUT, M10-8-B HEX NYLON ZINC LOCK | F81033-1 | 35 |
| 10 | NUT, M12-8 HEX NYLON ZINC LOCK | F81034-2 | 6 |
| 11 | WASHER, 10.5 FLAT ZINC | F81055-1 | 37 |
| 12 | WASHER, 13 FE/ZN5 | F81056-1 | 12 |

8.3 Pivot Bed Rail Assembly



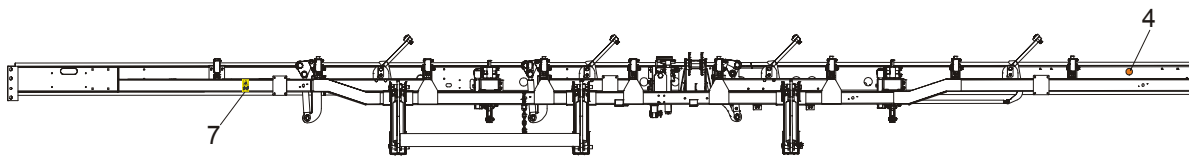
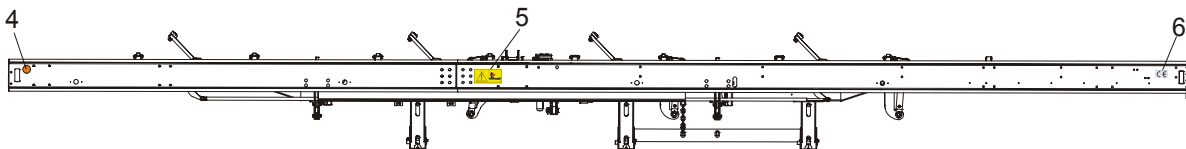
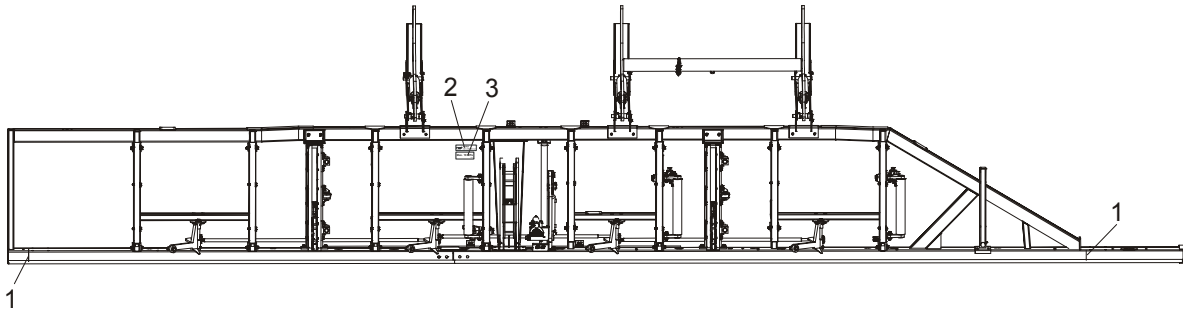
| REF | DESCRIPTION (◆ Indicates Parts Available In Assemblies Only) | PART# | QTY. |
|-----|---|-----------|------|
| | PIVOT BED RAIL, COMPLETE | 087855 | 2 |
| 1 | Pivot Bed Rail Assembly | 087848-1 | 1 |
| | Bolt Assembly, Bed Rail Adjustment | | 1 |
| 2 | Bolt, Pivot Bed Rail Adjustment | 086809 | 1 |
| 3 | Nut, M16-5.8 Zinc Hex | F81036-1 | 1 |
| 4 | Bracket, Pivot Bed Rail Mounting | 087841-1 | 1 |
| 5 | Bolt, M12x25-8.8 Hex Head Full Thread Zinc | F81004-31 | 1 |
| 6 | Washer, 9/16" Zinc Flat | F05011-52 | 1 |
| 7 | Nut, M32x2-04-B Zinc | 087975 | 1 |
| 8 | Screw, M6x8 Hex Socket Set Cone Point Zinc | F81013-1 | 2 |
| 9 | Fitting, 3/16" Straight Grease | 086280 | 1 |
| 10 | BOLT, M10X125 8.8 MUSHROOM HEAD SQUARE NECK ZINC | F81003-34 | 4 |
| 11 | WASHER, 10.5 FLAT | F81055-1 | 8 |
| 12 | NUT, M16-8 HEX NYLON ZINC LOCK | F81036-2 | 8 |
| | COVER KIT, STAINLESS STEEL PIVOT BED RAIL | N/A | 2 |
| 13 | Cover, Pivot Bed Rail | 099123 | 1 |
| 14 | Bolt, M8x65-5.8 Hex Head Zinc | F81002-3 | 2 |
| 15 | Nut, M8-8-B Hex Nylon Zinc Lock | F81032-2 | 2 |
| | WRENCH, BED RAIL ADJUSTMENT (Patrz rozdział 8.3) | 015970 | 1 |

8.4 Log Side Support Assembly (Manual)



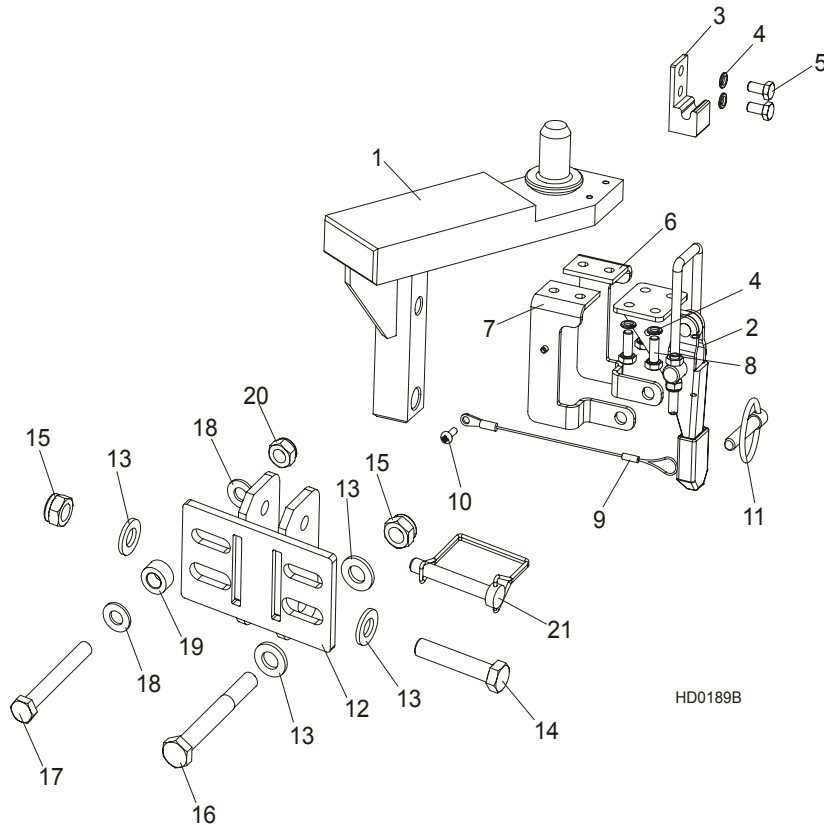
| REF | DESCRIPTION (◆ Indicates Parts Available In Assemblies Only) | PART # | QTY. |
|-----|--|-----------|------|
| 1 | SUPPORT, LOG SIDE W/GUARD | 099785-1 | 1 |
| 2 | PIN, LOG SIDE SUPPORT PIVOT | 091549-1 | 1 |
| 3 | BOLT, M8X45 - 8.8 HEX HEAD GRADE 5 | F81002-14 | 1 |
| 4 | WASHER, 8.4 FLAT | F81054-1 | 2 |
| 5 | NUT, M8-8-B SELF LOCKING | F81032-2 | 1 |
| 6 | PLATE, LOG SIDE SUPPORT END | 091591-1 | 1 |
| 7 | BOLT, M12 X 90-8.8 HEX HEAD | F81004-2 | 2 |
| 8 | WASHER, 13 FLAT | F81056-1 | 2 |
| 9 | NUT, M12-8 HEX NYLON LOCK | F81034-2 | 3 |
| 10 | WASHER, .5" X 1.63" X 11" GA. | 086184 | 1 |
| 11 | BOLT, M12 X 35-8.8 HEX HEAD | F81004-24 | 1 |
| 12 | FITTING, 3/16" GREASE | P04107 | 2 |
| 13 | ROLLER ASSEMBLY, SIDE SUPPORT | 015014-1 | 2 |
| 14 | WASHER, 17 FLAT | F81058-1 | 2 |
| 15 | BOLT, M16X65-8.8-B HEX HEAD GRADE 5 | F81006-1 | 1 |
| 16 | NUT, M16-8 NYLON LOCK | F81036-2 | 1 |

8.5 Bed Frame Decals



| REF | DESCRIPTION (◆ Indicates Parts Available In Assemblies Only) | PART # | QTY. |
|-----|--|--------|------|
| 1 | DECAL, LOG LENGTH LIMIT | S12051 | 2 |
| 2 | DECAL, HYDRAULIC OIL TYPE | 096323 | 1 |
| 3 | DECAL, HYDRAULIC WORKING PRESSURE | 099524 | 1 |
| 4 | DECAL, AMBER REFLECTIVE 2" ROUND | P07453 | 2 |
| 5 | DECAL, PINCH POINT DANGER, PICTOGRAM | 099542 | 1 |
| 6 | DECAL, CE CERTIFIED SAWMILL, SMALL | P85070 | 1 |
| 7 | DECAL, KEEP AWAY DANGER, PICTOGRAM | 099221 | 1 |

8.6 LT70 L Saw Head Support Assembly



| L.P. | OPIS (◆ wskazuje części dostępne jedynie w zespołach) | NUMER KAT. | SZT. | |
|------|---|------------|------|--|
| | SAW HEAD REST PIN W/LATCH CLAMP, LT70L | 094657 | 1 | |
| 1 | Pin Weldment, LT70L Saw Head Rest | 094655-1 | 1 | |
| 2 | Clamp, GN851.2-320-T4 Latch | 094656 | 1 | |
| 3 | Latch Bracket, GN851.2-320-T4 Zinc-plated | 094659-1 | 1 | |
| 4 | Washer, Z 6.1 Split Lock Zinc | F81053-3 | 6 | |
| 5 | Bolt, M6x12-8.8 Hex Head Full Thread Zinc | F81001-7 | 6 | |
| 6 | Bracket, Locking Right | 097102-1 | 1 | |
| 7 | Bracket, Locking Left | 097103-1 | 1 | |
| 8 | Bolt, M6x16-8.8-Fe/Zn5 PN-85/M-82105 | F81001-32 | 4 | |
| 9 | Lanyard, 3/64x6" | 016030 | 1 | |
| 10 | Screw, M4x12 -5,8-B- Fe/Zn5 PN-M/82202 | F81011-43 | 1 | |
| 11 | Pin, 8 BN914 (BOSSARD 1364650) Clamp Lock | F81046-2 | 1 | |
| 12 | BRACKET, LT40 SAW HEAD REST PIN MOUNT PAINTED | 092765-1 | 1 | |
| 13 | WASHER, 13 FLAT ZINC | F81056-1 | 4 | |
| 14 | BOLT, M12 X 60-8.8 HEX HEAD ZINC | F81004-5 | 1 | |
| 15 | NUT, M12-8 HEX NYLON ZINC LOCK | F81034-2 | 2 | |
| 16 | BOLT, M12x95-8.8 HEX HEAD ZINC | F81004-29 | 1 | |
| 17 | BOLT, M10x80-8.8 HEX HEAD ZINC | F81003-50 | 1 | |
| 18 | WASHER, 10.5 FLAT ZINC | F81055-1 | 2 | |

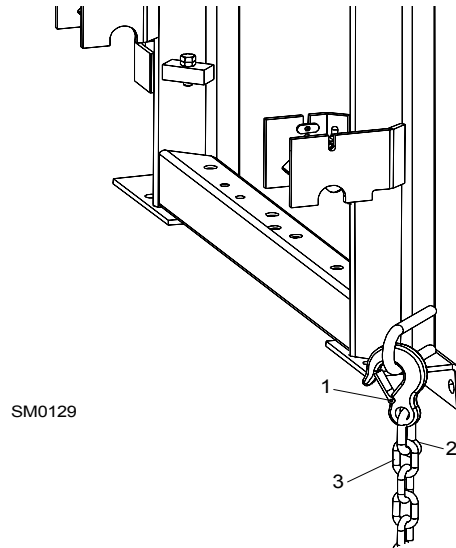
8

BED FRAME ASSEMBLY

Tie Down Chain Assembly

| | | | | |
|----|----------------------------------|----------|---|--|
| 19 | BUSHING, ZINC-PLATED SPACER | 090936-1 | 1 | |
| 20 | NUT, M10-8-B HEX NYLON ZINC LOCK | F81033-1 | 1 | |
| 21 | PIN, 3/8" X 2 1/4" SNAP RETAINER | 014151 | 1 | |

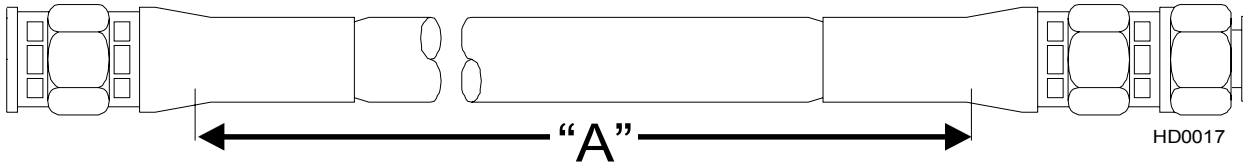
8.7 Tie Down Chain Assembly



| REF | DESCRIPTION (◆ Indicates Parts Available In Assemblies Only) | PART # | QTY. | |
|-----|--|----------|------|--|
| | CHAIN ASSEMBLY, TIE DOWN | A04376-1 | 1 | |
| 1 | Hook, 5/8" Safety Chain | P12075 | 1 | |
| 2 | Screw Closed Chain Link, 10 | 100767 | 1 | |
| 3 | Chain, N-10 x 35, 6 Links | 100951 | 1 | |

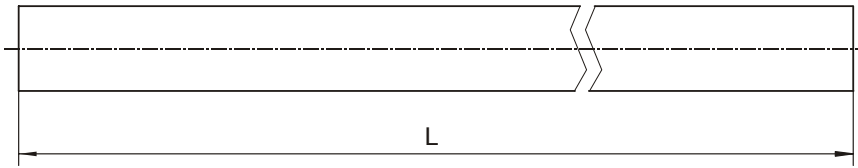
SECTION 9 HYDRAULIC SYSTEM

9.1 Hydraulic Hoses, LT40/70L AH



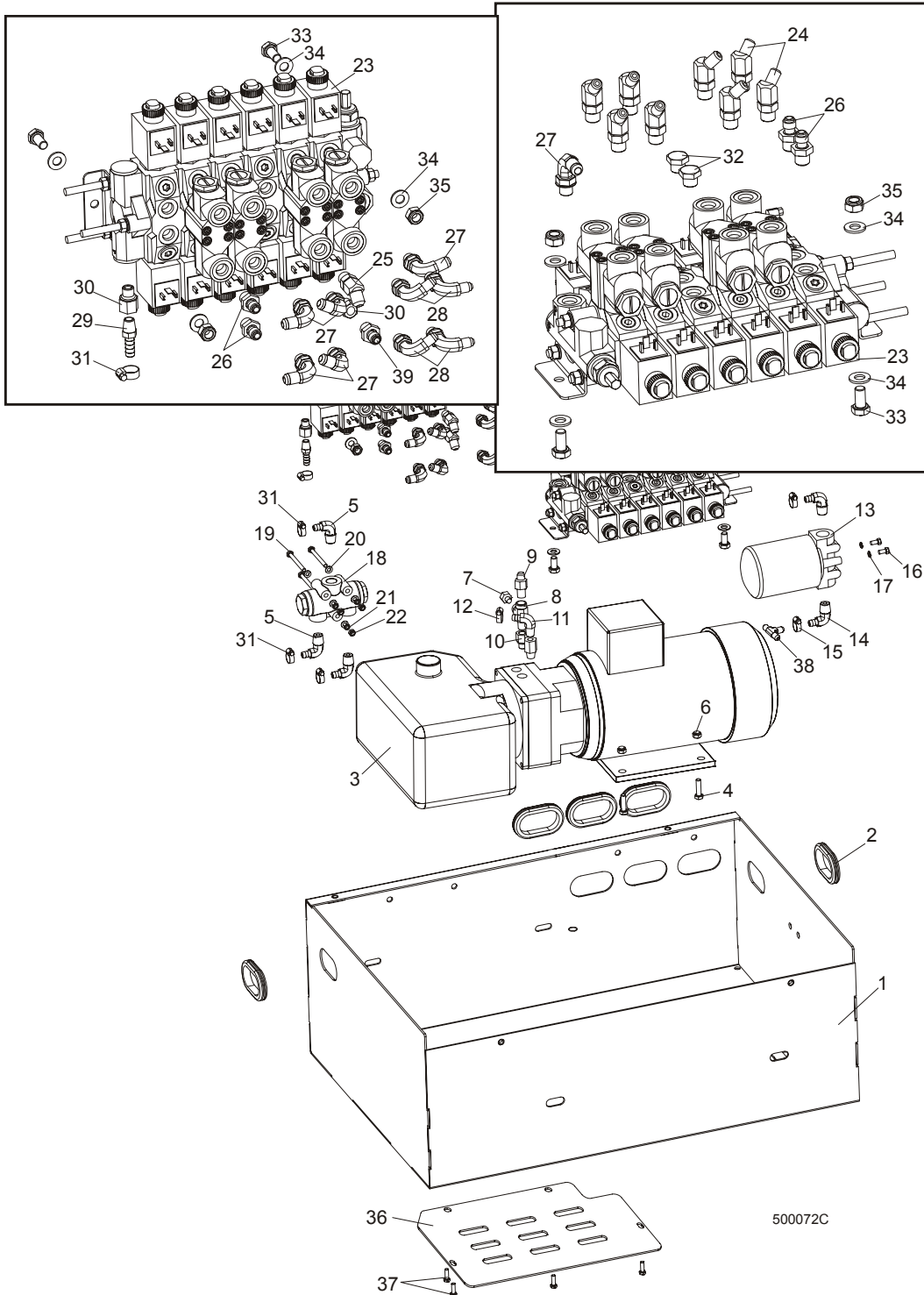
| COLOR CODE | LENGT H (m) | DESCRIPTION (◆ Indicates Parts Available In Assemblies Only) | PART # | QTY. |
|----------------------------|-------------|---|--------|------|
| NONE | 0,35 | 3/8" HYDRAULIC PUMP TO HYDRAULIC VALVE | 089809 | 1 |
| NONE | 0,65 | 3/8" VALVE TO VALVE | 089844 | 1 |
| RED | 0,43 | 3/8" SECTION TO OIL FLOW DIVIDER | 089845 | 1 |
| ORANGE | 2,80 | 3/8" MIDDLE LOG CLAMP, IN/OUT CYLINDER (CLAMP OUT) | 089846 | 1 |
| WHITE | 3,00 | 3/8" MIDDLE LOG CLAMP, IN/OUT CYLINDER (CLAMP IN) | 089847 | 1 |
| NONE/PINK | 5,40 | 3/8" HYDRAULIC VALVE TO LOG SIDE SUPPORT CYLINDER | 089848 | 2 |
| BROWN/LILAC | 4,10 | 3/8" LOG SIDE SUPPORT VALVE TO LOG TURNER | 089849 | 2 |
| YELLOW | 1,80 | 3/8" 3RD LOG LOADER CYLINDER (SINGLE LOADING ARM) BOTTOM TO OIL FLOW DIVIDER | 089850 | 1 |
| BLUE | 0,72 | 3/8" HYDRAULIC VALVE TO 1ST TEE CONNECTOR (NEXT TO LOG TURNER) | 089851 | 1 |
| GREEN/YEL- LOW GREEN | 1,20 | 3/8" 3RD TEE CONNECTOR TO 2ND LOG LOADER CYLINDER TOP/BOTTOM 3/8" 1ST TEE CONNECTOR TO 3RD LOG LOADER CYLINDER TOP | 089852 | 3 |
| RED | 2,00 | 3/8" OIL FLOW DIVIDER TO 2ND TEE CONNECTOR | 089853 | 1 |
| YELLOW | 2,10 | 3/8" 2ND TEE CONNECTOR TO 1ST LOG LOADER CYLINDER BOTTOM | 089854 | 1 |
| BLUE | 1,60 | 3/8" 1ST TEE CONNECTOR TO 3RD TEE CONNECTOR | 089855 | 1 |
| GREEN | 1,90 | 3/8" 3RD TEE CONNECTOR TO 1ST LOG LOADER CYLINDER TOP | 089856 | 1 |
| LILAC/BLACK | 2,55 | 1/4" 3RD TOE BOARD | 089859 | 2 |
| LILAC/BLACK | 0,85 | 1/4" 2ND TOE BOARD | 089860 | 2 |
| BROWN/SIL- VER | 4,10 | 1/4" 1ST TOE BOARD | 089861 | 2 |
| YELLOW | 3,85 | 1/4" MIDDLE LOG CLAMP, UP/DOWN CYLINDER BOTTOM | 089862 | 1 |
| GREEN | 3,95 | 1/4" MIDDLE LOG CLAMP, UP/DOWN CYLINDER TOP | 089863 | 1 |
| ORANGE | 4,20 | 1/4" 1ST LOG CLAMP IN/OUT (CLAMP OUT) | 089864 | 1 |
| WHITE | 4,40 | 1/4" 1ST LOG CLAMP IN/OUT (CLAMP IN) | 089865 | 1 |
| BLUE/RED | 4,90 | 1/4" 1ST LOG CLAMP UP/DOWN | 089866 | 2 |
| WHITE/ORAN GE | 2,70 | 1/4" 3RD LOG CLAMP IN/OUT | 089867 | 2 |
| BLUE/RED | 0,60 | 1/4" 3RD LOG CLAMP UP/DOWN | 089868 | 2 |

Protective Conduits, LT70 Series A/DH Hydraulic Hoses



| LENGTH "L" | DESCRIPTION (◆ Indicates Parts Available In Assemblies Only) | PART # | QTY. | |
|------------|--|--------|------|--|
| 0,70 | PROTECTIVE CONDUIT, LOG TURNER HOSE | 099761 | 2 | |
| 0,28 | PROTECTIVE CONDUIT, IN/OUT CYLINDER HOSE - BOTTOM | 099762 | 1 | |
| 0,45 | PROTECTIVE CONDUIT, IN/OUT CYLINDER HOSE - TOP | 099763 | 1 | |
| 1,35 | PROTECTIVE CONDUIT, UP/DOWN CYLINDER HOSE - BOTTOM | 099764 | 1 | |
| 1,65 | PROTECTIVE CONDUIT, UP/DOWN CYLINDER HOSE - TOP | 099765 | 1 | |

9.2 Hydraulic Control Box, LT40/70 AH15/14

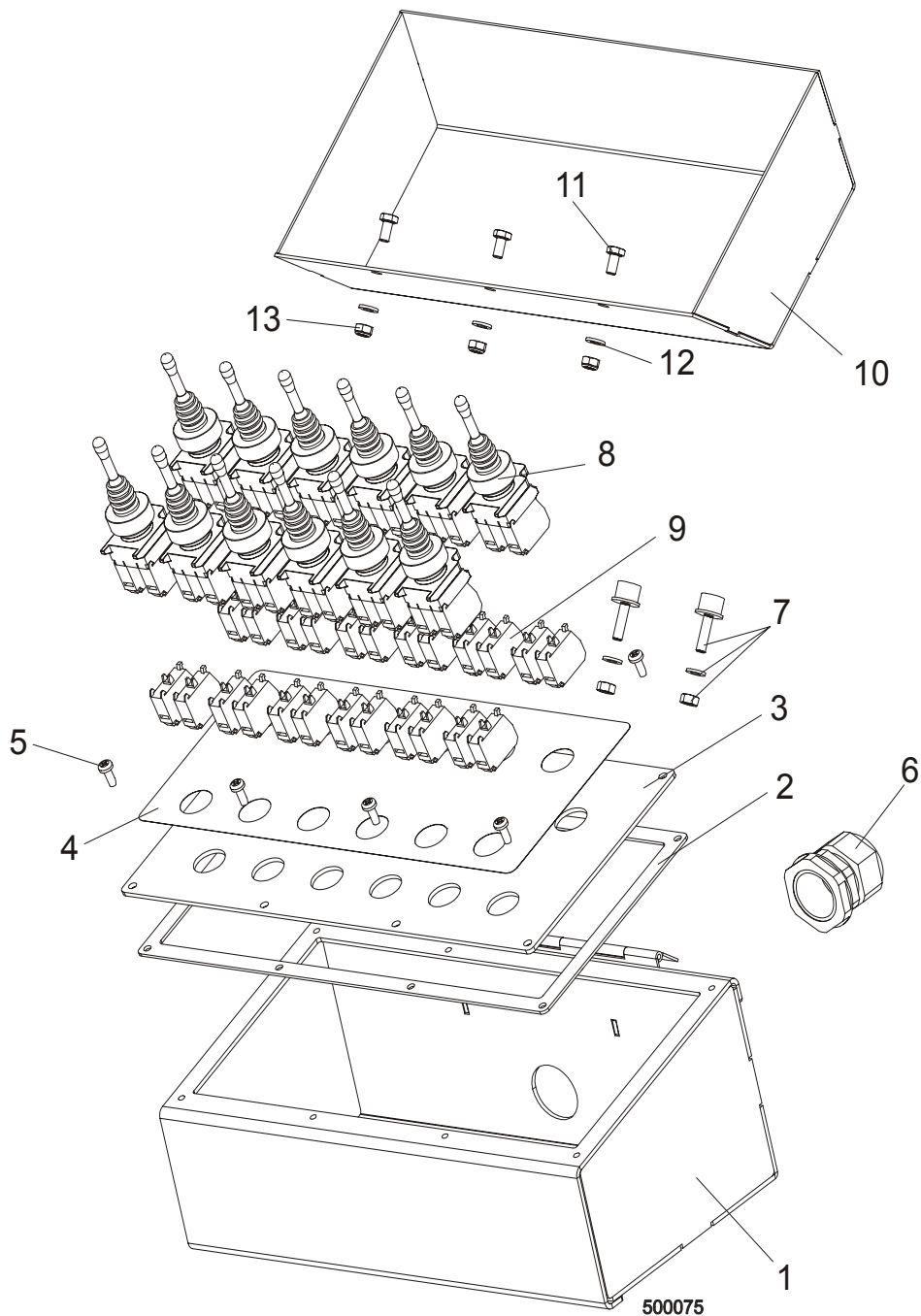


| REF | DESCRIPTION (◆ Indicates Parts Available In Assemblies Only) | PART # | QTY. |
|-----|--|---------------------|------|
| | HYDRAULIC CONTROL BOX, LT40/70 AH15 | 093732 ¹ | 1 |
| | HYDRAULIC CONTROL BOX, LT40/70 AH14 | 093734 | 1 |
| | HYDRAULIC CONTROL BOX, LT40/70 AH13 | 093736 | 1 |
| 1 | Box Weldment, 9.5 M AC Hydraulic Control | 089636-1 | 1 |
| 2 | Grommet, FM54 Rubber | 087065 | 5 |
| 3 | HYDRAULIC PUMP W/MOTOR, 4KW 14.5 L/MIN. AC | 500958 | 1 |

| | | | | |
|----|--|---------------------|-----|--|
| 4 | Bolt, M8X25-8.8-B Zinc Hex Head | F81002-5 | 4 | |
| 5 | Fitting, 90 18x1,5 9/16-18 JIC Elbow | 089992 | 3 | |
| 6 | Nut, M8-8-B Zinc Hex Nylon Lock | F81032-2 | 4 | |
| 7 | Plug, 1/4" NPT Blank | 096221 | 1 | |
| 8 | Fitting, C3759X4 Tee Connector | P09141 | 1 | |
| 9 | Fitting, 1/4" NPT - 1/4" NPT Male | P09143 | 1 | |
| 10 | Fitting, #6SEA MALE - 1/4NPT Female | 014686 | 1 | |
| 11 | Fitting, #6-6 (3/8" NPT) - 3/8" Elbow | P12708 | 1 | |
| 12 | Clamp, 11/16 Hose | P12739 | 1 | |
| 13 | BRANCH-JOINT, HYDRAULIC WITH 1.2" FILTER | P22683 | 1 | |
| 14 | Fitting, 1/2" NPT - 3/8" Elbow | P12707 | 2 | |
| 15 | Clamp, 11/16 Hose | P12739 | 4 | |
| 16 | Bolt, 1/4-20 X 1/2" Zinc Hex Head Grade 2 | F05005-15 | 2 | |
| 17 | Washer, Z 6.1 Split Lock Zinc | F81053-3 | 2 | |
| 18 | DIVIDER, MTDA O8-016M 1/3 / 2/3 OIL FLOW | 088190 ² | 1 | |
| 19 | Bolt, M6X65-8.8 Zinc Hex Head | F81001-81 | 3 | |
| 20 | Washer, 6.4 FLAT ZINC | F81053-1 | 6 | |
| 21 | Washer, Z 6.1 Split Lock Zinc | F81053-3 | 2 | |
| 22 | Nut, M6-8-B Hex Nylon Lock Zinc | F81031-2 | 3 | |
| 23 | HYDRAULIC VALVE, HDS11 6K01-151/MOD 6/062Z0 | 088188 | 1 | |
| | HYDRAULIC VALVE, HDS11 6K01-151/MOD 6/063Z0 | 088189 | 1 | |
| 24 | Fitting, #4 SAE - #6 SAE 45° Elbow | 015488 | 8 | |
| 25 | Fitting, #6 SAE 45° Elbow 45ST #6SAE | 015489 | 1 | |
| 26 | Fitting, 3/8" O-ring - 1/4" JIC | P26284 | 4/2 | |
| 27 | Fitting, #6 SAE 3/8" JIC Elbow | P12704 | 6 | |
| 28 | Fitting, 90 9/16-18 JIC 7/16-20 JIC Elbow | 089642 | 4 | |
| 29 | Fitting, L" NPT X 3/8" Hose Barb | 014685 | 2 | |
| 30 | Fitting, #6SEA MALE - 1/4NPT Female | 014686 | 2 | |
| 31 | Clamp, 11/16 Hose | P12739 | 2/4 | |
| 32 | Plug, 9/16-18 JIC Hydraulic Valve | 089647 | 2 | |
| 33 | Bolt, M10X20-5.8 Zinc Hex Head | F81003-1 | 4 | |
| 34 | Washer, 10.5 Flat Zinc | F81055-1 | 8 | |
| 35 | Nut, M10-8-B Hex Nylon Lock Zinc | F81033-1 | 4 | |
| 36 | COVER WELDMENT, LT80 HYDRAULIC BOX BOTTOM PAINTED | 090962-1 | 1 | |
| 37 | BOLT, M6x16 8.8 ZINC HEX HEAD | F81001-15 | 4 | |
| 38 | FITTING, 3/8 BARB TEE | 015485 | 1 | |
| 39 | FITTING, 3/8JIC-1/4NPT STRAIGHT | 015560 | 1 | |
| | MATRIX, DIODE HYDRAULIC | 096963 | 2 | |

¹ Depending on type of sawmill.² Not included with AH14 hydraulic kit.

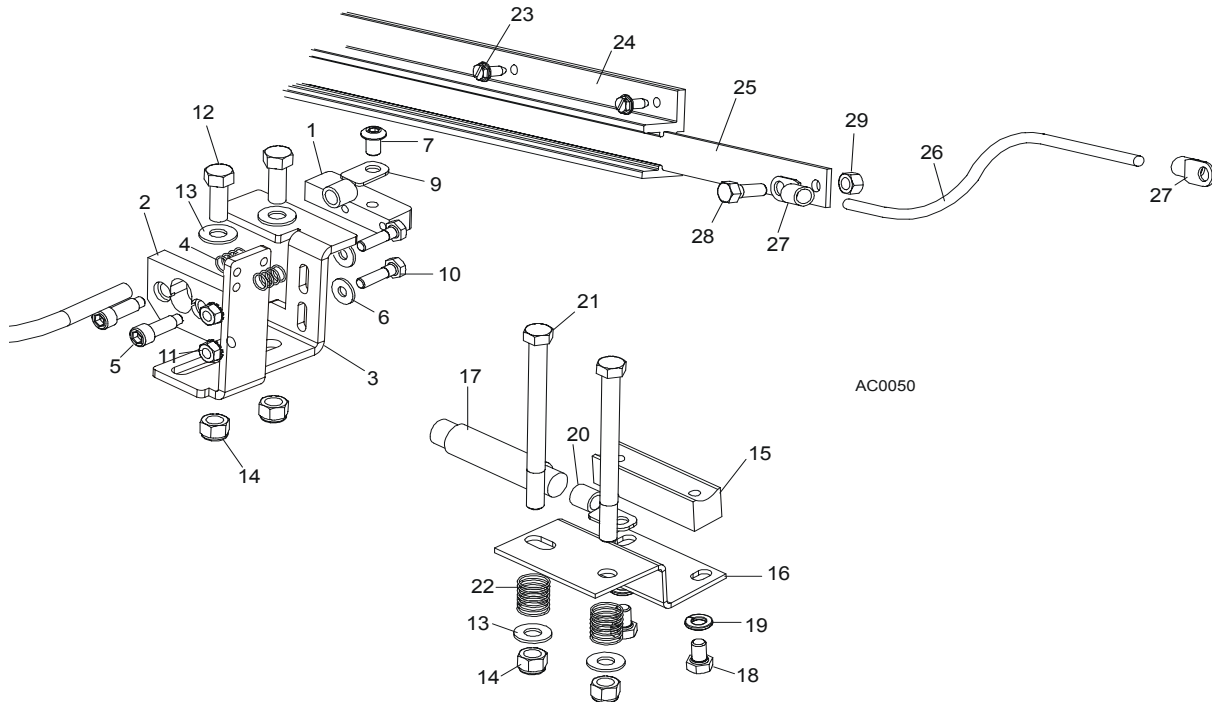
9.3 Hydraulic Control Box



| REF | DESCRIPTION (◆ Indicates Parts Available In Assemblies Only) | PART # | QTY. |
|-----|--|-----------|------|
| | BOX, 9.5 M FRAME HYDRAULIC CONTROL | 088164 | 1 |
| 1 | Box Weldment, Hydraulic Control | 088163-1 | 1 |
| 2 | Gasket, 9.5 m Frame | 089998 | 1 |
| 3 | Panel, Hydraulic Control Box Front 9.5 m | 089997-1 | 1 |
| 4 | Decal, Hydraulic Control Box (9 m Frame) | 088159 | 1 |
| 5 | Screw, #10-24 x 1/2 Pan Head | F05015-17 | 8 |
| 6 | Seal, DP 29/H Gland | F81096-1 | 1 |
| 7 | Bumper, A/022 Rubber | 088376 | 2 |
| 8 | Joystick, PMJN8T3 | 096928 | 12 |
| 9 | Contact, 1NO PL004002 | 096929 | 24 |
| 10 | Cover, Hydraulic Control Box (9.5 m Frame) | 088172-1 | 1 |

| | | | | |
|----|---------------------------------|----------|---|--|
| 11 | Bolt, M6X12-8.8 Zinc Hex Head | F81001-7 | 3 | |
| 12 | Washer, 6.4 Flat Zinc | F81053-1 | 3 | |
| 13 | Nut, M6-8-B Hex Nylon Lock Zinc | F81031-2 | 3 | |

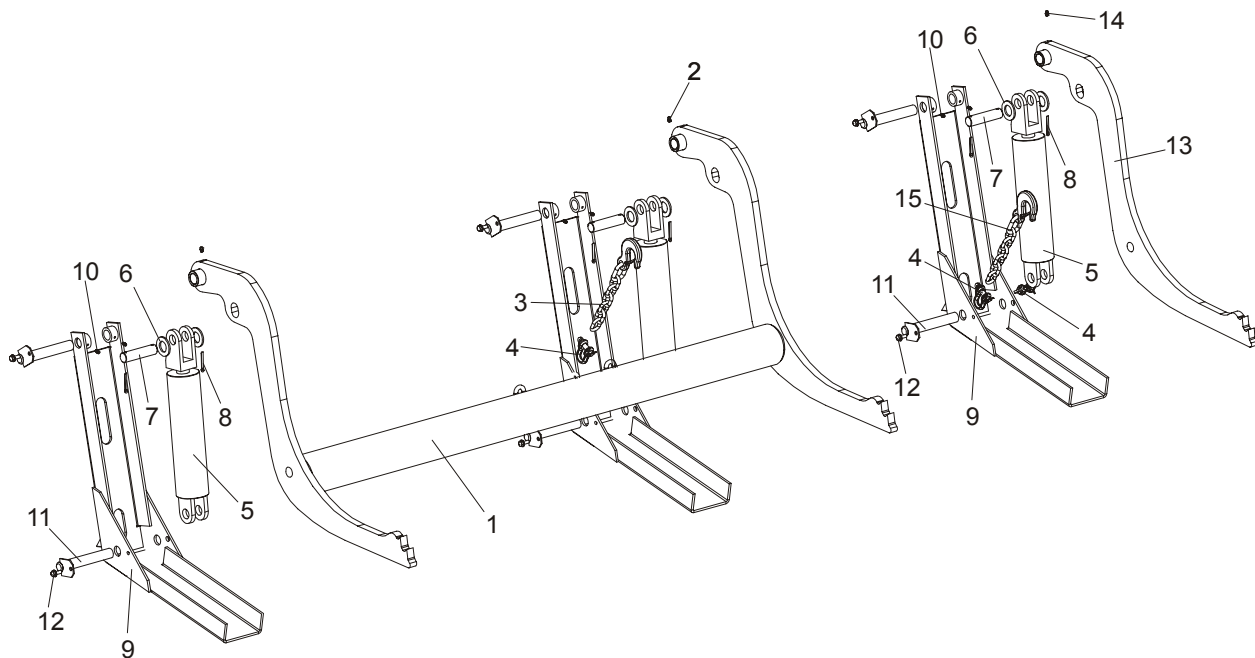
9.4 Hydraulic Power Supply Strip



| REF | DESCRIPTION (◆ Indicates Parts Available In Assemblies Only) | PART # | QTY. | |
|-----|--|-----------|-------|---|
| | CONTACT KIT, HYDRAULIC 6' POWER SUPPLY | A12042-N | 1 | |
| | Contact Hardware Kit | A10073-N | 1 | ◆ |
| | Contact Assembly, Hydraulic Power Supply (Positive) | 085968 | 1 | |
| 1 | Contact, Hydraulic Power Supply (Positive) | 015253 | 1 | |
| 2 | Insulator, Positive Contact | S10072 | 1 | |
| 3 | Bracket, Positive Contact Mounting | 086380-1 | 1 | |
| 4 | Spring, Positive Contact | P10077 | 2 | |
| 5 | Bolt, 5/16" X 3/4" Shoulder (1/4-20 Thread) | F05006-44 | 2 | |
| 6 | Washer, 7.4 Flat | F81056-11 | 2 | |
| 7 | Bolt, 5/16-18 x 1/2" Socket Button Head | F05006-20 | 1 | |
| | Cable Assy, Hydraulic Positive Contact | 015885 | 1 | |
| 8 | Cable, #1 Weld | R01948 | 0.75m | ◆ |
| 9 | Terminal, 35 Ring #2 Gauge | F81066-3 | 2 | |
| 10 | Bolt, 1/4-20 X 1" Hex Head Grade 2 | F05005-38 | 2 | |
| 11 | Nut, 1/4-20 Hex Self-Locking | F05010-9 | 2 | |
| 12 | Bolt, 3/8-16 X 1" Hex Head Grade 5 | F05007-87 | 2 | |
| 13 | Washer, 10.5 Flat | F81055-1 | 4 | |
| 14 | Nut, 3/8-16 Hex Nylon Lock | F05010-10 | 4 | |
| | Contact Assembly, Hydraulic Power Supply (Ground) | A10066 | 1 | |
| 15 | Contact, Hydraulic Power Supply (Ground) | 015264 | 1 | |
| 16 | Bracket, Ground Contact Mounting | 015265 | 1 | |
| 17 | Cable, #1 Weld | R01948 | .63m | ◆ |
| 18 | Bolt, 5/16-18 X 1/2" Hex Head Grade 5 | F05006-15 | 2 | |

| | | | | |
|----|---|-----------|------|---|
| 19 | Washer, 8.2 Split Lock | F81054-4 | 2 | |
| 20 | Terminal, 35 Ring #2 Gauge | F81066-3 | 1 | |
| 21 | Bolt, 3/8-16 X 4 1/2" Hex Head Grade 2 | F05007-35 | 2 | |
| 22 | Spring, Ground Contact | P04282 | 2 | |
| 23 | Screw, 1/4-20 X 1/2" Slotted Hex Head | F05015-1 | 14 | |
| | Strip Assembly, 6' Hydraulic Power Supply w/3 ft. Cable | A11977 | 1 | |
| 24 | Housing, 6' Contact Strip | P11976 | 1 | |
| | Strip, 6' Contact With Cable | A12043-N | 1 | |
| 25 | Strip, 6' Contact | S10075 | 1 | ◆ |
| 26 | Cable, #2 Weld | R80583-21 | | ◆ |
| 27 | Terminal, 35 Ring #2 Gauge | F81066-3 | 2 | |
| 28 | Bolt, 5/16-18 X 3/4" Hex Head Black Nylon | F05006-45 | 1 | |
| 29 | Nut, 5/16-18 Hex Black Nylon | F05010-86 | 1 | |
| | Tube, 5/8" Heat Shrink | R01950-5 | .03m | ◆ |
| | Grommet, 5/8" Wire | P04137 | 1 | |

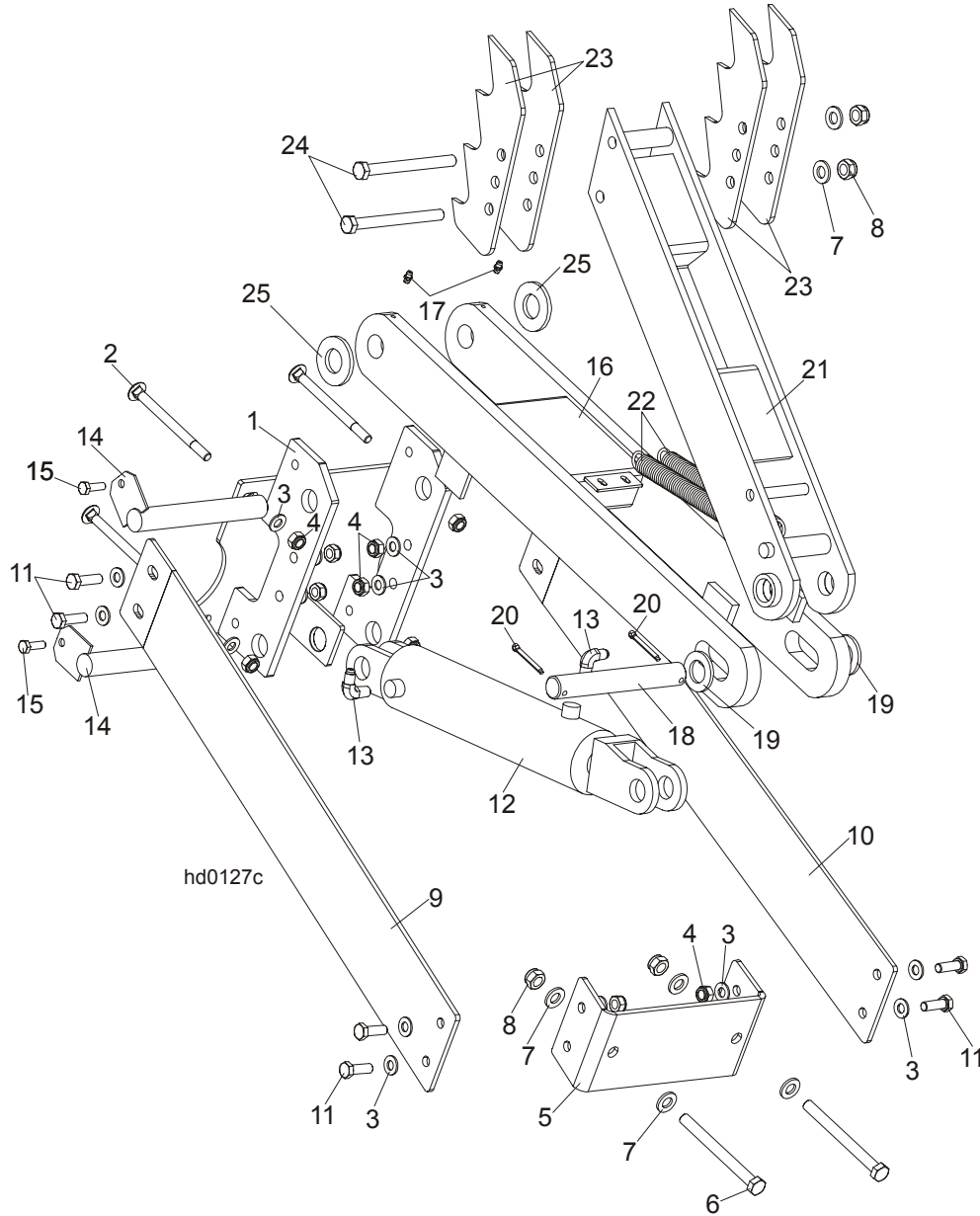
9.5 Hydraulic Log Loader



| REF | DESCRIPTION (◆ Indicates Parts Available In Assemblies Only) | PART # | QTY. |
|-----|--|-----------|------|
| | HYDRAULIC LOG LOADER, COMPLETE | 090044 | 1 |
| 1 | Log Loader | 090006-1 | 1 |
| 2 | Fitting, 3/16" Straight Grease | P04107 | 2 |
| 3 | CHAIN, LOG LOADER SAFETY | A04376-1 | 1 |
| 4 | SHACKLE, M-D .63 | 086540 | 2 |
| 5 | CYLINDER, CJ-S95-16-70/32/203 HYDRAULIC | 088680 | 3 |
| 6 | WASHER, 28 FLAT ZINC | F81061-1 | 6 |
| 7 | PIN, LOADING ARM CYLINDER MOUNT ZINC | 086979-1 | 3 |
| 8 | PIN, S-Zn 5x40 COTTER | F81043-31 | 6 |
| 9 | Foot, Log Loader | 090048-1 | 3 |
| 10 | Fitting, 3/16" Straight Grease | P04107 | 6 |
| 11 | PIN, LOADER FOOT MOUNT | 099127-1 | 6 |

| | | | | |
|----|---|-----------|---|--|
| 12 | SCREW, 5/16-18 x 3/4 SELF-TAPPING | F05015-30 | 6 | |
| | ARM, LOG LOADING SINGLE - COMPLETE | 090051 | 1 | |
| 13 | Rarm, hydraulic log loading | 089657-1 | 1 | |
| 14 | Fitting, 3/16" Straight Grease | P04107 | 1 | |
| 15 | CHAIN, SINGLE LOG LOADER ARM, 9,5M FRAMES | 090090-1 | 1 | |

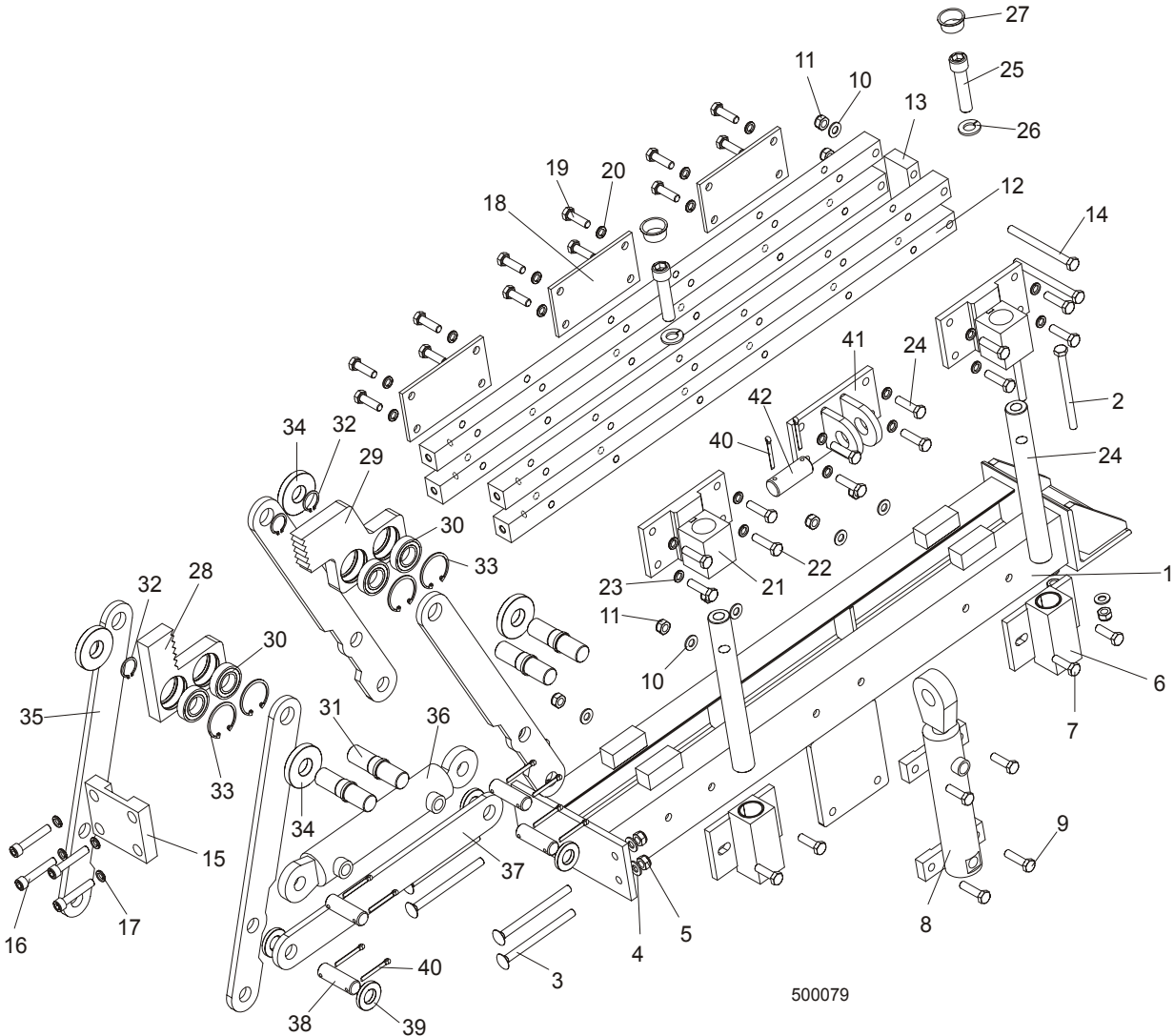
9.6 Hydraulic Log Turner



| REF | DESCRIPTION (◆ Indicates Parts Available In Assemblies Only) | PART # | QTY. |
|-----|--|-----------|------|
| | HYDRAULIC LOG TURNER, 9.5 M, COMPLETE | 088073 | 1 |
| 1 | Bracket, Hydraulic Log Turner Mount | 088710-1 | 1 |
| 2 | Bolt, M10x120 8.8 Mushroom Head Square Neck Zinc | F81003-33 | 4 |
| 3 | Washer, M10 Flat Zinc | F81055-1 | 20 |
| 4 | Nut, M10 Nylon Hex Zinc Lock | F81033-1 | 12 |

| | | | | |
|----|--|-----------|---|--|
| 5 | Bracket, Log Turner Front Mount | 094363-1 | 1 | |
| 6 | Bolt, M12x130-8.8 Hex Head Zinc | F81004-36 | 2 | |
| 7 | Washer, M12 Flat Zinc | F81056-1 | 6 | |
| 8 | Nut, M12 Hex Nylon Zinc Lock | F81034-2 | 4 | |
| 9 | Plate, Short Log Turner Left Brace | 094364-1 | 1 | |
| 10 | Plate, Short Log Turner Right Brace | 094365-1 | 1 | |
| 11 | Bolt, M10x30mm Hex Head Grade 5.8 Zinc | F81003-2 | 8 | |
| | Cylinder Assy, Log Turner Super | 015563 | 1 | |
| 12 | Cylinder, CJ-S305-16-63/28/203 Hydraulic | 088679 | 1 | |
| 13 | Fitting, 1/4NPTx1/4JIC Male Elbow | P09142 | 2 | |
| 14 | Pin, Log Turner Mount | 088667-1 | 2 | |
| 15 | Bolt, M8 x 25mm Hex Head Grade 5.8 Zinc | F81002-5 | 2 | |
| 16 | Arm, Hydraulic Log Turner Link | 088060-1 | 1 | |
| 17 | Fitting, M6 Straight Grease | 086280 | 2 | |
| 18 | Pin, 25 x 180 | 088664 | 1 | |
| 19 | Washer, 25 Flat Zinc | F81061-3 | 2 | |
| 20 | Pin, 5x40 Cotter Zinc | F81043-31 | 2 | |
| 21 | Arm, Hydraulic Log Turner Painted | 088067-1 | 1 | |
| 22 | Spring, 7/8x81/2x1/8 Extension | P09136 | 2 | |
| 23 | Claw, Hydraulic Log Turner | 088082-1 | 4 | |
| 24 | Bolt, M12x130-8.8 Hex Head Zinc | F81004-36 | 2 | |
| 25 | Washer, GTM-2644-015 | 093359 | 2 | |

9.7 Hydraulic Log Clamp, Front and Rear

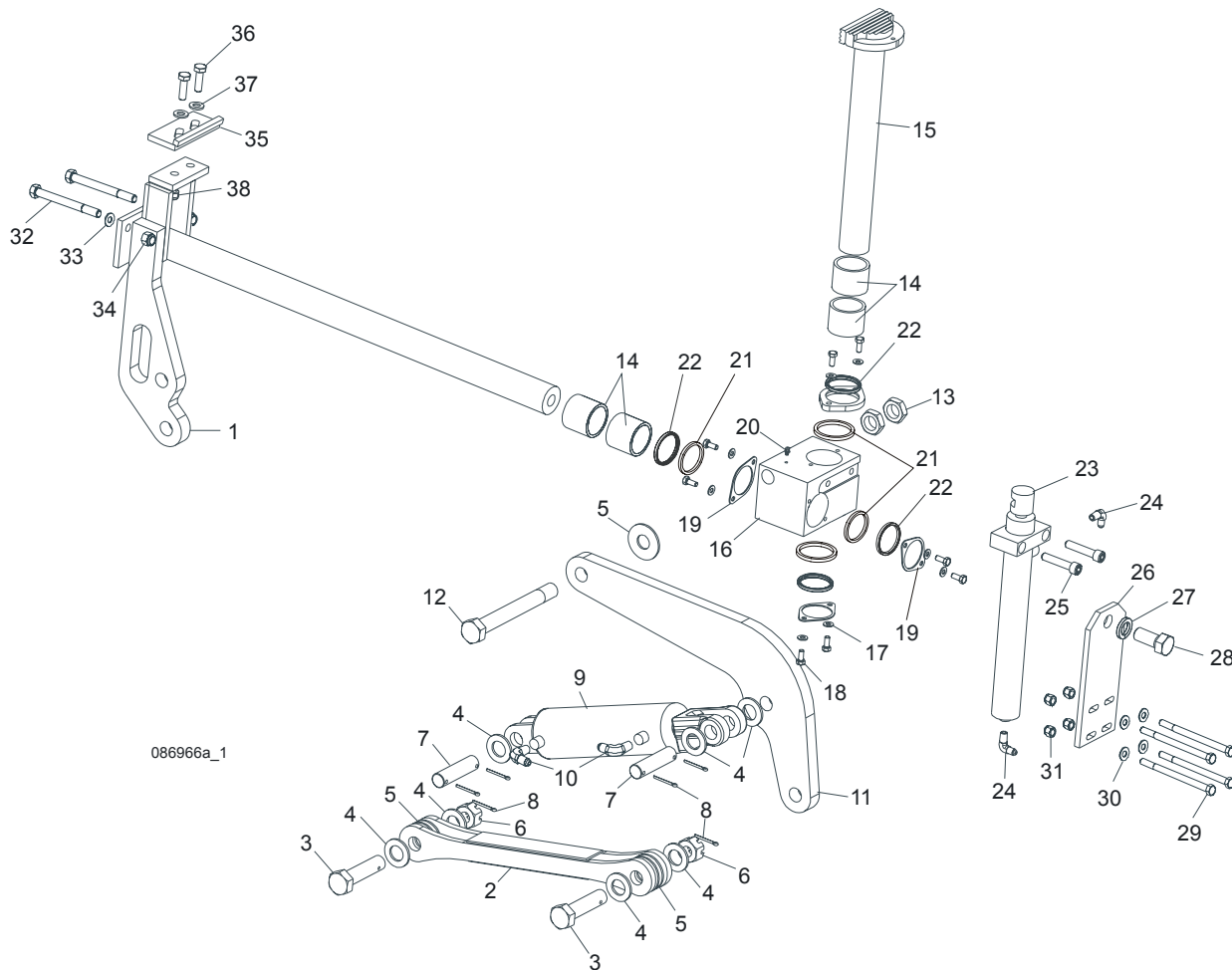


500079

| REF | DESCRIPTION (◆ Indicates Parts Available In Assemblies Only) | PART # | QTY. |
|-----|--|-----------|------|
| | CLAMP ASSEMBLY, HYDRAULIC | 089545 | 2 |
| 1 | Mount Weldment, Hydraulic Log Clamp | 088654-1 | 1 |
| 2 | Bolt, M10x125-8.8 Zinc Hex Head | F81003-18 | 2 |
| 3 | Bolt, M10x130-8.8 Zinc Mushroom Head Square Neck | F81003-36 | 4 |
| 4 | Washer, 10.5 Flat Zinc | F81055-1 | 6 |
| 5 | Nut, M10-8-B Hex Nylon Zinc Lock | F81033-1 | 6 |
| 6 | Block, Guide Pin | 089835-1 | 2 |
| 7 | Bolt, M10x35-8.8 Zinc Hex Head Full Thread | F81003-17 | 4 |
| 8 | Cylinder, CJ7F-16-40/22 + UE2-40W Hydraulic | 088662 | 1 |
| 9 | Bolt, M10x40-8.8 Zinc Hex Head | F81003-16 | 4 |
| 10 | Washer, M10 Flat Zinc | F81055-1 | 6 |
| 11 | Nut, M10-8-b Hex Nylon Zinc Lock | F81033-1 | 10 |
| 12 | Bar, Clamp Up/Down | 089537-1 | 4 |
| 13 | Plate, Connecting | 088645-1 | 1 |
| 14 | Bolt, M10x140-8.8 Zinc Hex Head | F81003-5 | 2 |
| 15 | Plate, Connecting | 089533-1 | 1 |
| 16 | Bolt, M10x55-8.8 Zinc Hex Socket Head Cap | F81003-55 | 4 |

| | | | | |
|----|--|---------------|----|--|
| 17 | Washer, 10.2 Split Lock Zinc | F81055-2 | 4 | |
| 18 | Plate, Log Clamp Rear | 089538-1 | 3 | |
| 19 | Bolt, M10x35-8.8 Zinc Hex Head Full Thread | F81003-17 | 12 | |
| 20 | Washer, 10.2 Split Lock Zinc | F81055-2 | 12 | |
| 21 | Bracket, Guide Pin Mount | 089536-1 | 2 | |
| 22 | Bolt, M10x40-8.8 Zinc Hex Head Full Thread | F81003-16 | 8 | |
| 23 | Washer, 10.2 Split Lock Zinc | F81055-2 | 8 | |
| 24 | Pin, Clamp Up/Down Guide | 088631 | 2 | |
| 25 | Screw, M16x55-8.8 Zinc Hex Socket Head Cap | F81006-18 | 2 | |
| 26 | Washer, 16.3 Split Lock Zinc | F81058-2 | 2 | |
| 27 | Plug, M33 Thread | 089839 | 2 | |
| | Jaw, Log Clamp Left - Complete | 094700 | 1 | |
| 28 | Jaw, Log Clamp Left | 093464-1 | 1 | |
| 30 | Bearing, 6005 2RS CX | 089652 | 4 | |
| 31 | Shaft, Clamp Jaw Guide | 088620-1 | 4 | |
| 32 | Ring, Z24 Spring Retaining | 089654 | 4 | |
| 33 | Ring, W47 Spring Retaining | 089653 | 4 | |
| | Jaw, Log Clamp Right - Complete | 094701 | 1 | |
| 29 | Jaw, Log Clamp Right | 093465-1 | 1 | |
| 30 | Bearing, 6005 2RS CX | 089652 | 4 | |
| 31 | Shaft, Clamp Jaw Guide | 088620-1 | 4 | |
| 32 | Ring, Z24 Spring Retaining | 089654 | 4 | |
| 33 | Ring, W47 Spring Retaining | 089653 | 4 | |
| 34 | Washer, Clamp Jaw Spacer | 089542 | 4 | |
| 35 | Bar, Clamp In/Out Side | 088622-1 | 4 | |
| 36 | Cylinder, SJ2F-40/22/145 Hydraulic | 088661 | 1 | |
| 37 | Bar, Clamp In/Out Lower | 088623-1 | 1 | |
| 38 | Pin, 20X75 | 088657-1 | 4 | |
| 39 | Spacer, Lower | 089541 | 4 | |
| 40 | Pin, S-Zn 5x40 Cotter | F81043-31 | 10 | |
| 41 | Bracket, Vertical Cylinder Mount Upper | 089540-1 | 1 | |
| 42 | Pin, 25X75 | 088659-1 | 1 | |

9.8 Hydraulic Log Clamp

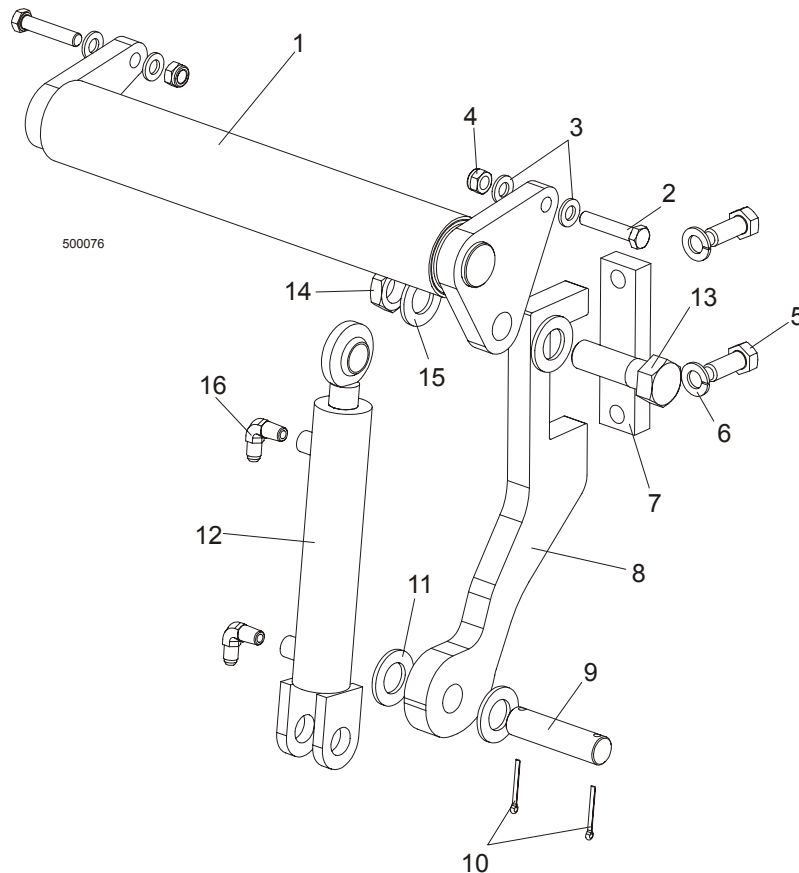


086966a_1

| REF | DESCRIPTION (◆ Indicates Parts Available In Assemblies Only) | PART # | QTY. |
|-----|--|----------|------|
| | CLAMP ASSEMBLY, SUPER HYDRAULIC | 088658 | 1 |
| 1 | Mount Weldment, Super Clamp Tube | 086967-1 | 1 |
| 2 | Arm, Clamp Link | 086963-1 | 1 |
| 3 | Bolt, B 24x95/85 Hex Head Grade 8 | F81049-2 | 1 |
| 4 | Washer, 25 Flat | F81061-3 | 8 |
| 5 | Washer, 25X63 Hardened | 088585-1 | 5 |
| 6 | Nut, M20-8-B Slotted Hex | F81037-3 | 2 |
| 7 | Pin, Cylinder Mount | 086979-1 | 2 |
| 8 | Pin, 6,3x45 Cotter | F81045-2 | 6 |
| 9 | Cylinder, CJ-S96-16-70/32/178 Hydraulic | 088589 | 1 |
| 10 | Fitting, 1/4" NPT - 3/8" JIC Elbow | P09142 | 2 |
| 11 | Link Weldment, Super '99 Clamp | 086974-1 | 1 |
| 12 | Bolt, M24x217/39 -8.8-B Hex Head Grade 8 | 088586-1 | 1 |
| 13 | Nut, M24 -04-B Hex Jam | F81039-3 | 2 |
| 14 | Bushing, Clamp Slide 5040BS | 088660 | 2 |
| 15 | Clamp Weldment, Vertical Super | 088582-1 | 1 |
| 16 | Block, Vertical Clamp Mount | 088591-1 | 1 |
| 17 | Washer, 8.4 Flat | F81054-1 | 8 |
| 18 | Bolt, M8x20-8.8-B Hex Head | F81002-4 | 8 |
| 19 | Spacer, Log Clamp | 088887-1 | 3 |

| | | | | |
|----|--|-----------|---|--|
| 20 | Fitting, 3/16" Grease | P04107 | 1 | |
| 21 | Spacer, Log Clamp | 089324 | 1 | |
| 22 | Wiper, Up/Down Rod ZZ 50x60x7 | 088587 | 1 | |
| 23 | Cylinder, CJ-S169-16-40/22/254 Hydraulic | 088590 | 1 | |
| 24 | Fitting, 1/4" NPT - 1/4" JIC Elbow | P09142 | 2 | |
| 25 | Screw, M12x55 -8.8-B Socket Head | F81004-23 | 2 | |
| 26 | Plate, Super Log Clamp Mount | 086975-1 | 1 | |
| 27 | Washer, Z 22,5 Split Lock | F81059-4 | 1 | |
| 28 | Bolt, M22x1,5x40 -8.8-B Hex Head Grade 5 | F81009-1 | 1 | |
| 29 | Bolt, M10 x 125-8.8 Hex Head | F81003-18 | 4 | |
| 30 | Washer, 10.5 Flat | F81055-1 | 4 | |
| 31 | Nut, M10-8-B Hex Nylon Lock | F81033-1 | 4 | |
| 32 | Bolt, M10 x 140-8.8 Hex Head | F81004-37 | 2 | |
| 33 | Washer, 13 Flat | F81056-1 | 2 | |
| 34 | Nut, M12-8 Hex Nylon Lock | F81034-1 | 2 | |
| | CLAMP STOP KIT, HYDRAULIC LOG | K09485 | 1 | |
| 35 | Plate, Clamp Stop | 086980-1 | 1 | |
| 36 | Bolt, M12 x 40-8.8 Hex Head | F81004-4 | 2 | |
| 37 | Washer, 13 Flat | F81056-1 | 2 | |
| 38 | Nut, M12-8 Hex Nylon Lock | F81034-2 | 2 | |

9.9 Hydraulic Toe Board, Middle

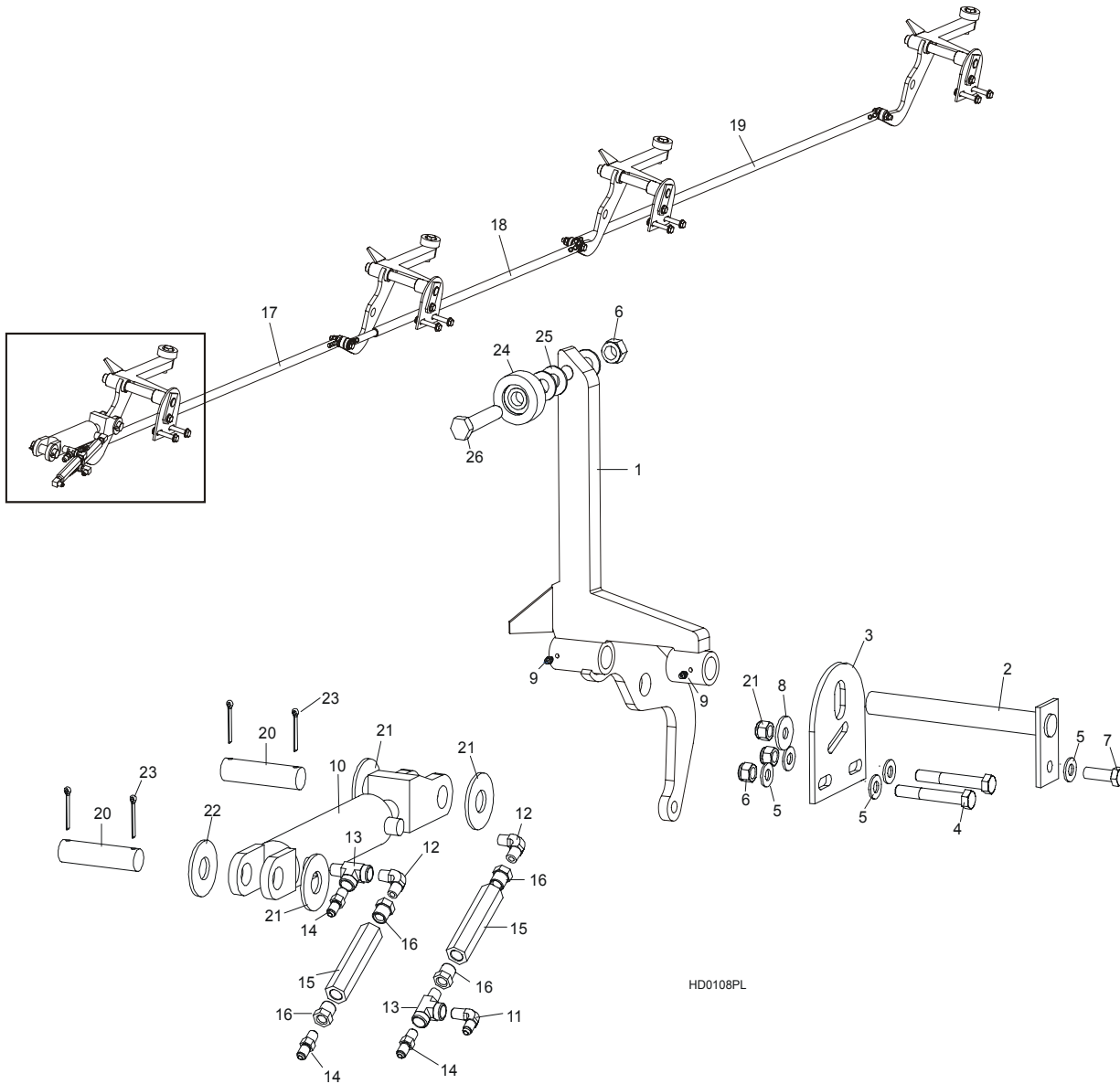


| REF | DESCRIPTION (◆ Indicates Parts Available In Assemblies Only) | PART # | QTY. | |
|-----|--|----------|------|--|
| | HYDRAULIC TOE BOARD ASSEMBLY, MIDDLE | 090055 | | |
| 1 | Toe Board Weldment, Hydraulic | 086253-1 | 1 | |

| | | | | |
|----|--|------------|---|--|
| 2 | Bolt, M12x60-8.8 Zinc Hex Head | F81004-5 | 1 | |
| 3 | Washer, 13 Zinc Flat | F81056-1 | 4 | |
| 4 | Pin, S-Zn 2.5x20 Cotter | F81043-1 | 2 | |
| 5 | Bolt, M16X40-8.8 Zinc Hex Head Full Thread | F81006-13 | 2 | |
| 6 | Washer, 16.3 Zinc Split Lock | F81058-2 | 2 | |
| 7 | Plate, Hydraulic Toe Board Mount | 090086-1 | 1 | |
| 8 | Bracket, Hydraulic Toe Board Mount | 089990-1 | 1 | |
| 9 | Pin, Hydraulic Cylinder Mount Zinc | 086979-1 | 1 | |
| 10 | Pin, S-Zn 3/16 X 1 1/2" Cotter | F05012-23 | 2 | |
| 11 | Washer, 28 Zinc Flat | F81061-1 | 2 | |
| 12 | Cylinder, C-J-S170-16-40/25/152 Hydraulic | 088681 | 1 | |
| | Seal Kit, 1 1/2" x 6" Hydraulic Cylinder | 014547 | 1 | |
| 13 | Bolt, 1-8 X 3 1/4 HH Hex Head Grade 5 | F05009-51 | 1 | |
| 14 | Nut, 1"-14 | F05010-117 | 1 | |
| 15 | Washer, 28 Zinc Flat | F81061-1 | 1 | |
| 16 | Fitting, C5205x4x4 Male | P09143 | 2 | |

9.10

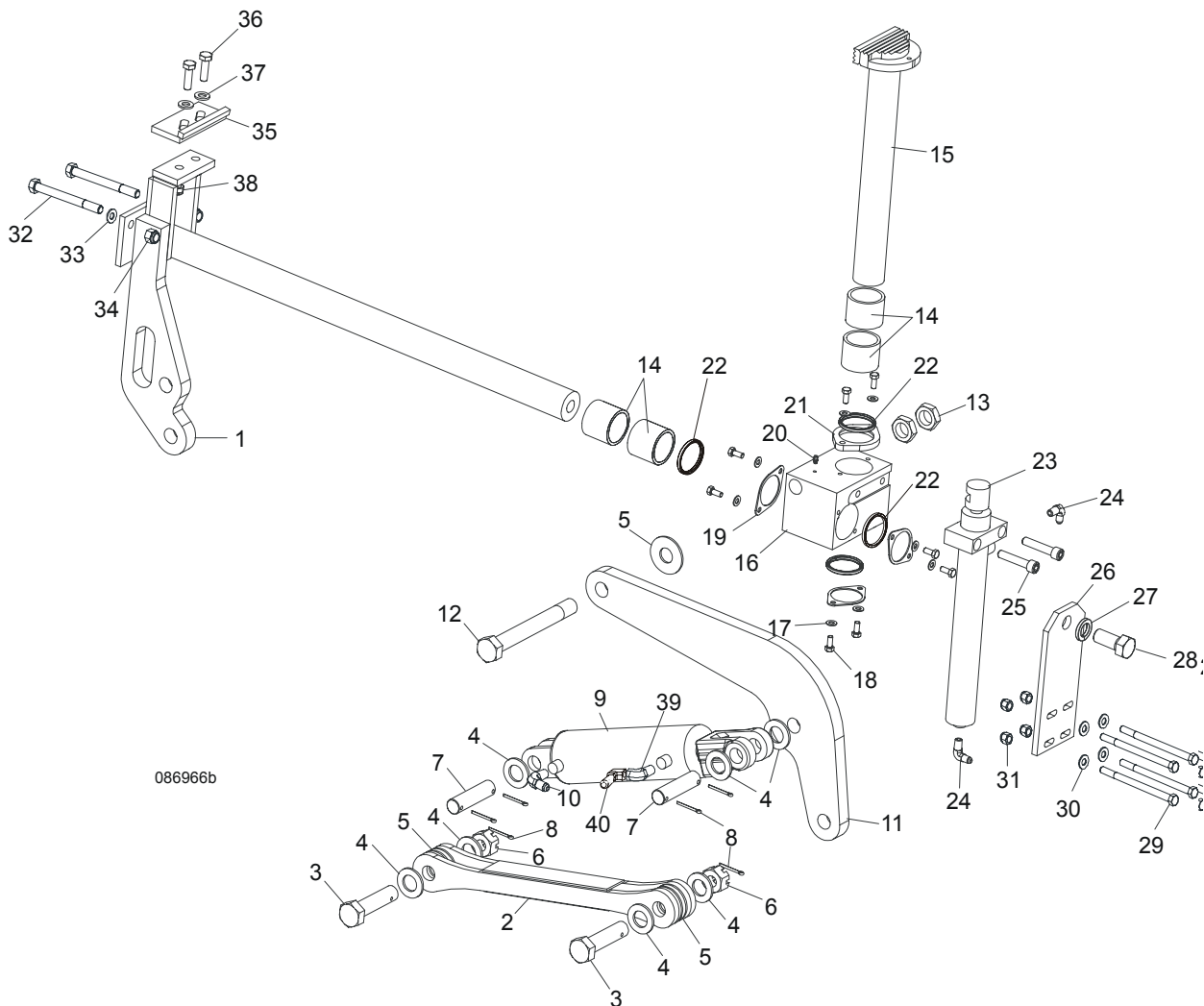
9.11 Hydraulic Log Side Supports (L Type Frame)



| REF | DESCRIPTION (◆ Indicates Parts Available In Assemblies Only) | PART # | QTY. |
|-----|--|-----------|------|
| | HYDRAULIC LOG SIDE SUPPORTS (L TYPE FRAME) | 093746 | 1 |
| 1 | SUPPORT, HYDRAULIC LOG SIDE | 091653-1 | 4 |
| 2 | PIN, LOG SIDE SUPPORT PIVOT | 091549-1 | 4 |
| 3 | PLATE, LOG SIDE SUPPORT END | 091591-1 | 4 |
| 4 | BOLT, M12X75-8.8 HEX HEAD ZINC | F81004-21 | 8 |
| 5 | WASHER, 13 FLAT ZINC | F81056-1 | 20 |
| 6 | NUT, M12-8 HEX NYLON ZINC LOCK | F81034-2 | 12 |
| 7 | BOLT, M12 X 35-8.8 HEX HEAD FULL THREAD ZINC | F81004-24 | 4 |
| 8 | WASHER, 15 SPECIAL FLAT ZINC | F81057-3 | 4 |
| 9 | FITTING, 3/16" GREASE | P04107 | 8 |
| | CYLINDER ASSY, 2x6 SIDE SUPPORT SUPER | 015561 | 1 |
| 10 | Cylinder, C-J-S270-16-50/28/152 Hydraulic | 088678 | 1 |
| | Seal Kit, 6" x 2" Hydraulic Cylinder | P12954 | 1 |

| | | | | |
|----|---|------------|----|--|
| 11 | Fitting, 3/8JIC-1/4NPT 90L | 015491 | 2 | |
| 12 | Fitting, C3529x4 90° Pipe | P09140 | 4 | |
| 13 | Fitting, C3759x4 Male 'T' | P09141 | 2 | |
| 14 | Fitting, 3/8JIC-1/4NPT Str | 015560 | 2 | |
| 15 | Valve, Hydraulic Sequence | 015484 | 2 | |
| 16 | Fitting, 3/8" NPT - 1/4" NPT Reducer | 015490 | 4 | |
| 17 | ROD, HYDRAULIC SIDE SUPPORT LINK L-1675 COMPLETE | 089842 | 1 | |
| 18 | ROD, HYDRAULIC SIDE SUPPORT LINK L-1480 COMPLETE | 089376 | 1 | |
| 19 | ROD, HYDRAULIC SIDE SUPPORT LINK L-1960 COMPLETE | 089377 | 1 | |
| 20 | PIN, CYLINDER MOUNT | 086979-1 | 2 | |
| 21 | WASHER, 28 FLAT ZINC | F81061-1 | 3 | |
| 22 | WASHER, 26 FLAT ZINC DIN 1440 | F81054-8 | 1 | |
| 23 | PIN, 5 X 40 COTTER | F81043-31 | 4 | |
| | ROLLER KIT, SIDE SUPPORT | 015109 | 4 | |
| 24 | ROLLER ASSEMBLY, SIDE SUPPORT | 015014-1 | 4 | |
| 25 | WASHER, 17 FLAT ZINC | F81058-1 | 12 | |
| 26 | BOLT, M16x65MM, HH F/THRD, GRADE 5.8, ZINC | F81006-1 | 4 | |
| | Instruction Sheet, Side Support Roller | 015109-526 | 1 | |

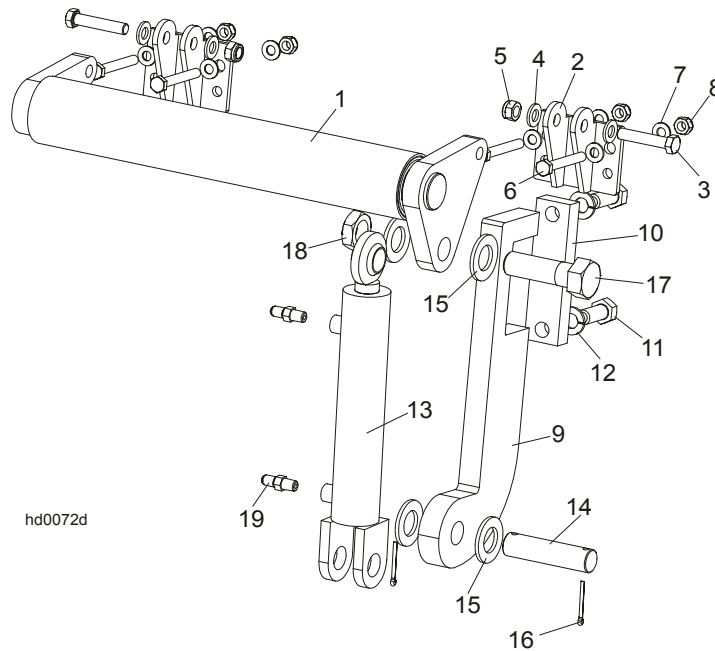
9.12 Hydraulic Log Clamp - main



| L.P. | OPIS (◆ wskazuje części dostępne jedynie w zespołach) | NUMER KAT. | SZT. |
|------|---|------------|------|
| | HYDRAULIC LOG CLAMP ASSEMBLY | 088658 | 1 |
| 1 | Rod Weldment, Log Clamp Slide Ptd | 086967-1 | 1 |
| 2 | Arm Weldment, Hydraulic Clamp Link Ptd | 086963-1 | 1 |
| 3 | Pin, B 24x95/85-Clevis Zinc | F81049-2 | 1 |
| 4 | Washer, 25 Flat Zinc | F81061-3 | 8 |
| 5 | Washer, 25X63 Zinc-Plated | 088585-1 | 5 |
| 6 | Nut, Z M20-8-B-Slotted Castle Zinc | F81037-3 | 2 |
| 7 | Pin, Hydraulic Cylinder Zinc-Plated | 086979-1 | 2 |
| 8 | Pin, S-Zn 6,3x45 Cotter | F81045-2 | 6 |
| 9 | Cylinder, CJ-S96-16-70/32/178 Hydraulic | 088589 | 1 |
| 10 | FITTING, 3/8JIC-1/4 NPT STR | 015560 | 1 |
| 11 | Arm, Hydraulic Log Clamp Link Ptd | 086974-1 | 1 |
| 12 | Bolt, M24x217/39 -8.8-B- Hex Head Zinc | 088586-1 | 1 |
| 13 | Nut, M24 -04-B- Hex Thin Zinc | F81039-3 | 2 |

| | | | | |
|----|---|-----------|---|--|
| 14 | Bushing, 5040BS Self-Lubricating | 088660 | 2 | |
| 15 | Rod Weldment, Log Clamp Vertical Painted | 088582-1 | 1 | |
| 16 | Block, Log Clamp Steel Ptd | 088591-1 | 1 | |
| 17 | Washer, 8.4 Flat Zinc | F81054-1 | 8 | |
| 18 | Bolt, M8x20-8.8-B-Hex Head Full Thread Zinc | F81002-4 | 8 | |
| 19 | Flange, Clamp Rod Wiper Ptd | 088887-1 | 3 | |
| 20 | Fitting, 3/16" Straight Grease | P04107 | 1 | |
| 21 | Flange, Clamp Rod Wiper Ptd | 088887-1 | 1 | |
| 22 | Wiper, ZZ 50x60x7 Log Clamp Rod | 088587 | 1 | |
| 23 | Cylinder, CJ-S169-16-40/22/254 Hydraulic | 088590 | 1 | |
| 24 | Fitting, 1/4" NPT - 1/4" JIC Male Elbow | P09142 | 2 | |
| 25 | Screw, M12x55 -8.8-B-Hex Socked Head Cap Zinc | F81004-23 | 2 | |
| 26 | Plate, Log Clamp Mount Ptd | 086975-1 | 1 | |
| 27 | Washer, Z 22,5 Split Lock | F81059-4 | 1 | |
| 28 | Bolt, M22x1,5x40 -8.8-B-Hex Head Full Thread Zinc | F81009-1 | 1 | |
| 29 | Bolt, M10 x 125-8.8 Hex Head Zinc | F81003-18 | 4 | |
| 30 | Washer, 10.5 Flat Zinc | F81055-1 | 8 | |
| 31 | Nut, M10-8-B Hex Nylon Zinc Lock | F81033-1 | 4 | |
| 32 | Bolt, M12x130-8.8-Hex Head Zinc | F81004-36 | 2 | |
| 33 | Washer, 13 Flat Zinc | F81056-1 | 2 | |
| 34 | Nut, M12-8 Hex Zinc | F81034-1 | 2 | |
| | STOP KIT, CLAMP | K09485 | 1 | |
| 35 | Stop Wldmt, Hydraulic Log Clamp Ptd | 086980-1 | 1 | |
| 36 | Bolt, M12 x 40 8.8 Hex Head Full Thread Zinc | F81004-4 | 2 | |
| 37 | Washer, 13 Flat Zinc | F81056-1 | 2 | |
| 38 | NUT, M12-8 HEX NYLON ZINC LOCK | F81034-2 | 4 | |
| 39 | FITTING, M/F-90-9/16 JIC ELBOW | 500597 | 1 | |
| 40 | FITTING, 3/8JIC-1/4NPT 90L | 015491 | 1 | |

9.13 Hydraulic Toe Board



hd0072d

| REF | DESCRIPTION (◆ Indicates Parts Available In Assemblies Only) | PART # | QTY. |
|-----|--|------------|------|
| | HYDRAULIC TOE BOARD - REAR | 092634 | 1 |
| 1 | Toe Board Weldment, Hydraulic - Rear | 086253-1 | 1 |
| 2 | Bracket, Hydraulic Toe Board | 087903-1 | 2 |
| 3 | Bolt, M12x60mm Hex Head Zinc Grade 8.8 | F81004-5 | 4 |
| 4 | Washer, M12 Flat Zinc | F81056-1 | 8 |
| 5 | Nut, M12 Hex Nylon Zinc Lock | F81034-2 | 4 |
| 6 | Bolt, M10x75-8.8 Hex Head Zinc | F81003-15 | 8 |
| 7 | Washer, M10 Flat Zinc | F81055-1 | 16 |
| 8 | Nut, M10 Hex Nylon Zinc Lock | F81033-1 | 8 |
| 9 | Bracket, Hydraulic Toeboard Mount | 087729-1 | 2 |
| 10 | Plate, Hydraulic Toeboard Mount | 090086-1 | 2 |
| 11 | Bolt, M16x40mm Hex Head Full Thread Zinc Grade 5.8 | F81006-13 | 4 |
| 12 | Washer, 16.3 Split Lock Zinc | F81058-2 | 4 |
| 13 | Cylinder, CJ-S170-16-40/25/152 Hydraulic | 088681 | 2 |
| 14 | Pin, Cylinder Mount | 086979-1 | 2 |
| 15 | Washer, 28 Flat Zinc | F81061-1 | 8 |
| 16 | Pin, 3/16x1.5 Cotter Zinc | F05012-23 | 4 |
| 17 | Bolt, 1-8x3 1/4 Hex Head Grade 5 | F05009-51 | 2 |
| 18 | Nut, 1-14 Hex Jam Unplated | F05010-117 | 2 |
| 19 | Fitting, 1/4NPTx1/4JIC Male | P09143 | 4 |