

Wood-Mizer®

Parts Manual

LT20L AH

rev. D9.00



Safety is our #1 concern! Read and understand all safety information and instructions before operating, setting up or maintaining this machine.

April 2003

Form #933

Table of Contents

Section-Page

SECTION 1	GENERAL INFORMATION	1-1
1.1	How To Use The Parts List	1-1
1.2	Sample Assembly	1-1
SECTION 2	BLADE GUIDE ROLLERS & ARM	2-1
2.1	Blade Guide Assembly, Idle Side.....	2-1
2.2	Blade Guide Assembly, Drive Side.....	2-2
2.3	Blade Guide Arm & Rollers	2-3
2.4	Blade Guide Arm Drive Assembly.....	2-4
SECTION 3	BLADE WHEELS & TENSIONER	3-1
3.1	Blade Wheel Assembly, Drive Side	3-1
3.2	Blade Wheel Assembly, Idle Side	3-2
3.3	Blade Tensioner Assembly	3-3
SECTION 4	SAW HEAD	4-1
4.1	Middle Throat Screw	4-1
4.2	Drive Belt Tensioner, DC Sawmills	4-1
4.3	Water Lube Assembly	4-3
4.4	Blade Lube System.....	4-4
4.5	LT20AC Saw Head Decals	4-5
4.6	LT20DC Saw Head Decals	4-7
4.7	Blade Housing Cover	4-9
4.8	Control Box (AC Sawmills)	4-11
4.9	Control Box (DC Sawmills)	4-13
4.10	Drum Switches	4-15
4.11	Sawdust Chute	4-16
4.12	Up/Down Cable Chain Assembly	4-17
4.13	LT20 Saw Head Rest Pin Assembly	4-18
4.14	Saw Head Rest Pin Assembly (LT20ME15SAH3 - 1.8 Sawmills).....	4-19
4.15	Saw Head Rest Pin Assembly (LT20ME15SAH7-2.2 Sawmills).....	4-20
4.16	Saw Head Rest Pin Assembly (LT20MD22SDH7-2.5 Sawmills)	4-21
SECTION 5	UP/DOWN ASSEMBLY	5-1
5.1	Up/Down Assembly, AC Mills	5-1
5.2	Up/Down Assembly, DC Mills	5-3
5.3	Up/Down Chain Tensioner Assembly.....	5-5
5.4	Battery Box Assembly, DC Mills.....	5-6

Table of Contents

Section-Page

SECTION 6	UP/DOWN ROLLERS & BLADE HEIGHT SCALE	6-1
6.1	Up/Down Rollers.....	6-1
6.2	Blade Height Scale	6-3
6.3	Limit Switches.....	6-5
SECTION 7	POWER FEED & TRACK ROLLERS	7-1
7.1	Power Feed Assembly, AC Mills	7-1
7.2	Power Feed Assembly, DC Mills	7-3
7.3	Upper Track Rollers And Wipers	7-5
7.4	Lower Track Rollers	7-7
SECTION 8	BED FRAME ASSEMBLY	8-1
8.1	Bed Rail Assembly (L type frame).....	8-1
8.2	Bed Rail Assembly (L type frame).....	8-2
8.3	Bed Rail Assembly (L type frame).....	8-3
8.4	Bed Rail Assembly (L type frame).....	8-4
8.5	Leg, Stationary	8-5
8.6	Pivot Bed Rail Assembly.....	8-6
8.7	Log Side Support Assembly (Manual)	8-7
8.8	Board Return Table (LT40/70L Option)	8-9
8.9	Bed Frame Decals.....	8-10
8.10	Saw Head Support Assembly	8-11
8.11	LT40/7LT70 L Saw Head Support Assembly,	8-12
8.12	Tie Down Chain Assembly	8-13
8.13	Remote Equipment Option	8-14
SECTION 9	HYDRAULIC SYSTEM	9-1
9.1	Hydraulic hoses, LT40/70L AH	9-1
9.2	Hydraulic Control Box, LT40/70 AH15/14	9-3
9.3	Hydraulic Control Box	9-5
9.4	Hydraulic Power Supply Strip.....	9-6
9.5	Hydraulic Log Loader	9-7
9.6	Hydraulic Log Turner.....	9-9
9.7	Hydraulic Log Clamp,Front and Rear.....	9-10
9.8	Hydraulic Log Clamp	9-12
9.9	Hydraulic Toe Board, Middle.....	9-13
9.10	Hydraulic Log Side Supports (L Type Frame).....	9-15
9.11	Hydraulic Toe Board	9-17
9.12	Power Toe Roller (Option)	9-18

SECTION 1 GENERAL INFORMATION

1.1 How To Use The Parts List

- Use the index above to locate the assembly that contains the part you need.
- Go to the appropriate section and locate the part in the illustration.
- Use the number pointing to the part to locate the correct part number and description in the table.
- Parts shown indented under another part are included with that part.
- Parts marked with a diamond (◆) are only available in the assembly listed above the part.

See the sample table below. Sample Part #A01111 includes part F02222-2 and subassembly A03333. Subassembly A03333 includes part S04444-4 and subassembly K05555. The diamond (◆) indicates that S04444-4 is not available except in subassembly A03333. Subassembly K05555 includes parts M06666 and F07777-77. The diamond (◆) indicates M06666 is not available except in subassembly K05555.

1.2 Sample Assembly				
REF	DESCRIPTION (◆ Indicates Parts Available In Assemblies Only)	PART #	QTY.	
	Sample Assembly, Complete (Includes All Indented Parts Below)	A01111	1	
1	Sample Part	F02222-22	1	
	Sample Subassembly (Includes All Indented Parts Below)	A03333	1	
2	Sample Part (◆ Indicates Part Is Only Available With A03333)	S04444-4	1	◆
	Sample Subassembly (Includes All Indented Parts Below)	K05555	1	
3	Sample Part (◆ Indicates Part Is Only Available With K05555)	M06666	2	◆
4	Sample Part	F07777-77	1	

To Order Parts:

- From Europe call our European Headquarters and Manufacturing Facility in Kolo, Poland at **+48-63-2626000**. From the continental U.S., call our toll-free Parts hotline at **1-800-525-8100**. Have your customer number, vehicle identification number, and part numbers ready when you call. From other international locations, contact the Wood-Mizer distributor in your area for parts.

Office Hours:

Country	Monday - Friday	Saturday	Sunday
Poland	7-15	Closed	Closed
US	8 a.m.- 5 p.m.	8 a.m. - 5 p. m.	Closed



CAUTION! It is strongly recommended that only original spare parts be used.

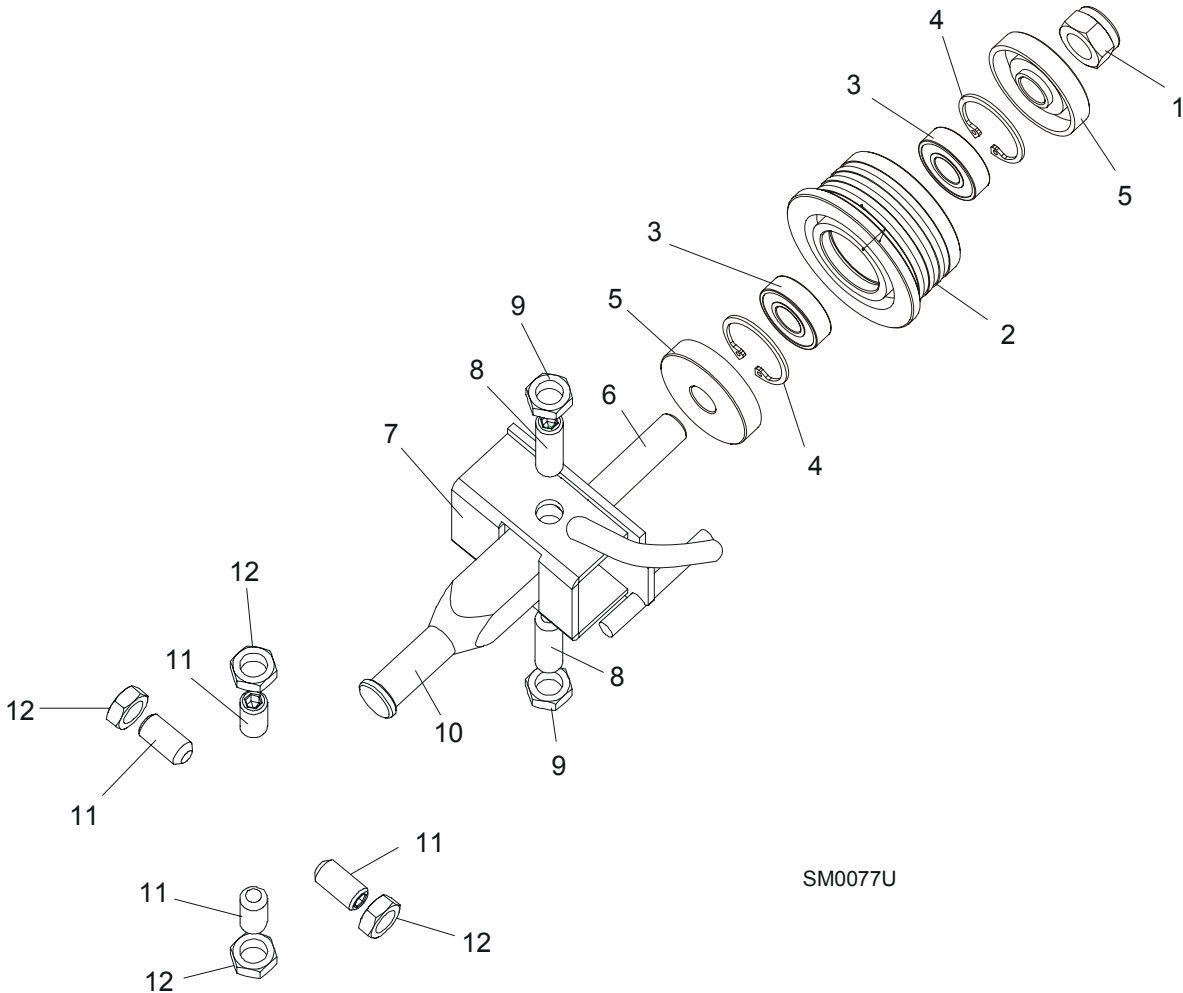


Blade Guide Rollers & Arm

Blade Guide Assembly, Idle Side

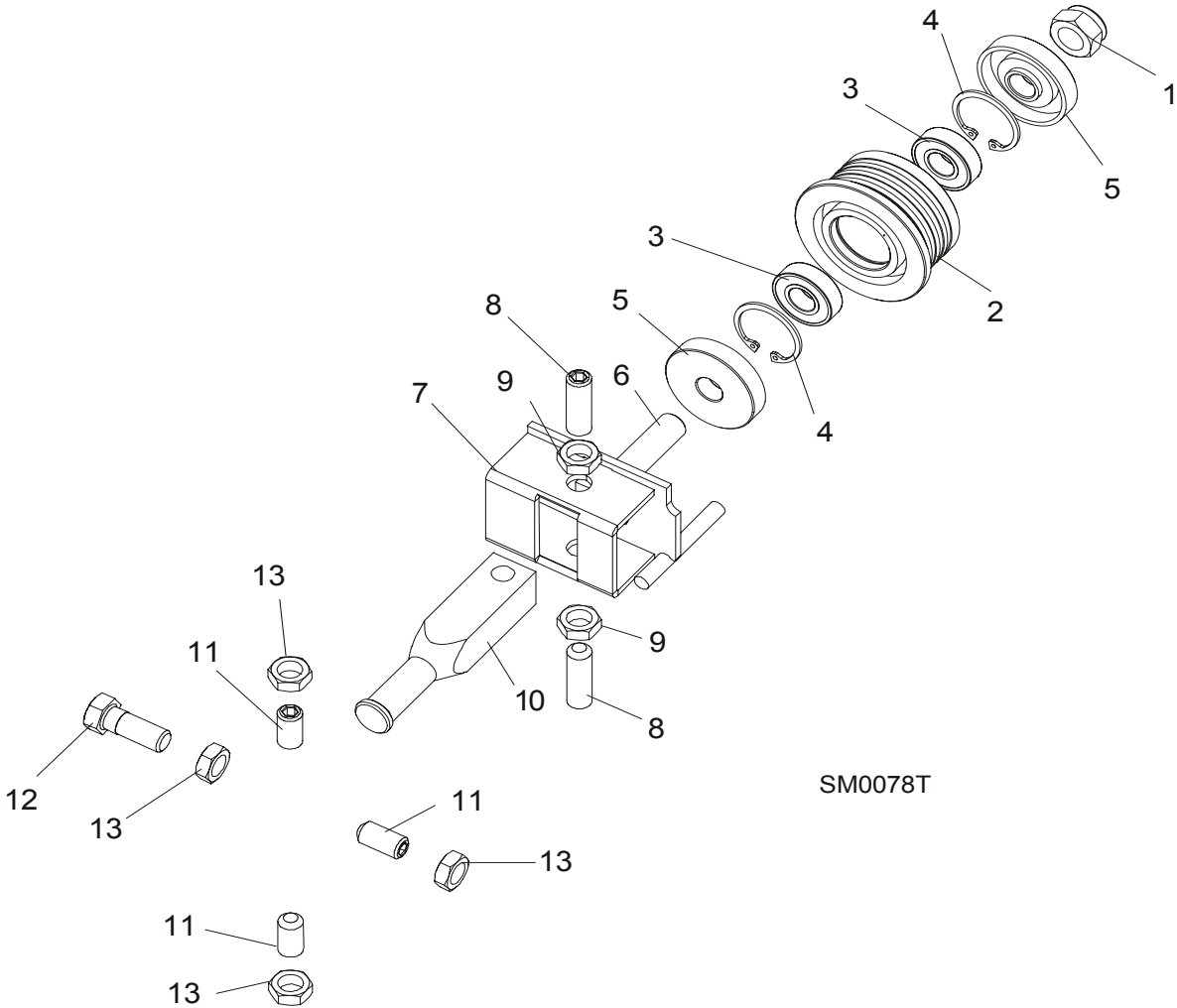
SECTION 2 BLADE GUIDE ROLLERS & ARM

2.1 Blade Guide Assembly, Idle Side



REF	DESCRIPTION (◆ Indicates Parts Available In Assemblies Only)	PART #	QTY.	
	BLADE GUIDE ASSEMBLY, IDLE SIDE	094683	1	
	Roller, Blade Guide Complete Standard	087887	1	
1	Nut, M12-8 Hex Nylon Zinc Lock	F81034-2	1	
2	Roller, Blade Guide Narrow	087889	1	◆
3	Bearing, 6001 2RSR FAG	087893	2	
4	Ring, W28 Inside Retaining	F81090-9	1	
5	Washer, Zinc-plated Spacer	087891-1	2	
6	Shaft, Blade Guide Roller Zinc-plated	087763-1	1	
7	Bracket Weldment, Idle Side Blade Guide Painted	094681-1	1	
8	Screw, M10x1x40 DIN 913 A2-70 Set Stainless Steel	F81015-2	2	
9	Nut, M10x1-04-ST-A2 ISO 8675 Thin	F81033-10	2	
10	Shaft, Blade Guide Mount Zinc-plated	503588-1	1	
11	SCREW, M10X1X20 DIN 913 SET STAINLESS STEEL	F81015-1	4	
12	NUT, M10x1-04-ST-A2 ISO 8675 THIN	F81033-10	4	

2.2 Blade Guide Assembly, Drive Side



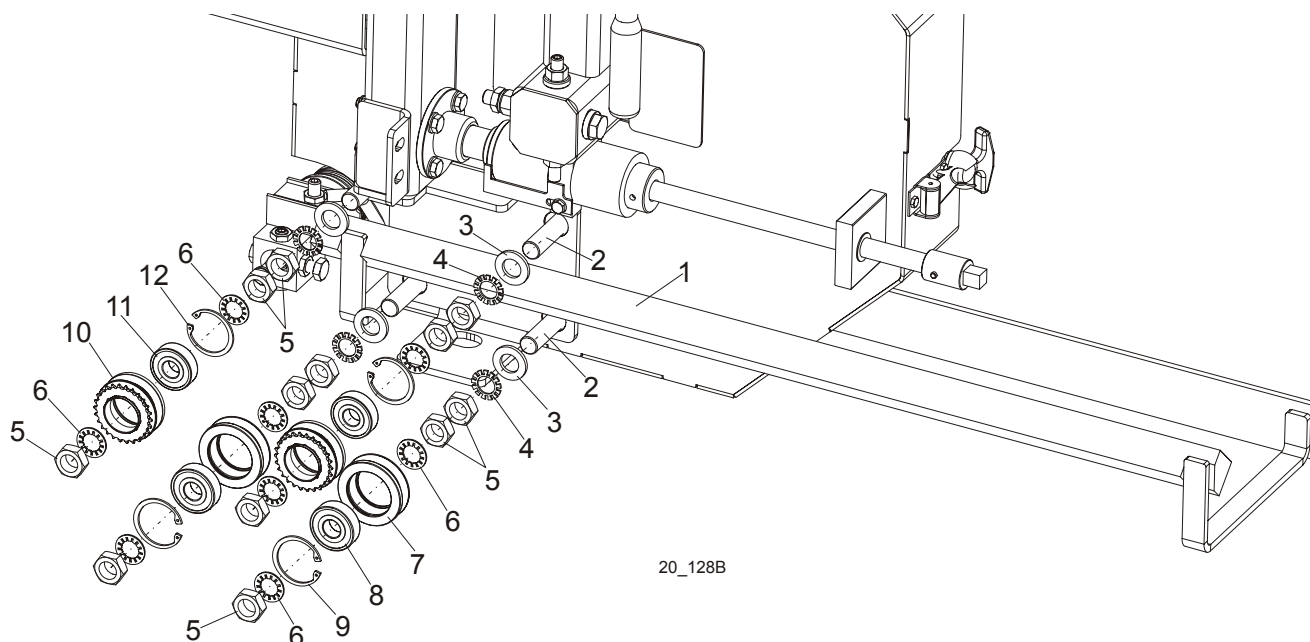
REF	DESCRIPTION (◆ Indicates Parts Available In Assemblies Only)	PART #	QTY.	
	BLADE GUIDE ASSEMBLY, DRIVE SIDE	094682	1	
	Roller, Blade Guide Complete Standard	087887	1	
1	Nut, M12-8 Hex Nylon Zinc Lock	F81034-2	1	
2	Roller, Blade Guide Narrow	087889	1	◆
3	Bearing, 6001 2RSR FAG	087893	2	
4	Ring, W28 Inside Retaining	F81090-9	1	
5	Washer, Zinc-plated Spacer	087891-1	2	
6	Shaft, Blade Guide Roller Zinc-plated	087763-1	1	
7	Bracket Weldment, Blade Guide Painted	094679-1	1	
	Screw Kit, Blade Guide Adjustment w/Nuts (for two blade guide assemblies)	K09942	1	
8	Screw, M10x1x40 DIN 913 A2-70 Set Stainless Steel	F81015-2	2	
9	Nut, M10x1-04-ST-A2 ISO 8675 Thin	F81033-10	2	
10	Shaft, Blade Guide Mount Zinc-plated	503588-1	1	
11	SCREW, M10X1X20 DIN 913 SET STAINLESS STEEL	F81015-1	3	
12	BOLT, M10X1X25 DIN 933 STAINLESS STEEL	F81003-28	1	

2 Blade Guide Rollers & Arm

Blade Guide Arm & Rollers

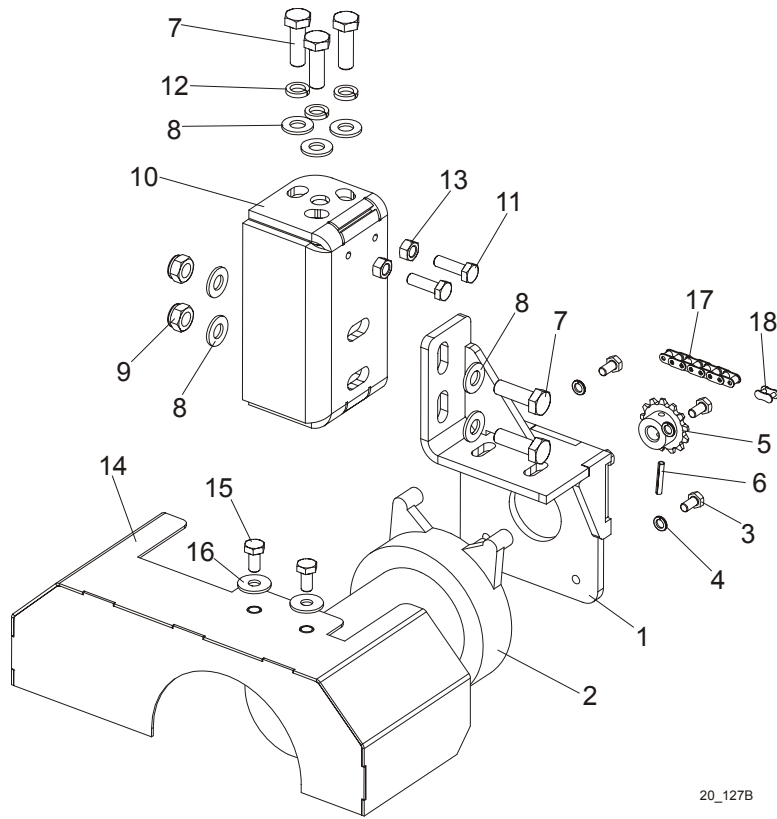
13	NUT, M10x1-04-ST-A2 ISO 8675 THIN	F81033-10	4
----	-----------------------------------	-----------	---

2.3 Blade Guide Arm & Rollers



REF	DESCRIPTION (◆ Indicates Parts Available In Assemblies Only)	PART #	QTY.
1	BLADE GUIDE ARM WELDMENT	096397-1	1
2	BOLT, BLADE GUIDE ARM ROLLER CAM	086508-1	4
3	WASHER, M16,FLAT ZINC	F81058-1	4
4	WASHER, 5/8" EXTERNAL STAR	F05011-26	4
5	NUT, 5/8-18 HEX JAM	F05010-11	12
6	WASHER, 5/8" INTERNAL STAR	F05011-25	8
	ROLLER ASSY, BLADE GUIDE ARM WITH BEARING	093855	2
7	Roller, Blade Guide Arm V-Groove	093856-1	1 ◆
8	Bearing, 6203 2RSP6-5/8 CX	095087	1
9	Ring, W40 Retaining	F81090-3	1
	ROLLER ASSY, BLADE GUIDE ARM DRIVE W/SPROCKET COMPLETE	501496	2
10	Roller, Blade Guide Arm Drive w/Sprocket	501495-1	1 ◆
11	Bearing, 6203-2 RSP6-5/8 CX	095087	1
12	Ring, W40 Spring Retaining	F81090-3	1

2.4 Blade Guide Arm Drive Assembly

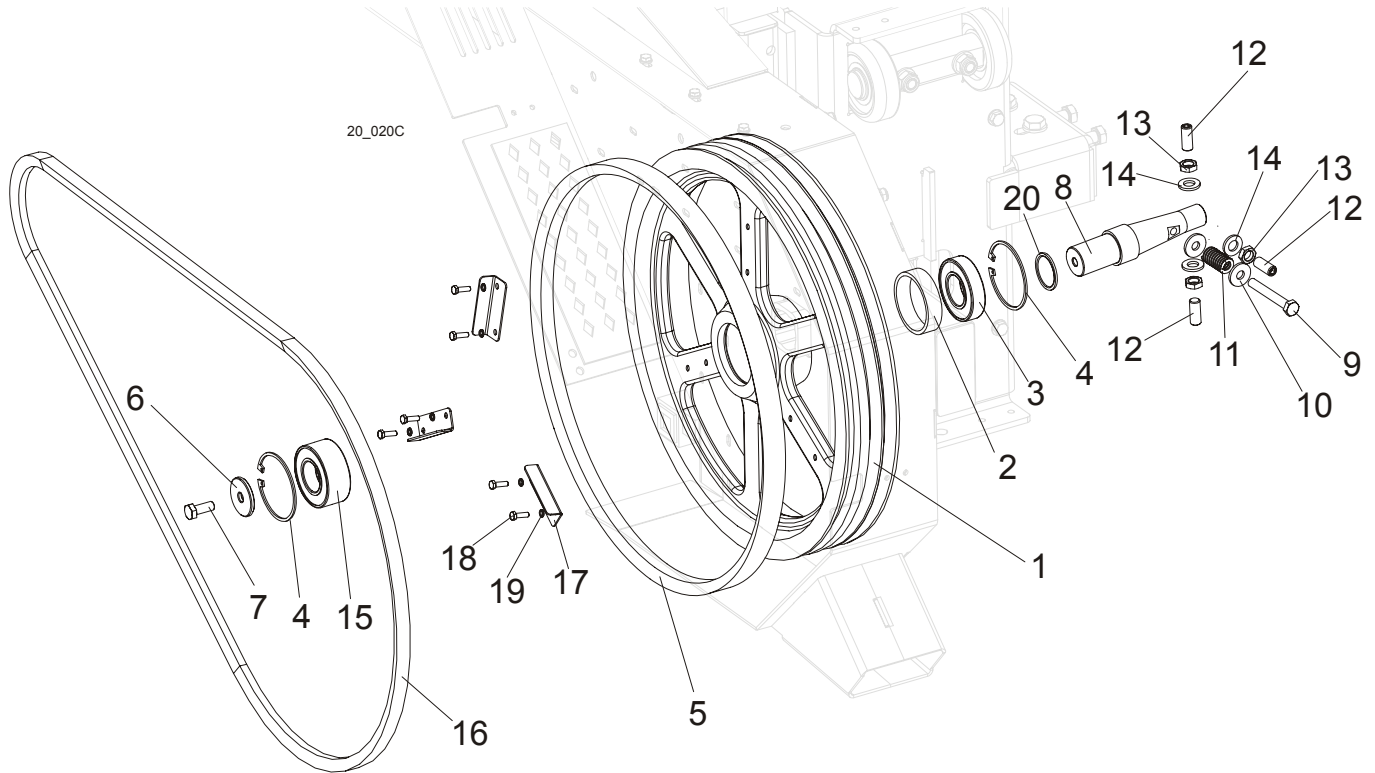


20_127B

REF	DESCRIPTION (◆ Indicates Parts Available In Assemblies Only)	PART #	QTY.
	DRIVE ASSEMBLY, BLADE GUIDE ARM	096396	1
1	BRACKET, BLADE GUIDE ARM MOTOR MOUNT	096390-1	1
2	MOTOR, BLADE GUIDE ARM 53:1 GEAR	P09698-1	1
3	SCREW, 10-32X1/2 HH MACHINE	F05004-60	4
4	WASHER, 5.1 SPLIT LOCK	F81052-2	4
5	SPROCKET, 25B13X.3130	P09970	1
6	PIN, 1/8X3/4 ROLL	F05012-6	1
7	BOLT, M8x25-8.8-B HEX HEAD FULL THREAD ZINC	F81002-5	5
8	WASHER, 8.4 FLAT ZINC	F81054-1	7
9	NUT, M8-8-B HEX NYLON ZINC LOCK	F81032-2	2
10	BRACKET, BLADE GUIDE ARM DRIVE	501265-1	1
11	BOLT, M6x20-8.8 HEX HEAD FULL THREAD ZINC	F81001-2	2
12	WASHER, 8.2 SPLIT LOCK	F81054-4	3
13	NUT, M6-8.8 HEX GRADE 5 ZINC	F81031-1	2
14	COVER, LT20 BLADE GUIDE ARM MOTOR	097424-1	1
15	BOLT, M6X12MM HEX HEAD ZINC	F81001-7	2
16	WASHER, 6.5 FLAT ZINC	F81053-11	2
17	CHAIN, 20 1/4IN #25	P09984	1
18	LINK, 25 MASTER	P09983	1

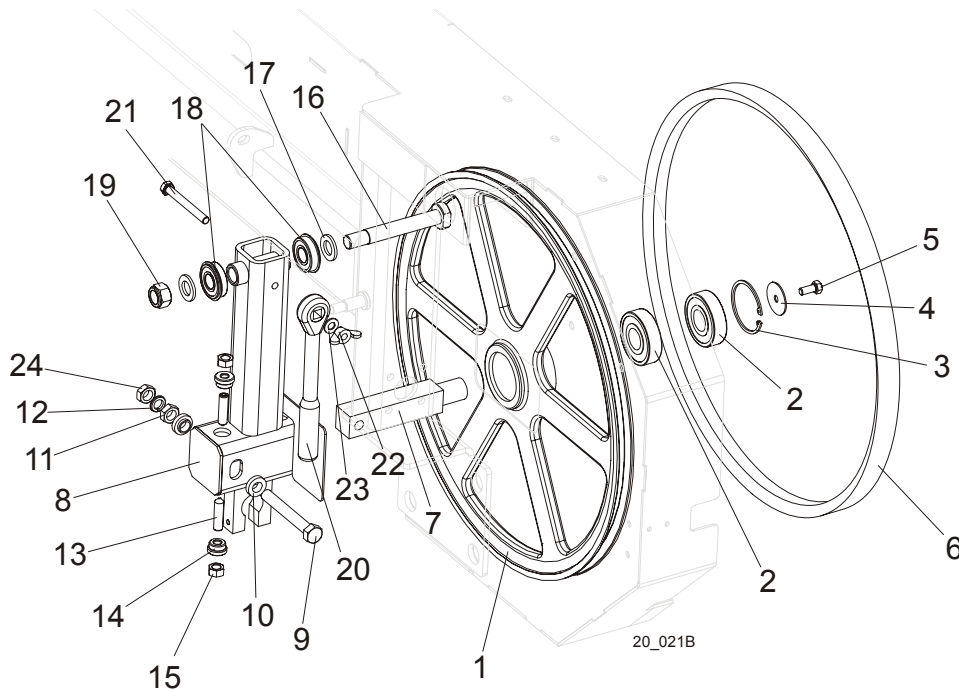
SECTION 3 BLADE WHEELS & TENSIONER

3.1 Blade Wheel Assembly, Drive Side



REF	DESCRIPTION (◆ Indicates Parts Available In Assemblies Only)	PART #	QTY.
	BLADE WHEEL ASSEMBLY, LT20 DRIVE SIDE	091612	1
1	Wheel, LT20 Drive Side Blade	090646-1	1
2	Bushing, Bearing Spacer	096778	1
3	Bearing, 6207 2RS 35x72x17 FAG	014811	1
4	Ring, W72 Retaining	F81090-4	2
5	Belt, B57 Blade Wheel	P04185	1
6	Washer, Drive Side Blade Wheel	092006	1
7	Bolt, M10x25-8.8 Hex Head Full Thread Zinc	F81003-11	1
8	Shaft, LT15/20 Drive Side Blade Wheel	093850	1
9	Bolt, M10X65-8.8-B Hex Head Zinc	F81003-67	1
10	Washer, Zinc	098813-1	2
11	Spring, 19x38 Compression	034430	1
12	Screw, M12x1,25x30 DIN913 Set	F81016-1	4
13	Washer, 13 Flat Zinc	F81056-1	4
14	Nut, M12x1,25 DIN439 Thin Stainless Steel	F81034-9	4
15	Bearing, 3207B, 2RSR. TVH FAQ	092005	1
16	Drive Belt, 2BX81, AC Sawmills (E11, E15) Drive Belt, 2BX84, DC Sawmills (D17, D22 & G25)	014819-2 (AC) 088110 (DC)	1 2
17	Wing	097808-1	3
18	Bolt, M6x20mm, HH, Full Thread, Zinc	F81001-2	6
19	Washer, M6 Split Lock Zinc	F81053-3	6
20	Washer, φ35 Special	091851	1

3.2 Blade Wheel Assembly, Idle Side

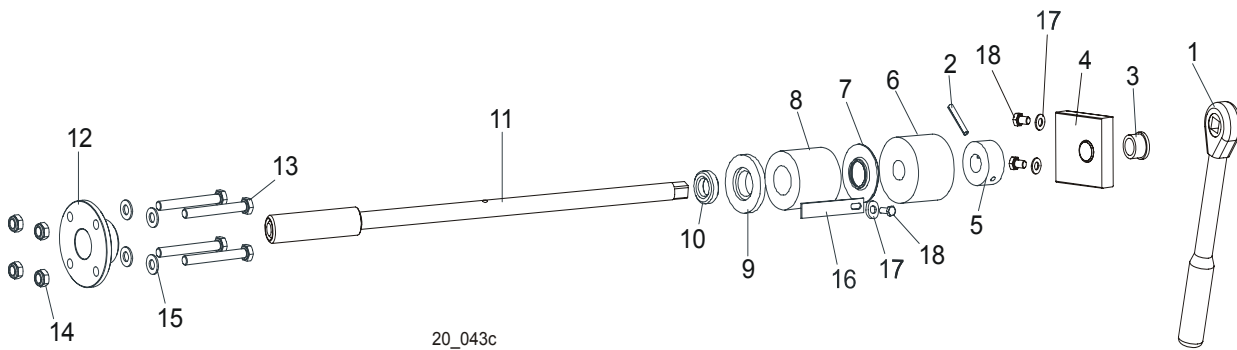


REF	DESCRIPTION (◆ Indicates Parts Available In Assemblies Only)	PART #	QTY.
	WHEEL ASSEMBLY, IDLE SIDE BLADE	A08218	1
1	Sheave, 18.62" Idler	P08125	1
2	Bearing, 6305 2RS NSK	P08066	2
3	Ring, 2 7/16" Inside Retaining	F04254-21	1
4	WASHER, WHEEL RETAINING ZINC-PLATED	093854-1	1
5	BOLT, M8 x 25mm HEX HEAD GR 5.8 ZINC	F81002-5	1
6	BELT, B57 BLADE WHEEL	P04185	1
7	SHAFT, IDLE SIDE WHEEL METRIC	096045	1
8	HOUSING, IDLER SHAFT PTD	093857-1	1
9	BOLT, M12X1.25X100-8.8 HEX HEAD FULL THREAD ZINC	F81004-41	1
10	SPACER, FLANGED ZINC-PLATED	086769-1	2
11	NUT, M12 X 1.25-8 HEX ZINC	F81034-8	1
12	WASHER, 12.2 SPLIT ZINC LOCK	F81056-2	1
13	SCREW, M10 X 40-45H HEX SOCKET SET CONE POINT ZINC	F81003-61	2
14	BUSHING, M10 IDLER SHAFT HOUSING	086987	2
15	NUT, M10-8-B HEX ZINC	F81033-3	2
16	PIN, IDLER ARM BEARINGS	086404	1
17	WASHER, 17 FLAT ZINC	F81058-1	2
18	BEARING, 6203-2RS NR NSK W/RING	086395	2
19	NUT, M16-8 HEX NYLON ZINC LOCK	F81036-2	1
20	WRENCH, LT20 BLADE TENSION	091620	1
21	BOLT, M10x90-8.8-B HEX HEAD ZINC	F81003-66	1
22	STUD, M10x25-8.8 ZINC-PLATED	F81003-8	1
23	WASHER, M10 FLAT ZINC	F81055-1	1
24	NUT, M12x1.25 DIN439 THIN STAINLES STEEL	F81034-9	1

3 Blade Wheels & Tensioner

Blade Tensioner Assembly

3.3 Blade Tensioner Assembly

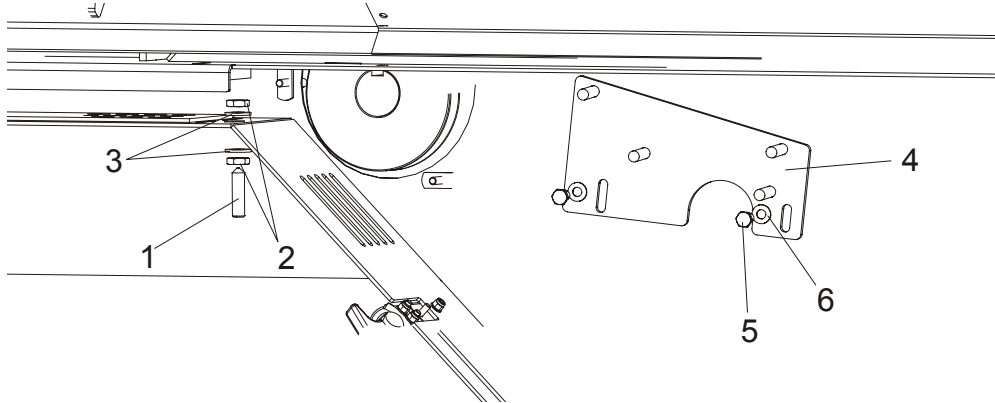


20_043c

REF	DESCRIPTION (◆ Indicates Parts Available In Assemblies Only)	PART#	QTY.
	BLADE TENSIONER ASSEMBLY	090587	1
1	Wrench, LT20 Blade Tension	091620	1
2	Pin, 5 x 30 Zinc Roll	F81044-21	1
	Bracket, Tension Handle Mount w/Bushing	096729	1
3	Bushing GFM-1618-17(IGUS)	089589	1
4	Bracket, Painted	096730	1
5	Collar, Blade Tensioner	086712-1	1
6	Bushing, Rubber Stop	P12165	1
7	Guide, LT15 Tension Handle	014925	1
8	Spring, LT15 Rubber Blade Tensioner	014828	1
9	Washer, Rubber Spring Front	086674-1	1
10	Bearing, 51103 FLT Ball Thrust	086675	1
11	Shaft Weldment, Blade Tensioner Zinc-plated	101338-1	1
12	Nut, Blade Tensioner	086672-1	1
13	Bolt, M8x70 8.8 Hex Head Zinc	F81002-71	4
14	Nut, M8-8-B Hex Nylon Zinc Lock	F81032-2	4
15	Washer, 8.4 Zinc Flat	F81054-1	8
16	Indicator, LT15 Blade Tension Zinc-plated	092467-1	1
17	Washer, 6.4 Zinc Flat	F81053-1	1
18	Bolt, M6x16 8.8 Hex Head Full Thread Zinc	F81001-15	1

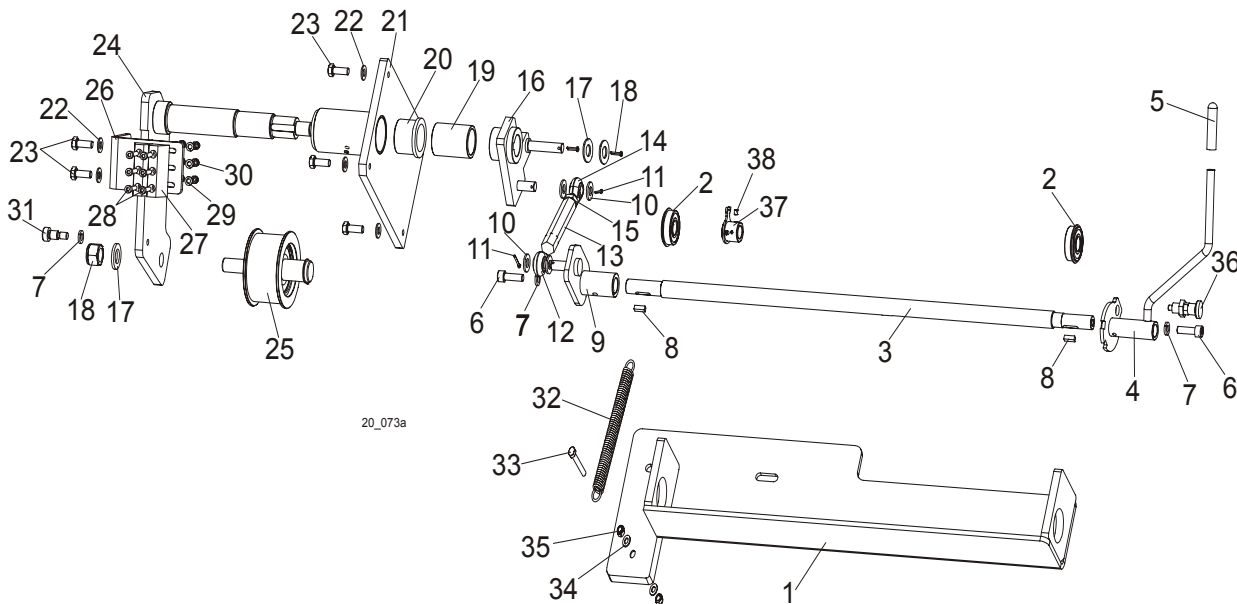
SECTION 4 SAW HEAD

4.1 Middle Throat Screw



REF	DESCRIPTION (◆ Indicates Parts Available In Assemblies Only)	PART #	QTY.
1	SCREW, M10 X 40-45H HEX SOCKET SET CONE POINT ZINC	F81003-61	1
2	NUT, M10-8-B ZINC HEX	F81033-6	2
3	WASHER, 10.5 ZINC FLAT	F81055-1	2
4	BRACKET, DRIVE BELT SUPPORT, UPPER	092668-1	1
5	BOLT, M8X20-5.8 HEX HEAD FULL THREAD ZINC	F81002-1	2
6	WASHER, 8.4 ZINC FLAT	F81054-1	2

4.2 Drive Belt Tensioner, DC Sawmills



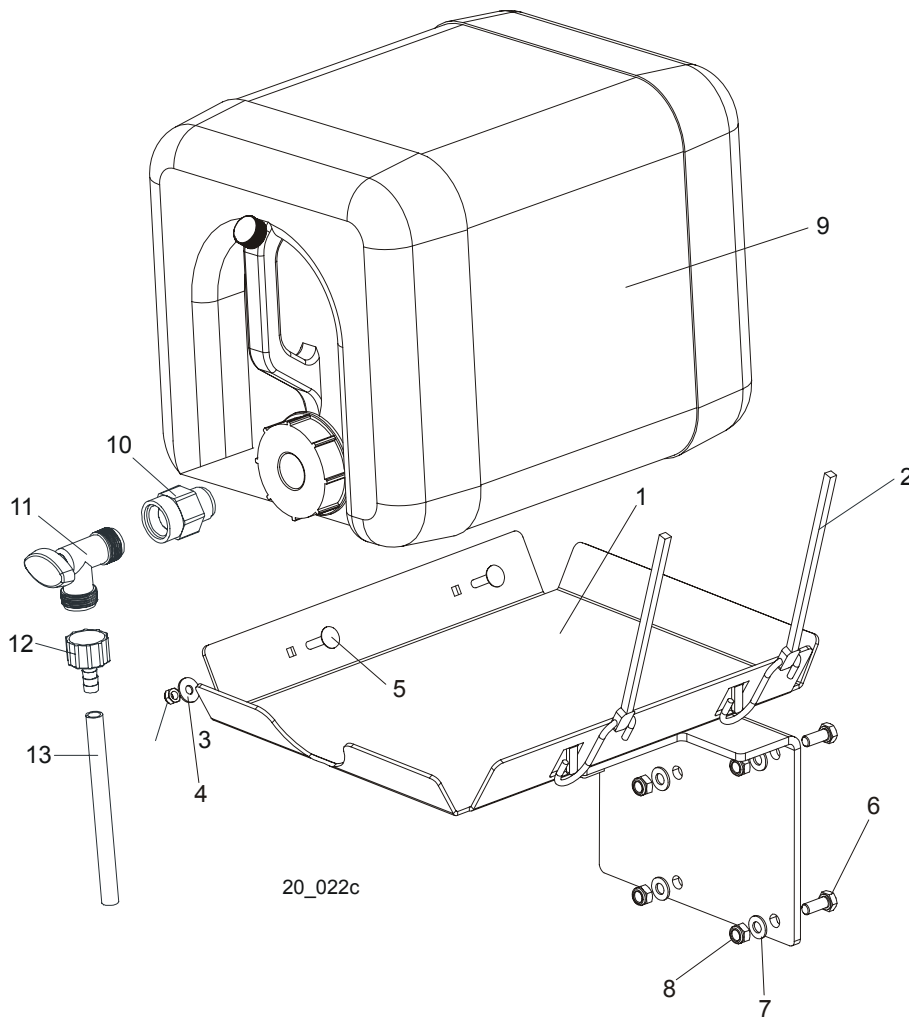
REF	DESCRIPTION (◆ Indicates Parts Available In Assemblies Only)	PART #	QTY.
	BELT TENSIONER, LT20 COMPLETE, D22	098456	1
	BELT TENSIONER, LT20 COMPLETE, G25	097842	1

4

Saw Head*Drive Belt Tensioner, DC Sawmills*

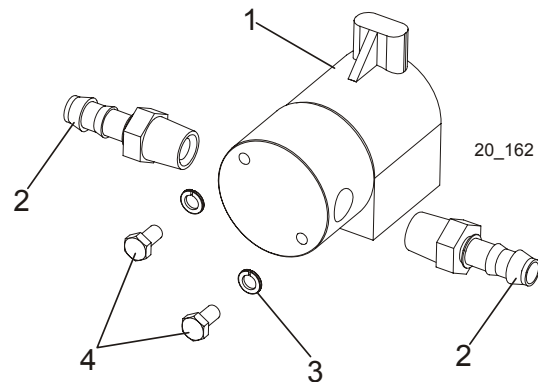
1	Mount Weldment, Belt Tensioner Ptd	091169-1	1	
2	Bearing, 6203-2RS NR NSK w/Ring	086395	2	
3	Rod, LT20 Belt Tensioner Ptd	091176-1	1	
4	Handle Weldment, Accelerate/Brake, Ptd	097837-1	1	
5	Grip, Handle 1/2" ID x 3" Long	014835	1	
6	Screw, M8x25 -8.8 Hex Socket Head Cap Zinc	F81002-21	2	
7	Washer, 8.2 Split Lock Zinc	F81054-4	3	
8	Key, B 5x5.1x14 Parallel	087365	2	
9	Bracket, Belt Tensioner Pivot	091245-1	1	
10	Washer, 10.5 Zinc Flat	F81055-1	4	
11	Pin, 2.5x20 Zinc Cotter	F81043-1	2	
12	Rod End, 7/16-20 Right-Hand Male	P11579	1	
13	Turnbuckle, Clutch/Brake	S11577	1	
14	Rod End, 7/16-20 Left-Hand Male	P11578	1	
15	Nut, 7/16-20 Zinc	F05010-38	1	
16	Arm Weldment, Belt Tensioner Ptd	091172-1	1	
17	Washer, 17 Zinc Flat	F81058-1	2	
18	Nut, M16-8 Hex Nylon Zinc Lock	F81036-2	2	
19	Bushing, Spacer Ptd	091351-1	1	
20	Bushing, MFM-3240-30 (IGUS)	088461	2	
21	Mount Weldment, Tensioner Shaft Ptd	091112-1	1	
22	Washer, 8.4 Zinc Flat	F81054-1	7	
23	Bolt, M8x20-5.8 Hex Head Full Thread Zinc	F81002-1	6	
24	Shaft Weldment, Belt Tensioner Ptd	097828-1	1	
25	Roller, Belt Tension	097832	1	
26	Bracket, Brake Block Mount Ptd	091248-1	1	
27	Block, F9150 123 Belt Tensioner Brake	087648	2	
28	Screw, M5x25-8.8 Hex Socket Head Cap Zinc	F81000-7	6	
29	Washer, 5.3 Zinc Flat	F81052-1	6	
30	Nut, M5-8 Zinc DIN 985	F81030-2	6	
31	Screw, M8x25-8.8 Hex Socket Head Cap Zinc	F81002-21	2	
32	Spring, Hydraulic Log Turner	P09136	1	
33	Bolt, M8x45-8.8 Hex Head Zinc	F81002-17	1	
34	Washer, 8.4 Zinc Flat	F81054-1	2	
35	Nut, M8-8-B Hex Nylon Zinc Lock	F81032-2	2	
36	Pin, Detent	089939	1	
37	Tension Member, (G25 Engine Only) Ptd	092535-1	1	
38	Set Screw M6x8	F81013-1	2	

4.3 Water Lube Assembly



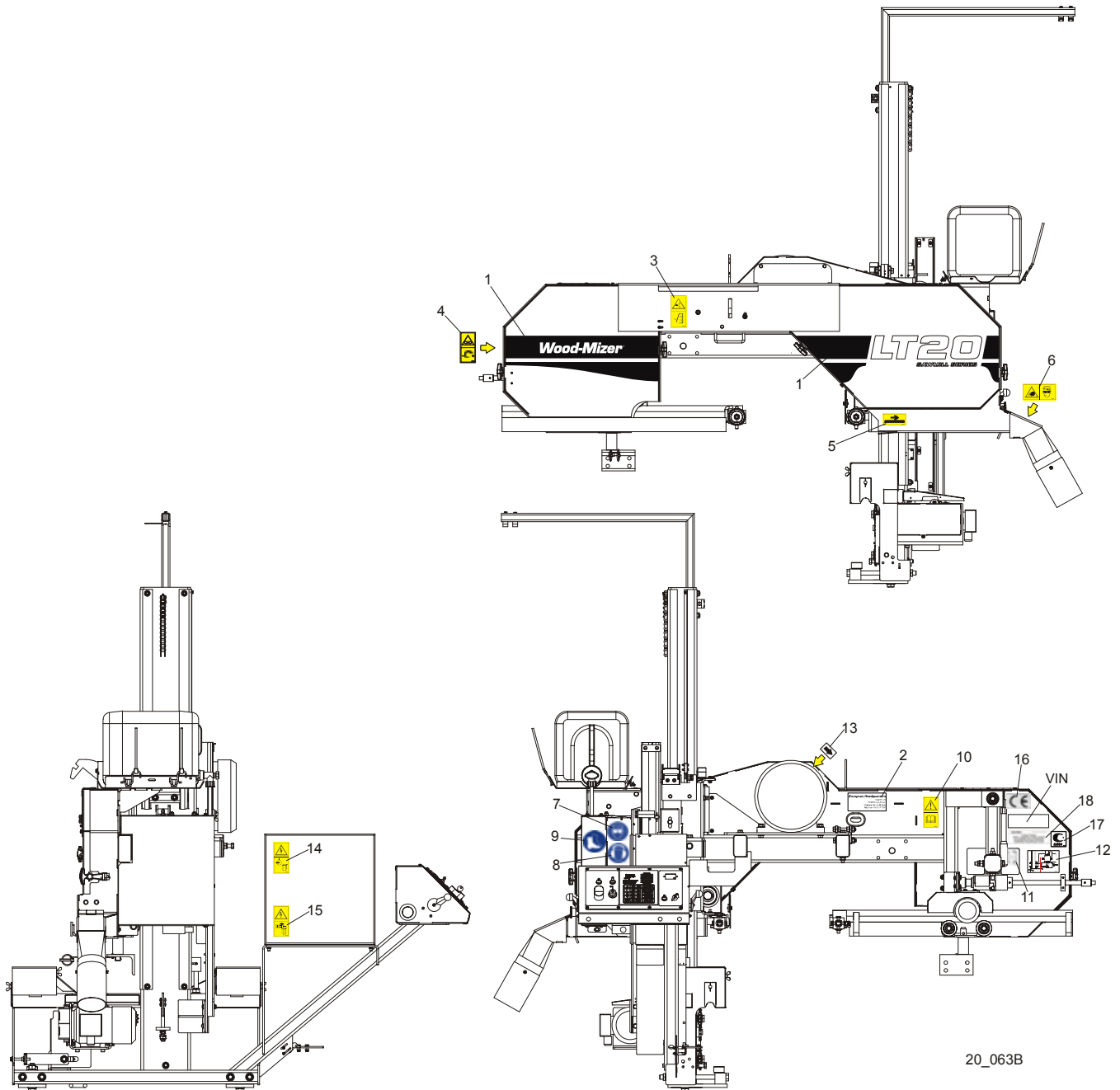
REF	DESCRIPTION (◆ Indicates Parts Available In Assemblies Only)	PART #	QTY.
	BOTTLE KIT, LT20 WATER LUBE	091036	1
1	Tray Weldment, LT20 Water Lube	091033-1	1
2	Strap, 20" Rubber	P11668	2
3	Nut, M6-8-B Hex Nylon Zinc Lock	F81031-2	2
4	Washer, 6.5 Zinc Flat	F81053-11	2
5	Bolt, M6x25-8.8 Carriage Head Zinc	F81001-20	2
6	Bolt, M8x20-8.8 Hex Head Full Thread Zinc	F81002-1	2
7	Washer, 8.4 Zinc Flat	F81054-1	2
8	Nut, M8-8-B Hex Nylon Zinc Lock	F81032-2	2
9	Bottle, 5-gallon Water	014637	1
10	Fitting, 3/4FPT x 3/4MPT	014636	1
11	Fitting, Water Lube Shutoff Valve	014100	1
12	Fitting, 5/8" NPT to 3/8" Hose Barb	014113	1
13	Tubing, Water Lube	R01885	2.1 m

4.4 Blade Lube System



REF	DESCRIPTION (◆ Indicates Parts Available In Assemblies Only)	PART #	QTY.
	KIT, LT20AC BLADE LUBE SYSTEM	503517	1
1	SOLENOID, WATER LUBE	016140	1
2	FITTING, 3/8 BARB 1/4NPT MALE, NYLON	P04682	2
3	WASHER, M5 SPLIT LOCK	F81052-2	2
4	SCREW, 10-32X1/2 HH MACHINE	F05004-60	2
	CONNECTOR, 16-14GA FI BUTT	F04875-1	2
	CONDUIT, 1/2IN EXPANDABLE BLACK	R02374	1m
	KIT, LT20DC BLADE LUBE SYSTEM	503518	1
1	SOLENOID, WATER LUBE	016140	1
2	FITTING, 3/8 BARB 1/4NPT MALE, NYLON	P04682	2
	CONDUIT, 1/2IN EXPANDABLE BLACK	R02374	1m

4.5 LT20AC Saw Head Decals



20_063B

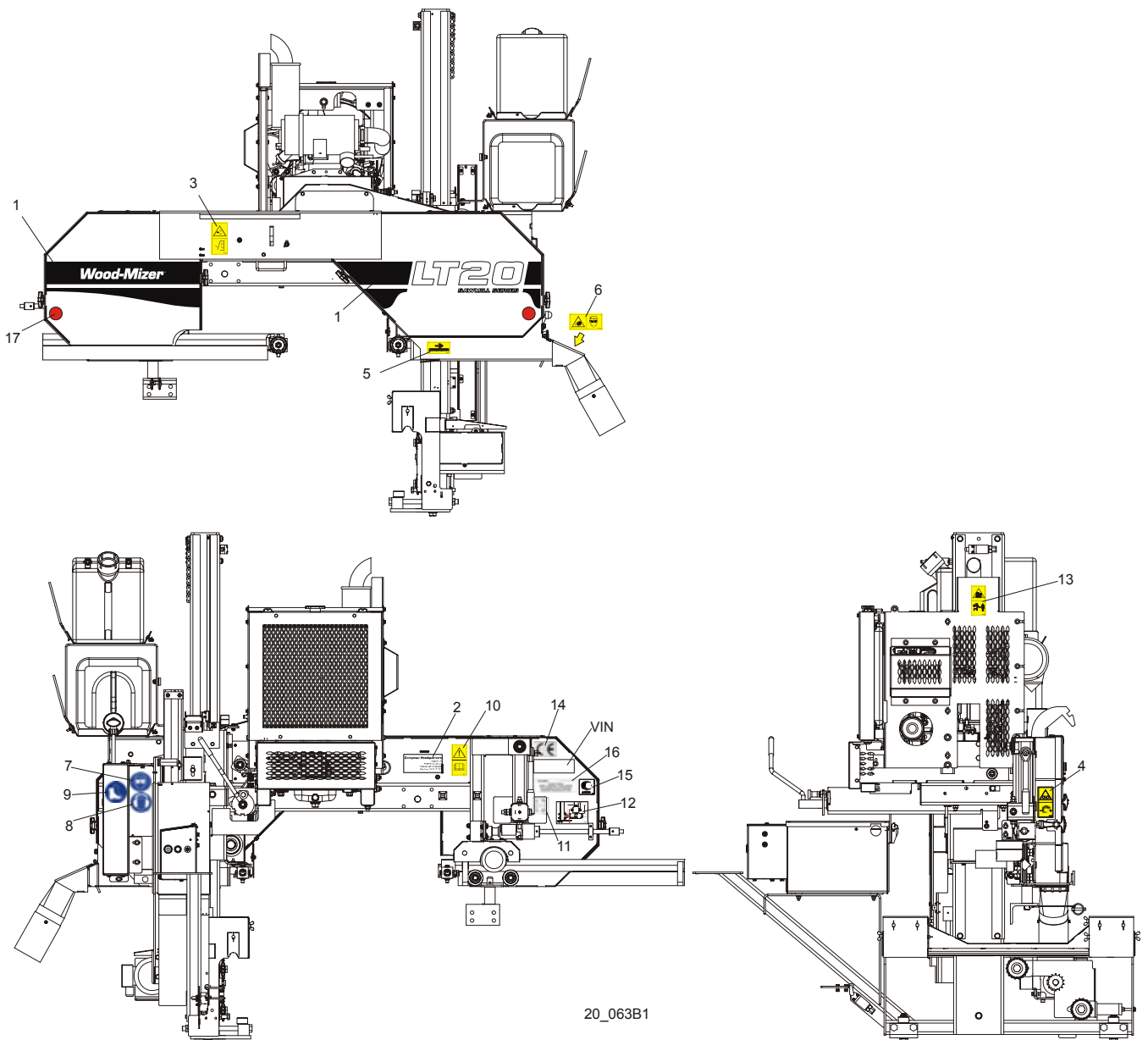
REF	DESCRIPTION (◆ Indicates Parts Available In Assemblies Only)	PART #	QTY.
1	DECAL, LT20 SERIES SAWMILL	092762	1
	PICTOGRAPHIC DECAL KIT, LT20AC	099509	1
2	DECAL, EUROPEAN HEADQUARTERS ADDRESS	015841	1
3	DECAL, SAWMILL COVERS CAUTION	099220	1
4	DECAL, BLADE TENSION (PICTOGRAM)	099219	1
5	DECAL, BLADE MOVEMENT DIRECTION (PICTOGRAM)	096321	1
6	DECAL, SAWDUST CHUTE WARNING (PICTOGRAM)	099222	1
7	DECAL, EYE PROTECTION WARNING (PICTOGRAM)	S12004G	1

4

Saw Head*LT20AC Saw Head Decals*

8	DECAL, EAR PROTECTION WARNING (PICTOGRAM)	S12005G	1	
9	DECAL, USE SAFETY BOOTS (PICTOGRAM)	501465	1	
10	DECAL, READ OPERATOR'S MANUAL (PICTOGRAM)	096317	1	
11	DECAL, BLADE ALIGNMENT	P11789	1	
12	DECAL, BLADE TENSION INDICATOR ADJUSTMENT	092597	1	
13	DECAL, MOTOR ROTATION DIRECTION	S20097	1	
14	DECAL, HIGH VOLTAGE INSIDE THE ELECTRIC BOX (PICTOGRAM)	096316	2	
15	DECAL, REMOVE THE PLUG BEFORE OPENING THE BOX (PICTOGRAM)	096319	2	
16	DECAL, CE CERTIFIED SAWMILL	P85070	2	
17	DECAL, RUSSIAN SAFETY CERTIFICATION	099401	1	
18	DECAL, INTERNATIONAL SAWMILL NAME	501466	1	
	DECAL, BLADE SETTING	P85066	1	
	DECAL, KEEP AWAY DANGER, PICTOGRAM	099221	1	
	DECAL, MAX. OIL PRESSURE, PICTOGRAM	099524	1	

4.6 LT20DC Saw Head Decals



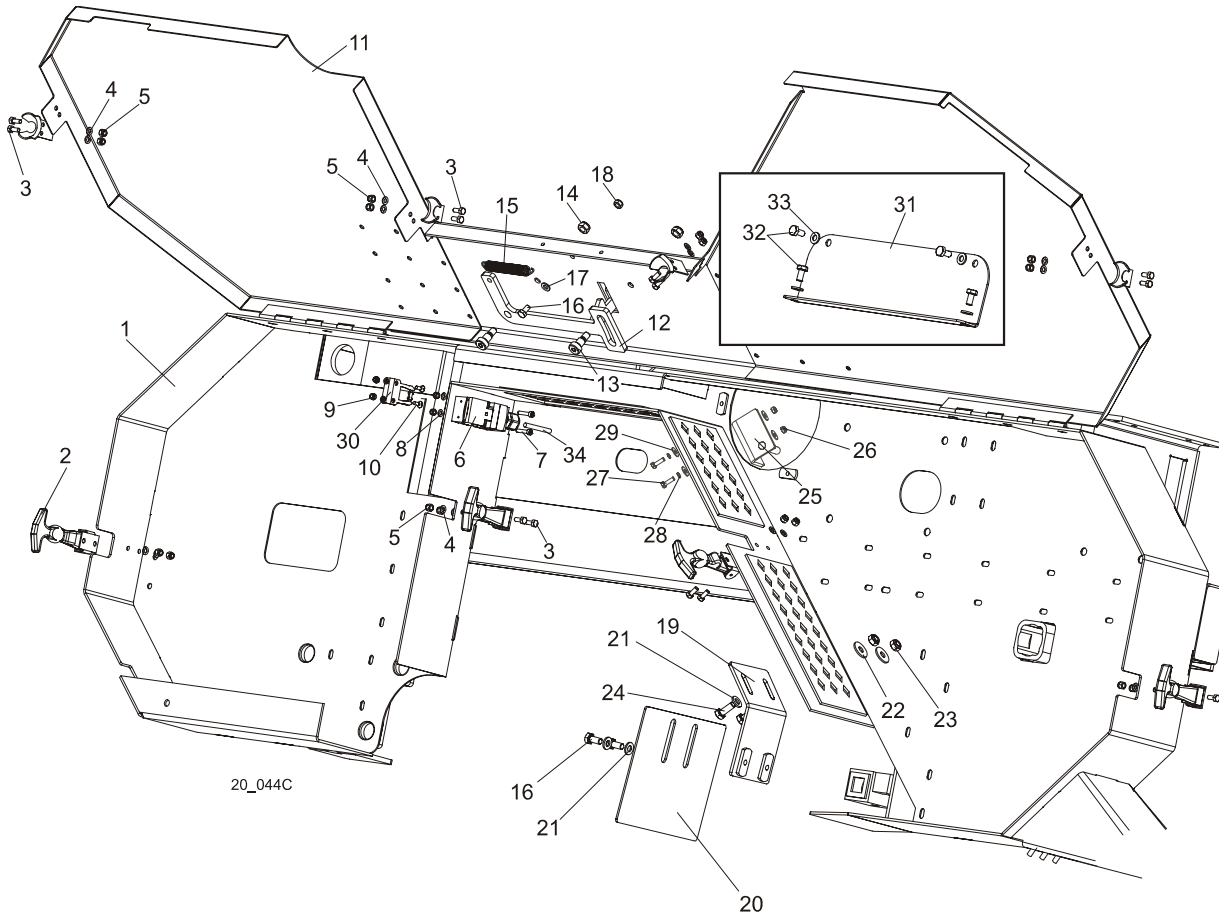
REF	DESCRIPTION (◆ Indicates Parts Available In Assemblies Only)	PART #	QTY.
1	DECAL, LT20 SERIES SAWMILL	092762	1
	PICTOGRAPHIC DECAL KIT, LT20DC	099510	1
2	DECAL, EUROPEAN HEADQUARTERS ADDRESS	015841	1
3	DECAL, SAWMILL COVERS CAUTION	099220	1
4	DECAL, BLADE TENSION (PICTOGRAM)	099219	1
5	DECAL, BLADE MOVEMENT DIRECTION (PICTOGRAM)	096321	1
6	DECAL, SAWDUST CHUTE WARNING (PICTOGRAM)	099222	1
7	DECAL, EYE PROTECTION WARNING (PICTOGRAM)	S12004G	1
8	DECAL, EAR PROTECTION WARNING (PICTOGRAM)	S12005G	1
9	DECAL, USE SAFETY BOOTS (PICTOGRAM)	501465	1

4

Saw Head*LT20DC Saw Head Decals*

10	DECAL, READ OPERATOR'S MANUAL (PICTOGRAM)	096317	1	
11	DECAL, BLADE ALIGNMENT	P11789	1	
12	DECAL, BLADE TENSION INDICATOR ADJUSTMENT	092597	1	
13	DECAL, KEEP AWAY - HOT PARTS (PICTOGRAM)	086099	1	
14	DECAL, CE CERTIFIED SAWMILL	P85070	2	
15	DECAL, RUSSIAN SAFETY CERTIFICATION	099401	1	
16	DECAL, INTERNATIONAL SAWMILL NAME	501466	1	
	DECAL, BLADE SETTING	P85066	1	
	DECAL, KEEP AWAY DANGER, PICTOGRAM	099221	1	
	DECAL, MAX. OIL PRESSURE, PICTOGRAM	099524	1	
17	REFLECTOR, 2 DIA RED (MOBILE SAWMILLS ONLY)	P07452	1	

4.7 Blade Housing Cover



20_044C

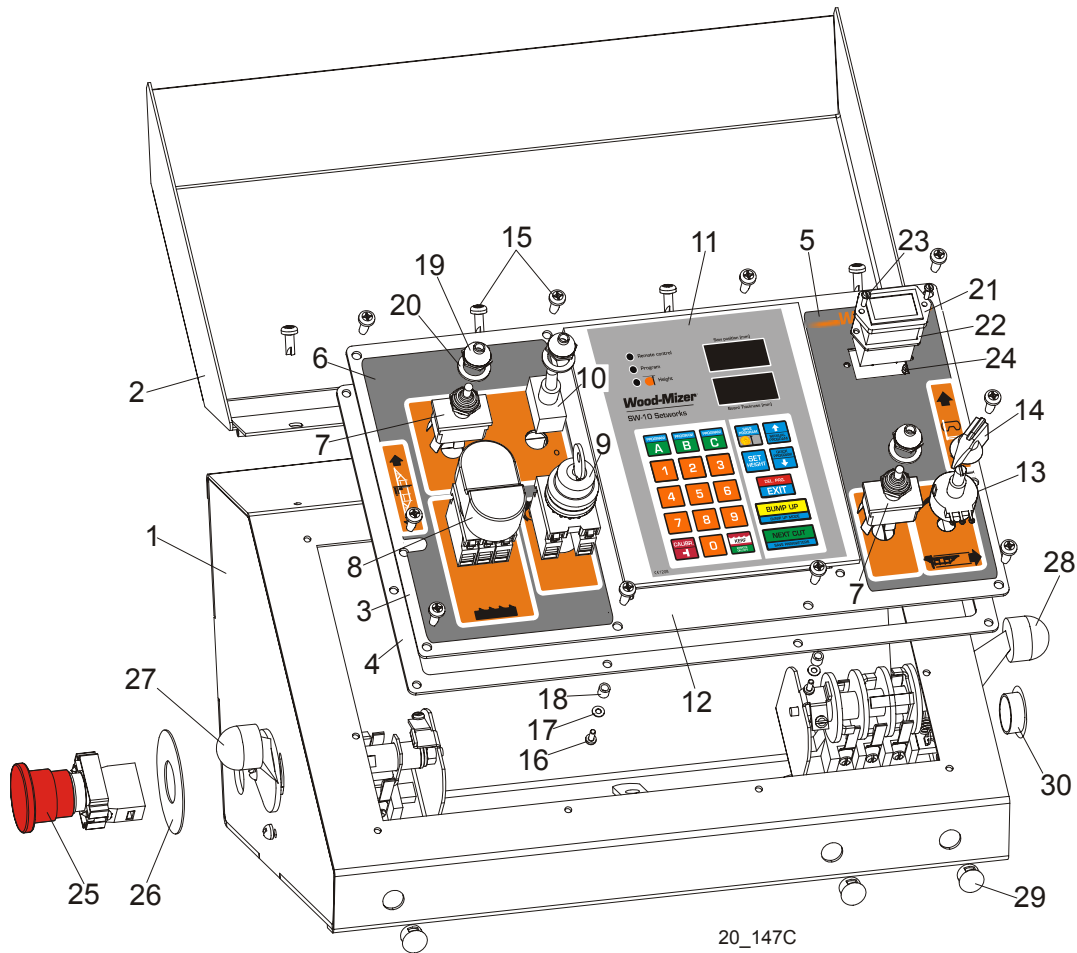
REF	DESCRIPTION (◆ Indicates Parts Available In Assemblies Only)	PART #	QTY.
1	SAW HEAD WELDMENT, LT20	090567	1
2	LATCH, FLEXIBLE DRAW	014829	4
3	BOLT, M5 X 12-5.8 HEX HEAD FULL THREAD ZINC	F81000-5	16
4	WASHER, 5.3 ZINC FLAT	F81052-1	16
5	NUT, M5-8 HEX NYLON ZINC LOCK	F81030-2	16
6	SWITCH, AZ17-11ZRK SAFETY KEY	094232	1
7	SCREW, M4 X 35 8.8 HEX SOCKET HEAD CAP ZINC	F81011-34	2
8	WASHER, 4.3 ZINC FLAT	F81051-2	4
9	NUT, M4-B HEX NYLON ZINC LOCK	F81029-1	4
10	SCREW, M4 X 12 5.8-B SLOTTED COUNTERSUNK HEAD ZINC	F81011-43	2
11	COVER WELDMENT, LT20 BLADE HOUSING PTD	096776-1	1
12	PAWL, LOCKING PTD	090643-1	1
13	SCREW, 10/M8 X 12-12.9 ISO-7379 SOCKET HEAD SHOULDER	F81003-62	2
14	NUT, M8-8-B HEX NYLON ZINC LOCK	F81032-2	2
15	SPRING, 1,6x12x38 EXTENSION	092208	1
16	BOLT, M6 X 12-8.8 HEX HEAD FULL THREAD ZINC	F81001-7	3
17	WASHER, 6.4 ZINC FLAT	F81053-1	1

4

Saw Head*Blade Housing Cover*

18	NUT, M6-8-B HEX NYLON ZINC LOCK	F81031-2	1	
19	BRACKET, BLADE GUIDE ROLLER GUARD PAINTED	092378-1	1	
20	GUARD, BLADE GUIDE ROLLER PAINTED	092379-1	1	
21	WASHER, 6.4 ZINC FLAT	F81053-1	4	
22	WASHER, 6.5 ZINC FLAT	F81053-11	2	
23	NUT, M6-8-B HEX NYLON ZINC LOCK	F81031-2	2	
24	BOLT, M6X16 8.8 HEX HEAD FULL THREAD ZINC	F81001-15	2	
25	BRACKET WLDMT, PTD DRIVE BELT SUPPORT	092636-1	1	
26	NUT, M6-8-B HEX NYLON ZINC LOCK	F81031-2	2	
27	BOLT, M6 X 20-8.8 HEX HEAD FULL THREAD ZINC	F81001-2	2	
28	WASHER 6,1 FE/ZN9 PN/M-82008	F81053-3	2	
29	WASHER, 6.5 ZINC FLAT	F81053-11	4	
30	KEY, AZ17/170-B5 SAFETY SWITCH	094422	1	
31	COVER, SAW HEAD MOUNT	096788-1	1	
32	BOLT, M6X12MM HEX HEAD ZINC	F81001-7	4	
33	WASHER, M6 FLAT ZINC	F81053-1	4	
34	CABLE, OLFLEX 400P 2X1	R80583-5	3m (DC) 5m (AC)	

4.8 Control Box (AC Sawmills)



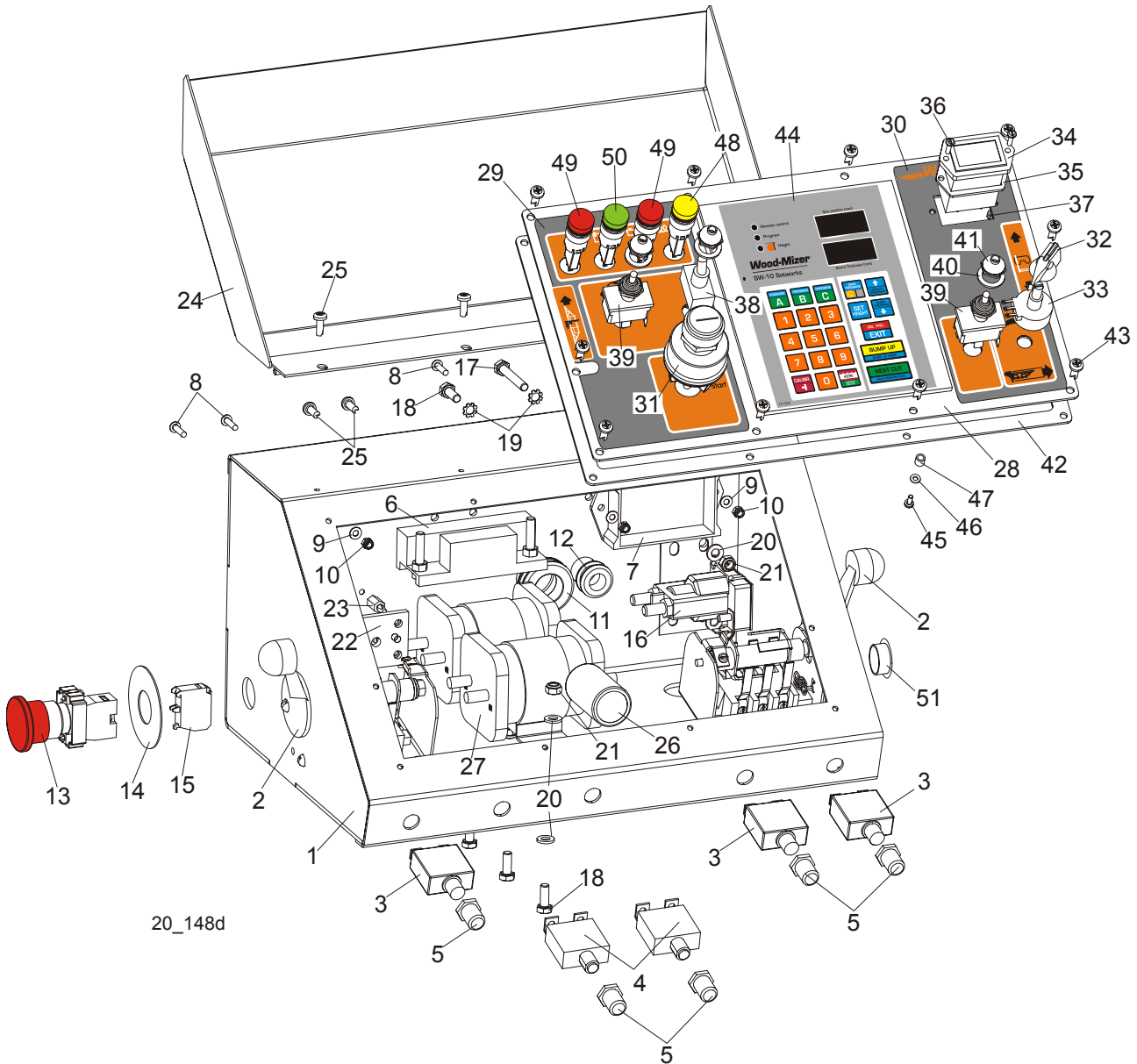
REF	DESCRIPTION (◆ Indicates Parts Available In Assemblies Only)	PART #	QTY.
	CONTROL BOX ASSEMBLY, LT20 AC COMPLETE	097136	1
1	Box Weldment, LT20 AC Control	097134-1	1
2	Cover Control Box, LT20	097135-1	1
3	Panel, LT20AC Front Control Complete	097131	1
4	Gasket, LT20 Control Box	097132	1
5	Decal, LT20AC/DC Control Box Right	099593	1
6	Decal, LT20AC Control Box Left	099594	1
7	Switch, DPDT Toggle 21A Rev Mom Spade	024200	2
8	Button, 24V Start/Stop	090452	1
	Membrane M22-T-DD	090462	1
9	Switch, M22 3-position Key	091361	1
	Contact, M22 - K10	091362	2
10	Switch, SPST ON/OFF 15A .25 Tabs Toggle	P03027	1
11	Controller, SW-10 Setworks	500628	1
12	Panel, LT20/40AC Front Control	100572-1	1
13	Potentiometer, 1K Feed Rate	E20519	1
14	Knob, Speed Control	P06257	1
15	Bolt, #10-24x1/2 Ph Pan Hd, Type 23	F05015-17	14

4

Saw Head*Control Box (AC Sawmills)*

16	Screw, M3x8 -4.8- Fe/Zn5 PN-M/82202	F81000-83	6	
17	Washer, 3.2 Fe/Zn5 PN-M/82005	F81050-2	6	
18	Tube, 6mm 4.2 long	R80671-4	6	
19	Boot, Toggle Switch	P02575	3	
20	Washer, 1/2x3/4x1/16 Nylon	P05251-1	3	
21	Meter, Hour	093166	1	
22	Gasket, Hour Meter	093346	1	
23	Bolt, M3x12-8.8 Zinc	F81000-12	2	
24	Nut, M3-6 Hex Nylon Zinc Lock	F81028-2	2	
25	Button, XB4 BS542 Emergency Stop	086556	1	
26	Washer, Emergency Stop Switch	086561	1	
27	Switch, 1992GS Pwr/Feed (Service Package)	E20438	1	
28	Switch, 1992 Up/Down (Service Package)	E20440	1	
29	Cap, DP 812 Heyman 12.7 Dia. Hole	086773	3	
30	Cap, SR1086 22.2 Dia. Hole	093544	1	

4.9 Control Box (DC Sawmills)



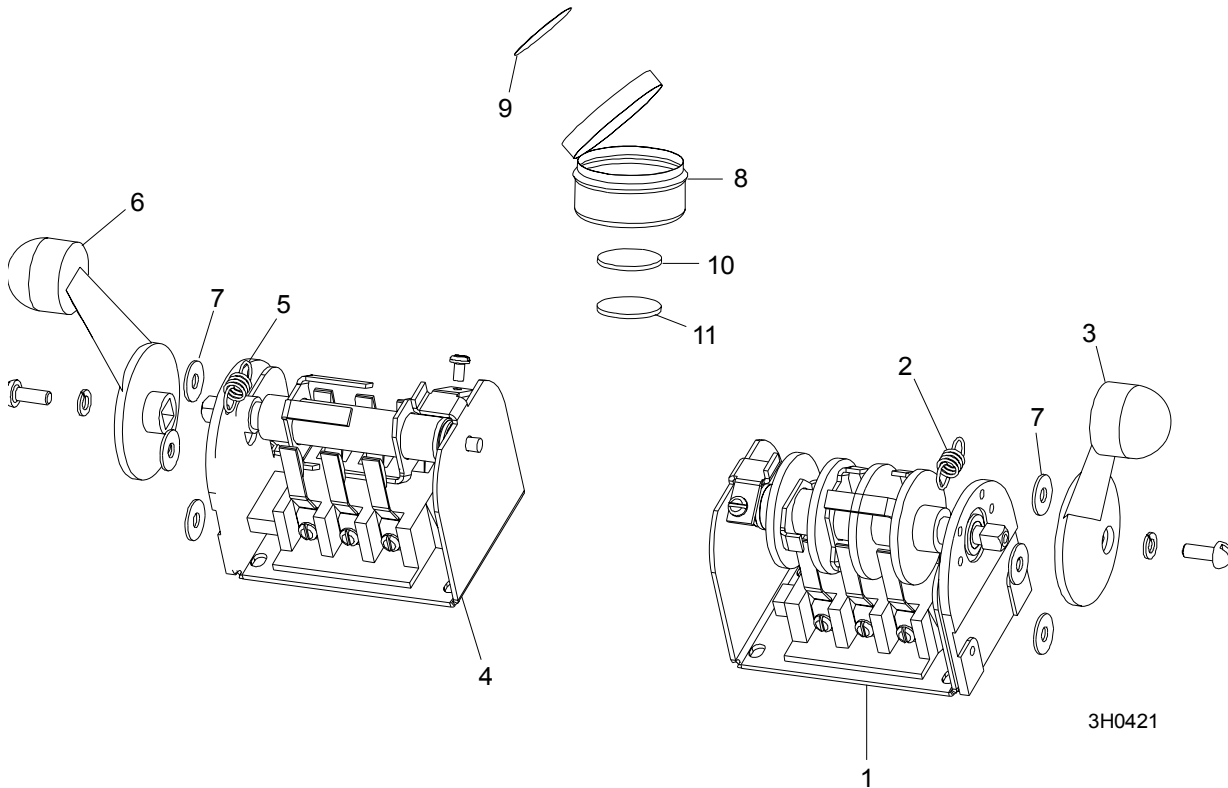
REF	DESCRIPTION (◆ Indicates Parts Available In Assemblies Only)	PART #	QTY.
	CONTROL BOX ASSEMBLY, LT20 DC DIESEL COMPLETE	097167	1
1	Box Weldment, LT20 DC	097165-1	1
2	Switch, 1992GS Pwr/Feed (Service Package)	E20438	2
3	Breaker, 50A Manual Reset Panel Mount	021256	3
4	BREAKER, 10A MANUAL RESET PANEL MOUNT	505374	2
5	Boot, Circuit Breaker	021253	5
6	Module Assy, Mosfet 4x 92-96 P/F	024540	1
7	Control Module Assy, P/F SMT Service '97	024396	1
8	Screw M4x16 5,8-B Zinc Lock	F81011-42	4
9	Washer, 4.3 Flat Zinc	F81051-2	4
10	Nut, M4-B Hex Nylon Zinc Lock	F81029-1	4

4

Saw Head*Control Box (DC Sawmills)*

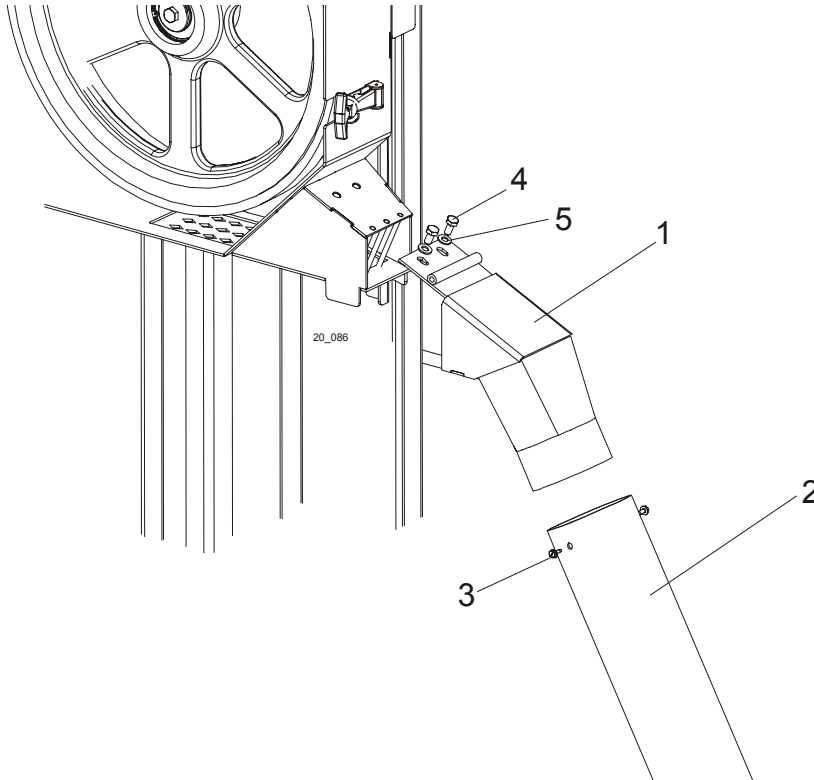
11	Grommet, 22mm Rubber	087400	1	
12	Grommet, 20/13 Rubber	086188	1	
13	Button, XB4 BS542 Emergency Stop	086556	1	
14	Washer, ZBY9330 Emergency Stop Button	086561	1	
15	Contact, ZBE102	086810	1	
16	Solenoid, 120-943 Hyd Shut-Off	P10449	1	
17	Bolt, M6x40mm, Hex Head, Full Thrd, Zinc	F81001-5	1	
18	Bolt, M6x16mm, Hex Head, Full Thrd, Zinc	F81001-15	6	
19	Washer, M6 Star Lock Zinc	F81053-2	2	
20	Washer, M6 Flat Zinc	F81053-1	8	
21	Nut, M6 Hex Nylon Lock Zinc	F81031-2	5	
22	Radiator, Diode	091867	1	
23	Spacer, P3/12	R80671-2	4	
24	Cover Weldment, LT20 Complete	097135-1	1	
25	Bolt, #10-24x1/2 Ph Pan Hd, Type 23	F05015-17	6	
26	Capacitor, 10000/63V Elektrolytic	091166	1	
27	Solenoid, 200A 12V DPST	015417	2	
	Panel, LT20DC Front Complete	097163	1	
28	Panel, LT20/40DC Front	100573-1	1	
29	Decal, LT20DC Control Box Left	099592	1	
30	Decal, LT20AC/DC Control Box Right	099593	1	
31	Switch, Key	P04350	1	
32	Knob, Speed Control	P06257	1	
33	Potentiometer, 1k	E20519	1	
34	Meter, Hour	093166	1	
35	Gasket, Hour Meter	093346	1	
36	Bolt, M3x12-8.8 Zinc	F81000-12	2	
37	Nut, M3-6 Hex Nylon Zinc Lock	F81028-2	2	
38	Switch, SPST On/Off 15A .25 Tabs Toggle	P03027	1	
39	Switch, DPDT Toggle 21A Rev Mom Spade	024200	2	
40	Washer, 1/2x3/4x1/16 Nylon	P05251-1	3	
41	Boot, Toggle Switch	P02575	3	
42	Gasket, LT20 Control Box	097132	1	
43	Bolt, #10-24x1/2 Ph Pan Hd, Type 23	F05015-17	10	
44	Controller, SW-10 Setworks	500628	1	
45	Screw, FH ST 3,5x6,5 A4	F81000-82	6	
46	Washer, 3.2 Flat Zinc	F81050-2	6	
47	Spacer, 4.2x6mm Idler	R80671-4	6	
48	Light, XB6AV5BB Yellow	089812	1	
49	Light, XB6AV4BB Red	091099	2	
50	Light, XB6AV3BB Green	087348	1	
51	Cap, SR1086 22.2 Dia. Hole	093544	1	

4.10 Drum Switches



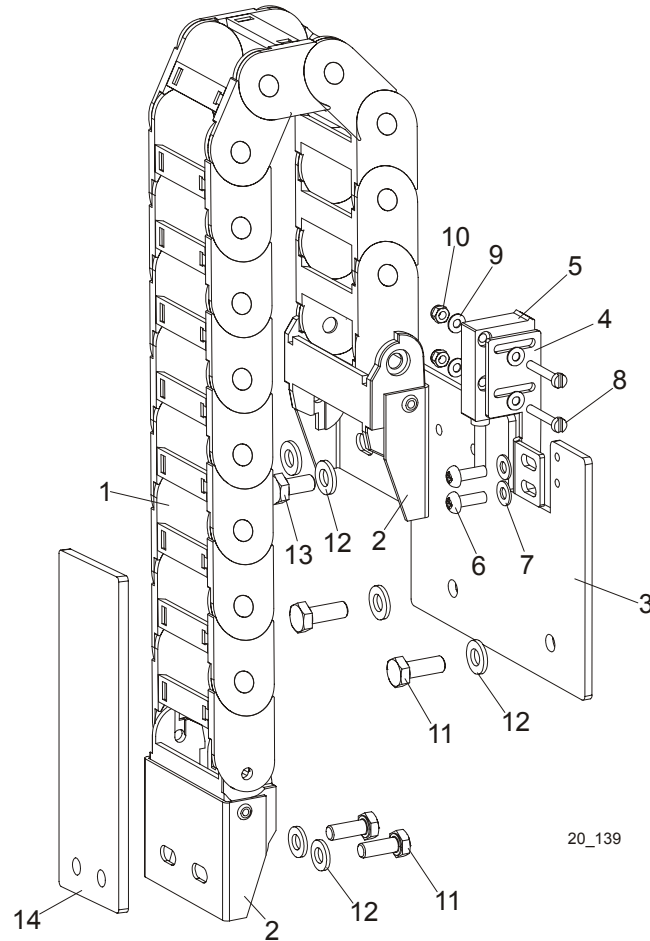
REF	DESCRIPTION (◆ Indicates Parts Available In Assemblies Only)	PART #	QTY.	
	SWITCH ASSEMBLY, UP/DOWN DRUM	E20440	1	
1	Switch, Drum	E20440-B	1	◆
2	Spring, Drum Switch	P12570	1	
3	Handle, Drum Switch w/Screws	P12500	1	
	SWITCH ASSEMBLY, POWER FEED DRUM	E20438	1	
4	Switch, Drum	E20438-B	1	◆
5	Spring, Drum Switch	P12570	1	
6	Handle, Drum Switch w/Screws	P12500	1	
7	WASHER, #8 SAE FLAT	F05011-41	6	
	CUP ASSEMBLY, DRUM SWITCH GREASE	A20463	1	
8	Cup, Plastic Container	P20464	1	◆
9	Label, Grease Cup	P20467	1	
10	Pad, Velcro Loop	P20466	1	◆
11	Pad, Velcro Hook	P20465	1	◆
	Grease, Drum Switch	P20468	.011ml	◆

4.11 Sawdust Chute



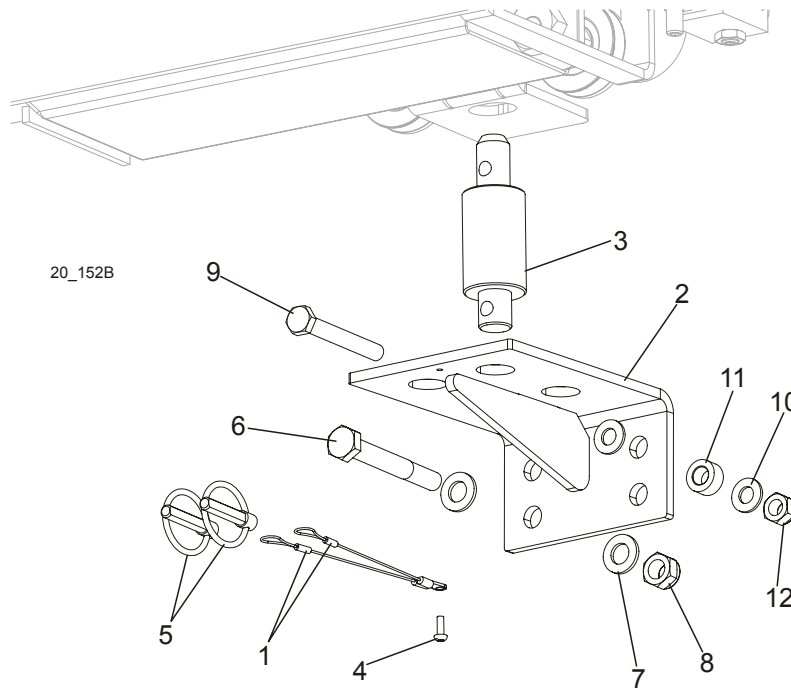
REF	DESCRIPTION (◆ Indicates Parts Available In Assemblies Only)	PART #	QTY.	
1	CHUTE WELDMENT, SAWDUST	100903-1	1	
2	TUBE, SAWDUST CHUTE RUBBER	R02336	1	
3	SCREW, #10-24 X 1/2 SELF-TAPPING	F05015-7	2	
4	BOLT, M8x16	F81002-20	2	
5	WASHER, 8.4 ZINC FLAT	F81054-1	2	

4.12 Up/Down Cable Chain Assembly



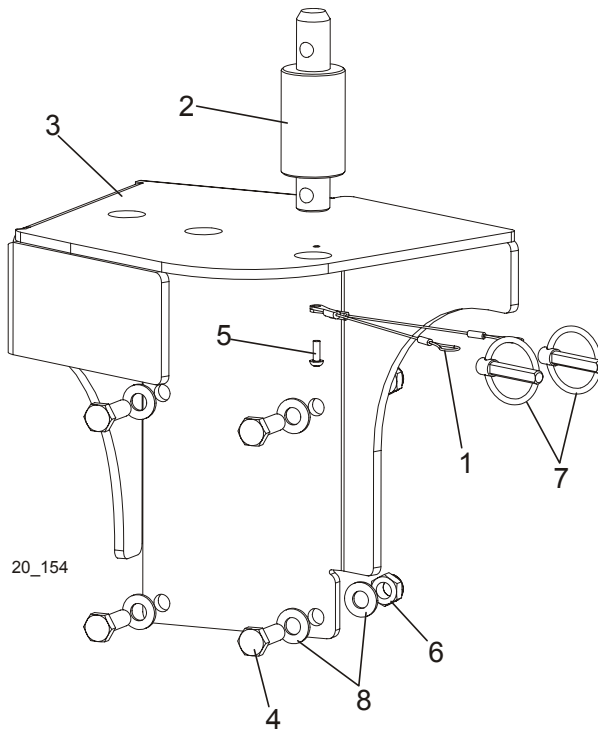
REF	DESCRIPTION (◆ Indicates Parts Available In Assemblies Only)	PART #	QTY.
	HARNESS GUIDE AND SENSOR ASSEMBLY	098052	1
1	Harness Guide, SR300A 050 080	097924	1
2	Bracket, AN300A 050K Mount	097925	1
3	Mounting Plate, Harness and Sensor Assy.	096067-1	1
4	Bracket, Sensor Mount	096068-1	1
5	Sensor, MSK-320	096014	1
6	Screw, M4x12-5.8-B Zinc	F81011-43	2
7	Washer, 4.3 Zinc	F81051-2	2
8	Screw, M3x20-5.8-A Zinc	F81000-8	2
9	Washer, 3.2 Zinc	F81050-2	4
10	Nut, M3-6 Zinc	F81028-2	2
11	Bolt, M6x20-8.8 Hex Head Zinc	F81001-2	4
12	Washer, 6.4 Zinc	F81053-1	6
13	Bolt, M6x12-8.8 Hex Head Zinc	F81001-7	2
14	Plate, Guide Mount	098662-1	1

4.13 LT20 Saw Head Rest Pin Assembly



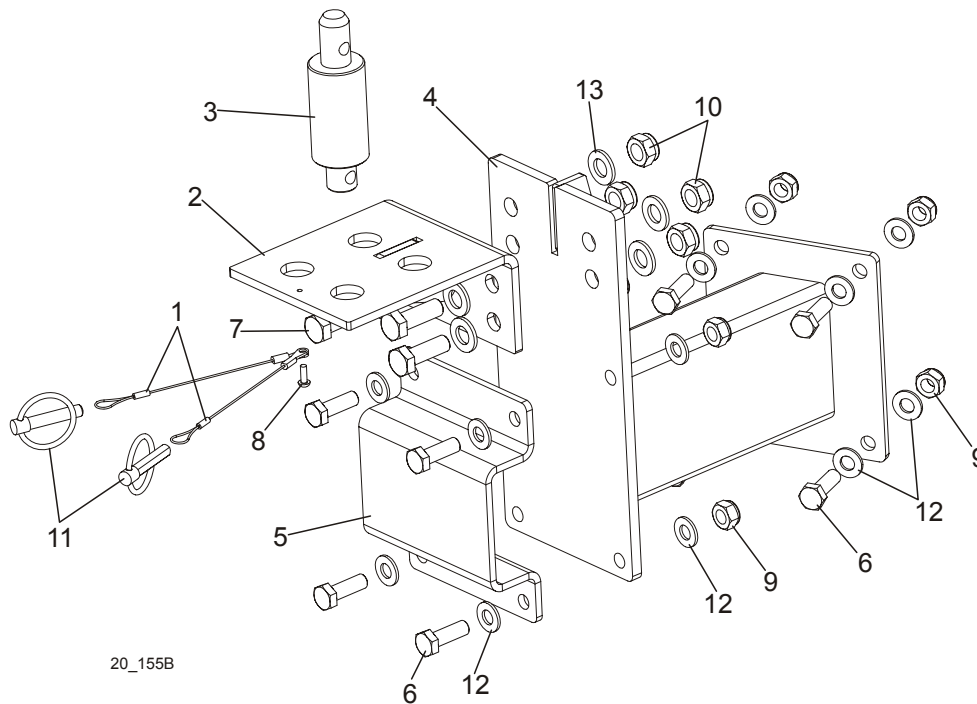
REF	DESCRIPTION (◆ Indicates Parts Available In Assemblies Only)	PART #	QTY.
	BRACKET, LT20 SAW HEAD REST PIN COMPLETE	097936	1
1	LANYARD, 3/64 X 6	016030	2
2	BRACKET, LT20 SAW HEAD REST PIN	092699-1	1
3	PIN, LT20 SAW HEAD REST	097935-1	1
4	SCREW, M4x12 5,8-B CROSS RECESSED PAN HEAD	F81011-43	1
5	PIN, 8 BN914 (BOSSARD 134650) LOCK	F81046-2	2
6	BOLT, M12x95 -8.8- HEX HEAD ZINC-PLATED	F81004-29	1
7	WASHER, 13 FLAT ZINC	F81056-1	2
8	NUT, M12-8 HEX NYLON ZINC LOCK	F81034-2	1
9	BOLT, M10 X 80 -8.8- FE/ZN5 HEX HEAD	F81003-50	1
10	WASHER, 10.5 FLAT ZINC	F81055-1	2
11	BUSHING, ZINC-PLATED SPACER	090936-1	1
12	NUT, M10-8-B HEX NYLON ZINC LOCK	F81033-1	1

4.14 Saw Head Rest Pin Assembly (LT20ME15SAH3 - 1.8 Sawmills)



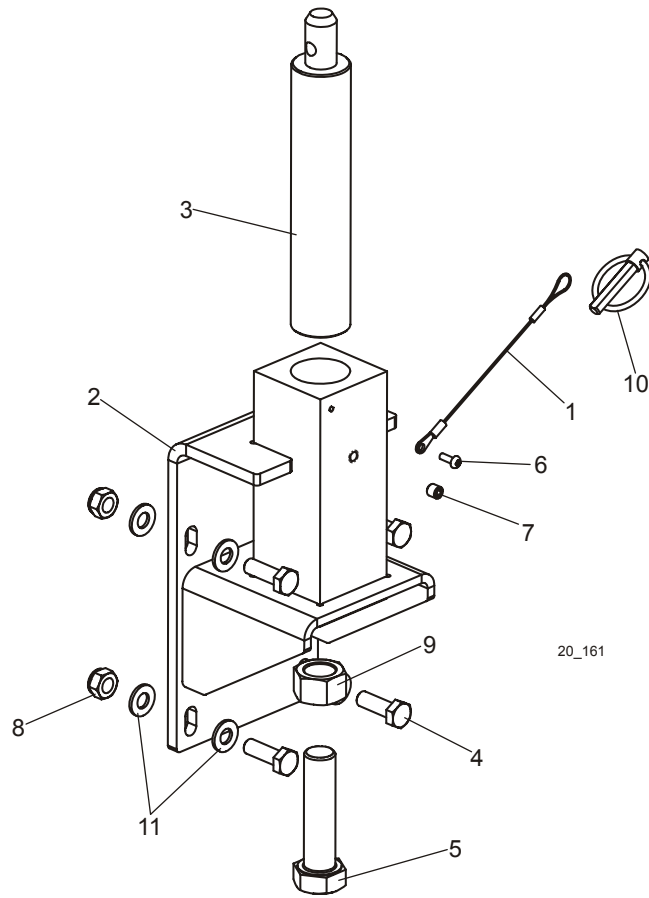
REF	DESCRIPTION (◆ Indicates Parts Available In Assemblies Only)	PART #	QTY.
	KIT, LT20ME15SAH3-1.8 SAW HEAD REST PIN COMPLETE	501670	1
1	LANYARD, 3/64 X 6	016030	2
2	PIN, LT20 SAW HEAD REST	097935-1	1
3	PLATE, LT20ME15SAH3-1.8 SAW HEAD REST PIN	501671-1	1
4	BOLT, M10X30-5.8 HEX HEAD FULL THREAD ZINC	F81003-2	4
5	SCREW, M4x12 5,8-B CROSS RECESSED PAN HEAD	F81011-43	1
6	NUT, M10-8-B HEX NYLON ZINC LOCK	F81033-1	4
7	PIN, 8 BN914 (BOSSARD 134650) LOCK	F81046-2	2
8	WASHER, 10.5 FLAT ZINC	F81055-1	8

4.15 Saw Head Rest Pin Assembly (LT20ME15SAH7-2.2 Sawmills)



REF	DESCRIPTION (◆ Indicates Parts Available In Assemblies Only)	PART #	QTY.
	KIT, LT20ME15SAH7-2.2 SAW HEAD REST PIN COMPLETE	504258	1
1	LANYARD, 3/64 X 6	016030	2
2	BRACKET WDMT, SAW HEAD SAFETY PIN	092699-1	1
3	PIN, LT20 SAW HEAD REST	097935-1	1
4	BRACKET, LT20ME15SAH7-2.2 SAW HEAD REST	504252-1	1
5	PLATE, SAW HEAD BRACKET SIDE	504312-1	1
6	BOLT, M10X30-5.8 HEX HEAD FULL THREAD ZINC	F81003-2	8
7	BOLT, M12 X 35-8.8-FE/ZN5 HEX HEAD FULL	F81004-24	4
8	SCREW, M4x12 5,8-B CROSS RECESSED PAN HEAD	F81011-43	1
9	NUT, M10-8-B HEX NYLON ZINC LOCK	F81033-1	8
10	NUT, M12-8 HEX NYLON ZINC LOCK	F81034-2	4
11	PIN, 8 BN914 (BOSSARD 134650) LOCK	F81046-2	2
12	WASHER, 10.5 FLAT ZINC	F81055-1	16
13	WASHER, 13 FLAT ZINC	F81056-1	8

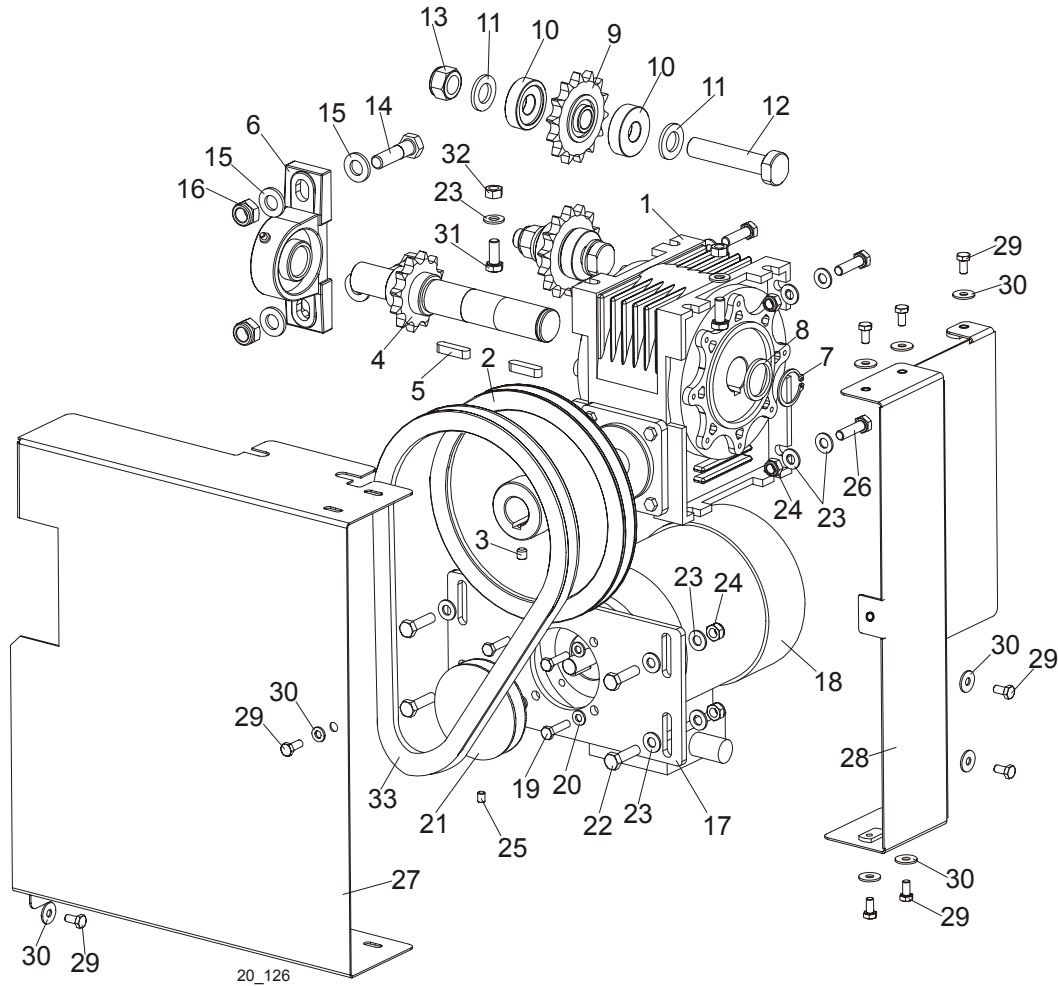
4.16 Saw Head Rest Pin Assembly (LT20MD22SDH7-2.5 Sawmills)



REF	DESCRIPTION (◆ Indicates Parts Available In Assemblies Only)	PART #	QTY.
	KIT, LT20MD22SDH7-2.5 SAW HEAD REST PIN COMPLETE	505041	1
1	LANYARD, 3/64 X 6	016030	1
2	BRACKET, LT20ME15SAH7-2.2 SAW HEAD REST	505045-1	1
3	PIN, LT20 SAW HEAD REST	505046-1	1
4	BOLT, M10X30-5.8 HEX HEAD FULL THREAD ZINC	F81003-2	4
5	BOLT, M20x80-8.8 FE/Zn5 PN-85/M-82105	F81007-10	1
6	SCREW, M4x12 5,8-B CROSS RECESSED PAN HEAD	F81011-43	1
7	SCREW, M8X8-33H HEX SOCKET SET FLAT POINT	F81014-1	1
8	NUT, M10-8-B HEX NYLON ZINC LOCK	F81033-1	4
9	NUT, M20-8-Fe/Zn5 PN-86/M-82144	F81037-1	1
10	PIN, 8 BN914 (BOSSARD 134650) LOCK	F81046-2	1
11	WASHER, 10.5 FLAT ZINC	F81055-1	8

SECTION 5 UP/DOWN ASSEMBLY

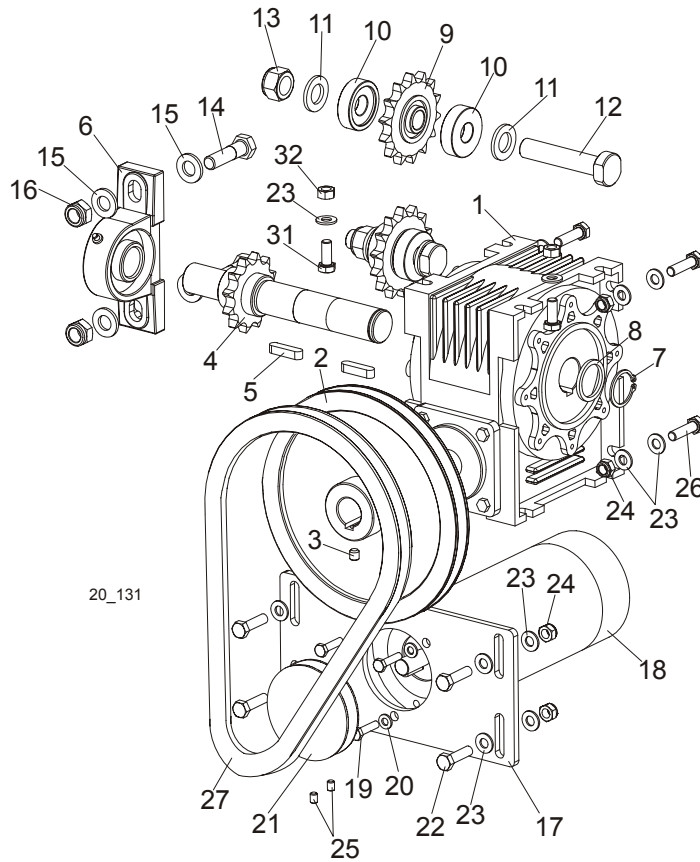
5.1 Up/Down Assembly, AC Mills



REF	DESCRIPTION (◆ Indicates Parts Available In Assemblies Only)	PART #	QTY.	
	MOTOR ASSEMBLY, LT20 AC UP/DOWN	098300	1	◆
	Motor Assembly, LT20 Up/Down	098299	1	
1	Box, R-63/66/F1/B3 Gear	097786	1	
2	Pulley, LT20	091078-1	1	
3	Screw, M8x8-33H Hex Socket Set Flat Point	F81014-1	1	
4	Shaft, LT20 Up/Down w/Sprocket	098298	1	
5	Key, A8x7x32 Parallel	088564	2	
6	Bearing Assembly, UCP 205CX	088468	1	
7	Ring, Z28 Spring Retaining	F81090-12	1	
8	Washer	098351	1	
	Shaft Assembly	098353	2	
9	Sprocket, KSR 16.LO.10.10.14.08 w/Bearing	088867	1	
10	Spacer, Drive Bearing	098166	2	
11	Washer, M16, Flat Zinc	F81058-1	2	
12	Pin, Up/Down Drive Shaft	098289-1	1	
13	Nut, M16, Hex, Nylon Zinc Lock	F81036-2	1	

14	Bolt, M12x45-8.8 Zinc Lock	F81004-32	2	
15	Washer, M12, Flat Zinc	F81056-1	4	
16	Nut, M12 ,Hexagon, Nylon, Zinc, Lock	F81034-2	2	
	Motor Assembly, LT20 AC Up/Down	091302	1	
17	Plate, LT20 AC Up/Down Motor Mount Ptd	098355-1	1	
18	Motor, SKh 71- 4B2 RAL 9005	091304	1	
19	Bolt, M6x25mm, Hex Head, Gr 8.8, Zinc	F81001-3	4	
20	Washer, M6, Flat Zinc	F81053-1	4	
21	Pulley, LT20 Gear Box	090699-1	1	
22	Bolt, M8x30mm,HH,Gr 5.8, Full Thrd, Zinc	F81002-2	4	
23	Washer, M8, Flat Zinc	F81054-1	18	
24	Nut, M8, Hexagon, Nylon Lock Zinc	F81032-2	8	
25	Screw, M6x8-33H Hex Socket Set Flat Point	F81013-1	1	
26	Bolt, M8x30-8.8-B-Fe/Zn5 PN-M82105	F81002-7	4	
27	Guard, Up/Down System Front	098393-1	1	
28	Guard, Up/Down System Side Complete	098395-1	1	
29	Bolt, M6x12mm Hex Head Zinc	F81001-7	9	
30	Washer, 6.5 Flat Special Zinc-Plated	F81053-11	9	
31	Bolt, M8x20mm,HH,GR 8.8, Full Thrd, Zinc	F81002-1	2	
32	Nut, M8 Hexagon, Grade 5.8 Free Zinc	F81032-1	2	
33	Belt, HA-800 (Kleberg)	091086	1	

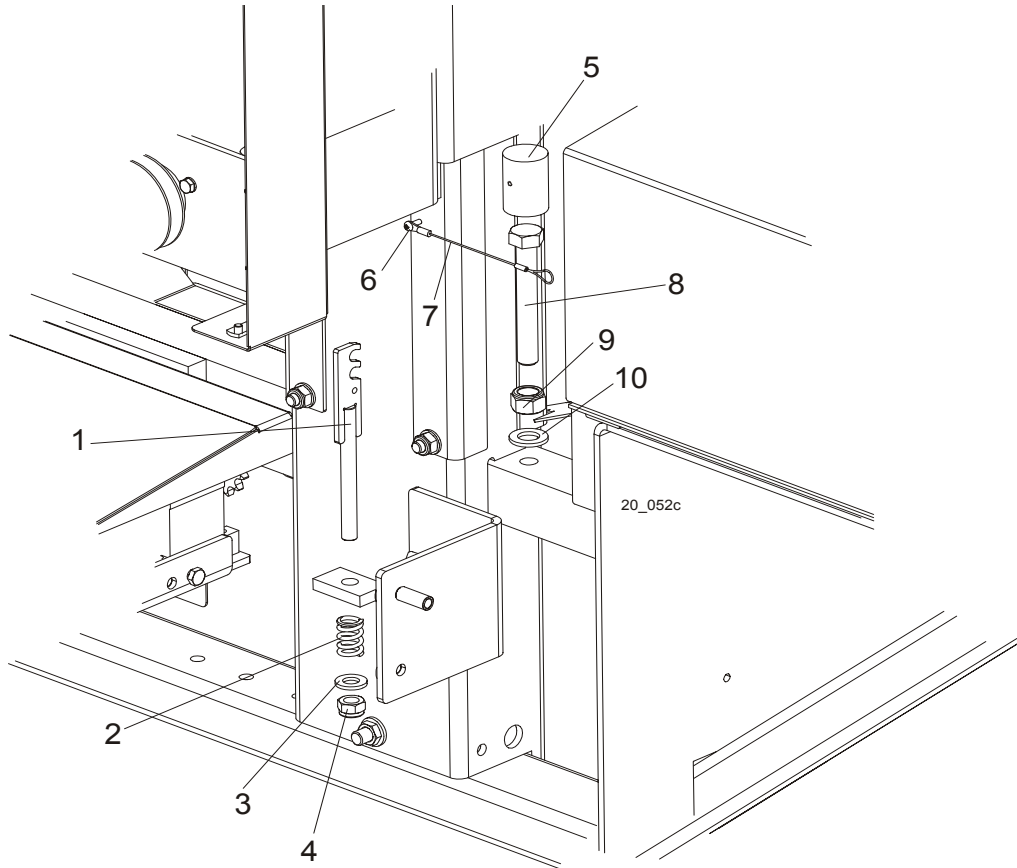
5.2 Up/Down Assembly, DC Mills



REF	DESCRIPTION (◆ Indicates Parts Available In Assemblies Only)	PART #	QTY.	
	MOTOR ASSEMBLY, LT20 DC UP/DOWN	098346	1	◆
	Motor Assembly, LT20 Up/Down	098299	1	
1	Box, R-63/66/F1/B3 Gear	097786	1	
2	Pulley, LT20	091078-1	1	
3	Screw, M8x8-33H Hex Socket Set Flat Point	F81014-1	1	
4	Shaft, LT20 Up/Down w/Sprocket	098298	1	
5	Key, A8x7x32 Parallel	088564	2	
6	Bearing Assembly, UCP 205CX	088468	1	
7	Ring, Z28 Spring Retaining	F81090-12	1	
8	Washer	098351	1	
	Shaft Assembly	098353	2	
9	Sprocket, KSR 16.LO.10.10.14.08 w/Bearing	088867	1	
10	Spacer, Drive Bearing	098166	2	
11	Washer, M16, Flat Zinc	F81058-1	2	
12	Pin, Up/Down Drive Shaft	098289-1	1	
13	Nut, M16, Hex, Nylon Zinc Lock	F81036-2	1	
14	Bolt, M12x45-8.8 Zinc Lock	F81004-32	2	
15	Washer, M12, Flat Zinc	F81056-1	4	
16	Nut, M12 ,Hexagon, Nylon, Zinc, Lock	F81034-2	2	
	Motor Assembly, LT20 AC Up/Down	091303	1	

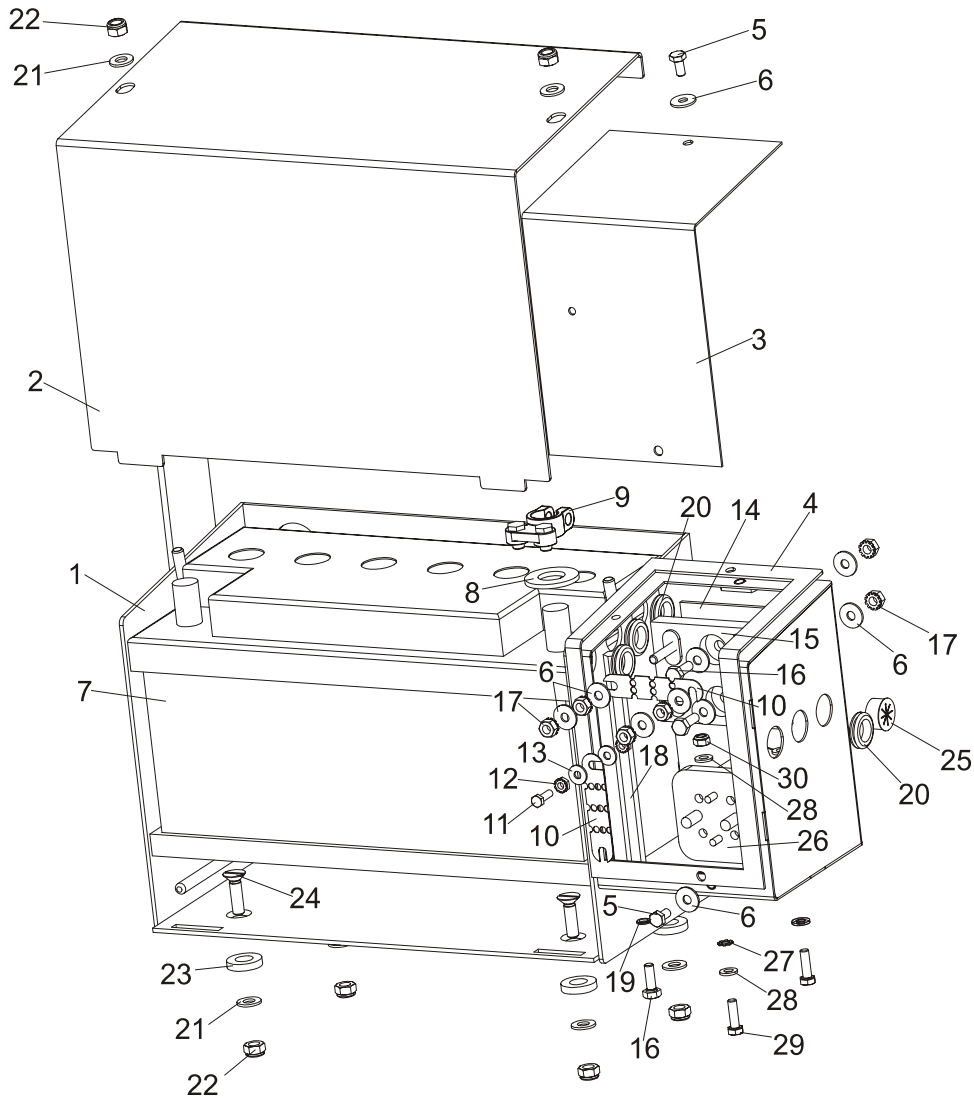
17	Plate, LT20 DC Up/Down Motor Mount Ptd	098363-1	1	
18	Motor, 12V 0.5HP Drive	006747	1	
	Brush Kit, 1/2 HP 12V DC	061794		
19	Bolt, 1/4-20x3/4 FT HHC	F05005-1	3	
20	Washer, M6, Flat Zinc	F81053-1	3	
21	Pulley, "A" 82/12,7 Gear Box	093158-1	1	
22	Bolt, M8x30mm,HH,Gr 5.8, Full Thrd, Zinc	F81002-2	4	
23	Washer, M8, Flat Zinc	F81054-1	18	
24	Nut, M8, Hexagon, Nylon Lock Zinc	F81032-2	8	
25	Screw, M6x8-33H Hex Socket Set Flat Point	F81013-1	2	
26	Bolt, M8x30-8.8-B-Fe/Zn5 PN-M82105	F81002-7	4	
27	Belt, HA-800 (Kleberg)	091086	1	

5.3 Up/Down Chain Tensioner Assembly



REF	DESCRIPTION (◆ Indicates Parts Available In Assemblies Only)	PART #	QTY.
1	TENSIONER WELDMENT, LT20 UP/DOWN CHAIN ZINC-PLATED	090730-1	1
2	SPRING, 14 X 30 X 3.2	090797	1
3	WASHER, 13 ZINC FLAT	F81056-1	1
4	NUT, M12-8 HEX NYLON ZINC LOCK	F81034-2	1
	BLOCK, HEAD SUPPORTING, COMPLETE	097775	1
5	Block, Head Support, ptd	097771-1	1
6	Screw M4x12 -5,8-B- Fe/Zn5 PN-M/82202	F81011-43	1
7	Lanyard, 3/64 x 6	016030	1
8	BOLT M16X110-8.8	F81006-24	1
9	NUT, M16,HEX, NYLON ZINC LOCK	F81036-2	1
10	WASHER, M16,FLAT ZINC	F81058-1	1
	UP/DOWN CHAIN, LT20 TYPE 10B-1-111	098451	1

5.4 Battery Box Assembly, DC Mills

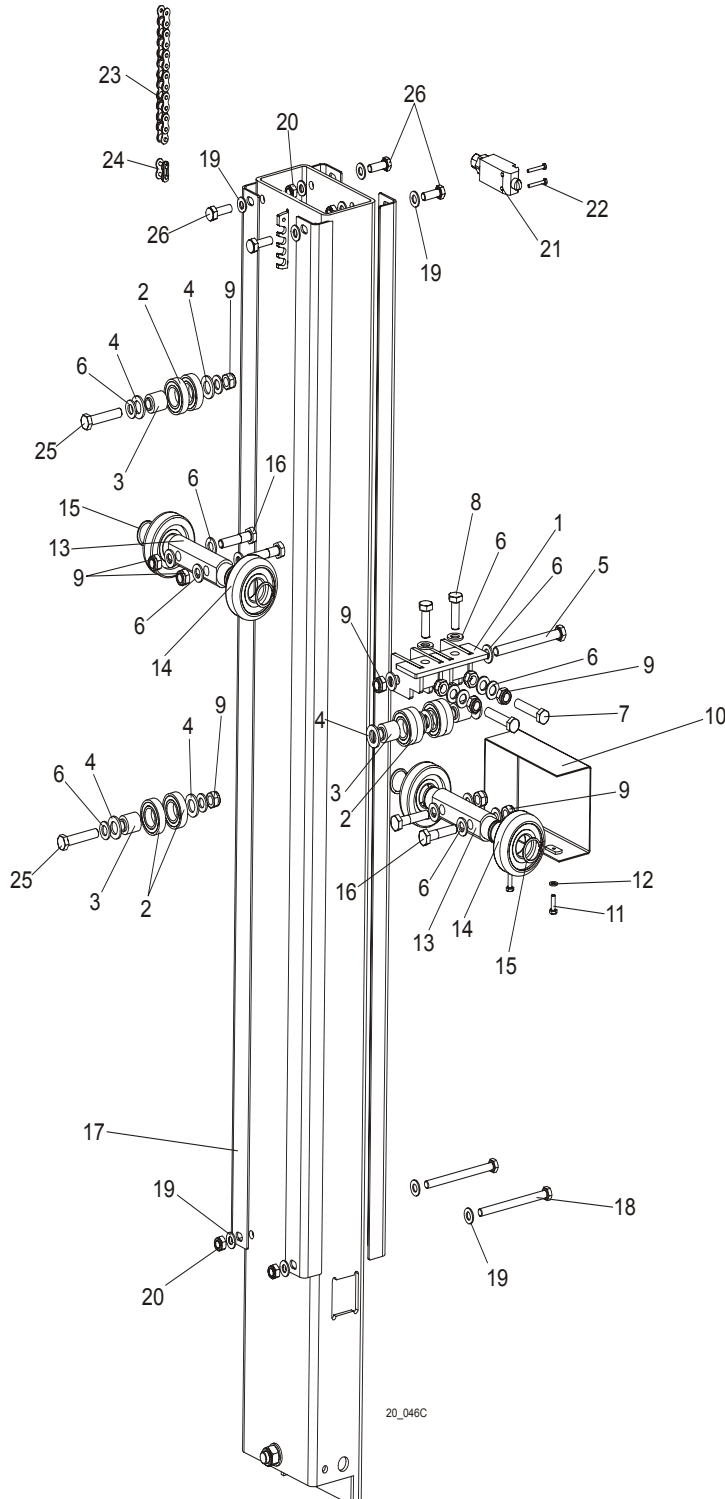


REF	DESCRIPTION (◆ Indicates Parts Available In Assemblies Only)	PART #	QTY.	
	BATTERY BOX, LT20 COMPLETE	097490	1	
1	Battery Box, LT20	097486-1	1	
2	Lid, Battery Box	097489-1	1	
3	Lid, Fuse Box	092222-1	1	
4	Gasket, Fuse Box	092226	1	
5	Bolt, M6x12mm Hex Head Zinc	F81001-7	2	
6	Washer, 6.5 Split Lock Zinc	F81053-11	10	
7	Battery, "Banner" 12V 100Ah #95751	088323	1	
8	Washer, Battery Terminal	P12161	1	
9	Terminal, Battery	P05085	1	
10	Fuse, 150A 12V Link	023361	2	
11	Screw, 10-24x5/8 Unsl Indent HH Machine	F05004-18	1	
12	Nut, #10-24 Keps	F05010-14	2	
13	Washer, 5.5 Split Lock Zinc	F81052-3	2	
14	Plate, 1/8 Plasic Fuse Box	015287	1	

15	Block Assy, Fuse, High Amp	017665	1	
16	Bolt, 1/4-20x3/4 FT HHC	F05005-1	3	
17	Nut, 1/4-20 Self Locking Zinc	F05010-9	6	
18	Nut, Fuse Stud Extended	015517	1	
19	Washer, M6 Split Lock Zinc	F81053-3	1	
20	Grommet, 5/8 ID Rubber	P11764	3	
	Grommet, SR170P No.462041	098816	1	
21	Washer, M8 Flat Zinc	F81054-1	6	
22	Nut, M8 Hexagon Nylon Lock Zinc	F81032-2	6	
23	Spacer, SR 1941 Idler	R80671-5	4	
24	Bolt, M8x30-5.8-B Zinc	F81002-37	4	
25	Grommet, Heyco Wire	P04137	1	
26	Solenoid, 200A 12V SPST Hyd. Pump 1997	015470	1	
27	Washer, M6 Star Lock Zinc	F81053-2	1	
28	Washer, M6 Flat Zinc	F81053-1	4	
29	Bolt, M6x20mm Hex Head Full Thread Zinc	F81001-2	2	
30	Nut, M6 Hex Nylon Lock Zinc	F81031-2	2	

SECTION 6 UP/DOWN ROLLERS & BLADE HEIGHT SCALE

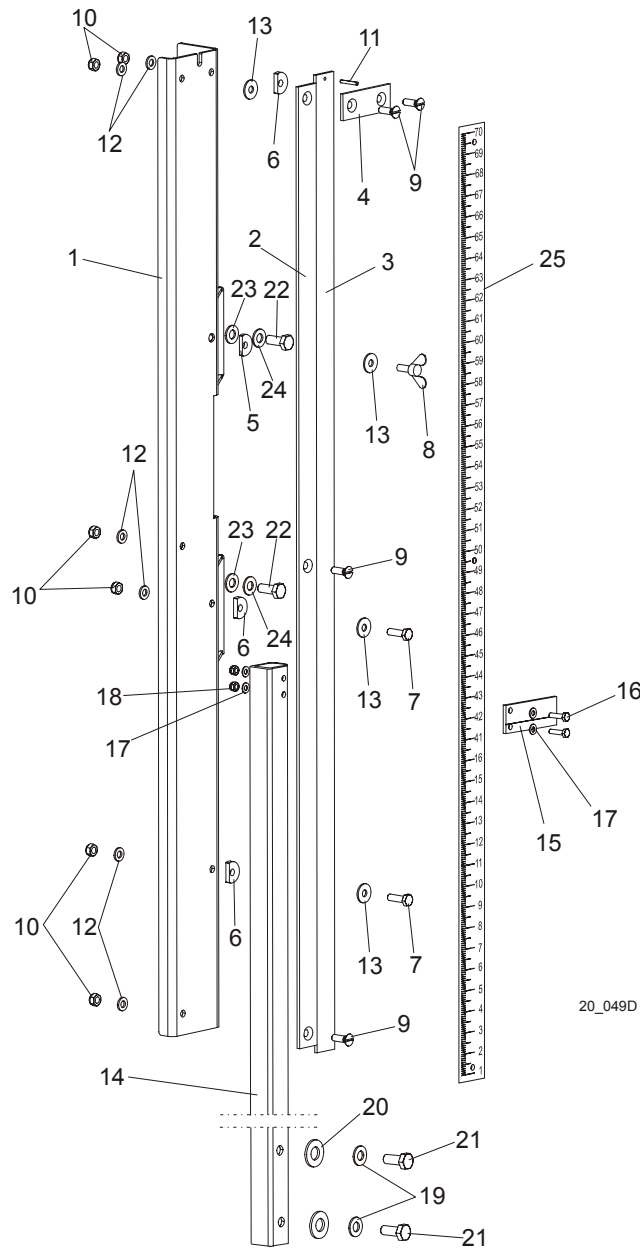
6.1 Up/Down Rollers



REF	DESCRIPTION (◆ Indicates Parts Available In Assemblies Only)	PART #	QTY.	
1	BRACKET WELDMENT, LT20 UP/DOWN ROLLER PTD	091095-1	1	
2	BEARING, 6005 2RS CX	089652	8	

3	BUSHING, LT20 UP/DOWN ROLLER	090790	4	
4	WASHER, 17 ZINC FLAT	F81058-1	10	
5	BOLT, M12 X 120 8.8 HEX HEAD ZINC	F81004-38	1	
6	WASHER, 13 ZINC FLAT	F81056-1	20	
7	BOLT, M12 X 60-8.8 HEX HEAD FULL THREAD ZINC	F81004-51	2	
8	BOLT, M12 X 40-8.8 HEX HEAD FULL THREAD ZINC	F81004-4	2	
9	NUT, M12-8 HEX NYLON ZINC LOCK	F81034-2	11	
10	GUARD, LT20 UP/DOWN ROLLERS PTD	091619-1	1	
11	BOLT, M6 X 20-8.8 HEX HEAD FULL THREAD ZINC	F81001-2	2	
12	WASHER, 6.4 ZINC FLAT	F81053-1	2	
13	SHAFT, UP/DOWN ROLLERS ZINC-PLATED	090616-1	2	
14	ROLLER, CBK-468	088433	4	
15	RING, Z30 SPRING RETAINING	F81090-23	4	
16	BOLT, M12 X 55-8.8 HEX HEAD FULL THREAD ZINC	F81004-43	4	
17	ANGLE, LT20 MAST TUBE	091182	4	
18	BOLT, M10 X 125-8.8 HEX HEAD ZINC	F81003-18	2	
19	WASHER, 10.5 ZINC FLAT	F81055-1	22	
20	NUT, M10-8-B HEX NYLON ZINC LOCK	F81033-1	10	
21	SWITCH, GLCB01C LIMIT	100910	1	
22	BOLT, M4 X 30 8.8 HEX HEAD FULL THREAD ZINC	F81011-5	2	
23	CHAIN, LT20 10B-1-111 TYPE UP/DOWN	098451	1	
24	LINK, 10B-1PZ MASTER	088671	1	
25	BOLT, M12X60MM, HEX HEAD GR 8.8	F81004-5	2	
26	BOLT, M10X25-8.8-FE/ZN5	F81003-11	4	

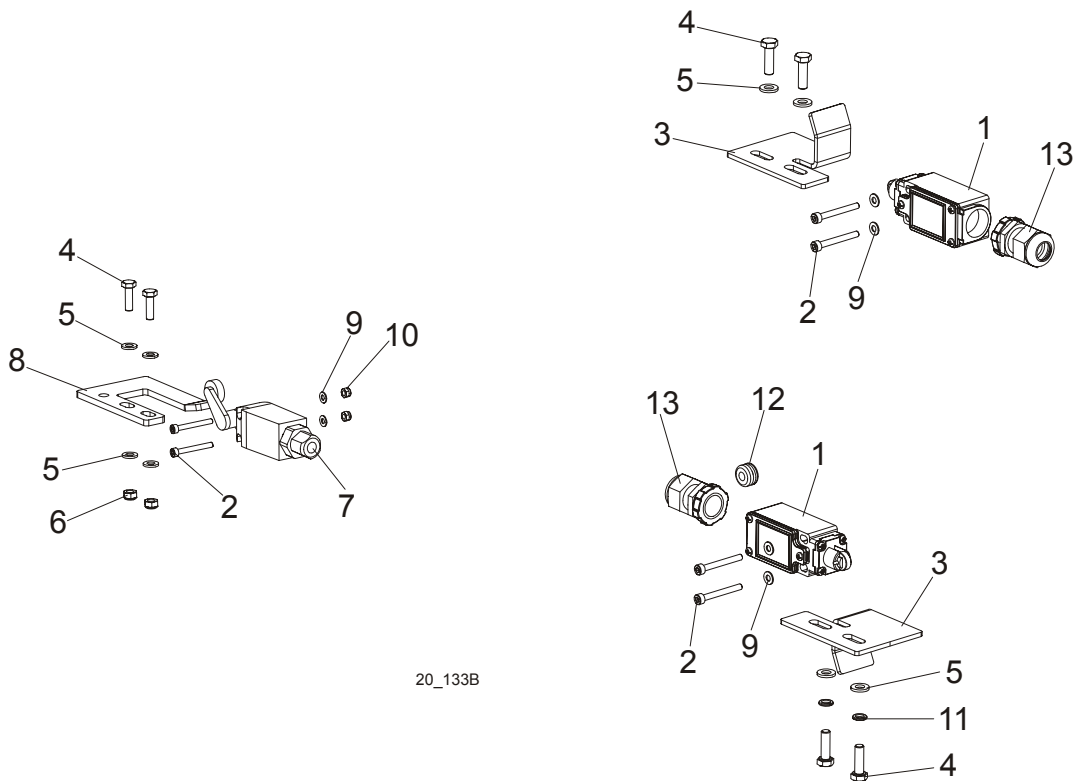
6.2 Blade Height Scale



REF	DESCRIPTION (◆ Indicates Parts Available In Assemblies Only)	PART #	QTY.
	SCALE, LT20 W/INDICATOR COMPLETE	504253	1
	SCALE, LT20 COMPLETE	093135	1
1	BRACKET, SCALE MOUNT PTD	092749-1	1
2	BAR, SCALE	092750	1
3	BAR, INCH SCALE	093133	1
4	BAR, SCALE MOUNT	093134	1
5	WASHER, 6.2X20X3.5 SPECIAL	503096	1
6	WASHER, 6.2X20X4.5 SPECIAL	503098	3
7	BOLT, M6X20MM, HH, FULL THREAD, ZINC	F81001-2	2
8	BOLT, M6X16 BN276	F81001-16	1
9	SCREW, M6X20- 4.8-B FE/ZN5 PN-85/M-82207	F81001-31	4

10	NUT, M6, HEX,NYLON LOCK ZINC	F81031-2	6	
11	PIN, 3x20 ROLL ZINC	F81044-5	1	
12	WASHER, M6, FLAT,ZINC	F81053-1	6	
13	WASHER, FLAT ZINC	F81053-11	4	
	INDICATOR, LT20 CUTTING HEIGHT COMPLETE	504086	1	
14	BRACKET, SCALE INDICATOR MOUNT PTD	092751-1	1	
15	INDICATOR, BLADE HEIGHT SCALE	094821	1	
16	BOLT, M5x16-8.8 HEX HEAD ZINC	F81000-20	2	
17	WASHER, 5.3 FLAT ZINC	F81052-1	4	
18	NUT, M5-8-Fe/Zn5 DIN985	F81030-2	2	
19	WASHER, 8.4 FLAT ZINC	F81054-1	2	
20	WASHER, 8.2 SPRING	F81054-4	2	
21	BOLT, M8 X 45 - 8.8 Fe/Zn5, PN-M/82105	F81002-14	2	
22	BOLT, M8 X 20-5.8 HEX HEAD FULL THREAD ZINC	F81002-1	2	
23	WASHER, 8.5 SPECIAL ZINC	F81054-11	2	
24	WASHER, 8.2 SPRING	F81054-4	2	
25	DECAL, LT20 0-80CM METRIC SCALE	091239	1	
	DECAL, 45-63MM METRIC	P12040-2	1	
	DECAL, 16-40MM METRIC	P12040-1	1	

6.3 Limit Switches



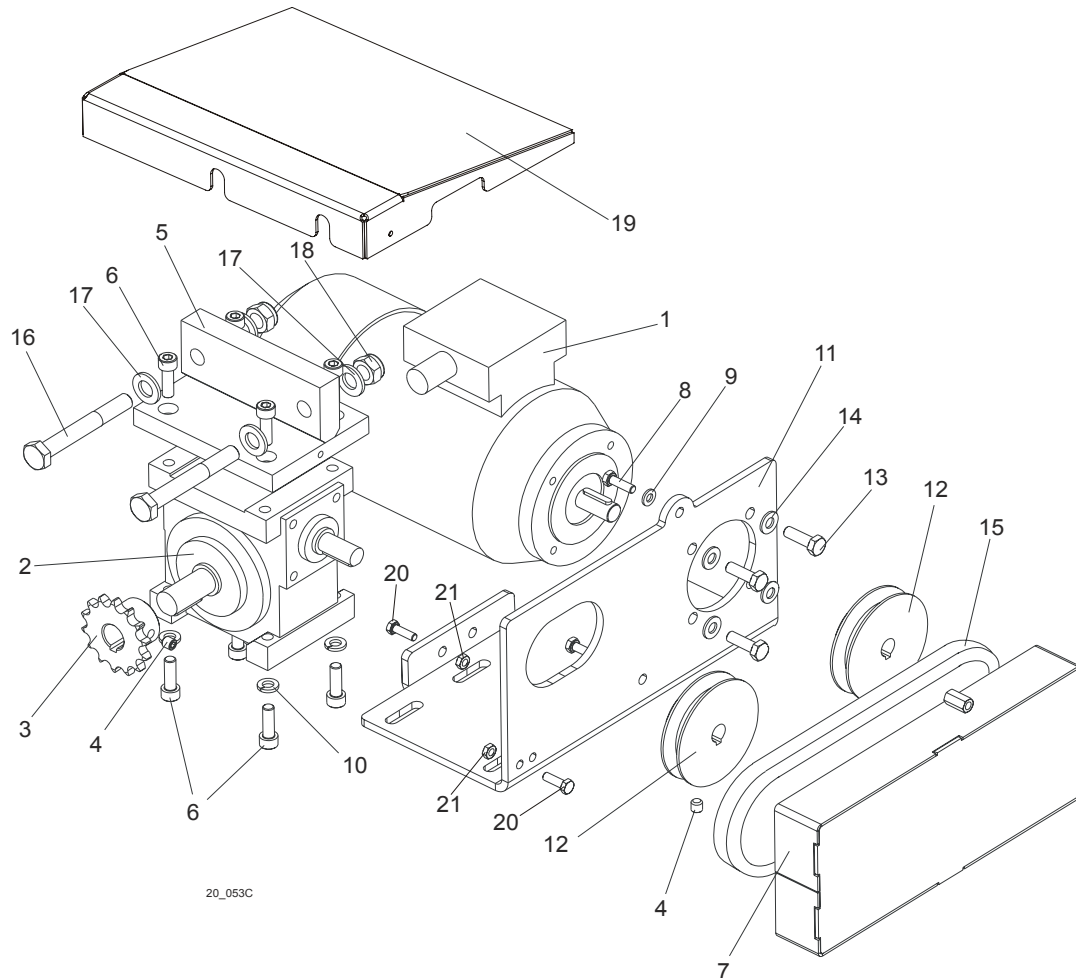
20_133B

REF	DESCRIPTION (◆ Indicates Parts Available In Assemblies Only)	PART #	QTY.
1	SWITCH, GLCB01C LIMIT	100910	2
2	SCREW, M4x35-8.8 HEX SOCKET HEAD CAP ZINC	F81011-34	6
3	BRACKET, LIMIT SWITCH	091682-1	2
4	BOLT, M6X20MM, HH, FULL THREAD, ZINC	F81001-2	6
5	WASHER, M6 FLAT ZINC	F81053-1	8
6	NUT, M6 HEX NYLON LOCK ZINC	F81031-2	2
7	SWITCH, GLCB01A1B LIMIT	100931	1
8	BRACKET, LIMIT SWITCH	091852-1	1
9	WASHER, M4 FLAT ZINC	F81051-2	6
10	NUT, M4 HEX NYLON LOCK ZINC	F81029-1	2
11	WASHER, Z6.1 SPLIT LOCK ZINC	F81053-3	2
12	GROMMET, RUBBER INSIDE DIA 6mm	085338	1
13	STUFFING-BOX, SKINTOP PG 13,5	086524	2



SECTION 7 POWER FEED & TRACK ROLLERS

7.1 Power Feed Assembly, AC Mills

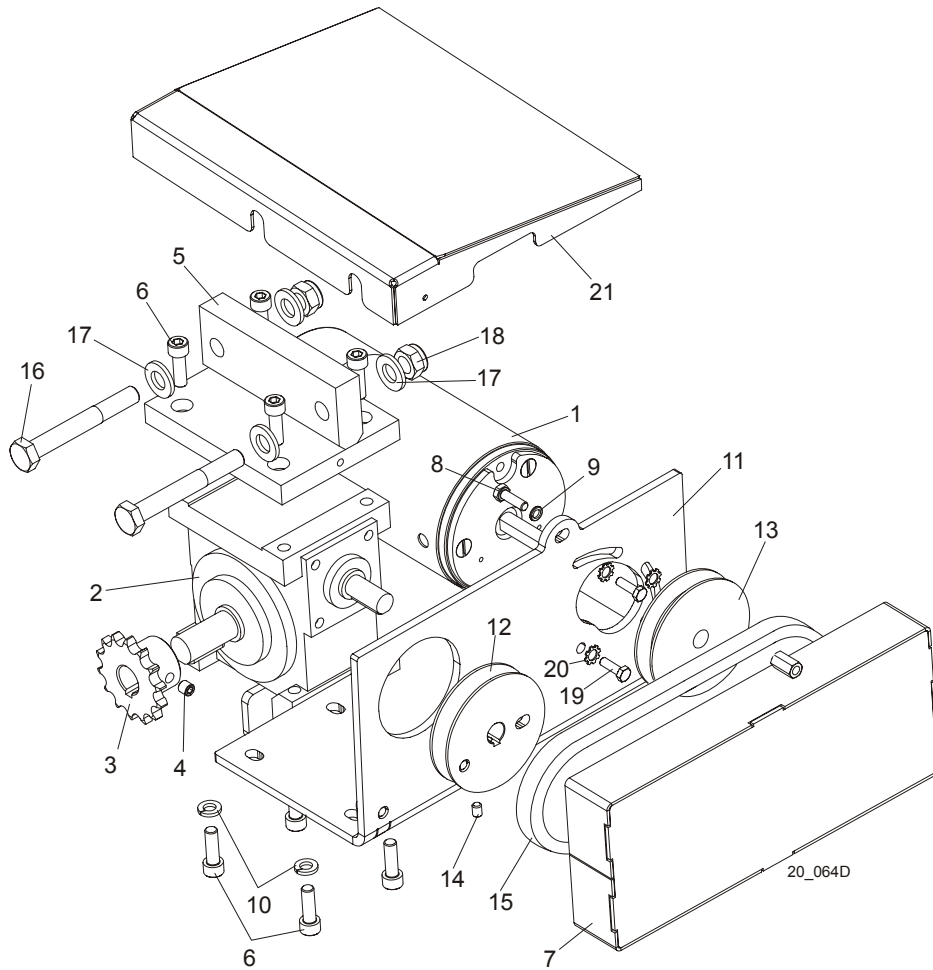


20_053C

REF	DESCRIPTION (◆ Indicates Parts Available In Assemblies Only)	PART #	QTY.
	POWER FEED ASSEMBLY, LT20 AC	091196	1
1	Motor, Kh71X-2C2, RAL 9005	097313	1
2	Gear Box, RA-04/7.5/D1/N+S/B8 w/Output Shaft	090698	1
3	Sprocket, 08B Z14 Zinc-plated	090702-1	1
4	Screw, M8x8-33H Hex Socket Set Flat Point Zinc	F81014-1	1
5	Bracket, Power Feed Gear Box Mount	090715-1	1
6	Screw, M8X25-8.8 Hex Socket Head Cap Zinc	F81002-21	4
7	Guard, Power Feed Drive Belt	091195-1	1
8	Bolt, M6x20-8.8 Hex Head Full Thread Zinc	F81001-2	2
9	Washer, 6.4 Zinc Flat	F81053-1	2
10	Washer, 8.2 Split Lock Zinc	F81054-4	4
11	Bracket, Power Feed Gear Box	091191	1
12	Pulley, LT20 Power Feed Gear Box Ptd	090699-1	2
13	Bolt, M6x20-8.8-B Hex Head Full Thread Zinc	F81001-2	4
14	Washer, 6.1 Split Lock Zinc	F81053-3	4
15	V-Belt, HA-560 (STOMIL-SANOK)	088562	1

16	BOLT, M12X90-8.8 HEX HEAD ZINC	F81004-2	2	
17	WASHER, 13 ZINC FLAT	F81056-1	4	
18	NUT, M12-8 HEX NYLON ZINC LOCK	F81034-2	2	
19	GUARD, POWER FEED MOTOR	093780-1	1	
20	BOLT, M8 x 25mm HEX HEAD GR 5.8 ZINC	F81002-5	2	
21	NUT, M8 HEXAGON, GRADE 5.8 FREE ZINC	F81032-1	2	

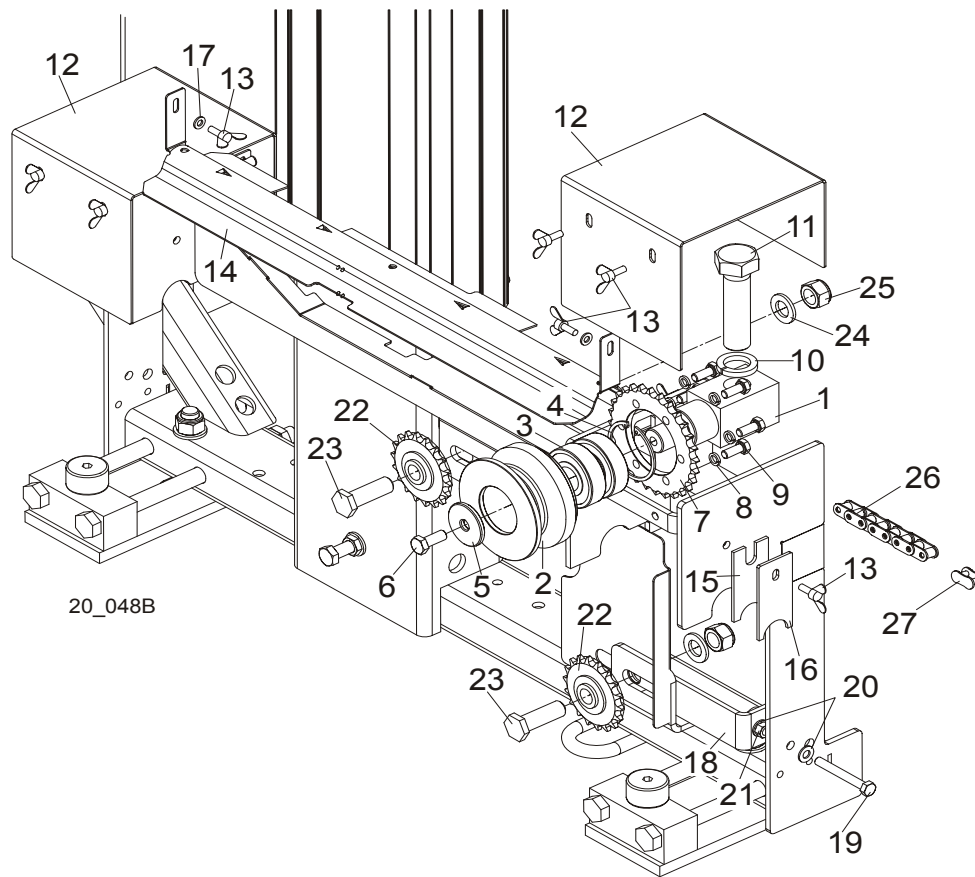
7.2 Power Feed Assembly, DC Mills



REF	DESCRIPTION (◆ Indicates Parts Available In Assemblies Only)	PART #	QTY.
	POWER FEED ASSEMBLY, LT20 DC	090703	1
1	Motor, 12V 0.5HP	006747	1
	Brush Kit, 1/2 HP 12V DC	061794	
2	Gear Box, RA-04/7.5/WBS/i1/N+S/B8 w/Output Shaft	090698	1
3	Sprocket, 10B Z14 Zinc-plated	090702-1	1
4	Screw, M8x8-33H Hex Socket Set Flat Point Zinc	F81014-1	1
5	Bracket, Power Feed Gear Box Mount	090715-1	1
6	Screw, M8X25-8.8 Hex Socket Head Cap Zinc	F81002-21	4
7	Guard, Power Feed Drive Belt	091195-1	1
8	Bolt, M6x20-8.8 Hex Head Full Thread Zinc	F81001-2	2
9	Washer, M6 Split Lock Zinc	F81053-3	2
10	Washer, 8.2 Split Lock Zinc	F81054-4	4
11	Plate, LT20 Power Feed Motor Mount Ptd	502550-1	1
12	Pulley, LT20 Power Feed Gear Box Ptd	090699-1	2
13	Sheave, Up/Down Motor "A" 82/12.7 Ptd	093158-1	1
14	Screw, M6x8 Hex Socket Set Cone Point Zinc	F81013-1	3
15	V-Belt, HA-560 (STOMIL-SANOK)	088562	1
16	Bolt, M12x90-8.8 Hex Head Zinc	F81004-2	2
17	Washer, 13 Zinc Flat	F81056-1	4

18	Nut, M12-8 Hex Nylon Zinc Lock	F81034-2	2	
19	Bolt, 1/4-20x3/4 FT HHC	F05005-1	3	
20	Washer, M6 Star Lock Zinc	F81053-2	3	
21	GUARD, POWER FEED MOTOR	093780-1	1	

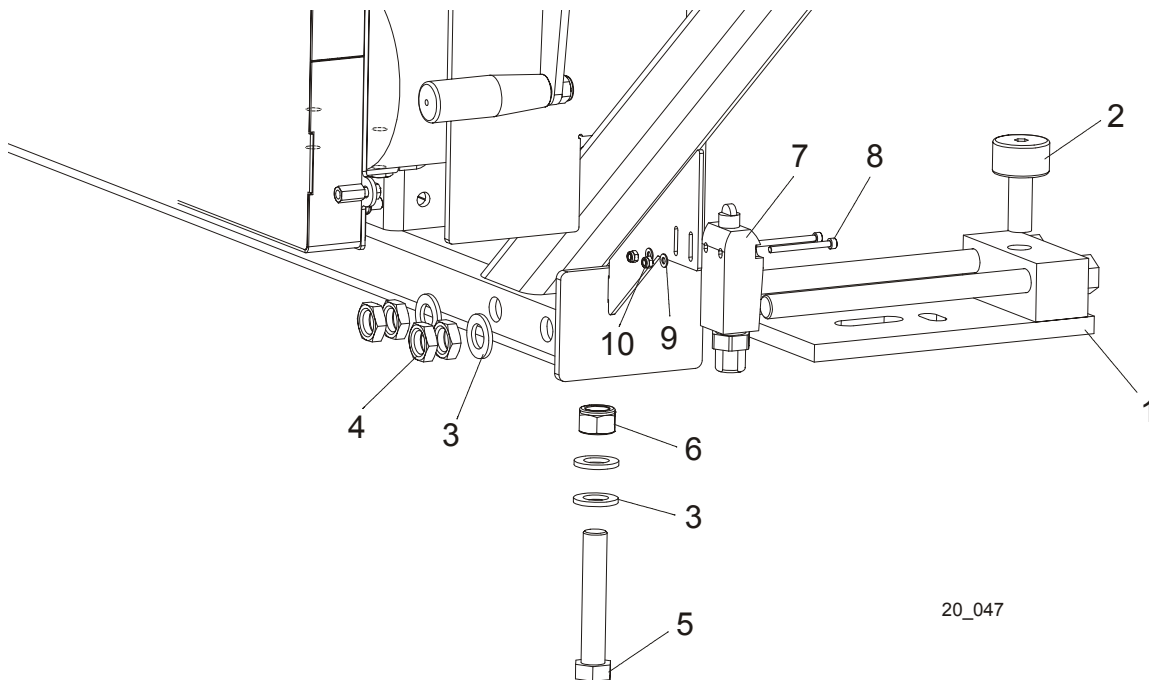
7.3 Upper Track Rollers And Wipers



REF	DESCRIPTION (◆ Indicates Parts Available In Assemblies Only)	PART #	QTY.
	ROLLER ASSEMBLY, LT20 UPPER TRACK	090662	2
1	Block, Upper Track Roller Mount	090665	1
2	Roller, Upper Track	090663	1
3	Bearing, 6305 2RS NSK	P08066	2
4	Ring, 2 7/16" Bevelled Snap	F04254-21	1
5	Washer, Drive Wheel	086286	1
6	Bolt, M10x25-8.8 Hex Head Full Thread Zinc	F81003-11	1
7	Sprocket, O8B Z28	090664	2
8	Washer, 8.2 Split Lock Zinc	F81054-4	6
9	Bolt, M8x20-5.8 Hex Head Full Thread Zinc	F81002-1	6
10	WASHER, Z 24.5 SPLIT LOCK ZINC	F81061-4	2
11	BOLT, M24X2X90-8.8 HEX HEAD FULL THREAD ZINC	F81009-2	2
12	GUARD, UPPER TRACK ROLLER	090749-1	2
13	SCREW, M6 X 16 BN276 DIN 316 THUMB	F81001-16	8
14	COVER, LT20 MIDDLE TRACK W/FELT - SERVICE	091656-S	1
	Cover, LT20 Middle Track Ptd	091656-1	1
	Strip, 3/16 X 2 X 23 Felt	S09915	1
15	WIPER, TOP RAIL	M04113	2
16	PLATE, TRACK WIPER PTD	088559-1	2
17	WASHER, 6.4 ZINC FLAT	F81053-1	2

18	TENSIONER, POWER FEET SPROCKET	092862-1	1	
19	BOLT, M8 X 65MM,HH,GRADE 5.8, ZINC	F81002-3	1	
20	WASHER, M8, FLAT, ZINC	F81054-1	2	
21	NUT, M8 HEXAGON,GRADE 5.8 FREE ZINC	F81032-1	1	
22	SPROCKET, IDLER Z=18 KSR16.L0.08.10.18.0	088700	2	
23	BOLT, SPROCKET MOUNT	091744-1	2	
24	WASHER, 17 FLAT ZINC	F81058-1	2	
25	NUT, M16,HEX, NYLON ZINC LOCK	F81036-2	2	
26	CHAIN, LT20 08B-185 TYPE POWER FEED	091624	1	
27	LINK, 08B-1PZ MASTER	091625	1	

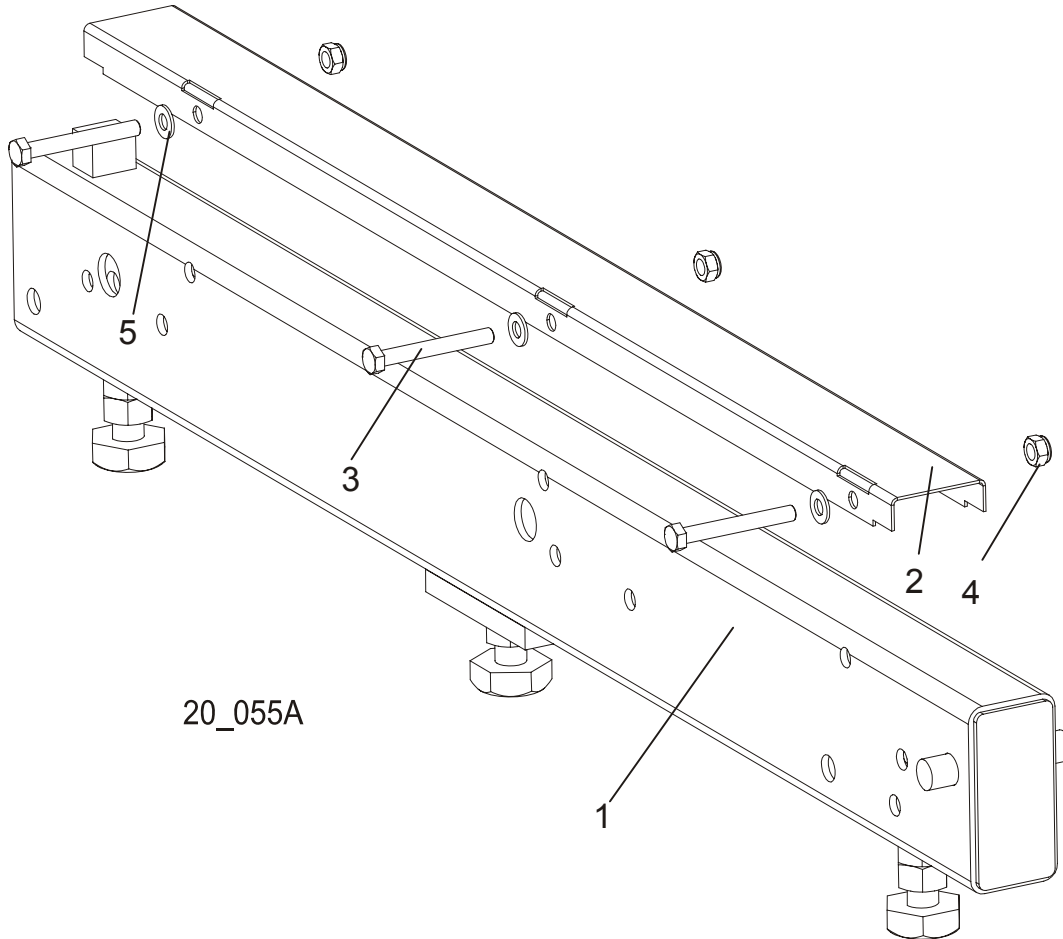
7.4 Lower Track Rollers



REF	DESCRIPTION (◆ Indicates Parts Available In Assemblies Only)	PART #	QTY.
	ROLLER ASSEMBLY, LT20 LOWER TRACK	090670	2
1	Bracket, LT20 Lower Track Roller	090671-1	1
2	Bearing, Cam Follower (McGill)	012797	1
3	WASHER, 17 ZINC FLAT	F81058-1	4
4	NUT, M16 HEX THIN ZINC	F81036-4	4
5	BOLT, M16 X 90-8.8 HEX HEAD ZINC	F81006-17	1
6	NUT, M16-8 HEX NYLON ZINC LOCK	F81036-2	1
7	SWITCH, GLCB01A1B LIMIT	100931	1
8	SCREW, M4 X 45-8.8 HEX SOCKET HEAD CAP ZINC	F81011-33	2
9	NUT, M4-B HEX NYLON ZINC LOCK	F81029-1	2
10	WASHER, 4.3 ZINC FLAT	F81051-2	2

SECTION 8 BED FRAME ASSEMBLY

8.1 Bed Rail Assembly (L type frame)

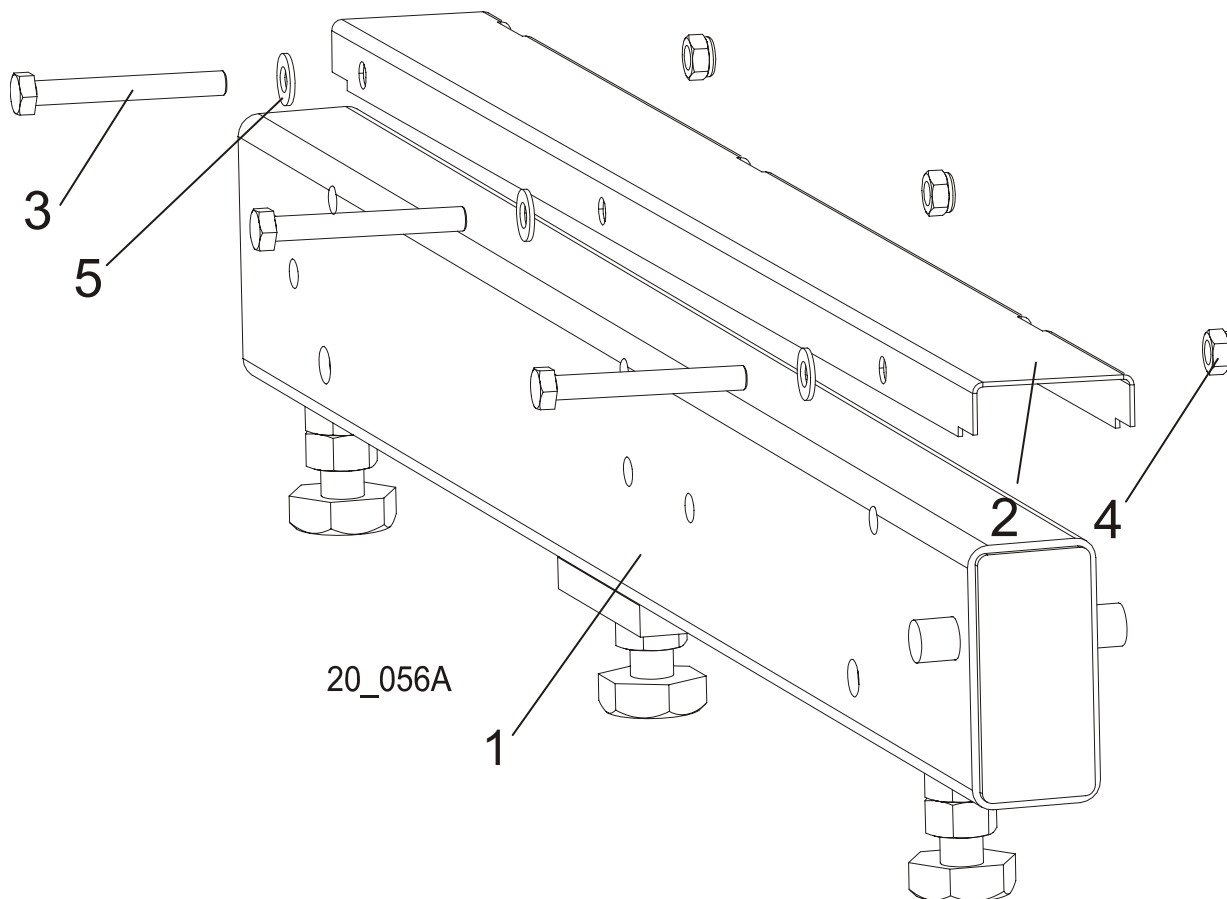


REF	DESCRIPTION (◆ Indicates Parts Available In Assemblies Only)	PART #	QTY.
1	LONG BED RAIL ASSEMBLY	089385	1
2	COVER, STAINLESS STEEL BED RAIL	099124	1
3	BOLT, M8X65-5,8 ZINC HEX HEAD	F81002-3	3
4	NUT, M8-8-B-ZINC HEX NYLON LOCK	F81032-2	3
5	WASHER, 8.4 FLAT ZINC	F81054-1	3

8 BED FRAME ASSEMBLY

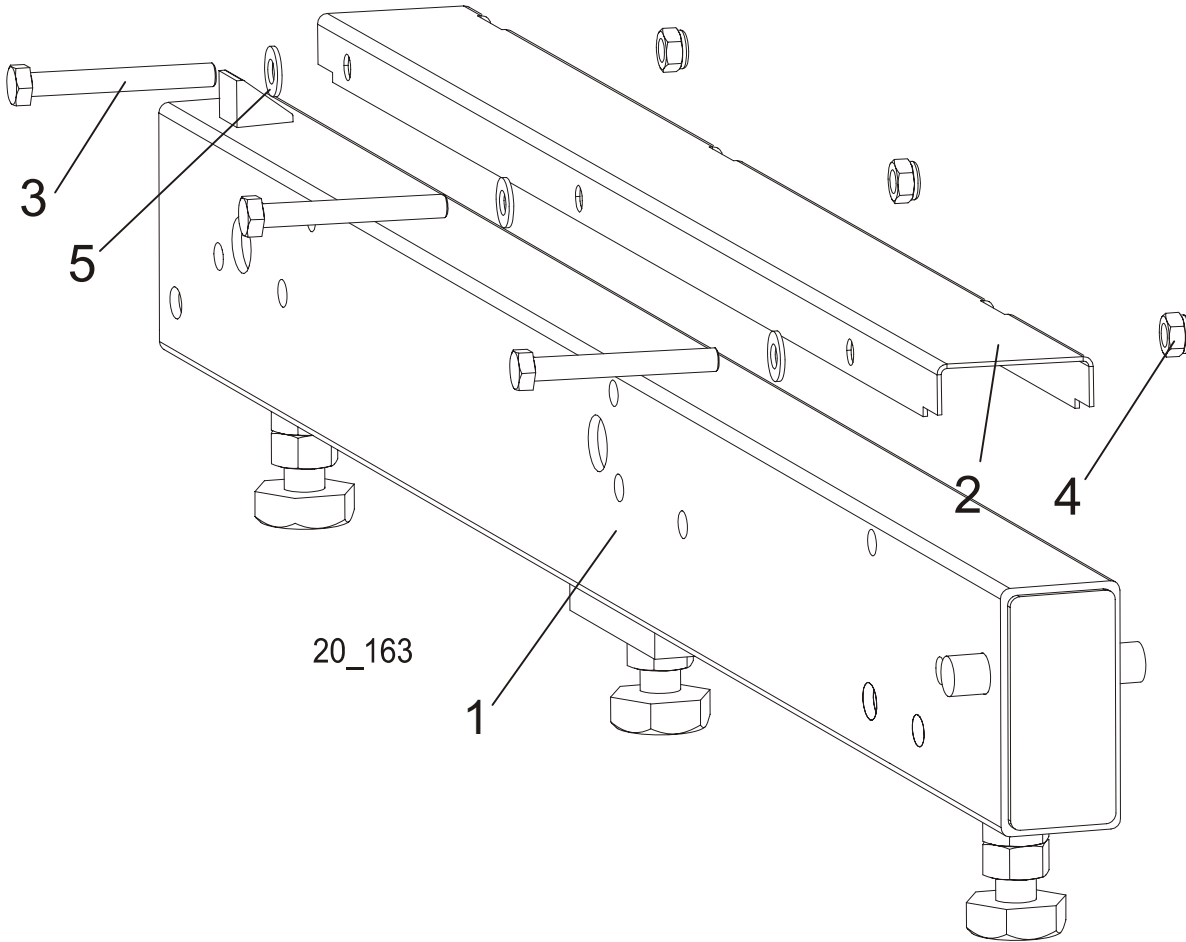
Bed Rail Assembly (L type frame)

8.2 Bed Rail Assembly (L type frame)



REF	DESCRIPTION (◆ Indicates Parts Available In Assemblies Only)	PART #	QTY.	
1	BED RAIL ASSEMBLY, SHORT	089386	1	
2	COVER, STAINLESS STEEL BED RAIL	099124	1	
3	BOLT, M8X65-5,8 ZINC HEX HEAD	F81002-3	3	
4	NUT, M8-8-B-ZINC HEX NYLON LOCK	F81032-2	3	
5	WASHER, 8.4 FLAT ZINC	F81054-1	3	

8.3 Bed Rail Assembly (L type frame)

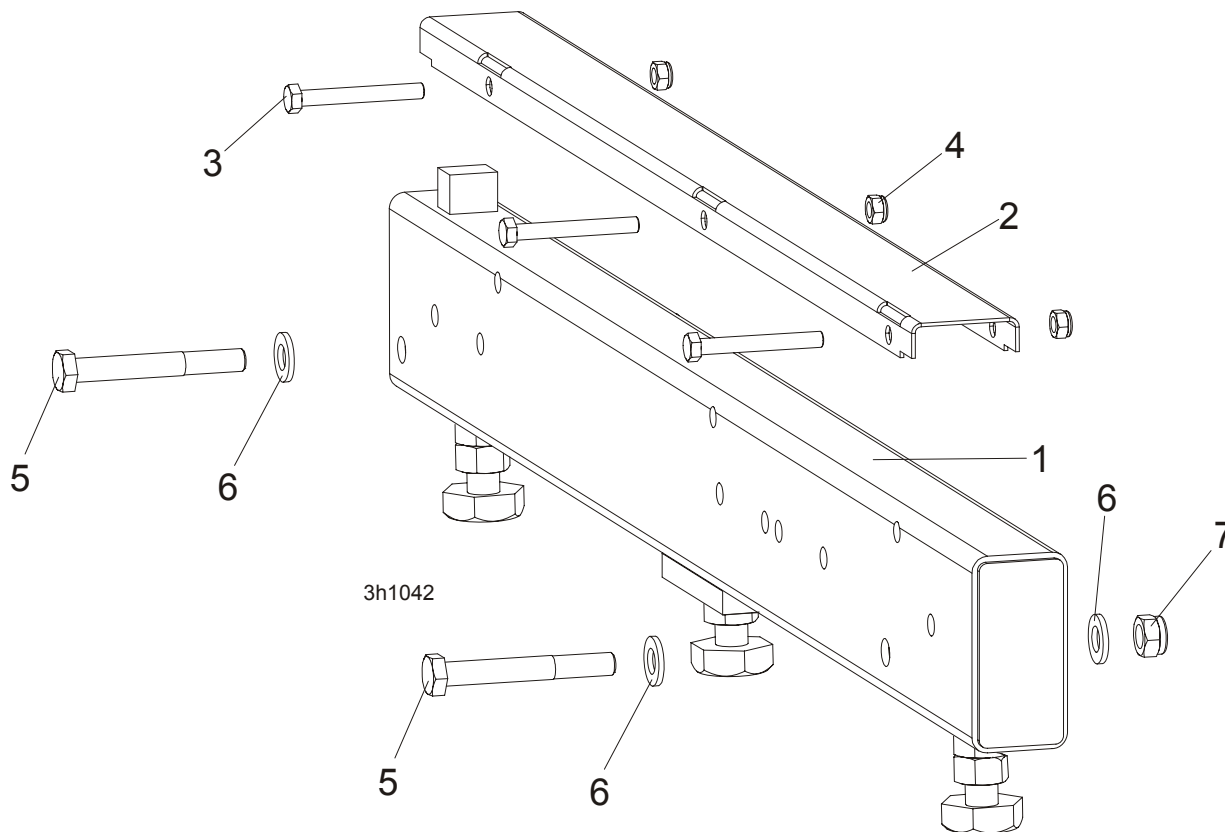


REF	DESCRIPTION (◆ Indicates Parts Available In Assemblies Only)	PART #	QTY.
1	BED TRANSVERSE	100680	1
2	COVER, STAINLESS STEEL BED RAIL	099124	1
3	BOLT, M8X65-5,8 ZINC HEX HEAD	F81002-3	3
4	NUT, M8-8-B-ZINC HEX NYLON LOCK	F81032-2	3
5	WASHER, 8.4 FLAT ZINC	F81054-1	3

8 BED FRAME ASSEMBLY

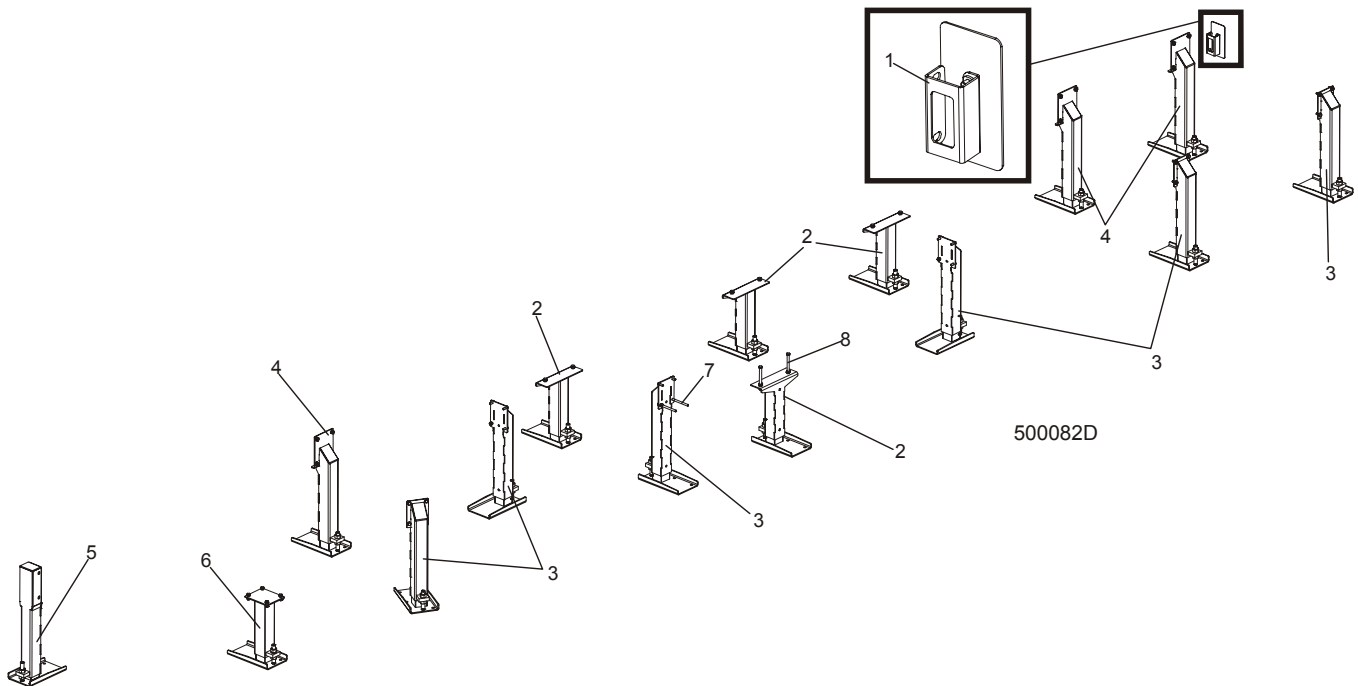
Bed Rail Assembly (L type frame)

8.4 Bed Rail Assembly (L type frame)



REF	DESCRIPTION (◆ Indicates Parts Available In Assemblies Only)	PART #	QTY.
1	BED RAIL ASSEMBLY	096993	1
2	COVER, STAINLESS STEEL BED RAIL	099124	1
3	BOLT, M8X65-5,8 ZINC HEX HEAD	F81002-3	3
4	NUT, M8-8-B-ZINC HEX NYLON LOCK	F81032-2	3
5	BOLT,M12X90-8.8 HEX HEAD ZINC	F81004-2	2
6	WASHER, M12 , FLAT, ZINC	F81056-1	4
7	NUT,M12-8 ,HEX,NYLON,ZINC,LOCK	F81034-2	2

8.5 Leg, Stationary

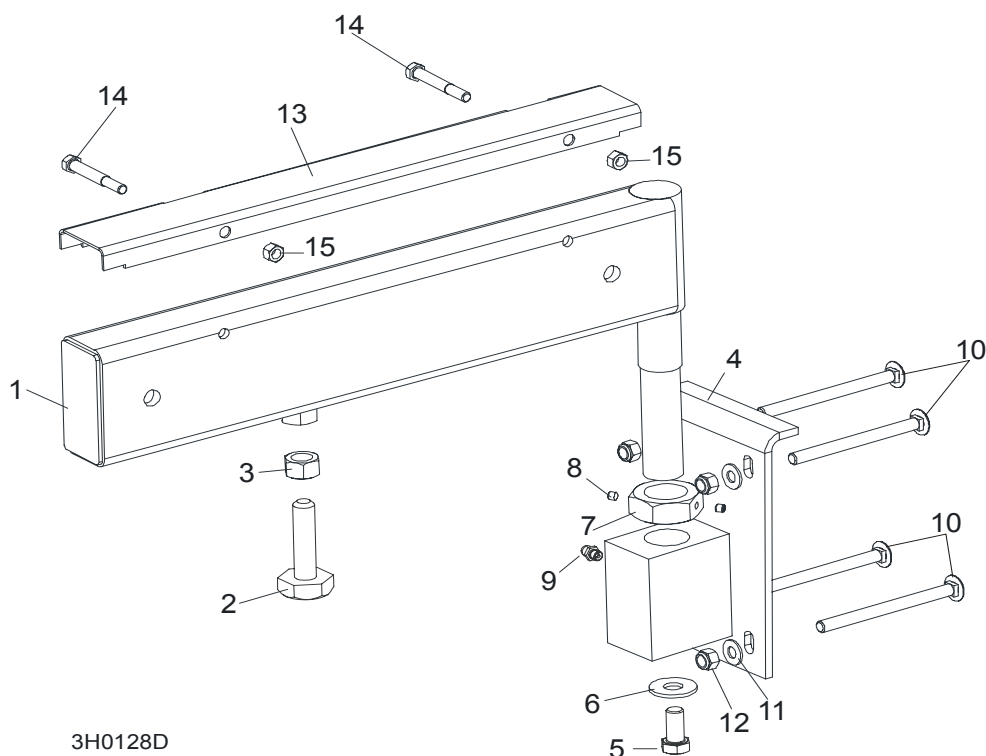


REF	DESCRIPTION (◆ Indicates Parts Available In Assemblies Only)	PART #	QTY.
	LEG KIT, "L" FRAME OUTRIGGER STATIONARY	500531	1
1	COVER ASSEMBLY, MAIN TUBE	093052	1
2	LEG, OUTRIGGER STATIONARY MIDDLE	501637	4
3	LEG, OUTRIGGER STATIONARY LEFT	501639	6
4	LEG, OUTRIGGER STATIONARY RIGHT	501640	3
5	LEG, OUTRIGGER STATIONARY FRONT	501641	1
6	LEG, STATIONARY	505766	1
7	BOLT, M10x125-8.8 HEX HEAD ZINC	F81003-18	2
8	BOLT, M12x130-8.8-Fe/Zn5 PN-M/82101	F81004-36	2

8 BED FRAME ASSEMBLY

Pivot Bed Rail Assembly

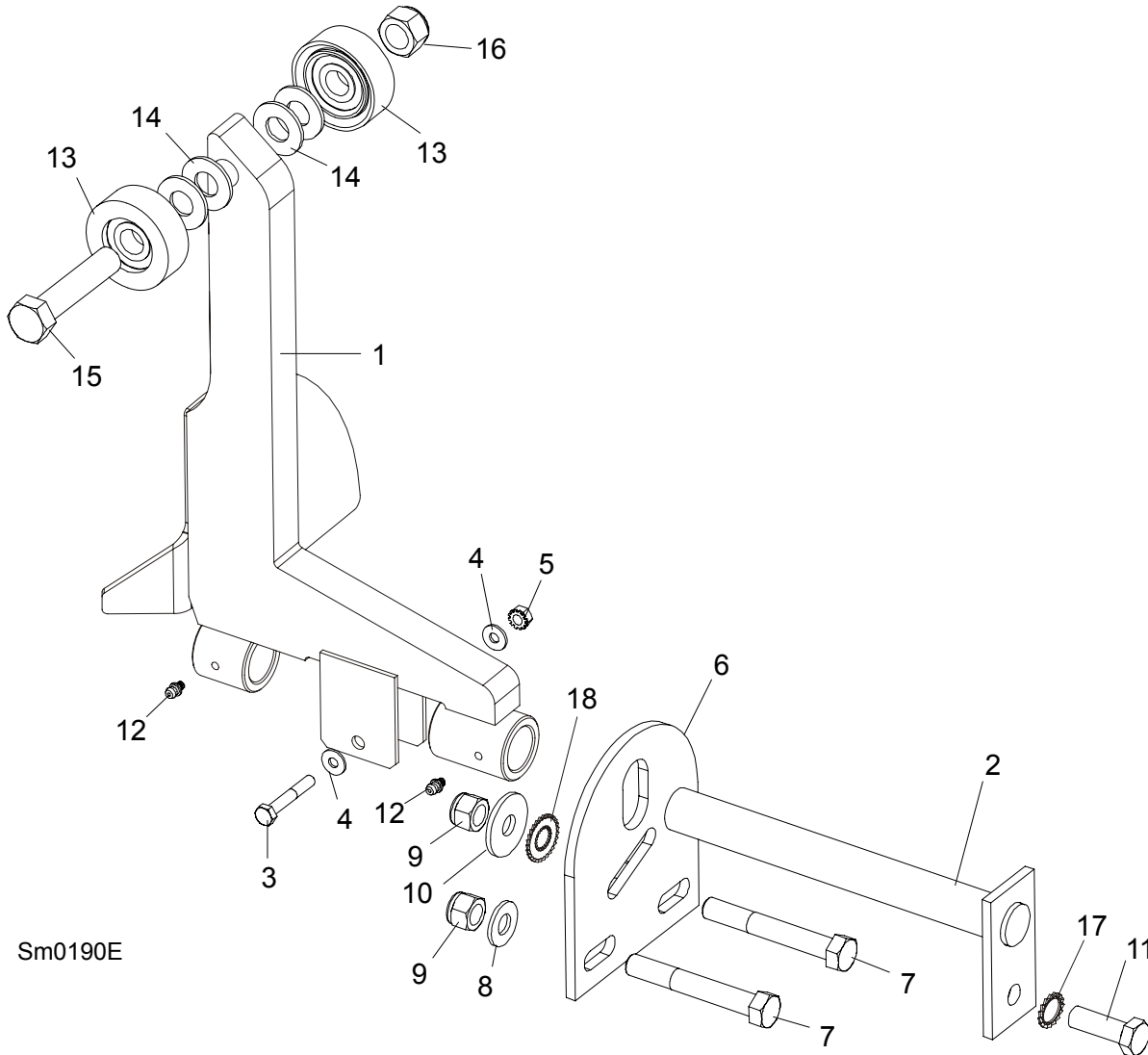
8.6 Pivot Bed Rail Assembly



3H0128D

REF	DESCRIPTION (◆ Indicates Parts Available In Assemblies Only)	PART#	QTY.
	PIVOT BED RAIL, COMPLETE	087855	2
1	Pivot Bed Rail Assembly	087848-1	1
	Bolt Assembly, Bed Rail Adjustment		1
2	Bolt, Pivot Bed Rail Adjustment	505006	1
3	Nut, M16-5.8 Zinc Hex	F81036-1	1
4	Bracket, Pivot Bed Rail Mounting	087841-1	1
5	Bolt, M12x25-8.8 Hex Head Full Thread Zinc	F81004-31	1
6	Washer, 9/16" Zinc Flat	F05011-52	1
7	Nut, M32x2-04-B Zinc	087975	1
8	Screw, M6x8 Hex Socket Set Cone Point Zinc	F81013-1	2
9	Fitting, 3/16" Straight Grease	086280	1
10	BOLT, M10X125 8.8 MUSHROOM HEAD SQUARE NECK ZINC	F81003-34	4
11	WASHER, 10.5 FLAT	F81055-1	8
12	NUT, M16-8 HEX NYLON ZINC LOCK	F81036-2	8
	COVER KIT, STAINLESS STEEL PIVOT BED RAIL	N/A	2
13	Cover, Pivot Bed Rail	099123	1
14	Bolt, M8x65-5.8 Hex Head Zinc	F81002-3	2
15	Nut, M8-8-B Hex Nylon Zinc Lock	F81032-2	2
	WRENCH, BED RAIL ADJUSTMENT (Patrz rozdział 8.3)	015970	1

8.7 Log Side Support Assembly (Manual)



Sm0190E

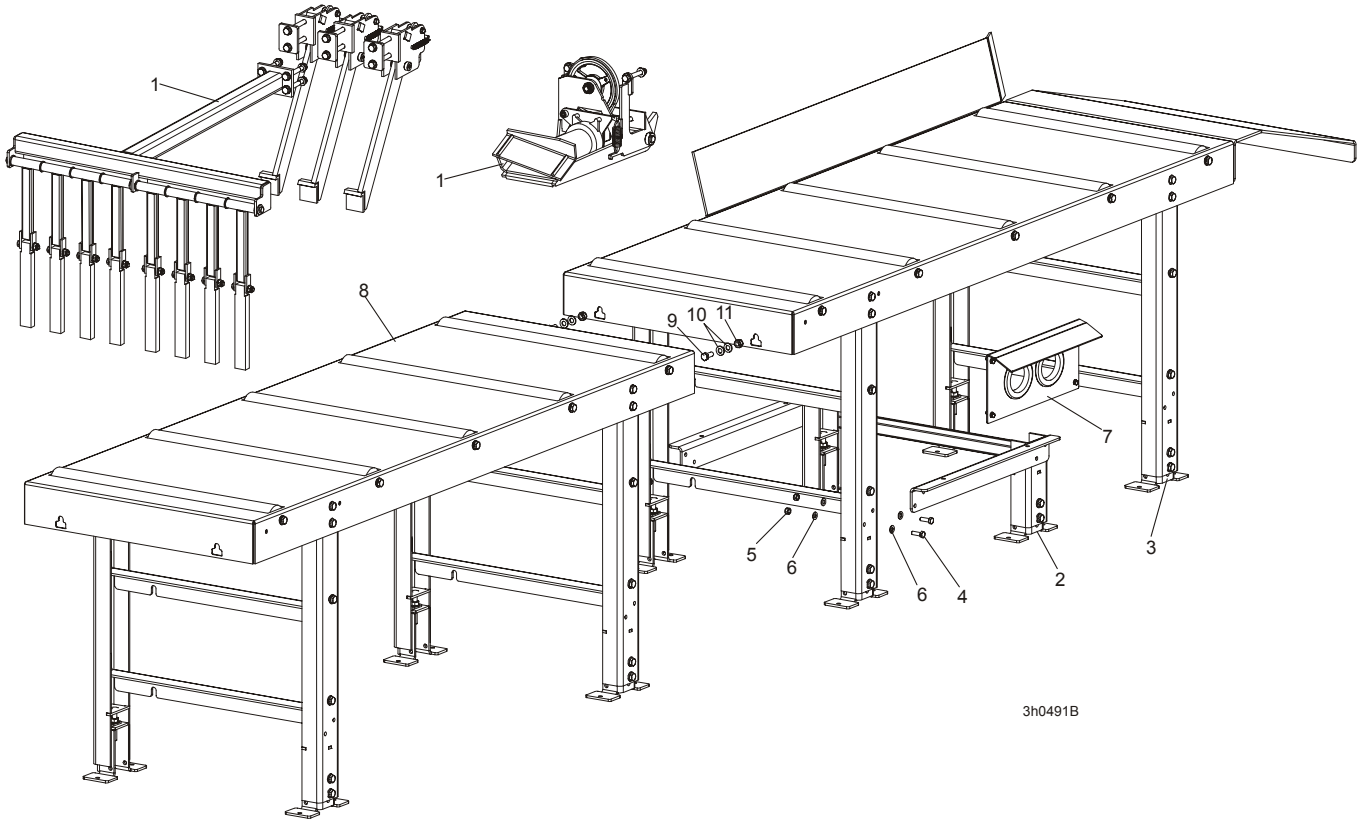
REF	DESCRIPTION (◆ Indicates Parts Available In Assemblies Only)	PART #	QTY.
1	SUPPORT, LOG SIDE W/GUARD	099785-1	1
2	PIN, LOG SIDE SUPPORT PIVOT	091549-1	1
3	BOLT, M8X45 - 8.8 HEX HEAD GRADE 5	F81002-14	1
4	WASHER, 8.4 FLAT	F81054-1	2
5	NUT, M8-8-B SELF LOCKING	F81032-2	1
6	PLATE, LOG SIDE SUPPORT END	091591-1	1
7	BOLT, M12 X 90-8.8 HEX HEAD	F81004-2	2
8	WASHER, 13 FLAT	F81056-1	2
9	NUT, M12-8 HEX NYLON LOCK	F81034-2	3
10	WASHER, .5" X 1.63" X 11" GA.	086184	1

8

BED FRAME ASSEMBLY*Log Side Support Assembly (Manual)*

11	BOLT, M12 X 35-8.8 HEX HEAD	F81004-24	1	
12	FITTING, 3/16" GREASE	P04107	2	
13	ROLLER ASSEMBLY, SIDE SUPPORT	015014-1	2	
14	WASHER, 17 FLAT	F81058-1	2	
15	BOLT, M16X65-8.8-B HEX HEAD GRADE 5	F81006-1	1	
16	NUT, M16-8 NYLON LOCK	F81036-2	1	
17	WASHER, SPECIAL BOSART/2S, BN781 M12/13	F81056-16	1	
18	WASHER, SPECIAL BOSART/2S M12/12,3/30,3	F81056-17	1	
	INSTRUCTION SHEET, SIDE SUPPORT ROLLER	015109-526	1	

8.8 Board Return Table (LT40/70L Option)

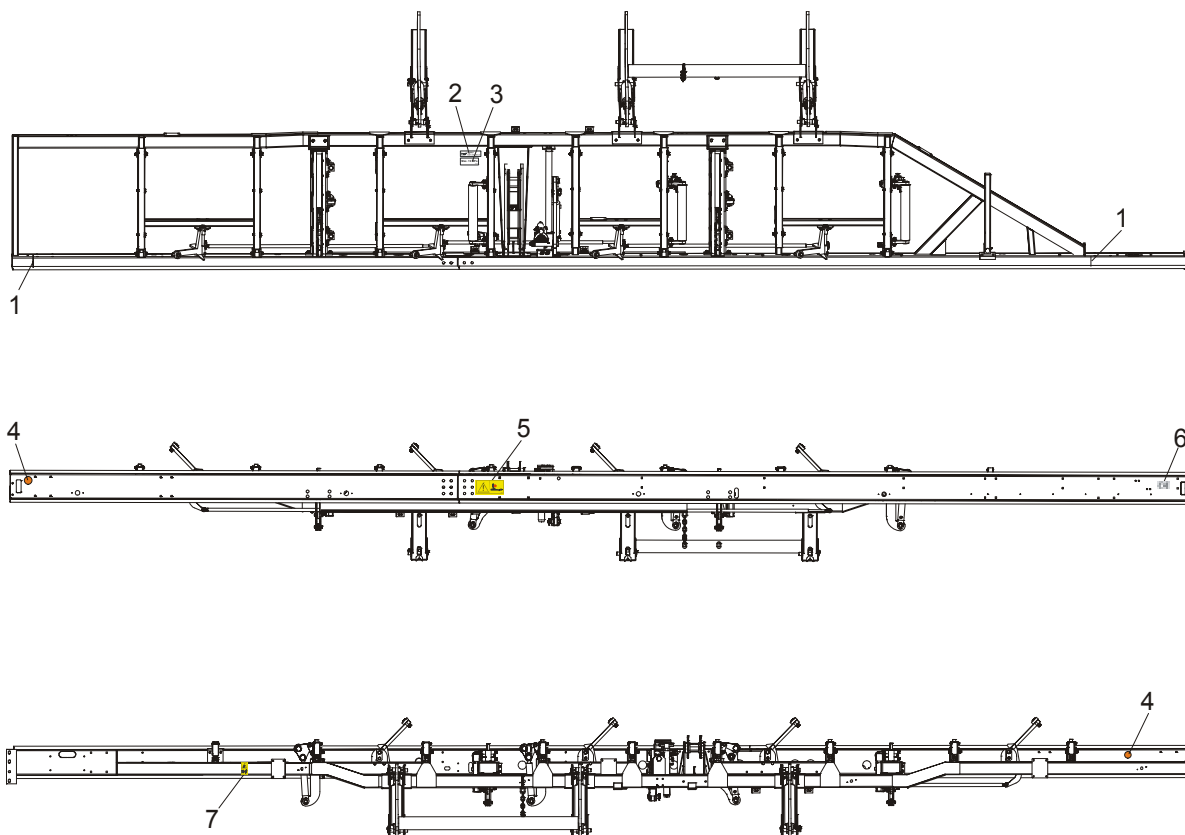


REF	DESCRIPTION (◆ Indicates Parts Available In Assemblies Only)	PART #	QTY.
	TABLE, LT40L DOUBLE	502791	1
	TABLE, LT70L DOUBLE	502790	1
	TABLE, LT40L LONG	502796	1
	TABLE, LT70L LONG	502797	1
1	BOARD RETURN ASSEMBLY	092757	1
	BOARD RETURN ASSEMBLY	092757	1
2	STAND, HYDRAULIC CONTROL BOX COMPLETE	502345	1
3	TABLE, M FRAME LONG FRONT	502537	1
4	BOLT, M8X25-8.8-B HEX HEAD FULL THREAD	F81002-5	4
5	NUT, M8-8-B, HEX,NYLON LOCK ZINC	F81032-2	4
6	WASHER, 8.4 FLAT, ZINC	F81054-1	8
7	COVER, HYDRAULIC HOSES COMPLETE	504262	1
8	TABLE, M FRAME LONG	502539	1
9	BOLT, M10-1.5X25MM HH GR8.8	F81003-11	2
10	NUT, M10-8-B HEX NYLON ZINC LOCK	F81033-1	2
11	WASHER, 10.5 FLAT ZINC	F81055-1	4

8 BED FRAME ASSEMBLY

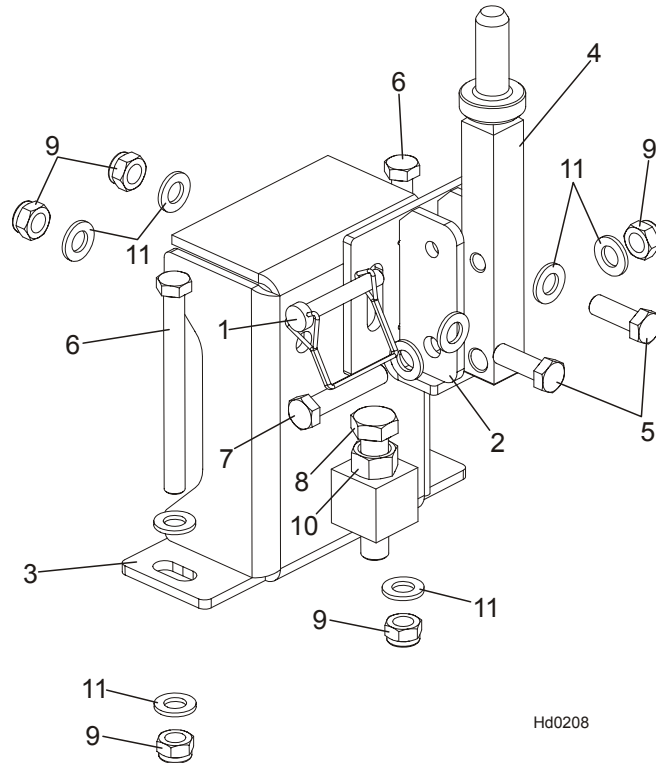
Bed Frame Decals

8.9 Bed Frame Decals



REF	DESCRIPTION (◆ Indicates Parts Available In Assemblies Only)	PART #	QTY.
1	DECAL, LOG LENGTH LIMIT	S12051	2
2	DECAL, HYDRAULIC OIL TYPE	096323	1
3	DECAL, HYDRAULIC WORKING PRESSURE	099524	1
4	DECAL, AMBER REFLECTIVE 2" ROUND	P07453	2
5	DECAL, PINCH POINT DANGER, PICTOGRAM	099542	1
6	DECAL, CE CERTIFIED SAWMILL, SMALL	P85070	1
7	DECAL, KEEP AWAY DANGER, PICTOGRAM	099221	1

8.10 Saw Head Support Assembly



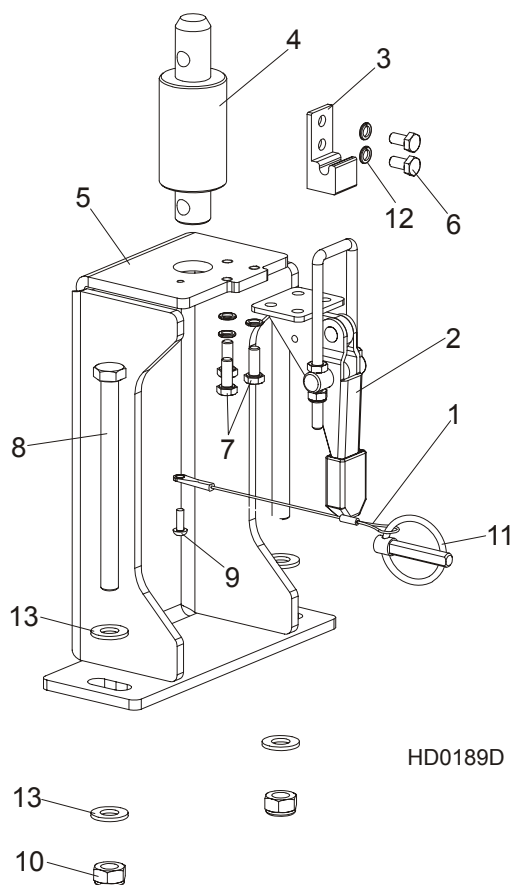
Hd0208

REF	DESCRIPTION (◆ Indicates Parts Available In Assemblies Only)	PART #	QTY.
	SUPPORT, LT40LE25SAH15-3.0 SAW HEAD REST	504631	1
1	PIN, 3/8 x 2 1/4 SQ WIRE LOCK	014151	1
2	BRACKET, HORIZONTAL PART	504634-1	1
3	SUPPORT, SAW HEAD TRANSPORTATION	504641-1	1
4	PIN, BRACKET HORIZONTAL	504644-1	1
5	BOLT, M12 X 35-8.8-FE/ZN5 HEX HEAD FULL	F81004-24	2
6	BOLT, M12X130-8.8-FE/ZN5 PN-M/82101	F81004-36	2
7	BOLT, M12X60MM, HEX HEAD GR 8.8	F81004-5	1
8	BOLT, M16x80 8.8-B- Fe/Zn5 HEX HEAD FULL	F81006-11	1
9	NUT, M12-8 HEX NYLON ZINC LOCK	F81034-2	5
10	NUT, M16-5.8 HEX ZINC	F81036-1	1
11	WASHER, 13 FLAT ZINC	F81056-1	10

8 BED FRAME ASSEMBLY

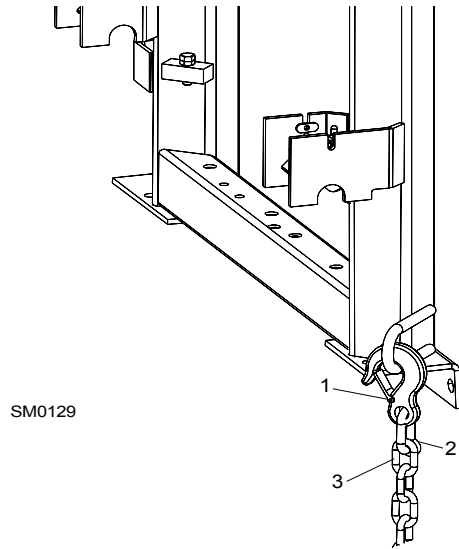
LT40/7LT70 L Saw Head Support Assembly,

8.11 LT40/7LT70 L Saw Head Support Assembly,



REF	DESCRIPTION (◆ Indicates Parts Available In Assemblies Only)	PART #	QTY.
	SAW HEAD REST PIN W/LATCH CLAMP, LT70L	502392	1
1	LANYARD, 3/64X6"	016030	1
2	CLAMP, GN851.2-320-T4 LATCH	094656	1
3	LATCH BRACKET, GN851.2-320-T4 ZINC-PLATED	094659-1	1
4	PIN, SAW HEAD REST LT20 PTD	097935-1	1
5	BRACKET, SAW HEAD REST	502389-1	1
6	BOLT, M6x12-8.8 HEX HEAD FULL THREAD ZINC	F81001-7	2
7	BOLT, M6 X 16 8.8 FE/ZN5 PN-M/82105	F81001-15	3
8	BOLT, M10x125-8.8 HEX HEAD ZINC	F81003-18	2
9	SCREW, M4x12 5,8-B CROSS RECESSED PAN HEAD	F81011-43	1
10	NUT, M10-8-B HEX NYLON ZINC LOCK	F81033-1	2
11	PIN, 8 BN914 (BOSSARD 134650) LOCK	F81046-2	1
12	WASHER, Z6.1 SPLIT LOCK ZINC	F81053-3	5
13	WASHER, 10.5 FLAT ZINC	F81055-1	4

8.12 Tie Down Chain Assembly

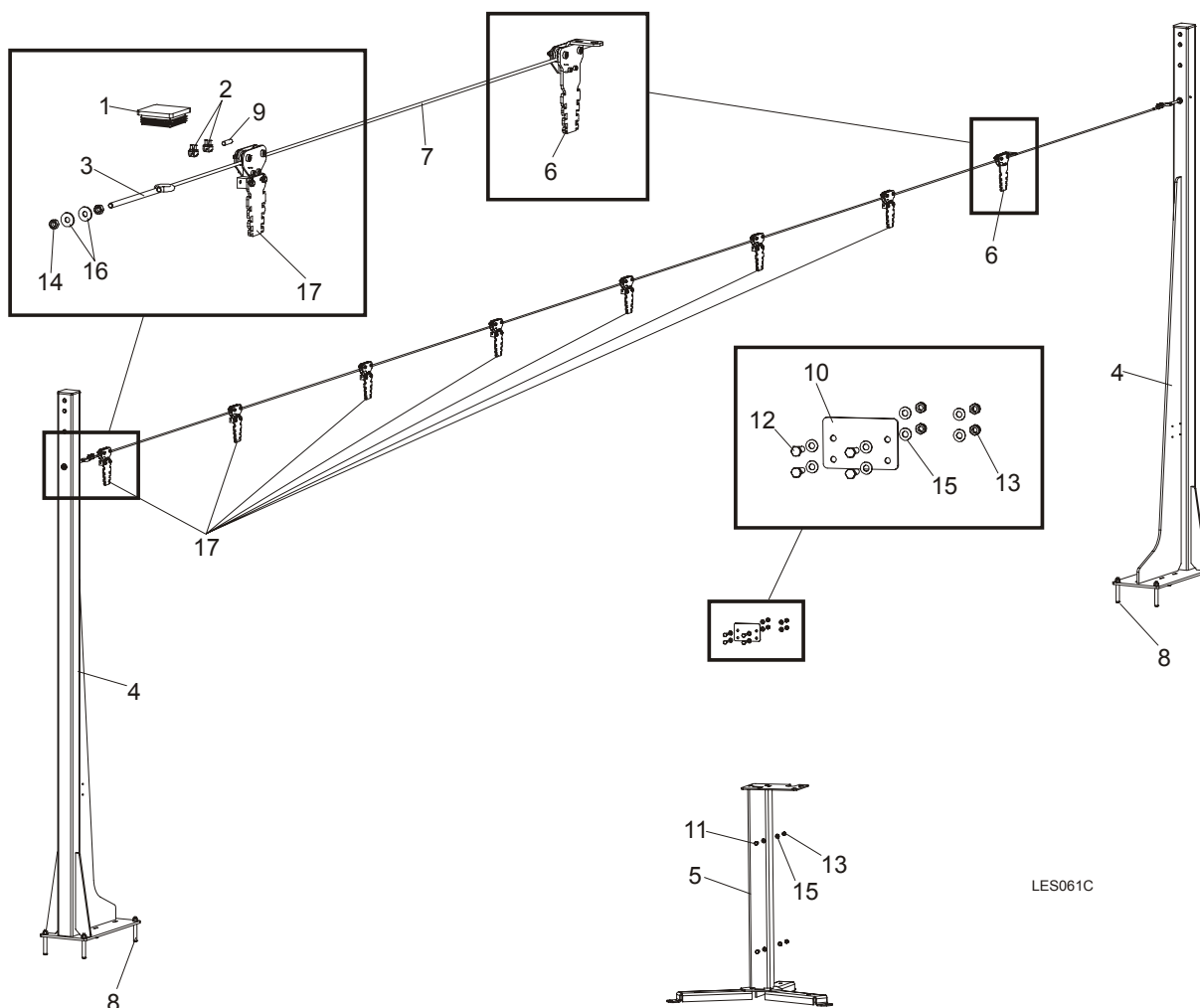


REF	DESCRIPTION (◆ Indicates Parts Available In Assemblies Only)	PART #	QTY.
	CHAIN ASSEMBLY, TIE DOWN	A04376-1	1
1	Hook, 5/8" Safety Chain	P12075	1
2	Screw Closed Chain Link, 10	100767	1
3	Chain, N-10 x 35, 6 Links	100951	1

8 BED FRAME ASSEMBLY

Remote Equipment Option

8.13 Remote Equipment Option



LES061C

REF	DESCRIPTION (◆ Indicates Parts Available In Assemblies Only)	PART #	QTY.
	EQUIPMENT, LT20B REMOTE COMPLETE	501649	1
1	CAP, EDGER FRAME	089644	2
2	CLAMP, LT20 STRING	091614	4
3	TENSIONER, ZINC-PLATED	500846-1	2
4	COLUMN, LT20B LINE GUIDE	503600-1	2
5	STAND, LT20B CONTROL BOX	501651-1	1
6	PULLEY, STATIONARY	504264	1
7	CABLE, 6MM (11,5 M) STEEL	504279	1
8	PIN, LT 16X120	501877	8
9	POINTER, 6MM STEEL CABLE	504280-1	2
10	CAP, LT20B REMOTE CONTROL BOX	501879-1	1
11	BOLT, M8X20-5.8 HEX HEAD FULL THREAD ZINC	F81002-1	2
12	BOLT, M8x25-8.8-B HEX HEAD FULL THREAD ZINC	F81002-5	4

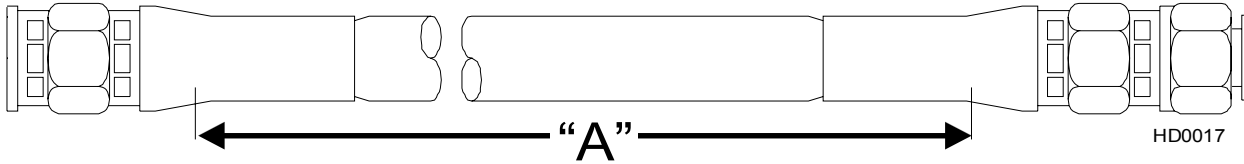
BED FRAME ASSEMBLY*Remote Equipment Option***8**

13	NUT, M8-8-B HEX NYLON ZINC LOCK	F81032-2	6	
14	NUT, M10-8-B-FE	F81033-3	4	
15	WASHER, 8.4 FLAT ZINC	F81054-1	12	
16	WASHER, 10.5 ZINC FLAT SPECIAL	F81055-6	4	
17	PULLEY	504114	7	



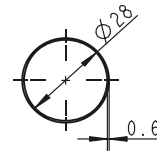
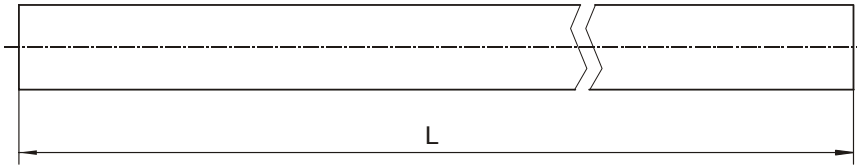
SECTION 9 HYDRAULIC SYSTEM

9.1 Hydraulic Hoses, LT40/70L AH



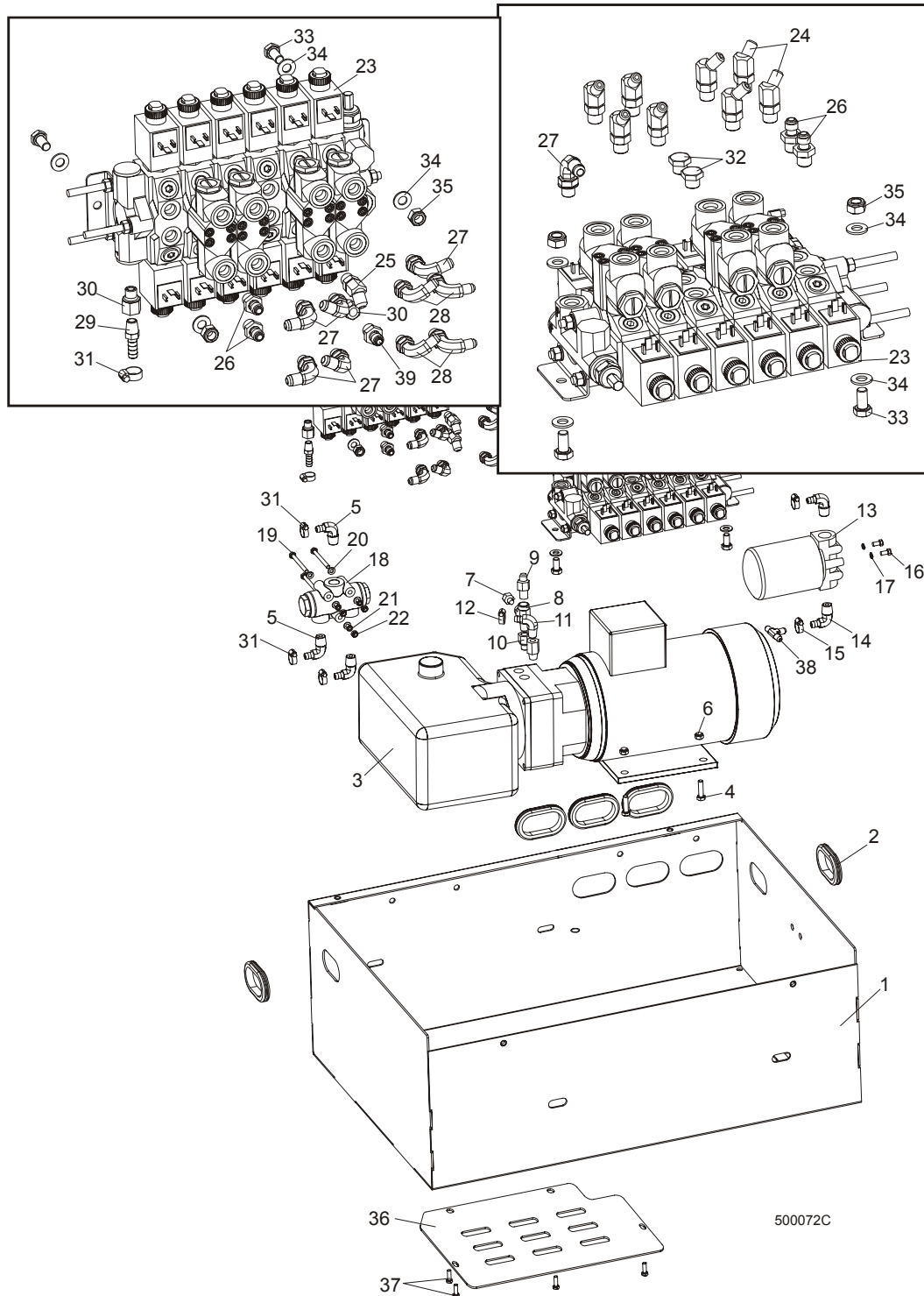
COLOR CODE	LENGTH (m)	DESCRIPTION (◆ Indicates Parts Available In Assemblies Only)	PART #	QTY.
GREEN	1.305	3/8" TEE FITTING / 3RD LOADER ARM, CYLINDER BOTTOM	089808	1
RED	1.305	3/8" TEE FITTING / OIL FLOW DIVIDER	089808	1
GREEN	2.155	3/8" TEE FITTING / 1ST LOADER ARM, CYLINDER BOTTOM	091844	1
BLUE	1.205	3/8" TEE FITTING/ OIL FLOW DIVIDER	504834	1
NONE	10.205	1/4" POWER ROLLER UP/DOWN	506988	2
SIVER/BROWN	9.705	1/4" POWER ROLLER - ROLLER DRIVE - MOTOR	506989	2
NONE/ PINK	7.205	3/8" SIDE SUPPORTS UP/DOWN	506990	2
BROWN/ CHERRY RED	3.755	3/8" SIDE SUPPORTS TO LOG TURNER	506991	2
RED/BLUE	9.755	1/4" CONTROL BOX TO 2ND CLAMP UP/DOWN	506992	2
ORANGE/WHITE	9.605	1/4" CONTROL BOX TO 2ND CLAMP IN/OUT	506993	2
GREEN	9.005	1/4" MIDDLE CLAMP TOP	506994	1
YELLOW	8.705	1/4" MIDDLE CLAMP BOTTOM	506995	1
WHITE	7.775	3/8" MIDDLE CLAMP FRONT END	506996	1
ORANGE	7.605	3/8" MIDDLE CLAMP REAR END	506997	1
CHERRY RED/BLACK	7.205	1/4" 2ND TOE BOARD UP/DOWN	506998	2
CHERRY RED//BLACK	5.905	1/4" 1ST TOE BOARD UP/DOWN	506999	2
RED/BLUE	6.905	1/4" 1ST LOG CLAMP UP/DOWN	507000	2
ORANGE/WHITE	6.005	1/4" 1ST LOG CLAMP IN/OUT	507001	2
BLUE/RED	7.605	3/8" CONTROL BOX - LOG LOADER/LOG DECK	507002	1
YELLOW	2.305	3/8" TEE FITTING / 1ST LOADER ARM, CYLINDER BOTTOM	507003	1
YELLOW	0.905	3/8" TEE FITTING / 2ND LOADER ARM, CYLINDER TOP	507004	1
YELLOW	1.355	3/8" TEE FITTING / 3RD LOADER ARM, CYLINDER TOP	507005	1
BLUE	1.005	3/8" TEE FITTING - TEE FITTING	507006	1
GREEN	0.805	3/8" TEE FITTING / 2ND LOADER ARM, CYLINDER BOTTOM	507181	1

Protective Conduits, LT70 Series A/DH Hydraulic Hoses



LENGTH "L"	DESCRIPTION (◆ Indicates Parts Available In Assemblies Only)	PART #	QTY.
0,70	PROTECTIVE CONDUIT, LOG TURNER HOSE	099761	2
0,28	PROTECTIVE CONDUIT, IN/OUT CYLINDER HOSE - BOTTOM	099762	1
0,45	PROTECTIVE CONDUIT, IN/OUT CYLINDER HOSE - TOP	099763	1
1,35	PROTECTIVE CONDUIT, UP/DOWN CYLINDER HOSE - BOTTOM	099764	1
1,65	PROTECTIVE CONDUIT, UP/DOWN CYLINDER HOSE - TOP	099765	1

9.2 Hydraulic Control Box, LT40/70 AH15/14



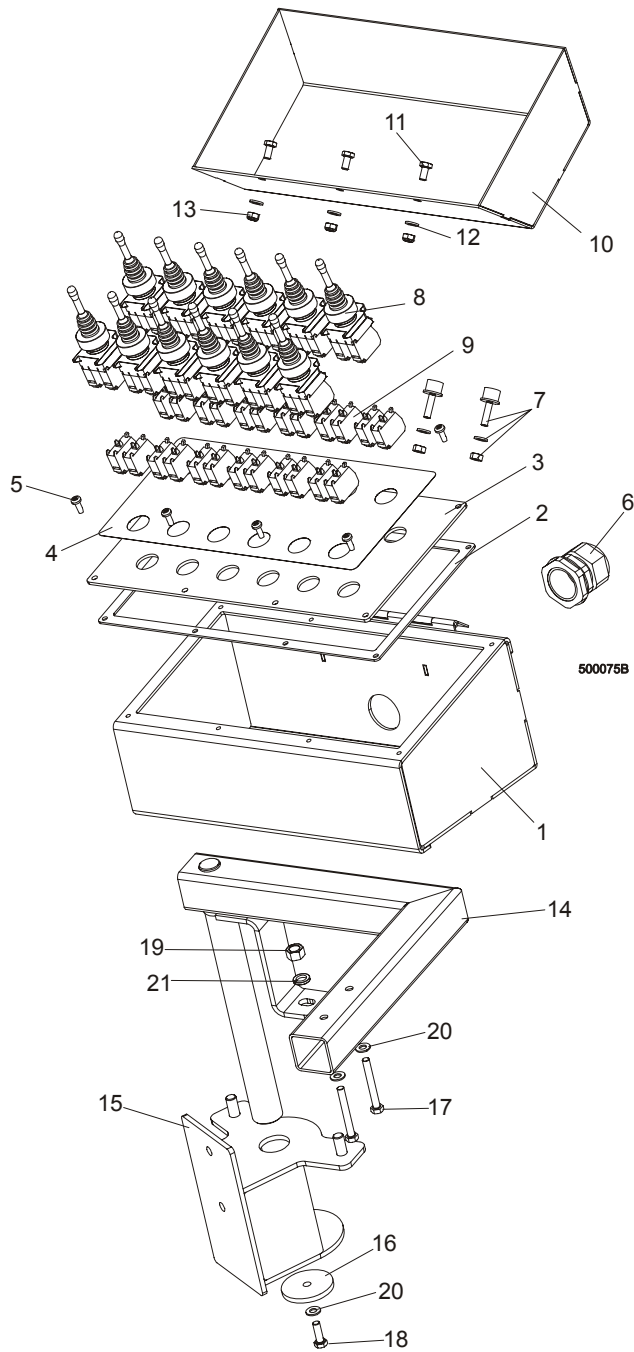
REF	DESCRIPTION (◆ Indicates Parts Available In Assemblies Only)	PART #	QTY.
	HYDRAULIC CONTROL BOX, LT40/70 AH15	093732 ¹	1
	HYDRAULIC CONTROL BOX, LT40/70 AH14	093734	1
	HYDRAULIC CONTROL BOX, LT40/70 AH13	093736	1
1	Box Weldment, 9.5 M AC Hydraulic Control	089636-1	1
2	Grommet, FM54 Rubber	087065	5
3	HYDRAULIC PUMP W/MOTOR, 4KW 14.5 L/MIN. AC	500958	1

4	Bolt, M8X25-8.8-B Zinc Hex Head	F81002-5	4	
5	Fitting, 90 18x1,5 9/16-18 JIC Elbow	089992	3	
6	Nut, M8-8-B Zinc Hex Nylon Lock	F81032-2	4	
7	Plug, 1/4" NPT Blank	096221	1	
8	Fitting, C3759X4 Tee Connector	P09141	1	
9	Fitting, 1/4" NPT - 1/4" NPT Male	P09143	1	
10	Fitting, #6SEA MALE - 1/4NPT Female	014686	1	
11	Fitting, #6-6 (3/8" NPT) - 3/8" Elbow	P12708	1	
12	Clamp, 11/16 Hose	P12739	1	
13	BRANCH-JOINT, HYDRAULIC WITH 1.2" FILTER	P22683	1	
14	Fitting, 1/2" NPT - 3/8" Elbow	P12707	2	
15	Clamp, 11/16 Hose	P12739	4	
16	Bolt, 1/4-20 X 1/2" Zinc Hex Head Grade 2	F05005-15	2	
17	Washer, Z 6.1 Split Lock Zinc	F81053-3	2	
18	DIVIDER, MTD A 08-016M 1/3 / 2/3 OIL FLOW	088190 ²	1	
19	Bolt, M6X65-8.8 Zinc Hex Head	F81001-81	3	
20	Washer, 6.4 FLAT ZINC	F81053-1	6	
21	Washer, Z 6.1 Split Lock Zinc	F81053-3	2	
22	Nut, M6-8-B Hex Nylon Lock Zinc	F81031-2	3	
23	HYDRAULIC VALVE, HDS11 6K01-151/MOD 6/062Z0 HYDRAULIC VALVE, HDS11 6K01-151/MOD 6/063Z0	088188 088189	1 1	
24	Fitting, #4 SAE - #6 SAE 45° Elbow	015488	8	
25	Fitting, #6 SAE 45° Elbow 45ST #6SAE	015489	1	
26	Fitting, 3/8" O-ring - 1/4" JIC	P26284	4/2	
27	Fitting, #6 SAE 3/8" JIC Elbow	P12704	6	
28	Fitting, 90 9/16-18 JIC 7/16-20 JIC Elbow	089642	4	
29	Fitting, L" NPT X 3/8" Hose Barb	014685	2	
30	Fitting, #6SEA MALE - 1/4NPT Female	014686	2	
31	Clamp, 11/16 Hose	P12739	2/4	
32	Plug, 9/16-18 JIC Hydraulic Valve	089647	2	
33	Bolt, M10X20-5.8 Zinc Hex Head	F81003-1	4	
34	Washer, 10.5 Flat Zinc	F81055-1	8	
35	Nut, M10-8-B Hex Nylon Lock Zinc	F81033-1	4	
36	COVER WELDMENT, LT80 HYDRAULIC BOX BOTTOM PAINTED	090962-1	1	
37	BOLT, M6x16 8.8 ZINC HEX HEAD	F81001-15	4	
38	FITTING, 3/8 BARB TEE	015485	1	
39	FITTING, 3/8JIC-1/4NPT STRAIGHT	015560	1	
	MATRIX, DIODE HYDRAULIC	096963	2	
	VALVE CONNECTOR, WITH BUILT-IN LED	094556		

¹ Depending on type of sawmill.

² Not included with AH14 hydraulic kit.

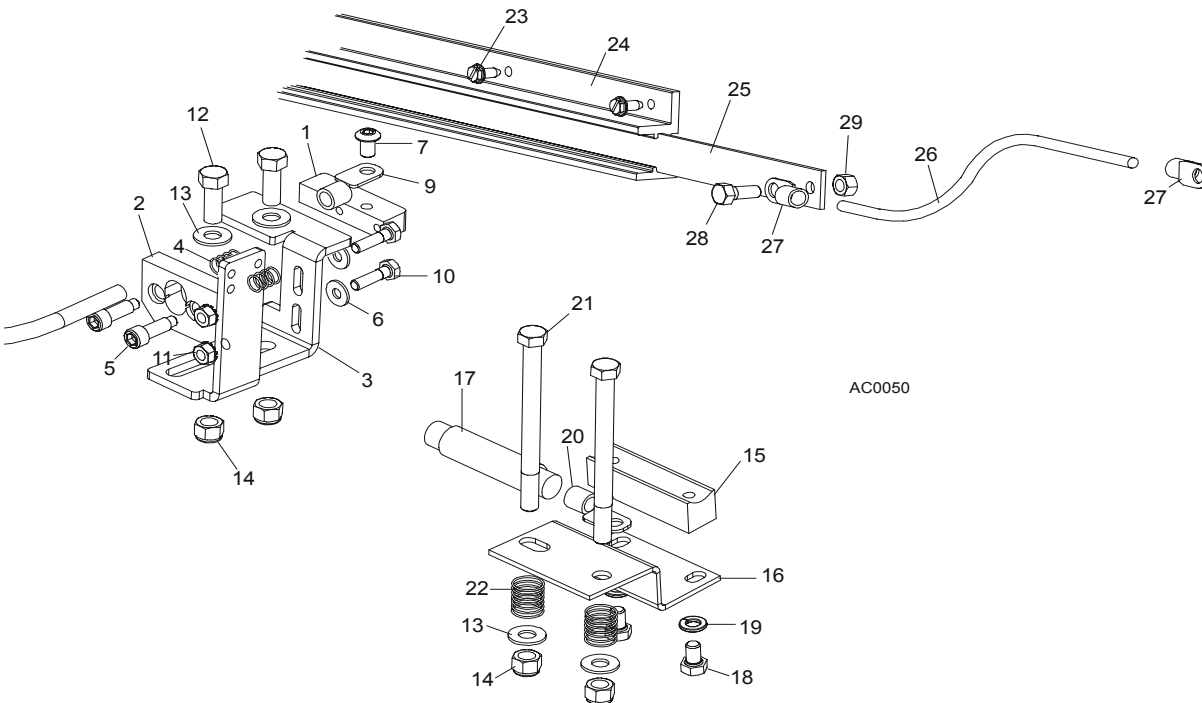
9.3 Hydraulic Control Box



REF	DESCRIPTION (◆ Indicates Parts Available In Assemblies Only)	PART #	QTY.
	BOX, 9,5M FRAME HYDRAULIC CONTROL, COMPLETE	088178	1
	BOX, 9.5 M FRAME HYDRAULIC CONTROL	088164	1
1	Box Weldment, Hydraulic Control	088163-1	1
2	Gasket, 9.5 m Frame	089998	1
3	Panel, Hydraulic Control Box Front 9.5 m	089997-1	1
4	Decal, Hydraulic Control Box (9 m Frame)	088159	1
5	Screw, #10-24 x 1/2 Pan Head	F05015-17	8
6	Seal, DP 29/H Gland	F81096-1	1
7	Bumper, A/022 Rubber	088376	2
8	Joystick, PMJN8T3	096928	12
9	Contact, 1NO PL004002	096929	24

10	Cover, Hydraulic Control Box (9.5 m Frame)	088172-1	1	
11	Bolt, M6X12-8.8 Zinc Hex Head	F81001-7	3	
12	Washer, 6.4 Flat Zinc	F81053-1	3	
13	Nut, M6-8-B Hex Nylon Lock Zinc	F81031-2	3	
14	ARM, CONTROL BOX PIVOT ZINC-PLATED.	088169-1	1	
15	MOUNT WELDMENT, CONTROL BOX PIVOT ARM	088176-1	1	
16	WASHER, PIVOT ARM BASE	088180-1	1	
17	BOLT, M8 X 65MM,HH,GRADE 5.8, ZINC	F81002-3	2	
18	BOLT, M8x25-8.8-B HEX HEAD FULL THREAD Z	F81002-5	1	
19	NUT, M12-8-B ZINC HEX	F81034-1	1	
20	WASHER, 8.4 FLAT ZINC	F81054-1	3	
21	WASHER, Z12.2 SPLIT LOCK ZINC	F81056-2	1	

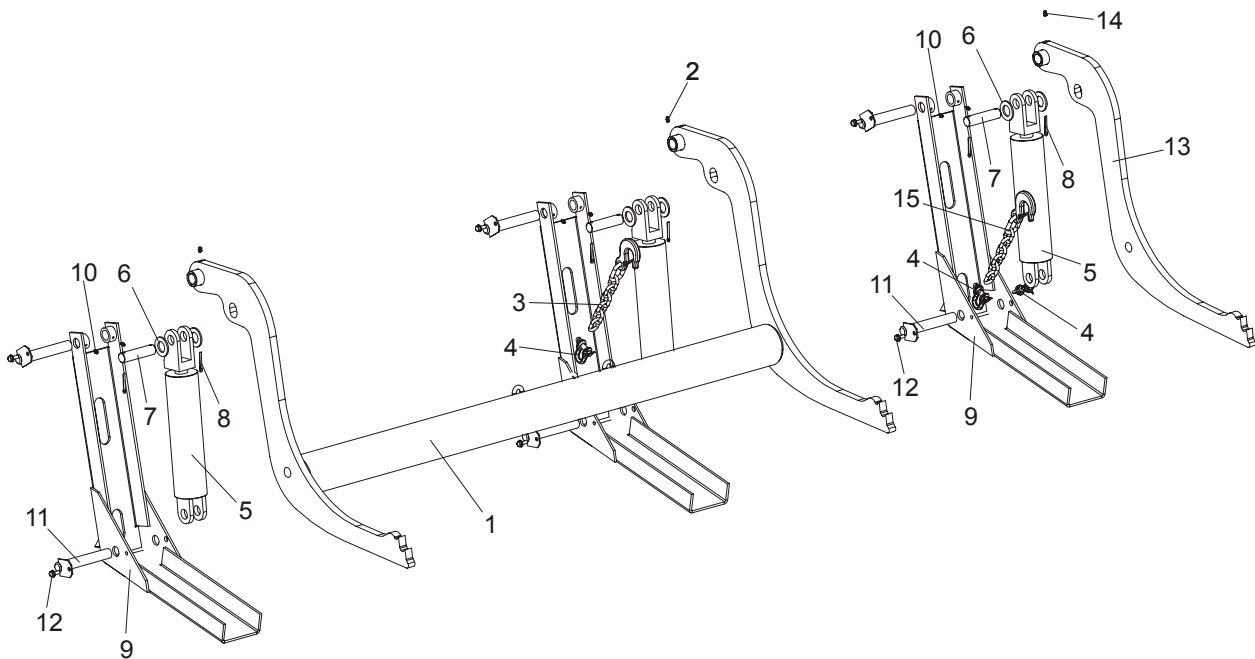
9.4 Hydraulic Power Supply Strip



REF	DESCRIPTION (◆ Indicates Parts Available In Assemblies Only)	PART #	QTY.	
	CONTACT KIT, HYDRAULIC 6' POWER SUPPLY	A12042-N	1	
	Contact Hardware Kit	A10073-N	1	◆
	Contact Assembly, Hydraulic Power Supply (Positive)	085968	1	
1	Contact, Hydraulic Power Supply (Positive)	015253	1	
2	Insulator, Positive Contact	S10072	1	
3	Bracket, Positive Contact Mounting	086380-1	1	
4	Spring, Positive Contact	P10077	2	
5	Bolt, 5/16" X 3/4" Shoulder (1/4-20 Thread)	F05006-44	2	
6	Washer, 7.4 Flat	F81056-11	2	
7	Bolt, 5/16-18 x 1/2" Socket Button Head	F05006-20	1	
	Cable Assy, Hydraulic Positive Contact	015885	1	
8	Cable, #1 Weld	R01948	0.75m	◆
9	Terminal, 35 Ring #2 Gauge	F81066-3	2	
10	Bolt, 1/4-20 X 1" Hex Head Grade 2	F05005-38	2	

11	Nut, 1/4-20 Hex Self-Locking	F05010-9	2	
12	Bolt, 3/8-16 X 1" Hex Head Grade 5	F05007-87	2	
13	Washer, 10.5 Flat	F81055-1	4	
14	Nut, 3/8-16 Hex Nylon Lock	F05010-10	4	
	Contact Assembly, Hydraulic Power Supply (Ground)	A10066	1	
15	Contact, Hydraulic Power Supply (Ground)	015264	1	
16	Bracket, Ground Contact Mounting	015265	1	
17	Cable, #1 Weld	R01948	.63m	◆
18	Bolt, 5/16-18 X 1/2" Hex Head Grade 5	F05006-15	2	
19	Washer, 8.2 Split Lock	F81054-4	2	
20	Terminal, 35 Ring #2 Gauge	F81066-3	1	
21	Bolt, 3/8-16 X 4 1/2" Hex Head Grade 2	F05007-35	2	
22	Spring, Ground Contact	P04282	2	
23	Screw, 1/4-20 X 1/2" Slotted Hex Head	F05015-1	14	
	Strip Assembly, 6' Hydraulic Power Supply w/3 ft. Cable	A11977	1	
24	Housing, 6' Contact Strip	P11976	1	
	Strip, 6' Contact With Cable	A12043-N	1	
25	Strip, 6' Contact	S10075	1	◆
26	Cable, #2 Weld	R80583-21		◆
27	Terminal, 35 Ring #2 Gauge	F81066-3	2	
28	Bolt, 5/16-18 X 3/4" Hex Head Black Nylon	F05006-45	1	
29	Nut, 5/16-18 Hex Black Nylon	F05010-86	1	
	Tube, 5/8" Heat Shrink	R01950-5	.03m	◆
	Grommet, 5/8" Wire	P04137	1	

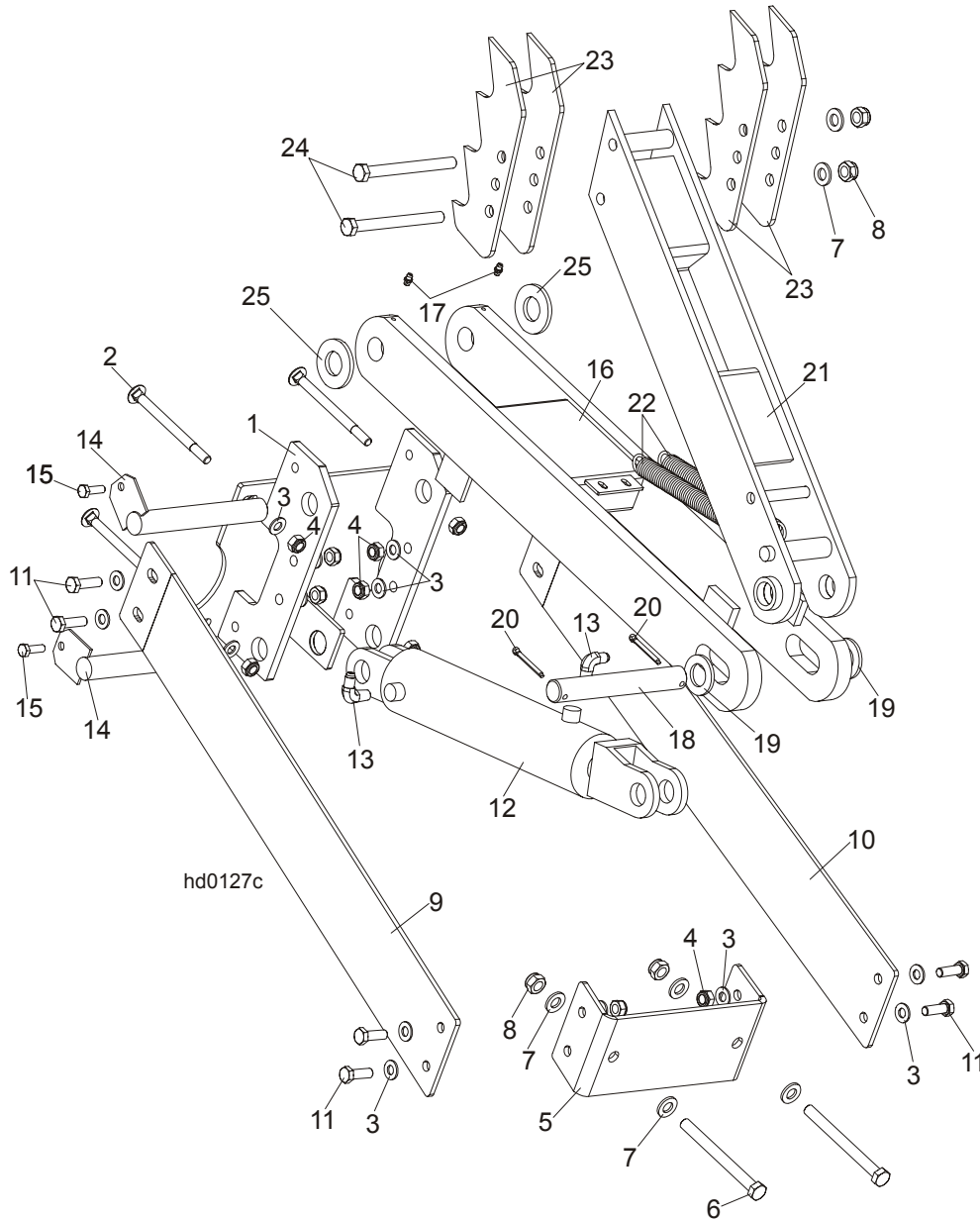
9.5 Hydraulic Log Loader



REF	DESCRIPTION (◆ Indicates Parts Available In Assemblies Only)	PART #	QTY.
	HYDRAULIC LOG LOADER, COMPLETE	090044	1
1	Log Loader	090006-1	1
2	Fitting, 3/16" Straight Grease	P04107	2

3	CHAIN, LOG LOADER SAFETY	A04376-1	1	
4	SHACKLE, M-D .63	086540	2	
5	CYLINDER, CJ-S95-16-70/32/203 HYDRAULIC	088680	3	
6	WASHER, 28 FLAT ZINC	F81061-1	6	
7	PIN, LOADING ARM CYLINDER MOUNT ZINC	086979-1	3	
8	PIN, S-Zn 5x40 COTTER	F81043-31	6	
9	Foot, Log Loader	090048-1	3	
10	Fitting, 3/16" Straight Grease	P04107	6	
11	PIN, LOADER FOOT MOUNT	099127-1	6	
12	SCREW, 5/16-18 x 3/4 SELF-TAPPING	F05015-30	6	
	ARM, LOG LOADING SINGLE - COMPLETE	090051	1	
13	Rarm, hydraulic log loading	089657-1	1	
14	Fitting, 3/16" Straight Grease	P04107	1	
15	CHAIN, SINGLE LOG LOADER ARM, 9,5M FRAMES	090090-1	1	

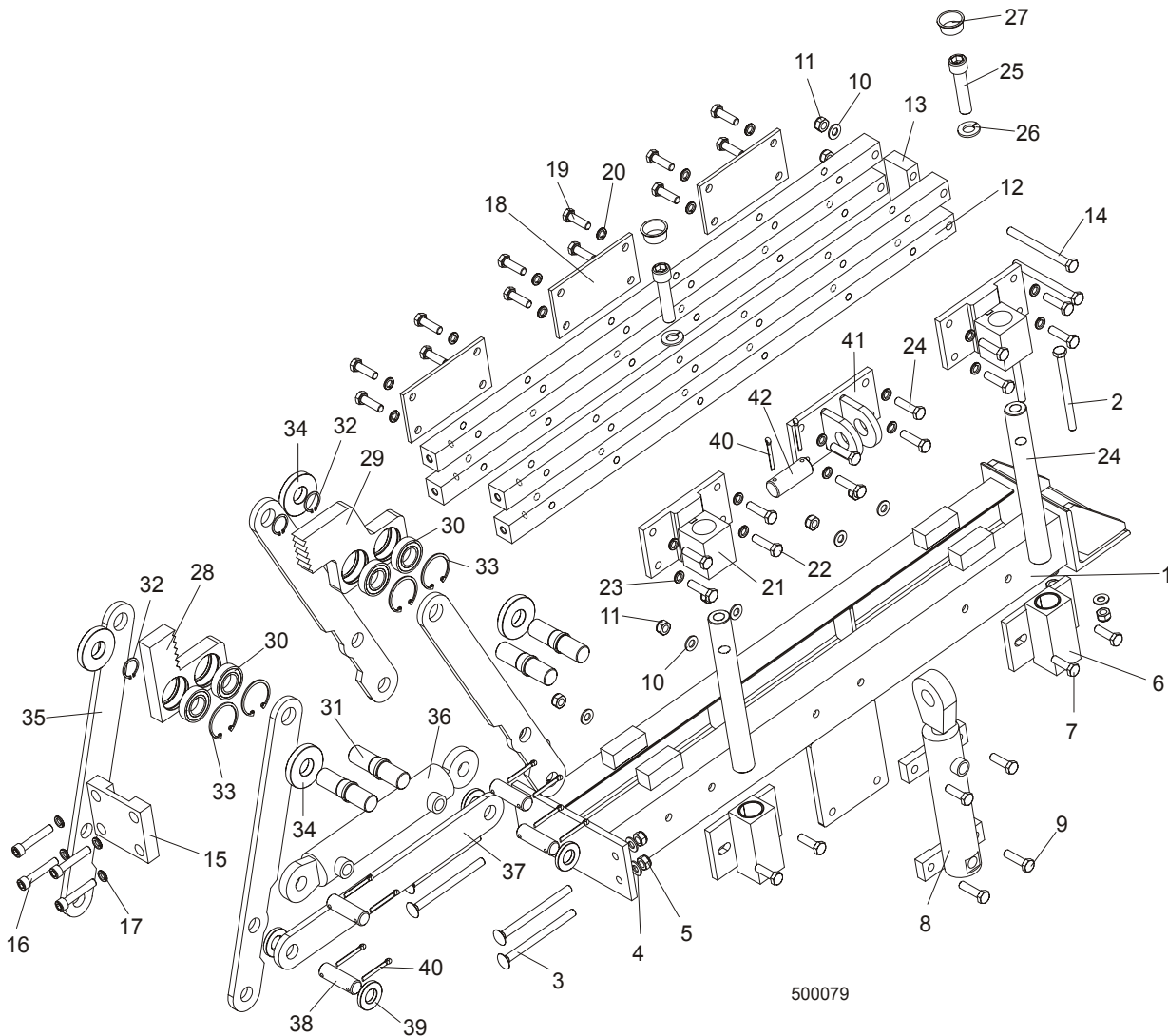
9.6 Hydraulic Log Turner



REF	DESCRIPTION (◆ Indicates Parts Available In Assemblies Only)	PART #	QTY.
	HYDRAULIC LOG TURNER, 9.5 M, COMPLETE	088073	1
1	Bracket, Hydraulic Log Turner Mount	088710-1	1
2	Bolt, M10x120 8.8 Mushroom Head Square Neck Zinc	F81003-33	4
3	Washer, M10 Flat Zinc	F81055-1	20
4	Nut, M10 Nylon Hex Zinc Lock	F81033-1	12
5	Bracket, Log Turner Front Mount	094363-1	1
6	Bolt, M12x130-8.8 Hex Head Zinc	F81004-36	2
7	Washer, M12 Flat Zinc	F81056-1	6
8	Nut, M12 Hex Nylon Zinc Lock	F81034-2	4
9	Plate, Short Log Turner Left Brace	094364-1	1
10	Plate, Short Log Turner Right Brace	094365-1	1
11	Bolt, M10x30mm Hex Head Grade 5.8 Zinc	F81003-2	8
	Cylinder Assy, Log Turner Super	015563	1

12	Cylinder, CJ-S305-16-63/28/203 Hydraulic	088679	1	
13	Fitting, 1/4NPTx1/4JIC Male Elbow	P09142	2	
14	Pin, Log Turner Mount	088667-1	2	
15	Bolt, M8 x 25mm Hex Head Grade 5.8 Zinc	F81002-5	2	
16	Arm, Hydraulic Log Turner Link	088060-1	1	
17	Fitting, M6 Straight Grease	086280	2	
18	Pin, 25 x 180	088664	1	
19	Washer, 25 Flat Zinc	F81061-3	2	
20	Pin, 5x40 Cotter Zinc	F81043-31	2	
21	Arm, Hudraulic Log Turner Painted	088067-1	1	
22	Spring, 1 1/16x8x.135 Dia	015718	2	
23	Claw, Hydraulic Log Turner	088082-1	4	
24	Bolt, M12x130-8.8 Hex Head Zinc	F81004-36	2	
25	Washer, GTM-2644-015	093359	2	

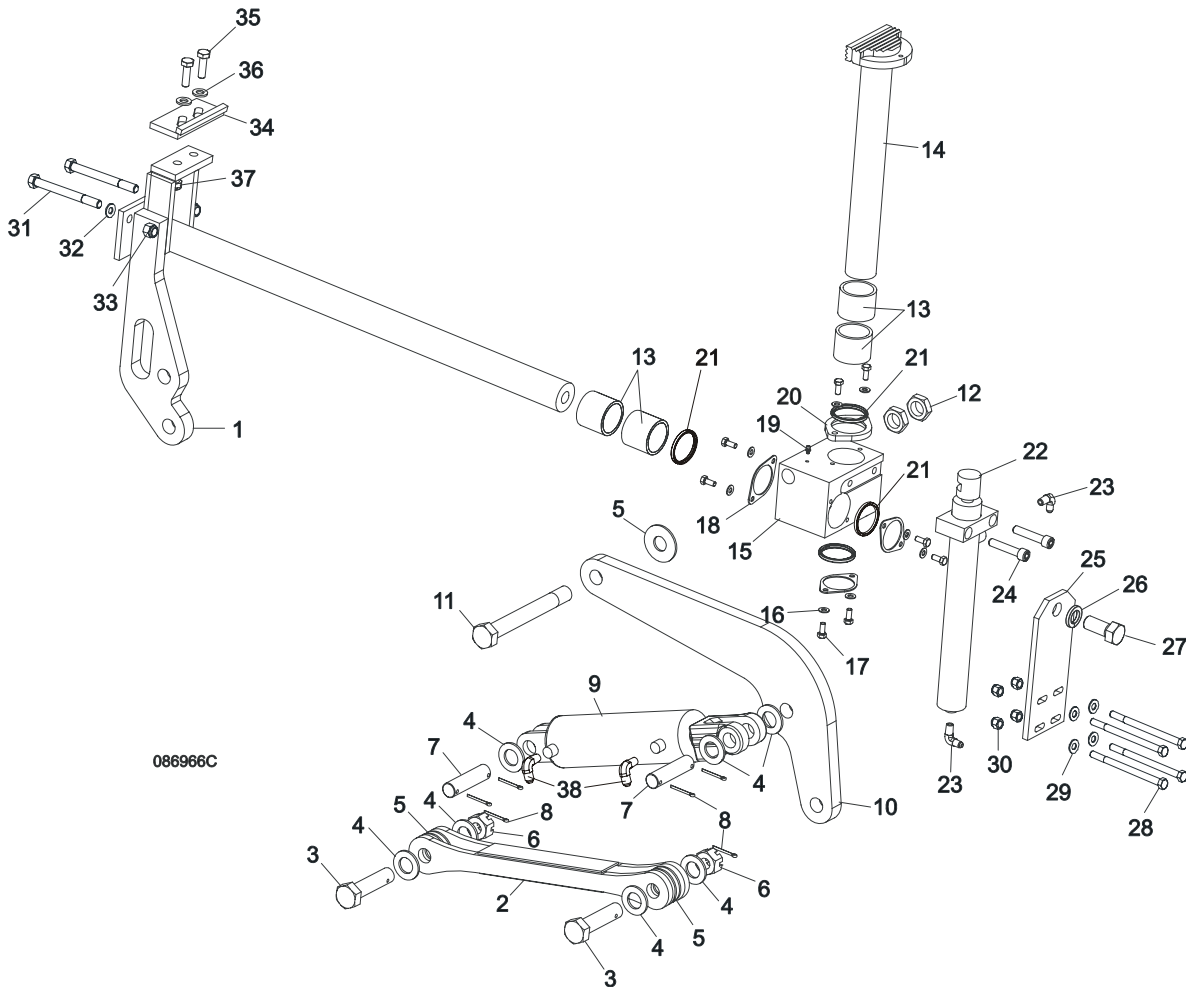
9.7 Hydraulic Log Clamp, Front and Rear



REF	DESCRIPTION (◆ Indicates Parts Available In Assemblies Only)	PART #	QTY.
-----	--	--------	------

	CLAMP ASSEMBLY, HYDRAULIC			
		089545	2	
1	Mount Weldment, Hydraulic Log Clamp	088654-1	1	
2	Bolt, M10x125-8.8 Zinc Hex Head	F81003-18	2	
3	Bolt, M10x130-8.8 Zinc Mushroom Head Square Neck	F81003-36	4	
4	Washer, 10.5 Flat Zinc	F81055-1	6	
5	Nut, M10-8-B Hex Nylon Zinc Lock	F81033-1	6	
6	Block, Guide Pin	089835-1	2	
7	Bolt, M10x35-8.8 Zinc Hex Head Full Thread	F81003-17	4	
8	Cylinder, CJ7F-16-40/22 + UE2-40W Hydraulic	088662	1	
9	Bolt, M10x40-8.8 Zinc Hex Head	F81003-16	4	
10	Washer, M10 Flat Zinc	F81055-1	6	
11	Nut, M10-8-b Hex Nylon Zinc Lock	F81033-1	10	
12	Bar, Clamp Up/Down	089537-1	4	
13	Plate, Connecting	088645-1	1	
14	Bolt, M10x140-8.8 Zinc Hex Head	F81003-5	2	
15	Plate, Connecting	089533-1	1	
16	Bolt, M10x55-8.8 Zinc Hex Socket Head Cap	F81003-55	4	
17	Washer, 10.2 Split Lock Zinc	F81055-2	4	
18	Plate, Log Clamp Rear	089538-1	3	
19	Bolt, M10x35-8.8 Zinc Hex Head Full Thread	F81003-17	12	
20	Washer, 10.2 Split Lock Zinc	F81055-2	12	
21	Bracket, Guide Pin Mount	089536-1	2	
22	Bolt, M10x40-8.8 Zinc Hex Head Full Thread	F81003-16	8	
23	Washer, 10.2 Split Lock Zinc	F81055-2	8	
24	Pin, Clamp Up/Down Guide	088631	2	
25	Screw, M16x55-8.8 Zinc Hex Socket Head Cap	F81006-18	2	
26	Washer, 16.3 Split Lock Zinc	F81058-2	2	
27	Plug, M33 Thread	089839	2	
	Jaw, Log Clamp Left - Complete	094700	1	
28	Jaw, Log Clamp Left	093464-1	1	
30	Bearing, 6005 2RS CX	089652	4	
31	Shaft, Clamp Jaw Guide	088620-1	4	
32	Ring, Z24 Spring Retaining	089654	4	
33	Ring, W47 Spring Retaining	089653	4	
	Jaw, Log Clamp Right - Complete	094701	1	
29	Jaw, Log Clamp Right	093465-1	1	
30	Bearing, 6005 2RS CX	089652	4	
31	Shaft, Clamp Jaw Guide	088620-1	4	
32	Ring, Z24 Spring Retaining	089654	4	
33	Ring, W47 Spring Retaining	089653	4	
34	Washer, Clamp Jaw Spacer	089542	4	
35	Bar, Clamp In/Out Side	088622-1	4	
36	Cylinder, SJ2F-40/22/145 Hydraulic	088661	1	
37	Bar, Clamp In/Out Lower	088623-1	1	
38	Pin, 20X75	088657-1	4	
39	Spacer, Lower	089541	4	
40	Pin, S-Zn 5x40 Cotter	F81043-31	10	
41	Bracket, Vertical Cylinder Mount Upper	089540-1	1	
42	Pin, 25X75	088659-1	1	

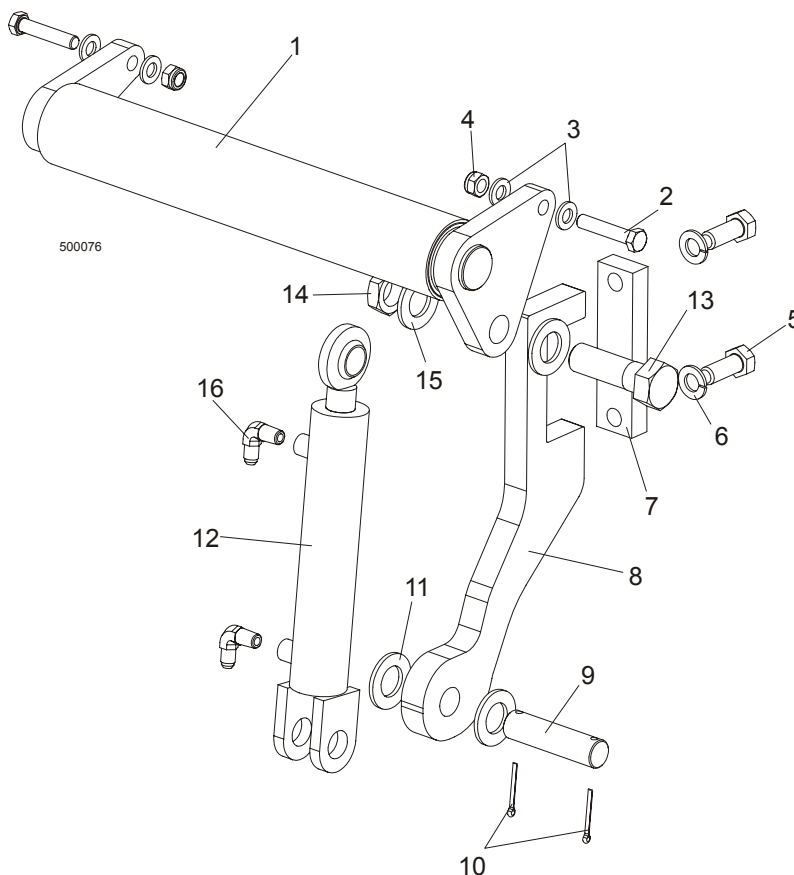
9.8 Hydraulic Log Clamp



REF	DESCRIPTION (◆ Indicates Parts Available In Assemblies Only)	PART #	QTY.
	HYDRAULIC LOG CLAMP ASSEMBLY	088658	1
1	Rod Weldment, Log Clamp Slide Ptd	086967-1	1
2	Arm Weldment, Hydraulic Clamp Link Ptd	086963-1	1
3	Pin, B 24x95/85-Clevis Zinc	F81049-2	1
4	Washer, 25 Flat Zinc	F81061-3	8
5	Washer, 25X63 Zinc-Plated	088585-1	5
6	Nut, Z M20-8-B-Slotted Castle Zinc	F81037-3	2
7	Pin, Hydraulic Cylinder Zinc-Plated	086979-1	2
8	Pin, S-Zn 6,3x45 Cotter	F81045-2	6
9	Cylinder, CJ-S96-16-70/32/178 Hydraulic	088589	1
10	Arm, Hydraulic Log Clamp Link Ptd	086974-1	1
11	Bolt, M24x217/39 -8.8-B- Hex Head Zinc	088586-1	1
12	Nut, M24 -04-B- Hex Thin Zinc	F81039-3	2
13	Bushing, 5040BS Self-Lubricating	088660	2
14	Rod Weldment, Log Clamp Vertical Painted	088582-1	1
15	Block, Log Clamp Steel Ptd	088591-1	1
16	Washer, 8.4 Flat Zinc	F81054-1	8

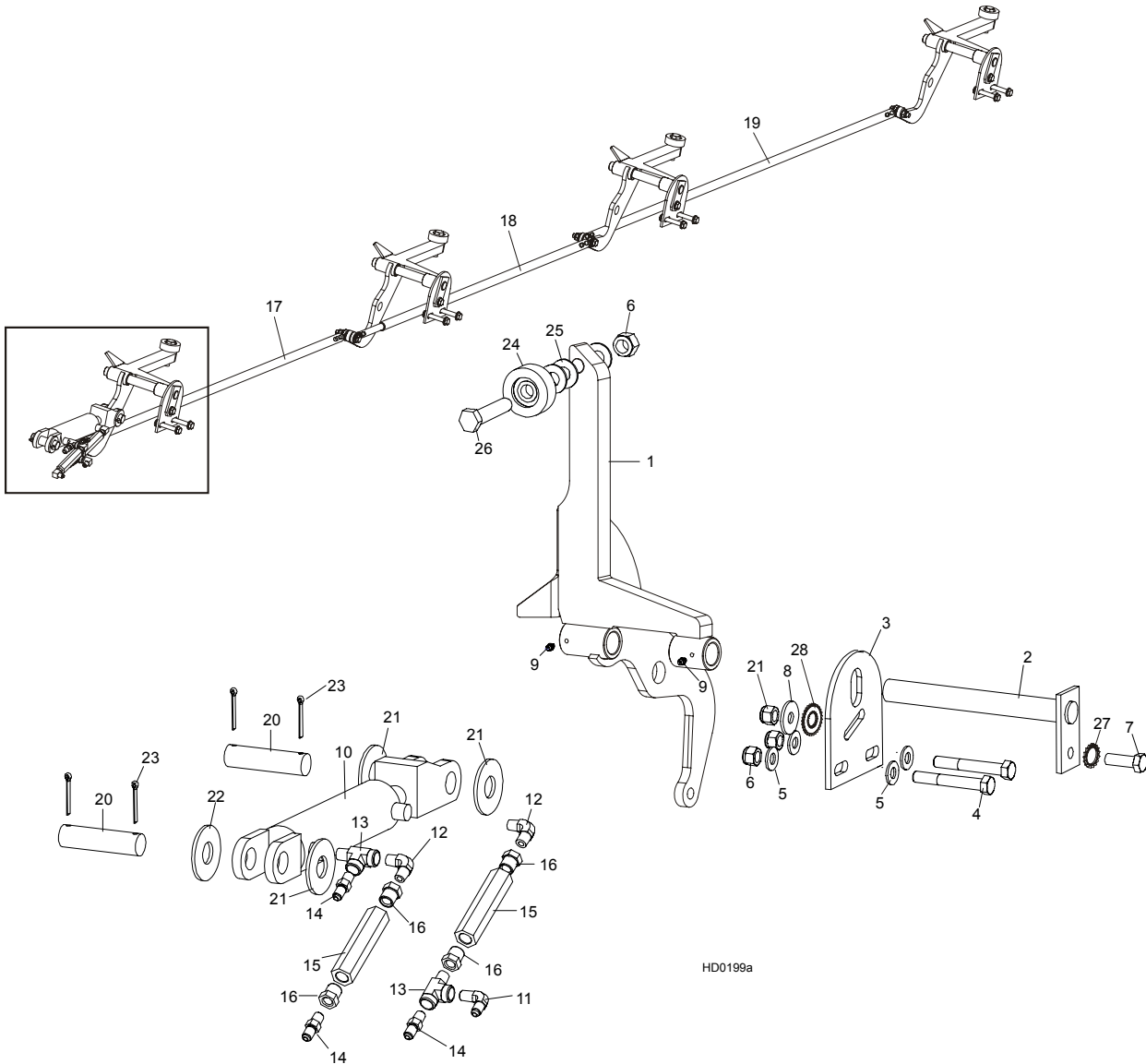
17	Bolt, M8x20-8.8-B-Hex Head Full Thread Zinc	F81002-4	8	
18	Flange, Clamp Rod Wiper Ptd	088887-1	3	
19	Fitting, 3/16" Straight Grease	P04107	1	
20	Flange, Clamp Rod Wiper Ptd	088887-1	1	
21	Wiper, ZZ 50x60x7 Log Clamp Rod	088587	1	
22	Cylinder, CJ-S169-16-40/22/254 Hydraulic	088590	1	
23	Fitting, 1/4" NPT - 1/4" JIC Male Elbow	P09142	2	
24	Screw, M12x55 -8.8-B-Hex Socked Head Cap Zinc	F81004-23	2	
25	Plate, Log Clamp Mount Ptd	086975-1	1	
26	Washer, Z 22,5 Split Lock	F81059-4	1	
27	Bolt, M22x1,5x40 -8.8-B-Hex Head Full Thread Zinc	F81009-1	1	
28	Bolt, M10 x 125-8.8 Hex Head Zinc	F81003-18	4	
29	Washer, 10.5 Flat Zinc	F81055-1	8	
30	Nut, M10-8-B Hex Nylon Zinc Lock	F81033-1	4	
31	Bolt, M12x130-8.8-Hex Head Zinc	F81004-36	2	
32	Washer, 13 Flat Zinc	F81056-1	2	
33	Nut, M12-8 Hex Zinc	F81034-1	2	
	STOP KIT, CLAMP	K09485	1	
34	Stop Wldmt, Hydraulic Log Clamp Ptd	086980-1	1	
35	Bolt, M12 x 40 8.8 Hex Head Full Thread Zinc	F81004-4	2	
36	Washer, 13 Flat Zinc	F81056-1	2	
37	NUT, M12-8 HEX NYLON ZINC LOCK	F81034-2	4	
38	FITTING, 3/8JIC-1/4NPT 90L	015491	2	

9.9 Hydraulic Toe Board, Middle



REF	DESCRIPTION (◆ Indicates Parts Available In Assemblies Only)	PART #	QTY.	
	HYDRAULIC TOE BOARD ASSEMBLY, MIDDLE	090055		
1	Toe Board Weldment, Hydraulic	086253-1	1	
2	Bolt, M12x60-8.8 Zinc Hex Head	F81004-5	1	
3	Washer, 13 Zinc Flat	F81056-1	4	
4	Pin, S-Zn 2.5x20 Cotter	F81043-1	2	
5	Bolt, M16X40-8.8 Zinc Hex Head Full Thread	F81006-13	2	
6	Washer, 16.3 Zinc Split Lock	F81058-2	2	
7	Plate, Hydraulic Toe Board Mount	090086-1	1	
8	Bracket, Hydraulic Toe Board Mount	089990-1	1	
9	Pin, Hydraulic Cylinder Mount Zinc	086979-1	1	
10	Pin, S-Zn 3/16 X 1 1/2" Cotter	F05012-23	2	
11	Washer, 28 Zinc Flat	F81061-1	2	
12	Cylinder, CJ-S170-16-40/25/152 Hydraulic	088681	1	
	Seal Kit, 1 1/2" x 6" Hydraulic Cylinder	014547	1	
13	Bolt, 1-8 X 3 1/4 HH Hex Head Grade 5	F05009-51	1	
14	Nut, 1"-14	F05010-117	1	
15	Washer, 28 Zinc Flat	F81061-1	1	
16	Fitting, C5205x4x4 Male	P09143	2	

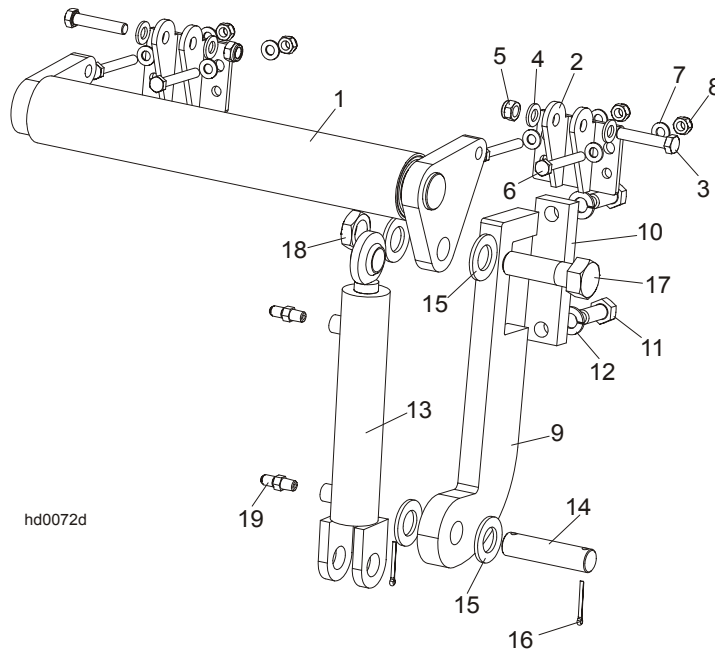
9.10 Hydraulic Log Side Supports (L Type Frame)



REF	DESCRIPTION (◆ Indicates Parts Available In Assemblies Only)	PART #	QTY.
	HYDRAULIC LOG SIDE SUPPORTS (L TYPE FRAME)	093746	1
1	SUPPORT, HYDRAULIC LOG SIDE	091653-1	4
2	PIN, LOG SIDE SUPPORT PIVOT	091549-1	4
3	PLATE, LOG SIDE SUPPORT END	091591-1	4
4	BOLT, M12X75-8.8 HEX HEAD ZINC	F81004-21	8
5	WASHER, 13 FLAT ZINC	F81056-1	16
6	NUT, M12-8 HEX NYLON ZINC LOCK	F81034-2	12
7	BOLT, M12 X 35-8.8 HEX HEAD FULL THREAD ZINC	F81004-24	4
8	WASHER, 15 SPECIAL FLAT ZINC	F81057-3	4
9	FITTING, 3/16" GREASE	P04107	8
	CYLINDER ASSY, 2x6 SIDE SUPPORT SUPER	015561	1
10	Cylinder, CJ-S270-16-50/28/152 Hydraulic	088678	1
	Seal Kit, 6" x 2" Hydraulic Cylinder	P12954	1
11	Fitting, 3/8JIC-1/4NPT 90L	015491	2
12	Fitting, C3529x4 90° Pipe	P09140	4

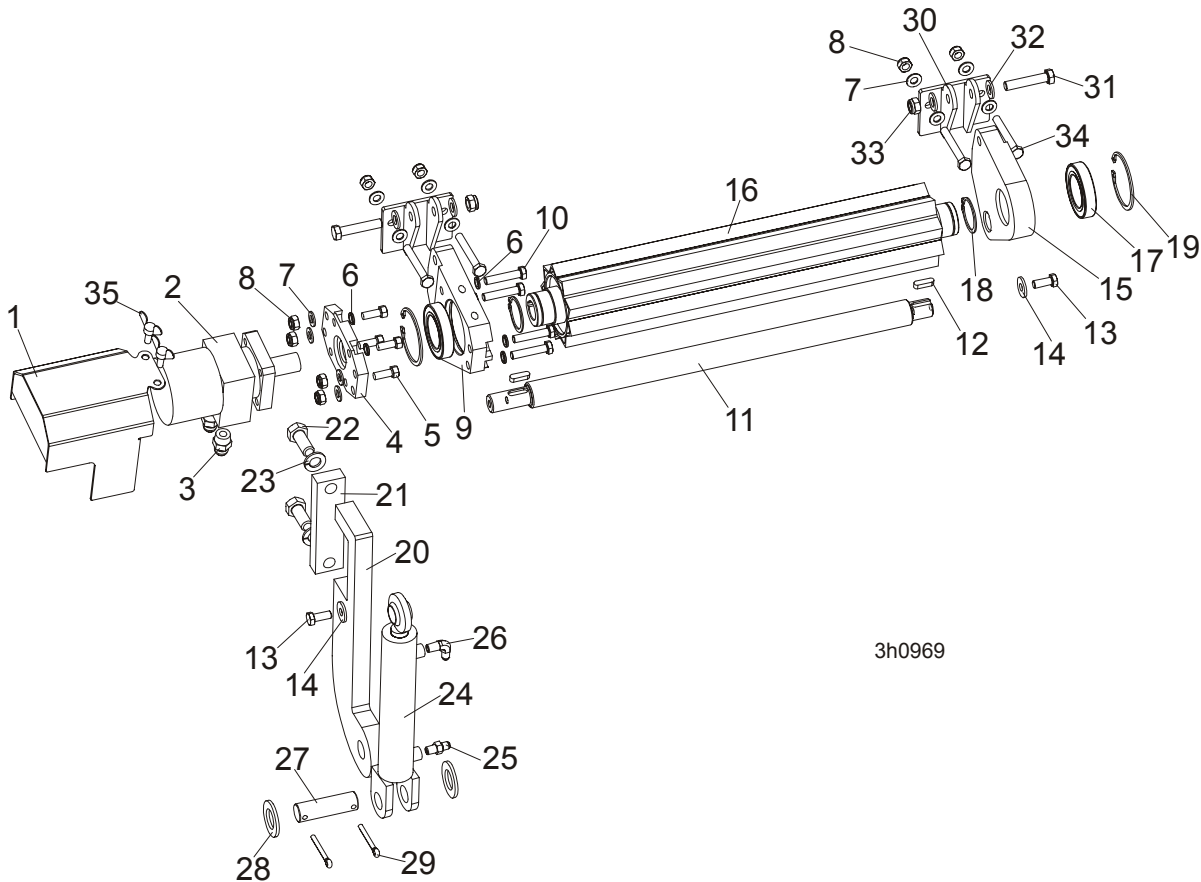
13	Fitting, C3759x4 Male 'T'	P09141	2	
14	Fitting, 3/8JIC-1/4NPT Str	015560	2	
15	Valve, Hydraulic Sequence	015484	2	
16	Fitting, 3/8" NPT - 1/4" NPT Reducer	015490	4	
17	ROD, HYDRAULIC SIDE SUPPORT LINK L-1675 COMPLETE	089842	1	
18	ROD, HYDRAULIC SIDE SUPPORT LINK L-1480 COMPLETE	089376	1	
19	ROD, HYDRAULIC SIDE SUPPORT LINK L-1960 COMPLETE	089377	1	
20	PIN, CYLINDER MOUNT	086979-1	2	
21	WASHER, 28 FLAT ZINC	F81061-1	3	
22	WASHER, 26 FLAT ZINC DIN 1440	F81054-8	1	
23	PIN, 5 X 40 COTTER	F81043-31	4	
	ROLLER KIT, SIDE SUPPORT	015109	4	
24	ROLLER ASSEMBLY, SIDE SUPPORT	015014-1	4	
25	WASHER, 17 FLAT ZINC	F81058-1	12	
26	BOLT, M16x65MM, HH F/THRD, GRADE 5.8, ZINC	F81006-1	4	
27	WASHER, SPECIAL BOSART/2S, BN781 M12/13	F81056-16	4	
28	WASHER, SPECIAL BOSART/2S M12/12,3/30,3	F81056-17	4	
	Instruction Sheet, Side Support Roller	015109-526	1	

9.11 Hydraulic Toe Board



REF	DESCRIPTION (◆ Indicates Parts Available In Assemblies Only)	PART #	QTY.
	HYDRAULIC TOE BOARD - REAR	092634	1
1	Toe Board Weldment, Hydraulic - Rear	086253-1	1
2	Bracket, Hydraulic Toe Board	087903-1	2
3	Bolt, M12x60mm Hex Head Zinc Grade 8.8	F81004-5	4
4	Washer, M12 Flat Zinc	F81056-1	8
5	Nut, M12 Hex Nylon Zinc Lock	F81034-2	4
6	Bolt, M10x75-8.8 Hex Head Zinc	F81003-15	8
7	Washer, M10 Flat Zinc	F81055-1	16
8	Nut, M10 Hex Nylon Zinc Lock	F81033-1	8
9	Bracket, Hydraulic Toeboard Mount	087729-1	2
10	Plate, Hydraulic Toeboard Mount	090086-1	2
11	Bolt, M16x40mm Hex Head Full Thread Zinc Grade 5.8	F81006-13	4
12	Washer, 16.3 Split Lock Zinc	F81058-2	4
13	Cylinder, CJ-S170-16-40/25/152 Hydraulic	088681	2
14	Pin, Cylinder Mount	086979-1	2
15	Washer, 28 Flat Zinc	F81061-1	8
16	Pin, 3/16x1.5 Cotter Zinc	F05012-23	4
17	Bolt, 1-8x3 1/4 Hex Head Grade 5	F05009-51	2
18	Nut, 1-14 Hex Jam Unplated	F05010-117	2
19	Fitting, 1/4NPTx1/4JIC Male	P09143	4

9.12 Power Toe Roller (Option)



REF	DESCRIPTION (◆ Indicates Parts Available In Assemblies Only)	PART#	QTY.
	POWER ROLLER	507649	1
1	Cover, Hydraulic Motor	096037-1	1
2	Motor, MG06-13-13AAAB Hyd	P21506	1
3	Fitting, 1/2-14NPT/ 7/16-20UNF	096919	2
4	Plate, Hydraulic Motor Mount	096030-1	1
5	Screw, 3/8-16x1, HHC	F05007-7	4
6	Washer, 10.2 Split Lock Zinc	F81055-2	4
7	Washer, 10,5 Flat Zinc	F81055-1	12
8	Nut, M10-8-B Nylon Hex Zinc Lock	F81033-1	8
9	Bracket, Side w/HydroMotor Connector	096029-1	1
10	Bolt, M10x50-8.8-Hex Head Full Thread Zinc	F81003-4	4
11	Rod	096034	1
12	Key, A8x7x28 Parallel	096035	2
13	Bolt, M10x25 8.8 Hex Head Full Thread Zinc	F81003-31	2
14	Washer, 10,5 Zinc Flat Special	F81055-6	2
15	Bracket	096031-1	1
16	Roller, Pivot - Wldmt	096028-1	1
17	Bearing, 6009.2RSR	096025	2
18	Ring, Z 45 Spring Retaining	F81090-32	2
19	Ring, W 75 Spring Retaining	F81090-41	2
20	BRACKET, HYDRAULIC TOE BOARD MOUNT	089990-1	1
21	Plate, Hydraulic Toe Board Mount	090086-1	1

22	Bolt, M16x40-8.8 Hex Head Full Thread Zinc	F81006-13	2	
23	Washer, 16,3 Split Lock Zinc	F81058-2	2	
	Cylinder, Hydraulic Toe Boards	085937	1	
24	Cylinder, CJ-S170-16-40/25/152 Hydraulic	088681	1	
25	Fitting, C5205x4x4 Male	P09143	1	
26	Fitting, 1/4NPTx1/4JIC Male Elbow	P09142	1	
27	Pin, Hydraulic Cylinder Zinc	086979-1	1	
28	Washer, 28 Flat Zinc	F81061-1	2	
29	Pin, S-Zn 6,3x45	F81045-2	2	
30	Bracket, Toe Board Roller Mount	087903-1	2	
31	Bolt, M12x60-8.8 Hex Head Zinc	F81004-5	2	
32	Washer, 13 Zinc Flat	F81056-1	4	
33	Nut, M12-8 Hex Nylon Zinc Lock	F81034-2	2	
34	Bolt, M10x75-8.8-Hex Head Zinc	F81003-15	4	
35	Stud, M6x16 Wing	F81001-16	2	