

# **Wood-Mizer®**

## **Parts Manual**

---

**LT20L AH**

**rev. E1.04**

---



**Safety is our #1 concern!** Read and understand all safety information and instructions before operating, setting up or maintaining this machine.

*April 2003*

*Form #933*

# Table of Contents

# Section-Page

|                  |   |            |
|------------------|---|------------|
| <b>SECTION 1</b> | <b>GENERAL INFORMATION</b>                                    | <b>1-1</b> |
| 1.1              | How To Use The Parts List .....                               | 1-1        |
| 1.2              | Sample Assembly .....   | 1-1        |
| <b>SECTION 2</b> | <b>BLADE GUIDE ROLLERS &amp; ARM</b>                          | <b>2-1</b> |
| 2.1              | Blade Guide Assembly, Idle Side.....                          | 2-1        |
| 2.2              | Blade Guide Assembly, Drive Side.....                         | 2-2        |
| 2.3              | Blade Guide Arm & Rollers .....                               | 2-3        |
| 2.4              | Blade Guide Arm Drive Assembly.....                           | 2-4        |
| <b>SECTION 3</b> | <b>BLADE WHEELS &amp; TENSIONER</b>                           | <b>3-1</b> |
| 3.1              | Blade Wheel Assembly, Drive Side .....                        | 3-1        |
| 3.2              | Blade Wheel Assembly, Idle Side .....                         | 3-2        |
| 3.3              | Blade Tensioner Assembly .....                                | 3-3        |
| <b>SECTION 4</b> | <b>SAW HEAD</b>   | <b>4-1</b> |
| 4.1              | Middle Throat Screw .....                                     | 4-1        |
| 4.2              | Drive Belt Tensioner, DC Sawmills .....                       | 4-1        |
| 4.3              | Water Lube Assembly .....                                     | 4-3        |
| 4.4              | Blade Lube System.....  | 4-4        |
| 4.5              | LT20AC Saw Head Decals .....                                  | 4-5        |
| 4.6              | LT20DC Saw Head Decals .....                                  | 4-7        |
| 4.7              | Blade Housing Cover .....                                     | 4-9        |
| 4.8              | Control Box (AC Sawmills) .....                               | 4-11       |
| 4.9              | Control Box (DC Sawmills) .....                               | 4-13       |
| 4.10             | Drum Switches .....   | 4-15       |
| 4.11             | Sawdust Chute .....   | 4-16       |
| 4.12             | Up/Down Cable Chain Assembly .....                            | 4-17       |
| 4.13             | LT20 Saw Head Rest Pin Assembly .....                         | 4-18       |
| 4.14             | Saw Head Rest Pin Assembly (LT20ME15SAH3 - 1.8 Sawmills)..... | 4-19       |
| 4.15             | Saw Head Rest Pin Assembly (LT20ME15SAH7-2.2 Sawmills).....   | 4-20       |
| 4.16             | Saw Head Rest Pin Assembly (LT20MD22SDH7-2.5 Sawmills) .....  | 4-21       |
| <b>SECTION 5</b> | <b>UP/DOWN ASSEMBLY</b>                                       | <b>5-1</b> |
| 5.1              | Up/Down Assembly, AC Mills .....                              | 5-1        |
| 5.2              | Up/Down Assembly, DC Mills .....                              | 5-3        |
| 5.3              | Up/Down Chain Tensioner Assembly.....                         | 5-5        |
| 5.4              | Battery Box Assembly, DC Mills.....                           | 5-6        |

# Table of Contents

# Section-Page

## **SECTION 6 UP/DOWN ROLLERS & BLADE HEIGHT SCALE**

**6-1**

|     |                          |     |
|-----|--------------------------|-----|
| 6.1 | Up/Down Rollers.....     | 6-1 |
| 6.2 | Blade Height Scale ..... | 6-3 |
| 6.3 | Limit Switches.....      | 6-5 |

## **SECTION 7 POWER FEED & TRACK ROLLERS**

**7-1**

|     |                                      |     |
|-----|--------------------------------------|-----|
| 7.1 | Power Feed Assembly, AC Mills .....  | 7-1 |
| 7.2 | Power Feed Assembly, DC Mills .....  | 7-3 |
| 7.3 | Upper Track Rollers And Wipers ..... | 7-5 |
| 7.4 | Lower Track Rollers .....            | 7-7 |

## **SECTION 8 BED FRAME ASSEMBLY**

**8-1**

|      |  |      |
|------|--|------|
| 8.1  | Bed Rail Assembly (L Type Frame) .....       | 8-1  |
| 8.2  | Bed Rail Assembly (L Type Frame) .....       | 8-2  |
| 8.3  | Bed Rail Assembly (L Type Frame) .....       | 8-3  |
| 8.4  | Bed Rail Assembly (L Type Frame) .....       | 8-4  |
| 8.5  | Leg, Stationary .....                        | 8-5  |
| 8.6  | Pivot Bed Rail Assembly.....                 | 8-6  |
| 8.7  | Log Side Support Assembly (Manual) .....     | 8-7  |
| 8.8  | Board Return Table (LT40L Option) .....      | 8-9  |
| 8.9  | Board Return Table (LT70L Option) .....      | 8-11 |
| 8.10 | Bed Frame Decals.....                        | 8-13 |
| 8.11 | Saw Head Support Assembly .....              | 8-14 |
| 8.12 | Long Table .....                             | 8-15 |
| 8.13 | LT40/7LT70 L Saw Head Support Assembly ..... | 8-17 |
| 8.14 | Tie Down Chain Assembly .....                | 8-18 |
| 8.15 | Remote Equipment Option.....                 | 8-19 |
| 8.16 | Board Return Roller Assembly .....           | 8-21 |

# Table of Contents

# Section-Page

## SECTION 9 HYDRAULIC SYSTEM

9-1

|      |   |      |
|------|---|------|
| 9.1  | Hydraulic hoses, LT20L/LT40L/LT70L AH .....           | 9-1  |
|      | Protective Conduits, LT70 Series A/DH Hydraulic Hoses |      |
| 9.2  | Hydraulic Control Box, LT20L/LT40L/70L AH7 .....      | 9-3  |
| 9.3  | Hydraulic Control Box, LT40/70 AH15/14 .....          | 9-5  |
| 9.4  | Hydraulic Control Box .....                           | 9-7  |
| 9.5  | Hydraulic Power Supply Strip.....                     | 9-8  |
| 9.6  | Hydraulic Log Loader .....                            | 9-9  |
| 9.7  | Hydraulic Log Turner.....                             | 9-10 |
| 9.8  | Hydraulic Log Clamp, Front and Rear .....             | 9-12 |
| 9.9  | Hydraulic Log Clamp .....                             | 9-14 |
| 9.10 | Hydraulic Toe Board, Middle.....                      | 9-15 |
| 9.11 | .....   | 9-16 |
| 9.12 | Hydraulic Log Side Supports (L Type Frame).....       | 9-17 |
| 9.13 | Hydraulic Log Clamp .....                             | 9-19 |
| 9.14 | Hydraulic Toe Board .....                             | 9-21 |
| 9.15 | Power Toe Roller (Option) .....                       | 9-22 |
| 9.16 | Power Toe Roller (Option) .....                       | 9-23 |

## SECTION 1 GENERAL INFORMATION

### 1.1 How To Use The Parts List

- Use the index above to locate the assembly that contains the part you need.
- Go to the appropriate section and locate the part in the illustration.
- Use the number pointing to the part to locate the correct part number and description in the table.
- Parts shown indented under another part are included with that part.
- Parts marked with a diamond (◆) are only available in the assembly listed above the part.

See the sample table below. Sample Part #A01111 includes part F02222-2 and subassembly A03333. Subassembly A03333 includes part S04444-4 and subassembly K05555. The diamond (◆) indicates that S04444-4 is not available except in subassembly A03333. Subassembly K05555 includes parts M06666 and F07777-77. The diamond (◆) indicates M06666 is not available except in subassembly K05555.

| <b>1.2 Sample Assembly</b> |   |           |      |   |
|----------------------------|---|-----------|------|---|
| REF                        | DESCRIPTION (◆ Indicates Parts Available In Assemblies Only)  | PART #    | QTY. |   |
|                            | Sample Assembly, Complete (Includes All Indented Parts Below) | A01111    | 1    |   |
| 1                          | Sample Part   | F02222-22 | 1    |   |
|                            | Sample Subassembly (Includes All Indented Parts Below)        | A03333    | 1    |   |
| 2                          | Sample Part (◆ Indicates Part Is Only Available With A03333)  | S04444-4  | 1    | ◆ |
|                            | Sample Subassembly (Includes All Indented Parts Below)        | K05555    | 1    |   |
| 3                          | Sample Part (◆ Indicates Part Is Only Available With K05555)  | M06666    | 2    | ◆ |
| 4                          | Sample Part   | F07777-77 | 1    |   |

#### **To Order Parts:**

- From Europe call our European Headquarters and Manufacturing Facility in Kolo, Poland at **+48-63-2626000**. From the continental U.S., call our toll-free Parts hotline at **1-800-525-8100**. Have your customer number, vehicle identification number, and part numbers ready when you call. From other international locations, contact the Wood-Mizer distributor in your area for parts.

#### **Office Hours:**

| Country | Monday - Friday | Saturday        | Sunday |
|---------|-----------------|-----------------|--------|
| Poland  | 7-15            | Closed          | Closed |
| US      | 8 a.m.- 5 a.m.  | 8 a.m.- 12 p.m. | Closed |



**CAUTION!** It is strongly recommended that only original spare parts be used.

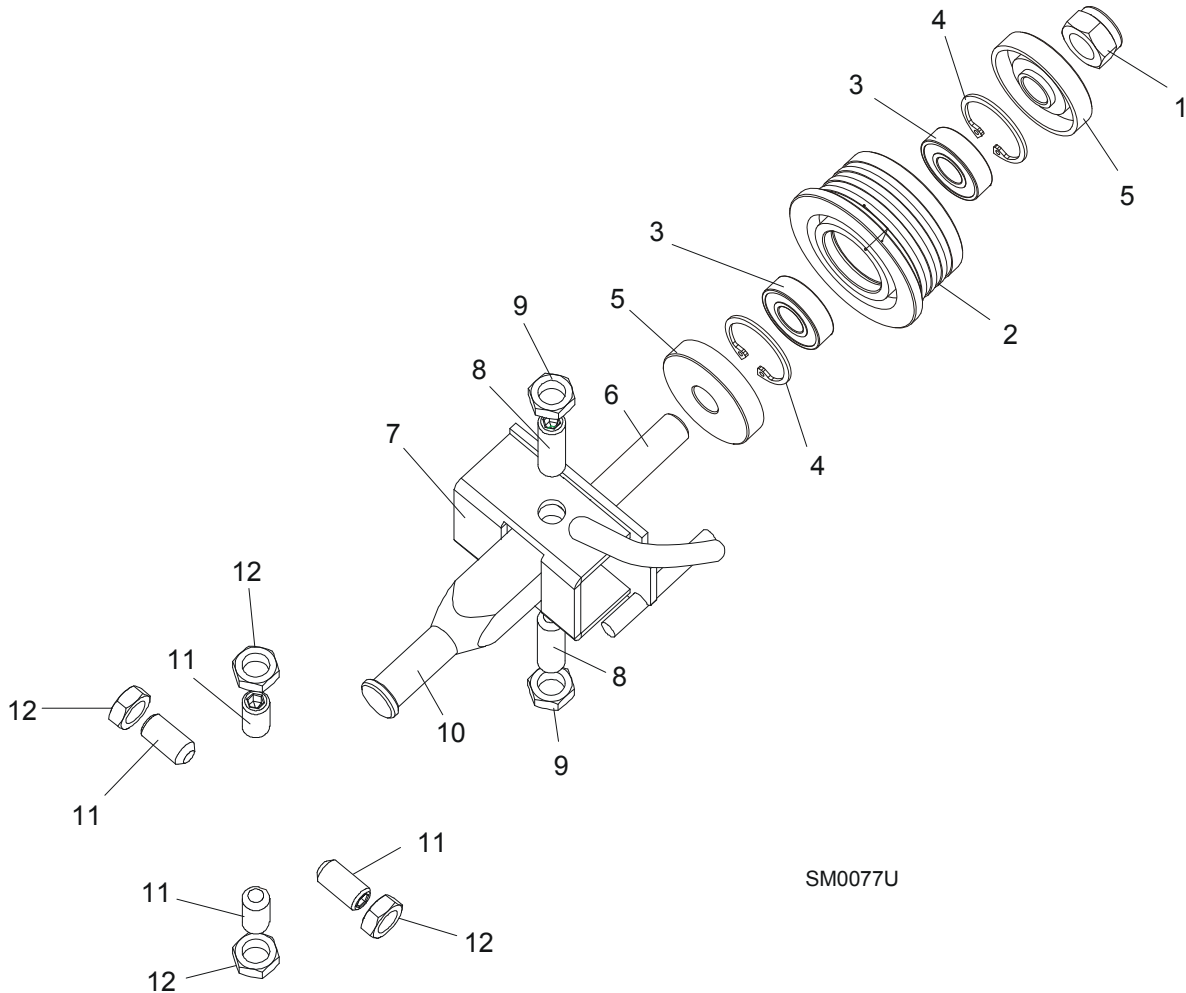


# Blade Guide Rollers & Arm

## Blade Guide Assembly, Idle Side

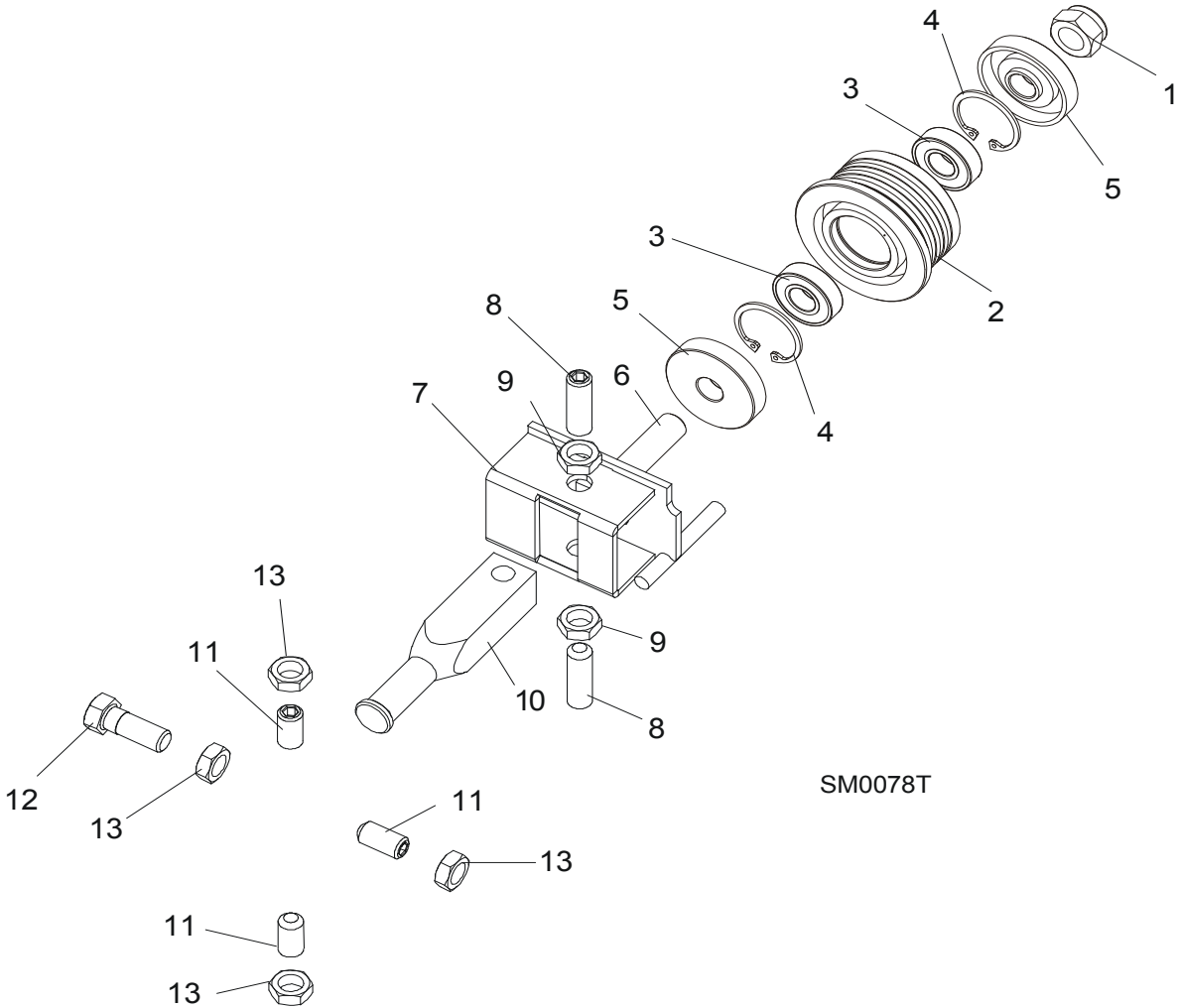
### SECTION 2 BLADE GUIDE ROLLERS & ARM

#### 2.1 Blade Guide Assembly, Idle Side



| REF. | DESCRIPTION (◆ Indicates Parts Available In Assemblies Only) | PART #    | QTY. |   |
|------|--|-----------|------|---|
|      | <b>BLADE GUIDE ASSEMBLY, IDLE SIDE</b>                       | 094683    | 1    |   |
|      | Roller, Blade Guide Complete Standard                        | 087887    | 1    |   |
| 1    | Nut, M12-8 Hex Nylon Zinc Lock                               | F81034-2  | 1    |   |
| 2    | Roller, Blade Guide Narrow                                   | 087889    | 1    | ◆ |
| 3    | Bearing, 6001 2RSR FAG                                       | 087893    | 2    |   |
| 4    | Ring, W28 Inside Retaining                                   | F81090-9  | 1    |   |
| 5    | Washer, Zinc-plated Spacer                                   | 087891-1  | 2    |   |
| 6    | Shaft, Blade Guide Roller Zinc-plated                        | 087763-1  | 1    |   |
| 7    | Bracket Weldment, Idle Side Blade Guide Painted              | 094681-1  | 1    |   |
| 8    | Screw, M10x1x40 DIN 913 A2-70 Set Stainless Steel            | F81015-2  | 2    |   |
| 9    | Nut, M10x1-04-ST-A2 ISO 8675 Thin                            | F81033-10 | 2    |   |
| 10   | Shaft, Blade Guide Mount Zinc-plated                         | 503588-1  | 1    |   |
| 11   | <b>SCREW, M10X1X20 DIN 913 SET STAINLESS STEEL</b>           | F81015-1  | 4    |   |
| 12   | <b>NUT, M10x1-04-ST-A2 ISO 8675 THIN</b>                     | F81033-10 | 4    |   |

**2.2 Blade Guide Assembly, Drive Side**



SM0078T

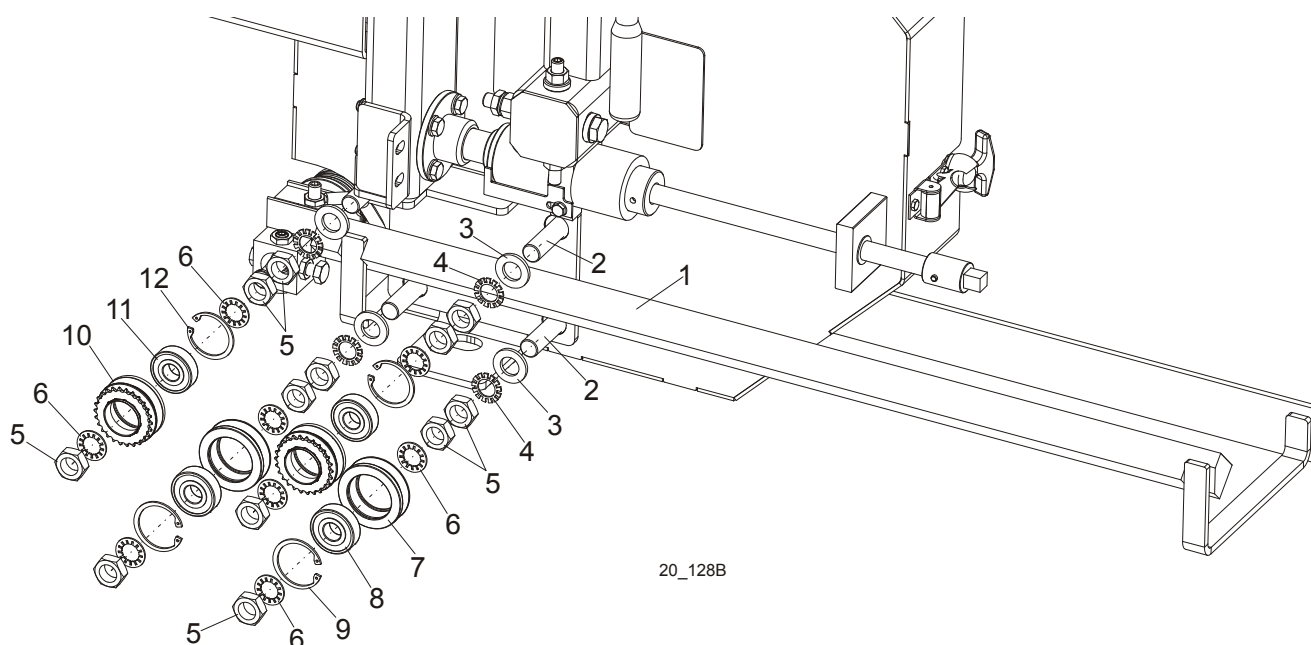
| REF. | DESCRIPTION (◆ Indicates Parts Available In Assemblies Only)              | PART #    | QTY. |
|------|---|-----------|------|
|      | <b>BLADE GUIDE ASSEMBLY, DRIVE SIDE</b>                                   | 094682    | 1    |
|      | Roller, Blade Guide Complete Standard                                     | 087887    | 1    |
| 1    | Nut, M12-8 Hex Nylon Zinc Lock  | F81034-2  | 1    |
| 2    | Roller, Blade Guide Narrow  | 087889    | 1 ◆  |
| 3    | Bearing, 6001 2RSR FAG  | 087893    | 2    |
| 4    | Ring, W28 Inside Retaining  | F81090-9  | 1    |
| 5    | Washer, Zinc-plated Spacer  | 087891-1  | 2    |
| 6    | Shaft, Blade Guide Roller Zinc-plated                                     | 087763-1  | 1    |
| 7    | Bracket Weldment, Blade Guide Painted                                     | 094679-1  | 1    |
|      | Screw Kit, Blade Guide Adjustment w/Nuts (for two blade guide assemblies) | K09942    | 1    |
| 8    | Screw, M10x1x40 DIN 913 A2-70 Set Stainless Steel                         | F81015-2  | 2    |
| 9    | Nut, M10x1-04-ST-A2 ISO 8675 Thin   | F81033-10 | 2    |
| 10   | Shaft, Blade Guide Mount Zinc-plated                                      | 503588-1  | 1    |
| 11   | <b>SCREW, M10X1X20 DIN 913 SET STAINLESS STEEL</b>                        | F81015-1  | 3    |
| 12   | <b>BOLT, M10X1X25 DIN 933 STAINLESS STEEL</b>                             | F81003-28 | 1    |

## 2 Blade Guide Rollers & Arm

### Blade Guide Arm & Rollers

|    |                                   |           |   |
|----|-----------------------------------|-----------|---|
| 13 | NUT, M10x1-04-ST-A2 ISO 8675 THIN | F81033-10 | 4 |
|----|-----------------------------------|-----------|---|

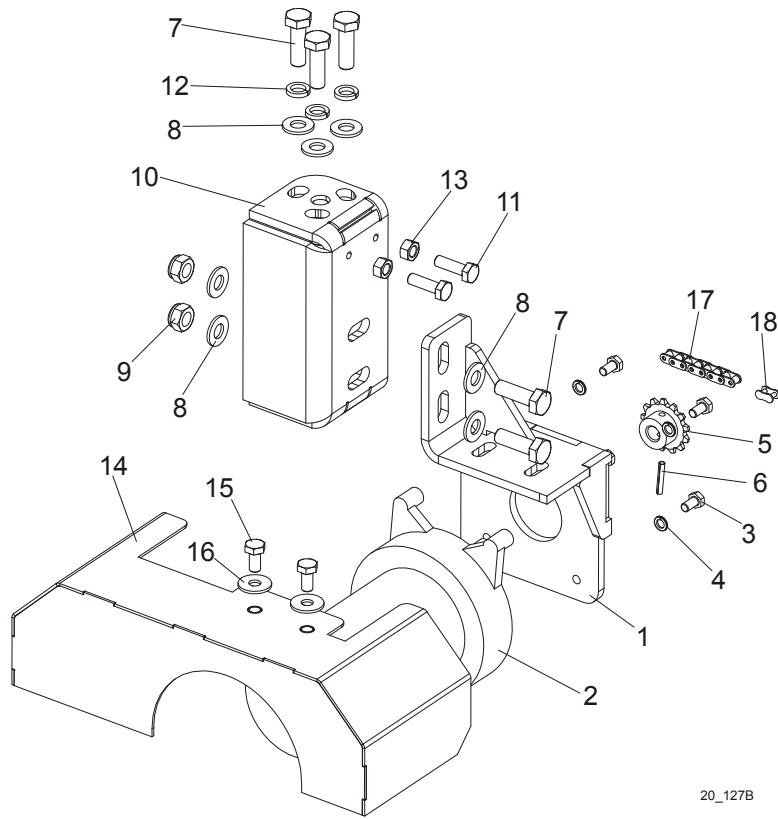
## 2.3 Blade Guide Arm & Rollers



| REF. | DESCRIPTION (◆ Indicates Parts Available In Assemblies Only)  | PART #    | QTY. |   |
|------|---|-----------|------|---|
| 1    | <b>BLADE GUIDE ARM WELDMENT</b>                               | 096397-1  | 1    |   |
| 2    | <b>BOLT, BLADE GUIDE ARM ROLLER CAM</b>                       | 086508-1  | 4    |   |
| 3    | <b>WASHER, M16,FLAT ZINC</b>                                  | F81058-1  | 4    |   |
| 4    | <b>WASHER, 5/8" EXTERNAL STAR</b>                             | F05011-26 | 4    |   |
| 5    | <b>NUT, 5/8-18 HEX JAM</b>                                    | F05010-11 | 12   |   |
| 6    | <b>WASHER, 5/8" INTERNAL STAR</b>                             | F05011-25 | 8    |   |
|      | <b>ROLLER ASSY, BLADE GUIDE ARM WITH BEARING</b>              | 093855    | 2    |   |
| 7    | Roller, Blade Guide Arm V-Groove                              | 093856-1  | 1    | ◆ |
| 8    | Bearing, 6203 2RSP6-5/8 CX                                    | 095087    | 1    |   |
| 9    | Ring, W40 Retaining   | F81090-3  | 1    |   |
|      | <b>ROLLER ASSY, BLADE GUIDE ARM DRIVE W/SPROCKET COMPLETE</b> | 501496    | 2    |   |
| 10   | Roller, Blade Guide Arm Drive w/Sprocket                      | 501495-1  | 1    | ◆ |
| 11   | Bearing, 6203-2 RSP6-5/8 CX                                   | 095087    | 1    |   |
| 12   | Ring, W40 Spring Retaining                                    | F81090-3  | 1    |   |



## 2.4 Blade Guide Arm Drive Assembly

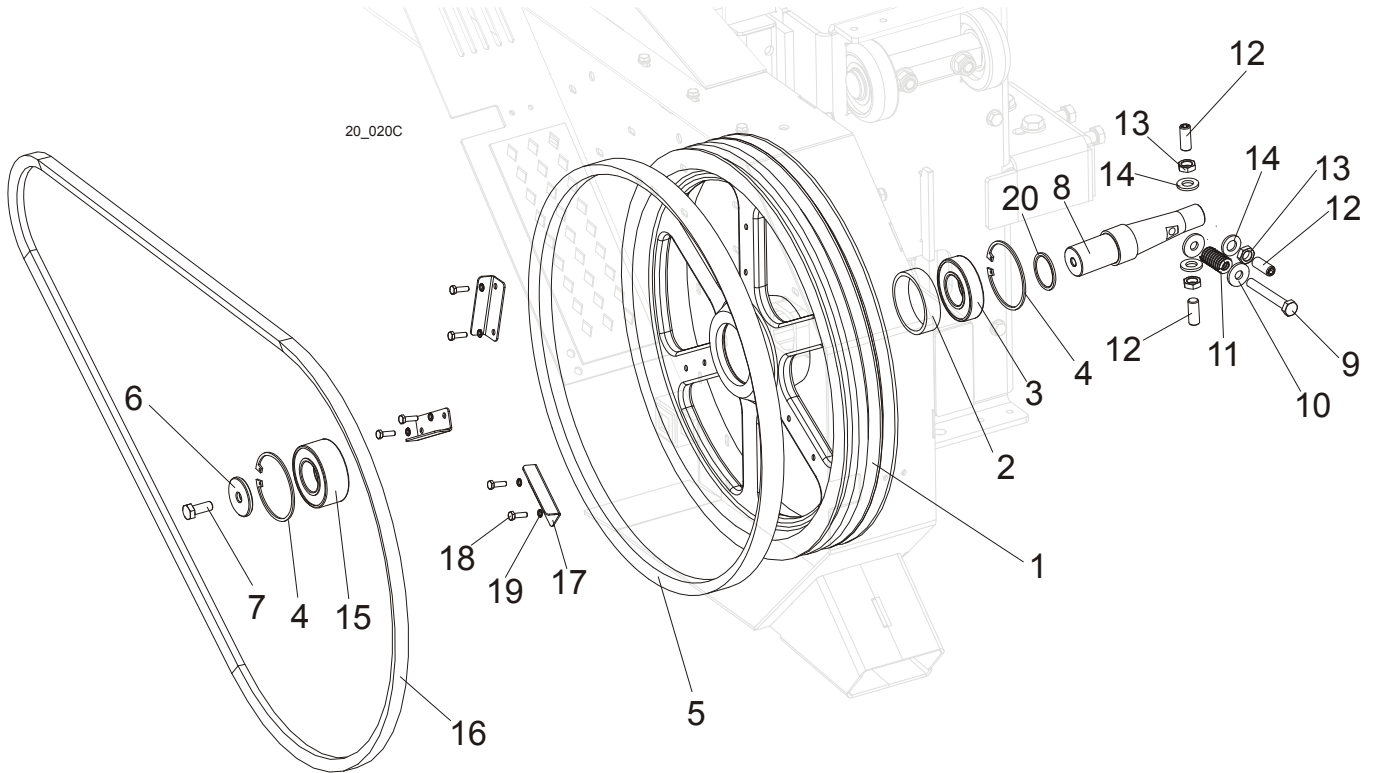


20\_127B

| REF. | DESCRIPTION (◆ Indicates Parts Available In Assemblies Only) | PART #    | QTY. |
|------|--|-----------|------|
|      | <b>DRIVE ASSEMBLY, BLADE GUIDE ARM</b>                       | 096396    | 1    |
| 1    | BRACKET, BLADE GUIDE ARM MOTOR MOUNT                         | 096390-1  | 1    |
| 2    | MOTOR, BLADE GUIDE ARM 53:1 GEAR                             | P09698-1  | 1    |
| 3    | SCREW, 10-32X1/2 HH MACHINE                                  | F05004-60 | 4    |
| 4    | WASHER, 5.1 SPLIT LOCK                                       | F81052-2  | 4    |
| 5    | SPROCKET, 25B13X.3130  | P09970    | 1    |
| 6    | PIN, 1/8X3/4 ROLL  | F05012-6  | 1    |
| 7    | BOLT, M8x25-8.8-B HEX HEAD FULL THREAD ZINC                  | F81002-5  | 5    |
| 8    | WASHER, 8.4 FLAT ZINC  | F81054-1  | 7    |
| 9    | NUT, M8-8-B HEX NYLON ZINC LOCK                              | F81032-2  | 2    |
| 10   | BRACKET, BLADE GUIDE ARM DRIVE                               | 501265-1  | 1    |
| 11   | BOLT, M6x20-8.8 HEX HEAD FULL THREAD ZINC                    | F81001-2  | 2    |
| 12   | WASHER, 8.2 SPLIT LOCK                                       | F81054-4  | 3    |
| 13   | NUT, M6-8.8 HEX GRADE 5 ZINC                                 | F81031-1  | 2    |
| 14   | <b>COVER, LT20 BLADE GUIDE ARM MOTOR</b>                     | 097424-1  | 1    |
| 15   | <b>BOLT, M6X12MM HEX HEAD ZINC</b>                           | F81001-7  | 2    |
| 16   | <b>WASHER, 6.5 FLAT ZINC</b>                                 | F81053-11 | 2    |
| 17   | <b>CHAIN, 20 1/4IN #25</b>                                   | P09984    | 1    |
| 18   | <b>LINK, 25 MASTER</b>                                       | P09983    | 1    |

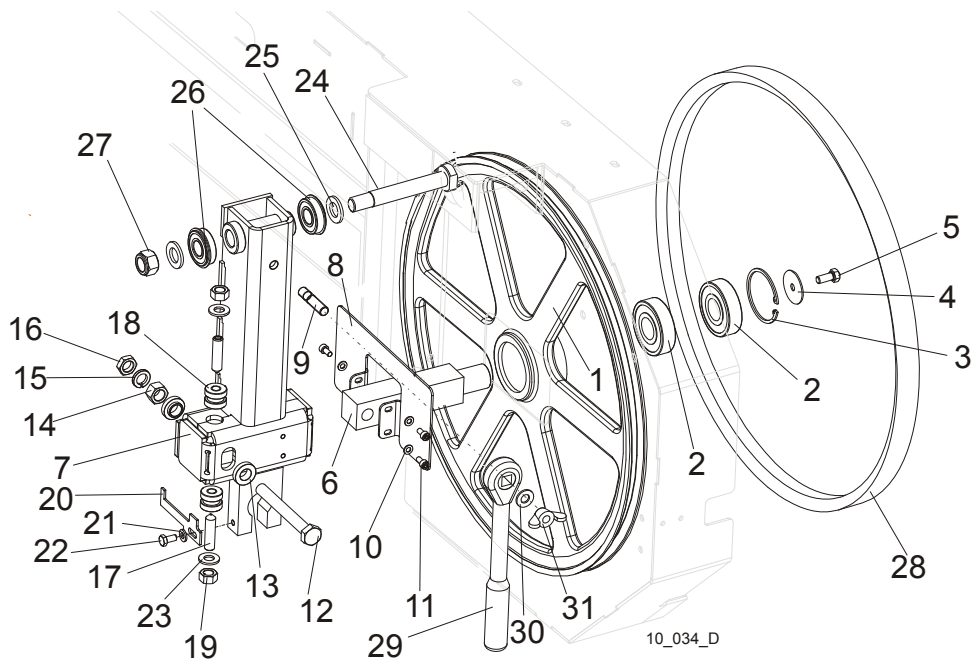
**SECTION 3 BLADE WHEELS & TENSIONER**

**3.1 Blade Wheel Assembly, Drive Side**



| REF. | DESCRIPTION (◆ Indicates Parts Available In Assemblies Only)                                 | PART #                       | QTY.   |
|------|--|------------------------------|--------|
|      | <b>BLADE WHEEL ASSEMBLY, LT20 DRIVE SIDE</b>   | 091612                       | 1      |
| 1    | Wheel, LT20 Drive Side Blade   | 090646-1                     | 1      |
| 2    | Bushing, Bearing Spacer  | 096778                       | 1      |
| 3    | Bearing, 6207 2RS 35x72x17 FAG   | 014811                       | 1      |
| 4    | Ring, W72 Retaining  | F81090-4                     | 2      |
| 5    | Belt, B57 Blade Wheel  | P04185-2                     | 1      |
| 6    | Washer, Drive Side Blade Wheel   | 092006                       | 1      |
| 7    | Bolt, M10x25-8.8 Hex Head Full Thread Zinc   | F81003-11                    | 1      |
| 8    | Shaft, LT15/20 Drive Side Blade Wheel  | 093850                       | 1      |
| 9    | Bolt, M10X65-8.8-B Hex Head Zinc   | F81003-67                    | 1      |
| 10   | Washer, Zinc   | 098813-1                     | 2      |
| 11   | Spring, 19x38 Compression  | 034430                       | 1      |
| 12   | Screw, M12x1,25x30 DIN913 Set  | F81016-1                     | 4      |
| 13   | Washer, 13 Flat Zinc   | F81056-1                     | 4      |
| 14   | Nut, M12x1,25 DIN439 Thin Stainless Steel  | F81034-9                     | 4      |
| 15   | Bearing, 3207B, 2RSR. TVH FAQ  | 092005                       | 1      |
| 16   | Drive Belt, 2BX81, AC Sawmills (E11, E15)<br>Drive Belt, 2BX84, DC Sawmills (D17, D22 & G25) | 014819-2 (AC)<br>088110 (DC) | 1<br>2 |
| 17   | Wing   | 097808-1                     | 3      |
| 18   | Bolt, M6x20mm, HH, Full Thread, Zinc   | F81001-2                     | 6      |
| 19   | Washer, M6 Split Lock Zinc   | F81053-3                     | 6      |
| 20   | Washer, φ35 Special  | 091851                       | 1      |

### 3.2 Blade Wheel Assembly, Idle Side



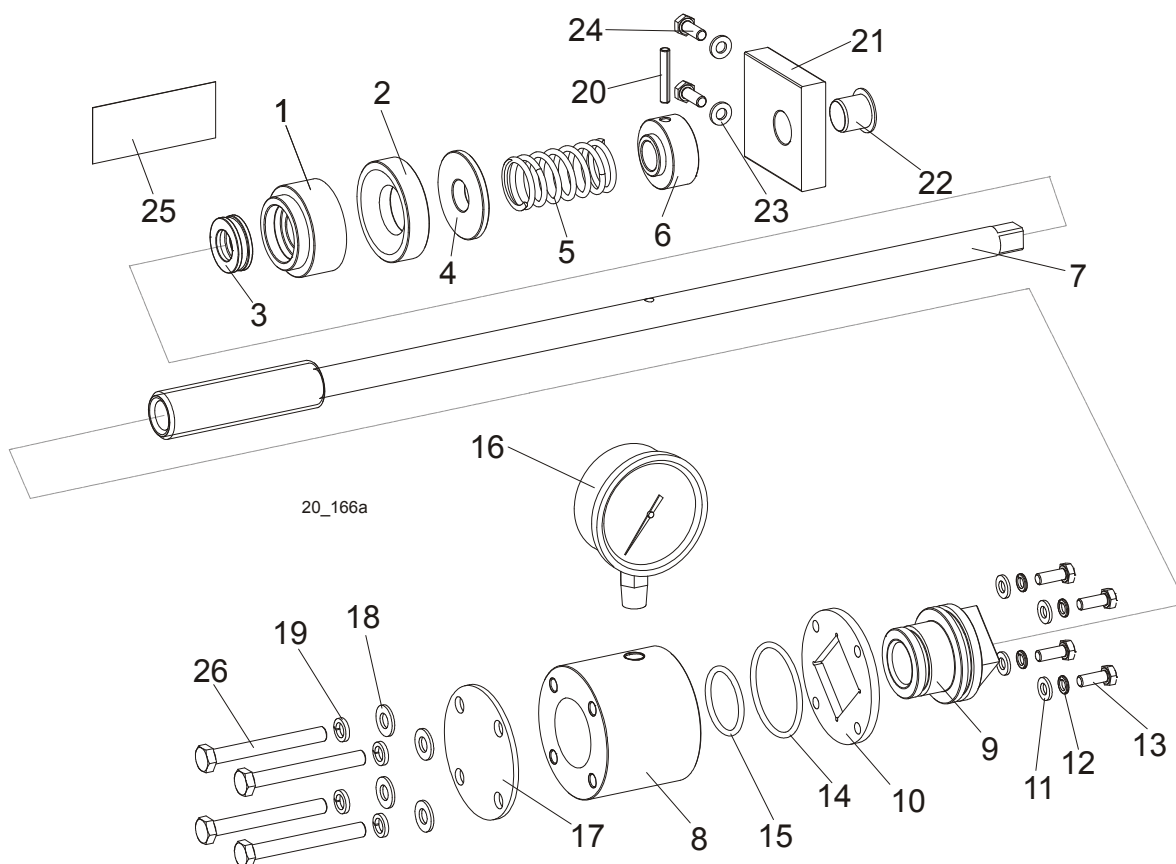
| REF. | DESCRIPTION (◆ Indicates Parts Available In Assemblies Only) | PART #        | QTY.     |
|------|--|---------------|----------|
|      | <b>WHEEL ASSEMBLY, IDLE SIDE BLADE</b>                       | <b>A08218</b> | <b>1</b> |
| 1    | WHEEL ASSEMBLY, 18.62" BLADE IDLE SIDE                       | P08125        | 1        |
| 2    | BEARING, 6305 2RS NSK IDLE SIDE WHEEL                        | P08066        | 2        |
| 3    | RING, 2 7/16" INSIDE RETAINING                               | F04254-21     | 1        |
|      | <b>HOUSING, LT10 &amp; LT15 IDLER SHAFT, COMPLETE</b>        | <b>100180</b> | <b>1</b> |
| 4    | WASHER, IDLE SIDE WHEEL RETAINING                            | 093854-1      | 1        |
| 5    | BOLT, M8X25-8.8-B HEX HEAD FULL THREAD ZINC                  | F81002-5      | 1        |
| 6    | SHAFT, IDLE SIDE BLADE WHEEL (METRIC)                        | 096045        | 1        |
|      | <b>HOUSING, IDLER SHAFT COMPLETE</b>                         | <b>508145</b> | <b>1</b> |
| 7    | HOUSING, IDLER SHAFT WELDED/PAINTED                          | 508144-1      | 1        |
| 8    | COVER, HOUSING, IDLER SHAFT COMPLETE PAINTED                 | 508128-1      | 1        |
| 9    | BOLT M10X35-8.8  | F81003-9      | 1        |
| 10   | WASHER, 5.3 FLAT ZINC  | F81052-1      | 3        |
| 11   | SCREW, M5x10 DIN912 A2-70 HEX SOCKET HEAD                    | F81000-23     | 3        |
| 12   | BOLT, M12X1,25X100-8.8 HEX HEAD FULL THREAD ZINC             | F81004-41     | 1        |
| 13   | WASHER, FLANGED ZINC-PLATED                                  | 086769-1      | 2        |
| 14   | NUT, M12X1,25 -8 HEX ZINC                                    | F81034-8      | 1        |
| 15   | WASHER, 12.2 SPLIT LOCK ZINC                                 | F81056-2      | 1        |
| 16   | NUT, M12x1.25 DIN439 THIN STAINLESS STEEL                    | F81034-5      | 1        |
| 17   | SCREW, M10X40-45H CONE POINT HEX SOCKET                      | F81003-61     | 2        |
| 18   | BUSHING, M10 IDLER SHAFT HOUSING                             | 086987        | 2        |
| 19   | NUT, M10-8-B HEX HEAD ZINC                                   | F81033-3      | 2        |
| 20   | INDICATOR, LT15/LT20 PTD BLADE TENSION                       | 092467-1      | 1        |
| 21   | WASHER, 6.4 FLAT ZINC  | F81053-1      | 1        |
| 22   | BOLT, M6x12-8.8 HEX HEAD FULL THREAD ZIN                     | F81001-7      | 1        |
| 23   | WASHER, 10.5 FLAT ZINC                                       | F81055-1      | 2        |
| 24   | <b>PIN, IDLER ARM MOUNT</b>                                  | <b>086404</b> | <b>1</b> |

# 3 Blade Wheels & Tensioner

## Blade Tensioner Assembly

|    |                                      |          |   |  |
|----|--------------------------------------|----------|---|--|
| 25 | WASHER, 17 FLAT ZINC                 | F81058-1 | 2 |  |
| 26 | BEARING, 6203-2RS NR NSK W/SNAP RING | 086395   | 2 |  |
| 27 | NUT, M16-8 HEX NYLON ZINC LOCK       | F81036-2 | 1 |  |
| 28 | V-BELT, B57                          | P04185-2 | 1 |  |
| 29 | WRENCH, LT20 BLADE TENSION           | 091620   | 1 |  |
| 30 | WASHER, 10.5 FLAT ZINC               | F81055-1 | 1 |  |
| 31 | NUT WING M10                         | F81033-8 | 1 |  |

### 3.3 Blade Tensioner Assembly

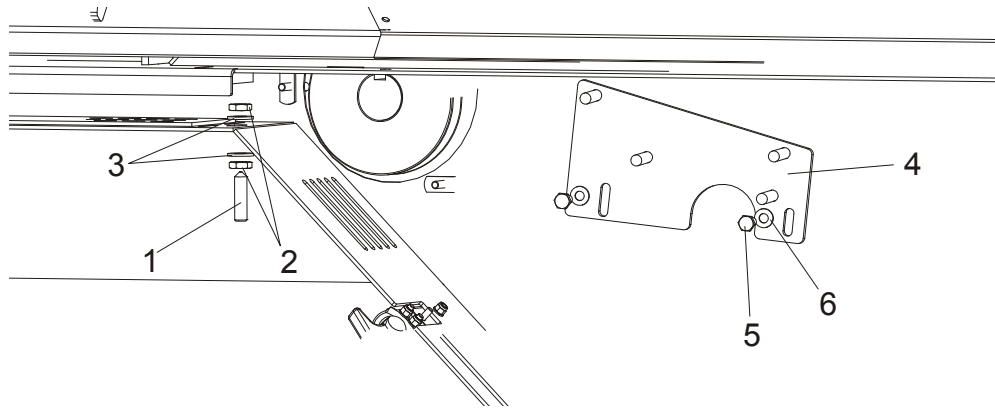


| REF. | DESCRIPTION (◆ Indicates Parts Available In Assemblies Only) | PART #        | QTY.     |  |
|------|--|---------------|----------|--|
|      | <b>COMPLETE BLADE TENSIONER</b>                              | <b>510640</b> | <b>1</b> |  |
| 1    | HOUSING, BALL THRUST BEARING                                 | 510635        | 1        |  |
| 2    | SOCKET, BEARING HOUSING                                      | 510634-1      | 1        |  |
| 3    | BEARING, 51103. BALL THRUST                                  | 086675        | 1        |  |
| 4    | WASHER   | 510633-1      | 1        |  |
| 5    | SPRING, n3mm   | 088992        | 1        |  |
| 6    | BUSHING, BLADE TENSIONER SCREW                               | 510636-1      | 1        |  |
| 7    | SCREW, BLADE TENSIONER ZINC-PLATED                           | 510650-1      | 1        |  |
|      | <b>CYLINDER ASSEMBLY</b>                                     | <b>510641</b> | <b>1</b> |  |
| 8    | CYLINDER   | 510657-1      | 1        |  |
| 9    | PISTON   | 510638        | 1        |  |
| 10   | PLATE, CYLINDER  | 510490-1      | 1        |  |
| 11   | WASHER, 6.4 FLAT ZINC  | F81053-1      | 4        |  |
| 12   | WASHER, Z 6.1 SPLIT LOCK ZINC                                | F81053-3      | 4        |  |

|    |   |           |   |  |
|----|---|-----------|---|--|
| 13 | BOLT, M6x16-8.8 HEX HEAD FULL THREAD ZINC | F81001-15 | 4 |  |
| 14 | O-RING, 46.2x3                            | 510646    | 1 |  |
| 15 | O-RING, 32.2x3                            | 510647    | 1 |  |
| 16 | GAUGE, 3000psi/200 bar OIL PRESSURE       | 505176    | 1 |  |
| 17 | PLATE, CYLINDER COVER                     | 510642-1  | 1 |  |
| 18 | WASHER, 8.4 FLAT ZINC                     | F81054-1  | 4 |  |
| 19 | WASHER, 8.2 SPLIT LOCK ZINC               | F81054-4  | 4 |  |
| 20 | PIN, 5x30 ROLL ZINC                       | F81044-21 | 1 |  |
| 21 | BLOCK, TENSIONER HANDLE MOUNT             | 096730    | 1 |  |
| 22 | BUSHING, GFM-1618-17                      | 089589    | 1 |  |
| 23 | WASHER, 6.4 FLAT ZINC                     | F81053-1  | 2 |  |
| 24 | BOLT, M6x16-8.8 HEX HEAD FULL THREAD ZINC | F81001-15 | 2 |  |
| 25 | DECAL, PRESSURE VALUES                    | 510643    | 1 |  |
| 26 | BOLT, M8x70-8.8 HEX HEAD ZINC             | F81002-71 | 4 |  |

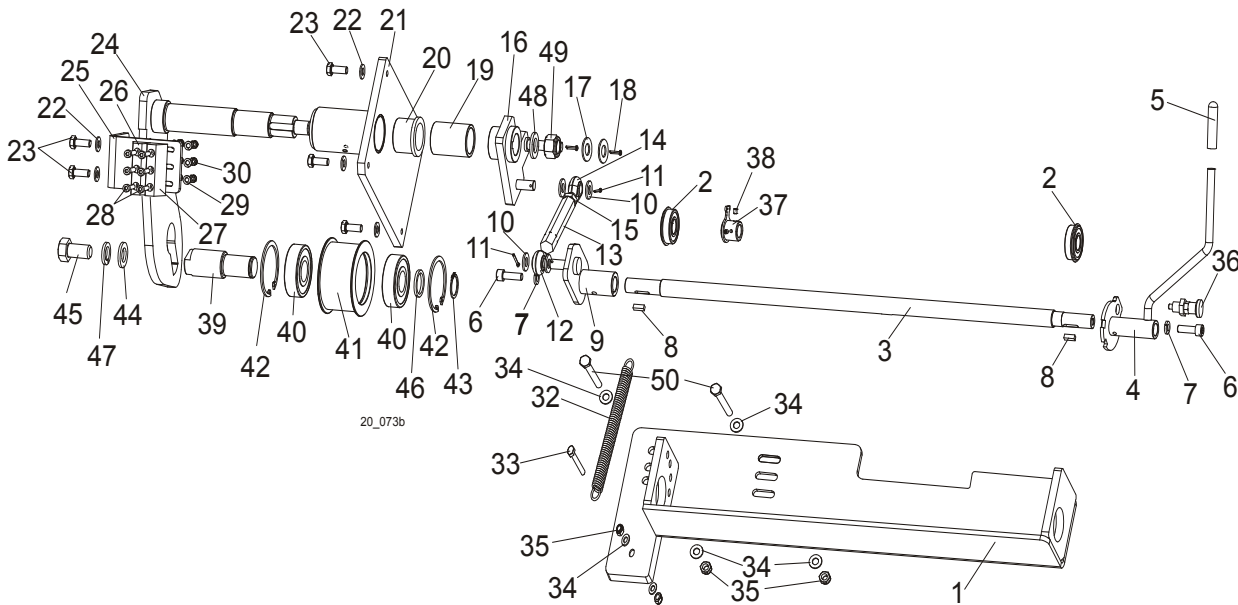
## SECTION 4 SAW HEAD

### 4.1 Middle Throat Screw



| REF. | DESCRIPTION (◆ Indicates Parts Available In Assemblies Only) | PART #    | QTY. |
|------|--|-----------|------|
| 1    | SCREW, M10 X 40-45H HEX SOCKET SET CONE POINT ZINC           | F81003-61 | 1    |
| 2    | NUT, M10-8-B ZINC HEX  | F81033-6  | 2    |
| 3    | WASHER, 10.5 ZINC FLAT                                       | F81055-1  | 2    |
| 4    | BRACKET, DRIVE BELT SUPPORT, UPPER                           | 092668-1  | 1    |
| 5    | BOLT, M8X20-5.8 HEX HEAD FULL THREAD ZINC                    | F81002-1  | 2    |
| 6    | WASHER, 8.4 ZINC FLAT  | F81054-1  | 2    |

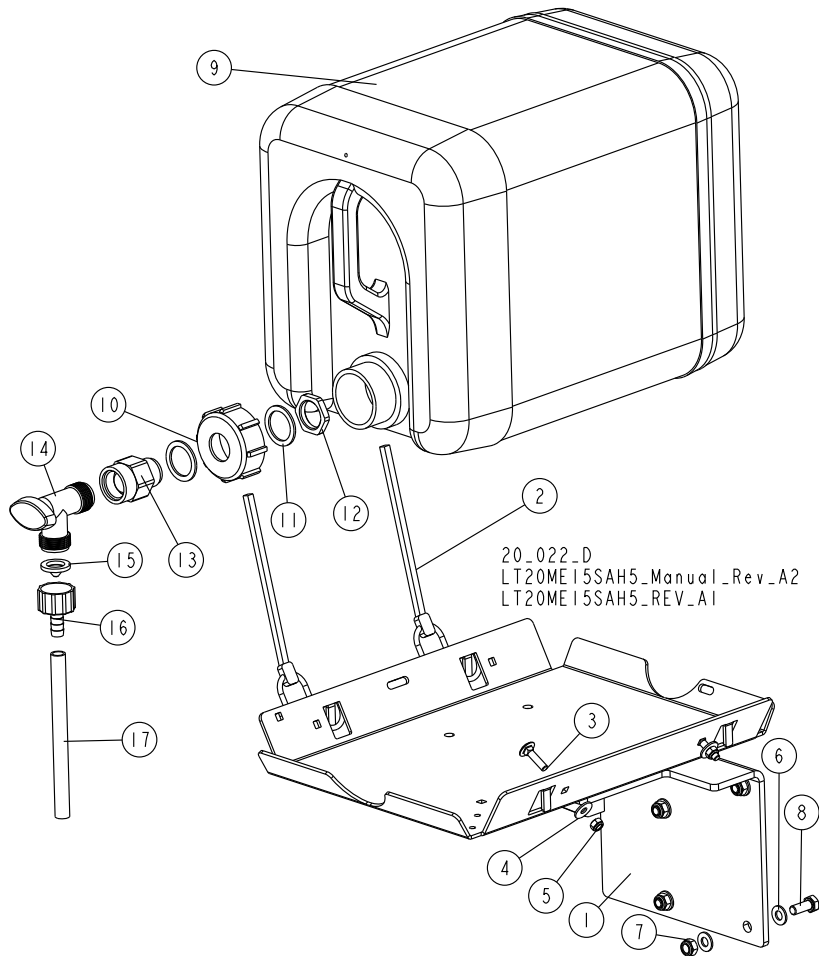
### 4.2 Drive Belt Tensioner, DC Sawmills



| REF. | DESCRIPTION (◆ Indicates Parts Available In Assemblies Only) | PART #        | QTY.     |
|------|--|---------------|----------|
|      | <b>BELT TENSIONER, LT20 COMPLETE, D22</b>                    | <b>098456</b> | <b>1</b> |
|      | <b>BELT TENSIONER, LT20 COMPLETE, G25</b>                    | <b>097842</b> | <b>1</b> |
| 1    | Mount Weldment, Belt Tensioner Ptd                           | 091169-1      | 1        |
| 2    | Bearing, 6203-2RS NR NSK w/Ring                              | 086395        | 2        |
| 3    | Rod, LT20 Belt Tensioner Ptd                                 | 091176-1      | 1        |
| 4    | Handle Weldment, Accelerate/Brake, Ptd                       | 097837-1      | 1        |

|    |  |               |          |  |
|----|--|---------------|----------|--|
| 5  | Grip, Handle 1/2" ID x 3" Long             | 014835        | 1        |  |
| 6  | Screw, M8x25 -8.8 Hex Socket Head Cap Zinc | F81002-21     | 2        |  |
| 7  | Washer, 8.2 Split Lock Zinc                | F81054-4      | 2        |  |
| 8  | Key, B 5x5.1x14 Parallel                   | 087365        | 2        |  |
| 9  | Bracket, Belt Tensioner Pivot              | 091245-1      | 1        |  |
| 10 | Washer, 10.5 Zinc Flat                     | F81055-1      | 4        |  |
| 11 | Pin, 2.5x20 Zinc Cotter                    | F81043-1      | 2        |  |
| 12 | Rod End, 7/16-20 Right-Hand Male           | P11579        | 1        |  |
| 13 | Turnbuckle, Clutch/Brake                   | S11577        | 1        |  |
| 14 | Rod End, 7/16-20 Left-Hand Male            | P11578        | 1        |  |
| 15 | Nut, 7/16-20 Zinc                          | F05010-38     | 1        |  |
| 16 | Arm Weldment, Belt Tensioner Ptd           | 091172-1      | 1        |  |
| 17 | Washer, 17 Zinc Flat                       | F81058-1      | 2        |  |
| 18 | Pin, 2.5x20 Zinc Cotter                    | F81043-1      | 2        |  |
| 19 | Bushing, Spacer Ptd                        | 091351-1      | 1        |  |
| 20 | Bushing, MFM-3240-30 (IGUS)                | 088461        | 2        |  |
| 21 | Mount Weldment, Tensioner Shaft Ptd        | 091112-1      | 1        |  |
| 22 | Washer, 8.4 Zinc Flat                      | F81054-1      | 6        |  |
| 23 | Bolt, M8x20-5.8 Hex Head Full Thread Zinc  | F81002-1      | 6        |  |
| 24 | Shaft Weldment, Belt Tensioner Ptd         | 097828-1      | 1        |  |
| 25 | Bracket, Brake Block Mount Ptd             | 091248-1      | 1        |  |
| 26 | Block, F9273 123 Belt Tensioner Brake      | 092111        | 1        |  |
| 27 | Block, F9150 123 Belt Tensioner Brake      | 092111        | 1        |  |
| 28 | Screw, M5x25-8.8 Hex Socket Head Cap Zinc  | F81000-7      | 6        |  |
| 29 | Washer, 5.3 Zinc Flat                      | F81052-1      | 6        |  |
| 30 | Nut, M5-8 Zinc DIN 985                     | F81030-2      | 6        |  |
| 31 | Screw, M8x25-8.8 Hex Socket Head Cap Zinc  | F81002-21     | 1        |  |
| 32 | Spring, Hydraulic Log Turner               | P09136        | 1        |  |
| 33 | Bolt, M8x45-8.8 Hex Head Zinc              | F81002-17     | 1        |  |
| 34 | Washer, 8.4 Zinc Flat                      | F81054-1      | 6        |  |
| 35 | Nut, M8-8-B Hex Nylon Zinc Lock            | F81032-2      | 3        |  |
| 36 | Pin, Detent                                | 089939        | 1        |  |
| 37 | Tension Member, (G25 Engine Only) Ptd      | 092535-1      | 1        |  |
| 38 | Set Screw M6x8                             | F81013-1      | 2        |  |
|    | <b>Roller, Tension Complete</b>            | <b>509902</b> | <b>1</b> |  |
| 39 | Axle, Belt Tension Wheel Zinc              | 509901-1      | 1        |  |
| 40 | Bearing Wheel, Idle Side 6305 2RS NSK.     | P08066        | 2        |  |
| 41 | Wheel, LT15 Belt Tension Zinc              | 087671-1      | 1        |  |
| 42 | Ring, 62W Inside Spring Retaining          | F81090-1      | 2        |  |
| 43 | Ring, 25Z Outside Retaining                | F81090-22     | 1        |  |
| 44 | Washer, 17 Flat Zinc                       | F81058-1      | 1        |  |
| 45 | BOLT M16x30-8.8-Fe                         | F81006-36     | 1        |  |
| 46 | WASHER, DRIVE ASSY, ZINC                   | 500863-1      | 1        |  |
| 47 | WASHER,16.3 SPLIT LOCK ZINC                | F81058-2      | 1        |  |
| 48 | Washer, 17 Flat Zinc                       | F81058-1      | 1        |  |
| 49 | Nut, M16-8 Hex Nylon Zinc Lock             | F81036-2      | 1        |  |
| 50 | BOLT, M8 X 75 8.8 Fe/Zn5, PN-M/82101       | F81002-91     | 2        |  |

## 4.3 Water Lube Assembly



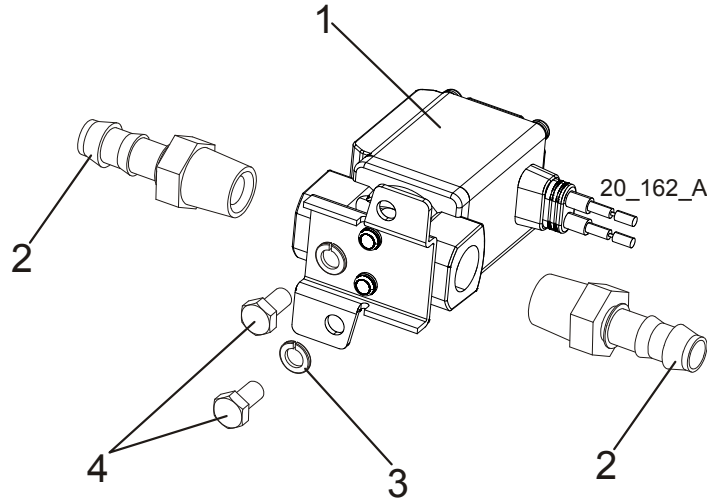
| REF. | DESCRIPTION (* Indicates Parts Available in Assemblies Only) | PART #              | QTY      |
|------|--|---------------------|----------|
|      | BOTTLE KIT, LT20 WATER LUBE                                  | <b>091036</b>       | <b>1</b> |
| 1    | TRAY WELDMENT, LT20 WATER LUBE                               | 091033-1            | 1        |
| 2    | STRAP, 20 RUBBER W/HOOK                                      | P11668              | 2        |
| 3    | SCREW M6X25-8.8-FE/ZN5 PN/M-82406                            | F81001-20           | 2        |
| 4    | WASHER, FLAT ZINC  | F81053-11           | 2        |
| 5    | NUT, M6-8-B HEX NYLON ZINC LOCK                              | F81031-2            | 2        |
| 6    | WASHER, 8.4 FLAT ZINC  | F81054-1            | 8        |
| 7    | NUT, M8-8-B HEX NYLON ZINC LOCK                              | F81032-2            | 4        |
| 8    | BOLT, M8X20-8.8-B HEX HEAD FULL THREAD                       | F81002-4            | 4        |
|      | BOTTLE, WATER, COMPLETE                                      | 513864              | 1        |
|      | BOTTLE, WATER, WITH NUT                                      | 513865 <sup>1</sup> | 1        |
| 9    | BOTTLE, WATER  | 513866              | 1        |
| 10   | NUT, BOTTLE, WATER   | 513867              | 1        |
| 11   | SEAL, RUBBER, 35X26X2.                                       | 513869              | 2        |
| 12   | NUT, PACKING, 3/4 NPT.                                       | 513868              | 1        |
| 13   | FITTING, 3/4FPTX3/4MPT                                       | 014636              | 1        |
| 14   | VALVE, 3/4 NPT ELBOW 3/4 MALE OUTLET PVC                     | 014100              | 1        |



| REF. | DESCRIPTION (* Indicates Parts Available In Assemblies Only) | PART # | QTY |
|------|--|--------|-----|
| 15   | FILTER, WATER LUBE   | 016086 | 1   |
| 16   | REDUCER, 5/8NPT/3/8BARB WATER LUBE                           | 014113 | 1   |
| 17   | TUBING, WATER LUBE   | R01885 | 1   |

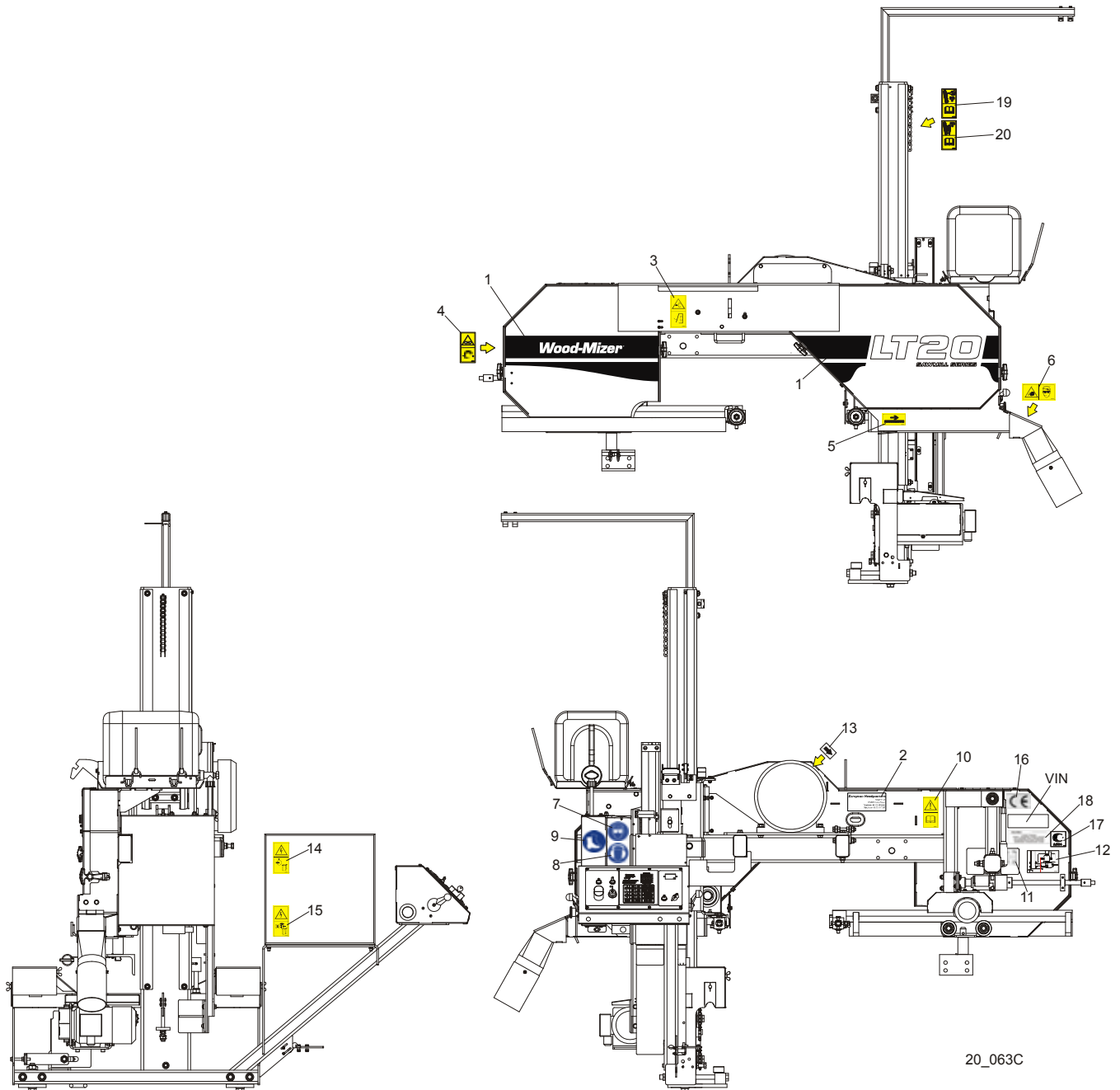
<sup>1</sup> The service number 513865-S includes: 513865, 513869, 513868.

## 4.4 Blade Lube System



| REF. | DESCRIPTION (◆ Indicates Parts Available In Assemblies Only) | PART #    | QTY. |
|------|--|-----------|------|
|      | <b>KIT, LT20AC BLADE LUBE SYSTEM</b>                         | 503517    | 1    |
| 1    | SOLENOID, WATER LUBE   | 514046    | 1    |
| 2    | FITTING, 3/8 BARB 1/4NPT MALE, NYLON                         | P04682    | 2    |
| 3    | WASHER, M5 SPLIT LOCK  | F81052-2  | 2    |
| 4    | SCREW, 10-32X1/2 HH MACHINE                                  | F05004-60 | 2    |
|      | CONNECTOR, 16-14GA FI BUTT                                   | F04875-1  | 2    |
|      | CONDUIT, 1/2IN EXPANDABLE BLACK                              | R02374    | 1m   |
|      | <b>KIT, LT20DC BLADE LUBE SYSTEM</b>                         | 503518    | 1    |
| 1    | SOLENOID, WATER LUBE   | 509113    | 1    |
| 2    | FITTING, 3/8 BARB 1/4NPT MALE, NYLON                         | P04682    | 2    |
|      | CONDUIT, 1/2IN EXPANDABLE BLACK                              | R02374    | 1m   |

4.5 LT20AC Saw Head Decals

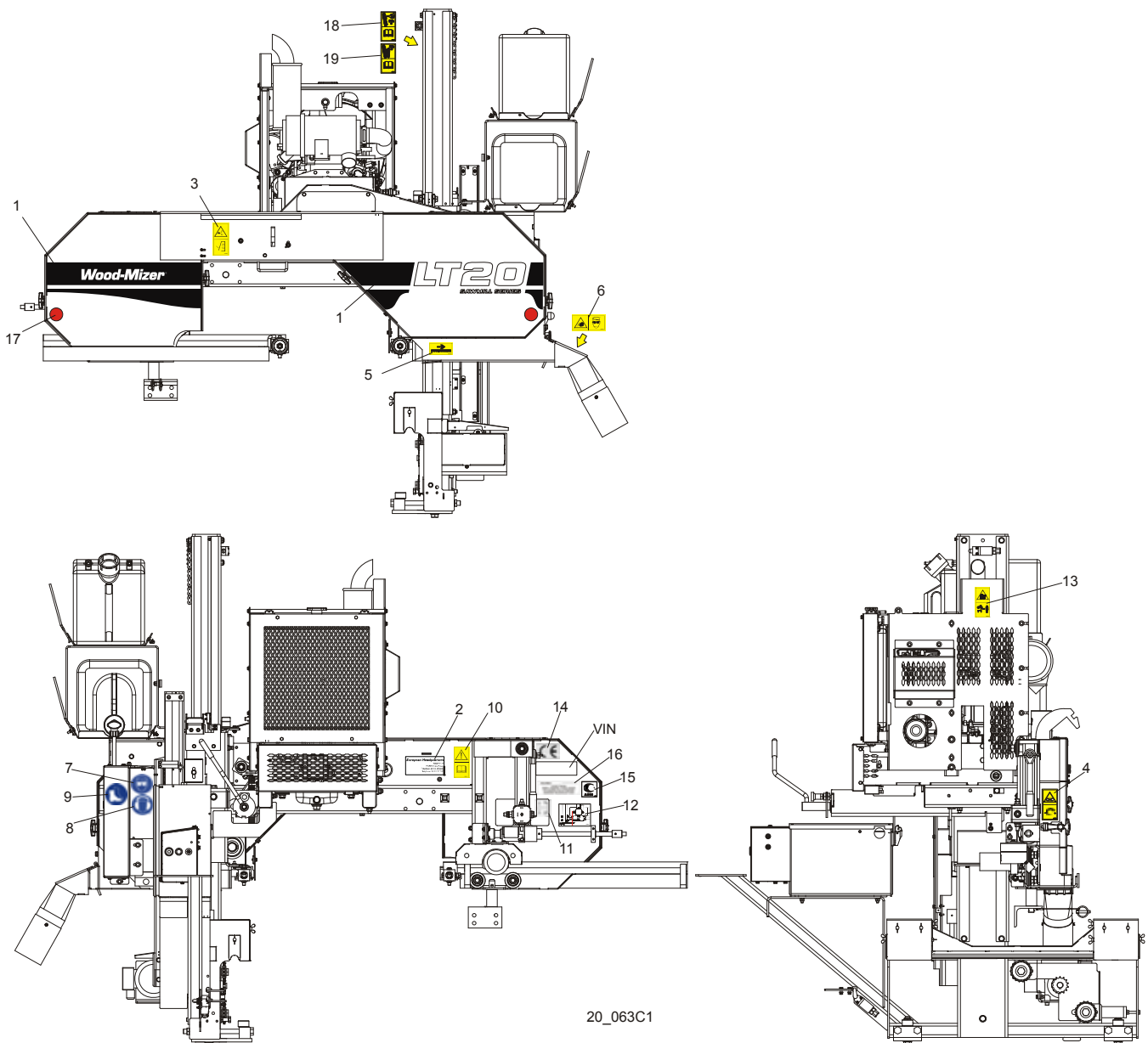


20\_063C

| REF. | DESCRIPTION (◆ Indicates Parts Available In Assemblies Only) | PART #  | QTY. |
|------|--|---------|------|
| 1    | DECAL, LT20 SERIES SAWMILL                                   | 092762  | 1    |
|      | PICTOGRAPHIC DECAL KIT, LT20AC                               | 099509  | 1    |
| 2    | DECAL, EUROPEAN HEADQUARTERS ADDRESS                         | 015841  | 1    |
| 3    | DECAL, SAWMILL COVERS CAUTION                                | 099220  | 1    |
| 4    | DECAL, BLADE TENSION (PICTOGRAM)                             | 099219  | 1    |
| 5    | DECAL, BLADE MOVEMENT DIRECTION (PICTOGRAM)                  | 096321  | 1    |
| 6    | DECAL, SAWDUST CHUTE WARNING (PICTOGRAM)                     | 099222  | 1    |
| 7    | DECAL, EYE PROTECTION WARNING (PICTOGRAM)                    | S12004G | 1    |
| 8    | DECAL, EAR PROTECTION WARNING (PICTOGRAM)                    | S12005G | 1    |

|    |   |        |   |  |
|----|---|--------|---|--|
| 9  | DECAL, USE SAFETY BOOTS (PICTOGRAM)                       | 501465 | 1 |  |
| 10 | DECAL, READ OPERATOR'S MANUAL (PICTOGRAM)                 | 096317 | 1 |  |
| 11 | DECAL, BLADE ALIGNMENT                                    | P11789 | 1 |  |
| 12 | DECAL, BLADE TENSION INDICATOR ADJUSTMENT                 | 092597 | 1 |  |
| 13 | DECAL, MOTOR ROTATION DIRECTION                           | S20097 | 1 |  |
| 14 | DECAL, HIGH VOLTAGE INSIDE THE ELECTRIC BOX (PICTOGRAM)   | 096316 | 2 |  |
| 15 | DECAL, REMOVE THE PLUG BEFORE OPENING THE BOX (PICTOGRAM) | 096319 | 2 |  |
| 16 | DECAL, CE CERTIFIED SAWMILL                               | P85070 | 2 |  |
| 17 | DECAL, RUSSIAN SAFETY CERTIFICATION                       | 099401 | 1 |  |
| 18 | DECAL, INTERNATIONAL SAWMILL NAME                         | 501466 | 1 |  |
|    | DECAL, BLADE SETTING                                      | P85066 | 1 |  |
|    | DECAL, KEEP AWAY DANGER, PICTOGRAM                        | 099221 | 1 |  |
|    | DECAL, MAX. OIL PRESSURE, PICTOGRAM                       | 099524 | 1 |  |
| 19 | <b>DECAL, LUBRICATE THE CHAIN</b>                         | 512158 | 1 |  |
| 20 | <b>DECAL, CLEAN THE CHAIN</b>                             | 512240 | 1 |  |

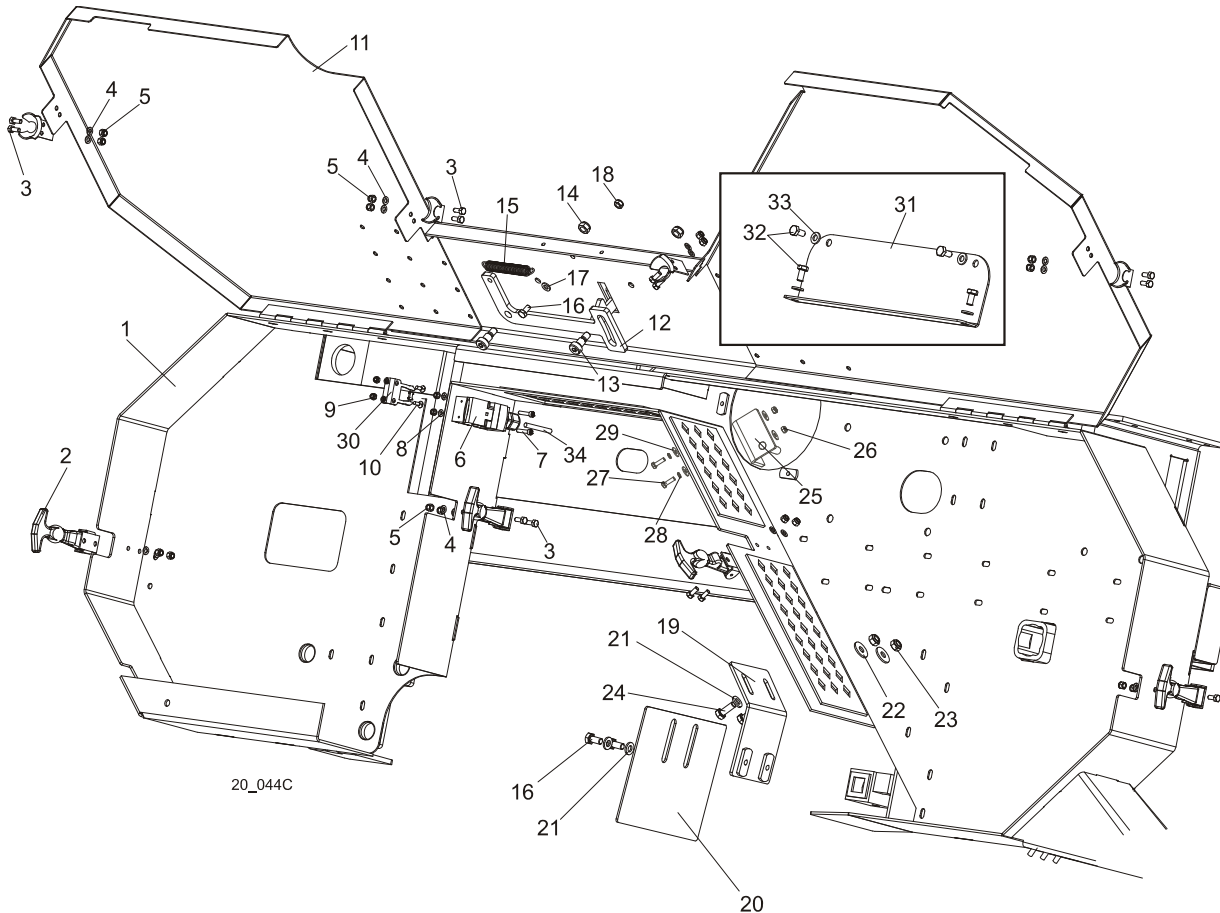
## 4.6 LT20DC Saw Head Decals



| REF. | DESCRIPTION (◆ Indicates Parts Available In Assemblies Only) | PART #  | QTY. |
|------|--|---------|------|
| 1    | <b>DECAL, LT20 SERIES SAWMILL</b>                            | 092762  | 1    |
|      | <b>PICTOGRAPHIC DECAL KIT, LT20DC</b>                        | 099510  | 1    |
| 2    | DECAL, EUROPEAN HEADQUARTERS ADDRESS                         | 015841  | 1    |
| 3    | DECAL, SAWMILL COVERS CAUTION                                | 099220  | 1    |
| 4    | DECAL, BLADE TENSION (PICTOGRAM)                             | 099219  | 1    |
| 5    | DECAL, BLADE MOVEMENT DIRECTION (PICTOGRAM)                  | 096321  | 1    |
| 6    | DECAL, SAWDUST CHUTE WARNING (PICTOGRAM)                     | 099222  | 1    |
| 7    | DECAL, EYE PROTECTION WARNING (PICTOGRAM)                    | S12004G | 1    |
| 8    | DECAL, EAR PROTECTION WARNING (PICTOGRAM)                    | S12005G | 1    |
| 9    | DECAL, USE SAFETY BOOTS (PICTOGRAM)                          | 501465  | 1    |

|    |  |        |   |  |
|----|--|--------|---|--|
| 10 | DECAL, READ OPERATOR'S MANUAL (PICTOGRAM)          | 096317 | 1 |  |
| 11 | DECAL, BLADE ALIGNMENT                             | P11789 | 1 |  |
| 12 | DECAL, BLADE TENSION INDICATOR ADJUSTMENT          | 092597 | 1 |  |
| 13 | DECAL, KEEP AWAY - HOT PARTS (PICTOGRAM)           | 086099 | 1 |  |
| 14 | DECAL, CE CERTIFIED SAWMILL                        | P85070 | 2 |  |
| 15 | DECAL, RUSSIAN SAFETY CERTIFICATION                | 099401 | 1 |  |
| 16 | DECAL, INTERNATIONAL SAWMILL NAME                  | 501466 | 1 |  |
|    | DECAL, BLADE SETTING                               | P85066 | 1 |  |
|    | DECAL, KEEP AWAY DANGER, PICTOGRAM                 | 099221 | 1 |  |
|    | DECAL, MAX. OIL PRESSURE, PICTOGRAM                | 099524 | 1 |  |
| 17 | <b>REFLECTOR, 2 DIA RED (MOBILE SAWMILLS ONLY)</b> | P07452 | 1 |  |
| 18 | <b>DECAL, LUBRICATE THE CHAIN</b>                  | 512158 | 1 |  |
| 19 | <b>DECAL, CLEAN THE CHAIN</b>                      | 512240 | 1 |  |

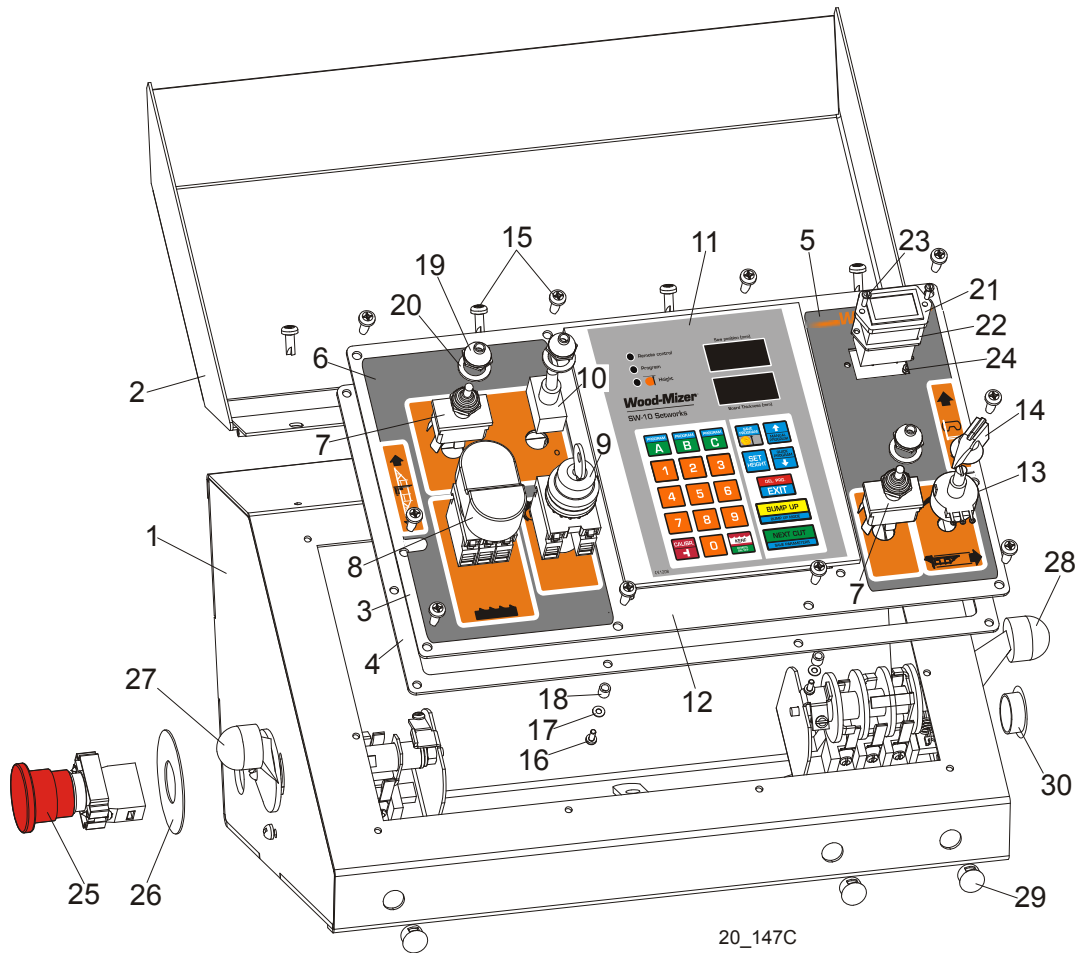
## 4.7 Blade Housing Cover



| REF. | DESCRIPTION (◆ Indicates Parts Available In Assemblies Only) | PART #    | QTY. |
|------|--|-----------|------|
| 1    | SAW HEAD WELDMENT, LT20                                      | 090567    | 1    |
| 2    | LATCH, FLEXIBLE DRAW   | 014829    | 4    |
| 3    | BOLT, M5 X 12-5.8 HEX HEAD FULL THREAD ZINC                  | F81000-5  | 16   |
| 4    | WASHER, 5.3 ZINC FLAT  | F81052-1  | 16   |
| 5    | NUT, M5-8 HEX NYLON ZINC LOCK                                | F81030-2  | 16   |
| 6    | SWITCH, AZ17-11ZRK SAFETY KEY                                | 094232    | 1    |
| 7    | SCREW, M4 X 35 8.8 HEX SOCKET HEAD CAP ZINC                  | F81011-34 | 2    |
| 8    | WASHER, 4.3 ZINC FLAT  | F81051-2  | 4    |
| 9    | NUT, M4-B HEX NYLON ZINC LOCK                                | F81029-1  | 4    |
| 10   | SCREW, M4 X 12 5.8-B SLOTTED COUNTERSUNK HEAD ZINC           | F81011-43 | 2    |
| 11   | COVER WELDMENT, LT20 BLADE HOUSING PTD                       | 096776-1  | 1    |
| 12   | PAWL, LOCKING PTD  | 090643-1  | 1    |
| 13   | SCREW, 10/M8 X 12-12.9 ISO-7379 SOCKET HEAD SHOULDER         | F81003-62 | 2    |
| 14   | NUT, M8-8-B HEX NYLON ZINC LOCK                              | F81032-2  | 2    |
| 15   | SPRING, 1,6x12x38 EXTENSION                                  | 092208    | 1    |
| 16   | BOLT, M6 X 12-8.8 HEX HEAD FULL THREAD ZINC                  | F81001-7  | 3    |
| 17   | WASHER, 6.4 ZINC FLAT  | F81053-1  | 1    |

|    |   |           |                    |  |
|----|---|-----------|--------------------|--|
| 18 | NUT, M6-8-B HEX NYLON ZINC LOCK             | F81031-2  | 1                  |  |
| 19 | BRACKET, BLADE GUIDE ROLLER GUARD PAINTED   | 092378-1  | 1                  |  |
| 20 | GUARD, BLADE GUIDE ROLLER PAINTED           | 092379-1  | 1                  |  |
| 21 | WASHER, 6.4 ZINC FLAT                       | F81053-1  | 4                  |  |
| 22 | WASHER, 6.5 ZINC FLAT                       | F81053-11 | 2                  |  |
| 23 | NUT, M6-8-B HEX NYLON ZINC LOCK             | F81031-2  | 2                  |  |
| 24 | BOLT, M6X16 8.8 HEX HEAD FULL THREAD ZINC   | F81001-15 | 2                  |  |
| 25 | BRACKET WLDMT, PTD DRIVE BELT SUPPORT       | 092636-1  | 1                  |  |
| 26 | NUT, M6-8-B HEX NYLON ZINC LOCK             | F81031-2  | 2                  |  |
| 27 | BOLT, M6 X 20-8.8 HEX HEAD FULL THREAD ZINC | F81001-2  | 2                  |  |
| 28 | WASHER 6,1 FE/ZN9 PN/M-82008                | F81053-3  | 2                  |  |
| 29 | WASHER, 6.5 ZINC FLAT                       | F81053-11 | 4                  |  |
| 30 | KEY, AZ17/170-B5 SAFETY SWITCH              | 094422    | 1                  |  |
| 31 | COVER, SAW HEAD MOUNT                       | 096788-1  | 1                  |  |
| 32 | BOLT, M6X12MM HEX HEAD ZINC                 | F81001-7  | 4                  |  |
| 33 | WASHER, M6 FLAT ZINC                        | F81053-1  | 4                  |  |
| 34 | CABLE, OLFLEX 400P 2X1                      | R80583-5  | 3m (DC)<br>5m (AC) |  |

4.8 Control Box (AC Sawmills)

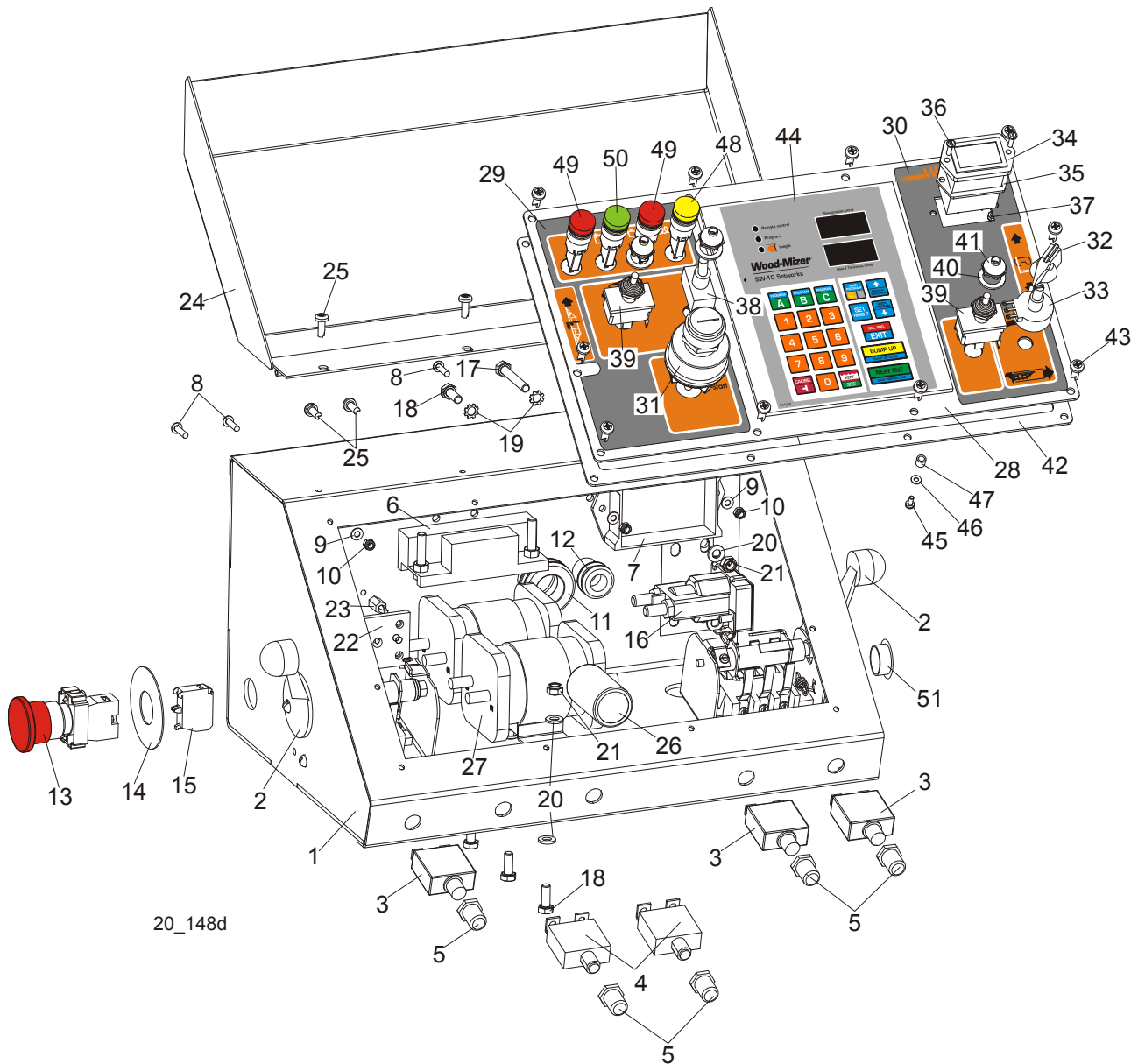


| REF. | DESCRIPTION (◆ Indicates Parts Available In Assemblies Only) | PART #    | QTY. |
|------|--|-----------|------|
|      | <b>CONTROL BOX ASSEMBLY, LT20 AC COMPLETE</b>                | 097136    | 1    |
| 1    | Box Weldment, LT20 AC Control                                | 097134-1  | 1    |
| 2    | Cover Control Box, LT20                                      | 097135-1  | 1    |
| 3    | Panel, LT20AC Front Control Complete                         | 097131    | 1    |
| 4    | Gasket, LT20 Control Box                                     | 097132    | 1    |
| 5    | Decal, LT20AC/DC Control Box Right                           | 099593    | 1    |
| 6    | Decal, LT20AC Control Box Left                               | 099594    | 1    |
| 7    | Switch, DPDT Toggle 21A Rev Mom Spade                        | 024200    | 2    |
| 8    | Button, 24V Start/Stop                                       | 090452    | 1    |
|      | Membrane M22-T-DD  | 090462    | 1    |
| 9    | Switch, M22 3-position Key                                   | 091361    | 1    |
|      | Contact, M22 - K10   | 091362    | 2    |
| 10   | Switch, SPST ON/OFF 15A .25 Tabs Toggle                      | P03027    | 1    |
| 11   | Controller, SW-10 Setworks                                   | 500628    | 1    |
| 12   | Panel, LT20/40AC Front Control                               | 100572-1  | 1    |
| 13   | Potentiometer, 1K Feed Rate                                  | E20519    | 1    |
| 14   | Knob, Speed Control  | P06257    | 1    |
| 15   | Bolt, #10-24x1/2 Ph Pan Hd, Type 23                          | F05015-17 | 14   |



|    |   |           |   |  |
|----|---|-----------|---|--|
| 16 | Screw, M3x8 -4.8- Fe/Zn5 PN-M/82202       | F81000-83 | 6 |  |
| 17 | Washer, 3.2 Fe/Zn5 PN-M/82005             | F81050-2  | 6 |  |
| 18 | Tube, 6mm 4.2 long                        | R80671-4  | 6 |  |
| 19 | Boot, Toggle Switch                       | P02575    | 3 |  |
| 20 | Washer, 1/2x3/4x1/16 Nylon                | P05251-1  | 3 |  |
| 21 | Meter, Hour                               | 093166    | 1 |  |
| 22 | Gasket, Hour Meter                        | 093346    | 1 |  |
| 23 | Bolt, M3x12-8.8 Zinc                      | F81000-12 | 2 |  |
| 24 | Nut, M3-6 Hex Nylon Zinc Lock             | F81028-2  | 2 |  |
| 25 | Button, XB4 BS542 Emergency Stop          | 086556    | 1 |  |
| 26 | Washer, Emergency Stop Switch             | 086561    | 1 |  |
| 27 | Switch, 1992GS Pwr/Feed (Service Package) | E20438    | 1 |  |
| 28 | Switch, 1992 Up/Down (Service Package)    | E20440    | 1 |  |
| 29 | Cap, DP 812 Heyman 12.7 Dia. Hole         | 086773    | 3 |  |
| 30 | Cap, SR1086 22.2 Dia. Hole                | 093544    | 1 |  |

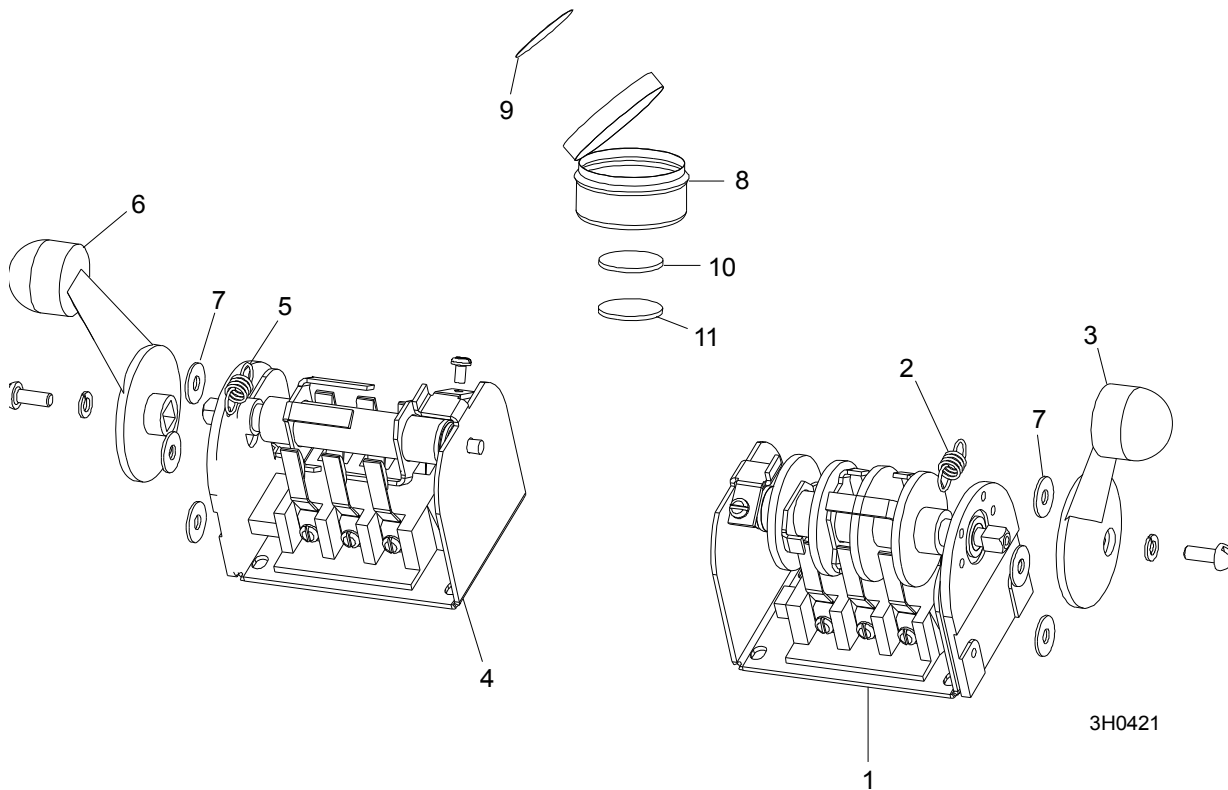
4.9 Control Box (DC Sawmills)



| REF.   | DESCRIPTION (◆ Indicates Parts Available In Assemblies Only) | PART #    | QTY. |
|--|--|-----------|------|
| <b>CONTROL BOX ASSEMBLY, LT20 DC DIESEL COMPLETE</b> |  |           |      |
| 1  | Box Weldment, LT20 DC  | 097167    | 1    |
| 2  | Switch, 1992GS Pwr/Feed (Service Package)                    | 097165-1  | 1    |
| 3  | Breaker, 50A Manual Reset Panel Mount                        | E20438    | 2    |
| 4  | BREAKER, 10A MANUAL RESET PANEL MOUNT                        | 021256    | 3    |
| 5  | Boot, Circuit Breaker  | 505374    | 2    |
| 6  | Module Assy, Mosfet 4x 92-96 P/F                             | 021253    | 5    |
| 7  | Control Module Assy, P/F SMT Service '97                     | 024540    | 1    |
| 8  | Screw M4x16 5,8-B Zinc Lock                                  | 024396    | 1    |
| 9  | Washer, 4.3 Flat Zinc  | F81011-42 | 4    |
| 10   | Nut, M4-B Hex Nylon Zinc Lock                                | F81051-2  | 4    |
|  |  | F81029-1  | 4    |

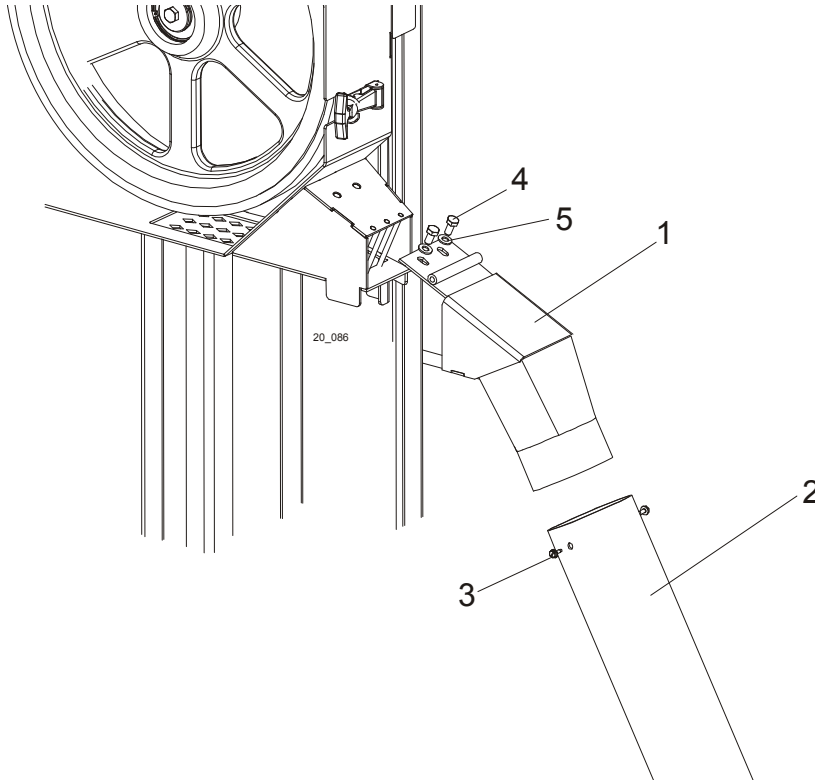
|    |  |           |    |  |
|----|--|-----------|----|--|
| 11 | Grommet, 22mm Rubber                     | 087400    | 1  |  |
| 12 | Grommet, 20/13 Rubber                    | 086188    | 1  |  |
| 13 | Button, XB4 BS542 Emergency Stop         | 086556    | 1  |  |
| 14 | Washer, ZBY9330 Emergency Stop Button    | 086561    | 1  |  |
| 15 | Contact, ZBE102                          | 086810    | 1  |  |
| 16 | Solenoid, 120-943 Hyd Shut-Off           | P10449    | 1  |  |
| 17 | Bolt, M6x40mm, Hex Head, Full Thrd, Zinc | F81001-5  | 1  |  |
| 18 | Bolt, M6x16mm, Hex Head, Full Thrd, Zinc | F81001-15 | 6  |  |
| 19 | Washer, M6 Star Lock Zinc                | F81053-2  | 2  |  |
| 20 | Washer, M6 Flat Zinc                     | F81053-1  | 8  |  |
| 21 | Nut, M6 Hex Nylon Lock Zinc              | F81031-2  | 5  |  |
| 22 | Radiator, Diode                          | 091867    | 1  |  |
| 23 | Spacer, P3/12                            | R80671-2  | 4  |  |
| 24 | Cover Weldment, LT20 Complete            | 097135-1  | 1  |  |
| 25 | Bolt, #10-24x1/2 Ph Pan Hd, Type 23      | F05015-17 | 6  |  |
| 26 | Capacitor, 10000/63V Elektrolytic        | 091166    | 1  |  |
| 27 | Solenoid, 200A 12V DPST                  | 015417    | 2  |  |
|    | Panel, LT20DC Front Complete             | 097163    | 1  |  |
| 28 | Panel, LT20/40DC Front                   | 100573-1  | 1  |  |
| 29 | Decal, LT20DC Control Box Left           | 099592    | 1  |  |
| 30 | Decal, LT20AC/DC Control Box Right       | 099593    | 1  |  |
| 31 | Switch, Key                              | P04350    | 1  |  |
| 32 | Knob, Speed Control                      | P06257    | 1  |  |
| 33 | Potentiometer, 1k                        | E20519    | 1  |  |
| 34 | Meter, Hour                              | 093166    | 1  |  |
| 35 | Gasket, Hour Meter                       | 093346    | 1  |  |
| 36 | Bolt, M3x12-8.8 Zinc                     | F81000-12 | 2  |  |
| 37 | Nut, M3-6 Hex Nylon Zinc Lock            | F81028-2  | 2  |  |
| 38 | Switch, SPST On/Off 15A .25 Tabs Toggle  | P03027    | 1  |  |
| 39 | Switch, DPDT Toggle 21A Rev Mom Spade    | 024200    | 2  |  |
| 40 | Washer, 1/2x3/4x1/16 Nylon               | P05251-1  | 3  |  |
| 41 | Boot, Toggle Switch                      | P02575    | 3  |  |
| 42 | Gasket, LT20 Control Box                 | 097132    | 1  |  |
| 43 | Bolt, #10-24x1/2 Ph Pan Hd, Type 23      | F05015-17 | 10 |  |
| 44 | Controller, SW-10 Setworks               | 500628    | 1  |  |
| 45 | Screw, FH ST 3,5x6,5 A4                  | F81000-82 | 6  |  |
| 46 | Washer, 3.2 Flat Zinc                    | F81050-2  | 6  |  |
| 47 | Spacer, 4.2x6mm Idler                    | R80671-4  | 6  |  |
| 48 | Light, XB6AV5BB Yellow                   | 089812    | 1  |  |
| 49 | Light, XB6AV4BB Red                      | 091099    | 2  |  |
| 50 | Light, XB6AV3BB Green                    | 087348    | 1  |  |
| 51 | Cap, SR1086 22.2 Dia. Hole               | 093544    | 1  |  |

## 4.10 Drum Switches



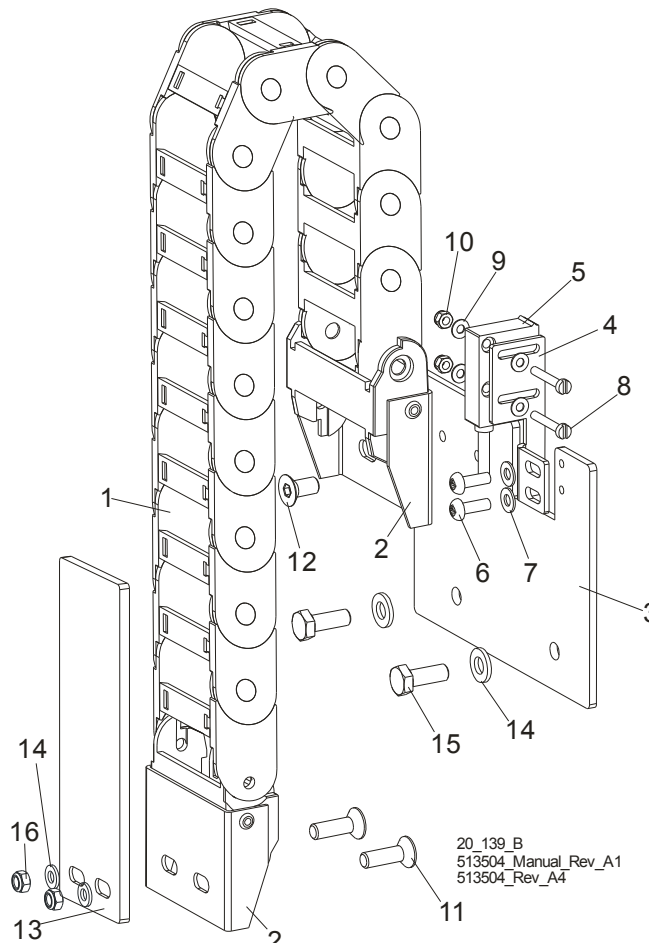
| REF. | DESCRIPTION (◆ Indicates Parts Available In Assemblies Only) | PART #    | QTY.   |   |
|------|--|-----------|--------|---|
|      | <b>SWITCH ASSEMBLY, UP/DOWN DRUM</b>                         | E20440    | 1      |   |
| 1    | Switch, Drum   | E20440-B  | 1      | ◆ |
| 2    | Spring, Drum Switch  | P12570    | 1      |   |
| 3    | Handle, Drum Switch w/Screws                                 | P12500    | 1      |   |
|      | <b>SWITCH ASSEMBLY, POWER FEED DRUM</b>                      | E20438    | 1      |   |
| 4    | Switch, Drum   | E20438-B  | 1      | ◆ |
| 5    | Spring, Drum Switch  | P12570    | 1      |   |
| 6    | Handle, Drum Switch w/Screws                                 | P12500    | 1      |   |
| 7    | <b>WASHER, #8 SAE FLAT</b>                                   | F05011-41 | 6      |   |
|      | <b>CUP ASSEMBLY, DRUM SWITCH GREASE</b>                      | A20463    | 1      |   |
| 8    | Cup, Plastic Container                                       | P20464    | 1      | ◆ |
| 9    | Label, Grease Cup  | P20467    | 1      |   |
| 10   | Pad, Velcro Loop   | P20466    | 1      | ◆ |
| 11   | Pad, Velcro Hook   | P20465    | 1      | ◆ |
|      | Grease, Drum Switch  | P20468    | .011ml | ◆ |

### 4.11 Sawdust Chute



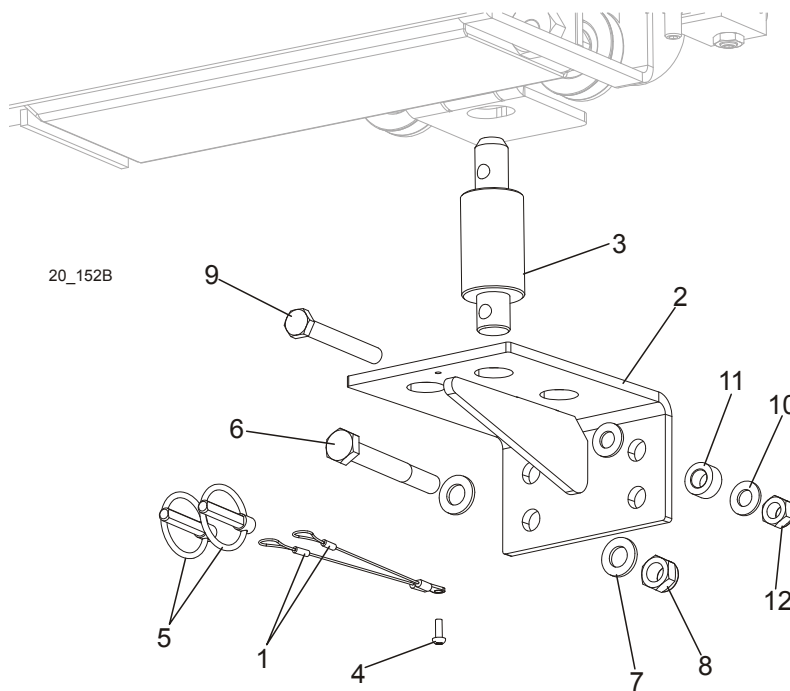
| REF. | DESCRIPTION (◆ Indicates Parts Available In Assemblies Only) | PART #    | QTY. |  |
|------|--|-----------|------|--|
| 1    | CHUTE WELDMENT, SAWDUST                                      | 100903-1  | 1    |  |
| 2    | TUBE, SAWDUST CHUTE RUBBER                                   | R02336    | 1    |  |
| 3    | SCREW, #10-24 X 1/2 SELF-TAPPING                             | F05015-7  | 2    |  |
| 4    | BOLT, M8x16  | F81002-20 | 2    |  |
| 5    | WASHER, 8.4 ZINC FLAT  | F81054-1  | 2    |  |

## 4.12 Up/Down Cable Chain Assembly



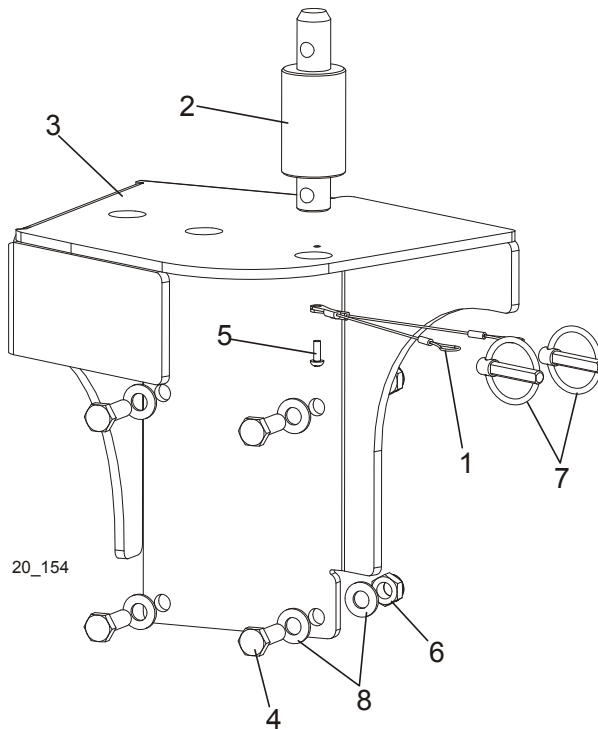
| REF. | DESCRIPTION (◆ Indicates Parts Available In Assemblies Only) | PART #        | QTY.     |
|------|--|---------------|----------|
| 1    | Harness Guide, 1450.050.075.0                                | 512944        | 1        |
|      | <b>HARNESS GUIDE AND SENSOR ASSEMBLY</b>                     | <b>098052</b> | <b>1</b> |
| 2    | Bracket, 14050, 12PZ Mount                                   | 512945        | 1        |
| 3    | Mounting Plate, Harness and Sensor Assy.                     | 096067-1      | 1        |
| 4    | Bracket, Sensor Mount  | 096068-1      | 1        |
| 5    | Sensor, MSK-320  | 096014        | 1        |
| 6    | Screw, M4x12-5,8-B Zinc                                      | F81011-43     | 2        |
| 7    | Washer, 4.3 Zinc   | F81051-2      | 2        |
| 8    | Screw, M3x20-5.8-A Zinc                                      | F81000-8      | 2        |
| 9    | Washer, 3.2 Zinc   | F81050-2      | 4        |
| 10   | Nut, M3-6 Zinc   | F81028-2      | 2        |
| 11   | SCREW, M6x20-10.9 Fe/Zn5 DIN-7991                            | F81001-17     | 2        |
| 12   | BOLT M6x12-10.9 FE/ZN5 DIN7991 TAPER HEAD                    | F81001-54     | 2        |
| 13   | Plate, Guide Mount   | 098662-1      | 1        |
| 14   | WASHER, M6, FLAT,ZINC  | F81053-1      | 2        |
| 15   | BOLT, M6 x 16 8.8 Fe/Zn5 PN-M/82105                          | F81001-15     | 2        |

## 4.13 LT20 Saw Head Rest Pin Assembly



| REF. | DESCRIPTION (◆ Indicates Parts Available In Assemblies Only) | PART #    | QTY. |
|------|--|-----------|------|
|      | <b>BRACKET, LT20 SAW HEAD REST PIN COMPLETE</b>              | 097936    | 1    |
| 1    | LANYARD, 3/64 X 6  | 016030    | 2    |
| 2    | BRACKET, LT20 SAW HEAD REST PIN                              | 092699-1  | 1    |
| 3    | PIN, LT20 SAW HEAD REST                                      | 097935-1  | 1    |
| 4    | SCREW, M4x12 5,8-B CROSS RECESSED PAN HEAD                   | F81011-43 | 1    |
| 5    | PIN, 8 BN914 (BOSSARD 134650) LOCK                           | F81046-2  | 2    |
| 6    | BOLT, M12x95 -8.8- HEX HEAD ZINC-PLATED                      | F81004-29 | 1    |
| 7    | WASHER, 13 FLAT ZINC   | F81056-1  | 2    |
| 8    | NUT, M12-8 HEX NYLON ZINC LOCK                               | F81034-2  | 1    |
| 9    | BOLT, M10 X 80 -8.8- FE/ZN5 HEX HEAD                         | F81003-50 | 1    |
| 10   | WASHER, 10.5 FLAT ZINC                                       | F81055-1  | 2    |
| 11   | BUSHING, ZINC-PLATED SPACER                                  | 090936-1  | 1    |
| 12   | NUT, M10-8-B HEX NYLON ZINC LOCK                             | F81033-1  | 1    |

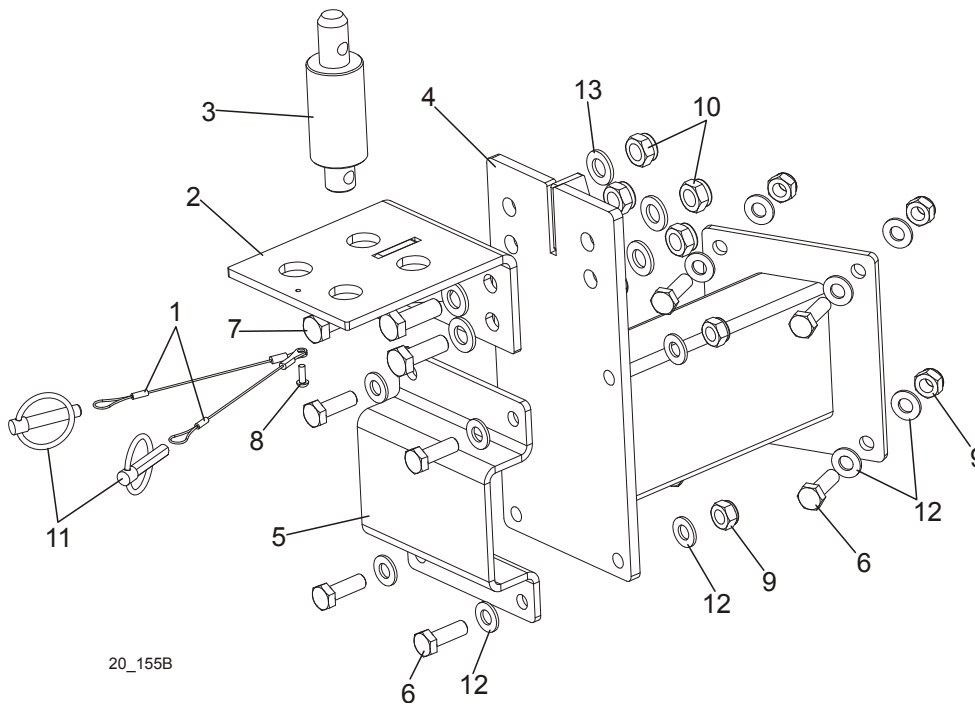
## 4.14 Saw Head Rest Pin Assembly (LT20ME15SAH3 - 1.8 Sawmills)



| REF. | DESCRIPTION (◆ Indicates Parts Available In Assemblies Only) | PART #    | QTY. |
|------|--|-----------|------|
|      | <b>KIT, LT20ME15SAH3-1.8 SAW HEAD REST PIN COMPLETE</b>      | 501670    | 1    |
| 1    | LANYARD, 3/64 X 6  | 016030    | 2    |
| 2    | PIN, LT20 SAW HEAD REST                                      | 097935-1  | 1    |
| 3    | PLATE, LT20ME15SAH3-1.8 SAW HEAD REST PIN                    | 501671-1  | 1    |
| 4    | BOLT, M10X30-5.8 HEX HEAD FULL THREAD ZINC                   | F81003-2  | 4    |
| 5    | SCREW, M4x12 5,8-B CROSS RECESSED PAN HEAD                   | F81011-43 | 1    |
| 6    | NUT, M10-8-B HEX NYLON ZINC LOCK                             | F81033-1  | 4    |
| 7    | PIN, 8 BN914 (BOSSARD 134650) LOCK                           | F81046-2  | 2    |
| 8    | WASHER, 10.5 FLAT ZINC                                       | F81055-1  | 8    |

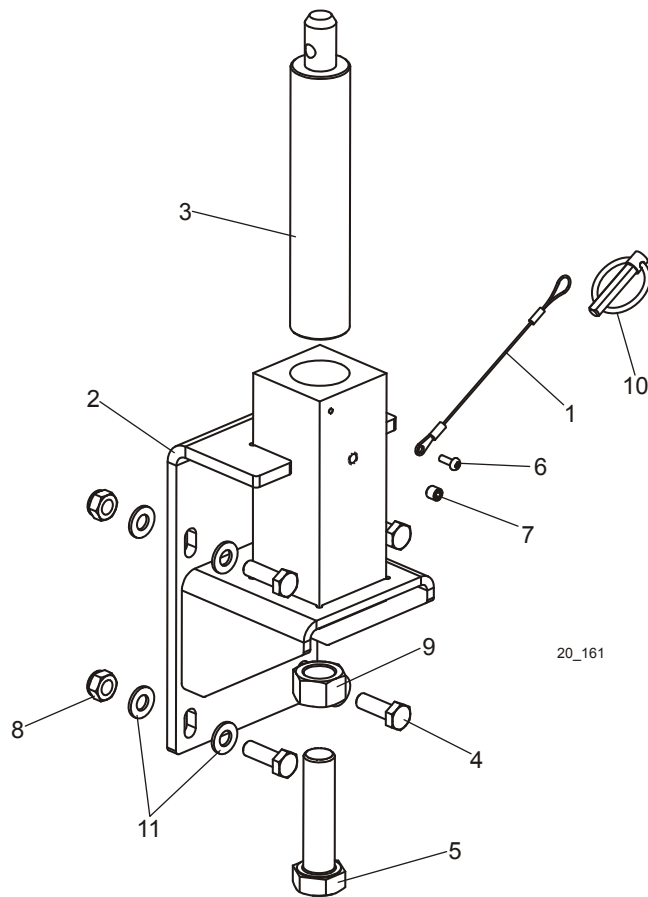


## 4.15 Saw Head Rest Pin Assembly (LT20ME15SAH7-2.2 Sawmills)



| REF. | DESCRIPTION (◆ Indicates Parts Available in Assemblies Only) | PART #    | QTY. |
|------|--|-----------|------|
|      | <b>KIT, LT20ME15SAH7-2.2 SAW HEAD REST PIN COMPLETE</b>      | 504258    | 1    |
| 1    | LANYARD, 3/64 X 6  | 016030    | 2    |
| 2    | BRACKET WDMT, SAW HEAD SAFETY PIN                            | 092699-1  | 1    |
| 3    | PIN, LT20 SAW HEAD REST                                      | 097935-1  | 1    |
| 4    | BRACKET, LT20ME15SAH7-2.2 SAW HEAD REST                      | 504252-1  | 1    |
| 5    | PLATE, SAW HEAD BRACKET SIDE                                 | 504312-1  | 1    |
| 6    | BOLT, M10X30-5.8 HEX HEAD FULL THREAD ZINC                   | F81003-2  | 8    |
| 7    | BOLT, M12 X 35-8.8-FE/ZN5 HEX HEAD FULL                      | F81004-24 | 4    |
| 8    | SCREW, M4x12 5,8-B CROSS RECESSED PAN HEAD                   | F81011-43 | 1    |
| 9    | NUT, M10-8-B HEX NYLON ZINC LOCK                             | F81033-1  | 8    |
| 10   | NUT, M12-8 HEX NYLON ZINC LOCK                               | F81034-2  | 4    |
| 11   | PIN, 8 BN914 (BOSSARD 134650) LOCK                           | F81046-2  | 2    |
| 12   | WASHER, 10.5 FLAT ZINC                                       | F81055-1  | 16   |
| 13   | WASHER, 13 FLAT ZINC   | F81056-1  | 8    |

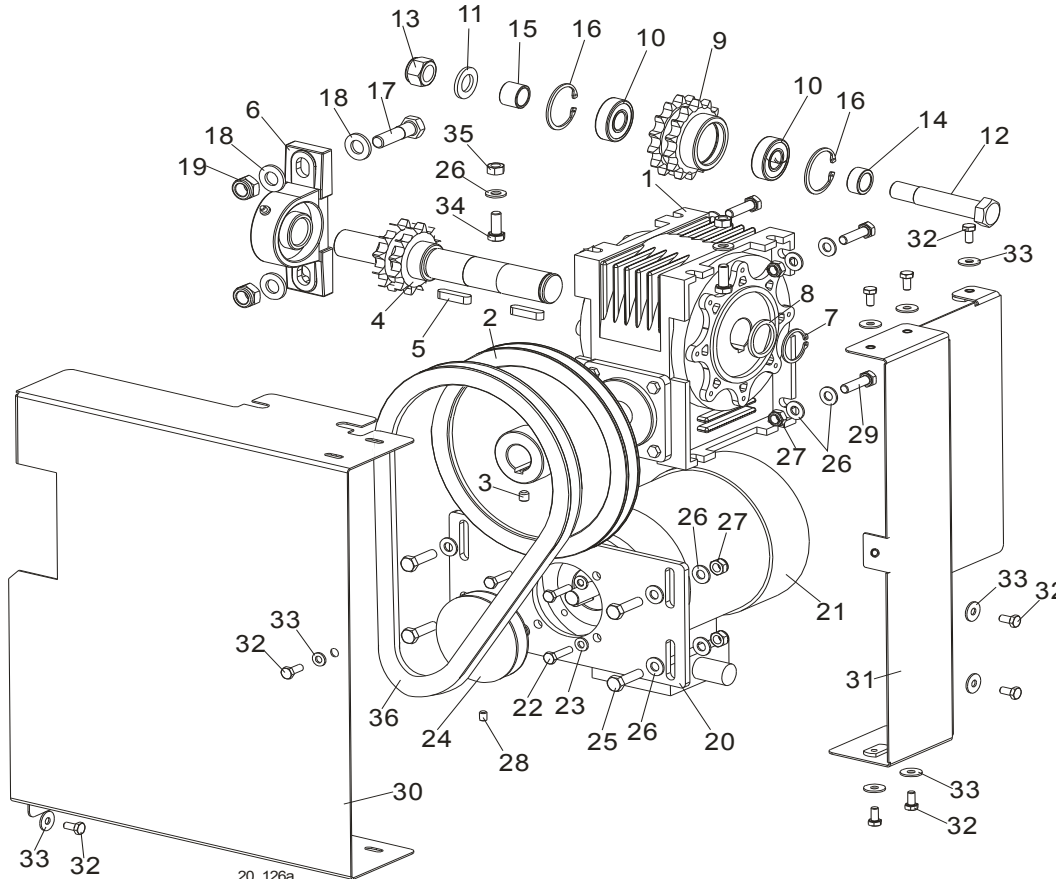
## 4.16 Saw Head Rest Pin Assembly (LT20MD22SDH7-2.5 Sawmills)



| REF. | DESCRIPTION (◆ Indicates Parts Available In Assemblies Only) | PART #    | QTY. |
|------|--|-----------|------|
|      | <b>KIT, LT20MD22SDH7-2.5 SAW HEAD REST PIN COMPLETE</b>      | 505041    | 1    |
| 1    | LANYARD, 3/64 X 6  | 016030    | 1    |
| 2    | BRACKET, LT20ME15SAH7-2.2 SAW HEAD REST                      | 505045-1  | 1    |
| 3    | PIN, LT20 SAW HEAD REST                                      | 505046-1  | 1    |
| 4    | BOLT, M10X30-5.8 HEX HEAD FULL THREAD ZINC                   | F81003-2  | 4    |
| 5    | BOLT, M20x80-8.8 FE/Zn5 PN-85/M-82105                        | F81007-10 | 1    |
| 6    | SCREW, M4x12 5,8-B CROSS RECESSED PAN HEAD                   | F81011-43 | 1    |
| 7    | SCREW, M8X8-33H HEX SOCKET SET FLAT POINT                    | F81014-1  | 1    |
| 8    | NUT, M10-8-B HEX NYLON ZINC LOCK                             | F81033-1  | 4    |
| 9    | NUT, M20-8-Fe/Zn5 PN-86/M-82144                              | F81037-1  | 1    |
| 10   | PIN, 8 BN914 (BOSSARD 134650) LOCK                           | F81046-2  | 1    |
| 11   | WASHER, 10.5 FLAT ZINC                                       | F81055-1  | 8    |

## SECTION 5 UP/DOWN ASSEMBLY

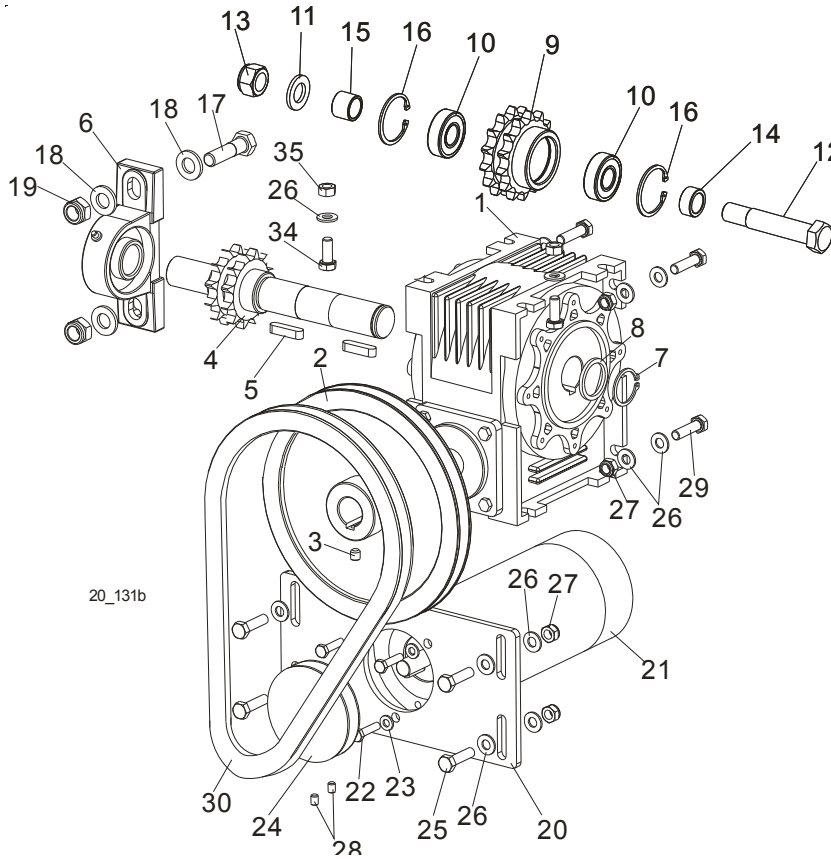
### 5.1 Up/Down Assembly, AC Mills



| REF. | DESCRIPTION (◆ Indicates Parts Available In Assemblies Only) | PART #        | QTY.     |   |
|------|--|---------------|----------|---|
|      | <b>MOTOR ASSEMBLY, LT20 AC UP/DOWN</b>                       | 098300        | 1        | ◆ |
|      | Motor Assembly, LT20 Up/Down                                 | 098299        | 1        |   |
| 1    | Box, R-63/66/F1/B3 Gear                                      | 097786        | 1        |   |
| 2    | Pulley, LT20   | 091078-1      | 1        |   |
| 3    | Screw, M8x8-33H Hex Socket Set Flat Point                    | F81014-1      | 1        |   |
| 4    | Shaft, LT20 Up/Down w/Sprocket                               | 512249-1      | 1        |   |
| 5    | Key, A8x7x32 Parallel  | 088564        | 2        |   |
| 6    | Bearing Assembly, UCP 205CX                                  | 088468        | 1        |   |
| 7    | Ring, Z28 Outside Retaining                                  | F81090-12     | 1        |   |
| 8    | Washer   | 098351        | 1        |   |
|      | <b>Sprocket Assembly</b>                                     | <b>512276</b> | <b>2</b> |   |
| 9    | Sprocket, ULMER T08260                                       | 512247-1      | 1        |   |
| 10   | Spacer, Drive Bearing  | 098166        | 2        |   |
| 11   | Washer, M16 Flat Zinc  | F81058-1      | 2        |   |
| 12   | Pin, Up/Down Drive Shaft                                     | 098289-1      | 1        |   |
| 13   | Nut, M16-8 Hex Nylon Zinc Lock                               | F81036-2      | 1        |   |

|    |   |               |          |  |
|----|---|---------------|----------|--|
| 14 | BUSHING, D42 BELT TENSIONER SPACER ZINC-PL. | 087965-1      | 1        |  |
| 15 | BUSHING, UP/DOWN SPROCKET SPACER ZINC-PL.   | 088792-1      | 1        |  |
| 16 | RING, W40 INSIDE RETAINING                  | F81090-3      | 2        |  |
| 17 | Bolt, M12x45-8.8 Hex Head Zinc              | F81004-32     | 2        |  |
| 18 | Washer, 13 Flat Zinc                        | F81056-1      | 4        |  |
| 19 | Nut, M12-8 Hex Nylon Zinc Lock              | F81034-2      | 2        |  |
|    | <b>Motor Assembly, LT20 AC Up/Down</b>      | <b>091302</b> | <b>1</b> |  |
| 20 | Plate, LT20AC Up/Down Motor Mount           | 098355-1      | 1        |  |
| 21 | Motor, SKh 71- 4B2 RAL 9005                 | 091304        | 1        |  |
| 22 | Bolt, M6x25-5.8 Hex Head Full Thread Zinc   | F81001-3      | 4        |  |
| 23 | Washer, 6.4 Flat Zinc                       | F81053-1      | 4        |  |
| 24 | Pulley, LT20 Power Feed Gear Box            | 090699-1      | 1        |  |
| 25 | Bolt, M8x30-5.8 Hex Head Full Thread Zinc   | F81002-2      | 4        |  |
| 26 | Washer, 8.4 Flat Zinc                       | F81054-1      | 18       |  |
| 27 | Nut, M8-8-B Hex Nylon Zinc Lock             | F81032-2      | 8        |  |
| 28 | Screw, M6x8 Hex Socket Set Flat Point Zinc  | F81013-1      | 1        |  |
| 29 | Bolt, M8x30-8.8-B Hex Head Full Thread Zinc | F81002-7      | 4        |  |
| 30 | Guard, Up/Down Front                        | 098393-1      | 1        |  |
| 31 | Guard, Side Complete                        | 098395-1      | 1        |  |
| 32 | Bolt, M6x12-8.8 Hex Head Full Thread Zinc   | F81001-7      | 9        |  |
| 33 | Washer, 6.5 Special Flat Zinc               | F81053-11     | 9        |  |
| 34 | Bolt, M8x20-5.8 Hex Head Full Thread Zinc   | F81002-1      | 2        |  |
| 35 | Nut, M8-8-B Hex Zinc                        | F81032-1      | 2        |  |
| 36 | V-Belt, HA-800 (Kleberg)                    | 091086        | 1        |  |

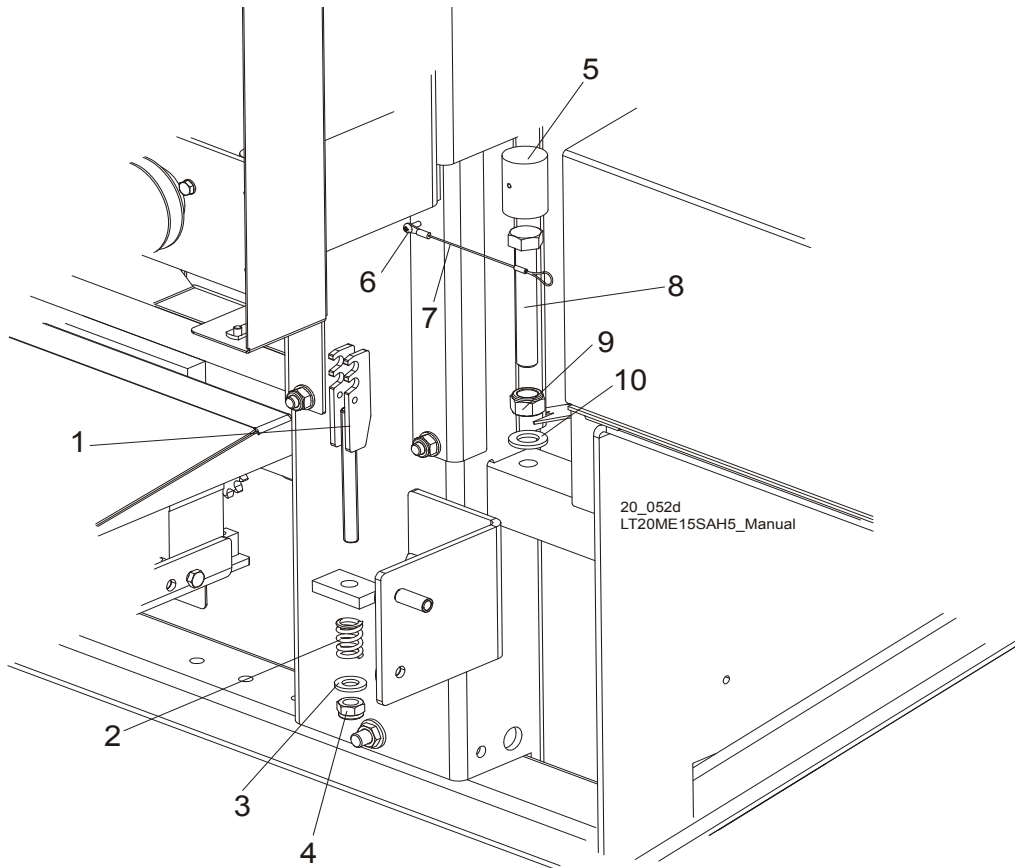
## 5.2 Up/Down Assembly, DC Mills



| REF. | DESCRIPTION (◆ Indicates Parts Available In Assemblies Only) | PART #        | QTY.     |   |
|------|--|---------------|----------|---|
|      | <b>MOTOR ASSEMBLY, LT20 DC UP/DOWN</b>                       | 098346        | 1        | ◆ |
|      | <b>Motor Assembly, LT20 Up/Down</b>                          | <b>098299</b> | <b>1</b> |   |
| 1    | Box, R-63/66/F1/B3 Gear                                      | 097786        | 1        |   |
| 2    | Pulley, LT20   | 091078-1      | 1        |   |
| 3    | Screw, M8x8-33H Hex Socket Set Flat Point                    | F81014-1      | 1        |   |
| 4    | Shaft, LT20 Up/Down w/Sprocket                               | 512249-1      | 1        |   |
| 5    | Key, A8x7x32 Parallel  | 088564        | 2        |   |
| 6    | Bearing Assembly, UCP 205CX                                  | 088468        | 1        |   |
| 7    | Ring, Z28 Outside Retaining                                  | F81090-12     | 1        |   |
| 8    | Washer   | 098351        | 1        |   |
|      | <b>Sprocket Assembly</b>                                     | <b>512276</b> | <b>2</b> |   |
| 9    | Sprocket, ULMER T08260                                       | 512247-1      | 1        |   |
| 10   | Spacer, Drive Bearing  | 098166        | 2        |   |
| 11   | Washer, 17 Flat Zinc   | F81058-1      | 2        |   |
| 12   | Pin, Up/Down Drive Shaft                                     | 098289-1      | 1        |   |
| 13   | Nut, M16-8 Hex Nylon Zinc Lock                               | F81036-2      | 1        |   |
| 14   | Bushing, D42 Belt Tensioner Spacer Zinc-pl.                  | 087965-1      | 1        |   |
| 15   | Bushing, Up/down Sprocket Spacer Zinc-pl.                    | 088792-1      | 1        |   |
| 16   | Ring, W40 Inside Retaining                                   | F81090-3      | 2        |   |
| 17   | Bolt, M12x45-8.8 Hex Head Zinc                               | F81004-32     | 2        |   |
| 18   | Washer, 13 Flat Zinc   | F81056-1      | 4        |   |

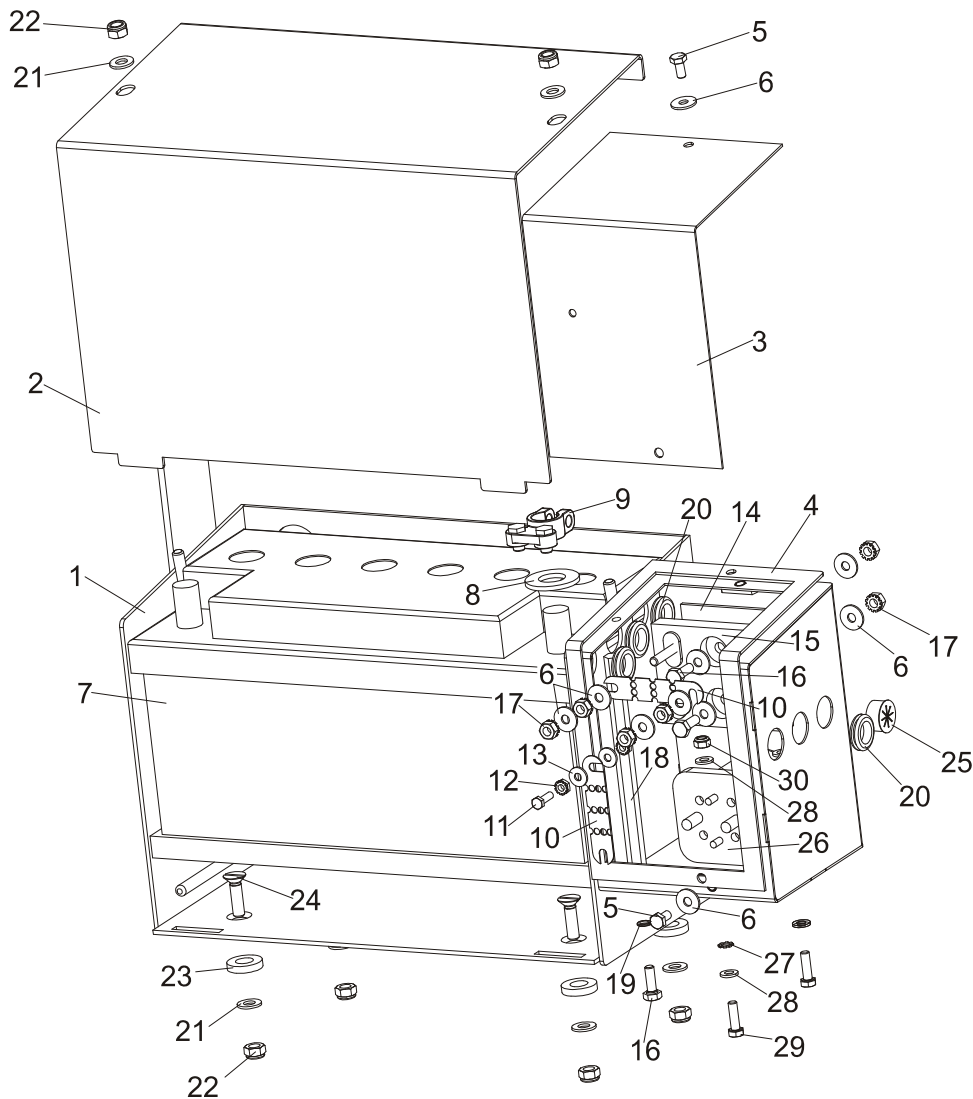
|           |   |          |    |  |
|-----------|---|----------|----|--|
| <b>19</b> | Nut, M12-8 Hex Nylon Zinc Lock              | F81034-2 | 2  |  |
|           | Motor Assembly, LT20 DC Up/Down             | 091303   | 1  |  |
| <b>20</b> | Plate, LT20 DC Up/Down Motor Mount          | 098363-1 | 1  |  |
| <b>21</b> | Motor, 0.5HP 12V DC Up/Down & Power Feed    | 006747   | 1  |  |
|           | Brush Kit, 0.5/0.75HP 12VDC                 | 061794   |    |  |
| <b>22</b> | Bolt, M6x25 -5.8 Hex Head Full Thread Zinc  | F05005-1 | 3  |  |
| <b>23</b> | Washer, 6.4 Flat Zinc                       | F81053-1 | 3  |  |
| <b>24</b> | Pulley, "A" SR. 82/12.7                     | 093158-1 | 1  |  |
| <b>25</b> | Bolt, M8x30-5.8 Hex Head Full Thread Zinc   | F81002-2 | 4  |  |
| <b>26</b> | Washer, 8.4 Flat Zinc                       | F81054-1 | 18 |  |
| <b>27</b> | Nut, M8-8-B Hex Nylon Zinc Lock             | F81032-2 | 8  |  |
| <b>28</b> | Screw, M6x8 Hex Socket Set Flat Point Zinc  | F81013-1 | 2  |  |
| <b>29</b> | Bolt, M8x30-8.8-B Hex Head Full Thread Zinc | F81002-7 | 4  |  |
| <b>30</b> | V-Belt, HA-800 (Kleberg)                    | 091086   | 1  |  |

### 5.3 Up/Down Chain Tensioner Assembly



| REF. | DESCRIPTION (◆ Indicates Parts Available In Assemblies Only) | PART #    | QTY. |
|------|--|-----------|------|
| 1    | <b>TENSIONER WELDMENT, LT20 UP/DOWN CHAIN ZINC-PLATED</b>    | 512259-1  | 1    |
| 2    | <b>SPRING, 14 X 30 X 3.2</b>                                 | 090797    | 1    |
| 3    | <b>WASHER, 13 ZINC FLAT</b>                                  | F81056-1  | 1    |
| 4    | <b>NUT, M12-8 HEX NYLON ZINC LOCK</b>                        | F81034-2  | 1    |
|      | <b>BLOCK, HEAD SUPPORTING, COMPLETE</b>                      | 097775    | 1    |
| 5    | Block, Head Support  | 097771-1  | 1    |
| 6    | Screw, M4x12-5.8-B Cross Recessed Pan Head Zinc              | F81011-43 | 1    |
| 7    | Lanyard, 3/64 x 6  | 016030    | 1    |
| 8    | <b>BOLT, M16X110-8.8 HEX HEAD ZINC</b>                       | F81006-24 | 1    |
| 9    | <b>NUT, M16-8 HEX NYLON ZINC LOCK</b>                        | F81036-2  | 1    |
| 10   | <b>WASHER, 17 FLAT ZINC</b>                                  | F81058-1  | 1    |
|      | <b>CHAIN, LT20 UP/DOWN TYPE 10B-2-111 LINKS</b>              | 512641    | 1    |

**5.4 Battery Box Assembly, DC Mills**



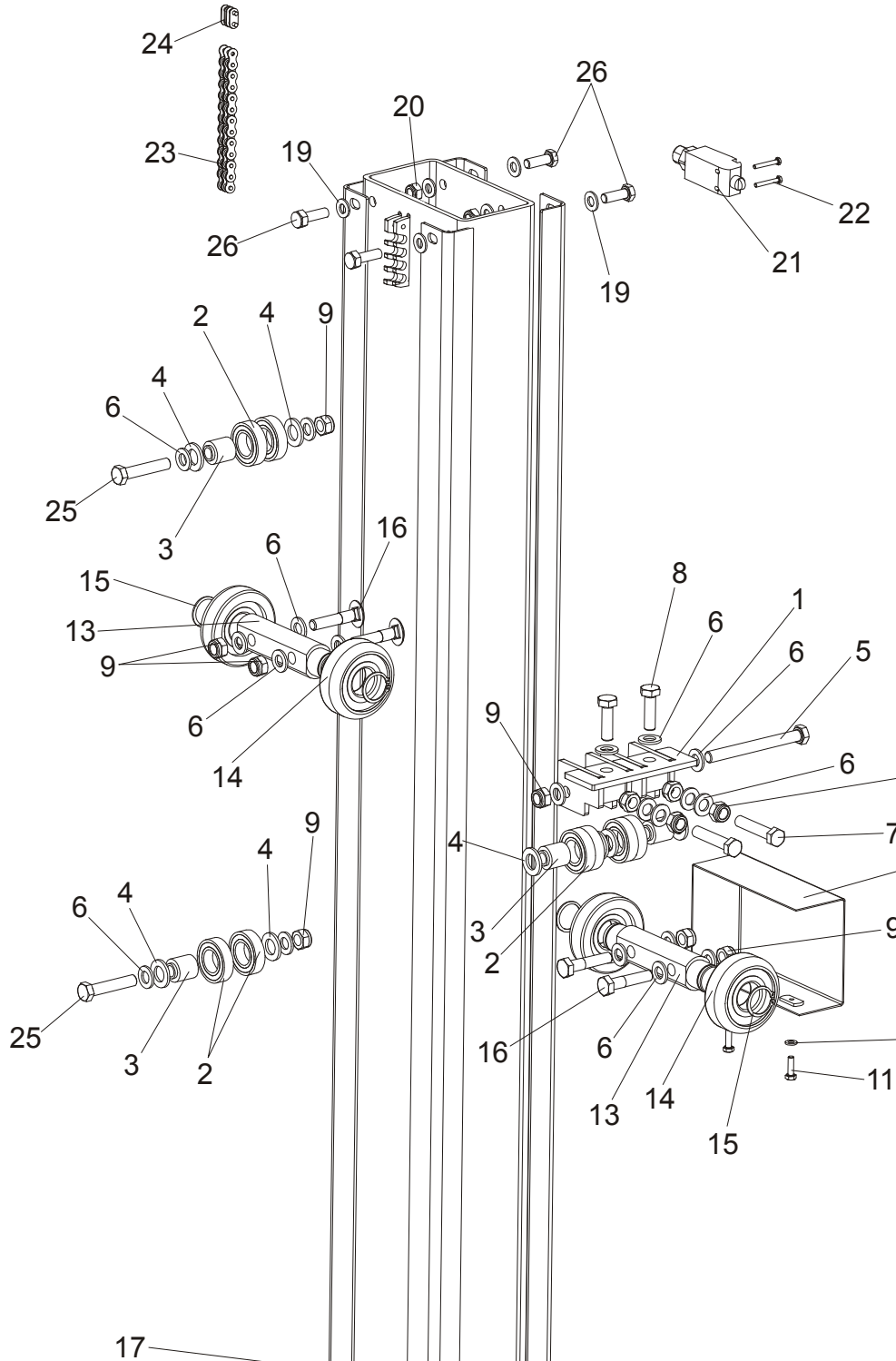
| REF. | DESCRIPTION (◆ Indicates Parts Available In Assemblies Only) | PART #        | QTY.     |
|------|--|---------------|----------|
|      | <b>BATTERY BOX, LT20 COMPLETE</b>                            | <b>097490</b> | <b>1</b> |
| 1    | Battery Box, LT20  | 097486-1      | 1        |
| 2    | Lid, Battery Box   | 097489-1      | 1        |
| 3    | Lid, Fuse Box  | 092222-1      | 1        |
| 4    | Gasket, Fuse Box   | 092226        | 1        |
| 5    | Bolt, M6x12-8.8 Hex Head Full Thread Zinc                    | F81001-7      | 2        |
| 6    | Washer, 6.5 Split Lock Zinc                                  | F81053-11     | 10       |
| 7    | Battery, "Banner" 12V 100Ah #95751                           | 088323        | 1        |
| 8    | Washer, Battery Terminal                                     | P12161        | 1        |
| 9    | Terminal, Battery  | P05085        | 1        |
| 10   | Fuse, 150A 12V Link  | 023361        | 2        |
| 11   | Screw, 10-24x5/8 Unsl Indent HH Machine                      | F05004-18     | 1        |
| 12   | Nut, #10-24 Keps   | F05010-14     | 2        |
| 13   | Washer, 5.5 Split Lock Zinc                                  | F81052-3      | 2        |
| 14   | Plate, 1/8 Plasic Fuse Box                                   | 015287        | 1        |



|    |   |           |   |  |
|----|---|-----------|---|--|
| 15 | Block Assy, Fuse, High Amp                | 017665    | 1 |  |
| 16 | Bolt, 1/4-20x3/4 FT HHC                   | F05005-1  | 3 |  |
| 17 | Nut, 1/4-20 Self Locking Zinc             | F05010-9  | 6 |  |
| 18 | Nut, Fuse Stud Extended                   | 015517    | 1 |  |
| 19 | Washer, Z6.1 Split Lock Zinc              | F81053-3  | 1 |  |
| 20 | Grommet, 5/8 ID Rubber                    | P11764    | 3 |  |
|    | Grommet, SR170P No.462041                 | 098816    | 1 |  |
| 21 | Washer, 8.4 Flat Zinc                     | F81054-1  | 6 |  |
| 22 | Nut, M8-8-B Hex Nylon Zinc Lock           | F81032-2  | 6 |  |
| 23 | Spacer, SR 1941 Idler                     | R80671-5  | 4 |  |
| 24 | Screw, M8x30-5.8-B Zinc                   | F81002-37 | 4 |  |
| 25 | Grommet, Heyco Wire                       | P04137    | 1 |  |
| 26 | Solenoid, 200A 12V SPST Hyd. Pump 1997    | 015470    | 1 |  |
| 27 | Washer, 6.4 Star Lock Zinc                | F81053-2  | 1 |  |
| 28 | Washer, 6.4 Flat Zinc                     | F81053-1  | 4 |  |
| 29 | Bolt, M6x20-8.8 Hex Head Full Thread Zinc | F81001-2  | 2 |  |
| 30 | Nut, M6-8-B Hex Nylon Lock Zinc           | F81031-2  | 2 |  |

## SECTION 6 UP/DOWN ROLLERS & BLADE HEIGHT SCALE

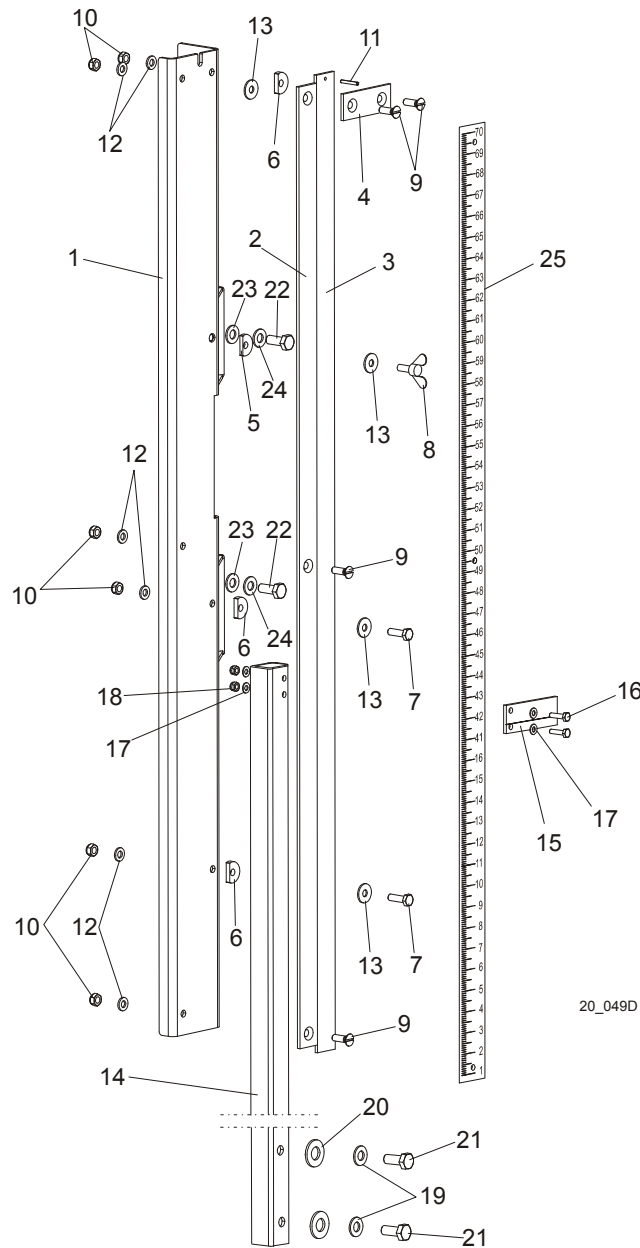
### 6.1 Up/Down Rollers



| REF. | DESCRIPTION (◆ Indicates Parts Available In Assemblies Only) | PART #   | QTY. |
|------|--|----------|------|
| 1    | BRACKET WELDMENT, LT20 UP/DOWN ROLLER PTD                    | 091095-1 | 1    |
| 2    | BEARING, 6005 2RS CX   | 089652   | 8    |

|    |  |           |    |  |
|----|--|-----------|----|--|
| 3  | BUSHING, LT20 UP/DOWN ROLLER                 | 090790    | 4  |  |
| 4  | WASHER, 17 ZINC FLAT                         | F81058-1  | 10 |  |
| 5  | BOLT, M12 X 120 8.8 HEX HEAD ZINC            | F81004-38 | 1  |  |
| 6  | WASHER, 13 ZINC FLAT                         | F81056-1  | 20 |  |
| 7  | BOLT, M12 X 60-8.8 HEX HEAD FULL THREAD ZINC | F81004-51 | 2  |  |
| 8  | BOLT, M12 X 40-8.8 HEX HEAD FULL THREAD ZINC | F81004-4  | 2  |  |
| 9  | NUT, M12-8 HEX NYLON ZINC LOCK               | F81034-2  | 11 |  |
| 10 | GUARD, LT20 UP/DOWN ROLLERS PTD              | 091619-1  | 1  |  |
| 11 | BOLT, M6 X 20-8.8 HEX HEAD FULL THREAD ZINC  | F81001-2  | 2  |  |
| 12 | WASHER, 6.4 ZINC FLAT                        | F81053-1  | 2  |  |
| 13 | SHAFT, UP/DOWN ROLLERS ZINC-PLATED           | 090616-1  | 2  |  |
| 14 | ROLLER, CBK-468                              | 088433    | 4  |  |
| 15 | RING, Z30 SPRING RETAINING                   | F81090-23 | 4  |  |
| 16 | BOLT, M12X55-8.8 HEX HEAD FULL THREAD ZINC   | F81004-43 | 4  |  |
| 17 | ANGLE, LT20 MAST TUBE                        | 091182    | 4  |  |
| 18 | BOLT, M10 X 125-8.8 HEX HEAD ZINC            | F81003-18 | 2  |  |
| 19 | WASHER, 10.5 ZINC FLAT                       | F81055-1  | 22 |  |
| 20 | NUT, M10-8-B HEX NYLON ZINC LOCK             | F81033-1  | 10 |  |
| 21 | SWITCH, GLCB01C LIMIT                        | 100910    | 1  |  |
| 22 | BOLT, M4 X 30 8.8 HEX HEAD FULL THREAD ZINC  | F81011-5  | 2  |  |
| 23 | CHAIN, LT20 UP/DOWN TYPE 10B-2-111 LINKS     | 512641    | 1  |  |
| 24 | LINK, 10B-2Pz                                | 088673    | 1  |  |
| 25 | BOLT, M12X60-8.8 HEX HEAD ZINC               | F81004-5  | 2  |  |
| 26 | BOLT, M10X25-8.8 HEX HEAD FULL THREAD ZINC   | F81003-11 | 4  |  |

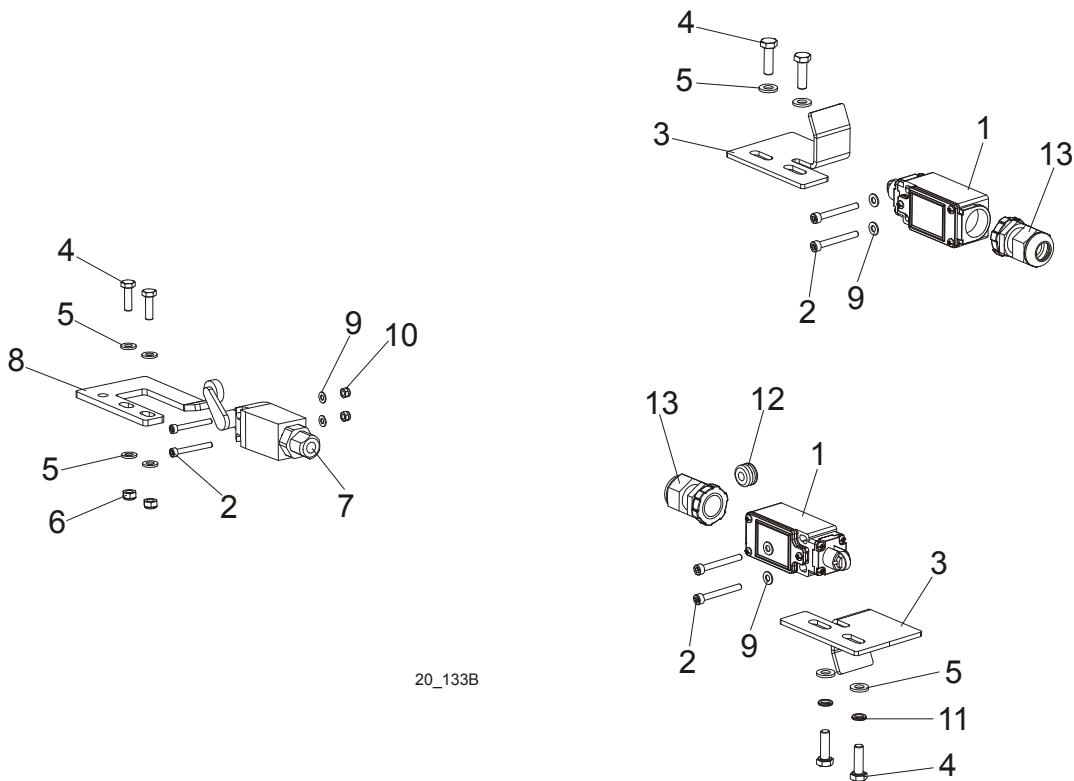
**6.2 Blade Height Scale**



| REF. | DESCRIPTION (◆ Indicates Parts Available In Assemblies Only) | PART #    | QTY. |
|------|--|-----------|------|
|      | <b>SCALE, LT20 W/INDICATOR COMPLETE</b>                      | 504253    | 1    |
|      | SCALE, LT20 COMPLETE   | 093135    | 1    |
| 1    | BRACKET, SCALE MOUNT PTD                                     | 092749-1  | 1    |
| 2    | BAR, SCALE   | 092750    | 1    |
| 3    | BAR, INCH SCALE  | 093133    | 1    |
| 4    | BAR, SCALE MOUNT   | 093134    | 1    |
| 5    | WASHER, 6.2X20X3.5 SPECIAL                                   | 503096    | 1    |
| 6    | WASHER, 6.2X20X4.5 SPECIAL                                   | 503098    | 3    |
| 7    | BOLT, M6X20-8.8 HH FULL THREAD ZINC                          | F81001-2  | 2    |
| 8    | SCREW, M6X16 BN276 DIN 316 THUMB                             | F81001-16 | 1    |
| 9    | SCREW, M6X20- 4.8-B FE/ZN5 PN-85/M-82207                     | F81001-31 | 4    |

|    |   |           |   |  |
|----|---|-----------|---|--|
| 10 | NUT, M6-8-B HEX NYLON LOCK ZINC               | F81031-2  | 6 |  |
| 11 | PIN, 3x20 ROLL ZINC                           | F81044-5  | 1 |  |
| 12 | WASHER, 6.4 FLAT ZINC                         | F81053-1  | 6 |  |
| 13 | WASHER, 6.5 SPECIAL FLAT ZINC                 | F81053-11 | 4 |  |
|    | INDICATOR, LT20 CUTTING HEIGHT COMPLETE       | 504086    | 1 |  |
| 14 | BRACKET, SCALE INDICATOR MOUNT PTD            | 092751-1  | 1 |  |
| 15 | INDICATOR, BLADE HEIGHT SCALE                 | 094821    | 1 |  |
| 16 | BOLT, M5x16-8.8 HEX HEAD FULL THREAD ZINC     | F81000-20 | 2 |  |
| 17 | WASHER, 5.3 FLAT ZINC                         | F81052-1  | 4 |  |
| 18 | NUT, M5-8-Fe/Zn5 DIN985                       | F81030-2  | 2 |  |
| 19 | WASHER, 8.4 FLAT ZINC                         | F81054-1  | 2 |  |
| 20 | WASHER, 8.2 SPLIT LOCK ZINC                   | F81054-4  | 2 |  |
| 21 | BOLT, M8 X 45 - 8.8 HEX HEAD FULL THREAD ZINC | F81002-14 | 2 |  |
| 22 | BOLT, M8 X 20-5.8 HEX HEAD FULL THREAD ZINC   | F81002-1  | 2 |  |
| 23 | WASHER, 8.5 SPECIAL FLAT ZINC                 | F81054-11 | 2 |  |
| 24 | WASHER, 8.2 SPLIT LOCK ZINC                   | F81054-4  | 2 |  |
| 25 | <b>DECAL, LT20 0-80CM METRIC SCALE</b>        | 091239    | 1 |  |
|    | <b>DECAL, 45-63MM METRIC</b>                  | P12040-2  | 1 |  |
|    | <b>DECAL, 16-40MM METRIC</b>                  | P12040-1  | 1 |  |

**6.3 Limit Switches**

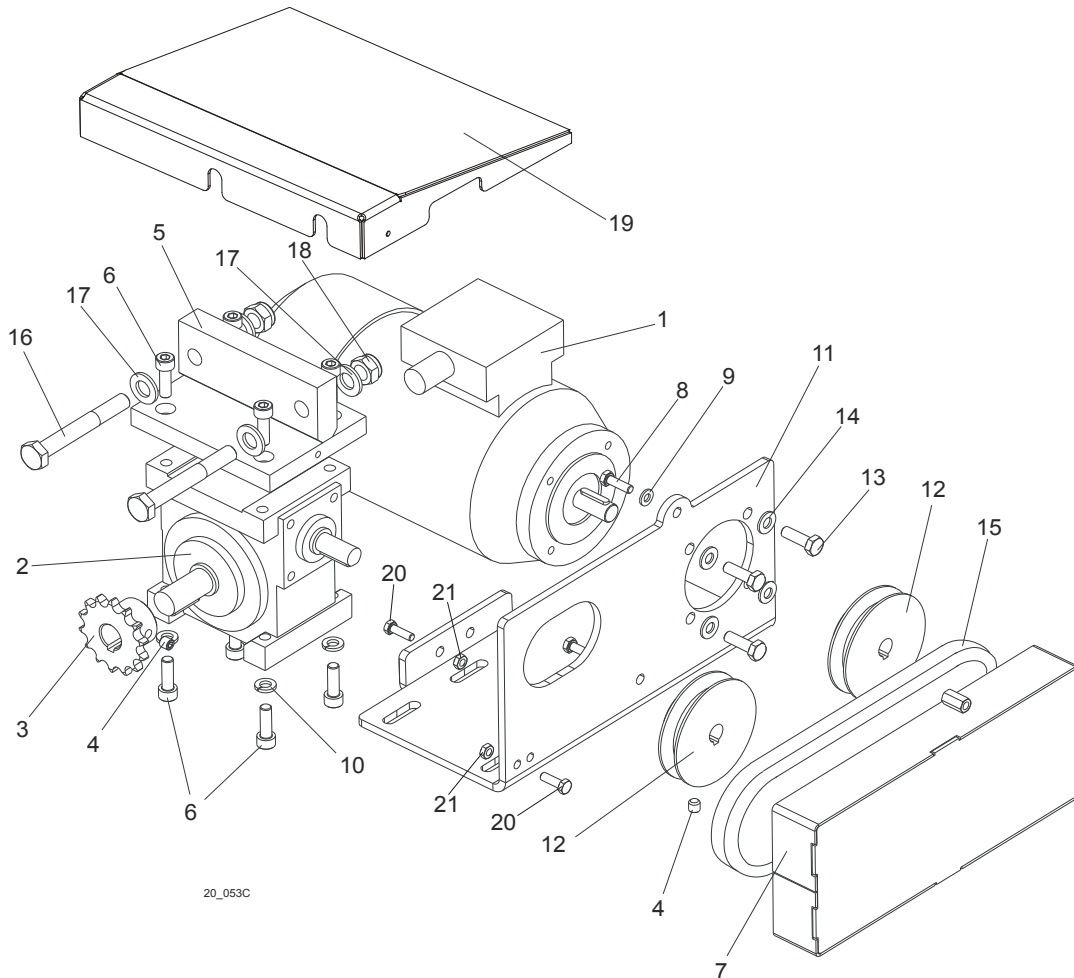


20\_133B

| REF. | DESCRIPTION (◆ Indicates Parts Available In Assemblies Only) | PART #    | QTY. |
|------|--|-----------|------|
| 1    | SWITCH, GLCB01C LIMIT  | 100910    | 2    |
| 2    | SCREW, M4x35-8.8 HEX SOCKET HEAD CAP ZINC                    | F81011-34 | 6    |
| 3    | BRACKET, LIMIT SWITCH  | 091682-1  | 2    |
| 4    | BOLT, M6X20-8.8 HH FULL THREAD ZINC                          | F81001-2  | 6    |
| 5    | WASHER, 6.4 FLAT ZINC  | F81053-1  | 8    |
| 6    | NUT, M6-8-B HEX NYLON LOCK ZINC                              | F81031-2  | 2    |
| 7    | SWITCH, GLCB01A1B LIMIT                                      | 100931    | 1    |
| 8    | BRACKET, LIMIT SWITCH  | 091852-1  | 1    |
| 9    | WASHER, 4.3 FLAT ZINC  | F81051-2  | 6    |
| 10   | NUT, M4-B HEX NYLON LOCK ZINC                                | F81029-1  | 2    |
| 11   | WASHER, Z6.1 SPLIT LOCK ZINC                                 | F81053-3  | 2    |
| 12   | GROMMET, RUBBER INSIDE DIA 6mm                               | 085338    | 1    |
| 13   | STUFFING-BOX, SKINTOP PG 13.5                                | 086524    | 2    |

## SECTION 7 POWER FEED & TRACK ROLLERS

### 7.1 Power Feed Assembly, AC Mills



| REF. | DESCRIPTION (◆ Indicates Parts Available In Assemblies Only) | PART #    | QTY. |
|------|--|-----------|------|
|      | <b>POWER FEED ASSEMBLY, LT20 AC</b>                          | 091196    | 1    |
| 1    | Motor, Kh71X-2C2, RAL 9005                                   | 097313    | 1    |
| 2    | Gear Box, RA-04/7.5/D1/N+S/B8 w/Output Shaft                 | 090698    | 1    |
| 3    | Sprocket, 08B Z14 Zinc-plated                                | 090702-1  | 1    |
| 4    | Screw, M8x8-33H Hex Socket Set Flat Point Zinc               | F81014-1  | 1    |
| 5    | Bracket, Power Feed Gear Box Mount                           | 090715-1  | 1    |
| 6    | Screw, M8X25-8.8 Hex Socket Head Cap Zinc                    | F81002-21 | 4    |
| 7    | Guard, Power Feed Drive Belt                                 | 091195-1  | 1    |
| 8    | Bolt, M6x20-8.8 Hex Head Full Thread Zinc                    | F81001-2  | 2    |
| 9    | Washer, 6.4 Zinc Flat  | F81053-1  | 2    |
| 10   | Washer, 8.2 Split Lock Zinc                                  | F81054-4  | 4    |
| 11   | Bracket, Power Feed Gear Box                                 | 091191    | 1    |
| 12   | Pulley, LT20 Power Feed Gear Box Ptd                         | 090699-1  | 2    |
| 13   | Bolt, M6x20-8.8-B Hex Head Full Thread Zinc                  | F81001-2  | 4    |
| 14   | Washer, 6.1 Split Lock Zinc                                  | F81053-3  | 4    |
| 15   | V-Belt, HA-560 (STOMIL-SANOK)                                | 088562    | 1    |

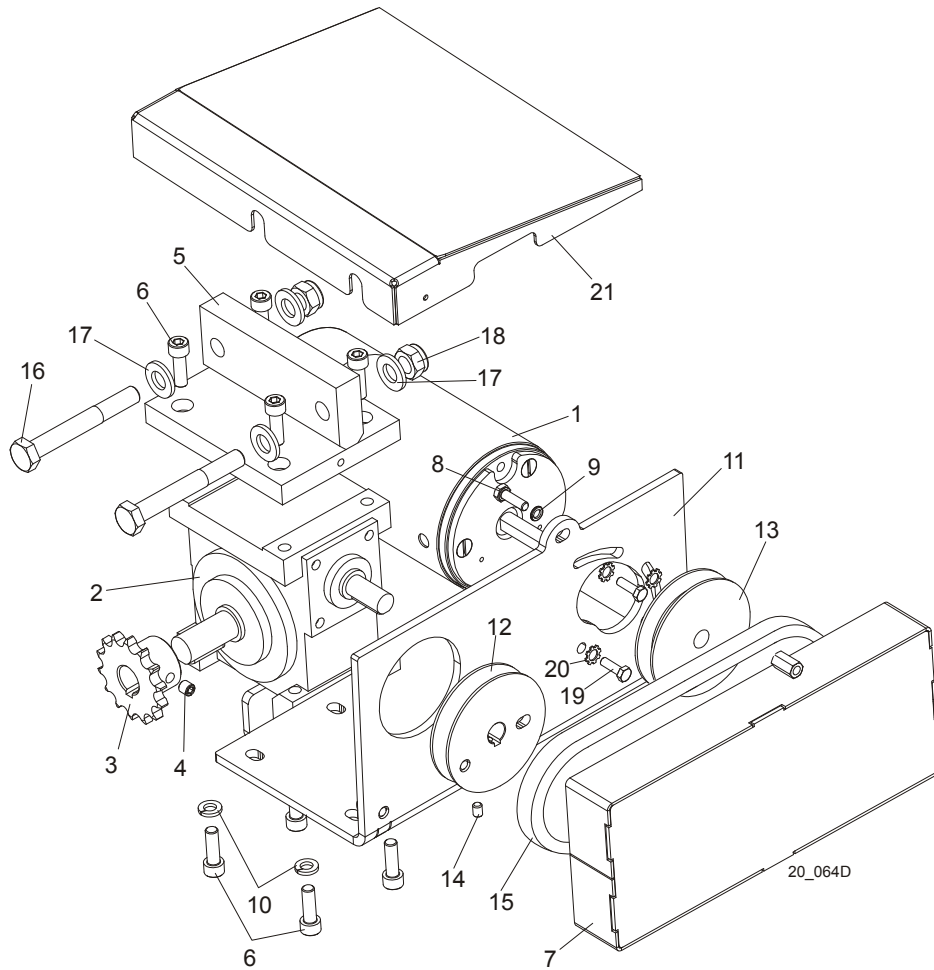
**7****Power Feed & Track Rollers***Power Feed Assembly, AC Mills*

---

|    |                                      |          |   |  |
|----|--------------------------------------|----------|---|--|
| 16 | BOLT, M12X90-8.8 HEX HEAD ZINC       | F81004-2 | 2 |  |
| 17 | WASHER, 13 ZINC FLAT                 | F81056-1 | 4 |  |
| 18 | NUT, M12-8 HEX NYLON ZINC LOCK       | F81034-2 | 2 |  |
| 19 | GUARD, POWER FEED MOTOR              | 093780-1 | 1 |  |
| 20 | BOLT, M8 x 25mm HEX HEAD GR 5.8 ZINC | F81002-5 | 2 |  |
| 21 | NUT, M8 HEXAGON, GRADE 5.8 FREE ZINC | F81032-1 | 2 |  |



## 7.2 Power Feed Assembly, DC Mills



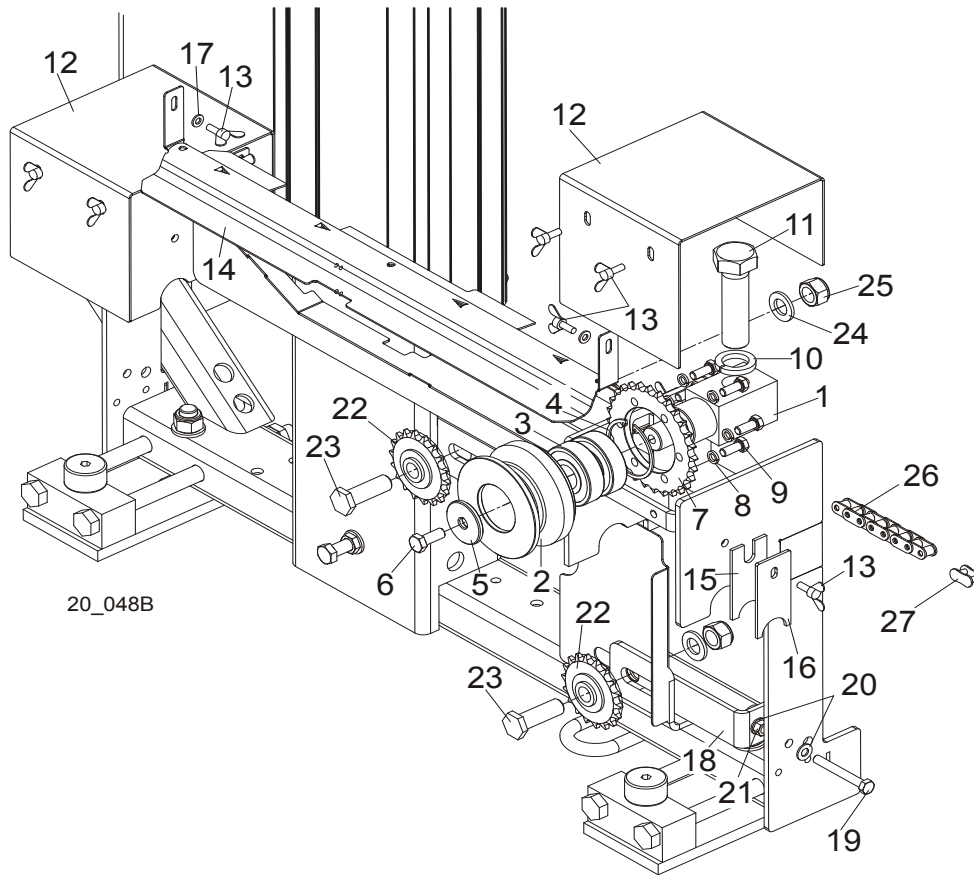
| REF. | DESCRIPTION (◆ Indicates Parts Available In Assemblies Only) | PART #    | QTY. |
|------|--|-----------|------|
|      | <b>POWER FEED ASSEMBLY, LT20 DC</b>                          | 090703    | 1    |
| 1    | Motor, 12V 0.5HP   | 006747    | 1    |
|      | Brush Kit, 1/2 HP 12V DC                                     | 061794    |      |
| 2    | Gear Box, RA-04/7.5/WBS/i/1/N+S/B8 w/Output Shaft            | 090698    | 1    |
| 3    | Sprocket, 10B Z14 Zinc-plated                                | 090702-1  | 1    |
| 4    | Screw, M8x8-33H Hex Socket Set Flat Point Zinc               | F81014-1  | 1    |
| 5    | Bracket, Power Feed Gear Box Mount                           | 090715-1  | 1    |
| 6    | Screw, M8X25-8.8 Hex Socket Head Cap Zinc                    | F81002-21 | 4    |
| 7    | Guard, Power Feed Drive Belt                                 | 091195-1  | 1    |
| 8    | Bolt, M6x20-8.8 Hex Head Full Thread Zinc                    | F81001-2  | 2    |
| 9    | Washer, M6 Split Lock Zinc                                   | F81053-3  | 2    |
| 10   | Washer, 8.2 Split Lock Zinc                                  | F81054-4  | 4    |
| 11   | Plate, LT20 Power Feed Motor Mount Ptd                       | 502550-1  | 1    |
| 12   | Pulley, LT20 Power Feed Gear Box Ptd                         | 090699-1  | 2    |
| 13   | Sheave, Up/Down Motor "A" 82/12.7 Ptd                        | 093158-1  | 1    |
| 14   | Screw, M6x8 Hex Socket Set Cone Point Zinc                   | F81013-1  | 3    |
| 15   | V-Belt, HA-560 (STOMIL-SANOK)                                | 088562    | 1    |
| 16   | Bolt, M12x90-8.8 Hex Head Zinc                               | F81004-2  | 2    |
| 17   | Washer, 13 Zinc Flat   | F81056-1  | 4    |

**7****Power Feed & Track Rollers***Power Feed Assembly, DC Mills*

---

|           |                                |          |   |  |
|-----------|--------------------------------|----------|---|--|
| <b>18</b> | Nut, M12-8 Hex Nylon Zinc Lock | F81034-2 | 2 |  |
| <b>19</b> | Bolt, 1/4-20x3/4 FT HHC        | F05005-1 | 3 |  |
| <b>20</b> | Washer, M6 Star Lock Zinc      | F81053-2 | 3 |  |
| <b>21</b> | <b>GUARD, POWER FEED MOTOR</b> | 093780-1 | 1 |  |

### 7.3 Upper Track Rollers And Wipers



| REF. | DESCRIPTION (◆ Indicates Parts Available In Assemblies Only) | PART #                | QTY. |
|------|--|-----------------------|------|
|      | <b>ROLLER ASSEMBLY, LT20 UPPER TRACK</b>                     | 090662                | 2    |
|      | <b>ROLLER ASSEMBLY, LT20B UPPER TRACK</b>                    | 513500-1 <sup>1</sup> | 2    |
| 1    | Block, Upper Track Roller Mount                              | 090665                | 1    |
| 2    | Roller, Upper Track  | 090663                | 1    |
| 3    | Bearing, 6305 2RS NSK  | P08066                | 2    |
| 4    | Ring, 2 7/16" Bevelled Snap                                  | F04254-21             | 1    |
| 5    | Washer, Drive Wheel  | 086286                | 1    |
| 6    | Bolt, M10x25-8.8 Hex Head Full Thread Zinc                   | F81003-11             | 1    |
| 7    | Sprocket, O8B Z28  | 090664 <sup>2</sup>   | 2    |
| 8    | Washer, 8.2 Split Lock Zinc                                  | F81054-4 <sup>2</sup> | 6    |
| 9    | Bolt, M8x20-5.8 Hex Head Full Thread Zinc                    | F81002-1 <sup>2</sup> | 6    |
| 10   | <b>WASHER, Z 24.5 SPLIT LOCK ZINC</b>                        | F81061-4              | 2    |
| 11   | <b>BOLT, M24X2X90-8.8 HEX HEAD FULL THREAD ZINC</b>          | F81009-2              | 2    |
| 12   | <b>GUARD, UPPER TRACK ROLLER</b>                             | 090749-1              | 2    |
| 13   | <b>SCREW, M6 X 16 BN276 DIN 316 THUMB</b>                    | F81001-16             | 8    |
| 14   | <b>COVER, LT20 MIDDLE TRACK W/FELT - SERVICE</b>             | 091656-S              | 1    |
|      | Cover, LT20 Middle Track Ptd                                 | 091656-1              | 1    |
|      | Strip, 3/16 X 2 X 23 Felt                                    | S09915                | 1    |
| 15   | <b>WIPER, TOP RAIL</b>                                       | M04113                | 2    |

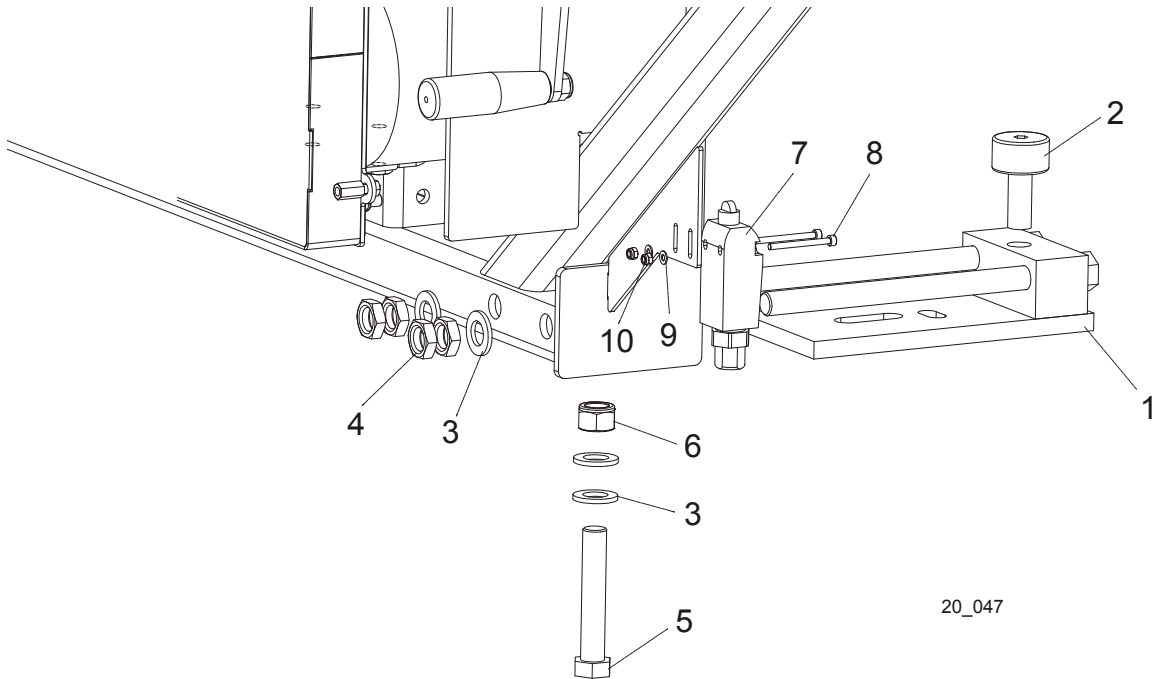
|    |  |                       |   |  |
|----|--|-----------------------|---|--|
| 16 | PLATE, TRACK WIPER PTD                   | 088559-1              | 2 |  |
| 17 | WASHER, 6.4 ZINC FLAT                    | F81053-1              | 2 |  |
| 18 | TENSIONER, POWER FEET SPROCKET           | 092862-1 <sup>3</sup> | 1 |  |
| 19 | BOLT, M8 X 65MM,HH,GRADE 5.8, ZINC       | F81002-3 <sup>3</sup> | 1 |  |
| 20 | WASHER, M8, FLAT, ZINC                   | F81054-1 <sup>3</sup> | 2 |  |
| 21 | NUT, M8 HEXAGON,GRADE 5.8 FREE ZINC      | F81032-1 <sup>3</sup> | 1 |  |
| 22 | SPROCKET, IDLER Z=18 KSR16.L0.08.10.18.0 | 088700 <sup>3</sup>   | 2 |  |
| 23 | BOLT, SPROCKET MOUNT                     | 091744-1 <sup>3</sup> | 2 |  |
| 24 | WASHER, 17 FLAT ZINC                     | F81058-1 <sup>3</sup> | 2 |  |
| 25 | NUT, M16,HEX, NYLON ZINC LOCK            | F81036-2 <sup>3</sup> | 2 |  |
| 26 | CHAIN, LT20 08B-185 TYPE POWER FEED      | 091624 <sup>3</sup>   | 1 |  |
| 27 | LINK, 08B-1PZ MASTER                     | 091625 <sup>3</sup>   | 1 |  |

<sup>1</sup> Belongs to LT20B-ECP

<sup>2</sup> Does not belongs to 513500-1

<sup>3</sup> Does not belongs to LT20B-ECP

## 7.4 Lower Track Rollers



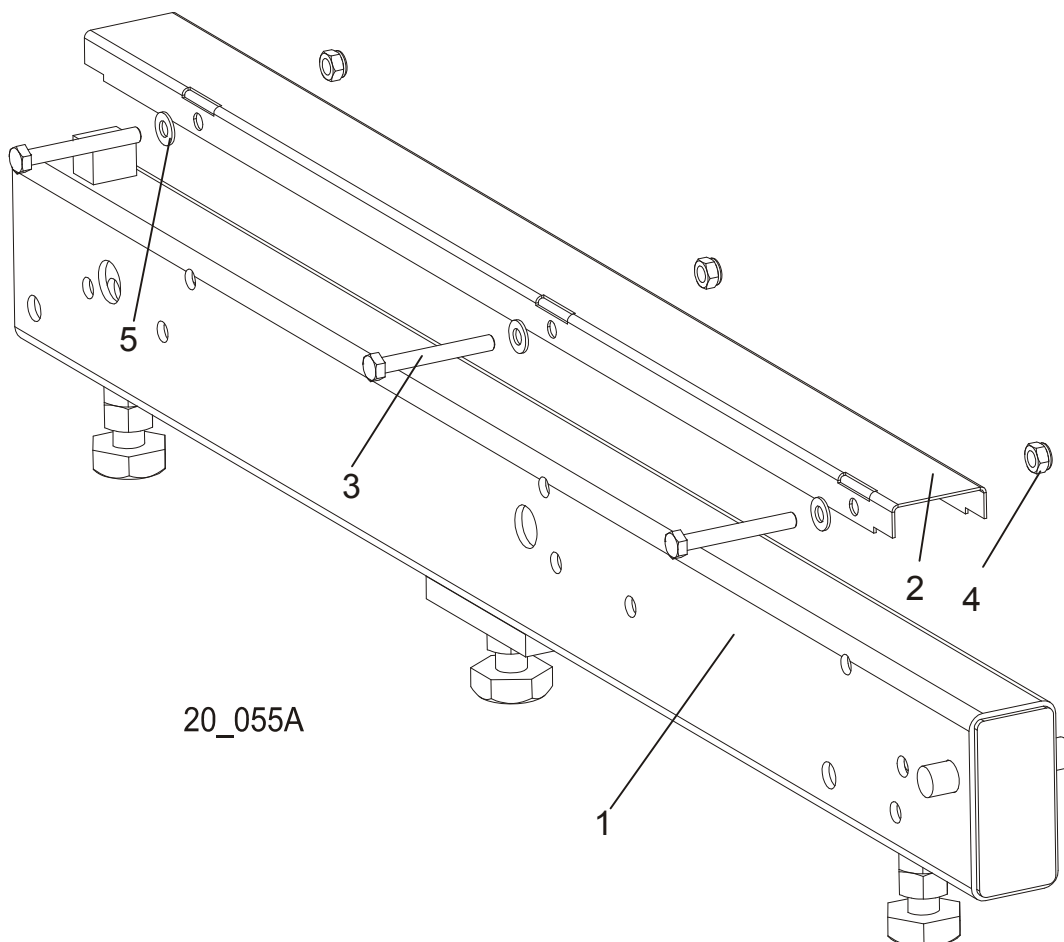
| REF. | DESCRIPTION (◆ Indicates Parts Available In Assemblies Only) | PART #    | QTY. |
|------|--|-----------|------|
|      | <b>ROLLER ASSEMBLY, LT20 LOWER TRACK</b>                     | 090670    | 2    |
| 1    | Bracket, LT20 Lower Track Roller                             | 090671-1  | 1    |
| 2    | Bearing, Cam Follower (McGill)                               | 012797    | 1    |
| 3    | <b>WASHER, 17 ZINC FLAT</b>                                  | F81058-1  | 4    |
| 4    | <b>NUT, M16 HEX THIN ZINC</b>                                | F81036-4  | 4    |
| 5    | <b>BOLT, M16 X 90-8.8 HEX HEAD ZINC</b>                      | F81006-17 | 1    |
| 6    | <b>NUT, M16-8 HEX NYLON ZINC LOCK</b>                        | F81036-2  | 1    |
| 7    | <b>SWITCH, GLCB01A1B LIMIT</b>                               | 100931    | 1    |
| 8    | <b>SCREW, M4 X 45-8.8 HEX SOCKET HEAD CAP ZINC</b>           | F81011-33 | 2    |
| 9    | <b>NUT, M4-B HEX NYLON ZINC LOCK</b>                         | F81029-1  | 2    |
| 10   | <b>WASHER, 4.3 ZINC FLAT</b>                                 | F81051-2  | 2    |

# 8 BED FRAME ASSEMBLY

*Bed Rail Assembly (L Type Frame)*

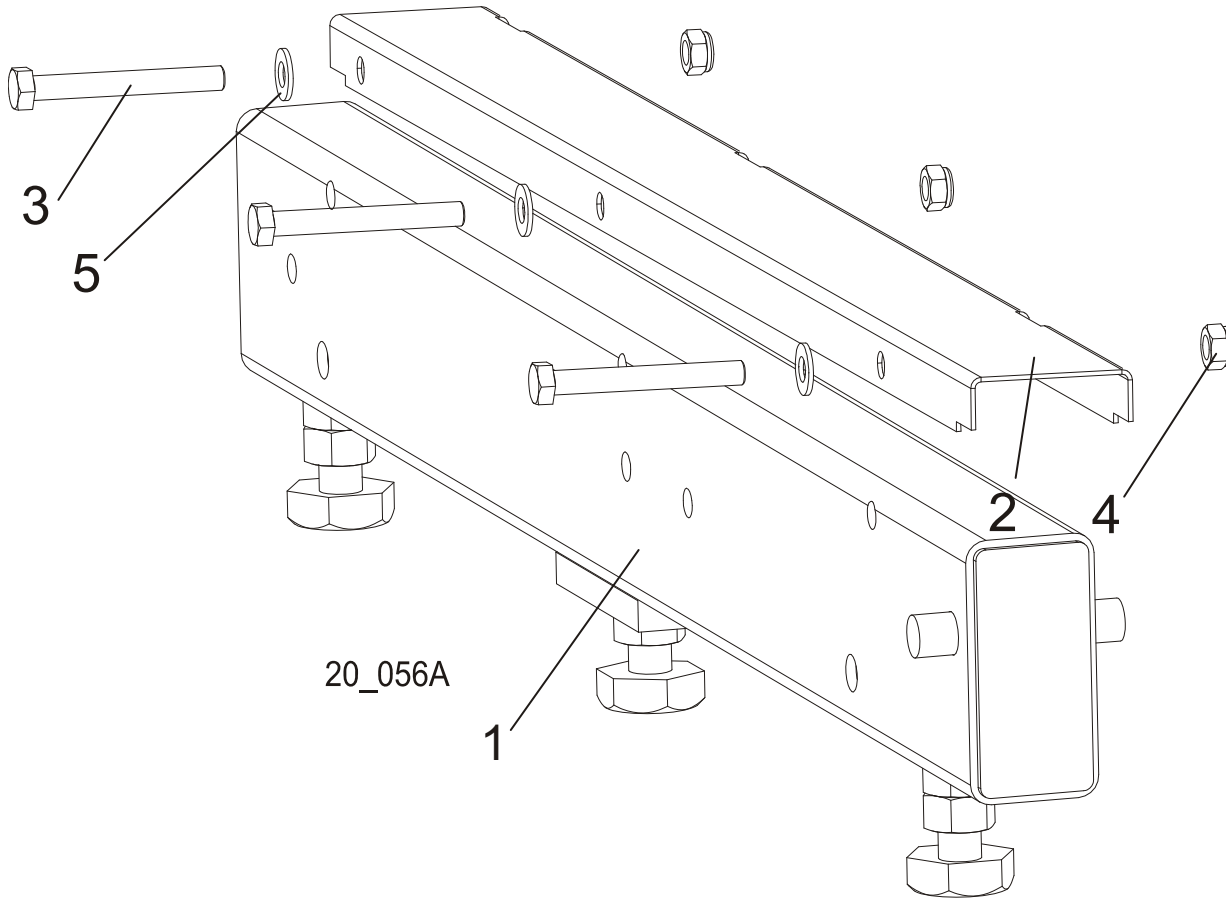
## SECTION 8 BED FRAME ASSEMBLY

### 8.1 Bed Rail Assembly (L Type Frame)



| REF. | DESCRIPTION (◆ Indicates Parts Available In Assemblies Only) | PART #   | QTY. |  |
|------|--|----------|------|--|
| 1    | LONG BED RAIL ASSEMBLY                                       | 089385   | 1    |  |
| 2    | COVER, STAINLESS STEEL BED RAIL                              | 099124   | 1    |  |
| 3    | BOLT, M8X65-5,8 ZINC HEX HEAD                                | F81002-3 | 3    |  |
| 4    | NUT, M8-8-B-ZINC HEX NYLON LOCK                              | F81032-2 | 3    |  |
| 5    | WASHER, 8.4 FLAT ZINC  | F81054-1 | 3    |  |

**8.2 Bed Rail Assembly (L Type Frame)**

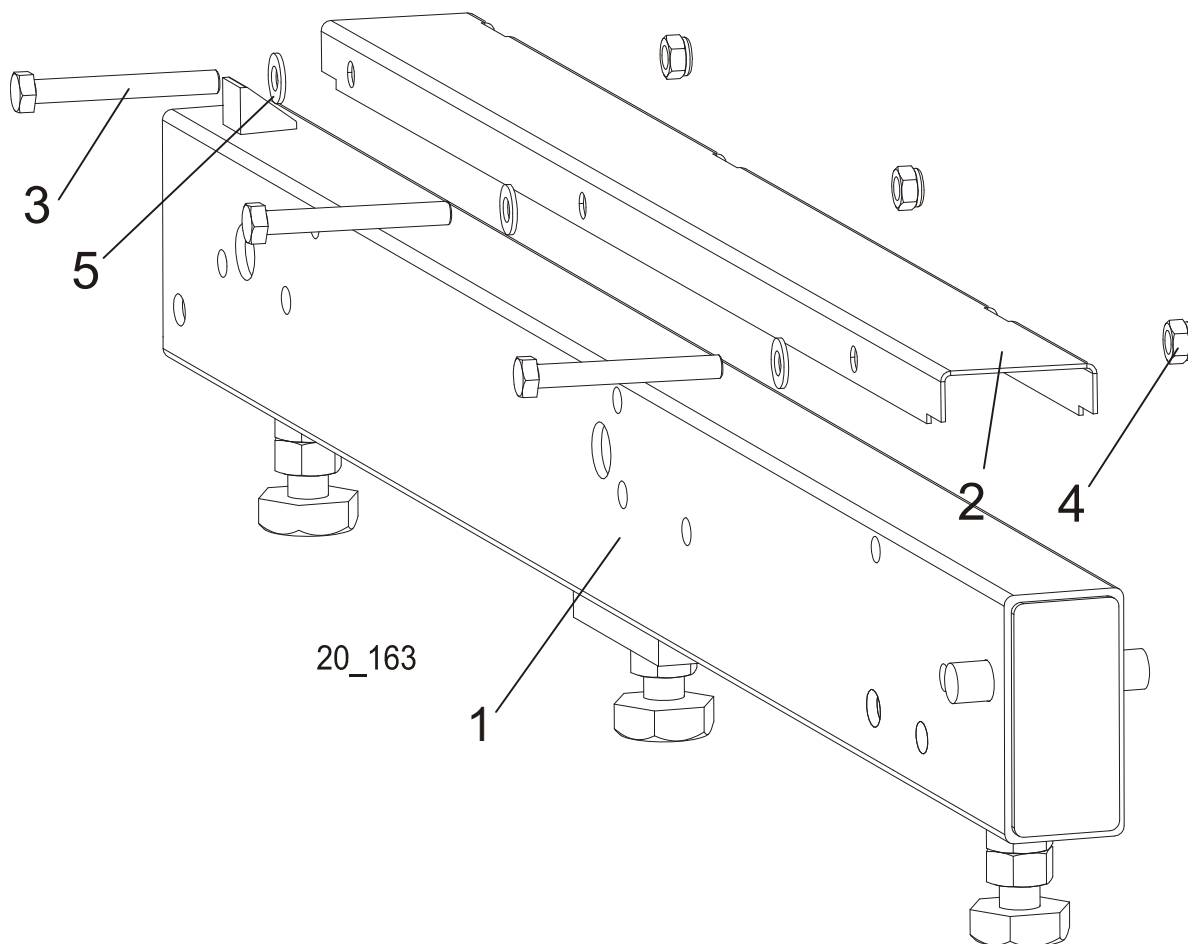


| REF. | DESCRIPTION (◆ Indicates Parts Available In Assemblies Only) | PART #   | QTY. |  |
|------|--|----------|------|--|
| 1    | BED RAIL ASSEMBLY, SHORT                                     | 089386   | 1    |  |
| 2    | COVER, STAINLESS STEEL BED RAIL                              | 099124   | 1    |  |
| 3    | BOLT, M8X65-5,8 ZINC HEX HEAD                                | F81002-3 | 3    |  |
| 4    | NUT, M8-8-B-ZINC HEX NYLON LOCK                              | F81032-2 | 3    |  |
| 5    | WASHER, 8.4 FLAT ZINC  | F81054-1 | 3    |  |

# 8 BED FRAME ASSEMBLY

*Bed Rail Assembly (L Type Frame)*

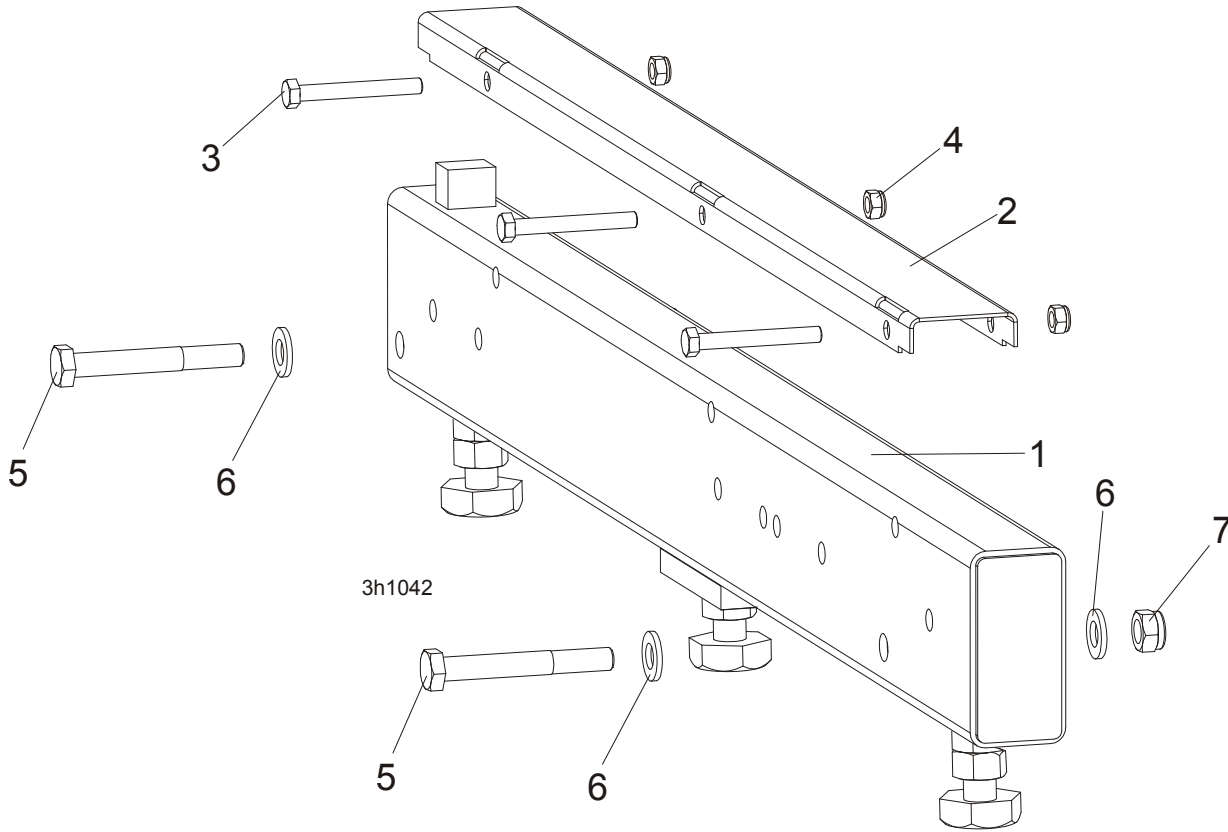
## 8.3 Bed Rail Assembly (L Type Frame)



| REF. | DESCRIPTION (◆ Indicates Parts Available In Assemblies Only) | PART #   | QTY. |  |
|------|--|----------|------|--|
| 1    | BED TRANSVERSE   | 100680   | 1    |  |
| 2    | COVER, STAINLESS STEEL BED RAIL                              | 099124   | 1    |  |
| 3    | BOLT, M8X65-5,8 ZINC HEX HEAD                                | F81002-3 | 3    |  |
| 4    | NUT, M8-8-B-ZINC HEX NYLON LOCK                              | F81032-2 | 3    |  |
| 5    | WASHER, 8.4 FLAT ZINC  | F81054-1 | 3    |  |



**8.4 Bed Rail Assembly (L Type Frame)**

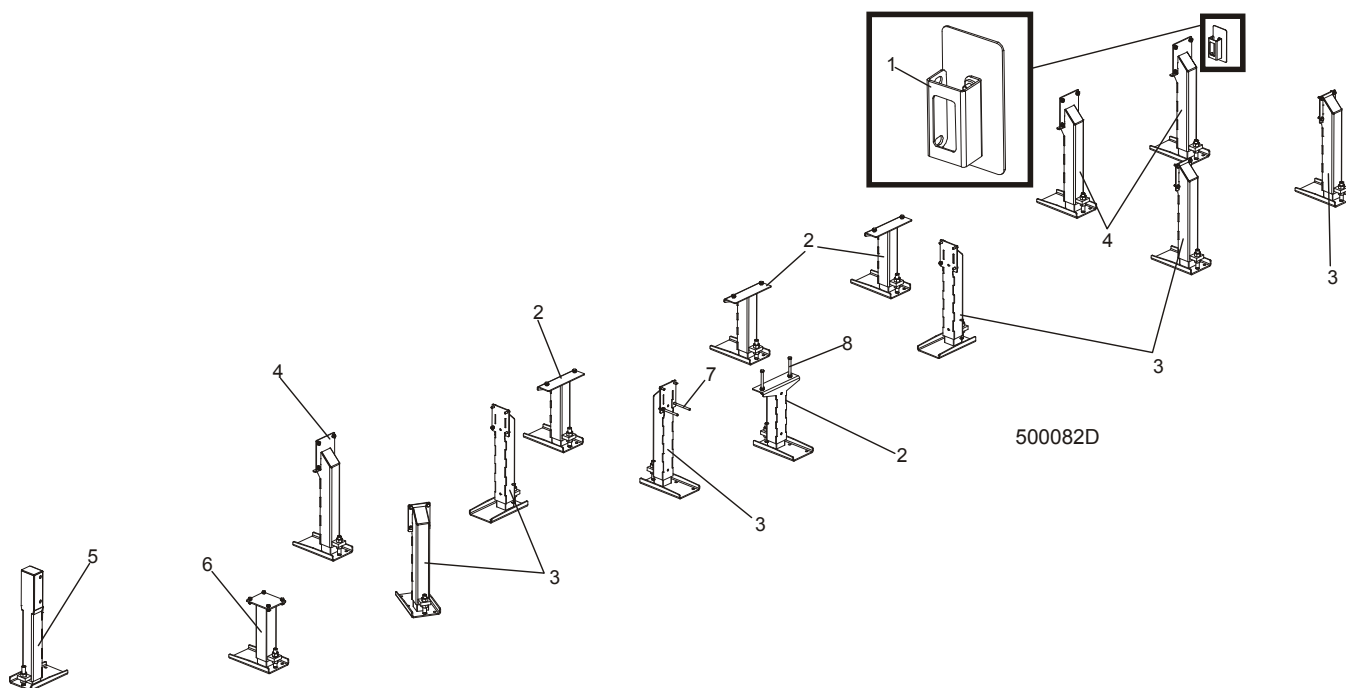


| REF. | DESCRIPTION (◆ Indicates Parts Available In Assemblies Only) | PART #   | QTY. |
|------|--|----------|------|
| 1    | BED RAIL ASSEMBLY  | 096993   | 1    |
| 2    | COVER, STAINLESS STEEL BED RAIL                              | 099124   | 1    |
| 3    | BOLT, M8X65-5,8 ZINC HEX HEAD                                | F81002-3 | 3    |
| 4    | NUT, M8-8-B-ZINC HEX NYLON LOCK                              | F81032-2 | 3    |
| 5    | BOLT,M12X90-8.8 HEX HEAD ZINC                                | F81004-2 | 2    |
| 6    | WASHER, M12 , FLAT, ZINC                                     | F81056-1 | 4    |
| 7    | NUT,M12-8 HEX NYLON ZINC LOCK                                | F81034-2 | 2    |

# 8 BED FRAME ASSEMBLY

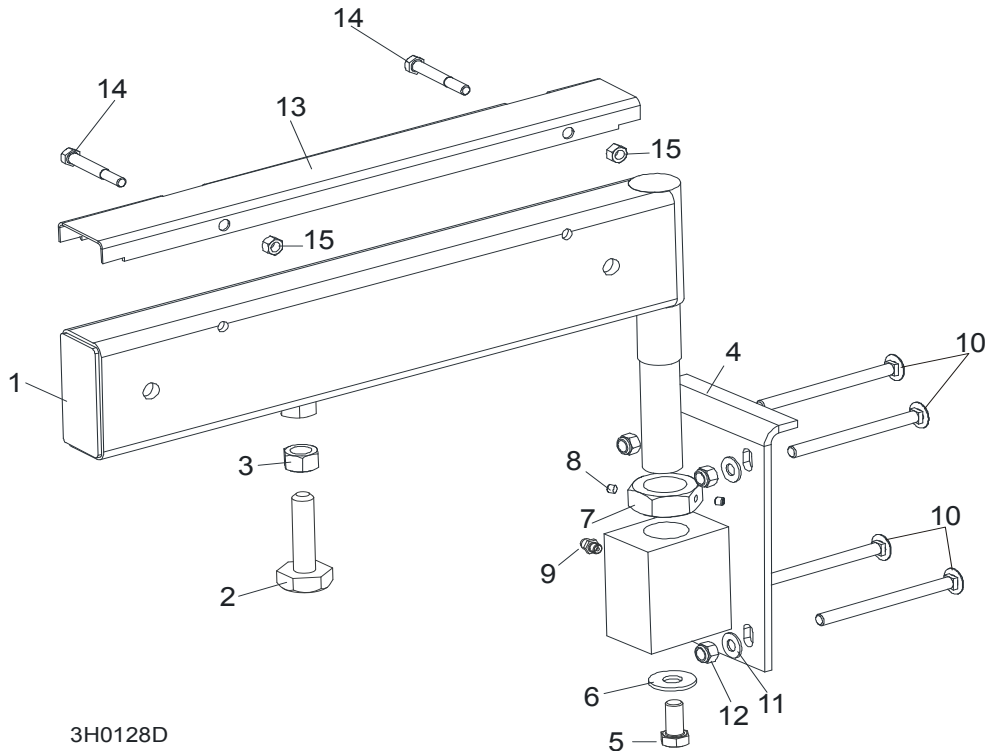
Leg, Stationary

## 8.5 Leg, Stationary



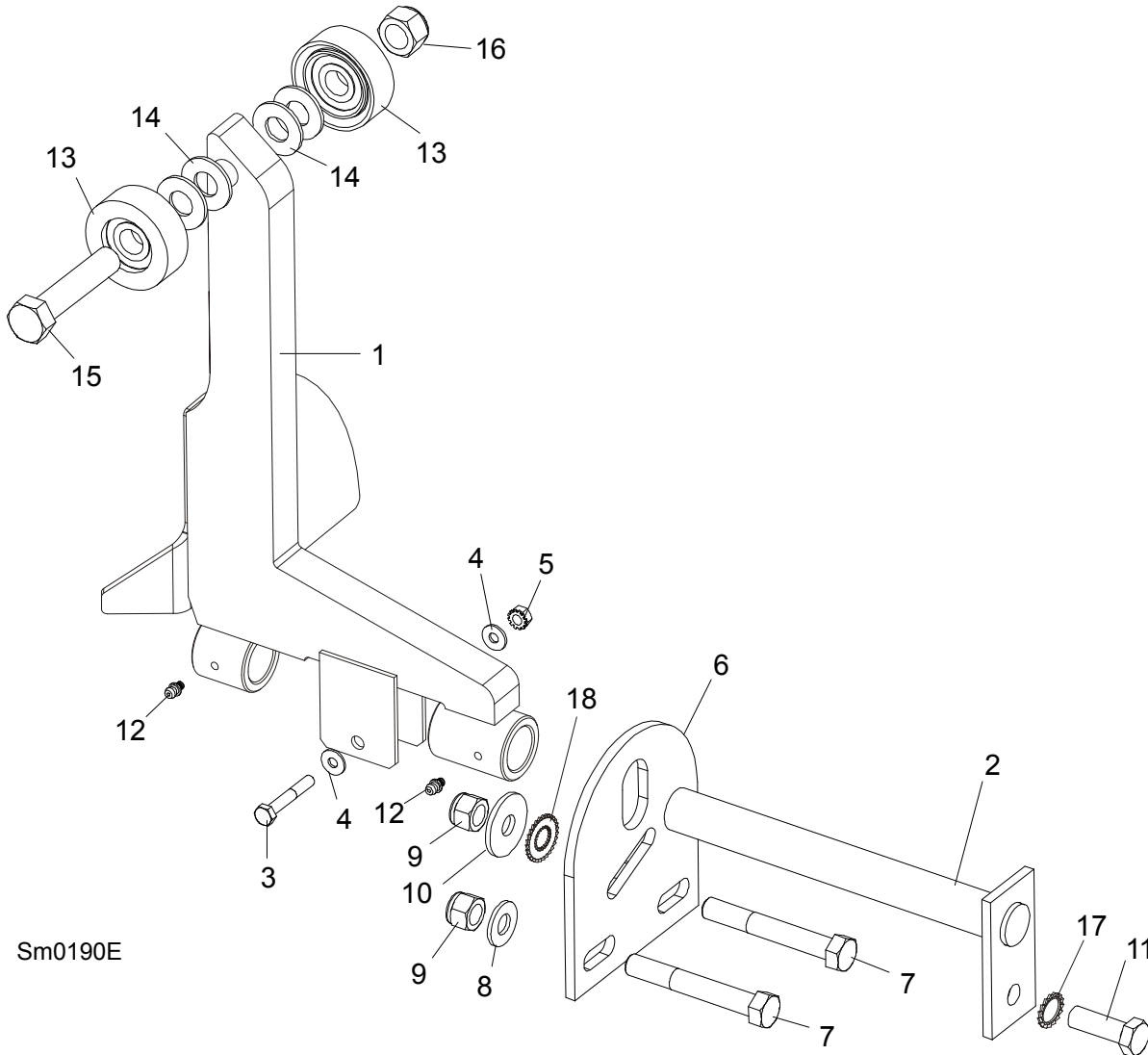
| REF. | DESCRIPTION (◆ Indicates Parts Available In Assemblies Only) | PART #        | QTY.     |
|------|--|---------------|----------|
|      | <b>LEG KIT, "L" FRAME OUTRIGGER STATIONARY</b>               | <b>500531</b> | <b>1</b> |
| 1    | COVER ASSEMBLY, MAIN TUBE                                    | 093052        | 1        |
| 2    | LEG, OUTRIGGER STATIONARY MIDDLE                             | 501637        | 4        |
| 3    | LEG, OUTRIGGER STATIONARY LEFT                               | 501639        | 6        |
| 4    | LEG, OUTRIGGER STATIONARY RIGHT                              | 501640        | 3        |
| 5    | LEG, OUTRIGGER STATIONARY FRONT                              | 501641        | 1        |
| 6    | LEG, STATIONARY  | 505766        | 1        |
| 7    | BOLT, M10x125-8.8 HEX HEAD ZINC                              | F81003-18     | 2        |
| 8    | BOLT, M12x130-8.8-Fe/Zn5 PN-M/82101                          | F81004-36     | 2        |

**8.6 Pivot Bed Rail Assembly**



| REF. | DESCRIPTION (◆ Indicates Parts Available In Assemblies Only) | PART#     | QTY. |
|------|--|-----------|------|
|      | <b>PIVOT BED RAIL, COMPLETE</b>                              | 087855    | 2    |
| 1    | Pivot Bed Rail Assembly                                      | 087848-1  | 1    |
|      | Bolt Assembly, Bed Rail Adjustment                           |           | 1    |
| 2    | Bolt, Pivot Bed Rail Adjustment                              | 505006    | 1    |
| 3    | Nut, M16-5.8 Zinc Hex  | F81036-1  | 1    |
| 4    | Bracket, Pivot Bed Rail Mounting                             | 087841-1  | 1    |
| 5    | Bolt, M12x25-8.8 Hex Head Full Thread Zinc                   | F81004-31 | 1    |
| 6    | Washer, 9/16" Zinc Flat                                      | F05011-52 | 1    |
| 7    | Nut, M32x2-04-B Zinc   | 087975    | 1    |
| 8    | Screw, M6x8 Hex Socket Set Cone Point Zinc                   | F81013-1  | 2    |
| 9    | Fitting, 3/16" Straight Grease                               | 086280    | 1    |
| 10   | <b>BOLT, M10X125 8.8 MUSHROOM HEAD SQUARE NECK ZINC</b>      | F81003-34 | 4    |
| 11   | <b>WASHER, 10.5 FLAT</b>                                     | F81055-1  | 8    |
| 12   | <b>NUT, M16-8 HEX NYLON ZINC LOCK</b>                        | F81036-2  | 8    |
|      | <b>COVER KIT, STAINLESS STEEL PIVOT BED RAIL</b>             | N/A       | 2    |
| 13   | Cover, Pivot Bed Rail  | 099123    | 1    |
| 14   | Bolt, M8x65-5.8 Hex Head Zinc                                | F81002-3  | 2    |
| 15   | Nut, M8-8-B Hex Nylon Zinc Lock                              | F81032-2  | 2    |
|      | <b>WRENCH, BED RAIL ADJUSTMENT (See Section 8.3)</b>         | 015970    | 1    |

**8.7 Log Side Support Assembly (Manual)**



Sm0190E

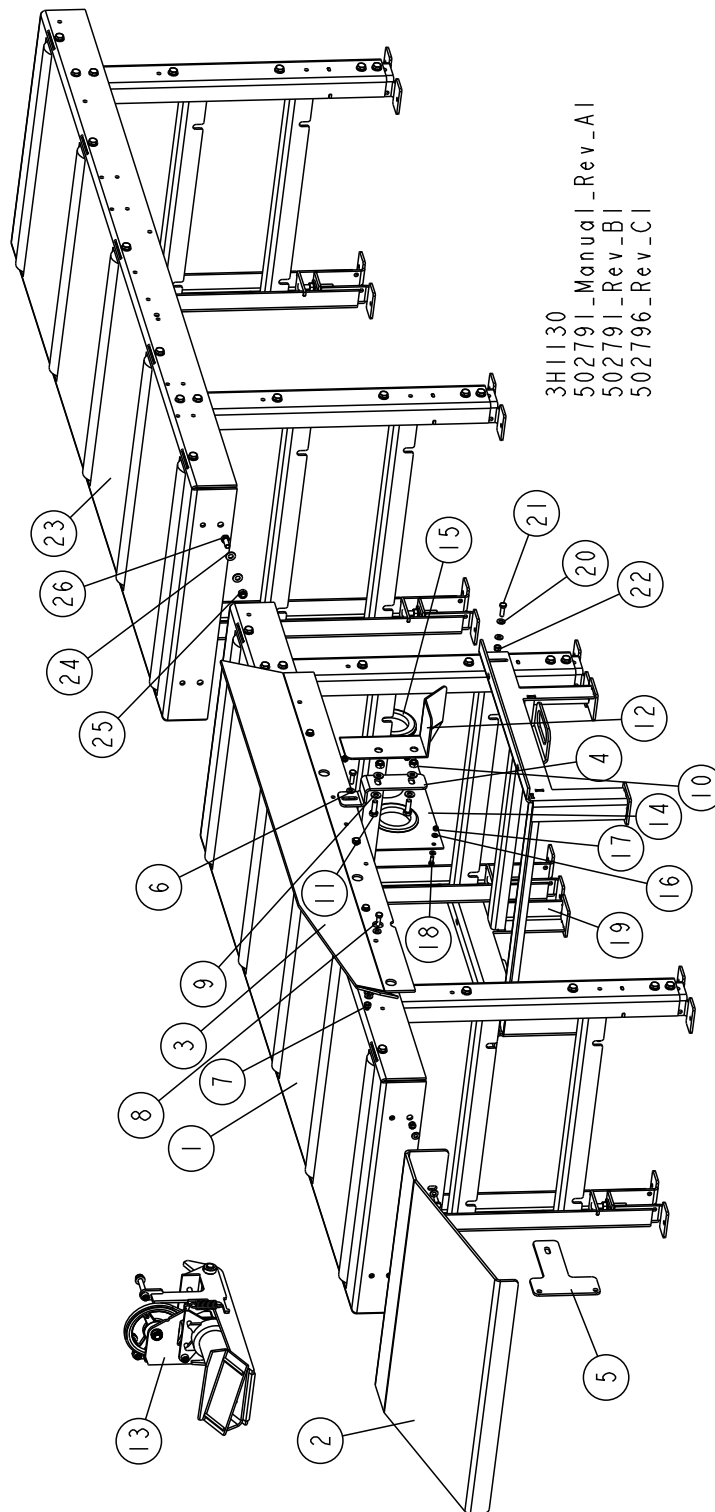
| REF. | DESCRIPTION (◆ Indicates Parts Available In Assemblies Only) | PART #    | QTY. |
|------|--|-----------|------|
| 1    | SUPPORT, LOG SIDE W/GUARD                                    | 099785-1  | 1    |
| 2    | PIN, LOG SIDE SUPPORT PIVOT                                  | 091549-1  | 1    |
| 3    | BOLT, M8X45 - 8.8 HEX HEAD GRADE 5                           | F81002-14 | 1    |
| 4    | WASHER, 8.4 FLAT   | F81054-1  | 2    |
| 5    | NUT, M8-8-B SELF LOCKING                                     | F81032-2  | 1    |
| 6    | PLATE, LOG SIDE SUPPORT END                                  | 091591-1  | 1    |
| 7    | BOLT, M12 X 90-8.8 HEX HEAD                                  | F81004-2  | 2    |
| 8    | WASHER, 13 FLAT  | F81056-1  | 2    |
| 9    | NUT, M12-8 HEX NYLON LOCK                                    | F81034-2  | 3    |
| 10   | WASHER, .5" X 1.63" X 11" GA.                                | 086184    | 1    |

**BED FRAME ASSEMBLY**  
*Log Side Support Assembly (Manual)*

**8**

|    |   |            |   |  |
|----|---|------------|---|--|
| 11 | BOLT, M12 X 35-8.8 HEX HEAD             | F81004-24  | 1 |  |
| 12 | FITTING, 3/16" GREASE                   | P04107     | 2 |  |
| 13 | ROLLER ASSEMBLY, SIDE SUPPORT           | 015014-1   | 2 |  |
| 14 | WASHER, 17 FLAT                         | F81058-1   | 2 |  |
| 15 | BOLT, M16X65-8.8-B HEX HEAD GRADE 5     | F81006-1   | 1 |  |
| 16 | NUT, M16-8 NYLON LOCK                   | F81036-2   | 1 |  |
| 17 | WASHER, SPECIAL BOSART/2S, BN781 M12/13 | F81056-16  | 1 |  |
| 18 | WASHER, SPECIAL BOSART/2S M12/12,3/30,3 | F81056-17  | 1 |  |
|    | INSTRUCTION SHEET, SIDE SUPPORT ROLLER  | 015109-526 | 1 |  |

**8.8 Board Return Table (LT40L Option)**



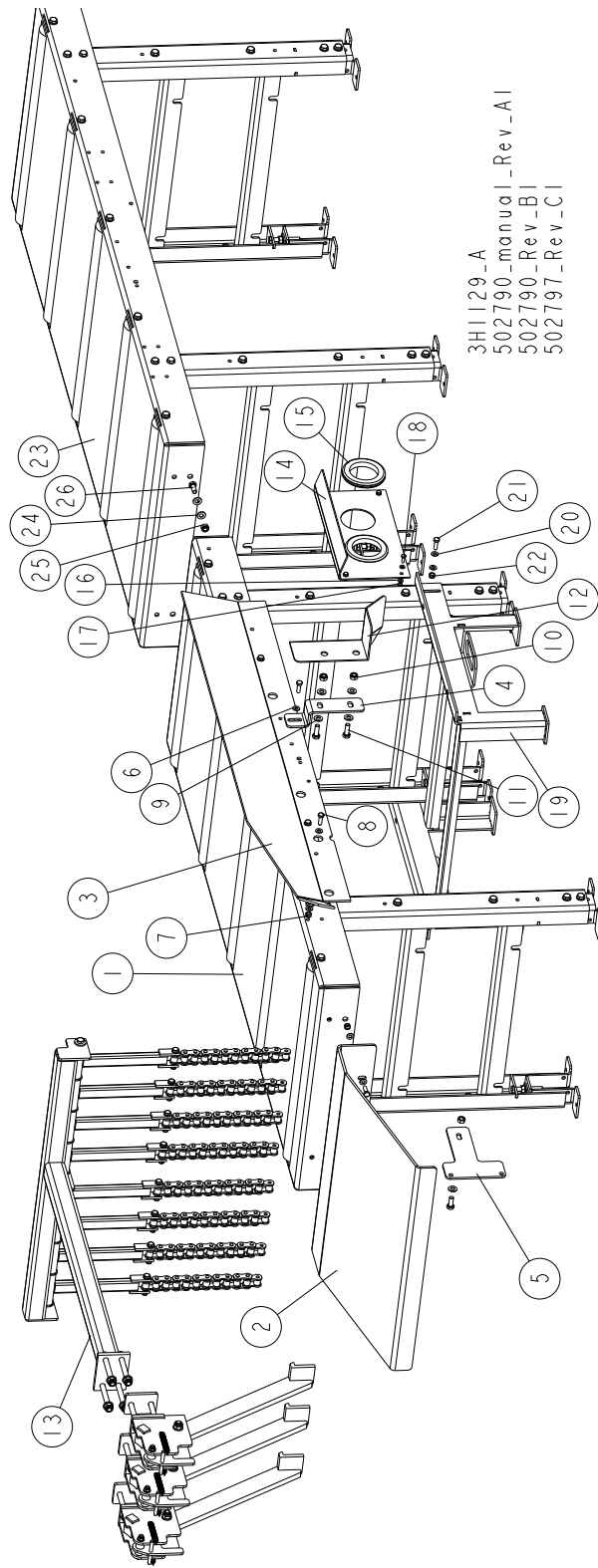
## BED FRAME ASSEMBLY

*Board Return Table (LT40L Option)*

8

| REF. | DESCRIPTION (◆ Indicates Parts Available In Assemblies Only) | PART #        | QTY.     |
|------|--|---------------|----------|
|      | <b>TABLE, LT40L DOUBLE</b>                                   | <b>502791</b> | <b>1</b> |
|      | <b>TABLE, LT40L LONG</b>                                     | <b>502796</b> | <b>1</b> |
|      | <b>TABLE, M FRAME LONG FRONT</b>                             | <b>502537</b> | <b>1</b> |
| 1    | TABLE, M FRAME LONG <a href="#">See Section 8.12</a>         | 502539        | 1        |
| 2    | PLATE, FRONT, BOARD RETURN TABLE                             | 502814-1      | 1        |
| 3    | BRACKET, BOARD RETURN TABLE                                  | 501978-1      | 1        |
| 4    | BRACKET, TABLE LONG, M                                       | 502813-1      | 1        |
| 5    | BRACKET, FRONT, TABLE LONG, L                                | 502812-1      | 1        |
| 6    | WASHER, 8.4 FLAT, ZINC                                       | F81054-1      | 17       |
| 7    | NUT, M8-8-B, HEX,NYLON LOCK ZINC                             | F81032-2      | 9        |
| 8    | BOLT, M8X25-8.8-B HEX HEAD FULL THREAD                       | F81002-5      | 9        |
| 9    | WASHER, 10.5 FLAT ZINC                                       | F81055-1      | 4        |
| 10   | NUT, M10-8-B HEX NYLON ZINC LOCK                             | F81033-1      | 2        |
| 11   | BOLT, M10x30-5.8 HEX HEAD FULL THREAD ZINC                   | F81003-2      | 2        |
| 12   | COVER, HYDRAULIC HOSE - SPECIAL                              | 502500-1      | 1        |
| 13   | BOARD RETURN ASSEMBLY <a href="#">See Section 4.3</a>        | 087839-1      | 1        |
|      | <b>COVER, HYDRAULIC HOSES COMPLETE</b>                       | <b>504262</b> | <b>1</b> |
| 14   | PLATE, COVER, HYDRAULIC HOSES COMPLETE                       | 504261-1      | 1        |
| 15   | COVER, RUBBER 80 MM  | 089293        | 2        |
| 16   | WASHER, M6, FLAT,ZINC  | F81053-1      | 8        |
| 17   | NUT,M6-8-B HEX,NYLON LOCK ZINC                               | F81031-2      | 4        |
| 18   | BOLT M6X16 -8.8 Hex Head Full Thread Zinc                    | F81001-32     | 4        |
| 19   | MOUNT, HYDRAULIC BOX   | 513155-1      | 1        |
| 20   | WASHER, 8.4 FLAT, ZINC                                       | F81054-1      | 4        |
| 21   | BOLT, M8X25-8.8-B HEX HEAD FULL THREAD                       | F81002-5      | 2        |
| 22   | NUT, M8-8-B, HEX,NYLON LOCK ZINC                             | F81032-2      | 2        |
| 23   | TABLE, M FRAME LONG <a href="#">See Section 8.12</a>         | 502539        | 1        |
| 24   | WASHER, 10.5 FLAT ZINC                                       | F81055-1      | 4        |
| 25   | NUT, M10-8-B HEX NYLON ZINC LOCK                             | F81033-1      | 2        |
| 26   | BOLT, M10-1.5X25MM HH GR8.8                                  | F81003-11     | 2        |

**8.9 Board Return Table (LT70L Option)**



3H1129\_A  
 502790\_manual\_Rev\_AI  
 502790\_Rev\_BI  
 502797\_Rev\_CI



## BED FRAME ASSEMBLY

*Board Return Table (LT70L Option)*

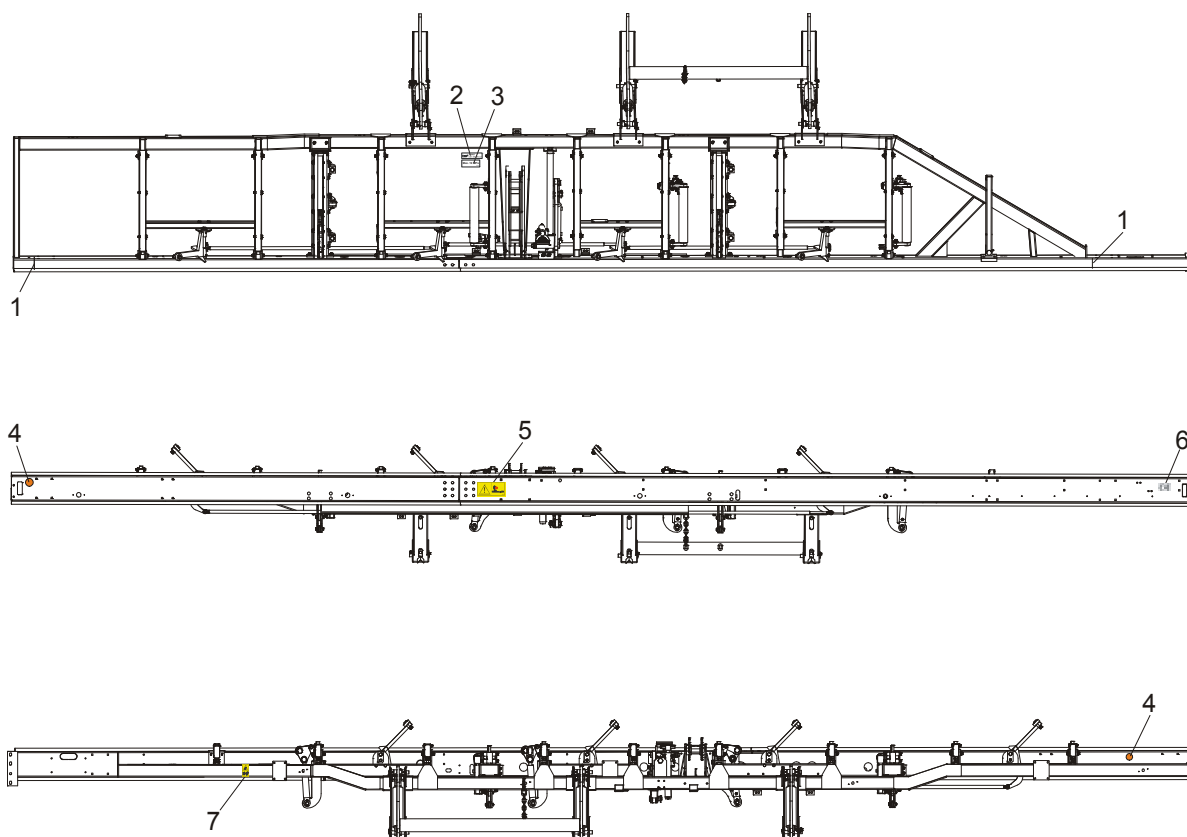
8

| REF. | DESCRIPTION (◆ Indicates Parts Available In Assemblies Only) | PART #        | QTY.     |
|------|--|---------------|----------|
|      | <b>TABLE, LT70L DOUBLE</b>                                   | <b>502790</b> | <b>1</b> |
|      | <b>TABLE, LT70L LONG</b>                                     | <b>502797</b> | <b>1</b> |
|      | <b>TABLE, M FRAME LONG FRONT</b>                             | <b>502537</b> | <b>1</b> |
| 1    | TABLE, M FRAME LONG <a href="#">See Section 8.10</a>         | 502539        | 1        |
| 2    | PLATE, FRONT, BOARD RETURN TABLE                             | 502814-1      | 1        |
| 3    | BRACKET, BOARD RETURN TABLE                                  | 501978-1      | 1        |
| 4    | BRACKET, TABLE LONG, M                                       | 502813-1      | 1        |
| 5    | BRACKET, FRONT, TABLE LONG, L                                | 502812-1      | 1        |
| 6    | WASHER, 8.4 FLAT, ZINC                                       | F81054-1      | 17       |
| 7    | NUT, M8-8-B, HEX,NYLON LOCK ZINC                             | F81032-2      | 9        |
| 8    | BOLT, M8X25-8.8-B HEX HEAD FULL THREAD                       | F81002-5      | 9        |
| 9    | WASHER, 10.5 FLAT ZINC                                       | F81055-1      | 4        |
| 10   | NUT, M10-8-B HEX NYLON ZINC LOCK                             | F81033-1      | 2        |
| 11   | BOLT, M10x30-5.8 HEX HEAD FULL THREAD ZINC                   | F81003-2      | 2        |
| 12   | COVER, HYDRAULIC HOSE - SPECIAL                              | 502500-1      | 1        |
| 13   | BOARD RETURN ASSEMBLY <a href="#">See Section 4.3</a>        | 092757        | 1        |
|      | <b>COVER, HYDRAULIC HOSES COMPLETE</b>                       | <b>504262</b> | <b>1</b> |
| 14   | PLATE, COVER, HYDRAULIC HOSES COMPLETE                       | 504261-1      | 1        |
| 15   | COVER, RUBBER 80 MM  | 089293        | 2        |
| 16   | WASHER, M6, FLAT,ZINC  | F81053-1      | 8        |
| 17   | NUT,M6-8-B HEX,NYLON LOCK ZINC                               | F81031-2      | 4        |
| 18   | BOLT M6X16 -8.8 Hex Head Full Thread Zinc                    | F81001-32     | 4        |
| 19   | MOUNT, HYDRAULIC BOX   | 513155-1      | 1        |
| 20   | WASHER, 8.4 FLAT, ZINC                                       | F81054-1      | 4        |
| 21   | BOLT, M8X25-8.8-B HEX HEAD FULL THREAD                       | F81002-5      | 2        |
| 22   | NUT, M8-8-B, HEX,NYLON LOCK ZINC                             | F81032-2      | 2        |
| 23   | TABLE, M FRAME LONG <a href="#">See Section 8.10</a>         | 502539        | 1        |
| 24   | WASHER, 10.5 FLAT ZINC                                       | F81055-1      | 4        |
| 25   | NUT, M10-8-B HEX NYLON ZINC LOCK                             | F81033-1      | 2        |
| 26   | BOLT, M10-1.5X25MM HH GR8.8                                  | F81003-11     | 2        |

# 8 BED FRAME ASSEMBLY

*Bed Frame Decals*

## 8.10 Bed Frame Decals



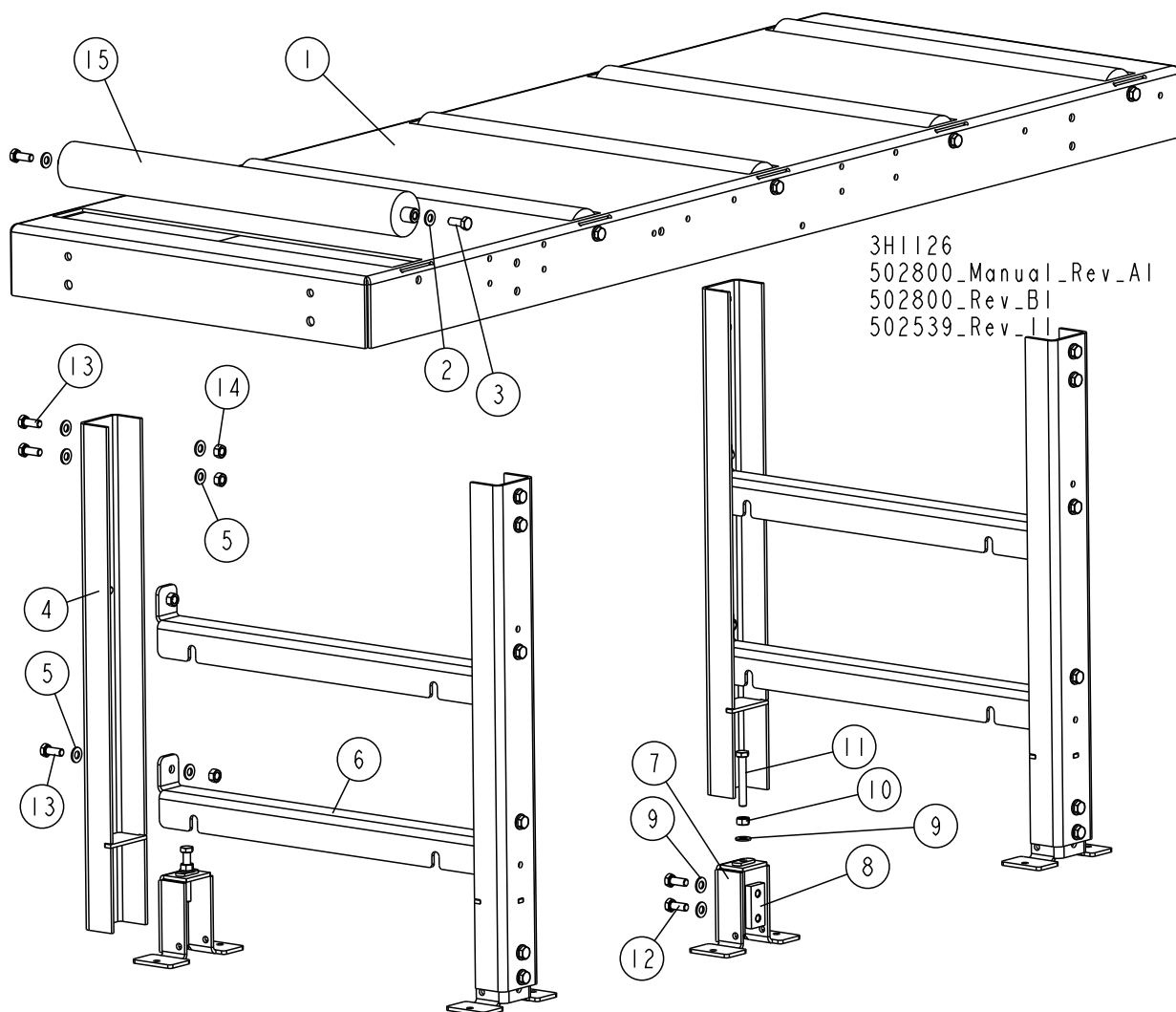
| REF. | DESCRIPTION (◆ Indicates Parts Available In Assemblies Only) | PART # | QTY. |
|------|--|--------|------|
| 1    | DECAL, LOG LENGTH LIMIT                                      | S12051 | 2    |
| 2    | DECAL, HYDRAULIC OIL TYPE                                    | 096323 | 1    |
| 3    | DECAL, HYDRAULIC WORKING PRESSURE                            | 099524 | 1    |
| 4    | DECAL, AMBER REFLECTIVE 2" ROUND                             | P07453 | 2    |
| 5    | DECAL, PINCH POINT DANGER, PICTOGRAM                         | 099542 | 1    |
| 6    | DECAL, CE CERTIFIED SAWMILL, SMALL                           | P85070 | 1    |
| 7    | DECAL, KEEP AWAY DANGER, PICTOGRAM                           | 099221 | 1    |



# 8 BED FRAME ASSEMBLY

## Long Table

### 8.12 Long Table



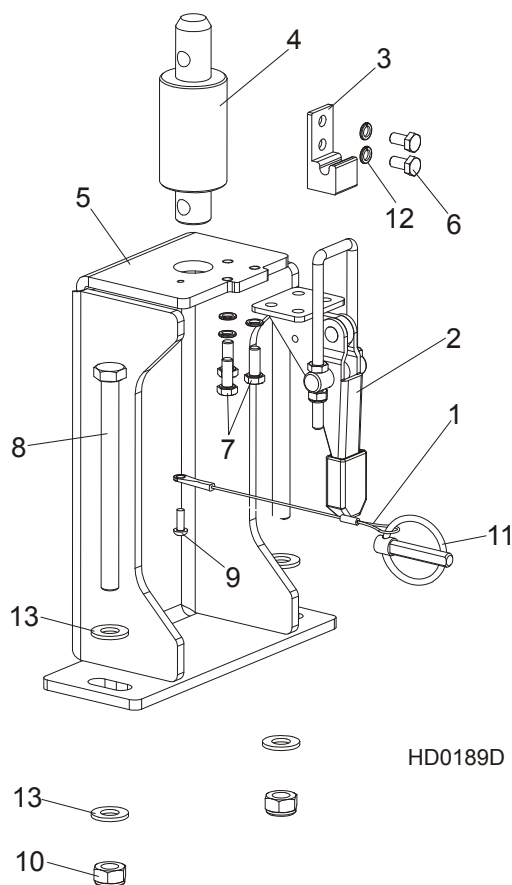
| L.P. | OPIS (♦ wskazuje części dostępne jedynie w zespołach) | NUMER KAT.    | SZT.     |
|------|---|---------------|----------|
|      | <b>LONG TABLE, "M" FRAME</b>                          | <b>502539</b> | <b>1</b> |
| 1    | TABLE WLDMT, BOARD RETURN                             | 512488-1      | 1        |
| 2    | Washer, 10.5 Flat                                     | F81055-1      | 10       |
| 3    | BOLT, M10-1.5X25MM HH GR8.8                           | F81003-11     | 10       |
|      | <b>LEG, TABLE COMPLETE</b>                            | <b>501974</b> | <b>2</b> |
| 4    | LEG, TABLE  | 501976        | 2        |
| 5    | Washer, 10.5 Flat                                     | F81055-1      | 15       |
| 6    | CROSS-BAR, TABLE                                      | 500074-1      | 2        |
|      | <b>COMPLETE, ADJUSTABLE LEG FOOT</b>                  | <b>101014</b> | <b>2</b> |
| 7    | FOOT, LEG ADJUSTABLE                                  | 101022-1      | 1        |

| L.P. | OPIS (◆ wskazuje części dostępne jedynie w zespołach) | NUMER KAT. | SZT. |  |
|------|---|------------|------|--|
| 8    | PLATE, M10 CLAMPING ZINC-PLATED                       | 101242-1   | 1    |  |
| 9    | Washer, 10.5 Flat                                     | F81055-1   | 3    |  |
| 10   | NUT, M10-8-B-HEX ZINC                                 | F81033-3   | 1    |  |
| 11   | BOLT, M10x70-8.8-HEX HEAD FULL THREAD ZINC            | F81003-20  | 1    |  |
| 12   | BOLT, M10x25-8.8-HEX HEAD FULL THREAD ZINC            | F81003-11  | 2    |  |
| 13   | BOLT, M10x25-8.8-HEX HEAD FULL THREAD ZINC            | F81003-11  | 8    |  |
| 14   | NUT, M10-8-B-HEX ZINC                                 | F81033-3   | 8    |  |
| 15   | ROLLER 63.5/20X590                                    | 501090-1   | 5    |  |

# 8 BED FRAME ASSEMBLY

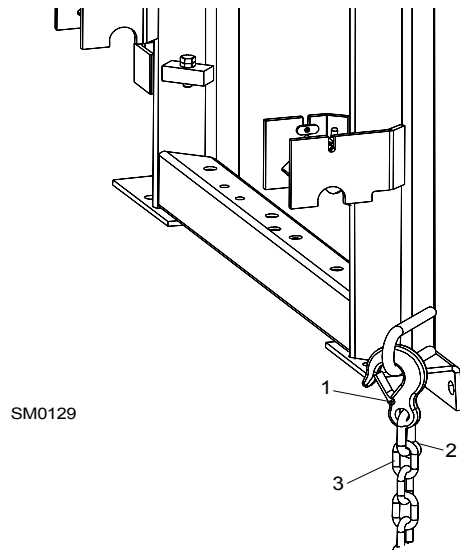
## LT40/7LT70 L Saw Head Support Assembly

### 8.13 LT40/7LT70 L Saw Head Support Assembly



| REF | DESCRIPTION (◆ Indicates Parts Available In Assemblies Only) | PART #    | QTY. |
|-----|--|-----------|------|
|     | <b>SAW HEAD REST PIN W/LATCH CLAMP, LT70L</b>                | 502392    | 1    |
| 1   | LANYARD, 3/64X6"   | 016030    | 1    |
| 2   | CLAMP, GN851.2-320-T4 LATCH                                  | 094656    | 1    |
| 3   | LATCH BRACKET, GN851.2-320-T4 ZINC-PLATED                    | 094659-1  | 1    |
| 4   | PIN, SAW HEAD REST LT20 PTD                                  | 097935-1  | 1    |
| 5   | BRACKET, SAW HEAD REST                                       | 502389-1  | 1    |
| 6   | BOLT, M6x12-8.8 HEX HEAD FULL THREAD ZINC                    | F81001-7  | 2    |
| 7   | BOLT, M6 X 16 8.8 FE/ZN5 PN-M/82105                          | F81001-15 | 3    |
| 8   | BOLT, M10x125-8.8 HEX HEAD ZINC                              | F81003-18 | 2    |
| 9   | SCREW, M4x12 5,8-B CROSS RECESSED PAN HEAD                   | F81011-43 | 1    |
| 10  | NUT, M10-8-B HEX NYLON ZINC LOCK                             | F81033-1  | 2    |
| 11  | PIN, 8 BN914 (BOSSARD 134650) LOCK                           | F81046-2  | 1    |
| 12  | WASHER, Z6.1 SPLIT LOCK ZINC                                 | F81053-3  | 5    |
| 13  | WASHER, 10.5 FLAT ZINC                                       | F81055-1  | 4    |

**8.14 Tie Down Chain Assembly**

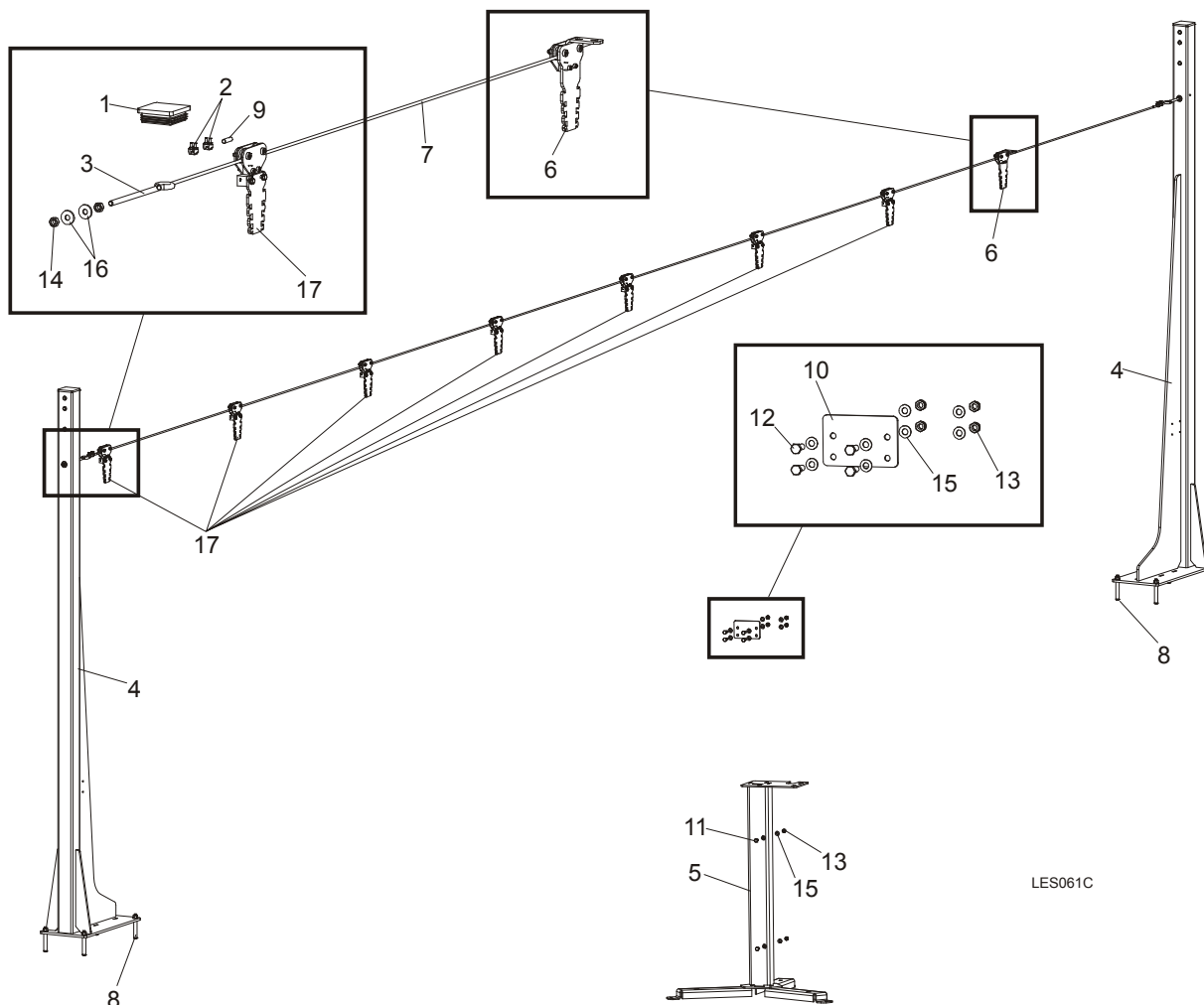


| REF      | DESCRIPTION (◆ Indicates Parts Available In Assemblies Only) | PART #   | QTY. |  |
|----------|--|----------|------|--|
|          | <b>CHAIN ASSEMBLY, TIE DOWN</b>                              | A04376-1 | 1    |  |
| <b>1</b> | Hook, 5/8" Safety Chain                                      | P12075   | 1    |  |
| <b>2</b> | Screw Closed Chain Link, 10                                  | 100767   | 1    |  |
| <b>3</b> | Chain, N-10 x 35, 6 Links                                    | 100951   | 1    |  |

# 8 BED FRAME ASSEMBLY

Remote Equipment Option

## 8.15 Remote Equipment Option



LES061C

| REF | DESCRIPTION (◆ Indicates Parts Available In Assemblies Only) | PART #   | QTY. |
|-----|--|----------|------|
|     | <b>EQUIPMENT, LT20B REMOTE COMPLETE</b>                      | 501649   | 1    |
| 1   | CAP, EDGER FRAME   | 089644   | 2    |
| 2   | CLAMP, LT20 STRING   | 091614   | 4    |
| 3   | TENSIONER, ZINC-PLATED                                       | 500846-1 | 2    |
| 4   | COLUMN, LT20B LINE GUIDE                                     | 503600-1 | 2    |
| 5   | STAND, LT20B CONTROL BOX                                     | 501651-1 | 1    |
| 6   | PULLEY, STATIONARY   | 504264   | 1    |
| 7   | CABLE, 6MM (11,5 M) STEEL                                    | 504279   | 1    |
| 8   | PIN, LT 16X120   | 501877   | 8    |
| 9   | POINTER, 6MM STEEL CABLE                                     | 504280-1 | 2    |
| 10  | CAP, LT20B REMOTE CONTROL BOX                                | 501879-1 | 1    |
| 11  | BOLT, M8X20-5.8 HEX HEAD FULL THREAD ZINC                    | F81002-1 | 2    |
| 12  | BOLT, M8x25-8.8-B HEX HEAD FULL THREAD ZINC                  | F81002-5 | 4    |



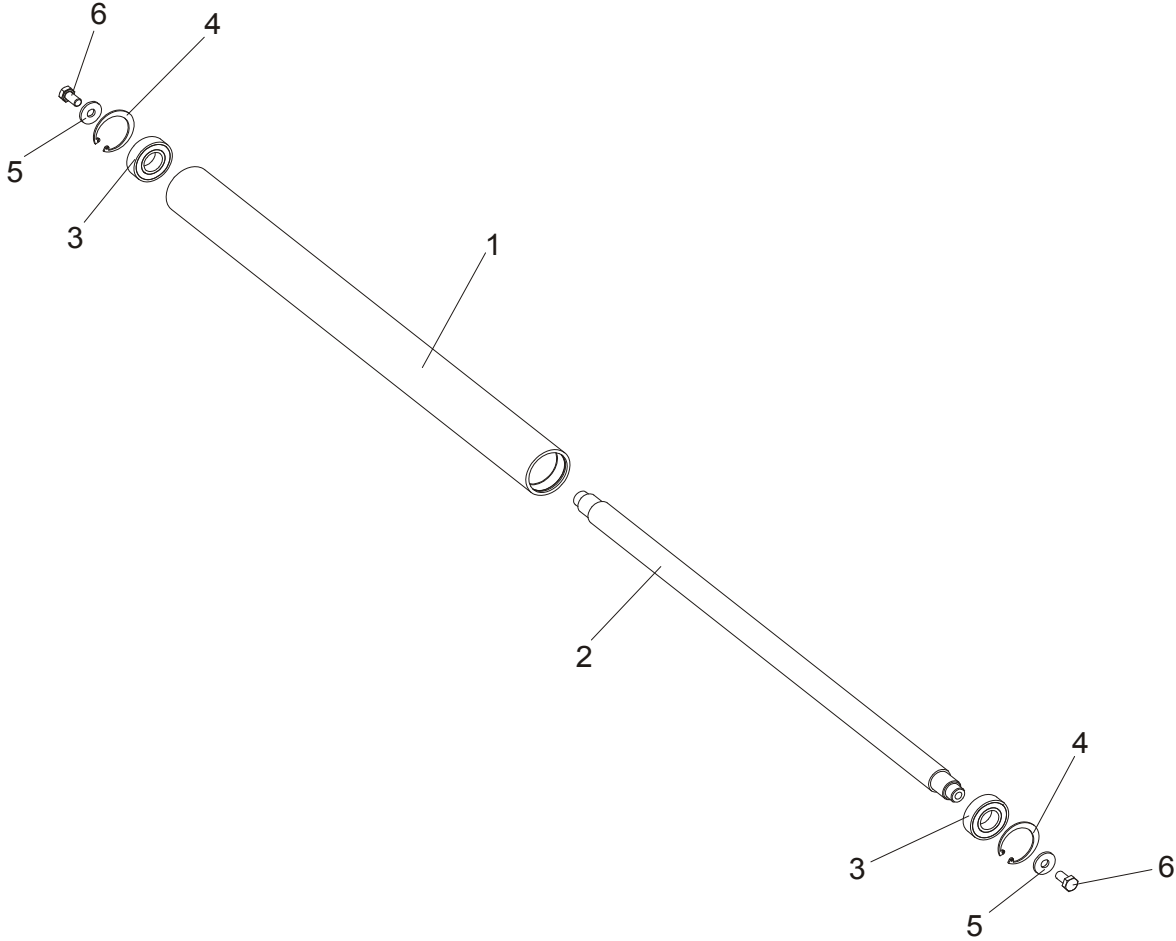
**BED FRAME ASSEMBLY***Remote Equipment Option***8**

|    |                                 |          |    |  |
|----|---------------------------------|----------|----|--|
| 13 | NUT, M8-8-B HEX NYLON ZINC LOCK | F81032-2 | 6  |  |
| 14 | NUT, M10-8-B-FE                 | F81033-3 | 4  |  |
| 15 | WASHER, 8.4 FLAT ZINC           | F81054-1 | 12 |  |
| 16 | WASHER, 10.5 ZINC FLAT SPECIAL  | F81055-6 | 4  |  |
| 17 | PULLEY                          | 504114   | 7  |  |

# 8 BED FRAME ASSEMBLY

## Board Return Roller Assembly

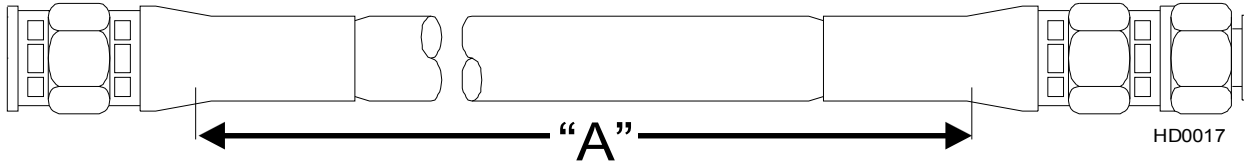
### 8.16 Board Return Roller Assembly



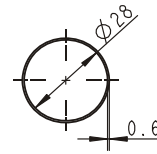
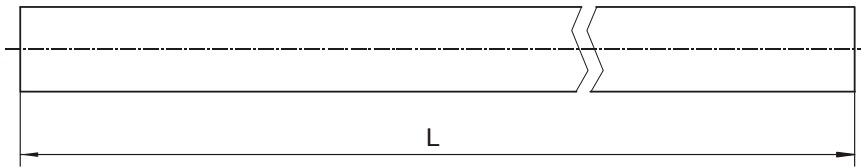
| REF | DESCRIPTION (◆ Indicates Parts Available In Assemblies Only) | PART#    | QTY. |
|-----|--|----------|------|
|     | <b>ROLLER ASSEMBLY, WM3000 PAINTED</b>                       | 093291   | 1    |
|     | Tube, WM3000 Roller  | 091782-1 | 1    |
| 1   | Tube, WM3000 Roller  | 091781   | 1    |
| 2   | Shaft, WM3000 Roller   | 091793   | 1    |
| 3   | Bearing, 6205 2RS  | 091804   | 2    |
| 4   | Ring, W50 Inside Retaining                                   | 091805   | 2    |
| 5   | Washer, 10.5 Special Flat Zinc                               | F81055-6 | 2    |
| 6   | Bolt, M10x20-5.8 Hex Head Full Thread Zinc                   | F81003-1 | 2    |

## SECTION 9 HYDRAULIC SYSTEM

### 9.1 Hydraulic Hoses, LT20L/LT40L/LT70L AH

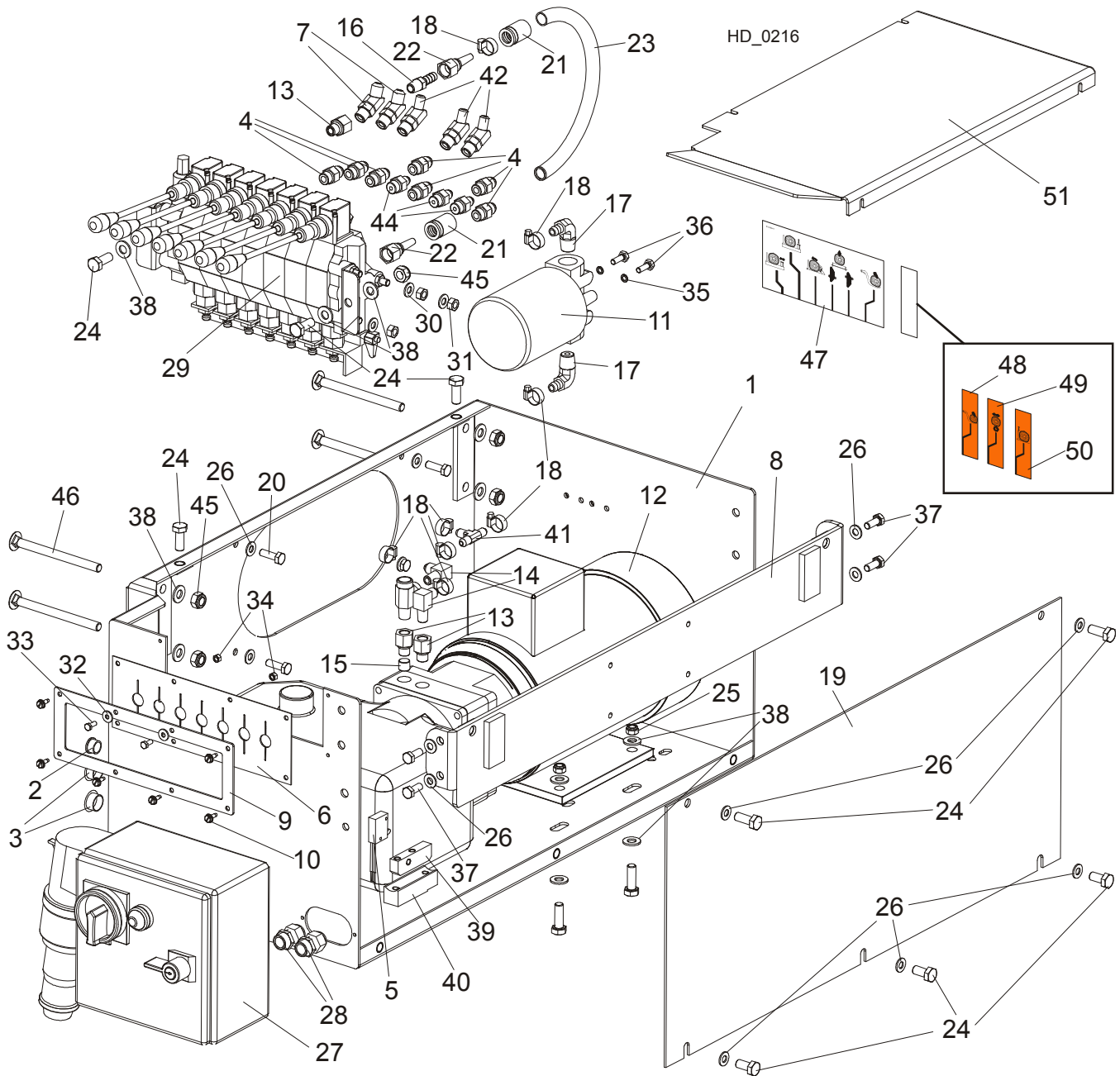


| COLOR CODE           | LENGTH (m) | DESCRIPTION (◆ Indicates Parts Available In Assemblies Only) | PART # | QTY. |
|----------------------|------------|--|--------|------|
| GREEN                | 1.305      | 3/8" TEE FITTING / 3RD LOADER ARM, CYLINDER BOTTOM           | 089808 | 1    |
| RED                  | 1.305      | 3/8" TEE FITTING / OIL FLOW DIVIDER                          | 089808 | 1    |
| GREEN                | 2.155      | 3/8" TEE FITTING / 1ST LOADER ARM, CYLINDER BOTTOM           | 091844 | 1    |
| BLUE                 | 1.205      | 3/8" TEE FITTING/ OIL FLOW DIVIDER                           | 504834 | 1    |
| NONE                 | 10.205     | 1/4" POWER ROLLER UP/DOWN                                    | 506988 | 2    |
| SIVER/BROWN          | 9.705      | 1/4" POWER ROLLER - ROLLER DRIVE - MOTOR                     | 506989 | 2    |
| NONE/ PINK           | 7.205      | 3/8" SIDE SUPPORTS UP/DOWN                                   | 506990 | 2    |
| BROWN/<br>CHERRY RED | 3.755      | 3/8" SIDE SUPPORTS TO LOG TURNER                             | 506991 | 2    |
| RED/BLUE             | 9.755      | 1/4" CONTROL BOX TO 2ND CLAMP UP/DOWN                        | 506992 | 2    |
| ORANGE/WHITE         | 9.605      | 1/4" CONTROL BOX TO 2ND CLAMP IN/OUT                         | 506993 | 2    |
| GREEN                | 9.005      | 1/4" MIDDLE CLAMP TOP  | 506994 | 1    |
| YELLOW               | 8.705      | 1/4" MIDDLE CLAMP BOTTOM                                     | 506995 | 1    |
| WHITE                | 7.775      | 3/8" MIDDLE CLAMP FRONT END                                  | 506996 | 1    |
| ORANGE               | 7.605      | 3/8" MIDDLE CLAMP REAR END                                   | 506997 | 1    |
| CHERRY<br>RED/BLACK  | 7.205      | 1/4" 2ND TOE BOARD UP/DOWN                                   | 506998 | 2    |
| CHERRY<br>RED//BLACK | 5.905      | 1/4" 1ST TOE BOARD UP/DOWN                                   | 506999 | 2    |
| RED/BLUE             | 6.905      | 1/4" 1ST LOG CLAMP UP/DOWN                                   | 507000 | 2    |
| ORANGE/WHITE         | 6.005      | 1/4" 1ST LOG CLAMP IN/OUT                                    | 507001 | 2    |
| BLUE/RED             | 7.605      | 3/8" CONTROL BOX - LOG LOADER/LOG DECK                       | 507002 | 1    |
| YELLOW               | 2.305      | 3/8" TEE FITTING / 1ST LOADER ARM, CYLINDER BOTTOM           | 507003 | 1    |
| YELLOW               | 0.905      | 3/8" TEE FITTING / 2ND LOADER ARM, CYLINDER TOP              | 507004 | 1    |
| YELLOW               | 1.355      | 3/8" TEE FITTING / 3RD LOADER ARM, CYLINDER TOP              | 507005 | 1    |
| BLUE                 | 1.005      | 3/8" TEE FITTING - TEE FITTING                               | 507006 | 1    |
| GREEN                | 0.805      | 3/8" TEE FITTING / 2ND LOADER ARM, CYLINDER BOTTOM           | 507181 | 1    |

**Protective Conduits, LT70 Series A/DH Hydraulic Hoses**

| LENGTH "L" | DESCRIPTION (◆ Indicates Parts Available In Assemblies Only) | PART # | QTY. |
|------------|--|--------|------|
| 0.70       | PROTECTIVE CONDUIT, LOG TURNER HOSE                          | 099761 | 2    |
| 0.28       | PROTECTIVE CONDUIT, IN/OUT CYLINDER HOSE - BOTTOM            | 099762 | 1    |
| 0.45       | PROTECTIVE CONDUIT, IN/OUT CYLINDER HOSE - TOP               | 099763 | 1    |
| 1.35       | PROTECTIVE CONDUIT, UP/DOWN CYLINDER HOSE - BOTTOM           | 099764 | 1    |
| 1.65       | PROTECTIVE CONDUIT, UP/DOWN CYLINDER HOSE - TOP              | 099765 | 1    |

9.2 Hydraulic Control Box, LT20L/LT40L/70L AH7



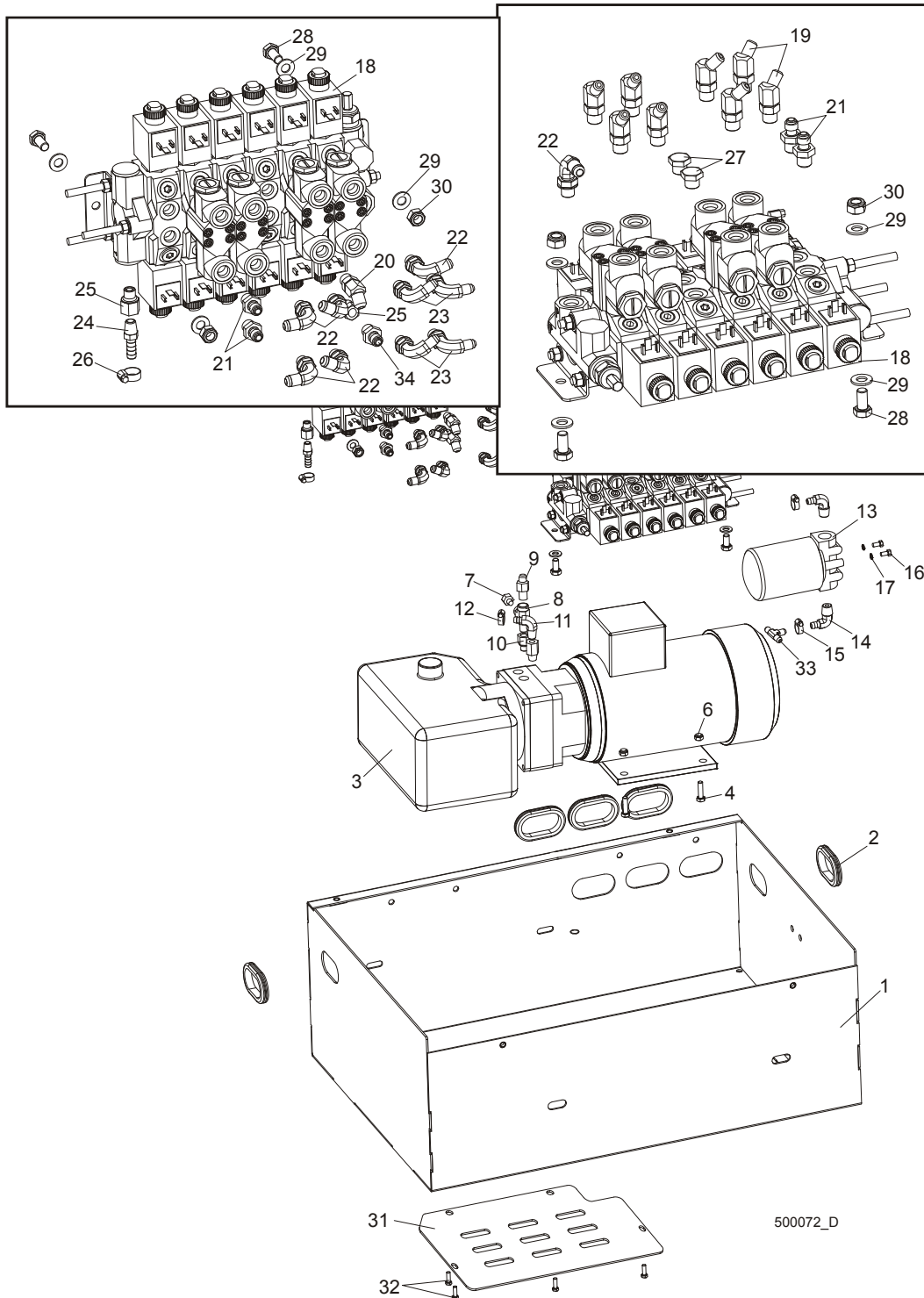
| REF. | DESCRIPTION (◆ Indicates Parts Available In Assemblies Only) | PART #        | QTY.     |
|------|--|---------------|----------|
|      | <b>BOX, AH 7-SECTION LT40/70 HYDRAULIC</b>                   | <b>510563</b> | <b>1</b> |
| 1    | BOX WELDMENT, 7-SECTION HYDRAULIC                            | 510564-1      | 1        |
| 2    | BUSHING, 15.9 UB625 CONDUIT                                  | 086816        | 1        |
| 3    | CAP, 1086 DIA. 22.2 HOLE                                     | 093544        | 2        |
| 4    | FITTING, 3/8JIC - 3/8 O-RING                                 | 014687        | 7        |
| 5    | SWITCH, 2A 125V R-LEVER NO/NC/COM                            | 014765        | 1        |
| 6    | GUARD, 7-SECTION HYD. VALVE RUBBER                           | 510566        | 1        |
| 7    | FITTING, 45DEG. #6SAE ELBOW                                  | 015489        | 2        |
| 8    | BRACKET, AC HYDRAULIC BOX                                    | 086518-1      | 1        |
| 9    | PLATE, RUBBER GUARD MOUNTING                                 | 510567-1      | 1        |
| 10   | SCREW, #10-24x1/2 SELF-TAPPING                               | F05015-7      | 5        |

**HYDRAULIC SYSTEM***Hydraulic Control Box, LT20L/LT40L/70L AH7*

|    |  |                     |          |  |
|----|--|---------------------|----------|--|
| 11 | MANIFOLD, W/FILTER                                   | P22683              | 1        |  |
| 12 | HYDRAULIC PUMP W/MOTOR, AC 4KW 14.5L/MIN             | 500958              | 1        |  |
| 13 | FITTING, 6SAE MALE-1/4NPT FEMALE                     | 014686              | 3        |  |
| 14 | FITTING, 3/8JIC-1/4NPT 90L                           | 015491              | 2        |  |
| 15 | PLUG, TN 192-1/4NPT W/EXTERNAL THREAD                | 096221              | 2        |  |
| 16 | FITTING, 1/4NPT-3/8 BARB                             | 014685              | 1        |  |
| 17 | FITTING, 1/2NPT-3/8 BARB ELBOW                       | P12707              | 2        |  |
| 18 | CLAMP, 11/16 WORM                                    | 061807              | 8        |  |
| 19 | PANEL, AC HYDRAULIC BOX FRONT                        | 086484-1            | 1        |  |
| 20 | BOLT, M8x25-8.8-B HEX HEAD FULL THREAD ZINC          | F81002-5            | 4        |  |
|    | <b>HOSE, 2T3/8X0.533 W9/16UNF-W9/16UNF HYDRAULIC</b> | <b>087775</b>       | <b>1</b> |  |
| 21 | CRIMP SOCKET 3/8" HYDRAULIC HOSE                     | 085901              | 2        |  |
| 22 | FITTING, JIC 9/16-18                                 | 085900              | 2        |  |
| 23 | HOSE, 3/8" (C/S-20MPa)P/N8106-6-06 HYDRAULIC         | R02132              | 1        |  |
| 24 | BOLT, M10x25-8.8 HEX HEAD FULL THREAD ZINC           | F81003-11           | 6        |  |
| 25 | NUT, M8-8-B HEX NYLON ZINC LOCK                      | F81032-2            | 4        |  |
| 26 | WASHER, 8.4 FLAT ZINC                                | F81054-1            | 13       |  |
| 27 | <b>BOX, AC 4kW LT40/70 STARTER</b>                   | <b>089799</b>       | <b>1</b> |  |
| 28 | GLAND, DP 11/H CABLE                                 | 085388              | 2        |  |
| 29 | <b>VALVE, 7-SECTION AC HYDRAULIC</b>                 | <b>510560</b>       | <b>1</b> |  |
| 30 | WASHER, 8.4 FLAT ZINC                                | F81054-1            | 6        |  |
| 31 | NUT, M8-8-B HEX ZINC                                 | F81032-1            | 6        |  |
| 32 | WASHER, 5.5 SPECIAL FLAT ZINC                        | F81052-3            | 2        |  |
| 33 | BOLT, M5x12-5.8 HEX HEAD FULL THREAD ZINC            | F81000-5            | 2        |  |
| 34 | NUT, M5-8 HEX ZINC                                   | F81030-1            | 2        |  |
| 35 | WASHER, Z 6.1 SPLIT LOCK ZINC                        | F81053-3            | 2        |  |
| 36 | BOLT, 1/4-20X3/4 FT HHC                              | F05005-1            | 2        |  |
| 37 | BOLT, M8x20-8.8-B HEX HEAD FULL THREAD ZINC          | F81002-4            | 4        |  |
| 38 | WASHER, 10.5 FLAT ZINC                               | F81055-1            | 16       |  |
| 39 | BUTTON, HOT CONTACT 1997                             | 015253              | 1        |  |
| 40 | BLOCK, EXTEN. HYD. GROUND CONTACT                    | 015264              | 1        |  |
| 41 | FITTING, 3/8 BARB TEE                                | 015485              | 1        |  |
| 42 | FITTING, #4SAE-#6SAE 45 DEG. ELBOW                   | 015488              | 3        |  |
| 43 | BOLT, M10x30-5.8 HEX HEAD FULL THREAD ZINC           | F81003-2            | 4        |  |
| 44 | FITTING, 1/4JIC-3/8 O-RING                           | P26284              | 3        |  |
| 45 | NUT, M10-8-B HEX NYLON ZINC LOCK                     | F81033-1            | 6        |  |
| 46 | BOLT, M10x125 8.8 CARRIAGE HEAD ZINC                 | F81003-34           | 4        |  |
| 47 | DECAL, HYDRAULIC CONTROL SUPER '97 (ENGLISH)         | 015364-A1           | 1        |  |
| 48 | DECAL, ADDITIONAL HYDRAULIC SECTION - LOG LOADER     | 511426 <sup>1</sup> | 1        |  |
| 49 | DECAL, ADDITIONAL HYDRAULIC SECTION - POWER ROLLER   | 511427 <sup>1</sup> | 1        |  |
| 50 | DECAL, ADDITIONAL HYDRAULIC SECTION - SIDE SUPPORT   | 511428 <sup>1</sup> | 1        |  |
| 51 | <b>COVER, AC HYDRAULIC CONTROL BOX</b>               | <b>086485-1</b>     | <b>1</b> |  |

<sup>1</sup> Depending on order

9.3 Hydraulic Control Box, LT40/70 AH15/14



| REF. | DESCRIPTION (◆ Indicates Parts Available In Assemblies Only) | PART #              | QTY. |
|------|--|---------------------|------|
|      | HYDRAULIC CONTROL BOX, LT40/70 AH15                          | 093732 <sup>1</sup> | 1    |
|      | HYDRAULIC CONTROL BOX, LT40/70 AH14                          | 093734              | 1    |
|      | HYDRAULIC CONTROL BOX, LT40/70 AH13                          | 093736              | 1    |
| 1    | Box Weldment, 9.5 M AC Hydraulic Control                     | 089636-1            | 1    |
| 2    | Grommet, FM54 Rubber   | 087065              | 5    |
| 3    | HYDRAULIC PUMP W/MOTOR, 4KW 14.5 L/MIN. AC                   | 500958              | 1    |

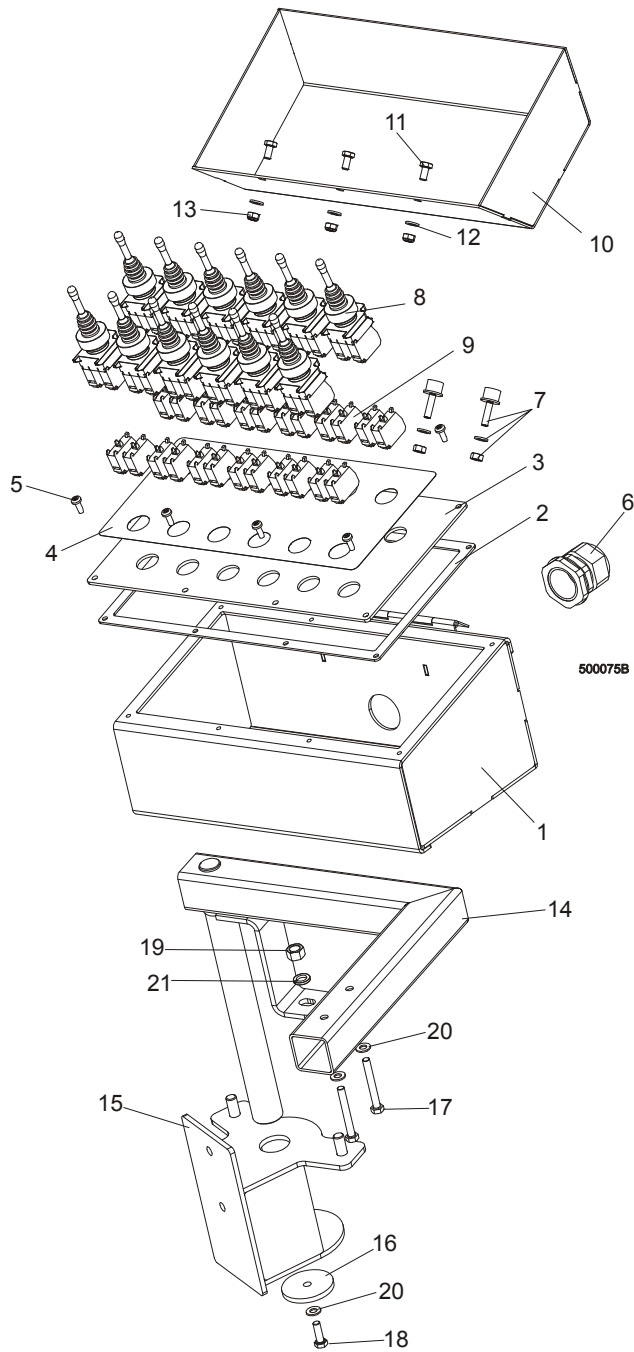
**HYDRAULIC SYSTEM***Hydraulic Control Box, LT40/70 AH15/14*

|    |  |                  |        |  |
|----|--|------------------|--------|--|
| 4  | Bolt, M8X25-8.8-B Zinc Hex Head  | F81002-5         | 4      |  |
| 5  | <b>FITTING, 3/8JIC-1/4NPT STRAIGHT</b>   | 015560           | 1      |  |
| 6  | Nut, M8-8-B Zinc Hex Nylon Lock  | F81032-2         | 4      |  |
| 7  | Plug, 1/4" NPT Blank   | 096221           | 1      |  |
| 8  | Fitting, C3759X4 Tee Connector   | P09141           | 1      |  |
| 9  | Fitting, 1/4" NPT - 1/4" NPT Male  | P09143           | 1      |  |
| 10 | Fitting, #6SEA MALE - 1/4NPT Female  | 014686           | 1      |  |
| 11 | Fitting, #6-6 (3/8" NPT) - 3/8" Elbow  | P12708           | 1      |  |
| 12 | Clamp, 11/16 Hose  | P12739           | 1      |  |
| 13 | <b>BRANCH-JOINT, HYDRAULIC WITH 1.2" FILTER</b>  | P22683           | 1      |  |
| 14 | Fitting, 1/2" NPT - 3/8" Elbow   | P12707           | 2      |  |
| 15 | Clamp, 11/16 Hose  | P12739           | 4      |  |
| 16 | Bolt, 1/4-20 X 1/2" Zinc Hex Head Grade 2  | F05005-15        | 2      |  |
| 17 | Washer, Z 6.1 Split Lock Zinc  | F81053-3         | 2      |  |
| 18 | <b>HYDRAULIC VALVE, HDS11 6K01-151/MOD 6/062Z0</b><br><b>HYDRAULIC VALVE, HDS11 6K01-151/MOD 6/063Z0</b> | 088188<br>088189 | 1<br>1 |  |
| 19 | Fitting, #4 SAE - #6 SAE 45° Elbow   | 015488           | 8      |  |
| 20 | Fitting, #6 SAE 45° Elbow 45ST #6SAE   | 015489           | 1      |  |
| 21 | Fitting, 3/8" O-ring - 1/4" JIC  | P26284           | 4/2    |  |
| 22 | Fitting, #6 SAE 3/8" JIC Elbow   | P12704           | 6      |  |
| 23 | Fitting, 90 9/16-18 JIC 7/16-20 JIC Elbow  | 089642           | 4      |  |
| 24 | Fitting, L" NPT X 3/8" Hose Barb   | 014685           | 2      |  |
| 25 | Fitting, #6SEA MALE - 1/4NPT Female  | 014686           | 2      |  |
| 26 | Clamp, 11/16 Hose  | P12739           | 1      |  |
| 27 | Plug, 9/16-18 JIC Hydraulic Valve  | 089647           | 2      |  |
| 28 | Bolt, M10X20-5.8 Zinc Hex Head   | F81003-1         | 4      |  |
| 29 | Washer, 10.5 Flat Zinc   | F81055-1         | 8      |  |
| 30 | Nut, M10-8-B Hex Nylon Lock Zinc   | F81033-1         | 4      |  |
| 31 | <b>COVER WELDMENT, LT80 HYDRAULIC BOX BOTTOM PAINTED</b>   | 090962-1         | 1      |  |
| 32 | <b>BOLT, M6x16 8.8 ZINC HEX HEAD</b>   | F81001-15        | 4      |  |
| 33 | <b>FITTING, 3/8 BARB TEE</b>   | 015485           | 1      |  |
|    | <b>MATRIX, DIODE HYDRAULIC</b>   | 096963           | 2      |  |
|    | <b>VALVE CONNECTOR, WITH BUILT-IN LED</b>  | 094556           |        |  |

<sup>1</sup> Depending on type of sawmill.



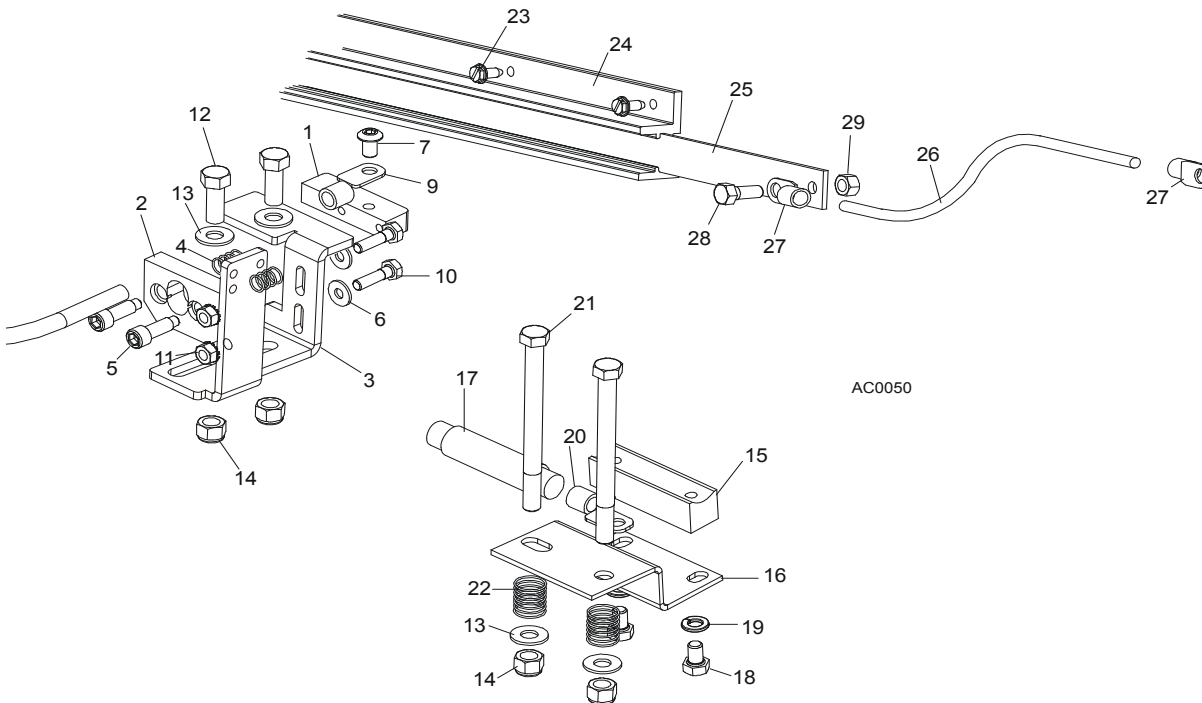
### 9.4 Hydraulic Control Box



| REF. | DESCRIPTION (◆ Indicates Parts Available In Assemblies Only) | PART #    | QTY. |
|------|--|-----------|------|
|      | <b>BOX, 9,5M FRAME HYDRAULIC CONTROL, COMPLETE</b>           | 088178    | 1    |
|      | BOX, 9.5 M FRAME HYDRAULIC CONTROL                           | 088164    | 1    |
| 1    | Box Weldment, Hydraulic Control                              | 088163-1  | 1    |
| 2    | Gasket, 9.5 m Frame  | 089998    | 1    |
| 3    | Panel, Hydraulic Control Box Front 9.5 m                     | 089997-1  | 1    |
| 4    | Decal, Hydraulic Control Box (9 m Frame)                     | 088159    | 1    |
| 5    | Screw, #10-24 x 1/2 Pan Head                                 | F05015-17 | 8    |
| 6    | Seal, DP 29/H Gland  | F81096-1  | 1    |
| 7    | Bumper, A/022 Rubber   | 088376    | 2    |
| 8    | Joystick, PMJN8T3  | 096928    | 12   |
| 9    | Contact, 1NO PL004002  | 096929    | 24   |

|    |  |          |   |  |
|----|--|----------|---|--|
| 10 | Cover, Hydraulic Control Box (9.5 m Frame) | 088172-1 | 1 |  |
| 11 | Bolt, M6X12-8.8 Zinc Hex Head              | F81001-7 | 3 |  |
| 12 | Washer, 6.4 Flat Zinc                      | F81053-1 | 3 |  |
| 13 | Nut, M6-8-B Hex Nylon Lock Zinc            | F81031-2 | 3 |  |
| 14 | ARM, CONTROL BOX PIVOT ZINC-PLATED.        | 088169-1 | 1 |  |
| 15 | MOUNT WELDMENT, CONTROL BOX PIVOT ARM      | 088176-1 | 1 |  |
| 16 | WASHER, PIVOT ARM BASE                     | 088180-1 | 1 |  |
| 17 | BOLT, M8 X 65MM,HH,GRADE 5.8, ZINC         | F81002-3 | 2 |  |
| 18 | BOLT, M8x25-8.8-B HEX HEAD FULL THREAD Z   | F81002-5 | 1 |  |
| 19 | NUT, M12-8-B ZINC HEX                      | F81034-1 | 1 |  |
| 20 | WASHER, 8.4 FLAT ZINC                      | F81054-1 | 3 |  |
| 21 | WASHER, Z12.2 SPLIT LOCK ZINC              | F81056-2 | 1 |  |

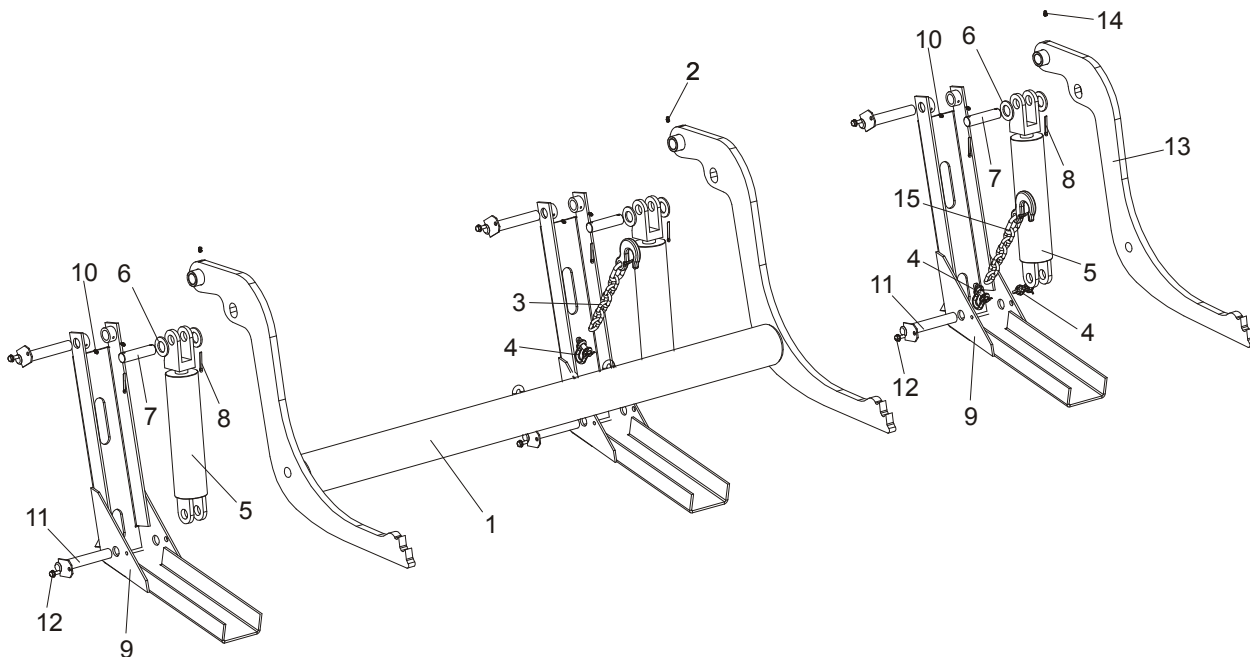
## 9.5 Hydraulic Power Supply Strip



| REF. | DESCRIPTION (◆ Indicates Parts Available In Assemblies Only) | PART #    | QTY.  |   |
|------|--|-----------|-------|---|
|      | <b>CONTACT KIT, HYDRAULIC 6' POWER SUPPLY</b>                | A12042-N  | 1     |   |
|      | Contact Hardware Kit   | A10073-N  | 1     | ◆ |
|      | Contact Assembly, Hydraulic Power Supply (Positive)          | 085968    | 1     |   |
| 1    | Contact, Hydraulic Power Supply (Positive)                   | 015253    | 1     |   |
| 2    | Insulator, Positive Contact                                  | S10072    | 1     |   |
| 3    | Bracket, Positive Contact Mounting                           | 086380-1  | 1     |   |
| 4    | Spring, Positive Contact                                     | P10077    | 2     |   |
| 5    | Bolt, 5/16" X 3/4" Shoulder (1/4-20 Thread)                  | F05006-44 | 2     |   |
| 6    | Washer, 7.4 Flat   | F81056-11 | 2     |   |
| 7    | Bolt, 5/16-18 x 1/2" Socket Button Head                      | F05006-20 | 1     |   |
|      | Cable Assy, Hydraulic Positive Contact                       | 015885    | 1     |   |
| 8    | Cable, #1 Weld   | R01948    | 0.75m | ◆ |
| 9    | Terminal, 35 Ring #2 Gauge                                   | F81066-3  | 2     |   |
| 10   | Bolt, 1/4-20 X 1" Hex Head Grade 2                           | F05005-38 | 2     |   |

|    |   |           |      |   |
|----|---|-----------|------|---|
| 11 | Nut, 1/4-20 Hex Self-Locking                            | F05010-9  | 2    |   |
| 12 | Bolt, 3/8-16 X 1" Hex Head Grade 5                      | F05007-87 | 2    |   |
| 13 | Washer, 10.5 Flat                                       | F81055-1  | 4    |   |
| 14 | Nut, 3/8-16 Hex Nylon Lock                              | F05010-10 | 4    |   |
|    | Contact Assembly, Hydraulic Power Supply (Ground)       | A10066    | 1    |   |
| 15 | Contact, Hydraulic Power Supply (Ground)                | 015264    | 1    |   |
| 16 | Bracket, Ground Contact Mounting                        | 015265    | 1    |   |
| 17 | Cable, #1 Weld  | R01948    | .63m | ◆ |
| 18 | Bolt, 5/16-18 X 1/2" Hex Head Grade 5                   | F05006-15 | 2    |   |
| 19 | Washer, 8.2 Split Lock                                  | F81054-4  | 2    |   |
| 20 | Terminal, 35 Ring #2 Gauge                              | F81066-3  | 1    |   |
| 21 | Bolt, 3/8-16 X 4 1/2" Hex Head Grade 2                  | F05007-35 | 2    |   |
| 22 | Spring, Ground Contact                                  | P04282    | 2    |   |
| 23 | Screw, 1/4-20 X 1/2" Slotted Hex Head                   | F05015-1  | 14   |   |
|    | Strip Assembly, 6' Hydraulic Power Supply w/3 ft. Cable | A11977    | 1    |   |
| 24 | Housing, 6' Contact Strip                               | P11976    | 1    |   |
|    | Strip, 6' Contact With Cable                            | A12043-N  | 1    |   |
| 25 | Strip, 6' Contact                                       | S10075    | 1    | ◆ |
| 26 | Cable, #2 Weld  | R80583-21 |      | ◆ |
| 27 | Terminal, 35 Ring #2 Gauge                              | F81066-3  | 2    |   |
| 28 | Bolt, 5/16-18 X 3/4" Hex Head Black Nylon               | F05006-45 | 1    |   |
| 29 | Nut, 5/16-18 Hex Black Nylon                            | F05010-86 | 1    |   |
|    | Tube, 5/8" Heat Shrink                                  | R01950-5  | .03m | ◆ |
|    | Grommet, 5/8" Wire                                      | P04137    | 1    |   |

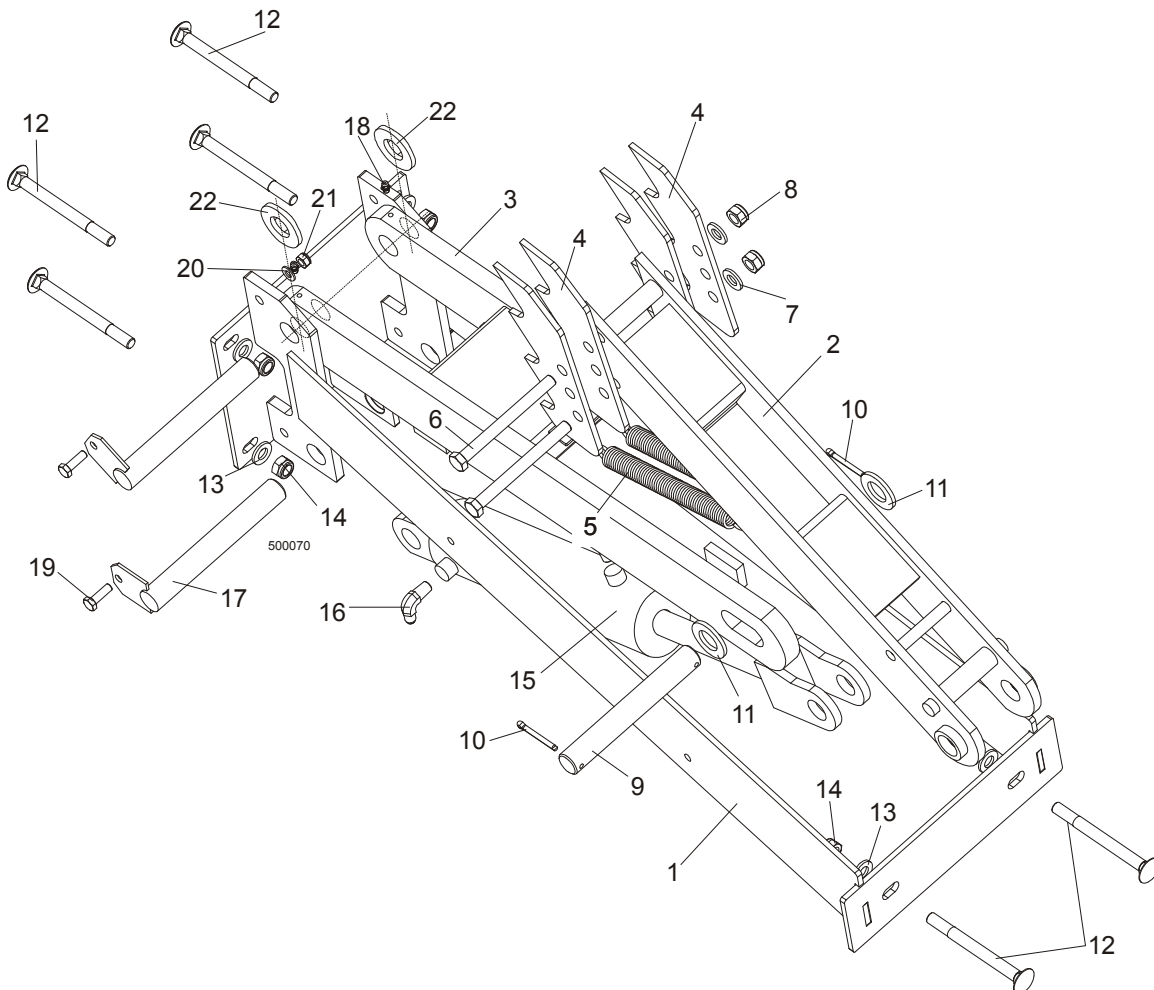
## 9.6 Hydraulic Log Loader



| REF. | DESCRIPTION (◆ Indicates Parts Available In Assemblies Only) | PART #   | QTY. |
|------|--|----------|------|
|      | <b>HYDRAULIC LOG LOADER, COMPLETE</b>                        | 090044   | 1    |
| 1    | Log Loader   | 090006-1 | 1    |
| 2    | Fitting, 3/16" Straight Grease                               | P04107   | 2    |

|    |   |           |   |  |
|----|---|-----------|---|--|
| 3  | CHAIN, LOG LOADER SAFETY                  | A04376-1  | 1 |  |
| 4  | SHACKLE, M-D .63                          | 086540    | 2 |  |
| 5  | CYLINDER, CJ-S95-16-70/32/203 HYDRAULIC   | 088680    | 3 |  |
| 6  | WASHER, 28 FLAT ZINC                      | F81061-1  | 6 |  |
| 7  | PIN, LOADING ARM CYLINDER MOUNT ZINC      | 086979-1  | 3 |  |
| 8  | PIN, S-Zn 5x40 COTTER                     | F81043-31 | 6 |  |
| 9  | Foot, Log Loader                          | 090048-1  | 3 |  |
| 10 | Fitting, 3/16" Straight Grease            | P04107    | 6 |  |
| 11 | PIN, LOADER FOOT MOUNT                    | 099127-1  | 6 |  |
| 12 | SCREW, 5/16-18 x 3/4 SELF-TAPPING         | F05015-30 | 6 |  |
|    | <b>ARM, LOG LOADING SINGLE - COMPLETE</b> | 090051    | 1 |  |
| 13 | Arm, Hydraulic Log Loading                | 089657-1  | 1 |  |
| 14 | Fitting, 3/16" Straight Grease            | P04107    | 1 |  |
| 15 | CHAIN, SINGLE LOG LOADER ARM, 9.5M FRAME  | 090090-1  | 1 |  |

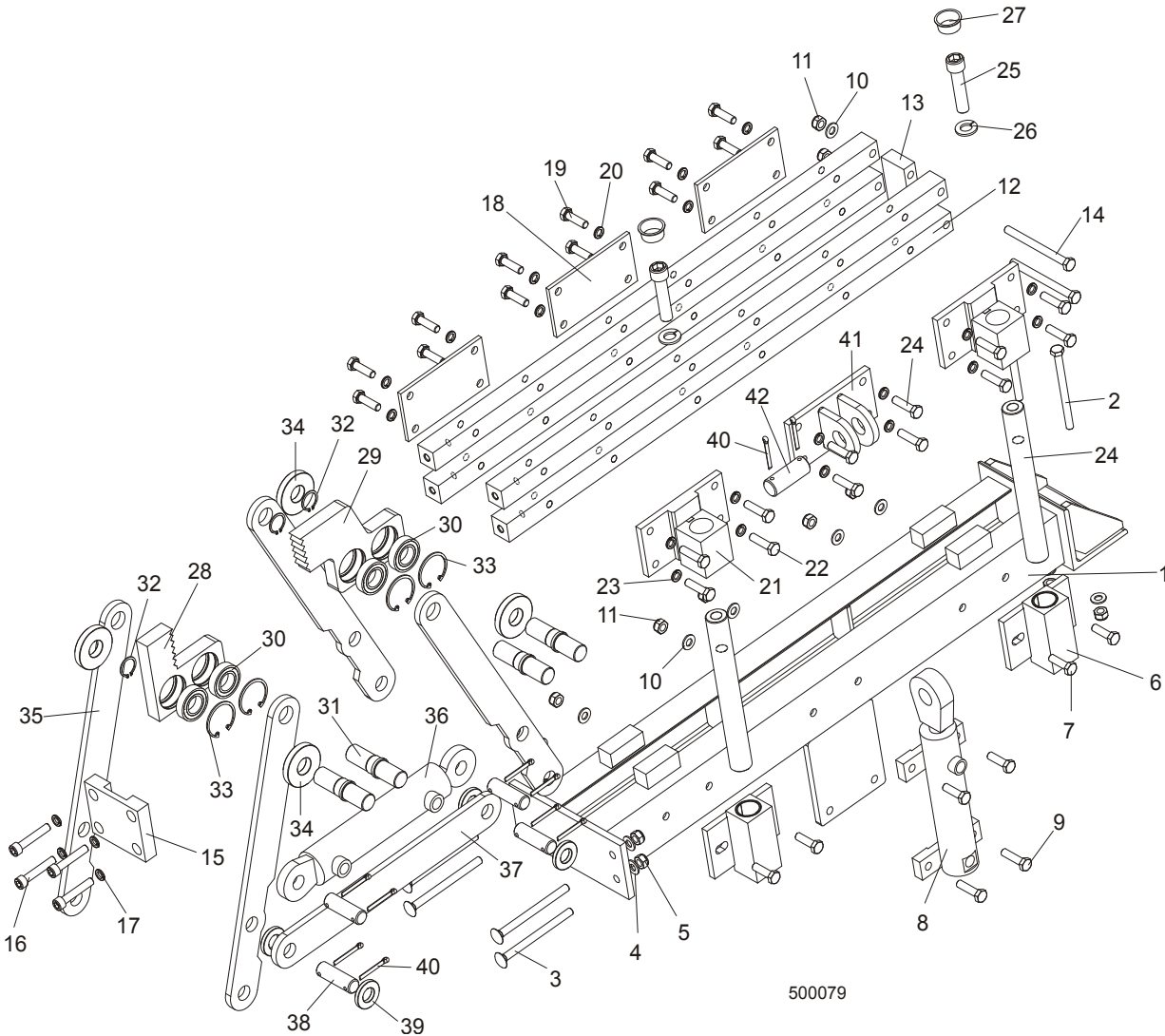
**9.7 Hydraulic Log Turner**



| REF | DESCRIPTION (◆ Indicates Parts Available In Assemblies Only) | PART #   | QTY. |  |
|-----|--|----------|------|--|
|     | <b>HYDRAULIC LOG TURNER, 9.5 M, COMPLETE</b>                 | 088073   | 1    |  |
| 1   | Bracket, Hydraulic Log Turner Mount                          | 088075-1 | 1    |  |
| 2   | Arm, Hydraulic Log Turner                                    | 088067-1 | 1    |  |

|    |  |           |   |  |
|----|--|-----------|---|--|
| 3  | Arm, Hydraulic Log Turner Link                   | 088060-1  | 1 |  |
| 4  | Claw, Hydraulic Log Turner                       | 088082-1  | 4 |  |
| 5  | Spring, Hydraulic Log Turner                     | P09136    | 2 |  |
| 6  | Bolt, M12x130-8.8 Zinc Hex Head                  | F81004-36 | 2 |  |
| 7  | Washer, 13 Flat Zinc                             | F81056-1  | 2 |  |
| 8  | Nut, M12-8 Hex Nylon Lock                        | F81034-2  | 2 |  |
| 9  | Pin, 25X180                                      | 088664-1  | 1 |  |
| 10 | Pin, S-Zn 5x40 Cotter                            | F81043-31 | 2 |  |
| 11 | Washer, 25 Flat Zinc                             | F81061-3  | 2 |  |
| 12 | Bolt, M10x120 8.8 Zinc Mushroom Head Square Neck | F81003-33 | 2 |  |
| 13 | Washer, 13 Flat Zinc                             | F81056-1  | 2 |  |
| 14 | Nut, M12-8 Hex Nylon Zinc Lock                   | F81034-2  | 2 |  |
| 15 | Cylinder, CJ-S305-16-63/28/203 Hydraulic         | 088679    | 1 |  |
| 16 | Fitting, 90° Elbow                               | P09142    | 2 |  |
| 17 | Pin, Log Turner Mount                            | 088667-1  | 2 |  |
| 18 | Fitting, M6 Grease                               | 086280    | 2 |  |
| 19 | Bolt, M8x25-8.8-B Zinc Hex Head                  | F81002-5  | 2 |  |
| 20 | washer, 8.4 Flat Zinc                            | F81054-1  | 2 |  |
| 21 | Nut, M8-8-B Hex Nylon Zinc Lock                  | F81032-2  | 2 |  |
| 22 | Washer, GTM-2644-015                             | 093359    | 2 |  |

**9.8 Hydraulic Log Clamp, Front and Rear**

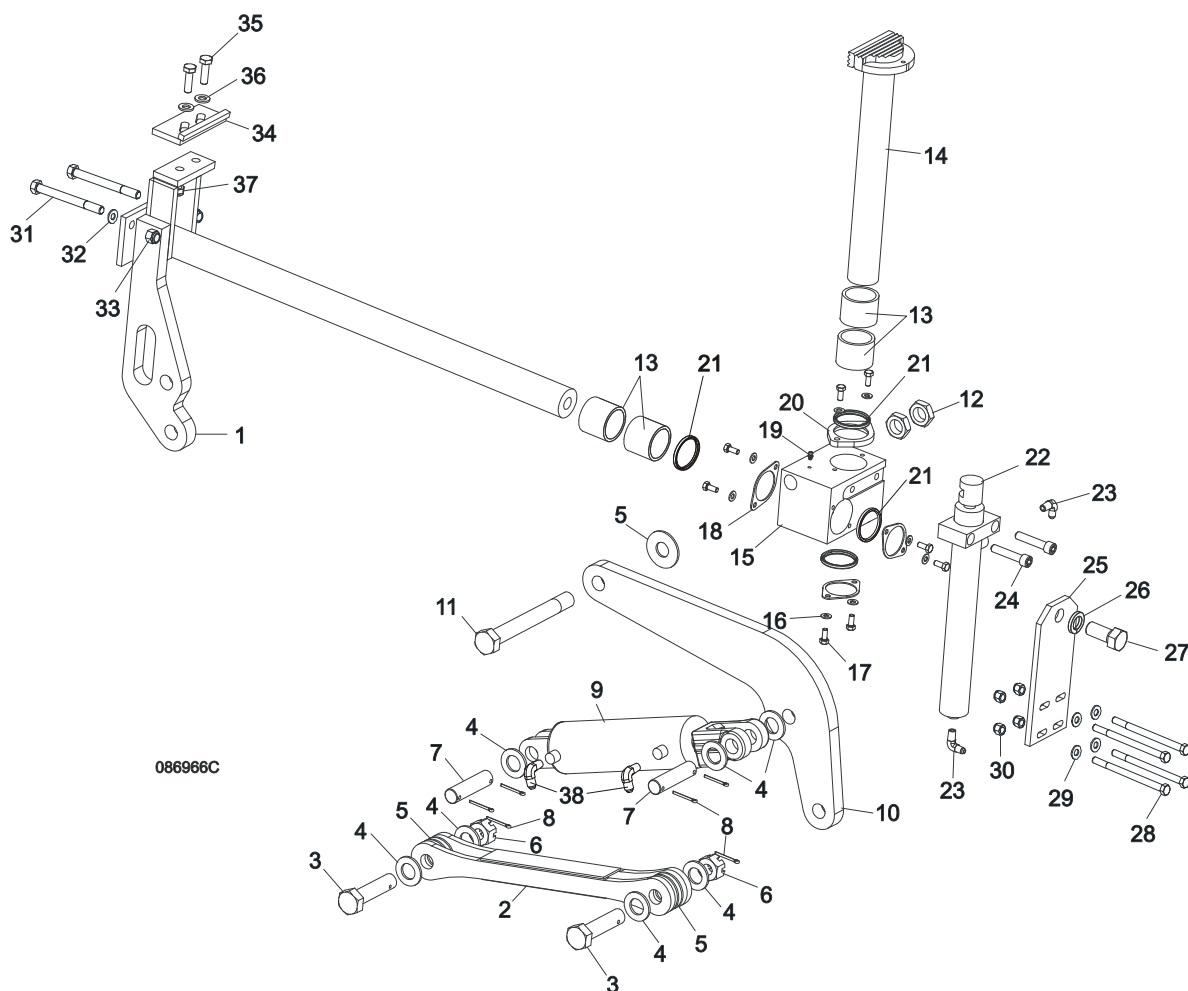


500079

| REF. | DESCRIPTION (◆ Indicates Parts Available In Assemblies Only) | PART #    | QTY. |
|------|--|-----------|------|
|      | <b>CLAMP ASSEMBLY, HYDRAULIC</b>                             | 089545    | 2    |
| 1    | Mount Weldment, Hydraulic Log Clamp                          | 088654-1  | 1    |
| 2    | Bolt, M10x125-8.8 Zinc Hex Head                              | F81003-18 | 2    |
| 3    | Bolt, M10x130-8.8 Zinc Mushroom Head Square Neck             | F81003-36 | 4    |
| 4    | Washer, 10.5 Flat Zinc                                       | F81055-1  | 6    |
| 5    | Nut, M10-8-B Hex Nylon Zinc Lock                             | F81033-1  | 6    |
| 6    | Block, Guide Pin   | 089835-1  | 2    |
| 7    | Bolt, M10x35-8.8 Zinc Hex Head Full Thread                   | F81003-17 | 4    |
| 8    | Cylinder, CJ7F-16-40/22 + UE2-40W Hydraulic                  | 088662    | 1    |
| 9    | Bolt, M10x40-8.8 Zinc Hex Head                               | F81003-16 | 4    |
| 10   | Washer, M10 Flat Zinc  | F81055-1  | 6    |
| 11   | Nut, M10-8-b Hex Nylon Zinc Lock                             | F81033-1  | 10   |
| 12   | Bar, Clamp Up/Down   | 089537-1  | 4    |
| 13   | Plate, Connecting  | 088645-1  | 1    |
| 14   | Bolt, M10x140-8.8 Zinc Hex Head                              | F81003-5  | 2    |
| 15   | Plate, Connecting  | 089533-1  | 1    |

|    |  |               |    |  |
|----|--|---------------|----|--|
| 16 | Bolt, M10x55-8.8 Zinc Hex Socket Head Cap  | F81003-55     | 4  |  |
| 17 | Washer, 10.2 Split Lock Zinc               | F81055-2      | 4  |  |
| 18 | Plate, Log Clamp Rear                      | 089538-1      | 3  |  |
| 19 | Bolt, M10x35-8.8 Zinc Hex Head Full Thread | F81003-17     | 12 |  |
| 20 | Washer, 10.2 Split Lock Zinc               | F81055-2      | 12 |  |
| 21 | Bracket, Guide Pin Mount                   | 089536-1      | 2  |  |
| 22 | Bolt, M10x40-8.8 Zinc Hex Head Full Thread | F81003-16     | 8  |  |
| 23 | Washer, 10.2 Split Lock Zinc               | F81055-2      | 8  |  |
| 24 | Pin, Clamp Up/Down Guide                   | 088631        | 2  |  |
| 25 | Screw, M16x55-8.8 Zinc Hex Socket Head Cap | F81006-18     | 2  |  |
| 26 | Washer, 16.3 Split Lock Zinc               | F81058-2      | 2  |  |
| 27 | Plug, M33 Thread                           | 089839        | 2  |  |
|    | <b>Jaw, Log Clamp Left - Complete</b>      | <b>094700</b> | 1  |  |
| 28 | Jaw, Log Clamp Left                        | 093464-1      | 1  |  |
| 30 | Bearing, 6005 2RS CX                       | 089652        | 4  |  |
| 31 | Shaft, Clamp Jaw Guide                     | 088620-1      | 4  |  |
| 32 | Ring, Z24 Spring Retaining                 | 089654        | 4  |  |
| 33 | Ring, W47 Spring Retaining                 | 089653        | 4  |  |
|    | <b>Jaw, Log Clamp Right - Complete</b>     | <b>094701</b> | 1  |  |
| 29 | Jaw, Log Clamp Right                       | 093465-1      | 1  |  |
| 30 | Bearing, 6005 2RS CX                       | 089652        | 4  |  |
| 31 | Shaft, Clamp Jaw Guide                     | 088620-1      | 4  |  |
| 32 | Ring, Z24 Spring Retaining                 | 089654        | 4  |  |
| 33 | Ring, W47 Spring Retaining                 | 089653        | 4  |  |
| 34 | Washer, Clamp Jaw Spacer                   | 089542        | 4  |  |
| 35 | Bar, Clamp In/Out Side                     | 088622-1      | 4  |  |
| 36 | Cylinder, SJ2F-40/22/145 Hydraulic         | 088661        | 1  |  |
| 37 | Bar, Clamp In/Out Lower                    | 088623-1      | 1  |  |
| 38 | Pin, 20X75                                 | 088657-1      | 4  |  |
| 39 | Spacer, Lower                              | 089541        | 4  |  |
| 40 | Pin, S-Zn 5x40 Cotter                      | F81043-31     | 10 |  |
| 41 | Bracket, Vertical Cylinder Mount Upper     | 089540-1      | 1  |  |
| 42 | Pin, 25X75                                 | 088659-1      | 1  |  |

### 9.9 Hydraulic Log Clamp

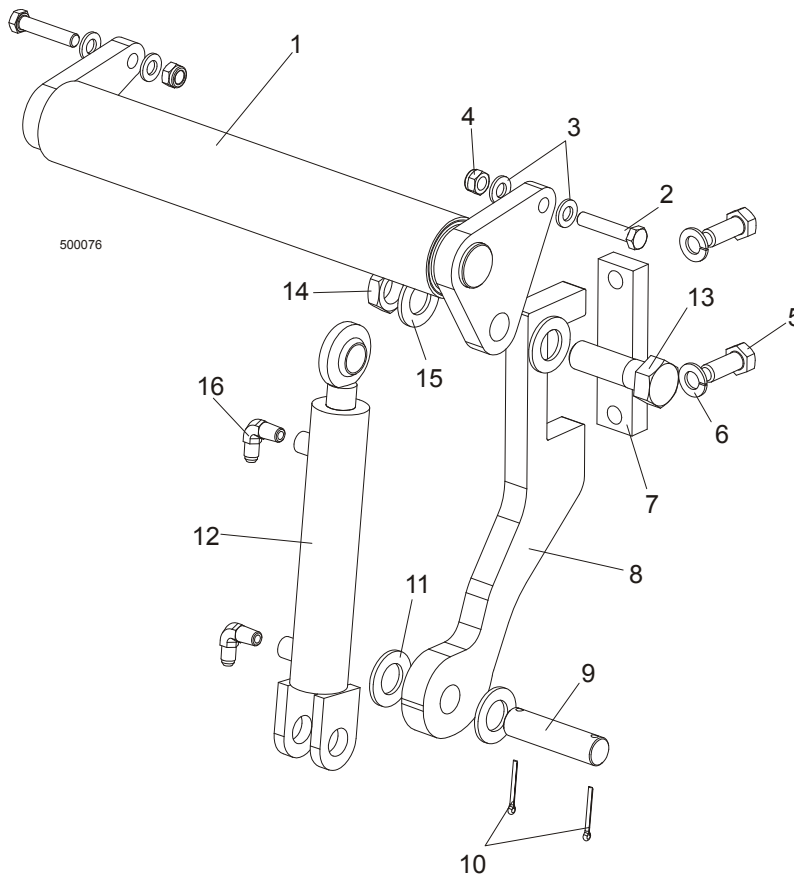


| REF. | DESCRIPTION (◆ Indicates Parts Available In Assemblies Only) | PART #   | QTY. |
|------|--|----------|------|
|      | <b>HYDRAULIC LOG CLAMP ASSEMBLY</b>                          | 088658   | 1    |
| 1    | Rod Weldment, Log Clamp Slide Ptd                            | 086967-1 | 1    |
| 2    | Arm Weldment, Hydraulic Clamp Link Ptd                       | 086963-1 | 1    |
| 3    | Pin, B 24x95/85-Clevis Zinc                                  | F81049-2 | 1    |
| 4    | Washer, 25 Flat Zinc   | F81061-3 | 8    |
| 5    | Washer, 25X63 Zinc-Plated                                    | 088585-1 | 5    |
| 6    | Nut, Z M20-8-B-Slotted Castle Zinc                           | F81037-3 | 2    |
| 7    | Pin, Hydraulic Cylinder Zinc-Plated                          | 086979-1 | 2    |
| 8    | Pin, S-Zn 6,3x45 Cotter                                      | F81045-2 | 6    |
| 9    | Cylinder, C-J-S96-16-70/32/178 Hydraulic                     | 088589   | 1    |
| 10   | Arm, Hydraulic Log Clamp Link Ptd                            | 086974-1 | 1    |
| 11   | Bolt, M24x217/39 -8.8-B- Hex Head Zinc                       | 088586-1 | 1    |
| 12   | Nut, M24 -04-B- Hex Thin Zinc                                | F81039-3 | 2    |
| 13   | Bushing, 5040BS Self-Lubricating                             | 088660   | 2    |
| 14   | Rod Weldment, Log Clamp Vertical Painted                     | 088582-1 | 1    |
| 15   | Block, Log Clamp Steel Ptd                                   | 088591-1 | 1    |
| 16   | Washer, 8.4 Flat Zinc  | F81054-1 | 8    |
| 17   | Bolt, M8x20-8.8-B-Hex Head Full Thread Zinc                  | F81002-4 | 8    |
| 18   | Flange, Clamp Rod Wiper Ptd                                  | 088887-1 | 3    |
| 19   | Fitting, 3/16" Straight Grease                               | P04107   | 1    |



|    |   |           |   |  |
|----|---|-----------|---|--|
| 20 | Flange, Clamp Rod Wiper Ptd                       | 088887-1  | 1 |  |
| 21 | Wiper, ZZ 50x60x7 Log Clamp Rod                   | 088587    | 1 |  |
| 22 | Cylinder, CJ-S169-16-40/22/254 Hydraulic          | 088590    | 1 |  |
| 23 | Fitting, 1/4" NPT - 1/4" JIC Male Elbow           | P09142    | 2 |  |
| 24 | Screw, M12x55 -8.8-B-Hex Socked Head Cap Zinc     | F81004-23 | 2 |  |
| 25 | Plate, Log Clamp Mount Ptd                        | 086975-1  | 1 |  |
| 26 | Washer, Z 22,5 Split Lock                         | F81059-4  | 1 |  |
| 27 | Bolt, M22x1,5x40 -8.8-B-Hex Head Full Thread Zinc | F81009-1  | 1 |  |
| 28 | Bolt, M10 x 125-8.8 Hex Head Zinc                 | F81003-18 | 4 |  |
| 29 | Washer, 10.5 Flat Zinc                            | F81055-1  | 8 |  |
| 30 | Nut, M10-8-B Hex Nylon Zinc Lock                  | F81033-1  | 4 |  |
| 31 | Bolt, M12x130-8.8-Hex Head Zinc                   | F81004-36 | 2 |  |
| 32 | Washer, 13 Flat Zinc                              | F81056-1  | 2 |  |
| 33 | Nut, M12-8 Hex Zinc                               | F81034-1  | 2 |  |
|    | <b>STOP KIT, CLAMP</b>                            | K09485    | 1 |  |
| 34 | Stop Wldmt, Hydraulic Log Clamp Ptd               | 086980-1  | 1 |  |
| 35 | Bolt, M12 x 40 8.8 Hex Head Full Thread Zinc      | F81004-4  | 2 |  |
| 36 | Washer, 13 Flat Zinc                              | F81056-1  | 2 |  |
| 37 | Nut, M12-8 Hex Nylon Zinc Lock                    | F81034-2  | 4 |  |
| 38 | Fitting, 3/8JIC-1/4NPT 90L                        | 015491    | 2 |  |

### 9.10 Hydraulic Toe Board, Middle

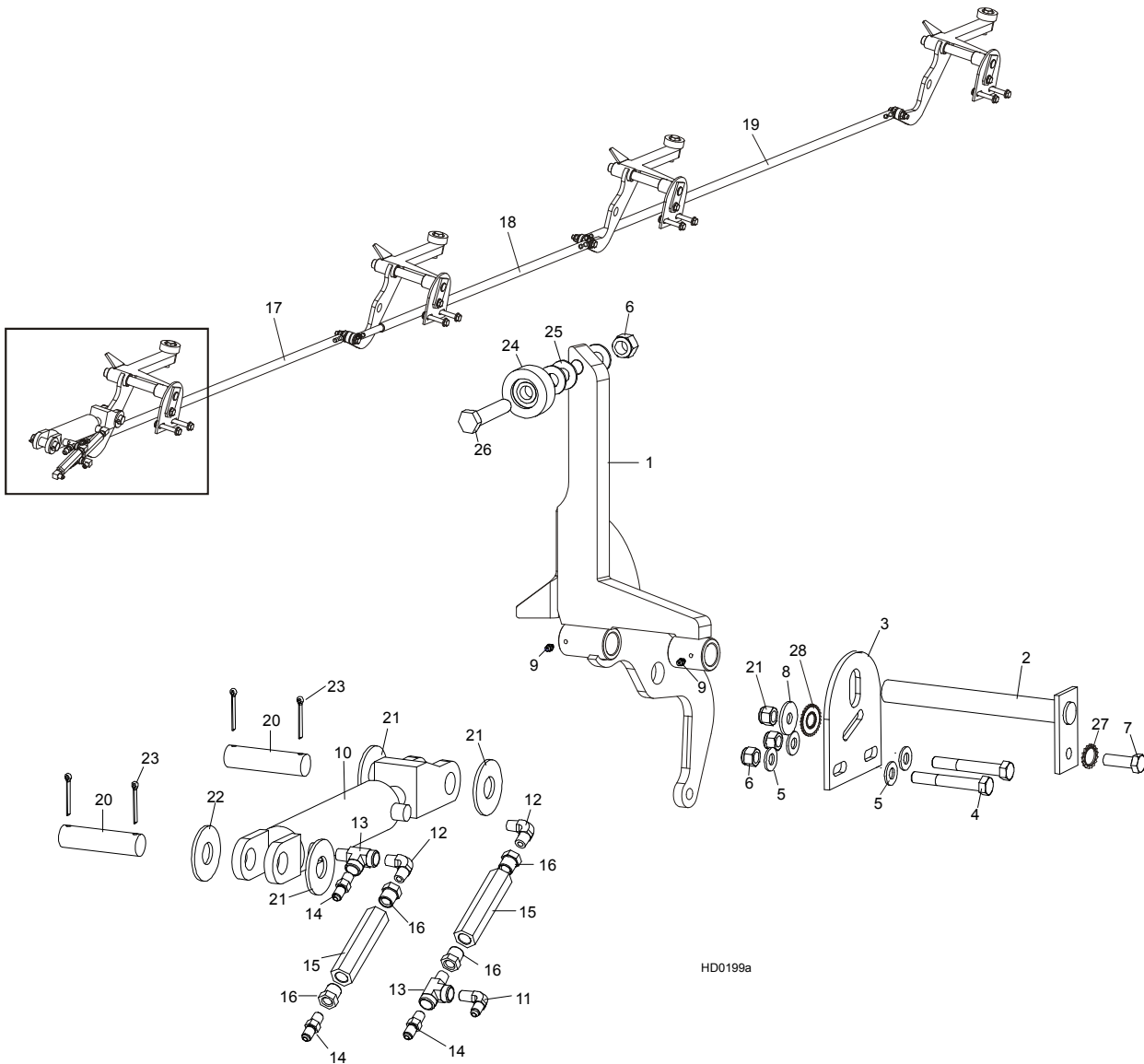


| REF. | DESCRIPTION (◆ Indicates Parts Available In Assemblies Only) | PART #   | QTY. |  |
|------|--|----------|------|--|
|      | <b>HYDRAULIC TOE BOARD ASSEMBLY, MIDDLE</b>                  | 090055   |      |  |
| 1    | Toe Board Weldment, Hydraulic                                | 086253-1 | 1    |  |

|    |  |            |   |  |
|----|--|------------|---|--|
| 2  | Bolt, M12x60-8.8 Zinc Hex Head             | F81004-5   | 1 |  |
| 3  | Washer, 13 Zinc Flat                       | F81056-1   | 4 |  |
| 4  | Pin, S-Zn 2.5x20 Cotter                    | F81043-1   | 2 |  |
| 5  | Bolt, M16X40-8.8 Zinc Hex Head Full Thread | F81006-13  | 2 |  |
| 6  | Washer, 16.3 Zinc Split Lock               | F81058-2   | 2 |  |
| 7  | Plate, Hydraulic Toe Board Mount           | 090086-1   | 1 |  |
| 8  | Bracket, Hydraulic Toe Board Mount         | 089990-1   | 1 |  |
| 9  | Pin, Hydraulic Cylinder Mount Zinc         | 086979-1   | 1 |  |
| 10 | Pin, S-Zn 3/16 X 1 1/2" Cotter             | F05012-23  | 2 |  |
| 11 | Washer, 28 Zinc Flat                       | F81061-1   | 2 |  |
| 12 | Cylinder, CJ-S170-16-40/25/152 Hydraulic   | 088681     | 1 |  |
|    | Seal Kit, 1 1/2" x 6" Hydraulic Cylinder   | 014547     | 1 |  |
| 13 | Bolt, 1-8 X 3 1/4 HH Hex Head Grade 5      | F05009-51  | 1 |  |
| 14 | Nut, 1"-14                                 | F05010-117 | 1 |  |
| 15 | Washer, 28 Zinc Flat                       | F81061-1   | 1 |  |
| 16 | Fitting, C5205x4x4 Male                    | P09143     | 2 |  |

## 9.11

9.12 Hydraulic Log Side Supports (L Type Frame)

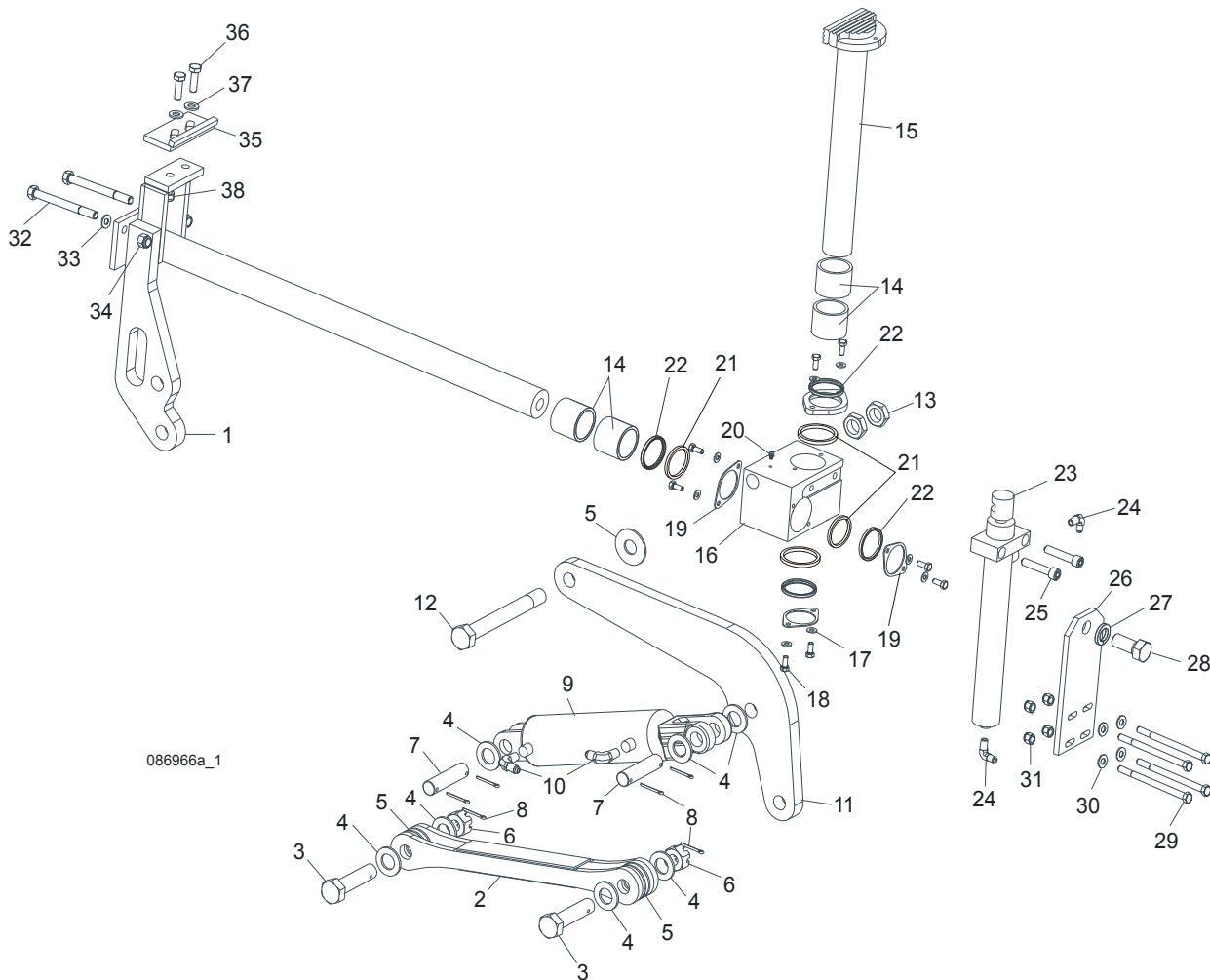


| REF. | DESCRIPTION (◆ Indicates Parts Available In Assemblies Only) | PART #    | QTY. |
|------|--|-----------|------|
|      | <b>HYDRAULIC LOG SIDE SUPPORTS (L TYPE FRAME)</b>            | 093746    | 1    |
| 1    | <b>SUPPORT, HYDRAULIC LOG SIDE</b>                           | 091653-1  | 4    |
| 2    | <b>PIN, LOG SIDE SUPPORT PIVOT</b>                           | 091549-1  | 4    |
| 3    | <b>PLATE, LOG SIDE SUPPORT END</b>                           | 091591-1  | 4    |
| 4    | <b>BOLT, M12X75-8.8 HEX HEAD ZINC</b>                        | F81004-21 | 8    |
| 5    | <b>WASHER, 13 FLAT ZINC</b>                                  | F81056-1  | 16   |
| 6    | <b>NUT, M12-8 HEX NYLON ZINC LOCK</b>                        | F81034-2  | 12   |
| 7    | <b>BOLT, M12 X 35-8.8 HEX HEAD FULL THREAD ZINC</b>          | F81004-24 | 4    |
| 8    | <b>WASHER, 15 SPECIAL FLAT ZINC</b>                          | F81057-3  | 4    |
| 9    | <b>FITTING, 3/16" GREASE</b>                                 | P04107    | 8    |
|      | <b>CYLINDER ASSY, 2x6 SIDE SUPPORT SUPER</b>                 | 015561    | 1    |
| 10   | Cylinder, CJ-S270-16-50/28/152 Hydraulic                     | 088678    | 1    |
|      | Seal Kit, 6" x 2" Hydraulic Cylinder                         | P12954    | 1    |
| 11   | Fitting, 3/8JIC-1/4NPT 90L                                   | 015491    | 2    |
| 12   | Fitting, C3529x4 90° Pipe                                    | P09140    | 4    |

**HYDRAULIC SYSTEM***Hydraulic Log Side Supports (L Type Frame)*

|    |   |            |    |  |
|----|---|------------|----|--|
| 13 | Fitting, C3759x4 Male 'T'                               | P09141     | 2  |  |
| 14 | Fitting, 3/8JIC-1/4NPT Str                              | 015560     | 2  |  |
| 15 | Valve, Hydraulic Sequence                               | 015484     | 2  |  |
| 16 | Fitting, 3/8" NPT - 1/4" NPT Reducer                    | 015490     | 4  |  |
| 17 | <b>ROD, HYDRAULIC SIDE SUPPORT LINK L-1675 COMPLETE</b> | 089842     | 1  |  |
| 18 | <b>ROD, HYDRAULIC SIDE SUPPORT LINK L-1480 COMPLETE</b> | 089376     | 1  |  |
| 19 | <b>ROD, HYDRAULIC SIDE SUPPORT LINK L-1960 COMPLETE</b> | 089377     | 1  |  |
| 20 | <b>PIN, CYLINDER MOUNT</b>                              | 086979-1   | 2  |  |
| 21 | <b>WASHER, 28 FLAT ZINC</b>                             | F81061-1   | 3  |  |
| 22 | <b>WASHER, 26 FLAT ZINC DIN 1440</b>                    | F81054-8   | 1  |  |
| 23 | <b>PIN, 5 X 40 COTTER</b>                               | F81043-31  | 4  |  |
|    | <b>ROLLER KIT, SIDE SUPPORT</b>                         | 015109     | 4  |  |
| 24 | <b>ROLLER ASSEMBLY, SIDE SUPPORT</b>                    | 015014-1   | 4  |  |
| 25 | <b>WASHER, 17 FLAT ZINC</b>                             | F81058-1   | 12 |  |
| 26 | <b>BOLT, M16x65MM, HH F/THRD, GRADE 5.8, ZINC</b>       | F81006-1   | 4  |  |
| 27 | <b>WASHER, SPECIAL BOSART/2S, BN781 M12/13</b>          | F81056-16  | 4  |  |
| 28 | <b>WASHER, SPECIAL BOSART/2S M12/12,3/30,3</b>          | F81056-17  | 4  |  |
|    | Instruction Sheet, Side Support Roller                  | 015109-526 | 1  |  |

9.13 Hydraulic Log Clamp

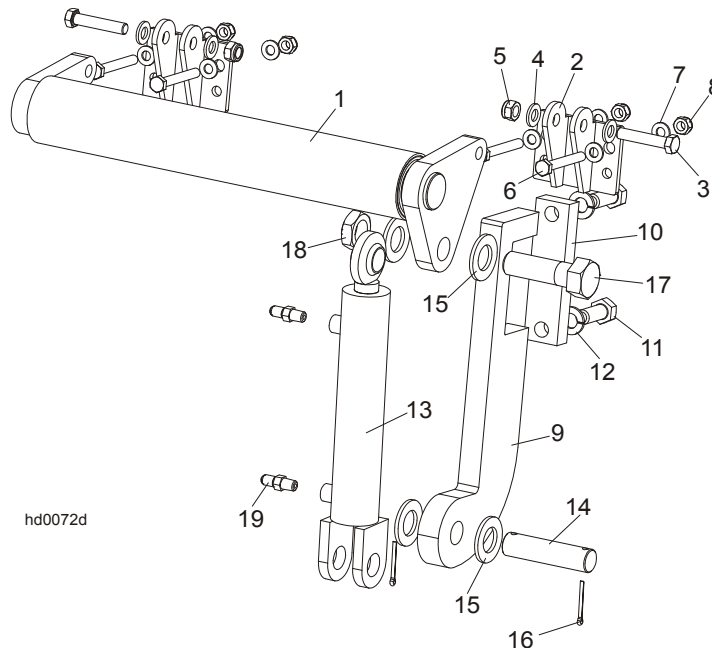


086966a\_1

| REF | DESCRIPTION (◆ Indicates Parts Available In Assemblies Only) | PART #   | QTY. |
|-----|--|----------|------|
|     | <b>LOG CLAMP ASSEMBLY, TWO-PLANE</b>                         | 088658   | 1    |
| 1   | Rod Weldment, Log Clamp Slide Painted                        | 086967-1 | 1    |
| 2   | Arm Weldment, Hydraulic Clamp Link Painted                   | 086963-1 | 1    |
| 3   | Pin, B 24x95/85 Clevis Zinc                                  | F81049-2 | 1    |
| 4   | Washer, 25 Flat Zinc   | F81061-3 | 8    |
| 5   | Washer, 25x63 Zinc-Plated                                    | 088585-1 | 5    |
| 6   | Nut, M20-8-3 Hex Slotted Castle Zinc                         | F81037-3 | 2    |
| 7   | Pin, Hydraulic Cylinder Zinc-Plated                          | 086979-1 | 2    |
| 8   | Pin, 6.3x45 Cotter Zinc                                      | F81045-2 | 6    |
| 9   | Cylinder, CJ-S96-16-70/32/178 Hydraulic                      | 088589   | 1    |
| 10  | Fitting, 90° Male Elbow                                      | P09142   | 2    |
| 11  | Arm, Hydraulic Log Clamp Link Painted                        | 086974-1 | 1    |
| 12  | Bolt, M24x217/39 -8.8-B Hex Head Zinc                        | 088586-1 | 1    |
| 13  | Nut, M24 -04-B Hex Thin Zinc                                 | F81039-3 | 2    |
| 14  | Bushing, 5040BS Self-Lubricating                             | 088660   | 2    |
| 15  | Rod Weldment, Log Clamp Vertical Painted                     | 088582-1 | 1    |
| 16  | Block, Log Clamp Painted Steel                               | 088591-1 | 1    |
| 17  | Washer, 8.4 Flat Zinc  | F81054-1 | 8    |
| 18  | Bolt, M8x20-8.8-B Hex Head Full Thread Zinc                  | F81002-4 | 8    |

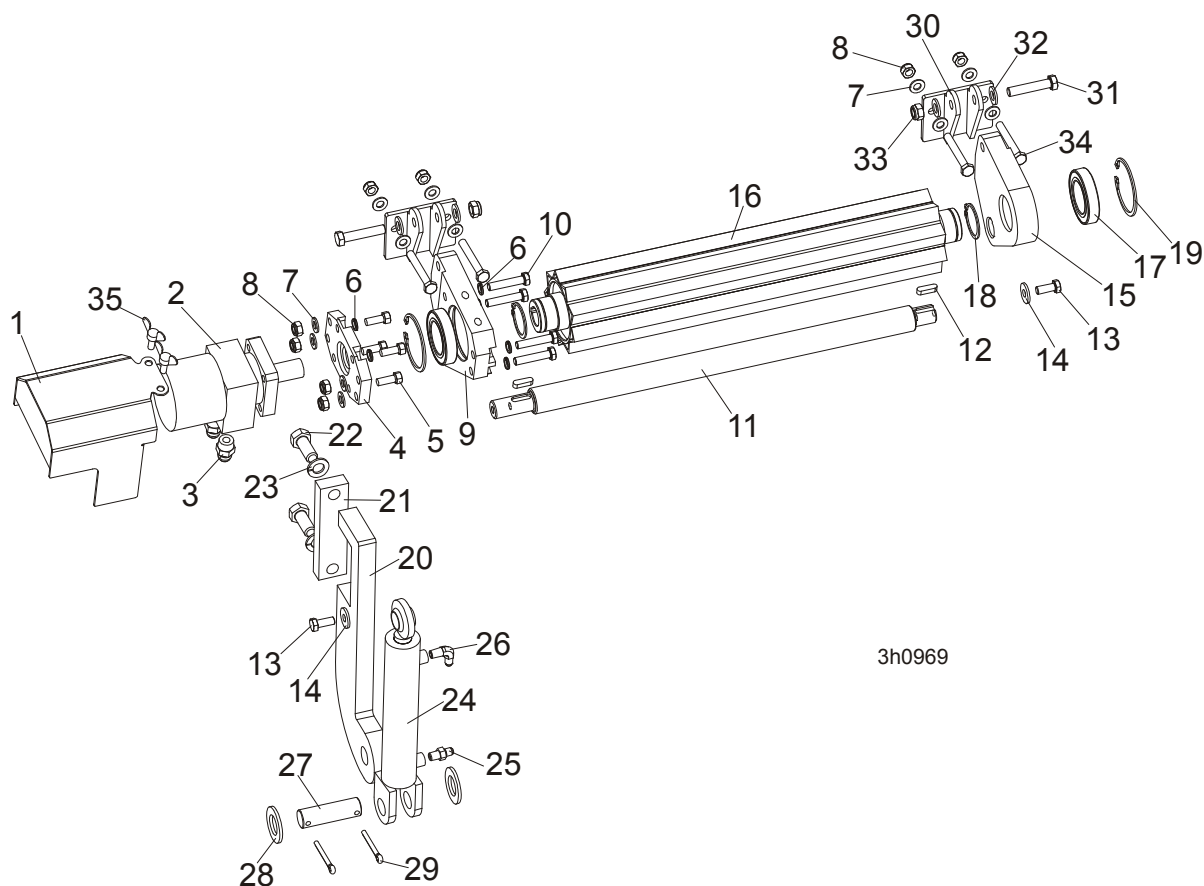
|    |  |           |   |  |
|----|--|-----------|---|--|
| 19 | Flange, Clamp Rod Wiper Painted                  | 088887-1  | 3 |  |
| 20 | Fitting, 3/16" Straight Grease                   | P04107    | 1 |  |
| 21 | Spacer, Log Clamp                                | 089324    | 1 |  |
| 22 | Wiper, ZZ 50x60x7 INCO Log Clamp Rod             | 088587    | 1 |  |
| 23 | Cylinder, CJ-S169-16-40/22/254 Hydraulic         | 088590    | 1 |  |
| 24 | Fitting, 90° Male Elbow                          | P09142    | 2 |  |
| 25 | Screw, M12x55-8.8-B Hex Socket Head Cap Zinc     | F81004-23 | 2 |  |
| 26 | Plate, Log Clamp Mount Painted                   | 086975-1  | 1 |  |
| 27 | Washer, Z 22.5 Split Lock Zinc                   | F81059-4  | 1 |  |
| 28 | Bolt, M22x1.5x40-8.8-B Hex Head Full Thread Zinc | F81009-1  | 1 |  |
| 29 | Bolt, M10 x 125-8.8 Hex Head Zinc                | F81003-18 | 4 |  |
| 30 | Washer, 10.5 Flat Zinc                           | F81055-1  | 4 |  |
| 31 | Nut, M10-8-B Hex Nylon Zinc Lock                 | F81033-1  | 4 |  |
| 32 | Bolt, M12 x 140 8.8 Hex Head Zinc                | F81004-37 | 2 |  |
| 33 | Washer, 13 Flat Zinc                             | F81056-1  | 2 |  |
| 34 | Nut, M12-8-B Hex Zinc                            | F81034-1  | 2 |  |
|    | <b>STOP ASSEMBLY, LOG CLAMP</b>                  | K09485    | 1 |  |
| 35 | Stop Weldment, Hydraulic Log Clamp Painted       | 086980-1  | 1 |  |
| 36 | Bolt, M12 x 40 8.8 Hex Head Full Thread Zinc     | F81004-4  | 2 |  |
| 37 | Washer, 13 Flat Zinc                             | F81056-1  | 2 |  |
| 38 | Nut, M12-8 Hex Nylon Zinc Lock                   | F81034-2  | 2 |  |

### 9.14 Hydraulic Toe Board



| REF. | DESCRIPTION (◆ Indicates Parts Available In Assemblies Only) | PART #     | QTY. |
|------|--|------------|------|
|      | <b>HYDRAULIC TOE BOARD - REAR</b>                            | 092634     | 1    |
| 1    | Toe Board Weldment, Hydraulic - Rear                         | 086253-1   | 1    |
| 2    | Bracket, Hydraulic Toe Board                                 | 087903-1   | 2    |
| 3    | Bolt, M12x60mm Hex Head Zinc Grade 8.8                       | F81004-5   | 4    |
| 4    | Washer, M12 Flat Zinc  | F81056-1   | 8    |
| 5    | Nut, M12 Hex Nylon Zinc Lock                                 | F81034-2   | 4    |
| 6    | Bolt, M10x75-8.8 Hex Head Zinc                               | F81003-15  | 8    |
| 7    | Washer, M10 Flat Zinc  | F81055-1   | 16   |
| 8    | Nut, M10 Hex Nylon Zinc Lock                                 | F81033-1   | 8    |
| 9    | Bracket, Hydraulic Toeboard Mount                            | 087729-1   | 2    |
| 10   | Plate, Hydraulic Toeboard Mount                              | 090086-1   | 2    |
| 11   | Bolt, M16x40mm Hex Head Full Thread Zinc Grade 5.8           | F81006-13  | 4    |
| 12   | Washer, 16.3 Split Lock Zinc                                 | F81058-2   | 4    |
| 13   | Cylinder, CJ-S170-16-40/25/152 Hydraulic                     | 088681     | 2    |
| 14   | Pin, Cylinder Mount  | 086979-1   | 2    |
| 15   | Washer, 28 Flat Zinc   | F81061-1   | 8    |
| 16   | Pin, 3/16x1.5 Cotter Zinc                                    | F05012-23  | 4    |
| 17   | Bolt, 1-8x3 1/4 Hex Head Grade 5                             | F05009-51  | 2    |
| 18   | Nut, 1-14 Hex Jam Unplated                                   | F05010-117 | 2    |
| 19   | Fitting, 1/4NPTx1/4JIC Male                                  | P09143     | 4    |

**9.15 Power Toe Roller (Option)**



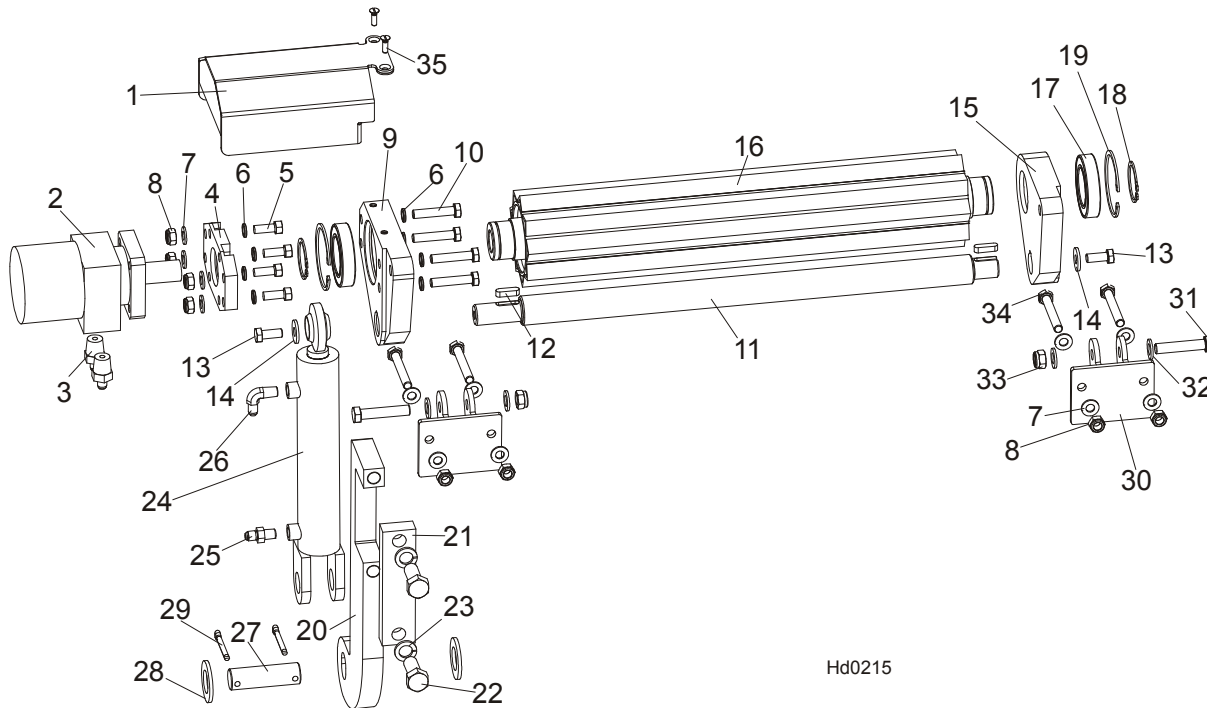
3h0969

| REF. | DESCRIPTION (◆ Indicates Parts Available In Assemblies Only) | PART#         | QTY.     |
|------|--|---------------|----------|
|      | <b>POWER ROLLER</b>  | <b>507649</b> | <b>1</b> |
| 1    | Cover, Hydraulic Motor                                       | 096037-1      | 1        |
| 2    | Motor, MG06-13-13AAAB Hydraulic                              | P21506        | 1        |
| 3    | Fitting, 1/2-14NPT/ 7/16-20UNF                               | 096919        | 2        |
| 4    | Plate, Hydraulic Motor Mount                                 | 096030-1      | 1        |
| 5    | Screw, 3/8-16x1, HHC   | F05007-7      | 4        |
| 6    | Washer, 10.2 Split Lock Zinc                                 | F81055-2      | 4        |
| 7    | Washer, 10,5 Flat Zinc                                       | F81055-1      | 12       |
| 8    | Nut, M10-8-B Nylon Hex Zinc Lock                             | F81033-1      | 8        |
| 9    | Bracket, Side w/HydroMotor Connector                         | 096029-1      | 1        |
| 10   | Bolt, M10x50-8.8-Hex Head Full Thread Zinc                   | F81003-4      | 4        |
| 11   | Rod  | 096034        | 1        |
| 12   | Key, A8x7x28 Parallel  | 096035        | 2        |
| 13   | Bolt, M10x25 8.8 Hex Head Full Thread Zinc                   | F81003-31     | 2        |
| 14   | Washer, 10,5 Zinc Flat Special                               | F81055-6      | 2        |
| 15   | Bracket  | 096031-1      | 1        |
| 16   | Roller, Pivot - Wldmt  | 096028-1      | 1        |
| 17   | Bearing, 6009.2RSR   | 096025        | 2        |
| 18   | Ring, Z 45 Spring Retaining                                  | F81090-32     | 2        |
| 19   | Ring, W 75 Spring Retaining                                  | F81090-41     | 2        |
| 20   | Bracket, Hydraulic Toe Board Mount                           | 089990-1      | 1        |
| 21   | Plate, Hydraulic Toe Board Mount                             | 090086-1      | 1        |



|    |  |           |   |  |
|----|--|-----------|---|--|
| 22 | Bolt, M16x40-8.8 Hex Head Full Thread Zinc | F81006-13 | 2 |  |
| 23 | Washer, 16,3 Split Lock Zinc               | F81058-2  | 2 |  |
|    | Cylinder, Hydraulic Toe Boards             | 085937    | 1 |  |
| 24 | Cylinder, CJ-S170-16-40/25/152 Hydraulic   | 088681    | 1 |  |
| 25 | Fitting, C5205x4x4 Male                    | P09143    | 1 |  |
| 26 | Fitting, 1/4NPTx1/4JIC Male Elbow          | P09142    | 1 |  |
| 27 | Pin, Hydraulic Cylinder Zinc               | 086979-1  | 1 |  |
| 28 | Washer, 28 Flat Zinc                       | F81061-1  | 2 |  |
| 29 | Pin, S-Zn 6,3x45                           | F81045-2  | 2 |  |
| 30 | Bracket, Toe Board Roller Mount            | 087903-1  | 2 |  |
| 31 | Bolt, M12x60-8.8 Hex Head Zinc             | F81004-5  | 2 |  |
| 32 | Washer, 13 Zinc Flat                       | F81056-1  | 4 |  |
| 33 | Nut, M12-8 Hex Nylon Zinc Lock             | F81034-2  | 2 |  |
| 34 | Bolt, M10x75-8.8-Hex Head Zinc             | F81003-15 | 4 |  |
| 35 | Stud, M6x16 Wing                           | F81001-16 | 2 |  |

### 9.16 Power Toe Roller (Option)



Hd0215

| REF. | DESCRIPTION (◆ Indicates Parts Available In Assemblies Only) | PART#         | QTY.     |  |
|------|--|---------------|----------|--|
|      | <b>POWER ROLLER</b>  | <b>507688</b> | <b>1</b> |  |
| 1    | Cover, Hydraulic Motor                                       | 507690-1      | 1        |  |
| 2    | Motor, MG06-13-13AAAB Hydraulic                              | P21506        | 1        |  |
| 3    | Fitting, 1/2-14NPT/ 7/16-20UNF                               | 096919        | 2        |  |
| 4    | Plate, Hydraulic Motor Mount                                 | 096030-1      | 1        |  |
| 5    | Screw, 3/8-16x1, HHC   | F05007-7      | 4        |  |
| 6    | Washer, 10.2 Split Lock Zinc                                 | F81055-2      | 4        |  |
| 7    | Washer, 10,5 Flat Zinc                                       | F81055-1      | 12       |  |
| 8    | Nut, M10-8-B Nylon Hex Zinc Lock                             | F81033-1      | 8        |  |
| 9    | Bracket, Side w/HydroMotor Connector                         | 507684-1      | 1        |  |
| 10   | Bolt, M10x50-8.8-Hex Head Full Thread Zinc                   | F81003-4      | 4        |  |

|    |  |           |   |  |
|----|--|-----------|---|--|
| 11 | Rod  | 096034    | 1 |  |
| 12 | Key, A8x7x28 Parallel                      | 096035    | 2 |  |
| 13 | Bolt, M10x25 8.8 Hex Head Full Thread Zinc | F81003-31 | 2 |  |
| 14 | Washer, 10,5 Zinc Flat Special             | F81055-6  | 2 |  |
| 15 | Bracket, Side Painted                      | 507687-1  | 1 |  |
| 16 | Roller, Pivot - Wldmt                      | 096028-1  | 1 |  |
| 17 | Bearing, 6009.2RSR                         | 096025    | 2 |  |
| 18 | Ring, Z 45 Spring Retaining                | F81090-32 | 2 |  |
| 19 | Ring, W 75 Spring Retaining                | F81090-41 | 2 |  |
| 20 | Plate, Toe Board Cylinder Mount            | 087729-1  | 1 |  |
| 21 | Plate, Hydraulic Toe Board Mount           | 090086-1  | 1 |  |
| 22 | Bolt, M16x40-8.8 Hex Head Full Thread Zinc | F81006-13 | 2 |  |
| 23 | Washer, 16,3 Split Lock Zinc               | F81058-2  | 2 |  |
|    | Cylinder, Hydraulic Toe Boards             | 085937    | 1 |  |
| 24 | Cylinder, CJ-S170-16-40/25/152 Hydraulic   | 088681    | 1 |  |
| 25 | Fitting, C5205x4x4 Male                    | P09143    | 1 |  |
| 26 | Fitting, 1/4NPTx1/4JIC Male Elbow          | P09142    | 1 |  |
| 27 | Pin, Hydraulic Cylinder Zinc               | 086979-1  | 1 |  |
| 28 | Washer, 28 Flat Zinc                       | F81061-1  | 2 |  |
| 29 | Pin, S-Zn 6,3x45                           | F81045-2  | 2 |  |
| 30 | Bracket, Toe Board Roller Mount            | 087903-1  | 2 |  |
| 31 | Bolt, M12x60-8.8 Hex Head Zinc             | F81004-5  | 2 |  |
| 32 | Washer, 13 Zinc Flat                       | F81056-1  | 4 |  |
| 33 | Nut, M12-8 Hex Nylon Zinc Lock             | F81034-2  | 2 |  |
| 34 | Bolt, M10x75-8.8-Hex Head Zinc             | F81003-15 | 4 |  |
| 35 | Screw, M6x20- 4.8-B Fe/Zn5 PN-85/M-8220    | F81001-31 | 2 |  |