

Wood-Mizer®

Replacement Parts Manual

HR115, HR115 EC

rev.A3.02



Safety is our #1 concern! Read and understand all safety information and instructions before operating, setting up or maintaining this machine.

September 2010

SECTION 1	GENERAL INFORMATION	1-1
1.1	How To Use The Parts List	1-1
1.2	Sample Assembly	1-1
SECTION 2	BLADE GUIDE ROLLERS & ARM	2-1
2.1	Blade Guide Assembly, Idle Side.....	2-1
2.2	Blade Guide Assembly, Drive Side.....	2-2
2.3	Blade Guide Roller Guards	2-3
SECTION 3	BLADE WHEELS & TENSIONER	3-1
3.1	Blade Wheel Assembly, Drive Side	3-1
3.2	Blade Wheel Assembly, Idle Side	3-2
3.3	Blade Tensioner Assembly.....	3-4
3.4	Motor Assembly, HR110.....	3-5
3.5	Motor Assembly HR115.....	3-6
SECTION 4	SAW HEAD & FEED TRACK	4-1
4.1	Blade Housing Cover	4-1
4.2	Water Lube Assembly	4-3
4.3	Blade Lube System (not available in EC version).....	4-4
4.4	Decals, HR115.....	4-5
4.5	Control Panel, HR115	4-7
4.6	Electric Box Decals	4-9
4.7	Hold-Down Roller Front	4-10
4.8	Hold-Down Roller Rear	4-12
4.9	Infeed, Outfeed & Return Tables	4-13
4.10	Feed Track Assembly	4-14
4.11	Table, Idle Roller.....	4-16
4.12	Mast & Tilt Adjustment Assembly.....	4-17
SECTION 5	UP/DOWN SYSTEM	5-1
5.1	AC Up/Down Drive Assembly.....	5-1
5.2	Slide Pads & Blade Height Scale	5-3
5.3	Up/Down Limit Switches.....	5-5

Getting Service

Wood-Mizer is committed to providing you with the latest technology, best quality and strongest customer service available on the market today. We continually evaluate our customers' needs to ensure we're meeting current wood-processing demands. Your comments and suggestions are welcome.

General Contact Information

From Europe call your local distributor or our European Headquarters and Manufacturing Facility in Koło, Nagórna 114 St, Poland at **+48-63-2626000**. From the continental U.S., call our U.S. Headquarter 8180 West 10th St.Indianapolis, IN 46214, toll-free at **1-800-525-8100**. Ask to speak with a Customer Service Representative. Please have your machine identification number and your customer number ready when you call. The Service Representative can help you with questions about the operation and maintenance of your machine. He also can schedule you for a service call.

Office Hours:

Country	Monday - Friday	Saturday	Sunday
Poland	7 a.m.- 3 p.m.	Closed	Closed
US	8 a.m.- 5 p.m.	8 a.m.- 12 p.m	Closed

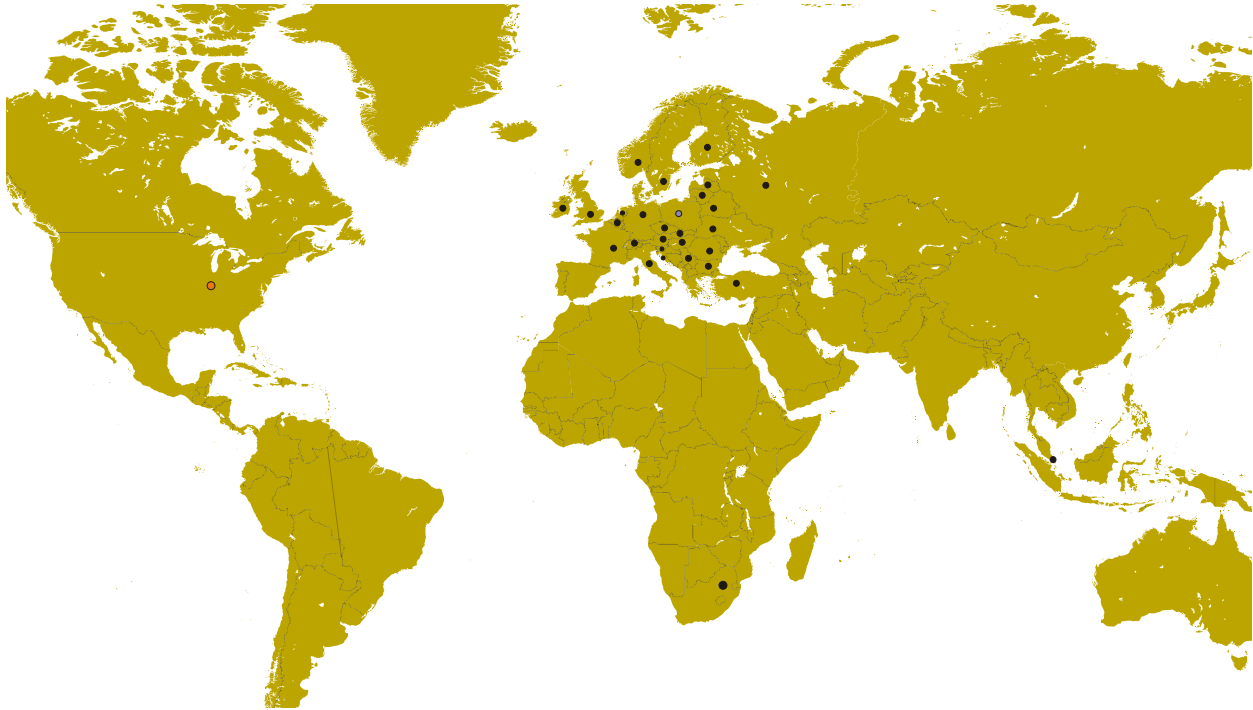
Please have your vehicle identification number and your customer number ready when you call.



Wood-Mizer will accept these methods of payment:

- Visa, Mastercard, or Discover
- COD
- Prepayment
- Net 15 (with approved credit)

Be aware that shipping and handling charges may apply. Handling charges are based on size and quantity of order.

Branches & Authorized Sales Centers Wood-Mizer Locations (North and South America)



EUROPE		UNITED STATES
<p> European Headquarters Wood-Mizer Industries Sp. z o.o. Nagórna 114, 62-600 Kolo, Poland Tel.: +48-63-26-26-000 Fax: +48-63-27-22-327 www.woodmizer.eu</p>		<p> World Headquarters Wood-Mizer LLC 8180 West 10th Street Indianapolis, Indiana 46214-2400, USA Tel.: +1-317-271-1542 Fax: +1-317-273-1011 www.woodmizer.com</p>
<p>BELARUS MOST-GRUPP Siemashko 15, k.3 Minsk 2200116 Tel.: +375-17-270-90-08 Fax: +375-17-270-90-08 GSM: +375-29-649-90-80 e-mail: most-by@mail.ru</p>	<p>SWITZERLAND Stefan Wespi Maschinen u. Geräte Spezialarbeiten GmbH Eichstraße 4 6353 Weggis Tel.: +41-(0)41 - 3900312 GSM: +41-(0)79 - 9643594 wespi-landmaschinen@bluewin.ch</p>	<p>RUSSIA Dariusz Mikołajewski OOO WOOD-MIZER INDUSTRIES 141031, Moscow Reg., Mytishenski raj., pos. Veshki, Zavodskaja str., 3B Tel.Fax: +7(495) 788-72-35 Tel.Fax: +7(495) 641-51-60 e-mail: dariuszm@woodmizer-moscow.ru</p>
<p>BULGARIA Kalin Simeonov Ecotechproduct 38 Star Lozenski pat str. Sofia 1186 Tel.: +359-2-462-7035 Tel.: +359-2-963-1656 Tel./Fax : +359-2-979-1710 Kalin Simeonov GSM: +3592-963-2559 e-mail: office@ecotechproduct.com</p>	<p>HUNGARY Wiktor Turoczy Wood-Mizer Hungary K.F.T. Szonyi Ut 67., 2921 Komárom Tel./Fax: +36-34-346-255 e-mail: woodmizer@woodmizer.hu</p>	<p>RUSSIA Far East Wladimir Glazaczew "WM Service" Krasnoretschenskaya Str.111 680006 Khabarovsk Tel./Fax: +7-914-541-1183 e-mail: wms-khv@mail.ru</p>

<p>CROATIA Krešimir Pregernik Pregimex d.o.o. S. Batušića 31, 10090 Zagreb Tel./Fax: +3851-38-94-668 Krešimir Pregernik GSM: +3851-98-207-106 e-mail: Kresimir.Pregernik@gmail.com</p>	<p>ITALY Pasquale Felice Wood-Mizer Italia Srl Cda. Capoiaccio SN 86012 Cercemaggiore Campobasso Tel./Fax: +39-0874-798-357 GSM: +39-333-281-03-79 e-mail: wmitaliasrl@gmail.com</p>	<p>SERBIA Dragan Markov Wood-Mizer Balkan d.o.o. Svetosavska GA 3/3; P. Fah 25 23 300 Kikinda Tel./Fax: +381-230-25-754 Tel./Fax: +381-230-23-567 GSM: +381-63-568-658 e-mail: office@woodmizer.co.yu</p>
<p>CZECH REPUBLIC Miroslav Greill Wood-Mizer CZ s.r.o. Osvaldova 91 339 01 Klatovy-Luby Tel./Fax: +420-376-312-220 Fax: +420-376-319-011 Miroslav Greill GSM: +420-723-580-799 e-mail: greill@woodmizer.cz</p>		<p>SLOVAKIA Wiktor Turoczy Wood-Mizer Danubia s.r.o. Hadovce 5, 94501 Komárno Tel.: +421-35-77-40-316 Fax: +421-35-7740-326 GSM: +421-905-930-972 e-mail: woodmizer@woodmizer.sk</p>
<p>CZECH REPUBLIC Lubomir Kudlik Wood-Mizer Moravia Sovadinova 6 69002 Breclav Tel./Fax: +420-519-322-443 Lubomir Kudlik GSM: +420-602-734-792 e-mail: info@wood-mizer.net</p>	<p>LATVIA Vilmars Jansons OBERTS Ltd Gaujas str. 32/2 LV-2167 Marupe, Rigas Raj. Tel.: +371-7-810-666 Fax: +371-7-810-655 Vilmars Jansons GSM: +371-92-06-966 Andris Orols GSM: +371-28-33-07-90 e-mail: andris@oberts.lv</p>	<p>TURKEY Er-Ka Ahsap Profil Kerestecilik San. ve Tic. Ltd. Sti. Adana Keresteciler Sitesi 191 sk No.41 ADANA Tel.: +90-322-346-15-86 Fax: +90-322-345-17-07 GSM: +90-533-363-18-44 e-mail: info@erkaahsap.com.tr</p>
<p>FINLAND Howard Blackbourn Oy Falkberg Jordbruk Ab Falkintie 220 25610 Ylonkyla Tel.: +358-2732-2253 Fax: +358-2732-2263 Howard Blackbourn GSM: +358-440-424-339 e-mail: falkberg@woodmizer.fi</p>	<p>LITHUANIA Andrius Zuzevicius UAB Singlis Savanoriu pr. 187, 2053 Vilnius Tel.: +370-5-2-32-22-44 Fax: +370-5-2-64-84-15 GSM: +370-620-28-645 e-mail: andrius.z@singlis.lt</p> <p>Dmitrij Gaiduk GSM: +370-69-84-51-91 e-mail: dmitrijus.g@singlis.lt</p>	<p>UKRAINE Ivan Vinnicki MOST UKRAINA bul. Myru 3, Bajkivtsi Ternoplskyj r-j Ternopolska oblast 47711 Ukraine Tel/Fax: +38 (0352) 52 37 74 GSM: +38 (067) 352 54 34 GSM: +38 (067) 674 50 68 E-mail: most-ukraina@ukr.net</p>
<p>FRANCE Tizoc Chavez Wood-Mizer France 556 chemin des Embouffus, ZAC des Basses Echarrieres 38440 SAINT JEAN DE BOURNAY Tel: +33-4 74 84 84 44 GSM: +33-607 52 02 82 Mail: tchavez@woodmizer.fr</p>	<p>NORWAY Odd Edvoll Wood-Mizer Nordic AS Vardelia 17, 2020 Skedsmokorset Tel.: +47-63-87-49-89 Fax: +47-63-87-37-66 GSM: +47-930-42-335 e-mail: odd.edvoll@woodmizer.no</p> <p>e-mail: firmapost@woodmizer.no</p>	<p>UNITED KINGDOM & IRELAND Wood-Mizer UK Hopfield Barn Kenward Road, Yalding Kent ME18 6JP, UK Tel.: +44-1622-813-201 Fax: +44-1622-815-534 e-mail: info@woodmizer.co.uk</p>
<p>SLOVENIA Jan Fale FAMTEH d.o.o. Gacnikova pot 2, 2390 Ravne na Koroskem Tel.: +386-2-62-04-232 Fax: +386-2-62-04-231 Jan Fale GSM: +386-2-62-04-230 e-mail: jan.fale@famteh.si</p> <p>Matjaz Kolar Tel.: +386-2-62-04-232 GSM: +386-31-775-999 e-mail: matjaz.kolar@famteh.si</p>		

<p>GERMANY Klaus Longmuss Wood-Mizer Sägewerke GmbH Dorfstraße 5, 29485 Schletau Tel.: +49-5883-9880-10 Fax: +49-5883-9880-20 e-mail: info@woodmizer.de</p> <p>Klaus Longmuss Tel.: +49-5883-9880-12 GSM: +49-17-298-55-892 e-mail: KLongmuss@woodmizer.de</p>	<p>Subagent: SWEDEN Kjell Larsson Mekwood AB Slingan 14, 812 41 Gästrike-Hammarby Tel.: +46-290-515-65 Kjell Larsson GSM: +46-706-797-965 e-mail: kjell.larsson@mekwood.se</p>	<p>IRELAND Wood-Mizer Ireland Stephen Brennan Cum Lahardane Ballina County Mayo Tel:+353 96 51345</p> <p>E-mail: brennanmill@ericom.net</p>
<p>Subagents: DENMARK Brian Jensen Arnborgvej 9, 7330 Brande- Fasterholt Tel.: +45-971-88-265 Fax: +45-971-88-266</p> <p>Brian Jensen GSM: +45-23-49-5828 e-mail: Fasterholt-Savvaerk@Mail.Tele.dk</p>	<p>ROMANIA Adrian Echert SC WOOD-MIZER RO SRL TRANSILVANIEI Nr. 5 Sibiu, Cisnadia 555300 Tel./Fax: : +40-369-405-433 GSM: +40-745-707-323 e-mail: aechert@woodmizer.ro</p>	<p>Regional Manager - Asia Wood-Mizer Asia Pte Ltd. James Wong Tel: +65 81216910 Fax: +65 6283 8636 WWW: www.woodmizerasia.com E-mail: jwong@woodmizerasia.com</p>
<p>Netherlands Chris Dragt Lange Brink 77d, 7317 BD Apeldoorn Tel.: +31-55312-1833 Fax: +31-55312-2042 e-mail: Info@dragtbosbouw.nl</p>	<p>Subagent: ROMANIA M. Echert S.C. Echert Comprod s.r.l Str. Schitului Nr. 6, Apt.7 etajul-1 725 70 Vatra Dornei, Romania Tel./Fax: +40-230-374-235 Tel. : +40-740-35-35-74</p>	<p>Regional Manager - Africa Wood-Mizer Africa Jean-Jacques Oelofse UNIT 3, LEADER PARK, NO: 20 CHARIOT ROAD STORMILL, EXT 5, Roodepoort, Johannesburg Tel: +27 011 473 1313 Fax: +27 011 473 2005 Jean-Jacques Oelofse E-mail: jjoelofse@woodmizer africa.com Jean-Jacques Oelofse Skype:jean.jacques.pierre.oelofse</p>

USA World Headquarters

Serving North & South America, Oceania, East Asia

Wood-Mizer LLC
8180 West 10th Street
Indianapolis, IN 46214

Phone: 317.271.1542 or 800.553.0182
Customer Service: 800.525.8100
Fax: 317.273.1011
Email: infocenter@woodmizer.com

Brazil Headquarters

Serving Brazil

Wood-Mizer do Brasil
Rua Dom Pedro 1, No: 205 Bairro: Sao Jose
Ivoti/RS CEP:93.900-000

Tel: +55 51 9894-6461/ +55 21 8030-3338/ +55 51
3563-4784
Email: info@woodmizer.com.br

Canadian Headquarters

Serving Canada

Wood-Mizer Canada
396 County Road 36, Unit B
Lindsay, ON K9V 4R3

Phone: 705.878.5255 or 877.357.3373
Fax: 705.878.5355
Email: ContactCanada@woodmizer.com

Europe Headquarters

Serving Europe, Africa, West Asia

Wood-Mizer Industries Sp z o.o.
Nagorna 114
62-600 Kolo, Poland

Phone: +48.63.26.26.000
Fax: +48.63.27.22.327

Branches & Authorized Sales Centers

For a complete list of dealers, visit www.woodmizer.com

SECTION 1 GENERAL INFORMATION

1.1 How To Use The Parts List

- Use the index above to locate the assembly that contains the part you need.
- Go to the appropriate section and locate the part in the illustration.
- Use the number pointing to the part to locate the correct part number and description in the table.
- Parts shown indented under another part are included with that part.
- Parts marked with a diamond (◆) are only available in the assembly listed above the part.

See the sample table below. Sample Part #A01111 includes part F02222-2 and subassembly A03333. Subassembly A03333 includes part S04444-4 and subassembly K05555. The diamond (◆) indicates that S04444-4 is not available except in subassembly A03333. Subassembly K05555 includes parts M06666 and F07777-77. The diamond (◆) indicates M06666 is not available except in subassembly K05555.

1.2 Sample Assembly				
REF	DESCRIPTION (◆ Indicates Parts Available In Assemblies Only)	PART #	QTY.	
	Sample Assembly, Complete (Includes All Indented Parts Below)	A01111	1	
1	Sample Part	F02222-22	1	
	Sample Subassembly (Includes All Indented Parts Below)	A03333	1	
2	Sample Part (◆ Indicates Part Is Only Available With A03333)	S04444-4	1	◆
	Sample Subassembly (Includes All Indented Parts Below)	K05555	1	
3	Sample Part (◆ Indicates Part Is Only Available With K05555)	M06666	2	◆
4	Sample Part	F07777-77	1	

To Order Parts:

- From Europe call our European Headquarters and Manufacturing Facility in Kolo, Poland at **+48-63-2626000**. From the continental U.S., call our toll-free Parts hotline at **1-800-525-8100**. Have your customer number, vehicle identification number, and part numbers ready when you call. From other international locations, contact the Wood-Mizer distributor in your area for parts.

Office Hours:

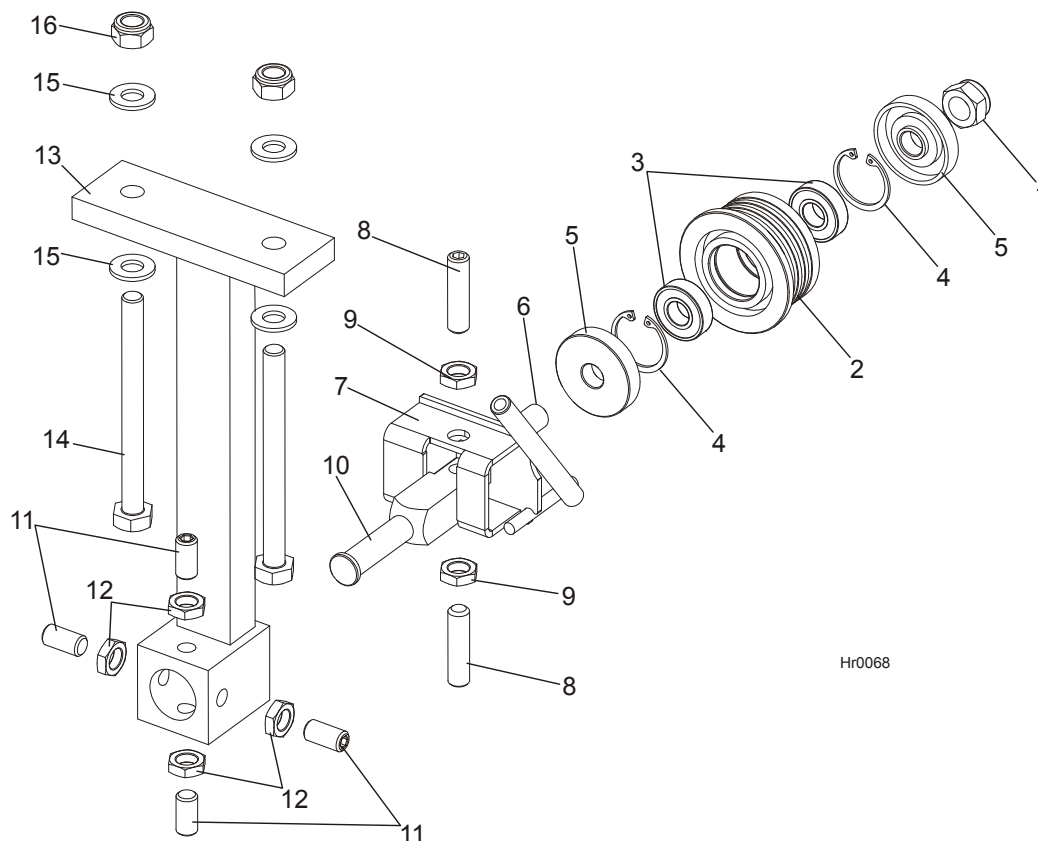
Country	Monday - Friday	Saturday	Sunday
Poland	7-15	Closed	Closed
US	8 a.m.- 5 a.m.	8 a.m.- 12 p.m.	Closed



CAUTION! It is strongly recommended that only original spare parts be used.

SECTION 2 BLADE GUIDE ROLLERS & ARM

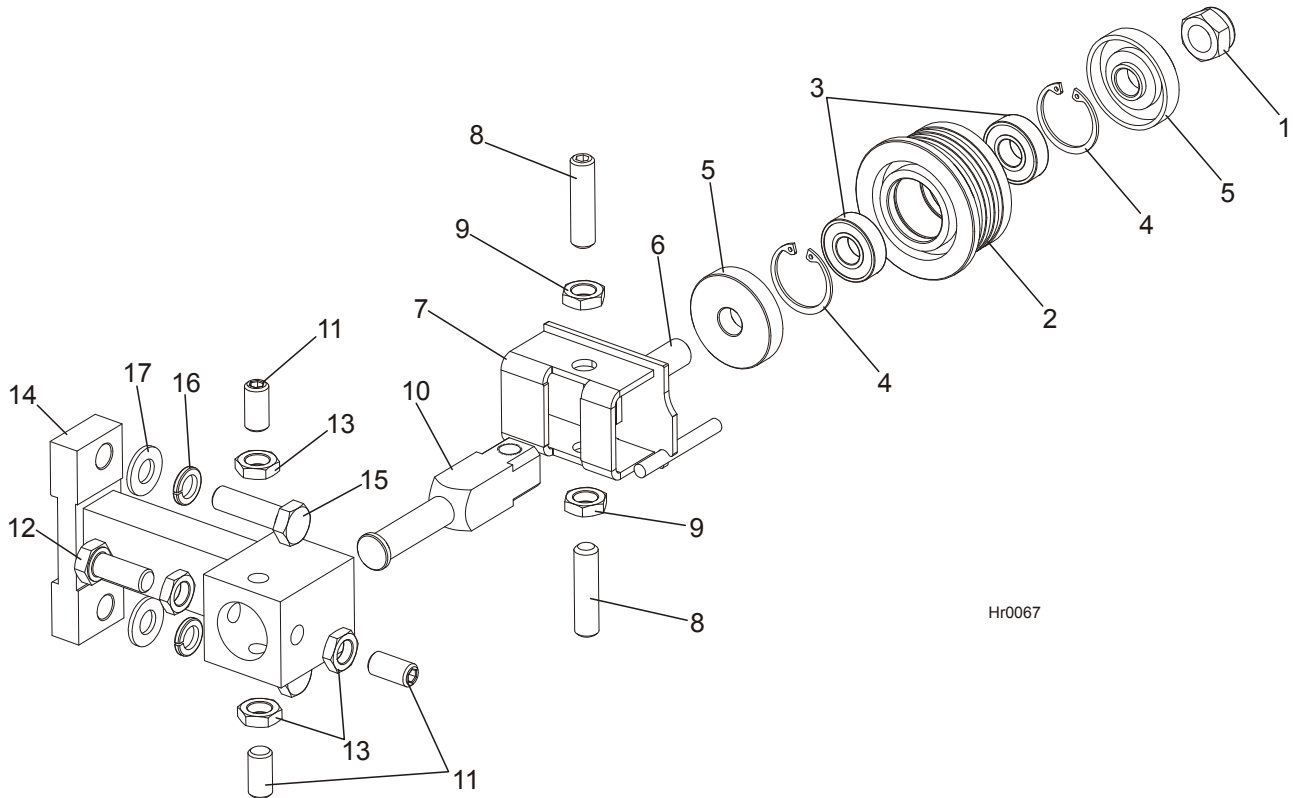
2.1 Blade Guide Assembly, Idle Side



Hr0068

REF	DESCRIPTION (◆ Indicates Parts Available In Assemblies Only)	PART #	QTY.	
	BLADE GUIDE ROLLER, HR115 INVERSION	504863	1	
	BLADE GUIDE ASSEMBLY, IDLE SIDE	505613	1	
	Roller, Blade Guide Complete Standard	087887	1	
1	Nut, M12-8 Hex Nylon Zinc Lock	F81034-2	1	
2	Roller, Blade Guide Narrow	087889	1	◆
3	Bearing, 6001 2RSR FAG	087893	2	
4	Ring, W28 Inside Retaining	F81090-9	1	
5	Washer, Zinc-plated Spacer	087891-1	2	
6	Shaft, Blade Guide Roller Zinc-plated	087763-1	1	
7	Bracket Weldment, Idle Side Blade Guide Painted	094681-1	1	
8	Screw, M10x1x40 DIN 913 A2-70 Set Stainless Steel	F81015-2	2	
9	Nut, M10x1-04-ST-A2 ISO 8675 Thin	F81033-10	2	
10	Shaft, Zinc-plated Blade Guide Mount	088255-1	1	
11	SCREW, M10X1X20 DIN 913 SET STAINLESS STEEL	F81015-1	4	
12	NUT, M10x1-04-ST-A2 ISO 8675 THIN	F81033-10	4	
13	BRACKET, HR115 BLADE GUIGE INVERSION	504860-1	1	
14	BOLT, M10 X 115-8.8 Fe/Zn5, PN-M/82101	F81003-19	2	
15	WASHER, 10.5 FLAT ZINC	F81055-1	4	
16	NUT, M10-8-B HEX NYLON ZINC LOCK	F81033-1	2	

2.2 Blade Guide Assembly, Drive Side



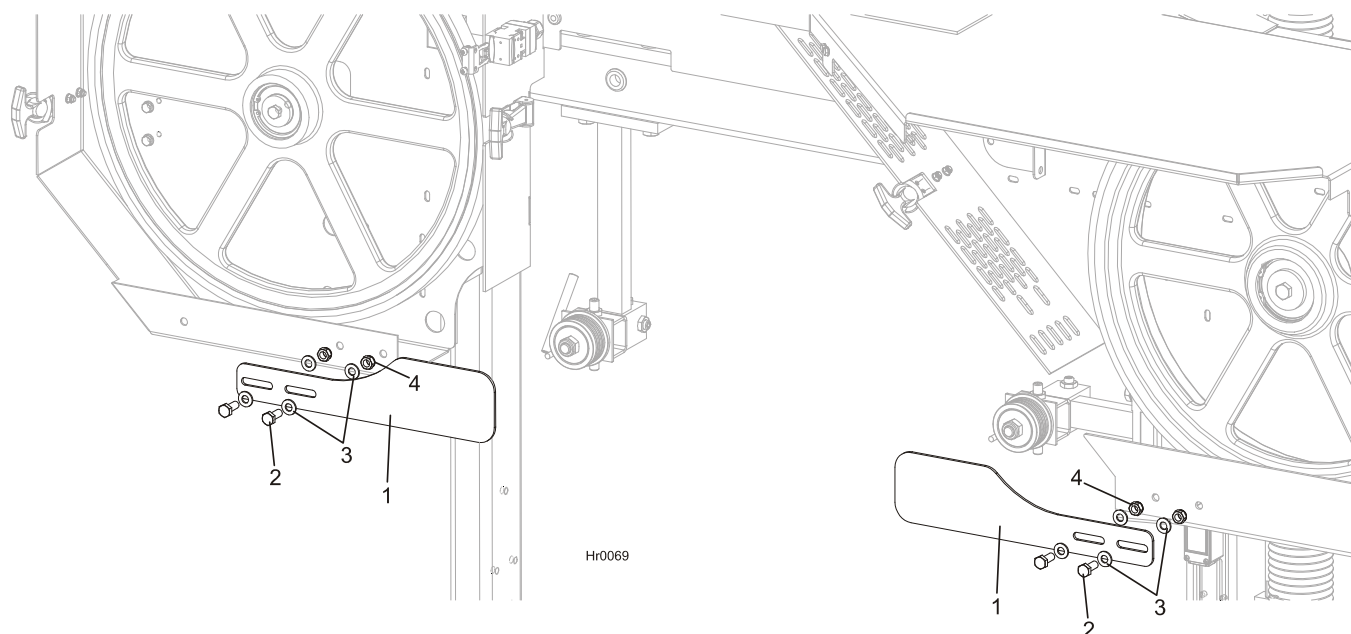
Hr0067

REF	DESCRIPTION (◆ Indicates Parts Available In Assemblies Only)	PART #	QTY.	
	BLADE GUIDE ASSEMBLY, DRIVE SIDE	505612	1	
	ROLLER, BLADE GUIDE COMPLETE STANDARD	087887	1	
1	Nut, M12-8 Hex Nylon Zinc Lock	F81034-2	1	
2	Roller, Blade Guide Narrow	087889	1	◆
3	Bearing, 6001 2RSR FAG	087893	2	
4	Ring, W28 Inside Retaining	F81090-9	1	
5	Washer, Zinc-plated Spacer	087891-1	2	
6	Shaft, Blade Guide Roller Zinc-plated	087763-1	1	
7	BRACKET WELDMENT, BLADE GUIDE PAINTED	094679-1	1	
8	SCREW, M10X1X40 DIN 913 A2-70 SET STAINLESS STEEL	F81015-2	2	
9	NUT, M10X1-04-ST-A2 ISO 8675 THIN	F81033-10	2	
10	SHAFT, ZINC-PLATED BLADE GUIDE MOUNT	088255-1	1	
11	SCREW, M10X1X20 DIN 913 SET STAINLESS STEEL	F81015-1	3	
12	BOLT, M10X1X25 DIN 933 STAINLESS STEEL	F81003-28	1	
13	NUT, M10x1-04-ST-A2 ISO 8675 THIN	F81033-10	4	
14	BRACKET, HR115 BLADE GUIDE DRIVE SIDE	504119-1	1	
15	BOLT, M10X35-8.8 HEX HEAD FULL THREAD ZINC	F81003-17	2	
16	WASHER, 10.2 SPLIT LOCK ZINC	F81055-2	2	
17	WASHER, 10.5 FLAT ZINC	F81055-1	2	

2 BLADE GUIDE ROLLERS & ARM

Blade Guide Roller Guards

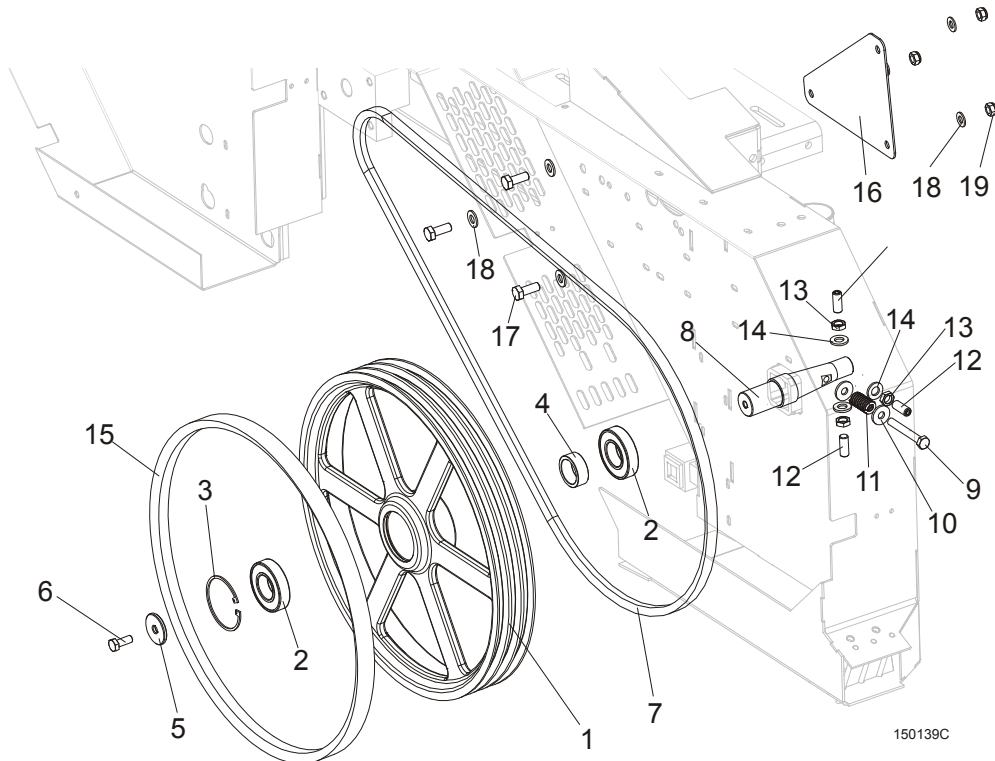
2.3 Blade Guide Roller Guards



REF	DESCRIPTION (◆ Indicates Parts Available In Assemblies Only)	PART #	QTY.	
1	GUARD, HR110/115 BLADE GUIDE ROLLER	504870-1	2	
2	BOLT, M8X20MM HH GR 8.8 FULL THRD ZINC	F81002-1	4	
3	WASHER, 8.4 FLAT ZINC	F81054-1	8	
4	NUT, M8-8-B HEX NYLON LOCK ZINC	F81032-2	4	

SECTION 3 BLADE WHEELS & TENSIONER

3.1 Blade Wheel Assembly, Drive Side



REF	DESCRIPTION (◆ Indicates Parts Available In Assemblies Only)	PART #	QTY.
	BLADE WHEEL ASSEMBLY, LT15 DRIVE SIDE	093849	1
1	WHEEL, LT15 DRIVE SIDE BLADE	014727 ¹	1
2	BEARING, 6207-2RS 35X72X17 FAG	014811 ²	2
3	RING, 72MM N5002-281 RETAINING	F04254-30	1
4	BUSHING, LT15 BEARING SPACER	093851	1
5	WASHER, LT15 DRIVE SIDE BLADE WHEEL	086286	1
6	BOLT, M10X25-8.8 HEX HEAD FULL THREAD ZINC	F81003-11	1
7	V-BELT, BX81, LT15	014819	1 ³
8	SHAFT, LT15 DRIVE SIDE BLADE WHEEL	093850	1
9	BOLT, M10X75-8.8 HEX HEAD ZINC	F81003-15	1
10	WASHER, 10.5 SPECIAL FLAT ZINC	F81055-6	2
11	SPRING, 19X38 COMPRESSION	034430	1
12	SCREW, M12X1,25X30 DIN913 SET STAINLESS STEEL	F81016-1	3
13	NUT, M12X1.25 DIN439 THIN STAINLESS STEEL	F81034-9	3
14	WASHER, 13 FLAT ZINC	F81056-1	3
15	V-BELT, B57	P04185-2	1
16	CAP, BOLTED PTD	094247-1	1
17	BOLT, M8X20-5.8 HEX HEAD FULL THREAD ZINC	F81002-1	3
18	WASHER, 8.4 FLAT ZINC	F81054-1	6
19	NUT, M8-8-B HEX NYLON ZINC LOCK	F81032-2	3

¹ LT15 for Russian market is equipped with drive wheel No. 090646-1

² LT15 for Russian market is equipped with one bearing 014811 and one 092005 (wide)

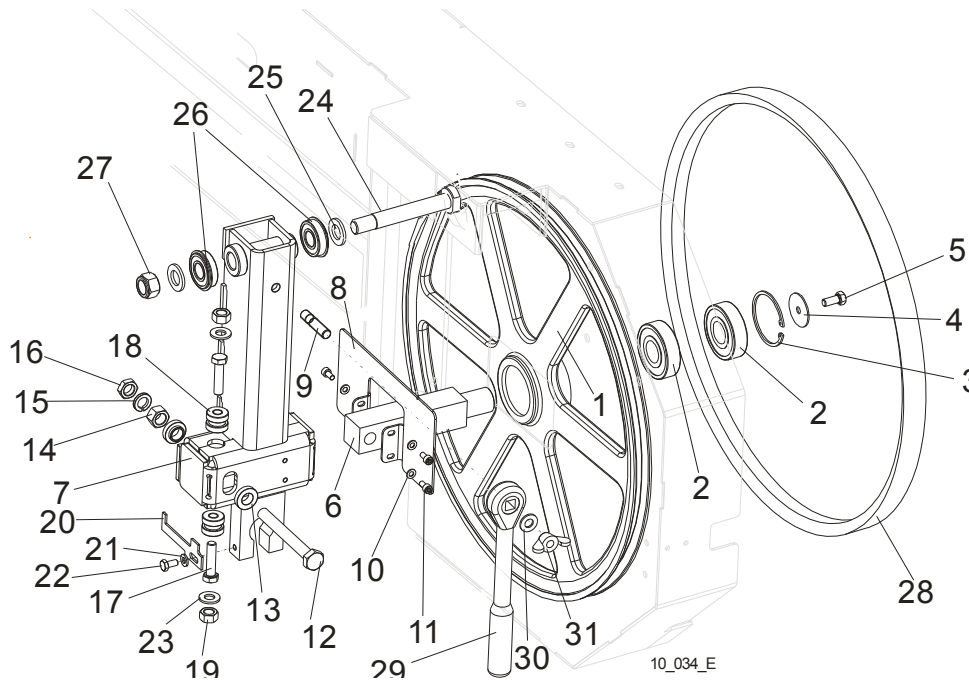


Blade Wheels & Tensioner

Blade Wheel Assembly, Drive Side

³ LT15 for Russian market is equipped with two belts.

3.2 Blade Wheel Assembly, Idle Side

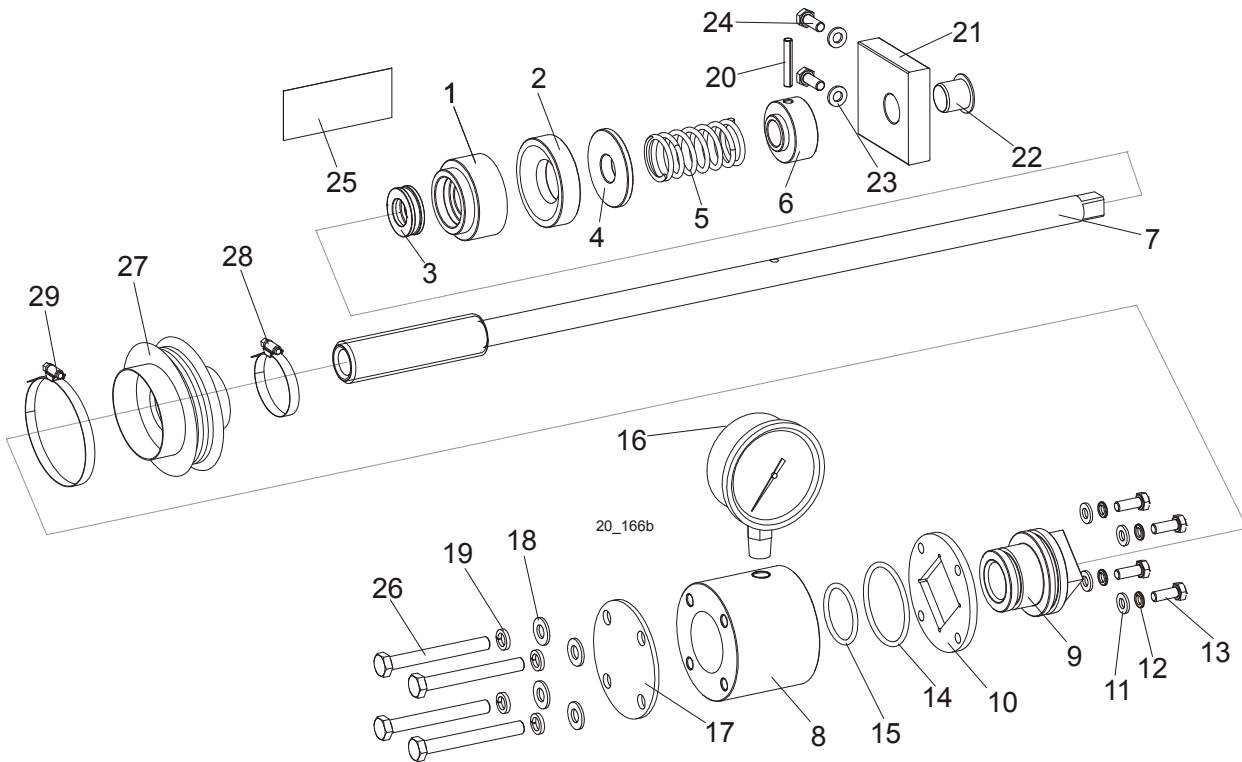


REF	DESCRIPTION (◆ Indicates Parts Available In Assemblies Only)	PART #	QTY.
	WHEEL ASSEMBLY, IDLE SIDE BLADE	A08218	1
1	WHEEL ASSEMBLY, 18.62" BLADE IDLE SIDE	P08125	1
2	BEARING, 6305 2RS NSK IDLE SIDE WHEEL	P08066	2
3	RING, 2 7/16" INSIDE RETAINING	F04254-21	1
	HOUSING, LT10 & LT15 IDLER SHAFT, COMPLETE	100180	1
4	WASHER, IDLE SIDE WHEEL RETAINING	093854-1	1
5	BOLT, M8X25-8.8-B HEX HEAD FULL THREAD ZINC	F81002-5	1
6	SHAFT, IDLE SIDE BLADE WHEEL (METRIC)	096045	1
	HOUSING, IDLER SHAFT COMPLETE	508145	1
7	HOUSING, IDLER SHAFT WELDED/PAINTED	508144-1	1
8	COVER, HOUSING, IDLER SHAFT COMPLETE PAINTED	508128-1	1
9	BOLT M10X35-8.8	F81003-9	1
10	WASHER, 5.3 FLAT ZINC	F81052-1	3
11	SCREW, M5x10 DIN912 A2-70 HEX SOCKET HEAD	F81000-23	3
12	BOLT, M12X1,25X100-8.8 HEX HEAD FULL THREAD ZINC	F81004-41	1
13	WASHER, FLANGED ZINC-PLATED	086769-1	2
14	NUT, M12X1,25 -8 HEX ZINC	F81034-8	1
15	WASHER, 12.2 SPLIT LOCK ZINC	F81056-2	1
16	NUT, M12x1.25 DIN439 THIN STAINLESS STEEL	F81034-5	1
17	BOLT, M10 X 40-8.8 Fe/Zn5, PN-M/82105	F81003-16	2
18	BUSHING, M10 IDLER SHAFT HOUSING	086987	2
19	NUT, M10-8-B HEX HEAD ZINC	F81033-3	2
20	INDICATOR, LT15/LT20 PTD BLADE TENSION	092467-1	1
21	WASHER, 6.4 FLAT ZINC	F81053-1	1
22	BOLT, M6x12-8.8 HEX HEAD FULL THREAD ZIN	F81001-7	1
23	WASHER, 10.5 FLAT ZINC	F81055-1	2
24	PIN, IDLER ARM MOUNT	086404	1

3**Blade Wheels & Tensioner***Blade Wheel Assembly, Idle Side*

25	WASHER, 17 FLAT ZINC	F81058-1	2	
26	BEARING, 6203-2RS NR NSK W/SNAP RING	086395	2	
27	NUT, M16-8 HEX NYLON ZINC LOCK	F81036-2	1	
28	V-BELT, B57	P04185-2	1	
29	Wrench, LT20 Blade Tension	091620	1	
30	WASHER, 10.5 FLAT ZINC	F81055-1	1	
31	NUT WING M10	F81033-8	1	

3.3 Blade Tensioner Assembly

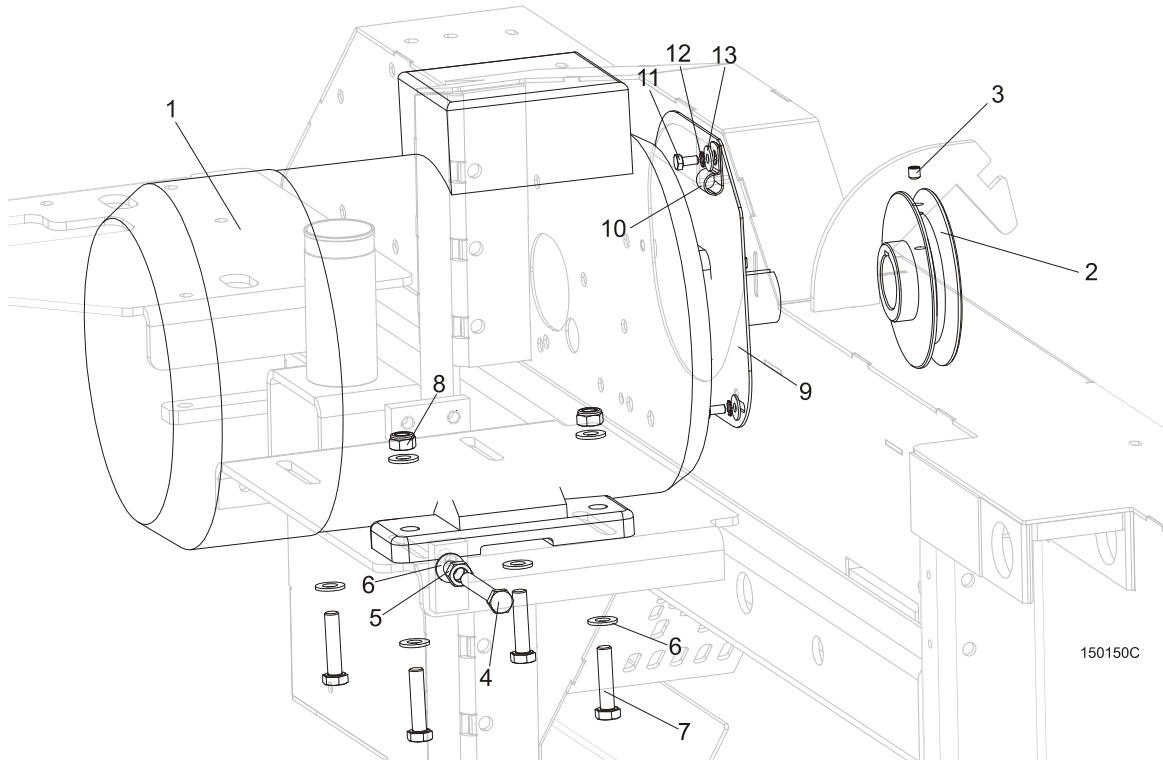


REF.	DESCRIPTION (◆ Indicates Parts Available In Assemblies Only)	PART #	QTY.
	COMPLETE BLADE TENSIONER	510640	1
1	HOUSING, BALL THRUST BEARING	510635	1
2	SOCKET, BEARING HOUSING	510634-1	1
3	BEARING, 51103. BALL THRUST	086675	1
4	WASHER	510633-1	1
5	SPRING, n3mm	088992	1
6	BUSHING, BLADE TENSIONER SCREW	510636-1	1
7	SCREW, BLADE TENSIONER ZINC-PLATED	510650-1	1
	CYLINDER ASSEMBLY	510641	1
8	CYLINDER	510657-1	1
9	PISTON	510638	1
10	PLATE, CYLINDER	510490-1	1
11	WASHER, 6.4 FLAT ZINC	F81053-1	4
12	WASHER, Z 6.1 SPLIT LOCK ZINC	F81053-3	4
13	BOLT, M6x16-8.8 HEX HEAD FULL THREAD ZINC	F81001-15	4
14	O-RING, 46.2x3	510646	1
15	O-RING, 32.2x3	510647	1
16	GAUGE, 3000psi/200 bar OIL PRESSURE	505176	1
17	PLATE, CYLINDER COVER	510642-1	1
18	WASHER, 8.4 FLAT ZINC	F81054-1	4
19	WASHER, 8.2 SPLIT LOCK ZINC	F81054-4	4
20	PIN, 5x30 ROLL ZINC	F81044-21	1
21	BLOCK, TENSIONER HANDLE MOUNT	096730	1
22	BUSHING, GFM-1618-17	089589	1

3**Blade Wheels & Tensioner***Blade Tensioner Assembly*

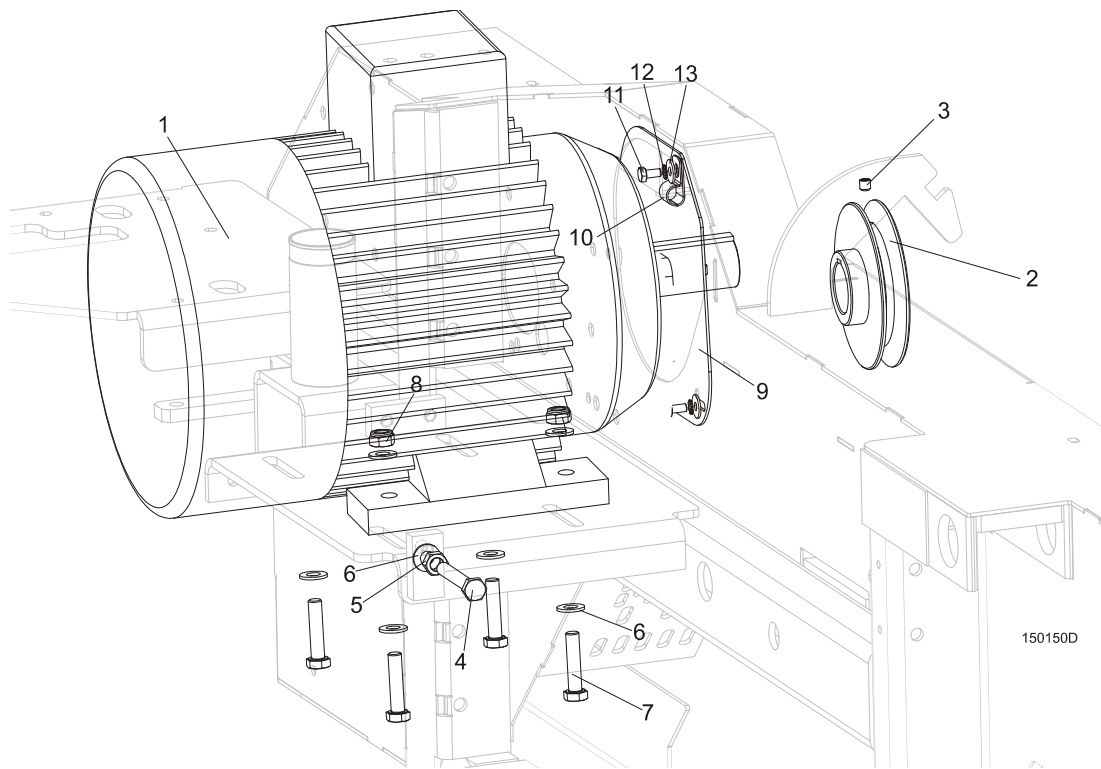
23	WASHER, 6.4 FLAT ZINC	F81053-1	2	
24	BOLT, M6x16-8.8 HEX HEAD FULL THREAD ZINC	F81001-15	2	
25	DECAL, PRESSURE VALUES	510643	1	
26	BOLT, M8x70-8.8 HEX HEAD ZINC	F81002-71	4	
27	BELLOWS, COMPLETE	515050	1	
28	BELLOWS	515051	1	
29	CLAMP, 40-60MM DIA.	F81095-4	1	
30	CLAMP, 70-80MM DIA.	F81095-5	1	
	OIL, HYDRAULIC - ALL SEASONS, ESSO UNIVIS HVI26	P12824	30 ml	

3.4 Motor Assembly, HR110



REF	DESCRIPTION (◆ Indicates Parts Available In Assemblies Only)	PART #	QTY.
1	MOTOR, 5.5kW 400V 1LE1002 1CA03-4AA0 ELECTRIC	095785	1
2	PULLEY, LT15 E11 MOTOR ZINC-PLATED	086807-1	1
3	SCREW, M8X8-33H HEX SOCKET SET FLAT POINT ZINC	F81014-1	1
4	BOLT, M10X80-8.8 HEX HEAD FULL THREAD ZINC	F81003-76	2
5	NUT, M10-8-B HEX ZINC	F81033-3	2
6	WASHER, 10.5 FLAT ZINC	F81055-1	10
7	BOLT, M10X45-8.8 HEX HEAD FULL THREAD ZINC	F81003-3	4
8	NUT, M10-8-B HEX NYLON ZINC LOCK	F81033-1	4
9	MOTOR SHAFT COVER, PAINTED, E11/E15	095335-1	1
10	CLAMP, 1/2" EMT COATED	010748	1
11	BOLT M6X12-8.8-FE/ZN5	F81001-7	3
12	WASHER, 6.4 EXTERIOR STAR LOCK ZINC	F81053-2	3
13	WASHER, 6.5 SPECIAL FLAT ZINC	F81053-11	3

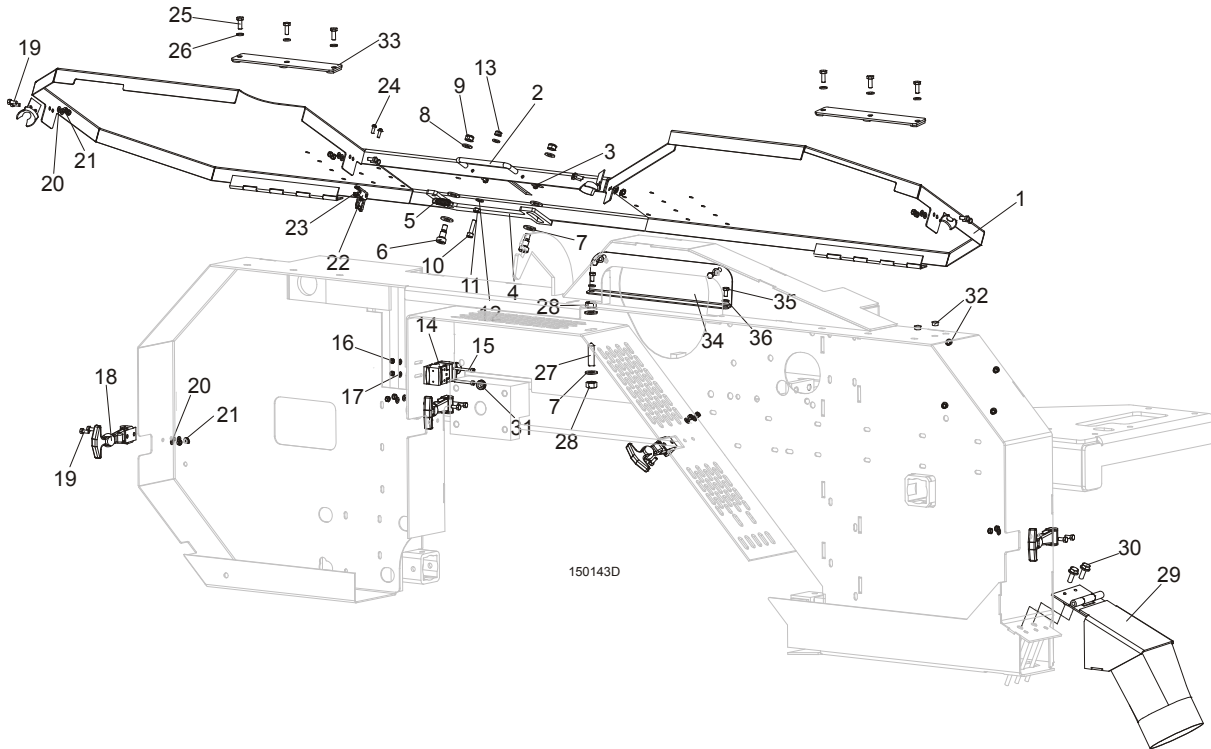
3.5 Motor Assembly HR115



REF	DESCRIPTION (◆ Indicates Parts Available In Assemblies Only)	PART #	QTY.
1	MOTOR, SILNIK Sg132S-2B-HM 400V CE(E11)	090993	1
	MOTOR (7.5KW)11KM 1LA7131-2AA6, 400V (E11)	085482	1
	MOTOR SG132S-2PC, 400 V CE (E15)	089049	1
	MOTOR, ELECTRIC, 11KW,3-PHASE, 400V (PL) (E15)	P85186	1
	MOTOR, ELECTRIC, 11KW,3-PHASE, 400V FOR HR115EH15-1 EC(PL) (E15)	P85186	1
2	PULLEY, LT15 E11 MOTOR ZINC-PLATED (FOR E11 MOTORS)	086807-1	1
	PULLEY, E15 2-GROOVE (FOR E15 MOTORS)	091560	1
3	SCREW, M8X8-33H HEX SOCKET SET FLAT POINT ZINC	F81014-1	1
4	BOLT, M10X80-8.8 HEX HEAD FULL THREAD ZINC	F81003-76	2
5	NUT, M10-8-B HEX ZINC	F81033-3	2
6	WASHER, 10.5 FLAT ZINC	F81055-1	10
7	BOLT, M10X45-8.8 HEX HEAD FULL THREAD ZINC	F81003-3	4
8	NUT, M10-8-B HEX NYLON ZINC LOCK	F81033-1	4
9	MOTOR SHAFT COVER, PAINTED, E11, E15	086787	1
10	CLAMP, 1/2" EMT COATED	P07584	1
11	BOLT M6X12-8.8-FE/ZN5	F81001-7	3
12	WASHER, M6, STAR, LOCK, ZINC	F81053-2	3
13	WASHER, 6,5 POW.FE/ZN5 EXT	F81053-11	3

SECTION 4 SAW HEAD & FEED TRACK

4.1 Blade Housing Cover



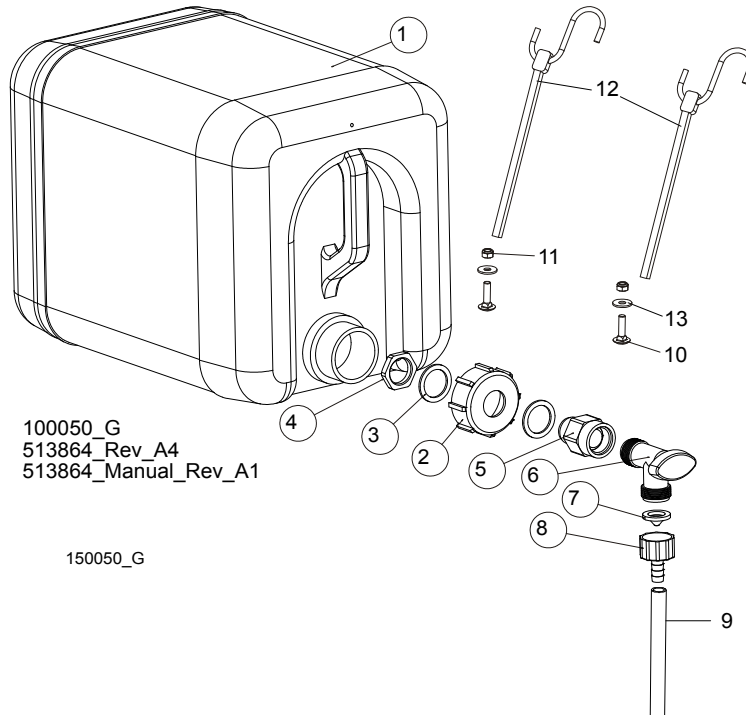
REF	DESCRIPTION (◆ Indicates Parts Available In Assemblies Only)	PART #	QTY.
	COVER, LT15 FRONT COMPLETE	098678	1
1	Cover Weldment, LT10/15/20 Blade Housing Painted	096776-1	1
2	Handle w/Bolt	P08065	1
3	Screw, #8-32x3/8 Self-tapping	F05015-8	2
4	Pawl, Locking Painted	090643-1	1
5	Spring, 1.6x12x38 Extension	092208	1
6	Bolt, 10/M8x12-12.9 ISO-7379 Shoulder	F81003-62	2
7	Washer, 10.5 Flat Zinc	F81055-1	4
8	Washer, 8.4 Flat Zinc	F81054-1	2
9	Nut, M8-8-B Hex Nylon Zinc Lock	F81032-2	2
10	Screw, M6x25-8.8 Hex Socket Head Cap Zinc	F81001-41	1
11	Nut, M6-8 Hex Zinc	F81031-1	1
12	Washer, 6.4 Flat Zinc	F81053-1	2
13	Nut, M6-8-B Hex Nylon Zinc Lock	F81031-2	1
14	SWITCH, AZ17-11ZRK SAFETY	094232	1
15	SCREW, M4X35-8.8 HEX SOCKET HEAD CAP ZINC	F81011-34	2
16	NUT, M4-B HEX NYLON ZINC LOCK	F81029-1	2
17	WASHER, 4.3 FLAT ZINC	F81051-2	2
18	LATCH, FLEXIBLE DRAW	014829	4
19	BOLT, M5X12-5.8 HEX HEAD FULL THREAD ZINC	F81000-5	8
20	WASHER, 5.3 FLAT ZINC	F81052-1	8
21	NUT, M5-8 DIN 985 ZINC-PLATED	F81030-2	8
22	KEY, A217/170-B5 SAFETY SWITCH	094422	1

4

Saw Head & Feed Track
Blade Housing Cover

23	NUT, M4-B HEX NYLON ZINC LOCK	F81029-1	2	
24	SCREW, M4X12-5.8-B CROSS RECESSED PAN HEAD ZINC	F81011-43	2	
25	BOLT, M6X16 8.8 HEX HEAD FULL THREAD ZINC	F81001-15	6	
26	WASHER, 6.4 FLAT ZINC	F81053-1	6	
27	SCREW, M10X40-45H HEX SOCKET SET CONE POINT ZINC	F81003-61	1	
28	NUT, M10-8-B HEX ZINC	F81033-3	2	
29	CHUTE, LT10/15/20 SAWDUST	100903-1	1	
30	BOLT, M8X16-8.8-B HEX HEAD FULL THREAD ZINC	F81002-20	2	
31	GROMMET, 22mm DIA. RUBBER	087400	1	
32	PLUG, SR1086-9,5	096846	6	
33	PLATE, COVER MOUNT	086701-1	2	
34	COVER, SAW HEAD MOUNT	096788-1	1	
35	BOLT, M6X12MM HEX HEAD ZINC	F81001-7	4	
36	WASHER, M6 FLAT ZINC	F81053-1	4	

4.2 Water Lube Assembly



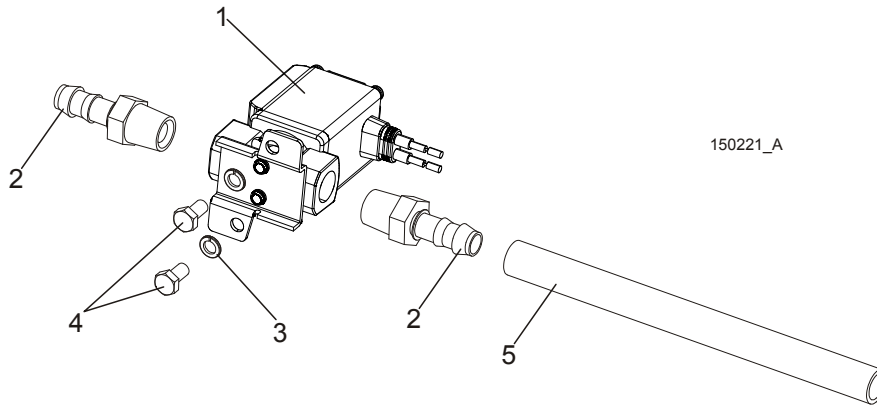
REF	DESCRIPTION (◆ Indicates Parts Available In Assemblies Only)	PART #	QTY.
	BOTTLE, WATER, COMPLETE.	513864	1
	BOTTLE, WATER, WITH NUT.	513865	1
1	BOTTLE, WATER	513866	1
2	NUT, BOTTLE.	513867	1
3	SEAL, RUBBER 35x26x2.	513869	2
4	NUT, PACKING 3/4 NPT.	513868	1
5	Fitting, 3/4FPT x 3/4MPT Reducer	014636	1
6	Fitting, Water Lube Shutoff Valve	014100	1
7	Filtr NUT	016086	1
8	FITTING, 5/8" NPT TO 3/8" HOSE BARB	014113	1
9	TUBE, 3/8" I.D. WATER LUBE	R01885	1,7 m
10	BOLT, M6X25-8.8 MUSHROOM HEAD SQUARE NECK ZINC	F81001-20	2
11	NUT, M6-8-B HEX NYLON ZINC LOCK	F81031-2	2
12	STRAP, 24" RUBBER W/HOOK	P11258	2
13	WASHER, 6.5 SPECIAL FLAT ZINC	F81053-11	2

4

Saw Head & Feed Track

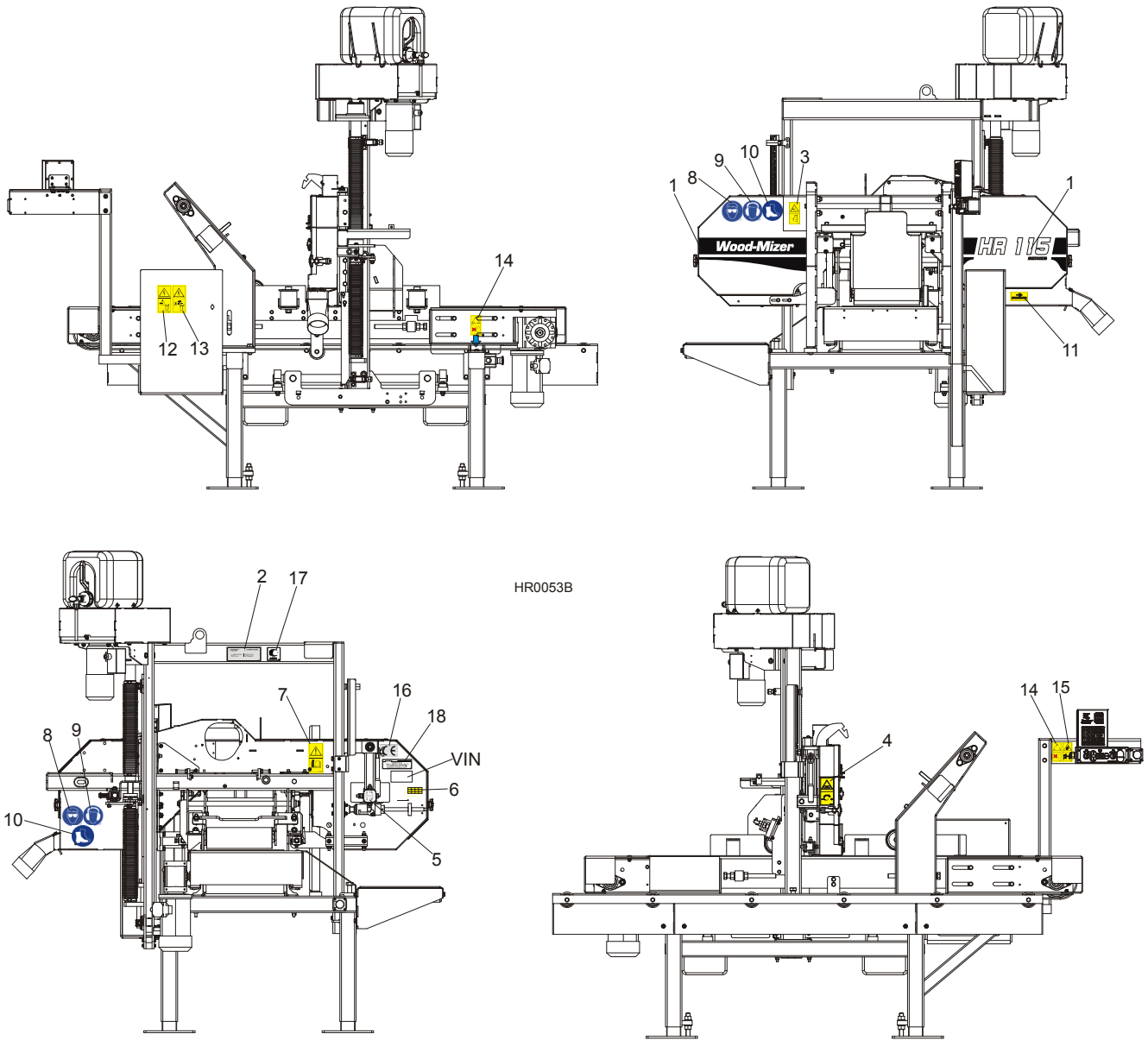
Blade Lube System (not available in EC version)

4.3 Blade Lube System (not available in EC version)



REF	DESCRIPTION (◆ Indicates Parts Available In Assemblies Only)	PART #	QTY.
	KIT, LT15AC BLADE LUBE SYSTEM	503470-S	1
1	SOLENOID, WATER LUBE	509113	1
2	FITTING, 3/8 BARB 1/4NPT MALE, NYLON	P04682	2
3	WASHER, M5 SPLIT LOCK	F81052-2	2
4	SCREW, 10-32X1/2 HH MACHINE	F05004-60	2
5	TUBING, WATER LUBE	R01885	3.8m
	CONNECTOR, 16-14GA FI BUTT	F04875-1	2
	CONDUIT, 1/2IN EXPANDABLE BLACK	R02374	0,6m
	BLOCK, LADN11 AUXILIARY CONTACT	084122	1
	ELEMENT, SELF - ADHESIVE MOUNT E9S	087695	2
	CABLE TIE, PLASTIC	F81082-4	3
	GROMMET, 22mm RUBBER	087400	1
	CABLE, 1 SQ MM, BLUE	R80583-1	1,5m
	CONDUCTOR END, EL.HIX1/6	F81083-3	4

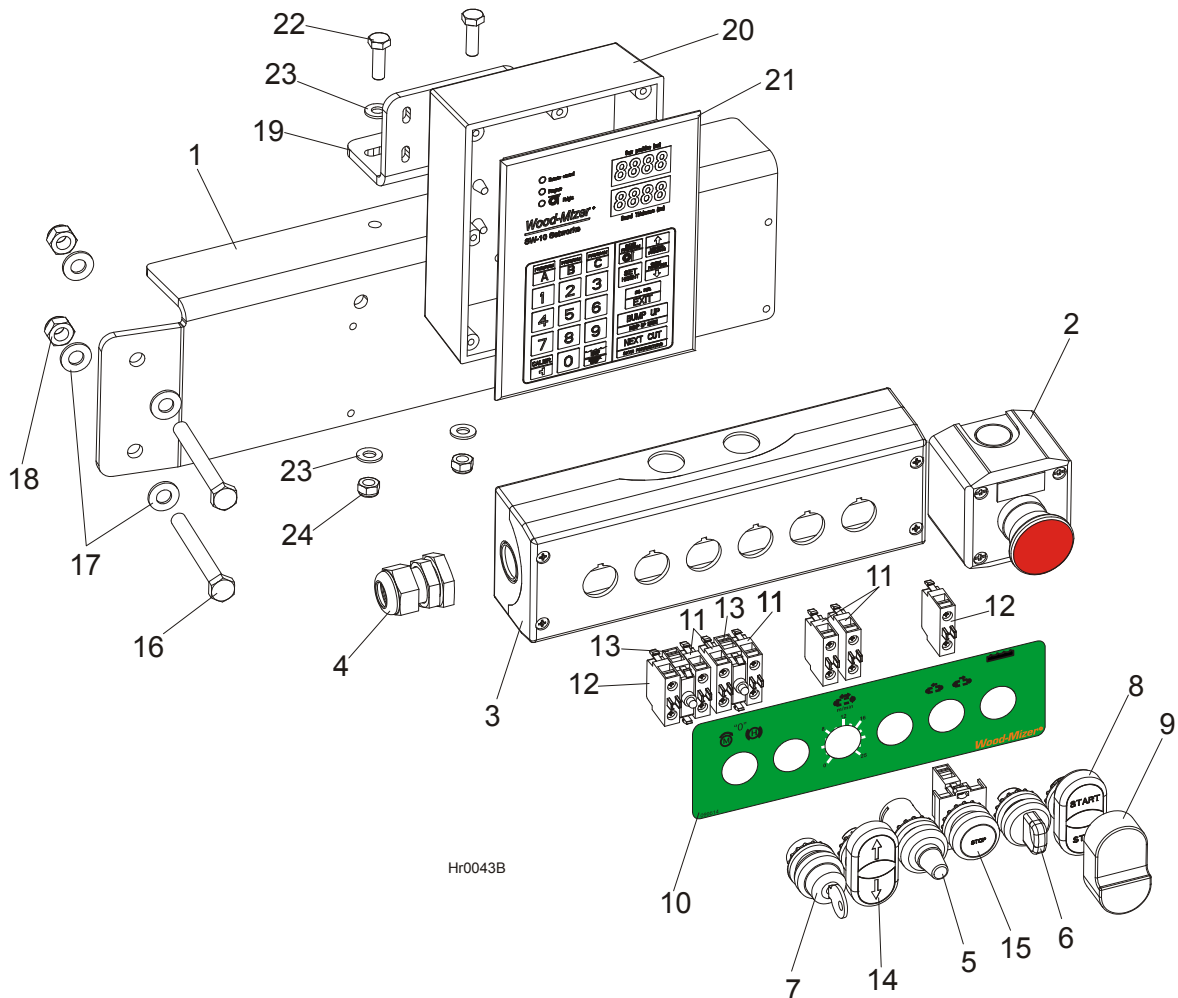
4.4 Decals, HR115



REF	DESCRIPTION (◆ Indicates Parts Available In Assemblies Only)	Part #	Qty.
	PICTOGRAPHIC DECAL KIT, HR115	504242	1
1	DECAL, HR115 SAWMILL NAME	504241	1
2	DECAL, EUROPEAN HEADQUARTERS ADDRESS	015841	1
3	DECAL, SAWMILL COVERS CAUTION	099220	1
4	DECAL, BLADE TENSION (PICTOGRAM)	099219	1
5	DECAL, BLADE ALIGNMENT	P11789	1
6	DECAL, BLADE TENSIONER PRESSURE VALUE	510643	1
7	DECAL, READ OPERATOR'S MANUAL (PICTOGRAM)	096317	1
8	DECAL, EYE PROTECTION WARNING (PICTOGRAM)	S12004G	2
9	DECAL, EAR PROTECTION WARNING (PICTOGRAM)	S12005G	2
10	DECAL, USE SAFETY BOOTS (PICTOGRAM)	501465	2

11	DECAL, BLADE MOVEMENT DIRECTION (PICTOGRAM)	096321	1	
12	DECAL, HIGH VOLTAGE INSIDE THE ELECTRIC BOX (PICTOGRAM)	096316	1	
13	DECAL, REMOVE THE PLUG BEFORE OPENING THE BOX (PICTOGRAM)	096319	1	
14	DECAL, GEAR CAUTION	099540	2	
15	DECAL, KEEP A SAFE DISTANCE AWAY	099221	1	
16	DECAL, CE CERTIFIED SAWMILL (SMALL)	P85070	1	
17	DECAL, RUSSIAN SAFETY CERTIFICATION	099401	1	
18	DECAL, INTERNATIONAL SAWMILL NAME	501466	1	
19	DECAL, MOTOR DIRECTION	S20097	1	
20	DECAL, BLADE SETTING	P85066	1	
21	TAG, MOTOR ROTATION DIRECTION CHECKING	500396	1	◆

4.5 Control Panel, HR115

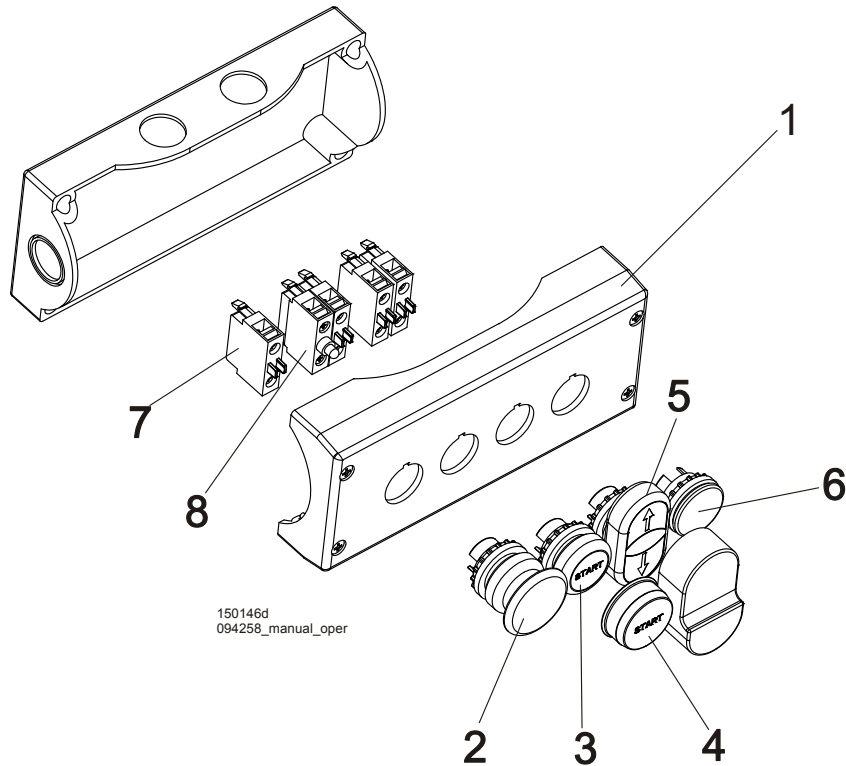


REF	DESCRIPTION (◆ Indicates Parts Available In Assemblies Only)	PART #	QTY.
1	BRACKET, HR115 CONTROL PANEL	505062-1	1
2	SWITCH, XALJ174F EMERGENCY	E22703-P	1
	CONTROL BOX, HR130	503970	1
3	Box, M22-I6 (216540) Control	093750	1
4	Connector, DP 16/H	F81096-7	1
5	Potentiometer, M22-R1K (229489)	093749	1
6	Switch, M22 - 3 Position	091360	1
7	Operator, M22-WRS3 Key Switch	095001	1
8	Operator, M22-DDI-GR-GB1/GB0 Switch	094997	1
9	Membrane M22-T-DD	090462	1
10	Decal, HR130 Control Panel	503969	1
11	Contact Element, M22-KC10	094314	5
12	Contact Element, M22-KC01	094998	2
13	LED Element, M22-LEDC-W	094999	2
14	Button, M22-DD-S-X7/X7	090917	1
15	Button, M22 STOP	090926	1

4**Saw Head & Feed Track***Control Panel, HR115*

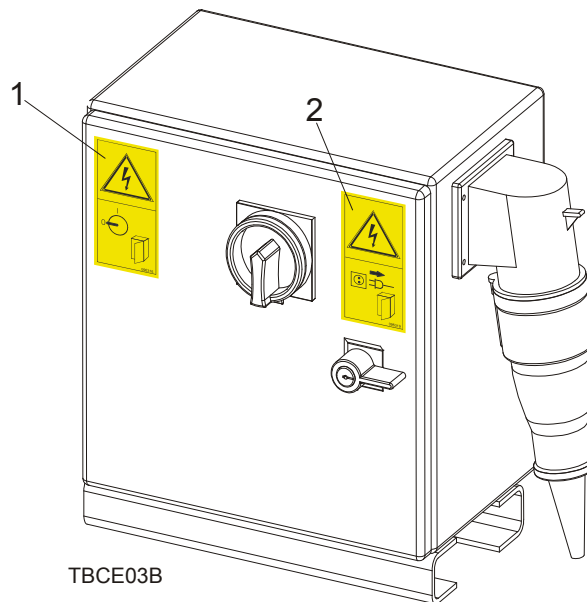
16	BOLT, M10X90-8.8-B HEX HEAD ZINC	F81003-66	2	
17	WASHER, 10.5 FLAT ZINC	F81055-1	4	
18	NUT, M10-8-B HEX NYLON ZINC LOCK	F81033-1	2	
19	PLATE, HR115 SW-10	505063-1	1	
20	HOUSING, SETWORKS REAR	100877	1	
21	CONTROLLER, HR115 SW-10 SETWORK	505375	1	
22	BOLT, M8X25-8.8-B HEX HEAD FULL THREAD ZINC	F81002-5	2	
23	WASHER, 8.4 FLAT ZINC	F81054-1	4	
24	NUT, M8-8-B HEX NYLON ZINC LOCK	F81032-2	2	

4.6 Control Box



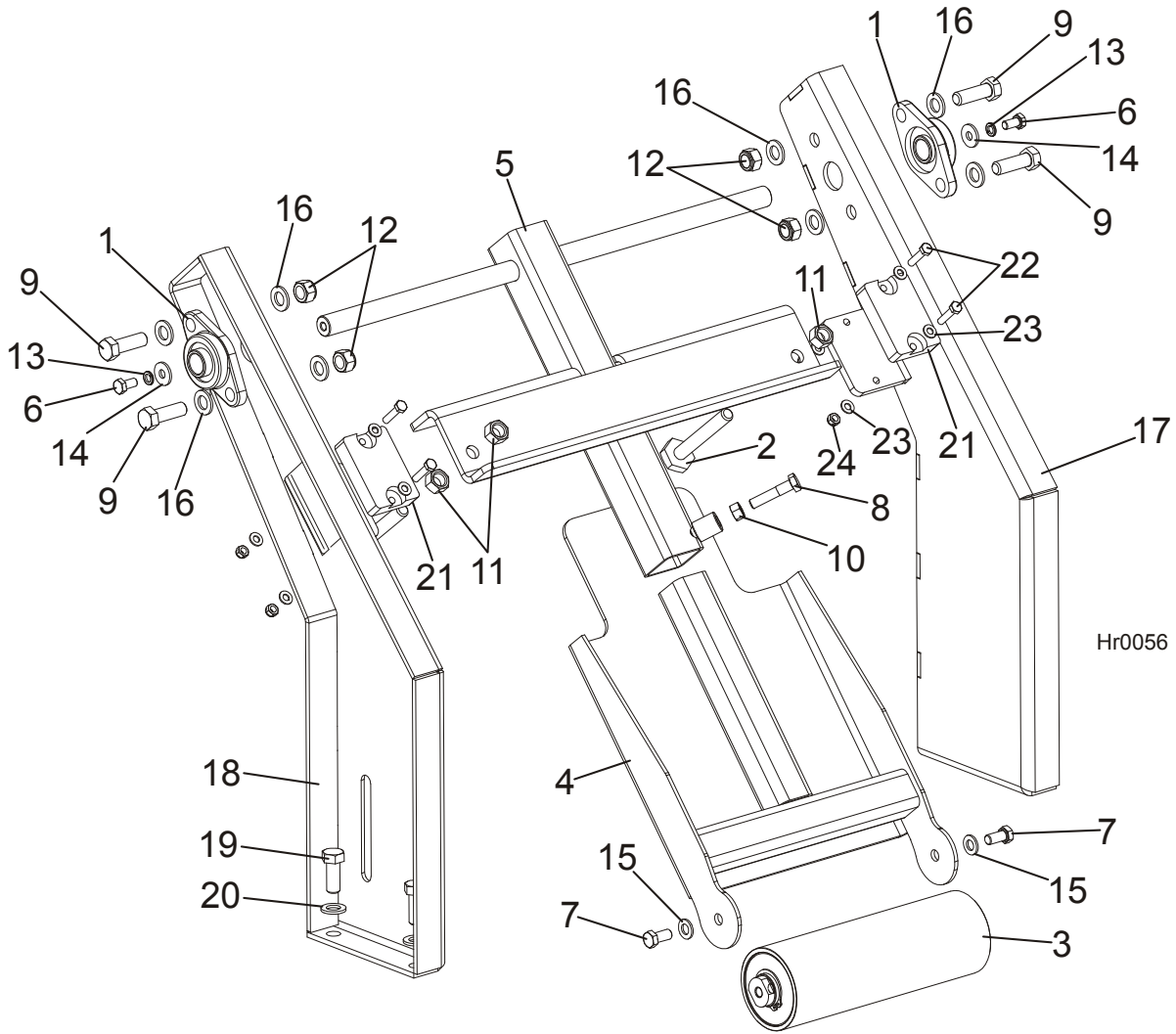
REF	DESCRIPTION (◆ Indicates Parts Available In Assemblies Only)	PART #	QTY.
	BOX, COMPLETE UP/DOWN CONTROL	094258	1
1	HOUSING, CONTROL PANEL	094259	1
2	BUTTON, M22 MOMENTARY MUSHROOM GREEN	094328	1
3	BUTTON, GREEN ILLUMINATED START	094315	1
4	MEMBRANE M22-T-D	094316	1
5	BUTTON, M22-DD-S-X7/X7	090917	1
6	CAP, M22 - B (216388)	093748	1
7	ELEMENT, M22-KC10 CONTACT	094314	4
8	ELEMENT, LED M22-LEDC-G(AC)	099921	1

4.7 Electric Box Decals



REF	DESCRIPTION (◆ Indicates Parts Available In Assemblies Only)	PART #	QTY.	
	ELECTRIC BOX, HR115	503787	1	
1	DECAL, HIGH VOLTAGE INSIDE THE ELECTRIC BOX (PICTOGRAM)	096316	1	
2	DECAL, REMOVE THE PLUG BEFORE OPENING THE BOX (PICTOGRAM)	096319	1	

4.8 Hold-Down Roller Front



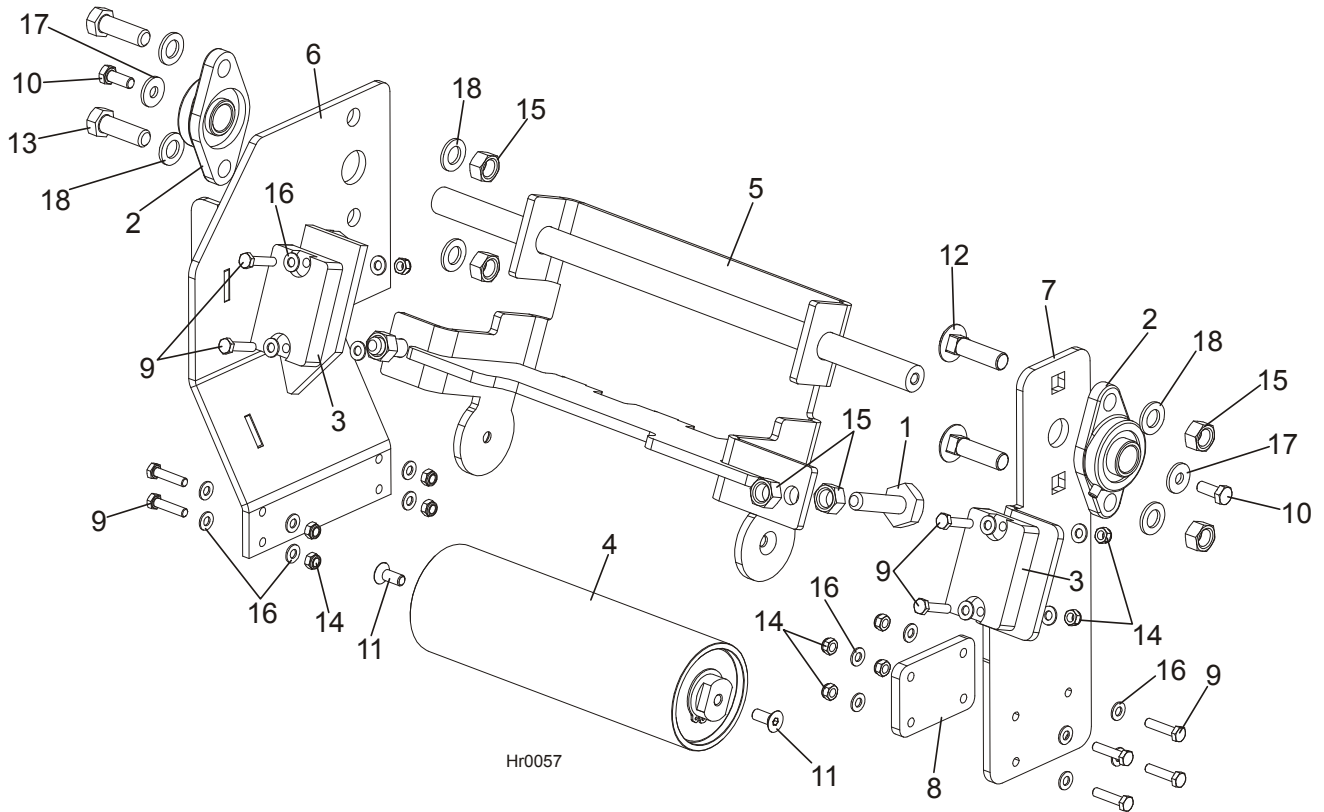
REF	DESCRIPTION (◆ Indicates Parts Available In Assemblies Only)	PART #	QTY.
	ROLLER, HR110/115 HOLD-DOWN FRONT	504526	1
1	BEARING, UCFL 205	089124	2
2	BOLT, M16 ROLLER SUPPORT ZINC	100426-1	2
3	ROLLER, HR110/115 HOLD-DOWN	504130	1
4	BRACKET, HOLD-DOWN ROLLER LOWER	504481-1	1
5	BRACKET, HOLD-DOWN ROLLER UPPER	504483-1	1
6	BOLT, M10X20MM, HEX HEAD, GR 5.8 ZINC	F81003-1	2
7	SCREW, M12X25-8.8-FE/ZN5 PN-M/82105	F81004-31	2
8	BOLT, M12X55 HEX HEAD, GR 5.8 ZINC	F81004-43	1
9	BOLT, M16 X 50-8.8 HEX HEAD	F81006-7	4
10	NUT, M12-8-B ZINC HEX	F81034-1	1
11	NUT, M16-5.8 HEX ZINC	F81036-1	4
12	NUT, M16 HEX NYLON ZINC LOCK	F81036-2	4
13	WASHER, 10.2 SPLIT LOCK ZINC	F81055-2	2
14	WASHER, 10.5 ZINC FLAT SPECIAL	F81055-6	2

4

Saw Head & Feed Track*Hold-Down Roller Front*

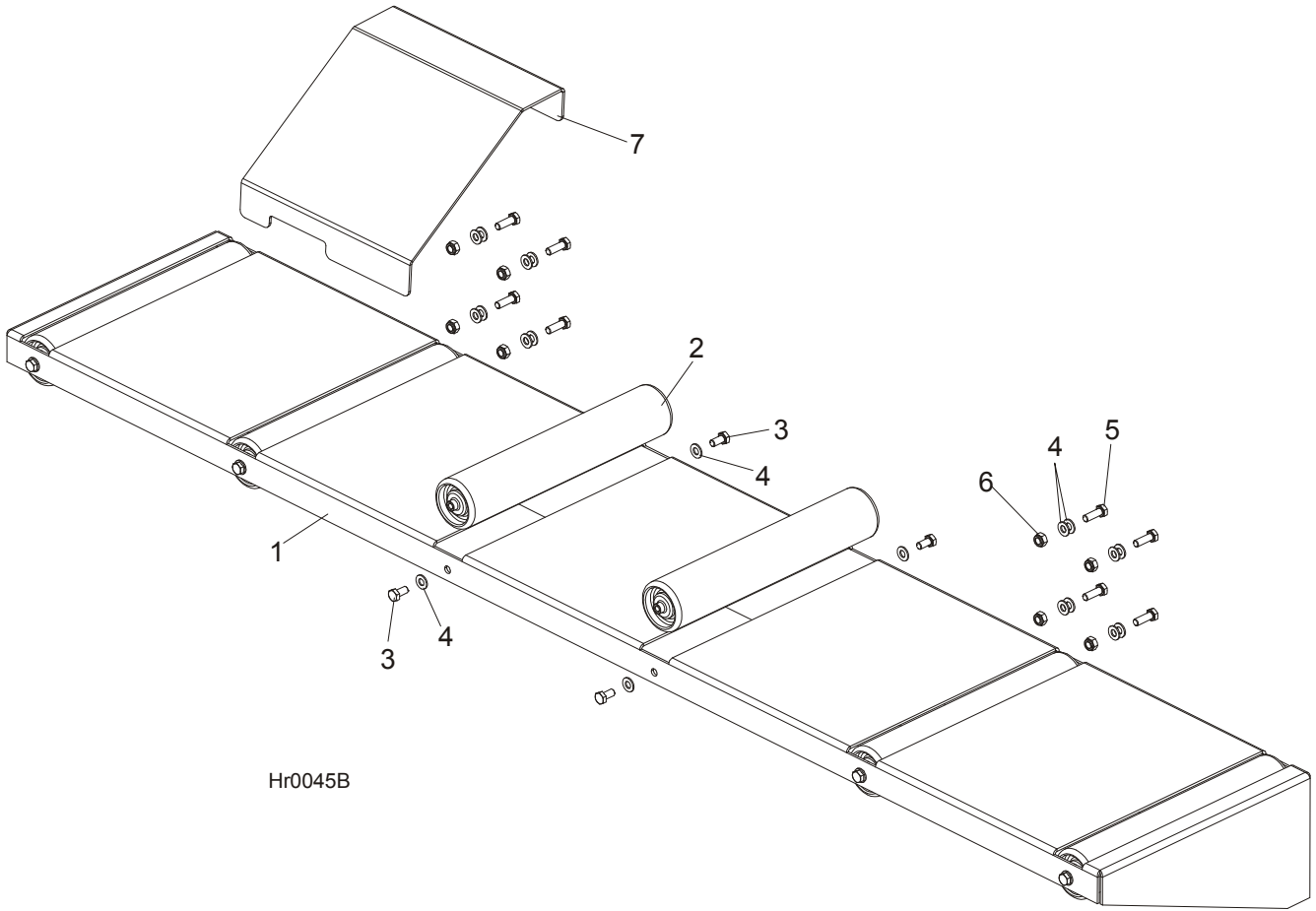
15	WASHER, 13 FLAT ZINC	F81056-1	2	
16	WASHER, 17 FLAT ZINC	F81058-1	8	
17	BRACKET, HOLD-DOWN ROLLER RIGHT	504492-1	1	
18	BRACKET, HOLD-DOWN ROLLER LEFT	504493-1	1	
19	BOLT, M16X40-8.8 HEX HEAD FULL THREAD ZINC	F81006-13	4	
20	WASHER, 17 FLAT ZINC	F81058-1	4	
21	BUMPER, GRENE 70 3201 0010. SHR RUBBER	094969	2	
22	BOLT, M8X35-8.8 HEX HEAD FULL THREAD ZINC	F81002-13	4	
23	WASHER, 8.4 FLAT ZINC	F81054-1	8	
24	NUT, M8-8-B HEX NYLON ZINC LOCK	F81032-2	4	

4.9 Hold-Down Roller Rear



REF	DESCRIPTION (◆ Indicates Parts Available In Assemblies Only)	PART #	QTY.
	ROLLER, HR110/115 HOLD-DOWN REAR	504855	1
1	BOLT, BAD RAIL ADJUSTMENT	505006	2
2	BEARING, UCFL 205	089124	2
3	BUMPER, GRENE 70 3201 0010. SHR RUBBER	094969	2
4	ROLLER, HR110/115 HOLD-DOWN	504130	1
5	BRACKET, HR110/115 ROLLER REAR	504132-1	1
6	BRACKET, HOLD-DOWN ROLLER RIGHT	504521-1	1
7	BRACKET, HOLD-DOWN ROLLER LEFT	504548	1
8	PLATE, HR ROLLER REAR RETAINING	504864-1	1
9	BOLT, M8x35-8.8 HEX HEAD FULL THREAD ZINC	F81002-13	12
10	BOLT, M10x25-8.8-FE/ZN5	F81003-11	2
11	BOLT, M10x25 -10.9- Fe/Zn5 DIN 7991	F81003-82	2
12	BOLT, M16x60-8.8 TRUSS HEAD ZINC	F81006-32	2
13	BOLT, M16 X 50-8.8 HEX HEAD	F81006-7	2
14	NUT, M8-8-B HEX NYLON ZINC LOCK	F81032-2	12
15	NUT, M16-5.8 HEX ZINC	F81036-1	8
16	WASHER, 8.4 FLAT ZINC	F81054-1	24
17	WASHER, 10.5 ZINC FLAT SPECIAL	F81055-6	2
18	WASHER, 17 FLAT ZINC	F81058-1	6

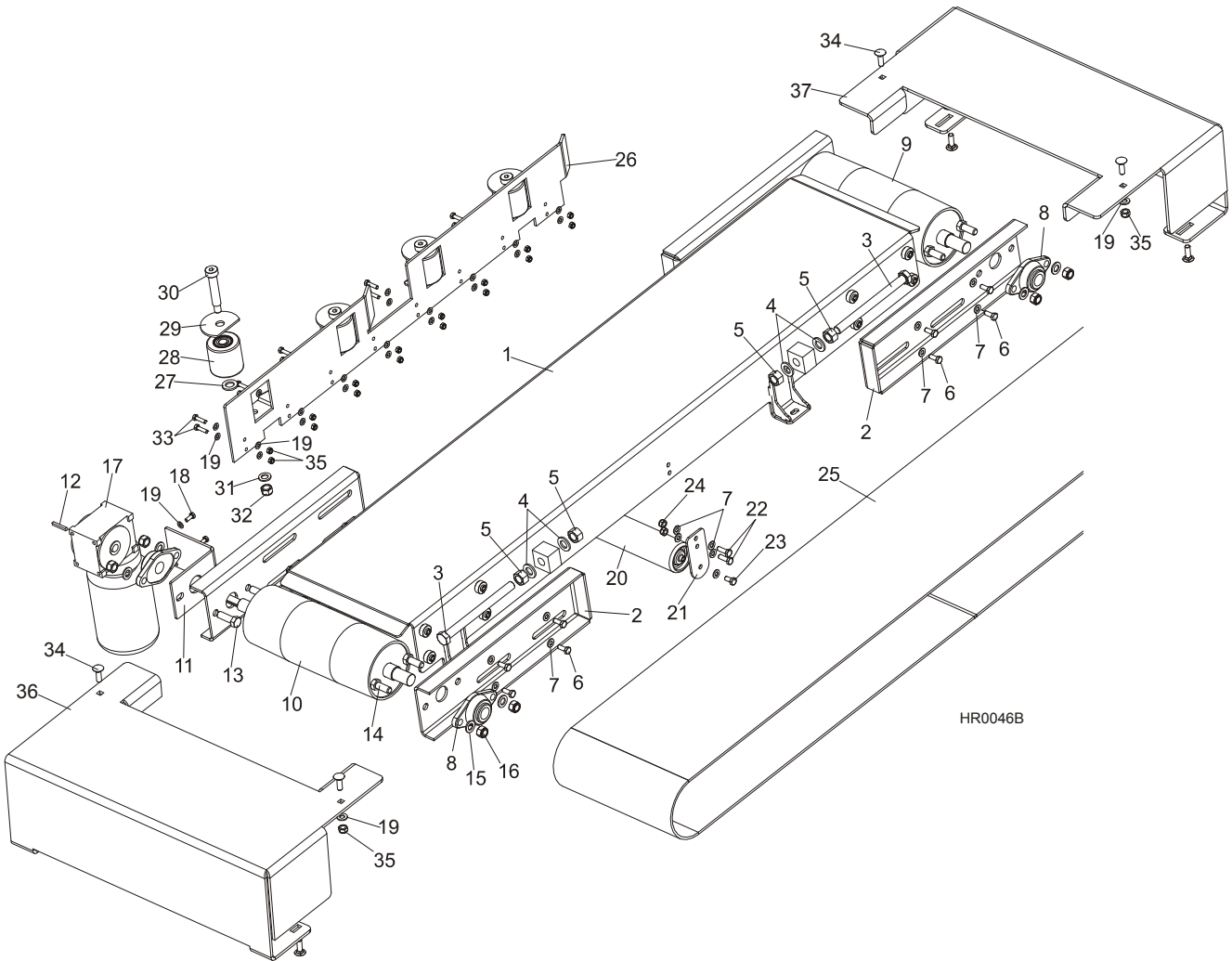
4.10 Infeed, Outfeed & Return Tables



Hr0045B

REF	DESCRIPTION (◆ Indicates Parts Available In Assemblies Only)	PART #	QTY.
	TABLE, HR130 LONG COMPLETE	503966	1
1	TABLE, HR130 LONG	503991-1	1
2	ROLLER, 76x400 W/M10 INTERNAL THREAD	093787	6
3	BOLT, M10x20MM,HEX HEAD,GR 5.8 ZINC	F81003-1	12
4	WASHER, 10.5 FLAT ZINC	F81055-1	28
5	BOLT, M10x30-5.8 HEX HEAD FULL THREAD ZINC	F81003-2	8
6	NUT, M10-8-B HEX NYLON ZINC LOCK	F81033-1	8
7	PLATE, BOARD RETURN	504124-1	1

4.11 Feed Track Assembly



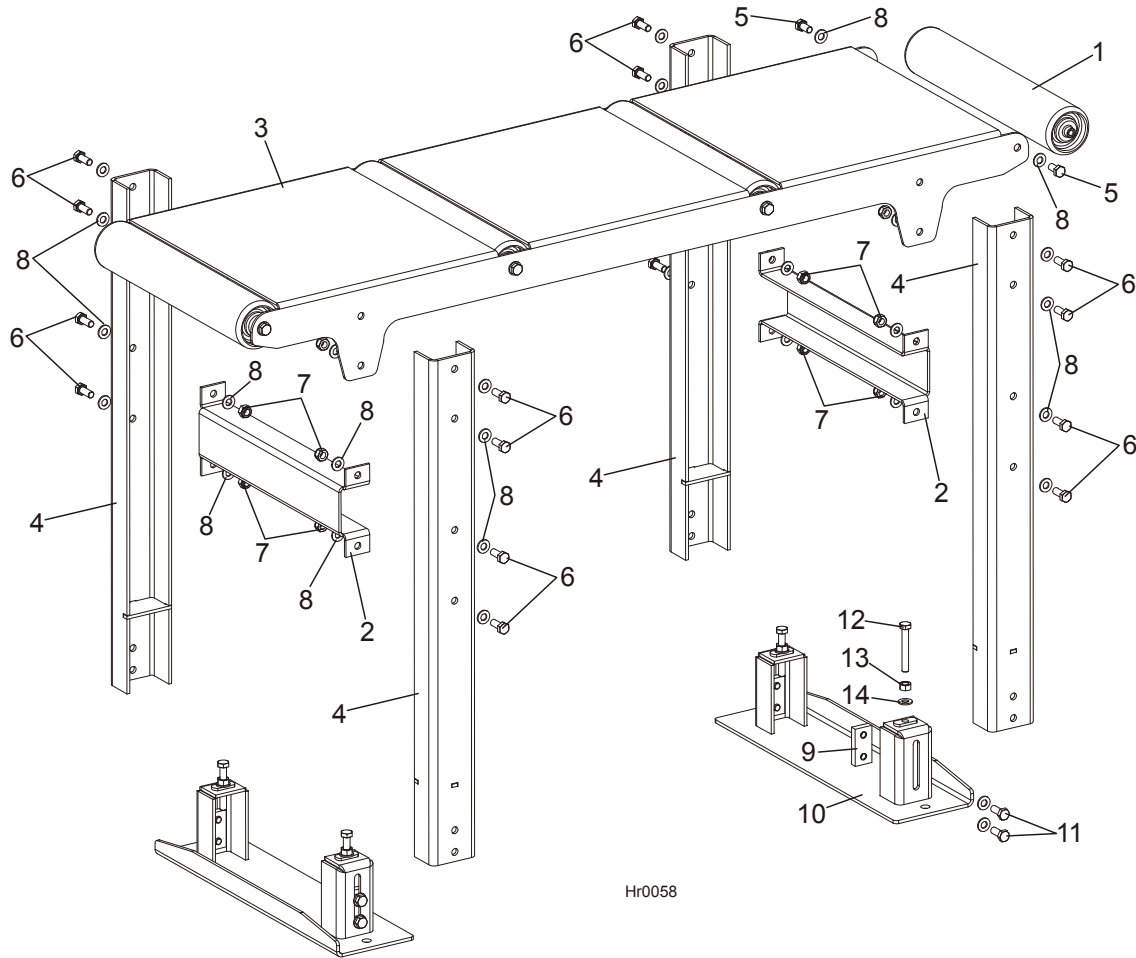
REF	DESCRIPTION (◆ Indicates Parts Available In Assemblies Only)	PART #	QTY.
	TABLE, HR115 COMPLETE	503780	1
1	TABLE, HR10/115	503775-1	1
2	BRACKET, HR300 PULLEY MOUNT PAINTED	504133-1	4
3	BOLT, M20X240-8.8 FE/ZN5 PN-85/M 82105	F81007-1	4
4	WASHER, 21 FLAT ZINC	F81059-2	8
5	NUT, M20-8 HEX ZINC	F81037-1	8
6	BOLT, M10X25-8.8-FE/ZN5	F81003-11	16
7	WASHER, 10.5 FLAT ZINC	F81055-1	26
8	BEARING, UCFL 206 CX BALL	090851	4
9	PULLEY, HR115 IDLE SIDE PAINTED	503776-1	1
10	PULLEY, HR115 DRIVE SIDE WITH VENEER	506519	1
11	BRACKET, GEAR BOX MOUNT PAINTED	504856-1	1
12	KEY, AB 6X6X45 PARALLEL	089229	1
13	BOLT, M16X50-8.8 HEX HEAD FULL THREAD ZINC	F81006-7	2
14	BOLT, M16X40-8.8 HEX HEAD FULL THREAD ZINC	F81006-13	6
15	WASHER, 17 FLAT ZINC	F81058-1	8
16	NUT, M16-8 HEX NYLON ZINC LOCK	F81036-2	8

4

Saw Head & Feed Track*Feed Track Assembly*

17	MOTOREDUCER, RA-06/49/F3/N+S/V6	505080	1	
	Motor, Skh 80-4A/3045 0.55kW 1400RPM	083794	1	
18	BOLT, M8X20-5.8 HEX HEAD FULL THREAD ZINC	F81002-1	2	
19	WASHER, 8.4 FLAT ZINC	F81054-1	4	
20	ROLLER, 76x400 W/M10 INTERNAL THREAD	093787	1	
21	SUPPORT, HR115 ROLLER	503782-1	2	
22	BOLT, M10x30-5.8 HEX HEAD FULL THREAD ZINC	F81003-2	4	
23	BOLT, M10X20MM, HEX HEAD, GR 5.8 ZINC	F81003-1	2	
24	NUT, M10-8-B HEX NYLON ZINC LOCK	F81033-1	4	
25	TYPE, EP 250/2 3+0 GRIP B=380 L=4900	503956	1	
	COVERING FOR PULLEYS	R00100	5 m	
	RIVET, P AL/FE 4X10 TUBULAR W/CORE	F81021-11	2	
	RUNNER, SIDE COMPLETE	503985	1	
26	RUNNER, HR130 SIDE	503984-1	1	
27	WASHER, 21 FLAT ZINC	F81059-2	4	
28	ROLLER, R-80-80 SIDE	099429	4	
29	COVER, SIDE ROLLER	503969-1	4	
30	BOLT, 20/M16X90 12.9 ISO7379 FITTED	F81006-30	4	
31	WASHER, 17 FLAT ZINC	F81058-1	4	
32	NUT, M16, HEX, NYLON ZINC LOCK	F81036-2	4	
33	BOLT, M8X30MM, HH, GR 5.8, FULL THRD, ZINC	F81002-2	16	
34	BOLT, M8 X 20 Fe/Zn5, PN-M/82406	F81002-11	8	
35	NUT, M8-8-B HEX NYLON ZINC LOCK	F81032-2	16	
36	COVER, HR110/115 TYPE LEFT	504122-1	1	
37	COVER, HR110/115 TYPE RIGHT	504134-1	1	

4.12 Table, Idle Roller



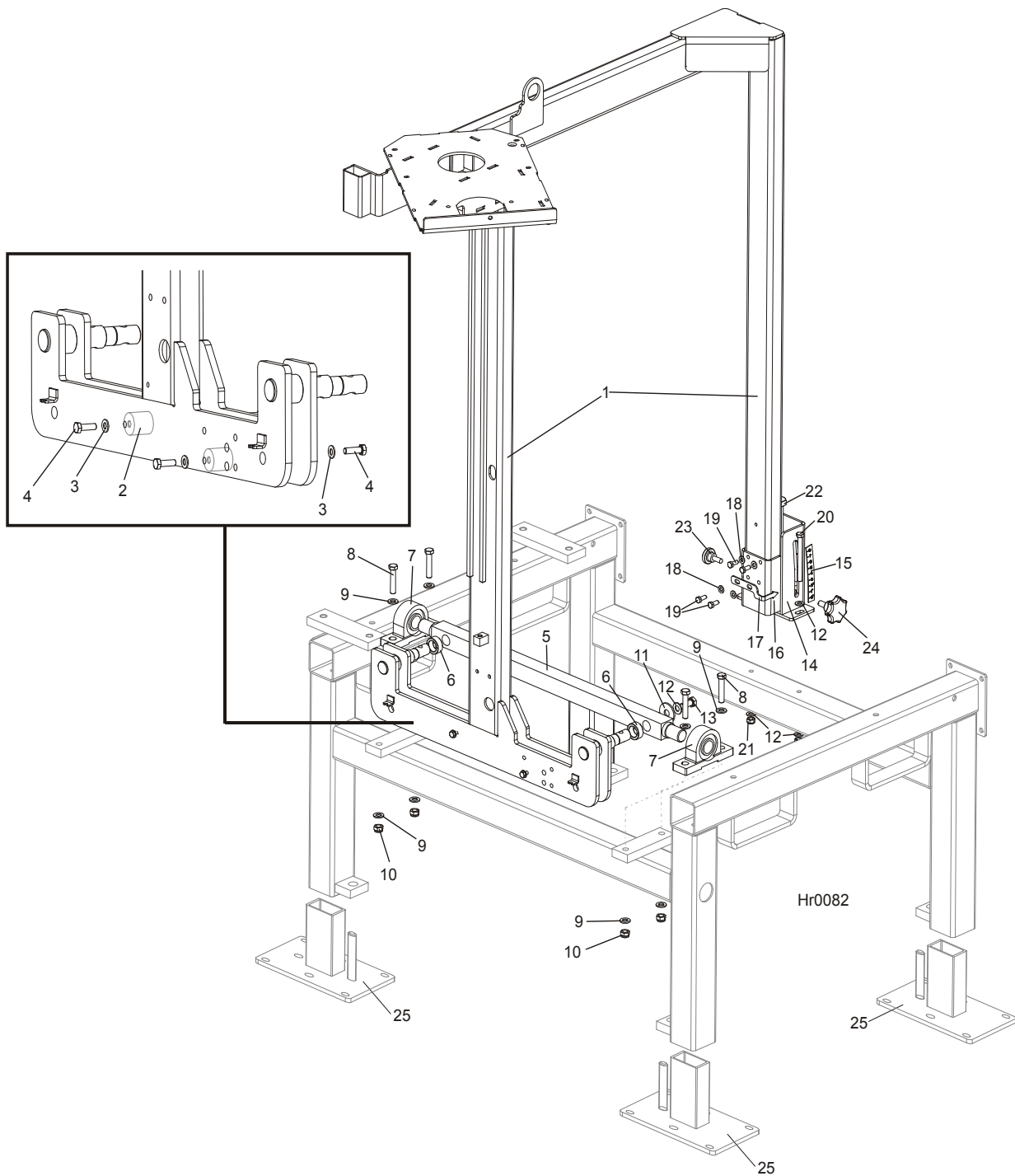
Hr0058

REF	DESCRIPTION (◆ Indicates Parts Available In Assemblies Only)	PART #	QTY.
	TABLE, HR110/115 IDLE ROLLER COMPLETE	504100	1
1	ROLLER, 76x400 W/M10 INTERNAL THREAD	093787	4
2	LINK, TABLE MIDDLE	504096-1	2
3	PLATE, TABLE MOUNTING	504101-1	1
4	SUPPORT, TABLE	504102-1	4
5	BOLT, M10X20MM HEX HEAD GR 5.8 ZINC	F81003-1	8
6	BOLT, M10 X 25 8.8 Fe/Zn5, PN-M/82105	F81003-31	16
7	NUT, M10-8-B HEX NYLON ZINC LOCK	F81033-1	16
8	WASHER, 10.5 FLAT ZINC	F81055-1	40
	FOOT, COMPLETE	504097	2
9	PLATE, M10 RETAINING	101242-1	2
10	FOOT, OUTRIGGER	504098-1	1
11	BOLT, M10X25-8.8-FE/ZN5	F81003-11	4
12	BOLT, M10 X 70-8.8 Fe/Zn5, PN-M/82105	F81003-20	2
13	NUT, M10-8-B-FE	F81033-3	2
14	WASHER, 10.5 FLAT ZINC	F81055-1	6

4 Saw Head & Feed Track

Mast & Tilt Adjustment Assembly

4.13 Mast & Tilt Adjustment Assembly

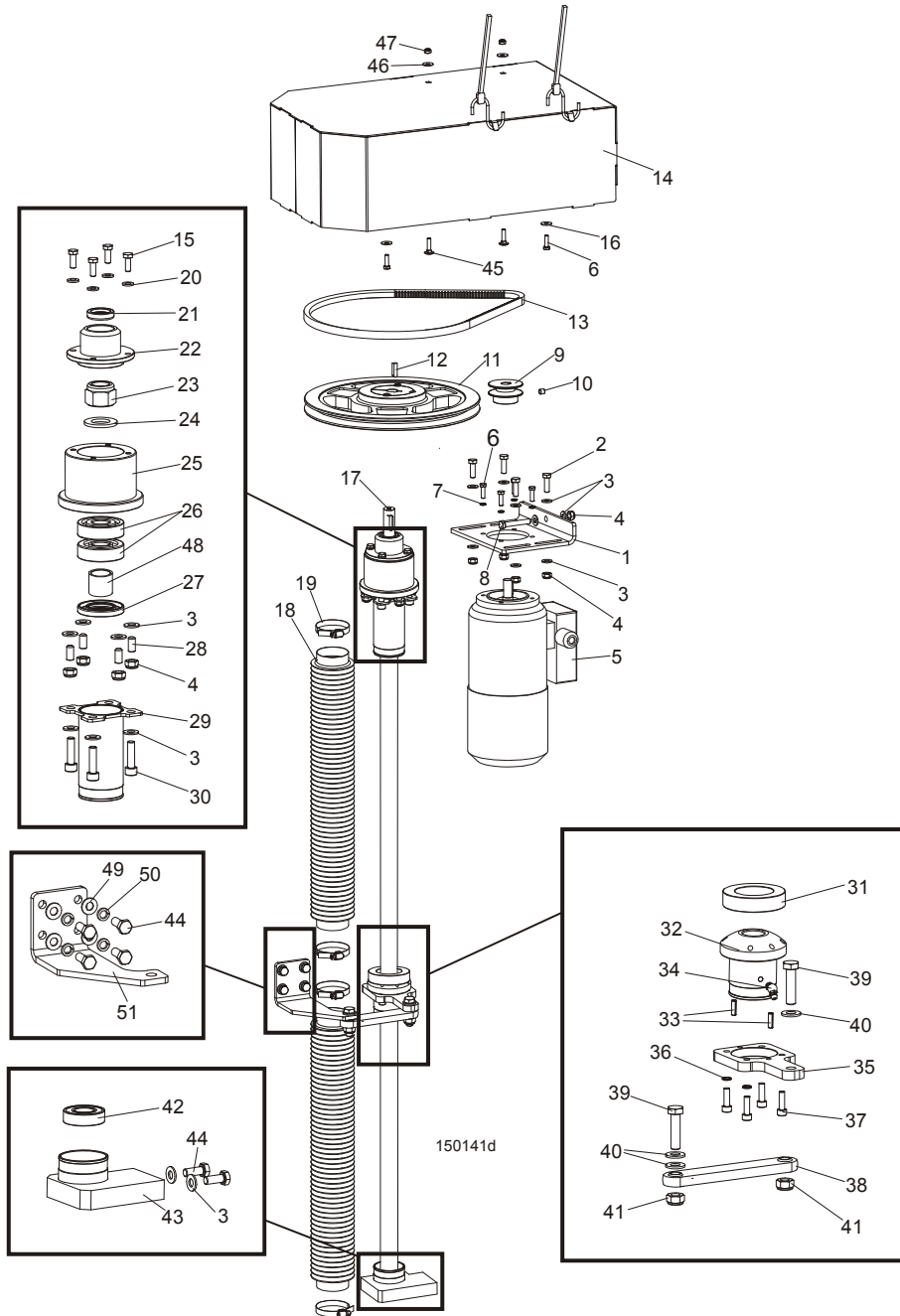


REF	DESCRIPTION (◆ Indicates Parts Available In Assemblies Only)	PART #	QTY.
1	MAST, HR115 WELDED/ PAINTED	505061-1	1
	HR115 MAST FOOT	096720	1
2	ROD, MAST FOOT	503401	2
3	WASHER, 8.4 FLAT ZINC	F81054-1	4

4	BOLT,M8X25-8.8-B HEX HEAD FULL THREAD ZINC	F81002-5	4	
5	BAR, HR110/115 MAST SUPPORT	503771-1	1	
6	BUSHING, 38/25.4X16	503967-1	2	
7	BEARING, UCP 206 CX W/HOUSING	099254	2	
8	BOLT, M12X60-8.8 HEX HEAD ZINC	F81004-5	4	
9	WASHER, 13 FLAT ZINC	F81056-1	8	
10	NUT, M12-8 HEX NYLON ZINC LOCK	F81034-2	4	
11	WASHER, 13 SPECIAL FLAT ZINC-PL.	F81056-14	2	
12	WASHER, 10.5 FLAT ZINC	F81055-1	6	
13	BOLT, M10X25-8.8 HEX HEAD FULL THREAD ZINC	F81003-11	2	
14	BRACKET, HR100/115 MAST MOUNT	503989-1	1	
15	DECAL, HR110/115 TILT ANGLE SCALE	504294	1	
16	CONNECTOR, HR110/115 TILT ADJUSTMENT ASSEMBLY	503980-1	1	
17	INDICATOR, HR110/115 TILT ANGLE SCALE	504295-1	1	
18	WASHER, 8.4 FLAT ZINC	F81054-1	4	
19	BOLT, M8X20-8.8 HEX HEAD FULL THREAD ZINC	F81002-4	4	
20	BOLT, M10X110 8.8 HEX HEAD ZINC	F81003-43	2	
21	NUT, M10-8-B NYLON HEX ZINC LOCK	F81033-1	2	
22	BOLT, HR110/115 TILT ANGLE ADJUSTMENT	504868	1	
23	SCREW, M10X25 8.8 KNURLED THUMB ZINC-PL. W/HIGH HEAD	F81003-24	1	
24	KNOB, SR1580 63X25 M12	500460	1	
25	FOOT PLATE ASSEMBLY	512225-1	4	

SECTION 5 UP/DOWN SYSTEM

5.1 AC Up/Down Drive Assembly



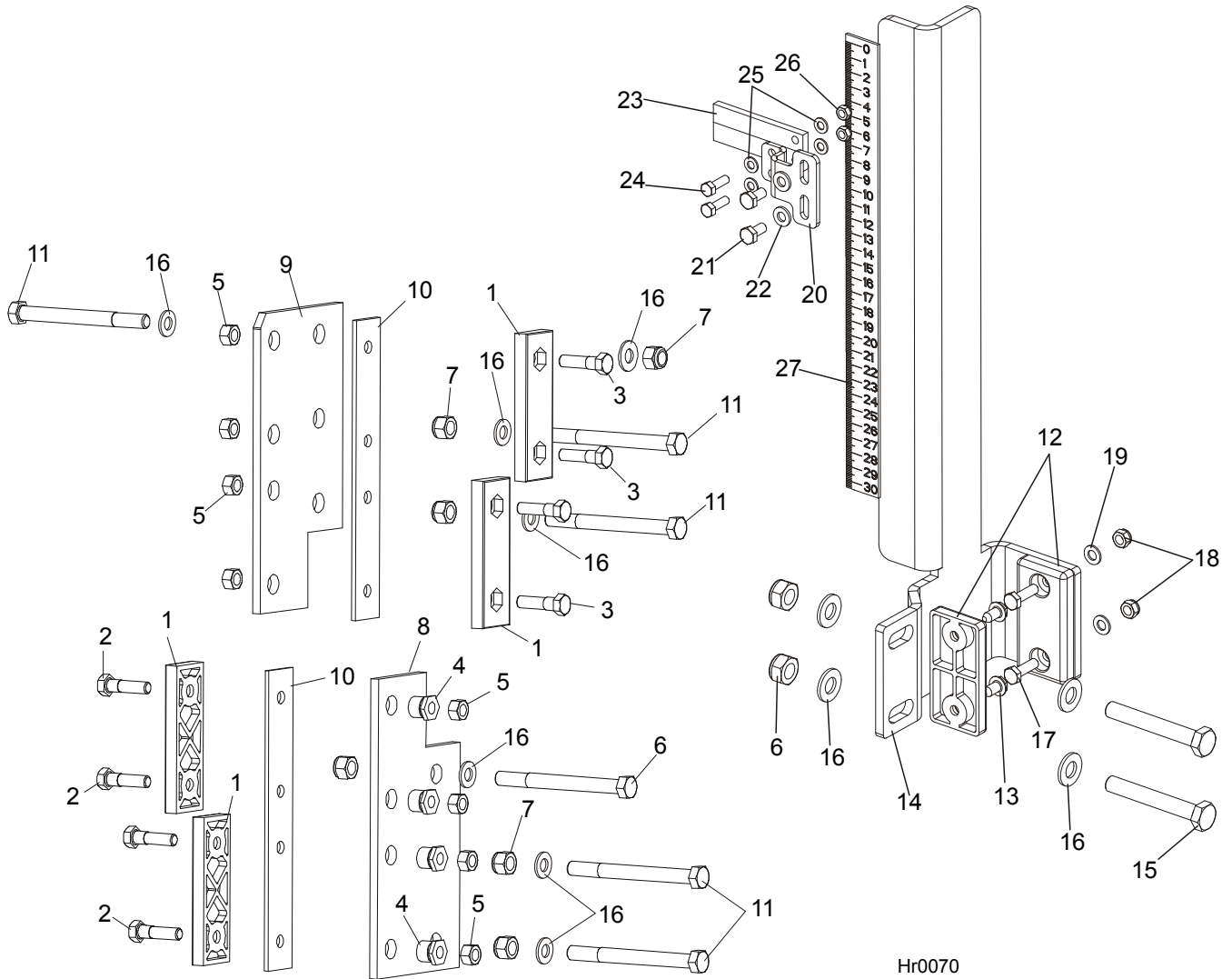
REF	DESCRIPTION (◆ Indicates Parts Available In Assemblies Only)	PART #	QTY.
	UP/DOWN DRIVE - AC, COMPLETE	094143	1
	Motor, AC Up\Down Drive, complete	094161	1
1	Plate, Drive Belt Tension	094162-1	1
2	Bolt, M8x25-8.8-B Hex Head Full Thread Zinc	F81002-5	4
3	Washer, 8.4 Flat Zinc	F81054-1	22
4	Nut, M8-8-B Hex Nylon Zinc Lock	F81032-2	9

5	Motor, SKh71X-4C2/HPS0/3PTC	093860	1	
	Brake, HPS 08.84 230V AC6NM LT15 Up/Down	083610	1	
6	Bolt, M6x20-8.8 Hex Head Full Thread Zinc	F81001-2	4	
7	Washer, Z 6.1 Split Lock Zinc	F81053-3	4	
8	Bolt, M8x50-8.8 Hex Head Full Thread Zinc	F81002-19	1	
9	Pulley, Up/Down Motor	094160-1	1	
10	Screw, M8x8-33H Hex Socket Set Flat Point Zinc	F81014-1	1	
11	Pulley, SPA 280/1 w/18 Split Taper Bushing	094157	1	
12	Key, AB 6x6x23 Parallel	089191	1	
13	V-belt, AVX-13x1100 La	095306	1	
14	Cover, Up/Down System LT15 Complete High	096948	1	
	Strap, 24 in rubber with hooks	P11258	2	
15	Bolt, M6x20-8.8 Hex Head Full Thread Zinc	F81001-2	8	
16	Washer, 6.4 Flat Zinc	F81053-1	4	
17	Screw, Tr 28x5 Acme	094144	1	
18	Bellows, 50/700 Protective	094208	2	
19	Clamp, 40-60mm	F81095-4	4	
20	Washer, 6.4 Flat Zinc	F81053-1	4	
21	Ring, A018x30x7 Sealing	094159	1	
22	Cover, Up/Down Bearing Housing	094165-1	1	
23	Nut, M20x1.5-8-A2 ISO10512 Self-locking	F81037-5	1	
24	Washer, 21 Flat Zinc	F81059-2	1	
25	Housing, Up/Down Bearings	094164-1	1	
26	Bearing, 7304B -UO CX	094256	2	
27	Ring, A28x52x7 Sealing	094155	1	
28	Screw, M8x16-33H Hex Socket Set Flat Point	F81014-2	4	
29	Bracket, Upper Bellows Mount Zinc-plated	094221-1	2	
30	Screw, M8x30-8.8 Hex Socket Head Cap Zinc	F81002-31	4	
31	Washer, DIN6319-42-C Spherical Seat	093864-1	1	
	Up/Down Nut Assembly	094150	1	
32	NUT, TR28 X 5 ACME SCREW	505315	1	
33	Pin, 5x16 Roll Zinc	F81044-3	2	
34	Fitting, M6 "B" Type PN-M/86003 Grease	094213	1	
35	Plate, Nut Housing Seat	094242-1	1	
36	Washer, Z 6.1 Split Lock Zinc	F81053-3	4	
37	Screw, M6x20-8.8 Hex Socket Head Cap Zinc	F81001-22	4	
38	Link, SBPL 10104 Pivotal	097700	1	
39	Bolt, M10x40-8.8 Hex Head Full Thread Zinc	F81003-16	2	
40	Washer, 10.5 Flat Zinc	F81055-1	3	
41	Nut, M10-8-B Hex Nylon Zinc Lock	F81033-1	2	
42	Bearing, 6004 2RS-CX Rolling	093868	1	
43	Seat, Lower Bearing	093866-1	1	
44	Bolt, M8x20-8.8-B Hex Head Full Thread Zinc	F81002-4	6	
45	Bolt, M6x25-8.8 Mushroom Head Square Neck Zinc	F81001-20	2	
46	Washer, 6.5 Special Flat Zinc	F81053-11	2	
47	Nut, M6-8-B Hex Nylon Zinc Lock	F81031-2	2	
48	Spacer, LT15 Drive Bearing	094156-1	1	
49	WASHER, 8.4 FLAT,ZINC	F81054-1	4	

5**Up/Down System***AC Up/Down Drive Assembly*

50	WASHER 8,2 FE/ZN9	F81054-4	4	
51	Bracket Link, SBPL 10104 Pivotal, Painted	511217-1	1	

5.2 Slide Pads & Blade Height Scale

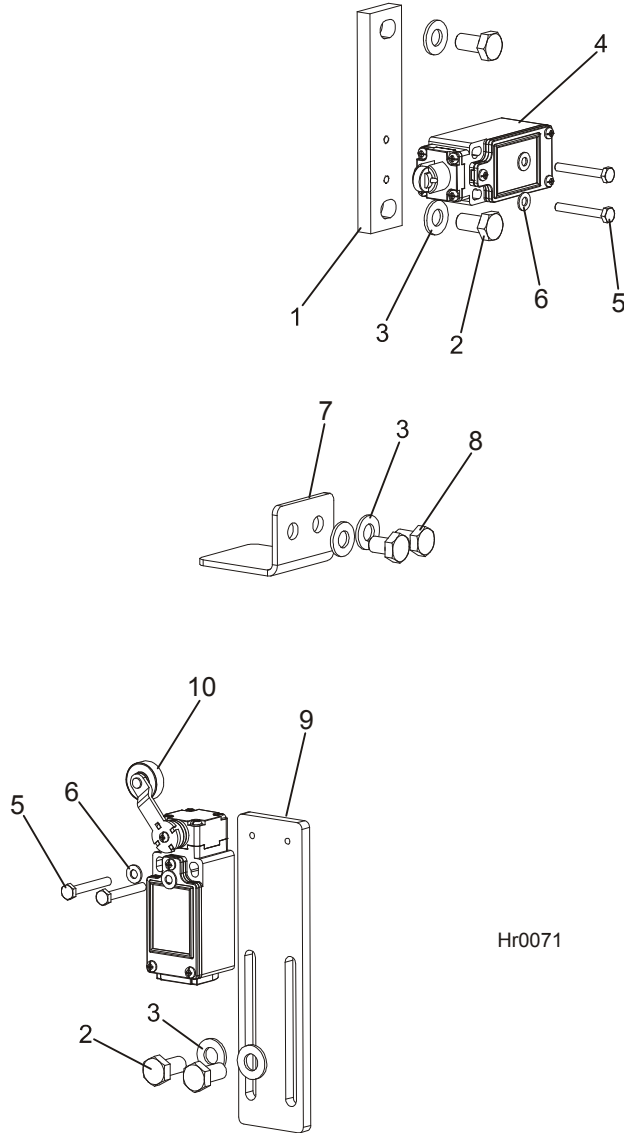


Hr0070

REF	DESCRIPTION (◆ Indicates Parts Available In Assemblies Only)	PART #	QTY.
1	PADS, DELRIN UP/DOWN SLIDE	M04096	4
2	BOLT, M8X35-8.8 HEX HEAD FULL THREAD ZINC	F81002-13	4
3	BOLT, M8X20-8.8 HEX HEAD FULL THREAD ZINC	F81002-4	4
4	NUT, LT15 SLIDE PAD ADJUSTMENT	086683-1	4
5	NUT, M8-8-B HEX NYLON ZINC LOCK	F81032-2	8
6	BOLT, M10X110 8.8 HEX HEAD ZINC	F81003-43	1
7	NUT, M10-8-B HEX NYLON ZINC LOCK	F81033-1	8
8	PLATE, SAW HEAD LOWER GUIDE PAINTED	086682-1	1
9	PLATE, SAW HEAD UPPER GUIDE PAINTED	094139-1	1
10	PLATE, SLIDE PAD SPACER PAINTED	094140-1	2
11	BOLT, M10X115-8.8 HEX HEAD ZINC	F81003-19	5
12	PAD, IDLE SIDE SLIDE	P13576	2
13	SCREW, 1/4-20 X 1/2" "23" TYPE SELF-TAPPING	F05015-1	2

14	GUIDE-SCALE, HR115	504857-1	1	
15	BOLT, M10X70-8.8 HEX HEAD FULL THREAD ZINC	F81003-20	2	
16	WASHER, 10.5 FLAT ZINC	F81055-1	11	
17	BOLT, M6X20-8.8 HEX HEAD FULL THREAD ZINC	F81001-2	2	
18	NUT, M6-8-B HEX NYLON ZINC LOCK	F81031-2	2	
19	WASHER, 6.4 FLAT ZINC	F81053-1	2	
20	BRACKET, SCALE INDICATOR	504858-1	1	
21	BOLT, M6X12MM HEX HEAD ZINC	F81001-7	2	
22	WASHER, M6, FLAT ZINC	F81053-1	2	
23	INDICATOR, BLADE HEIGHT SCALE	094821	1	
24	BOLT, M5X16 -8.8- FE/ZN5 HEX HEAD FULL THREAD	F81000-20	2	
25	WASHER, 5.3 FLAT ZINC	F81052-1	4	
26	NUT, M5-8-FE/ZN5 DIN985	F81030-2	2	
27	DECAL, HR115 BLADE HEIGHT SCALE	504127	1	

5.3 Up/Down Limit Switches



Hr0071

REF	DESCRIPTION (◆ Indicates Parts Available In Assemblies Only)	PART #	QTY.
1	PLATE, LIMIT SWITCH MOUNT	505606-1	1
2	BOLT, M8X16-8.8-B HEX HEAD FULL THREAD ZINC	F81002-20	4
3	WASHER, 8.4 FLAT ZINC	F81054-1	6
4	SWITCH, GLCB01C LIMIT	100910	1
5	BOLT, M4X30 8.8 HEX HEAD FULL THREAD ZINC	F81000-85	4
6	WASHER, 4.3 FLAT ZINC	F81051-2	4
7	PLATE, LIMIT SWITCH	505605-1	1
8	BOLT, M8X12MM HH FULL THREAD GR8.8 ZINC	F81002-6	2
9	PLATE, LIMIT SWITCH MOUNT	505125-1	1
10	LIMIT SWITCH, GLCB01A1B	100931	1