

Wood-Mizer®

Parts Manual

LT40AC Series MH

rev. D5.08



Safety is our #1 concern! Read and understand all safety information and instructions before operating, setting up or maintaining this machine.

November 1998

Form#923

Table of Contents

Section-Page

General Contact Information
Branches & Authorized Sales Centers

| | | |
|------------------|---|------------|
| SECTION 1 | GENERAL INFORMATION | 1-1 |
| 1.1 | How To Use The Parts List | 1-1 |
| 1.2 | Sample Assembly | 1-1 |
| SECTION 2 | BLADE GUIDE ROLLERS & ARM | 2-1 |
| 2.1 | Blade Guide Assembly, Idle Side (Standard)..... | 2-1 |
| 2.2 | Idle Side Blade Guide Assembly, Optional (LMS)..... | 2-3 |
| 2.3 | Blade Guide Assembly, Drive Side..... | 2-5 |
| 2.4 | Blade Guide Arm & Rollers | 2-7 |
| 2.5 | Blade Guide Arm Drive Assembly..... | 2-8 |
| SECTION 3 | BLADE WHEELS & TENSIONER | 3-1 |
| 3.1 | Blade Drive Assembly, LT40 Series AH | 3-1 |
| 3.2 | Idle Blade Wheel Assembly | 3-3 |
| 3.3 | Hydraulic Blade Tensioner Assembly..... | 3-4 |
| SECTION 4 | SAW HEAD | 4-1 |
| 4.1 | Middle Throat Screw | 4-1 |
| 4.2 | Water Lube Solenoid Valve (not available in EC version) | 4-1 |
| 4.3 | Board Return Assembly | 4-2 |
| 4.4 | Water Lube Assembly | 4-4 |
| 4.5 | LT40AC Saw Head Decals | 4-6 |
| 4.6 | Blade Housing Covers | 4-8 |
| 4.7 | Drive Belt Covers | 4-10 |
| 4.8 | Sawdust Chute | 4-11 |
| SECTION 5 | CONTROL & BATTERY BOXES | 5-1 |
| 5.1 | Control Assembly, LT40AC Series MH | 5-1 |
| 5.2 | Control Box Bracket..... | 5-3 |
| 5.3 | Drum Switches | 5-4 |
| 5.4 | Circuit Breakers..... | 5-5 |

Table of Contents

Section-Page

| | | |
|------------------|---|------------|
| SECTION 6 | UP/DOWN SYSTEM | 6-1 |
| 6.1 | Saw Head V-Brace Mount..... | 6-1 |
| 6.2 | Blade Height Scale | 6-2 |
| 6.3 | Up/Down Chain & Sprockets..... | 6-4 |
| 6.4 | Up/Down Motor Assembly, LT40 Series AH..... | 6-6 |
| 6.5 | Up/Down Drive Assembly | 6-7 |
| 6.6 | Safety Switches | 6-8 |
| SECTION 7 | POWER FEED & TRACK ROLLERS | 7-1 |
| 7.1 | Upper Track Rollers And Wipers..... | 7-1 |
| 7.2 | Power Feed Assembly, LT40 Series AH..... | 7-2 |
| 7.3 | Feed Chain/Stop | 7-4 |
| 7.4 | Lower Track Rollers | 7-6 |
| SECTION 8 | BED FRAME ASSEMBLY | 8-1 |
| 8.1 | Bed Rail Assembly, Front (S/M Type Frame) | 8-1 |
| 8.2 | Bed Rail Assembly, Rear (S/M Type Frame) | 8-2 |
| 8.3 | Bed Rail Assembly, Front Middle (S/M Type Frame)..... | 8-3 |
| 8.4 | Bed Rail Assembly, Rear Middle | 8-4 |
| 8.5 | Clamp Mount Assembly, Front (AH5/7) | 8-5 |
| 8.6 | Clamp Mount Assembly, Rear (AH5/7) | 8-6 |
| 8.7 | Leg, Stationary | 8-8 |
| 8.8 | Board Removal Assembly, "M" Frame Sawmills with A/DH1-3 Hydraulics (Option) | 8-10 |
| 8.9 | Board Removal Assembly, Portable "M" Frame Sawmills with A/DH1-3 Hydraulics (Op- tion) | 8-12 |
| 8.10 | Table, M Frame Sawmill with A/DH4-7 Hydraulics (Option) | 8-14 |
| 8.11 | Board Return Table, Stationary "M" Frame Option | 8-15 |
| 8.12 | Board Return Table (LT40M A/DH4-7 Option)..... | 8-17 |
| 8.13 | Board Removal Assembly, "M" Frame Sawmills with A/DH1-3 Hydraulics (Option) | 8-19 |
| 8.14 | Board Removal Assembly, Portable "M" Frame Sawmills with A/DH1-3 Hydraulics (Op- tion) | 8-21 |
| 8.15 | Board return assembly - LT40S long table | 8-23 |
| 8.16 | Pivot Bed Rail Assembly..... | 8-25 |
| 8.17 | Bed Rail Assembly, Optional End..... | 8-27 |
| 8.18 | Log Side Support Assembly (Manual) | 8-28 |
| 8.19 | Tie Down Chain Assembly | 8-29 |
| 8.20 | Saw Head Rest Pin Assembly | 8-29 |
| 8.21 | Saw Head Rest Pin Assembly | 8-31 |
| 8.22 | Remote Equipment Option | 8-32 |
| 8.23 | Bed Frame Decals | 8-33 |

Table of Contents

Section-Page

| | | |
|------------------|---|------------|
| SECTION 9 | LOG CLAMP, TURNER, LOADER & TOE BOARDS | 9-1 |
| 9.1 | Manual Log Clamp | 9-1 |
| 9.2 | Log Clamp Assembly | 9-2 |
| 9.3 | Manual Log Turner..... | 9-4 |
| 9.4 | Manual Toe Board..... | 9-6 |
| 9.5 | Manual Log Loader (S/M type frame) | 9-7 |
| 9.6 | Manual Log Loader Pump..... | 9-9 |

Getting Service

Wood-Mizer is committed to providing you with the latest technology, best quality and strongest customer service available on the market today. We continually evaluate our customers' needs to ensure we're meeting current wood-processing demands. Your comments and suggestions are welcome.

General Contact Information

From Europe call your local distributor or our European Headquarters and Manufacturing Facility in Koło, Nagórna 114 St, Poland at **+48-63-2626000**. From the continental U.S., call our U.S. Headquarter 8180 West 10th St. Indianapolis, IN 46214, toll-free at **1-800-525-8100**. Ask to speak with a Customer Service Representative. Please have your machine identification number and your customer number ready when you call. The Service Representative can help you with questions about the operation and maintenance of your machine. He also can schedule you for a service call.

Office Hours:

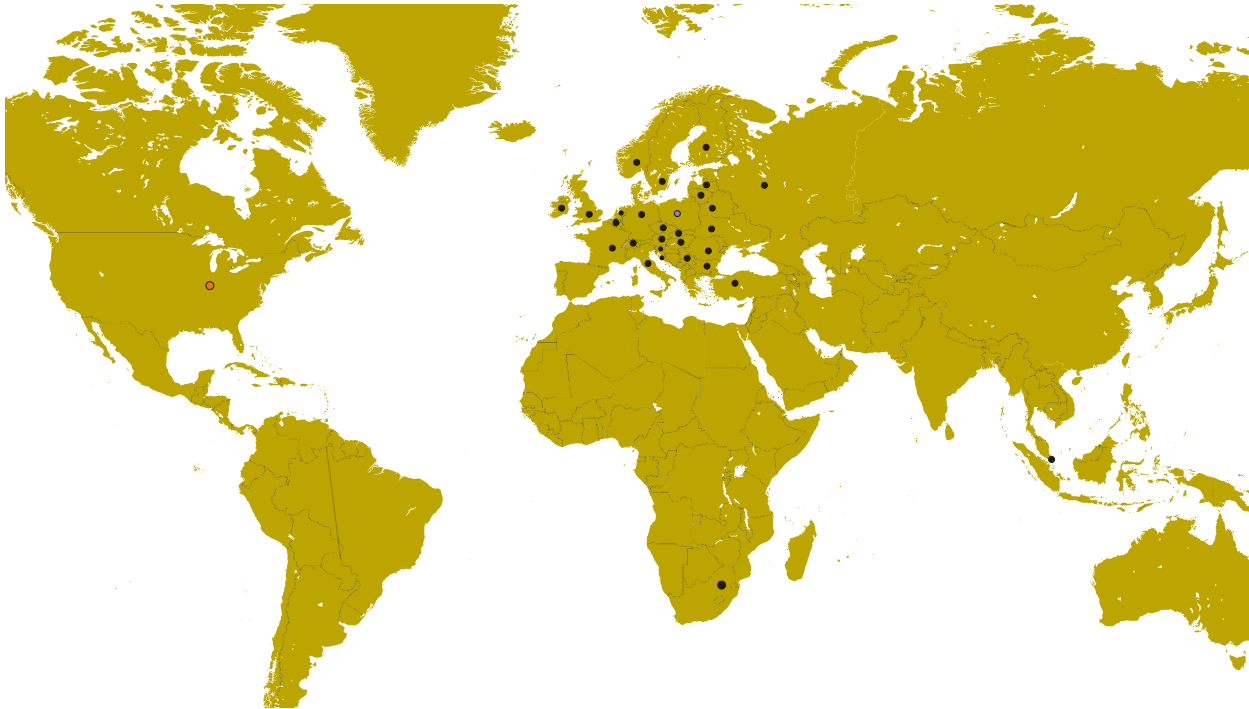
| Country | Monday - Friday | Saturday | Sunday |
|----------------|------------------------|-----------------|---------------|
| Poland | 7 a.m.- 3 p.m. | Closed | Closed |
| US | 8 a.m.- 5 p.m. | 8 a.m.- 12 p.m | Closed |



Please have your vehicle identification number and your customer number ready when you call.

Wood-Mizer will accept these methods of payment:

- Visa, Mastercard, or Discover
- COD
- Prepayment
- Net 15 (with approved credit)

Be aware that shipping and handling charges may apply. Handling charges are based on size and quantity of order.

Branches & Authorized Sales Centers

| EUROPE | | UNITED STATES |
|---|---|---|
| <p> European Headquarters Wood-Mizer Industries Sp. z o.o. Nagórna 114, 62-600 Kolo, Poland Tel.: +48-63-26-26-000 Fax: +48-63-27-22-327 www.woodmizer.eu</p> | | <p> World Headquarters Wood-Mizer LLC 8180 West 10th Street Indianapolis, Indiana 46214-2400, USA Tel.: +1-317-271-1542 Fax: +1-317-273-1011 www.woodmizer.com</p> |
| <p>BELARUS MOST-GRUPP Siemashko 15, k.3 Minsk 2200116 Tel.: +375-17-270-90-08 Fax: +375-17-270-90-08 GSM: +375-29-649-90-80 e-mail: most-by@mail.ru</p> | <p>SWITZERLAND Bruno Steiner Striegelgasse 2 CH-6214 Schenkon Tel.: +41-41-921-13-01 Fax: +41-41-922-18-87 e-mail: info@mobilsaegen.ch</p> | <p>RUSSIA Dariusz Mikołajewski OOO WOOD-MIZER INDUSTRIES 141031, Moscow Reg., Mytishenski raj., pos. Veshki, Zavodskaja str., 3B Tel.Fax: +7(495) 788-72-35 Tel.Fax: +7(495) 641-51-60 e-mail: dariuszm@woodmizer-moscow.ru</p> |

| | | |
|--|---|---|
| <p>BULGARIA Kalin Simeonov Ecotechproduct 38 Star Lozenski pat str. Sofia 1186 Tel.: +359-2-462-7035 Tel.: +359-2-963-1656 Tel./Fax : +359-2-979-1710 Kalin Simeonov GSM: +3592-963-2559 e-mail: office@ecotechproduct.com</p> | <p>HUNGARY Wiktor Turoczy Wood-Mizer Hungary K.F.T. Szonyi Ut 67., 2921 Komárom Tel./Fax: +36-34-346-255 e-mail: woodmizer@woodmizer.hu</p> | <p>RUSSIA Far East Wladimir Glazczew "WM Service" Krasnoretchenskaya Str.111 680006 Khabarovsk Tel./Fax: +7-914-541-1183 e-mail: wms-khv@mail.ru</p> |
| <p>CROATIA Krešimir Pregernik Pregimex d.o.o. S. Batušićeva 31, 10090 Zagreb Tel./Fax: +3851-38-94-668 Krešimir Pregernik GSM: +3851-98-207-106 e-mail: Kresimir.Pregernik@gmail.com</p> | <p>ITALY Felice Pasquale Wood-Mizer Italia Srl Cda. Capoiaccio SN 86012 Cercemaggiore Campobasso Tel./Fax: +39-0874-798-357 GSM: +39-333-281-03-79 e-mail: wmitaliasrl@gmail.com</p> | <p>SERBIA Dragan Markov Wood-Mizer Balkan d.o.o. Svetosavska GA 3/3; P. Fah 25 23 300 Kikinda Tel./Fax: +381-230-25-754 Tel./Fax: +381-230-23-567 GSM: +381-63-568-658 e-mail: office@woodmizer.co.yu</p> |
| <p>CZECH REPUBLIC Miroslaw Greill Wood-Mizer CZ s.r.o. Osvaldova 91 339 01 Klatovy-Luby Tel./Fax: +420-376-312-220 Fax: +420-376-319-011 Miroslaw Greill GSM: +420-723-580-799 e-mail: greill@woodmizer.cz</p> | <p>Subagent: ITALY Franz Josef Reichsigl Muls 21, 39058 Sarnthein Tel./Fax: +39-471-627-264 GSM: +39-335-824-88-05</p> | <p>SLOVAKIA Wiktor Turoczy Wood-Mizer Danubia s.r.o. Hadovce 5, 94501 Komárno Tel.: +421-35-77-40-316 Fax: +421-35-7740-326 GSM: +421-905-930-972 e-mail: woodmizer@woodmizer.sk</p> |
| <p>CZECH REPUBLIC Lubomir Kudlik Wood-Mizer Moravia Sovadinova 6 69002 Breclav Tel./Fax: +420-519-322-443 Lubomir Kudlik GSM: +420-602-734-792 e-mail: info@wood-mizer.net</p> | <p>LATVIA Vilmars Jansons OBERTS Ltd Gaujas str. 32/2 LV-2167 Marupe, Rigas Raj. Tel.: +371-7-810-666 Fax: +371-7-810-655 Vilmars Jansons GSM: +371-92-06-966 Andris Orols GSM: +371-28-33-07-90 e-mail: andris@oberts.lv</p> | <p>TURKEY Er-Ka Ahsap Profil Kerestecilik San. ve Tic. Ltd. Sti. Adana Keresteciler Sitesi 191 sk.No.41 ADANA Tel.: +90-322-346-15-86 Fax: +90-322-345-17-07 GSM: +90-533-363-18-44 e-mail: info@erkaahsap.com.tr</p> |
| <p>FINLAND Howard Blackburn Oy Falkberg Jordbruk Ab Falkintie 220 25610 Ylonkyla Tel.: +358-2732-2253 Fax: +358-2732-2263 Howard Blackburn GSM: +358-440-424-339 e-mail: falkberg@woodmizer.fi</p> | <p>LITHUANIA Andrius Zuzevicius UAB Singlis Savanoriu pr. 187, 2053 Vilnius Tel.: +370-5-2-32-22-44 Fax: +370-5-2-64-84-15 GSM: +370-620-28-645 e-mail: andrius.z@singlis.lt Dmitrij Gaiduk GSM: +370-69-84-51-91 e-mail: dmitrijus.g@singlis.lt</p> | <p>UKRAINE Ivan Vinnicki MOST UKRAINA bul. Myru 3, Bajkivtsi Ternoplskyj r-j Ternopolska oblast 47711 Ukraine Tel/Fax: +38 (0352) 52 37 74 GSM: +38 (067) 352 54 34 GSM: +38 (067) 674 50 68 E-mail: most-ukraine@ukr.net</p> |

| | | |
|--|---|---|
| <p>FRANCE Laurence Serrurier Wood-Mizer France Zac du Prè Marechal Route de Fruges 62560 Fauquembergues Tel: +33-321-930-544 Fax: +33-321-930-990 GSM: +33-607-025-282 Mail: lserrurier@woodmizer.fr</p> | <p>NORWAY Odd Edvoll Wood-Mizer Nordic AS Vardelia 17, 2020 Skedsmokorset Tel.: +47-63-87-49-89 Fax: +47-63-87-37-66 GSM: +47-930-42-335 e-mail: odd.edvoll@woodmizer.no e-mail: firmapost@woodmizer.no</p> | <p>UNITED KINGDOM & IRELAND Wood-Mizer UK Hopfield Barn Kenward Road, Yalding Kent ME18 6JP, UK Tel.: +44-1622-813-201 Fax: +44-1622-815-534 e-mail: info@woodmizer.co.uk</p> |
| <p>SLOVENIA Jan Fale FAMTEH d.o.o. Gacnikova pot 2, 2390 Ravne na Koroskem Tel.: +386-2-62-04-232 Fax: +386-2-62-04-231 Jan Fale GSM: +386-2-62-04-230 e-mail: jan.fale@famteh.si</p> <p>Matjaz Kolar Tel.: +386-2-62-04-232 GSM: +386-31-775-999 e-mail: matjaz.kolar@famteh.si</p> | | <p>David Darnell 10 Tennyson Avenue Southend on Sea Essex, SS2 5HD David Darnell GSM: +44 7799 063 497</p> <p>Stephan Cull Cembrandy Gardens, Manorwen Fishguard, Pembrokeshire SA659PT Tel.: +44-1348-873-179 GSM: +44-7887-544-333</p> |
| <p>GERMANY Klaus Longmuss Wood-Mizer Sägewerke GmbH Dorfstraße 5, 29485 Schletau Tel.: +49-5883-9880-10 Fax: +49-5883-9880-20 e-mail: info@woodmizer.de</p> <p>Klaus Longmuss Tel.: +49-5883-9880-12 GSM: +49-17-298-55-892 e-mail: KLongmuss@woodmizer.de</p> | <p>Subagent: SWEDEN Kjell Larsson Mekwood AB Slingan 14, 812 41 Gästrike-Hammarby Tel.: +46-290-515-65 Kjell Larsson GSM: +46-706-797-965 e-mail: kjell.larsson@mekwood.se</p> | <p>IRELAND Wood-Mizer Ireland Stephen Brennan Cum Lahardane Ballina County Mayo Tel:+353 96 51345 E-mail: brennanmill@ericom.net</p> |
| <p>Subagents: DENMARK Brian Jensen Arnborgvej 9, 7330 Brande- Fasterholt Tel.: +45-971-88-265 Fax: +45-971-88-266 Brian Jensen GSM: +45-23-49-5828 e-mail: Fasterholt-Savvaerk@Mail.Tele.dk</p> | <p>ROMANIA Adrian Echert SC WOOD-MIZER RO SRL TRANSILVANIEI Nr. 5 Sibiu, Cisnadie 555300 Tel./Fax: : +40-369-405-433 GSM: +40-745-707-323 e-mail: aeichert@woodmizer.ro</p> | <p>Regional Manager - Asia Wood-Mizer Asia Pte Ltd. James Wong Tel: +65 81216910 Fax: +65 6283 8636 WWW: www.woodmizerasia.com E-mail: jwong@woodmizerasia.com</p> |
| <p>Netherlands Chris Dragt Lange Brink 77d, 7317 BD Apeldoorn Tel.: +31-55312-1833 Fax: +31-55312-2042 e-mail: Info@dragtbosbouw.nl</p> | <p>Subagent: ROMANIA M. Echert S.C. Echert Comprod s.r.l Str. Schitului Nr. 6, Apt.7 etajul-1 725 70 Vatra Dornei, Romania Tel./Fax: +40-230-374-235 Tel. : +40-740-35-35-74</p> | <p>Regional Manager - Africa Wood-Mizer Africa Jean-Jacques Oelofse UNIT 3, LEADER PARK, NO: 20 CHARIOT ROAD STORMILL, EXT 5, Roodepoort, Johannesburg Tel: +27 011 473 1313 Fax: +27 011 473 2005 Jean-Jacques Oelofse E-mail: jjoelofse@woodmizerafrika.com Jean-Jacques Oelofse Skype:jean.jacques.pierre.oelofse</p> |

SECTION 1 GENERAL INFORMATION

1.1 How To Use The Parts List

- Use the index above to locate the assembly that contains the part you need.
- Go to the appropriate section and locate the part in the illustration.
- Use the number pointing to the part to locate the correct part number and description in the table.
- Parts shown indented under another part are included with that part.
- Parts marked with a diamond (◆) are only available in the assembly listed above the part.

See the sample table below. Sample Part #A01111 includes part F02222-2 and subassembly A03333. Subassembly A03333 includes part S04444-4 and subassembly K05555. The diamond (◆) indicates that S04444-4 is not available except in subassembly A03333. Subassembly K05555 includes parts M06666 and F07777-77. The diamond (◆) indicates M06666 is not available except in subassembly K05555.

| 1.2 Sample Assembly | | | | |
|----------------------------|---|-----------|------|---|
| REF | DESCRIPTION (◆ Indicates Parts Available In Assemblies Only) | PART # | QTY. | |
| | Sample Assembly, Complete (Includes All Indented Parts Below) | A01111 | 1 | |
| 1 | Sample Part | F02222-22 | 1 | |
| | Sample Subassembly (Includes All Indented Parts Below) | A03333 | 1 | |
| 2 | Sample Part (◆ Indicates Part Is Only Available With A03333) | S04444-4 | 1 | ◆ |
| | Sample Subassembly (Includes All Indented Parts Below) | K05555 | 1 | |
| 3 | Sample Part (◆ Indicates Part Is Only Available With K05555) | M06666 | 2 | ◆ |
| 4 | Sample Part | F07777-77 | 1 | |

To Order Parts:

- From Europe call our European Headquarters and Manufacturing Facility in Kolo, Poland at **+48-63-2626000**. From the continental U.S., call our toll-free Parts hotline at **1-800-525-8100**. Have your customer number, vehicle identification number, and part numbers ready when you call. From other international locations, contact the Wood-Mizer distributor in your area for parts.

Office Hours:

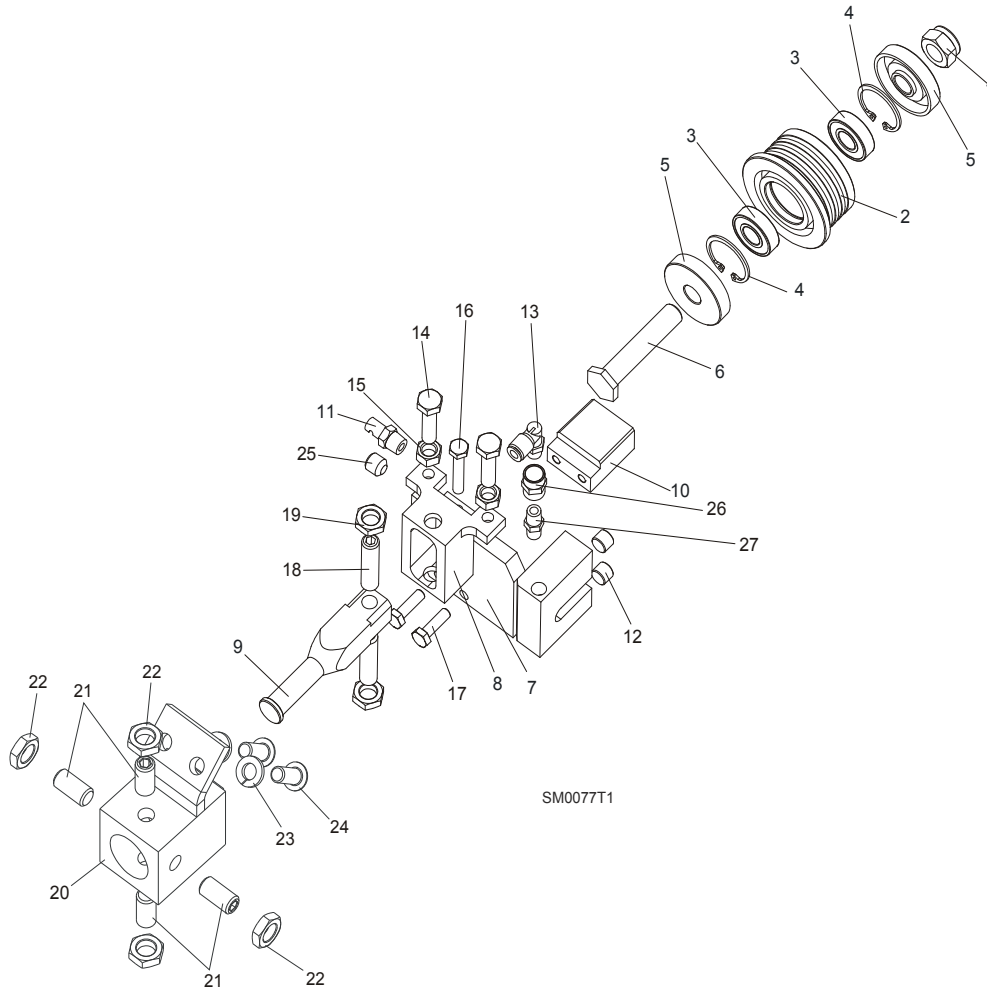
| Country | Monday - Friday | Saturday | Sunday |
|---------|-----------------|-----------------|--------|
| Poland | 7-15 | Closed | Closed |
| US | 8 a.m.- 5 a.m. | 8 a.m.- 12 p.m. | Closed |



CAUTION! It is strongly recommended that only original spare parts be used.

SECTION 2 BLADE GUIDE ROLLERS & ARM

2.1 Blade Guide Assembly, Idle Side (Standard)

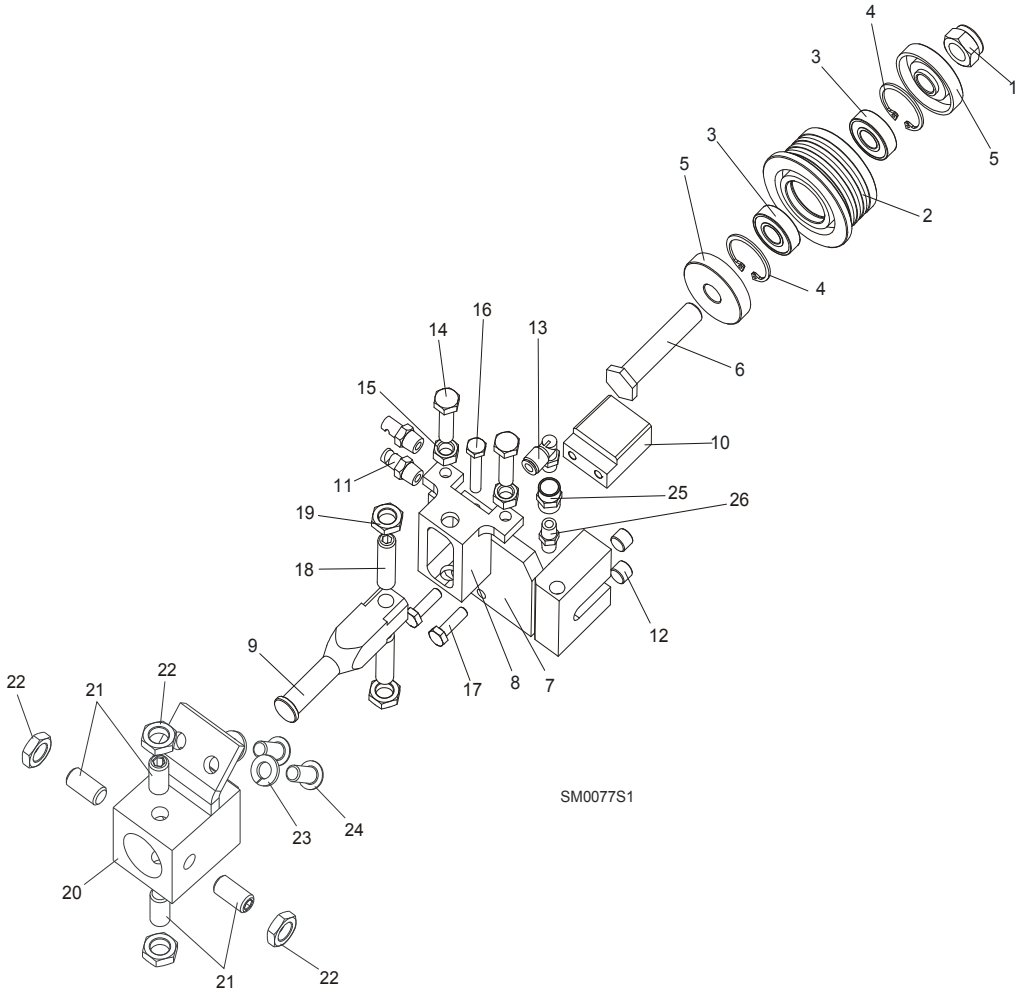


| REF | DESCRIPTION (◆ Indicates Parts Available In Assemblies Only) | PART# | QTY. |
|-----|---|----------|-------|
| | BLADE GUIDE ASSEMBLY, IDLE SIDE | 092523 | 1 |
| | Roller, Blade Guide Narrow W/Bearings | 088261 | 1 |
| | Roller, Blade Guide W/Bearings Extended (for optional use with 1 1/2" blades) | 092939 | 1 |
| 1 | Nut, M12-8 Hex Nylon Zinc Lock | F81034-2 | 1 |
| 2 | Roller, Blade Guide Narrow | 087889 | 1 |
| | Roller, Blade Guide Extended (for optional use with 1 1/2" blades) | 087890 | 1 |
| 3 | Bearing, 6001 2RSR NACHI | 087893 | 2 |
| 4 | Ring, W28 Inside Retaining | F81090-9 | 2 |
| 5 | Washer, Spacer | 087891 | 2 (1) |
| | Washer, Spacer (used with the Extended Roller only) ¹ | 087892-1 | 1 |
| 6 | Bolt, Blade Guide Roller Zinc-Plated | 087761-1 | 1 |
| | Bolt, Blade Guide Roller Zinc Plated (used with the Extended Roller only) | 092940-1 | 1 |
| 7 | Block Weldment, Nozzle Zinc-Plated | 087750-1 | 1 |
| 8 | Block, Zinc-Plated Roller Guide Adjuster | 087756-1 | 1 |

| | | | | |
|-----------|--|------------|---|--|
| 9 | Shaft, Zinc-Plated Blade Guide Mount (Narrow Roller) | 088255-1 | 1 | |
| | Shaft, Zinc-Plated Blade Guide Mount (Wide Roller) | 501406-1 | 1 | |
| 10 | Block, Blade Guide Zinc | 096956-1 | 1 | |
| 11 | Nozzle, Blade Water Lube Spray | 016637 | 1 | |
| 12 | Plug, M10x1 DIN 906 BN40 "BOSSARD" | F81015-3 | 2 | |
| 13 | Fitting, 90° Elbow 1/8NPT-1/4 Tube Swivel | P09736 | 1 | |
| 14 | Bolt, M8x30 DIN933 A2-70 Stainless Steel | F81002-27 | 2 | |
| 15 | Nut, M8 DIN934 A2-70 Stainless Steel | F81032-7 | 2 | |
| 16 | Bolt, M6x30 DIN933 A2-70 Stainless Steel | F81001-37 | 1 | |
| 17 | Bolt, M6x20-8.8 Hex Head Full Thread Zinc | F81001-2 | 2 | |
| 18 | Screw, M10x1x40 DIN913 Stainless Steel Set | F81015-2 | 2 | |
| 19 | Nut, M10x1-04-ST-A2 ISO 8675 Thin | F81033-10 | 2 | |
| 20 | BLOCK WELDMENT, PAINTED BLADE GUIDE MOUNT | 088292-1 | 1 | |
| 21 | SCREW, M10X1X20 DIN913 STAINLESS STEEL SET | F81015-1 | 4 | |
| 22 | NUT, M10x1-04-ST-A2 ISO 8675 THIN | F81033-10 | 4 | |
| 23 | WASHER, 8.2 SPLIT LOCK ZINC | F81054-4 | 2 | |
| 24 | BOLT, 5/16-18X3/4 SOCKET HEAD | F05006-102 | 2 | |
| 25 | FITTING, 1/8 NPT SOCKET PIPE PLUG | P30127 | 1 | |
| 26 | FITTING, 1/8FPT COUPLING | P05748 | 1 | |
| 27 | NIPPLE, 1/8 DRY SEAL | P02764 | 1 | |

¹ Used only from the flanged side of the roller

2.2 Idle Side Blade Guide Assembly, Optional (LMS)

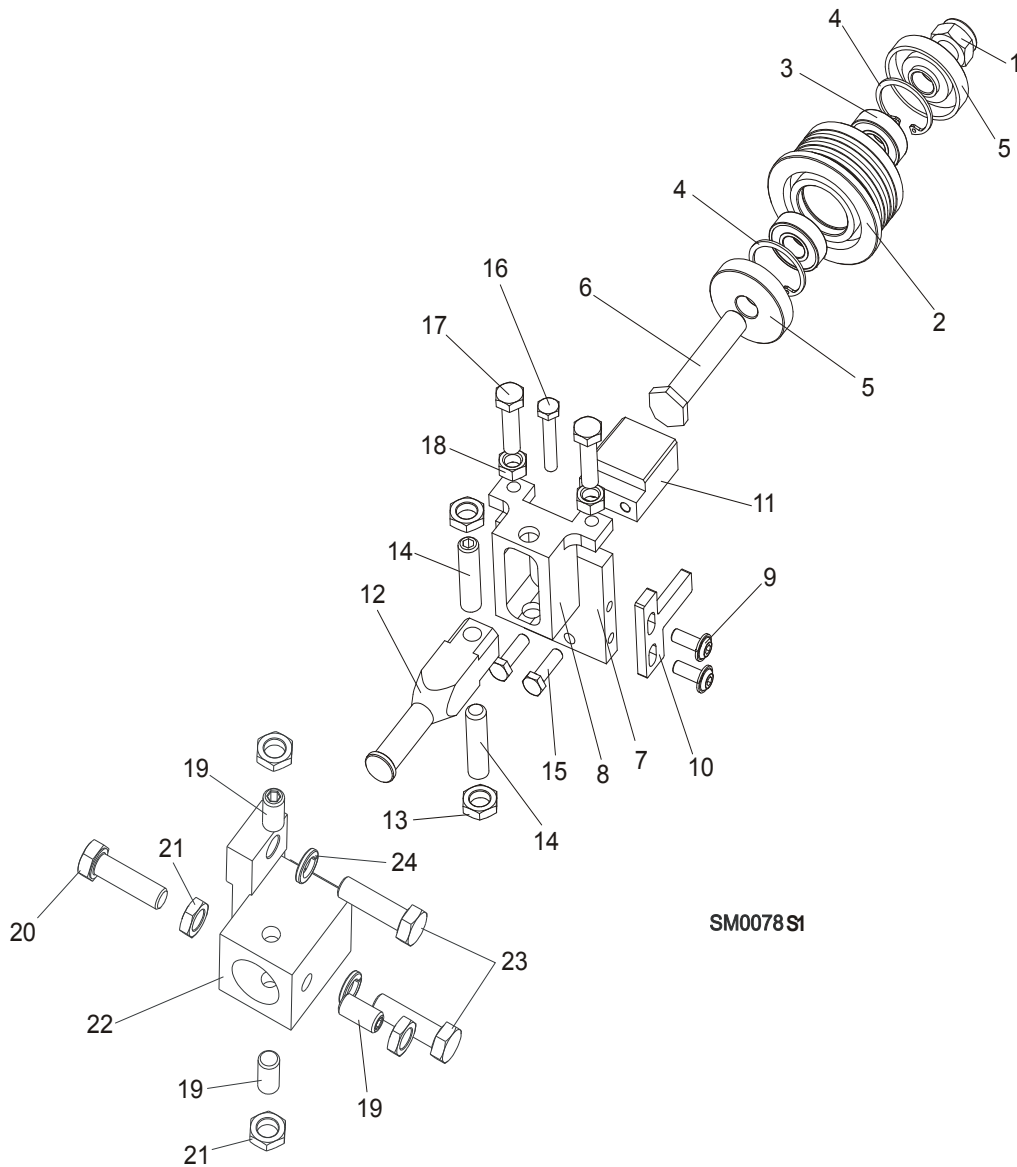


| REF | DESCRIPTION (◆ Indicates Parts Available In Assemblies Only) | PART# | QTY. |
|-----|---|----------|-------|
| | BLADE GUIDE ASSEMBLY, IDLE SIDE | 087749 | 1 |
| | Roller, Blade Guide Narrow W/Bearings | 088261 | 1 |
| | Roller, Blade Guide W/Bearings Extended (for optional use with 1 1/2" blades) | 092939 | 1 |
| 1 | Nut, M12-8 Hex Nylon Zinc Lock | F81034-2 | 1 |
| 2 | Roller, Blade Guide Narrow | 087889 | 1 |
| | Roller, Blade Guide Extended (for optional use with 1 1/2" blades) | 087890 | 1 |
| 3 | Bearing, 6001 2RSR NACHI | 087893 | 2 |
| 4 | Ring, W28 Inside Retaining | F81090-9 | 2 |
| 5 | Washer, Spacer | 087891 | 2 (1) |
| | Washer, Spacer (used with the Extended Roller only) ¹ | 087892-1 | 1 |
| 6 | Bolt, Blade Guide Roller Zinc-Plated | 087761-1 | 1 |
| | Bolt, Blade Guide Roller Zinc Plated (used with the Extended Roller only) | 092940-1 | 1 |
| 7 | Block Weldment, Nozzle Zinc-Plated | 087750-1 | 1 |
| 8 | Block, Zinc-Plated Roller Guide Adjuster | 087756-1 | 1 |
| 9 | Shaft, Zinc-Plated Blade Guide Mount (Narrow Roller) | 088255-1 | 1 |
| | Shaft, Zinc-Plated Blade Guide Mount (Wide Roller) | 501406-1 | 1 |

| | | | | |
|----|---|------------|---|--|
| 10 | Block, Blade Guide Zinc | 096956-1 | 1 | |
| 11 | Nozzle, Blade Lube Spray | 033479 | 2 | |
| 12 | Plug, M10x1 DIN 906 BN40 "BOSSARD" | F81015-3 | 2 | |
| 13 | Fitting, 90° Elbow 1/8NPT-1/4 Tube Swivel | P09736 | 1 | |
| 14 | Bolt, M8x30 DIN933 A2-70 Stainless Steel | F81002-27 | 2 | |
| 15 | Nut, M8 DIN934 A2-70 Stainless Steel | F81032-7 | 2 | |
| 16 | Bolt, M6x30 DIN933 A2-70 Stainless Steel | F81001-37 | 1 | |
| 17 | Bolt, M6x20-8.8 Hex Head Full Thread Zinc | F81001-2 | 2 | |
| 18 | Screw, M10x1x40 DIN913 Stainless Steel Set | F81015-2 | 2 | |
| 19 | Nut, M10x1-04-ST-A2 ISO 8675 Thin | F81033-10 | 2 | |
| 20 | BLOCK WELDMENT, PAINTED BLADE GUIDE MOUNT | 088292-1 | 1 | |
| 21 | SCREW, M10X1X20 DIN913 STAINLESS STEEL SET | F81015-1 | 4 | |
| 22 | NUT, M10x1-04-ST-A2 ISO 8675 THIN | F81033-10 | 4 | |
| 23 | WASHER, 8.2 SPLIT LOCK ZINC | F81054-4 | 2 | |
| 24 | BOLT, 5/16-18X3/4 SOCKET HEAD | F05006-102 | 2 | |
| 25 | FITTING, 1/8FPT COUPLING | P05748 | 1 | |
| 26 | NIPPLE, 1/8 DRY SEAL | P02764 | 1 | |

¹ Used only from the flanged side of the roller

2.3 Blade Guide Assembly, Drive Side

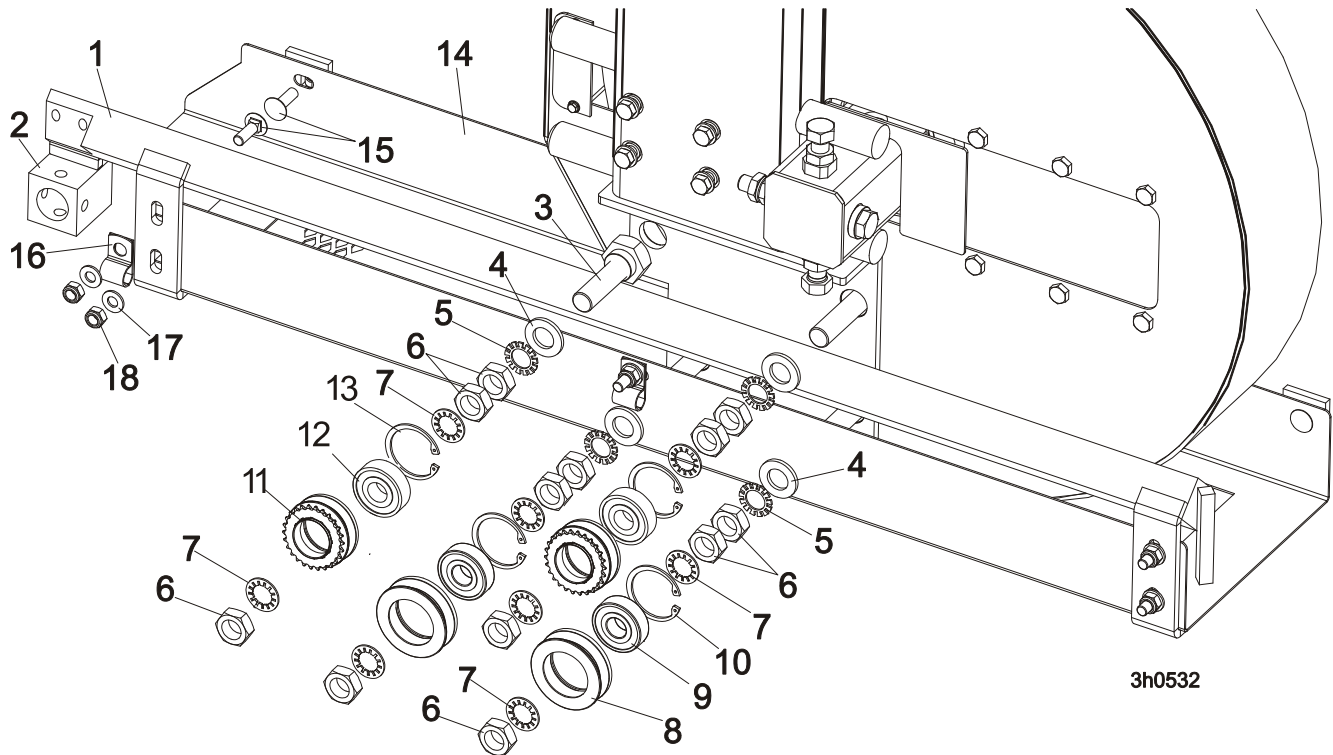


| REF | DESCRIPTION (◆ Indicates Parts Available In Assemblies Only) | PART# | QTY. |
|----------|---|----------|-------|
| | BLADE GUIDE ASSEMBLY, DRIVE SIDE | 087748 | 1 |
| | Roller, Blade Guide Narrow W/Bearings | 088261 | 1 |
| | Roller, Blade Guide W/Bearings Extended (for optional use with 1 1/2" blades) | 092939 | 1 |
| 1 | Nut, M12-8 Hex Nylon Zinc Lock | F81034-2 | 1 |
| 2 | Roller, Blade Guide Narrow | 087889 | 1 |
| | Roller, Blade Guide Extended (for optional use with 1 1/2" blades) | 087890 | 1 |
| 3 | Bearing, 6001 2RSR NACHI | 087893 | 2 |
| 4 | Ring, W28 Inside Retaining | F81090-9 | 1 |
| 5 | Washer, Spacer | 087891 | 2 (1) |
| | Washer, Spacer (used with the Extended Roller only) ¹ | 087892-1 | 1 |
| 6 | Bolt, Blade Guide Roller Zinc-Plated | 087761-1 | 1 |

| | | | | |
|----|---|-----------|---|--|
| | Bolt, Blade Guide Roller Zinc Plated (used with the Extended Roller only) | 092940-1 | 1 | |
| 7 | Plate, Zinc-Plated Blade Guide Mounting | 087753-1 | 1 | |
| 8 | Block, Zinc-Plated Roller Guide Adjuster | 087756-1 | 1 | |
| 9 | Screw, M6x16 BN 11252 "BOSSARD" | F81001-24 | 2 | |
| 10 | Wiper, Blade Zinc-Plated | 087757-1 | 1 | |
| 11 | Block, Blade Guide Zinc | 096956-1 | 1 | |
| 12 | Shaft, Zinc-Plated Blade Guide Mount (Narrow Roller) | 088255-1 | 1 | |
| | Shaft, Zinc-Plated Blade Guide Mount (Wide Roller) | 501406-1 | 1 | |
| 13 | Nut, M10x1-04-ST-A2 ISO 8675 Thin | F81033-10 | 2 | |
| 14 | Screw, M10x1x40 DIN913 Stainless Steel Set | F81015-2 | 2 | |
| 15 | Bolt, M6x20-8.8 Hex Head Full Thread Zinc | F81001-2 | 2 | |
| 16 | Bolt, M6x30 DIN933 A2-70 Stainless Steel | F81001-37 | 1 | |
| 17 | Bolt, M8x30 DIN933 A2-70 Stainless Steel | F81002-27 | 2 | |
| 18 | Nut, M8 DIN934 A2-70 Stainless Steel | F81032-7 | 2 | |
| 19 | Screw, M10X1X20 DIN913 Stainless Steel Set | F81015-1 | 3 | |
| 20 | BOLT, M10X1X25 DIN 933 STAINLESS STEEL | F81003-28 | 1 | |
| 21 | NUT, M10x1-04-ST-A2 ISO 8675 THIN | F81033-10 | 4 | |
| 22 | BLOCK WELDMENT, BLADE GUIDE MOUNT | 087744 | 1 | |
| 23 | BOLT, M10X35-8.8 HEX HEAD FULL THREAD ZINC | F81003-17 | 2 | |
| 24 | WASHER, 10.2 SPLIT LOCK ZINC | F81055-2 | 2 | |

¹ Used only from the flanged side of the roller

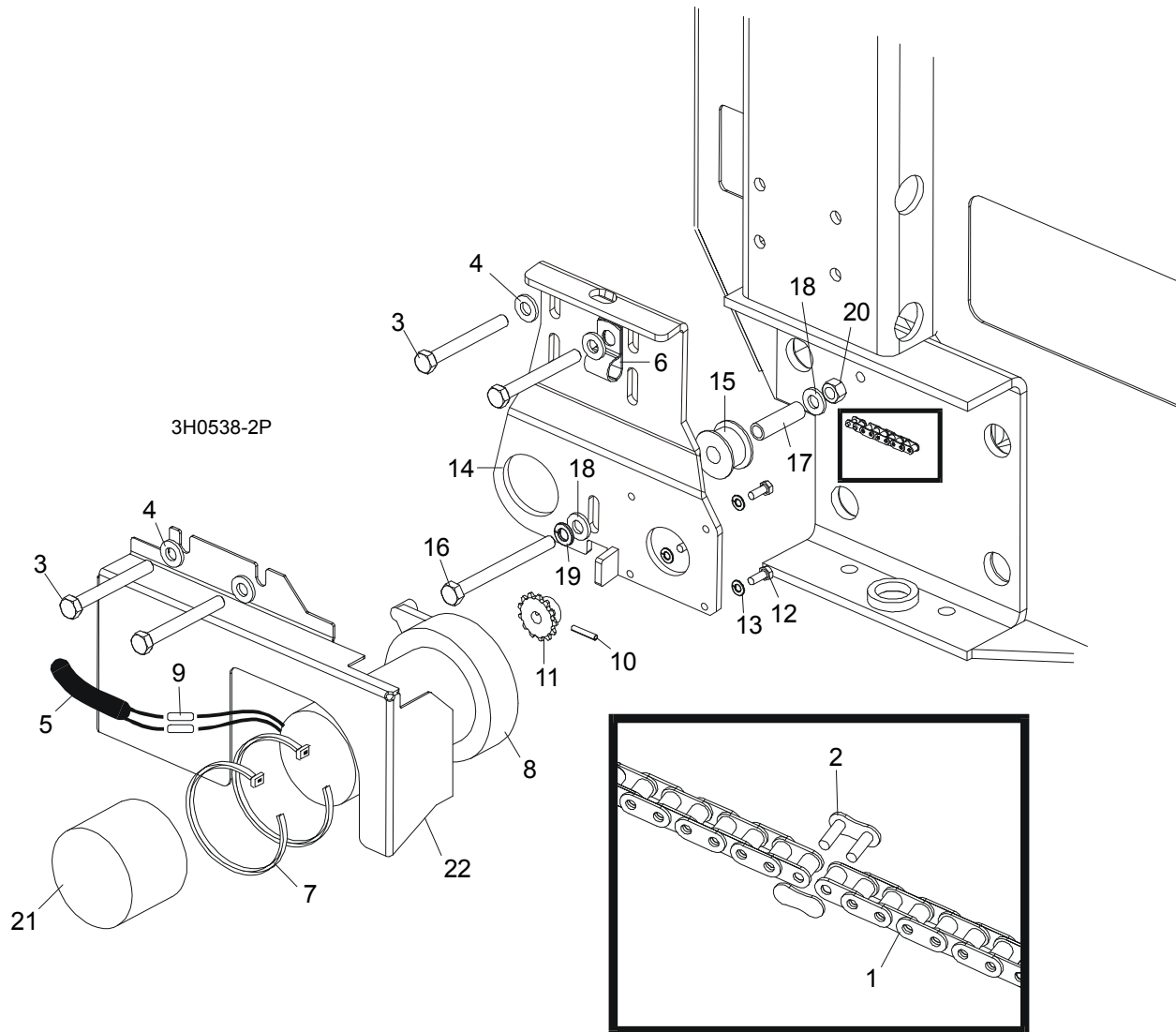
2.4 Blade Guide Arm & Rollers



| REF | DESCRIPTION (◆ Indicates Parts Available In Assemblies Only) | PART # | QTY. | |
|-----|---|-----------------------|------|---|
| 1 | BLADE GUIDE ARM WELDMENT | 505934-1 | 1 | |
| 2 | BLOCK WELDMENT, PAINTED BLADE GUIDE MOUNT | 088292-1 | 1 | |
| 3 | BOLT, BLADE GUIDE ARM ROLLER CAM | 086508-1 | 4 | |
| | BOLT, BLADE GUIDE ARM ROLLER CAM /HARDWOODS | 505113-1 ¹ | 1 | |
| 4 | WASHER, 17 FLAT | F81058-1 | 4 | |
| 5 | WASHER, 5/8" EXTERNAL STAR | F05011-26 | 4 | |
| 6 | NUT, 5/8-18 HEX JAM | F05010-11 | 12 | |
| 7 | WASHER, 5/8" INTERNAL STAR | F05011-25 | 8 | |
| | ROLLER ASSEMBLY, BLADE GUIDE ARM WITH BEARING | 093855 | 2 | |
| 8 | Roller, Blade Guide Arm V-Groove | 093856-1 | 1 | ◆ |
| 9 | Bearing, 6203-2RSP6-5/8 CX | 095087 | 1 | |
| 10 | Ring, W40 Retaining | F81090-3 | 1 | |
| | ROLLER ASSEMBLY, BLADE GUIDE ARM WITH BEARING AND SPROCKET | 501496 | 2 | |
| 11 | Roller, Blade Guide Arm w/Sprocket | 501495-1 | 1 | ◆ |
| 12 | Bearing, 6203-2RSP6-5/8 CX | 095087 | 1 | |
| 13 | Ring, W40 Retaining | F81090-3 | 1 | ◆ |
| 14 | GUIDE, BLADE | 087042-1 | 1 | |
| 15 | BOLT, M8x20-8.8 Fe/Zn5 PN-M/82406 | F81002-11 | 7 | |
| 16 | CLAMP, 1/2EMT COATED | P07584 | 2 | |
| 17 | WASHER, 8.4 FLAT ZINC | F81054-1 | 7 | |
| 18 | NUT, M8-8-B HEX NYLON ZINC LOCK | F81032-2 | 7 | |

¹ Mount instead of one 086508-1 bolt in LT40 saw head for hardwoods.

2.5 Blade Guide Arm Drive Assembly

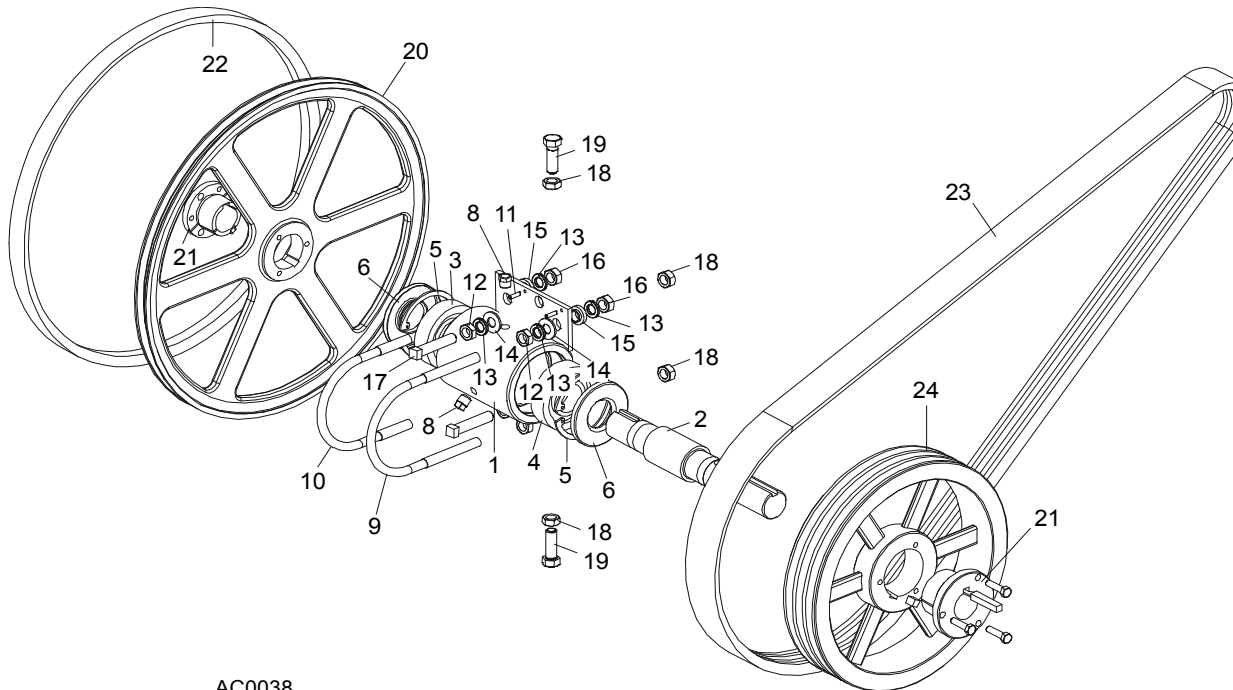


| REF | DESCRIPTION (◆ Indicates Parts Available In Assemblies Only) | PART # | QTY. |
|-----|--|-----------|--------|
| 1 | CHAIN, #25 X 20 1/4" | P09984 | 1 |
| 2 | LINK, #25 MASTER | P09983 | 1 |
| 3 | BOLT, 5/16-18 X 2 3/4" HEX HEAD GRADE 5 | F05006-28 | 4 |
| 4 | WASHER, 8.4 FLAT | F81054-1 | 4 |
| 5 | TUBE, 3/8" X 1/2" NEOPRENE | R01897 | 0,75 m |
| 6 | CLAMP, 1/2" COATED EMT | P07584 | 2 |
| 7 | WRAP, 1/4" X 6" TIE | F05089-1 | 2 |
| | DRIVE ASSEMBLY, BLADE GUIDE ARM | 091005 | 1 |
| | Motor Assembly, Blade Guide Arm Replacement | A10365 | 1 |
| 8 | Motor, Blade Guide Arm 53:1 Gear | P09698-1 | 1 |
| | Housing, Klauber Motor End | P12756 | 1 |
| | Gear Kit, Klauber Motor Replacement | P12569 | 1 |
| | Brush Kit, Gear Motor Replacement | P12800 | 1 |

| | | | | |
|----|---|------------|---|--|
| | Shaft Kit, Klauber Gear Motor Replacement | 009695 | 1 | |
| 9 | Connector, 14 Gauge Butt | F04875-1 | 2 | |
| 10 | Pin, 1/8" X 3/4" Roll | F05012-6 | 1 | |
| 11 | Sprocket, Gear Motor #25 14-Tooth | P09970 | 1 | |
| 12 | Screw, #10-32 x 1/2" Hex Head | F05004-60 | 4 | |
| 13 | Washer, 4.1 Split Lock | F81051-4 | 4 | |
| | Instruction Sheet, Blade Guide Arm Motor | A10353-296 | 1 | |
| 14 | Bracket, Blade Guide Arm Motor Mount | 087994-1 | 1 | |
| 15 | Roller, Blade Guide Arm Chain Idler | S09999 | 1 | |
| 16 | Bolt, 5/16-18 X 3 1/2" Hex Head Full Thread | F05006-3 | 1 | |
| 17 | Spacer, 5/16" I.D. X 1 1/2" | S09996 | 1 | |
| 18 | Washer, 5/16" SAE Flat | F81054-1 | 2 | |
| 19 | Washer, 8.4 Split Lock | F05011-13 | 1 | |
| 20 | Nut, 8.2 Hex Lock | F81054-4 | 1 | |
| 21 | Boot, Gear Motor Weather | 023720 | 1 | |
| 22 | COVER, BLADE GUIDE ARM MOTOR | 093460-1 | 1 | |

SECTION 3 BLADE WHEELS & TENSIONER

3.1 Blade Drive Assembly, LT40 Series MH

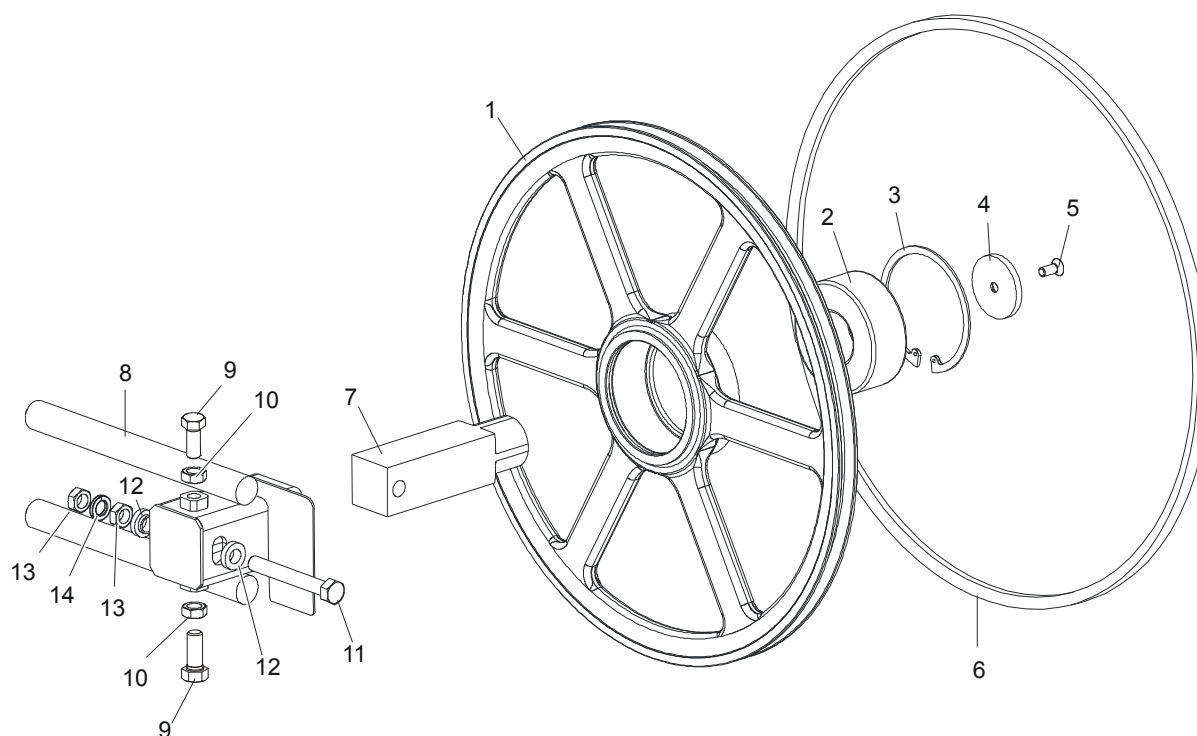


AC0038

| REF | DESCRIPTION (◆ Indicates Parts Available In Assemblies Only) | PART # | QTY. |
|-----|--|------------|------|
| | BEARING ASSEMBLY, BLADE WHEEL DRIVE | 086291 | 1 |
| 1 | Housing, Blade Wheel Drive Bearing | 086293 | 1 |
| 2 | Shaft, Blade Wheel Drive | 086292 | 1 |
| 3 | Bearing, Blade Wheel Drive NJ308 | 085939 | 1 |
| 4 | Bearing, Blade Wheel Drive #6308 | 085940 | 1 |
| 5 | Ring, 90mm Interior Retaining #117 | F04254-17 | 2 |
| 6 | Seal, Drive Bearing #CR15890 | P10206 | 2 |
| 7 | Plug, 1/4" NPT Square Head | P05498 | 1 |
| 8 | Plug, 1/4" NPT Vented | P12868 | 1 |
| 9 | Bolt, 1/2-13 Long U | S10207-1P | 1 |
| 10 | Bolt, 1/2-13 Short U | S10207-2P | 1 |
| 11 | Pin, 3/16" X 5/8" Roll | F05012-22 | 2 |
| 12 | Nut, 1/2-20 Hex Jam | F05010-16 | 4 |
| 13 | Washer, 12.2 Split Lock | F81056-2 | 8 |
| 14 | Washer, 13 SAE Flat | F81056-1 | 4 |
| 15 | Spacer, .510" x .937" x .34" | S04253 | 4 |
| 16 | Nut, 1/2-13 Hex | F05010-35 | 4 |
| 17 | Screw, 1/2-20 x 2 1/2" Square Head Full Thread Set | F05008-110 | 2 |
| 18 | Nut, M12-8 Hex Nylon Lock | F81034-2 | 4 |
| 19 | Bolt, 1/2-20 x 1 1/2" Hex Head Grade 5 | F05008-53 | 2 |
| | Decal, Bearing End-Play | S12750 | 1 |

| | | | | |
|-----------|---|------------|---|--|
| | Instruction Sheet, Bearing Retrofit | K10200-275 | 1 | |
| | WHEEL KIT, DRIVE SIDE BLADE | 014562 | 1 | |
| 20 | Wheel, Drive Side Blade | 016284 | 1 | |
| 21 | Bushing, Modified 1 9/16" P1 | 087214 | 1 | |
| | Instruction Sheet, Drive Side Blade Wheel Replacement | K12987-488 | 1 | |
| 22 | BELT, BLADE WHEEL B57 | P04185-2 | 1 | |
| 23 | BELT, 3BX73 DRIVE (EA20, EA25) | 091548 | 1 | |
| 24 | PULLEY, 3B124 SK SPECIAL (EA20, EA25) | 087203-1 | 1 | |

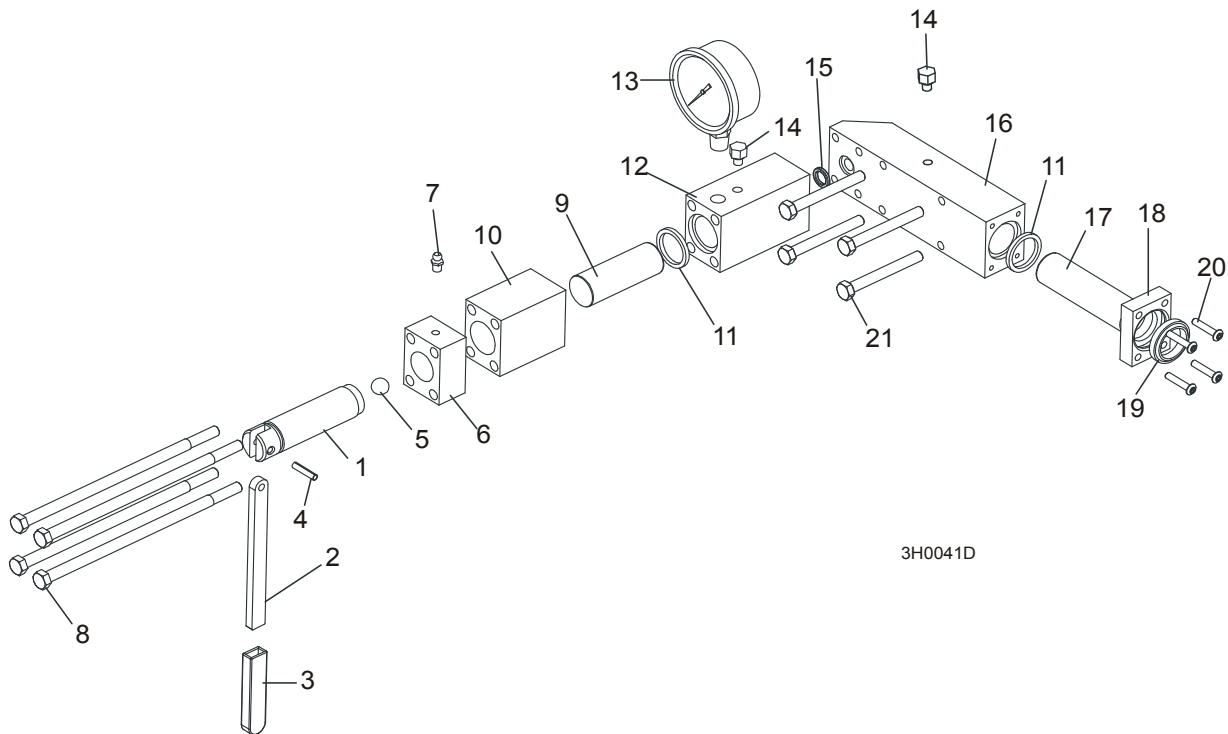
3.2 Idle Blade Wheel Assembly



SM0241C

| REF | DESCRIPTION (◆ Indicates Parts Available In Assemblies Only) | PART # | QTY. | |
|-----|--|-----------|------|---|
| | WHEEL ASSEMBLY, IDLE SIDE BLADE | 016120 | 1 | |
| 1 | Wheel, Idle Side Blade | 016013 | 1 | ◆ |
| 2 | Bearing, Idle Side Blade Wheel 3309 B.2RSR TVH FAQ | 086428 | 1 | |
| 3 | Ring, 100mm Internal Retaining Beveled | F04254-28 | 1 | |
| 4 | RETAINER, ZINC | 095929-1 | 1 | |
| 5 | BOLT, M10x25 -10.9- Fe/Zn5 DIN 7991 | F81003-82 | 1 | |
| 6 | BELT, BLADE WHEEL B57 | P04185-2 | 1 | |
| 7 | SHAFT, IDLE BLADE WHEEL | 095732 | 1 | |
| 8 | HOUSING, IDLE BLADE WHEEL SHAFT | 016103 | 1 | |
| 9 | BOLT, 1/2-20 X 1 1/2" HEX HEAD GRADE 5 | F05008-53 | 2 | |
| 10 | NUT, 1/2-20 HEX JAM | F05010-16 | 2 | |
| 11 | BOLT, M12x1,25x100-8.8 HEX HEAD FULL THREAD GRADE 2 | F81004-41 | 1 | |
| 12 | SPACER, 1/2" I.D. FLANGED | 086769-1 | 2 | |
| 13 | NUT, M12x1,25 8.8 HEX JAM | F81034-5 | 2 | |
| 14 | WASHER, 12.2 SPLIT LOCK | F81056-2 | 1 | |

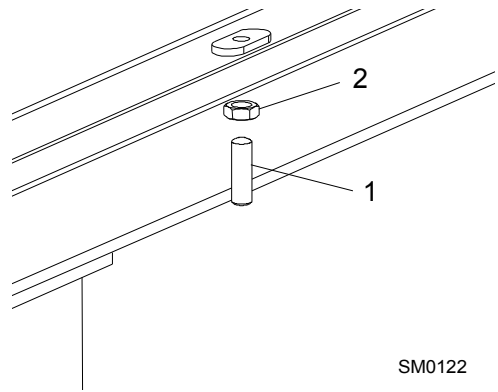
3.3 Hydraulic Blade Tensioner Assembly



| REF | DESCRIPTION (◆ Indicates Parts Available In Assemblies Only) | PART # | QTY. |
|-----|--|------------|------|
| | HYDRAULIC BLADE TENSIONER ASSEMBLY | A10054 | 1 |
| | Handle Assembly, Hydraulic Blade Tensioner Screw | A12294 | 1 |
| 1 | Screw, Hydraulic Blade Tensioner | S10056 | 1 |
| 2 | Handle, Hydraulic Tensioner Screw | 095930 | 1 |
| 3 | Sleeve, Plastic Handle | P08072 | 1 |
| 4 | Pin, 3/16" x 7/8" Roll | F05012-19 | 1 |
| 5 | Ball, 1/2" Steel | P02720 | 1 |
| 6 | Block, Threaded Tensioner End | S10062 | 1 |
| 7 | Fitting, 1/4-28 Grease | P05060 | 1 |
| | Instruction Sheet, Tensioner Screw | A12294-518 | 1 |
| 8 | Bolt, 5/16-18 X 7 1/2" Hex Head Grade 5 | F05006-43 | 4 |
| 9 | Piston, Hydraulic Tensioner Front 2 3/4" Long | S10060 | 1 |
| 10 | Block, Piston Guide | S10061 | 1 |
| 11 | Seal, 1" Diameter | P10051 | 2 |
| 12 | Block, Hydraulic Tensioner Gauge Mounting | S10140 | 1 |
| 13 | Gauge, 3000 PSI | 090552 | 1 |
| 14 | Plug, Hydraulic Tensioner Fill | P10065 | 1 |
| 15 | Ring, 5/8" X 3/32" Square "O" | P10377 | 1 |
| 16 | Block, Rear Tensioner Piston | S10142 | 1 |
| 17 | Piston, Hydraulic Tensioner Rear 3 5/8" Long | S10059 | 1 |
| 18 | Block, Rear Piston End | S10089 | 1 |
| 19 | Wiper, 1" Diameter | P10053 | 1 |
| 20 | Bolt, #10-24 X 1" Socket Button Head | F05004-43 | 4 |
| 21 | Bolt, 5/16-18 X 2 3/4" Hex Head Grade 5 | F05006-28 | 4 |
| | Instruction Sheet, Hydraulic Tensioner Installation | A10136-272 | 1 |

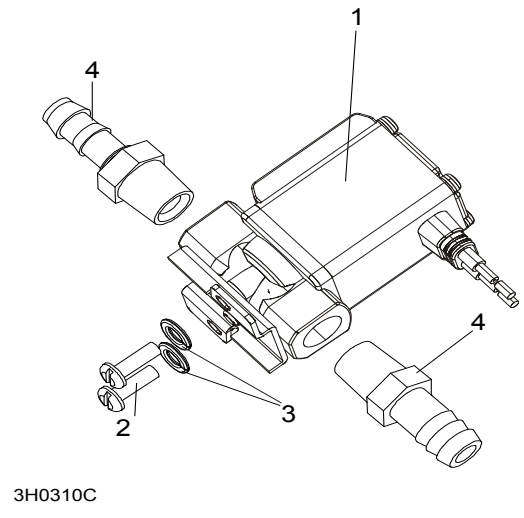
SECTION 4 SAW HEAD

4.1 Middle Throat Screw



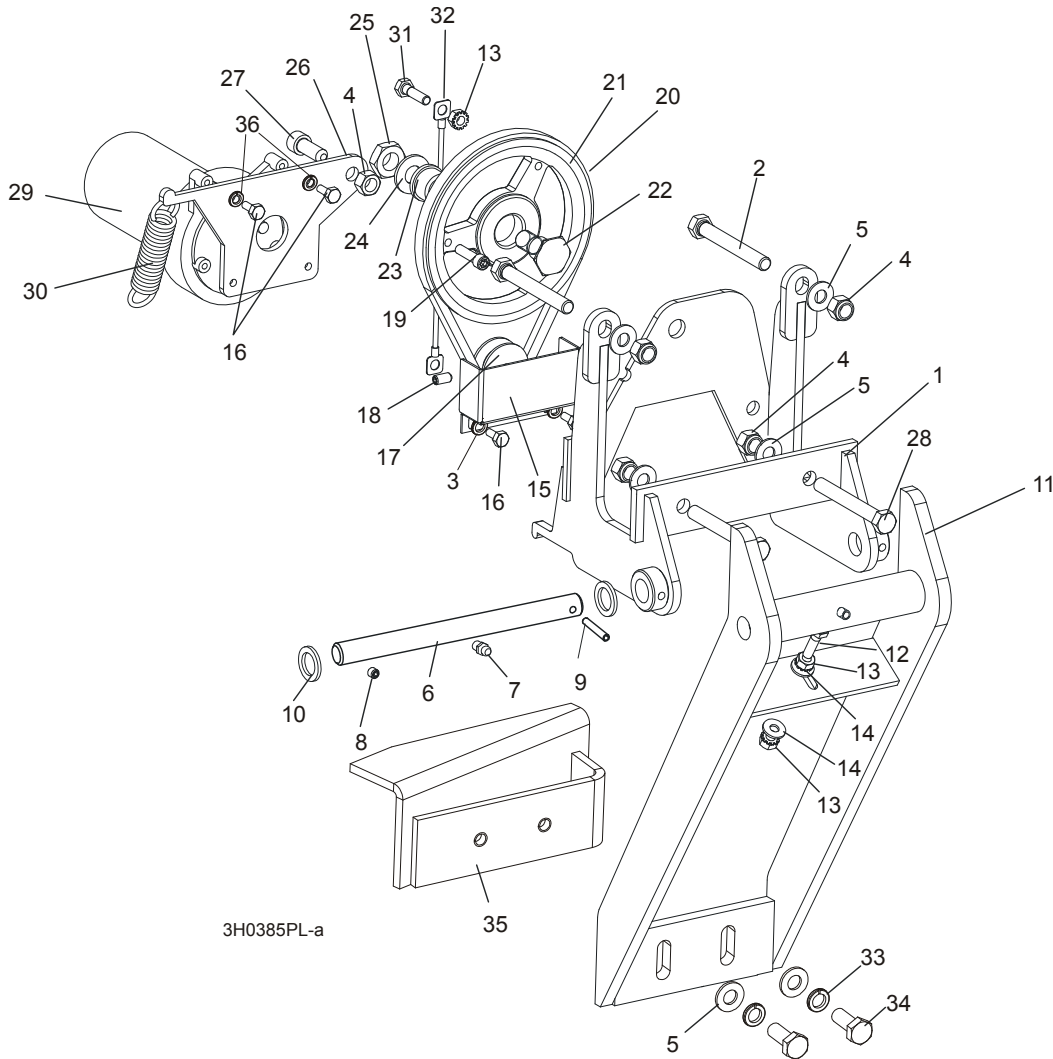
| REF | DESCRIPTION (◆ Indicates Parts Available In Assemblies Only) | PART # | QTY. | |
|-----|--|-----------|------|--|
| 1 | SCREW, 3/8-16 X 1 1/4" OVAL POINT SOCKET SET | F05007-18 | 1 | |
| 2 | NUT, 3/8-16 HEX JAM | F05010-29 | 1 | |

4.2 Water Lube Solenoid Valve (not available in EC version)



| REF | DESCRIPTION (◆ Indicates Parts Available In Assemblies Only) | PART # | QTY. | |
|-----|--|-----------|------|--|
| 1 | VALVE, WATER LUBE SOLENOID | 509113 | 1 | |
| 2 | SCREW, 4MM X 12 CROSS SLOT ROUND HEAD | F05004-74 | 2 | |
| 3 | WASHER, 4MM SPLIT LOCK | F05011-57 | 2 | |
| 4 | FITTING, 1/4" MALE NPT 3/8" HOSE BARB | P04682 | 2 | |

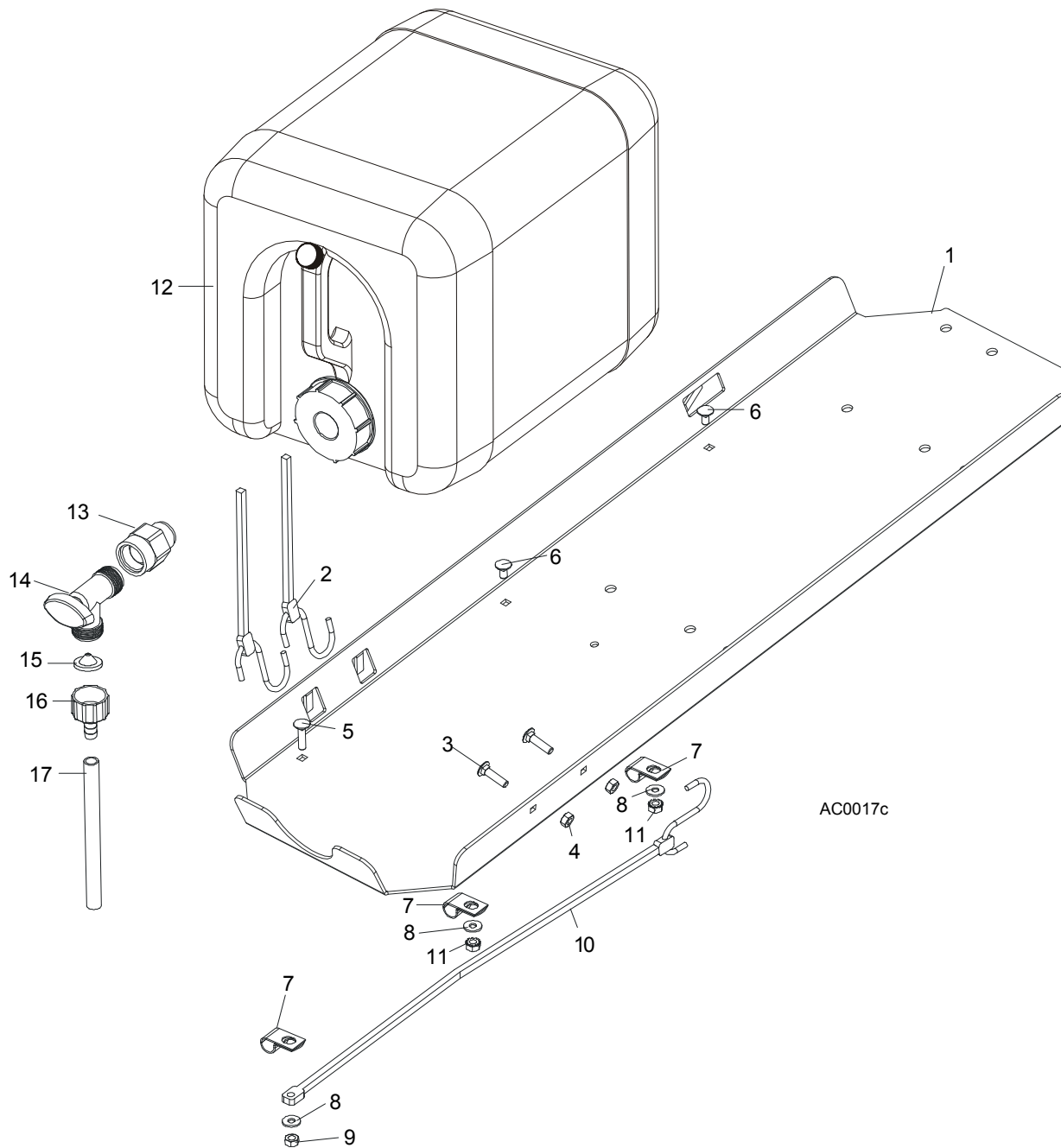
4.3 Board Return Assembly



| REF | DESCRIPTION (◆ Indicates Parts Available In Assemblies Only) | PART # | QTY. |
|-----|--|------------|------|
| | RETURN ASSEMBLY, BOARD | 087839-1 | 1 |
| 1 | Mount Weldment, Board Return | 087788-1 | 1 |
| 2 | Bolt, M10x70-8.8 Fe/Zn5 PN-M/82302 Hex Head | F81003-60 | 2 |
| 3 | WASHER, M5, FLAT ZINC | F81052-1 | 2 |
| 4 | NUT,M10-8-B NYLON HEX ZINC LOCK | F81033-1 | 5 |
| 5 | Washer,10.5 Flat | F81055-1 | 6 |
| 6 | Pin Kit, Board Return Replacement Pivot | 087837 | 1 |
| 7 | Fitting, M6 Grease | 086280 | 1 |
| 8 | Screw, M6 X 8 Black Oxide Socket Head Set Cup Point | F81013-1 | 1 |
| 9 | Pin, 5 X 30 Roll | F81044-21 | 1 |
| 10 | Washer, 5/8" x 15/16" x .094 Nylon | F05011-19 | 2 |
| 11 | Arm Weldment, Board Return | 087838-1 | 1 |
| 12 | Screw, 1/4-20 x 3/4" Full Thread Hex Head Cap | F05005-101 | 1 |
| 13 | Nut, 1/4-20 Self Locking | F05010-9 | 3 |

| | | | | |
|----|---|------------|---|--|
| 14 | Washer, 7.4 Flat | F81056-11 | 2 | |
| 15 | Guard, Board Return Belt Ptd | 087985-1 | 1 | |
| 16 | Screw, 10-32 x 1/2" Hex Head Machine | F05004-60 | 4 | |
| 17 | Sheave, 1.42 x .32 | 015074 | 1 | |
| 18 | Screw, 1/4-20 Socket Head Set Cup Point Nylon | F05005-55 | 1 | |
| 19 | Screw, 1/4-20 x 1" Socket Head Cap | F05005-89 | 1 | |
| 20 | Belt, 3L190 | 015477 | 1 | |
| 21 | Sheave, OK50 x 1/2" Modified | 015224 | 1 | |
| 22 | Bolt, Idler Pulley Pivot | 015221 | 1 | |
| 23 | Bushing, 5/8" x 7/8" x 1/2" Bronze | P05135 | 1 | |
| 24 | Washer, 13 Flat | F81056-1 | 1 | |
| 25 | Nut, 1/2-20 Jam Nylon Lock | F05010-79 | 1 | |
| 26 | Plate, Motor Pivot | 087871 | 1 | |
| 27 | Screw, M10 x 25-8.8 Black Oxide Socket Head Cap | F81003-32 | 1 | |
| 28 | BOLT, M10x75-8.8-Fe/Zn5 PN-M/82101 | F81003-15 | 2 | |
| 29 | Motor, 53:1 ASA Gear | P09698-1 | 1 | |
| 30 | Spring, 3/4" x 2 7/8" x 12 Gauge | 015479 | 1 | |
| 31 | Bolt, 1/4-20 x 1" Hex Head Grade 5 | F05005-101 | 1 | |
| 32 | Cable, Board Return | 016090 | 1 | |
| 33 | Washer, 10.2 Split | F81055-2 | 2 | |
| 34 | Bolt, 3/8-16 x 3/4" Hex Head | F81003-1 | 2 | |
| 35 | Angle, Board Return | 087835-1 | 1 | |
| 36 | Washer, 5.1 Split Lock Zinc | F81052-2 | 2 | |

4.4 Water Lube Assembly

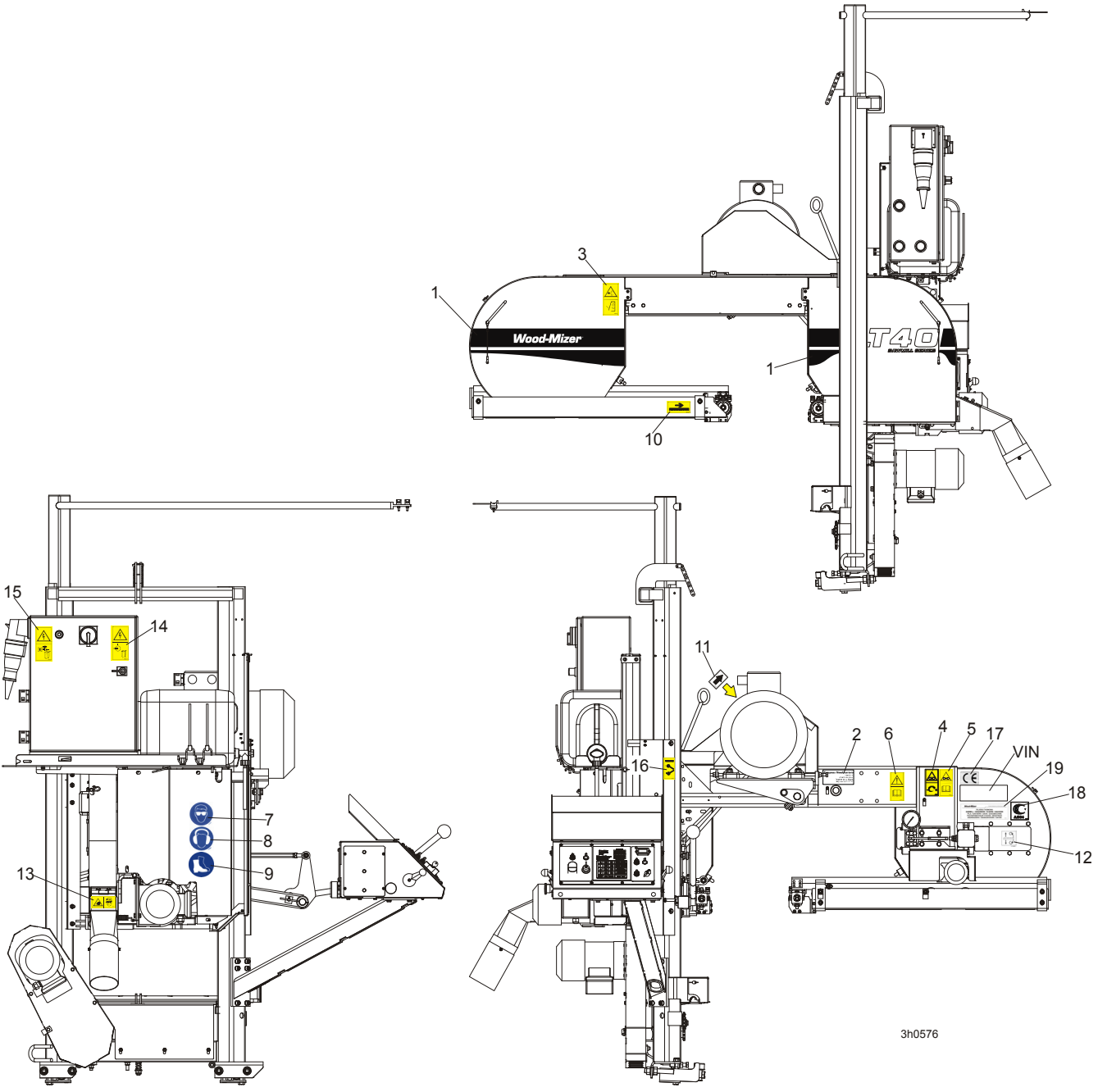


| REF | DESCRIPTION (◆ Indicates Parts Available In Assemblies Only) | PART # | QTY. | |
|-----|--|-----------|------|---|
| 1 | TRAY, ELECTRIC BOX/WATER BOTTLE | 086528-1 | 1 | ◆ |
| 2 | STRAP, 20" RUBBER | P11668 | 2 | |
| 3 | BOLT, 1/4-20 X 1" CARRIAGE HEAD | F05005-34 | 4 | |
| 4 | NUT, 1/4-20 HEX LOCK | F05010-21 | 4 | |
| 5 | BOLT, 1/4-20 X 1" CARRIAGE HEAD | F05005-34 | 1 | |
| 6 | BOLT, 1/4-20 X 1/2" CARRIAGE HEAD | F05005-33 | 2 | |
| 7 | CLAMP, 1/2" EMT HOSE | P07584 | 3 | |
| 8 | WASHER, 7.4 FLAT | F81056-11 | 3 | |
| 9 | NUT, 1/4-20 HEX LOCK | F05010-21 | 1 | |

| | | | | |
|----|--|---------------------|-------|--|
| 10 | STRAP, 15" RUBBER | P07461 | 1 | |
| 11 | NUT, 1/4-20 SELF-LOCKING | F05010-9 | 2 | |
| 12 | BOTTLE, 5-GALLON WATER | 014637 | 1 | |
| 13 | FITTING, 3/4FPT X 3/4MPT | 014636 | 1 | |
| 14 | FITTING, WATER LUBE SHUTOFF VALVE | 014100 | 1 | |
| 15 | FILTER, WATER LUBE | 016086 ¹ | 1 | |
| 16 | FITTING, 5/8" NPT TO 3/8" HOSE BARB | 014113 | 1 | |
| 17 | TUBING, WATER LUBE 3/8" I.D. | R01885 | 2,1 m | |

¹ Filter recommended for Super models to prevent debris from entering water lube solenoid valve.

4.5 LT40AC Saw Head Decals

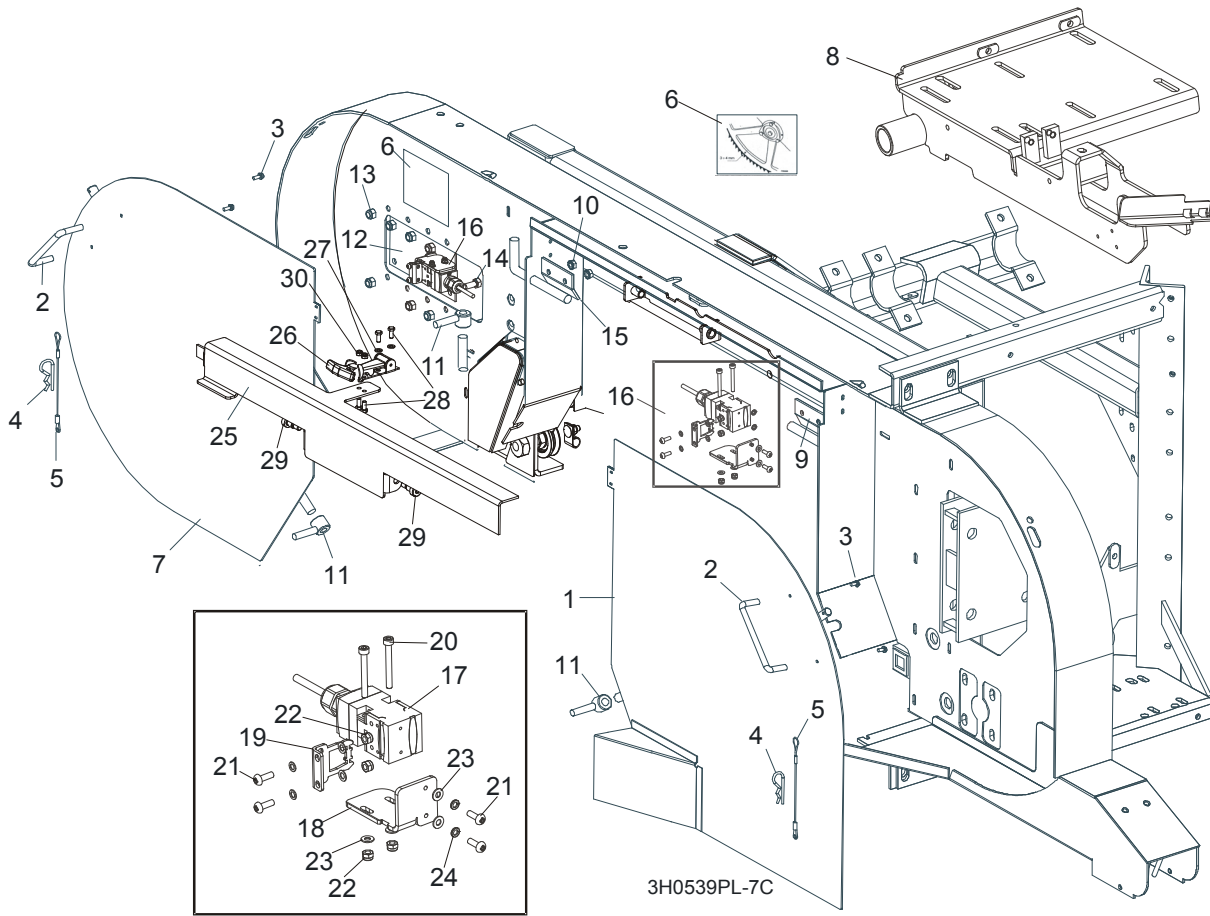


3h0576

| REF | DESCRIPTION (◆ Indicates Parts Available In Assemblies Only) | PART # | QTY. |
|-----|--|--------|------|
| 1 | DECAL, LT40 SERIES SAWMILL | 092763 | 1 |
| | PICTOGRAPHIC DECAL KIT, LT40AC | 099516 | 1 |
| 2 | DECAL, EUROPEAN HEADQUARTERS ADDRESS | 015841 | 1 |
| 3 | DECAL, SAWMILL COVERS CAUTION | 099220 | 2 |
| 4 | DECAL, BLADE TENSION (PICTOGRAM) | 099219 | 1 |
| 5 | DECAL, BLADE TENSION - INSTRUCTIONS (PICTOGRAM) | 099223 | 1 |
| 6 | DECAL, READ OPERATOR'S MANUAL (PICTOGRAM) | 096317 | 1 |

| | | | | |
|----|---|---------|---|--|
| 7 | DECAL, EYE PROTECTION WARNING (PICTOGRAM) | S12004G | 1 | |
| 8 | DECAL, EAR PROTECTION WARNING (PICTOGRAM) | S12005G | 1 | |
| 9 | DECAL, USE SAFETY BOOTS (PICTOGRAM) | 501465 | 1 | |
| 10 | DECAL, BLADE MOVEMENT DIRECTION (PICTOGRAM) | 096321 | 1 | |
| 11 | DECAL, MOTOR ROTATION DIRECTION | S20097 | 1 | |
| 12 | DECAL, BLADE ALIGNMENT | P11789 | 1 | |
| 13 | DECAL, SAWDUST CHUTE WARNING (PICTOGRAM) | 099222 | 1 | |
| 14 | DECAL, HIGH VOLTAGE INSIDE THE ELECTRIC BOX (PICTOGRAM) | 096316 | 2 | |
| 15 | DECAL, REMOVE THE PLUG BEFORE OPENING THE BOX (PICTOGRAM) | 096319 | 2 | |
| 16 | DECAL, BLADE DRIVE WARNING (PICTOGRAM) | 096315 | 1 | |
| 17 | DECAL, CE CERTIFIED SAWMILL (SMALL) | P85070 | 2 | |
| 18 | DECAL, RUSSIAN SAFETY CERTIFICATION | 099401 | 1 | |
| 19 | DECAL, INTERNATIONAL SAWMILL NAME | 501466 | 1 | |
| | DECAL, BLADE SETTING | P85066 | 1 | |
| | DECAL, KEEP AWAY DANGER, PICTOGRAM | 099221 | 1 | |
| | DECAL, MAX. OIL PRESSURE, PICTOGRAM | 099524 | 1 | |

4.6 Blade Housing Covers



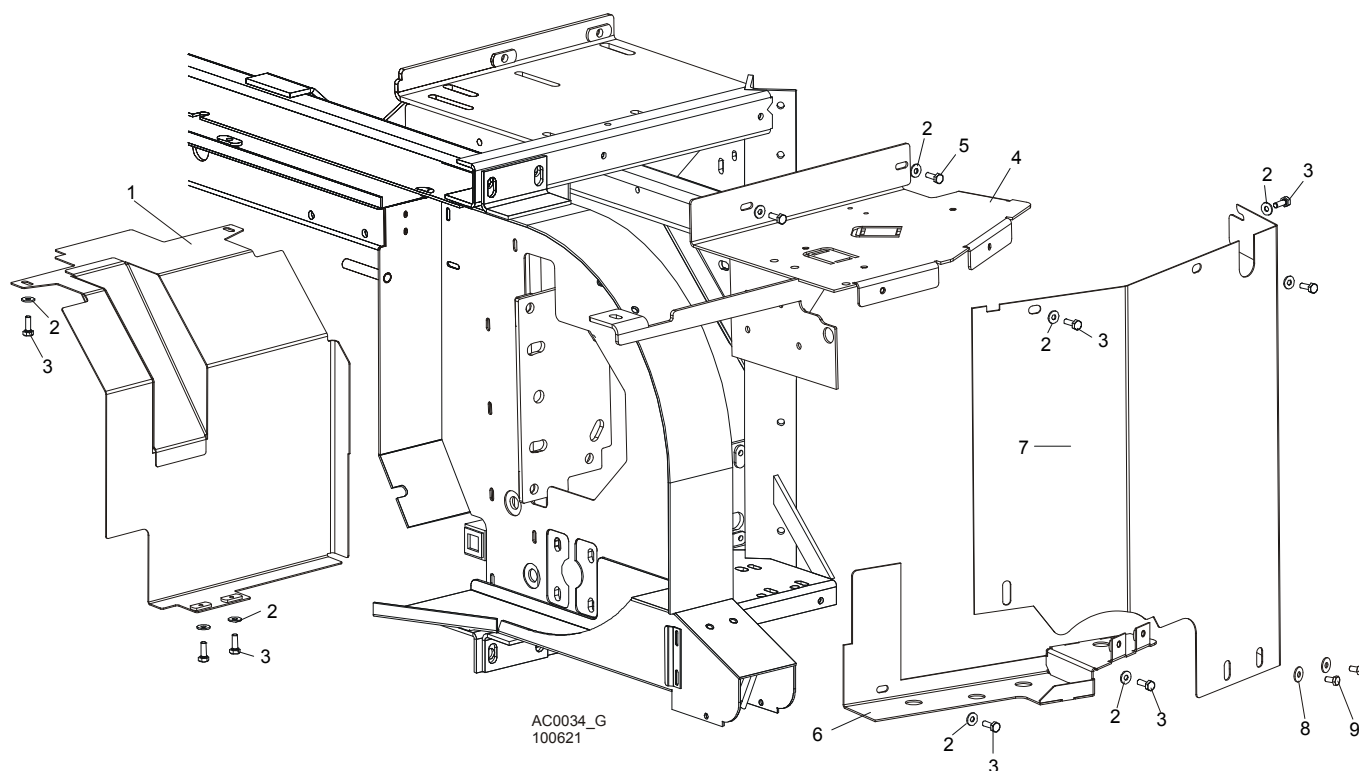
| REF | DESCRIPTION (◆ Indicates Parts Available In Assemblies Only) | PART # | QTY. | |
|-----|--|-----------------------|------|---|
| | COVER ASSEMBLY, DRIVE SIDE BLADE HOUSING WITH HANDLE | 087165 | 1 | |
| 1 | Cover Weldment, Drive Side Blade Housing | 087159-1 | 1 | ◆ |
| 2 | Handle, Blade Housing Cover | P08065 | 1 | |
| 3 | Screw, #8-32 x 3/8" | F05015-8 | 2 | |
| | Pin Assembly, Cover Retainer | A11881 | 1 | |
| 4 | Pin, Safety Retainer | N/A | 1 | |
| 5 | Cable, 3/64" x 6" Lanyard | N/A | 1 | |
| 6 | DECAL, BLADE SETTING | P85066 | 1 | |
| | COVER, IDLE SIDE BLADE HOUSING WITH HANDLE | 086431 | 1 | |
| 7 | Cover, Idle Side Blade Housing | 086430-1 | 1 | ◆ |
| 2 | Handle, Blade Housing Cover | P08065 | 1 | |
| 3 | Screw, #8-32 X 3/8" Self-Tap | F05015-8 | 2 | |
| | Pin Assembly, Cover Retainer | A11881 | 1 | |
| 4 | Pin, Safety Retainer | N/A | 1 | |
| 5 | Cable, 3/64" x 6" Lanyard | N/A | 1 | |
| 8 | MOUNT WELDMENT E15,E20,E25 | 087736-1 ¹ | 1 | |
| 9 | HINGE, MIDDLE BLADE HOUSING COVER | S07522 | 1 | |
| 10 | NUT, 1/4-20 SELF-LOCKING HEX | F05010-9 | 4 | |
| 11 | NUT, COVER TURN | 086365-1 | 2 | |

| | | | | |
|----|--|---------------------------|----------|--|
| 12 | PLATE, IDLE BLADE WHEEL GUARD | 086230 | 1 | |
| 13 | NUT, 5/16-18 HEX NYLON LOCK | F05010-58 | 6 | |
| 14 | BOLT, 5/16-18 X 3/4" HEX HEAD GRADE 2 | F05006-5 | 6 | |
| 15 | HINGE, MIDDLE BLADE HOUSING COVER | 085336-1 | 1 | |
| 16 | SWITCH ASSEMBLY, SAFETY SHUT-OFF | 094301 | 2 | |
| 17 | Safety Switch, AZ17-11ZRK | 094232 | 2 | |
| 18 | Bracket, Safety Switch Mount Painted | 094300-1 | 2 | |
| 19 | Key, AZ17/170-B5 Safety Switch | 094422 | 2 | |
| 20 | Bolt, M4 x 35-8.8 Socket Head | F81011-34 | 4 | |
| 21 | Screw, M4 x 12-5.8 | F81011-43 | 8 | |
| 22 | Nut, M4 Hex | F81029-1 | 8 | |
| 23 | Washer, M4 Split Lock Zinc | F81051-1 | 4 | |
| 24 | Washer, 4.3 | F81051-2 | 8 | |
| | BLADE FLAP ASSEMBLY | 511645² | 1 | |
| 25 | BLADE COVER LT40 | 511116-1 | 1 | |
| 26 | Latch, Flexible Draw | 014829 | 1 | |
| 27 | WASHER 5.3 FE/ZN5 PN-78/M-82005 | F81052-1 | 2 | |
| 28 | BOLT, M5 X 12-5.8-Fe/Zn5, PN-M/82105 | F81000-5 | 4 | |
| 29 | BOLT, 10/M8 X 12-12.9 ISO-7379 | F81003-62 | 2 | |
| 30 | NUT, M5-8-Fe/Zn5 DIN985 | F81030-2 | 2 | |

¹ Only LT40 AC Sawmills

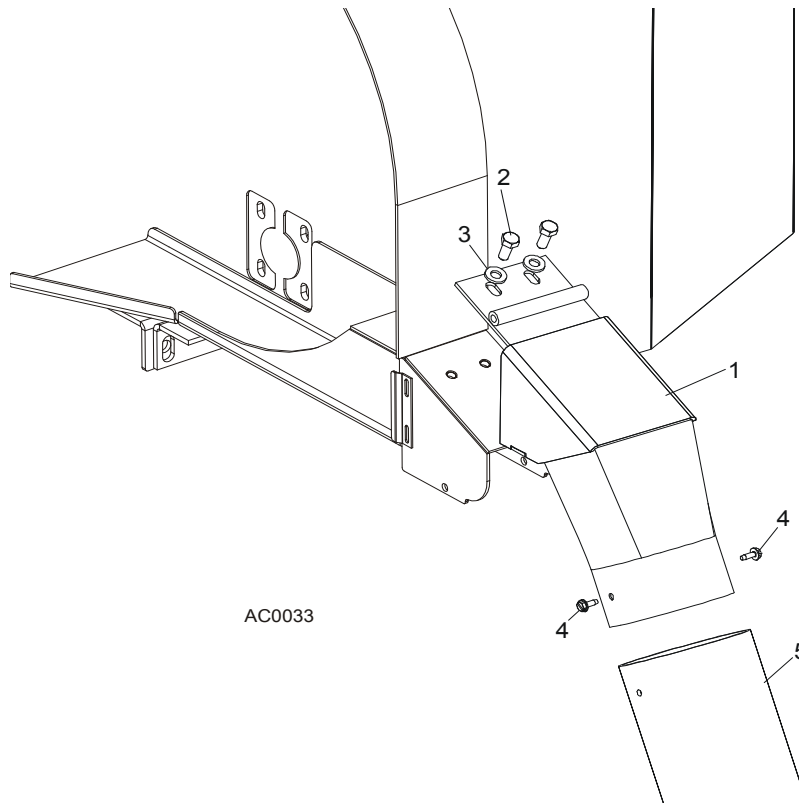
² Belongs to 091573

4.7 Drive Belt Covers



| REF | DESCRIPTION (◆ Indicates Parts Available In Assemblies Only) | PART # | QTY. |
|-----|--|-----------|------|
| 1 | GUARD, E15/E20/E25 BELT LOWER PAINTED | 087660-1 | 1 |
| 2 | WASHER, 6.5 SPECIAL FLAT ZINC | F81053-11 | 11 |
| 3 | BOLT, M6 X 20-8.8 HEX HEAD FULL THREAD ZINC | F81001-2 | 9 |
| 4 | GUARD WELDMENT, AC SAW HEAD UPPER PAINTED | 086621-1 | 1 |
| 5 | BOLT, M6 X 12-8.8 HEX HEAD FULL THREAD ZINC | F81001-7 | 2 |
| | GUARD, AC SIDE PAINTED COMPLETE (WITHOUT BRAKE) | 100621 | 1 |
| | GUARD, AC SIDE PAINTED COMPLETE (WITH BRAKE) | 100622 | 1 |
| 6 | GUARD, AC LOWER | 087525-1 | 1 |
| 7 | GUARD, AC SIDE PAINTED (WITHOUT BRAKE) | 086420-1 | 1 |
| | GUARD, AC SIDE PAINTED (WITH BRAKE) | 087333-1 | 1 |
| 8 | WASHER, 6.5 SPECIAL FLAT ZINC | F81053-11 | 2 |
| 9 | BOLT, M6 X 12-8.8 HEX HEAD FULL THREAD ZINC | F81001-7 | 2 |

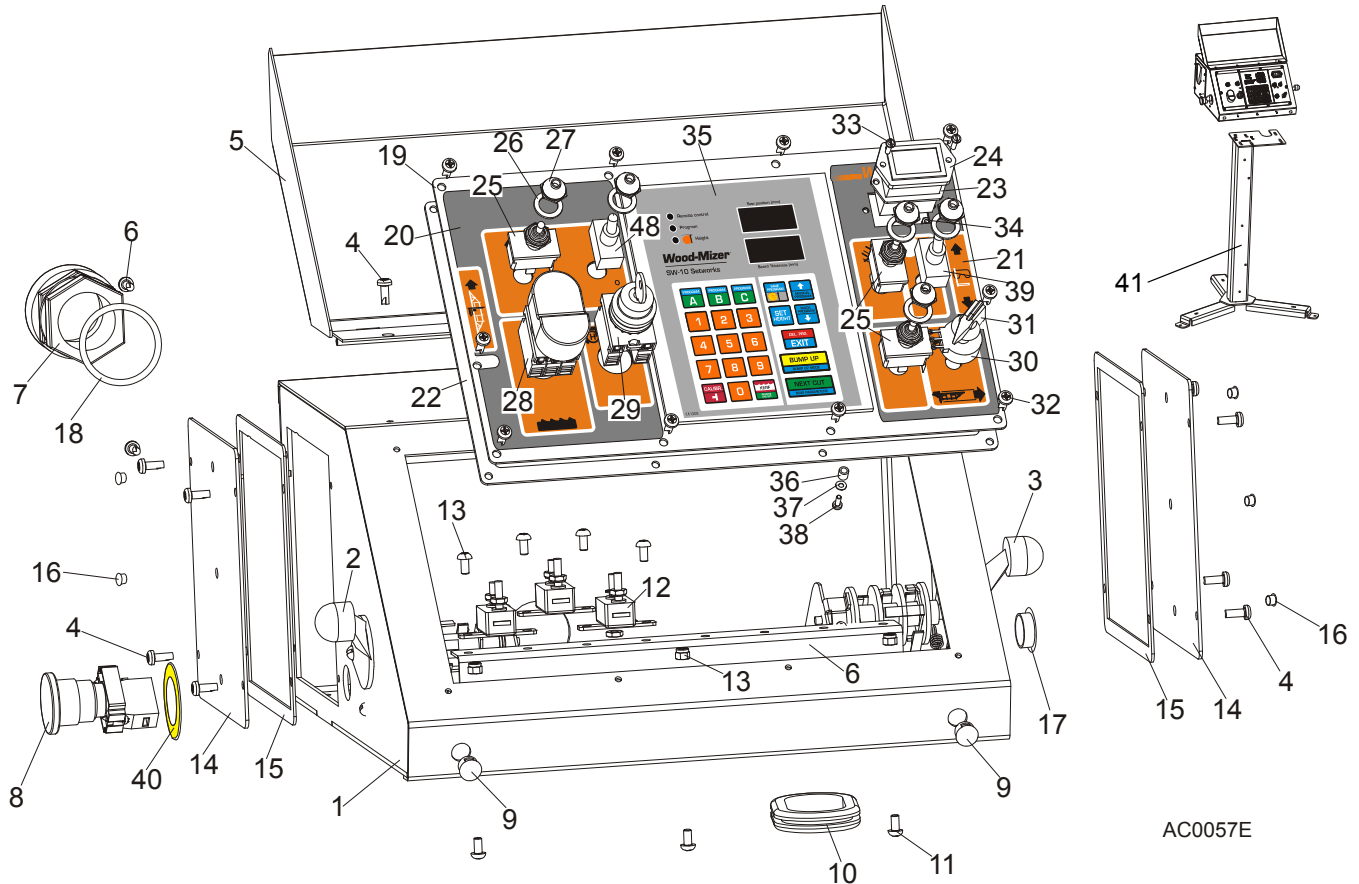
4.8 Sawdust Chute



| REF | DESCRIPTION (◆ Indicates Parts Available In Assemblies Only) | PART # | QTY. | |
|-----|--|-----------|-------|--|
| 1 | CHUTE , LT40 SAWDUST | 501500-1 | 1 | |
| 2 | BOLT, M8x16 | F81002-20 | 2 | |
| 3 | WASHER, 8.4 FLAT | F81054-1 | 2 | |
| 4 | BOLT, #10-24 X 1/2" SELF-TAPPING | F05015-7 | 2 | |
| 5 | TUBING, 4" I.D. RUBBER | 086364 | 0.6 m | |
| | STRAP, 20" RUBBER W/HOOK | P11668 | 1 | |
| | BOLT, 1/4-20 X 1 1/4" HEX HEAD FULL THREAD | F05005-3 | 1 | |
| | WASHER, 7.4 FLAT | F81056-11 | 1 | |
| | NUT, 1/4-20 LOCK | F05010-21 | 1 | |

SECTION 5 CONTROL & BATTERY BOXES

5.1 Control Assembly, LT40AC Series MH



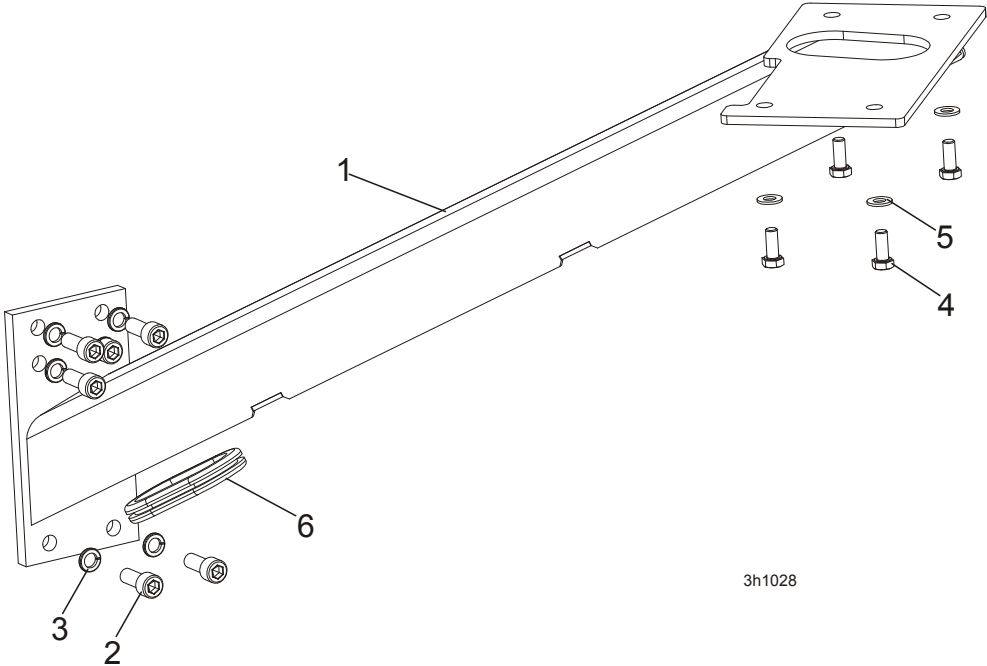
| REF | DESCRIPTION (◆ Indicates Parts Available In Assemblies Only) | PART # | QTY. |
|-----|--|---------------|----------|
| | CONTROL BOX ASSEMBLY, LT40 AC | 098690 | 1 |
| | CONTROL BOX ASSEMBLY, LT40 AC-RC | 509115 | 1 |
| 1 | Control Box, LT40AC | 099622-1 | 1 |
| 2 | Switch, 1992GS Pwr/Feed (Service Package) | E20438 | 1 |
| 3 | Switch, 1992 Up/Down (Service Package) | E20440 | 1 |
| 4 | Bolt, #10-24x1/2 Ph Pan Hd, Type 23 | F05015-17 | 12 |
| 5 | Cover Weldment, LT20/40 Complete | 097135-1 | 1 |
| 6 | Rail, Circuit Breaker | 015310 | 1 |
| 7 | Connector, 1 1/4 Straight Metal Conduit | 024402 | 1 |
| 8 | Switch, XB2 BS542 Emergency | 086556 | 1 |
| 9 | Switch, Speed Control | 086773 | 2 |
| 10 | Grommet, Rubber | 087065 | 1 |
| 11 | Screw, H M5x10 8.8 Zinc | F81000-13 | 7 |
| 12 | Breaker, 15A Manual Reset | E20430 | 3 |
| 13 | Nut, M5-8 Zinc | F81030-2 | 3 |
| | Cover, Control Box Side Complete | 086700 | 2 |
| 14 | Cover, Control Box Side | 086699-1 | 1 |

| | | | | |
|----|---|-----------------------|----|--|
| 15 | Gasket, Control Box Side | 015274 | 1 | |
| 16 | Cap, SR1086 6.4 Dia. Hole | 099700 | 6 | |
| 17 | Cap, SR1086 22.2 Dia. Hole | 093544 | 1 | |
| 18 | Seal, 1 1/4 Ring LQTI w/Retainer | 015430 | 1 | |
| | Panel, LT40 AC Front Control Complete | 098689 | 1 | |
| 19 | Panel, LT20/40 AC Front Control | 100572-1 | 1 | |
| | Panel, LT40 AC Front Control | 098586-1 ¹ | 1 | |
| 20 | Decal, LT20/40 AC Control Box Left | 099594 | 1 | |
| 21 | Decal, LT40 DC Control Box Right | 099596 | 1 | |
| 22 | Gasket, LT20/40 Control Box | 097132 | 1 | |
| 23 | Gasket, Hour Meter | 093346 | 1 | |
| 24 | Meter, Hour | 093166 | 1 | |
| 25 | Switch, Toggle | 024200 | 3 | |
| 26 | Washer, 1/2x3/4x1/16 Nylon | P05251-1 | 5 | |
| 27 | Boot, Toggle Switch | P02575 | 5 | |
| 28 | Button, 24V Start/Stop | 090452 | 1 | |
| | Membrane M22-T-DD | 090462 | 1 | |
| 29 | Switch, M22 3-position Key | 091361 | 1 | |
| 30 | Potentiometer, 1k Feed Rate | E20519 | 1 | |
| 31 | Knob, Speed Control | P06257 | 1 | |
| 32 | Bolt, #10-24x1/2 Ph Pan Hd, Type 23 | F05015-17 | 10 | |
| 33 | Bolt, M3x12-8.8 Zinc | F81000-12 | 2 | |
| 34 | Nut, M3-6 Nylon Zinc Lock | F81028-2 | 2 | |
| 35 | Controller, SW-10 Setworks | 500628 | 1 | |
| 36 | Spacer, 4.2x6mm Idler | R80671-4 | 6 | |
| 37 | Washer, 3.2 Flat Zinc | F81050-2 | 6 | |
| 38 | Screw, M3x8-4.8 Zinc | F81000-83 | 6 | |
| 39 | Switch, SPST On/Off 15A .25 TABS Toggle | P03027 | 2 | |
| 40 | EMERGENCY STOP DECAL | 086793 | 1 | |
| 41 | STAND CONTROL BOX LT20/40/LES/EG300/TVS | 501651-1 ² | 1 | |

¹ Use in African version only.

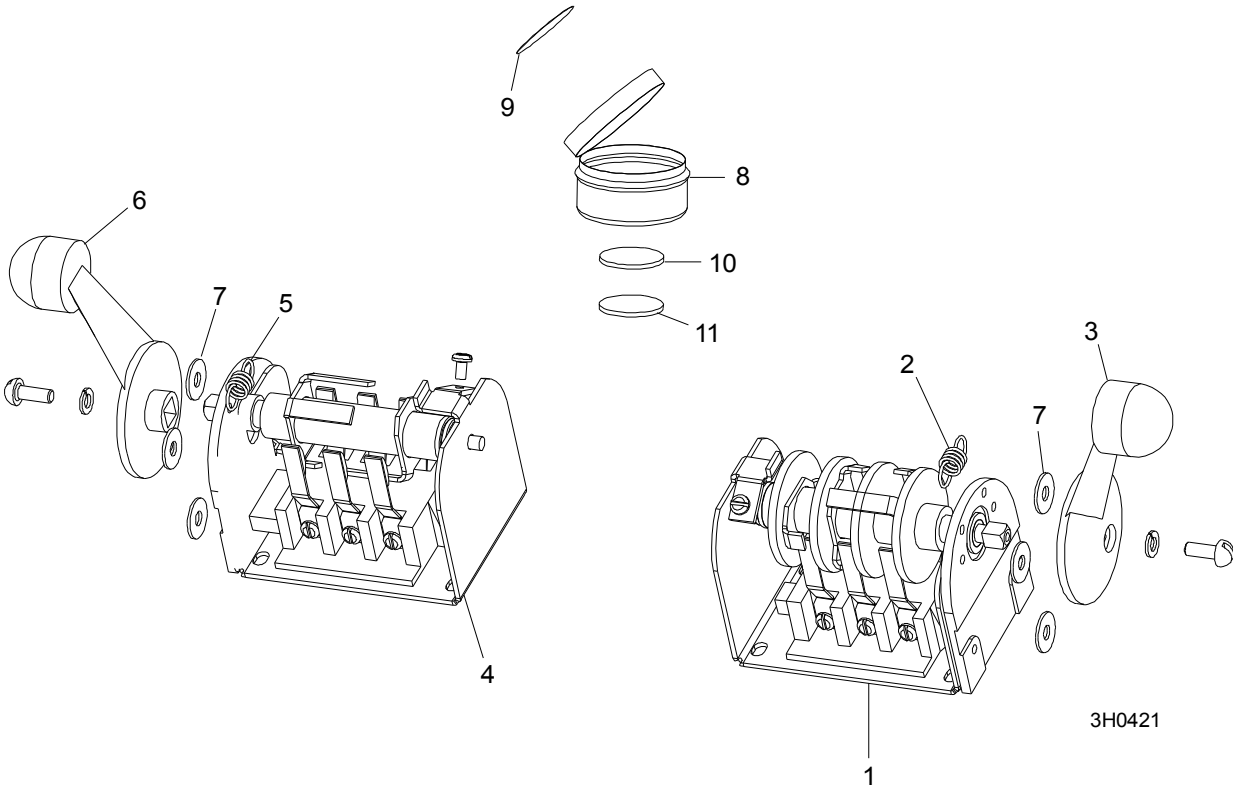
² Used In **509115**

5.2 Control Box Bracket



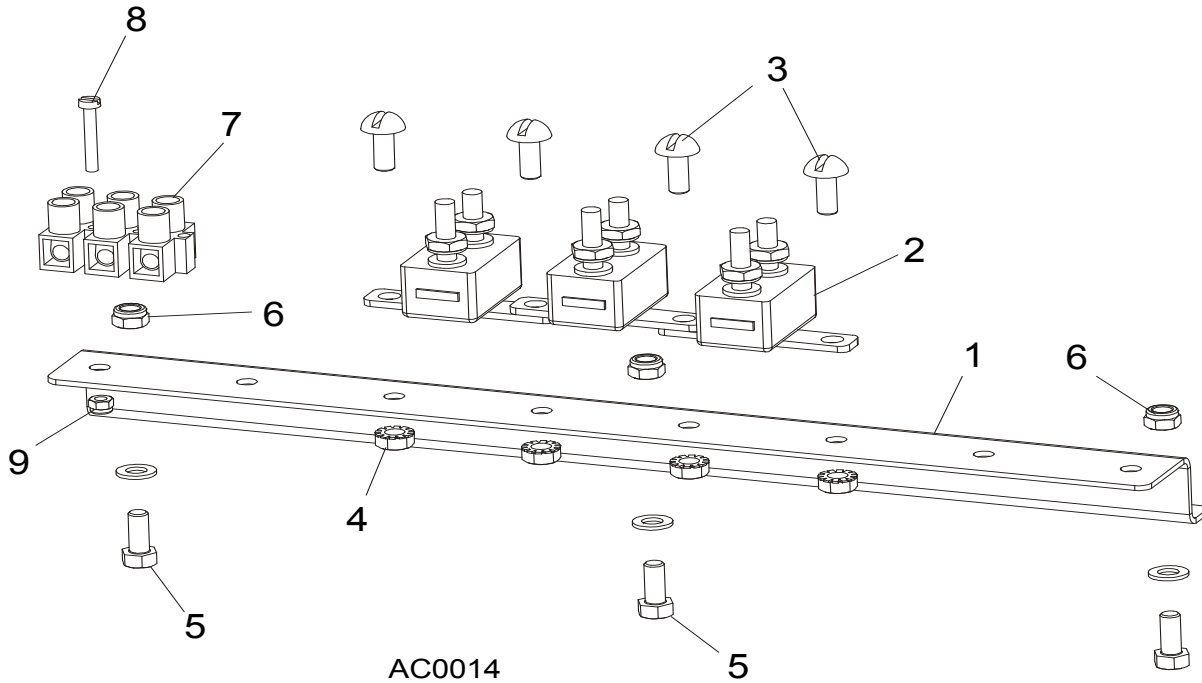
| REF | DESCRIPTION (◆ Indicates Parts Available In Assemblies Only) | PART # | QTY. |
|-----|--|-----------|------|
| 1 | MOUNT WELDMENT, STANDARD CONTROL BOX | 086732-1 | 1 |
| 2 | BOLT, M10x25 8.8 ZINC SOCKET HEAD | F81003-32 | 6 |
| 3 | WASHER, 10.2 SPLIT LOCK ZINC | F81055-2 | 6 |
| 4 | BOLT, M8X20MM HEX HEAD, GR 5.8 ZINC | F81002-4 | 4 |
| 5 | WASHER, 8.4 FLAT ZINC | F81054-1 | 4 |
| 6 | GROMMET, RUBBER | 087065 | 1 |

5.3 Drum Switches



| REF | DESCRIPTION (◆ Indicates Parts Available In Assemblies Only) | PART # | QTY. | |
|-----|--|-----------|--------|---|
| | SWITCH ASSEMBLY, UP/DOWN DRUM | E20440 | 1 | |
| 1 | Switch, S12 Bulk Drum | E20440-B | 1 | ◆ |
| 2 | Spring, Drum Switch | P12570 | 1 | |
| 3 | Handle, Drum Switch Replacement | P12500 | 1 | |
| | SWITCH ASSEMBLY, POWER FEED DRUM | E20438 | 1 | |
| 4 | Switch, S10 Bulk Drum | E20438-B | 1 | ◆ |
| 5 | Spring, Drum Switch | P12570 | 1 | |
| 6 | Handle, Drum Switch Replacement | P12500 | 1 | |
| 7 | WASHER, #8 SAE FLAT | F05011-41 | 6 | |
| | CUP ASSEMBLY, DRUM SWITCH GREASE | A20463 | 1 | |
| 8 | Cup, Plastic Container | P20464 | 1 | ◆ |
| 9 | Decal, Grease Cup Label | P20467 | 1 | |
| 10 | Pad, Velcro Loop | P20466 | 1 | ◆ |
| 11 | Pad, Velcro Hook | P20465 | 1 | ◆ |
| | Grease, High Temp Drum Switch | P20468 | .011ml | ◆ |

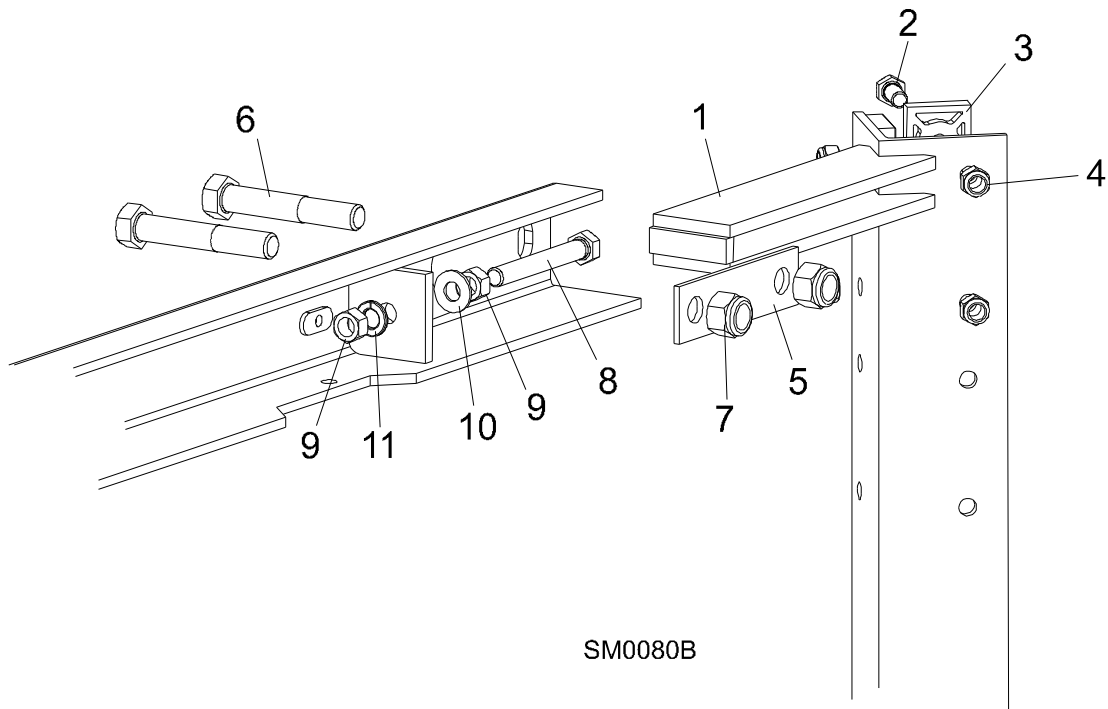
5.4 Circuit Breakers



| REF | DESCRIPTION (◆ Indicates Parts Available In Assemblies Only) | PART # | QTY. |
|-----|--|-----------|------|
| 1 | RAIL, CIRCUIT BREAKER | 015310 | 1 |
| 2 | BREAKER, 15 AMP MANUAL RESET | E20430 | 5 |
| 3 | SCREW, H M5X10 8.8 ZINC | F81000-13 | 4 |
| 4 | NUT, M5-8 ZINC HEX SELF-LOCKING | F81030-2 | 4 |
| 5 | SCREW, M5X12-5.8 ZINC | F81000-5 | 3 |
| 6 | NUT, M5-8 ZINC HEX SELF-LOCKING | F81030-2 | 3 |
| 7 | STRIP, ELECTRIC WIRE | F81086-1 | 1 |
| 8 | SCREW, M3 X 20-5.8 | F81000-8 | 1 |
| 9 | NUT, M3 | F81028-2 | 1 |

SECTION 6 UP/DOWN SYSTEM

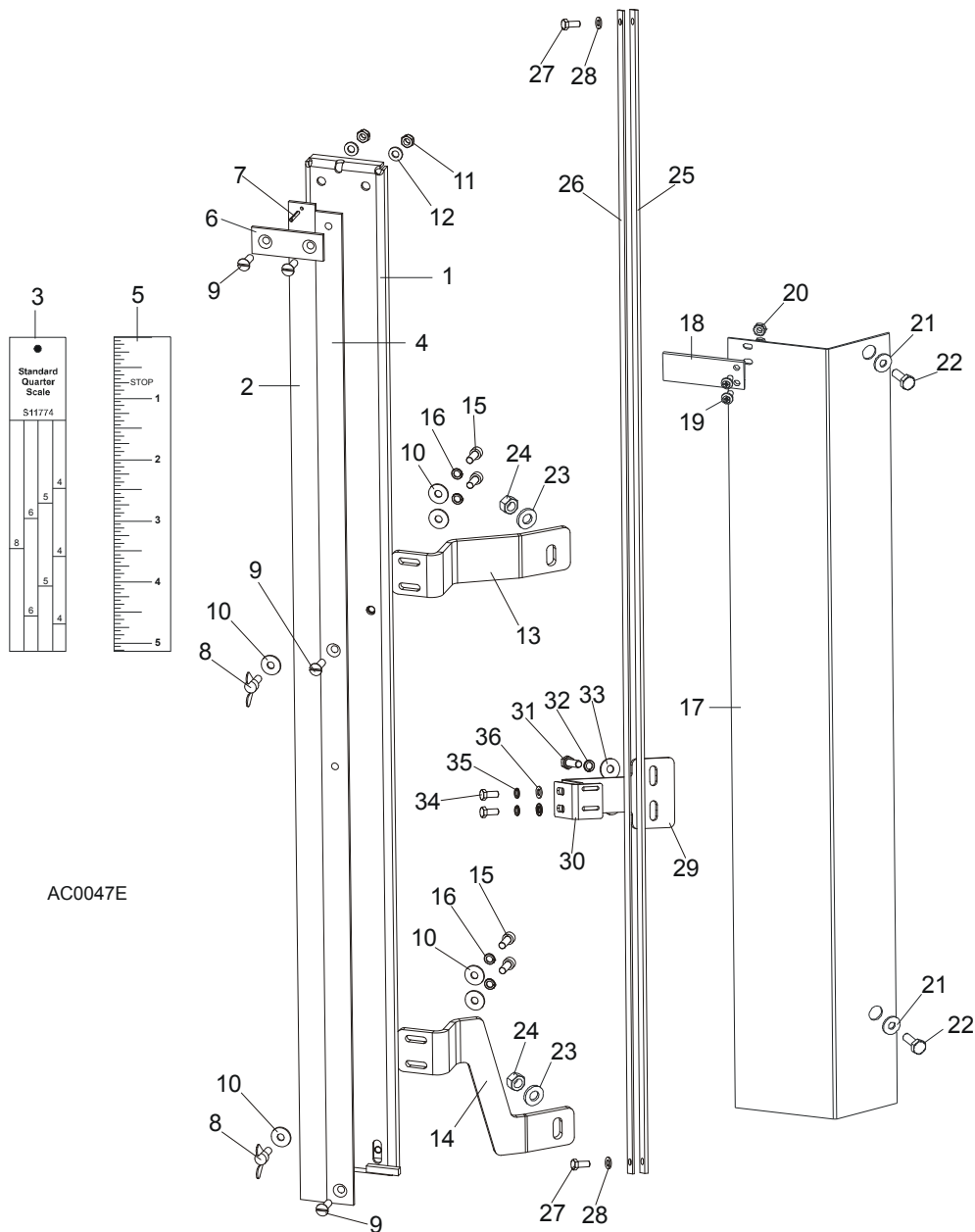
6.1 Saw Head V-Brace Mount



SM0080B

| REF | DESCRIPTION (◆ Indicates Parts Available In Assemblies Only) | PART # | QTY. |
|-----|--|-----------|------|
| 1 | V-BRACE, SAW HEAD MOUNT | 086308 | 1 |
| 2 | BOLT, 5/16-18 X 3/4" HEX HEAD GRADE 5 | F05006-5 | 19 |
| | BOLT, 5/16-18 X 1 1/4" HEX HEAD FULL THREAD | F05006-18 | 5 |
| 3 | PAD, PLASTIC SLIDE | M04096 | 12 |
| 4 | NUT, 5/16-18 NYLON LOCK | F05010-58 | 19 |
| | NUT, 5/16-18 HEX | F05010-17 | 5 |
| 5 | PLATE, V-BRACE WASHER | 091247 | 4 |
| 6 | BOLT, M12 X 40 - 8.8 HEX HEAD | F81004-1 | 4 |
| 7 | NUT, M12 - 8 NYLON LOCK | F81034-2 | 4 |
| 8 | BOLT, 3/8-16 X 3" FULL THREAD | F05007-1 | 2 |
| 9 | NUT, 3/8-16 HEX | F05010-1 | 4 |
| 10 | WASHER, 10.5 FLAT | F81055-1 | 2 |
| 11 | WASHER, 10.2 SPLIT LOCK | F81055-2 | 2 |

6.2 Blade Height Scale

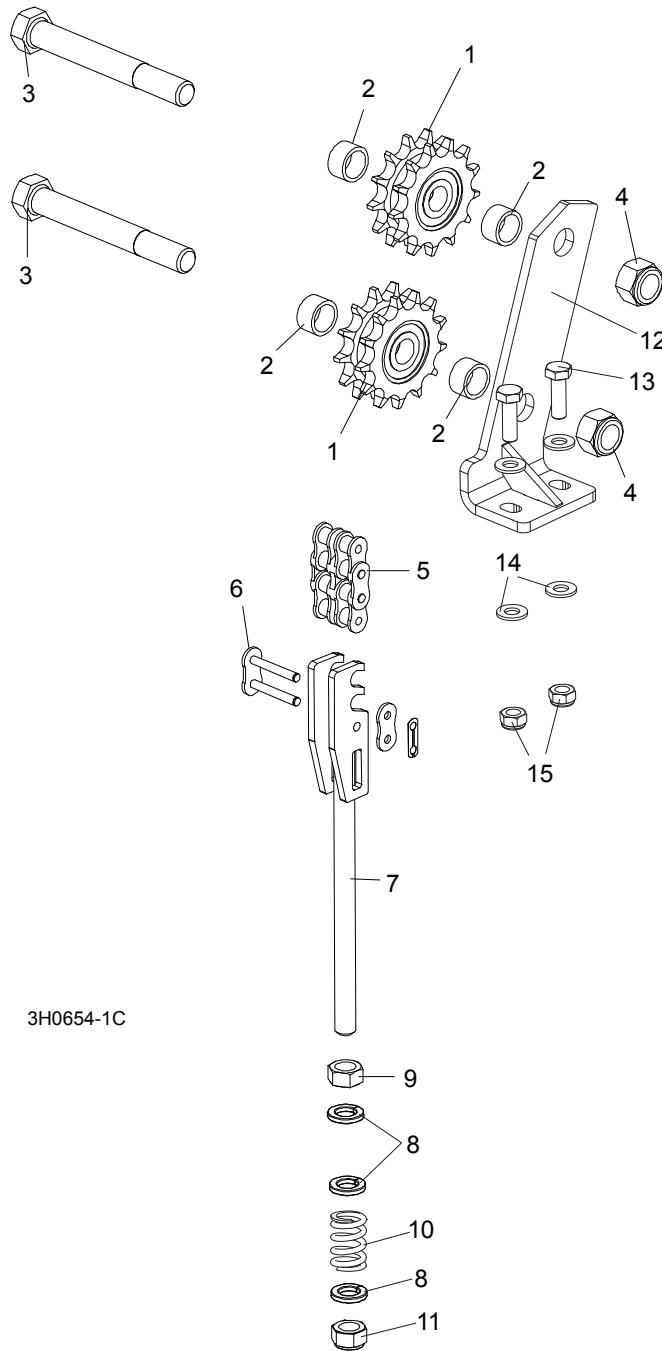


AC0047E

| REF | DESCRIPTION (◆ Indicates Parts Available In Assemblies Only) | PART # | QTY. |
|-----|--|-----------|------|
| | SCALE, BLADE HEIGHT W/SCANNER | 098882 | 1 |
| 1 | Bracket, Scale Mounting | 098890-1 | 1 |
| 2 | Scale, 35" Quarter | 093342 | 1 |
| 3 | Decal, 35" Standard Quarter Scale | 090716 | 1 |
| | Decal, 35" Grade Hardwood Quarter Scale | 090717 | 1 |
| 4 | Scale, 35" Inch | 093341 | 1 |
| 5 | Decal, 35" Inch | 090709 | 1 |
| 6 | Strap, Scale Hold-Down | 093134 | 1 |
| 7 | Pin, 3x20 Roll | F81044-5 | 1 |
| 8 | Screw, M6x16 Wing | F81001-16 | 2 |
| 9 | Screw, M6x20- 4.8-B | F81001-31 | 4 |

| | | | | |
|----|---|-----------|---|---|
| 10 | Washer, 6.5 Flat | F81053-11 | 7 | |
| 11 | Nut, M6, Hex, Nylon Lock Zinc | F81031-2 | 2 | |
| 12 | Washer, M6, Flat, Zinc | F81053-1 | 2 | |
| 13 | Bracket, Scale Upper | 098880-1 | 1 | |
| 14 | Bracket, Scale Lower | 098881-1 | 1 | |
| 15 | Bolt, M6x16-8.8 Socket Head | F81001-21 | 4 | |
| 16 | Washer, M6 Split Lock Zinc | F81053-3 | 4 | |
| | Pointer Assembly, Fixed Scale | A12023 | 1 | |
| 17 | Bracket, Fixed Scale Pointer Mount | 087044-1 | 1 | ◆ |
| 18 | Indicator, Blade Height Scale | 094821 | 1 | |
| 19 | Screw, M4x12 -5,8-B- Fe/Zn5 | F81011-43 | 2 | |
| 20 | Nut, M4-B Fe/Zn5 | F81029-1 | 2 | |
| 21 | Washer, 6.5 Flat | F81053-11 | 2 | |
| 22 | Bolt, M6x12-8.8-Zinc | F81001-7 | 2 | |
| 23 | Washer, 8.4 Flat | F81054-1 | 2 | |
| 24 | Nut, M8-8-B Hex Lock | F81032-2 | 2 | |
| | MAGNETIC STRIP ASSY | 097774 | 1 | |
| | Bar with Magnetic Strip | 098173-1 | 1 | |
| 25 | Magnetic Strip MB320 (1m) | 096014-1 | 1 | |
| 26 | Bar, Magnetic Strip | 098173 | 1 | |
| 27 | Bolt, M5 X 12-5.8-Fe/Zn5 | F81000-5 | 2 | |
| 28 | Washer, M5, Flat zinc | F81052-1 | 2 | |
| | BRACKET, SENSOR COMPLETE | 100620 | 1 | |
| 29 | Bracket, Sensor | 100599-1 | 1 | |
| 30 | Bracket, Sensor | 100619-1 | 1 | |
| 31 | Bolt, M6x20-8.8 Hex Head Full Thread Zinc | F81001-2 | 2 | |
| 32 | Washer, Z6.1 Split Lock Zinc | F81053-3 | 2 | |
| 33 | Washer, 6.5 Flat Zinc | F81053-11 | 2 | |
| 34 | Bolt, M5 X 12-5.8-Fe/Zn5, PN-M/82105 | F81000-5 | 2 | |
| 35 | Washer, 5.1 Split Lock Zinc | F81052-2 | 2 | |
| 36 | Washer, 5.3 Flat Zinc | F81052-1 | 2 | |
| | DECAL KIT, METRIC SCALE | K12064 | 1 | |
| | Decal, Metric | S11711 | 1 | |
| | Decal, Metric 16-40mm | P12040-1 | 1 | |
| | Decal, Metric 45-63mm | P12040-2 | 1 | |

6.3 Up/Down Chain & Sprockets

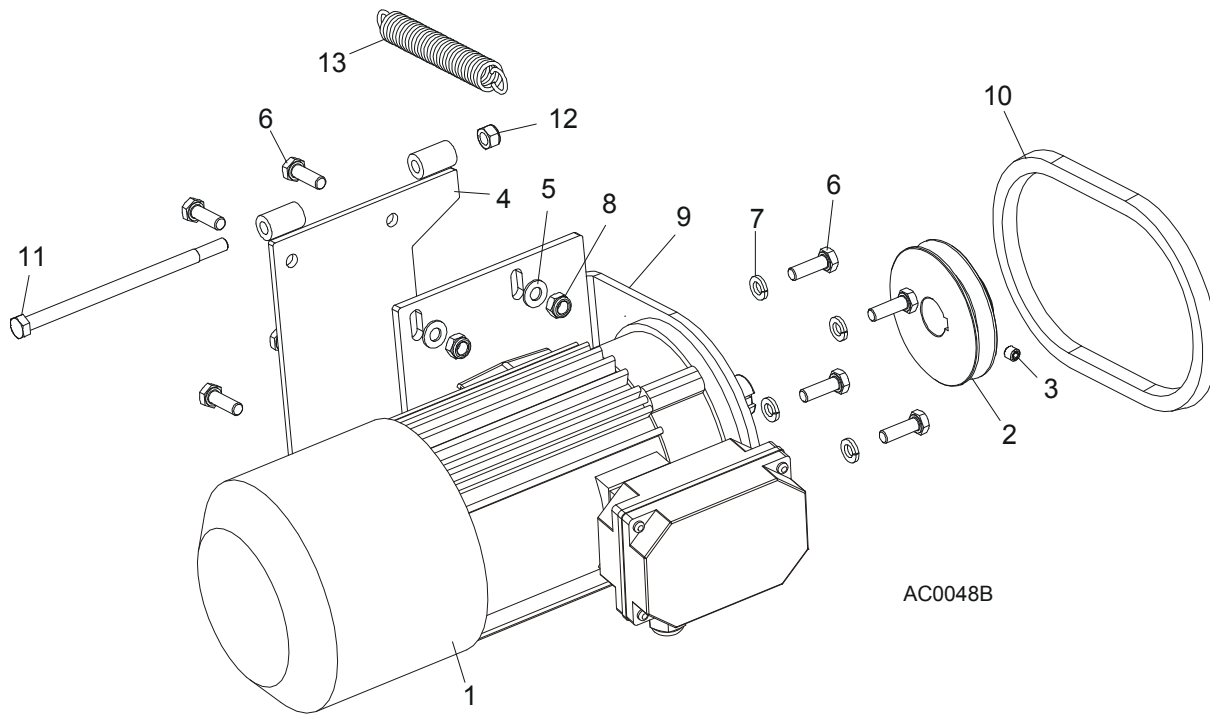


3H0654-1C

| REF | DESCRIPTION (◆ Indicates Parts Available In Assemblies Only) | PART # | QTY. |
|-----|--|------------|------|
| | SPROCKET KIT, UP/DOWN IDLER #50-2 | 016020 | 1 |
| 1 | Sprocket, Up/Down Idler '98 | 016019 | 2 |
| 2 | Washer, Sprocket Spacer | 095927-1 | 4 |
| | Instruction Sheet, Up/Down Idler Retrofit | 016020-541 | 1 |
| 3 | BOLT, 5/8-11 X 5" HEX HEAD GRADE 2 | F05009-6 | 2 |
| 4 | NUT, 5/8-11 HEX NYLON LOCK | F05010-34 | 2 |
| 5 | CHAIN, #50-2 X 75.625" UP/DOWN | 015259 | 1 |
| 6 | LINK, #50-2 MASTER | 015258 | 2 |
| | TENSIONER ASSEMBLY, UP/DOWN CHAIN | 094283 | 1 |

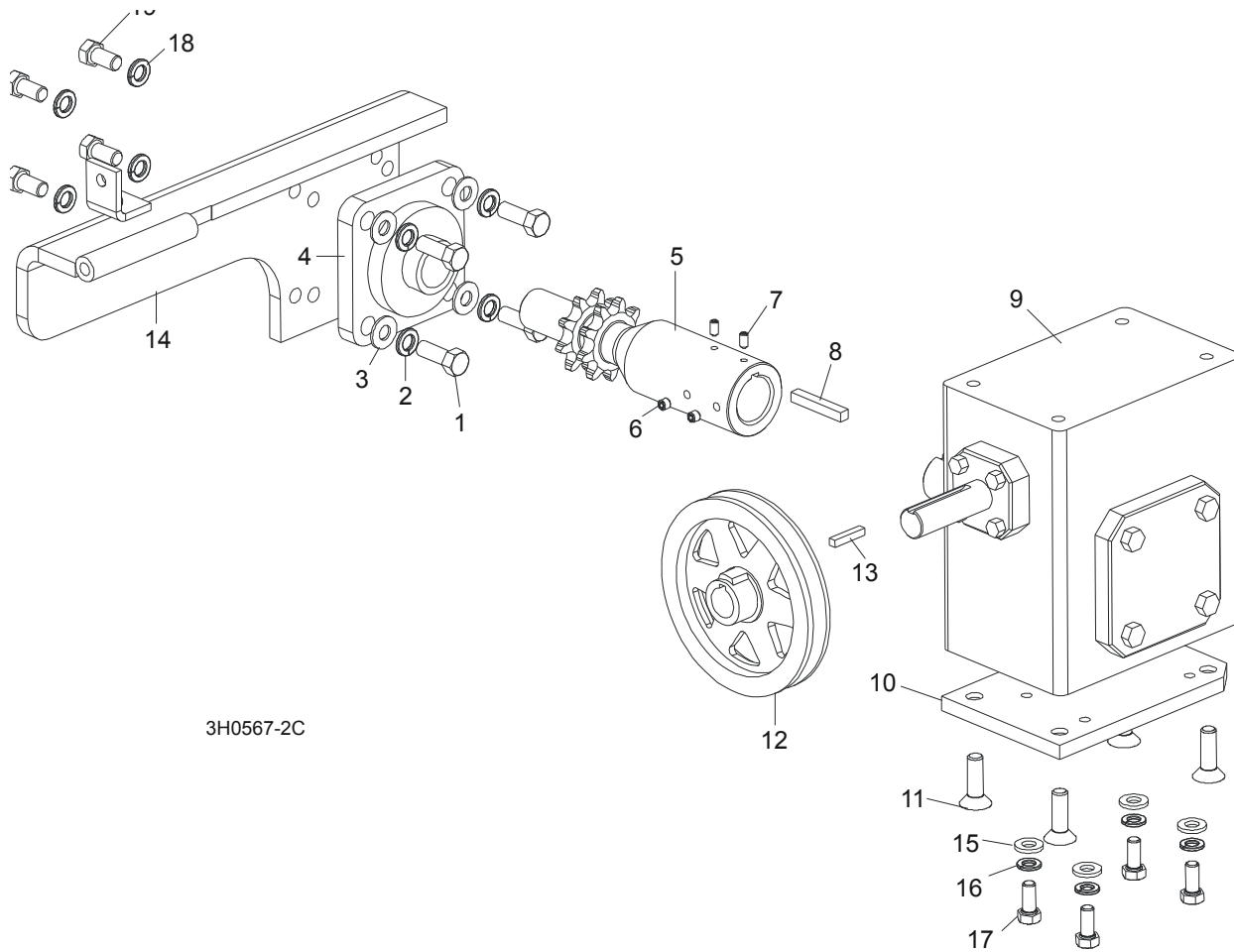
| | | | | |
|-----------|--|----------|---|---|
| 7 | Bracket, Up/Down Chain Tensioner | 094281-1 | 1 | ◆ |
| 8 | Washer, M12, Flat, Zinc | F81056-1 | 3 | |
| 9 | Nut, M12-8-B Hex | F81034-1 | 1 | |
| 10 | Spring, 14x30x3.2 | 090797 | 1 | |
| 11 | Nut, M12, Hexagon, Nylon, Zinc, Lock | F81034-2 | 1 | |
| 12 | PLATE SPROCKET U/D | 507026-1 | 1 | |
| 13 | BOLT,M8X25-8.8-B HEX HEAD FULL THRE | F81002-5 | 2 | |
| 14 | WASHER, 8.4 FLAT,ZINC | F81054-1 | 4 | |
| 15 | NUT,M8-8-B,HEX,NYLON LOCK ZINC | F81032-2 | 2 | |

6.4 Up/Down Motor Assembly, LT40AC Series MH



| REF | DESCRIPTION (◆ Indicates Parts Available In Assemblies Only) | PART # | QTY. |
|-----|--|-----------|------|
| | UP/DOWN MOTOR ASSEMBLY, LT40AC | 093023 | 1 |
| 1 | Motor, SKh90-4S2 HPS 1,1kW, 1380obr./min 400V (w/brake) | 098901 | 1 |
| | BRAKE, HPS 10.84 230VAC LT40 | 083607 | 1 |
| 2 | Pulley, AC Up/Down Motor Painted | 086378-1 | 1 |
| 3 | Screw, M8 x 8-33H Hex Socket Set Flat Point Zinc | F81014-1 | 1 |
| 4 | Bracket Wdmt, Up/Down Motor | 095738-1 | 1 |
| 5 | Washer, 8.4 Split Lock | F81054-1 | 4 |
| 6 | Bolt, M8 x 25 8.8 B Hex Head | F81002-4 | 8 |
| 7 | Washer, 8.2 Split Lock | F81054-4 | 4 |
| 8 | Nut, M8 8 B Hex | F81032-2 | 4 |
| 9 | Bracket, AC Up/Down Motor Mount | 086376-1 | 1 |
| 10 | BELT, AX23 | 015257 | 1 |
| 11 | BOLT, M8X160-8.8-B ZINC | F81002-22 | 1 |
| 12 | NUT, M8-8-B NYLON LOCK HEX ZINC | F81032-2 | 1 |
| 13 | SPRING, 3/4x 5x.095 EXTENSION | 015569 | 1 |

6.5 Up/Down Drive Assembly

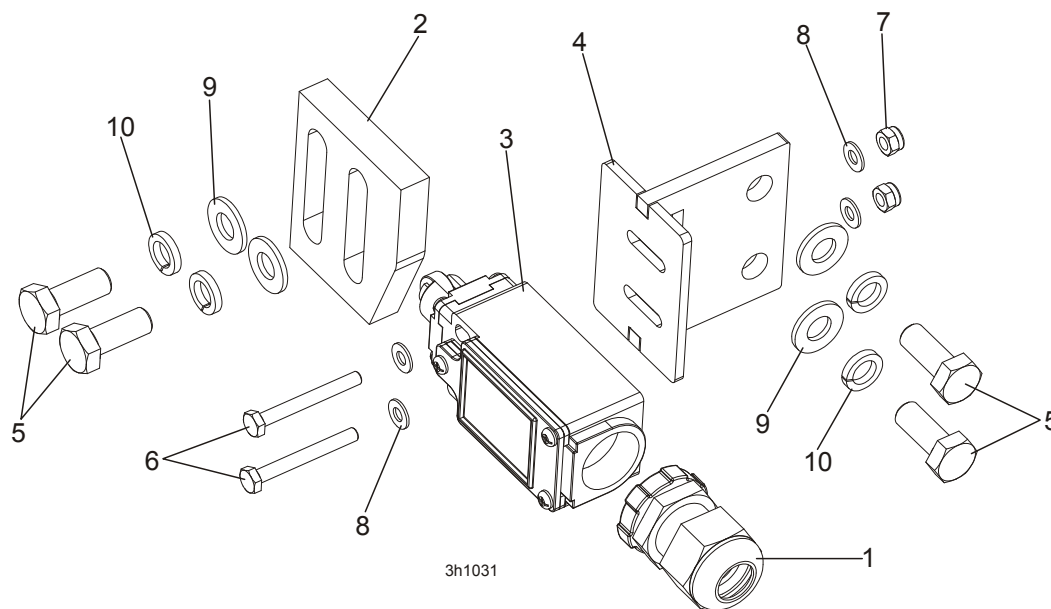


3H0567-2C

| REF | DESCRIPTION (◆ Indicates Parts Available In Assemblies Only) | PART # | QTY. |
|-----|--|------------|------|
| | UP/DOWN DRIVE ASSEMBLY | 092817 | 1 |
| 1 | Bolt, 3/8-16 x 1" Hex Head | F05007-7 | 4 |
| 2 | Washer, 10.2 Split Lock | F81055-2 | 4 |
| 3 | Washer, 10.5 Flat | F81055-1 | 4 |
| 4 | Bearing, Flanged Up/Down | 014090 | 1 |
| 5 | Shaft, Up/Down Sprocket | 092816-1 | 1 |
| 6 | Screw, M8 x 8-33H | F81014-1 | 2 |
| 7 | Key, 1/4" Square x 1 11/16" Long | S04124 | 1 |
| 8 | Spacer, Up/Down Shaft | 016032 | 1 |
| 9 | Reducer, Gear Box | 014074 | 1 |
| 10 | Plate, Gear Box Spacer | 095894-1 | 1 |
| 11 | Bolt, 3/8-16 x 1" Flat Socket Head | F05007-110 | 4 |
| 12 | Pulley, Up/Down | 015256 | 1 |
| 13 | Key, 3/16" Square x 1" Long | S31027 | 1 |
| 14 | Bracket Wdmt, Up/Down Bearing | 095893-1 | 1 |
| 15 | WASHER, 8.4 FLAT | F81054-1 | 4 |
| 16 | WASHER, 8.2 SPLIT LOCK | F81054-4 | 4 |
| 17 | BOLT, 5/16-18 X 1" HEX HEAD | F05006-5 | 4 |

| | | | | |
|----|--|-----------|---|--|
| 18 | WASHER, 10.2 SPLIT LOCK | F81055-2 | 4 | |
| 19 | BOLT, 3/8-16 X 3/4" HEX HEAD | F05007-27 | 4 | |
| | OIL, 8 OZ. MOBIL SHC634 BOTTLED SYNTHETIC GEAR | L04869-4 | 1 | |

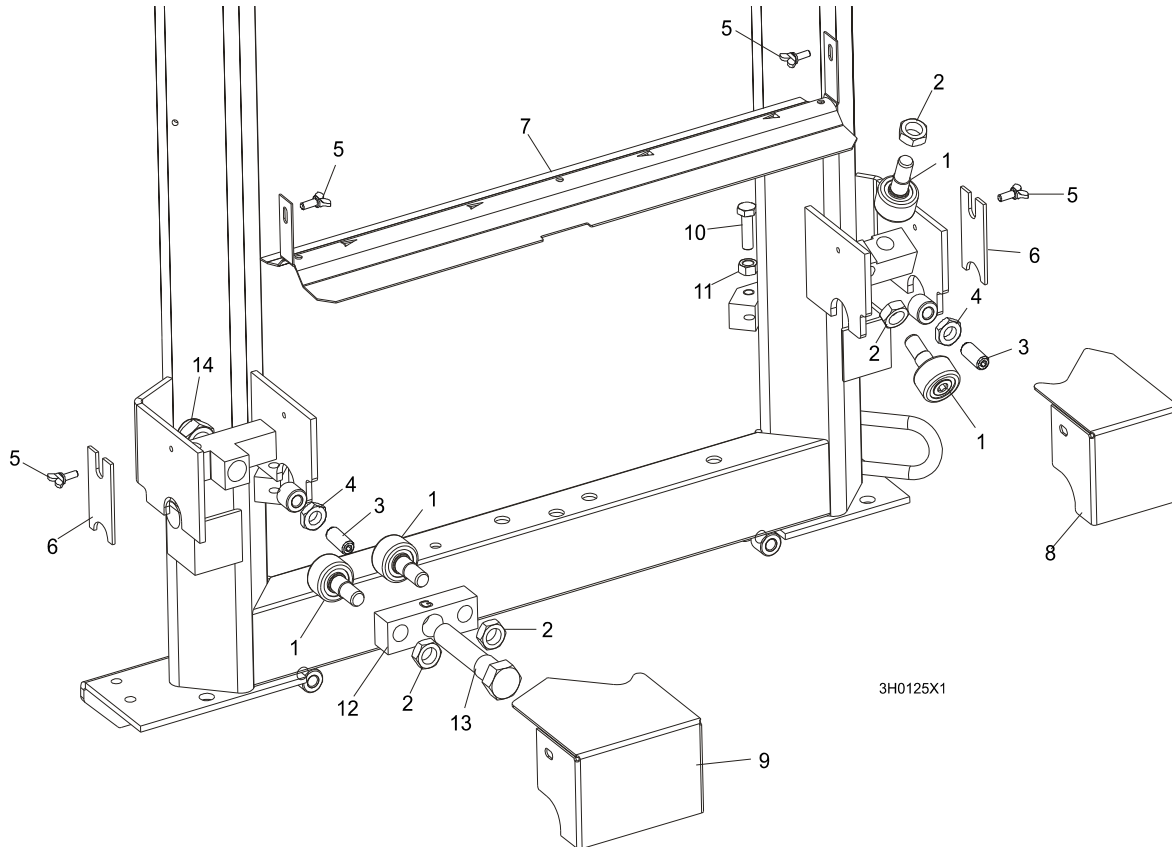
6.6 Safety Switches



| REF | DESCRIPTION (◆ Indicates Parts Available In Assemblies Only) | PART # | QTY. | |
|-----|--|----------|------|--|
| | KIT, LT40 UP/DOWN LOWER SAFETY SWITCH | 504038 | 1 | |
| 1 | STUFFING-BOX, SKINTOP PG 13,5 | 086524 | 1 | |
| 2 | CAM, LIMIT SWITCH | 094229-1 | 1 | |
| 3 | SWITCH, GLCB01C LIMIT | 100910 | 1 | |
| 4 | BRACKET, LT40 LOWER SAFETY SWITCH | 504035-1 | 1 | |
| 5 | BOLT, M8x20-8.8-B HEX HEAD FULL THREAD | F81002-4 | 4 | |
| 6 | BOLT, M4x35-8.8 SOCKET HEAD ZINC | F81011-7 | 2 | |
| 7 | NUT, M4-B FE/ZN5 PN-M/82175 | F81029-1 | 2 | |
| 8 | WASHER, 4.3 FE/ZN5 PN-M/82005 | F81051-2 | 4 | |
| 9 | WASHER, 8.4 FLAT ZINC | F81054-1 | 4 | |
| 10 | WASHER, 8.2 SPLIT LOCK ZINC | F81054-4 | 4 | |

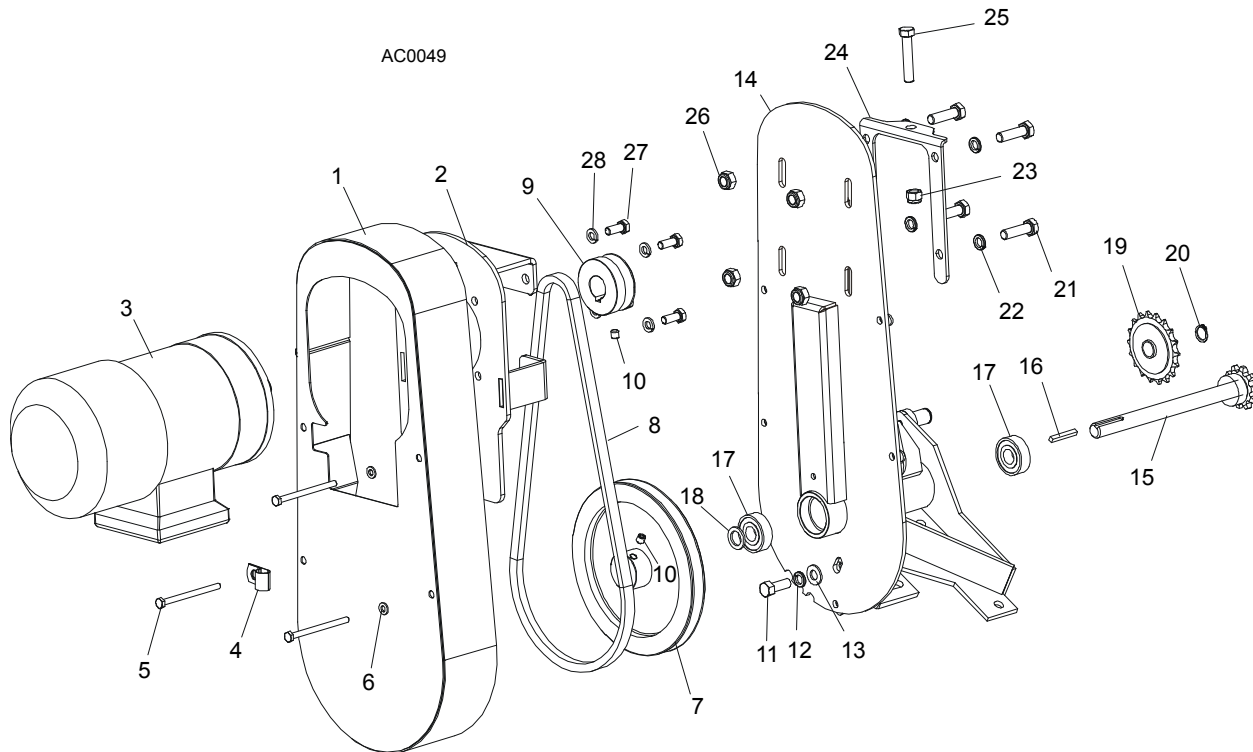
SECTION 7 POWER FEED & TRACK ROLLERS

7.1 Upper Track Rollers And Wipers



| REF | DESCRIPTION (◆ Indicates Parts Available In Assemblies Only) | PART # | QTY. |
|-----|--|-----------|------|
| 1 | ROLLER, TRACK CAM BEARING | P12843 | 4 |
| 2 | NUT, 5/8-18 HEX JAM | F05010-11 | 4 |
| 3 | SCREW, M12 X 30 OVAL POINT SET | F81004-14 | 2 |
| 4 | NUT, M12-8-B HEX JAM | F81034-1 | 2 |
| 5 | SCREW, M6 X 16 THUMB | F81001-16 | 4 |
| 6 | WIPER, PLASTIC TRACK | M04113 | 2 |
| 7 | COVER, LT40/70 MIDDLE TRACK - SERVICE | 092868-S | 1 |
| | Cover, LT40/70 Middle Track Ptd | 092868-1 | 1 |
| | Strip, 3/16 X 2 X 23 Felt | S09915 | 1 |
| 8 | HOUSING, UPPER TRACK ROLLER REAR | 086913-1 | 1 |
| 9 | HOUSING, UPPER TRACK ROLLER FRONT | 086914-1 | 1 |
| 10 | BOLT, M10 X 35-8.8 HEX HEAD | F81003-17 | 2 |
| 11 | NUT, M10-8 HEX JAM | F81033-3 | 2 |
| 12 | BRACKET, UPPER TRACK ROLLER | 086859-1 | 1 |
| 13 | BOLT, HEX HEAD | 086911 | 1 |
| 14 | NUT, M20-8 HEX | F81037-2 | 1 |

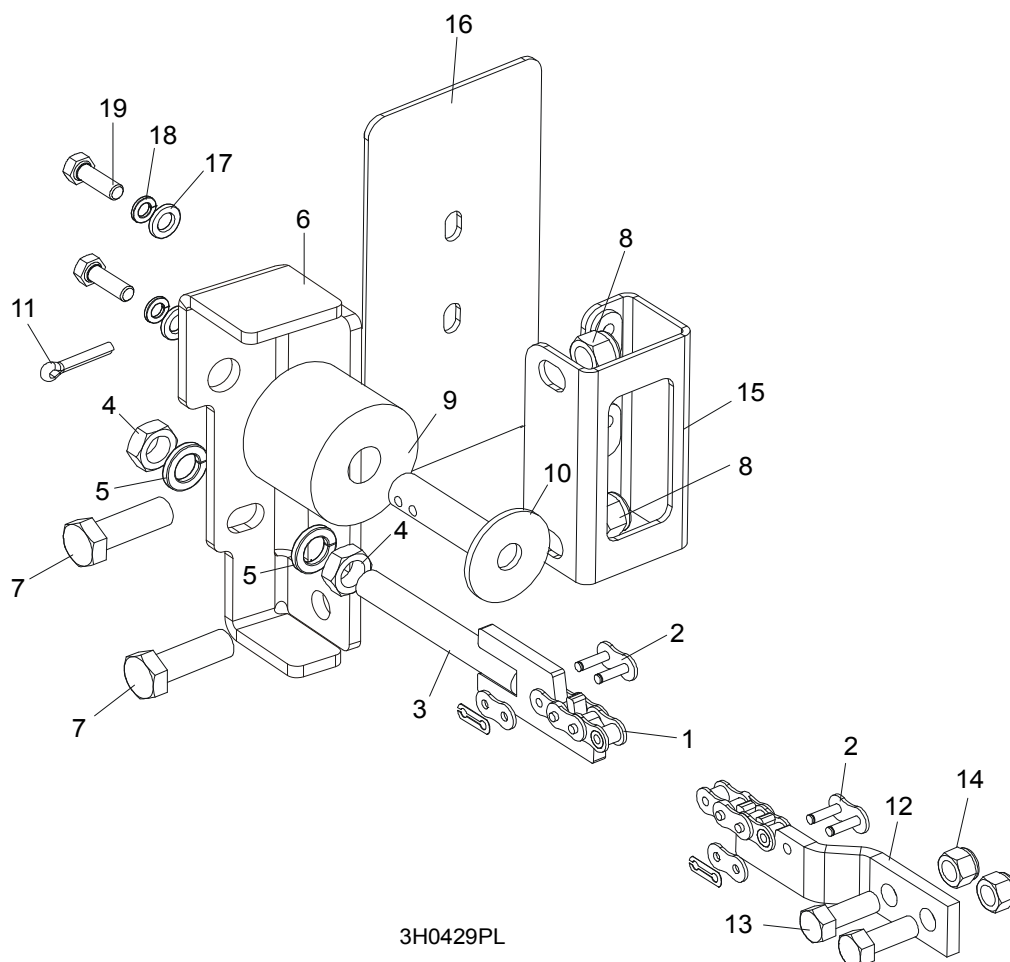
7.2 Power Feed Assembly, LT40AC Series MH



| REF | DESCRIPTION (◆ Indicates Parts Available In Assemblies Only) | PART # | QTY. |
|-----|--|-----------|------|
| | POWER FEED ASSEMBLY, AC SUPER | 086522 | 1 |
| 1 | Cover Weldment, Top Power Feed | 015128 | 1 |
| 2 | Plate, Power Feed Motor | 086390 | 1 |
| 3 | Motor, 1100 W Power Feed Painted,AC Super | 086530 | 1 |
| 4 | Clamp, 1/2" EMT Coated | P07584 | 1 |
| 5 | Bolt, M6 x 80 5.8 Hex Head Grade | F81001-61 | 4 |
| 6 | Washer, 6.4 Flat | F81053-1 | 4 |
| 7 | Sheave, Power Feed | 086410-1 | 1 |
| 8 | Belt, Power Feed | 086532 | 1 |
| 9 | Sheave, Feed Motor | 086388-1 | 1 |
| 10 | Screw, M8 X 8-33H Hex Socket Set Flat Point Zinc | F81014-1 | 2 |
| 11 | Bolt, 3/8-16 x 1" Hex Head | F05007-7 | 1 |
| 12 | Washer, 3/8" Split Lock | F05011-4 | 5 |
| 13 | Washer, 3/8" Flat | F05011-3 | 5 |
| 14 | Bracket, Power Feed Mount | 015162 | 1 |
| 15 | Shaft Weldment, Power Feed | 015129 | 1 |
| 16 | Key, 3/16" Square x 1 3/8" Long | 016108 | 1 |
| 17 | Bearing, 6203-2RSP6-5/8 CX | 095087 | 2 |
| 18 | Washer, 5/8" x 15/16" x .094" Nylon | F05011-19 | 1 |
| 19 | Sprocket, 40 Idler 18T 5/8" ID | P04333 | 1 |
| 20 | Ring, Z15 | F81090-2 | 1 |
| 21 | Bolt, M10x35-8.8Hex Head Full Thread Zinc | F81003-17 | 4 |
| 22 | Washer, 10.2 Split Lock Zinc | F81055-2 | 1 |
| 23 | Nut, 3/8-16 Hex Nylon Lock | F05010-10 | 1 |

| | | | | |
|-----------|---|-----------|---|--|
| 24 | Bracket, Power Feed Mount | 015162-1 | 1 | |
| 25 | Bolt, 3/8-16 x 2" Hex Head Full Thread Zinc | F05007-16 | 1 | |
| 26 | Nut, M10-8-B Hex Nylon Zinc Lock | F81033-1 | 1 | |
| 27 | Bolt, M8x20-8.8-B Hex Head Full Thread Zinc | F81002-4 | 4 | |
| 28 | Washer, 8.2 Split Lock Zinc | F81054-4 | 4 | |

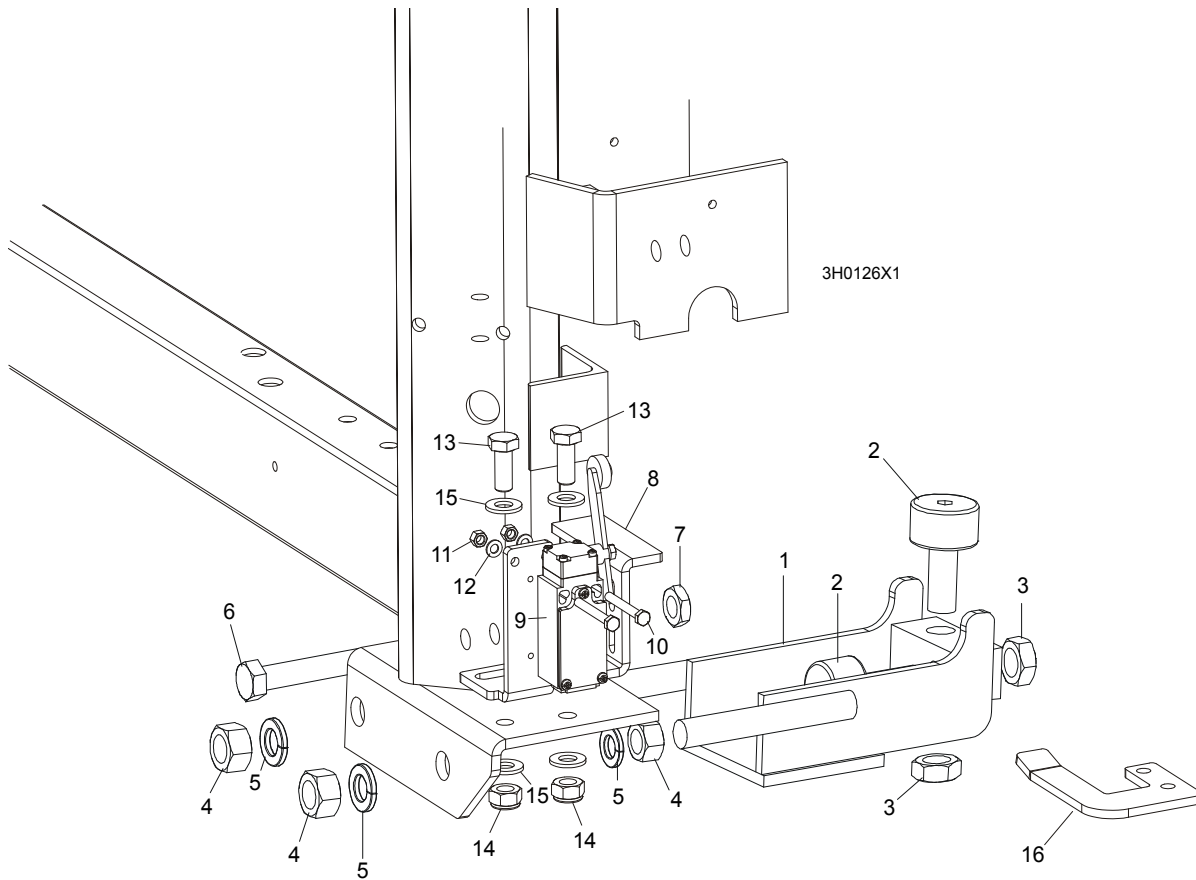
7.3 Feed Chain/Stop



| REF | DESCRIPTION (◆ Indicates Parts Available In Assemblies Only) | PART # | QTY. | |
|-----|--|--------------------------|------|--|
| | CHAIN KIT, LT40S FEED | K10408 | 1 | |
| | CHAIN KIT, LT40M FEED | K10410 | 1 | |
| 1 | Chain, #40 X 215" LT40S Feed | 014744 | 1 | |
| | Chain, #40 X 267.5" LT40M Feed | 014745 | 1 | |
| 2 | Link, #40 Master | P04200 | 2 | |
| 3 | Tensioner Weldment, Power Feed Chain | 086818-1 | 1 | |
| 4 | Nut, M12-5 Hex Jam | F81034-4 | 2 | |
| 5 | Washer, 12.2 Split Lock | F81056-2 | 2 | |
| 6 | BRACKET, FEED CHAIN REAR MOUNT | 087628-1 | 1 | |
| 7 | BOLT, M12 X 40 8.8 HEX HEAD GRADE 5 | F81004-4 | 2 | |
| 8 | NUT, M12-8 HEX NYLON LOCK | F81034-2 | 2 | |
| | STOP KIT, RUBBER CARRIAGE | K09630 | 2 | |
| 9 | Stop, Rubber Carriage | P12165 | 1 | |
| 10 | Pin, Rubber Carriage Stop | W09293 | 1 | |
| 11 | Pin, 3/16" X 1" Cotter | F05012-21 | 1 | |
| 12 | BRACKET, FRONT FEED CHAIN MOUNT | 095733-1 | 1 | |
| 13 | BOLT, 3/8-16 X 1" HEX HEAD | F05007-7 | 2 | |
| 14 | NUT, 3/8-16 HEX NYLON LOCK | F05010-10 | 2 | |
| 15 | BRACKET WELDMENT, REAR MAIN TUBE COVER MOUNT | 087105-1 | 1 | |

| | | | | |
|----|-----------------------------|----------|---|--|
| 16 | COVER, REAR MAIN TUBE | 015023 | 1 | |
| 17 | WASHER, 8.4 FLAT | F81054-1 | 2 | |
| 18 | WASHER, 8.2 SPLIT LOCK | F81054-4 | 2 | |
| 19 | BOLT, 5/16-18 X 1" HEX HEAD | F05006-1 | 2 | |

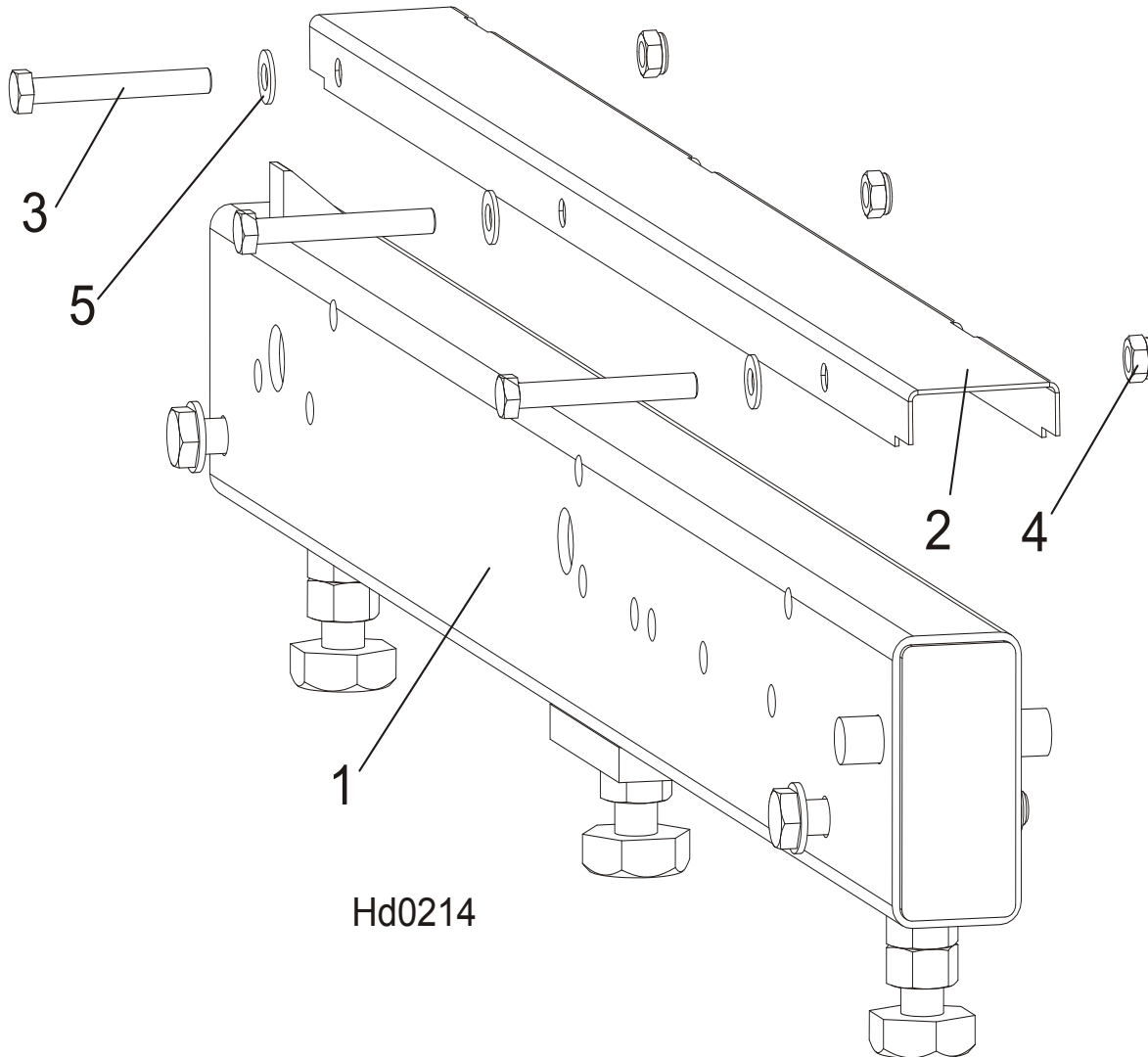
7.4 Lower Track Rollers



| REF | DESCRIPTION (◆ Indicates Parts Available In Assemblies Only) | PART # | QTY. |
|-----|--|------------|------|
| | ROLLER ASSEMBLY, LOWER TRACK | 098741 | 2 |
| 1 | Bracket, Lower Track Roller Mounting | 098740-1 | 1 |
| 2 | Roller, Track Cam Bearing (McGill) | 012797 | 2 |
| 3 | Nut, 5/8-18 Hex Jam | F05010-11 | 2 |
| 4 | Nut, M16, Hexagon, Grade 5.8 Plain | F81036-1 | 4 |
| 5 | Washer, 16.3 Split Lock | F81058-2 | 4 |
| 6 | BOLT, M12 X 55-8.8 HEX HEAD FULL THREAD | F81004-12 | 2 |
| 7 | NUT, M12-8-B HEX JAM | F81034-1 | 2 |
| 8 | BRACKET, POWER SUPPLY STRIP AND LIMIT SWITCH | 086380-1 | 1 |
| 9 | SWITCH, GLCB01A2B LIMIT | 086469 | 1 |
| 10 | BOLT, M5 X 40 8.8 HEX HEAD | F810000-11 | 2 |
| 11 | NUT, M5-8 | F81030-1 | 2 |
| 12 | WASHER, 5.3 FLAT | F81052-1 | 2 |
| 13 | BOLT, M10 X 25 8.8 | F81003-11 | 2 |
| 14 | NUT, M10 NYLON | F81033-1 | 2 |
| 15 | WASHER, 10.5 FLAT | F81055-1 | 2 |
| 16 | BRACKET, LIMIT SWITCH | 091852-1 | 1 |

SECTION 8 BED FRAME ASSEMBLY

8.1 Bed Rail Assembly, Front (S/M Type Frame)



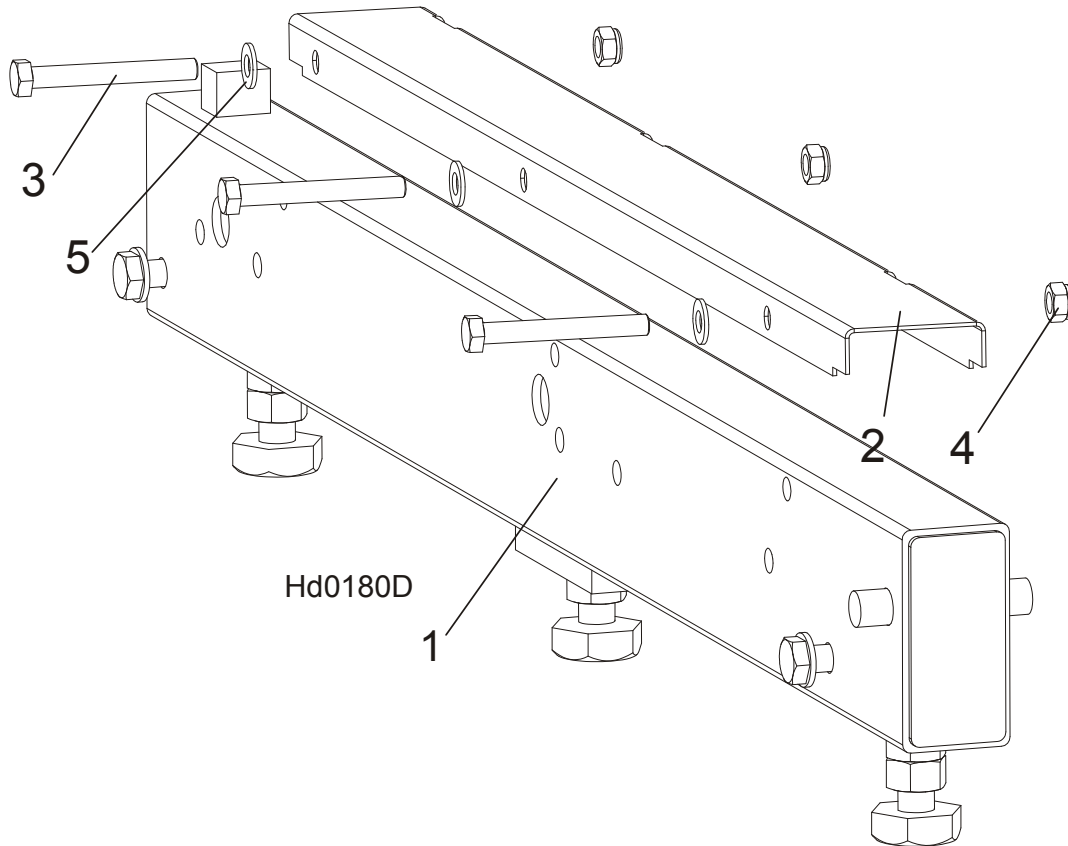
Hd0214

| REF. | DESCRIPTION (◆ Indicates Parts Available In Assemblies Only) | PART # | QTY. |
|------|--|----------|------|
| 1 | BED DRIVE ROLLER (S&M FRAME) | 100676 | 1 |
| 2 | COVER, STAINLESS STEEL BED RAIL | 099124 | 1 |
| 3 | BOLT, M8X65-5,8 ZINC HEX HEAD | F81002-3 | 3 |
| 4 | NUT, M8-8-B-ZINC HEX NYLON LOCK | F81032-2 | 3 |
| 5 | WASHER, 8.4 FLAT ZINC | F81054-1 | 3 |

8 Bed Frame Assembly

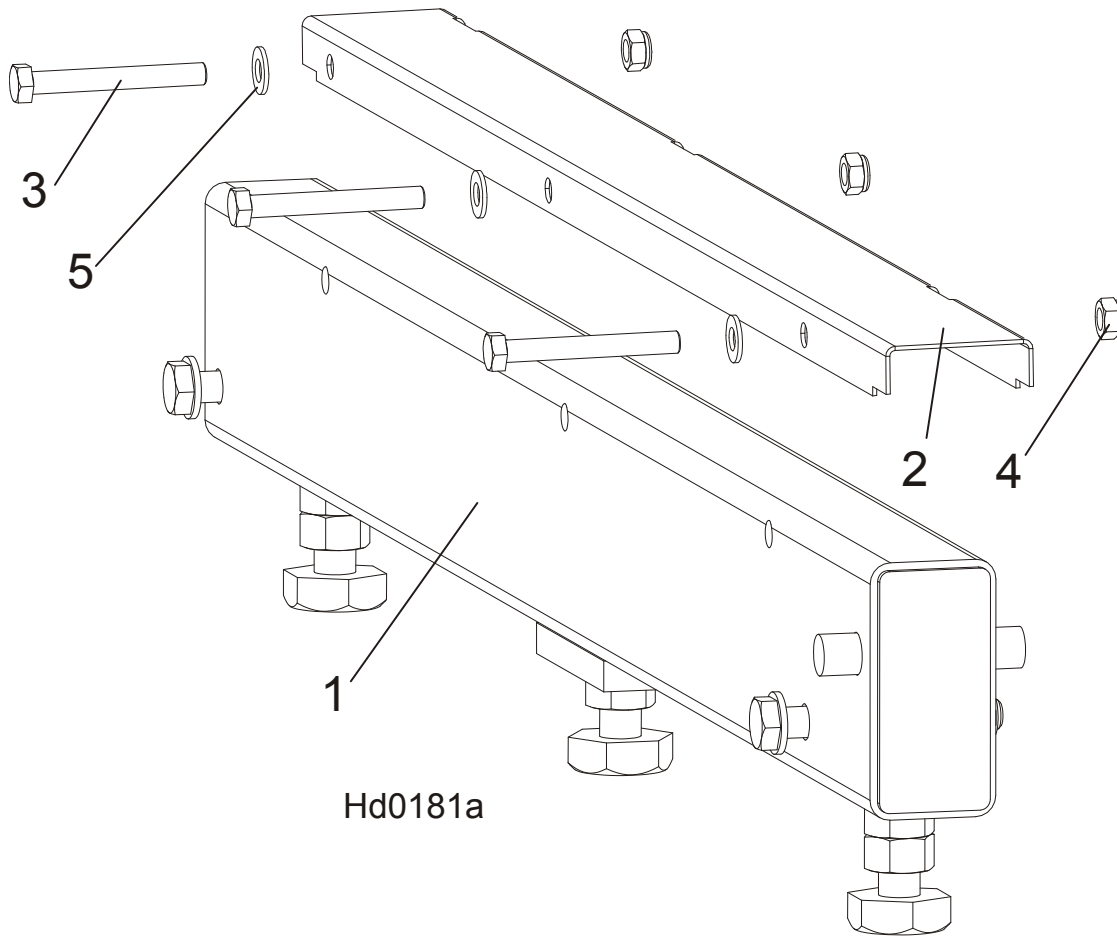
Bed Rail Assembly, Rear (S/M Type Frame)

8.2 Bed Rail Assembly, Rear (S/M Type Frame)



| REF. | DESCRIPTION (◆ Indicates Parts Available In Assemblies Only) | PART # | QTY. | |
|------|--|----------|------|--|
| 1 | BED RAIL ASSEMBLY, REAR PAINTED | 091555 | 1 | |
| 2 | COVER, STAINLESS STEEL BED RAIL | 099124 | 1 | |
| 3 | BOLT, M8X65-5,8 ZINC HEX HEAD | F81002-3 | 3 | |
| 4 | NUT, M8-8-B-ZINC HEX NYLON LOCK | F81032-2 | 3 | |
| 5 | WASHER, 8.4 FLAT ZINC | F81054-1 | 3 | |

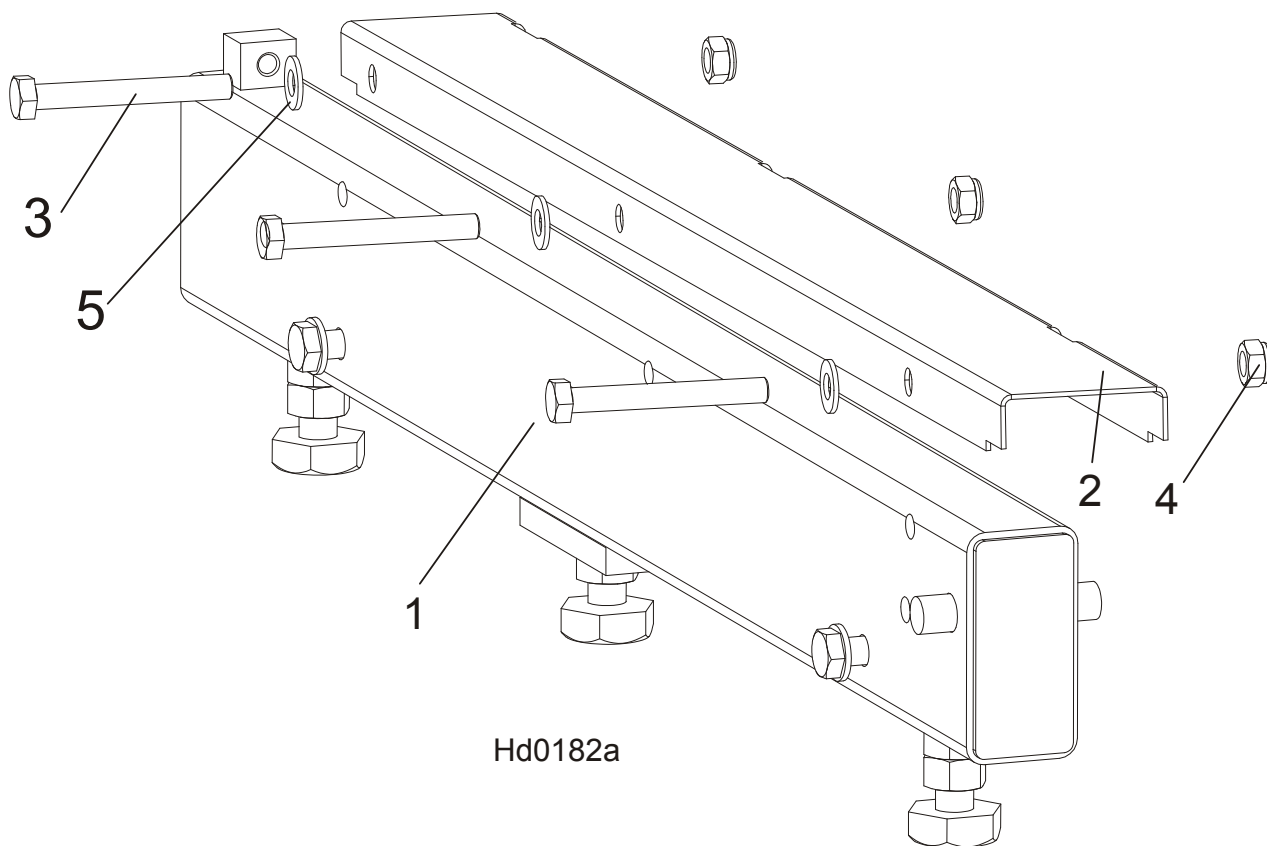
8.3 Bed Rail Assembly, Front Middle (S/M Type Frame)



Hd0181a

| REF. | DESCRIPTION (◆ Indicates Parts Available In Assemblies Only) | PART # | QTY. |
|------|--|----------|------|
| 1 | BED RAIL ASSEMBLY, FRONT MIDDLE | 091556 | 1 |
| 2 | COVER, STAINLESS STEEL BED RAIL | 099124 | 1 |
| 3 | BOLT, M8X65-5,8 ZINC HEX HEAD | F81002-3 | 3 |
| 4 | NUT, M8-8-B-ZINC HEX NYLON LOCK | F81032-2 | 3 |
| 5 | WASHER, 8.4 FLAT ZINC | F81054-1 | 3 |

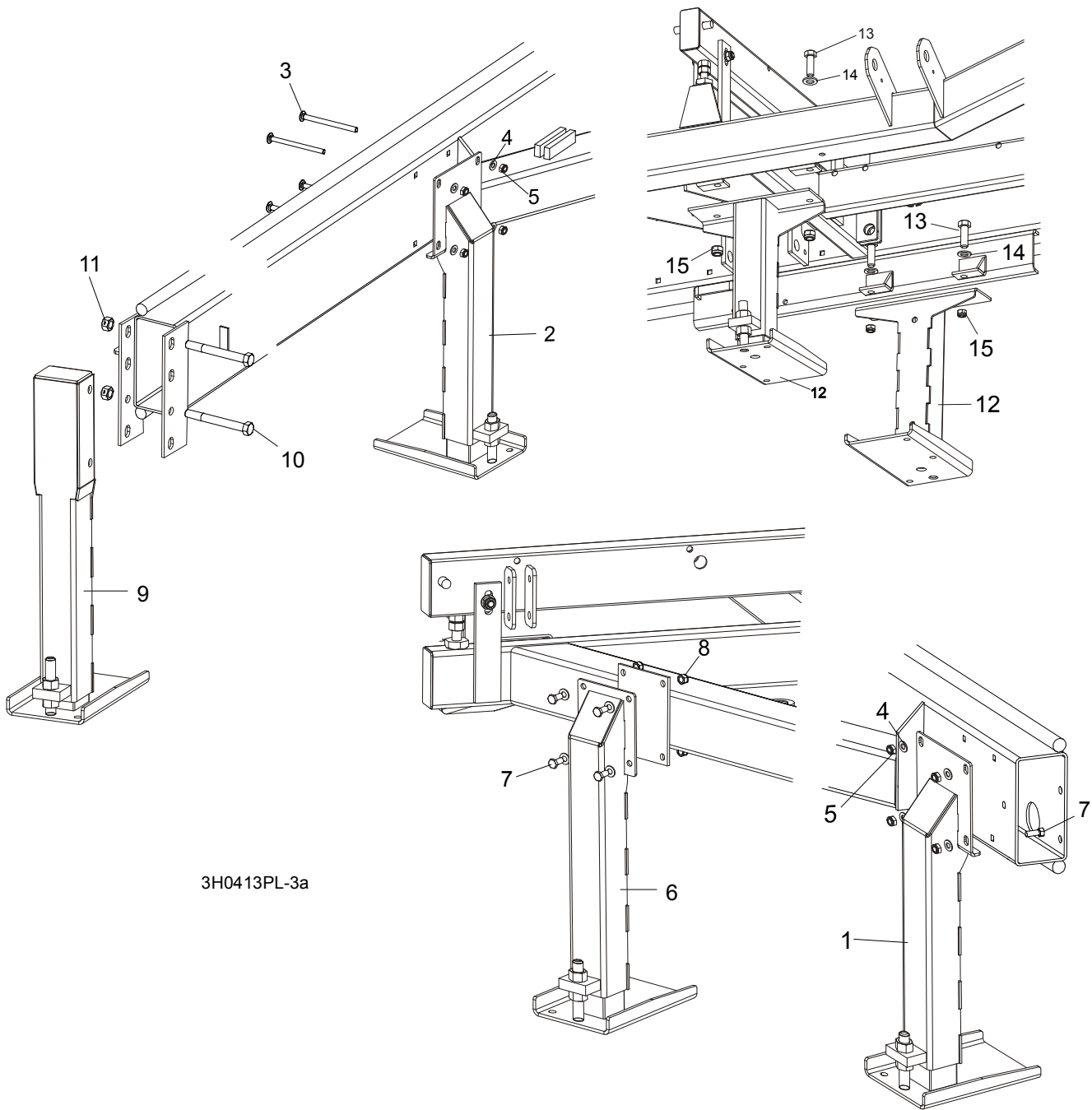
8.4 Bed Rail Assembly, Rear Middle



Hd0182a

| REF. | DESCRIPTION (◆ Indicates Parts Available In Assemblies Only) | PART # | QTY. |
|------|--|----------|------|
| 1 | BED RAIL ASSEMBLY, REAR MIDDLE PAINTED | 091557 | 1 |
| 2 | COVER, STAINLESS STEEL BED RAIL | 099124 | 1 |
| 3 | BOLT, M8X65-5,8 ZINC HEX HEAD | F81002-3 | 3 |
| 4 | NUT, M8-8-B-ZINC HEX NYLON LOCK | F81032-2 | 3 |
| 5 | WASHER, 8.4 FLAT ZINC | F81054-1 | 3 |

8.5 Leg, Stationary



3H0413PL-3a

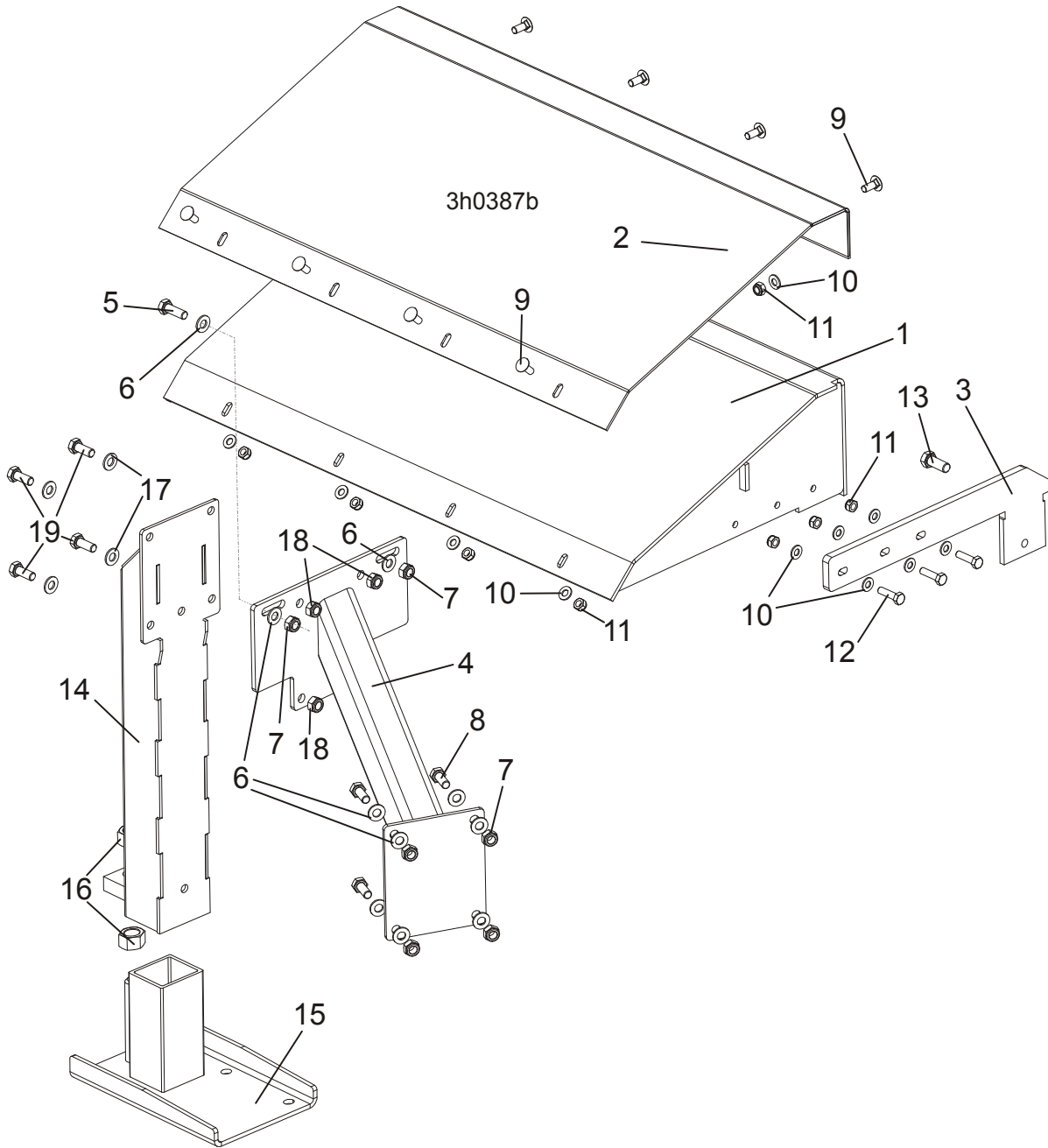
| REF. | DESCRIPTION (◆ Indicates Parts Available In Assemblies Only) | PART # | QTY. |
|------|--|-----------|------|
| 1 | LEG, OUTRIGGER STATIONARY RIGHT (1 REQ'D FOR LT40SD; 3 REQ'D FOR LT40) | 501640 | 1/3 |
| 2 | LEG, OUTRIGGER STATIONARY W/BOARD RETURN TABLE BRACKET | 501638 | 1 |
| 3 | BOLT, M10 X 120-8.8 CARRIAGE HEAD | F81003-33 | 8/12 |
| 4 | WASHER, 10.5 FLAT | F81055-1 | 8/16 |
| 5 | NUT, M10-8-B HEX NYLON LOCK | F81033-1 | 8/16 |
| 6 | LEG, OUTRIGGER STATIONARY LEFT | 501639 | 2 |
| 7 | BOLT, M10 X 25-8.8 HEX HEAD | F81003-11 | 12 |

8 Bed Frame Assembly

Leg, Stationary

| | | | | |
|----|--------------------------------------|----------|----|--|
| 8 | NUT, M10-8-B HEX NYLON LOCK | F81033-1 | 12 | |
| 9 | LEG, OUTRIGGER STATIONARY FRONT | 501641 | 1 | |
| 10 | BOLT, M16 X 140-8.8 HEX HEAD GRADE 5 | F81006-4 | 2 | |
| 11 | NUT, M16-8 HEX LOCK | F81036-2 | 2 | |
| 12 | LEG, OUTRIGGER STATIONARY MIDDLE | 501637 | 2 | |
| 13 | BOLT, M16 X 50-8.8 HEX HEAD | F81006-7 | 4 | |
| 14 | WASHER, 17 FLAT | F81058-1 | 4 | |
| 15 | NUT, M16 NYLON LOCK | F81036-2 | 4 | |

8.6 Board Removal Assembly, "M" Frame Sawmills with A/DH1-3 Hydraulics (Option)



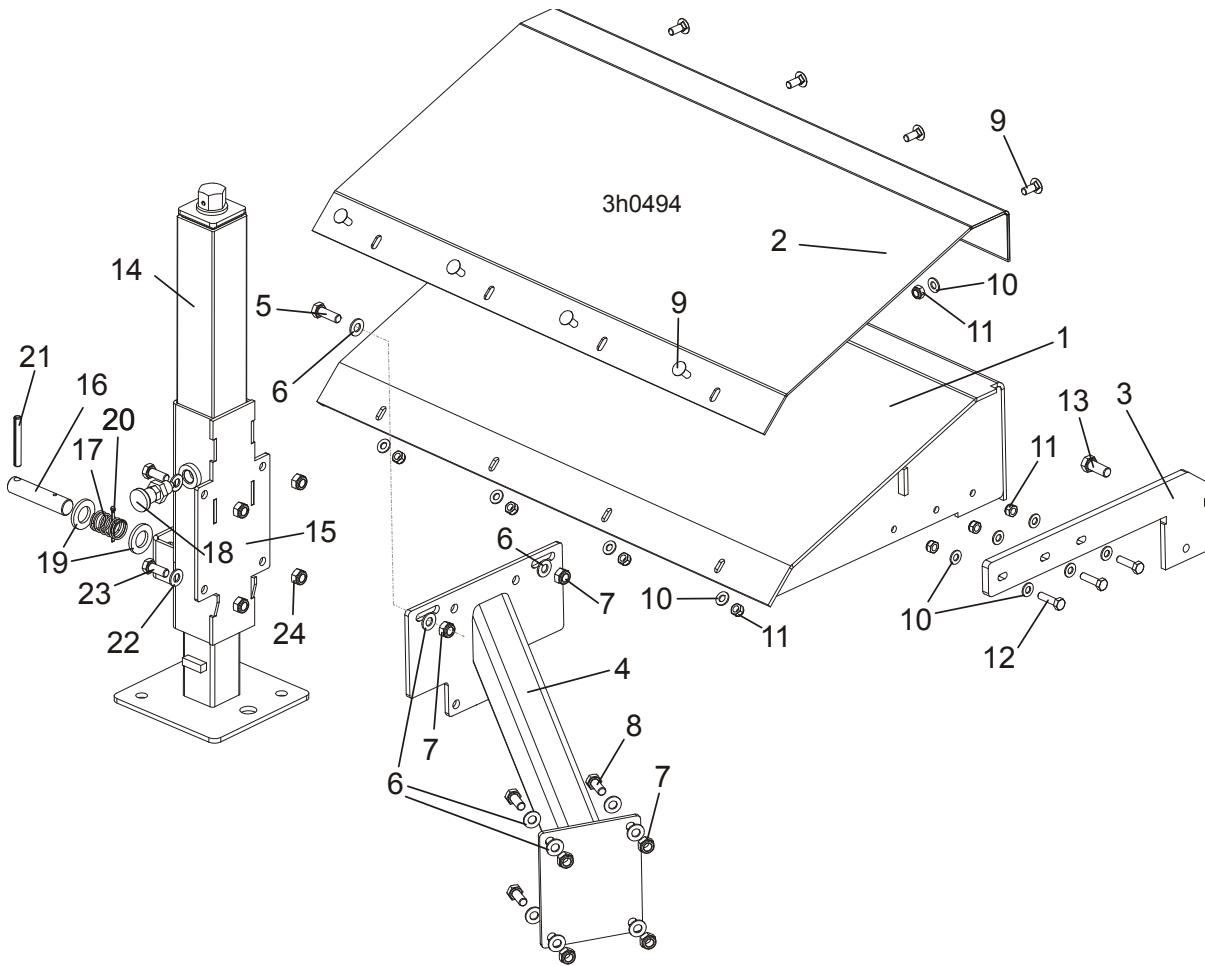
| REF. | DESCRIPTION (◆ Indicates Parts Available In Assemblies Only) | PART # | QTY. |
|------|--|---------------|----------|
| | BOARD REMOVAL ASSEMBLY, LT40M (A/DH1-3) | 100660 | 1 |
| | BOARD REMOVAL ASSEMBLY See Section 4.3 | 087839-1 | 1 |
| | TABLE ASSEMBLY, "M" FRAME | 099939 | 1 |
| 1 | Table, "M" Frame | 100672-1 | 1 |
| 2 | Plate, Table Top | 099946 | 1 |
| 3 | Plate, Leg Mount | 099945-1 | 1 |
| 4 | Tube Weldment, "M" Frame Table Support | 099941-1 | 1 |
| 5 | Bolt, M10x30-5.8 Hex Head Full Thread Zinc | F81003-2 | 2 |

8

Bed Frame Assembly*Board Removal Assembly, "M" Frame Sawmills with A/DH1-3 Hydraulics (Option)*

| | | | | |
|----|--|---------------|----------|--|
| 6 | Washer, 10.5 Flat Zinc | F81055-1 | 12 | |
| 7 | Nut, M10-8-B Hex Nylon Zinc Lock | F81033-1 | 6 | |
| 8 | Bolt, M10x25-8.8 Hex Head Full Thread Zinc | F81003-11 | 4 | |
| 9 | Bolt, M8x20-8.8 Carriage Head Zinc | F81002-11 | 8 | |
| 10 | Washer, 8.4 Flat Zinc | F81054-1 | 14 | |
| 11 | Nut, M8-8-B Hex Nylon Zinc Lock | F81032-2 | 11 | |
| 12 | Bolt, M8x30-5.8 Hex Head Full Thread Zinc | F81002-2 | 3 | |
| 13 | Bolt, M12x30-8.8 Hex Head Full Thread Zinc | F81004-22 | 1 | |
| | LEG, LEFT STATIONARY ADJUSTABLE | 501639 | 1 | |
| 14 | Leg Weldment - Upper Part | 500545-1 | 1 | |
| 15 | Wide Foot - Adjustable Legs | 501084-1 | 1 | |
| 16 | Nut, M20-8 Hex Zinc | F81037-1 | 2 | |
| 17 | Washer, 10.5 Flat Zinc | F81055-1 | 4 | |
| 18 | Nut, M10-8-B Hex Nylon Zinc Lock | F81033-1 | 4 | |
| 19 | Bolt, M10x25-8.8 Hex Head Full Thread Zinc | F81003-11 | 4 | |

8.7 Board Removal Assembly, Portable "M" Frame Sawmills with A/DH1-3 Hydraulics (Option)



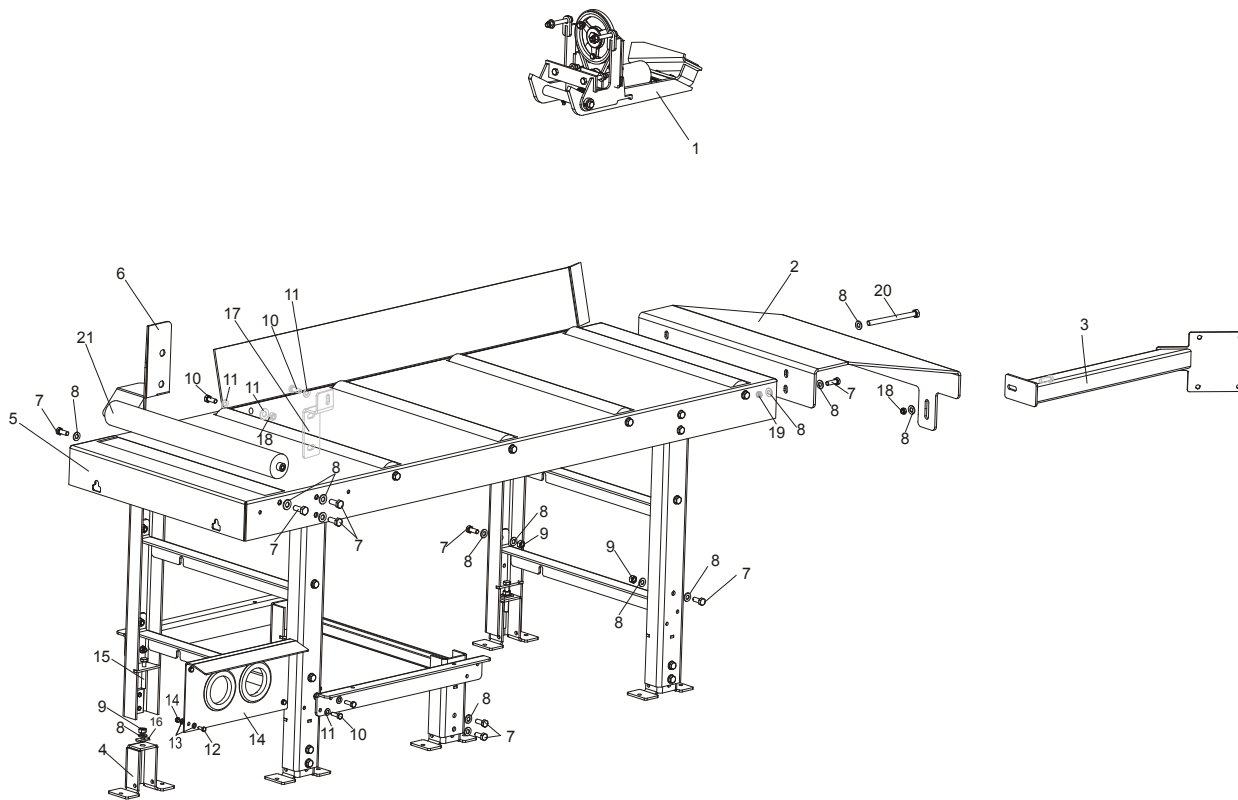
| REF. | DESCRIPTION (◆ Indicates Parts Available In Assemblies Only) | PART # | QTY. |
|------|--|---------------|----------|
| | BOARD REMOVAL ASSEMBLY, LT40M AH/DH1-3 PORTABLE | 506530 | 1 |
| | BOARD REMOVAL ASSEMBLY (See Section 4.5) | 087839-1 | 1 |
| | TABLE ASSEMBLY, "M" FRAME PORTABLE | 506529 | 1 |
| 1 | Table, "M" Frame | 100672-1 | 1 |
| 2 | Plate, Table Top | 099946 | 1 |
| 3 | Plate, Leg Mount | 099945-1 | 1 |
| 4 | Tube Weldment, "M" Frame Table Support | 099941-1 | 1 |
| 5 | Bolt, M10x30-5.8 Hex Head Full Thread Zinc | F81003-2 | 2 |
| 6 | Washer, 10.5 Flat Zinc | F81055-1 | 12 |
| 7 | Nut, M10-8-B Hex Nylon Zinc Lock | F81033-1 | 6 |
| 8 | Bolt, M10x25-8.8 Hex Head Full Thread Zinc | F81003-11 | 4 |
| 9 | Bolt, M8x20-8.8 Carriage Head Zinc | F81002-11 | 8 |
| 10 | Washer, 8.4 Flat Zinc | F81054-1 | 14 |
| 11 | Nut, M8-8-B Hex Nylon Zinc Lock | F81032-2 | 11 |
| 12 | Bolt, M8x30-5.8 Hex Head Full Thread Zinc | F81002-2 | 3 |
| 13 | Bolt, M12x30-8.8 Hex Head Full Thread Zinc | F81004-22 | 1 |
| | LEG, COMPLETE SIDE FAO | 094583 | 1 |

8

Bed Frame Assembly*Board Removal Assembly, Portable "M" Frame Sawmills with A/DH1-3 Hydraulics (Option)*

| | | | | |
|----|--|-----------|---|--|
| 14 | BASE WELDMENT, FINE ADJUST OUTRIGGER LEG | 093589 | 1 | |
| 15 | GUIDE WELDMENT, SIDE FAO LEG | 504243-1 | 1 | |
| 16 | PIN, OUTRIGGER ZINC-PLATED | 087012-1 | 1 | |
| 17 | SPRING, 21 DIA.x38x2 ZINC-PLATED | 087040 | 1 | |
| 18 | PIN, DETENT | 090197 | 1 | |
| 19 | WASHER, 21 FLAT ZINC | F81059-2 | 2 | |
| 20 | PIN, S-Zn 4x25 COTTER | F81043-2 | 1 | |
| 21 | PIN, 8x65 ROLL ZINC | F81046-1 | 1 | |
| 22 | WASHER, 10.5 FLAT ZINC | F81055-1 | 4 | |
| 23 | BOLT, M10x25-8.8 HEX HEAD FULL THREAD ZINC | F81003-11 | 4 | |
| 24 | NUT, M10-8-B HEX NYLON ZINC LOCK | F81033-1 | 4 | |

8.8 Board Return Assembly - LT40S Long Table

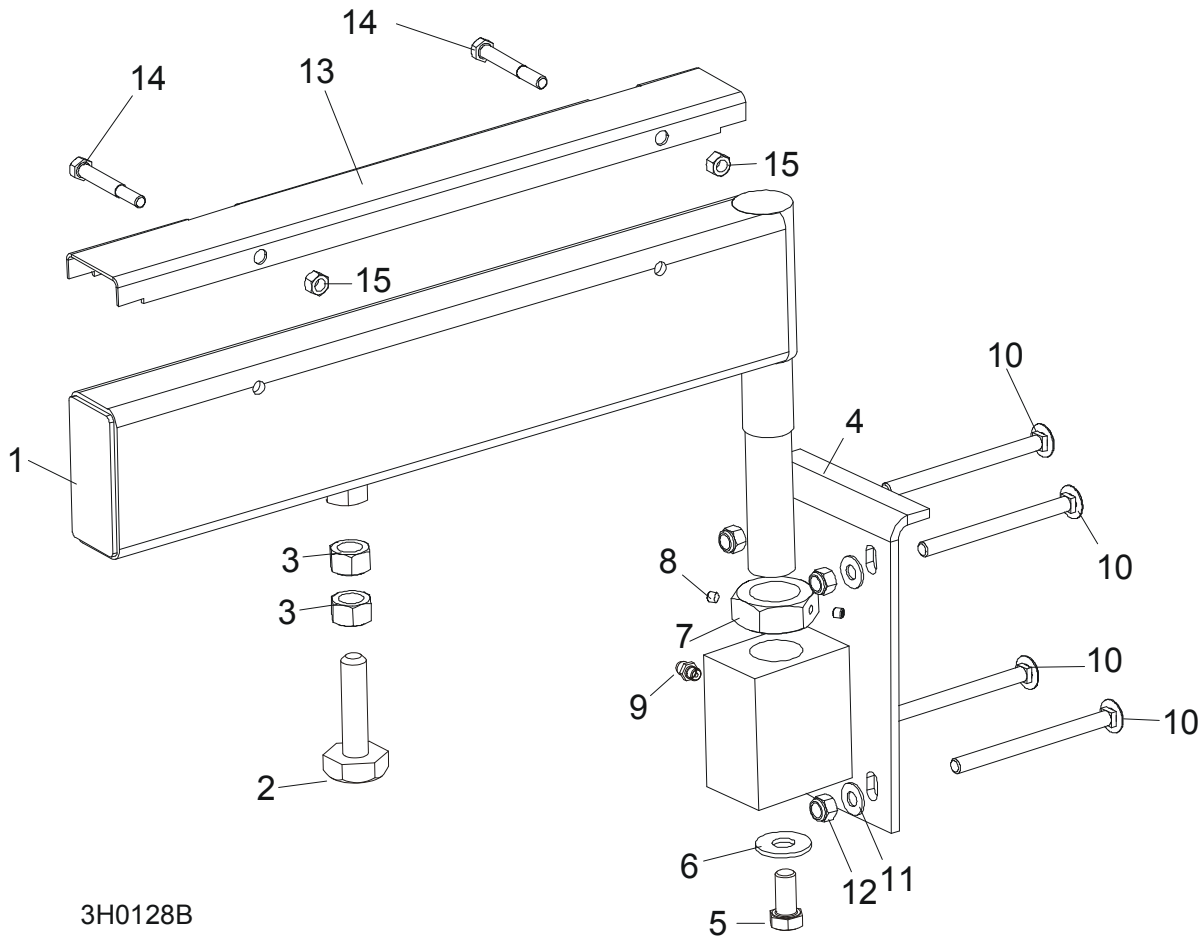


| REF. | DESCRIPTION (◆ Indicates Parts Available In Assemblies Only) | PART # | QTY. |
|------|--|---------------|----------|
| | BOARD RETURN ASSEMBLY- LONG TABLE LT40S | 506173 | 1 |
| 1 | BOARD RETURN ASSEMBLY See Section 4.3 | 087839-1 | 1 |
| 2 | PLATE, OUTFEED TABLE FRONT | 505794-1 | 1 |
| 3 | BRACKET, S-TYPE FRAME LONG TABLE | 506171-1 | 1 |
| 4 | OUTRIGGER, PTD, COMPLETE | 101019 | 6 |
| 5 | TABLE, EDGER | 500078-1 | 1 |
| 6 | COVER, HYDRAULIC HOSE - SPECIAL | 502500-1 | 1 |
| 7 | BOLT, M10 X25-8.8 HEX HEAD FULL THREAD ZINC | F81003-11 | 48 |
| 8 | WASHER, 10.5 FLAT ZINC | F81055-1 | 85 |
| 9 | NUT, M10-8-B HEX ZINC | F81033-3 | 22 |
| 10 | BOLT, M8x25-8.8-B HEX HEAD FULL THREAD ZINC | F81002-5 | 9 |
| 11 | WASHER, 8.4 FLAT ZINC | F81054-1 | 18 |
| 12 | BOLT, M6X16 8.8 HEX HEAD FULL THREAD ZINC | F81001-15 | 4 |
| 13 | WASHER, 6.4 FLAT ZINC | F81053-1 | 10 |
| 14 | COVER, HYDRAULIC HOSES COMPLETE | 504262 | 1 |
| 15 | BOLT M10X70 8.8 HEX HEAD FULL THREAD ZINC | F81003-20 | 6 |
| 16 | NUT, M10X1.5 WELD CENTER | F81033-4 | 6 |
| 17 | BRACKET, TABLE LONG M-TYPE | 506172-1 | 1 |
| 18 | NUT, M8-8-B HEX NYLON ZINC LOCK | F81032-2 | 13 |
| 19 | NUT, M10-8-B HEX NYLON ZINC LOCK | F81033-1 | 5 |

8**Bed Frame Assembly***Board return assembly - LT40S long table*

| | | | | |
|----|-----------------------------------|-----------|---|--|
| 20 | BOLT, M10 X 125-8.8 HEX HEAD ZINC | F81003-18 | 1 | |
| 21 | ROLLER, 63.5/20X600 (EDGER) PTD | 501090-1 | 5 | |

8.9 Pivot Bed Rail Assembly



3H0128B

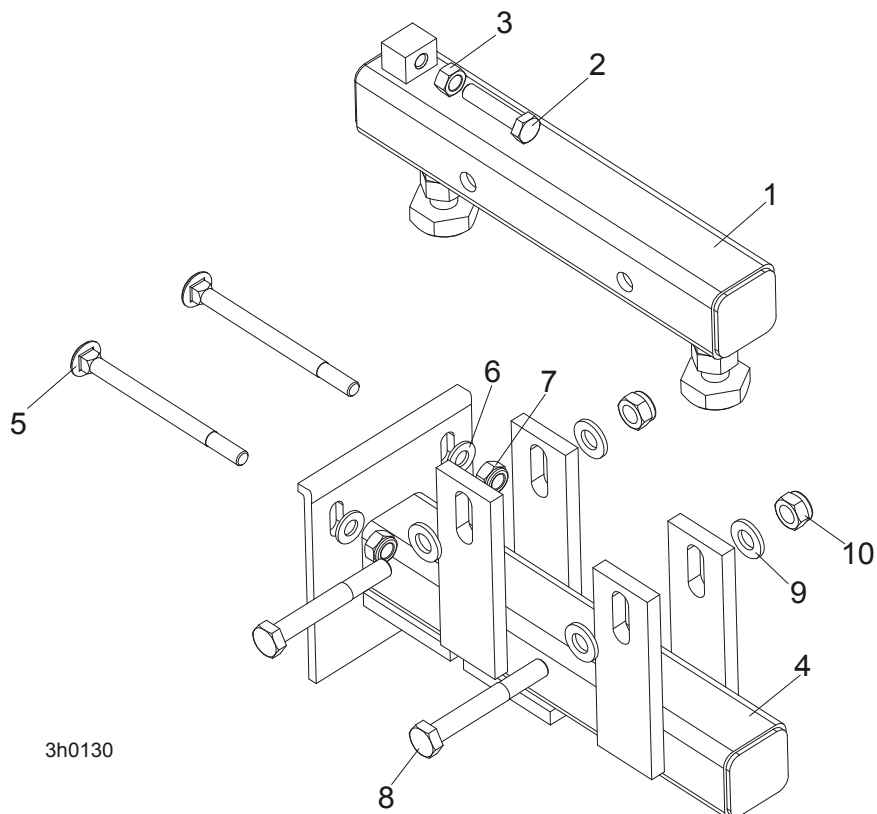
| REF. | DESCRIPTION (◆ Indicates Parts Available In Assemblies Only) | PART # | QTY. |
|------|--|------------|------|
| | PIVOT BED RAIL ASSEMBLY (LT30) | 087829 | 2 |
| | PIVOT BED RAIL ASSEMBLY (LT40) | 087855 | 2 |
| 1 | Pivot Bed Rail Weldment (LT30) | 087852-1 | 1 |
| | Pivot Bed Rail Weldment (LT40) | 087848-1 | 1 |
| | Bolt Assembly, Bed Rail Adjustment | | 1 |
| 2 | Bolt, Bed Rail Adjustment | 086809 | 1 |
| 3 | Nut, 5/8-11 Hex | F81036-1 | 2 |
| 4 | Bracket, Pivot Rail Mounting | 087841-1 | 1 |
| 5 | Bolt, 1/2-13 x 1" Hex Head Grade 2 | F81004-31 | 1 |
| 6 | Washer, 15 Flat | F05011-52 | 1 |
| 7 | NUT, M32x2-04-B ZINC | 087975 | 1 |
| 8 | Screw, 1/4-28 x 1/4" Brass Tip Set | F05005-42 | 2 |
| 9 | Fitting, 3/16" Grease | 086280 | 1 |
| 10 | BOLT, 3M10 X 120-8.8 CARRIAGE HEAD | F81003-14 | 2 |
| 11 | BOLT, 3/8-16 X 5" CARRIAGE HEAD | F05007-113 | 6 |
| 12 | WASHER,10.5 FLAT | F81055-1 | 8 |
| 13 | NUT, M16-8 NYLON LOCK | F81036-2 | 8 |

8 Bed Frame Assembly

Pivot Bed Rail Assembly

| | | | | |
|-----------|--|-----------|---|--|
| | COVER KIT, PIVOT RAIL STAINLESS STEEL (LT30) | 015926 | 2 | |
| | COVER KIT, PIVOT RAIL STAINLESS STEEL (LT40) | N/A | 2 | |
| 14 | Cover, Stainless Steel Pivot Bed Rail (LT30) | 012994 | 1 | |
| | Cover, Stainless Steel Pivot Bed Rail | 099123 | 1 | |
| 15 | Bolt, 5/16-18 X 2 1/2" Hex Head | F05006-10 | 2 | |
| 16 | Nut, 5/16-18 Hex Lock | F05010-6 | 2 | |
| | WRENCH, BED RAIL ADJUSTMENT (See Section 8.3) | 015970 | 1 | |

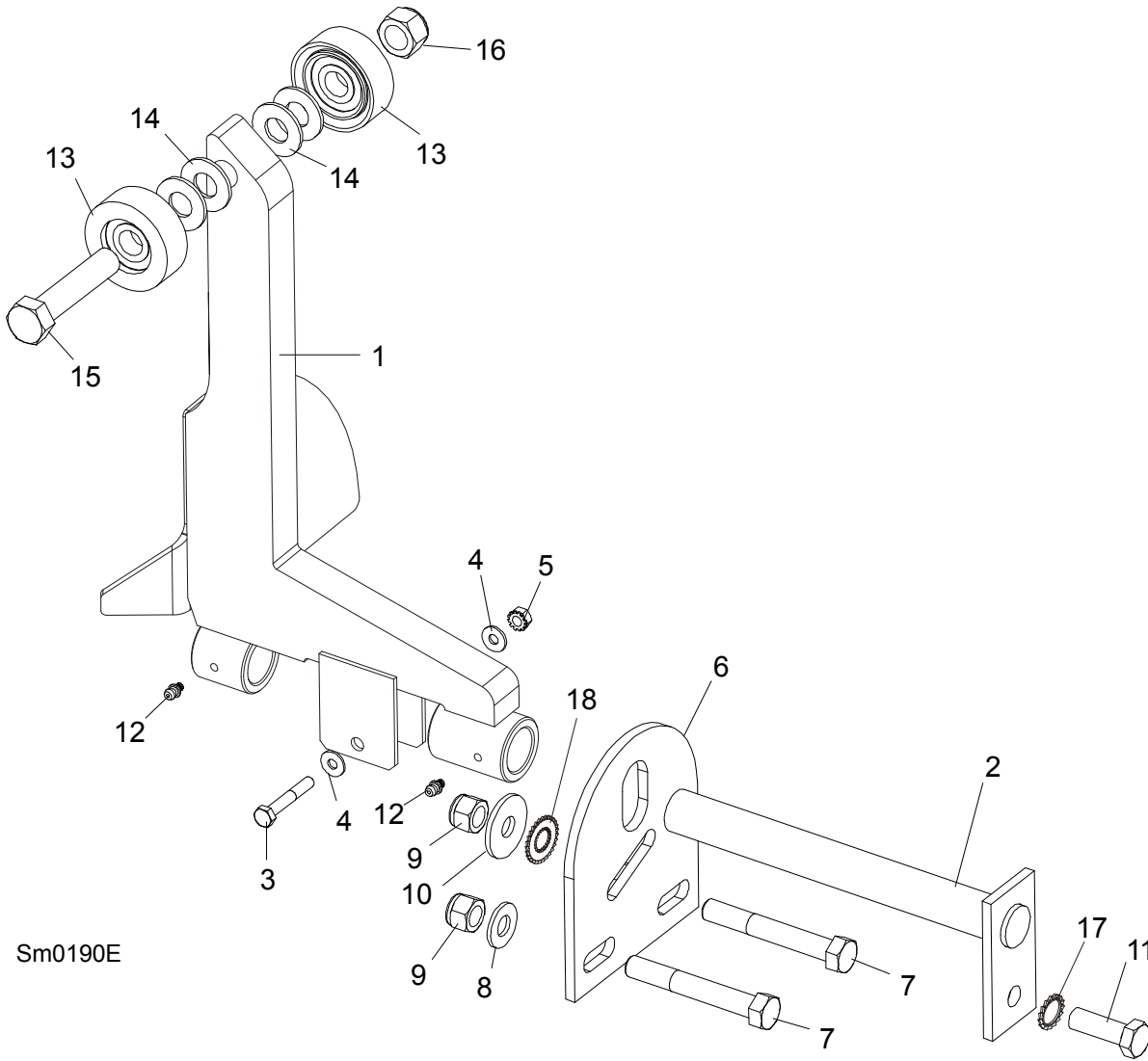
8.10 Bed Rail Assembly, Optional End



3h0130

| REF. | DESCRIPTION (◆ Indicates Parts Available In Assemblies Only) | PART # | QTY. |
|------|--|-----------|------|
| | BED RAIL ASSY, OPTIONAL END | 094102 | 1 |
| 1 | Zinc-plated Bed Rail | 094103-1 | 1 |
| 2 | Bolt, M8X45-8.8 Hex Head Full Thread Zinc | F81002-14 | 1 |
| 3 | Nut, M8-8-B Hex Zinc | F81032-1 | 1 |
| 4 | Bed Rail Weldment, End Painted | 094104-1 | 1 |
| 5 | Bolt, M10x120 8.8 Mushroom Head Square Neck Zinc | F81003-33 | 2 |
| 6 | Washer, 10.5 Zinc Flat | F81055-1 | 2 |
| 7 | Nut, M10-8-B Hex Nylon Zinc Lock | F81033-1 | 2 |
| 8 | Bolt, M12 x 90-8.8 Hex Head Zinc | F81004-2 | 2 |
| 9 | Washer, 13 Zinc Flat | F81056-1 | 4 |
| 10 | Nut, M12-8 Hex Nylon Zinc Lock | F81034-2 | 2 |

8.11 Log Side Support Assembly

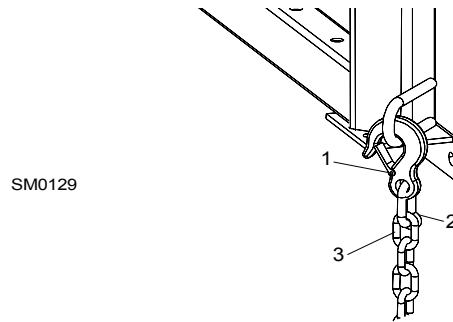


Sm0190E

| REF. | DESCRIPTION (◆ Indicates Parts Available In Assemblies Only) | PART # | QTY. |
|------|--|-----------|------|
| 1 | SUPPORT, LOG SIDE W/GUARD | 099785-1 | 1 |
| 2 | PIN, LOG SIDE SUPPORT PIVOT | 091549-1 | 1 |
| 3 | BOLT, M8X45 - 8.8 HEX HEAD GRADE 5 | F81002-14 | 1 |
| 4 | WASHER, 8.4 FLAT | F81054-1 | 2 |
| 5 | NUT, M8-8-B SELF LOCKING | F81032-2 | 1 |
| 6 | PLATE, LOG SIDE SUPPORT END | 091591-1 | 1 |
| 7 | BOLT, M12 X 75-8.8 HEX HEAD | F81004-21 | 2 |
| 8 | WASHER, 13 FLAT | F81056-1 | 2 |
| 9 | NUT, M12-8 HEX NYLON LOCK | F81034-2 | 3 |
| 10 | WASHER, .5" X 1.63" X 11" GA. | 086184 | 1 |
| 11 | BOLT, M12 X 35-8.8 HEX HEAD | F81004-24 | 1 |
| 12 | FITTING, 3/16" GREASE | P04107 | 2 |
| 13 | ROLLER ASSEMBLY, SIDE SUPPORT | 015014-1 | 2 |
| 14 | WASHER, 17 FLAT | F81058-1 | 2 |
| 15 | BOLT, M16X65-8.8-B HEX HEAD GRADE 5 | F81006-1 | 1 |

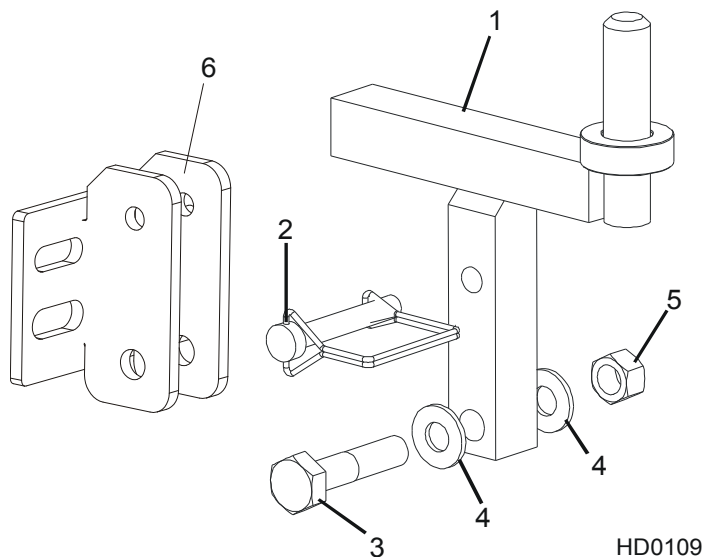
| | | | | |
|----|---|------------|---|--|
| 16 | NUT, M16-8 NYLON LOCK | F81036-2 | 1 | |
| 17 | WASHER, SPECIAL BOSART/2S, BN781 M12/13 | F81056-16 | 1 | |
| 18 | WASHER, SPECIAL BOSART/2S M12/12,3/30,3 | F81056-17 | 1 | |
| | INSTRUCTION SHEET, SIDE SUPPORT ROLLER | 015109-526 | 1 | |

8.12 Tie Down Chain Assembly



| REF. | DESCRIPTION (◆ Indicates Parts Available In Assemblies Only) | PART # | QTY. | |
|------|--|----------|------|---|
| | CHAIN ASSEMBLY, TIE DOWN | A04376-1 | 1 | |
| 1 | Hook, 5/8" Safety Chain | P12075 | 1 | ◆ |
| 2 | Screw Closed Chain Link, 10 | 100767 | 1 | ◆ |
| 3 | Chain, N-10 x 35, 6 Links | 100951 | 1 | ◆ |

8.13 Saw Head Rest Pin Assembly



| REF. | DESCRIPTION (◆ Indicates Parts Available In Assemblies Only) | PART # | QTY. | |
|------|--|----------|------|--|
| 1 | PIN, SAW HEAD REST | 085949 | 1 | |
| 2 | PIN, 3/8" X 2 1/4" SNAP RETAINER | 014151 | 1 | |
| 3 | BOLT, M12 X 60-8.8 HEX HEAD GRADE 5 | F81004-5 | 1 | |
| 4 | WASHER, 13 SAE FLAT | F81056-1 | 2 | |
| 5 | NUT, 1/2-13 HEX LOCK | F05010-3 | 1 | |

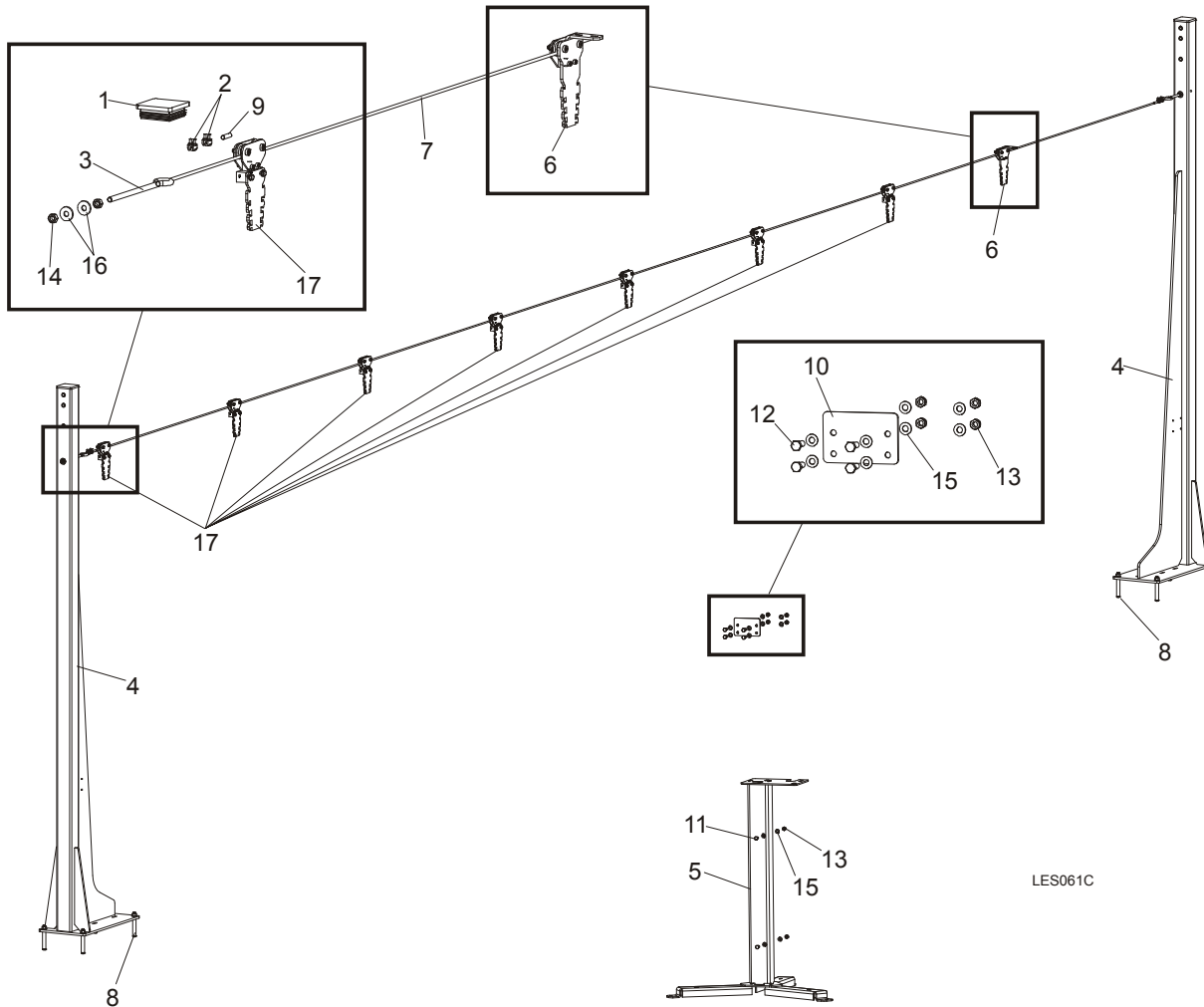
8

Bed Frame Assembly

Saw Head Rest Pin Assembly

| | | | | |
|---|---------------------------------------|----------|---|--|
| 6 | BRACKET, LT40 SAW HEAD REST PIN MOUNT | 092765-1 | 1 | |
|---|---------------------------------------|----------|---|--|

8.14 Remote Equipment Option



LES061C

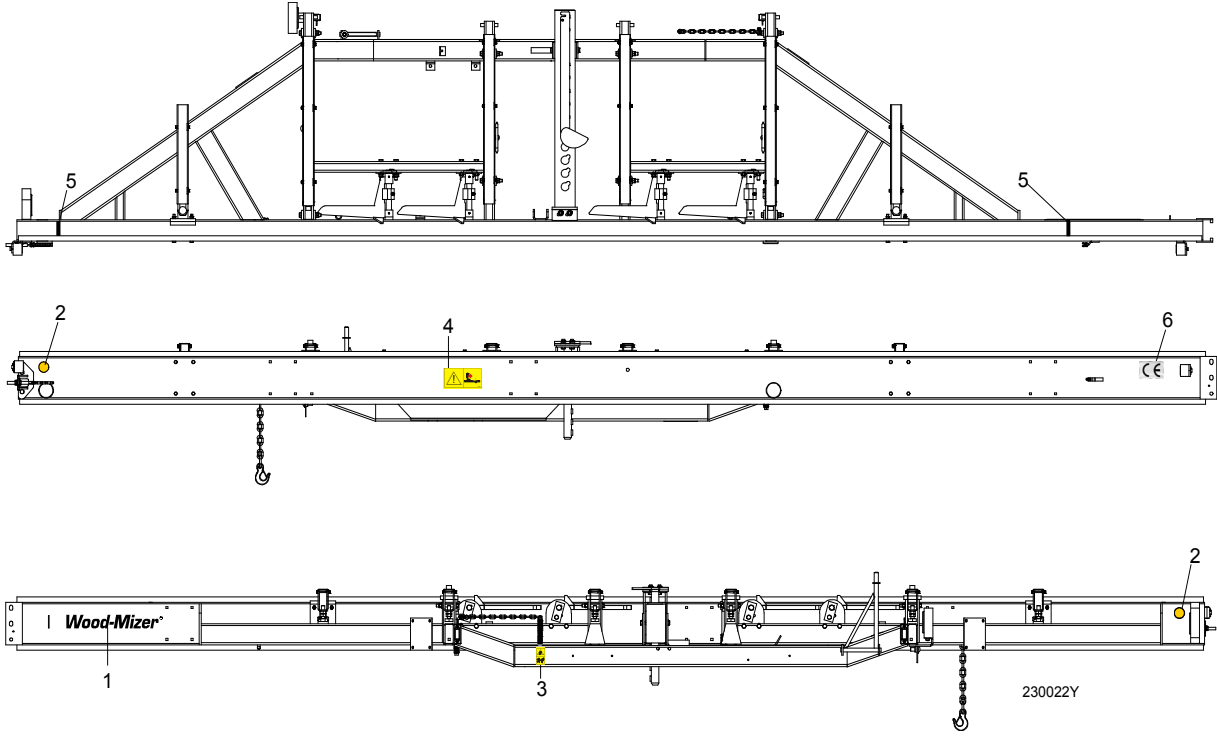
| REF. | DESCRIPTION (◆ Indicates Parts Available In Assemblies Only) | PART # | QTY. |
|------|--|----------|------|
| | EQUIPMENT, LT20B REMOTE COMPLETE | 501649 | 1 |
| 1 | CAP, EDGER FRAME | 089644 | 2 |
| 2 | CLAMP, LT20 STRING | 091614 | 4 |
| 3 | TENSIONER, ZINC-PLATED | 500846-1 | 2 |
| 4 | COLUMN, LT20B LINE GUIDE | 503600-1 | 2 |
| 5 | STAND, LT20B CONTROL BOX | 501651-1 | 1 |
| 6 | PULLEY, STATIONARY | 504264 | 1 |
| 7 | CABLE, 6MM (11,5 M) STEEL | 504279 | 1 |
| 8 | PIN, LT 16X120 | 501877 | 8 |
| 9 | POINTER, 6MM STEEL CABLE | 504280-1 | 2 |
| 10 | CAP, LT20B REMOTE CONTROL BOX | 501879-1 | 1 |
| 11 | BOLT,M8X20-5.8 HEX HEAD FULL THREAD ZINC | F81002-1 | 2 |
| 12 | BOLT, M8x25-8.8-B HEX HEAD FULL THREAD ZINC | F81002-5 | 4 |
| 13 | NUT, M8-8-B HEX NYLON ZINC LOCK | F81032-2 | 6 |
| 14 | NUT, M10-8-B-FE | F81033-3 | 4 |
| 15 | WASHER, 8.4 FLAT ZINC | F81054-1 | 12 |
| 16 | WASHER,10.5 ZINC FLAT SPECIAL | F81055-6 | 4 |

8 Bed Frame Assembly

Bed Frame Decals

| | | | |
|----|--------|--------|---|
| 17 | PULLEY | 504114 | 7 |
|----|--------|--------|---|

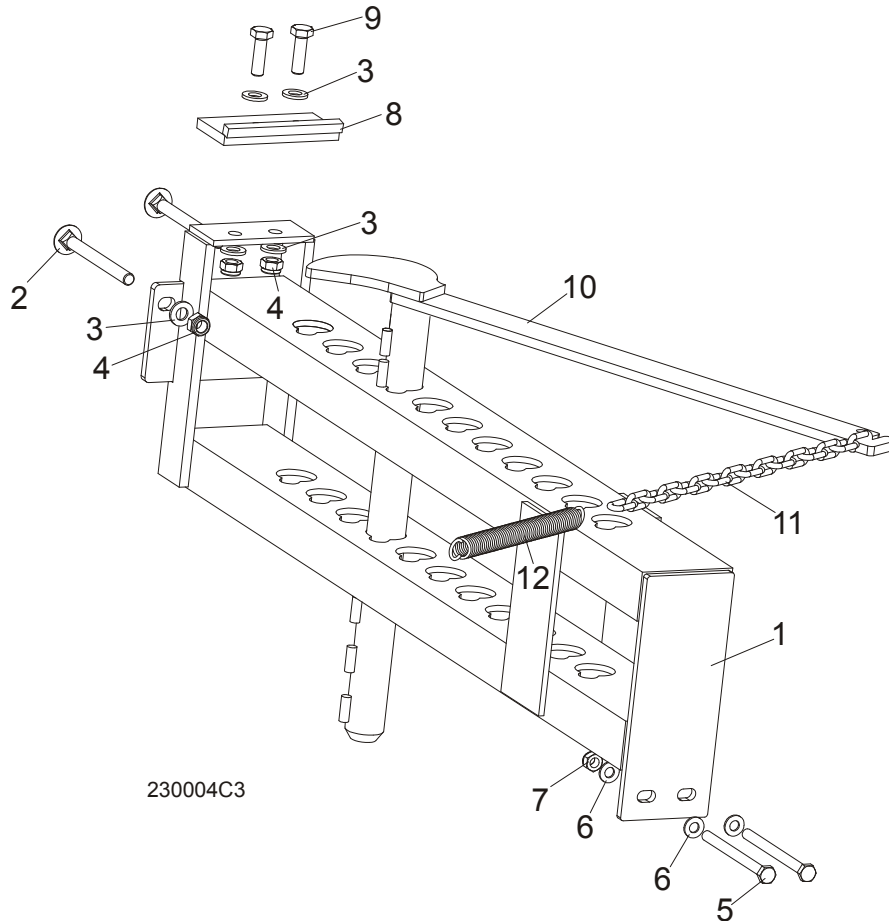
8.15 Bed Frame Decals



| REF. | DESCRIPTION (◆ Indicates Parts Available In Assemblies Only) | PART # | QTY. |
|------|--|--------|------|
| 1 | DECAL, WOOD-MIZER SUPER LOGO | 014751 | 1 |
| 2 | DECAL, AMBER REFLECTIVE 2" ROUND | P07453 | 2 |
| 3 | DECAL, KEEP AWAY DANGER, PICTOGRAM | 099221 | 1 |
| 4 | DECAL, SAWMILL TRAILER CAUTION, PICTOGRAM | 099542 | 1 |
| 5 | DECAL, LOG LIMIT STRIPE | S12051 | 2 |
| 6 | DECAL, CE CERTIFIED SAWMILL, SMALL | P85070 | 1 |

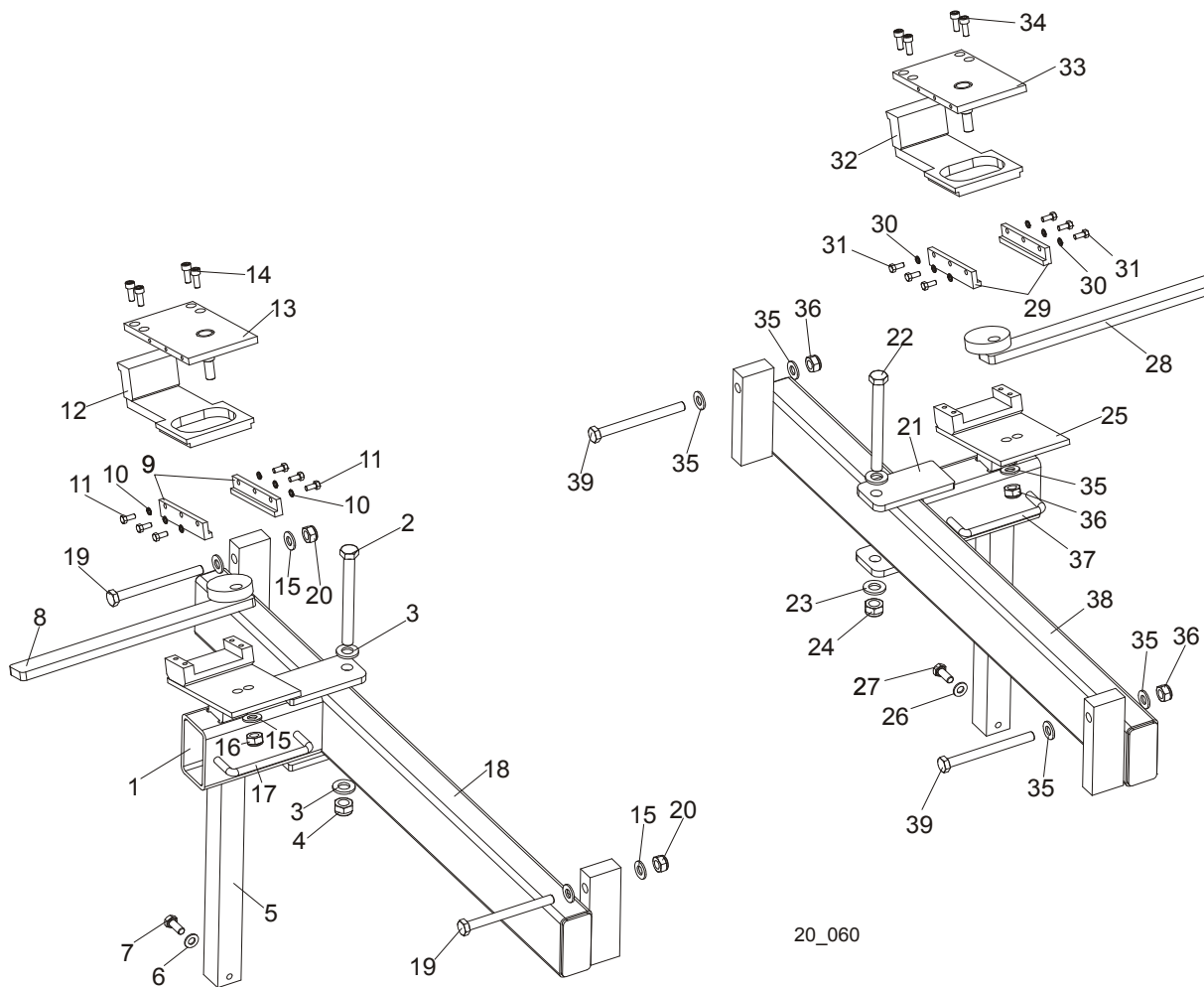
SECTION 9 LOG CLAMP, TURNER, LOADER & TOE BOARDS

9.1 Manual Log Clamp



| REF | DESCRIPTION (◆ Indicates Parts Available In Assemblies Only) | PART # | QTY. |
|-----|--|---------------|----------|
| | MANUAL LOG CLAMP | 092683 | 1 |
| 1 | Bracket, Manual Log Clamp | 092677-1 | 1 |
| 2 | Bolt, M12x130-8.8 Carriage Head Zinc | F81004-26 | 2 |
| 3 | Washer, 13 Flat Zinc | F81056-1 | 6 |
| 4 | Nut, M12-8 Hex Nylon Zinc Lock | F81034-2 | 4 |
| 5 | Bolt, M10x125-8.8 Hex Head Zinc | F81003-18 | 2 |
| 6 | Washer, 10.5 Flat Zinc | F81055-1 | 4 |
| 7 | Nut, M10-8-B Hex Nylon Zinc Lock | F81033-1 | 2 |
| 8 | Stop Weldment, Log Clamp Painted | 086980-1 | 1 |
| 9 | Bolt, M12 x 40-8.8 Hex Head Full Thread Zinc | F81004-4 | 2 |
| 10 | Log Clamp Weldment, Manual Painted | 100725-1 | 1 |
| 11 | Chain, Log Clamp | M04311 | 1 |
| 12 | Spring, FI 2.8 X FI 22.2 X 183 | 091864 | 1 |

9.2 Log Clamp Assembly

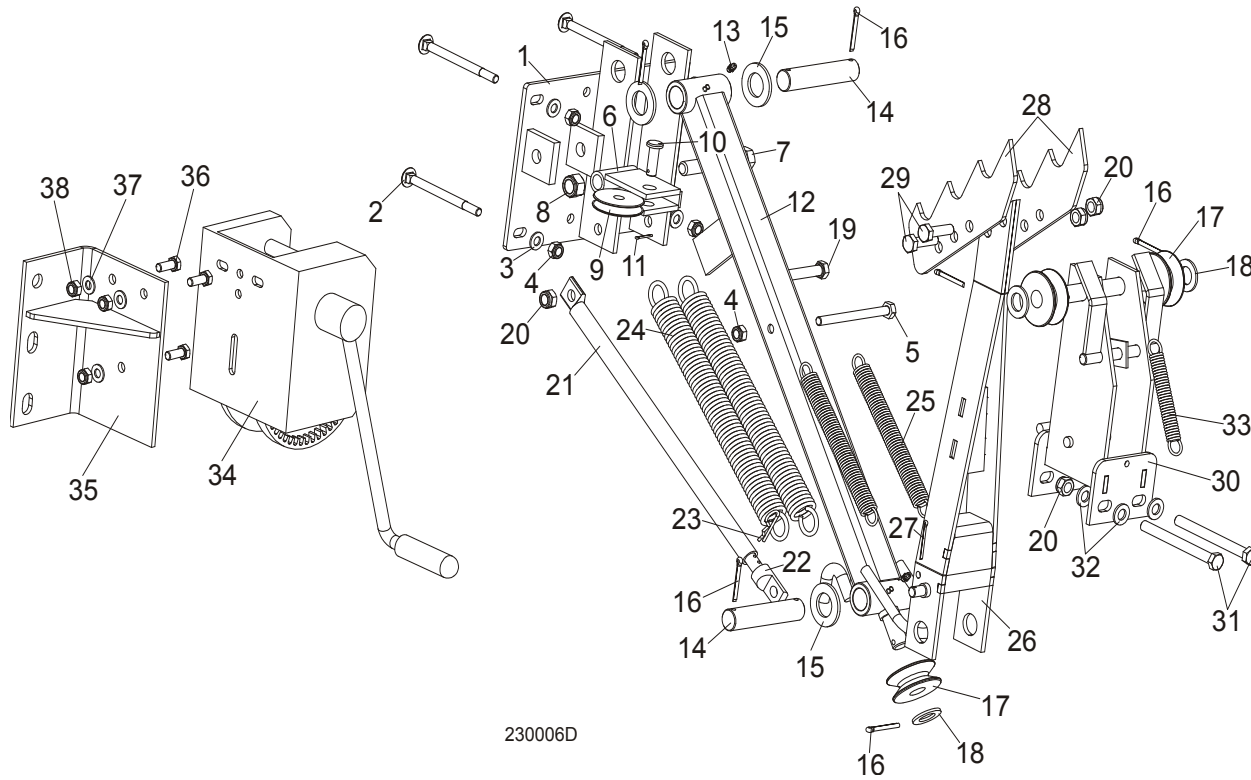


| REF | DESCRIPTION (◆ Indicates Parts Available In Assemblies Only) | PART # | QTY. |
|-----|--|---------------------|------|
| | LOG CLAMP ASSEMBLY, LEFT (NON-HYDRAULIC) | 089631 ¹ | 1 |
| 1 | Arm Weldment, Log Clamp Zinc-plated | 089624-1 | 1 |
| 2 | Bolt, M12x120 8.8 Hex Head Zinc | F81004-38 | 1 |
| 3 | Washer, 13 Zinc Flat | F81056-1 | 2 |
| 4 | Nut, M12-8 Hex Nylon Zinc Lock | F81034-2 | 1 |
| 5 | Mount Weldment, Log Clamp Zinc-plated | 090174-1 | 1 |
| 6 | Washer, 8.4 Zinc Flat | F81054-1 | 4 |
| 7 | Bolt, M8x20-8.8-B Hex Head Full Thread Zinc | F81002-4 | 2 |
| 8 | Lever, Log Clamp Zinc-plated | 089611-1 | 1 |
| 9 | Plate, Log Clamp Side Zinc-plated | 089615-1 | 2 |
| 10 | Washer, 5.1 Split Lock Zinc | F81052-2 | 6 |
| 11 | Bolt, M5x12-5.8 Hex Head Full Thread Zinc | F81000-5 | 6 |
| 12 | Plate, Clamping Zinc-plated | 090202-1 | 1 |
| 13 | Plate, Log Clamp Upper Zinc-plated | 089614-1 | 1 |
| 14 | Screw, M6x16-8.8 Hex Socket Set Cap Zinc | F81001-21 | 4 |
| 15 | Washer, 10.5 Zinc Flat | F81055-1 | 5 |
| 16 | Nut, M8-8-B Hex Nylon Zinc Lock | F81032-2 | 1 |
| 17 | Handle, 4" w/Bolts | P08065 | 1 |

| | | | | |
|----|--|-----------|---|--|
| 18 | Bar Weldment, Log Clamp Guide Ptd | 089628-1 | 1 | |
| 19 | Bolt, M10x110 8.8 Hex Head Zinc | F81003-43 | 2 | |
| 20 | Nut, M10-8-B Hex Nylon Zinc Lock | F81033-1 | 2 | |
| | LOG CLAMP ASSEMBLY, RIGHT (NON-HYDRAULIC) | 090349 | 1 | |
| 21 | Arm Weldment, Log Clamp Zinc-plated | 089624-1 | 1 | |
| 22 | Bolt, M12x120 8.8 Hex Head Zinc | F81004-38 | 1 | |
| 23 | Washer, 13 Zinc Flat | F81056-1 | 2 | |
| 24 | Nut, M12-8 Hex Nylon Zinc Lock | F81034-2 | 1 | |
| 25 | Mount Weldment, Log Clamp Zinc-plated | 090174-1 | 1 | |
| 26 | Washer, 8.4 Zinc Flat | F81054-1 | 2 | |
| 27 | Bolt, M8x20-8.8-B Hex Head Full Thread Zinc | F81002-4 | 2 | |
| 28 | Lever, Log Clamp Zinc-plated | 090348-1 | 1 | |
| 29 | Plate, Log Clamp Side Zinc-plated | 089615-1 | 2 | |
| 30 | Washer, 5.1 Split Lock Zinc | F81052-2 | 6 | |
| 31 | Bolt, M5x12-5.8 Hex Head Full Thread Zinc | F81000-5 | 6 | |
| 32 | Plate, Clamping Zinc-plated | 090202-1 | 1 | |
| 33 | Plate, Log Clamp Upper Zinc-plated | 090347-1 | 1 | |
| 34 | Screw, M6x16-8.8 Hex Socket Head Cap Zinc | F81001-21 | 4 | |
| 35 | Washer, 10.5 Zinc Flat | F81055-1 | 5 | |
| 36 | Nut, M10-8-B Hex Nylon Zinc Lock | F81033-1 | 3 | |
| 37 | Handle, 4" w/Bolts | P08065 | 1 | |
| 38 | Bar Weldment, Log Clamp Guide Ptd | 089628-1 | 1 | |
| 39 | Bolt, M10x110 8.8 Hex Head Zinc | F81003-43 | 2 | |

¹ The number of clamps depends on the frame length.

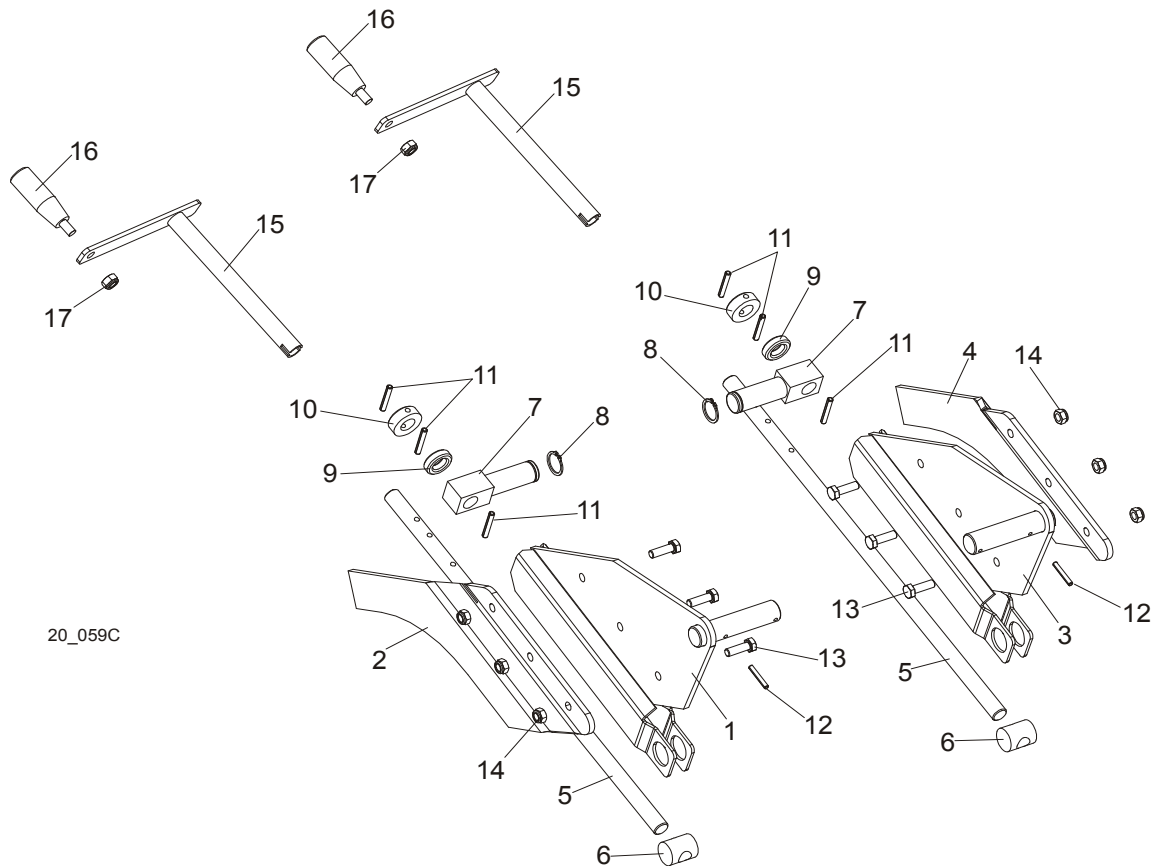
9.3 Manual Log Turner



| REF | DESCRIPTION (◆ Indicates Parts Available In Assemblies Only) | PART # | QTY. |
|-----|--|-----------|------|
| | MANUAL LOG TURNER OPTION (S/M TYPE FRAME) | 091291 | 1 |
| | MANUAL LOG TURNER OPTION (L TYPE FRAME) | 091562 | 1 |
| 1 | Handle, Manual Log Turner (S/M Type Frame) | 091269-1 | 1 |
| | Handle, Manual Log Turner (L Type Frame) | 090271-1 | 1 |
| 2 | Bolt, M10x120 8.8 Mushroom Head Square Neck Zinc | F81003-33 | 4 |
| 3 | Washer, 10.5 Flat Zinc | F81055-1 | 4 |
| 4 | Nut, M10-8-B Hex Nylon Zinc Lock | F81033-1 | 5 |
| 5 | Bolt, M10x115-8.8 Hex Head Zinc | F81003-19 | 1 |
| 6 | Handle, Manual Turner Cable Pulley | 091295-1 | 1 |
| 7 | Bolt, M16x100-8.8 Hex Head Full Thread Zinc | F81006-2 | 1 |
| 8 | Nut, M16-8 Hex Nylon Zinc Lock | F81036-2 | 1 |
| 9 | Pulley, Manual Turner Arm Cable | 091273-1 | 1 |
| 10 | Pin, 12x35 Clevis w/Head B Version | F81049-1 | 1 |
| 11 | Pin, 2.5x20 Cotter Zinc | F81043-1 | 1 |
| 12 | Arm, Lower Manual Turner | 091256-1 | 1 |
| 13 | Fitting, M6 Grease | 086280 | 2 |
| 14 | Pin, Manual Turner Arm Pivot | 091275-1 | 2 |
| 15 | Washer 28 Flat Zinc | F81061-1 | 4 |
| 16 | Pin, 5x40 Cotter Zinc | F81043-31 | 7 |
| 17 | Pulley, Manual Turner Cable | 091280-1 | 3 |
| 18 | Washer, 20.5 Split Lock Zinc | F81059-1 | 5 |

| | | | | |
|----|---|-----------|---|---|
| 19 | Bolt, M12x120 8.8 Hex Head Zinc | F81004-38 | 1 | |
| 20 | Nut, M12-8 Hex Nylon Zinc Lock | F81034-2 | 5 | |
| 21 | Tube, Manual Turner Stop | 091537-1 | 1 | |
| 22 | Rod, Manual Turner Stop | 091540-1 | 1 | |
| 23 | Pin, 1/8x1 13/16 Safety | P05059 | 1 | |
| 24 | Spring, FI 4.5X FI 35X303 | 091863 | 2 | ◆ |
| 25 | Spring, FI 2.8 X FI 22.2 X 183 | 091864 | 2 | |
| 26 | Arm, Upper Manual Turner | 091263-1 | 1 | |
| 27 | Pin, 4x25 Cotter Zinc | F81043-2 | 1 | |
| 28 | Claw, Log Turner | 088082-1 | 2 | |
| 29 | Bolt, M12x40-8.8 Hex Head Full Thread Zinc | F81004-4 | 2 | |
| 30 | Bracket, Manual Turner Cable Pulley | 091281-1 | 1 | |
| 31 | Bolt, M12x130-8.8 Hex Head Zinc | F81004-36 | 2 | |
| 32 | Washer, 13 Flat Zinc | F81056-1 | 4 | |
| 33 | Spring, FI 1.9 X FI 14.2 X 104 | 091865 | 1 | |
| 34 | WINCH, AL-KO TYPE 901 | 096453 | 1 | |
| 35 | BRACKET, WINCH MOUNT (COMP. NON-HYD FRAME) | 085841-1 | 1 | |
| 36 | BOLT, M10-1.5X25MM HH GR8.8 | F81003-11 | 3 | |
| 37 | WASHER, FLAT, M10, ZINC | F81055-1 | 3 | |
| 38 | NUT, M10, NYLON HEX ZINC LOCK | F81033-1 | 3 | |

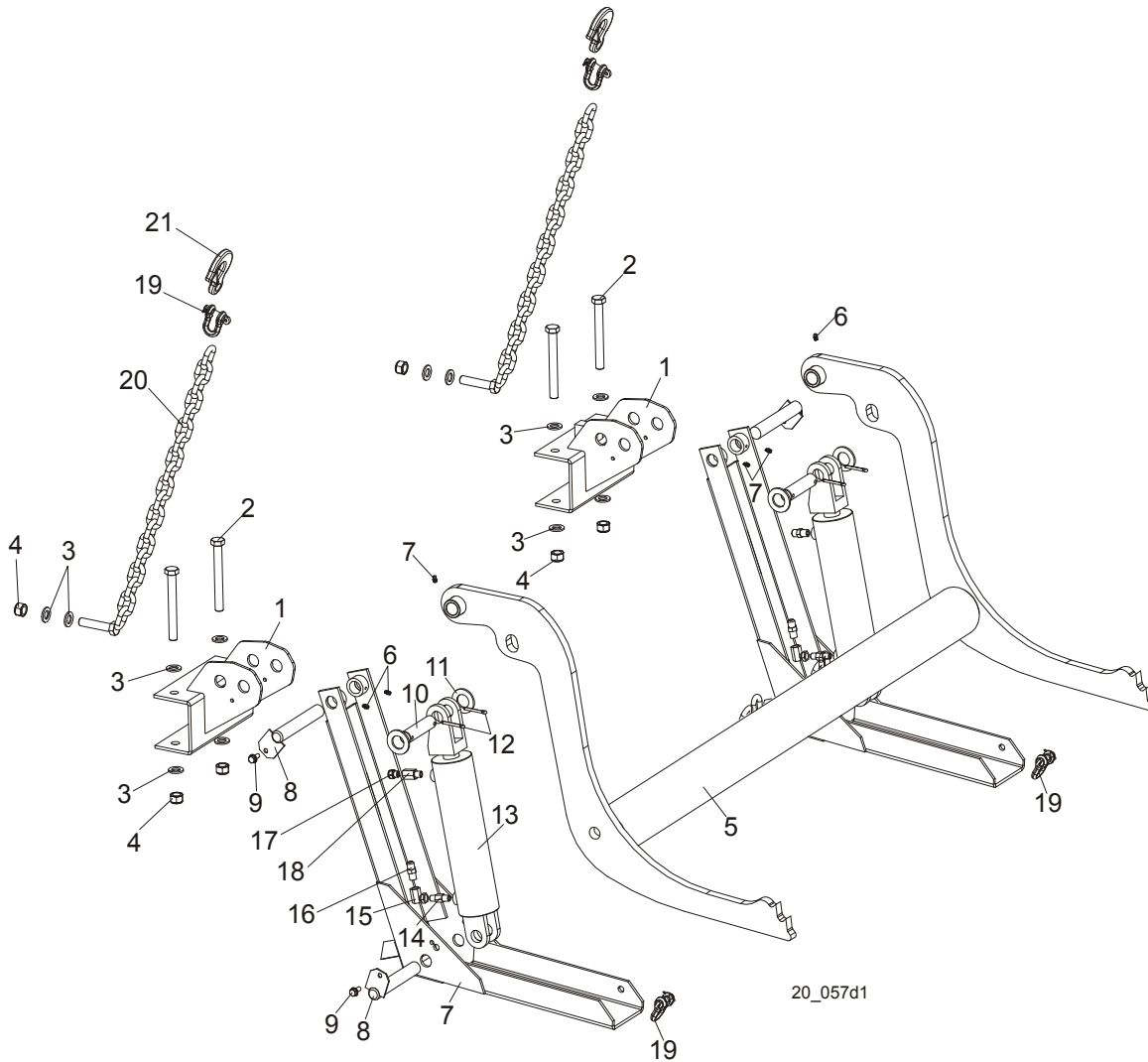
9.4 Manual Toe Board



20_059C

| REF | DESCRIPTION (◆ Indicates Parts Available In Assemblies Only) | PART # | QTY. |
|-----|--|-----------|------|
| | TOE BOARD KIT, MANUAL FRONT | 094929 | 1 |
| 1 | Plate Weldment, Manual Toe Board Front | 094927-1 | 1 |
| 2 | Extension, Manual Toe Board Plate (I) | 095203-1 | 1 |
| | TOE BOARD KIT, MANUAL REAR | 094928 | 1 |
| 3 | Plate Weldment, Manual Toe Board Rear | 094926-1 | 1 |
| 4 | Extension, Manual Toe Board Plate (II) | 095202-1 | 1 |
| 5 | Shaft, Manual Toe Board | 090344-1 | 2 |
| 6 | Nut, Special Threaded | 090017 | 2 |
| 7 | Pivot, Manual Toe Board Shaft (I) | 094931-1 | 2 |
| 8 | Ring, Z 22 Outside Retaining | F81090-24 | 2 |
| 9 | Bearing, 5/8" Thrust | P04214 | 2 |
| 10 | Collar, 16 | F81039-6 | 2 |
| 11 | Pin, 5x35-N-C PN-EN ISO 8752 Roll | F81044-9 | 6 |
| 12 | Pin, 4x30 Zinc Roll | F81044-7 | 2 |
| 13 | Bolt, M8 x 25-8.8-B Hex Head Full Thread Zinc | F81002-5 | 6 |
| 14 | Nut, M8-8-B Hex Nylon Zinc Lock | F81032-2 | 6 |
| | CRANK ASSEMBLY, MANUAL TOE BOARD | 500600 | 2 |
| 15 | Crank, Manual Toe Board | 500599-1 | 1 |
| 16 | Knob, Plastic Crank Handle | 086338 | 1 |
| 17 | Nut, M10-8-B Nylon Hex Zinc Lock | F81033-1 | 1 |

9.5 Manual Log Loader (S/M Type Frame)



20_057d1

| REF | DESCRIPTION (◆ Indicates Parts Available In Assemblies Only) | PART # | QTY. |
|-----|--|-----------|------|
| | LOG LOADER, LT20 COMPLETE | 091952 | 1 |
| 1 | Bracket , Log Loader Mount Painted (S/M Type Frame) | 092865-1 | 2 |
| 2 | Bolt, M16x140-8.8 Hex Head Zinc | F81006-4 | 4 |
| 3 | Washer, 17 Zinc Flat | F81058-1 | 12 |
| 4 | Nut, M16-8 Hex Nylon Zinc Lock | F81036-2 | 6 |
| | Log Loader W/Chain, LT20 | 091954 | 1 |
| 5 | Loader Weldment, Log Painted | 090006-1 | 1 |
| 6 | Fitting, 3/16" Straight Grease | P04107 | 6 |
| 7 | Foot, Log Loader Painted | 090048-1 | 2 |
| 8 | Pin Weldment, Log Loader Painted | W09446-1 | 4 |
| 9 | Screw, 5/16-18 x 3/4 Self-Tapping | F05015-30 | 4 |
| 10 | Pin, Hydraulic Cylinder Zinc-Plated | 086979-1 | 2 |
| 11 | Washer, 28 Zinc Flat | F81061-1 | 4 |
| 12 | Pin, 5x40 Cotter Zinc | F81043-31 | 4 |
| | Cylinder Assembly, LT20 Log Loader | 094333 | 2 |
| 13 | Cylinder, CJ-S95-16-70/32/203 Hydraulic | 088680 | 1 |

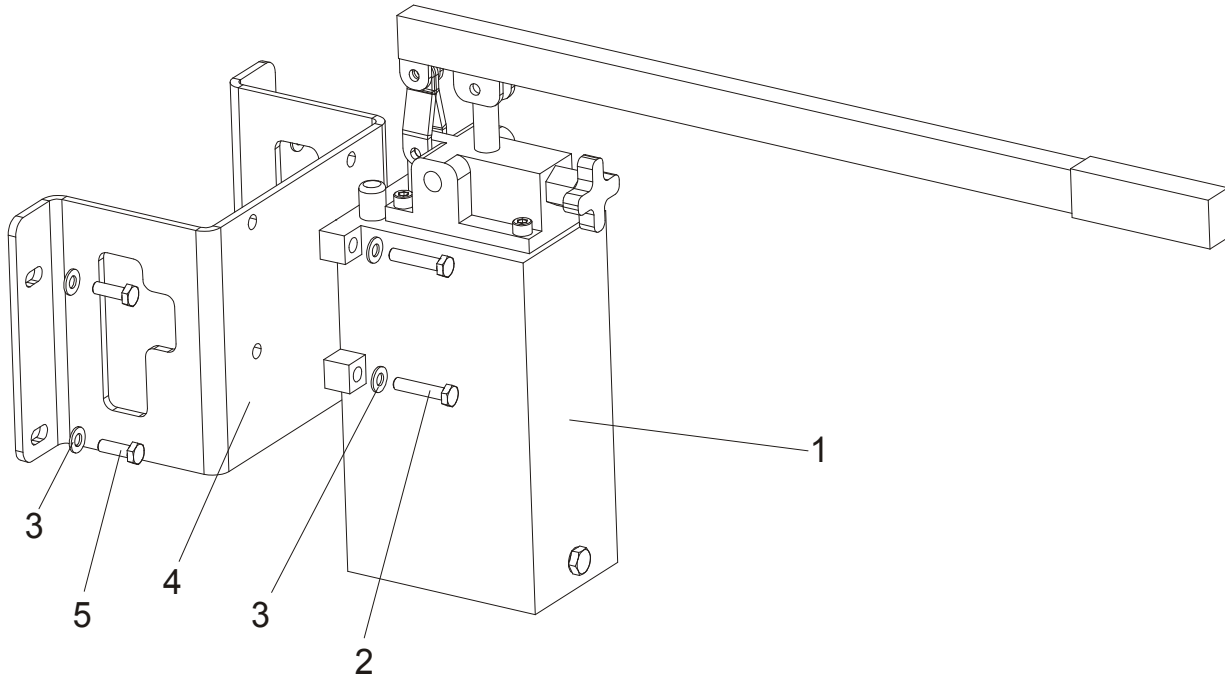


Log Clamp, Turner, Loader & Toe Boards

Manual Log Loader (S/M type frame)

| | | | | |
|----|---|----------|---|--|
| 14 | Fitting, 1/4 NPT 4.0 GPM Velocity Fuse | 015750 | 1 | |
| 15 | Fitting, #9455X4X4 90 Deg. Swivel Elbow | P12199 | 1 | |
| 16 | Fitting, 3/8JIC-1/4 NPT Straight | 015560 | 1 | |
| 17 | Air Vent Valve 2901-14-17 | 090794 | 1 | |
| 18 | Fitting, $\frac{1}{4}$ " F. Thread/ $\frac{1}{4}$ " NPT M. Thread Reducer | 090795 | 1 | |
| 19 | Shackle, M-WL. .63 | 099525 | 4 | |
| 20 | Chain, LT20 Log Loader Painted | 091953-1 | 2 | |
| 21 | Hook, 5/8 Safety Chain | P12075 | 2 | |

9.6 Manual Log Loader Pump



| REF | DESCRIPTION (◆ Indicates Parts Available In Assemblies Only) | PART # | QTY. |
|-----|--|-----------|------|
| 1 | PUMP, PAM 014 2500 3L MANUAL | 090309 | 1 |
| 2 | BOLT, M8X80-8.8 HEX HEAD ZINC | F81002-18 | 4 |
| 3 | WASHER, 8.4 ZINC FLAT | F81054-1 | 8 |
| 4 | BRACKET, LOG LOADER PUMP MOUNT | 090377-1 | 1 |
| 5 | BOLT, M8X25-8.8-B HEX HEAD FULL THREAD ZINC | F81002-5 | 4 |