

# Wood-Mizer<sup>®</sup> Sawmill

## Parts Manual

---

**LT30A Super**  
**LT40A Super**

**rev. B5.00**  
**rev. B5.00**



**Safety is our #1 concern!** Read and understand all safety information and instructions before operating, setting up or maintaining this machine.

*November 1998*

# Table of Contents

# Section-Page

|                  |   |            |
|------------------|---|------------|
| <b>SECTION 1</b> | <b>GENERAL INFORMATION</b>                            | <b>1-1</b> |
| 1.1              | How To Use The Parts List .....                       | 1-1        |
| 1.2              | Sample Assembly .....                                 | 1-1        |
| <b>SECTION 2</b> | <b>BLADE GUIDE ROLLERS &amp; ARM</b>                  | <b>2-1</b> |
| 2.1              | Blade Guide Assembly, Idle Side (Standard).....       | 2-1        |
| 2.2              | Idle Side Blade Guide Assembly, Optional ( LMS )..... | 2-3        |
| 2.3              | Blade Guide Assembly, Drive Side.....                 | 2-5        |
| 2.4              | Blade Guide Arm & Rollers .....                       | 2-7        |
| 2.5              | Blade Guide Arm Drive Assembly.....                   | 2-8        |
| <b>SECTION 3</b> | <b>BLADE WHEELS &amp; TENSIONER</b>                   | <b>3-1</b> |
| 3.1              | Blade Drive Assembly, LT30A/LT40A Super.....          | 3-1        |
| 3.2              | Idle Blade Wheel Assembly .....                       | 3-3        |
| 3.3              | Hydraulic Blade Tensioner Assembly.....               | 3-4        |
| <b>SECTION 4</b> | <b>SAW HEAD</b>                                       | <b>4-1</b> |
| 4.1              | Middle Throat Screw .....                             | 4-1        |
| 4.2              | Water Lube Solenoid Valve .....                       | 4-2        |
| 4.3              | Board Return Assembly .....                           | 4-3        |
| 4.4              | Water Lube Assembly .....                             | 4-5        |
| 4.5              | Saw Head Decals .....                                 | 4-7        |
| 4.6              | Blade Housing Covers.....                             | 4-9        |
| 4.7              | Drive Belt Covers .....                               | 4-11       |
| 4.8              | Sawdust Chute .....                                   | 4-13       |
| <b>SECTION 5</b> | <b>CONTROL &amp; BATTERY BOXES</b>                    | <b>5-1</b> |
| 5.1              | Control Assembly, LT30A/LT40A Super.....              | 5-1        |
| 5.2              | Drum Switches .....                                   | 5-3        |
| 5.3              | Circuit Breakers.....                                 | 5-4        |
| <b>SECTION 6</b> | <b>UP/DOWN SYSTEM</b>                                 | <b>6-1</b> |
| 6.1              | Saw Head V-Brace Mount.....                           | 6-1        |
| 6.2              | Blade Height Scale .....                              | 6-2        |
| 6.3              | Up/Down Chain & Sprockets.....                        | 6-4        |
| 6.4              | Up/Down Motor Assembly, LT30A/LT40A Super .....       | 6-6        |
| 6.5              | Up/Down Drive Assembly .....                          | 6-7        |

# Table of Contents

# Section-Page

|                  |   |            |
|------------------|---|------------|
| <b>SECTION 7</b> | <b>POWER FEED &amp; TRACK ROLLERS</b>       | <b>7-1</b> |
| 7.1              | Upper Track Rollers And Wipers.....         | 7-1        |
| 7.2              | Power Feed Assembly, LT30A/LT40A Super..... | 7-2        |
| 7.3              | Feed Chain/Stop .....                       | 7-4        |
| 7.4              | Lower Track Rollers .....                   | 7-6        |
| <br>             |   |            |
| <b>SECTION 8</b> | <b>BED FRAME ASSEMBLY</b>                   | <b>8-1</b> |
| 8.1              | Bed Rail Assembly, Front And Rear .....     | 8-1        |
| 8.2              | Bed Rail Assembly, Front Middle .....       | 8-3        |
| 8.3              | Bed Rail Assembly, Rear Middle .....        | 8-4        |
| 8.4              | Leg, Stationary .....                       | 8-6        |
| 8.5              | Board Return Table Assembly .....           | 8-8        |
| 8.6              | Pivot Bed Rail Assembly.....                | 8-10       |
| 8.7              | Log Side Support Assembly .....             | 8-12       |
| 8.8              | Tie Down Chain Assembly .....               | 8-14       |
| 8.9              | Saw Head Rest Pin Assembly .....            | 8-15       |
| 8.10             | Bed Frame Decals .....                      | 8-16       |
| <br>             |   |            |
| <b>SECTION 9</b> | <b>LOG CLAMP</b>                            | <b>9-1</b> |
| 9.1              | Log Clamp .....                             | 9-1        |
| 9.2              | Manual Log Turner.....                      | 9-2        |
| 9.3              | Manual Toe Board.....                       | 9-4        |
| 9.4              | Log Loading Ramps .....                     | 9-6        |

## SECTION 1 GENERAL INFORMATION

### 1.1 How To Use The Parts List

- Use the index above to locate the assembly that contains the part you need.
- Go to the appropriate section and locate the part in the illustration.
- Use the number pointing to the part to locate the correct part number and description in the table.
- Parts shown indented under another part are included with that part.
- Parts marked with a diamond (◆) are only available in the assembly listed above the part.

See the sample table below. Sample Part #A01111 includes part F02222-2 and subassembly A03333. Subassembly A03333 includes part S04444-4 and subassembly K05555. The diamond (◆) indicates that S04444-4 is not available except in subassembly A03333. Subassembly K05555 includes parts M06666 and F07777-77. The diamond (◆) indicates M06666 is not available except in subassembly K05555.

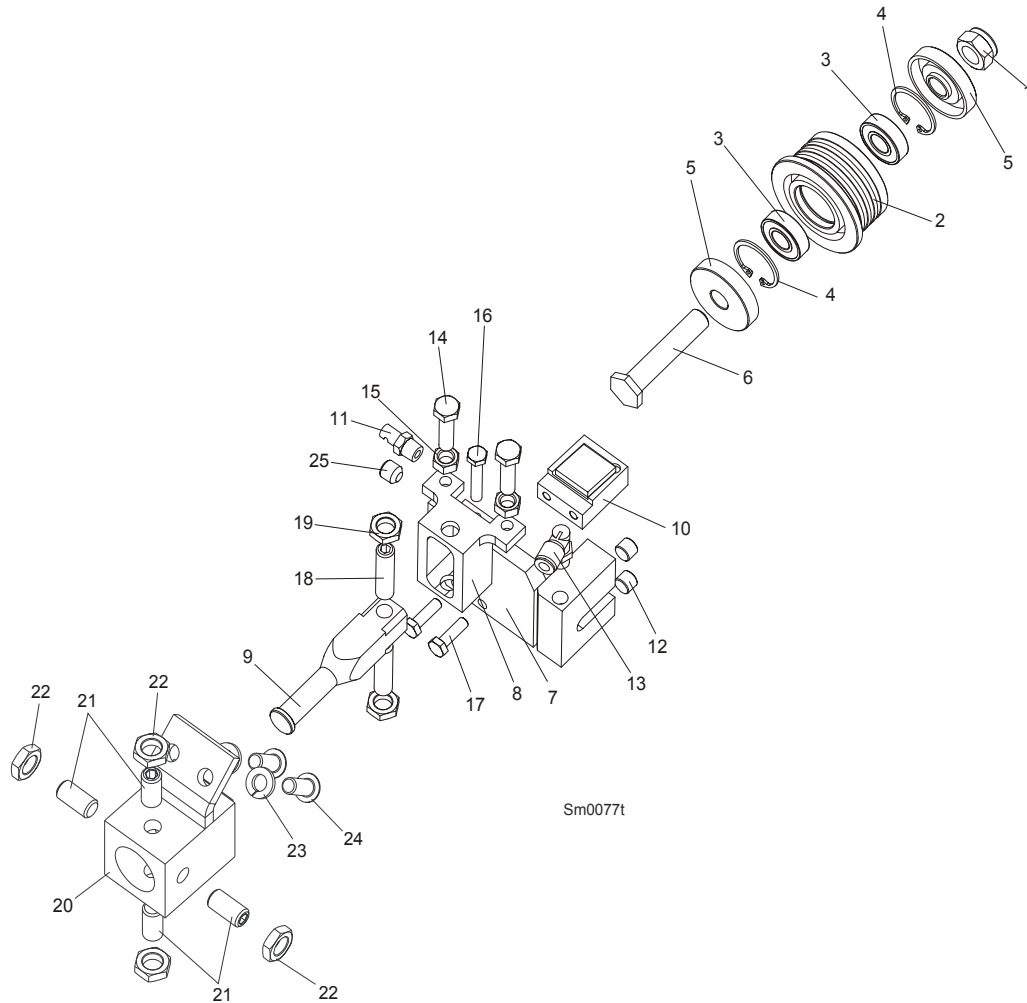
| <b>1.2 Sample Assembly</b> |   |           |      |   |
|----------------------------|---|-----------|------|---|
| REF                        | DESCRIPTION (◆ Indicates Parts Available In Assemblies Only)  | PART #    | QTY. |   |
|                            | Sample Assembly, Complete (Includes All Indented Parts Below) | A01111    | 1    |   |
| 1                          | Sample Part   | F02222-22 | 1    |   |
|                            | Sample Subassembly (Includes All Indented Parts Below)        | A03333    | 1    |   |
| 2                          | Sample Part (◆ Indicates Part Is Only Available With A03333)  | S04444-4  | 1    | ◆ |
|                            | Sample Subassembly (Includes All Indented Parts Below)        | K05555    | 1    |   |
| 3                          | Sample Part (◆ Indicates Part Is Only Available With K05555)  | M06666    | 2    | ◆ |
| 4                          | Sample Part   | F07777-77 | 1    |   |

#### **To Order Parts:**

- From Europe call our European Headquarters and Manufacturing Facility in Kolo, Poland at **+48-63-2626000**. From the continental U.S., call our toll-free Parts hotline at **1-800-448-7881**. Have your customer number, vehicle identification number, and part numbers ready when you call.
- From other international locations, contact the Wood-Mizer distributor in your area for parts.

## SECTION 2 BLADE GUIDE ROLLERS & ARM

### 2.1 Blade Guide Assembly, Idle Side (Standard)



| REF | DESCRIPTION (◆ Indicates Parts Available In Assemblies Only) | PART#           | QTY. |
|-----|--|-----------------|------|
|     | <b>BLADE GUIDE ASSEMBLY, IDLE SIDE</b>                       | <b>092523</b>   | 1    |
|     | Roller, Blade Guide Narrow W/Bearings                        | 088261          | 1    |
| 1   | Nut, M12-8 Hex Nylon Zinc Lock                               | F81034-2        | 1    |
| 2   | Roller, Blade Guide Narrow                                   | 087889          | 1    |
| 3   | Bearing, 6001 2RSR NACHI                                     | 087893          | 2    |
| 4   | Ring, W28 Inside Retaining                                   | F81090-9        | 2    |
| 5   | Washer, Spacer   | 087891          | 2    |
| 6   | Bolt, Blade Guide Roller Zinc-Plated                         | <b>087761-1</b> | 1    |
| 7   | Block Weldment, Nozzle Zinc-Plated                           | 087750-1        | 1    |
| 8   | Block, Zinc-Plated Roller Guide Adjuster                     | 087756-1        | 1    |
| 9   | Shaft, Zinc-Plated Blade Guide Mount                         | 088255-1        | 1    |
| 10  | Disc Assembly, EZ-Glide Blade Guide Wear                     | 087760          | 1    |

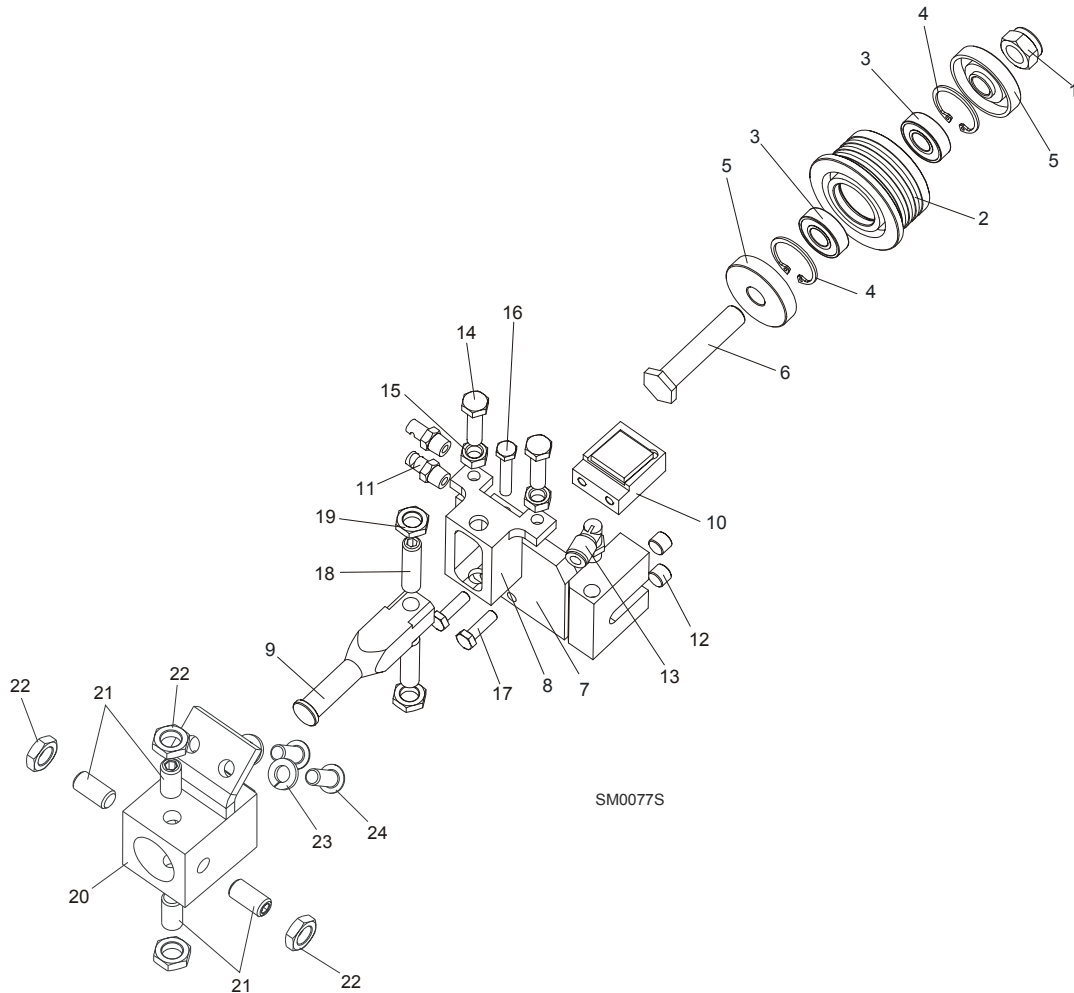
# 2

## Blade Guide Rollers & Arm

*Blade Guide Assembly, Idle Side (Standard)*

|    |  |           |   |  |
|----|--|-----------|---|--|
| 11 | Nozzle, Blade Water Lube Spray                           | 016637    | 1 |  |
| 12 | Plug, M10x1 DIN 906 BN40 "BOSSARD"                       | F81015-3  | 2 |  |
| 13 | Fitting, 90° Elbow 1/8NPT-1/4 Tube Swivel                | P09736    | 1 |  |
| 14 | Bolt, M8x30 DIN933 A2-70 Stainless Steel                 | F81002-27 | 2 |  |
| 15 | Nut, M8 DIN934 A2-70 Stainless Steel                     | F81032-7  | 2 |  |
| 16 | Bolt, M6x35 DIN933 A2-70 Stainless Steel                 | F81001-37 | 1 |  |
| 17 | Bolt, M6x20-8.8 Hex Head Full Thread Zinc                | F81001-2  | 2 |  |
| 18 | Screw, M10x1x40 DIN913 Stainless Steel Set               | F81015-2  | 2 |  |
| 19 | Nut, M10x1 DIN439 Stainless Steel Thin                   | F81033-7  | 2 |  |
| 20 | <b>BLOCK WELDMENT, PAINTED BLADE GUIDE MOUNT</b>         | 088292-1  | 1 |  |
| 21 | <b>SCREW, M10X1X20 DIN913 STAINLESS STEEL SET</b>        | F81015-1  | 4 |  |
| 22 | <b>NUT, M10X1 DIN439 STAINLESS STEEL THIN</b>            | F81033-7  | 4 |  |
| 23 | <b>WASHER, 8.2 SPLIT LOCK ZINC</b>                       | F81054-4  | 2 |  |
| 24 | <b>SCREW, 5/16-18X3/4 BLACK OXIDE SOCKET BUTTON HEAD</b> | F05006-7  | 2 |  |
| 25 | FITTING, 1/8 NPT SOCKET PIPE PLUG                        | P30127    | 1 |  |

## 2.2 Idle Side Blade Guide Assembly, Optional (LMS)



| REF | DESCRIPTION (◆ Indicates Parts Available In Assemblies Only) | PART#           | QTY. |
|-----|--|-----------------|------|
|     | <b>BLADE GUIDE ASSEMBLY, IDLE SIDE</b>                       | <b>087749</b>   | 1    |
|     | Roller, Blade Guide Narrow W/Bearings                        | 088261          | 1    |
| 1   | Nut, M12-8 Hex Nylon Zinc Lock                               | F81034-2        | 1    |
| 2   | Roller, Blade Guide Narrow                                   | 087889          | 1    |
| 3   | Bearing, 6001 2RSR NACHI                                     | 087893          | 2    |
| 4   | Ring, W28 Inside Retaining                                   | F81090-9        | 2    |
| 5   | Washer, Spacer   | 087891          | 2    |
| 6   | Bolt, Blade Guide Roller Zinc-Plated                         | <b>087761-1</b> | 1    |
| 7   | Block Weldment, Nozzle Zinc-Plated                           | 087750-1        | 1    |
| 8   | Block, Zinc-Plated Roller Guide Adjuster                     | 087756-1        | 1    |
| 9   | Shaft, Zinc-Plated Blade Guide Mount                         | 088255-1        | 1    |
| 10  | Disc Assembly, EZ-Glide Blade Guide Wear                     | 087760          | 1    |
| 11  | Nozzle, Blade Lube Spray                                     | 033479          | 2    |

# 2

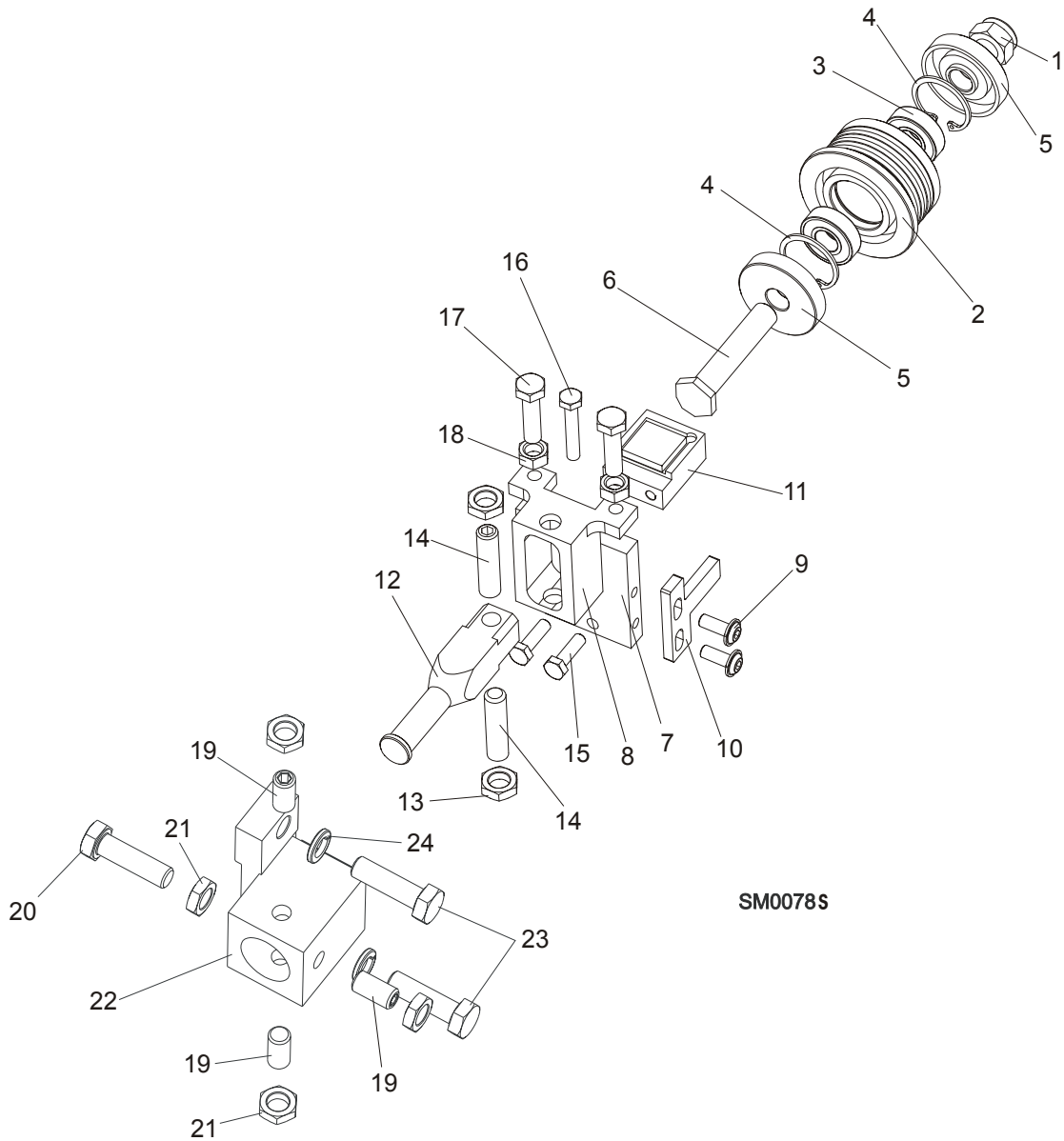
## Blade Guide Rollers & Arm

*Idle Side Blade Guide Assembly, Optional (LMS)*

|    |  |           |   |  |
|----|--|-----------|---|--|
| 12 | Plug, M10x1 DIN 906 BN40 "BOSSARD"                       | F81015-3  | 2 |  |
| 13 | Fitting, 90° Elbow 1/8NPT-1/4 Tube Swivel                | P09736    | 1 |  |
| 14 | Bolt, M8x30 DIN933 A2-70 Stainless Steel                 | F81002-27 | 2 |  |
| 15 | Nut, M8 DIN934 A2-70 Stainless Steel                     | F81032-7  | 2 |  |
| 16 | Bolt, M6x35 DIN933 A2-70 Stainless Steel                 | F81001-37 | 1 |  |
| 17 | Bolt, M6x20-8.8 Hex Head Full Thread Zinc                | F81001-2  | 2 |  |
| 18 | Screw, M10x1x40 DIN913 Stainless Steel Set               | F81015-2  | 2 |  |
| 19 | Nut, M10x1 DIN439 Stainless Steel Thin                   | F81033-7  | 2 |  |
| 20 | <b>BLOCK WELDMENT, PAINTED BLADE GUIDE MOUNT</b>         | 088292-1  | 1 |  |
| 21 | <b>SCREW, M10X1X20 DIN913 STAINLESS STEEL SET</b>        | F81015-1  | 4 |  |
| 22 | <b>NUT, M10X1 DIN439 STAINLESS STEEL THIN</b>            | F81033-7  | 4 |  |
| 23 | <b>WASHER, 8.2 SPLIT LOCK ZINC</b>                       | F81054-4  | 2 |  |
| 24 | <b>SCREW, 5/16-18X3/4 BLACK OXIDE SOCKET BUTTON HEAD</b> | F05006-7  | 2 |  |



### 2.3 Blade Guide Assembly, Drive Side



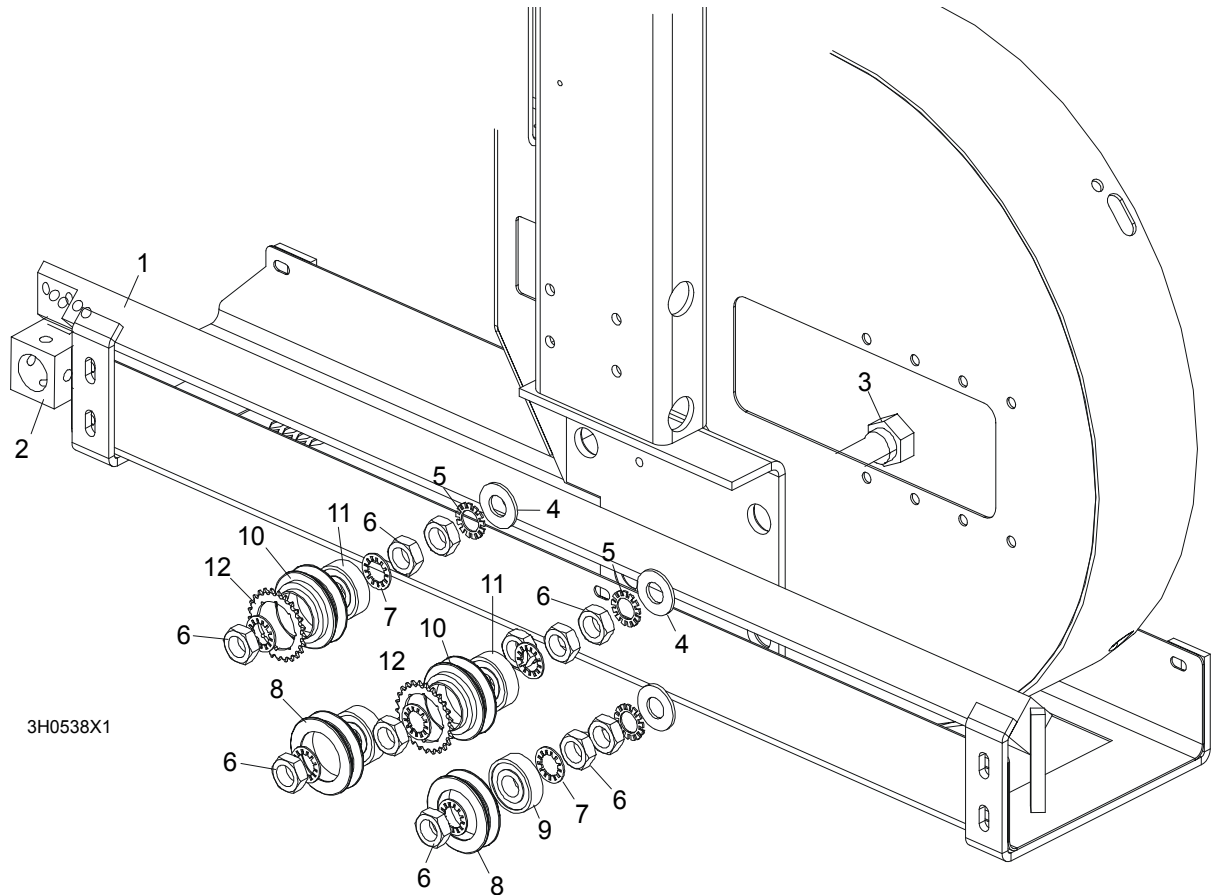
| REF | DESCRIPTION (◆ Indicates Parts Available In Assemblies Only) | PART#    | QTY. |
|-----|--|----------|------|
|     | <b>BLADE GUIDE ASSEMBLY, DRIVE SIDE</b>                      | 087748   | 1    |
|     | Roller, Blade Guide Narrow W/Bearings                        | 088261   | 1    |
| 1   | Nut, M12-8 Hex Nylon Zinc Lock                               | F81034-2 | 1    |
| 2   | Roller, Blade Guide Narrow                                   | 087889   | 1    |
| 3   | Bearing, 6001 2RSR NACHI                                     | 087893   | 2    |
| 4   | Ring, W28 Inside Retaining                                   | F81090-9 | 1    |
| 5   | Washer, Spacer   | 087891   | 2    |
| 6   | Bolt, Blade Guide Roller Zinc-Plated                         | 087761-1 | 1    |

## 2

**Blade Guide Rollers & Arm***Blade Guide Assembly, Drive Side*

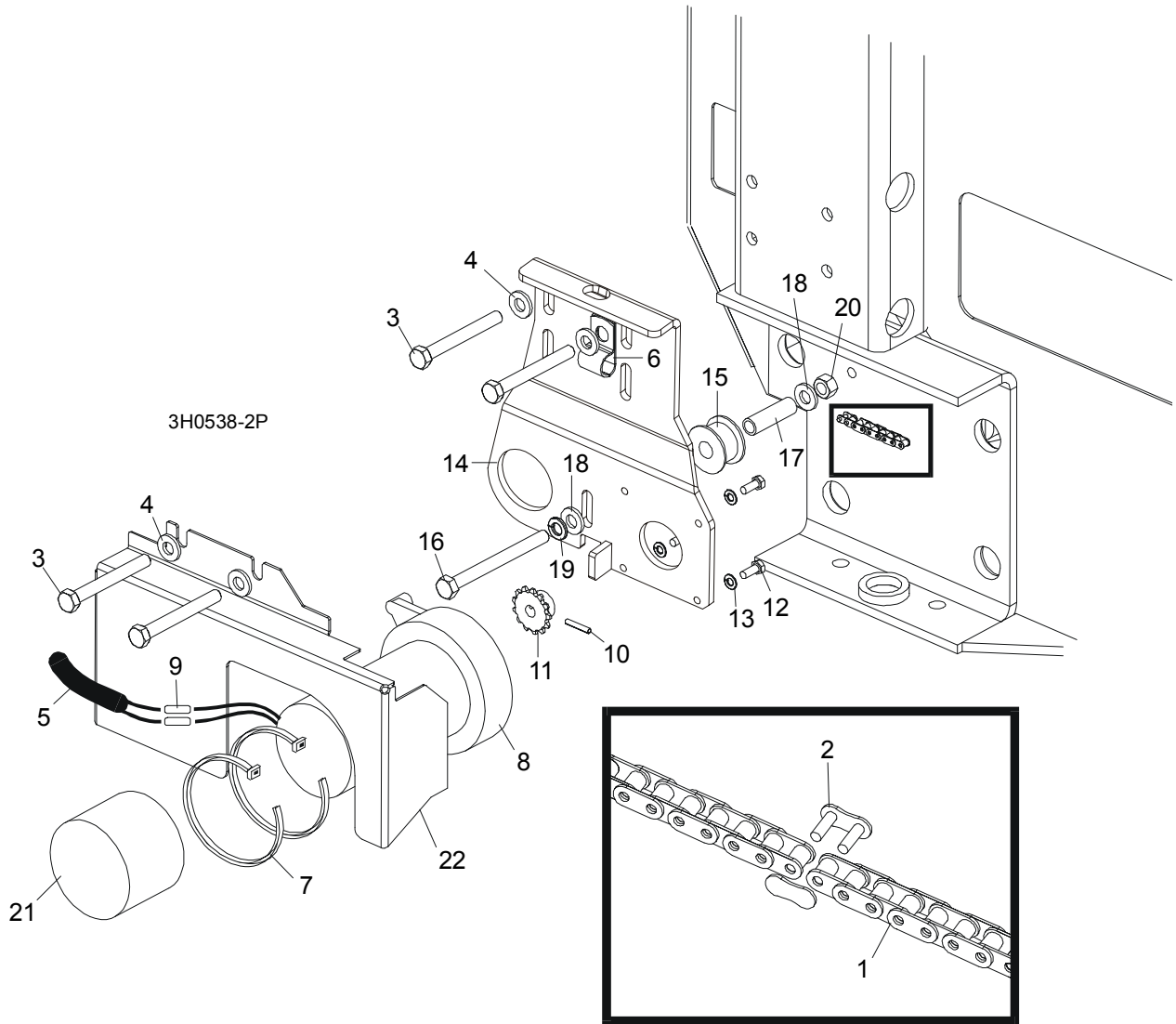
|    |   |           |   |  |
|----|---|-----------|---|--|
| 7  | Plate, Zinc-Plated Blade Guide Mounting           | 087753-1  | 1 |  |
| 8  | Block, Zinc-Plated Roller Guide Adjuster          | 087756-1  | 1 |  |
| 9  | Screw, M6x16 BN 11252 "BOSSARD"                   | F81001-24 | 2 |  |
| 10 | Wiper, Blade Zinc-Plated                          | 087757-1  | 1 |  |
| 11 | Disc Assembly, EZ-Glide Blade Guide Wear          | 087760    | 1 |  |
| 12 | Shaft, Zinc-Plated Blade Guide Mount              | 088255-1  | 1 |  |
| 13 | Nut, M10x1 DIN439 Stainless Steel Thin            | F81033-7  | 2 |  |
| 14 | Screw, M10x1x40 DIN913 Stainless Steel Set        | F81015-2  | 2 |  |
| 15 | Bolt, M6x20-8.8 Hex Head Full Thread Zinc         | F81001-2  | 2 |  |
| 16 | Bolt, M6x35 DIN933 A2-70 Stainless Steel          | F81001-37 | 1 |  |
| 17 | Bolt, M8x30 DIN933 A2-70 Stainless Steel          | F81002-27 | 2 |  |
| 18 | Nut, M8 DIN934 A2-70 Stainless Steel              | F81032-7  | 2 |  |
| 19 | <b>Screw, M10X1X20 DIN913 Stainless Steel Set</b> | F81015-1  | 3 |  |
| 20 | <b>BOLT, M10X1X25 DIN 933 STAINLESS STEEL</b>     | F81003-28 | 1 |  |
| 21 | <b>NUT, M10X1 DIN439 STAINLESS STEEL THIN</b>     | F81033-7  | 4 |  |
| 22 | <b>BLOCK WELDMENT, BLADE GUIDE MOUNT</b>          | 087744    | 1 |  |
| 23 | <b>BOLT, M10X35-8.8 HEX HEAD FULL THREAD ZINC</b> | F81003-17 | 2 |  |
| 24 | <b>WASHER, 10.2 SPLIT LOCK ZINC</b>               | F81055-2  | 2 |  |

## 2.4 Blade Guide Arm & Rollers



| REF | DESCRIPTION (◆ Indicates Parts Available In Assemblies Only)      | PART #    | QTY. |   |
|-----|---|-----------|------|---|
| 1   | <b>BLADE GUIDE ARM WELDMENT</b>                                   | 087018-1  | 1    |   |
| 2   | Tube, Blade Guide Mount (G.S. - Bolted to Blade Guide Arm)        | W10426    | 1    |   |
| 3   | <b>BOLT, BLADE GUIDE ARM ROLLER CAM</b>                           | 086508-1  | 4    |   |
| 4   | <b>WASHER, 17 FLAT</b>  | F81058-1  | 4    |   |
| 5   | <b>WASHER, 5/8" EXTERNAL STAR</b>                                 | F05011-26 | 4    |   |
| 6   | <b>NUT, 5/8-18 HEX JAM</b>  | F05010-11 | 12   |   |
| 7   | <b>WASHER, 5/8" INTERNAL STAR</b>                                 | F05011-25 | 8    |   |
|     | <b>ROLLER ASSEMBLY, BLADE GUIDE ARM WITH BEARING</b>              | A09059    | 2    |   |
| 8   | Roller, Blade Guide Arm V-Groove                                  | S07989-W  | 1    | ◆ |
| 9   | Bearing, 6203-2NSL 5/8" I.D.                                      | P06030-1  | 1    |   |
|     | <b>ROLLER ASSEMBLY, BLADE GUIDE ARM WITH BEARING AND SPROCKET</b> | A09932    | 2    |   |
| 10  | Roller, Blade Guide Arm Drive                                     | S09930-W  | 1    | ◆ |
| 11  | Bearing, 6203-2NSL 5/8" I.D.                                      | P06030-1  | 1    |   |
| 12  | Sprocket, #25 26-Tooth  | 015939    | 1    | ◆ |

**2.5 Blade Guide Arm Drive Assembly**



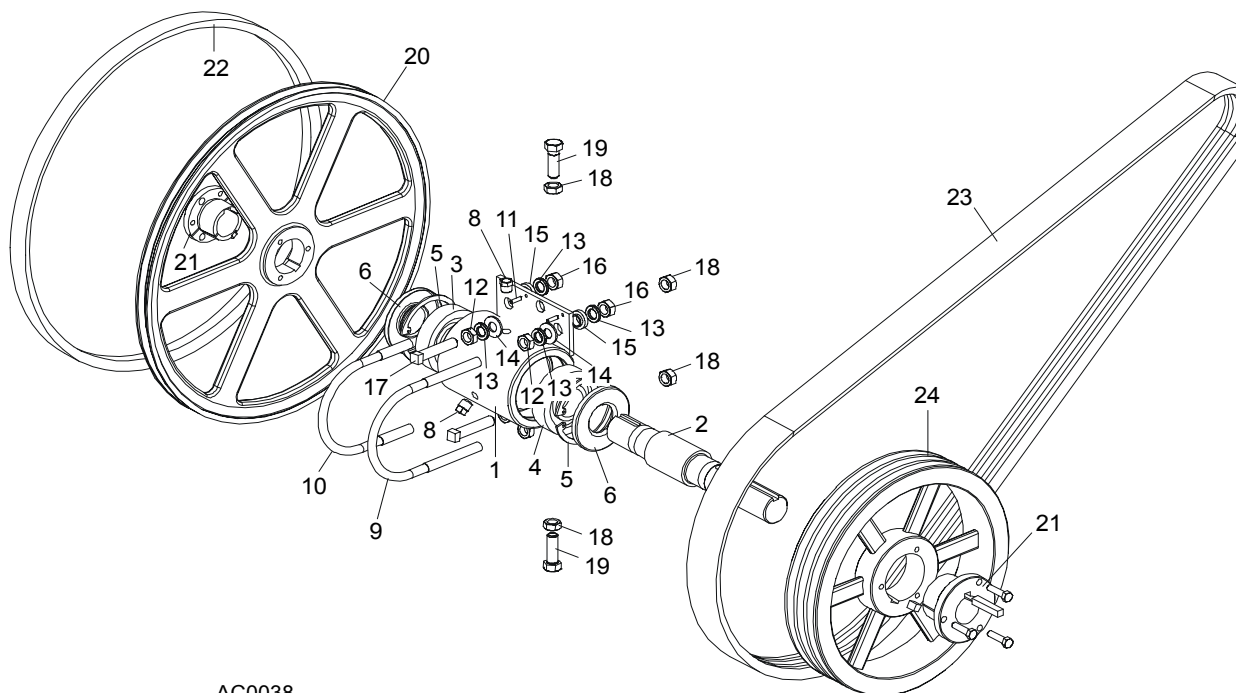
| REF | DESCRIPTION (◆ Indicates Parts Available In Assemblies Only) | PART #    | QTY.   |
|-----|--|-----------|--------|
| 1   | CHAIN, #25 X 20 1/4"   | P09984    | 1      |
| 2   | LINK, #25 MASTER   | P09983    | 1      |
| 3   | BOLT, 5/16-18 X 2 3/4" HEX HEAD GRADE 5                      | F05006-28 | 4      |
| 4   | WASHER, 8.4 FLAT   | F81054-1  | 4      |
| 5   | TUBE, 3/8" X 1/2" NEOPRENE                                   | R01897    | 0,75 m |
| 6   | CLAMP, 1/2" COATED EMT                                       | P07584    | 2      |
| 7   | WRAP, 1/4" X 6" TIE  | F05089-1  | 2      |
|     | <b>DRIVE ASSEMBLY, BLADE GUIDE ARM</b>                       | 091005    | 1      |
|     | Motor Assembly, Blade Guide Arm Replacement                  | A10365    | 1      |
| 8   | Motor, Blade Guide Arm 53:1 Gear                             | P09698-1  | 1      |
|     | Housing, Klauber Motor End                                   | P12756    | 1      |

|           |   |            |   |  |
|-----------|---|------------|---|--|
|           | Gear Kit, Klauber Motor Replacement         | P12569     | 1 |  |
|           | Brush Kit, Gear Motor Replacement           | P12800     | 1 |  |
|           | Shaft Kit, Klauber Gear Motor Replacement   | 009695     | 1 |  |
| <b>9</b>  | Connector, 14 Gauge Butt                    | F04875-1   | 2 |  |
| <b>10</b> | Pin, 1/8" X 3/4" Roll                       | F05012-6   | 1 |  |
| <b>11</b> | Sprocket, Gear Motor #25 14-Tooth           | P09970     | 1 |  |
| <b>12</b> | Screw, #10-32 x 1/2" Hex Head               | F05004-60  | 4 |  |
| <b>13</b> | Washer, 4.1 Split Lock                      | F81051-4   | 4 |  |
|           | Instruction Sheet, Blade Guide Arm Motor    | A10353-296 | 1 |  |
| <b>14</b> | Bracket, Blade Guide Arm Motor Mount        | 087994-1   | 1 |  |
| <b>15</b> | Roller, Blade Guide Arm Chain Idler         | S09999     | 1 |  |
| <b>16</b> | Bolt, 5/16-18 X 3 1/2" Hex Head Full Thread | F05006-3   | 1 |  |
| <b>17</b> | Spacer, 5/16" I.D. X 1 1/2"                 | S09996     | 1 |  |
| <b>18</b> | Washer, 5/16" SAE Flat                      | F81054-1   | 2 |  |
| <b>19</b> | Washer, 8.4 Split Lock                      | F05011-13  | 1 |  |
| <b>20</b> | Nut, 8.2 Hex Lock                           | F81054-4   | 1 |  |
| <b>21</b> | Boot, Gear Motor Weather                    | 023720     | 1 |  |
| <b>22</b> | <b>COVER, BLADE GUIDE ARM MOTOR</b>         | S11617     | 1 |  |
|           | <b>GUARD, BLADE GUIDE ARM (G.S. ONLY)</b>   | S12029     | 1 |  |

**3 Blade Wheels & Tensioner**  
*Blade Drive Assembly, LT30A/LT40A Super*

**SECTION 3 BLADE WHEELS & TENSIONER**

**3.1 Blade Drive Assembly, LT30A/LT40A Super**



AC0038

| REF | DESCRIPTION (◆ Indicates Parts Available In Assemblies Only) | PART #    | QTY. |
|-----|--|-----------|------|
|     | <b>BEARING ASSEMBLY, BLADE WHEEL DRIVE</b>                   | 086291    | 1    |
| 1   | Housing, Blade Wheel Drive Bearing                           | 086293    | 1    |
| 2   | Shaft, Blade Wheel Drive                                     | 086292    | 1    |
| 3   | Bearing, Blade Wheel Drive NJ308                             | 085939    | 1    |
| 4   | Bearing, Blade Wheel Drive #6308                             | 085940    | 1    |
| 5   | Ring, 90mm Interior Retaining #117                           | F04254-17 | 2    |
| 6   | Seal, Drive Bearing #CR15890                                 | P10206    | 2    |
| 7   | Plug, 1/4" NPT Square Head                                   | P05498    | 1    |
| 8   | Plug, 1/4" NPT Vented  | P12868    | 1    |
| 9   | Bolt, 1/2-13 Long U  | S10207-1P | 1    |
| 10  | Bolt, 1/2-13 Short U   | S10207-2P | 1    |
| 11  | Pin, 3/16" X 5/8" Roll                                       | F05012-22 | 2    |
| 12  | Nut, 1/2-20 Hex Jam  | F05010-16 | 4    |
| 13  | Washer, 12.2 Split Lock                                      | F81056-2  | 8    |
| 14  | Washer, 13 SAE Flat  | F81056-1  | 4    |
| 15  | Spacer, .510" x .937" x .34"                                 | S04253    | 4    |

## Blade Wheels & Tensioner

Blade Drive Assembly, LT30A/LT40A Super

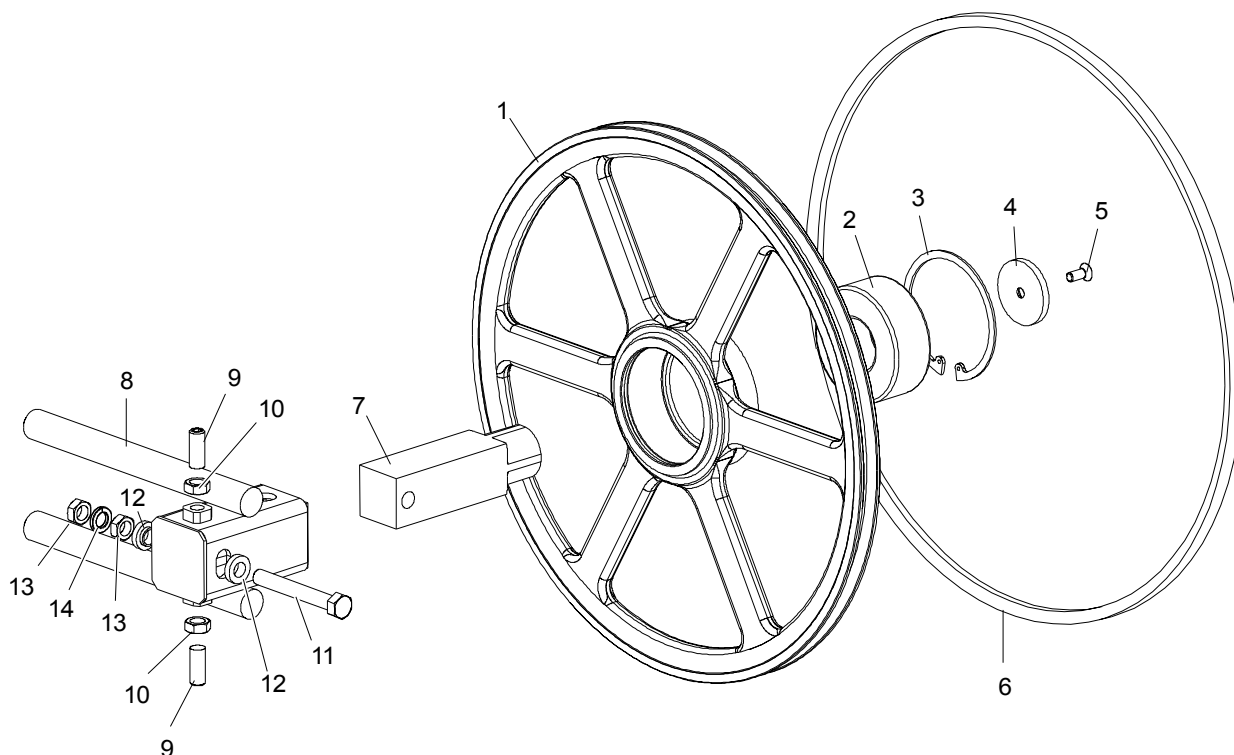
3

|    |   |            |   |  |
|----|---|------------|---|--|
| 16 | Nut, 1/2-13 Hex                                       | F05010-35  | 4 |  |
| 17 | Screw, 1/2-20 x 2 1/2" Square Head Full Thread Set    | F05008-110 | 2 |  |
| 18 | Nut, M12-8 Hex Nylon Lock                             | F81034-2   | 4 |  |
| 19 | Bolt, 1/2-20 x 1 1/2" Hex Head Grade 5                | F05008-53  | 2 |  |
|    | Decal, Bearing End-Play                               | S12750     | 1 |  |
|    | Instruction Sheet, Bearing Retrofit                   | K10200-275 | 1 |  |
|    | <b>WHEEL KIT, DRIVE SIDE BLADE</b>                    | 014562     | 1 |  |
| 20 | Wheel, Drive Side Blade                               | 016284     | 1 |  |
| 21 | Bushing, Modified 1 9/16" P1                          | 087214     | 1 |  |
|    | Instruction Sheet, Drive Side Blade Wheel Replacement | K12987-488 | 1 |  |
| 22 | <b>BELT, BLADE WHEEL B57</b>                          | P04185     | 1 |  |
| 23 | <b>BELT, 3BX72 DRIVE (EA20, EA25)</b>                 | 014249     | 1 |  |
| 24 | <b>PULLEY, 3B124 SK SPECIAL (EA20, EA25)</b>          | 087203-1   | 1 |  |

# 3 Blade Wheels & Tensioner

## Idle Blade Wheel Assembly

### 3.2 Idle Blade Wheel Assembly

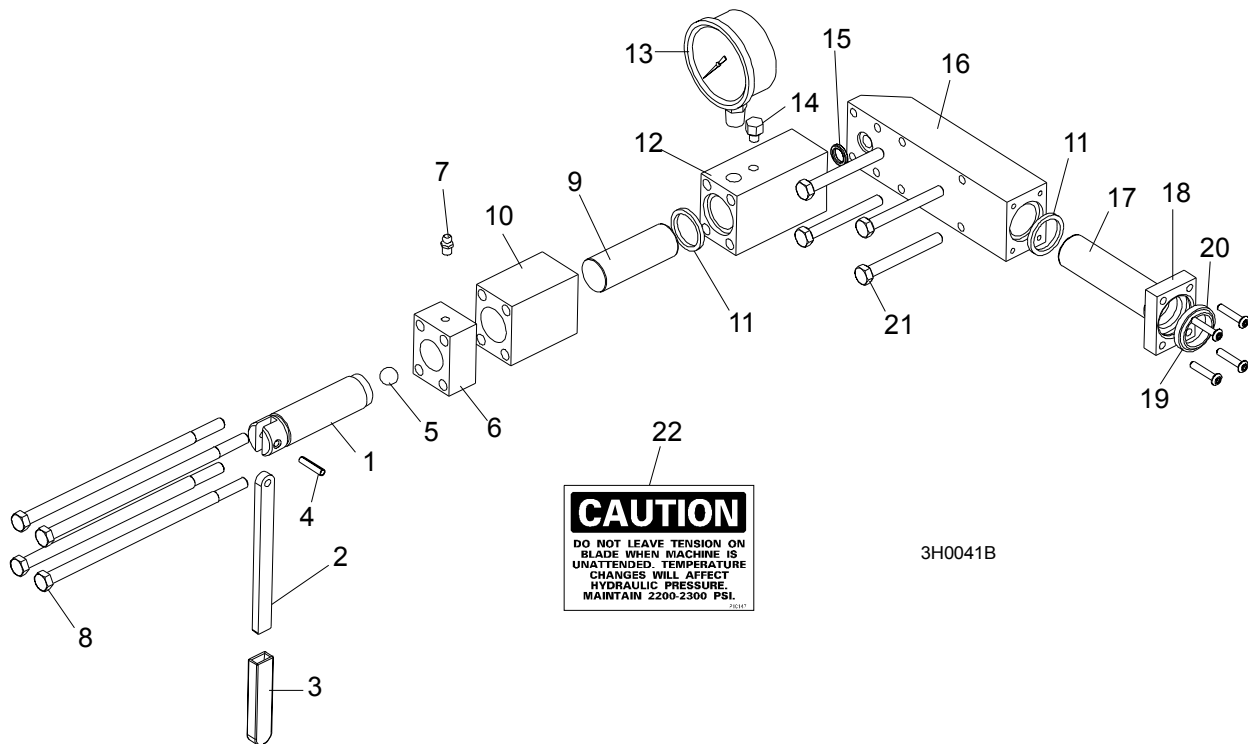


SM0241

| REF | DESCRIPTION (◆ Indicates Parts Available In Assemblies Only) | PART #     | QTY. |   |
|-----|--|------------|------|---|
|     | <b>WHEEL ASSEMBLY, IDLE SIDE BLADE</b>                       | 016120     | 1    |   |
| 1   | Wheel, Idle Side Blade                                       | 016013     | 1    | ◆ |
| 2   | Bearing, Idle Side Blade Wheel #5309-2RS, C3, SRI-2 Grease   | 086428     | 1    |   |
| 3   | Ring, 100mm Internal Retaining Beveled                       | F04254-28  | 1    |   |
| 4   | <b>RETAINER, 2 3/16 X 1/4"</b>                               | 016397     | 1    |   |
| 5   | <b>BOLT, 5/16-18 X 3/4" FLAT HEAD SOCKET</b>                 | F05006-95  | 1    |   |
| 6   | <b>BELT, BLADE WHEEL B57</b>                                 | P04185     | 1    |   |
| 7   | <b>SHAFT, IDLE BLADE WHEEL</b>                               | 016398     | 1    |   |
| 8   | <b>HOUSING, IDLE BLADE WHEEL SHAFT</b>                       | 016103     | 1    |   |
| 9   | <b>SCREW, 1/2-20 X 1 1/4" FLAT POINT SET</b>                 | F05008-109 | 2    |   |
| 10  | <b>NUT, 1/2-20 HEX JAM</b>                                   | F05010-16  | 2    |   |
| 11  | <b>BOLT, 1/2-20 X 3 3/4" HEX HEAD FULL THREAD GRADE 2</b>    | F05008-111 | 1    |   |
| 12  | <b>SPACER, 1/2" I.D. FLANGED</b>                             | 086769-1   | 2    |   |
| 13  | <b>NUT, 1/2-20 HEX JAM</b>                                   | F05010-16  | 2    |   |
| 14  | <b>WASHER, 12.2 SPLIT LOCK</b>                               | F81056-2   | 1    |   |



### 3.3 Hydraulic Blade Tensioner Assembly



| REF | DESCRIPTION (◆ Indicates Parts Available In Assemblies Only) | PART #     | QTY. |
|-----|--|------------|------|
|     | <b>HYDRAULIC BLADE TENSIONER ASSEMBLY</b>                    | A10054     | 1    |
|     | Handle Assembly, Hydraulic Blade Tensioner Screw             | A12294     | 1    |
| 1   | Screw, Hydraulic Blade Tensioner                             | S10056     | 1    |
| 2   | Handle, Hydraulic Tensioner Screw                            | S08174     | 1    |
| 3   | Sleeve, Plastic Handle                                       | P08072     | 1    |
| 4   | Pin, 3/16" x 7/8" Roll                                       | F05012-19  | 1    |
| 5   | Ball, 1/2" Steel   | P02720     | 1    |
| 6   | Block, Threaded Tensioner End                                | S10062     | 1    |
| 7   | Fitting, 1/4-28 Grease                                       | P05060     | 1    |
|     | Instruction Sheet, Tensioner Screw                           | A12294-518 | 1    |
| 8   | Bolt, 5/16-18 X 7 1/2" Hex Head Grade 5                      | F05006-43  | 4    |
| 9   | Piston, Hydraulic Tensioner Front 2 3/4" Long                | S10060     | 1    |
| 10  | Block, Piston Guide  | S10061     | 1    |
| 11  | Seal, 1" Diameter  | P10051     | 2    |
| 12  | Block, Hydraulic Tensioner Gauge Mounting                    | S10140     | 1    |
| 13  | Gauge, 3000 PSI  | 090552     | 1    |
| 14  | Plug, Hydraulic Tensioner Fill                               | P10065     | 1    |
| 15  | Ring, 5/8" X 3/32" Square "O"                                | P10377     | 1    |
| 16  | Block, Rear Tensioner Piston                                 | S10142     | 1    |

### **3** Blade Wheels & Tensioner

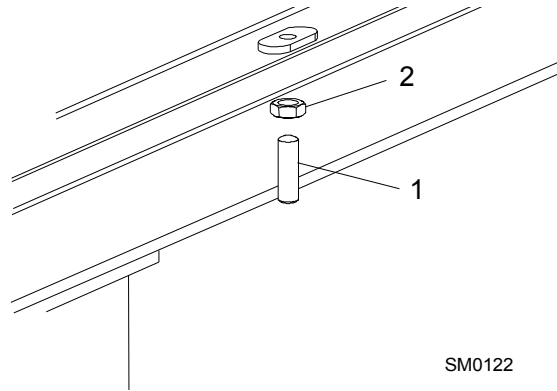
*Hydraulic Blade Tensioner Assembly*

---

|           |   |            |   |  |
|-----------|---|------------|---|--|
| <b>17</b> | Piston, Hydraulic Tensioner Rear 3 5/8" Long        | S10059     | 1 |  |
| <b>18</b> | Block, Rear Piston End                              | S10089     | 1 |  |
| <b>19</b> | Wiper, 1" Diameter                                  | P10053     | 1 |  |
| <b>20</b> | Bolt, #10-24 X 1" Socket Button Head                | F05004-43  | 4 |  |
| <b>21</b> | Bolt, 5/16-18 X 2 3/4" Hex Head Grade 5             | F05006-28  | 4 |  |
| <b>22</b> | Decal, Hydraulic Tension Caution                    | P10147     | 1 |  |
|           | Instruction Sheet, Hydraulic Tensioner Installation | A10136-272 | 1 |  |

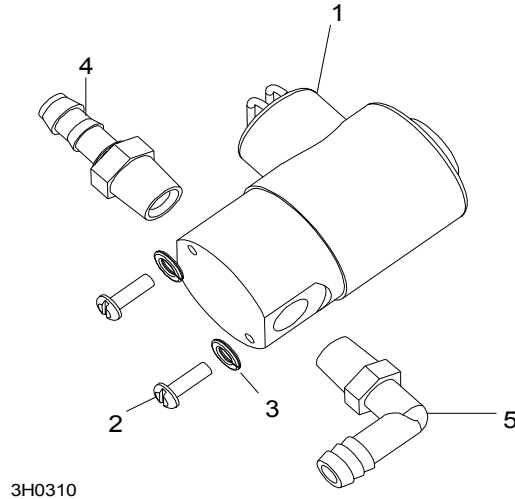
## SECTION 4 SAW HEAD

### 4.1 Middle Throat Screw



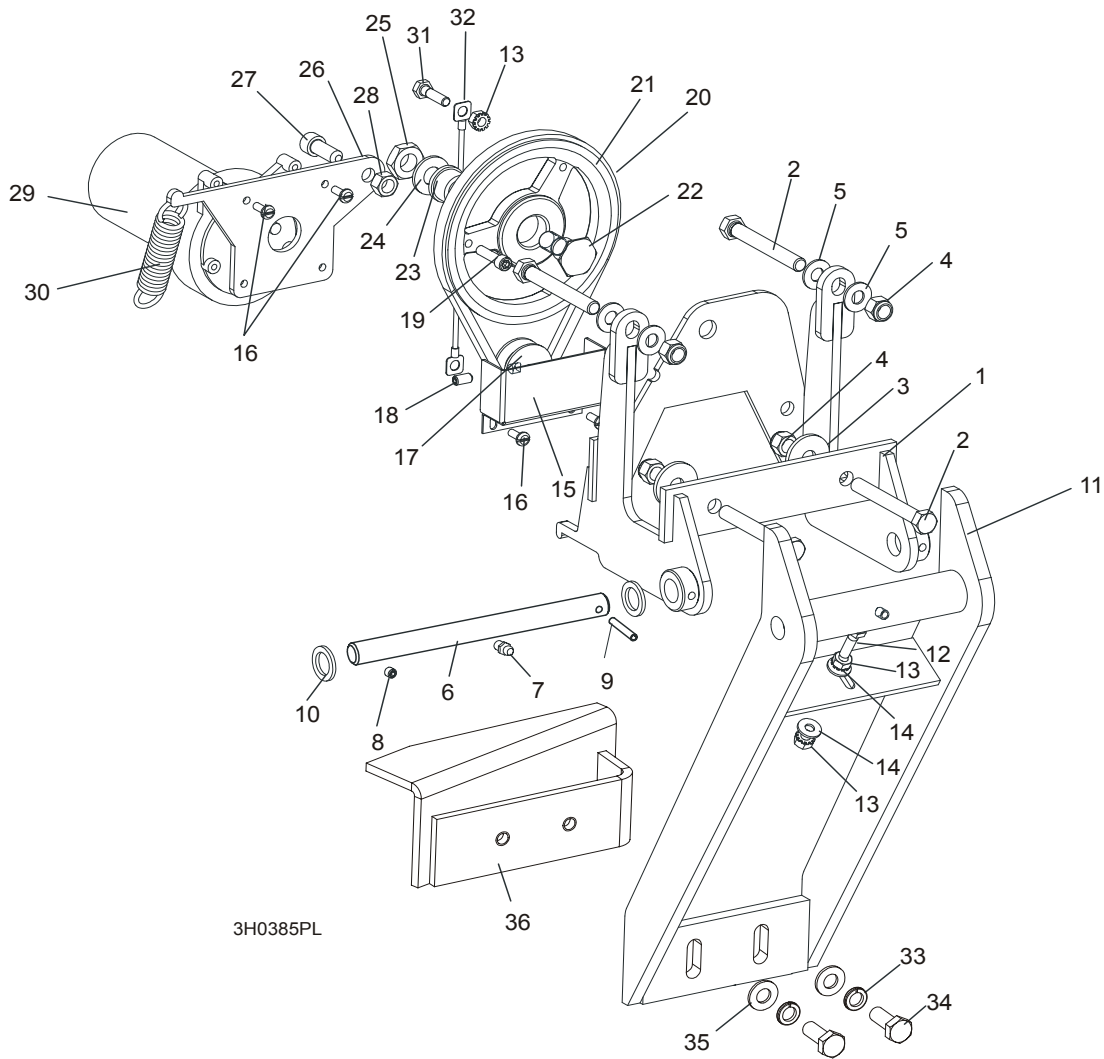
| REF | DESCRIPTION (◆ Indicates Parts Available In Assemblies Only) | PART #    | QTY. |  |
|-----|--|-----------|------|--|
| 1   | SCREW, 3/8-16 X 1 1/4" OVAL POINT SOCKET SET                 | F05007-18 | 1    |  |
| 2   | NUT, 3/8-16 HEX JAM  | F05010-29 | 1    |  |

## 4.2 Water Lube Solenoid Valve



| REF | DESCRIPTION (◆ Indicates Parts Available In Assemblies Only) | PART #    | QTY. |  |
|-----|--|-----------|------|--|
| 1   | VALVE, WATER LUBE SOLENOID                                   | 016140    | 1    |  |
| 2   | SCREW, 4MM X 12 CROSS SLOT ROUND HEAD                        | F05004-74 | 2    |  |
| 3   | WASHER, 4MM SPLIT LOCK                                       | F05011-57 | 2    |  |
| 4   | FITTING, 1/4" MALE NPT 3/8" HOSE BARB                        | P04682    | 1    |  |
| 5   | FITTING, 1/4" MALE NPT 3/8" HOSE BARB ELBOW                  | P04730    | 1    |  |

### 4.3 Board Return Assembly



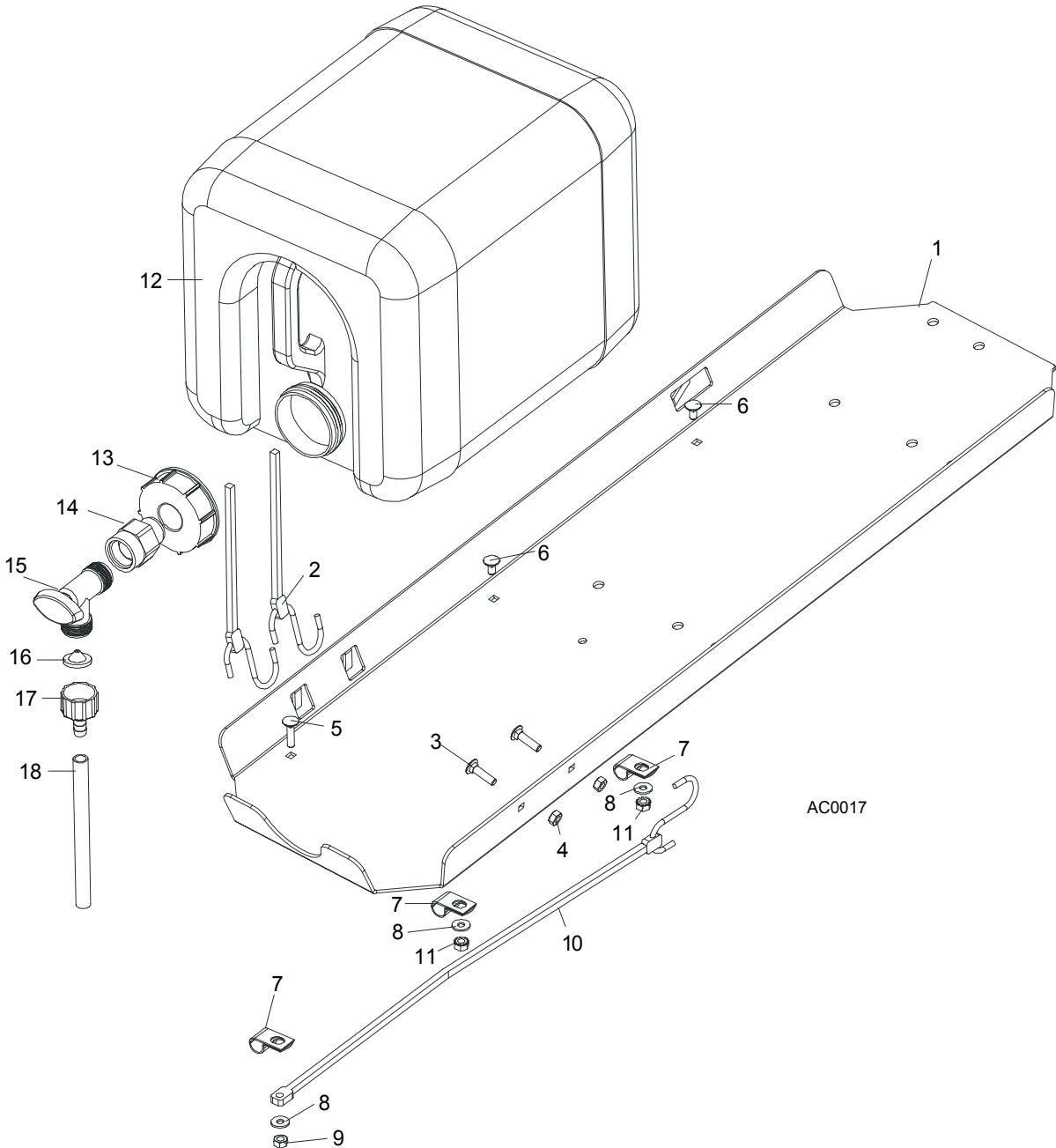
| REF | DESCRIPTION (◆ Indicates Parts Available In Assemblies Only) | PART #    | QTY. |
|-----|--|-----------|------|
|     | <b>RETURN ASSEMBLY, BOARD</b>                                | 087839-1  | 1    |
| 1   | Mount Weldment, Board Return                                 | 087788-1  | 1    |
| 2   | Bolt, 3/8-16 x 3" Full Thread Hex Head                       | F05007-1  | 4    |
| 3   | Washer, 1/8" x 1 1/4"  | 015336    | 2    |
| 4   | Nut, 3/8-16 Hex Nylon Lock                                   | F05010-10 | 4    |
| 5   | Washer, 10.5 Flat  | F81055-1  | 4    |
| 6   | Pin Kit, Board Return Replacement Pivot                      | 087837    | 1    |
| 7   | Fitting, M6 Grease   | 086280    | 1    |
| 8   | Screw, M6 X 8 Black Oxide Socket Head Set Cup Point          | F81013-1  | 1    |
| 9   | Pin, 5 X 30 Roll   | F81044-21 | 1    |
| 10  | Washer, 5/8" x 15/16" x .094 Nylon                           | F05011-19 | 2    |

## 4

**Saw Head***Board Return Assembly*

|    |   |            |   |  |
|----|---|------------|---|--|
| 11 | Arm Weldment, Board Return                      | 087838-1   | 1 |  |
| 12 | Screw, 1/4-20 x 3/4" Full Thread Hex Head Cap   | F05005-101 | 1 |  |
| 13 | Nut, 1/4-20 Self Locking                        | F05010-9   | 3 |  |
| 14 | Washer, 7.4 Flat                                | F81056-11  | 2 |  |
| 15 | Guard, Board Return Belt                        | 015007     | 1 |  |
| 16 | Screw, 10-32 x 1/2" Hex Head Machine            | F05004-55  | 4 |  |
| 17 | Sheave, 1.42 x .32                              | 015074     | 1 |  |
| 18 | Screw, 1/4-20 Socket Head Set Cup Point Nylon   | F05005-55  | 1 |  |
| 19 | Screw, 1/4-20 x 1" Socket Head Cap              | F05005-89  | 1 |  |
| 20 | Belt, 3L190                                     | 015477     | 1 |  |
| 21 | Sheave, OK50 x 1/2" Modified                    | 015224     | 1 |  |
| 22 | Bolt, Idler Pulley Pivot                        | 015221     | 1 |  |
| 23 | Bushing, 5/8" x 7/8" x 1/2" Bronze              | P05135     | 1 |  |
| 24 | Washer, 13 Flat                                 | F81056-1   | 1 |  |
| 25 | Nut, 1/2-20 Jam Nylon Lock                      | F05010-79  | 1 |  |
| 26 | Plate, Motor Pivot                              | 087871     | 1 |  |
| 27 | Screw, M10 x 25-8.8 Black Oxide Socket Head Cap | F81003-32  | 1 |  |
| 28 | Nut, 3/8-16 Self Locking                        | F05010-25  | 1 |  |
| 29 | Motor, 53:1 ASA Gear                            | P09698-1   | 1 |  |
| 30 | Spring, 3/4" x 2 7/8" x 12 Gauge                | 015479     | 1 |  |
| 31 | Bolt, 1/4-20 x 1" Hex Head Grade 5              | F05005-101 | 1 |  |
| 32 | Cable, Board Return                             | 016090     | 1 |  |
| 33 | Washer, 10.2 Split                              | F81055-2   | 2 |  |
| 34 | Bolt, 3/8-16 x 3/4" Hex Head                    | F81003-1   | 2 |  |
| 35 | Washer, 10.5 Flat                               | F81055-1   | 2 |  |
| 36 | Angle, Board Return                             | 087835-1   | 1 |  |

4.4 Water Lube Assembly



| REF | DESCRIPTION (◆ Indicates Parts Available In Assemblies Only) | PART #    | QTY. |   |
|-----|--|-----------|------|---|
| 1   | TRAY, ELECTRIC BOX/WATER BOTTLE                              | 086528-1  | 1    | ◆ |
| 2   | STRAP, 20" RUBBER  | P11668    | 2    |   |
| 3   | BOLT, 1/4-20 X 1" CARRIAGE HEAD                              | F05005-34 | 4    |   |
| 4   | NUT, 1/4-20 HEX LOCK   | F05010-21 | 4    |   |
| 5   | BOLT, 1/4-20 X 1" CARRIAGE HEAD                              | F05005-34 | 1    |   |
| 6   | BOLT, 1/4-20 X 1/2" CARRIAGE HEAD                            | F05005-33 | 2    |   |
| 7   | CLAMP, 1/2" EMT HOSE   | P07584    | 3    |   |

# 4

## Saw Head

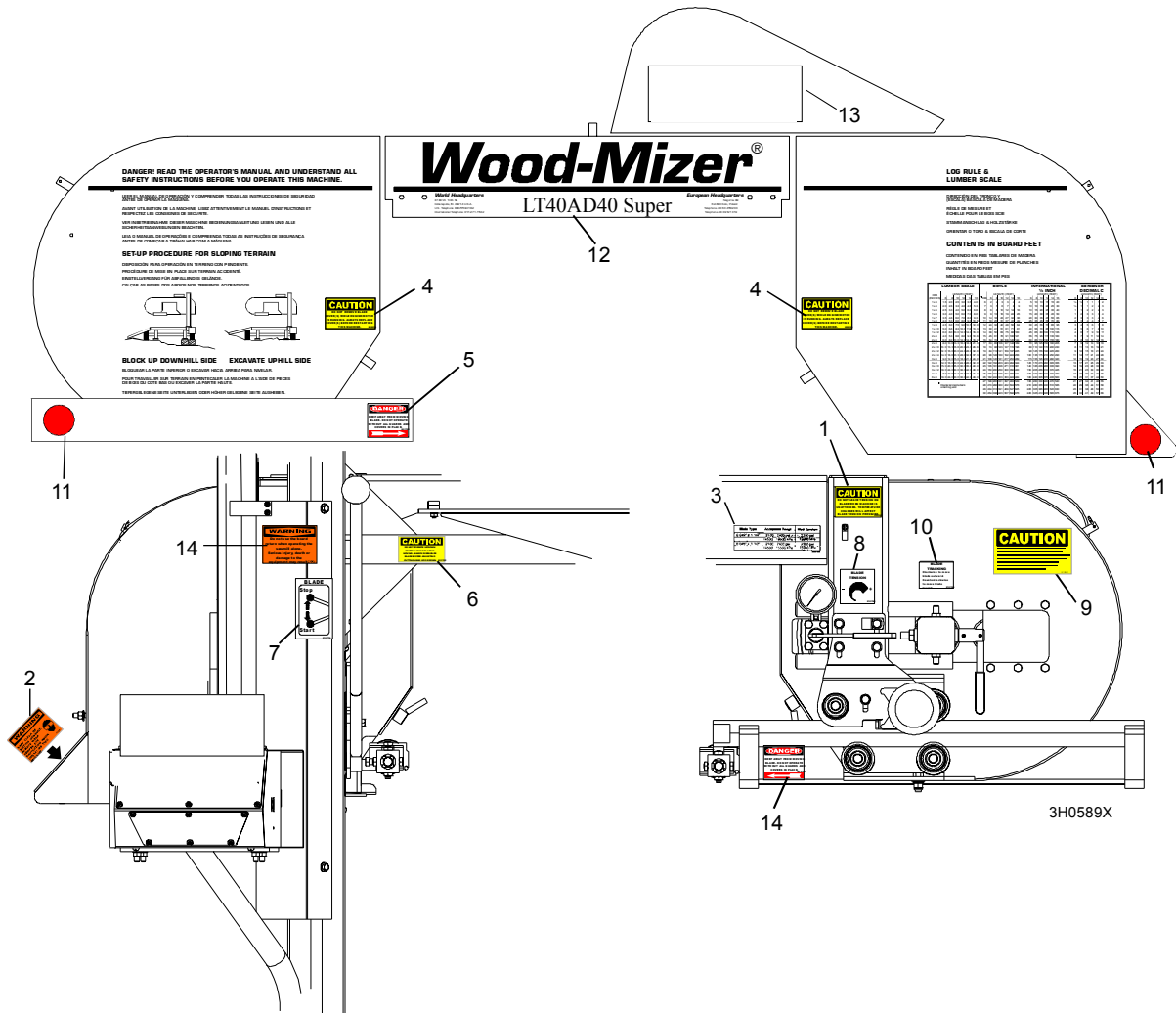
### Water Lube Assembly

|    |  |                     |       |  |
|----|--|---------------------|-------|--|
| 8  | WASHER, 7.4 FLAT                       | F81056-11           | 3     |  |
| 9  | NUT, 1/4-20 HEX LOCK                   | F05010-21           | 1     |  |
| 10 | STRAP, 15" RUBBER                      | P07461              | 1     |  |
| 11 | NUT, 1/4-20 SELF-LOCKING               | F05010-9            | 2     |  |
|    | <b>BOTTLE ASSY, WATER LUBE</b>         | 014642              | 1     |  |
| 12 | Bottle, 5-Gallon Water Lube            | 014637              | 1     |  |
| 13 | Cap, Water Lube Bottle Buttress Thread | 014773              | 1     |  |
| 14 | FITTING, 3/4FPT X 3/4MPT               | 014636              | 1     |  |
| 15 | FITTING, WATER LUBE SHUTOFF VALVE      | 014100              | 1     |  |
| 16 | FILTER, WATER LUBE                     | 016086 <sup>1</sup> | 1     |  |
| 17 | FITTING, 5/8" NPT TO 3/8" HOSE BARB    | 014113              | 1     |  |
| 18 | TUBING, WATER LUBE 3/8" I.D.           | R01885              | 2,1 m |  |

<sup>1</sup> Filter recommended for Super models to prevent debris from entering water lube solenoid valve.



## 4.5 Saw Head Decals



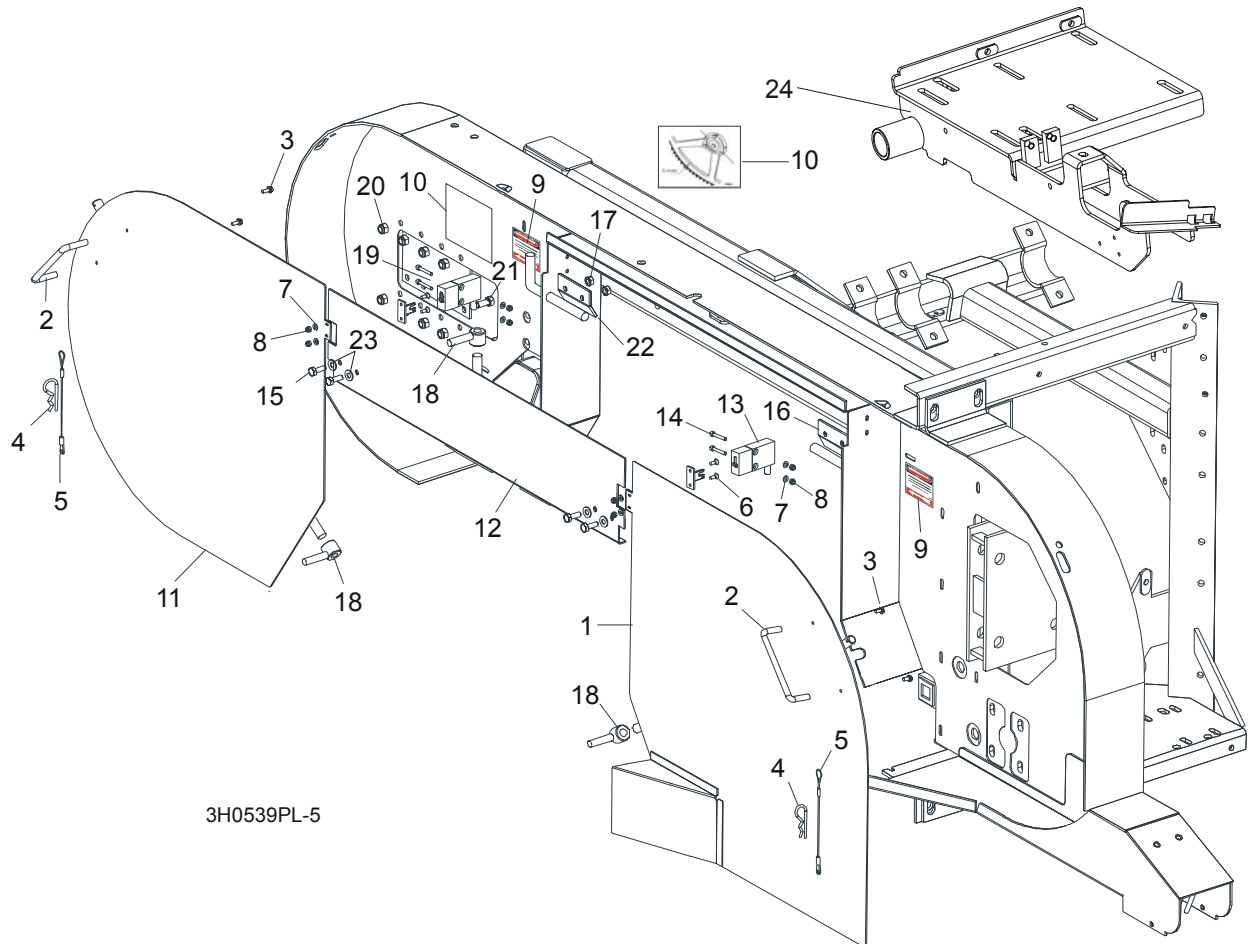
| REF | DESCRIPTION (◆ Indicates Parts Available In Assemblies Only) | PART # | QTY. |
|-----|--|--------|------|
| 1   | DECAL, BLADE TENSION CAUTION                                 | P10147 | 1    |
| 2   | DECAL, SAWDUST CHUTE WARNING                                 | P11754 | 1    |
| 3   | DECAL, BLADE TENSION RANGES                                  | 085080 | 1    |
| 4   | DECAL, BLADE COVERS CAUTION                                  | S20039 | 2    |
| 5   | DECAL, BLADE DANGER ARROW RIGHT                              | S11752 | 1    |
| 6   | DECAL, UP/DOWN CAUTION                                       | S11762 | 1    |
| 7   | DECAL, BLADE START/STOP                                      | P11779 | 1    |
| 8   | DECAL, BLADE TENSION INFO                                    | P11790 | 1    |
| 9   | DECAL, SECURE THE SAW HEAD (PORTABLE SAWMILL ONLY)           | S12581 | 1    |
| 10  | DECAL, BLADE ALIGNMENT INFO                                  | P11789 | 1    |
| 11  | DECAL, RED REFLECTIVE 2" ROUND                               | P07452 | 2    |
| 12  | DECAL, SAWMILL TYPE  | N/A    |      |
|     | Decal, LT30AE25S   | 086891 | 1    |
|     | Decal, LT40AE25S   | 086902 | 1    |

**4****Saw Head***Saw Head Decals*

---

|    |   |        |   |  |
|----|---|--------|---|--|
|    | Decal, SUPER                              | 085088 | 1 |  |
| 13 | <b>DECAL, WOOD-MIZER WHAT'S IN A NAME</b> | S12528 | 1 |  |
| 14 | <b>DECAL, BLADE DANGER ARROW LEFT</b>     | S11751 | 1 |  |

## 4.6 Blade Housing Covers



3H0539PL-5

| REF | DESCRIPTION (◆ Indicates Parts Available In Assemblies Only) | PART #    | QTY. |   |
|-----|--|-----------|------|---|
|     | <b>COVER ASSEMBLY, DRIVE SIDE BLADE HOUSING WITH HANDLE</b>  | 087165    | 1    |   |
| 1   | Cover Weldment, Drive Side Blade Housing                     | 087159-1  | 1    | ◆ |
| 2   | Handle, Blade Housing Cover                                  | P08065    | 1    |   |
| 3   | Screw, #8-32 x 3/8"  | F05015-8  | 2    |   |
|     | Pin Assembly, Cover Retainer                                 | A11881    | 1    |   |
| 4   | Pin, Safety Retainer   | N/A       | 1    |   |
| 5   | Cable, 3/64" x 6" Lanyard                                    | N/A       | 1    |   |
| 6   | Bolt, M4 x 12-5.8  | F81011-41 | 2    |   |
| 7   | Washer, 4.3  | F81051-2  | 4    |   |
| 8   | Nut, M4 Hex  | F81029-1  | 2    |   |
| 9   | <b>DECAL, BLADE DANGER W/ARROW</b>                           | S11751    | 2    |   |
| 10  | <b>DECAL, BLADE SETTING</b>                                  | P85066    | 1    |   |
|     | <b>COVER, IDLE SIDE BLADE HOUSING WITH HANDLE</b>            | 086431    | 1    |   |
| 11  | Cover, Idle Side Blade Housing                               | 086430-1  | 1    | ◆ |
| 2   | Handle, Blade Housing Cover                                  | P08065    | 1    |   |

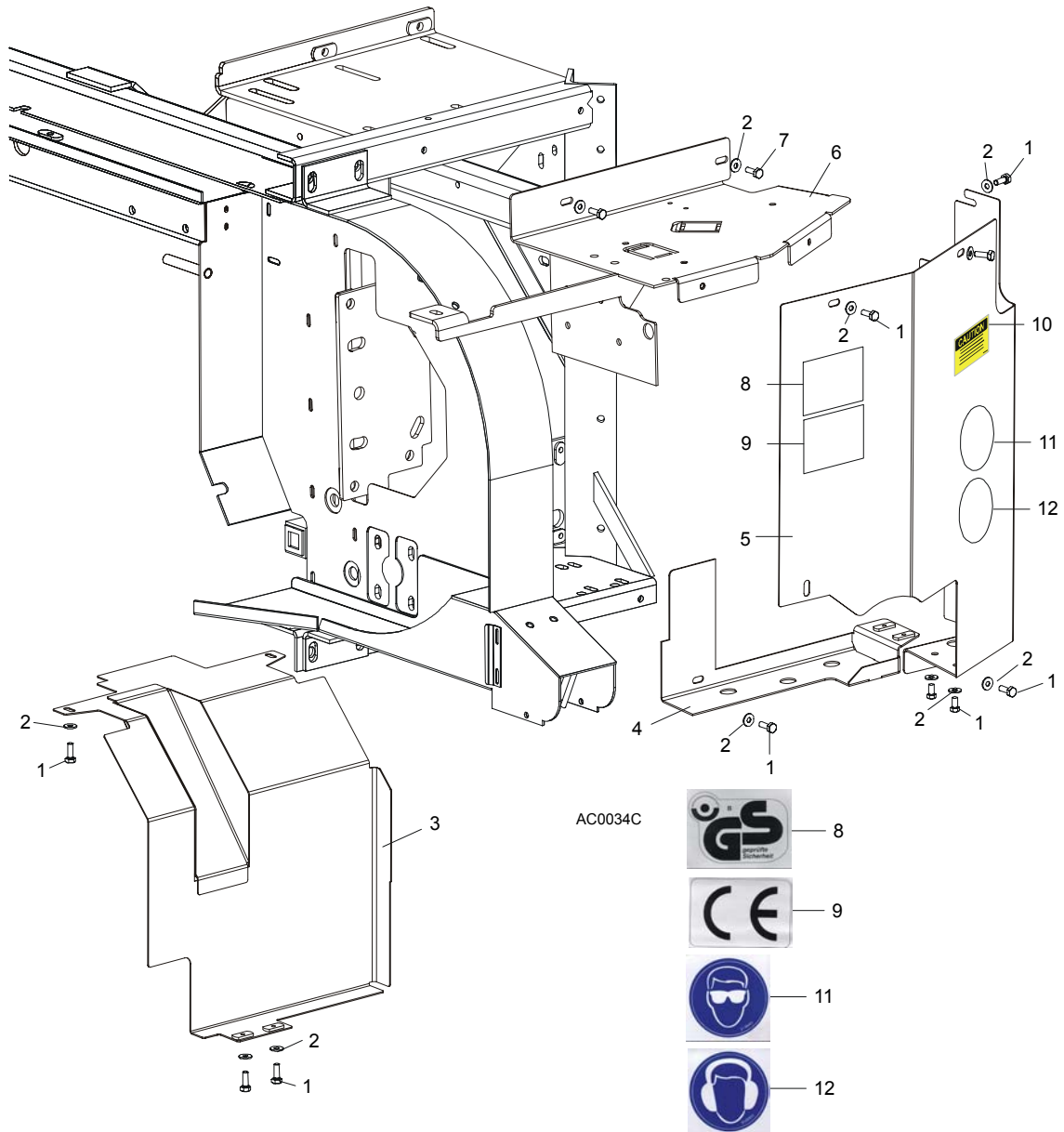
## 4

## Saw Head

## Blade Housing Covers

|    |  |           |   |  |
|----|--|-----------|---|--|
| 3  | Screw, #8-32 X 3/8" Self-Tap                 | F05015-8  | 2 |  |
|    | Pin Assembly, Cover Retainer                 | A11881    | 1 |  |
| 4  | Pin, Safety Retainer                         | N/A       | 1 |  |
| 5  | Cable, 3/64" x 6" Lanyard                    | N/A       | 1 |  |
| 8  | Screw, M4 x 12-5.8                           | F81011-41 | 4 |  |
| 9  | Washer, 4.3 Flat                             | F81051-2  | 4 |  |
| 10 | Nut, M4 Hex                                  | F81029-1  | 2 |  |
| 12 | <b>COVER, MIDDLE BLADE HOUSING</b>           | 087326-1  | 1 |  |
| 13 | Switch, Emergency Stop                       | 087650    | 2 |  |
| 14 | Bolt, M4 x 20-8.8 Socket Head                | F81011-31 | 4 |  |
| 15 | <b>BOLT, 1/4-20 X 3/4" HEX HEAD</b>          | F05005-1  | 4 |  |
| 16 | <b>HINGE, MIDDLE BLADE HOUSING COVER</b>     | S07522    | 1 |  |
| 17 | <b>NUT, 1/4-20 SELF-LOCKING HEX</b>          | F05010-9  | 4 |  |
| 18 | <b>NUT, COVER TURN</b>                       | 086365-1  | 2 |  |
| 19 | <b>PLATE, IDLE BLADE WHEEL GUARD</b>         | 086230    | 1 |  |
| 20 | <b>NUT, 5/16-18 HEX NYLON LOCK</b>           | F05010-58 | 6 |  |
| 21 | <b>BOLT, 5/16-18 X 3/4" HEX HEAD GRADE 2</b> | F05006-5  | 6 |  |
| 22 | <b>HINGE, MIDDLE BLADE HOUSING COVER</b>     | 085336-1  | 1 |  |
| 23 | <b>WASHER 6.4 ZINC</b>                       | F81053-1  | 4 |  |
| 24 | <b>MOUNT WELDMENT E15,E20,E25</b>            | 087736-1  | 1 |  |

### 4.7 Drive Belt Covers



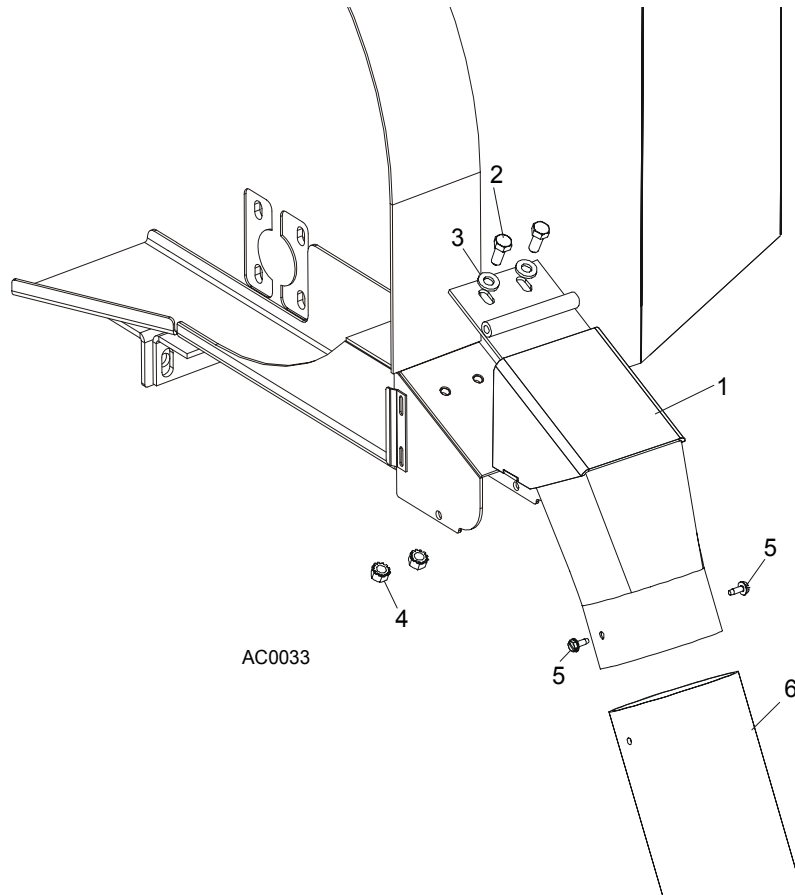
| REF | DESCRIPTION (◆ Indicates Parts Available In Assemblies Only) | PART #    | QTY. |
|-----|--|-----------|------|
| 1   | BOLT, M6 X 12-8.8 HEX HEAD                                   | F81001-7  | 11   |
| 2   | WASHER, 6.5 FLAT   | F81053-11 | 13   |
| 3   | GUARD WELDMENT, AC   | 087660-1  | 1    |
| 4   | MOUNT WELDMENT, AC LOWER UP/DOWN                             | 087525-1  | 1    |
| 5   | GUARD WELDMENT, AC C-FRAME ENCLOSURE                         | 087334-1  | 1    |
| 6   | GUARD, DRIVE PULLEY TOP                                      | 086621-1  | 1    |
| 7   | BOLT, M6 X 20-8.8 HEX HEAD                                   | F81001-2  | 2    |
| 8   | DECAL, GS SAFETY CERTIFICATION                               | P85073    | 1    |
| 9   | DECAL, CE CRTIFIED SAWMILL                                   | P85071    | 1    |
| 10  | DECAL, UP/DOWN MOVEMENT DANGER                               | A11762    | 1    |

**4****Saw Head***Drive Belt Covers*

---

|    |                               |         |   |  |
|----|-------------------------------|---------|---|--|
| 11 | DECAL, EYE PROTECTION WARNING | S12004G | 1 |  |
| 12 | DECAL, EAR PROTECTION WARNING | S12005G | 1 |  |

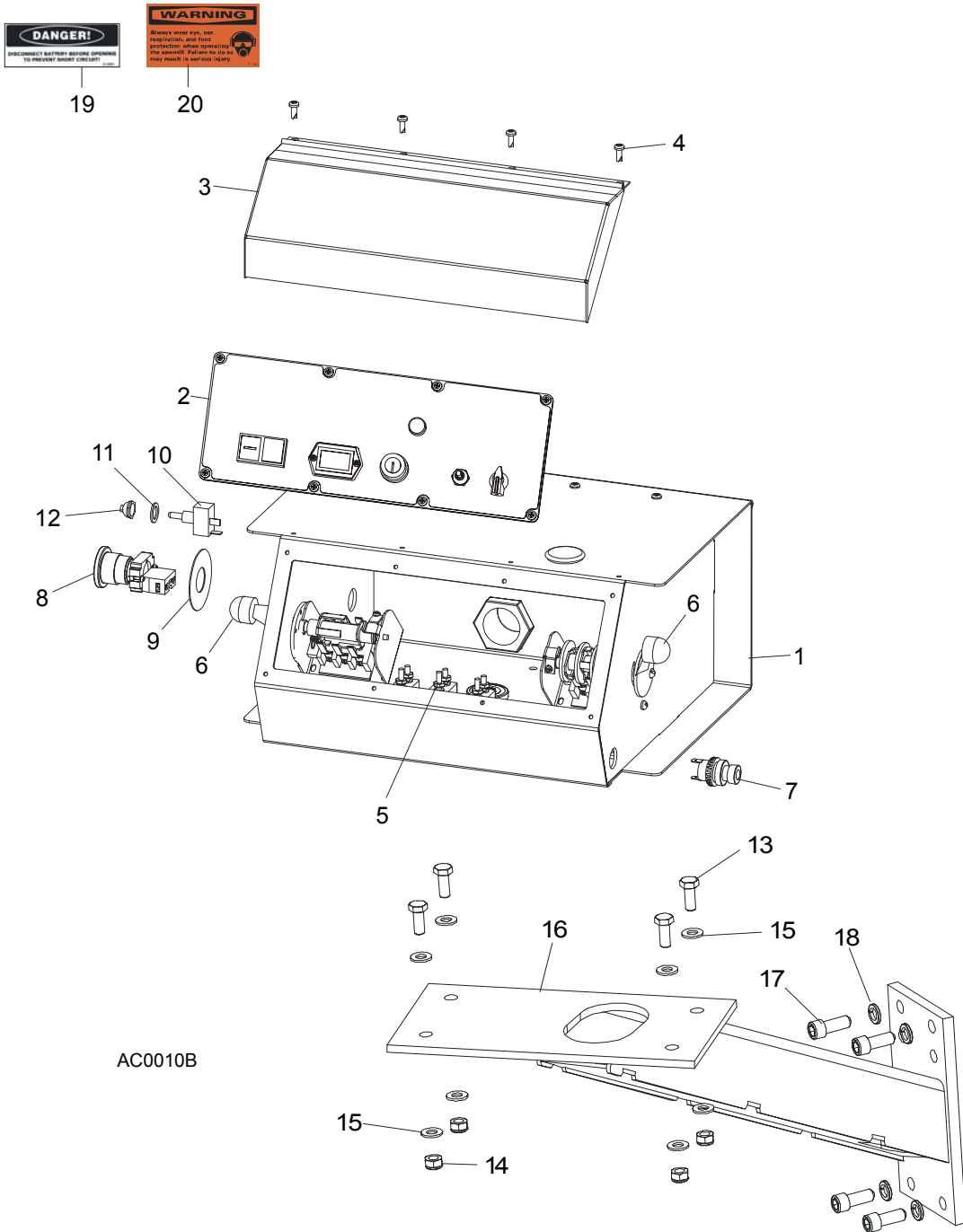
## 4.8 Sawdust Chute



| REF | DESCRIPTION (◆ Indicates Parts Available In Assemblies Only) | PART #    | QTY.  |
|-----|--|-----------|-------|
| 1   | CHUTE WELDMENT, SAWDUST                                      | 015466    | 1     |
| 2   | BOLT, 5/16-18 X 3/4" HEX HEAD GRADE 2                        | F05006-5  | 2     |
| 3   | WASHER, 8.4 FLAT   | F81054-1  | 2     |
| 4   | NUT, 5/16-18 SELF-LOCKING HEX                                | F05010-20 | 2     |
| 5   | BOLT, #10-24 X 1/2" SELF-TAPPING                             | F05015-7  | 2     |
| 6   | TUBING, 4" I.D. RUBBER                                       | R02336    | 0.6 m |
|     | STRAP, 20" RUBBER W/HOOK                                     | P11668    | 1     |
|     | BOLT, 1/4-20 X 1 1/4" HEX HEAD FULL THREAD                   | F05005-3  | 1     |
|     | WASHER, 7.4 FLAT   | F81056-11 | 1     |
|     | NUT, 1/4-20 LOCK   | F05010-21 | 1     |

## SECTION 5 CONTROL & BATTERY BOXES

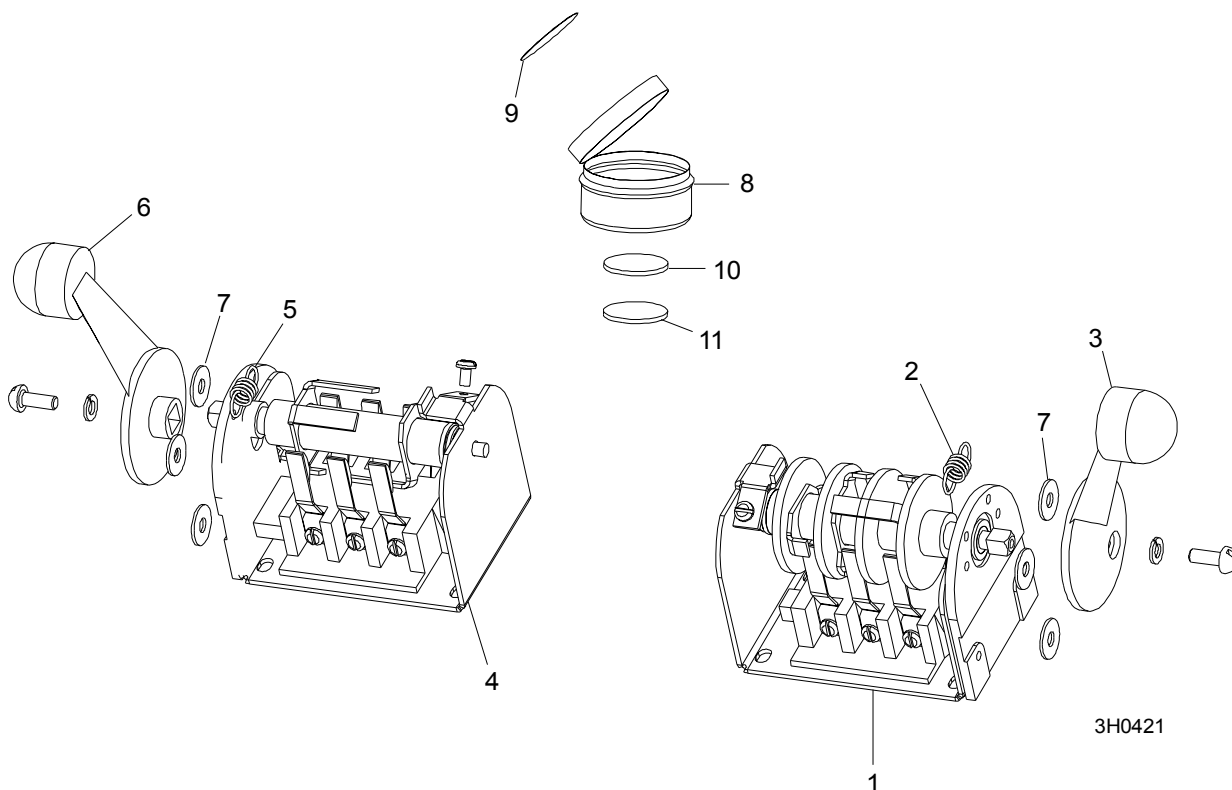
### 5.1 Control Assembly, LT30A/LT40A Super





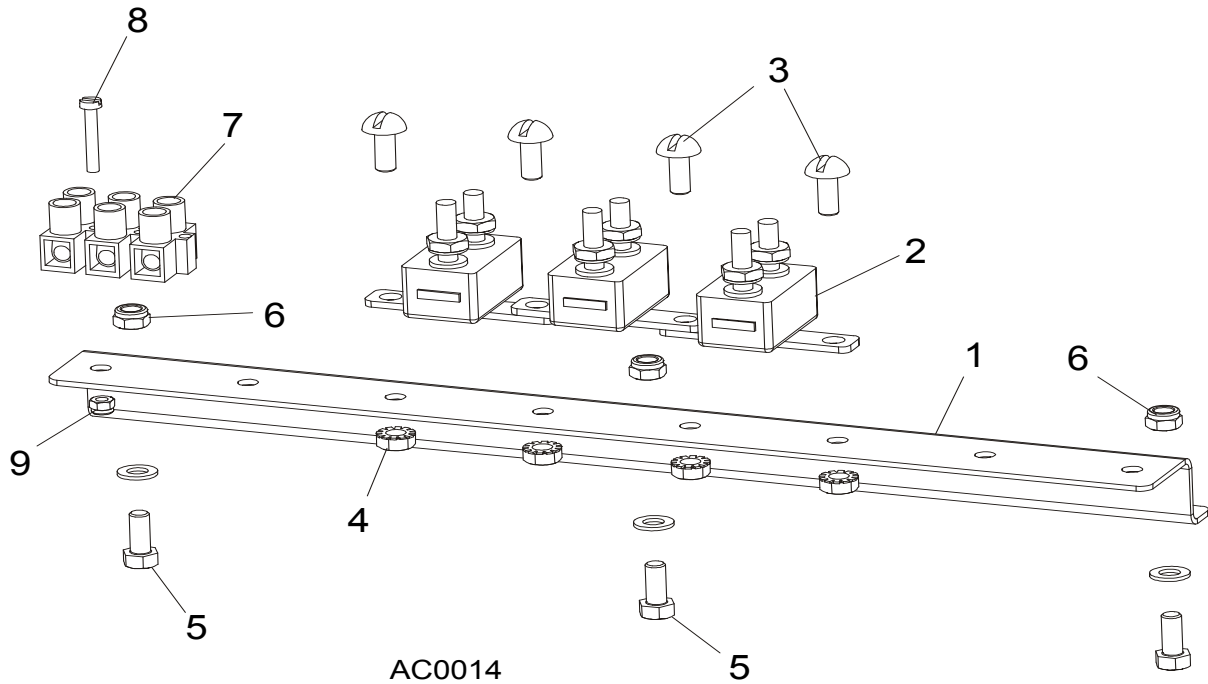
| REF       | DESCRIPTION (◆ Indicates Parts Available In Assemblies Only)           | PART #    | QTY. |   |
|-----------|--|-----------|------|---|
|           | <b>CONTROL BOX ASSEMBLY, AC 2 SPEED</b>                                | 086548    | 1    |   |
| <b>1</b>  | <b>HOUSING, AC SUPER CONTROL BOX ASSEMBLY (EA20, EA25)</b>             | 086546-1  | 1    | ◆ |
| <b>2</b>  | Front Control Panel & Wiring Harnesses ( <a href="#">Section 5.4</a> ) |           |      |   |
| <b>3</b>  | Cover, Control Box Hinged  | 015304    | 1    |   |
| <b>4</b>  | Screw, #10-24 x 1/2"   | F05015-17 | 12   |   |
| <b>5</b>  | Circuit Breakers ( <a href="#">Section 5.3</a> )                       |           |      |   |
| <b>6</b>  | Drum Switches ( <a href="#">Section 5.2</a> )                          |           |      |   |
| <b>7</b>  | Switch, Horn   | E85118    | 1    |   |
| <b>8</b>  | Switch, XB2 BS542 Emergency Stop                                       | 086556    | 1    |   |
| <b>9</b>  | Washer, Emergency Stop Switch  | 086561    | 1    |   |
| <b>10</b> | Switch, SPST On/Off 15A .25 Tabs Toggle>                               | P03027    | 1    |   |
| <b>11</b> | Washer, 1/2" x 3/4" x 5/8" Nylon                                       | P05251-1  | 1    |   |
| <b>12</b> | Boot, Speed Control Switch   | P02575    | 1    |   |
| <b>13</b> | <b>BOLT, M8 X 20-8.8-B HEX HEAD</b>                                    | F81002-4  | 4    |   |
| <b>14</b> | <b>NUT, M8-8-B HEX</b>   | F81032-2  | 4    |   |
| <b>15</b> | <b>WASHER, 8.4 FLAT</b>  | F81054-1  | 8    |   |
| <b>16</b> | <b>MOUNT WELDMENT, STANDARD CONTROL BOX</b>                            | 086732-1  | 1    |   |
| <b>17</b> | <b>BOLT,, 3/8-16 X 1" SOCKET HEAD</b>                                  | F05007-52 | 4    |   |
| <b>18</b> | <b>WASHER, 10.2 SPLIT LOCK</b>   | F81055-2  | 4    |   |
| <b>19</b> | <b>DECAL, FRONT OUTRIGGER WARNING</b>                                  | 015400-4  | 1    |   |
| <b>20</b> | <b>DECAL, EAR/EYE PROTECTION WARNING</b>                               | S11753-4  | 1    |   |

## 5.2 Drum Switches



| REF | DESCRIPTION (◆ Indicates Parts Available In Assemblies Only) | PART #    | QTY.   |   |
|-----|--|-----------|--------|---|
|     | <b>SWITCH ASSEMBLY, UP/DOWN DRUM</b>                         | E20440    | 1      |   |
| 1   | Switch, S12 Bulk Drum  | E20440-B  | 1      | ◆ |
| 2   | Spring, Drum Switch  | P12570    | 1      |   |
| 3   | Handle, Drum Switch Replacement                              | P12500    | 1      |   |
|     | <b>SWITCH ASSEMBLY, POWER FEED DRUM</b>                      | E20438    | 1      |   |
| 4   | Switch, S10 Bulk Drum  | E20438-B  | 1      | ◆ |
| 5   | Spring, Drum Switch  | P12570    | 1      |   |
| 6   | Handle, Drum Switch Replacement                              | P12500    | 1      |   |
| 7   | <b>WASHER, #8 SAE FLAT</b>                                   | F05011-41 | 6      |   |
|     | <b>CUP ASSEMBLY, DRUM SWITCH GREASE</b>                      | A20463    | 1      |   |
| 8   | Cup, Plastic Container                                       | P20464    | 1      | ◆ |
| 9   | Decal, Grease Cup Label                                      | P20467    | 1      |   |
| 10  | Pad, Velcro Loop   | P20466    | 1      | ◆ |
| 11  | Pad, Velcro Hook   | P20465    | 1      | ◆ |
|     | Grease, High Temp Drum Switch                                | P20468    | .011ml | ◆ |

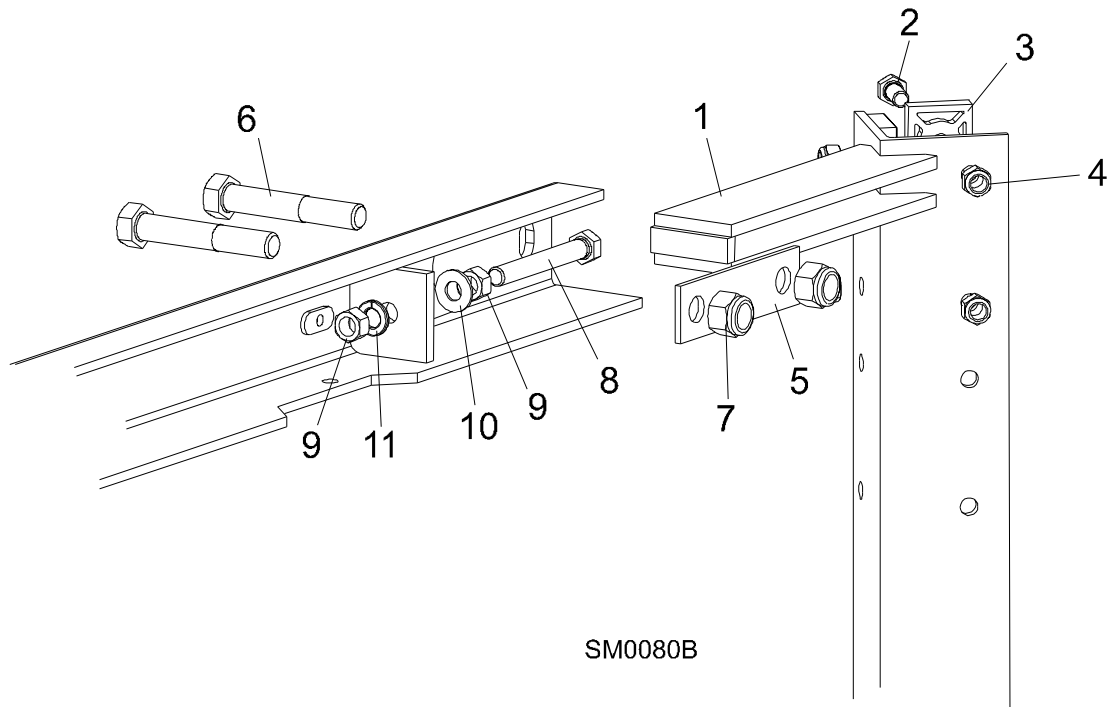
### 5.3 Circuit Breakers



| REF | DESCRIPTION (◆ Indicates Parts Available In Assemblies Only) | PART #    | QTY. |
|-----|--|-----------|------|
| 1   | RAIL, CIRCUIT BREAKER  | 015310    | 1    |
| 2   | BREAKER, 15 AMP MANUAL RESET                                 | E20430    | 5    |
| 3   | SCREW, H M5X10 8.8 ZINC                                      | F81000-13 | 4    |
| 4   | NUT, M5-8 ZINC HEX SELF-LOCKING                              | F81030-2  | 4    |
| 5   | SCREW, M5X12-5.8 ZINC  | F81000-5  | 3    |
| 6   | NUT, M5-8 ZINC HEX SELF-LOCKING                              | F81030-2  | 3    |
| 7   | STRIP, ELECTRIC WIRE   | F81086-1  | 1    |
| 8   | SCREW, M3 X 20-5.8   | F81000-8  | 1    |
| 9   | NUT, M3  | F81028-2  | 1    |

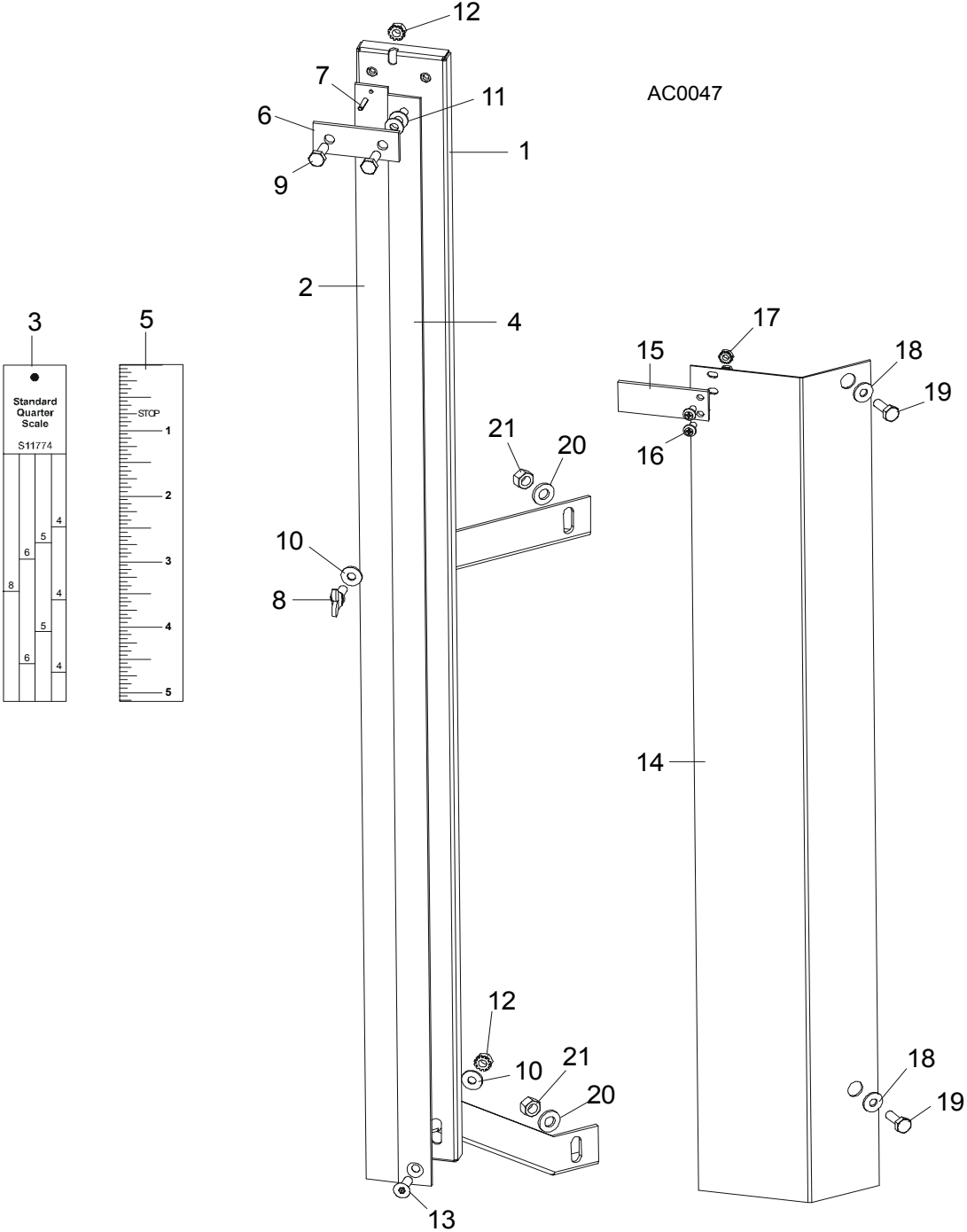
## SECTION 6 UP/DOWN SYSTEM

### 6.1 Saw Head V-Brace Mount



| REF | DESCRIPTION (◆ Indicates Parts Available In Assemblies Only) | PART #    | QTY. |
|-----|--|-----------|------|
| 1   | V-BRACE, SAW HEAD MOUNT                                      | 086308    | 1    |
| 2   | BOLT, 5/16-18 X 3/4" HEX HEAD GRADE 5                        | F05006-5  | 19   |
|     | BOLT, 5/16-18 X 1 1/4" HEX HEAD FULL THREAD                  | F05006-18 | 5    |
| 3   | PAD, PLASTIC SLIDE   | M04096    | 12   |
| 4   | NUT, 5/16-18 NYLON LOCK                                      | F05010-58 | 19   |
|     | NUT, 5/16-18 HEX   | F05010-17 | 5    |
| 5   | PLATE, V-BRACE WASHER  | 091247    | 4    |
| 6   | BOLT, M12 X 40 - 8.8 HEX HEAD                                | F81004-1  | 4    |
| 7   | NUT, M12 - 8 NYLON LOCK                                      | F81034-2  | 4    |
| 8   | BOLT, 3/8-16 X 3" FULL THREAD                                | F05007-1  | 2    |
| 9   | NUT, 3/8-16 HEX  | F05010-1  | 4    |
| 10  | WASHER, 10.5 FLAT  | F81055-1  | 2    |
| 11  | WASHER, 10.2 SPLIT LOCK                                      | F81055-2  | 2    |

6.2 Blade Height Scale



AC0047

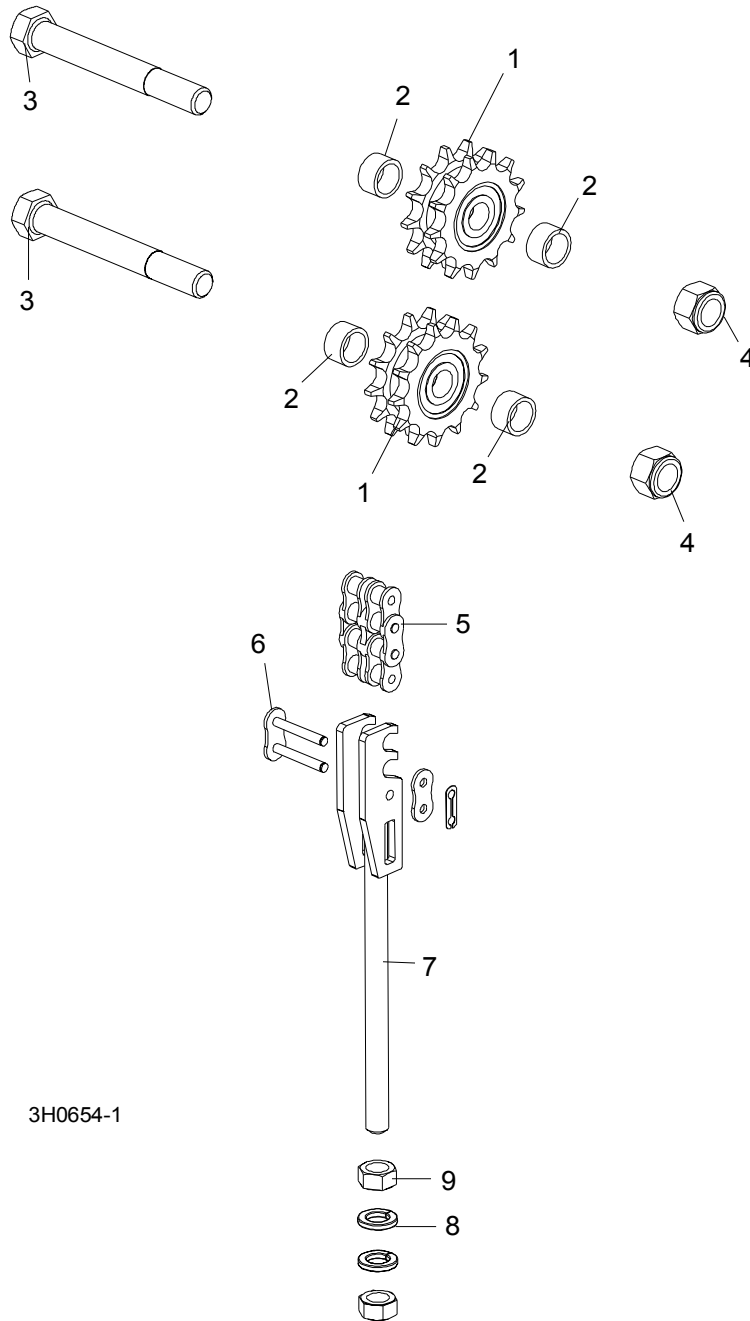
| REF | DESCRIPTION (◆ Indicates Parts Available In Assemblies Only) | PART # | QTY. |
|-----|--|--------|------|
|     | SCALE RETROFIT, FIXED WITH POINTER                           | A12030 | 1    |

# 6

## Up/Down System Blade Height Scale

|    |  |            |   |   |
|----|--|------------|---|---|
|    | Scale Kit, Fixed With Pointer            | K11998     | 1 | ◆ |
|    | Scale Assembly, Fixed                    | A12022     | 1 | ◆ |
| 1  | Bracket, Scale Mounting                  | W11996     | 1 |   |
| 2  | Scale, 35" Quarter                       | S11989     | 1 |   |
| 3  | Decal, 35" Standard Quarter Scale        | S11774     | 1 |   |
|    | Decal, 35" Grade Hardwood Quarter Scale  | P12819     | 1 |   |
| 4  | Scale, 35" Inch                          | S11988     | 1 |   |
| 5  | Decal, 35" Inch                          | S11773     | 1 |   |
| 6  | Strap, Scale Hold-Down                   | S04805     | 1 |   |
| 7  | Pin, 1/8" X 5/8" Roll                    | F05012-14  | 1 |   |
| 8  | Screw, 1/4-20 X 5/8" Wing                | F05005-64  | 1 |   |
| 9  | Bolt, 1/4-20 X 3/4" Hex Head Full Thread | F05005-1   | 2 |   |
| 10 | Washer, 7.4 Flat                         | F81056-11  | 2 |   |
| 11 | Washer, 1/4" X .020 Thick Nylon Flat     | F05011-22  | 2 |   |
| 12 | Nut, 1/4-20 Hex Self-Locking             | F05010-9   | 2 |   |
| 13 | Screw, 1/4-20 X 3/4" Flat Socket Head    | F05005-70  | 1 |   |
|    | Pointer Assembly, Fixed Scale            | A12023     | 1 |   |
| 14 | Bracket, Fixed Scale Pointer Mount       | S12245     | 1 | ◆ |
| 15 | Pointer, Fixed Scale                     | 086691     | 1 |   |
| 16 | Screw, #10-24 X 3/8" Phillips Head       | F05004-3   | 2 |   |
| 17 | Nut, #10-24 Hex Self-Locking             | F05010-14  | 2 |   |
| 18 | Washer, 7.4 Flat                         | F81056-11  | 2 |   |
| 19 | Bolt, 1/4-20 x 1/2" Hex Head             | F05005-1   | 2 |   |
| 20 | Washer, 8.4 Flat                         | F81054-1   | 2 |   |
| 21 | Nut, 5/16-18 Hex Lock                    | F05010-6   | 2 |   |
|    | Bolt, 1/4-20 X 1/2" Hex Head Grade 2     | F05005-15  | 1 |   |
|    | Instruction Sheet, Fixed Scale Retrofit  | A12030-370 | 1 |   |
|    | <b>DECAL KIT, METRIC SCALE</b>           | K12064     | 1 |   |
|    | Decal, Metric                            | S11711     | 1 |   |
|    | Decal, Metric 16-40mm                    | P12040-1   | 1 |   |
|    | Decal, Metric 45-63mm                    | P12040-2   | 1 |   |

### 6.3 Up/Down Chain & Sprockets



| REF | DESCRIPTION (◆ Indicates Parts Available In Assemblies Only) | PART # | QTY. |  |
|-----|--|--------|------|--|
|     | <b>SPROCKET KIT, UP/DOWN IDLER #50-2</b>                     | 016020 | 1    |  |
| 1   | Sprocket, Up/Down Idler '98                                  | 016019 | 2    |  |
| 2   | Spacer, 50-2 Idler '98                                       | 016018 | 4    |  |

# 6 Up/Down System

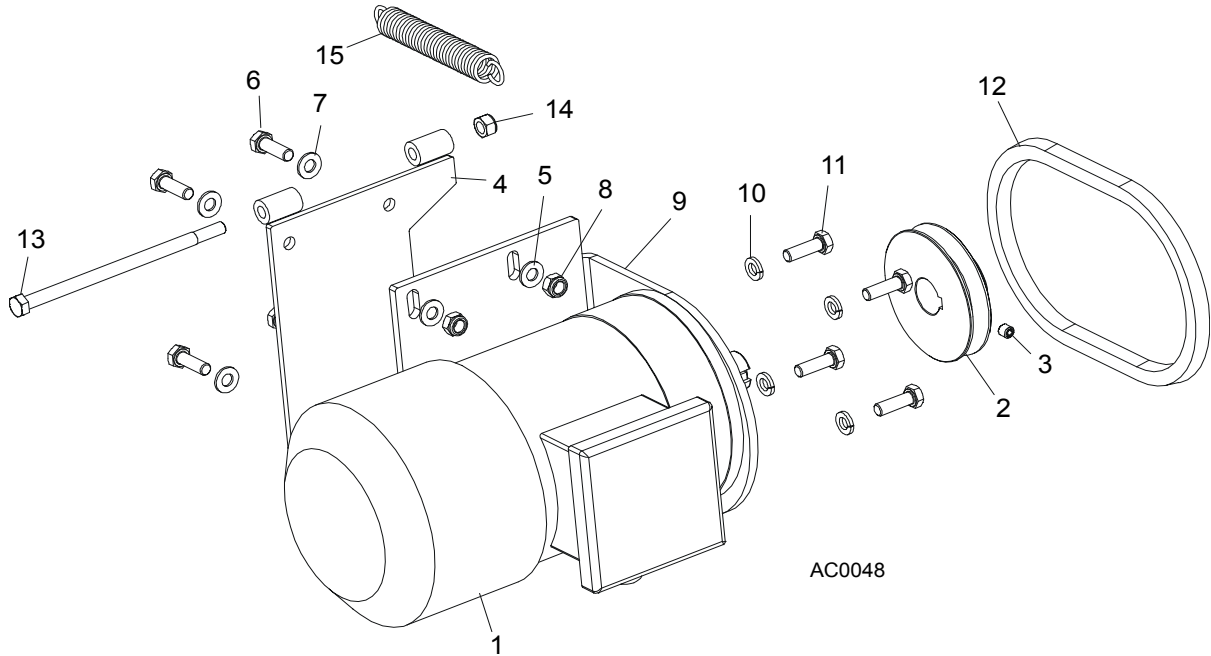
## Up/Down Chain & Sprockets

---

|   |   |            |   |   |
|---|---|------------|---|---|
|   | Instruction Sheet, Up/Down Idler Retrofit | 016020-541 | 1 |   |
| 3 | <b>BOLT, 5/8-11 X 5" HEX HEAD GRADE 2</b> | F05009-6   | 2 |   |
| 4 | <b>NUT, 5/8-11 HEX NYLON LOCK</b>         | F05010-34  | 2 |   |
| 5 | <b>CHAIN, #50-2 X 75.625" UP/DOWN</b>     | 015259     | 1 |   |
| 6 | <b>LINK, #50-2 MASTER</b>                 | 015258     | 2 |   |
|   | <b>TENSIONER ASSEMBLY, UP/DOWN CHAIN</b>  | 086219     | 1 |   |
| 7 | Bracket, Up/Down #50 Chain Tensioner      | 086205-1   | 1 | ◆ |
| 8 | Washer, 12.2 Split Lock                   | F81056-2   | 2 |   |
| 9 | Nut, M12-8-B Hex                          | F81034-1   | 2 |   |

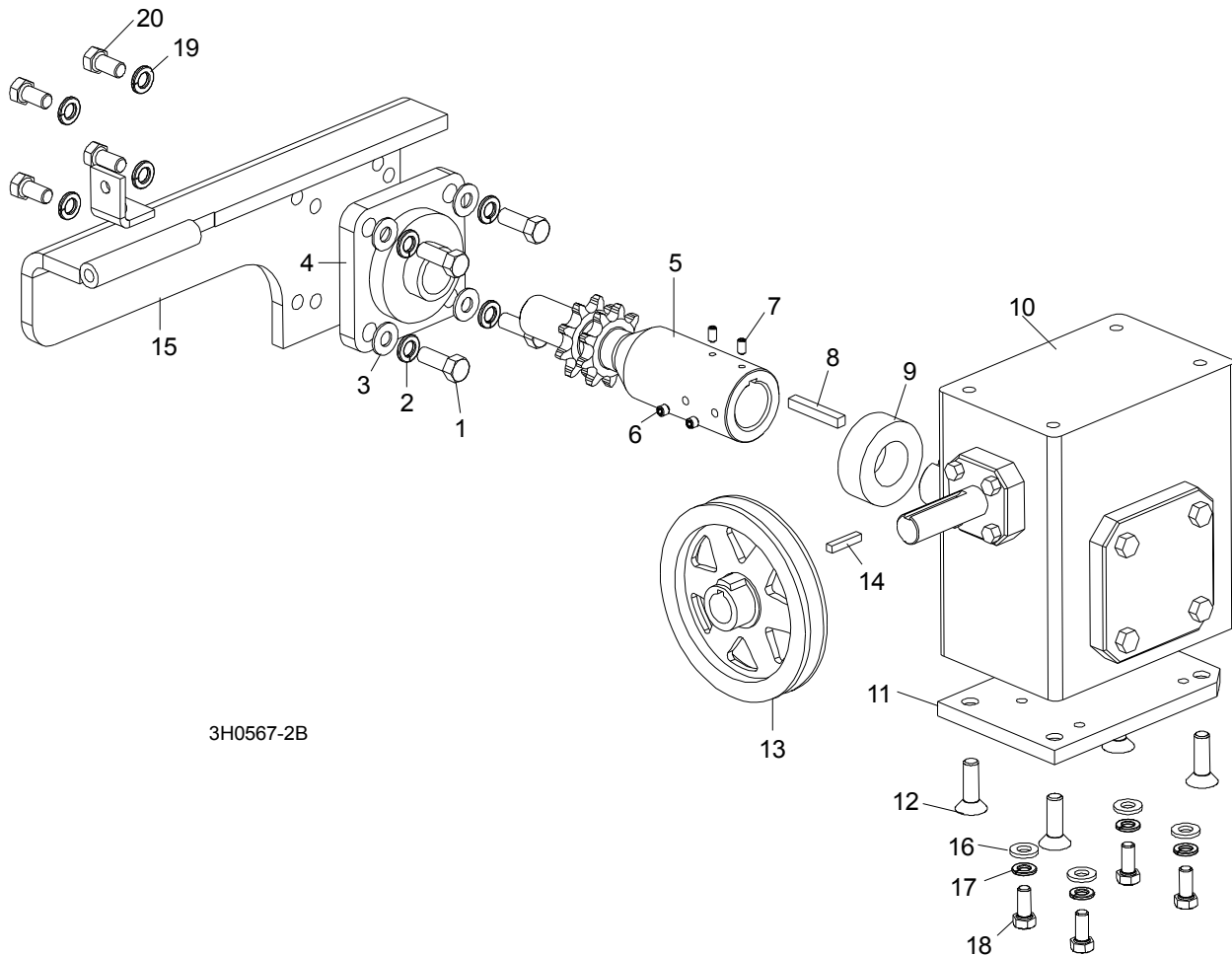


### 6.4 Up/Down Motor Assembly, LT30A/LT40A Super



| REF | DESCRIPTION (◆ Indicates Parts Available In Assemblies Only) | PART #        | QTY. |
|-----|--|---------------|------|
|     | <b>UP/DOWN 2-SPEED MOTOR ASSEMBLY, AC SUPER</b>              | <b>093023</b> | 1    |
| 1   | Motor, 2-Speed AC Super                                      | 086530        | 1    |
| 2   | Pulley, Up/Down Motor  | 086378-1      | 1    |
| 3   | Screw, M8 X 8  | F81014-1      | 1    |
| 4   | Bracket, Up/Down Motor Mount                                 | 015198        | 1    |
| 5   | Washer, 8.4 Split Lock                                       | F81054-1      | 4    |
| 6   | Bolt, M8 x 25 8.8 B Hex Head                                 | F81002-4      | 4    |
| 7   | Washer, 8.4 Flat   | F81054-1      | 4    |
| 8   | Nut, M8 8 B Hex  | F81032-2      | 4    |
| 9   | Bracket, AC Up/Down Motor Mount                              | 086376-1      | 1    |
| 10  | Washer, 3/8" Split Lock                                      | F05011-4      | 2    |
| 11  | Bolt, 3/8-16 x 3/4" Hex Head                                 | F05007-27     | 4    |
| 12  | <b>BELT, AX23</b>  | 015257        | 1    |
| 13  | <b>BOLT, 5/16-18 X 6" HEX HEAD GRADE 5</b>                   | F05006-73     | 1    |
| 14  | <b>NUT, 5/16-18 HEX NYLON LOCK</b>                           | F05010-65     | 1    |
| 15  | <b>SPRING, .75" X 5" X .095" EXTENSION</b>                   | 015569        | 1    |

## 6.5 Up/Down Drive Assembly



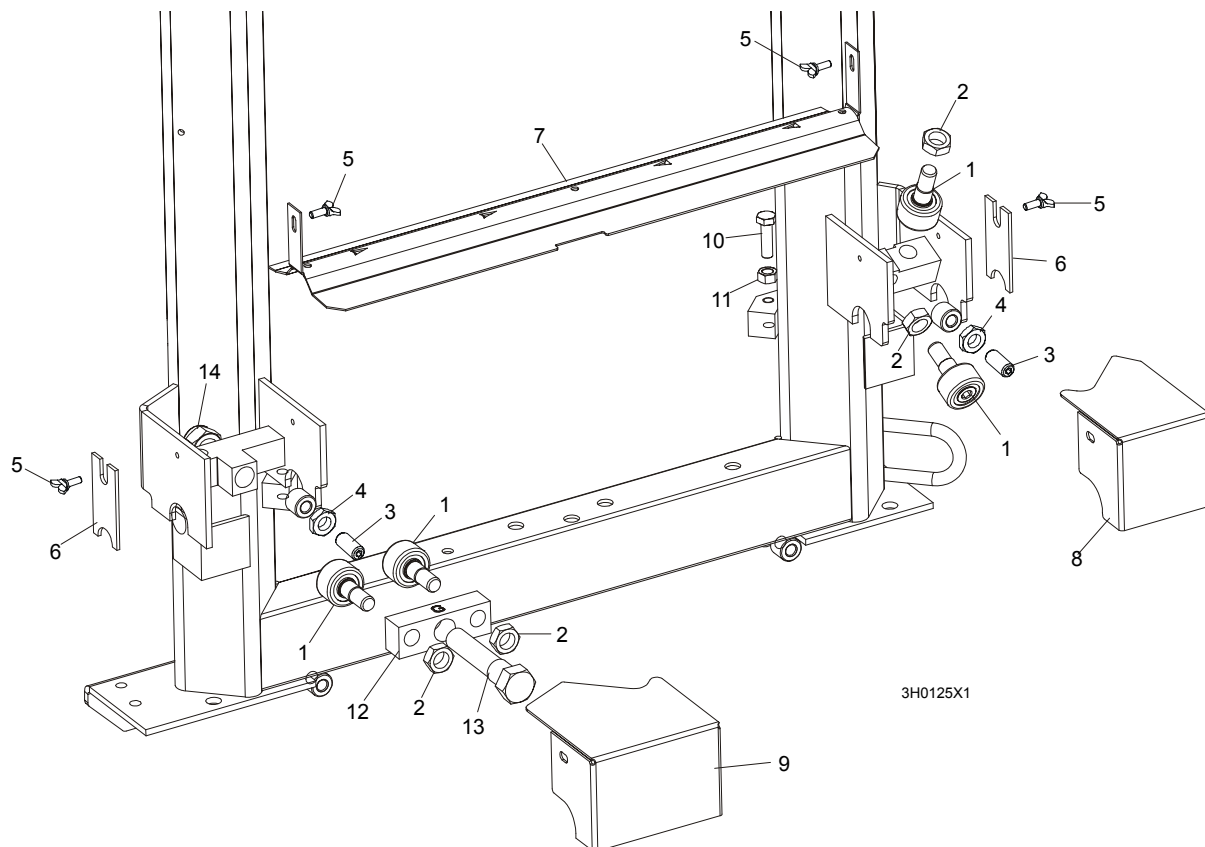
3H0567-2B

| REF | DESCRIPTION (◆ Indicates Parts Available In Assemblies Only) | PART #   | QTY. |
|-----|--|----------|------|
|     | <b>UP/DOWN DRIVE ASSEMBLY</b>                                | 015176-0 | 1    |
| 1   | Bolt, 3/8-16 x 1" Hex Head                                   | F05007-7 | 4    |
| 2   | Washer, 10.2 Split Lock                                      | F81055-2 | 4    |
| 3   | Washer, 10.5 Flat  | F81055-1 | 4    |
| 4   | Bearing, Flanged Up/Down                                     | 014090   | 1    |
| 5   | Shaft, Up/Down Sprocket                                      | 086587   | 1    |
| 6   | Screw, M8 x 8-33H  | F81014-1 | 2    |
| 7   | Screw, M8 x 8-33H  | F81014-1 | 2    |
| 8   | Key, 1/4" Square x 1 11/16" Long                             | S04124   | 1    |
| 9   | Spacer, Up/Down Shaft  | 016032   | 1    |
| 10  | Reducer, Gear Box  | 014074   | 1    |
| 11  | Plate, Gear Box Spacer                                       | 014158-1 | 1    |

|           |   |            |   |  |
|-----------|---|------------|---|--|
| <b>12</b> | Bolt, 3/8-16 x 1" Flat Socket Head                    | F05007-110 | 4 |  |
| <b>13</b> | Pulley, Up/Down                                       | 015256     | 1 |  |
| <b>14</b> | Key, 3/16" Square x 1" Long                           | S31027     | 1 |  |
| <b>15</b> | Bracket, Up/Down Motor Mount                          | 015195-1   | 1 |  |
| <b>16</b> | <b>WASHER, 8.4 FLAT</b>                               | F81054-1   | 4 |  |
| <b>17</b> | <b>WASHER, 8.2 SPLIT LOCK</b>                         | F81054-4   | 4 |  |
| <b>18</b> | <b>BOLT, 5/16-18 X 1" HEX HEAD</b>                    | F05006-5   | 4 |  |
| <b>19</b> | <b>WASHER, 10.2 SPLIT LOCK</b>                        | F81055-2   | 4 |  |
| <b>20</b> | <b>BOLT, 3/8-16 X 3/4" HEX HEAD</b>                   | F05007-27  | 4 |  |
|           | <b>OIL, 8 OZ. MOBIL SHC634 BOTTLED SYNTHETIC GEAR</b> | L04869-4   | 1 |  |

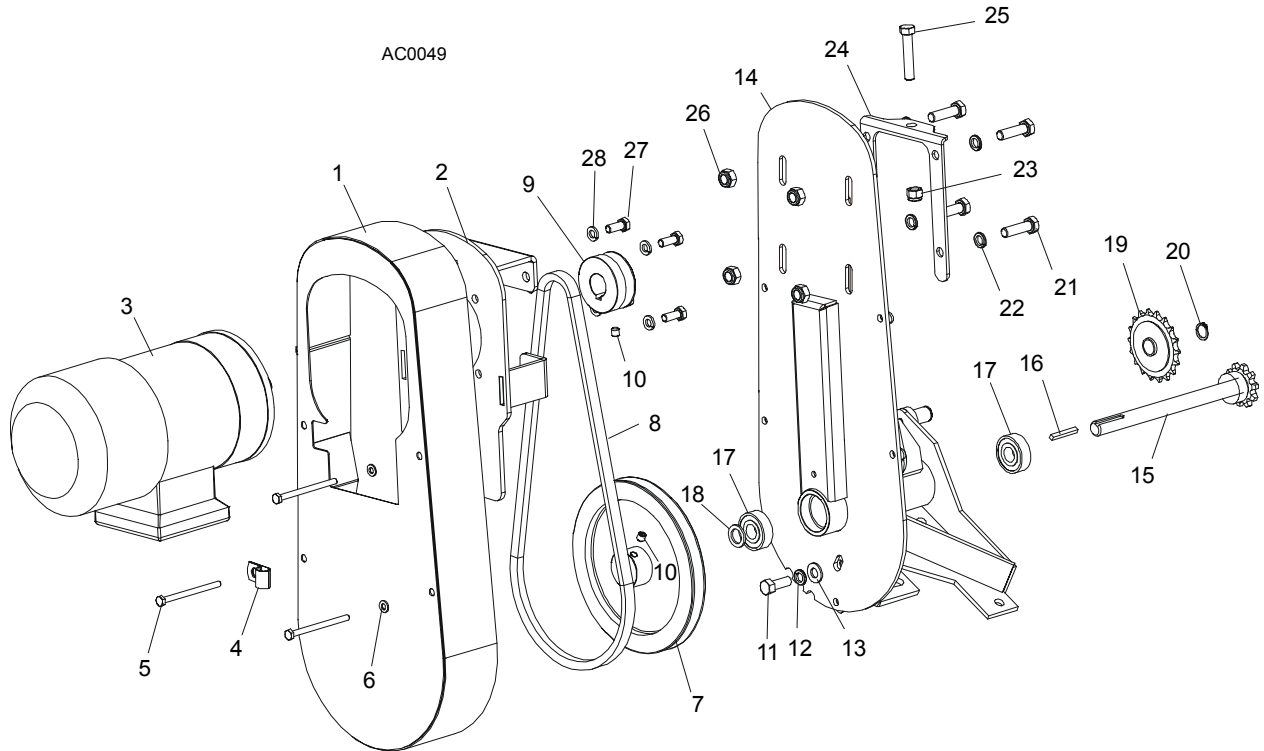
## SECTION 7 POWER FEED & TRACK ROLLERS

### 7.1 Upper Track Rollers And Wipers



| REF | DESCRIPTION (◆ Indicates Parts Available In Assemblies Only) | PART #    | QTY. |
|-----|--|-----------|------|
| 1   | ROLLER, TRACK CAM BEARING                                    | P12843    | 4    |
| 2   | NUT, 5/8-18 HEX JAM  | F05010-11 | 4    |
| 3   | SCREW, M12 X 30 OVAL POINT SET                               | F81004-14 | 2    |
| 4   | NUT, M12-8-B HEX JAM   | F81034-1  | 2    |
| 5   | SCREW, M6 X 16 THUMB   | F81001-16 | 4    |
| 6   | WIPER, PLASTIC TRACK   | M04113    | 2    |
| 7   | COVER, MIDDLE TRACK OILER                                    | S09917    | 1    |
|     | Wiper, Middle Track Felt                                     | S09915    | 1    |
| 8   | HOUSING, UPPER TRACK ROLLER REAR                             | 086913-1  | 1    |
| 9   | HOUSING, UPPER TRACK ROLLER FRONT                            | 086914-1  | 1    |
| 10  | BOLT, M10 X 35-8.8 HEX HEAD                                  | F81003-17 | 2    |
| 11  | NUT, M10-8 HEX JAM   | F81033-3  | 2    |
| 12  | BRACKET, UPPER TRACK ROLLER                                  | 086859-1  | 1    |
| 13  | BOLT, HEX HEAD   | 086911    | 1    |
| 14  | NUT, M20-8 HEX   | F81037-2  | 1    |

## 7.2 Power Feed Assembly, LT30A/LT40A Super



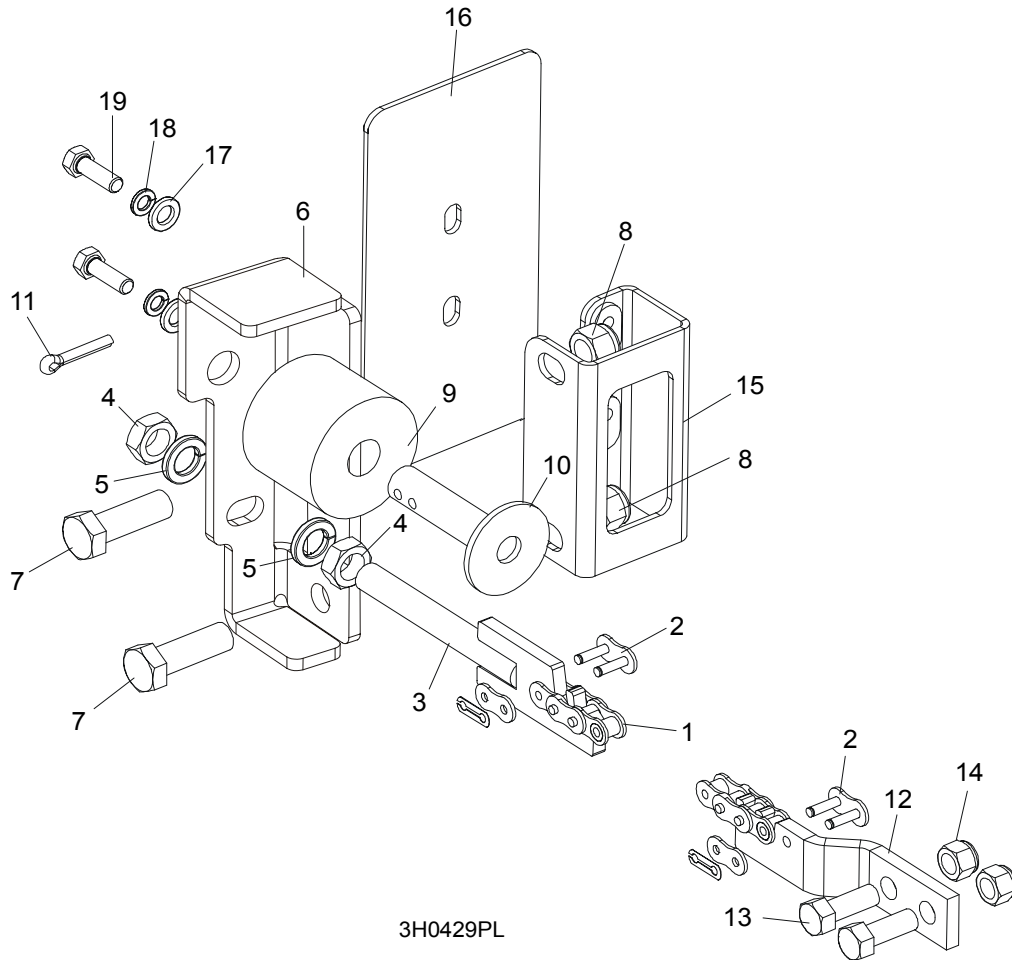
| REF | DESCRIPTION (◆ Indicates Parts Available In Assemblies Only) | PART #    | QTY. |
|-----|--|-----------|------|
|     | <b>POWER FEED ASSEMBLY, AC SUPER</b>                         | 086522    | 1    |
| 1   | Cover Weldment, Top Power Feed                               | 015128    | 1    |
| 2   | Plate, Power Feed Motor                                      | 086390    | 1    |
| 3   | Motor, 1100 W Power Feed Painted, AC Super                   | 086530    | 1    |
| 4   | Clamp, 1/2" EMT Coated                                       | P07584    | 1    |
| 5   | Bolt, M6 x 80 5.8 Hex Head Grade                             | F81001-61 | 4    |
| 6   | Washer, 6.4 Flat   | F81053-1  | 4    |
| 7   | Sheave, Power Feed   | 086410-1  | 1    |
| 8   | Belt, Power Feed   | 086532    | 1    |
| 9   | Sheave, Feed Motor   | 086388-1  | 1    |
| 10  | Screw, M8 X 8  | F81014-1  | 2    |
| 11  | Bolt, 3/8-16 x 1" Hex Head                                   | F05007-7  | 1    |
| 12  | Washer, 3/8" Split Lock                                      | F05011-4  | 5    |
| 13  | Washer, 3/8" Flat  | F05011-3  | 5    |
| 14  | Bracket, Power Feed Mount                                    | 015162    | 1    |
| 15  | Shaft Weldment, Power Feed                                   | 015129    | 1    |
| 16  | Key, 3/16" Square x 1 3/8" Long                              | 016108    | 1    |
| 17  | Bearing, 5/8" 6203-2NSL                                      | P06030-1  | 2    |
| 18  | Washer, 5/8" x 15/16" x .094" Nylon                          | F05011-19 | 1    |
| 19  | Sprocket, 40 Idler 18T 5/8" ID                               | P04333    | 1    |
| 20  | Ring, Z15  | F81090-2  | 1    |

## 7

**Power Feed & Track Rollers***Power Feed Assembly, LT30A/LT40A Super*

|    |  |           |   |   |
|----|--|-----------|---|---|
| 21 | Bolt, Hex Head                         | F81003-17 | 4 |   |
| 22 | Washer, Flat                           | F81055-2  | 1 | ◆ |
| 23 | Nut, 3/8-16 Hex Nylon Lock             | F05010-10 | 1 |   |
| 24 | Bracket, Power Feed Mount              | 015162-1  | 1 |   |
| 25 | Bolt, 3/8-16 x 2" Full Thread Hex Head | F05007-16 | 1 |   |
| 26 | Nut, 3/8-16 Hex Nylon Lock             | F81033-1  | 1 |   |
| 27 | Bolt, Hex Head                         | F81002-4  | 4 |   |
| 28 | Washer, Flat                           | F81054-4  | 4 |   |

### 7.3 Feed Chain/Stop



3H0429PL

| REF | DESCRIPTION (◆ Indicates Parts Available In Assemblies Only) | PART #    | QTY. |
|-----|--|-----------|------|
|     | <b>CHAIN KIT, LT30 FEED</b>                                  | K10408    | 1    |
|     | <b>CHAIN KIT, LT40 FEED</b>                                  | K10410    | 1    |
| 1   | Chain, #40 X 215" LT30 Feed                                  | 014744    | 1    |
|     | Chain, #40 X 267.5" LT40 Feed                                | 014475    | 1    |
| 2   | Link, #40 Master   | P04200    | 2    |
| 3   | Tensioner Weldment, Power Feed Chain                         | 086818-1  | 1    |
| 4   | Nut, M12-5 Hex Jam   | F81034-4  | 2    |
| 5   | Washer, 12.2 Split Lock                                      | F81056-2  | 2    |
| 6   | <b>BRACKET, FEED CHAIN REAR MOUNT</b>                        | 087628-1  | 1    |
| 7   | <b>BOLT, M12 X 40 8.8 HEX HEAD GRADE 5</b>                   | F81004-4  | 2    |
| 8   | <b>NUT, M12-8 HEX NYLON LOCK</b>                             | F81034-2  | 2    |
|     | <b>STOP KIT, RUBBER CARRIAGE</b>                             | K09630    | 2    |
| 9   | Stop, Rubber Carriage  | P12165    | 1    |
| 10  | Pin, Rubber Carriage Stop                                    | W09293    | 1    |
| 11  | Pin, 3/16" X 1" Cotter                                       | F05012-21 | 1    |
| 12  | <b>BRACKET, FRONT FEED CHAIN MOUNT</b>                       | 015008    | 1    |

## **7** Power Feed & Track Rollers

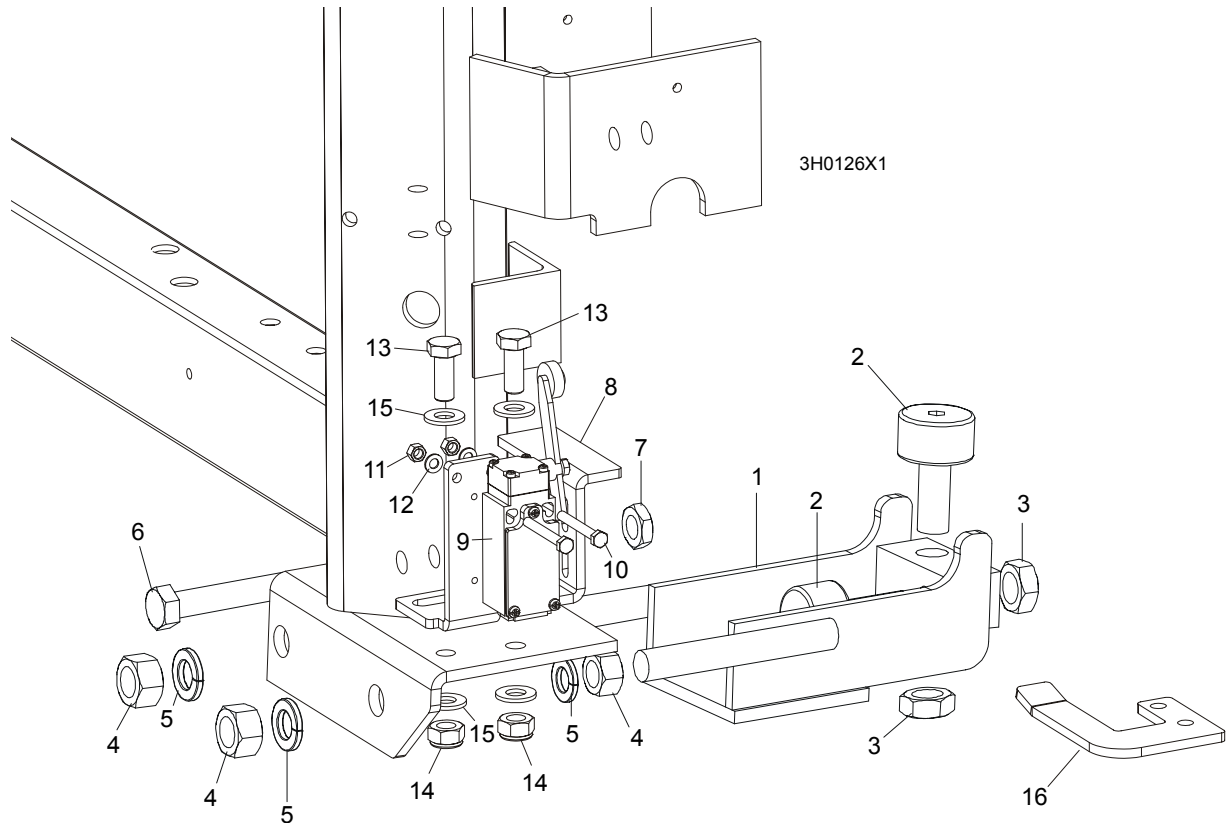
### *Feed Chain/Stop*

---

|    |  |           |   |  |
|----|--|-----------|---|--|
| 13 | BOLT, 3/8-16 X 1" HEX HEAD                   | F05007-7  | 2 |  |
| 14 | NUT, 3/8-16 HEX NYLON LOCK                   | F05010-10 | 2 |  |
| 15 | BRACKET WELDMENT, REAR MAIN TUBE COVER MOUNT | 087105-1  | 1 |  |
| 16 | COVER, REAR MAIN TUBE                        | 015023    | 1 |  |
| 17 | WASHER, 8.4 FLAT                             | F81054-1  | 2 |  |
| 18 | WASHER, 8.2 SPLIT LOCK                       | F81054-4  | 2 |  |
| 19 | BOLT, 5/16-18 X 1" HEX HEAD                  | F05006-1  | 2 |  |



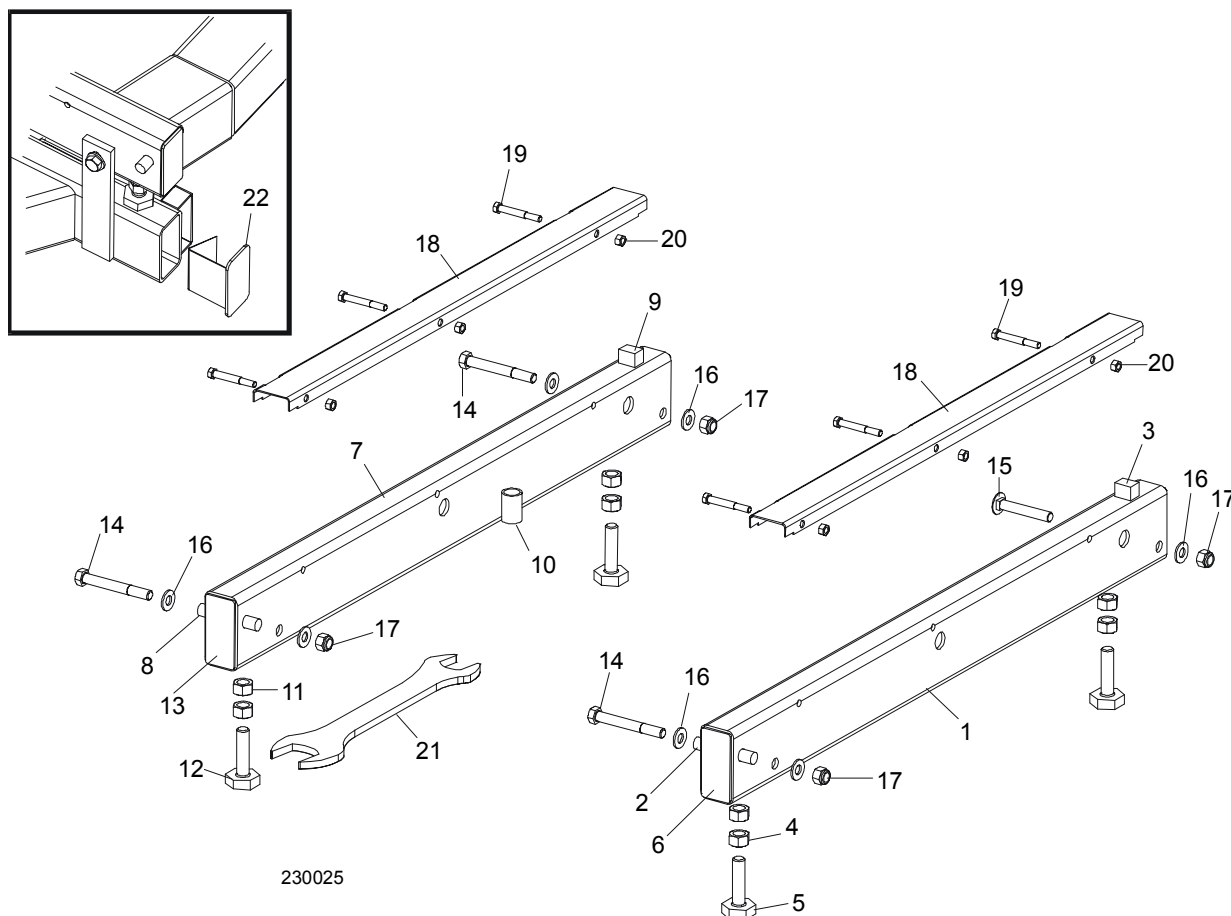
## 7.4 Lower Track Rollers



| REF | DESCRIPTION (◆ Indicates Parts Available In Assemblies Only) | PART #     | QTY. |   |
|-----|--|------------|------|---|
|     | <b>ROLLER ASSEMBLY, LOWER TRACK</b>                          | 012995     | 2    |   |
| 1   | Bracket, Lower Track Roller Mounting                         | 012982     | 1    | ◆ |
| 2   | Roller, Track Cam Bearing                                    | P12843     | 2    |   |
| 3   | Nut, 5/8-18 Hex Jam  | F05010-11  | 2    |   |
| 4   | Nut, 5/8-11 Hex  | F05010-5   | 4    |   |
| 5   | Washer, 16.3 Split Lock                                      | F81058-2   | 4    |   |
| 6   | <b>BOLT, M12 X 55-8.8 HEX HEAD FULL THREAD</b>               | F81004-12  | 2    |   |
| 7   | <b>NUT, M12-8-B HEX JAM</b>                                  | F81034-1   | 2    |   |
| 8   | <b>BRACKET, POWER SUPPLY STRIP AND LIMIT SWITCH</b>          | 086380-1   | 1    |   |
| 9   | <b>SWITCH, GLCB01A2B LIMIT</b>                               | 086469     | 1    |   |
| 10  | <b>BOLT, M5 X 40 8.8 HEX HEAD</b>                            | F810000-11 | 2    |   |
| 11  | <b>NUT, M5-8</b>   | F81030-1   | 2    |   |
| 12  | <b>WASHER, 5.3 FLAT</b>                                      | F81052-1   | 2    |   |
| 13  | <b>BOLT, M10 X 25 8.8</b>                                    | F81003-11  | 2    |   |
| 14  | <b>NUT, M10 NYLON</b>  | F81033-1   | 2    |   |
| 15  | <b>WASHER, 10.5 FLAT</b>                                     | F81055-1   | 2    |   |
| 16  | <b>BRACKET, LIMIT SWITCH</b>                                 | 091852-1   | 1    |   |

## SECTION 8 BED FRAME ASSEMBLY

### 8.1 Bed Rail Assembly, Front And Rear



| REF | DESCRIPTION (◆ Indicates Parts Available In Assemblies Only) | PART #    | QTY. |   |
|-----|--|-----------|------|---|
|     | <b>BED RAIL ASSEMBLY, REAR PAINTED</b>                       | A09774    | 1    |   |
| 1   | Bed Rail Tube, Long  | S09102-0  | 1    | ◆ |
| 2   | Pin, Ramp Mount  | S04030    | 1    |   |
| 3   | Block, Log Stop  | S09034    | 1    |   |
|     | Bolt Assembly, Bed Rail                                      | A09775    | 2    | ◆ |
| 4   | Nut, 5/8-11 Hex  | F05010-54 | 2    |   |
| 5   | Bolt, Bed Rail Adjustment                                    | S13006    | 1    |   |
| 6   | Plate, Bed Rail End Cap                                      | S04058-0  | 2    | ◆ |
|     | <b>BED RAIL ASSEMBLY, FRONT PAINTED</b>                      | A09564    | 1    |   |
| 7   | Bed Rail Tube, Long  | S09102-0  | 1    | ◆ |
| 8   | Pin, Ramp Mount  | S04030    | 1    |   |
| 9   | Block, Log Stop  | S09034    | 1    |   |
| 10  | Tube, Ramp Retainer Mount                                    | S09334    | 1    | ◆ |
|     | Bolt Assembly, Bed Rail                                      | A09775    | 2    | ◆ |
| 11  | Nut, 5/8-11 Hex  | F05010-54 | 2    |   |

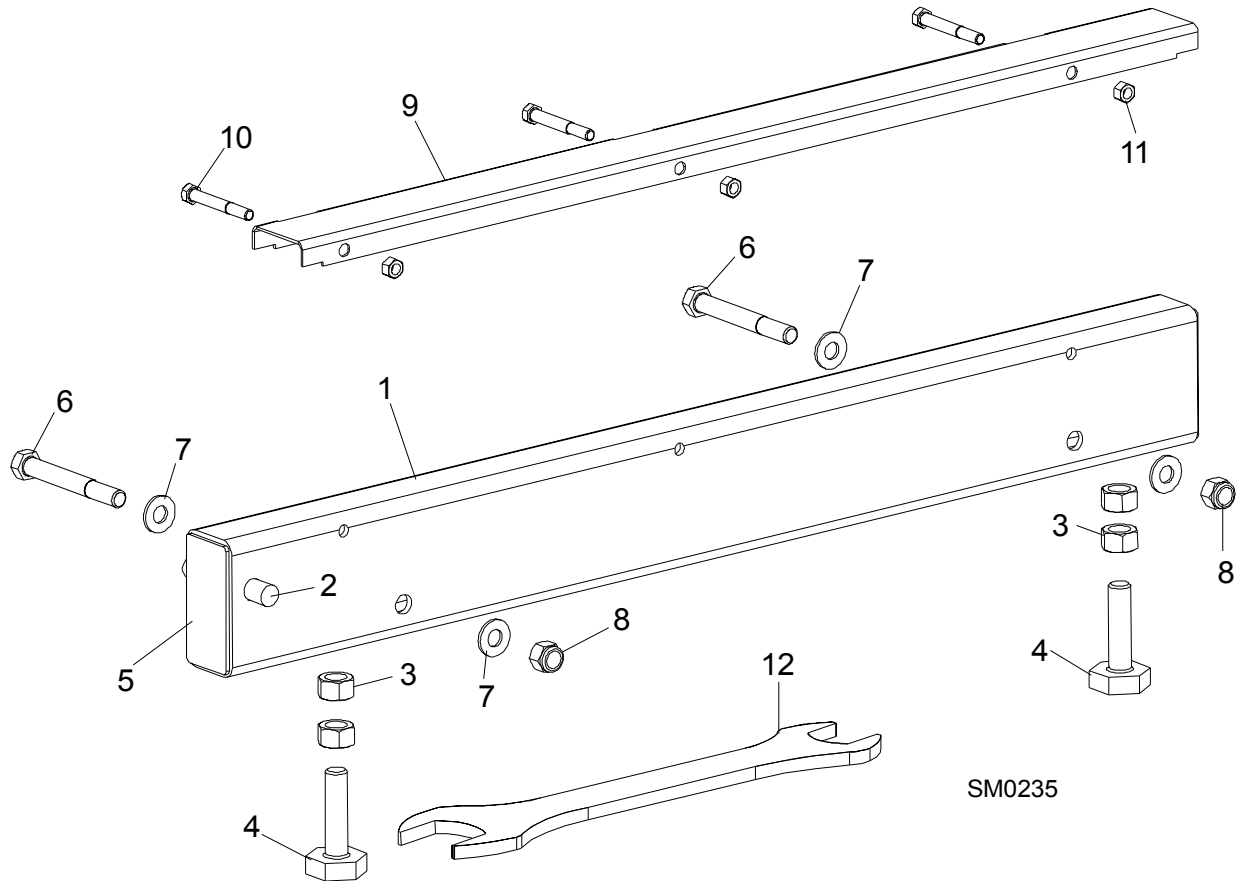
|    |  |                        |   |   |
|----|--|------------------------|---|---|
| 12 | Bolt, Bed Rail Adjustment                              | S13006                 | 1 |   |
| 13 | Plate, Bed Rail End Cap                                | S04058                 | 2 | ◆ |
| 14 | <b>BOLT, 1/2-13 X 4" HEX HEAD</b>                      | F05008-26              | 3 |   |
| 15 | <b>BOLT, 1/2-13 X 3 1/2" CARRIAGE</b>                  | F05008-94 <sup>1</sup> | 1 |   |
| 16 | <b>WASHER, 1/2" SAE FLAT</b>                           | F05011-2               | 7 |   |
| 17 | <b>NUT, 1/2-13 NYLON LOCK</b>                          | F05010-8               | 4 |   |
|    | <b>COVER ASSEMBLY, STAINLESS STEEL BED RAIL (LONG)</b> | A09956                 | 2 |   |
| 18 | Cover, Stainless Steel Bed Rail                        | S09944                 | 1 | ◆ |
| 19 | Bolt, 5/16-18 X 2 1/2" Hex Head                        | F05006-10              | 3 |   |
| 20 | Nut, 5/16-18 Hex Lock                                  | F05010-6               | 3 |   |
| 21 | <b>WRENCH, BED RAIL ADJUSTMENT</b>                     | 015970                 | 1 |   |
| 22 | <b>CAP WELDMENT, BED RAIL REMOVABLE END</b>            | 014652                 | 2 |   |

<sup>1</sup> Used on rear bed rail to allow clearance for optional side support rollers.

# 8

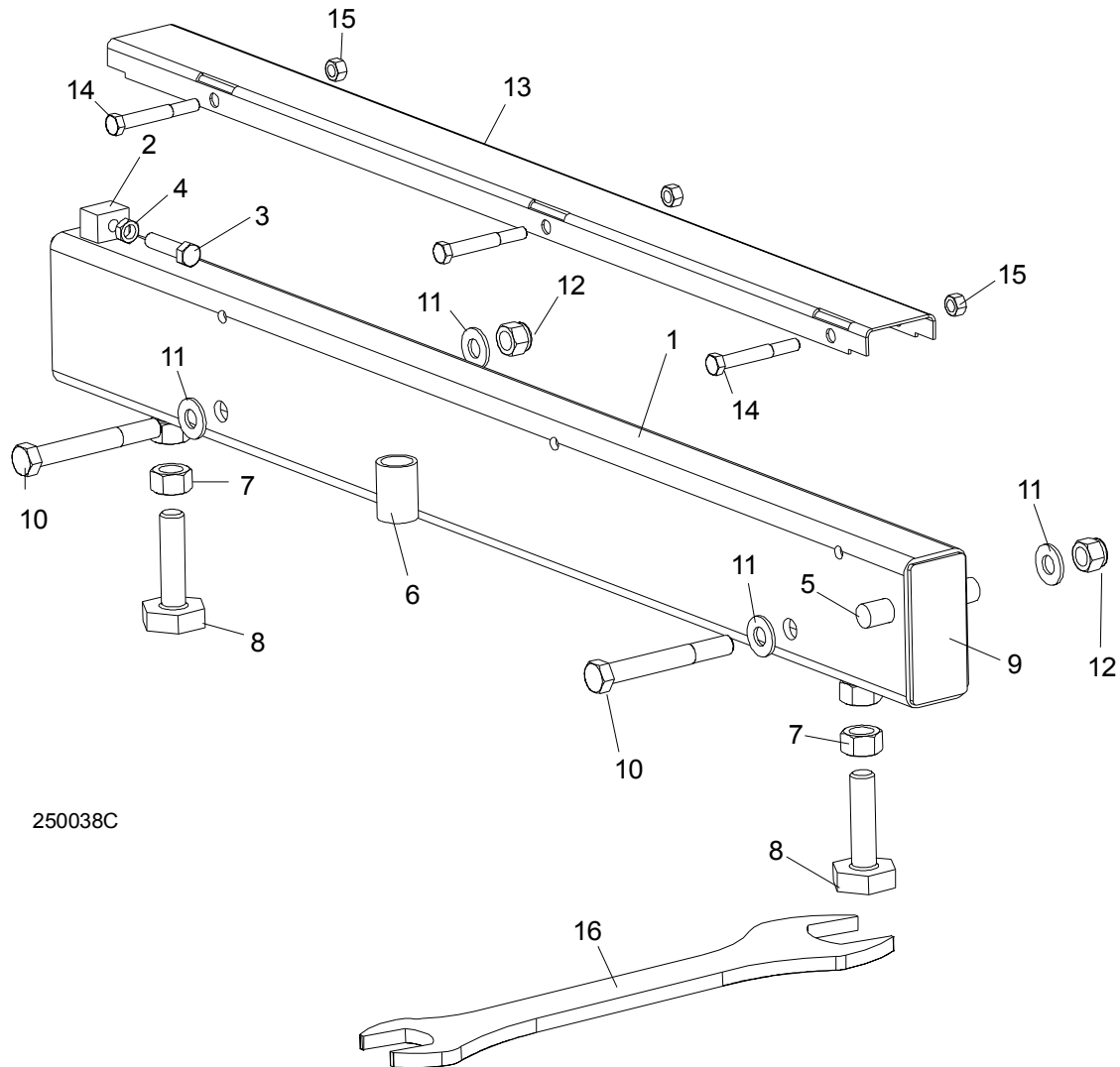
## Bed Frame Assembly Bed Rail Assembly, Front Middle

### 8.2 Bed Rail Assembly, Front Middle



| REF | DESCRIPTION (◆ Indicates Parts Available In Assemblies Only) | PART #    | QTY. |   |
|-----|--|-----------|------|---|
|     | <b>BED RAIL ASSEMBLY, FRONT MIDDLE</b>                       | A09566    | 1    |   |
| 1   | Bed Rail Tube, Short   | S09103    | 1    | ◆ |
| 2   | Pin, Ramp Mount  | S04030    | 1    |   |
|     | Bolt Assembly, Bed Rail                                      | 086809    | 2    | ◆ |
| 3   | Nut, 5/8-11 Hex  | F05010-54 | 2    |   |
| 4   | Bolt, Bed Rail Adjustment                                    | S13006    | 2    |   |
| 5   | Plate, Bed Rail End Cap                                      | S04058    | 2    | ◆ |
| 6   | <b>BOLT, M12 X 100-8.8 HEX HEAD</b>                          | F81004-3  | 2    |   |
| 7   | <b>WASHER, 13 FLAT</b>                                       | F81056-1  | 4    |   |
| 8   | <b>NUT, M12-8 NYLON LOCK</b>                                 | F81034-2  | 2    |   |
|     | <b>COVER ASSEMBLY, STAINLESS STEEL BED RAIL (LONG)</b>       | A09956    | 1    |   |
| 9   | Cover, Stainless Steel Bed Rail                              | S09944    | 1    | ◆ |
| 10  | Bolt, 5/16-18 X 2 1/2" Hex Head                              | F05006-10 | 3    |   |
| 11  | Nut, 5/16-18 Hex Lock  | F05010-6  | 3    |   |
| 12  | <b>WRENCH, BED RAIL ADJUSTMENT</b>                           | 015970    | 1    |   |

### 8.3 Bed Rail Assembly, Rear Middle



250038C

| REF | DESCRIPTION (◆ Indicates Parts Available In Assemblies Only) | PART #    | QTY. |   |
|-----|--|-----------|------|---|
|     | <b>BED RAIL ASSEMBLY, REAR MIDDLE</b>                        | A09565    | 1    |   |
| 1   | Bed Rail Tube, Short   | 014640    | 1    | ◆ |
| 2   | Block, Log Stop w/Threaded Hole                              | 014639    | 1    | ◆ |
| 3   | Bolt, 3/8-16 x 1 1/2 Full Thead Hex Head                     | F05007-17 | 1    |   |
| 4   | Nut, 3/8-16 Hex Jam  | F05010-29 | 1    |   |
| 5   | Pin, Ramp Mount  | S04030    | 1    |   |
| 6   | Tube, Ramp Retainer Mount                                    | S09334    | 1    | ◆ |
|     | Bolt Assembly, Bed Rail                                      | A09775    | 2    | ◆ |
| 7   | Nut, 5/8-11 Hex  | F05010-54 | 2    |   |
| 8   | Bolt, Bed Rail Adjustment                                    | S13006    | 2    |   |
| 9   | Plate, Bed Rail End Cap                                      | S04058    | 2    | ◆ |
| 10  | <b>BOLT, M12 X 100-8.8 HEX HEAD</b>                          | F81004-3  | 2    |   |
| 11  | <b>WASHER, 13 FLAT</b>                                       | F81056-1  | 4    |   |

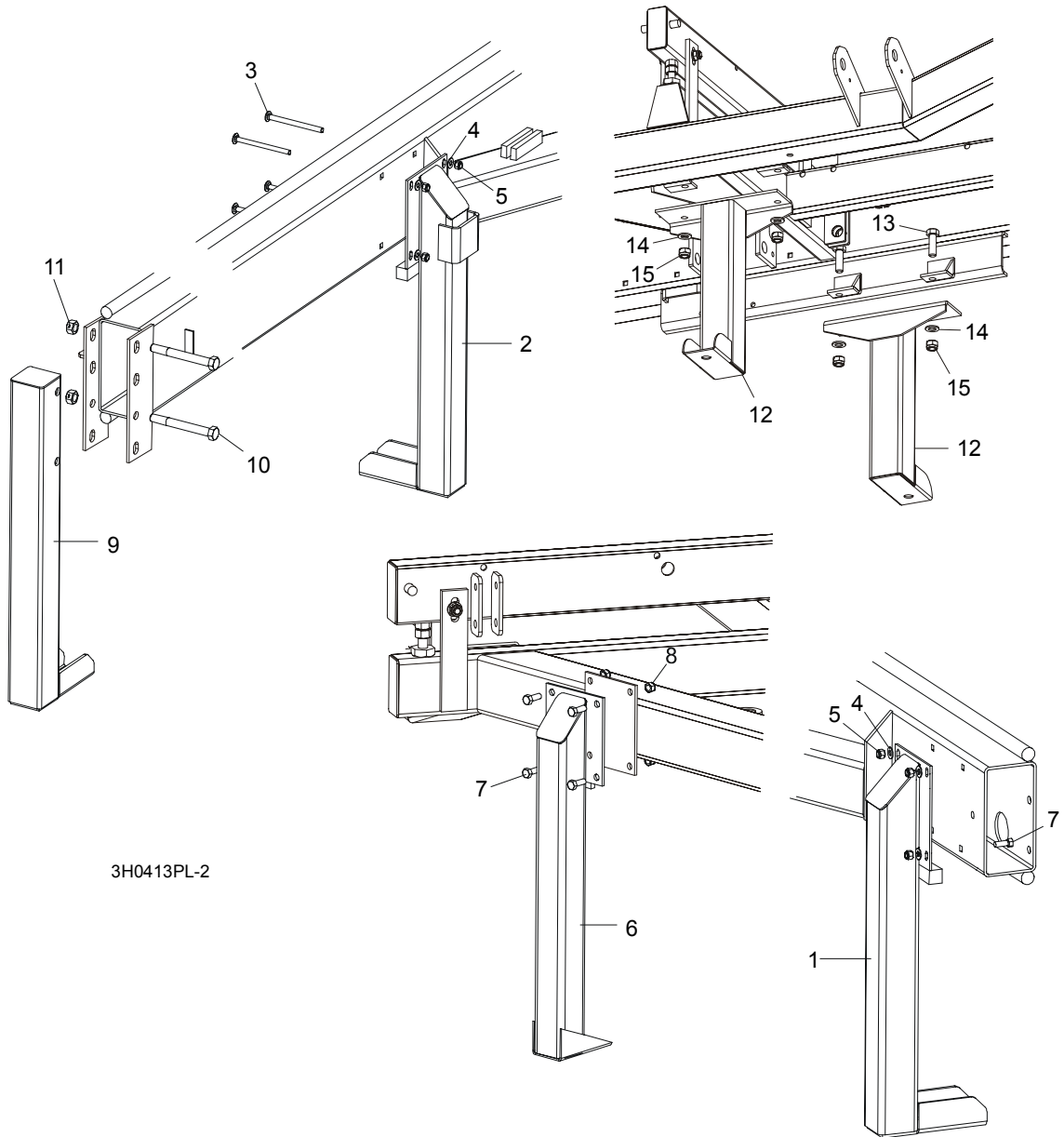
## 8

**Bed Frame Assembly***Bed Rail Assembly, Rear Middle*

---

|    |  |           |   |   |
|----|--|-----------|---|---|
| 12 | <b>NUT, M12-8 NYLON LOCK</b>                           | F81034-2  | 2 |   |
|    | <b>COVER ASSEMBLY, STAINLESS STEEL BED RAIL (LONG)</b> | A09956    | 1 |   |
| 13 | Cover, Stainless Steel Bed Rail                        | S09944    | 1 | ◆ |
| 14 | Bolt, 5/16-18 X 2 1/2" Hex Head                        | F05006-10 | 3 |   |
| 15 | Nut, 5/16-18 Hex Lock                                  | F05010-6  | 3 |   |
| 16 | <b>WRENCH, BED RAIL ADJUSTMENT</b>                     | 015970    | 1 |   |

### 8.4 Leg, Stationary



| REF | DESCRIPTION (◆ Indicates Parts Available In Assemblies Only)    | PART #    | QTY. |
|-----|---|-----------|------|
| 1   | LEG, LONG RIGHT STATIONARY (1 REQ'D FOR LT30; 3 REQ'D FOR LT40) | 087451-1  | 1/3  |
| 2   | LEG, LONG STATIONARY W/BOARD RETURN TABLE BRACKET               | 087449-1  | 1    |
| 3   | BOLT, M10 X 120-8.8 CARRIAGE HEAD                               | F81003-33 | 8/12 |
| 4   | WASHER, 10.5 FLAT   | F81055-1  | 8/16 |
| 5   | NUT, M10-8-B HEX NYLON LOCK                                     | F81033-1  | 8/16 |
| 6   | LEG, SHORT LEFT STATIONARY                                      | 087450-1  | 2    |
| 7   | BOLT, M10 X 25-8.8 HEX HEAD                                     | F81003-11 | 12   |
| 8   | NUT, M10-8-B HEX NYLON LOCK                                     | F81033-1  | 12   |
| 9   | LEG, FRONT STATIONARY   | 087452-1  | 1    |

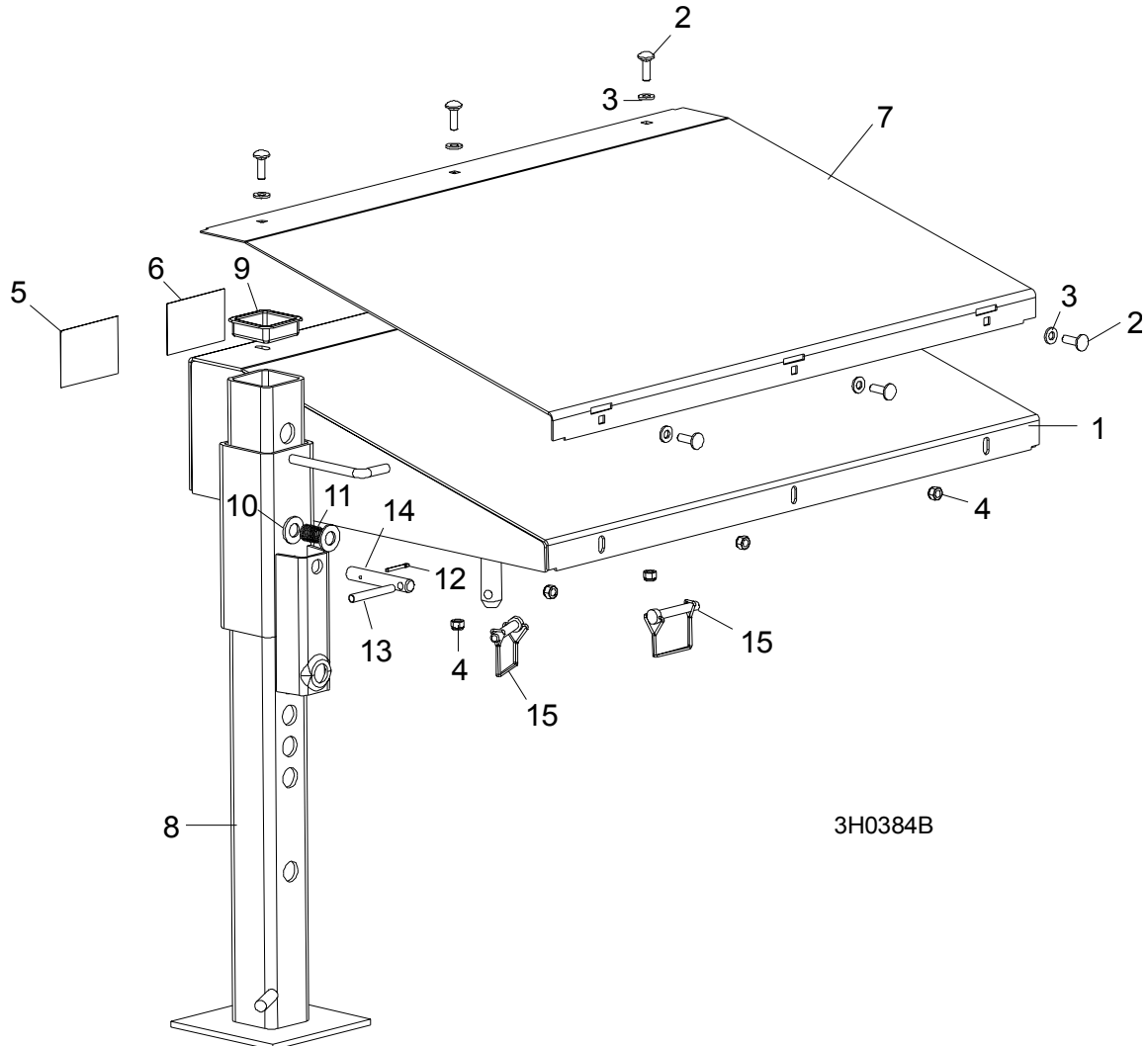
**8****Bed Frame Assembly***Leg, Stationary*

---

|    |   |          |   |  |
|----|---|----------|---|--|
| 10 | <b>BOLT, M16 X 140-8.8 HEX HEAD GRADE 5</b> | F81006-4 | 2 |  |
| 11 | <b>NUT, M16-8 HEX LOCK</b>                  | F81036-2 | 2 |  |
| 12 | <b>LEG, MIDDLE STATIONARY</b>               | 087093-1 | 2 |  |
| 13 | <b>BOLT, M16 X 50-8.8 HEX HEAD</b>          | F81006-7 | 4 |  |
| 14 | <b>WASHER, 17 FLAT</b>                      | F81058-1 | 4 |  |
| 15 | <b>NUT, M16 NYLON LOCK</b>                  | F81036-2 | 4 |  |



## 8.5 Board Return Table Assembly



3H0384B

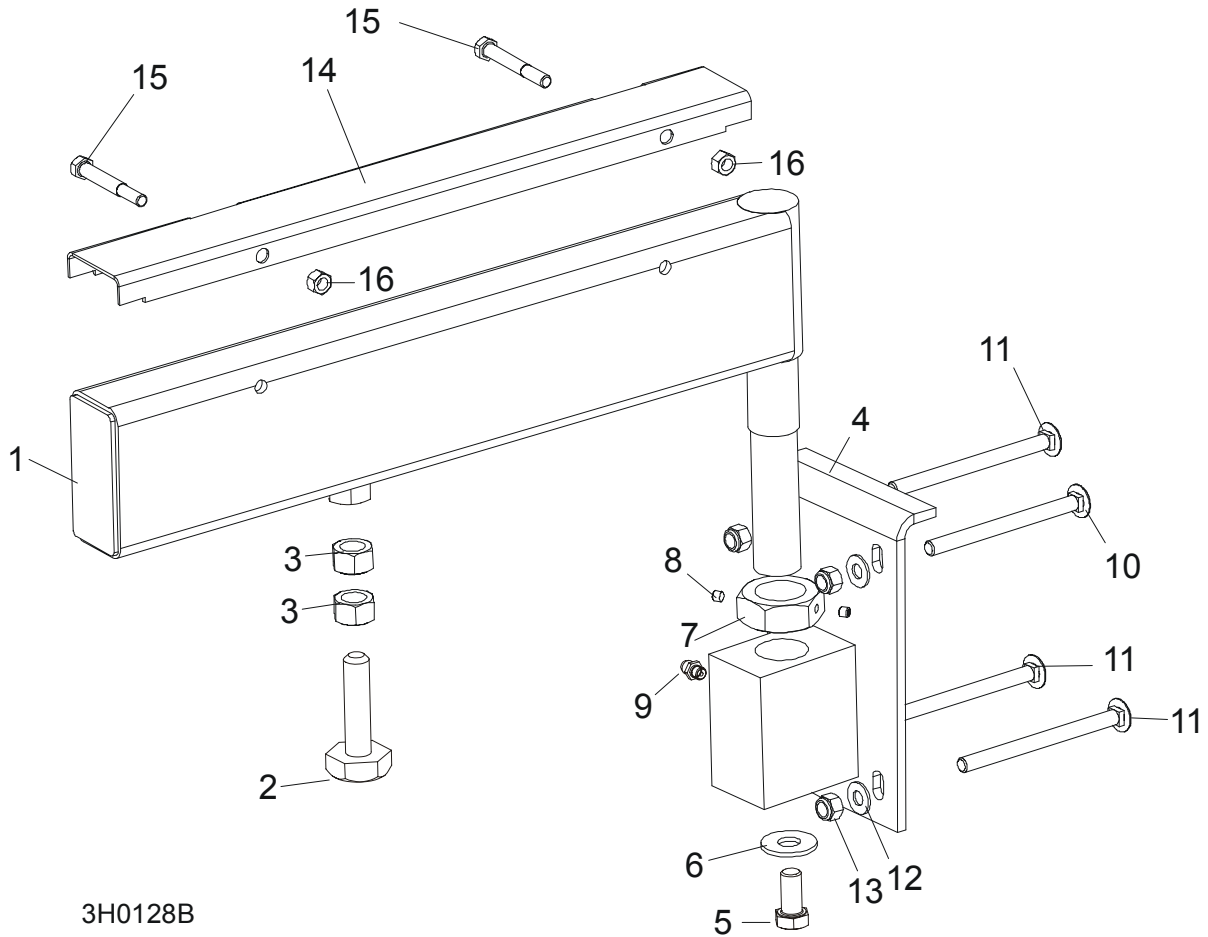
|    | DESCRIPTION (◆ Indicates Parts Available In Assemblies Only)   | PART #   | QTY. |   |
|----|--|----------|------|---|
|    | <b>TABLE ASSEMBLY, BOARD RETURN</b>                            | 015792   | 1    |   |
| 1  | Table Weldment, Board Return                                   | 015790   | 1    | ◆ |
| 2  | Bolt, 5/16-18 x 1" Carriage Head                               | F81002-1 | 6    |   |
| 3  | Washer, 5/16" SAE Flat   | F81032-2 | 6    |   |
| 4  | Nut, 5/16-18 Nylon Lock  | F81054-1 | 6    |   |
| 5  | Decal, Board Return Danger                                     | 015365   | 1    |   |
| 6  | Decal, Board Return Table Warning                              | 016077   | 1    |   |
| 7  | Plate, Return Table Stainless Steel                            | 015791   | 1    |   |
| 8  | Leg Weldment, Painted Outrigger                                | W07537   | 1    |   |
| 9  | Cap, Outrigger Leg   | P09926   | 1    |   |
| 10 | Washer, 9/16" SAE Flat   | F81057-2 | 2    |   |
| 11 | Spring, .72 X 1.5 X .967" Diameter Stainless Steel Compression | P04282   | 1    |   |
| 12 | Pin, 1/8" X 1" Cotter  | F05012-1 | 1    |   |

**8****Bed Frame Assembly***Board Return Table Assembly*

---

|           |                                    |           |   |  |
|-----------|------------------------------------|-----------|---|--|
|           | Pin, Outrigger Pull Painted        | S12260-0  | 1 |  |
| <b>13</b> | Pin, 5/16 x 2 1/2" Roll            | F05012-47 | 1 |  |
| <b>14</b> | Pin, Outrigger Pull                | S12260-0  | 1 |  |
| <b>15</b> | Pin, 3/8 X 2 1/4" Square Wire Lock | 014151    | 2 |  |

### 8.6 Pivot Bed Rail Assembly



3H0128B

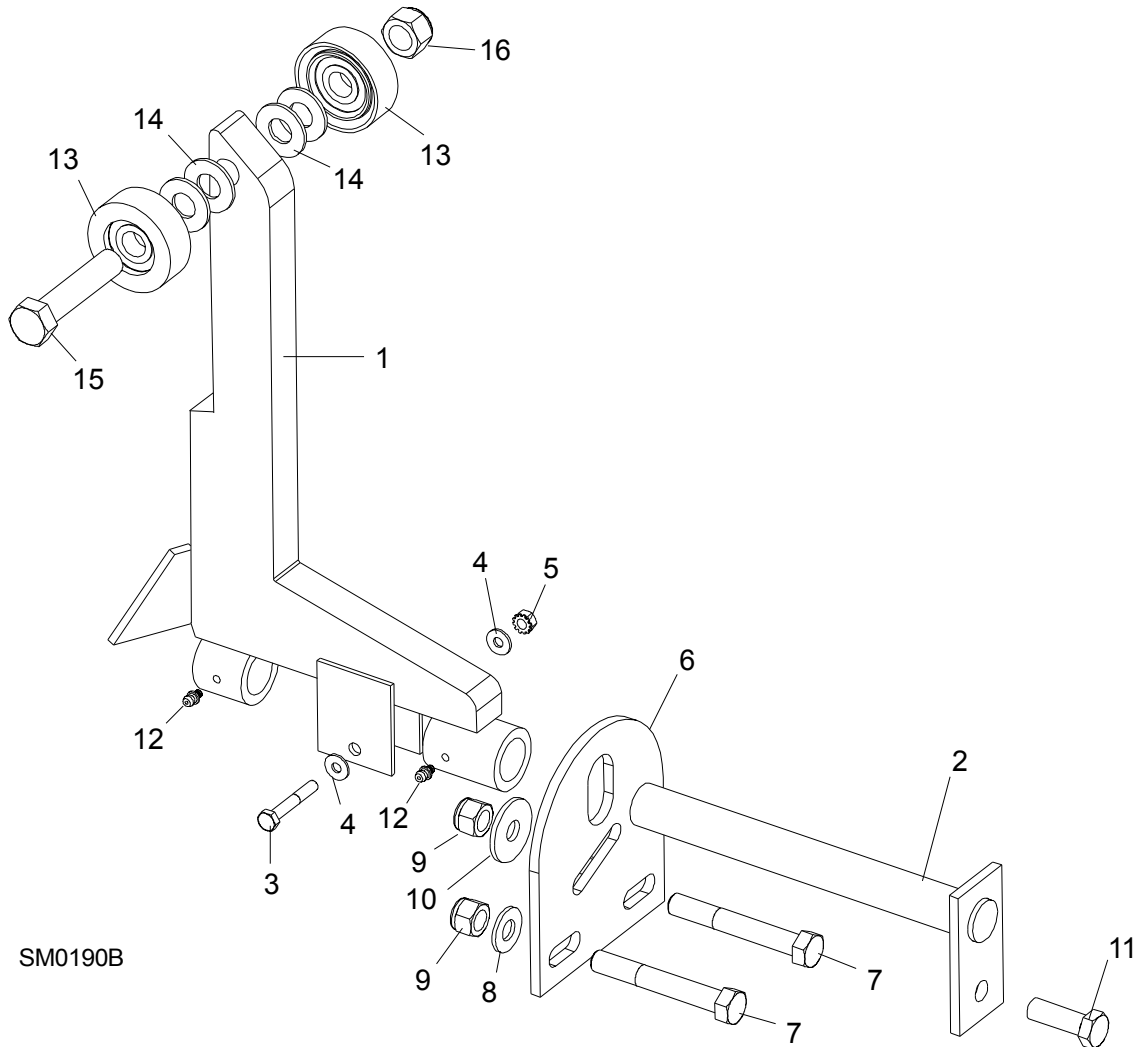
| REF | DESCRIPTION (◆ Indicates Parts Available In Assemblies Only)           | PART #               | QTY. |
|-----|--|----------------------|------|
|     | <b>PIVOT BED RAIL ASSEMBLY (LT30)</b>                                  | 087829               | 2    |
|     | <b>PIVOT BED RAIL ASSEMBLY (LT40)</b>                                  | 087855               | 2    |
| 1   | Pivot Bed Rail Weldment (LT30)   | 087852-1             | 1    |
|     | Pivot Bed Rail Weldment (LT40)   | 087848-1             | 1    |
|     | Bolt Assembly, Bed Rail Adjustment                                     |                      | 1    |
| 2   | Bolt, Bed Rail Adjustment  | 086809               | 1    |
| 3   | Nut, 5/8-11 Hex  | F81036-1             | 2    |
| 4   | Bracket, Pivot Rail Mounting   | 087841-1             | 1    |
| 5   | Bolt, 1/2-13 x 1" Hex Head Grade 2                                     | F81004-31            | 1    |
| 6   | Washer, 15 Flat  | F05011-52            | 1    |
| 7   | Nut, Pivot Rail Adjustment (LT30)<br>Nut, Pivot Rail Adjustment (LT40) | F81036-1<br>F81039-2 | 1    |
| 8   | Screw, 1/4-28 x 1/4" Brass Tip Set                                     | F05005-42            | 2    |
| 9   | Fitting, 3/16" Grease  | 086280               | 1    |
| 10  | <b>BOLT, 3M10 X 120-8.8 CARRIAGE HEAD</b>                              | F81003-14            | 2    |
| 11  | <b>BOLT, 3/8-16 X 5" CARRIAGE HEAD</b>                                 | F05007-113           | 6    |

## 8

**Bed Frame Assembly***Pivot Bed Rail Assembly*

|    |  |           |   |  |
|----|--|-----------|---|--|
| 12 | <b>WASHER,10.5 FLAT</b>  | F81055-1  | 8 |  |
| 13 | <b>NUT, M16-8 NYLON LOCK</b>   | F81036-2  | 8 |  |
|    | <b>COVER KIT, PIVOT RAIL STAINLESS STEEL (LT30)</b>                  | 015926    | 2 |  |
|    | <b>COVER KIT, PIVOT RAIL STAINLESS STEEL (LT40)</b>                  | N/A       | 2 |  |
| 14 | Cover, Stainless Steel Pivot Bed Rail (LT30)                         | 012994    | 1 |  |
|    | Cover, Stainless Steel Pivot Bed Rail (LT40)                         | S13012    | 1 |  |
| 15 | Bolt, 5/16-18 X 2 1/2" Hex Head                                      | F05006-10 | 2 |  |
| 16 | Nut, 5/16-18 Hex Lock  | F05010-6  | 2 |  |
|    | <b>WRENCH, BED RAIL ADJUSTMENT (<a href="#">See Section 8.3</a>)</b> | 015970    | 1 |  |

### 8.7 Log Side Support Assembly



SM0190B

| REF | DESCRIPTION (◆ Indicates Parts Available In Assemblies Only) | PART #    | QTY. |
|-----|--|-----------|------|
| 1   | <b>SUPPORT, LOG SIDE</b>                                     | 085538    | 4    |
|     | <b>MOUNTING KIT, LOG SIDE SUPPORT</b>                        | K09440    | 4    |
| 2   | Pin, Log Side Support Pivot                                  | W09238-1  | 1    |
| 3   | Bolt, 1/4-20 X 1 1/2" Hex Head Grade 5                       | F05005-4  | 1    |
| 4   | Washer, 7.4 Flat   | F81056-11 | 2    |
| 5   | Nut, 1/4-20 Self Locking                                     | F05010-9  | 1    |
| 6   | Plate, Log Side Support End                                  | S09148    | 1    |
| 7   | Bolt, M12 x 90-8.8 Hex Head                                  | F81004-2  | 2    |
| 8   | Washer, 13 Flat  | F81056-1  | 2    |
| 9   | Nut, M12-8 Hex Nylon Lock                                    | F81034-2  | 3    |
| 10  | Washer, .5" x 1.63" x 11" Ga.                                | 086184    | 1    |
| 11  | Bolt, M12 x 35-8.8 Hex Head                                  | F81004-11 | 1    |

# 8

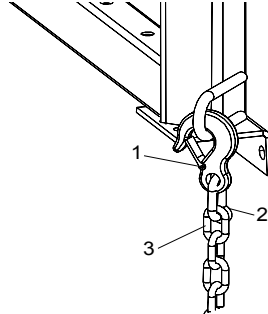
## Bed Frame Assembly

### *Log Side Support Assembly*

|    |  |            |   |  |
|----|--|------------|---|--|
| 12 | <b>FITTING, 3/16" GREASE</b>               | P04107     | 2 |  |
|    | <b>ROLLER KIT, SIDE SUPPORT (OPTIONAL)</b> | 015109     | 4 |  |
| 13 | Roller Assembly, Side Support              | 015014-1   | 2 |  |
| 14 | Washer, 17 Flat                            | F81058-1   | 4 |  |
| 15 | Bolt, 5/8-11 x 3" Hex Head Grade 5         | F05009-37  | 1 |  |
| 16 | Nut, 5/8-11 Nylon Lock                     | F05010-34  | 1 |  |
|    | Instruction Sheet, Side Support Roller     | 015109-526 | 1 |  |

## 8.8 Tie Down Chain Assembly

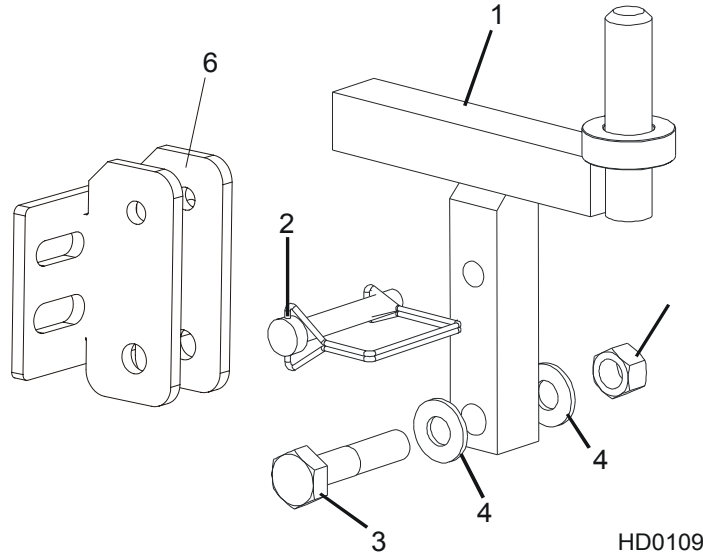
SM0129



| REF | DESCRIPTION (◆ Indicates Parts Available In Assemblies Only) | PART #   | QTY.  |   |
|-----|--|----------|-------|---|
|     | <b>CHAIN ASSEMBLY, TIE DOWN</b>                              | A04376   | 1     |   |
| 1   | Hook, 5/8" Safety Chain                                      | P12075   | 1     | ◆ |
| 2   | Cold Shut, 3/8" Plain  | P04772-2 | 1     | ◆ |
| 3   | Chain, N-10 x 35 Unplated                                    | R80558   | .28 m | ◆ |

**8** **Bed Frame Assembly**  
*Saw Head Rest Pin Assembly*

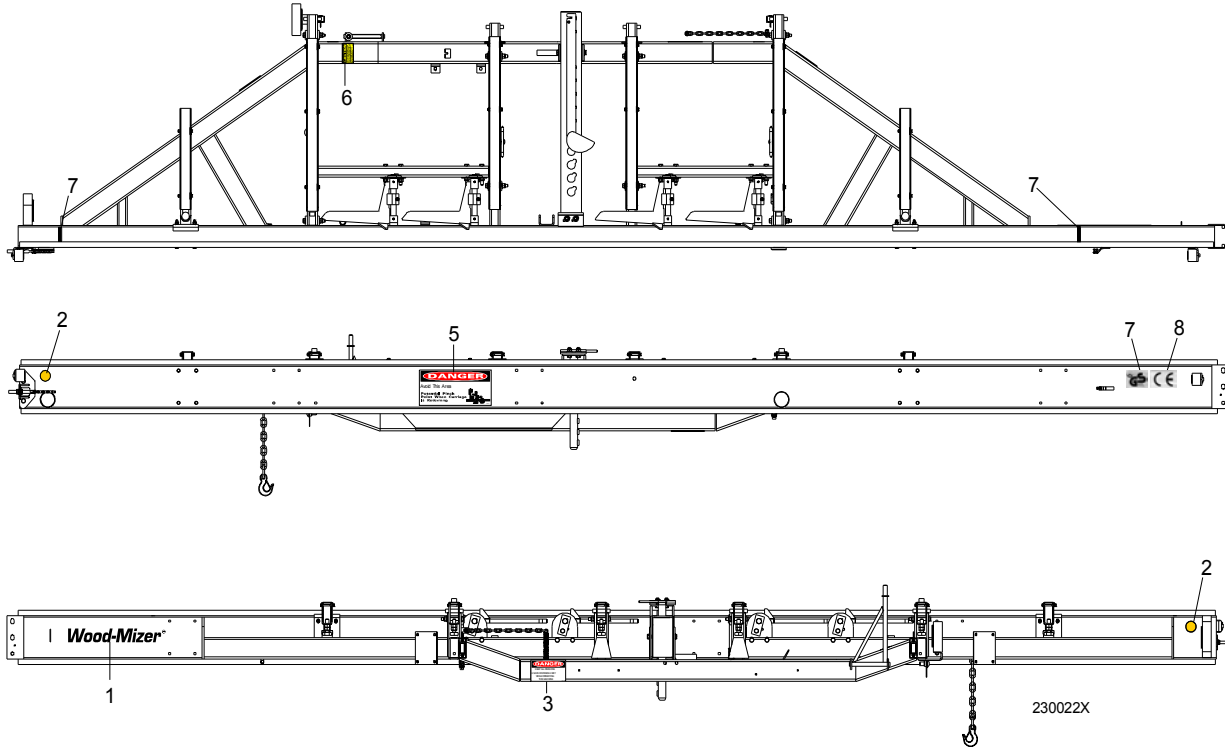
**8.9 Saw Head Rest Pin Assembly**



| REF | DESCRIPTION (◆ Indicates Parts Available In Assemblies Only) | PART #   | QTY. |
|-----|--|----------|------|
| 1   | PIN, SAW HEAD REST   | 085949   | 1    |
| 2   | PIN, 3/8" X 2 1/4" SNAP RETAINER                             | 014151   | 1    |
| 3   | BOLT, M12 X 60-8.8 HEX HEAD GRADE 5                          | F81004-5 | 1    |
| 4   | WASHER, 13 SAE FLAT  | F81056-1 | 2    |
| 5   | NUT, 1/2-13 HEX LOCK   | F05010-3 | 1    |
| 6   | GRIP, SAW HEAD REST  | 092765-1 | 1    |



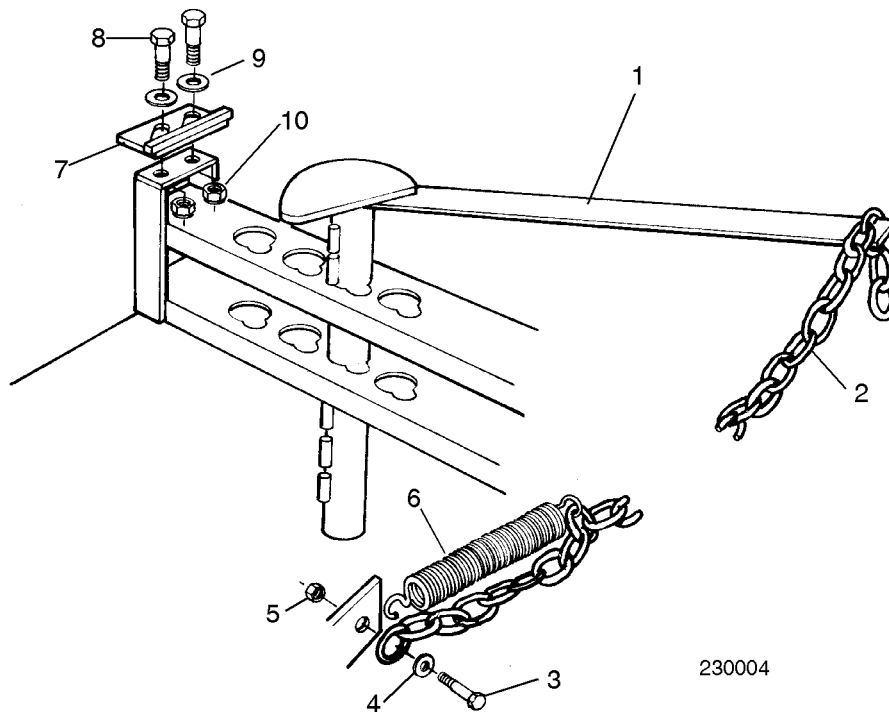
### 8.10 Bed Frame Decals



| REF | DESCRIPTION (◆ Indicates Parts Available In Assemblies Only) | PART # | QTY. |
|-----|--|--------|------|
| 1   | DECAL, WOOD-MIZER SUPER LOGO                                 | 014751 | 1    |
| 2   | DECAL, AMBER REFLECTIVE 2" ROUND                             | P07453 | 2    |
| 3   | DECAL, KEEP AWAY DANGER                                      | S09851 | 1    |
| 4   | DECAL, PINCH POINT DANGER                                    | P10287 | 1    |
| 5   | DECAL, SAW HEAD REST CAUTION                                 | S12581 | 1    |
| 6   | DECAL, LOG LIMIT STRIPE                                      | S12051 | 2    |
| 7   | DECAL, GS SAFETY CERTIFICATION, SMALL                        | P85072 | 1    |
| 8   | DECAL, CE CERTIFIED SAWMILL, SMALL                           | P85070 | 1    |

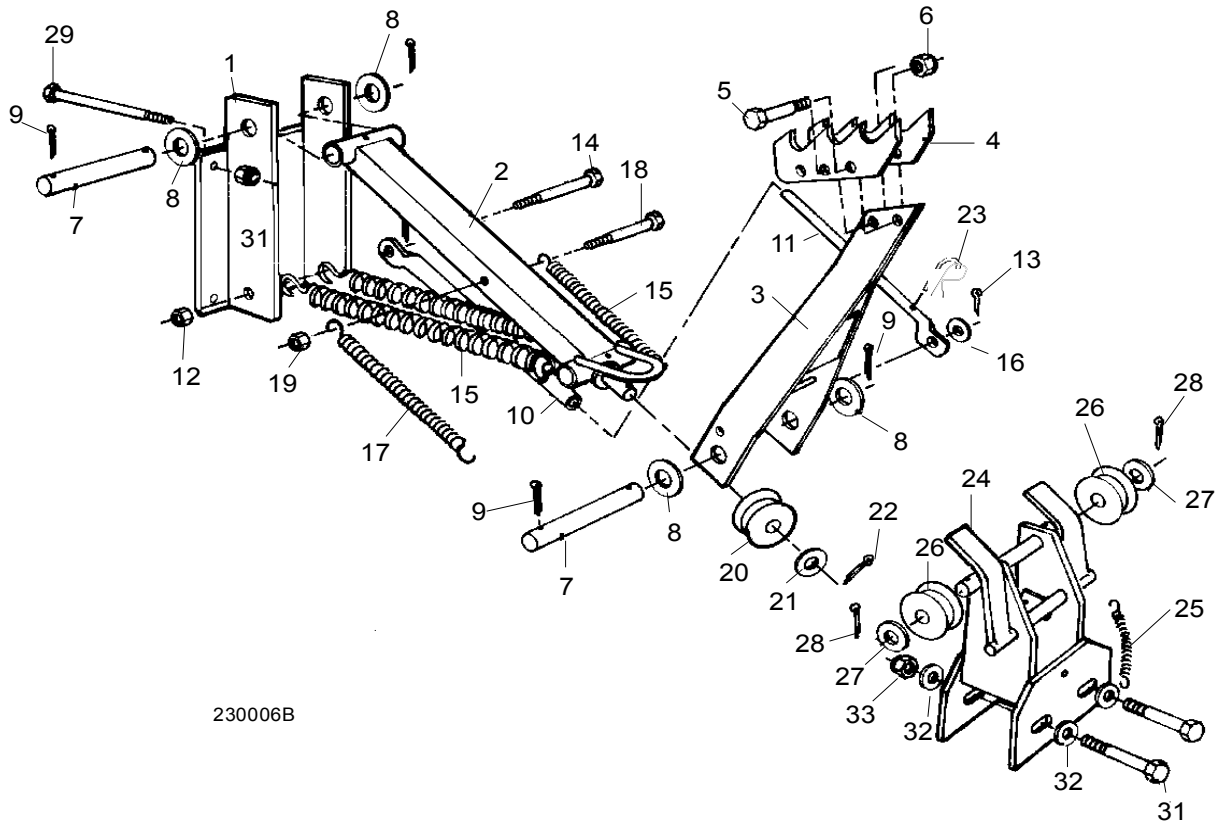
## SECTION 9 LOG CLAMP

### 9.1 Log Clamp



| REF | DESCRIPTION (◆ Indicates Parts Available In Assemblies Only) | PART #    | QTY. |  |
|-----|--|-----------|------|--|
| 1   | CLAMP, LOG   | W09412    | 1    |  |
| 2   | CHAIN, LOG CLAMP   | M04311    | 1    |  |
| 3   | BOLT, 3/8-16 X 1 1/4" HEX HEAD GRADE 2                       | F05007-2  | 1    |  |
| 4   | WASHER, 10.5 STANDARD FLAT                                   | F81055-1  | 2    |  |
| 5   | NUT, 3/8-16 HEX NYLON LOCK                                   | F05010-10 | 1    |  |
| 6   | SPRING, LOG CLAMP CHAIN                                      | P09136    | 1    |  |
| 7   | PLATE, LOG CLAMP STOP  | 086980-1  | 1    |  |
| 8   | BOLT, M12 X 40-8.8 HEX HEAD                                  | F81004-4  | 2    |  |
| 9   | WASHER, 13 FLAT  | F81056-1  | 2    |  |
| 10  | NUT, M12-8 HEX NYLON LOCK                                    | F81034-2  | 2    |  |

## 9.2 Manual Log Turner



230006B

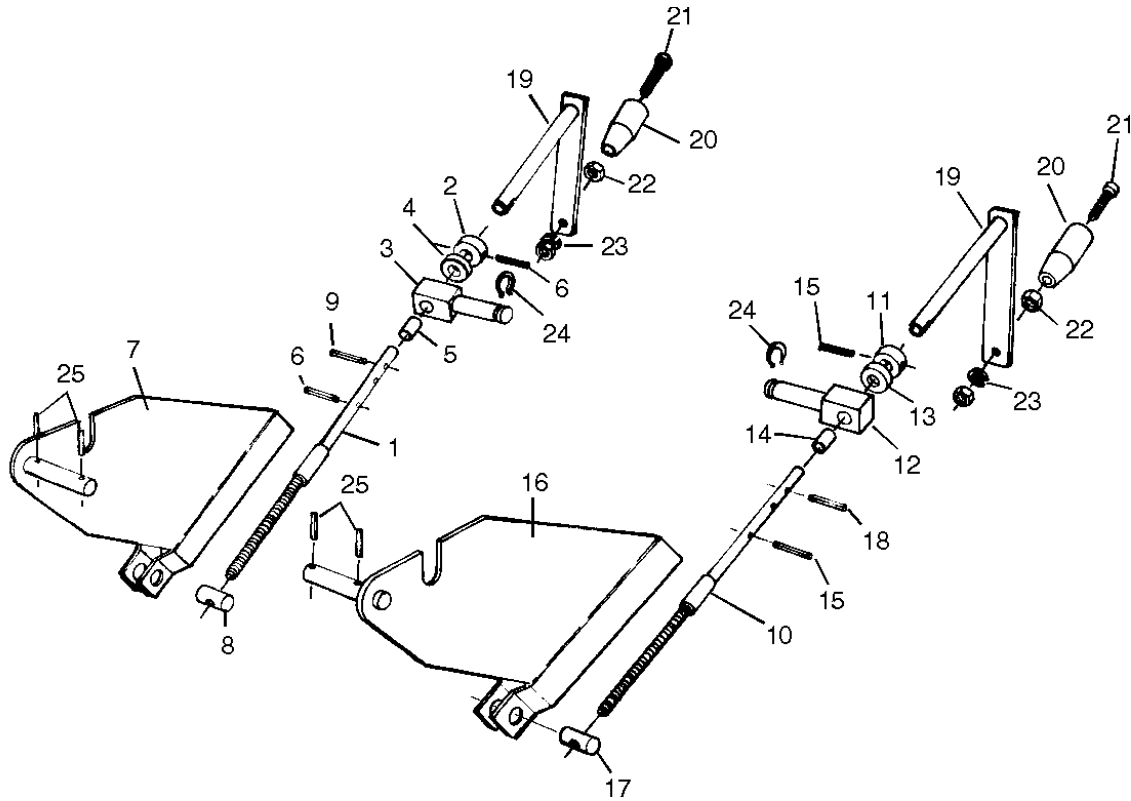
| REF | DESCRIPTION (◆ Indicates Parts Available In Assemblies Only) | PART #    | QTY. |
|-----|--|-----------|------|
|     | <b>MANUAL LOG TURNER OPTION</b>                              | LT-A      | 1    |
|     | Arm Assembly, Manual Log Turner                              | A09365    | 1    |
| 1   | Bracket, Manual Log Turner Arm Mount                         | W09424    | 1    |
| 2   | Arm, Lower Manual Turner                                     | W09425    | 1    |
| 3   | Arm, Upper Manual Turner                                     | W09368-1  | 1    |
| 4   | Claw, Log Turner   | S09146    | 2    |
| 5   | Bolt, M12 x 60-8.8 Hex Head                                  | F81004-5  | 2    |
| 6   | Nut, M12-8 Hex Nylon Lock                                    | F81034-2  | 2    |
| 7   | Pin, Manual Turner Arm Pivot                                 | 088082-1  | 2    |
| 8   | Washer, 28 Flat  | F81061-1  | 4    |
| 9   | Pin, 3/16" x 1 1/2" Cotter                                   | F05012-23 | 4    |
| 10  | Tube, Manual Turner Stop                                     | S09447    | 1    |
| 11  | Rod, Manual Turner Stop                                      | S09545    | 1    |
| 12  | Nut, M12-8 Swaged Hex  | F81034-2  | 1    |
| 13  | Pin, 1/8" x 1" Cotter  | F05012-1  | 1    |
| 14  | Bolt, M12 x 125-8.8  | F81004-33 | 1    |

# 9 Log Clamp

## Manual Log Turner

|    |                                      |           |   |   |
|----|--------------------------------------|-----------|---|---|
| 15 | Spring, Manual Turner Arm Upper      | P09426    | 2 |   |
| 16 | Washer, 10.5 Flat                    | F81055-1  | 1 |   |
| 17 | Spring, Manual Turner Arm Lower      | P09136    | 2 |   |
| 18 | Bolt, 3/8-16 x 4" Hex Head Grade 2   | F05007-4  | 1 |   |
| 19 | Nut, 3/8-16 Hex Nylon Lock           | F05010-10 | 1 |   |
| 20 | Pulley, Manual Turner Cable          | S09394-W  | 1 |   |
| 21 | Washer, 3/4" Standard Flat           | F81060-1  | 1 |   |
| 22 | Pin, 3/16" x 1 1/2" Cotter           | F05012-23 | 1 |   |
| 23 | Pin, 3/16" Retaining                 | P05059    | 1 |   |
|    | Pulley Assembly, Manual Turner Cable | A09371    | 1 |   |
| 24 | Bracket, Manual Turner Cable Pulley  | W09428    | 1 | ◆ |
| 25 | Spring, Manual Turner Cable Pulley   | P04060    | 1 |   |
| 26 | Pulley, Manual Turner Cable          | S09394-W  | 2 |   |
| 27 | Washer, 3/4" Standard Flat           | F81060-1  | 2 |   |
| 28 | Pin, 3/16" x 1 1/2" Cotter           | F05012-23 | 2 |   |
| 29 | Bolt, M10 x 125-8.8 Hex Head         | F81003-18 | 4 |   |
| 30 | Nut, M10-8-B Hex Nylon Lock          | F81033-1  | 4 |   |
| 31 | Bolt, M12 x 140-8.8 Hex Head         | F81004-37 | 2 |   |
| 32 | Washer, 13 Flat                      | F81011-2  | 2 |   |
| 33 | Nut, M12-8 Hex Nylon Lock            | F81034-2  | 2 |   |

### 9.3 Manual Toe Board



| REF | DESCRIPTION (◆ Indicates Parts Available In Assemblies Only) | PART #    | QTY. |   |
|-----|--|-----------|------|---|
|     | <b>TOE BOARD KIT, MANUAL</b>                                 | A09306    | 1    |   |
|     | Shaft Assembly, Manual Toe Board                             | A09490    | 1    |   |
| 1   | Shaft, Toe Board   | W09289    | 1    | ◆ |
| 2   | Collar, 5/8" I.D.  | S09561-W  | 1    |   |
| 3   | Block, Toe Board Shaft Pivot                                 | S09168    | 1    |   |
| 4   | Bearing, 5/8" Thrust   | P04214    | 1    |   |
| 5   | Spacer, 5/8" I.D. x 3/4" O.D. x .945 Bronze                  | P09130    | 1    |   |
| 6   | Pin, 3/16" x 1 1/4" Roll                                     | F05012-16 | 3    |   |
| 7   | Plate, Front Toe Board                                       | W09491    | 1    |   |
| 8   | Block, Manual Toe Board Threaded Trunnion                    | S04427    | 1    |   |
| 9   | Pin, 3/16" x 1" Roll   | F05012-11 | 1    |   |
|     | Toe Board, Rear Manual                                       | A09307    | 1    |   |
|     | Shaft Assembly, Manual Toe Board                             | A09490    | 1    |   |
| 10  | Shaft, Toe Board   | W09289    | 1    | ◆ |
| 11  | Collar, 5/8" I.D.  | S09561-W  | 1    |   |
| 12  | Block, Toe Board Shaft Pivot                                 | S09168    | 1    |   |
| 13  | Bearing, 5/8" Thrust   | P04214    | 1    |   |

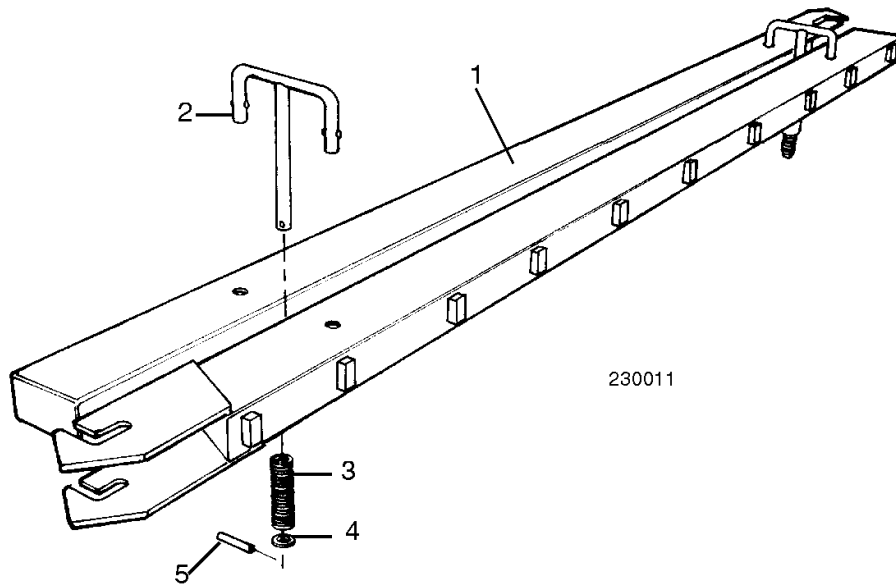
# 9 Log Clamp

## Manual Toe Board

---

|    |  |           |   |   |
|----|--|-----------|---|---|
| 14 | Spacer, 5/8" I.D. x 3/4" O.D. x .945 Bronze                          | P09130    | 1 |   |
| 15 | Pin, 3/16" x 1 1/4" Roll   | F05012-16 | 3 |   |
| 16 | Plate, Rear Toe Board  | W09492    | 1 |   |
| 17 | Block, Manual Toe Board Threaded Trunnion                            | S04427    | 1 |   |
| 18 | Pin, 3/16" x 1" Roll   | F05012-11 | 1 |   |
|    | Handle Assembly, Manual Toe Board Crank                              | A09432    | 2 |   |
| 19 | Handle, Manual Toe Board Crank                                       | W09431    | 1 | ◆ |
| 20 | Handle, Crank  | S08291-W  | 1 |   |
| 21 | Screw, 3/8-16 x 2 1/2" Socket Head Cap                               | F05007-24 | 1 |   |
| 22 | Nut, 3/8-16 Hex  | F05010-1  | 2 |   |
| 23 | Washer, 3/8" Split Lock  | F81055-2  | 1 |   |
| 24 | Ring, 7/8" O.D. Retaining  | F04254-7  | 2 |   |
| 25 | Pin, 3/16" x 1" Roll   | F05012-11 | 4 |   |
|    | Instruction Sheet, Manual Toe Board Installation ('87 + Model Mills) | TB-237A   | 1 |   |

## 9.4 Log Loading Ramps



| REF | DESCRIPTION (◆ Indicates Parts Available In Assemblies Only) | PART #    | QTY. |   |
|-----|--|-----------|------|---|
|     | <b>RAMP KIT, LOG LOADING WITH RETAINERS</b>                  | K09466    | 1    |   |
| 1   | Ramp, Log Loading  | W09014    | 2    |   |
|     | Retainer Kit, Log Ramp                                       | K09810    | 2    |   |
| 2   | Retainer, Log Ramp   | W09413    | 1    | ◆ |
| 3   | Spring, Log Ram Retainer                                     | P09335    | 1    |   |
| 4   | Washer, 5/8" I.D. x .100" Thick Nylon                        | F05011-19 | 1    |   |
| 5   | Pin, 3/16" x 1" Roll   | F05012-11 | 1    |   |