

Wood-Mizer®

Parts Manual

LT40AC Series MH

rev. D4.00



Safety is our #1 concern! Read and understand all safety information and instructions before operating, setting up or maintaining this machine.

November 1998

Form#923

Table of Contents

Section-Page

| | | |
|------------------|---|------------|
| SECTION 1 | GENERAL INFORMATION | 1-1 |
| 1.1 | How To Use The Parts List | 1-1 |
| 1.2 | Sample Assembly | 1-1 |
| SECTION 2 | BLADE GUIDE ROLLERS & ARM | 2-1 |
| 2.1 | Blade Guide Assembly, Idle Side (Standard)..... | 2-1 |
| 2.2 | Idle Side Blade Guide Assembly, Optional (LMS)..... | 2-3 |
| 2.3 | Blade Guide Assembly, Drive Side..... | 2-5 |
| 2.4 | Blade Guide Arm & Rollers | 2-7 |
| 2.5 | Blade Guide Arm Drive Assembly..... | 2-8 |
| SECTION 3 | BLADE WHEELS & TENSIONER | 3-1 |
| 3.1 | Blade Drive Assembly, LT40 Series MH..... | 3-1 |
| 3.2 | Idle Blade Wheel Assembly | 3-3 |
| 3.3 | Hydraulic Blade Tensioner Assembly..... | 3-4 |
| SECTION 4 | SAW HEAD | 4-1 |
| 4.1 | Middle Throat Screw | 4-1 |
| 4.2 | Water Lube Solenoid Valve | 4-1 |
| 4.3 | Board Return Assembly | 4-2 |
| 4.4 | Clutch Lever Assembly | 4-4 |
| 4.5 | Brake Assembly..... | 4-6 |
| 4.6 | Water Lube Assembly | 4-8 |
| 4.7 | LT40AC Saw Head Decals | 4-10 |
| 4.8 | Blade Housing Covers..... | 4-12 |
| 4.9 | Drive Belt Covers | 4-14 |
| 4.10 | Sawdust Chute | 4-15 |
| SECTION 5 | CONTROL & BATTERY BOXES | 5-1 |
| 5.1 | Control Assembly, LT40AC Series MH | 5-1 |
| 5.2 | Drum Switches | 5-3 |
| 5.3 | Circuit Breakers..... | 5-4 |
| SECTION 6 | UP/DOWN SYSTEM | 6-1 |
| 6.1 | Saw Head V-Brace Mount..... | 6-1 |
| 6.2 | Blade Height Scale | 6-2 |
| 6.3 | Up/Down Chain & Sprockets..... | 6-4 |
| 6.4 | Up/Down Motor Assembly, LT40AC Series MH..... | 6-6 |
| 6.5 | Up/Down Drive Assembly | 6-7 |

Table of Contents

Section-Page

| | | |
|------------------|---|------------|
| SECTION 7 | POWER FEED & TRACK ROLLERS | 7-1 |
| 7.1 | Upper Track Rollers And Wipers..... | 7-1 |
| 7.2 | Power Feed Assembly, LT40AC Series MH | 7-2 |
| 7.3 | Feed Chain/Stop | 7-4 |
| 7.4 | Lower Track Rollers | 7-6 |
| | | |
| SECTION 8 | BED FRAME ASSEMBLY | 8-1 |
| 8.1 | Bed Rail Assembly, Front | 8-1 |
| 8.2 | Bed Rail Assembly, Rear | 8-2 |
| 8.3 | Bed Rail Assembly, Front Middle | 8-3 |
| 8.4 | Bed Rail Assembly, Rear Middle | 8-4 |
| 8.5 | | 8-5 |
| 8.6 | Leg, Stationary | 8-6 |
| 8.7 | Pivot Bed Rail Assembly..... | 8-8 |
| 8.8 | Bed Rail Assembly, Optional End..... | 8-10 |
| 8.9 | Log Side Support Assembly | 8-11 |
| 8.10 | Tie Down Chain Assembly | 8-12 |
| 8.11 | Saw Head Rest Pin Assembly | 8-12 |
| 8.12 | Bed Frame Decals | 8-13 |
| | | |
| SECTION 9 | LOG CLAMP, TURNER, LOADER & TOE BOARDS | 9-1 |
| 9.1 | Manual Log Clamp | 9-1 |
| 9.2 | Log Clamp Assembly..... | 9-2 |
| 9.3 | Manual Log Turner..... | 9-4 |
| 9.4 | Manual Toe Board..... | 9-6 |
| 9.5 | Manual Log Loader (S/M type frame) | 9-7 |
| 9.6 | Manual Log Loader Pump..... | 9-9 |

SECTION 1 GENERAL INFORMATION

1.1 How To Use The Parts List

- Use the index above to locate the assembly that contains the part you need.
- Go to the appropriate section and locate the part in the illustration.
- Use the number pointing to the part to locate the correct part number and description in the table.
- Parts shown indented under another part are included with that part.
- Parts marked with a diamond (◆) are only available in the assembly listed above the part.

See the sample table below. Sample Part #A01111 includes part F02222-2 and subassembly A03333. Subassembly A03333 includes part S04444-4 and subassembly K05555. The diamond (◆) indicates that S04444-4 is not available except in subassembly A03333. Subassembly K05555 includes parts M06666 and F07777-77. The diamond (◆) indicates M06666 is not available except in subassembly K05555.

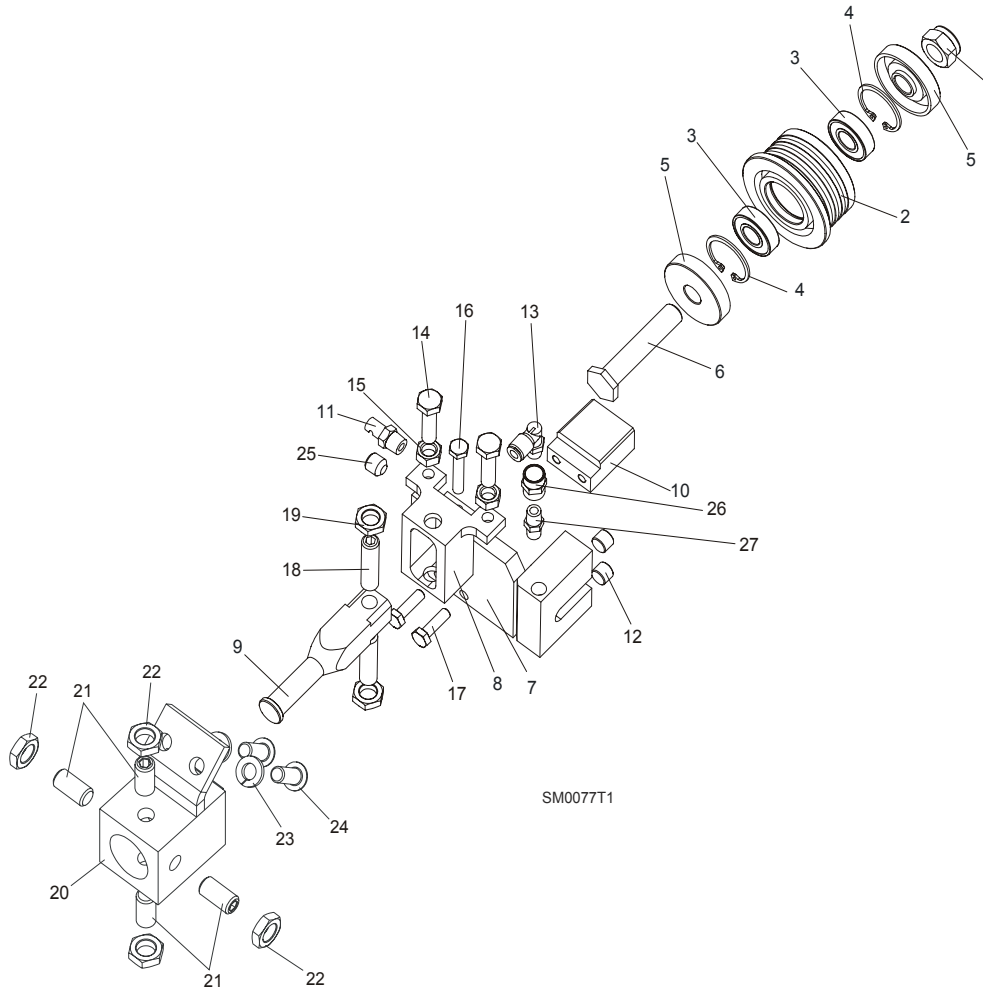
| 1.2 Sample Assembly | | | | |
|----------------------------|---|-----------|------|---|
| REF | DESCRIPTION (◆ Indicates Parts Available In Assemblies Only) | PART # | QTY. | |
| | Sample Assembly, Complete (Includes All Indented Parts Below) | A01111 | 1 | |
| 1 | Sample Part | F02222-22 | 1 | |
| | Sample Subassembly (Includes All Indented Parts Below) | A03333 | 1 | |
| 2 | Sample Part (◆ Indicates Part Is Only Available With A03333) | S04444-4 | 1 | ◆ |
| | Sample Subassembly (Includes All Indented Parts Below) | K05555 | 1 | |
| 3 | Sample Part (◆ Indicates Part Is Only Available With K05555) | M06666 | 2 | ◆ |
| 4 | Sample Part | F07777-77 | 1 | |

To Order Parts:

- From Europe call our European Headquarters and Manufacturing Facility in Kolo, Poland at **+48-63-2626000**. From the continental U.S., call our toll-free Parts hotline at **1-800-448-7881**. Have your customer number, vehicle identification number, and part numbers ready when you call.
- From other international locations, contact the Wood-Mizer distributor in your area for parts.

SECTION 2 BLADE GUIDE ROLLERS & ARM

2.1 Blade Guide Assembly, Idle Side (Standard)

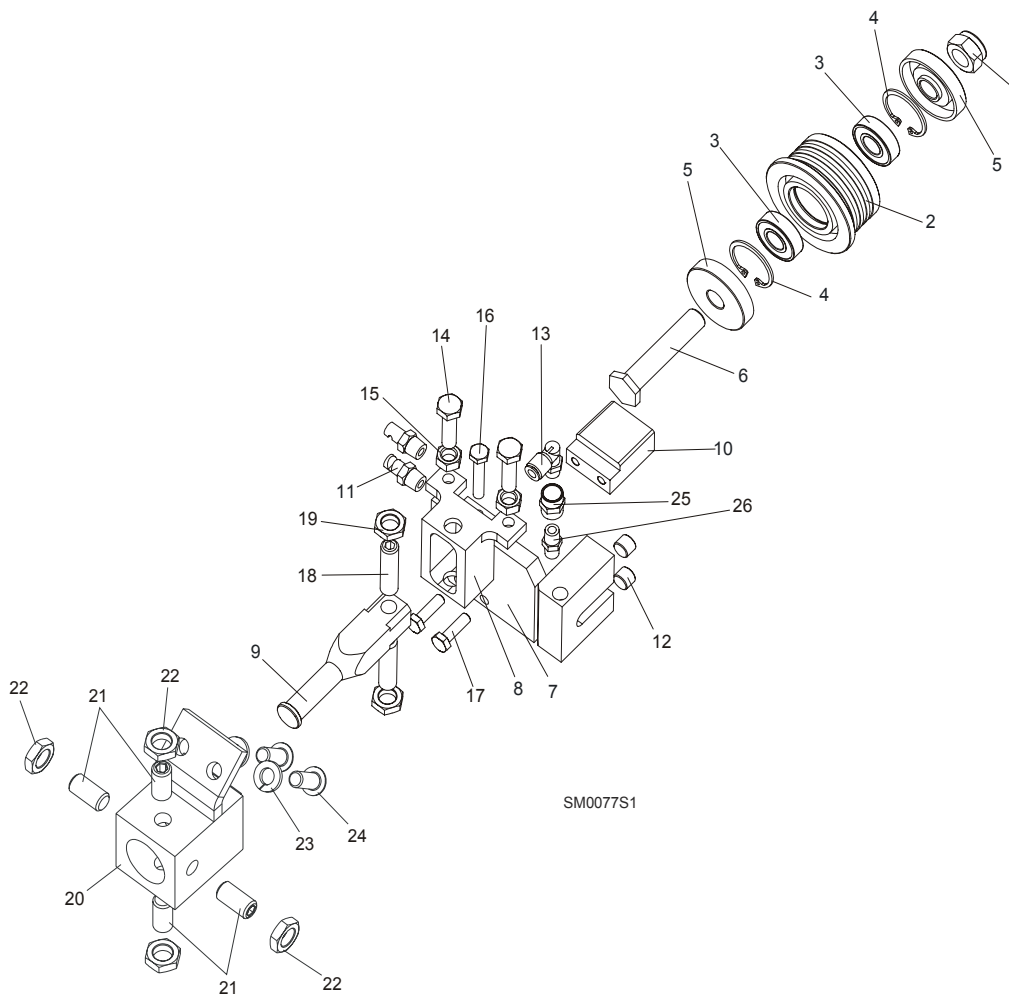


| REF | DESCRIPTION (◆ Indicates Parts Available In Assemblies Only) | PART# | QTY. |
|-----|---|----------|-------|
| | BLADE GUIDE ASSEMBLY, IDLE SIDE | 092523 | 1 |
| | Roller, Blade Guide Narrow W/Bearings | 088261 | 1 |
| | Roller, Blade Guide W/Bearings Extended (for optional use with 1 1/2" blades) | 092939 | 1 |
| 1 | Nut, M12-8 Hex Nylon Zinc Lock | F81034-2 | 1 |
| 2 | Roller, Blade Guide Narrow | 087889 | 1 |
| | Roller, Blade Guide Extended (for optional use with 1 1/2" blades) | 087890 | 1 |
| 3 | Bearing, 6001 2RSR NACHI | 087893 | 2 |
| 4 | Ring, W28 Inside Retaining | F81090-9 | 2 |
| 5 | Washer, Spacer | 087891 | 2 (1) |
| | Washer, Spacer (used with the Extended Roller only) ¹ | 087892-1 | 1 |
| 6 | Bolt, Blade Guide Roller Zinc-Plated | 087761-1 | 1 |
| | Bolt, Blade Guide Roller Zinc Plated (used with the Extended Roller only) | 092940-1 | 1 |
| 7 | Block Weldment, Nozzle Zinc-Plated | 087750-1 | 1 |
| 8 | Block, Zinc-Plated Roller Guide Adjuster | 087756-1 | 1 |
| 9 | Shaft, Zinc-Plated Blade Guide Mount | 088255-1 | 1 |

| | | | | |
|----|---|------------|---|--|
| 10 | Block, Blade Guide Zinc | 096956-1 | 1 | |
| 11 | Nozzle, Blade Water Lube Spray | 016637 | 1 | |
| 12 | Plug, M10x1 DIN 906 BN40 "BOSSARD" | F81015-3 | 2 | |
| 13 | Fitting, 90° Elbow 1/8NPT-1/4 Tube Swivel | P09736 | 1 | |
| 14 | Bolt, M8x30 DIN933 A2-70 Stainless Steel | F81002-27 | 2 | |
| 15 | Nut, M8 DIN934 A2-70 Stainless Steel | F81032-7 | 2 | |
| 16 | Bolt, M6x30 DIN933 A2-70 Stainless Steel | F81001-37 | 1 | |
| 17 | Bolt, M6x20-8.8 Hex Head Full Thread Zinc | F81001-2 | 2 | |
| 18 | Screw, M10x1x40 DIN913 Stainless Steel Set | F81015-2 | 2 | |
| 19 | Nut, M10x1-04-ST-A2 ISO 8675 Thin | F81033-10 | 2 | |
| 20 | BLOCK WELDMENT, PAINTED BLADE GUIDE MOUNT | 088292-1 | 1 | |
| 21 | SCREW, M10X1X20 DIN913 STAINLESS STEEL SET | F81015-1 | 4 | |
| 22 | NUT, M10x1-04-ST-A2 ISO 8675 THIN | F81033-10 | 4 | |
| 23 | WASHER, 8.2 SPLIT LOCK ZINC | F81054-4 | 2 | |
| 24 | BOLT, 5/16-18X3/4 SOCKET HEAD | F05006-102 | 2 | |
| 25 | FITTING, 1/8 NPT SOCKET PIPE PLUG | P30127 | 1 | |
| 26 | FITTING, 1/8FPT COUPLING | P05748 | 1 | |
| 27 | NIPPLE, 1/8 DRY SEAL | P02764 | 1 | |

¹ Used only from the flanged side of the roller

2.2 Idle Side Blade Guide Assembly, Optional (LMS)

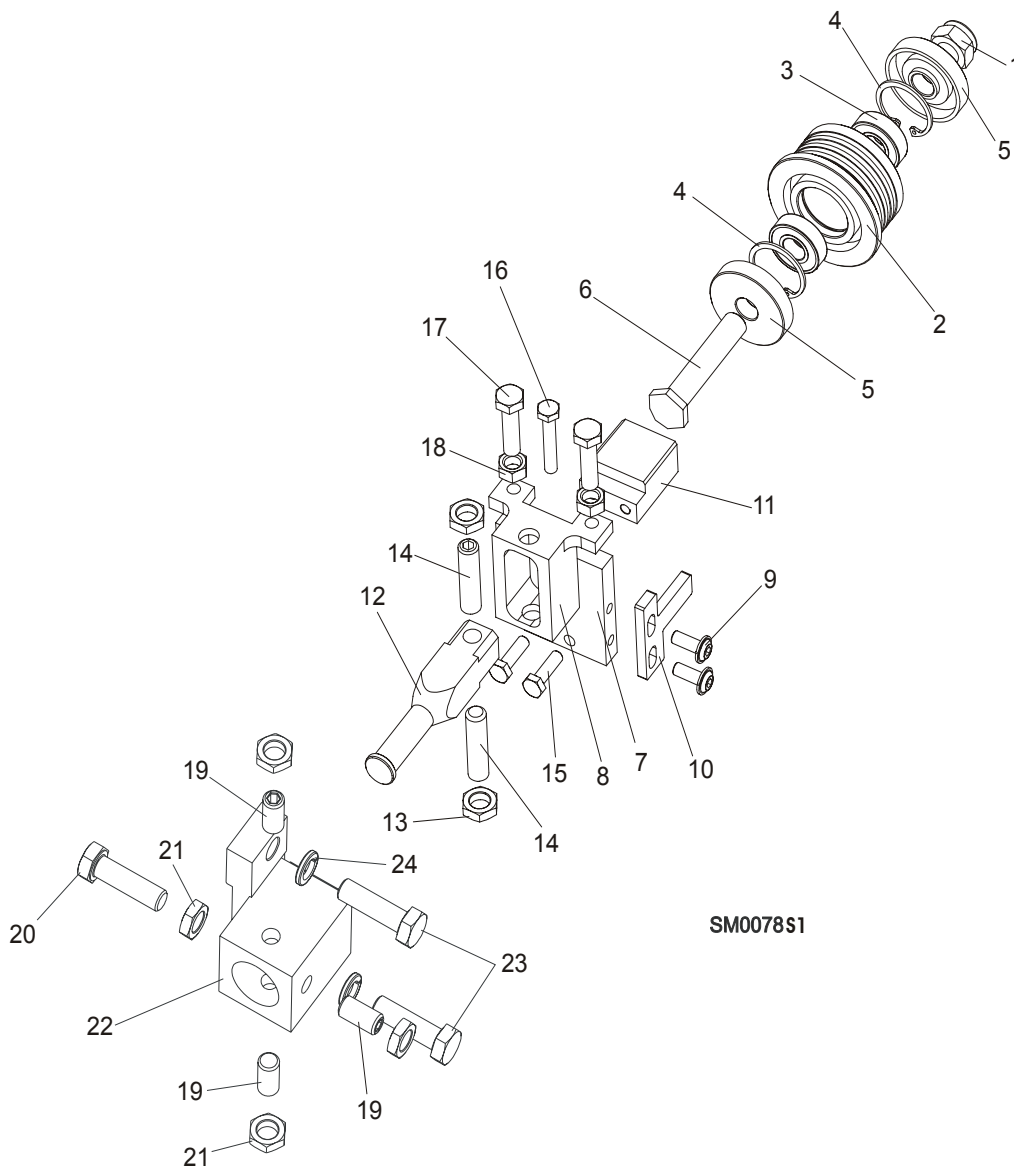


| REF | DESCRIPTION (◆ Indicates Parts Available In Assemblies Only) | PART# | QTY. |
|-----|---|----------|-------|
| | BLADE GUIDE ASSEMBLY, IDLE SIDE | 087749 | 1 |
| | Roller, Blade Guide Narrow W/Bearings | 088261 | 1 |
| | Roller, Blade Guide W/Bearings Extended (for optional use with 1 1/2" blades) | 092939 | 1 |
| 1 | Nut, M12-8 Hex Nylon Zinc Lock | F81034-2 | 1 |
| 2 | Roller, Blade Guide Narrow | 087889 | 1 |
| | Roller, Blade Guide Extended (for optional use with 1 1/2" blades) | 087890 | 1 |
| 3 | Bearing, 6001 2RSR NACHI | 087893 | 2 |
| 4 | Ring, W28 Inside Retaining | F81090-9 | 2 |
| 5 | Washer, Spacer | 087891 | 2 (1) |
| | Washer, Spacer (used with the Extended Roller only) ¹ | 087892-1 | 1 |
| 6 | Bolt, Blade Guide Roller Zinc-Plated | 087761-1 | 1 |
| | Bolt, Blade Guide Roller Zinc Plated (used with the Extended Roller only) | 092940-1 | 1 |
| 7 | Block Weldment, Nozzle Zinc-Plated | 087750-1 | 1 |
| 8 | Block, Zinc-Plated Roller Guide Adjuster | 087756-1 | 1 |
| 9 | Shaft, Zinc-Plated Blade Guide Mount | 088255-1 | 1 |
| 10 | Block, Blade Guide Zinc | 096956-1 | 1 |

| | | | | |
|----|---|------------|---|--|
| 11 | Nozzle, Blade Lube Spray | 033479 | 2 | |
| 12 | Plug, M10x1 DIN 906 BN40 "BOSSARD" | F81015-3 | 2 | |
| 13 | Fitting, 90° Elbow 1/8NPT-1/4 Tube Swivel | P09736 | 1 | |
| 14 | Bolt, M8x30 DIN933 A2-70 Stainless Steel | F81002-27 | 2 | |
| 15 | Nut, M8 DIN934 A2-70 Stainless Steel | F81032-7 | 2 | |
| 16 | Bolt, M6x30 DIN933 A2-70 Stainless Steel | F81001-37 | 1 | |
| 17 | Bolt, M6x20-8.8 Hex Head Full Thread Zinc | F81001-2 | 2 | |
| 18 | Screw, M10x1x40 DIN913 Stainless Steel Set | F81015-2 | 2 | |
| 19 | Nut, M10x1-04-ST-A2 ISO 8675 Thin | F81033-10 | 2 | |
| 20 | BLOCK WELDMENT, PAINTED BLADE GUIDE MOUNT | 088292-1 | 1 | |
| 21 | SCREW, M10X1X20 DIN913 STAINLESS STEEL SET | F81015-1 | 4 | |
| 22 | NUT, M10x1-04-ST-A2 ISO 8675 THIN | F81033-10 | 4 | |
| 23 | WASHER, 8.2 SPLIT LOCK ZINC | F81054-4 | 2 | |
| 24 | BOLT, 5/16-18X3/4 SOCKET HEAD | F05006-102 | 2 | |
| 25 | FITTING, 1/8FPT COUPLING | P05748 | 1 | |
| 26 | NIPPLE, 1/8 DRY SEAL | P02764 | 1 | |

¹ Used only from the flanged side of the roller

2.3 Blade Guide Assembly, Drive Side



SM0078S1

| REF | DESCRIPTION (◆ Indicates Parts Available In Assemblies Only) | PART# | QTY. |
|-----|---|----------|-------|
| | BLADE GUIDE ASSEMBLY, DRIVE SIDE | 087748 | 1 |
| | Roller, Blade Guide Narrow W/Bearings | 088261 | 1 |
| | Roller, Blade Guide W/Bearings Extended (for optional use with 1 1/2" blades) | 092939 | 1 |
| 1 | Nut, M12-8 Hex Nylon Zinc Lock | F81034-2 | 1 |
| 2 | Roller, Blade Guide Narrow | 087889 | 1 |
| | Roller, Blade Guide Extended (for optional use with 1 1/2" blades) | 087890 | 1 |
| 3 | Bearing, 6001 2RSR NACHI | 087893 | 2 |
| 4 | Ring, W28 Inside Retaining | F81090-9 | 1 |
| 5 | Washer, Spacer | 087891 | 2 (1) |
| | Washer, Spacer (used with the Extended Roller only) ¹ | 087892-1 | 1 |

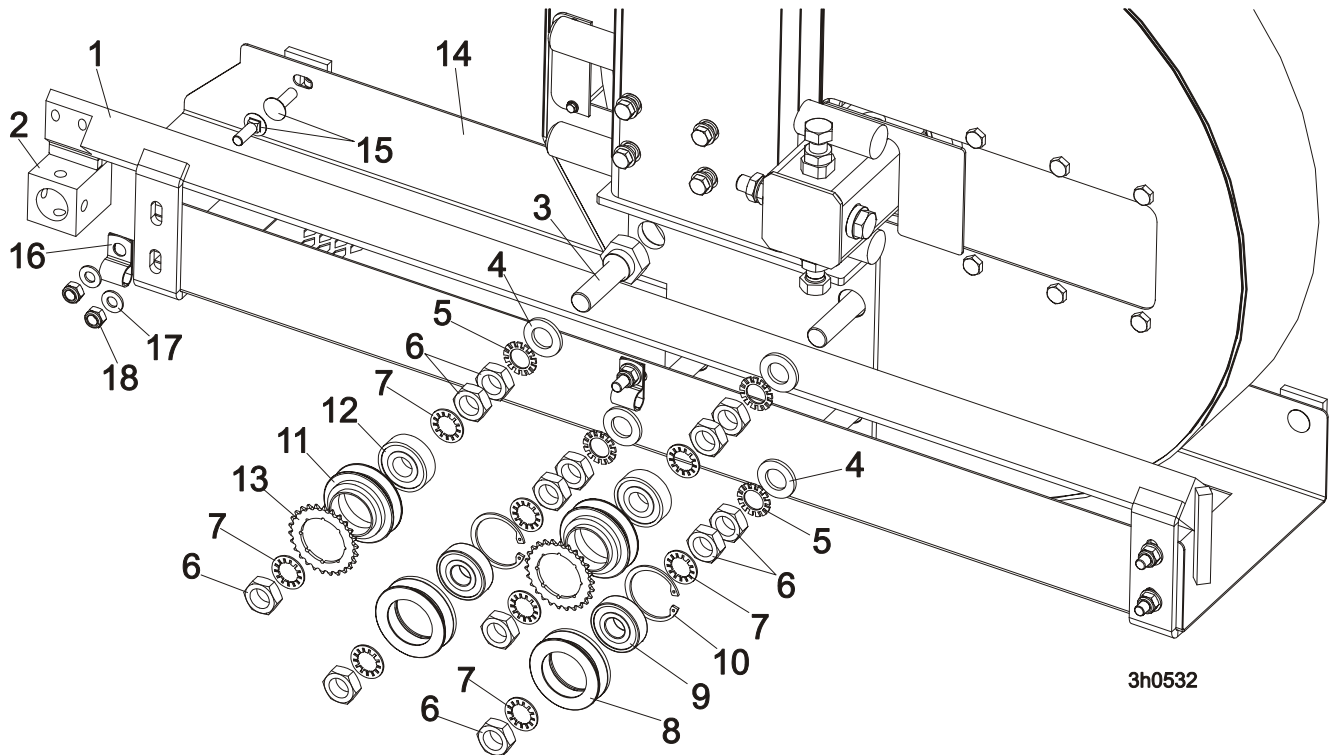
2 Blade Guide Rollers & Arm

Blade Guide Assembly, Drive Side

| | | | | |
|----|---|-----------|---|--|
| 6 | Bolt, Blade Guide Roller Zinc-Plated | 087761-1 | 1 | |
| | Bolt, Blade Guide Roller Zinc Plated (used with the Extended Roller only) | 092940-1 | 1 | |
| 7 | Plate, Zinc-Plated Blade Guide Mounting | 087753-1 | 1 | |
| 8 | Block, Zinc-Plated Roller Guide Adjuster | 087756-1 | 1 | |
| 9 | Screw, M6x16 BN 11252 "BOSSARD" | F81001-24 | 2 | |
| 10 | Wiper, Blade Zinc-Plated | 087757-1 | 1 | |
| 11 | Block, Blade Guide Zinc | 096956-1 | 1 | |
| 12 | Shaft, Zinc-Plated Blade Guide Mount | 088255-1 | 1 | |
| 13 | Nut, M10x1-04-ST-A2 ISO 8675 Thin | F81033-10 | 2 | |
| 14 | Screw, M10x1x40 DIN913 Stainless Steel Set | F81015-2 | 2 | |
| 15 | Bolt, M6x20-8.8 Hex Head Full Thread Zinc | F81001-2 | 2 | |
| 16 | Bolt, M6x30 DIN933 A2-70 Stainless Steel | F81001-37 | 1 | |
| 17 | Bolt, M8x30 DIN933 A2-70 Stainless Steel | F81002-27 | 2 | |
| 18 | Nut, M8 DIN934 A2-70 Stainless Steel | F81032-7 | 2 | |
| 19 | Screw, M10X1X20 DIN913 Stainless Steel Set | F81015-1 | 3 | |
| 20 | BOLT, M10X1X25 DIN 933 STAINLESS STEEL | F81003-28 | 1 | |
| 21 | NUT, M10x1-04-ST-A2 ISO 8675 THIN | F81033-10 | 4 | |
| 22 | BLOCK WELDMENT, BLADE GUIDE MOUNT | 087744 | 1 | |
| 23 | BOLT, M10X35-8.8 HEX HEAD FULL THREAD ZINC | F81003-17 | 2 | |
| 24 | WASHER, 10.2 SPLIT LOCK ZINC | F81055-2 | 2 | |

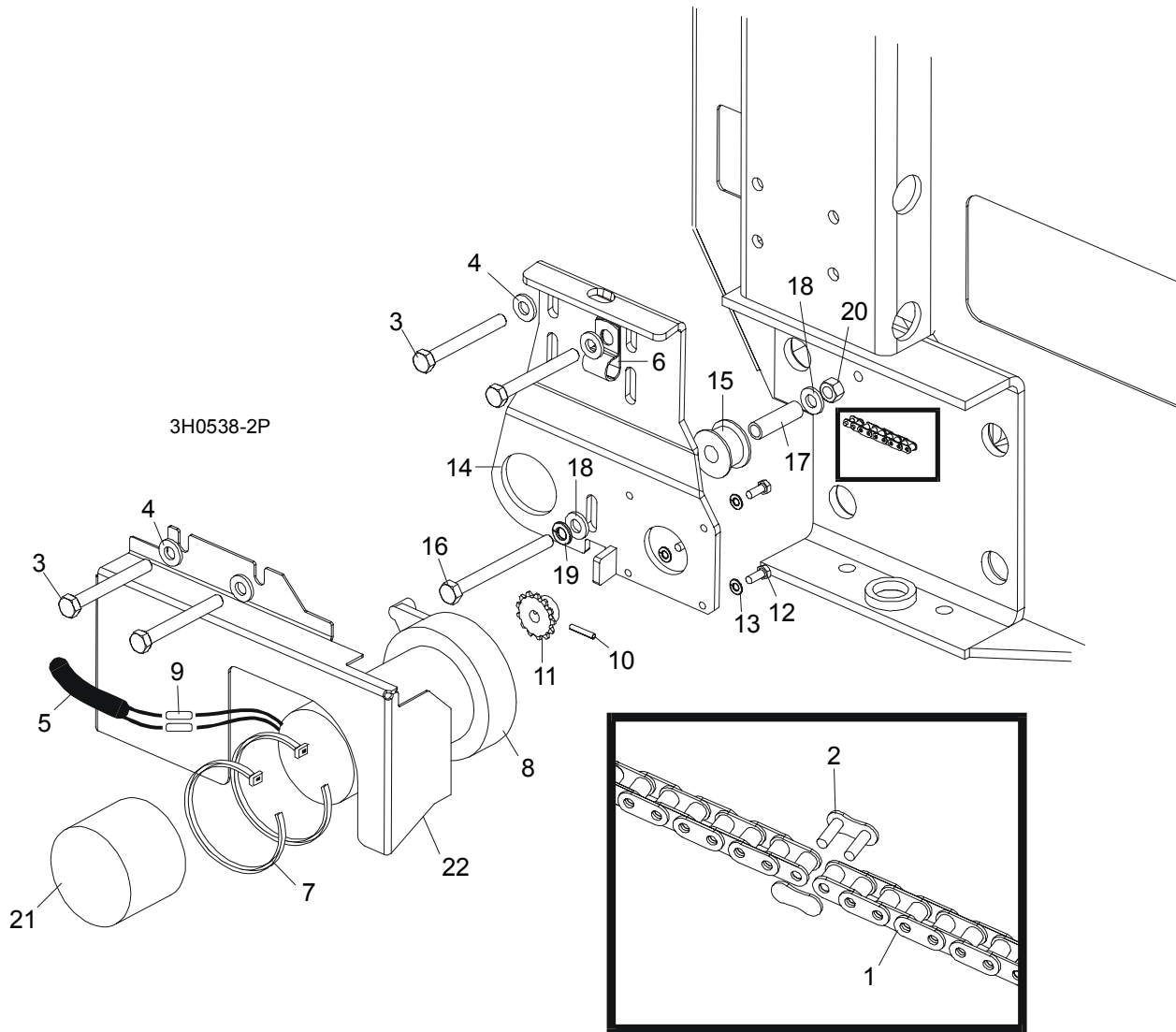
¹ Used only from the flanged side of the roller

2.4 Blade Guide Arm & Rollers



| REF | DESCRIPTION (◆ Indicates Parts Available In Assemblies Only) | PART # | QTY. | |
|-----|---|-----------|------|---|
| 1 | BLADE GUIDE ARM WELDMENT | 087018-1 | 1 | |
| 2 | BLOCK WELDMENT, PAINTED BLADE GUIDE MOUNT | 088292-1 | 1 | |
| 3 | BOLT, BLADE GUIDE ARM ROLLER CAM | 086508-1 | 4 | |
| 4 | WASHER, 17 FLAT | F81058-1 | 4 | |
| 5 | WASHER, 5/8" EXTERNAL STAR | F05011-26 | 4 | |
| 6 | NUT, 5/8-18 HEX JAM | F05010-11 | 12 | |
| 7 | WASHER, 5/8" INTERNAL STAR | F05011-25 | 8 | |
| | ROLLER ASSEMBLY, BLADE GUIDE ARM WITH BEARING | 093855 | 2 | |
| 8 | Roller, Blade Guide Arm V-Groove | 093856-1 | 1 | ◆ |
| 9 | Bearing, 6203-2RSP6-5/8 CX | 095087 | 1 | |
| 10 | Ring, W40 Retaining | F81090-3 | 1 | |
| | ROLLER ASSEMBLY, BLADE GUIDE ARM WITH BEARING AND SPROCKET | A09932 | 2 | |
| 11 | Roller, Blade Guide Arm Drive | S09930 | 1 | ◆ |
| 12 | Bearing, 6203-2RSP6-5/8 CX | 095087 | 1 | |
| 13 | Sprocket, #25 26-Tooth | 015939 | 1 | ◆ |
| 14 | GUIDE, BLADE | 087042-1 | 1 | |
| 15 | BOLT, M8x20-8.8 Fe/Zn5 PN-M/82406 | F81002-11 | 7 | |
| 16 | CLAMP, 1/2EMT COATED | P07584 | 2 | |
| 17 | WASHER, 8.4 FLAT ZINC | F81054-1 | 7 | |
| 18 | NUT, M8-8-B HEX NYLON ZINC LOCK | F81032-2 | 7 | |

2.5 Blade Guide Arm Drive Assembly

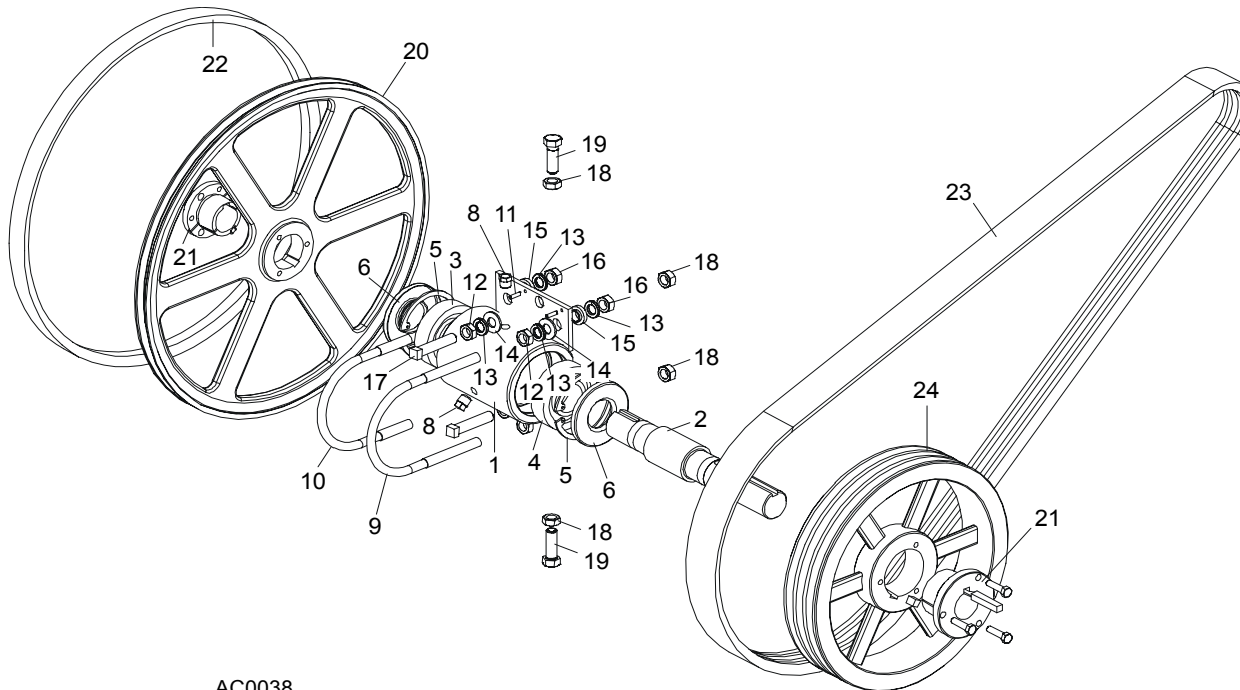


| REF | DESCRIPTION (◆ Indicates Parts Available In Assemblies Only) | PART # | QTY. |
|-----|--|-----------|--------|
| 1 | CHAIN, #25 X 20 1/4" | P09984 | 1 |
| 2 | LINK, #25 MASTER | P09983 | 1 |
| 3 | BOLT, 5/16-18 X 2 3/4" HEX HEAD GRADE 5 | F05006-28 | 4 |
| 4 | WASHER, 8.4 FLAT | F81054-1 | 4 |
| 5 | TUBE, 3/8" X 1/2" NEOPRENE | R01897 | 0,75 m |
| 6 | CLAMP, 1/2" COATED EMT | P07584 | 2 |
| 7 | WRAP, 1/4" X 6" TIE | F05089-1 | 2 |
| | DRIVE ASSEMBLY, BLADE GUIDE ARM | 091005 | 1 |
| | Motor Assembly, Blade Guide Arm Replacement | A10365 | 1 |
| 8 | Motor, Blade Guide Arm 53:1 Gear | P09698-1 | 1 |
| | Housing, Klauber Motor End | P12756 | 1 |
| | Gear Kit, Klauber Motor Replacement | P12569 | 1 |
| | Brush Kit, Gear Motor Replacement | P12800 | 1 |

| | | | | |
|-----------|---|------------|---|--|
| | Shaft Kit, Klauber Gear Motor Replacement | 009695 | 1 | |
| 9 | Connector, 14 Gauge Butt | F04875-1 | 2 | |
| 10 | Pin, 1/8" X 3/4" Roll | F05012-6 | 1 | |
| 11 | Sprocket, Gear Motor #25 14-Tooth | P09970 | 1 | |
| 12 | Screw, #10-32 x 1/2" Hex Head | F05004-60 | 4 | |
| 13 | Washer, 4.1 Split Lock | F81051-4 | 4 | |
| | Instruction Sheet, Blade Guide Arm Motor | A10353-296 | 1 | |
| 14 | Bracket, Blade Guide Arm Motor Mount | 087994-1 | 1 | |
| 15 | Roller, Blade Guide Arm Chain Idler | S09999 | 1 | |
| 16 | Bolt, 5/16-18 X 3 1/2" Hex Head Full Thread | F05006-3 | 1 | |
| 17 | Spacer, 5/16" I.D. X 1 1/2" | S09996 | 1 | |
| 18 | Washer, 5/16" SAE Flat | F81054-1 | 2 | |
| 19 | Washer, 8.4 Split Lock | F05011-13 | 1 | |
| 20 | Nut, 8.2 Hex Lock | F81054-4 | 1 | |
| 21 | Boot, Gear Motor Weather | 023720 | 1 | |
| 22 | COVER, BLADE GUIDE ARM MOTOR | 093460-1 | 1 | |

SECTION 3 BLADE WHEELS & TENSIONER

3.1 Blade Drive Assembly, LT40 Series MH

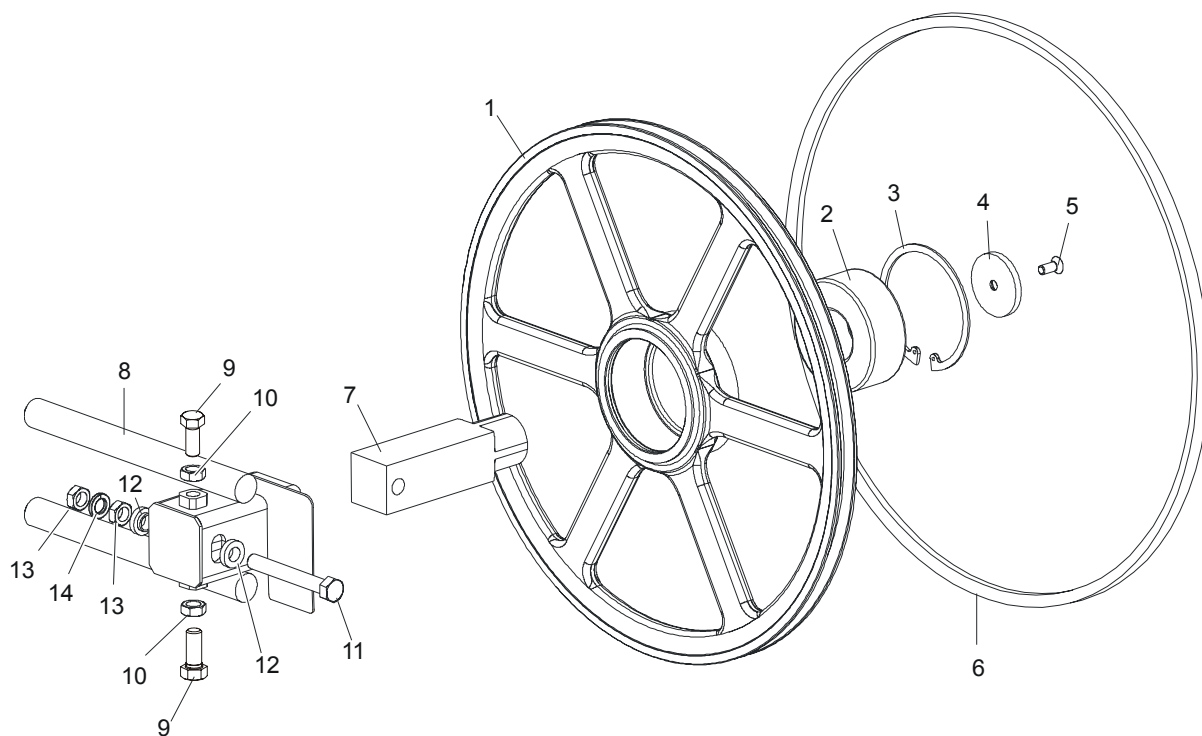


AC0038

| REF | DESCRIPTION (◆ Indicates Parts Available In Assemblies Only) | PART # | QTY. |
|-----|--|------------|------|
| | BEARING ASSEMBLY, BLADE WHEEL DRIVE | 086291 | 1 |
| 1 | Housing, Blade Wheel Drive Bearing | 086293 | 1 |
| 2 | Shaft, Blade Wheel Drive | 086292 | 1 |
| 3 | Bearing, Blade Wheel Drive NJ308 | 085939 | 1 |
| 4 | Bearing, Blade Wheel Drive #6308 | 085940 | 1 |
| 5 | Ring, 90mm Interior Retaining #17 | F04254-17 | 2 |
| 6 | Seal, Drive Bearing #CR15890 | P10206 | 2 |
| 7 | Plug, 1/4" NPT Square Head | P05498 | 1 |
| 8 | Plug, 1/4" NPT Vented | P12868 | 1 |
| 9 | Bolt, 1/2-13 Long U | S10207-1P | 1 |
| 10 | Bolt, 1/2-13 Short U | S10207-2P | 1 |
| 11 | Pin, 3/16" X 5/8" Roll | F05012-22 | 2 |
| 12 | Nut, 1/2-20 Hex Jam | F05010-16 | 4 |
| 13 | Washer, 12.2 Split Lock | F81056-2 | 8 |
| 14 | Washer, 13 SAE Flat | F81056-1 | 4 |
| 15 | Spacer, .510" x .937" x .34" | S04253 | 4 |
| 16 | Nut, 1/2-13 Hex | F05010-35 | 4 |
| 17 | Screw, 1/2-20 x 2 1/2" Square Head Full Thread Set | F05008-110 | 2 |
| 18 | Nut, M12-8 Hex Nylon Lock | F81034-2 | 4 |
| 19 | Bolt, 1/2-20 x 1 1/2" Hex Head Grade 5 | F05008-53 | 2 |
| | Decal, Bearing End-Play | S12750 | 1 |

| | | | | |
|-----------|---|------------|---|--|
| | Instruction Sheet, Bearing Retrofit | K10200-275 | 1 | |
| | WHEEL KIT, DRIVE SIDE BLADE | 014562 | 1 | |
| 20 | Wheel, Drive Side Blade | 016284 | 1 | |
| 21 | Bushing, Modified 1 9/16" P1 | 087214 | 1 | |
| | Instruction Sheet, Drive Side Blade Wheel Replacement | K12987-488 | 1 | |
| 22 | BELT, BLADE WHEEL B57 | P04185 | 1 | |
| 23 | BELT, 3BX72 DRIVE (EA20, EA25) | 014249 | 1 | |
| 24 | PULLEY, 3B124 SK SPECIAL (EA20, EA25) | 087203-1 | 1 | |

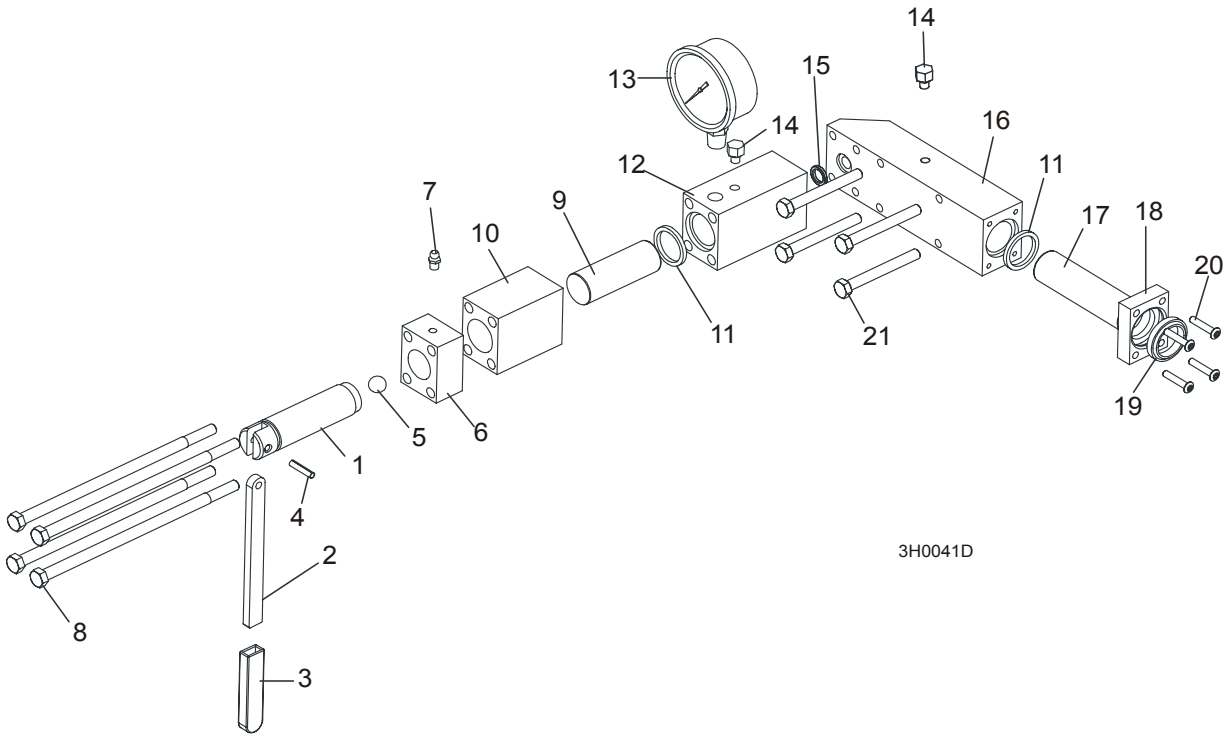
3.2 Idle Blade Wheel Assembly



SM0241C

| REF | DESCRIPTION (◆ Indicates Parts Available In Assemblies Only) | PART # | QTY. | |
|-----|--|-----------|------|---|
| | WHEEL ASSEMBLY, IDLE SIDE BLADE | 016120 | 1 | |
| 1 | Wheel, Idle Side Blade | 016013 | 1 | ◆ |
| 2 | Bearing, Idle Side Blade Wheel 3309 B.2RSR TVH FAQ | 086428 | 1 | |
| 3 | Ring, 100mm Internal Retaining Beveled | F04254-28 | 1 | |
| 4 | RETAINER, ZINC | 095929-1 | 1 | |
| 5 | BOLT, M10x25 -10.9- Fe/Zn5 DIN 7991 | F81003-82 | 1 | |
| 6 | BELT, BLADE WHEEL B57 | P04185 | 1 | |
| 7 | SHAFT, IDLE BLADE WHEEL | 095732 | 1 | |
| 8 | HOUSING, IDLE BLADE WHEEL SHAFT | 016103 | 1 | |
| 9 | BOLT, 1/2-20 X 1 1/2" HEX HEAD GRADE 5 | F05008-53 | 2 | |
| 10 | NUT, 1/2-20 HEX JAM | F05010-16 | 2 | |
| 11 | BOLT, M12x1,25x100-8.8 HEX HEAD FULL THREAD GRADE 2 | F81004-41 | 1 | |
| 12 | SPACER, 1/2" I.D. FLANGED | 086769-1 | 2 | |
| 13 | NUT, M12x1,25 8.8 HEX JAM | F81034-5 | 2 | |
| 14 | WASHER, 12.2 SPLIT LOCK | F81056-2 | 1 | |

3.3 Hydraulic Blade Tensioner Assembly



| REF | DESCRIPTION (◆ Indicates Parts Available In Assemblies Only) | PART # | QTY. | |
|-----|--|------------|------|--|
| | HYDRAULIC BLADE TENSIONER ASSEMBLY | A10054 | 1 | |
| | Handle Assembly, Hydraulic Blade Tensioner Screw | A12294 | 1 | |
| 1 | Screw, Hydraulic Blade Tensioner | S10056 | 1 | |
| 2 | Handle, Hydraulic Tensioner Screw | 095930 | 1 | |
| 3 | Sleeve, Plastic Handle | P08072 | 1 | |
| 4 | Pin, 3/16" x 7/8" Roll | F05012-19 | 1 | |
| 5 | Ball, 1/2" Steel | P02720 | 1 | |
| 6 | Block, Threaded Tensioner End | S10062 | 1 | |
| 7 | Fitting, 1/4-28 Grease | P05060 | 1 | |
| | Instruction Sheet, Tensioner Screw | A12294-518 | 1 | |
| 8 | Bolt, 5/16-18 X 7 1/2" Hex Head Grade 5 | F05006-43 | 4 | |
| 9 | Piston, Hydraulic Tensioner Front 2 3/4" Long | S10060 | 1 | |
| 10 | Block, Piston Guide | S10061 | 1 | |
| 11 | Seal, 1" Diameter | P10051 | 2 | |
| 12 | Block, Hydraulic Tensioner Gauge Mounting | S10140 | 1 | |
| 13 | Gauge, 3000 PSI | 090552 | 1 | |
| 14 | Plug, Hydraulic Tensioner Fill | P10065 | 1 | |
| 15 | Ring, 5/8" X 3/32" Square "O" | P10377 | 1 | |
| 16 | Block, Rear Tensioner Piston | S10142 | 1 | |
| 17 | Piston, Hydraulic Tensioner Rear 3 5/8" Long | S10059 | 1 | |
| 18 | Block, Rear Piston End | S10089 | 1 | |
| 19 | Wiper, 1" Diameter | P10053 | 1 | |
| 20 | Bolt, #10-24 X 1" Socket Button Head | F05004-43 | 4 | |
| 21 | Bolt, 5/16-18 X 2 3/4" Hex Head Grade 5 | F05006-28 | 4 | |
| | Instruction Sheet, Hydraulic Tensioner Installation | A10136-272 | 1 | |

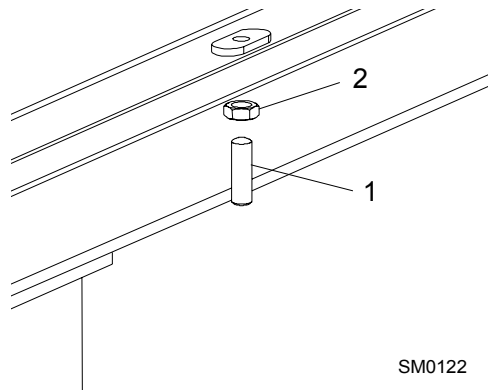


Blade Wheels & Tensioner

Hydraulic Blade Tensioner Assembly

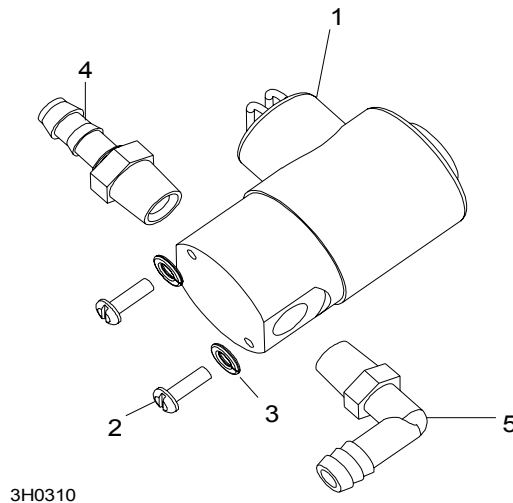
SECTION 4 SAW HEAD

4.1 Middle Throat Screw



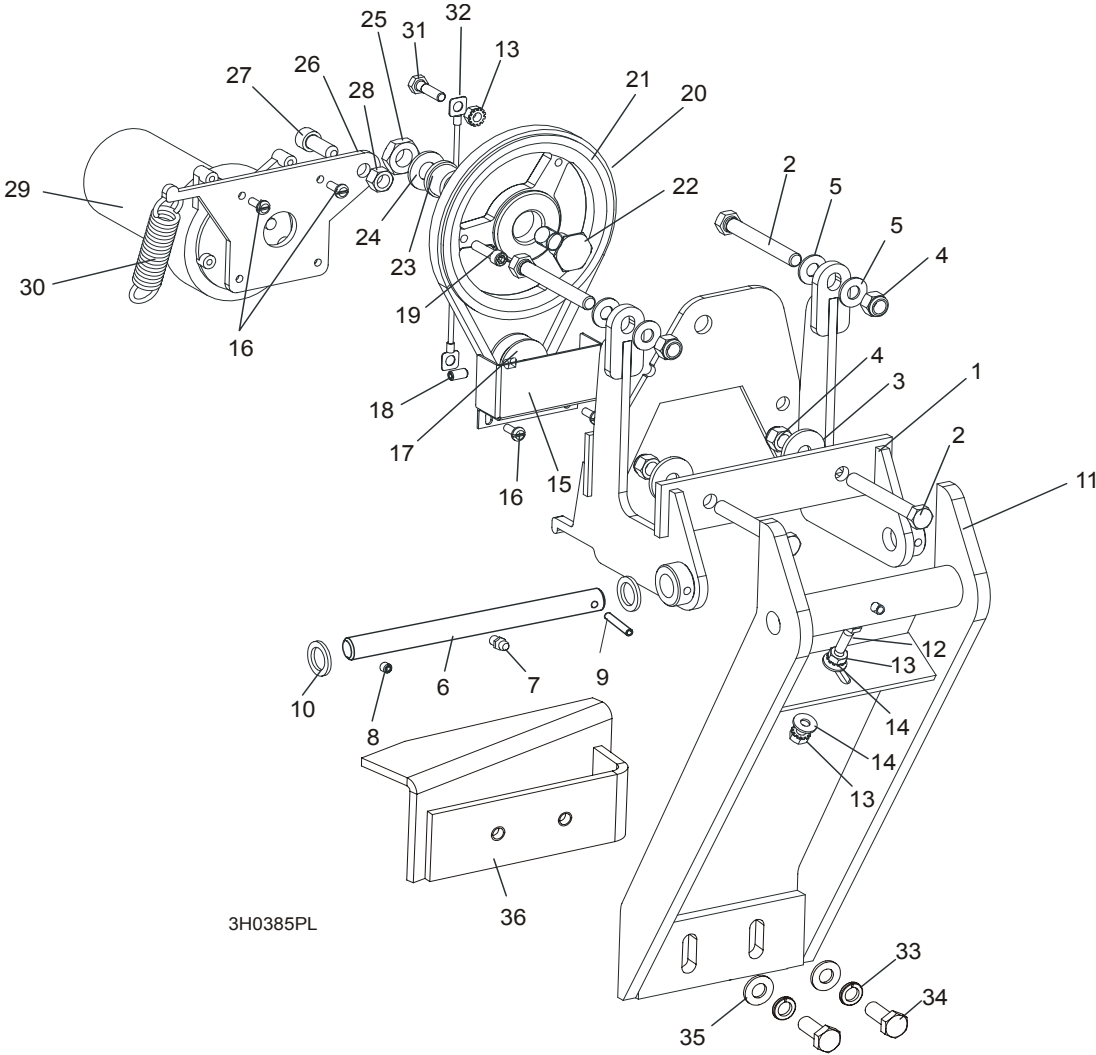
| REF | DESCRIPTION (◆ Indicates Parts Available In Assemblies Only) | PART # | QTY. | |
|-----|--|-----------|------|--|
| 1 | SCREW, 3/8-16 X 1 1/4" OVAL POINT SOCKET SET | F05007-18 | 1 | |
| 2 | NUT, 3/8-16 HEX JAM | F05010-29 | 1 | |

4.2 Water Lube Solenoid Valve



| REF | DESCRIPTION (◆ Indicates Parts Available In Assemblies Only) | PART # | QTY. | |
|-----|--|-----------|------|--|
| 1 | VALVE, WATER LUBE SOLENOID | 016140 | 1 | |
| 2 | SCREW, 4MM X 12 CROSS SLOT ROUND HEAD | F05004-74 | 2 | |
| 3 | WASHER, 4MM SPLIT LOCK | F05011-57 | 2 | |
| 4 | FITTING, 1/4" MALE NPT 3/8" HOSE BARB | P04682 | 1 | |
| 5 | FITTING, 1/4" MALE NPT 3/8" HOSE BARB ELBOW | P04730 | 1 | |

4.3 Board Return Assembly

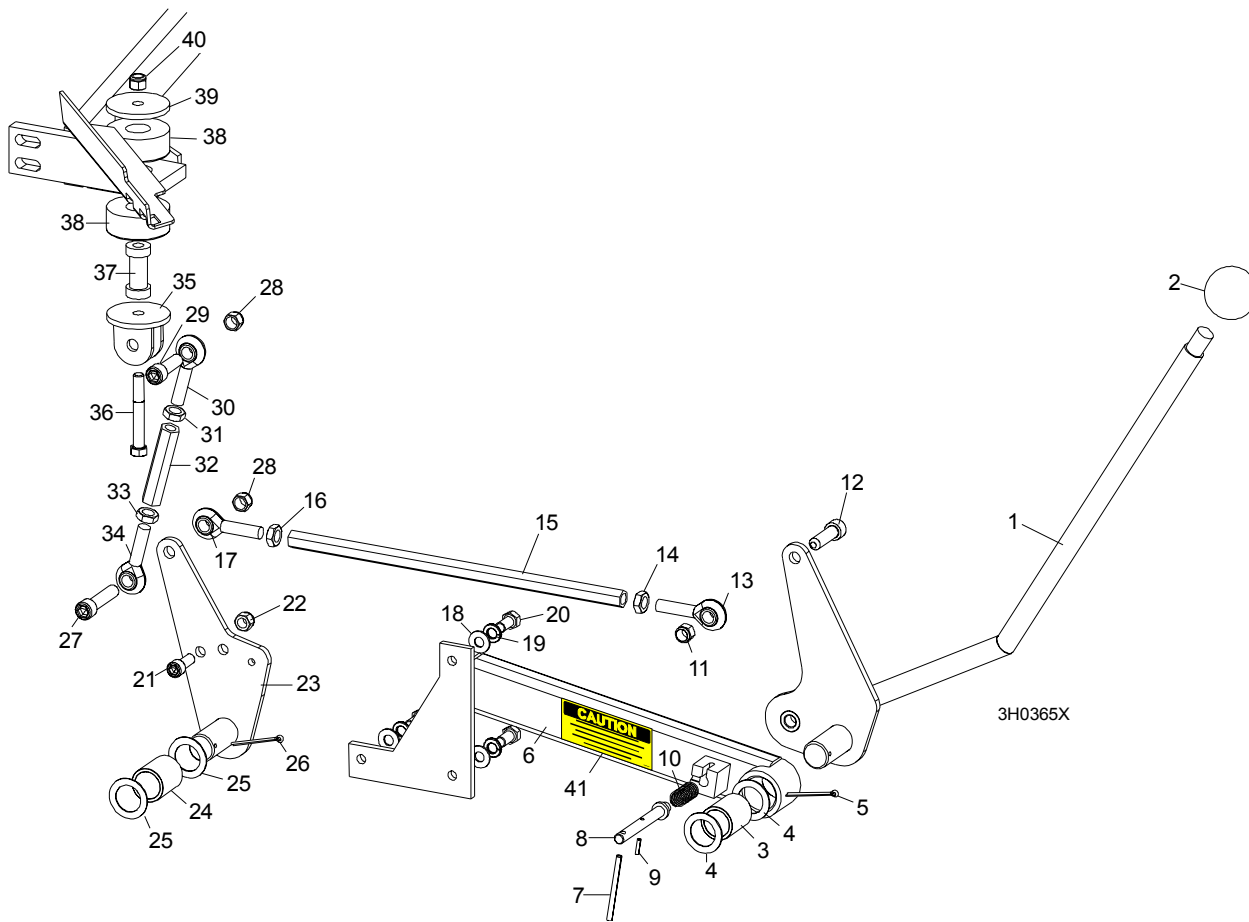


3H0385PL

| REF | DESCRIPTION (◆ Indicates Parts Available In Assemblies Only) | PART # | QTY. |
|-----|--|------------|------|
| | RETURN ASSEMBLY, BOARD | 087839-1 | 1 |
| 1 | Mount Weldment, Board Return | 087788-1 | 1 |
| 2 | Bolt, 3/8-16 x 3" Full Thread Hex Head | F05007-1 | 4 |
| 3 | Washer, 1/8" x 1 1/4" | 015336 | 2 |
| 4 | Nut, 3/8-16 Hex Nylon Lock | F05010-10 | 4 |
| 5 | Washer, 10.5 Flat | F81055-1 | 4 |
| 6 | Pin Kit, Board Return Replacement Pivot | 087837 | 1 |
| 7 | Fitting, M6 Grease | 086280 | 1 |
| 8 | Screw, M6 X 8 Black Oxide Socket Head Set Cup Point | F81013-1 | 1 |
| 9 | Pin, 5 X 30 Roll | F81044-21 | 1 |
| 10 | Washer, 5/8" x 15/16" x .094 Nylon | F05011-19 | 2 |
| 11 | Arm Weldment, Board Return | 087838-1 | 1 |
| 12 | Screw, 1/4-20 x 3/4" Full Thread Hex Head Cap | F05005-101 | 1 |
| 13 | Nut, 1/4-20 Self Locking | F05010-9 | 3 |

| | | | | |
|----|---|------------|---|--|
| 14 | Washer, 7.4 Flat | F81056-11 | 2 | |
| 15 | Guard, Board Return Belt | 015007 | 1 | |
| 16 | Screw, 10-32 x 1/2" Hex Head Machine | F05004-55 | 4 | |
| 17 | Sheave, 1.42 x .32 | 015074 | 1 | |
| 18 | Screw, 1/4-20 Socket Head Set Cup Point Nylon | F05005-55 | 1 | |
| 19 | Screw, 1/4-20 x 1" Socket Head Cap | F05005-89 | 1 | |
| 20 | Belt, 3L190 | 015477 | 1 | |
| 21 | Sheave, OK50 x 1/2" Modified | 015224 | 1 | |
| 22 | Bolt, Idler Pulley Pivot | 015221 | 1 | |
| 23 | Bushing, 5/8" x 7/8" x 1/2" Bronze | P05135 | 1 | |
| 24 | Washer, 13 Flat | F81056-1 | 1 | |
| 25 | Nut, 1/2-20 Jam Nylon Lock | F05010-79 | 1 | |
| 26 | Plate, Motor Pivot | 087871 | 1 | |
| 27 | Screw, M10 x 25-8.8 Black Oxide Socket Head Cap | F81003-32 | 1 | |
| 28 | Nut, 3/8-16 Self Locking | F05010-25 | 1 | |
| 29 | Motor, 53:1 ASA Gear | P09698-1 | 1 | |
| 30 | Spring, 3/4" x 2 7/8" x 12 Gauge | 015479 | 1 | |
| 31 | Bolt, 1/4-20 x 1" Hex Head Grade 5 | F05005-101 | 1 | |
| 32 | Cable, Board Return | 016090 | 1 | |
| 33 | Washer, 10.2 Split | F81055-2 | 2 | |
| 34 | Bolt, 3/8-16 x 3/4" Hex Head | F81003-1 | 2 | |
| 35 | Washer, 10.5 Flat | F81055-1 | 2 | |
| 36 | Angle, Board Return | 087835-1 | 1 | |

4.4 Clutch Lever Assembly

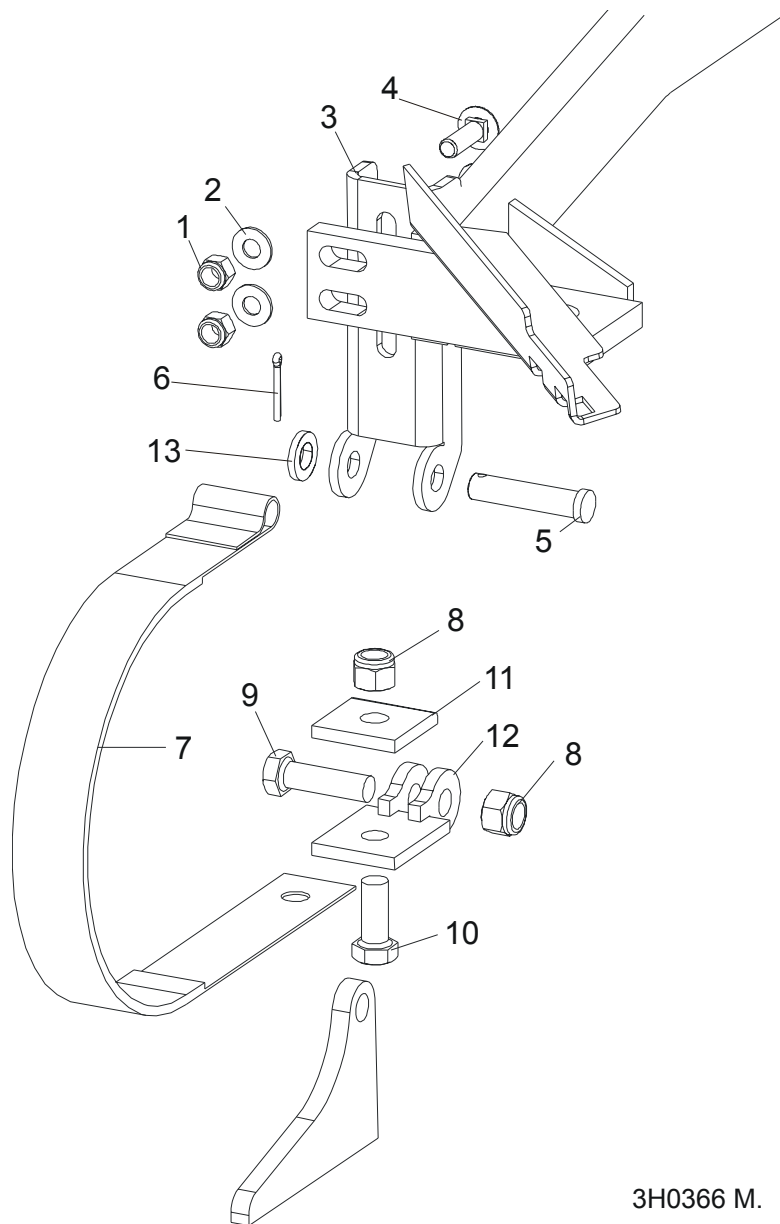


| REF | DESCRIPTION (◆ Indicates Parts Available In Assemblies Only) | PART # | QTY. | |
|-----|--|---------------------|------|---|
| | HANDLE ASSEMBLY, EXTENDED CLUTCH/BRAKE | 086242 | 1 | |
| 1 | Lever, Clutch/Brake | 086339-1 | 1 | ◆ |
| 2 | Knob, Plastic Round | 086337 | 1 | |
| 3 | Bushing, Clutch/Brake Pivot | P05041 | 1 | |
| 4 | Washer, Clutch/Brake Pivot | 087051-1 | 2 | |
| 5 | Pin, 1/8" X 1 3/4" Cotter | F05012-43 | 1 | |
| 6 | Extension Weldment, Clutch Handle | 086244-1 | 1 | |
| 7 | Pin, 3/16 x 2 1/2" Roll | F05012-27 | 1 | |
| 8 | Pin, Clutch Detent | 086243 ¹ | 1 | ◆ |
| 9 | Pin, 1/8" x 9/16" Roll | F05012-30 | 1 | |
| 10 | Spring, .58" OD x 1 1/8" | 021243 | 1 | |
| 11 | Nut, 7/16-20 Nylon Lock | F05010-83 | 1 | |
| 12 | Screw, 7/16-20 x 1 1/2" Socket Head | F05007-55 | 1 | |
| 13 | Rod End, 7/16-20 Left Hand Thread | P11578 | 1 | |
| 14 | Nut, 7/16-20 Hex Jam Left Hand Thread | F05010-87 | 1 | |
| 15 | Rod, Clutch Extension | 015073 | 1 | |
| 16 | Nut, 7/16-20 Hex Jam | F05010-38 | 1 | |
| 17 | Rod End, 7/16-20 Right Hand Thread | P11579 | 1 | |
| 18 | WASHER, 8.4 SAE FLAT | F81054-1 | 3 | |
| 19 | WASHER, 8.2 SPLIT LOCK | F81054-4 | 3 | |

| | | | | |
|----|--|------------|---|--|
| 20 | BOLT, M8X20-8.8-B HEX HEAD | F81002-4 | 3 | |
| 21 | BOLT ,M10 X 25 SOCKET HEAD | F81003-32 | 1 | |
| 22 | NUT, M10-8-B HEX NYLON LOCK | F81033-1 | 1 | |
| 23 | PLATE WELDMENT, CLUTCH PIVOT | 087086-1 | 1 | |
| 24 | BUSHING, CLUTCH/BRAKE PIVOT | P05041 | 1 | |
| 25 | WASHER, CLUTCH/BRAKE PIVOT | 087051-1 | 2 | |
| 26 | PIN, 1/8" X 1 3/4" COTTER | F05012-43 | 1 | |
| 27 | SCREW, 7/16-20 X 2" SOCKET HEAD | F05007-120 | 1 | |
| 28 | NUT, 7/16-20 HEX NYLON LOCK | F05010-83 | 2 | |
| 29 | SCREW, 7/16-20 X 2" SOCKET HEAD | F05007-120 | 1 | |
| | TURNBUCKLE ASSEMBLY, CLUTCH/BRAKE LEVER | A12304 | 1 | |
| | TURNBUCKLE ASSEMBLY, 3 3/4" CLUTCH/BRAKE LEVER (50Hz Electric Only) | A11576 | 1 | |
| 30 | Rod End, 7/16-20 Right Hand Thread | P11579 | 1 | |
| 31 | Nut, 7/16-20 Hex Jam | F05010-38 | 1 | |
| 32 | Turnbuckle, 3" Clutch/Brake Lever | S11577 | 1 | |
| | Turnbuckle, 3 3/4" Clutch/Brake Lever (50Hz Electric Only) | S12262 | 1 | |
| 33 | Nut, 7/16-20 Hex Jam Left Hand Thread | F05010-87 | 1 | |
| 34 | Rod End, 7/16-20 Left Hand Thread | P11578 | 1 | |
| 35 | BRACKET, CLUTCH MOUNT | W12411-1 | 1 | |
| 36 | BOLT, M10X70-8.8 HEX HEAD, ZINC | F81003-20 | 1 | |
| 37 | SPACER, MOTOR MOUNT VIBRATION BUSHING | S12410 | 1 | |
| 38 | BUSHING, MOTOR MOUNT VIBRATION | P05032 | 2 | |
| 39 | WASHER, 3/8" I.D. X 2 1/4" O.D. X 3/16" THICK | S12412-0 | 1 | |
| 40 | NUT, 3/8-16 NYLON LOCK | F05010-10 | 1 | |
| 41 | DECAL, PLACE PIN IN DETENT POSITION | 085089 | 1 | |

¹ Detent pin removed . Detent pin should be removed from previous revision mills to prevent possible injury caused by unintended use of the detent pin (such as using the pin to enable the blade to be spun by hand during blade tracking). See bulletin #970053LR for pin removal instructions.

4.5 Brake Assembly



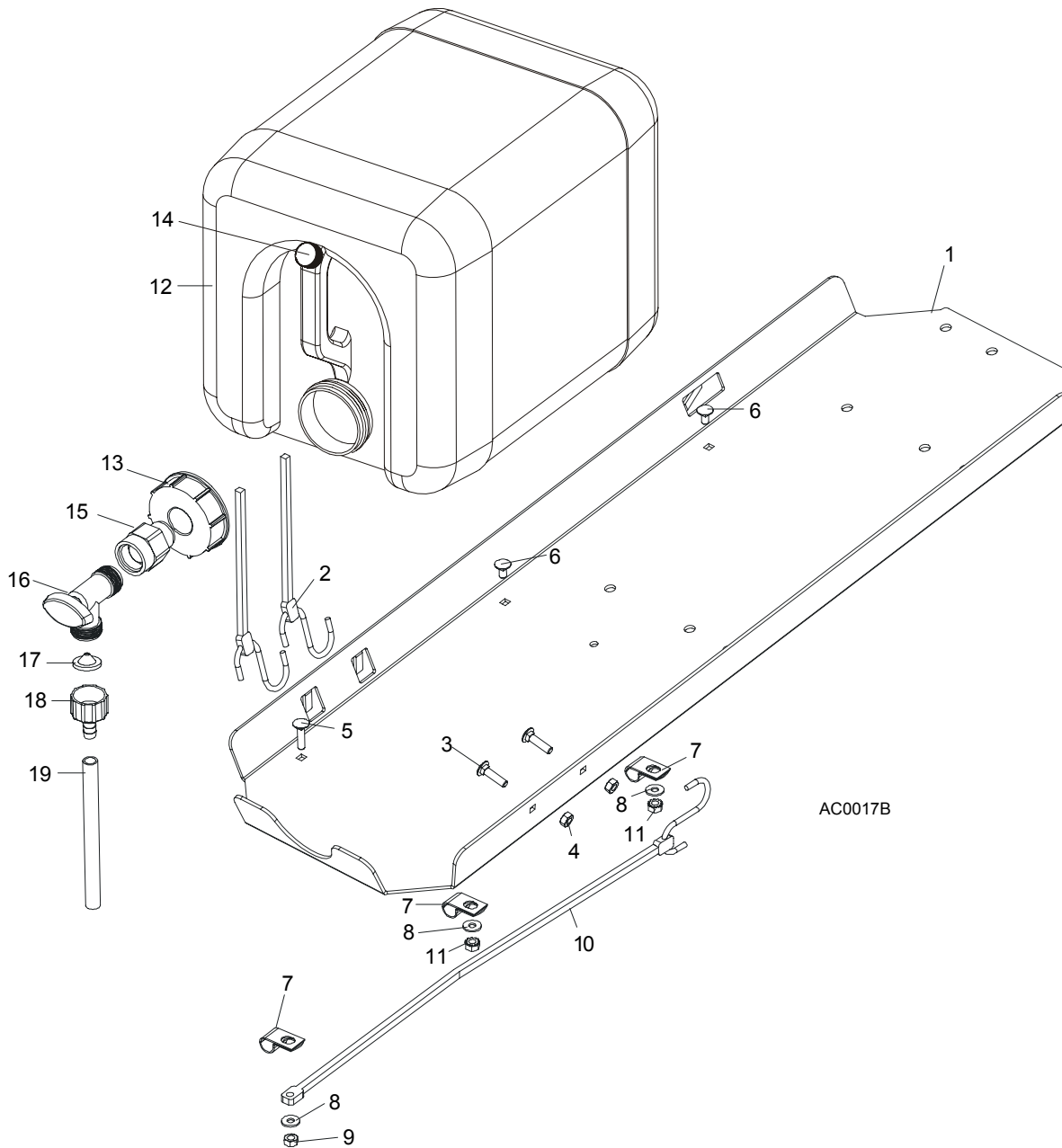
3H0366 M.

| REF | DESCRIPTION (◆ Indicates Parts Available In Assemblies Only) | PART # | QTY. | |
|-----|--|------------|------|--|
| | STRAP RETROFIT, SUPER BRAKE | 014441 | 1 | |
| 1 | Nut, 3/8-16 Nylon Lock | F05010-10 | 2 | |
| 2 | Washer, 10.5 Flat | F81055-1 | 2 | |
| 3 | Bracket, Upper Super Brake Strap Mount | 014395 | 1 | |
| 4 | Bolt, 3/8-16 x 1 1/4" Carriage Head Grade 5 | F05007-127 | 2 | |
| 5 | Pin, 1/2" x 2 1/4" Clevis | F05012-81 | 1 | |
| 6 | Pin, 1/8" x 1" Cotter | F05012-1 | 1 | |
| 7 | Strap, Upper Pivot Metal Brake | 014391 | 1 | |
| 8 | Nut, M12-8-B Nylon Lock | F81034-2 | 2 | |
| 9 | Bolt, M12 x 40-8.8 Hex Head | F81004-4 | 1 | |
| 10 | Bolt, M12 x 30-8.8 Hex Head | F81004-22 | 1 | |
| 11 | Plate, Brake Strap Clamp | S04195-1 | 1 | |

4**Saw Head***Brake Assembly*

| | | | | |
|-----------|--|----------|---|--|
| 12 | Bracket, Lower Super Brake Strap Mount | 014392 | 1 | |
| 13 | Washer, 13 Flat Zinc | F81056-1 | 1 | |

4.6 Water Lube Assembly



| REF | DESCRIPTION (◆ Indicates Parts Available In Assemblies Only) | PART # | QTY. | |
|-----|--|-----------|------|---|
| 1 | TRAY, ELECTRIC BOX/WATER BOTTLE | 086528-1 | 1 | ◆ |
| 2 | STRAP, 20" RUBBER | P11668 | 2 | |
| 3 | BOLT, 1/4-20 X 1" CARRIAGE HEAD | F05005-34 | 4 | |
| 4 | NUT, 1/4-20 HEX LOCK | F05010-21 | 4 | |
| 5 | BOLT, 1/4-20 X 1" CARRIAGE HEAD | F05005-34 | 1 | |
| 6 | BOLT, 1/4-20 X 1/2" CARRIAGE HEAD | F05005-33 | 2 | |
| 7 | CLAMP, 1/2" EMT HOSE | P07584 | 3 | |
| 8 | WASHER, 7.4 FLAT | F81056-11 | 3 | |
| 9 | NUT, 1/4-20 HEX LOCK | F05010-21 | 1 | |

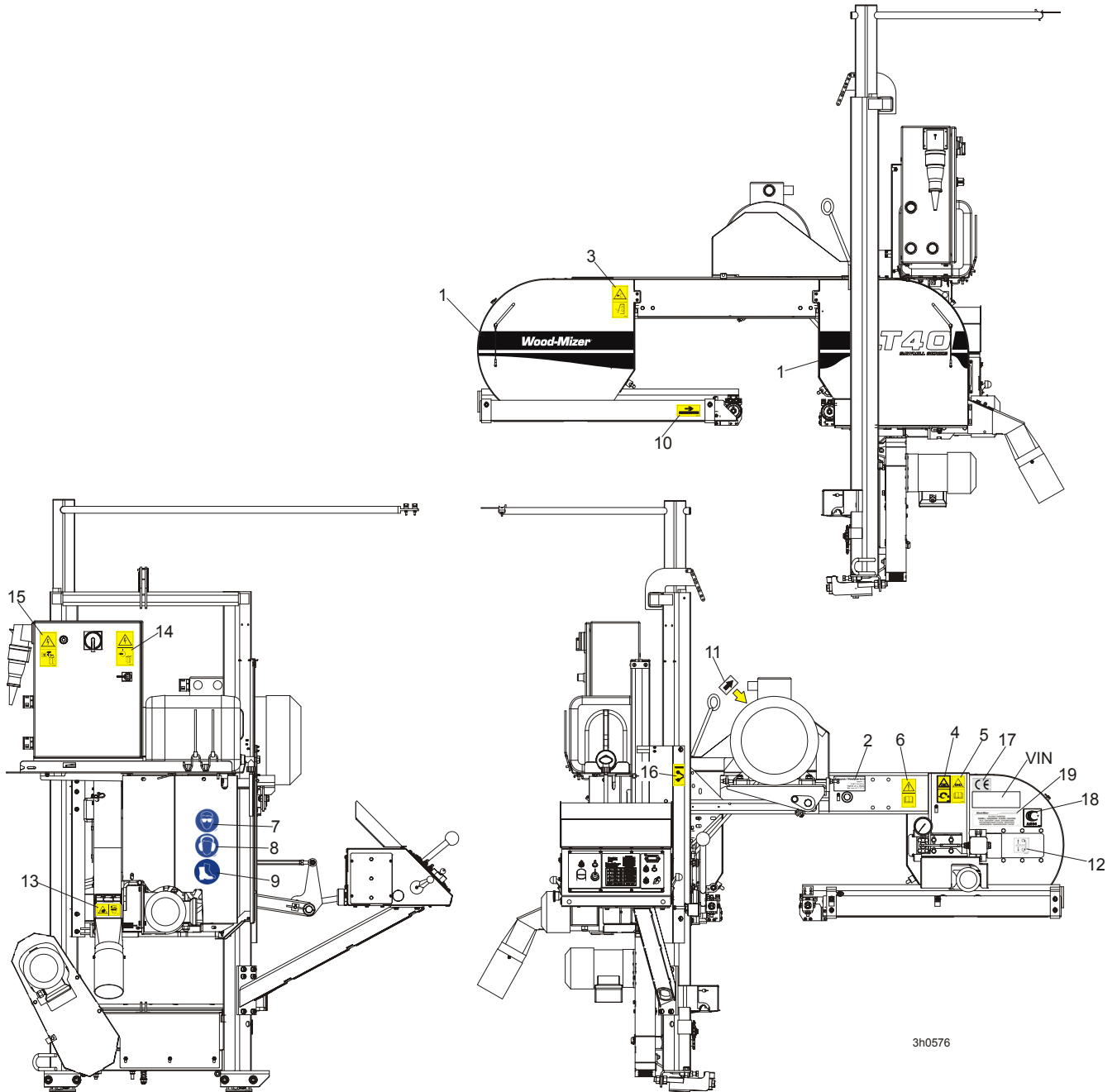
4

Saw Head*Water Lube Assembly*

| | | | | |
|----|--|---------------------|-------|--|
| 10 | STRAP, 15" RUBBER | P07461 | 1 | |
| 11 | NUT, 1/4-20 SELF-LOCKING | F05010-9 | 2 | |
| | BOTTLE, 5-GALLON WATER COMPLETE | 014637-1 | 1 | |
| 12 | BOTTLE, 5-GALLON WATER | 101295 | 1 | |
| 13 | CAP, 5-GALLON WATER BOTTLE | 036745 | 1 | |
| 14 | CAP, VENT VALVE | 061742 | 1 | |
| 15 | FITTING, 3/4FPT X 3/4MPT | 014636 | 1 | |
| 16 | FITTING, WATER LUBE SHUTOFF VALVE | 014100 | 1 | |
| 17 | FILTER, WATER LUBE | 016086 ¹ | 1 | |
| 18 | FITTING, 5/8" NPT TO 3/8" HOSE BARB | 014113 | 1 | |
| 19 | TUBING, WATER LUBE 3/8" I.D. | R01885 | 2,1 m | |

¹ Filter recommended for Super models to prevent debris from entering water lube solenoid valve.

4.7 LT40AC Saw Head Decals

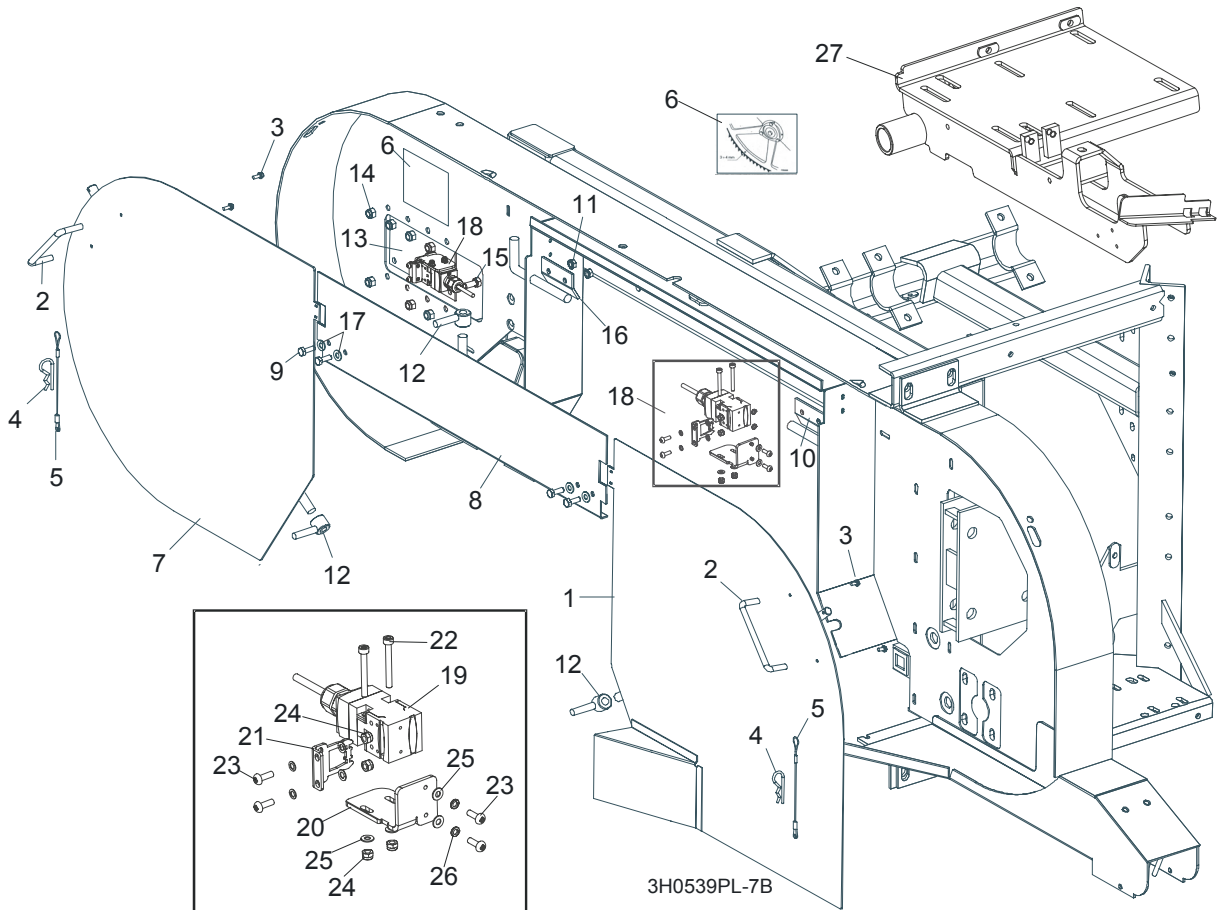


3h0576

| REF | DESCRIPTION (◆ Indicates Parts Available In Assemblies Only) | PART # | QTY. |
|-----|--|--------|------|
| 1 | DECAL, LT40 SERIES SAWMILL | 092763 | 1 |
| | PICTOGRAPHIC DECAL KIT, LT40AC | 099516 | 1 |
| 2 | DECAL, EUROPEAN HEADQUARTERS ADDRESS | 015841 | 1 |
| 3 | DECAL, SAWMILL COVERS CAUTION | 099220 | 2 |
| 4 | DECAL, BLADE TENSION (PICTOGRAM) | 099219 | 1 |
| 5 | DECAL, BLADE TENSION - INSTRUCTIONS (PICTOGRAM) | 099223 | 1 |
| 6 | DECAL, READ OPERATOR'S MANUAL (PICTOGRAM) | 096317 | 1 |

| | | | | |
|----|---|---------|---|--|
| 7 | DECAL, EYE PROTECTION WARNING (PICTOGRAM) | S12004G | 1 | |
| 8 | DECAL, EAR PROTECTION WARNING (PICTOGRAM) | S12005G | 1 | |
| 9 | DECAL, USE SAFETY BOOTS (PICTOGRAM) | 501465 | 1 | |
| 10 | DECAL, BLADE MOVEMENT DIRECTION (PICTOGRAM) | 096321 | 1 | |
| 11 | DECAL, MOTOR ROTATION DIRECTION | S20097 | 1 | |
| 12 | DECAL, BLADE ALIGNMENT | P11789 | 1 | |
| 13 | DECAL, SAWDUST CHUTE WARNING (PICTOGRAM) | 099222 | 1 | |
| 14 | DECAL, HIGH VOLTAGE INSIDE THE ELECTRIC BOX (PICTOGRAM) | 096316 | 1 | |
| 15 | DECAL, REMOVE THE PLUG BEFORE OPENING THE BOX (PICTOGRAM) | 096319 | 1 | |
| 16 | DECAL, BLADE DRIVE WARNING (PICTOGRAM) | 096315 | 1 | |
| 17 | DECAL, CE CERTIFIED SAWMILL (SMALL) | P85070 | 1 | |
| 18 | DECAL, RUSSIAN SAFETY CERTIFICATION | 099401 | 1 | |
| 19 | DECAL, INTERNATIONAL SAWMILL NAME | 501466 | 1 | |

4.8 Blade Housing Covers



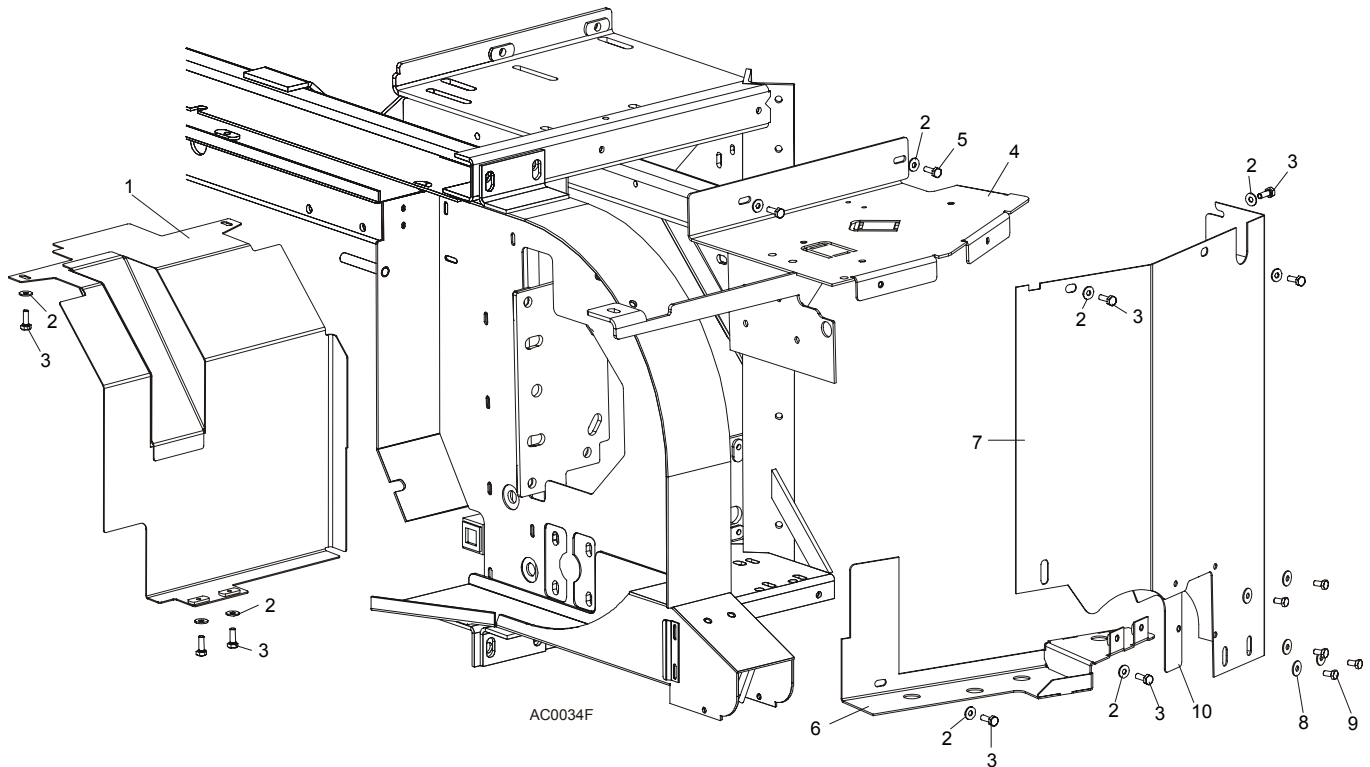
| REF | DESCRIPTION (◆ Indicates Parts Available In Assemblies Only) | PART # | QTY. |
|-----|--|----------|------|
| | COVER ASSEMBLY, DRIVE SIDE BLADE HOUSING WITH HANDLE | 086195 | 1 |
| 1 | Cover Weldment, Drive Side Blade Housing | 087159-1 | 1 ◆ |
| 2 | Handle, Blade Housing Cover | P08065 | 1 |
| 3 | Screw, #8-32 x 3/8" | F05015-8 | 2 |
| | Pin Assembly, Cover Retainer | A11881 | 1 |
| 4 | Pin, Safety Retainer | N/A | 1 |
| 5 | Cable, 3/64" x 6" Lanyard | N/A | 1 |
| 6 | DECAL, BLADE SETTING | P85066 | 1 |
| | COVER, IDLE SIDE BLADE HOUSING WITH HANDLE | 086431 | 1 |
| 7 | Cover, Idle Side Blade Housing | 086430-1 | 1 ◆ |
| 2 | Handle, Blade Housing Cover | P08065 | 1 |
| 3 | Screw, #8-32 X 3/8" Self-Tap | F05015-8 | 2 |
| | Pin Assembly, Cover Retainer | A11881 | 1 |
| 4 | Pin, Safety Retainer | N/A | 1 |
| 5 | Cable, 3/64" x 6" Lanyard | N/A | 1 |
| 8 | COVER, MIDDLE BLADE HOUSING | 087326-1 | 1 |
| 9 | BOLT, 1/4-20 X 3/4" HEX HEAD | F05005-1 | 4 |

4

Saw Head*Blade Housing Covers*

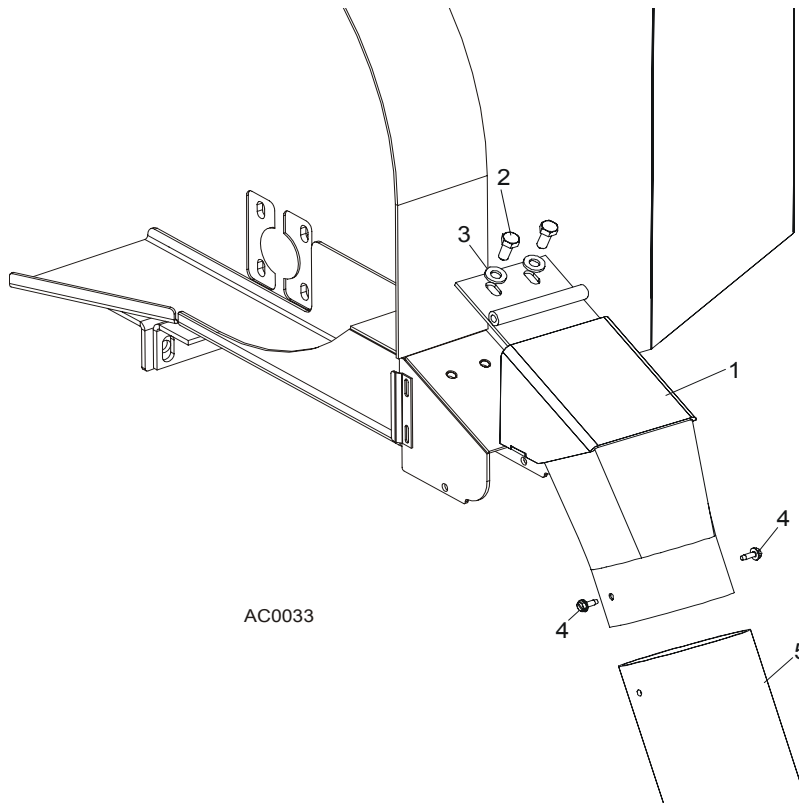
| | | | | |
|----|--|-----------|---|--|
| 10 | HINGE, MIDDLE BLADE HOUSING COVER | S07522 | 1 | |
| 11 | NUT, 1/4-20 SELF-LOCKING HEX | F05010-9 | 4 | |
| 12 | NUT, COVER TURN | 086365-1 | 2 | |
| 13 | PLATE, IDLE BLADE WHEEL GUARD | 086230 | 1 | |
| 14 | NUT, 5/16-18 HEX NYLON LOCK | F05010-58 | 6 | |
| 15 | BOLT, 5/16-18 X 3/4" HEX HEAD GRADE 2 | F05006-5 | 6 | |
| 16 | HINGE, MIDDLE BLADE HOUSING COVER | 085336-1 | 1 | |
| 17 | WASHER 6.4 ZINC | F81053-1 | 4 | |
| 18 | SWITCH ASSEMBLY, SAFETY SHUT-OFF | 094301 | 2 | |
| 19 | Safety Switch, AZ17-11ZRK | 094232 | 2 | |
| 20 | Bracket, Safety Switch Mount Painted | 094300-1 | 2 | |
| 21 | Key, AZ17/170-B5 Safety Switch | 094422 | 2 | |
| 22 | Bolt, M4 x 35-8.8 Socket Head | F81011-34 | 4 | |
| 23 | Screw, M4 x 12-5.8 | F81011-43 | 8 | |
| 24 | Nut, M4 Hex | F81029-1 | 8 | |
| 25 | Washer, M4 Split Lock Zinc | F81051-1 | 4 | |
| 26 | Washer, 4.3 | F81051-2 | 8 | |
| 27 | MOUNT WELDMENT E15,E20,E25 | 087736-1 | 1 | |

4.9 Drive Belt Covers



| REF | DESCRIPTION (◆ Indicates Parts Available In Assemblies Only) | PART # | QTY. |
|-----|--|-----------|------|
| 1 | GUARD, E15/E20/E25 BELT LOWER PAINTED | 087660-1 | 1 |
| 2 | WASHER, 6.5 SPECIAL FLAT ZINC | F81053-11 | 11 |
| 3 | BOLT, M6 X 20-8.8 HEX HEAD FULL THREAD ZINC | F81001-2 | 9 |
| 4 | GUARD WELDMENT, AC SAW HEAD UPPER PAINTED | 086621-1 | 1 |
| 5 | BOLT, M6 X 12-8.8 HEX HEAD FULL THREAD ZINC | F81001-7 | 2 |
| | GUARD, AC SIDE PAINTED COMPLETE (WITHOUT BRAKE) | 100621 | 1 |
| | GUARD, AC SIDE PAINTED COMPLETE (WITH BRAKE) | 100622 | 1 |
| 6 | GUARD, AC LOWER | 087525-1 | 1 |
| 7 | GUARD, AC SIDE PAINTED (WITHOUT BRAKE) | 086420-1 | 1 |
| | GUARD, AC SIDE PAINTED (WITH BRAKE) | 087333-1 | 1 |
| 8 | WASHER, 6.5 SPECIAL FLAT ZINC | F81053-11 | 5 |
| 9 | BOLT, M6 X 12-8.8 HEX HEAD FULL THREAD ZINC | F81001-7 | 5 |
| 10 | PLATE, CAP COMPLETE | 501393-1 | 1 |

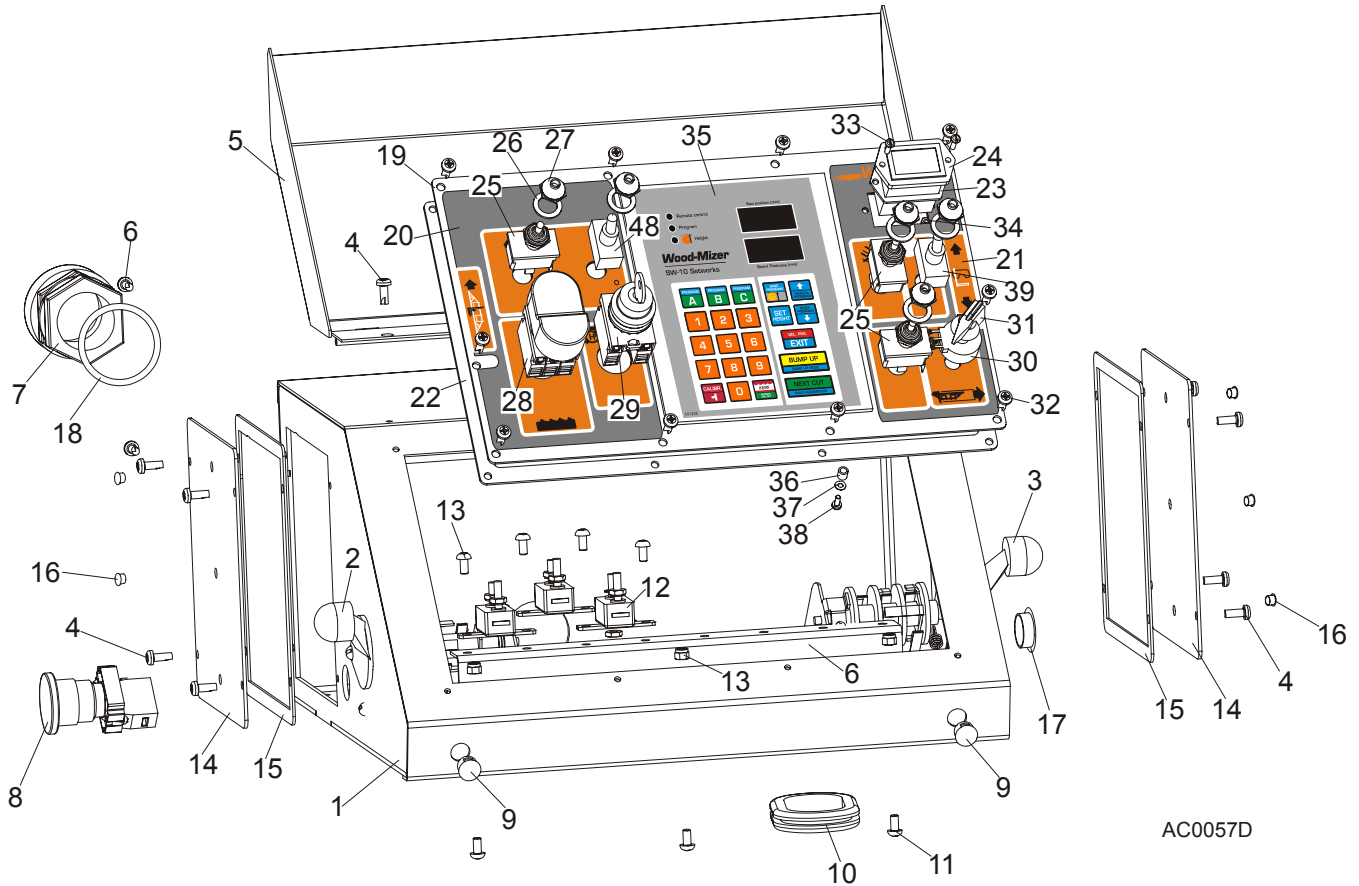
4.10 Sawdust Chute



| REF | DESCRIPTION (◆ Indicates Parts Available In Assemblies Only) | PART # | QTY. | |
|-----|--|-----------|-------|--|
| 1 | CHUTE WELDMENT, SAWDUST | 100903-1 | 1 | |
| 2 | BOLT, M8x16 | F81002-20 | 2 | |
| 3 | WASHER, 8.4 FLAT | F81054-1 | 2 | |
| 4 | BOLT, #10-24 X 1/2" SELF-TAPPING | F05015-7 | 2 | |
| 5 | TUBING, 4" I.D. RUBBER | 086364 | 0.6 m | |
| | STRAP, 20" RUBBER W/HOOK | P11668 | 1 | |
| | BOLT, 1/4-20 X 1 1/4" HEX HEAD FULL THREAD | F05005-3 | 1 | |
| | WASHER, 7.4 FLAT | F81056-11 | 1 | |
| | NUT, 1/4-20 LOCK | F05010-21 | 1 | |

SECTION 5 CONTROL & BATTERY BOXES

5.1 Control Assembly, LT40AC Series MH

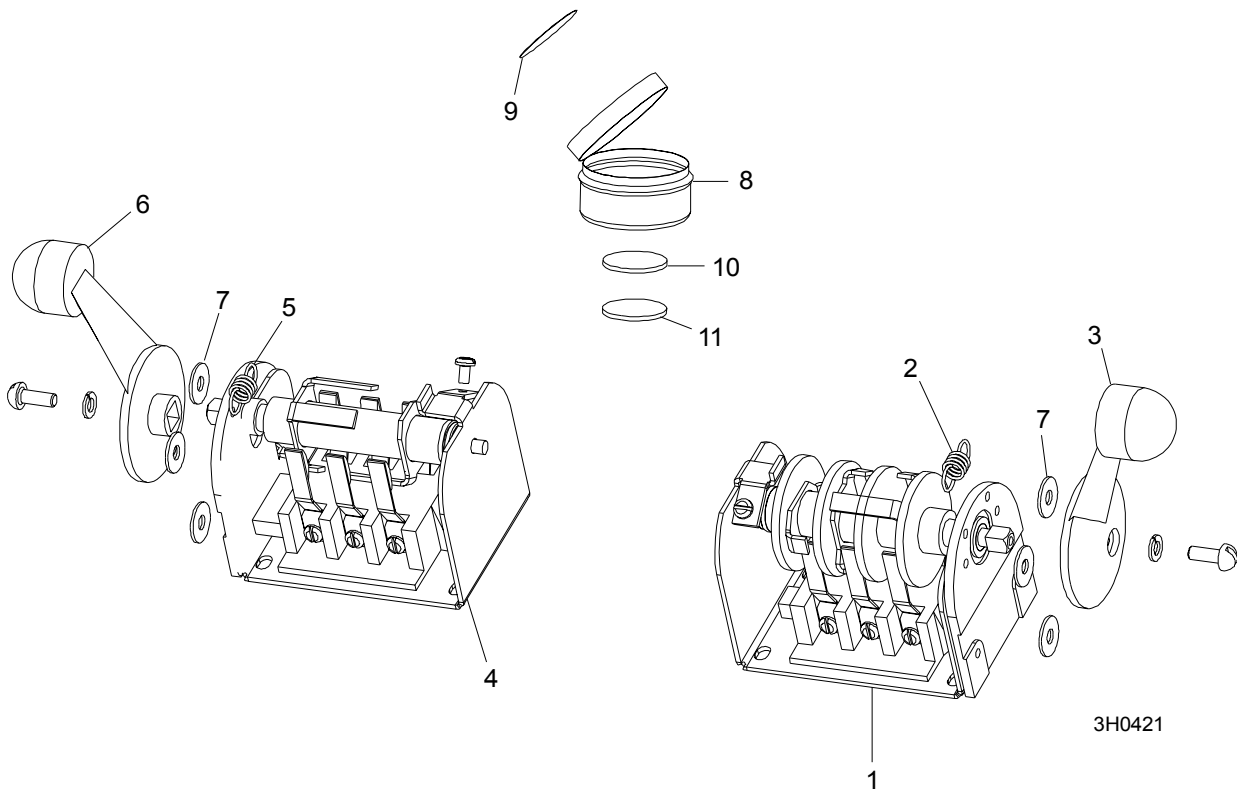


| REF | DESCRIPTION (◆ Indicates Parts Available In Assemblies Only) | PART # | QTY. |
|--------------------------------------|--|-----------|------|
| CONTROL BOX ASSEMBLY, LT40 AC | | 098690 | 1 |
| 1 | Control Box, LT40AC | 099622-1 | 1 |
| 2 | Switch, 1992GS Pwr/Feed (Service Package) | E20438 | 1 |
| 3 | Switch, 1992 Up/Down (Service Package) | E20440 | 1 |
| 4 | Bolt, #10-24x1/2 Ph Pan Hd, Type 23 | F05015-17 | 12 |
| 5 | Cover Weldment, LT20/40 Complete | 097135-1 | 1 |
| 6 | Rail, Circuit Breaker | 015310 | 1 |
| 7 | Connector, 1 1/4 Straight Metal Conduit | 024402 | 1 |
| 8 | Switch, XB2 BS542 Emergency | 086556 | 1 |
| 9 | Switch, Speed Control | 086773 | 2 |
| 10 | Grommet, Rubber | 087065 | 1 |
| 11 | Screw, H M5x10 8.8 Zinc | F81000-13 | 7 |
| 12 | Breaker, 15A Manual Reset | E20430 | 3 |
| 13 | Nut, M5-8 Zinc | F81030-2 | 3 |
| | Cover, Control Box Side Complete | 086700 | 2 |
| 14 | Cover, Control Box Side | 086699-1 | 1 |
| 15 | Gasket, Control Box Side | 015274 | 1 |

| | | | | |
|----|---|-----------------------|----|--|
| 16 | Cap, SR1086 6.4 Dia. Hole | 099700 | 6 | |
| 17 | Cap, SR1086 22.2 Dia. Hole | 093544 | 1 | |
| 18 | Seal, 1 1/4 Ring LQTI w/Retainer | 015430 | 1 | |
| | Panel, LT40 AC Front Control Complete | 098689 | 1 | |
| 19 | Panel, LT20/40 AC Front Control | 100572-1 | 1 | |
| | Panel, LT40 AC Front Control | 098586-1 ¹ | 1 | |
| 20 | Decal, LT20/40 AC Control Box Left | 099594 | 1 | |
| 21 | Decal, LT40 DC Control Box Right | 099596 | 1 | |
| 22 | Gasket, LT20/40 Control Box | 097132 | 1 | |
| 23 | Gasket, Hour Meter | 093346 | 1 | |
| 24 | Meter, Hour | 093166 | 1 | |
| 25 | Switch, Toggle | 024000 | 3 | |
| 26 | Washer, 1/2x3/4x1/16 Nylon | P05251-1 | 5 | |
| 27 | Boot, Toggle Switch | P02575 | 5 | |
| 28 | Button, 24V Start/Stop | 090452 | 1 | |
| | Membrane M22-T-DD | 090462 | 1 | |
| 29 | Switch, M22 3-position Key | 091361 | 1 | |
| 30 | Potentiometer, 1k Feed Rate | E20519 | 1 | |
| 31 | Knob, Speed Control | P06257 | 1 | |
| 32 | Bolt, #10-24x1/2 Ph Pan Hd, Type 23 | F05015-17 | 10 | |
| 33 | Bolt, M3x12-8.8 Zinc | F81000-12 | 2 | |
| 34 | Nut, M3-6 Nylon Zinc Lock | F81028-2 | 2 | |
| 35 | Controller, SW-10 Setworks | 500628 | 1 | |
| 36 | Spacer, 4.2x6mm Idler | R80671-4 | 6 | |
| 37 | Washer, 3.2 Flat Zinc | F81050-2 | 6 | |
| 38 | Screw, M3x8-4.8 Zinc | F81000-83 | 6 | |
| 39 | Switch, SPST On/Off 15A .25 TABS Toggle | P03027 | 2 | |

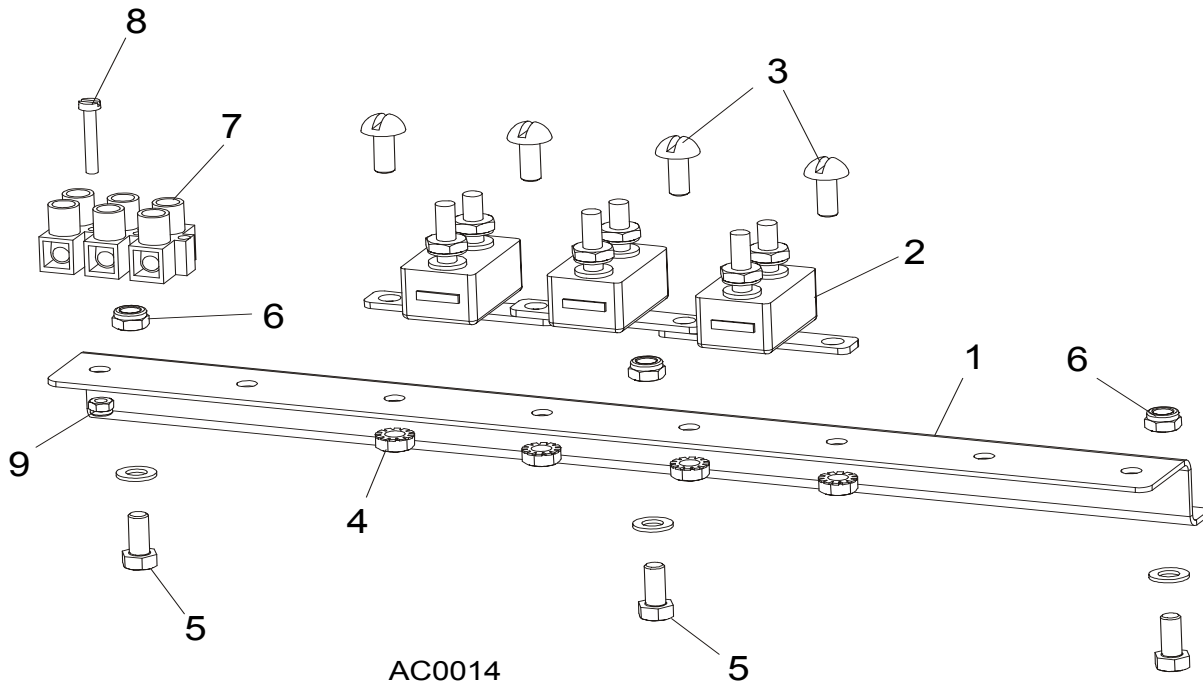
¹ Use in African version only.

5.2 Drum Switches



| REF | DESCRIPTION (◆ Indicates Parts Available In Assemblies Only) | PART # | QTY. | |
|-----|--|-----------|--------|---|
| | SWITCH ASSEMBLY, UP/DOWN DRUM | E20440 | 1 | |
| 1 | Switch, S12 Bulk Drum | E20440-B | 1 | ◆ |
| 2 | Spring, Drum Switch | P12570 | 1 | |
| 3 | Handle, Drum Switch Replacement | P12500 | 1 | |
| | SWITCH ASSEMBLY, POWER FEED DRUM | E20438 | 1 | |
| 4 | Switch, S10 Bulk Drum | E20438-B | 1 | ◆ |
| 5 | Spring, Drum Switch | P12570 | 1 | |
| 6 | Handle, Drum Switch Replacement | P12500 | 1 | |
| 7 | WASHER, #8 SAE FLAT | F05011-41 | 6 | |
| | CUP ASSEMBLY, DRUM SWITCH GREASE | A20463 | 1 | |
| 8 | Cup, Plastic Container | P20464 | 1 | ◆ |
| 9 | Decal, Grease Cup Label | P20467 | 1 | |
| 10 | Pad, Velcro Loop | P20466 | 1 | ◆ |
| 11 | Pad, Velcro Hook | P20465 | 1 | ◆ |
| | Grease, High Temp Drum Switch | P20468 | .011ml | ◆ |

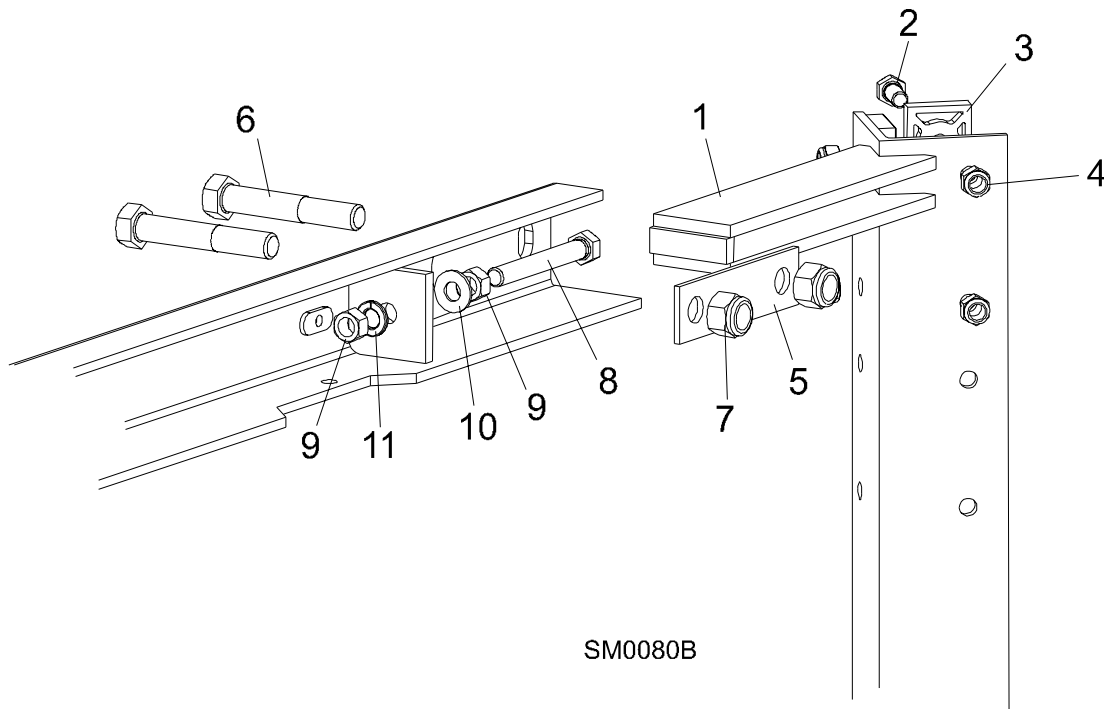
5.3 Circuit Breakers



| REF | DESCRIPTION (◆ Indicates Parts Available In Assemblies Only) | PART # | QTY. |
|-----|--|-----------|------|
| 1 | RAIL, CIRCUIT BREAKER | 015310 | 1 |
| 2 | BREAKER, 15 AMP MANUAL RESET | E20430 | 5 |
| 3 | SCREW, H M5X10 8.8 ZINC | F81000-13 | 4 |
| 4 | NUT, M5-8 ZINC HEX SELF-LOCKING | F81030-2 | 4 |
| 5 | SCREW, M5X12-5.8 ZINC | F81000-5 | 3 |
| 6 | NUT, M5-8 ZINC HEX SELF-LOCKING | F81030-2 | 3 |
| 7 | STRIP, ELECTRIC WIRE | F81086-1 | 1 |
| 8 | SCREW, M3 X 20-5.8 | F81000-8 | 1 |
| 9 | NUT, M3 | F81028-2 | 1 |

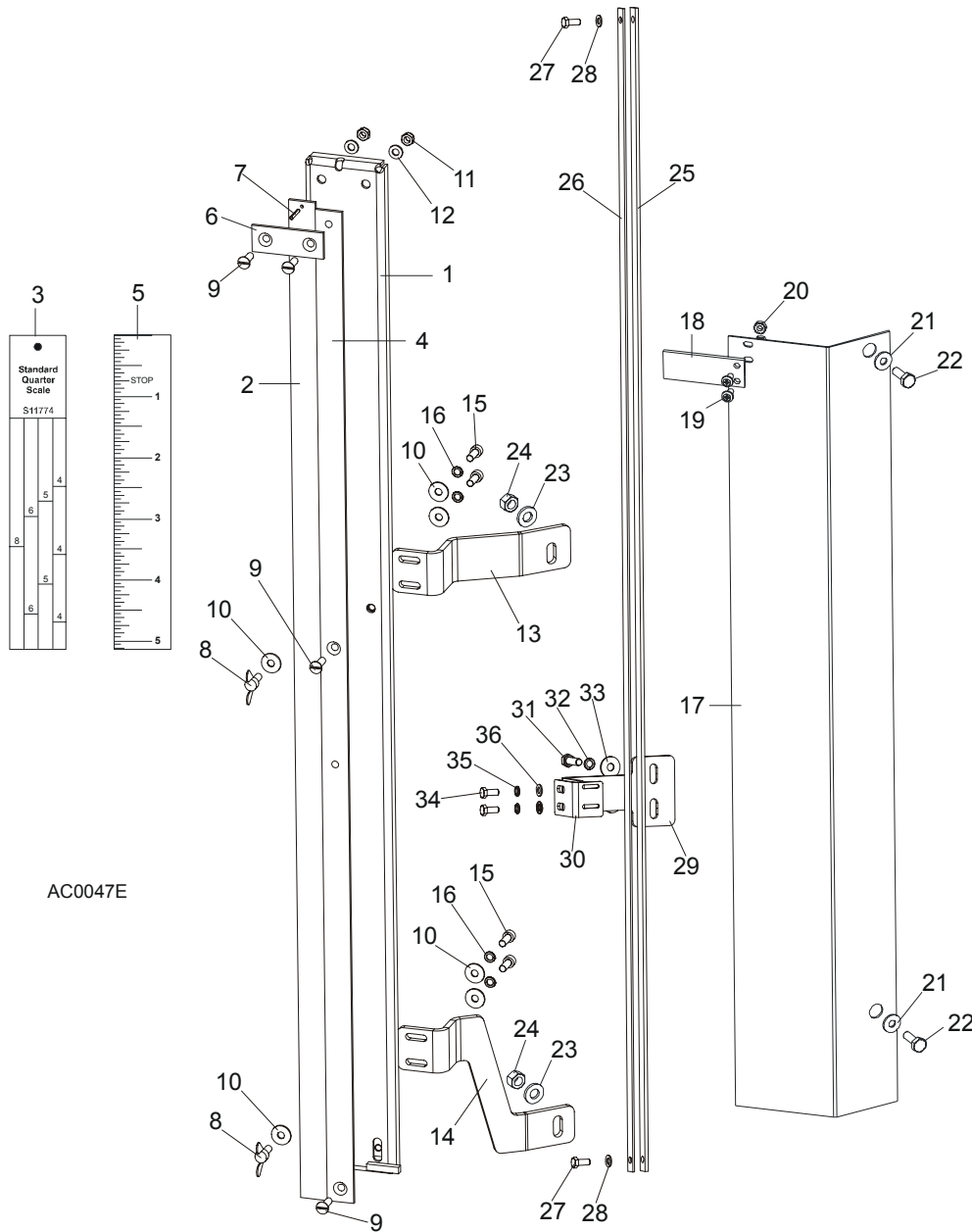
SECTION 6 UP/DOWN SYSTEM

6.1 Saw Head V-Brace Mount



| REF | DESCRIPTION (◆ Indicates Parts Available In Assemblies Only) | PART # | QTY. |
|-----|--|-----------|------|
| 1 | V-BRACE, SAW HEAD MOUNT | 086308 | 1 |
| 2 | BOLT, 5/16-18 X 3/4" HEX HEAD GRADE 5 | F05006-5 | 19 |
| | BOLT, 5/16-18 X 1 1/4" HEX HEAD FULL THREAD | F05006-18 | 5 |
| 3 | PAD, PLASTIC SLIDE | M04096 | 12 |
| 4 | NUT, 5/16-18 NYLON LOCK | F05010-58 | 19 |
| | NUT, 5/16-18 HEX | F05010-17 | 5 |
| 5 | PLATE, V-BRACE WASHER | 091247 | 4 |
| 6 | BOLT, M12 X 40 - 8.8 HEX HEAD | F81004-1 | 4 |
| 7 | NUT, M12 - 8 NYLON LOCK | F81034-2 | 4 |
| 8 | BOLT, 3/8-16 X 3" FULL THREAD | F05007-1 | 2 |
| 9 | NUT, 3/8-16 HEX | F05010-1 | 4 |
| 10 | WASHER, 10.5 FLAT | F81055-1 | 2 |
| 11 | WASHER, 10.2 SPLIT LOCK | F81055-2 | 2 |

6.2 Blade Height Scale

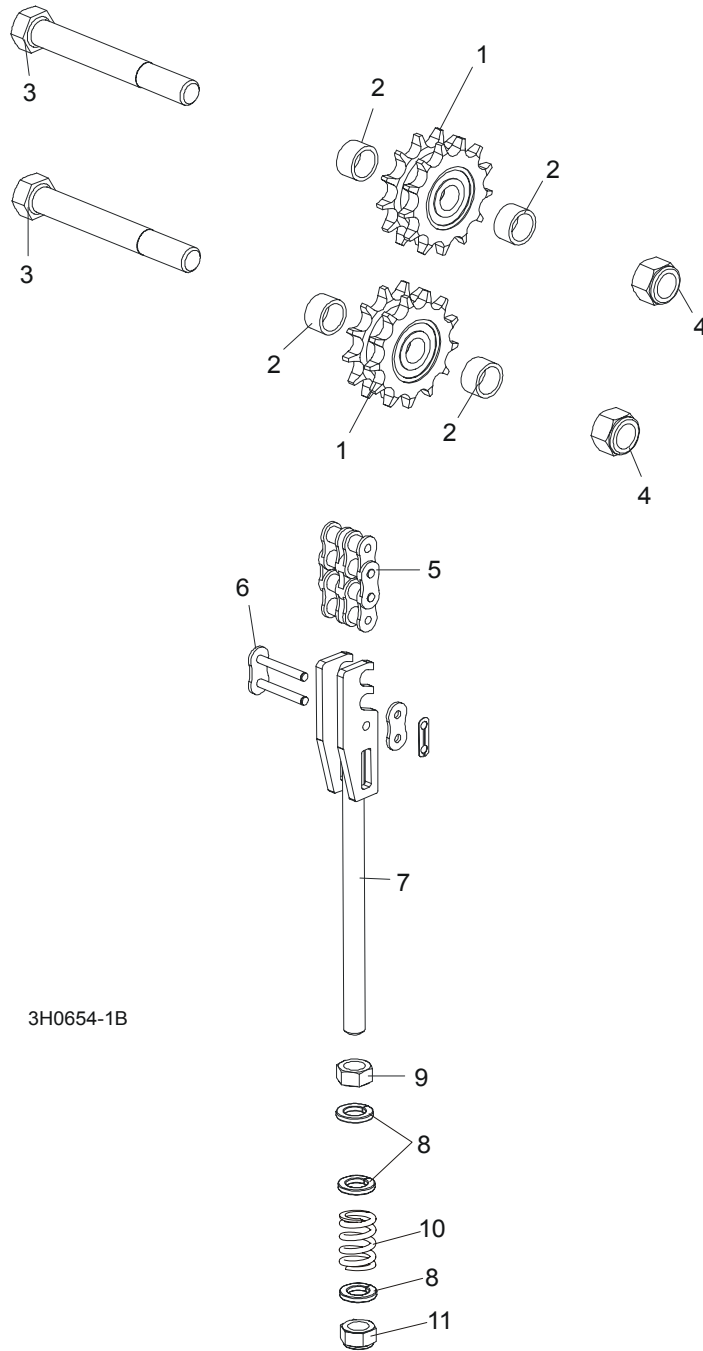


AC0047E

| REF | DESCRIPTION (◆ Indicates Parts Available In Assemblies Only) | PART # | QTY. |
|-----|--|-----------|------|
| | SCALE, BLADE HEIGHT W/SCANNER | 098882 | 1 |
| 1 | Bracket, Scale Mounting | 098890-1 | 1 |
| 2 | Scale, 35" Quarter | 093342 | 1 |
| 3 | Decal, 35" Standard Quarter Scale | 090716 | 1 |
| | Decal, 35" Grade Hardwood Quarter Scale | 090717 | 1 |
| 4 | Scale, 35" Inch | 093341 | 1 |
| 5 | Decal, 35" Inch | 090709 | 1 |
| 6 | Strap, Scale Hold-Down | 093134 | 1 |
| 7 | Pin, 3x20 Roll | F81044-5 | 1 |
| 8 | Screw, M6x16 Wing | F81001-16 | 2 |
| 9 | Screw, M6x20- 4.8-B | F81001-31 | 4 |

| | | | | |
|----|---|-----------|---|---|
| 10 | Washer, 6.5 Flat | F81053-11 | 7 | |
| 11 | Nut, M6, Hex, Nylon Lock Zinc | F81031-2 | 2 | |
| 12 | Washer, M6, Flat, Zinc | F81053-1 | 2 | |
| 13 | Bracket, Scale Upper | 098880-1 | 1 | |
| 14 | Bracket, Scale Lower | 098881-1 | 1 | |
| 15 | Bolt, M6x16-8.8 Socket Head | F81001-21 | 4 | |
| 16 | Washer, M6 Split Lock Zinc | F81053-3 | 4 | |
| | Pointer Assembly, Fixed Scale | A12023 | 1 | |
| 17 | Bracket, Fixed Scale Pointer Mount | 087044-1 | 1 | ◆ |
| 18 | Indicator, Blade Height Scale | 094821 | 1 | |
| 19 | Screw, M4x12 -5,8-B- Fe/Zn5 | F81011-43 | 2 | |
| 20 | Nut, M4-B Fe/Zn5 | F81029-1 | 2 | |
| 21 | Washer, 6.5 Flat | F81053-11 | 2 | |
| 22 | Bolt, M6x12-8.8-Zinc | F81001-7 | 2 | |
| 23 | Washer, 8.4 Flat | F81054-1 | 2 | |
| 24 | Nut, M8-8-B Hex Lock | F81032-2 | 2 | |
| | MAGNETIC STRIP ASSY | 097774 | 1 | |
| | Bar with Magnetic Strip | 098173-1 | 1 | |
| 25 | Magnetic Strip MB320 (1m) | 096014-1 | 1 | |
| 26 | Bar, Magnetic Strip | 098173 | 1 | |
| 27 | Bolt, M5 X 12-5.8-Fe/Zn5 | F81000-5 | 2 | |
| 28 | Washer, M5, Flat zinc | F81052-1 | 2 | |
| | BRACKET, SENSOR COMPLETE | 100620 | 1 | |
| 29 | Bracket, Sensor | 100599-1 | 1 | |
| 30 | Bracket, Sensor | 100619-1 | 1 | |
| 31 | Bolt, M6x20-8.8 Hex Head Full Thread Zinc | F81001-2 | 2 | |
| 32 | Washer, Z6.1 Split Lock Zinc | F81053-3 | 2 | |
| 33 | Washer, 6.5 Flat Zinc | F81053-11 | 2 | |
| 34 | Bolt, M5 X 12-5.8-Fe/Zn5, PN-M/82105 | F81000-5 | 2 | |
| 35 | Washer, 5.1 Split Lock Zinc | F81052-2 | 2 | |
| 36 | Washer, 5.3 Flat Zinc | F81052-1 | 2 | |
| | DECAL KIT, METRIC SCALE | K12064 | 1 | |
| | Decal, Metric | S11711 | 1 | |
| | Decal, Metric 16-40mm | P12040-1 | 1 | |
| | Decal, Metric 45-63mm | P12040-2 | 1 | |

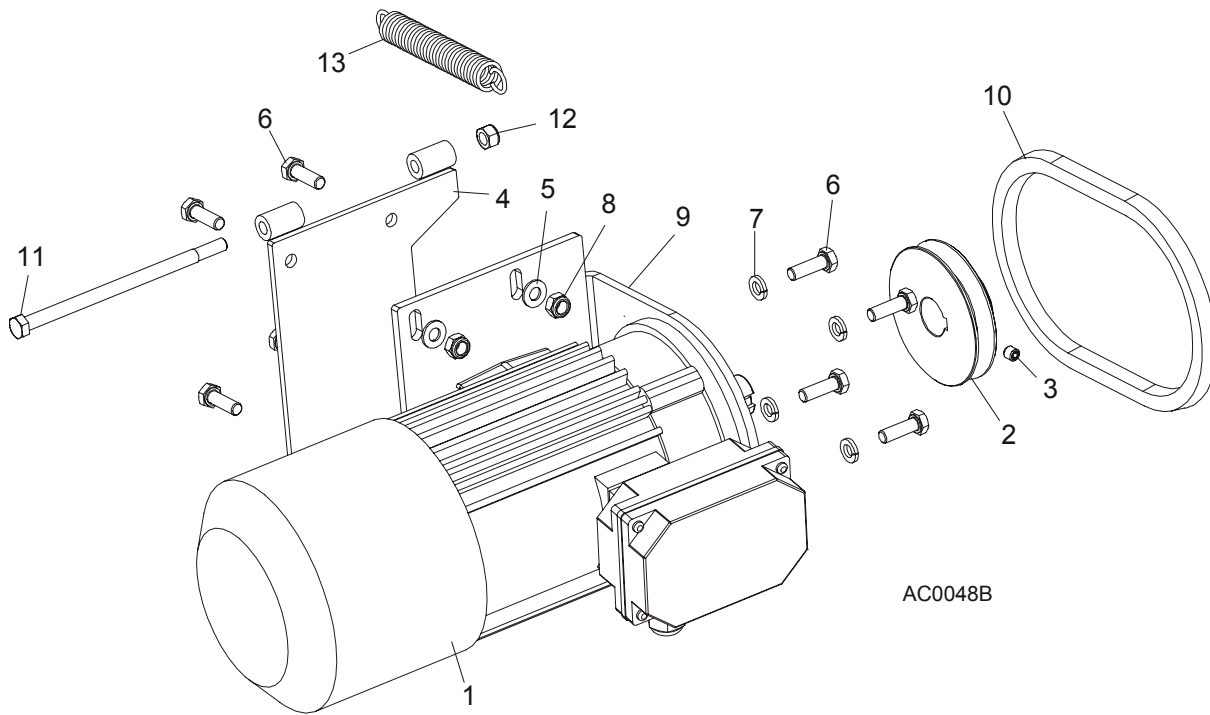
6.3 Up/Down Chain & Sprockets



| REF | DESCRIPTION (◆ Indicates Parts Available In Assemblies Only) | PART # | QTY. |
|-----|--|------------|------|
| | SPROCKET KIT, UP/DOWN IDLER #50-2 | 016020 | 1 |
| 1 | Sprocket, Up/Down Idler '98 | 016019 | 2 |
| 2 | Washer, Sprocket Spacer | 095927-1 | 4 |
| | Instruction Sheet, Up/Down Idler Retrofit | 016020-541 | 1 |
| 3 | BOLT, 5/8-11 X 5" HEX HEAD GRADE 2 | F05009-6 | 2 |
| 4 | NUT, 5/8-11 HEX NYLON LOCK | F05010-34 | 2 |
| 5 | CHAIN, #50-2 X 75.625" UP/DOWN | 015259 | 1 |
| 6 | LINK, #50-2 MASTER | 015258 | 2 |
| | TENSIONER ASSEMBLY, UP/DOWN CHAIN | 094283 | 1 |

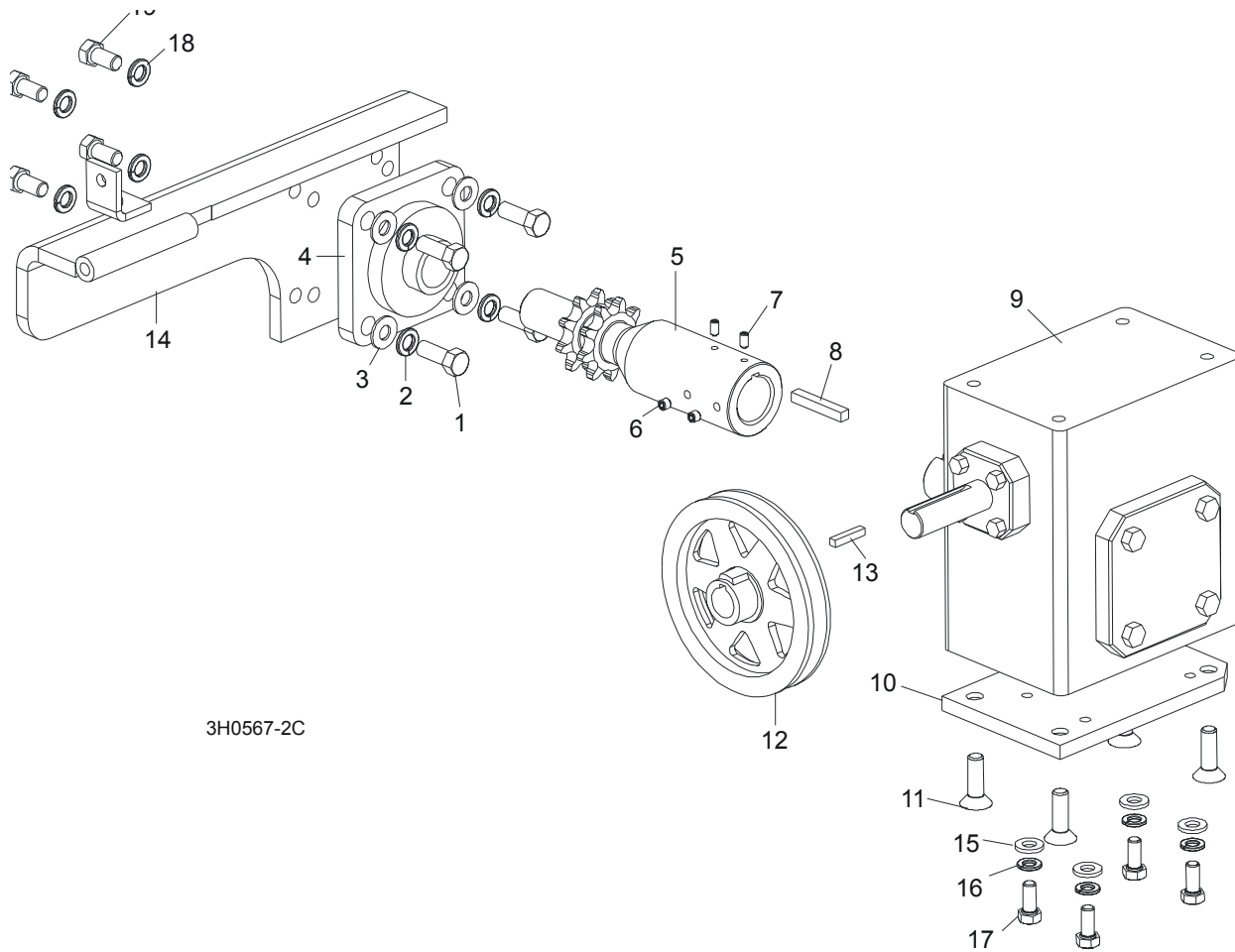
| | | | | |
|-----------|--------------------------------------|----------|---|---|
| 7 | Bracket, Up/Down Chain Tensioner | 094281-1 | 1 | ◆ |
| 8 | Washer, M12, Flat, Zinc | F81056-1 | 3 | |
| 9 | Nut, M12-8-B Hex | F81034-1 | 1 | |
| 10 | Spring, 14x30x3.2 | 090797 | 1 | |
| 11 | Nut, M12, Hexagon, Nylon, Zinc, Lock | F81034-2 | 1 | |

6.4 Up/Down Motor Assembly, LT40AC Series MH



| REF | DESCRIPTION (◆ Indicates Parts Available In Assemblies Only) | PART # | QTY. |
|-----|--|-----------|------|
| | UP/DOWN MOTOR ASSEMBLY, LT40AC | 093023 | 1 |
| 1 | Motor, SKh90-4S2 HPS 1,1kW, 1380obr./min 400V (w/brake) | 098901 | 1 |
| 2 | Pulley, AC Up/Down Motor Painted | 086378-1 | 1 |
| 3 | Screw, M8 x 8-33H Hex Socket Set Flat Point Zinc | F81014-1 | 1 |
| 4 | Bracket Wdmt, Up/Down Motor | 095738-1 | 1 |
| 5 | Washer, 8.4 Split Lock | F81054-1 | 4 |
| 6 | Bolt, M8 x 25 8.8 B Hex Head | F81002-4 | 8 |
| 7 | Washer, 8.2 Split Lock | F81054-4 | 4 |
| 8 | Nut, M8 8 B Hex | F81032-2 | 4 |
| 9 | Bracket, AC Up/Down Motor Mount | 086376-1 | 1 |
| 10 | BELT, AX23 | 015257 | 1 |
| 11 | BOLT, M8X160-8.8-B ZINC | F81002-22 | 1 |
| 12 | NUT, M8-8-B NYLON LOCK HEX ZINC | F81032-2 | 1 |
| 13 | SPRING, 3/4x 5x.095 EXTENSION | 015569 | 1 |

6.5 Up/Down Drive Assembly



3H0567-2C

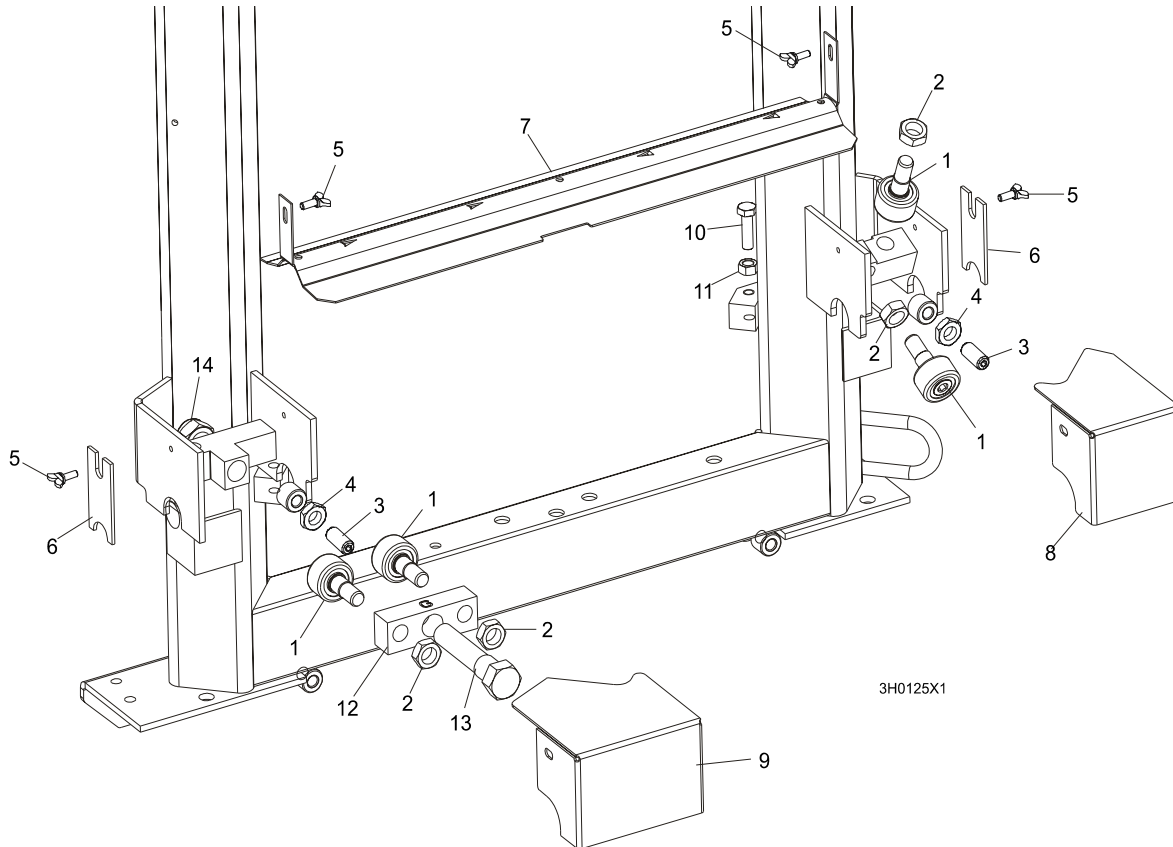
| REF | DESCRIPTION (◆ Indicates Parts Available In Assemblies Only) | PART # | QTY. |
|-----|--|------------|------|
| | UP/DOWN DRIVE ASSEMBLY | 092817 | 1 |
| 1 | Bolt, 3/8-16 x 1" Hex Head | F05007-7 | 4 |
| 2 | Washer, 10.2 Split Lock | F81055-2 | 4 |
| 3 | Washer, 10.5 Flat | F81055-1 | 4 |
| 4 | Bearing, Flanged Up/Down | 014090 | 1 |
| 5 | Shaft, Up/Down Sprocket | 092816-1 | 1 |
| 6 | Screw, M8 x 8-33H | F81014-1 | 2 |
| 7 | Key, 1/4" Square x 1 11/16" Long | S04124 | 1 |
| 8 | Spacer, Up/Down Shaft | 016032 | 1 |
| 9 | Reducer, Gear Box | 014074 | 1 |
| 10 | Plate, Gear Box Spacer | 095894-1 | 1 |
| 11 | Bolt, 3/8-16 x 1" Flat Socket Head | F05007-110 | 4 |
| 12 | Pulley, Up/Down | 015256 | 1 |
| 13 | Key, 3/16" Square x 1" Long | S31027 | 1 |
| 14 | Bracket Wdmt, Up/Down Bearing | 095893-1 | 1 |
| 15 | WASHER, 8.4 FLAT | F81054-1 | 4 |
| 16 | WASHER, 8.2 SPLIT LOCK | F81054-4 | 4 |
| 17 | BOLT, 5/16-18 X 1" HEX HEAD | F05006-5 | 4 |

6**Up/Down System***Up/Down Drive Assembly*

| | | | | |
|----|--|-----------|---|--|
| 18 | WASHER, 10.2 SPLIT LOCK | F81055-2 | 4 | |
| 19 | BOLT, 3/8-16 X 3/4" HEX HEAD | F05007-27 | 4 | |
| | OIL, 8 OZ. MOBIL SHC634 BOTTLED SYNTHETIC GEAR | L04869-4 | 1 | |

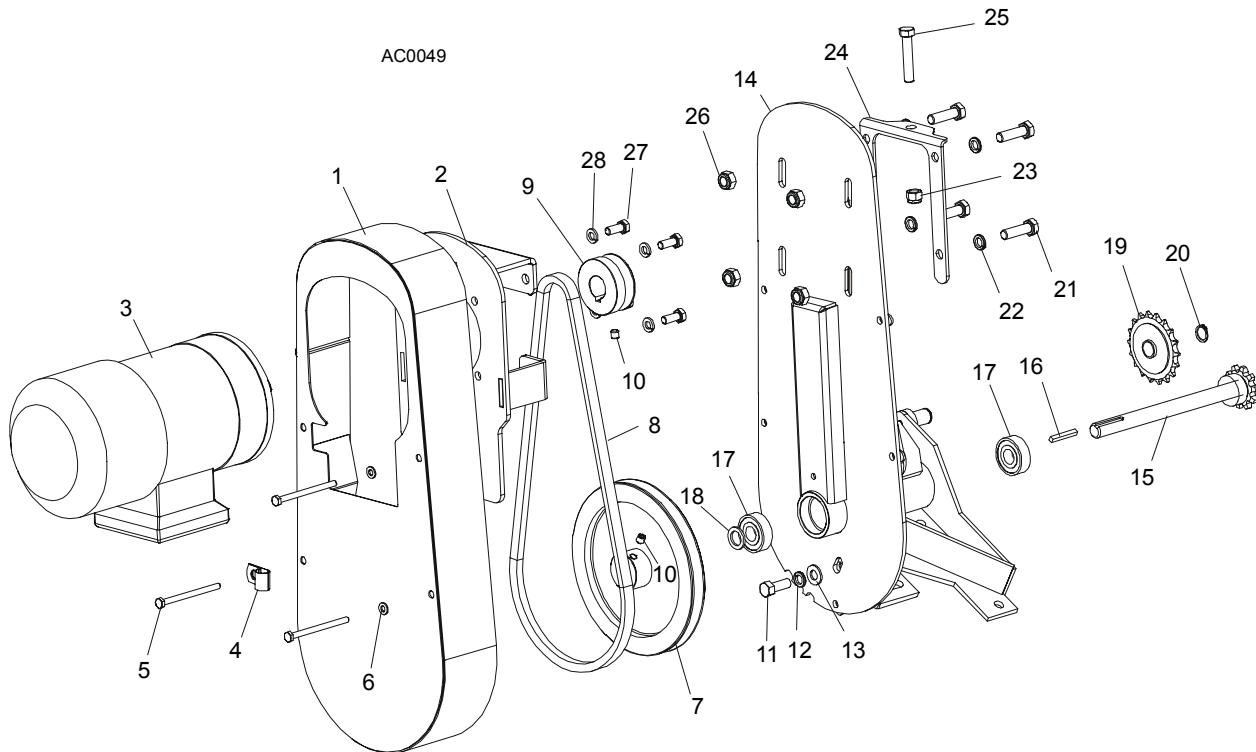
SECTION 7 POWER FEED & TRACK ROLLERS

7.1 Upper Track Rollers And Wipers



| REF | DESCRIPTION (◆ Indicates Parts Available In Assemblies Only) | PART # | QTY. |
|-----|--|-----------|------|
| 1 | ROLLER, TRACK CAM BEARING | P12843 | 4 |
| 2 | NUT, 5/8-18 HEX JAM | F05010-11 | 4 |
| 3 | SCREW, M12 X 30 OVAL POINT SET | F81004-14 | 2 |
| 4 | NUT, M12-8-B HEX JAM | F81034-1 | 2 |
| 5 | SCREW, M6 X 16 THUMB | F81001-16 | 4 |
| 6 | WIPER, PLASTIC TRACK | M04113 | 2 |
| 7 | COVER, LT40/70 MIDDLE TRACK - SERVICE | 092868-S | 1 |
| | Cover, LT40/70 Middle Track Ptd | 092868-1 | 1 |
| | Strip, 3/16 X 2 X 23 Felt | S09915 | 1 |
| 8 | HOUSING, UPPER TRACK ROLLER REAR | 086913-1 | 1 |
| 9 | HOUSING, UPPER TRACK ROLLER FRONT | 086914-1 | 1 |
| 10 | BOLT, M10 X 35-8.8 HEX HEAD | F81003-17 | 2 |
| 11 | NUT, M10-8 HEX JAM | F81033-3 | 2 |
| 12 | BRACKET, UPPER TRACK ROLLER | 086859-1 | 1 |
| 13 | BOLT, HEX HEAD | 086911 | 1 |
| 14 | NUT, M20-8 HEX | F81037-2 | 1 |

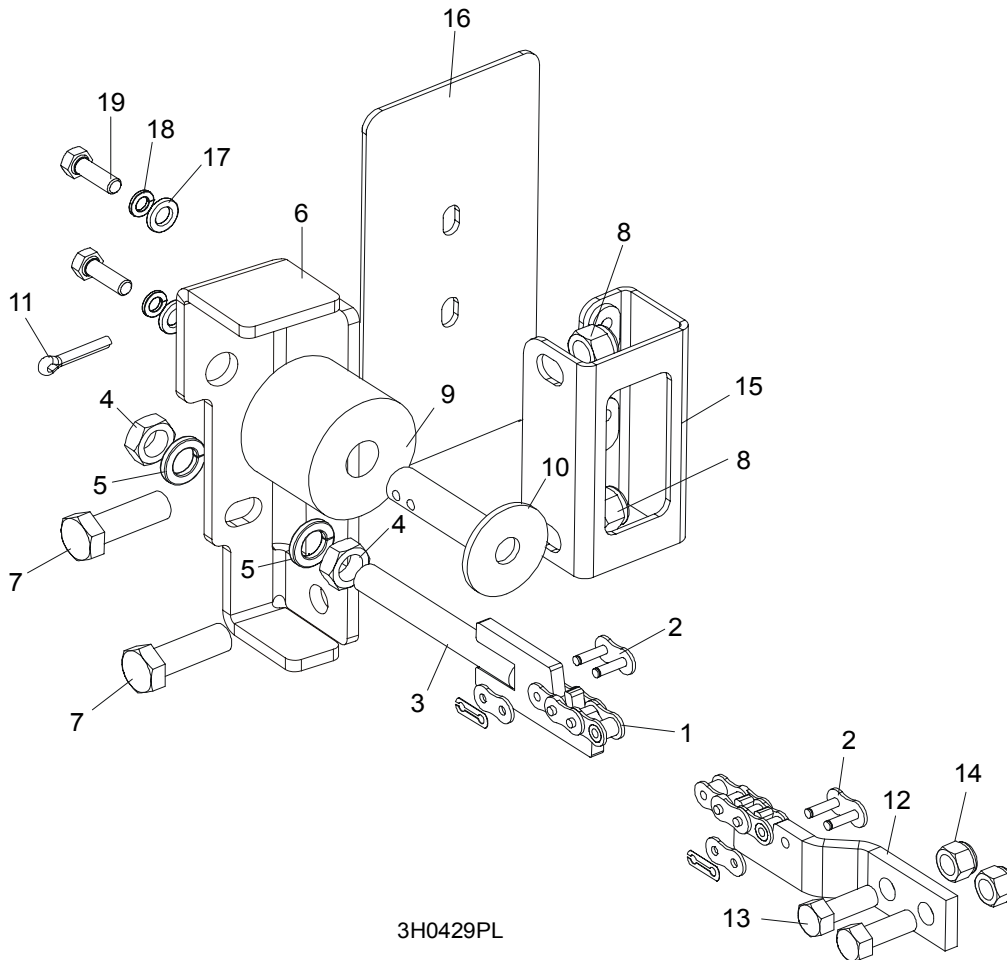
7.2 Power Feed Assembly, LT40AC Series MH



| REF | DESCRIPTION (◆ Indicates Parts Available In Assemblies Only) | PART # | QTY. |
|-----|--|-----------|------|
| | POWER FEED ASSEMBLY, AC SUPER | 086522 | 1 |
| 1 | Cover Weldment, Top Power Feed | 015128 | 1 |
| 2 | Plate, Power Feed Motor | 086390 | 1 |
| 3 | Motor, 1100 W Power Feed Painted, AC Super | 086530 | 1 |
| 4 | Clamp, 1/2" EMT Coated | P07584 | 1 |
| 5 | Bolt, M6 x 80 5.8 Hex Head Grade | F81001-61 | 4 |
| 6 | Washer, 6.4 Flat | F81053-1 | 4 |
| 7 | Sheave, Power Feed | 086410-1 | 1 |
| 8 | Belt, Power Feed | 086532 | 1 |
| 9 | Sheave, Feed Motor | 086388-1 | 1 |
| 10 | Screw, M8 X 8-33H Hex Socket Set Flat Point Zinc | F81014-1 | 2 |
| 11 | Bolt, 3/8-16 x 1" Hex Head | F05007-7 | 1 |
| 12 | Washer, 3/8" Split Lock | F05011-4 | 5 |
| 13 | Washer, 3/8" Flat | F05011-3 | 5 |
| 14 | Bracket, Power Feed Mount | 015162 | 1 |
| 15 | Shaft Weldment, Power Feed | 015129 | 1 |
| 16 | Key, 3/16" Square x 1 3/8" Long | 016108 | 1 |
| 17 | Bearing, 6203-2RSP6-5/8 CX | 095087 | 2 |
| 18 | Washer, 5/8" x 15/16" x .094" Nylon | F05011-19 | 1 |
| 19 | Sprocket, 40 Idler 18T 5/8" ID | P04333 | 1 |
| 20 | Ring, Z15 | F81090-2 | 1 |
| 21 | Bolt, M10x35-8.8 Hex Head Full Thread Zinc | F81003-17 | 4 |
| 22 | Washer, 10.2 Split Lock Zinc | F81055-2 | 1 |
| 23 | Nut, 3/8-16 Hex Nylon Lock | F05010-10 | 1 |

| | | | | |
|-----------|---|-----------|---|--|
| 24 | Bracket, Power Feed Mount | 015162-1 | 1 | |
| 25 | Bolt, 3/8-16 x 2" Hex Head Full Thread Zinc | F05007-16 | 1 | |
| 26 | Nut, M10-8-B Hex Nylon Zinc Lock | F81033-1 | 1 | |
| 27 | Bolt, M8x20-8.8-B Hex Head Full Thread Zinc | F81002-4 | 4 | |
| 28 | Washer, 8.2 Split Lock Zinc | F81054-4 | 4 | |

7.3 Feed Chain/Stop

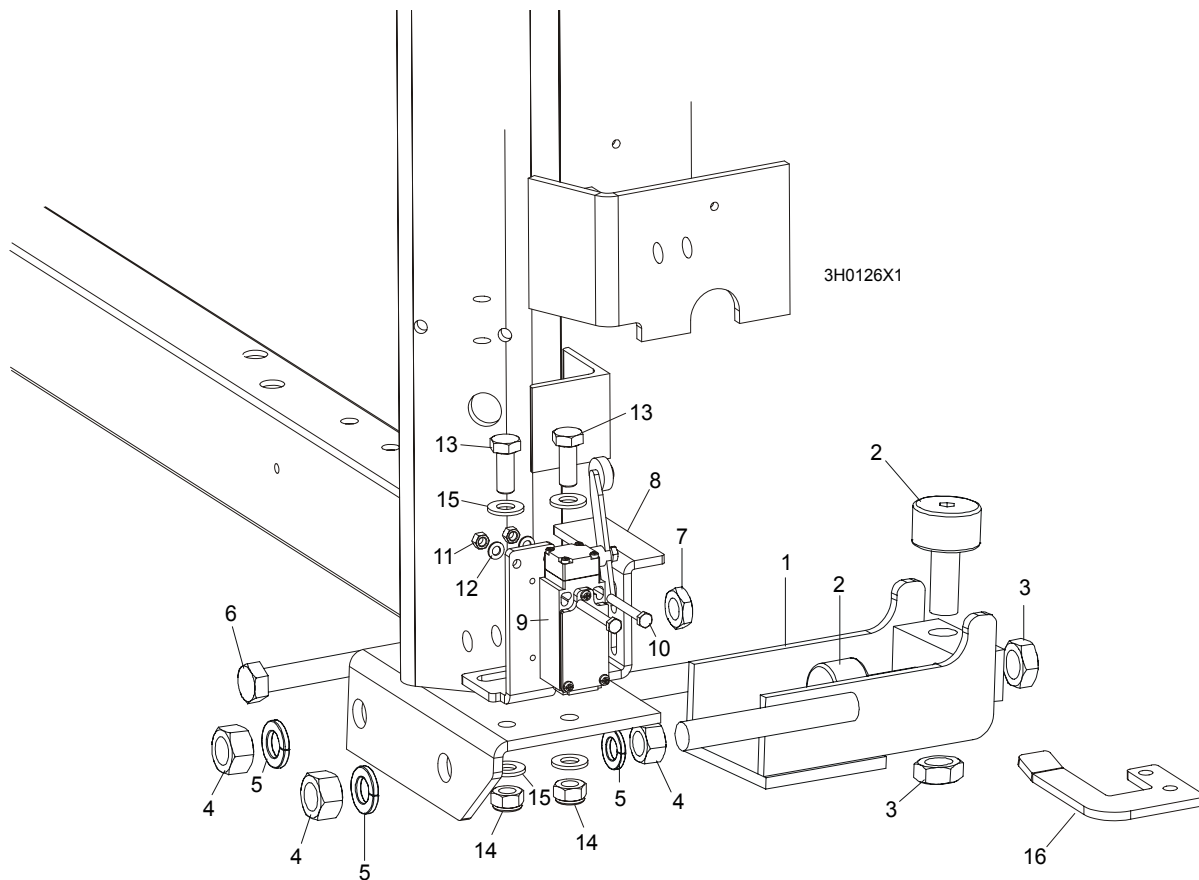


3H0429PL

| REF | DESCRIPTION (◆ Indicates Parts Available In Assemblies Only) | PART # | QTY. |
|-----|--|--------------------------|------|
| | CHAIN KIT, LT30 FEED | K10408 | 1 |
| | CHAIN KIT, LT40 FEED | K10410 | 1 |
| 1 | Chain, #40 X 215" LT30 Feed | 014744 | 1 |
| | Chain, #40 X 267.5" LT40 Feed | 014475 | 1 |
| 2 | Link, #40 Master | P04200 | 2 |
| 3 | Tensioner Weldment, Power Feed Chain | 086818-1 | 1 |
| 4 | Nut, M12-5 Hex Jam | F81034-4 | 2 |
| 5 | Washer, 12.2 Split Lock | F81056-2 | 2 |
| 6 | BRACKET, FEED CHAIN REAR MOUNT | 087628-1 | 1 |
| 7 | BOLT, M12 X 40 8.8 HEX HEAD GRADE 5 | F81004-4 | 2 |
| 8 | NUT, M12-8 HEX NYLON LOCK | F81034-2 | 2 |
| | STOP KIT, RUBBER CARRIAGE | K09630 | 2 |
| 9 | Stop, Rubber Carriage | P12165 | 1 |
| 10 | Pin, Rubber Carriage Stop | W09293 | 1 |
| 11 | Pin, 3/16" X 1" Cotter | F05012-21 | 1 |
| 12 | BRACKET, FRONT FEED CHAIN MOUNT | 095733-1 | 1 |
| 13 | BOLT, 3/8-16 X 1" HEX HEAD | F05007-7 | 2 |
| 14 | NUT, 3/8-16 HEX NYLON LOCK | F05010-10 | 2 |
| 15 | BRACKET WELDMENT, REAR MAIN TUBE COVER MOUNT | 087105-1 | 1 |

| | | | | |
|----|-----------------------------|----------|---|--|
| 16 | COVER, REAR MAIN TUBE | 015023 | 1 | |
| 17 | WASHER, 8.4 FLAT | F81054-1 | 2 | |
| 18 | WASHER, 8.2 SPLIT LOCK | F81054-4 | 2 | |
| 19 | BOLT, 5/16-18 X 1" HEX HEAD | F05006-1 | 2 | |

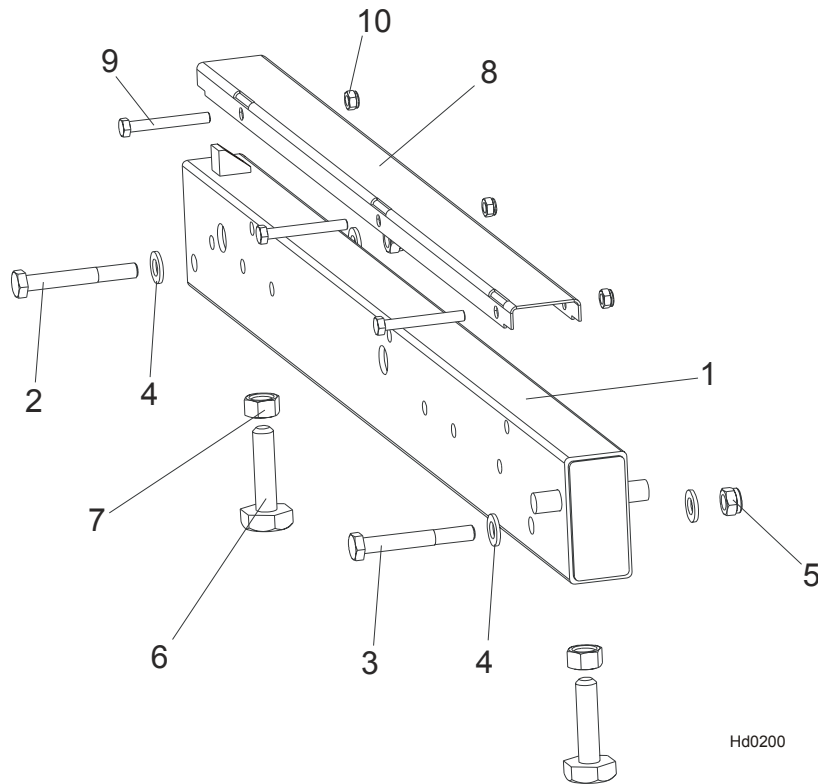
7.4 Lower Track Rollers



| REF | DESCRIPTION (◆ Indicates Parts Available In Assemblies Only) | PART # | QTY. |
|-----|--|------------|------|
| | ROLLER ASSEMBLY, LOWER TRACK | 098741 | 2 |
| 1 | Bracket, Lower Track Roller Mounting | 098740-1 | 1 |
| 2 | Roller, Track Cam Bearing (McGill) | 012797 | 2 |
| 3 | Nut, 5/8-18 Hex Jam | F05010-11 | 2 |
| 4 | Nut, M16, Hexagon, Grade 5.8 Plain | F81036-1 | 4 |
| 5 | Washer, 16.3 Split Lock | F81058-2 | 4 |
| 6 | BOLT, M12 X 55-8.8 HEX HEAD FULL THREAD | F81004-12 | 2 |
| 7 | NUT, M12-8-B HEX JAM | F81034-1 | 2 |
| 8 | BRACKET, POWER SUPPLY STRIP AND LIMIT SWITCH | 086380-1 | 1 |
| 9 | SWITCH, GLCB01A2B LIMIT | 086469 | 1 |
| 10 | BOLT, M5 X 40 8.8 HEX HEAD | F810000-11 | 2 |
| 11 | NUT, M5-8 | F81030-1 | 2 |
| 12 | WASHER, 5.3 FLAT | F81052-1 | 2 |
| 13 | BOLT, M10 X 25 8.8 | F81003-11 | 2 |
| 14 | NUT, M10 NYLON | F81033-1 | 2 |
| 15 | WASHER, 10.5 FLAT | F81055-1 | 2 |
| 16 | BRACKET, LIMIT SWITCH | 091852-1 | 1 |

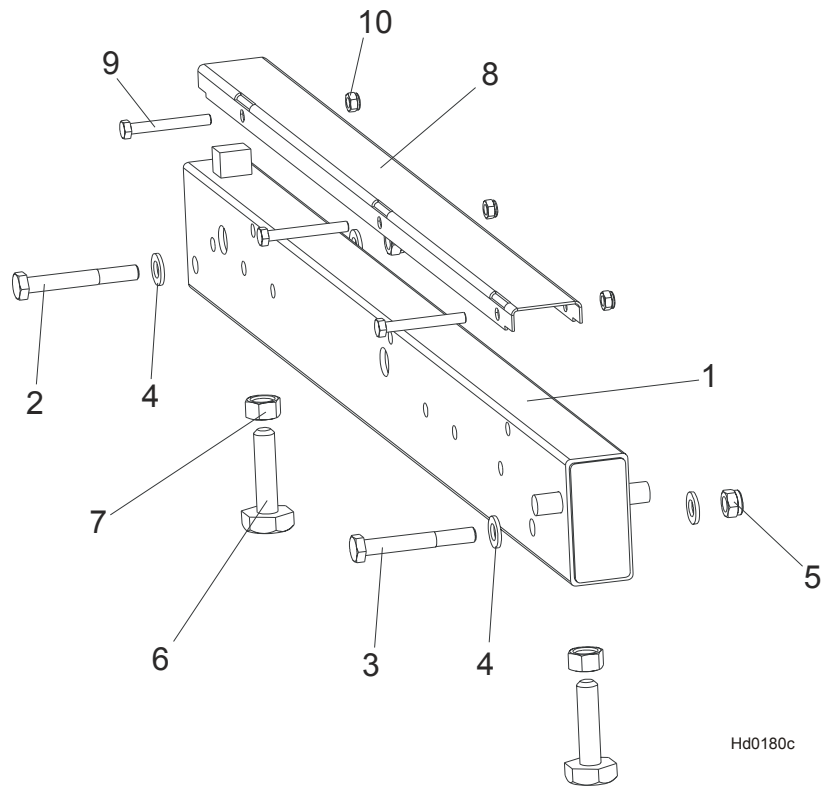
SECTION 8 BED FRAME ASSEMBLY

8.1 Bed Rail Assembly, Front



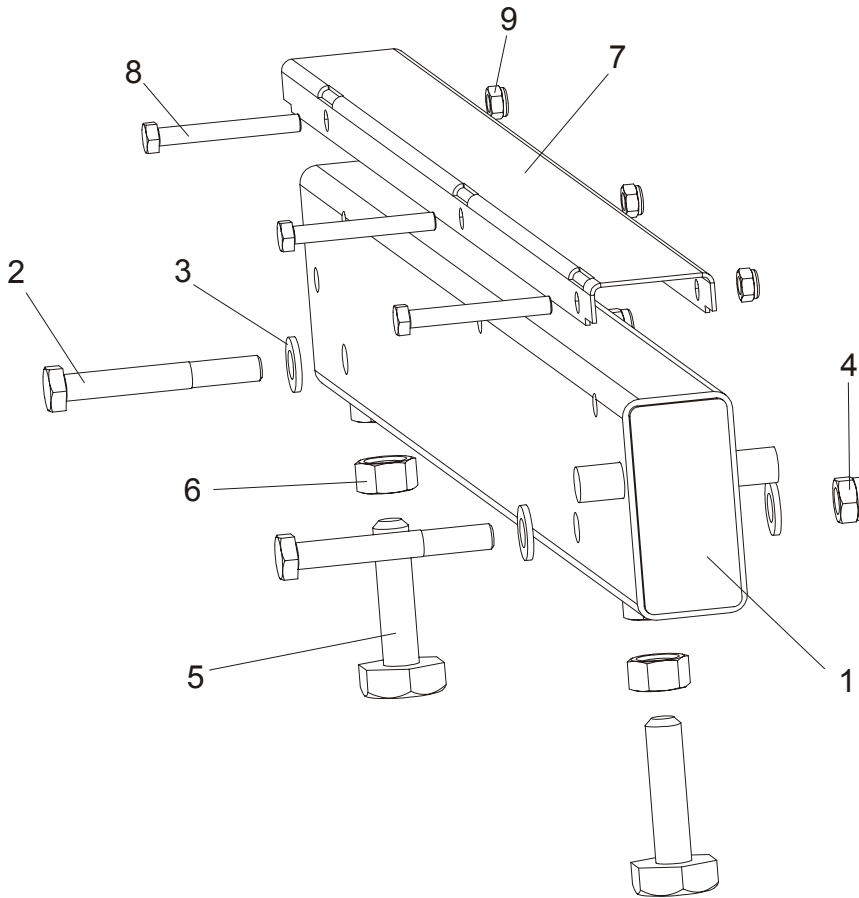
| REF | DESCRIPTION (◆ Indicates Parts Available In Assemblies Only) | PART # | QTY. |
|-----|--|-----------|------|
| 1 | BED RAIL ASSEMBLY, FRONT (S&M FRAME) | 099955 | 1 |
| 2 | Bolt, M12 x 90-8.8 Hex Head | F81004-2 | 1 |
| 3 | Bolt, M12 x 95-8.8 Hex Head | F81004-29 | 1 |
| 4 | Washer, 13 SAE Flat | F81056-1 | 4 |
| 5 | Nut, M12-8 Hex Nylon Lock | F81034-2 | 2 |
| | Bed Rail Bolt, Complete (M16 Bolt + 2xNut) | 093710 | 2 |
| 6 | Bolt, M16, Bed Rail Adjustment | 086809 | 1 |
| 7 | Nut, M16-5-B Zinc Hex Head | F81036-5 | 2 |
| 8 | COVER, STAINLESS STEEL BED RAIL | 099124 | 1 |
| 9 | BOLT, M8X65-5,8 ZINC HEX HEAD | F81002-3 | 3 |
| 10 | NUT, M8-8-B-ZINC HEX NYLON LOCK | F81032-2 | 3 |

8.2 Bed Rail Assembly, Rear



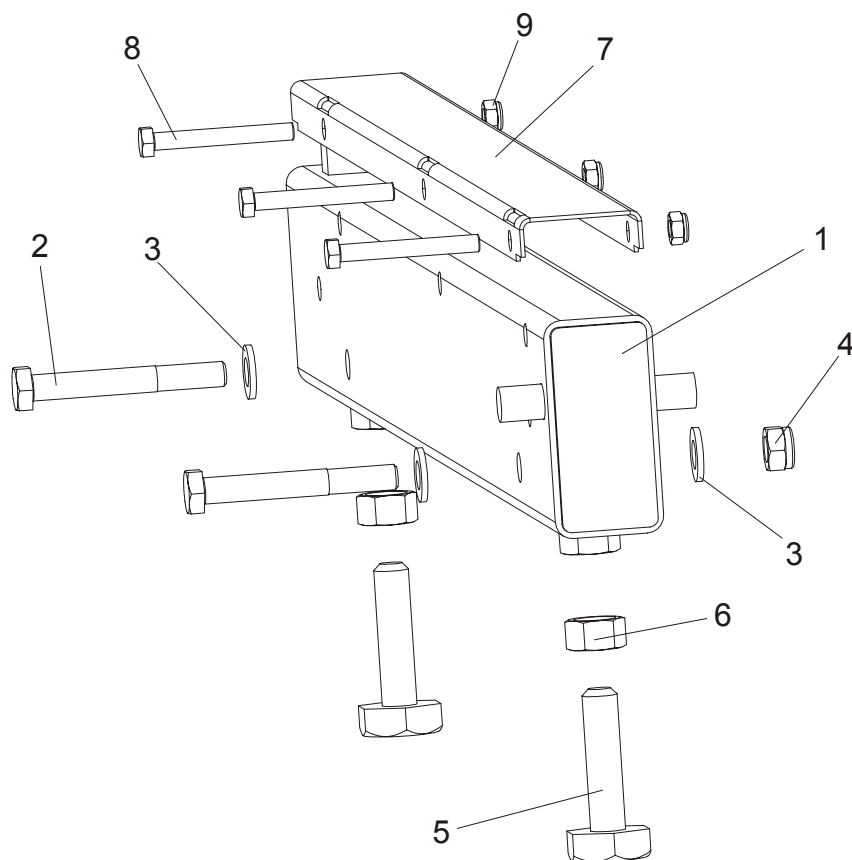
| REF | DESCRIPTION (◆ Indicates Parts Available In Assemblies Only) | PART # | QTY. |
|-----|--|-----------|------|
| 1 | BED RAIL ASSEMBLY, REAR PAINTED | 091555 | 1 |
| 2 | Bolt, M12 x 90-8.8 Hex Head | F81004-2 | 1 |
| 3 | Bolt, M12 x 95-8.8 Hex Head | F81004-29 | 1 |
| 4 | Washer, 13 SAE Flat | F81056-1 | 4 |
| 5 | Nut, M12-8 Hex Nylon Lock | F81034-2 | 2 |
| | Bed Rail Bolt, Complete (M16 Bolt + 2xNut) | 093710 | 1 |
| 6 | Bolt, M16, Bed Rail Adjustment | 086809 | 1 |
| 7 | Nut, M16-5-B Zinc Hex Head | F81036-5 | 2 |
| 8 | COVER, STAINLESS STEEL BED RAIL | 099124 | 1 |
| 9 | BOLT, M8X65-5,8 ZINC HEX HEAD | F81002-3 | 3 |
| 10 | NUT, M8-8-B-ZINC HEX NYLON LOCK | F81032-2 | 3 |

8.3 Bed Rail Assembly, Front Middle



| REF | DESCRIPTION (◆ Indicates Parts Available In Assemblies Only) | PART # | QTY. |
|-----|--|----------|------|
| 1 | BED RAIL ASSEMBLY, FRONT MIDDLE | 091556 | 1 |
| 2 | Bolt, M12 x 90-8.8 Hex Head | F81004-2 | 2 |
| 3 | Washer, 13 SAE Flat | F81056-1 | 4 |
| 4 | Nut, M12-8 hex Nylon Lock | F81034-2 | 2 |
| | Bed Rail Bolt, Complete (M16 Bolt + 2xNut) | 093710 | 2 |
| 5 | Bolt, M16, Bed Rail Adjustment | 086809 | 1 |
| 6 | Nut, M16-5-B Zinc Hex Head | F81036-5 | 2 |
| 7 | COVER, STAINLESS STEEL BED RAIL | 099124 | 1 |
| 8 | BOLT, M8X65-5,8 ZINC HEX HEAD | F81002-3 | 3 |
| 9 | NUT, M8-8-B-ZINC HEX NYLON LOCK | F81032-2 | 3 |

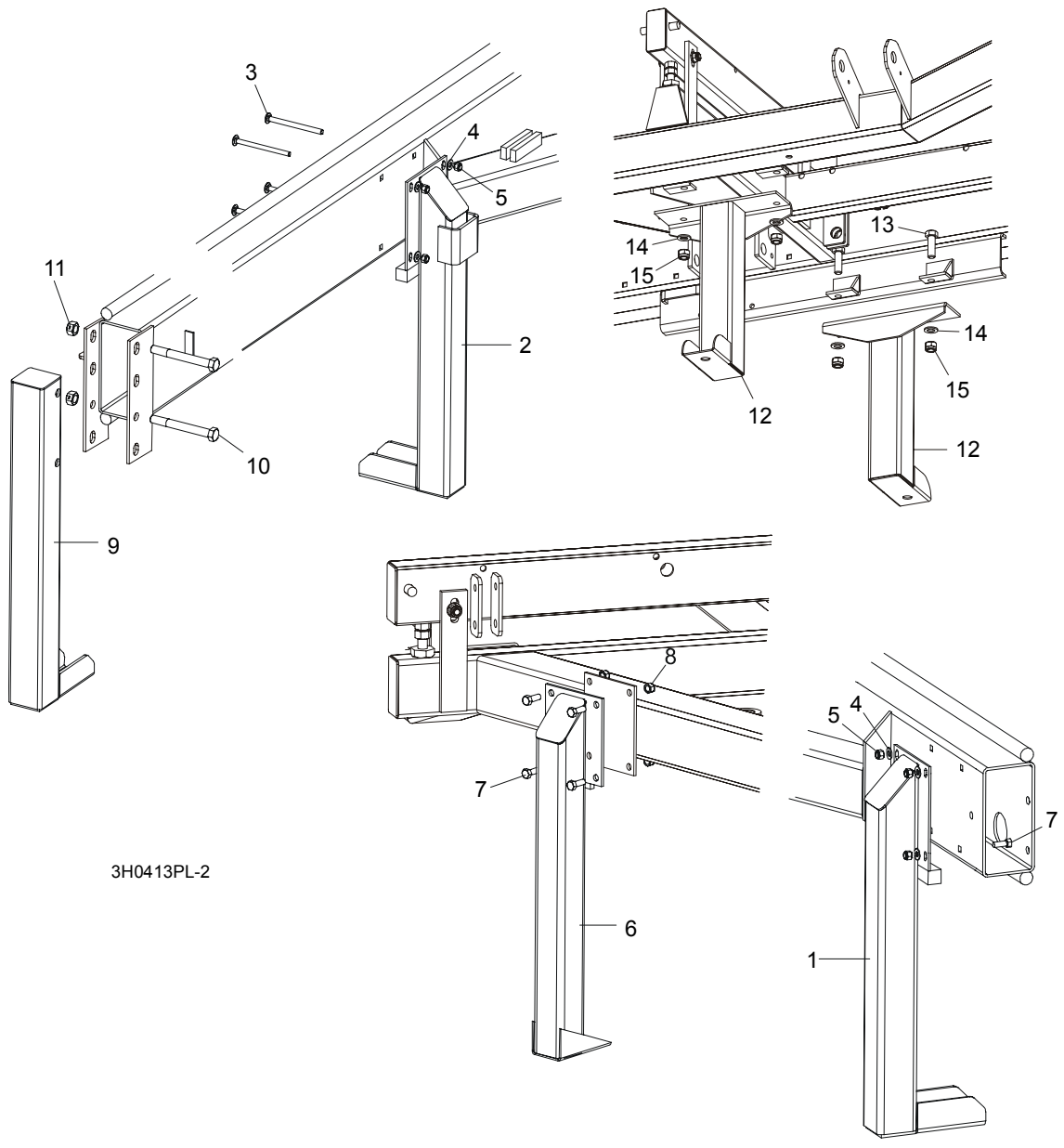
8.4 Bed Rail Assembly, Rear Middle



| REF | DESCRIPTION (◆ Indicates Parts Available In Assemblies Only) | PART # | QTY. | |
|-----|--|----------|------|--|
| 1 | BED RAIL ASSEMBLY, REAR MIDDLE PAINTED | 091557 | 1 | |
| 2 | Bolt, M12 x 90-8.8 Hex Head | F81004-2 | 2 | |
| 3 | Washer, 13 SAE Flat | F81056-1 | 4 | |
| 4 | Nut, M12-8 hex Nylon Lock | F81034-2 | 2 | |
| | Bed Rail Bolt, Complete (M16 Bolt + 2xNut) | 093710 | 2 | |
| 5 | Bolt, M16, Bed Rail Adjustment | 086809 | 1 | |
| 6 | Nut, M16-5-B Hex | F81036-5 | 2 | |
| 7 | COVER, STAINLESS STEEL BED RAIL | 099124 | 1 | |
| 8 | BOLT, M8X65-5,8 ZINC HEX HEAD | F81002-3 | 3 | |
| 9 | NUT, M8-8-B-ZINC HEX NYLON LOCK | F81032-2 | 3 | |

8.5

8.6 Leg, Stationary

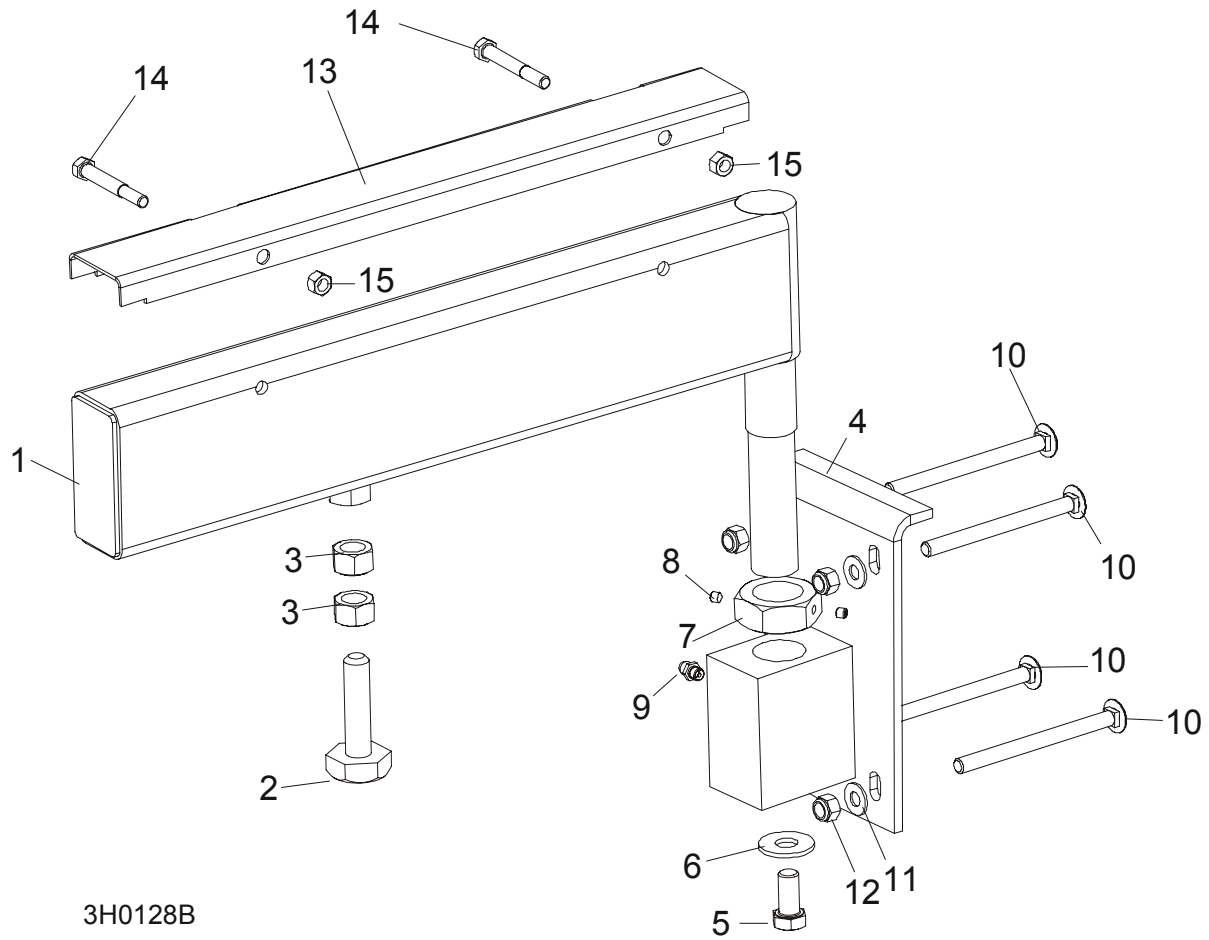


3H0413PL-2

| REF | DESCRIPTION (◆ Indicates Parts Available In Assemblies Only) | PART # | QTY. |
|-----|--|-----------|------|
| 1 | LEG, LONG RIGHT STATIONARY (1 REQ'D FOR LT40S; 3 REQ'D FOR LT40) | 087451-1 | 1/3 |
| 2 | LEG, LONG STATIONARY W/BOARD RETURN TABLE BRACKET | 087449-1 | 1 |
| 3 | BOLT, M10 X 120-8.8 CARRIAGE HEAD | F81003-33 | 8/12 |
| 4 | WASHER, 10.5 FLAT | F81055-1 | 8/16 |
| 5 | NUT, M10-8-B HEX NYLON LOCK | F81033-1 | 8/16 |
| 6 | LEG, SHORT LEFT STATIONARY | 087450-1 | 2 |
| 7 | BOLT, M10 X 25-8.8 HEX HEAD | F81003-11 | 12 |
| 8 | NUT, M10-8-B HEX NYLON LOCK | F81033-1 | 12 |
| 9 | LEG, FRONT STATIONARY | 087452-1 | 1 |
| 10 | BOLT, M16 X 140-8.8 HEX HEAD GRADE 5 | F81006-4 | 2 |
| 11 | NUT, M16-8 HEX LOCK | F81036-2 | 2 |

| | | | | |
|----|-----------------------------|----------|---|--|
| 12 | LEG, MIDDLE STATIONARY | 087093-1 | 2 | |
| 13 | BOLT, M16 X 50-8.8 HEX HEAD | F81006-7 | 4 | |
| 14 | WASHER, 17 FLAT | F81058-1 | 4 | |
| 15 | NUT, M16 NYLON LOCK | F81036-2 | 4 | |

8.7 Pivot Bed Rail Assembly

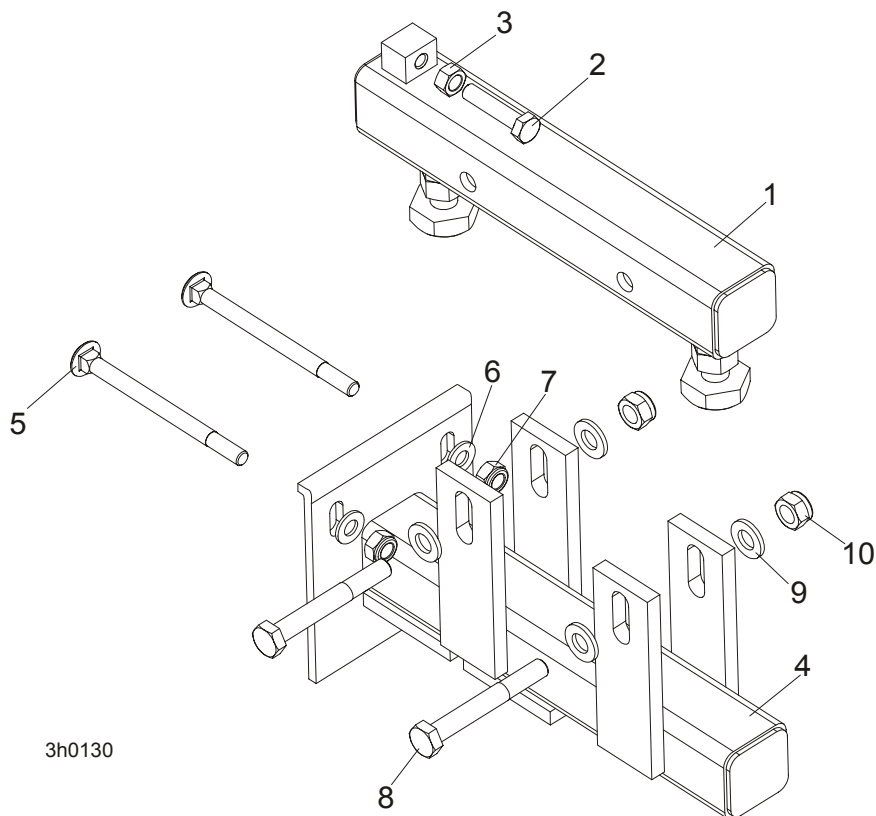


3H0128B

| REF | DESCRIPTION (◆ Indicates Parts Available In Assemblies Only) | PART # | QTY. |
|-----------|--|----------------------|------|
| | PIVOT BED RAIL ASSEMBLY (LT30) | 087829 | 2 |
| | PIVOT BED RAIL ASSEMBLY (LT40) | 087855 | 2 |
| 1 | Pivot Bed Rail Weldment (LT30) | 087852-1 | 1 |
| | Pivot Bed Rail Weldment (LT40) | 087848-1 | 1 |
| | Bolt Assembly, Bed Rail Adjustment | | 1 |
| 2 | Bolt, Bed Rail Adjustment | 086809 | 1 |
| 3 | Nut, 5/8-11 Hex | F81036-1 | 2 |
| 4 | Bracket, Pivot Rail Mounting | 087841-1 | 1 |
| 5 | Bolt, 1/2-13 x 1" Hex Head Grade 2 | F81004-31 | 1 |
| 6 | Washer, 15 Flat | F05011-52 | 1 |
| 7 | Nut, Pivot Rail Adjustment (LT30) Nut, Pivot Rail Adjustment (LT40) | F81036-1 F81039-2 | 1 |
| 8 | Screw, 1/4-28 x 1/4" Brass Tip Set | F05005-42 | 2 |
| 9 | Fitting, 3/16" Grease | 086280 | 1 |
| 10 | BOLT, 3M10 X 120-8.8 CARRIAGE HEAD | F81003-14 | 2 |
| 11 | BOLT, 3/8-16 X 5" CARRIAGE HEAD | F05007-113 | 6 |
| 12 | WASHER, 10.5 FLAT | F81055-1 | 8 |
| 13 | NUT, M16-8 NYLON LOCK | F81036-2 | 8 |

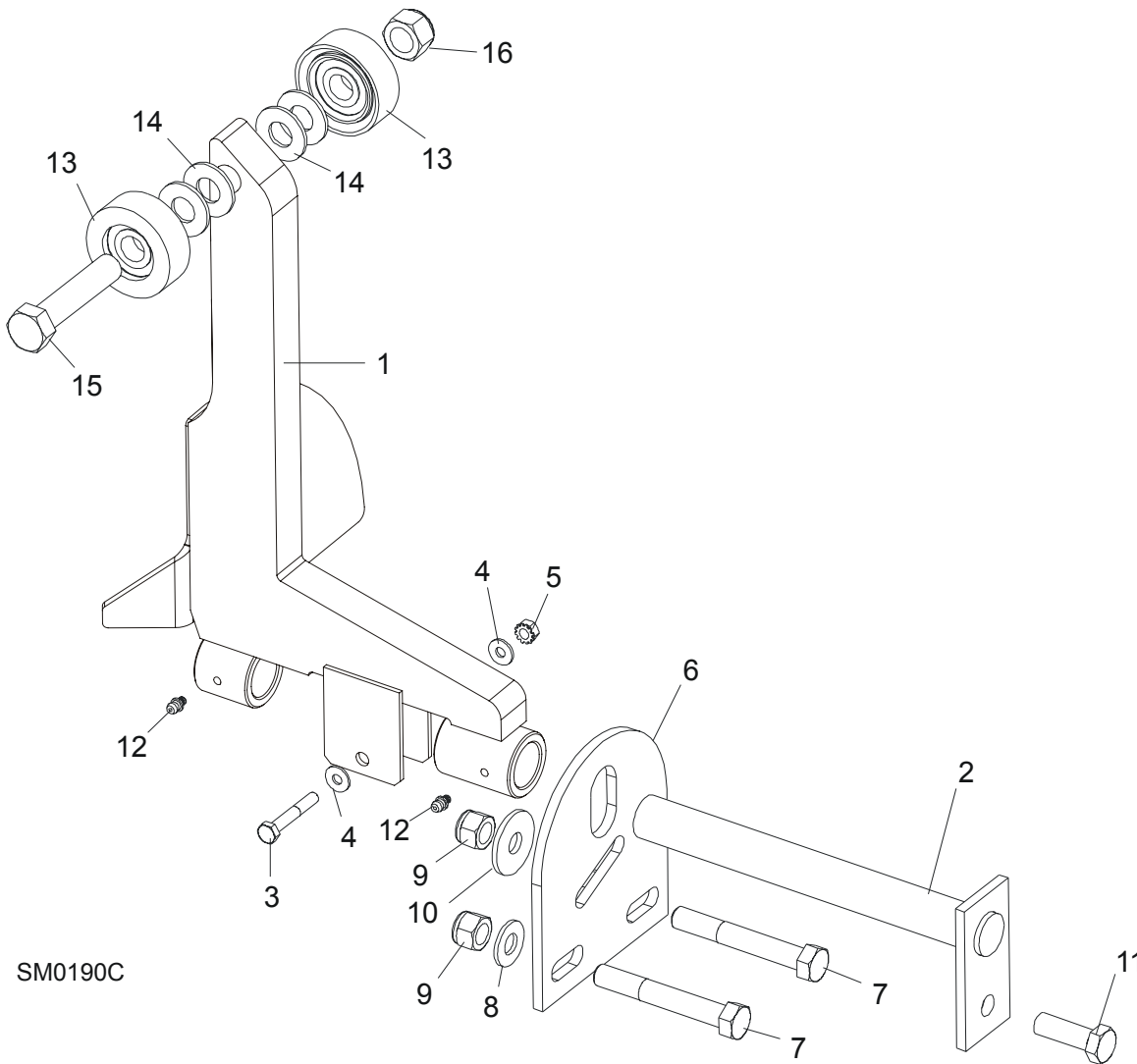
| | | | | |
|-----------|--|-----------|---|--|
| | COVER KIT, PIVOT RAIL STAINLESS STEEL (LT30) | 015926 | 2 | |
| | COVER KIT, PIVOT RAIL STAINLESS STEEL (LT40) | N/A | 2 | |
| 14 | Cover, Stainless Steel Pivot Bed Rail (LT30) | 012994 | 1 | |
| | Cover, Stainless Steel Pivot Bed Rail | 099123 | 1 | |
| 15 | Bolt, 5/16-18 X 2 1/2" Hex Head | F05006-10 | 2 | |
| 16 | Nut, 5/16-18 Hex Lock | F05010-6 | 2 | |
| | WRENCH, BED RAIL ADJUSTMENT (See Section 8.3) | 015970 | 1 | |

8.8 Bed Rail Assembly, Optional End



| REF | DESCRIPTION (◆ Indicates Parts Available In Assemblies Only) | PART # | QTY. |
|-----|--|-----------|------|
| | BED RAIL ASSY, OPTIONAL END | 094102 | 1 |
| 1 | Zinc-plated Bed Rail | 094103-1 | 1 |
| 2 | Bolt, M8X45-8.8 Hex Head Full Thread Zinc | F81002-14 | 1 |
| 3 | Nut, M8-8-B Hex Zinc | F81032-1 | 1 |
| 4 | Bed Rail Weldment, End Painted | 094104-1 | 1 |
| 5 | Bolt, M10x120 8.8 Mushroom Head Square Neck Zinc | F81003-33 | 2 |
| 6 | Washer, 10.5 Zinc Flat | F81055-1 | 2 |
| 7 | Nut, M10-8-B Hex Nylon Zinc Lock | F81033-1 | 2 |
| 8 | Bolt, M12 x 90-8.8 Hex Head Zinc | F81004-2 | 2 |
| 9 | Washer, 13 Zinc Flat | F81056-1 | 4 |
| 10 | Nut, M12-8 Hex Nylon Zinc Lock | F81034-2 | 2 |

8.9 Log Side Support Assembly

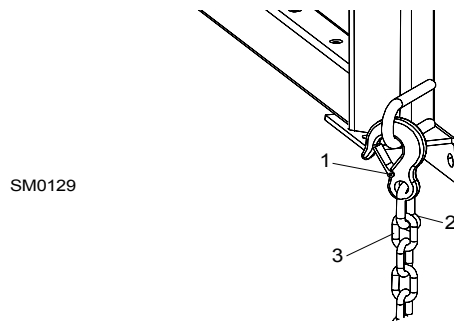


SM0190C

| REF | DESCRIPTION (◆ Indicates Parts Available In Assemblies Only) | PART # | QTY. |
|-----|--|-----------|------|
| 1 | SUPPORT, LOG SIDE W/GUARD | 099785-1 | 1 |
| 2 | PIN, LOG SIDE SUPPORT PIVOT | 091549-1 | 1 |
| 3 | BOLT, M8X45 - 8.8 HEX HEAD GRADE 5 | F81002-14 | 1 |
| 4 | WASHER, 8.4 FLAT | F81054-1 | 2 |
| 5 | NUT, M8-8-B SELF LOCKING | F81032-2 | 1 |
| 6 | PLATE, LOG SIDE SUPPORT END | 091591-1 | 1 |
| 7 | BOLT, M12 X 75-8.8 HEX HEAD | F81004-21 | 2 |
| 8 | WASHER, 13 FLAT | F81056-1 | 2 |
| 9 | NUT, M12-8 HEX NYLON LOCK | F81034-2 | 3 |
| 10 | WASHER, .5" X 1.63" X 11" GA. | 086184 | 1 |
| 11 | BOLT, M12 X 35-8.8 HEX HEAD | F81004-24 | 1 |
| 12 | FITTING, 3/16" GREASE | P04107 | 2 |
| 13 | ROLLER ASSEMBLY, SIDE SUPPORT | 015014-1 | 2 |
| 14 | WASHER, 17 FLAT | F81058-1 | 2 |
| 15 | BOLT, M16X65-8.8-B HEX HEAD GRADE 5 | F81006-1 | 1 |

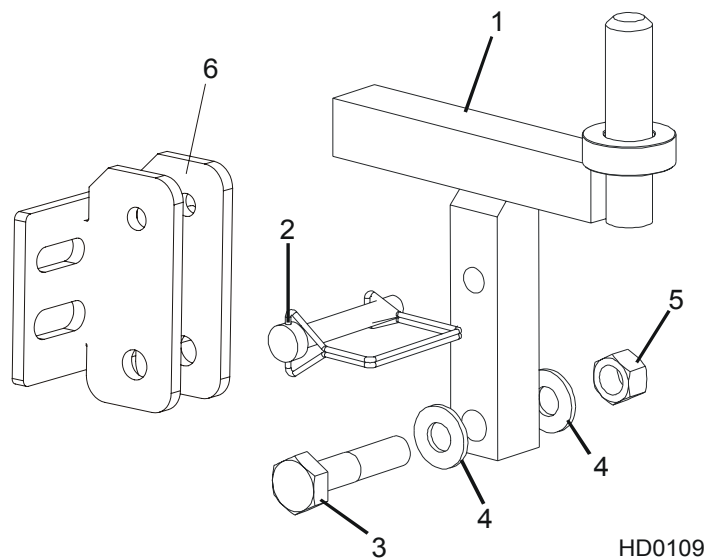
| | | | | |
|----|--|------------|---|--|
| 16 | NUT, M16-8 NYLON LOCK | F81036-2 | 1 | |
| | INSTRUCTION SHEET, SIDE SUPPORT ROLLER | 015109-526 | 1 | |

8.10 Tie Down Chain Assembly



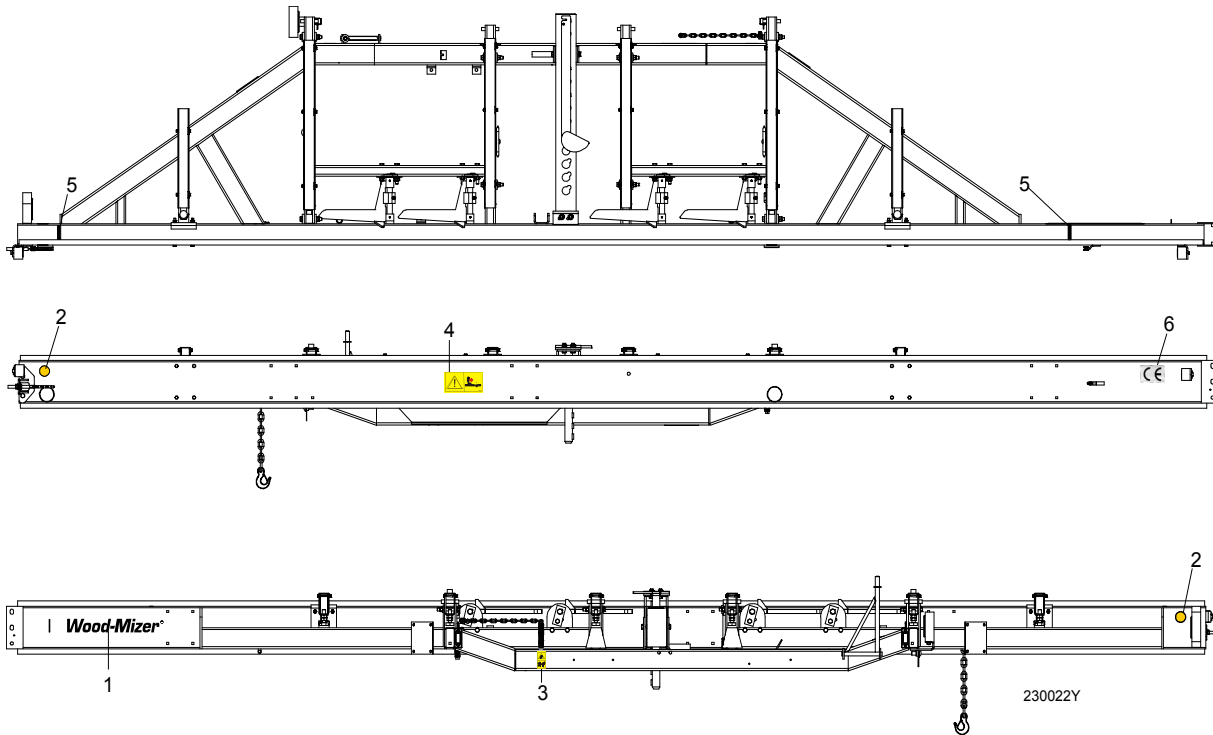
| REF | DESCRIPTION (◆ Indicates Parts Available In Assemblies Only) | PART # | QTY. | |
|-----|--|----------|------|---|
| | CHAIN ASSEMBLY, TIE DOWN | A04376-1 | 1 | |
| 1 | Hook, 5/8" Safety Chain | P12075 | 1 | ◆ |
| 2 | Screw Closed Chain Link, 10 | 100767 | 1 | ◆ |
| 3 | Chain, N-10 x 35, 6 Links | 100951 | 1 | ◆ |

8.11 Saw Head Rest Pin Assembly



| REF | DESCRIPTION (◆ Indicates Parts Available In Assemblies Only) | PART # | QTY. | |
|-----|--|----------|------|--|
| 1 | PIN, SAW HEAD REST | 085949 | 1 | |
| 2 | PIN, 3/8" X 2 1/4" SNAP RETAINER | 014151 | 1 | |
| 3 | BOLT, M12 X 60-8.8 HEX HEAD GRADE 5 | F81004-5 | 1 | |
| 4 | WASHER, 13 SAE FLAT | F81056-1 | 2 | |
| 5 | NUT, 1/2-13 HEX LOCK | F05010-3 | 1 | |
| 6 | BRACKET, LT40 SAW HEAD REST PIN MOUNT | 092765-1 | 1 | |

8.12 Bed Frame Decals



| REF | DESCRIPTION (◆ Indicates Parts Available In Assemblies Only) | PART # | QTY. |
|-----|--|--------|------|
| 1 | DECAL, WOOD-MIZER SUPER LOGO | 014751 | 1 |
| 2 | DECAL, AMBER REFLECTIVE 2" ROUND | P07453 | 2 |
| 3 | DECAL, KEEP AWAY DANGER, PICTOGRAM | 099221 | 1 |
| 4 | DECAL, SAWMILL TRAILER CAUTION, PICTOGRAM | 099542 | 1 |
| 5 | DECAL, LOG LIMIT STRIPE | S12051 | 2 |
| 6 | DECAL, CE CERTIFIED SAWMILL, SMALL | P85070 | 1 |



Bed Frame Assembly

Bed Frame Decals



Bed Frame Assembly

Bed Frame Decals

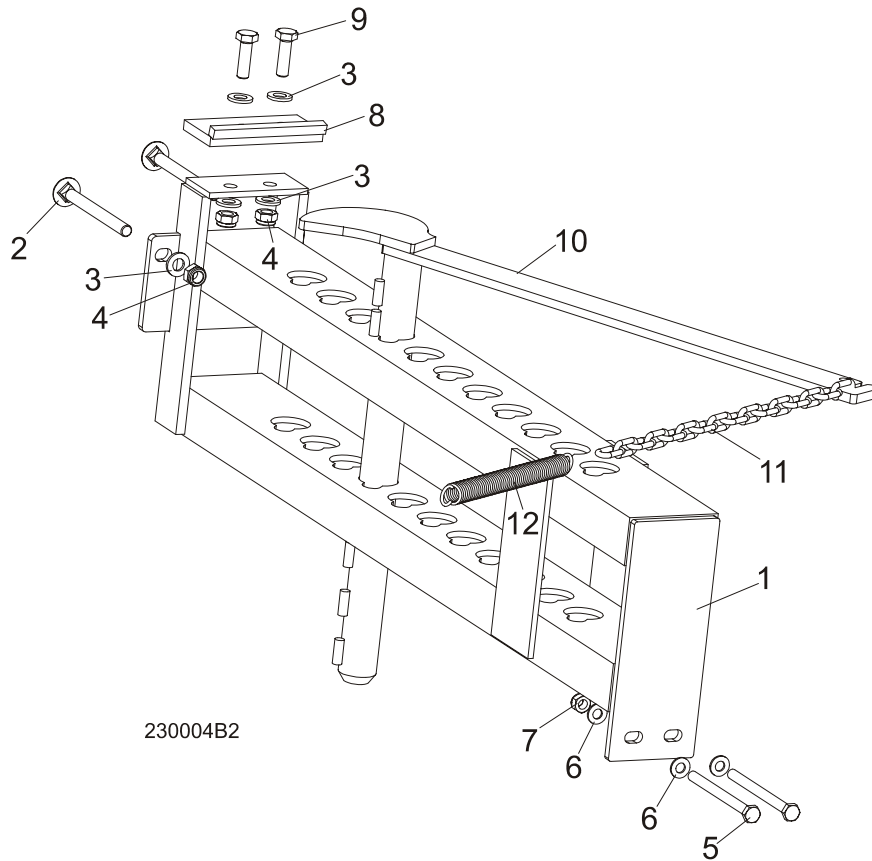


Bed Frame Assembly

Bed Frame Decals

SECTION 9 LOG CLAMP, TURNER, LOADER & TOE BOARDS

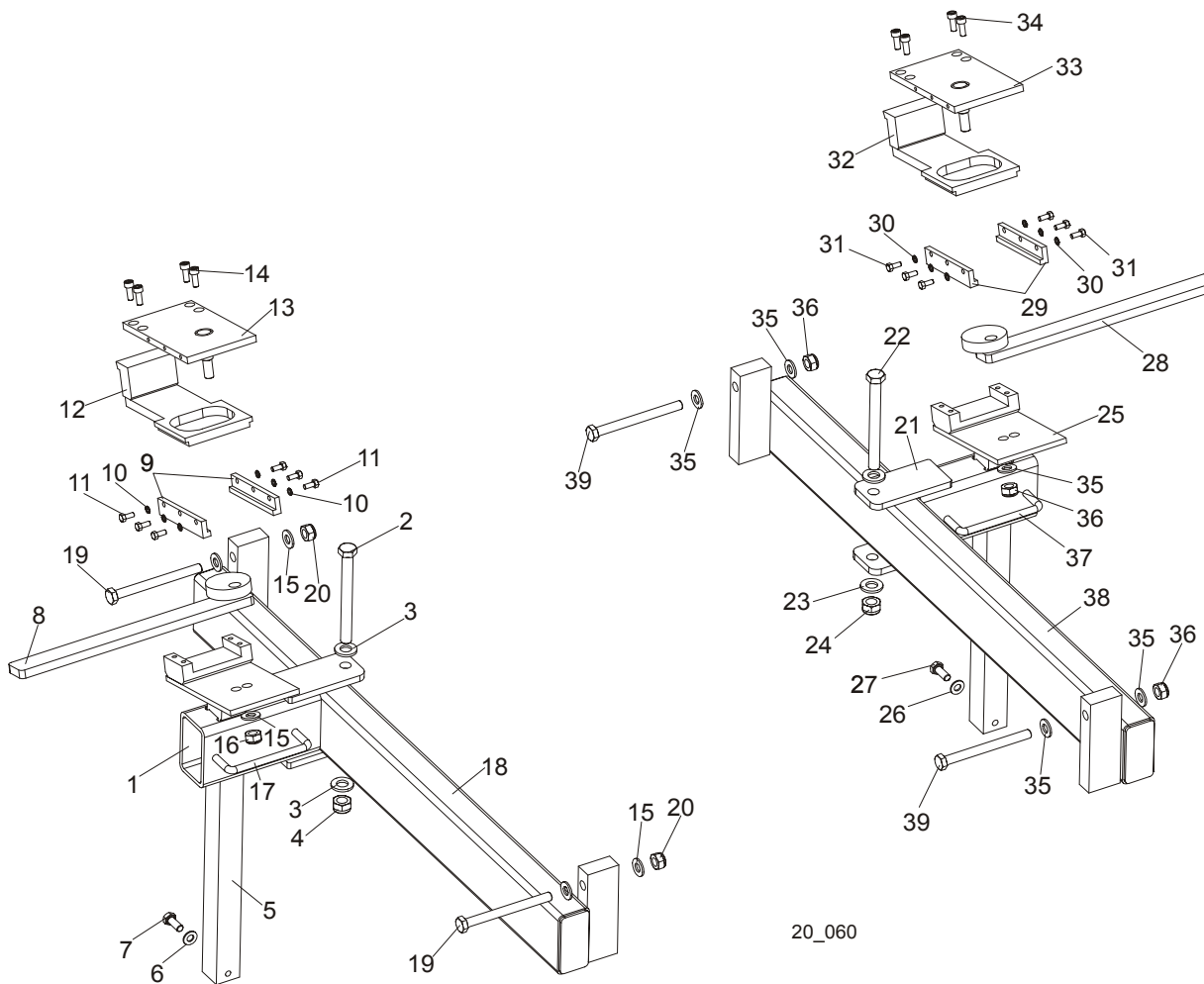
9.1 Manual Log Clamp



230004B2

| REF | DESCRIPTION (◆ Indicates Parts Available In Assemblies Only) | PART # | QTY. |
|-----|--|-----------|------|
| | MANUAL LOG CLAMP | 092683 | 1 |
| 1 | Bracket, Log Clamp | 092677-1 | 1 |
| 2 | Bolt, M12x130-8.8 Mushroom Head Square Neck Zinc | F81004-26 | 2 |
| 3 | Washer, 13 Flat Zinc | F81056-1 | 6 |
| 4 | Nut, M12-8 Hex Nylon Zinc Lock | F81034-2 | 4 |
| 5 | Bolt, M10x125-8.8 Hex Head Zinc | F81003-18 | 2 |
| 6 | Washer, 10.5 Flat Zinc | F81055-1 | 4 |
| 7 | Nut, M10-8-B Hex Nylon Zinc Lock | F81033-1 | 2 |
| 8 | Plate, Log Clamp Stop | 086980-1 | 1 |
| 9 | Bolt, M12 x 40-8.8 Hex Head Full Thread Zinc | F81004-4 | 2 |
| 10 | Clamp, Log | 100725-1 | 1 |
| 11 | Chain, Log Clamp | M04311 | 1 |
| 12 | Spring, FI 2.8 X FI 22.2 X 183 | 091864 | 1 |

9.2 Log Clamp Assembly

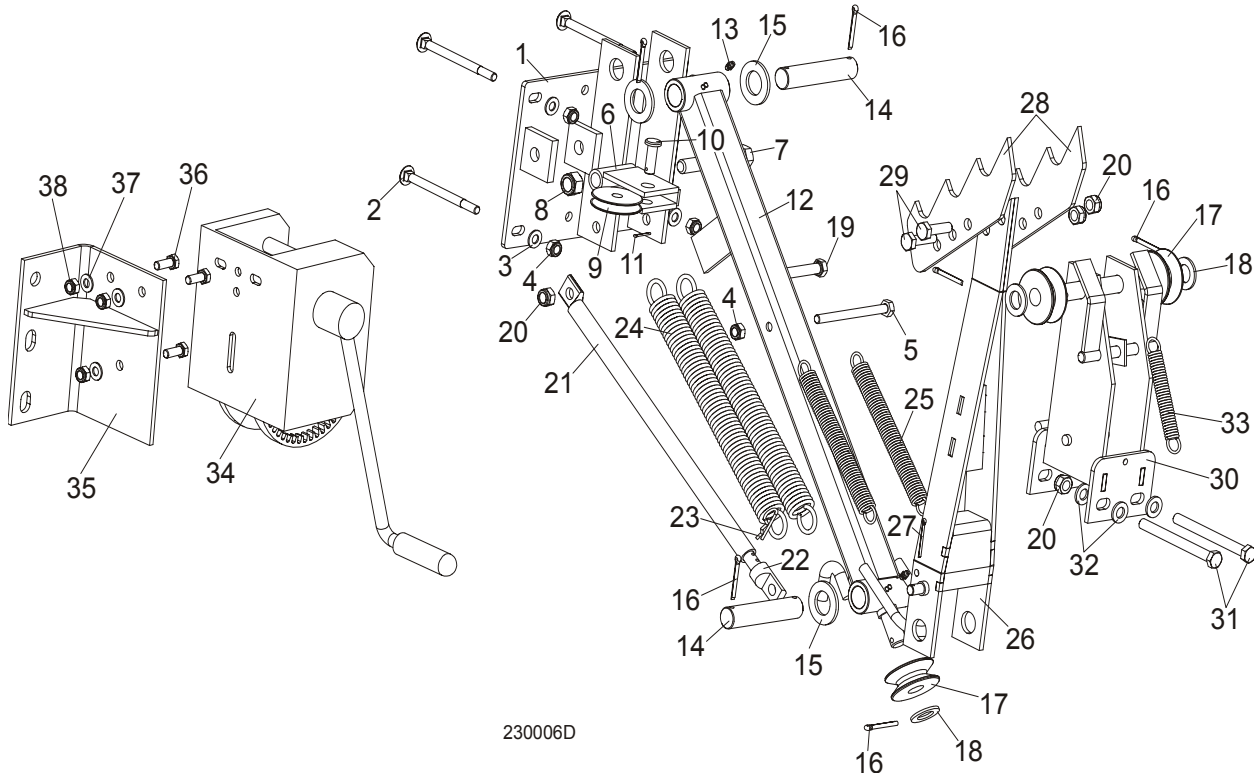


| REF | DESCRIPTION (◆ Indicates Parts Available In Assemblies Only) | PART # | QTY. |
|-----|--|---------------------|------|
| | LOG CLAMP ASSEMBLY, LEFT (NON-HYDRAULIC) | 089631 ¹ | 1 |
| 1 | Arm Weldment, Log Clamp Zinc-plated | 089624-1 | 1 |
| 2 | Bolt, M12x120 8.8 Hex Head Zinc | F81004-38 | 1 |
| 3 | Washer, 13 Zinc Flat | F81056-1 | 2 |
| 4 | Nut, M12-8 Hex Nylon Zinc Lock | F81034-2 | 1 |
| 5 | Mount Weldment, Log Clamp Zinc-plated | 090174-1 | 1 |
| 6 | Washer, 8.4 Zinc Flat | F81054-1 | 4 |
| 7 | Bolt, M8x20-8.8-B Hex Head Full Thread Zinc | F81002-4 | 2 |
| 8 | Lever, Log Clamp Zinc-plated | 089611-1 | 1 |
| 9 | Plate, Log Clamp Side Zinc-plated | 089615-1 | 2 |
| 10 | Washer, 5.1 Split Lock Zinc | F81052-2 | 6 |
| 11 | Bolt, M5x12-5.8 Hex Head Full Thread Zinc | F81000-5 | 6 |
| 12 | Plate, Clamping Zinc-plated | 090202-1 | 1 |
| 13 | Plate, Log Clamp Upper Zinc-plated | 089614-1 | 1 |
| 14 | Screw, M6x16-8.8 Hex Socket Set Cap Zinc | F81001-21 | 4 |
| 15 | Washer, 10.5 Zinc Flat | F81055-1 | 5 |
| 16 | Nut, M8-8-B Hex Nylon Zinc Lock | F81032-2 | 1 |
| 17 | Handle, 4" w/Bolts | P08065 | 1 |

| | | | | |
|----|--|-----------|---|--|
| 18 | Bar Weldment, Log Clamp Guide Ptd | 089628-1 | 1 | |
| 19 | Bolt, M10x110 8.8 Hex Head Zinc | F81003-43 | 2 | |
| 20 | Nut, M10-8-B Hex Nylon Zinc Lock | F81033-1 | 2 | |
| | LOG CLAMP ASSEMBLY, RIGHT (NON-HYDRAULIC) | 090349 | 1 | |
| 21 | Arm Weldment, Log Clamp Zinc-plated | 089624-1 | 1 | |
| 22 | Bolt, M12x120 8.8 Hex Head Zinc | F81004-38 | 1 | |
| 23 | Washer, 13 Zinc Flat | F81056-1 | 2 | |
| 24 | Nut, M12-8 Hex Nylon Zinc Lock | F81034-2 | 1 | |
| 25 | Mount Weldment, Log Clamp Zinc-plated | 090174-1 | 1 | |
| 26 | Washer, 8.4 Zinc Flat | F81054-1 | 2 | |
| 27 | Bolt, M8x20-8.8-B Hex Head Full Thread Zinc | F81002-4 | 2 | |
| 28 | Lever, Log Clamp Zinc-plated | 090348-1 | 1 | |
| 29 | Plate, Log Clamp Side Zinc-plated | 089615-1 | 2 | |
| 30 | Washer, 5.1 Split Lock Zinc | F81052-2 | 6 | |
| 31 | Bolt, M5x12-5.8 Hex Head Full Thread Zinc | F81000-5 | 6 | |
| 32 | Plate, Clamping Zinc-plated | 090202-1 | 1 | |
| 33 | Plate, Log Clamp Upper Zinc-plated | 090347-1 | 1 | |
| 34 | Screw, M6x16-8.8 Hex Socket Head Cap Zinc | F81001-21 | 4 | |
| 35 | Washer, 10.5 Zinc Flat | F81055-1 | 5 | |
| 36 | Nut, M10-8-B Hex Nylon Zinc Lock | F81033-1 | 3 | |
| 37 | Handle, 4" w/Bolts | P08065 | 1 | |
| 38 | Bar Weldment, Log Clamp Guide Ptd | 089628-1 | 1 | |
| 39 | Bolt, M10x110 8.8 Hex Head Zinc | F81003-43 | 2 | |

¹ The number of clamps depends on the frame length.

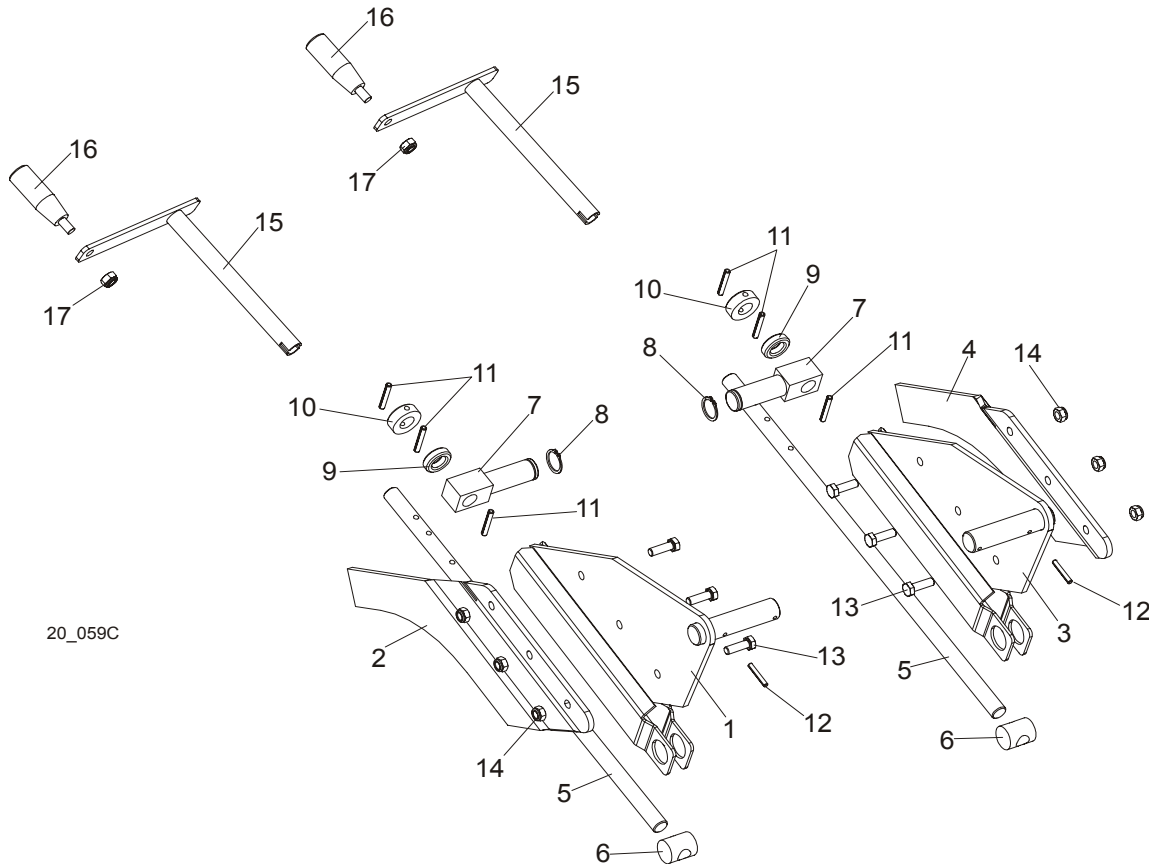
9.3 Manual Log Turner



| REF | DESCRIPTION (◆ Indicates Parts Available In Assemblies Only) | PART # | QTY. |
|-----|--|-----------|------|
| | MANUAL LOG TURNER OPTION (S/M TYPE FRAME) | 091291 | 1 |
| | MANUAL LOG TURNER OPTION (L TYPE FRAME) | 091562 | 1 |
| 1 | Handle, Manual Log Turner (S/M Type Frame) | 091269-1 | 1 |
| | Handle, Manual Log Turner (L Type Frame) | 090271-1 | 1 |
| 2 | Bolt, M10x120 8.8 Mushroom Head Square Neck Zinc | F81003-33 | 4 |
| 3 | Washer, 10.5 Flat Zinc | F81055-1 | 4 |
| 4 | Nut, M10-8-B Hex Nylon Zinc Lock | F81033-1 | 5 |
| 5 | Bolt, M10x115-8.8 Hex Head Zinc | F81003-19 | 1 |
| 6 | Handle, Manual Turner Cable Pulley | 091295-1 | 1 |
| 7 | Bolt, M16x100-8.8 Hex Head Full Thread Zinc | F81006-2 | 1 |
| 8 | Nut, M16-8 Hex Nylon Zinc Lock | F81036-2 | 1 |
| 9 | Pulley, Manual Turner Arm Cable | 091273-1 | 1 |
| 10 | Pin, 12x35 Clevis w/Head B Version | F81049-1 | 1 |
| 11 | Pin, 2.5x20 Cotter Zinc | F81043-1 | 1 |
| 12 | Arm, Lower Manual Turner | 091256-1 | 1 |
| 13 | Fitting, M6 Grease | 086280 | 2 |
| 14 | Pin, Manual Turner Arm Pivot | 091275-1 | 2 |
| 15 | Washer 28 Flat Zinc | F81061-1 | 4 |
| 16 | Pin, 5x40 Cotter Zinc | F81043-31 | 7 |
| 17 | Pulley, Manual Turner Cable | 091280-1 | 3 |
| 18 | Washer, 20.5 Split Lock Zinc | F81059-1 | 5 |

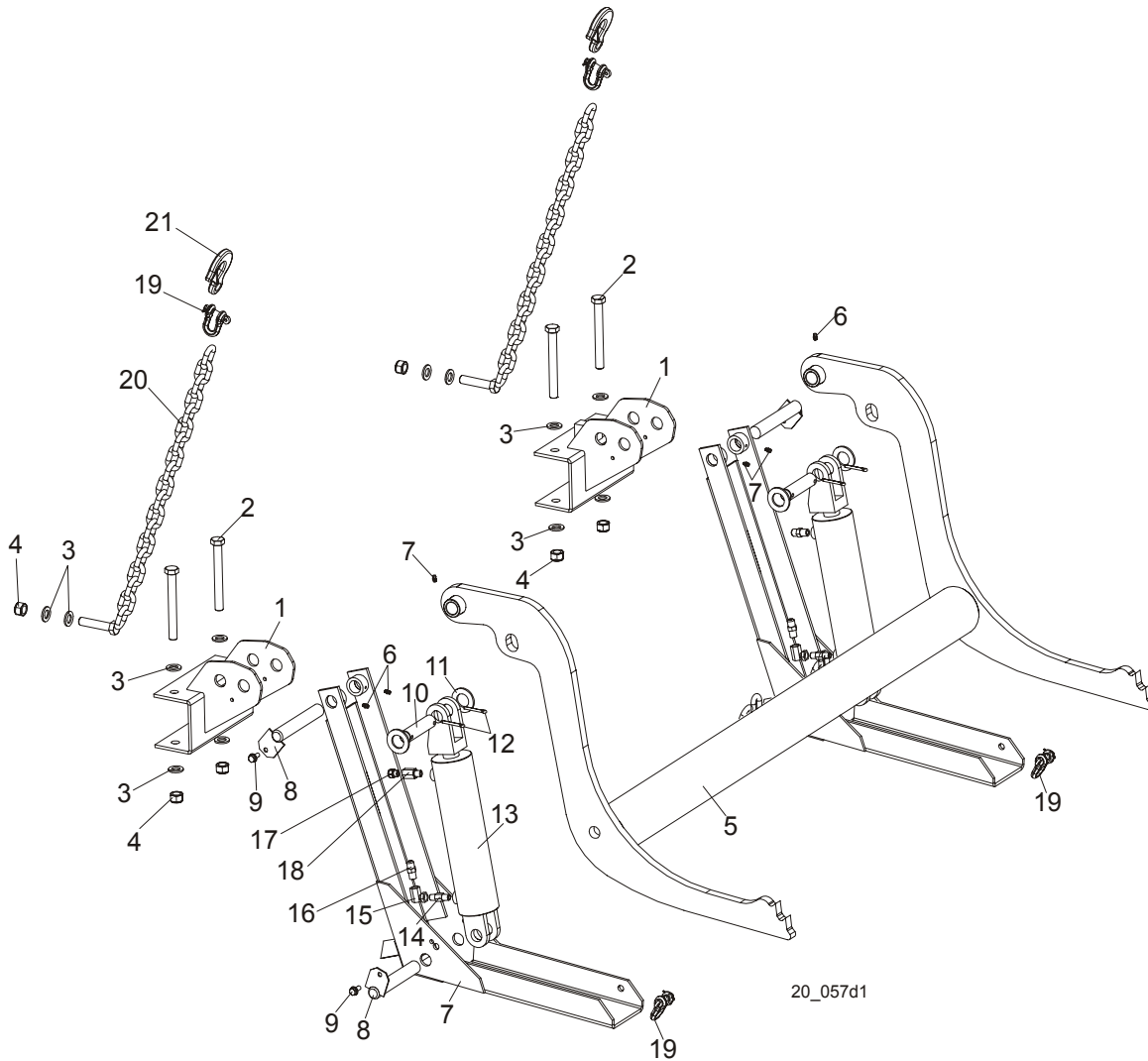
| | | | | |
|----|---|-----------|---|---|
| 19 | Bolt, M12x120 8.8 Hex Head Zinc | F81004-38 | 1 | |
| 20 | Nut, M12-8 Hex Nylon Zinc Lock | F81034-2 | 5 | |
| 21 | Tube, Manual Turner Stop | 091537-1 | 1 | |
| 22 | Rod, Manual Turner Stop | 091540-1 | 1 | |
| 23 | Pin, 1/8x1 13/16 Safety | P05059 | 1 | |
| 24 | Spring, FI 4.5X FI 35X303 | 091863 | 2 | ◆ |
| 25 | Spring, FI 2.8 X FI 22.2 X 183 | 091864 | 2 | |
| 26 | Arm, Upper Manual Turner | 091263-1 | 1 | |
| 27 | Pin, 4x25 Cotter Zinc | F81043-2 | 1 | |
| 28 | Claw, Log Turner | 088082-1 | 2 | |
| 29 | Bolt, M12x40-8.8 Hex Head Full Thread Zinc | F81004-4 | 2 | |
| 30 | Bracket, Manual Turner Cable Pulley | 091281-1 | 1 | |
| 31 | Bolt, M12x130-8.8 Hex Head Zinc | F81004-36 | 2 | |
| 32 | Washer, 13 Flat Zinc | F81056-1 | 4 | |
| 33 | Spring, FI 1.9 X FI 14.2 X 104 | 091865 | 1 | |
| 34 | WINCH, AL-KO TYPE 901 | 096453 | 1 | |
| 35 | BRACKET, WINCH MOUNT (COMP. NON-HYD FRAME) | 085841-1 | 1 | |
| 36 | BOLT, M10-1.5X25MM HH GR8.8 | F81003-11 | 3 | |
| 37 | WASHER, FLAT, M10, ZINC | F81055-1 | 3 | |
| 38 | NUT, M10, NYLON HEX ZINC LOCK | F81033-1 | 3 | |

9.4 Manual Toe Board



| REF | DESCRIPTION (◆ Indicates Parts Available In Assemblies Only) | PART # | QTY. |
|-----|--|-----------|------|
| | TOE BOARD KIT, MANUAL FRONT | 094929 | 1 |
| 1 | Plate Weldment, Manual Toe Board Front | 094927-1 | 1 |
| 2 | Extension, Manual Toe Board Plate (I) | 095203-1 | 1 |
| | TOE BOARD KIT, MANUAL REAR | 094928 | 1 |
| 3 | Plate Weldment, Manual Toe Board Rear | 094926-1 | 1 |
| 4 | Extension, Manual Toe Board Plate (II) | 095202-1 | 1 |
| 5 | Shaft, Manual Toe Board | 090344-1 | 2 |
| 6 | Nut, Special Threaded | 090017 | 2 |
| 7 | Pivot, Manual Toe Board Shaft (I) | 094931-1 | 2 |
| 8 | Ring, Z 22 Outside Retaining | F81090-24 | 2 |
| 9 | Bearing, 5/8" Thrust | P04214 | 2 |
| 10 | Collar, 16 | F81039-6 | 2 |
| 11 | Pin, 5x35-N-C PN-EN ISO 8752 Roll | F81044-9 | 6 |
| 12 | Pin, 4x30 Zinc Roll | F81044-7 | 2 |
| 13 | Bolt, M8 x 25-8.8-B Hex Head Full Thread Zinc | F81002-5 | 6 |
| 14 | Nut, M8-8-B Hex Nylon Zinc Lock | F81032-2 | 6 |
| | CRANK ASSEMBLY, MANUAL TOE BOARD | 500600 | 2 |
| 15 | Crank, Manual Toe Board | 500599-1 | 1 |
| 16 | Knob, Plastic Crank Handle | 086338 | 1 |
| 17 | Nut, M10-8-B Nylon Hex Zinc Lock | F81033-1 | 1 |

9.5 Manual Log Loader (S/M Type Frame)

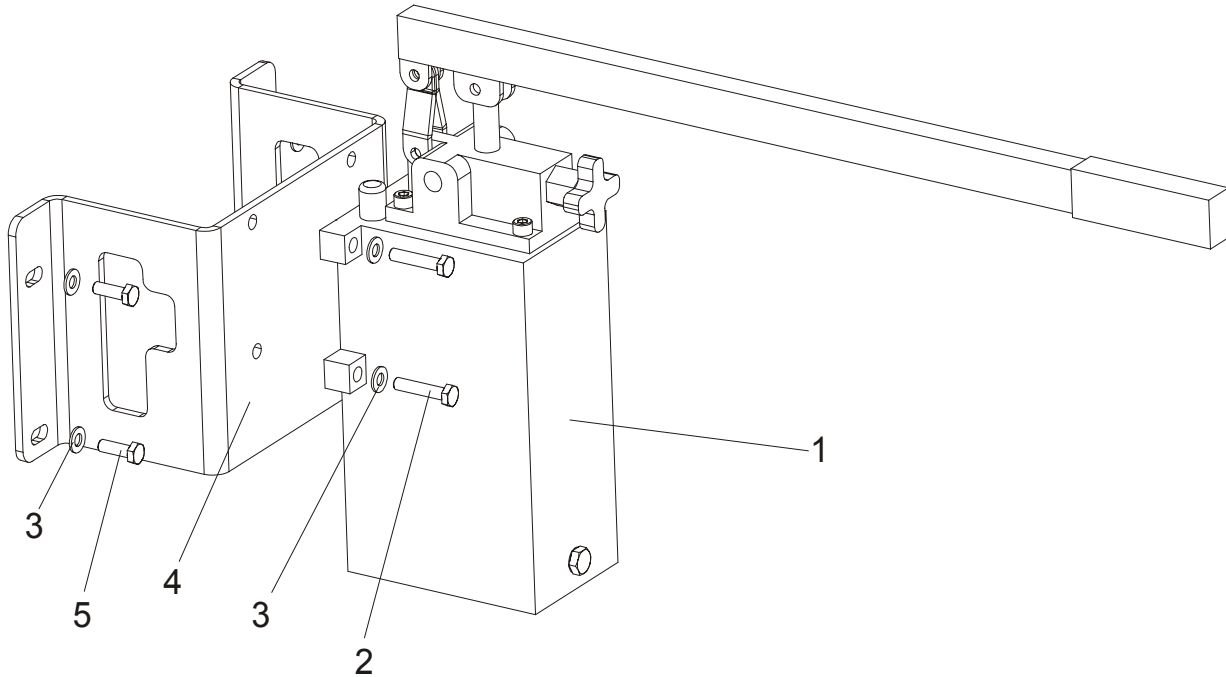


20_057d1

| REF | DESCRIPTION (◆ Indicates Parts Available In Assemblies Only) | PART # | QTY. |
|-----|--|-----------|------|
| | LOG LOADER, LT20 COMPLETE | 091952 | 1 |
| 1 | Bracket , Log Loader Mount Painted (S/M Type Frame) | 092865-1 | 2 |
| 2 | Bolt, M16x140-8.8 Hex Head Zinc | F81006-4 | 4 |
| 3 | Washer, 17 Zinc Flat | F81058-1 | 12 |
| 4 | Nut, M16-8 Hex Nylon Zinc Lock | F81036-2 | 6 |
| | Log Loader W/Chain, LT20 | 091954 | 1 |
| 5 | Loader Weldment, Log Painted | 090006-1 | 1 |
| 6 | Fitting, 3/16" Straight Grease | P04107 | 6 |
| 7 | Foot, Log Loader Painted | 090048-1 | 2 |
| 8 | Pin Weldment, Log Loader Painted | W09446-1 | 4 |
| 9 | Screw, 5/16-18 x 3/4 Self-Tapping | F05015-30 | 4 |
| 10 | Pin, Hydraulic Cylinder Zinc-Plated | 086979-1 | 2 |
| 11 | Washer, 28 Zinc Flat | F81061-1 | 4 |
| 12 | Pin, 5x40 Cotter Zinc | F81043-31 | 4 |
| | Cylinder Assembly, LT20 Log Loader | 094333 | 2 |
| 13 | Cylinder, CJ-S95-16-70/32/203 Hydraulic | 088680 | 1 |

| | | | | |
|-----------|---|----------|---|--|
| 14 | Fitting, 1/4 NPT 4.0 GPM Velocity Fuse | 015750 | 1 | |
| 15 | Fitting, #9455X4X4 90 Deg. Swivel Elbow | P12199 | 1 | |
| 16 | Fitting, 3/8JIC-1/4 NPT Straight | 015560 | 1 | |
| 17 | Air Vent Valve 2901-14-17 | 090794 | 1 | |
| 18 | Fitting, $\frac{1}{4}$ " F. Thread/ $\frac{1}{4}$ " NPT M. Thread Reducer | 090795 | 1 | |
| 19 | Shackle, M-WL. .63 | 099525 | 4 | |
| 20 | Chain, LT20 Log Loader Painted | 091953-1 | 2 | |
| 21 | Hook, 5/8 Safety Chain | P12075 | 2 | |

9.6 Manual Log Loader Pump



| REF | DESCRIPTION (◆ Indicates Parts Available In Assemblies Only) | PART # | QTY. | |
|-----|--|-----------|------|--|
| 1 | PUMP, PAM 014 2500 3L MANUAL | 090309 | 1 | |
| 2 | BOLT, M8X80-8.8 HEX HEAD ZINC | F81002-18 | 4 | |
| 3 | WASHER, 8.4 ZINC FLAT | F81054-1 | 8 | |
| 4 | BRACKET, LOG LOADER PUMP MOUNT | 090377-1 | 1 | |
| 5 | BOLT, M8X25-8.8-B HEX HEAD FULL THREAD ZINC | F81002-5 | 4 | |