

# Wood-Mizer<sup>®</sup> Sawmill

## Parts Manual

---

LT30AHD Super  
LT40AHD Super

rev. B3.00  
rev. B3.00

---



**Safety is our #1 concern!** Read and understand all safety information and instructions before operating, setting up or maintaining this machine.

*November 1998*

*Form #921*

## Table of Contents

## Section-Page

<b>SECTION 1</b>	<b>GENERAL INFORMATION</b>	<b>1-1</b>
1.1	How To Use The Parts List .....	1-1
1.2	Sample Assembly .....	1-1
<b>SECTION 2</b>	<b>BLADE GUIDE ROLLERS &amp; ARM</b>	<b>2-1</b>
2.1	Blade Guide Assembly, Idle Side.....	2-2
2.2	Blade Guide Assembly, Drive Side.....	2-4
2.3	Blade Guide Arm & Rollers.....	2-6
2.4	Blade Guide Arm Drive Assembly.....	2-8
<b>SECTION 3</b>	<b>BLADE WHEELS &amp; TENSIONER</b>	<b>3-1</b>
3.1	Blade Drive Assembly.....	3-2
3.2	Idle Blade Wheel Assembly .....	3-4
3.3	Hydraulic Blade Tensioner Assembly.....	3-6
<b>SECTION 4</b>	<b>SAW HEAD</b>	<b>4-1</b>
4.1	Middle Throat Screw.....	4-1
4.2	Water Lube Solenoid Valve .....	4-1
4.3	Clutch Lever Assembly .....	4-2
4.4	Brake Assembly.....	4-4
4.5	Board Return Assembly .....	4-6
4.6	Water Lube Assembly .....	4-8
4.7	Saw Head Decals.....	4-10
4.8	Blade Housing Covers.....	4-12
4.9	Drive Belt Covers.....	4-14
4.10	Sawdust Chute.....	4-16
<b>SECTION 5</b>	<b>CONTROL &amp; BATTERY BOXES</b>	<b>5-1</b>
5.1	Control Assembly, LT30AHD/LT40AHD Super .....	5-2
5.2	Drum Switches .....	5-4
5.3	Circuit Breakers.....	5-6
5.4	Front Panel Assembly & Harnesses .....	5-8
<b>SECTION 6</b>	<b>UP/DOWN SYSTEM</b>	<b>6-1</b>
6.1	Saw Head V-Brace Mount.....	6-1
6.2	Blade Height Scale .....	6-2
6.3	Up/Down Chain & Sprockets.....	6-4
6.4	Up/Down Motor Assembly, LT30AHD/LT40AHD Super.....	6-6
6.5	Up/Down Drive Assembly, LT30AHD/LT40AHD Super.....	6-8

## Table of Contents

## Section-Page

<b>SECTION 7</b>	<b>POWER FEED &amp; TRACK ROLLERS</b>	<b>7-1</b>
7.1	Upper Track Rollers And Wipers.....	7-1
7.2	Power Feed Assembly, LT30AHD/LT40AHD Super.....	7-2
7.3	Feed Chain/Stop, LT30AHD/LT40AHD Super.....	7-4
7.4	Lower Track Rollers.....	7-6
<b>SECTION 8</b>	<b>BED FRAME ASSEMBLY</b>	<b>8-1</b>
8.1	Bed Rail Assembly, Front And Rear.....	8-2
8.2	Bed Rail Assembly, Front Middle.....	8-4
8.3	Bed Rail Assembly, Rear Middle.....	8-6
8.4	Leg, Stationary.....	8-8
8.5	Board Return Table Assembly.....	8-10
8.6	Pivot Bed Rail Assembly.....	8-12
8.7	Log Side Support Assembly (Manual).....	8-14
8.8	Tie Down Chain Assembly.....	8-16
8.9	Saw Head Rest Pin Assembly.....	8-16
8.10	Bed Frame Decals.....	8-17
<b>SECTION 9</b>	<b>HYDRAULIC SYSTEM</b>	<b>9-1</b>
9.1	Hydraulic Hoses.....	9-1
9.2	Hydraulic Control Box.....	9-2
9.3	Hydraulic Power Supply Strip.....	9-4
9.4	Hydraulic Log Loader.....	9-6
9.5	Hydraulic Log Turner.....	9-8
9.6	Hydraulic Log Side Supports.....	9-10
9.7	Hydraulic Log Clamp.....	9-12
9.8	Hydraulic Toe Board.....	9-14



## SECTION 1 GENERAL INFORMATION

### 1.1 How To Use The Parts List

- Use the index above to locate the assembly that contains the part you need.
- Go to the appropriate section and locate the part in the illustration.
- Use the number pointing to the part to locate the correct part number and description in the table.
- Parts shown indented under another part are included with that part.
- Parts marked with a diamond (◆) are only available in the assembly listed above the part.

See the sample table below. Sample Part #A01111 includes part F02222-2 and subassembly A03333. Subassembly A03333 includes part S04444-4 and subassembly K05555. The diamond (◆) indicates that S04444-4 is not available except in subassembly A03333. Subassembly K05555 includes parts M06666 and F07777-77. The diamond (◆) indicates M06666 is not available except in subassembly K05555.

1.2 Sample Assembly				
REF	DESCRIPTION (◆ Indicates Parts Available In Assemblies Only)	PART #	QTY.	
	Sample Assembly, Complete (Includes All Indented Parts Below)	A01111	1	
7	Sample Part	F02222-22	1	
	Sample Subassembly (Includes All Indented Parts Below)	A03333	1	
8	Sample Part (◆ Indicates Part Is Only Available With A03333)	S04444-4	1	◆
	Sample Subassembly (Includes All Indented Parts Below)	K05555	1	
9	Sample Part (◆ Indicates Part Is Only Available With K05555)	M06666	2	◆
10	Sample Part	F07777-77	1	

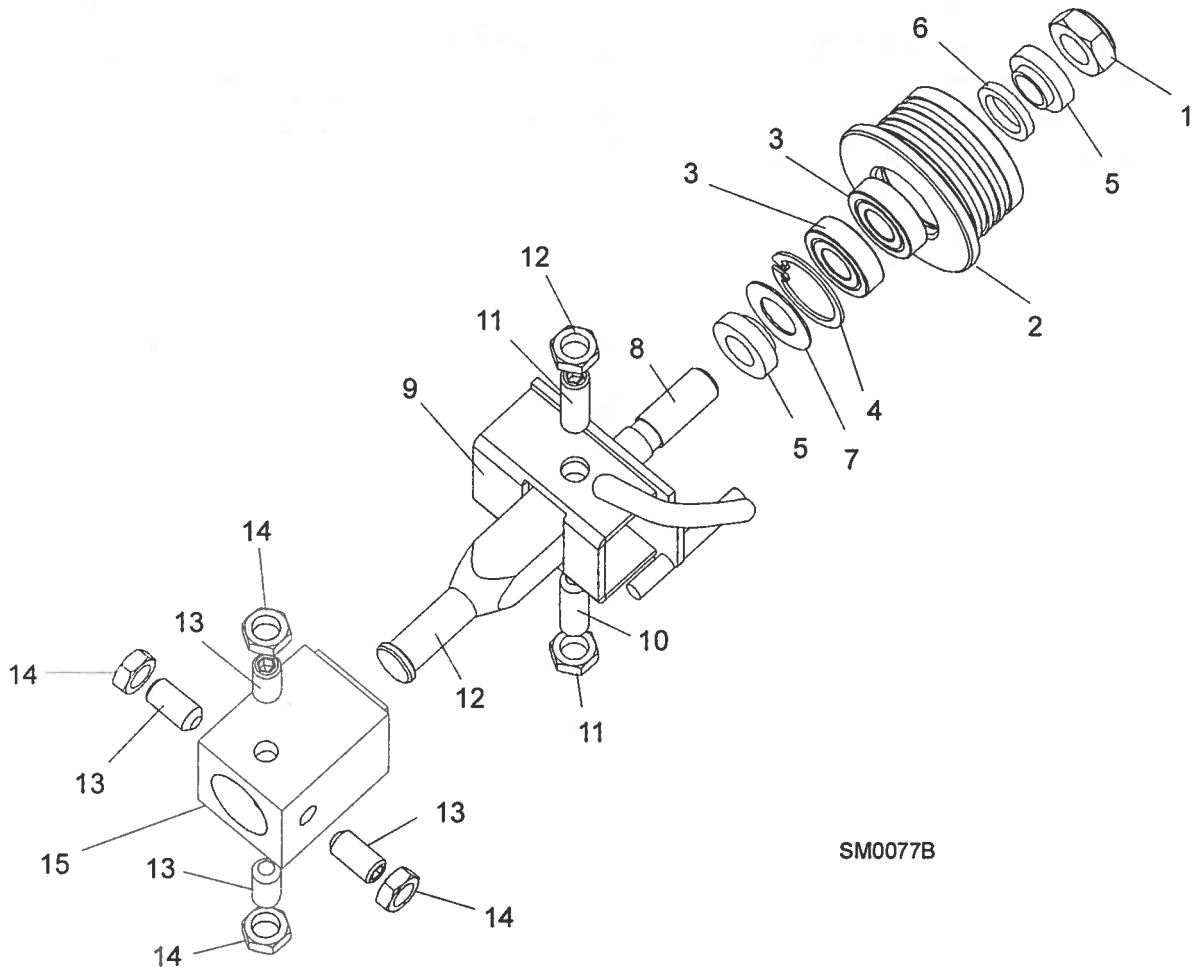
#### **To Order Parts:**

- From Europe call our European Headquarters and Manufacturing Facility in Kolo, Poland at **+48-63-2610233**. From the continental U.S., call our toll-free Parts hotline at **1-800-448-7881**. Have your customer number, vehicle identification number, and part numbers ready when you call.
- From other international locations, contact the Wood-Mizer distributor in your area for parts.



## SECTION 2 BLADE GUIDE ROLLERS & ARM

### 2.1 Blade Guide Assembly, Idle Side



SM0077B

REF	DESCRIPTION (◆ Indicates Parts Available In Assemblies Only)	PART #	QTY.	
	<b>BLADE GUIDE ASSEMBLY, COMPLETE IDLE SIDE</b>	A08197	1	
1	Nut, 1/2-20 Jam Nylon Lock	F05010-79	1	
	Roller, Blade Guide With Bearings	A04925	1	
	Roller, Blade Guide With Bearings Extended (for optional use with 1 1/2" blades)	014299 <sup>1</sup>	1	
2	Roller, Flanged Blade Guide	A09678	1	◆
	Roller, Blade Guide Extended (for optional use with 1 1/2" blades)	014298 <sup>1</sup>	1	◆
	Bearing Kit, Blade Guide Rebuild	K07079	1	
3	Bearing, R8-2RS Blade Guide	015975	2	
4	Ring, 1 1/8" Interior Retaining	F04254-1	1	
5	Spacer, Blade Guide	086769	2	
6	Washer, 5/8" Gray Felt	P06455	1	
7	Washer, 5/8" White Felt	P04252	1	
	Instruction Sheet, Blade Guide Rebuild/Replacement	A04925-364	1	

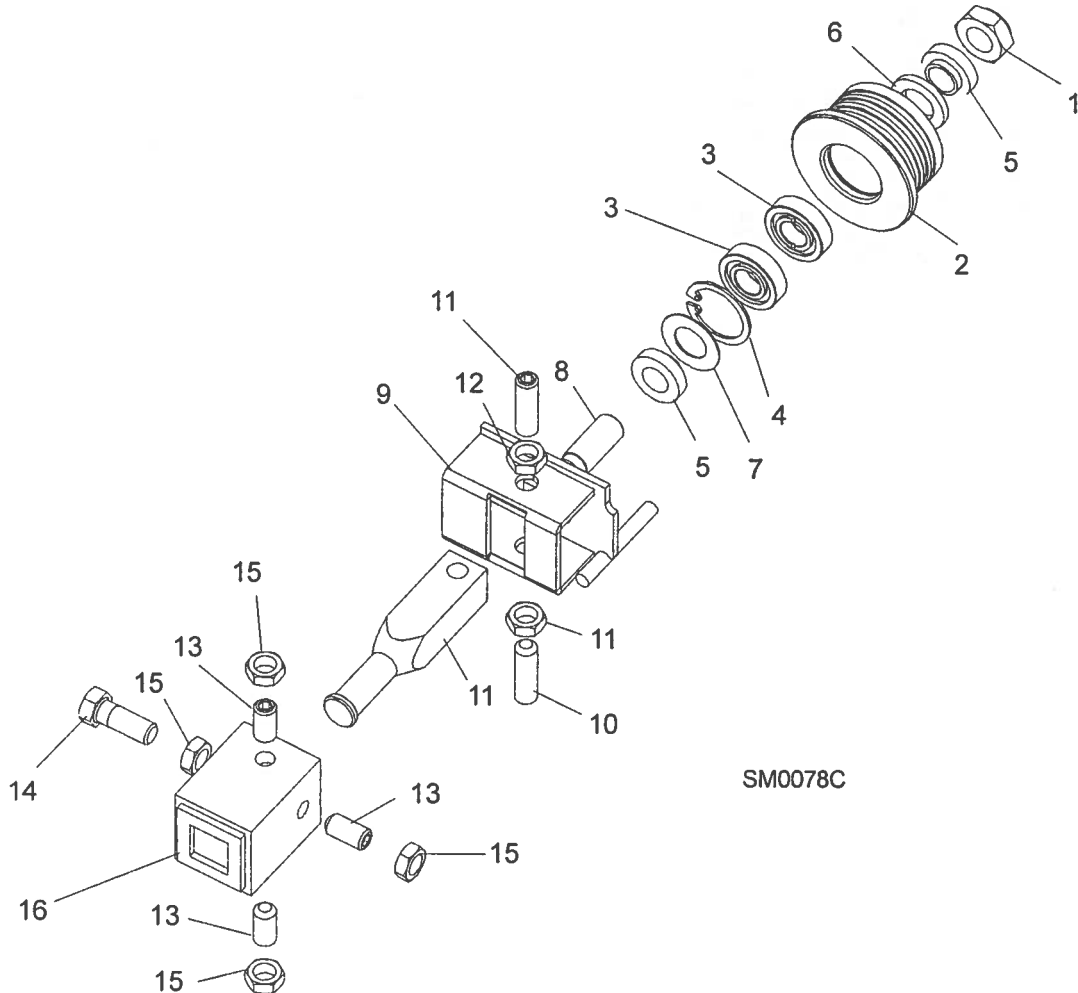
**2****Blade Guide Rollers & Arm***Blade Guide Assembly, Idle Side*

8	Bolt, Blade Guide Mounting	S08192	1	
9	Bracket, Blade Guide Idle Side With Water Tube	W08495	1	
	Screw Kit, Blade Guide Adjustment w/Nuts (For two blade guide assemblies)	K09942	1	
10	Screw, 3/8-24 X 1 1/4" Stainless Steel Socket Head Flat Point	F05007-96	4	
11	Nut, 3/8-24 Jam	F05010-22	4	
12	Shaft, Blade Guide Adjustment	S08196	1	
13	<b>SCREW, 3/8-24 X 3/4" STAINLESS STEEL SOCKET HEAD FLAT POINT</b>	F05007-95	4	
14	<b>NUT, 3/8-24 JAM</b>	F05010-22	4	
15	<b>TUBE, BLADE GUIDE MOUNT</b> (See Section 2.3 Blade Guide Arm & Rollers)	W08159	1	

<sup>1</sup> Originally supplied with Super sawmills only.



2.2 Blade Guide Assembly, Drive Side



REF	DESCRIPTION (◆ Indicates Parts Available In Assemblies Only)	PART #	QTY.	
	<b>BLADE GUIDE ASSEMBLY, COMPLETE DRIVE SIDE</b>	A08191	1	
1	Nut, 1/2-20 Jam Nylon Lock	F05010-79	1	
	Roller, Blade Guide With Bearings	A04925	1	
	Roller, Blade Guide With Bearings Extended (for optional use with 1 1/2" blades)	014299 <sup>1</sup>	1	
2	Roller, Flanged Blade Guide	A09678	1	◆
	Roller, Blade Guide Extended (for optional use with 1 1/2" blades)	014298 <sup>1</sup>	1	◆
	Bearing Kit, Blade Guide Rebuild	K07079	1	
3	Bearing, R8-2RS Blade Guide	015975	2	
4	Ring, 1 1/8" Interior Retaining	F04254-1	1	
5	Spacer, Blade Guide	086769	2	
6	Washer, 5/8" Gray Felt	P06455	1	
7	Washer, 5/8" White Felt	P04252	1	
	Instruction Sheet, Blade Guide Rebuild/Replacement	A04925-364	1	
8	Bolt, Blade Guide Mounting	S08192	1	

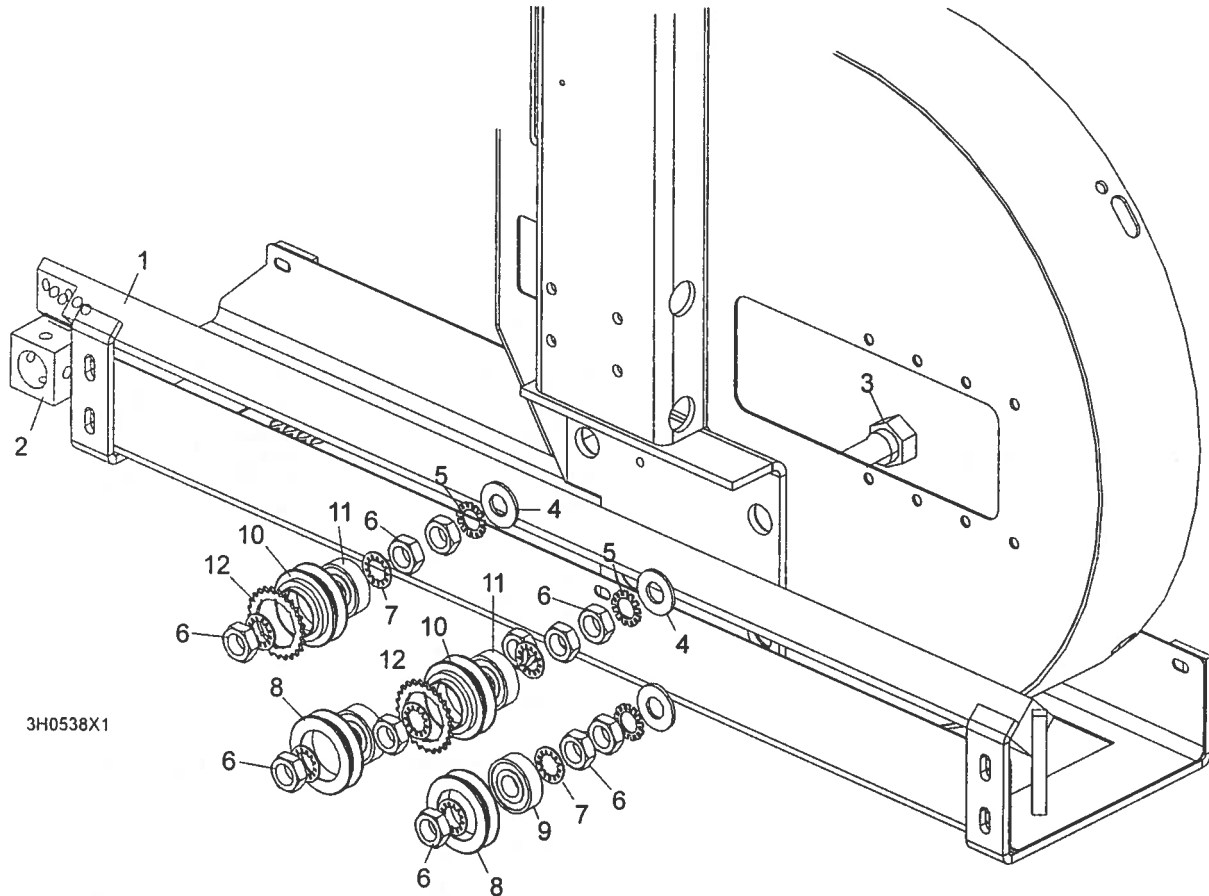
**2****Blade Guide Rollers & Arm***Blade Guide Assembly, Drive Side*

---

9	Bracket, Blade Guide Drive Side	W08482	1	
	Screw Kit, Blade Guide Adjustment w/Nuts (For two blade guide assemblies)	K09942	1	
10	Screw, 3/8-24 X 1 1/4" Stainless Steel Socket Head Flat Point	F05007-96	4	
11	Nut, 3/8-24 Jam	F05010-22	4	
12	Shaft, Blade Guide Adjustment	S08196	1	
13	<b>SCREW, 3/8-24 X 3/4" STAINLESS STEEL SOCKET HEAD FLAT POINT SET</b>	F05007-95	3	
14	<b>BOLT, 3/8-24 X 1" STAINLESS STEEL HEX HEAD</b>	F05007-99	1	
15	<b>NUT, 3/8-24 JAM</b>	F05010-22	4	
16	<b>TUBE, BLADE GUIDE MOUNT (Part of Saw Frame Weldment)</b>	W08159	1	

<sup>1</sup> Originally supplied with Super sawmills only.

2.3 Blade Guide Arm & Rollers

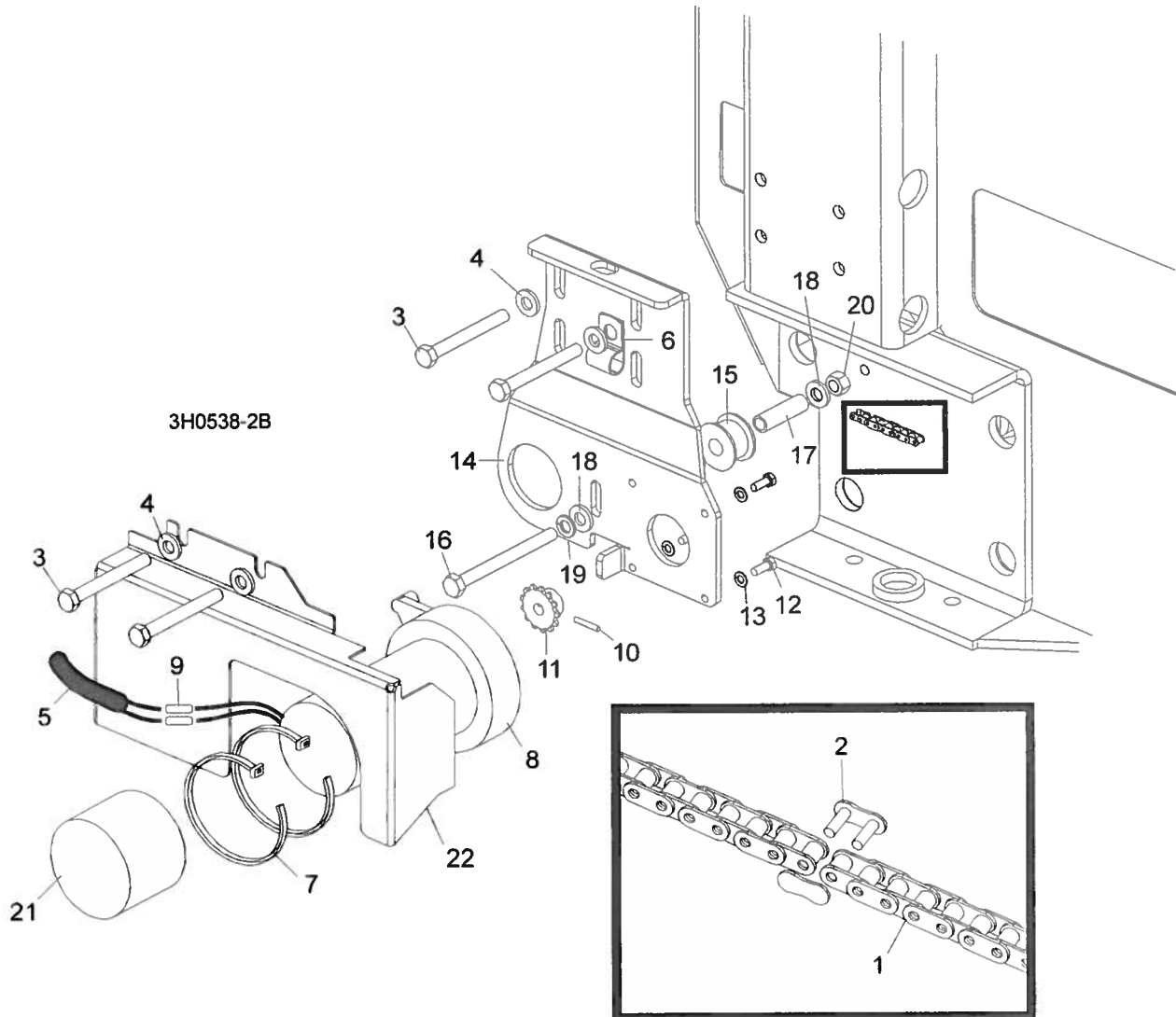


REF	DESCRIPTION (◆ Indicates Parts Available In Assemblies Only)	PART #	QTY.
1	BLADE GUIDE ARM WELDMENT	087018-1	1
2	Tube, Blade Guide Mount (G.S. - Bolted to Blade Guide Arm)	W10426	1
3	BOLT, BLADE GUIDE ARM ROLLER CAM	086508-1	4
4	WASHER, 17 FLAT	F81058-1	4
5	WASHER, 5/8" EXTERNAL STAR	F05011-26	4
6	NUT, 5/8-18 HEX JAM	F05010-11	12
7	WASHER, 5/8" INTERNAL STAR	F05011-25	8
	<b>ROLLER ASSEMBLY, BLADE GUIDE ARM WITH BEARING</b>	A09059	2
8	Roller, Blade Guide Arm V-Groove	S07989-W	1 ◆
9	Bearing, 6203-2NSL 5/8" I.D.	P06030-1	1
	<b>ROLLER ASSEMBLY, BLADE GUIDE ARM WITH BEARING AND SPROCKET</b>	A09932	2
10	Roller, Blade Guide Arm Drive	S09930-W	1 ◆
11	Bearing, 6203-2NSL 5/8" I.D.	P06030-1	1
12	Sprocket, #25 26-Tooth	015939	1 ◆

## 2 Blade Guide Rollers & Arm

### Blade Guide Arm Drive Assembly

### 2.4 Blade Guide Arm Drive Assembly



REF	DESCRIPTION (◆ Indicates Parts Available In Assemblies Only)	PART #	QTY.
1	CHAIN, #25 X 20 1/4"	P09984	1
2	LINK, #25 MASTER	P09983	1
3	BOLT, 5/16-18 X 2 3/4" HEX HEAD GRADE 5	F05006-28	4
4	WASHER, 8.4 FLAT	F81054-1	4
5	TUBE, 3/8" X 1/2" NEOPRENE	R01897	0,75 m
6	CLAMP, 1/2" COATED EMT	P07584	2
7	WRAP, 1/4" X 6" TIE	F05089-1	2
	<b>DRIVE ASSEMBLY, BLADE GUIDE ARM</b>	015989	1
	Motor Assembly, Blade Guide Arm Replacement	A10365	1
8	Motor, Blade Guide Arm 53:1 Gear	P09698-1	1
	Housing, Klauber Motor End	P12756	1

## Blade Guide Rollers & Arm

### *Blade Guide Arm Drive Assembly*

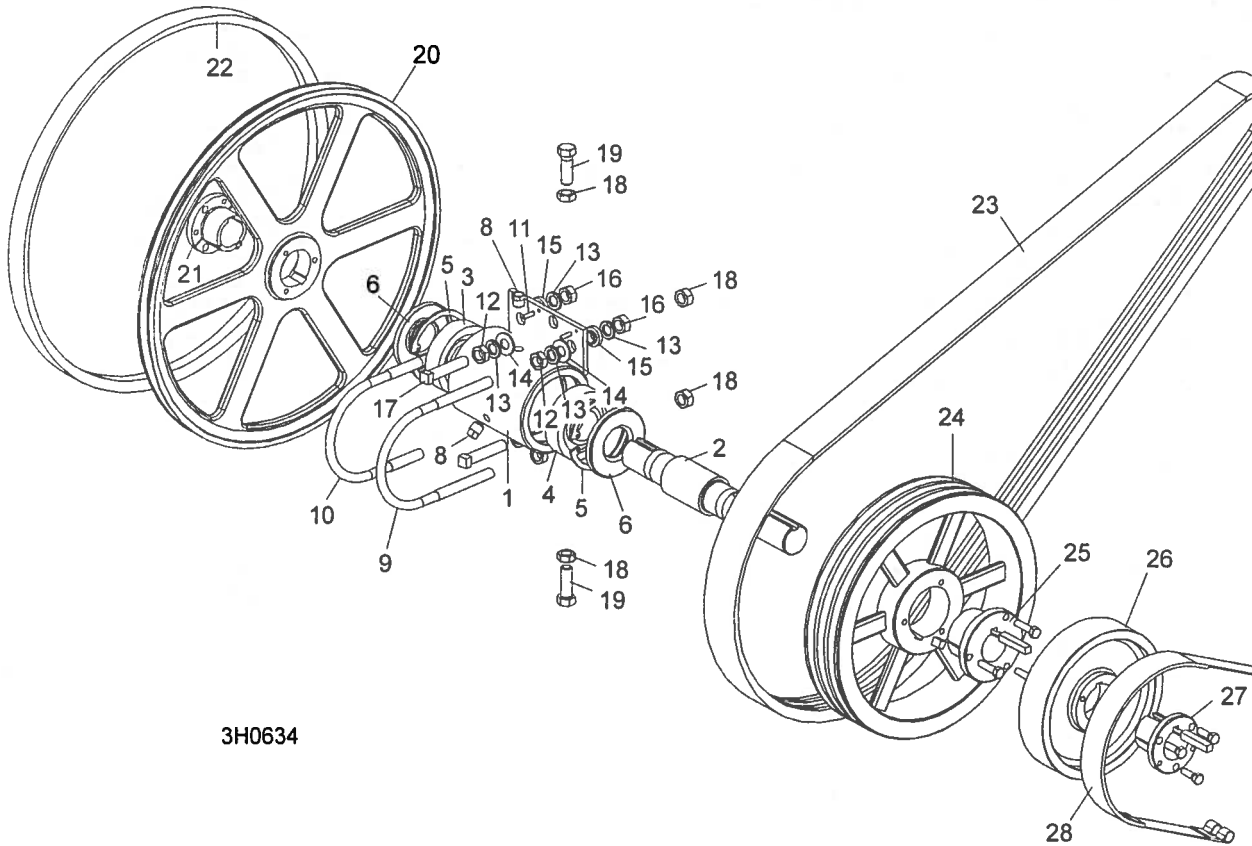
2

	Gear Kit, Klauber Motor Replacement	P12569	1	
	Brush Kit, Gear Motor Replacement	P12800	1	
	Shaft Kit, Klauber Gear Motor Replacement	009695	1	
9	Connector, 14 Gauge Butt	F04875-1	2	
10	Pin, 1/8" X 3/4" Roll	F05012-6	1	
11	Sprocket, Gear Motor #25 14-Tooth	P09970	1	
12	Screw, #10-32 x 1/2" Hex Head	F05004-60	4	
13	Washer, 4.1 Split Lock	F81051-4	4	
	Instruction Sheet, Blade Guide Arm Motor	A10353-296	1	
14	Bracket, Blade Guide Arm Motor Mount	015939	1	
15	Roller, Blade Guide Arm Chain Idler	S09999	1	
16	Bolt, 5/16-18 X 3 1/2" Hex Head Full Thread	F05006-3	1	
17	Spacer, 5/16" I.D. X 1 1/2"	S09996	1	
18	Washer, 5/16" SAE Flat	F81054-1	2	
19	Washer, 8.4 Split Lock	F05011-13	1	
20	Nut, 8.2 Hex Lock	F81054-4	1	
21	Boot, Gear Motor Weather	023720	1	
22	<b>COVER, BLADE GUIDE ARM MOTOR</b>	S11617	1	
	<b>GUARD, BLADE GUIDE ARM (G.S. ONLY)</b>	S12029	1	



## SECTION 3 BLADE WHEELS & TENSIONER

### 3.1 Blade Drive Assembly, LT30AHD/LT40AHD Super



3H0634

REF	DESCRIPTION (◆ Indicates Parts Available In Assemblies Only)	PART #	QTY.	
	<b>BEARING ASSEMBLY, BLADE WHEEL DRIVE</b>	014561	1	
	Bearing Assembly, Drive	086291	1	
1	Housing, Blade Wheel Drive Bearing	W10201	1	◆
2	Shaft, Blade Wheel Drive	086292	1	◆
3	Bearing, Blade Wheel Drive NJ308	085939	1	
4	Bearing, Blade Wheel Drive #6308	085940	1	
5	Ring, 90mm Interior Retaining #117	F04254-17	2	
6	Seal, Drive Bearing #CR15890	P10206	2	
7	Plug, 1/4" NPT Square Head	P05498	1	
8	Plug, 1/4" NPT Vented	P12868	1	
9	Bolt, 1/2-13 Long U	S10207-1P	1	
10	Bolt, 1/2-13 Short U	S10207-2P	1	
11	Pin, 3/16" X 5/8" Roll	F05012-22	2	

# 3

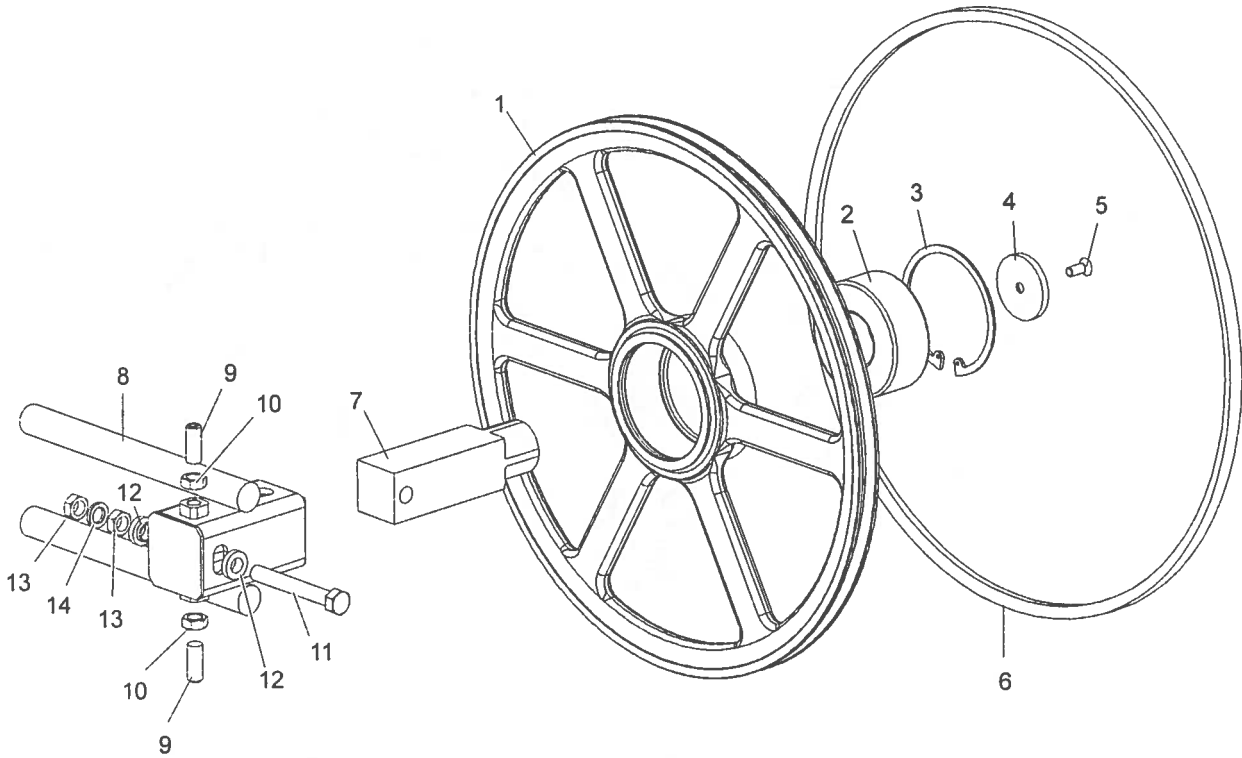
## Blade Wheels & Tensioner

*Blade Drive Assembly, LT30AHD/LT40AHD Super*

12	Nut, 1/2-20 Hex Jam	F05010-16	4	
13	Washer, 12.2 Split Lock	F81056-2	8	
14	Washer, 13 SAE Flat	F81056-1	4	
15	Spacer, .510" x .937" x .34"	S04253	4	
16	Nut, 1/2-13 Hex	F05010-35	4	
17	Screw, 1/2-20 x 2 1/2" Square Head Full Thread Set	F05008-110	2	
18	Nut, M12-8 Hex Nylon Lock	F81034-2	4	
19	Bolt, 1/2-20 x 1 1/2" Hex Head Grade 5	F05008-53	2	
	Decal, Bearing End-Play	S12750	1	
	Instruction Sheet, Bearing Retrofit	K10200-275	1	
	<b>WHEEL KIT, DRIVE SIDE BLADE</b>	014562	1	
20	Wheel, Drive Side Blade	016284	1	
21	Bushing, Modified 1 9/16" P1	016270	1	
	Instruction Sheet, Drive Side Blade Wheel Replacement	K12987-488	1	
22	<b>BELT, BLADE WHEEL B57</b>	P04185	1	
23	<b>BELT, 3BX72 DRIVE (EA20, EA25)</b>	014249	1	
	<b>PULLEY, 3B124 SK SPECIAL (EA20, EA25)</b>	014688	1	
24	<b>BUSHING, SK 1 9/16" TYPE 'B'</b>	014690	1	
25	<b>WHEEL, BRAKE</b>	014000	1	
26	<b>BUSHING, 1 9/16" P1</b>	014003	1	
27	<b>STRAP, METAL-BACKED BRAKE</b>	014391	1	



### 3.2 Idle Blade Wheel Assembly



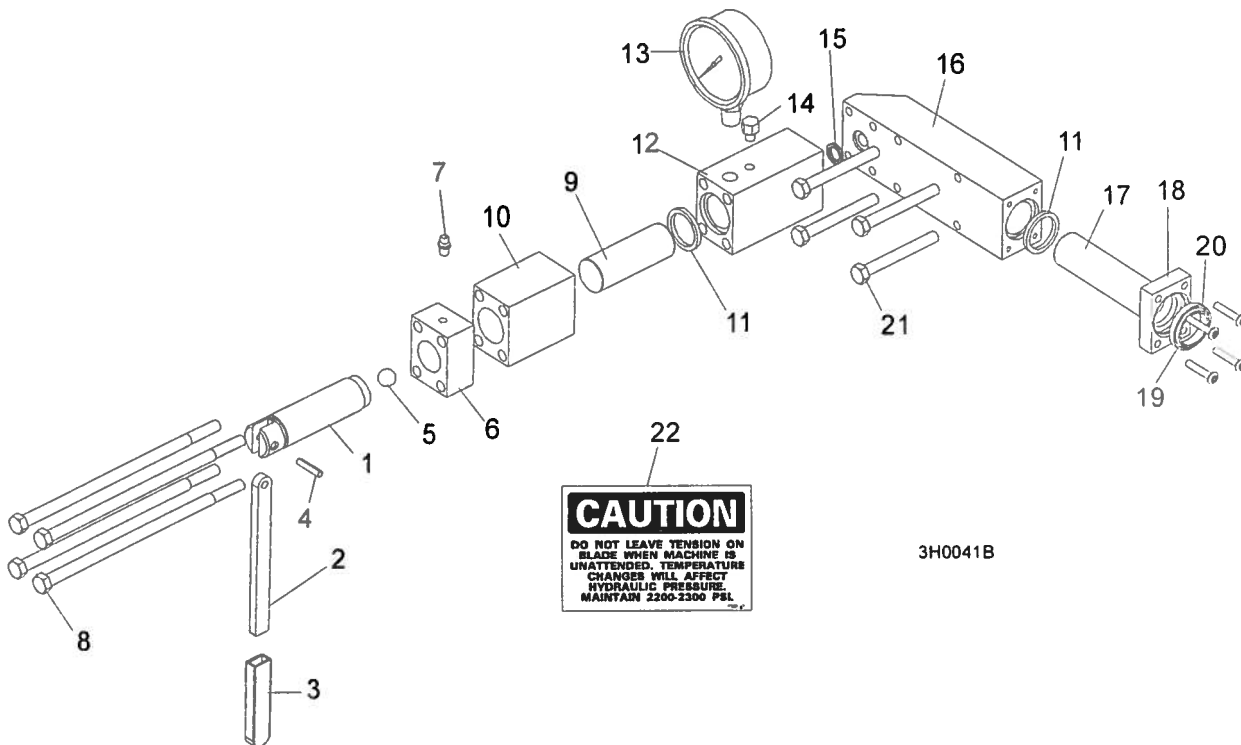
SM0241

REF	DESCRIPTION (◆ Indicates Parts Available in Assemblies Only)	PART #	QTY.	
	<b>WHEEL ASSEMBLY, IDLE SIDE BLADE</b>	016120	1	
1	Wheel, Idle Side Blade	016013	1	◆
2	Bearing, Idle Side Blade Wheel #5309-2RS, C3, SRI-2 Grease	086428	1	
3	Ring, 100mm Internal Retaining Beveled	F04254-28	1	
4	RETAINER, 2 3/16 X 1/4"	016397	1	
5	BOLT, 5/16-18 X 3/4" FLAT HEAD SOCKET	F05006-95	1	
6	BELT, BLADE WHEEL B57	P04185	1	
7	SHAFT, IDLE BLADE WHEEL	016398	1	
8	HOUSING, IDLE BLADE WHEEL SHAFT	016103	1	
9	SCREW, 1/2-20 X 1 1/4" FLAT POINT SET	F05008-109	2	
10	NUT, 1/2-20 HEX JAM	F05010-16	2	
11	BOLT, 1/2-20 X 3 3/4" HEX HEAD FULL THREAD GRADE 2	F05008-111	1	
12	SPACER, 1/2" I.D. FLANGED	086769-1	2	
13	NUT, 1/2-20 HEX JAM	F05010-16	2	
14	WASHER, 12.2 SPLIT LOCK	F81056-2	1	

# 3

## Blade Wheels & Tensioner Hydraulic Blade Tensioner Assembly

### 3.3 Hydraulic Blade Tensioner Assembly



3H0041B

REF	DESCRIPTION (◆ Indicates Parts Available In Assemblies Only)	PART #	QTY.	
	<b>HYDRAULIC BLADE TENSIONER ASSEMBLY</b>	A10054	1	
	Handle Assembly, Hydraulic Blade Tensioner Screw	A12294	1	
1	Screw, Hydraulic Blade Tensioner	S10056	1	◆
2	Handle, Hydraulic Tensioner Screw	S08174	1	
3	Sleeve, Plastic Handle	P08072	1	
4	Pin, 3/16" x 7/8" Roll	F05012-19	1	
5	Ball, 1/2" Steel	P02720	1	
6	Block, Threaded Tensioner End	S10062	1	◆
7	Fitting, 1/4-28 Grease	P05060	1	
	Instruction Sheet, Tensioner Screw	A12294-518	1	
8	Bolt, 5/16-18 X 7 1/2" Hex Head Grade 5	F05006-43	4	
9	Piston, Hydraulic Tensioner Front 2 3/4" Long	S10060	1	
10	Block, Piston Guide	S10061	1	
11	Seal, 1" Diameter	P10051	2	
12	Block, Hydraulic Tensioner Gauge Mounting	S10140	1	
13	Gauge, 5000 P.S.I.	P10052	1	
14	Plug, Hydraulic Tensioner Fill	P10065	1	
15	Ring, 5/8" X 3/32" Square "O"	P10377	1	
16	Block, Rear Tensioner Piston	S10142	1	

**Blade Wheels & Tensioner**  
*Hydraulic Blade Tensioner Assembly*

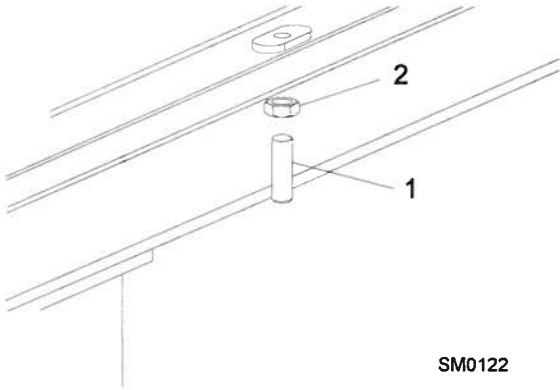
**3**

17	Piston, Hydraulic Tensioner Rear 3 5/8" Long	S10059	1	
18	Block, Rear Piston End	S10089	1	
19	Wiper, 1" Diameter	P10053	1	
20	Bolt, #10-24 X 1" Socket Button Head	F05004-43	4	
21	Bolt, 5/16-18 X 2 3/4" Hex Head Grade 5	F05006-28	4	
22	Decal, Hydraulic Tension Caution	P10147	1	
	Instruction Sheet, Hydraulic Tensioner Installation	A10136-272	1	



**SECTION 4 SAW HEAD**

**4.1 Middle Throat Screw**

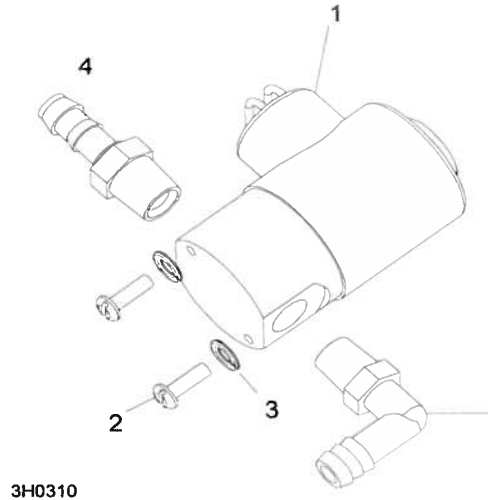


REF	DESCRIPTION (◆ Indicates Parts Available In Assemblies Only)	PART #	QTY.	
1	SCREW, 3/8-16 X 1 1/4" OVAL POINT SOCKET SET	F05007-18	1	
2	NUT, 3/8-16 HEX JAM	F05010-29	1	

# 4 Saw Head

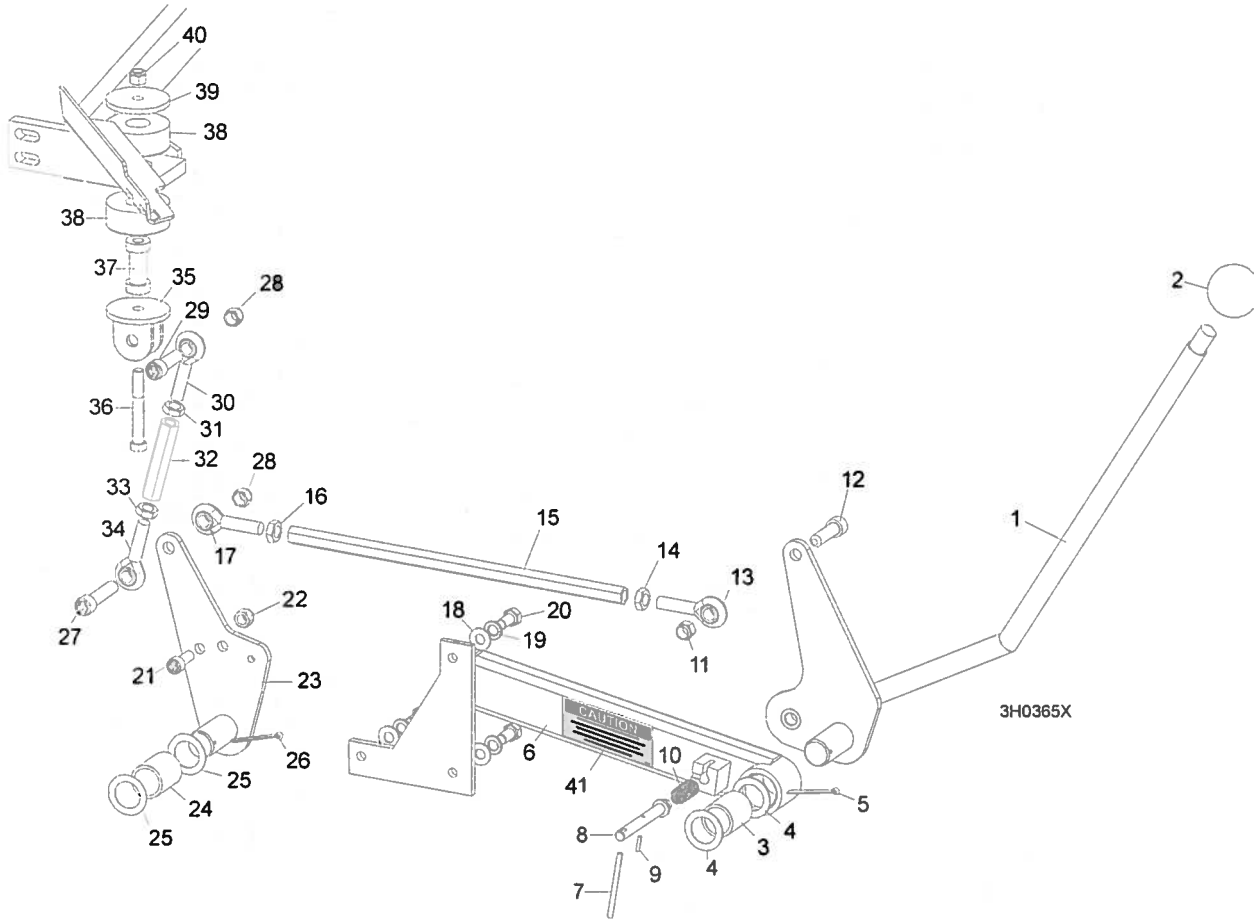
## Water Lube Solenoid Valve

### 4.2 Water Lube Solenoid Valve



REF	DESCRIPTION (◆ Indicates Parts Available In Assemblies Only)	PART #	QTY.	
1	VALVE, WATER LUBE SOLENOID	016140	1	
2	SCREW, 4MM X 12 CROSS SLOT ROUND HEAD	F05004-74	2	
3	WASHER, 4MM SPLIT LOCK	F05011-57	2	
4	FITTING, 1/4" MALE NPT 3/8" HOSE BARB	P04682	1	
5	FITTING, 1/4" MALE NPT 3/8" HOSE BARB ELBOW	P04730	1	

### 4.3 Clutch Lever Assembly



REF	DESCRIPTION (◆ Indicates Parts Available in Assemblies Only)	PART #	QTY.	
	<b>HANDLE ASSEMBLY, EXTENDED CLUTCH/BRAKE</b>	086242	1	
1	Lever, Clutch/Brake	086339-1	1	◆
2	Knob, Plastic Round	086337	1	
3	Bushing, Clutch/Brake Pivot	P05041	1	
4	Washer, Clutch/Brake Pivot	S11570	2	
5	Pin, 1/8" X 1 3/4" Cotter	F05012-43	1	
6	Extension Weldment, Clutch Handle	086244-1	1	
7	Pin, 3/16 x 2 1/2" Roll	F05012-27	1	
8	Pin, Clutch Detent	086243	1	◆
9	Pin, 1/8" x 9/16" Roll	F05012-30	1	
10	Spring, .58" OD x 1 1/8"	021243	1	
11	Nut, 7/16-20 Nylon Lock	F05010-83	1	
12	Screw, 7/16-20 x 1 1/2" Socket Head	F05007-55	1	
13	Rod End, 7/16-20 Left Hand Thread	P11578	1	
14	Nut, 7/16-20 Hex Jam Left Hand Thread	F05010-87	1	
15	Rod, Clutch Extension	015073	1	
16	Nut, 7/16-20 Hex Jam	F05010-38	1	

## 4

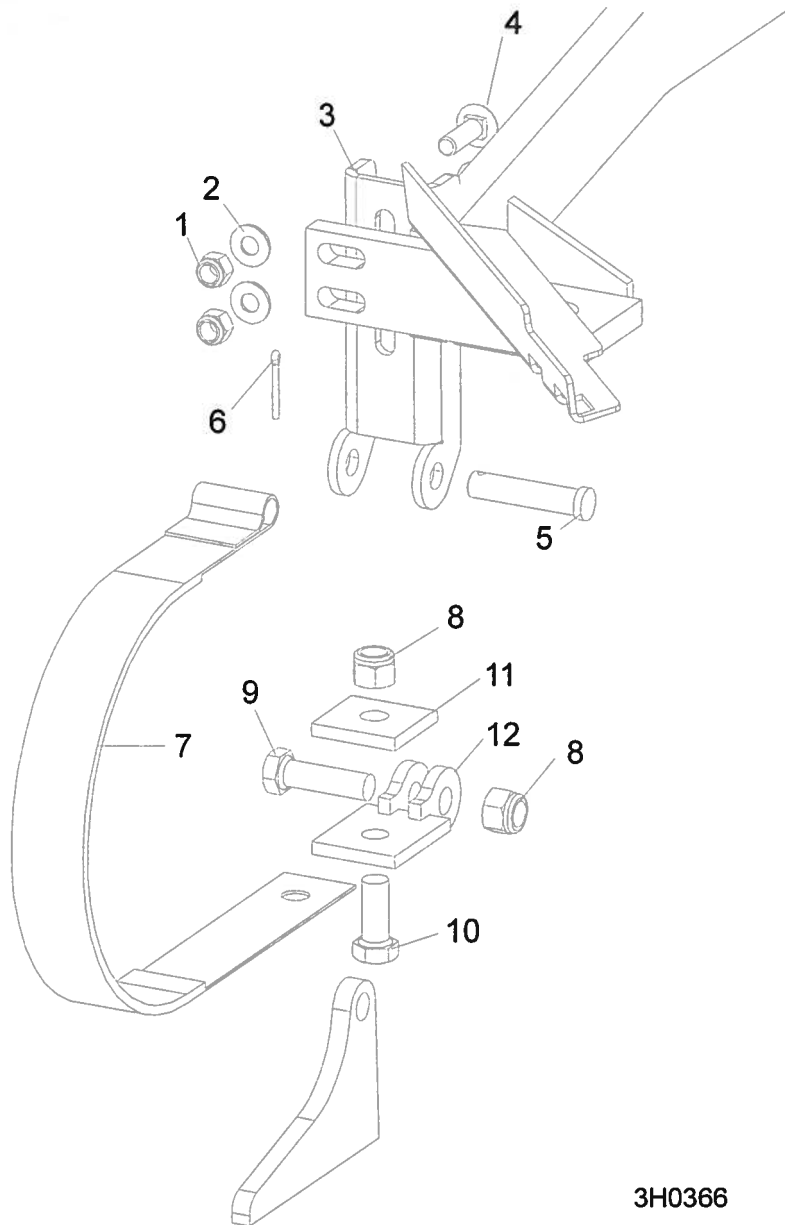
## Saw Head

## Clutch Lever Assembly

17	Rod End, 7/16-20 Right Hand Thread	P11579	1	
18	WASHER, 3/8" SAE FLAT	F81055-1	3	
19	WASHER, 3/8" SPLIT LOCK	F81055-2	3	
20	BOLT, 3/8-16 X 3/4" HEX HEAD	F05007-27	3	
21	BOLT, M10 X 25 SOCKET HEAD	F81003-32	1	
22	NUT, 3/8-16 HEX NYLON LOCK	F05010-10	1	
23	PLATE WELDMENT, CLUTCH PIVOT	015240	1	
24	BUSHING, CLUTCH/BRAKE PIVOT	P05041	1	
25	WASHER, CLUTCH/BRAKE PIVOT	S11570	2	
26	PIN, 1/8" X 1 3/4" COTTER	F05012-43	1	
27	SCREW, 7/16-20 X 2" SOCKET HEAD	F05007-120	1	
28	NUT, 7/16-20 HEX NYLON LOCK	F05010-83	2	
29	BOLT, 7/16-20 X 1 1/2" SOCKET HEAD	F05007-55	1	
	TURNBUCKLE ASSEMBLY, CLUTCH/BRAKE LEVER	A12304	1	
	TURNBUCKLE ASSEMBLY, 3 3/4" CLUTCH/BRAKE LEVER (50Hz Electric Only)	A11576	1	
30	Rod End, 7/16-20 Right Hand Thread	P11579	1	
31	Nut, 7/16-20 Hex Jam	F05010-38	1	
32	Turnbuckle, 3" Clutch/Brake Lever	S11577	1	
	Turnbuckle, 3 3/4" Clutch/Brake Lever (50Hz Electric Only)	S12262	1	
33	Nut, 7/16-20 Hex Jam Left Hand Thread	F05010-87	1	
34	Rod End, 7/16-20 Left Hand Thread	P11578	1	
35	BRACKET, CLUTCH MOUNT	W12411-1	1	
36	BOLT, 3/8-16 X 2 3/4" HEX HEAD	F05007-29	1	
37	SPACER, MOTOR MOUNT VIBRATION BUSHING	S12410	1	
38	BUSHING, MOTOR MOUNT VIBRATION	P05032	2	
39	WASHER, 3/8" I.D. X 2 1/4" O.D. X 3/16" THICK	S12412-0	1	
40	NUT, 3/8-16 NYLON LOCK	F05010-10	1	
41	DECAL, PLACE PIN IN DETENT POSITION	085089	1	



### 4.4 Brake Assembly



3H0366

REF	DESCRIPTION (◆ Indicates Parts Available In Assemblies Only)	PART #	QTY.
	<b>STRAP RETROFIT, SUPER BRAKE</b>	014441	1
1	Nut, 3/8-16 Nylon Lock	F05010-10	2
2	Washer, 10.5 Flat	F81055-1	2
3	Bracket, Upper Super Brake Strap Mount	014395	1
4	Bolt, 3/8-16 x 1 1/4" Carriage Head Grade 5	F05007-127	2
5	Pin, 1/2" x 2 1/4" Clevis	F05012-81	1
6	Pin, 1/8" x 1" Cotter	F05012-1	1
7	Strap, Upper Pivot Metal Brake	014391	1
8	Nut, M12-8-B Nylon Lock	F81034-1	2

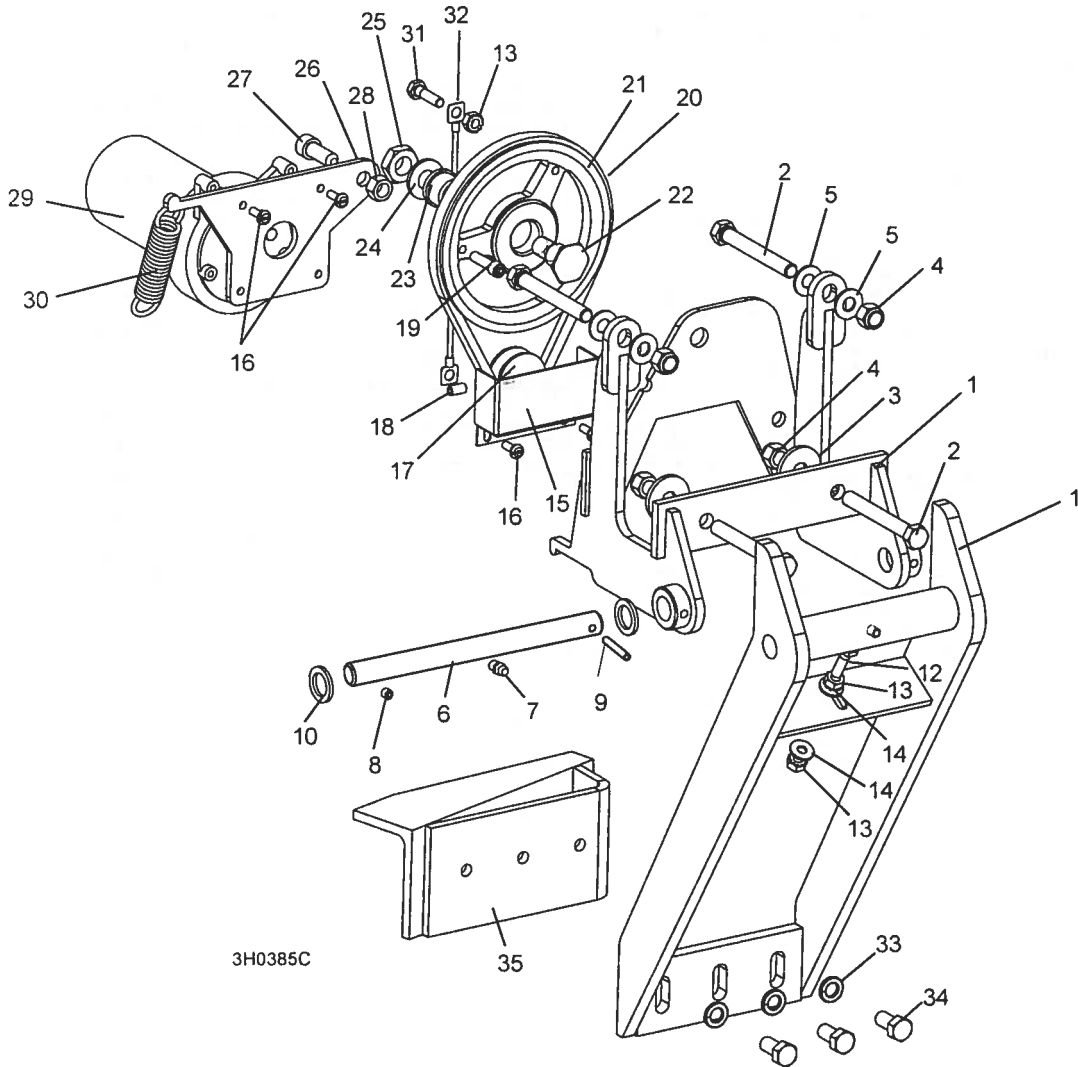
# 4 Saw Head

## *Brake Assembly*

---

9	Bolt, M12 x 45-8.8 Hex Head	F81004-32	1	
10	Bolt, M12 x 30-8.8 Hex Head	F81004-22	1	
11	Plate, Brake Strap Clamp	S04195	1	
12	Bracket, Lower Super Brake Strap Mount	014392	1	

### 4.5 Board Return Assembly



3H0385C

REF	DESCRIPTION (◆ Indicates Parts Available In Assemblies Only)	PART #	QTY.
	<b>RETURN ASSEMBLY, BOARD</b>	015209	1
1	Mount Weldment, Board Return	015215	1
2	Bolt, 3/8-16 x 3" Full Thread Hex Head	F05007-1	4
3	Washer, 1/8" x 1 1/4"	015336	2
4	Nut, 3/8-16 Hex Nylon Lock	F05010-10	4
5	Washer, 10.5 Flat	F81055-1	4
6	Pin Kit, Board Return Replacement Pivot	016272	1
7	Fitting, 1/4-28 Grease	P05060	1
8	Screw, 1/4-28 x 1/4" Black Oxide Socket Head Set Cup Point	F05005-105	1
9	Pin, 3/16 x 1 1/4" Roll	F05012-16	1
10	Washer, 5/8" x 15/16" x .094 Nylon	F05011-19	2
11	Arm Weldment, Board Return	015210	1
12	Screw, 1/4-20 x 3/4" Full Thread Hex Head Cap	F05005-1	1

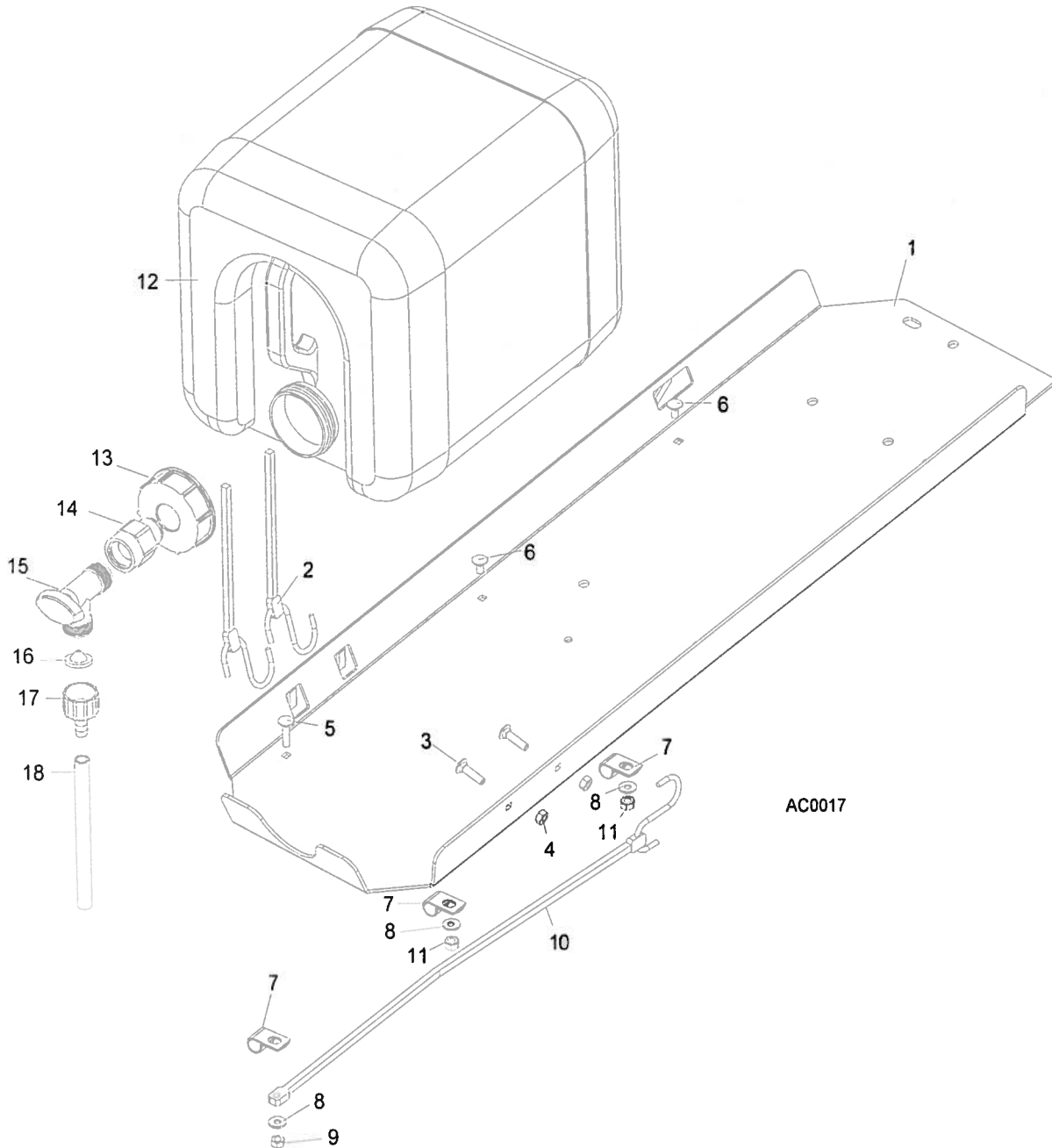
# 4

## Saw Head

### Board Return Assembly

13	Nut, 1/4-20 Self Locking	F05010-9	3	
14	Washer, 7.4 Flat	F81056-11	2	
15	Guard, Board Return Belt	015007	1	
16	Screw, 10-32 x 1/2" Hex Head Machine	F05004-60	4	
17	Sheave, 1.42 x .32	015074	1	
18	Screw, 1/4-20 Socket Head Set Cup Point Nylon	F05005-55	1	
19	Screw, 1/4-20 x 1" Socket Head Cap	F05005-89	1	
20	Belt, 3L190	015477	1	
21	Sheave, OK50 x 1/2" Modified	015224	1	
22	Bolt, Idler Pulley Pivot	015221	1	
23	Bushing, 5/8" x 7/8" x 1/2" Bronze	P05135	1	
24	Washer, 13 Flat	F81056-1	1	
25	Nut, 1/2-20 Jam Nylon Lock	F05010-79	1	
26	Plate, Motor Pivot	015220	1	
27	Screw, M10 x 25-8.8 Black Oxide Socket Head Cap	F81003-32	1	
28	Nut, 3/8-16 Self Locking	F05010-25	1	
29	Motor, 53:1 ASA Gear	A10365	1	
30	Spring, 3/4" x 2 7/8" x 12 Gauge	015479	1	
31	Bolt, 1/4-20 x 1" Hex Head Grade 5	F05005-101	1	
32	Cable, Board Return	016090	1	
33	Washer, 10.2 Split	F81055-2	3	
34	Bolt, 3/8-16 x 3/4" Hex Head	F05007-27	3	
35	Angle, Board Return	015652	1	

### 4.6 Water Lube Assembly



REF	DESCRIPTION (◆ Indicates Parts Available In Assemblies Only)	PART #	QTY.	
	<b>TRAY ASSEMBLY, ELECTRIC BOX/WATER BOTTLE</b>	086528-1	1	
1	Tray, Electric Box/Water Bottle	S11684	1	◆
2	Strap, 20" Rubber	P11668	2	
3	Bolt, 1/4-20 X 1" Carriage Head	F05005-34	4	
4	Nut, 1/4-20 Hex Lock	F05010-21	4	
5	<b>BOLT, 1/4-20 X 1" CARRIAGE HEAD</b>	F05005-34	1	
6	<b>BOLT, 1/4-20 X 1/2" CARRIAGE HEAD</b>	F05005-33	2	

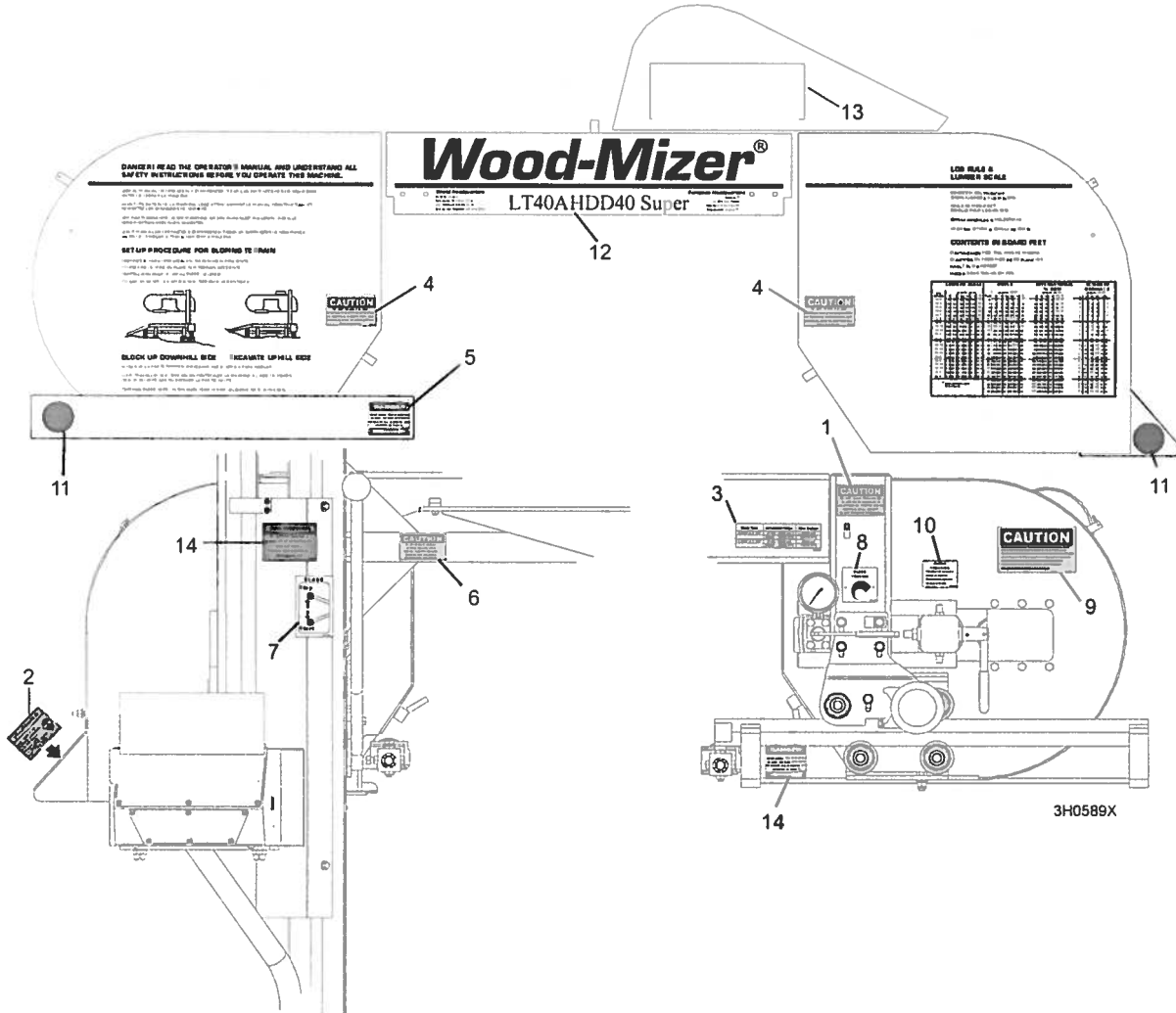
**4****Saw Head***Water Lube Assembly*

---

7	<b>CLAMP, 1/2" EMT HOSE</b>	P07584	3	
8	<b>WASHER, 7.4 FLAT</b>	F81056-11	3	
9	<b>NUT, 1/4-20 HEX LOCK</b>	F05010-21	1	
10	<b>STRAP, 15" RUBBER</b>	P07461	1	
11	<b>NUT, 1/4-20 SELF-LOCKING</b>	F05010-9	2	
	<b>BOTTLE ASSY, WATER LUBE</b>	014642	1	
12	Bottle, 5-Gallon Water Lube	014637	1	
13	Cap, Water Lube Bottle Buttress Thread	014773	1	
14	<b>FITTING, 3/4FPT X 3/4MPT</b>	014636	1	
15	<b>FITTING, WATER LUBE SHUTOFF VALVE</b>	014100	1	
16	<b>FILTER, WATER LUBE</b>	016086 <sup>1</sup>	1	
17	<b>FITTING, 5/8" NPT TO 3/8" HOSE BARB</b>	014113	1	
18	<b>TUBING, WATER LUBE 3/8" I.D.</b>	R01885	2,1 m	

<sup>1</sup> Filter recommended for Super models to prevent debris from entering water lube solenoid valve.

### 4.7 Saw Head Decals



REF	DESCRIPTION (◆ Indicates Parts Available in Assemblies Only)	PART #	QTY.
1	DECAL, BLADE TENSION CAUTION	P10147	1
2	DECAL, SAWDUST CHUTE WARNING	P11754	1
3	DECAL, BLADE TENSION RANGES	085080	1
4	DECAL, BLADE COVERS CAUTION	S20039	2
5	DECAL, BLADE DANGER ARROW RIGHT	S11752	1
6	DECAL, UP/DOWN CAUTION	S11762	1
7	DECAL, BLADE START/STOP	P11779	1
8	DECAL, BLADE TENSION INFO	P11790	1
9	DECAL, SECURE THE SAW HEAD (PORTABLE SAWMILL ONLY)	S12581	1
10	DECAL, BLADE ALIGNMENT INFO	P11789	1
11	DECAL, RED REFLECTIVE 2" ROUND	P07452	2
12	DECAL, SAWMILL TYPE	N/A	
	Decal, LT30AHDE20S	086993	1
	Decal, LT30AHDE25S	086994	1

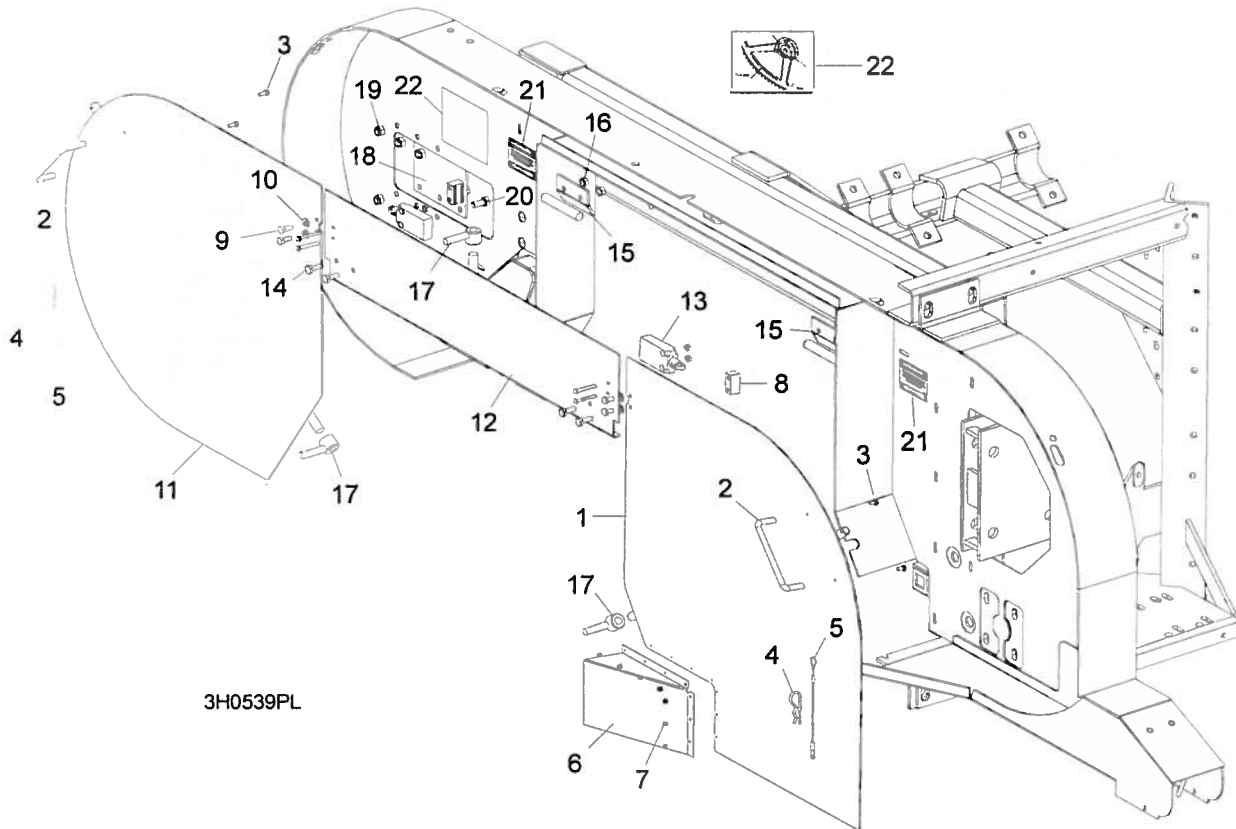
**4****Saw Head***Saw Head Decals*

---

	Decal, LT40AHDE20S	086904	1	
	Decal, LT40AHDE25S	086910	1	
	Decal, SUPER	085088	1	
13	<b>DECAL, WOOD-MIZER WHAT'S IN A NAME</b>	S12528	1	
14	<b>DECAL, BLADE DANGER ARROW LEFT</b>	S11751	1	



### 4.8 Blade Housing Covers



3H0539PL

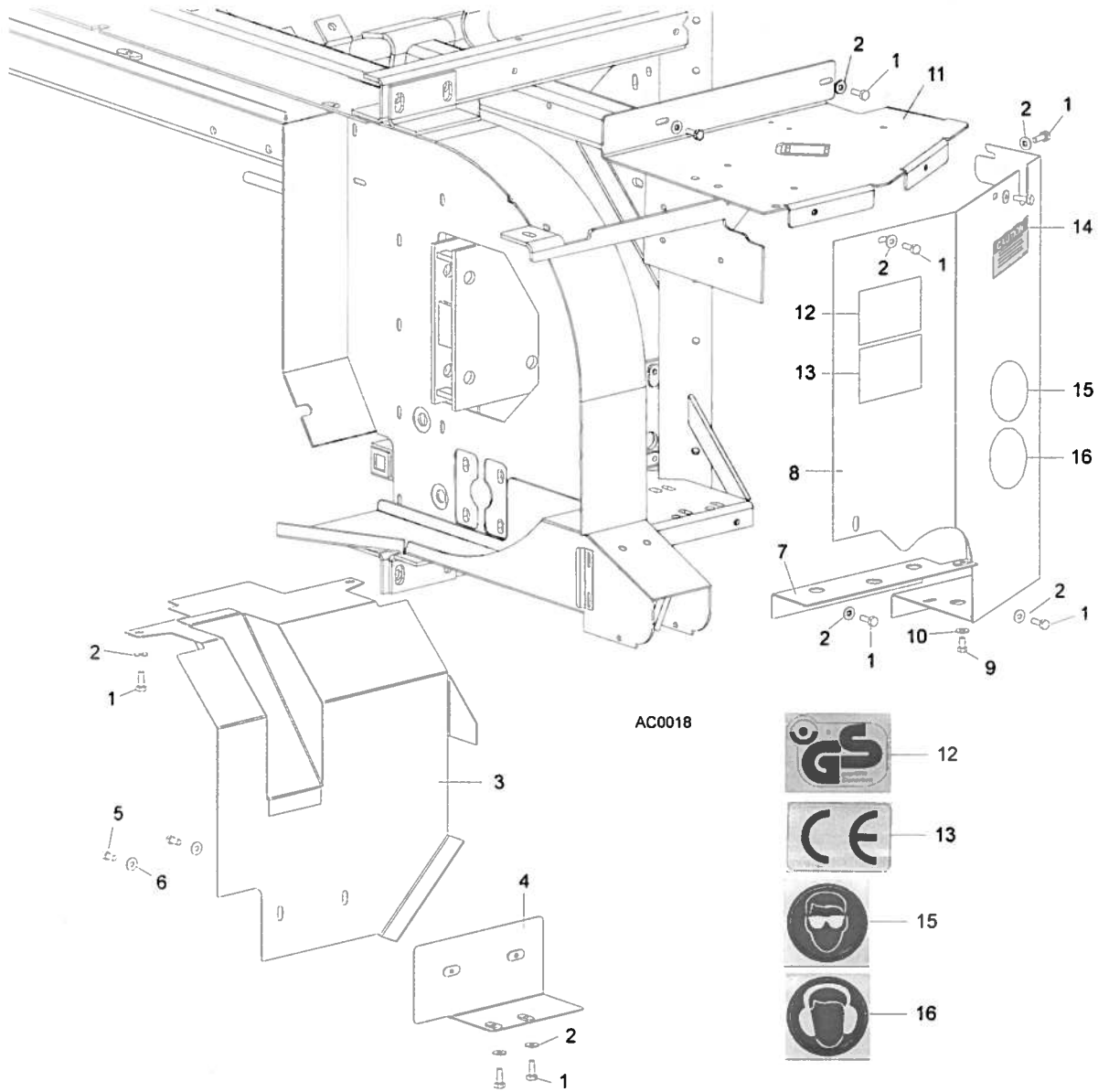
REF	DESCRIPTION (◆ Indicates Parts Available In Assemblies Only)	PART #	QTY.
	<b>COVER ASSEMBLY, DRIVE SIDE BLADE HOUSING WITH HANDLE</b>	086195	1
1	Cover Weldment, Drive Side Blade Housing	086194-1	1
2	Handle, Blade Housing Cover	P08065	1
3	Screw, 21 Self-Tap	F81059-2	2
	Pin Assembly, Cover Retainer	A11881	1
4	Pin, Safety Retainer	N/A	1
5	Cable, 3/64" x 6" Lanyard	N/A	1
6	Funnel, Sawdust Exit	015734-1	1
7	Rivet, 3.2 x 7.4 Aluminum	F81021-2	7
8	Cam, Blade Cover Stop Switch	086409-1	1
9	Bolt, M6 x 12 8.8	F81001-7	2
10	Washer, 6.4	F81053-1	2
	<b>COVER, IDLE SIDE BLADE HOUSING WITH HANDLE</b>	086431	1
11	Cover, Idle Side Blade Housing	086430-1	1
2	Handle, Blade Housing Cover	P08065	1
3	Screw, #8-32 X 3/8" Self-Tap	F05015-8	2
	Pin Assembly, Cover Retainer	A11881	1
4	Pin, Safety Retainer	N/A	1
5	Cable, 3/64" x 6" Lanyard	N/A	1

## 4

**Saw Head***Blade Housing Covers*

6	Cam, Blade Cover Stop Switch	086409-1	1	
7	Bolt, M6 x 12 8.8	F81001-7	2	
8	Washer, 6.4	F81053-1	2	
12	<b>COVER, MIDDLE BLADE HOUSING</b>	086425-1	1	
13	Switch, Emergency Stop	086681	2	
14	<b>BOLT, 1/4-20 X 3/4" HEX HEAD</b>	F05005-1	18	
15	<b>HINGE, MIDDLE BLADE HOUSING COVER</b>	S07522	2	
16	<b>NUT, 1/4-20 SELF-LOCKING HEX</b>	F05010-9	4	
17	<b>NUT, COVER TURN</b>	086076	3	
18	<b>PLATE, IDLE BLADE WHEEL GUARD</b>	086230	1	
19	<b>NUT, 5/16-18 HEX NYLON LOCK</b>	F05010-58	6	
20	<b>BOLT, 5/16-18 X 3/4" HEX HEAD GRADE 2</b>	F05006-5	6	
21	<b>DECAL, BLADE DANGER ARROW LEFT</b>	S11751	2	
22	<b>DECAL, BLADE SETTING</b>	P85066	1	

### 4.9 Drive Belt Covers, LT30AHD/LT40AHD Super



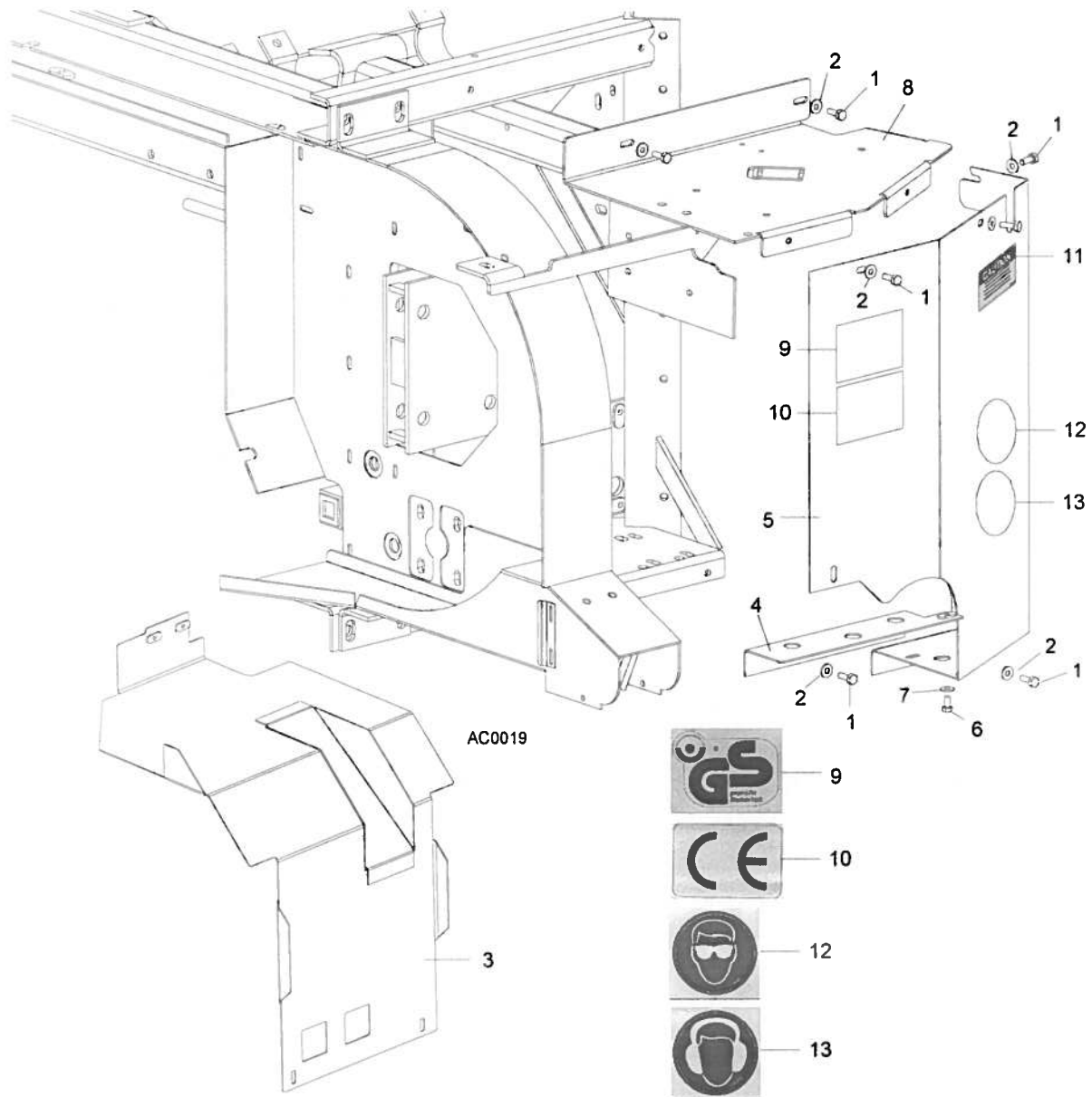
REF	DESCRIPTION (◆ Indicates Parts Available in Assemblies Only)	PART #	QTY.
1	BOLT, 1/4-20 X 3/4" HEX HEAD	F05005-1	11
2	WASHER, 7.4 FLAT	F81056-11	11
	<b>GUARD ASSEMBLY, CLUTCH LEVER SUPER</b>	086290 <sup>1</sup>	1
3	Guard Weldment, Manual Clutch	015657-1	1
4	Mount Weldment, Clutch Guard	086275-1	1
5	Bolt, 1/4-20 x 1/2" Hex Head	F05005-15	2
6	Washer, 7.4 Flat	F81056-11	2
	<b>GUARD ASSEMBLY, DRIVE PULLEY SIDE</b>	015155	1
7	Guard Weldment, Lower Up/Down	015654	1
8	Guard Weldment, C-Frame Enclosure '97	086412-1	1

**4****Saw Head***Drive Belt Covers, LT30AHD/LT40AHD Super*

9	Bolt, 1/4-20 x 1/2" Hex Head	F05005-15	1	
10	Washer, 7.4 Flat	F81056-11	1	
11	<b>GUARD, DRIVE PULLEY TOP</b>	086621-1	1	
12	<b>DECAL, GS SAFETY CERTIFICATION</b>	P85073	1	
13	<b>DECAL, CE CRTIFIED SAWMILL</b>	P85071	1	
14	<b>DECAL, UP/DOWN MOVEMENT DANGER</b>	A11762	1	
15	<b>DECAL, EYE PROTECTION WARNING</b>	S12004G	1	
16	<b>DECAL, EAR PROTECTION WARNING</b>	S12005G	1	

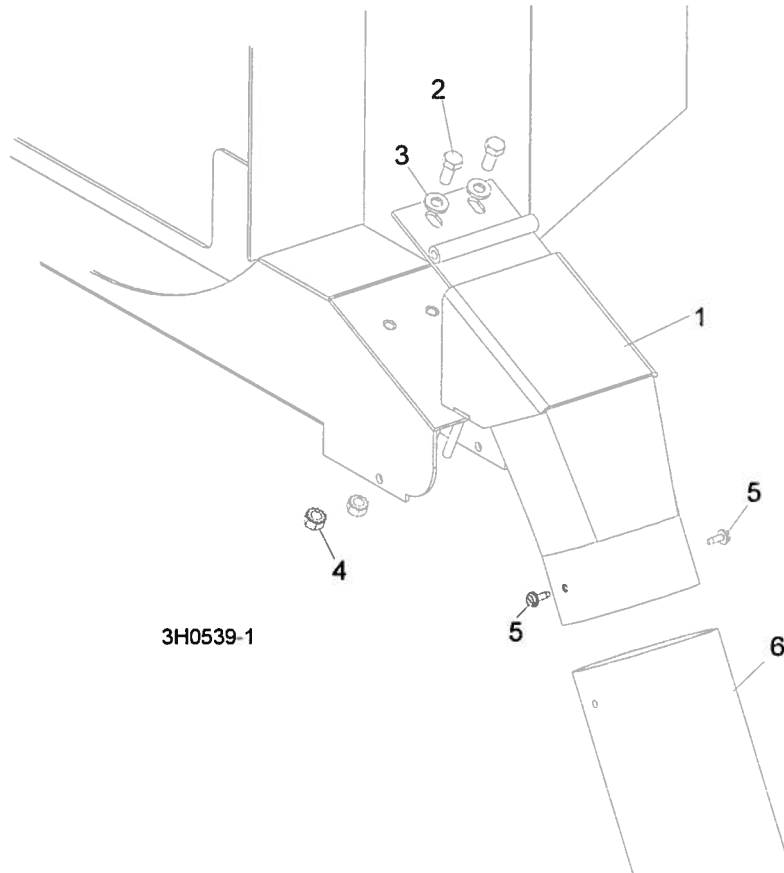
<sup>1</sup> Different belt guards required if sawmill is equipped with autoclutch or remote option. *See Section 5.3* of the Autoclutch Option manual or *Section 5.14* of the Remote Option manual.

### 4.10 Sawdust Chute



# 4

## Saw Head Sawdust Chute

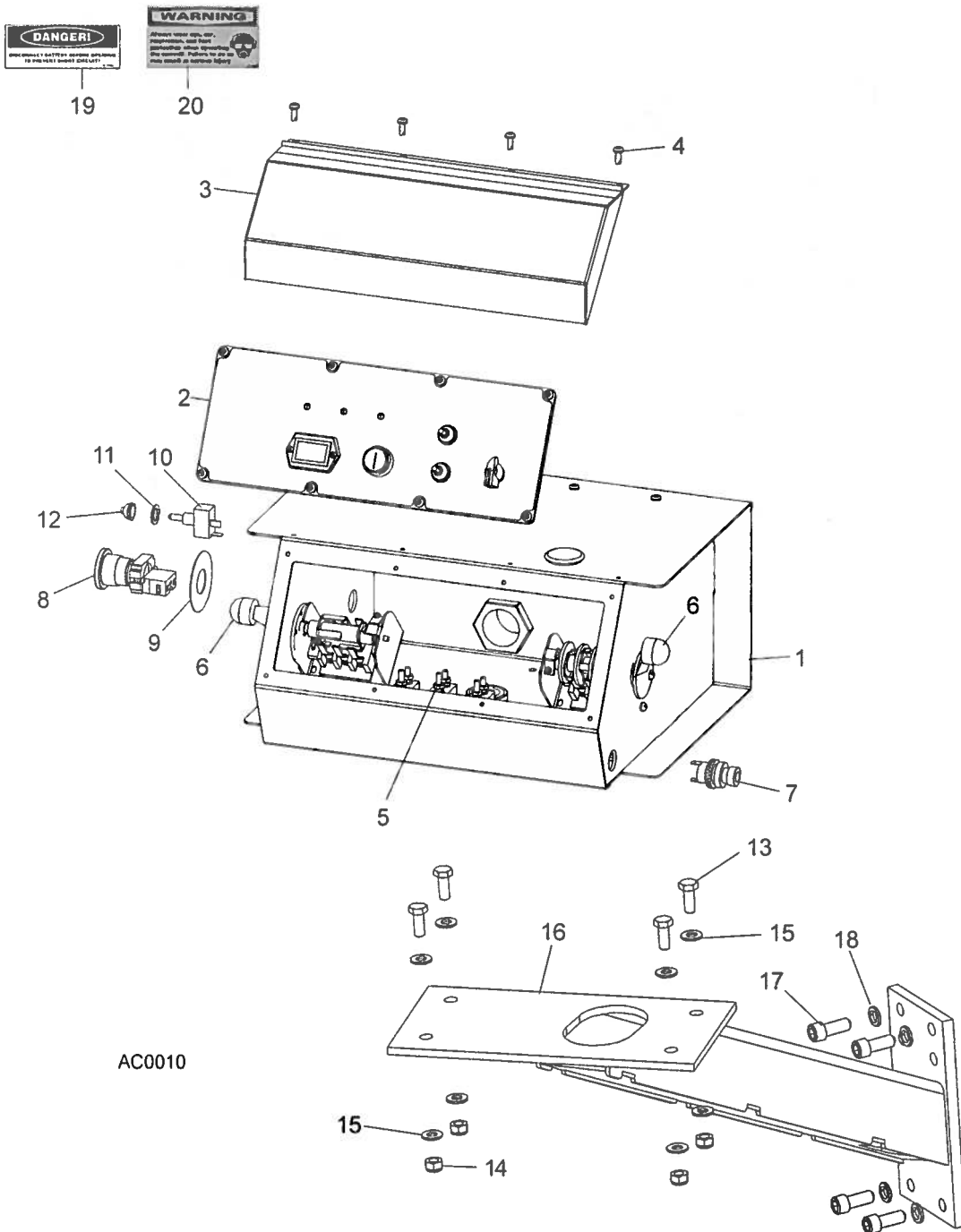


3H0539-1

REF	DESCRIPTION (◆ Indicates Parts Available in Assemblies Only)	PART #	QTY.	
1	CHUTE WELDMENT, SAWDUST	015466	1	
2	BOLT, 5/16-18 X 3/4" HEX HEAD GRADE 2	F05006-5	2	
3	WASHER, 8.4 FLAT	F81054-1	2	
4	NUT, 5/16-18 SELF-LOCKING HEX	F05010-20	2	
5	BOLT, #10-24 X 1/2" SELF-TAPPING	F05015-7	2	
6	TUBING, 4" I.D. RUBBER	R02336	0.6 m	
	STRAP, 20" RUBBER W/HOOK	P11668	1	
	BOLT, 1/4-20 X 1 1/4" HEX HEAD FULL THREAD	F05005-3	1	
	WASHER, 7.4 FLAT	F81056-11	1	
	NUT, 1/4-20 LOCK	F05010-21	1	

## SECTION 5 CONTROL & BATTERY BOXES

### 5.1 Control Assembly, LT30AHD/LT40AHD Super



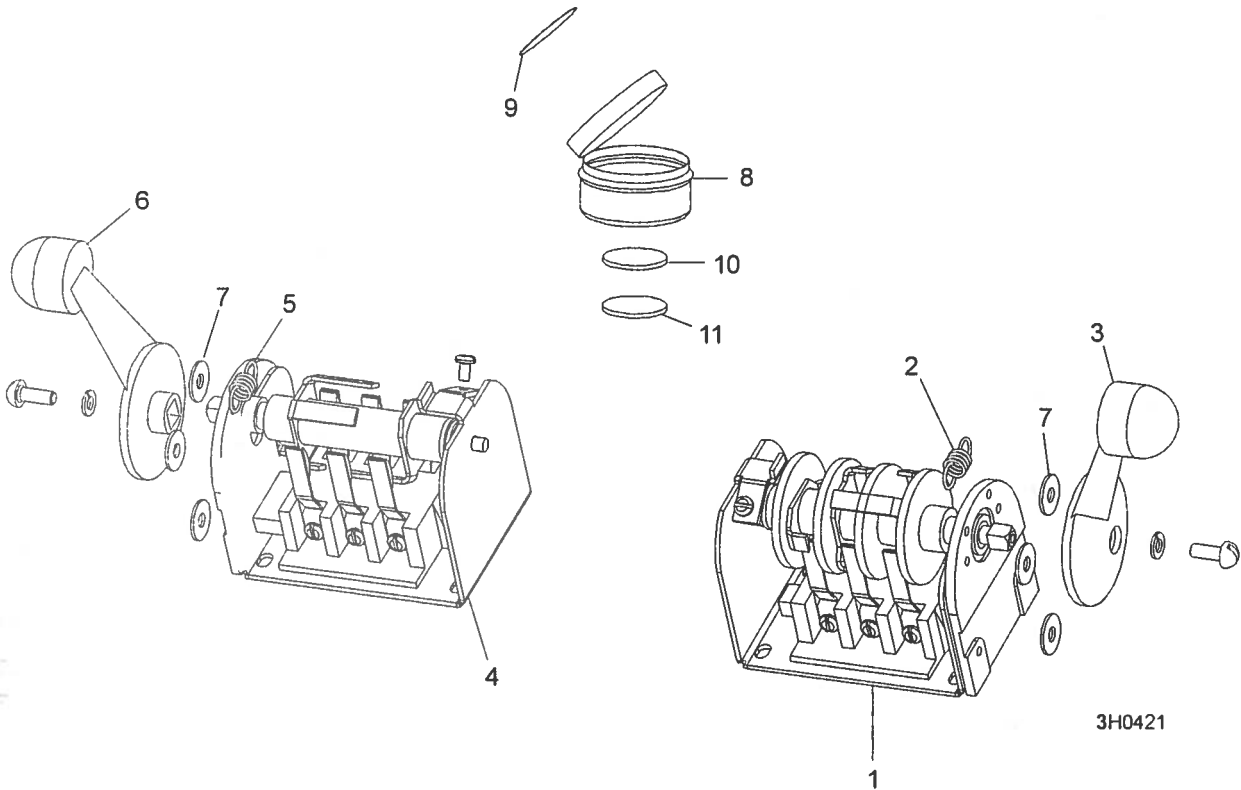
## 5

**Control & Battery Boxes***Control Assembly, LT30AHD/LT40AHD Super*

REF	DESCRIPTION (◆ Indicates Parts Available in Assemblies Only)	PART #	QTY.	
	CONTROL BOX ASSEMBLY, AC SUPER (EA20, EA25)	086548	1	
1	HOUSING, AC SUPER CONTROL BOX ASSEMBLY (EA20, EA25)	086546-1	1	◆
2	Front Control Panel & Wiring Harnesses ( <i>Section 5.6</i> )			
3	Cover, Control Box Hinged	015304	1	
4	Screw, #10-24 x 1/2"	F05015-17	12	
5	Circuit Breakers ( <i>Section 5.3</i> )			
6	Drum Switches ( <i>Section 5.2</i> )			
7	Switch, Horn	E85118	1	
8	Switch, XB2 BS542 Emergency Stop	086556	1	
9	Washer, Emergency Stop Switch	086561	1	
10	Switch, Speed Control	P03027	1	
11	Washer, 1/2" x 3/4" x 5/8" Nylon	P05251-1	1	
12	Boot, Speed Control Switch	P02575	1	
13	BOLT, M8 X 20-8.8-B HEX HEAD	F81002-4	4	
14	NUT, M8-8-B HEX	F81032-2	4	
15	WASHER, 8.4 FLAT	F81054	8	
16	MOUNT WELDMENT, STANDARD CONTROL BOX	086732-1	1	
17	BOLT,, 3/8-16 X 1" SOCKET HEAD	F05007-52	4	
18	WASHER, 10.2 SPLIT LOCK	F81055-2	4	
19	DECAL, FRONT OUTRIGGER WARNING	015400-4	1	
20	DECAL, EAR/EYE PROTECTION WARNING	S11753-4	1	



5.2 Drum Switches

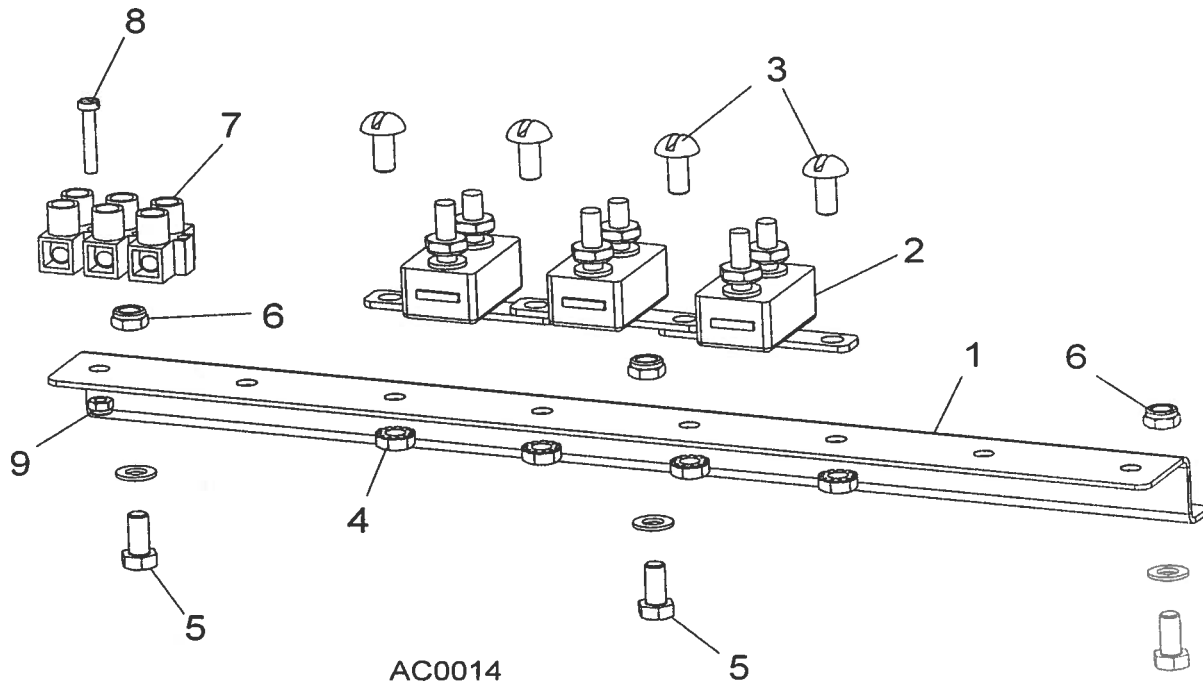


REF	DESCRIPTION (◆ Indicates Parts Available In Assemblies Only)	PART #	QTY.	
	<b>SWITCH ASSEMBLY, UP/DOWN DRUM</b>	E20440	1	
1	Switch, S12 Bulk Drum	E20440-B	1	◆
2	Spring, Drum Switch	P12570	1	
3	Handle, Drum Switch Replacement	P12500	1	
	<b>SWITCH ASSEMBLY, POWER FEED DRUM</b>	E20438	1	
4	Switch, S10 Bulk Drum	E20438-B	1	◆
5	Spring, Drum Switch	P12570	1	
6	Handle, Drum Switch Replacement	P12500	1	
7	<b>WASHER, #8 SAE FLAT</b>	F05011-41	6	
	<b>CUP ASSEMBLY, DRUM SWITCH GREASE</b>	A20463	1	
8	Cup, Plastic Container	P20464	1	◆
9	Decal, Grease Cup Label	P20467	1	
10	Pad, Velcro Loop	P20466	1	◆
11	Pad, Velcro Hook	P20465	1	◆
	Grease, High Temp Drum Switch	P20468	.011ml	◆

# 5 Control & Battery Boxes

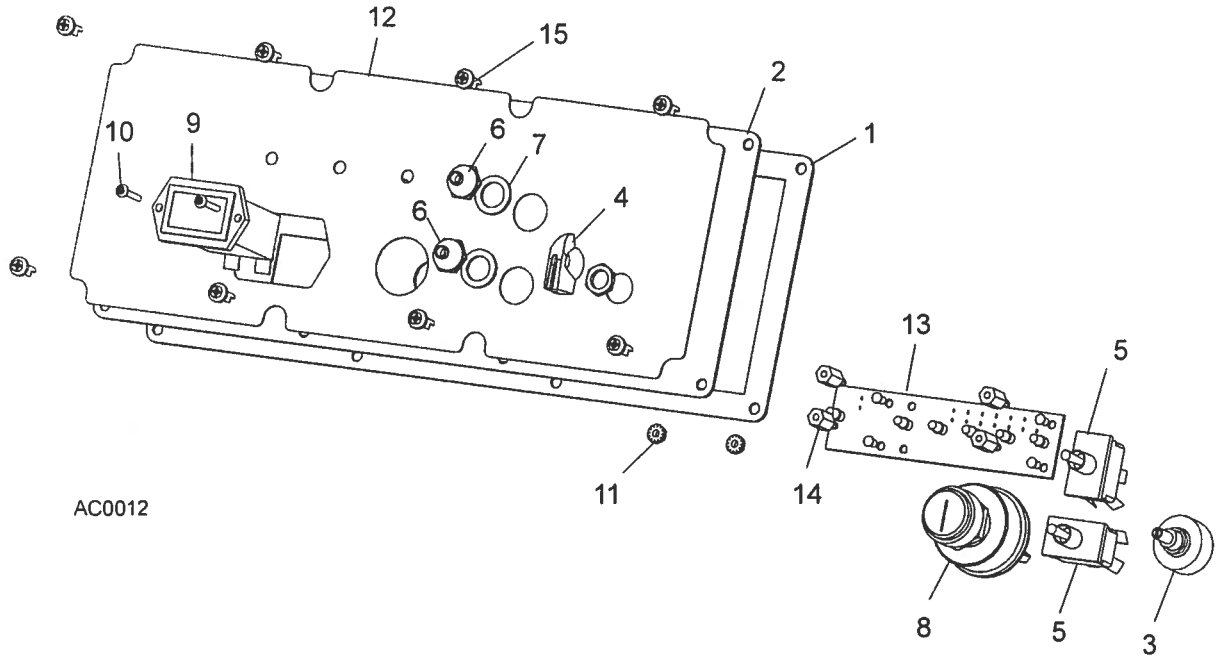
## Circuit Breakers

### 5.3 Circuit Breakers



REF	DESCRIPTION (◆ Indicates Parts Available In Assemblies Only)	PART #	QTY.
	<b>BREAKER ASSEMBLY, SAWMILL CONTROL CIRCUIT</b>	015621	1
1	Rail, Circuit Breaker	015310	1
2	Breaker, 15 Amp Manual Reset	E20430	5
3	Screw, #8-32 X 1/2" Slotted Head	F05004-12	6
4	Nut, #8-32 Hex Self-Locking	F05010-41	6
5	<b>SCREW, #10-24 X 3/8" PHILLIPS PAN HEAD</b>	F05004-3	3
6	<b>NUT, #10-24 SELF LOCKING</b>	F05010-14	3
7	<b>STRIP, ELECTRIC WIRE</b>	F81086-1	1
8	<b>SCREW, M3 X 20-5.8</b>	F81000-8	1
9	<b>NUT, M3</b>	F81028-2	1

### 5.4 Front Panel Assembly & Harnesses



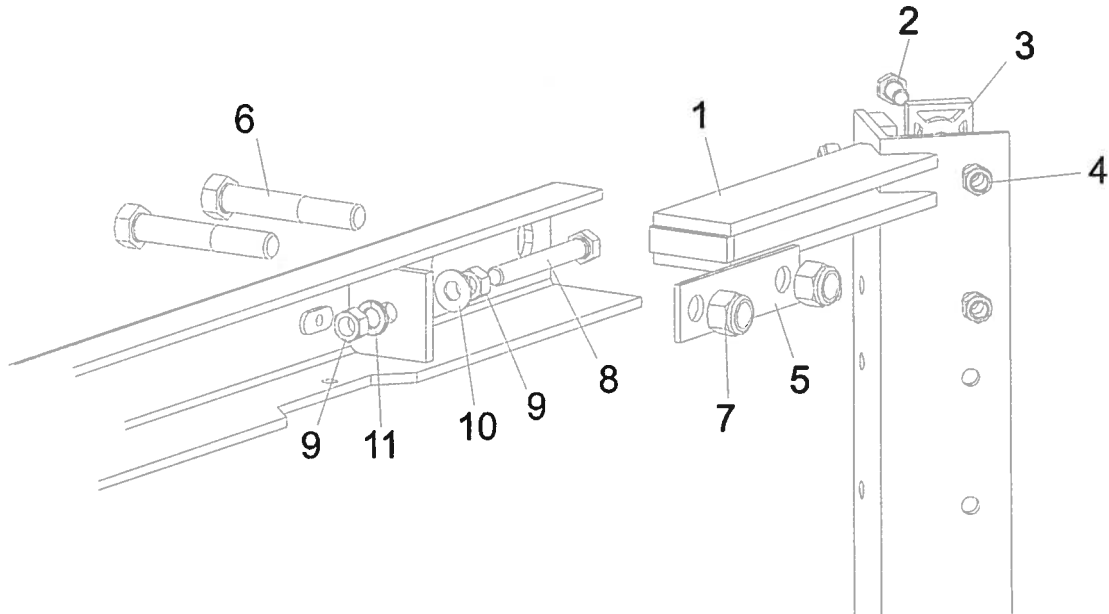
AC0012

REF	DESCRIPTION (◆ Indicates Parts Available In Assemblies Only)	PART #	QTY.
	<b>PANEL ASSEMBLY, AC SUPER CONTROL FRONT (EA20, EA25)</b>	086562	1
1	Gasket, Front Panel	015270	1
2	Panel Weldment, Control	015302	1
3	Switch Assembly, Feed Rate	E20519	1
4	Knob, Feed Rate With Set Screw	P06257	1
5	Switch, Toggle	024200	2
6	Boot, Toggle Switch Rubber	P02575	2
7	Switch, Key	P04350	1
8	Meter, Hour	015401	1
9	Screw, 6-42 x 3/4" Socket Button Head Cap Stainless Steel	F05004-93	2
10	Nut, 6-23 Self Locking	F05010-59	2
11	Decal, Control Panel	015271	1
	Decal, Control Panel	015269	1
12	Board, LED Circuit	015416	1
	Board, LED Circuit	015409	1
13	Spacer, 1/2" -#6 Threaded	023147	4
	<b>HARNESS ASSEMBLY, UPPER WIRING</b>	024215	1
	<b>HARNESS ASSEMBLY, LOWER WIRING</b>	015421	1
14	Screw, #10-24 x 1/2" Pan Head	F05015-17	8



## SECTION 6 UP/DOWN SYSTEM

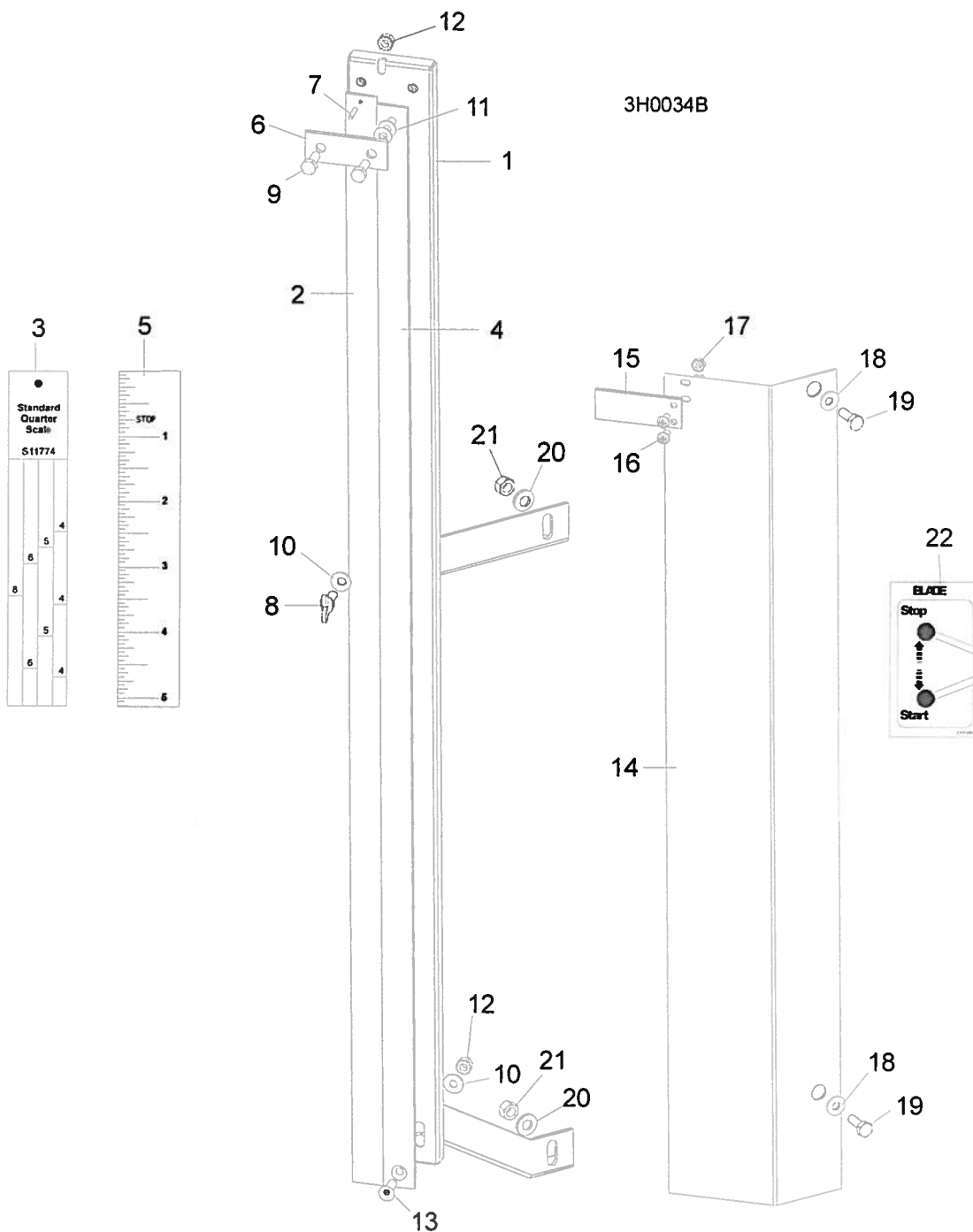
### 6.1 Saw Head V-Brace Mount



REF	DESCRIPTION (◆ Indicates Parts Available in Assemblies Only)	PART #	QTY.
1	V-BRACE, SAW HEAD MOUNT	086308	1
2	BOLT, 5/16-18 X 3/4" HEX HEAD GRADE 5	F05006-5	19
	BOLT, 5/16-18 X 1 1/4" HEX HEAD FULL THREAD	F05006-18	5
3	PAD, PLASTIC SLIDE	M04096	12
4	NUT, 5/16-18 NYLON LOCK	F05010-58	19
	NUT, 5/16-18 HEX	F05010-17	5
5	PLATE, V-BRACE WASHER	S07935	4
6	BOLT, M12 X 40 - 8.8 HEX HEAD	F81004-1	4
7	NUT, M12 - 8 NYLON LOCK	F81034-2	4
8	BOLT, 3/8-16 X 3" FULL THREAD	F05007-1	2
9	NUT, 3/8-16 HEX	F05010-1	4
10	WASHER, 10.5 FLAT	F81055-1	2
11	WASHER, 10.2 SPLIT LOCK	F81055-2	2

# 6 Up/Down System Blade Height Scale

## 6.2 Blade Height Scale



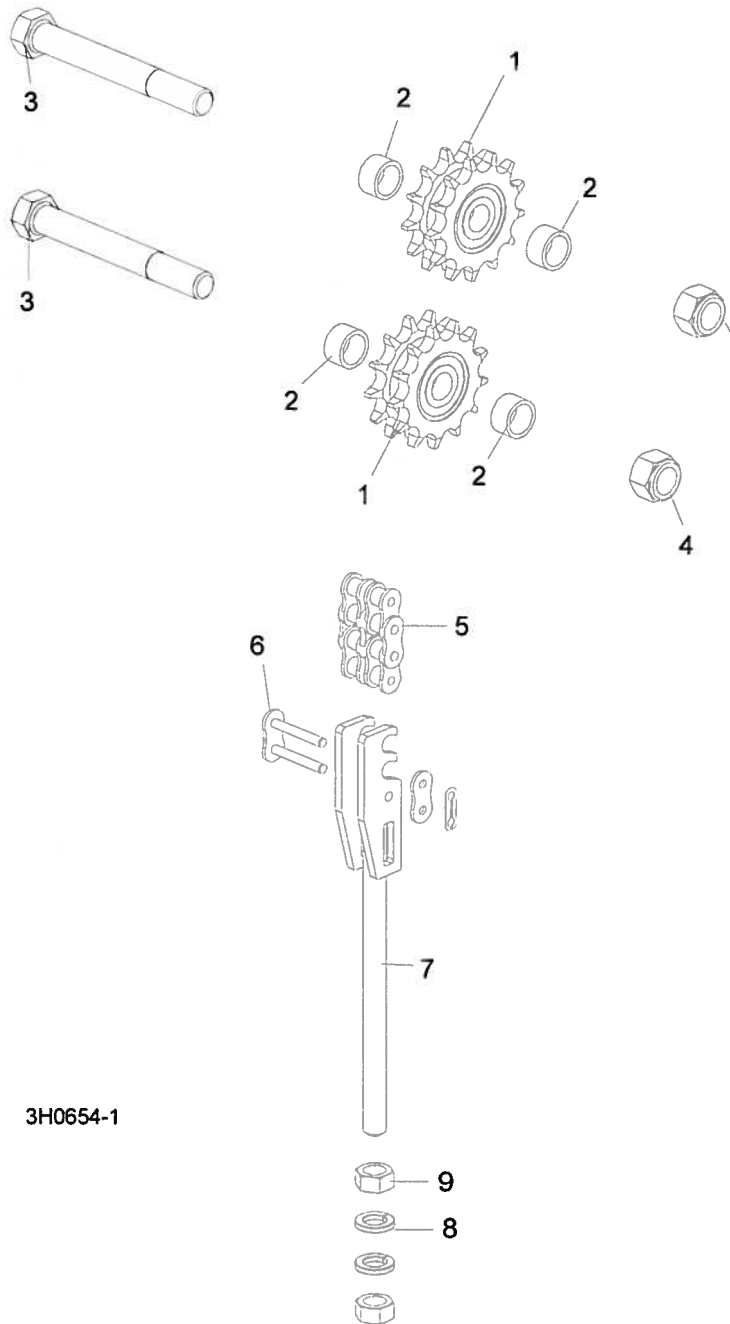
REF	DESCRIPTION (◆ Indicates Parts Available In Assemblies Only)	PART #	QTY.
	SCALE RETROFIT, FIXED WITH POINTER	A12030	1

	Scale Kit, Fixed With Pointer	K11998	1	◆
	Scale Assembly, Fixed	A12022	1	◆
1	Bracket, Scale Mounting	W11996	1	
2	Scale, 35" Quarter	S11989	1	
3	Decal, 35" Standard Quarter Scale	S11774	1	
	Decal, 35" Grade Hardwood Quarter Scale	P12819	1	
4	Scale, 35" Inch	S11988	1	
5	Decal, 35" Inch	S11773	1	
6	Strap, Scale Hold-Down	S04805	1	
7	Pin, 1/8" X 5/8" Roll	F05012-14	1	
8	Screw, 1/4-20 X 5/8" Wing	F05005-64	1	
9	Bolt, 1/4-20 X 3/4" Hex Head Full Thread	F05005-1	2	
10	Washer, 7.4 Flat	F81056-11	2	
11	Washer, 1/4" X .020 Thick Nylon Flat	F05011-22	2	
12	Nut, 1/4-20 Hex Self-Locking	F05010-9	2	
13	Screw, 1/4-20 X 3/4" Flat Socket Head	F05005-70	1	
	Pointer Assembly, Fixed Scale	A12023	1	
14	Bracket, Fixed Scale Pointer Mount	S12245	1	◆
15	Pointer, Fixed Scale	086691	1	
16	Screw, #10-24 X 3/8" Phillips Head	F05004-3	2	
17	Nut, #10-24 Hex Self-Locking	F05010-14	2	
18	Washer, 7.4 Flat	F81056-11	2	
19	Bolt, 1/4-20 x 1/2" Hex Head	F05005-1	2	
20	Washer, 8.4 Flat	F81054-1	2	
21	Nut, 5/16-18 Hex Lock	F05010-6	2	
	Bolt, 1/4-20 X 1/2" Hex Head Grade 2	F05005-15	1	
	Instruction Sheet, Fixed Scale Retrofit	A12030-370	1	
	<b>DECAL KIT, METRIC SCALE</b>	K12064	1	
	Decal, Metric	S11711	1	
	Decal, Metric 16-40mm	P12040-1	1	
	Decal, Metric 45-63mm	P12040-2	1	
22	<b>DECAL, CLUTCH HANDLE OPERATION</b>	P11779	1	

# 6 Up/Down System

## Up/Down Chain & Sprockets

### 6.3 Up/Down Chain & Sprockets



REF	DESCRIPTION (◆ Indicates Parts Available In Assemblies Only)	PART #	QTY.
	<b>SPROCKET KIT, UP/DOWN IDLER #50-2</b>	016020	1
1	Sprocket, Up/Down Idler '98	016019	2
2	Spacer, 50-2 Idler '98	016018	4

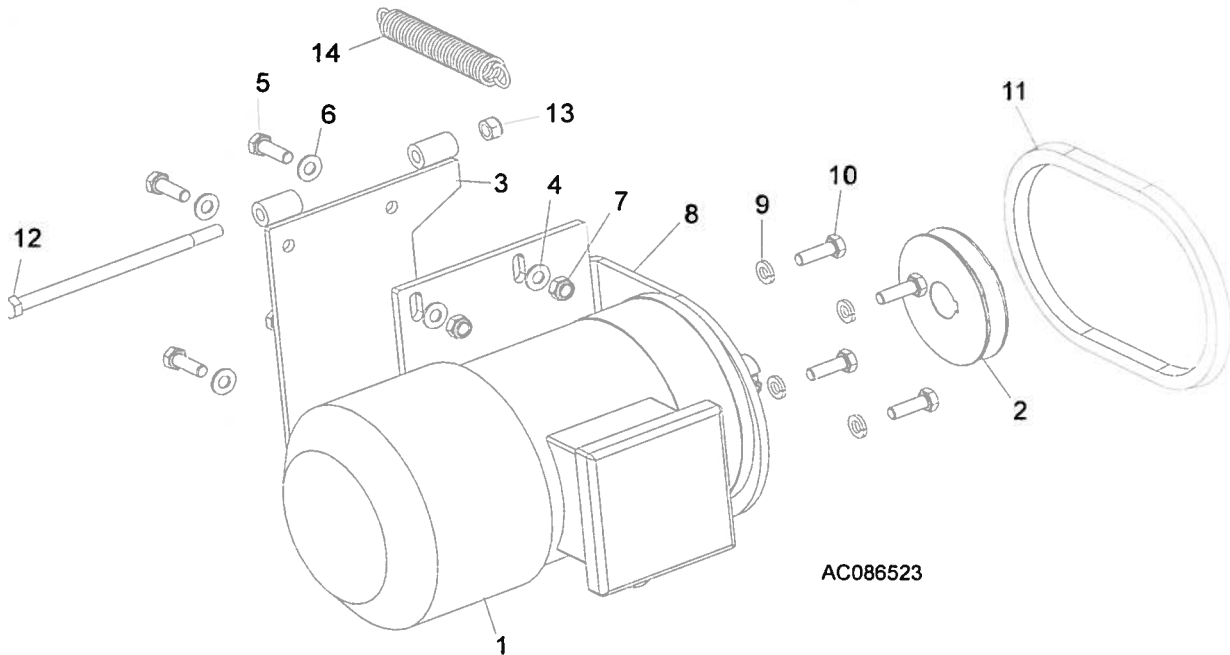


	Instruction Sheet, Up/Down Idler Retrofit	016020-541	1	
3	<b>BOLT, 5/8-11 X 5" HEX HEAD GRADE 2</b>	F05009-6	2	
4	<b>NUT, 5/8-11 HEX NYLON LOCK</b>	F05010-34	2	
5	<b>CHAIN, #50-2 X 75.625" UP/DOWN</b>	015259	1	
6	<b>LINK, #50-2 MASTER</b>	015258	2	
	<b>TENSIONER ASSEMBLY, UP/DOWN CHAIN</b>	086219	1	
7	Bracket, Up/Down #50 Chain Tensioner	086205-1	1	◆
8	Washer, 12.2 Split Lock	F81056-2	2	
9	Nut, M12-8-B Hex	F81034-1	2	

# 6 Up/Down System

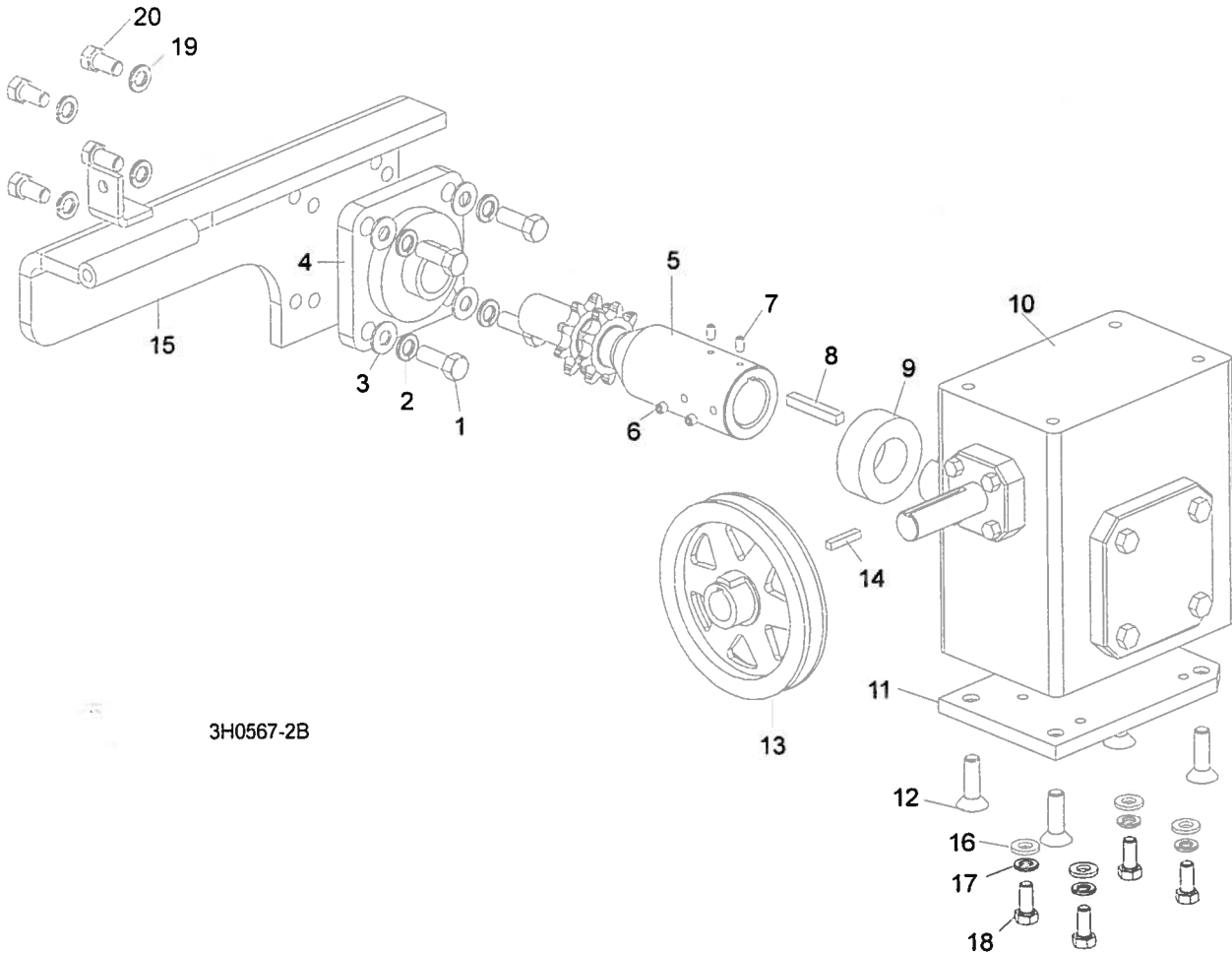
Up/Down Motor Assembly, LT30AHD/LT40AHD Super

## 6.4 Up/Down Motor Assembly, LT30AHD/LT40AHD Super



REF	DESCRIPTION (◆ Indicates Parts Available In Assemblies Only)	PART #	QTY.
	<b>UP/DOWN 2-SPEED MOTOR ASSEMBLY, AC SUPER</b>	086871	1
1	Moto, 2-Speed AC Super	086770	1
2	Pulley, Up/Down Motor	086378-1	1
3	Bracket, Up/Down Motor Mount	015198	1
4	Washer, 8.4 Split Lock	F81054-1	4
5	Bolt, M8 x 25 8.8 B Hex Head	F81002-4	4
6	Washer, 8.4 Flat	F81054-1	4
7	Nut, M8 8 B Hex	F81032-2	4
8	Guard, Up/Down Sprocket	015016	1
9	Washer, 3/8" Split Lock	F05011-4	2
10	Bolt, 3/8-16 x 3/4" Hex Head	F05007-27	4
11	<b>BELT, AX23</b>	015257	1
12	<b>BOLT, 5/16-18 X 6" HEX HEAD GRADE 5</b>	F05006-73	1
13	<b>NUT, 5/16-18 HEX NYLON LOCK</b>	F05010-65	1
14	<b>SPRING, .75" X 5" X .095" EXTENSION</b>	015569	1

## 6.5 Up/Down Drive Assembly, LT30AHD/LT40AHD Super



REF	DESCRIPTION (◆ Indicates Parts Available In Assemblies Only)	PART #	QTY.
	<b>UP/DOWN DRIVE ASSEMBLY</b>	<b>015176</b>	<b>1</b>
1	Bolt, 3/8-16 x 1" Hex Head	F05007-7	4
2	Washer, 10.2 Split Lock	F81055-2	4
3	Washer, 10.5 Flat	F81055-1	4
4	Bearing, Flanged Up/Down	014090	1
5	Shaft, Up/Down Sprocket	086587	1
6	Screw, M8 x 8-33H	F81014-1	2
7	Screw, M8 x 8-33H	F81014-1	2
8	Key, 1/4" Square x 1 11/16" Long	S04124	1
9	Spacer, Up/Down Shaft	016032	1
10	Reducer, Gear Box	014074	1
11	Plate, Gear Box Spacer	014158-1	1

## 6 Up/Down System

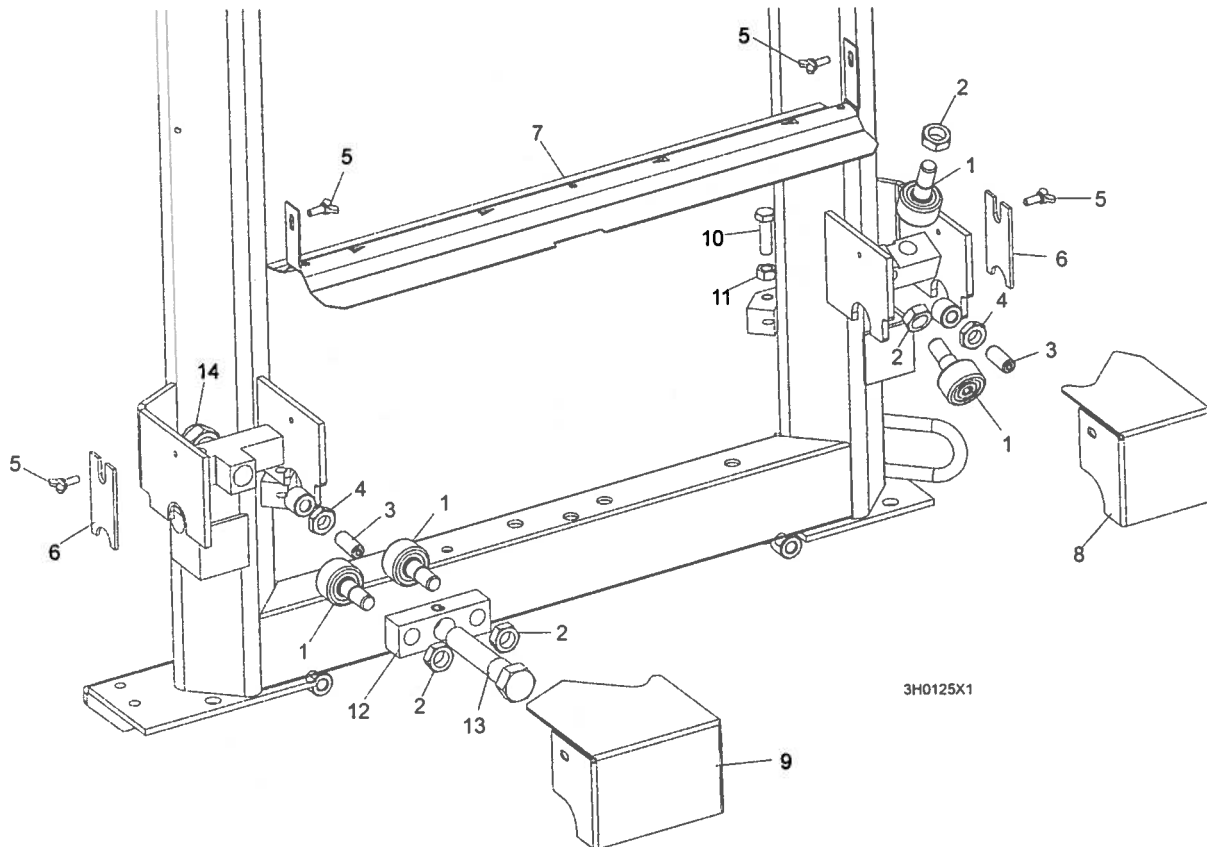
*Up/Down Drive Assembly, LT30AHD/LT40AHD Super*

---

12	Bolt, 3/8-16 x 1" Flat Socket Head	F05007-110	4	
13	Pulley, Up/Down	015256	1	
14	Key, 3/16" Square x 1" Long	S31027	1	
15	Bracket, Up/Down Motor Mount	015195-1	1	
16	WASHER, 8.4 FLAT	F81054-1	4	
17	WASHER, 8.2 SPLIT LOCK	F81054-4	4	
18	BOLT, 5/16-18 X 1" HEX HEAD	F05006-5	4	
19	WASHER, 10.2 SPLIT LOCK	F81055-2	4	
20	BOLT, 3/8-16 X 3/4" HEX HEAD	F05007-27	4	
	OIL, 8 OZ. MOBIL SHC634 BOTTLED SYNTHETIC GEAR	L04869-4	1	

## SECTION 7 POWER FEED & TRACK ROLLERS

### 7.1 Upper Track Rollers And Wipers

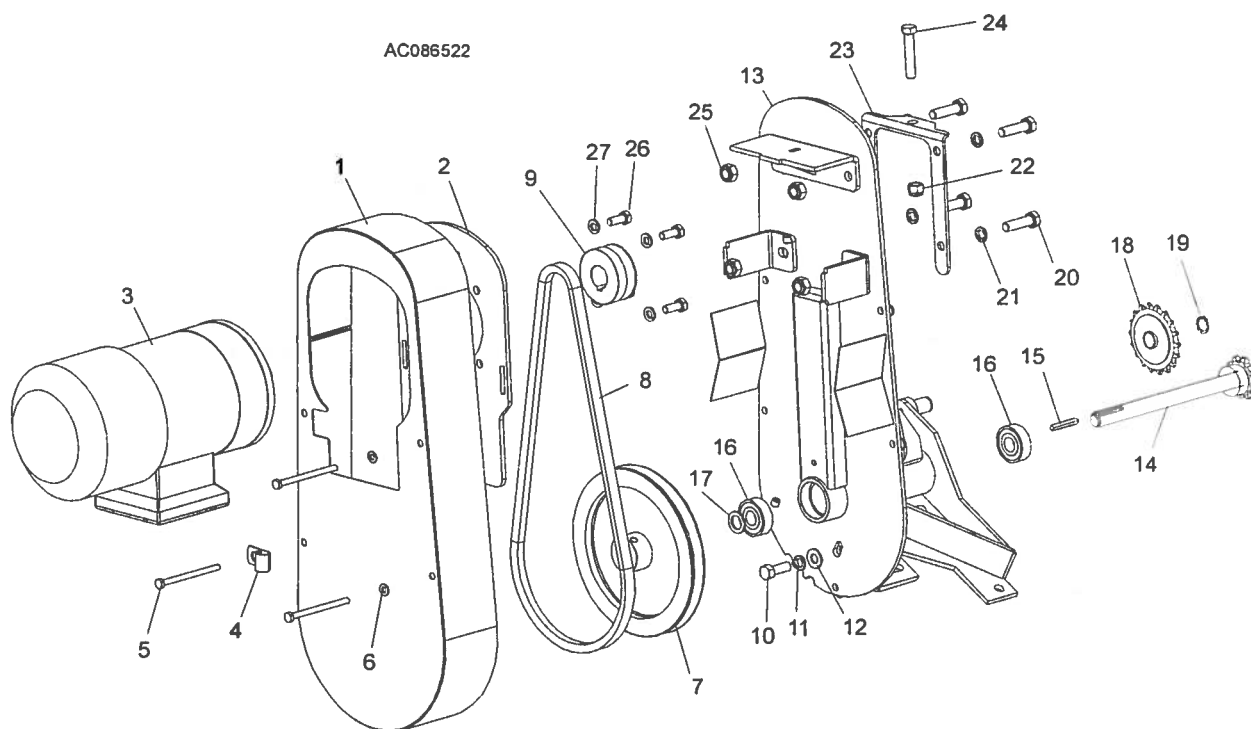


REF	DESCRIPTION (◆ Indicates Parts Available In Assemblies Only)	PART #	QTY.
1	ROLLER, TRACK CAM BEARING	P12843	4
2	NUT, 5/8-18 HEX JAM	F05010-11	4
3	SCREW, M12 X 30 OVAL POINT SET	F81004-14	2
4	NUT, M12-8-B HEX JAM	F81034-1	2
5	SCREW, 1/4-20 X 5/8" THUMB	F05005-64	4
6	WIPER, PLASTIC TRACK	M04113	2
7	COVER, MIDDLE TRACK OILER	S09917	1
	Wiper, Middle Track Felt	S09915	1
8	HOUSING, UPPER TRACK ROLLER REAR	086913-1	1
9	HOUSING, UPPER TRACK ROLLER FRONT	086914-1	1
10	BOLT, M10 X 35-8.8 HEX HEAD	F81003-17	2
11	NUT, M10-8 HEX JAM	F81033-3	2
12	BRACKET, UPPER TRACK ROLLER	086859-1	1
13	BOLT, HEX HEAD	086911	1
14	NUT, M20-8 HEX	F81037-2	1

# 7 Power Feed & Track Rollers

Power Feed Assembly, LT30AHD/LT40AHD Super

## 7.2 Power Feed Assembly, LT30AHD/LT40AHD Super



REF	DESCRIPTION (◆ Indicates Parts Available In Assemblies Only)	PART #	QTY.
	<b>POWER FEED ASSEMBLY, AC SUPER</b>	086522	1
1	Cover Weldment, Top Power Feed	015128	1
2	Plate, Power Feed Motor	086390	1
3	Motor, 1100 W Power Feed Painted, AC Super	086530	1
4	Clamp, 1/2" EMT Coated	P07584	1
5	Bolt, M6 x 80 5.8 Hex Head Grade	F81001-61	4
6	Washer, 6.4 Flat	F81053-1	4
7	Sheave, Power Feed	086410-1	1
8	Belt	086532	1
9	Sheave, Feed Motor	086388-1	1
10	Bolt, 3/8-16 x 1" Hex Head	F05007-7	1
11	Washer, 3/8" Split Lock	F05011-4	5
12	Washer, 3/8" Flat	F05011-3	5
13	Bracket, Power Feed Mount	015162	1
14	Shaft Weldment, Power Feed	015129	1
15	Key, 3/16" Square x 1 3/8" Long	016108	1
16	Bearing, 5/8" 6203-2NSL	P06030-1	2
17	Washer, 5/8" x 15/16" x .094" Nylon	F05011-19	1
18	Sprocket, 40 Idler 18T 5/8" ID	P04333	1
19	Ring, Z15	F81090-2	1
20	Bolt, Hex Head	F81003-17	4

# Power Feed & Track Rollers

Power Feed Assembly, LT30AHD/LT40AHD Super

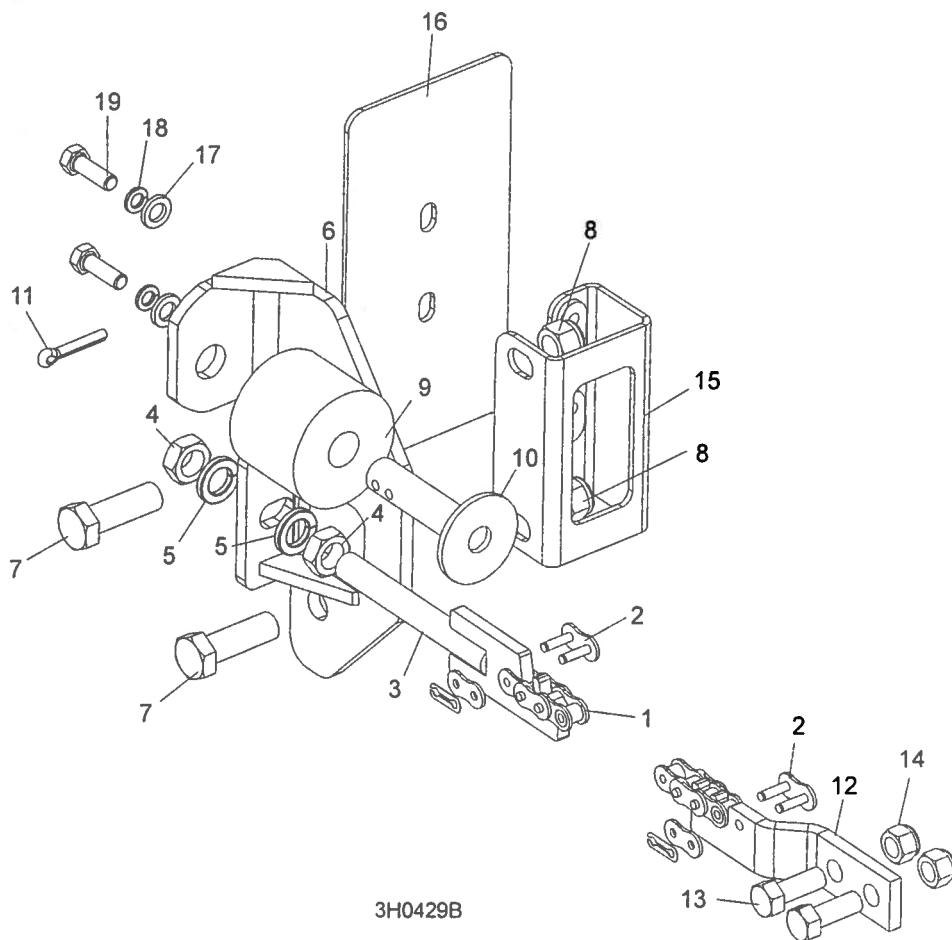
7

21	Washer, Flat	F81055-2	1	◆
22	Nut, 3/8-16 Hex Nylon Lock	F05010-10	1	
23	Bracket, Power Feed Mount	015162-1	1	
24	Bolt, 3/8-16 x 2" Full Thread Hex Head	F05007-16	1	
25	Nut, 3/8-16 Hex Nylon Lock	F81033-1	1	
26	Bolt, Hex Head	F81002-4	4	
27	Washer, Flat	F81054-4	4	

# 7 Power Feed & Track Rollers

## Feed Chain/Stop

### 7.3 Feed Chain/Stop



3H0429B

REF	DESCRIPTION (◆ Indicates Parts Available In Assemblies Only)	PART #	QTY.
	<b>CHAIN KIT, LT30 FEED</b>	K10408	1
	<b>CHAIN KIT, LT40 FEED</b>	K10410	1
1	Chain, #40 X 215" LT30 Feed	014744	1
	Chain, #40 X 267.5" LT40 Feed	014475	1
2	Link, #40 Master	P04200	2
3	Tensioner Weldment, Power Feed Chain	086818-1	1
4	Nut, M12-5 Hex Jam	F81034-4	2
5	Washer, 12.2 Split Lock	F81056-2	2
6	<b>BRACKET, FEED CHAIN REAR MOUNT</b>	015262	1
7	<b>BOLT, M12 X 40 8.8 HEX HEAD GRADE 5</b>	F81004-4	2
8	<b>NUT, M12-8 HEX NYLON LOCK</b>	F81034-2	2
	<b>STOP KIT, RUBBER CARRIAGE</b>	K09630	2
9	Stop, Rubber Carriage	P12165	1
10	Pin, Rubber Carriage Stop	W09293	1
11	Pin, 3/16" X 1" Cotter	F05012-21	1
12	<b>BRACKET, FRONT FEED CHAIN MOUNT</b>	015008	1

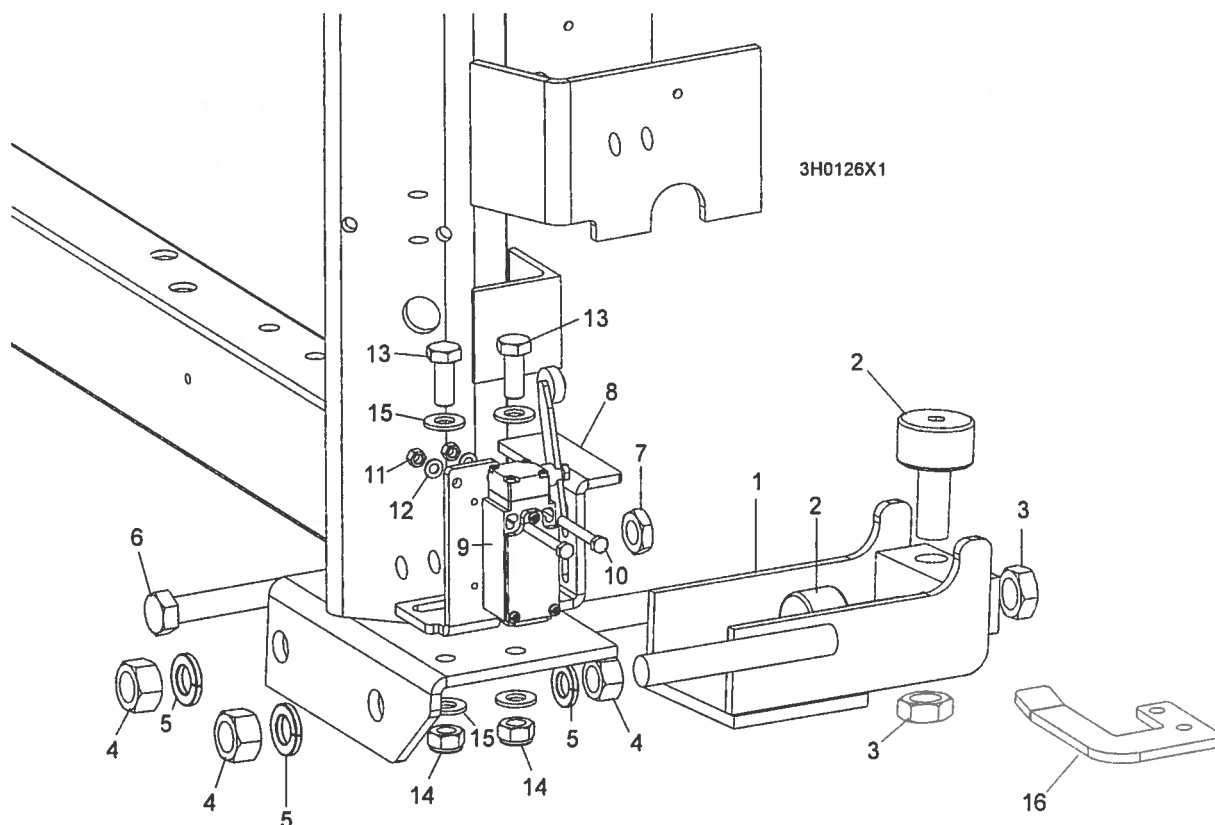


13	BOLT, 3/8-16 X 1" HEX HEAD	F05007-7	2	
14	NUT, 3/8-16 HEX NYLON LOCK	F05010-10	2	
15	BRACKET WELDMENT, REAR MAIN TUBE COVER MOUNT	015021	1	
16	COVER, REAR MAIN TUBE	015023	1	
17	WASHER, 8.4 FLAT	F81054-1	2	
18	WASHER, 8.2 SPLIT LOCK	F81054-4	2	
19	BOLT, 5/16-18 X 1" HEX HEAD	F05006-1	2	

# 7 Power Feed & Track Rollers

## Lower Track Rollers

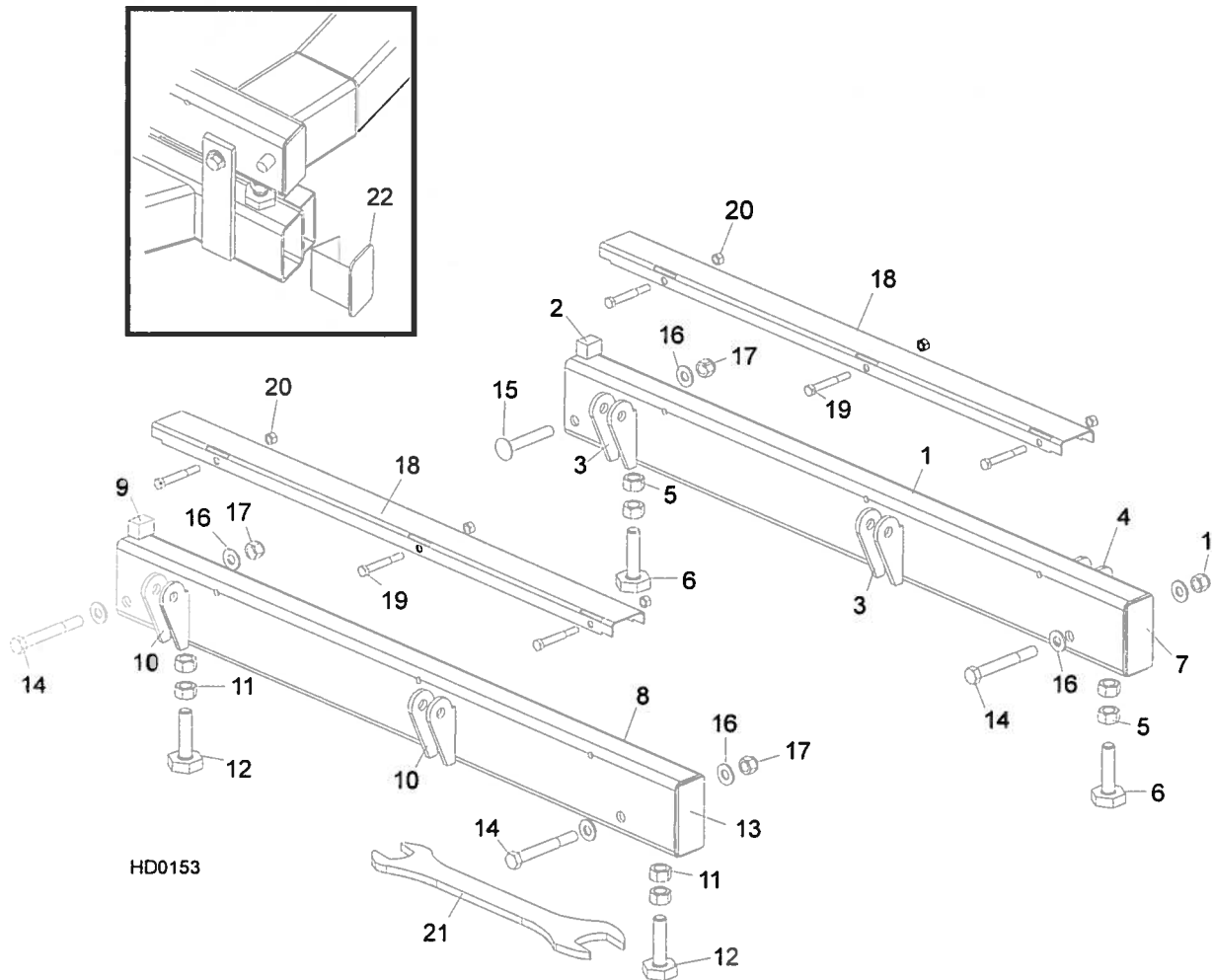
### 7.4 Lower Track Rollers



REF	DESCRIPTION (◆ Indicates Parts Available In Assemblies Only)	PART #	QTY.	
	<b>ROLLER ASSEMBLY, LOWER TRACK</b>	012995	2	
1	Bracket, Lower Track Roller Mounting	012982	1	◆
2	Roller, Track Cam Bearing	P12843	2	
3	Nut, 5/8-18 Hex Jam	F05010-11	2	
4	Nut, 5/8-11 Hex	F05010-5	4	
5	Washer, 16.3 Split Lock	F81058-2	4	
6	<b>BOLT, M12 X 55-8.8 HEX HEAD FULL THREAD</b>	F81004-12	2	
7	<b>NUT, M12-8-B HEX JAM</b>	F81034-1	2	
8	<b>BRACKET, POWER SUPPLY STRIP AND LIMIT SWITCH</b>	086380-1	1	
9	<b>SWITCH, GLCB01A2B LIMIT</b>	086469	1	
10	<b>BOLT, M5 X 40 8.8 HEX HEAD</b>	F810000-11	2	
11	<b>NUT, M5-8</b>	F81030-1	2	
12	<b>WASHER, 5.3 FLAT</b>	F81052-1	2	
13	<b>BOLT, M10 X 25 8.8</b>	F81003-11	2	
14	<b>NUT, M10 NYLON</b>	F81033-1	2	
15	<b>WASHER, 10.5 FLAT</b>	F81055-1	2	
16	<b>BRACKET, LIMIT SWITCH</b>	086473-1	1	

## SECTION 8 BED FRAME ASSEMBLY

### 8.1 Bed Rail Assembly, Front And Rear



REF	DESCRIPTION (◆ Indicates Parts Available In Assemblies Only)	PART #	QTY.	
	<b>BED RAIL ASSEMBLY, REAR PAINTED</b>	014467	1	
1	Bed Rail Tube, Long	015974	1	◆
2	Block, Log Stop	S09034	1	
3	Bracket, Roller Toe Board Mount	S13021	4	◆
4	Bracket, Saw Head Rest Pin Mount	014150	2	◆
	Bolt Assembly, Bed Rail	086809	2	◆
5	Nut, 5/8-11 Hex	F05010-54	2	
6	Bolt, Bed Rail Adjustment	S13006	1	
7	Plate, Bed Rail End Cap	S04058	2	◆
	<b>BED RAIL ASSEMBLY, FRONT PAINTED</b>	014455	1	
8	Bed Rail Tube, Long	015974	1	◆
9	Block, Log Stop	S09034	1	
10	Bracket, Roller Toe Board Mount	S13021	4	◆

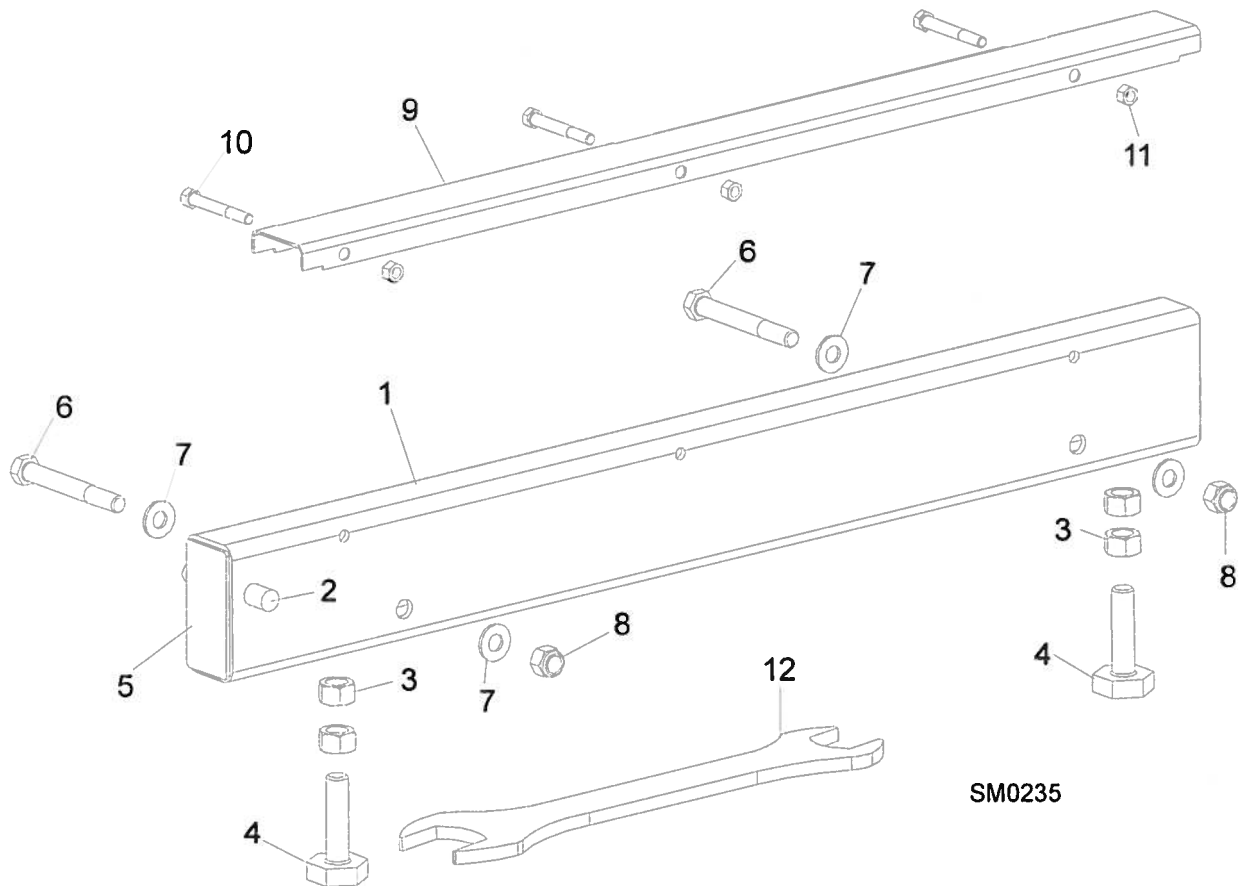
## 8

**Bed Frame Assembly***Bed Rail Assembly, Front And Rear*

	Bolt Assembly, Bed Rail	086809	2	◆
11	Nut, 5/8-11 Hex	F05010-54	2	
12	Bolt, Bed Rail Adjustment	S13006	1	
13	Plate, Bed Rail End Cap	S04058	2	◆
14	<b>BOLT, M12 X 100-8.8 HEX HEAD</b>	F81004-3	3	
15	<b>BOLT, 1/2-13 X 3 1/2" CARRIAGE</b>	F05008-94 <sup>1</sup>	1	
16	<b>WASHER, 13 FLAT</b>	F81056-1	7	
17	<b>NUT, M12-8 NYLON LOCK</b>	F81034-2	4	
	<b>COVER ASSEMBLY, STAINLESS STEEL BED RAIL (LONG)</b>	A09956	2	
18	Cover, Stainless Steel Bed Rail	S09944	1	◆
19	Bolt, 5/16-18 X 2 1/2" Hex Head	F05006-10	3	
20	Nut, 5/16-18 Hex Lock	F05010-6	3	
21	<b>WRENCH, BED RAIL ADJUSTMENT</b>	015970	1	
22	<b>CAP WELDMENT, BED RAIL REMOVABLE END</b>	014652	2	

<sup>1</sup> Used on rear bed rail to allow clearance for side support rollers.

## 8.2 Bed Rail Assembly, Front Middle

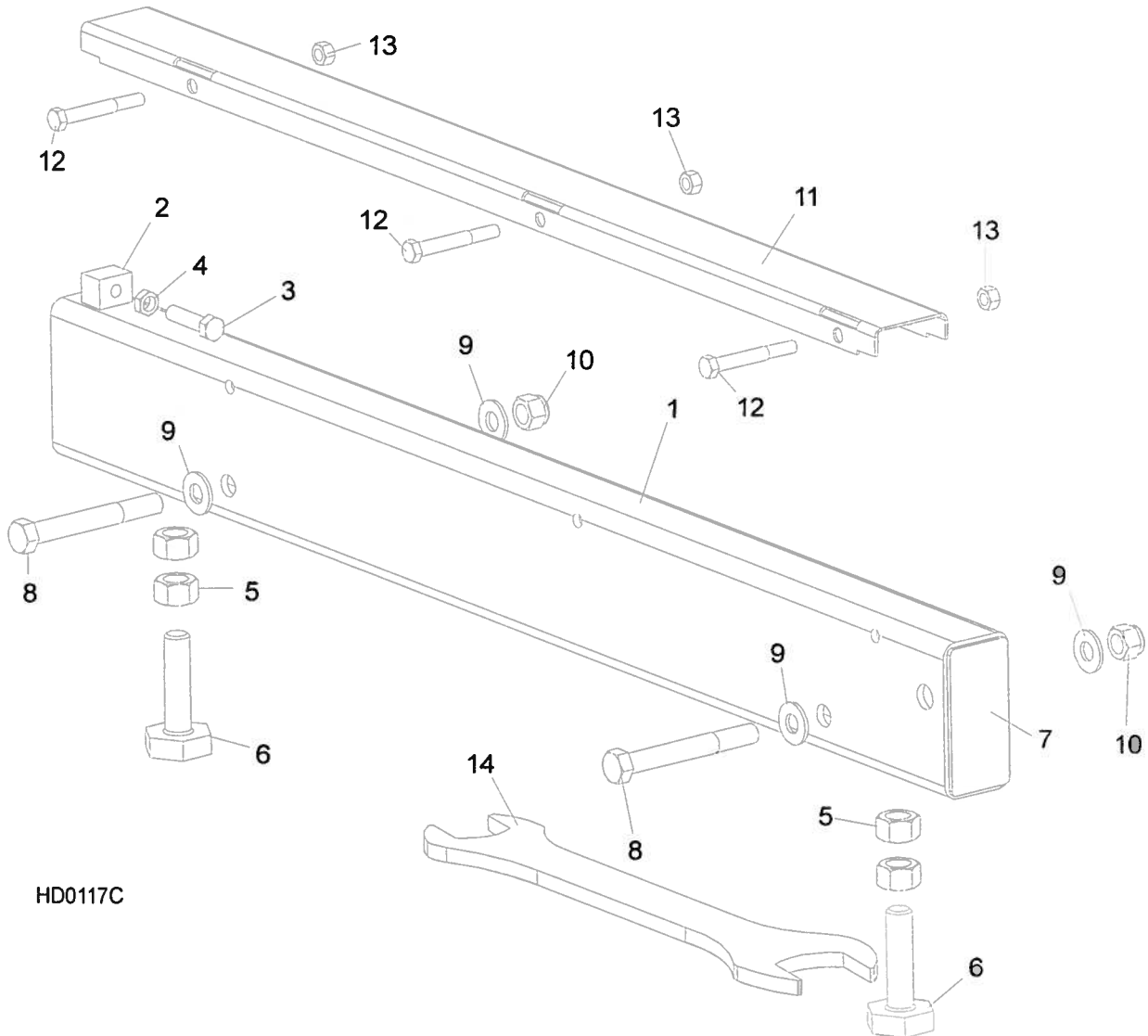


REF	DESCRIPTION (◆ Indicates Parts Available In Assemblies Only)	PART #	QTY.	
	<b>BED RAIL ASSEMBLY, FRONT MIDDLE</b>	A09566	1	
1	Bed Rail Tube, Short	S09103	1	◆
2	Pin, Ramp Mount	S04030	1	
	<b>Bolt Assembly, Bed Rail</b>	086809	2	◆
3	Nut, 5/8-11 Hex	F05010-54	2	
4	Bolt, Bed Rail Adjustment	S13006	2	
5	Plate, Bed Rail End Cap	S04058	2	◆
6	<b>BOLT, M12 X 100-8.8 HEX HEAD</b>	F81004-3	2	
7	<b>WASHER, 13 FLAT</b>	F81056-1	4	
8	<b>NUT, M12-8 NYLON LOCK</b>	F81034-2	2	
	<b>COVER ASSEMBLY, STAINLESS STEEL BED RAIL (LONG)</b>	A09956	1	
9	Cover, Stainless Steel Bed Rail	S09944	1	◆
10	Bolt, 5/16-18 X 2 1/2" Hex Head	F05006-10	3	
11	Nut, 5/16-18 Hex Lock	F05010-6	3	
12	<b>WRENCH, BED RAIL ADJUSTMENT</b>	015970	1	

# 8

## Bed Frame Assembly Bed Rail Assembly, Rear Middle

### 8.3 Bed Rail Assembly, Rear Middle



REF	DESCRIPTION (◆ Indicates Parts Available In Assemblies Only)	PART #	QTY.	
	<b>BED RAIL ASSEMBLY, REAR MIDDLE PAINTED</b>	015757	1	
1	Bed Rail Tube, Short	014640	1	◆
2	Block, Log Stop w/Threaded Hole	014639	1	◆
3	Bolt, 3/8-16 x 1 1/2 Full Thread Hex Head	F05007-17	1	
4	Nut, 3/8-16 Hex Jam	F05010-29	1	
	Bolt Assembly, Bed Rail	086809	2	◆
5	Nut, 5/8-11 Hex	F05010-54	2	
6	Bolt, Bed Rail Adjustment	S13006	2	
7	Plate, Bed Rail End Cap	S04058	2	◆
8	<b>BOLT, M12 X 100-8.8 HEX HEAD</b>	F81004-3	2	
9	<b>WASHER, 13 FLAT</b>	F81056-1	4	

**Bed Frame Assembly**  
*Bed Rail Assembly, Rear Middle*

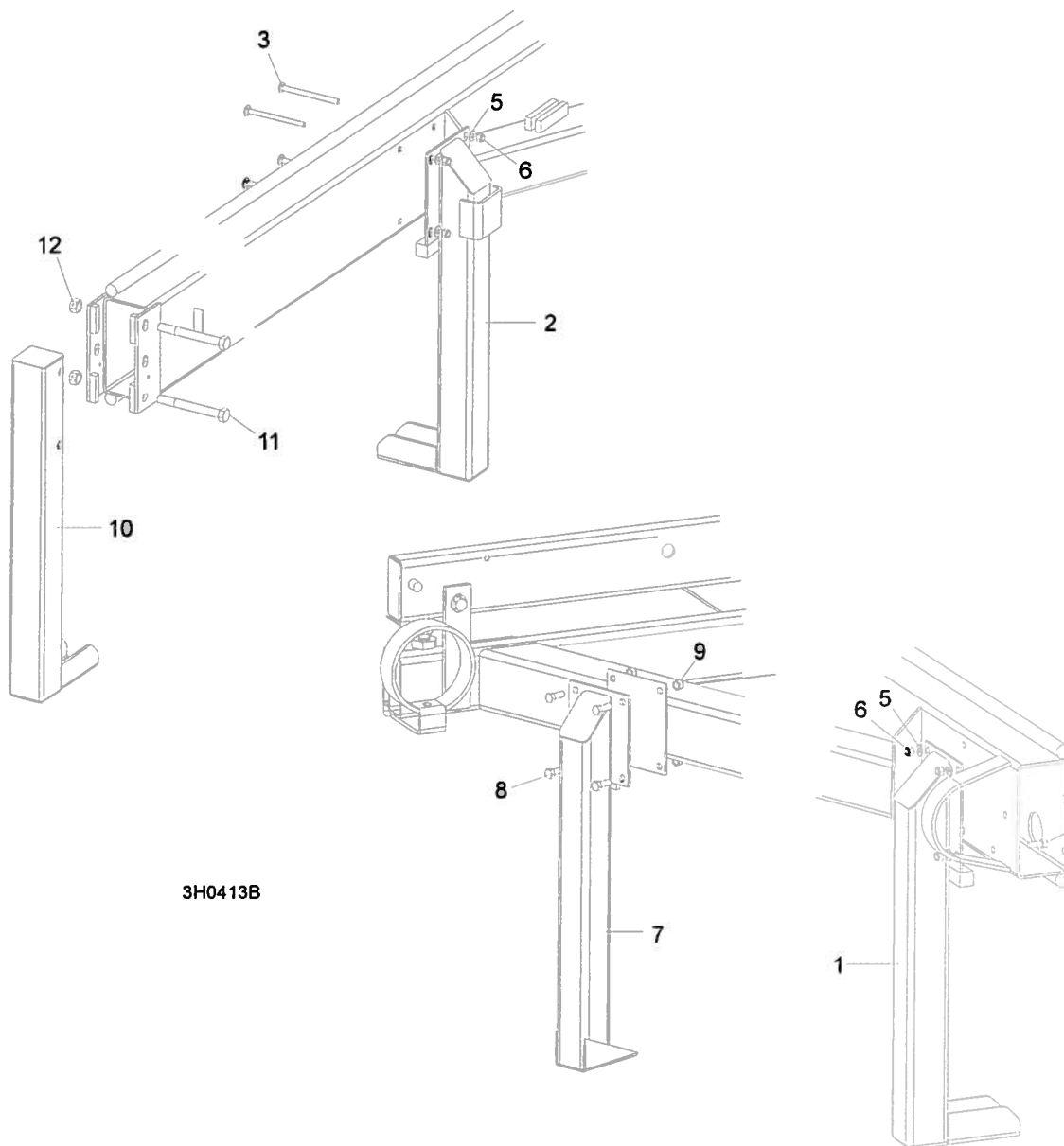
**8**

10	<b>NUT, M12-8 NYLON LOCK</b>	F81034-2	2	
	<b>COVER ASSEMBLY, STAINLESS STEEL BED RAIL (LONG)</b>	A09956	1	
11	Cover, Stainless Steel Bed Rail	S09944	1	◆
12	Bolt, 5/16-18 X 2 1/2" Hex Head	F05006-10	3	
13	Nut, 5/16-18 Hex Lock	F05010-6	3	
14	<b>WRENCH, BED RAIL ADJUSTMENT</b>	015970	1	

# 8 Bed Frame Assembly

## Leg, Stationary

### 8.4 Leg, Stationary



3H0413B

REF	DESCRIPTION (◆ Indicates Parts Available In Assemblies Only)	PART #	QTY.
1	LEG, LONG STATIONARY (1 REQ'D FOR LT30HD; 3 REQ'D FOR LT40HD)	W09513	1/3
2	LEG, LONG STATIONARY W/BOARD RETURN TABLE BRACKET	015091	1
3	BOLT, M10 X 120-8.8 CARRIAGE HEAD	F81003-33	8/12
4	BOLT, 3/8-16 X 1" HEX HEAD GRADE 2 (REQ'D FOR REAR LT40HD ONLY)	F05007-7	4
5	WASHER, 10.5 FLAT	F81055-1	8/16
6	NUT, M10-8-B HEX NYLON LOCK	F81033-1	8/16
7	LEG, SHORT STATIONARY	W09515	2
8	BOLT, 3/8-16 X 1" HEX HEAD GRADE 2	F05007-7	8
9	NUT, 3/8-16 HEX NYLON LOCK	F05010-10	8



**Bed Frame Assembly**

*Leg, Stationary*

**8**

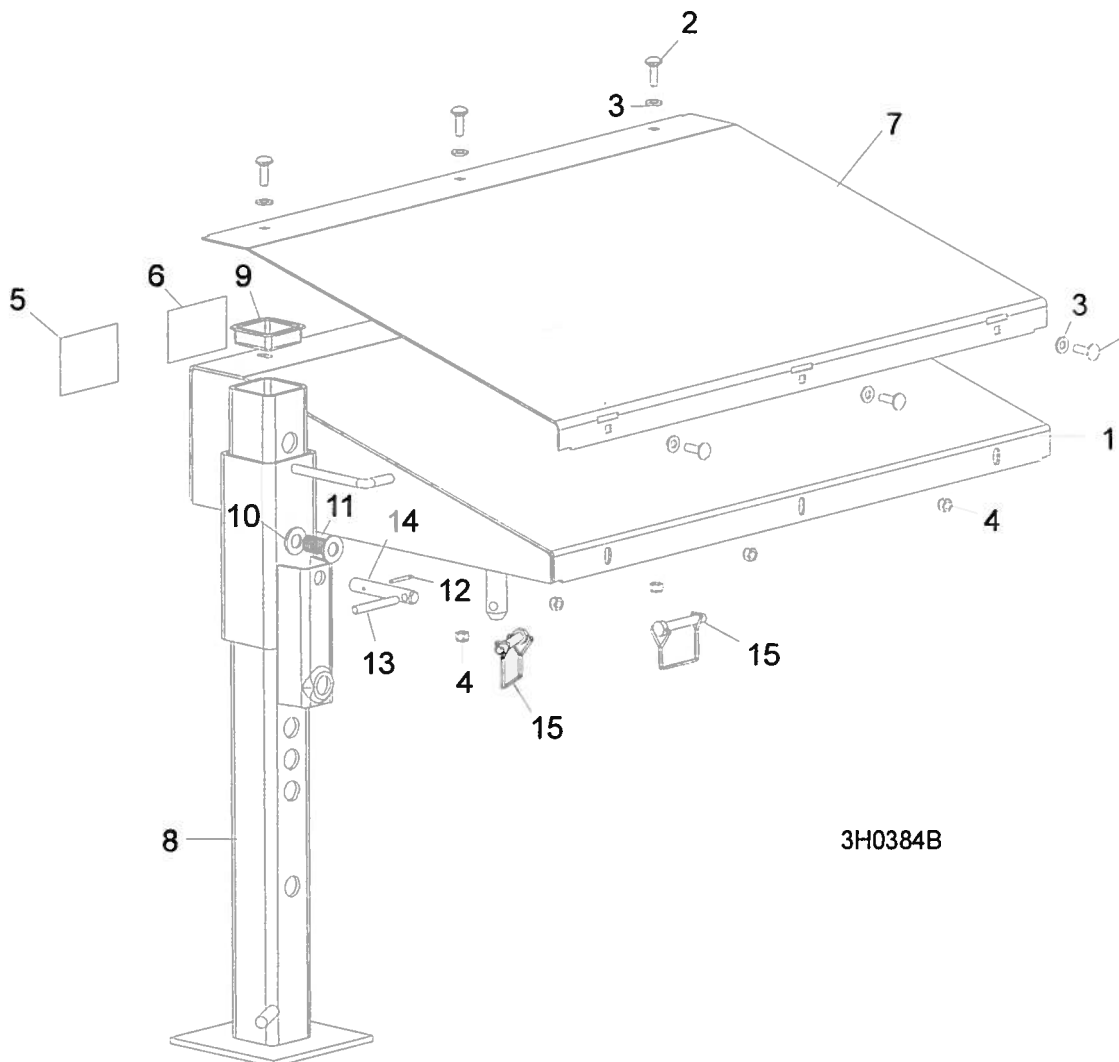
---

10	LEG, FRONT STATIONARY	W09517	1	
11	BOLT, M16 X 140-8.8 HEX HEAD GRADE 5	F81006-4	2	
12	NUT, M16-8 HEX LOCK	F81036-2	2	

# 8 Bed Frame Assembly

## Board Return Table Assembly

### 8.5 Board Return Table Assembly



3H0384B

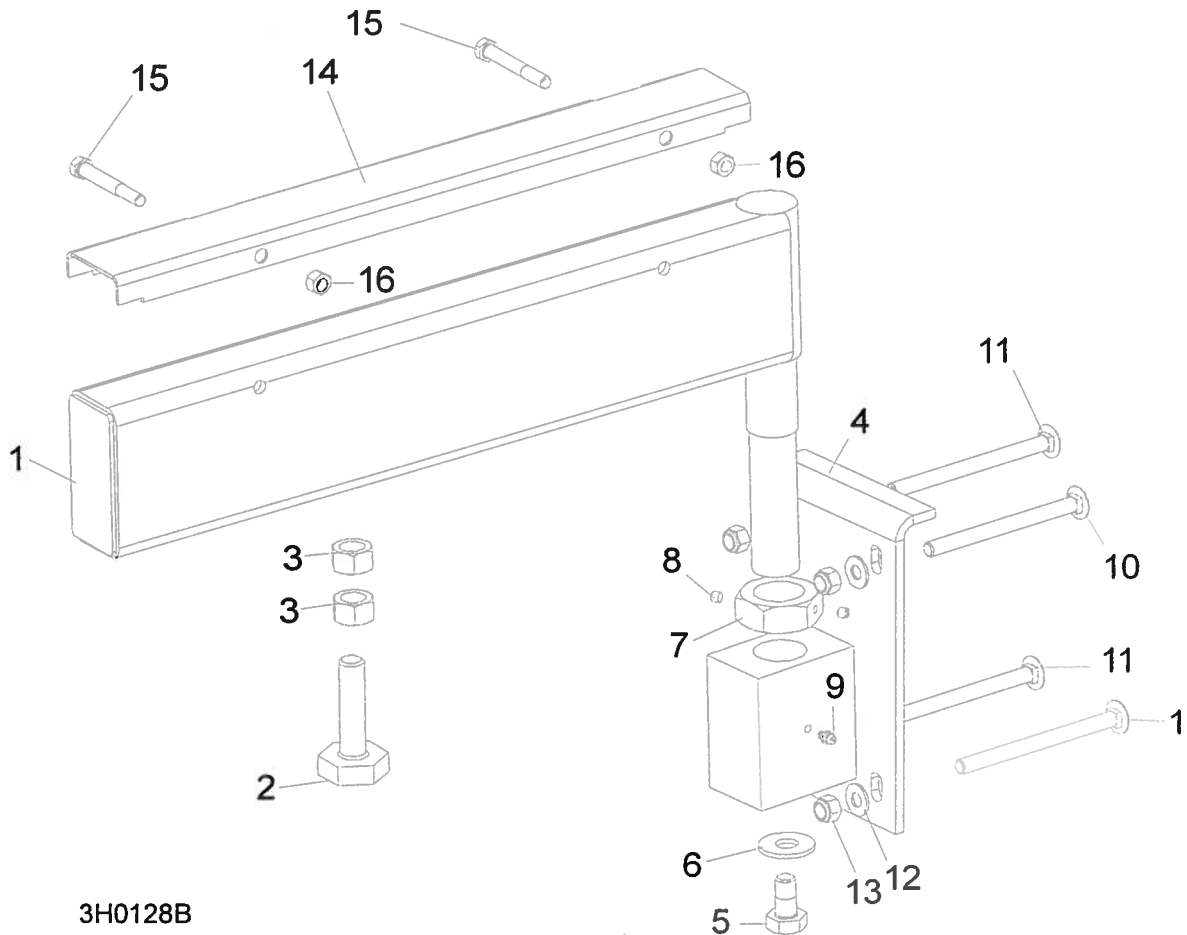
	DESCRIPTION (◆ Indicates Parts Available In Assemblies Only)	PART #	QTY.	
	<b>TABLE ASSEMBLY, BOARD RETURN</b>	015792	1	
1	Table Weldment, Board Return	015790	1	◆
2	Bolt, 5/16-18 x 1" Carriage Head	F81002-1	6	
3	Washer, 5/16" SAE Flat	F81032-2	6	
4	Nut, 5/16-18 Nylon Lock	F81054-1	6	
5	Decal, Board Return Danger	015365	1	
6	Decal, Board Return Table Warning	016077	1	
7	Plate, Return Table Stainless Steel	015791	1	
8	Leg Weldment, Painted Outrigger	W07537	1	
9	Cap, Outrigger Leg	P09926	1	
10	Washer, 9/16" SAE Flat	F81057-2	2	
11	Spring, .72 X 1.5 X .967" Diameter Stainless Steel Compression	P04282	1	
12	Pin, 1/8" X 1" Cotter	F05012-1	1	

	Pin, Outrigger Pull Painted	S12260-0	1	
13	Pin, 5/16 x 2 1/2" Roll	F05012-47	1	
14	Pin, Outrigger Pull	S12260-0	1	
15	Pin, 3/8 X 2 1/4" Square Wire Lock	014151	2	

# 8 Bed Frame Assembly

## Pivot Bed Rail Assembly

### 8.6 Pivot Bed Rail Assembly



3H0128B

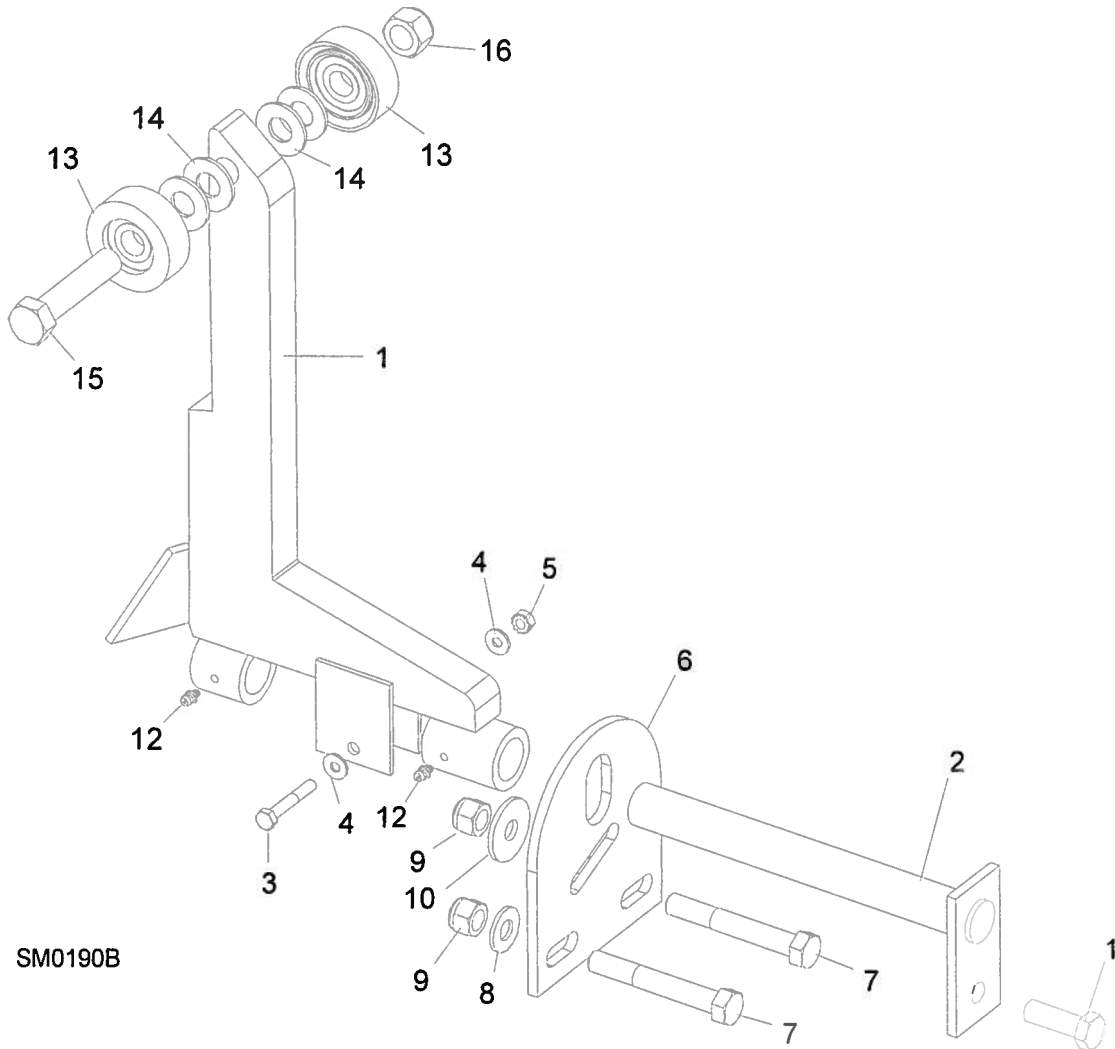
REF	DESCRIPTION (◆ Indicates Parts Available In Assemblies Only)	PART #	QTY.
	<b>PIVOT BED RAIL ASSEMBLY (LT30HD)</b>	012993	2
	<b>PIVOT BED RAIL ASSEMBLY (LT40HD)</b>	A13015	2
1	Pivot Bed Rail Weldment (LT30HD)	012992	1
	Pivot Bed Rail Weldment (LT40HD)	W13014	1
	<b>Bolt Assembly, Bed Rail Adjustment</b>	086809	1
2	Bolt, Bed Rail Adjustment	S13006	1
3	Nut, 5/8-11 Hex	F05010-54	2
4	Bracket, Pivot Rail Mounting	W13090	1
5	Bolt, 1/2-13 x 1" Hex Head Grade 2	F05008-50	1
6	Washer, 15 Flat	F81057-3	1
7	Nut, Pivot Rail Adjustment	S13016	1
8	Screw, 1/4-28 x 1/4" Brass Tip Set	F05005-42	2
9	Fitting, 3/16" Grease	P04107	1
10	<b>BOLT, 3M10 X 120-8.8 CARRIAGE HEAD</b>	F81003-14	2
11	<b>BOLT, 3/8-16 X 5" CARRIAGE HEAD</b>	F05007-113	6
12	<b>WASHER,10.5 FLAT</b>	F81055-1	8
13	<b>NUT, M16-8 NYLON LOCK</b>	F81036-2	8

	<b>COVER KIT, PIVOT RAIL STAINLESS STEEL (LT30HD)</b>	015926	2	
	<b>COVER KIT, PIVOT RAIL STAINLESS STEEL (LT40HD)</b>	N/A	2	
<b>14</b>	Cover, Stainless Steel Pivot Bed Rail (LT30HD)	012994	1	
	Cover, Stainless Steel Pivot Bed Rail (LT40HD)	S13012	1	
<b>15</b>	Bolt, 5/16-18 X 2 1/2" Hex Head	F05006-10	2	
<b>16</b>	Nut, 5/16-18 Hex Lock	F05010-6	2	
	<b>WRENCH, BED RAIL ADJUSTMENT (See Section 8.3)</b>	015970	1	

# 8

## Bed Frame Assembly Log Side Support Assembly (Manual)

### 8.7 Log Side Support Assembly (Manual)



See Section 9.6 for hydraulic side supports...

REF	DESCRIPTION (◆ Indicates Parts Available In Assemblies Only)	PART #	QTY.
1	<b>SUPPORT, LOG SIDE</b>	085538	2
	<b>MOUNTING KIT, LOG SIDE SUPPORT</b>	K09440	2
2	Pin, Log Side Support Pivot	W09238-1	1
3	Bolt, 1/4-20 X 1 1/2" Hex Head Grade 5	F05005-4	1
4	Washer, 7.4 Flat	F81056-11	2
5	Nut, 1/4-20 Self Locking	F05010-9	1
6	Plate, Log Side Support End	S09148	1
7	Bolt, M12 x 90-8.8 Hex Head	F81004-2	2
8	Washer, 13 Flat	F81056-1	2
9	Nut, M12-8 Hex Nylon Lock	F81034-2	3
10	Washer, .5" x 1.63" x 11" Ga.	086184	1

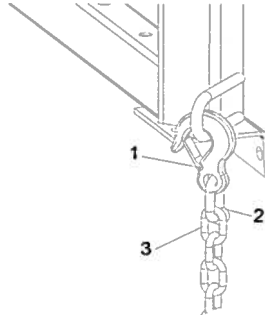
11	Bolt, M12 x 35-8.8 Hex Head	F81004-11	1	
12	FITTING, 3/16" GREASE	P04107	2	
	<b>ROLLER KIT, SIDE SUPPORT (OPTIONAL)</b>	015109	4	
13	Roller Assembly, Side Support	015014-1	2	
14	Washer, 17 Flat	F81058-1	4	
15	Bolt, 5/8-11 x 3" Hex Head Grade 5	F05009-37	1	
16	Nut, 5/8-11 Nylon Lock	F05010-34	1	
	Instruction Sheet, Side Support Roller	015109-526	1	

# 8 Bed Frame Assembly

## Tie Down Chain Assembly

### 8.8 Tie Down Chain Assembly

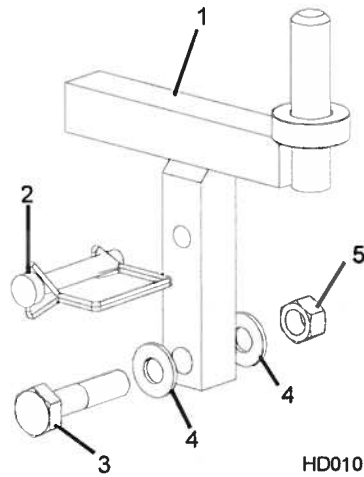
SM0129



REF	DESCRIPTION (◆ Indicates Parts Available In Assemblies Only)	PART #	QTY.	
	<b>CHAIN ASSEMBLY, TIE DOWN</b>	A04376	1	
1	Hook, 5/8" Safety Chain	P12075	1	◆
2	Cold Shut, 3/8" Plain	P04772-2	1	◆
3	Chain, N-10 x 35 Unplated	086539	.28 m	◆



### 8.9 Saw Head Rest Pin Assembly



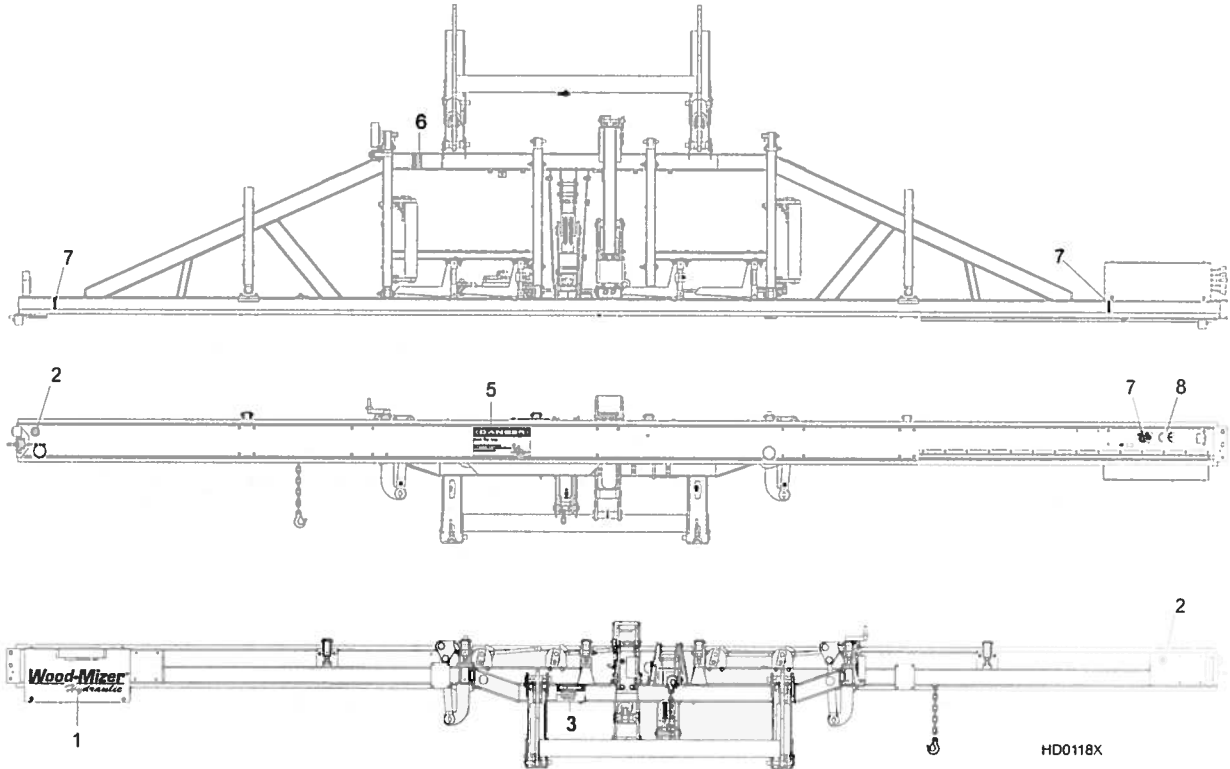
REF	DESCRIPTION (◆ Indicates Parts Available In Assemblies Only)	PART #	QTY.	
1	PIN, SAW HEAD REST	085949	1	
2	PIN, 3/8" X 2 1/4" SNAP RETAINER	014151	1	
3	BOLT, M12 X 60-8.8 HEX HEAD GRADE 5	F81004-5	1	
4	WASHER, 13 SAE FLAT	F81056-1	2	
5	NUT, 1/2-13 HEX LOCK	F05010-3	1	

# 8

## Bed Frame Assembly

### Bed Frame Decals

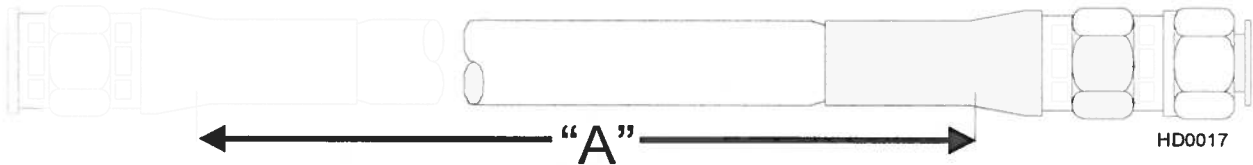
#### 8.10 Bed Frame Decals



REF	DESCRIPTION (◆ Indicates Parts Available In Assemblies Only)	PART #	QTY.
1	DECAL, WOOD-MIZER SUPER HYDRAULIC LOGO	014168	1
2	DECAL, AMBER REFLECTIVE 2" ROUND	P07453	2
3	DECAL, KEEP AWAY DANGER	S09851	1
4	DECAL, PINCH POINT DANGER	P10287	1
5	DECAL, SAW HEAD REST CAUTION	S12581	1
6	DECAL, LOG LIMIT STRIPE	S12051	2
7	DECAL, GS SAFETY CERTIFICATION, SMALL	P85072	1
8	DECAL, CE CERTIFIED SAWMILL, SMALL	P85070	1

## SECTION 9 HYDRAULIC SYSTEM

### 9.1 Hydraulic Hoses

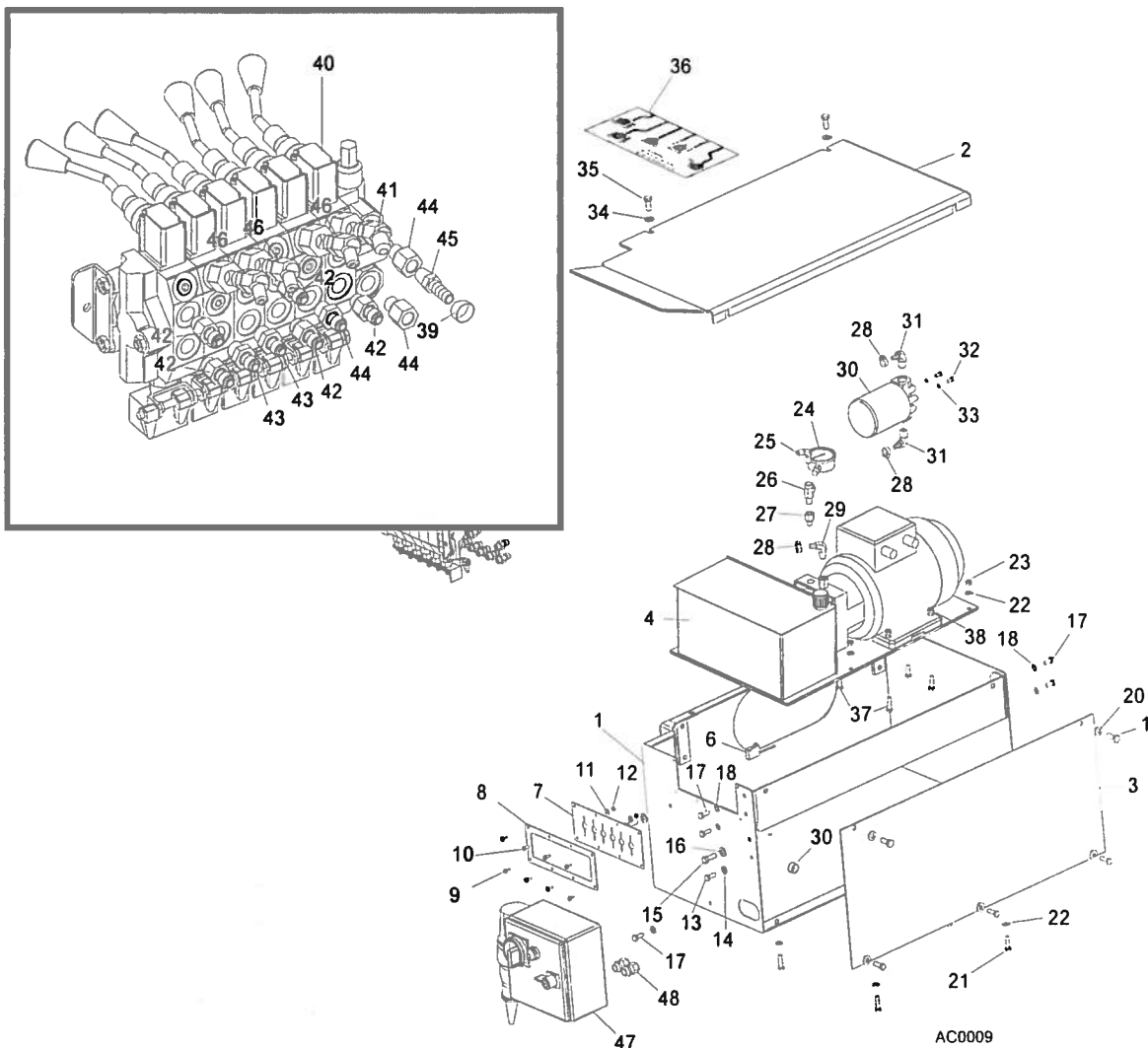


COLOR	LENGTH "A"	DESCRIPTION (◆ Indicates Parts Available In Assemblies Only)	PART #	QTY.
None	18"	1/4" HYDRAULIC PUMP TO VALVE	015704	2
Plain	27"	3/8" LOG TURNER CYLINDER BASE	014796	1
Orange	18"	3/8" LOG TURNER CYLINDER TOP	014795	1
Yellow	99"	1/4" FRONT TOE BOARD TOP (LT30HD SUPER)	014783	1
	121"	1/4" FRONT TOE BOARD TOP (LT40HD SUPER)	014784	1
Gray	99"	1/4" FRONT TOE BOARD BASE (LT30HD SUPER)	014783	1
	121"	1/4" FRONT TOE BOARD BASE (LT40HD SUPER)	014784	1
Plain	160"	3/8" SIDE SUPPORT CYLINDER TOP (LT30HD SUPER)	015686	1
	182"	3/8" SIDE SUPPORT CYLINDER TOP (LT40HD SUPER)	015689	1
Pink	168"	3/8" SIDE SUPPORT CYLINDER BASE (LT30HD SUPER)	015688	1
	190"	3/8" SIDE SUPPORT CYLINDER BASE (LT40HD SUPER)	015691	1
White	139"	3/8" CLAMP CYLINDER TOP (LT30HD SUPER)	015683	1
	151"	3/8" CLAMP CYLINDER TOP (LT40HD SUPER)	015685	1
Dark Orange	123"	3/8" CLAMP CYLINDER BASE (LT30HD SUPER)	014799	1
	145"	3/8" CLAMP CYLINDER BASE (LT40HD SUPER)	015684	1
Purple	203"	1/4" REAR TOE BOARD TOP (LT30HD SUPER)	014792	1
	225"	1/4" REAR TOE BOARD TOP (LT40HD SUPER)	014794	1
Black	203"	1/4" REAR TOE BOARD BASE (LT30HD SUPER)	014792	1
	225"	1/4" REAR TOE BOARD BASE (LT40HD SUPER)	014794	1
Green	62"	3/8" LOADING ARM BRANCH TOP	014797	2
Yellow	63"	3/8" LOADING ARM BRANCH BASE	014798	2
Blue	165"	3/8" LOADING ARM CYLINDER TOP (LT30HD SUPER)	015687	1
	187"	3/8" LOADING ARM CYLINDER TOP (LT40HD SUPER)	015690	1
Red	165"	3/8" LOADING ARM CYLINDER BOTTOM (LT30HD SUPER)	015687	1
	187"	3/8" LOADING ARM CYLINDER BOTTOM (LT40HD SUPER)	015690	1
Green	174"	1/4" CLAMP UP (LT30HD SUPER)	014787	1
	196"	1/4" CLAMP UP (LT40HD SUPER)	014791	1
Yellow	174"	1/4" CLAMP DOWN (LT30HD SUPER)	014787	1
	196"	1/4" CLAMP DOWN (LT40HD SUPER)	014791	1

# 9 Hydraulic System

## Hydraulic Control Box

### 9.2 Hydraulic Control Box



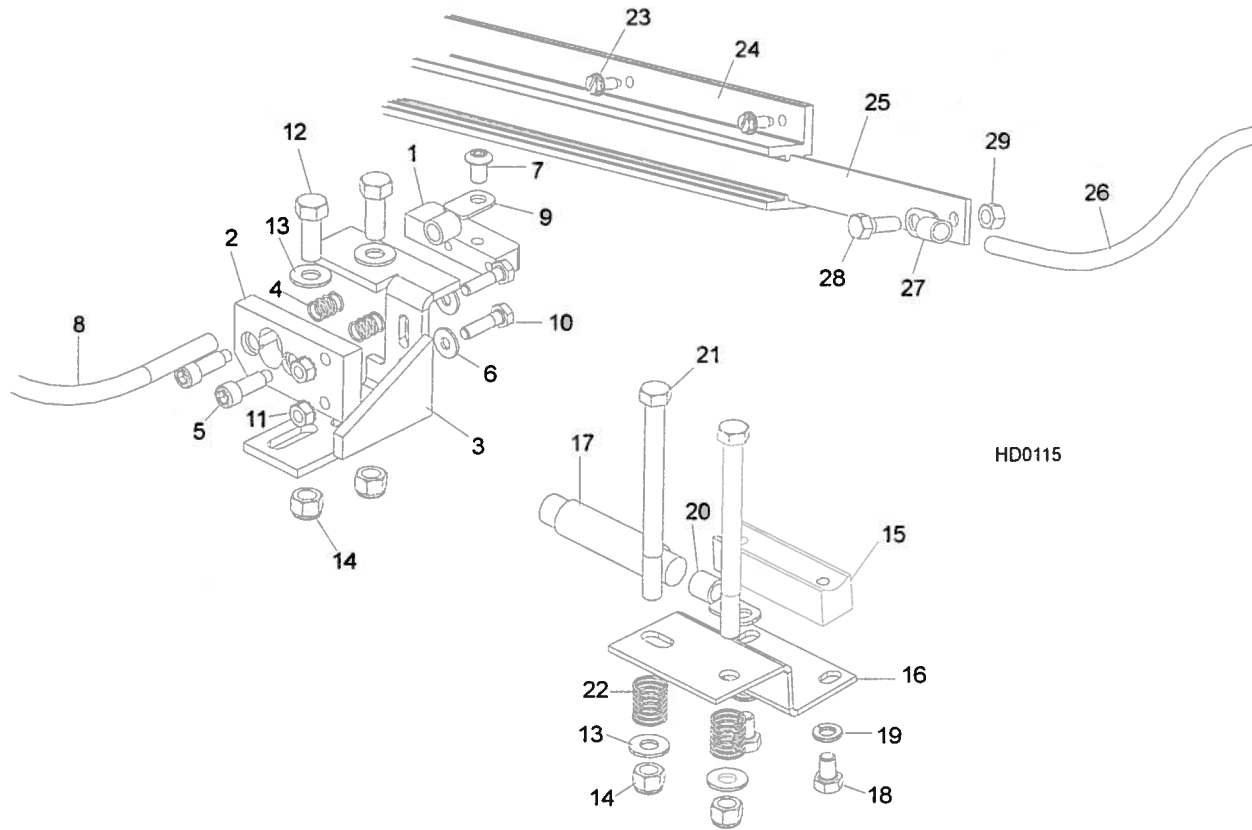
REF	DESCRIPTION (◆ Indicates Parts Available In Assemblies Only)	PART #	QTY.
	<b>BOX, AC SUPER HYDRAULIC (EA20, EA25)</b>	086791	1
1	<b>BOX WELDMENT, SUPER HYDRAULIC PUMP HOUSING</b>	086480-1	1
2	<b>COVER, AC HYDRAULIC PUMP HOUSING TOP</b>	086485-1	1
3	<b>COVER, AC HYDRAULIC PUMP HOUSING SIDE</b>	086484-1	1
4	<b>FEEDER, 4KW 14.5L/MIN. SUPER AC HYDRAULIC WITH PUMP</b>	086789	1
5	<b>MOUNT, HYDRAULIC UNIT</b>	086541	1
6	Fitting, 90ST Elbow	P09142	1
7	Microswitch, Hydraulic Valve	014765	1
8	<b>SEAL, RUBBER VALVE HANDLE</b>	015079	1
9	<b>PLATE, VALVE</b>	086519-1	1
10	<b>SCREW, #10 X 1/2 SLOTTED HEX SELF-TAPPING</b>	F05015-7	6
11	<b>BOLT, M5X12-5.8</b>	F81000-5	2

12	WASHER, 5.5	F81052-3	2	
13	NUT, M5-8	F81030-1	2	
14	BOLT, M8 X 20-8.8-B HEX HEAD	F81002-4	2	
15	WASHER, 8.4 FLAT	F81054-1	2	
16	BOLT, 3/8-16X1 GR8 HEX HEAD	F05007-7	2	
17	WASHER, 10.5 FLAT	F81055-1	2	
18	BOLT, M8 X 20-8.8-B HEX HEAD	F81002-4	4	
19	WASHER, 8.4 EXTERNAL STAR LOCK	F81054-3	4	
20	BOLT, M10 X 25-8.8 HEX HEAD	F81003-11	4	
21	WASHER, 10.5 FLAT	F81055-1	4	
22	BOLT, M8 X 30-8.8-B HEX HEAD	F81002-7	4	
23	WASHER, 8.4 FLAT	F81054-1	4	
24	NUT, M8-8-B	F81032-2	4	
25	GAUGE, 3000 PSI OIL PRESSURE	P10052	1	
26	FITTING, ELBOW	015491	1	
27	FITTING	P09141	1	
28	FITTING #6	014686	1	
29	CLAMP, 11/16 HOSE	P12739	3	
30	FITTING, 3/8" NPT - 3/8" ELBOW	P12708	1	
31	BRANCH-JOINT, HYDRAULIC WITH FILTER	P22683	1	
32	FITTING, 1/2" NPT - 3/8" ELBOW	P12707	2	
33	BOLT, 1/4-20 X 1/2"	F05005-15	2	
34	WASHER, 6.1 SPLIT LOCK	F81053-3	2	
35	WASHER, 10.5 FLAT	F81055-1	2	
36	BOLT, M10 X 25-8.8-FE/ZN5 HEX HEAD	F81003-11	2	
37	DECAL, 1997 SUPER HYDRAULIC CONTROL BOX	015364	1	
38	Clamp, Hydraulic Hose	P12739	1	
39	VALVE, HYDRAULIC 6 SECTION	086589	1	
	SWITCH, HYDRAULIC VALVE ELECTRIC	024198	1	
40	FITTING, #6 SAE - 3/8" JIC 45° ELBOW	015489	1	
41	FITTING, 3/8" O-RING - 3/8" JIC	014687	5	
42	FITTING, 3/8" O-RING - 1/4" JIC	P26284	3	
43	FITTING, #6 SAE MALE - 1/4" NPT FEMALE	014686	2	
44	FITTING, 1/4" NPT X 3/8" HOSE BARB	014685	1	
45	FITTING, #6 SAE - 1/4" JIC 45° ELBOW	015488	3	
46	BOX, 14,5L/MIN. AC HYDRAULIC SUPER	086791	1	
47	GLAND	085388	1	

# 9 Hydraulic System

## Hydraulic Power Supply Strip

### 9.3 Hydraulic Power Supply Strip



HD0115

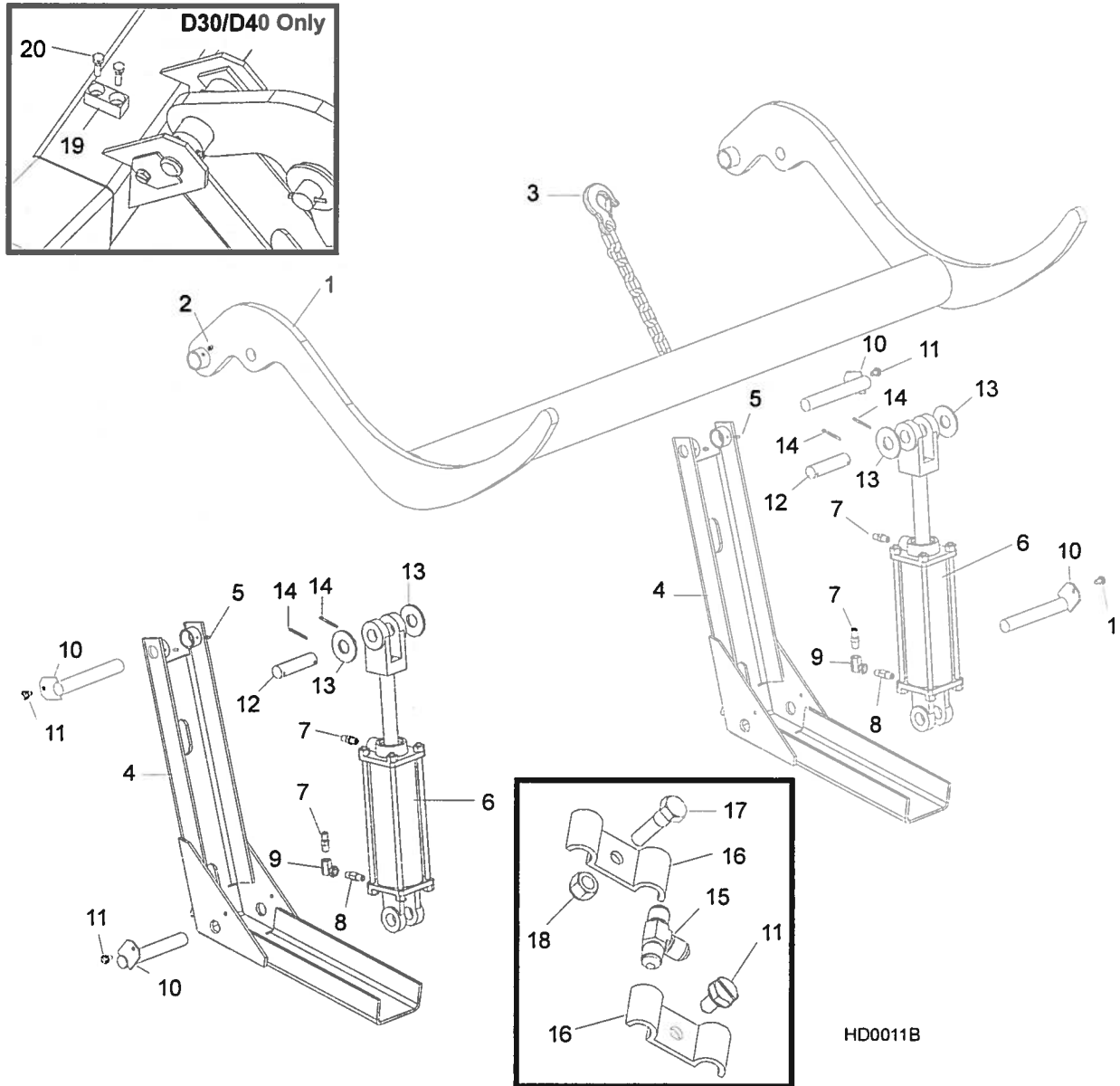
REF	DESCRIPTION (◆ Indicates Parts Available In Assemblies Only)	PART #	QTY.	
	<b>CONTACT KIT, HYDRAULIC 6" POWER SUPPLY</b>	A12042-N	1	
	Contact Hardware Kit	A10073-N	1	◆
	Contact Assembly, Hydraulic Power Supply (Positive)	085968	1	
1	Contact, Hydraulic Power Supply (Positive)	015253	1	
2	Insulator, Positive Contact	S10072	1	
3	Bracket, Positive Contact Mounting	086380-1	1	
4	Spring, Positive Contact	P10077	2	
5	Bolt, 5/16" X 3/4" Shoulder (1/4-20 Thread)	F05006-44	2	
6	Washer, 7.4 Flat	F81056-11	2	
7	Bolt, 5/16-18 x 1/2" Socket Button Head	F05006-20	1	
	Cable Assy, Hydraulic Positive Contact	015885	1	
8	Cable, #1 Weld	R01948	0.75m	◆
9	Terminal, 35 Ring #2 Gauge	F81066-3	2	
10	Bolt, 1/4-20 X 1" Hex Head Grade 2	F05005-38	2	
11	Nut, 1/4-20 Hex Self-Locking	F05010-9	2	
12	Bolt, 3/8-16 X 1" Hex Head Grade 5	F05007-87	2	
13	Washer, 10.5 Flat	F81055-1	4	
14	Nut, 3/8-16 Hex Nylon Lock	F05010-10	4	
	Contact Assembly, Hydraulic Power Supply (Ground)	A10066	1	

15	Contact, Hydraulic Power Supply (Ground)	015264	1	
16	Bracket, Ground Contact Mounting	015265	1	
17	Cable, #1 Weld	R01948	.63m	◆
18	Bolt, 5/16-18 X 1/2" Hex Head Grade 5	F05006-15	2	
19	Washer, 8.2 Split Lock	F81054-4	2	
20	Terminal, 35 Ring #2 Gauge	F81066-3	1	
21	Bolt, 3/8-16 X 4 1/2" Hex Head Grade 2	F05007-35	2	
22	Spring, Ground Contact	P04282	2	
23	Screw, 1/4-20 X 1/2" Slotted Hex Head	F05015-1	14	
	Strip Assembly, 6' Hydraulic Power Supply w/2 3ft. Cables	015564	1	
24	Housing, 6' Contact Strip	P11976	1	
	Strip, 6' Contact With 2/Cables	015886	1	
25	Strip, 6' Contact	S10075	1	◆
26	Cable, #2 Weld	R01971	19m	◆
27	Terminal, 35 Ring #2 Gauge	F81066-3	4	
28	Bolt, 5/16-18 X 3/4" Hex Head Black Nylon	F05006-45	1	
29	Nut, 5/16-18 Hex Black Nylon	F05010-86	1	
	Tube, 5/8" Heat Shrink	R01950-5	.10 m	◆
	Grommet, 5/8" Wire	P04137	2	

# 9 Hydraulic System

## Hydraulic Log Loader

### 9.4 Hydraulic Log Loader

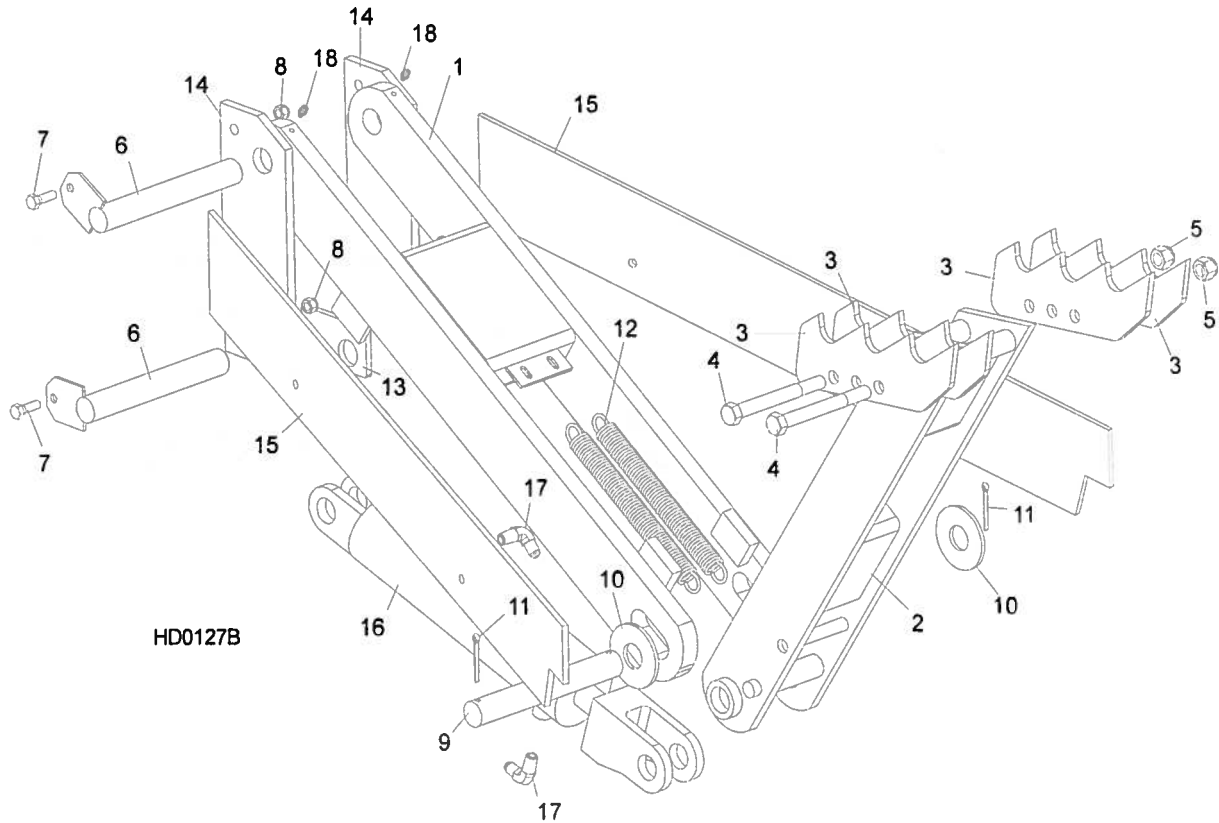


REF	DESCRIPTION (◆ Indicates Parts Available in Assemblies Only)	PART #	QTY.
	<b>LOADER KIT, HYDRAULIC LOG (LT30HD SUPER)</b>		1
	<b>LOADER KIT, HYDRAULIC LOG (LT40HD SUPER)</b>		1
1	Arm, Hydraulic Log Loading	086535-1	1
2	Fitting, 3/16" Grease	P04107	2
3	Chain, Hydraulic Log Loader Safety	A04376	1
4	Channel, Hydraulic Log Loading Foot	W09444	2
5	Fitting, 3/16" Grease	P04107	2
	Cylinder Assembly, Super Hydraulic Log Loading Arm	015562	2 ◆
6	Cylinder, 8" X 3" Hydraulic	P12847	1
	Seal Kit, 8" x 3" Hydraulic Cylinder	P12956	1



7	Fitting, 1/4 NPT - 3/8" JIC Straight	015560	2	
	Fitting Kit, 1/4NPT 4.0GPM Velocity Fuse	015832	1	
8	Fitting, 1/4NPT 4.0GPM Velocity Fuse	015750	2	◆
	Instruction Sheet, Velocity Fuse Replacement	015832-255	1	
9	Fitting, 0455x4x4 90° Swivel Elbow	P12199	1	
10	Pin, Loading Arm Mount	W09446-1	4	
11	Screw, 5/16-18 X 3/4" Self Tapping	F05015-30	8	
12	Pin, Loading Arm Cylinder Mount	086979-1	2	
13	Washer, 28 Flat	F81061-1	4	
14	Pin, 3/16" X 1 1/2" Cotter	F05012-23	4	
15	Fitting, 3/8" JIC Union 'T'	015485	1	
16	Clamp, 3/8" Hydraulic Hose	016041	6	
17	Bolt, 5/16-18 X 1" Hex Head Grade 2	F05006-1	2	
18	Nut, 5/16-18 Hex Nylon Lock	F05010-58	2	
19	<b>BLOCK, LOADING ARM STOP (DIESEL MODELS ONLY)</b>	014169	2	
20	<b>BOLT, 1/4-20 X 1" SELF-TAPPING HEX HEAD</b>	F05005-87	4	

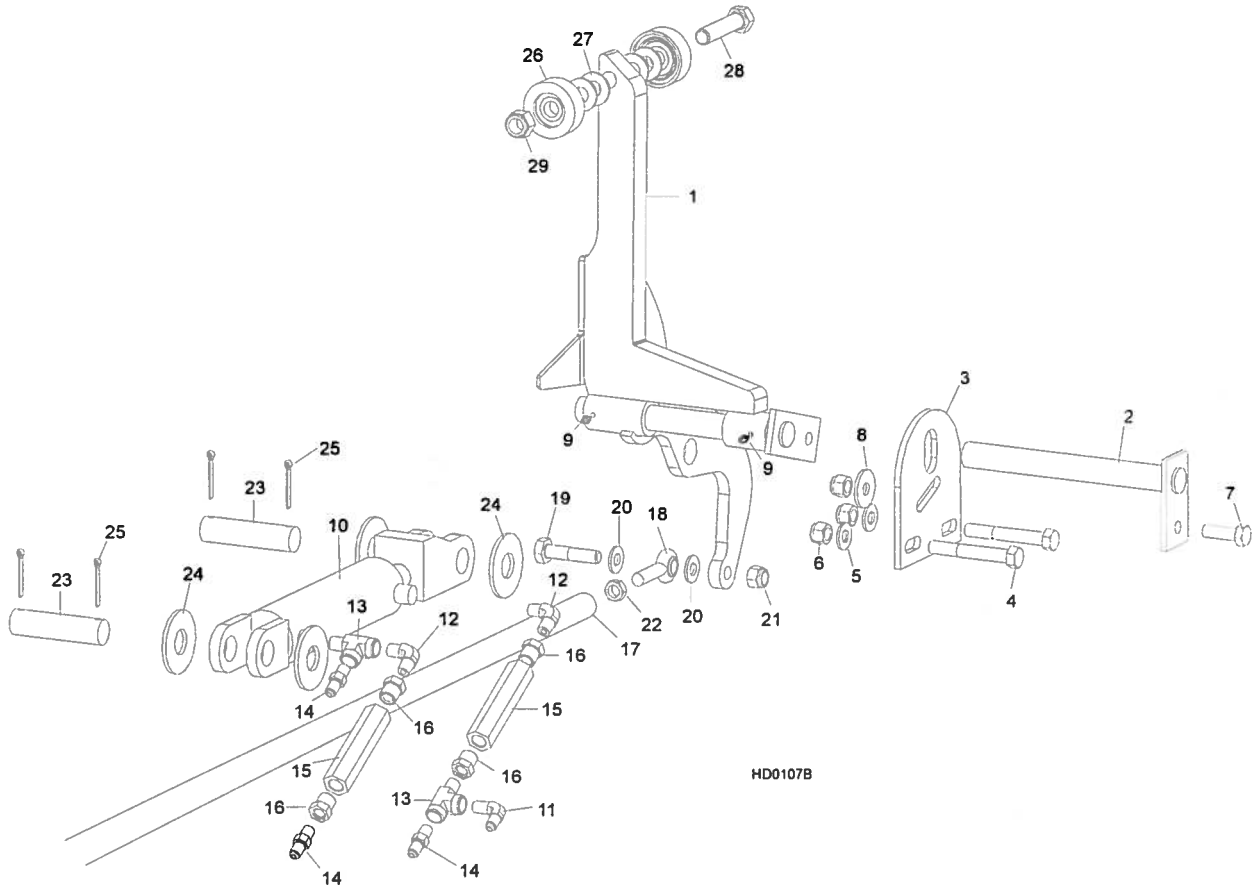
### 9.5 Hydraulic Log Turner



REF	DESCRIPTION (◆ Indicates Parts Available In Assemblies Only)	PART #	QTY.
1	ARM, HYDRAULIC LOG TURNER LINK	015231	1
2	ARM, HYDRAULIC LOG TURNER PAINTED	015233	1
3	CLAW, HYDRAULIC LOG TURNER	014675	4
4	BOLT, M12 X 25-8.8 HEX HEAD	F81004-34	2
5	NUT, M12-8 HEX LOCK	F81034-2	2
6	PIN, LOG TURNER MOUNT	015085-1	2
7	BOLT, 5/16-18 X 1" HEX HEAD GRADE 2	F05006-1	2
8	NUT, 5/16-18 HEX LOCK	F05010-6	2
9	PIN, LOG TURNER PIVOT	S09246	1
10	WASHER, 28 FLAT	F81061-1	2
11	PIN, 3/16" X 1 1/2" COTTER	F05012-23	2
12	SPRING, HYDRAULIC LOG TURNER	015718	2
13	PLATE, LOG TURNER CYLINDER MOUNT	S09155	1
14	PLATE, LOG TURNER MOUNT	085884	2
15	PLATE, LOG TURNER BRACE	S09605	2
	<b>CYLINDER ASSEMBLY, SUPER HYDRAULIC LOG TURNER</b>	015563	1
16	Cylinder, 8" X 2 1/2" Hydraulic	P12846	1
	Seal Kit, 8" x 2 1/2" Hydraulic Cylinder	P12955	1
17	Fitting, 1/4" NPT - 3/8 JIC Elbow	015491	2
18	FITTING, 3/16" GREASE	P04107	2



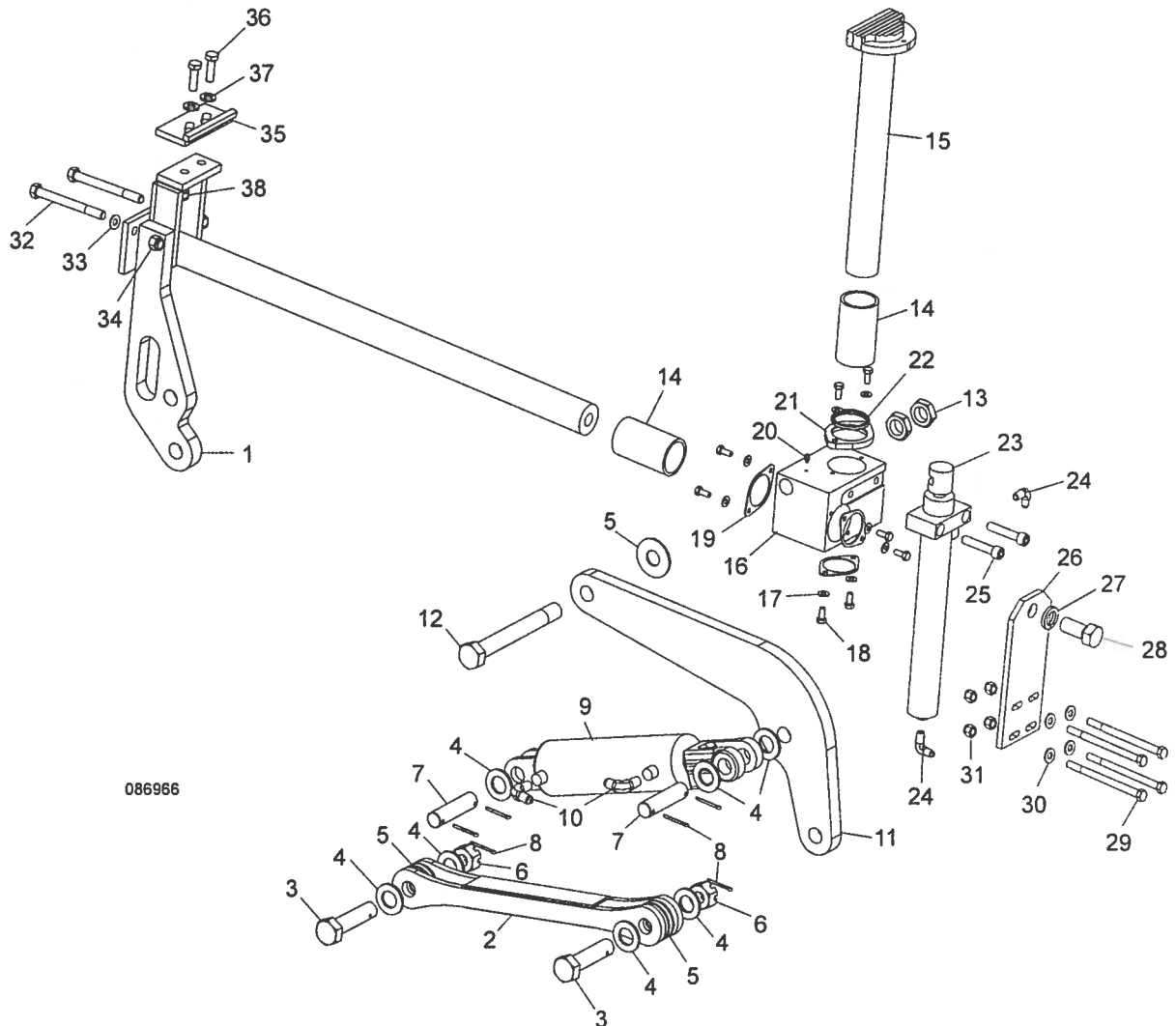
**9.6 Hydraulic Log Side Supports**



REF	DESCRIPTION (◆ Indicates Parts Available In Assemblies Only)	PART #	QTY.	
1	<b>SUPPORT, HYDRAULIC LOG SIDE</b>	085578	2	
	<b>MOUNTING KIT, HYDRAULIC LOG SIDE SUPPORT</b>	K09344	2	
2	Pin, Log Side Support Pivot	W09238	1	
3	Plate, Log Side Support End	S09148	1	
4	Bolt, M12 x 40-8.8 Hex Head	F81004-4	2	
5	Washer, 13 Flat	F81056-1	2	
6	Nut, M12-8 Hex Nylon Lock	F81034-2	3	
7	Bolt, M12 x 40-8.8 Hex Head Grade 5	F81004-4	1	
8	Washer, 45/13	086184	1	
9	<b>FITTING, 3/16" GREASE</b>	P04107	4	
	<b>CYLINDER ASSEMBLY, SUPER HYDRAULIC LOG SIDE SUPPORT</b>	015561	1	
10	Cylinder, 6" X 2" Hydraulic	P12845	1	◆
	Seal Kit, 6" x 2" Hydraulic Cylinder	P12954	1	
11	Fitting, 3/8" JIC - 1/4" NPT Elbow	015491	2	
12	Fitting, C3529x4 90° Pipe	P09140	2	
13	Fitting, C3759x4 Male 'T'	P09141	2	
14	Fitting, 3/8" JIC - 1/4" NPT	015560	2	

15	Valve, Hydraulic Sequence	015484	2	
16	Fitting, 3/8" NPT - 1/4" NPT Reducer	015490	4	
17	<b>ROD, HYDRAULIC SIDE SUPPORT LINK</b>	015026	1	
18	<b>END, 1/2" ROD</b>	P09137	2	
19	<b>BOLT, M12 X 60-8.8 HEX HEAD</b>	F81004-5	2	
20	<b>WASHER, 7.4 SAE FLAT</b>	F81056-1	4	
21	<b>NUT, M12-8 HEX NYLON LOCK</b>	F81034-2	2	
22	<b>NUT, 1/2-20 HEX JAM</b>	F05010-16	1	
23	<b>PIN, CYLINDER MOUNT</b>	086979-1	2	
24	<b>WASHER, 28 SAE FLAT</b>	F81061-1	4	
25	<b>PIN, 5 X 40 COTTER</b>	F81043-31	4	
	<b>ROLLER KIT, SIDE SUPPORT</b>	015109	2	
26	Roller Assembly, Side Support	015014-1	2	
27	Washer, 17 Flat	F81058-1	4	
28	Bolt, 5/8-11 x 3" Hex Head Grade 5	F05009-37	1	
29	Nut, 5/8-11 Nylon Lock	F05010-34	1	
	Instruction Sheet, Side Support Roller	015109-526	1	

**9.7 Hydraulic Log Clamp**



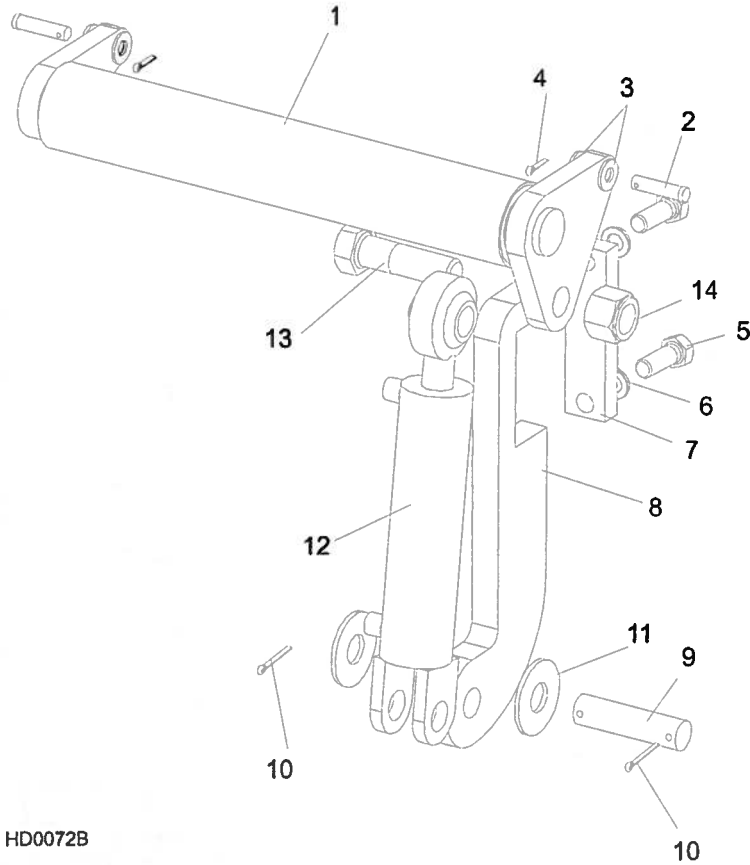
REF	DESCRIPTION (◆ Indicates Parts Available In Assemblies Only)	PART #	QTY.
	<b>CLAMP ASSEMBLY, SUPER HYDRAULIC</b>	086966	1
1	Mount Weldment, Super Clamp Tube	086967-1	1
2	Arm, Clamp Link	086963-1	1
3	Bolt, 1-14 x 4" Hex Head Grade 8	015072	1
4	Washer, 28 Flat	F81061-1	8
5	Washer, 1/8" x 2 1/2" Hardened	015057	5
6	Nut, 1-14 Slotted Hex	F05010-163	2
7	Pin, Cylinder Mount	086979-1	2
8	Pin, 3/16" x 1 1/2" Cotter	F05012-23	6
9	Cylinder, 3 x 7 Log Clamp In/Out	017275	1
10	Fitting, 1/4" NPT - 3/8" JIC Elbow	015491	2
11	Link Weldment, Super '99 Clamp	086974-1	1
12	Bolt, 1-14 x 8 1/2" Hex Head Grade 8	015049	1

13	Nut, 1-14 Hex Jam	F05010-118	2	
14	Bushing, Clamp Slide	015088	2	
15	Clamp Weldment, Vertical Super	015043	1	
16	Block, Vertical Clamp Mount	017270	1	
17	Washer, 8.4 Flat	F81054-1	8	
18	Bolt, 5/16-18 x 3/4" Hex Head	F05006-5	8	
19	Spacer, Log Clamp	086973-1	3	
20	Fitting, 3/16" Grease	P04107	1	
21	Flange, 3/8 x 3	017272	1	
22	Wiper, Up/Down Rod	017273	1	
23	Cylinder, Log Clamp Up/Down	015050	1	
24	Fitting, 1/4" NPT - 1/4" JIC Elbow	P09142	2	
25	Screw, 1/2-13 x 2 1/2" Socket Head	F05008-39	2	
26	Plate, Super Log Clamp Mount	086975-1	1	
27	Washer, 7/8" Split Lock	F05011-46	1	
28	Bolt, 7/8-14 x 2" Hex Head Grade 5	F05014-2	1	
29	Bolt, M10 x 125-8.8 Hex Head	F81003-18	4	
30	Washer, 10.5 Flat	F81055-1	4	
31	Nut, M10-8-B Hex Nylon Lock	F81033-1	4	
32	Bolt, M10 x 140-8.8 Hex Head	F81004-37	2	
33	Washer, 13 Flat	F81056-1	2	
34	Nut, M12-8 Hex Nylon Lock	F81034-1	2	
	<b>CLAMP STOP KIT, HYDRAULIC LOG</b>	K09485	1	
35	Plate, Clamp Stop	W09404	1	
36	Bolt, M12 x 40-8.8 Hex Head	F81004-4	2	
37	Washer, 13 Flat	F81056-1	2	
38	Nut, M12-8 Hex Nylon Lock	F81034-2	2	

# 9 Hydraulic System

## Hydraulic Toe Board

### 9.8 Hydraulic Toe Board



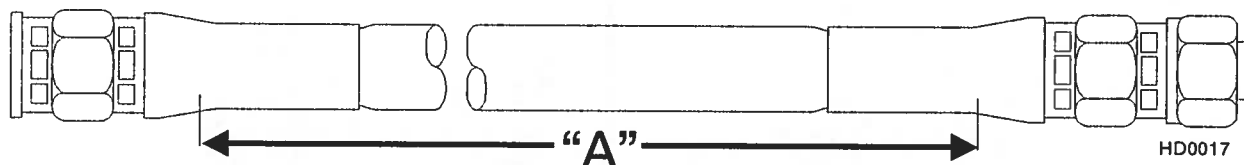
HD0072B

REF	DESCRIPTION (◆ Indicates Parts Available In Assemblies Only)	PART #	QTY.
1	TOE BOARD WELDMENT, HYDRAULIC	W13025	2
2	PIN, 1/2-1 3/4 CLEVIS	F05012-82	4
3	WASHER, 13 SAE FLAT	F81056-1	8
4	PIN, S-ZN 2.5 X 20 COTTER	F81043-1	4
5	BOLT, 5/8-11 X 1 3/4" HEX HEAD	F05009-33	4
6	WASHER, 17 SPLIT LOCK	F81058-2	4
7	PLATE, HYDRAULIC TOEBOARD MOUNT	S13023-1	2
8	BRACKET, HYDRAULIC TOEBOARD MOUNT	S13022	2
9	PIN, CYLINDER MOUNT	S09251	2
10	PIN, 3/16" X 1 1/2" COTTER	F05012-23	4
11	WASHER, 1" SAE FLAT	F05011-28	4
12	CYLINDER, 1 1/2" X 6" HYDRAULIC TOE BOARD	014482	2
	Seal Kit, 1 1/2" x 6" Hydraulic Cylinder	014547	1
13	BOLT, 1-8 X 3 1/4" HEX HEAD GRADE 5	F05009-51	2
14	NUT, 1-8 HEX NYLON LOCK	F05010-109	2
15	FITTING, 90° MALE ELBOW	P09143	4



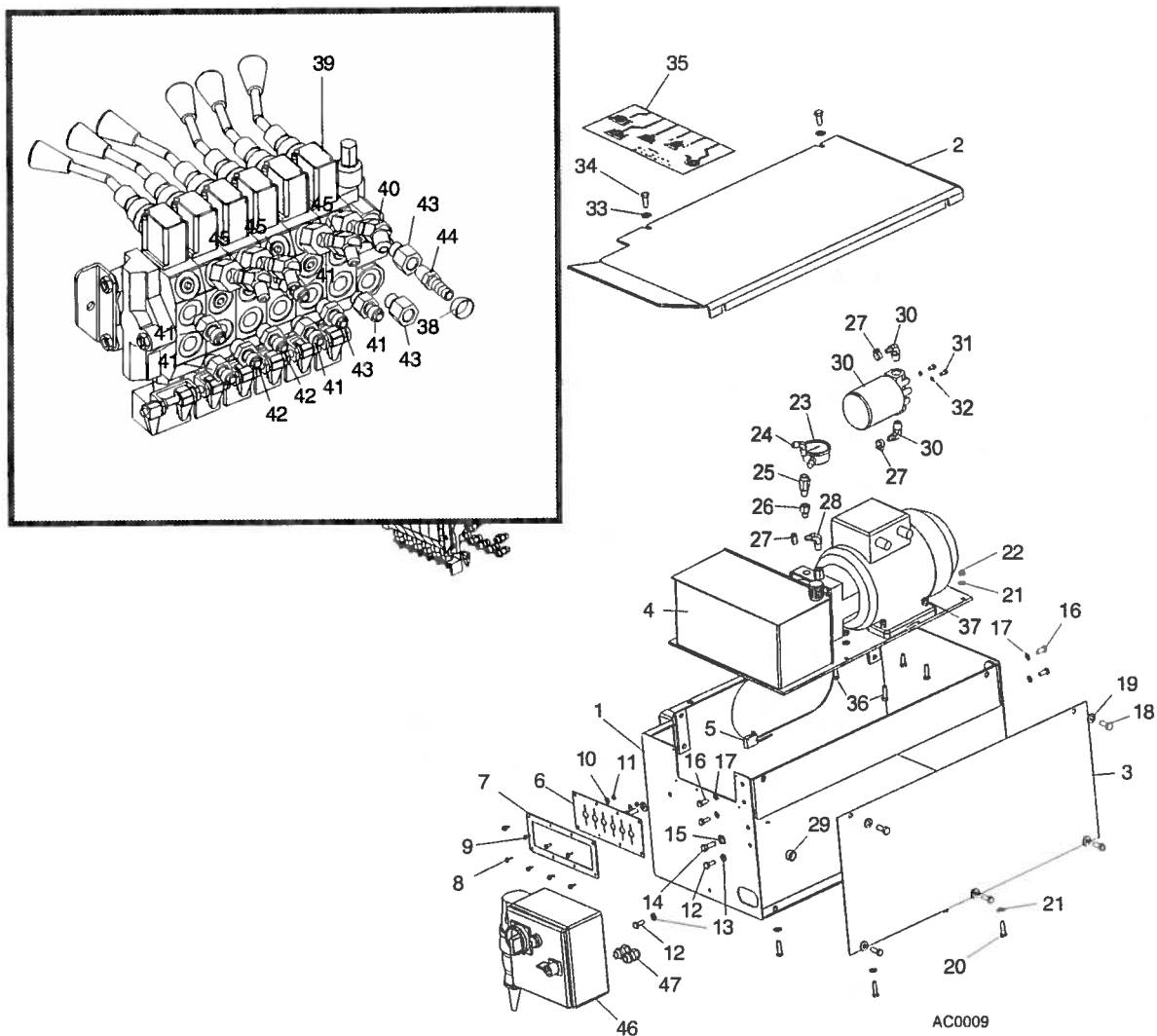
## ROZDZIAŁ 9 UKŁAD HYDRAULIKI

## 9.1 Przewody hydrauliczne, LT30HD/40HD Super



KOLOR	DŁ. (cm)	OPIS (♦ wskazuje części dostępne jedynie w zespołach)	NUMER KAT.	SZT.
BEZ KOLORU	10"	3/8" OD POMPY HYDRAULICZNEJ DO WLEWU OLEJU	087774	1
BEZ KOLORU	27"	3/8" PODSTAWA SIŁOWNIKA OBRACAKA KŁODY	014796	1
POMARAŃCZ	21"	3/8" CZĘŚĆ GÓRNA SIŁOWNIKA OBRACAKA KŁODY	087775	1
ŻÓŁTY	105"	1/4" PODSTAWA PRZEDNIEGO SIŁOWNIKA POZIOMOWANIA(LT30HD SUPER)	087790	1
	127"	1/4" PODSTAWA PRZEDNIEGO SIŁOWNIKA POZIOMOWANIA(LT40HD SUPER)	087776	1
SZARY	105"	1/4" CZĘŚĆ GÓRNA PRZEDNIEGO SIŁOWNIKA POZIOMOWANIA (LT30HD SUPER)	087790	1
	127"	1/4" CZĘŚĆ GÓRNA PRZEDNIEGO SIŁOWNIKA POZIOMOWANIA (LT40HD SUPER)	087776	1
BEZ KOLORU	166"	3/8" CZĘŚĆ GÓRNA BOCZNEGO RAMIENIA OPOROWEGO (LT30HD SUPER)	087791	1
	188"	3/8" CZĘŚĆ GÓRNA BOCZNEGO RAMIENIA OPOROWEGO (LT40HD SUPER)	087777	1
RÓŻOWY	168"	3/8" PODSTAWA BOCZNEGO RAMIENIA OPOROWEGO (LT30HD SUPER)	087791	1
	188"	3/8" PODSTAWA BOCZNEGO RAMIENIA OPOROWEGO (LT40HD SUPER)	087777	1
BIAŁY	145"	3/8" CZĘŚĆ GÓRNA SIŁOWNIKA DOCISKU KŁODY (LT30HD SUPER)	087792	1
	157"	3/8" CZĘŚĆ GÓRNA SIŁOWNIKA DOCISKU KŁODY (LT40HD SUPER)	087778	1
CIEMNA POMARAŃCZ	129"	3/8" PODSTAWA SIŁOWNIKA DOCISKU KŁODY (LT30HD SUPER)	087793	1
	151"	3/8" PODSTAWA SIŁOWNIKA DOCISKU KŁODY (LT40HD SUPER)	087779	1
PURPUROWY	204"	1/4" CZĘŚĆ GÓRNA TYLNEGO SIŁOWNIKA POZIOMOWANIA (LT30HD SUPER)	087794	1
	226"	1/4" CZĘŚĆ GÓRNA TYLNEGO SIŁOWNIKA POZIOMOWANIA (LT40HD SUPER)	087780	1
CZARNY	204"	1/4" PODSTAWA TYLNEGO SIŁOWNIKA POZIOMOWANIA (LT30HD SUPER)	087794	1
	226"	1/4" PODSTAWA TYLNEGO SIŁOWNIKA POZIOMOWANIA (LT40HD SUPER)	087780	1
ZIELONY	62"	3/8" ZŁĄCZKA ROZGAŁĘŻNA RAMIENIA ŁADOWARKI	014797	2
ŻÓŁTY	63"	3/8" ZŁĄCZKA ROZGAŁĘŻNA RAMIENIA ŁADOWARKI	014798	2
NIEBIESKI	171"	3/8" CZĘŚĆ GÓRNA SIŁOWNIKA RAMIENIA ŁADOWARKI (LT30HD SUPER)	087795	1
	193"	3/8" CZĘŚĆ GÓRNA SIŁOWNIKA RAMIENIA ŁADOWARKI (LT40HD SUPER)	087781	1
CZERWONY	171"	3/8" CZĘŚĆ DOLNA SIŁOWNIKA RAMIENIA ŁADOWARKI (LT30HD SUPER)	087795	1
	193"	3/8" CZĘŚĆ DOLNA SIŁOWNIKA RAMIENIA ŁADOWARKI (LT40HD SUPER)	087781	1
ZIELONY	180"	1/4" DOCISK KŁ ODY W GÓRĘ (LT30HD SUPER)	087796	1
	202"	1/4" DOCISK KŁ ODY W GÓRĘ (LT40HD SUPER)	087789	1
ŻÓŁTY	180"	1/4" DOCISK KŁ ODY W DÓŁ (LT30HD SUPER)	087796	1
	202"	1/4" DOCISK KŁ ODY W DÓŁ (LT40HD SUPER)	087789	1

## 9.2 Skrzynka sterowania układu hydraulicznego, LT30HD/40HD Super

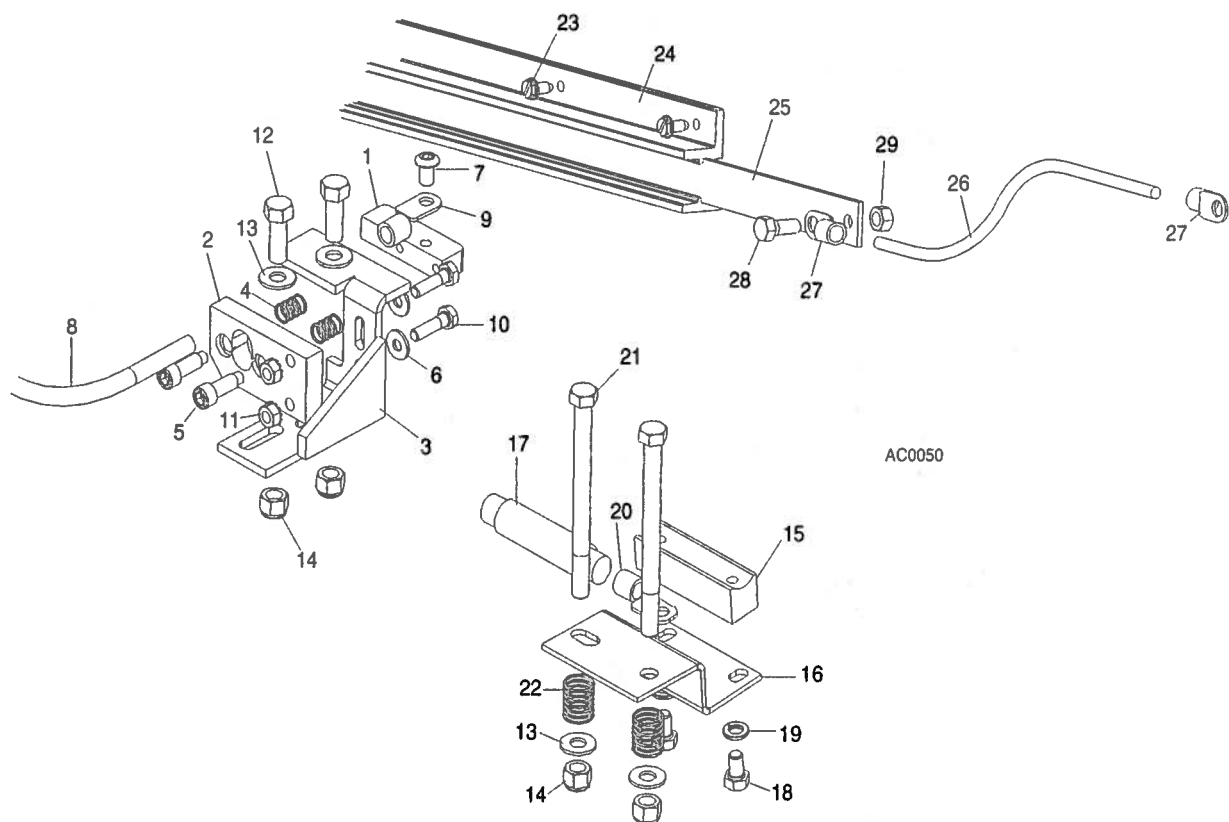


L.P.	OPIS (♦ wskazuje części dostępne jedynie w zespołach)	NUMER KAT.	SZT.
	<b>SKRZYŃKA HYDRAULIKI, AC SUPER (EA20, EA25)</b>	086791	1
1	<b>SKRZYŃKA HYDRAULIKI SPAWANA, AC</b>	086480-1	1
2	<b>POKRYWA GÓRNA SKRZYŃKI HYDRAULIKI, AC</b>	086485-1	1
3	<b>POKRYWA PRZEDNIA SKRZYŃKI HYDRAULIKI, AC</b>	086484-1	1
4	<b>AGREGAT HYDRAULICZNY AC Z POMPĄ, SUPER 4KW 14,5L/MIN.</b>	086789	1
5	Mikroprzełącznik zaworu hydraulicznego	014765	1
6	OSŁONA GUMOWA ZAWORU	015079	1
7	MASKOWNICA ZAWORÓW AC	086519-1	1
8	ŚRUBA #10 X 1/2	F05015-7	6
9	ŚRUBA Z ŁBEM SZEŚCIOKĄTNYM M5 X 12-5.8	F81000-5	2
10	PODKŁADKA 5,5	F81052-3	2

11	NAKRĘTKA M5-8	F81030-1	2	
12	ŚRUBA Z ŁBEM SZEŚCIOKĄTNYM M8 X 20-8.8-B	F81002-4	2	
13	PODKŁADKA OKRĄGŁA 8,4	F81054-1	2	
14	ŚRUBA Z ŁBEM SZEŚCIOKĄTNYM 3/8-16X1 GR 8	F05007-7	2	
15	PODKŁADKA OKRĄGŁA 10,5	F81055-1	2	
16	ŚRUBA Z ŁBEM SZEŚCIOKĄTNYM M8 X 20-8.8-B	F81002-4	4	
17	PODKŁADKA ZĄBKOWANA ZEWNĘTRZNIE 8.4	F81054-3	4	
18	ŚRUBA Z ŁBEM SZEŚCIOKĄTNYM M10 X 25-8.8	F81003-11	4	
19	PODKŁADKA OKRĄGŁA 10,5	F81055-1	4	
20	ŚRUBA Z ŁBEM SZEŚCIOKĄTNYM M8 X 25-8.8-B	F81002-5	4	
21	PODKŁADKA OKRĄGŁA 8,4	F81054-1	4	
22	NAKRĘTKA M8-8-B	F81032-2	4	
23	MANOMETR CIŚNIENIA OLEJU, 3000 PSI	P10052	1	
24	ZŁĄCZKA HYDRAULICZNA	015491	1	
25	ZŁĄCZKA HYDRAULICZNA, TRÓJNIK	P09141	1	
26	ZŁĄCZKA REDUKTORA #6	014686	1	
27	ZACISK WĘŻA HYDRAULICZNEGO 11/16	P12739	3	
28	ZŁĄCZKA KOLANKOWA 3/8" NPT - 3/8"	P12708	1	
29	ROZGAŁĘŻNIK HYDRAULICZNY Z FILTREM	P22683	1	
30	ZŁĄCZKA KOLANKOWA 1/2" NPT - 3/8"	P12707	2	
31	ŚRUBA 1/4-20 X 1/2"	F05005-15	2	
32	PODKŁADKA SPRĘŻYSTA 6,1	F81053-3	2	
33	PODKŁADKA OKRĄGŁA 10.5	F81055-1	2	
34	ŚRUBA Z ŁBEM SZEŚCIOKĄTNYM M10 X 25-8.8	F81003-11	2	
35	NALEPKA SKRZYNKI HYDRAULIKI 1997 SUPER	015364	1	
36	ŚRUBA Z ŁBEM SZEŚCIOKĄTNYM M8 X 30-8.8-B	F81002-7	4	
37	NAKRĘTKA M8-8-B	F81032-2	4	
38	ZACISK WĘŻA HYDRAULICZNEGO	P12739	1	
39	ZAWÓR HYDRAULICZNY 6-SEKCYJNY	086589	1	
	PRZEŁĄCZNIK ZAWORU HYDRAULICZNEGO	024198	1	
40	ZŁĄCZKA KOLANKOWA #6 SAE - 3/8" JIC 45°	015489	1	
41	ZŁĄCZKA 3/8" O-RING - 3/8" JIC	014687	5	
42	ZŁĄCZKA 3/8" O-RING - 1/4" JIC	P26284	3	
43	ZŁĄCZKA REDUKTORA #6 SAE - 1/4" NPT	014686	2	
44	ZŁĄCZKA REDUKTORA 1/4" NPT X 3/8"	014685	1	
45	ZŁĄCZKA KOLANKOWA #6 SAE - 1/4" JIC 45°	015488	3	
46	SKRZYNKA ELEKTRYCZNA HYDRAULIKI, AC (TYLKO SUPER)	086820	1	
47	DŁAWIK ZACZEPU DW 11/H (TYLKO SUPER)	085388	2	

2,027 EUR

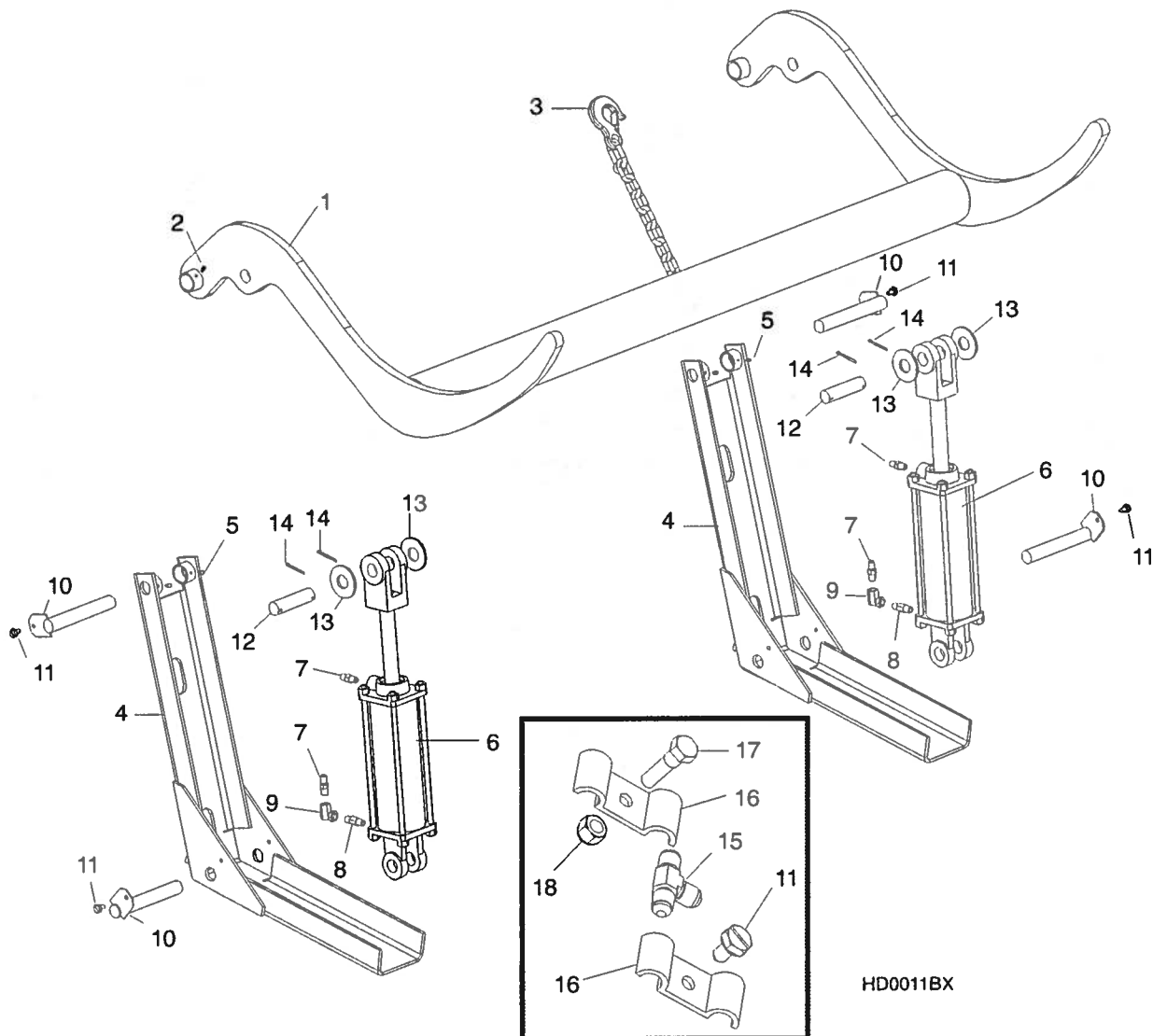
### 9.3 Listwa zasilania układu hydrauliki



L.P.	OPIS (♦ wskazuje części dostępne jedynie w zespołach)	NUMER KAT.	SZT.	
	<b>ZESPÓŁ STYKU ZASILANIA UKŁADU HYDRAULIKI</b>	A12042-N	1	
	<b>Zespół zasilania</b>	A10073-N	1	♦
	<b>Zespół styków dodatknych zasilania hydrauliki</b>	085968	1	
1	Styki zasilania hydrauliki (dodatnie)	015253	1	
2	Izolator styku dodatknego	S10072	1	
3	Podstawka mocowania styków dodatknych	086380-1	1	
4	Sprężynka styku dodatknego	P10077	2	
5	Śruba 5/16" x 3/4" z kołnierzem, z gwintem 1/4-20	F05006-44	2	
6	Podkładka płaska 7.4	F81056-11	2	
7	Śruba z łbem gniazdowym soczewkowym 5/16-24 x 3/8"	F05006-20	1	
	<b>Zespół przewodu</b>	015885	1	
8	Przewód prądowy #1	R01948	0.75m	♦
9	Końcówka pierścieniowa przewodu 35 z pierścieniem #2	F81066-3	2	
10	Śruba z łbem sześciokątnym 1/4-20 x 1" GR 2	F05005-38	2	
11	Nakrętka samozabezpieczająca z wkładką poliamidową 1/4-2	F05010-9	2	
12	Śruba z łbem sześciokątnym 3/8-16 x 1" GR5	F05007-87	2	
13	Podkładka płaska 10.5	F81055-1	4	
14	Nakrętka samozabezpieczająca z wkładką poliamidową 3/8"	F05010-10	4	
	<b>Zespół styku zasilania hydrauliki (ujemny)</b>	A10066	1	

15	Styki zasilania hydrauliki (ujemne)	015264	1	
16	Podstawa mocowania styków ujemnych	015265	1	
17	Przewód spawalniczy #1	R01948	.63m	◆
18	Śruba z łbem sześciokątnym 5/16-18 x 1/2" Gr 5	F05006-15	2	
19	Podkładka sprężysta 8.2	F81054-4	2	
20	Końcówka pierścieniowa 35 pierścieni #2	F81066-3	1	
21	Śruba z łbem sześciokątnym 3/8-16 x 4 1/2" Gr 5	F05007-35	2	
22	Sprężynka dociskowa połączenia z masą	P04282	2	
23	Śruba z łbem sześciokątnym rowkowanym 1/4-20 x 1/2"	F05015-1	14	
	Zespół listwy 6' z 2 przewodami .9 m	015564-0	1	
24	Obudowa listwy zasilającej 6Ó	P11976	1	
	Listwa stykowa 6', 2-przewodowa	015886	1	
25	Listwa zasilająca 6Ó	S10075	1	◆
26	Przewód prądowy #2	R80583-21	19m	◆
27	Końcówk przewodu z pierścieniem 5/16"	F81066-3	4	
28	Śruba z łbem sześciokątnym 5/16-18 x 3/4" z czarną wkładką poliamid.	F05006-45	1	
29	Nakrętka sześciokątna 5/16-18 z czarną wkładką poliamidową	F05010-86	1	
	Koszulka termokurczliwa 5/8"	R01950-5	.10 m	◆
	Pierścień uszczelniający przewodów 5/8"	P04137	2	

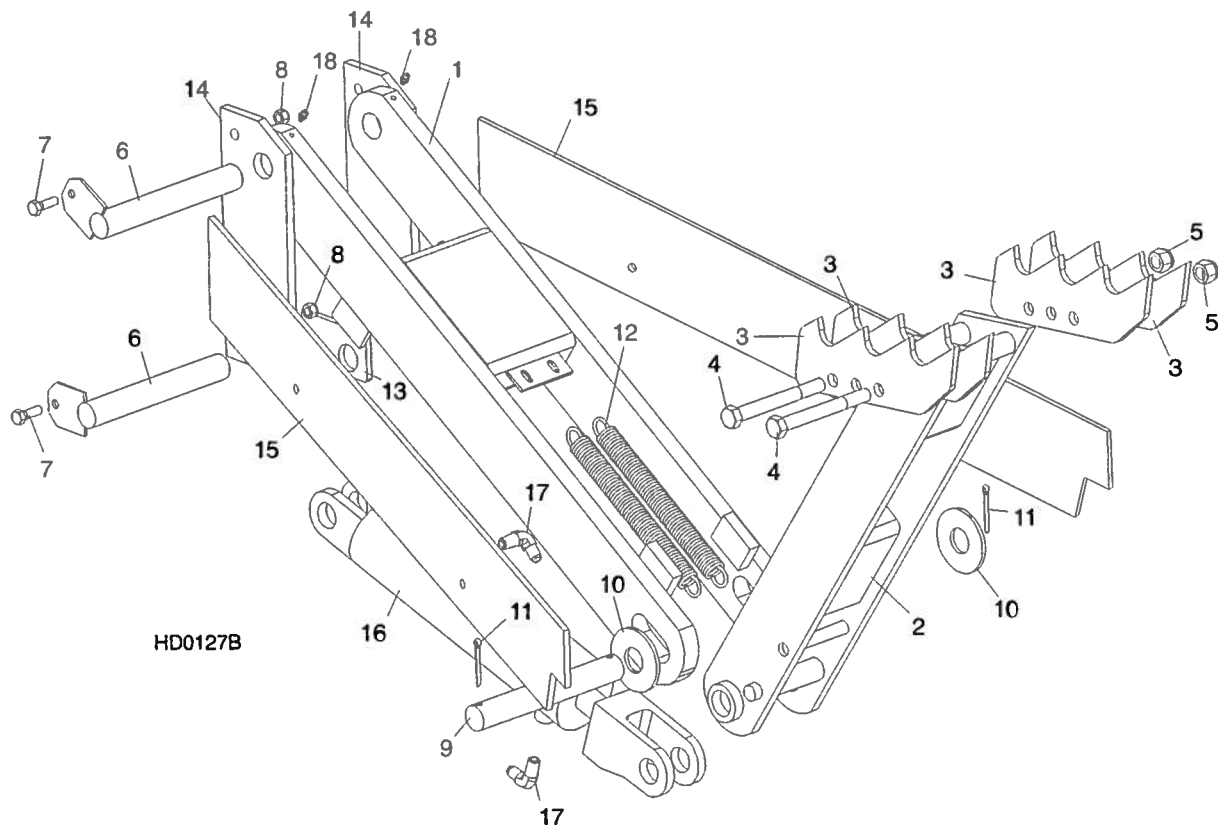
### 9.4 Hydrauliczna ładowarka kłody



L.P.	OPIS (♦ wskazuje części dostępne jedynie w zespołach)	NUMER KAT.	SZT.
	<b>HYDRAULICZNY ZESPÓŁ ŁADOWARKI (LT40HD SUPER)</b>	086534	1
1	Ramię hydraulicznej ładowarki kłody	086535-1	1
2	Smarownicza prosta 3/16"	P04107	2
3	Łańcuch zabezpieczający hydraulicznej ładowarki	A04376	1
4	Ceownik podstawy hydraulicznej ładowarki kłody	W09444	2
5	Smarownicza prosta 3/16"	P04107	2
	Siłownik ramienia hydraulicznej ładowarki kłody	015562	2 ♦
6	Siłownik hydrauliczny, 8" X 3"	P12847	1
	Zestaw uszczelek hydraulicznego cylindra, 8" x 3"	P12956	1
7	Złączka prosta 1/4 NPT - 3/8" JIC	015560	2

	Zestaw złączki zaworu przepływowego 1/4NPT 4.0GPM	015832	1	
8	Złączka zaworu przepływowego 1/4NPT 4.0GPM	015750	2	◆
	Arkusze instrukcyjny zaworu przepływowego	015832-255	1	
9	Złączka kolankowa obrotowe 0455 x 4 x 4 90°	P12199	1	
10	Sworzeń mocujący ramię ładowarki	W09446-1	4	
11	Wkręt samogwintujący 5/16-18 x 3/4"	F05015-30	8	
12	Sworzeń mocujący tłok ramienia ładowarki	086979-1	2	
13	Podkładka płaska 28	F81061-1	4	
14	Zawleczka poprzeczna 3/16" x 1 1/2"	F05012-23	4	
15	Złączka C5705 x 5 x 4	015485	1	
16	Zacisk przewodu hydraulicznego 3/8"	016041	6	
17	Śruba z łbem sześciokątnym 5/16-18 x 1"	F05006-1	2	
18	Nakrętka sześciokątna samozabezpieczająca 5/16-18	F05010-58	2	
19	<b>BŁOK PODPORY RAMIENIA ŁADOWARKI (TYLKO MODELE Z SILN. DIESEL)</b>	014169	2	
20	<b>ŚRUBA SAMOGWINTUJĄCA Z ŁBEM SZEŚCIOKĄTNYM 1/4-20 X 1"</b>	F05005-87	4	

## 9.5 Hydrauliczny obracak kłody



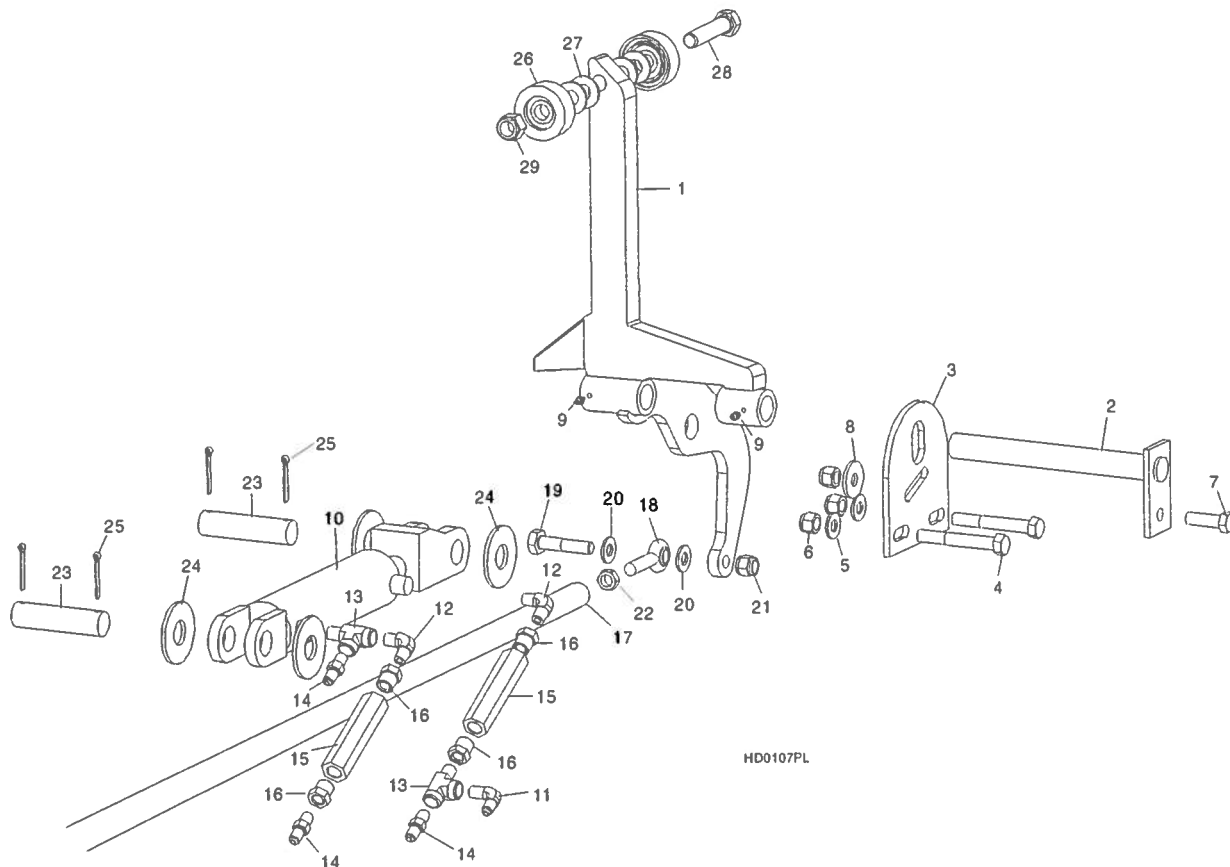
L.P.	OPIS (♦ wskazuje części dostępne jedynie w zespołach)	NUMER KAT.	SZT.	
1	RAMIĘ ŁĄCZĄCE HYDRAULICZNY OBRACAK KŁODY	015231	1	
2	RAMIĘ HYDRAULICZNEGO OBRACAKA KŁODY	015233	1	
3	PAZUR HYDRAULICZNEGO OBRACAKA KŁODY	014675	4	
4	ŚRUBA Z ŁBEM SZEŚCIOKĄTNYM M12 X 125-8.8	F81004-34	2	
5	NAKRĘTKA SAMOZABEZPIEZAJĄCA Z WKŁADKĄ POLIAMIDOWĄ M12-8	F81034-2	2	
6	SWORZEŃ MOCUJĄCY OBRACAK KŁODY	015085-1	2	
7	ŚRUBA Z ŁBEM SZEŚCIOKĄTNYM 5/16-18 X 1" GR 2	F05006-1	2	
8	NAKRĘTKA SZEŚCIOKĄTNA SAMOZABEZPIEZAJĄCA 5/16-18	F05010-6	2	
9	SWORZEŃ OBROTOWY OBRACAKA KŁODY	S09246	1	
10	PODKŁADKA PŁASKA 28	F81061-1	2	
11	ZAWLECZKA 3/16" X 1 1/2"	F05012-23	2	
12	SPRĘŻYNA HYDRAULICZNEGO OBRACAKA KŁODY	015718	2	
13	PLYTKA MOCUJĄCA CYLINDER HYDRAULICZNEGO OBRACAKA KŁODY	S09155	1	
14	UCHWYT OBRACAKA KŁODY	085884	2	
15	PLYTKA USZTYWNIAJĄCA OBRACAKA KŁODY	S09605-0	2	
	<b>ZESPÓŁ SIŁ. OWNIKA HYDRAULICZNEGO OBRACAKA KŁODY, SUPER</b>	015563	1	
16	Siłownik hydrauliczny 8" x 2 1/2"	P12846	1	♦
	Zestaw uszczelek siłownika hydraulicznego 8" x 2 1/2"	P12955	1	
17	Złączka kolankowa z gwintem zewnętrznym, 90°	015491	2	



---

18	SMAROWNICZKA 3/16"	P04107	2	
----	--------------------	--------	---	--

## 9.6 Hydrauliczne boczne ramie oporowe

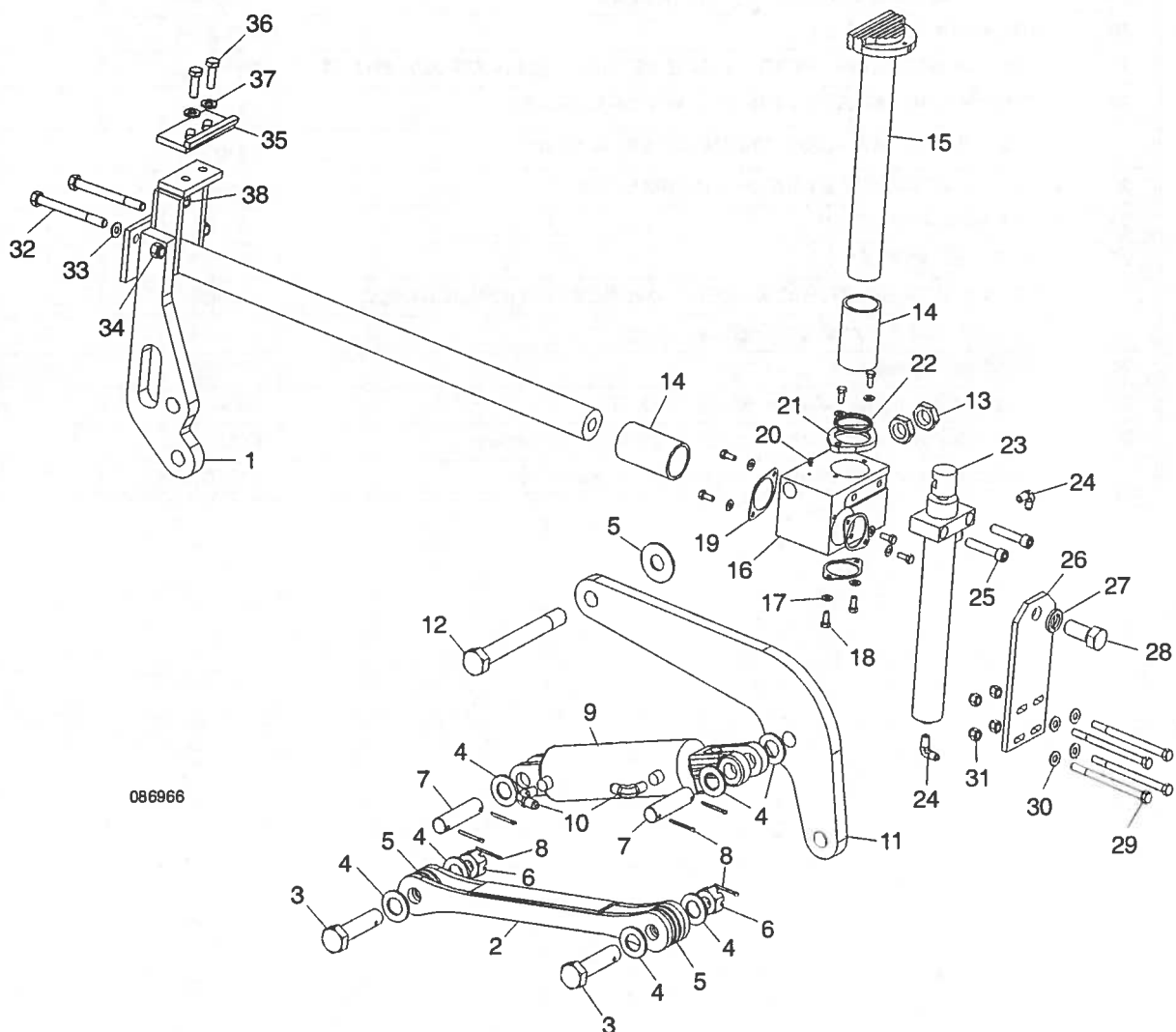


HD0107PL

L.P.	OPIS (♦ wskazuje części dostępne jedynie w zespołach)	NUMER KAT.	SZT.
1	<b>HYDRAULICZNE RAMIE OPOROWE</b>	085578	2
	<b>ZESTAW MOCUJĄCY HYDRAULICZNEGO RAMIENIA OPOROWEGO</b>	K09344	2
2	Sworzeń obrotowy hydraulicznego ramienia oporowego	W09238	1
3	Płytkę końcówki hydraulicznego ramienia oporowego	S09148	1
4	Śruba z łbem sześciokątnym M12 x 40-8.8	F81004-4	2
5	Podkładka płaska 13	F81056-1	2
6	Nakrętka sześciokątna samozabezpieczająca z wkładką poliamidową M12 - 8	F81034-2	3
7	Śruba z łbem sześciokątnym M12 x 40-8.8	F81004-4	1
8	Podkładka zabezpieczająca 45/13	086184	1
9	<b>SMAROWNICZKA PROSTA 3/16"</b>	P04107	4
	<b>SIŁOWNIK HYDRAULICZNY OPRORY BOCZNEJ, SUPER</b>	015561	1
10	Siłownik hydrauliczny 6" x 2" (Monarch #TQ2006-Q000)	P12845	1
	Zestaw uszczelnień siłownika hydraulicznego 6" x 2"	P12954	1
11	Złączka kolankowa 3/8" JIC - 1/4" NPT	015491	2
12	Złączka kolankowa C3529 x 4	P09140	2
13	Złączka z gwintem wewnętrznym "TÓ C3759 x 4	P09141	2
14	Złączka 3/8" JIC - 1/4" NPT	015560	2

15	Zawór sekwencyjny opory bocznej	015484	2	
16	Reduktor hydrauliki 3/8" NPT na 1/4" NPT	015490	4	
17	<b>PRĘT HYDRAULICZNEGO BOCZNEGO RAMIENIA OPOROWEGO</b>	087037-1	1	
18	KOŃCÓWKA PRĘTA, PRAWA	087035	1	
	KOŃCÓWKA PRĘTA, LEWA	087036	1	
19	ŚRUBA Z ŁBEM SZEŚCIOKĄTNYM M12 X 60 8.8	F81004-5	2	
20	PODKŁADKA PŁASKA 7.4	F81056-1	4	
21	NAKRĘTKA SAMOZABEZPIEZAJĄCA Z WKŁADKĄ POLIAMIDOWĄ M12 - 8	F81034-2	2	
22	PRZECIWNAKRĘTKA SZEŚCIOKĄTNA M12-04-A, PRAWA	F81034-6	1	
	PRZECIWNAKRĘTKA SZEŚCIOKĄTNA M12-04-A, LEWA	F81034-7	1	
23	SWORZEŃ MOCUJĄCY SIŁOWNIKA HYDRAULICZNY	086979-1	2	
24	PODKŁADKA PŁASKA 28	F81061-1	4	
25	ZAWLECZKA 3/16" X 1 1/2"	F81043-31	4	
	<b>ZESTAW ROLEK BOCZNEGO RAMIENIA OPOROWEGO (OPCJONALNY)</b>	015109	2	
26	Zespół rolek boczno ramienia oporowego	015014-1	2	
27	Podkładka płaska 17	F81058-1	4	
28	Śruba z łbem sześciokątnym 5/8-11 x 3" kl. 5	F05009-37	1	
29	Nakrętka samozabezpieczająca 5/8-11 z wkładką poliamidową	F05010-34	1	
	Arkuszy instrukcyjny rolek boczno ramienia oporowego	015109-526	1	

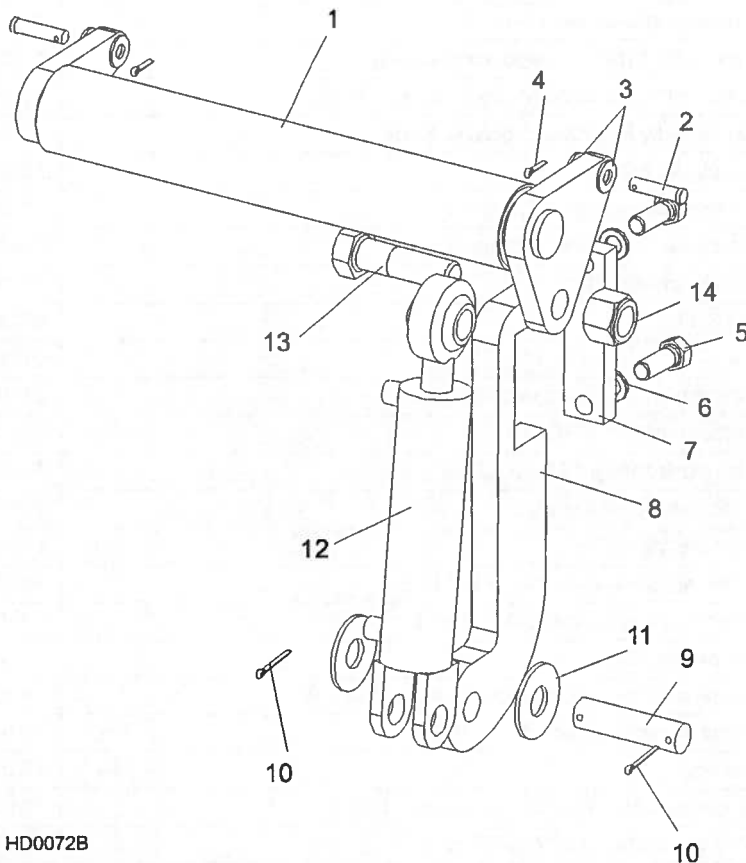
## 9.7 Hydrauliczny docisk kłody



L.P.	OPIS (♦ wskazuje części dostępne jedynie w zespołach)	NUMER KAT.	SZT.
	<b>ZESTAW HYDRAULICZNEGO DOCISKU KŁODY</b>	086966	1
1	Rura hydraulicznego docisku kłody	086967-1	1
2	Ramię hydraulicznego docisku kłody	086963-1	1
3	Śruba z łbem sześciokątnym 1-14 x 4" kl. 8	015072	1
4	Podkładka płaska 28	F81061-1	8
5	Podkładka 1/8" x 2 1/2"	015057	5
6	Nakrętka sześciokątna 1-14	F05010-163	2
7	Sworzeń mocujący tłok docisku	086979-1	2
8	Zawlecza 3/16" x 1 1/2"	F05012-23	6
9	Siłownik hydrauliczny docisku kłody 3 x 7	017275	1

10	Złączka kolankowa 1/4" NPT - 3/8" JIC	015491	2	
11	Łącznik hydrauliki docisku kłody '99	086974-1	1	
12	Śruba z łbem sześciokątnym 1-14 x 8 1/2" kl. 8	015049	1	
13	Przeciwnakrętka sześciokątna 1-14	F05010-118	2	
14	Tuleja przewodnika hydraulicznego docisku kłody	015088	2	
15	Zespół pręta pionowego hydraulicznego docisku kłody	015043	1	
16	Blok przewodnika hydraulicznego docisku kłody	017270	1	
17	Podkładka płaska 8.4	F81054-1	8	
18	Śruba z łbem sześciokątnym 5/16-18 x 3/4"	F05006-5	8	
19	Podkładka dystansowa docisku hydraulicznego	086973-1	3	
20	Smarownicza prosta 3/16"	P04107	1	
21	Podkładka 3/8 x 3	017272	1	
22	Uszczelka	017273	1	
23	Siłownik hydrauliczny docisku kłody góra/dół	015050	1	
24	Złączka kolankowa 1/4" NPT - 1/4" JIC	P09142	2	
25	Wkręt z łbem gniazdowym 1/2-13 x 2 1/2"	F05008-39	2	
26	Płyta montażowa docisku kłody	086975-1	1	
27	Podkładka sprężysta 7/8"	F05011-46	1	
28	Śruba z łbem sześciokątnym 7/8-14 x 2" kl. 5	F05014-2	1	
29	Śruba z łbem sześciokątnym M10 x 125-8.8	F81003-18	4	
30	Podkładka płaska 10.5	F81055-1	4	
31	Nakrętka sześciokątna samozabezpieczająca M10-8-B	F81033-1	4	
32	Śruba z łbem sześciokątnym M10 x 140-8.8	F81004-37	2	
33	Podkładka płaska 13	F81056-1	2	
34	Nakrętka sześciokątna samozabezpieczająca M12-8	F81034-1	2	
	<b>ZESPÓŁ PŁYTY OPOROWEJ DOCISKU KŁODY</b>	K09485	1	
35	Płytki oporowa docisku	W09404	1	
36	Śruba z łbem sześciokątnym M12 x 40 8.8	F81004-4	2	
37	Podkładka płaska 13	F81056-1	2	
38	Nakrętka sześciokątna samozabezpieczająca z wkładką poliarni. M12 - 8	F81034-2	2	

## 9.8 Hydrauliczny siłownik poziomowania kłody



HD0072B

L.P.	OPIS (♦ wskazuje części dostępne jedynie w zespołach)	NUMER KAT.	SZT.
1	HYDRAULICZNY SIŁOWNIK POZIOMOWANIA KŁODY	086253-1	2
2	SWORZEŃ ŁĄCZĄCY 1/2-1 3/4"	F05012-82	4
3	PODKŁADKA PŁASKA 13	F81056-1	8
4	SWORZEŃ ZABEZPIEZAJĄCY S-ZN2 5 X 20	F81043-1	4
5	ŚRUBA Z ŁBEM SZEŚCIOKĄTNYM 5/8-11 X 1 3/4"	F05009-33	4
6	PODKŁADKA SPRĘŻYSTA 17	F81058-2	4
7	PŁYTKA MOCUJĄCA HYDRAULICZNY SIŁOWNIK POZIOMOWANIA KŁODY	S13023-1	2
8	WSPORNIK MOCUJĄCY HYDRAULICZNY SIŁOWNIK POZIOMOWANIA KŁODY	087729	2
9	SWORZEŃ MOCUJĄCY CYLINDRA	S09251	2
10	ZAWLECZKA, 3/16 X 1 1/2"	F05012-23	4
11	PODKŁADKA PŁASKA 28	F81061-1	4
12	CYLINDER HYDRAULICZNY	014482	2
	Zestaw uszczelki siłownika hydraulicznego 1 1/2" x 6"	014547	1
13	ŚRUBA Z ŁBEM SZEŚCIOKĄTNYM 1-8 X 3 1/4 GR 5	F05009-51	2
14	NAKRĘTKA SAMOZABEZPIEZAJĄCA 1-8 Z WKŁADKĄ POLIAMIDOWĄ	F05010-109	2
15	ZŁĄCZKA KOLANKOWA ZEWNĘTRZNA 90°	P09143	4