

# **Wood-Mizer®**

## **Parts Manual**

---

**LT40 Series AH**

**rev. E1.00**

**LT40 Series AH WIDE**

**rev. E1.00**

---



**Safety is our #1 concern!** Read and understand all safety information and instructions before operating, setting up or maintaining this machine.

*Form #921*

# Table of Contents

# Section-Page

<b>SECTION 1</b>	<b>GENERAL INFORMATION</b>	<b>1-1</b>
1.1	How To Use the Parts List.....	1-1
1.2	Sample Assembly .....	1-1
<b>SECTION 2</b>	<b>BLADE GUIDE ROLLERS &amp; ARM</b>	<b>2-1</b>
2.1	Blade Guide Assembly, Idle Side (Standard).....	2-1
2.2	Idle Side Blade Guide Assembly, Optional ( LMS ).....	2-3
2.3	Blade Guide Assembly, Drive Side.....	2-5
2.4	Blade Guide Mount Block (LT40 Wide) .....	2-7
2.5	Blade Guide Mount Block (LT40 Wide) .....	2-8
2.6	Drive Assembly, Blade Guide Arm (LT40 Wide) .....	2-9
2.7	Drive Roller, Blade Guide Arm .....	2-11
2.8	Idler Roller, Blade Guide Arm .....	2-12
<b>SECTION 3</b>	<b>BLADE WHEELS &amp; TENSIONER</b>	<b>3-1</b>
3.1	Blade Drive Assembly, LT40 Series H.....	3-1
3.2	Idle Blade Wheel Assembly .....	3-3
3.3	Blade Tensioner Guide Arms (LT40 Wide) .....	3-4
3.4	Hydraulic Blade Tensioner Assembly.....	3-5
<b>SECTION 4</b>	<b>SAW HEAD</b>	<b>4-1</b>
4.1	Middle Throat Screw.....	4-1
4.2	Water Lube Solenoid Valve (not available in EC version) .....	4-1
4.3	Clutch Lever Assembly (Optional Equipment) .....	4-2
4.4	Brake Assembly.....	4-4
4.5	Water Lube Assembly .....	4-6
4.6	LT40AC Saw Head Decals .....	4-8
4.7	Blade Housing Covers .....	4-10
4.8	Drive Belt Covers .....	4-12
4.9	Sawdust Chute.....	4-13
4.10	Saw Head Rest Pin .....	4-14
4.11	Saw Head Rest Bracket. Plate Mount. ....	4-15
4.12	LT Sawmill Saw Head Rest Bracket.....	4-16
4.13	Wide Saw Head Rest Bracket (LT20/40 Sawmills) .....	4-17
4.14	Saw Head Rest Assembly, LT40M - 2.2 .....	4-18
4.15	LT40 Wide Saw Head Parts .....	4-19
4.16	Motor Mount Clamp .....	4-21
4.17	Blade Guide Arm w/Drive .....	4-22
<b>SECTION 5</b>	<b>CONTROL &amp; BATTERY BOXES</b>	<b>5-1</b>

**Table of Contents**

**Section-Page**

**SECTION 5 CONTROL BOXES**

**5-2**

5.1 Control Box Bracket..... 5-3  
5.2 Drum Switches ..... 5-4  
5.3 Circuit Breakers..... 5-5

**SECTION 6 UP/DOWN SYSTEM**

**6-1**

6.1 Saw Head V-Brace Mount..... 6-1  
6.2 Blade Height Scale ..... 6-2  
6.3 Up/Down Chain & Sprockets..... 6-4  
6.4 Up/Down Motor Assembly, LT40 Series H..... 6-5  
6.5 Up/Down Drive Assembly ..... 6-6  
6.6 Safety Switches ..... 6-7

**SECTION 7 POWER FEED & TRACK ROLLERS**

**7-1**

7.1 Upper Track Rollers And Wipers..... 7-1  
7.2 Power Feed Assembly, LT40 Series AH..... 7-2  
7.3 Feed Chain/Stop ..... 7-4  
7.4 Lower Track Rollers ..... 7-6

## Table of Contents

## Section-Page

### SECTION 8 BED FRAME ASSEMBLY

8-1

8.1	Bed Rail Assembly, Front (S/M Type Frame) .....	8-1
8.2	Bed Rail Assembly, Rear ( S/M Type Frame) .....	8-2
8.3	Bed Rail Assembly, Front Middle (S/M Type Frame).....	8-3
8.4	Bed Rail Assembly, Rear Middle .....	8-4
8.5	Additional Angled Bed Rail (Long) .....	8-5
8.6	Additional Flat Bed Rail (Long) .....	8-6
8.7	Additional Flat Bed Rail (Short) .....	8-7
8.8	Additional Angled Bed Rail (Short) .....	8-8
8.9	Bed Extension LT40 (0.9m) - Complete .....	8-9
8.10	Fine Adjust Outrigger Leg .....	8-11
8.11	Clamp Mount Assembly, Front (AH5/7) .....	8-12
8.12	Clamp Mount Assembly, Rear (AH5/7) .....	8-14
8.13	Leg, Stationary .....	8-16
8.14	Adjustable Legs .....	8-18
8.15	Front Adjustable Leg (at the hitch) .....	8-19
8.16	Angled Bed Rails, "M" Frame .....	8-20
8.17	Plate Set, M Type Frame Bed Rail 1-2 & 2-3 (Option) .....	8-22
8.18	Board Return Table, Angled Bed Rail Assembly .....	8-23
8.19	Board Return Table, Stationary "M" Frame Option .....	8-24
8.20	Long Table .....	8-26
8.21	Pivot Bed Rail Assembly.....	8-28
8.22	Bed Rail Assembly, Optional End.....	8-30
8.23	Log Side Support Assembly (Manual) .....	8-31
8.24	Remote Equipment for Installation on a Wall (Cutting Length of 6.5 m) .....	8-33
8.25	Remote Equipment for Installation on a Wall (Cutting Length of 6.5-10 m) .....	8-34
8.26	Guide Rail Support Post .....	8-35
8.27	Guide Rail Support Post .....	8-37
8.28	4-Post Remote Set .....	8-39
8.29	5-Post Remote Set .....	8-40
8.30	Tie Down Chain Assembly .....	8-41
8.31	Saw Head Transport Bracket .....	8-42
8.32	Saw Head Transport Bracket .....	8-43
8.33	LT Sawmill Saw Head Rest Bracket.....	8-44
8.34	Saw Head Rest Pin Assembly .....	8-45
8.35	Stationary Legs for "S" Frame .....	8-48
8.36	Octagonal Profile Sawing Tool (Option) .....	8-50
8.37	Bed Frame Decals .....	8-51

**Table of Contents**

**Section-Page**

**SECTION 9 HYDRAULIC SYSTEM 9-1**

- 9.1 Hydraulic Hoses, LT40 Series AH ..... 9-1
- 9.2 LT40 Hydraulic Control Boxes ..... 9-3
- 9.3 Hydraulic Control Box, LT40/70 AH-7 (Option) ..... 9-4
- 9.4 Hydraulic Control Box, LT20/40/70 AC 11-Section (Option) ..... 9-6
- 9.5 Hydraulic Control Box, LT40/70 AC 14-Section ..... 9-9
- 9.6 Hydraulic Hose Kit, AH "M" Frame Sawmills MBX12/24H1-6 ..... 9-12
- 9.7 Hydraulic Hose Hanger Kit, "M" Frame (AH1-3) MBX12/24H1-4 ..... 9-13
- 9.8 Hydraulic Hose Hanger Kit, "M" Frame (AH4-7) MBX12/24H5-6 ..... 9-14
- 9.9 Hydraulic Control Box, 16-Section LT20/40/70AC ..... 9-15
- 9.10 Hydraulic Control Box, 10-Section LT20/40/70 AC ..... 9-18
- 9.11 Hydraulic Control Box, LT40 Series AH3 ..... 9-21
- 9.12 Hydraulic Control Box, LT40 Series AH5/7 ..... 9-24
- 9.13 Hydraulic Power Supply Strip..... 9-27
- 9.14 Hydraulic Log Loader ..... 9-29
- 9.15 Hydraulic Log Loader, Extended for "S", "M" and "M Super" Frames with 2.5 t. and 2.6 t. Trailer ..... 9-31
- 9.16 Hydraulic Log Turner ..... 9-33
- 9.17 Hydraulic Log Side Supports ..... 9-34
- 9.18 Main Hydraulic Log Clamp (2 Rods) ..... 9-36
- 9.19 Hydraulic Log Clamp - Main ..... 9-38
- 9.20 Hydraulic Pull-Down Clamp ..... 9-40
- 9.21 Main Log Clamp (540970) ..... 9-42
- 9.22 Two-Plane Log Clamp - M-type Frame +100 (544213) ..... 9-44
- 9.23 Hydraulic Toe Board ..... 9-46
- 9.24 Hydraulic Toe Board, Bottom Bed Rail (Option) ..... 9-47
- 9.25 Driven Log Levelling Roller (mounted on lower bed rail) ..... 9-48
- 9.26 Driven Log Levelling Roller, Lower Bed Rail (Option) ..... 9-50
- 9.27 Left Hydraulic Toe Board (on Lower Bed Rail) ..... 9-52
- 9.28 Driven Log Levelling Roller, Right w/2 Cylinders (Option) ..... 9-53
- 9.29 Driven Log Levelling Roller, Left w/2 Cylinders ..... 9-55
- 9.30 Stationary Leg (Part No. 501639) ..... 9-57

## SECTION 1 GENERAL INFORMATION

### 1.1 How To Use the Parts List

- Use the index above to locate the assembly that contains the part you need.
- Go to the appropriate section and locate the part in the illustration.
- Use the number pointing to the part to locate the correct part number and description in the table.
- Parts shown indented under another part are included with that part.
- Parts marked with a diamond (◆) are only available in the assembly listed above the part.

See the sample table below. Sample Part #A01111 includes part F02222-2 and subassembly A03333. Subassembly A03333 includes part S04444-4 and subassembly K05555. The diamond (◆) indicates that S04444-4 is not available except in subassembly A03333. Subassembly K05555 includes parts M06666 and F07777-77. The diamond (◆) indicates M06666 is not available except in subassembly K05555.

1.2 Sample Assembly				
REF.	DESCRIPTION (◆ Indicates Parts Available In Assemblies Only)	PART #	QTY	
	Sample Assembly, Complete (Includes All Indented Parts Below)	A01111	1	
1	Sample Part	F02222-22	1	
	Sample Subassembly (Includes All Indented Parts Below)	A03333	1	
2	Sample Part (◆ Indicates Part Is Only Available With A03333)	S04444-4	1	◆
	Sample Subassembly (Includes All Indented Parts Below)	K05555	1	
3	Sample Part (◆ Indicates Part Is Only Available With K05555)	M06666	2	◆
4	Sample Part	F07777-77	1	

#### To Order Parts:

- From Europe call our European Headquarters and Manufacturing Facility in Kolo, Poland at **+48-63-2626000**. From the continental U.S., call our toll-free Parts hotline at **1-800-525-8100**. Have your customer number, vehicle identification number, and part numbers ready when you call. From other international locations, contact the Wood-Mizer distributor in your area for parts.

#### Office Hours:

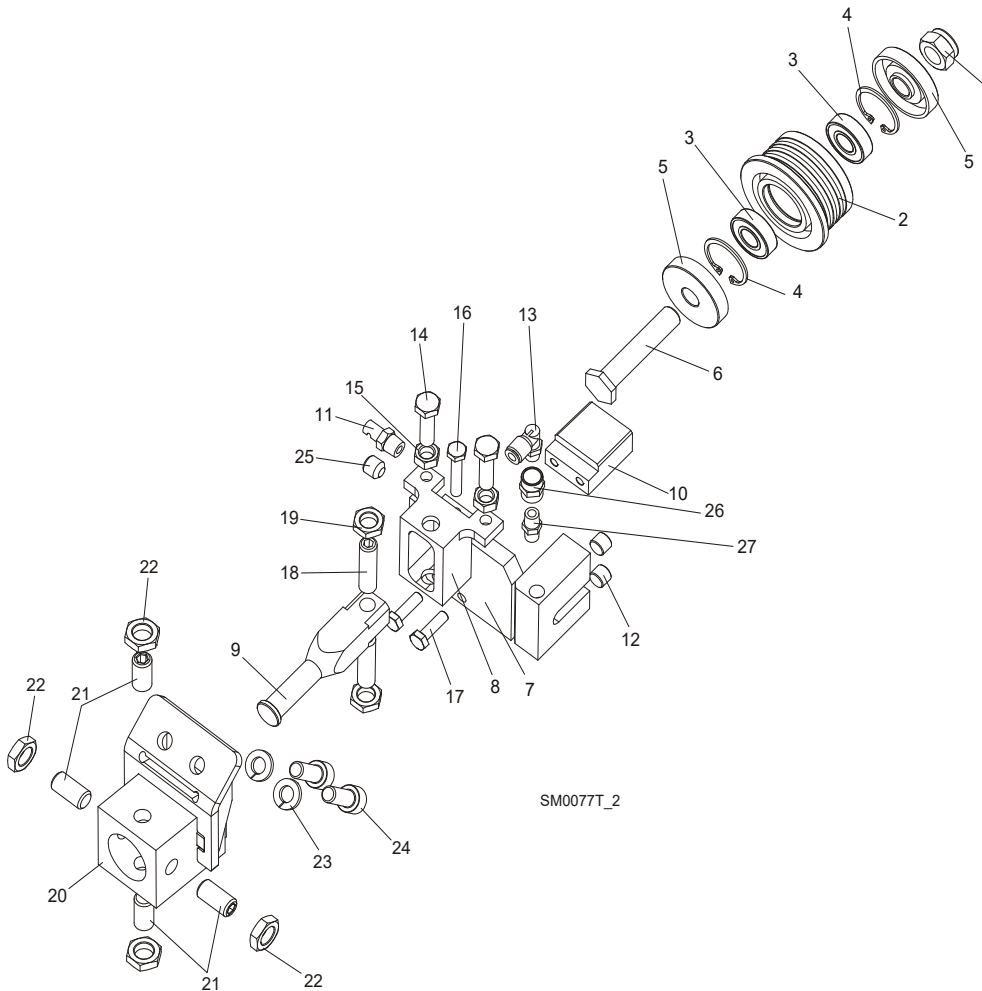
Country	Monday - Friday	Saturday	Sunday
Poland	7-15	Closed	Closed
US	8 a.m.- 5 p.m.	8 a.m.- 12 p.m.	Closed



**CAUTION!** It is strongly recommended that only original spare parts be used.

## SECTION 2 BLADE GUIDE ROLLERS & ARM

### 2.1 Blade Guide Assembly, Idle Side (Standard)



REF.	DESCRIPTION (◆ Indicates Parts Available In Assemblies Only)	PART#	QTY
	<b>BLADE GUIDE ASSEMBLY, IDLE SIDE</b>	092523	1
	Roller, Blade Guide Narrow w/Bearings	088261	1
	Roller, Blade Guide W/Bearings Extended (for optional use with 1 1/2" blades)	092939	1
1	Nut, M12-8 Hex Nylon Zinc Lock	F81034-2	1
2	Roller, Blade Guide Narrow	087889	1
	Roller, Blade Guide Extended (for optional use with 1 1/2" blades)	087890	1
3	Bearing, 6001 2RSR NACHI	087893	2
4	Ring, W28 Inside Retaining	F81090-9	2
5	Washer, Spacer	087891	2 (1)
	Washer, Spacer (used with the Extended Roller only) <sup>1</sup>	087892-1	1
6	Bolt, Blade Guide Roller Zinc-Plated	087761-1	1
	Bolt, Blade Guide Roller Zinc Plated (used with the Extended Roller only)	092940-1	1
7	Block Weldment, Nozzle Zinc-Plated	087750-1	1
8	Block, Zinc-Plated Roller Guide Adjuster	087756-1	1

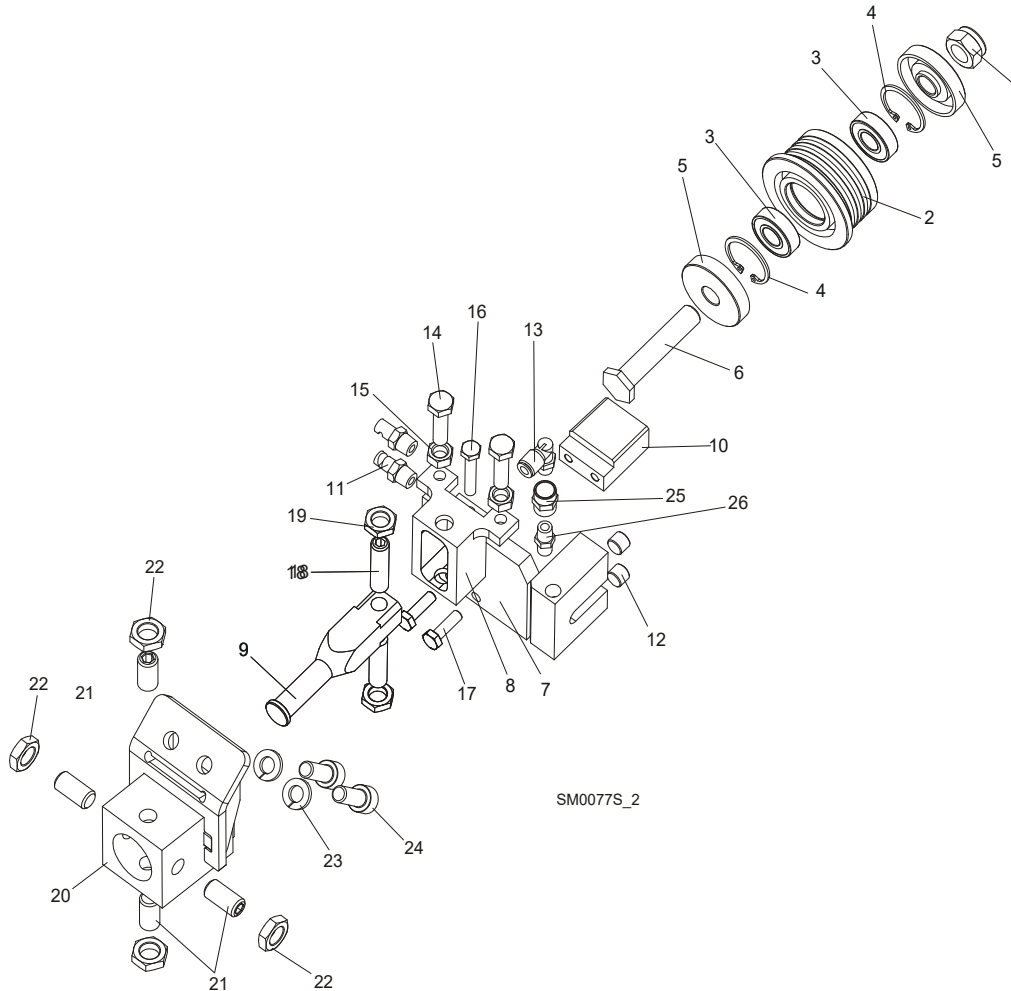
**Blade Guide Rollers & Arm***Blade Guide Assembly, Idle Side (Standard)*

9	Shaft, Zinc-Plated Blade Guide Mount (Narrow Roller)	088255-1	1	
	Shaft, Zinc-Plated Blade Guide Mount (Wide Roller)	501406-1	1	
10	Block, Blade Guide Zinc	096956-1	1	
11	Nozzle, Blade Water Lube Spray	016637	1	
12	Plug, M10x1 DIN 906 BN40 "BOSSARD"	F81015-3	2	
13	Fitting, 90° Elbow 1/8NPT-1/4 Tube Swivel	P09736	1	
14	Bolt, M8x30 DIN933 A2-70 Stainless Steel	F81002-27	2	
15	Nut, M8 DIN934 A2-70 Stainless Steel	F81032-7	2	
16	Bolt, M6x30 DIN933 A2-70 Stainless Steel	F81001-37	1	
17	Bolt, M6x20-8.8 Hex Head Full Thread Zinc	F81001-2	2	
18	Screw, M10x1x40 DIN913 Stainless Steel Set	F81015-2	2	
19	Nut, M10x1-04-ST-A2 ISO 8675 Thin	F81033-10	2	
20	<b>BLOCK WELDMENT, PAINTED BLADE GUIDE MOUNT</b>	514887-1	1	
21	<b>SCREW, M10X1X25 DIN913 STAINLESS STEEL SET</b>	F81015-4	4	
22	<b>NUT, M10x1-04-ST-A2 ISO 8675 THIN</b>	F81033-10	4	
23	<b>WASHER, 8.2 SPLIT LOCK ZINC</b>	F81054-4	2	
24	<b>SCREW, M8 X 20-8.8 HEX SOCKET HEAD CAP ZINC</b>	F81002-30	2	
25	<b>FITTING, 1/8 NPT SOCKET PIPE PLUG</b>	P30127	1	
26	<b>FITTING, 1/8FPT COUPLING</b>	P05748	1	
27	<b>NIPPLE, 1/8 DRY SEAL</b>	P02764	1	

<sup>1</sup> Used only from the flanged side of the roller.



2.2 Idle Side Blade Guide Assembly, Optional ( LMS )



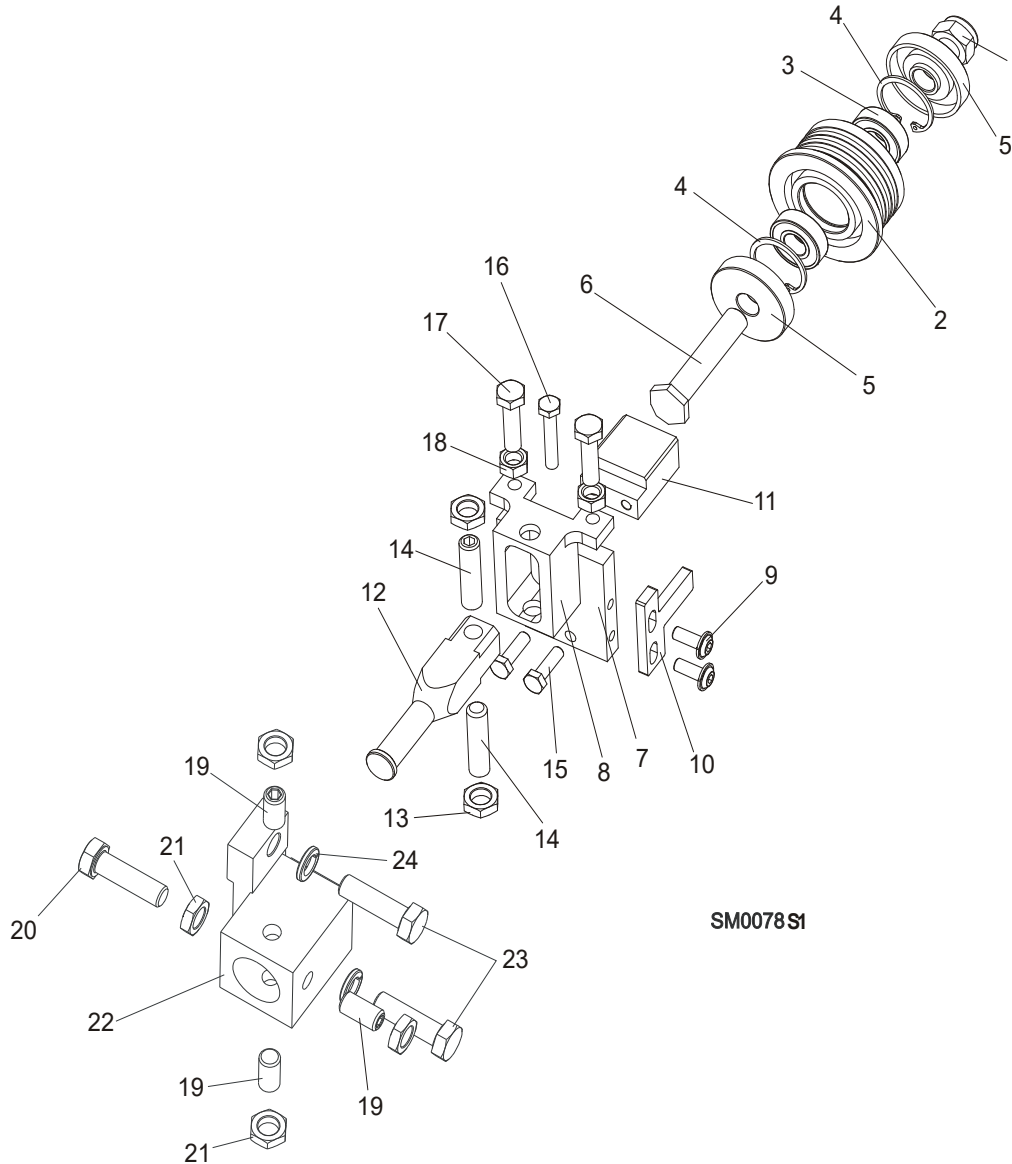
REF.	DESCRIPTION (◆ Indicates Parts Available In Assemblies Only)	PART#	QTY
	<b>BLADE GUIDE ASSEMBLY, IDLE SIDE</b>	087749	1
	Roller, Blade Guide Narrow w/Bearings	088261	1
	Roller, Blade Guide W/Bearings Extended (for optional use with 1 1/2" blades)	092939	1
1	Nut, M12-8 Hex Nylon Zinc Lock	F81034-2	1
2	Roller, Blade Guide Narrow	087889	1
	Roller, Blade Guide Extended (for optional use with 1 1/2" blades)	087890	1
3	Bearing, 6001 2RSR NACHI	087893	2
4	Ring, W28 Inside Retaining	F81090-9	2
5	Washer, Spacer	087891	2 (1)
	Washer, Spacer (used with the Extended Roller only) <sup>1</sup>	087892-1	1
6	Bolt, Blade Guide Roller Zinc-Plated	087761-1	1
	Bolt, Blade Guide Roller Zinc Plated (used with the Extended Roller only)	092940-1	1
7	Block Weldment, Nozzle Zinc-Plated	087750-1	1
8	Block, Zinc-Plated Roller Guide Adjuster	087756-1	1

**Blade Guide Rollers & Arm***Idle Side Blade Guide Assembly, Optional ( LMS )*

9	Shaft, Zinc-Plated Blade Guide Mount (Narrow Roller)	088255-1	1	
	Shaft, Zinc-Plated Blade Guide Mount (Wide Roller)	501406-1	1	
10	Block, Blade Guide Zinc	096956-1	1	
11	Nozzle, Blade Lube Spray	033479	2	
12	Plug, M10x1 DIN 906 BN40 "BOSSARD"	F81015-3	2	
13	Fitting, 90° Elbow 1/8NPT-1/4 Tube Swivel	P09736	1	
14	Bolt, M8x30 DIN933 A2-70 Stainless Steel	F81002-27	2	
15	Nut, M8 DIN934 A2-70 Stainless Steel	F81032-7	2	
16	Bolt, M6x30 DIN933 A2-70 Stainless Steel	F81001-37	1	
17	Bolt, M6x20-8.8 Hex Head Full Thread Zinc	F81001-2	2	
18	Screw, M10x1x40 DIN913 Stainless Steel Set	F81015-2	2	
19	Nut, M10x1-04-ST-A2 ISO 8675 Thin	F81033-10	2	
20	<b>BLOCK WELDMENT, PAINTED BLADE GUIDE MOUNT</b>	514887-1	1	
21	<b>SCREW, M10X1X25 DIN913 STAINLESS STEEL SET</b>	F81015-4	4	
22	<b>NUT, M10x1-04-ST-A2 ISO 8675 THIN</b>	F81033-10	4	
23	<b>WASHER, 8.2 SPLIT LOCK ZINC</b>	F81054-4	2	
24	<b>SCREW, M8 X 20-8.8 HEX SOCKET HEAD CAP ZINC</b>	F81002-30	2	
25	<b>FITTING, 1/8FPT COUPLING</b>	P05748	1	
26	<b>NIPPLE, 1/8 DRY SEAL</b>	P02764	1	

<sup>1</sup> Used only from the flanged side of the roller

### 2.3 Blade Guide Assembly, Drive Side



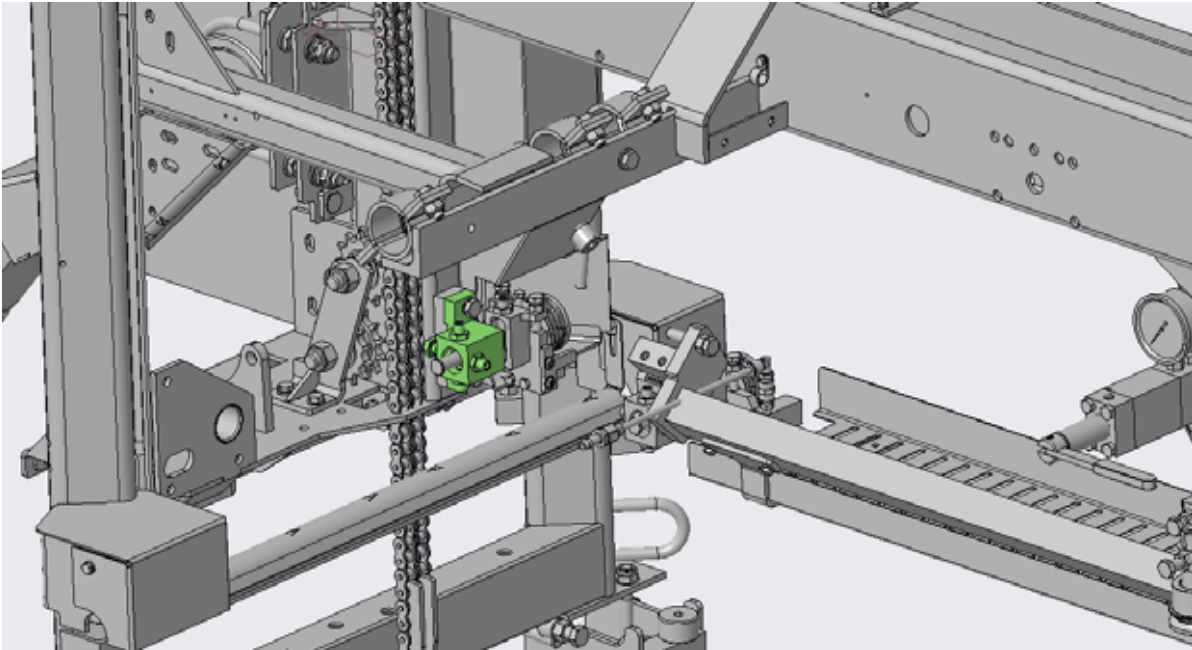
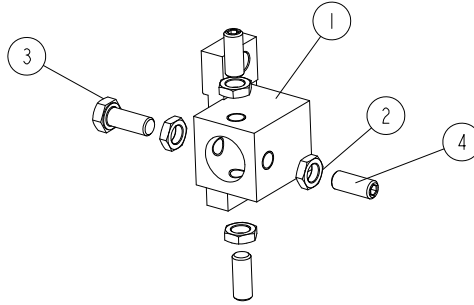
REF.	DESCRIPTION (◆ Indicates Parts Available In Assemblies Only)	PART#	QTY
	<b>BLADE GUIDE ASSEMBLY, DRIVE SIDE</b>	087748	1
	Roller, Blade Guide Narrow W/Bearings	088261	1
	Roller, Blade Guide W/Bearings Extended (for optional use with 1 1/2" blades)	092939	1
<b>1</b>	Nut, M12-8 Hex Nylon Zinc Lock	F81034-2	1
<b>2</b>	Roller, Blade Guide Narrow	087889	1
	Roller, Blade Guide Extended (for optional use with 1 1/2" blades)	087890	1
<b>3</b>	Bearing, 6001 2RSR NACHI	087893	2
<b>4</b>	Ring, W28 Inside Retaining	F81090-9	1
<b>5</b>	Washer, Spacer	087891	2 (1)
	Washer, Spacer (used with the Extended Roller only) <sup>1</sup>	087892-1	1

6	Bolt, Blade Guide Roller Zinc-Plated	087761-1	1	
	Bolt, Blade Guide Roller Zinc Plated (used with the Extended Roller only)	092940-1	1	
7	Plate, Zinc-Plated Blade Guide Mounting	087753-1	1	
8	Block, Zinc-Plated Roller Guide Adjuster	087756-1	1	
9	Screw, M6x16 BN 11252 "BOSSARD"	F81001-24	2	
10	Wiper, Blade Zinc-Plated	087757-1	1	
11	Block, Blade Guide Zinc	096956-1	1	
12	Shaft, Zinc-Plated Blade Guide Mount (Narrow Roller)	088255-1	1	
	Shaft, Zinc-Plated Blade Guide Mount (Wide Roller)	501406-1	1	
13	Nut, M10x1-04-ST-A2 ISO 8675 Thin	F81033-10	2	
14	Screw, M10x1x40 DIN913 Stainless Steel Set	F81015-2	2	
15	Bolt, M6x20-8.8 Hex Head Full Thread Zinc	F81001-2	2	
16	Bolt, M6x30 DIN933 A2-70 Stainless Steel	F81001-37	1	
17	Bolt, M8x30 DIN933 A2-70 Stainless Steel	F81002-27	2	
18	Nut, M8 DIN934 A2-70 Stainless Steel	F81032-7	2	
19	<b>Screw, M10X1X25 DIN913 Stainless Steel Set</b>	F81015-4	3	
20	<b>BOLT, M10X1X25 DIN 933 STAINLESS STEEL</b>	F81003-28	1	
21	<b>NUT, M10x1-04-ST-A2 ISO 8675 THIN</b>	F81033-10	4	
22	<b>BLOCK WELDMENT, BLADE GUIDE MOUNT</b>	087744	1	
23	<b>BOLT, M10X35-8.8 HEX HEAD FULL THREAD ZINC</b>	F81003-17	2	
24	<b>WASHER, 10.2 SPLIT LOCK ZINC</b>	F81055-2	2	

<sup>1</sup> Used only from the flanged side of the roller

## 2.4 Blade Guide Mount Block (LT40 Wide)

544238\_001  
544238\_MANUAL



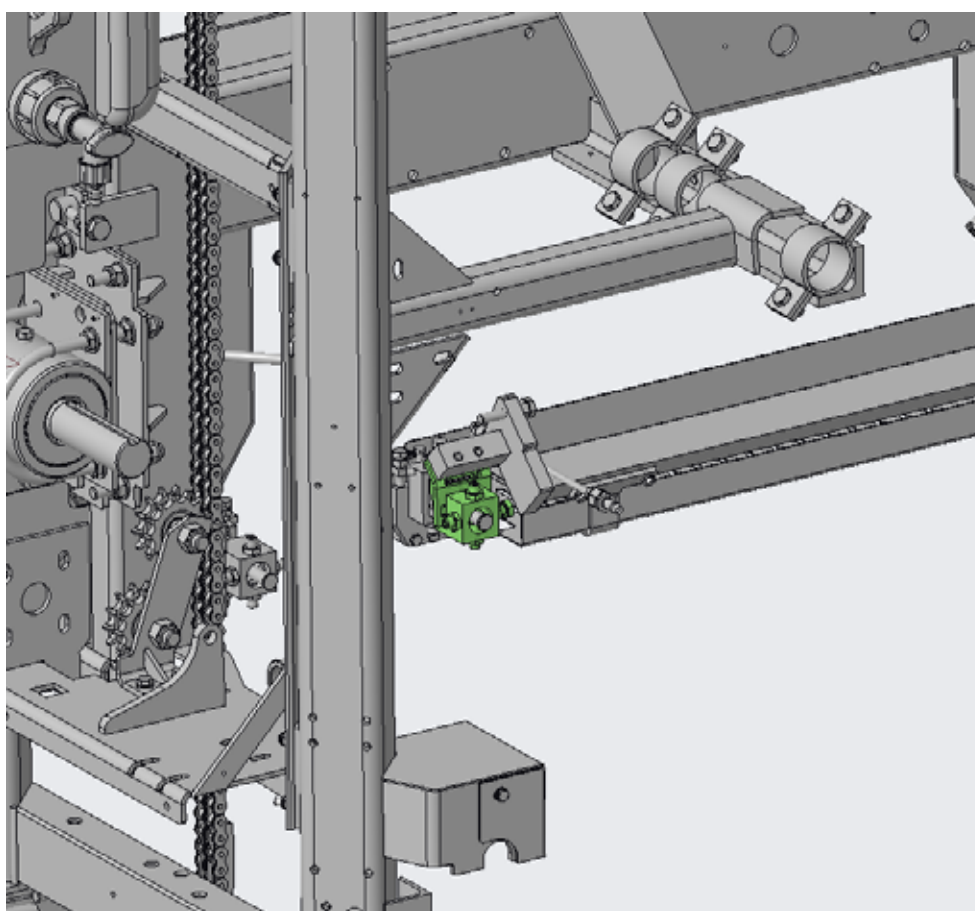
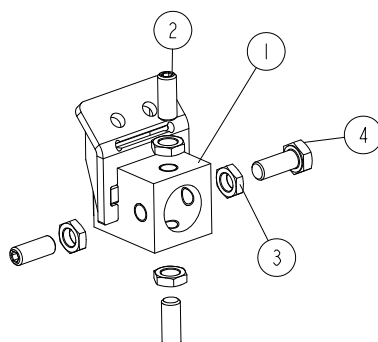
REF.	DESCRIPTION (◆ Indicates Parts Available In Assemblies Only)	PART#	QTY
-	<b>BLOCK, BLADE GUIDE MOUNT - COMPLETE</b>	544238	1
1	BLOCK WELDMENT, BLADE GUIDE MOUNT	087744-1	1
2	NUT, M10X1-04-ST-A2E ISO8675 THIN	F81033-10	4
3	BOLT, M10X1X25 DIN 933 STAINLESS STEEL	F81003-28	1
4	SCREW, M10X1X25 DIN 913 STAINLESS STEEL SET	F81015-4	3

## 2 Blade Guide Rollers & Arm

### Blade Guide Mount Block (LT40 Wide)

## 2.5 Blade Guide Mount Block (LT40 Wide)

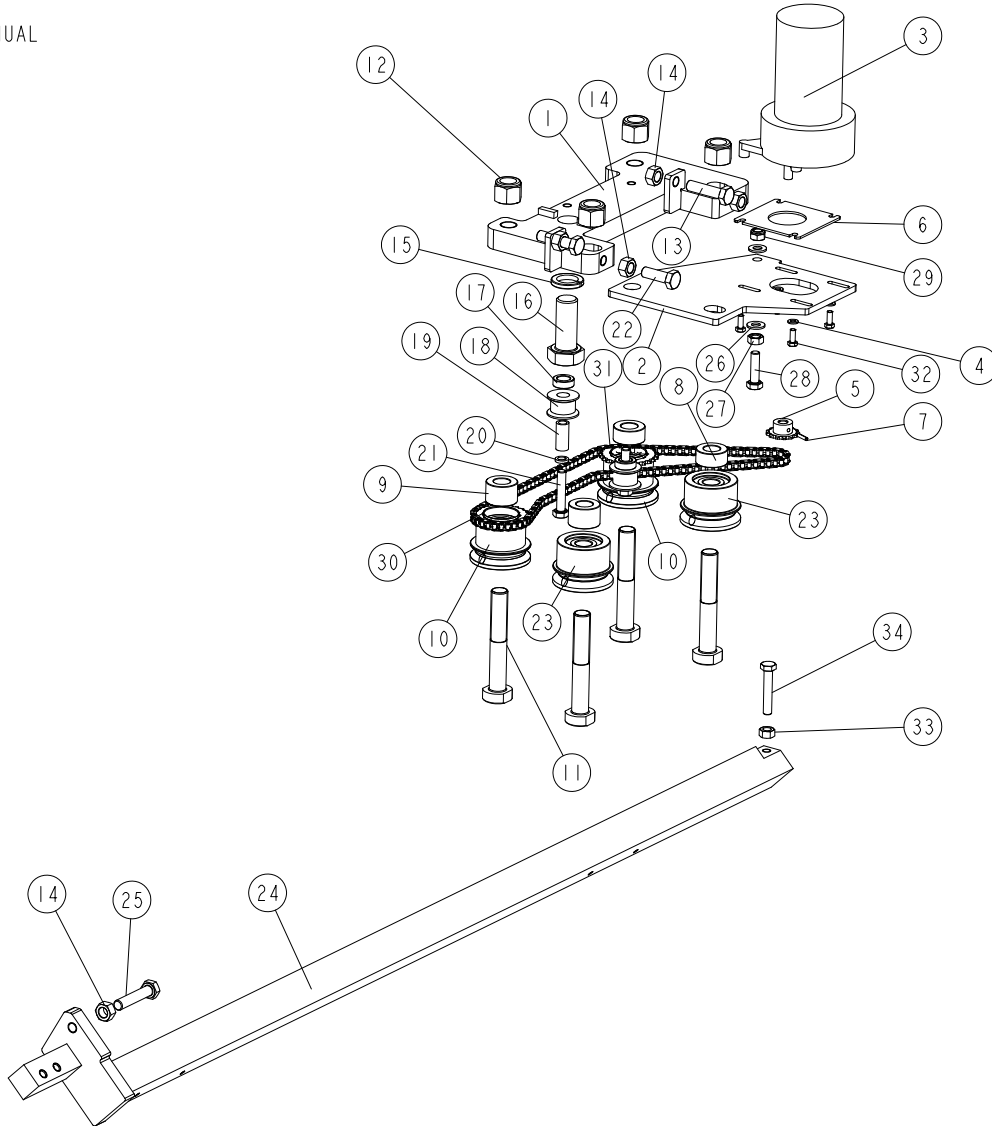
544242\_001  
544242\_MANUAL



REF.	DESCRIPTION (* indicates parts available in assemblies only)	PART #	QTY
1	BLOCK WELDMENT, LEFT BLADE GUIDE MOUNT - COMPLETE	514887-1	1
2	SCREW, M10X1X25 DIN 913 STAINLESS STEEL SET	F81015-4	3
3	NUT, M10X1-04-ST-A2E ISO8675 THIN	F81033-10	4
4	BOLT, M10X1X25 DIN 933 STAINLESS STEEL	F81003-28	1

## 2.6 Drive Assembly, Blade Guide Arm (LT40 Wide)

540129\_001  
 540129\_MANUAL



REF.	DESCRIPTION (* indicates parts available in assemblies only)	PART #	QTY
-	<b>Drive Assembly, Blade Guide Arm</b>	540129	1
1	PLATE, ARM DRIVE MOUNT	540124-1	1
2	PLATE, ARM MOTOR MOUNT	519341-1	1
3	MOTOR, CURRENT APP. 1/30HP 12VDC GEAR	079214	1
4	WASHER, 5.3 FLAT ZINC	F81052-1	4
5	SPROCKET, 25B13X.3130	P09970	1
6	PLATE, SPACER	519937-1	1
7	PIN, 3X14 GEOMET ROLL	F81044-4	1
8	BUSHING, SPACER	520284-1	2
9	BUSHING, SPACER	520285-1	2
10	ROLLER, COMPLETE DRIVE <a href="#">See Section 2.7</a>	520282	2
11	PIN, MOUNT	519660-1	4
12	NUT, 5/8-18 NYLON ZINC LOCK	F05010-71	4
13	BOLT, M10X40-8.8 HEX HEAD FULL THREAD ZINC	F81003-16	2

## 2

**Blade Guide Rollers & Arm**

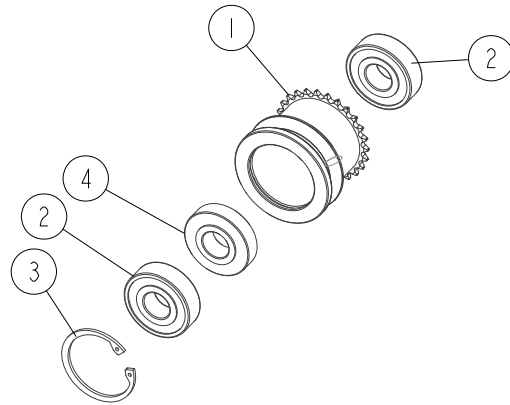
Drive Assembly, Blade Guide Arm (LT40 Wide)

REF.	DESCRIPTION (* indicates parts available in assemblies only)	PART #	QTY	
14	NUT, M10 8 HEX ZINC	F81033-3	5	
15	WASHER, 20.5 SPLIT LOCK ZINC	F81059-1	1	
16	BOLT, M20X50-8.8-B HEX HEAD FULL THREAD ZINC	F81007-17	1	
17	BUSHING, 12.5/20-7 ZINC-PLATED	101063-1	2	
18	ROLLER, CHAIN TENSION	516193	2	
19	BUSHING, SPACER	519345-1	2	
20	WASHER, 8.2 SPLIT LOCK ZINC	F81054-4	2	
21	BOLT, M8X40-8.8 HEX HEAD FULL THREAD ZINC	F81002-15	2	
22	SCREW, DIN933-M10X30-8.8-A2E HEX CAP FULL THREAD	F81003-111	2	
23	ROLLER, IDLER <a href="#">See Section 2.8</a>	520839	2	
24	ARM, BLADE GUIDE	540126-1	1	
25	BOLT, M10X50-8.8 HEX HEAD FULL THREAD ZINC	F81003-4	1	
26	WASHER, 8.4 FLAT ZINC	F81054-1	2	
27	NUT, M8 DIN 934 A2-70 STAINLESS STEEL	F81032-7	1	
28	BOLT, M8X30 8.8 HEX HEAD FULL THREAD ZINC	F81002-7	1	
29	NUT, M8-8-B HEX NYLON ZINC LOCK	F81032-2	1	
-	CHAIN, DRIVE	519358	1	
30	LINK, 25 MASTER	P09983	1	
31	CHAIN, NO.#25X125-LINK	521494	1	
32	BOLT, #10-32X1/2 HEX HEAD	F05004-60	4	
33	NUT, M8-8-B HEX ZINC	F81032-1	1	
34	BOLT, M8X45-8.8 HEX HEAD FULL THREAD ZINC	F81002-14	1	



**2.7 Drive Roller, Blade Guide Arm**

520282\_001  
 520282\_MANUAL



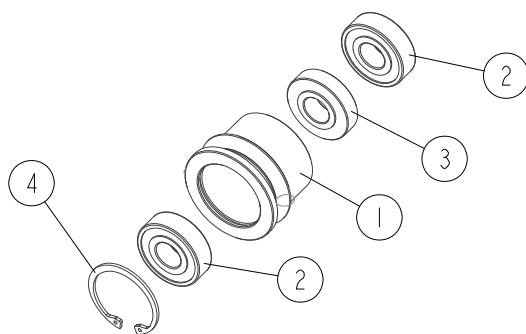
REF.	DESCRIPTION (* indicates parts available in assemblies only)	PART #	QTY	
-	<b>ROLLER, COMPLETE DRIVE</b>	520282	1	
1	ROLLER, W/SPROCKET	520281-1	1	
2	BEARING, 6203 2RSP6- 5/8 CX	095087	2	
3	RING, W40 INSIDE RETAINING	F81090-3	1	
4	BUSHING, SPACER	520283-1	1	

## 2 Blade Guide Rollers & Arm

### Idler Roller, Blade Guide Arm

## 2.8 Idler Roller, Blade Guide Arm

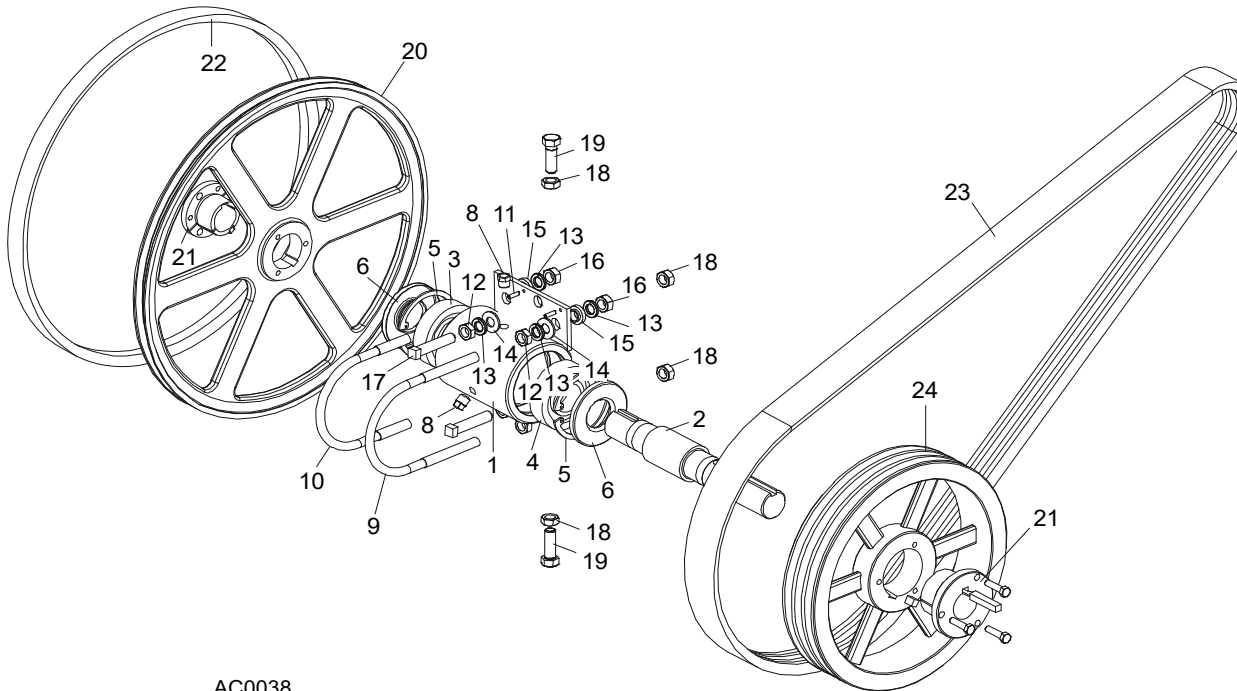
520839\_001  
520839\_MANUAL



REF.	DESCRIPTION (* indicates parts available in assemblies only)	PART #	QTY	
-	<b>ROLLER, IDLER</b>	520839	1	
1	ROLLER, IDLER	520829-1	1	
2	BEARING, 6203 2RSP6- 5/8 CX	095087	2	
3	BUSHING, SPACER	520283-1	1	
4	RING, W40 INSIDE RETAINING	F81090-3	1	

## SECTION 3 BLADE WHEELS & TENSIONER

### 3.1 Blade Drive Assembly, LT40 Series H

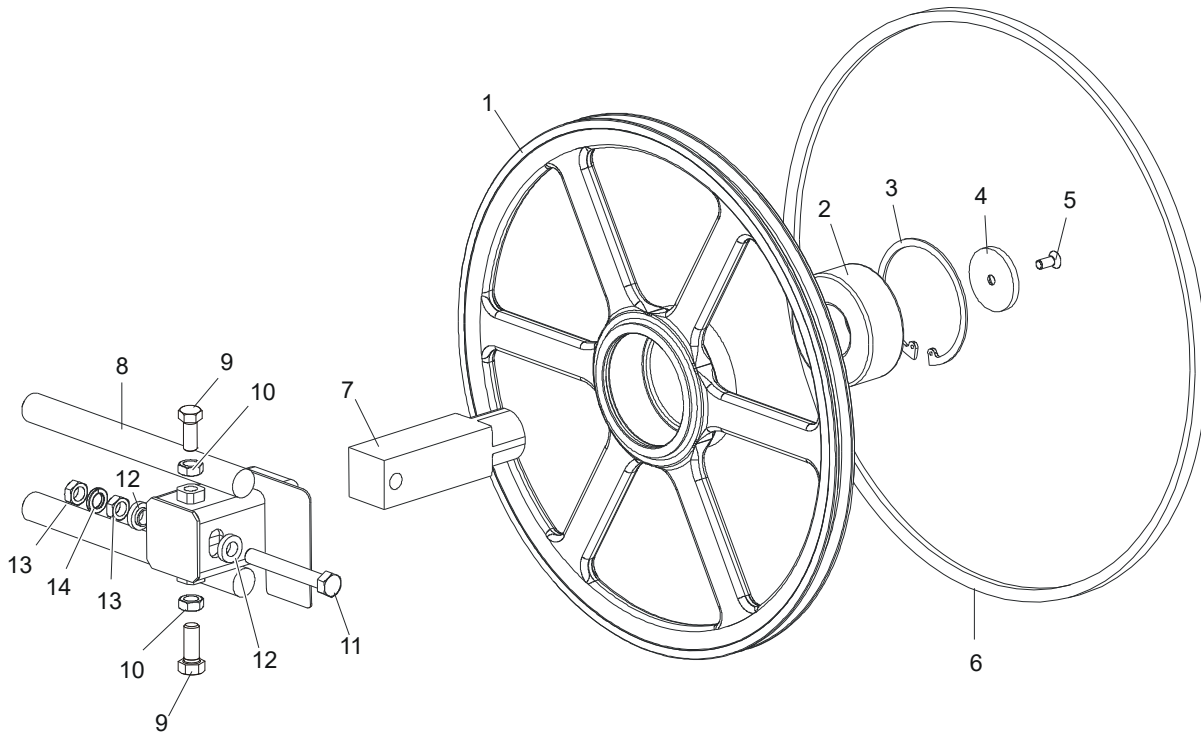


AC0038

REF.	DESCRIPTION (◆ Indicates Parts Available In Assemblies Only)	PART #	QTY
	<b>BEARING ASSEMBLY, BLADE WHEEL DRIVE</b>	086291	1
1	Housing, Blade Wheel Drive Bearing	086293	1
2	Shaft, Blade Wheel Drive	086292	1
3	Bearing, Blade Wheel Drive NJ308	085939	1
4	Bearing, Blade Wheel Drive #6308	085940	1
5	Ring, 90mm Interior Retaining #17	F04254-17	2
6	Seal, Drive Bearing #CR15890	P10206	2
7	Plug, 1/4" NPT Square Head	P05498	1
8	Plug, 1/4" NPT Vented	P12868	1
9	Bolt, 1/2-13 Long U	S10207-1P	1
10	Bolt, 1/2-13 Short U	S10207-2P	1
11	Pin, 3/16" X 5/8" Roll	F05012-22	2
12	Nut, 1/2-20 Hex Jam	F05010-16	4
13	Washer, 12.2 Split Lock	F81056-2	8
14	Washer, 13 Flat Zinc	F81056-1	4
15	Spacer, .510" x .937" x .34"	S04253	4
16	Nut, 1/2-13 Hex	F05010-35	4
17	Screw, 1/2-20 x 2 1/2" Square Head Full Thread Set	F05008-110	2
18	Nut, M12-8 Hex Nylon Lock	F81034-2	4
19	Bolt, 1/2-20 x 1 1/2" Hex Head Grade 5	F05008-53	2
	Decal, Bearing End-Play	S12750	1

	Instruction Sheet, Bearing Retrofit	K10200-275	1	
	<b>WHEEL KIT, DRIVE SIDE BLADE</b>	014562	1	
<b>20</b>	Wheel, Drive Side Blade	016284	1	
<b>21</b>	Bushing, Modified 1 9/16" P1	087214	1	
	Instruction Sheet, Drive Side Blade Wheel Replacement	K12987-488	1	
<b>22</b>	<b>BELT, BLADE WHEEL B57</b>	P04185-2	1	

### 3.2 Idle Blade Wheel Assembly



SM0241C

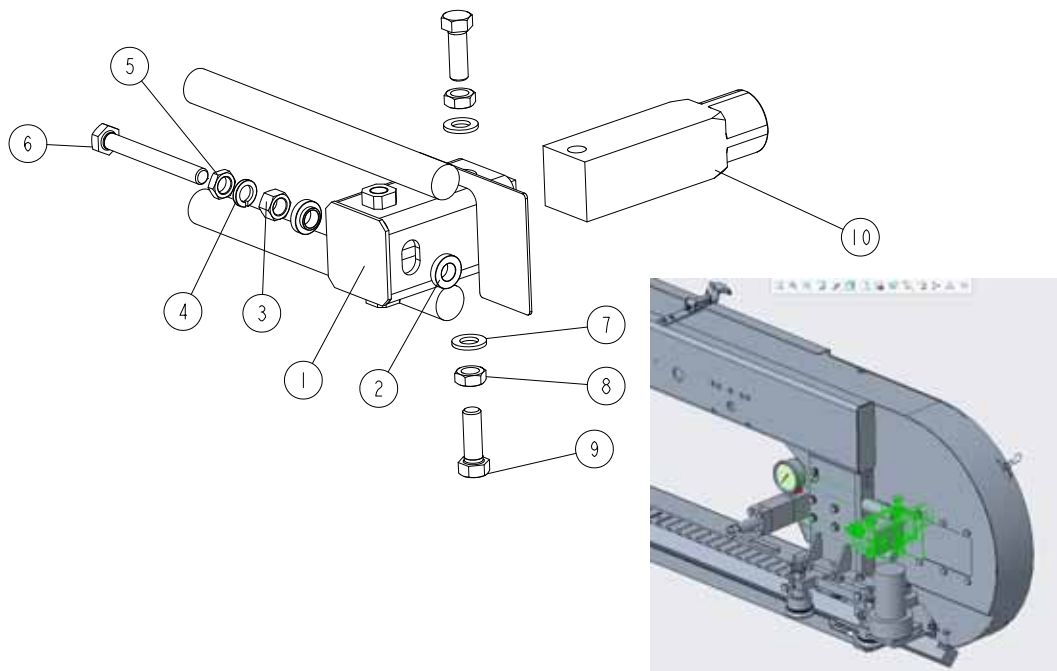
REF.	DESCRIPTION (◆ Indicates Parts Available In Assemblies Only)	PART #	QTY	
	<b>WHEEL ASSEMBLY, IDLE SIDE BLADE</b>	016120	1	
1	Wheel, Idle Side Blade	016013	1	◆
2	Bearing, Idle Side Blade Wheel 3309 B.2RSR TVH FAQ	086428	1	
3	Ring, 100mm Internal Retaining Beveled	F04254-28	1	
4	<b>RETAINER, ZINC</b>	095929-1	1	
5	<b>SCREW, M10x25 -10.9- Fe/Zn5 DIN 7991</b>	F81003-82	1	
6	<b>BELT, B57 BLADE WHEEL</b>	P04185-2	1	
7	<b>SHAFT, IDLE BLADE WHEEL</b>	095732	1	
8	<b>HOUSING, IDLE BLADE WHEEL SHAFT</b>	016103	1	
9	<b>BOLT, 1/2-20 X 1 1/2" HEX HEAD GRADE 5</b>	F05008-53	2	
10	<b>NUT, 1/2-20 HEX JAM</b>	F05010-16	2	
11	<b>BOLT, M12x1.25x100-8.8 HEX HEAD FULL THREAD ZINC</b>	F81004-41	1	
12	<b>SPACER, 1/2" I.D. FLANGED</b>	086769-1	2	
13	<b>NUT, M12x1.25 8.8 THIN ZINC</b>	F81034-5	2	
14	<b>WASHER, Z12.2 SPLIT LOCK ZINC</b>	F81056-2	1	

# 3 Blade Wheels & Tensioner

## Blade Tensioner Guide Arms (LT40 Wide)

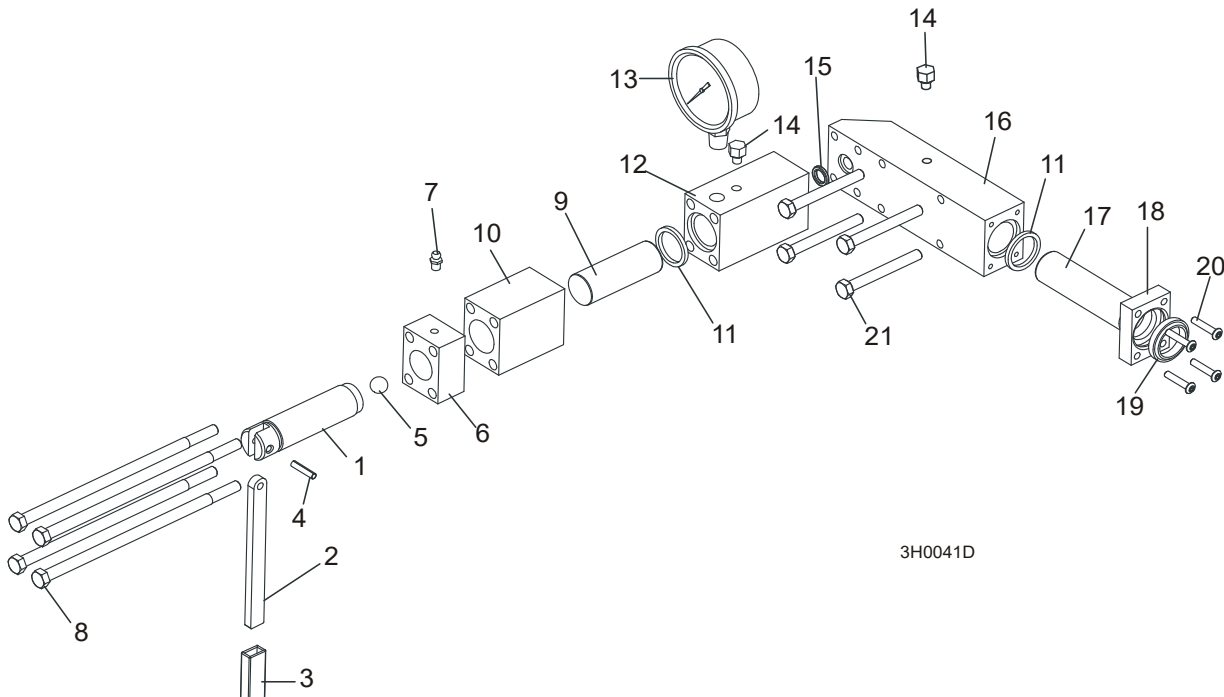
### 3.3 Blade Tensioner Guide Arms (LT40 Wide)

544239\_001  
544239\_MANUAL



REF.	DESCRIPTION (* indicates parts available in assemblies only)	PART #	QTY
-	<b>ARM ASSEMBLY, BLADE TENSIONER GUIDE</b>	544239	1
1	ARM WELDMENT, BLADE TENSIONER GUIDE W/GUARD	087665-1	1
2	BUSHING, 12.8/23.8-8.6 16-3.3 ZINC-PLATED	086769-1	2
3	NUT, M12X1.25 - 8 - B HEX ZINC	F81034-8	1
4	WASHER, Z12.2 SPLIT LOCK ZINC	F81056-2	1
5	NUT, M12X1.25-8 THIN ZINC	F81034-5	1
6	BOLT, M12X1.25X100-8.8 HEX HEAD FULL THREAD ZINC	F81004-41	1
7	WASHER, 13 FLAT ZINC	F81056-1	2
8	NUT, 1/2-20 HEX JAM	F05010-16	2
9	BOLT, 1/2-20X1 1/2 HEX HEAD	F05008-53	2
10	SHAFT, IDLE SIDE BLADE WHEEL	095732	1

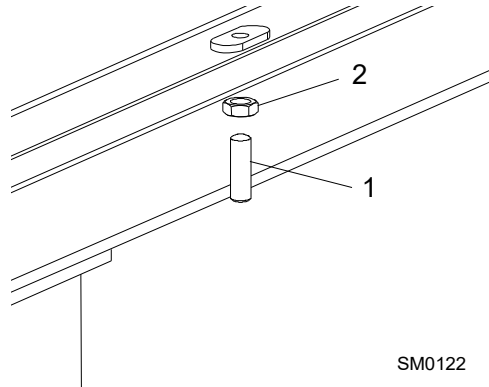
### 3.4 Hydraulic Blade Tensioner Assembly



REF.	DESCRIPTION (◆ Indicates Parts Available In Assemblies Only)	PART #	QTY	
	<b>HYDRAULIC BLADE TENSIONER ASSEMBLY</b>	532054	1	
	Handle Assembly, Hydraulic Blade Tensioner Screw	A12294	1	
1	Screw, Hydraulic Blade Tensioner	S10056	1	
2	Handle, Hydraulic Tensioner Screw	095930-1	1	
3	Sleeve, Plastic Handle	P08072	1	
4	Pin, 3/16" x 7/8" Roll	F05012-19	1	
5	Ball, 1/2" Steel	P02720	1	
6	Block, Threaded Tensioner End	S10062	1	
7	Fitting, 1/4-28 Grease	P05060	1	
	Instruction Sheet, Tensioner Screw	A12294-518	1	
8	Bolt, 5/16-18 X 7 1/2" Hex Head Grade 5	F05006-43	4	
9	Piston, Hydraulic Tensioner Front 2 3/4" Long	S10060	1	
10	Block, Piston Guide	S10061	1	
11	Seal, 1" Diameter	P10051	2	
12	Block, Hydraulic Tensioner Gauge Mounting	S10140	1	
13	Gauge, 3000 PSI	090552	1	
14	Plug, Hydraulic Tensioner Fill	P10065	1	
15	Ring, 5/8" X 3/32" Square "O"	P10377	1	
16	Block, Rear Tensioner Piston	S10142	1	
17	Piston, Hydraulic Tensioner Rear 3 5/8" Long	S10059	1	
18	Block, Rear Piston End	S10089	1	
19	Wiper, 1" Diameter	P10053	1	
20	Bolt, #10-24 X 1" Socket Button Head	F05004-43	4	
21	Bolt, 5/16-18 X 2 3/4" Hex Head Grade 5	F05006-28	4	
	Instruction Sheet, Hydraulic Tensioner Installation	A10136-272	1	

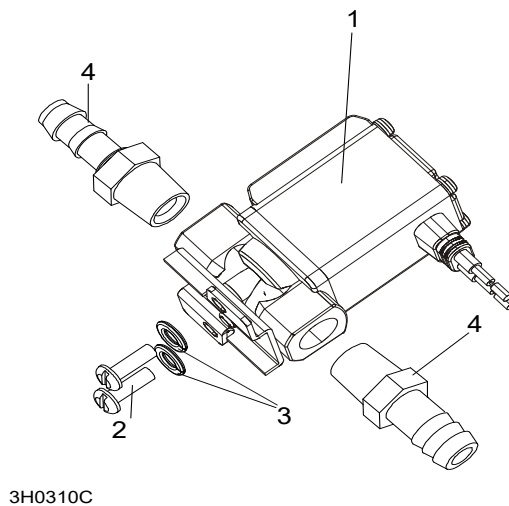
## SECTION 4 SAW HEAD

### 4.1 Middle Throat Screw



REF.	DESCRIPTION (◆ Indicates Parts Available In Assemblies Only)	PART #	QTY	
1	SCREW, 3/8-16 X 1 1/4" OVAL POINT SOCKET SET	F05007-18	1	
2	NUT, 3/8-16 HEX JAM	F05010-29	1	

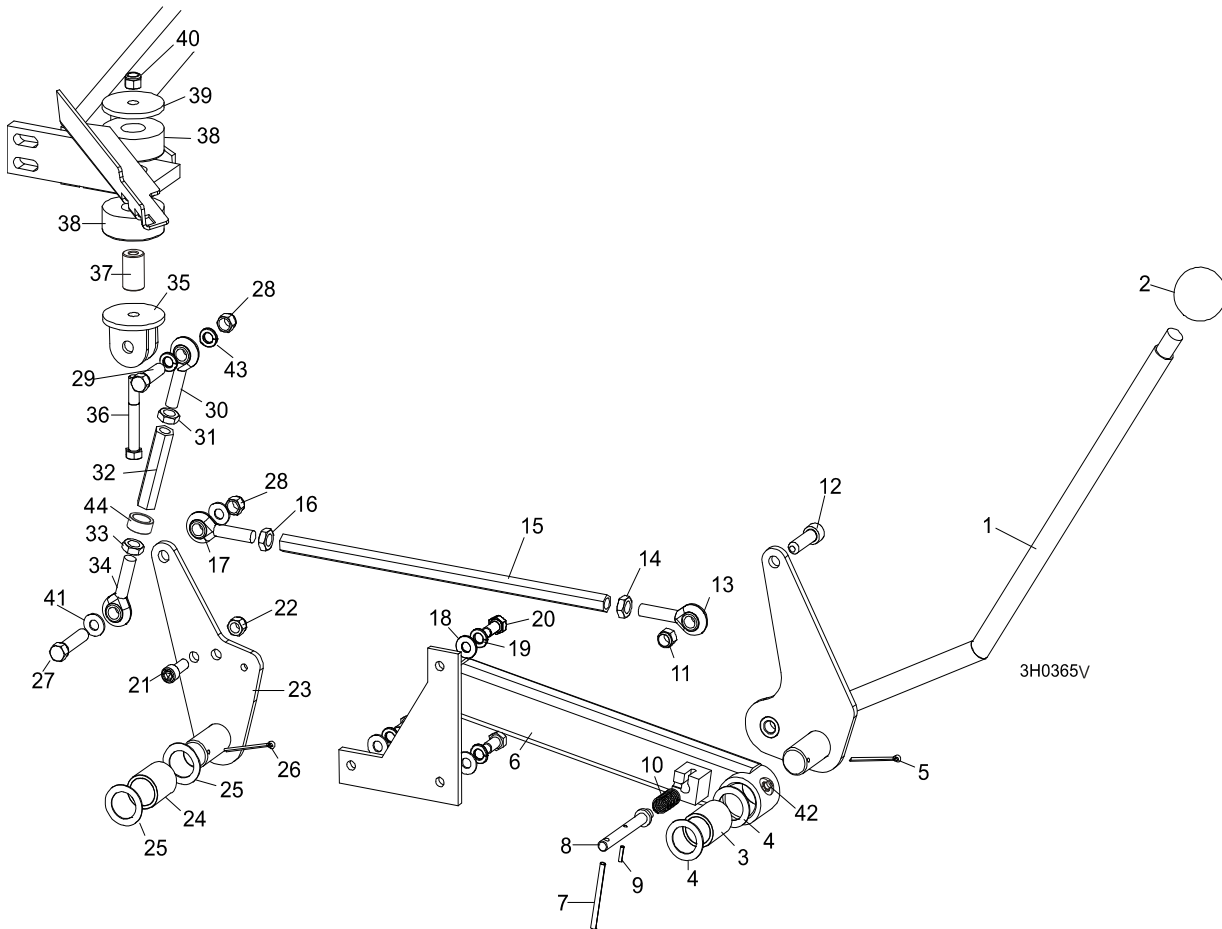
### 4.2 Water Lube Solenoid Valve (not available in EC version)



REF.	DESCRIPTION (◆ Indicates Parts Available In Assemblies Only)	PART #	QTY	
1	VALVE, WATER LUBE SOLENOID	509113	1	
2	SCREW, M4X12 PHILIPS PH DIN 7985 MACHINE	F05004-74	2	
3	WASHER, 4MM SPLIT LOCK	F05011-57	2	
4	FITTING, 1/4" MALE NPT 3/8" HOSE BARB	P04682	2	



### 4.3 Clutch Lever Assembly (Optional Equipment)



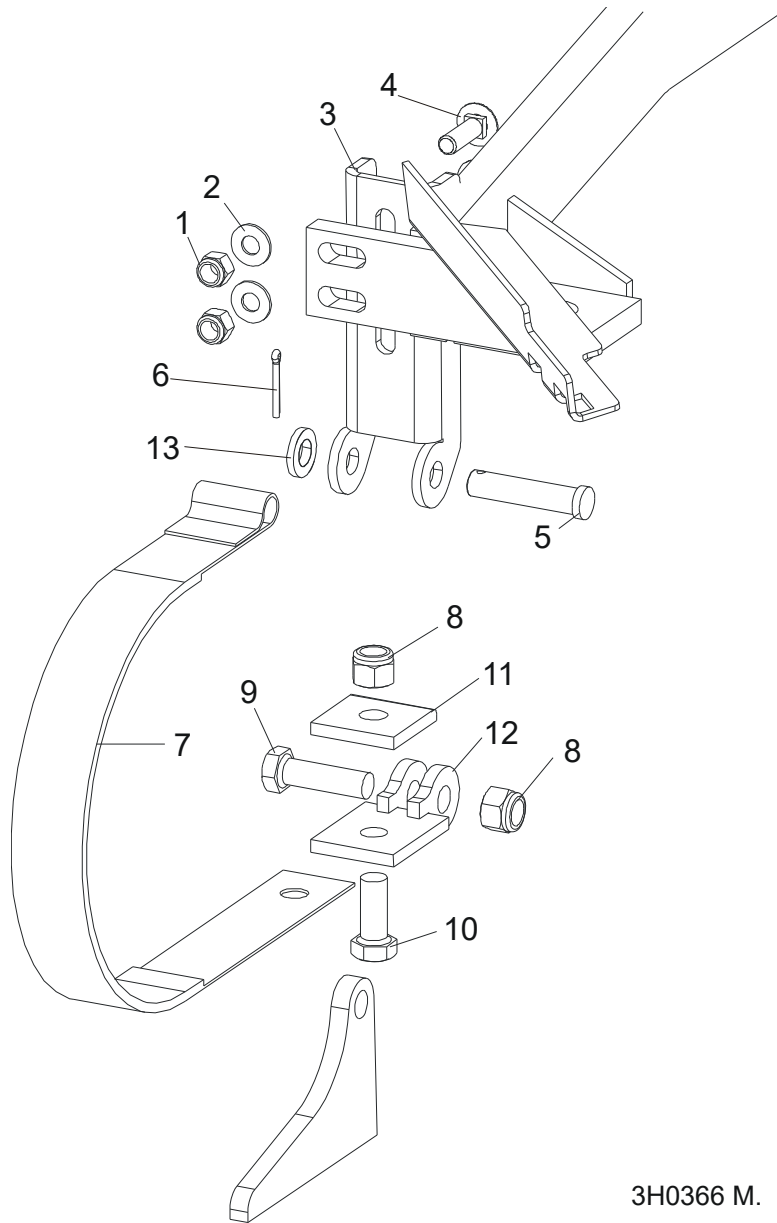
REF.	DESCRIPTION (◆ Indicates Parts Available In Assemblies Only)	PART #	QTY	
	<b>HANDLE ASSEMBLY, EXTENDED CLUTCH/BRAKE</b>	086242	1	
1	Lever, Clutch/Brake	086339-1	1	◆
2	Knob, Plastic Round	086337	1	
3	Bushing, Clutch/Brake Pivot	P05041	1	
4	Washer, Clutch/Brake Pivot	087051-1	2	
5	Pin, 1/8" X 1 3/4" Cotter	F05012-43	1	
6	Extension Weldment, Clutch Handle	086244-1	1	
7	Nut ,M10-8-B Nylon Hex Zinc Lock	F81033-1	1	
8	Screw, M10x35 8.8 Hex Socket Head Cap Zinc	F81003-56	1	
9	Rod End, S10	094236	1	
10	Nut, M10 LH DIN 439 Thin Left	F81033-21	1	
11	Turnbuckle	518342-1	1	
12	Nut, 10mm x 1.25 Nylon	F81033-6	1	
13	End, Sa10 Rod Thread	096431	1	
14	<b>WASHER, 8.4 SAE FLAT</b>	F81054-1	3	
15	<b>WASHER, 8.2 SPLIT LOCK</b>	F81054-4	3	
16	<b>BOLT, M8X20-8.8-B HEX HEAD</b>	F81002-4	3	
17	<b>BOLT, M10 X 25 SOCKET HEAD</b>	F81003-32	1	
18	<b>NUT, M10-8-B HEX NYLON LOCK</b>	F81033-1	1	

## 4

**Saw Head***Clutch Lever Assembly (Optional Equipment)*

19	<b>PLATE WELDMENT, CLUTCH PIVOT</b>	087086-1	1	
20	<b>BUSHING, CLUTCH/BRAKE PIVOT</b>	095349	1	
21	<b>WASHER, CLUTCH/BRAKE PIVOT</b>	087051-1	2	
22	<b>PIN, 1/8" X 1 3/4" COTTER</b>	F05012-43	1	
23	<b>BOLT, M10X50-8.8 HEX HEAD FULL THRD ZINC</b>	F81003-4	1	
24	<b>NUT, M10-8-B NYLON HEX ZINC LOCK</b>	f81033-1	2	
25	<b>BOLT, M10X45-8.8 HEX HEAD FULL THREAD ZINC</b>	F81003-3	1	
	<b>TURNBUCKLE ASSEMBLY, CLUTCH/BRAKE LEVER</b>	518339	1	
26	End, SAL10 Rod Thread	096431	1	
27	Nut, M10-04-W Thin Zinc	F81033-6	1	
28	Turnbuckle	518243-1	1	
29	Nut, M10 LH DIN 439 Thin Left	F81033-21	1	
30	Rod End, SA10	094236	1	
31	<b>BRACKET, CLUTCH MOUNT</b>	W12411-1	1	
32	<b>BOLT, M10X70-8.8 HEX HEAD ZINC</b>	F81003-20	1	
33	<b>SPACER, MOTOR MOUNT VIBRATION BUSHING</b>	506712	1	
34	<b>BUSHING, MOTOR MOUNT VIBRATION</b>	P05032	2	
35	<b>WASHER, 3/8" I.D. X 2 1/4" O.D. X 3/16" THICK</b>	S12412-0	1	
36	<b>NUT, 3/8-16 NYLON LOCK</b>	F05010-10	1	
37	<b>WASHER, 10.5 FLAT ZINC</b>	F81055-1	2	
38	<b>FITTING, M6 GREASE</b>	086280	1	
39	<b>WASHER, 10.2 SPLIT LOCK ZINC</b>	F81055-2	2	

### 4.4 Brake Assembly



3H0366 M.

REF.	DESCRIPTION (◆ Indicates Parts Available In Assemblies Only)	PART #	QTY
	<b>STRAP RETROFIT, SUPER BRAKE</b>	014441	1
1	Nut, 3/8-16 Nylon Lock	F05010-10	2
2	Washer, 10.5 Flat	F81055-1	2
3	Bracket, Upper Super Brake Strap Mount	014395	1
4	Bolt, 3/8-16 x 1 1/4" Carriage Head Grade 5	F05007-127	2
5	Pin, 1/2" x 2 1/4" Clevis	F05012-81	1
6	Pin, 1/8" x 1" Cotter	F05012-1	1
7	Strap, Upper Pivot Metal Brake	014391	1
8	Nut, M12-8-B Nylon Lock	F81034-2	2
9	Bolt, M12 x 40-8.8 Hex Head	F81004-4	1
10	Bolt, M12 x 30-8.8 Hex Head	F81004-22	1

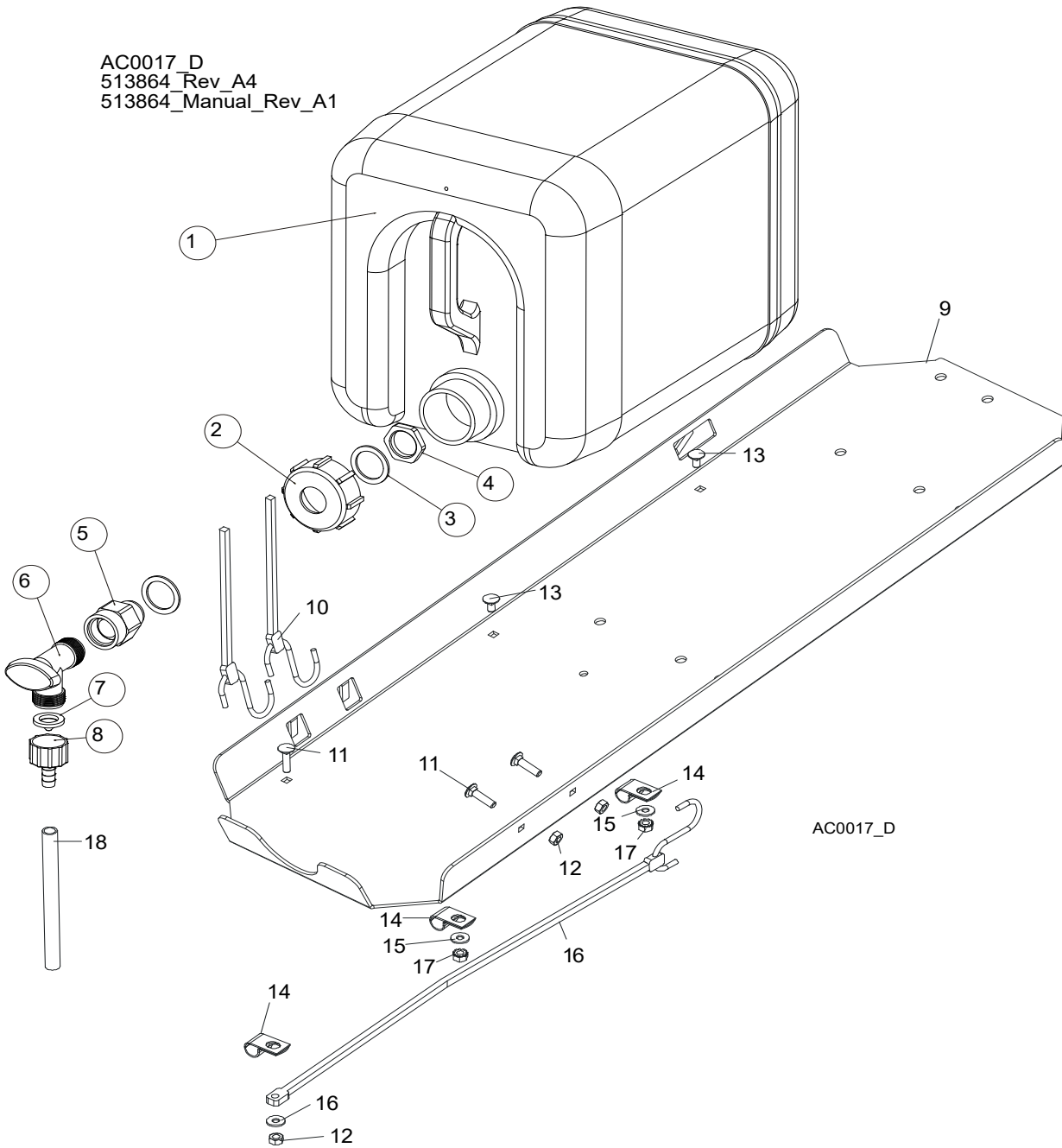
**4****Saw Head***Brake Assembly*

---

11	Plate, Brake Strap Clamp	S04195-1	1	
12	Bracket, Lower Super Brake Strap Mount	014392	1	
13	Washer, 13 Flat Zinc	F81056-1	1	

## 4.5 Water Lube Assembly

AC0017\_D  
513864\_Rev\_A4  
513864\_Manual\_Rev\_A1



REF.	DESCRIPTION (◆ Indicates Parts Available In Assemblies Only)	PART #	QTY
	<b>BOTTLE, WATER - COMPLETE</b>	<b>513864</b>	<b>1</b>
	<b>BOTTLE, WATER WITH NUT</b>	<b>513865</b> <sup>1</sup>	<b>1</b>
1	BOTTLE, WATER	513866	1
2	NUT, BOTTLE	513867	1
3	SEAL, 35x26x2 RUBBER	513869	2
4	NUT, 3/4 NPT GLAND	513868	1
5	FITTING, 3/4FPT X 3/4MPT REDUCER	014636	1
6	FITTING, WATER LUBE SHUTOFF VALVE	014100	1

## 4

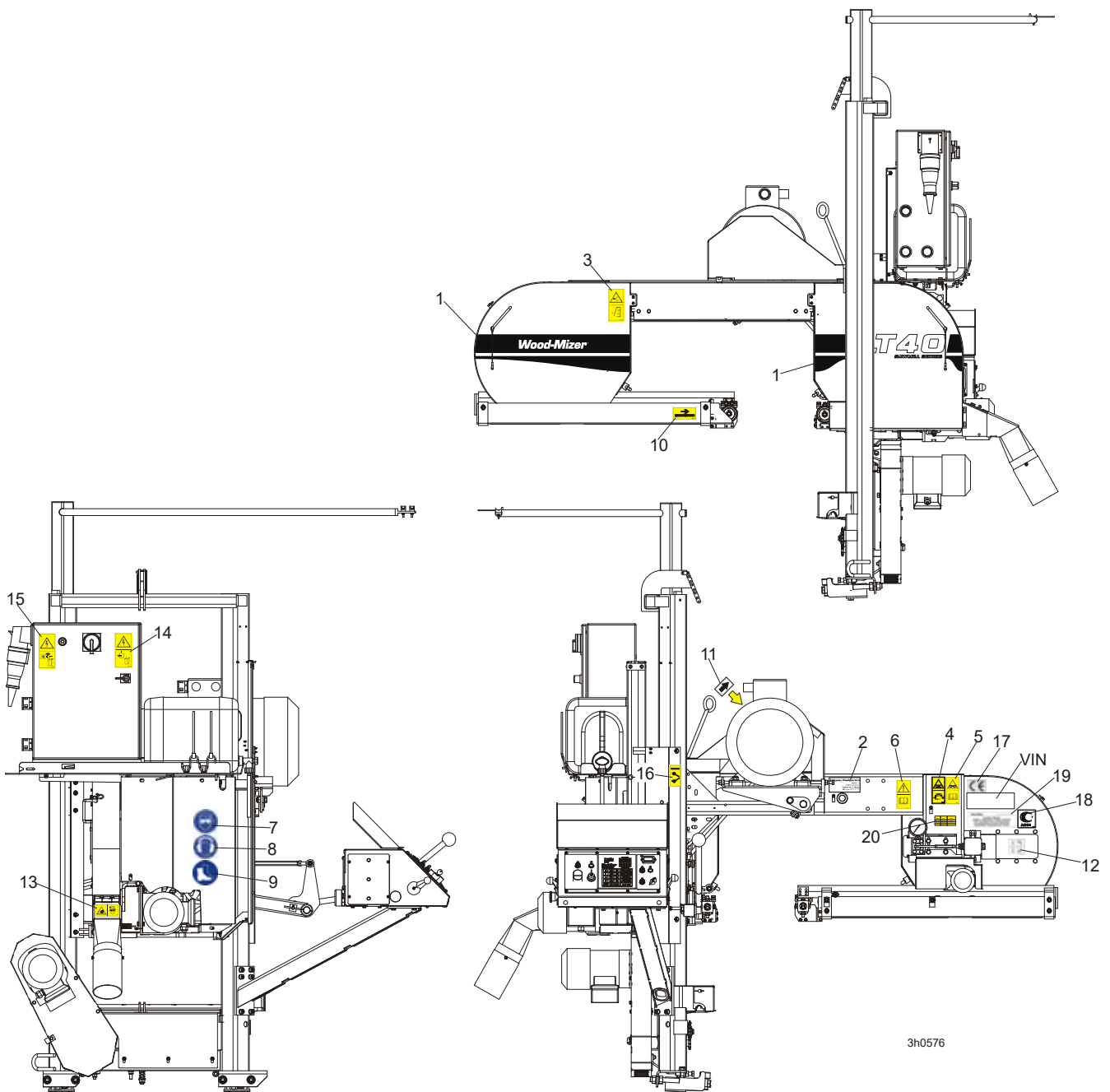
**Saw Head***Water Lube Assembly*

7	FILTER, WATER LUBE	016086 <sup>2</sup>	1	
8	FITTING, 5/8" NPT TO 3/8" HOSE BARB	014113	1	
9	TRAY, ELECTRIC BOX/WATER BOTTLE	086528-1	1	◆
10	STRAP, 20" RUBBER	P11668	2	
11	BOLT, 1/4-20 X 1" CARRIAGE HEAD	F05005-34	5	
12	NUT, 1/4-20 HEX LOCK	F05010-21	5	
13	BOLT, 1/4-20 X 1/2" CARRIAGE HEAD	F05005-33	2	
14	CLAMP, 1/2" EMT HOSE	P07584	3	
15	WASHER, 7.4 FLAT	F81056-11	3	
16	STRAP, 15" RUBBER	P07461	1	
17	NUT, 1/4-20 SELF-LOCKING	F05010-9	2	
18	TUBING, WATER LUBE 3/8" I.D.	R01885	2.1 m	

<sup>1</sup> The service number 513865-S includes: 513865, 513869, 513868.

<sup>2</sup> Filter recommended for Super models to prevent debris from entering water lube solenoid valve.

## 4.6 LT40AC Saw Head Decals



3h0576

REF.	DESCRIPTION (◆ Indicates Parts Available In Assemblies Only)	PART #	QTY
1	DECAL, LT40 SERIES SAWMILL	092763	1
	PICTOGRAPHIC DECAL KIT, LT40AC	099516	1
2	DECAL, EUROPEAN HEADQUARTERS ADDRESS	015841	1
3	DECAL, SAWMILL COVERS CAUTION	099220	2
4	DECAL, BLADE TENSION (PICTOGRAM)	099219	1
5	DECAL, BLADE TENSION - INSTRUCTIONS (PICTOGRAM)	099223	1
6	DECAL, READ OPERATOR'S MANUAL (PICTOGRAM)	096317	1

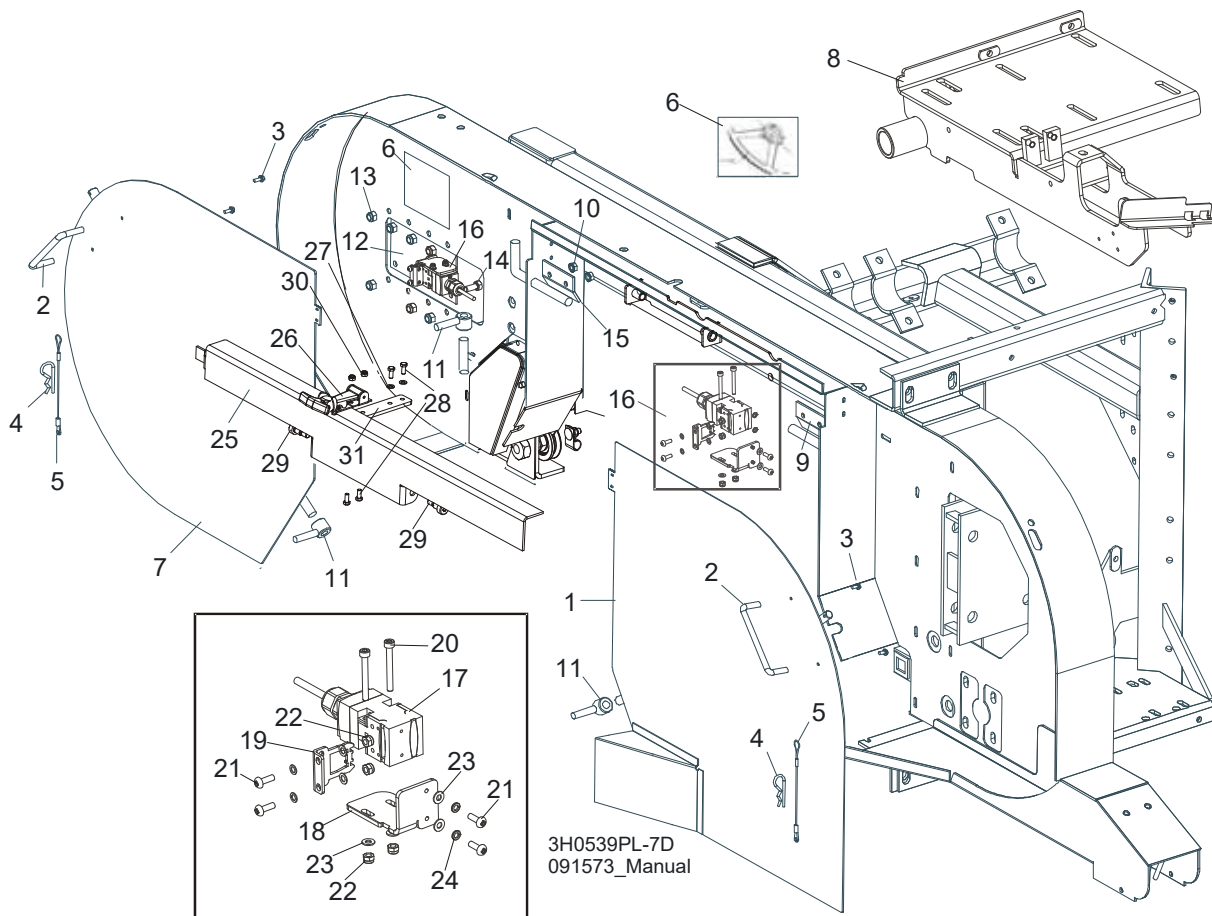
## 4

**Saw Head***LT40AC Saw Head Decals*

7	DECAL, EYE PROTECTION WARNING (PICTOGRAM)	S12004G	1	
8	DECAL, EAR PROTECTION WARNING (PICTOGRAM)	S12005G	1	
9	DECAL, USE SAFETY BOOTS (PICTOGRAM)	501465	1	
10	DECAL, BLADE MOVEMENT DIRECTION (PICTOGRAM)	096321	1	
11	DECAL, MOTOR ROTATION DIRECTION	S20097	1	
12	DECAL, BLADE ALIGNMENT	P11789	1	
13	DECAL, SAWDUST CHUTE WARNING (PICTOGRAM)	099222	1	
14	DECAL, HIGH VOLTAGE INSIDE THE ELECTRIC BOX (PICTOGRAM)	096316	2	
15	DECAL, "REMOVE THE PLUG BEFORE OPENING THE BOX" (PICTOGRAM)	096319	2	
16	DECAL, BLADE DRIVE WARNING (PICTOGRAM)	096315	1	
17	DECAL, CE CERTIFIED SAWMILL (SMALL)	P85070	2	
18	DECAL, RUSSIAN SAFETY CERTIFICATION	099401	1	
19	DECAL, INTERNATIONAL SAWMILL NAME	501466	1	
	DECAL, BLADE SETTING	P85066	1	
	DECAL, KEEP AWAY DANGER, PICTOGRAM	099221	1	
	DECAL, MAX. OIL PRESSURE, PICTOGRAM	099524	1	



## 4.7 Blade Housing Covers



REF.	DESCRIPTION (◆ Indicates Parts Available In Assemblies Only)	PART #	QTY	
	<b>COVER ASSEMBLY, DRIVE SIDE BLADE HOUSING WITH HANDLE</b>	087165	1	
1	Cover Weldment, Drive Side Blade Housing	087159-1	1	◆
2	Handle, Blade Housing Cover	P08065	1	
3	Screw, #8-32 x 3/8"	F05015-8	2	
	Pin Assembly, Cover Retainer	A11881	1	
4	Pin, Safety Retainer	N/A	1	
5	Cable, 3/64" x 6" Lanyard	N/A	1	
6	<b>DECAL, BLADE SETTING</b>	P85066	1	
	<b>COVER, IDLE SIDE BLADE HOUSING WITH HANDLE</b>	086431	1	
7	Cover, Idle Side Blade Housing	086430-1	1	◆
2	Handle, Blade Housing Cover	P08065	1	
3	Screw, #8-32 X 3/8" Self-Tapping	F05015-8	2	
	Pin Assembly, Cover Retainer	A11881	1	
4	Pin, Safety Retainer	N/A	1	
5	Cable, 3/64" x 6" Lanyard	N/A	1	
8	<b>MOUNT WELDMENT, E15,E20,E25</b>	087736-1 <sup>1</sup>	1	
9	<b>HINGE, MIDDLE BLADE HOUSING COVER</b>	S07522	1	
10	<b>NUT, 1/4-20 SELF-LOCKING HEX</b>	F05010-9	4	
11	<b>NUT, COVER TURN</b>	086365-1	2	

## 4

## Saw Head

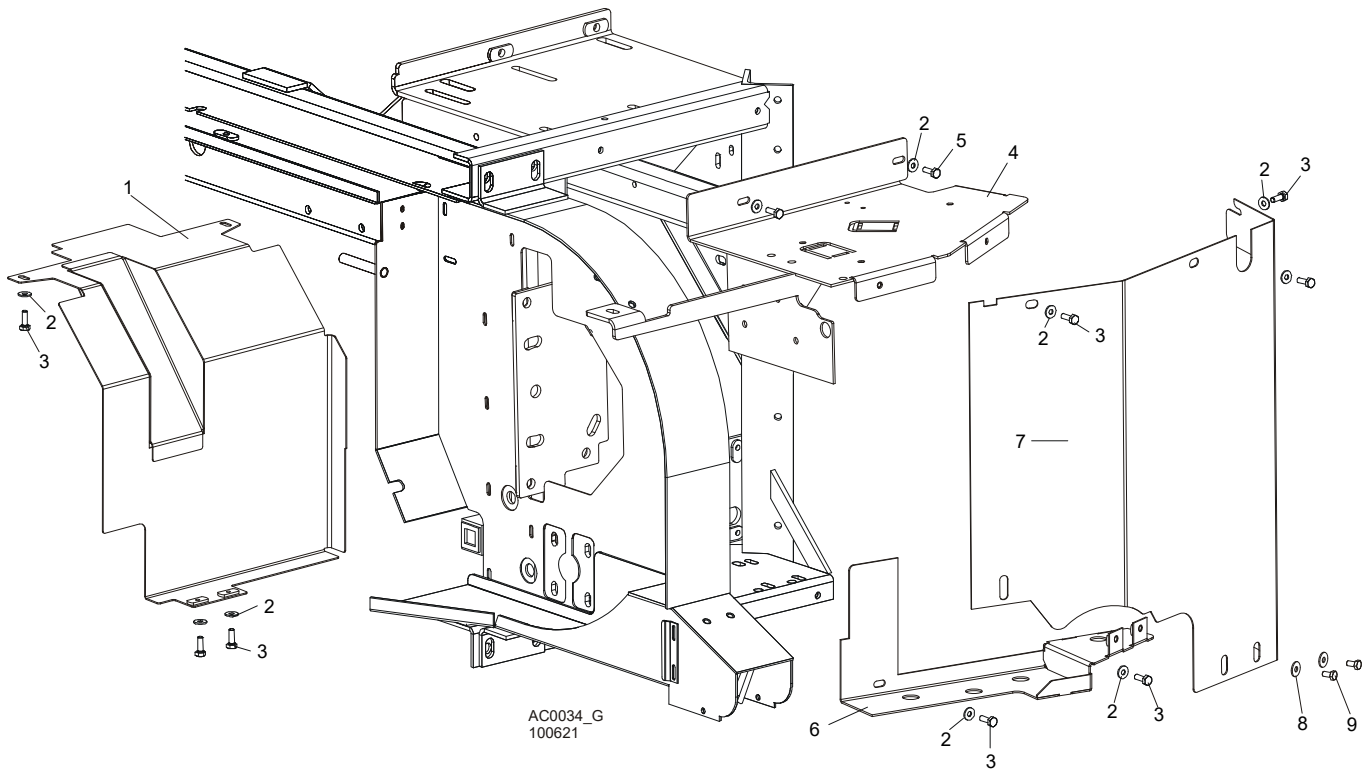
## Blade Housing Covers

12	PLATE, IDLE BLADE WHEEL GUARD	086230	1	
13	NUT, 5/16-18 HEX NYLON LOCK	F05010-58	6	
14	BOLT, 5/16-18 X 3/4" HEX HEAD GRADE 2	F05006-5	6	
15	HINGE, MIDDLE BLADE HOUSING COVER	085336-1	1	
16	SWITCH ASSEMBLY, SAFETY SHUT-OFF	094301	2	
17	Switch, AZ17-11ZRK Safety	094232	2	
18	Bracket, Safety Switch Mount Painted	094300-1	2	
19	Key, AZ17/170-B5 Safety Switch	094422	2	
20	Bolt, M4 x 35-8.8 Socket Head	F81011-34	4	
21	Screw, M4 x 12-5.8-B Cross Recessed Pan Head Zinc	F81011-43	8	
22	Nut, M4-B Hex Nylon Zinc Lock	F81029-1	8	
23	Washer, Z4.1 Split Lock Zinc	F81051-1	4	
24	Washer, 4.3 Flat Zinc	F81051-2	8	
	<b>BLADE FLAP ASSEMBLY</b>	<b>511645<sup>2</sup></b>	<b>1</b>	
25	COVER, LT40 BLADE	511116-1	1	
26	LATCH, FLEXIBLE DRAW	014829	1	
27	WASHER, 5.3 FLAT ZINC	F81052-1	2	
28	BOLT, M5 X 12-5.8 HEX HEAD FULL THREAD ZINC	F81000-5	4	
29	BOLT, 10/M8 X 12-12.9 ISO-7379	F81003-62	2	
30	NUT, M5-8-Fe/Zn5 DIN985	F81030-2	2	
31	PLATE, LT40 BLADE COVER	512570-1	1	

<sup>1</sup> Only LT40 AC Sawmills

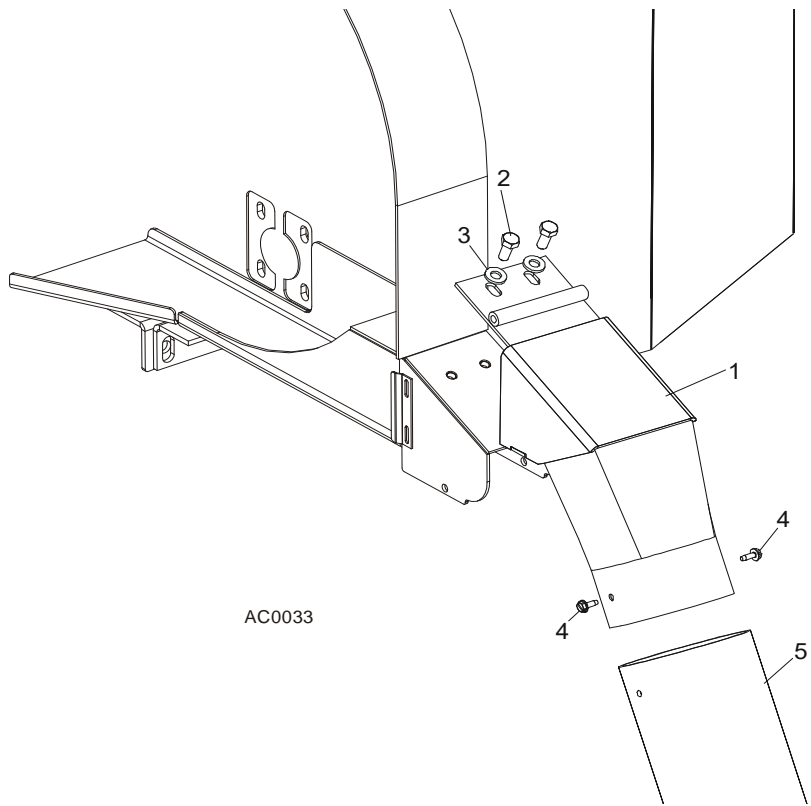
<sup>2</sup> Belongs to 091573

## 4.8 Drive Belt Covers



REF.	DESCRIPTION (◆ Indicates Parts Available In Assemblies Only)	PART #	QTY
1	GUARD, E15/E20/E25 BELT LOWER	087660-1	1
2	WASHER, 6.5 SPECIAL FLAT ZINC	F81053-11	11
3	BOLT, M6 X 20-8.8 HEX HEAD FULL THREAD ZINC	F81001-2	9
4	GUARD WELDMENT, AC SAW HEAD UPPER PAINTED	086621-1	1
5	BOLT, M6 X 12-8.8 HEX HEAD FULL THREAD ZINC	F81001-7	2
	GUARD, AC SIDE PAINTED COMPLETE (WITHOUT BRAKE)	100621	1
	GUARD, AC SIDE PAINTED COMPLETE (WITH BRAKE)	100622	1
6	GUARD, AC LOWER	087525-1	1
7	GUARD, AC SIDE PAINTED (WITHOUT BRAKE)	086420-1	1
	GUARD, AC SIDE PAINTED (WITH BRAKE)	087333-1	1
8	WASHER, 6.5 SPECIAL FLAT ZINC	F81053-11	2
9	BOLT, M6 X 12-8.8 HEX HEAD FULL THREAD ZINC	F81001-7	2

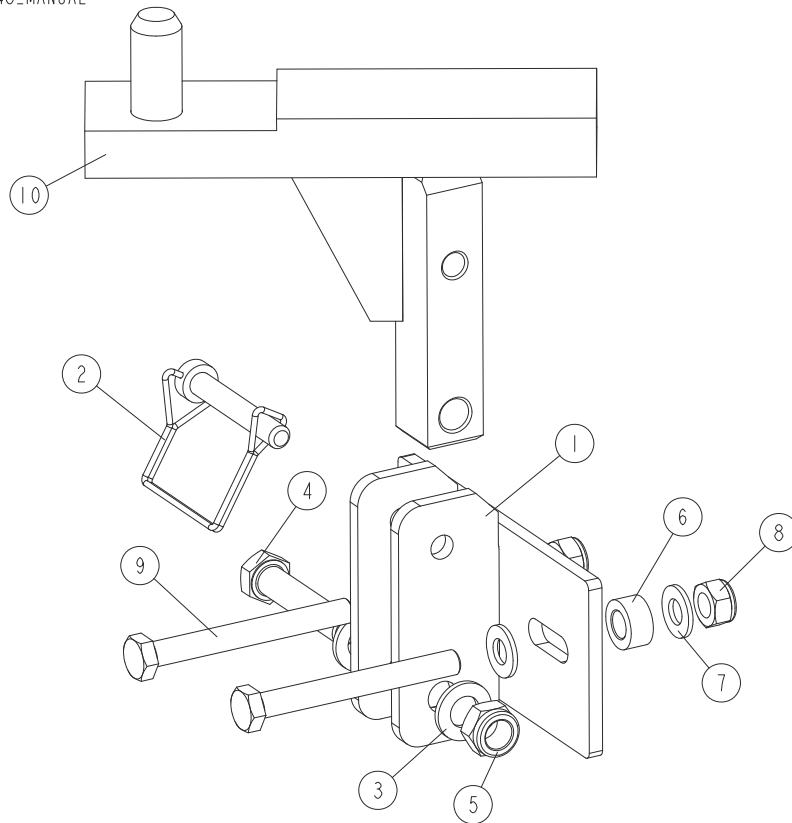
**4.9 Sawdust Chute**



REF.	DESCRIPTION (◆ Indicates Parts Available in Assemblies Only)	PART #	QTY	
1	CHUTE, LT40 SAWDUST	100903-1	1	
2	BOLT, M8x16	F81002-20	2	
3	WASHER, 8.4 FLAT	F81054-1	2	
4	BOLT, #10-24 X 1/2" SELF-TAPPING	F05015-7	2	
5	TUBING, 4" I.D. RUBBER	086364	0.6 m	
	STRAP, 20" RUBBER W/HOOK	P11668	1	
	BOLT, 1/4-20 X 1 1/4" HEX HEAD FULL THREAD	F05005-3	1	
	WASHER, 7.4 FLAT	F81056-11	1	
	NUT, 1/4-20 LOCK	F05010-21	1	

## 4.10 Saw Head Rest Pin

522948\_001  
522948\_MANUAL



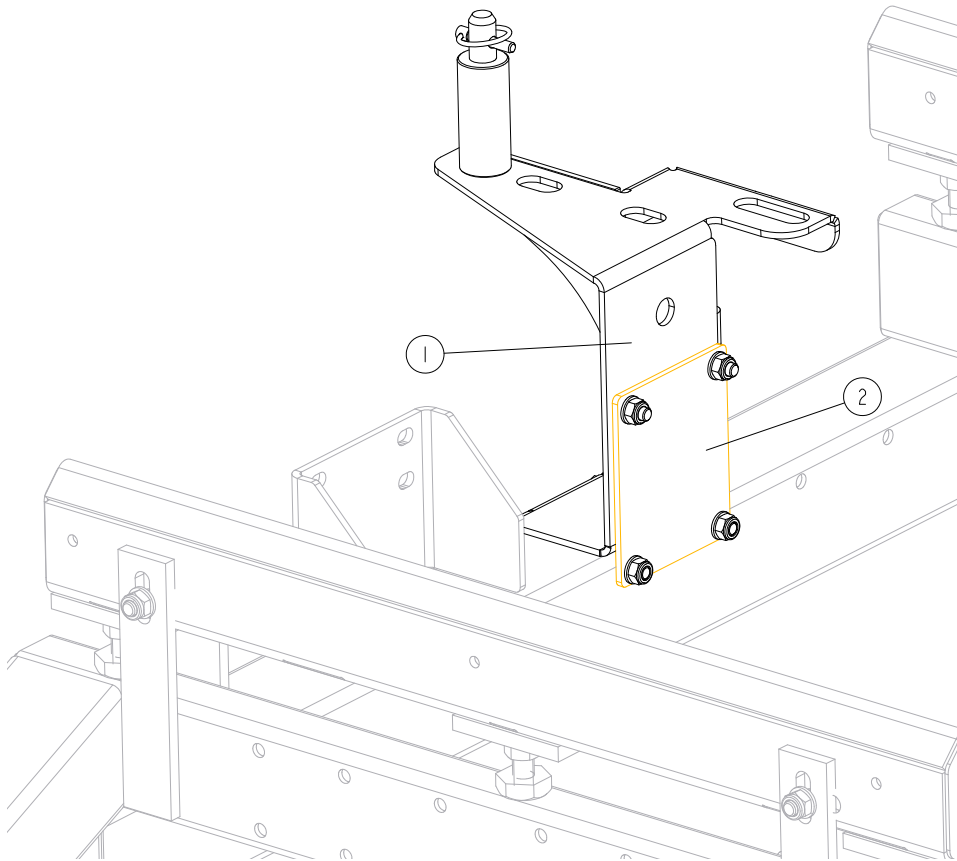
REF.	DESCRIPTION (◆ Indicates Parts Available in Assemblies Only)	PART #	QTY
-	<b>SAW HEAD PIN, LT40M - COMPLETE</b>	<b>522948</b>	<b>1</b>
1	BRACKET, LT40 SAW HEAD REST	522947-1	1
2	PIN, 3/8X2 1/4 SNAP	014151	1
3	WASHER, 13-FLAT ZINC	F81056-1	2
4	BOLT, M12X60-8.8-HEX HEAD ZINC	F81004-5	1
5	NUT, M12 8 HEX NYLON ZINC LOCK	F81034-2	1
6	BUSHING, 11/20-10 ZINC	090936-1	1
7	WASHER, 10.5 FLAT ZINC	F81055-1	4
8	NUT, M10 HEX NYLON ZINC LOCK	F81033-1	2
9	BOLT, M10X90-8.8-B-HEX HEAD ZINC	F81003-66	2
10	PIN WELDMENT, LT70 S/M SAW HEAD REST	094658-1	1

# 4 Saw Head

Saw Head Rest Bracket. Plate Mount.

## 4.11 Saw Head Rest Bracket. Plate Mount.

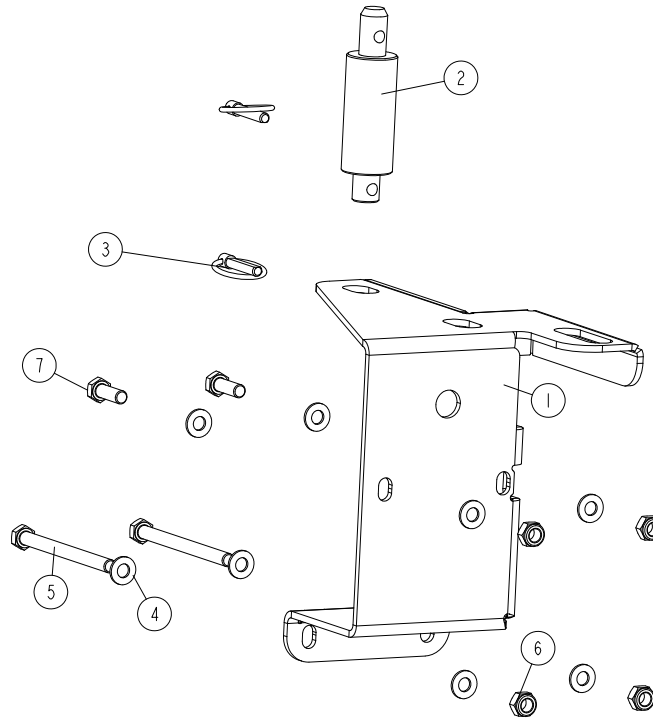
LT70ME20SAH3-WSWR\_001  
 LT70ME20SAH3-WSWR\_MANUAL



REF	DESCRIPTION (◆ Indicates Parts Available In Assemblies Only)	PART #	QTY
1	BRACKET, LT SAWMILL SAW HEAD REST <a href="#">See Section 4.12</a>	546306	1
2	PLATE, MOUNT	087055-1	1

## 4.12 LT Sawmill Saw Head Rest Bracket

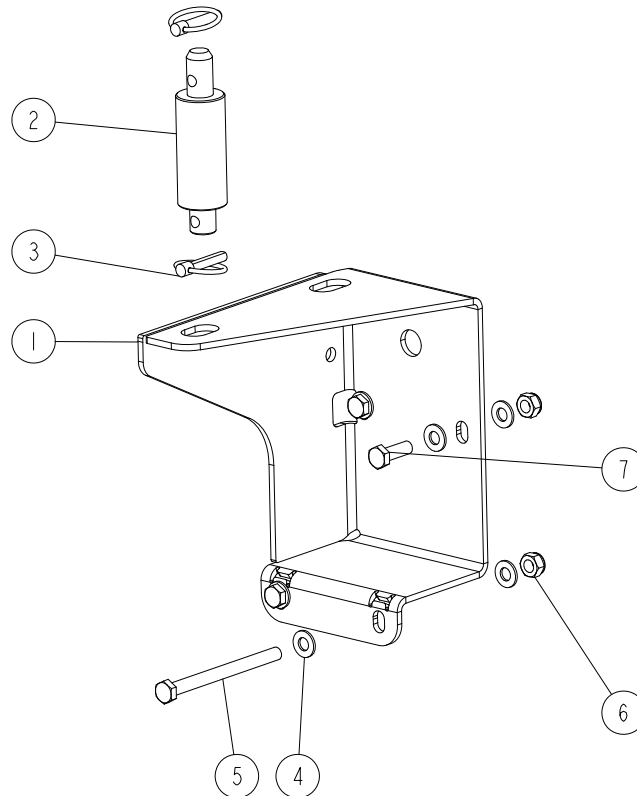
546306\_001  
 546306\_MANUAL



REF.	DESCRIPTION (◆ Indicates Parts Available In Assemblies Only)	PART #	QTY
-	<b>BRACKET, LT SAWMILL SAW HEAD REST</b>	546306	1
1	PLATE, SAW HEAD REST BRACKET	546307-1	1
2	PIN, SAW HEAD REST, LT20 PTD.	097935-1	1
3	PIN, 8 BN914 (BOSSARD 134650) LOCK	F81046-2	2
4	WASHER, 10.5 FLAT ZINC	F81055-1	8
5	BOLT, M10x125-8.8 HEX HEAD ZINC	F81003-18	2
6	NUT, M10-8-B NYLON HEX ZINC LOCK	F81033-1	4
7	BOLT, M10X30-8.8 FE/ZN5 PN-M/82105	F81003-2	2

## 4.13 Wide Saw Head Rest Bracket (LT20/40 Sawmills)

530160\_001  
530160\_MANUAL

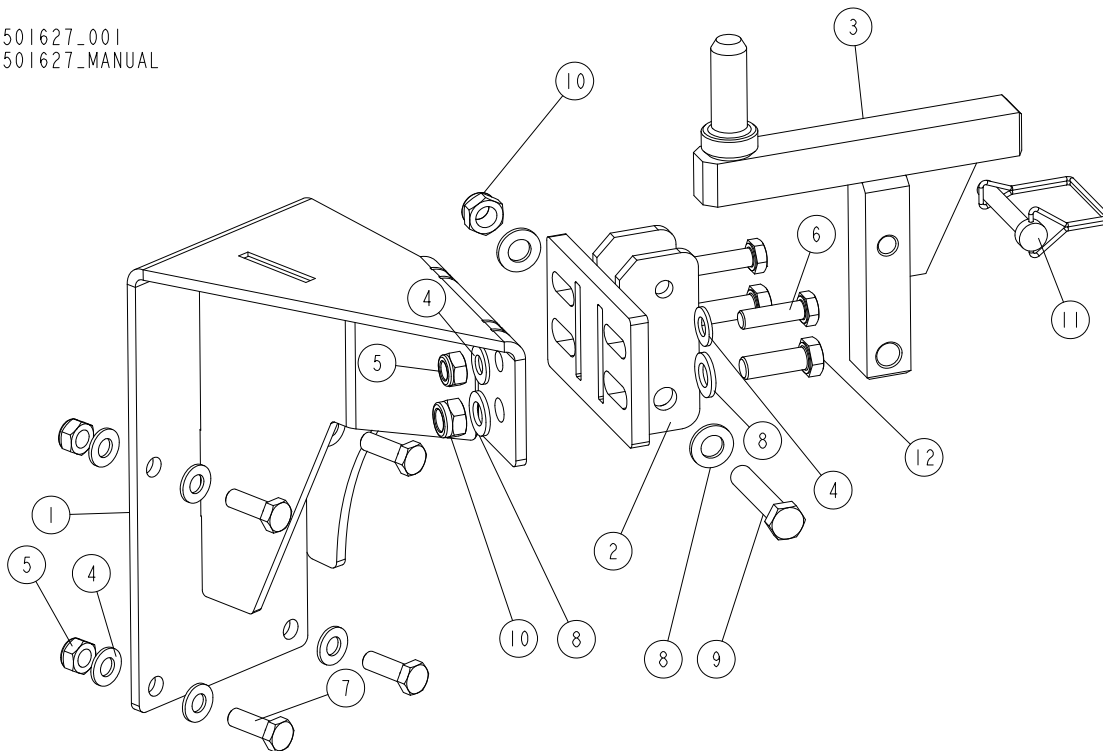


REF.	DESCRIPTION (* indicates parts available in assemblies only)	PART #	QTY
-	<b>BRACKET, WIDE SAW HEAD REST</b>	530160	1
1	PLATE WELDMENT, WIDE SAW HEAD REST BRACKET	529982-1	1
2	PIN, SAW HEAD REST	097935-1	1
3	PIN, 8 BN914 LINCH (BOSSARD 1364650)	F81046-2	2
4	WASHER, 10.5 FLAT ZINC	F81055-1	8
5	BOLT, M10X125 8.8 HEX HEAD ZINC	F81003-18	2
6	NUT, M10-8-B HEX NYLON ZINC LOCK	F81033-1	4
7	BOLT, M10X30-8.8 HEX HEAD FULL THREAD ZINC	F81003-2	2



4.14 Saw Head Rest Assembly, LT40M - 2.2

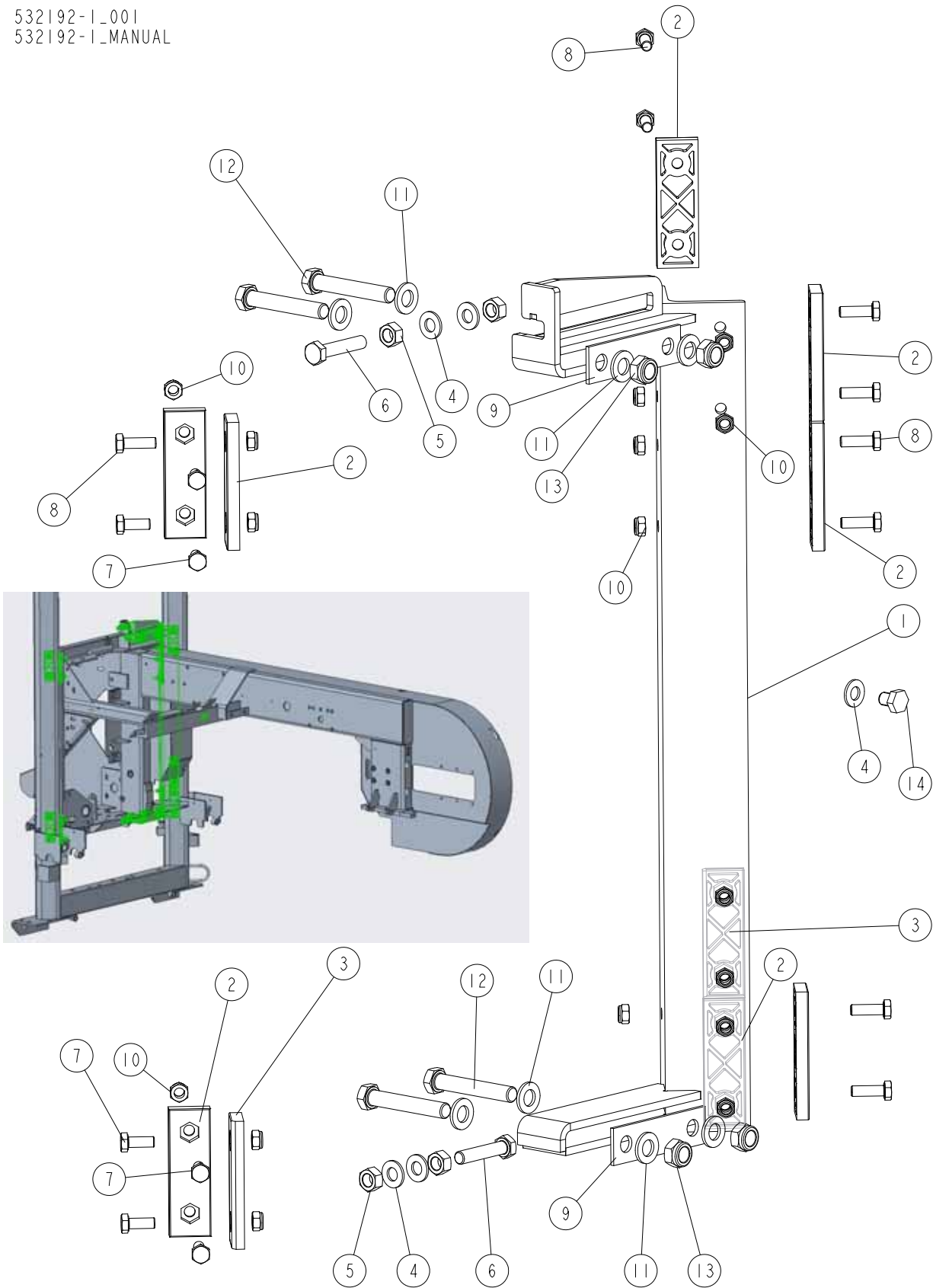
501627-001  
501627-MANUAL



REF.	DESCRIPTION (* indicates parts available in assemblies only)	PART #	QTY
-	<b>REST ASSEMBLY, LT40ME15SAH3-1.8 (WFL) SAW HEAD</b>	501627	1
1	BRACKET WELDMENT, VERTICAL	501837-1	1
2	BRACKET, LT40 SAW HEAD REST PIN MOUNT	092765-1	1
3	PIN WELDMENT, LT50 SAW HEAD REST	090421-1	1
4	WASHER, 10.5 FLAT ZINC	F81055-1	12
5	NUT, M10-8-B HEX NYLON ZINC LOCK	F81033-1	6
6	BOLT, M10X35 8.8 HEX HEAD FULL THREAD ZINC	F81003-17	2
7	BOLT, M10X30-8.8 HEX HEAD FULL THREAD ZINC	F81003-2	4
8	WASHER, 13 FLAT ZINC	F81056-1	6
9	BOLT, M12X60-8.8 HEX HEAD ZINC	F81004-5	1
10	NUT, M12-8 DIN 982 HEX NYLON ZINC LOCK	F81034-2	3
11	PIN, 3/8X2 1/4 SNAP	014151	1
12	BOLT, M12X35 8.8 HEX HEAD FULL THREAD ZINC	F81004-24	2

**4.15 LT40 Wide Saw Head Parts**

532192-1\_001  
 532192-1\_MANUAL

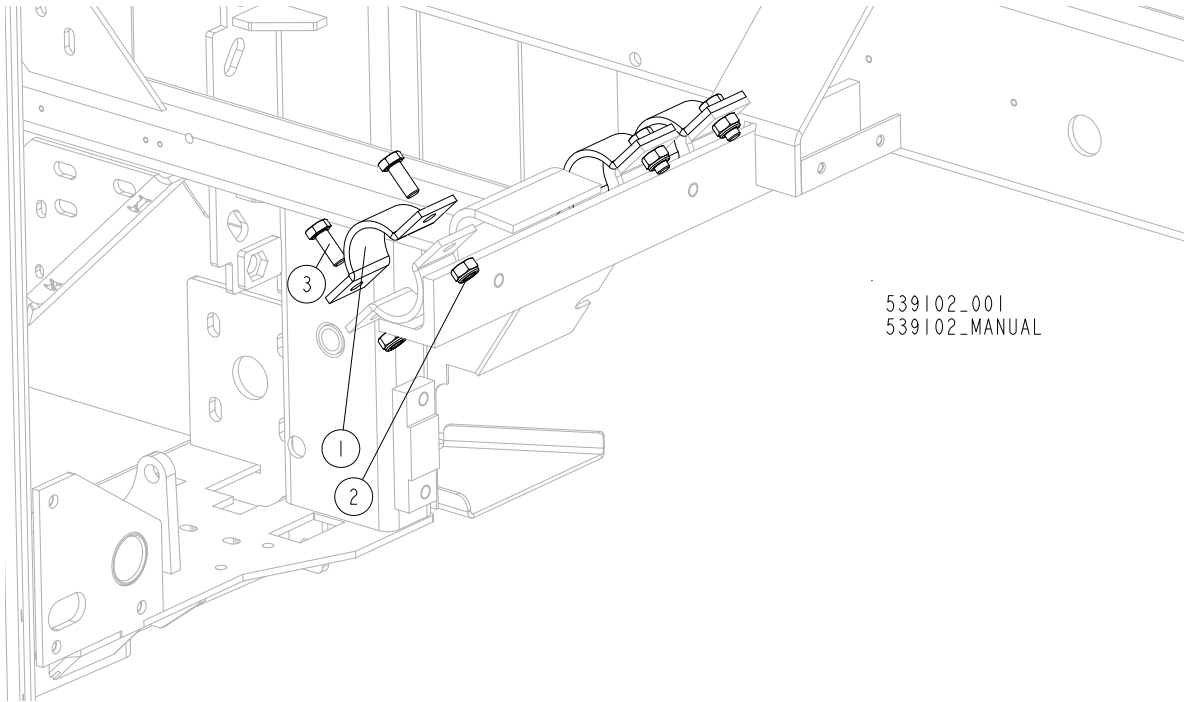


REF.	DESCRIPTION (* indicates parts available in assemblies only)	PART #	QTY	
-	<b>SAW HEAD, LT40 AC/DC WIDE</b>	532192-1	1	
1	GUIDE WELDMENT, METRIC SAW HEAD REAR	087125	1	
2	PADS, DELRIN UP/DOWN SLIDE	M04096	8	
3	PAD, DELRIN LOWER	016241	2	
4	WASHER, 10.5 FLAT ZINC	F81055-1	5	
5	NUT, M10 8 HEX ZINC	F81033-3	4	
6	BOLT, M10X50-8.8 HEX HEAD FULL THREAD ZINC	F81003-4	2	
7	BOLT, M8X20 8.8 HEX HEAD FULL THREAD ZINC	F81002-4	6	
8	BOLT, M8X25-8.8-B HEX HEAD FULL THREAD ZINC	F81002-5	14	
9	PLATE, V-BRACE WASHER	091247	2	
10	NUT, M8-8-B HEX NYLON ZINC LOCK	F81032-2	20	
11	WASHER, 13 FLAT ZINC	F81056-1	8	
12	BOLT, M12X75-8.8 HEX HEAD ZINC	F81004-21	4	
13	NUT, M12-8 DIN 982 HEX NYLON ZINC LOCK	F81034-2	4	
14	BOLT, M10X12 HEX HEAD FULL THREAD ZINC	F81003-30	1	

# 4 Saw Head

## Motor Mount Clamp

### 4.16 Motor Mount Clamp

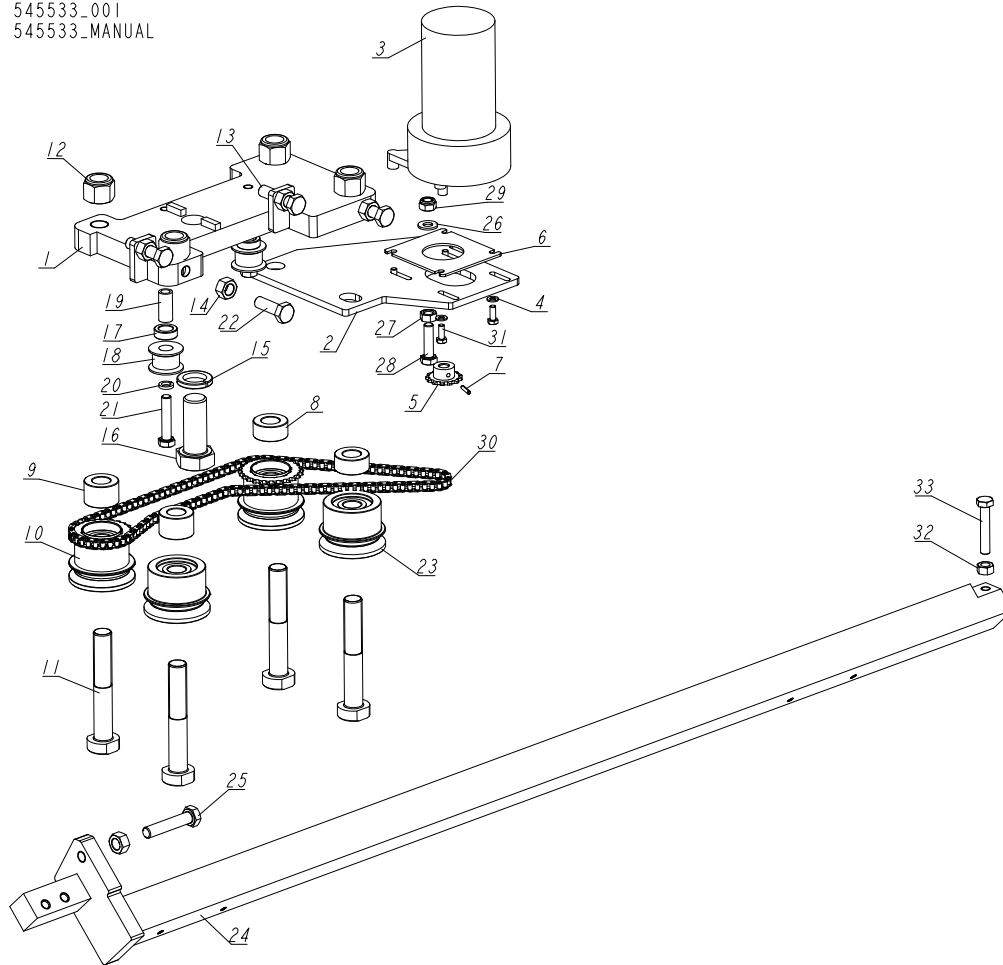


539102\_001  
539102\_MANUAL

REF.	DESCRIPTION (* indicates parts available in assemblies only)	PART #	QTY	
1	CLAMP WELDMENT, MOTOR MOUNT	086200-1	3	
2	NUT, M10-8-B HEX NYLON ZINC LOCK	F81033-1	6	
3	BOLT, M10X25 8.8 HEX HEAD FULL THREAD ZINC	F81003-11	3	

### 4.17 Blade Guide Arm w/Drive

545533\_001  
545533\_MANUAL



REF.	DESCRIPTION (* indicates parts available in assemblies only)	PART #	QTY
-	<b>ARM, BLADE GUIDE W/DRIVE</b>	545533	1
1	PLATE, BLADE GUIDE ARM DRIVE	545554-1	1
2	PLATE, ARM DRIVE MOUNT	519341-1	1
3	MOTOR, CURRENT APP. 1/30HP 12VDC GEAR	079214	1
4	WASHER, 5.3 FLAT ZINC	F81052-1	4
5	SPROCKET, 25B13X.3130	P09970	1
6	PLATE, SPACER	519937-1	1
7	PIN, 3X14 GEOMET ROLL	F81044-4	1
8	BUSHING, SPACER	520284-1	2
9	BUSHING, SPACER	520285-1	2
10	ROLLER, COMPLETE DRIVE	520282	2
11	PIN, MOUNTING	519660-1	4
12	NUT, 5/8-18 NYLON ZINC LOCK	F05010-71	4
13	BOLT, M10X40-8.8 HEX HEAD FULL THREAD ZINC	F81003-16	2
14	NUT, M10 8 HEX ZINC	F81033-3	5
15	WASHER, 20.5 SPLIT LOCK ZINC	F81059-1	1
16	BOLT, M20X50-8.8-B HEX HEAD FULL THREAD ZINC	F81007-17	1
17	BUSHING, 12.5/20-7 ZINC-PLATED	101063-1	2
18	ROLLER, CHAIN TENSION	516193	2

## 4

**Saw Head***Blade Guide Arm w/Drive*

REF.	DESCRIPTION (* indicates parts available in assemblies only)	PART #	QTY	
19	BUSHING, SPACER	519345-1	2	
20	WASHER, 8.2 SPLIT LOCK ZINC	F81054-4	2	
21	BOLT, M8X40-8.8 HEX HEAD FULL THREAD ZINC	F81002-15	2	
22	BOLT, DIN933-M10X30-8.8-A2E HEX HEAD FULL THREAD	F81003-111	4	
23	ROLLER, IDLER	520839	2	
24	ARM, BLADE GUIDE	545531-1	1	
25	BOLT, M10X50-8.8 HEX HEAD FULL THREAD ZINC	F81003-4	1	
26	WASHER, 8.4 FLAT ZINC	F81054-1	2	
27	NUT, M8 DIN 934 A2-70 STAINLESS STEEL	F81032-7	1	
28	BOLT, M8X30 8.8 HEX HEAD FULL THREAD ZINC	F81002-7	1	
29	NUT, M8-8-B HEX NYLON ZINC LOCK	F81032-2	1	
30	CHAIN, DRIVE	519358	1	
31	BOLT, #10-32X1/2 HH	F05004-60	4	
32	NUT, M8-8-B HEX ZINC	F81032-1	1	
33	BOLT, M8X45-8.8 HEX HEAD FULL THREAD ZINC	F81002-14	1	

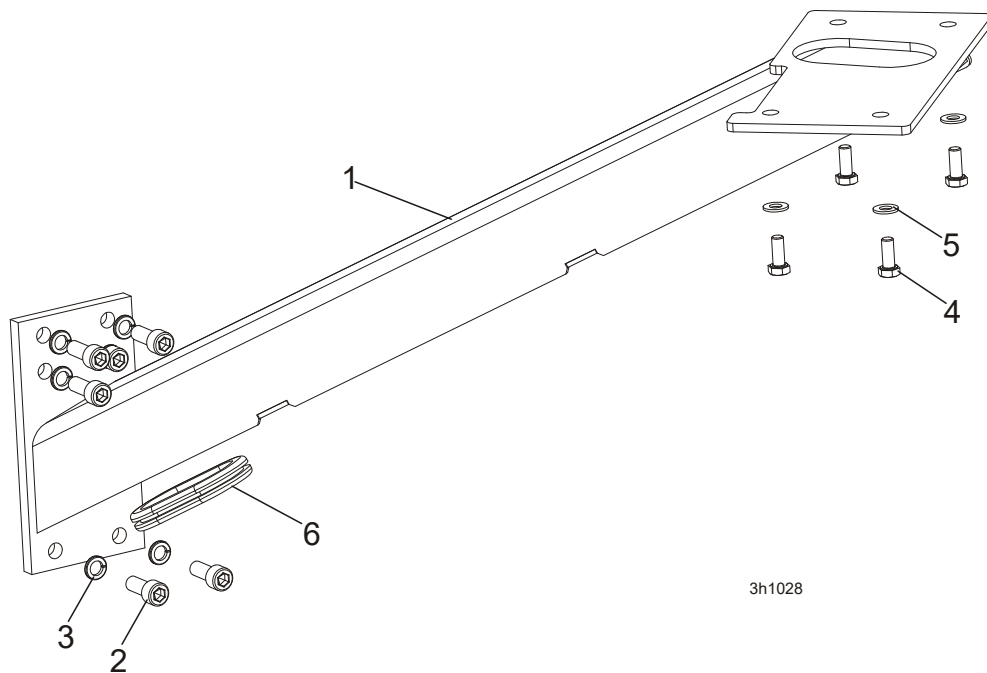
## SECTION 5 CONTROL & BATTERY BOXES

### Control Assembly

## **SECTION 5 CONTROL BOXES**

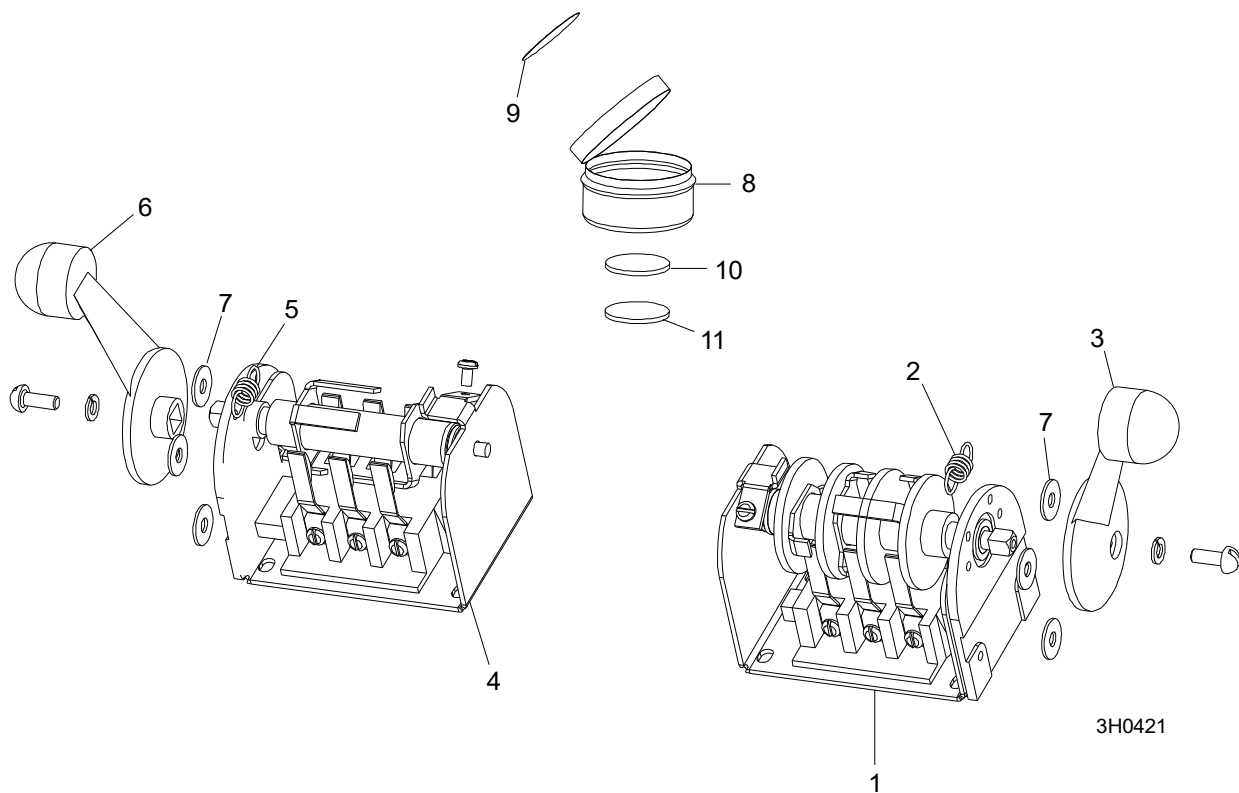


## 5.1 Control Box Bracket



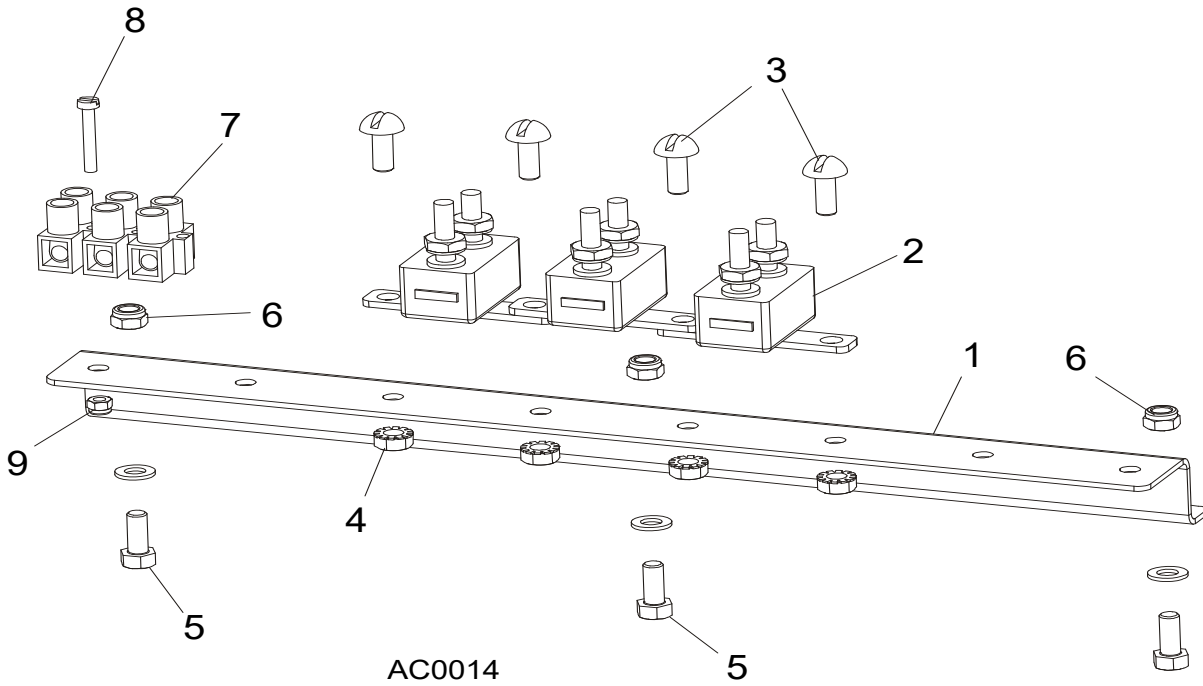
REF.	DESCRIPTION (◆ Indicates Parts Available In Assemblies Only)	PART #	QTY
1	MOUNT WELDMENT, STANDARD CONTROL BOX	086732-1	1
2	SCREW, M10x25 8.8 HEX SOCKET HEAD CAP ZINC	F81003-32	6
3	WASHER, 10.2 SPLIT LOCK ZINC	F81055-2	6
4	BOLT, M8x20-8.8-B HEX HEAD FULL THREAD ZINC	F81002-4	4
5	WASHER, 8.4 FLAT ZINC	F81054-1	4
6	GROMMET, RUBBER	087065	1

## 5.2 Drum Switches



REF.	DESCRIPTION (◆ Indicates Parts Available In Assemblies Only)	PART #	QTY	
	<b>SWITCH ASSEMBLY, UP/DOWN DRUM</b>	E20440	1	
1	Switch, S12 Bulk Drum	E20440-B	1	◆
2	Spring, Drum Switch	P12570	1	
3	Handle, Drum Switch Replacement	P12500	1	
	<b>SWITCH ASSEMBLY, POWER FEED DRUM</b>	E20438	1	
4	Switch, S10 Bulk Drum	E20438-B	1	◆
5	Spring, Drum Switch	P12570	1	
6	Handle, Drum Switch Replacement	P12500	1	
7	<b>WASHER, #8 SAE FLAT</b>	F05011-41	6	
	<b>CUP ASSEMBLY, DRUM SWITCH GREASE</b>	A20463	1	
8	Cup, Plastic Container	P20464	1	◆
9	Decal, Grease Cup Label	P20467	1	
10	Pad, Velcro Loop	P20466	1	◆
11	Pad, Velcro Hook	P20465	1	◆
	Grease, High Temp Drum Switch	P20468	.011ml	◆

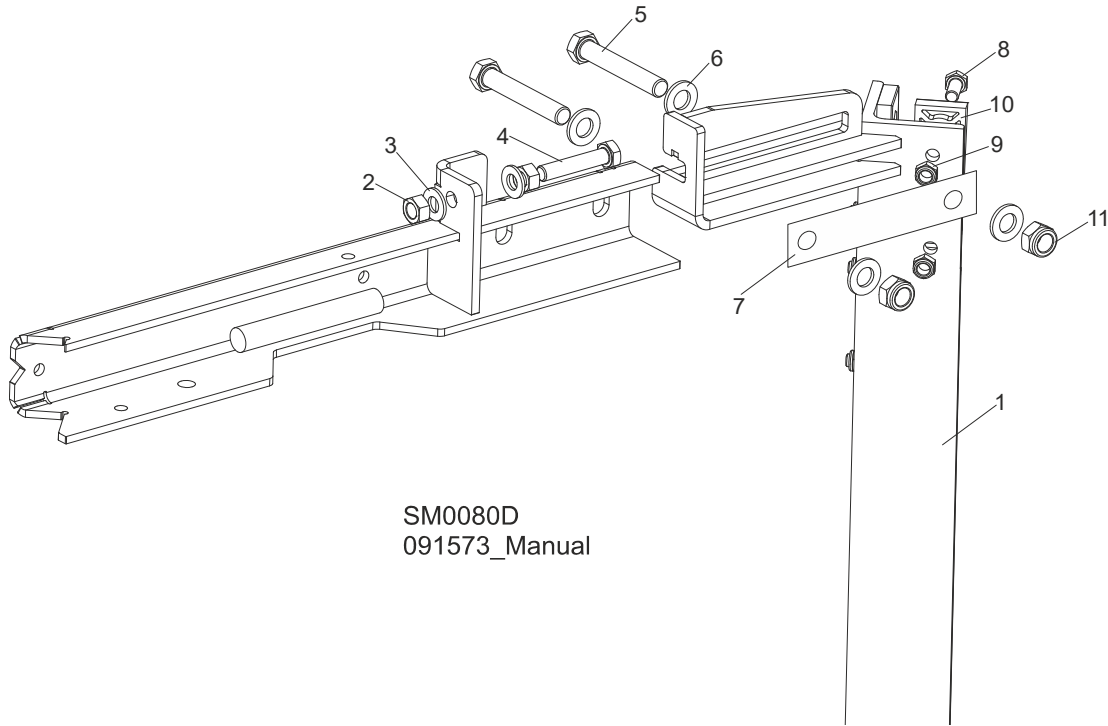
### 5.3 Circuit Breakers



REF.	DESCRIPTION (◆ Indicates Parts Available In Assemblies Only)	PART #	QTY
1	RAIL, CIRCUIT BREAKER	525779-1	1
2	BREAKER, 15 AMP MANUAL RESET	E20430	5
3	SCREW, H M5X10 8.8 ZINC	F81000-13	4
4	NUT, M5-8 DIN985 ZINC	F81030-2	4
5	BOLT, M5X12-5.8 HEX HEAD FULL THREAD ZINC	F81000-5	3
6	NUT, M5-8 DIN985 ZINC	F81030-2	3
7	STRIP, ELECTRIC WIRE	F81086-1	1
8	SCREW, M3 X 20-5.8-A	F81000-8	1
9	NUT, M3-6 HEX NYLON ZINC LOCK	F81028-2	1

## SECTION 6 UP/DOWN SYSTEM

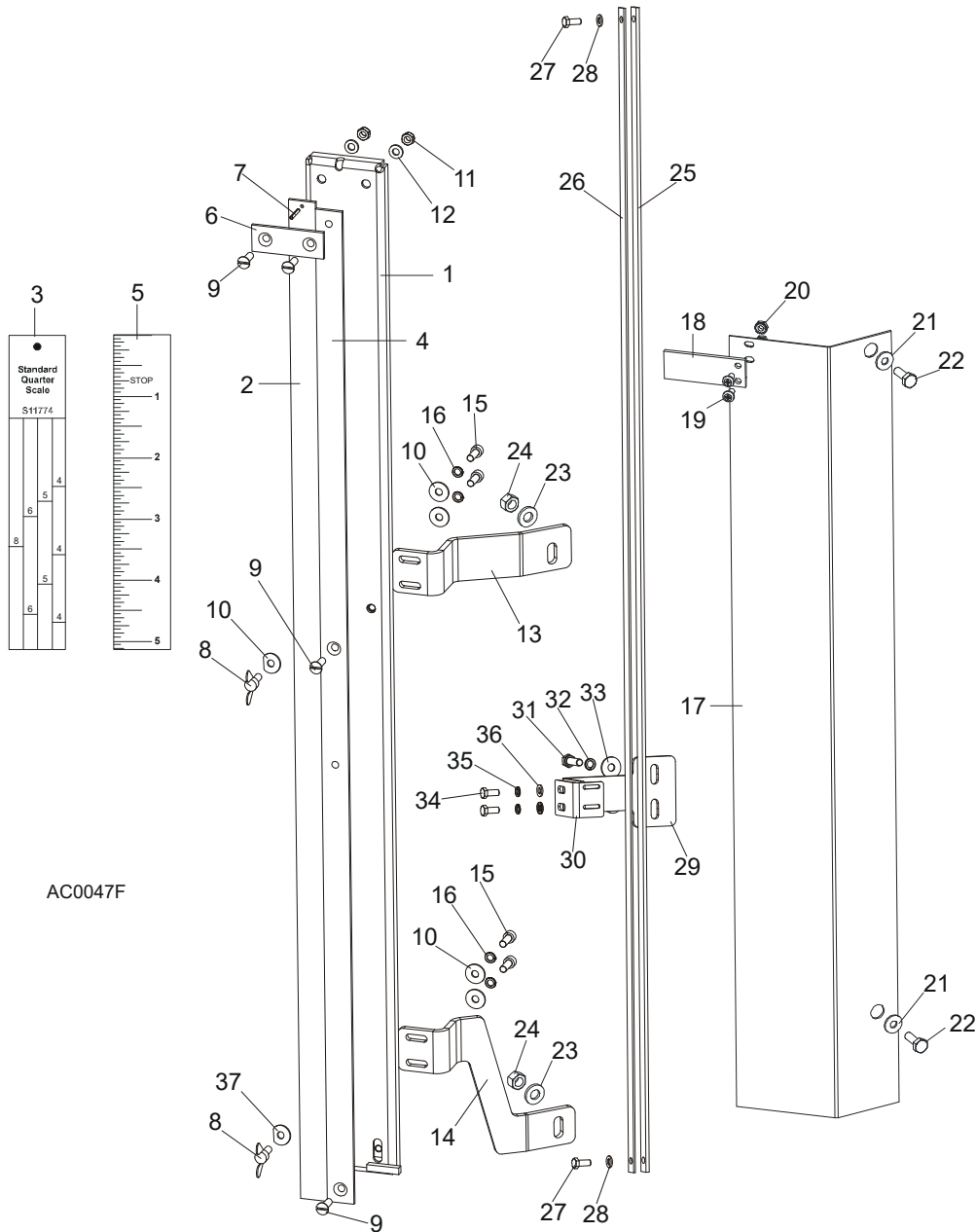
### 6.1 Saw Head V-Brace Mount



SM0080D  
091573\_Manual

REF.	DESCRIPTION (◆ Indicates Parts Available In Assemblies Only)	PART #	QTY
1	V-BRACE, SAW HEAD MOUNT	087122	1
2	NUT, M10-8-B-FE	F81033-3	2
3	WASHER, 10.5 FLAT ZINC	F81055-1	2
4	BOLT, M10X50-8.8 HEX HEAD FULL THREAD ZINC	F81003-4	1
5	BOLT, M12 X 75-8.8 ZINC	F81004-21	2
6	WASHER, 13 FLAT ZINC	F81056-1	4
7	PLATE, V-BRACE WASHER	091247	2
8	BOLT, M8X20-8.8-B HEX HEAD FULL THREAD ZINC	F81002-4	10
9	NUT, M8-8-B HEX NYLON LOCK ZINC	F81032-2	12
10	PADS, DELRIN UP/DOWN SLIDE	M04096	6
11	NUT, M12-8 HEX NYLON ZINC LOCK	F81034-2	2

## 6.2 Blade Height Scale



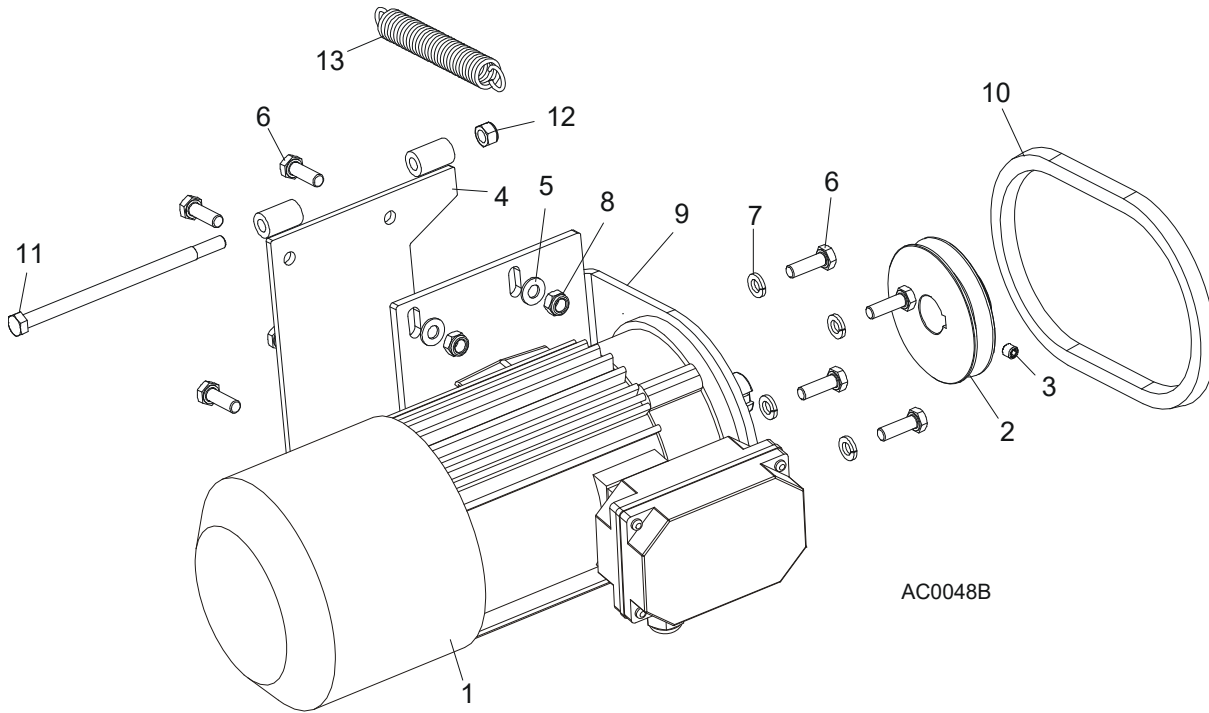
REF.	DESCRIPTION (◆ Indicates Parts Available In Assemblies Only)	PART #	QTY
	<b>SCALE, BLADE HEIGHT W/SCANNER</b>	098882	1
1	Bracket, Scale Mounting	098890-1	1
2	Scale, 35" Quarter	093342	1
3	Decal, 35" Standard Quarter Scale	090716	1
	Decal, 35" Grade Hardwood Quarter Scale	090717	1
4	Scale, 35" Inch	093341	1
5	Decal, 35" Inch	090709	1
6	Strap, Scale Hold-Down	093134	1
7	Pin, 3x20 Roll	F81044-5	1
8	Screw, M6x16 Wing	F81001-16	2

9	Screw, M6x20- 4.8-B Slotted Countersunk Head Zinc	F81001-31	4	
10	Washer,6.2x20x3.5 Special	503096	1	
11	Nut, M6-8-B Hex Nylon Zinc Lock	F81031-2	2	
12	Washer, 6.4 Flat Zinc	F81053-1	2	
13	Bracket, Scale Upper	098880-1	1	
14	Bracket, Scale Lower	098881-1	1	
15	Screw, M6x16-8.8 Hex Socket Head Cap Zinc	F81001-21	4	
16	Washer, Z6.1 Split Lock Zinc	F81053-3	4	
	Pointer Assembly, Fixed Scale	A12023	1	
17	Bracket, Fixed Scale Pointer Mount	087044-1	1	◆
18	Indicator, Blade Height Scale	094821	1	
19	Screw, M4x12 -5,8-B Cross Recessed Pan Head Zinc	F81011-43	2	
20	Nut, M4-B Hex Nylon Zinc Lock	F81029-1	2	
21	Washer, 6.5 Special Flat Zinc	F81053-11	2	
22	Bolt, M6x12-8.8 Hex Head Full Thread Zinc	F81001-7	2	
23	Washer, 8.4 Flat Zinc	F81054-1	2	
24	Nut, M8-8-B Hex Nylon Zinc Lock	F81032-2	2	
	<b>MAGNETIC STRIP ASSY</b>	097774	1	
	Bar with Magnetic Strip	098173-1	1	
25	Magnetic Strip MB320 (1m)	096014-1	1	
26	Bar, Magnetic Strip	098173	1	
27	Bolt, M5 x 12-5.8 Hex Head Full Thread Zinc	F81000-5	2	
28	Washer, 5.3 Flat Zinc	F81052-1	2	
	<b>BRACKET, SENSOR COMPLETE</b>	100620	1	
29	Bracket, Sensor	100599-1	1	
30	Bracket, Sensor	100619-1	1	
31	Bolt, M6x20-8.8 Hex Head Full Thread Zinc	F81001-2	2	
32	Washer, Z6.1 Split Lock Zinc	F81053-3	2	
33	Washer, 6.5 Flat Zinc	F81053-11	2	
34	Bolt, M5 X 12-5.8 Hex Head Full Thread Zinc	F81000-5	2	
35	Washer, 5.1 Split Lock Zinc	F81052-2	2	
36	Washer, 5.3 Flat Zinc	F81052-1	2	
	<b>DECAL KIT, METRIC SCALE</b>	K12064	1	
	Decal, Metric	S11711	1	
	Decal, Metric 16-40mm	P12040-1	1	
	Decal, Metric 45-63mm	P12040-2	1	
37	Washer, 6,2x20x4,5 Special	503098	1	

---

## 6.3 Up/Down Chain & Sprockets

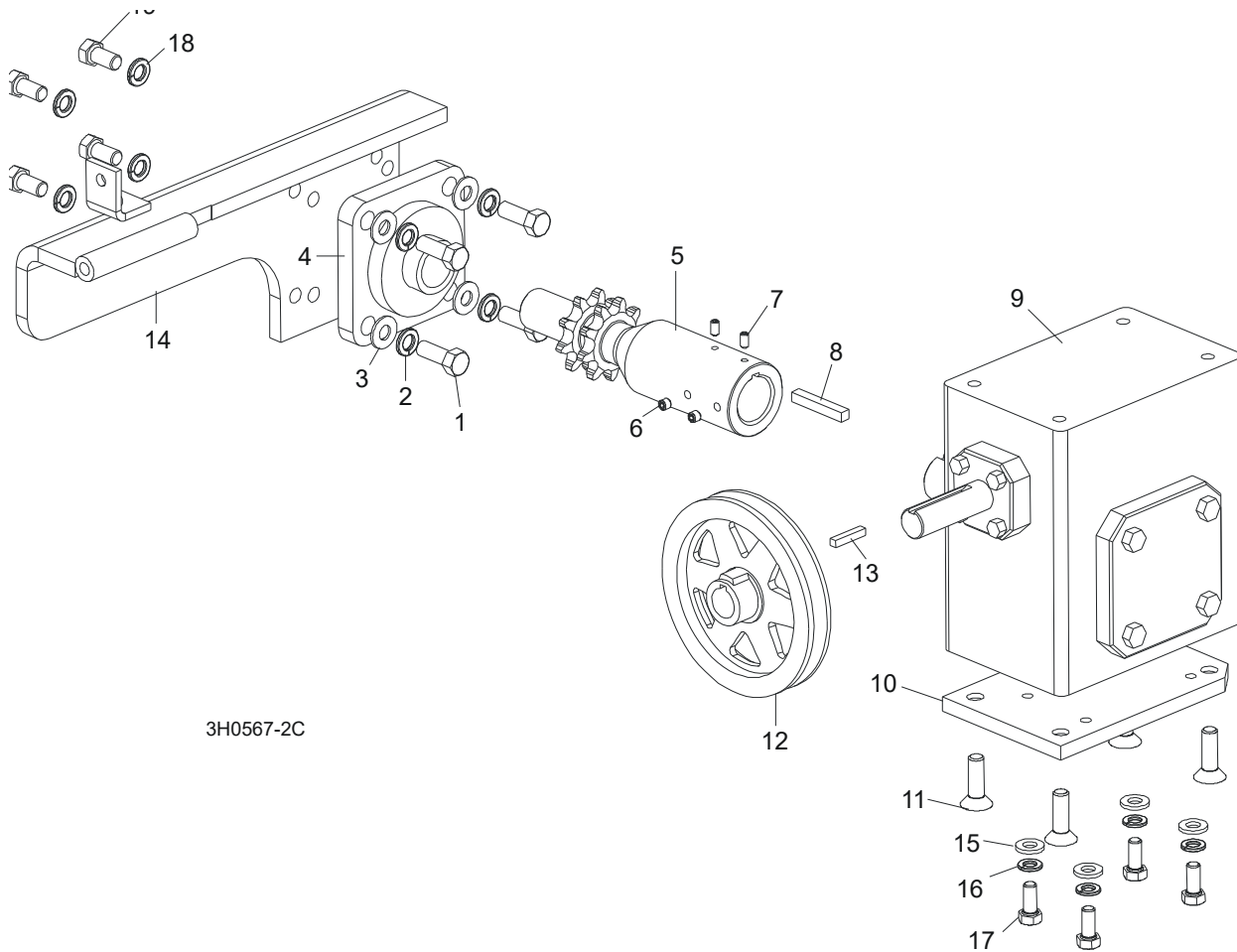
**6.4 Up/Down Motor Assembly, LT40 Series H**



REF.	DESCRIPTION (◆ Indicates Parts Available In Assemblies Only)	PART #	QTY
	<b>MOTOR ASSEMBLY, LT40AC UP/DOWN</b>	093023	1
1	Motor, SKh90-4S2 HPS 1.1kW 1380 r.p.m. 400V (w/Brake)	098901	1
	Brake, H2SP-90.30 180V LT40 UP/DOWN	083830	1
2	Pulley, AC Up/Down Motor Painted	086378-1	1
3	Screw, M8 x 8-33H Hex Socket Set Flat Point Zinc	F81014-1	1
4	Bracket Weldment, Up/Down Motor	095738-1	1
5	Washer, 8.4 Flat Zinc	F81054-1	4
6	Bolt, M8 x 25-8.8-B Hex Head Full Thread Zinc	F81002-4	8
7	Washer, 8.2 Split Lock Zinc	F81054-4	4
8	Nut, M8 8 B Hex Nylon Zinc Lock	F81032-2	4
9	Bracket, AC Up/Down Motor Mount	086376-1	1
10	<b>BELT, AX23</b>	015257	1
11	<b>BOLT, M8X160-8.8-B HEX HEAD ZINC</b>	F81002-22	1
12	<b>NUT, M8-8-B NYLON LOCK HEX ZINC</b>	F81032-2	1
13	<b>SPRING, 3/4x 5x.095 EXTENSION</b>	015569	1



## 6.5 Up/Down Drive Assembly



3H0567-2C

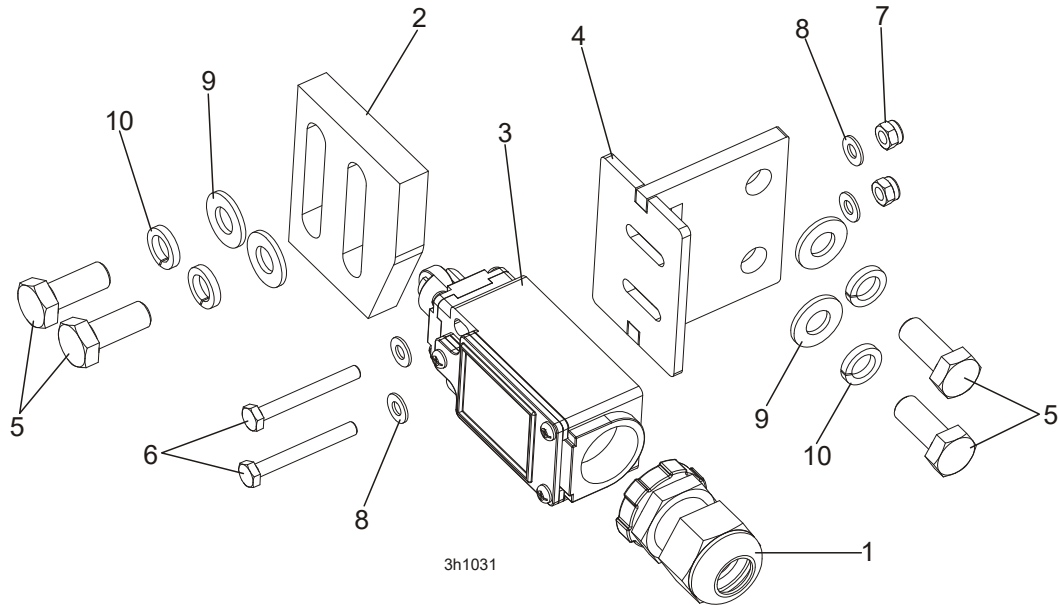
REF.	DESCRIPTION (◆ Indicates Parts Available In Assemblies Only)	PART #	QTY
	<b>UP/DOWN DRIVE ASSEMBLY</b>	092817	1
1	Bolt, 3/8-16 x 1" Hex Head	F05007-7	4
2	Washer, 10.2 Split Lock Zinc	F81055-2	4
3	Washer, 10.5 Flat Zinc	F81055-1	4
4	Bearing, Flanged Up/Down	014090	1
5	Shaft, Up/Down Sprocket	092816-1	1
6	Screw, M8 x 8-33H Hex Socket Set w/Flat Point	F81014-1	2
7	Key, 1/4" Square x 1 11/16" Long	S04124	1
8	Spacer, Up/Down Shaft	016032	1
9	Reducer, Gear Box	518041	1
10	Plate, Gear Box Spacer	095894-1	1
11	Bolt, 3/8-16 x 1" Flat Socket Head	F05007-110	4
12	Pulley, Up/Down	015256	1
13	Key, 3/16" Square x 1" Long	S31027	1
14	Bracket Widmt, Up/Down Bearing	095893-1	1
15	<b>WASHER, 8.4 FLAT ZINC</b>	F81054-1	4
16	<b>WASHER, 8.2 SPLIT LOCK ZINC</b>	F81054-4	4

# 6 Up/Down System

## Safety Switches

17	BOLT, 5/16-18 X 1" HEX HEAD	F05006-5	4	
18	WASHER, 10.2 SPLIT LOCK ZINC	F81055-2	4	
19	BOLT, 3/8-16 X 3/4" HEX HEAD	F05007-27	4	
	OIL, 8 OZ. MOBIL SHC634 BOTTLED SYNTHETIC GEAR	L04869-4	1	

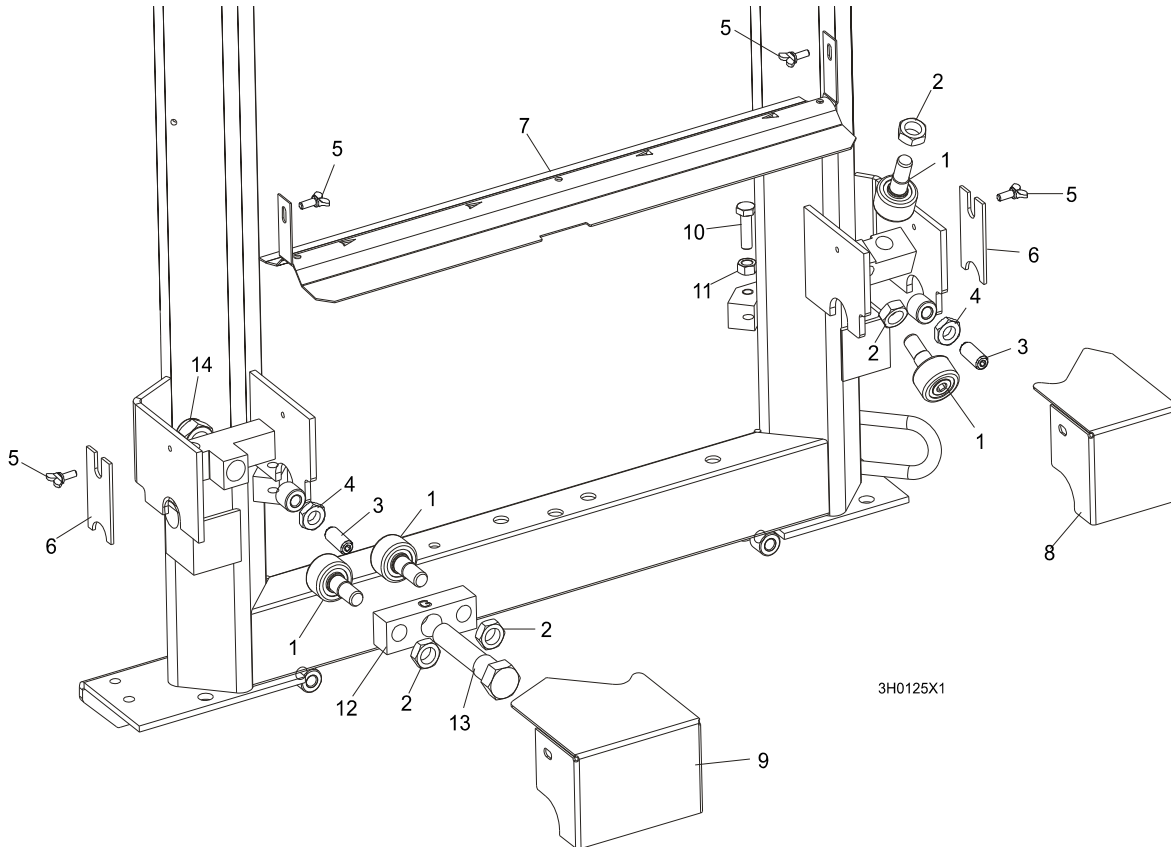
### 6.6 Safety Switches



REF.	DESCRIPTION (◆ Indicates Parts Available In Assemblies Only)	PART #	QTY	
	<b>KIT, LT40 UP/DOWN LOWER SAFETY SWITCH</b>	504038	1	
1	GLAND, SKINTOP ST PG 13.5 GREYCABLE	086524	1	
2	CAM, LIMIT SWITCH	094229-1	1	
3	SWITCH, GLCB01C LIMIT	100910	1	
4	BRACKET, LT40 LOWER SAFETY SWITCH	504035-1	1	
5	BOLT, M8x20-8.8-B HEX HEAD FULL THREAD	F81002-4	4	
6	BOLT, M4x35-8.8 HEX HEAD FULL THREAD ZINC	F81011-7	2	
7	NUT, M4-B HEX NYLON ZINC LOCK	F81029-1	2	
8	WASHER, 4.3 FLAT ZINC	F81051-2	4	
9	WASHER, 8.4 FLAT ZINC	F81054-1	4	
10	WASHER, 8.2 SPLIT LOCK ZINC	F81054-4	4	

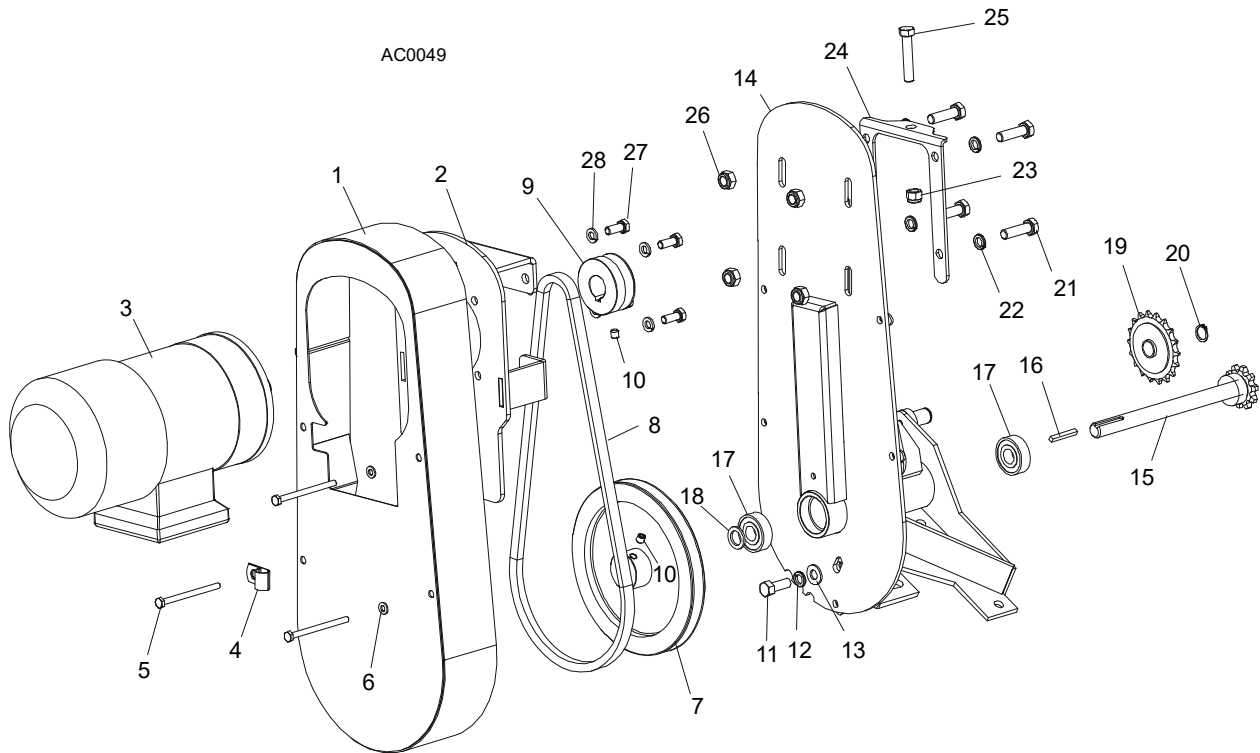
## SECTION 7 POWER FEED & TRACK ROLLERS

### 7.1 Upper Track Rollers And Wipers



REF.	DESCRIPTION (◆ Indicates Parts Available In Assemblies Only)	PART #	QTY
1	ROLLER, TRACK CAM BEARING	P12843	4
2	NUT, 5/8-18 HEX JAM	F05010-11	4
3	SCREW, M12 X 30 OVAL POINT SET	F81004-14	2
4	NUT, M12-8-B HEX ZINC	F81034-1	2
5	SCREW, M6 X 16 THUMB	F81001-16	4
6	WIPER, PLASTIC TRACK	M04113	2
7	COVER, LT40/70 MIDDLE TRACK - SERVICE	522292-S	1
	Cover, LT40/70 Middle Track	522292-1	1
	Strip, 3/16 X 2 X 23 Felt	S09915	1
8	HOUSING, UPPER TRACK ROLLER REAR	086913-1	1
9	HOUSING, UPPER TRACK ROLLER FRONT	086914-1	1
10	BOLT, M10 X 35-8.8 HEX HEAD FULL THREAD ZINC	F81003-17	2
11	NUT, M10-8-B HEX ZINC	F81033-3	2
12	BRACKET, UPPER TRACK ROLLER	086859-1	1
13	BOLT, HEX HEAD	086911	1
14	NUT, M20-8-A HEX NYLON ZINC LOCK	F81037-2	1

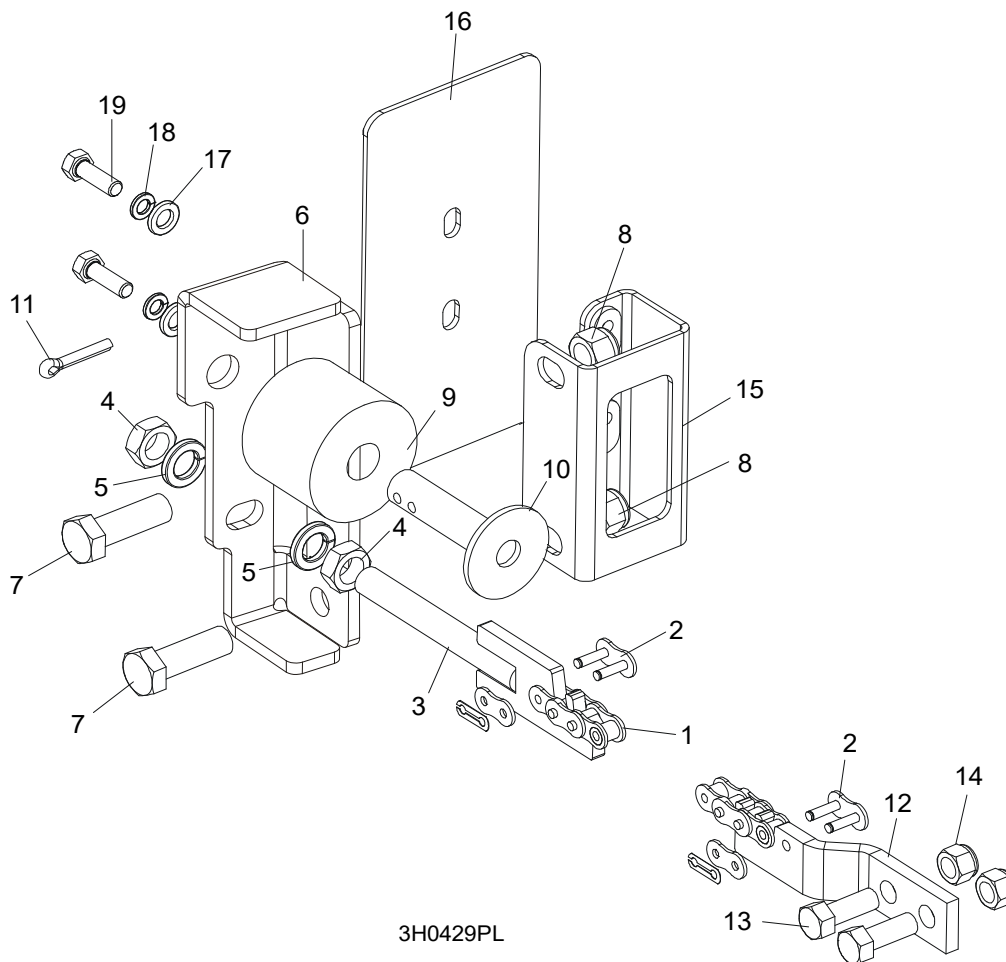
### 7.2 Power Feed Assembly, LT40 Series AH



REF.	DESCRIPTION (◆ Indicates Parts Available In Assemblies Only)	PART #	QTY
	<b>POWER FEED ASSEMBLY, AC SUPER</b>	086522	1
1	Cover Weldment, Top Power Feed	514732-1	1
2	Plate, Power Feed Motor	086390	1
3	Motor, 1100 W Power Feed Painted, AC Super	086530	1
4	Clamp, 1/2" EMT Coated	P07584	1
5	Bolt, M6 x 80 5.8 Hex Head Full Thread Zinc	F81001-61	4
6	Washer, 6.4 Flat Zinc	F81053-1	4
7	Sheave, Power Feed	086410-1	1
8	Belt, Power Feed	086532	1
9	Sheave, Feed Motor	086388-1	1
10	Screw, M8 X 8-33H Hex Socket Set Flat Point Zinc	F81014-1	2
11	Bolt, 3/8-16 x 1" Hex Head	F05007-7	1
12	Washer, 3/8" Split Lock	F05011-4	5
13	Washer, 3/8" Flat	F05011-3	5
14	Bracket, Power Feed Mount	015162	1
15	Shaft Weldment, Power Feed	015129	1
16	Key, 3/16" Square x 1 3/8" Long	016108	1
17	Bearing, 6203-2RSP6-5/8 CX	095087	2
18	Washer, 5/8" x 15/16" x .094" Nylon	F05011-19	1
19	Sprocket, 40 Idler 18T 5/8" ID	P04333	1
20	Ring, Z15	F81090-2	1
21	Bolt, M10x35-8.8Hex Head Full Thread Zinc	F81003-17	4

<b>22</b>	Washer, 10.2 Split Lock Zinc	F81055-2	1	◆
<b>23</b>	Nut, 3/8-16 Hex Nylon Lock	F05010-10	1	
<b>24</b>	Bracket, Power Feed Mount	015162-1	1	
<b>25</b>	Bolt, 3/8-16 x 2" Hex Head Full Thread Zinc	F05007-16	1	
<b>26</b>	Nut, M10-8-B Hex Nylon Zinc Lock	F81033-1	1	
<b>27</b>	Bolt, M8x20-8.8-B Hex Head Full Thread Zinc	F81002-4	4	
<b>28</b>	Washer, 8.2 Split Lock Zinc	F81054-4	4	

### 7.3 Feed Chain/Stop

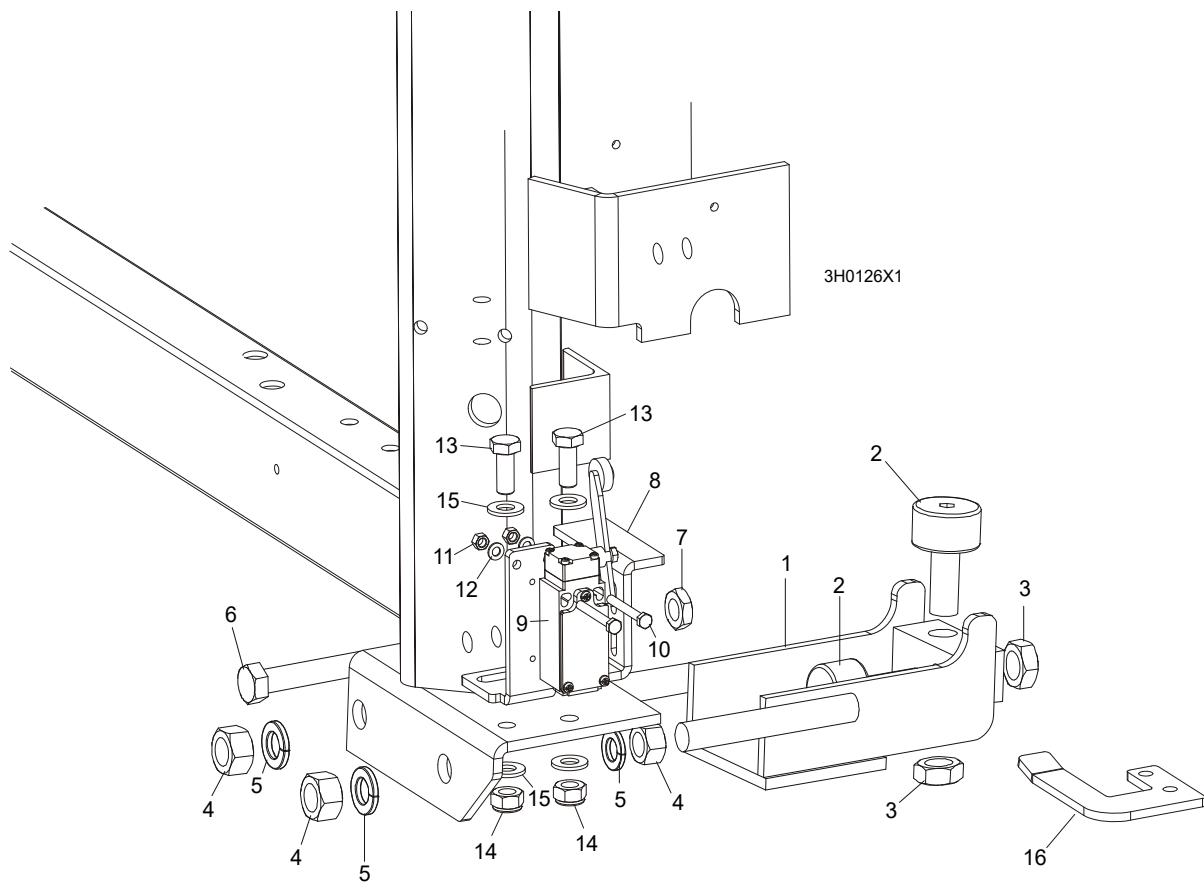


3H0429PL

REF.	DESCRIPTION (◆ Indicates Parts Available In Assemblies Only)	PART #	QTY
	<b>CHAIN KIT, LT40S FEED</b>	K10408	1
	<b>CHAIN KIT, LT40M FEED</b>	K10410	1
1	Chain, #40 X 215" LT40S Feed	014744	1
	Chain, #40 X 267.5" LT40M Feed	014745	1
	Chain, 0.9M #40 35.5" LT40M-L0,9	521579	1
2	Link, #40 Master	P04200	2
3	Tensioner Weldment, Power Feed Chain	086818-1	1
4	Nut, M12-5 Hex	F81034-4	2
5	Washer, Z12.2 Split Lock Zinc	F81056-2	2
6	<b>BRACKET, FEED CHAIN REAR MOUNT</b>	087628-1	1
7	<b>BOLT, M12 X 40 8.8 HEX HEAD FULL THREAD ZINC</b>	F81004-4	2
8	<b>NUT, M12-8 HEX NYLON ZINC LOCK</b>	F81034-2	2
	<b>STOP KIT, RUBBER CARRIAGE</b>	K09630	2
9	Stop, Rubber Carriage	P12165	1
10	Pin, Rubber Carriage Stop	W09293	1
11	Pin, 3/16" X 1" Cotter	F05012-21	1
12	<b>BRACKET, FRONT FEED CHAIN MOUNT</b>	095733-1	1
13	<b>BOLT, 3/8-16 X 1" HEX HEAD</b>	F05007-7	2

14	NUT, 3/8-16 HEX NYLON LOCK	F05010-10	2	
15	BRACKET WELDMENT, REAR MAIN TUBE COVER MOUNT	087105-1	1	
16	COVER, REAR MAIN TUBE	015023	1	
17	WASHER, 8.4 FLAT ZINC	F81054-1	2	
18	WASHER, 8.2 SPLIT LOCK ZINC	F81054-4	2	
19	BOLT, 5/16-18 X 1" HEX HEAD	F05006-1	2	

### 7.4 Lower Track Rollers

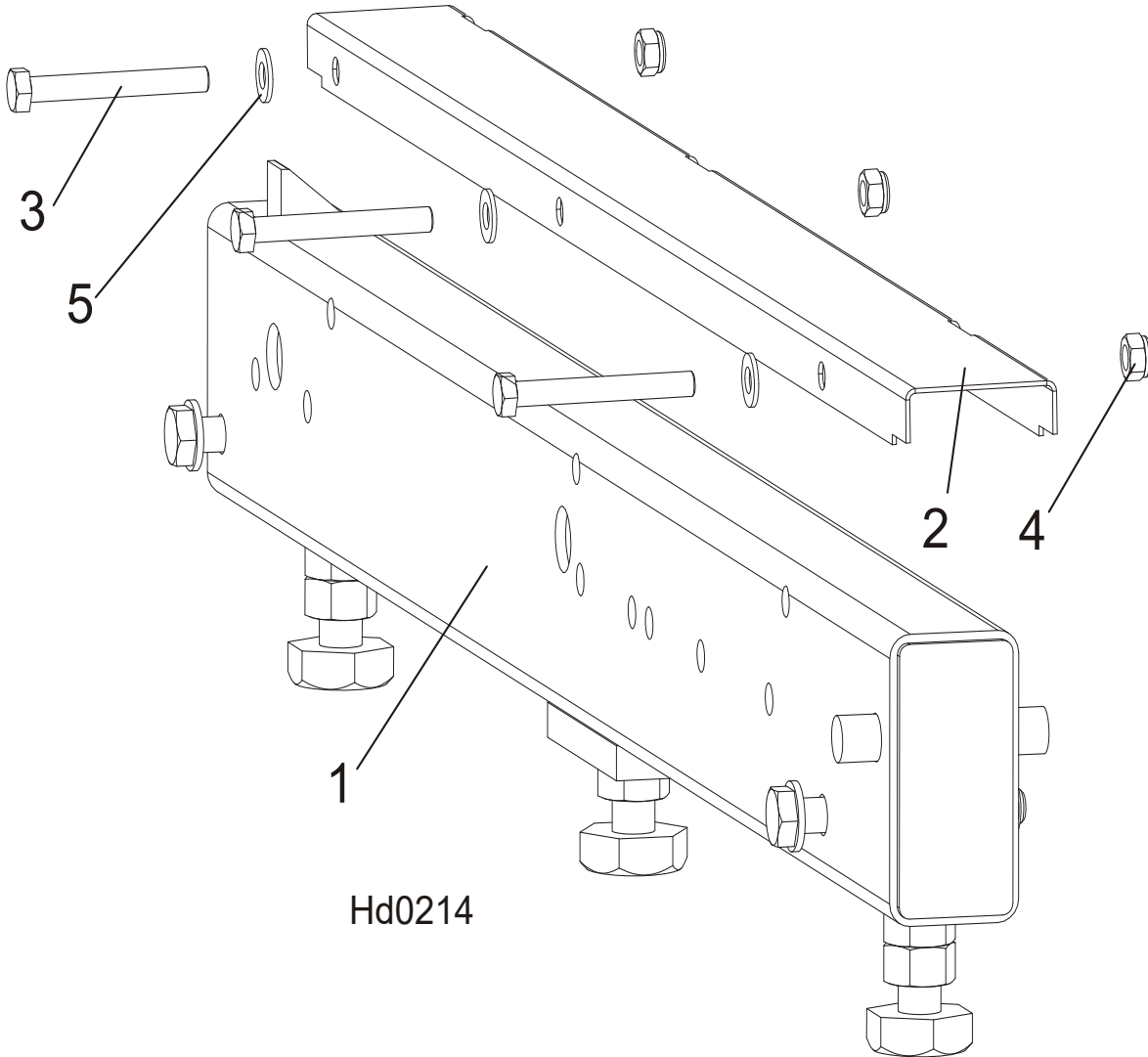


REF.	DESCRIPTION (◆ Indicates Parts Available In Assemblies Only)	PART #	QTY
	<b>ROLLER ASSEMBLY, LOWER TRACK</b>	098741	2
1	Bracket, Lower Track Roller Mounting	098740-1	1
2	Roller, Track Cam Bearing (McGill)	012797	2
3	Nut, 5/8-18 Hex Jam	F05010-11	2
4	Nut, M16-5.8 Hex Zinc	F81036-1	4
5	Washer, 16.3 Split Lock Zinc	F81058-2	4
6	<b>BOLT, M12 X 55-8.8 HEX HEAD ZINC</b>	F81004-12	2
7	<b>NUT, M12-8-B HEX ZINC</b>	F81034-1	2
8	<b>BRACKET, POWER SUPPLY STRIP AND LIMIT SWITCH</b>	086380-1	1
9	<b>SWITCH, GLCB01A2B LIMIT</b>	086469	1
10	<b>BOLT, M5 X 40 8.8 HEX HEAD</b>	F810000-11	2
11	<b>NUT, M5-8 HEX ZINC</b>	F81030-1	2
12	<b>WASHER, 5.3 FLAT ZINC</b>	F81052-1	2
13	<b>BOLT, M10 X 25 8.8 HEX HEAD FULL THREAD ZINC</b>	F81003-11	2
14	<b>NUT, M10-8-B HEX NYLON ZINC LOCK</b>	F81033-1	2
15	<b>WASHER, 10.5 FLAT ZINC</b>	F81055-1	2
16	<b>BRACKET, LIMIT SWITCH</b>	091852-1	1



## SECTION 8 BED FRAME ASSEMBLY

### 8.1 Bed Rail Assembly, Front (S/M Type Frame)

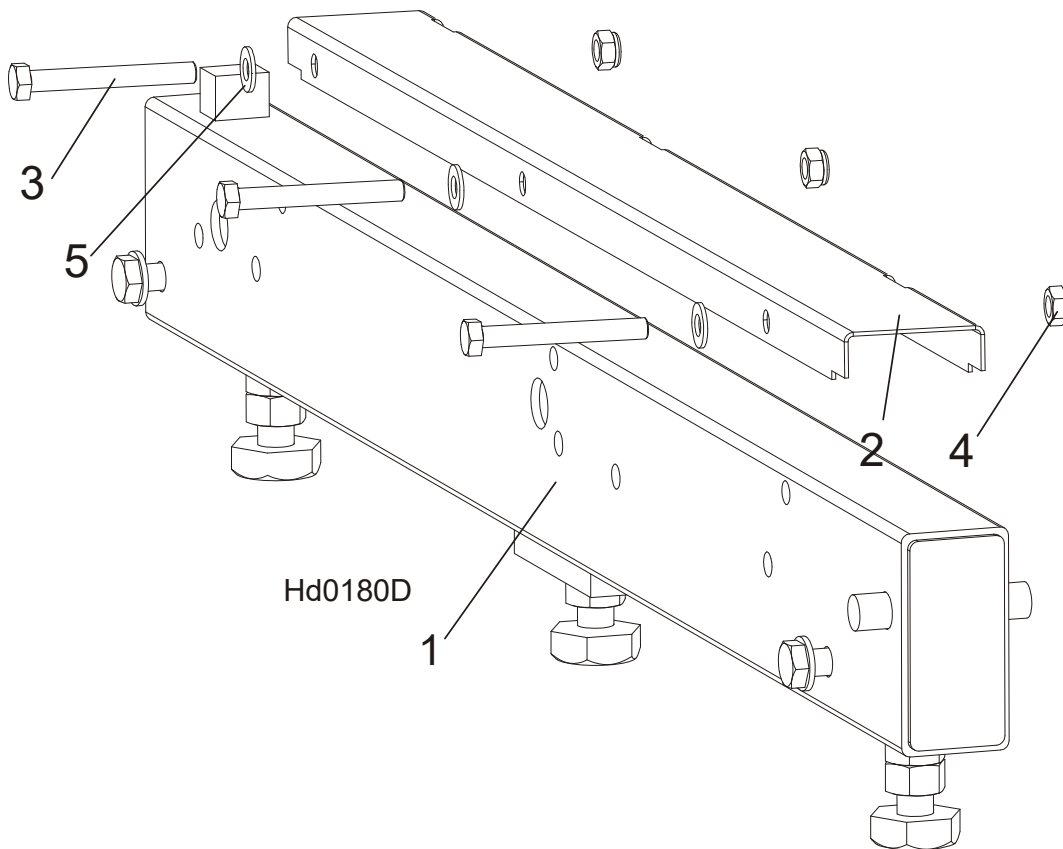


REF	DESCRIPTION (◆ indicates parts available in assemblies only)	PART #	QTY	
1	RAIL, DRIVE ROLLER BED Ñ ("M" FRAME)	100676	1	
2	COVER, BED RAIL	099124	1	
3	BOLT, M8 X 65MM,HH,GRADE 5.8, ZINC	F81002-3	3	
4	NUT, M8-8-B HEX NYLON ZINC LOCK	F81032-2	3	
5	WASHER, 8.4 FLAT ZINC	F81054-1	3	

# 8 Bed Frame Assembly

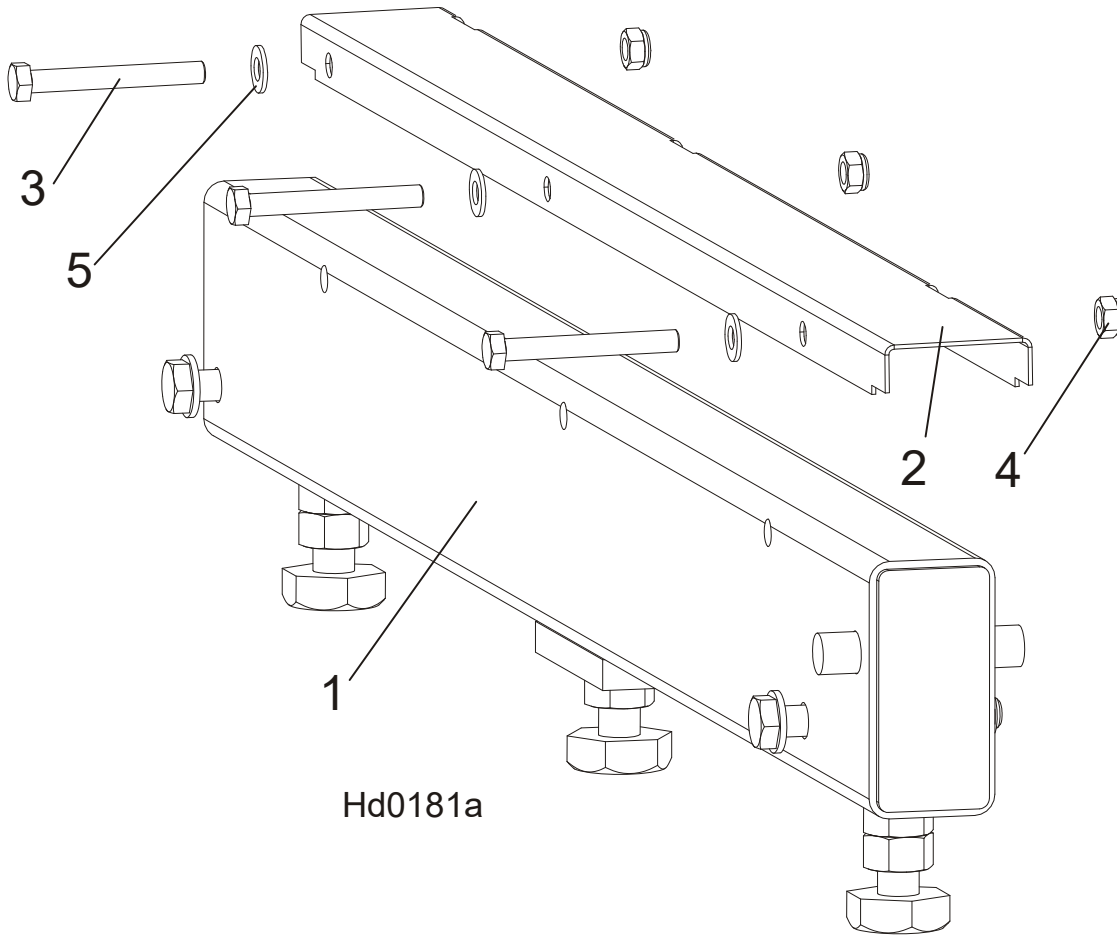
## Bed Rail Assembly, Rear ( S/M Type Frame)

### 8.2 Bed Rail Assembly, Rear ( S/M Type Frame)



REF	DESCRIPTION (◆ indicates parts available in assemblies only)	PART #	QTY
1	TUBE, BED RAIL (1)	091555	1
2	COVER, BED RAIL	099124	1
3	BOLT, M8 X 65MM,HH,GRADE 5.8, ZINC	F81002-3	3
4	NUT, M8-8-B HEX NYLON ZINC LOCK	F81032-2	3
5	WASHER, 8.4 FLAT ZINC	F81054-1	3

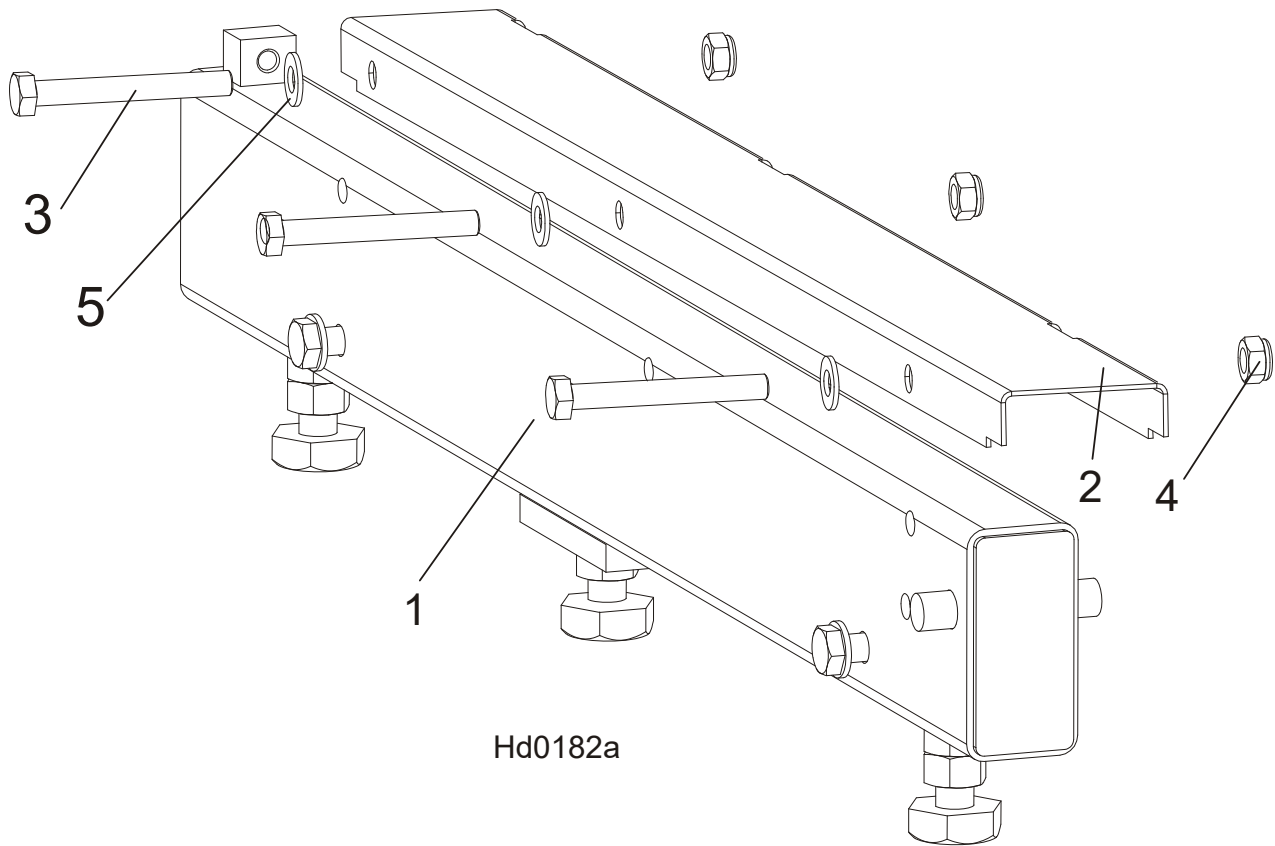
**8.3 Bed Rail Assembly, Front Middle (S/M Type Frame)**



Hd0181a

REF	DESCRIPTION (◆ indicates parts available in assemblies only)	PART #	QTY
1	TUBE, BED RAIL (2)	091556	1
2	COVER, BED RAIL	099124	1
3	BOLT, M8 X 65MM,HH,GRADE 5.8, ZINC	F81002-3	3
4	NUT, M8-8-B HEX NYLON ZINC LOCK	F81032-2	3
5	WASHER, 8.4 FLAT ZINC	F81054-1	3

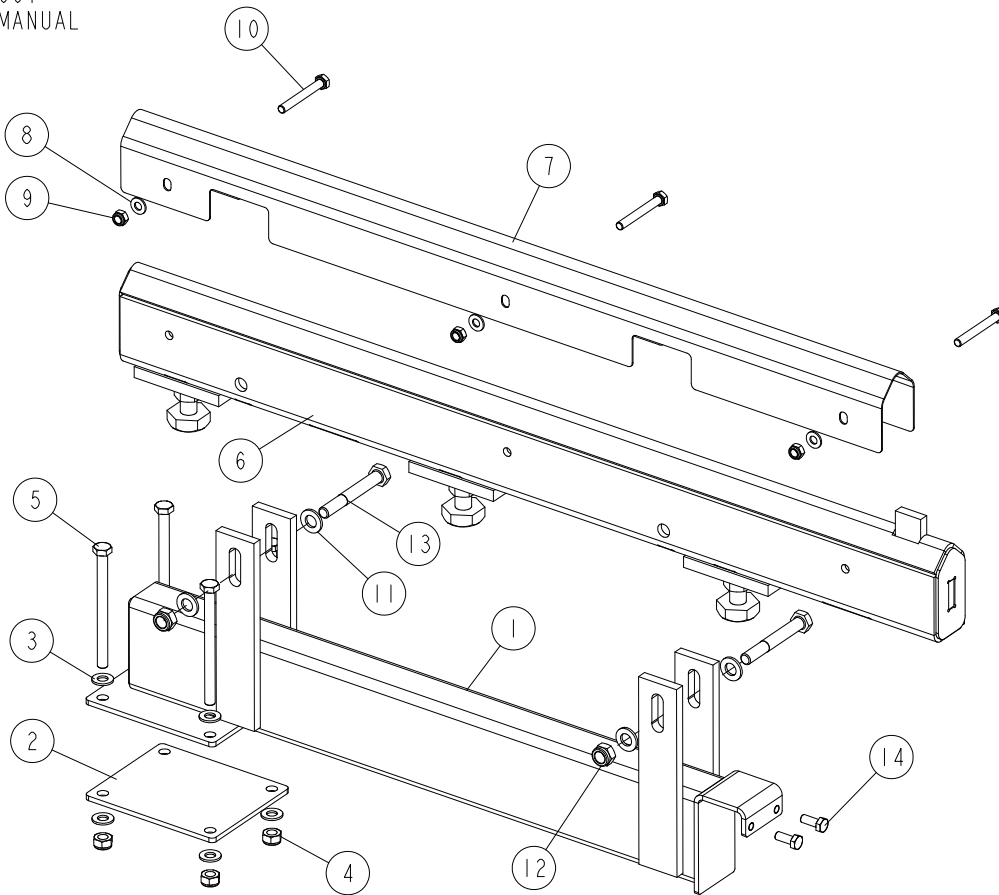
**8.4 Bed Rail Assembly, Rear Middle**



REF	DESCRIPTION (◆ indicates parts available in assemblies only)	PART #	QTY	
1	TUBE, BED RAIL (3)	091557	1	
2	COVER, BED RAIL	099124	1	
3	BOLT, M8 X 65MM,HH,GRADE 5.8, ZINC	F81002-3	3	
4	NUT, M8-8-B HEX NYLON ZINC LOCK	F81032-2	3	
5	WASHER, 8.4 FLAT ZINC	F81054-1	3	

## 8.5 Additional Angled Bed Rail (Long)

545592\_001  
545592\_MANUAL



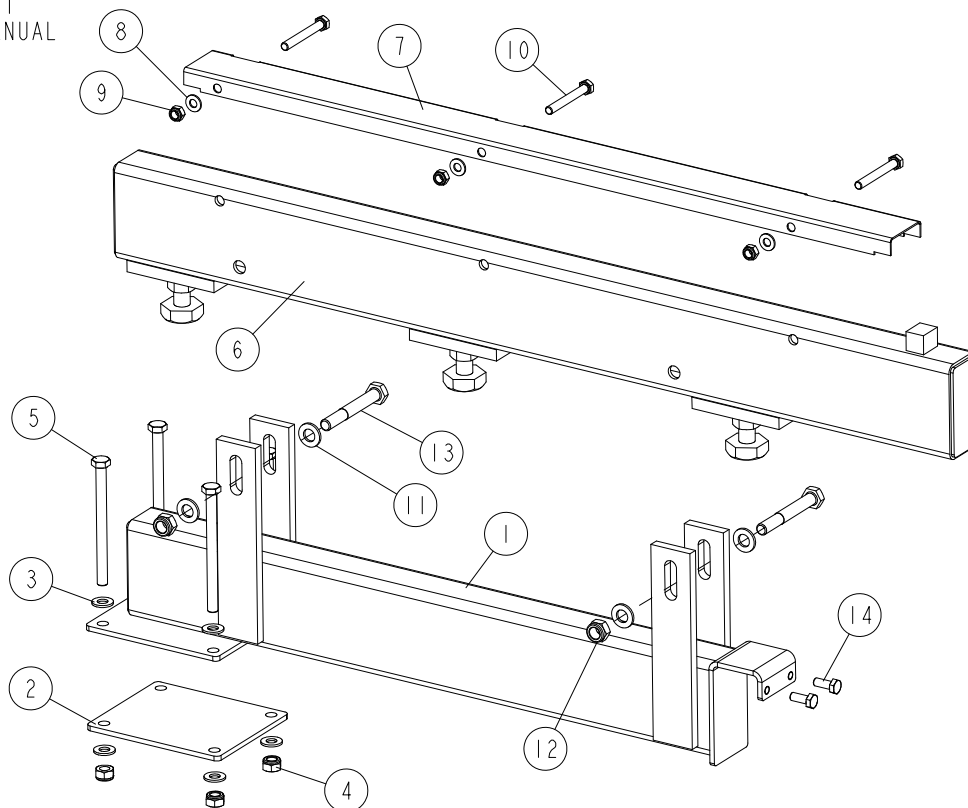
REF	DESCRIPTION (◆ indicates parts available in assemblies only)	PART #	QTY
-	<b>ADDITIONAL ANGLED BED RAIL (LONG) - COMPLETE</b>	545592	1
1	SUPPORT, ADDITIONAL BED RAIL	545591-1	1
2	PLATE, MOUNT	087055-1	1
3	WASHER, 10.5 FLAT ZINC	F81055-1	8
4	NUT, M10-8-B HEX NYLON ZINC LOCK	F81033-1	4
5	BOLT, M10X125-8.8 HEX HEAD ZINC	F81003-18	4
6	TUBE, ADDITIONAL BED RAIL	545589-1	1
7	COVER, ADDITIONAL BED RAIL	545594	1
8	WASHER, 8.4 FLAT ZINC	F81054-1	3
9	NUT, M8-8-B HEX NYLON ZINC LOCK	F81032-2	3
10	BOLT, M8 X 65 8.8 HEX HEAD FULL THREAD ZINC	F81002-9	3
11	WASHER, 13 FLAT ZINC	F81056-1	4
12	NUT, M12-8 HEX NYLON ZINC LOCK	F81034-2	2
13	BOLT, M12X90-8.8 HEX HEAD ZINC	F81004-2	2
14	BOLT, M8X20-8.8-B HEX HEAD FULL THREAD ZINC	F81002-4	2

# 8 Bed Frame Assembly

## Additional Flat Bed Rail (Long)

### 8.6 Additional Flat Bed Rail (Long)

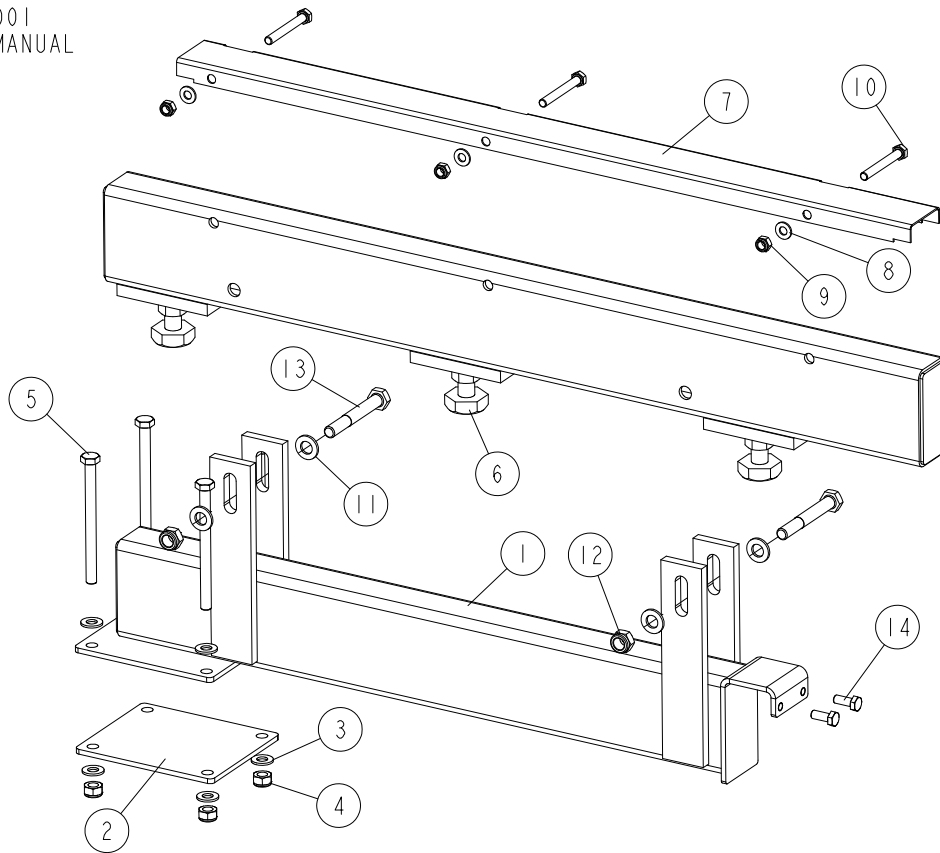
545597\_001  
545597\_MANUAL



REF	DESCRIPTION (◆ indicates parts available in assemblies only)	PART #	QTY
-	<b>ADDITIONAL FLAT BED RAIL (LONG) - COMPLETE</b>	545597	1
1	SUPPORT, ADDITIONAL BED RAIL	545591-1	1
2	PLATE, MOUNT	087055-1	1
3	WASHER, 10.5 FLAT ZINC	F81055-1	8
4	NUT, M10-8-B HEX NYLON ZINC LOCK	F81033-1	4
5	BOLT, M10X125-8.8 HEX HEAD ZINC	F81003-18	4
6	TUBE, ADDITIONAL BED RAIL	545595-1	1
7	COVER, BED RAIL	099124	1
8	WASHER, 8.4 FLAT ZINC	F81054-1	3
9	NUT, M8-8-B HEX NYLON ZINC LOCK	F81032-2	3
10	BOLT, M8 X 65 8.8 HEX HEAD FULL THREAD ZINC	F81002-9	3
11	WASHER, 13 FLAT ZINC	F81056-1	4
12	NUT, M12-8 HEX NYLON ZINC LOCK	F81034-2	2
13	BOLT, M12X90-8.8 HEX HEAD ZINC	F81004-2	2
14	BOLT, M8X20-8.8-B HEX HEAD FULL THREAD ZINC	F81002-4	2

## 8.7 Additional Flat Bed Rail (Short)

545645\_001  
545645\_MANUAL



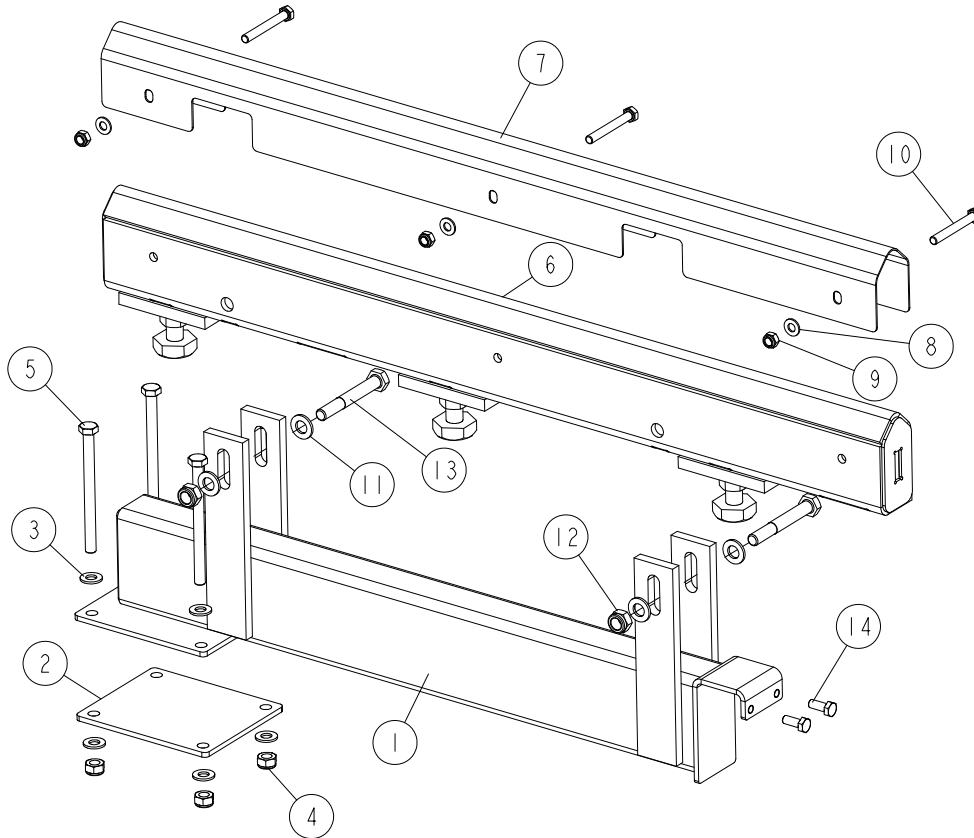
REF	DESCRIPTION (◆ indicates parts available in assemblies only)	PART #	QTY
-	<b>ADDITIONAL FLAT BED RAIL (SHORT) - COMPLETE</b>	545645	1
1	SUPPORT, ADDITIONAL BED RAIL	545591-1	1
2	PLATE, MOUNT	087055-1	1
3	WASHER, 10.5 FLAT ZINC	F81055-1	8
4	NUT, M10-8-B HEX NYLON ZINC LOCK	F81033-1	4
5	BOLT, M10X125-8.8 HEX HEAD ZINC	F81003-18	4
6	TUBE, ADDITIONAL BED RAIL	545643-1	1
7	COVER, BED RAIL	099124	1
8	WASHER, 8.4 FLAT ZINC	F81054-1	3
9	NUT, M8-8-B HEX NYLON ZINC LOCK	F81032-2	3
10	BOLT, M8 X 65 8.8 HEX HEAD FULL THREAD ZINC	F81002-9	3
11	WASHER, 13 FLAT ZINC	F81056-1	4
12	NUT, M12-8 HEX NYLON ZINC LOCK	F81034-2	2
13	BOLT, M12X90-8.8 HEX HEAD ZINC	F81004-2	2
14	BOLT, M8X20-8.8-B HEX HEAD FULL THREAD ZINC	F81002-4	2

# 8 Bed Frame Assembly

## Additional Angled Bed Rail (Short)

### 8.8 Additional Angled Bed Rail (Short)

545632\_001  
545632\_MANUAL

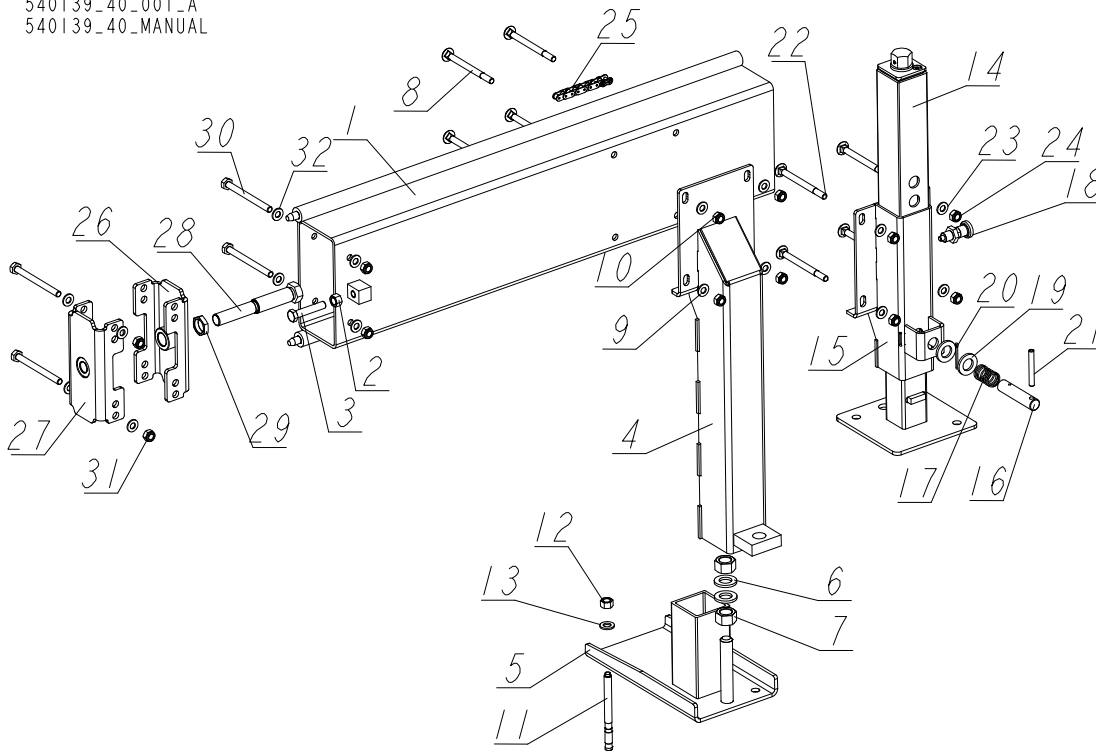


REF	DESCRIPTION (◆ indicates parts available in assemblies only)	PART #	QTY
-	<b>ADDITIONAL ANGLED BED RAIL (SHORT) - COMPLETE</b>	545632	1
1	SUPPORT, ADDITIONAL BED RAIL	545591-1	1
2	PLATE, MOUNT	087055-1	1
3	WASHER, 10.5 FLAT ZINC	F81055-1	8
4	NUT, M10-8-B HEX NYLON ZINC LOCK	F81033-1	4
5	BOLT, M10X125-8.8 HEX HEAD ZINC	F81003-18	4
6	TUBE, ADDITIONAL BED RAIL	545630-1	1
7	COVER, ADDITIONAL BED RAIL	545594	1
8	WASHER, 8.4 FLAT ZINC	F81054-1	3
9	NUT, M8-8-B HEX NYLON ZINC LOCK	F81032-2	3
10	BOLT, M8 X 65 8.8 HEX HEAD FULL THREAD ZINC	F81002-9	3
11	WASHER, 13 FLAT ZINC	F81056-1	4
12	NUT, M12-8 HEX NYLON ZINC LOCK	F81034-2	2
13	BOLT, M12X90-8.8 HEX HEAD ZINC	F81004-2	2
14	BOLT, M8X20-8.8-B HEX HEAD FULL THREAD ZINC	F81002-4	2



## 8.9 Bed Extension LT40 (0.9m) - Complete

540139\_40\_001\_A  
540139\_40\_MANUAL



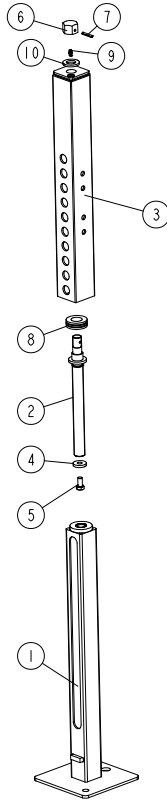
REF	DESCRIPTION (u indicates parts available in assemblies only)	PART #	QTY
-	<b>EXTENSION, BED LT40 (0.9m)- COMPLETE</b>	540139-40	1
1	TUBE, W/RODS 0.9M- WLDMT/PTD	540138-1	1
2	NUT, M12-8-B ZINC HEX	F81034-1	1
3	BOLT M12X60-8	F81004-51	1
-	LEG, STATIONARY RIGHT ADJUSTABLE	501640	1
4	LEG, LES HIGH MAIN TUBE	507620-1	1
5	WIDE FOOT - ADJUSTABLE LEGS	501084-1	1
6	WASHER, M21 FLAT ZINC	F81059-2	2
7	NUT, M20-8-FE/ZN5 PN-86/M-82144	F81037-1	2
8	BOLT, M10X120 8.8 FE/ZN5	F81003-33	4
9	WASHER, 10.5 FLAT ZINC	F81055-1	4
10	NUT, M10-8-B HEX NYLON ZINC LOCK	F81033-1	4
-	ANCHOR, M12X140MM KMC EXPRES	084529	1
11	ANCHOR, M12X140MM KMC EXPRES	084529	1
12	NUT, M12-8-B ZINC HEX	F81034-1	1
13	WASHER, 13 FLAT ZINC	F81056-1	1
-	LEG, COMPLETE FINE ADJUST OUTRIGGER	094584	1
14	BASE WLDMT, FINE ADJUST OUTRIGGER LEG	093589	1
15	GUIDE, FINE ADJUST OUTRIGGER LEG	506114-1	1
16	PIN, OUTRIGGER PULL	087012-1	1
17	SPRING, ZINC	087040	1
18	PIN, DETENT	090197	1
19	WASHER, M21 FLAT ZINC	F81059-2	2

**Bed Frame Assembly***Bed Extension LT40 (0.9m) - Complete*

REF	DESCRIPTION (u indicates parts available in assemblies only)	PART #	QTY	
20	PIN, S-ZN, 4 X 25 COTTER	F81043-2	1	
21	PIN 8X65 ROLL	F81046-1	1	
22	BOLT, M10X120 8.8 FE/ZN5	F81003-33	4	
23	WASHER, 10.5 FLAT ZINC	F81055-1	4	
24	NUT, M10-8-B HEX NYLON ZINC LOCK	F81033-1	4	
25	CHAIN, 0.9M LT40	540146	1	
-	BRACE KIT BX	501340	1	
26	CONNECTOR, BX (M24)	500989-1	1	
27	CONNECTOR, BX (M20)	501339-1	1	
28	BOLT SPECIAL, ZINC	087188-1	1	
29	NUT SPECIAL M24X2 ZINC	087626-1	1	
30	BOLT, M10 X 115-8.8 FE/ZN5, PN-M/82101	F81003-19	4	
31	NUT, M10-8-B HEX NYLON ZINC LOCK	F81033-1	4	
32	WASHER, 10.5 FLAT ZINC	F81055-1	8	

### 8.10 Fine Adjust Outrigger Leg

093589\_001\_A  
 093589\_MANUAL

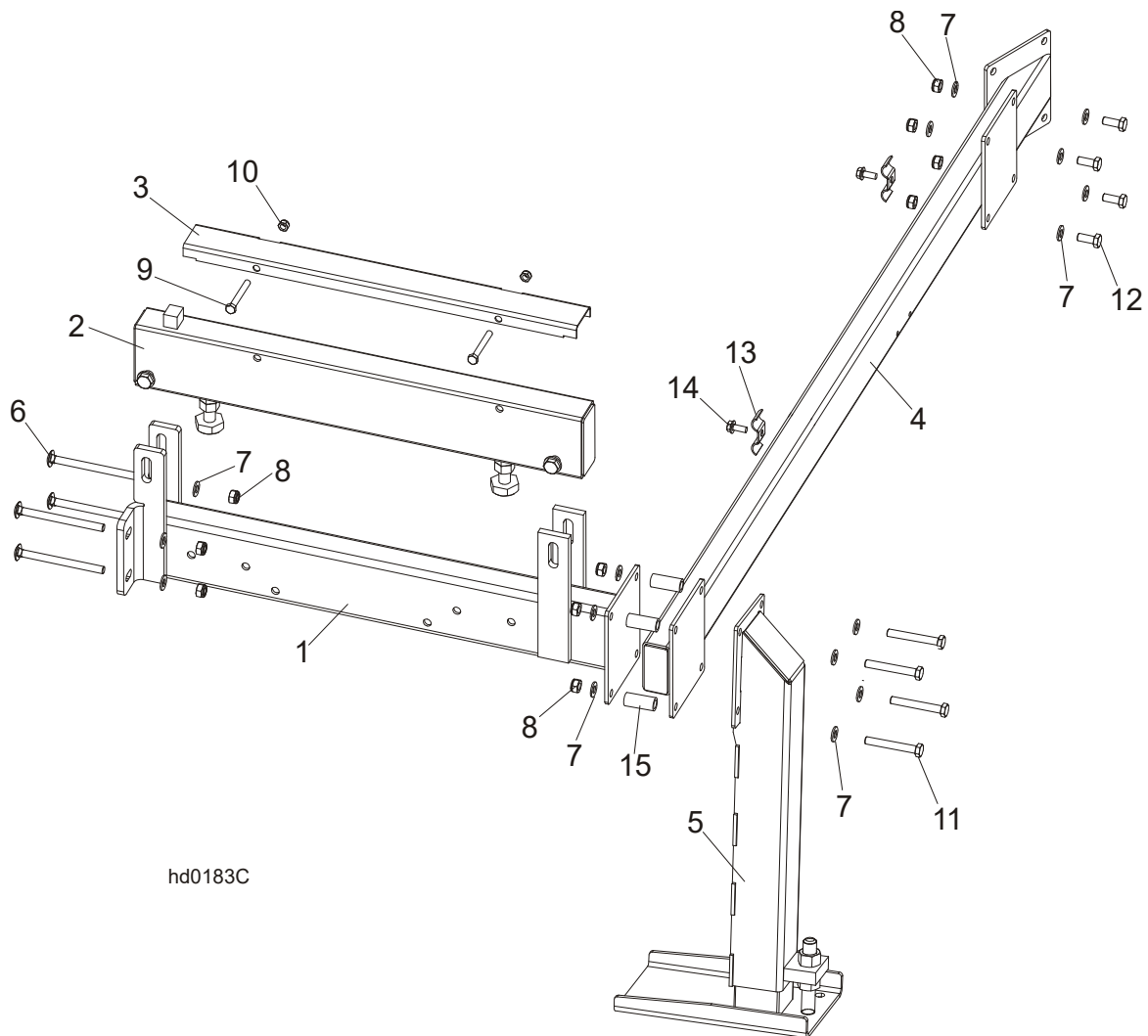


REF.	DESCRIPTION (* Indicates Parts Available in Assemblies Only)	PART #	QTY
-	<b>FINE ADJUST OUTRIGGER LEG</b>	093589	1
1	MIDDLE PART, FINE ADJUST OUTRIGGER LEG	093596-1	1
2	BOLT, OUTRIGGER LEG	093590-1	1
3	UPPER PART, FINE ADJUST OUTRIGGER LEG	093593-1	1
4	WASHER 10.5/30-5	505156-1	1
5	BOLT, M10x20-5 8 HEX HEAD FULL THREAD ZINC	F81003-1	1
6	FITTING, M20 X 2,5	094408	1
7	PIN 5X30 ROLL	F81044-21	1
8	BEARING, 51205 THRUST	516599	1
9	FITTING, M6 TYPE A STRAIGHT GREASE	086280	1
10	WASHER, M21 FLAT ZINC	F81059-2	1

# 8 Bed Frame Assembly

## Clamp Mount Assembly, Front (AH5/7)

### 8.11 Clamp Mount Assembly, Front (AH5/7)



hd0183C

REF	DESCRIPTION (◆ Indicates Parts Available In Assemblies Only)	PART #	QTY.
	<b>CLAMP MOUNT ASSEMBLY - FRONT</b>	092937	1
1	Bed Rail Assembly, Front	092903-1	1
2	Rail, AH5/DH5 Bed	095131-1	1
3	Cover, 22.75 SS Pivot	099123	1
4	Tube Weldment, Bed Front	092904-1	1
5	Leg, Outrigger Stationary Left	501639	1
6	Bolt, M10 x 125-8.8 Carriage Head	F81003-34	4
7	Washer, 10.5 Flat Zinc	F81055-1	20
8	Nut, M10-8-B Hex Nylon Zinc Lock	F81033-1	12
9	Bolt, M8 x 65-5.8 Hex Head Zinc	F81002-3	2
10	Nut, M8-8-B Hex Nylon Lock Zinc	F81032-2	2
11	Bolt, M10x75-8.8 Hex Head Zinc	F81003-15	4
12	Bolt, M10x25-8.8 Hex Head Full Thread Zinc	F81003-11	4
13	Plate, 1/4 Hose Clamp Ptd	S09245	2

**Bed Frame Assembly**  
*Clamp Mount Assembly, Front (AH5/7)*

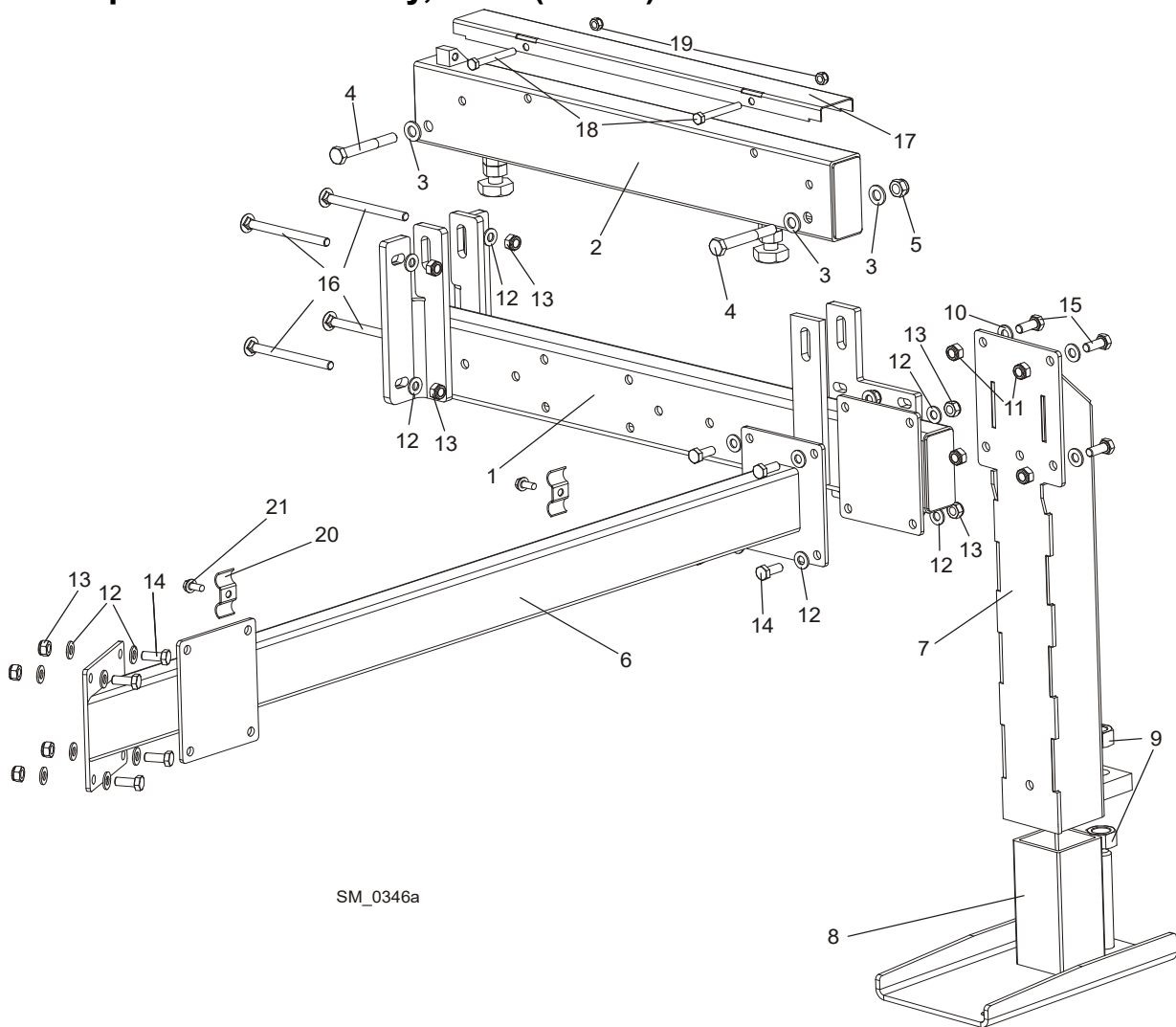
**8**

<b>14</b>	Bolt, 5/16-18x3/4 Self -Tapping	F05015-30	2	
<b>15</b>	Bushing, Zinc-Plated Spacer	095427-1	4	

# 8 Bed Frame Assembly

## Clamp Mount Assembly, Rear (AH5/7)

### 8.12 Clamp Mount Assembly, Rear (AH5/7)



REF.	DESCRIPTION (◆ Indicates Parts Available In Assemblies Only)	PART #	QTY
	<b>REAR COMPLETE LOG CLAMP MOUNT (STATIONARY SAWMILLS)</b>	<b>092938</b>	<b>1</b>
1	TUBE WELDMENT, REAR CLAMP MOUNT	092902-1	1
2	TUBE, AH/DH4-7 BED RAIL	095131-1	1
3	WASHER, 13 FLAT ZINC	F81056-1	4
4	BOLT, M12x90-8.8 HEX HEAD ZINC	F81004-2	2
5	NUT, M12-8 HEX NYLON ZINC LOCK	F81034-2	2
6	BRACE, REAR	092907-1	1
	<b>LEG, LEFT ADJUSTABLE STATIONARY</b>	<b>501639</b>	<b>1</b>
7	LEG WELDMENT - UPPER PART	507715-1	1
8	WIDE FOOT - ADJUSTABLE LEGS	501084-1	1
9	NUT, M20-8 HEX ZINC	F81037-1	2
10	WASHER, 10.5 FLAT ZINC	F81055-1	4
11	NUT, M10-8-B HEX NYLON ZINC LOCK	F81033-1	4
12	WASHER, 10.5 FLAT ZINC	F81055-1	24
13	NUT, M10-8-B HEX NYLON ZINC LOCK	F81033-1	12
14	BOLT, M10x25-8.8 HEX HEAD FULL THREAD ZINC	F81003-11	8
15	BOLT, M10x35-8.8 HEX HEAD FULL THREAD ZINC	F81003-17	4

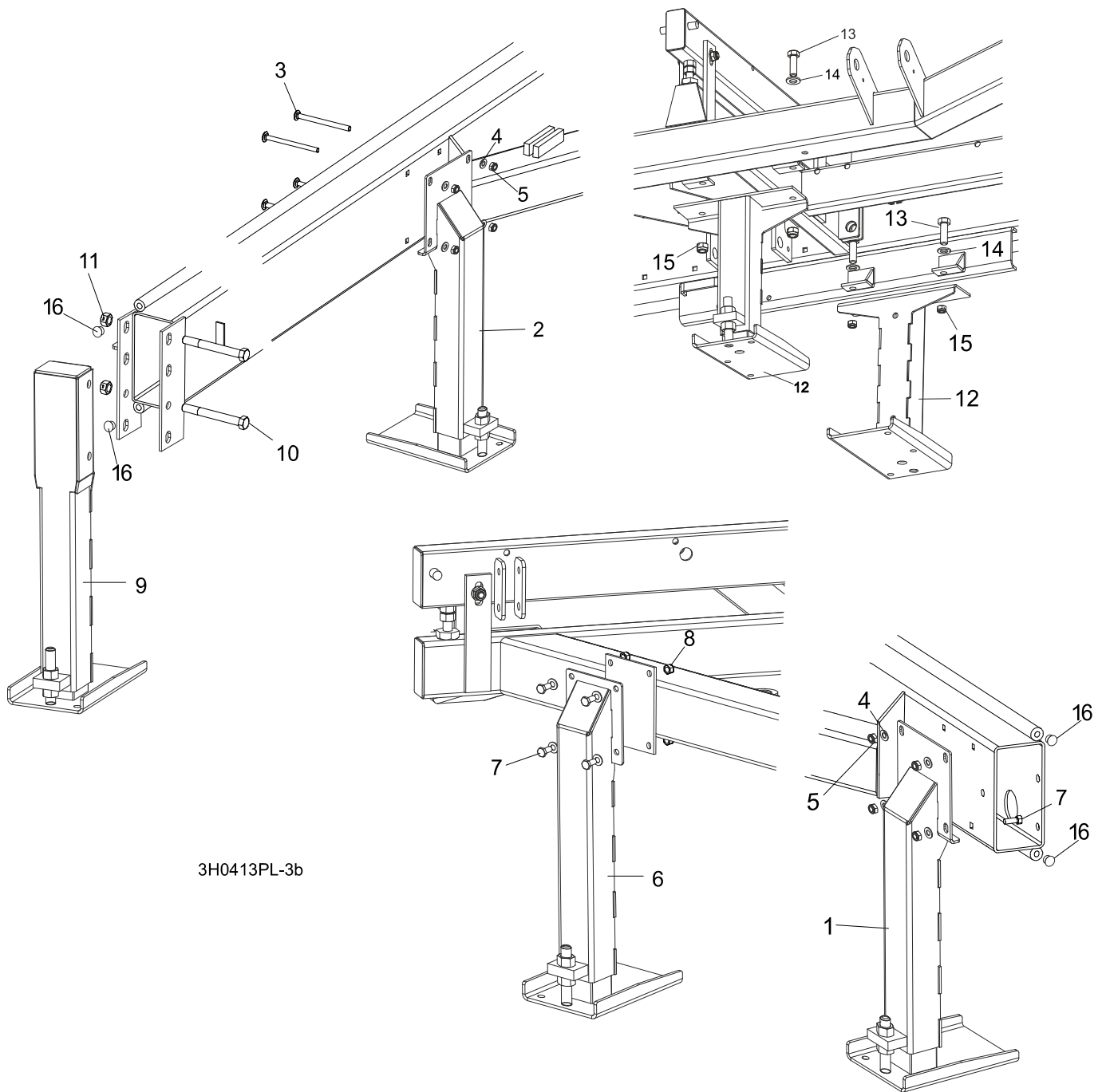
# Bed Frame Assembly

## Clamp Mount Assembly, Rear (AH5/7)

8

16	BOLT, M10x125 8.8 CARRIAGE HEAD ZINC	F81003-34	4	
17	COVER, PIVOT BED RAIL	099123	1	
18	BOLT, M8x65-5.8 HEX HEAD ZINC	F81002-3	2	
19	NUT, M8-8-B HEX NYLON ZINC LOCK	F81032-2	2	
20	PLATE, 1/4" HOSE CLAMP	S09245	2	
21	SCREW, 5/16-18 x 3/4 SELF-TAPPING	F05015-30	2	

**8.13 Leg, Stationary**



3H0413PL-3b

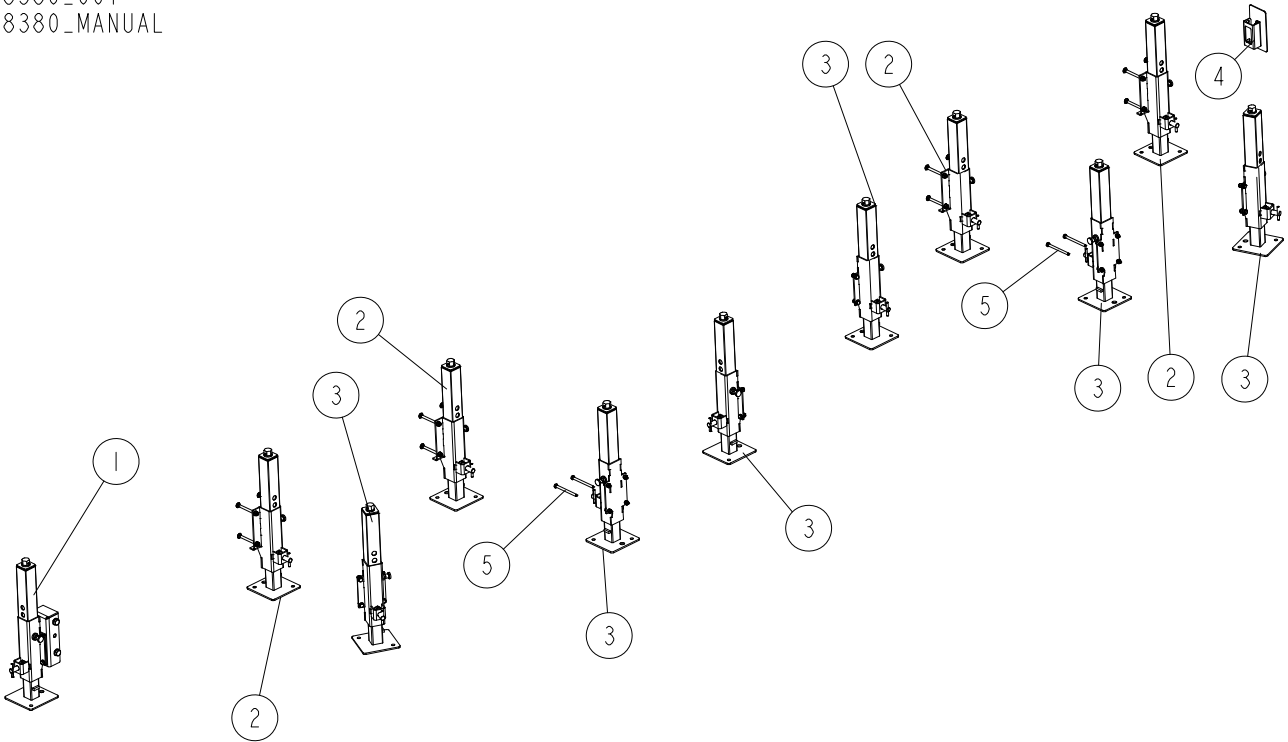
REF.	DESCRIPTION (◆ indicates parts available in assemblies only)	PART #	QTY
1	LEG, STATIONARY RIGHT ADJUSTABLE	501640	1/3
2	LEG, ADJUSTABLE W/TABLE BRACKET	501638	1
3	BOLT, M10X120 8.8 FE/ZN5	F81003-33	8/12
4	WASHER, 10.5 FLAT ZINC	F81055-1	8/16
5	NUT, M10-8-B HEX NYLON ZINC LOCK	F81033-1	8/16
6	LEG, LEFT ADJUSTABLE STATIONARY	501639	2



7	BOLT, M10X25-8.8-FE/ZN5	F81003-11	12	
8	NUT, M10-8-B HEX NYLON ZINC LOCK	F81033-1	12	
9	LEG, OUTRIGGER STATIONARY FRONT	501641	1	
10	BOLT, M16X140-8.8 HEX HEAD ZINC	F81006-4	2	
11	NUT, M16-8 HEX NYLON ZINC LOCK	F81036-2	2	
12	LEG, OUTRIGGER STATIONARY MIDDLE	501637	2	
13	BOLT, M16 X 50-8.8 HEX HEAD FULL THREAD ZINC	F81006-7	4	
14	WASHER, 17 FLAT ZINC	F81058-1	4	
15	NUT, M16-8 HEX NYLON ZINC LOCK	F81036-2	4	
16	CAP, DP 812 HEJMAN 12.7 DIA. HOLE	086773	4	

### 8.14 Adjustable Legs

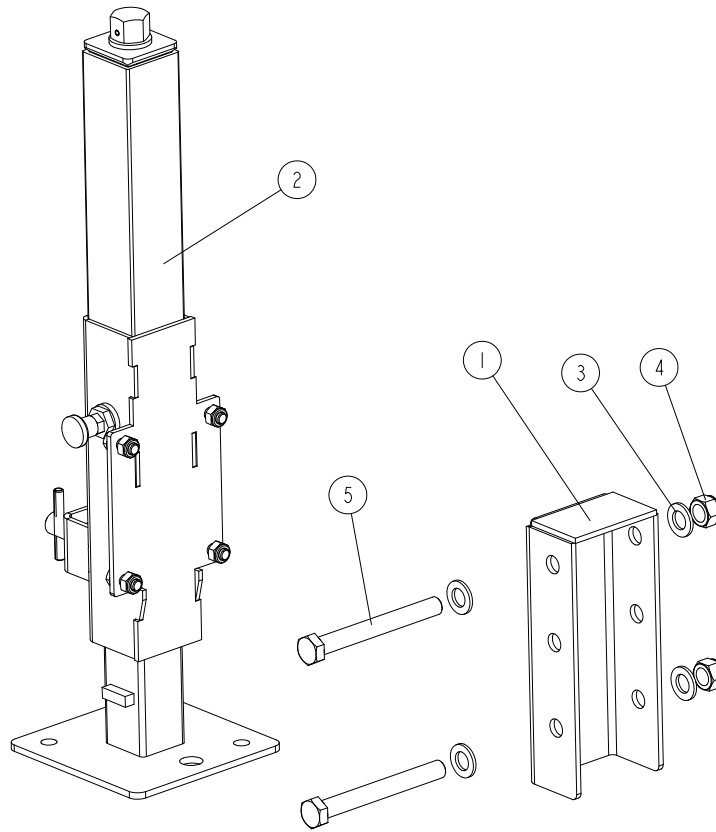
528380\_001  
528380\_MANUAL



REF.	DESCRIPTION (◆ indicates parts available in assemblies only)	PART #	QTY
-	<b>LEGS, ADJUSTABLE (M HYDRAULIC FRAME)</b>	528380	1
1	LEG, COMPLETE ADJUSTABLE (AT HITCH)	528370	1
2	LEG, COMPLETE FINE ADJUST OUTRIGGER	094584	4
3	LEG, COMPLETE SIDE FAO	094583	6
4	COVER ASSEMBLY, MAIN TUBE (STATIONARY MACHINES)	093052	1
5	BOLT, M10X125-8.8 HEX HEAD ZINC	F81003-18	4

## 8.15 Front Adjustable Leg (at the hitch)

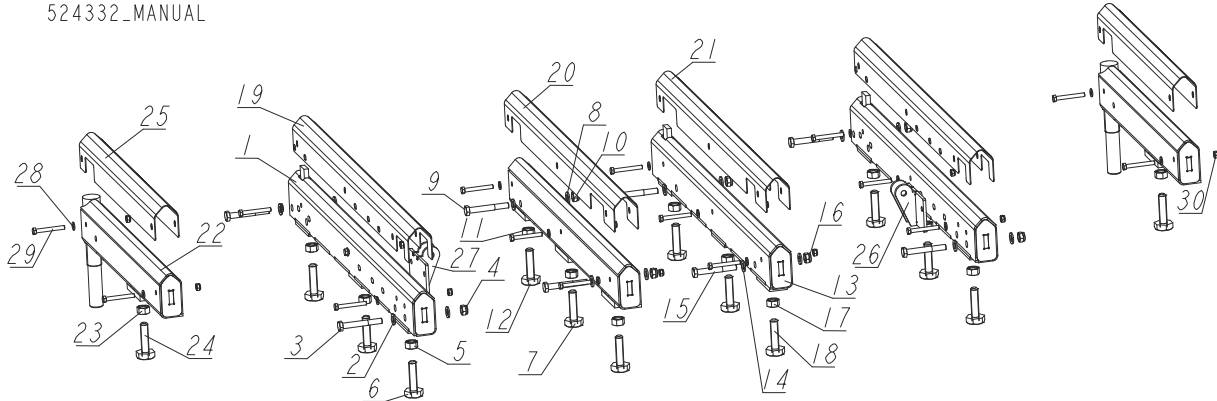
528370\_001  
 528370\_MANUAL



REF.	DESCRIPTION (◆ indicates parts available in assemblies only)	PART #	QTY
-	<b>LEG, COMPLETE ADJUSTABLE (AT HITCH)</b>	528370	1
1	BRACKET, LEG MOUNT	528368-1	1
2	LEG, COMPLETE SIDE FAO	094583	1
3	WASHER, 17 FLAT ZINC	F81058-1	4
4	NUT, M16,HEX, NYLON ZINC LOCK	F81036-2	2
5	BOLT, M16X140-8.8 HEX HEAD ZINC	F81006-4	2

### 8.16 Angled Bed Rails, "M" Frame

524332\_001  
524332\_MANUAL

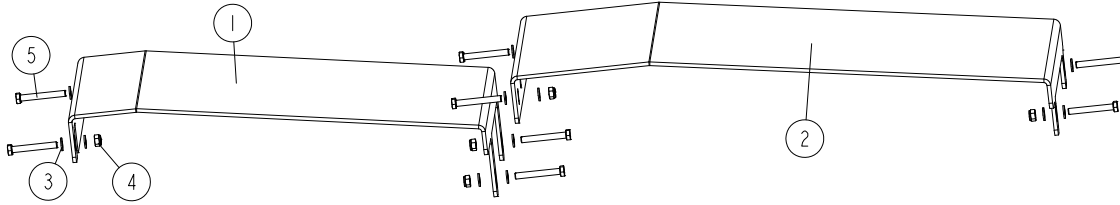


REF	DESCRIPTION (◆ indicates parts available in assemblies only)	PART #	QTY
-	ANGLED BED RAIL ASSEMBLY, M-FRAME, SERVI	524332	1
1	RAIL, BED ADJUSTABLE (1 & 4)	520978-1	2
2	WASHER, 13 FLAT ZINC	F81056-1	4
3	BOLT, M12X90-8.8 HEX HEAD ZINC	F81004-2	2
4	NUT, M12-8 HEX NYLON ZINC LOCK	F81034-2	2
-	M16 BOLT W/NUT	516629	3
5	NUT, M16-5-B HEX	F81036-5	1
6	BOLT, BAD RAIL ADJUSTMENT	505006	1
7	RAIL, BED ADJUSTABLE L=849	520970-1	1
8	WASHER, 13 FLAT ZINC	F81056-1	4
9	BOLT, M12X90-8.8 HEX HEAD ZINC	F81004-2	2
10	NUT, M12-8 HEX NYLON ZINC LOCK	F81034-2	2
-	M16 BOLT W/NUT	516629	3
11	NUT, M16-5-B HEX	F81036-5	1
12	BOLT, BAD RAIL ADJUSTMENT	505006	1
13	RAIL, BED ADJUSTABLE (3)	520974-1	1
14	WASHER, 13 FLAT ZINC	F81056-1	4
15	BOLT, M12X90-8.8 HEX HEAD ZINC	F81004-2	2
16	NUT, M12-8 HEX NYLON ZINC LOCK	F81034-2	2
-	M16 BOLT W/NUT	516629	3
17	NUT, M16-5-B HEX	F81036-5	1
18	BOLT, BAD RAIL ADJUSTMENT	505006	1
19	COVER, BED RAIL	520903	2
20	COVER, MIDDLE BED RAIL - LEFT	521598	1
21	COVER, MIDDLE BED RAIL - RIGHT	521597	1
22	RAIL, BED PIVOT	521595-1	2
-	M16 BOLT & 2 NUTS	093710	1
23	NUT, M16-5-B HEX	F81036-5	2
24	BOLT, BAD RAIL ADJUSTMENT	505006	1

REF	DESCRIPTION (◆ indicates parts available in assemblies only)	PART #	QTY	
25	COVER, M & S FRAME BED RAIL	520355	2	
26	BRACKET, ROLLER MOUNT - LEFT	524350-1	1	
27	BRACKET, ROLLER MOUNT - RIGHT	524348-1	1	
28	WASHER, 8.4 FLAT ZINC	F81054-1	16	
29	BOLT, M8 X 65-5.8 HEX HEAD ZINC	F81002-3	16	
30	NUT, M8-8-B HEX NYLON ZINC LOCK	F81032-2	16	

**8.17 Plate Set, M Type Frame Bed Rail 1-2 & 2-3 (Option)**

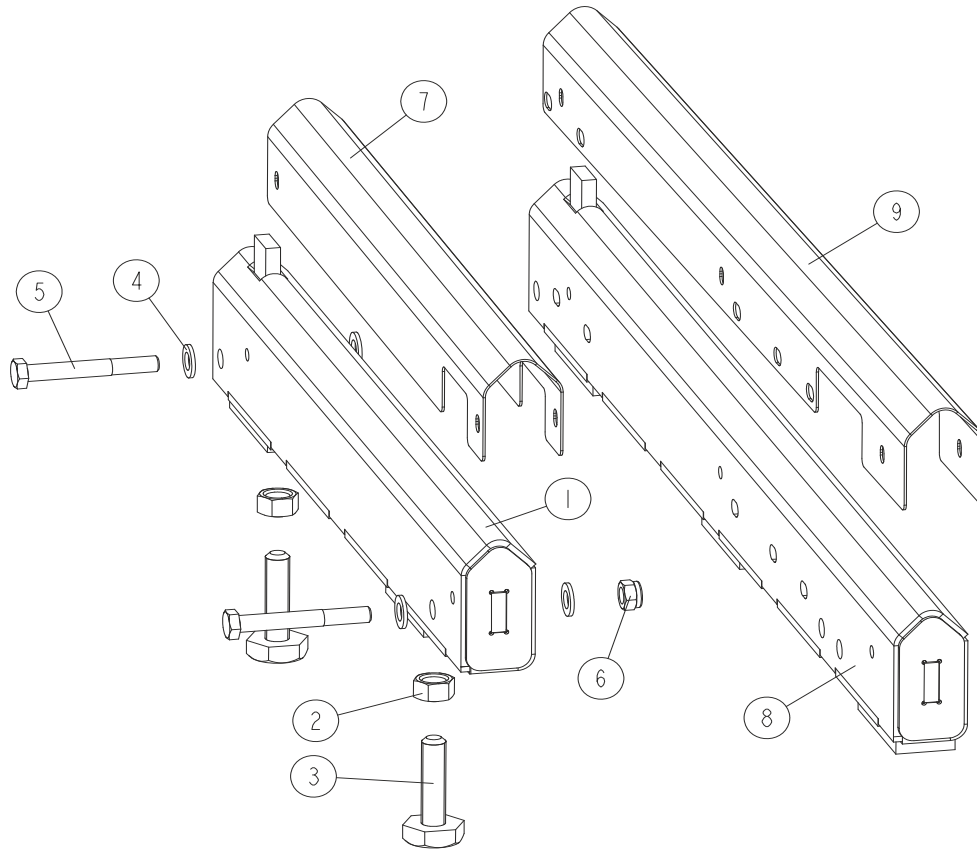
525065\_001  
525065\_MANUAL



REF	DESCRIPTION (◆ indicates parts available in assemblies only)	PART #	QTY
-	PLATE SET, M TYPE FRAME BED RAIL 1-2 & 2-3	525065	1
1	TABLE PLATE, BED RAIL 1-2	525064-1	1
2	TABLE PLATE, BED RAIL 2-3	523804-1	1
3	WASHER, 10.5 FLAT ZINC	F81055-1	16
4	NUT, M10-8-B HEX NYLON ZINC LOCK	F81033-1	8
5	BOLT, M10X75-8.8 HEX HEAD ZINC	F81003-15	8

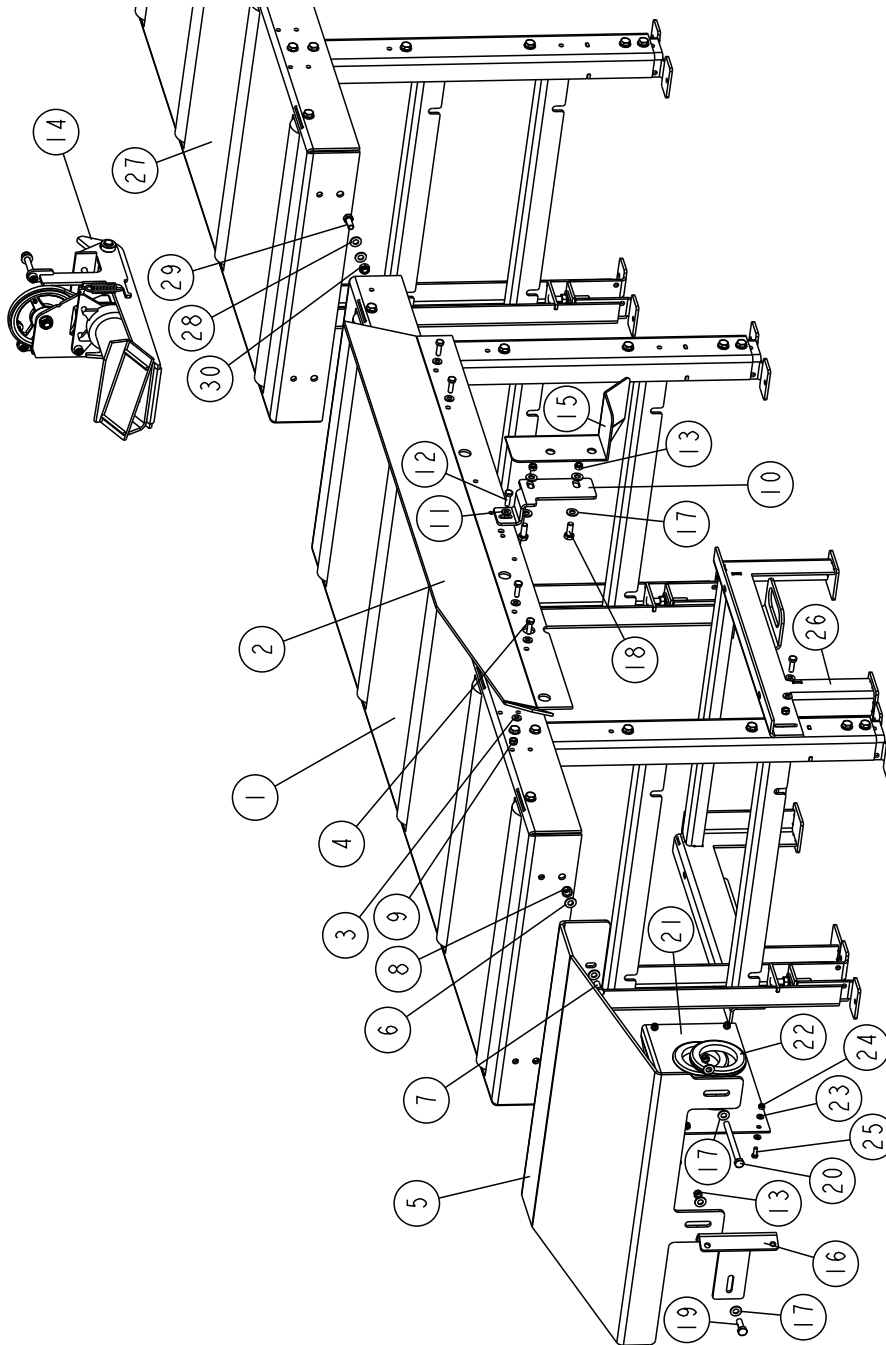
## 8.18 Board Return Table, Angled Bed Rail Assembly

520351\_001  
 520351\_MANUAL



REF	DESCRIPTION (◆ indicates parts available in assemblies only)	PART #	QTY
1	BED RAIL ASSEMBLY, SHORT	520351-1	1
2	NUT, M16-5-B HEX	F81036-5	2
3	BOLT, BAD RAIL ADJUSTMENT	505006	2
4	WASHER, 13 FLAT ZINC	F81056-1	4
5	BOLT, M12x90-8.8 HEX HEAD ZINC	F81004-2	2
6	NUT, M12-8 HEX NYLON ZINC LOCK	F81034-2	2
7	COVER, M & S FRAME BED RAIL	520355	1
8	RAIL, BED	521930-1	1
9	COVER, FRAME TYPE M-SUPER AND L BED RAIL	522979	1

### 8.19 Board Return Table, Stationary "M" Frame Option

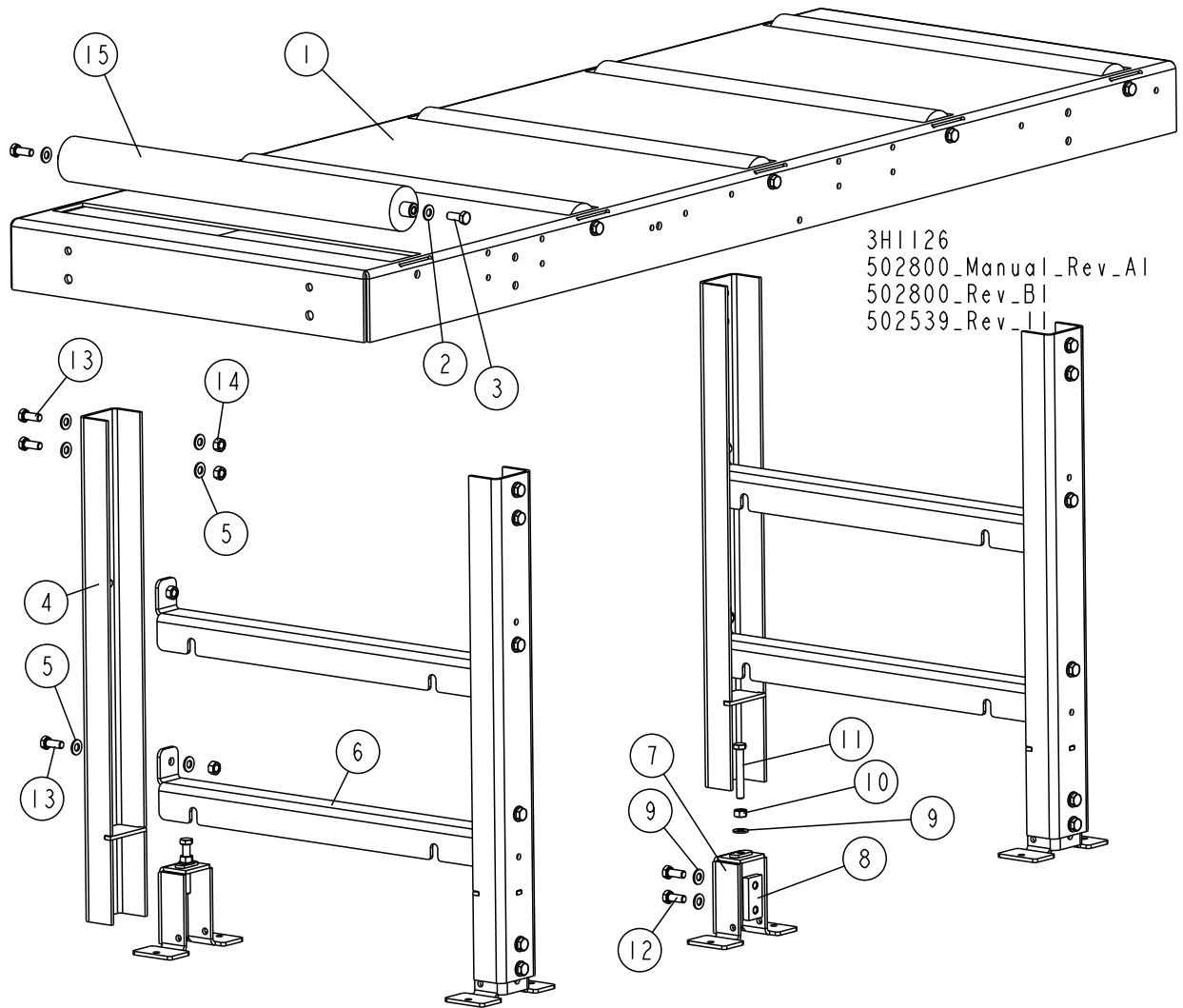


REF.	DESCRIPTION (◆ Indicates Parts Available In Assemblies Only)	PART #	QTY
	<b>TABLE, LT40M DOUBLE</b>	<b>502789</b>	<b>1</b>
	<b>BOARD RETURN TABLE - LT40M LONG TABLE</b>	<b>502530</b>	<b>1</b>
	<b>TABLE, "M" FRAME LONG SPECIAL</b>	<b>501975</b>	<b>1</b>
1	LONG TABLE, "M" FRAME <a href="#">See Section 8.20</a>	502539	1
2	BRACKET, BOARD RETURN TABLE	501978-1	1
3	WASHER, 8.4 FLAT ZINC	F81054-1	8
4	BOLT, M8X25-8.8-B HEX HEAD FULL THREAD	F81002-5	4



5	PLATE, BOARD RETURN TABLE FRONT	501977-1	1	
6	WASHER, 10.5 FLAT ZINC	F81055-1	8	
7	BOLT, M10X25-8.8 HEX HEAD FULL THREAD ZINC	F81003-11	4	
8	NUT, M10-8-B NYLON HEX ZINC LOCK	F81033-1	4	
9	NUT, M8-8-B HEX NYLON LOCK ZINC	F81032-2	4	
10	BRACKET, "M" LONG TABLE	502519-1	1	
11	WASHER, 8.4 FLAT ZINC	F81054-1	6	
12	BOLT, M8X25-8.8-B HEX HEAD FULL THREAD	F81002-5	3	
13	NUT, M8-8-B HEX NYLON LOCK ZINC	F81032-2	7	
14	BOARD RETURN ASSEMBLY <a href="#">See Section 4.3</a>	087839	1	
15	COVER, HYDRAULIC HOSE - SPECIAL	502500-1	1	
16	TUBE, TABLE LEG	502520-1	1	
17	WASHER, 10.5 FLAT ZINC	F81055-1	8	
18	BOLT, M10x25-8.8 HEX HEAD FULL THREAD ZINC	F81003-11	2	
19	BOLT, M10X30-5.8 HEX HEAD FULL THREAD ZINC	F81003-2	1	
20	BOLT, M10X125-8.8 HEX HEAD ZINC	F81003-18	1	
	<b>COVER, HYDRAULIC HOSE - COMPLETE</b>	<b>504262</b>	<b>1</b>	
21	PLATE, HYDRAULIC HOSE COVER - COMPLETE	504261-1	1	
22	COVER, RUBBER 80 MM	089293	2	
23	WASHER, 6.4 FLAT ZINC	F81053-1	8	
24	NUT, M6-8-B HEX NYLON LOCK ZINC	F81031-2	4	
25	BOLT, M6X16 -8.8 HEX HEAD FULL THREAD ZINC	F81001-32	4	
26	MOUNT, HYDRAULIC BOX	513155-1	1	
27	LONG TABLE, "M" FRAME <a href="#">See Section 8.20</a>	502539	1	
28	WASHER, 10.5 FLAT ZINC	F81055-1	4	
29	BOLT, M10x25-8.8 HEX HEAD FULL THREAD ZINC	F81003-11	2	
30	NUT, M10-8-B NYLON HEX ZINC LOCK	F81033-1	2	

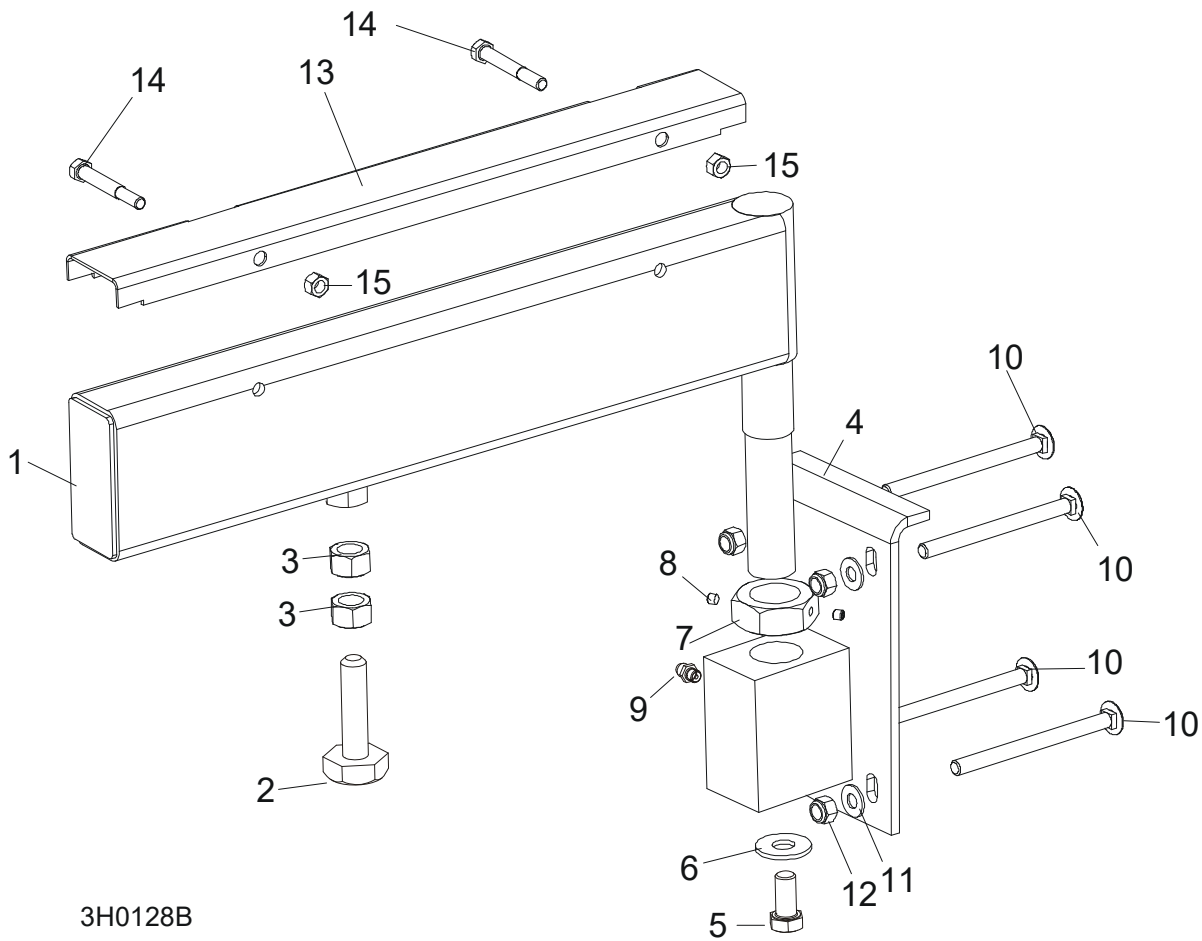
**8.20 Long Table**



REF	DESCRIPTION (◆ indicates parts available in assemblies only)	PART #	QTY
	<b>M FRAME TABLE</b>	<b>502539</b>	<b>1</b>
1	TABLE WLDMT, BOARD RETURN	512488-1	1
2	WASHER, 10.5 FLAT ZINC	F81055-1	10
3	BOLT, M10X25-8.8 HEX HEAD FULL THREAD ZINC	F81003-11	10
	<b>LEG, TABLE COMPLETE</b>	<b>501974</b>	<b>2</b>
4	LEG, TABLE	501976	2
5	WASHER, 10.5 FLAT ZINC	F81055-1	15
6	CROSS-BAR, TABLE	500074-1	2
	<b>COMPLETE, ADJUSTABLE LEG FOOT</b>	<b>101014</b>	<b>2</b>
7	FOOT, LEG ADJUSTABLE	101022-1	1
8	PLATE, M10 CLAMPING ZINC-PLATED	101242-1	1
9	WASHER, 10.5 FLAT ZINC	F81055-1	3
10	NUT, M10-8-B HEX ZINC	F81033-3	1
11	BOLT, M10 X 70-8.8 HEX HEAD FULL THREAD ZINC	F81003-20	1
12	BOLT, M10X25-8.8 HEX HEAD FULL THREAD ZINC	F81003-11	2

REF	DESCRIPTION (◆ indicates parts available in assemblies only)	PART #	QTY	
13	BOLT, M10X25-8.8 HEX HEAD FULL THREAD ZINC	F81003-11	8	
14	NUT, M10-8-B HEX ZINC	F81033-3	8	
15	ROLLER, 63.5/20X590	501090-1	5	

### 8.21 Pivot Bed Rail Assembly



3H0128B

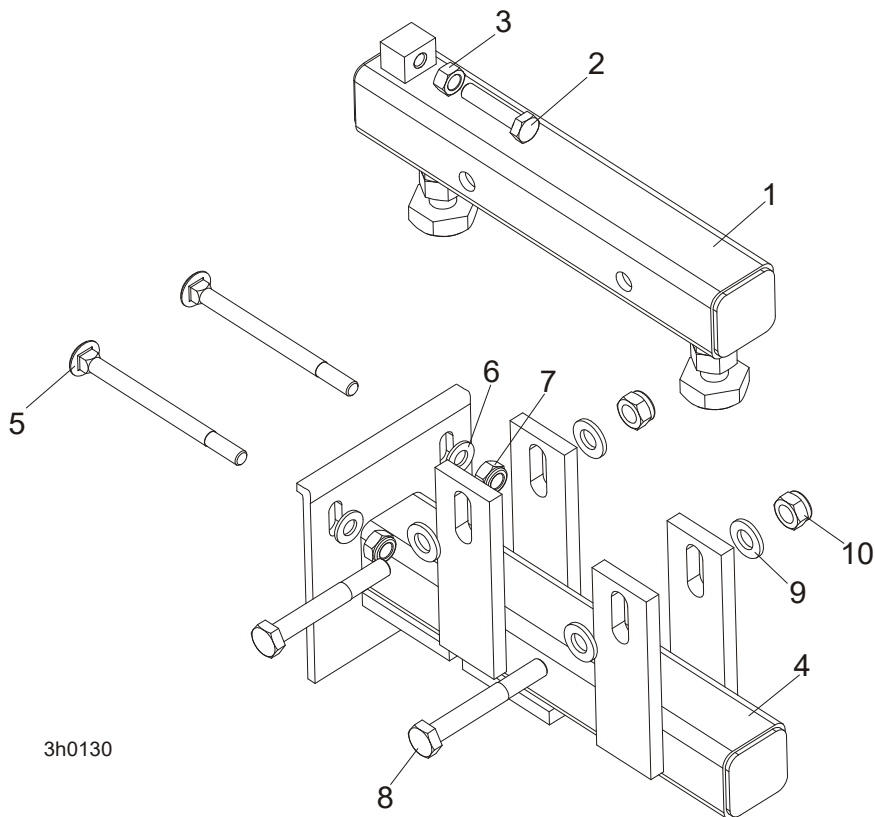
REF.	DESCRIPTION (◆ indicates parts available in assemblies only)	PART #	QTY
	<b>PIVOT BED RAIL ASSEMBLY (LT40SAH)</b>	087829	2
	<b>PIVOT, BED RAIL ASSEMBLY (LT40HD)</b>	087855	2
1	RAIL WELDMENT, PIVOT BED	087852-1	1
	PIVOT BED RAIL ASSEMBLY	087848-1	1
	BOLT ASSEMBLY, BED RAIL ADJUSTMENT		1
2	BED RAIL ADJUSTMENT BOLT	086809	1
3	NUT, M16-5.8 HEX ZINC	F81036-1	2
4	BRACKET, PIVOT RAIL MOUNTING	087841-1	1
5	BOLT, M12X25-8.8 HEX HEAD FULL THREAD ZINC	F81004-31	1
6	WASHER, 9/16 FLAT	F05011-52	1
7	NUT, M32X2-04-B ZINC	087975	1
8	SCREW, 1/4-28X1/4 SH BRASS TIP SET	F05005-42	2
9	FITTING, M6 GREASE	086280	1
10	<b>BOLT, M10X120 8.8 CARRIAGE ZINC</b>	F81003-33	4
11	<b>WASHER, 10.5 FLAT ZINC</b>	F81055-1	4
12	<b>NUT, M10-8-B HEX NYLON ZINC LOCK</b>	F81033-1	4

	COVER KIT, 18.75 SS PIVOT BED RAIL	015926	2	
	<b>COVER KIT, PIVOT RAIL STAINLESS STEEL (LT40MAH)</b>	N/A	2	
<b>13</b>	COVER, 18.75 SS PIVOT RAIL	012994	1	
	COVER, PIVOT BED RAIL	099123	1	
<b>14</b>	Bolt, 5/16-18x2 1/2 HH	F05006-10	2	
<b>15</b>	NUT, 5/16-18 SWAGED HEX	F05010-6	2	
	<b>WRENCH, BED RAIL ADJUSTMENT (<a href="#">See Section 8.3</a>)</b>	015970	1	

# 8 Bed Frame Assembly

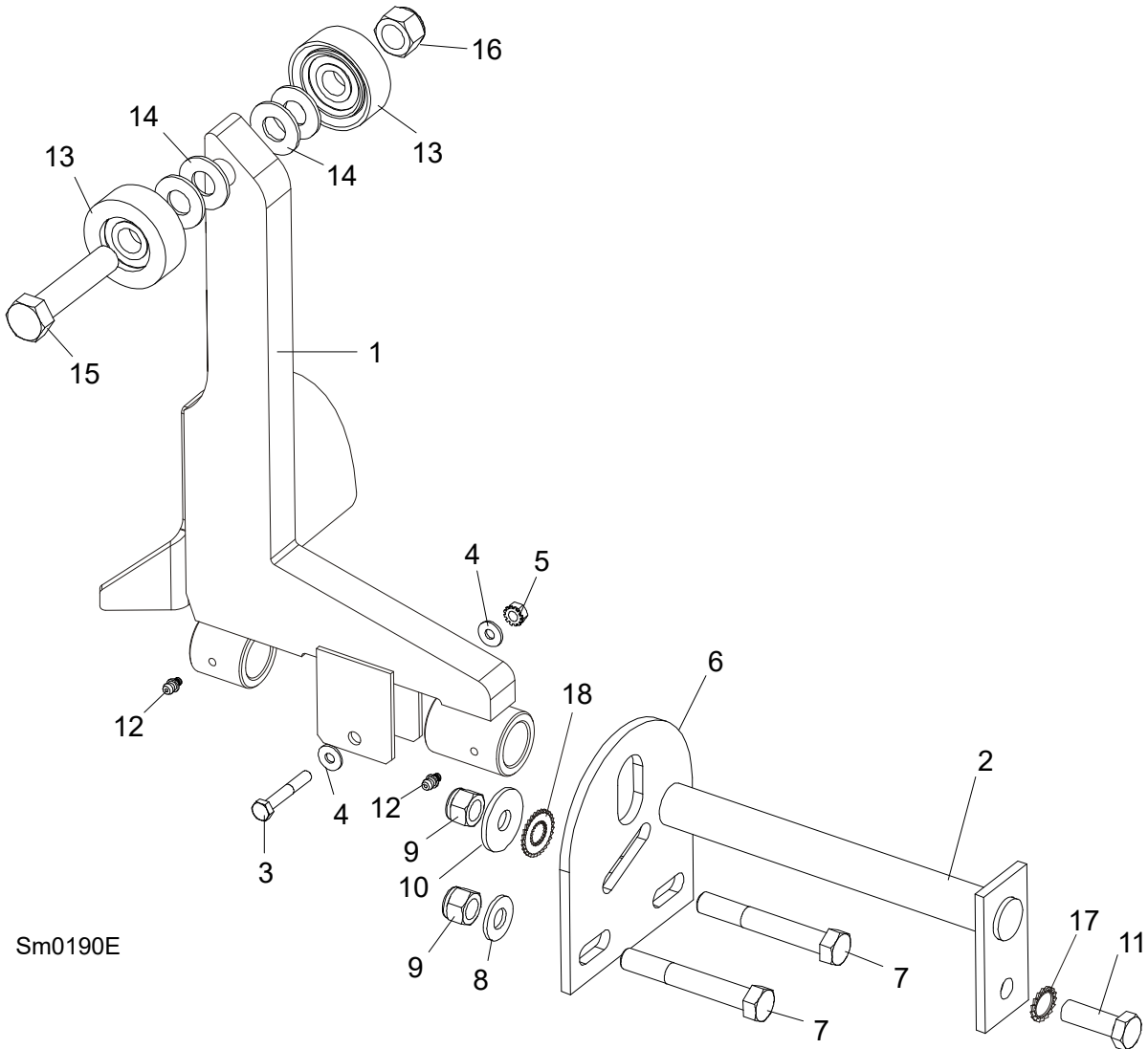
## Bed Rail Assembly, Optional End

### 8.22 Bed Rail Assembly, Optional End



REF.	DESCRIPTION (◆ indicates parts available in assemblies only)	PART #	QTY
	<b>BED RAIL, COMPLETE END</b>	094102	1
1	BED RAIL ASSY - ZINC	094103-1	1
2	BOLT, M8 X 45 - 8.8 HEX HEAD FULL THREAD ZINC	F81002-14	1
3	NUT, M8-8-B HEX ZINC	F81032-1	1
4	BED RAIL WELDMENT, END BED RAIL	094104-1	1
5	BOLT, M10X120 8.8 CARRIAGE ZINC	F81003-33	2
6	WASHER, 10.5 FLAT ZINC	F81055-1	2
7	NUT, M10-8-B HEX NYLON ZINC LOCK	F81033-1	2
8	BOLT, M12X90-8.8 HEX HEAD ZINC	F81004-2	2
9	WASHER, 13 FLAT ZINC	F81056-1	4
10	NUT, M12-8 HEX NYLON ZINC LOCK	F81034-2	2

## 8.23 Log Side Support Assembly (Manual)



Sm0190E

<u>See Section 9.7</u> for hydraulic side supports...			
REF.	DESCRIPTION (◆ Indicates Parts Available In Assemblies Only)	PART #	QTY
1	SUPPORT, SIDE W/GUARD	099785-1	1
2	PIN, SIDE SUPPORT ZINC-PLATED	091549-1	1
3	BOLT, M8 X 45 - 8.8 HEX HEAD FULL THREAD ZINC	F81002-14	1
4	WASHER, 8.4 FLAT ZINC	F81054-1	2
5	NUT, M8-8-B HEX NYLON ZINC LOCK	F81032-2	1
6	PLATE, LOG SIDE SUPPORT MOUNT	091591-1	1
7	BOLT, M12 X 75-8.8 HEX HEAD ZINC	F81004-21	2
8	WASHER, 13 FLAT ZINC	F81056-1	2
9	NUT, M12-8 HEX NYLON ZINC LOCK	F81034-2	3
10	LOCK-WASHER 45/13	086184	1
11	BOLT, M12 X 35-8.8 HEX HEAD FULL THREAD ZINC	F81004-24	1
12	FITTING, 3/16X3/16 STRAIGHT GREASE	P04107	2
13	ROLLER ASSY, SIDE SUPPORT	015014-1	2



## Bed Frame Assembly

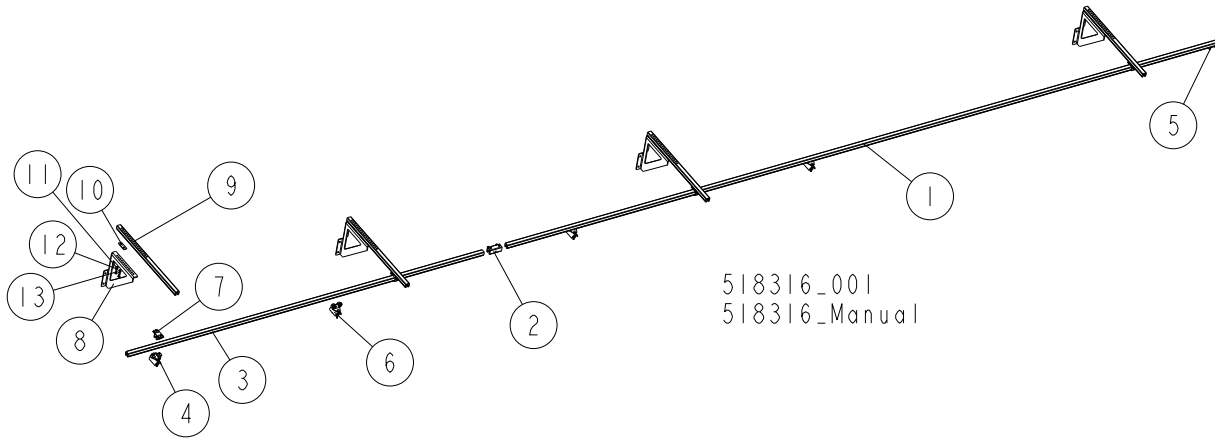
### Log Side Support Assembly (Manual)

---

14	WASHER, 17 FLAT ZINC	F81058-1	2	
15	BOLT, M16X65-8.8 HEX HEAD FULL THREAD ZINC	F81006-1	1	
16	NUT, M16-8 HEX NYLON ZINC LOCK	F81036-2	1	
17	WASHER, SPECIAL BOSART/2S, BN781 M12/13	F81056-16	1	
18	WASHER, SPECIAL BOSART/2S M12/12, 3/30,3	F81056-17	1	
	INSTRUCTION SHEET, SIDE SUPPORT ROLLER	015109-526	1	

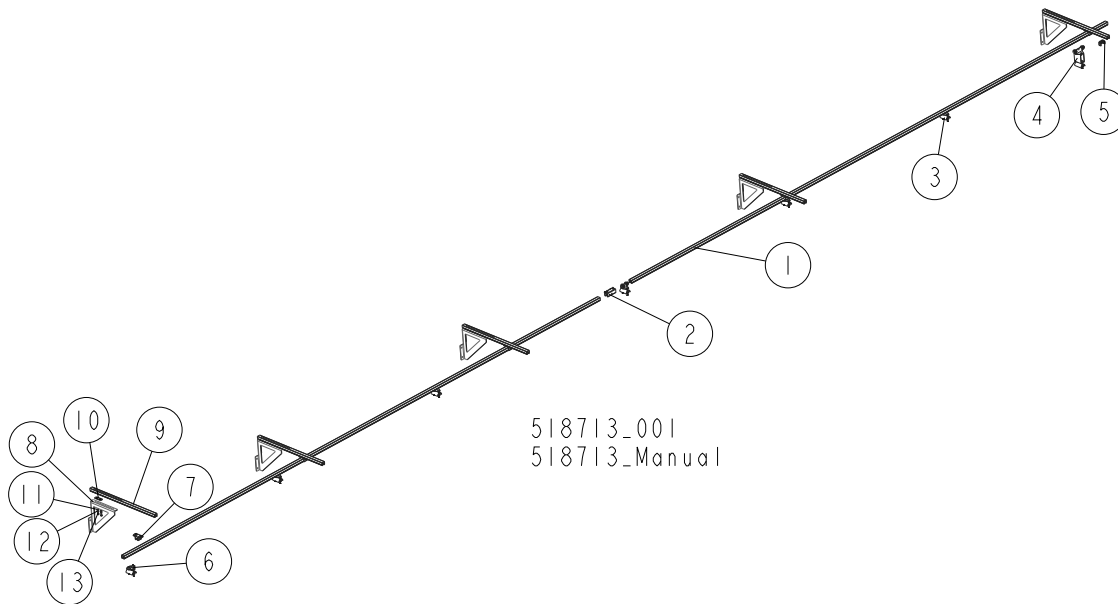


8.24 Remote Equipment for Installation on a Wall (Cutting Length of 6.5 m)



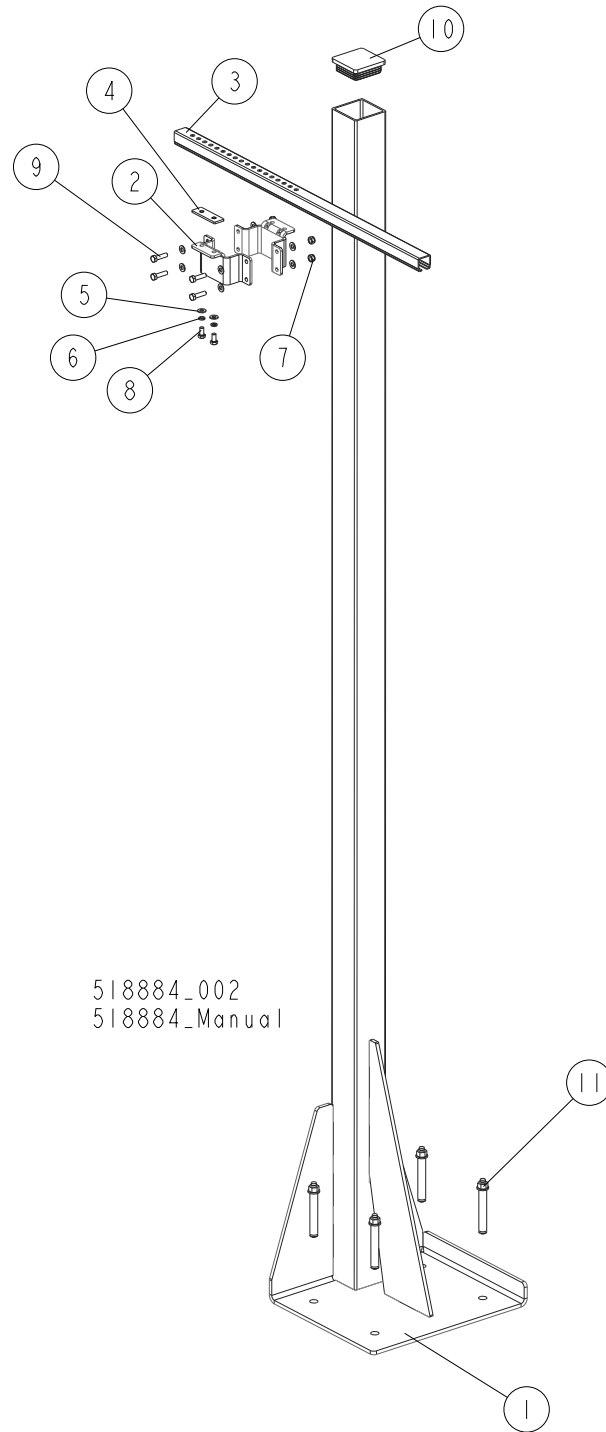
REF	DESCRIPTION (◆ indicates parts available in assemblies only)	PART #	QTY
	<b>REMOTE EQUIPMENT (CUTTING LENGTH OF 6.5 M)</b>	<b>518316</b>	<b>1</b>
	RAIL, COMPLETE GUIDE (CUTTING LENGTH OF 6.5M)	518315	1
1	RAIL, 6 M C-PROFILE	518332	1
2	COUPLER, TRACK	518705	1
3	RAIL, 3 M C-PROFILE	518313	1
4	CLAMP, FLAT CABLE - END	518701	1
5	STOP, END	518700	1
6	TROLLEY, CABLE MOVING	518333	3
7	BRACKET, BOLT-ON	518702	4
	RAIL BRACKET KIT FOR WALL MOUNTING	518724	4
8	BRACKET, GUIDE RAIL (FOR WALL MOUNTING)	518728-1	1
9	ARM, RAIL BRACKET	518709	1
10	PLATE, ARM CLAMPING	518885-1	1
11	WASHER, 8.4 FLAT ZINC	F81054-1	2
12	WASHER, 8.2 SPLIT LOCK ZINC	F81054-4	2
13	BOLT, M8x16 -8.8-B HEX HEAD FULL THREAD ZINC	F81002-20	2

## 8.25 Remote Equipment for Installation on a Wall (Cutting Length of 6.5-10 m)



REF	DESCRIPTION (◆ indicates parts available in assemblies only)	PART #	QTY
	REMOTE EQUIPMENT (CUTTING LENGTH OF 6.5-10 M)	518713	1
	RAIL, COMPLETE GUIDE (CUTTING LENGTH OF 6.5-10 M)	518704	1
1	RAIL, 6 M C-PROFILE	518332	2
2	COUPLER, TRACK	518705	1
3	TROLLEY, CABLE MOVING	518333	5
4	TROLLEY, TOWING	518334	1
5	STOP, END	518700	1
6	CLAMP, FLAT CABLE - END	518701	1
7	BRACKET, BOLT-ON	518702	5
8	RAIL BRACKET KIT FOR WALL MOUNTING	518724	5
9	BRACKET, GUIDE RAIL (FOR WALL MOUNTING)	518728-1	1
10	ARM, RAIL BRACKET	518709	1
11	PLATE, ARM CLAMPING	518885-1	1
12	WASHER, 8.4 FLAT ZINC	F81054-1	2
13	WASHER, 8.2 SPLIT LOCK ZINC	F81054-4	2

### 8.26 Guide Rail Support Post



518884\_002  
 518884\_Manual

REF.	DESCRIPTION (◆ indicates parts available in assemblies only)	PART #	QTY
	POST, GUIDE RAIL SUPPORT - COMPLETE	<b>518736</b>	<b>1</b>
1	POST, GUIDE RAIL SUPPORT	518707-1	1
2	BRACKET, 80X80 TUBE WRAP	518725-1	2
3	ARM, RAIL BRACKET	518709	1
4	PLATE, ARM CLAMPING	518885-1	1



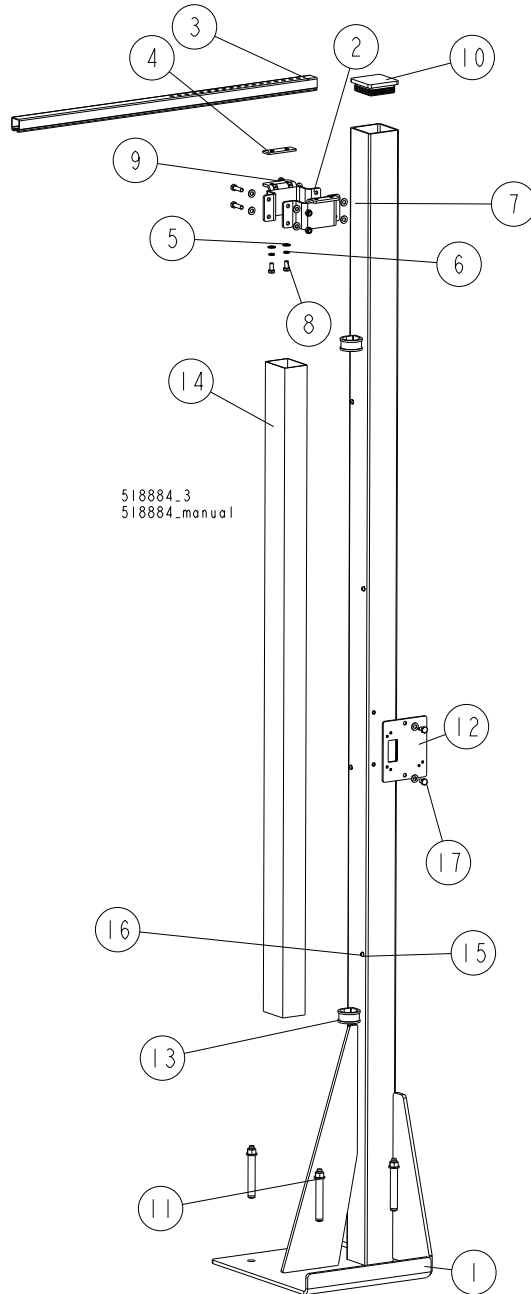
## Bed Frame Assembly

### Guide Rail Support Post

---

REF.	DESCRIPTION (◆ indicates parts available in assemblies only)	PART #	QTY
5	WASHER, 8.4 FLAT ZINC	F81054-1	10
6	WASHER, 8.2 SPLIT LOCK ZINC	F81054-4	2
7	NUT, M8-8-B HEX NYLON ZINC LOCK	F81032-2	4
8	BOLT, M8X16-8.8-B HEX HEAD FULL THREAD ZINC	F81002-20	2
9	BOLT, M8X30MM,HH,GR 5.8,FULL THRD,ZINC	F81002-2	4
10	CAP, HR FRAME	089644	1
11	PIN, LT 16X120	501877	4

### 8.27 Guide Rail Support Post



REF	DESCRIPTION (◆ indicates parts available in assemblies only)	PART #	QTY
	POST, GUIDE RAIL SUPPORT - COMPLETE	<b>520669</b>	<b>1</b>
1	POST WELDMENT W/HOLES	520667-1	1
2	BRACKET, 80X80 TUBE WRAP	518725-1	2
3	ARM, RAIL BRACKET	518709	1
4	PLATE, ARM CLAMP	518885-1	1

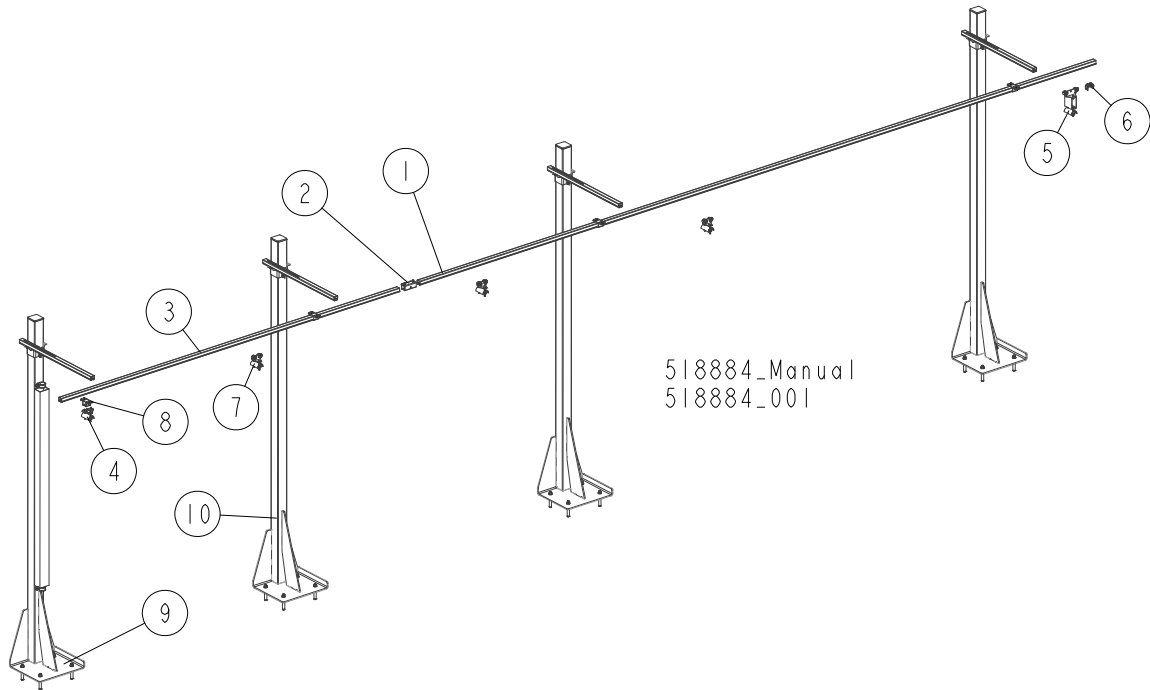


## Bed Frame Assembly

### Guide Rail Support Post

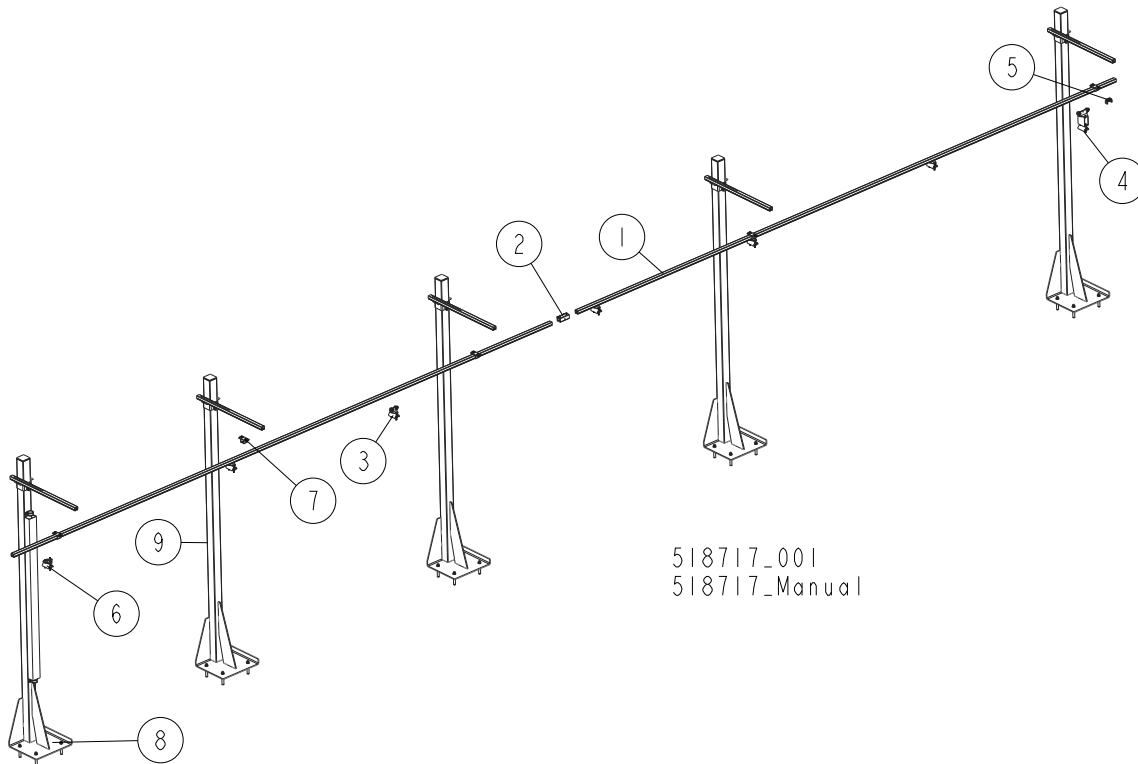
REF	DESCRIPTION (◆ indicates parts available in assemblies only)	PART #	QTY
5	WASHER, 8.4 FLAT ZINC	F81054-1	14
6	WASHER, 8.2 SPLIT LOCK ZINC	F81054-4	2
7	NUT, M8-8-B HEX NYLON ZINC LOCK	F81032-2	4
8	BOLT, M8X16 -8.8-B HEX HEAD FULL THREAD ZINC	F81002-20	4
9	BOLT, M8X30-5.8 HEX HEAD FULL THREAD ZINC	F81002-2	4
10	CAP, HR FRAME	089644	1
11	PIN, LT 16X120	501877	4
12	PLATE, SOCKET MOUNT	517664-1	1
13	CLAMP, RSGU 1.42/20 W1 METAL & RUBBER	F81087-3	2
14	DUCT, CABLE	520670	1
15	WASHER, 5.3 FLAT ZINC	F81052-1	4
16	SCREW, H M5X10 8.8 FE/ZN5 PN-M/82202	F81000-13	4
17	BOLT, M8X12-8.8 HEX HEAD FULL THREAD ZINC	F81002-6	2

## 8.28 4-Post Remote Set



REF.	DESCRIPTION (◆ indicates parts available in assemblies only)	PART #	QTY
	REMOTE SET, 4-POST	<b>518884</b>	<b>1</b>
	RAIL, COMPLETE GUIDE (CUTTING LENGTH OF 6.5M)	518315	1
<b>1</b>	RAIL, 6 M C-PROFILE	518332	1
<b>2</b>	COUPLER, TRACK	518705	1
<b>3</b>	RAIL, 3 M C-PROFILE	518313	1
<b>4</b>	CLAMP, FLAT CABLE - END	518701	1
<b>5</b>	TROLLEY, TOWING	518334	1
<b>6</b>	STOP, END	518700	1
<b>7</b>	TROLLEY, CABLE MOVING	518333	3
<b>8</b>	BRACKET, BOLT-ON	518702	4
<b>9</b>	POST, GUIDE RAIL SUPPORT - COMPLETE <a href="#">See Section 8.27</a>	520669	1
<b>10</b>	POST, GUIDE RAIL SUPPORT - COMPLETE <a href="#">See Section 8.26</a>	518736	3

**8.29 5-Post Remote Set**

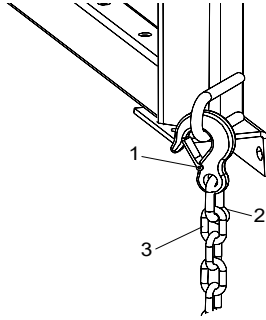


REF	DESCRIPTION (◆ indicates parts available in assemblies only)	PART #	QTY
	REMOTE SET, 5-POST	<b>518717</b>	<b>1</b>
	RAIL, COMPLETE GUIDE (CUTTING LENGTH OF 6.5-10 M)	518704	1
1	RAIL, 6 M C-PROFILE	518332	2
2	COUPLER, TRACK	518705	1
3	TROLLEY, CABLE MOVING	518333	5
4	TROLLEY, TOWING	518334	1
5	STOP, END	518700	1
6	CLAMP, FLAT CABLE - END	518701	1
7	BRACKET, BOLT-ON	518702	5
8	POST, GUIDE RAIL SUPPORT - COMPLETE <a href="#">See Section 8.28</a>	520669	1
9	POST, GUIDE RAIL SUPPORT - COMPLETE <a href="#">See Section 8.27</a>	518736	4



**8.30 Tie Down Chain Assembly**

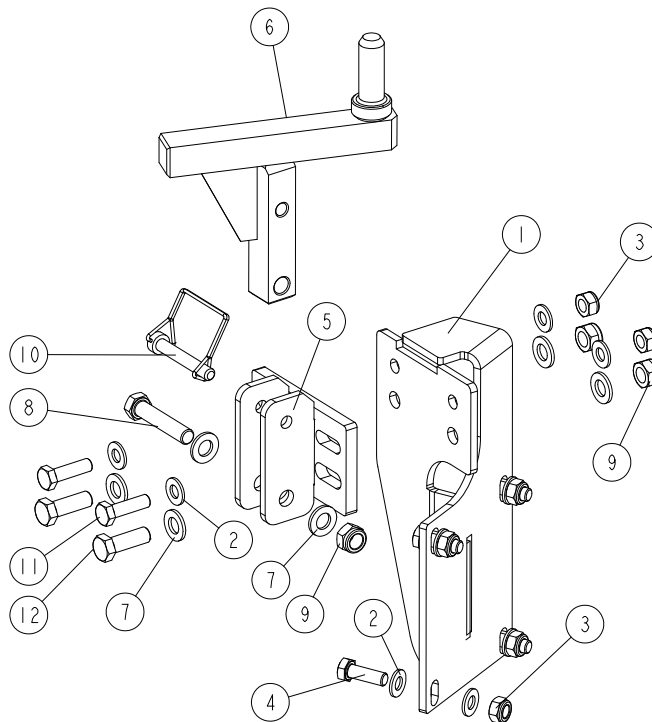
SM0129



REF	DESCRIPTION (◆ indicates parts available in assemblies only)	PART #	QTY	
	<b>CHAIN, TIE DOWN ASSEMBLY</b>	A04376-1	1	
<b>1</b>	HOOK, 5/8 SAFTEY CHAIN	P12075	1	◆
<b>2</b>	SCREW CLOSED CHAIN LINK, 10	100767	1	◆
<b>3</b>	CHAIN, N-10 X 35, 6 LINKS	100951	1	◆

### 8.31 Saw Head Transport Bracket

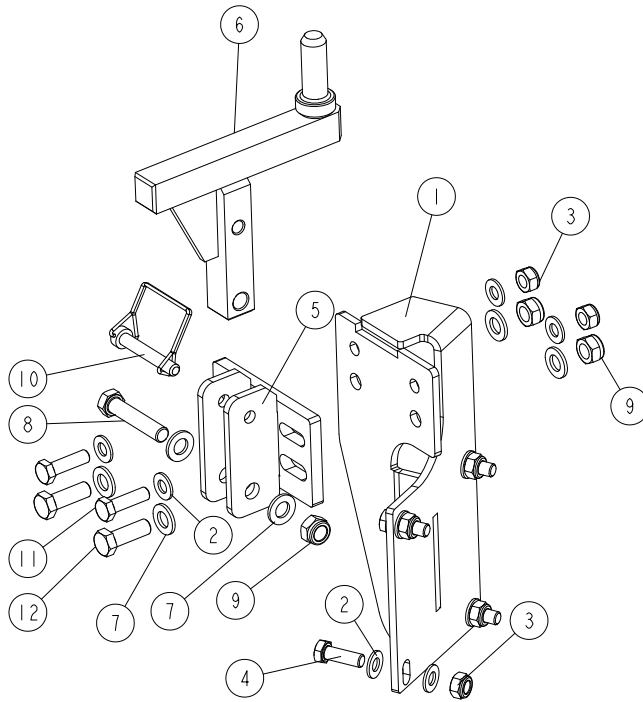
532167\_001  
532167\_MANUAL



REF	DESCRIPTION (◆ indicates parts available in assemblies only)	PART #	QTY
-	<b>BRACKET, LT40M/S SAW HEAD TRANSPORT - COMPLETE</b>	532167	1
1	BRACKET, LT70MD42SDH7-2.6	502711-1__	1
2	WASHER, 10.5 FLAT ZINC	F81055-1	12
3	NUT, M10-8-B HEX NYLON ZINC LOCK	F81033-1	6
4	BOLT, M10X30-5.8 HEX HEAD FULL THREA	F81003-2	4
5	BRACKET, LT40 SAW HEAD REST PIN MOUNT	092765-1	1
6	PIN WELDMENT, LT40 SAW HEAD REST	532166-1	1
7	WASHER, 13 FLAT ZINC	F81056-1	6
8	BOLT, M12X60-8.8 HEX HEAD ZINC	F81004-5	1
9	NUT, M12-8 HEX NYLON ZINC LOCK	F81034-2	3
10	PIN, 3/8 X 2 1/4 SQ WIRE LOCK	014151	1
11	BOLT, M10X35-8.8 HEX HEAD FULL THREAD ZINC	F81003-17	2
12	BOLT, M12 X 35-8.8 HEX HEAD FULL THREAD ZINC	F81004-24	2

### 8.32 Saw Head Transport Bracket

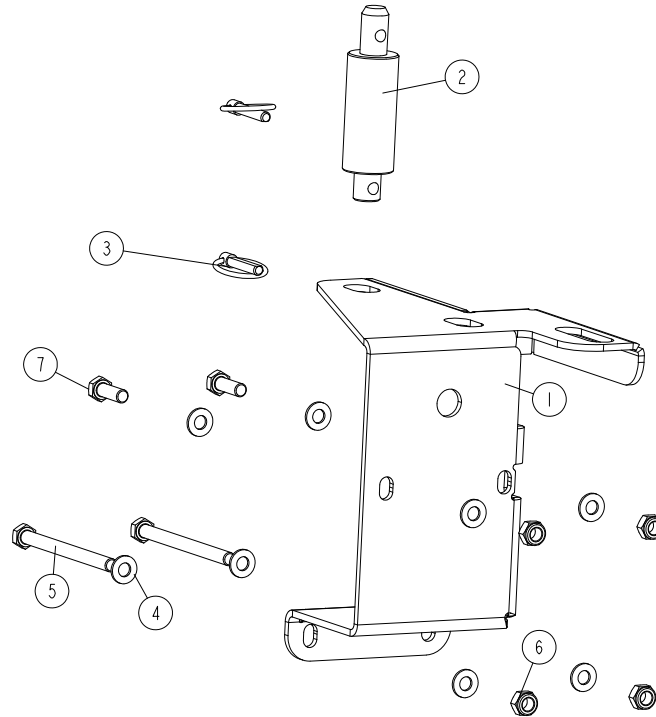
525089\_001  
525089\_MANUAL



REF	DESCRIPTION (◆ indicates parts available in assemblies only)	PART #	QTY
-	<b>BRACKET, LT40M SAW HEAD TRANSPORT (FOR BEDS W/ANGLED BED RAILS)</b>	525089	1
1	BRACKET, LT70MD42SDH7-2.6	502711-1_	1
2	WASHER, 10.5 FLAT ZINC	F81055-1	12
3	NUT, M10-8-B HEX NYLON ZINC LOCK	F81033-1	6
4	BOLT, M10X30-5.8 HEX HEAD FULL THREAD	F81003-2	4
5	BRACKET, LT40 SAW HEAD REST PIN MOUNT	092765-1	1
6	PIN, SAW HEAD REST BRACKET	090421-1	1
7	WASHER, 13 FLAT ZINC	F81056-1	6
8	BOLT, M12X60-8.8 HEX HEAD ZINC	F81004-5	1
9	NUT, M12-8 HEX NYLON ZINC LOCK	F81034-2	3
10	PIN, 3/8 X 2 1/4 SQ WIRE LOCK	014151	1
11	BOLT, M10X35-8.8 HEX HEAD FULL THREAD ZINC	F81003-17	2
12	BOLT, M12 X 35-8.8 HEX HEAD FULL THREAD ZINC	F81004-24	2

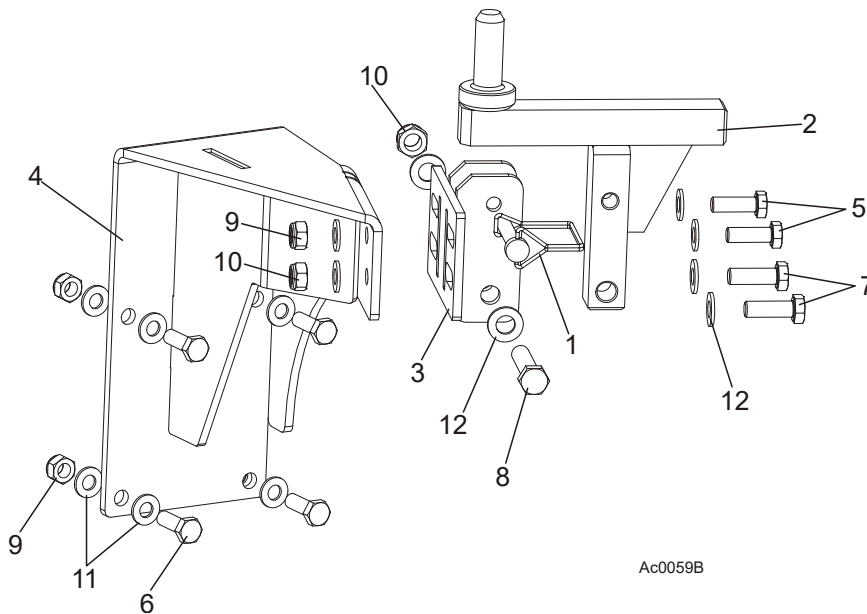
**8.33 LT Sawmill Saw Head Rest Bracket**

546306\_001  
 546306\_MANUAL



REF	DESCRIPTION (◆ indicates parts available in assemblies only)	PART #	QTY
-	<b>BRACKET, LT SAWMILL SAW HEAD REST</b>	546306	1
1	PLATE, SAW HEAD REST BRACKET	546307-1	1
2	PIN, SAW HEAD REST, LT20 PTD.	097935-1	1
3	PIN, 8 BN914 (BOSSARD 134650) LOCK	F81046-2	2
4	WASHER, 10.5 FLAT ZINC	F81055-1	8
5	BOLT, M10x125-8.8 HEX HEAD ZINC	F81003-18	2
6	NUT, M10-8-B HEX NYLON ZINC LOCK	F81033-1	4
7	BOLT, M10X30-5.8 HEX HEAD FULL THREAD	F81003-2	2

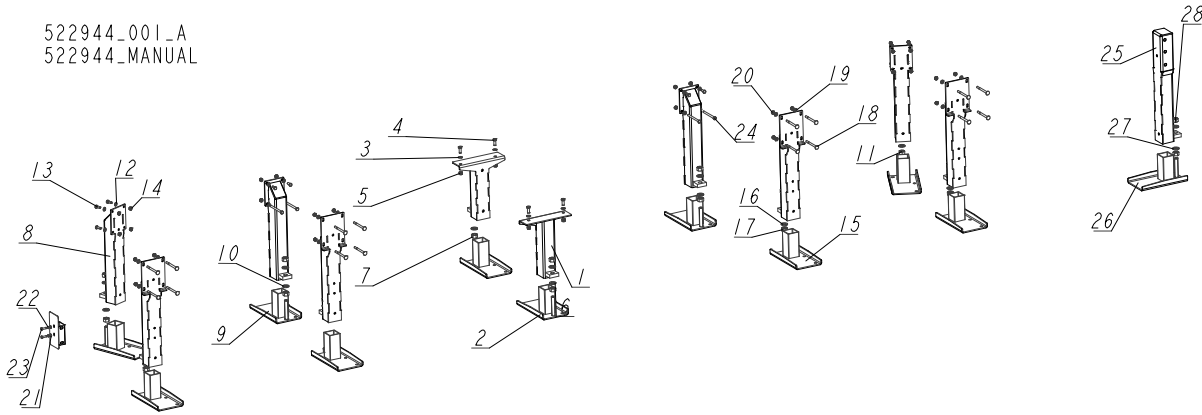
### 8.34 Saw Head Rest Pin Assembly



REF.	DESCRIPTION (◆ Indicates Parts Available In Assemblies Only)	PART #	QTY
	<b>KIT, LT40ME15SAH3-1.8 SAW HEAD REST PIN - COMPLETE</b>	501627	1
1	PIN, 3/8 X 2 1/4 SQ WIRE LOCK	014151	1
2	PIN, SAW HEAD REST BRACKET	090421-1	1
3	BRACKET, SAW HEAD REST PIN	092765-1	1
4	BRACKET, HORIZONTAL	501837-1	1
5	BOLT, M10X35-8.8 HEX HEAD FULL THREAD ZINC	F81003-17	2
6	BOLT, M10x30-5.8 HEX HEAD FULL THREAD ZINC	F81003-2	4
7	BOLT, M12 X 35-8.8-FE/ZN5 HEX HEAD FULL	F81004-24	2
8	BOLT, M12X60-8.8 HEX HEAD ZINC	F81004-5	1
9	NUT, M10-8-B HEX NYLON ZINC LOCK	F81033-1	6
10	NUT, M12-8 HEX NYLON ZINC LOCK	F81034-2	3
11	WASHER, 10.5 FLAT ZINC	F81055-1	12
12	WASHER, 13 FLAT ZINC	F81056-1	6

### Stationary Legs for "M" Frame

522944\_001\_A  
522944\_MANUAL



REF.	DESCRIPTION (◆ Indicates Parts Available In Assemblies Only)	PART #	QTY
-	<b>LEG, M SUPER FRAME STATIONARY</b>	522944	1
-	LEG, MIDDLE ADJUSTABLE STATIONARY	501637	3
1	LEG, MIDDLE	507720-1	1
2	FOOT, WIDE	501084-1	1
3	WASHER, 13 FLAT ZINC	F81056-1	2
4	BOLT, M12X30 8.8 HEX HEAD FULL THREAD ZINC	F81004-22	2
5	NUT, M12 8 HEX NYLON ZINC LOCK	F81034-2	2
6	WASHER, 21 FLAT ZINC	F81059-2	2
7	NUT, M20-8 HEX ZINC	F81037-1	2
-	LEG, LEFT ADJUSTABLE STATIONARY	501639	4
8	LEG, SIDE ADJUSTABLE	507715-1	1
9	FOOT, WIDE	501084-1	1
10	WASHER, 21 FLAT ZINC	F81059-2	2
11	NUT, M20-8 HEX ZINC	F81037-1	2
12	WASHER, 10.5 FLAT ZINC	F81055-1	4
13	BOLT, M10X25 8.8 HEX HEAD FULL THREAD ZINC	F81003-11	4
14	NUT, M10-8-B HEX NYLON ZINC LOCK	F81033-1	4
-	LEG, RIGHT ADJUSTABLE STATIONARY	501640	5
15	FOOT, WIDE	501084-1	1
16	WASHER, 21 FLAT ZINC	F81059-2	2
17	NUT, M20-8 HEX ZINC	F81037-1	2
18	BOLT, M10X120 8.8 CARRIAGE ZINC	F81003-33	4
19	WASHER, 10.5 FLAT ZINC	F81055-1	4
20	NUT, M10-8-B HEX NYLON ZINC LOCK	F81033-1	4
-	COVER ASSEMBLY, MAIN TUBE	093052	1
21	WASHER, 8.4 FLAT ZINC	F81054-1	2
22	WASHER, 8.2 SPLIT LOCK ZINC	F81054-4	2
23	BOLT, M8X25-8.8-B HEX HEAD FULL THREAD ZINC	F81002-5	2
24	BOLT, M10X125 8.8 HEX HEAD ZINC	F81003-18	4
-	LEG, FRONT ADJUSTABLE STATIONARY	501641	1
25	LEG WELDMENT, FRONT ADJUSTABLE	508570-1	1
26	FOOT, WIDE	501084-1	1

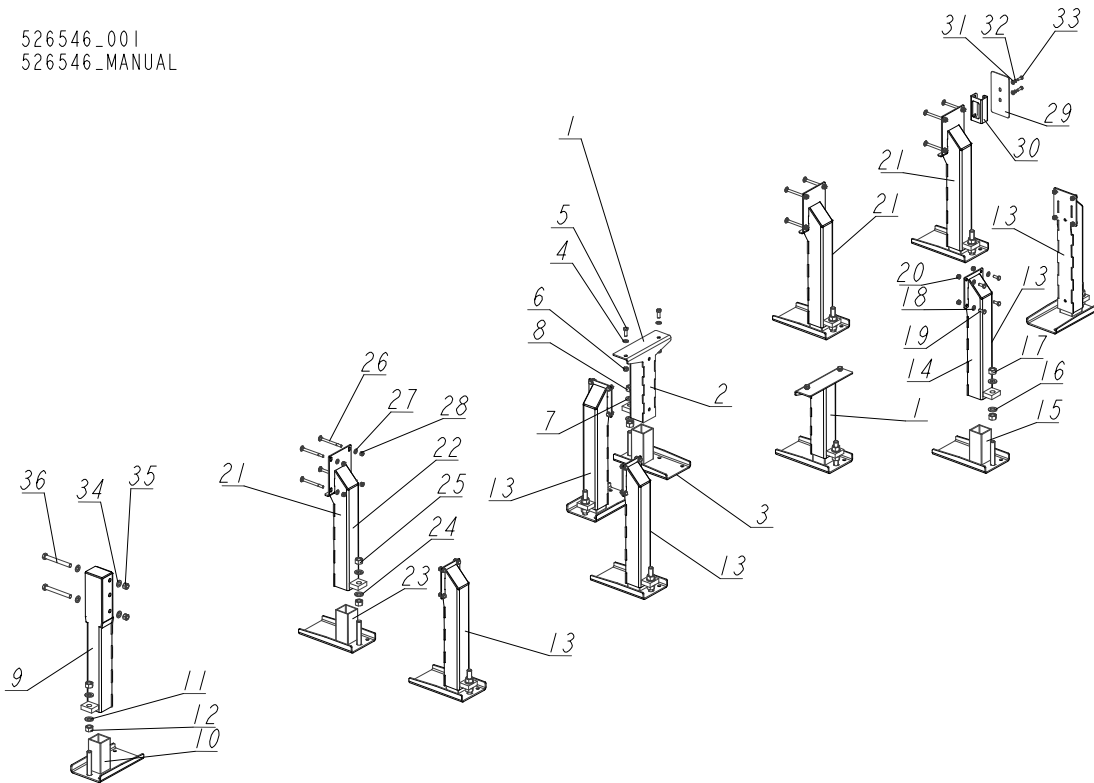
REF.	DESCRIPTION (◆ Indicates Parts Available In Assemblies Only)	PART #	QTY	
27	WASHER, 21 FLAT ZINC	F81059-2	2	
28	NUT, M20-8 HEX ZINC	F81037-1	2	
29	FOOT, WIDE	501084-1	1	
30	SUPPORT, CHAIN TURNER - LOWER PART	523003-1	1	
31	WASHER, 10.5 FLAT ZINC	F81055-1	8	
32	NUT, M10-8-B HEX NYLON ZINC LOCK	F81033-1	4	
33	BOLT, M10X40-8.8 HEX HEAD FULL THREAD ZINC	F81003-16	4	

# 8 Bed Frame Assembly

## Stationary Legs for "S" Frame

### 8.35 Stationary Legs for "S" Frame

526546\_001  
526546\_MANUAL



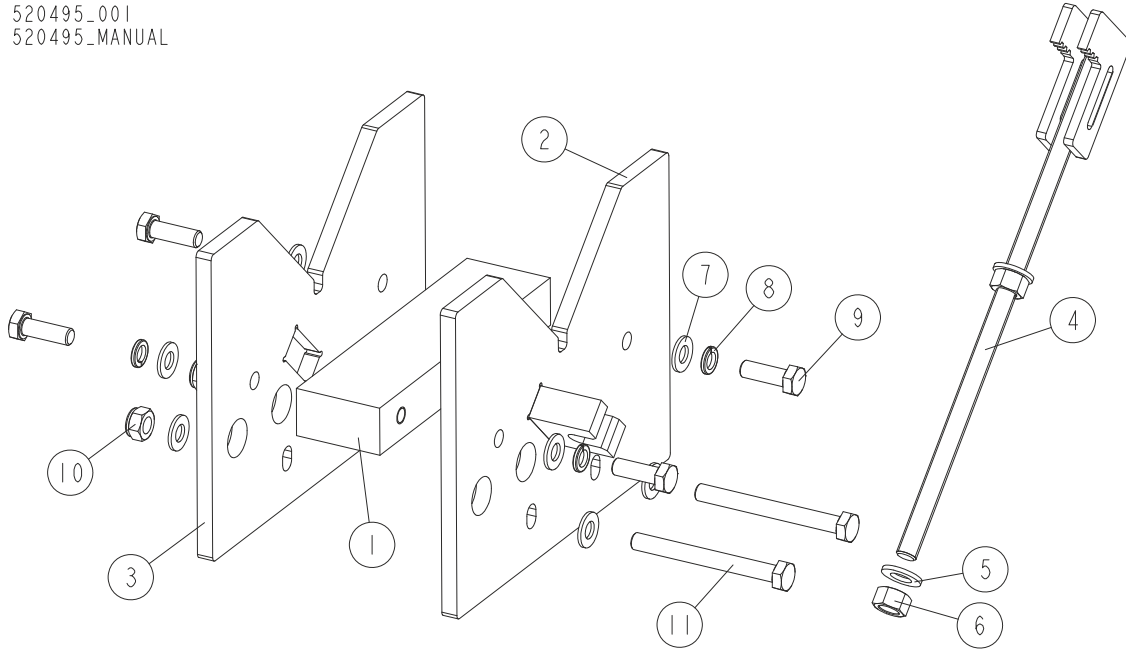
REF.	DESCRIPTION (◆ Indicates Parts Available In Assemblies Only)	PART #	QTY
-	LEG, S FRAME STATIONARY	526546	1
1	LEG, MIDDLE ADJUSTABLE STATIONARY	501637	2
2	LEG, MIDDLE	507720-1	1
3	FOOT, WIDE	501084-1	1
4	WASHER, 13 FLAT ZINC	F81056-1	2
5	BOLT, M12X30 8.8 HEX HEAD FULL THREAD ZINC	F81004-22	2
6	NUT, M12 8 HEX NYLON ZINC LOCK	F81034-2	2
7	WASHER, 21 FLAT ZINC	F81059-2	2
8	NUT, M20-8 HEX ZINC	F81037-1	2
-	LEG, FRONT ADJUSTABLE STATIONARY	501641	1
9	LEG WELDMENT, FRONT ADJUSTABLE	508570-1	1
10	FOOT, WIDE	501084-1	1
11	WASHER, 21 FLAT ZINC	F81059-2	2
12	NUT, M20-8 HEX ZINC	F81037-1	2
13	LEG, LEFT ADJUSTABLE STATIONARY	501639	5
14	LEG, SIDE ADJUSTABLE	507715-1	1
15	FOOT, WIDE	501084-1	1
16	WASHER, 21 FLAT ZINC	F81059-2	2
17	NUT, M20-8 HEX ZINC	F81037-1	2
18	WASHER, 10.5 FLAT ZINC	F81055-1	4
19	BOLT, M10X25 8.8 HEX HEAD FULL THREAD ZINC	F81003-11	4
20	NUT, M10-8-B HEX NYLON ZINC LOCK	F81033-1	4



REF.	DESCRIPTION (◆ Indicates Parts Available In Assemblies Only)	PART #	QTY	
21	LEG, RIGHT ADJUSTABLE STATIONARY	501640	3	
22	LEG, MAIN TUBE (HIGH)	507620-1	1	
23	FOOT, WIDE	501084-1	1	
24	WASHER, 21 FLAT ZINC	F81059-2	2	
25	NUT, M20-8 HEX ZINC	F81037-1	2	
26	BOLT, M10X120 8.8 CARRIAGE ZINC	F81003-33	4	
27	WASHER, 10.5 FLAT ZINC	F81055-1	4	
28	NUT, M10-8-B HEX NYLON ZINC LOCK	F81033-1	4	
-	COVER ASSEMBLY, MAIN TUBE	093052	1	
29	COVER, 201X101.6X3 TUBE	015023-1	1	
30	BRACKET WELDMENT, REAR MAIN TUBE COVER	087105-1	1	
31	WASHER, 8.4 FLAT ZINC	F81054-1	2	
32	WASHER, 8.2 SPLIT LOCK ZINC	F81054-4	2	
33	BOLT, M8X25-8.8-B HEX HEAD FULL THREAD ZINC	F81002-5	2	
34	WASHER, 17 SPLIT LOCK ZINC	F81058-1	4	
35	NUT, M16-8 HEX NYLON ZINC LOCK	F81036-2	2	
36	BOLT, M16X140 HEX HEAD ZINC	F81006-4	2	

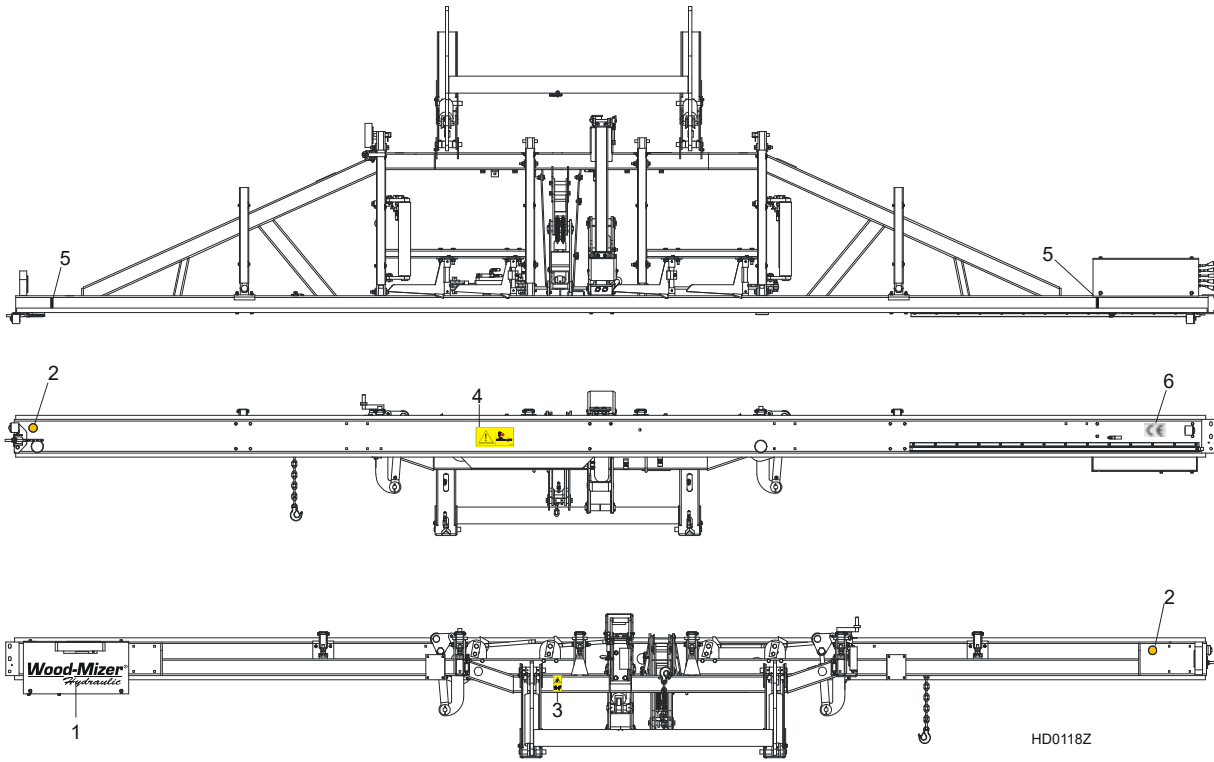
### 8.36 Octagonal Profile Sawing Tool (Option)

520495\_001  
 520495\_MANUAL



REF	DESCRIPTION (◆ indicates parts available in assemblies only)	PART #	QTY
-	<b>OCTAGONAL PROFILE SAWING TOOL</b>	520495	1
1	BAR, INSIDE	520490-1	1
2	PLATE, FRONT	520492-1	1
3	PLATE, MAIN	520489-1	1
4	ARM, CLAMP	520496-1	1
5	WASHER, 13 FLAT ZINC	F81056-1	2
6	NUT, M12-8-B ZINC HEX	F81034-1	2
7	WASHER, 10.5 FLAT ZINC	F81055-1	8
8	WASHER, 10.2 SPLIT LOCK ZINC	F81055-2	4
9	BOLT, M10X30-5.8 HEX HEAD FULL THREAD	F81003-2	4
10	NUT, M10-8-B HEX NYLON ZINC LOCK	F81033-1	2
11	BOLT, M10X95-8.8-B HEX HEAD ZINC	F81003-71	2

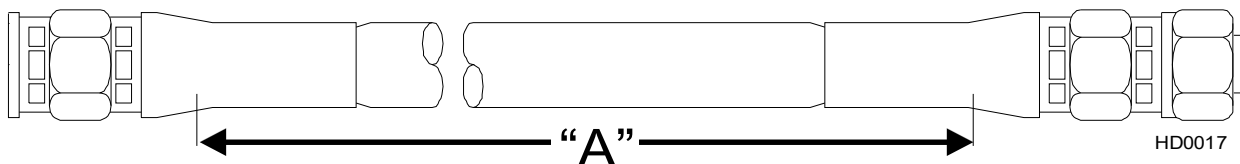
### 8.37 Bed Frame Decals



REF.	DESCRIPTION (◆ indicates parts available in assemblies only)	PART #	QTY
1	DECAL, WOOD-MIZER SUPER HYDRAULIC LOGO	014168	1
2	REFLECTOR, 2 DIA YELLOW	P07453	2
3	DECAL, KEEP A SAFE DISTANCE	099221	1
4	DECAL, SAWMILL TRAILER CAUTION, PIKTOGR.	099542	1
5	DECAL, 1/2 X 2 1/2 BLACK STRIP	S12051	2
6	DECAL, CE , CERTIFIED SAWMILL (SMALL)	P85070	1

## SECTION 9 HYDRAULIC SYSTEM

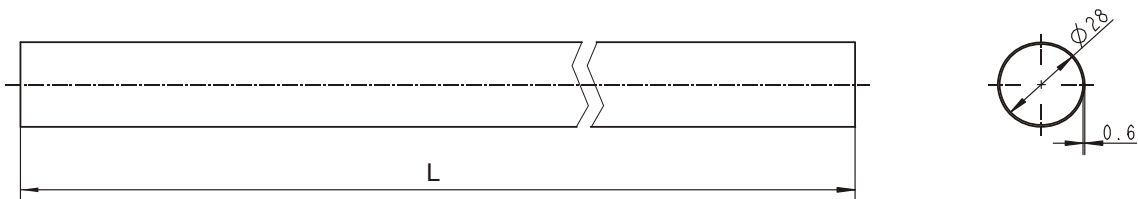
### 9.1 Hydraulic Hoses, LT40 Series AH



COLOR	LENGTH "A"[m]	DESCRIPTION (◆ indicates parts available in assemblies only)	PART #	QTY
None	0.25	3/8" HYDRAULIC PUMP TO VALVE	087774	1
Plain	0.69	3/8" LOG TURNER CYLINDER BASE	014796	1
Orange	0.53	3/8" LOG TURNER CYLINDER TOP	087775	1
Yellow	2.66	1/4" FRONT TOE BOARD TOP (LT40S)	087790	1
	3.81	1/4" FRONT TOE BOARD TOP (LT40M)	087776	1
Gray	2.66	1/4" FRONT TOE BOARD BASE (LT40S)	087790	1
	3.81	1/4" FRONT TOE BOARD BASE (LT40M)	087776	1
Plain	4.21	3/8" SIDE SUPPORT CYLINDER TOP (LT40S)	087791	1
	4.77	3/8" SIDE SUPPORT CYLINDER TOP (LT40M)	087777	1
Pink	4.21	3/8" SIDE SUPPORT CYLINDER BASE (LT40S)	087791	1
	4.77	3/8" SIDE SUPPORT CYLINDER BASE (LT40M)	087777	1
White	3.68	3/8" CLAMP CYLINDER TOP (LT40S)	087792	1
	3.98	3/8" CLAMP CYLINDER TOP (LT40M)	087778	1
Dark Orange	3.27	3/8" CLAMP CYLINDER BASE (LT40S)	087793	1
	3.83	3/8" CLAMP CYLINDER BASE (LT40M)	087779	1
Purple	5.18	1/4" REAR TOE BOARD TOP (LT40S)	087794	1
	5.74	1/4" REAR TOE BOARD TOP (LT40M)	087780	1
Black	5.18	1/4" REAR TOE BOARD BASE (LT40S)	087794	1
	5.74	1/4" REAR TOE BOARD BASE (LT40M)	087780	1
Green	1.58	3/8" LOADING ARM BRANCH TOP	014797	2
Yellow	1.60	3/8" LOADING ARM BRANCH BASE	014798	1
Yellow	1.80	3/8" LOADING ARM BRANCH BASE	093329	1
Blue	4.34	3/8" LOADING ARM CYLINDER TOP (LT40S)	087795	1
	4.90	3/8" LOADING ARM CYLINDER TOP (LT40M)	087781	1
Red	4.34	3/8" LOADING ARM CYLINDER BOTTOM (LT40S)	087795	1
	4.90	3/8" LOADING ARM CYLINDER BOTTOM (LT40M)	087781	1
Green	4.57	1/4" CLAMP UP (LT40S)	087796	1
	5.13	1/4" CLAMP UP (LT40M)	087789	1
Yellow	4.57	1/4" CLAMP DOWN (LT40S)	087796	1
	5.13	1/4" CLAMP DOWN (LT40M)	087789	1
White	4.00	1/4" FRONT LOG CLAMP, IN/OUT CYLINDER BOTTOM (AH5)	094778	1
Orange	4.00	1/4" FRONT LOG CLAMP, IN/OUT CYLINDER TOP (AH5)	094778	1
Red	3.80	1/4" FRONT LOG CLAMP, UP/DOWN CYLINDER BOTTOM (AH5)	094779	1
Blue	3.80	1/4" FRONT LOG CLAMP, UP/DOWN CYLINDER TOP (AH5)	094779	1
White	6.00	1/4" REAR LOG CLAMP, IN/OUT CYLINDER BOTTOM (AH5)	094780	1

Orange	6.00	1/4" REAR LOG CLAMP, IN/OUT CYLINDER TOP (AH5)	094780	1
Red	5.60	1/4" REAR LOG CLAMP, UP/DOWN CYLINDER BOTTOM (AH5)	094781	1
Blue	5.60	1/4" REAR LOG CLAMP, UP/DOWN CYLINDER TOP (AH5)	094781	1
Plain	0.40	3/8" HYDRAULIC VALVE TO OIL FLOW CONTROL VALVE (AH5)	094782	1
Plain	0.53	3/8" HYDRAULIC PUMP TO OIL FLOW CONTROL VALVE (AH5)	087775	1
Red	1.50	1/4" FIRST CLAMP, UP/DOWN CYLINDER BOTTOM (AH7)	095211	1
Blue	1.50	1/4" FIRST CLAMP, UP/DOWN CYLINDER TOP (AH7)	095211	1
Red	4.00	1/4" SECOND CLAMP, UP/DOWN CYLINDER BOTTOM (AH7)	095212	1
Blue	4.00	1/4" SECOND CLAMP, UP/DOWN CYLINDER TOP (AH7)	095212	1
Red	8.00	1/4" THIRD CLAMP, UP/DOWN CYLINDER BOTTOM (AH7)	095213	1
Blue	8.00	1/4" THIRD CLAMP, UP/DOWN CYLINDER TOP (AH7)	095213	1
Orange	0.40	1/4" HYDRAULIC VALVE POWER CORD TO CLAMP IN/OUT CYLINDER T-FITTING, BOTTOM (AH7)	095214	1
White	0.40	1/4" HYDRAULIC VALVE POWER CORD TO CLAMP IN/OUT CYLINDER T-FITTING, TOP (AH7)	095214	1
Orange	7.00	1/4" THIRD CLAMP, IN/OUT CYLINDER BOTTOM (AH7)	095215	1
White	7.00	1/4" THIRD CLAMP, IN/OUT CYLINDER TOP (AH7)	095215	1
Orange	2.50	1/4" FIRST/SECOND CLAMP, IN/OUT CYLINDER BOTTOM (AH7)	095216	1
White	2.50	1/4" FIRST/SECOND CLAMP, IN/OUT CYLINDER TOP (AH7)	095216	1
Orange	1.20	1/4" FIRST/SECOND CLAMP, IN/OUT CYLINDER BOTTOM (AH7)	095217	1
White	1.20	1/4" FIRST/SECOND CLAMP, IN/OUT CYLINDER TOP (AH7)	095217	1

**Protective Conduits, LT40 Series AH Hydraulic Hoses**



REF.	DESCRIPTION (◆ indicates parts available in assemblies only)	PART #	QTY
0.70	PROTECTIVE CONDUIT, LOG TURNER HOSE	099761	2
0.28	PROTECTIVE CONDUIT, IN/OUT CYLINDER HOSE - BOTTOM	099762	1
0.45	PROTECTIVE CONDUIT, IN/OUT CYLINDER HOSE - TOP	099763	1
1.35	PROTECTIVE CONDUIT, UP/DOWN CYLINDER HOSE - BOTTOM	099764	1
1.65	PROTECTIVE CONDUIT, UP/DOWN CYLINDER HOSE - TOP	099765	1



## 9.2 LT40 Hydraulic Control Boxes

REF	DESCRIPTION (◆ indicates parts available in assemblies only)	PART #	QTY	
-	BOX, AH4 LT40/70 HYDRAULIC - COMPLETE	096642 <sup>1</sup>	-	
-	BOX, LT40/70 AC 17-SECTION HYDRAULIC CON	513995 <sup>2</sup>	-	
-	BOX, LT40/70 18-SECTION HYDRAULIC - COMPLETE	531246 <sup>3</sup>	-	
-	BOX, /LT40/70 AC 16-SECTION HYDRAULIC -	522984 <sup>4</sup>	-	
-	BOX, LT40/70AC W/BX24 11-SECTION HYDRAULIC - COMPLETE	513997 <sup>5</sup>	-	
-	BOX, AH6 HYDRAULIC	096793 <sup>6</sup>	-	

<sup>1</sup> For LT40/70 M AC

<sup>2</sup> For LT40/70 M AC

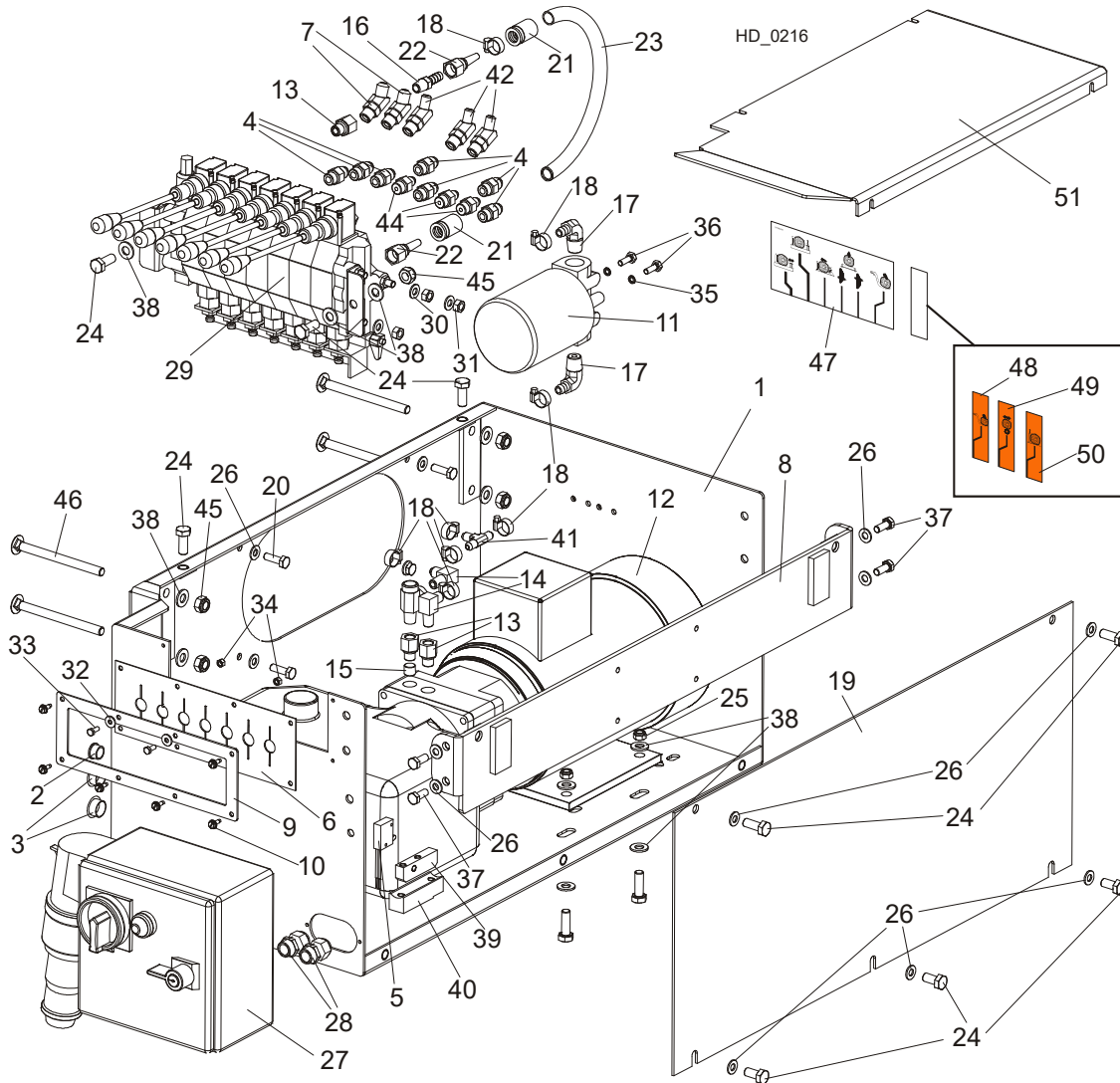
<sup>3</sup> For LT40/70 M AC

<sup>4</sup> For LT40/70 M AC

<sup>5</sup> For LT40/70 M AC

<sup>6</sup> For LT40/70 M AC

### 9.3 Hydraulic Control Box, LT40/70 AH-7 (Option)



REF.	DESCRIPTION (◆ indicates parts available in assemblies only)	PART #	QTY
	<b>BOX, AH 7-SECTION LT40/70 HYDRAULIC</b>	<b>510563</b>	<b>1</b>
1	BOX WELDMENT, 7-SECTION HYDRAULIC	510564-1	1
2	BUSHING, 15.9 UB625 CONDUIT	086816	1
3	CAP, SR1086 22.2 HOLE	093544	2
4	FITTING, 3/8O-RING-3/8JIC	014687	7
5	SWITCH, 2A 125V R-LEVER NO/NC/COM	014765	1
6	RUBBER SHUTTER	510566	1
7	FITTING, #6SAE 45DEG ELBOW	015489	2
8	BRACKET, HYDR.BOX AC	086518-1	1
9	PLATE, VALVE	510567-1	1
10	SCREW, #10-24x1/2 SELF-TAPPING	F05015-7	5
11	MANIFOLD, W/FILTER	P22683	1
12	HYDRAULIC PUMP W/MOTOR AC.4KW 14.5L/MIN	500958	1
13	FITTING, 6SAE MALE-1/4NPT FEMALE	014686	3



# Hydraulic System

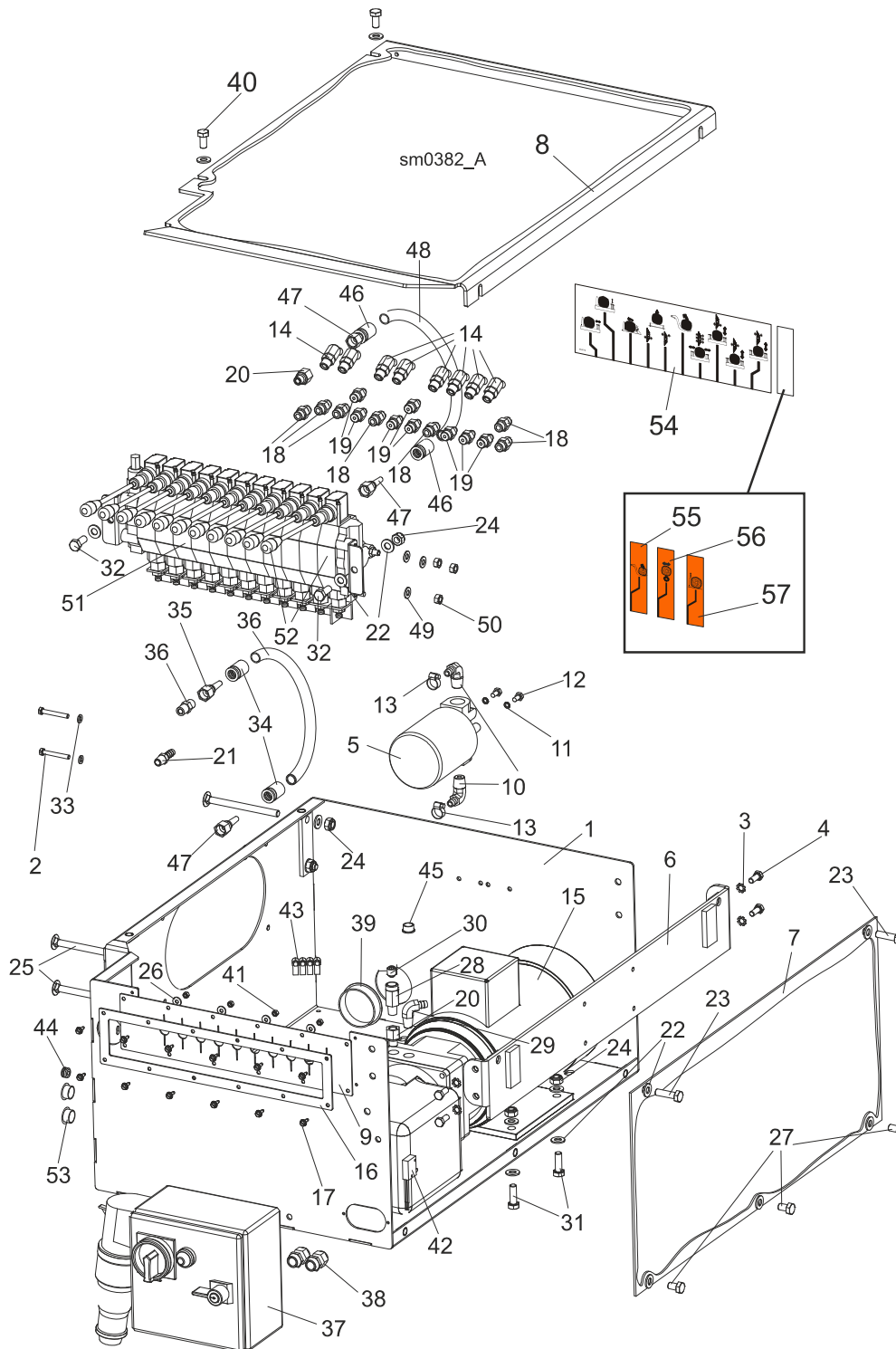
## Hydraulic Control Box, LT40/70 AH-7 (Option)

14	FITTING, 3/8JIC-1/4NPT 90L	015491	2	
15	PLUG, 1/4" NPT BLANK	096221	2	
16	FITTING, 1/4NPT-3/8 BARB	014685	1	
17	FITTING, 1/2NPT-3/8 BARB ELBOW	P12707	2	
18	CLAMP, 11/16 WORM	061807	8	
19	COVER, AC HYDRAULIC BOX FRONT	086484-1	1	
20	BOLT, M8x25-8.8-B HEX HEAD FULL THREAD ZINC	F81002-5	4	
	<b>3/8" LOG TURNER CYLINDER TOP</b>	<b>087775</b>	<b>1</b>	
21	CRIMPSOCKET, 3/8" HYDRAULIC HOSE	085901	2	
22	NIPPLE JIC 9/18-18 HYDR.	085900	2	
23	HOSE, 3/8" (C/S-20MPa)P/N8106-6-06 HYDRAULIC	R02132	1	
24	BOLT, M10X25-8.8 HEX HEAD FULL THREAD ZINC	F81003-11	6	
25	NUT, M8-8-B HEX NYLON ZINC LOCK	F81032-2	4	
26	WASHER, 8.4 FLAT ZINC	F81054-1	13	
27	<b>BOX, AC 4kW STARTER</b>	<b>089799</b>	<b>1</b>	
28	GLAND NUT, TRAILER HITCH, DW 11/H	085388	2	
29	<b>HYDRAULIC VALVE, 7 SECTIONS</b>	<b>510560</b>	<b>1</b>	
30	WASHER, 8.4 FLAT ZINC	F81054-1	6	
31	NUT, M8-8-B HEX ZINC	F81032-1	6	
32	WASHER, 5.5 FLAT ZINC SPECIAL	F81052-3	2	
33	BOLT, M5 X 12-8.8 HEX HEAD FULL THREAD ZINC	F81000-5	2	
34	NUT, M5-8 HEX ZINC	F81030-1	2	
35	WASHER, Z 6.1 SPLIT LOCK ZINC	F81053-3	2	
36	BOLT, 1/4-20X3/4 FT HHC	F05005-1	2	
37	BOLT, M8x20-8.8-B HEX HEAD FULL THREAD ZINC	F81002-4	4	
38	WASHER, 10.5 FLAT ZINC	F81055-1	16	
39	BUTTON, HOT CONTACT 1997	015253	1	
40	BLOCK, EXTEN HYD GROUND CONTACT	015264	1	
41	FITTING, 3/8 BARB TEE	015485	1	
42	FITTING, #4JIC-#6SAE 45DEG ELBOW	015488	3	
43	BOLT, M10X30-5.8 HEX HEAD FULL THREAD	F81003-2	4	
44	FITTING, 1/4JIC-3/8 O-RING	P26284	3	
45	NUT, M10-8-B HEX NYLON ZINC LOCK	F81033-1	6	
46	BOLT, M10X125 CARRIAGE	F81003-34	4	
47	DECAL, HYDRAULIC CONTROL SUPER '97 (ENGLISH)	015364-A1	1	
48	DECAL, ADDITIONAL HYDRAULIC SECTION - LOG LOADER	511426 <sup>1</sup>	1	
49	DECAL, ADDITIONAL HYDRAULIC SECTION - POWER ROLLER	511427 <sup>1</sup>	1	
50	DECAL, ADDITIONAL HYDRAULIC SECTION - SIDE SUPPORT	511428 <sup>1</sup>	1	
51	<b>COVER, AC HYDR.PUMP HOUSING TOP</b>	<b>086485-1</b>	<b>1</b>	

<sup>1</sup> Depending on order



### 9.4 Hydraulic Control Box, LT20/40/70 AC 11-Section (Option)



REF.	DESCRIPTION (◆ indicates parts available in assemblies only)	PART #	QTY
	<b>BOX, LT40/70 AH 6-7 11-SECTION HYDRAULIC</b>	<b>510570</b>	<b>1</b>
1	BOX WELDMENT, HYDRAULIC	091729-1	1
2	BOLT, M6x45-8.8 HEX HEAD ZINC	F81001-6	2
3	WASHER, 8.4 EXTERNAL STAR	F81054-3	4
4	BOLT, M8x20-8.8-B HEX HEAD FULL THREAD ZINC	F81002-4	4



# Hydraulic System

## Hydraulic Control Box, LT20/40/70 AC 11-Section (Option)

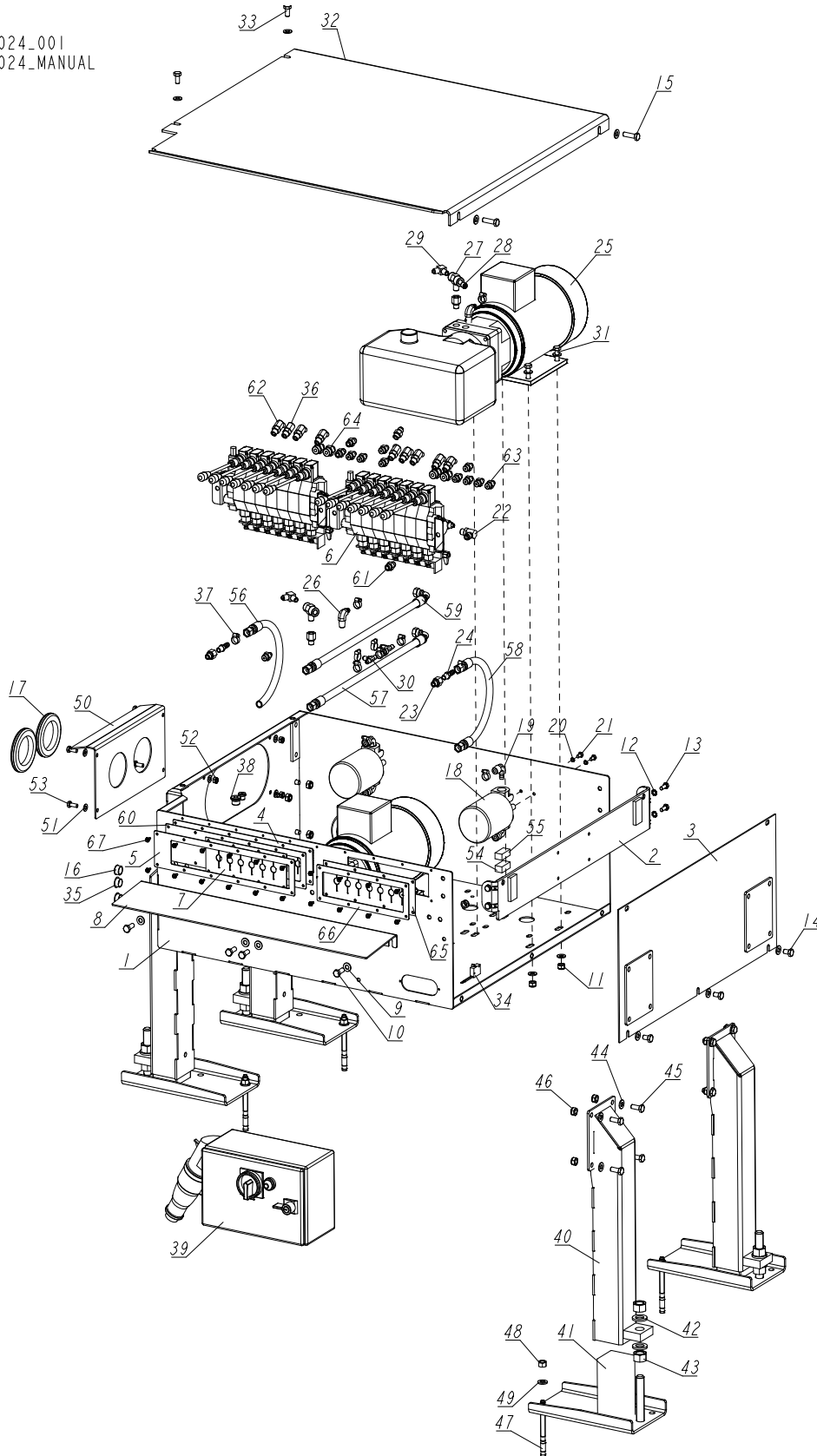
5	MANIFOLD, W/FILTER	P22683	1	
6	BRACKET, HYDR.BOX AC	086518-1	1	
7	COVER, AC HYDRAULIC BOX FRONT	086484-1	1	
8	COVER, AC/DC HYDRAULIC BOX TOP	091734-1	1	
9	GUARD, RUBBER HYDRAULIC VALVE 10-SECTION	091739	1	
10	FITTING, 1/2NPT-3/8 BARB ELBOW	P12707	2	
11	WASHER, Z 6.1 SPLIT LOCK ZINC	F81053-3	2	
12	BOLT, 1/4-20 X 1/2 HH	F05005-15	2	
13	CLAMP, 11/16 WORM	P12739	2	
14	FITTING, #4JIC-#6SAE 45DEG ELBOW	015488	7	
15	HYDRAULIC PUMP W/MOTOR AC.4KW 14.5L/MIN	500958	1	
16	PLATE, RUBBER GUARD MOUNTING (11-SECTION VALVE)	510571	1	
17	BOLT, #10-24X1/2 SELF TAP	F05015-7	12	
18	FITTING, 3/8O-RING-3/8JIC	014687	7	
19	FITTING, 1/4JIC-3/8 O-RING	P26284	8	
20	FITTING, 6SAE MALE-1/4NPT FEMALE	014686	2	
21	FITTING, 1/4NPT-3/8 BARB	014685	1	
22	WASHER, 10.5 FLAT ZINC	F81055-1	23	
23	BOLT,M10X35-8.8 HEX HEAD FULL THREAD ZINC	F81003-17	2	
24	NUT, M10-8-B HEX NYLON ZINC LOCK	F81033-1	10	
25	BOLT, M10X125 CARRIAGE	F81003-34	4	
26	WASHER, 5.5 FLAT ZINC SPECIAL	F81052-3	4	
27	BOLT, M10x16-8.8 HEX HEAD FULL THREAD ZINC	F81003-13	3	
28	FITTING, 1/4NPT BRANCH TEE	015486	1	
29	FITTING, 3/8JIC-1/4NPT 90L	015491	2	
30	PLUG, 1/4" NPT BLANK	096221	1	
31	VALVE, MTKA.VB OIL FLOW CONTROL	093794	1	
32	PLATE, MTKA VALVE ZINC-PL. SPACER	094477-1	1	
33	WASHER, 6.4 FLAT ZINC	F81053-1	4	
34	NUT, M6-8-B HEX NYLON ZINC LOCK	F81031-2	2	
35	FITTING, M22X1.5 / 1/4-18NPT REDUCER ZINC-PL.	093193-1	2	
36	FITTING, 3/8JIC-1/4NPT STRAIGHT	015560	1	
37	FITTING, VMNW10HS22 HYDRAULIC	094486	1	
38	FITTING, PN10AOL13-90 ELBOW	094485	1	
39	CAP, HSA2790 (sr.63.6)	092859	1	
40	WASHER, 22 COPPER	F81061-5	1	
41	NUT, M5-8 HEX ZINC	F81030-1	4	
42	SWITCH, 2A 125V R-LEVER NO/NC/COM	014765	1	
43	CLAMP, 11/16 WORM	061807	8	
44	GROMMET, GH6 RUBBER	085338	1	
45	BUSHING, 15.9 UB625 CONDUIT	086816	1	
	<b>3/8" LOG TURNER CYLINDER TOP</b>	<b>087775</b>	<b>1</b>	
46	CRIMPSOCKET, 3/8" HYDRAULIC HOSE	085901	2	
47	NIPPLE, JIC 9/18-18 HYDR.	085900	2	
48	HOSE, 3/8" (C/S-20MPa)P/N8106-6-06 HYDRAULIC	R02132	1	
49	BOX, AC 4kW STARTER	089799	1	
50	GLAND NUT, TRAILER HITCH, DW 11/H	085388	2	
51	CAP, SR1086 22.2 HOLE	093544	2	

	<b>3/8" VALVE TO OIL FLOW CONTROL VALVE (AH</b>	<b>094782</b>	<b>1</b>	
<b>52</b>	CRIMPSOCKET, 3/8" HYDRAULIC HOSE	085901	2	
<b>53</b>	NIPPLE, JIC 9/18-18 HYDR.	085900	2	
<b>54</b>	HOSE, 3/8" (C/S-20MPa)P/N8106-6-06 HYDRAULIC	R02132	1	
<b>55</b>	FITTING, 3/8NPT-3/8 BARB ELBOW	P12708	1	
<b>56</b>	BOLT,M10X30-5.8 HEX HEAD FULL THREAD	F81003-2	4	
<b>57</b>	BOLT, M10X25-8.8 HEX HEAD FULL THREAD ZINC	F81003-11	2	
<b>58</b>	BOLT, M10x20-5.8 HEX HEAD FULL THREAD ZINC	F81003-1	2	
	<b>VALVE, 11-SECTION HDS11/10 HYDRAULIC</b>	<b>510568</b>	<b>1</b>	
<b>59</b>	WASHER, 8.4 FLAT ZINC	F81054-1	6	
<b>60</b>	NUT, M8-8-B HEX ZINC	F81032-1	6	
<b>61</b>	VALVE, HDS11/10- 8-SECTION HYDRAULIC	091344	1	
<b>62</b>	SECTION, HDS11 HYDRAULIC VALVE	098624	1	
<b>63</b>	<b>DECAL, AH7 HYDRAULIC CONTROL BOX</b>	094970	1	
	<b>DECAL, HYDRAULIC CONTROL AH5, ENGLISH</b>	094795	1	
	<b>DECAL, AH3-AH2/24H4-24H1(10-SECTION)</b>	506589	1	
<b>64</b>	<b>DECAL, ADDITIONAL HYDRAULIC SECTION - LOG LOADER</b>	511426 <sup>1</sup>	1	
<b>65</b>	<b>DECAL, ADDITIONAL HYDRAULIC SECTION - POWER ROLLER</b>	511427 <sup>1</sup>	1	
<b>66</b>	<b>DECAL, ADDITIONAL HYDRAULIC SECTION - SIDE SUPPORT</b>	511428 <sup>1</sup>	1	

<sup>1</sup> Depending on order

**9.5 Hydraulic Control Box, LT40/70 AC 14-Section**

541024\_001  
 541024\_MANUAL



REF.	DESCRIPTION (◆ indicates parts available in assemblies only)	PART #	QTY
-	<b>BOX, LT40/70 AC 14-SECTION HYDRAULIC CONTROL - COMPLETE</b>	541024	1
1	BOX WELDMENT, HYDRAULIC CONTROL	505946-1	1
2	BRACKET, AC HYDRAULIC BOX	086518-1	1
3	COVER, AC HYDRAULIC BOX FRONT	086484-1	1
4	GUARD, RUBBER HYDRAULIC VALVE 10-SECTION	091739	1
5	PLATE, VALVE	091826-1	1
6	HYDRAULIC VALVE, 7 SECTIONS	510560	2
7	GUARD, RUBBER DOUBLE VALVE	015079	1
8	PLATE FOR DECALS	505949-1	1
9	WASHER, 10.5 FLAT ZINC	F81055-1	27
10	BOLT, M10X25-8.8-FE/ZN5	F81003-11	4
11	NUT, M10-8-B HEX NYLON ZINC LOCK	F81033-1	12
12	WASHER, 8.4 EXTERNAL STAR	F81054-3	4
13	BOLT, M8X20-8.8-B HEX HEAD FULL THREAD ZINC	F81002-4	4
14	BOLT, M10X16-8.8 HEX HEAD FULL THREAD ZINC	F81003-13	3
15	BOLT, M10X35-8.8 HEX HEAD FULL THREAD ZINC	F81003-17	2
16	GROMMET, 5/8 WIRE	P04137	1
17	COVER, 80 MM RUBBER	089293	4
18	MANIFOLD, W/FILTER	P22683	2
19	FITTING, 1/2NPT-3/8 BARB ELBOW	P12707	4
20	WASHER, Z 6.1 SPLIT LOCK ZINC	F81053-3	2
21	BOLT, 1/4-20 X 1/2 HH	F05005-15	4
22	FITTING, 6SAE-3/8JIC ELBOW	P12704	1
23	FITTING, 6SAE MALE-1/4NPT FEMALE	014686	4
24	FITTING, 1/4NPT-3/8 BARB	014685	2
25	PUMP, AC 5.5KW 18.5L/MIN HYDRAULIC W/MOTOR	517840	2
26	FITTING, 3/8NPT-3/8 BARB ELBOW	P12708	2
27	FITTING, 1/4NPT BRANCH TEE	015486	2
28	PLUG, 192-1/4NPT BLANK	096221	1
29	FITTING, 3/8JIC-1/4NPT 90L	015491	2
30	FITTING, 3/8 BARB TEE	015485	2
31	BOLT, M10X30-5.8 HEX HEAD FULL THREAD ZINC	F81003-2	8
32	COVER, HYDRAULIC BOX TOP	505948-1	1
33	BOLT, M10X20-5.8 HEX HEAD FULL THREAD ZINC	F81003-1	2
34	SWITCH, 2A 125V R-LEVER NO/NC/COM	014765	1
35	CAP, SR1086 22.2 HOLE	093544	2
36	FITTING, #6SAE 45DEG ELBOW	015489	3
37	CLAMP, 11/16 WORM	061807	14
38	PLUG KIT (500508)	505060	1
39	BOX, HYDRAULIC AC 5.5KW- 2 PUMPS	532190	1
-	LEG, LEFT ADJUSTABLE STATIONARY	501639	4
40	LEG WELDMENT - UPPER PART	507715-1	1
41	WIDE FOOT - ADJUSTABLE LEGS	501084-1	1
42	WASHER, 21 FLAT ZINC	F81059-2	2
43	NUT, M20-8 HEX ZINC	F81037-1	2
44	WASHER, 10.5 FLAT ZINC	F81055-1	4
45	BOLT, M10X25-8.8 HEX HEAD FULL THREAD ZINC	F81003-11	4

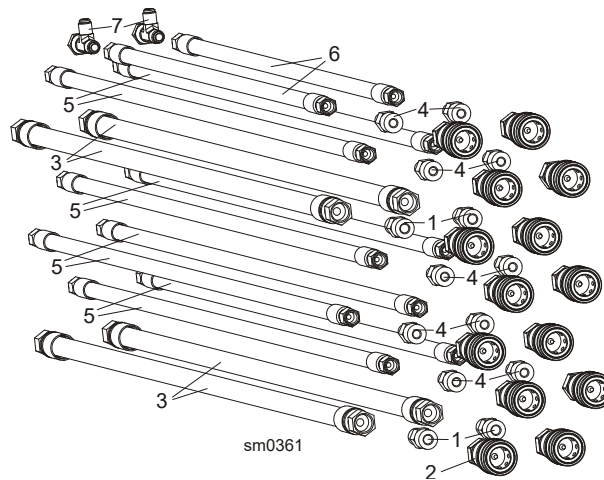


## Hydraulic System

### Hydraulic Control Box, LT40/70 AC 14-Section

REF.	DESCRIPTION (◆ indicates parts available in assemblies only)	PART #	QTY	
46	NUT, M10-8-B HEX NYLON ZINC LOCK	F81033-1	4	
-	ANCHOR, M12X140MM KMC	084529	1	
47	ANCHOR, M12X140MM KMC	084529	1	
48	NUT, M12-8-B ZINC HEX	F81034-1	1	
49	WASHER, 13 FLAT ZINC	F81056-1	1	
50	PLATE, HYDRAULIC HOSE COVER - COMPLETE	504261-1	1	
51	WASHER, 8.4 FLAT ZINC	F81054-1	8	
52	NUT, M8-8-B HEX NYLON ZINC LOCK	F81032-2	4	
53	BOLT, M8X20-5.8 HEX HEAD FULL THREAD ZINC	F81002-1	4	
54	CONTACT ASSEMBLY, HYDRAULIC POWER SUPPLY	086624	1	
55	CONTACT, ASSEMBLY HOT AC	086625	1	
56	3/8" LOG TURNER CYLINDER TOP	087775	1	
57	HOSE, 2T3/8X1.100 W9/16UNF-W9/16UNF	093153	1	
58	HOSE, 2T3/8X0.400 W9/16UNF-W9/16UNF HYDRAULIC	094782	1	
59	HOSE, 2T3/8X0.800 W9/16UNF-W9/16UNF HYDRAULIC	505338	1	
60	PLATE, RUBBER COVER MOUNT	540994-1	1	
61	FITTING, 3/8O-RING-3/8JIC	014687	4	
62	FITTING, #4JIC-#6SAE 45DEG ELBOW	015488	6	
63	FITTING, 1/4JIC-3/8 O-RING	P26284	10	
64	FITTING, 8SAE-6JIC	P12703	4	
65	GUARD, 7-SECTION HYD. VALVE RUBBER	510566	1	
66	PLATE, VALVE	510567-1	1	
67	BOLT, #10-24X1/2 SELF-TAPPING	F05015-7	20	

9.6 Hydraulic Hose Kit, AH "M" Frame Sawmills MBX12/24H1-6



REF.	DESCRIPTION (◆ indicates parts available in assemblies only)	PART #	QTY
	<b>HYDRAULIC HOSE KIT FOR 24H21 ("M" FRAME)</b>	<b>505834</b>	<b>1</b>
1	FITTING, G3/8-9/16-18JIC HAND PUMP	091842	2
2	FITTING, 3/8" INT. THREAD BSP FEMALE QUICK DISCONNECT	504965	2
3	HOSE, 2T3/8X8.800 W9/16UNF-W9/16UNF HYDRAULIC	505849	2
	<b>HYDRAULIC HOSE KIT FOR 24H2 ("M" FRAME)</b>	<b>505836</b>	<b>1</b>
1	FITTING, G3/8-9/16-18JIC HAND PUMP	091842	2
2	FITTING, 3/8" INT. THREAD BSP FEMALE QUICK DISCONNECT	504965	4
3	HOSE, 2T3/8X8.800 W9/16UNF-W9/16UNF HYDRAULIC	505849	2
4	FITTING, 7/16" JC/3/8" BSP STRAIGHT	505747	2
5	HOSE, 2T1/4X8.800 W7/16UNF-W7/16UNF HYDRAULIC	505850	2
	<b>HYDRAULIC HOSE KIT FOR 24H3/24H4 ("M" FR</b>	<b>505840</b>	<b>1</b>
1	FITTING, G3/8-9/16-18JIC HAND PUMP	091842	4
2	FITTING, 3/8" INT. THREAD BSP FEMALE QUICK DISCONNECT	504965	8
3	HOSE, 2T3/8X8.800 W9/16UNF-W9/16UNF HYDRAULIC	505849	4
4	FITTING, 7/16" JC/3/8" BSP STRAIGHT	505747	4
5	HOSE, 2T1/4X8.800 W7/16UNF-W7/16UNF HYDRAULIC	505850	4
	<b>HYDRAULIC HOSE KIT FOR 24H3/24H4 ("M" FR</b>	<b>506090</b>	<b>1</b>
1	FITTING, G3/8-9/16-18JIC HAND PUMP	091842	4
2	FITTING, 3/8" INT. THREAD BSP FEMALE QUICK DISCONNECT	504965	12
3	HOSE, 2T3/8X8.800 W9/16UNF-W9/16UNF HYDRAULIC	505849	4
4	FITTING, 7/16" JC/3/8" BSP STRAIGHT	505747	8
5	HOSE, 2T1/4X8.800 W7/16UNF-W7/16UNF HYDRAULIC	505850	6
6	HOSE, 2T1/4X6.100W7/16UNF-W7/16UNF	506096	2
7	FITTING, W7/16" UNF JIC-2XZ7/16"UNF JIC	506098	2
	<b>HYDRAULIC HOSE KIT FOR 24H3/24H4 ("M" FR</b>	<b>506092</b>	<b>1</b>
1	FITTING, G3/8-9/16-18JIC HAND PUMP	091842	4
2	FITTING, 3/8" INT. THREAD BSP FEMALE QUICK DISCONNECT	504965	14
3	HOSE, 2T3/8X8.800 W9/16UNF-W9/16UNF HYDRAULIC	505849	4
4	FITTING, 7/16" JC/3/8" BSP STRAIGHT	505747	10
5	HOSE, 2T1/4X8.800 W7/16UNF-W7/16UNF HYDRAULIC	505850	8
6	HOSE, 2T1/4X6.100W7/16UNF-W7/16UNF	506096	2

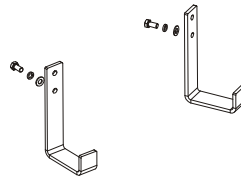
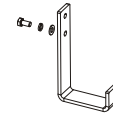
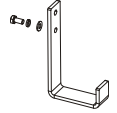
# 9

## Hydraulic System

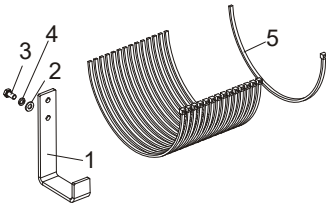
### Hydraulic Hose Hanger Kit, "M" Frame (AH1-3) MBX12/24H1-4

7	FITTING, W7/16" UNF JIC-2XZ7/16"UNF JIC TEE	506098	2
---	---	--------	---

## 9.7 Hydraulic Hose Hanger Kit, "M" Frame (AH1-3) MBX12/24H1-4



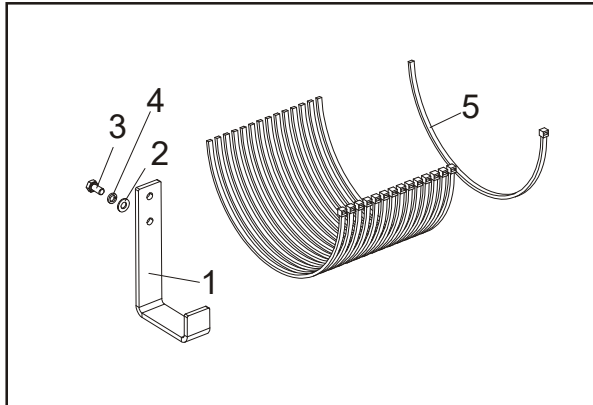
sm0362



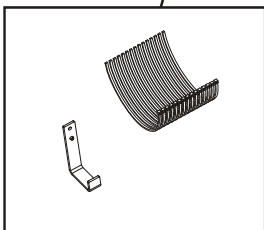
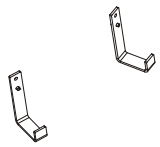
REF.	DESCRIPTION (◆ indicates parts available in assemblies only)	PART #	QTY
	<b>HYDRAULIC HOSE HANGER KIT, "M" FRAME (AH</b>	<b>506101</b>	<b>1</b>
1	HANGER, HYDRAULIC HOSE	505745-1	5
2	WASHER, 8.4 FLAT ZINC	F81054-1	5
3	WASHER, 8.2 SPLIT LOCK ZINC	F81054-4	5
4	BOLT, M8x16-8.8-B HEX HEAD FULL THREAD ZINC	F81002-20	5
5	WRAP, 50/8 TK	F81082-3	15



9.8 Hydraulic Hose Hanger Kit, "M" Frame (AH4-7) MBX12/24H5-6

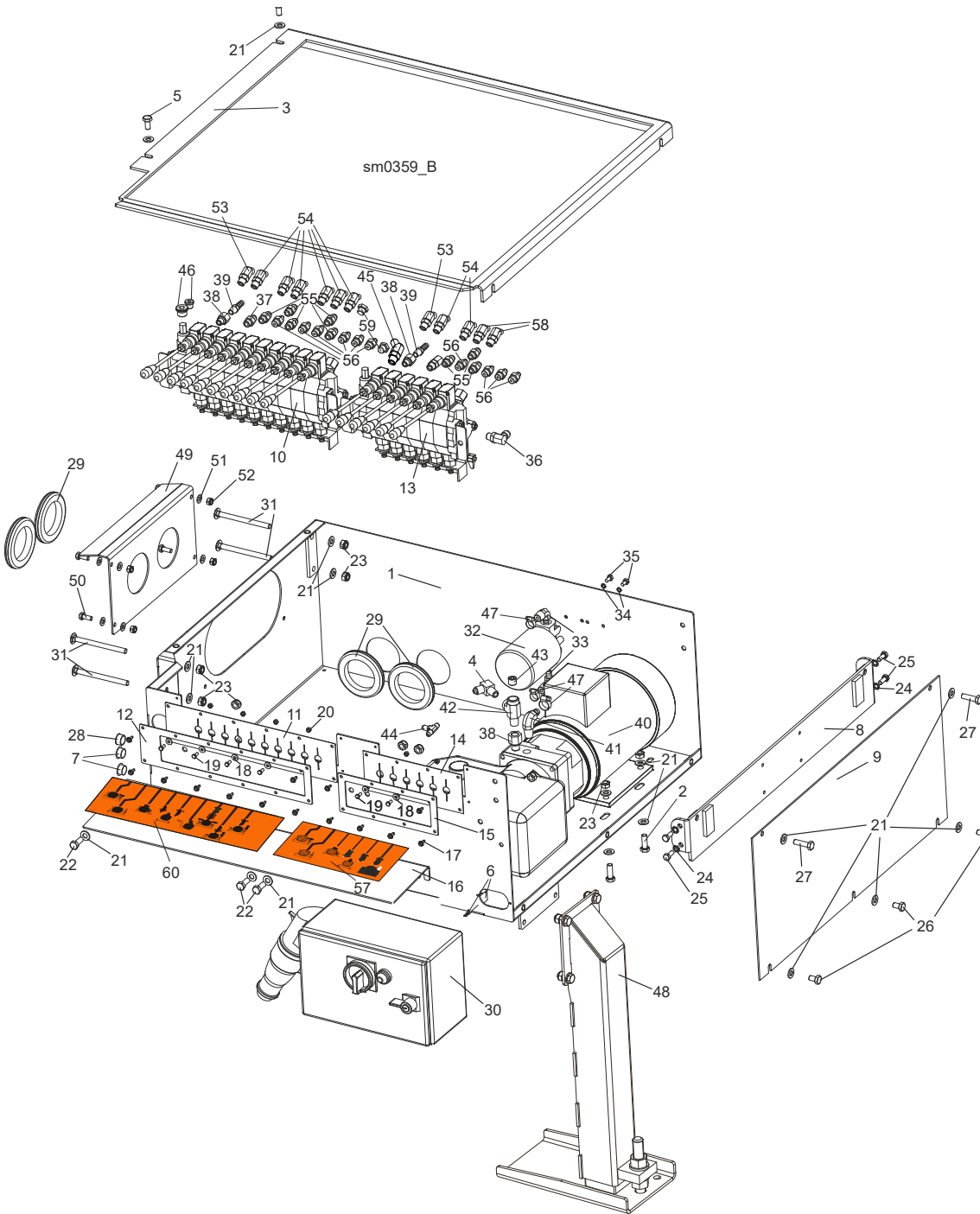


sm0363



REF.	DESCRIPTION (◆ indicates parts available in assemblies only)	PART #	QTY
	<b>HYDRAULIC HOSE HANGER KIT, "M" FRAME (AH</b>	<b>506102</b>	<b>1</b>
1	HANGER, HYDRAULIC HOSE	505745-1	7
2	WASHER, 8.4 FLAT ZINC	F81054-1	8
3	WASHER, 8.2 SPLIT LOCK ZINC	F81054-4	8
4	BOLT, M8x16-8.8-B HEX HEAD FULL THREAD ZINC	F81002-20	8
5	WRAP, 50/8 TK	F81082-3	15

9.9 Hydraulic Control Box, 16-Section LT20/40/70AC



REF.	DESCRIPTION (◆ indicates parts available in assemblies only)	PART #	QTY
	<b>BOX, 16-SECTION LT40/70AC HYDRAULIC CONTROL - COMPLETE</b>	<b>505945</b>	<b>1</b>
	<b>BOX, LT20AC 16-SECTION HYDRAULIC CONTROL</b>	<b>505950</b>	<b>1</b>
	<b>BOX, LT40/70 AC 17-SECTION HYDRAULIC CON</b>	<b>513995</b>	<b>1</b>
	<b>BOX, LT20 AC 17-SECTION HYDRAULIC CONTROL - COMPLETE</b>	<b>513996</b>	<b>1</b>
1	BOX WELDMENT, HYDRAULIC CONTROL	505946-1	1
2	BOLT, M10X30-5.8 HEX HEAD FULL THREAD	F81003-2	4
3	COVER, HYDRAULIC BOX TOP	505948-1	1

4	FITTING, 3/8JIC-1/4NPT 90L	015491	2	
5	BOLT, M10X20-5.8 HEX HEAD FULL THREAD ZINC	F81003-1	2	
6	SWITCH, 2A 125V R-LEVER NO/NC/COM	014765	1	
7	CAP, SR1086 22.2 HOLE	093544	2	
8	BRACKET, AC HYDRAULIC BOX	086518-1	1	
9	COVER, AC HYDRAULIC BOX FRONT	086484-1	1	
10	VALVE, HDS11/10- 8-SECTION HYDRAULIC	091344	1	
11	GUARD, RUBBER HYDRAULIC VALVE 10-SECTION	091739	1	
12	PLATE, VALVE	091826-1	1	
	COVER, 11-SECTION VALVE GUARD PTD	510571-1 <sup>1</sup>	1	
13	VALVE, 6-SPOOL FOR SERIES CONNECTION	501104	1	
14	GUARD, RUBBER DOUBLE VALVE	015079	1	
15	PLATE, VALVE AC PTD	086519-1	1	
16	PLATE FOR DECALS	505949-1	1	
17	BOLT, #10-24X1/2 SELF TAP	F05015-7	14	
18	WASHER, 5.5 FLAT ZINC SPECIAL	F81052-3	6	
19	BOLT, M5 X 12-5.8-Fe/Zn5, PN-M/82105	F81000-5	6	
20	NUT, M5 HEXAGON GRADE 5,8 FREE, ZINC	F81030-1	6	
21	WASHER, 10.5 FLAT ZINC	F81055-1	23	
22	BOLT, M10X25-8.8-FE/ZN5	F81003-11	4	
23	NUT, M10-8-B HEX NYLON ZINC LOCK	F81033-1	12	
24	WASHER, 8.4 EXTERNAL STAR	F81054-3	4	
25	BOLT, M8x20-8.8-B HEX HEAD FULL THREAD ZINC	F81002-4	4	
26	BOLT, M10x16-8.8 HEX HEAD FULL THREAD ZINC	F81003-13	3	
27	BOLT, M10X35-8.8 HEX HEAD FULL THREAD ZIN	F81003-17	2	
28	HEYCO WIRE GROMET	P04137	1	
29	COVER, RUBBER 80 MM	089293	4	
30	BOX, AC 2X 4kW STARTER	532190 <sup>2</sup>	1	
	BOX, LT20 STARTER	093088 <sup>3</sup>	1	
	BOX, LT20 STARTER - NORWAY	093088-2 <sup>4</sup>	1	
31	BOLT, M10X125 CARRIAGE	F81003-34	4	
32	MANIFOLD, W/FILTER	P22683	1	
33	FITTING, 1/2NPT-3/8 BARB ELBOW	P12707	4	
34	WASHER, Z 6.1 SPLIT LOCK ZINC	F81053-3	2	
35	BOLT, 1/4-20 X 1/2 HH	F05005-15	2	
36	FITTING, 6SAE-3/8JIC ELBOW	P12704	1	
37	FITTING, 3/8O-RING-3/8JIC	014687	1	
38	FITTING, 6SAE MALE-1/4NPT FEMALE	014686	3	
39	FITTING, 1/4NPT-3/8 BARB	014685	2	
40	PUMP, AC 5,5KW 18.5L/MIN HYDRAULIC W/MOTOR	517840	1	
41	FITTING, 3/8NPT-3/8 BARB ELBOW	P12708	1	
42	FITTING, 1/4NPT BRANCH TEE	015486	1	
43	PLUG, 1/4" NPT BLANK	096221	1	
44	FITTING, 3/8 BARB TEE	015485	1	
45	FITTING, #6SAE 45DEG ELBOW	015489	1	
46	PLUG KIT (500508)	505060	1	
47	CLAMP, 11/16 WORM	061807	14	
48	LEG, LEFT ADJUSTABLE STATIONARY <a href="#">See Section 9.30</a>	501639	4	

49	PLATE, COVER, HYDRAULIC HOSES COMPLETE	504261-1	1	
50	BOLT, M8x20mm,HH,GR 8.8,FULL THRD,ZINC	F81002-1	4	
51	WASHER, 8.4 FLAT ZINC	F81054-1	8	
52	NUT, M8-8-B HEX NYLON ZINC LOCK	F81032-2	4	
53	<b>FITTING, #6SAE 45DEG ELBOW</b>	015489	*	
54	<b>FITTING, #4JIC-#6SAE 45DEG ELBOW</b>	015488	*	
55	<b>FITTING, 3/8O-RING-3/8JIC</b>	014687	*	
56	<b>FITTING, 1/4JIC-3/8 O-RING</b>	P26284	*	
57	<b>DECAL, 24H1-6 FOR 16-SECTION BOX</b>	505961	1	
58	<b>FITTING, #4JIC-#6SAE 45DEG ELBOW</b>	015488	*	
59	<b>PLUG, 9/16-18 JIC HYDRAULIC VALVE</b>	089647	*	
60	<b>DECAL FOR AH5/16-SECTION BOX</b>	506099	1	

<sup>1</sup> Included in assembly #513995

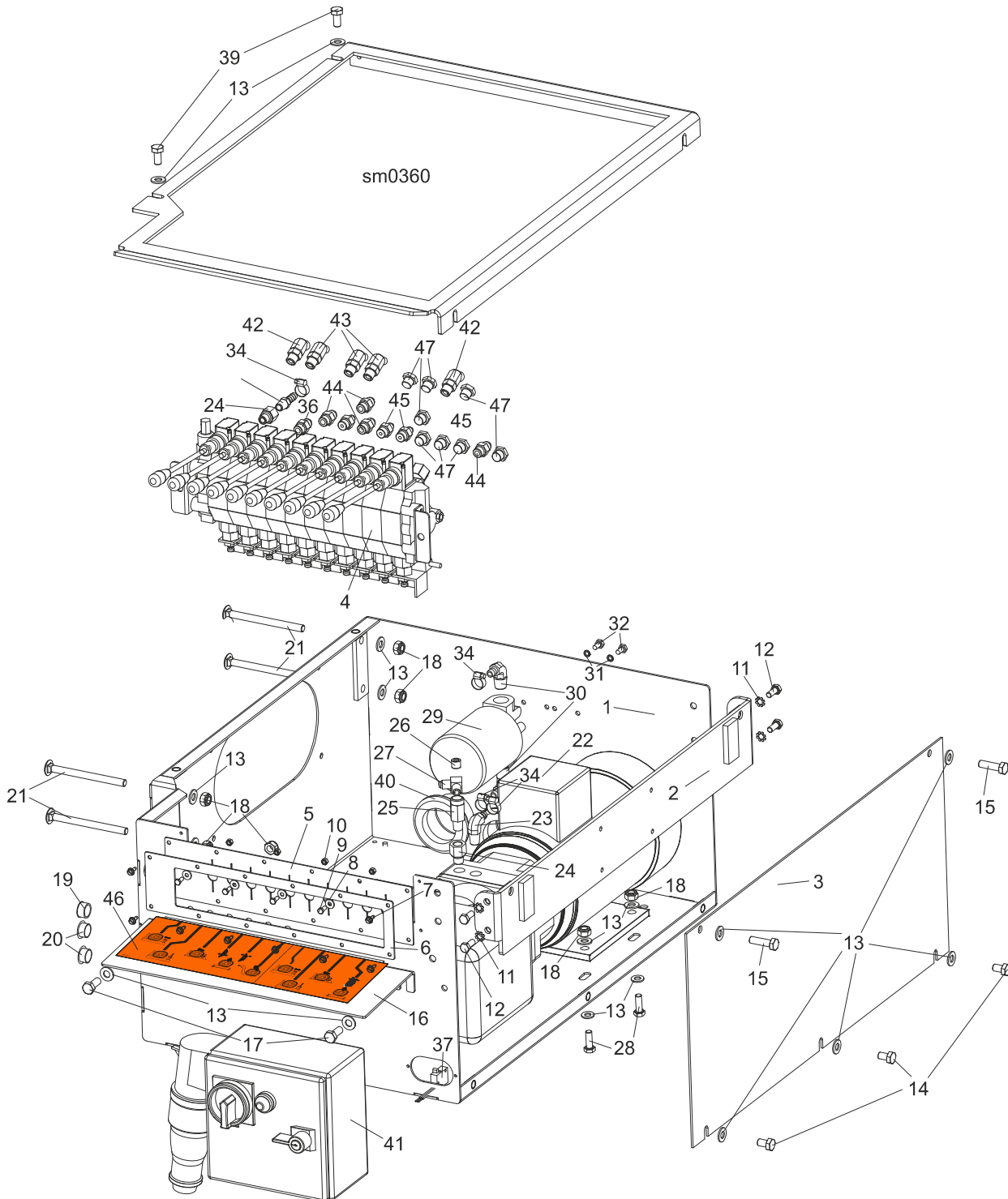
<sup>2</sup> Included in assembly #505945 ( LT40/70)

<sup>3</sup> Included in assembly #505950 ( LT20)

<sup>4</sup> Included in assembly #505950 ( LT20)

\* Depends on hydraulic equipment configuration.

**9.10 Hydraulic Control Box, 10-Section LT20/40/70 AC**



REF	DESCRIPTION (◆ indicates parts available in assemblies only)	PART #	QTY
	HYDRAULIC CONTROL BOX, LT40/70AC BX24 10	506446	1
	HYDRAULIC CONTROL BOX, LT20AC BX24 10-SE	506555	1
1	BOX, HYDRAULIC WLDMT/PTD	091729-1	1
2	BRACKET, HYDR.BOX AC	086518-1	1



# Hydraulic System

## Hydraulic Control Box, 10-Section LT20/40/70 AC

3	COVER, AC HYDRAULIC BOX FRONT	086484-1	1	
4	VALVE, HDS11/10- 8-SECTION HYDRAULIC	091344	1	
5	GUARD, RUBBER HYDRAULIC VALVE 10-SECTION	091739	1	
6	PLATE, VALVE	091826-1	1	
7	BOLT, #10-24X1/2 SELF TAP	F05015-7	8	
8	WASHER, 5.5 FLAT ZINC SPECIAL	F81052-3	4	
9	BOLT, M5 X 12-5.8-Fe/Zn5, PN-M/82105	F81000-5	4	
10	NUT, M5 HEXAGON GRADE 5,8 FREE, ZINC	F81030-1	4	
11	WASHER, 8.4 EXTERNAL STAR	F81054-3	4	
12	BOLT, M8x20-8.8-B HEX HEAD FULL THREAD ZINC	F81002-4	4	
13	WASHER, 10.5 FLAT ZINC	F81055-1	21	
14	BOLT, M10x16-8.8 HEX HEAD FULL THREAD ZINC	F81003-13	3	
15	BOLT,M10X35-8.8 HEX HEAD FULL THREAD ZIN	F81003-17	2	
16	PLATE, DECAL PTD	506588-1	1	
17	BOLT, M10X25-8.8-FE/ZN5	F81003-11	2	
18	NUT, M10-8-B HEX NYLON ZINC LOCK	F81033-1	10	
19	HEYCO WIRE GROMET	P04137	1	
20	CAP, SR1086 22.2 HOLE	093544	2	
21	BOLT, M10X125 CARRIAGE	F81003-34	4	
22	HYDRAULIC PUMP W/MOTOR AC.4KW 14.5L/MIN	500958	1	
23	FITTING, 3/8NPT-3/8 BARB ELBOW	P12708	1	
24	FITTING, 6SAE MALE-1/4NPT FEMALE	014686	2	
25	FITTING, 1/4NPT BRANCH TEE	015486	1	
26	PLUG, 1/4" NPT BLANK	096221	1	
27	FITTING, 3/8JIC-1/4NPT 90L	015491	2	
28	BOLT,M10X30-5.8 HEX HEAD FULL THREA	F81003-2	4	
29	MANIFOLD, W/FILTER	P22683	1	
30	FITTING, 1/2NPT-3/8 BARB ELBOW	P12707	2	
31	WASHER, Z 6.1 SPLIT LOCK ZINC	F81053-3	2	
32	BOLT, 1/4-20 X 1/2 HH	F05005-15	2	
33	VALVE, MTKA.VB OIL FLOW CONTROL	093794	1	
34	CLAMP, 11/16 WORM	061807	8	
35	FITTING, 1/4NPT-3/8 BARB	014685	1	
36	FITTING, 3/8O-RING-3/8JIC	014687	1	
37	SWITCH, 2A 125V R-LEVER NO/NC/COM	014765	1	
38	COVER, HYDRAULIC CONTROL BOX TOP	506587-1	1	
39	BOLT, M10X20MM,HEX HEAD,GR 5.8 ZINC	F81003-1	2	
40	SEAL RUBBER, WIRE	085614	2	
41	BOX, AC 4KW ELECTRIC	089799 <sup>1</sup>	1	
	BOX, LT20 ELECTRIC	093088 <sup>2</sup>	1	
	BOX, LT20 ELECTRIC - NORWAY	093088-2 <sup>3</sup>	1	
42	<b>FITTING, #6SAE 45DEG ELBOW</b>	015489	*	
43	<b>FITTING, #4JIC-#6SAE 45DEG ELBOW</b>	015488	*	
44	<b>FITTING, 3/8O-RING-3/8JIC</b>	014687	*	
45	<b>FITTING, 1/4JIC-3/8 O-RING</b>	P26284	*	
46	<b>DECAL, AH3-AH2/24H4-24H1(10-SECTION)</b>	506589	1	
47	<b>PLUG, 9/16-18 JIC HYDRAULIC VALVE</b>	089647	*	

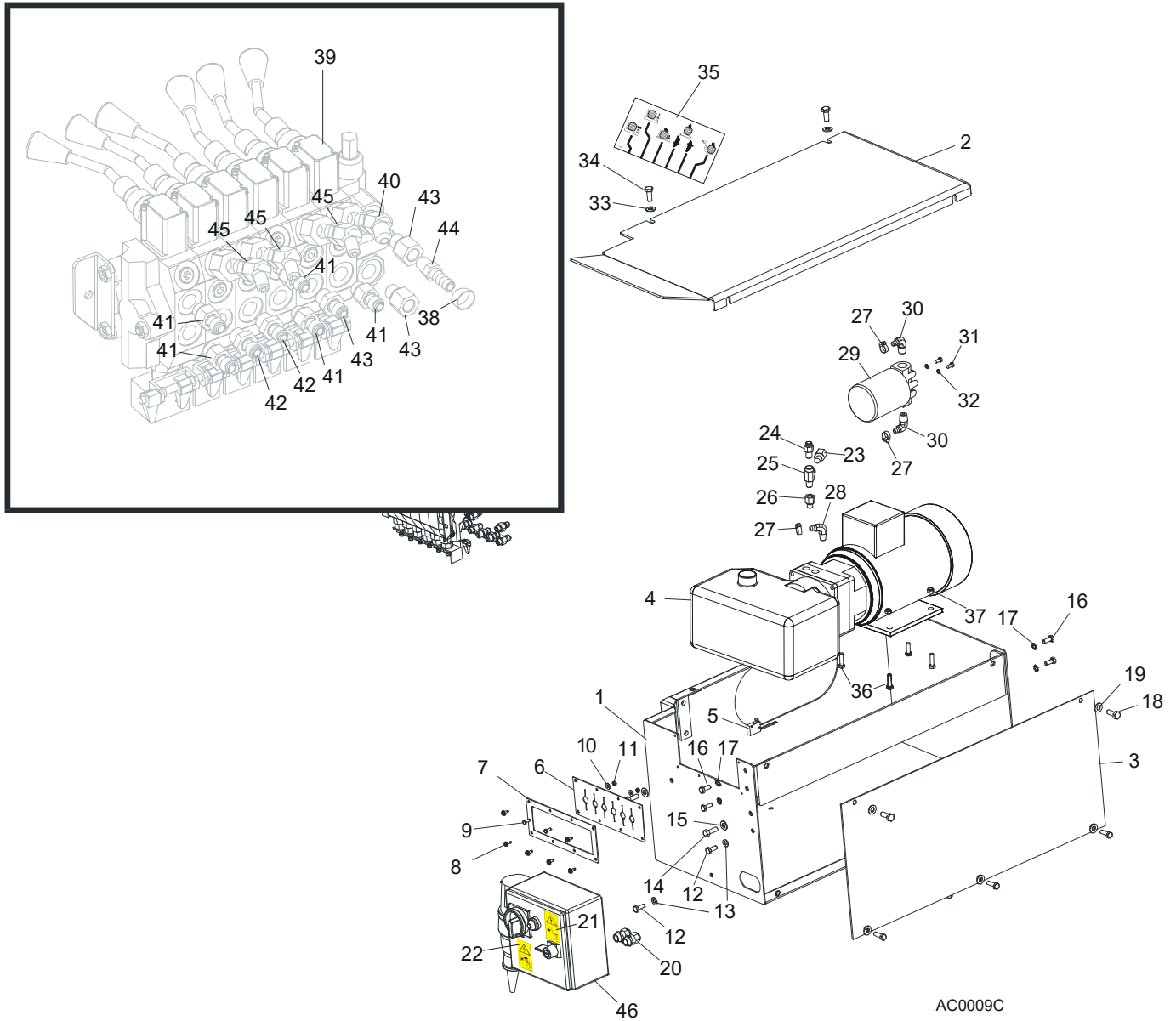
<sup>1</sup> Included in assembly No. 506446 ( LT40/70)

<sup>2</sup> Included in assembly No. ( LT20)

<sup>3</sup> Included in assembly No. 506555 ( LT20)

\* Depends on hydraulic equipment configuration.

9.11 Hydraulic Control Box, LT40 Series AH3



AC0009C

REF	DESCRIPTION (◆ indicates parts available in assemblies only)	PART #	QTY
	<b>HYDRAULIC BOX ASSY, AC SUPER</b>	086791	1
	CAP, SR1086 22.2 HOLE	093544	2
1	<b>BOX WELDMNT,SUPER HYDRAUL. PUMP HOUSING</b>	092243-1	1
2	<b>COVER, AC HYDR.PUMP HOUSING TOP</b>	086485-1	1
3	<b>COVER, AC HYDRAULIC BOX FRONT</b>	086484-1	1
4	<b>HYDRAULIC PUMP W/MOTOR AC.4KW 14.5L/MIN</b>	500958	1
	PUMP AC-4kW - AP100/10-S309 SPK HYDR	097782	1
	Plate, AC-4kW Hydraulic Connecting	097783	1
	SEAL ASSY, AC 4 kW HYDRAULIC PUMP&MOTOR	097784	1
5	<b>SWITCH, 2A 125V R-LEVER NO/NC/COM</b>	014765	1



6	GUARD, RUBBER DOUBLE VALVE	015079	1	
7	PLATE, VALVE AC PTD	086519-1	1	
8	BOLT, #10-24X1/2 SELF TAP	F05015-7	6	
9	BOLT, M5 X 12-5.8 HEX HEAD FULL THREAD ZINC	F81000-5	2	
10	WASHER, 5.5 FLAT ZINC SPECIAL	F81052-3	2	
11	NUT, M5 HEXAGON GRADE 5,8 FREE, ZINC	F81030-1	2	
12	BOLT, M8X20-8.8-B HEX HEAD FULL THREAD ZINC	F81002-4	2	
13	WASHER, 8.4 FLAT ZINC	F81054-1	2	
14	SCREW, 3/8-16X1 HHC	F05007-7	2	
15	WASHER, 10.5 FLAT ZINC	F81055-1	2	
16	BOLT, M8X20-8.8-B HEX HEAD FULL THREAD ZINC	F81002-4	4	
17	WASHER, 8.4 EXTERNAL STAR LOCK	F81054-3	4	
18	BOLT, M10X25-8.8-FE/ZN5	F81003-11	4	
19	WASHER, 10.5 FLAT ZINC	F81055-1	4	
20	GLAND NUT, TRAILER HITCH, DW 11/H	085388	2	
21	DECAL, HIGH VOLTAGE IN ELECTRIC BOX	096316	1	
22	DECAL, DISCONNECT POWER SUPPLY BEFOR OPENING THE BOX	096319	1	
23	PLUG, 1/4" NPT BLANK	096221	1	
24	FITTING, 1/4NPTX1/4JIC MALE	P09143	1	
25	FITTING, 1/4NPT BRANCH TEE	015486	1	
26	FITTING, 6SAE MALE-1/4NPT FEMALE	014686	1	
27	CLAMP, 11/16 WORM	P12739	3	
28	FITTING, 3/8NPT-3/8 BARB ELBOW	P12708	1	
29	MANIFOLD, W/FILTER	P22683	1	
30	FITTING, 1/2NPT-3/8 BARB ELBOW	P12707	2	
31	BOLT, 1/4-20 X 1/2 HH	F05005-15	2	
32	WASHER, Z 6.1 SPLIT LOCK ZINC	F81053-3	2	
33	WASHER, 10.5 FLAT ZINC	F81055-1	2	
34	BOLT, M10X25-8.8-FE/ZN5	F81003-11	2	
35	DECAL, HYD CONTROL SUPER'97, ENGLISH	015364	1	
36	BOLT M8X30-8.8-B HEX HEAD FULL THREAD ZINC	F81002-7	4	
37	NUT, M8-8-B HEX NYLON ZINC LOCK	F81032-2	4	
38	CLAMP, 11/16 WORM	P12739	10	
39	VALVE, HYDRAULIC 6-SECTION	086589	1	
	SWITCH ASSY, HYDRAULIC LEVER	024198	1	
40	FITTING, #6SAE 45DEG ELBOW	015489	1	
41	FITTING, 3/8O-RING-3/8JIC	014687	5	
42	FITTING, 1/4JIC-3/8 O-RING	P26284	3	
43	FITTING, 6SAE MALE-1/4NPT FEMALE	014686	2	
44	FITTING, 1/4NPT-3/8 BARB	014685	1	
45	FITTING, #4JIC-#6SAE 45DEG ELBOW	015488	3	
46	BOX, AC 4KW STARTER (SEE SECTION 1.19 ELECTRICAL INFORMATION, 920 OPERATION MANUAL)	089799	1	
	Switch, ABB OT16E3	089801	1	
	CONTACTOR, LC1K0910B7	084451	1	
	CIRCUIT BREAKER iC60N 1P 1A C	084454	1	
	CIRCUIT BREAKER, iC60N 1P 2A C	088278	1	
	RELAY, PHASE CONTROL	501016	1	
	RELAY, FINDER 83.41.0.240.0000	501015	1	



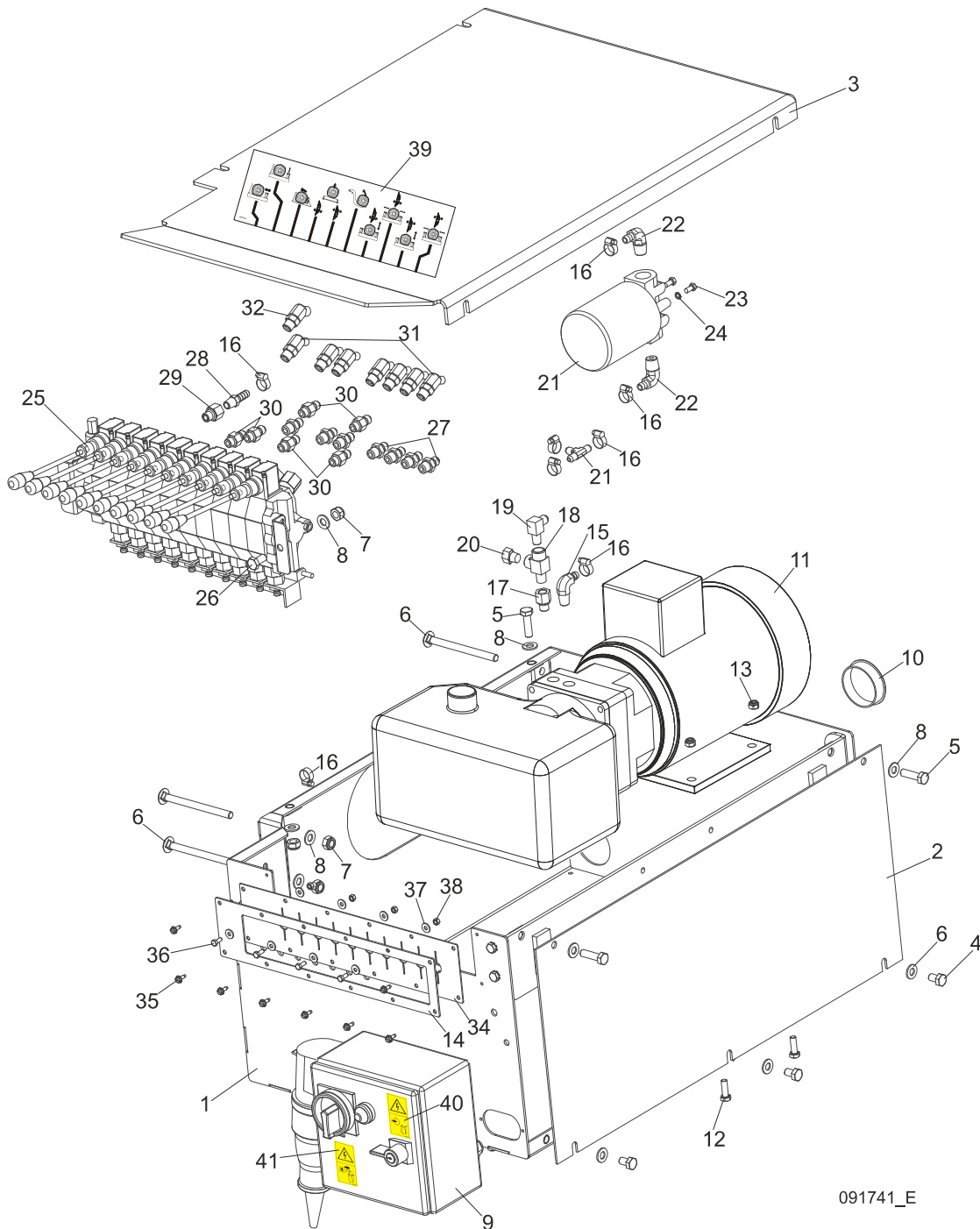
## Hydraulic System

*Hydraulic Control Box, LT40 Series AH3*

---

	THERMAL OVERLOAD RELAY LR2 K0316	084456	1	
--	----------------------------------	--------	---	--

9.12 Hydraulic Control Box, LT40 Series AH5/7



091741\_E

REF	DESCRIPTION (◆ indicates parts available in assemblies only)	PART #	QTY
	<b>BOX ASSEMBLY, LT40 AH5 HYDRAULIC CONTROL</b>	091741	1
1	BOX, HYDRAULIC WLDMT/PTD	091729-1	1
	BRACKET, HYDR.BOX AC	086518-1	1
	BOLT, M8X20-8.8-B HEX HEAD FULL THREAD ZINC	F81002-4	4
	WASHER, 8.4 EXTERNAL STAR	F81054-3	4
2	COVER, AC HYDRAULIC BOX FRONT	086484-1	1



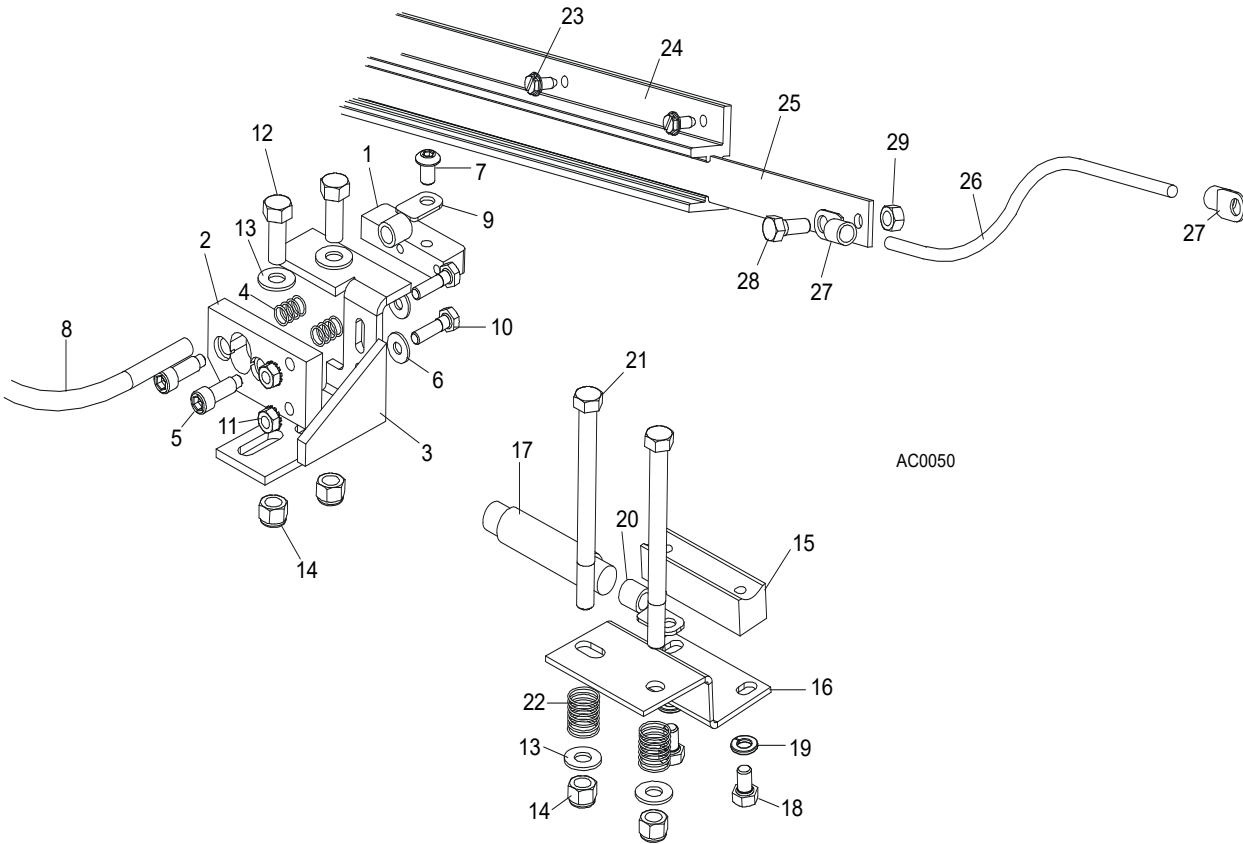
# Hydraulic System

## Hydraulic Control Box, LT40 Series AH5/7

3	COVER, AC/DC HYDRAULIC BOX TOP	091734-1	1	
4	BOLT, M10X16-8.8 HEX HEAD FULL THREAD ZINC	F81003-13	3	
5	BOLT,M10X35-8.8 HEX HEAD FULL THREAD ZINC	F81003-17	4	
6	BOLT, M10X125 CARRIAGE	F81003-34	4	
7	NUT, M10-8-B HEX NYLON ZINC LOCK	F81033-1	6	
8	WASHER, 10.5 FLAT ZINC	F81055-1	13	
9	BOX, AC 4KW STARTER	089799	1	
	SWITCH, ABB OT16E3	089801	1	
	CONTACTOR LC1K0910B7	084451	1	
	CIRCUIT BREAKER iC60N 1P 1A C	084454	1	
	CIRCUIT BREAKER, iC60N 1P 2A C	088278	1	
	RELAY, PHASE CONTROL	501016	1	
	RELAY, FINDER 83.41.0.240.0000	501015	1	
	THERMAL OVERLOAD RELAY LR2 K0316	084456	1	
10	CAP, HSA2790 (sr.63,6)	092859	1	
11	HYDRAULIC PUMP W/MOTOR AC.4KW 14.5L/MIN	500958	1	
	PUMP AC-4KW - AP100/10-S309 SPK HYDR	097782	1	
	PLATE, AC-4KW HYDRAULIC CONNECTING	097783	1	
	SEAL ASSY, AC 4 KW HYDRAULIC PUMP&MOTOR	097784	1	
12	BOLT, M8X30-8.8-B HEX HEAD FULL THREAD ZINC	F81002-7	4	
13	NUT, M8-8-B HEX NYLON ZINC LOCK	F81032-2	4	
14	PLATE, VALVE	091826-1	1	
15	FITTING, 3/8NPT-3/8 BARB ELBOW	P12708	1	
16	CLAMP, 11/16 WORM	P12739	8	
17	FITTING, 6SAE MALE-1/4NPT FEMALE	014686	1	
18	FITTING, 1/4NPT BRANCH TEE	015486	1	
19	FITTING, 3/8JIC-1/4NPT 90L	015491	1	
20	PLUG, 1/4" NPT BLANK	096221	1	
21	MANIFOLD, W/FILTER	P22683	1	
22	FITTING, 1/2NPT-3/8 BARB ELBOW	P12707	2	
23	BOLT, 1/4-20 X 1/2 HH	F05005-15	2	
24	WASHER, Z 6.1 SPLIT LOCK ZINC	F81053-3	2	
25	VALVE, HDS11/10- 8-SECTION HYDRAULIC	091344	1	
26	BOLT, M10X20-5.8 HEX HEAD FULL THREAD ZINC	F81003-1	2	
27	FITTING, 1/4JIC-3/8 O-RING	P26284	7	
28	FITTING, 1/4NPT-3/8 BARB	014685	1	
29	FITTING, 6SAE MALE-1/4NPT FEMALE	014686	1	
30	FITTING, 3/8O-RING-3/8JIC	014687	6	
31	FITTING, #4JIC-#6SAE 45Deg. ELBOW	015488	7	
32	FITTING, #6SAE 45DEG ELBOW	015489	1	
33	PLATE, VALVE	091826-1	1	
34	GUARD, RUBBER HYDRAULIC VALVE 10-SECTION	091739	1	
35	BOLT, #10-24X1/2 SELF-TAPPING	F05015-7	8	
36	BOLT, M5 X 12-5.8 HEX HEAD FULL THRTEAD ZINC	F81000-5	4	
37	WASHER, 5.5 FLAT ZINC SPECIAL	F81052-3	8	
38	NUT, M5-8 HEX ZINC	F81030-1	4	
39	DECAL, HYDRAULIC CONTROL AH5, ENGLISH	094795	1	
	DECAL, AH7 HYDRAULIC CONTROL BOX	094970	1	

<b>40</b>	<b>DECAL, HIGH VOLTAGE IN ELECTRICAL BOX</b>	096316	1	
<b>41</b>	<b>DECAL, DISCONNECT POWER SUPPLY BEFOR OPENING THE BOX</b>	096319	1	

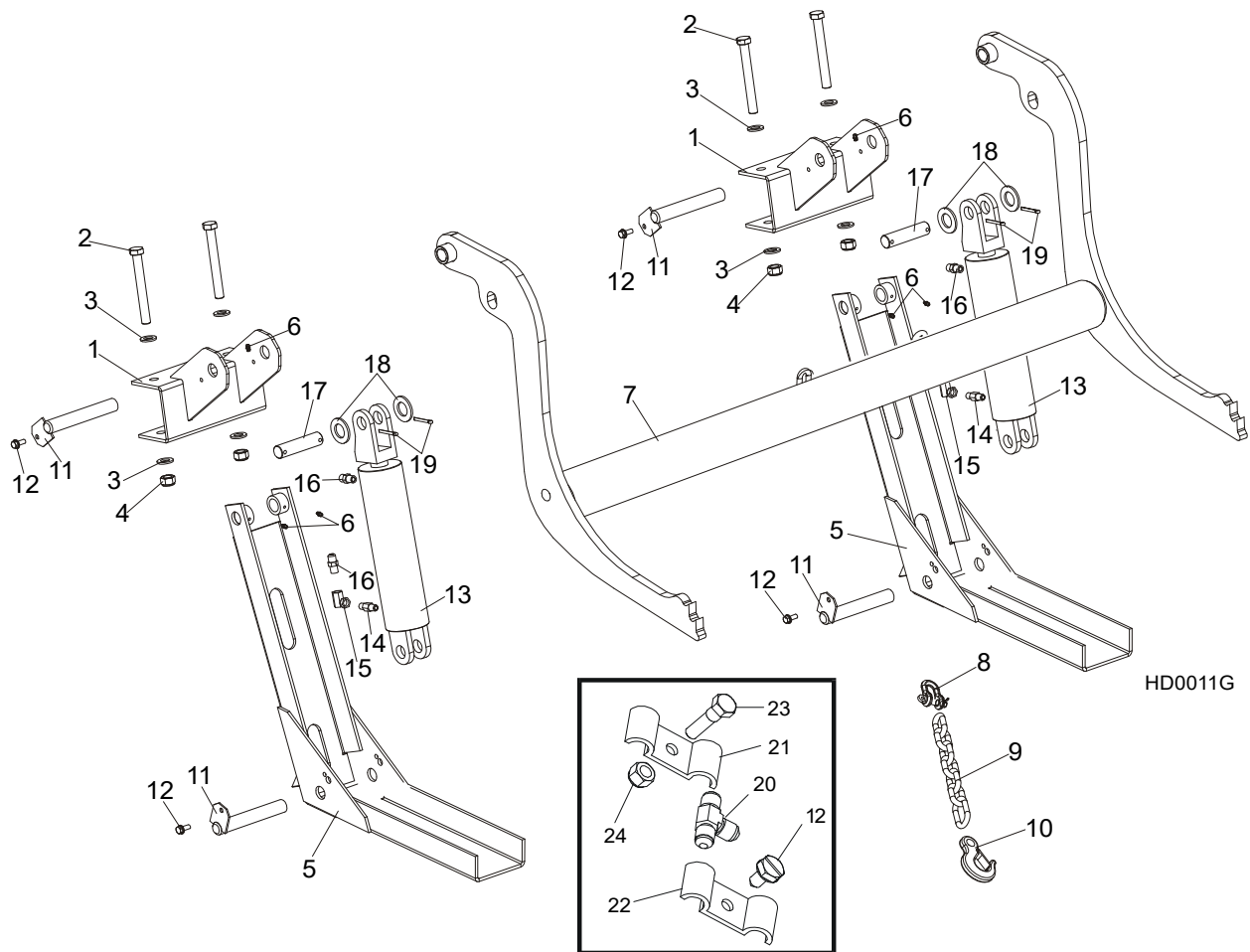
**9.13 Hydraulic Power Supply Strip**



REF.	DESCRIPTION (◆ indicates parts available in assemblies only)	PART #	QTY	
	<b>CONTACT, ASSEMBLY HOT AC</b>	086625	1	
1	BUTTON, HOT CONTACT 1997	015253	1	
2	INSULATOR, POSITIVE CONTACT	095934	1	
3	BRACKETED, POWER SUPPLY STRIP & LIMIT SWITC	086380-1	1	
4	SPRING, .42X.59X.042 COMP.	P10077	2	
5	BOLT, 5/16X3/4 SHOULDER 1/4-20 THREAD	F05006-44	2	
6	WASHER, 8.4 FLAT ZINC	F81054-1	2	
7	SCREW, M8X12 SOCKET BUTTON HEAD ZINC	F81014-4	1	
8	CABLE, 1 SQ MM, RED	R80583-2	1 m	◆
9	TERMINAL, KO 1/10 RING	F81064-11	2	
10	SCREW, 1/4-20X1 HHC	F05005-38	2	
11	NUT, 1/4-20 SELF-LOCKING ZINC	F05010-9	2	
12	BOLT, 3/8-16X1 GR5 HH	F05007-87	2	
13	WASHER, 10.5 FLAT ZINC	F81055-1	4	
14	NUT, 3/8-16 HEX NYL LOCK	F05010-10	4	
	<b>CONTACT ASSEMBLY, HYDRAULIC POWER SUPPLY (GROUND)</b>	086624	1	
15	BLOCK, EXTEN HYD GROUND CONTACT	015264	1	
16	BRACKET, GROUND CONTACT MOUNTING	090254-1	1	
17	CABLE, 1 SQ MM, BLACK	R80583-21	.21m	◆
18	BOLT, 5/16-18X1/2 HH GR5	F05006-15	2	

19	WASHER 8,2 FE/ZN9	F81054-4	2	
20	TERMINAL, KO 1/10 RING	F81064-11	1	
21	BOLT, 3/8-16x4 1/2 HH	F05007-35	2	
22	SPRING, .72 x 1.5 x .067 DIA SS COMP	P04282	2	
23	BOLT, 1/4-20 x 1/2 SELF TAP HH	F05015-1	14	
	<b>HYDRAULIC CONTACT STRIP AC</b>	086653	1	
	STRIP, CONTACT - COMPLETE	096234	1	
24	HOUSING, CONTACT STRIP	P11976	1	◆
25	STRIP, CONTACT	S10075	1	◆
26	CABLE, 1 SQ MM, BLACK	R80583-21	19m	◆
27	TERMINAL, KO 1/10 RING	F81064-11	4	
28	SCREW, 5/16-18X3/4 BLACK NYLON HHC	F05006-45	1	
29	NUT, 5/16-18 BLACK NYLON HEX	F05010-86	1	

### 9.14 Hydraulic Log Loader

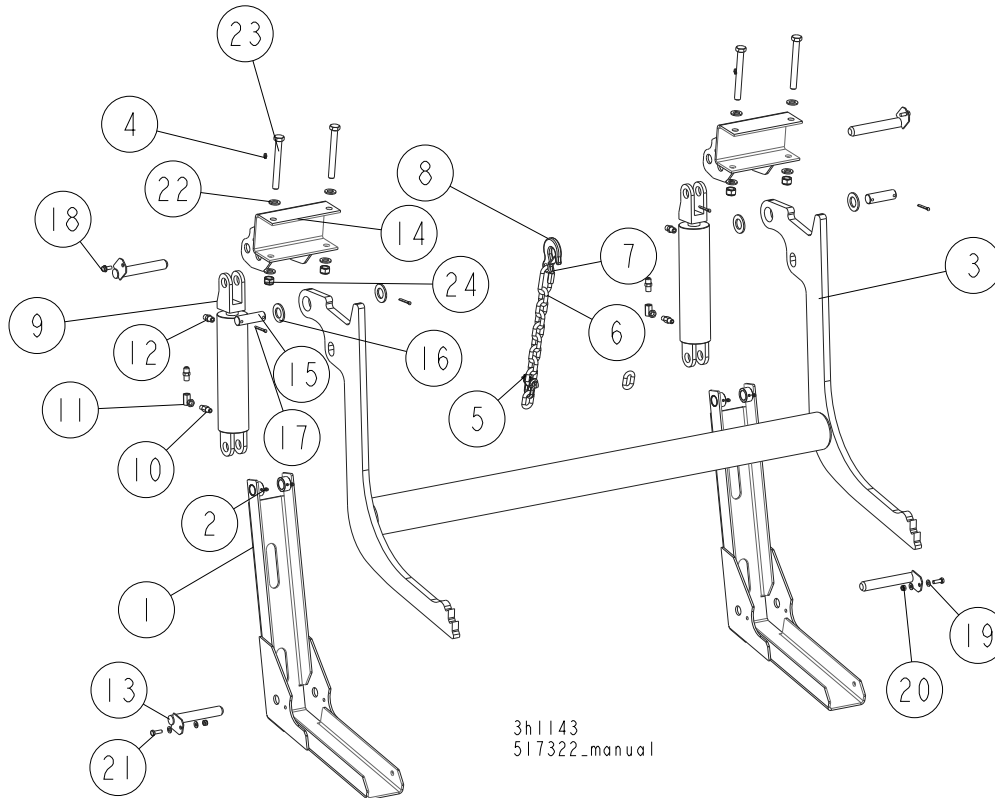


REF.	DESCRIPTION (◆ indicates parts available in assemblies only)	PART #	QTY
	<b>LOG LOADER, "S/M" BED FRAME</b>	092863	1
1	BRACKET, LOG LOADER, FRAME S/M	500747-70	1
2	BOLT, M16X140-8.8 HEX HEAD ZINC	F81006-4	4
3	WASHER, 17 FLAT ZINC	F81058-1	8
4	NUT, M16-8 HEX NYLON ZINC LOCK	F81036-2	4
	FOOT ASSEMBLY, LOG LOADER	090049	2
5	FOOT, LOG LOADER	090048-1	2
6	FITTING, 3/16X3/16 STRAIGHT GREASE	P04107	6
	HYDRAULIC LOG LOADER, COMPLETE	090044	1
7	LOG LOADER, PTD	090006-1	1
8	SHACKLE, M-D .63	086540	1
9	CHAIN, HYDRAULIC LOG LOADER SAFETY	090007-1	1
10	HOOK, 5/8 SAFTEY CHAIN	P12075	1
11	PIN WELDMENT, LOADER	099127-1	4
12	BOLT, 5/16-18 X 3/4 SELF-TAPPING	F05015-30	4
	CYLINDER ASSY, LOG LOADING SUPER	015562	2
13	CYLINDER, CJ-S95-16-70/32/203 HYDRAULIC	088680	2
14	FITTING, 1/4NPT VELOCITY FUSE 5.0GPM	015750	2



<b>15</b>	FITTING, 1/4NPT-1/4JIC SWIVEL ELBOW	P12199	2	
<b>16</b>	FITTING, 3/8JIC-1/4NPT STRAIGHT	015560	4	
<b>17</b>	PIN, HYDRAULIC CYLINDER ZINC-PLATED	086979-1	2	
<b>18</b>	WASHER, 28 FLAT ZINC	F81061-1	4	
<b>19</b>	PIN, 5 X 40 COTTER	F81043-31	2	
<b>20</b>	FITTING, 3/8JIC TEE	015487	1	
<b>21</b>	PLATE, 1/4 HOSE CLAMP	S09245	6	
<b>22</b>	CLAMP, 3/8 HOSE	016041	2	
<b>23</b>	BOLT, 5/16-18X1 HH	F05006-1	1	
<b>24</b>	NUT, 5/16-18 NYLON LOCK	F05010-58	1	

**9.15 Hydraulic Log Loader, Extended for "S", "M" and "M Super" Frames with 2.5 t. and 2.6 t. Trailer**



REF.	DESCRIPTION (◆ indicates parts available in assemblies only)	PART #	QTY
	<b>LOG LOADER, S/M SUPER FRAME, EXTENDED</b>	<b>517322</b>	<b>1</b>
	LOG LOADER, EXTENDED - COMPLETE	517326	2
1	LOG LOADER, EXTENDED	517323-1	1
2	FITTING, 3/16X3/16 STRAIGHT GREASE	P04107	2
	LOG LOADER, EXTENDED - COMPLETE	517327	1
3	LOG LOADER, EXTENDED	517329-1	1
4	FITTING, 3/16X3/16 STRAIGHT GREASE	P04107	2
5	SHACKLE, M-D .63	086540	1
	CHAIN, EXTENDED LOG LOADER	517332	1
6	CHAIN, N-10X35 - 8 LINKS	517333-1	1
7	LINK, 10 QUICK	100767	1
8	HOOK, 5/8 SAFTEY CHAIN	P12075	1
	CYLINDER ASSY, LOG LOADING SUPER	015562	2
9	CYLINDER, CJ-S95-16-70/32/203 HYDRAULIC	088680	1
10	FITTING, 1/4NPT VELOCITY FUSE 5.0GPM	015750	1
11	FITTING, 1/4NPT-1/4JIC SWIVEL ELBOW	P12199	1
12	FITTING, 3/8JIC-1/4NPT STRAIGHT	015560	2
13	PIN WELDMENT, LOADER	099127-1	4

*Hydraulic Log Loader, Extended for "S", "M" and "M Super" Frames with 2.5 t. and 2.6 t. Trailer*

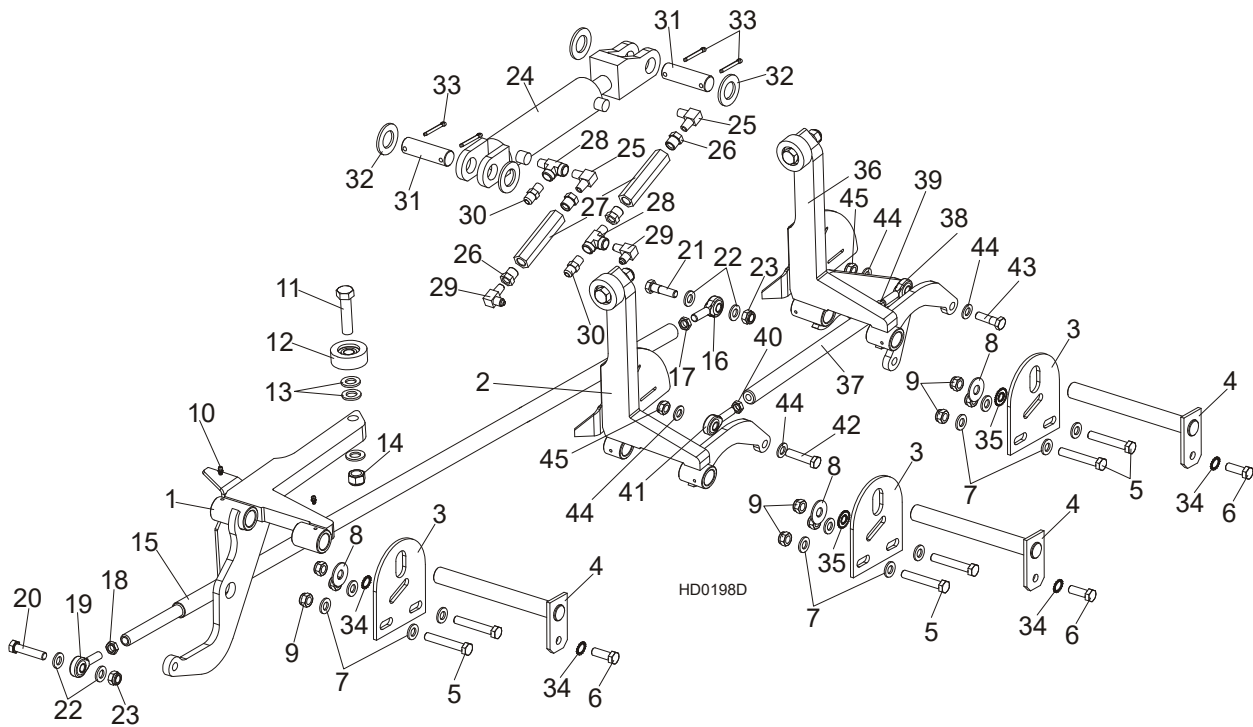
REF.	DESCRIPTION (◆ indicates parts available in assemblies only)	PART #	QTY	
14	BRACKET, LOG LOADER FRAME S/M	500747-70	2	
15	PIN, HYDRAULIC CYLINDER ZINC-PLATED	086979-1	2	
16	WASHER, 28 FLAT ZINC	F81061-1	4	
17	PIN, 5 X 40 COTTER	F81043-31	4	
18	BOLT, 5/16-18 X 3/4 SELF-TAPPING	F05015-30	2	
19	WASHER, 8.4 FLAT ZINC	F81054-1	4	
20	NUT, M8-8-B HEX NYLON ZINC LOCK	F81032-2	2	
21	BOLT, M8X25-8.8-B HEX HEAD FULL THREAD ZINC	F81002-5	2	
22	WASHER, 17 FLAT ZINC	F81058-1	8	
23	BOLT, M16X140-8.8 HEX HEAD ZINC	F81006-4	4	
24	NUT, M16-8 HEX NYLON ZINC LOCK	F81036-2	4	



## 9.16 Hydraulic Log Turner

REF	DESCRIPTION (◆ indicates parts available in assemblies only)	PART #	QTY
-	<b>TURNER, HYDRAULIC LOG (FOR SHORT FRAMES)</b>	088711	1
1	ARM, HYDRAULIC LOG TURNER LINK	088060-1	1
2	ARM WELDMENT, HYDRAULIC LOG TURNER PTD	088067-1	1
3	BRACKET, HYDRAULIC LOG TURNER MOUNT	528364-1	1
4	CLAW, HYDRAULIC LOG TURNER, PTD	088082-1	4
5	FITTING, 3/16X3/16 STRAIGHT GREASE	P04107	2
6	BOLT, M12X130-8.8 HEX HEAD ZINC	F81004-36	4
7	WASHER, 13 FLAT ZINC	F81056-1	6
8	NUT, M12-8 HEX NYLON ZINC LOCK	F81034-2	4
9	PIN, 25 X 180	088664-1	1
10	WASHER, 28 FLAT ZINC	F81061-1	2
11	PIN, 5 X 40 COTTER	F81043-31	2
12	BOLT, M10X125 CARRIAGE	F81003-34	4
13	WASHER, 10.5 FLAT ZINC	F81055-1	12
14	NUT, M10-8-B HEX NYLON ZINC LOCK	F81033-1	8
15	PIN WELDMENT, LOG TURNER MOUNT	088667-1	2
16	WASHER, 8.4 FLAT ZINC	F81054-1	4
17	BOLT, M8X25-8.8-B HEX HEAD FULL THREAD ZINC	F81002-5	2
18	NUT, M8-8-B HEX NYLON ZINC LOCK	F81032-2	2
-	CYLINDER ASSY, LOG TURNER SUPER	015563	1
19	CYLINDER, CJ-S305-16-63/28/203 HYDRAULIC	088679	1
20	FITTING, 1/4NPTX1/4JIC MALE ELBOW	P09142	2
21	BRACKET, LOG TURNER FRONT MOUNT PAINTED	091046-1	1
22	PLATE, SHORT LOG TURNER LEFT BRACE PAINT	091048-1	1
23	PLATE, SHORT LOG TURNER RIGHT BRACE PAINT	091049-1	1
24	WASHER, 10.2 SPLIT LOCK ZINC	F81055-2	4
25	SPRING, 1 1/16X8X.135 DIA.	015718	2
26	WASHER, GTM-2644-015	093359	2
27	BOLT, D IN 933-M10X30 8.8-A2E	F81003-111	4
28	BOLT, ISO4017-M10X20-8.8-A2E HEX HEAD	F81003-53	4

## 9.17 Hydraulic Log Side Supports

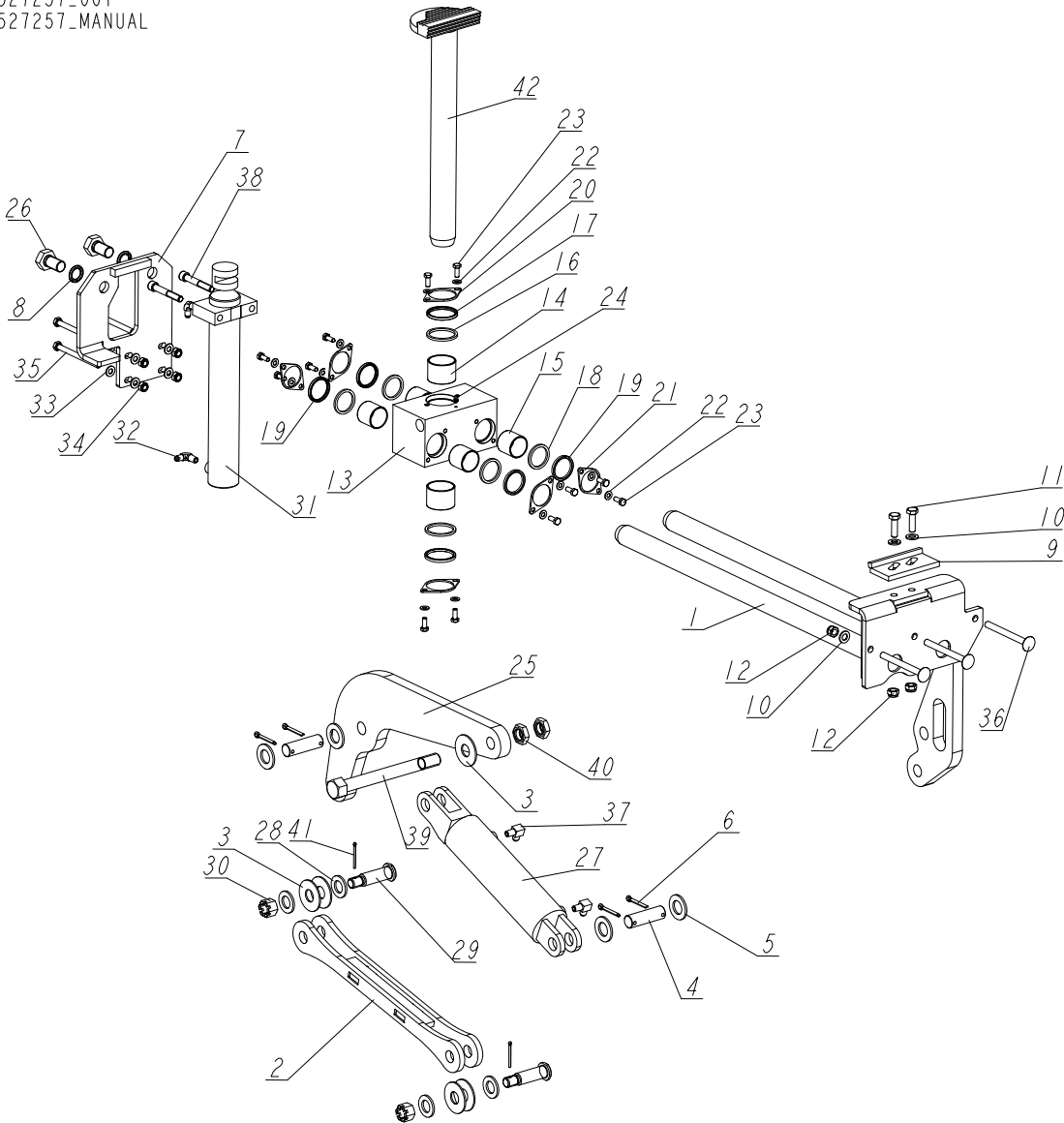


REF.	DESCRIPTION (◆ indicates parts available in assemblies only)	PART #	QTY
	<b>LOG SIDE SUPPORT KIT, S/M FRAME</b>	<b>507644</b>	<b>1</b>
1	SUPPORT, LOG SIDE W/GUARD PTD	099788-1	1
2	SUPPORT, LOG SIDE W/GUARD	507646-1	1
3	PLATE, LOG SIDE SUPPORT MOUNT PTD	091591-1	3
4	PIN, SIDE SUPPORT ZINC-PLATED	091549-1	3
5	BOLT, M12 X 75-8.8 ZINC	F81004-21	6
6	BOLT, M12 X 35-8.8 HEX HEAD FULL THREAD ZINC	F81004-24	3
7	WASHER, 13 FLAT ZINC	F81056-1	12
8	WASHER, 15 FLAT SPECIAL ZINC-PLATED	F81057-3	3
9	NUT, M12-8 HEX NYLON ZINC LOCK	F81034-2	9
10	FITTING, 3/16X3/16 STRAIGHT GREASE	P04107	6
11	BOLT, M16x65-8.8 HEX HEAD FULL THREAD ZINC	F81006-1	3
12	ROLLER ASSY, SIDE SUPPORT	015014-1	3
13	WASHER, 17 FLAT ZINC	F81058-1	9
14	NUT, M16,HEX, NYLON ZINC LOCK	F81036-2	3
	ROD, SIDE SUPPORT LINK L-1480 COMPLETE	091640	1
15	ROD, SIDE SUPPORT LINK L-1420 ZINC-PLATED	089374-1	1
16	END, ROD LEFT THREAD	087036	1
17	NUT, M12-04 HEXAGON	F81034-6	1
18	NUT, M12LH-04-A HEXAGON	F81034-7	1
19	END, ROD RIGHT THREAD	087035	1
20	BOLT, M12X55-8.8 HEX HEAD ZINC	F81004-12	1
21	BOLT M12X45-8.8 HEX HEAD ZINC	F81004-32	2
22	WASHER, 13 FLAT ZINC	F81056-1	4

23	NUT, M12-8 HEX NYLON ZINC LOCK	F81034-2	2	
	CYLINDER ASSY, 2X6 SIDE SUPPORT SUPER	015561	1	
24	CYLINDER, CJ-S270-16-50/28/152 HYDRAULIC	088678	1	
	SEAL KIT, 2X6 HYDRAULIC SEAL	P12954	1	
25	FITTING, 1/4NPT MALE PIPE ELBOW	P09140	2	
26	FITTING, 3/8NPT-1/4NPT REDUCER	015490	4	
27	VALVE, SIDE SUPPORT SEQUENCE	015484	2	
28	FITTING, 1/4NPT BRANCH TEE	015486	2	
29	FITTING, 3/8JIC-1/4NPT 90L	015491	2	
30	FITTING, 3/8JIC-1/4NPT STR	015560	2	
31	PIN, HYDRAULIC CYLINDER ZINC-PLATED	086979-1	2	
32	WASHER 28 FE/ZN5	F81061-1	4	
33	PIN, 5 X 40 COTTER	F81043-31	4	
34	WASHER, BN781 M12/13 EXTERNALLY SERRATED	F81056-16	4	
35	WASHER, BN783 M12/12.3/30.3 SERRATED	F81056-17	2	
36	SUPPORT, LOG SIDE W/GUARD 2	507645-1	1	
	<b>ROD, SIDE SUPPORT LINK L-380 SHORT</b>	<b>507647</b>	<b>1</b>	
37	PUSHER, L-320 LOG SIDE SUPPORT	505439-1	1	
38	END, ROD LEFT THREAD	087036	1	
39	NUT, M12 THIN ZINC	F81034-6	1	
40	NUT, M12LH-04-A HEXAGON	F81034-7	1	
41	END, ROD RIGHT THREAD	087035	1	
42	BOLT, M12X55-8.8 HEX HEAD ZINC	F81004-12	1	
43	BOLT, M12X45-8.8 HEX HEAD ZINC	F81004-32	1	
44	WASHER, 13 FLAT ZINC	F81056-1	4	
45	NUT, M12-8 HEX NYLON ZINC LOCK	F81034-2	2	

## 9.18 Main Hydraulic Log Clamp (2 Rods)

527257\_001  
527257\_MANUAL

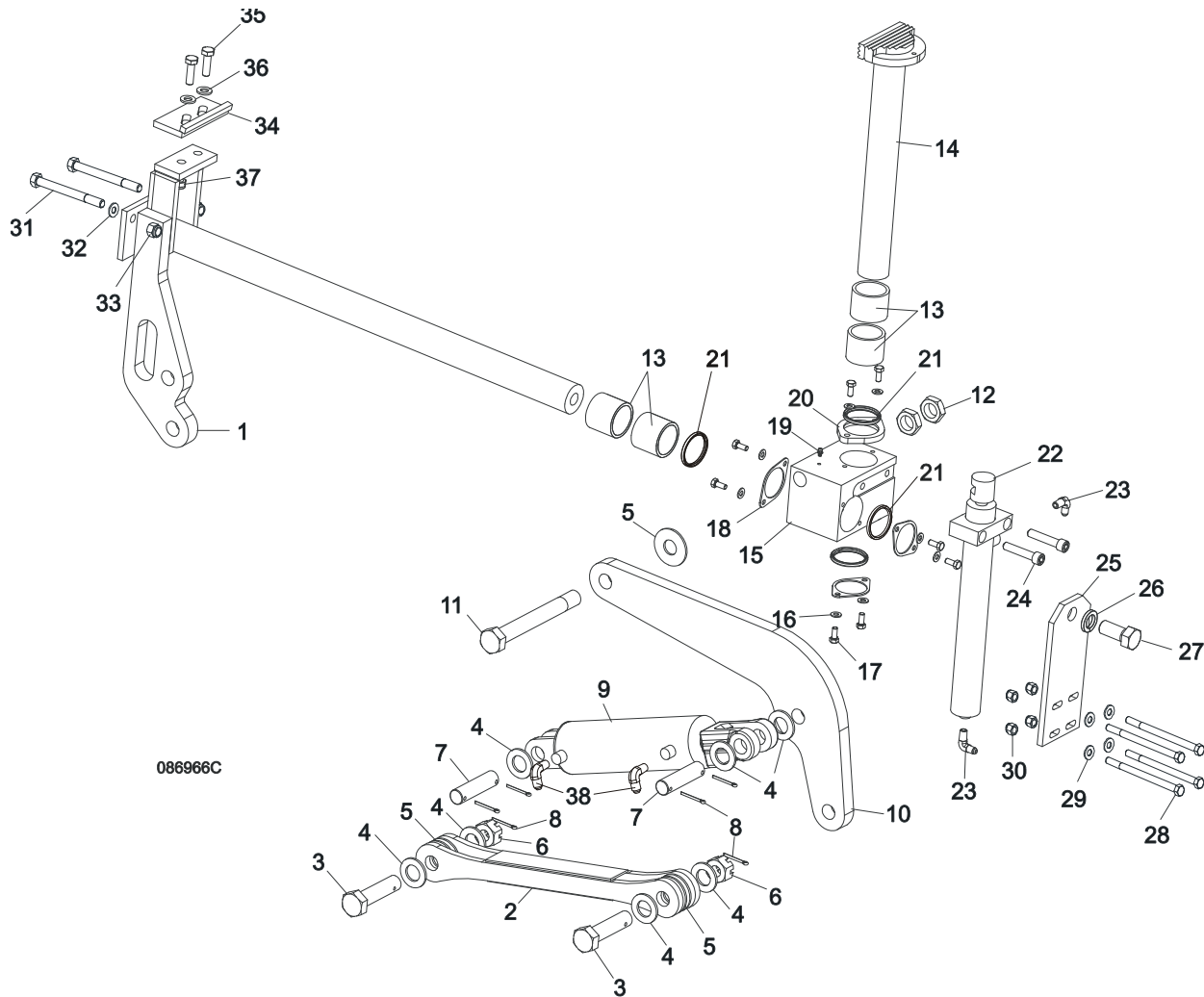


REF.	DESCRIPTION (◆ indicates parts available in assemblies only)	PART #	QTY
-	<b>TWO-PLANE LOG CLAMP</b>	527257	1
1	ROD WELDMENT, MAIN HYDRAULIC CLAMP	525107-1	1
2	ARM WELDMENT, HYDRAULIC CLAMP LINK	086963-1	1
3	WASHER, 25 X 63 ZINC-PLATED	088585-1	5
4	PIN, HYDRAULIC CYLINDER ZINC-PLATED	086979-1	2
5	WASHER, 28 FLAT ZINC	F81061-1	4
6	PIN, S-ZN 6,3X45 PN-76/M-82001	F81045-2	4
7	PLATE, MOUNT (LOG CLAMP W/2 RODS)	527258-1	1
8	WASHER, Z 22.5 SPLIT LOCK ZINC	F81059-4	2
9	STOP WLDMT, HYDRAULIC LOG CLAMP	086980-1	1
10	WASHER, 13 FLAT ZINC	F81056-1	5
11	BOLT, M12X40 8.8 HEX HEAD FULL THREAD ZINC	F81004-4	2
12	NUT, M12-8 HEX NYLON ZINC LOCK	F81034-2	5
-	BLOCK, STEEL W/BUSHINGS - COMPLETE	521951	1

REF.	DESCRIPTION (◆ indicates parts available in assemblies only)	PART #	QTY
-	BLOCK, STEEL W/BUSHINGS	521950-1	1
13	BLOCK, STEEL	521937	1
14	BUSHING, 5040BS SELF-LUBRICATING	088660	2
15	BUSHING, 4040BS SELF-LUBRICATING	525077	4
16	SPACER, HYDRAULIC LOG CLAMP	089324	2
17	WIPER, ZZ 50X60X7 INCO LOG CLAMP ROD	088587	2
18	WASHER, WIPER - WIDE	525080	4
19	WIPER, ZZ-40X50X5/7	525079	4
20	FLANGE, CLAMP ROD WIPER PAINTED	088887-1	2
21	FLANGE, WIPER	525081-1	4
22	WASHER, 8.4 FLAT ZINC	F81054-1	12
23	BOLT, M8X20-8.8-B HEX HEAD FULL THREAD Z	F81002-4	12
24	FITTING, 3/16X3/16 STRAIGHT GREASE	P04107	1
25	ARM, HYDRAULIC LOG CLAMP LINK PAINTED	086974-1	1
26	BOLT, M22X1,5X40-8.8-B HEX HEAD FULL ZINC	F81009-1	2
27	CYLINDER, CJ-596-16-70/32/78 HYDRAULIC	088589	1
28	WASHER, 25 FLAT ZINC	F81061-3	4
29	PIN, B 24X95/85 CLEVIS ZINC	F81049-2	2
30	NUT, Z M20-8-B SLOTTED CASTLE ZINC	F81037-3	2
31	CYLINDER, CJ-S582-16-50/35/300	711617	1
32	FITTING, 1/4NPTX1/4JIC MALE ELBOW	P09142	2
33	WASHER, 10.5 FLAT ZINC	F81055-1	8
34	NUT, M10-8-B HEX NYLON ZINC LOCK	F81033-1	4
35	BOLT, M10X125-8.8 HEX HEAD ZINC	F81003-18	4
36	BOLT, M12X130-8.8 CARRIAGE HEAD ZINC	F81004-26	3
37	FITTING, 3/8JIC-1/4NPT 90L	015491	2
38	SCREW, M12X80-8.8 HEX SOCKET HEAD CAP ZINC	F81004-20	2
39	BOLT M24X240-8.8-B HEX HEAD ZINC	F81009-17	1
40	NUT, M24-04-B HEX THIN ZINC	F81039-3	2
41	PIN, 4X30 COTTER ZINC-PLATED	F81043-22	2
42	ROD ASSEMBLY, VERTICAL	710735-1	1



## 9.19 Hydraulic Log Clamp - Main

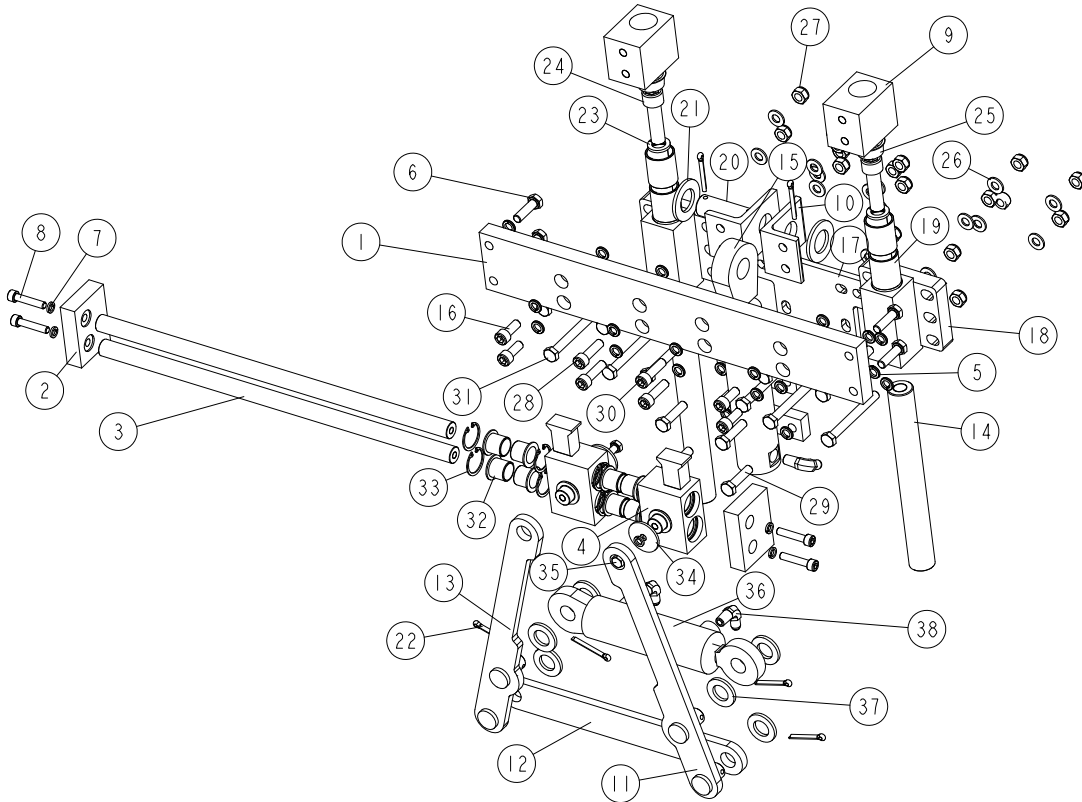


REF.	DESCRIPTION (◆ indicates parts available in assemblies only)	PART #	QTY
	<b>LOG CLAMP ASSEMBLY, TWO-PLANE</b>	088658	1
1	ROD WELDMENT, LOG CLAMP SLIDE	086967-1	1
2	ARM WELDMENT, HYDRAULIC CLAMP LINK	086963-1	1
3	PIN, B 24X95/85 CLEVIS ZINC	F81049-2	1
4	WASHER, 25 FLAT ZINC	F81061-3	8
5	WASHER, 25 X 63 ZINC-PLATED	088585-1	5
6	NUT, Z M20-8-B SLOTTED CASTLE ZINC	F81037-3	2
7	PIN, HYDRAULIC CYLINDER ZINC-PLATED	086979-1	2
8	PIN, S-ZN 6.3X45 COTTER	F81045-2	6
9	CYLINDER, CJ-596-16-70/32/78 HYDRAULIC	088589	1
10	ARM, HYDRAULIC LOG CLAMP LINK	086974-1	1
11	BOLT, M24X217/39-8.8-B HEX HEAD ZINC	088586-1	1
12	NUT, M24-04-B HEX THIN ZINC	F81039-3	2
13	BUSHING, 5040BS SELF-LUBRICATING	088660	2

14	ROD WELDMENT, LOG CLAMP VERTICAL	088582-1	1	
15	BLOCK, LOG CLAMP PAINTED STEEL	088591-1	1	
16	WASHER, 8.4 FLAT ZINC	F81054-1	8	
17	BOLT, M8X20-8.8-B HEX HEAD FULL THREAD ZINC	F81002-4	8	
18	FLANGE, CLAMP ROD WIPER PAINTED	088887-1	3	
19	FITTING, 3/16X3/16 STRAIGHT GREASE	P04107	1	
20	FLANGE, CLAMP ROD WIPER PAINTED	088887-1	1	
21	WIPER, ZZ 50X60X7 INCO LOG CLAMP ROD	088587	1	
22	CYLINDER, CJ-S169-16-40/22/254 HYDRAULIC	088590	1	
23	FITTING, 1/4NPTX1/4JIC MALE ELBOW	P09142	2	
24	SCREW, M12X55-8.8-B HEX SOCKET HEAD CAP	F81004-23	2	
25	PLATE, LOG CLAMP MOUNT PAINTED	086975-1	1	
26	WASHER, Z 22.5 SPLIT LOCK ZINC	F81059-4	1	
27	BOLT, M22X1,5X40-8.8-B HEX HEAD FULL ZINC	F81009-1	1	
28	BOLT, M10X125-8.8 HEX HEAD ZINC	F81003-18	4	
29	WASHER, 10.5 FLAT ZINC	F81055-1	8	
30	NUT, M10-8-B HEX NYLON ZINC LOCK	F81033-1	4	
31	BOLT, M12X130-8.8 HEX HEAD ZINC	F81004-36	2	
32	WASHER, 13 FLAT ZINC	F81056-1	2	
33	NUT, M12-8-B ZINC HEX	F81034-1	2	
	<b>STOP KIT, CLAMP</b>	K09485	1	
34	STOP WLDMT, HYDRAULIC LOG CLAMP	086980-1	1	
35	BOLT, M12X40 8.8 HEX HEAD FULL THREAD ZINC	F81004-4	2	
36	WASHER, 13 FLAT ZINC	F81056-1	2	
37	NUT, M12-8 HEX NYLON ZINC LOCK	F81034-2	4	
38	FITTING, 3/8JIC-1/4NPT 90L	015491	2	

## 9.20 Hydraulic Pull-Down Clamp

094129\_001  
094129\_MANUAL



REF.	DESCRIPTION (◆ indicates parts available in assemblies only)	PART #	QTY
-	<b>HYDRAULIC LOG CLAMP - COMPLETE</b>	094129	1
1	BEAM, LOG CLAMP MAIN ZINC-PLATED	094115-1	1
2	PLATE, LOCKING ZINC-PLATED	094117-1	2
3	ROD, CLAMP JAW GUIDE	094116	2
4	JAW WELDMENT, LOG CLAMP ZINC-PLATED	094120-1	2
5	WASHER, 10.2 SPLIT LOCK ZINC	F81055-2	26
6	BOLT, M10X35-8.8 HEX HEAD FULL THREAD ZINC	F81003-17	4
7	WASHER, 8.2 SPLIT LOCK ZINC	F81054-4	6
8	SCREW, M8X40-8.8 HEX SOCKET HEAD CAP ZINC	F81002-29	4
9	BLOCK, LOG CLAMP UP/DOWN	094124-1	2
10	ANGLE, LOG CLAMP BRACKET	094127-1	2
11	LINK, LOG CLAMP IN/OUT SIDE ZINC-PLATED	094099-1	1
12	ARM, LOG CLAMP IN/OUT ZINC-PLATED	094092-1	1
13	LINK, LOG CLAMP IN/OUT SIDE ZINC-PLATED	094097-1	1
14	PIN, CLAMP UP/DOWN GUIDE	088631	2
15	CYLINDER, CJ7F-16/40/22 + UE2-40W HYDRAULIC	091346	1
16	SCREW, M10 X 25 8.8 HEX SOCKET HEAD CAP ZINC	F81003-32	4

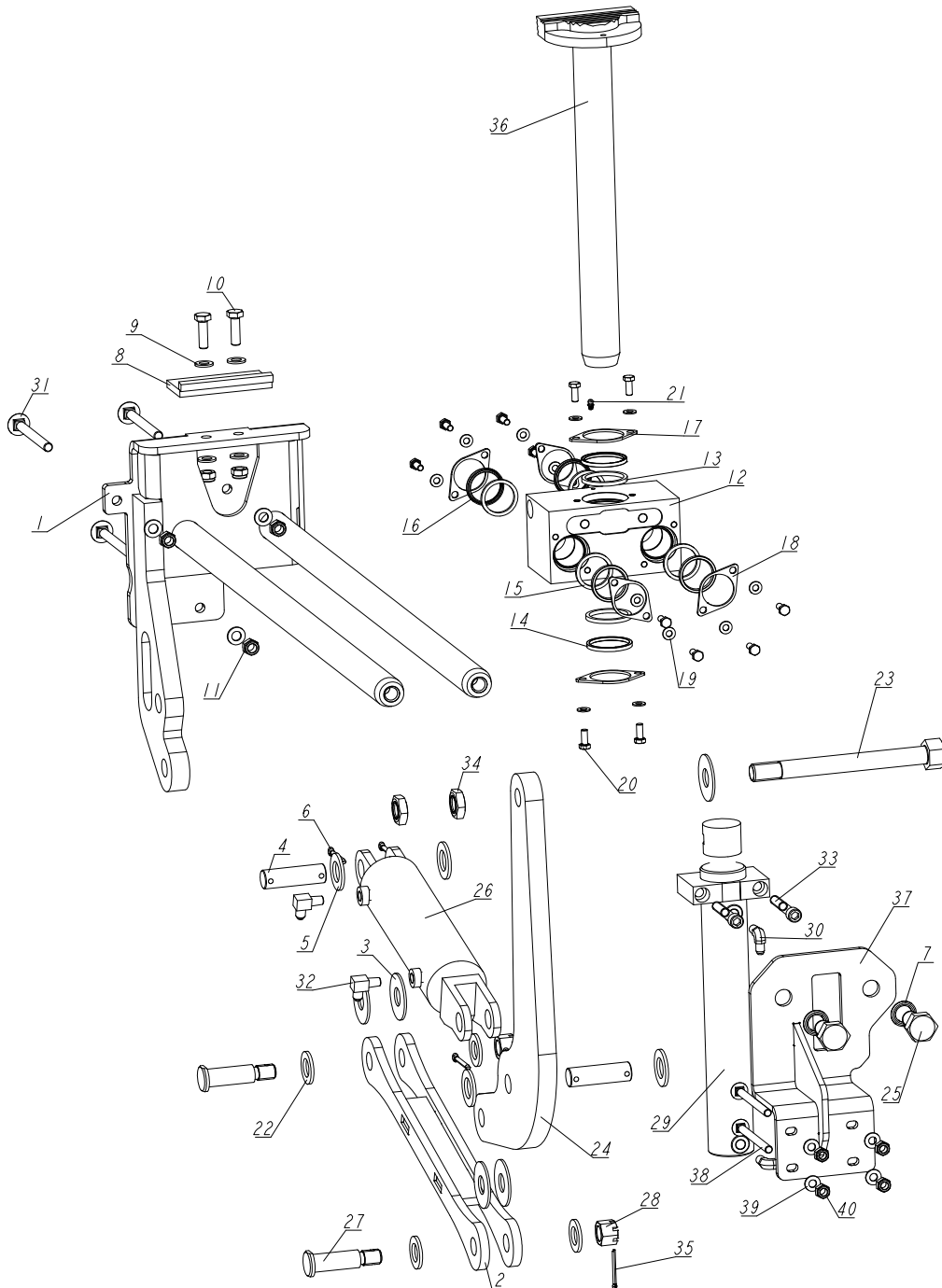


# Hydraulic System

## Hydraulic Pull-Down Clamp

REF.	DESCRIPTION (◆ indicates parts available in assemblies only)	PART #	QTY	
17	PLATE WELDMENT, HYDRAULIC CYLINDER MOUNTING	094094-1	1	
-	GUIDE BLOCK W/SELF-LUBRICATING BUSHINGS	090544	2	
18	BLOCK WELDMENT, LOG CLAMP GUIDE	090543-1	1	
19	BUSHING, 3040BS SELF-LUBRICATING	088676	2	
20	PIN, 24.9x75 ROLL	088659-1	1	
21	WASHER, 28 FLAT ZINC	F81061-1	2	
22	PIN, 5 X 40 COTTER	F81043-31	6	
23	WASHER, 16.3 SPLIT LOCK ZINC	F81058-2	2	
24	SCREW, M16x55-8.8 HEX SOCKET HEAD CAP ZINC	F81006-18	2	
25	PLUG, M33 THREAD #12428	089839	2	
26	WASHER, 10.5 FLAT ZINC	F81055-1	18	
27	NUT, M10-8-B HEX NYLON ZINC LOCK	F81033-1	18	
28	SCREW, M10x35 8.8 HEX SOCKET HEAD CAP ZINC	F81003-56	4	
29	BOLT, M10 X 40-8.8 HEX HEAD FULL THREAD ZINC	F81003-16	4	
30	BOLT, M10X75-8.8 HEX HEAD ZINC	F81003-15	2	
31	BOLT, M10x95-8.8-B HEX HEAD ZINC	F81003-71	8	
32	BUSHING, FLANGED JFM-2023-21	094113	8	
33	RING, W31 INSIDE RETAINING	F81090-53	8	
34	WASHER, ZINC-PLATED SPACER	094128-1	2	
35	BOLT, M8X12-8.8 HEX HEAD FULL THREAD ZINC	F81002-6	2	
36	CYLINDER, SJ2F-16-40/22/80 HYDRAULIC	093880	1	
37	WASHER, 21 FLAT ZINC	F81059-2	6	
38	FITTING, 1/4NPTX1/4JIC MALE ELBOW	P09142	4	

## 9.21 Main Log Clamp (540970)



REF.	DESCRIPTION (◆ indicates parts available in assemblies only)	PART #	QTY
-	MAIN LOG CLAMP	540970	1
1	ROD ASSEMBLY, MAIN LOG CLAMP	540969-1	1
2	ARM WELDMENT, HYDRAULIC CLAMP LINK	086963-1	1
3	WASHER, 25 X 63 ZINC-PLATED	088585-1	5
4	PIN, HYDRAULIC CYLINDER ZINC-PLATED	086979-1	2
5	WASHER, 28 FLAT ZINC	F81061-1	4
6	PIN, S-ZN 6,3X45 COTTER	F81045-2	4
7	WASHER, Z 22.5 SPLIT LOCK ZINC	F81059-4	2

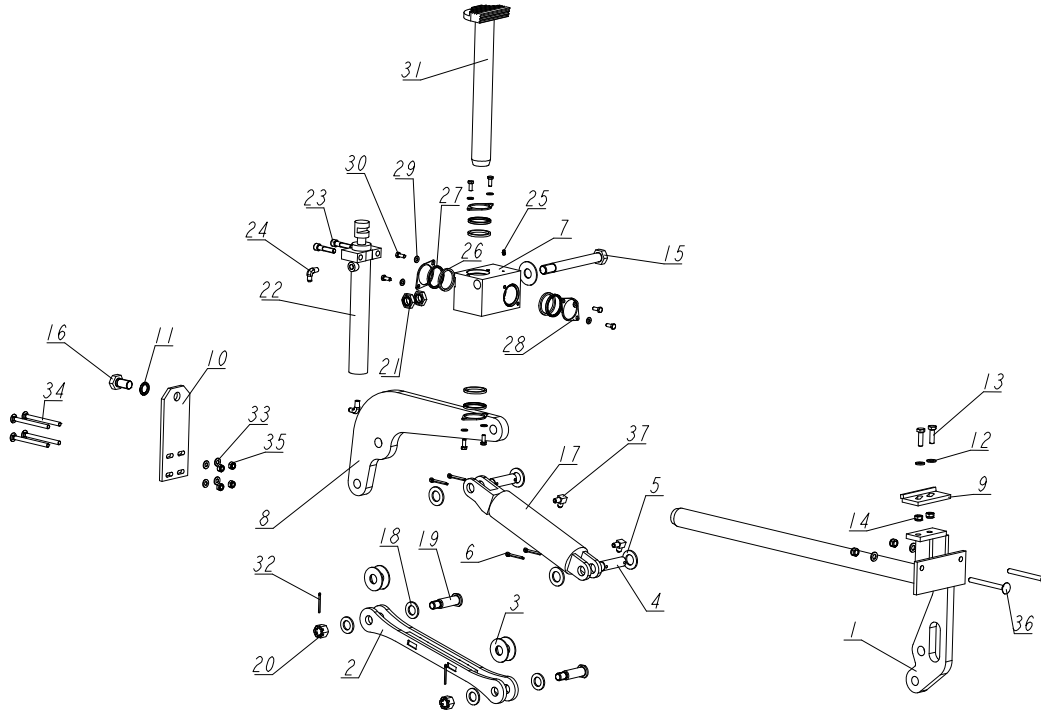
# 9 Hydraulic System

## Main Log Clamp (540970)

REF.	DESCRIPTION (◆ indicates parts available in assemblies only)	PART #	QTY
8	STOP WLDMT, HYDRAULIC LOG CLAMP	086980-1	1
9	WASHER, 13 FLAT ZINC	F81056-1	7
10	BOLT, M12X40 8.8 HEX HEAD FULL THREAD ZINC	F81004-4	2
11	NUT, M12-8 HEX NYLON ZINC LOCK	F81034-2	5
-	BLOCK, STEEL W/BUSHINGS - COMPLETE	521951	1
12	BLOCK, STEEL W/BUSHINGS	521950-1	1
13	SPACER, HYDRAULIC LOG CLAMP	089324	2
14	WIPER, ZZ 50X60X7 INCO LOG CLAMP ROD	088587	2
15	WASHER, WIPER - WIDE	525080	4
16	WIPER, ZZ-40X50X5/7	525079	4
17	FLANGE, CLAMP ROD WIPER	088887-1	2
18	FLANGE, WIPER	525081-1	4
19	WASHER, 8.4 FLAT ZINC	F81054-1	12
20	BOLT, M8X20-8.8-B HEX HEAD FULL THREAD ZINC	F81002-4	12
21	FITTING, 3/16X3/16 STRAIGHT GREASE	P04107	1
22	WASHER, 25 FLAT ZINC	F81061-3	4
23	BOLT M24X240-8.8-B HEX HEAD ZINC	F81009-17	1
24	ARM, LOG CLAMP	547699-1	1
25	BOLT,M22X1,5X40-8.8-B HEX HEAD FULL ZINC	F81009-1	2
26	CYLINDER, CJ-596-16-70/32/78 HYDRAULIC	088589	1
27	PIN, B 24X95/85 CLEVIS ZINC	F81049-2	2
28	NUT, Z M20-8-B SLOTTED CASTLE ZINC	F81037-3	2
29	CYLINDER, CJ-S582-16-50/35/300	711617	1
30	FITTING, 1/4NPTX1/4JIC MALE ELBOW	P09142	2
31	BOLT, M12X130-8.8 CARRIAGE HEAD ZINC	F81004-26	3
32	FITTING, 3/8JIC-1/4NPT 90L	015491	2
33	SCREW, M12X80-8.8 HEX SOCKET HEAD CAP ZINC	F81004-20	2
34	NUT, M24-04-B HEX THIN ZINC	F81039-3	2
35	PIN, 4X30 COTTER ZINC-PLATED	F81043-22	2
36	ROD ASSEMBLY, VERTICAL	710735-1	1
37	BRACKET, COMPLETE	547682-1	1
38	BOLT, M10X125 CARRIAGE	F81003-34	4
39	WASHER, 10.5 FLAT ZINC	F81055-1	4
40	NUT, M10-8-B HEX NYLON ZINC LOCK	F81033-1	4

9.22 Two-Plane Log Clamp - M-type Frame +100 (544213)

544213\_001  
544213\_MANUAL

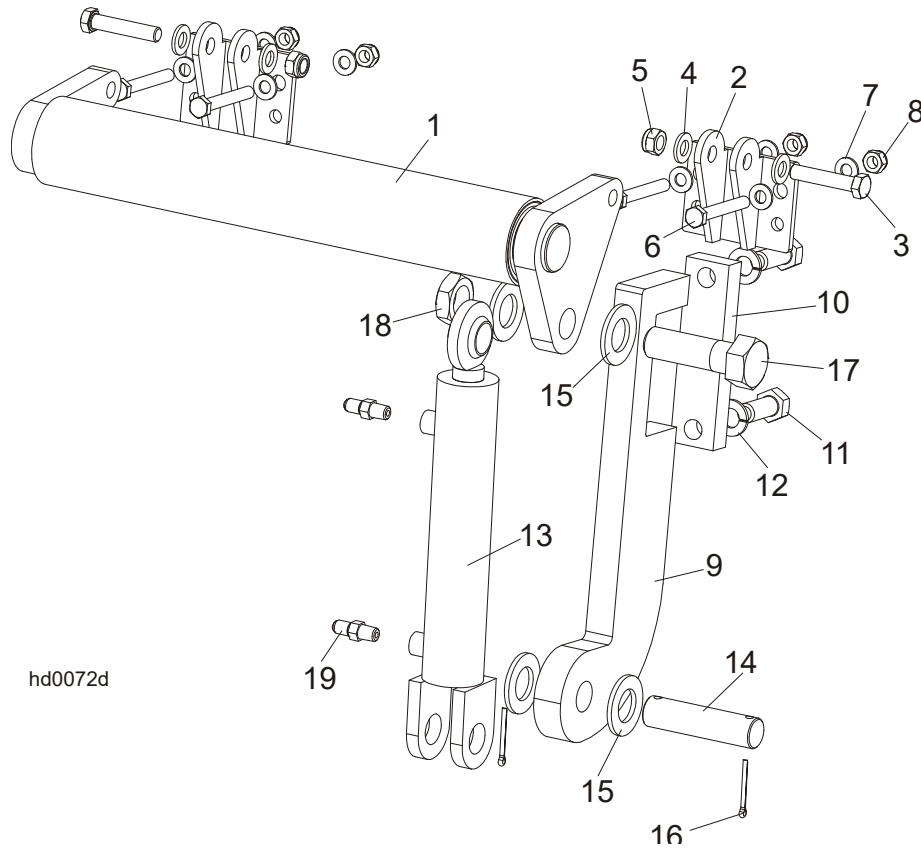


REF.	DESCRIPTION (◆ indicates parts available in assemblies only)	PART #	QTY
-	TWO-PLANE LOG CLAMP (M-TYPE FRAME +100)	544213	1
1	ROD ASSEMBLY, TWO-PLANE LOG CLAMP	544212-1	1
2	ARM WELDMENT, HYDRAULIC CLAMP LINK	086963-1	1
3	WASHER, 25 X 63	088585	5
4	PIN, HYDRAULIC CYLINDER ZINC-PLATED	086979-1	2
5	WASHER, 28 FLAT ZINC	F81061-1	4
6	PIN, S-ZN 6,3X45 PN-76/M-82001	F81045-2	4
7	BLOCK, LOG CLAMP PAINTED STEEL	088591-1	1
8	ARM, LX450 HYDRAULIC CLAMP LINK	518923-1	1
9	STOP WLDMT, HYDRAULIC LOG CLAMP	086980-1	1
10	MOUNTING PLATE, PAINTED	551125-1	1
11	WASHER, Z 22.5 SPLIT LOCK ZINC	F81059-4	1
12	WASHER, 13 FLAT ZINC	F81056-1	4
13	BOLT, M12X40 8.8 HEX HEAD FULL THR.ZINC	F81004-4	2
14	NUT, M12-8 HEX NYLON ZINC LOCK	F81034-2	4
15	BOLT, M24X217/39-8.8-B HEX HEAD ZINC	088586-1	1
16	BOLT, M22X1,5X40-8.8-B HEX HEAD FULL ZINC	F81009-1	1
17	CYLINDER, CJ-596-16-70/32/78 HYDRAULIC	088589	1
18	WASHER, 25 FLAT ZINC	F81061-3	4
19	PIN, B 24X95/85 CLEVIS ZINC	F81049-2	2
20	NUT, Z M20-8-B SLOTTED CASTLE ZINC	F81037-3	2
21	NUT, M24-04-B HEX THIN ZINC	F81039-3	2
22	CYLINDER, CJ-S169-16-40/22/254 HYDRAULIC	088590	1

REF.	DESCRIPTION (◆ indicates parts available in assemblies only)	PART #	QTY	
23	SCREW, M12X55-8.8-B HEX SOCKET HEAD CAP	F81004-23	2	
24	FITTING, 1/4NPTX1/4JIC MALE ELBOW	P09142	2	
25	FITTING, 3/16X3/16 STRAIGHT GREASE	P04107	1	
26	SPACER, HYDRAULIC LOG CLAMP	089324	4	
27	WIPER, ZZ 50X60X7 INCO LOG CLAMP ROD	088587	4	
28	FLANGE, CLAMP ROD WIPER PAINTED	088887-1	4	
29	WASHER, 8.4 FLAT ZINC	F81054-1	8	
30	BOLT, M8X20-8.8-B HEX HEAD FULL THREAD ZINC	F81002-4	8	
31	ROD WELDMENT, LOG CLAMP VERTICAL	088582-1	1	
32	PIN, S-ZN 4 X 45 COTTER	F81043-21	2	
33	WASHER, 10.5 FLAT ZINC	F81055-1	4	
34	BOLT, M10X125 CARRIAGE	F81003-34	4	
35	NUT, M10-8-B HEX NYLON ZINC LOCK	F81033-1	4	
36	BOLT, M12X130-8.8 CARRIAGE HEAD ZINC	F81004-26	2	
37	FITTING, 3/8JIC-1/4NPT 90L	015491	2	



### 9.23 Hydraulic Toe Board

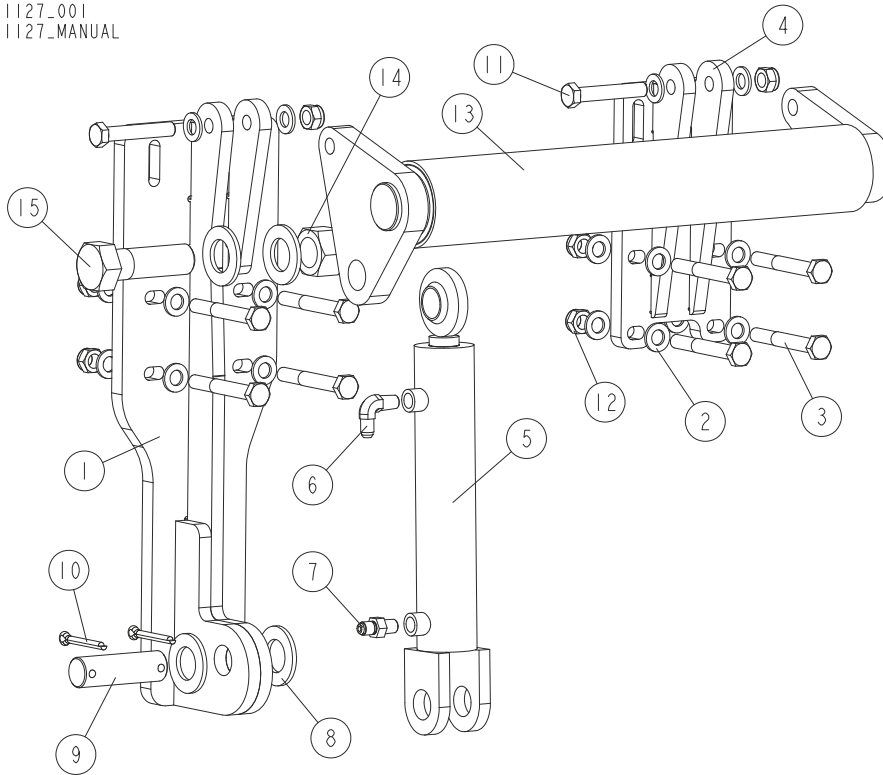


hd0072d

REF.	DESCRIPTION (◆ indicates parts available in assemblies only)	PART #	QTY
	<b>HYDRAULIC TOE BOARD - FRONT</b>	092613	1
	<b>HYDRAULIC TOE BOARD - REAR</b>	092634	1
1	TOE BOARD WELDMENT, FRONT HYDRAULIC	092612-1	1
	TOE BOARD WELDMENT, REAR HYDRAULIC	086253-1	1
2	BRACKET, TOE BOARD ROLLER MOUNT	087903-1	2
3	BOLT, M12X60-8.8 HEX HEAD ZINC	F81004-5	4
4	WASHER, 13 FLAT ZINC	F81056-1	8
5	NUT, M12-8 HEX NYLON ZINC LOCK	F81034-2	4
6	BOLT, M10X75-8.8 HEX HEAD ZINC	F81003-15	8
7	WASHER, 10.5 FLAT ZINC	F81055-1	16
8	NUT, M10-8-B HEX NYLON ZINC LOCK	F81033-1	8
9	PLATE, TOE BOARD CYLINDER MOUNT	087729-1	2
10	PLATE, HYDRAULIC TOEBOARD MOUNT	090086-1	2
11	BOLT, M16X40-8.8 HEX HEAD FULL THREAD ZINC	F81006-13	4
12	WASHER, 16.3 SPLIT LOCK ZINC	F81058-2	4
13	CYLINDER, CJ-S170-16-40/25/152 HYDRAULIC	088681	2
14	PIN, HYDRAULIC CYLINDER ZINC-PLATED	086979-1	2
15	WASHER 28 FE/ZN5	F81061-1	8
16	PIN, 3/16X1.5 COTTER	F05012-23	4
17	BOLT, 1-8X3 1/4 HH GR5	F05009-51	2
18	NUT, 1-14 HEX JAM UNPLATED	F05010-117	2
19	FITTING, 1/4NPTX1/4JIC MALE	P09143	4

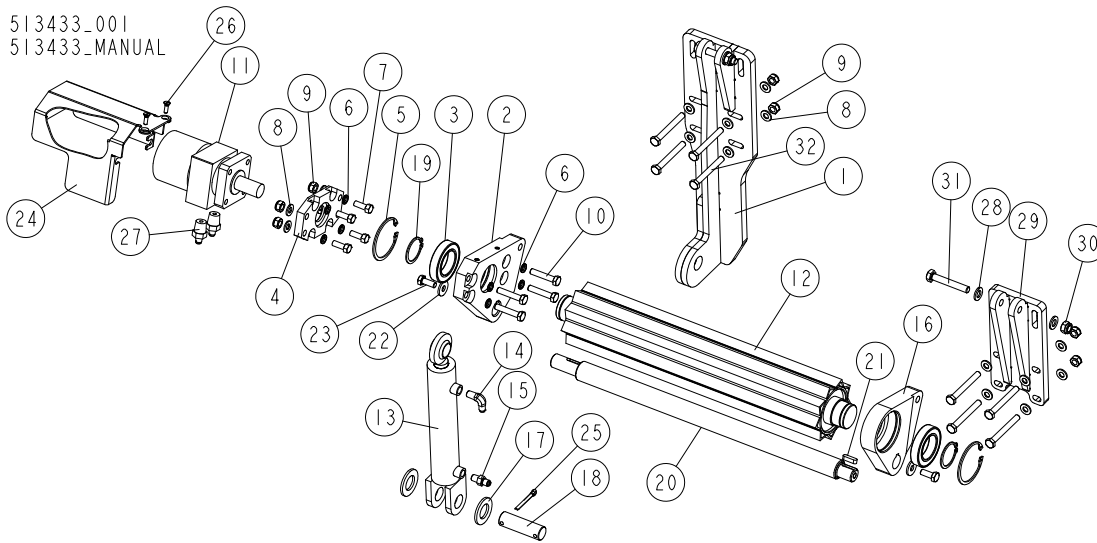
**9.24 Hydraulic Toe Board, Bottom Bed Rail (Option)**

511127\_001  
511127\_MANUAL



REF.	DESCRIPTION (◆ indicates parts available in assemblies only)	PART #	QTY
-	<b>TOE BOARD, RIGHT</b>	<b>511127</b>	<b>2</b>
1	BRACKET WELDMENT, POWER ROLLER	510605-1	1
2	WASHER, 13 FLAT ZINC	F81056-1	20
3	BOLT, M12X90-8.8 HEX HEAD ZINC	F81004-2	8
4	MOUNT WELDMENT, TOE BOARD ROLLER	520099-1	1
-	CYLINDER, HYDRAULIC TOE BOARDS	085937	1
5	CYLINDER, CJ-S170-16-40/25/152 HYDRAULIC	088681	1
6	FITTING, 1/4NPTX1/4JIC MALE ELBOW	P09142	1
7	FITTING, 1/4NPTX1/4JIC MALE	P09143	1
8	WASHER 28 FE/ZN5	F81061-1	4
9	PIN, HYDRAULIC CYLINDER ZINC-PLATED	086979-1	1
10	PIN, S-ZN 6,3X45 PN-76/M-82001	F81045-2	2
11	BOLT, M12X70 8.8 FE/ZN5 HEX HEAD	F81004-39	2
12	NUT, M12-8 HEX NYLON ZINC LOCK	F81034-2	10
13	TOE BOARD WELDMENT, FRONT HYDRAULIC	092612-1	1
14	NUT, 1-8 SELF LOCK	F05010-109	1
15	BOLT, 1-8X3 1/4 HH GR5	F05009-51	1

### 9.25 Driven Log Levelling Roller (mounted on lower bed rail)



REF.	DESCRIPTION (◆ indicates parts available in assemblies only)	PART #	QTY
-	<b>POWER ROLLER</b>	513433	1
1	BRACKET WELDMENT, POWER ROLLER	510605-1	1
2	BRACKET, SIDE W/HYDRO MOTOR CONNECTOR	096029-1	1
3	BEARING, 6009.2RSR (FAG)	096025	2
4	PLATE, PUMP MOUNT	096030-1	1
5	RING, W75 INSIDE RETAINING	F81090-41	2
6	WASHER, 10.2 SPLIT LOCK ZINC	F81055-2	8
7	SCREW, 3/8-16X1 HHC	F05007-7	4
8	WASHER, 10.5 FLAT ZINC	F81055-1	20
9	NUT, M10-8-B HEX NYLON ZINC LOCK	F81033-1	12
10	BOLT, M10X50MM,HEX HEAD FULL THRD ZINC	F81003-4	4
11	MOTOR, MG06-13-13AAAB HYDRAULIC	P21506	1
12	ROLLER, PIVOT - WLDMT	096028-1	1
-	CYLINDER, HYDRAULIC TOE BOARDS	085937	1
13	CYLINDER, CJ-S170-16-40/25/152 HYDRAULIC	088681	1
14	FITTING, 1/4NPTX1/4JIC MALE ELBOW	P09142	1
15	FITTING, 1/4NPTX1/4JIC MALE	P09143	1
16	BRACKET, SIDE	096031-1	1
17	WASHER 28 FE/ZN5	F81061-1	2
18	PIN, HYDRAULIC CYLINDER ZINC-PLATED	086979-1	1
19	RING, Z 45 SPRING RETAINING	F81090-32	2
20	ROD, CONNECTION	096034-1	1
21	KEY, A 8X7X28 PN-70/M-85005	096035	2
22	WASHER,10.5 ZINC FLAT SPECIAL	F81055-6	2
23	BOLT, M10 X 25 8.8 HEX HEAD FULL THREAD ZINC	F81003-31	2
24	COVER, HYDRAULIC MOTOR	096037-1	1
25	PIN, S-ZN 6.3X45 COTTER	F81045-2	1
26	SCREW, M6X20-4.8-B FE/ZN5 PN-85/M-8220	F81001-31	2
27	FITTING, 1/2-14NPT/ 7/16-20UNF	096919	2

## 9

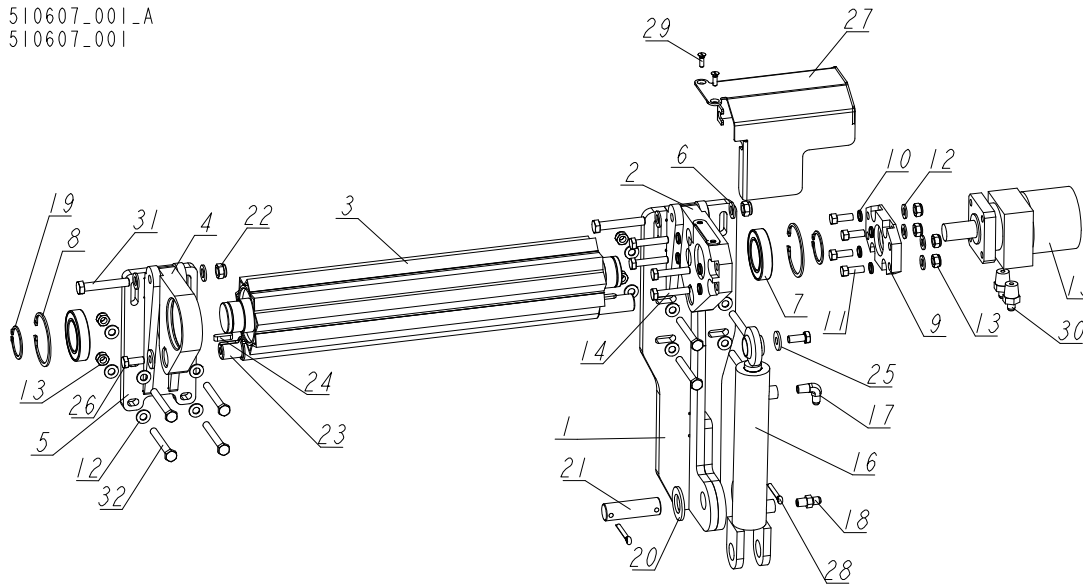
**Hydraulic System***Driven Log Levelling Roller (mounted on lower bed rail)*

---

REF.	DESCRIPTION (◆ indicates parts available in assemblies only)	PART #	QTY	
28	WASHER, 13 FLAT ZINC	F81056-1	4	
29	MOUNT WELDMENT, TOE BOARD ROLLER	520099-1	1	
30	NUT, M12-8 HEX NYLON ZINC LOCK	F81034-2	2	
31	BOLT, M12X75 HEX HEAD FULL THREAD ZINC	F81004-10	2	
32	BOLT, M10X85-8.8 HEX HEAD ZINC	F81003-125	8	

9.26 Driven Log Levelling Roller, Lower Bed Rail (Option)

510607-001-A  
510607-001



REF.	DESCRIPTION (◆ indicates parts available in assemblies only)	PART #	QTY
-	<b>LEFT POWER ROLLER W/CLAMP</b>	510607	1
1	BRACKET WELDMENT, HYDRAULIC CYLINDER MOUNT	527018-1	1
2	BRACKET, SIDE W/HYDROMOTOR CONNECTOR	507684-1	1
3	ROLLER, PIVOT - WLDMT	096028-1	1
4	BRACKET SIDE PAINTED	507687-1	1
5	MOUNT WELDMENT, TOE BOARD ROLLER	520099-1	1
6	WASHER, 13 FLAT ZINC	F81056-1	21
7	BEARING, 6009.2RSR (FAG)	096025	2
8	RING, W75 INSIDE RETAINING	F81090-41	2
9	PLATE, PUMP MOUNT	096030-1	1
10	WASHER, 10.2 SPLIT LOCK ZINC	F81055-2	8
11	SCREW, 3/8-16X1 HHC	F05007-7	4
12	WASHER, 10.5 FLAT ZINC	F81055-1	4
13	NUT, M10-8-B HEX NYLON ZINC LOCK	F81033-1	4
14	BOLT, M10X50-8.8 HEX HEAD FULL THREAD ZINC	F81003-4	4
15	MOTOR, MG06-13-13AAAB HYDRAULIC	P21506	1
-	CYLINDER, HYDRAULIC TOE BOARDS	085937	1
16	CYLINDER, CJ-S170-16-40/25/152 HYDRAULIC	088681	1
17	FITTING, 1/4NPTX1/4JIC MALE ELBOW	P09142	1
18	FITTING, 1/4NPTX1/4JIC MALE	P09143	1
19	RING, Z 45 SPRING RETAINING	F81090-32	2
20	WASHER 28 FE/ZN5	F81061-1	2
21	PIN, CYLINDER HYDRAULIC	086979	1
22	NUT, M12-8 HEX NYLON ZINC LOCK	F81034-2	11
23	ROD, CONNECTION	096034	1
24	KEY, A 8X7X28 PARALLEL	096035	2
25	WASHER, 10.5 ZINC FLAT SPECIAL	F81055-6	2
26	BOLT, M10 X 25 8.8 HEX HEAD FULL THREAD ZINC	F81003-31	2



## Hydraulic System

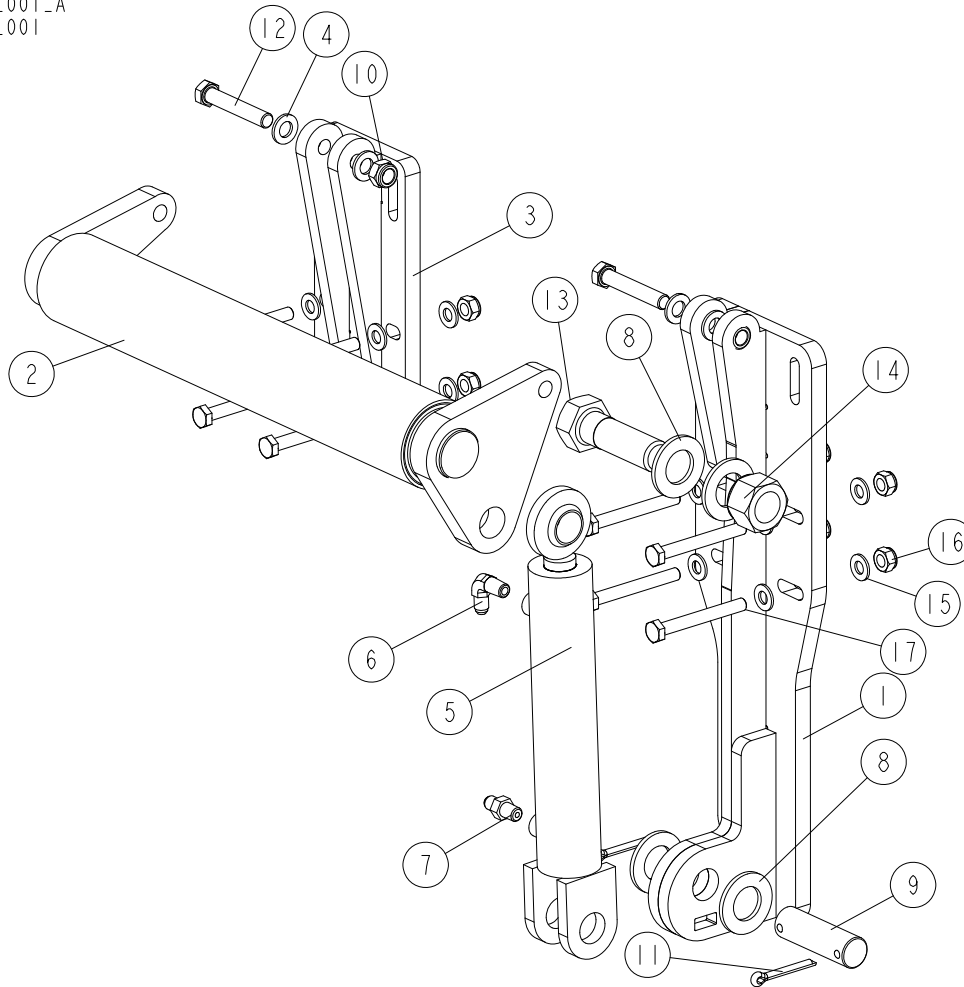
### Driven Log Levelling Roller, Lower Bed Rail (Option)

---

REF.	DESCRIPTION (◆ indicates parts available in assemblies only)	PART #	QTY	
27	GUARD, HYDRAULIC MOTOR	507690-1	1	
28	PIN, S-ZN 6,3X45 PN-76/M-82001	F81045-2	2	
29	SCREW, M6X20- 4.8-B FE/ZN5 PN-85/M-8220	F81001-31	2	
30	FITTING. 1/2-14NPT/ 7/16-20UNF	096919	2	
31	BOLT, M12X70 8.8 FE/ZN5 HEX HEAD	F81004-39	2	
32	BOLT, M12X90-8.8 HEX HEAD ZINC	F81004-2	8	

9.27 Left Hydraulic Toe Board (on Lower Bed Rail)

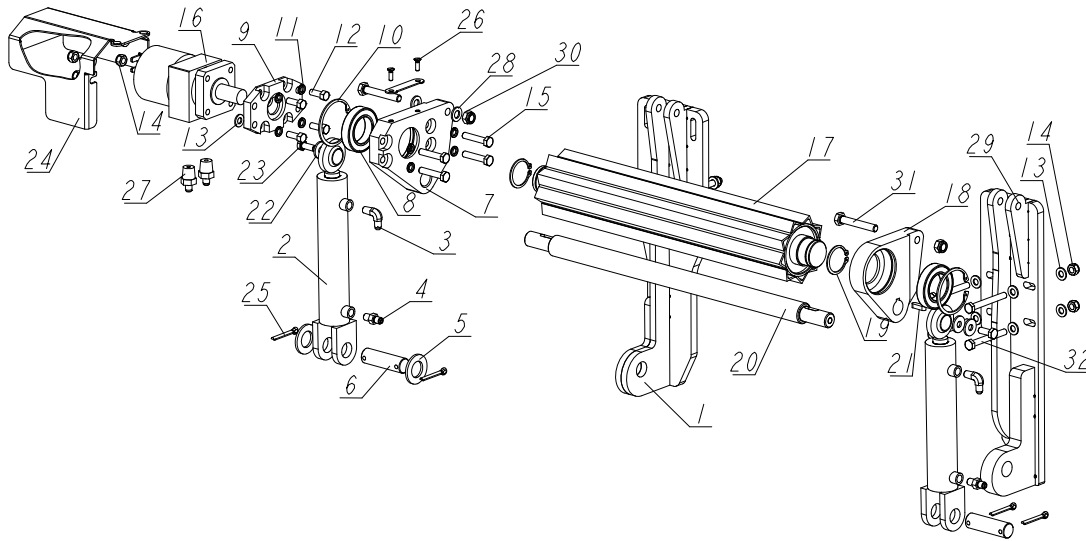
519735\_001\_A  
519735\_001



REF	DESCRIPTION (◆ indicates parts available in assemblies only)	PART #	QTY
-	<b>HYDRAULIC TOE BOARD, BOTTOM BED RAIL LEF</b>	519735	1
1	BRACKET WELDMENT, HYDRAULIC CYLINDER MOUNT (LEFT)	527018-1	1
2	TOE BOARD WELDMENT	086253-1	1
3	MOUNT WELDMENT, TOE BOARD ROLLER	520099-1	1
4	WASHER, 13 FLAT ZINC	F81056-1	28
-	CYLINDER, HYDRAULIC TOE BOARDS	085937	1
5	CYLINDER, CJ-S170-16-40/25/152 HYDRAULIC	088681	1
6	FITTING, 1/4NPTX1/4JIC MALE ELBOW	P09142	1
7	FITTING, 1/4NPTX1/4JIC MALE	P09143	1
8	WASHER 28 FE/ZN5	F81061-1	4
9	PIN, HYDRAULIC CYLINDER ZINC-PLATED	086979-1	1
10	NUT, M12-8 HEX NYLON ZINC LOCK	F81034-2	14
11	PIN, S-ZN 6,3X45 PN-76/M-82001	F81045-2	2
12	BOLT, M12X70 8.8 FE/ZN5 HEX HEAD	F81004-39	2
13	BOLT, M12X90-8.8 HEX HEAD ZINC	F81004-2	12
14	BOLT, 1-8X3 1/4 HH GR5	F05009-51	1
15	NUT, 1-8 SELF LOCK	F05010-109	1

**9.28 Driven Log Levelling Roller, Right w/2 Cylinders (Option)**

526160\_001\_A  
526160\_MANUAL



REF	DESCRIPTION (◆ indicates parts available in assemblies only)	PART #	QTY
-	<b>ROLLER, DRIVEN LOG LEVELLING - RIGHT W/2</b>	526160	1
-	<b>ROLLER, DRIVEN LOG LEVELLING - FOR LOG SIDE SUPPORTS</b>	545662	1
1	BRACKET WELDMENT, POWER ROLLER	510605-1	1
2	BRACKET, SIDE W/HYDRO MOTOR CONNECTOR	096029-1	1
3	BEARING, 6009.2RSR	096025	2
4	PLATE, PUMP MOUNT	096030-1	1
5	RING, W75 INSIDE RETAINING	F81090-41	2
6	WASHER, 10.2 SPLIT LOCK ZINC	F81055-2	8
7	SCREW, 3/8-16X1 HHC	F05007-7	4
8	WASHER, 10.5 FLAT ZINC	F81055-1	4
9	NUT, M10-8-B HEX NYLON ZINC LOCK	F81033-1	4
10	BOLT, M10X50MM,HEX HEAD FULL THRD ZINC	F81003-4	4
11	MOTOR, MG06-13-13AAAB HYD	P21506	1
12	ROLLER, PIVOT - WLDMT	096028-1	1
-	CYLINDER, HYDRAULIC TOE BOARDS	085937	2
13	CYLINDER, CJ-S170-16-40/25/152 HYDRAULIC	088681	1
14	FITTING, 1/4NPTX1/4JIC MALE ELBOW	P09142	1
15	FITTING, 1/4NPTX1/4JIC MALE	P09143	1
16	BRACKET	096031-1	1
17	WASHER 28 FE/ZN5	F81061-1	2
18	PIN, HYDRAULIC CYLINDER ZINC-PLATED	086979-1	2
19	RING, Z 45 SPRING RETAINING	F81090-32	2
20	ROD, CONNECTION	520349	1
21	KEY, A 8X7X28 PN-70/M-85005	096035	2
22	WASHER,10.5 ZINC FLAT SPECIAL	F81055-6	3
23	BOLT, M10 X 25 8.8 FE/ZN5, PN-M/82105	F81003-31	2
24	COVER, HYDRAULIC MOTOR	096037-1	1



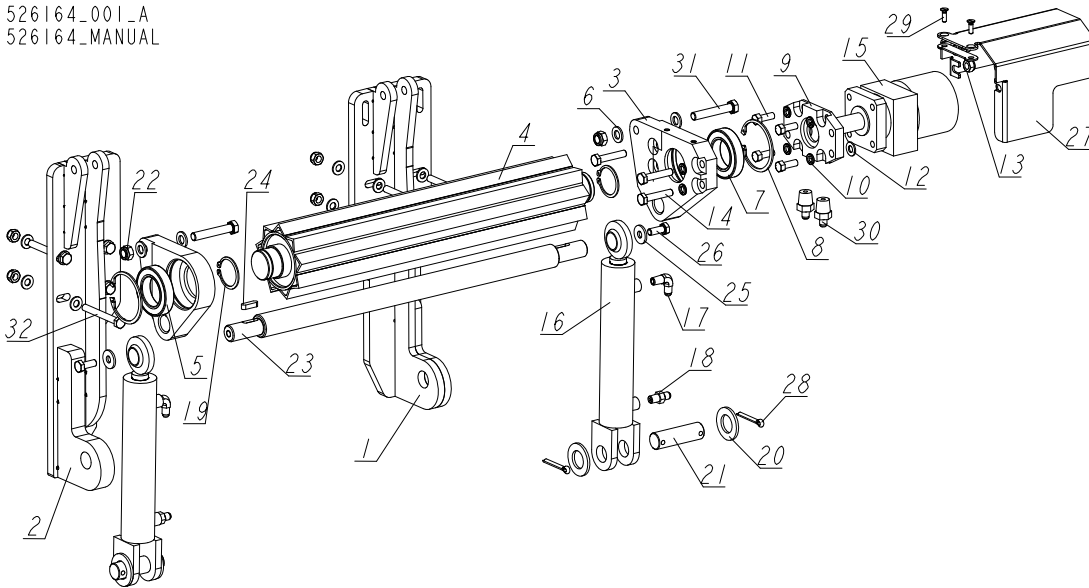
REF	DESCRIPTION (◆ indicates parts available in assemblies only)	PART #	QTY	
25	PIN, S-ZN 6,3X45 PN-76/M-82001	F81045-2	4	
26	SCREW, M6X20- 4.8-B FE/ZN5 PN-85/M-8220	F81001-31	2	
27	FITTING. 1/2-14NPT/ 7/16-20UNF	096919	2	
28	WASHER, 13 FLAT ZINC	F81056-1	20	
29	BRACKET WELDMENT, CYLINDER MOUNT	526162-1 <sup>1</sup>	1	
	BRACKET WELDMENT, CYLINDER MOUNT	550410-1 <sup>2</sup>	1	
30	NUT, M12-8 HEX NYLON ZINC LOCK	F81034-2	10	
31	BOLT M12X75	F81004-10	2	
32	BOLT, M12X90-8.8 HEX HEAD ZINC	F81004-2	8	

<sup>1</sup> Included in 526160

<sup>2</sup> Included in 545662

9.29 Driven Log Levelling Roller, Left w/2 Cylinders

526164\_001\_A  
526164\_MANUAL

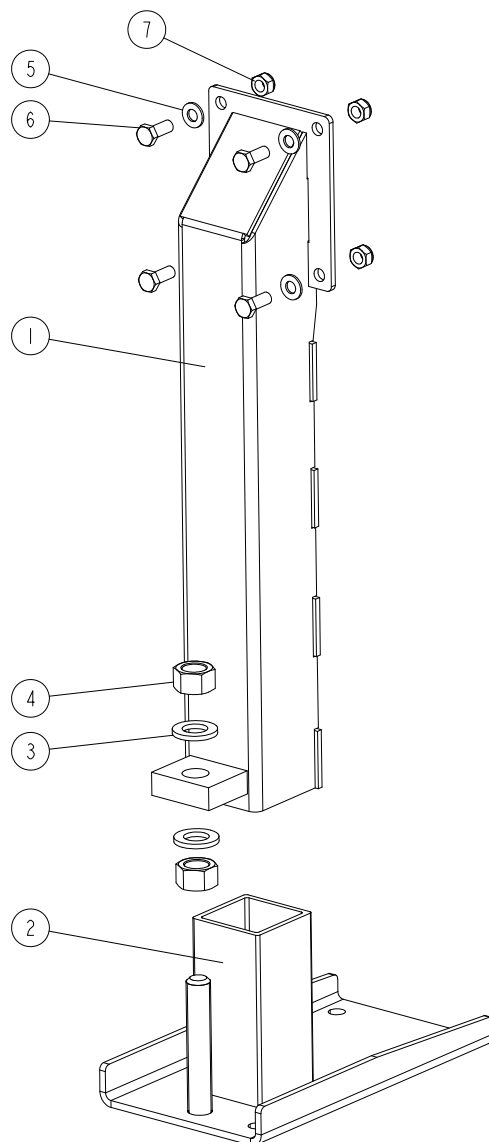


REF	DESCRIPTION (◆ indicates parts available in assemblies only)	PART #	QTY
-	<b>ROLLER, DRIVEN LOG LEVELLING - LEFT W/2 CYLINDERS</b>	526164	1
1	BRACKET WELDMENT, HYDRAULIC CYLINDER MOUNT (LEFT)	527018-1	1
2	BRACKET WELDMENT, HYDRAULIC CYLINDER MOUNT	526150-1	1
3	BRACKET, SIDE W/HYDROMOTOR CONNECTOR	507684-1	1
4	ROLLER, PIVOT - WLDMT	096028-1	1
5	BRACKET SIDE PAINTED	507687-1	1
6	WASHER, 13 FLAT ZINC	F81056-1	4
7	BEARING, 6009.2RSR (FAG) ROLLING	096025	2
8	RING, W75 INSIDE RETAINING	F81090-41	2
9	PLATE, PUMP MOUNT	096030-1	1
10	WASHER, 10.2 SPLIT LOCK ZINC	F81055-2	8
11	SCREW, 3/8-16X1 HHC	F05007-7	4
12	WASHER, 10.5 FLAT ZINC	F81055-1	20
13	NUT, M10-8-B HEX NYLON ZINC LOCK	F81033-1	4
14	BOLT, M10X50MM,HEX HEAD FULL THRD ZINC	F81003-4	4
15	MOTOR, MG06-13-13AAAB HYDRAULIC	P21506	1
-	CYLINDER, HYDRAULIC TOE BOARDS	085937	2
16	CYLINDER, CJ-S170-16-40/25/152 HYDRAULIC	088681	1
17	FITTING, 1/4NPTX1/4JIC MALE ELBOW	P09142	1
18	FITTING, 1/4NPTX1/4JIC MALE	P09143	1
19	RING, Z 45 SPRING RETAINING	F81090-32	2
20	WASHER 28 FE/ZN5	F81061-1	4
21	PIN, CYLINDER HYDRAULIC	086979	2
22	NUT, M12-8 HEX NYLON ZINC LOCK	F81034-2	10
23	ROD, CONNECTION	520349	1
24	KEY, A 8X7X28 PN-70/M-85005	096035	2
25	WASHER,10.5 ZINC FLAT SPECIAL	F81055-6	2
26	BOLT, M10 X 25 8.8 FE/ZN5, PN-M/82105	F81003-31	2

REF	DESCRIPTION (◆ indicates parts available in assemblies only)	PART #	QTY	
27	GUARD, HYDRAULIC MOTOR	507690-1	1	
28	PIN, S-ZN 6,3X45 PN-76/M-82001	F81045-2	2	
29	SCREW, M6X20- 4.8-B FE/ZN5 PN-85/M-8220	F81001-31	2	
30	FITTING. 1/2-14NPT/ 7/16-20UNF	096919	2	
31	BOLT, M12X70 8.8 FE/ZN5 HEX HEAD	F81004-39	2	
32	BOLT, M12X90-8.8 HEX HEAD ZINC	F81004-2	8	

### 9.30 Stationary Leg (Part No. 501639)

501639\_001  
501639\_MANUAL



REF.	DESCRIPTION (* indicates parts available in assemblies only)	PART NO.	QTY
-	<b>LEG, LEFT STATIONARY ADJUSTABLE</b>	501639	1
1	TUBE WELDMENT, ADJUSTABLE LEG	507715-1	1
2	FOOT, WIDE	501084-1	1
3	WASHER, 21 FLAT ZINC	F81059-2	2
4	NUT, M20-8 HEX ZINC	F81037-1	2
5	WASHER, 10.5 FLAT ZINC	F81055-1	4
6	BOLT, M10X25 8.8 HEX HEAD FULL THREAD ZINC	F81003-11	4
7	NUT, M10-8-B HEX NYLON ZINC LOCK	F81033-1	4