

# D42 Engine

## Safety, Operation, Maintenance & Parts Manual

---

<b>LT60/70</b>	<b>rev.A1.00-A3.00</b>
<b>LT60HD/70HD</b>	<b>rev. A1.00- A3.00</b>
<b>LT80HD</b>	<b>rev.A1.00-A3.00</b>

---



**Safety is our #1 concern!** Read and understand all safety information and instructions before operating, setting up or maintaining this machine.

*February 1998*

*Form #916*

# Table of Contents

# Section-Page

<b>SECTION 1</b>	<b>OPERATION</b>	<b>1-1</b>
1.1	Starting The Engine.....	1-1
<b>SECTION 2</b>	<b>MAINTENANCE</b>	<b>2-1</b>
2.1	Safety.....	2-1
2.2	Cooling System.....	2-2
2.3	Fuel Filter.....	2-3
2.4	Battery.....	2-5
2.5	Alternator Belt.....	2-6
2.6	Radiator Fan Belt Adjustment.....	2-7
2.7	RPM Adjustments.....	2-8
<b>SECTION 3</b>	<b>REPLACEMENT PARTS</b>	<b>3-1</b>
3.1	Fuel Tank.....	3-1
3.2	Engine Mount Assembly.....	3-2
3.3	Engine Assembly.....	3-3
3.4	Primary Fuel Filter.....	3-5
3.5	Acceleration/Brake Assembly.....	3-6
3.6	Muffler Assembly.....	3-8
3.7	Radiator Assembly.....	3-9
3.8	Alternator Assembly.....	3-10
3.9	Engine Guards.....	3-12
<b>SECTION 4</b>	<b>ELECTRICAL WIRING DIAGRAMS, D42</b>	<b>4-1</b>

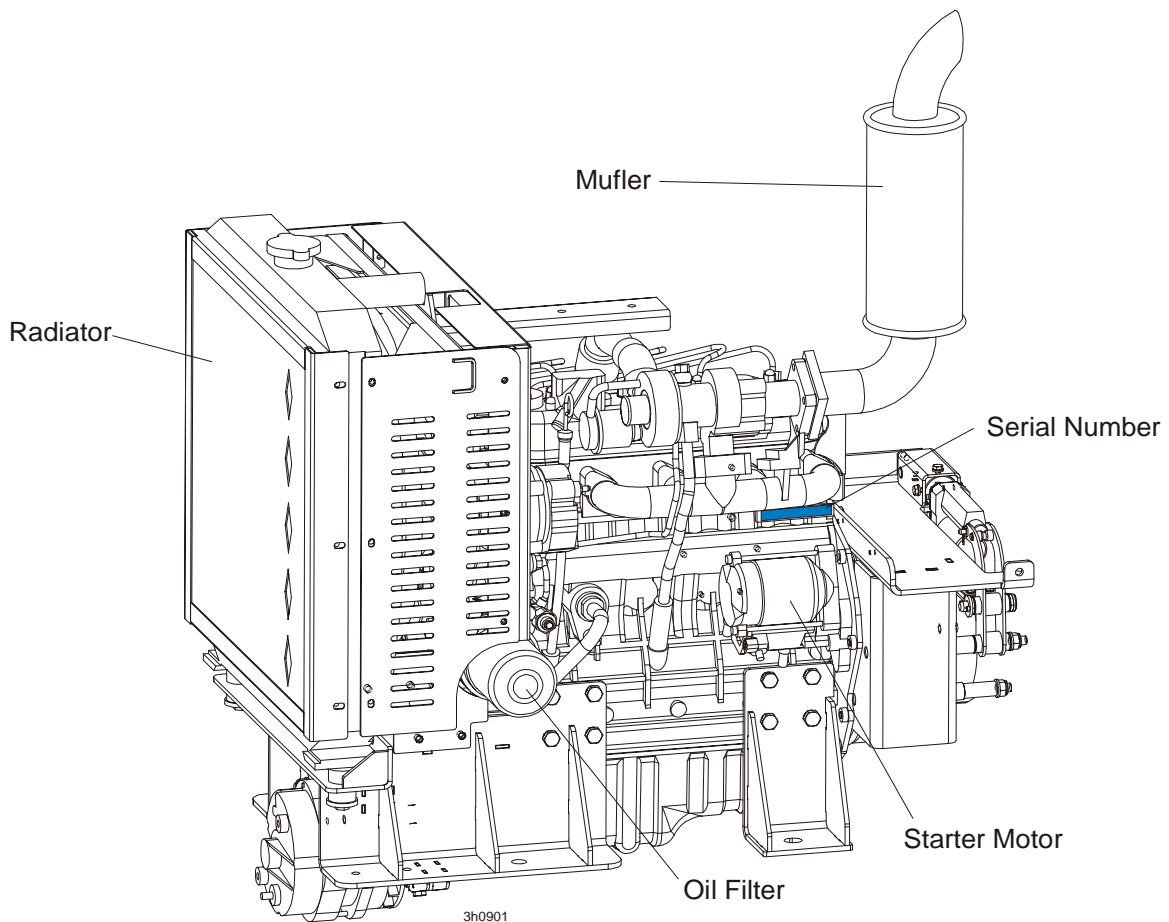
# ABOUT THIS MANUAL

This manual is provided as a supplement to the equipment manufacturer's manuals. This manual provides information specific to the use of this equipment on the Wood-Mizer® sawmill. Refer to the sawmill operator's manual and manufacturer's manual before attempting to operate this equipment.



**IMPORTANT!** Read the sawmill operator's manual and engine manufacturer's manual for instructions and safety precautions before operating this equipment.

The information and instructions given in this manual do not amend or extend the limited warranties for the equipment given at the time of purchase.



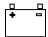
## ENGINE COMPONENTS

## SECTION 1 OPERATION


### 1.1 Starting The Engine

#### Control Lights

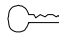
**See Figure 1-1.** The following indicator lights are located on the sawmill control panel.

 *Alternator Charge Indicator:* Lights up if the alternator is not charging the battery.

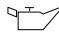


 *Engine Temperature Indicator:* Lights up if the engine is overheating. A circuit breaker assembly in the engine harness will shut the engine off if the engine overheats. Turn the key switch off and allow the engine to cool for a period of time before restarting. If the overheating condition persists, stop operating the engine until the condition is corrected. The engine will automatically switch to low idle if an overheating condition occurs.

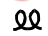


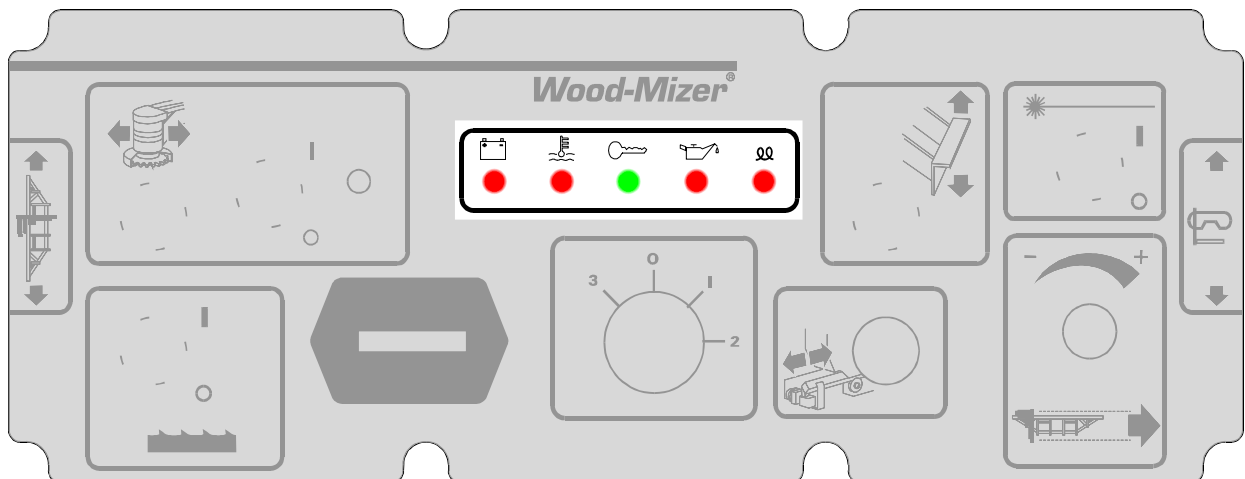
 *Key Switch Indicator:* Lights up when the key is in either the on or accessory (#1 or #3) position.



 *Oil Indicator:* Lights up if the oil pressure is too low.



 *Glow Plug Indicator:* Lights up after the key has been turned to the on (#1) position.



**FIG. 1-1**

## Engine Start



**DANGER!** Always be sure the blade is disengaged and all persons are out of the path of the blade before starting the engine. Failure to do so will result in serious injury.

**DANGER!** Operate your engine/machine only in well ventilated areas. The exhaust gases of your engine can cause nausea, delirium and potentially death unless adequate ventilation is present.

**DANGER!** Never operate an engine with a fuel or oil leak. The leaking fuel or oil could potentially come in contact with hot surfaces and ignite into flames.



**WARNING!** Be sure the power feed switch is in the neutral position before turning the key switch to the on (#1) or accessory (#3) position. This prevents accidental carriage movement which may cause serious injury or death.

**WARNING!** Do not operate engine without proper and operational spark arrester/muffler. Sparks emitted from the engine exhaust could ignite surrounding materials, causing serious injury or death.



**CAUTION!** Do not crank starter for more than 7 seconds at one time during starting attempts. Damage to the engine may result.

**CAUTION!** Let engine idle for 2 minutes before applying load to prevent engine damage.

1. See the engine manufacturer's manual for lubricating oil recommendations for specific temperature ranges.
2. Use the best quality diesel fuel for below freezing starting.
3. Turn the key switch on the control panel to the on (#1) position.
4. Wait until the glow plug indicator goes out.
5. Turn the key switch to the start (#2) position and release.

**Engine Shutoff**

**CAUTION!** A minimum 2 minute idle time is recommended to allow the battery charge to recover before the engine is shut off.

Turn the key switch to the off (#0) position.

## SECTION 2 MAINTENANCE

Refer to the manufacturer's manual for maintenance intervals and procedures unless otherwise instructed in this manual. Follow the manufacturer's recommendations for dusty conditions.



**IMPORTANT!** This manual only provides information about additional procedures or procedures to be performed at different time intervals than found in the manufacturer's manuals. Refer to the manufacturer's manual for complete maintenance instructions.

### 2.1 Safety

Use caution when performing maintenance or service to the engine.



**DANGER!** Always be aware of and take proper protective measures against rotating shafts, pulleys, fans, etc. Always stay a safe distance from rotating members and make sure that loose clothing or long hair does not engage rotating members resulting in possible injury.

**DANGER!** Engine components can become very hot during operation. Avoid contact with any part of a hot engine. The exhaust components of your engine are especially hot during and following operation. Contact with hot engine components can cause serious burns. Therefore, never touch or perform service functions on a hot engine. Allow the engine to cool sufficiently before beginning any service function.



**WARNING!** Remove the blade before performing any engine service. Failure to do so may result in serious injury.

**WARNING!** Always wear proper and necessary safety equipment when performing service functions. Proper safety equipment includes eye protection, breathing protection, hand protection and foot protection.



**This symbol** identifies the interval (hours of operation) at which each maintenance procedure should be performed. "AR" signifies maintenance procedures which should be performed as required.

## 2.2 Cooling System



Clean the radiator fins every 8 hours of operation. Spray the radiator with water from a hose or compressed air to clean sawdust from the radiator fins. Do not use a pressure sprayer.



**CAUTION!** Failure to keep the radiator fins clear of sawdust and/or dirt may cause the engine to overheat resulting in damage to the engine.



## 2.3 Fuel Filter



**See Figure 2-1. Replace the primary fuel filter and prefilter cartridge every 200 hours.** After replacing any of the two filter cartridges, loosen the air bleed screw on the main filter and turn the key switch on the control panel to #1 position and wait until fuel begins to flow from the valve and is free of air bubbles. Turn the key to #0 position. Tighten the bleed screw.

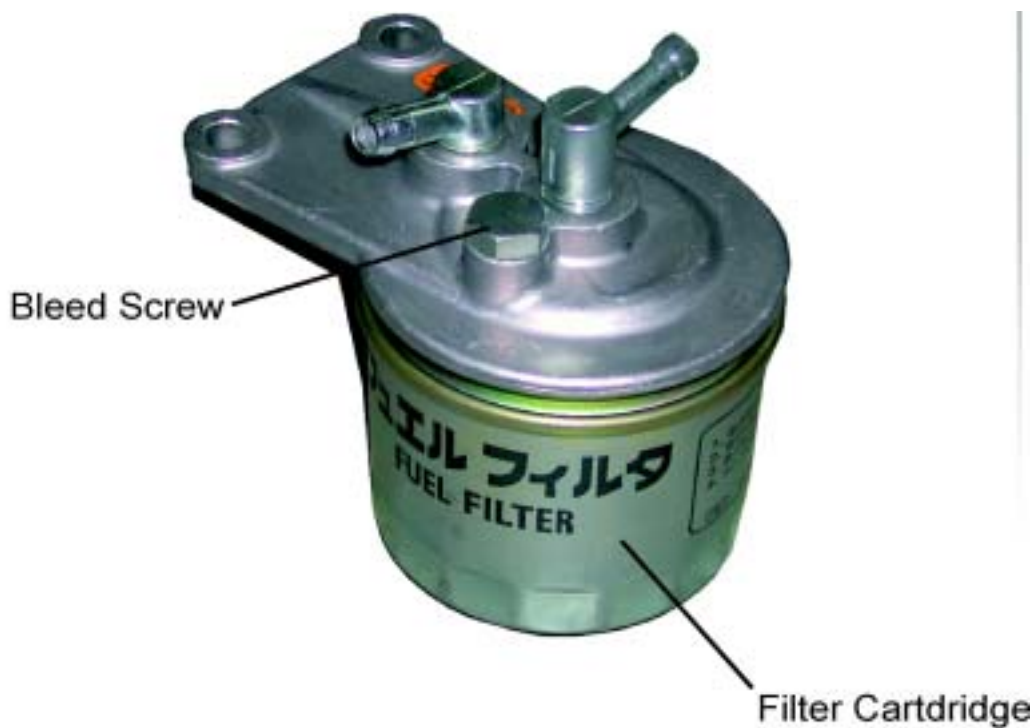


FIG. 2-1

## 2 Maintenance

### Fuel Filter

---

**See Figure 2-2.** Inspect the water separator bowl on the prefilter periodically and drain the bowl as required by turning the drain cap counterclockwise as viewed from the bottom.



**FIG. 2-2**

## 2.4 Battery



Check the battery electrolyte level every 50 hours of operation. See manufacturer's manual for instructions.



**DANGER!** Batteries expel explosive gases. Keep sparks, flames, burning cigarettes, or other ignition sources away at all times. Always wear safety goggles and a face shield when working near batteries. Failure to do so will cause serious injury.<sup>1</sup>



**WARNING!** Battery posts, terminals and related accessories contain lead and lead compounds, chemicals known to the State of California to cause cancer and reproductive harm. Wash hands after handling.

---

1. Battery Council International, copyright 1987

## 2.5 Alternator Belt



The belt tension should be checked after the first 100 hours of operation, when the battery is not charging properly or when the alternator belt is squealing. If the battery continues to not charge properly or the belt continues to squeal after the initial belt adjustment, replace the belt.

1. Turn the key switch to OFF (#0) and remove the key.
2. Remove the alternator cover.

See Figure 2-3.

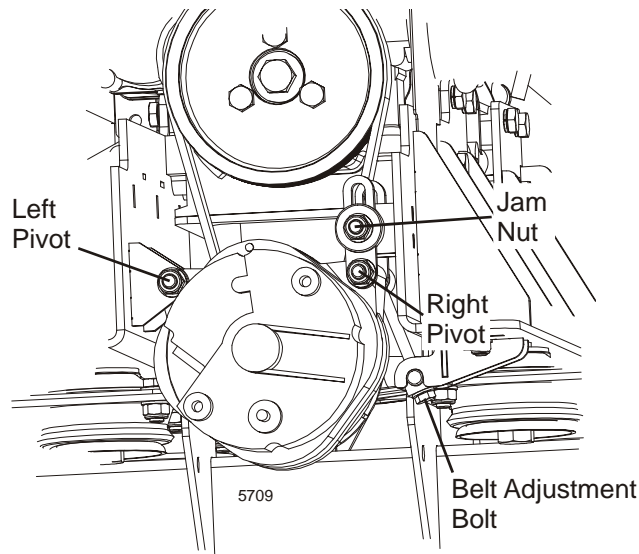


FIG. 2-3

3. Loosen the left pivot, right pivot and jam nut.
4. Turn the belt tension adjustment bolt clockwise to tighten the belt, counterclockwise to loosen the belt. Adjust the bolt until the proper belt tension is achieved.



**CAUTION!** Do not overtighten the alternator belt. Damage to the alternator will occur.

5. After the alternator belt has been tensioned, tighten the jam nut. Tighten the left and right pivots and replace the belt covers.

## 2.6 Radiator Fan Belt Adjustment



The fan belt tension should be checked after the first 100 hours of operation, when the engine is overheating or when the fan belt is squealing. If the engine continues overheating or the belt continues to squeal after the initial belt adjustment, replace the belt.


1. Turn the key switch to OFF (#0) and remove the key.
2. Remove the radiator covers.
3. Loosen the jam nut ( shown below ).
4. Tension the fan belt properly by hand.
5. Tighten the jam nut and replace the radiator covers.


See Figure 2-4.



FIG. 2-4

## 2.7 RPM Adjustments


 **WARNING!** Remove the blade before performing any engine service. Failure to do so may result in serious injury.

 Check the RPM with a tachometer after the first 20 hours of operation and every 200 hours thereafter. High-end RPM should be 3000 RPM and low-end RPM should be 1150 RPM.

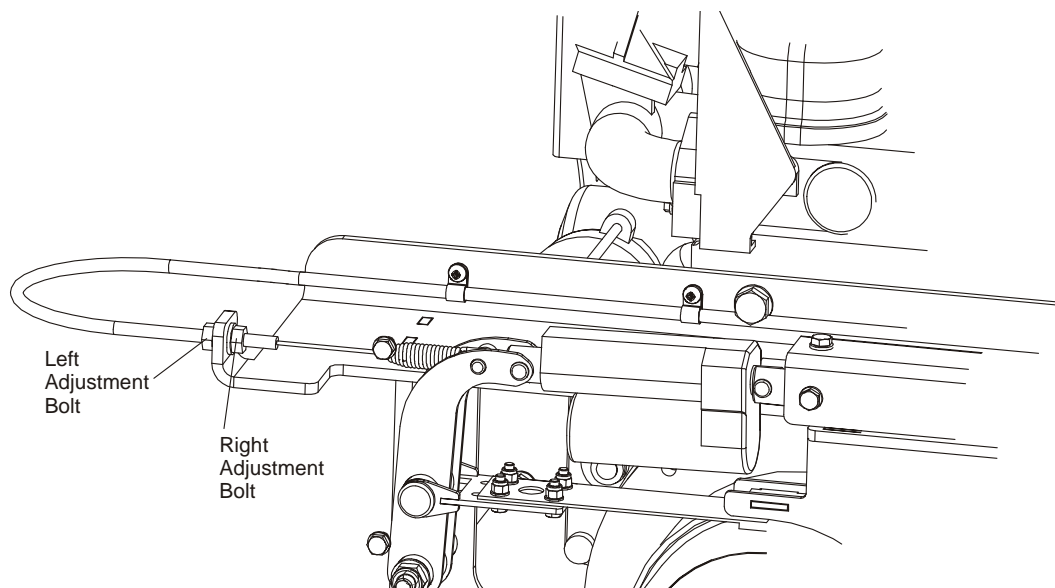
Before checking the RPM, make sure belt and brake strap tensions are correct (See Saw-mill Maintenance). Also check oil, fuel, and coolant levels.

Make sure the throttle cable does not affect the engine RPM when the blade switch is disengaged. Make sure the cable is not bent or kinked.

1. When the blade switch is disengaged, the throttle cable should be taut but the spring not extended. **When the blade switch is engaged, the throttle spring should extend 1/8" to 1/4".**

 **CAUTION!** Do not extend the throttle spring over 1/4". Excessive tension may cause the throttle cable to fail prematurely.

**See Figure 2-5.** Use the adjustments shown below to adjust the engine RPM (3000[+0, -50] high-end, 1150[±50] idle).



**FIG. 2-5**



**CAUTION!** Do not adjust the high-end RPM above 3200. Doing so may cause damage to the engine.

2. After the RPM settings are made, shut the engine off. Tighten the throttle cable by engaging the blade switch. Check the throttle cable at the upper cable mounting bracket. The cable should be centered in the cable housing. If necessary, loosen the upper bracket mounting bolts and adjust the bracket so the cable housing is centered around the cable. Retighten the upper cable bracket mounting bolts.

See Figure 2-6.

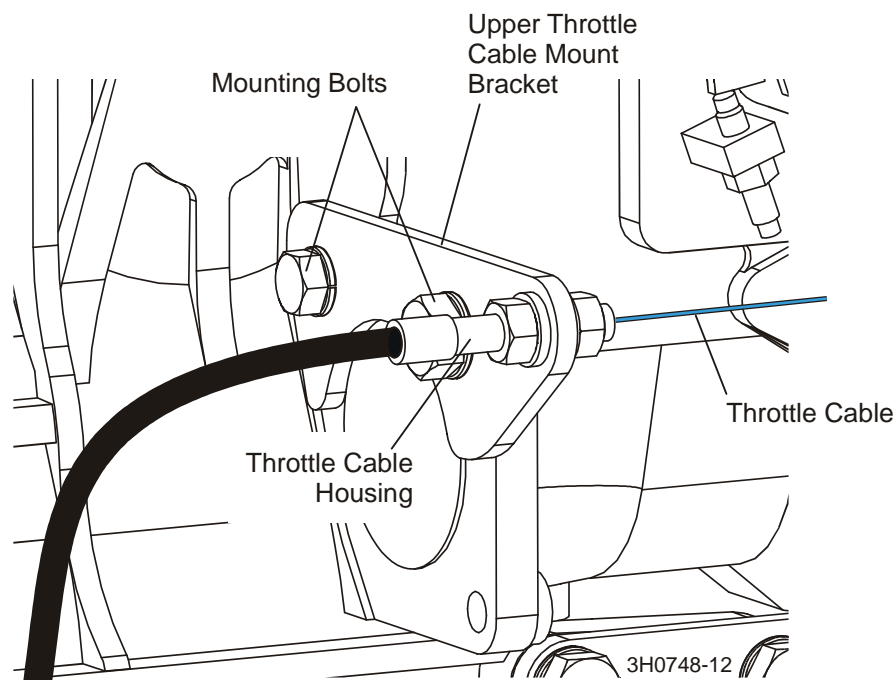


FIG. 2-6



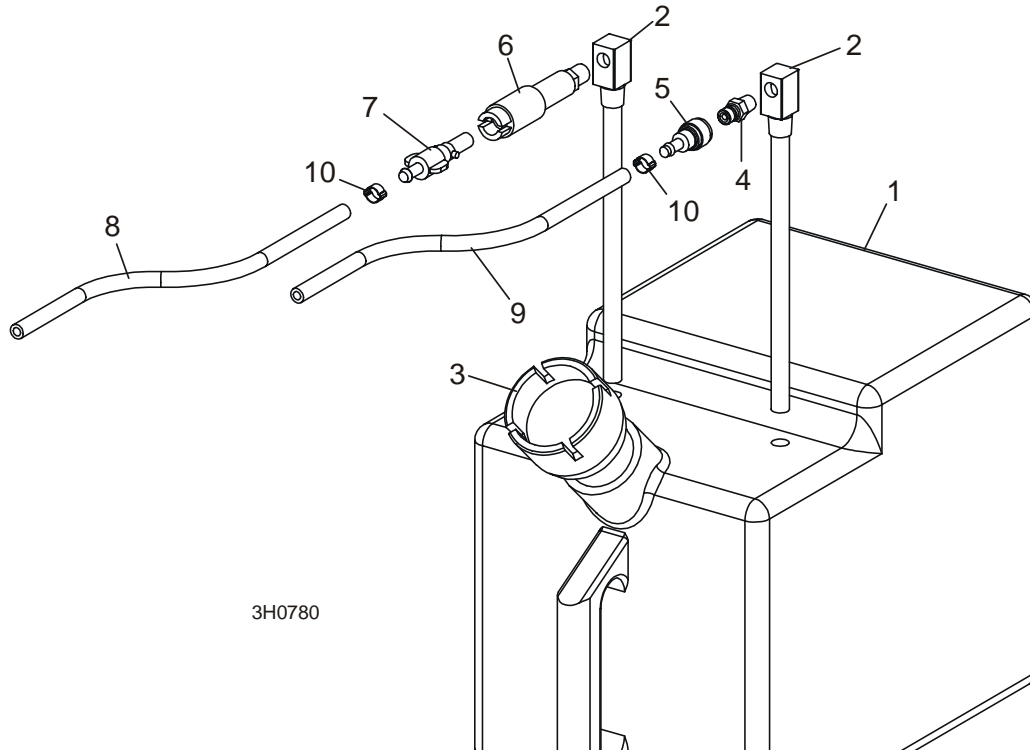
**CAUTION!** Failure to properly center the throttle cable in the cable housing may result in premature cable wear.





## SECTION 3 REPLACEMENT PARTS

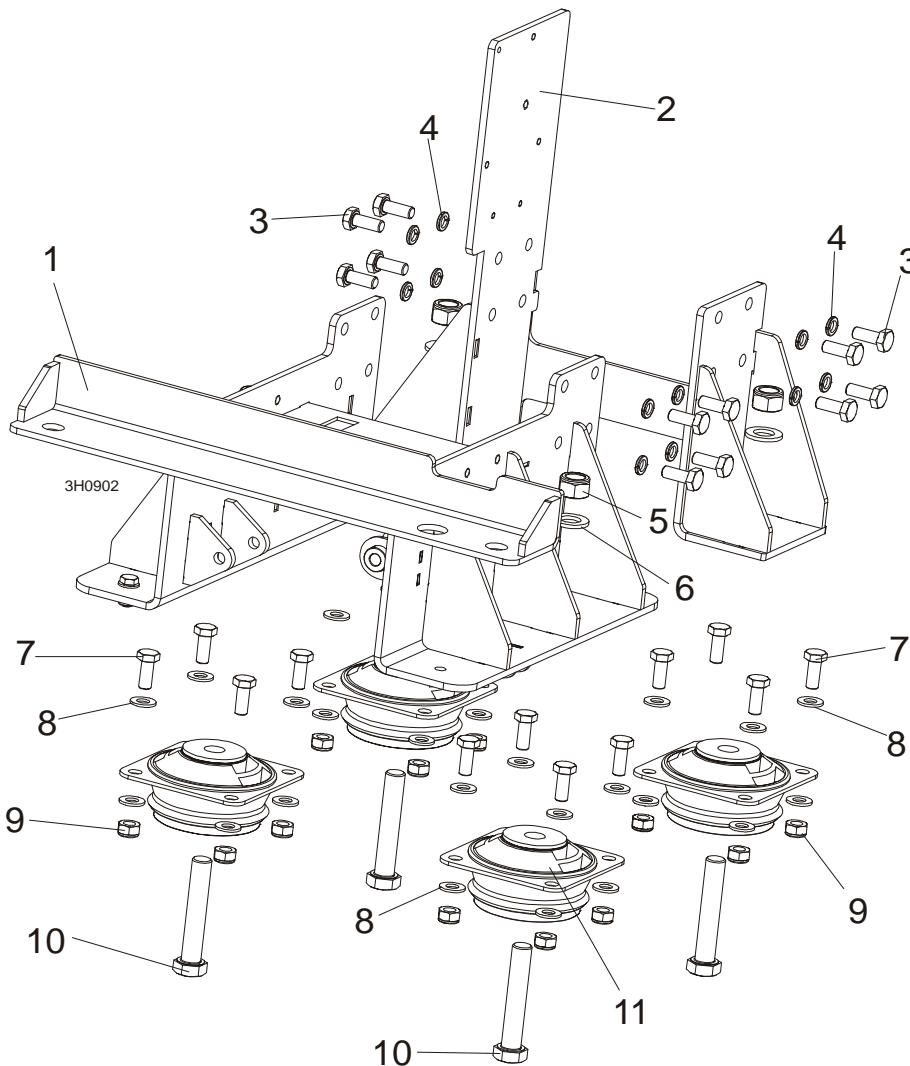
### 3.1 Fuel Tank



REF	DESCRIPTION (◆ Indicates Parts Available In Assemblies Only)	PART #	QTY.	
	<b>TANK ASSEMBLY, 5 GALLON GREEN DIESEL</b>	A12132	1	
1	Tank, 5 Gallon Green Fuel	P12166	1	◆
2	Pickup, 9" Fuel	P12172	2	
3	Cap, 3/5 Gallon Fuel Tank	P09683	1	
4	Fitting, 1/4" NPT Male Quick Disconnect	015583	1	
5	Fitting, Female Quick Disconnect Barb	015582	1	
6	Fitting, 1/4" NPT Plastic Female Disconnect	P12175	1	
7	Fitting, 1/4" Barb Plastic Male Disconnect	P12176	1	
8	<b>HOSE, 1/4" ID FUEL</b>	P642	7.17 Ft	
9	<b>HOSE, 5/16" ID FUEL</b>	016338	9 Ft.	
10	<b>CLAMP, 7/32 - 1/2 HOSE</b>	P649	6	
	<b>ADDITIVE, DIESEL FUEL 16OZ BOTTLE</b>	004878 <sup>1</sup>	1	

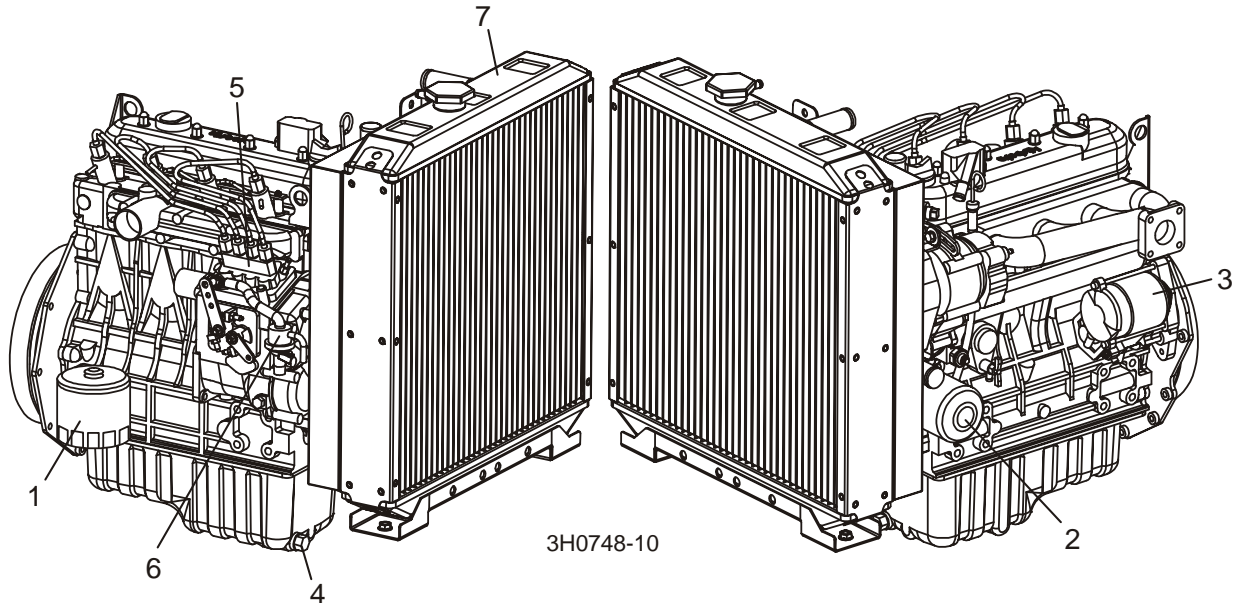
<sup>1</sup> Stanadyne Performance Formula helps eliminate contaminants and water in fuel, prevents gelling in cold weather, and improves lubrication of fuel system parts. 16 oz. bottle treats 60 gallons of diesel fuel.

### 3.2 Engine Mount Assembly



REF	DESCRIPTION (◆ Indicates Parts Available In Assemblies Only)	PART #	QTY.	
1	MOUNT WELDMENT, REAR D42 ENGINE	089468-1	1	◆
2	MOUNT WELDMENT, FRONT D42 ENGINE	089459-1	1	◆
3	BOLT, M10X1.25X25-8.8-A HEX HEAD FULL THREAD ZINC	F81003-29	16	
4	WASHER, 10.2 ZINC SPLIT	F81055-2	16	
5	NUT, M16-8 HEX NYLON ZINC LOCK	F81036-2	4	
6	WASHER, 17 ZINC FLAT	F81058-1	4	
7	BOLT, M10X25 8.8 HEX HEAD FULL THREAD	F81003-31	16	
8	WASHER, 10.5 ZINC FLAT	F81055-1	32	
9	NUT, M10-8-B HEX NYLON ZINC LOCK	F81033-1	16	
10	BOLT, M16X90-8.8 HEX HEAD ZINC	F81006-17	4	
11	SHOCK ABSORBER MEGI-LAGER 742 062 S1 STEEL, RUBBER	088570	4	

### 3.3 Engine Assembly



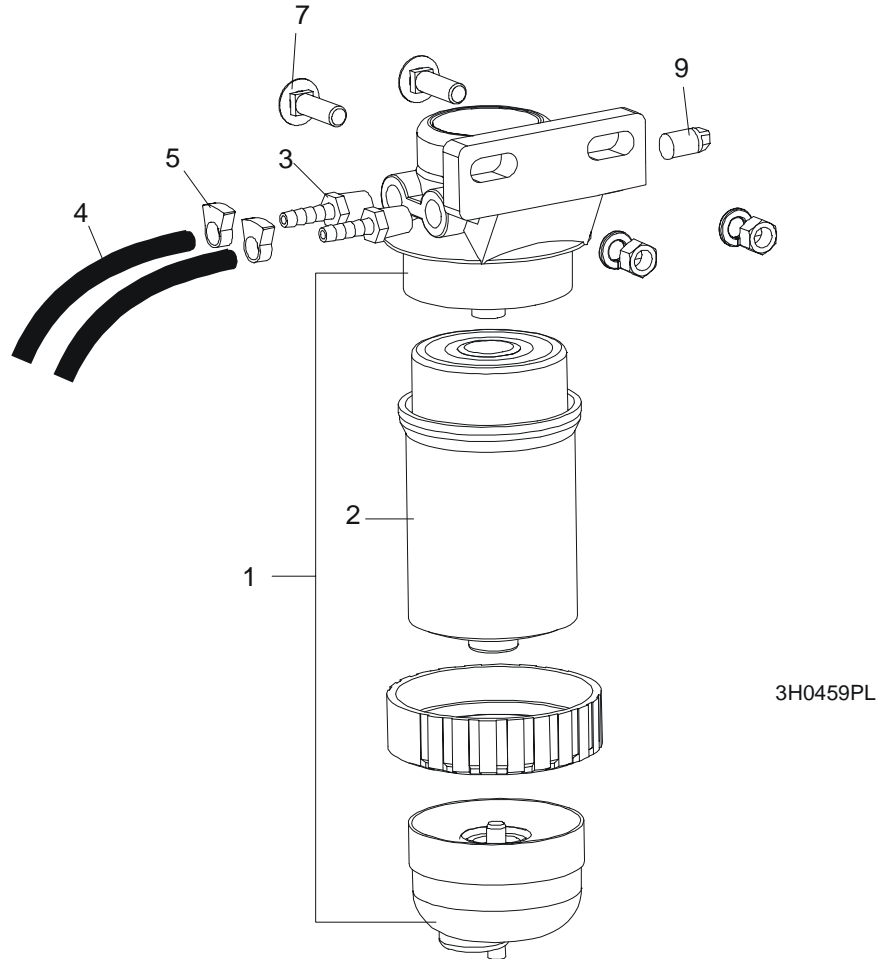
REF	DESCRIPTION (◆ Indicates Parts Available In Assemblies Only)	PART #	QTY.
	<b>ENGINE, KUBOTA 1505TE</b>	088022	1
	Belt, Kubota Fan #16282-97010	028514	1
	Filter, Kubota D42 Air B53/207(16617-11001)	088025	1
1	Filter, Kubota D42 Fuel D52/184(16616-43001)	088024	1
2	Filter, Kubota Oil #16271-32090	018050	1
	Gasket Kit, Kubota Lower #07916-29265	028519	1
	Gasket Kit, Kubota Upper #16285-99352	028572	1
	Gasket, Kubota Exhaust #15263-12370	028513	1
	Gasket, Kubota Fuel Injector #15841-53622	028516	1
	Gasket, Kubota Fuel Transfer Pump #16264-52140	028518	1
	Gasket, Kubota Head #16292-03310	028571	1
	Gasket, Kubota Muffler #15263-12371	028549	1
	Gasket, Kubota Oil Drain Plug #15451-96670	028543	1
	Gasket, Kubota Stop Solenoid #16299-60150	028544	1
	Gasket, Kubota Thermostat #15313-7320	028545	1
	Gasket, Kubota Valve Cover #16241-14520	028524	1
	Gasket, Kubota Water Pump #16259-73430	028526	1
	Glow Plug, Kubota #16851-65510	028562	1
	Injector, Kubota Fuel #16032-53000	028515	1
3	Motor, Kubota Starter #37560-63010	028522	1
4	Plug, Kubota Oil Drain #16541-33750	028542	1

## 3 Replacement Parts

### Engine Assembly

5	Pump, Kubota Fuel Injector #16060-51010	028540	1	
6	Pump, Kubota Fuel Transfer #16285-52032	028517	1	
	Pump, Kubota Water #16241-73032	028525	1	
7	Radiator Parts ( <a href="#">See Section 1.5</a> )			
	Sending Unit, Kubota Heat Sensor #TM9A230RQCG	028510	1	
	Solenoid, Kubota Stop #17454-60010	028523	1	
	Switch, Kubota Oil Pressure #15841-39010	028547	1	
	Thermostat, Kubota #19434-73010	028546	1	
	<b>HARNES ASSEMBLY, KUBOTA DIESEL ENGINE</b>	024594	1	
	Breaker Assembly, Water Temp Max Circuit	024453	1	
	Socket, Glow Plug Relay w/Fuse Holder	024554	1	
	Fuse Link, 50 Amp	024597	1	
	Relay, Glow Plug	088143	1	
	RELAY, 40A, 12V	021238	1	

### 3.4 Primary Fuel Filter

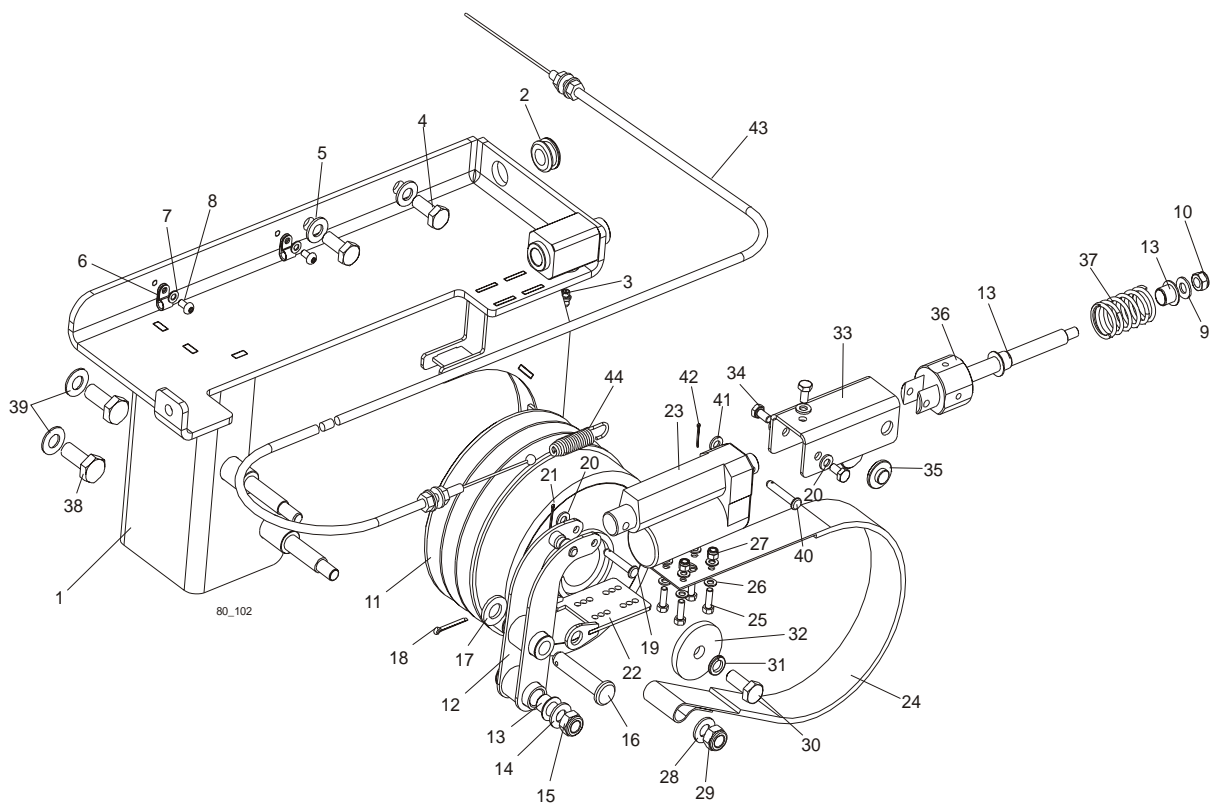


REF	DESCRIPTION (◆ Indicates Parts Available In Assemblies Only)	PART #	QTY.	
1	<b>FILTER ASSEMBLY, STANDADYNE FUEL FPV-5,7 04WP40/3</b>	088101	1	
2	Filter, Standadyne Fuel Cartridge #31865	015898	1	
3	<b>FITTING, 8MM, FILTR FPV-5,7</b>	088094	2	
4	<b>HOSE, 5/16" ID FUEL</b>	R80703-2	2m	
5	<b>CLAMP, 11-17MM HOSE</b>	F81080-3	2	
6	<b>BOLT, 3/8-16 X 1 1/4" CARRIAGE HEAD</b>	F05007-11	6	
7	<b>WASHER, 3/8" SPLIT LOCK</b>	F05011-4	6	
8	<b>NUT, 3/8-16 HEX</b>	F05010-1	6	
9	<b>FITTING, 1/4" NPT PLUG</b>	P05498	2	

# 3 Replacement Parts

## Acceleration/Brake Assembly

### 3.5 Acceleration/Brake Assembly



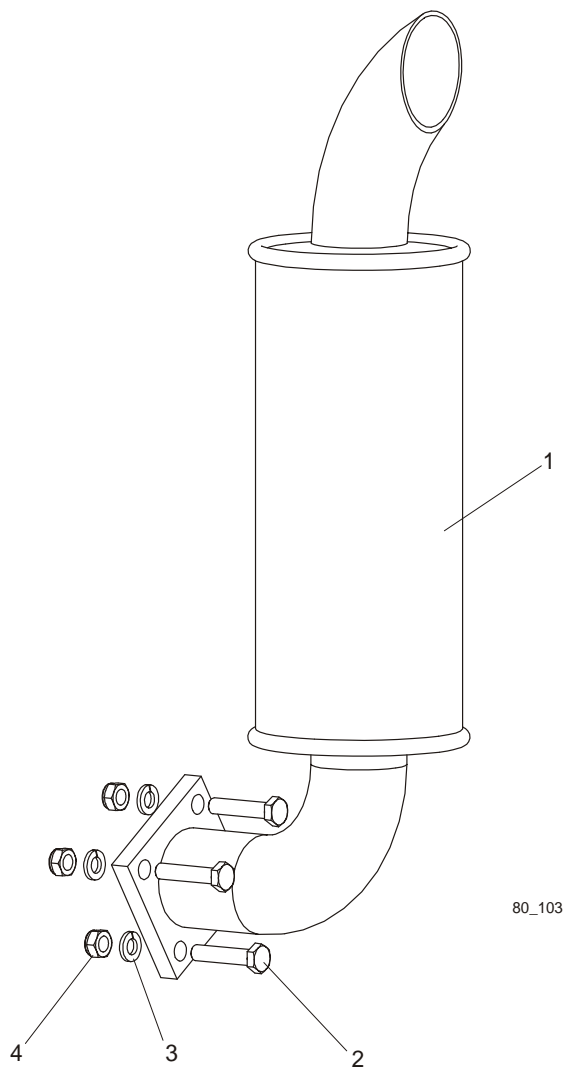
REF	DESCRIPTION (◆ Indicates Parts Available In Assemblies Only)	PART #	QTY.
1	<b>ACCELERATION/BRAKE ASSEMBLY, D42</b>	088936	1
2	Grommet, 20/13 Rubber	086188	1
3	Fitting, M6 Straight Grease	086280	1
4	Bolt, M10x1.25x25-8.8-A Hex Head Full Thread Zinc	F81003-29	2
5	Washer, 10.5 Zinc Flat	F81055-1	2
6	Clamp, EE63 Throttle Cable	F81080-4	2
7	Washer, 5.3 Zinc Flat	F81052-1	2
8	Screw, H M5x10 8.8 Cross Recessed Pan Head Zinc	F81000-13	2
9	Washer, 8.4 Zinc Flat	F81054-1	1
10	Nut, M8-8-B Hex Nylon Zinc Lock	F81032-2	1
11	Clutch, Type 140-1139 (RADIUS-RADPOL) Centrifugal	089467	1
12	Lever, Strap Brake	088943-1	1
13	Bushing, XFM-1214-12 Flanged	088934	3
14	Washer, 10.5 Zinc Flat	F81055-1	1
15	Nut, M10-8-B Hex Nylon Zinc Lock	F81033-1	1
16	Pin, B 6X35/30 Clevis w/Head Zinc	F81045-4	1
17	Washer, 13 Zinc Flat	F81056-1	1

18	Pin, 3.2x25 Zinc Cotter	F81043-4	1	
19	Pin, B 6X35/30 Clevis W/Head Zinc	F81045-4	1	
20	Washer, 6.4 Zinc Flat	F81053-1	4	
21	Pin, 1.6x16 Zinc Cotter	F81040-1	1	
22	Plate, Brake Strap Mount	088946-1	1	
23	Actuator, LA1 S12-17A-08-01 Linear	089428	1	
24	Strap, K140ER Clutch/Brake	088935	1	
25	Bolt, M5x16 -8.8 Hex Head Full Thread Zinc	F81000-20	4	
26	Washer, 5.3 Zinc Flat	F81052-1	8	
27	Nut, M5-8 DIN 985 Zinc	F81030-2	4	
28	Washer, 10.5 Zinc Flat	F81055-1	1	
29	Nut, M10-8-B Hex Nylon Zinc Lock	F81033-1	1	
30	Bolt, M10x25 8.8 Hex Head Full Thread	F81003-31	1	
31	Washer, 10.2 Zinc Split	F81055-2	1	
32	Washer, Zinc Special	088956-1	1	
33	Guard, Acceleration/Brake Spring	089435-1	1	
34	Bolt, M6x12-8.8 Hex Head Full Thread Zinc	F81001-7	3	
35	Pad, Linear Actuator Slide	089436	2	
36	Block, Actuator Mount w/Shaft Zinc	088954-1	1	
37	Spring, 60x23x3 Zinc	088992	1	
38	Bolt, M8x20-8.8-B Hex Head Full Thread Zinc	F81002-4	2	
39	Washer, 8.4 Flat Zinc	F81054-1	2	
40	Pin, B 6x35/30 Clevis w/Head Zinc	F81045-4	1	
41	Washer, 6.4 Flat Zinc	F81053-1	1	
42	Pin, 1.6x16 Zinc Cotter	F81040-1	1	
43	<b>CABLE, THROTTLE</b>	089450	1	
44	<b>SPRING, 40X9X2.2 SPECIAL</b>	089451	1	

# 3 Replacement Parts

## Muffler Assembly

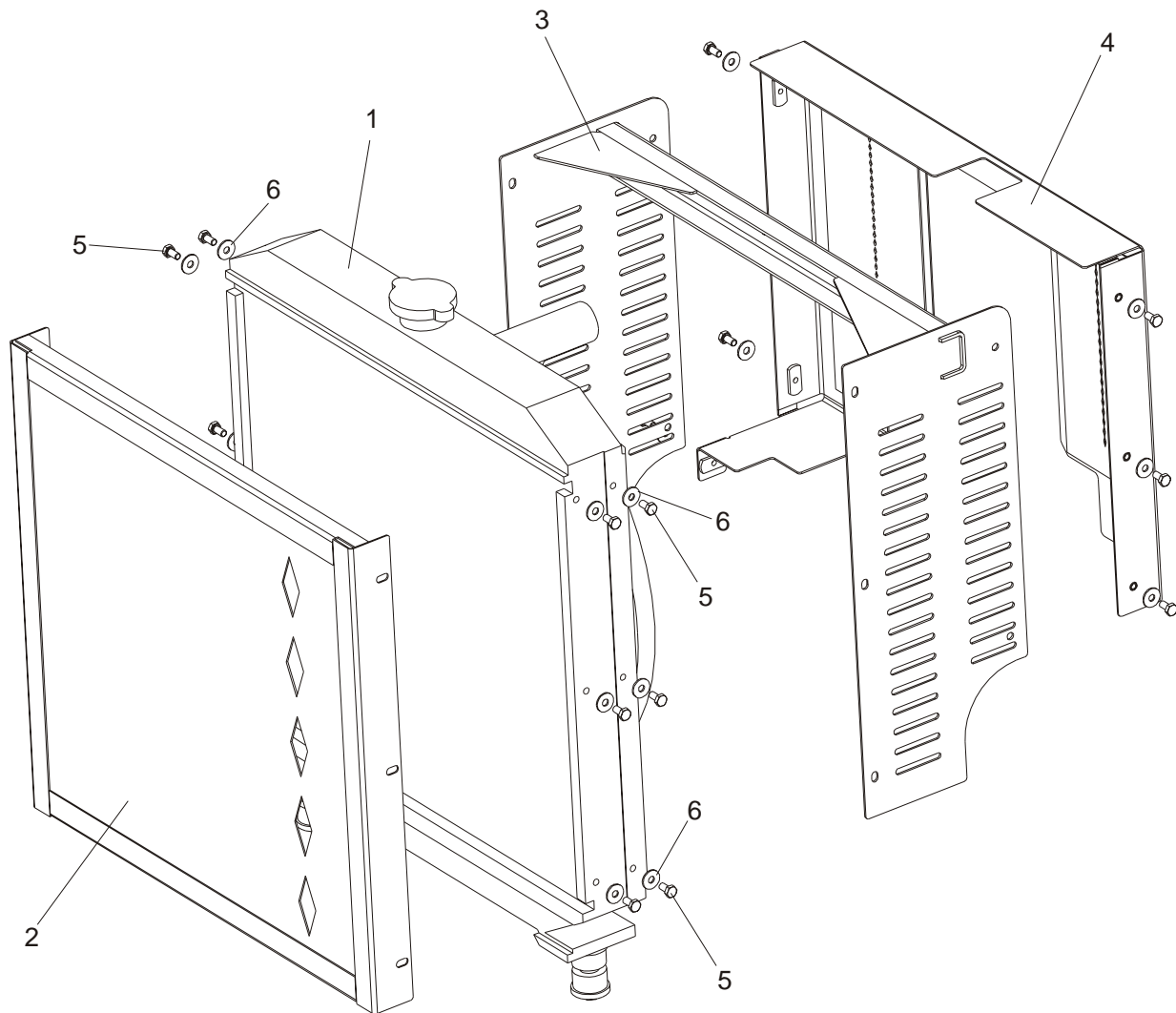
### 3.6 Muffler Assembly



REF	DESCRIPTION (◆ Indicates Parts Available In Assemblies Only)	PART #	QTY.	
1	MUFFLER, KUBOTA ENGINE	088100	1	
2	BOLT, M8X40-8.8 HEX HEAD FULL THREAD ZINC	F81002-15	4	
3	WASHER, 8.2 ZINC SPLIT LOCK	F81054-4	4	
4	NUT, M8 HEX WELD	F81032-3	4	



### 3.7 Radiator Assembly

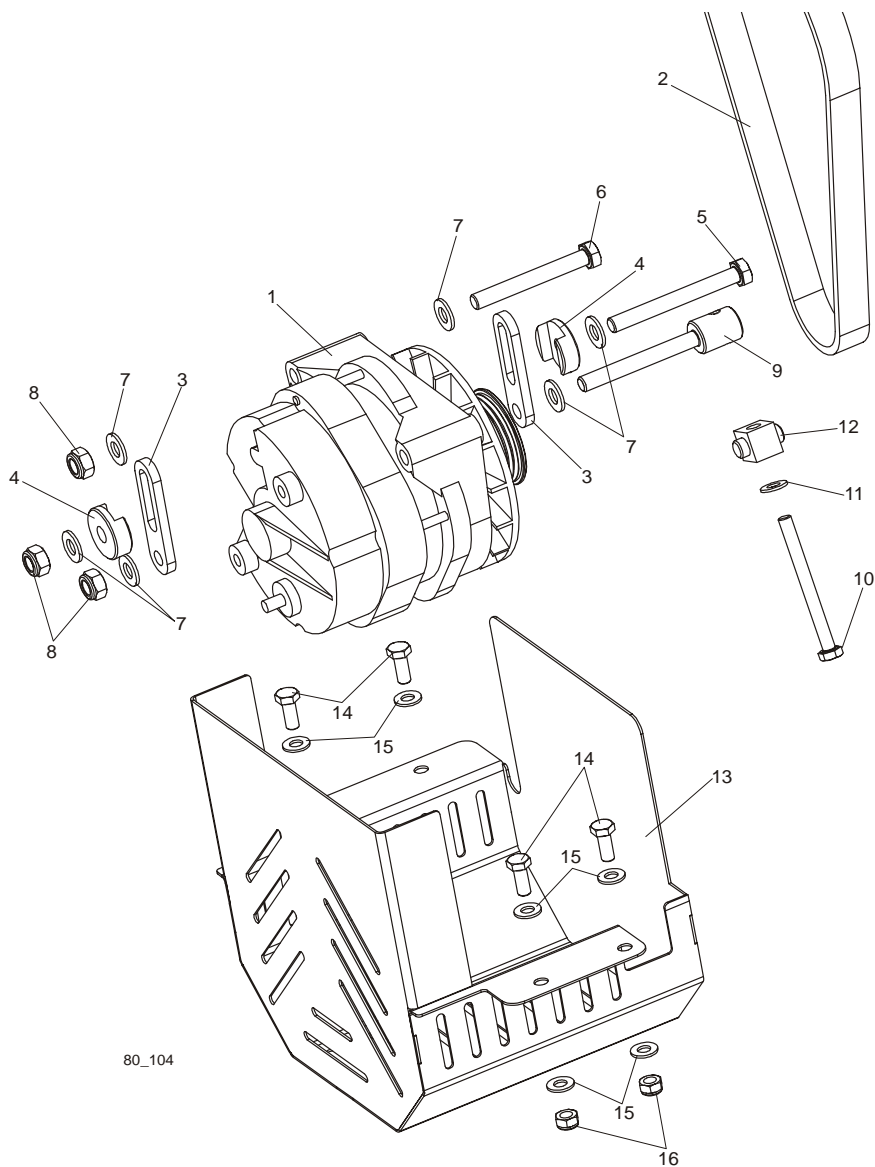


REF	DESCRIPTION (◆ Indicates Parts Available In Assemblies Only)	PART #	QTY.
1	<b>RADIATOR ASSEMBLY, D42 A21/349(16292-72001)</b>	088023	1
2	GUARD, KUBOTA RADIATOR FRONT	087967-1	1
3	<b>BRACKET, RADIATOR MOUNT</b>	088083-1	1
4	GUARD, KUBOTA RADIATOR REAR	088126-1	1
5	BOLT, M6X12-8.8 HEX HEAD FULL THREAD ZINC	F81001-7	19
6	WASHER, 6.5 FLAT ZINC	F81053-11	19

# 3 Replacement Parts

## Alternator Assembly

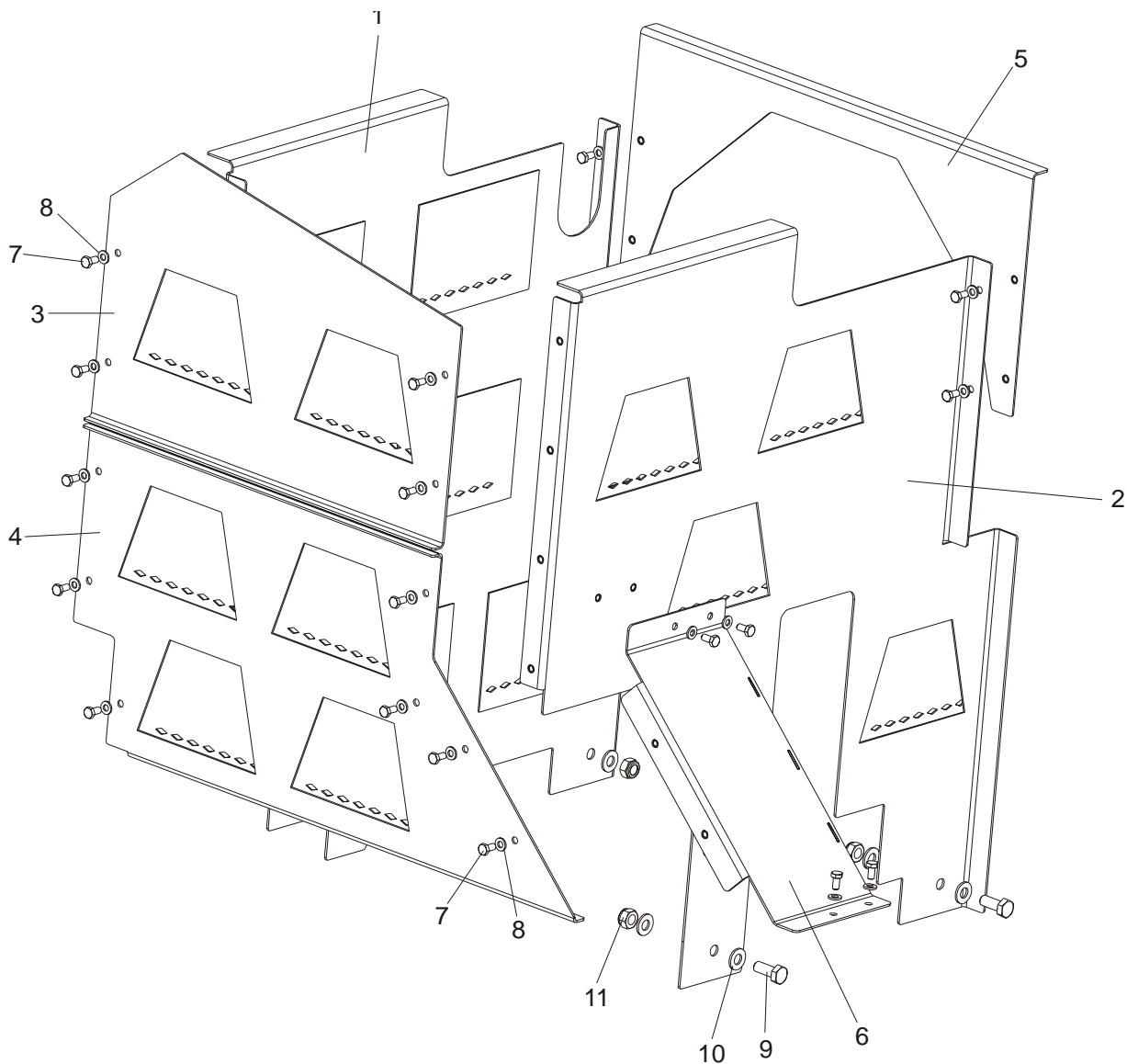
### 3.8 Alternator Assembly



REF	DESCRIPTION (◆ Indicates Parts Available In Assemblies Only)	PART #	QTY.
1	ALTERNATOR, 190A (FOR LT60)	089466	1
2	BELT, 6PK 775 ALTERNATOR	089465	1
3	PLATE, D190 ALTERNATOR BELT TENSIONER	088933-1	2
4	WASHER, SPECIAL	088932-1	2
5	BOLT, M10X90-8.8-B HEX HEAD ZINC	F81003-66	1
6	BOLT, M10X80-8.8 HEX HEAD ZINC	F81003-51	1
7	WASHER, 10.5 ZINC FLAT	F81055-1	6
8	NUT, M10-8-B HEX NYLON ZINC LOCK	F81033-1	3

9	<b>BOLT, M10 SPECIAL</b>	089472-1	1	
10	<b>BOLT, M8X90-8.8 HEX HEAD FULL THREAD ZINC</b>	F81002-16	1	
11	<b>WASHER, 8.4 ZINC FLAT</b>	F81054-1	1	
12	<b>BLOCK, ALTERNATOR BELT TENSIONER</b>	089473-1	1	
13	<b>GUARD, 190A ALTERNATOR</b>	089491-1	1	
14	<b>BOLT, M8X20-8.8-B HEX HEAD FULL THREAD ZINC</b>	F81002-4	4	
15	<b>WASHER, 8.4 ZINC FLAT</b>	F81054-1	8	
16	<b>NUT, M8-8-B HEX NYLON ZINC LOCK</b>	F81032-2	4	

### 3.9 Engine Guards



REF	DESCRIPTION (◆ Indicates Parts Available In Assemblies Only)	PART #	QTY.
	D42 ENGINE GUARDS	089497	1
1	Guard Weldment, Right Side Painted	088984-1	1
2	Guard, Left Side Painted	088985-1	1
3	<b>Guard Weldment, Front Upper Painted</b>	089496-1	1
4	<b>Guard, Front Lower Painted</b>	088988-1	1
5	<b>Guard Weldment, Rear Painted</b>	088980-1	1
6	<b>Guard, D42 Main Drive Belt Side Painted</b>	088983-1	1
7	Bolt, M6x12-8.8 Hex Head Full Thread Zinc	F81001-7	17

---

<b>8</b>	Washer, 6.4 Zinc Flat	F81053-1	17	
<b>9</b>	<b>BOLT, M10X25-8.8 HEX HEAD FULL THREAD ZINC</b>	F81003-11	4	
<b>10</b>	<b>WASHER, 10.5 ZINC FLAT</b>	F81055-1	4	
<b>11</b>	<b>NUT, M10-8-B HEX NYLON ZINC LOCK</b>	F81033-1	4	

# **3** Replacement Parts

## *Engine Guards*

---

---

## SECTION 4 ELECTRICAL WIRING DIAGRAMS, D42



**IMPORTANT!** When using a sawmill with the rewired control panel it is very important not to switch between saw head forward/backward movement until the saw head stops. Failure to do so may result in serious sawmill damage.



**WARNING!** When using the variable reverse speed wiring it is recommended that the operator should stop the head, turn the potentiometer to zero, engage reverse and then increase speed. Failure to do this may result in damage to the circuit. There is a protection in the circuit and if this is activated it will not allow the head to start the return movement until the potentiometer is set to zero.

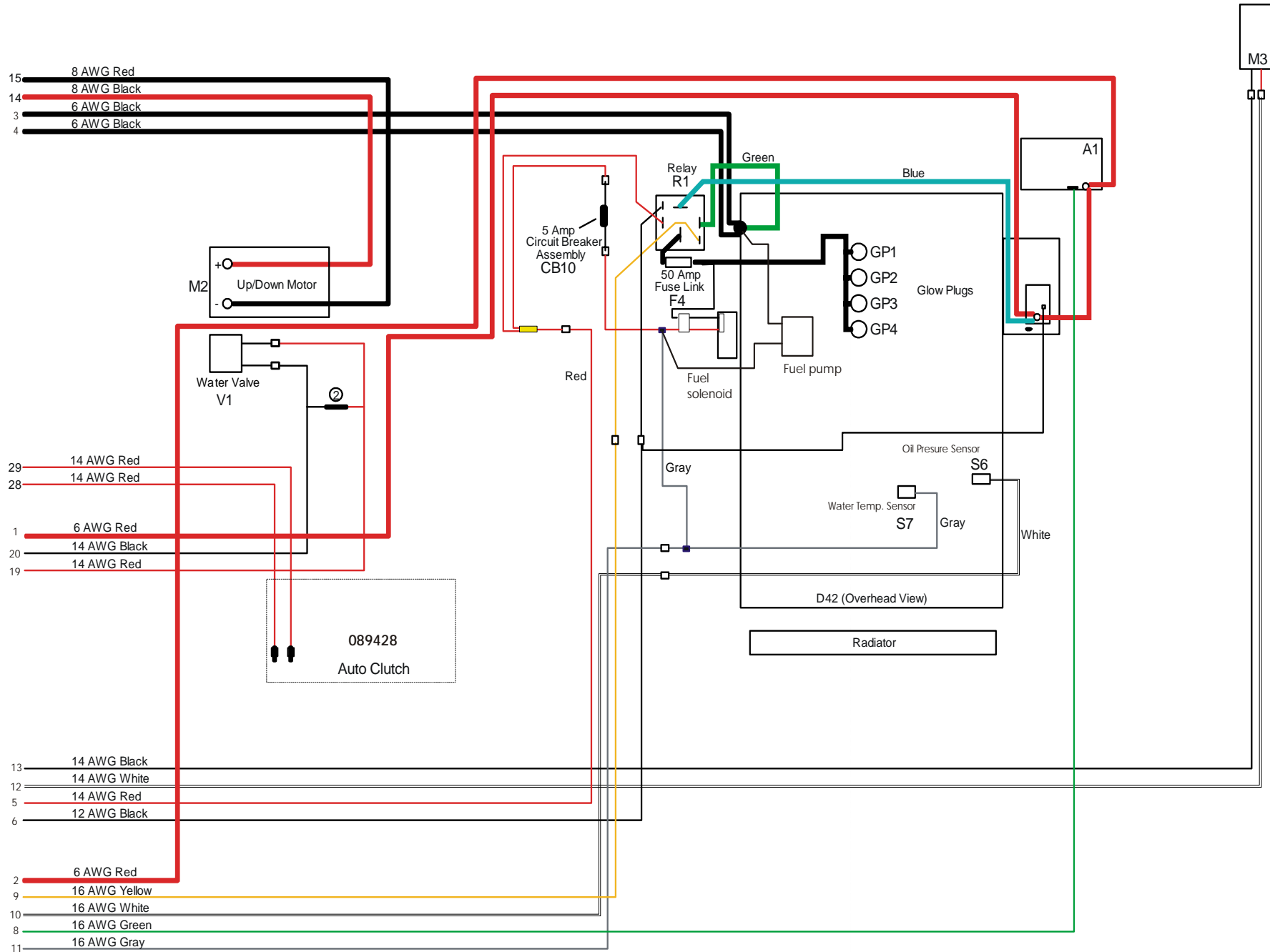


FIG. 4-1 D42 WIRING DIAGRAM (LT60/70/80 SAWMILLS).



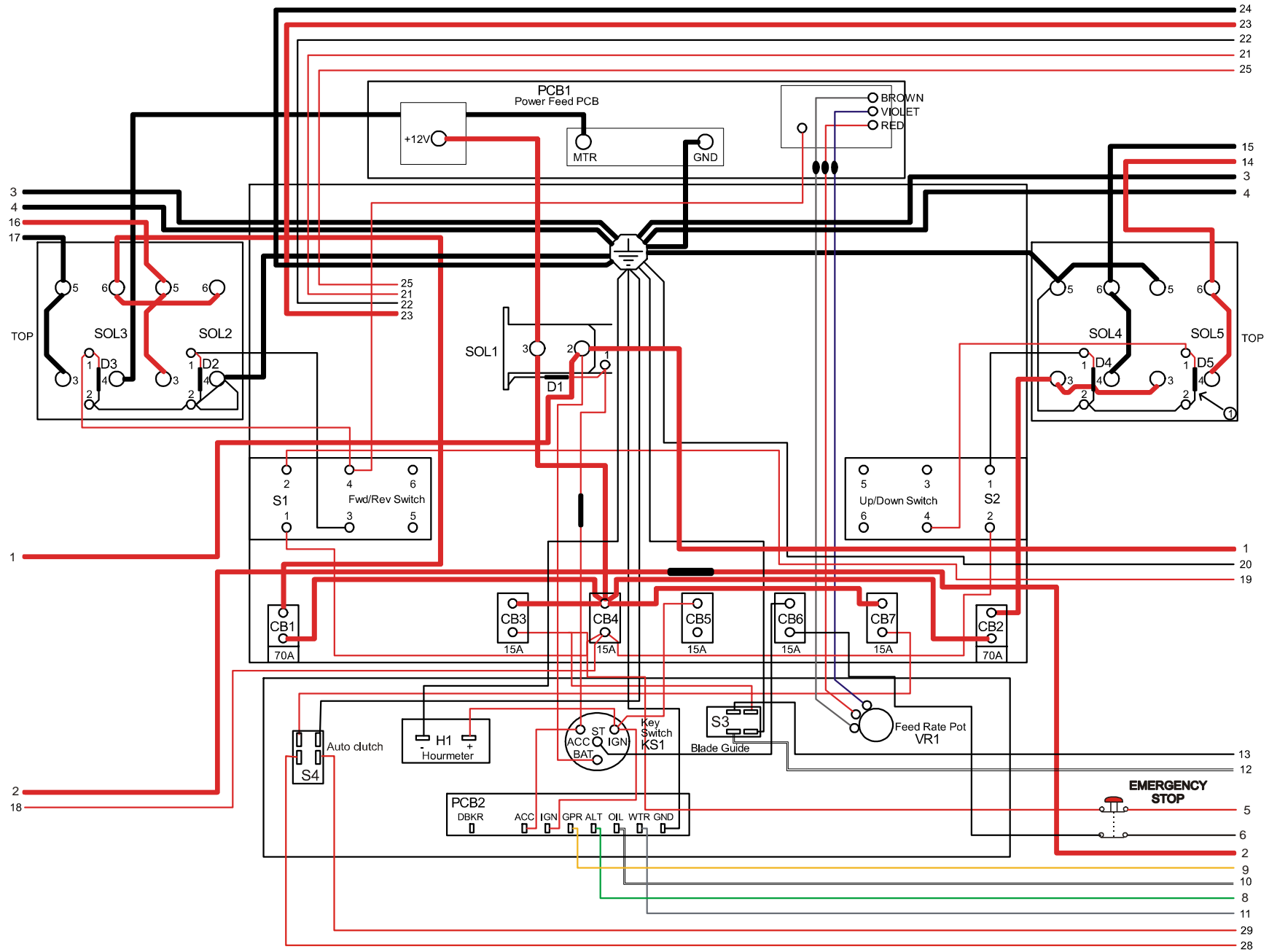


FIG. 4-2 D42 CONTROL BOX DIAGRAM).



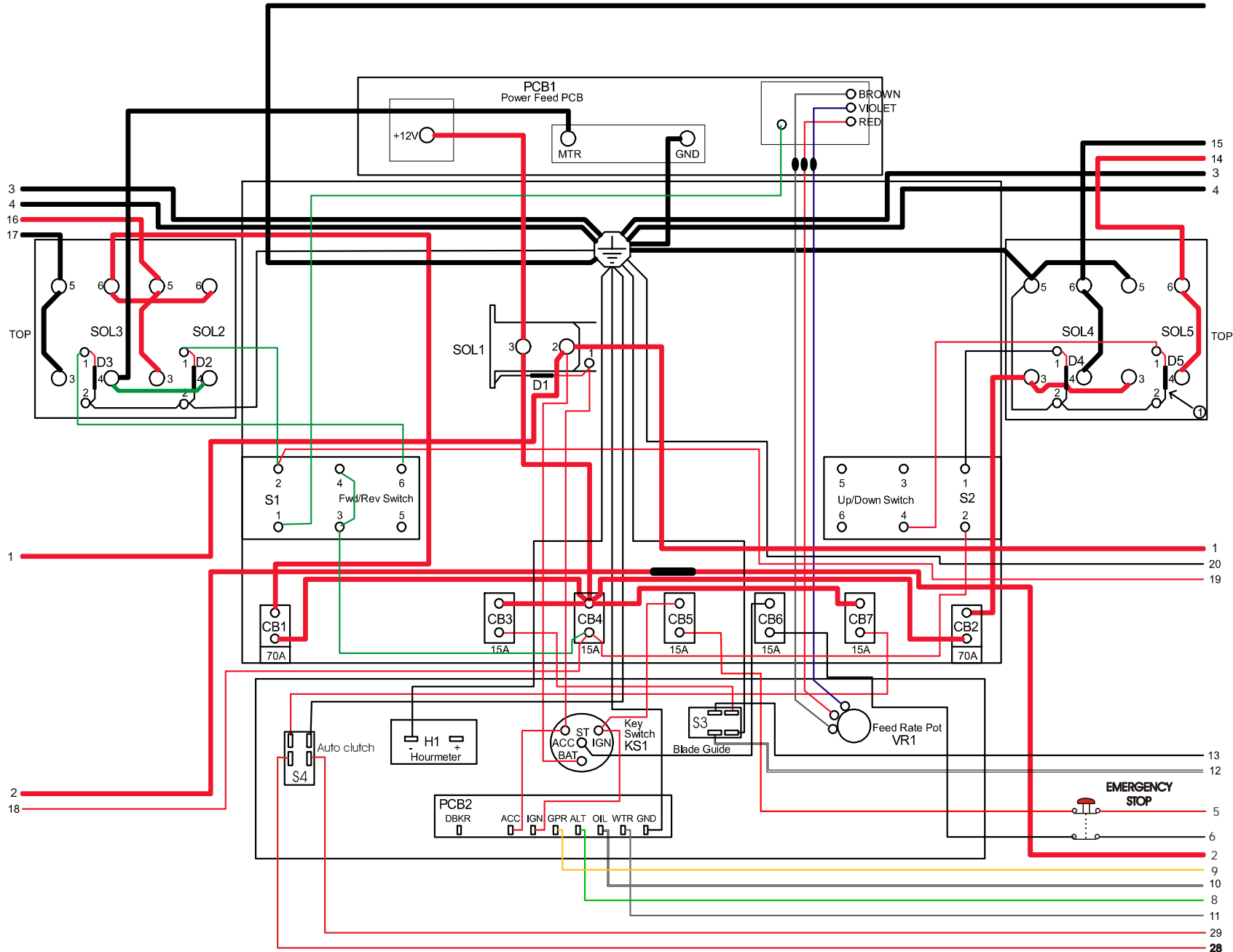


FIG. 4-4 D42 CONTROL BOX DIAGRAM (VARIABLE REVERSES MOVEMENT SPEED).

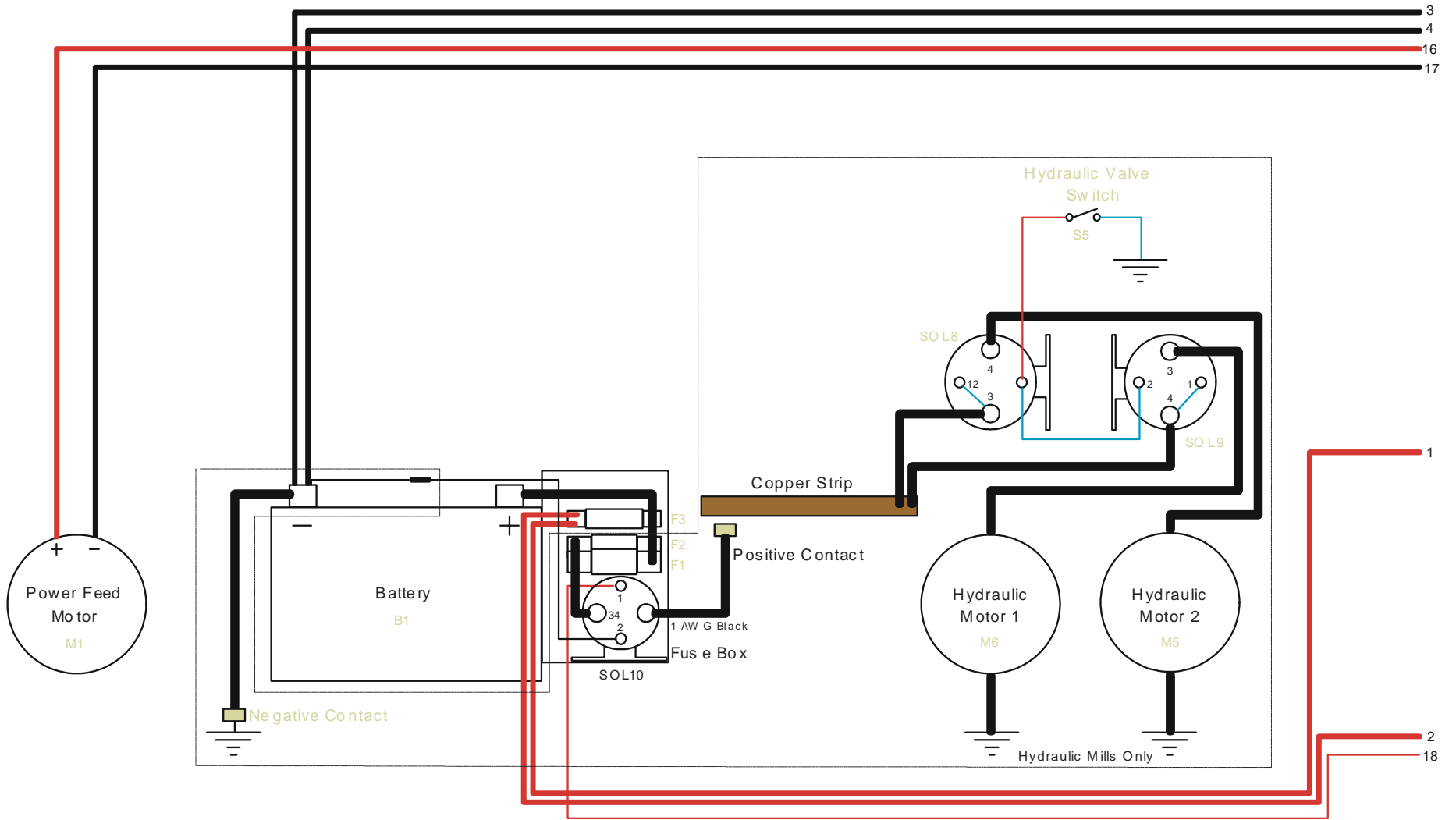


FIG. 4-5 D42 HYDRAULIC DIAGRAM.

Component List				
Item	Mfg. Part No.	Mfg.	Wood-Mizer Part No.	Description
A1	023730	Wood-Mizer	023730	Alternator, 140 Amp
B1	1231PMF	Deka	015475	Battery, 12 Volt <a href="#">(See Battery Specifications)</a>
CB1	70-1648-009	Mech. Prod.	015527	Breaker, 70 Amp Manual Reset Panel Mount, Power Feed
CB2	70-1648-009	Mech. Prod.	015527	Breaker, 70 Amp Manual Reset Panel Mount, Up/Down
CB3	CH30407-15	Cole-Hersee	E20430	Breaker, 15 Amp Manual Reset, Blade Guide
CB4	CH30407-15	Cole-Hersee	E20430	Breaker, 15 Amp Manual Reset, Accessory
CB5	CH30407-15	Cole-Hersee	E20430	Breaker, 15 Amp Manual Reset, Ignition
CB6	CH30407-15	Cole-Hersee	E20430	Breaker, 15 Amp Manual Reset, Start
CB7	CH30407-15	Cole-Hersee	E20430	Breaker, 15 Amp Manual Reset, Board Return
CB10	024453	Wood-Mizer	024453	Breaker Assy, Water Temp Max Circuit
DI - D6	087496	Wood-Mizer	087496	Diode Assembly, Solenoid Coil Chassis
D7	024123	Wood-Mizer	024123	Diode Assembly, Inductive Kick Protection (5etworks Only)
F1, F2 <sup>1</sup>	RL-225	Gould	P11550	Fuse Link, 225 Amp, 250 Volt For Hydraulic + 12 Volt Circuit
F3	RL-150	Gould	023361	Fuse Link, 150A 250V For Main + 12 Volt Starter, Alternator
F4	N/A	N/A	024597	Fuse Link, 50 Amp Kubota Glow Plug
GP 1-GP 4	16851-65510	Kubota	092277	Glow Plug
H1	T14BH517BC9	ENM Corp.	015401	Hour Meter, 12 Volt, Low Power T14 Series
K51	121801	General	P04350	Key Switch, 4-position (Accessory, Off, Ignition, Start)
M1	109877-00	Leeson	024169	Motor, 3/4HP 12VDC TEFC Power Feed w/o Base
M2	109878-00	Leeson	015174	Motor, 3/4HP 12VDC TEFC Up/Down w/Base
M3	P09698-1	Klauber	A10365	Motor, 12 Volt Blade Guide Arm 53:1 Gear
M4	P09698-1	Klauber	A10365	Motor, 12 Volt Board Return 53:1 Gear
M5, M6 <sup>1</sup>	8111	Monarch	P09955	Motor, 12 Volt Hydraulic Pump
PCB1	024412	Wood-Mizer	024412	Circuit Board, Control Box Power Feed
PCB2	089694	Wood-Mizer	089694	Board, LED Circuit (Diesel)
R1	191911261C	Boadh	088143	Relay, Glow Plug Timer
S1	2601-AF 2-511	Square D	E20438	Drum Switch, Power Feed Fwd/Reverse Motor
S2	2601-AF2-512	Square D	E20440	Drum Switch, Up/Down Motor
S3	34-591Q	Polak	024200	Toggle Switch, Blade Guide In/Out Motor
S4	34-591Q	Polak	024200	Toggle Switch, Board Return Motor
S5 <sup>1</sup>	024198	Wood-Mizer	024198	Switch, Hydraulic Pump Levers
S6	15841-39010	Kubota	028547	Switch, Oil Pressure Sensor
S7	TM9A230RQCO	Kubota	028510	Switch, Water Temp Sensor
SOL1	120-943	Stancor	P10448	Solenoid, Accessory Circuit
SOL2-SOL5	586-911	Stancor	015417	Solenoid, 200 A 12V DPST
SOL7	17454-60010	Kubota	028523	Solenoid, Fuel
SOL8, SOL9, SOL10 <sup>1</sup>	586-902	Stancor	015470	Solenoid, 200 A 12V SPST Hydraulic Pump Motor
V1	051190145	Parker	016280	Valve, Watertube Solenoid
VR1	E20519	Wood-Mizer	E20519	Potentiometer, Variable Resistance Power Feed