

## user manual

Instrukcja obsługi | Руководство пользователя  
Manuel de l'Utilisateur | Betriebsanweisung  
Bruksanvisning | Manual del Usuario  
Betjeningsvejledning | Gebruikershandleiding  
Käyttöohjeet | Manual de utilizare | Bruksanvisning  
Manuale d'uso | Příručka uživatele

Zachować do przyszłego użytku  
Сохраните для последующего использования  
A conserver pour une utilisation future  
Für zukünftige Benutzung aufbewahren  
Behold for senere bruk  
Säilytä nämä käyttöohjeet tulevaa tarvetta marten  
Opbevar manualen til fremtidig brug  
Bewaren voor gebruik in de toekomst  
Conservare il presente manuale a l'uso futuro  
Păstrați acest manual pentru utilizare viitoare  
Conservar para futuras consultas  
Uchovajte pro další použití



# Edger Multi-Rip

## Safety, Operation, Maintenance & Parts Manual

---

EE20

rev. A2.02

EE25

rev. A2.02

---



**Safety is our #1 concern!** Read and understand all safety information and instructions before operating, setting up or maintaining this machine.

*July 2003*

*Form #905*

# Table of Contents

# Section-Page

<b>SECTION 1</b>	<b>SAFETY</b>	<b>1-1</b>
1.1	Safety Symbols.....	1-1
1.2	Safety Instructions.....	1-2
1.3	Multirip Edger Specifications.....	1-8
<b>SECTION 2</b>	<b>SERVICING THE EDGER</b>	<b>2-1</b>
2.1	If You Need To Order Parts .....	2-1
2.2	Customer and Edger Identification.....	2-2
2.3	If You Need Service .....	2-4
<b>SECTION 3</b>	<b>EDGER SETUP</b>	<b>3-1</b>
3.1	Pre-Operation Check .....	3-1
3.2	Blade Installation.....	3-4
3.3	Edging Lumber.....	3-6
<b>SECTION 4</b>	<b>MAINTENANCE</b>	<b>4-1</b>
4.1	Changing the Blades.....	4-1
4.2	Tensioning the Belts .....	4-4
4.3	Tensioning the Chains .....	4-7
4.4	Checking the Rollers .....	4-8
4.5	Lubrication .....	4-9
4.6	Maintaining and Sharpening Anti-Kickback Fingers.....	4-10
4.7	Alignment.....	4-11
4.8	Blade sharpening .....	4-15
4.9	Using the blades .....	4-16
<b>SECTION 5</b>	<b>TROUBLESHOOTING</b>	<b>5-1</b>
5.1	Boards Are Not Self-Feeding .....	5-1
5.2	Jammed Boards .....	5-2
<b>SECTION 6</b>	<b>PARTS</b>	<b>6-1</b>
6.1	How To Use The Parts List .....	6-1
6.2	Sample Assembly .....	6-1
6.3	Anti-Kickback & Press Roller.....	6-2
6.4	Blade Drive Shaft Assembly .....	6-4
6.5	Covers.....	6-6
6.6	Feed Table & Return Rollers.....	6-8
6.7	Feed Roller Assemblies & Roller Chain .....	6-9
6.8	Board Guide Fence .....	6-10
6.9	Gear Box & Idle-Side Pulley.....	6-11
6.10	Motor, Hour Meter & E-Stop .....	6-13
6.11	Outfeed Table .....	6-15
6.12	Setworks Dial & Indicator.....	6-16
6.13	Setworks Gear & Shaft.....	6-18
6.14	Shaft End Covers.....	6-19

## Table of Contents

## Section-Page

6.15	Starter Assembly .....	6-20	
6.16	Stationary Legs.....	6-21	
6.17	Sawdust Hopper.....	6-22	
6.18	Speed Reduction Assembly (optional) .....	6-23	
6.19	Edger Decals.....	6-24	
<b>SECTION 7      ELECTRICAL INFORMATION</b>			<b>7-1</b>
7.2	Wiring Diagrams .....	7-3	
7.3	Electrical Component Lists .....	7-6	
7.4	Component Layout Diagram (EE20).....	7-8	
7.5	Component Layout Diagram (EE25).....	7-9	
<b>SECTION 8      DC ELECTROMAGNETIC BRAKE</b>			<b>8-1</b>
8.1	Design and Principle of Operation .....	8-1	
8.2	Service .....	8-2	

## SECTION 1 SAFETY

### 1.1 Safety Symbols

The following symbols and signal words call your attention to instructions concerning your personal safety. Be sure to observe and follow these instructions.



**DANGER!** indicates an imminently hazardous situation which, if not avoided, will result in death or serious injury.



**WARNING!** suggests a potentially hazardous situation which, if not avoided, could result in death or serious injury.



**CAUTION!** refers to potentially hazardous situations which, if not avoided, may result in minor or moderate injury or damage to equipment.



**IMPORTANT!** indicates vital information.

**NOTE:** gives helpful information.



Warning stripes are placed on areas where a single decal would be insufficient. To avoid serious injury, keep out of the path of any equipment marked with warning stripes.

## 1.2 Safety Instructions

**NOTE:** ONLY safety instructions regarding personal injury are listed in this section. Caution statements regarding only equipment damage appear where applicable throughout the manual.

### OBSERVE SAFETY INSTRUCTIONS



**IMPORTANT!** Read the entire Owner's Manual before operating the Edger. Take notice of all safety warnings throughout this manual and those posted on the machine. Keep this manual with this machine at all times, regardless of ownership.

Also read any additional manufacturer's manuals and observe any applicable safety instructions including dangers, warnings, and cautions.

Only persons who have read and understood the entire operator's manual should operate the Edger. The Edger is not intended for use by or around children.

**IMPORTANT!** It is always the owner's responsibility to comply with all applicable federal, state and local laws, rules and regulations regarding the ownership, operation and towing of your Wood-Mizer Edger. All Wood-Mizer owners are encouraged to become thoroughly familiar with these applicable laws and comply with them fully while using or towing the Edger.



### WEAR SAFETY CLOTHING



**WARNING!** Secure all loose clothing and jewelry before operating the Edger. Failure to do so may result in serious injury or death.

**WARNING!** Always wear eye, ear, respiration, and foot protection when operating or servicing the Edger.



### KEEP EDGER AND AREA AROUND EDGER CLEAN



**DANGER!** Maintain a clean and clear path for all necessary movement around the Edger and lumber stacking areas. Failure to do so will result in serious injury.

### DISPOSE OF SAWING BY-PRODUCTS PROPERLY



**IMPORTANT!** Always properly dispose of all sawing by-products, including sawdust and other debris, coolant, oil, fuel, oil filters and fuel filters.



## CHECK EDGER BEFORE OPERATION OR TOWING



**DANGER!** Make sure all guards and covers are in place and secured before operating or towing the Edger. Failure to do so may result in serious injury.



**WARNING!** Always shut off the engine to stop the blade whenever the Edger is not in use. Failure to do so may result in serious injury.

**WARNING!** Do not for any reason adjust the engine drive belts with the engine running. Doing so may result in serious injury.

**WARNING!** Always ensure that there is a sharp point on the anti-kickback fingers before each use of the Edger.

Be sure anti-kickback fingers are free from obstruction and are in a downward position with lever released. Failure to do so may result in serious injury.

## KEEP PERSONS AWAY



**DANGER!** Keep all persons out of the path of moving equipment and boards when operating the Edger. Failure to do so will result in serious injury.

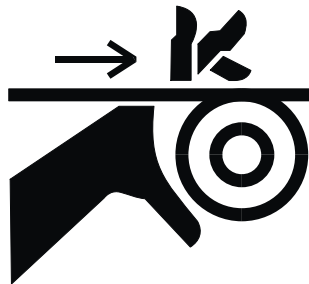
**KEEP HANDS AWAY**



**DANGER!** Engine components can become very hot during operation. Avoid contact with any part of a hot engine. Contact with hot engine components can cause serious burns. Therefore, never touch or perform service functions on a hot engine. Allow the engine to cool sufficiently before beginning any service function.

**DANGER!** Moving Parts Can Crush and Cut. Keep hands clear. Make sure all guards and covers are in place and secured before operating or towing. Failure to do so may result in serious injury.

**DANGER!** Always be aware of and take proper protective measures against rotating shafts, pulleys, fans, etc. Always stay a safe distance from rotating members and make sure that loose clothing or long hair does not engage rotating members resulting in possible injury.





**WARNING!** Coastdown Required. Always shut off the engine and allow all moving parts to come to a complete stop before removing any guards or covers. Do NOT operate with any guards or covers removed.

**WARNING!** Kickback Hazard. Stay clear of area during operation. Follow all anti-kickback service and safety rules. Failure to do so may result in serious injury



**DANGER!** Before changing the blades or performing any service to the machine, disconnect the power cord from the electric box.



**IMPORTANT!** The blade housing and drive assembly covers are equipped with safety key switches. As soon as you open the cover, the engine will get turned off and all moving parts will stop spinning. The safety switches should always be in proper working condition.



### USE PROPER PROCEDURE WHEN CONDUCTING ELECTRICAL SAFETY CHECKS AND MAINTENANCE



**DANGER!** Make sure all electrical installation, service and/or maintenance work is performed by a qualified electrician and is in accordance with applicable electrical codes.

**DANGER!** Hazardous voltage inside the electric disconnect box, starter box, and at the motor can cause shock, burns, or death. Disconnect and lock out power supply before servicing! Keep all electrical component covers closed and securely fastened during

# 1 Safety

## Safety Instructions

---

Edger operation.



**WARNING!** Consider all electrical circuits energized and dangerous.

**WARNING!** Never assume or take the word of another person that the power is off; check it out and lock it out.

**WARNING!** Do not wear rings, watches, or other jewelry while working around an open electrical circuit.



**IMPORTANT!** Edger is equipped with two emergency stop buttons - one at the front, the other at the rear of the machine. They are used to immediately stop the engine and/or Edger operation in hazardous situations. The emergency stop buttons should always be in proper condition.

### 1.3 Multirip Edger Specifications

See Table 1-1. The power option specifications of the Wood-Mizer Multirip Edger is listed below.

	Motor Specifications	Motor Specifications
<b>Motor Type</b>	E20 Electric Motor	E25 Electric Motor
<b>Manufacturer</b>	Tamel S.A., Poland	INDUKTA
<b>Voltage at 380V</b>	380-420V	380-420V
<b>Maximum Current</b>	26.7 A	32.2 A
<b>Maximum RPM</b>	2920 RPM	2920 RPM
<b>Rated Output</b>	15kW ( 20KM )	18.5kW ( 25KM )
<b>Manufacturer Part #</b>	Sg160M2BHM	SG160ML2HM
<b>WM Part #</b>	087929	096622

**TABLE 1-1**

See Table 1-2. The overall dimensions of the Mutirip Edger is shown below.

Model	Maximum Length	Maximum Width	Height	Outfeed Table	Infeed Table	Weight
E20/25	20' 5" (6.15 m)	70" (1.75 m)	51" (1.3 m)	10' (3.0 m)	6' 5" (1.9 m)	1880 lbs. (850 kg)

**TABLE 1-2**

See Table 1-3. The noise level.<sup>1 2</sup>

	Engaged
<b>Mutirip Edger Equipped With E20 Electric Motor</b>	84 dB (A)

**TABLE 1-3**

1 The noise level measurement was taken in accordance with PN-EN ISO 3746 Standard. The noise exposure level given above concerns an 8-hour work day  
 2 The measured values refer to emission levels, not necessarily to noise levels in the workplace. Although there is a relation between emission levels and exposure levels, it is not possible to determine with certainty if preventives are needed or are not needed. The factors affecting a current level of noise exposure during work are inter alia room characteristics and characteristics of other noise sources, e.g. number of machines and machining operations nearby. Also, the permissible exposure level value may vary depending on country. This information enables the machine's user to better identify hazards and a risk.

**1** **Safety**  
*Multirip Edger Specifications*

---

See **Table 1-4**. Other saw specifications of the Mutirip Edger are listed below.

Saw Specifications	Width of Passage	Maximum Board Thickness	Feed Speed	Blade Size (Wood-Mizer Products)	Max blade qty.	Saw Diameter
<b>E20/25 Motor</b>	20.75" (70 cm)	2.36" (6 cm)	max 59'/min (18m/min) <sup>1</sup>	16" x 14" x 18 tooth	5	14"

**TABLE 1-4**

<sup>1</sup> Multirips gear box has transmission ratios which allow to choose one of three feed speeds: 14.3 m/min, 16.9m/min or 18 m/min.

## **SECTION 2 SERVICING THE EDGER**

Wood-Mizer is committed to providing you with the latest technology, best quality and strongest customer service available on the market today. We continually evaluate our customers' needs to ensure we're meeting current wood-processing demands. Your comments and suggestions are welcome.

### **2.1 If You Need To Order Parts**

From Europe call our European Headquarters and Manufacturing Facility in Kolo, Poland at **+48-63-2626000**. From the continental U.S., call our toll-free Parts hotline at **1-800-448-7881**. Please have the vehicle identification number and your customer number ready when you call. Wood-Mizer will accept these methods of payment:

- Visa, Mastercard, or Discover
- COD
- Prepayment
- Net 15 (with approved credit)

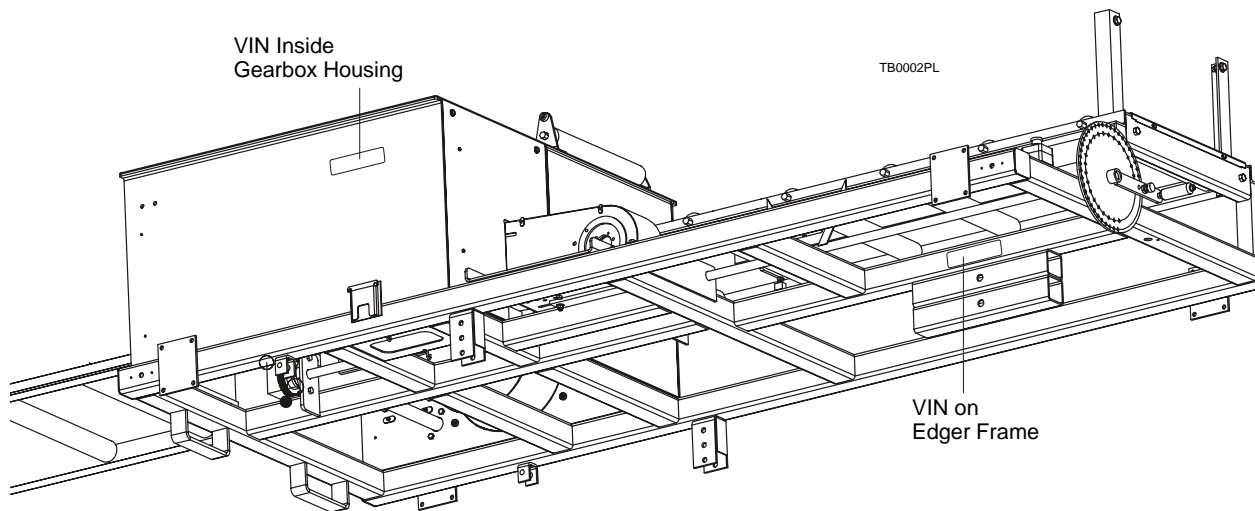
Be aware that shipping and handling charges may apply. Handling charges are based on size and quantity of order. In most cases, items will ship on the day they are ordered. Second Day and Next Day shipping are available at additional cost.

If your edger was purchased outside of the United States, contact your distributor for replacement parts.

## 2.2 Customer and Edger Identification

Each Wood-Mizer edger has a 17-digit Vehicle Identification Number (VIN). In addition, when you pick up your edger, you will receive a customer number. These three numbers will help expedite our service to you. Please locate them now and write them below so you have quick, easy access to them. VIN plates can be found in two locations: 1) on the Edger's frame; 2) inside the gearbox housing.

See **Figure 2-1**. See the following figures for V.I.N. locations.



**FIG. 2-1**

(To be filled in by purchaser)

Edger VIN \_\_\_\_\_

Customer No. \_\_\_\_\_



See below for a description of the V.I.N.

<b>456</b>	<b>A</b>	<b>1</b>	<b>14</b>	<b>1</b>	<b>X</b>	<b>S</b>	<b>N</b>	<b>A</b>	<b>A1</b>	<b>017</b>	<b>A1</b>	<b>.01</b>	
Company Identification Number 456=Wood-Mizer Indiana	Weight Class; A=Under 3,000 lbs B=3,001-4,000 lbs C=4,001-5000 lbs	Product No.; 1 = Edger	Length of the Trailer; 14=14 Ft.	Number of axles on the trailer	Check Digit Add all the numbers and divide by 11	Year of Manufacture; X=1999, Y=2000, Z=2001	State of Manufacture N=Indiana, P=Poland	Month of Manufacture A=January, B=February, C=March, etc...	Revision Level	Sequence Number Ranging from 000-999	End of 17-Digit VIN	Revision Level (Repeated)	Two-Digit Minor Revision Level

**V.I.N. DESCRIPTION.**

## **2** Servicing The Edger *If You Need Service*

---

### **2.3 If You Need Service**

From Europe call our European Headquarters and Manufacturing Facility in Kolo, Poland at **+48-63-2626000**. From the continental U.S., call us toll-free at **1-800-525-8100**. Ask to speak with a Customer Service Representative. Please have your vehicle identification number and your customer number ready when you call. The Service Representative can help you with questions about the operation and maintenance of your edger. He also can schedule you for a service call.

**Office Hours:** All times are Eastern Standard Time. Please remember that Indiana does not go on Daylight Savings Time in the summer.

<b>Country</b>	<b>Monday - Friday</b>	<b>Saturday</b>	<b>Sunday</b>
U.S., Indiana	8 a.m. to 5 p.m.	8 a.m. to 4 p.m.	Closed
Poland	8 a.m. to 4:30 p.m.	8 a.m. to 1 p.m.	Closed

If your edger was purchased outside the United States, contact the distributor for service.

## SECTION 3 EDGER SETUP

### 3.1 Pre-Operation Check

Prior to operating the Edger; always perform these basic checks:

1. Make sure the Edger is level. Secure the legs to the surface.



**CAUTION!** Always be sure the machine is level prior to operating. Failure to do so can and will affect machine operation and wear life.

2. Make sure the outfeed table is level with the rest of the Edger. Place blocks under the table if necessary.
3. Make sure the engine drive belt is tensioned properly. [See Section 4.2](#) for more information.



**WARNING!** Do not for any reason adjust the engine drive belts with the engine running. Doing so may result in serious injury.

4. Be sure the anti-kickback fingers are in proper working condition.

See Figure 3-1.



**WARNING!** Always ensure that there is a sharp point on the anti-kickback fingers before each use of the Edger.

Be sure anti-kickback fingers are free from obstruction and are in a downward position with lever released. Failure to

do so may result in serious injury.

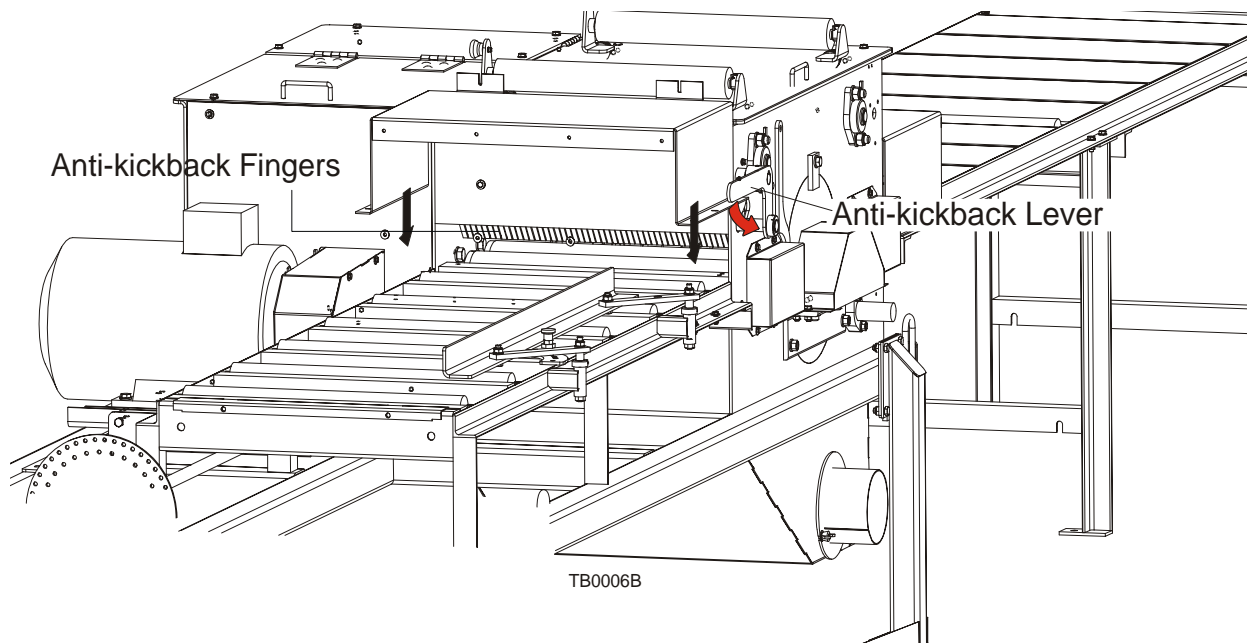


FIG. 3-1

5. Be sure all guards and covers are in place and secured.



**DANGER!** Make sure all guards and covers are in place and secured before operating or towing the Edger. Failure to do so may result in serious injury.

6. Also be aware that the blades are spinning whenever the engine is ON. You should always turn off the engine to stop the blade whenever the Edger is not in use and ensure that all parts have stopped moving before removing any covers or guards.

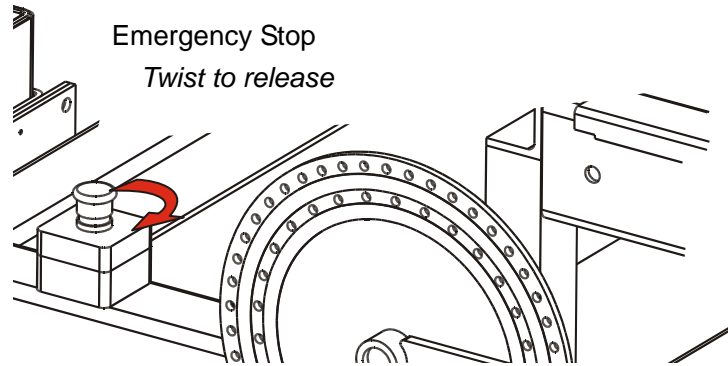


**WARNING!** Coastdown Required. Always shut off the engine and allow all moving parts to come to a complete stop before removing any guards or covers. Do NOT operate with any guards or covers removed.

**WARNING!** Always shut off the engine to stop the blade whenever the Edger is not in use. Failure to do so may result in serious injury.

**See Figure 3-2.** An Emergency Stop is located at the front of the Edger, to the left of the Setworks dial. Press the Emergency Stop to shut down the engine. Before operating the

Edger again, reset the switch by turning the button to the right and releasing.



**FIG. 3-2**

## 3.2 Blade Installation

The main shaft's strength and motor horsepower allows you to use maximally five blades with your Multi-Rip Edger. Using more blades may make the cutting parameters worse and cause the shaft to crack. The standard Wood-Mizer Edger is equipped with two blades. The additional three blades in Multi-Rip Edger are installed on the provided bushing with spacers.

The blades should be installed on the main shaft in the following order:

- movable blade arbor,
- fixed blade arbor,
- bushing with three blades.

The table below will help you choose suitable thickness and number of spacers for various numbers of blades and distances between them. Use the toolmaker's table to mount the blades on the bushing and then install the bushing assembly to the Edger. You can also mount two bushing assemblies on the shaft, however no more than five blades. To do this, you have to order an additional bushing with spacers.

Ref.	Board Width	Maximum number of blades	Thickness and number of spacers behind each blade except the last one G [mm]				Thickness and number of spacers filling the spacing behind the last blade (up to the nut)					
							A - 4,2mm	B - 6,4mm	C - 7,8mm	D - 5,0mm	E - 10,0mm	F - 20,0mm
			G=26,1	G=5	G=10	G=20	Number of spacers					
1	25	5	1	0	0	0	1	0	0	1	0	1
2	25	4	1	0	0	0	0	0	1	0	1	2
3	30	4	1	1	0	0	0	0	1	1	1	1
4	35	4	1	0	1	0	0	0	1	0	0	1
5	40	4	1	1	1	0	0	0	1	1	0	0
6	25	3	1	0	0	0	0	1	0	0	0	4
7	30	3	1	1	0	0	0	1	0	0	1	3
8	35	3	1	0	1	0	0	1	0	0	0	3
9	40	3	1	1	1	0	0	1	0	0	1	2
10	45	3	1	0	0	1	0	1	0	0	0	2
11	50	3	1	1	0	1	0	1	0	0	1	1
12	55	3	1	0	1	1	0	1	0	0	0	1
13	60	3	1	1	1	1	0	1	0	0	1	0
14	65	3	1	0	0	2	0	1	0	0	0	0
15	25	2	1	0	0	0	0	0	0	1	1	5
16	30	2	1	1	0	0	0	0	0	0	1	5
17	35	2	1	0	1	0	0	0	0	1	0	5
18	40	2	1	1	1	0	0	0	0	0	0	5
19	45	2	1	0	0	1	0	0	0	1	1	4
20	50	2	1	1	0	1	0	0	0	0	1	4
21	55	2	1	0	1	1	0	0	0	1	0	4
22	60	2	1	1	1	1	0	0	0	0	0	4
23	65	2	1	0	0	2	0	0	0	1	1	3
24	70	2	1	1	0	2	0	0	0	0	1	3
25	75	2	1	0	1	2	0	0	0	1	0	3
26	80	2	1	1	1	2	0	0	0	0	0	3
27	85	2	1	0	2	2	0	0	0	1	1	2
28	90	2	1	1	0	3	0	0	0	0	1	2
29	95	2	1	0	1	3	0	0	0	1	0	2
30	100	2	1	1	1	3	0	0	0	0	0	2
31	105	2	1	0	0	4	0	0	0	1	1	1
32	110	2	1	1	0	4	0	0	0	0	1	1
33	115	2	1	0	1	4	0	0	0	1	0	1
34	120	2	1	1	1	4	0	0	0	0	0	1
35	125	2	1	0	0	5	0	0	0	1	1	0
36	130	2	1	1	0	5	0	0	0	0	1	0
37	135	2	1	0	1	5	0	0	0	1	0	0
38	140	2	1	1	1	5	0	0	0	0	0	0

**RYS. 3-2**

**NOTE:** The minimum distance between two blades can be 25mm. The maximum dis-

tance between the blades can be as follows:

- for 2 blades 140mm
- for 3 blades 65mm
- for 4 blades 40mm
- for 5 blades 25mm

### 3.3 Edging Lumber



**DANGER!** Make sure all guards and covers are in place and secured before operating or towing the Edger. Failure to do so may result in serious injury.

**DANGER!** Keep all persons out of the path of moving equipment and boards when operating the Edger or loading boards. Failure to do so will result in serious injury.

**DANGER!** Moving Parts Can Crush and Cut. Keep hands clear. Make sure all guards and covers are in place and secured before operating or towing. Failure to do so may result in serious injury.

**DANGER!** Maintain a clean and clear path for all necessary movement around the Edger and lumber stacking areas. Failure to do so will result in serious injury.



**WARNING!** Always shut off the engine to stop the blade whenever the Edger is not in use. Failure to do so may result in serious injury.

**WARNING!** Always wear eye, ear, respiration, and foot protection when operating the Edger. Failure to do so may result in serious injury.

**WARNING!** Secure all loose clothing and jewelry before operating the Edger. Failure to do so may result in serious injury or death.

After performing the pre-operation check, you are ready to begin edging lumber.

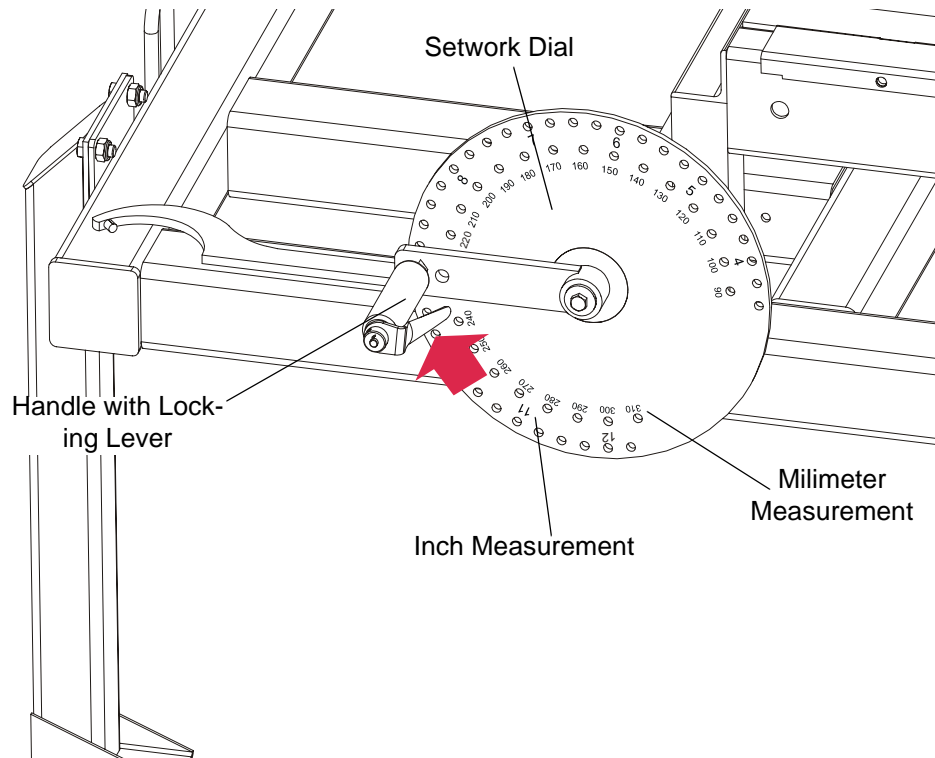


1. Set the networks dial indicator for the desired size of boards to be cut.

**See Figure 3-3.** The networks dial adjusts the movable saw blade closer to or farther away from the fixed saw blade, thus setting the width of the cut to be made. To set, **pull the locking lever**, turn the networks handle as necessary, and release the pin into the appropriate labeled hole, from 3" to 15" (or 8 to 38 cm).

For example, setting the dial at 3" (or 80 mm on the metric scale) will position the movable blade 3" (or 80 mm on the metric scale) from the fixed blade. Resulting cuts will be 3" (or 80 mm on the metric scale) in width.

**NOTE:** To change from using U.S. measurements to metric measurements, simply remove the locking pin from the handle's outer hole and reinstall to the handle's inner hole. After the locking bolt is removed from metric measurements to U.S. measurements, it should be adjusted. To adjust the locking bolt, unbolt and secure the nut so the locking bolt fits to the U.S. measurements.



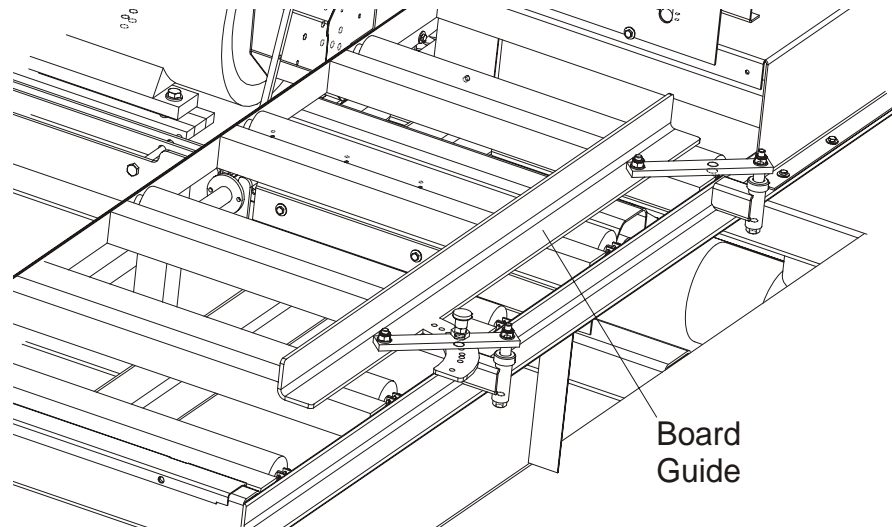
**FIG. 3-3**

## 3 Edger Setup

### Edging Lumber


2. Set the front fence.

See **Figure 3-4**. The board guide fence allows guide the board parallel. Release the locking bolt to adjust the board guide fence.

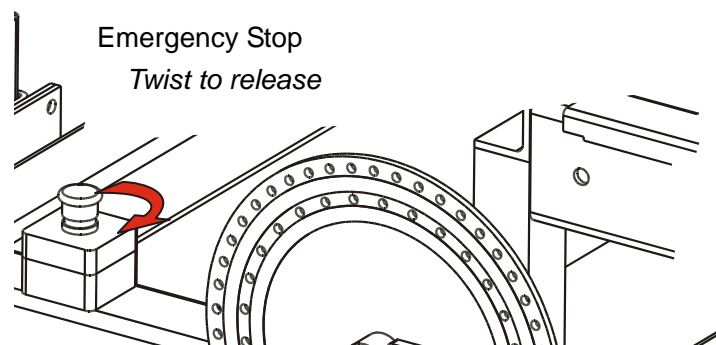


**FIG. 3-4**

3. Position a board on top of the infeed rollers.
4. Start the motor. If you have an electric Edger, see the appropriate manual supplied with your specific motor configuration for detailed operating instructions.

 **IMPORTANT!** If at any time you need to immediately stop the engine and/or Edger operation, press the Emergency Stop button located at the front or at the rear of the Edger.

See **Figure 3-5**.



**FIG. 3-5**

5. Gently push the board through the anti-kickback fingers into the blade until the board begins to feed itself.
6. If the board needs to be edged again, lift the board from the outfeed table. Use the return feed rollers on top of the Edger unit to return the board to the infeed operator.

## SECTION 4 MAINTENANCE

Refer to the engine manufacturer's manual for maintenance intervals and procedures regarding the power supply unless otherwise instructed in this manual. Follow the manufacturer's recommendations for dusty conditions.



**IMPORTANT!** This manual only provides information about additional procedures or procedures to be performed at different time intervals than found in the manufacturer's manuals. Refer to the manufacturer's manual for complete maintenance instructions.

### 4.1 Changing the Blades

1. Replace the blades as necessary. Dull blades will cause the engine to work harder and will result in decreased cut quality and accuracy. Blade life will vary depending on maintenance of machine, operator, species of wood being sawn, and condition of wood being sawn.



**DANGER!** Before changing the saws, make sure the arbor has come to a complete stop and the motor is shut off completely. Failing to do so can cause serious injury.



**WARNING!** Always wear eye, glove and foot protection when handling saw blades.

2. To access the blades, unbolt and open the blade housing cover.
3. With the shaft secured, use the provided spanner wrenches to loosen the locking nuts on the blades.

4. Remove the cone/bearing assembly from the Edger. To remove, first unbolt and remove the blade shaft bearing guard. Loosen the cone retaining bolt. Remove the three mounting nuts on the bearing plate and pry the plate from the Edger.

See Figure 4-1.

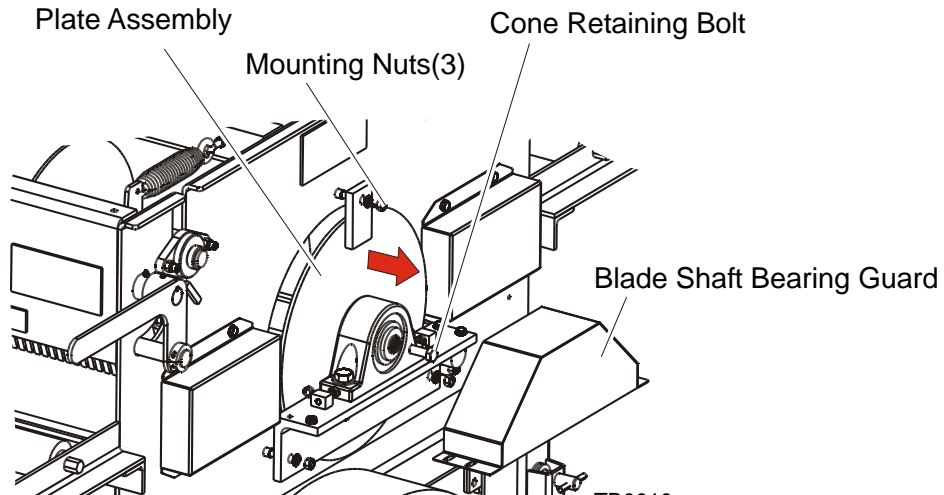


FIG. 4-1

5. Next, remove the blades from the shaft. Remove the fixed blade locking nut and the fixed blade. Loosen the two allen screws on the fixed blade arbor and remove the arbor from the shaft.

6. Unscrew and remove the adjustable blade locking nut. Slide the movable blade from the shaft.

See Figure 4-2.

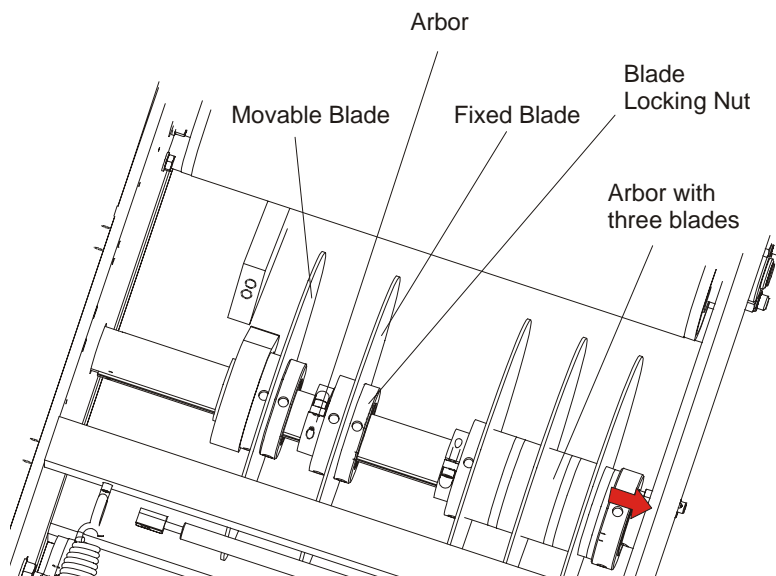


FIG. 4-2

7. Apply an anti-seize lubricant to the face of the arbor and to the face and threads of the blade locking nut.
8. Install a new or resharpened blade to shaft and position it next to the movable blade arbor. Loosely reinstall the adjustable blade locking nut.
9. Reinstall the fixed blade arbor to the shaft. Install a new or resharpened blade, and loosely reinstall the fixed blade locking nut.
10. Reinstall the cone/bearing assembly and secure in place with the existing mounting nuts.
11. Reinstall the cone retaining bolt and the blade shaft bearing guard.
12. With the shaft secured, use the spanner wrenches to tighten the blade locking nuts all the way.
13. Align the blades. [See Section 4.8.](#)
14. During alignment, the blade arbor allen screws will be tightened to secure the blade assemblies in place.
15. After alignment, be sure to close and re-secure the blade housing cover.

## 4.2 Tensioning the Belts



**DANGER!** Always shut off the engine and allow all moving parts to come to a complete stop before removing any guards or covers. Failure to do so will result in serious injury.



**WARNING!** Do not for any reason adjust the engine drive belts with the engine running. Doing so may result in serious injury.



**CAUTION!** Never apply belt dressing as this will damage the belt and cause early failure.

1. Check the drive belt for wear every 8 hours of operation and more frequently during the first 24-48 hours of operation. Tension or replace as necessary. Tension should be 9/16" deflection with 9 lbs of force for new belts or 9/16" deflection with 6 lbs of force for used belts.

See Figure 4-3. To tension the drive belt:

- Unbolt and open the gearbox housing cover.
- Locate the mounting bolts which secure the drive belt guard to the gearbox housing. Loosen these so that the drive belt housing is free to slide as necessary.
- Loosen the four engine mounting bolts.
- Use the two adjustment bolts as shown to move the engine mount towards the front of the Edger until the belt is properly tensioned. Be sure to adjust the bolts evenly so the motor remains in alignment.



**CAUTION!** Do not over tighten the drive belt as it can cause premature belt and/or bearing failure.

**CAUTION!** Do not under-tighten the drive belt as it can cause one or all of the following damages: slippage of the belt on the drive pulley, binding or fetching up of the saws while in the cut, damage or bending of saws

- Retighten the engine mounting bolts. Retighten the belt guard mounting bolts.

2. Check the gearbox drive belt for wear every 8 hours of operation. Belt tension is adjusted automatically.
3. The multigroove pulleys on the gearbox and drive shaft allow choosing the board feed speed between values: 15, 16 and 17m/min<sup>1</sup>.

**See Figure 4-4.** To change the board feed speed:

- With the gearbox housing cover still open, locate the gearbox belt tensioner. Loosen the belt by pushing down the automatic tensioner handle and securing it with the locking pawl.

---

1. The optional belts and pulleys assembly, mounted on Edger reducer, enables getting lower feed rates, which are: 11.1; 13.2 and 15 m/min. [See Section 6.18.](#)



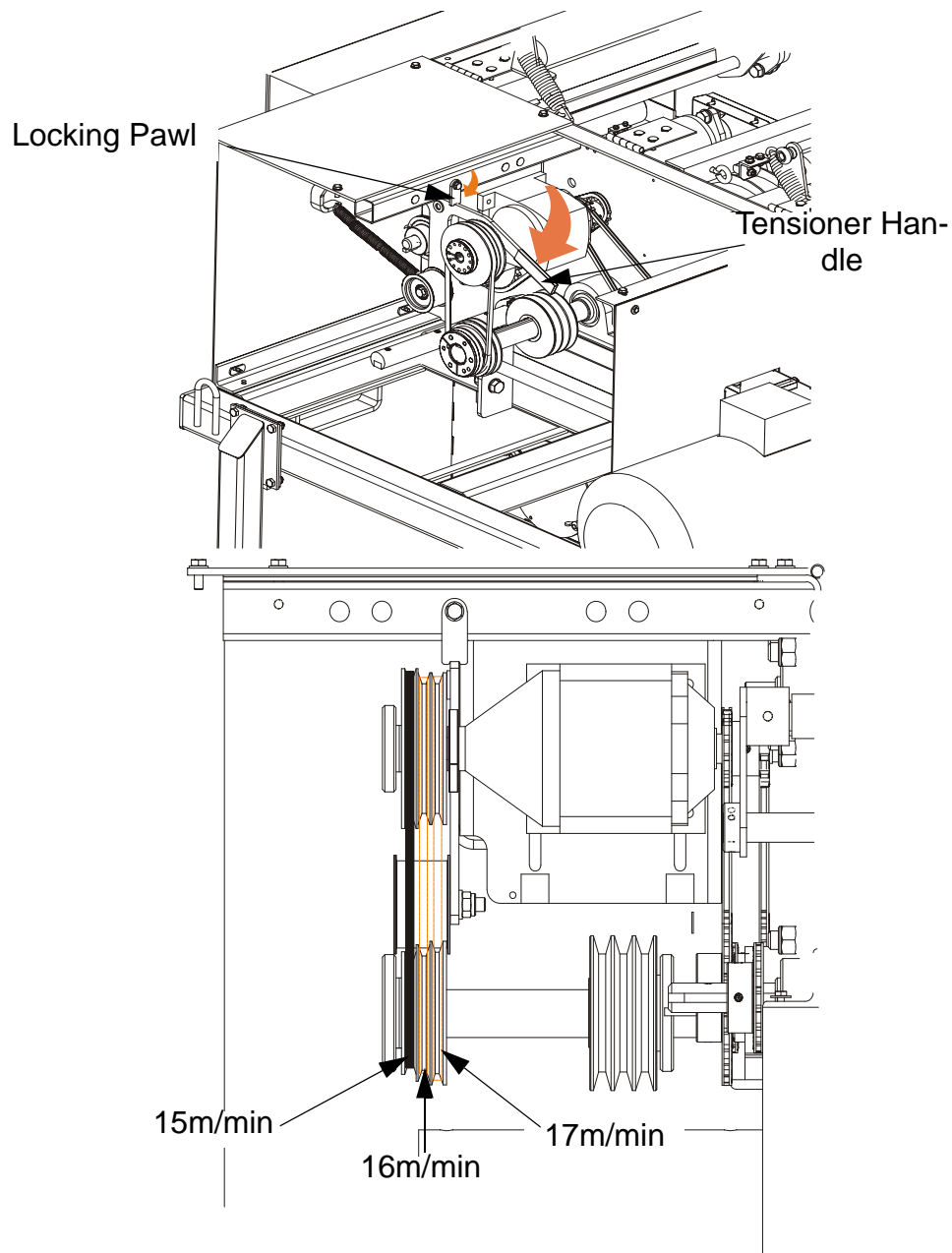


FIG. 4-4

- Place the drive belt in the proper grooves of the pulleys to achieve the required feed speed.
  - Release the automatic tensioner handle.
4. Close the gearbox housing cover and use the existing bolts to secure.

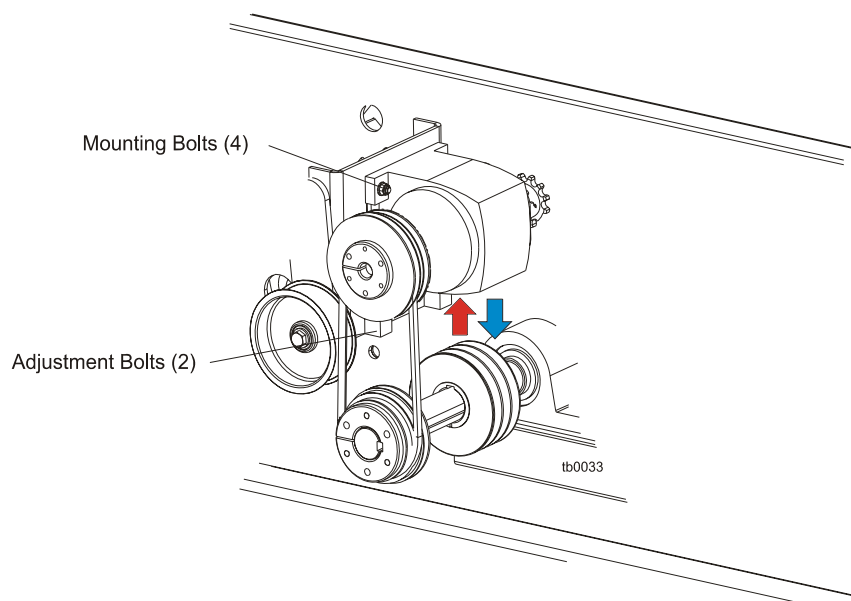
### 4.3 Tensioning the Chains

40

Check the drive chains for tension every 40 hours of operation and tension as necessary. The chains should have approximately 1/2" of slack. **NOTE:** The smaller idler chains have no adjustment.

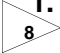
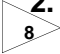
**See Figure 4-5.** To tension the drive chains, unbolt and open the gearbox housing cover.

- Loosen the four gearbox mounting bolts.
- Use the adjustment bolts underneath the gearbox to raise the gearbox until the chains are tensioned as needed. Be sure to adjust the bolts evenly.
- Retighten the gearbox mounting bolts and close and secure the gearbox housing cover.

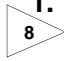


**FIG. 4-5**

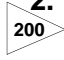
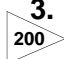
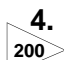
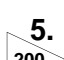
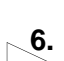
## 4.4 Checking the Rollers

-  1. Check the feed rollers every 8 hours of operation. Remove any dirt or debris from the rollers. Make sure they spin freely, without much play. Replace the spring-loaded feed rollers as needed.
-  2. Check the press rollers every 8 hours of operation. Clean any debris or sap buildup from the rollers with a wire brush. Replace the press roller bearings if there is any play in the rollers.

## 4.5 Lubrication

-  1. Clean any debris from the blade drive shaft and every 8 hours of operation. Use a soft cloth to apply a dry graphite daily to ensure resistance-free motion and to prevent surface corrosion.

Also, clean debris from the rack and pinion every 8 hours of operation. Lubricate with dry graphite.

-  2. Lubricate the blade shaft bearings every 200 hours of operation with one to two pumps of lithium-based grease such as Shell Alvania No. 3. Do not overgrease.
-  3. Lubricate the anti-kickback shaft pivots every 200 hours of operation with a high-quality lithium-based grease such as Shell Alvania No. 3.
-  4. Lubricate the press roller bearings every 200 hours of operation with a high-quality lithium-based grease such as Shell Alvania No. 3.
-  5. Lubricate the Setworks dial every 200 hours of operation with a high-quality lithium-based grease such as Shell Alvania No. 3.
-  6. Apply anti-seize lubricant to the surfaces and threads of the blade arbors and locking nuts every blade change ([See Section 4.1](#)).

## 4.6 Maintaining and Sharpening Anti-Kickback Fingers

This machine has the potential for kick-backs. Kick-backs can cause the board to be suddenly and uncontrollably hurled towards the operator. Such action can result in severe injury or death.

If you are working with frozen boards or with boards that have protruding knots, the chance of kickbacks is increased.

The infeed opening of the Edger is equipped with anti-kickback fingers to help prevent kickback from occurring. To maintain the safety of your Edger, periodically inspect the machine to ensure all anti-kickback fingers are intact and undamaged and have a sharp point. Missing or damaged parts can affect the safety of the machine operator or bystanders and should be replaced immediately. Dulled parts should be re-ground with a hand grinder or replaced.



**DANGER!** Always ensure that there is a sharp point on the anti-kickback fingers before each use of the Edger.

Be sure anti-kickback fingers are free from obstruction and are in a downward position with lever released. Failure to do so may result in serious injury.

### 4.7 Alignment



**WARNING!** Before performing service near moving parts such as blades, pulleys, motors, belts and chains, first turn the engine key switch to the OFF (#0) position and remove the key. If the key is turned on and moving parts activated, serious injury may result.

**WARNING!** Coastdown Required. Always shut off the engine and allow all moving parts to come to a complete stop before removing any guards or covers. Do NOT operate with any guards or covers.

1. **Position of fixed blade** - the position of the fixed blade is adjusted by loosening the blade clamps just sufficiently to be able to slide the blade on the shaft.
2. Place a string, or straight edge along the inside edge of the blade and move the blade so that the string or straight edge is aligned with the 0 mark on the scale. [See Figure 4-6.](#)
3. Tighten the blade clamps and check the alignment again.

**See Figure 4-6.**

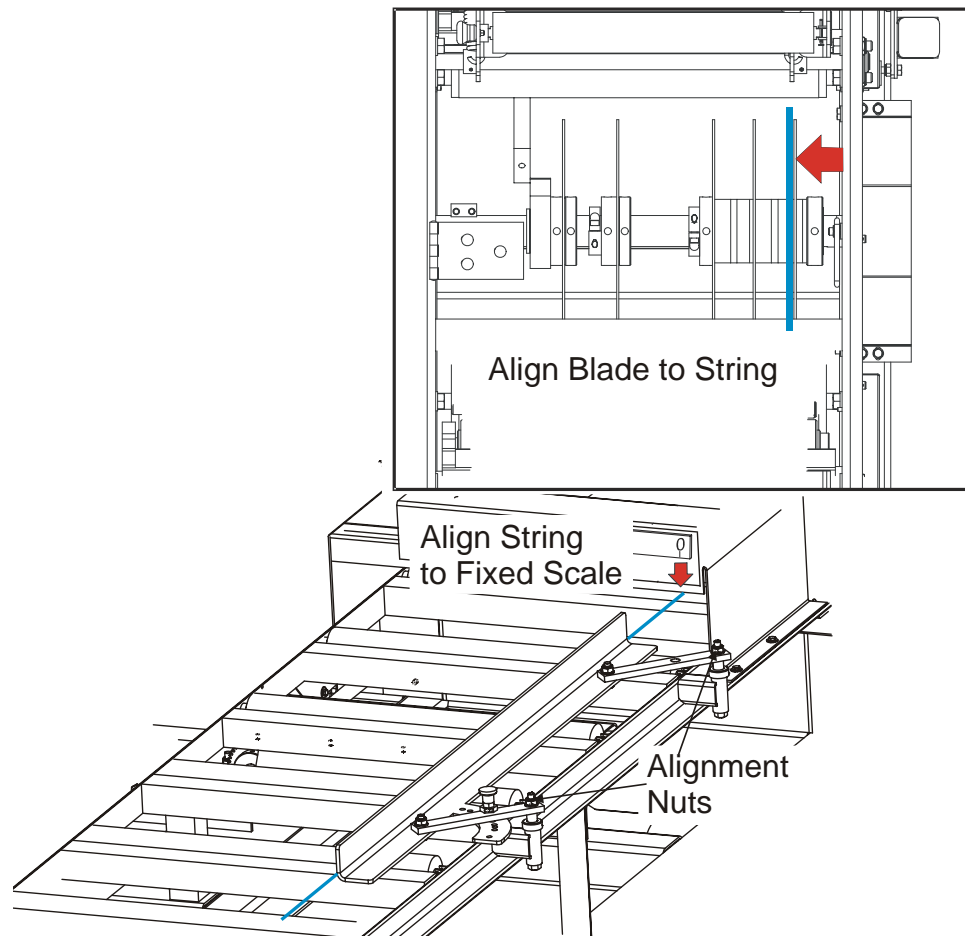
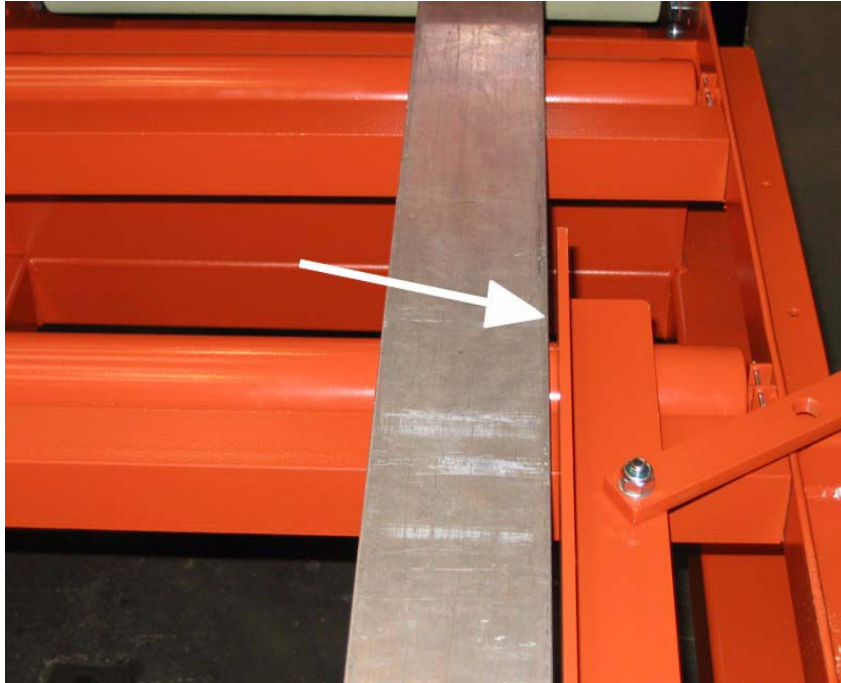


FIG 4-6

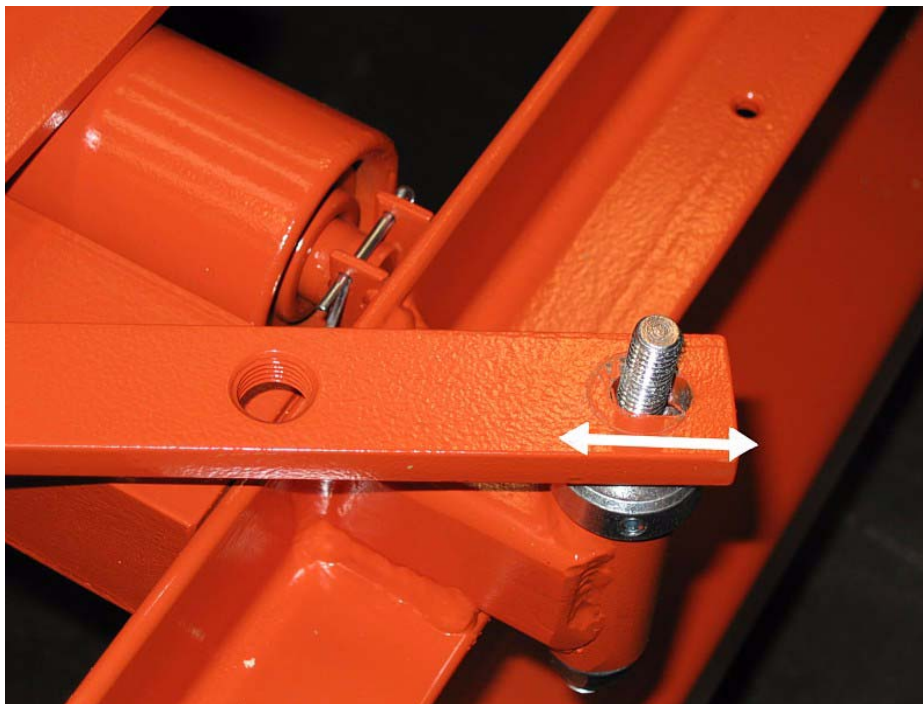
4. **Fence Alignment** - having fixed the position of the fixed blade, extend the string or straight edge so that it meets the fence. [See Figure 4-7.](#)

See Figure 4-7.



5. If the board guide fence is not parallel to the string or to straight edge, loosen the alignment nuts. Elongated holes allows adjusting the board guide fence. [See Figure 4-8.](#)

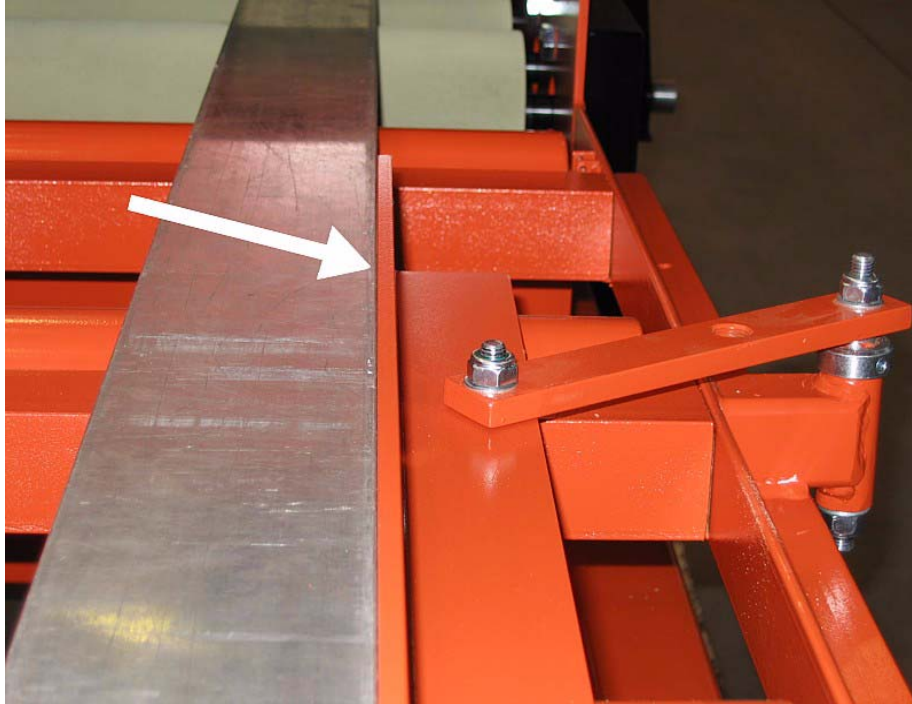
See Figure 4-8.





6. Slide the board guide fence to the adjustment strip. If the board guide fence is parallel to the blade, tighten alignment nuts. [See Figure 4-9.](#)

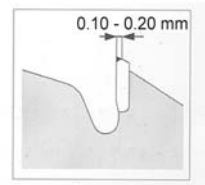
See Figure 4-9.



7. To position the adjustable blade, set the setworks dial at 3" (80mm). Measure from the inside of the fixed blade to the inside of the movable blade. If necessary, loosen the movable blade arm and slide the blade assembly on the shaft until the blades are 3" (80mm) apart. Retighten the blade arm and tighten the arbor allen screws to secure in place.

## 4.8 Blade sharpening

The blade teeth should be sharpened as soon as their dullness, measured as shown in the figure on the right, is .10 -.20 mm.

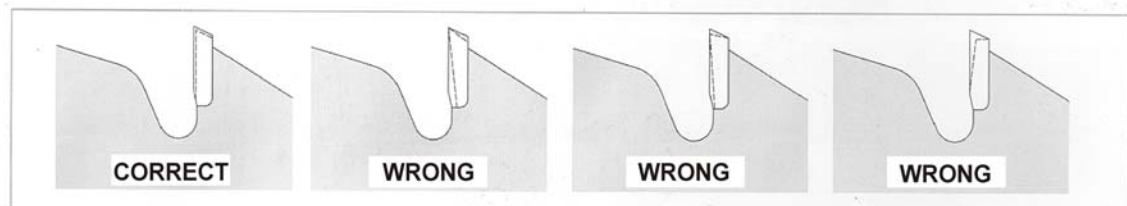
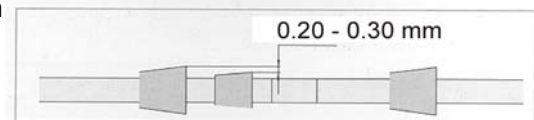


Use diamond grinding wheels for sharpening the blades. Apply intensive cooling during sharpening to prevent overheating and structural changes in the cemented carbide tips.

**Blades with hard tips (GLOTECH series) must be intensively cooled with water during sharpening. Failure to do so will result in cracks in the tips.**

In Multix type blades the carbide tips should be .4 - .6 mm wider than the carbides in the wiper slots. (See the figure below.) If this difference is not kept, it will result in disk overheating and – in extreme case – in cracks in the blade gullets. The carbide plates in the wiper slots remove sawdust and splinters from the kerf. They also cause sawdust to be blown away.

When sharpening, maintain the proper tooth geometry as indicated in the figure below.



## 4.9 Using the blades

The surfaces of spacers should be clean and flat against one another. The blade should not rotate on the shaft during sharpening as it will lead to its damage.

It is not recommended to change the blade mounting hole. Unsuitable hole modification will result in decreased breaking strength, increased radial run-out and wavy cuts. Besides, it may result in blade burning, cracks in the gullets and finally in blade breakage.

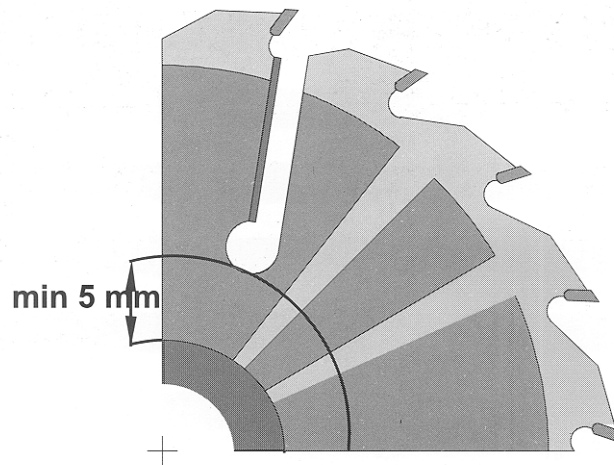
### **Do not set teeth with cemented carbide tips!**

Do not make any modifications to the blade teeth!

Do not operate the machine if any of the blades is dull. Using dull blades causes stronger cutting resistance, decreased cut accuracy and may result in blade burning and even cracks in the gullets and the wiper slots.

### **Do not exceed the maximum blade rotation speed recommended for a given type of material!**

When using Multix type blades, keep at least 5 mm spacing between the bottom of the wiper slot and the spacer outer diameter.



To remove any sawdust buildup from the blade disk, preferably use a solution of hot water and soda or another cleaner.

Any blades which are not used for a longer period of time should be properly maintained.

The blades should be used in accordance with safety rules and their application and with machines in good operating condition and equipped with suitable safety guards.

## SECTION 5 TROUBLESHOOTING

### 5.1 Boards Are Not Self-Feeding



**DANGER!** Always shut off the engine and allow all moving parts to come to a complete stop before removing any guards or covers.

1. If boards are not self-feeding, increase the tension on the top press rollers.
2. To do this, unbolt and open the blade housing cover.
3. Locate the four horizontal springs which provide tension to the press rollers.
4. Tighten the tension spring eyebolts until sufficient tension is placed on the top press rollers. Always use the lowest amount of tension that still enables boards to feed properly. Too much tension on soft wood can mar the wood.



**CAUTION!** Do not overtension as this can affect wear life and can cause the rollers to mar the surface of some of the softer woods.

5. Close and secure the blade housing cover.

## 5.2 Jammed Boards



**DANGER!** Always shut off the engine and allow all moving parts to come to a complete stop before removing any guards or covers.

1. If a board becomes jammed, temporarily remove press roller tension to release the board.
2. To do this, unbolt and open the blade housing cover.
3. Loosen the nuts on the tension spring eyebolts until enough tension has been released to remove the jammed board.

You may need to use cant hooks to lift the press rollers enough to remove the board. It may also be necessary to lift the anti-kickback fingers by pushing the kickback lever down.

4. Retighten the nuts until the top press rollers are properly tensioned. Always use the lowest amount of tension that still enables boards to feed properly. Too much tension on soft wood can mar the wood.



**CAUTION!** Do not overtension as this can affect wear life and can cause the rollers to mar the surface of some of the softer woods.

5. Close and secure the blade housing cover.

## SECTION 6 PARTS

### 6.1 How To Use The Parts List

- Go to the appropriate section and locate the part in the illustration.
- Use the number pointing to the part to locate the correct part number and description in the table.
- Parts shown indented under another part are included with that part.
- Parts marked with a diamond (◆) are only available in the assembly listed above the part.

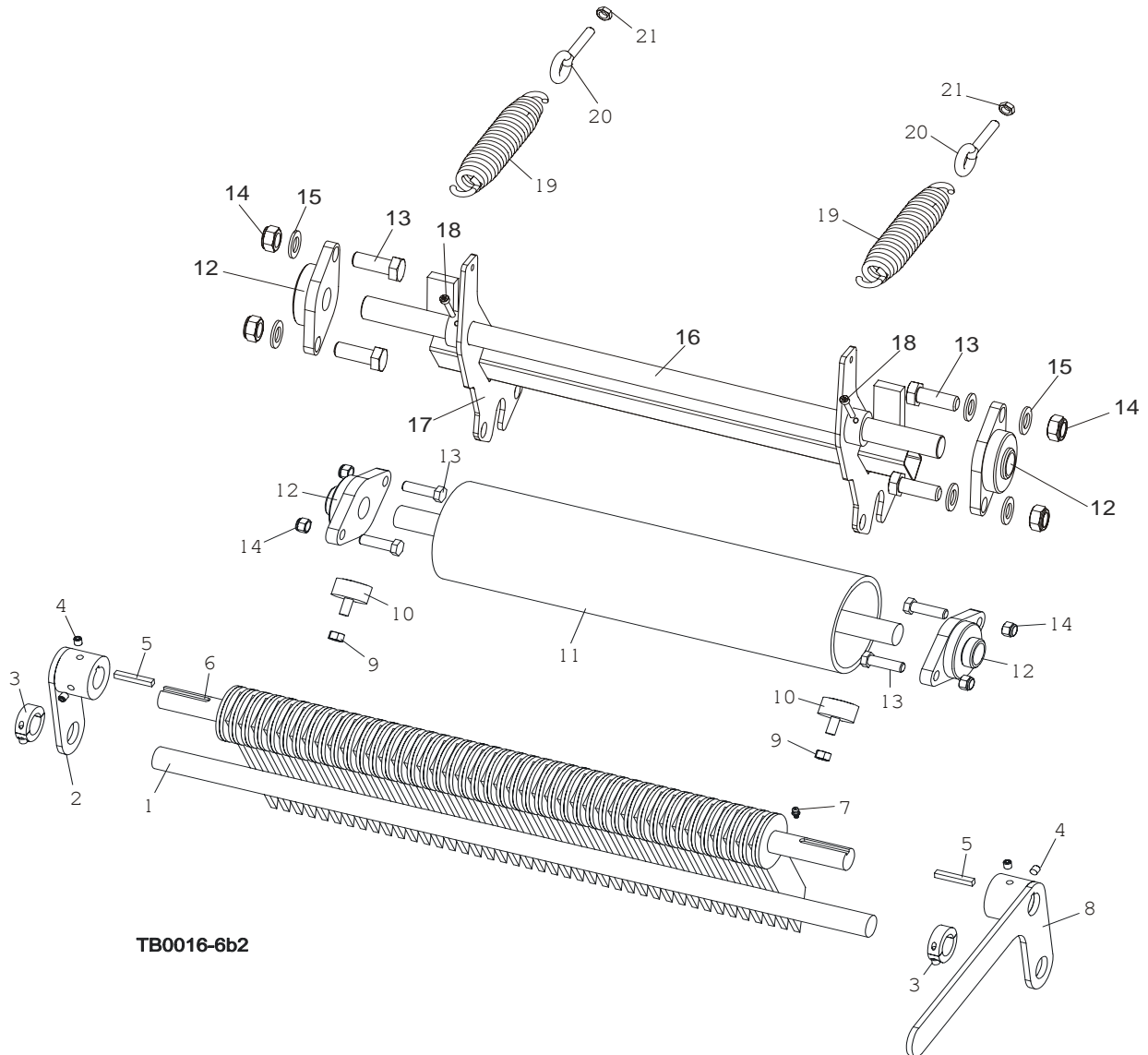
See the sample table below. Sample Part #A01111 includes part F02222-2 and subassembly A03333. Subassembly A03333 includes part S04444-4 and subassembly K05555. The diamond (◆) indicates that S04444-4 is not available except in subassembly A03333. Subassembly K05555 includes parts M06666 and F07777-77. The diamond (◆) indicates M06666 is not available except in subassembly K05555.

<b>6.2 Sample Assembly</b>				
REF	DESCRIPTION (◆ Indicates Parts Available In Assemblies Only)	PART #	QTY.	
	<b>SAMPLE ASSEMBLY, COMPLETE</b> (Includes All Indented Parts Below)	A01111	1	
1	Sample Part	F02222-22	1	
2	Sample Subassembly (Includes All Indented Parts Below)	A03333	1	
	Sample Part (Indicates Part Is Only Available With A03333)	S04444-4	1	◆
3	Sample Subassembly (Includes All Indented Parts Below)	K05555	1	
	Sample Part (Indicates Part Is Only Available With K05555)	M06666	2	◆
4	Sample Part	F07777-77	1	

#### To Order Parts:

From the Europe, call **+48 26 26 000** to order parts. Have your customer number, VIN, and part numbers ready when you call. From other international locations, contact the Wood-Mizer distributor in your area for parts.

### 6.3 Anti-Kickback & Press Roller



TB0016-6b2

REF	DESCRIPTION (◆ Indicates Parts Available In Assemblies Only)	PART #	QTY.
1	SHAFT, 25X810	089089-1	1
2	PLATE WELDMENT, ANTI-KICKBACK FINGER	089087-1	1
3	COLLAR, 1" LOCKING	089161	2
4	SCREW, M8X8-33H HEX SOCKET SET FLAT POINT ZINC	F81014-1	4
5	KEY, 1/4" X 1 11/16"	089229	2
6	SHAFT, ANTI-KICKBACK FINGER	089088-1	1
7	FITTING, STRAIGHT GREASE	086280	1
8	HANDLE WELDMENT, ANTI-KICKBACK RELEASE	089086	1

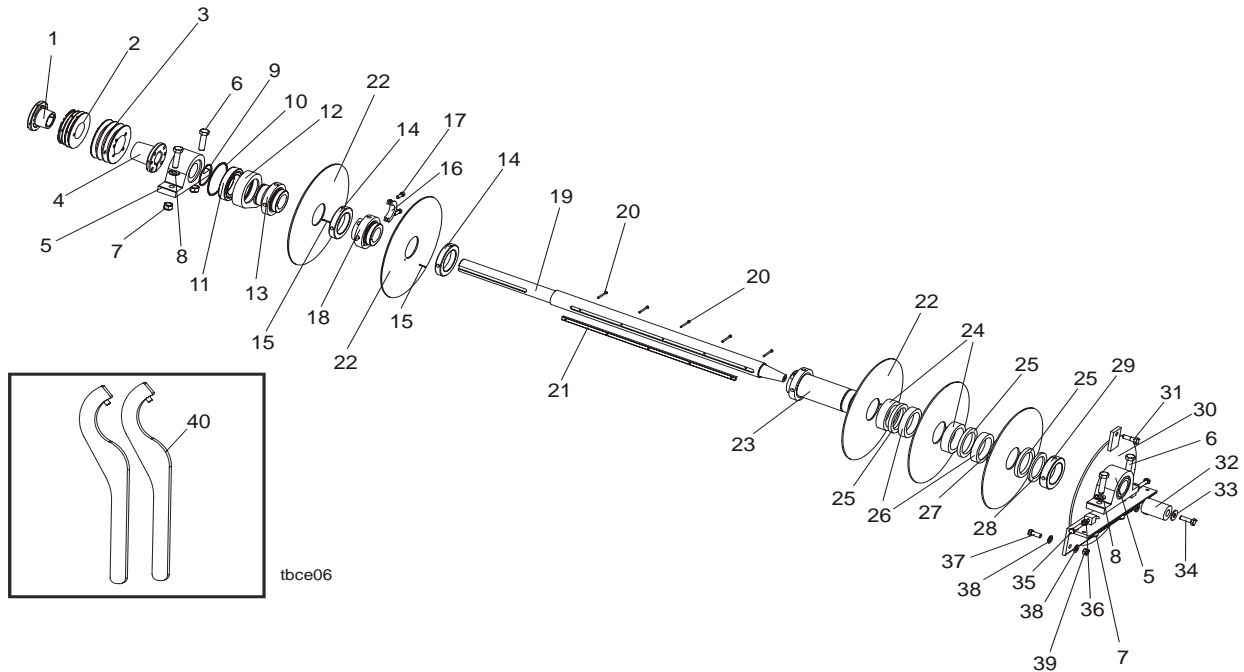
## 6

**Parts***Anti-Kickback & Press Roller*

9	<b>NUT, M10-8-B HEX ZINC</b>	F81033-3	2	
10	<b>BUMP STOP, RUBBER</b>	089147	2	
	<b>PRESS ROLLER ASSEMBLY</b>	089156	1	
11	Roller, Press w/Shaft	038193	1	
12	Bearing, UCFL 205	089124	4	
13	Bolt, M10x35-8.8 Hex Head Full Thread Zinc	F81003-17	8	
14	Nut, M10-8-B Hex Nylon Zinc Lock	F81033-1	8	
15	Washer, 17 Flat Zinc	F81058-1	8	
16	<b>SHAFT, PIVOT</b>	089064	1	
17	<b>PIVOT WELDMENT, PRESS ROLLER</b>	089063-1	1	
18	<b>SCREW, M6X16 8.8 ZINC HEX SOCKET HEAD CAP</b>	F81001-21	2	
19	<b>SPRING, 1.5 X 7 X 243</b>	089689-1	2	
20	<b>TENSIONER, ZINC-PLATED</b>	089153-1	2	
21	<b>NUT, M10-8-B HEX NYLON ZINC LOCK</b>	F81033-1	2	



## 6.4 Blade Drive Shaft Assembly



REF	DESCRIPTION (◆ Indicates Parts Available In Assemblies Only)	PART #	QTY.
1	BUSHING, KEYED BORE SPLIT TAPER (2)	091211	1
2	PULLEY, 3-GROOVE ZINC-PLATED	089649-1	1
3	PULLEY, 15/18.5 KW EA25 MOTOR	085671	1
	PULLEY, 3-GROOVE	087526 <sup>1</sup>	1
4	BUSHING, KEYED BORE SPLIT TAPER (E25 MOTOR)	085714	1
5	BEARING ASSEMBLY, UCP 210 CX <sup>2</sup>	089041	2
6	BOLT, M16X60 8.8 HEX HEAD FULL THREAD ZINC	F81006-12	4
7	NUT, M16-8 HEX NYLON ZINC LOCK	F81036-2	4
8	WASHER, 16.3 SPLIT LOCK ZINC	F81058-2	4
	<b>BLADE DRIVE SHAFT, COMPLETE</b>	089416	1
9	Ring, Z70 Outside Retaining	089165	1
10	Ring, W110 Inside Retaining	089166	1
11	Bearing, 6014 2RS1 CX Ball <sup>1</sup>	089164	1
12	Slider, Painted	089094-1	1
13	Arbor, Movable Blade Ptd	089093-1	1
14	Nut, Blade Retainer Ptd (EE15)	089092-1	1
15	Pin, H 3m6x20 DIN6325 HRC60 Roll	F81048-2	2
16	Collar, Locking	089116	1
17	Screw, M8x25-8.8 Hex Socket Head Cap Zinc	F81002-21	2
18	Arbor, Fixed Blade Ptd	089091-1	1

## 6

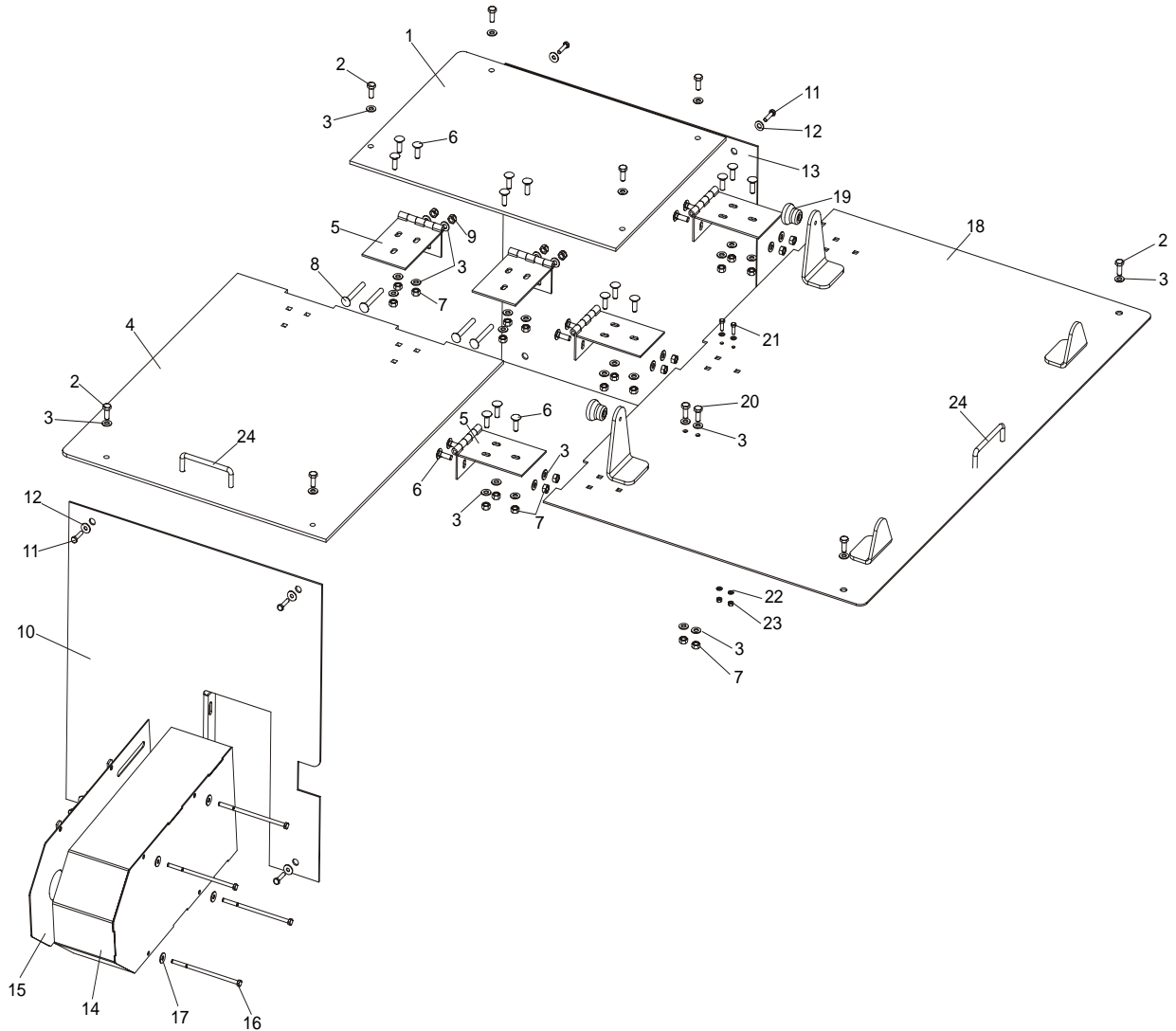
**Parts***Blade Drive Shaft Assembly*

19	Shaft, Blade Drive	089037	1	
20	Screw, M4x50-8.8 Hex Socket Head Cap Zinc	F81011-32	5	
21	Key, 12x8x585 Special	089040	1	
22	<b>BLADE, DNPDe MULTIX 350x76x3.8/18 GM</b>	089144	5	
	<b>MOUNTING KIT FOR 5 BLADES</b>	093328	1	
23	Bushing, Blade Mount (For 5 Blades)	092961-1	1	
24	Spacer, 26.1mm Thick (For 5 Blades)	091510-1	4	
25	Ring, Spacer (For 5 Blades)	090967-1	4	
26	Spacer (For 5 Blades)	090968-1	5	
27	Spacer, 5mm Thick (For 5 Blades)	090971-1	4	
28	Spacer, 6.4mm Thick (For 5 Blades)	091511-1	1	
	Spacer, 7.8mm Thick (For 5 Blades)	091509-1	1	
	Spacer, 4.2mm Thick (For 5 Blades)	091135-1	1	
29	Nut, Locking Zinc-Plated (For 5 Blades)	091493-1	1	
30	<b>COVER, SIDE COMPLETE</b>	089167-1	1	
31	<b>BOLT, M12X40-8.8 HEX HEAD ZINC</b>	F81004-1	1	
32	<b>BOLT, M12X40-8.8 HEX HEAD ZINC</b>	089128	1	
33	<b>WASHER, 13 ZINC FLAT</b>	F81056-1	1	
34	<b>BOLT, M12X40-8.8 HEX HEAD FULL THREAD ZINC</b>	F81004-4	1	
35	<b>BOLT, M10X50-8.8 HEX HEAD FULL THREAD ZINC</b>	F81003-4	2	
36	<b>NUT, M10-8-B ZINC HEX</b>	F81033-3	2	
37	<b>BOLT, M12X30-8.8 HEX HEAD FULL THREAD ZINC</b>	F81004-22	2	
38	<b>WASHER, 13 ZINC FLAT</b>	F81056-1	4	
39	<b>NUT, M12-8-B ZINC HEX</b>	F81034-1	2	
40	<b>WRENCH FOR BLADE</b>	094641	2	

<sup>1</sup> 60Hz alternating current version.

<sup>2</sup> NOTE: Do not grease the bearings.

## 6.5 Covers



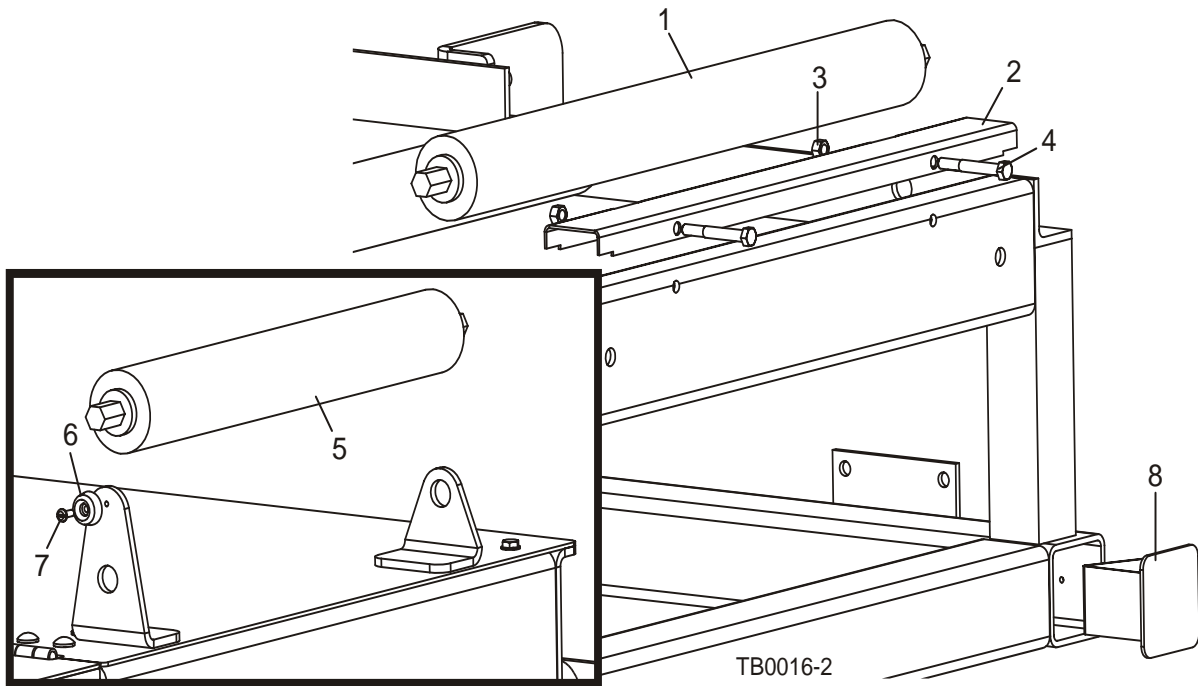
REF	DESCRIPTION (◆ Indicates Parts Available In Assemblies Only)	PART #	QTY.	
1	COVER, DRIVE ASSEMBLY	089646-1	1	
2	BOLT, M8X20-8.8-B HEX HEAD FULL THREAD ZINC	F81002-4	8	
3	WASHER, 8.4 FLAT ZINC	F81054-1	35	
4	COVER, DRIVE ASSEMBLY	089645-1	1	
5	HINGE, SLOTTED, COMPLETE	089190	5	
6	BOLT, M8X20 MUSHROOM HEAD SQUARE NECK ZINC	F81002-11	21	
7	NUT, M8-8-B HEX ZINC	F81032-1	21	
8	BOLT, M8X65-8.8 MUSHROOM HEAD SQUARE NECK ZINC	F81002-24	4	
9	NUT, M8-8-B HEX NYLON ZINC LOCK	F81032-2	4	
10	COVER, RIGHT FRONT	089096-1	1	

# 6 Parts

## Covers

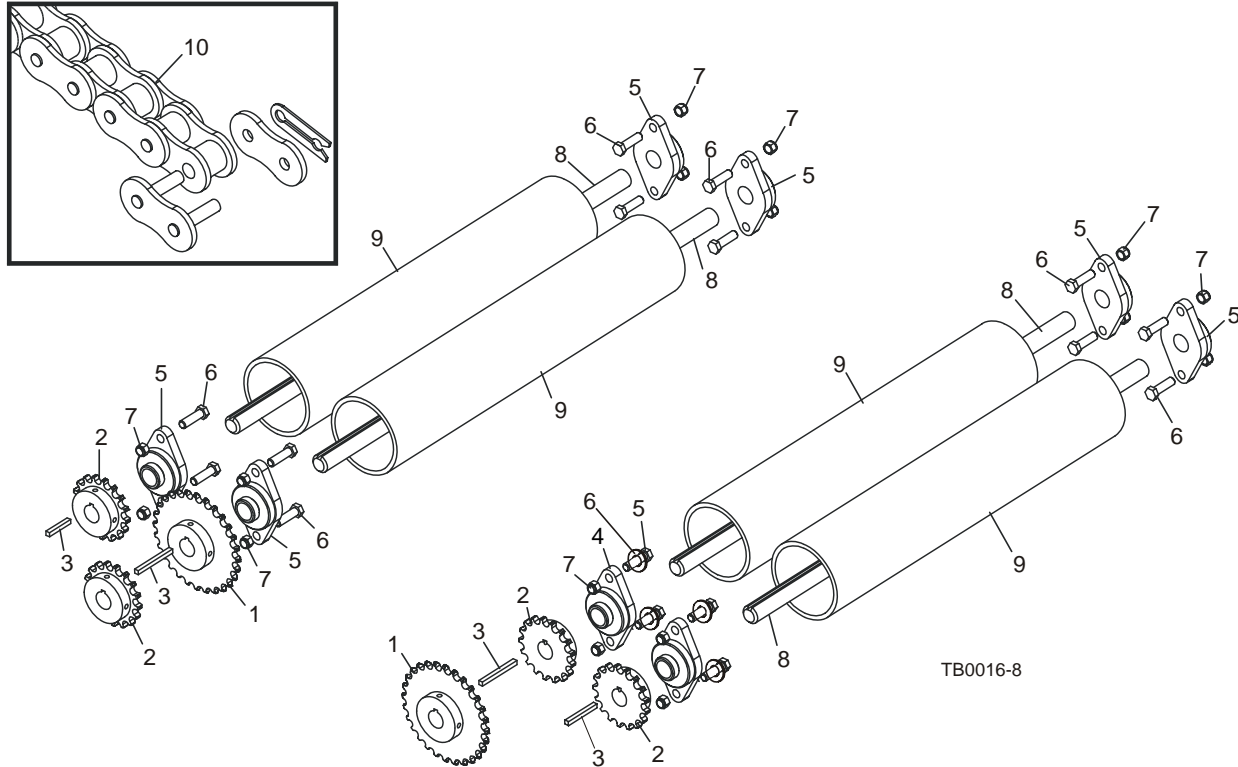
11	BOLT, M6X25-5.8 HEX HEAD FULL THREAD ZINC	F81001-3	8	
12	WASHER, 6.4 FLAT ZINC	F81053-1	8	
13	COVER, RIGHT REAR	089107-1	1	
14	COVER WELDMENT, BELT GUARD	089607-1	1	
15	PLATE WELDMENT, BELT GUARD	089595-1	1	
16	BOLT, M6X136-5.8 HEX HEAD ZINC	F81001-51	4	
17	WASHER, 6.5 SPECIAL FLAT ZINC	F81053-11	4	
18	COVER WELDMENT, TOP LEFT	089109	1	
19	STOP, RUBBER	087825	2	
20	BOLT, M8X20-5.8 HEX HEAD FULL THREAD ZINC	F81002-1	2	
21	BOLT, M5X16-5.8 HEX HEAD FULL THREAD ZINC	F81000-51	2	
22	WASHER, 5.3 FLAT ZINC	F81052-1	4	
23	NUT, M5-8 HEX ZINC	F81030-1	2	
24	HANDLE, BLADE COVER	P08065	2	

## 6.6 Feed Table & Return Rollers



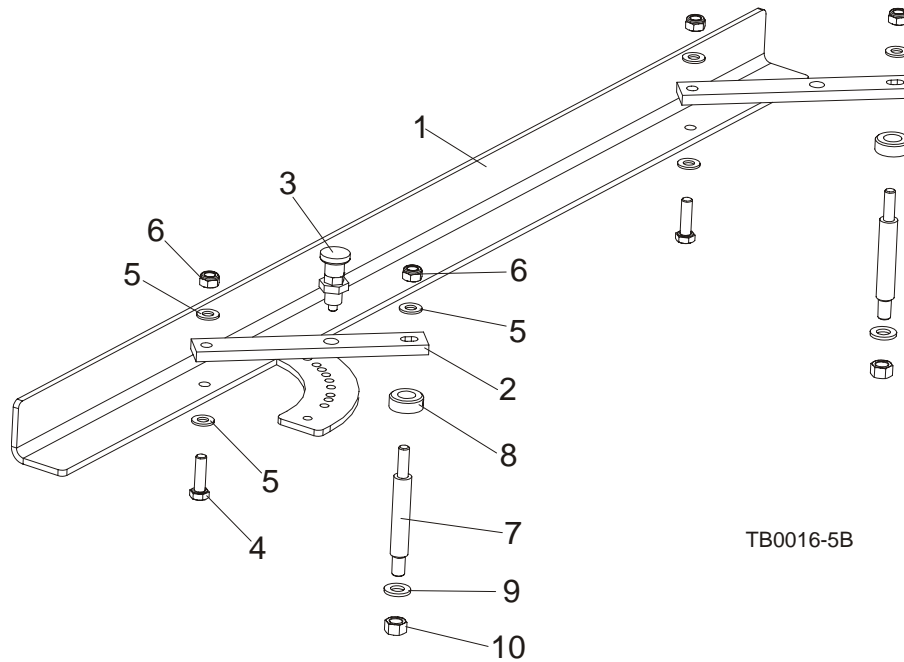
REF	DESCRIPTION (◆ Indicates Parts Available In Assemblies Only)	PART #	QTY.
1	ROLLER, 63.5/20X600/608/626 s=14-PTD (EE15) FEED	089044-1	6
2	COVER, 22 3/4" STAINLESS STEEL RAIL	S13012	1
3	NUT, M8-8-B HEX ZINC	F81032-1	2
4	BOLT, M8X70 8.8 HEX HEAD ZINC	F81002-71	2
5	ROLLER, 63.5/2X500/508/526 S=14 PTD (EDGER) RETURN	089039-1	2
6	STOP, RUBBER	087825	2
7	BOLT, M5X30-5.8 HEX HEAD ZINC	F81000-9	2
8	CAP WELDMENT, TUBE END	089143-1	4

### 6.7 Feed Roller Assemblies & Roller Chain



REF	DESCRIPTION (◆ Indicates Parts Available In Assemblies Only)	PART #	QTY.	
1	SPROCKET, Z 28 ZINC-PLATED	089099-1	2	
2	SPROCKET, ZINC-PLATED	089098-1	4	
3	KEY, AB 8X8X70	089231	2	
4	BEARING, UCFL 205 FLANGED	089124	8	
5	BOLT, M10X35-8.8 HEX HEAD FULL THREAD ZINC	F81003-17	16	
6	WASHER, 10.5 FLAT ZINC	F81055-1	16	
7	NUT, M10-8-B HEX NYLON ZINC LOCK	F81033-1	16	
8	SHAFT, FEED ROLLER	089059-1	4	
9	ROLLER, FEED	038192	4	
10	CHAIN, 10B-37WZ+LINK 10BWZ, ROLLER-TO-ROLLER	089177	2	
	CHAIN, 10B-65WZ+LINK 10BWZ GEARBOX-TO-ROLLER	089175	2	

## 6.8 Board Guide Fence

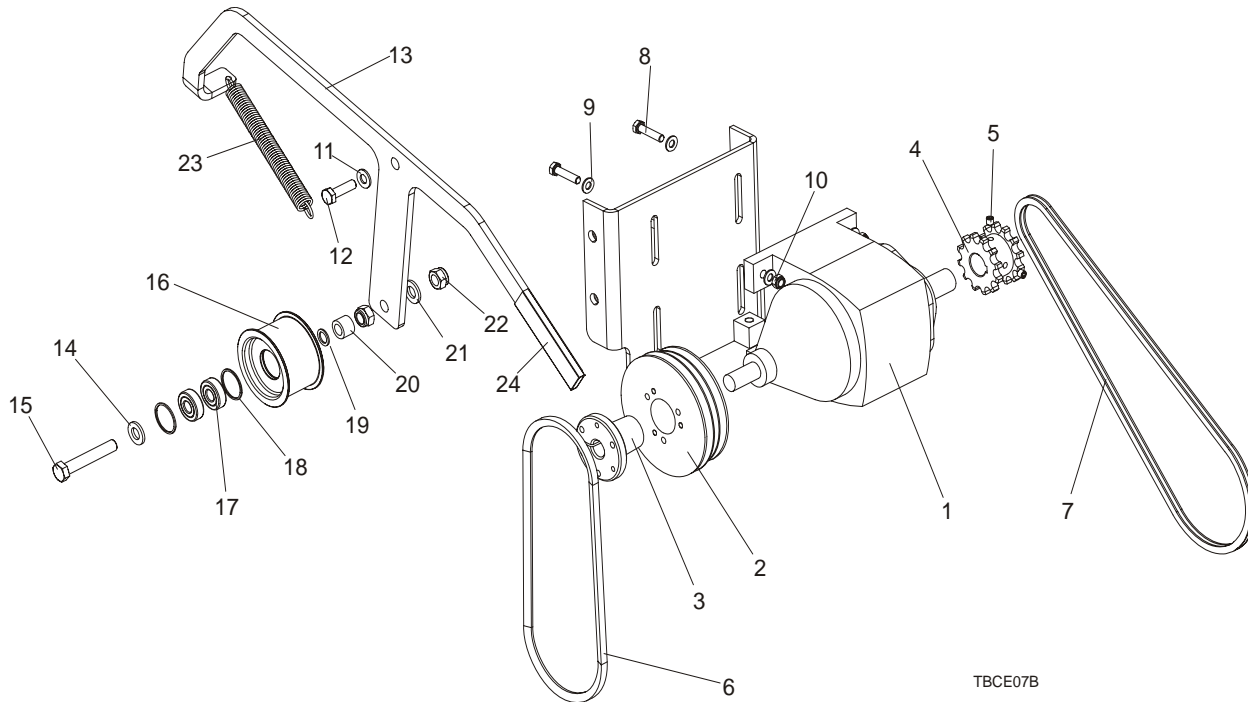


REF	DESCRIPTION (◆ Indicates Parts Available In Assemblies Only)	PART #	QTY.
	<b>FENCE ASSEMBLY, BOARD GUIDE</b>	095424	1
1	Fence, Board Guide	095423-1	1
2	Bar, Guide Fence Arm	094621-1	2
3	Pin, Detent	090197	1
4	Bolt, M10x35-8.8 Hex Head Full Thread Zinc	F81003-17	2
5	Washer, 10.5 Flat Zinc	F81055-1	6
6	Nut, M10-8-B Hex Nylon Zinc Lock	F81033-1	4
7	Pin, Guide Fence Arm Zinc-plated	094874-1	2
8	Ring, 17 Stopping Light Type Zinc-plated	F81039-1	2
9	Washer, 13 Flat Zinc	F81056-1	2
10	Nut, M12-8-B Hex Zinc	F81034-1	2

# 6 Parts

## Gear Box & Idle-Side Pulley

### 6.9 Gear Box & Idle-Side Pulley



REF	DESCRIPTION (◆ Indicates Parts Available In Assemblies Only)	PART#	QTY.
	<b>GEAR BOX ASSEMBLY</b>	091815	1
1	Gear Box, R37AD2	089046	1
2	Pulley, 3-Groove Zinc-plated (2)	089648-1	1
3	Bushing, Split Taper (1)	091210	1
4	Sprocket, 2x12 Zinc-plated	089100-1	1
5	Screw, M8X8-33H Hex Socket Set Flat Point Zinc	F81014-1	2
6	Belt, AVX10x875La	090678	1
7	Chain, 10B-62PZ	089179	1
8	Bolt, M8x35 -8.8 Hex Head Full Thread Zinc	F81002-13	2
9	Washer, 8.4 Flat Zinc	F81054-1	4
10	Nut, M8-8-B Hex Nylon Zinc Lock	F81032-2	2
11	Washer, 10.5 Flat Zinc	F81055-1	1
12	Bolt, M10X35-8.8 Hex Head Full Thread Zinc	F81003-17	1
	<b>Belt Tensioner Assembly</b>	094382	1
13	Arm, Belt Tensioner	095441-1	1
14	Washer, 13 Flat Zinc	F81056-1	1
15	Bolt, M12x70-8.8 Hex Head Zinc	F81004-39	1
	<b>Belt Tensioner Roller Assembly</b>	093982	1
16	Roller, Belt Tensioner Zinc-plated	093984-1	1

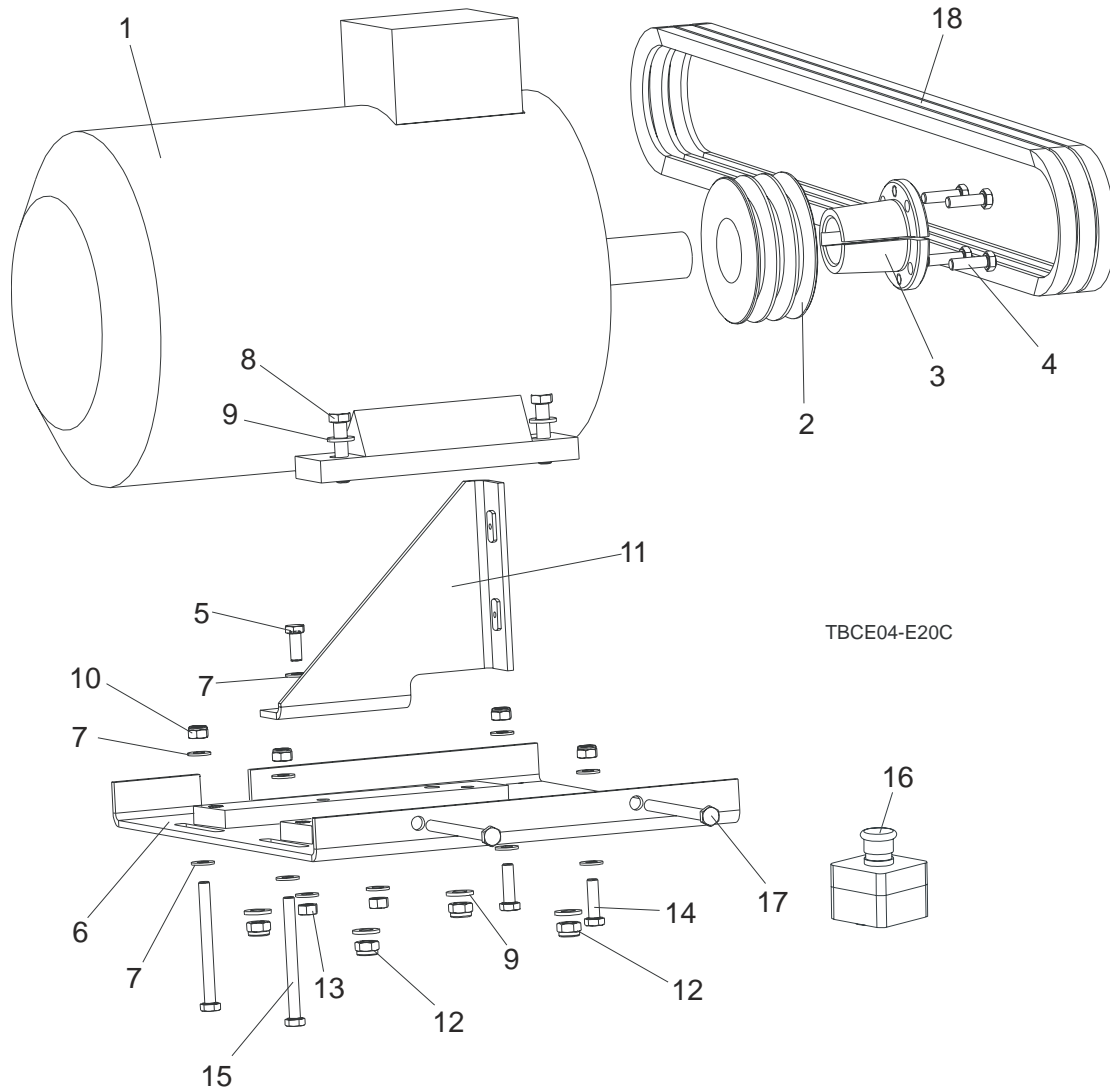


17	Bearing, 6201 2RS	089060	2	
18	Collar, SW32	089062	2	
19	Ring, Spacer	089058	1	
20	Bushing, Belt Tensioner	093444	1	
21	Washer, 13 Flat Zinc	F81056-1	1	
22	Nut, M12-8-B Hex Zinc	F81034-2	2	
23	Spring, FI 2.8 x FI 22.2 x 183	091864	1	
24	Grip, Hand	095074	1	

# 6 Parts

## Motor, Hour Meter & E-Stop

### 6.10 Motor, Hour Meter & E-Stop

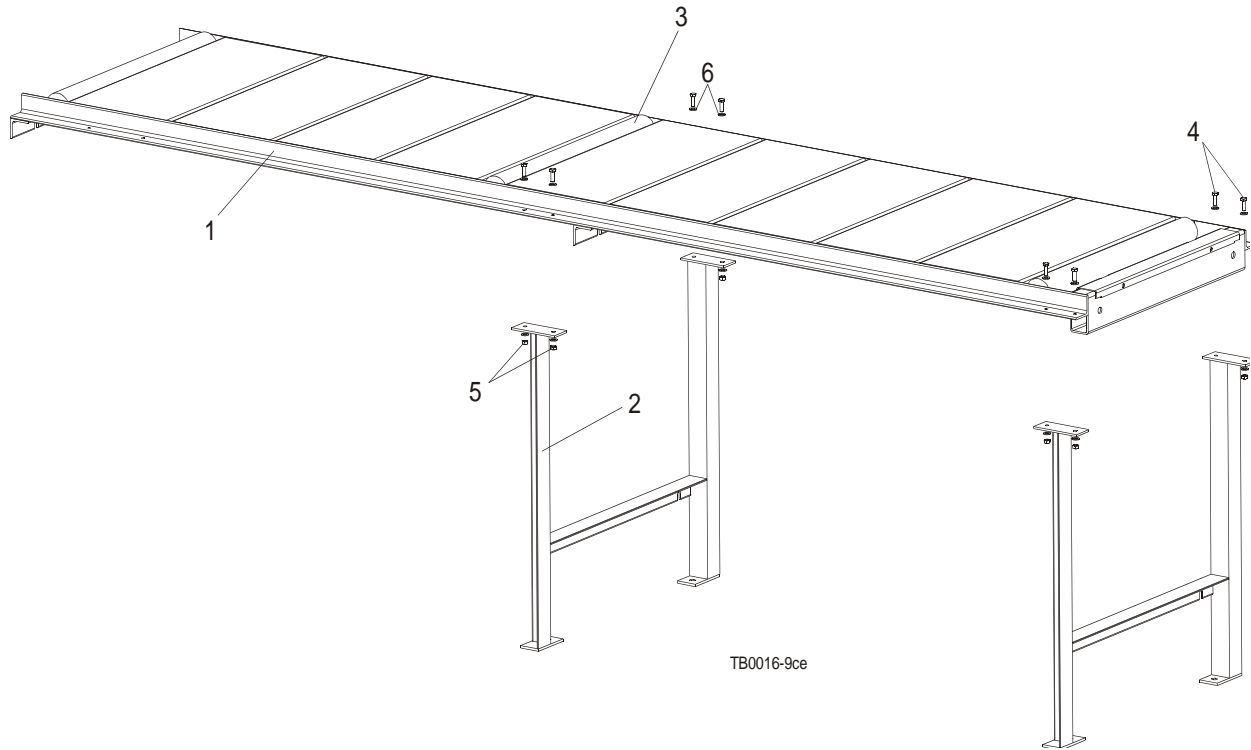


REF	DESCRIPTION (◆ Indicates Parts Available In Assemblies Only)	PART #	QTY.
	<b>ELECTRIC MOTOR ASSEMBLY</b>	ES20	1
	<b>ELECTRIC MOTOR ASSEMBLY, CE VERSION</b>	ES25C	1
1	Motor, 15kW (20HP) 3-Phase 380-420V/50Hz (EE20) Sg160M2B-HM	087929	1
	Motor, 230V Sg160M2B-HM (Norwegian version)	087929-2	1
	Motor, 400V Sg160ML2-HM 50Hz 18.5kW (EE25)	096622	1
2	Motor Pulley	085671	1
	Pulley, 3-groove	093770 <sup>1</sup>	1
3	Bushing	085714	1
4	Bolt, M10x35-8.8 Hex Head Full Thread Zinc	F81003-17	4
5	Bolt, M10x25-8.8 Hex Head Full Thread Zinc	F81003-11	2

6	Plate, ES15/ES20/ES25 Motor Mount	094649-1	1	
7	Washer, 10.5 Flat Zinc	F81055-1	12	
8	Bolt, M12x55-8.8 Hex Head Zinc	F81004-12	2	
9	Washer, 13 Flat Zinc	F81056-1	6	
10	Nut, M10-8-B Hex Nylon Zinc Lock	F81033-1	4	
11	Bracket Weldment, EE20 Belt Guard	089162-1	1	
12	Nut, M12-8 Hex Nylon Zinc Lock	F81034-2	4	
13	Nut, M10-8-B Hex Zinc	F81033-3	5	
14	<b>BOLT, M10X35-8.8 HEX HEAD FULL THREAD ZINC</b>	F81003-17	2	
15	<b>BOLT, M10X110 8.8 HEX HEAD ZINC</b>	F81003-43	1	
16	<b>SWITCH ASSEMBLY, XALK 174 EMERGENCY STOP</b>	E22703-P	1	
17	<b>BOLT, M10X140-8.8 HEX HEAD FULL THREAD ZINC</b>	F81003-39	2	
18	<b>BELTS, 3B/HB2000LI</b>	089223	1	

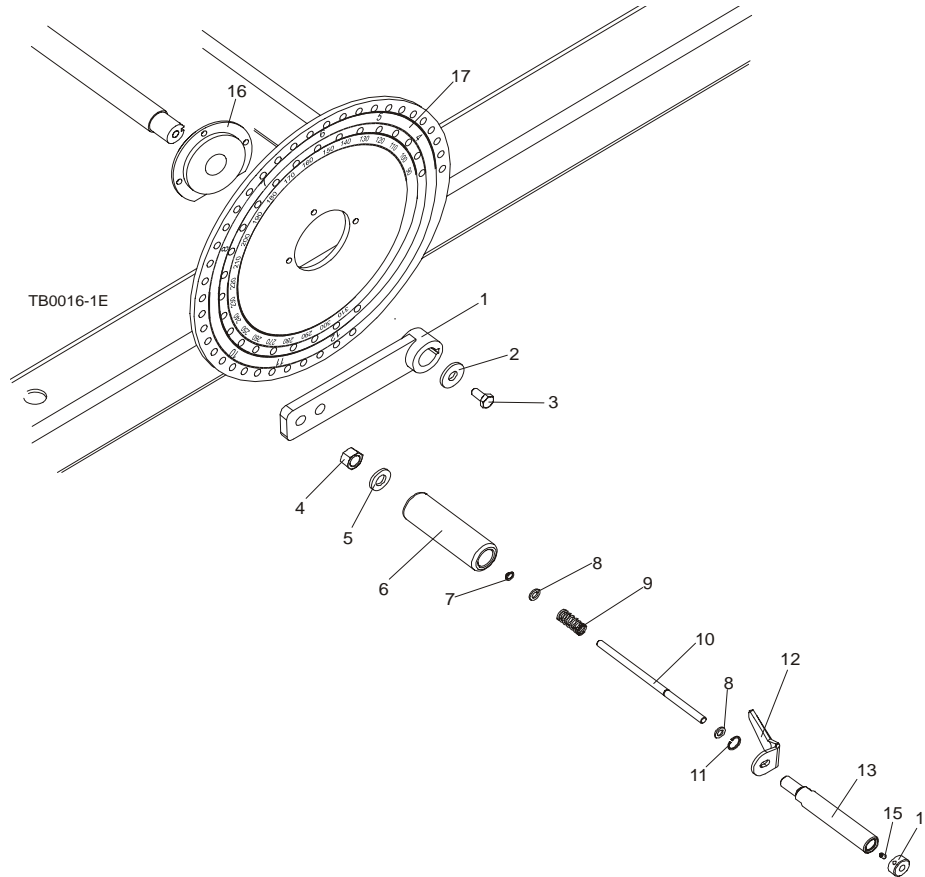
<sup>1</sup> 60Hz current version.

**6.11 Outfeed Table**



REF	DESCRIPTION (◆ Indicates Parts Available In Assemblies Only)	PART #	QTY.	
	<b>OUTFEED TABLE, COMPLETE</b>	089248	1	
1	Outfeed Table	089163-1	1	
2	Leg, Outfeed Table	089250-1	2	
3	Roller, 63.5 x 600 Feed	089044-1	3	
4	Bolt, M8x25-8.8-B Hex Head Full Thread Zinc	F81002-5	8	
5	Nut, M8-8-B Hex Zinc	F81032-1	8	
6	Washer, 8.4 Flat Zinc	F81054-1	16	

## 6.12 Networks Dial & Indicator



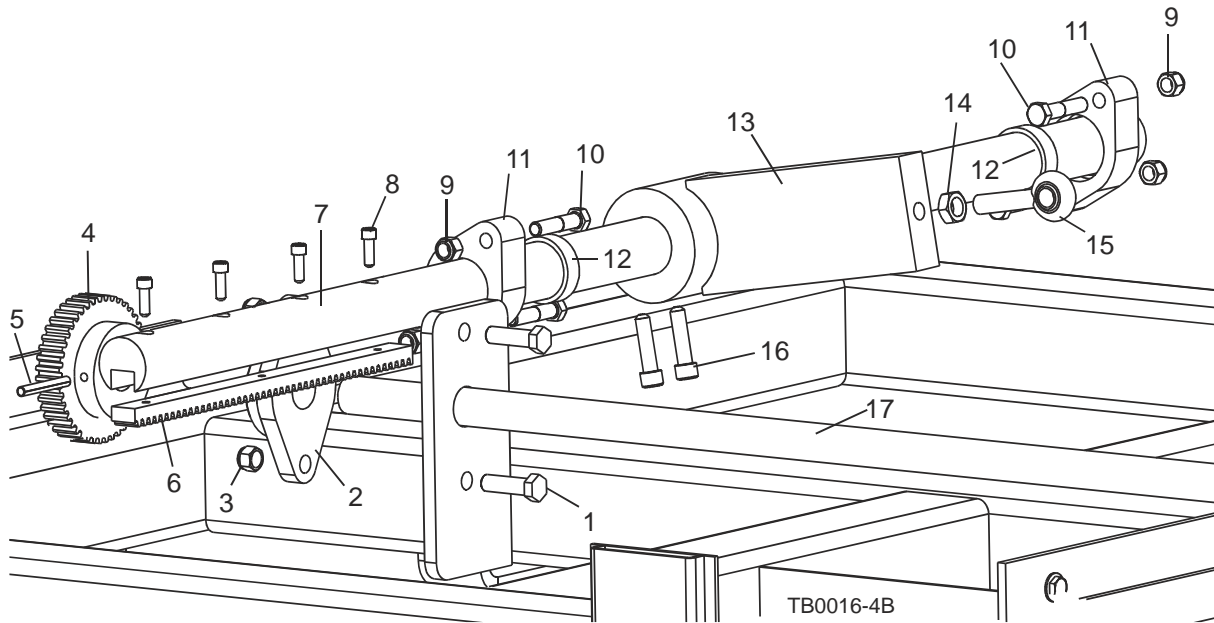
REF	DESCRIPTION (◆ Indicates Parts Available In Assemblies Only)	PART #	QTY.
1	<b>HANDLE WELDMENT, CRANK</b>	096686-1	1
2	<b>WASHER,10,5 SPECIAL FLAT ZINC</b>	F81055-6	1
3	<b>BOLT, M8x16 -8.8 HEX HEAD FULL THREAD ZINC</b>	F81002-20	1
	<b>HANDLE, EDGER SETWORKS DIAL CRANK</b>	096499	1
4	Nut, M12, Hexagon, Grade 5.8, Zinc	F81034-1	1
5	Washer, M12 , Flat, Zinc	F81056-1	1
6	Grip, Edger Crank Handle	097263	1
7	Ring, Z 7 Outside Retaining	F81090-17	1
8	Washer, 7.2/12.5 - Zinc	097264-1	2
9	Spring, .048 Dia x 1.5 Long SS Compression	047690	1
10	Pin, Edger Crank Handle	097095-1	1
11	Ring, W13 Retaining	F81090-18	1
12	Plate, Edger Crank Handle	047689	1
13	Mandrel, Edger Crank Handle Zinc	096504-1	1
14	Ring, 7 Retaining	F81039-9	1
15	Screw, M4X8 Set Zinc-Plated	F81011-40	1

## **6** **Parts** *Setworks Dial & Indicator*

---

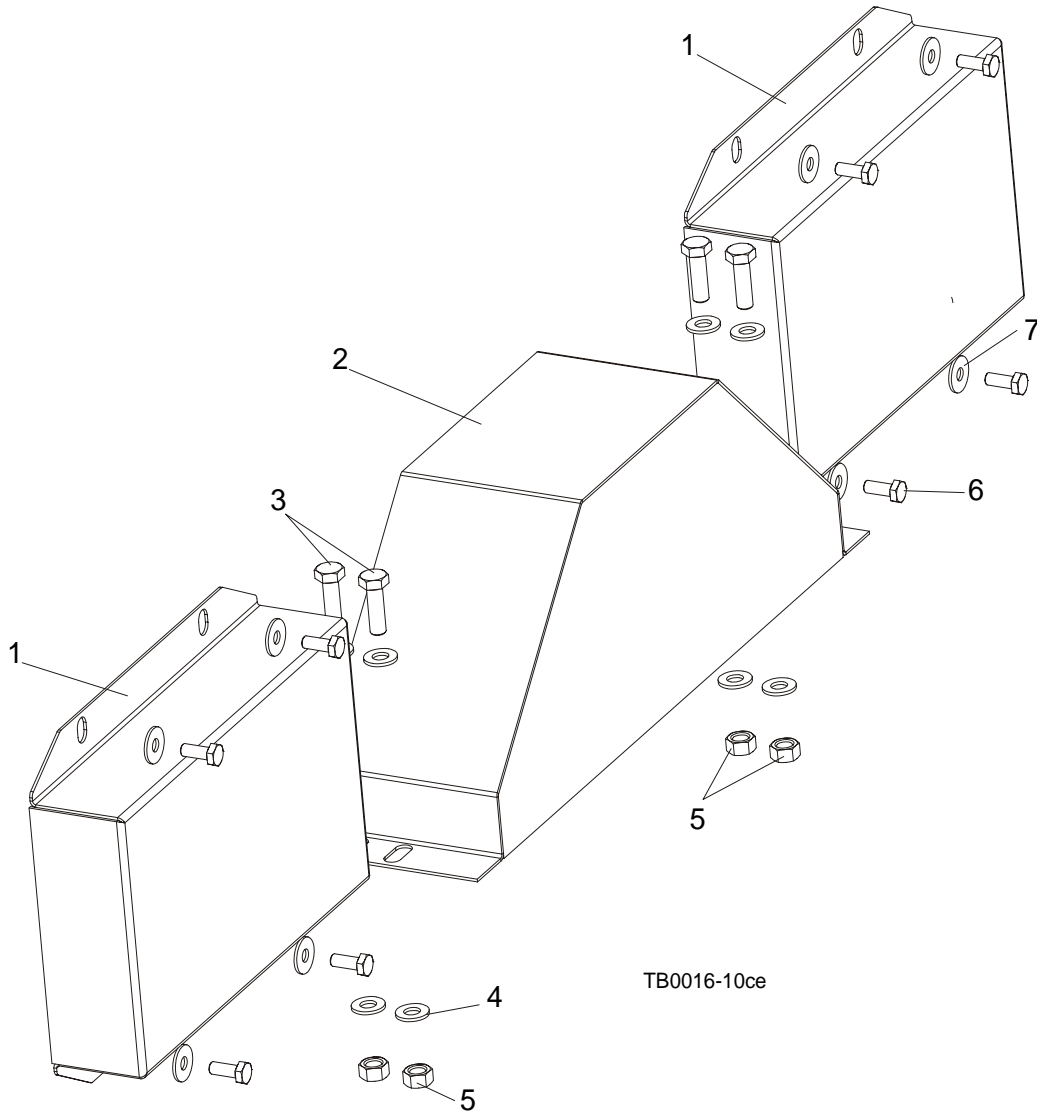
16	REDUCTION BUSHING, INDEX PLATE ZINC	089208-1	1	
17	DECAL, INDEX PLATE	101196	1	

### 6.13 Setworks Gear & Shaft



REF	DESCRIPTION (◆ Indicates Parts Available In Assemblies Only)	PART #	QTY.
1	<b>BOLT, M12X40-8.8 HEX HEAD FULL THREAD ZINC</b>	F81004-4	2
2	<b>BEARING, UCFL 205 FLANGED</b>	089124	1
3	<b>NUT, M12-8-B HEX ZINC</b>	F81034-1	2
4	<b>GEAR, SETWORKS TRAVEL, ZINK-PLATED</b>	089054-1	1
5	<b>PIN, 6X50 FE/ZN5</b>	F81045-1	1
	<b>SETWORKS TRAVEL, COMPLETE</b>	089131	1
6	Rack, Setworks Travel	089128	1
7	Shaft, Setworks Gear Travel Chromium-plated	089038-1	1
8	<b>SCREW, M6X20-8.8 HEX SOCKET HEAD CAP ZINC</b>	F81001-22	4
9	<b>NUT, M10-8-B HEX ZINC</b>	F81033-3	4
10	<b>BOLT, M10X45-8.8 HEX HEAD FULL THREAD ZINC</b>	F81003-3	4
	<b>SETWORKS SHAFT BEARING - COMPLETE</b>	089134	2
11	Mount, Setworks Shaft Bearing	089047	2
12	Bearing, SR.38/45	089048	2
13	<b>BRACKET WELDMENT, SETWORKS SLIDING</b>	089150-1	1
14	<b>NUT, M12-8-B HEX ZINC</b>	F81034-1	1
15	<b>ROD END, PGAKR 12 MALE</b>	089127	1
16	<b>SCREW, M10X40 HEX SOCKET HEAD CAP ZINC</b>	F81003-22	2
17	<b>AXLE, INDEX HEAD ZINC (EDGER MULTIRIP)</b>	089119-1	1

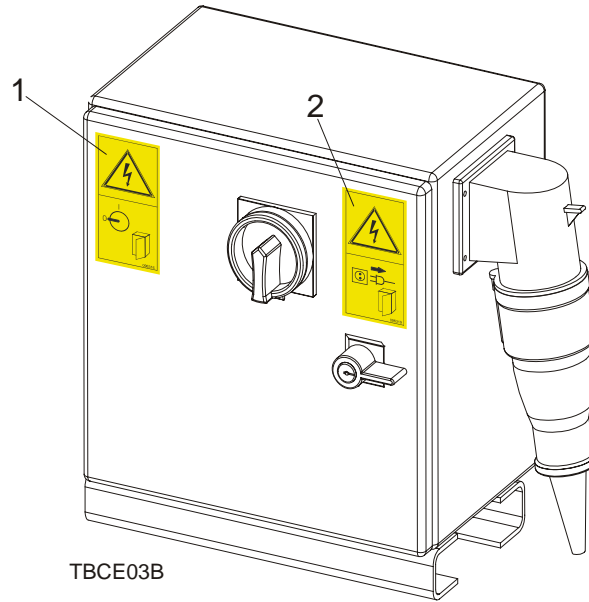
### 6.14 Shaft End Covers



REF	DESCRIPTION (◆ Indicates Parts Available In Assemblies Only)	PART #	QTY.	
1	COVER, FLANGED BEARING	089125	2	
2	COVER WELDMENT, BEARING	089133-1	1	
3	BOLT, M8X25-8.8-B HEX HEAD FULL THREAD ZINC	F81002-5	4	
4	WASHER, 8.4 FLAT ZINC	F81054-1	4	
5	NUT, M8-8-B HEX ZINC	F81032-1	4	
6	BOLT M6X16 8.8 HEX HEAD FULL THREAD ZINC	F81001-15	8	
7	WASHER, 6.5 SPECIAL FLAT ZINC	F81053-11	8	

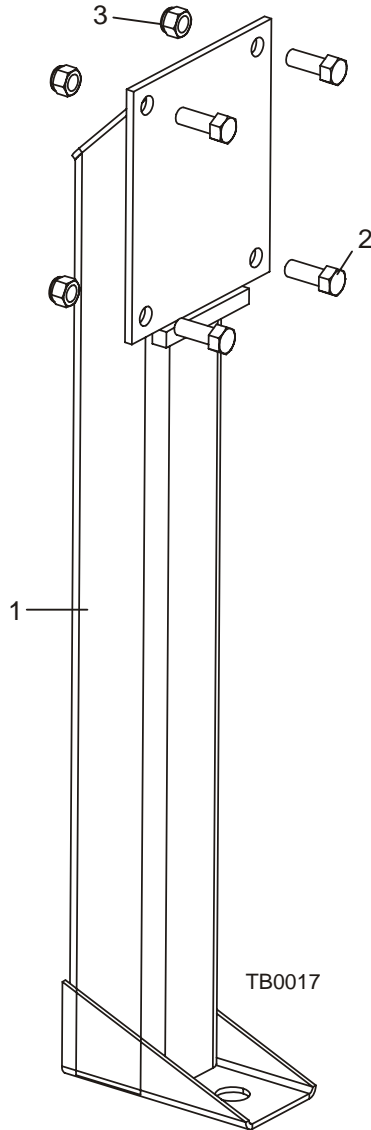


## 6.15 Starter Assembly



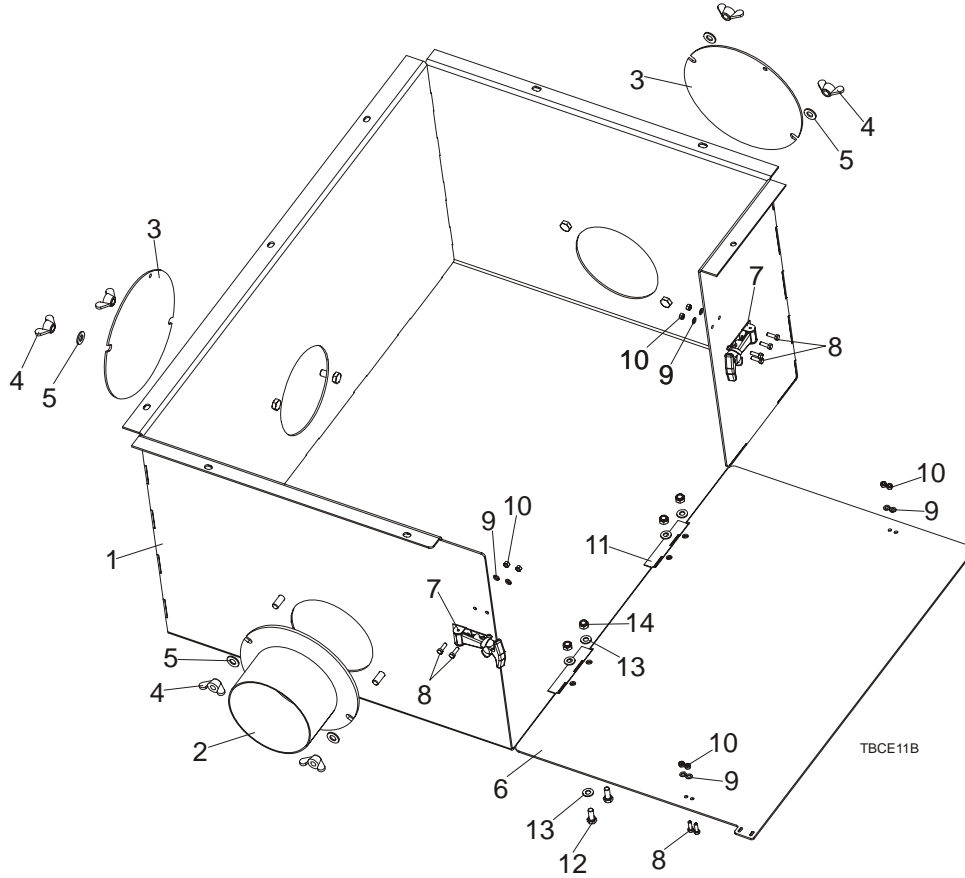
REF	DESCRIPTION (◆ Indicates Parts Available In Assemblies Only)	PART #	QTY.	
	BOX ASSEMBLY, E15&E20 EDGER ( <a href="#">See Section 7 for details</a> )	088390	1	
	BOX ASSEMBLY, EDGER (NORWEGIAN VERSION)	088390-2	1	
	BOX ASSEMBLY, E25 EDGER	096233	1	
1	DECAL, HIGH VOLTAGE INSIDE THE ELECTRIC BOX (PICTOGRAM)	096316	1	
2	DECAL, REMOVE THE PLUG BEFORE OPENING THE BOX (PICTOGRAM)	096319	1	

### 6.16 Stationary Legs



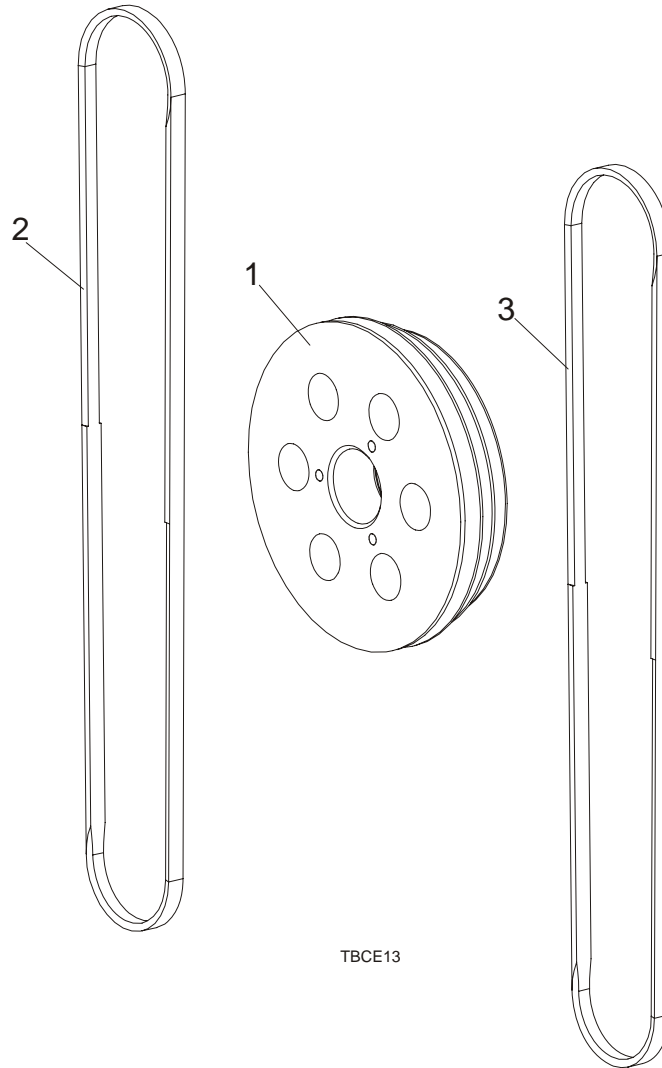
REF	DESCRIPTION (◆ Indicates Parts Available In Assemblies Only)	PART #	QTY.	
1	LEG WELDMENT, STATIONARY	W09515	4	
2	BOLT, M10X1X25 DIN 933 STAINLESS STEEL	F81003-28	16	
3	NUT, M10-8-B HEX NYLON ZINC LOCK	F81033-1	16	

## 6.17 Sawdust Hopper



REF	DESCRIPTION (◆ Indicates Parts Available In Assemblies Only)	PART #	QTY.
	<b>HOPPER ASSEMBLY, EDGER SAWDUST DEEP</b>	<b>100690</b>	<b>1</b>
1	Hopper Weldment, Sawdust	100685-1	1
2	Pipe Weldment, Sawdust Extractor Connector	095412-1	1
3	Cover, Hopper Hole Painted	095413-1	2
4	Nut, M10 Wing Zinc	F81033-8	6
5	Washer, 10.5 Flat Zinc	F81055-1	6
6	Cover, Edger Hopper	100689-1	1
7	Latch, Flexible Draw	014829	2
8	Screw, M5x16-5.8 Zinc	F81000-51	8
9	Washer, 5.3 Flat Zinc	F81052-1	8
10	Nut, M5 Hex Gr 5,8 Free, Zinc	F81030-1	8
11	Hinge, Cover	097138	2
12	Bolt, M8X20mm, Hex Head, Gr 5.8 Zinc	F81002-4	4
13	Washer, 8.4 Flat Zinc	F81054-1	8
14	Nut, M8-8-B, Hex, Nylon Lock Zinc	F81032-2	4

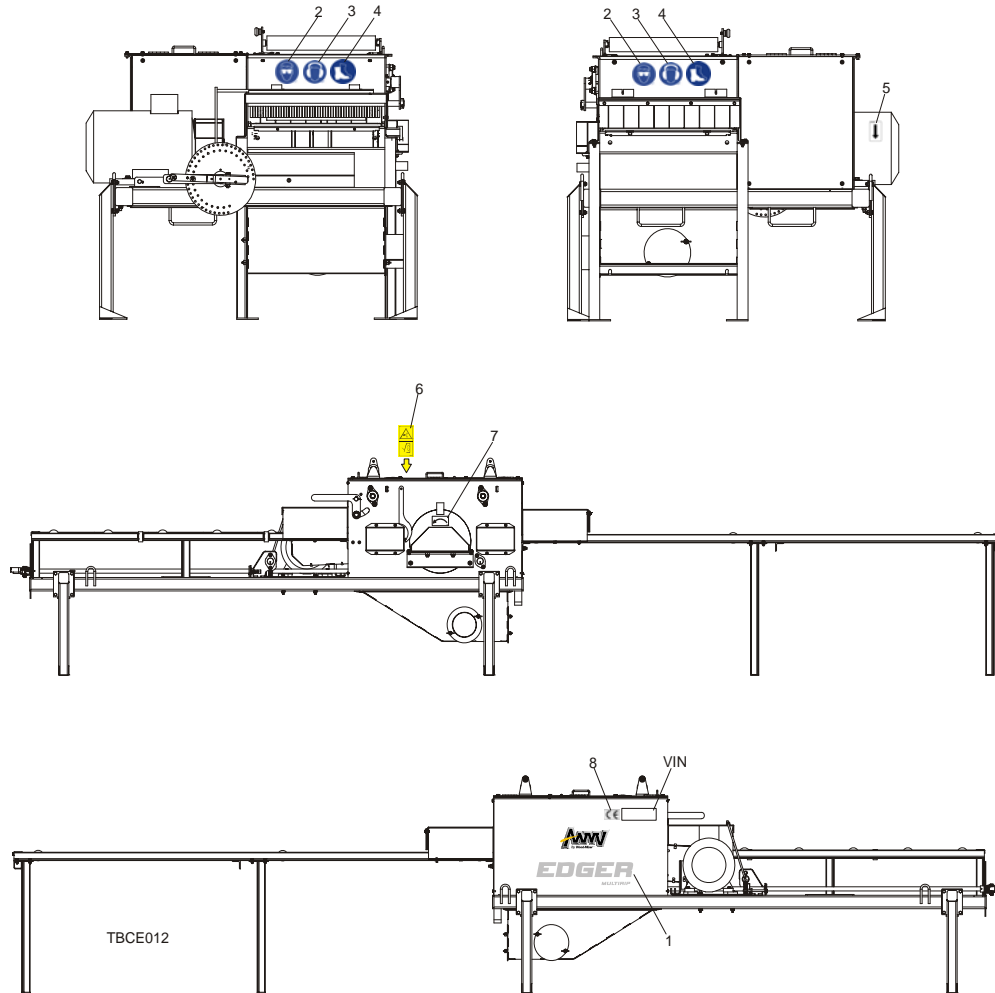
**6.18 Speed Reduction Assembly (optional)**



REF	DESCRIPTION (◆ Indicates Parts Available In Assemblies Only)	PART #	QTY.
	<b>EDGER SPEED REDUCTION ASSEMBLY</b>	099960 <sup>1</sup>	1
1	Pulley, 3-Groove Zinc-plated	099782-1	1
2	Belt, AVX 10x925	099961	1
3	Belt, AVX 10x900	099962	1

<sup>1</sup> Belts and pulley assembly, mounted on Edger reducer, enables getting lower feed rates, which are: 11.1; 13.2 and 15 m/min.

## 6.19 Edger Decals



REF	DESCRIPTION (◆ Indicates Parts Available In Assemblies Only)	PART #	QTY.
	<b>DECAL KIT, EDGER</b>	<b>101047</b>	<b>1</b>
1	DECAL KIT, EDGER NAME	099586	1
	PICTOGRAPHIC DECAL KIT, EDGER	099520	1
2	DECAL, EYE PROTECTION WARNING (PICTOGRAM)	S12004G	2
3	DECAL, EAR PROTECTION WARNING (PICTOGRAM)	S12005G	2
4	DECAL, USE SAFETY BOOTS (PICTOGRAM)	501465	2
5	DECAL, MOTOR ROTATION DIRECTION	S20097	1
6	DECAL, SAWMILL COVERS CAUTION	099220	1
7	DECAL, ROTATION DIRECTION	089296	1
8	DECAL, CE CERTIFIED SAWMILL	P85070	1
	DECAL, INDEX PLATE	089295	1
	SKALE, EDGER	089297	2

## **SECTION 7 ELECTRICAL INFORMATION**

### **7.1 Wiring Diagrams**

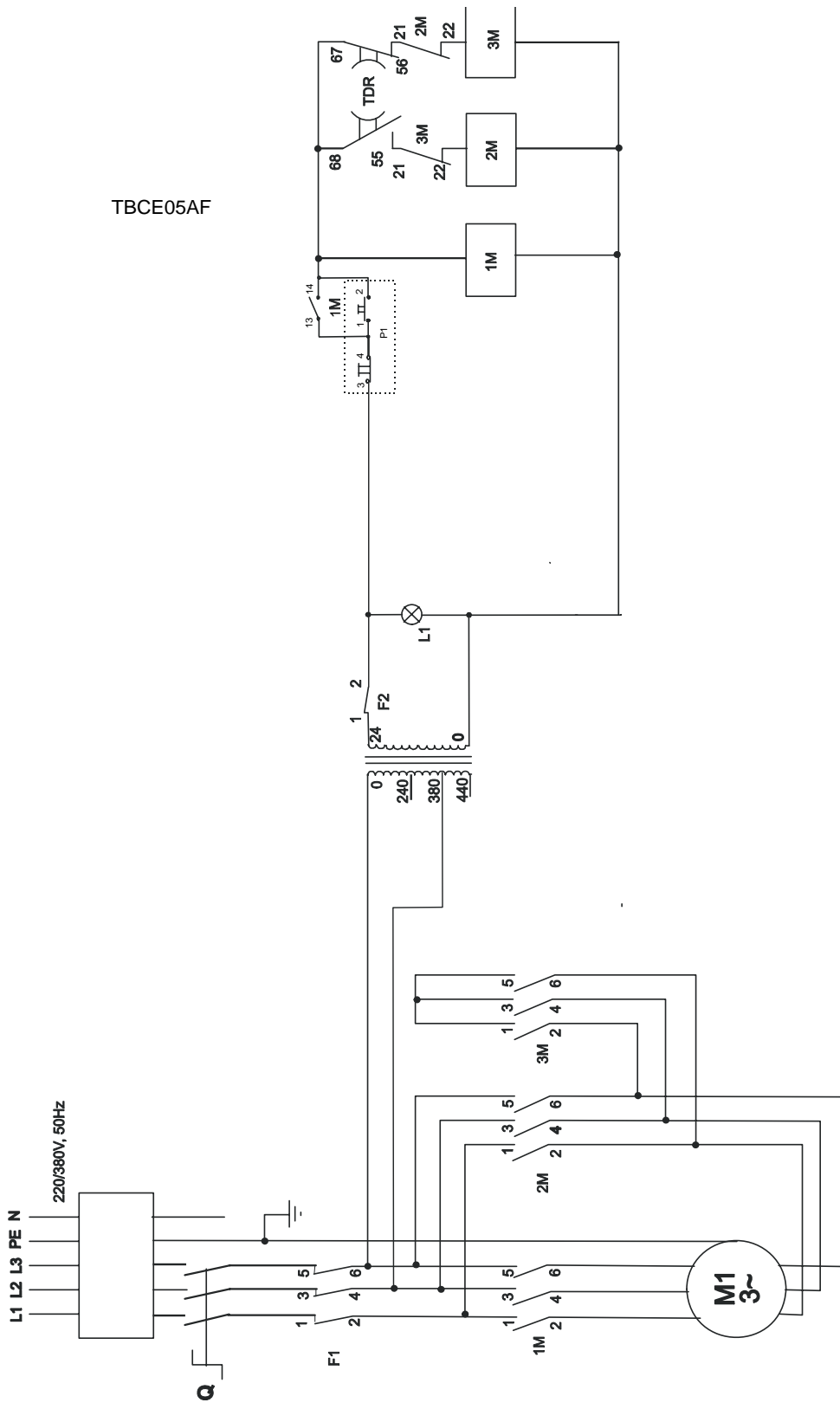


FIG. 7-1 EE15 ELECTRICAL EDGER

## **7.2 Wiring Diagrams**



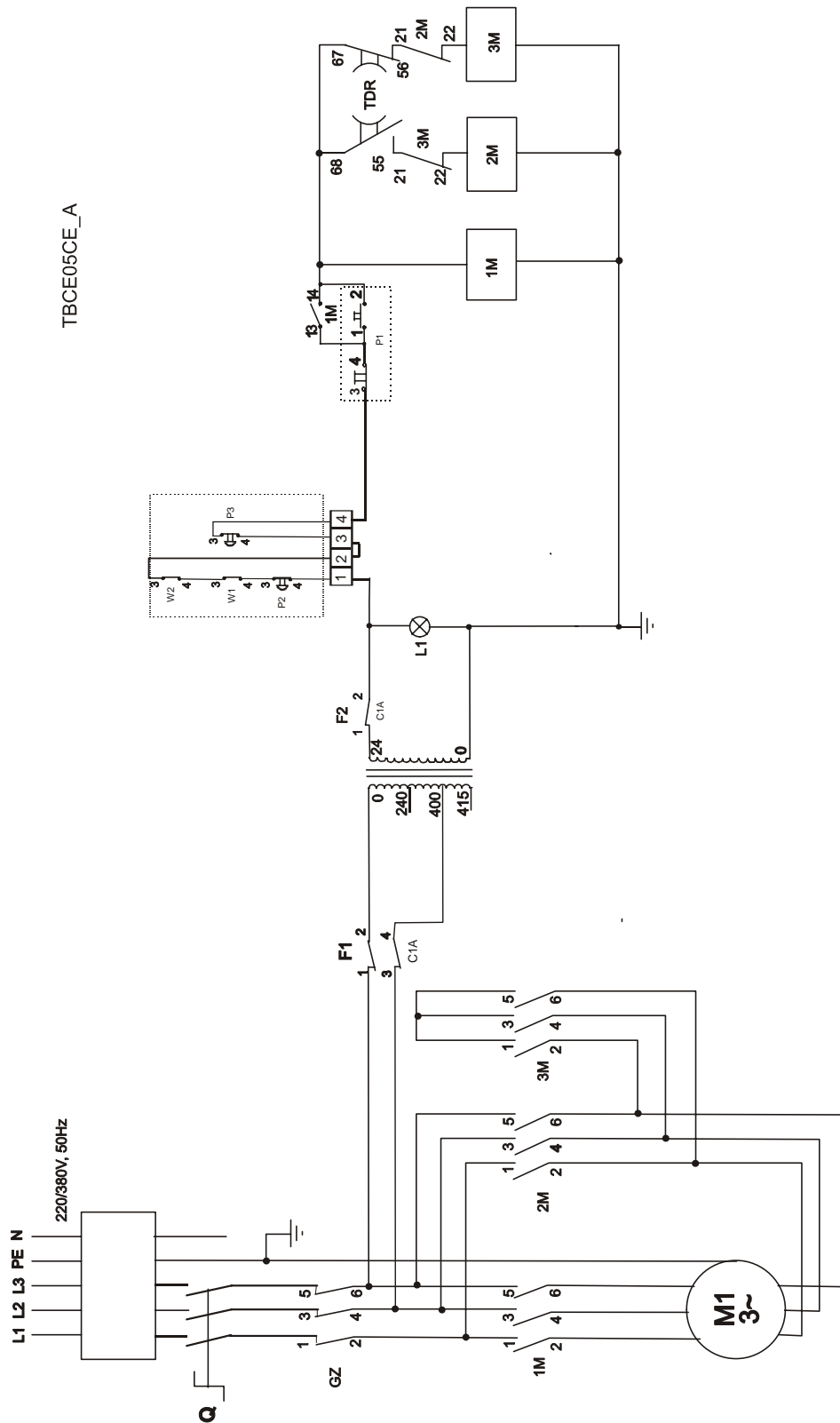


FIG. 7-2 EE20, EE25 ELECTRICAL EDGER



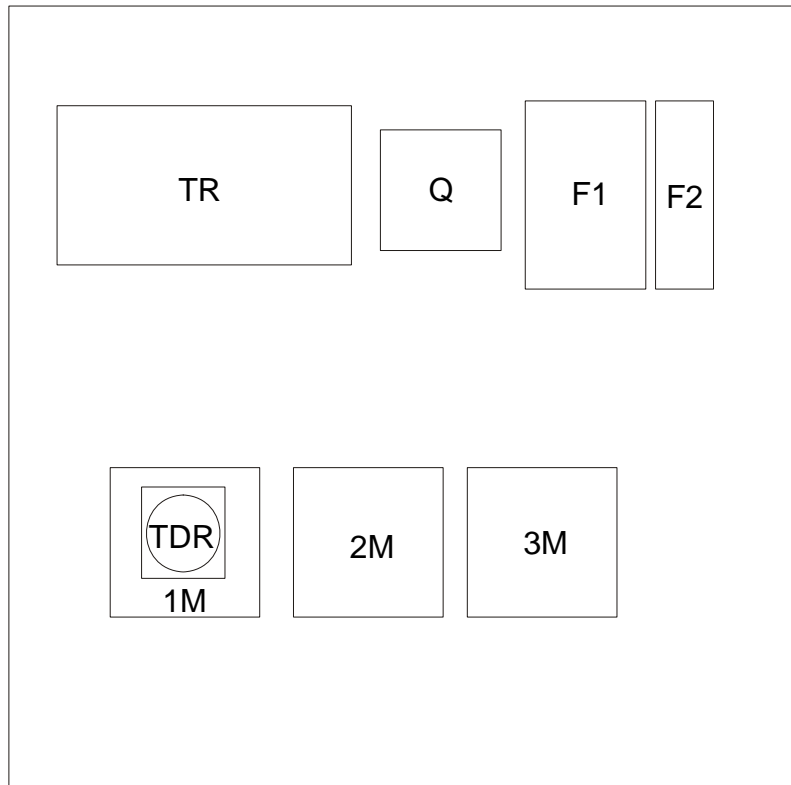
### 7.3 Electrical Component Lists

Component List - EE15, EE20			
Item	Mfg. Part No.	Wood-Mizer Part No.	Description
Tr	TMM63/A	094487	Transformer 230,400/25V
Q	ABB OT32E3	088265	Disconnecter
GZ	GZ1 M32	088264	Disconnecter, Motor
F1	C60N 2P C1 24331	093905	Disconnecter, Module
F2	C60N 1P C1 24395	084454	Disconnecter, Module
1M, 2M	LC1 D18 B7	084306	Contactora
3M	LC1 D09 B7	084305	Contactora
TDR	LADS2	084037	Relay, Time
P1	M22	090452	Button, START-STOP
P2, P3	XALJ174F	E22703-P	Switch Assembly, Emergency Stop
P6	XB4BS542	086556	Switch Assembly, Emergency Stop
L1	M22	090448	Lamp, Control
M1	Sg132S- 2PC HM Sg160 M2B HM	088049 087929	15 KM Motor, Electric 20 KM Motor, Electric
W1	GSCA 01S1	088407	Switch, Handle Stop
W1	GSCA 01S1	088407	Switch, Limit
W2	EVN2000C	--	Switch, Limit
W2	EVN2000C	089816	Switch, Limit

Component List - EE15, EE20 (Norwegian version)			
Item	Mfg. Part No.	Wood-Mizer Part No.	Description
Tr	TMM100A	094487	Transformer 230,400/25V
Q	ABB OT63E3	--	Disconnecter
F1M	LR2 D33	--	Disconnecter, Thermal
F1	C60N 2P C1 24331	093905	Disconnecter, Module
F2	C60N 1P C3 24395	084454	Disconnecter, Module
1M, 2M, 3M	LC1 D4011 B7	--	Contactora
Pp	40.52.8.024.00.00	090354	Relay, Finder
TDR	LADS2	084037	Relay, Time
P1	M22	090452	Button, START-STOP
P2, P3	XALJ174F	E22703-P	Switch Assembly, Emergency Stop
P6	XB4BS542	086556	Switch Assembly, Emergency Stop
L1	M22	090448	Lamp, Control
M1	Sg132S- 2PC HM SG160 M2B HM	088049-2 087929-2	15 KM Motor, Electric 20 KM Motor, Electric
W1	GSCA 01S1	088407	Switch, Limit
W2	EVN2000C	089816	Switch, Limit

<b>Component List - EE25</b>			
<b>Item</b>	<b>Mfg. Part No.</b>	<b>Wood-Mizer Part No.</b>	<b>Description</b>
<b>Tr</b>	TMM63/A	094487	Transformer 230,400/25V
<b>Q</b>	ABB OT32E3	088265	Disconnecter
<b>GZ</b>	GV3 ME40	090436	Disconnecter, Motor
<b>F1</b>	C60N 2P C1 24331	093905	Disconnecter, Module
<b>F2</b>	C60N 1P C1 24395	084454	Disconnecter, Module
<b>1M, 2M</b>	LC1 D25 B7	090923	Contactora
<b>3M</b>	LC1 D18 B7	084306	Contactora
<b>TDR</b>	LADS2	084037	Relay, Time
<b>P1</b>	M22	090452	Button, START-STOP
<b>P2, P3</b>	XALJ174F	E22703-P	Switch Assembly, Emergency Stop
<b>P6</b>	XB4BS542	086556	Switch Assembly, Emergency Stop
<b>L1</b>	M22	090448	Lamp, Control
<b>M1</b>	Sg160ML2 HM	096622	25 KM Motor, Electric
<b>W1</b>	GSCA 01S1	088407	Switch, Handle Stop
<b>W1</b>	GSCA 01S1	088407	Switch, Limit
<b>W2</b>	EVN2000C	--	Switch, Limit
<b>W2</b>	EVN2000C	089816	Switch, Limit

### 7.4 Component Layout Diagram (EE20)



TBCE01

**FIG. 7-4**

## 7.5 Component Layout Diagram (EE25)

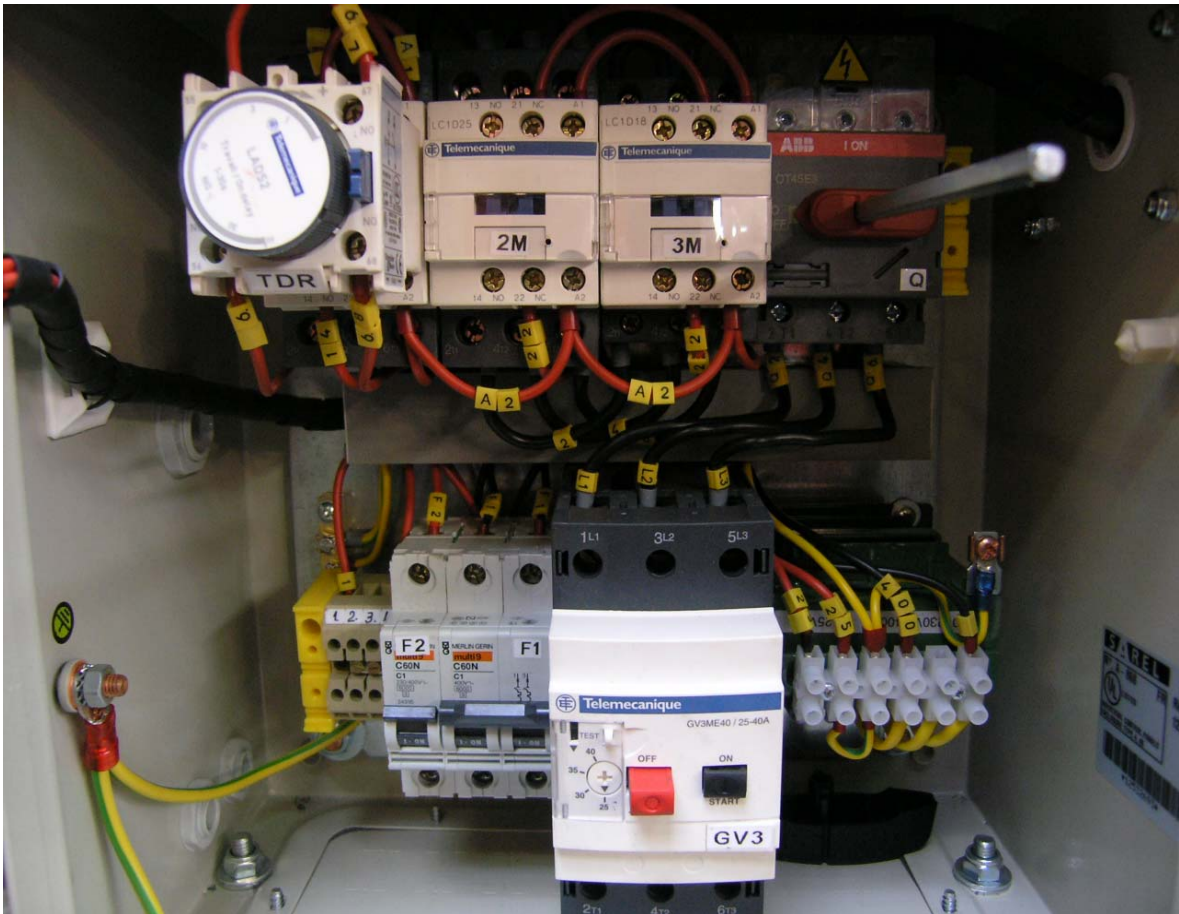
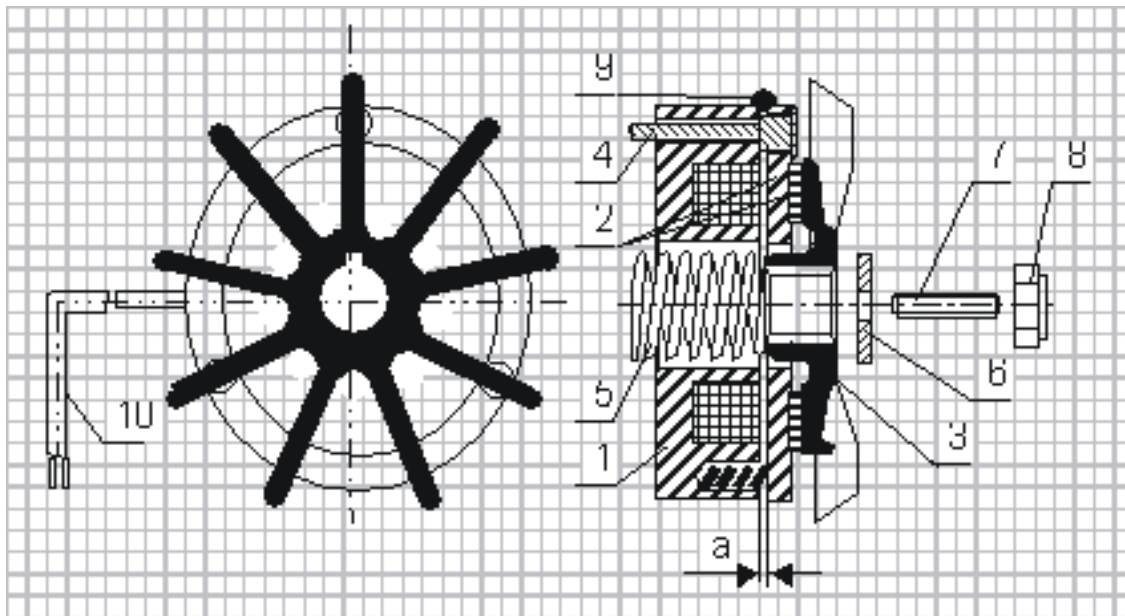


FIG. 7-5

## SECTION 8 DC ELECTROMAGNETIC BRAKE



- 1 - Electromagnet,
- 2 - Armature complete with brake linings,
- 3 - Fan,
- 4 - Retaining bolt
- 5 - Central spring,
- 6 - Special washer,
- 7 - Set screw,
- 8 - Self-locking nut,
- 9 - Sealing ring,
- 10 - Output cable.

### 8.1 Design and principle of operation

The DC electromagnetic brake type H consists of 3 main subassemblies:

- electromagnet (1),
- armature complete (2)
- cast iron fan (3).

**Electromagnet (1) energised:** The DC voltage from the motor applied via the rectifying circuit causes the attraction of the armature (2) releasing the brake and thus the fan (3) is free to rotate.

**Electromagnet (1) de-energised:** The electromagnet stops to attract the armature (2) and spring presses the armature with brake linings (2) against the fan and the brake is thus applied.

## 8.2 Service

During normal operation and at the routine inspections verify the air gap and check if all screws are tight. In case when any symptoms of inefficient braking are observed, then use the self-locking nut (8) to re-adjust the air gap to the value corresponding to Table 1.

Such readjustment may be repeated until the brake linings are completely worn out. When this will occur, a complete armature with brake linings (2) must be replaced.

If the air gap of the brake is correctly adjusted and despite of it the brake does not operate properly (the brake fails to release), it may be caused by:

- the electromagnet (1): burned coil or defected output cable (10),
- rectifying circuit (installed in the electric motor terminal box).

The above mentioned subassemblies should be checked and defected part replaced.

**Table 1:**

TYPE	H-63	H-71	H-80	H-90	H-100	H-112	H-132	H-160
Nominal Gap „a”	0.2 ±0,05	<b>0.2</b> ±0,05	<b>0.2</b> ±0,05	<b>0.2</b> ±0,05	<b>0.2</b> ±0,1	<b>0.2</b> ±0,1	<b>0.2</b> ±0,1	<b>0.2</b> ±0,1



## EC declaration of conformity according to EC Machinery Directive 2006/42/EC

We herewith declare,

Wood-Mizer Industries sp. Z O.O.  
114 Nagorna street, 62-600 Kolo; Poland.

That the following described machine in our delivered version complies with the appropriate basic safety and health requirements of the EC Machinery Directive 2006/42/EC based on its design and type, as brought into circulation by us. In case of alteration of the machine, not agreed by us, this declaration is no longer valid.

Designation of the machine:	<b>Edger Multirip</b>
TYPE:	EE25S-EMR
No. of manufacturer:	.....
Applicable EC Directives:	EC Machinery Directive 2006/42/EC EC Low-Voltage Directive 2006/95/EC EC Electromagnetic Compatibility Directive 2004/108/EC
Applicable Harmonized Standards:	EN ISO 12100 : 2009; EN ISO 13857 : 2008; EN 847-1 : 2007; EN 1870-4 : 2009 ; EN 60204-1 : 2007.
Notified Body according to annex IV :	PZ.LSV; Pruf- und Zertifizierungsstelle des Spitzenverbandes der landwirtschaftlichen Sozialversicherung
Notification No:	2157
Responsible for:	EC type examination
EC type-examination certificate no.	LSV-EG-2009/103
Responsible for Technical Documentation:	Roman Frontczak / R&D Director
Date/Authorized Signature:	29. 12. 2009 
Title:	R&D Director