

Wood-Mizer®

Replacement Parts

LX100

rev. A1.00



Safety is our #1 concern! Read and understand all safety information and instructions before operating, setting up or maintaining this machine.

October 2015

Form #802

Table of Contents

Section-Page

| | | |
|------------------|--|------------|
| SECTION 1 | GENERAL INFORMATION | 1-1 |
| 1.1 | How To Use The Parts List | 1-1 |
| 1.2 | Sample Assembly | 1-1 |
| SECTION 2 | BED FRAME PARTS | 2-1 |
| 2.1 | Bed Frame Segment | 2-1 |
| 2.2 | Bed Frame Extension | 2-3 |
| 2.3 | Bumpers | 2-4 |
| 2.4 | Bumpers | 2-5 |
| 2.5 | Bed Foot | 2-6 |
| 2.6 | Cross Rail Cover Set (Option) | 2-7 |
| 2.7 | Additional Cross Bars w/Covers & Side Support Rollers (Option) ... | 2-8 |
| 2.8 | Additional Cross Bar w/Cover (Option) | 2-9 |
| 2.9 | Side Support Roller (Option) | 2-10 |
| SECTION 3 | BLADE GUIDE ROLLERS & ARM | 3-1 |
| 3.1 | Blade Guide Assembly, Idle Side | 3-1 |
| 3.2 | Blade Guide Assembly, Drive Side | 3-2 |
| 3.3 | Blade Guide Roller Guard | 3-3 |
| 3.4 | Blade Guide Arm Assembly, E15 | 3-4 |
| 3.5 | Blade Guide Arm w/Drive | 3-5 |
| 3.6 | Blade Guide Arm Drive | 3-7 |
| SECTION 4 | BLADE WHEELS & TENSIONER | 4-1 |
| 4.1 | Blade Wheel Assembly, Drive Side (E15) | 4-1 |
| 4.2 | Blade Wheel Assembly, Drive Side - E11 | 4-2 |
| 4.3 | Blade Wheel Assembly, Idle Side | 4-3 |
| 4.4 | Blade Tensioner Assembly | 4-5 |
| SECTION 5 | SAW HEAD | 5-1 |
| 5.1 | Blade Housing Cover | 5-1 |
| 5.2 | Water Lube Assembly | 5-3 |
| 5.3 | Slide Pads | 5-4 |
| 5.4 | Saw Head Decals | 5-6 |
| SECTION 6 | SAWMILL MAST | 6-1 |
| 6.1 | EH11S Mast and Up/Down Limit Switches | 6-1 |
| 6.2 | Handle for Manual Feed | 6-4 |
| 6.3 | E15 Sawmill Mast (African Version) | 6-5 |

Table of Contents

Section-Page

| | | |
|------------------|-----------------------------------|------------|
| SECTION 7 | POWER FEED SYSTEM | 7-1 |
| 7.1 | Power Feed Assembly | 7-1 |
| 7.2 | Power Feed Cover Assembly | 7-3 |
| SECTION 8 | UP/DOWN SYSTEM | 8-1 |
| 8.1 | Up/Down Drive Assembly | 8-1 |
| 8.2 | Blade Height Scale Assembly | 8-2 |
| 8.3 | Up/Down Sprockets | 8-4 |
| SECTION 9 | MOTOR ASSEMBLY | 9-1 |
| 9.1 | E11, E15 Motor Assembly | 9-1 |
| 9.2 | E11S, E15S Motor Assembly | 9-2 |
| 9.3 | Electric Box | 9-3 |
| 9.4 | Control Box | 9-4 |
| 9.5 | Blade Lube Kit | 9-6 |

SECTION 1 GENERAL INFORMATION

1.1 How To Use The Parts List

- Use the index above to locate the assembly that contains the part you need.
- Go to the appropriate section and locate the part in the illustration.
- Use the number pointing to the part to locate the correct part number and description in the table.
- Parts shown indented under another part are included with that part.
- Parts marked with a diamond (◆) are only available in the assembly listed above the part.

See the sample table below. Sample Part #A01111 includes part F02222-2 and subassembly A03333. Subassembly A03333 includes part S04444-4 and subassembly K05555. The diamond (◆) indicates that S04444-4 is not available except in subassembly A03333. Subassembly K05555 includes parts M06666 and F07777-77. The diamond (◆) indicates M06666 is not available except in subassembly K05555.

| 1.2 Sample Assembly | | | | |
|---------------------|---|-----------|------|---|
| REF | DESCRIPTION (◆ Indicates Parts Available In Assemblies Only) | PART # | QTY. | |
| | Sample Assembly, Complete (Includes All Indented Parts Below) | A01111 | 1 | |
| 1 | Sample Part | F02222-22 | 1 | |
| | Sample Subassembly (Includes All Indented Parts Below) | A03333 | 1 | |
| 2 | Sample Part (◆ Indicates Part Is Only Available With A03333) | S04444-4 | 1 | ◆ |
| | Sample Subassembly (Includes All Indented Parts Below) | K05555 | 1 | |
| 3 | Sample Part (◆ Indicates Part Is Only Available With K05555) | M06666 | 2 | ◆ |
| 4 | Sample Part | F07777-77 | 1 | |

To Order Parts:

- From Europe call our European Headquarters and Manufacturing Facility in Kolo, Poland at **+48-63-2626000**. From the continental U.S., call our toll-free Parts hotline at **1-800-525-8100**. Have your customer number, vehicle identification number, and part numbers ready when you call. From other international locations, contact the Wood-Mizer distributor in your area for parts.

Office Hours:

| Country | Monday - Friday | Saturday | Sunday |
|---------|-----------------|-----------------|--------|
| Poland | 7-15 | Closed | Closed |
| US | 8 a.m.- 5 a.m. | 8 a.m.- 12 p.m. | Closed |

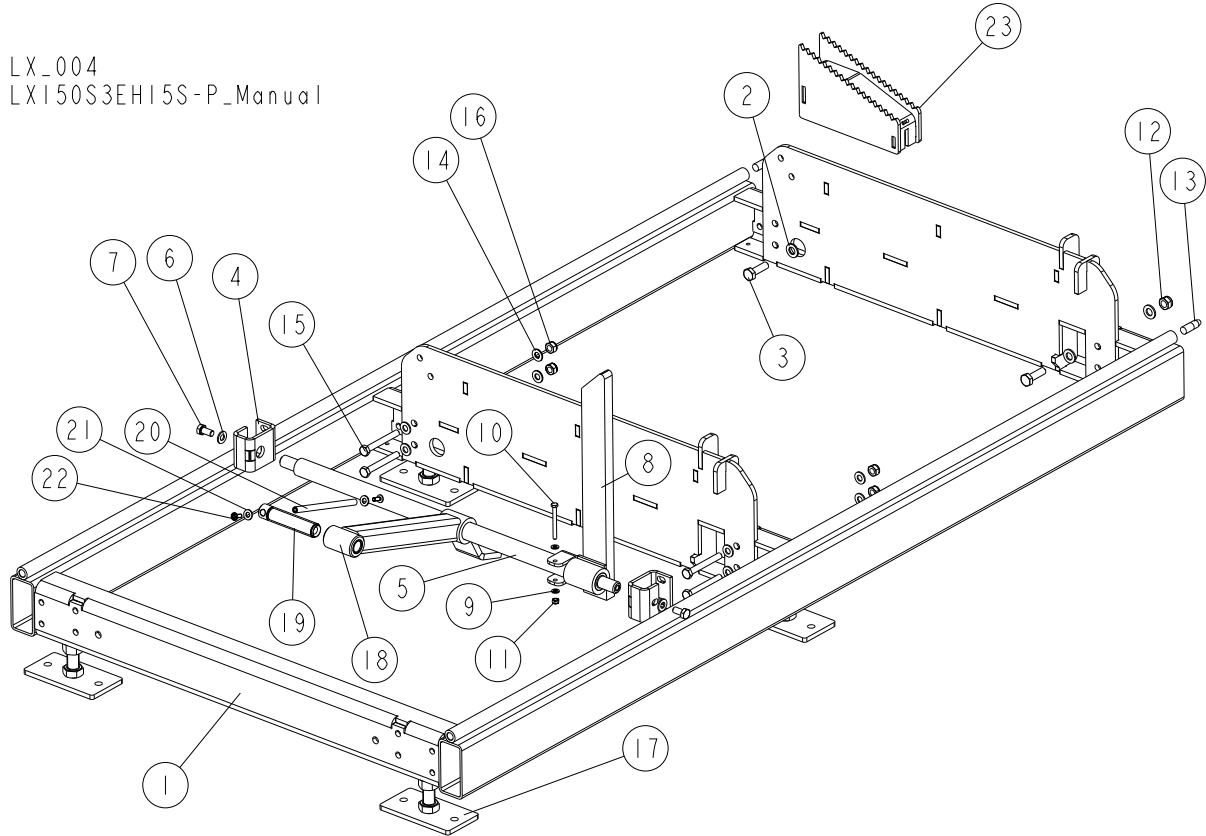


CAUTION! It is strongly recommended that only original spare parts be used.

SECTION 2 BED FRAME PARTS

2.1 Bed Frame Segment

LX_004
 LX150S3EH15S-P_Manual



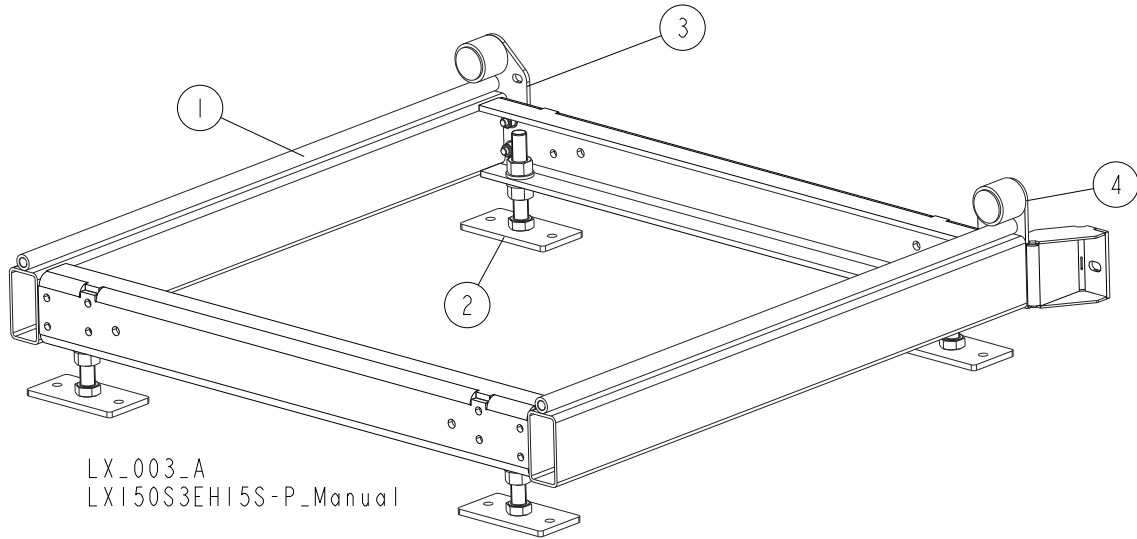
| REF. | DESCRIPTION (◆ indicates parts available in assemblies only) | PART # | QTY |
|------|--|---------------|------------|
| | SEGMENT, S - COMPLETE | 516516 | 1/0 |
| | SEGMENT, M - COMPLETE | 516513 | 0/1 |
| 1 | SEGMENT WELDMENT, S (3 CROSS RAILS) | 516261-1 | 1/0 |
| | SEGMENT WELDMENT, M (4 CROSS RAILS) | 516250-1 | 0/1 |
| 2 | WASHER, 13 FLAT ZINC | F81056-1 | 4 |
| 3 | BOLT, M12X40-8.8 HEX HEAD FULL THREAD ZINC | F81004-4 | 2 |
| | SIDE SUPPORT ASSEMBLY | 517242 | 1 |
| 4 | BRACKET, LOG CLAMP MOUNTING | 500338-1 | 2 |
| 5 | ROD, LOG CLAMP MAIN | 515059-1 | 1 |
| 6 | WASHER, 10.5 FLAT ZINC | F81055-1 | 2 |
| 7 | BOLT, M10X20-5.8 HEX HEAD FULL THREAD ZINC | F81003-1 | 2 |
| | SUPPORT, SIDE - COMPLETE | 517721 | 1 |
| 8 | SUPPORT WELDMENT, SIDE | 517722-1 | 1 |
| 9 | WASHER, 6.4 FLAT ZINC | F81053-1 | 2 |
| 10 | BOLT, M6X60-8.8 HEX HEAD FULL THREAD ZINC | F81001-9 | 1 |
| 11 | NUT, M6-8-B HEX NYLON ZINC LOCK | F81031-2 | 1 |
| 12 | NUT, M12 8 HEX NYLON ZINC LOCK | F81034-2 | 2 |
| 13 | PIN, SPECIAL | 090675 | 2 |
| 14 | WASHER, 10.5 FLAT ZINC | F81055-1 | 8 |

2

BED FRAME PARTS*Bed Frame Segment*

| REF. | DESCRIPTION (◆ indicates parts available in assemblies only) | PART # | QTY | |
|------|--|---------------|------------|--|
| 15 | BOLT, M10X80-8.8 HEX HEAD ZINC | F81003-50 | 4 | |
| 16 | NUT, M10-8-B HEX NYLON ZINC LOCK | F81033-1 | 4 | |
| 17 | FOOT, LT15 BED - COMPLETE See Section 2.4 | 514997 | 4/6 | |
| 18 | ARM, LOG CLAMP | 507566-1 | 1/2 | |
| | STUD W/ROD, LOG CLAMP - COMPLETE | 507563 | 1/2 | |
| 19 | STUD, LOG CLAMP | 507463 | 1 | |
| | COMPLETE ROD | 511924 | 1 | |
| 20 | ROD, ZINC-PLATED | 511923-1 | 1 | |
| 21 | WASHER, 8.4 FLAT ZINC | F81054-1 | 2 | |
| 22 | SCREW, M6X16 BN 11252 "BOSSARD". | F81001-24 | 2 | |
| 23 | WEDGE, LT15 BED | 515413-1 | 1 | |

2.2 Bed Frame Extension

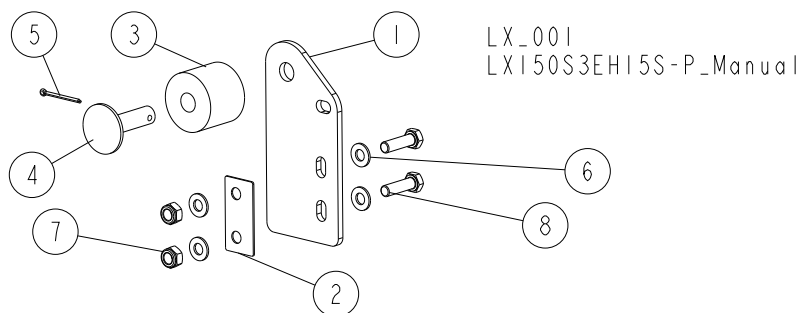


| REF. | DESCRIPTION (◆ indicates parts available in assemblies only) | PART # | QTY |
|----------|---|---------------|----------|
| | EXTENSION, BED FRAME - COMPLETE | 516525 | 1 |
| 1 | EXTENSION, BED FRAME | 516268-1 | 1 |
| 2 | FOOT, LT15 BED - COMPLETE | 514997 | 4 |
| 3 | BUMPER, LT15 RIGHT - COMPLETE See Section 2.3 | 515062 | 1 |
| 4 | BUMPER, LT15 LEFT - COMPLETE See Section 2.4 | 517896 | 1 |

2 BED FRAME PARTS

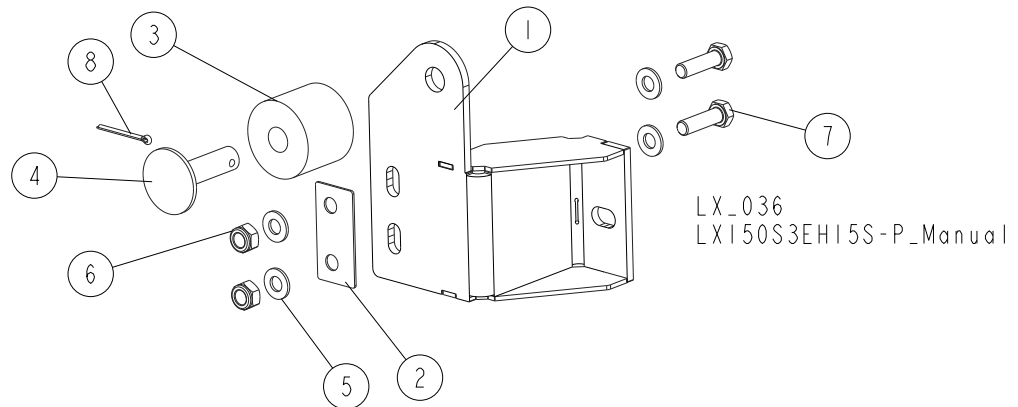
Bumpers

2.3 Bumpers



| REF. | DESCRIPTION (◆ indicates parts available in assemblies only) | PART # | QTY |
|------|--|---------------|----------|
| | BUMPER, LT15 RIGHT - COMPLETE | 515062 | 1 |
| | BUMPER, LT15 LEFT - COMPLETE | 515063 | 1 |
| 1 | PLATE, BUMPER | 516075-1 | 1 |
| 2 | WASHER, BUMPER PLATE SPACER | 515061-1 | 1 |
| 3 | BUSHING, 11/16X2 1/8X1 3/4 RUBBER | P12165 | 1 |
| 4 | MOUNT WELDMENT, CARRIAGE STOP | 086182-1 | 1 |
| 5 | PIN, S-ZN 4X25 COTTER | F81043-2 | 1 |
| 6 | WASHER, 10.5 FLAT ZINC | F81055-1 | 4 |
| 7 | NUT, M10-8-B HEX NYLON ZINC LOCK | F81033-1 | 2 |
| 8 | BOLT, M10X35 8.8 HEX HEAD FULL THREAD ZINC | F81003-17 | 2 |

2.4 Bumpers

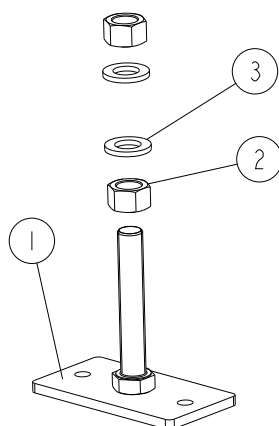


| REF. | DESCRIPTION (◆ indicates parts available in assemblies only) | PART # | QTY | |
|----------|--|---------------|------------|--|
| | BUMPER, RIGHT - COMPLETE | 517897 | 1/0 | |
| | BUMPER, LEFT - COMPLETE | 517896 | 0/1 | |
| 1 | BRACKET WELDMENT, RIGHT | 517902-1 | 1/0 | |
| | BRACKET WELDMENT, LEFT | 517901-1 | 0/1 | |
| 2 | WASHER, BUMPER PLATE SPACER | 515061-1 | 1 | |
| 3 | BUSHING, 11/16X2 1/8X1 3/4 RUBBER | P12165 | 1 | |
| 4 | MOUNT WELDMENT, CARRIAGE STOP | 086182-1 | 1 | |
| 5 | WASHER, 10.5 FLAT ZINC | F81055-1 | 4 | |
| 6 | NUT, M10-8-B HEX NYLON ZINC LOCK | F81033-1 | 2 | |
| 7 | BOLT, M10X35 8.8 HEX HEAD FULL THREAD ZINC | F81003-17 | 2 | |
| 8 | PIN, S-ZN 4X25 COTTER | F81043-2 | 1 | |

2 BED FRAME PARTS

Bed Foot

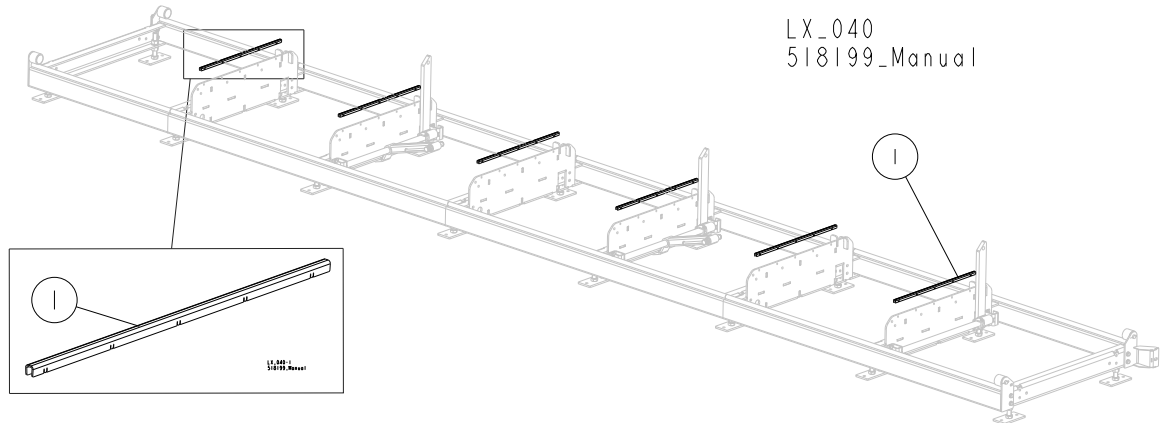
2.5 Bed Foot



LX_002
LXI50S3EHI5S-P_Manual

| REF. | DESCRIPTION (◆ indicates parts available in assemblies only) | PART # | QTY |
|------|--|---------------|----------|
| | FOOT, LT15 BED - COMPLETE | 514997 | 1 |
| 1 | FOOT WELDMENT, LT15 BED | 514996-1 | 1 |
| 2 | NUT, M20-8 HEX ZINC | F81037-1 | 2 |
| 3 | WASHER, 21 FLAT ZINC | F81059-2 | 2 |

2.6 Cross Rail Cover Set (Option)



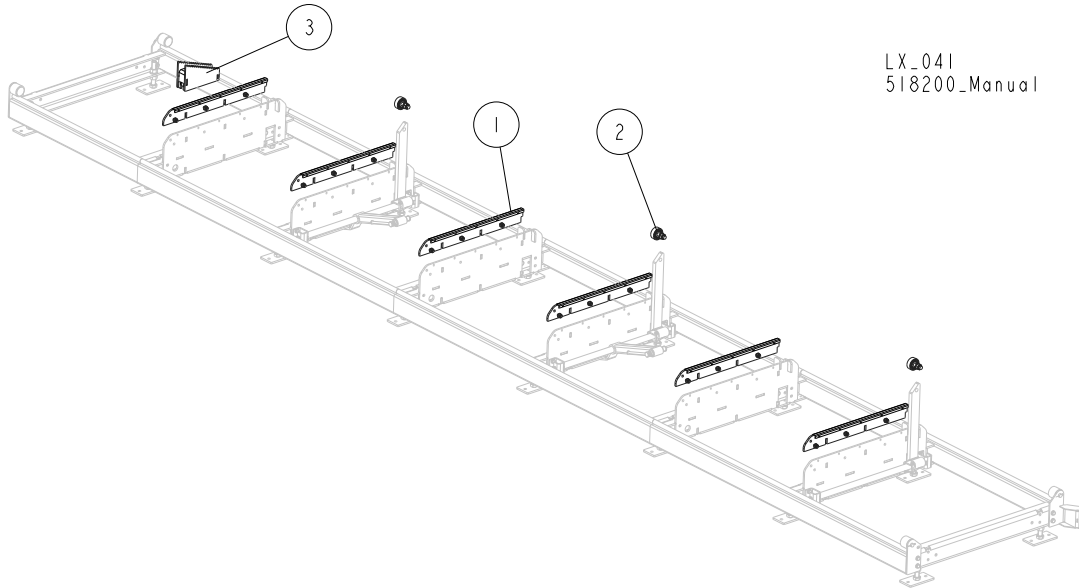
| REF. | DESCRIPTION (◆ indicates parts available in assemblies only) | PART # | QTY |
|------|--|-----------|----------|
| | COVER SET, BED CROSS RAIL (FOR LX100 S2 FRAME) | 518199-S2 | 1/-/- |
| | COVER SET, BED CROSS RAIL (FOR LX100 S3 FRAME) | 518199-S3 | -/1/- |
| | COVER SET, BED CROSS RAIL (FOR LX100 S4 FRAME) | 518199-S4 | -/-/1- |
| | COVER SET, BED CROSS RAIL (FOR LX100 S5 FRAME) | 518199-S5 | -/-/1 |
| 1 | COVER, CROSS RAIL | 518225 | 4/6/8/10 |

2

BED FRAME PARTS

Additional Cross Bars w/Covers & Side Support Rollers (Option)

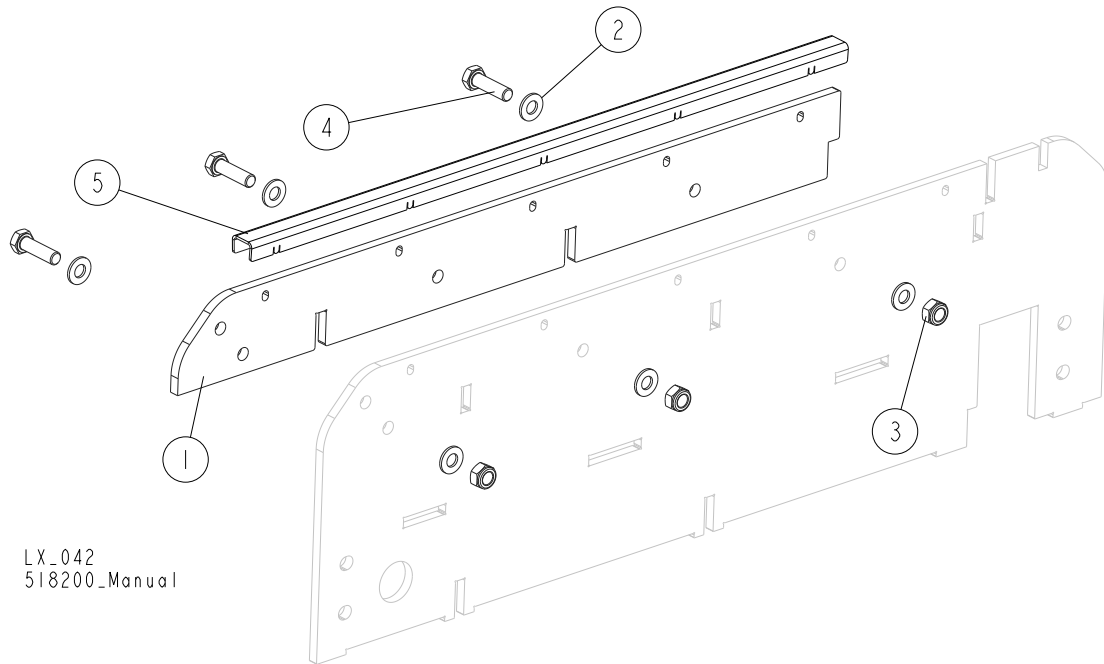
2.7 Additional Cross Bars w/Covers & Side Support Rollers (Option)



LX_041
518200_Manual

| REF. | DESCRIPTION (◆ indicates parts available in assemblies only) | PART # | QTY |
|------|--|-----------|----------|
| | ADDITIONAL CROSS BARS W/COVERS & SIDE SUPPORT ROLLERS (FOR LX100 S2 FRAME) | 518200-S2 | 1/-/- |
| | ADDITIONAL CROSS BARS W/COVERS & SIDE SUPPORT ROLLERS (FOR LX100 S3 FRAME) | 518200-S3 | -/1/- |
| | ADDITIONAL CROSS BARS W/COVERS & SIDE SUPPORT ROLLERS (FOR LX100 S4 FRAME) | 518200-S4 | -/-/1- |
| | ADDITIONAL CROSS BARS W/COVERS & SIDE SUPPORT ROLLERS (FOR LX100 S5 FRAME) | 518200-S5 | -/-/1 |
| 1 | BAR, CROSS W/COVER - ADDITIONAL See Section 2.8 | 518180 | 4/2/8/10 |
| 2 | ROLLER ASSEMBLY, SIDE SUPPORT See Section 2.9 | 518181 | 2/3/4/5 |
| 3 | WEDGE, LX100 WIDE BED | 518204-1 | 1 |

2.8 Additional Cross Bar w/Cover (Option)

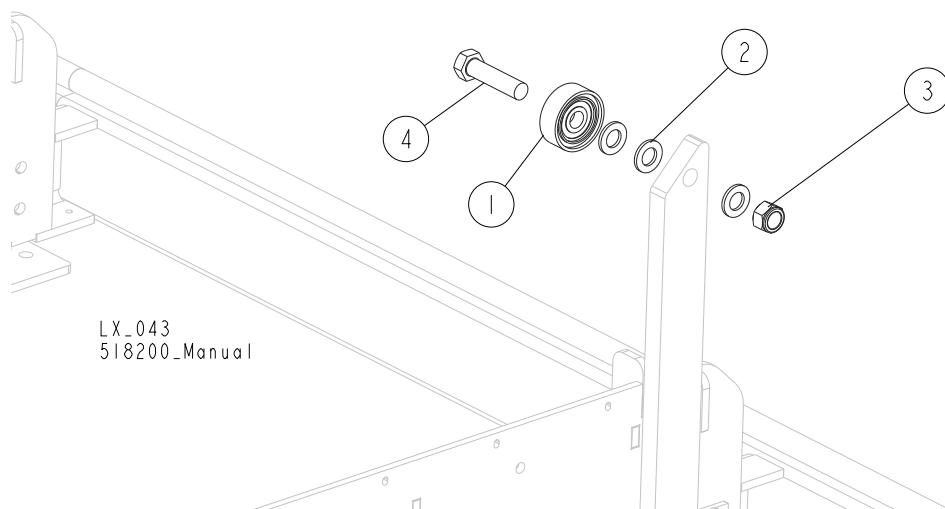


| REF. | DESCRIPTION (◆ indicates parts available in assemblies only) | PART # | QTY |
|------|--|---------------|----------|
| | BAR, CROSS W/COVER - ADDITIONAL | 518180 | 1 |
| 1 | BAR | 517730 | 1 |
| 2 | WASHER, 10.5 FLAT ZINC | F81055-1 | 6 |
| 3 | NUT, M10-8-B HEX NYLON ZINC LOCK | F81033-1 | 3 |
| 4 | BOLT, M10X35 8.8 HEX HEAD FULL THREAD ZINC | F81003-17 | 3 |
| 5 | COVER, CROSS RAIL (WIDE) | 518179 | 1 |

2 BED FRAME PARTS

Side Support Roller (Option)

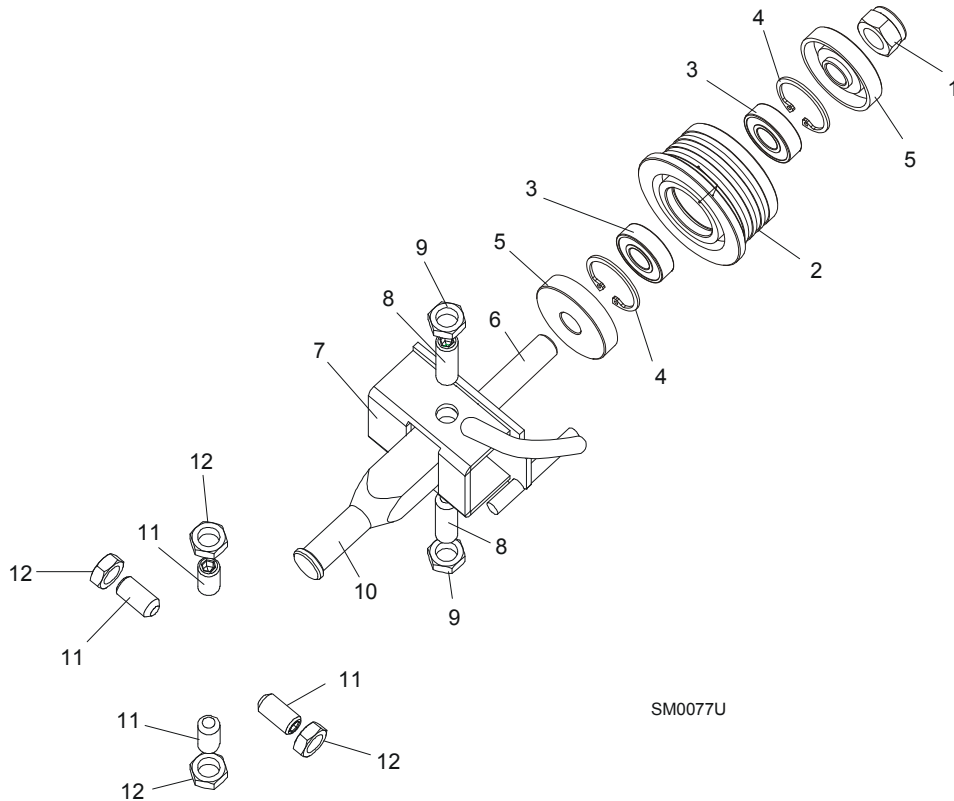
2.9 Side Support Roller (Option)



| REF. | DESCRIPTION (◆ indicates parts available in assemblies only) | PART # | QTY |
|------|--|---------------|----------|
| | ROLLER ASSEMBLY, SIDE SUPPORT | 518181 | 1 |
| 1 | ROLLER, SIDE SUPPORT | 015014-1 | 1 |
| 2 | WASHER, 17 SPLIT LOCK ZINC | F81058-1 | 3 |
| 3 | NUT, M16-8 HEX NYLON ZINC LOCK | F81036-2 | 1 |
| 4 | BOLT, M16x65-8.8-B HEX HEAD FULL THREAD ZINC | F81006-1 | 1 |

SECTION 3 BLADE GUIDE ROLLERS & ARM

3.1 Blade Guide Assembly, Idle Side

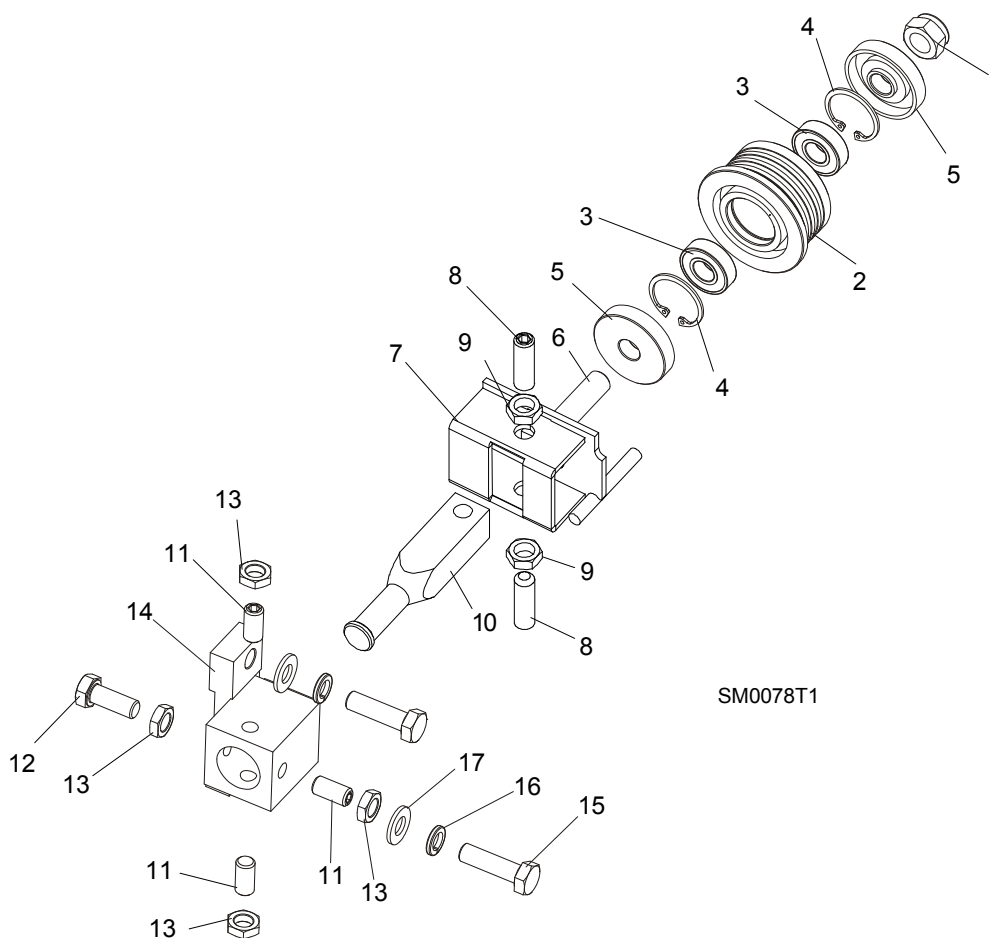


| REF. | DESCRIPTION (◆ indicates parts available in assemblies only) | PART # | QTY | |
|------|--|-----------|-----|---|
| | BLADE GUIDE ASSEMBLY, IDLE SIDE | 094683 | 1 | |
| | Roller, Blade Guide Complete Standard | 087887 | 1 | |
| 1 | Nut, M12-8 Hex Nylon Zinc Lock | F81034-2 | 1 | |
| 2 | Roller, Blade Guide Narrow | 087889 | 1 | ◆ |
| 3 | Bearing, 6001 2RSR FAG | 087893 | 2 | |
| 4 | Ring, W28 Inside Retaining | F81090-9 | 1 | |
| 5 | Washer, Zinc-plated Spacer | 087891-1 | 2 | |
| 6 | Shaft, Blade Guide Roller Zinc-plated | 087763-1 | 1 | |
| 7 | Bracket Weldment, Idle Side Blade Guide | 094681-1 | 1 | |
| 8 | Screw, M10x1x40 DIN 913 A2-70 Stainless Steel Set | F81015-2 | 2 | |
| 9 | Nut, M10x1-04-ST-A2 ISO 8675 Thin | F81033-10 | 2 | |
| 10 | Shaft, Zinc-plated Blade Guide Mount | 503588-1 | 1 | |
| 11 | SCREW, M10X1X20 DIN 913 STAINLESS STEEL SET | F81015-1 | 4 | |
| 12 | NUT, M10x1-04-ST-A2 ISO 8675 THIN | F81033-10 | 4 | |

3 Blade Guide Rollers & Arm

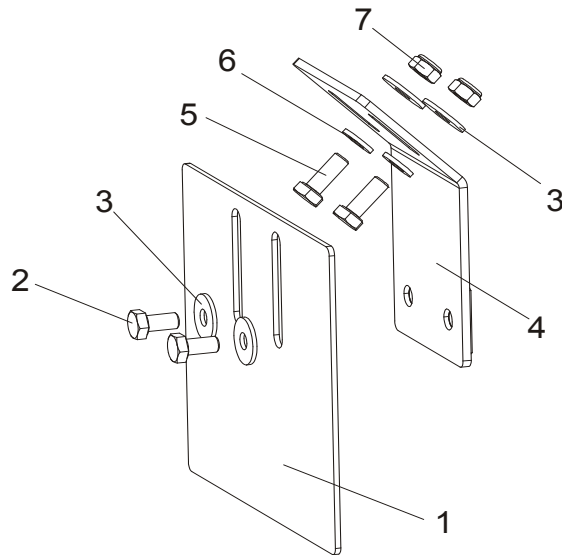
Blade Guide Assembly, Drive Side

3.2 Blade Guide Assembly, Drive Side



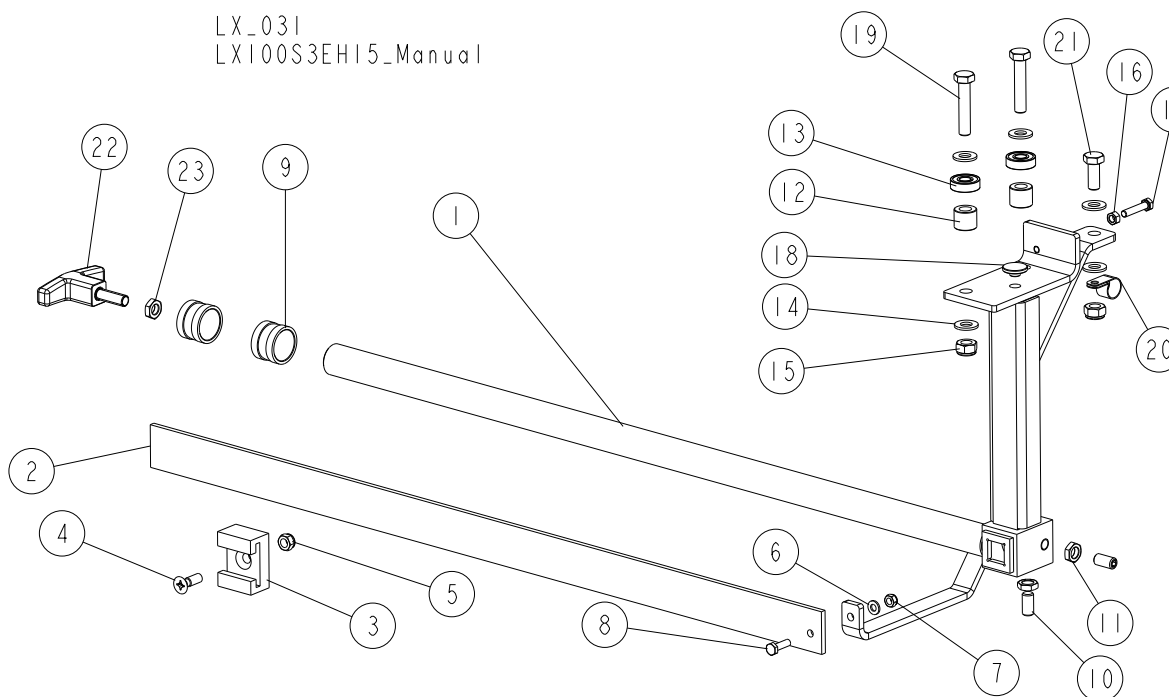
| REF. | DESCRIPTION (◆ indicates parts available in assemblies only) | PART # | QTY |
|------|---|-----------|-----|
| | BLADE GUIDE ASSEMBLY, COMPLETE DRIVE SIDE | 094682 | 1 |
| | Roller, Blade Guide Complete Standard | 087887 | 1 |
| 1 | Nut, M12-8 Hex Nylon Zinc Lock | F81034-2 | 1 |
| 2 | Roller, Blade Guide Narrow | 087889 | 1 ◆ |
| 3 | Bearing, 6001 2RSR FAG | 087893 | 2 |
| 4 | Ring, W28 Inside Retaining | F81090-9 | 1 |
| 5 | Washer, Zinc-plated Spacer | 087891-1 | 2 |
| 6 | Shaft, Blade Guide Roller Zinc-plated | 087763-1 | 1 |
| 7 | Bracket Weldment, Blade Guide | 094679-1 | 1 |
| | Screw Kit, Blade Guide Adjustment w/Nuts (for two assemblies) | K09942 | 1 |
| 8 | Screw, M10x1x40 DIN 913 A2-70 Stainless Steel Set | F81015-2 | 2 |
| 9 | Nut, M10x1-04-ST-A2 ISO 8675 Thin | F81033-10 | 2 |
| 10 | Shaft, Zinc-plated Blade Guide Mount | 503588-1 | 1 |
| 11 | SCREW, M10X1X20 DIN 913 STAINLESS STEEL SET | F81015-1 | 3 |
| 12 | BOLT, M10X1X25 DIN 933 STAINLESS STEEL | F81003-28 | 1 |
| 13 | NUT, M10x1-04-ST-A2 ISO 8675 THIN | F81033-10 | 4 |
| 14 | TUBE, BLADE GUIDE MOUNT | 087744 | 1 |
| 15 | BOLT, M10X35-8.8 HEX HEAD FULL THREAD ZINC | F81003-17 | 2 |
| 16 | WASHER, 10.2 SPLIT LOCK ZINC | F81055-2 | 2 |
| 17 | WASHER, 10.5 FLAT ZINC | F81055-1 | 2 |

3.3 Blade Guide Roller Guard



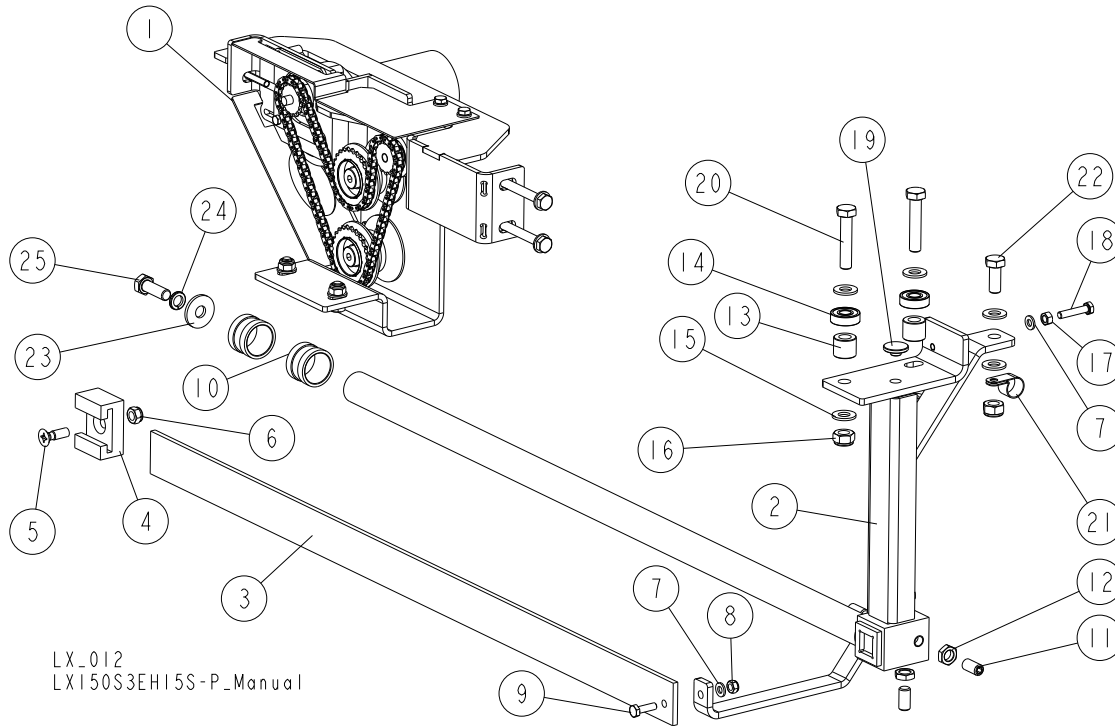
| REF. | DESCRIPTION (◆ indicates parts available in assemblies only) | PART # | QTY |
|------|--|-----------|-----|
| 1 | GUARD, BLADE GUIDE ROLLER | 092379-1 | 1 |
| 2 | BOLT, M6X12-8.8 HEX HEAD FULL THREAD ZINC | F81001-7 | 2 |
| 3 | WASHER, 6.5 SPECIAL FLAT ZINC | F81053-11 | 4 |
| 4 | BRACKET, ROLLER GUARD MOUNT | 092378-1 | 1 |
| 5 | BOLT, M6X16 8.8 HEX HEAD FULL THREAD ZINC | F81001-15 | 2 |
| 6 | WASHER, 6.4 FLAT ZINC | F81053-1 | 2 |
| 7 | NUT, M6-8-B HEX NYLON ZINC LOCK | F81031-2 | 2 |

3.4 Blade Guide Arm Assembly, E15



| REF. | DESCRIPTION (◆ indicates parts available in assemblies only) | PART # | QTY |
|------|--|---------------|----------|
| | ARM ASSEMBLY, BLADE GUIDE | 517595 | 1 |
| 1 | ARM, ADJUSTABLE BLADE GUIDE | 517379-1 | 1 |
| 2 | BAR, BLADE GUARD | 088306 | 1 |
| 3 | GUIDE, BLADE GUARD | 088305 | 1 |
| 4 | SCREW, M8X25 CROSS RECESSED COUNTERSUNK HEAD ZINC | F81002-51 | 1 |
| 5 | NUT, M8 8 HEX NYLON ZINC LOCK | F81032-2 | 1 |
| 6 | WASHER, 6.4 FLAT ZINC | F81053-1 | 2 |
| 7 | NUT, M6-8-B HEX NYLON ZINC LOCK | F81031-2 | 1 |
| 8 | BOLT, M6X20 8.8 HEX HEAD FULL THREAD ZINC | F81001-2 | 1 |
| 9 | BUSHING, LT15 BLADE GUIDE | 086684 | 2 |
| 10 | SCREW, M10X1X20 DIN 913 STAINLESS STEEL SET | F81015-1 | 4 |
| 11 | NUT, M10X1-04-ST-A2E ISO8675 THIN | F81033-10 | 4 |
| 12 | BUSHING, 11/20-17 ZINC-PLATED | 094255-1 | 2 |
| 13 | BEARING, 6000.2RSR | 087471 | 2 |
| 14 | WASHER, 10.5 FLAT ZINC | F81055-1 | 6 |
| 15 | NUT, M10-8-B HEX NYLON ZINC LOCK | F81033-1 | 3 |
| 16 | NUT, M6 8 HEX ZINC | F81031-1 | 1 |
| 17 | BOLT, M6X30-5.6 HEX HEAD FULL THREAD | F81001-13 | 1 |
| 18 | BUSHING, BLADE GUIDE ARM | 095936 | 1 |
| 19 | BOLT, M10X50-8.8 HEX HEAD FULL THREAD ZINC | F81003-4 | 2 |
| 20 | CLAMP, 5/8" EMT COATED | 010748 | 1 |
| 21 | BOLT, M10X25 8.8 HEX HEAD FULL THREAD ZINC | F81003-11 | 1 |
| 22 | T-GRIP, K0180.28010X30 W/EXTERNAL THREAD | 517600 | 1 |
| 23 | NUT, M10-04-A ZINC-PLATED THIN | F81033-6 | 1 |

3.5 Blade Guide Arm w/Drive



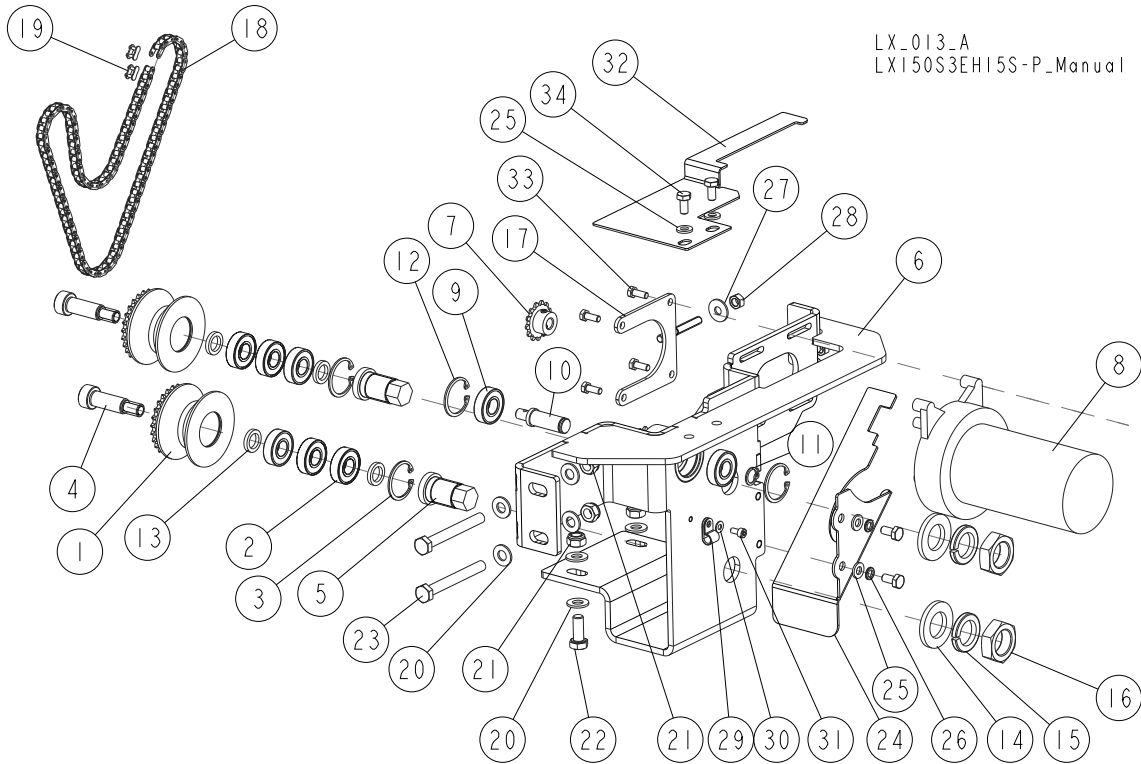
LX_012
LX150S3EH15S-P_Manual

| REF. | DESCRIPTION (◆ indicates parts available in assemblies only) | PART # | QTY |
|------|--|---------------|----------|
| | ARM W/DRIVE, BLADE GUIDE | 517381 | 1 |
| 1 | DRIVE ASSEMBLY, BLADE GUIDE See Section 3.6 | 517270 | 1 |
| | ARM ASSEMBLY, BLADE GUIDE | 517380 | 1 |
| 2 | ARM, BLADE GUIDE ADJUSTABLE | 517379-1 | 1 |
| 3 | BAR, BLADE GUARD | 088306 | 1 |
| 4 | GUIDE, BLADE GUARD | 088305 | 1 |
| 5 | SCREW, M8X25 CROSS RECESSED COUNTERSUNK HEAD ZINC | F81002-51 | 1 |
| 6 | NUT, M8 8 HEX NYLON ZINC LOCK | F81032-2 | 1 |
| 7 | WASHER, 6.4 FLAT ZINC | F81053-1 | 2 |
| 8 | NUT, M6-8-B HEX NYLON ZINC LOCK | F81031-2 | 1 |
| 9 | BOLT, M6X20 8.8 HEX HEAD FULL THREAD ZINC | F81001-2 | 1 |
| 10 | BUSHING, BLADE GUIDE | 086684 | 2 |
| 11 | SCREW, M10X1X20 DIN 913 STAINLESS STEEL SET | F81015-1 | 4 |
| 12 | NUT, M10X1-04-ST-A2E ISO8675 THIN | F81033-10 | 4 |
| 13 | BUSHING, 11/20-17 ZINC-PLATED | 094255-1 | 2 |
| 14 | BEARING, 6000.2RSR | 087471 | 2 |
| 15 | WASHER, 10.5 FLAT ZINC | F81055-1 | 6 |
| 16 | NUT, M10-8-B HEX NYLON ZINC LOCK | F81033-1 | 3 |
| 17 | NUT, M6 8 HEX ZINC | F81031-1 | 1 |
| 18 | BOLT, M6X30-5.6 HEX HEAD FULL THREAD | F81001-13 | 1 |
| 19 | BUSHING, BLADE GUIDE ARM | 095936 | 1 |
| 20 | BOLT, M10X50-8.8 HEX HEAD FULL THREAD ZINC | F81003-4 | 2 |
| 21 | CLAMP, 5/8" EMT COATED | 010748 | 1 |
| 22 | BOLT, M10X25 8.8 HEX HEAD FULL THREAD ZINC | F81003-11 | 1 |
| 23 | WASHER, 11/30-3 ZINC-PLATED | 088787-1 | 1 |

3**Blade Guide Rollers & Arm***Blade Guide Arm w/Drive*

| REF. | DESCRIPTION (◆ indicates parts available in assemblies only) | PART # | QTY | |
|------|--|----------|-----|--|
| 24 | WASHER, Z 10.2 SPLIT LOCK ZINC | F81055-2 | 1 | |
| 25 | BOLT, M10X30 5.8 HEX HEAD FULL THREAD ZINC | F81003-2 | 1 | |

3.6 Blade Guide Arm Drive

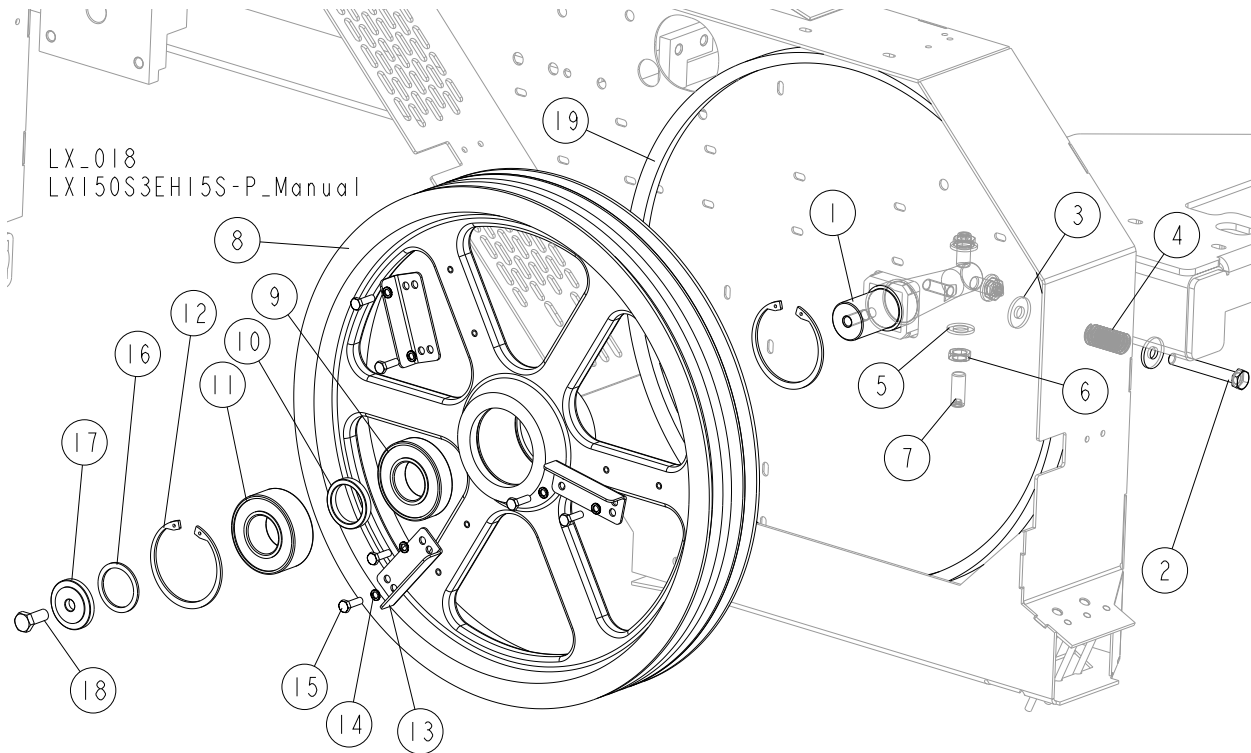


| REF. | DESCRIPTION (◆ indicates parts available in assemblies only) | PART # | QTY |
|------|--|---------------|----------|
| | DRIVE ASSEMBLY, BLADE GUIDE ARM | 517270 | 1 |
| | COMPLETE ROLLER | 517269 | 2 |
| 1 | ROLLER W/SPROCKET | 517253-1 | 1 |
| 2 | BEARING, 6001 2RSR (FAG, SKF) | 087893 | 3 |
| 3 | RING, W28 INSIDE RETAINING | F81090-9 | 1 |
| 4 | BOLT, 12/M10X30 12.9 ISO7379 SHOULDER | F81003-70 | 2 |
| 5 | BOLT, ECCENTRIC | 517257-1 | 2 |
| 6 | PLATE, MOUNTING - COMPLETE | 517259-1 | 1 |
| 7 | SPROCKET, BLADE GUIDE ARM MOTOR | P09970 | 2 |
| 8 | MOTOR, 1/30HP 62RPM 12VDC 53:1 GEAR | P09698-1-CE | 1 |
| 9 | BEARING, 6001 2RSR (FAG, SKF) | 087893 | 2 |
| 10 | SHAFT, IDLER | 517260 | 1 |
| 11 | RING, Z12 OUTSIDE RETAINING | F81090-14 | 1 |
| 12 | RING, W28 INSIDE RETAINING | F81090-9 | 2 |
| 13 | WASHER, 12.2/18-3 | 517256 | 4 |
| 14 | WASHER, 21 FLAT ZINC | F81059-2 | 2 |
| 15 | WASHER, 20.5 SPLIT LOCK ZINC | F81059-1 | 2 |
| 16 | NUT, M20X1.5 THIN ZINC | F81037-7 | 2 |
| 17 | TENSIONER, DEBARKER MOTOR | 089969-1 | 1 |
| | CHAIN, BLADE GUIDE ARM DRIVE | 517267 | 1 |
| 18 | CHAIN, #25X98 LINKS | 517266 | 1 |
| 19 | LINK, 25 MASTER | P09983 | 2 |
| 20 | WASHER, 8.4 FLAT ZINC | F81054-1 | 8 |
| 21 | NUT, M8 8 HEX NYLON ZINC LOCK | F81032-2 | 4 |

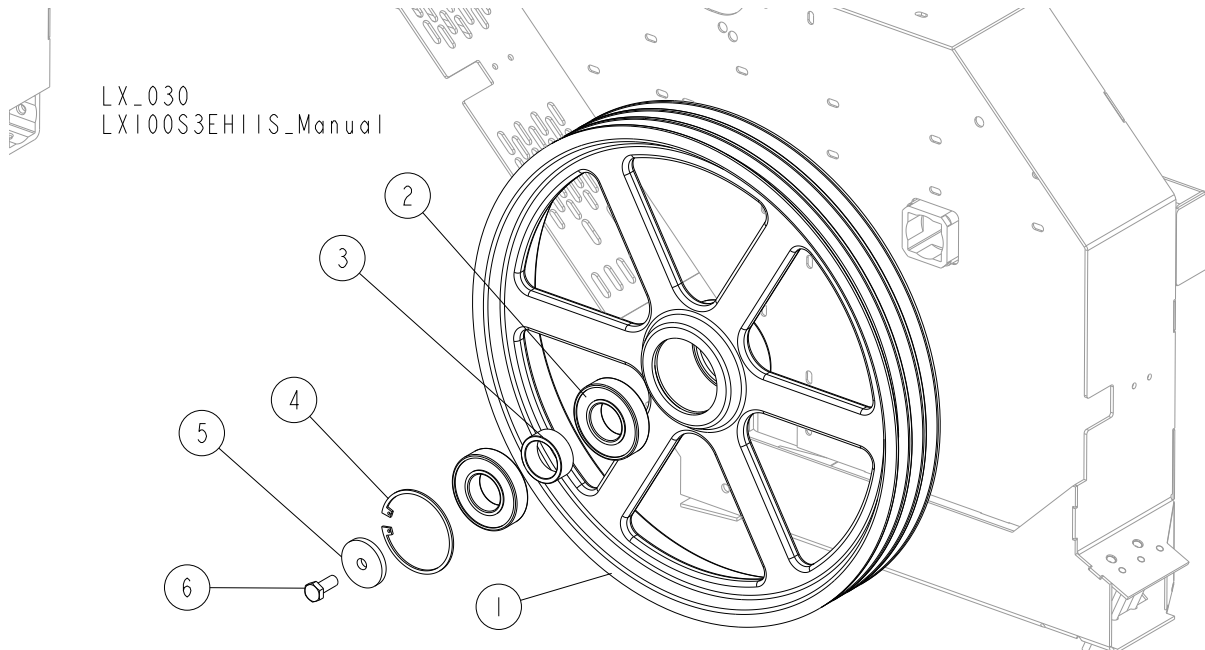
| REF. | DESCRIPTION (◆ indicates parts available in assemblies only) | PART # | QTY |
|------|--|-----------|-----|
| 22 | BOLT, M8X20 8.8 HEX HEAD FULL THREAD ZINC | F81002-4 | 2 |
| 23 | BOLT, M8X70-8.8 HEX HEAD ZINC | F81002-71 | 2 |
| 24 | GUARD, CHAIN | 517268-1 | 1 |
| 25 | WASHER, 6.4 FLAT ZINC | F81053-1 | 4 |
| 26 | WASHER, Z 6.1 SPLIT LOCK ZINC | F81053-3 | 2 |
| 27 | WASHER, 6.5 SPECIAL FLAT ZINC | F81053-11 | 1 |
| 28 | NUT, M6 8 HEX ZINC | F81031-1 | 1 |
| 29 | ELEMENT, EE63 MOUNTING | F81080-4 | 1 |
| 30 | WASHER, 4.3 FLAT ZINC | F81051-2 | 1 |
| 31 | SCREW, M4X8 8.8 HEX SOCKET HEAD CAP ZINC | F81011-36 | 1 |
| 32 | GUARD, UPPER | 517262-1 | 1 |
| 33 | BOLT, #10-32X1/2 HEX HEAD | F05004-60 | 4 |
| 34 | BOLT, M6X12 8.8 HEX HEAD FULL THREAD ZINC | F81001-7 | 4 |

SECTION 4 BLADE WHEELS & TENSIONER

4.1 Blade Wheel Assembly, Drive Side (E15)



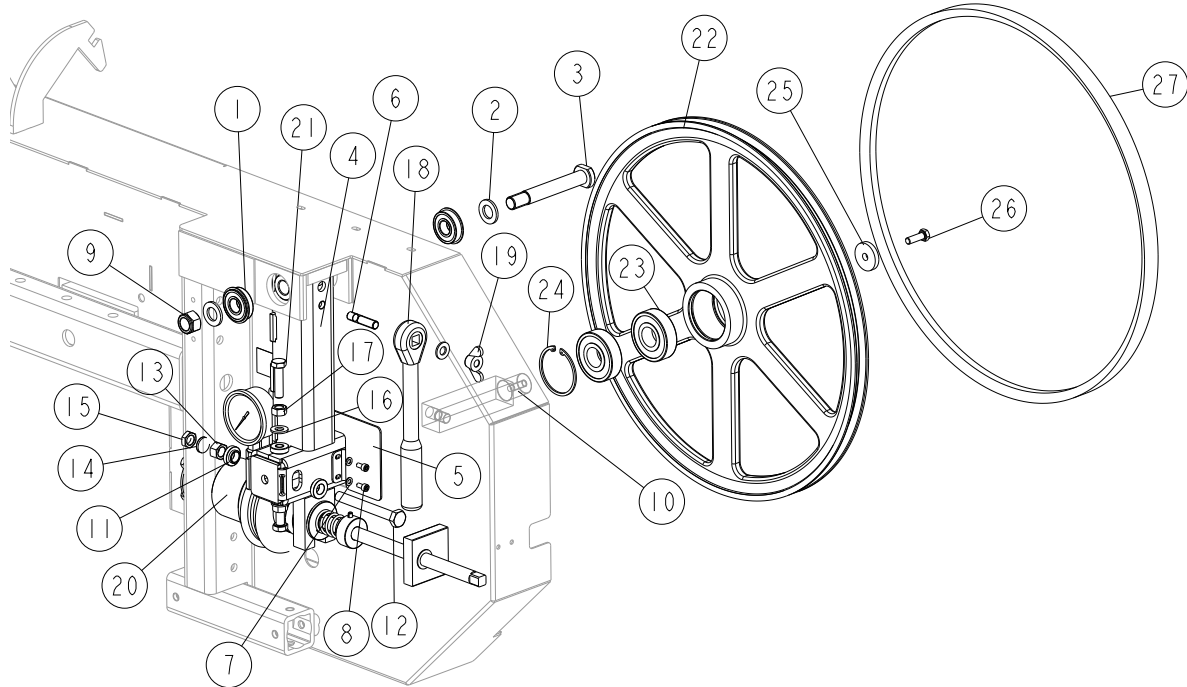
| REF. | DESCRIPTION (◆ indicates parts available in assemblies only) | PART # | QTY |
|------|--|---------------|----------|
| 1 | SHAFT, LT15 DRIVE SIDE BLADE WHEEL | 093850 | 1 |
| 2 | BOLT, M10X75-8.8 HEX HEAD ZINC | F81003-15 | 1 |
| 3 | WASHER, 10.5 SPECIAL FLAT ZINC | F81055-6 | 2 |
| 4 | SPRING, 3/4 O.D.X 1 1/2 DIE | 034430 | 1 |
| 5 | WASHER, 13 FLAT ZINC | F81056-1 | 3 |
| 6 | NUT, M12X1.25 DIN 439 A2-70 THIN STAINLESS STEEL | F81034-9 | 3 |
| 7 | SCREW, M12X1.25X30 DIN913 A2-70 SET | F81016-1 | 3 |
| | WHEEL, DRIVE SIDE - COMPLETE | 091612 | 1 |
| 8 | WHEEL, DRIVE SIDE | 090646-1 | 1 |
| 9 | BEARING, 6207-2RS, C3, 35X72X17 | 014811 | 1 |
| 10 | BUSHING, SPACER | 096778 | 1 |
| 11 | BEARING, 3207B.2RSR.TVH "FAG" | 092005 | 1 |
| 12 | RING, W72 INSIDE RETAINING | F81090-4 | 2 |
| 13 | WING | 097808-1 | 3 |
| 14 | WASHER, Z 6.1 SPLIT LOCK ZINC | F81053-3 | 6 |
| 15 | BOLT, M6X20 8.8 HEX HEAD FULL THREAD ZINC | F81001-2 | 6 |
| 16 | WASHER, 36/45-2 | 091851 | 1 |
| 17 | WASHER, DRIVE SIDE BLADE WHEEL | 092006 | 1 |
| 18 | BOLT, M10X25 8.8 HEX HEAD FULL THREAD ZINC | F81003-11 | 1 |
| 19 | BELT, B57 BLADE WHEEL | P04185-2 | 1 |

4.2 Blade Wheel Assembly, Drive Side - E11

| REF. | DESCRIPTION (◆ indicates parts available in assemblies only) | PART # | QTY | |
|------|--|---------------|----------|--|
| | WHEEL, LT15 DRIVE SIDE - COMPLETE | 093849 | 1 | |
| 1 | WHEEL, 19" METRIC DRIVE SIDE | 096901-1 | 1 | |
| 2 | BEARING, 6207-2RS C3 35X72X17 | 014811 | 2 | |
| 3 | BUSHING, 35.5/45-17.8 | 093851 | 1 | |
| 4 | RING, 72MM OD RETAINING N5002-281 | F04254-30 | 1 | |
| 5 | WASHER, 10.5/45-6 ZINC-PLATED | 086286-1 | 1 | |
| 6 | BOLT, M10X25 8.8 HEX HEAD FULL THREAD ZINC | F81003-11 | 1 | |

4.3 Blade Wheel Assembly, Idle Side

LX_019
LX150S3EH15S-P_Manual



| REF. | DESCRIPTION (◆ indicates parts available in assemblies only) | PART # | QTY |
|------|--|---------------|----------|
| 1 | BEARING, 6203-2RS NR NSK W/SNAP RING | 086395 | 2 |
| 2 | WASHER, 17 SPLIT LOCK ZINC | F81058-1 | 2 |
| 3 | PIN, IDLER ARM MOUNT | 086404 | 1 |
| | ROCKER ARM, IDLE SIDE BLADE WHEEL - COMPLETE | 508145 | 1 |
| 4 | ROCKER ARM WELDMENT, IDLE SIDE BLADE WHEEL | 508144-1 | 1 |
| 5 | GUARD, ROCKER ARM | 508128-1 | 1 |
| 6 | STUD, M10X35 8.8 ZINC-PLATED | F81003-9 | 1 |
| 7 | WASHER, 5.3 FLAT ZINC | F81052-1 | 3 |
| 8 | SCREW, M5X10 DIN 912 A2-70 HEX SOCKET HEAD CAP STAINLESS STEEL | F81000-23 | 3 |
| 9 | NUT, M16-8 HEX NYLON ZINC LOCK | F81036-2 | 1 |
| 10 | SHAFT, IDLE SIDE BLADE WHEEL | 096045 | 1 |
| 11 | WASHER, FLANGED ZINC-PLATED | 086769-1 | 2 |
| 12 | BOLT, M12X1.25X100-8.8 HEX HEAD FULL THREAD ZINC | F81004-41 | 1 |
| 13 | NUT, M12X1.25-8-B HEX ZINC | F81034-8 | 1 |
| 14 | WASHER, Z12.2 SPLIT LOCK ZINC | F81056-2 | 1 |
| 15 | NUT, M12X1.25-8 THIN ZINC | F81034-5 | 1 |
| 16 | WASHER, 10.5 FLAT ZINC | F81055-1 | 3 |
| 17 | NUT, M10 8 HEX ZINC | F81033-3 | 2 |
| 18 | WRENCH, LT20 BLADE TENSION | 091620 | 1 |
| 19 | NUT, M10 ZINC-PLATED WING | F81033-8 | 1 |
| 20 | COMPLETE BLADE TENSIONER See Section 4.4 | 510640 | 1 |
| 21 | BOLT, M10X40-8.8 HEX HEAD FULL THREAD ZINC | F81003-16 | 2 |
| | PULLEY ASSY, 19" (482.6MM) BLADE IDLE SIDE | A08218 | 1 |

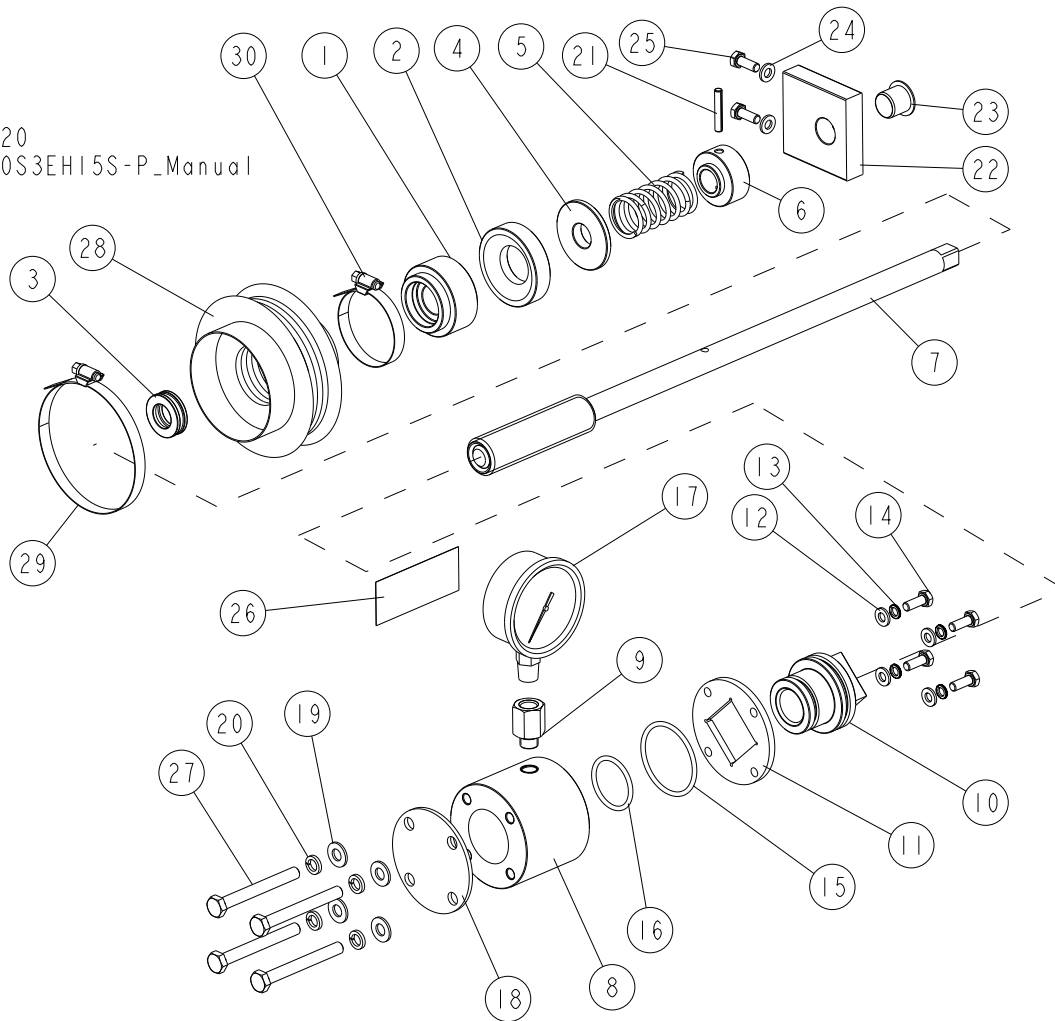
4

BLADE WHEELS & TENSIONER*Blade Wheel Assembly, Idle Side*

| REF. | DESCRIPTION (◆ indicates parts available in assemblies only) | PART # | QTY | |
|------|--|-----------|-----|--|
| 22 | SHEAVE, 18.62 IDLER | P08125 | 1 | |
| 23 | BEARING,.9843X2.4409X.6693 | P08066 | 2 | |
| 24 | RING, 2 7/16 IR N 5002-244 BEVELED SNAP | F04254-21 | 1 | |
| 25 | WASHER, 9/35-6 ZINC-PLATED | 093854-1 | 1 | |
| 26 | BOLT, M8X25-8.8-B HEX HEAD FULL THREAD ZINC | F81002-5 | 1 | |
| 27 | BELT, B57 BLADE WHEEL | P04185-2 | 1 | |

4.4 Blade Tensioner Assembly

LX_020
 LXI50S3EH15S-P_Manual



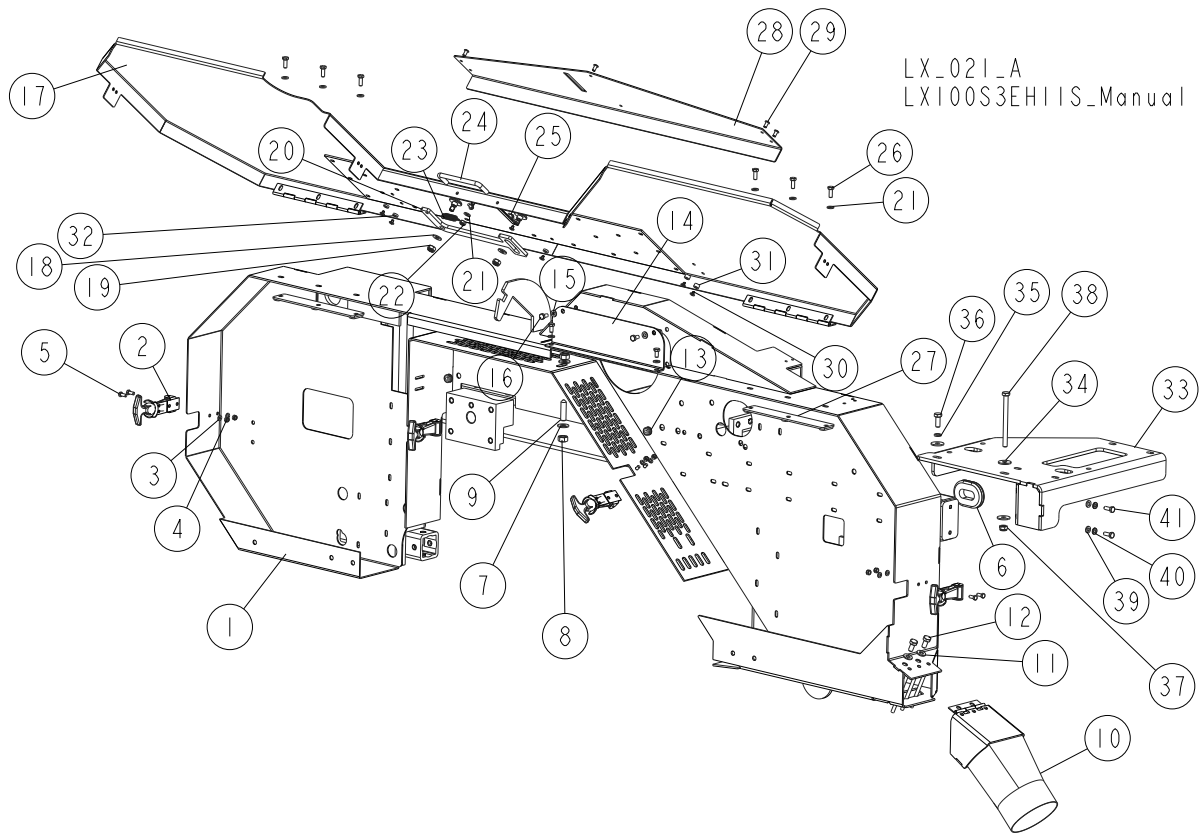
| REF. | DESCRIPTION (◆ indicates parts available in assemblies only) | PART # | QTY |
|------|--|-----------------|----------|
| | BLADE TENSIONER | 510640 | 1 |
| 1 | HOUSING, BALL THRUST BEARING | 510635 | 1 |
| 2 | SOCKET, BEARING HOUSING | 510634-1 | 1 |
| 3 | BEARING, 51103 BALL THRUST | 086675 | 1 |
| 4 | WASHER | 510633-1 | 1 |
| 5 | SPRING, 60X23X3 | 088992 | 1 |
| 6 | BUSHING, 16/38-20 22.5-4 ZINC-PLATED | 510636-1 | 1 |
| 7 | SCREW, BLADE TENSIONER ZINC-PLATED | 510650-1 | 1 |
| | COMPLETE CYLINDER | 510641 | 1 |
| | CYLINDER W/REDUCER FITTING | 510657-1 | 1 |
| 8 | CYLINDER | 510637 | 1 |
| 9 | FITTING, Z-M12X1/W-1/4NPT REDUCER | 513280 | 1 |
| 10 | PISTON | 510638 | 1 |
| 11 | PLATE, TENSIONER | 510490-1 | 1 |
| 12 | WASHER, 6.4 FLAT ZINC | F81053-1 | 4 |
| 13 | WASHER, Z 6.1 SPLIT LOCK ZINC | F81053-3 | 4 |
| 14 | BOLT, M6X16-8.8 HEX HEAD FULL THREAD ZINC | F81001-15 | 4 |

BLADE WHEELS & TENSIONER*Blade Tensioner Assembly*

| REF. | DESCRIPTION (◆ indicates parts available in assemblies only) | PART # | QTY |
|------|--|---------------|----------|
| 15 | O-RING, 46.2X3 | 510646 | 1 |
| 16 | O-RING, 32.2X3 | 510647 | 1 |
| 17 | GAUGE, 3000psi/200 bar OIL PRESSURE | 505176 | 1 |
| 18 | PLATE, CYLINDER COVER | 510642-1 | 1 |
| 19 | WASHER, 8.4 FLAT ZINC | F81054-1 | 4 |
| 20 | WASHER, 8.2 SPLIT LOCK ZINC | F81054-4 | 4 |
| 21 | PIN, 5X30 ROLL ZINC | F81044-21 | 1 |
| 22 | BLOCK, TENSIONER HANDLE MOUNT | 096730 | 1 |
| 23 | BUSHING, GFM-1618-17 | 089589 | 1 |
| 24 | WASHER, 6.4 FLAT ZINC | F81053-1 | 2 |
| 25 | BOLT, M6X16-8.8 HEX HEAD FULL THREAD ZINC | F81001-15 | 2 |
| 26 | DECAL, PRESSURE VALUES | 510643 | 1 |
| 27 | BOLT, M8X70-8.8 HEX HEAD ZINC | F81002-71 | 4 |
| | COMPLETE BELLOWS | 515050 | 1 |
| 28 | BELLOWS | 515051 | 1 |
| 29 | CLAMP, 70-80 MM | F81095-5 | 1 |
| 30 | CLAMP, 40-60 MM | F81095-4 | 1 |

SECTION 5 SAW HEAD

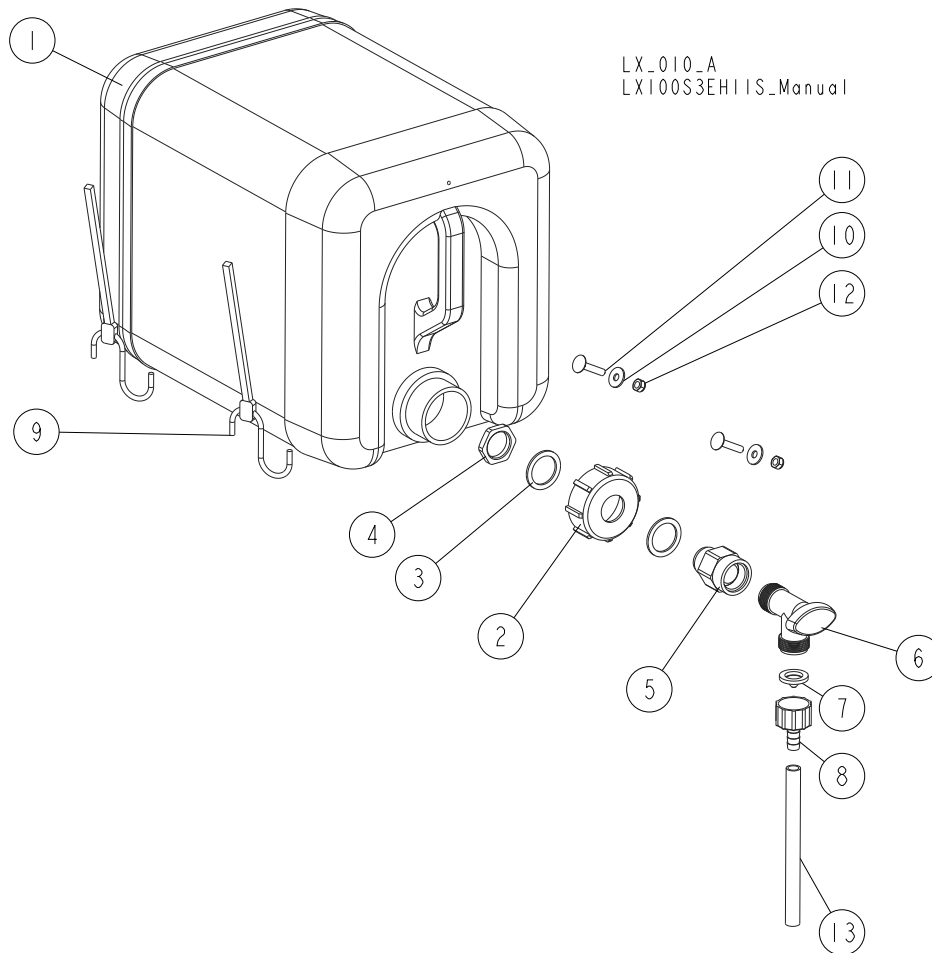
5.1 Blade Housing Cover



| REF. | DESCRIPTION (* Indicates Parts Available In Assemblies Only) | PART # | QTY |
|------|--|---------------|----------|
| 1 | SAW HEAD, LT0 AC PAINTED | 097560-1 | 1 |
| 2 | LATCH, FLEXIBLE DRAW | 014829 | 4 |
| 3 | WASHER, 5.3 FLAT ZINC | F81052-1 | 8 |
| 4 | NUT, M5-8-FE/ZN5 DIN985 | F81030-2 | 8 |
| 5 | BOLT, M5 X 12-5.8 HEX HEAD FULL THREAD ZINC | F81000-5 | 8 |
| 6 | GROMMET, RUBBER, 1 X 1 3/4 OVAL | 085613 | 1 |
| 7 | WASHER, 10.5 FLAT ZINC | F81055-1 | 2 |
| 8 | NUT, M10-8-B HEX ZINC | F81033-3 | 2 |
| 9 | SCREW, M10X40-45H CONE POINT HEX SOCKET | F81003-61 | 1 |
| 10 | CHUTE, LT10/15/20 SAWDUST | 100903-1 | 1 |
| 11 | WASHER, 8.4 FLAT ZINC | F81054-1 | 2 |
| 12 | BOLT, M8X16-8.8-B HEX HEAD FULL THREAD ZINC | F81002-20 | 2 |
| 13 | SEAL WIRE, GH6 | 085338 | 2 |
| 14 | PLATE, COVER | 096788-1 | 1 |
| 15 | WASHER, 6.4 FLAT ZINC | F81053-1 | 4 |
| 16 | BOLT, M6X12-8.8 HEX HEAD FULL THREAD ZINC | F81001-7 | 4 |
| | COVER, SAW HEAD FRONT | 518030 | 1 |
| 17 | COVER, SAW HEAD FRONT | 518025-1 | 1 |
| 18 | WASHER, 8.4 FLAT ZINC | F81054-1 | 2 |
| 19 | NUT, M8-8-B HEX NYLON ZINC LOCK | F81032-2 | 2 |

| REF. | DESCRIPTION (* Indicates Parts Available In Assemblies Only) | PART # | QTY | |
|------|--|---------------|----------|--|
| 20 | PAWL, LOCKING | 090643-1 | 1 | |
| 21 | WASHER, 6.4 FLAT ZINC | F81053-1 | 8 | |
| 22 | NUT, M6-8-B HEX NYLON ZINC LOCK | F81031-2 | 1 | |
| 23 | SPRING, 1.6X12X38 EXTENSION | 092208 | 1 | |
| 24 | HANDLE, 4" W/BOLTS | P08065 | 1 | |
| 25 | BOLT, #8-32X3/8 SELF-TAPPING | F05015-8 | 2 | |
| 26 | BOLT, M6 X 16 8.8 HEX HEAD FULL THREAD ZINC | F81001-15 | 6 | |
| 27 | PLATE WELDMENT, COVER MOUNTING | 086701-1 | 2 | |
| 28 | PLATE, DECORATIVE | 518029-1 | 1 | |
| 29 | SCREW, 1918 DIA. BINDING (FEMALE PART - 10 MM LONG) | 518033 | 6 | |
| 30 | SCREW, 1918 DIA. BINDING (MALE PART - 6 MM LONG) | 518034 | 6 | |
| 31 | BUSHING, 1941 DIA. (5.2/10-6) SPACER | 518159 | 2 | |
| 32 | WASHER, 1940 DIA. (5.2/10-3) | 518158 | 4 | |
| | PLATE , MOUNTING COMPLETE | 518165 | 1 | |
| 33 | PLATE, MOUNTING | 518164-1 | 1 | |
| 34 | WASHER, ISO 7093-1-8-200 HV-A2E | F81054-11 | 3 | |
| 35 | WASHER, 8.2 ZINC-PLATED | F81054-4 | 1 | |
| 36 | BOLT, M8X20-5.8 HEX HEAD FULL THREAD ZINC | F81002-1 | 1 | |
| 37 | NUT, M8-8-B HEX NYLON ZINC LOCK | F81032-2 | 1 | |
| 38 | BOLT, M8 X 100-8.8 HEX HEAD ZINC | F81002-23 | 1 | |
| 39 | WASHER, 6.4 FLAT ZINC | F81053-1 | 2 | |
| 40 | WASHER, 6.1 DIN 127 (A2-304) STAINLESS STEEL SPRING | F81053-4 | 2 | |
| 41 | BOLT, M6 X 16 8.8 HEX HEAD FULL THREAD ZINC | F81001-15 | 2 | |

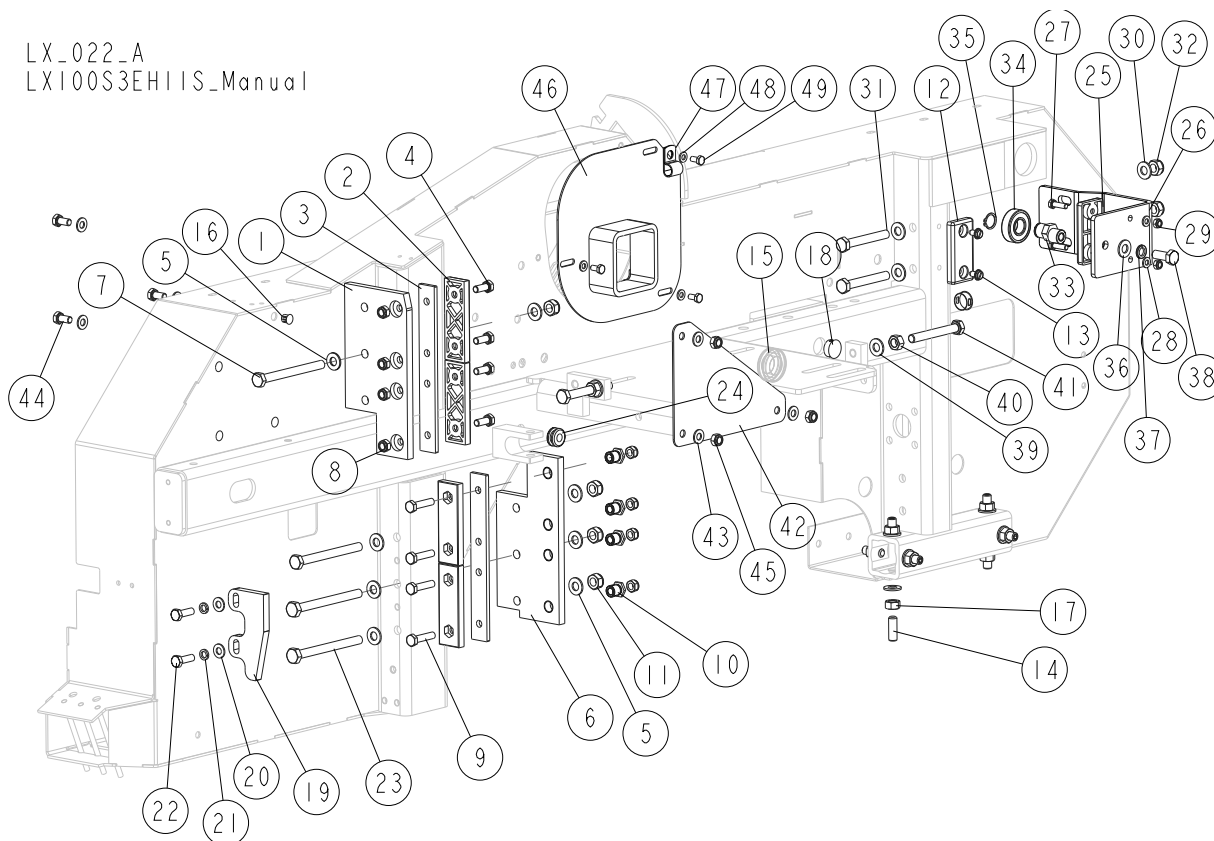
5.2 Water Lube Assembly



| REF. | DESCRIPTION (* Indicates Parts Available In Assemblies Only) | PART # | QTY |
|------|--|---------------|----------|
| | BOTTLE ASSEMBLY, WATER | 517110 | 1 |
| | BOTTLE, WATER - COMPLETE | 513864 | 1 |
| | WATER BOTTLE WITH NUT | 513865 | 1 |
| 1 | BOTTLE, WATER | 513866 | 1 |
| 2 | NUT, WATER BOTTLE | 513867 | 1 |
| 3 | SEAL, 35x26x2 RUBBER | 513869 | 2 |
| 4 | GLAND NUT, 3/4 NPT 467616 | 513868 | 1 |
| 5 | FITTING, 3/4FPTX3/4MPT | 014636 | 1 |
| 6 | VALVE, 3/4 NPT ELBOW 3/4 MALE OUTLET PVC | 014100 | 1 |
| 7 | FILTER, WATER LUBE | 016086 | 1 |
| 8 | REDUCER, 5/8NPT/3/8BARB WATER LUBE | 014113 | 1 |
| 9 | STRAP, 24 IN RUBBER WITH HOOKS | P11258 | 2 |
| 10 | WASHER, 6.5 SPECIAL FLAT ZINC | F81053-11 | 2 |
| 11 | BOLT, M6X30-8.8 CARRIAGE HEAD ZINC | F81001-59 | 2 |
| 12 | NUT, M6-8-B HEX NYLON ZINC LOCK | F81031-2 | 2 |
| 13 | TUBING, WATER LUBE | R01885 | 1 |

5.3 Slide Pads

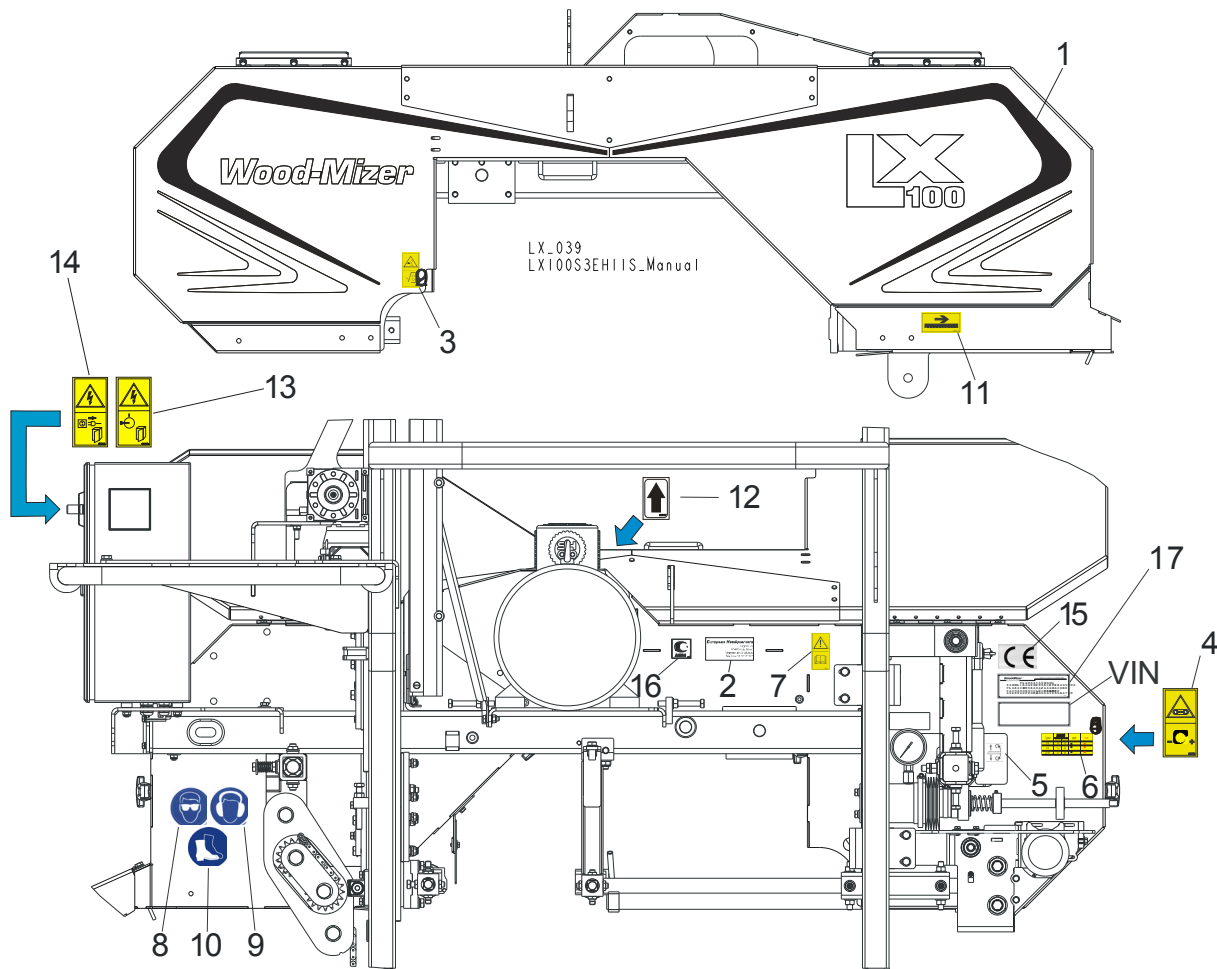
LX_022_A
LX100S3EHIIS_Manual



| REF. | DESCRIPTION (* Indicates Parts Available In Assemblies Only) | PART # | QTY |
|------|--|---------------|----------|
| 1 | PLATE, SAW HEAD UPPER GUIDE | 094139-1 | 1 |
| 2 | PADS, DELRIN UP/DOWN SLIDE | M04096 | 4 |
| 3 | PLATE, SLIDE PAD SPACER | 094140-1 | 2 |
| 4 | BOLT, M8X20-8.8-B HEX HEAD FULL THREAD ZINC | F81002-4 | 4 |
| 5 | WASHER, 10.5 FLAT ZINC | F81055-1 | 16 |
| 6 | PLATE, SAW HEAD LOWER ZINC-PL. GUIDE | 086682-1 | 1 |
| 7 | BOLT, M10X110-8.8 HEX HEAD ZINC | F81003-43 | 2 |
| 8 | NUT, M8-8-B HEX NYLON ZINC LOCK | F81032-2 | 8 |
| 9 | BOLT, M8X35-8.8 HEX HEAD FULL THREAD ZINC | F81002-13 | 4 |
| 10 | NUT, LT15 SLIDE PAD ADJUSTMENT ZINC-PLATED | 086683-1 | 4 |
| 11 | NUT, M10-8-B HEX NYLON ZINC LOCK | F81033-1 | 4 |
| 12 | PAD, CATAPILLAR TRACK | P13576 | 1 |
| 13 | SCREW, 1/4-20X1/2" TYPE "23" SELF-TAPPING | F05015-1 | 2 |
| 14 | SCREW, M10X30-33H-GEOMET HEX SOCKET SET FLAT POINT | F81003-35 | 8 |
| 15 | GROMMET, 22MM I.D. RUBBER | 087400 | 1 |
| 16 | PLUG, SR1086-9.5 NO. 46009 (MOSS) 096846 4 | 096846 | 4 |
| 17 | NUT, M10-8-B HEX ZINC | F81033-3 | 8 |
| 18 | PLUG, 20.6 HEYMAN DP-812 HOLE | 086811 | 3 |
| | PLATE, LIMIT SWITCH ACTIVATOR - COMPLETE | 516510 | 1 |
| 19 | PLATE, LIMIT SWITCH ACTIVATOR | 516509-1 | 1 |
| 20 | WASHER, 8.4 FLAT ZINC | F81054-1 | 2 |
| 21 | WASHER, 8.2 SPLIT LOCK ZINC | F81054-4 | 2 |

| REF. | DESCRIPTION (* Indicates Parts Available In Assemblies Only) | PART # | QTY |
|------|--|---------------|----------|
| 22 | BOLT, M8X25-8.8-B HEX HEAD FULL THREAD ZINC | F81002-5 | 2 |
| 23 | BOLT, M10 X 115-8.8 HEX HEAD ZINC | F81003-19 | 2 |
| 24 | GROMMET, RUBBER 3/8 ID | 025248 | 1 |
| | BRACKET, RIGHT SLIDE PAD - COMPLETE | 518170 | 1 |
| 25 | PAD, CATAPILLAR TRACK | P13576 | 1 |
| 26 | BRACKET, UPPER | 518183-1 | 1 |
| 27 | BOLT, M6X20-8.8 HEX HEAD FULL THREAD ZINC | F81001-2 | 2 |
| 28 | WASHER, 6.4 FLAT ZINC | F81053-1 | 2 |
| 29 | NUT, M6-8-B HEX NYLON ZINC LOCK | F81031-2 | 2 |
| 30 | WASHER, 10.5 FLAT ZINC | F81055-1 | 4 |
| 31 | BOLT, M10X75-8.8 HEX HEAD ZINC | F81003-15 | 2 |
| 32 | NUT, M10-8-B HEX NYLON ZINC LOCK | F81033-1 | 2 |
| | ROLLER ASSEMBLY, ECCENTRIC | 518182 | 1 |
| 33 | SHAFT, OUTER ECCENTRIC E=3.3-ZINC-PL. | 098898-1 | 1 |
| 34 | BEARING, 6203-2RS | 086114 | 1 |
| 35 | RING, Z17 OUTSIDE RETAINING | F81090-21 | 1 |
| 36 | WASHER, 10.5 FLAT ZINC | F81055-1 | 1 |
| 37 | WASHER, 10.2 SPLIT LOCK ZINC | F81055-2 | 1 |
| 38 | BOLT, M10X25-8.8 HEX HEAD FULL THREAD ZINC | F81003-11 | 1 |
| 39 | WASHER, 10.5 FLAT ZINC | F81055-1 | 2 |
| 40 | NUT, M10-8-B HEX ZINC | F81033-3 | 2 |
| 41 | BOLT, M10-80-8.8 HEX HEAD FULL THREAD ZINC | F81003-76 | 2 |
| 42 | CAP, BOLTED | 094247-1 | 1 |
| 43 | WASHER, 8.4 FLAT ZINC | F81054-1 | 6 |
| 44 | BOLT M8X16-8.8-B HEX HEAD FULL THREAD ZINC | F81002-20 | 3 |
| 45 | NUT, M8-8-B HEX NYLON ZINC LOCK | F81032-2 | 3 |
| 46 | GUARD, E11/E15 MOTOR SHAFT | 095335-1 | 1 |
| 47 | CLAMP, 1/2EMT COATED | P07584 | 1 |
| 48 | WASHER, 6.4 FLAT ZINC | F81053-1 | 3 |
| 49 | BOLT, M6X12-8.8 HEX HEAD FULL THREAD ZINC | F81001-7 | 3 |

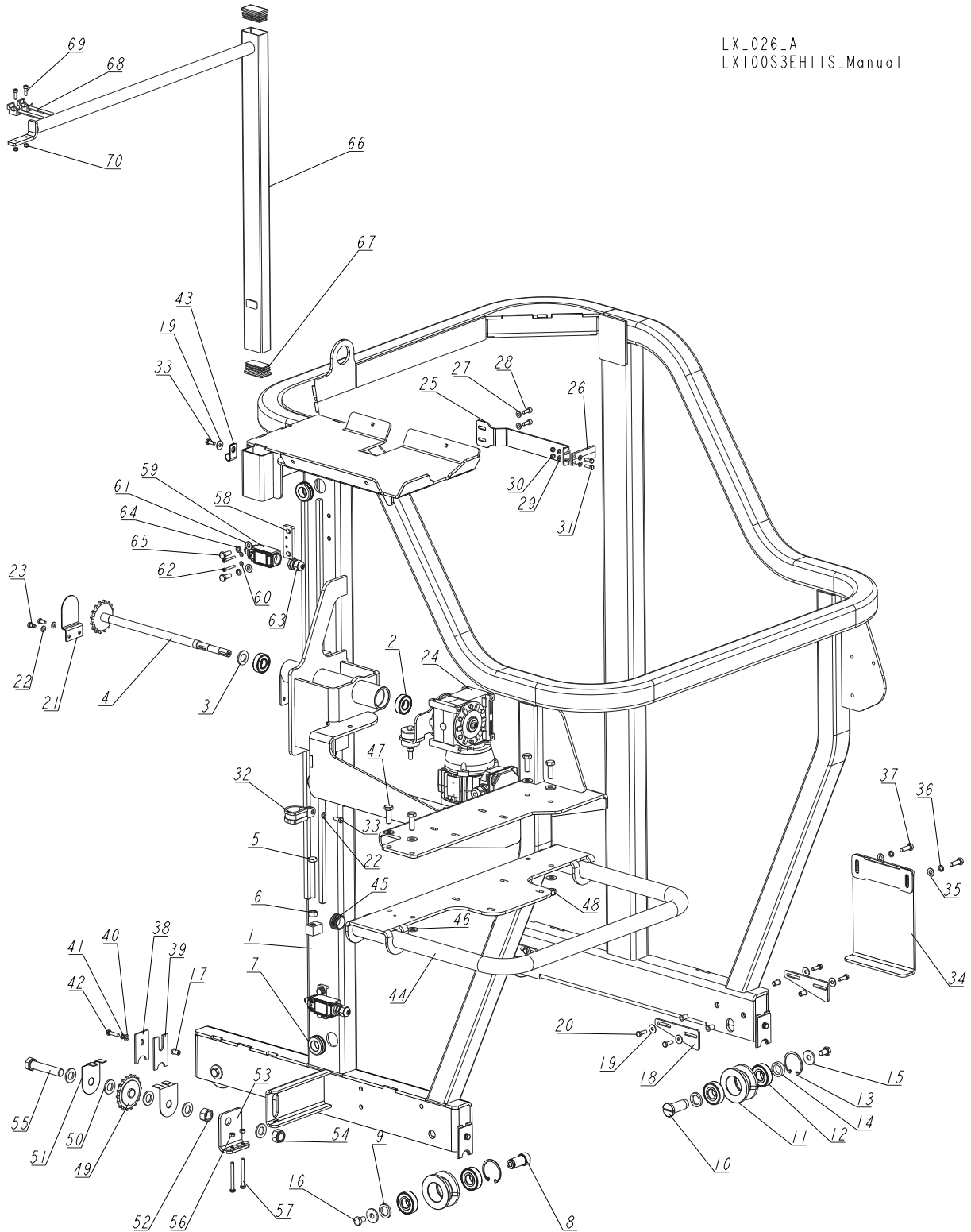
5.4 Saw Head Decals



| REF. | DESCRIPTION (◆ indicates parts available in assemblies only) | PART # | QTY |
|------|--|---------|-----|
| | PICTOGRAPHIC DECAL KIT | 518619 | 1 |
| | DECAL, SERIES SAWMILL | 518620 | 1 |
| 1 | DECAL, EUROPEAN HEADQUARTERS ADDRESS | 015841 | 1 |
| 2 | DECAL, SAWMILL COVERS CAUTION | 099220 | 1 |
| 3 | DECAL, BLADE TENSION (PICTOGRAM) | 099219 | 1 |
| 4 | DECAL, BLADE ALIGNMENT | P11789 | 1 |
| 5 | DECAL, TENSIONER PRESSURE VALUE | 510643 | 1 |
| 6 | DECAL, READ OPERATOR'S MANUAL (PICTOGRAM) | 096317 | 1 |
| 7 | DECAL, EYE WARNING (PICTOGRAM) | S12004G | 1 |
| 8 | DECAL, EAR WARNING (PICTOGRAM) | S12005G | 1 |
| 9 | DECAL, USE SAFETY BOOTS (PICTOGRAM) | 501465 | 1 |
| 10 | DECAL, BLADE MOVEMENT DIRECTION (PICTOGRAM) | 096321 | 1 |
| 11 | DECAL, MOTOR DIRECTION | S20097 | 1 |
| 12 | DECAL, HIGH VOLTAGE IN ELECTRIC BOX | 096316 | 1 |
| 13 | DECAL, DISCONNECT POWER SUPPLY BEFORE OPENING | 096319 | 1 |
| 14 | DECAL, CE CERTIFIED MACHINE [SMALL] | P85070 | 1 |
| 15 | DECAL, RUSSIAN SAFETY CERTIFICATION | 099401 | 1 |
| 16 | DECAL, INTERNATIONAL SAWMILL NAME | 501466 | 1 |

SECTION 6 SAWMILL MAST

6.1 EH11S Mast and Up/Down Limit Switches

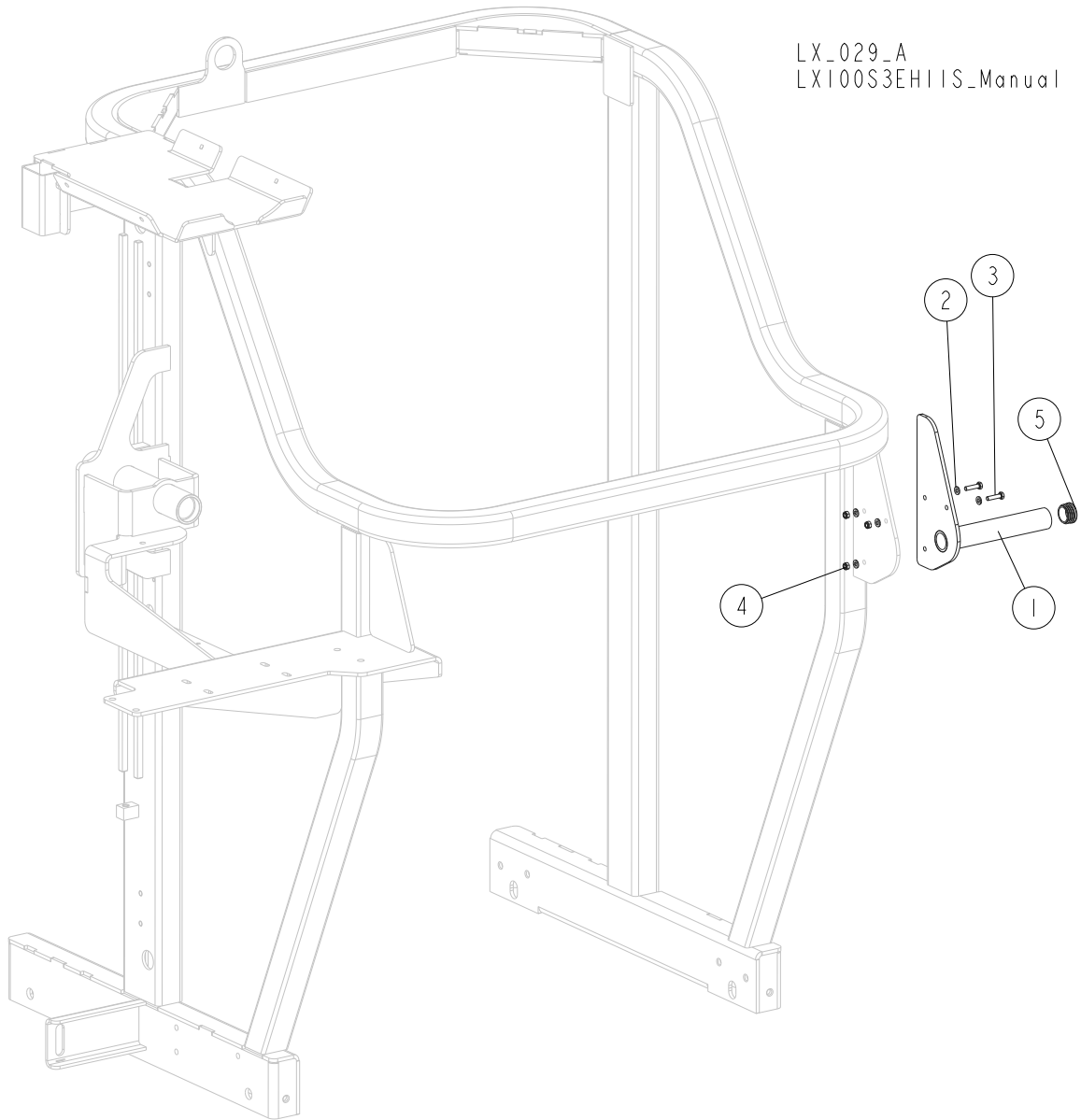


LX_026_A
LX100S3EH11S_Manual

| REF. | DESCRIPTION (* Indicates Parts Available in Assemblies Only) | PART # | QTY |
|------|--|-----------------|----------|
| | MAST, CE - COMPLETE | 516093 | 1 |
| | MAST, CE | 516092-1 | 1 |
| 1 | MAST WELDMENT, CE | 516091 | 1 |
| 2 | BEARING, 6203-2RS | 086114 | 2 |
| 3 | WASHER, 17 FLAT ZINC | F81058-1 | 1 |
| 4 | SHAFT WITH SPROCKET | 513307 | 1 |
| 5 | BOLT, M10-80-8.8 HEX HEAD FULL THREAD ZINC | F81003-76 | 1 |
| 6 | NUT, M10-8-B HEX ZINC | F81033-3 | 1 |
| 7 | GROMMET, 22 MM ID RUBBER | 087400 | 3 |
| 8 | PIN, FIXED TRACK ROLLER | 515018 | 2 |
| 9 | WASHER, 20.5X30-4 | 515021 | 4 |
| 10 | PIN, ADJUSTABLE ROLLER | 515101 | 2 |
| | ROLLER ASSEMBLY, TRACK | 515015 | 4 |
| 11 | ROLLER | 514889 | 1 |
| 12 | BEARING, 6204 2RS-CX ROLLING | 088447 | 2 |
| 13 | RING, W47 INSIDE RETAINING | 089653 | 1 |
| 14 | WASHER, 20.5X30-7.4 ZINC | 518177-1 | 2 |
| 15 | WASHER, 11 SPECIAL FLAT ZINC | 088787-1 | 4 |
| 16 | BOLT, M10X16-8.8 HEX HEAD FULL THREAD ZINC | F81003-13 | 4 |
| 17 | NUT, M6 1.5-4.0 STAINLESS STEEL RIVET | F81031-9 | 12 |
| 18 | PLATE, ROLLER ADJUSTMENT | 516508-1 | 4 |
| 19 | WASHER, 6.5 SPECIAL FLAT ZINC | F81053-11 | 9 |
| 20 | BOLT, M6X20-8.8 HEX HEAD FULL THREAD ZINC | F81001-2 | 8 |
| 21 | GUARD, LT15 UPPER SAW HEAD SPROCKET | 092567-1 | 1 |
| 22 | WASHER, 6.4 FLAT ZINC | F81053-1 | 3 |
| 23 | BOLT, M6X12-8.8 HEX HEAD FULL THREAD ZINC | F81001-7 | 2 |
| 24 | DRIVE ASSEMBLY, UP/DOWN See Section 8.1 | 517395 | 1 |
| | INDICATOR, BLADE HEIGHT SCALE - COMPLETE | 517399 | 1 |
| 25 | INDICATOR, BLADE HEIGHT SCALE - COMPLETE | 517382-1 | 1 |
| 26 | INDICATOR, BLADE HEIGHT SCALE | 094821 | 1 |
| 27 | WASHER, 6.4 FLAT ZINC | F81053-1 | 2 |
| 28 | SCREW, M6X16 HEX SOCKET HEAD CAP | F81001-21 | 2 |
| 29 | WASHER, 5.3 FLAT ZINC | F81052-1 | 4 |
| 30 | NUT, M5-8-FE/ZN5 DIN985 | F81030-2 | 2 |
| 31 | BOLT, M5X16-8.8 HEX HEAD FULL THREAD ZINC | F81000-20 | 2 |
| 32 | CLAMP, RSGU 1.30/20 | F81087-1 | 1 |
| 33 | BOLT, M6 X 16 8.8 HEX HEAD FULL THREAD ZINC | F81001-15 | 2 |
| | COMPLETE PLATE | 517608 | 1 |
| 34 | PLATE WELDMENT | 517605-1 | 1 |
| 35 | WASHER, 8.4 FLAT ZINC | F81054-1 | 2 |
| 36 | WASHER 8.2 SPLIT LOCK ZINC | F81054-4 | 2 |
| 37 | BOLT, M8X25-8.8-B HEX HEAD FULL THREAD ZINC | F81002-5 | 2 |
| | COMPLETE SCRAPER | 517611 | 4 |
| 38 | PLATE, SCRAPER CLAMPING | 517610-1 | 1 |
| 39 | SCRAPER | 517609 | 1 |
| 40 | WASHER, 6.4 FLAT ZINC | F81053-1 | 1 |
| 41 | WASHER, Z 6.1 SPLIT LOCK ZINC | F81053-3 | 1 |

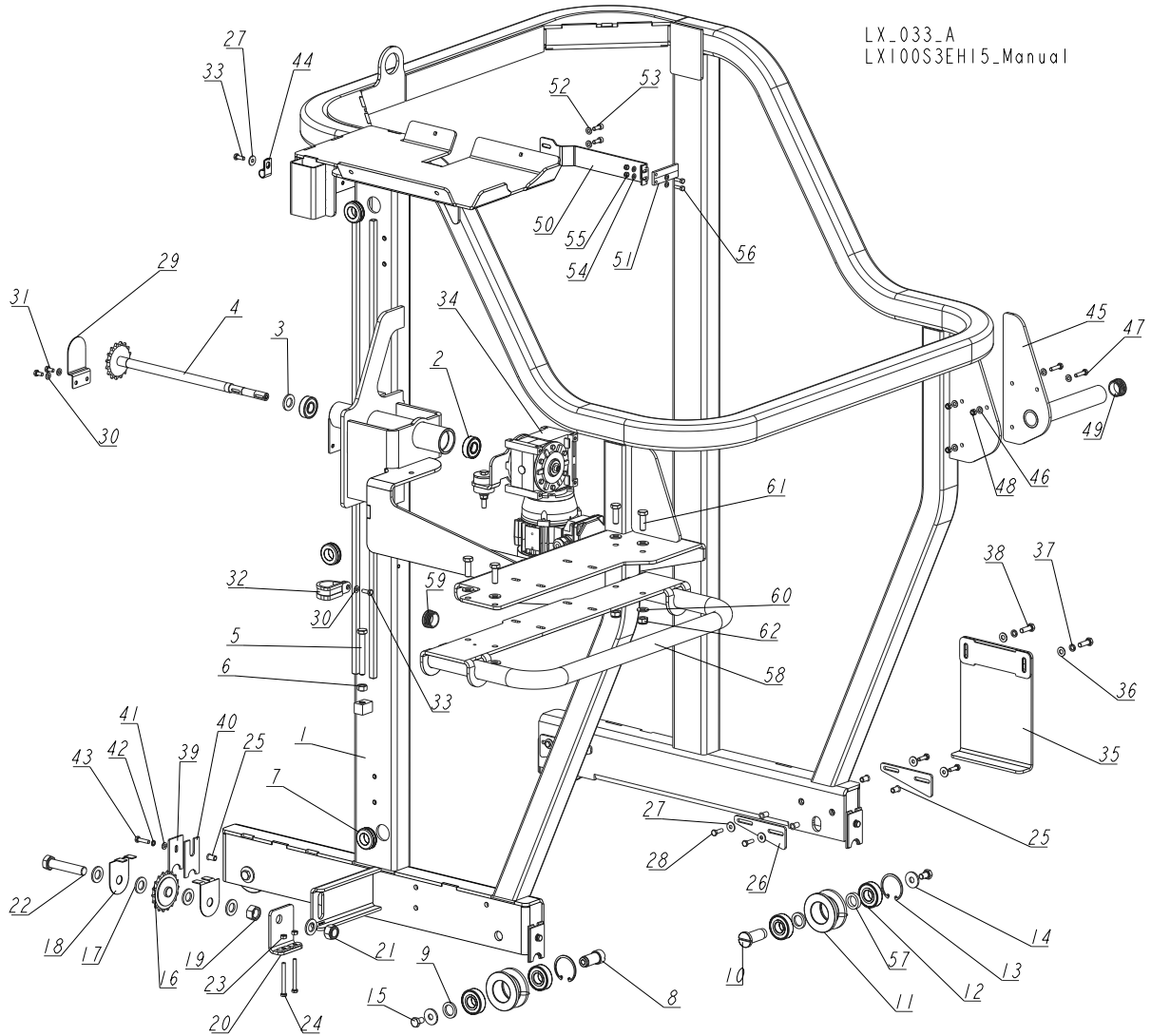
| REF. | DESCRIPTION (* Indicates Parts Available In Assemblies Only) | PART # | QTY |
|------|--|---------------|----------|
| 42 | BOLT, M6x25 -5.8 HEX HEAD FULL THREAD ZINC | F81001-3 | 1 |
| 43 | CLAMP, 1/2EMT COATED | P07584 | 1 |
| | HANDLE, CE - COMPETE | 517612 | 1 |
| 44 | HANDLE WELDMENT, CE | 517557-1 | 1 |
| 45 | CAP, SR1530 (30 HOLE) TUBE | 517616 | 1 |
| 46 | WASHER, 10.5 FLAT ZINC | F81055-1 | 8 |
| 47 | BOLT, M10X30-5.8 HEX HEAD FULL THREAD ZINC | F81003-2 | 4 |
| 48 | NUT, M10-8-B HEX NYLON ZINC LOCK | F81033-1 | 4 |
| | SPROCKET ASSEMBLY, BOTTOM | 518175 | 1 |
| 49 | SPROCKET, #40 IDLER 17T 5/8ID | P04333 | 1 |
| 50 | WASHER, 17 FLAT ZINC | F81058-1 | 5 |
| 51 | GUARD, LT15 UP/DOWN CHAIN SPROCKET | 092566-1 | 2 |
| 52 | NUT, M16-5.8 HEX ZINC | F81036-1 | 1 |
| 53 | TENSIONER | 502525-1 | 1 |
| 54 | NUT, M16-8 HEX NYLON ZINC LOCK | F81036-2 | 1 |
| 55 | BOLT, M16X80 8.8-B HEX HEAD FULL THREAD ZINC | F81006-11 | 1 |
| 56 | NUT, M6-8 HEX ZINC | F81031-1 | 2 |
| 57 | BOLT, M6X60-8.8 HEX HEAD FULL THREAD ZINNC | F81001-9 | 2 |
| | LIMIT SWITCH W/MOUNTING PLATE | 094227 | 2 |
| 58 | PLATE, LIMIT SWITCH MOUNT | 094228-1 | 1 |
| 59 | SWITCH, FA134 Z11 SAFETY | 100910 | 1 |
| 60 | WASHER 4,3 FLAT ZINC | F81051-2 | 2 |
| 61 | WASHER, 8.4 FLAT ZINC | F81054-1 | 2 |
| 62 | SCREW, M4X30-8.8 DIN 912 HEX SOCKET HEAD CAP ZINC | F81000-85 | 2 |
| 63 | GLAND, DP9/H CABLE | F81096-2 | 1 |
| 64 | WASHER 8.2 SPLIT LOCK ZINC | F81054-4 | 2 |
| 65 | BOLT, M8X20-8.8-B HEX HEAD FULL THREAD ZINC | F81002-4 | 2 |
| | HANGER, LT15 POWER CORD | 097449 | 1 |
| 66 | BRACKET, LT15 POWER CORD | 086132-1 | 1 |
| 67 | CAP, 50X30 BLACK | 095919 | 2 |
| 68 | HOLDER - PLASTIC CABLE TIE | F81082-1 | 2 |
| 69 | SCREW, M5X16-8.8 HEX SOCKET HEAD CAP ZINC | F81000-25 | 2 |
| 70 | NUT, M5-8-FE/ZN5 DIN985 | F81030-2 | 2 |

6.2 Handle for Manual Feed



| REF. | DESCRIPTION (◆ indicates parts available in assemblies only) | PART # | QTY |
|------|--|---------------|----------|
| | HANDLE, ADDITIONAL - COMPLETE | 516821 | 1 |
| 1 | HANDLE WELDMENT | 516820-1 | 1 |
| 2 | WASHER, 6.4 FLAT ZINC | F81053-1 | 6 |
| 3 | BOLT, M6X25 5.8 HEX HEAD FULL THREAD ZINC | F81001-3 | 3 |
| 4 | NUT, M6-8-B HEX NYLON ZINC LOCK | F81031-2 | 3 |
| 5 | CAP, SR1530 (30 HOLE) TUBE | 517616 | 1 |

6.3 E15 Sawmill Mast (African Version)



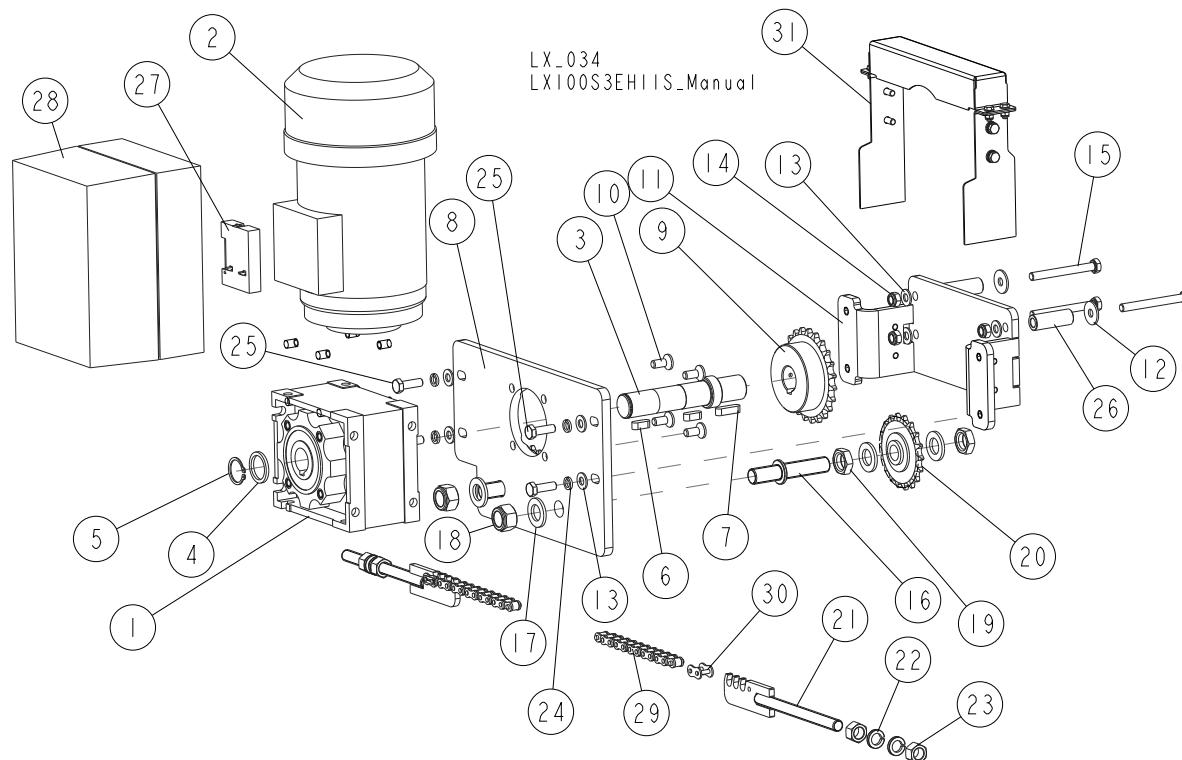
| REF. | DESCRIPTION (* Indicates Parts Available in Assemblies Only) | PART # | QTY |
|------|--|---------------|----------|
| | MAST, COMPLETE | 517385 | 1 |
| | MAST | 516092-1 | 1 |
| 1 | MAST WELDMENT | 516091 | 1 |
| 2 | BEARING, 6203-2RS | 086114 | 2 |
| 3 | WASHER, 17 FLAT ZINC | F81058-1 | 1 |
| 4 | SHAFT WITH SPROCKET | 513307 | 1 |
| 5 | BOLT, M10-80-8.8 HEX HEAD FULL THREAD ZINC | F81003-76 | 1 |
| 6 | NUT, M10-8-B HEX ZINC | F81033-3 | 1 |
| 7 | GROMMET, 22 MM ID RUBBER | 087400 | 3 |
| 8 | PIN, FIXED TRACK ROLLER | 515018 | 2 |
| 9 | WASHER, 20.5X30-4 | 515021 | 4 |
| 10 | PIN, ADJUSTABLE ROLLER | 515101 | 2 |
| | ROLLER ASSEMBLY, TRACK | 515015 | 4 |
| 11 | ROLLER | 514889 | 1 |

| REF. | DESCRIPTION (* Indicates Parts Available In Assemblies Only) | PART # | QTY |
|------|--|---------------|----------|
| 12 | BEARING, 6204 2RS-CX ROLLING | 088447 | 2 |
| 13 | RING, W47 INSIDE RETAINING | 089653 | 1 |
| 14 | WASHER, 11 ZINC FLAT SPECIAL | 088787-1 | 4 |
| 15 | BOLT, M10X16-8.8 HEX HEAD FULL THREAD ZINC | F81003-13 | 4 |
| | SPROCKET ASSEMBLY, BOTTOM | 518175 | 1 |
| 16 | SPROCKET, #40 IDLER 17T 5/8ID | P04333 | 1 |
| 17 | WASHER, 17 FLAT ZINC | F81058-1 | 5 |
| 18 | GUARD, LT15 UP/DOWN CHAIN SPROCKET | 092566-1 | 2 |
| 19 | NUT, M16-5.8 HEX ZINC | F81036-1 | 1 |
| 20 | TENSIONER | 502525-1 | 1 |
| 21 | NUT, M16-8 HEX NYLON ZINC LOCK | F81036-2 | 1 |
| 22 | BOLT, M16X80 8.8-B HEX HEAD FULL THREAD ZINC | F81006-11 | 1 |
| 23 | NUT, M6-8 HEX ZINC | F81031-1 | 2 |
| 24 | BOLT, M6X60-8.8 HEX HEAD FULL THREAD ZINC | F81001-9 | 2 |
| 25 | NUT, M6 1.5-4.0 STAINLESS STEEL RIVET | F81031-9 | 12 |
| 26 | PLATE, ROLLER ADJUSTMENT | 516508-1 | 4 |
| 27 | WASHER, 6.5 SPECIAL FLAT ZINC | F81053-11 | 9 |
| 28 | BOLT, M6X20-8.8 HEX HEAD FULL THREAD ZINC | F81001-2 | 8 |
| 29 | GUARD, UPPER LT15 SAW HEAD SPROCKET | 092567-1 | 1 |
| 30 | WASHER, 6.4 FLAT ZINC | F81053-1 | 3 |
| 31 | BOLT, M6X12-8.8 HEX HEAD FULL THREAD ZINC | F81001-7 | 2 |
| 32 | CLAMP, RSGU 1.30/20 | F81087-1 | 1 |
| 33 | BOLT, M6 X 16 8.8 HEX HEAD FULL THREAD ZINC | F81001-15 | 2 |
| 34 | DRIVE ASSEMBLY, UP/DOWN See Section 8.1 | 517395 | 1 |
| | COMPLETE PLATE | 517608 | 1 |
| 35 | PLATE WELDMENT | 517605-1 | 1 |
| 36 | WASHER, 8.4 FLAT ZINC | F81054-1 | 2 |
| 37 | WASHER 8.2 SPLIT LOCK ZINC | F81054-4 | 2 |
| 38 | BOLT, M8X25-8.8-B HEX HEAD FULL THREAD ZINC | F81002-5 | 2 |
| | COMPLETE SCRAPER | 517611 | 4 |
| 39 | PLATE, SCRAPER CLAMPING | 517610-1 | 1 |
| 40 | SCRAPER | 517609 | 1 |
| 41 | WASHER, 6.4 FLAT ZINC | F81053-1 | 1 |
| 42 | WASHER, Z 6.1 SPLIT LOCK ZINC | F81053-3 | 1 |
| 43 | BOLT, M6x25-5.8 HEX HEAD FULL THREAD ZINC | F81001-3 | 1 |
| 44 | CLAMP, 1/2EMT COATED | P07584 | 1 |
| | HANDLE, ADDITIONAL - COMPLETE | 516821 | 1 |
| 45 | HANDLE WELDMENT | 516820-1 | 1 |
| 46 | WASHER, 6.4 FLAT ZINC | F81053-1 | 6 |
| 47 | BOLT, M6X25 5.8 HEX HEAD FULL THREAD ZINC | F81001-3 | 3 |
| 48 | NUT, M6-8-B HEX NYLON ZINC LOCK | F81031-2 | 3 |
| 49 | CAP, SR1530 (30 HOLE) TUBE | 517616 | 1 |
| | INDICATOR, BLADE HEIGHT SCALE - COMPLETE | 517399 | 1 |
| 50 | INDICATOR, BLADE HEIGHT SCALE - COMPLETE | 517382-1 | 1 |
| 51 | INDICATOR, BLADE HEIGHT SCALE | 094821 | 1 |
| 52 | WASHER, 6.4 FLAT ZINC | F81053-1 | 2 |
| 53 | SCREW, M6X16 HEX SOCKET HEAD CAP | F81001-21 | 2 |

| REF. | DESCRIPTION (* Indicates Parts Available In Assemblies Only) | PART # | QTY | |
|------|--|---------------|----------|--|
| 54 | WASHER, 5.3 FLAT ZINC | F81052-1 | 4 | |
| 55 | NUT, M5-8-FE/ZN5 DIN985 | F81030-2 | 2 | |
| 56 | BOLT, M5X16-8.8 HEX HEAD FULL THREAD ZINC | F81000-20 | 2 | |
| 57 | WASHER, 20.5X/30-7.4 ZINC | 518177-1 | 2 | |
| | COMPLETE HANDLE (AFRICA) | 518166 | 1 | |
| 58 | HANDLE WELDMENT (AFRICA) | 518167-1 | 1 | |
| 59 | CAP, SR1530 (30 HOLE) TUBE | 517616 | 1 | |
| 60 | WASHER, 10.5 FLAT ZINC | F81055-1 | 8 | |
| 61 | BOLT, M10x30-5.8 HEX HEAD FULL THREAD ZINC | F81003-2 | 4 | |
| 62 | NUT, M10-8-B HEX NYLON ZINC LOCK | F81033-1 | 4 | |

SECTION 7 POWER FEED SYSTEM

7.1 Power Feed Assembly

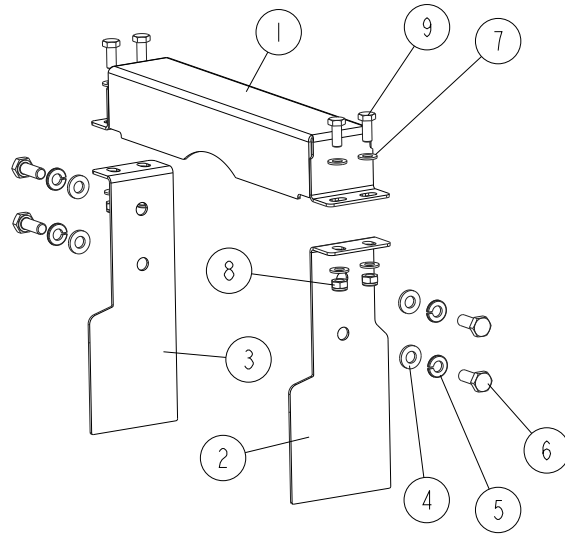


| REF. | DESCRIPTION (* Indicates Parts Available In Assemblies Only) | PART # | QTY |
|------|--|------------------|----------|
| | S3/AC-P POWER FEED EQUIPMENT | 517910-S3 | 1 |
| | POWER FEED ASSEMBLY (AC) | 517885 | 1 |
| | MOTOREDUCER, GCM 050 U25 P80B14 V5 80K2 | 517905 | 1 |
| 1 | REDUCER, 501008, 500617 | 083689 | 1 |
| 2 | MOTOR, 0.75 KW 2770 r.p.m. DMA-80K2 B14 | 517908 | 1 |
| 3 | SHAFT, OUTPUT | 517884 | 1 |
| 4 | WASHER 25.1/32-3 ZINC | 500863-1 | 1 |
| 5 | RING, 25Z OUTSIDE RETAINING | F81090-22 | 1 |
| 6 | KEY, A8X7X20 PARALLEL | 099059 | 2 |
| 7 | KEY, A 8X7X28 PARALLEL | 096035 | 1 |
| 8 | PLATE, GEARBOX MOUNTING | 517899-1 | 1 |
| 9 | SPROCKET, 08B-1; Z=23; DP=93.27(T 72548) | 517883-1 | 1 |
| 10 | SCREW, M8X20-8.8-FE/ZN5 DIN7991 | F81002-70 | 4 |
| 11 | BRACKET, MOUNTING | 517886-1 | 1 |
| 12 | WASHER, ISO 7093-1-8-200 HV-A2E | F81054-11 | 3 |
| 13 | WASHER, 8.4 FLAT ZINC | F81054-1 | 7 |
| 14 | NUT, M8-8-B HEX NYLON ZINC LOCK | F81032-2 | 3 |
| 15 | BOLT, M8 X 75 8.8 HEX HEAD ZINC | F81002-91 | 3 |
| | SPROCKET ASSEMBLY | 517890 | 2 |
| 16 | SHAFT, SPROCKET | 517891-1 | 1 |
| 17 | WASHER, 17 FLAT ZINC | F81058-1 | 3 |
| 18 | NUT, M16-8 HEX NYLON ZINC LOCK | F81036-2 | 1 |

| REF. | DESCRIPTION (* Indicates Parts Available In Assemblies Only) | PART # | QTY | |
|------|--|-----------|-----|--|
| 19 | NUT, M16 8 HEX THIN ZINC | F81036-4 | 2 | |
| 20 | SPROCKET, IDLER Z=18 KSR16.L0.08.10.18.0 | 088700 | 1 | |
| 21 | BRACKET, POWER FEED CHAIN | 517895-1 | 2 | |
| 22 | WASHER, Z12.2 SPLIT LOCK ZINC | F81056-2 | 4 | |
| 23 | NUT, M12-8-B HEX ZINC | F81034-1 | 4 | |
| 24 | WASHER 8.2 SPLIT LOCK ZINC | F81054-4 | 4 | |
| 25 | BOLT, M8X25-8.8-B HEX HEAD FULL THREAD ZINC | F81002-5 | 4 | |
| 26 | BUSHING 9/16-44.5 ZINC | 517914-1 | 3 | |
| 27 | MODULE, STANDARD I/O TYPE E84DGFCSNP | 509120 | 1 | |
| 28 | CONVERTER, FREQUENCY TYPE E84DGDVB55142PS | 509119 | 1 | |
| 29 | CHAIN, 08B; =6.62 M (521) | 517898-S3 | 1 | |
| 30 | LINK, 08B-1PZ CHAIN | 091625 | 2 | |
| 31 | COVER ASSEMBLY, POWER FEED See Section 7.2 | 517915 | 1 | |

7.2 Power Feed Cover Assembly

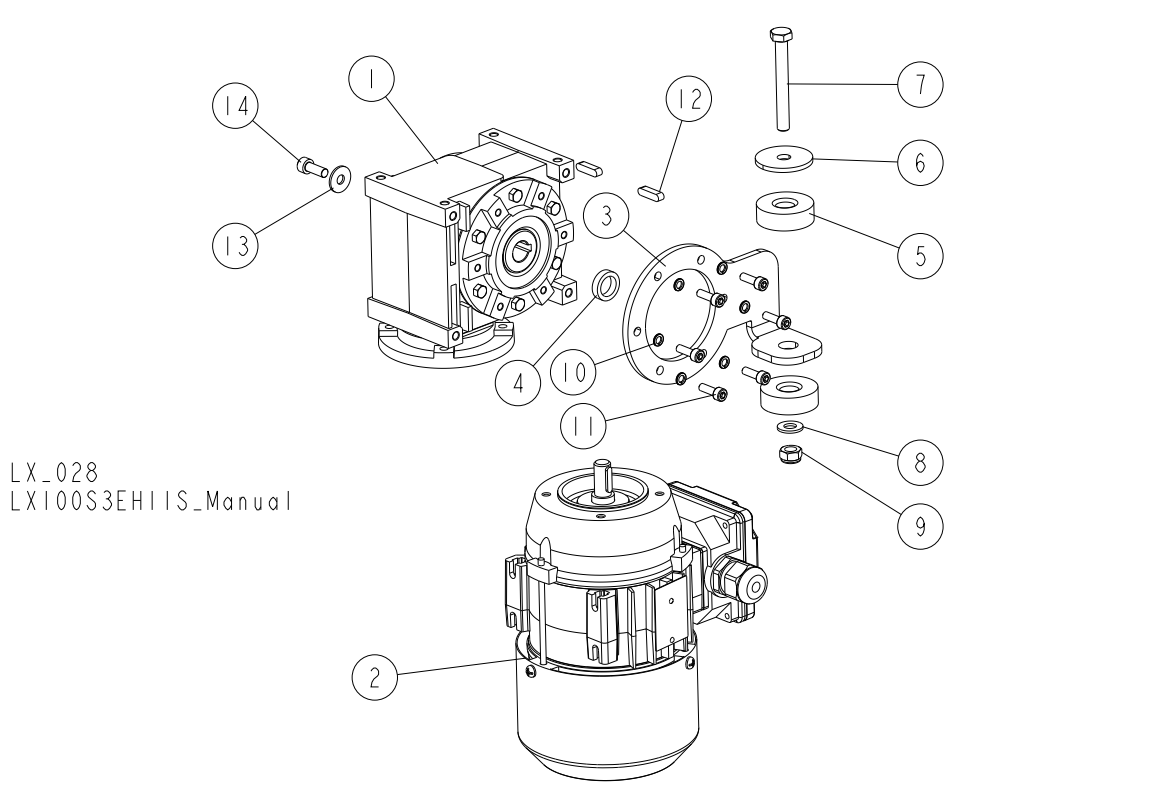
LX_035
LX100S3EH11S_Manual



| REF. | DESCRIPTION (◆ indicates parts available in assemblies only) | PART # | QTY |
|------|--|---------------|----------|
| | COVER ASSEMBLY, POWER FEED | 517915 | 1 |
| 1 | COVER, TOP | 517912-1 | 1 |
| 2 | PLATE, RIGHT SIDE | 517906-1 | 1 |
| 3 | PLATE, LEFT SIDE | 517909-1 | 1 |
| 4 | WASHER, 6.4 FLAT ZINC | F81053-1 | 4 |
| 5 | WASHER, 6,1 DIN 127 (A2-304) SPLIT LOCK | F81053-4 | 4 |
| 6 | BOLT, M6 X 16 8.8 HEX HEAD FULL THREAD ZINC | F81001-15 | 4 |
| 7 | WASHER, 5.3 FLAT ZINC | F81052-1 | 8 |
| 8 | NUT, M5-8-FE/ZN5 DIN985 | F81030-2 | 4 |
| 9 | BOLT, M5 X 12-5.8 HEX HEAD FULL THREAD ZINC | F81000-5 | 4 |

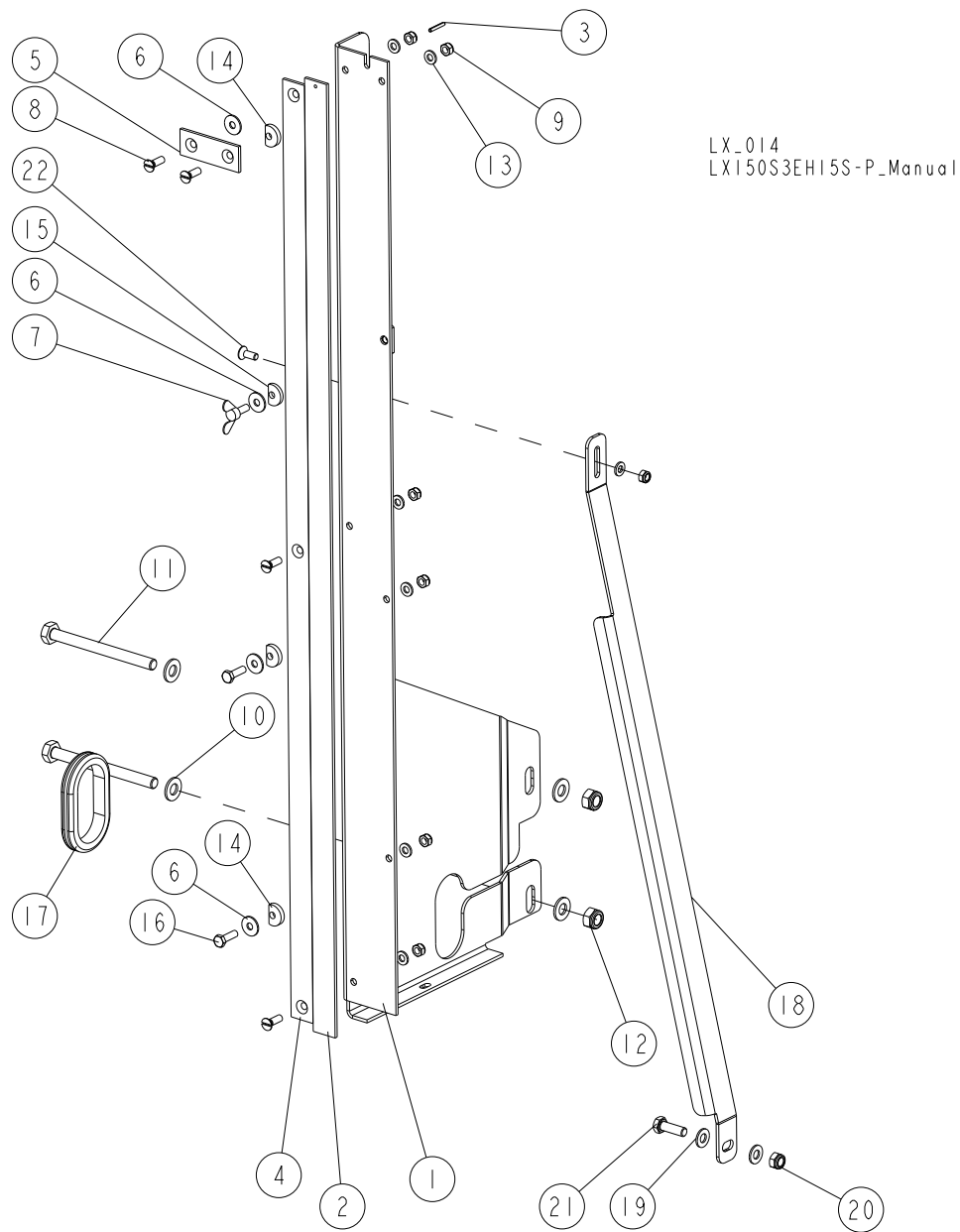
SECTION 8 UP/DOWN SYSTEM

8.1 Up/Down Drive Assembly



| REF. | DESCRIPTION (◆ indicates parts available in assemblies only) | PART # | QTY |
|------|--|---------------|----------|
| | DRIVE ASSEMBLY, UP/DOWN | 517395 | 1 |
| | MOTOREDUCER, MRA-03/16 [0.25-2800/90/11-B] KM2/W/V6 | 517394 | 1 |
| 1 | GEAR-BOX, MRA-03/16 [0.25-2800/90/11-B] KM2/W/V6 | 517393 | 1 |
| 2 | MOTOR, 63B14 (0.25-2800-90/11) | 517104 | 1 |
| 3 | ARM, TORQUE | 517390-1 | 1 |
| 4 | BUSHING, 14/20-5 | 513160 | 1 |
| 5 | WASHER, RUBBER | 090443 | 2 |
| 6 | WASHER, 5X9X38 | 513086 | 1 |
| 7 | BOLT, M8X65 8.8 HEX HEAD FULL THREAD ZINC | F81002-9 | 1 |
| 8 | WASHER, 8.4 FLAT ZINC | F81054-1 | 1 |
| 9 | NUT, M8 8 HEX NYLON ZINC LOCK | F81032-2 | 1 |
| 10 | WASHER, 5.1 SPLIT LOCK | F81052-2 | 6 |
| 11 | SCREW, M5X16-8.8 HEX SOCKET HEAD CAP ZINC | F81000-25 | 6 |
| 12 | KEY, A5X5X20 PARALLEL | 513320 | 2 |
| 13 | WASHER, 6.5 SPECIAL FLAT ZINC | F81053-11 | 1 |
| 14 | SCREW, M6X16 8.8 HEX SOCKET HEAD CAP ZINC | F81001-21 | 1 |

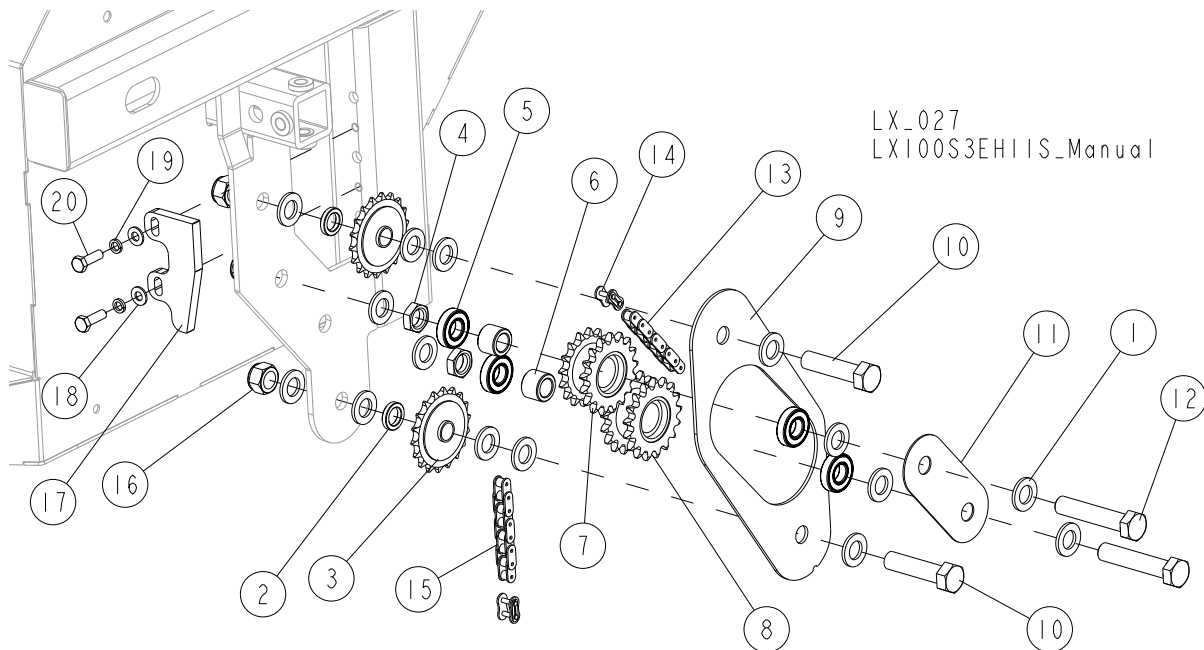
8.2 Blade Height Scale Assembly



| REF. | DESCRIPTION (◆ indicates parts available in assemblies only) | PART # | QTY |
|------|--|---------------|----------|
| | BLADE HEIGHT SCALE - COMPLETE (METRIC) | 517400 | 1 |
| 1 | BRACKET WELDMENT, BLADE HEIGHT SCALE | 517401-1 | 1 |
| 2 | BAR, INCH SCALE | 093133 | 1 |
| 3 | PIN, 3X20 GEOMET ROLL | F81044-5 | 1 |
| 4 | BAR, SCALE | 092750 | 1 |
| 5 | BAR, SCALE CLAMPING | 093134 | 1 |
| 6 | WASHER, 6.5 SPECIAL FLAT ZINC | F81053-11 | 4 |
| 7 | SCREW, M6X16 DIN-316/BN-276 ZINC-PL. WING | F81001-16 | 1 |
| 8 | SCREW, M6X20-5.8-B SLOTTED COUNTERSUNK HEAD ZINC | F81001-31 | 4 |
| 9 | NUT, M6-8-B HEX NYLON ZINC LOCK | F81031-2 | 7 |
| 10 | WASHER, 10.5 FLAT ZINC | F81055-1 | 4 |

| REF. | DESCRIPTION (◆ indicates parts available in assemblies only) | PART # | QTY | |
|------|--|-----------|-----|--|
| 11 | BOLT, M10X115-8.8 HEX HEAD | F81003-19 | 2 | |
| 12 | NUT, M10-8-B HEX NYLON ZINC LOCK | F81033-1 | 2 | |
| 13 | WASHER, 6.4 FLAT ZINC | F81053-1 | 7 | |
| 14 | WASHER, 6.2X20X4.5 SPECIAL | 503098 | 3 | |
| 15 | WASHER, 6.2X20X3.5 SPECIAL | 503096 | 1 | |
| 16 | BOLT, M6X20 8.8 HEX HEAD FULL THREAD ZINC | F81001-2 | 2 | |
| 17 | GROMMET, RUBBER | 087065 | 1 | |
| 18 | BRACKET, BLADE HEIGHT SCALE SUPPORT | 517403-1 | 1 | |
| 19 | WASHER, 8.4 FLAT ZINC | F81054-1 | 2 | |
| 20 | NUT, M8 8 HEX NYLON ZINC LOCK | F81032-2 | 1 | |
| 21 | BOLT, M8X25-8.8-B HEX HEAD FULL THREAD ZINC | F81002-5 | 1 | |
| 22 | SCREW, M6X16-10.9 DIN7991 FLAT SOCKET HEAD CAP ZINC | F81001-55 | 1 | |

8.3 Up/Down Sprockets

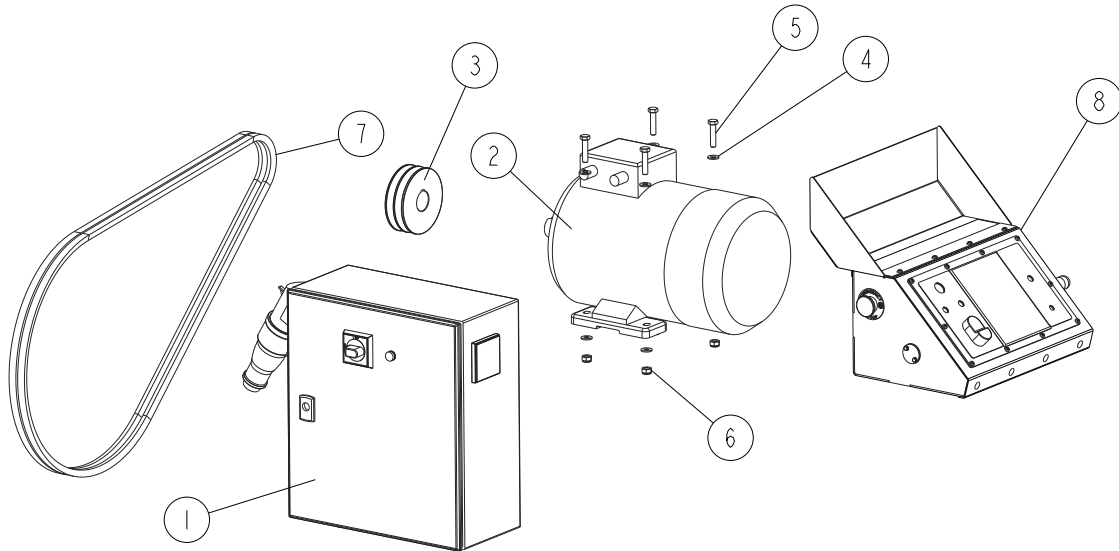


| REF. | DESCRIPTION (◆ indicates parts available in assemblies only) | PART # | QTY |
|------|--|---------------|----------|
| 1 | WASHER, 17 SPLIT LOCK ZINC | F81058-1 | 18 |
| 2 | BUSHING | 095937-1 | 2 |
| 3 | SPROCKET, #40 IDLER 17T 5/8 ID | P04333 | 2 |
| 4 | NUT, M16 THIN ZINC | F81036-4 | 2 |
| 5 | BEARING, R10-2NSL | P04156 | 4 |
| 6 | BUSHING | 095938-1 | 2 |
| 7 | SPROCKET WELDMENT, 16/17 DUAL | 086813-1 | 1 |
| 8 | SPROCKET WELDMENT, 17/17 DUAL | 086812-1 | 1 |
| 9 | GUARD, UP/DOWN CHAIN INTERNAL | 014907-1 | 1 |
| 10 | BOLT, M16X65 8.8 HEX HEAD FULL THREAD ZINC | F81006-1 | 2 |
| 11 | PLATE, UP/DOWN CHAIN GUARD | 087104-1 | 1 |
| 12 | BOLT, M16X80-8.8 HEX HEAD FULL THREAD ZINC | F81006-11 | 2 |
| 13 | CHAIN, #40X15 1/2 | P12496 | 1 |
| 14 | LINK, #40 MASTER | P04200 | 2 |
| 15 | CHAIN, #40X112 1/2" | 014831 | 1 |
| 16 | NUT, M16-8 HEX NYLON ZINC LOCK | F81036-2 | 4 |
| | PLATE, LIMIT SWITCH ACTIVATOR - COMPLETE | 516510 | 1 |
| 17 | PLATE, LIMIT SWITCH ACTIVATOR | 516509-1 | 1 |
| 18 | WASHER, 8.4 FLAT ZINC | F81054-1 | 2 |
| 19 | WASHER, 8.2 SPLIT LOCK ZINC | F81054-4 | 2 |
| 20 | BOLT, M8x25-8.8-B HEX HEAD FULL THREAD ZINC | F81002-5 | 2 |

SECTION 9 MOTOR ASSEMBLY

9.1 E11, E15 Motor Assembly

LX_032_A
LXI00S3EH15_Manual

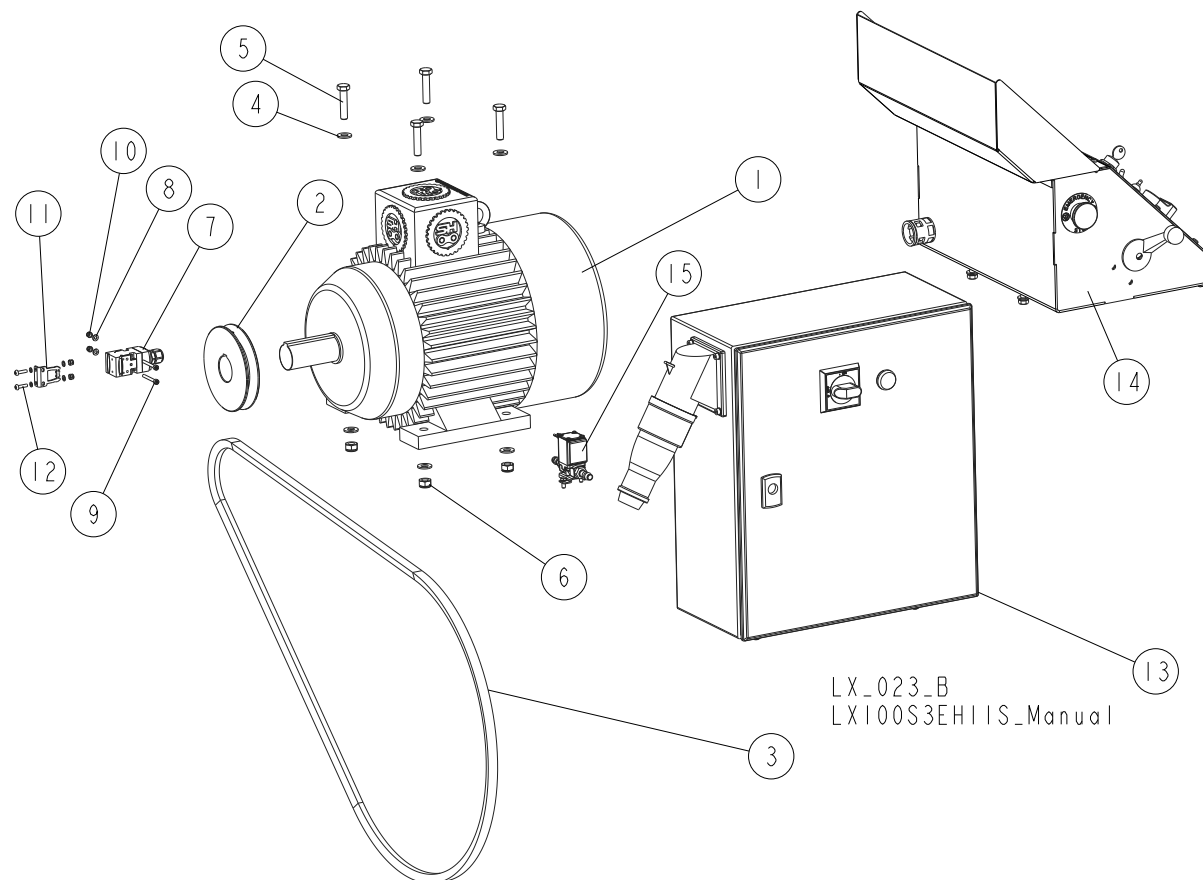


| REF. | DESCRIPTION (* Indicates Parts Available In Assemblies Only) | PART # | QTY |
|------|---|-----------------|------------|
| | MOTOR KIT, E11 400V | 516793-3 | 1/0 |
| | MOTOR KIT, E15 400V | 516789-3 | 0/1 |
| 1 | BOX ASSEMBLY, E11 CE ELECTRIC See Section 9.3 | 516794 | 1/0 |
| | BOX ASSEMBLY, E15 CE ELECTRIC See Section 9.3 | 516790 | 0/1 |
| 2 | MOTOR, 7.5KW 380V 3-PHASE ELECTRIC (PL) | 085482 | 1/0 |
| | MOTOR, 11KW 380V 3-PHASE ELECTRIC (PL) | P85186 | 0/1 |
| 3 | PULLEY, E11 2-GROOVE | 086807-1 | 1/0 |
| | PULLEY, E15 2-GROOVE | 091560 | 0/1 |
| 4 | WASHER, 10.5 FLAT ZINC | F81055-1 | 8 |
| 5 | BOLT, M10X45-8.8 HEX HEAD FULL THREAD ZINC | F81003-3 | 4 |
| 6 | NUT, M10-8-B HEX NYLON ZINC LOCK | F81033-1 | 4 |
| 7 | BELT, BX81 LT15 | 014819 | 1/0 |
| | BELT, 2BX81 LT20 | 014819-2 | 0/1 |
| 8 | BOX, AC CONTROL - COMPLETE See Section 9.4 | 518150-3 | 1 |

9 MOTOR ASSEMBLY

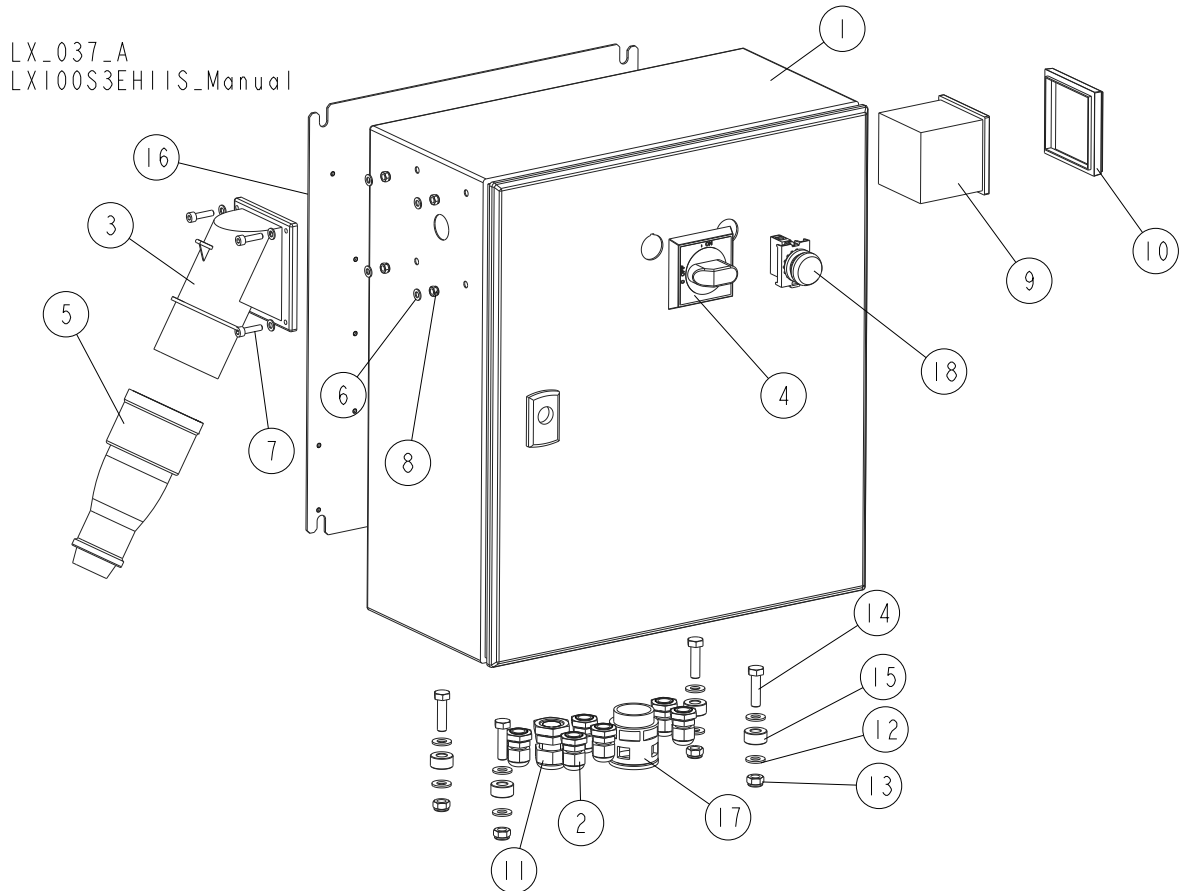
E11S, E15S Motor Assembly

9.2 E11S, E15S Motor Assembly



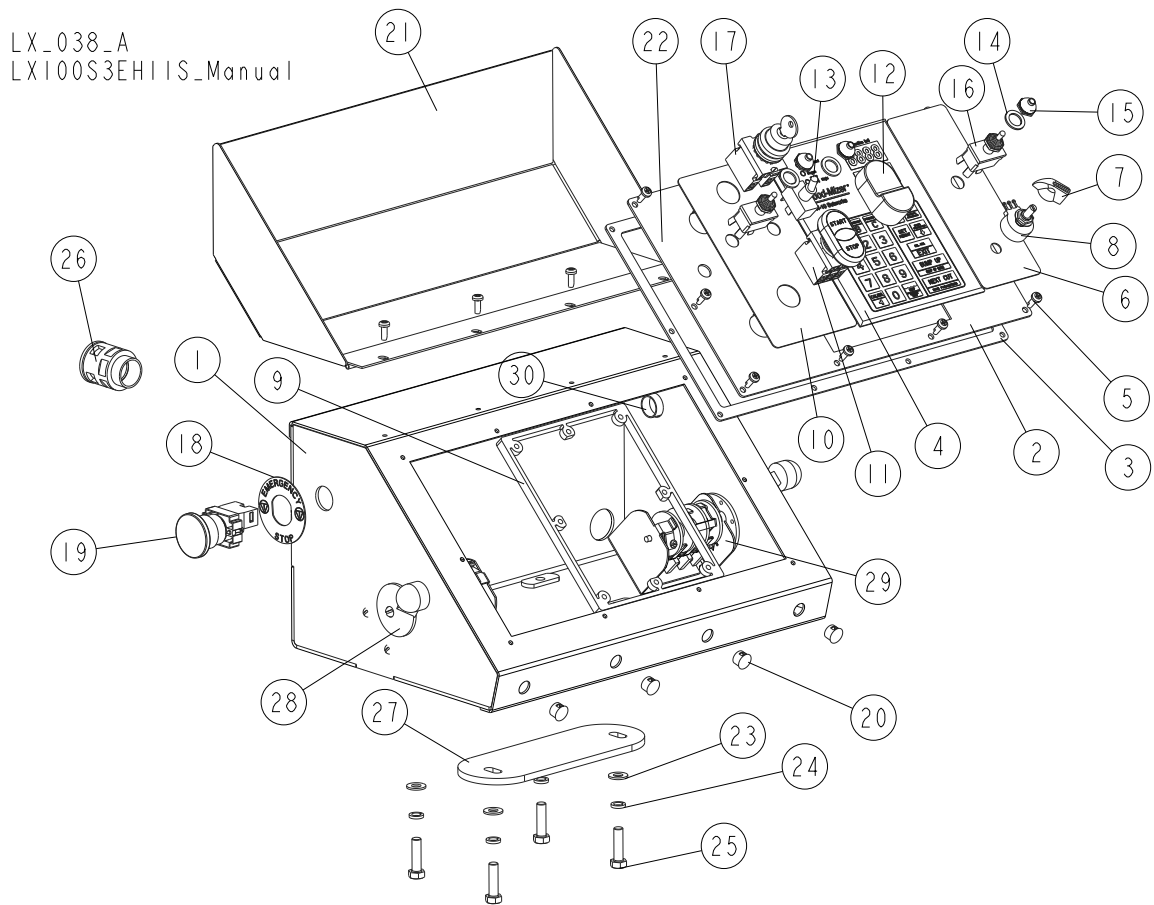
| REF. | DESCRIPTION (* Indicates Parts Available In Assemblies Only) | PART # | QTY |
|------|--|---------------|------------|
| | MOTOR ASSEMBLY, E11 400V CE | 516793 | 1/0 |
| | MOTOR ASSEMBLY, E15 400V CE | 516789 | 0/1 |
| 1 | MOTOR, 7.5 KW SG132S-2B-HM 400 V | 090993 | 1/0 |
| | MOTOR, 11 KW PSg132 S2 - HM 400 V | 089049 | 0/1 |
| 2 | PULLEY, LT15 E11 BELT ARM | 086807-1 | 1/0 |
| | PULLEY, E15 BELT ARM | 091560 | 0/1 |
| 3 | BELT, BX81 LT15 | 014819 | 1/0 |
| | BELT, 2BX81 | 014819-2 | 0/1 |
| 4 | WASHER, 10.5 FLAT ZINC | F81055-1 | 8 |
| 5 | BOLT, M10X45-8.8 HEX HEAD FULL THREAD ZINC | F81003-3 | 4 |
| 6 | NUT, M10-8-B HEX NYLON ZINC LOCK | F81033-1 | 4 |
| 7 | SWITCH, AZ17-11ZRK SAFETY | 094232 | 1 |
| 8 | WASHER 4.3 FLAT ZINC | F81051-2 | 2 |
| 9 | SCREW, M4X35-8.8 HEX SOCKET HEAD CAP ZINC | F81011-34 | 2 |
| 10 | NUT, M4-B HEX NYLON ZINC LOCK | F81029-1 | 4 |
| 11 | KEY, A217/170-B5 SAFETY SWITCH | 094422 | 1 |
| 12 | SCREW, M4X16 5.8-B CROSS RECESSED PAN HEAD | F81011-42 | 2 |
| 13 | BOX, E11 CE ELECTRIC See Section 9.3 | 516794 | 1/0 |
| | BOX, E15 CE ELECTRIC See Section 9.3 | 516790 | 0/1 |
| 14 | BOX, AC CONTROL - COMPLETE See Section 9.4 | 518150 | 1 |
| 15 | LUBE KIT, BLADE See Section 9.5 | 518651 | 1 |

9.3 Electric Box



| REF. | DESCRIPTION (* Indicates Parts Available In Assemblies Only) | PART # | QTY |
|-----------|--|---------------|----------|
| 1 | BOX ASSEMBLY, E11 CE ELECTRIC | 516794 | 1 |
| | BOX ASSEMBLY, E15 CE ELECTRIC | 516790 | 1 |
| 1 | BOX, CE ELECTRIC | 517879 | 1 |
| 2 | GLAND, DP9/H | F81096-2 | 6 |
| 3 | PLUG, MAIN W/SWITCH-ADJUSTABLE PHASE GT | E85235 | 1 |
| 4 | HANDLE, OHB S2A1 ABB SWITCH | 502312-1 | 1 |
| 5 | PLUG-IN-SOCKET, PLASTIC SEALED GT | E85236 | 1 |
| 6 | WASHER, 5.3 FLAT ZINC | F81052-1 | 8 |
| 7 | SCREW, M5X20 8.8 HEX SOCKET HEAD CAP ZINC | F81000-72 | 4 |
| 8 | NUT, M5-8-FE/ZN5 DIN985 | F81030-2 | 4 |
| 9 | AMMETER EQB72 25/50A FOR E15 ELECTRIC MOTOR | 505371 | 1 |
| 10 | COVER, IP65 METER EQ72 | 505389 | 1 |
| 11 | GLAND, DP16/H CABLE | F81096-7 | 1 |
| 12 | WASHER, 8.4 FLAT ZINC | F81054-1 | 8 |
| 13 | NUT, M8-8-B HEX NYLON ZINC LOCK | F81032-2 | 4 |
| 14 | BOLT, M8X30-5.8 HEX HEAD FULL THREAD ZINC | F81002-2 | 4 |
| 15 | BUSHING, 9/20-10 ZINC-PLATED | 510668-1 | 4 |
| 16 | PLATE, ELECTRIC BOX MOUNT | 518178-1 | 1 |
| 17 | CONNECTOR, MAXI-FLEX GP29 | 086576 | 1 |
| 18 | LIGHT, M22 LED 24V WHITE CONTROL | 090448 | 1 |

9.4 Control Box

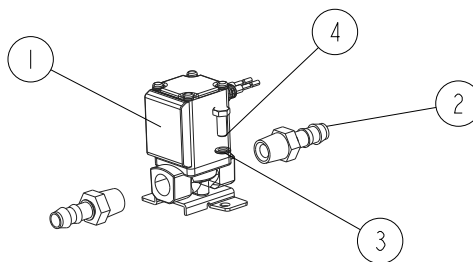


| REF. | DESCRIPTION (* Indicates Parts Available In Assemblies Only) | PART # | QTY |
|------|--|---------------|----------|
| | BOX, AC CONTROL - COMPLETE | 518150 | 1 |
| 1 | BOX WELDMENT, AC | 518155-1 | 1 |
| | PANEL, AC CONTROL BOX FRONT - COMPLETE | 518157 | 1 |
| 2 | PANEL, AC CONTROL BOX FRONT | 518156-1 | 1 |
| 3 | GASKET, LT20 CONTROL BOX | 097132 | 1 |
| 4 | SW-10 SETWORKS CONTROLLER | 500628 | 1 |
| 5 | BOLT, #10-24 X 1/2 PH PAN HEAD, TYPE 23 | F05015-17 | 10 |
| 6 | DECAL, AC/DC CONTROL BOX - RIGHT | 516988 | 1 |
| 7 | KNOB, SPEED CONTROL | P06257 | 1 |
| 8 | POTENTIOMETER, 1K LTAGA | E20519 | 1 |
| 9 | FRAME, SW-08 SETWORKS REAR | 100909 | 1 |
| 10 | DECAL, AC/DC LT15 CONTROL BOX - LEFT | 518161 | 1 |
| 11 | SWITCH, 24V START/STOP | 090452 | 1 |
| 12 | DIAPHRAGM, M22-T-DD MOELLER | 090462 | 1 |
| 13 | SWITCH, SPST ON/OFF 15A .25 TABS TOGGLE | P03027 | 1 |
| 14 | WASHER, 1/2X3/4X1/16 NYLON | P05251-1 | 3 |
| 15 | BOOT, TOGGLE SWITCH | P02575 | 3 |
| 16 | SWITCH, DPDT TOGGLE 21A REV MOM SPADE | 024200 | 2 |
| 17 | SWITCH, M22 3-POSITION KEY | 091361 | 1 |

| REF. | DESCRIPTION (* Indicates Parts Available In Assemblies Only) | PART # | QTY | |
|------|--|-----------|-----|--|
| 18 | WASHER, EMERGENCY STOP SWITCH | 086561 | 1 | |
| 19 | SWITCH, XB4 BS542 EMERGENCY STOP | 086556 | 1 | |
| 20 | CAP, DP 812 HEJMAN 12.7 DIA. HOLE | 086773 | 4 | |
| 21 | COVER, CONTROL BOX - COMPLETE | 516995-1 | 1 | |
| 22 | BOLT, #10-24 X 1/2 PH PAN HEAD, TYPE 23 | F05015-17 | 4 | |
| 23 | WASHER, 8.4 FLAT ZINC | F81054-1 | 4 | |
| 24 | WASHER, 8.2 SPLIT LOCK ZINC | F81054-4 | 4 | |
| 25 | BOLT, M8x30-5.8 HEX HEAD FULL THREAD ZINC | F81002-2 | 4 | |
| 26 | CONNECTOR MAXI-FLEX GP29 | 086576 | 1 | |
| 27 | WASHER, BOX CONTROL | 517660-1 | 1 | |
| 28 | SWITCH, 1992GS POWER FEED (SERVICE PACKAGE) | E20438 | 1 | |
| 29 | SWITCH, 1992 UP/DOWN (SERVICE PACKAGE) | E20440 | 1 | |
| 30 | PLUG, 1086 DIA. 22.2 HOLE | 093544 | 1 | |

9.5 Blade Lube Kit

LX_044
LX100S3EHIIS_Manual



| REF. | DESCRIPTION (* Indicates Parts Available In Assemblies Only) | PART # | QTY | |
|------|--|---------------|----------|--|
| | LUBE KIT, LX100 AC BLADE | 518651 | 1 | |
| 1 | VALVE, VX212FZ1UAXB SOLENOID | 514046 | 1 | |
| 2 | FITTING, 3/8BARB 1/4NPT MALE NYLON | P04682 | 2 | |
| 3 | WASHER, 5.1 SPLIT LOCK ZINC | F81052-2 | 2 | |
| 4 | BOLT, M5 X 12-5.8 HEX HEAD FULL THREAD ZINC | F81000-5 | 2 | |