

Wood-Mizer[®] Sawmill

Replacement Parts Manual

LT15 G13
LT15 E11

rev. B4.00
rev. B4.00



Safety is our #1 concern! Read and understand all safety information and instructions before operating, setting up or maintaining this machine.

August 1997

Form #799

SECTION 1	GENERAL INFORMATION	1-1
1.1	How To Use The Parts List	1-1
1.2	Sample Assembly	1-1
SECTION 2	FRAME PARTS	2-1
2.1	Side Support Assembly & Decals	2-1
2.2	Bed Connecting Hardware	2-2
2.3	Leg Assembly	2-3
2.4	Clamp Assembly	2-4
2.5	Auxiliary Bed Rail Assembly.....	2-5
2.6	Log Wedge, Loading Ramps, & Cant Hook (Optional).....	2-6
2.7	Bed Extension.....	2-7
2.8	Bed Frame Segment	2-8
SECTION 3	BLADE GUIDE ROLLERS & ARM	3-1
3.1	Blade Guide Assembly, Idle Side.....	3-1
3.2	Blade Guide Assembly, Drive Side.....	3-3
3.3	Blade Guide Arm Assembly.....	3-5
SECTION 4	BLADE WHEELS & TENSIONER	4-1
4.1	Blade Wheel Assembly, Drive Side	4-1
4.2	Blade Wheel Assembly, Idle Side.....	4-2
4.3	Blade Tensioner Assembly.....	4-4
SECTION 5	SAW HEAD	5-1
5.1	Blade Housing Covers & Wood Block	5-1
5.2	Water Lube	5-3
5.3	Saw Head Decals.....	5-4
SECTION 6	FEED SYSTEM	6-1
6.1	Feed Crank Assembly.....	6-1
6.2	Track Rail, Rollers, & Travel Pins	6-3
6.3	Feed Rope, Lower Pulleys, & Brackets.....	6-5
SECTION 7	UP/DOWN SYSTEM	7-1
7.1	Crank Assembly	7-1
7.2	Sprocket Drive Assembly.....	7-2
7.3	Slide Pads & Blade Height Scale	7-4

SECTION 1 GENERAL INFORMATION

1.1 How To Use The Parts List

- Use the index above to locate the assembly that contains the part you need.
- Go to the appropriate section and locate the part in the illustration.
- Use the number pointing to the part to locate the correct part number and description in the table.
- Parts shown indented under another part are included with that part.
- Parts marked with a diamond (◆) are only available in the assembly listed above the part.

See the sample table below. Sample Part #A01111 includes part F02222-2 and subassembly A03333. Subassembly A03333 includes part S04444-4 and subassembly K05555. The diamond (◆) indicates that S04444-4 is not available except in subassembly A03333. Subassembly K05555 includes parts M06666 and F07777-77. The diamond (◆) indicates M06666 is not available except in subassembly K05555.

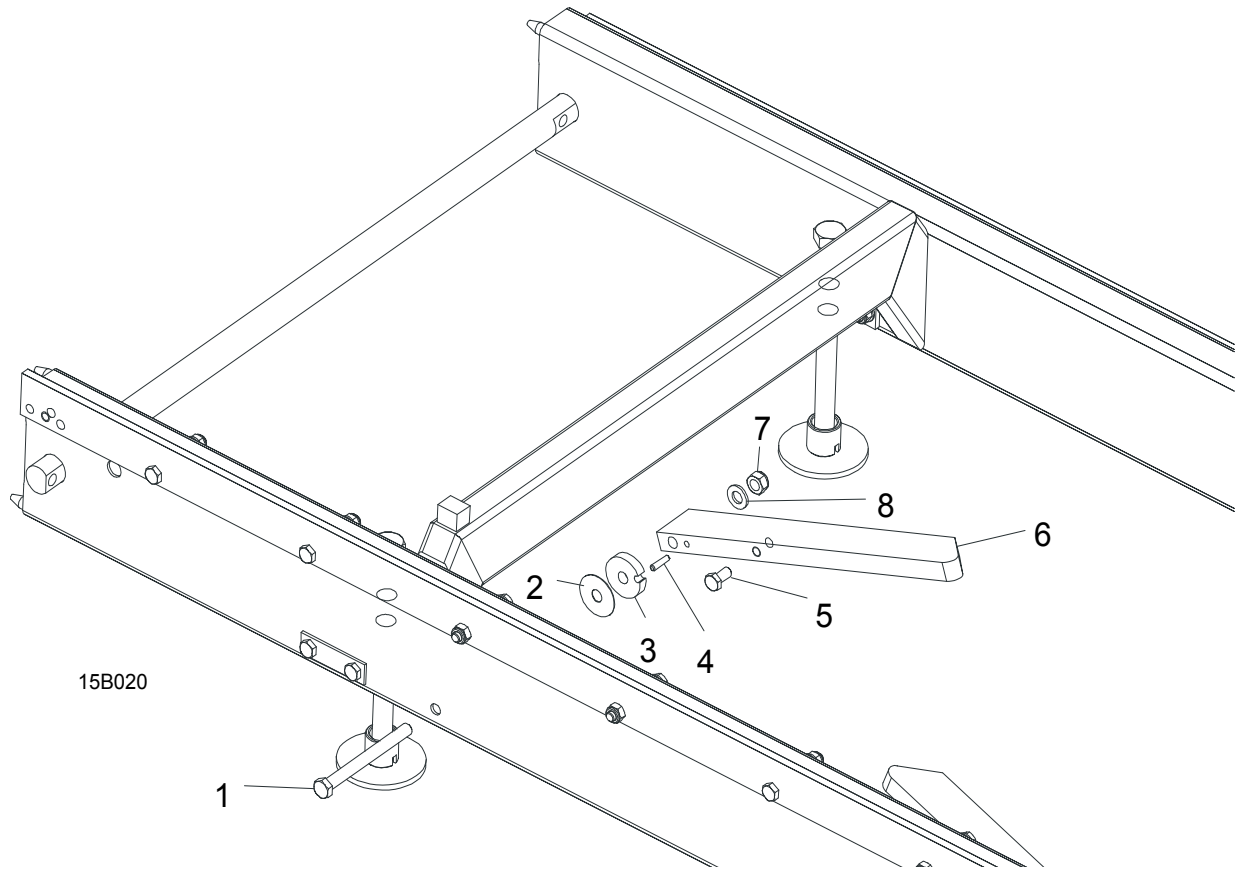
1.2 Sample Assembly				
REF	DESCRIPTION (◆ Indicates Parts Available In Assemblies Only)	PART #	QTY.	
	Sample Assembly, Complete (Includes All Indented Parts Below)	A01111	1	
1	Sample Part	F02222-22	1	
	Sample Subassembly (Includes All Indented Parts Below)	A03333	1	
2	Sample Part (◆ Indicates Part Is Only Available With A03333)	S04444-4	1	◆
	Sample Subassembly (Includes All Indented Parts Below)	K05555	1	
3	Sample Part (◆ Indicates Part Is Only Available With K05555)	M06666	2	◆
4	Sample Part	F07777-77	1	

To Order Parts:

- From Europe call our European Headquarters and Manufacturing Facility in Kolo, Poland at **+48-63-2626000**. From the continental U.S., call our toll-free Parts hotline at **1-800-448-7881**. Have your customer number, vehicle identification number, and part numbers ready when you call.
- From other international locations, contact the Wood-Mizer distributor in your area for parts.

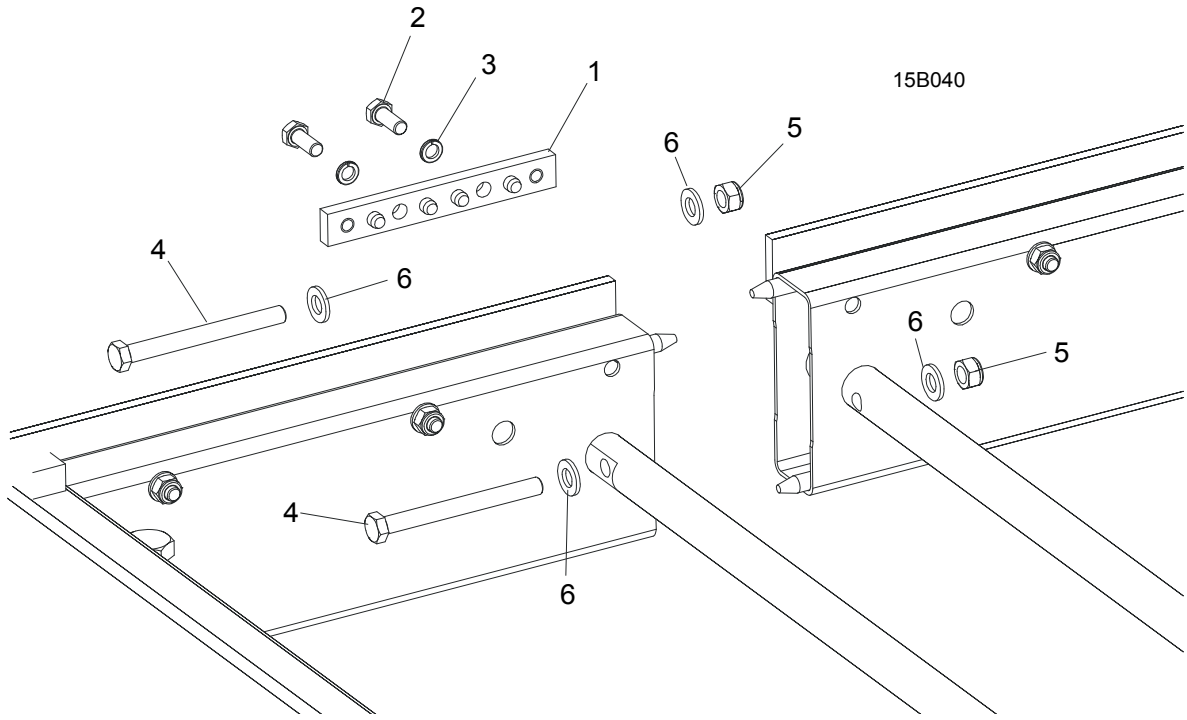
SECTION 2 FRAME PARTS

2.1 Side Support Assembly & Decals



REF	DESCRIPTION (◆ Indicates Parts Available In Assemblies Only)	PART #	QTY.
1	BOLT, M12 X 130-8.8 HEX HEAD CAP GRADE 5	F81004-36	1
2	WASHER, 33/64 X 1 3/4 X 1/32" NYLON	014972	1
3	WASHER, LOG SIDE SUPPORT	085981-1	1
4	PIN, 1/4 X 1" ROLL	085983	1
5	BOLT, M10 X 20-5.8 HEX HEAD	F81003-1	1
6	SUPPORT, LOG SIDE	085982-1	1
7	NUT, M12-8 NYLON HEX LOCK	F81034-2	1
8	WASHER, FLAT 13	F81056-1	1

2.2 Bed Connecting Hardware

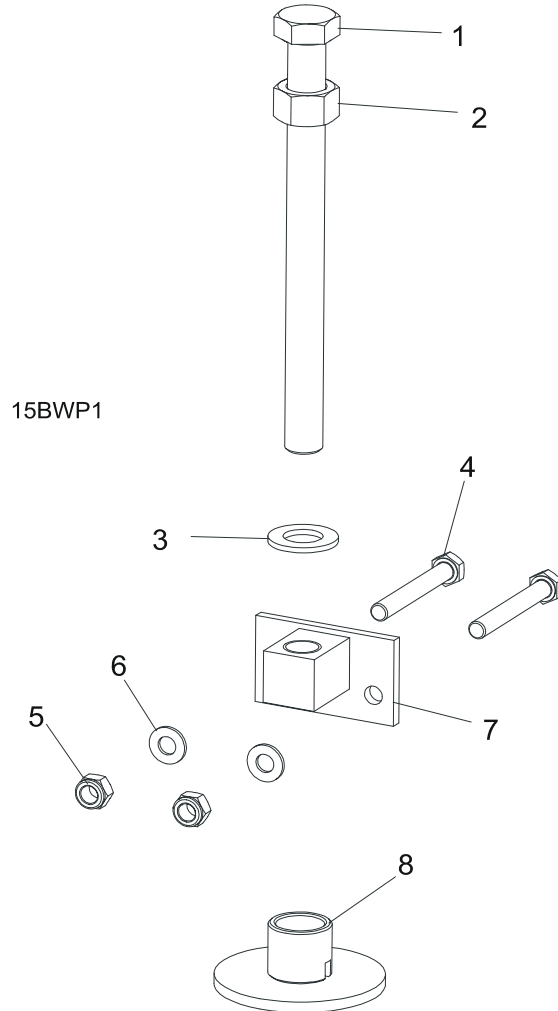


REF	DESCRIPTION (◆ Indicates Parts Available In Assemblies Only)	PART #	QTY.
1	PLATE, BED CONNECTION	086659-1	1
2	BOLT, M10 X 25 - 8.8 HEX HEAD	F81003-11	2
3	WASHER, 10.2 FLAT	F81055-2	2
4	BOLT, M12 X 120 - 8.8 HEX HEAD	F81004-38	2
5	NUT, M12-8-B HEX NYLON LOCK	F81034-2	2
6	WASHER, 13 FLAT	F81056-1	4

2

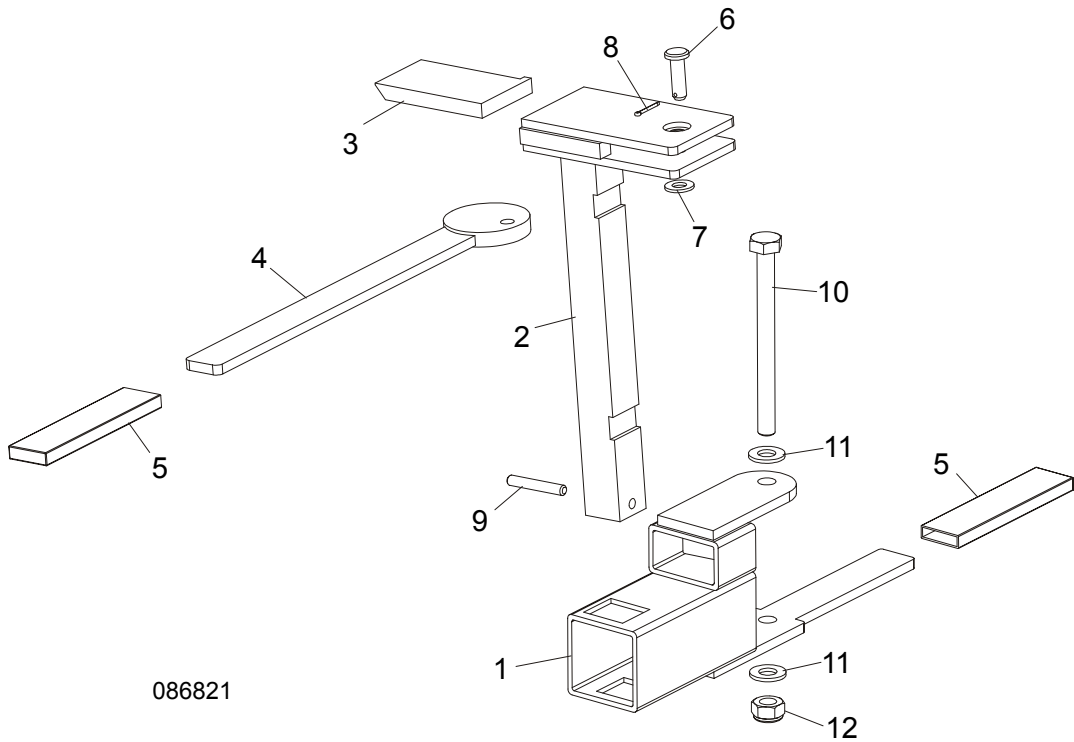
Frame Parts Leg Assembly

2.3 Leg Assembly



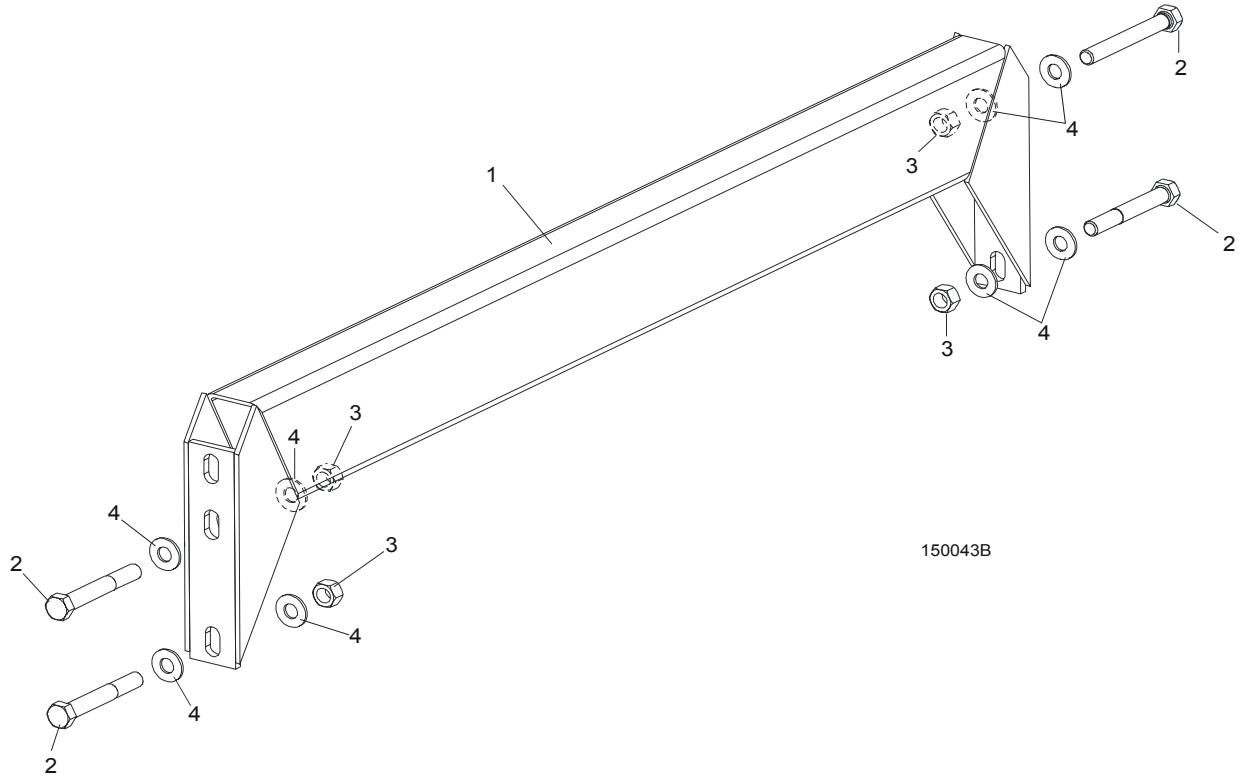
REF	DESCRIPTION (◆ Indicates Parts Available In Assemblies Only)	PART #	QTY.	
1	LEG, ADJUSTABLE OUTRIGGER	F81007-1	12	
2	NUT, M20-8 HEX	F81037-1	12	
3	WASHER, 21 FLAT	F81059-2	12	
4	BOLT, M10 X 75-8.8 HEX HEAD	F81003-15	24	
5	NUT, M10-8-B HEX LOCK	F81033-1	24	
6	WASHER, 10.5 FLAT	F81055-1	24	
7	BRACKET WELDMENT, LEG MOUNT	085986-1	12	
8	PLATE, FOOT SHIM	086723	12	

2.4 Clamp Assembly



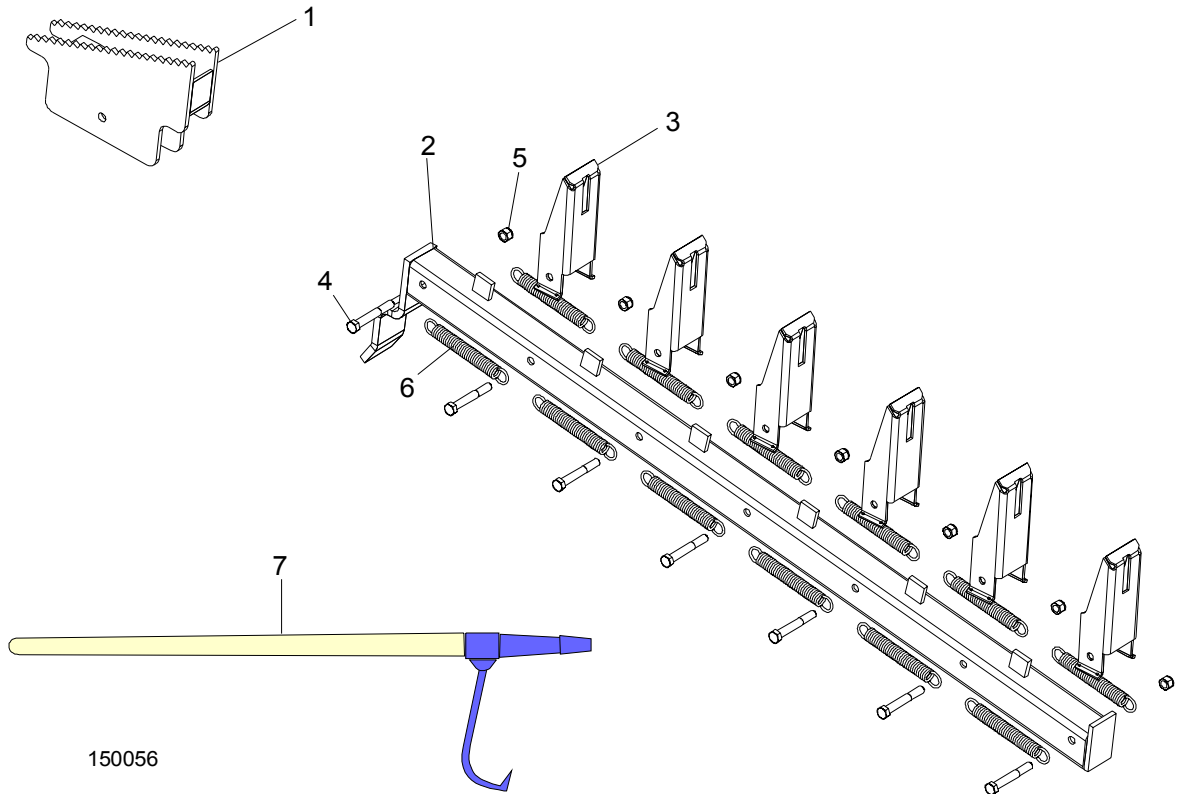
REF	DESCRIPTION (◆ Indicates Parts Available In Assemblies Only)	PART #	QTY.
	CLAMP ASSEMBLY, LT15 LOG	086821	3
1	Bracket Weldment, LT15 Log Clamp	086933-1	1
2	Bracket, LT15 Log Clamp	086822-1	1
3	Wedge, LT15 Log Clamp	086831-1	1
4	Cam, LT15 Log Clamp	086828-1	1
5	Cover, LT15 Grip Log Clamp	086875	2
6	Pin, B8 x 26 Roll	F81046-1	1
7	Washer, 8.4	F81054-1	1
8	Pin, 2 x 20 Cotter	F81041-11	1
9	Pin, 6N6 X 40 Roll	085975	1
10	Bolt, M10 x 115-8.8 Hex Head	F81003-19	1
11	Washer, 10.5 flat	F81055-1	2
12	Nut, M10 x 20-5.8 Hex Nylon Lock	F81033-1	1

2.5 Auxiliary Bed Rail Assembly



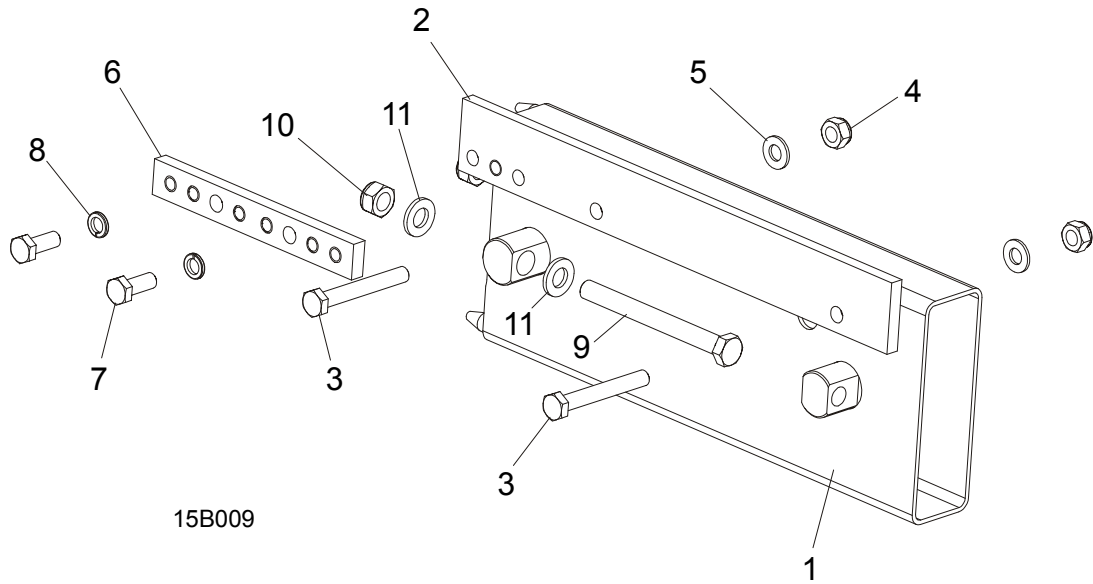
REF	DESCRIPTION (◆ Indicates Parts Available In Assemblies Only)	PART #	QTY.	
1	RAIL WELDMENT, LT15 AUXILIARY BED	086102-1	1	◆
2	BOLT, M10X75-8.8 HEX HEAD ZINC	F81003-15	4	
3	NUT, M10-8-B HEX NYLON ZINC LOCK	F81033-1	4	
4	WASHER, 10.5 ZINC FLAT	F81055-1	8	

2.6 Log Wedge, Loading Ramps, & Cant Hook (Optional)



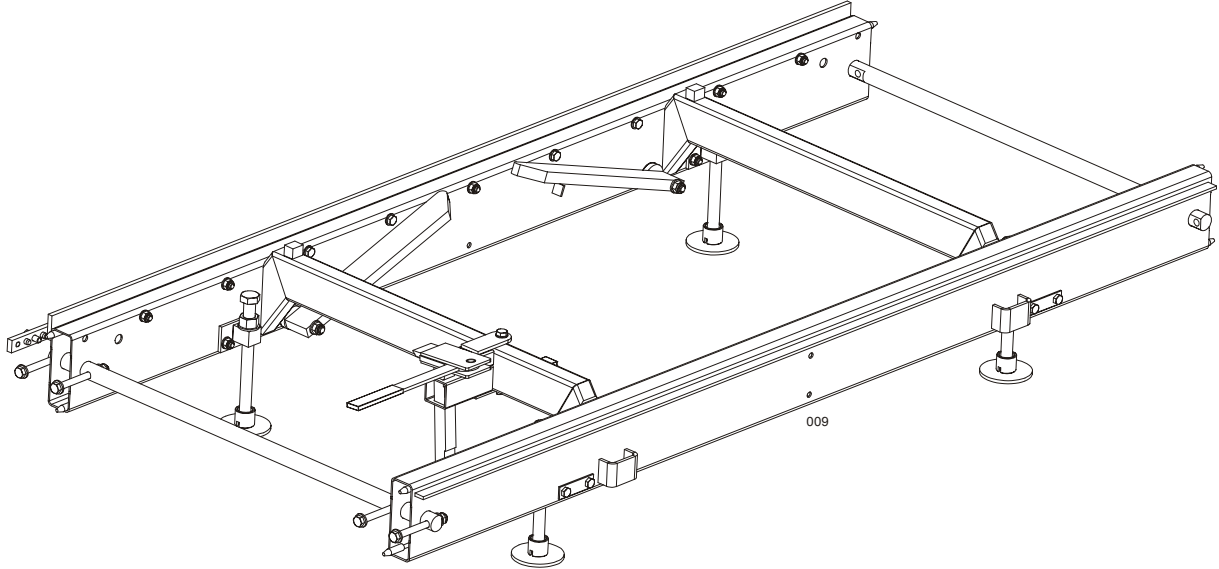
REF	DESCRIPTION (◆ Indicates Parts Available In Assemblies Only)	PART #	QTY.
1	WEDGE WELDMENT, LOG TAPER (INCLUDED WITH LT15 PRO KIT 015811)	086035-1	1
	RAMP ASSEMBLY, LOG LOADING (INCLUDED WITH LT15 PRO KIT 015811)	015804	2
2	Ramp Weldment, Log Loading	015803	1
3	Bracket, Log Loading Stop	S08329	6
4	Bolt, 3/8-16 x 2 3/4" Hex Head	F05007-29	7
5	Nut, 3/8-16 Hex Nylon Lock	F05010-10	7
6	Spring, .563" O.D. x .072" x 5" Extension	P04060	12
7	HOOK, CANT (INCLUDED WITH LT15 PRO KIT 015811)	CH	1

2.7 Bed Extension



REF	DESCRIPTION (◆ Indicates Parts Available In Assemblies Only)	PART #	QTY.
	BED EXTENSION, LT15	086780	1
1	Tube, LT15 Bed Extension	086775-1	1
2	Bar, Bed Extension Track	086777-1	1
3	Bolt, M10 x 75-8.8 Hex Head	F81003-15	2
4	Nut, M10-8-B Hex Nylon Lock	F81033-1	2
5	Washer, 10.5 Flat	F81055-1	2
6	Plate, Bed Connection	086659-1	1
7	Bolt, M10 x 25-8.8 Hex Head	F81003-11	2
8	Washer, 10.2 Split Lock	F81055-2	2
9	Bolt, M12 x 120-8.8 Hex Head	F81004-38	2
10	Nut, M12-8 Hex Nylon Lock	F81034-2	2
11	Washer, 13 Flat	F81056-1	4

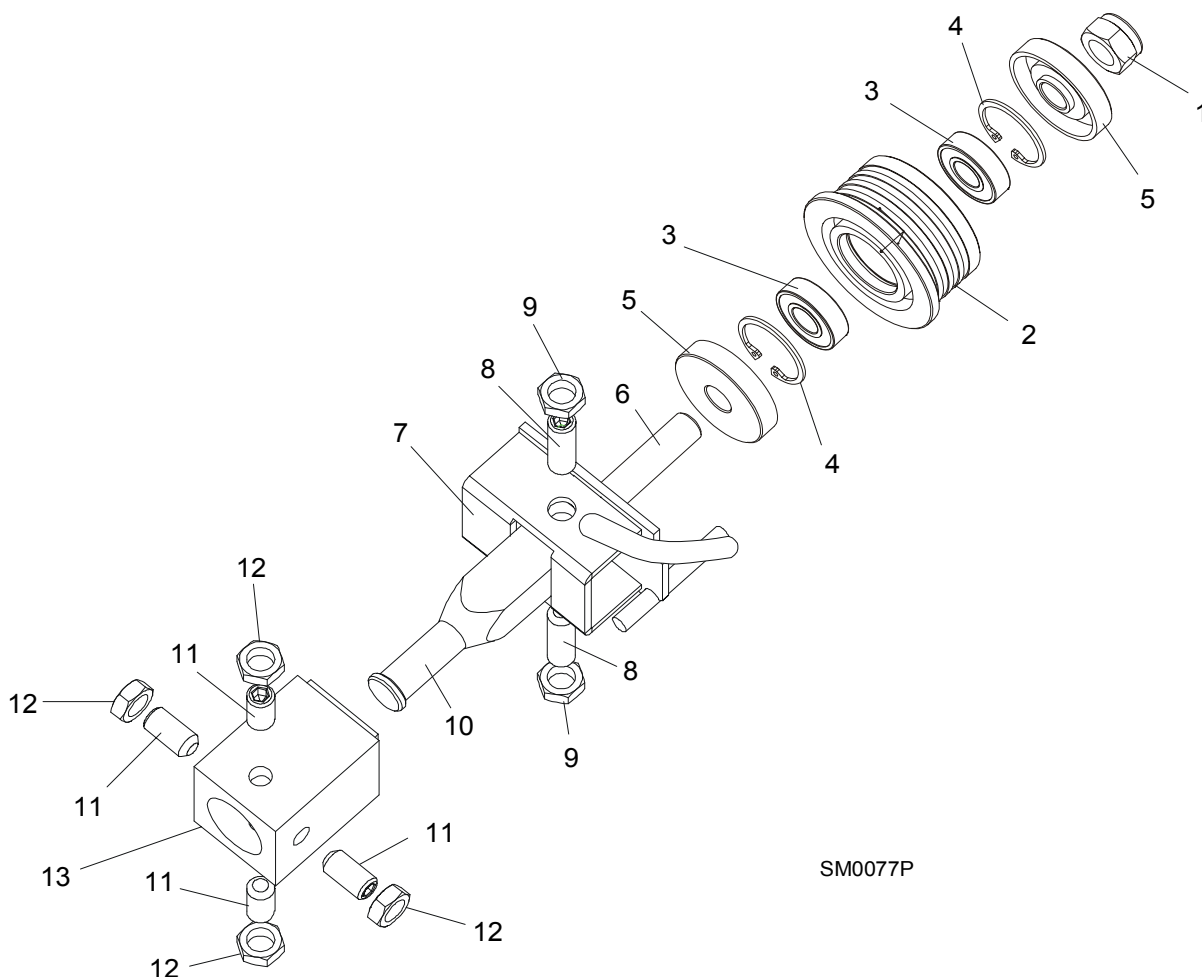
2.8 Bed Frame Segment



REF	DESCRIPTION (◆ Indicates Parts Available In Assemblies Only)	PART #	QTY.
	BED FRAME SEGMENT, LT15	086654-1	

SECTION 3 BLADE GUIDE ROLLERS & ARM

3.1 Blade Guide Assembly, Idle Side

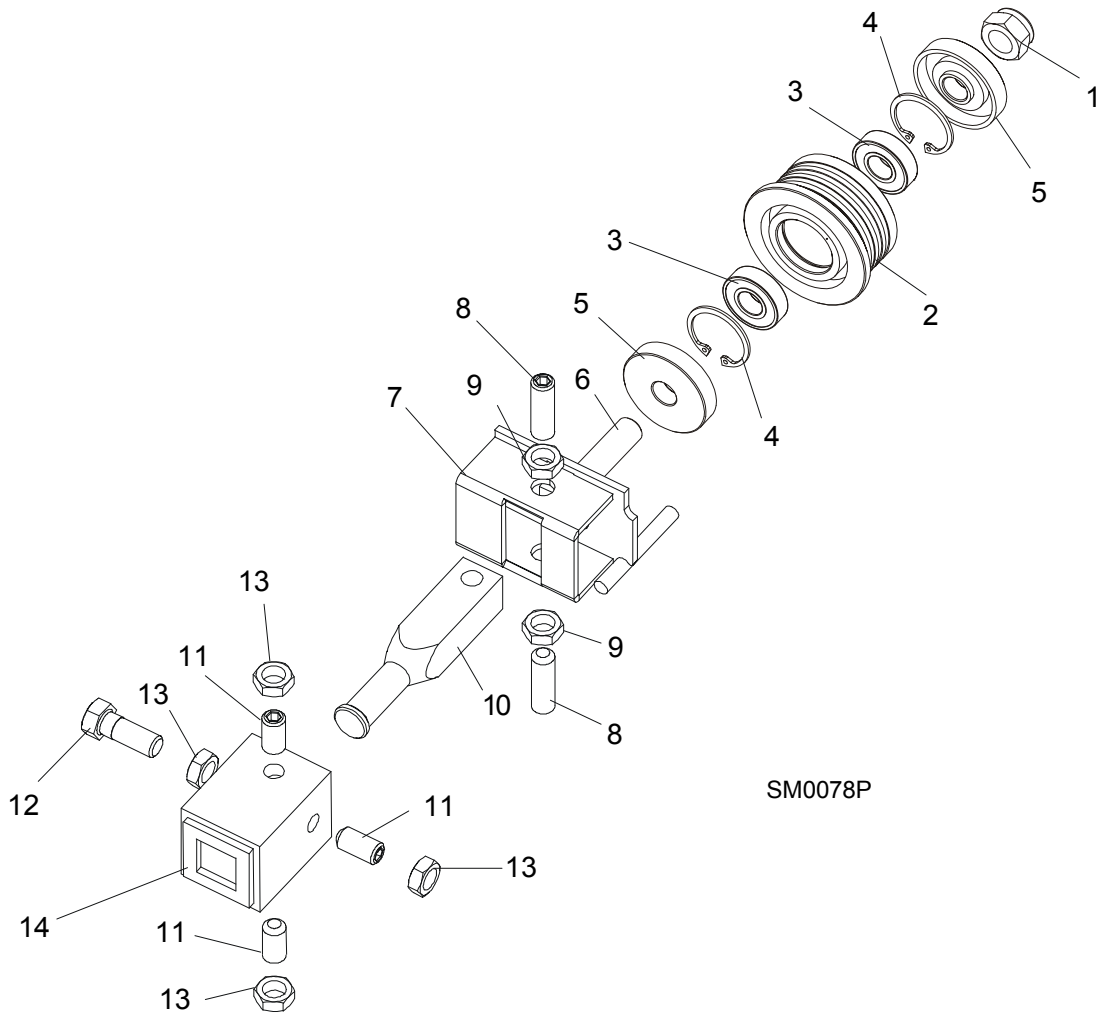


REF	DESCRIPTION (◆ Indicates Parts Available In Assemblies Only)	PART #	QTY.	
	BLADE GUIDE ASSEMBLY, COMPLETE IDLE SIDE	A08197	1	
	Roller Assembly, Standard Blade Guide	087887	1	
	Roller Assembly, Extended Blade Guide (for optional use with 1 1/2" blades)	087888 ¹	1	
1	Nut, M12-8 Hex Nylon Zinc Lock	F81034-2	1	
2	Roller, Narrow Blade Guide	087889	1	◆
	Roller, Extended Blade Guide (for optional use with 1 1/2" blades)	087890 ¹	1	◆
3	Bearing, 6001 2RSR FAG	087893	2	
4	Ring, W28 Interior Retaining	F81090-9	2	
5	Spacer, Zinc-plated	087891-1	2	
	Spacer, Zinc-plated (Extended Roller)	087892-1	1	◆

6	Bolt, Standard Blade Guide Roller Mounting Zinc	087763-1	1	
	Shaft, Extended Blade Guide Roller Zinc	087762-1	1	
7	Bracket, Blade Guide Idle Side With Water Tube	W08495	1	
	Screw Kit, Blade Guide Adjustment w/Nuts (For two blade guide assemblies)	K09942	1	
8	Screw, 3/8-24 X 1 1/4" Stainless Steel Socket Head Flat Point	F05007-96	4	
9	Nut, 3/8-24 Jam	F05010-22	4	
10	Shaft, Blade Guide Adjustment	S08196	1	
11	SCREW, M10X1X20 DIN 913 STAINLESS STEEL SET	F81015-1	4	
12	NUT, M10X1 DIN 439 STAINLESS STEEL THIN	F81033-7	4	
13	TUBE, BLADE GUIDE MOUNT	088284	1	

¹ Recommended for Super sawmills only.

3.2 Blade Guide Assembly, Drive Side

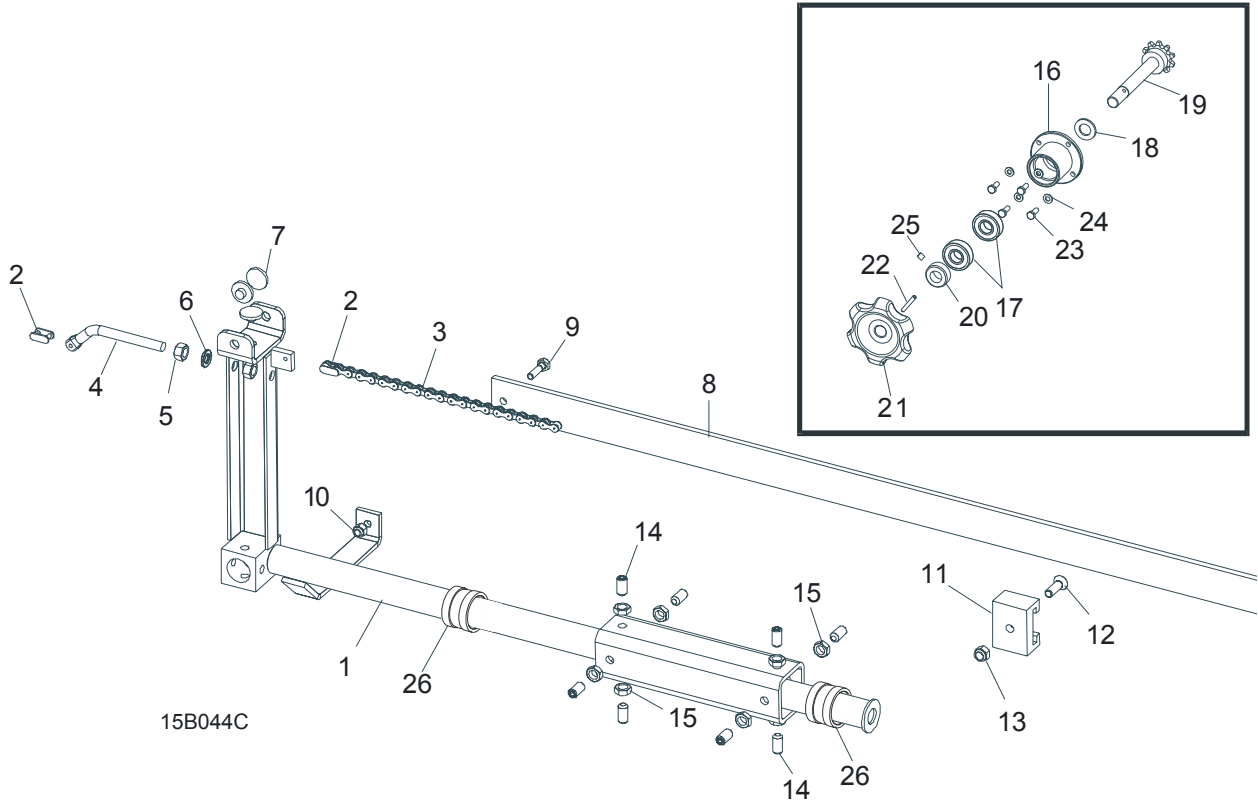


REF	DESCRIPTION (◆ Indicates Parts Available In Assemblies Only)	PART #	QTY.
	BLADE GUIDE ASSEMBLY, COMPLETE DRIVE SIDE	A08191	1
	Roller Assembly, Standard Blade Guide	087887	1
	Roller Assembly, Extended Blade Guide (for optional use with 1 1/2" blades)	087888 ¹	1
1	Nut, M12-8 Hex Nylon Zinc Lock	F81034-2	1
2	Roller, Narrow Blade Guide	087889	1 ◆
	Roller, Extended Blade Guide (for optional use with 1 1/2" blades)	087890 ¹	1 ◆
3	Bearing, 6001 2RSR FAG	087893	2
4	Ring, W28 Interior Retaining	F81090-9	2
5	Spacer, Zinc-plated	087891-1	2
	Spacer, Zinc-plated (Extended Roller)	087892-1	1
6	Bolt, Standard Blade Guide Roller Mounting Zinc	087763-1	1 ◆
	Shaft, Extended Blade Guide Roller Zinc	087762-1	1

7	Bracket, Blade Guide Drive Side	W08482	1	
	Screw Kit, Blade Guide Adjustment w/Nuts (For two blade guide assemblies)	K09942	1	
8	Screw, 3/8-24 X 1 1/4" Stainless Steel Socket Head Flat Point	F05007-96	4	
9	Nut, 3/8-24 Jam	F05010-22	4	
10	Shaft, Blade Guide Adjustment	S08196-W	1	
11	SCREW, M10X1X20 DIN 913 STAINLESS STEEL SET	F81015-1	3	
12	BOLT, M10X1X25 DIN 933 STAINLESS STEEL CLAMP	F81003-28	1	
13	NUT, M10X1 DIN 439 STAINLESS STEEL THIN	F81033-7	4	
14	TUBE, BLADE GUIDE MOUNT	088284	1	

¹ Recommended for Super sawmills only.

3.3 Blade Guide Arm Assembly

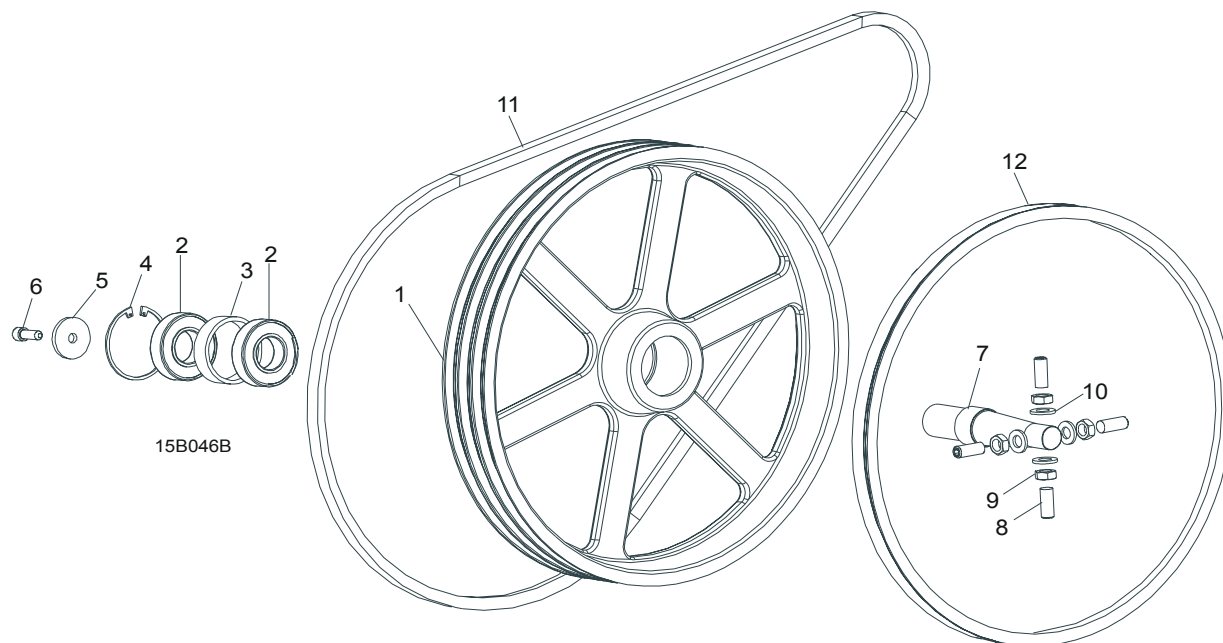


REF	DESCRIPTION (◆ Indicates Parts Available In Assemblies Only)	PART #	QTY.
1	ARM WELDMENT, LT15 BLADE GUIDE	091916-1	1
2	LINK, #41 MASTER	P04176	2
3	CHAIN, #41 X 96"	014830	1
4	TENSIONER, BLADE GUIDE ARM CHAIN	086944-1	1
5	NUT, M10-8-B ZINC HEX	F81033-3	2
6	WASHER, 10.5 ZINC FLAT	F81055-1	2
7	PAD, BLADE GUIDE SLIDE	014973	3
8	BAR, LT15 BLADE GUARD	088306	1
9	BOLT, M6X25-5.8 HEX HEAD FULL THREAD ZINC	F81001-3	1
10	NUT, M6-8-B HEX NYLON ZINC LOCK	F81031-2	1
11	GUIDE, LT15 BLADE GUARD	088305	1
12	SCREW, M8X25 FLAT HEAD ZINC	F81002-51	1
13	NUT, M6 - 8 - B HEX NYLON LOCK	F81031-2	1
14	SCREW, M10X30 45H HEX SOCKET SET W/FLAT POINT ZINC	F81003-35	8
15	NUT, M10-8-B ZINC HEX	F81033-3	8
	HUB ASSEMBLY, BLADE GUIDE ARM KNOB		
16	Hub Weldment, Blade Guide Arm Knob	086666	1
17	Bearing, 6203-2RS FLT Rolling	086114	2

18	Washer, 17 Zinc Flat	F81058-1	1	
19	Shaft Weldment, Blade Guide Arm Sprocket	086664	1	
20	Collar, 17 Zinc Lock	F81039-1	1	
21	KNOB, BLADE GUIDE ARM ADJUSTMENT	086673	1	
22	PIN, 5X30 ZINC ROLL	F81044-21	1	
23	BOLT, M6X16 8.8 HEX HEAD FULL THREAD ZINC	F81001-15	4	
24	WASHER, 6.4 ZINC FLAT	F81053-1	4	
25	SCREW, M6X8 HEX SOCKET SET W/CONE POINT ZINC	F81013-1	1	
26	BUSHING, LT15 BLADE GUIDE ARM	086684	2	

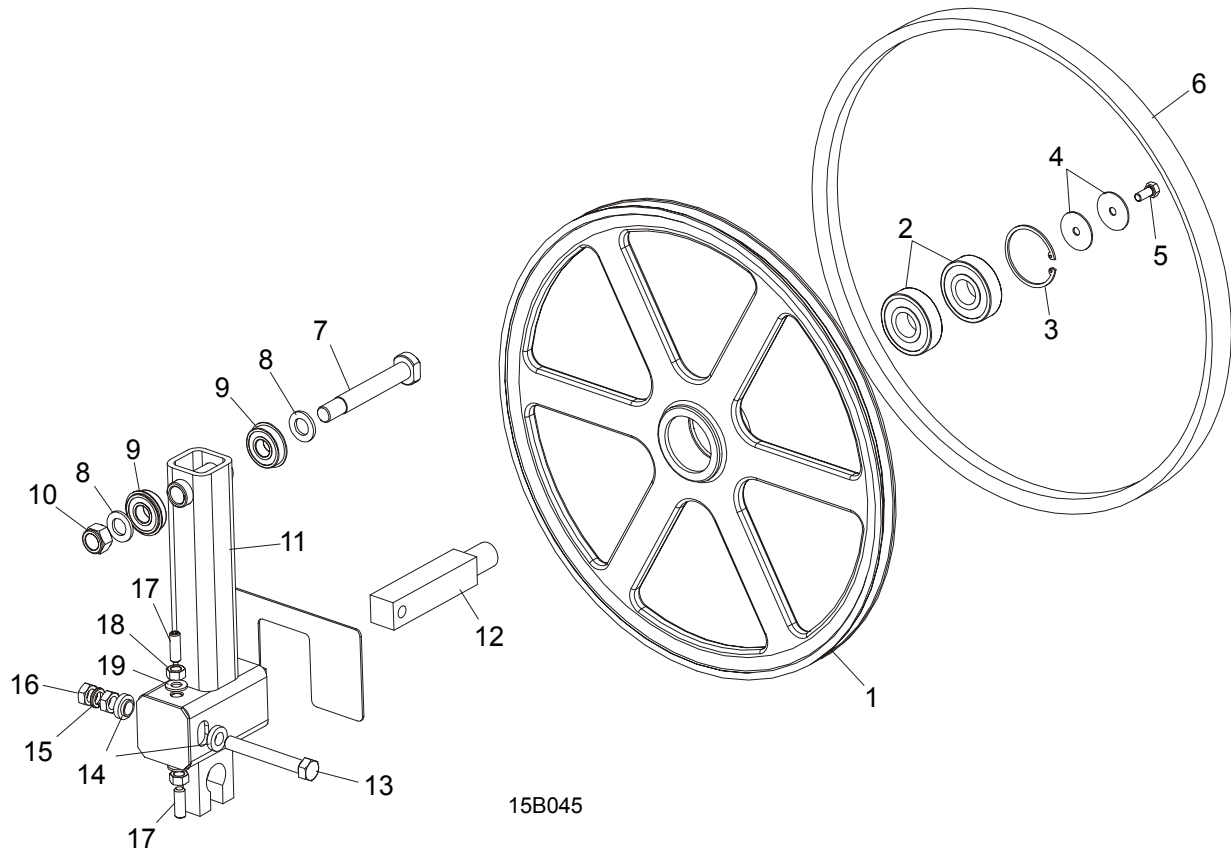
SECTION 4 BLADE WHEELS & TENSIONER

4.1 Blade Wheel Assembly, Drive Side



REF	DESCRIPTION (◆ Indicates Parts Available In Assemblies Only)	PART #	QTY.	
	WHEEL ASSEMBLY, DRIVE SIDE BLADE	014995	1	
1	Wheel, Drive Side Blade	014727	1	
2	Bearing, 6207 2RS 35x72x17 FAG	014811	2	
3	Spacer, Drive Bearing	014730	1	
4	Ring, 72mm OD N5002-281 Retaining	F04254-30	1	
5	WASHER, LT15 DRIVE SIDE BLADE WHEEL	086286	1	
6	BOLT, M10X25-8.8 HEX HEAD FULL THREAD ZINC	F81003-11	1	
7	SHAFT, LT15 DRIVE SIDE BLADE WHEEL	086690	1	
8	SCREW, M12X1,25X30 DIN913 STAINLESS STEEL SET	F81016-1	4	
9	NUT, M12X1,25 DIN439 STAINLESS STEEL THIN	F81034-9	4	
10	WASHER, 13 FLAT	F81056-1	4	
11	BELT, BX81 (E11)	014819	1	
	BELT, BX83 1/2" (G13)	088110	1	
	BELT, HB-2155 LI-2200 LW(KLEBERG)	092361	1	
12	BELT, B57 'V'	P04185	1	

4.2 Blade Wheel Assembly, Idle Side

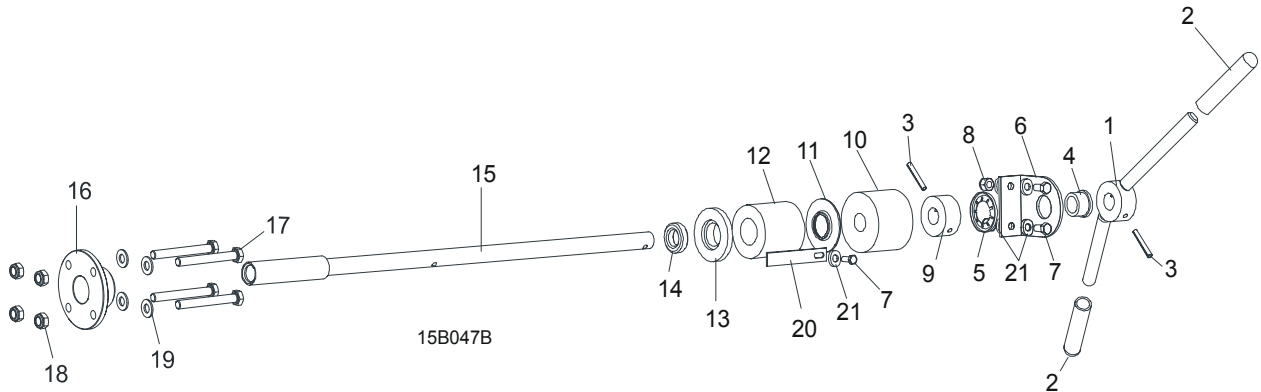


REF	DESCRIPTION (◆ Indicates Parts Available In Assemblies Only)	PART #	QTY.	
	WHEEL ASSEMBLY, IDLE SIDE BLADE	A08218	1	
1	Wheel, Idle Side Blade	P08125	1	◆
2	Bearing, 6305 2RS NSK	P08066	2	
3	Ring, 2 7/16" Internal Retaining	F04254-21	1	
4	WASHER, IDLE BLADE WHEEL RETAINER	S08220	1	
5	BOLT, 5/16-18 X 3/4" HEX HEAD	F05006-5	1	
6	BELT, BLADE WHEEL B57	P04185	1	
7	PIN, IDLER ARM MOUNT	086404	1	
8	WASHER, 17 ZINC FLAT	F81058-1	2	
9	BEARING, 6203-2RS NR	086395	2	
10	NUT, M16-8 HEX NYLON ZINC LOCK	F81036-2	1	
11	HOUSING WELDMENT, IDLER SHAFT	086717	1	
12	SHAFT, IDLE WHEEL	S12565	1	
13	BOLT, 1/2-20 X 3 3/4" HEX HEAD	F05008-111	1	
14	SPACER, FLANGED	086769-1	2	
15	WASHER, Z12.2 SPLIT ZINC LOCK	F81056-2	1	

4**Blade Wheels & Tensioner***Blade Wheel Assembly, Idle Side*

16	NUT, 1/2"-20 ZINC-PLATED	F05010-16	2	
17	SCREW, M10X40-45H HEX SOCKET SET W/CONE POINT ZINC	F81003-61	2	
18	NUT, M10-8-B ZINC HEX	F81033-3	2	
19	WASHER, 10.5 FLAT ZINC	F81055-1	2	

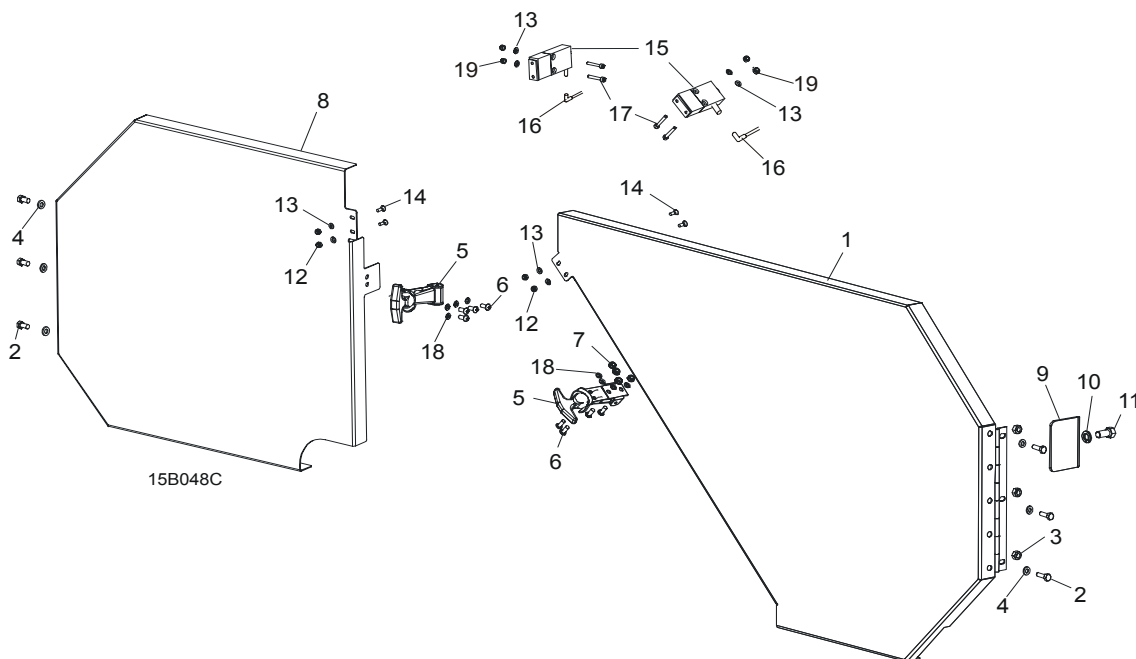
4.3 Blade Tensioner Assembly



REF	DESCRIPTION (◆ Indicates Parts Available In Assemblies Only)	PART #	QTY.
	BLADE TENSIONER ASSEMBLY, LT15	086680	1
1	Handle, Blade Tension Zinc-Plated	086677-1	1
2	Grip, 1/2" I.D. x 3" Long Handle	014835	2
3	Pin, 5 x 30 Roll Zinc	F81044-21	2
4	Bushing, Bronze	086676	1
5	Ring, 7/8" Push Nut	F04254-31	1
6	Bracket, Tension Handle Mount	086711-1	1
7	Bolt, M6x16 8.8 Hex Head Full Thread Zinc	F81001-15	3
8	Nut, M6-8-B Hex Nylon Zinc Lock	F81031-2	2
9	Collar, Blade Tensioner	086712-1	1
10	Bushing, Rubber Stop	P12165	1
11	Guide, LT15 Tension Handle	014925	1
12	Spring, Rubber Blade Tensioner	014828	1
13	Washer, Rubber Spring Front	086674-1	1
14	Bearing, 51103 FLT Ball Thrust	086675	1
15	Shaft Weldment, Blade Tensioner Zinc-Plated	086669-1	1
16	Nut, Blade Tensioner	086672-1	1
17	Bolt, M8x70 8.8 Hex Head Zinc	F81002-71	4
18	Nut, M8-8-B Hex Nylon Zinc Lock	F81032-2	4
19	Washer, 8.4 Flat Zinc	F81054-1	8
20	INDICATOR, LT15 BLADE TENSION ZINC-PLATED	086783-1	1
21	WASHER, 6.4 FLAT ZINC	F81053-1	5

SECTION 5 SAW HEAD

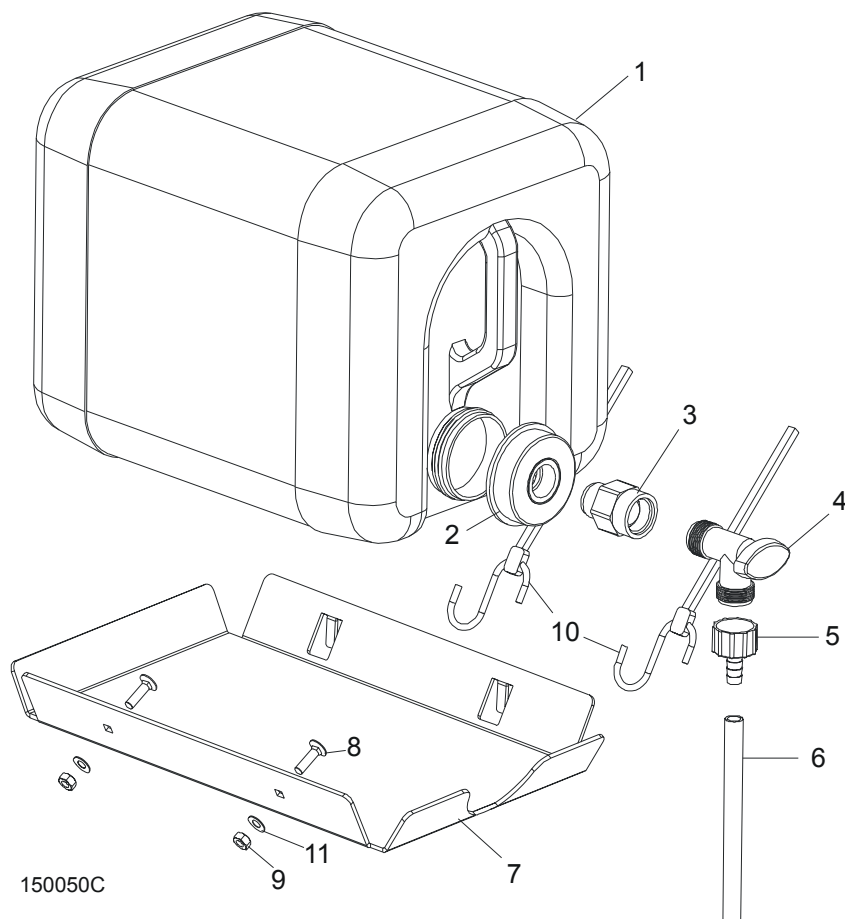
5.1 Blade Housing Covers & Wood Block



REF	DESCRIPTION (◆ Indicates Parts Available In Assemblies Only)	PART #	QTY.
1	COVER, RIGHT BLADE HOUSING	086750-1	1
2	BOLT, M6X16 8.8 HEX HEAD FULL THREAD ZINC	F81001-15	6
3	NUT, M6-8-B HEX NYLON ZINC LOCK	F81031-2	6
4	WASHER, 6.4 FLAT	F81053-1	6
5	LATCH, FLEXIBLE DRAW	014829	2
6	BOLT, M5X12-5.8 HEX HEAD FULL THREAD ZINC	F81000-5	8
7	NUT, M5-8 DIN 985 ZINC-PLATED	F81030-2	8
8	COVER, LEFT BLADE HOUSING	086752-1	1
9	CAP, SAW HEAD MAIN TUBE	086761-1	1
10	WASHER, 8.2 SPLIT ZINC LOCK	F81054-4	1
11	BOLT, M8X12-8.8 HEX HEAD FULL THREAD ZINC	F81002-6	1
12	NUT, M4-B SELF LOCKING	F81029-1	4
13	WASHER, 4.3 FLAT	F81051-2	8
14	BOLT, M4 X 12 5.8-B	F81011-41	4
15	LIMIT SWITCH, EMERGENCY STOP	087650	2
16	LIMIT SWITCH CABLE	087651	2
17	SCREW, M4X20 8.8 HEX SOCKET HEAD CAP ZINC	F81011-31	4

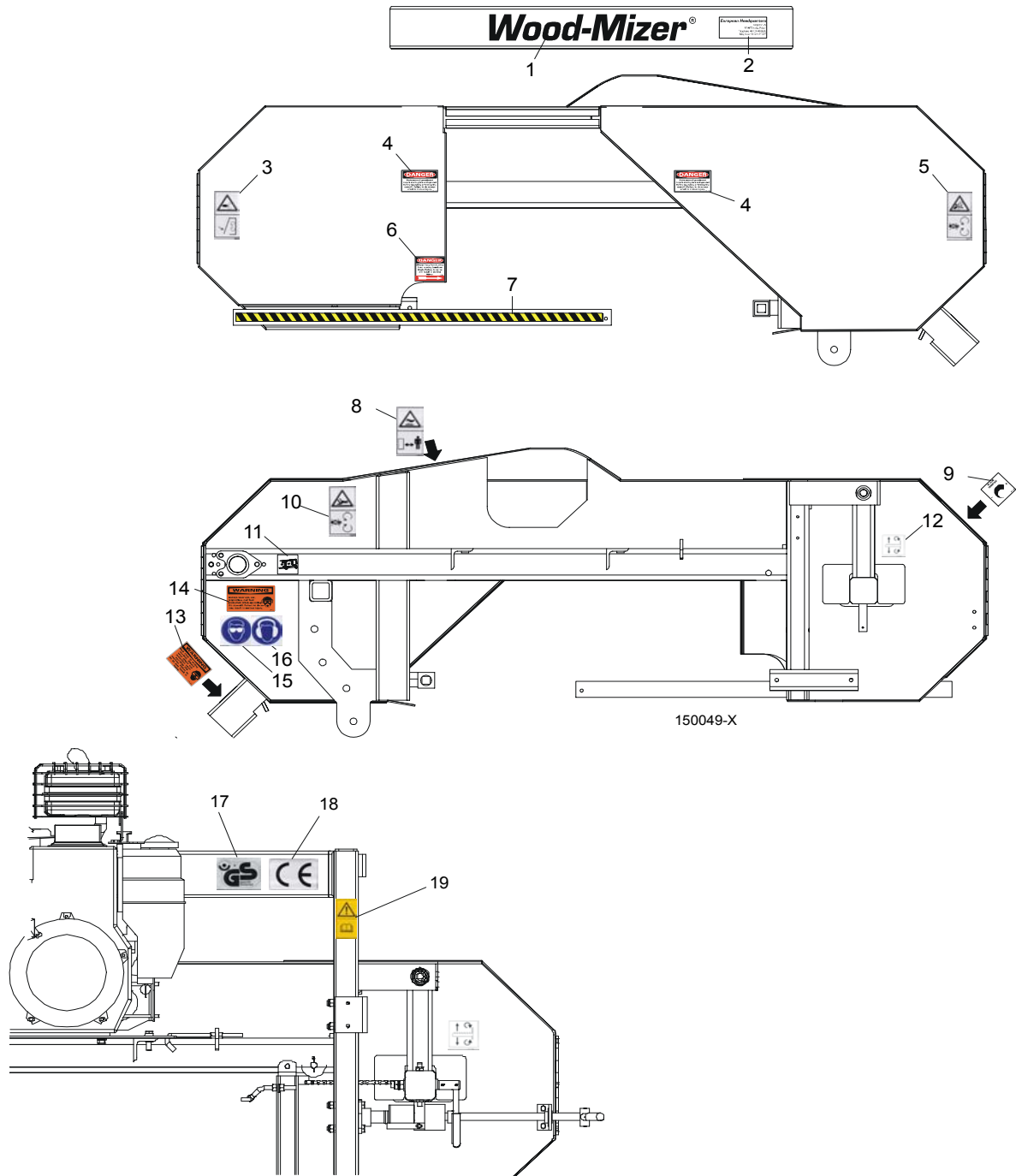
18	WASHER, 5.3 FLAT ZINC	F81052-1	8	
19	NUT, M4-B HEX NYLON ZINC LOCK	F81029-1	8	

5.2 Water Lube



REF	DESCRIPTION (◆ Indicates Parts Available In Assemblies Only)	PART #	QTY.	
	WATER LUBE ASSEMBLY (INCLUDED WITH LT15 PRO KIT 015811)	086087	1	
	Bottle Assy, Water Lube	014642	1	
1	Bottle, 5-Gallon Water Lube	014637	1	◆
2	Cap, Water Bottle (Buttress Thread)	014773	1	
3	Fitting, 3/4FPT x 3/4MPT	014636	1	
4	Fitting, Water Lube Shutoff Valve	014100	1	
5	Fitting, 5/8" NPT to 3/8" Hose Barb	014113	1	
6	Tubing, Water Lube 3/8" I.D.	R01885	2.1 m	
7	Tray, LT15/25 Water Lube Bottle	086082	1	◆
8	Bolt, 1/4-20x1 Carriage Head Zinc	F05005-34	2	
9	Nut, M6-8-B Hex Nylon Zinc Lock	F81031-2	2	
10	Strap, 20" Rubber w/Hook	P11668	2	
11	Washer, 6.5 D18 Flat Coarse Series Zinc	F81053-11	2	

5.3 Saw Head Decals



REF	DESCRIPTION (◆ Indicates Parts Available In Assemblies Only)	PART #	QTY.
1	DECAL, WOOD-MIZER LOGO	S12281	1

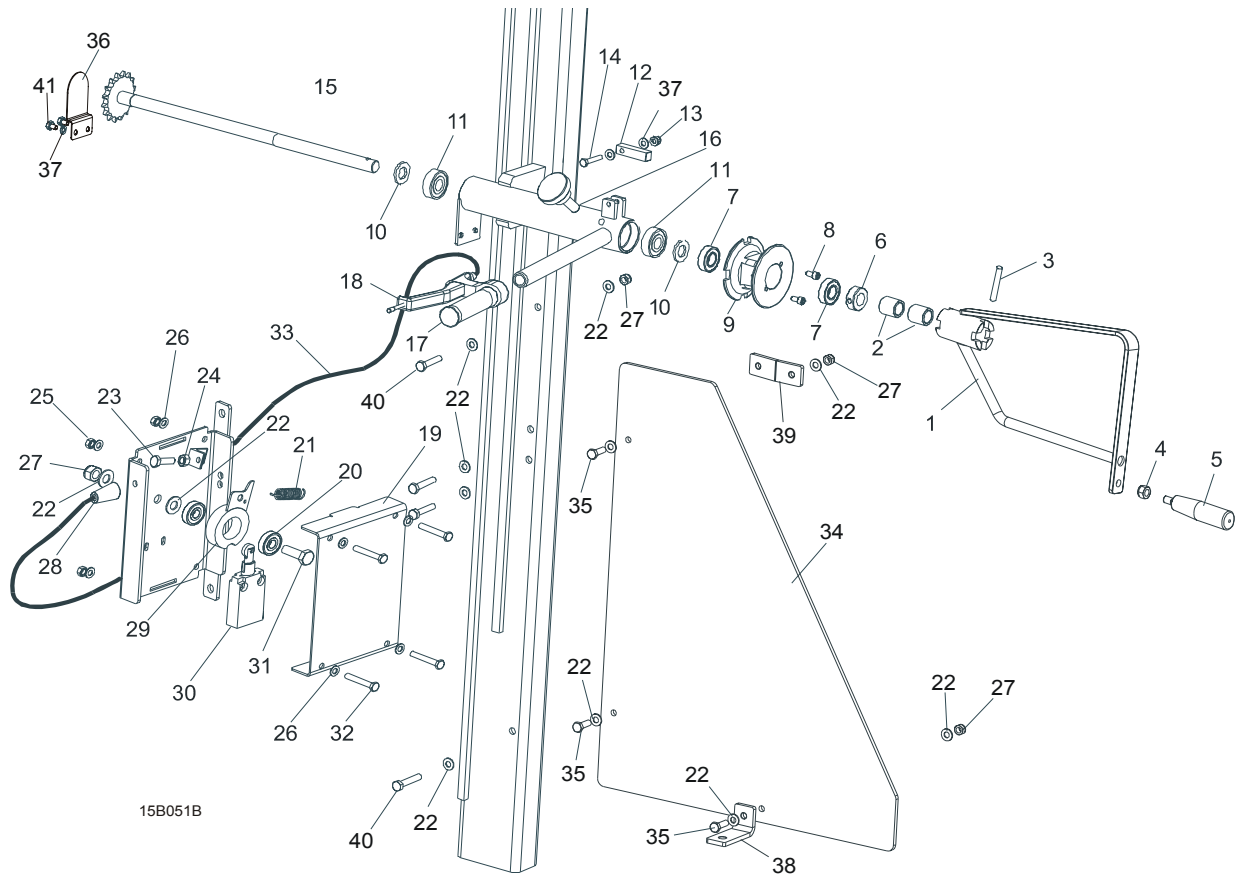
5 Saw Head

Saw Head Decals

2	DECAL, EUROPEAN HEADQUARTERS ADDRESS	015841	1	
3	DECAL, SHUT BLADE COVERS	086097	1	
4	DECAL, BLADE COVER DANGER	S20039	2	
5	DECAL, ROTATING ENGINE PARTS DANGER	086098	1	
6	DECAL, BLADE DANGER W/ARROW	S11752	1	
7	DECAL, BLADE GUIDE ARM STRIPE	015849	1	
8	DECAL, KEEP AWAY - HOT PARTS	086099	1	
9	DECAL, BLADE TENSION INFO	P11790	1	
10	DECAL, BLADE MOVEMENT WARNING	086096	1	
11	DECAL, BLADE ARM GUIDE	086093	1	
12	DECAL, BLADE ALIGNMENT INFO	P11789	1	
13	DECAL, SAWDUST CHUTE WARNING	P11754	1	
14	DECAL, EYE/EAR PROTECTION WARNING	S11753	1	
15	DECAL, EYE PROTECTION WARNING	S12004G	1	
16	DECAL, EAR PROTECION WARNING	S12005G	1	
17	DECAL, GS SAFETY CERTIFICATION, SMALL	P85072	1	
18	DECAL, CE CERTIFIED SAWMILL, SMALL	P85070	1	
19	DECAL, READ MANUALS BEFORE OPERATING THE MACHINE	086095	1	
	DECAL, POWED FEED & UP/DOWN SYSTEMS ENGAGEMENT (NOT SHOWN)	086094	1	
	DECAL, LT15 CENTIMETER SCALE (NOT SHOWN)	086142	1	
	DECAL, POWER FEED & UP/DOWN SYSTEMS EGAGEMENT (NOT SHOWN)	086094	1	

SECTION 6 FEED SYSTEM

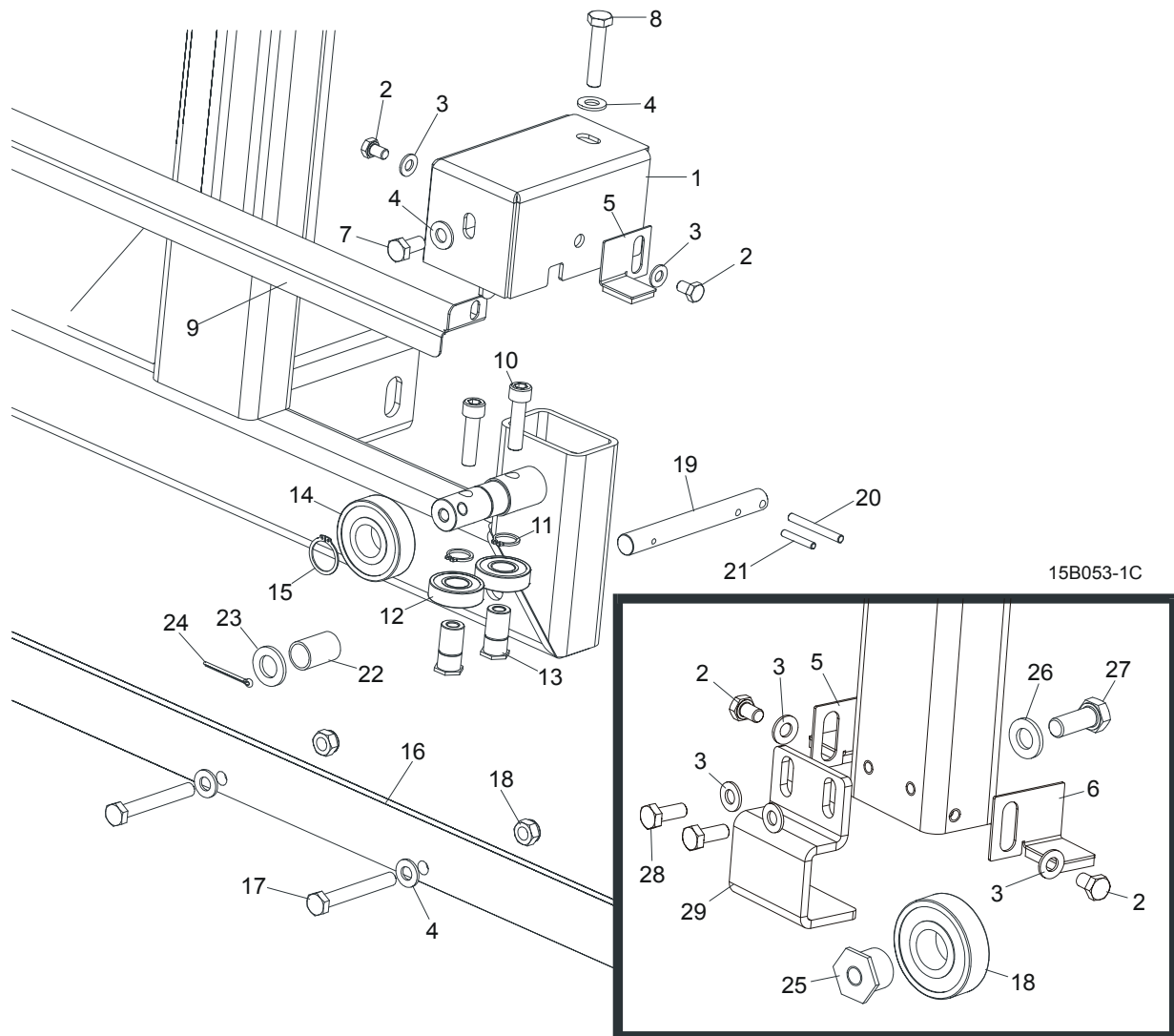
6.1 Feed Crank Assembly



REF	DESCRIPTION (◆ Indicates Parts Available In Assemblies Only)	PART #	QTY.
1	CRANK WELDMENT, LT15 FEED/UP/DOWN	086120-1	1
2	Bushing, Crank Slide 24 x 17 x 25	086191	2
3	PIN, 6X50 ROLL ZINC	F81045-1	1
4	NUT, M10-8-B HEX NYLON ZINC LOCK	F81033-1	1
5	KNOB, 12992M10 PLASTIC CRANK HANDLE	086338	1
6	RING, 17 LIGHT TYPE ZINC STOPPING	F81039-1	1
7	BEARING, 6003-2RS	086116	2
8	SCREW, M6X10-8.8 HEX SOCKET HEAD CAP ZINC	F81001-12	2
9	PULLEY, FEED ROPE	086118	1
10	WASHER, 17 FLAT ZINC	F81058-1	2
11	BEARING, 6203-2RS	086114	2
12	DETENT, LT15 ZINC-PLATED	086156-1	1
13	NUT, M6-8-B HEX NYLON ZINC LOCK	F81031-2	1
14	BOLT, M6X35 8.8 HEX HEAD ZINC	F81001-71	1

15	SHAFT, WELDMENT, UP/DOWN SPROCKET	086183	1	
16	SCREW, M10X25 8.8 KNURLED THUMB W/HIGH HEAD ZINC	F81003-24	1	
17	HANDLE, SAFETY	086164	1	
18	LEVER, HAND-BRAKE	086160	1	
	SWITCH ASSEMBLY, LT15 SAFETY SHUT-OFF	086193	1	
19	Cover, LT15 Limit Switch	086180-1	1	
20	Bearing, 608-2RS FLT Ball	086197	2	
21	Spring, Lt15 Limit Switch	086162	1	
22	Washer,8.4 Flat Zinc	F81054-1	13	
23	Bolt, M6x20-8.8 Hex Head Full Thread Zinc	F81001-2	1	
24	Nut, M6-8 Hex Zinc	F81031-1	1	
25	Nut, M5-8 DIN 985 Zinc	F81030-2	4	
26	Washer, 5.3 Flat Zinc	F81052-1	8	
27	Nut, M8-8-B Hex Nylon Zinc Lock	F81032-2	8	
28	Bolt, LT15 Limit Switch Cable Adjustment	086192	1	
29	Cam, Limit Switch	086176-1	1	
30	Limit Switch, XCMA102 Shut-Off	P21515-P	1	
31	Bolt, M8x30-5.8 Hex Head Full Thread Zinc	F81002-2	1	
32	Bolt, M5x40-8.8 Hex Head Full Thread Zinc	F81000-11	4	
33	Cable, 440 mm Long LT15 Limit Switch	086163	0,44 m	
	GUARD, LT15 LOWER	086289	1	
34	PLATE, PC LT15 GUARD	086287	1	
35	Bolt, M8x25-8.8-B Hex Head Full Thread Zinc	F81002-5	3	
36	COVER, LT15 SAW HEAD UPPER SPROCKET	015884-1	1	
37	Washer, 6.4 Flat Zinc	F81053-1	4	
38	Bracket, Lower	086171-1	1	
39	Bracket, Side	086172-1	2	
40	BOLT, M8 x 20 8.8 HEX HEAD	F81002-4	4	
41	BOLT, M6X12-8.8 HEX HEAD FULL THREAD ZINC	F81001-7	2	

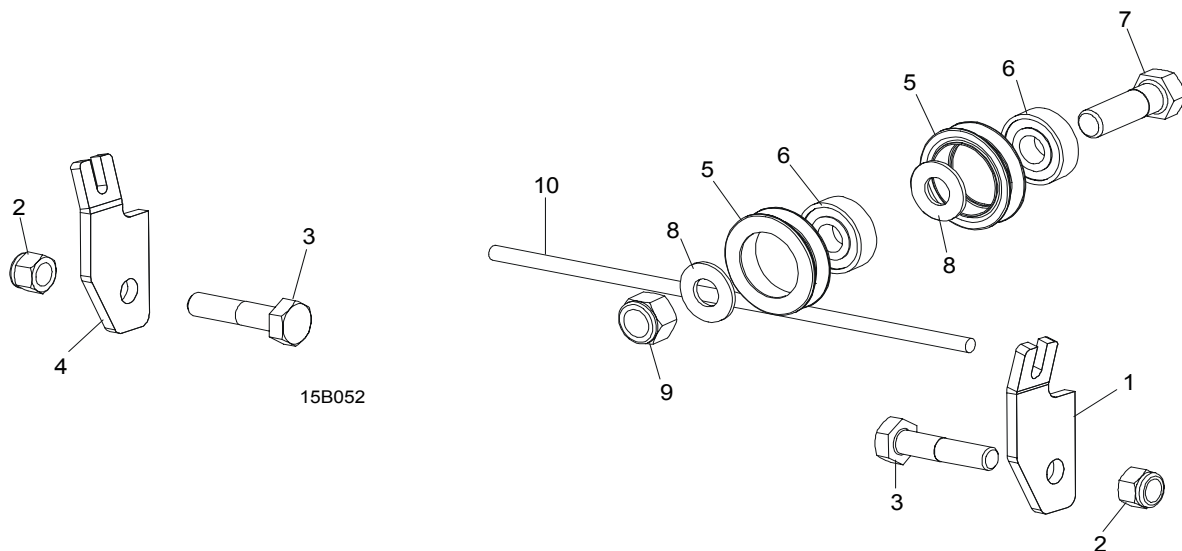
6.2 Track Rail, Rollers, & Travel Pins



REF	DESCRIPTION (◆ Indicates Parts Available In Assemblies Only)	PART #	QTY.
1	COVER, TRACK ROLLER	086739-1	2
2	BOLT, M8X12-8.8 HEX HEAD FULL THREAD ZINC	F81002-6	6
3	WASHER, 8.4 FLAT ZINC	F81054-1	8
4	WASHER, 10.5 FLAT ZINC	F81055-1	13
5	PLATE, LEFT TRACK WIPER	086323	2
6	PLATE, RIGHT TRACK WIPER	086322	2
7	BOLT, M10 X 20 5.8 HEX HEAD	F81003-1	2
8	BOLT, M10X50-8.8 HEX HEAD FULL THREAD ZINC	F81003-4	2
9	COVER, MIDDLE TRACK	088745	1
10	SCREW, M10X40 8.8 HEX SOCKET HEAD CAP ZINC	F81003-22	4

11	RING, Z 17 OUTSIDE RETAINING	F81090-21	6	
12	BEARING, 6203-2RS	086114	4	
13	SHAFT, SIDE BEARING MOUNT ZINC-PLATED	086645-1	4	
14	BEARING, 6305 2RS NSK	P08066	3	
15	RING, 25Z OUTSIDE RETAINING	F81090-22	2	
16	RAIL, MAST TRACK ZINC-PLATED	086592-1	1	
17	BOLT, M10X75-8.8 HEX HEAD ZINC	F81003-15	9	
18	NUT, M10-8-B HEX NYLON ZINC LOCK	F81033-1	9	
19	PIN, TRAVEL LOCK ZINC-PLATED	086743-1	2	
20	PIN, 6X50 ROLL ZINC	F81045-1	2	
21	PIN, 5 X 30 ROLL ZINC	F81044-21	2	
22	SPRING, 18 X 37 X 1.8 ZINC-PLATED COMPRESSION	087301	2	
23	WASHER, 17 FLAT ZINC	F81058-1	2	
24	PIN, S-ZN 4 X 25 COTTER	F81043-2	2	
25	MOUNT, IDLER ROLLER ZINC-PLATED	086148-1	2	
26	WASHER, 13 FLAT ZINC	F81056-1	1	
27	BOLT, M12X30-8.8 HEX HEAD FULL THREAD ZINC	F81004-22	1	
28	BOLT, M8X20-8.8-B HEX HEAD FULL THREAD ZINC	F81002-4	2	
29	BRACKET, LT15 MAST GUIDE IDLE SIDE	087192-1	1	

6.3 Feed Rope, Lower Pulleys, & Brackets



REF	DESCRIPTION (◆ Indicates Parts Available In Assemblies Only)	PART #	QTY.	
1	BRACKET, FRONT ROPE MOUNT	092569-1	1	
2	NUT, M12-8 HEX NYLON ZINC LOCK	F81034-2	2	
3	BOLT, M12X40-8.8 HEX HEAD FULL THREAD ZINC	F81004-4	2	
4	BRACKET, REAR ROPE MOUNT	092570-1	1	
	ROLLER ASSEMBLY, V-GROOVE W/BEARING	A09059	2	
5	Roller, 2 1/4" V-Groove	S07989-W	1	◆
6	Bearing, 5/8" x 1.75" x .48"	P06030-1	1	
7	BOLT, M16X60 8.8 HEX HEAD FULL THREAD ZINC	F81006-12	1	
8	WASHER, 17 FLAT ZINC	F81058-1	2	
9	NUT, M16-8 HEX NYLON ZINC LOCK	F81036-2	1	
10	ROPE, 5/16" DIA. BRAIDED POLYESTER	R02080	9 m ¹	

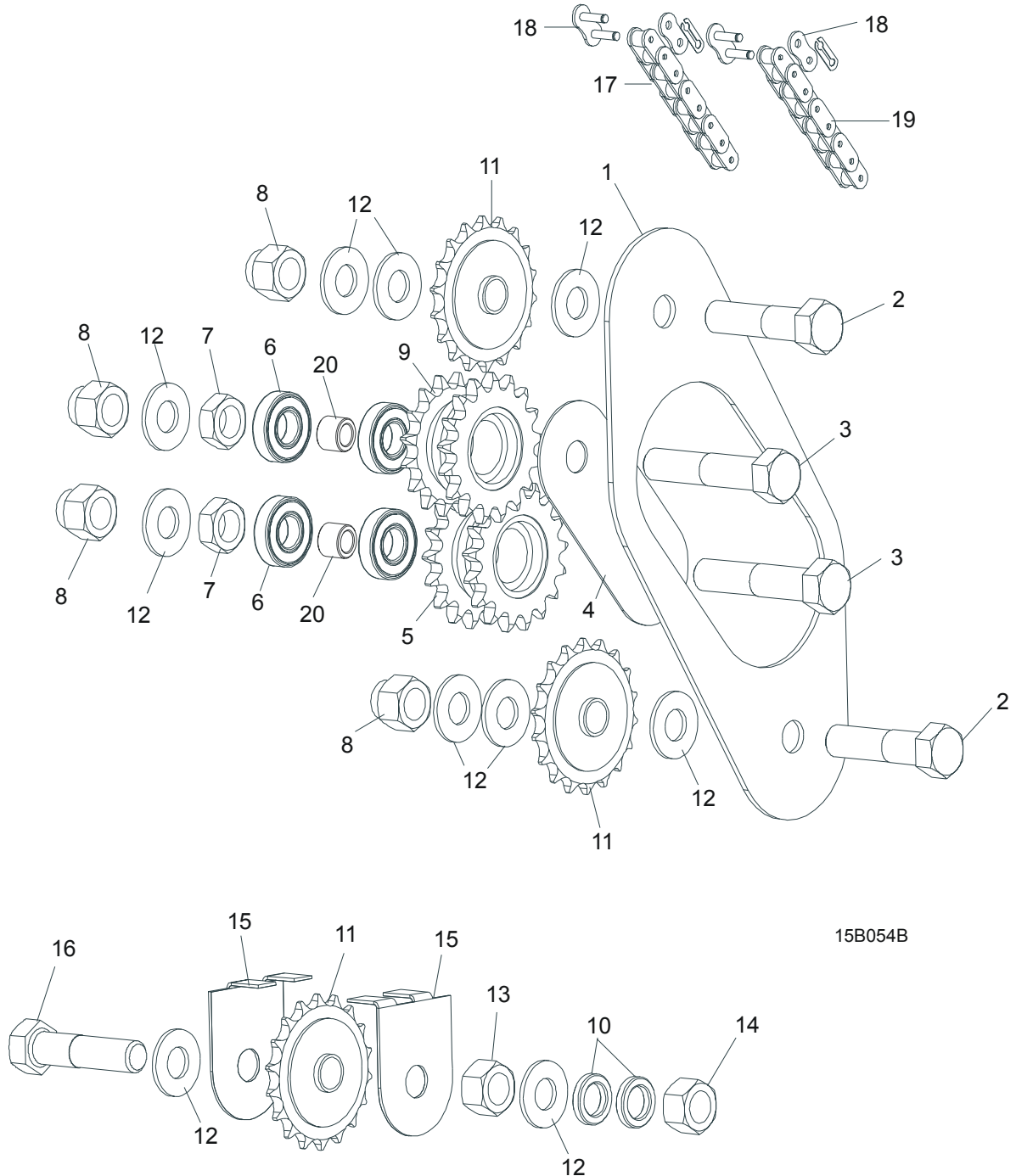
¹ used with three segments bed. When you have two segments bed, the rope is 5,6m long.

SECTION 7 UP/DOWN SYSTEM

7.1 Crank Assembly

[\(See Section 6.1\)](#)

7.2 Sprocket Drive Assembly

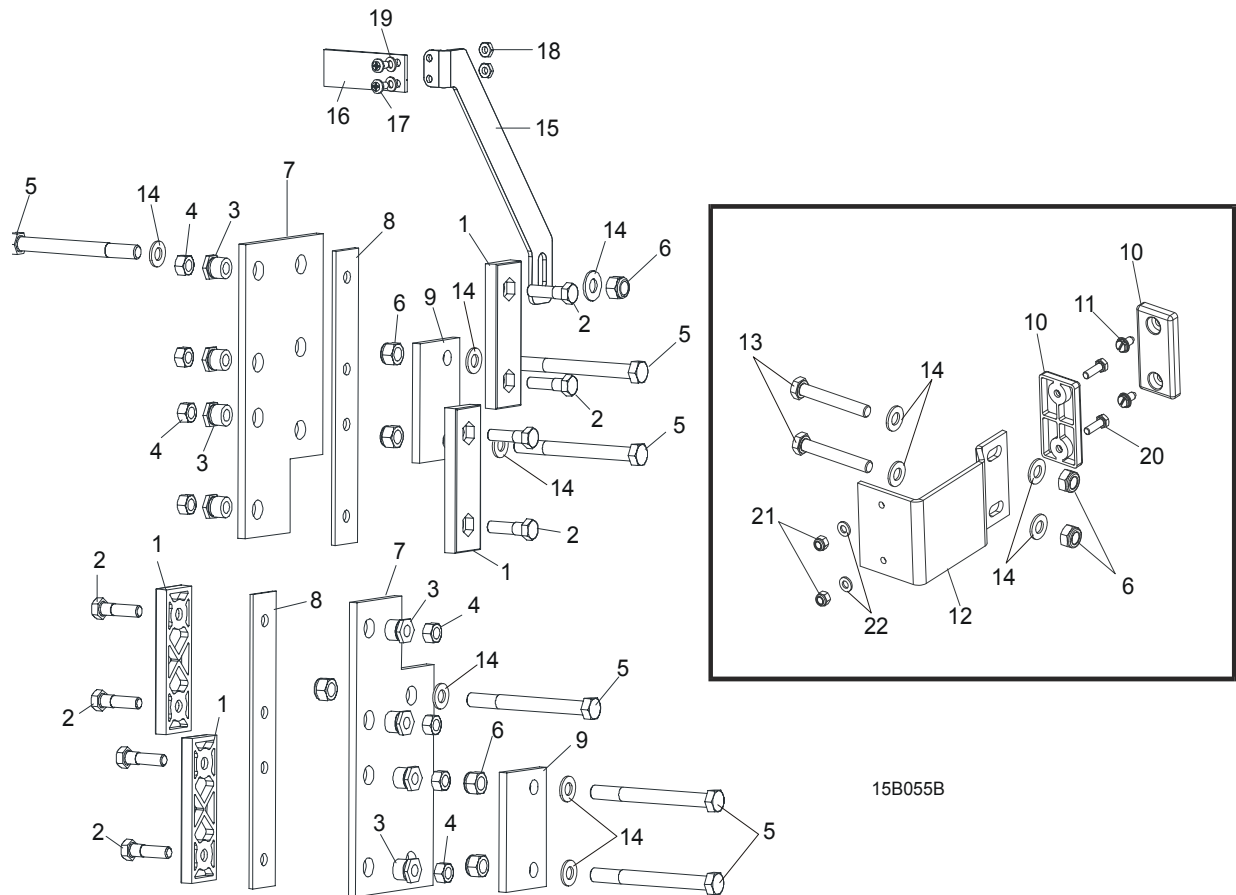


REF	DESCRIPTION (◆ Indicates Parts Available In Assemblies Only)	PART #	QTY.
1	GUARD, LT 15 UP/DOWN CHAIN INTERNAL	014907	1
2	BOLT, M16X65-8.8-B HEX HEAD FULL THREAD ZINC	F81006-1	2
3	BOLT, M16X80 8.8-B HEX HEAD FULL THREAD ZINC	F81006-11	2
4	PLATE, UP/DOWN DRIVE SPROCKET MOUNT	087104-1	1
5	SPROCKET, 17/17 DUAL	086812-1	1

7 Up/Down System *Sprocket Drive Assembly*

6	BEARING, R-10	P04156	4	
7	NUT, M16 HEX THIN ZINC	F81036-4	2	
8	NUT, M16-8 HEX NYLON ZINC LOCK	F81036-2	4	
9	SPROCKET, 16/17 DUAL	086813-1	1	
10	SPACER, 41/64" X 1" X 3/16"	S12480	3	
11	SPROCKET, 17T G1#40-41 5/8" S/W CHAIN IDLER	P04333	3	
12	WASHER, 17 FLAT ZINC	F81058-1	12	
13	NUT, M16-5.8 HEX ZINC	F81036-1	1	
14	NUT, M16-8 HEX NYLON ZINC LOCK	F81036-2	1	
15	GUARD,LT15 UP/DOWN CHAIN SPROCKET	092566-1	2	
16	BOLT, M16X75-8.8-B HEX HEAD FULL THREAD ZINC	F81006-10	1	
17	CHAIN, #40 X 111 1/2" ROLLER	014831	1	
18	LINK, #40 MASTER	P04200	2	
19	CHAIN, #40 X 15 1/2" ROLLER	P12496	1	
20	BUSHING, 41/64 X 1 X 3/4"	015503-0	2	

7.3 Slide Pads & Blade Height Scale



15B055B

REF	DESCRIPTION (◆ Indicates Parts Available In Assemblies Only)	PART #	QTY.
1	PAD, UP/DOWN SLIDE	M04096	4
2	BOLT, M8X35-8.8 HEX HEAD FULL THREAD ZINC	F81002-13	8
3	NUT, LT15 SLIDE PAD ADJUSTMENT ZINC-PLATED	086683-1	8
4	NUT, M8-8-B HEX NYLON ZINC LOCK	F81032-2	8
5	BOLT, M10X110 8.8 HEX HEAD ZINC	F81003-43	6
6	NUT, M10-8-B HEX NYLON ZINC LOCK	F81033-1	8
7	PLATE, LT15 SLIDE PAD MOUNT	086682-1	2
8	BACKING, MAST SLIDE PADS	014898-1	2
9	PLATE, SHORT SLIDE PAD MOUNT	085978-1	2
10	PAD, IDLE SIDE SLIDE	P13576	2
11	BOLT, 1/4-20 X 1/2" SLOTTED HEX HEAD	F05015-1	4
12	BRACKET, LT15 MAST GUIDE IDLE SIDE	087192-1	1
13	BOLT, M10X70-8.8 HEX HEAD FULL THREAD ZINC	F81003-20	2
14	WASHER, 10.5 FLAT ZINC	F81055-1	11
15	BRACKET, LT15 BLADE HEIGHT SCALE MOUNT	092568-1	1

7**Up/Down System***Slide Pads & Blade Height Scale*

16	INDICATOR, BLADE HEIGHT SCALE	086691-1	1	
17	BOLT, M4X16 5.8 HEX HEAD FULL THREAD ZINC	F81011-6	2	
18	NUT, M4-B HEX NYLON ZINC LOCK	F81029-1	2	
19	WASHER, 4.3 FLAT ZINC	F81051-2	2	
20	BOLT, M6X20-8.8 HEX HEAD FULL THREAD ZINC	F81001-2	2	
21	NUT, M6-8-B HEX NYLON ZINC LOCK	F81031-2	2	
22	WASHER, 6.4 FLAT ZINC	F81053-1	2	

