

Wood-Mizer®

Replacement Parts Manual

| | |
|-------------------|-------------------|
| LT15S3 G15 | rev. C3.00 |
| LT15M2 G15 | rev. C3.00 |
| LT15S3 D10 | rev. C3.00 |
| LT15M2 D10 | rev. C3.00 |



Safety is our #1 concern! Read and understand all safety information and instructions before operating, setting up or maintaining this machine.

August 1997

Form #799

| | | |
|------------------|---|------------|
| SECTION 1 | GENERAL INFORMATION | 1-1 |
| 1.1 | How To Use The Parts List | 1-1 |
| 1.2 | Sample Assembly | 1-1 |
| SECTION 2 | FRAME PARTS | 2-1 |
| 2.1 | Log Side Support Assembly | 2-1 |
| 2.2 | Bed Connecting Hardware | 2-2 |
| 2.3 | Stationary Leg Kit | 2-3 |
| 2.4 | Outrigger Leg Kit (Mobile sawmills only)..... | 2-4 |
| 2.5 | Log Clamp Assembly | 2-5 |
| 2.6 | Auxiliary Bed Rail Assembly | 2-6 |
| 2.7 | Log Wedge, Loading Ramps, & Cant Hook (Optional)..... | 2-7 |
| 2.8 | Bed Extension..... | 2-8 |
| 2.9 | ”M” Type Frame Bed Section | 2-9 |
| 2.10 | ”S” Type Frame Bed Section | 2-10 |
| 2.11 | Additional Bed Frame Section with Stationary Legs | 2-11 |
| 2.12 | Additional Bed Frame Section with Outrigger Legs | 2-12 |
| SECTION 3 | BLADE GUIDE ROLLERS & ARM | 3-1 |
| 3.1 | Blade Guide Assembly, Idle Side..... | 3-1 |
| 3.2 | Blade Guide Assembly, Drive Side..... | 3-3 |
| 3.3 | Blade Guide Roller Guard | 3-5 |
| 3.4 | Blade Guide Arm Assembly | 3-6 |
| SECTION 4 | BLADE WHEELS & TENSIONER | 4-1 |
| 4.1 | Blade Wheel Assembly, Drive Side | 4-1 |
| 4.2 | Blade Wheel Assembly, Idle Side | 4-2 |
| 4.3 | Blade Tensioner Assembly..... | 4-4 |
| SECTION 5 | SAW HEAD | 5-1 |
| 5.1 | Blade Housing Cover | 5-1 |
| 5.2 | Water Lube Assembly | 5-3 |
| 5.3 | LT15DC Saw Head Decals | 5-4 |
| 5.4 | Control Panel, LT15 DC..... | 5-6 |
| 5.5 | Electric & Battery Box, LT15 DC..... | 5-8 |
| 5.6 | D10 & G15 Engine Mounting Plate | 5-10 |
| SECTION 6 | FEED SYSTEM | 6-1 |
| 6.1 | Feed Crank Assembly..... | 6-1 |
| 6.2 | Track Rail, Rollers & Travel Pins | 6-3 |
| 6.3 | Feed Rope, Lower Pulleys & Brackets..... | 6-5 |
| SECTION 7 | UP/DOWN SYSTEM | 7-1 |
| 7.1 | Up/Down Assembly, DC..... | 7-1 |
| 7.2 | Slide Pads & Blade Height Scale Indicator | 7-4 |
| 7.3 | Blade Height Scale & Up/Down Limit Switches | 7-6 |
| 7.4 | Blade Height Scale (Optional)..... | 7-8 |

SECTION 1 GENERAL INFORMATION

1.1 How To Use The Parts List

- Use the index above to locate the assembly that contains the part you need.
- Go to the appropriate section and locate the part in the illustration.
- Use the number pointing to the part to locate the correct part number and description in the table.
- Parts shown indented under another part are included with that part.
- Parts marked with a diamond (◆) are only available in the assembly listed above the part.

See the sample table below. Sample Part #A01111 includes part F02222-2 and subassembly A03333. Subassembly A03333 includes part S04444-4 and subassembly K05555. The diamond (◆) indicates that S04444-4 is not available except in subassembly A03333. Subassembly K05555 includes parts M06666 and F07777-77. The diamond (◆) indicates M06666 is not available except in subassembly K05555.

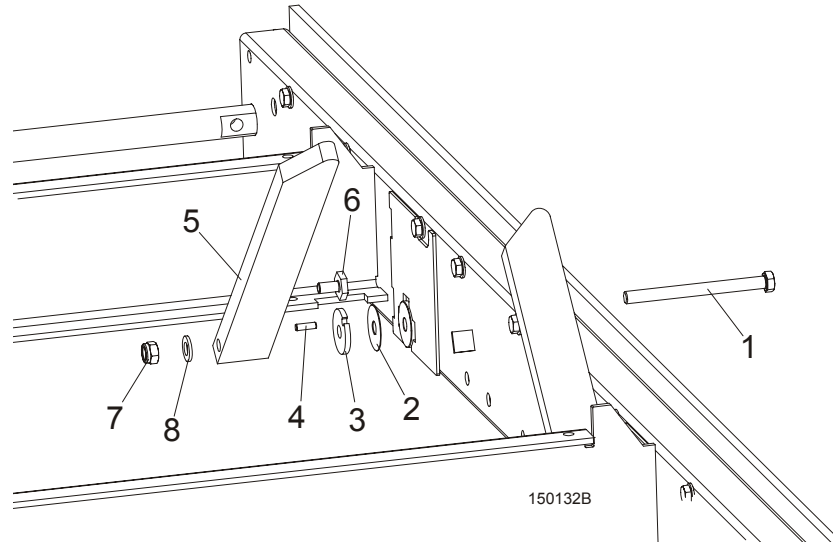
| 1.2 Sample Assembly | | | | |
|----------------------------|---|-----------|------|---|
| REF | DESCRIPTION (◆ Indicates Parts Available In Assemblies Only) | PART # | QTY. | |
| | Sample Assembly, Complete (Includes All Indented Parts Below) | A01111 | 1 | |
| 1 | Sample Part | F02222-22 | 1 | |
| | Sample Subassembly (Includes All Indented Parts Below) | A03333 | 1 | |
| 2 | Sample Part (◆ Indicates Part Is Only Available With A03333) | S04444-4 | 1 | ◆ |
| | Sample Subassembly (Includes All Indented Parts Below) | K05555 | 1 | |
| 3 | Sample Part (◆ Indicates Part Is Only Available With K05555) | M06666 | 2 | ◆ |
| 4 | Sample Part | F07777-77 | 1 | |

To Order Parts:

- From Europe call our European Headquarters and Manufacturing Facility in Kolo, Poland at **+48-63-2626000**. From the continental U.S., call our toll-free Parts hotline at **1-800-448-7881**. Have your customer number, vehicle identification number, and part numbers ready when you call.
- From other international locations, contact the Wood-Mizer distributor in your area for parts.

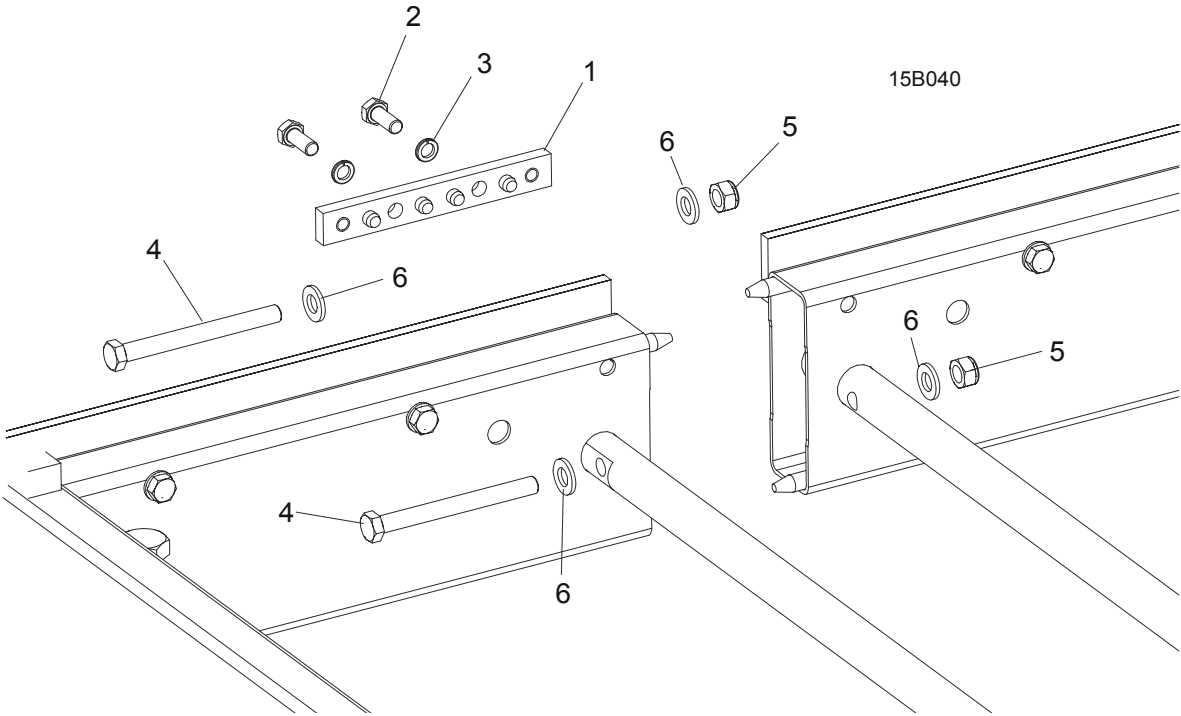
SECTION 2 FRAME PARTS

2.1 Log Side Support Assembly



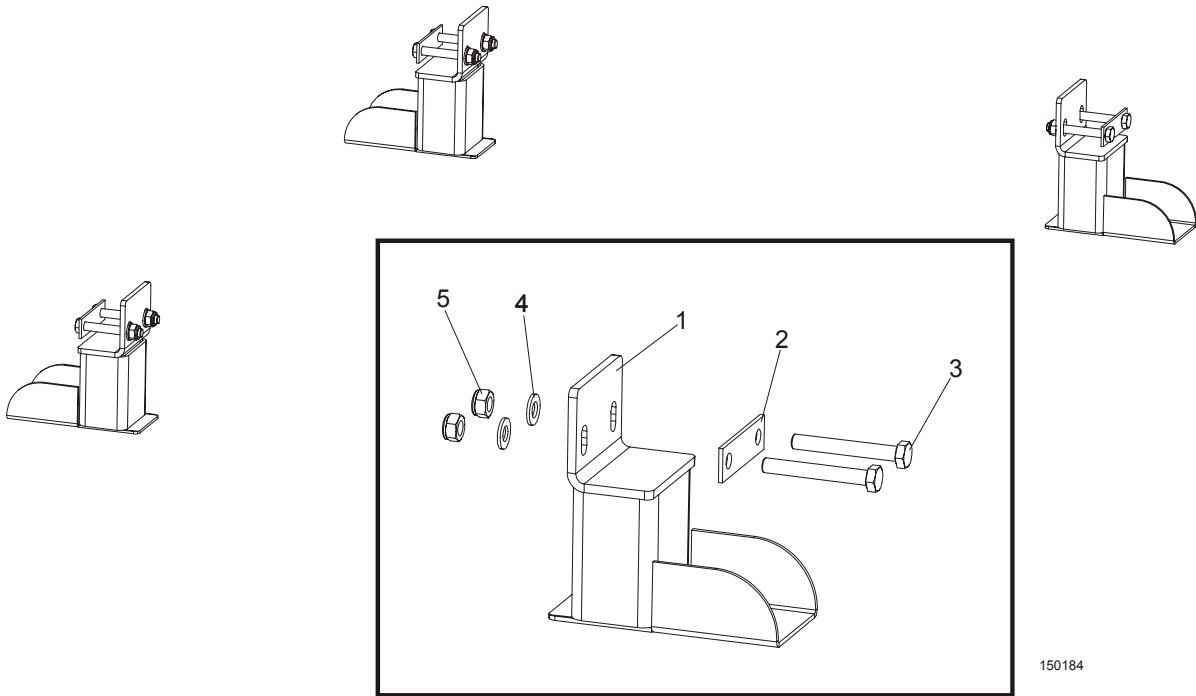
| REF | DESCRIPTION (◆ Indicates Parts Available In Assemblies Only) | PART # | QTY. |
|-----|--|-----------|------|
| 1 | BOLT, M12X140-8.8 HEX HEAD ZINC | F81004-35 | 1 |
| 2 | WASHER, 33/64 X 1 3/4 X 1/32" NYLON | 014972 | 1 |
| 3 | WASHER, LT15 THICK SPACER | 085981-1 | 1 |
| | SUPPORT, LT15 LOG SIDE COMPLETE PAINTED | 085982-1 | 1 |
| 4 | PIN, H 6n6x20 60HRC ROLL | 100472 | 1 |
| 5 | PLATE, LT15 LOG SIDE SUPPORT | 085980 | 1 |
| 6 | BOLT, M10x20 SPECIAL | 100076-1 | 1 |
| 7 | NUT, M12-8 HEX NYLON ZINC LOCK | F81034-2 | 1 |
| 8 | WASHER, 13 FLAT ZINC | F81056-1 | 1 |

2.2 Bed Connecting Hardware



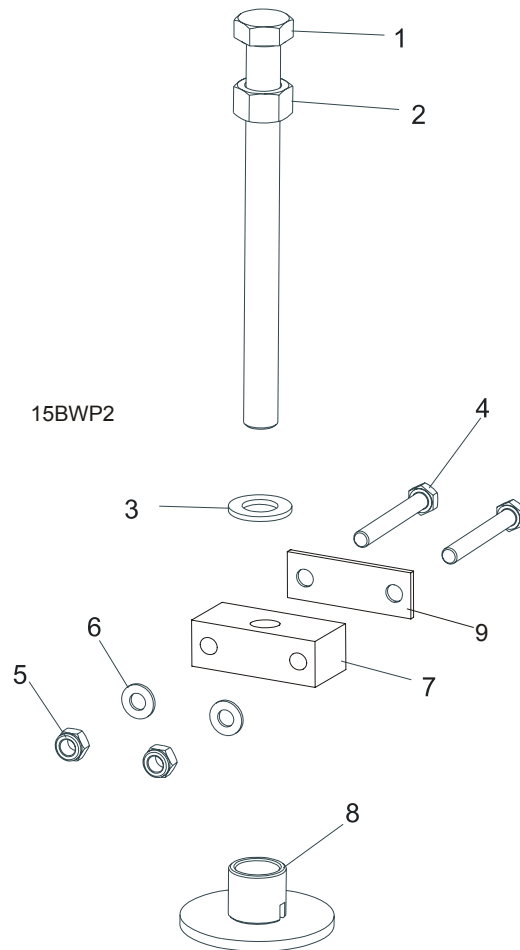
| REF | DESCRIPTION (◆ Indicates Parts Available In Assemblies Only) | PART # | QTY. |
|-----|--|-----------|------|
| 1 | PLATE, BED CONNECTION | 086659-1 | 1 |
| 2 | BOLT, M10 X 25 - 8.8 HEX HEAD FULL THREAD ZINC | F81003-11 | 2 |
| 3 | WASHER, 10.2 FLAT | F81055-2 | 2 |
| 4 | BOLT, M12 X 120 - 8.8 HEX HEAD ZINC | F81004-38 | 2 |
| 5 | NUT, M12-8-B HEX NYLON ZINC LOCK | F81034-2 | 2 |
| 6 | WASHER, 13 FLAT ZINC | F81056-1 | 4 |

2.3 Stationary Leg Kit



| REF | DESCRIPTION (◆ Indicates Parts Available In Assemblies Only) | PART # | QTY. |
|-----|--|-----------|------|
| | STATIONARY LEG KIT FOR 1950 MM BED SECTION | 100069 | 1 |
| 1 | Leg, LT15 Stationary Bed | 100064-1 | 4 |
| 2 | Washer, LT15 Bed Leg | 085994-1 | 4 |
| 3 | Bolt, M10x75-8.8 Hex Head Zinc | F81003-15 | 8 |
| 4 | Washer, 10.5 Flat Zinc | F81055-1 | 8 |
| 5 | Nut, M10-8-B Hex Nylon Zinc Lock | F81033-1 | 8 |
| | STATIONARY LEG KIT FOR 2700 MM BED SECTION | 100070 | 1 |
| 1 | Leg, LT15 Stationary Bed | 100064-1 | 6 |
| 2 | Washer, LT15 Bed Leg | 085994-1 | 6 |
| 3 | Bolt, M10x75-8.8 Hex Head Zinc | F81003-15 | 12 |
| 4 | Washer, 10.5 Flat Zinc | F81055-1 | 12 |
| 5 | Nut, M10-8-B Hex Nylon Zinc Lock | F81033-1 | 12 |

2.4 Outrigger Leg Kit (Mobile sawmills only)

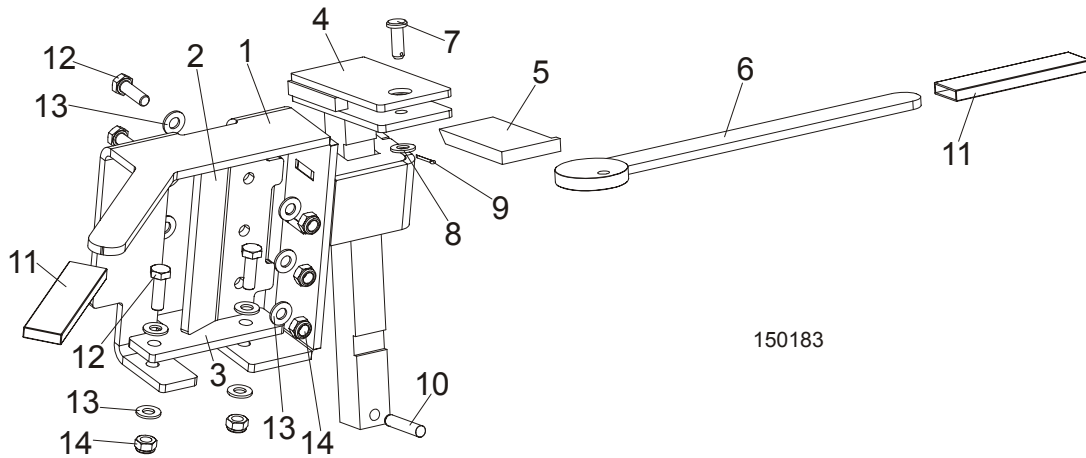


| REF | DESCRIPTION (◆ Indicates Parts Available In Assemblies Only) | PART # | QTY. |
|-----|--|---------------------|------|
| | OUTRIGGER LEG KIT FOR 1950 MM BED SECTION (LT15S3) | 095232 ¹ | 3 |
| | OUTRIGGER LEG KIT FOR 2700 MM BED SECTION (LT15M2) | 095234 ² | 2 |
| 1 | Bolt, M20x240-8.8 Hex Head Full Thread Zinc | F81007-1 | 1 |
| 2 | Nut, M20-8 Hex Zinc | F81037-1 | 1 |
| 3 | Washer, 21 Flat Zinc | F81059-2 | 1 |
| 4 | Bolt, M10x120-8.8 Hex Head Zinc | F81003-58 | 2 |
| 5 | Nut, M10-8-B Hex Nylon Zinc Lock | F81033-1 | 2 |
| 6 | Washer, 10.5 Flat Zinc | F81055-1 | 2 |
| 7 | Block, LT15 Leg Mount | 095745-1 | 1 |
| 8 | Plate Weldment, LT15 Leg Foot Zinc-plated | 087771-1 | 1 |
| 9 | Washer, LT15 Bed | 085994-1 | 1 |

¹ Four legs are mounted to each 1950-mm long bed section. Stanadart in moble sawmills, option in stationary sawmills.

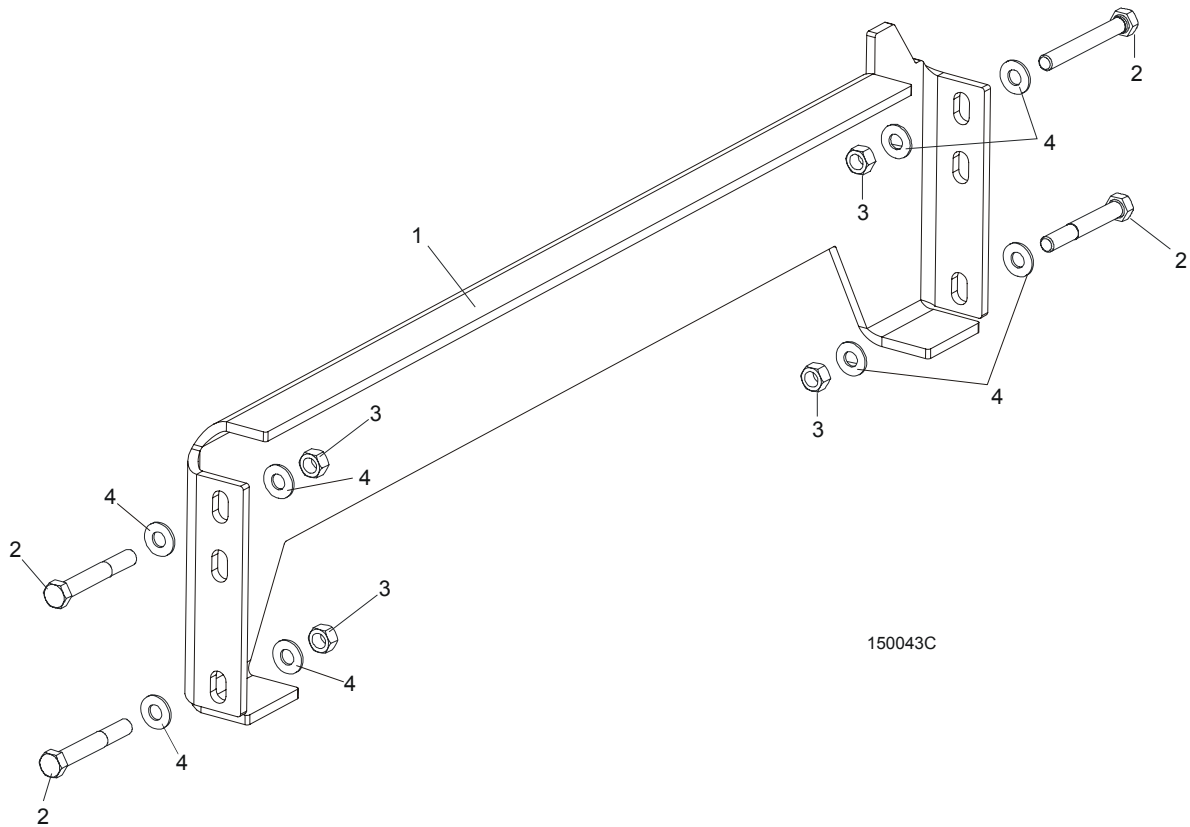
² Six legs are mounted to each 2700-mm long bed section. Option in stationary sawmills.

2.5 Log Clamp Assembly



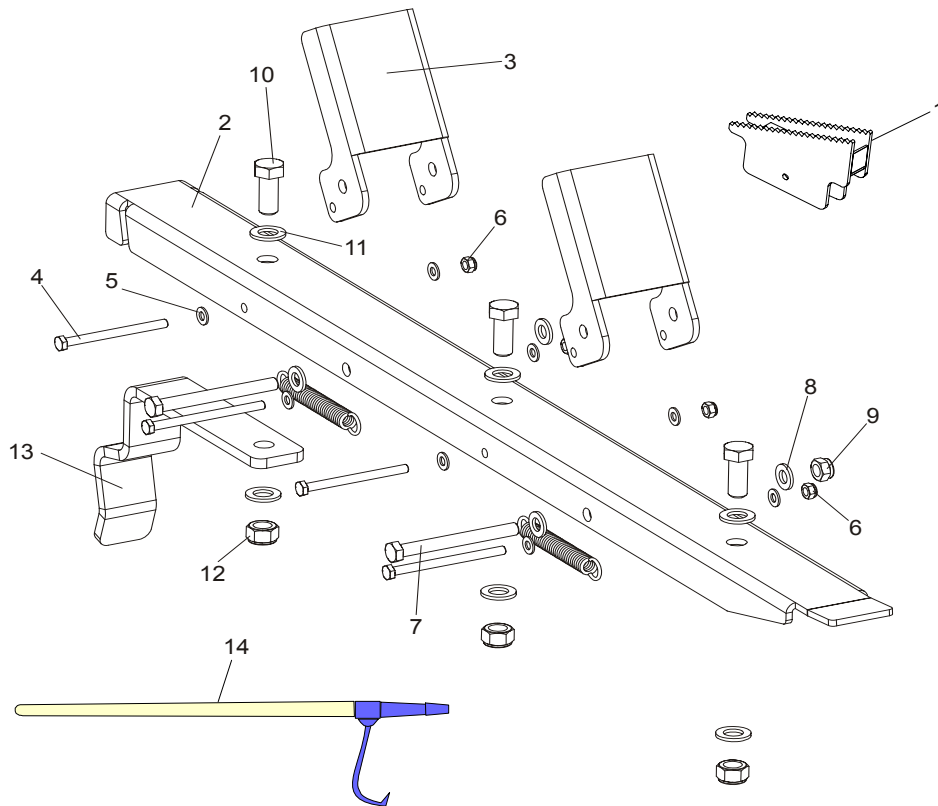
| REF | DESCRIPTION (◆ Indicates Parts Available In Assemblies Only) | PART # | QTY. |
|-----|--|----------|------|
| | LOG CLAMP ASSEMBLY, COMPLETE | 097553 | 2 |
| 1 | Clamp Weldment, Zinc-plated | 097514-1 | 1 |
| 2 | Plate, Log Clamp Guide Zinc-plated | 094524-1 | 1 |
| 3 | Plate, Log Clamp Lower Zinc-plated | 094525-1 | 1 |
| | Log Clamp, Complete | 098546 | 1 |
| 4 | Bracket, Log Clamp Zinc-plated | 086822-1 | 1 |
| 5 | Key, Log Clamp Zinc-plated | 086831-1 | 1 |
| 6 | Cam, Log Clamp Zinc-plated | 086828-1 | 1 |
| 7 | Pin, 8x24x2x20.5-St-A2 PN-EN 22341 | F81046-3 | 1 |
| 8 | Washer, 8.4 Flat Zinc | F81054-1 | 1 |
| 9 | Pin, 2x16-St-A2 ISO 1234 Cotter | F81041-2 | 1 |
| 10 | Pin, H 8m6x40 Roll 60HRC DIN-6325 | F81048-5 | 1 |
| 11 | Grip, Log Clamp Handle | 086875 | 2 |
| 12 | Bolt, M8x25-8.8-B Hex Head Full Thread Zinc | F81002-5 | 5 |
| 13 | Washer, 8.4 Flat Zinc | F81054-1 | 10 |
| 14 | Nut, M8-8-B Hex Nylon Zinc Lock | F81032-2 | 5 |

2.6 Auxiliary Bed Rail Assembly



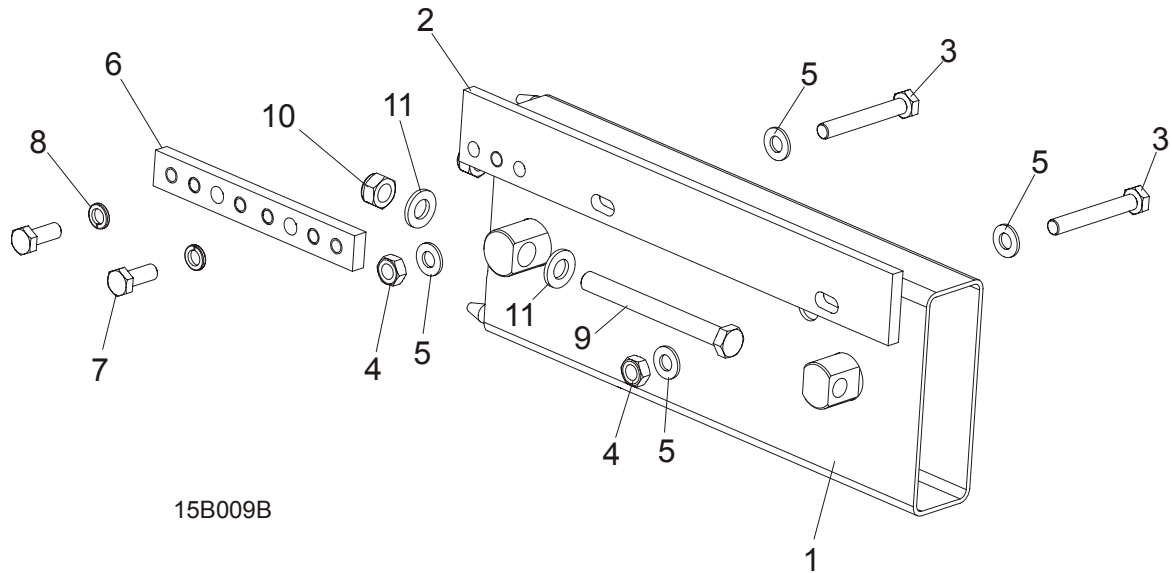
| REF | DESCRIPTION (◆ Indicates Parts Available In Assemblies Only) | PART # | QTY. | |
|-----|--|-----------|------|---|
| 1 | RAIL WELDMENT, LT15 AUXILIARY BED | 095490-1 | 1 | ◆ |
| 2 | BOLT M10X75-8.8 HEX HEAD ZINC | F81003-15 | 4 | |
| 3 | NUT, M10-8-B HEX NYLON ZINC LOCK | F81033-1 | 4 | |
| 4 | WASHER 10,5 ZINC FLAT | F81055-1 | 8 | |

2.7 Log Wedge, Loading Ramps, & Cant Hook (Optional)



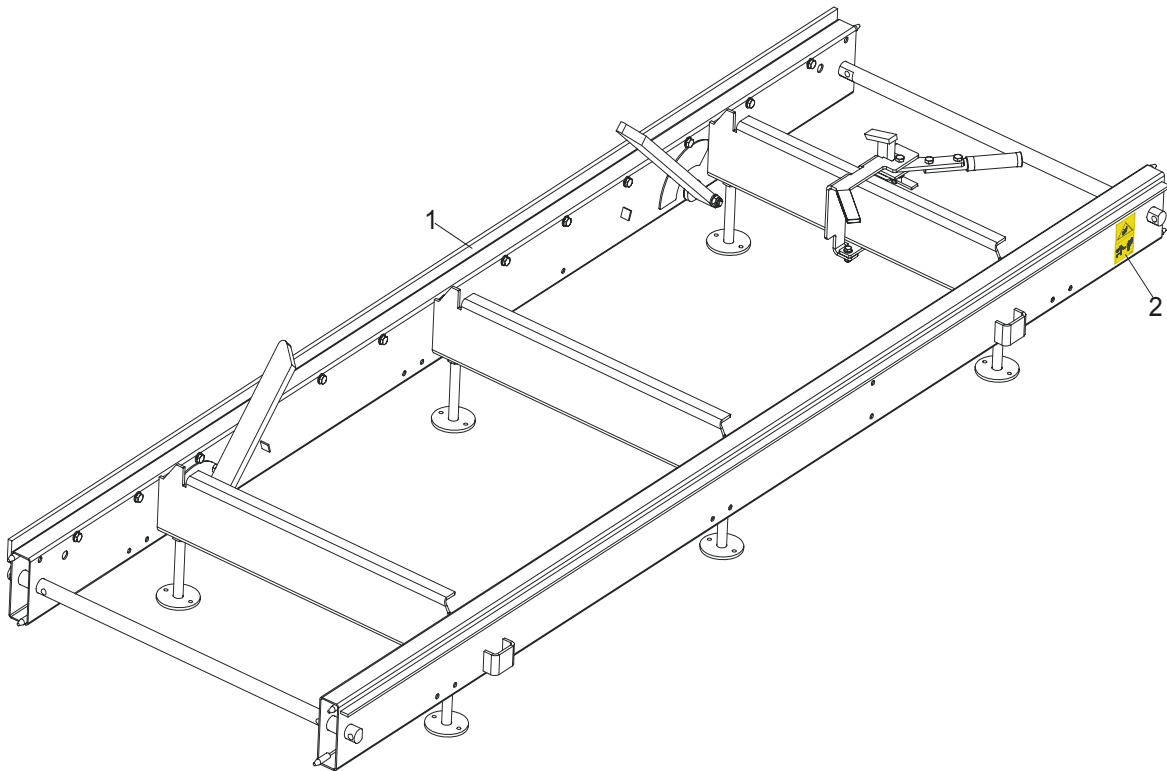
| REF | DESCRIPTION (◆ Indicates Parts Available In Assemblies Only) | PART # | QTY. |
|-----|--|------------------|------|
| | ACCESSORIES, LT15 SAWMILLS | 085997 | 1 |
| 1 | Wedge Weldment, Log Taper (included in 015811 kit) | 086035-1 | 1 |
| | Ramp Assembly, Log Loading, LT15 compl. | 097977 | 2 |
| | Ramp Assembly | 097483 | 1 |
| 2 | Ramp Weldment, zink plated | 097481-1 | 1 |
| 3 | Bracket, Log Loading Stop, zink plated | 097482-1 | 2 |
| 4 | Bolt M8x100 -8.8 | F81002-23 | 4 |
| 5 | Washer, M8, Flat, zinc | F81054-1 | 8 |
| 6 | Nut, M8, Hexagon, Nylon lock, zinc | F81032-2 | 4 |
| 7 | Bolt, M12x115-8.8-Fe/Zn5 PN-M/82101 | F81004-33 | 2 |
| 8 | Washer, M12 , Flat, Zinc | F81056-1 | 2 |
| 9 | Nut, M12, Hexagon, Nylon, zinc,lock | F81034-2 | 2 |
| 10 | Bolt, M16x40-8.8 Fe/Zn5 | F81006-13 | 2 |
| 11 | Washer, M16, Flat, zinc | F81058-1 | 4 |
| 12 | Nut, M16, hex, nylon zinc lock | F81036-2 | 2 |
| 13 | Bracket, LT15 Ramp, zinc | 097976-1 | 1 |
| 14 | Cant Hook (included in 015811 kit) | CH | 1 |

2.8 Bed Extension



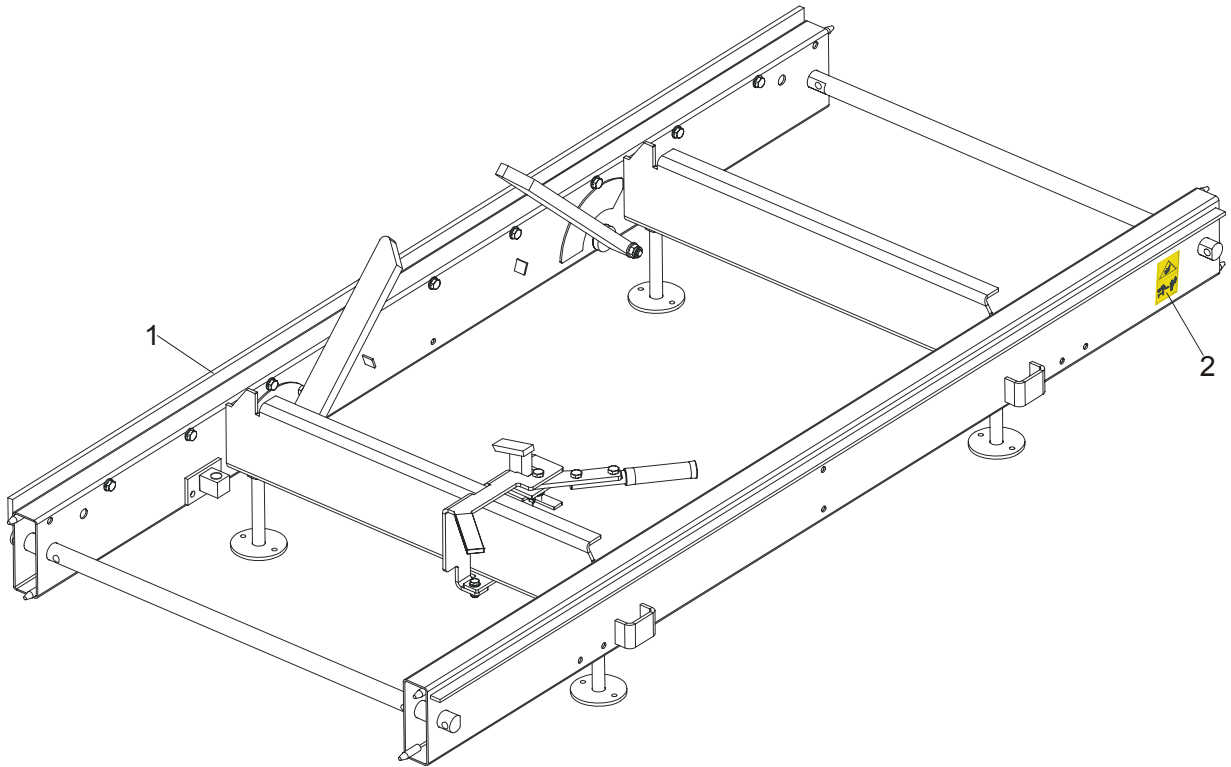
| REF | DESCRIPTION (◆ Indicates Parts Available In Assemblies Only) | PART # | QTY. |
|-----|--|-----------|------|
| | EXTENSION, BED COMPLETE | 094251 | 1 |
| 1 | Tube, LT15 GP Bed Extension | 094249-1 | 1 |
| 2 | Rail, Bed Extension Track Zinc-plated | 094250-1 | 1 |
| 3 | Bolt, M10 x 75-8.8 Hex Head Zinc | F81003-15 | 2 |
| 4 | Nut, M10-8-B Hex Nylon Zinc Lock | F81033-1 | 2 |
| 5 | Washer, 10.5 Flat Zinc | F81055-1 | 4 |
| 6 | Splice, Track Rail Pinned | 086659-1 | 1 |
| 7 | Bolt, M10 x 25-8.8 Hex Head Full Thread Zinc | F81003-11 | 2 |
| 8 | Washer, 10.2 Split Lock Zinc | F81055-2 | 2 |
| 9 | Bolt, M12 x 120-8.8 Hex Head Zinc | F81004-38 | 2 |
| 10 | Nut, M12-8 Hex Nylon Zinc Lock | F81034-2 | 2 |
| 11 | Washer, 13 Flat Zinc | F81056-1 | 4 |

2.9 "M" Type Frame Bed Section



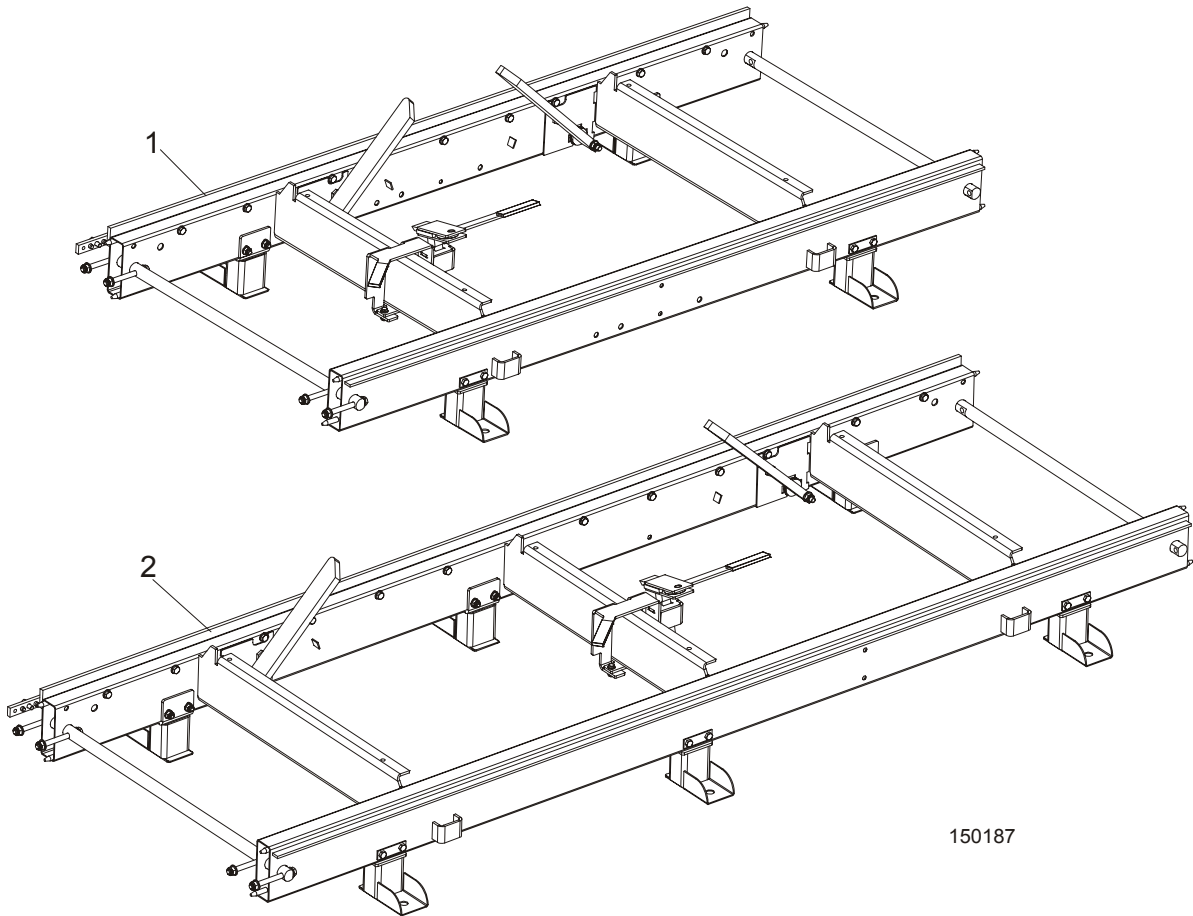
| REF | DESCRIPTION (◆ Indicates Parts Available In Assemblies Only) | PART # | QTY. | |
|-----|--|----------|------|--|
| | LT15 BED SECTION ASSEMBLY - LONG | 094697 | | |
| 1 | Bar, LT15 2700 Track, Zinc-plated | 094696-1 | 1 | |
| 2 | DECAL, KEEP AWAY DANGER, PICTOGRAM | 099221 | 1 | |

2.10 "S" Type Frame Bed Section



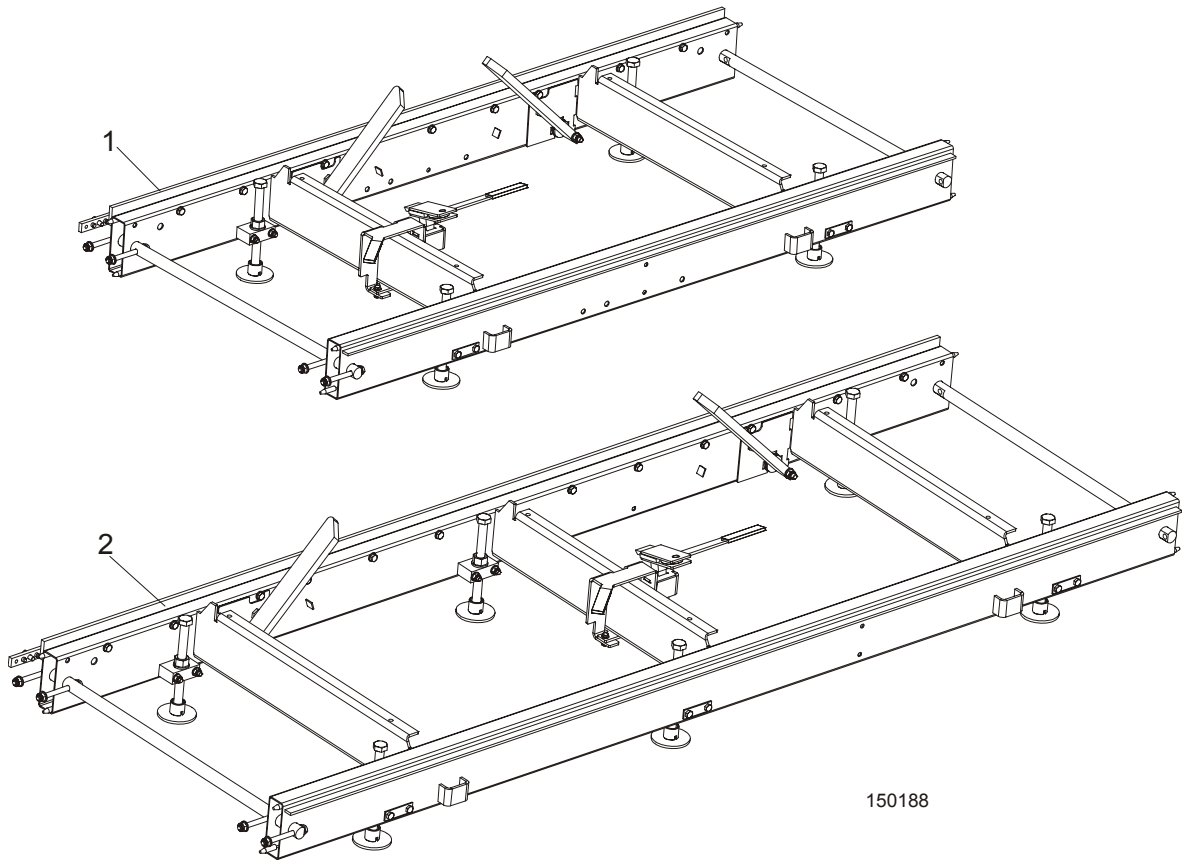
| REF | DESCRIPTION (◆ Indicates Parts Available In Assemblies Only) | PART # | QTY. | |
|-----|--|----------|------|--|
| | LT15 BED SECTION ASSEMBLY - SHORT | 094514 | | |
| 1 | Bar, LT15 1950 Track, Zinc-plated | 094427-1 | 1 | |
| 2 | DECAL, KEEP AWAY DANGER, PICTOGRAM | 099221 | 1 | |

2.11 Additional Bed Frame Section with Stationary Legs



| REF | DESCRIPTION (◆ Indicates Parts Available In Assemblies Only) | PART # | QTY. | |
|-----|--|----------|------|--|
| 1 | BED SECTION, LT15 1950 W/STATIONARY LEGS | 100341-S | 1 | |
| 2 | BED SECTION, LT15 2700 W/STATIONARY LEGS | 100342-S | 1 | |

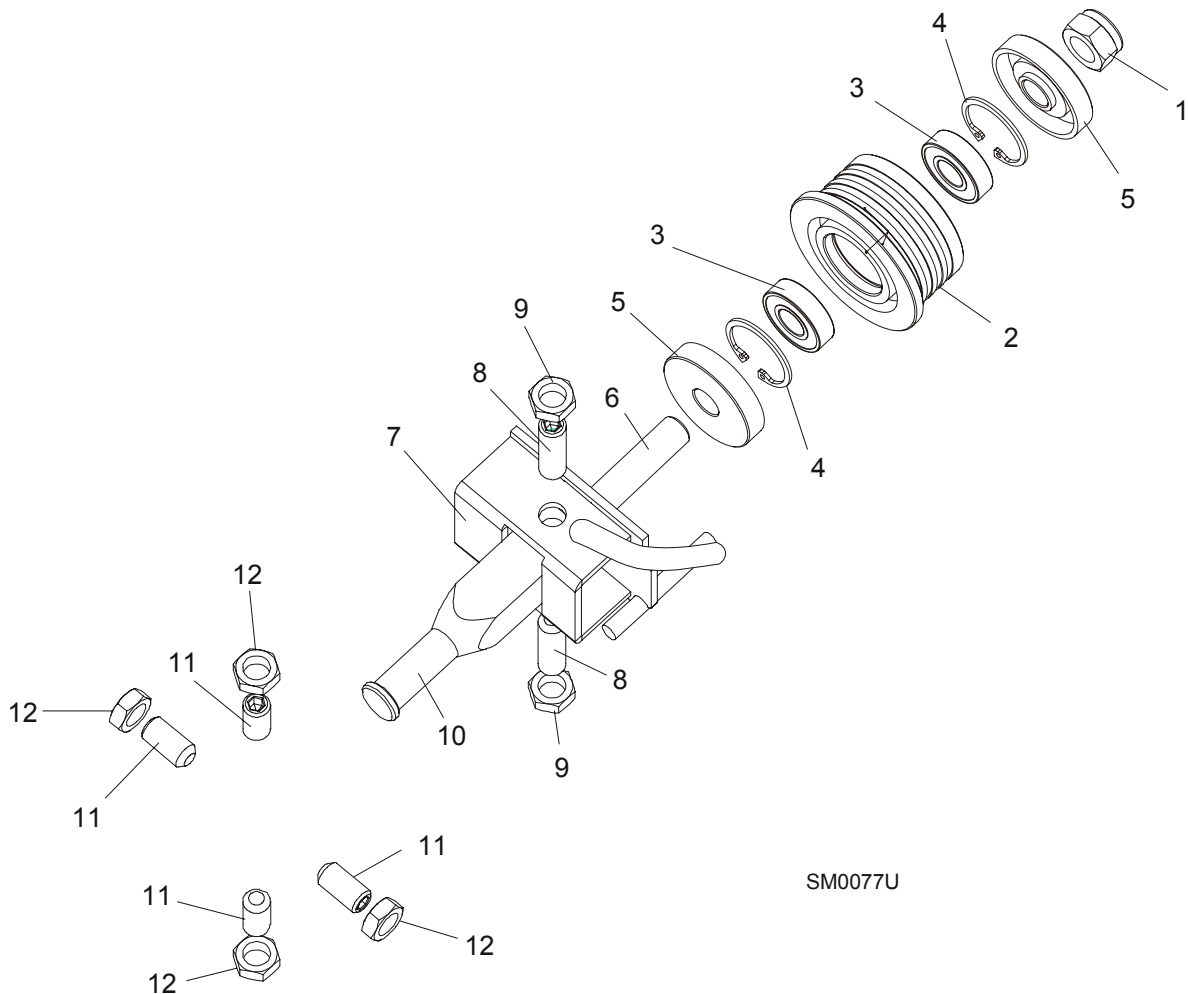
2.12 Additional Bed Frame Section with Outrigger Legs



| REF | DESCRIPTION (◆ Indicates Parts Available In Assemblies Only) | PART # | QTY. | |
|-----|--|----------|------|--|
| 1 | BED SECTION, LT15 1950 W/OUTRIGGER LEGS | 095082-S | 1 | |
| 2 | BED SECTION, LT15 2700 W/OUTRIGGER LEGS | 095083-S | 1 | |

SECTION 3 BLADE GUIDE ROLLERS & ARM

3.1 Blade Guide Assembly, Idle Side

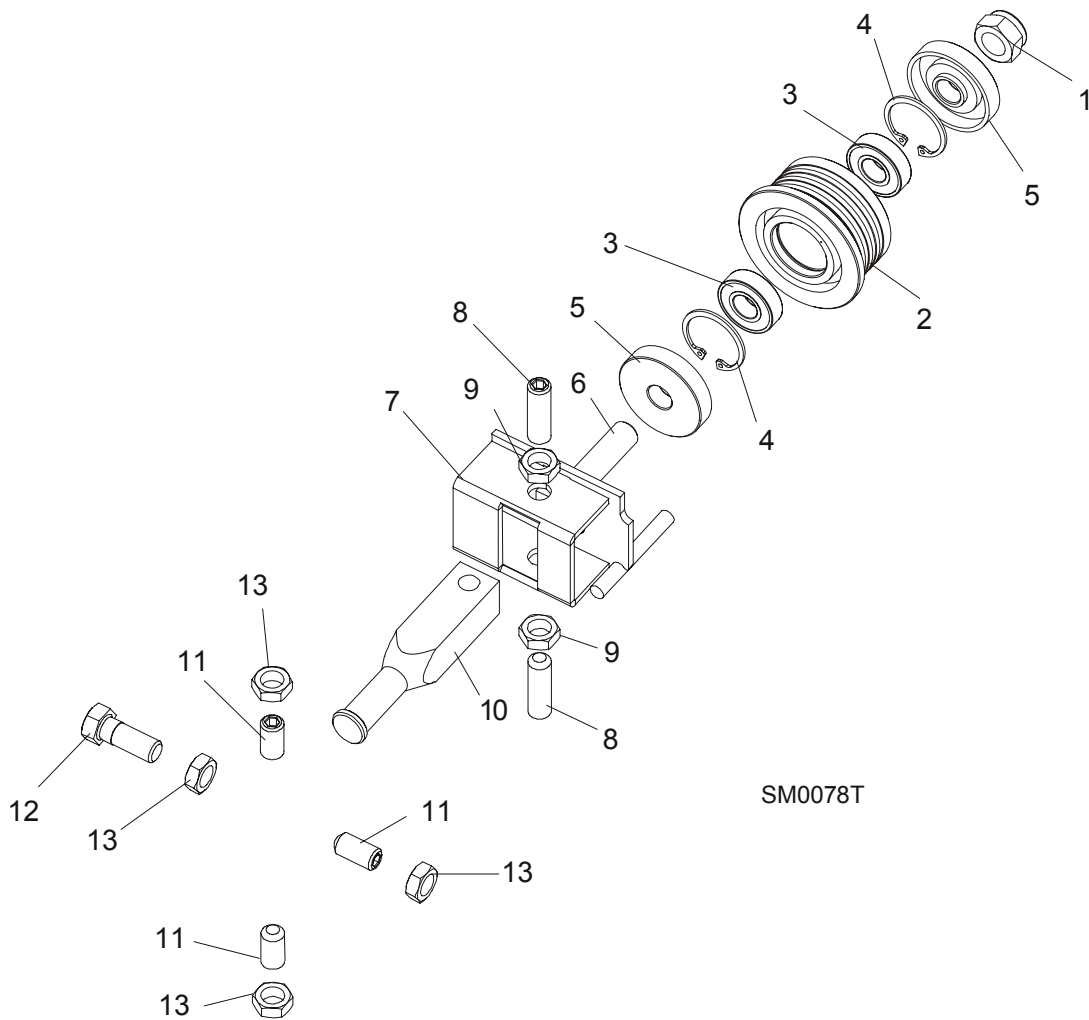


SM0077U

| REF | DESCRIPTION (◆ Indicates Parts Available In Assemblies Only) | PART # | QTY. | |
|-----|--|-----------|------|---|
| | BLADE GUIDE ASSEMBLY, IDLE SIDE | 094683 | 1 | |
| | Roller, Blade Guide Complete Standard | 087887 | 1 | |
| 1 | Nut, M12-8 Hex Nylon Zinc Lock | F81034-2 | 1 | |
| 2 | Roller, Blade Guide Narrow | 087889 | 1 | ◆ |
| 3 | Bearing, 6001 2RSR FAG | 087893 | 2 | |
| 4 | Ring, W28 Inside Retaining | F81090-9 | 1 | |
| 5 | Washer, Zinc-plated Spacer | 087891-1 | 2 | |
| 6 | Shaft, Blade Guide Roller Zinc-plated | 087763-1 | 1 | |
| 7 | Bracket Weldment, Idle Side Blade Guide Painted | 094681-1 | 1 | |
| 8 | Screw, M10x1x40 DIN 913 A2-70 Set Stainless Steel | F81015-2 | 2 | |
| 9 | Nut, M10x1-04-ST-A2 ISO 8675 Thin | F81033-10 | 2 | |

| | | | | |
|-----------|--|-----------|---|--|
| 10 | Shaft, Zinc-plated Blade Guide Mount | 088255-1 | 1 | |
| 11 | SCREW, M10X1X20 DIN 913 SET STAINLESS STEEL | F81015-1 | 4 | |
| 12 | NUT, M10x1-04-ST-A2 ISO 8675 THIN | F81033-10 | 4 | |

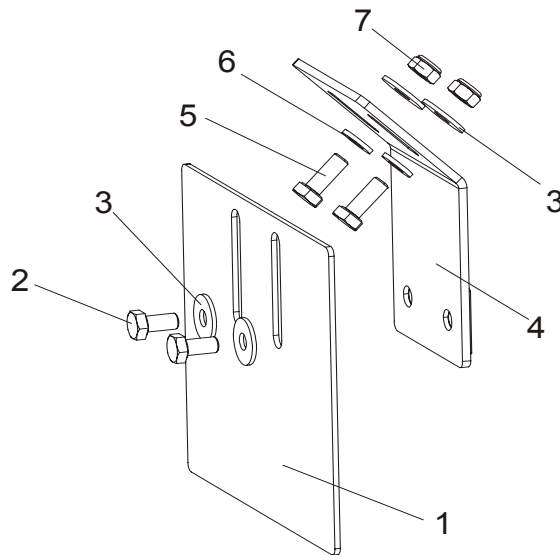
3.2 Blade Guide Assembly, Drive Side



| REF | DESCRIPTION (◆ Indicates Parts Available In Assemblies Only) | PART # | QTY. | |
|-----|---|-----------|------|---|
| | BLADE GUIDE ASSEMBLY, DRIVE SIDE | 094682 | 1 | |
| | Roller, Blade Guide Complete Standard | 087887 | 1 | |
| 1 | Nut, M12-8 Hex Nylon Zinc Lock | F81034-2 | 1 | |
| 2 | Roller, Blade Guide Narrow | 087889 | 1 | ◆ |
| 3 | Bearing, 6001 2RSR FAG | 087893 | 2 | |
| 4 | Ring, W28 Inside Retaining | F81090-9 | 1 | |
| 5 | Washer, Zinc-plated Spacer | 087891-1 | 2 | |
| 6 | Shaft, Blade Guide Roller Zinc-plated | 087763-1 | 1 | |
| 7 | Bracket Weldment, Blade Guide Painted | 094679-1 | 1 | |
| | Screw Kit, Blade Guide Adjustment w/Nuts (for two blade guide assemblies) | K09942 | 1 | |
| 8 | Screw, M10x1x40 DIN 913 A2-70 Set Stainless Steel | F81015-2 | 2 | |
| 9 | Nut, M10x1-04-ST-A2 ISO 8675 Thin | F81033-10 | 2 | |
| 10 | Shaft, Zinc-plated Blade Guide Mount | 088255-1 | 1 | |

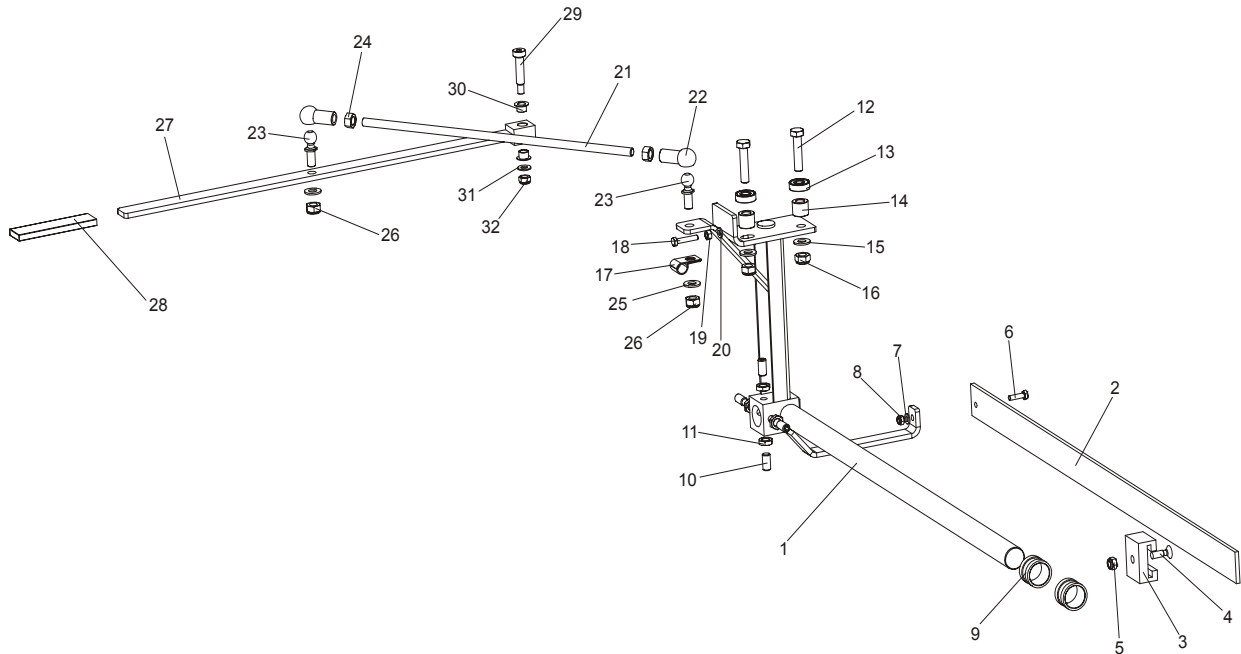
| | | | | |
|----|---|-----------|---|--|
| 11 | SCREW, M10X1X20 DIN 913 SET STAINLESS STEEL | F81015-1 | 3 | |
| 12 | BOLT, M10X1X25 DIN 933 STAINLESS STEEL | F81003-28 | 1 | |
| 13 | NUT, M10x1-04-ST-A2 ISO 8675 THIN | F81033-10 | 4 | |

3.3 Blade Guide Roller Guard



| REF | DESCRIPTION (◆ Indicates Parts Available In Assemblies Only) | PART # | QTY. | |
|-----|--|-----------|------|--|
| 1 | GUARD, BLADE GUIDE ROLLER PAINTED | 092379-1 | 1 | |
| 2 | BOLT, M6X12-8.8 HEX HEAD FULL THREAD ZINC | F81001-7 | 2 | |
| 3 | WASHER, 6.5 SPECIAL FLAT ZINC | F81053-11 | 4 | |
| 4 | BRACKET, ROLLER GUARD MOUNT PAINTED | 092378-1 | 1 | |
| 5 | BOLT, M6X16 8.8 HEX HEAD FULL THREAD ZINC | F81001-15 | 2 | |
| 6 | WASHER, 6.4 FLAT ZINC | F81053-1 | 2 | |
| 7 | NUT, M6-8-B HEX NYLON ZINC LOCK | F81031-2 | 2 | |

3.4 Blade Guide Arm Assembly



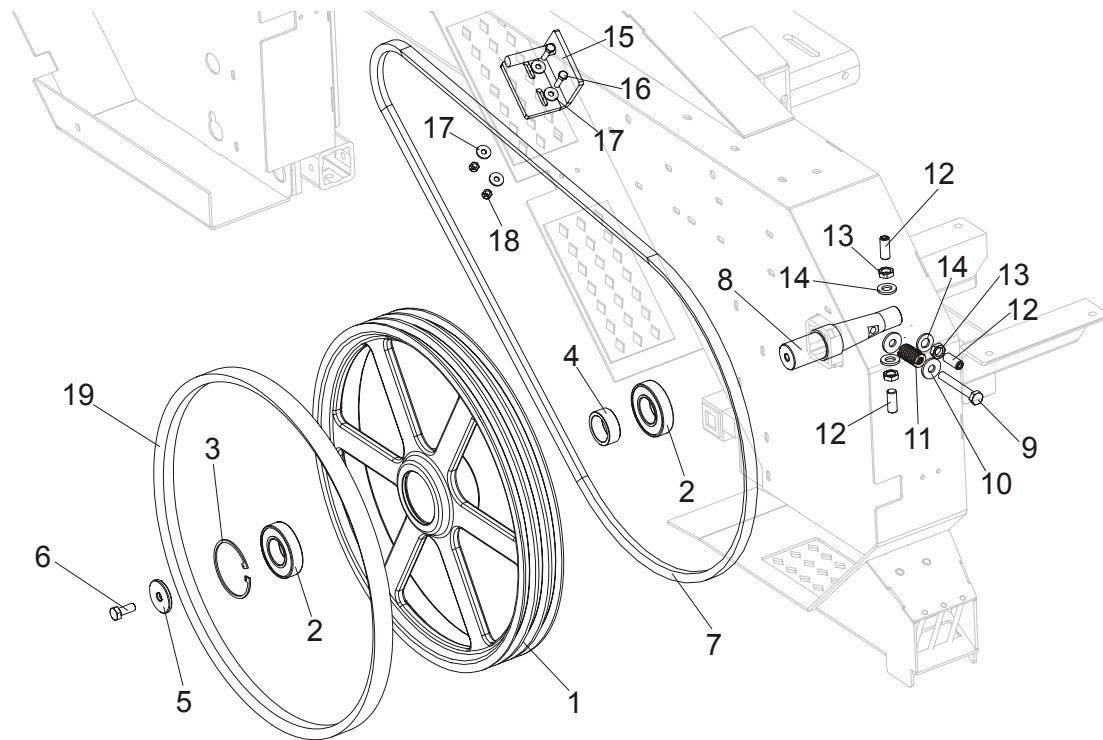
| REF | DESCRIPTION (◆ Indicates Parts Available In Assemblies Only) | PART # | QTY. |
|-----|--|-----------|------|
| | BLADE GUIDE ARM W/LEVER - COMPLETE | 094136 | 1 |
| 1 | Arm Weldment, LT15 Blade Guide | 086662 | 1 |
| 2 | Bar, LT15 Blade Guard | 088306 | 1 |
| 3 | Guide, Blade Guard | 088305 | 1 |
| 4 | Screw, M8x25 Cross Recessed Countersunk Head Zinc | F81002-51 | 1 |
| 5 | Nut, M8-8-B Hex Nylon Zinc Lock | F81032-2 | 1 |
| 6 | Bolt, M6x20-8.8 Hex Head Full Thread Zinc | F81001-2 | 1 |
| 7 | Washer, 6.4 Flat Zinc | F81053-1 | 1 |
| 8 | Nut, M6-8-B Hex Nylon Zinc Lock | F81031-2 | 1 |
| 9 | Bushing, LT15 Blade Guide | 086684 | 1 |
| 10 | Screw, M10x1x20 DIN913 Set Stainless Steel | F81015-1 | 4 |
| 11 | Nut, M10x1-04-ST-A2 ISO 8675 Thin | F81033-10 | 4 |
| 12 | Bolt, M10x45-8.8 Hex Head Full Thread Zinc | F81003-3 | 2 |
| 13 | Bearing, 6000.2RSR FAG | 087471 | 2 |
| 14 | Bushing, Zinc-plated Spacer | 094255-1 | 2 |
| 15 | Washer, 10.5 Flat Zinc | F81055-1 | 2 |
| 16 | Nut, M10-8-B Hex Nylon Zinc Lock | F81033-1 | 2 |
| 17 | Clamp, 1/2" EMT Coated | P07584 | 1 |
| 18 | Bolt, M6x30 5.8 Hex Head Full Thread | F81001-13 | 1 |
| 19 | Nut, M6-8 Hex Zinc | F81031-1 | 1 |
| 20 | Washer, 6.4 Flat Zinc | F81053-1 | 1 |
| | Stud Bolt Assembly, Arm Lever Connection | 094204 | 1 |
| 21 | Bolt, Zinc-plated Stud | 094203-1 | 1 |

3**Blade Guide Rollers & Arm***Blade Guide Arm Assembly*

| | | | | |
|-----------|--|-----------|---|--|
| 22 | Seat, 16 DIN71805-A BN488 Ball | 093824 | 2 | |
| 23 | Stud, 16/SW-13 DIN71803-C BN486 Ball | 093823 | 2 | |
| 24 | Nut, M10-8-B Hex Zinc | F81033-3 | 2 | |
| 25 | Washer, 10.5 Flat Zinc | F81055-1 | 2 | |
| 26 | Nut, M10-8-B Hex Nylon Zinc Lock | F81033-1 | 2 | |
| | Lever Assembly, Blade Guide Arm Adjustment | 093812 | 1 | |
| 27 | Lever, Blade Guide Arm Adjustment Painted | 093813-1 | 1 | |
| 28 | Cover, RRWA-91626-110 Grip | 086875 | 1 | |
| 29 | Bolt, 10/M8x35 12.9 ISO7379 Shoulder | F81003-63 | 1 | |
| 30 | Bushing, XFM-1012-09 | 093822 | 2 | |
| 31 | Washer, 8.4 Flat Zinc | F81054-1 | 1 | |
| 32 | Nut, M8-8-B Hex Nylon Zinc Lock | F81032-2 | 1 | |

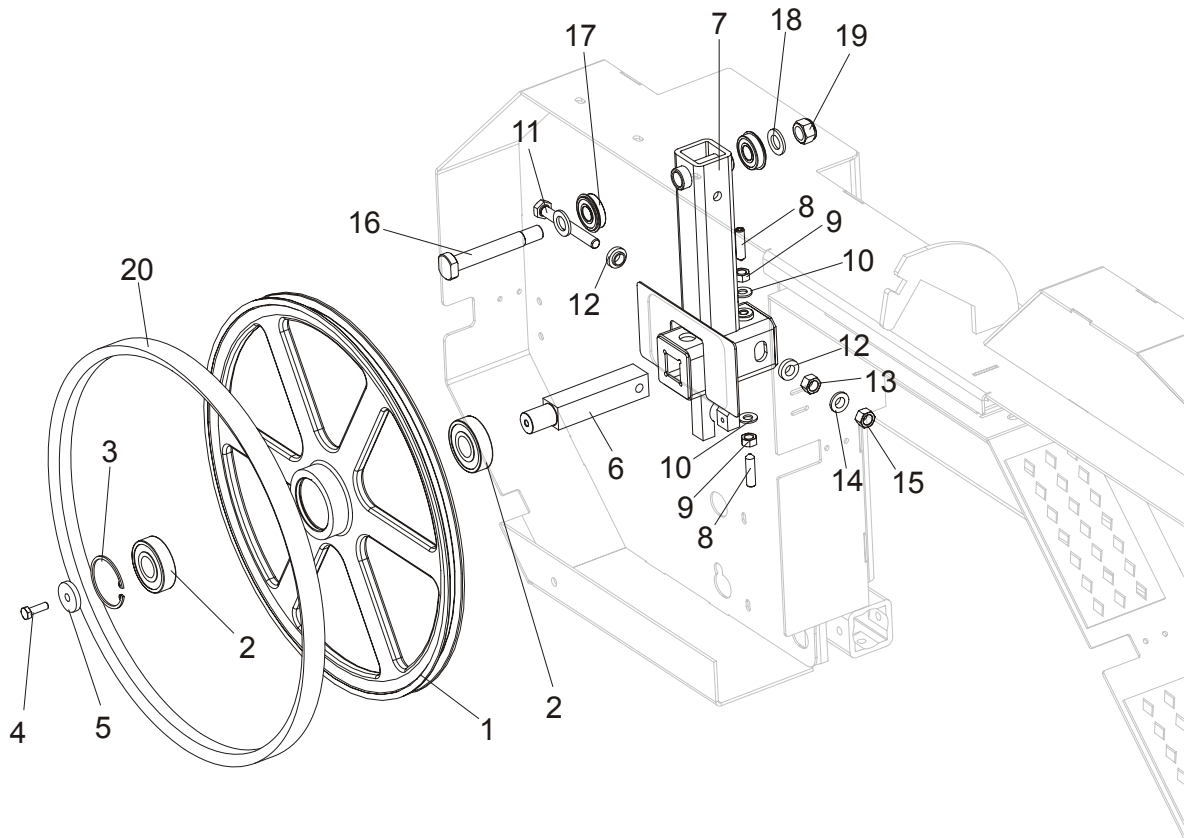
SECTION 4 BLADE WHEELS & TENSIONER

4.1 Blade Wheel Assembly, Drive Side



| REF | DESCRIPTION (◆ Indicates Parts Available In Assemblies Only) | PART # | QTY. |
|-----|--|-----------|------|
| | WHEEL ASSEMBLY, DRIVE SIDE BLADE | 093849 | 1 |
| 1 | WHEEL, DRIVE SIDE BLADE | 014727 | 1 |
| 2 | BEARING, 6207 2RS 35X72X17 FAG | 014811 | 2 |
| 3 | RING, 72MM OD N5002-281 RETAINING | F04254-30 | 1 |
| 4 | SPACER, DRIVE BEARING | 093851 | 1 |
| 5 | WASHER, LT15 DRIVE SIDE BLADE WHEEL | 086286 | 1 |
| 6 | BOLT, M10X25-8.8 HEX HEAD FULL THREAD ZINC | F81003-11 | 1 |
| 7 | BELT, G15, D10 | 097448 | 1 |
| 8 | SHAFT, LT15 DRIVE SIDE BLADE WHEEL | 093850 | 1 |
| 9 | BOLT, M10X75-8.8-FE/ZN5 PN-M/82101 | F81003-15 | 1 |
| 10 | WASHER, 10.5 FLAT SPECIAL ZINC-PLATED | F81055-6 | 2 |
| 11 | SPRING, 3/4 O.D.X 1 1/2 DIE | 034430 | 1 |
| 12 | SCREW, M12X1,25X30 DIN913 STAINLESS STEEL SET | F81016-1 | 3 |
| 13 | NUT, M12X1,25 DIN439 STAINLESS STEEL THIN | F81034-9 | 3 |
| 14 | WASHER, 13 FLAT | F81056-1 | 3 |
| 15 | BRACKET, DRIVE BELT LOWER | 092636-1 | 1 |
| 16 | BOLT, M6X20MM, HH, FULL THREAD, ZINC | F81001-2 | 2 |
| 17 | WASHER, 6.5 FLAT | F81053-11 | 4 |
| 18 | NUT, M6, HEX, NYLON LOCK ZINC | F81031-2 | 2 |
| 19 | V-BELT, B57 | P04185 | 1 |

4.2 Blade Wheel Assembly, Idle Side



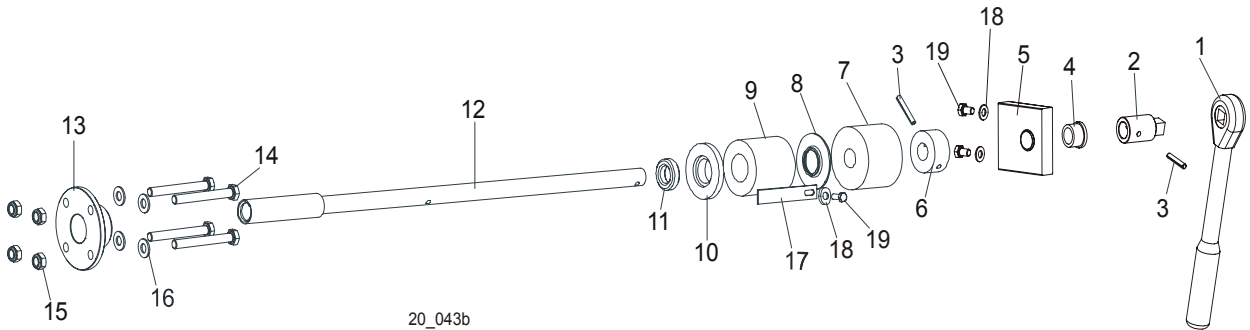
| REF | DESCRIPTION (◆ Indicates Parts Available In Assemblies Only) | PART # | QTY. |
|-----|--|-----------|------|
| | WHEEL ASSEMBLY, 19" (482.6MM) BLADE IDLE SIDE | A08218 | 1 |
| 1 | WHEEL, 18.62" BLADE IDLE SIDE | P08125 | 1 |
| 2 | BEARING, 6305 2RS NSK IDLE SIDE WHEEL | P08066 | 2 |
| 3 | RING, 2 7/16" INSIDE RETAINING | F04254-21 | 1 |
| | HOUSING, LT10 & LT15 IDLER SHAFT, COMPLETE | 100180 | 1 |
| 4 | BOLT, M8X25-8.8-B HEX HEAD FULL THREAD ZINC | F81002-5 | 1 |
| 5 | WASHER, IDLE SIDE WHEEL RETAINING | 093854-1 | 1 |
| 6 | SHAFT, IDLE SIDE BLADE WHEEL (METRIC) | 096045 | 1 |
| 7 | HOUSING, IDLER SHAFT | 093857-1 | 1 |
| 8 | SCREW, M10X40-45H HEX SOCKET SET CONE POINT ZINC | F81003-61 | 2 |
| 9 | NUT, M10-8-B HEX ZINC | F81033-3 | 2 |
| 10 | WASHER, 10.5 FLAT ZINC | F81055-1 | 2 |
| 11 | BOLT, M12X1.25X100-8.8 HEX HEAD FULL THREAD ZINC | F81004-41 | 1 |
| 12 | WASHER, FLANGED ZINC-PLATED | 086769-1 | 2 |
| 13 | NUT, M12X1.25-8 HEX ZINC | F81034-8 | 1 |

4

Blade Wheels & Tensioner*Blade Wheel Assembly, Idle Side*

| | | | | |
|----|---|----------|---|--|
| 14 | WASHER, Z12.2 SPLIT LOCK ZINC | F81056-2 | 1 | |
| 15 | NUT, M12X1.25 8.8 HEX THIN ZINC | F81034-5 | 1 | |
| 16 | BOLT, BEARING MOUNT | 086404 | 1 | |
| 17 | BEARING, 6203-2RS NR NSK W/SNAP RING | 086395 | 2 | |
| 18 | WASHER, 17 FLAT ZINC | F81058-1 | 2 | |
| 19 | NUT, M16-8 HEX NYLON ZINC LOCK | F81036-2 | 1 | |
| 20 | V-BELT, B57 | P04185 | 1 | |

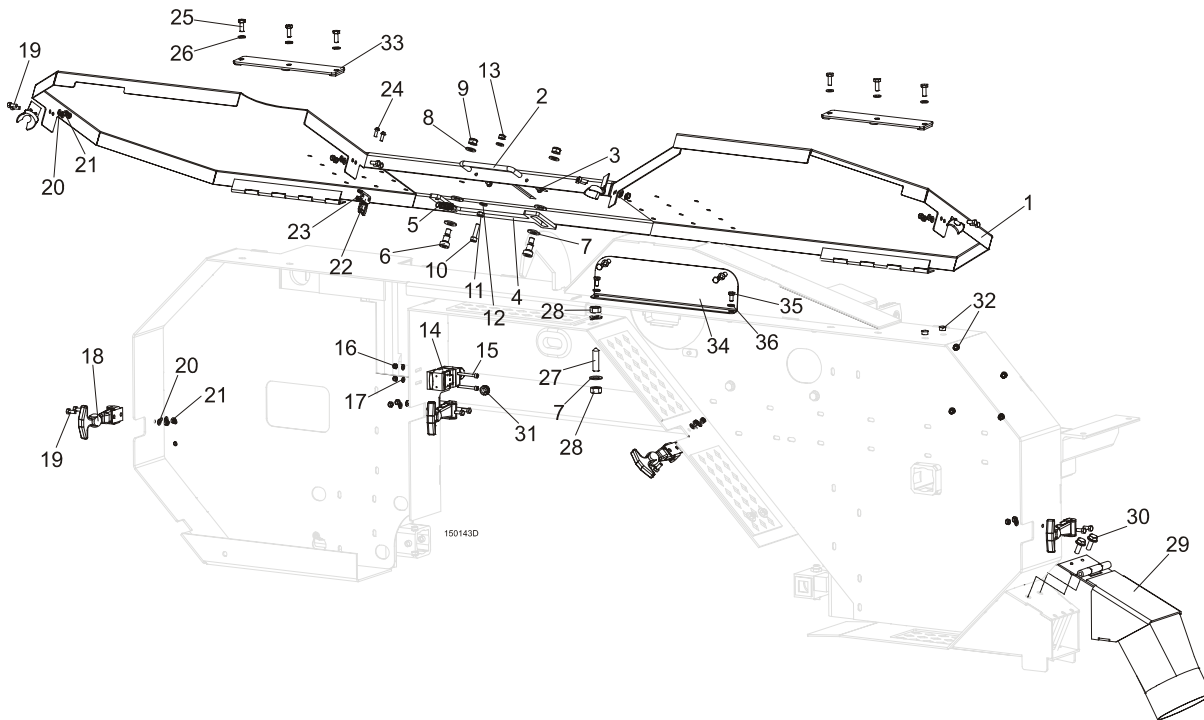
4.3 Blade Tensioner Assembly



| REF | DESCRIPTION (◆ Indicates Parts Available In Assemblies Only) | PART# | QTY. |
|-----|--|-----------|------|
| | BLADE TENSIONER ASSEMBLY | 090587 | 1 |
| 1 | Wrench, LT20 Blade Tension | 091620 | 1 |
| 2 | End, LT20 Blade Tensioner Shaft | 091606-1 | 1 |
| 3 | Pin, 5 x 30 Zinc Roll | F81044-21 | 2 |
| | Bracket, Tension Handle Mount w/Bushing | 096729 | 1 |
| 4 | Bushing GFM-1618-17(IGUS) | 089589 | 1 |
| 5 | Bracket, Painted | 096730 | 1 |
| 6 | Collar, Blade Tensioner | 086712-1 | 1 |
| 7 | Bushing, Rubber Stop | P12165 | 1 |
| 8 | Guide, LT15 Tension Handle | 014925 | 1 |
| 9 | Spring, LT15 Rubber Blade Tensioner | 014828 | 1 |
| 10 | Washer, Rubber Spring Front | 086674-1 | 1 |
| 11 | Bearing, 51103 FLT Ball Thrust | 086675 | 1 |
| 12 | Shaft Weldment, Blade Tensioner Zinc-plated | 086669-1 | 1 |
| 13 | Nut, Blade Tensioner | 086672-1 | 1 |
| 14 | Bolt, M8x70 8.8 Hex Head Zinc | F81002-71 | 4 |
| 15 | Nut, M8-8-B Hex Nylon Zinc Lock | F81032-2 | 4 |
| 16 | Washer, 8.4 Zinc Flat | F81054-1 | 8 |
| 17 | Indicator, LT15 Blade Tension Zinc-plated | 086783-1 | 1 |
| 18 | Washer, 6.4 Zinc Flat | F81053-1 | 1 |
| 19 | Bolt, M6x16 8.8 Hex Head Full Thread Zinc | F81001-15 | 1 |

SECTION 5 SAW HEAD

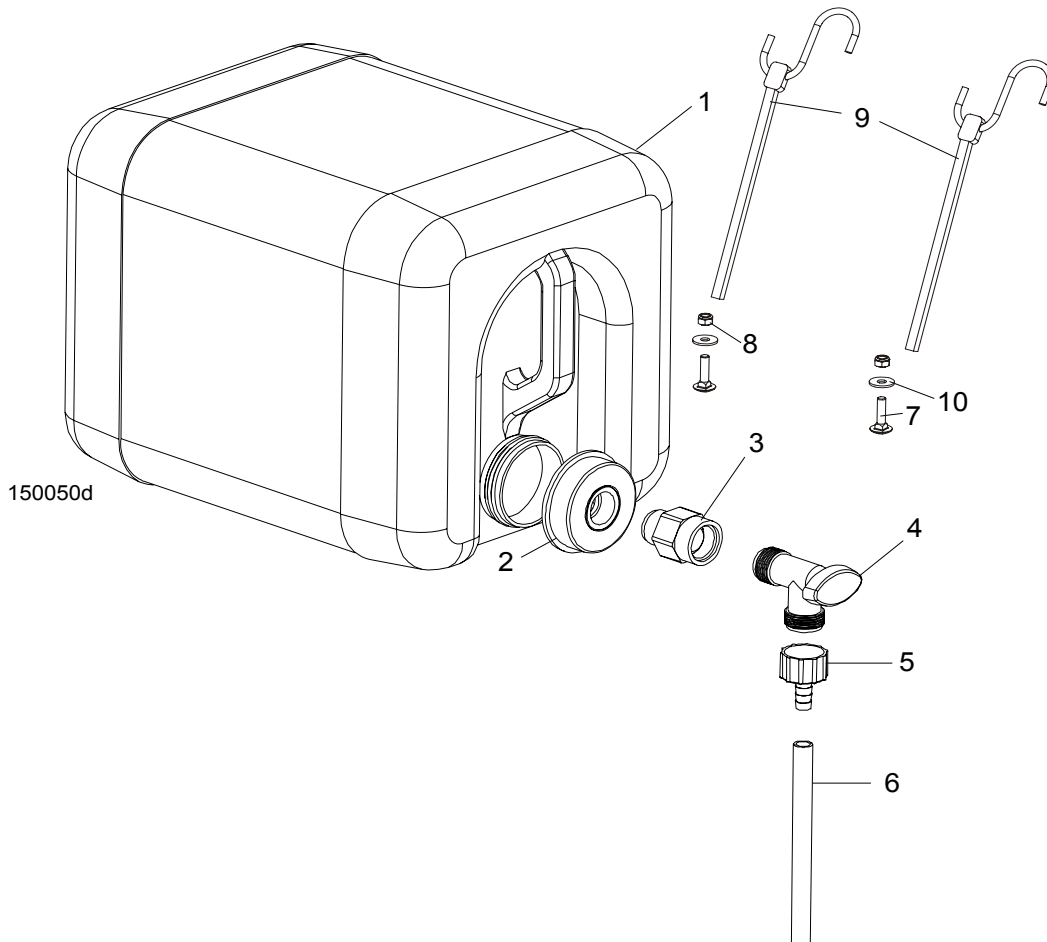
5.1 Blade Housing Cover



| REF | DESCRIPTION (◆ Indicates Parts Available In Assemblies Only) | PART # | QTY. |
|-----|--|-----------|------|
| | COVER, LT15 FRONT COMPLETE | 098678 | 1 |
| 1 | Cover Weldment, LT10/15/20 Blade Housing Painted | 096776-1 | 1 |
| 2 | Handle w/Bolt | P08065 | 1 |
| 3 | Screw, #8-32x3/8 Self-tapping | F05015-8 | 2 |
| 4 | Pawl, Locking Painted | 090643-1 | 1 |
| 5 | Spring, 1.6x12x38 Extension | 092208 | 1 |
| 6 | Bolt, 10/M8x12-12.9 ISO-7379 Shoulder | F81003-62 | 2 |
| 7 | Washer, 10.5 Flat Zinc | F81055-1 | 4 |
| 8 | Washer, 8.4 Flat Zinc | F81054-1 | 2 |
| 9 | Nut, M8-8-B Hex Nylon Zinc Lock | F81032-2 | 2 |
| 10 | Screw, M6x25-8.8 Hex Socket Head Cap Zinc | F81001-41 | 1 |
| 11 | Nut, M6-8 Hex Zinc | F81031-1 | 1 |
| 12 | Washer, 6.4 Flat Zinc | F81053-1 | 2 |
| 13 | Nut, M6-8-B Hex Nylon Zinc Lock | F81031-2 | 1 |
| 14 | SWITCH, AZ17-11ZRK SAFETY | 094232 | 1 |

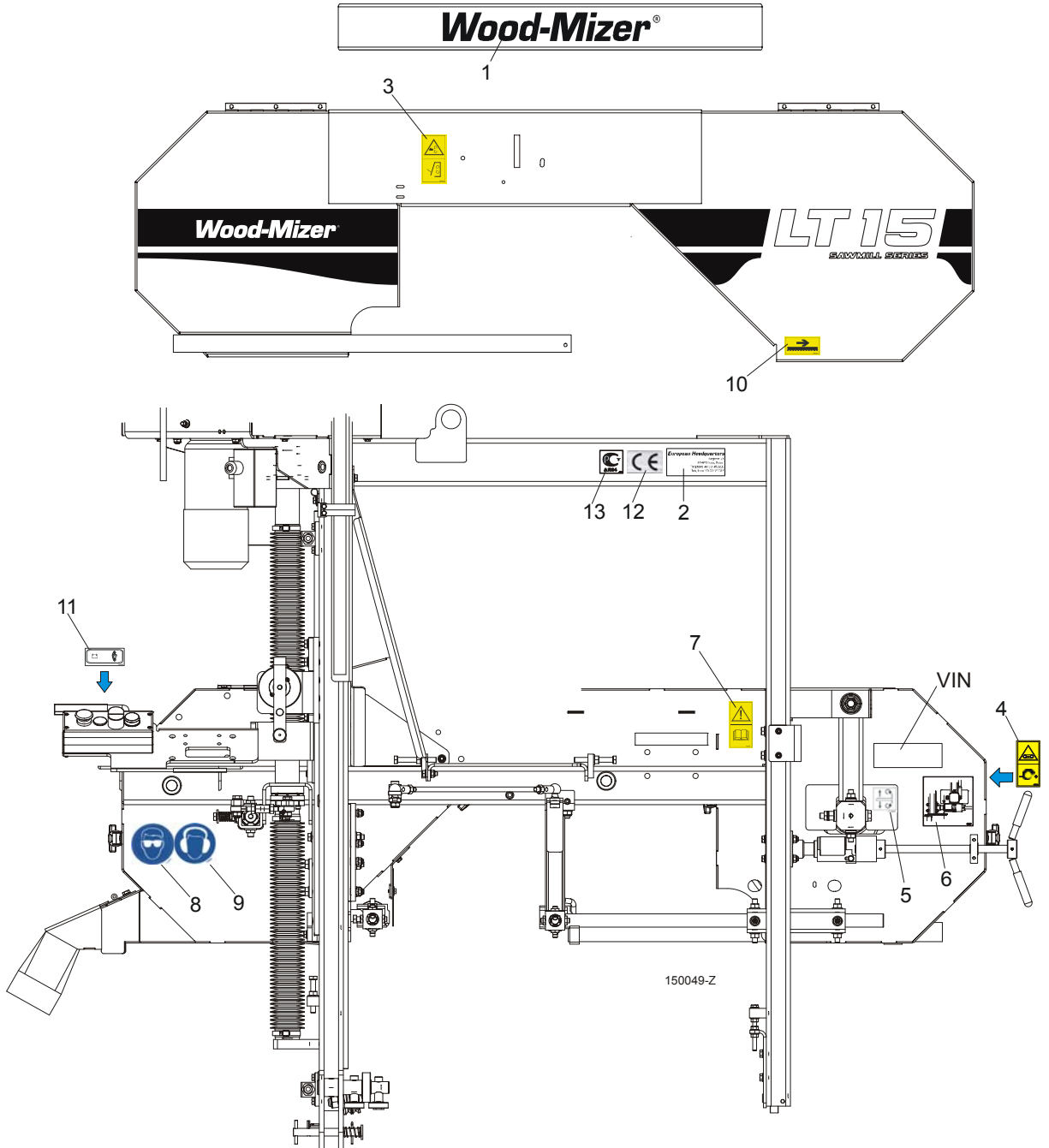
| | | | | |
|----|--|-----------|---|--|
| 15 | SCREW, M4X35-8.8 HEX SOCKET HEAD CAP ZINC | F81011-34 | 2 | |
| 16 | NUT, M4-B HEX NYLON ZINC LOCK | F81029-1 | 2 | |
| 17 | WASHER, 4.3 FLAT ZINC | F81051-2 | 2 | |
| 18 | LATCH, FLEXIBLE DRAW | 014829 | 4 | |
| 19 | BOLT, M5X12-5.8 HEX HEAD FULL THREAD ZINC | F81000-5 | 8 | |
| 20 | WASHER, 5.3 FLAT ZINC | F81052-1 | 8 | |
| 21 | NUT, M5-8 DIN 985 ZINC-PLATED | F81030-2 | 8 | |
| 22 | KEY, A217/170-B5 SAFETY SWITCH | 094422 | 1 | |
| 23 | NUT, M4-B HEX NYLON ZINC LOCK | F81029-1 | 2 | |
| 24 | SCREW, M4X12-5.8-B CROSS RECESSED PAN HEAD ZINC | F81011-43 | 2 | |
| 25 | BOLT, M6X16 8.8 HEX HEAD FULL THREAD ZINC | F81001-15 | 6 | |
| 26 | WASHER, 6.4 FLAT ZINC | F81053-1 | 6 | |
| 27 | SCREW, M10X40-45H HEX SOCKET SET CONE POINT ZINC | F81003-61 | 1 | |
| 28 | NUT, M10-8-B HEX ZINC | F81033-3 | 2 | |
| 29 | CHUTE, LT10/15/20 SAWDUST | 100903-1 | 1 | |
| 30 | BOLT, M8X16-8.8-B HEX HEAD FULL THREAD ZINC | F81002-20 | 2 | |
| 31 | GROMMET, 22mm DIA. RUBBER | 087400 | 1 | |
| 32 | PLUG, SR1086-9,5 | 096846 | 6 | |
| 33 | PLATE, COVER MOUNT | 086701-1 | 2 | |
| 34 | COVER, SAW HEAD MOUNT | 096788-1 | 1 | |
| 35 | BOLT, M6X12MM HEX HEAD ZINC | F81001-7 | 4 | |
| 36 | WASHER, M6 FLAT ZINC | F81053-1 | 4 | |

5.2 Water Lube Assembly



| REF | DESCRIPTION (◆ Indicates Parts Available In Assemblies Only) | PART # | QTY. |
|-----|--|-----------|-------|
| 1 | Bottle, 5-gallon Water | 014637 | 1 |
| 2 | Cap, Water Lube Bottle | 014773 | 1 |
| 3 | Fitting, 3/4FPT x 3/4MPT Reducer | 014636 | 1 |
| 4 | Fitting, Water Lube Shutoff Valve | 014100 | 1 |
| 5 | Fitting, 5/8" NPT to 3/8" Hose Barb | 014113 | 1 |
| 6 | Tube, 3/8" I.D. Water Lube | R01885 | 1,7 m |
| 7 | Bolt, M6x25-8.8 Mushroom Head Square Neck Zinc | F81001-20 | 2 |
| 8 | Nut, M6-8-B Hex Nylon Zinc Lock | F81031-2 | 2 |
| 9 | Strap, 24" Rubber w/Hook | P11258 | 2 |
| 10 | Washer, 6.5 Special Flat Zinc | F81053-11 | 2 |

5.3 LT15DC Saw Head Decals

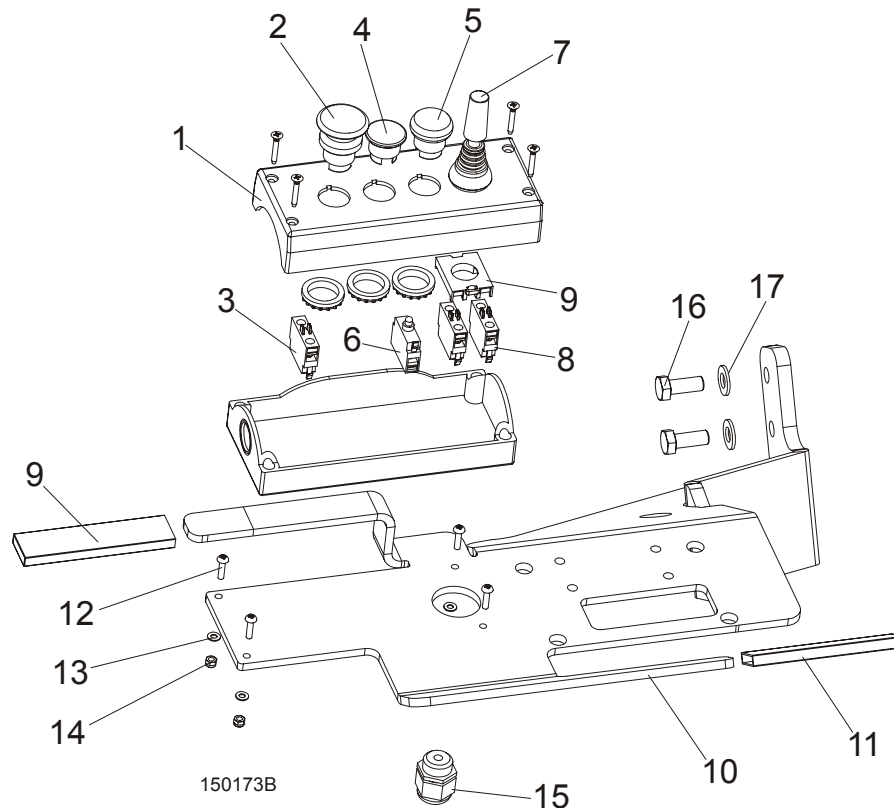


| REF | DESCRIPTION (◆ Indicates Parts Available In Assemblies Only) | PART # | QTY. |
|----------|--|--------|------|
| | PICTOGRAPHIC DECAL KIT, LT15DC | 099421 | 1 |
| | DECAL, LT15 SERIES SAWMILL | 092761 | 1 |
| 1 | DECAL, WOOD-MIZER | S12281 | 1 |

5**Saw Head***LT15DC Saw Head Decals*

| | | | | |
|----|---|---------|---|--|
| 2 | DECAL, EUROPEAN HEADQUARTERS ADDRESS | 015841 | 1 | |
| 3 | DECAL, SAWMILL COVERS CAUTION | 099220 | 1 | |
| 4 | DECAL, BLADE TENSION (PICTOGRAM) | 099219 | 1 | |
| 5 | DECAL, BLADE ALIGNMENT | P11789 | 1 | |
| 6 | DECAL, BLADE TENSION INDICATOR ADJUSTMENT | 092597 | 1 | |
| 7 | DECAL, READ OPERATOR'S MANUAL (PICTOGRAM) | 096317 | 1 | |
| 8 | DECAL, EYE PROTECTION WARNING (PICTOGRAM) | S12004G | 1 | |
| 9 | DECAL, EAR PROTECTION WARNING (PICTOGRAM) | S12005G | 1 | |
| 10 | DECAL, BLADE MOVEMENT DIRECTION (PICTOGRAM) | 096321 | 1 | |
| 11 | DECAL KIT, LT15DC CONTROL BOX | 100583 | 1 | |
| 12 | DECAL, CE CERTIFIED SAWMILL (SMALL) | P85070 | 1 | |
| 13 | DECAL, RUSSIAN SAFETY CERTIFICATION | 099401 | 1 | |

5.4 Control Panel, LT15 DC

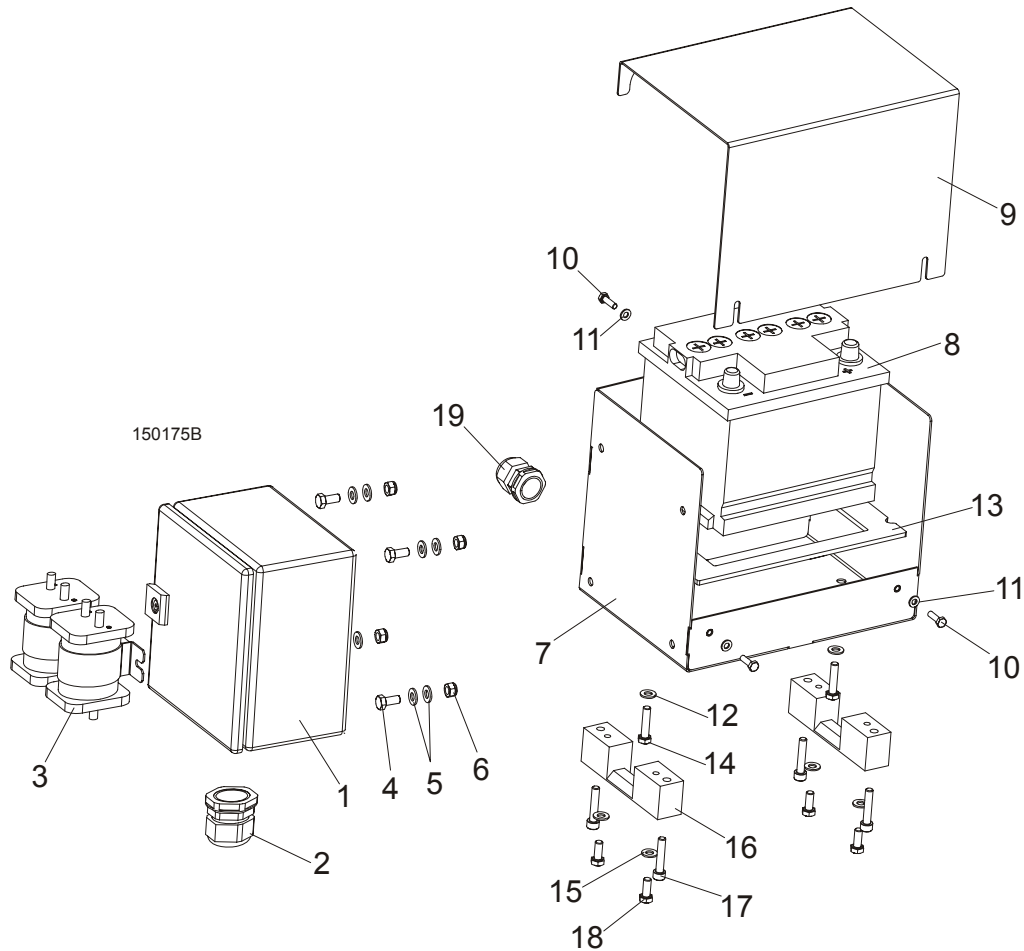


| REF | DESCRIPTION (◆ Indicates Parts Available In Assemblies Only) | PART # | QTY. |
|-----|--|-----------|------|
| | CONTROL PANEL, LT15 G13, G15, D10 COMPLETE | 095304 | 1 |
| | Control Panel, LT15 G13, G15, D10 COMPLETE | 095330 | 1 |
| 1 | Housing, Control Panel | 094259 | 1 |
| 2 | Button, Momentary Mushroom Green | 094328 | 1 |
| 3 | Element, M22-KC10 Contact | 094314 | 1 |
| 4 | Cap, M22-B (216388) | 093748 | 1 |
| 5 | Button Head, Red | 095331 | 1 |
| 6 | Element LED M22 LEDC-Red | 099865 | 2 |
| 7 | Joystick, M22-WJ2 2-position | 095332 | 1 |
| 8 | Element, M22-K10 Contact | 091362 | 2 |
| 9 | Connector, M22-A4 | 100905 | 1 |
| 10 | Bracket, Control Panel Ptd | 094233-1 | 1 |
| 11 | Cover, LT15 Grip Log Clamp | 086875 | 2 |
| 12 | Screw, M4x16 5.8-B Cross Recessed Pan Head Zinc | F81011-42 | 4 |
| 13 | Washer, 4.3 Flat Zinc | F81051-2 | 4 |
| 14 | Nut, M4-B Hex Nylon Zinc Lock | F81029-1 | 2 |

5**Saw Head***Control Panel, LT15 DC*

| | | | | |
|-----------|--|-----------|---|--|
| 15 | Connector, DP 13/H | F81096-4 | 1 | |
| 16 | Washer, 10.5 Flat Zinc | F81055-1 | 2 | |
| 17 | Bolt, M10x25-8.8 Hex Head Full Thread Zinc | F81003-11 | 2 | |

5.5 Electric & Battery Box, LT15 DC

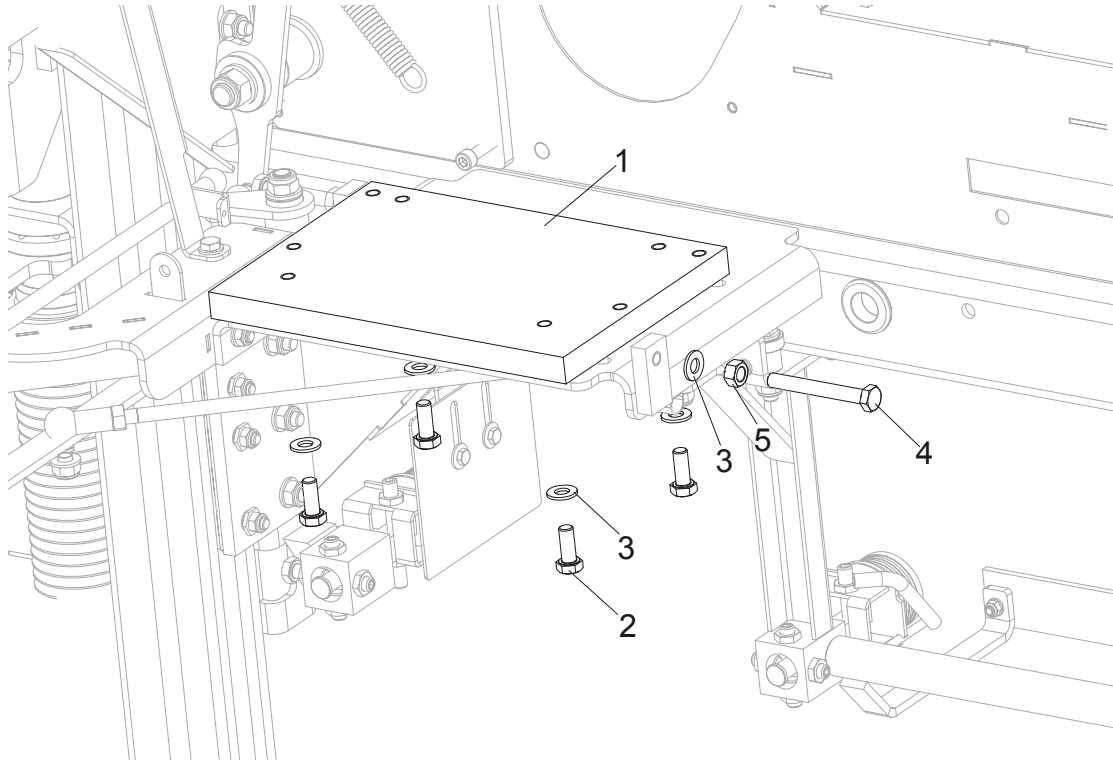


| REF | DESCRIPTION (◆ Indicates Parts Available In Assemblies Only) | PART # | QTY. |
|-----|--|-----------|------|
| | ELECTRIC BOX, LT15 DC COMPLETE | 097450 | 1 |
| 1 | Electric Box, LT15 DC | 095337 | 1 |
| 2 | Connector, PG29 | F81096-1 | 1 |
| 3 | Solenoid, 200A 12V DPST | 015417 | 2 |
| 4 | Bolt, M8x16-8.8-B Hex Head Full Thread Zinc | F81002-20 | 4 |
| 5 | Washer, 8.4 Flat Zinc | F81054-1 | 8 |
| 6 | Nut, M8-8-B Hex Nylon Zinc Lock | F81032-2 | 4 |
| | BATTERY BOX, LT15 DC, 36Ah COMPLETE | 095251 | 1 |
| 7 | Battery Box | 091377-1 | 1 |
| 8 | Battery, 12V, 36Ah | 091775 | 1 |
| 9 | Cover, Battery Box | 091382-1 | 1 |
| 10 | Bolt, M6x20-8.8 Hex Head Full Thread Zinc | F81001-2 | 3 |
| 11 | Washer, 6.4 Flat Zinc | F81053-1 | 3 |

5**Saw Head***Electric & Battery Box, LT15 DC*

| | | | | |
|-----------|---|-----------|---|--|
| 12 | Washer, 8.5 Zinc Flat Special | F81054-11 | 2 | |
| 13 | Clamp, Battery | 091381-1 | 1 | |
| 14 | Bolt, M8x35-8.8 Hex Head Full Thread Zinc | F81002-13 | 2 | |
| 15 | Washer, 8.4 Flat Zinc | F81054-1 | 6 | |
| 16 | Block, Battery | 095295 | 2 | |
| 17 | Screw, M8x40-8.8 Hex Socket Head Cap Zinc | F81002-29 | 4 | |
| 18 | Bolt, M8x20-8.8-B Hex Head Full Thread Zinc | F81002-4 | 4 | |
| 19 | Connector, DP 21/H | F81096-3 | 1 | |

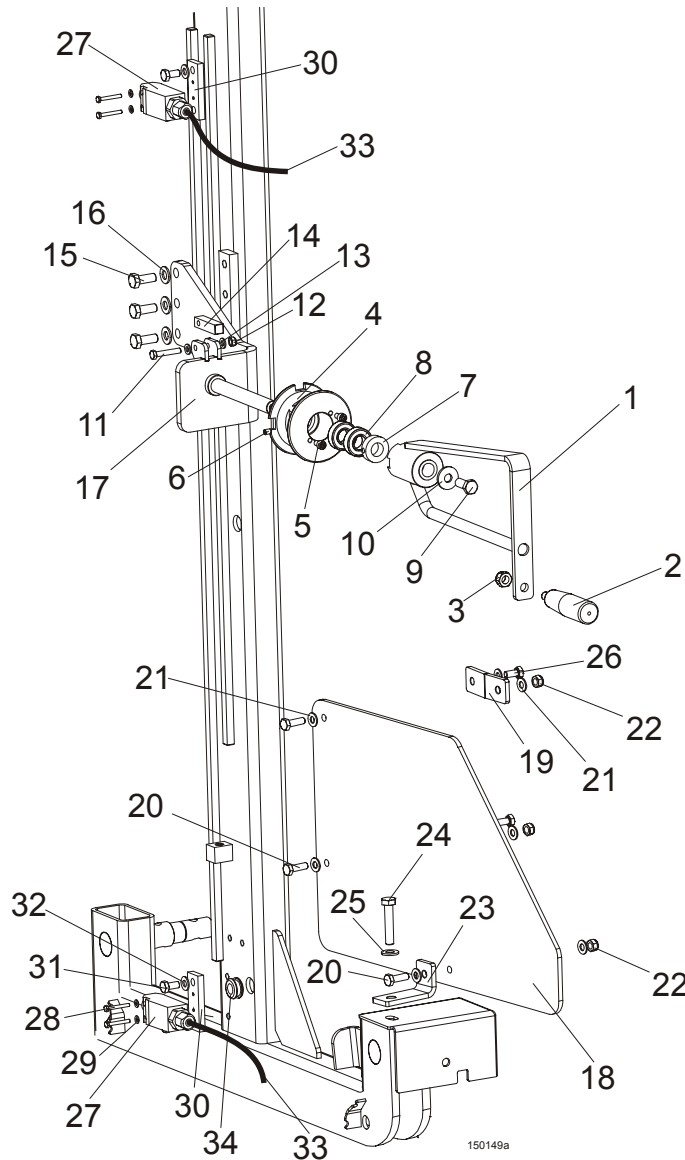
5.6 D10 & G15 Engine Mounting Plate



| REF | DESCRIPTION (◆ Indicates Parts Available In Assemblies Only) | PART # | QTY. |
|-----|--|-----------|------|
| 1 | PLATE, D10, G13, G15 MOTOR MOUNT | 095294 | 1 |
| 2 | BOLT, M10X25-8.8 HEX HEAD FULL THREAD ZINC | F81003-11 | 4 |
| 3 | WASHER, 10.5 FLAT ZINC | F81055-1 | 5 |
| 4 | BOLT, M10X80-8.8 HEX HEAD FULL THREAD ZINC | F81003-76 | 1 |
| 5 | NUT, M10-8-B HEX ZINC | F81033-3 | 1 |

SECTION 6 FEED SYSTEM

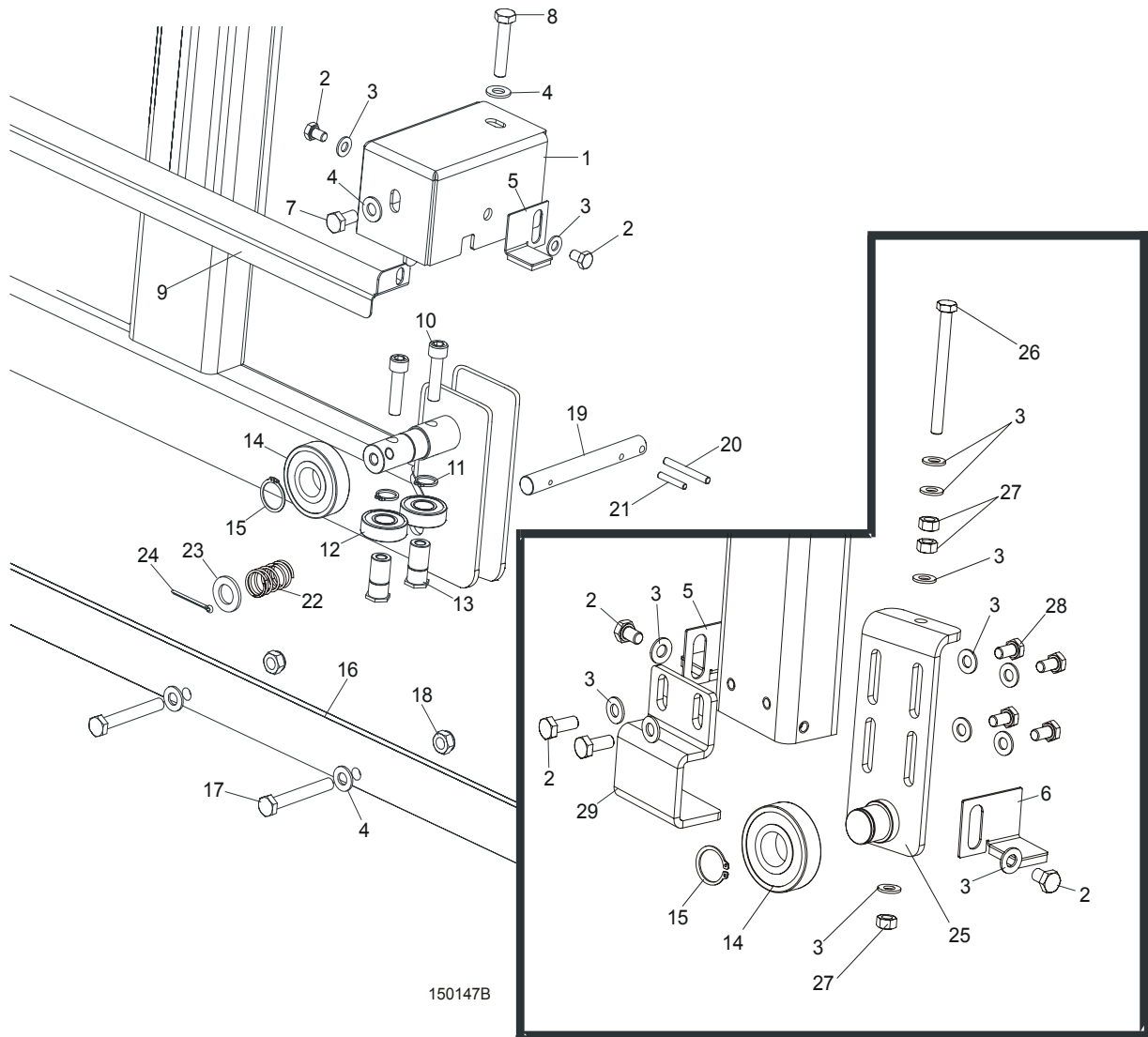
6.1 Feed Crank Assembly



| REF | DESCRIPTION (◆ Indicates Parts Available In Assemblies Only) | PART # | QTY. |
|-----|--|-----------|------|
| | MANUAL FEED SYSTEM | 094186 | 1 |
| | Feed Crank Assembly | 094260 | 1 |
| 1 | Crank Weldment, Feed Painted | 094191-1 | 1 |
| 2 | Knob, 12992M10 Plastic Crank Handle | 086338 | 1 |
| 3 | Nut, M10-8-B Hex Nylon Zinc Lock | F81033-1 | 1 |
| 4 | Pulley, LT15 Feed Rope | 086117 | 1 |
| 5 | Screw, M6x10-8.8 Hex Socket Head Cap Zinc | F81001-12 | 2 |
| 6 | Screw, M6x8 Hex Socket Set Cone Point Zinc | F81013-1 | 1 |
| 7 | Ring, 17 Stopping Light Type Zinc-plated | F81039-1 | 1 |

| | | | | |
|----|--|-----------|----|--|
| 8 | Bearing, 6003-2RS FAG Rolling | 086116 | 2 | |
| 9 | Bolt, M10x25-8.8 Hex Head Full Thread Zinc | F81003-11 | 1 | |
| 10 | Washer, 10.5 Special Flat Zinc | F81055-6 | 1 | |
| 11 | Bolt, M6x35 8.8 Hex Head Zinc | F81001-71 | 1 | |
| 12 | Nut, M6-8-B Hex Nylon Zinc Lock | F81031-2 | 1 | |
| 13 | Washer, 6.4 Flat Zinc | F81053-1 | 2 | |
| 14 | Pawl, LT15 Detent Zinc-plated | 086156-1 | 1 | |
| 15 | Bolt, M10x25-8.8 Hex Head Full Thread Zinc | F81003-11 | 3 | |
| 16 | Washer, 10.5 Flat Zinc | F81055-1 | 3 | |
| 17 | Bracket Weldment, Feed Rope Pulley Painted | 094187-1 | 1 | |
| | GUARD, LT15 COMPLETE LOWER | 093858 | 1 | |
| 18 | Plate, LT15 Lower Guard | 093859 | 1 | |
| 19 | Bracket, Side Painted | 086171-1 | 2 | |
| 20 | Bolt, M8x25-8.8-B Hex Head Full Thread Zinc | F81002-5 | 3 | |
| 21 | Washer, 8.4 Flat Zinc | F81054-1 | 6 | |
| 22 | Nut, M8-8-B Hex Nylon Zinc Lock | F81032-2 | 3 | |
| 23 | Bracket, Lower Painted | 086172-1 | 1 | |
| 24 | BOLT, M10X50-8.8 HEX HEAD FULL THREAD ZINC | F81003-4 | 1 | |
| 25 | WASHER, 10.5 FLAT ZINC | F81055-1 | 1 | |
| 26 | BOLT, M8X16-8.8-B HEX HEAD FULL THREAD ZINC | F81002-20 | 1 | |
| | EVN2000C LIMIT SWITCH W/MOUNT PLATE | 094227 | 2 | |
| 27 | Switch, GLCB01C Limit | 100910 | 1 | |
| 28 | Bolt, M4x30 8.8 Hex Head Full Thread Zinc | F81011-5 | 2 | |
| 29 | Washer, 4.3 Flat Zinc | F81051-2 | 2 | |
| 30 | Plate, Limit Switch Mount Painted | 094228-1 | 1 | |
| 31 | Bolt, M8x16 -8.8-B Hex Head Full Thread Zinc | F81002-20 | 2 | |
| 32 | Washer, 8.4 Flat Zinc | F81054-1 | 2 | |
| 33 | Cable, OLFLEX 400P 2x1 | R80583-5 | 3m | |
| 34 | GROMMET, 20/13 RUBBER | 086188 | 1 | |

6.2 Track Rail, Rollers & Travel Pins



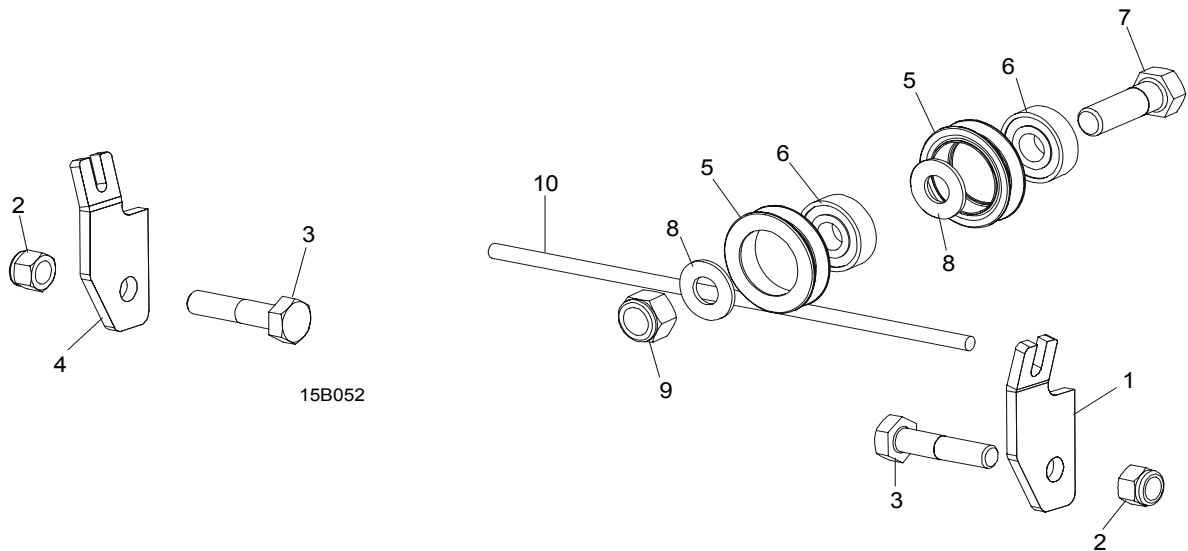
| REF | DESCRIPTION (◆ Indicates Parts Available In Assemblies Only) | PART # | QTY. |
|-----|--|-----------|------|
| 1 | HOUSING, TRACK ROLLER PAINTED | 086739-1 | 2 |
| 2 | BOLT, M8X12-8.8 HEX HEAD FULL THREAD ZINC | F81002-6 | 8 |
| 3 | WASHER, 8.4 FLAT ZINC | F81054-1 | 16 |
| 4 | WASHER, 10.5 FLAT ZINC | F81055-1 | 13 |
| 5 | PLATE, LT15 RIGHT TRACK WIPER PAINTED | 086324-1 | 2 |
| 6 | PLATE, LT15 LEFT TRACK WIPER PAINTED | 086325-1 | 2 |
| 7 | BOLT, M10 X 20 5.8 HEX HEAD FULL THREAD ZINC | F81003-1 | 2 |
| 8 | BOLT, M10X50-8.8 HEX HEAD FULL THREAD ZINC | F81003-4 | 2 |
| 9 | COVER, MIDDLE TRACK | 086745 | 1 |
| 10 | SCREW, M10X40 HEX SOCKET HEAD CAP ZINC | F81003-22 | 4 |

| | | | | |
|----|---|-----------|-------------------|--|
| 11 | RING, Z 17 OUTSIDE RETAINING | F81090-21 | 4 | |
| 12 | BEARING, 6203-2RS ROLLING | 086114 | 4 | |
| 13 | SHAFT, SIDE BEARING MOUNT ZINC-PLATED | 086645-1 | 4 | |
| 14 | BEARING, 6305-2RS CX | 085706 | 3 | |
| 15 | RING, 25Z OUTSIDE RETAINING | F81090-22 | 2 | |
| 16 | RAIL, LT15 1950 (LT15S3) TRACK ZINC-PLATED | 094427-1 | 3 | |
| | RAIL, LT15 2700 (LT15M2) TRACK ZINC-PLATED | 094696-1 | 2 | |
| 17 | BOLT, M10X75-8.8 HEX HEAD ZINC | F81003-15 | 9/13 ¹ | |
| 18 | NUT, M10-8-B HEX NYLON ZINC LOCK | F81033-1 | 9/13 ² | |
| 19 | PIN, TRAVEL LOCK ZINC-PLATED | 086743-1 | 2 | |
| 20 | PIN, 6X50 ROLL ZINC | F81045-1 | 2 | |
| 21 | PIN, 5 X 30 ROLL ZINC | F81044-21 | 2 | |
| 22 | SPRING, 18X37X1.8 COMPRESSION ZINC-PLATED | 087301 | 2 | |
| 23 | WASHER, 17 FLAT ZINC | F81058-1 | 2 | |
| 24 | PIN, 4 X 25 COTTER ZINC | F81043-2 | 2 | |
| 25 | BRACKET WELDMENT, IDLE SIDE ROLLER PAINTED | 094198-1 | 1 | |
| 26 | BOLT, M8X90-8.8 HEX HEAD FULL THREAD ZINC | F81002-16 | 1 | |
| 27 | NUT, M8-8-B HEX ZINC | F81032-1 | 3 | |
| 28 | BOLT, M8X16-8.8-B HEX HEAD FULL THREAD ZINC | F81002-20 | 4 | |
| 29 | GUIDE, LT15 MAST IDLE SIDE PAINTED | 086202-1 | 1 | |

¹ Number of bolts for one bed section.

² Number of nuts for one bed section.

6.3 Feed Rope, Lower Pulleys & Brackets

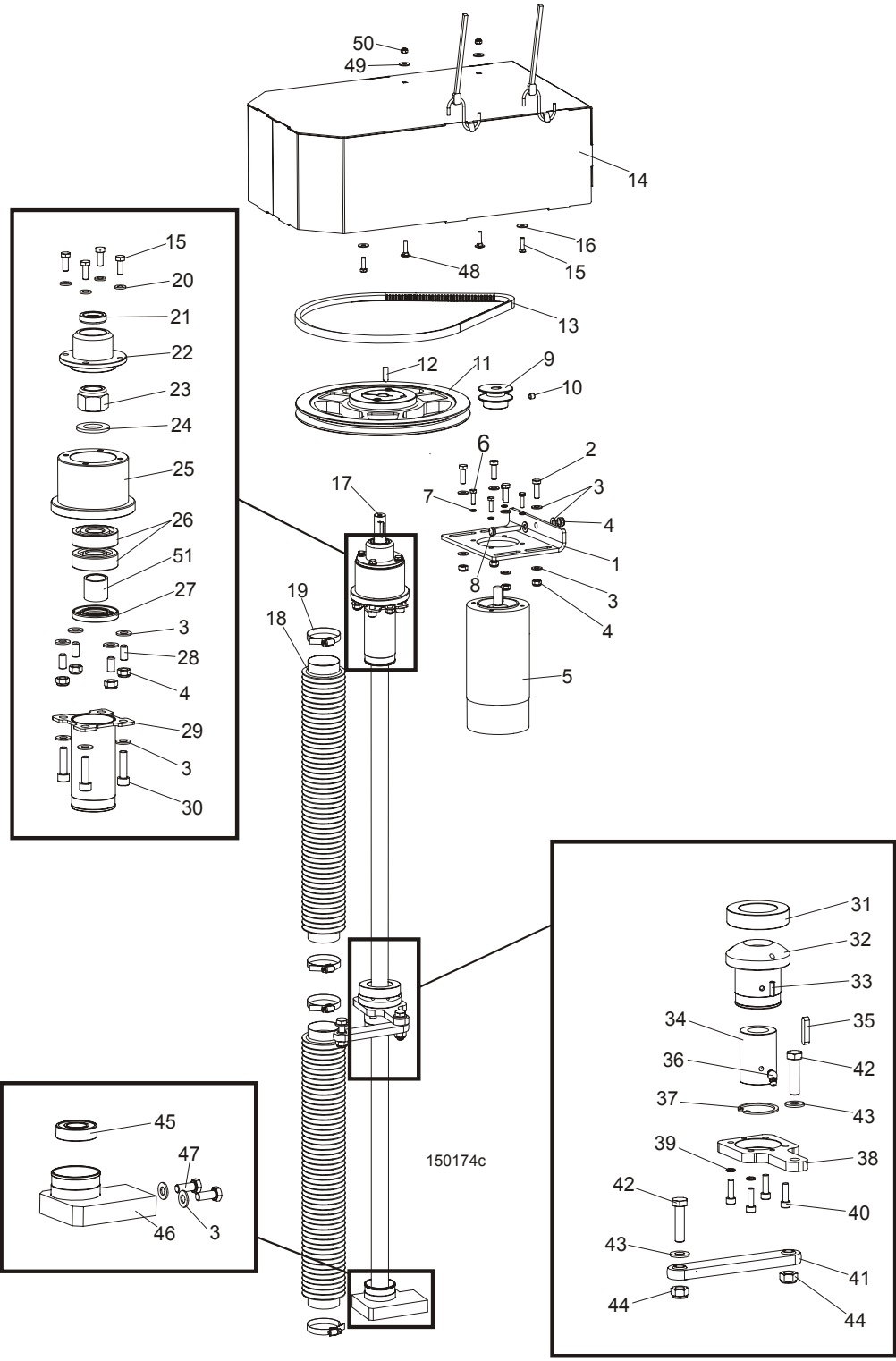


| REF | DESCRIPTION (◆ Indicates Parts Available In Assemblies Only) | PART # | QTY. | |
|-----|--|-----------|------------------|---|
| 1 | BRACKET, FRONT ROPE MOUNT | 092569-1 | 1 | |
| 2 | NUT, M12-8 HEX NYLON ZINC LOCK | F81034-2 | 2 | |
| 3 | BOLT, M12X40-8.8 HEX HEAD FULL THREAD ZINC | F81004-4 | 2 | |
| 4 | BRACKET, REAR ROPE MOUNT | 092570-1 | 1 | |
| | ROLLER ASSEMBLY, V-GROOVE W/BEARING | 093855 | 2 | |
| 5 | Roller, V-Groove | 093856-1 | 1 | ◆ |
| 6 | Bearing, 6203 2RS 5/8 CX | 095087 | 1 | |
| 7 | BOLT, M16X60 8.8 HEX HEAD FULL THREAD ZINC | F81006-12 | 1 | |
| 8 | WASHER, 17 FLAT ZINC | F81058-1 | 2 | |
| 9 | NUT, M16-8 HEX NYLON ZINC LOCK | F81036-2 | 1 | |
| 10 | ROPE, 5/16" DIA. BRAIDED POLYESTER | R02080 | 9 m ¹ | |

¹ Used when sawmill is equipped with three-segment bed. When it is equipped with two-segment bed, 5.6m long rope is used.

SECTION 7 UP/DOWN SYSTEM

7.1 Up/Down Assembly, DC



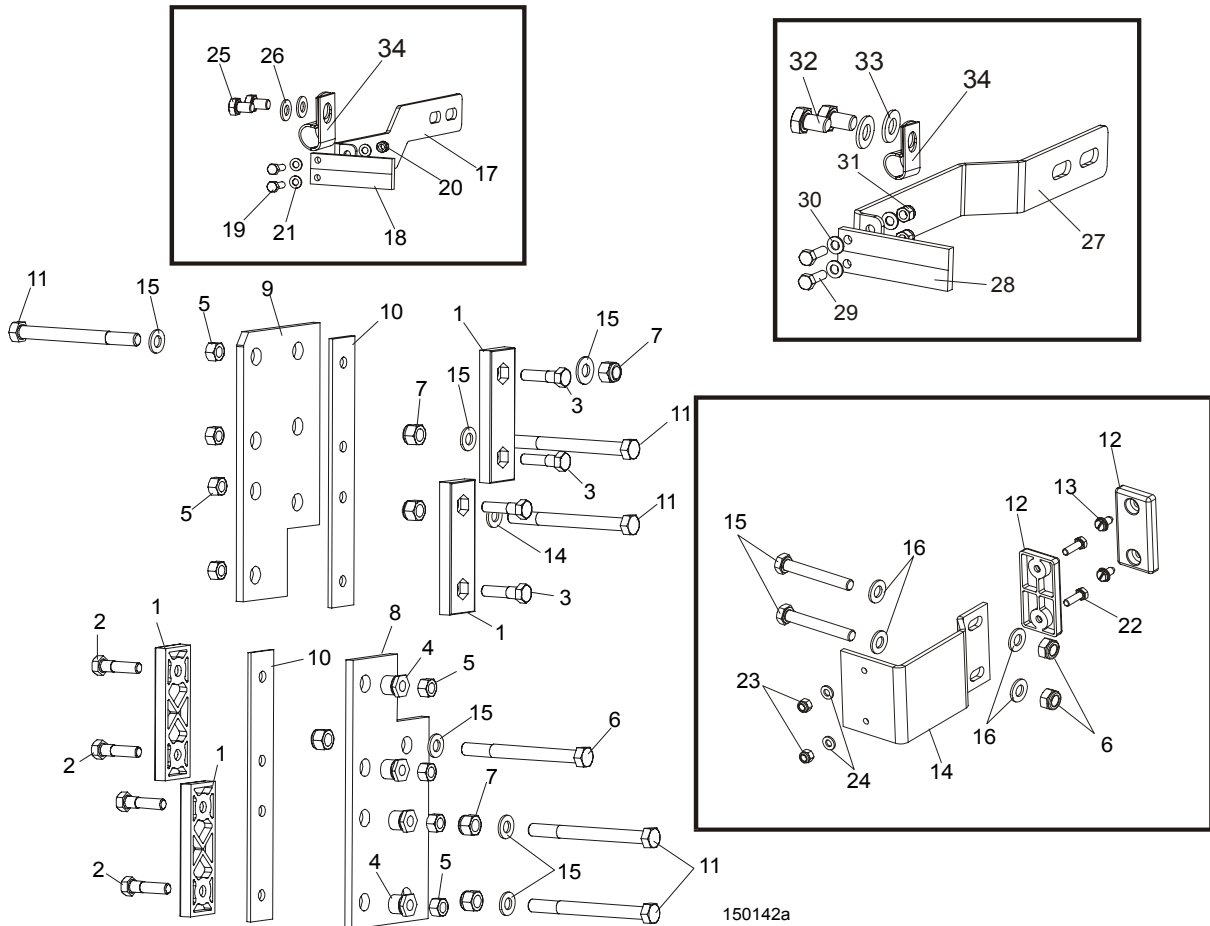
| LP | OPIS (◆ Wskazuje części dostępne jedynie w zespołach) | NR CZĘŚCI | ILOŚĆ | |
|----|---|-----------|-------|--|
| | UP/DOWN DRIVE - DC, COMPLETE | 095253 | 1 | |
| 1 | Plate, Drive Belt Tension | 094162-1 | 1 | |
| 2 | Bolt, M8x25-8.8-B Hex Head Full Thread Zinc | F81002-5 | 4 | |
| 3 | Washer, 8.4 Flat Zinc | F81054-1 | 22 | |
| 4 | Nut, M8-8-B Hex Nylon Zinc Lock | F81032-2 | 9 | |
| 5 | Motor, Drive 12V 0.5HP | P04140 | 1 | |
| 6 | Bolt, 1/4-20x3/4 FT HHC | F05005-1 | 4 | |
| 7 | Washer, 6.4 Flat Zinc | F81053-1 | 4 | |
| 8 | Bolt, M8x50-8.8 Hex Head Full Thread Zinc | F81002-19 | 1 | |
| 9 | Pulley, LT15DC Up/Down Motor | 095340-1 | 1 | |
| 10 | Screw, M8x8-33H Hex Socket Set Flat Point Zinc | F81014-1 | 2 | |
| 11 | Pulley, SPA 280/1 w/18 Split Taper Bushing | 094157 | 1 | |
| 12 | Key, AB 6x6x23 Parallel | 089191 | 1 | |
| 13 | V-belt, AVX-13x1100 La | 095306 | 1 | |
| 14 | Cover, Up/Down System LT15 Complete High | 096948 | 1 | |
| | Strap, 24 in rubber with hooks | P11258 | 2 | |
| 15 | Bolt, M6x20-8.8 Hex Head Full Thread Zinc | F81001-2 | 8 | |
| 16 | Washer, 6.4 Flat Zinc | F81053-11 | 4 | |
| 17 | Screw, Tr 28x5 Acme | 094144 | 1 | |
| 18 | Bellows, 50/700 Protective | 094208 | 2 | |
| 19 | Clamp, 40-60mm | F81095-4 | 4 | |
| 20 | Washer, 6.4 Flat Zinc | F81053-1 | 4 | |
| 21 | Ring, A018x30x7 Sealing | 094159 | 1 | |
| 22 | Cover, Up/Down Bearing Housing | 094165-1 | 1 | |
| 23 | Nut, M20x1.5-8-A2 ISO10512 Self-locking | F81037-5 | 1 | |
| 24 | Washer, 21 Flat Zinc | F81059-2 | 1 | |
| 25 | Housing, Up/Down Bearings | 094164-1 | 1 | |
| 26 | Bearing, 7304B -UO CX | 094256 | 2 | |
| 27 | Ring, A28x52x7 Sealing | 094155 | 1 | |
| 28 | Screw, M8x16-33H Hex Socket Set Flat Point | F81014-2 | 4 | |
| 29 | Bracket, Upper Bellows Mount Zinc-plated | 094221-1 | 2 | |
| 30 | Screw, M8x30-8.8 Hex Socket Head Cap Zinc | F81002-31 | 4 | |
| 31 | Washer, DIN6319-42-C Spherical Seat | F81061-7 | 1 | |
| | Up/Down Nut Assembly | 094150 | 1 | |
| 32 | Housing, TR28x5 Acme Nut Zinc-plated | 094241-1 | 1 | |
| 33 | Pin, 5x16 Roll Zinc | F81044-3 | 2 | |
| 34 | Nut, Tr 28x5 (PET T) Acme Screw | 094243 | 1 | |
| 35 | Key, A6x6x30 Parallel | 094245 | 1 | |
| 36 | Fitting, M6 "B" Type PN-M/86003 Grease | 094213 | 1 | |
| 37 | Ring, W40 Inside Retaining | F81090-3 | 1 | |
| 38 | Plate, Nut Housing Seat | 094242-1 | 1 | |
| 39 | Washer, Z 6.1 Split Lock Zinc | F81053-3 | 4 | |
| 40 | Screw, M6x20-8.8 Hex Socket Head Cap Zinc | F81001-22 | 4 | |
| 41 | Link, SBPL 10104 Pivotal | 097700 | 1 | |
| 42 | Bolt, M10x40-8.8 Hex Head Full Thread Zinc | F81003-16 | 2 | |

| | | | | |
|-----------|--|-----------|---|--|
| 43 | Washer, 10.5 Flat Zinc | F81055-1 | 2 | |
| 44 | Nut, M10-8-B Hex Nylon Zinc Lock | F81033-1 | 2 | |
| 45 | Bearing, 6004 2RS-CX Rolling | 093868 | 1 | |
| 46 | Seat, Lower Bearing | 093866-1 | 1 | |
| 47 | Bolt, M8x20-8.8-B Hex Head Full Thread Zinc | F81002-4 | 2 | |
| 48 | Bolt, M6x25-8.8 Mushroom Head Square Neck Zinc | F81001-20 | 2 | |
| 49 | Washer, 6.5 Special Flat Zinc | F81053-11 | 2 | |
| 50 | Nut, M6-8-B Hex Nylon Zinc Lock | F81031-2 | 2 | |
| 51 | Spacer, LT15 Drive Bearing | 094156-1 | 1 | |

7.2 Slide Pads & Blade Height Scale Indicator

LT15

Rev. A1.00+

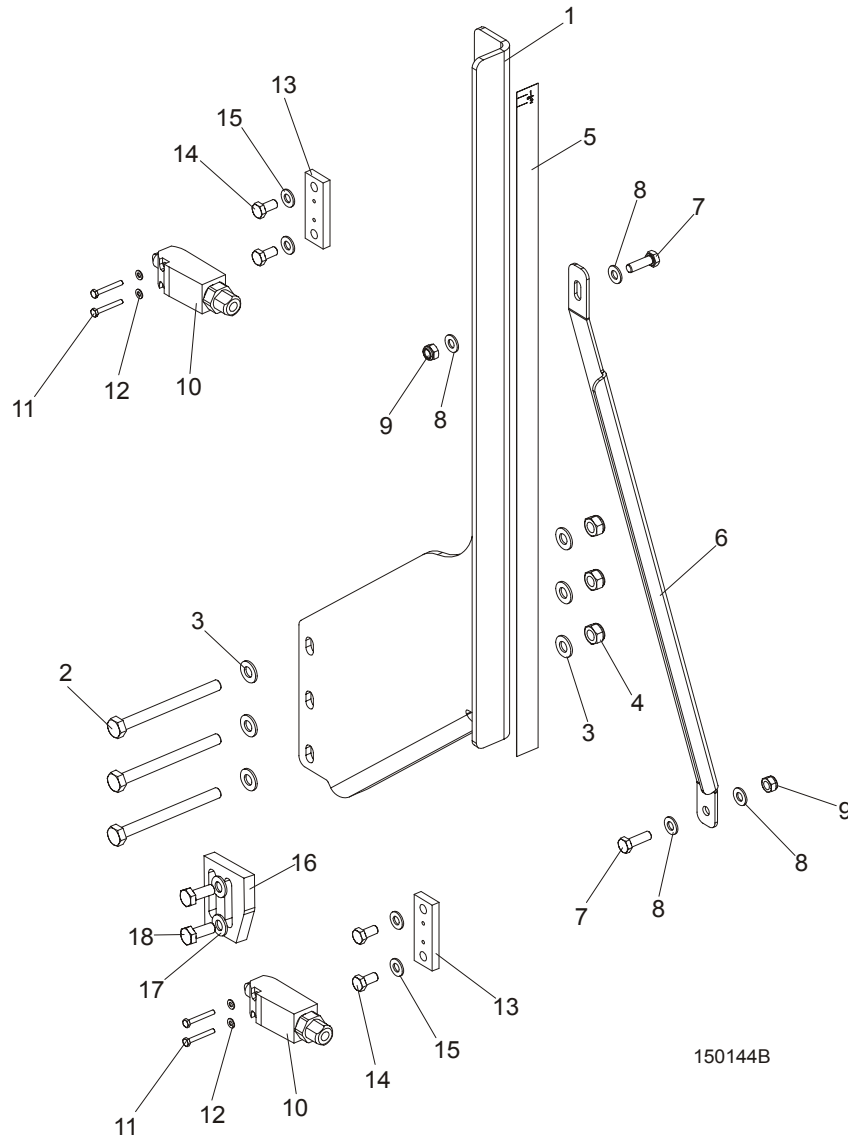


150142a

| REF | DESCRIPTION (◆ Indicates Parts Available In Assemblies Only) | PART # | QTY. |
|-----|--|-----------|------|
| 1 | PADS, DELRIN UP/DOWN SLIDE | M04096 | 4 |
| 2 | BOLT, M8X35-8.8 HEX HEAD FULL THREAD ZINC | F81002-13 | 4 |
| 3 | BOLT, M8X20-8.8 HEX HEAD FULL THREAD ZINC | F81002-4 | 4 |
| 4 | NUT, LT15 SLIDE PAD ADJUSTMENT | 086683-1 | 4 |
| 5 | NUT, M8-8-B HEX NYLON ZINC LOCK | F81032-2 | 8 |
| 6 | BOLT, M10X110 8.8 HEX HEAD ZINC | F81003-43 | 1 |
| 7 | NUT, M10-8-B HEX NYLON ZINC LOCK | F81033-1 | 8 |
| 8 | PLATE, SAW HEAD LOWER GUIDE PAINTED | 086682-1 | 1 |
| 9 | PLATE, SAW HEAD UPPER GUIDE PAINTED | 094139-1 | 1 |
| 10 | PLATE, SLIDE PAD SPACER PAINTED | 094140-1 | 2 |
| 11 | BOLT, M10X115-8.8 HEX HEAD ZINC | F81003-19 | 5 |
| 12 | PAD, IDLE SIDE SLIDE | P13576 | 2 |
| 13 | SCREW, 1/4-20 X 1/2" "23" TYPE SELF-TAPPING | F05015-1 | 2 |
| 14 | GUIDE, LT15 SAW HEAD PAINTED | 087192-1 | 1 |

| | | | | |
|----|---|---------------|----|--|
| 15 | BOLT, M10X70-8.8 HEX HEAD FULL THREAD ZINC | F81003-20 | 2 | |
| 16 | WASHER, 10.5 FLAT ZINC | F81055-1 | 11 | |
| | SCALE INDICATOR (STANDARD) | 094226 | 1 | |
| 17 | Bracket, Scale Indicator Mount Painted | 094224-1 | 1 | |
| 18 | Indicator, Blade Height Scale | 094821 | 1 | |
| 19 | Bolt, M5NX16-8.8 Hex Head Full Thread Zinc | F81000-20 | 2 | |
| 20 | Nut, M5-8 DIN 985 Zinc-Plated | F81030-2 | 2 | |
| 21 | Washer, 5.3 Flat Zinc | F81052-1 | 4 | |
| 22 | BOLT, M6X20-8.8 HEX HEAD FULL THREAD ZINC | F81001-2 | 2 | |
| 23 | NUT, M6-8-B HEX NYLON ZINC LOCK | F81031-2 | 2 | |
| 24 | WASHER, 6.4 FLAT ZINC | F81053-1 | 2 | |
| 25 | BOLT, M8X12-8.8 HEX HEAD FULL THREAD ZINC | F81002-6 | 2 | |
| 26 | WASHER, 8.4 FLAT ZINC | F81054-1 | 2 | |
| | SCALE INDICATOR (OPTIONAL) | 095967 | | |
| 27 | Bracket, Scale Indicator Mount Painted | 095968-1 | 1 | |
| 28 | Indicator, Blade Height Scale | 094821 | 1 | |
| 29 | Bolt, M5X16-8.8 Hex Head Full Thread Zinc5 | F81000-20 | 2 | |
| 30 | Washer, 5.3 Flat Zinc | F81052-1 | 4 | |
| 31 | Nut, M5-8 DIN 985 Zinc-plated | F81030-2 | 2 | |
| 32 | Bolt, M8x12-8.8 Hex Head Full Thread Zinc | F81002-6 | 2 | |
| 33 | Washer, 8.4 Flat Zinc | F81054-1 | 2 | |
| 34 | CLAMP, 1/2" EMT COATED | P07584 | 1 | |

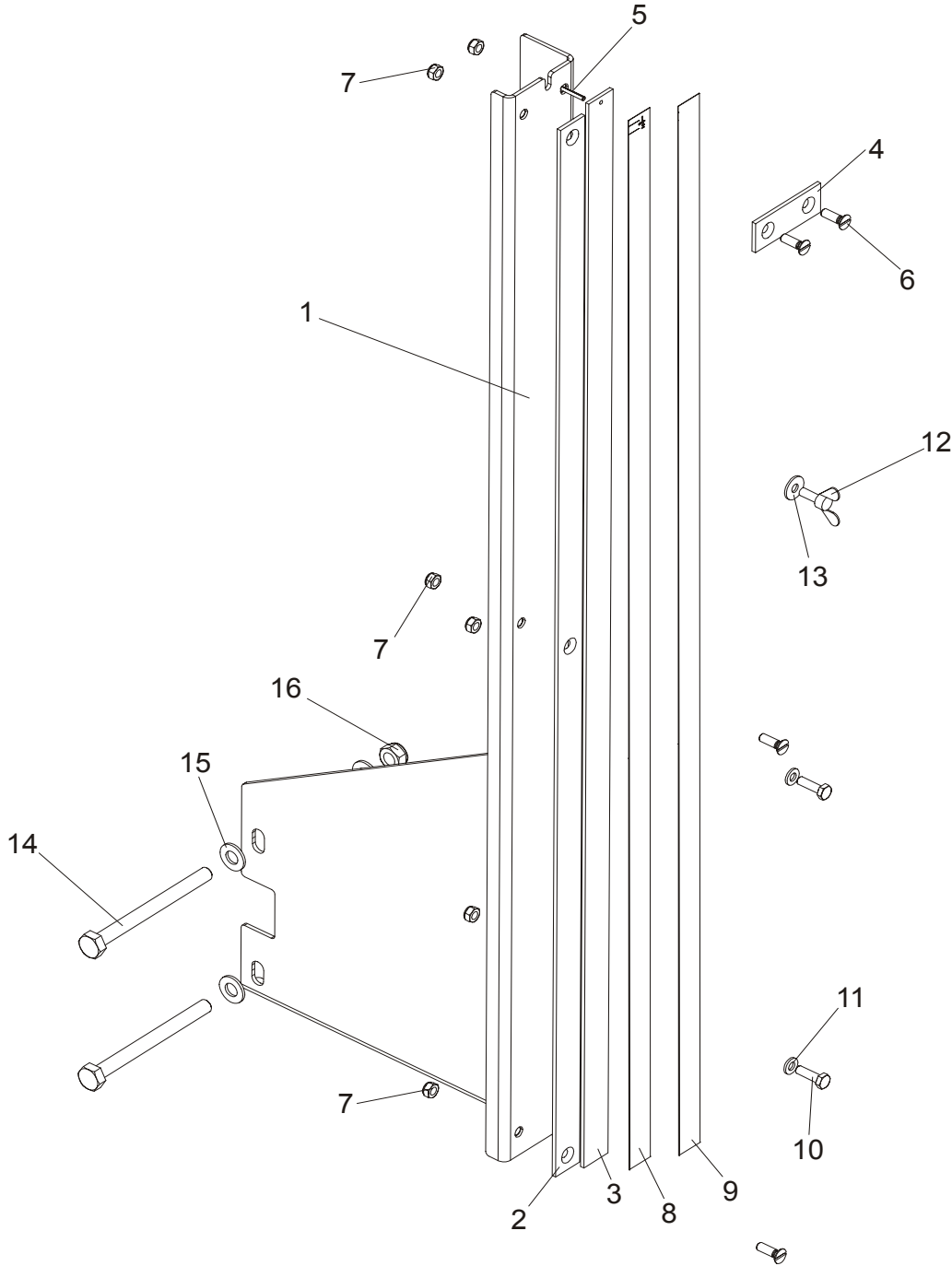
7.3 Blade Height Scale & Up/Down Limit Switches



| REF | DESCRIPTION (◆ Indicates Parts Available In Assemblies Only) | PART # | QTY. |
|-----|--|-----------|------|
| | BRACKET, BLADE HEIGHT SCALE, COMPLETE | 094225 | 1 |
| 1 | Bracket, Blade Height Scale, Painted | 094223-1 | 1 |
| 2 | Bolt, M10X115-8.8 Hex Head Zinc | F81003-19 | 3 |
| 3 | washer, 10.5 flat zinc | F81055-1 | 6 |
| 4 | Nut, M10-8-B Hex Nylon Zinc Lock | F81033-1 | 3 |
| 5 | Decal, LT15AC Blade Height Metric Scale | 094151 | 1 |
| | Decal, LT15AC Blade Height Inch Scale | 096658 | 1 |
| 6 | BRACKET, BLADE HEIGHT SCALE MOUNT PAINTED | 094257-1 | 1 |
| 7 | BOLT, M8X25-8.8-B HEX HEAD FULL THREAD ZINC | F81002-5 | 2 |

| | | | | |
|----|---|-----------|---|--|
| 8 | WASHER, 8.4 FLAT ZINC | F81054-1 | 4 | |
| 9 | NUT, M8-8-B HEX NYLON ZINC LOCK | F81032-2 | 2 | |
| | EVN2000C LIMIT SWITCH W/MOUNT PLATE | 094227 | 2 | |
| 10 | Switch, GLCB01C Limit | 100910 | 1 | |
| 11 | Bolt, M4x30 8.8 Hex Head Full Thread Zinc | F81011-5 | 2 | |
| 12 | Washer, 4.3 Flat Zinc | F81051-2 | 2 | |
| 13 | Plate, Limit Switch Mount | 094228-1 | 1 | |
| 14 | Bolt, M8x16-8.8-B Hex Head Full Thread Zinc | F81002-20 | 2 | |
| 15 | Washer, 10.5 Flat Zinc | F81055-1 | 2 | |
| 16 | BRACKET, LIMIT SWITCH | 094229-1 | 1 | |
| 17 | WASHER, 8.4 FLAT ZINC | F81054-1 | 2 | |
| 18 | BOLT, M8X20MM, HEX HEAD,GR 5.8 ZINC | F81002-4 | 2 | |

7.4 Blade Height Scale (Optional)



| REF | DESCRIPTION (◆ Indicates Parts Available In Assemblies Only) | PART # | QTY. |
|-----|--|---------------|------|
| | BRACKET, BLADE HEIGHT SCALE COMPLETE | 095964 | 1 |
| 1 | Bracket, Blade Height Scale Painted | 095965-1 | 1 |
| 2 | Plate, Decal Mount | 092750 | 1 |
| 3 | Plate, Inch Decal Mount | 093133 | 1 |
| 4 | BAR, SCALE MOUNT | 093134 | 1 |

| | | | | |
|----|---|----------------------|---|--|
| 5 | PIN, 3x20 ROLL ZINC | F81044-5 | 1 | |
| 6 | screw, M6x20- 4.8-B slotted countersunk head zinc | F81001-31 | 3 | |
| 7 | Nut, M6-8-B hex nylon zinc lock | F81031-2 | 6 | |
| 8 | decal, LT20 0-80CM centimeter scale | 091239 | 1 | |
| 9 | Decal, 16-40CM Metric Decal, 45-63CM Metric | P12040-1 P12040-2 | 1 | |
| 10 | BOLT, M6X20-8.8 HEX HEAD FULL THREAD ZINC | F81001-2 | 2 | |
| 11 | WASHER, 6.4 FLAT ZINC | F81053-1 | 2 | |
| 12 | SCREW, M6X16 BN276 DIN 316 WING | F81001-16 | 1 | |
| 13 | WASHER, 6.5 SPECIAL FLAT ZINC | F81053-11 | 1 | |
| 14 | BOLT, M10X115-8.8 HEX HEAD ZINC | F81003-19 | 2 | |
| 15 | WASHER, 10.5 FLAT ZINC | F81055-1 | 4 | |
| 16 | NUT, M10-8-B HEX NYLON ZINC LOCK | F81033-1 | 2 | |