

Wood-Mizer®

Replacement Parts Manual

LT15 S2-4 G15	rev. D1.02
LT15 M2-4 G15	rev. D1.02
LT15 S2-4 D10	rev.D1.02
LT15 M2-4 D10	rev. D1.02



Safety is our #1 concern! Read and understand all safety information and instructions before operating, setting up or maintaining this machine.

August 1997

Form #799

SECTION 1	GENERAL INFORMATION	1-1
1.1	How To Use The Parts List	1-1
1.2	Sample Assembly	1-1
SECTION 2	FRAME PARTS	2-1
2.1	Log Side Support Assembly	2-1
2.2	Bed Connecting Hardware	2-1
2.3	Stationary Leg Kit	2-2
2.4	Outrigger Leg Kit	2-3
2.5	Log Clamp Assembly	2-4
2.6	Auxiliary Bed Rail Assembly	2-5
2.7	Log Wedge, Loading Ramps, & Cant Hook (Optional).....	2-6
2.8	Bed Extension.....	2-7
2.9	”M” Type Frame Bed Section	2-8
2.10	”S” Type Frame Bed Section	2-8
2.11	Additional Bed Frame Section with Stationary Legs	2-9
2.12	Additional Bed Frame Section with Outrigger Legs	2-9
SECTION 3	BLADE GUIDE ROLLERS & ARM	3-1
3.1	Blade Guide Assembly, Idle Side.....	3-1
3.2	Blade Guide Assembly, Drive Side.....	3-2
3.3	Blade Guide Roller Guard	3-3
3.4	Blade Guide Arm Assembly	3-4
SECTION 4	BLADE WHEELS & TENSIONER	4-1
4.1	Blade Wheel Assembly, Drive Side	4-1
4.2	Blade Wheel Assembly, Idle Side.....	4-2
4.3	Blade Tensioner Assembly.....	4-3
SECTION 5	SAW HEAD	5-1
5.1	Blade Housing Cover	5-1
5.2	Water Lube Assembly	5-3
5.3	LT15DC Saw Head Decals	5-4
5.4 Control Box	
(Power Feed)	5-6
5.5	Electric & Battery Box, LT15 DC.....	5-8
5.6	D10 & G15 Engine Mounting Plate	5-9
SECTION 6	FEED SYSTEM	6-1
6.1	Feed Crank Assembly.....	6-1
6.2	Track Rail, Rollers & Travel Pins	6-3
6.3	Feed Rope, V-groove Rollers & Brackets	6-5
6.4	Power Feed System - Optional	6-6
SECTION 7	UP/DOWN SYSTEM	7-1
7.1	Up/Down Assembly, DC.....	7-1
7.2	Slide Pads & Blade Height Scale Indicator	7-4
7.3	Blade Height Scale & Up/Down Limit Switches	7-6
7.4	Blade Height Scale (Optional).....	7-8

SECTION 1 GENERAL INFORMATION

1.1 How To Use The Parts List

- Use the index above to locate the assembly that contains the part you need.
- Go to the appropriate section and locate the part in the illustration.
- Use the number pointing to the part to locate the correct part number and description in the table.
- Parts shown indented under another part are included with that part.
- Parts marked with a diamond (◆) are only available in the assembly listed above the part.

See the sample table below. Sample Part #A01111 includes part F02222-2 and subassembly A03333. Subassembly A03333 includes part S04444-4 and subassembly K05555. The diamond (◆) indicates that S04444-4 is not available except in subassembly A03333. Subassembly K05555 includes parts M06666 and F07777-77. The diamond (◆) indicates M06666 is not available except in subassembly K05555.

1.2 Sample Assembly				
REF	DESCRIPTION (◆ Indicates Parts Available In Assemblies Only)	PART #	QTY.	
	Sample Assembly, Complete (Includes All Indented Parts Below)	A01111	1	
1	Sample Part	F02222-22	1	
	Sample Subassembly (Includes All Indented Parts Below)	A03333	1	
2	Sample Part (◆ Indicates Part Is Only Available With A03333)	S04444-4	1	◆
	Sample Subassembly (Includes All Indented Parts Below)	K05555	1	
3	Sample Part (◆ Indicates Part Is Only Available With K05555)	M06666	2	◆
4	Sample Part	F07777-77	1	

To Order Parts:

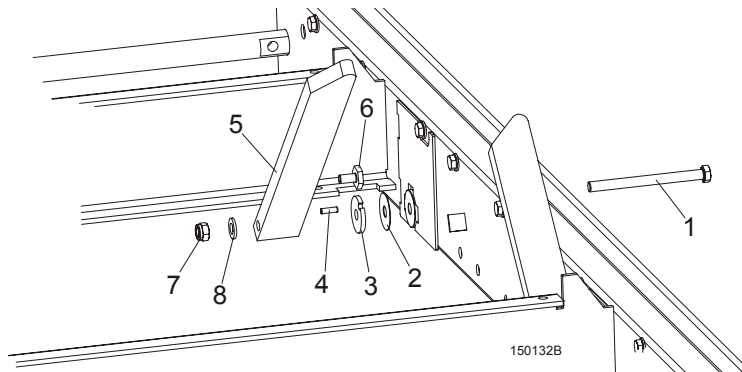
- From Europe call our European Headquarters and Manufacturing Facility in Kolo, Poland at **+48-63-2626000**. From the continental U.S., call our toll-free Parts hotline at **1-800-448-7881**. Have your customer number, vehicle identification number, and part numbers ready when you call.
- From other international locations, contact the Wood-Mizer distributor in your area for parts.



CAUTION! It is strongly recommended to use only original spare parts.

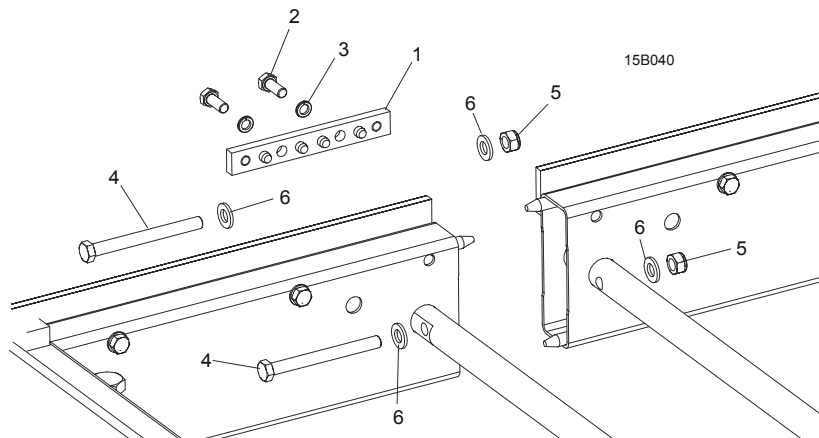
SECTION 2 FRAME PARTS

2.1 Log Side Support Assembly



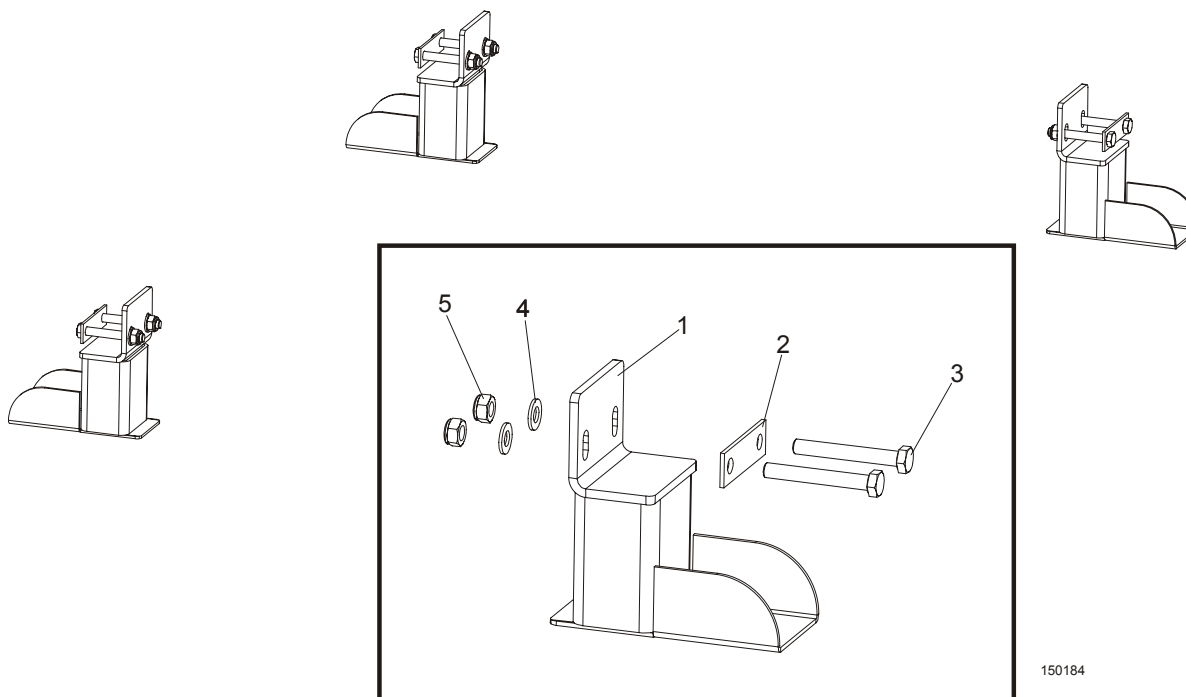
REF	DESCRIPTION (◆ Indicates Parts Available In Assemblies Only)	PART #	QTY.
1	BOLT, M12X140-8.8 HEX HEAD ZINC	F81004-35	1
2	WASHER, 33/64 X 1 3/4 X 1/32" NYLON	014972	1
3	WASHER, LT15 THICK SPACER	085981-1	1
	SUPPORT, LT15 LOG SIDE COMPLETE PAINTED	085982-1	1
4	PIN, H 6n6x20 60HRC ROLL	100472	1
5	PLATE, LT15 LOG SIDE SUPPORT	085980	1
6	BOLT, M10x20 SPECIAL	100076-1	1
7	NUT, M12-8 HEX NYLON ZINC LOCK	F81034-2	1
8	WASHER, 13 FLAT ZINC	F81056-1	1

2.2 Bed Connecting Hardware



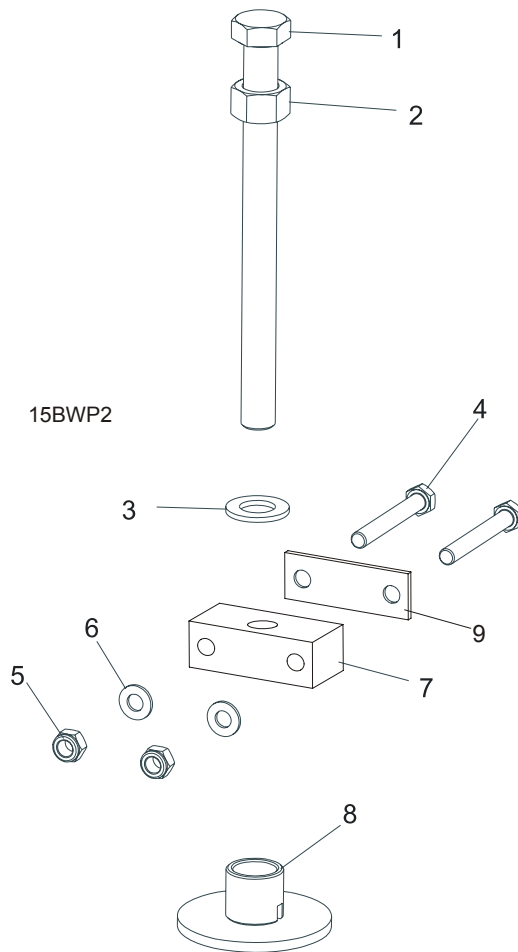
REF	DESCRIPTION (◆ Indicates Parts Available In Assemblies Only)	PART #	QTY.
1	PLATE, BED CONNECTION	086659-1	1
2	BOLT, M10X30 - 8.8 HEX HEAD FULL THREAD ZINC	F81003-2	2
3	WASHER, 10.2 FLAT	F81055-2	2
4	BOLT, M12 X 120 - 8.8 HEX HEAD ZINC	F81004-38	2
5	NUT, M12-8-B HEX NYLON ZINC LOCK	F81034-2	2
6	WASHER, 13 FLAT ZINC	F81056-1	4

2.3 Stationary Leg Kit



REF	DESCRIPTION (◆ Indicates Parts Available In Assemblies Only)	PART #	QTY.	
	STATIONARY LEG KIT FOR 1950 MM BED SECTION	100069	1	
1	Leg, LT15 Stationary Bed	100064-1	4	
2	Washer, LT15 Bed Leg	085994-1	4	
3	Bolt, M10x75-8.8 Hex Head Zinc	F81003-15	8	
4	Washer, 10.5 Flat Zinc	F81055-1	8	
5	Nut, M10-8-B Hex Nylon Zinc Lock	F81033-1	8	
	STATIONARY LEG KIT FOR 2700 MM BED SECTION	100070	1	
1	Leg, LT15 Stationary Bed	100064-1	6	
2	Washer, LT15 Bed Leg	085994-1	6	
3	Bolt, M10x75-8.8 Hex Head Zinc	F81003-15	12	
4	Washer, 10.5 Flat Zinc	F81055-1	12	
5	Nut, M10-8-B Hex Nylon Zinc Lock	F81033-1	12	

2.4 Outrigger Leg Kit

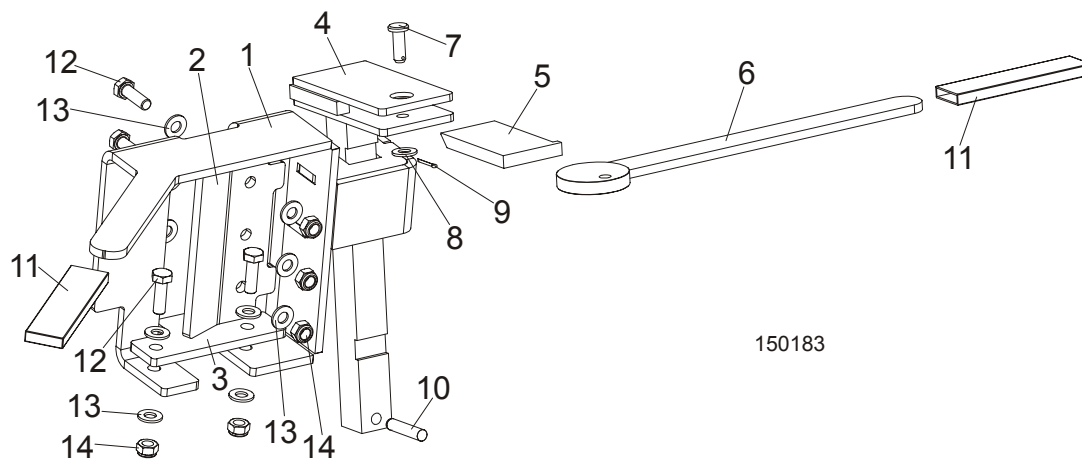


REF	DESCRIPTION (◆ Indicates Parts Available In Assemblies Only)	PART #	QTY.
	OUTRIGGER LEG KIT FOR 1950 MM BED SECTION (LT15S3)	095232 ¹	3
	OUTRIGGER LEG KIT FOR 2700 MM BED SECTION (LT15M2)	095234 ²	2
1	Bolt, M20x240-8.8 Hex Head Full Thread Zinc	F81007-1	1
2	Nut, M20-8 Hex Zinc	F81037-1	1
3	Washer, 21 Flat Zinc	F81059-2	1
4	Bolt, M10x120-8.8 Hex Head Zinc	F81003-58	2
5	Nut, M10-8-B Hex Nylon Zinc Lock	F81033-1	2
6	Washer, 10.5 Flat Zinc	F81055-1	2
7	Block, LT15 Leg Mount	095745-1	1
8	Plate Weldment, LT15 Leg Foot Zinc-plated	087771-1	1
9	Washer, LT15 Bed	085994-1	1

¹ Four legs are mounted to each 1950-mm long bed section.

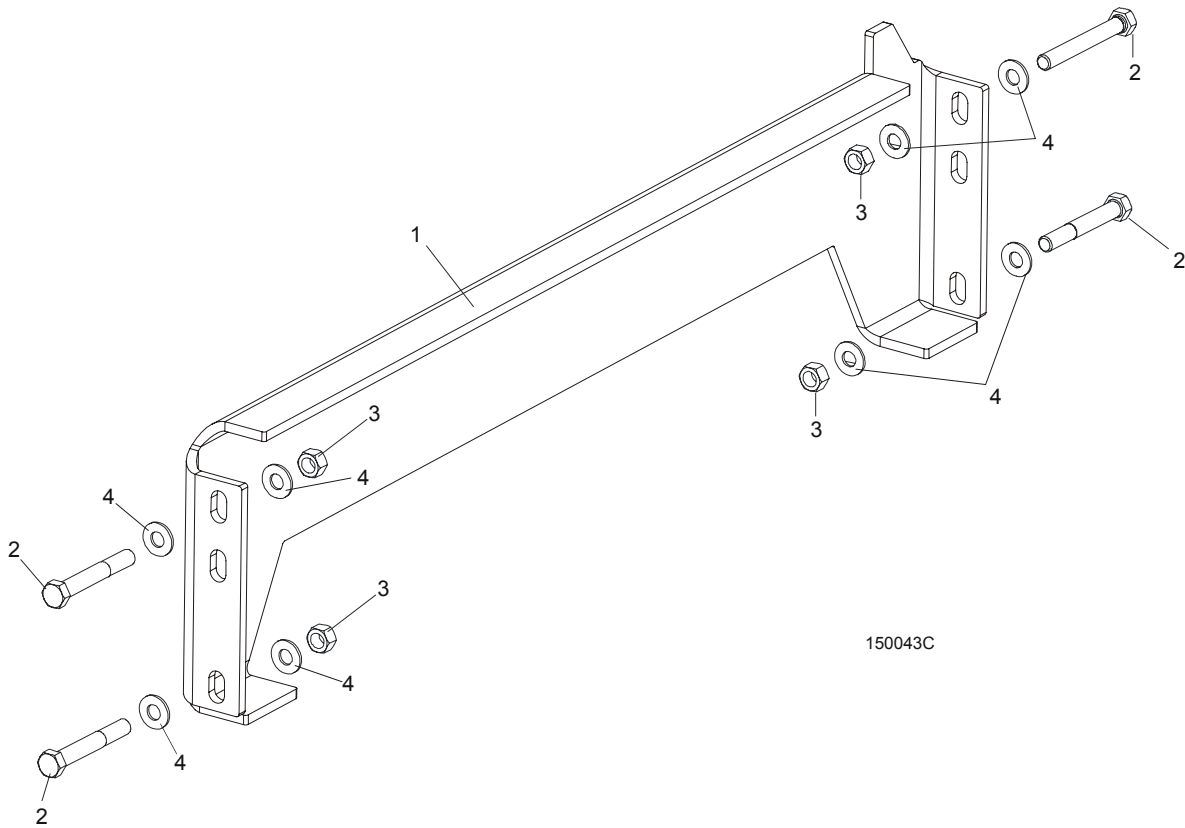
² Six legs are mounted to each 2700-mm long bed section.

2.5 Log Clamp Assembly



REF	DESCRIPTION (◆ Indicates Parts Available In Assemblies Only)	PART #	QTY.
	LOG CLAMP ASSEMBLY, COMPLETE	097553	2
1	Clamp Weldment, Zinc-plated	097514-1	1
2	Plate, Log Clamp Guide Zinc-plated	094524-1	1
3	Plate, Log Clamp Lower Zinc-plated	094525-1	1
	Log Clamp, Complete	098546	1
4	Bracket, Log Clamp Zinc-plated	086822-1	1
5	Key, Log Clamp Zinc-plated	086831-1	1
6	Cam, Log Clamp Zinc-plated	086828-1	1
7	Pin, 8x24x2x20.5-St-A2 PN-EN 22341	F81046-3	1
8	Washer, 8.4 Flat Zinc	F81054-1	1
9	Pin, 2x16-St-A2 ISO 1234 Cotter	F81041-2	1
10	Pin, H 8m6x40 Roll 60HRC DIN-6325	F81048-5	1
11	Grip, Log Clamp Handle	086875	2
12	Bolt, M8x25-8.8-B Hex Head Full Thread Zinc	F81002-5	5
13	Washer, 8.4 Flat Zinc	F81054-1	10
14	Nut, M8-8-B Hex Nylon Zinc Lock	F81032-2	5

2.6 Auxiliary Bed Rail Assembly

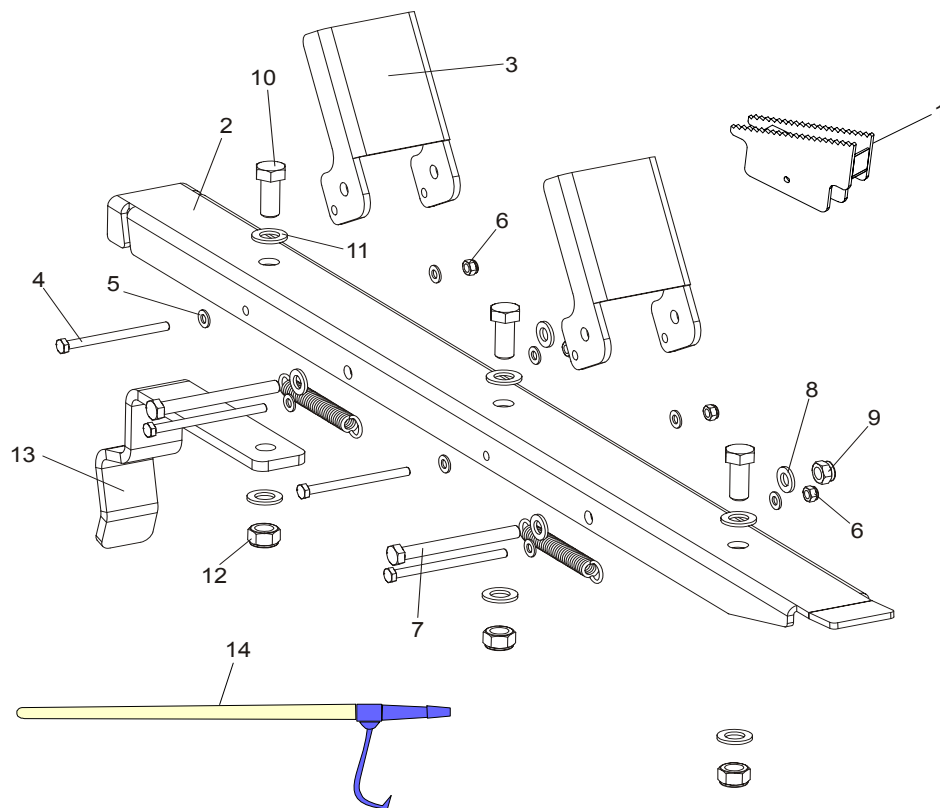


REF	DESCRIPTION (◆ Indicates Parts Available In Assemblies Only)	PART #	QTY.	
1	RAIL WELDMENT, LT15 AUXILIARY BED	095490-1	1	◆
2	BOLT M10X75-8.8 HEX HEAD ZINC	F81003-15	4	
3	NUT, M10-8-B HEX NYLON ZINC LOCK	F81033-1	4	
4	WASHER 10,5 ZINC FLAT	F81055-1	8	

2 Frame Parts

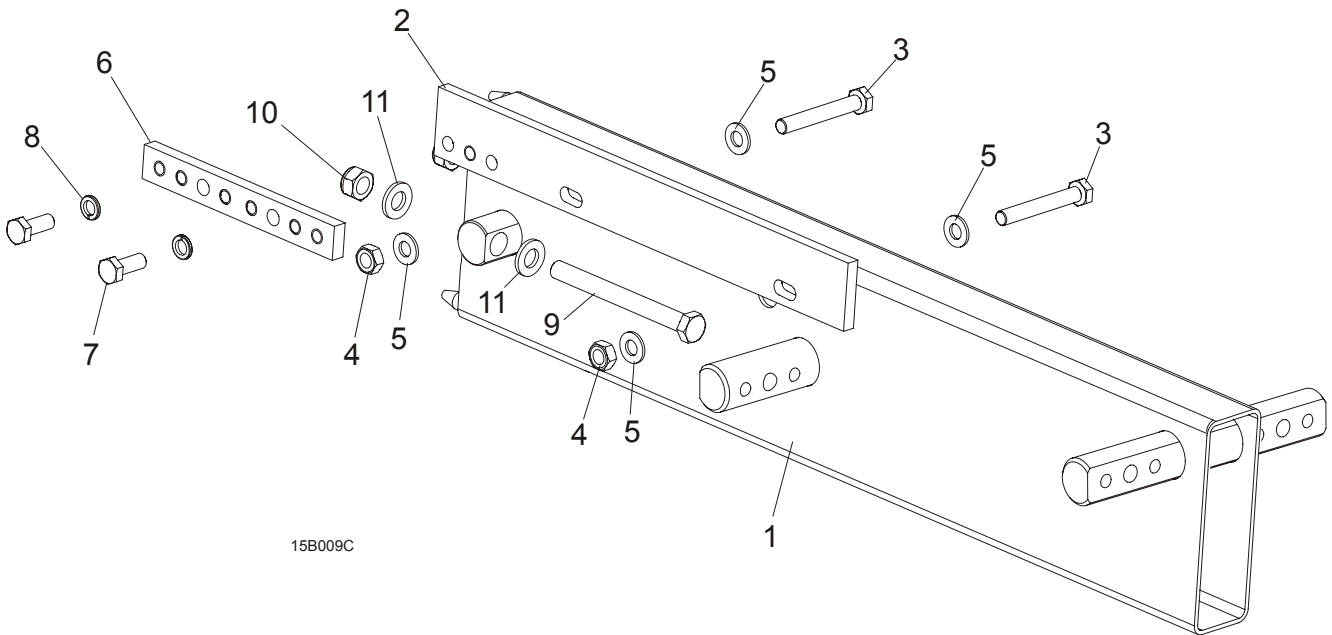
Log Wedge, Loading Ramps, & Cant Hook (Optional)

2.7 Log Wedge, Loading Ramps, & Cant Hook (Optional)



REF	DESCRIPTION (◆ Indicates Parts Available In Assemblies Only)	PART #	QTY.
	ACCESSORIES, LT15 SAWMILLS	085997	1
1	Wedge Weldment, Log Taper (included in 015811 kit)	086035-1	1
	Ramp Assembly, Log Loading, LT15 compl.	097977	2
	Ramp Assembly	097483	1
2	Ramp Weldment, zink plated	097481-1	1
3	Bracket, Log Loading Stop, zink plated	097482-1	2
4	Bolt M8x100 -8.8	F81002-23	4
5	Washer, M8, Flat, zinc	F81054-1	8
6	Nut, M8, Hexagon, Nylon lock, zinc	F81032-2	4
7	Bolt, M12x115-8.8-Fe/Zn5 PN-M/82101	F81004-33	2
8	Washer, M12, Flat, Zinc	F81056-1	2
9	Nut, M12, Hexagon, Nylon, zinc,lock	F81034-2	2
10	Bolt, M16x40-8.8 Fe/Zn5	F81006-13	2
11	Washer, M16, Flat, zinc	F81058-1	4
12	Nut, M16, hex, nylon zinc lock	F81036-2	2
13	Bracket, LT15 Ramp, zinc	097976-1	1
14	Cant Hook (included in 015811 kit)	CH	1

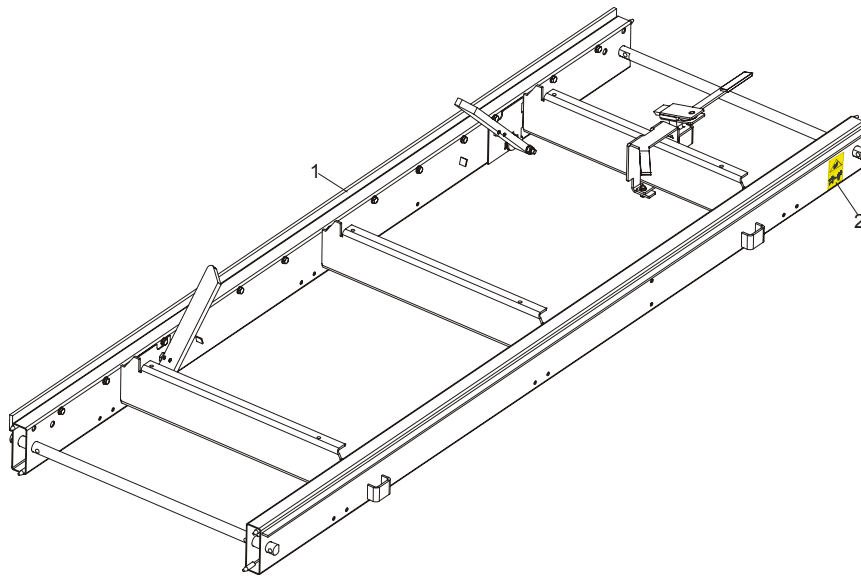
2.8 Bed Extension



15B009C

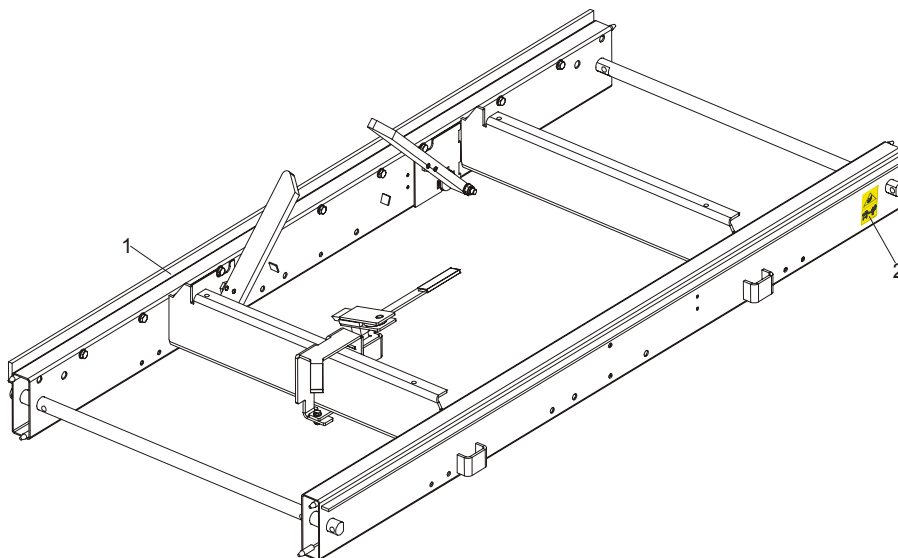
REF	DESCRIPTION (◆ Indicates Parts Available In Assemblies Only)	PART #	QTY.
	EXTENSION, BED FRONT COMPLETE	500845	1
	EXTENSION, BED REAR COMPLETE	500843	1
1	Tube, LT15 GP Bed Extension	500844-1	1
2	Rail, Bed Extension Track Zinc-plated	094250-1	1
3	Bolt, M10 x 75-8.8 Hex Head Zinc	F81003-15	2
4	Nut, M10-8-B Hex Nylon Zinc Lock	F81033-1	2
5	Washer, 10.5 Flat Zinc	F81055-1	4
6	Splice, Track Rail Pinned	086659-1	1
7	Bolt, M10x30-8.8 Hex Head Full Thread Zinc	F81003-2	2
8	Washer, 10.2 Split Lock Zinc	F81055-2	2
9	Bolt, M12 x 120-8.8 Hex Head Zinc	F81004-38	2
10	Nut, M12-8 Hex Nylon Zinc Lock	F81034-2	2
11	Washer, 13 Flat Zinc	F81056-1	4

2.9 "M" Type Frame Bed Section



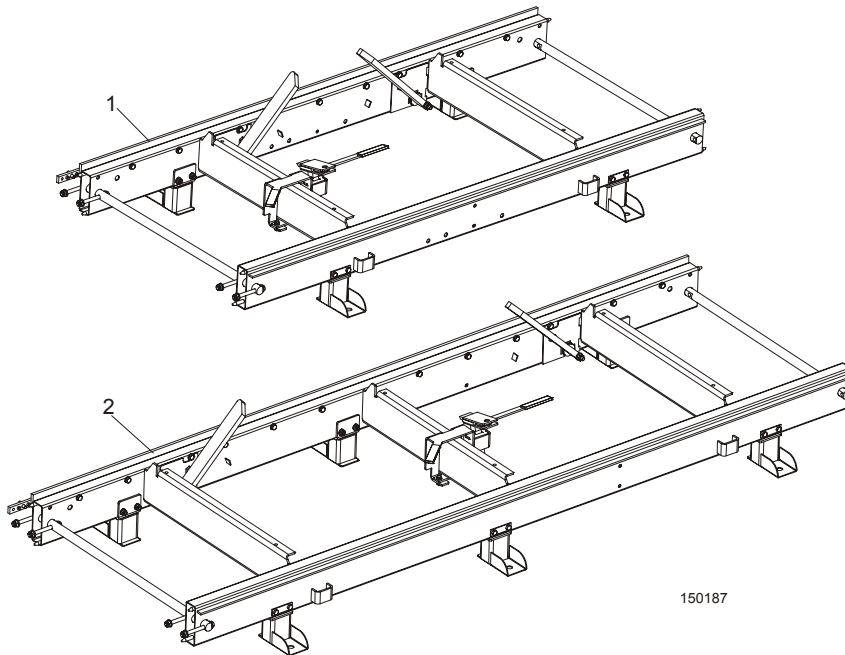
REF	DESCRIPTION (◆ Indicates Parts Available In Assemblies Only)	PART #	QTY.	
	LT15 BED SECTION ASSEMBLY - LONG	094697		
1	Bar, LT15 2700 Track, Zinc-plated	094696-1	1	
2	DECAL, KEEP AWAY DANGER, PICTOGRAM	099221	1	

2.10 "S" Type Frame Bed Section



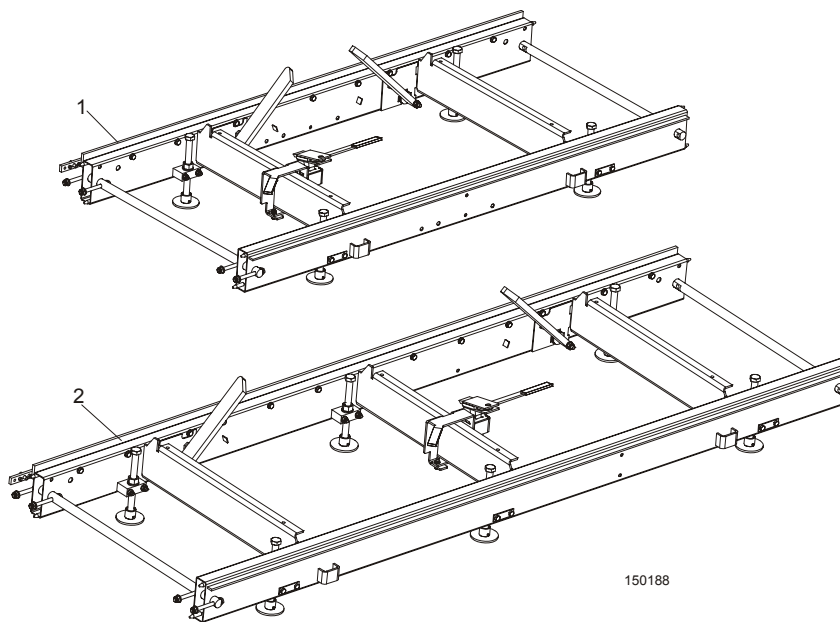
REF	DESCRIPTION (◆ Indicates Parts Available In Assemblies Only)	PART #	QTY.	
	LT15 BED SECTION ASSEMBLY - SHORT	094514		
1	Bar, LT15 1950 Track, Zinc-plated	094427-1	1	
2	DECAL, KEEP AWAY DANGER, PICTOGRAM	099221	1	

2.11 Additional Bed Frame Section with Stationary Legs



REF	DESCRIPTION (◆ Indicates Parts Available In Assemblies Only)	PART #	QTY.	
1	BED SECTION, LT15 1950 W/STATIONARY LEGS	100341-S	1	
2	BED SECTION, LT15 2700 W/STATIONARY LEGS	100342-S	1	

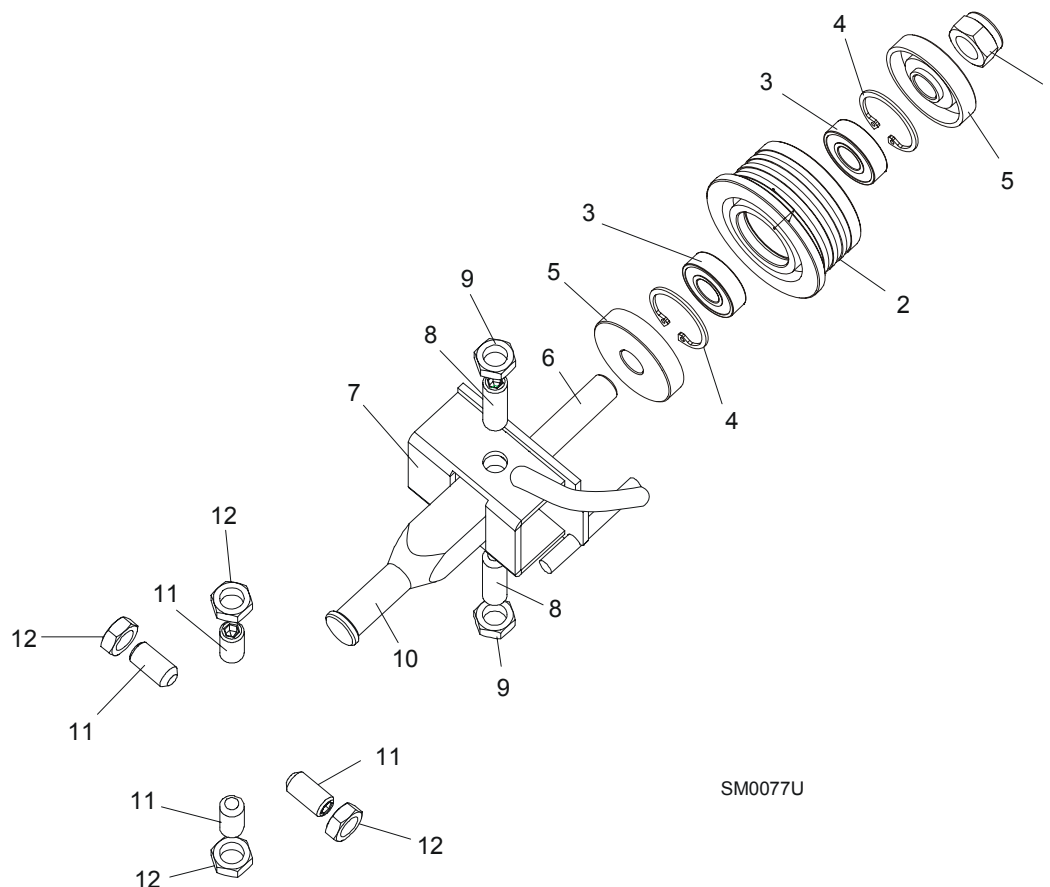
2.12 Additional Bed Frame Section with Outrigger Legs



REF	DESCRIPTION (◆ Indicates Parts Available In Assemblies Only)	PART #	QTY.	
1	BED SECTION, LT15 1950 W/OUTRIGGER LEGS	095082-S	1	
2	BED SECTION, LT15 2700 W/OUTRIGGER LEGS	095083-S	1	

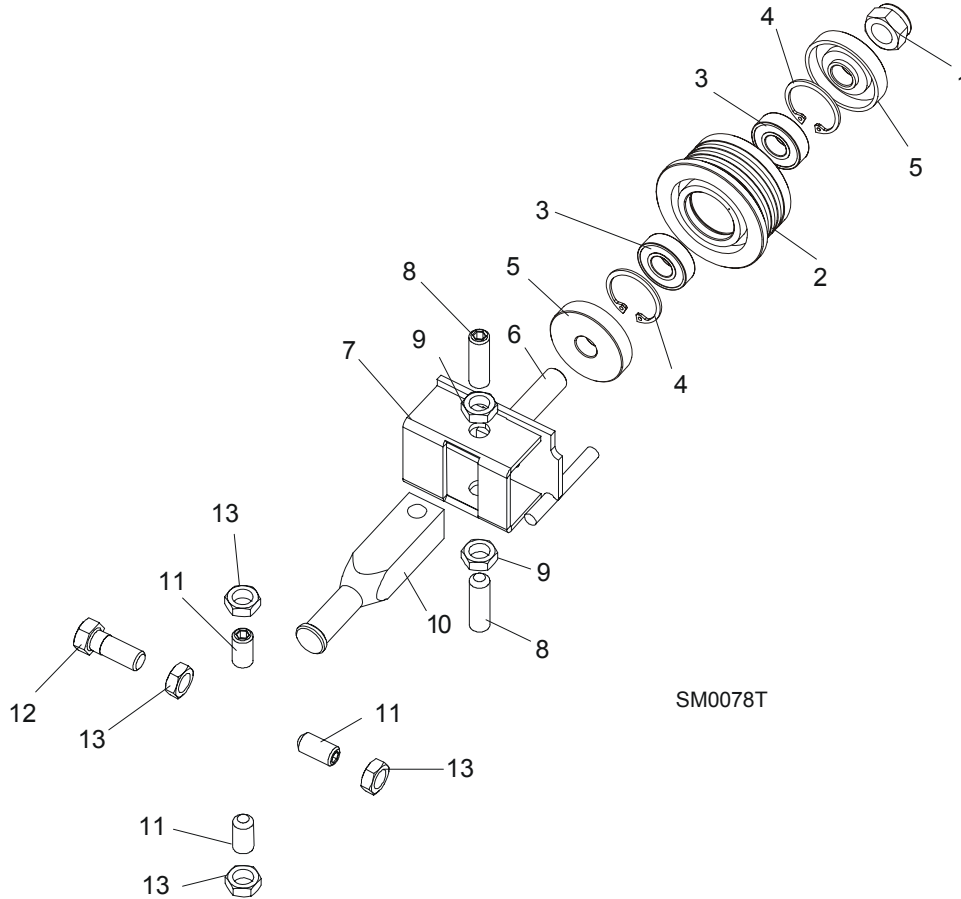
SECTION 3 BLADE GUIDE ROLLERS & ARM

3.1 Blade Guide Assembly, Idle Side



REF	DESCRIPTION (◆ Indicates Parts Available In Assemblies Only)	PART #	QTY.
	BLADE GUIDE ASSEMBLY, IDLE SIDE	094683	1
	Roller, Blade Guide Complete Standard	087887	1
1	Nut, M12-8 Hex Nylon Zinc Lock	F81034-2	1
2	Roller, Blade Guide Narrow	087889	1
3	Bearing, 6001 2RSR FAG	087893	2
4	Ring, W28 Inside Retaining	F81090-9	1
5	Washer, Zinc-plated Spacer	087891-1	2
6	Shaft, Blade Guide Roller Zinc-plated	087763-1	1
7	Bracket Weldment, Idle Side Blade Guide Painted	094681-1	1
8	Screw, M10x1x40 DIN 913 A2-70 Set Stainless Steel	F81015-2	2
9	Nut, M10x1-04-ST-A2 ISO 8675 Thin	F81033-10	2
10	Shaft, Zinc-plated Blade Guide Mount	088255-1	1
11	SCREW, M10X1X20 DIN 913 SET STAINLESS STEEL	F81015-1	4
12	NUT, M10x1-04-ST-A2 ISO 8675 THIN	F81033-10	4

3.2 Blade Guide Assembly, Drive Side

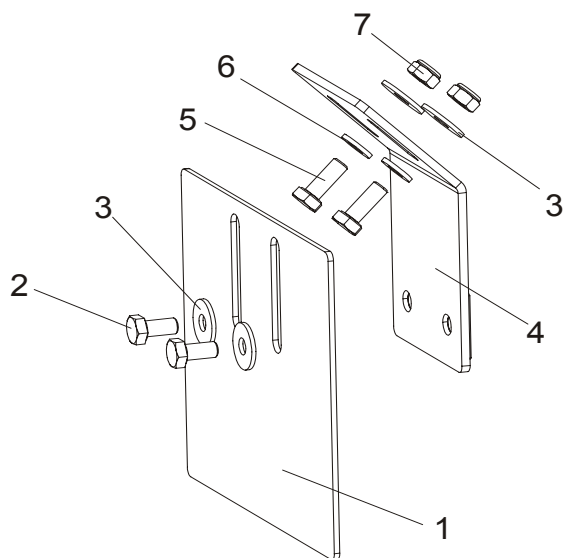


REF	DESCRIPTION (◆ Indicates Parts Available In Assemblies Only)	PART #	QTY.
	BLADE GUIDE ASSEMBLY, DRIVE SIDE	094682	1
	Roller, Blade Guide Complete Standard	087887	1
1	Nut, M12-8 Hex Nylon Zinc Lock	F81034-2	1
2	Roller, Blade Guide Narrow	087889	1
3	Bearing, 6001 2RSR FAG	087893	2
4	Ring, W28 Inside Retaining	F81090-9	1
5	Washer, Zinc-plated Spacer	087891-1	2
6	Shaft, Blade Guide Roller Zinc-plated	087763-1	1
7	Bracket Weldment, Blade Guide Painted	094679-1	1
	Screw Kit, Blade Guide Adjustment w/Nuts (for two blade guide assemblies)	K09942	1
8	Screw, M10x1x40 DIN 913 A2-70 Set Stainless Steel	F81015-2	2
9	Nut, M10x1-04-ST-A2 ISO 8675 Thin	F81033-10	2
10	Shaft, Zinc-plated Blade Guide Mount	088255-1	1
11	SCREW, M10X1X20 DIN 913 SET STAINLESS STEEL	F81015-1	3
12	BOLT, M10X1X25 DIN 933 STAINLESS STEEL	F81003-28	1
13	NUT, M10x1-04-ST-A2 ISO 8675 THIN	F81033-10	4

3 Blade Guide Rollers & Arm

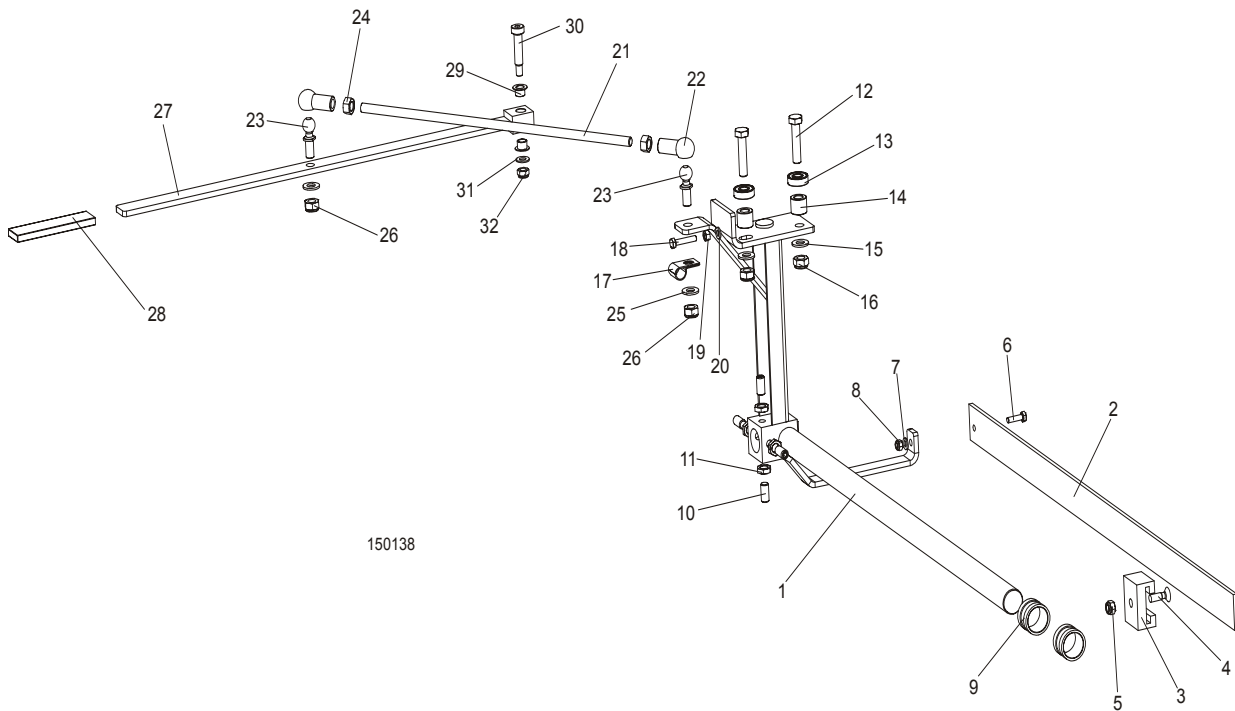
Blade Guide Roller Guard

3.3 Blade Guide Roller Guard



REF	DESCRIPTION (◆ Indicates Parts Available In Assemblies Only)	PART #	QTY.
1	GUARD, BLADE GUIDE ROLLER PAINTED	092379-1	1
2	BOLT, M6X12-8.8 HEX HEAD FULL THREAD ZINC	F81001-7	2
3	WASHER, 6.5 SPECIAL FLAT ZINC	F81053-11	4
4	BRACKET, ROLLER GUARD MOUNT PAINTED	092378-1	1
5	BOLT, M6X16 8.8 HEX HEAD FULL THREAD ZINC	F81001-15	2
6	WASHER, 6.4 FLAT ZINC	F81053-1	2
7	NUT, M6-8-B HEX NYLON ZINC LOCK	F81031-2	2

3.4 Blade Guide Arm Assembly



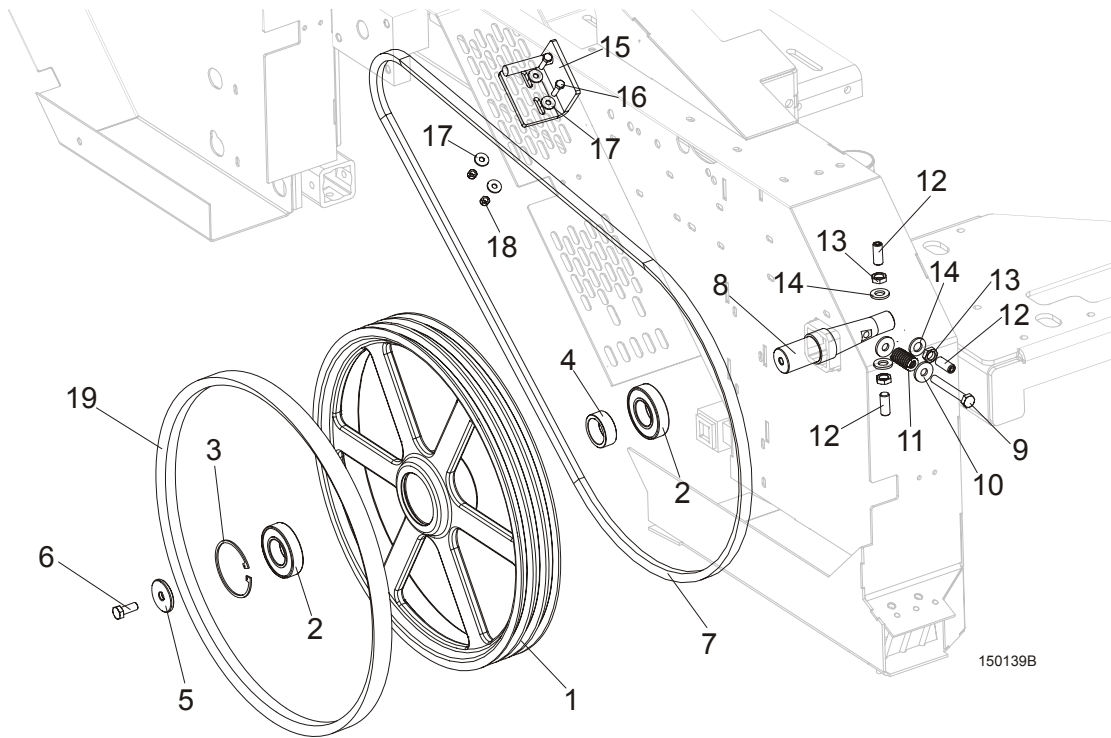
REF	DESCRIPTION (◆ Indicates Parts Available In Assemblies Only)	PART #	QTY.
	BLADE GUIDE ARM W/LEVER - COMPLETE	094136	1
1	Arm Weldment, LT15 Blade Guide	086662	1
2	Bar, LT15 Blade Guard	088306	1
3	Guide, Blade Guard	088305	1
4	Screw, M8x25 Cross Recessed Countersunk Head Zinc	F81002-51	1
5	Nut, M8-8-B Hex Nylon Zinc Lock	F81032-2	1
6	Bolt, M6x20-8.8 Hex Head Full Thread Zinc	F81001-2	1
7	Washer, 6.4 Flat Zinc	F81053-1	1
8	Nut, M6-8-B Hex Nylon Zinc Lock	F81031-2	1
9	Bushing, LT15 Blade Guide	086684	1
10	Screw, M10x1x20 DIN913 Set Stainless Steel	F81015-1	4
11	Nut, M10x1-04-ST-A2 ISO 8675 Thin	F81033-10	4
12	Bolt, M10x45-8.8 Hex Head Full Thread Zinc	F81003-3	2
13	Bearing, 6000.2RSR FAG	087471	2
14	Bushing, Zinc-plated Spacer	094255-1	2
15	Washer, 10.5 Flat Zinc	F81055-1	2
16	Nut, M10-8-B Hex Nylon Zinc Lock	F81033-1	2
17	Clamp, 1/2" EMT Coated	P07584	1
18	Bolt, M6x30 5.8 Hex Head Full Thread	F81001-13	1
19	Nut, M6-8 Hex Zinc	F81031-1	1
20	Washer, 6.4 Flat Zinc	F81053-1	1
	Stud Bolt Assembly, Arm Lever Connection	094204	1
21	Bolt, Zinc-plated Stud	094203-1	1
22	Seat, 16 DIN71805-A BN488 Ball	093824	2
23	Stud, 16/SW-13 DIN71803-C BN486 Ball	093823	2
24	Nut, M10-8-B Hex Zinc	F81033-3	2

3**Blade Guide Rollers & Arm***Blade Guide Arm Assembly*

25	Washer, 10.5 Flat Zinc	F81055-1	2	
26	Nut, M10-8-B Hex Nylon Zinc Lock	F81033-1	2	
	Lever Assembly, Blade Guide Arm Adjustment	093812	1	
27	Lever, Blade Guide Arm Adjustment Painted	093813-1	1	
28	Cover, RRWA-91626-110 Grip	086875	1	
29	Bushing, TUF1 18X120 CX	500106	2	
30	Bolt, 10/M8x35 12.9 ISO7379 Shoulder	F81003-63	1	
31	Washer, 8.4 Flat Zinc	F81054-1	1	
32	Nut, M8-8-B Hex Nylon Zinc Lock	F81032-2	1	

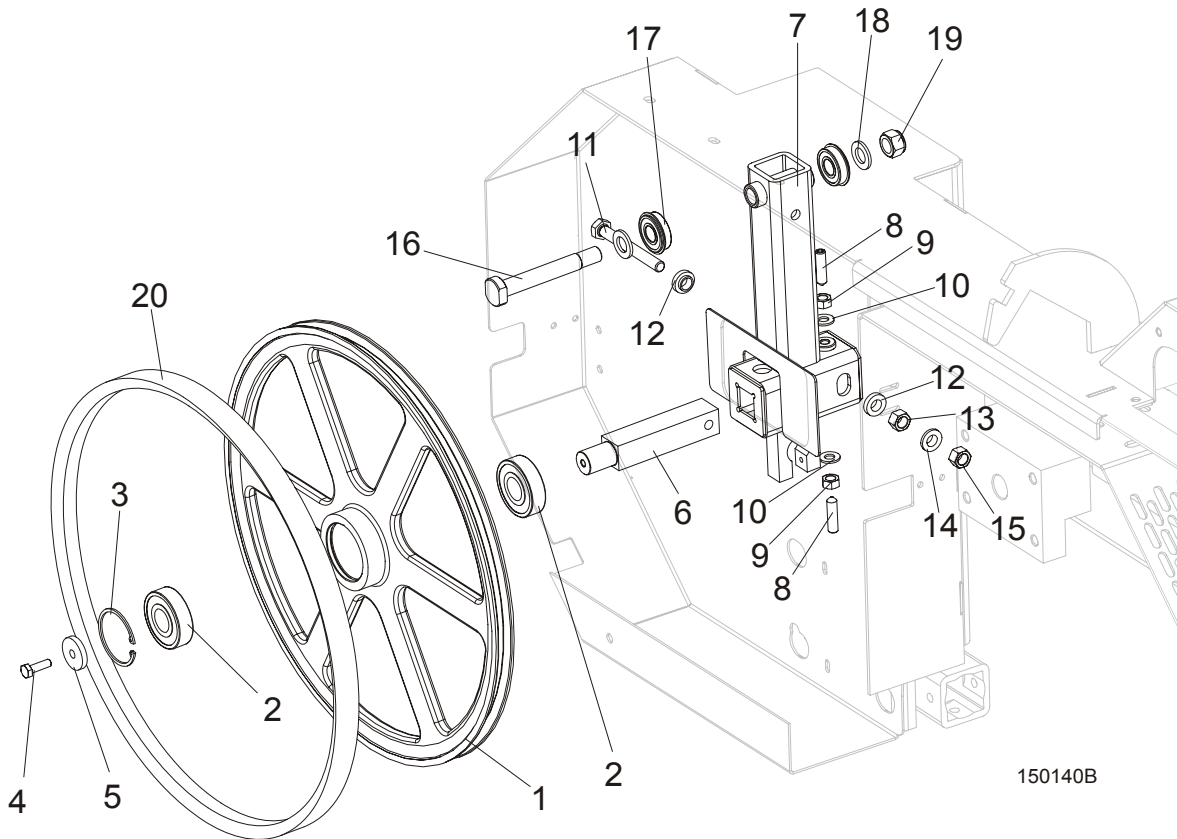
SECTION 4 BLADE WHEELS & TENSIONER

4.1 Blade Wheel Assembly, Drive Side



REF	DESCRIPTION (◆ Indicates Parts Available In Assemblies Only)	PART #	QTY.
	WHEEL ASSEMBLY, DRIVE SIDE BLADE	093849	1
1	WHEEL, DRIVE SIDE BLADE	014727	1
2	BEARING, 6207 2RS 35X72X17 FAG	014811	2
3	RING, 72MM OD N5002-281 RETAINING	F04254-30	1
4	SPACER, DRIVE BEARING	093851	1
5	WASHER, LT15 DRIVE SIDE BLADE WHEEL	086286	1
6	BOLT, M10X25-8.8 HEX HEAD FULL THREAD ZINC	F81003-11	1
7	BELT, G15, D10	097448	1
8	SHAFT, LT15 DRIVE SIDE BLADE WHEEL	093850	1
9	BOLT, M10X75-8.8-FE/ZN5 PN-M/82101	F81003-15	1
10	WASHER, 10.5 FLAT SPECIAL ZINC-PLATED	F81055-6	2
11	SPRING, 3/4 O.D.X 1 1/2 DIE	034430	1
12	SCREW, M12X1,25X30 DIN913 STAINLESS STEEL SET	F81016-1	3
13	NUT, M12X1,25 DIN439 STAINLESS STEEL THIN	F81034-9	3
14	WASHER, 13 FLAT	F81056-1	3
15	BRACKET, DRIVE BELT LOWER	092636-1	1
16	BOLT, M6X20MM, HH, FULL THREAD, ZINC	F81001-2	2
17	WASHER, 6.5 FLAT	F81053-11	4
18	NUT, M6, HEX, NYLON LOCK ZINC	F81031-2	2
19	V-BELT, B57	P04185	1

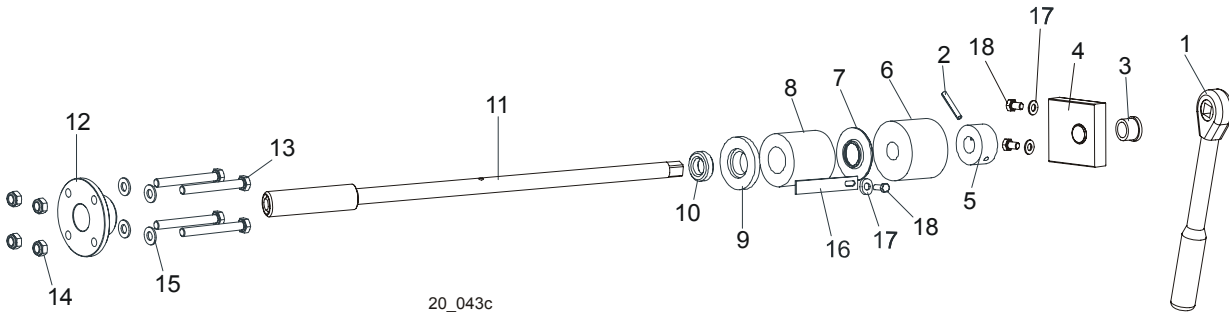
4.2 Blade Wheel Assembly, Idle Side



REF	DESCRIPTION (◆ Indicates Parts Available In Assemblies Only)	PART #	QTY.
	WHEEL ASSEMBLY, 19" (482.6MM) BLADE IDLE SIDE	A08218	1
1	WHEEL, 18.62" BLADE IDLE SIDE	P08125	1
2	BEARING, 6305 2RS NSK IDLE SIDE WHEEL	P08066	2
3	RING, 2 7/16" INSIDE RETAINING	F04254-21	1
	HOUSING, LT10 & LT15 IDLER SHAFT, COMPLETE	100180	1
4	BOLT, M8X25-8.8-B HEX HEAD FULL THREAD ZINC	F81002-5	1
5	WASHER, IDLE SIDE WHEEL RETAINING	093854-1	1
6	SHAFT, IDLE SIDE BLADE WHEEL (METRIC)	096045	1
7	HOUSING, IDLER SHAFT	093857-1	1
8	SCREW, M10X40-45H HEX SOCKET SET CONE POINT ZINC	F81003-61	2
9	NUT, M10-8-B HEX ZINC	F81033-3	2
10	WASHER, 10.5 FLAT ZINC	F81055-1	2
11	BOLT, M12X1.25X100-8.8 HEX HEAD FULL THREAD ZINC	F81004-41	1
12	WASHER, FLANGED ZINC-PLATED	086769-1	2
13	NUT, M12X1.25-8 HEX ZINC	F81034-8	1
14	WASHER, Z12.2 SPLIT LOCK ZINC	F81056-2	1
15	NUT, M12X1.25 8.8 HEX THIN ZINC	F81034-5	1
16	BOLT, BEARING MOUNT	086404	1

17	BEARING, 6203-2RS NR NSK W/SNAP RING	086395	2	
18	WASHER, 17 FLAT ZINC	F81058-1	2	
19	NUT, M16-8 HEX NYLON ZINC LOCK	F81036-2	1	
20	V-BELT, B57	P04185	1	

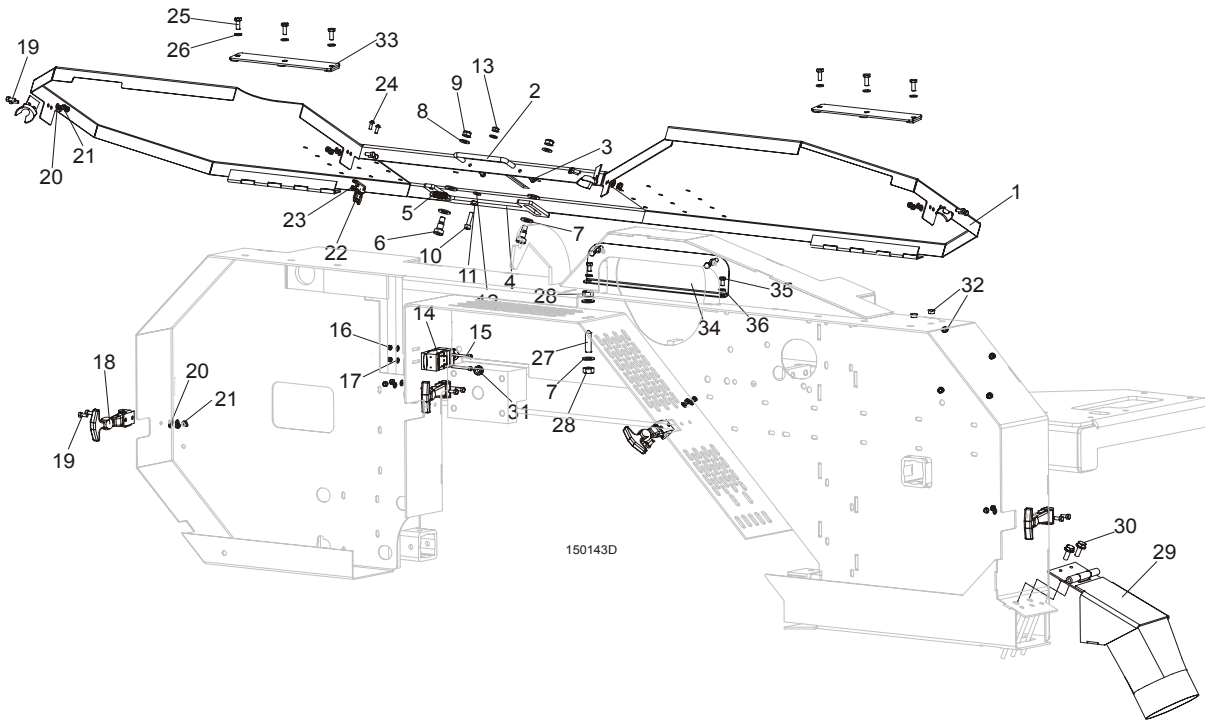
4.3 Blade Tensioner Assembly



REF	DESCRIPTION (◆ Indicates Parts Available In Assemblies Only)	PART#	QTY.	
	BLADE TENSIONER ASSEMBLY	090587	1	
1	Wrench, LT20 Blade Tension	091620	1	
2	Pin, 5 x 30 Zinc Roll	F81044-21	1	
	Bracket, Tension Handle Mount w/Bushing	096729	1	
3	Bushing GFM-1618-17(IGUS)	089589	1	
4	Bracket, Painted	096730	1	
5	Collar, Blade Tensioner	086712-1	1	
6	Bushing, Rubber Stop	P12165	1	
7	Guide, LT15 Tension Handle	014925	1	
8	Spring, LT15 Rubber Blade Tensioner	014828	1	
9	Washer, Rubber Spring Front	086674-1	1	
10	Bearing, 51103 FLT Ball Thrust	086675	1	
11	Shaft Weldment, Blade Tensioner Zinc-plated	101338-1	1	
12	Nut, Blade Tensioner	086672-1	1	
13	Bolt, M8x70 8.8 Hex Head Zinc	F81002-71	4	
14	Nut, M8-8-B Hex Nylon Zinc Lock	F81032-2	4	
15	Washer, 8.4 Zinc Flat	F81054-1	8	
16	Indicator, LT15 Blade Tension Zinc-plated	092467-1	1	
17	Washer, 6.4 Zinc Flat	F81053-1	1	
18	Bolt, M6x16 8.8 Hex Head Full Thread Zinc	F81001-15	1	

SECTION 5 SAW HEAD

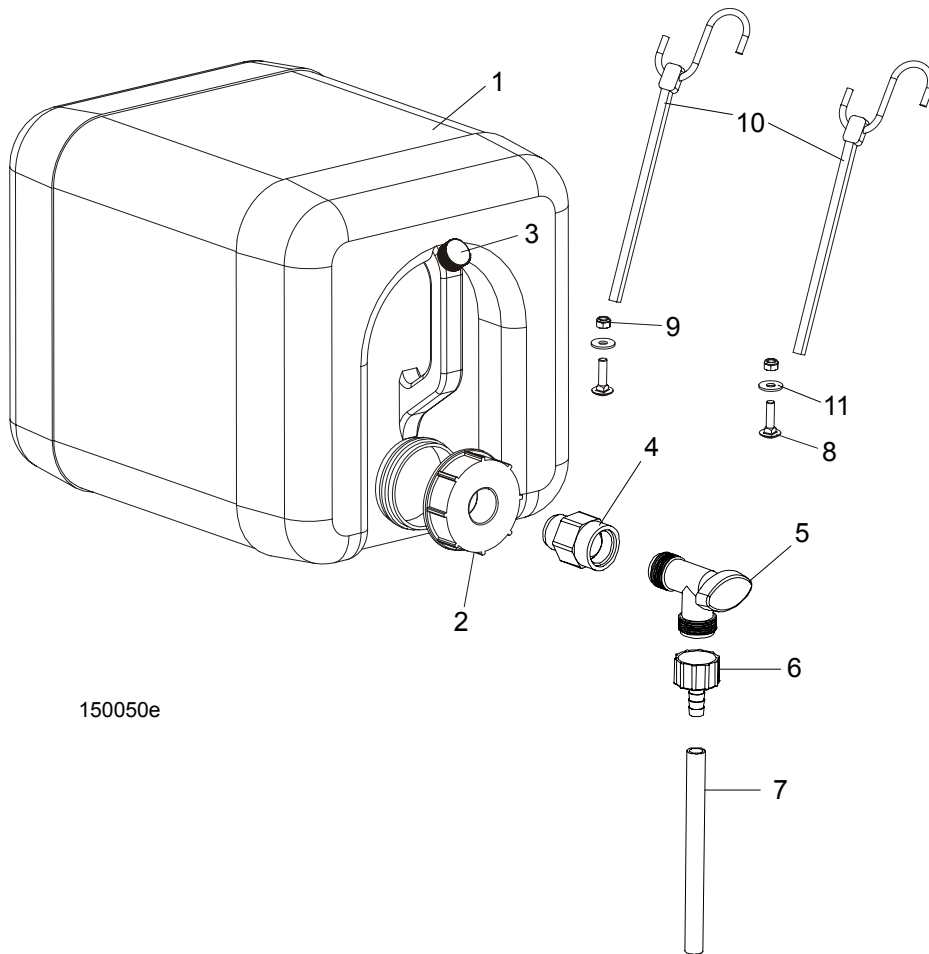
5.1 Blade Housing Cover



REF	DESCRIPTION (◆ Indicates Parts Available In Assemblies Only)	PART #	QTY.
	COVER, LT15 FRONT COMPLETE	098678	1
1	Cover Weldment, LT10/15/20 Blade Housing Painted	096776-1	1
2	Handle w/Bolt	P08065	1
3	Screw, #8-32x3/8 Self-tapping	F05015-8	2
4	Pawl, Locking Painted	090643-1	1
5	Spring, 1.6x12x38 Extension	092208	1
6	Bolt, 10/M8x12-12.9 ISO-7379 Shoulder	F81003-62	2
7	Washer, 10.5 Flat Zinc	F81055-1	4
8	Washer, 8.4 Flat Zinc	F81054-1	2
9	Nut, M8-8-B Hex Nylon Zinc Lock	F81032-2	2
10	Screw, M6x25-8.8 Hex Socket Head Cap Zinc	F81001-41	1
11	Nut, M6-8 Hex Zinc	F81031-1	1
12	Washer, 6.4 Flat Zinc	F81053-1	2
13	Nut, M6-8-B Hex Nylon Zinc Lock	F81031-2	1
14	SWITCH, AZ17-11ZRK SAFETY	094232	1
15	SCREW, M4X35-8.8 HEX SOCKET HEAD CAP ZINC	F81011-34	2
16	NUT, M4-B HEX NYLON ZINC LOCK	F81029-1	2
17	WASHER, 4.3 FLAT ZINC	F81051-2	2
18	LATCH, FLEXIBLE DRAW	014829	4
19	BOLT, M5X12-5.8 HEX HEAD FULL THREAD ZINC	F81000-5	8

20	WASHER, 5.3 FLAT ZINC	F81052-1	8	
21	NUT, M5-8 DIN 985 ZINC-PLATED	F81030-2	8	
22	KEY, A217/170-B5 SAFETY SWITCH	094422	1	
23	NUT, M4-B HEX NYLON ZINC LOCK	F81029-1	2	
24	SCREW, M4X12-5.8-B CROSS RECESSED PAN HEAD ZINC	F81011-43	2	
25	BOLT, M6X16 8.8 HEX HEAD FULL THREAD ZINC	F81001-15	6	
26	WASHER, 6.4 FLAT ZINC	F81053-1	6	
27	SCREW, M10X40-45H HEX SOCKET SET CONE POINT ZINC	F81003-61	1	
28	NUT, M10-8-B HEX ZINC	F81033-3	2	
29	CHUTE, LT10/15/20 SAWDUST	100903-1	1	
30	BOLT, M8X16-8.8-B HEX HEAD FULL THREAD ZINC	F81002-20	2	
31	GROMMET, 22mm DIA. RUBBER	087400	1	
32	PLUG, SR1086-9,5	096846	6	
33	PLATE, COVER MOUNT	086701-1	2	
34	COVER, SAW HEAD MOUNT	096788-1	1	
35	BOLT, M6X12MM HEX HEAD ZINC	F81001-7	4	
36	WASHER, M6 FLAT ZINC	F81053-1	4	

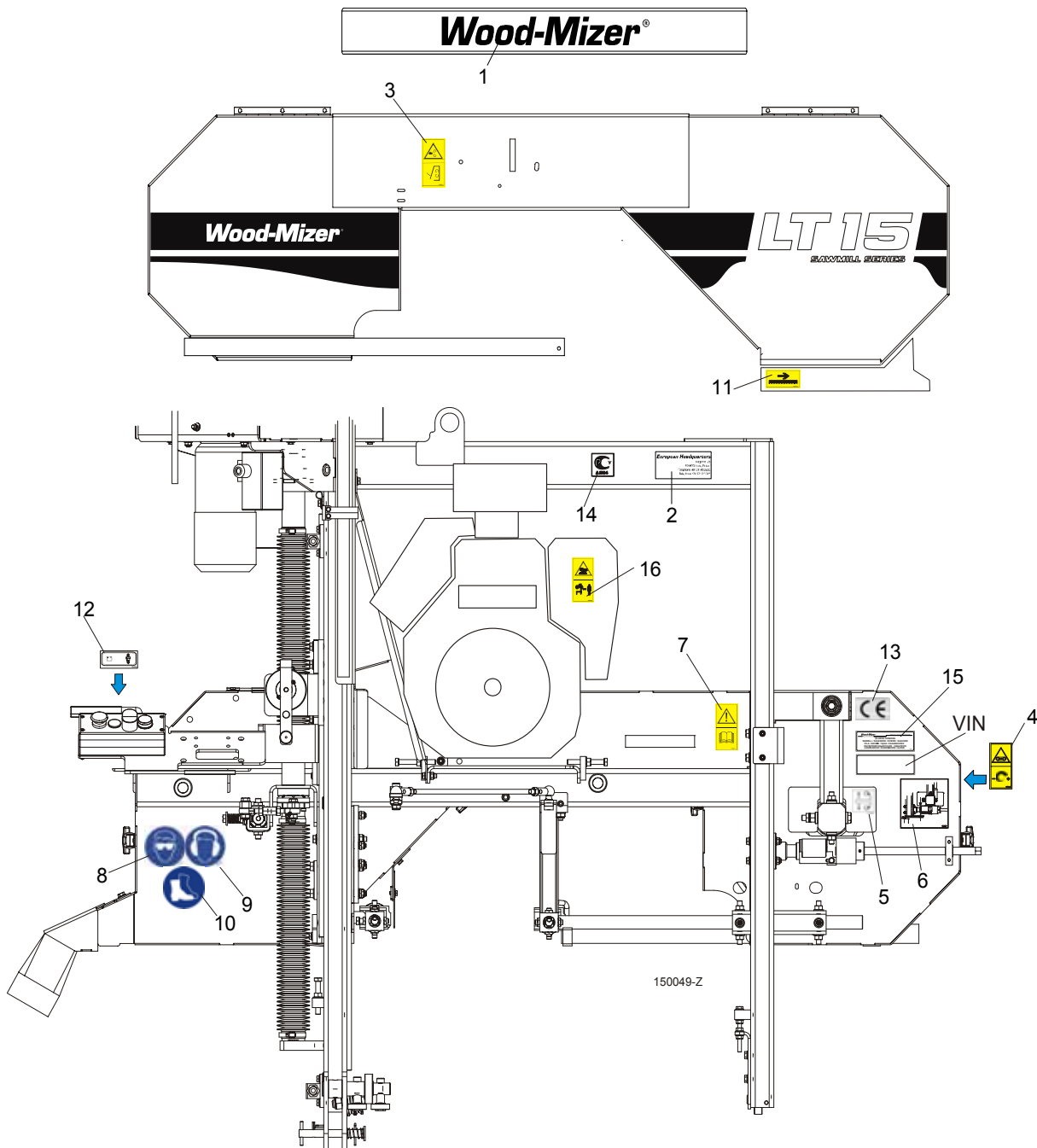
5.2 Water Lube Assembly



150050e

REF	DESCRIPTION (◆ Indicates Parts Available In Assemblies Only)	PART #	QTY.
	BOTTLE, 5-GALLON WATER COMPLETE	014637-1	1
1	BOTTLE, 5-GALLON WATER	101295	1
2	CAP, 5-GALLON WATER BOTTLE	036745	1
3	CAP, VENT VALVE	061742	1
4	FITTING, 3/4FPT X 3/4MPT REDUCER	014636	1
5	FITTING, WATER LUBE SHUTOFF VALVE	014100	1
6	FITTING, 5/8" NPT TO 3/8" HOSE BARB	014113	1
7	TUBE, 3/8" I.D. WATER LUBE	R01885	1,7 m
8	BOLT, M6X25-8.8 MUSHROOM HEAD SQUARE NECK ZINC	F81001-20	2
9	NUT, M6-8-B HEX NYLON ZINC LOCK	F81031-2	2
10	STRAP, 24" RUBBER W/HOOK	P11258	2
11	WASHER, 6.5 SPECIAL FLAT ZINC	F81053-11	2

5.3 LT15DC Saw Head Decals

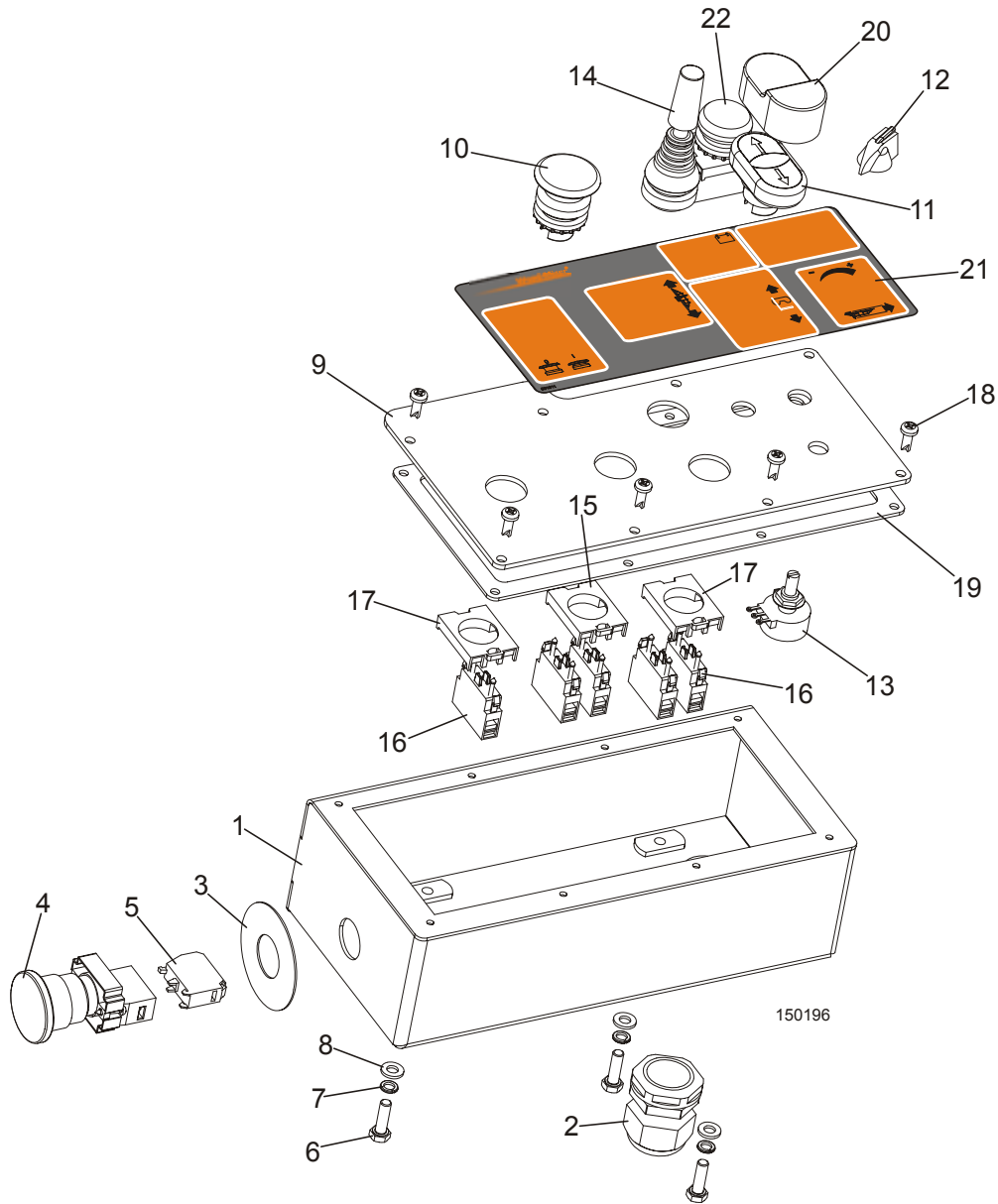


REF	DESCRIPTION (◆ Indicates Parts Available In Assemblies Only)	PART #	QTY.
	PICTOGRAPHIC DECAL KIT, LT15DC	099421	1
	DECAL, LT15 SERIES SAWMILL	092761	1
1	DECAL, WOOD-MIZER	S12281	1
2	DECAL, EUROPEAN HEADQUARTERS ADDRESS	015841	1
3	DECAL, SAWMILL COVERS CAUTION	099220	1
4	DECAL, BLADE TENSION (PICTOGRAM)	099219	1
5	DECAL, BLADE ALIGNMENT	P11789	1
6	DECAL, BLADE TENSION INDICATOR ADJUSTMENT	092597	1

5**Saw Head***LT15DC Saw Head Decals*

7	DECAL, READ OPERATOR'S MANUAL (PICTOGRAM)	096317	1	
8	DECAL, EYE PROTECTION WARNING (PICTOGRAM)	S12004G	1	
9	DECAL, EAR PROTECTION WARNING (PICTOGRAM)	S12005G	1	
10	DECAL, USE SAFETY BOOTS (PICTOGRAM)	501465	1	
11	DECAL, BLADE MOVEMENT DIRECTION (PICTOGRAM)	096321	1	
12	DECAL KIT, LT15DC CONTROL BOX	100583	1	
13	DECAL, CE CERTIFIED SAWMILL (SMALL)	P85070	1	
14	DECAL, RUSSIAN SAFETY CERTIFICATION	099401	1	

5.4 Control Box (Power Feed)

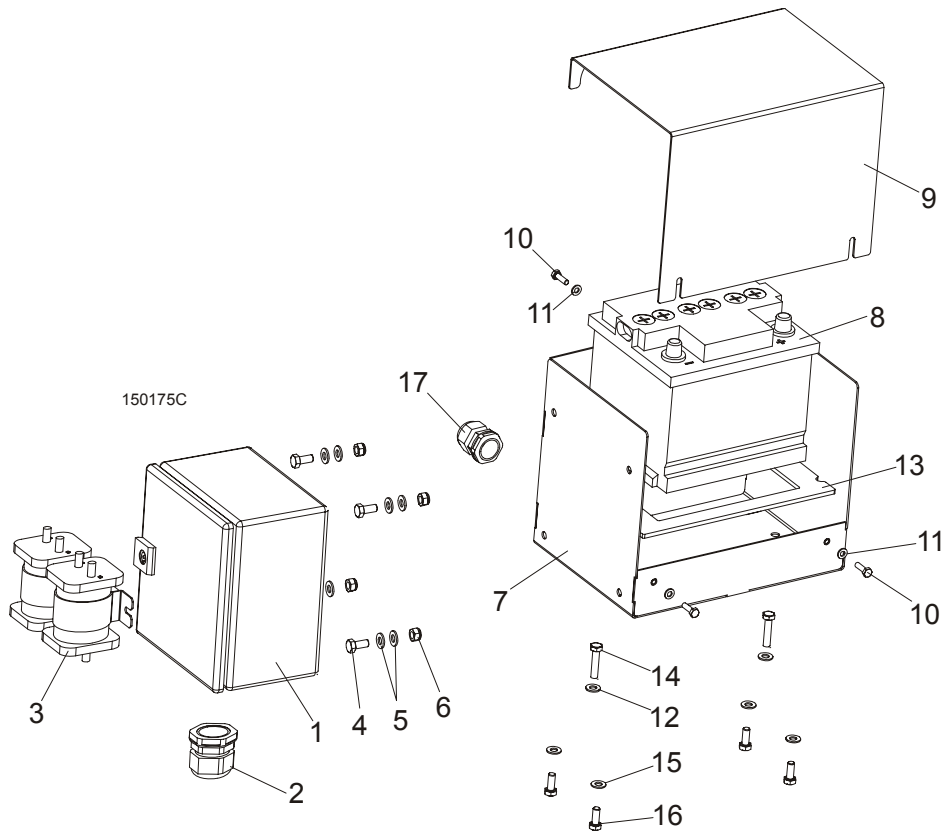


REF	DESCRIPTION (◆ Indicates Parts Available In Assemblies Only)	PART #	QTY.
	CONTROL BOX, LT15DC COMPLETE	501010	1
1	CONTROL BOX, LT15DC	501275-1	1
2	GLAND, Pg 21 CABLE	F81096-3	1
3	WASHER, EMERGENCY STOP SWITCH	086561	1
4	SWITCH EMERGENCY XB4 BS542	086556	1
5	CONTACT, ZB2-BE102	086810	1
6	BOLT, M6x20-8.8 HEX HEAD FULL THREAD ZINC	F81001-2	3
7	WASHER, Z6.1 SPLIT LOCK ZINC	F81053-3	3
8	WASHER, 6.4 FLAT ZINC	F81053-1	3
	PANEL, LT15DC CONTROL BOX FRONT COMPLETE	501291	1
9	PANEL, LT15 CONTROL BOX FRONT	501277-1	1
10	BUTTON, M22 MOMENTARY MUSHROOM GREEN	094328	1

5**Saw Head***Control Box (Power Feed)*

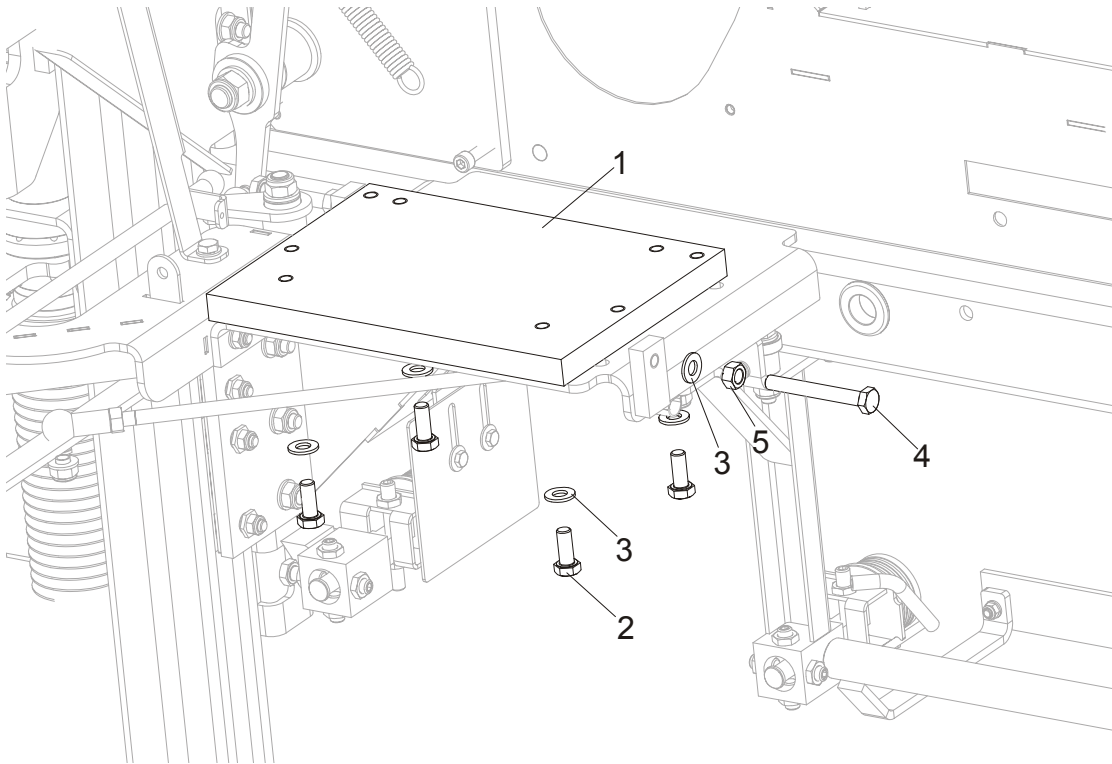
11	BUTTON, M22-DD-S-X7/X7	090917	1	
12	KNOB, SPEED CONTROL	P06257	1	
13	POTENTIOMETER, 1K	E20519	1	
14	JOYSTICK	095332	1	
15	CONNECTOR, M22-A4	501005	1	
16	ELEMENT, M22-K10 CONTACT	091362	5	
17	CONNECTOR, M22-A	100905	2	
18	BOLT, #10-24 x 1/2 PH PAN HD, TYPE 23	F05015-17	8	
19	GASKET, LT15 CONTROL BOX	501279	1	
20	MEMBRANE, M22-T-DD	090462	1	
21	DECAL, LT15DC CONTROL BOX PANEL	501011	1	
22	CONTROL LIGHT M22 RED-LED 24V	092719	1	

5.5 Electric & Battery Box, LT15 DC



REF	DESCRIPTION (◆ Indicates Parts Available In Assemblies Only)	PART #	QTY.
1	ELECTRIC BOX, LT15 DC COMPLETE	097450	1
	ELECTRIC BOX, LT15 DC COMPLETE (POWER FEED OPTION)	501290	1
2	Connector, PG29	F81096-1	1
	Connector, DP7/H	F81096-11	1
3	Solenoid, 200A 12V DPST	015417	2
4	Bolt, M8x16-8.8-B Hex Head Full Thread Zinc	F81002-20	4
5	Washer, 8.4 Flat Zinc	F81054-1	8
6	Nut, M8-8-B Hex Nylon Zinc Lock	F81032-2	4
	BATTERY BOX, LT15 DC, 36Ah COMPLETE	095251	1
7	Battery Box	091377-1	1
8	Battery, 12V, 36Ah	091775	1
9	Cover, Battery Box	091382-1	1
10	Bolt, M6x20-8.8 Hex Head Full Thread Zinc	F81001-2	3
11	Washer, 6.4 Flat Zinc	F81053-1	3
12	Washer, 8.5 Zinc Flat Special	F81054-11	2
13	Clamp, Battery	091381-1	1
14	Bolt, M8x35-8.8 Hex Head Full Thread Zinc	F81002-13	2
15	Washer, 8.4 Flat Zinc	F81054-1	6
16	Bolt, M8x20-8.8-B Hex Head Full Thread Zinc	F81002-4	4
17	Connector, DP 21/H	F81096-3	1

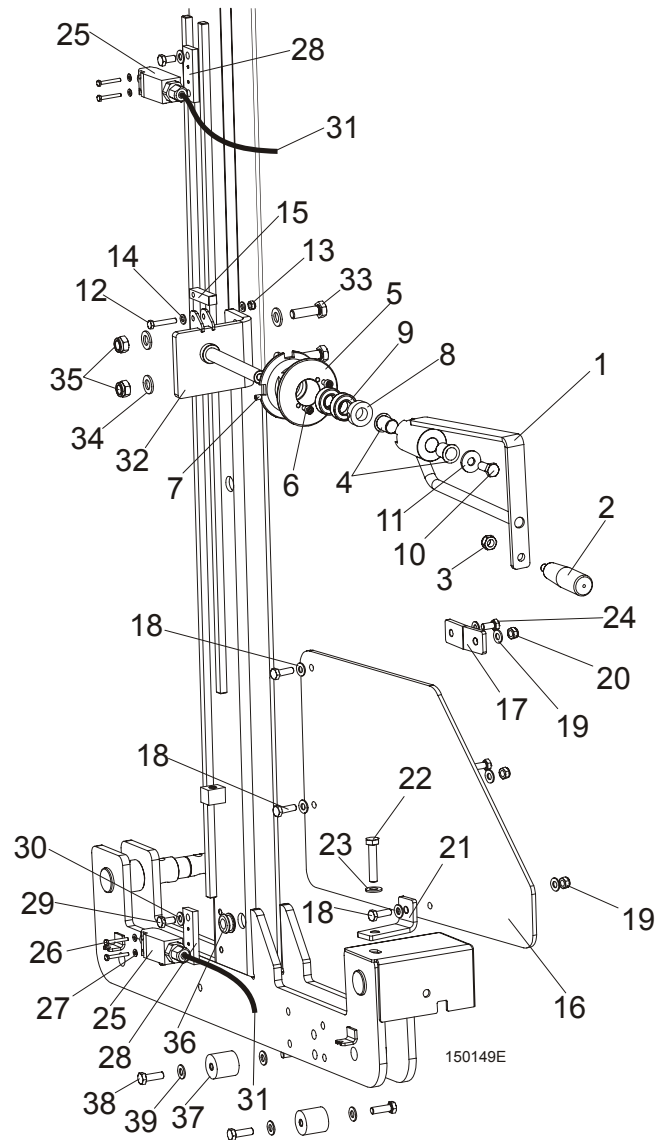
5.6 D10 & G15 Engine Mounting Plate



REF	DESCRIPTION (◆ Indicates Parts Available In Assemblies Only)	PART #	QTY.	
1	PLATE, D10, G13, G15 MOTOR MOUNT	095294	1	
2	BOLT, M10X25-8.8 HEX HEAD FULL THREAD ZINC	F81003-11	4	
3	WASHER, 10.5 FLAT ZINC	F81055-1	5	
4	BOLT, M10X80-8.8 HEX HEAD FULL THREAD ZINC	F81003-76	1	
5	NUT, M10-8-B HEX ZINC	F81033-3	1	

SECTION 6 FEED SYSTEM

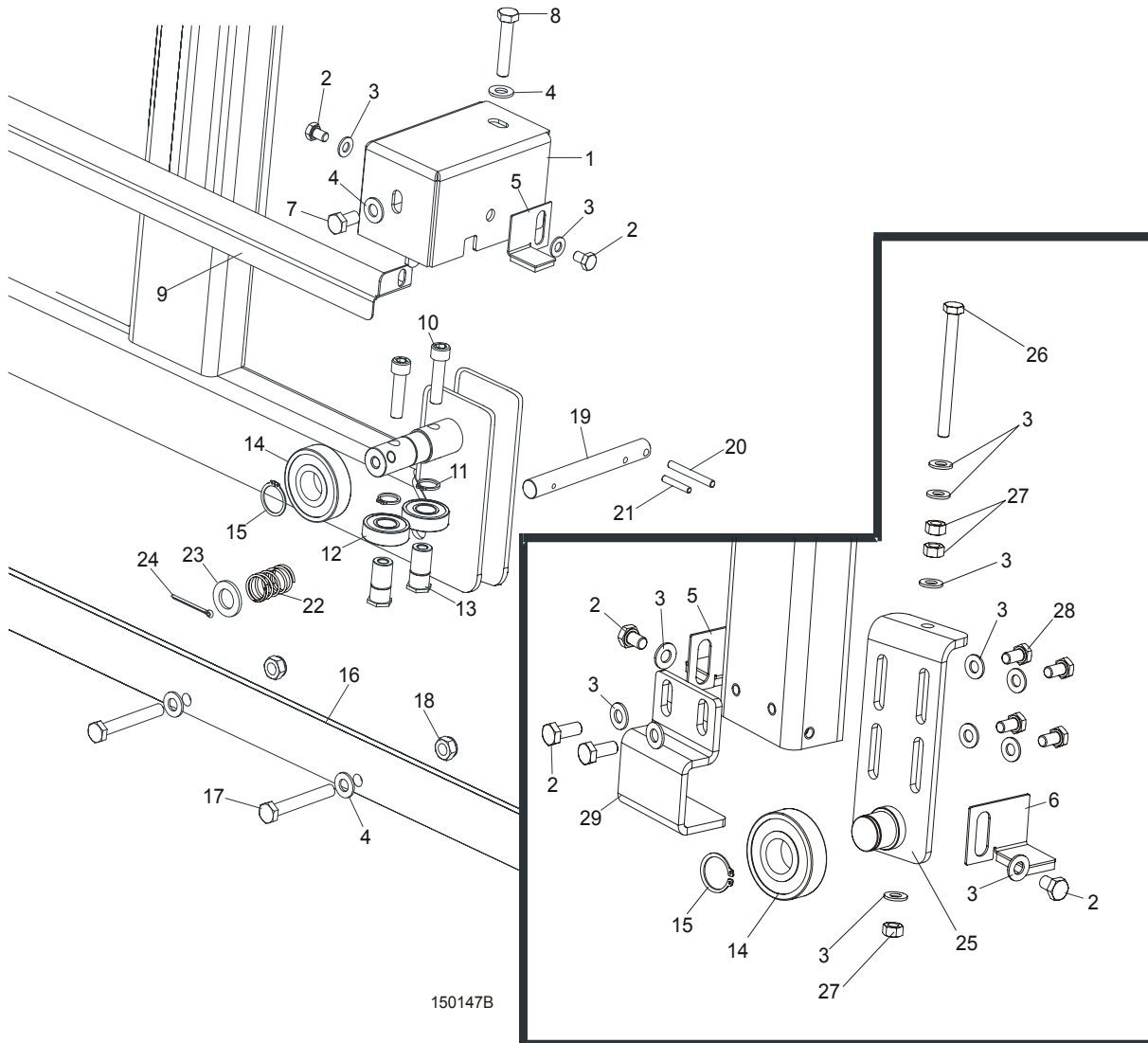
6.1 Feed Crank Assembly



REF	DESCRIPTION (◆ Indicates Parts Available In Assemblies Only)	PART #	QTY.
	MANUAL FEED SYSTEM	094186	1
	Feed Crank Assembly	094260	1
1	Crank Weldment, Feed Painted	094191-1	1
2	Knob, 12992M10 Plastic Crank Handle	086338	1
3	Nut, M10-8-B Hex Nylon Zinc Lock	F81033-1	1
4	Bushing, GFM-1719-25	094142	2
5	Pulley, LT15 Feed Rope	086117	1
6	Screw, M6x10-8.8 Hex Socket Head Cap Zinc	F81001-12	2
7	Screw, M6x8 Hex Socket Set Cone Point Zinc	F81013-1	1
8	Ring, 17 Stopping Light Type Zinc-plated	F81039-1	1
9	Bearing, 6003-2RS FAG Rolling	086116	2

10	Bolt, M10x25-8.8 Hex Head Full Thread Zinc	F81003-11	1	
11	Washer, 10.5 Special Flat Zinc	F81055-6	1	
12	Bolt, M6x35 8.8 Hex Head Zinc	F81001-71	1	
13	Nut, M6-8-B Hex Nylon Zinc Lock	F81031-2	1	
14	Washer, 6.4 Flat Zinc	F81053-1	2	
15	Pawl, LT15 Detent Zinc-plated	086156-1	1	
	GUARD, LT15 COMPLETE LOWER	093858	1	
16	Plate, LT15 Lower Guard	093859	1	
17	Bracket, Side Painted	086171-1	2	
18	Bolt, M8x25-8.8-B Hex Head Full Thread Zinc	F81002-5	3	
19	Washer, 8.4 Flat Zinc	F81054-1	6	
20	Nut, M8-8-B Hex Nylon Zinc Lock	F81032-2	3	
21	Bracket, Lower Painted	086172-1	1	
22	BOLT, M10X50-8.8 HEX HEAD FULL THREAD ZINC	F81003-4	1	
23	WASHER, 10.5 FLAT ZINC	F81055-1	1	
24	BOLT, M8X16-8.8-B HEX HEAD FULL THREAD ZINC	F81002-20	1	
	EVN2000C LIMIT SWITCH W/MOUNT PLATE	094227	2	
25	Switch, GLCB01C Limit	100910	1	
26	Bolt, M4x30 8.8 Hex Head Full Thread Zinc	F81011-5	2	
27	Washer, 4.3 Flat Zinc	F81051-2	2	
28	Plate, Limit Switch Mount Painted	094228-1	1	
29	Bolt, M8x16 -8.8-B Hex Head Full Thread Zinc	F81002-20	2	
30	Washer, 8.4 Flat Zinc	F81054-1	2	
31	Cable, OLFLEX 400P 2x1	R80583-5	3m	
32	SUPPORT, LT15 MANUAL FEED SYSTEM	501411-1	1	
33	BOLT, M12X40 8.8 HEX HEAD FULL THR.ZINC	F81004-4	2	
34	WASHER, M12 FLAT ZINC	F81056-1	4	
35	NUT, M12-8 HEX NYLON ZINC LOCK	F81034-2	2	
36	GROMMET, 20/13 RUBBER	086188	1	
37	ROD, MAST FOOT	503401	2	
38	BOLT, M8X25-8.8-B HEX HEAD FULL THREAD ZINC	F81002-5	4	
39	WASHER, 8.4 FLAT ZINC	F81054-1	4	

6.2 Track Rail, Rollers & Travel Pins



150147B

REF	DESCRIPTION (◆ Indicates Parts Available In Assemblies Only)	PART #	QTY.
1	HOUSING, TRACK ROLLER PAINTED	086739-1	2
2	BOLT, M8X12-8.8 HEX HEAD FULL THREAD ZINC	F81002-6	8
3	WASHER, 8.4 FLAT ZINC	F81054-1	16
4	WASHER, 10.5 FLAT ZINC	F81055-1	13
5	PLATE, RIGHT TRACK WIPER	086322	2
6	PLATE, LEFT TRACK WIPER	086323	2
7	BOLT, M10 X 20 5.8 HEX HEAD FULL THREAD ZINC	F81003-1	2
8	BOLT, M10X50-8.8 HEX HEAD FULL THREAD ZINC	F81003-4	2
9	COVER, MIDDLE TRACK	086745	1
10	SCREW, M10X40 HEX SOCKET HEAD CAP ZINC	F81003-22	4
11	RING, Z 17 OUTSIDE RETAINING	F81090-21	4
12	BEARING, 6203-2RS ROLLING	086114	4

6

Feed System

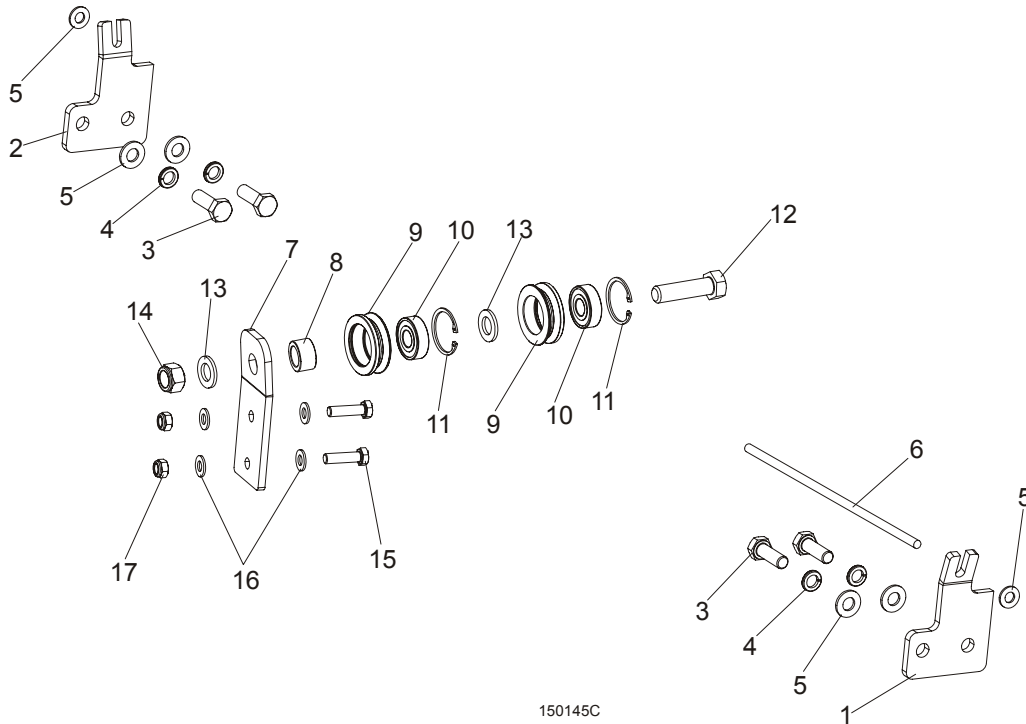
Track Rail, Rollers & Travel Pins

13	SHAFT, SIDE BEARING MOUNT ZINC-PLATED	086645-1	4	
14	BEARING, 6305-2RS CX	085706	3	
15	RING, 25Z OUTSIDE RETAINING	F81090-22	2	
16	RAIL, LT15 1950 (LT15S3) TRACK ZINC-PLATED	094427-1	3	
	RAIL, LT15 2700 (LT15M2) TRACK ZINC-PLATED	094696-1	2	
17	BOLT, M10X75-8.8 HEX HEAD ZINC	F81003-15	9/13 ¹	
18	NUT, M10-8-B HEX NYLON ZINC LOCK	F81033-1	9/13 ²	
19	PIN, TRAVEL LOCK ZINC-PLATED	086743-1	2	
20	PIN, 6X50 ROLL ZINC	F81045-1	2	
21	PIN, 5 X 30 ROLL ZINC	F81044-21	2	
22	SPRING, 18X37X1.8 COMPRESSION ZINC-PLATED	087301	2	
23	WASHER, 17 FLAT ZINC	F81058-1	2	
24	PIN, 4 X 25 COTTER ZINC	F81043-2	2	
25	BRACKET WELDMENT, IDLE SIDE ROLLER PAINTED	094198-1	1	
26	BOLT, M8X90-8.8 HEX HEAD FULL THREAD ZINC	F81002-16	1	
27	NUT, M8-8-B HEX ZINC	F81032-1	3	
28	BOLT, M8X16-8.8-B HEX HEAD FULL THREAD ZINC	F81002-20	4	
29	GUIDE, LT15 MAST IDLE SIDE PAINTED	086202-1	1	

¹ Number of bolts for one bed section.

² Number of nuts for one bed section.

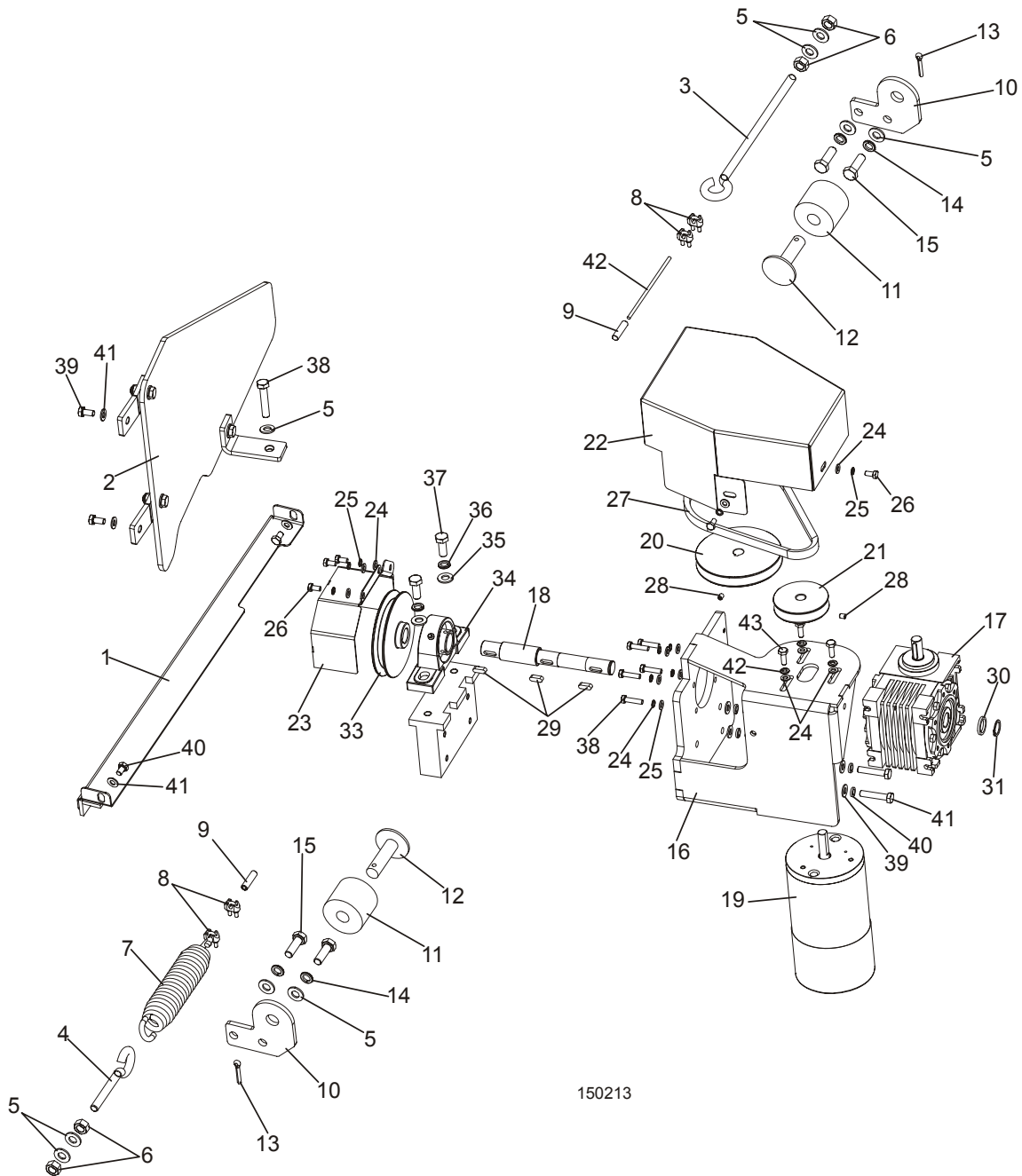
6.3 Feed Rope, V-groove Rollers & Brackets



150145C

REF	DESCRIPTION (◆ Indicates Parts Available In Assemblies Only)	PART #	QTY.
1	BRACKET, LT15 ROPE MOUNT FRONT PAINTED	502725-1	1
2	BRACKET, LT15 ROPE MOUNT REAR PAINTED	502726-1	1
3	BOLT, M10X30-5.8 HEX HEAD FULL THREAD	F81003-2	4
4	WASHER, 10.2 SPLIT LOCK ZINC	F81055-2	4
5	WASHER, 10.5 FLAT ZINC	F81055-1	6
6	ROPE, 5/16" DIA. BRAIDED POLYESTER	R02080	9,0 m
	ROPE ROLLER GUIDE SYSTEM COMPLETE	501413	1
7	SUPPORT, ROPE ROLLER GUIDE SYSTEM	501416-1	1
8	SPACER, N25XN16.5X60 BEARING	501415-1	1
	ROLLER ASSEMBLY, V-GROOVE W/BEARING	093855	2
9	ROLLER, V-GROOVE ZINC-PLATED	093856-1	1
10	BEARING, 6203 2RS 5/8 CX	095087	1
11	RING, W40 INSIDE RETAINING	F81090-3	1
12	BOLT, M16X70 8.8 HEX HEAD FULL THREAD ZINC	F81006-16	1
13	WASHER, 17 FLAT ZINC	F81058-1	2
14	NUT, M16-8 HEX NYLON ZINC LOCK	F81036-2	1
15	BOLT, M8X30-8.8 ZINC	F81002-7	2
16	WASHER, 8.4 FLAT ZINC	F81054-1	4
17	NUT, M8-8-B HEX NYLON ZINC LOCK	F81032-2	2

6.4 Power Feed System - Optional



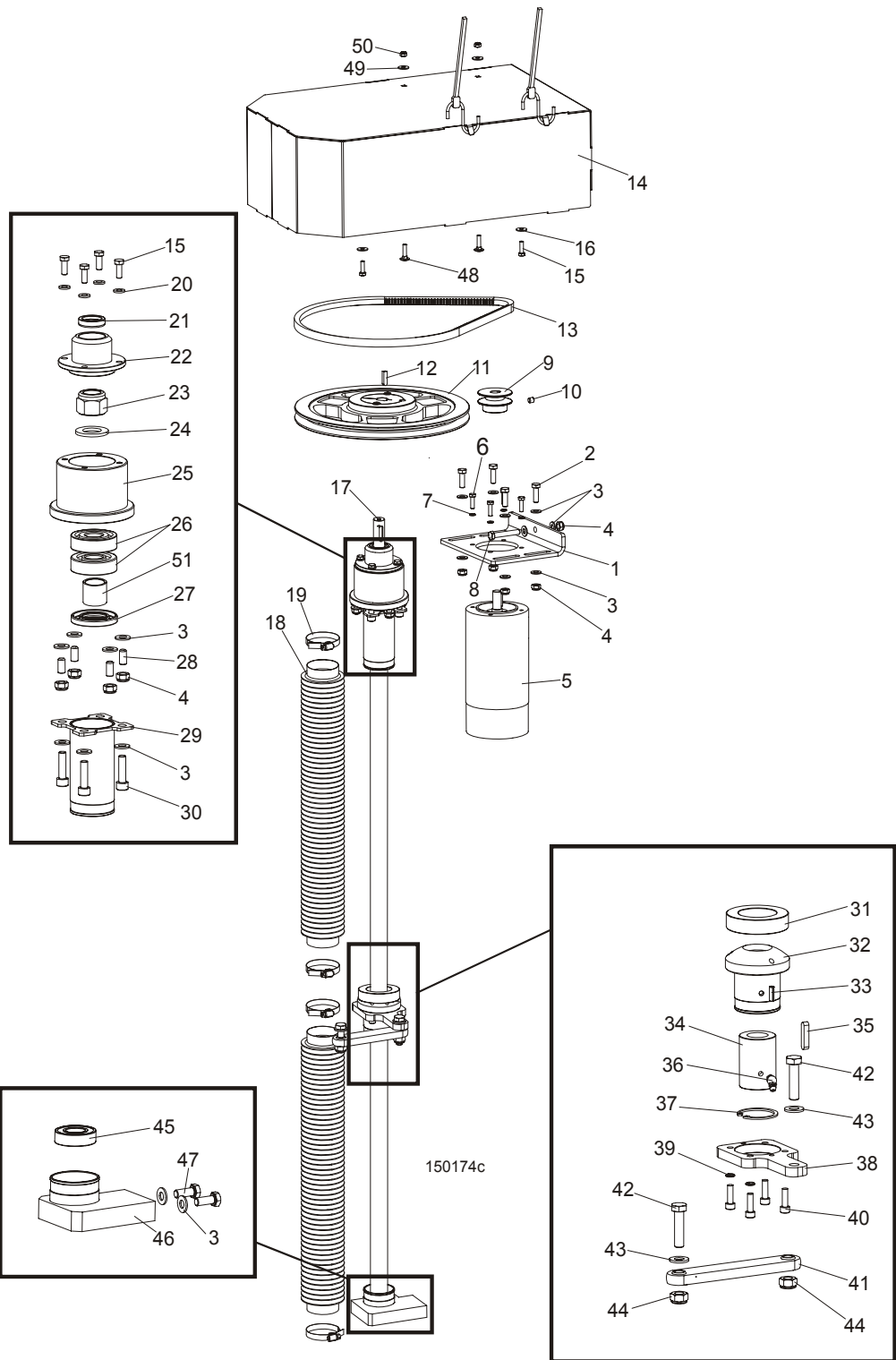
150213

REF	DESCRIPTION (◆ Indicates Parts Available In Assemblies Only)	PART #	QTY.
	POWER FEED ASSEMBLY, LT15DC	500730	1
1	COVER, LT15 TRACK W/FELT STRIP	500839	1
2	COVER, LT15 LOWER	500727	1
3	TENSIONER, ZINC-PLATED	500846-1	1
4	TENSIONER, SHORT ZINC-PLATED	500848-1	1
5	WASHER, 10.5 FLAT ZINC	F81055-1	9
6	NUT, M10-8-B-FE	F81033-3	4
7	SPRING, PRESS ROLLER ZINC-PLATED	089689-1	1
8	CLAMP, LT20 STRING	091614	4

9	POINTER, STEEL CABLE	501417-1	2	
10	PLATE, LT15 POWER FEED SUPPORT	501414-1	2	
11	BUSHING, 11/16x2 1/8x1 3/4 RUBBER	P12165	2	
12	MOUNT WELDMENT, CARRIAGE STOP PTD	086182-1	2	
13	PIN, 4x25 COTTER	F81043-2	2	
14	WASHER, 10.2 SPLIT LOCK ZINC	F81055-2	4	
15	BOLT, M10x30-5.8 HEX HEAD FULL THREAD ZINC	F81003-2	4	
	POWER FEED DRIVE ASSEMBLY, LT15DC	500720	1	
16	BRACKET, MOTOR & REDUCER	501273-1	1	
17	REDUCER, R-40/15.5/F1/V5	500716	1	
18	SHAFT, MOTOREDCER OUTPUT	501267	1	
19	MOTOR, 0.5 HP 12V DC	006747	1	
	Brush Kit, 1/2 HP 12V DC	061794		
20	PULLEY, 117/14	500715-1	1	
21	PULLEY, 75/12.7	500714-1	1	
22	COVER, MAIN COMPLETE	500724-1	1	
23	COVER, FRONT	501505-1	1	
24	WASHER, 6.4 FLAT ZINC	F81053-1	14	
25	WASHER, Z6.1 SPLIT LOCK ZINC	F81053-3	11	
26	BOLT, M6x12-8.8 HEX HEAD FULL THREAD ZINC	F81001-7	6	
27	BELT HA-600	088562	1	
28	SCREW, M6X10-45H ZINC-PLATED	F81001-28	2	
29	KEY, A6X6X18	089404	3	
30	SPACER, D19 IDLER	500868-1	1	
31	RING, 19Z OUTSIDE RETAINING	F81090-20	1	
32	CUBE, MOUNTING	501271-1	1	
33	PULLEY, LT15 POWER FEED ROPE	500864-1	1	
34	BEARING ASSY, UCP205CX	088468	1	
35	WASHER, 10.5 FLAT ZINC	F81055-1	2	
36	WASHER, 10.2 SPLIT LOCK ZINC	F81055-2	2	
37	BOLT, M10X25-8.8 ZINC	F81003-11	2	
38	BOLT, M6X25MM,HEX HEAD,GR 8.8,ZINC	F81001-3	5	
39	WASHER, 8.4 FLAT ZINC	F81054-1	4	
40	WASHER, 8.2 SPLIT ZINC	F81054-4	4	
41	BOLT, M8X40-8.8 ZINC	F81002-15	4	
42	WASHER, 1/4" UNC ZINC SPLIT LOCK	F81052-21	3	
43	BOLT, 1/4-20x3/4 FT HHC	F05005-1	3	
44	BOLT, M10X35-8.8 HEX HEAD FULL THREAD ZINC	F81003-17	1	
45	BOLT M8x16 -8.8-B-Fe/Zn5 PN-85/M-82105	F81002-20	2	
46	BOLT, M8X12MM, HH FULL THREAD,GR8.8,ZINC	F81002-6	2	
47	WASHER, 8.4 FLAT ZINC	F81054-1	4	
48	CABLE, STEEL ZINC-PLATED Φ4 L=5450MM	R80663-2S	1	
	CABLE, STEEL ZINC-PLATED Φ4 L=7400MM	R80663-3S	1	
	CABLE, STEEL ZINC-PLATED Φ4 L=9350MM	R80663-4S	1	
	CABLE, STEEL ZINC-PLATED Φ4 L=6950MM	R80663-2M	1	
	CABLE, STEEL ZINC-PLATED Φ4 L=9650MM	R80663-3M	1	
	CABLE, STEEL ZINC-PLATED Φ4 L=12350MM	R80663-4M	1	

SECTION 7 UP/DOWN SYSTEM

7.1 Up/Down Assembly, DC



LP	OPIS (◆ Wskazuje części dostępne jedynie w zespołach)	NR CZĘŚCI	ILOŚĆ
	UP/DOWN DRIVE - DC, COMPLETE	095253	1

1	Plate, Drive Belt Tension	094162-1	1	
2	Bolt, M8x25-8.8-B Hex Head Full Thread Zinc	F81002-5	4	
3	Washer, 8.4 Flat Zinc	F81054-1	22	
4	Nut, M8-8-B Hex Nylon Zinc Lock	F81032-2	9	
5	Motor, Drive 12V 0.5HP	006747	1	
	Brush Kit, 1/2 HP 12V DC	061794		
6	Bolt, 1/4-20x3/4 FT HHC	F05005-1	4	
7	Washer, 6.4 Flat Zinc	F81053-1	4	
8	Bolt, M8x50-8.8 Hex Head Full Thread Zinc	F81002-19	1	
9	Pulley, LT15DC Up/Down Motor	095340-1	1	
10	Screw, M8x8-33H Hex Socket Set Flat Point Zinc	F81014-1	2	
11	Pulley, SPA 280/1 w/18 Split Taper Bushing	094157	1	
12	Key, AB 6x6x23 Parallel	089191	1	
13	V-belt, AVX-13x1100 La	095306	1	
14	Cover, Up/Down System LT15 Complete High	096948	1	
	Strap, 24 in rubber with hooks	P11258	2	
15	Bolt, M6x20-8.8 Hex Head Full Thread Zinc	F81001-2	8	
16	Washer, 6.4 Flat Zinc	F81053-11	4	
17	Screw, Tr 28x5 Acme	094144	1	
18	Bellows, 50/700 Protective	094208	2	
19	Clamp, 40-60mm	F81095-4	4	
20	Washer, 6.4 Flat Zinc	F81053-1	4	
21	Ring, A018x30x7 Sealing	094159	1	
22	Cover, Up/Down Bearing Housing	094165-1	1	
23	Nut, M20x1.5-8-A2 ISO10512 Self-locking	F81037-5	1	
24	Washer, 21 Flat Zinc	F81059-2	1	
25	Housing, Up/Down Bearings	094164-1	1	
26	Bearing, 7304B -UO CX	094256	2	
27	Ring, A28x52x7 Sealing	094155	1	
28	Screw, M8x16-33H Hex Socket Set Flat Point	F81014-2	4	
29	Bracket, Upper Bellows Mount Zinc-plated	094221-1	2	
30	Screw, M8x30-8.8 Hex Socket Head Cap Zinc	F81002-31	4	
31	Washer, DIN6319-42-C Spherical Seat	F81061-7	1	
	Up/Down Nut Assembly	094150	1	
32	Housing, TR28x5 Acme Nut Zinc-plated	094241-1	1	
33	Pin, 5x16 Roll Zinc	F81044-3	2	
34	Nut, Tr 28x5 (PET T) Acme Screw	094243	1	
35	Key, A6x6x30 Parallel	094245	1	
36	Fitting, M6 "B" Type PN-M/86003 Grease	094213	1	
37	Ring, W40 Inside Retaining	F81090-3	1	
38	Plate, Nut Housing Seat	094242-1	1	
39	Washer, Z 6.1 Split Lock Zinc	F81053-3	4	
40	Screw, M6x20-8.8 Hex Socket Head Cap Zinc	F81001-22	4	
41	Link, SBPL 10104 Pivotal	097700	1	
42	Bolt, M10x40-8.8 Hex Head Full Thread Zinc	F81003-16	2	
43	Washer, 10.5 Flat Zinc	F81055-1	2	
44	Nut, M10-8-B Hex Nylon Zinc Lock	F81033-1	2	
45	Bearing, 6004 2RS-CX Rolling	093868	1	
46	Seat, Lower Bearing	093866-1	1	

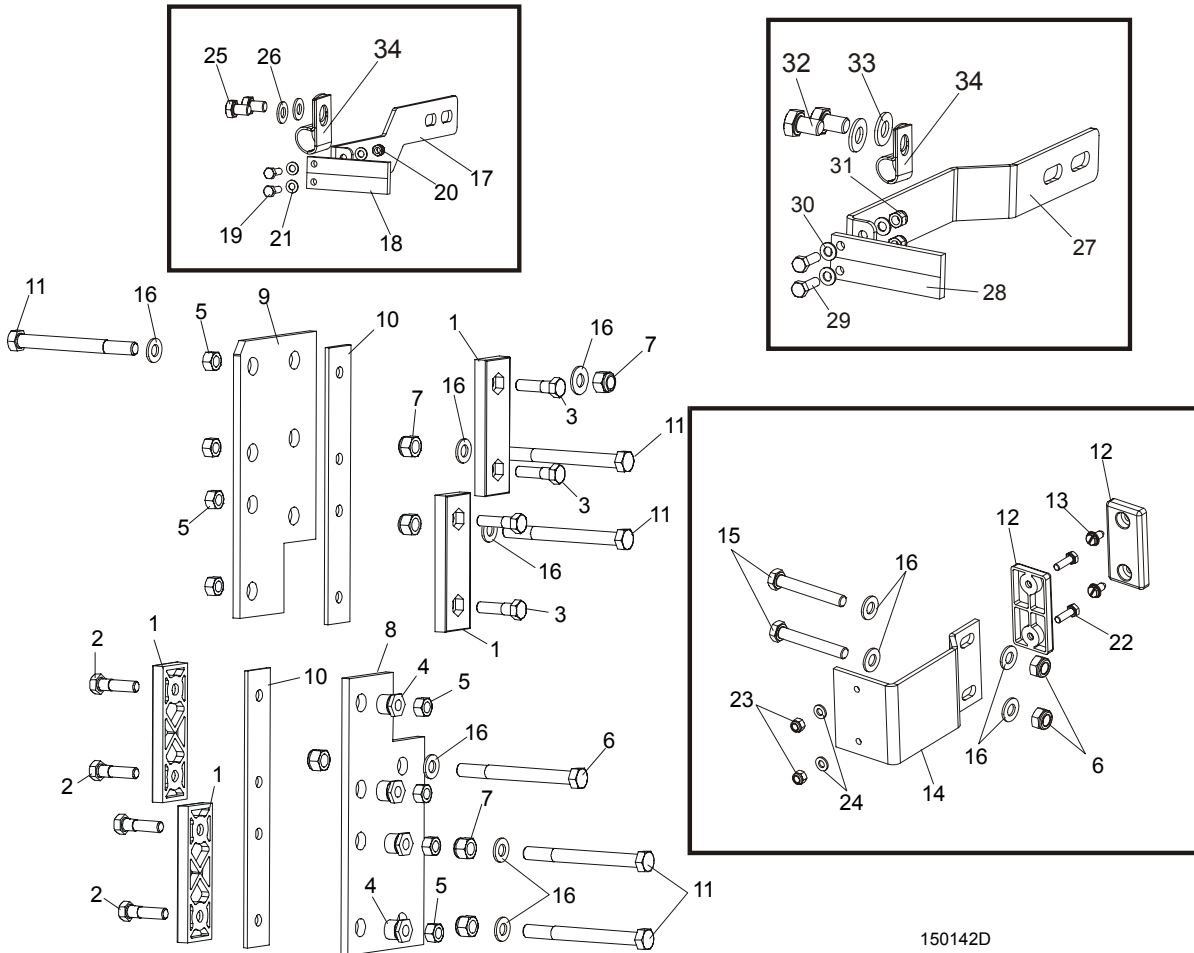
7**Up/Down System***Up/Down Assembly, DC*

47	Bolt, M8x20-8.8-B Hex Head Full Thread Zinc	F81002-4	2	
48	Bolt, M6x25-8.8 Mushroom Head Square Neck Zinc	F81001-20	2	
49	Washer, 6.5 Special Flat Zinc	F81053-11	2	
50	Nut, M6-8-B Hex Nylon Zinc Lock	F81031-2	2	
51	Spacer, LT15 Drive Bearing	094156-1	1	

7.2 Slide Pads & Blade Height Scale Indicator

LT15

Rev. A1.00+

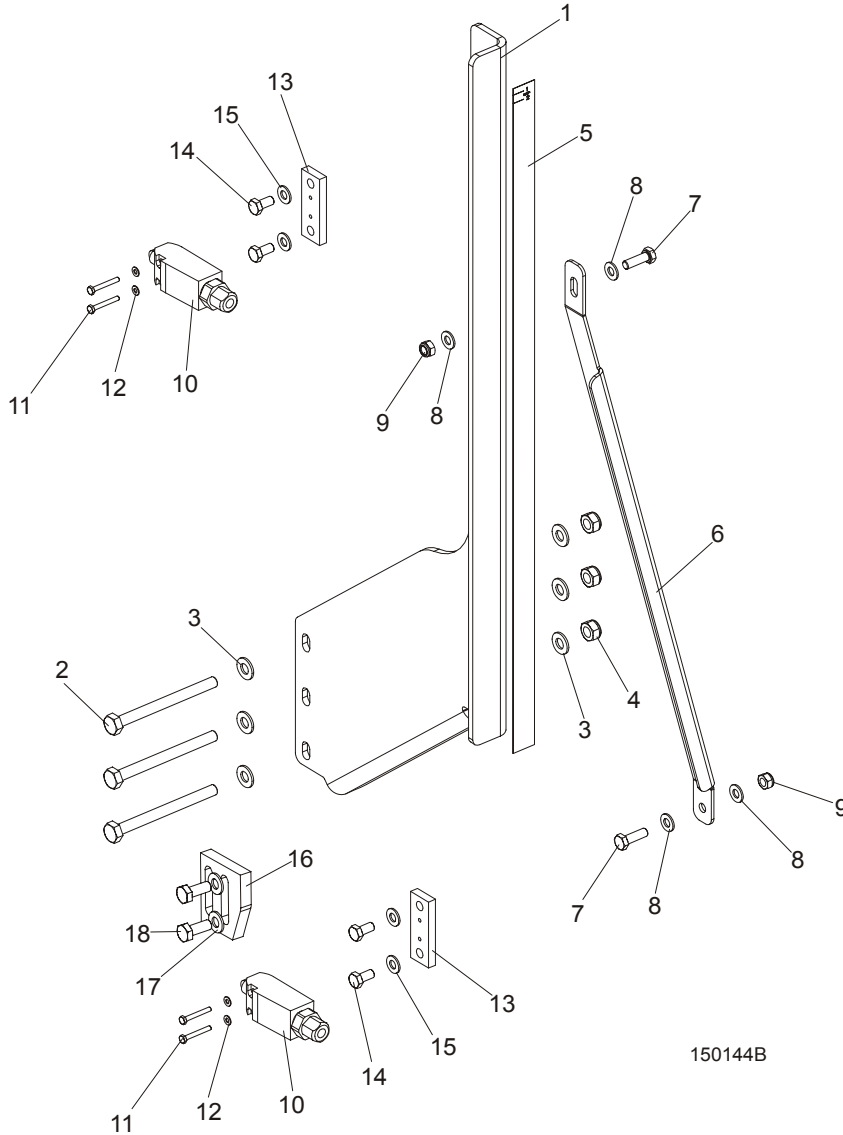


150142D

REF	DESCRIPTION (◆ Indicates Parts Available In Assemblies Only)	PART #	QTY.
1	PADS, DELRIN UP/DOWN SLIDE	M04096	4
2	BOLT, M8X35-8.8 HEX HEAD FULL THREAD ZINC	F81002-13	4
3	BOLT, M8X20-8.8 HEX HEAD FULL THREAD ZINC	F81002-4	4
4	NUT, LT15 SLIDE PAD ADJUSTMENT	086683-1	4
5	NUT, M8-8-B HEX NYLON ZINC LOCK	F81032-2	8
6	BOLT, M10X110 8.8 HEX HEAD ZINC	F81003-43	1
7	NUT, M10-8-B HEX NYLON ZINC LOCK	F81033-1	8
8	PLATE, SAW HEAD LOWER GUIDE PAINTED	086682-1	1
9	PLATE, SAW HEAD UPPER GUIDE PAINTED	094139-1	1
10	PLATE, SLIDE PAD SPACER PAINTED	094140-1	2
11	BOLT, M10X115-8.8 HEX HEAD ZINC	F81003-19	5
12	PAD, IDLE SIDE SLIDE	P13576	2
13	SCREW, 1/4-20 X 1/2" "23" TYPE SELF-TAPPING	F05015-1	2
14	GUIDE, LT15 SAW HEAD PAINTED	087192-1	1

15	BOLT, M10X70-8.8 HEX HEAD FULL THREAD ZINC	F81003-20	2	
16	WASHER, 10.5 FLAT ZINC	F81055-1	11	
	SCALE INDICATOR (STANDARD)	094226	1	
17	Bracket, Scale Indicator Mount Painted	094224-1	1	
18	Indicator, Blade Height Scale	094821	1	
19	Bolt, M5NX16-8.8 Hex Head Full Thread Zinc	F81000-20	2	
20	Nut, M5-8 DIN 985 Zinc-Plated	F81030-2	2	
21	Washer, 5.3 Flat Zinc	F81052-1	4	
22	BOLT, M6X20-8.8 HEX HEAD FULL THREAD ZINC	F81001-2	2	
23	NUT, M6-8-B HEX NYLON ZINC LOCK	F81031-2	2	
24	WASHER, 6.4 FLAT ZINC	F81053-1	2	
25	BOLT, M8X12-8.8 HEX HEAD FULL THREAD ZINC	F81002-6	2	
26	WASHER, 8.4 FLAT ZINC	F81054-1	2	
	SCALE INDICATOR (OPTIONAL)	095967		
27	Bracket, Scale Indicator Mount Painted	095968-1	1	
28	Indicator, Blade Height Scale	094821	1	
29	Bolt, M5X16-8.8 Hex Head Full Thread Zinc5	F81000-20	2	
30	Washer, 5.3 Flat Zinc	F81052-1	4	
31	Nut, M5-8 DIN 985 Zinc-plated	F81030-2	2	
32	Bolt, M8x12-8.8 Hex Head Full Thread Zinc	F81002-6	2	
33	Washer, 8.4 Flat Zinc	F81054-1	2	
34	CLAMP, 1/2" EMT COATED	P07584	1	

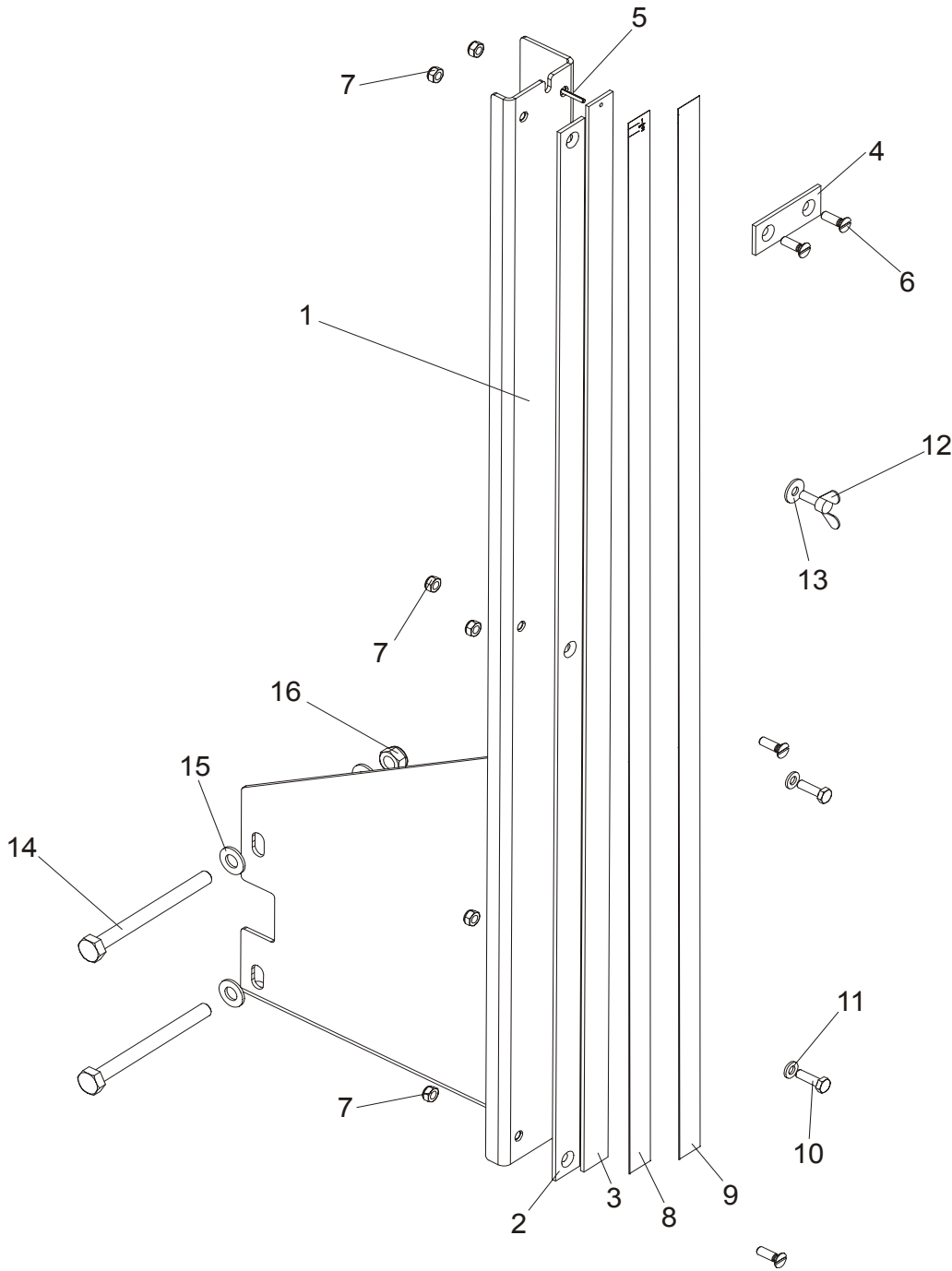
7.3 Blade Height Scale & Up/Down Limit Switches



REF	DESCRIPTION (◆ Indicates Parts Available In Assemblies Only)	PART #	QTY.
	BRACKET, BLADE HEIGHT SCALE, COMPLETE	094225	1
1	Bracket, Blade Height Scale, Painted	094223-1	1
2	Bolt, M10X115-8.8 Hex Head Zinc	F81003-19	3
3	washer, 10.5 flat zinc	F81055-1	6
4	Nut, M10-8-B Hex Nylon Zinc Lock	F81033-1	3
5	Decal, LT15AC Blade Height Metric Scale	094151	1
	Decal, LT15AC Blade Height Inch Scale	096658	1
6	BRACKET, BLADE HEIGHT SCALE MOUNT PAINTED	094257-1	1
7	BOLT, M8X25-8.8-B HEX HEAD FULL THREAD ZINC	F81002-5	2
8	WASHER, 8.4 FLAT ZINC	F81054-1	4
9	NUT, M8-8-B HEX NYLON ZINC LOCK	F81032-2	2
	EVN2000C LIMIT SWITCH W/MOUNT PLATE	094227	2

10	Switch, GLCB01C Limit	100910	1	
11	Bolt, M4x30 8.8 Hex Head Full Thread Zinc	F81011-5	2	
12	Washer, 4.3 Flat Zinc	F81051-2	2	
13	Plate, Limit Switch Mount	094228-1	1	
14	Bolt, M8x16-8.8-B Hex Head Full Thread Zinc	F81002-20	2	
15	Washer, 10.5 Flat Zinc	F81055-1	2	
16	BRACKET, LIMIT SWITCH	094229-1	1	
17	WASHER, 8.4 FLAT ZINC	F81054-1	2	
18	BOLT, M8X20MM, HEX HEAD,GR 5.8 ZINC	F81002-4	2	

7.4 Blade Height Scale (Optional)



REF	DESCRIPTION (◆ Indicates Parts Available In Assemblies Only)	PART #	QTY.
	BRACKET, BLADE HEIGHT SCALE COMPLETE	095964	1
1	Bracket, Blade Height Scale Painted	095965-1	1
2	Plate, Decal Mount	092750	1
3	Plate, Inch Decal Mount	093133	1
4	BAR, SCALE MOUNT	093134	1
5	PIN, 3x20 ROLL ZINC	F81044-5	1
6	screw, M6x20- 4.8-B slotted countersunk head zinc	F81001-31	3
7	Nut, M6-8-B hex nylon zinc lock	F81031-2	6

7

Up/Down System*Blade Height Scale (Optional)*

8	decal, LT20 0-80CM centimeter scale	091239	1	
9	Decal, 16-40CM Metric Decal, 45-63CM Metric	P12040-1 P12040-2	1	
10	BOLT, M6X20-8.8 HEX HEAD FULL THREAD ZINC	F81001-2	2	
11	WASHER, 6.4 FLAT ZINC	F81053-1	2	
12	SCREW, M6X16 BN276 DIN 316 WING	F81001-16	1	
13	WASHER, 6.5 SPECIAL FLAT ZINC	F81053-11	1	
14	BOLT, M10X115-8.8 HEX HEAD ZINC	F81003-19	2	
15	WASHER, 10.5 FLAT ZINC	F81055-1	4	
16	NUT, M10-8-B HEX NYLON ZINC LOCK	F81033-1	2	