

# Wood-Mizer<sup>®</sup> Sawmill

## Replacement Parts Manual

---

<b>LT15S3 G15</b>	<b>rev. C1.00</b>
<b>LT15M2 G15</b>	<b>rev. C1.00</b>
<b>LT15S3 D10</b>	<b>rev. C1.00</b>
<b>LT15M2 D10</b>	<b>rev. C1.00</b>

---



**Safety is our #1 concern!** Read and understand all safety information and instructions before operating, setting up or maintaining this machine.

*August 1997*

*Form #799*

<b>SECTION 1</b>	<b>GENERAL INFORMATION</b>	<b>1-1</b>
1.1	How To Use The Parts List .....	1-1
1.2	Sample Assembly .....	1-1
<b>SECTION 2</b>	<b>FRAME PARTS</b>	<b>2-1</b>
2.1	Side Support Assembly .....	2-1
2.2	Bed Connecting Hardware .....	2-2
2.3	Outrigger Leg Kit .....	2-3
2.4	Outrigger Leg Kit (Optional).....	2-4
2.5	Log Clamp Assembly .....	2-5
2.6	Auxiliary Bed Rail Assembly .....	2-6
2.7	Log Wedge, Loading Ramps, & Cant Hook (Optional).....	2-7
2.8	Bed Extension.....	2-8
2.9	"M" Type Frame Bed Section .....	2-9
2.10	"S" Type Frame Bed Section .....	2-10
<b>SECTION 3</b>	<b>BLADE GUIDE ROLLERS &amp; ARM</b>	<b>3-1</b>
3.1	Blade Guide Assembly, Idle Side.....	3-1
3.2	Blade Guide Assembly, Drive Side.....	3-3
3.3	Blade Guide Roller Guard .....	3-5
3.4	Blade Guide Arm Assembly .....	3-6
<b>SECTION 4</b>	<b>BLADE WHEELS &amp; TENSIONER</b>	<b>4-1</b>
4.1	Blade Wheel Assembly, Drive Side .....	4-1
4.2	Blade Wheel Assembly, Idle Side.....	4-2
4.3	Blade Tensioner Assembly.....	4-4
<b>SECTION 5</b>	<b>SAW HEAD</b>	<b>5-1</b>
5.1	Blade Housing Cover .....	5-1
5.2	Water Lube Assembly .....	5-3
5.3	Saw Head Decals.....	5-4
5.4	Control Panel, LT15 DC.....	5-6
5.5	Electric & Battery Box, LT15 DC.....	5-8
5.6	D10 & G15 Engine Mounting Plate .....	5-10
<b>SECTION 6</b>	<b>FEED SYSTEM</b>	<b>6-1</b>
6.1	Feed Crank Assembly.....	6-1
6.2	Track Rail, Rollers & Travel Pins .....	6-3
6.3	Feed Rope, Lower Pulleys & Brackets.....	6-5
<b>SECTION 7</b>	<b>UP/DOWN SYSTEM</b>	<b>7-1</b>
7.1	Up/Down Assembly, DC.....	7-1
7.2	Slide Pads & Blade Height Scale Indicator.....	7-4
7.3	Blade Height Scale & Up/Down Limit Switches.....	7-6
7.4	Blade Height Scale (Optional).....	7-8

## SECTION 1 GENERAL INFORMATION

### 1.1 How To Use The Parts List

- Use the index above to locate the assembly that contains the part you need.
- Go to the appropriate section and locate the part in the illustration.
- Use the number pointing to the part to locate the correct part number and description in the table.
- Parts shown indented under another part are included with that part.
- Parts marked with a diamond (◆) are only available in the assembly listed above the part.

See the sample table below. Sample Part #A01111 includes part F02222-2 and subassembly A03333. Subassembly A03333 includes part S04444-4 and subassembly K05555. The diamond (◆) indicates that S04444-4 is not available except in subassembly A03333. Subassembly K05555 includes parts M06666 and F07777-77. The diamond (◆) indicates M06666 is not available except in subassembly K05555.

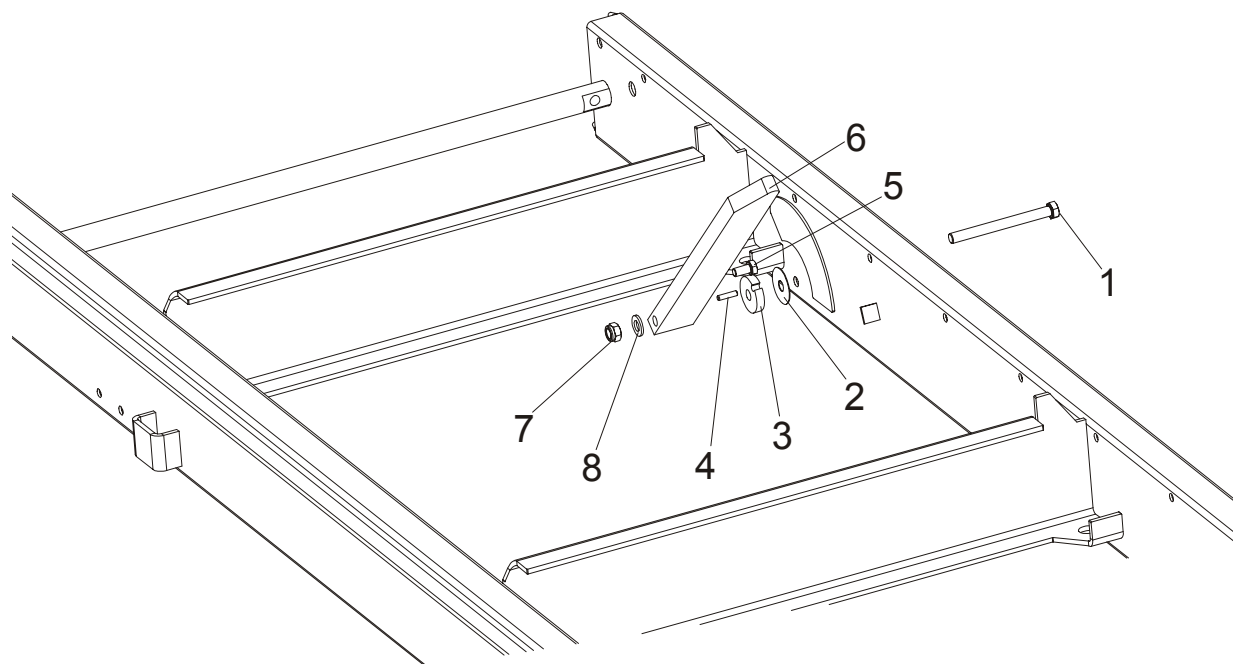
<b>1.2 Sample Assembly</b>				
REF	DESCRIPTION (◆ Indicates Parts Available In Assemblies Only)	PART #	QTY.	
	Sample Assembly, Complete (Includes All Indented Parts Below)	A01111	1	
1	Sample Part	F02222-22	1	
	Sample Subassembly (Includes All Indented Parts Below)	A03333	1	
2	Sample Part (◆ Indicates Part Is Only Available With A03333)	S04444-4	1	◆
	Sample Subassembly (Includes All Indented Parts Below)	K05555	1	
3	Sample Part (◆ Indicates Part Is Only Available With K05555)	M06666	2	◆
4	Sample Part	F07777-77	1	

#### **To Order Parts:**

- From Europe call our European Headquarters and Manufacturing Facility in Kolo, Poland at **+48-63-2626000**. From the continental U.S., call our toll-free Parts hotline at **1-800-448-7881**. Have your customer number, vehicle identification number, and part numbers ready when you call.
- From other international locations, contact the Wood-Mizer distributor in your area for parts.

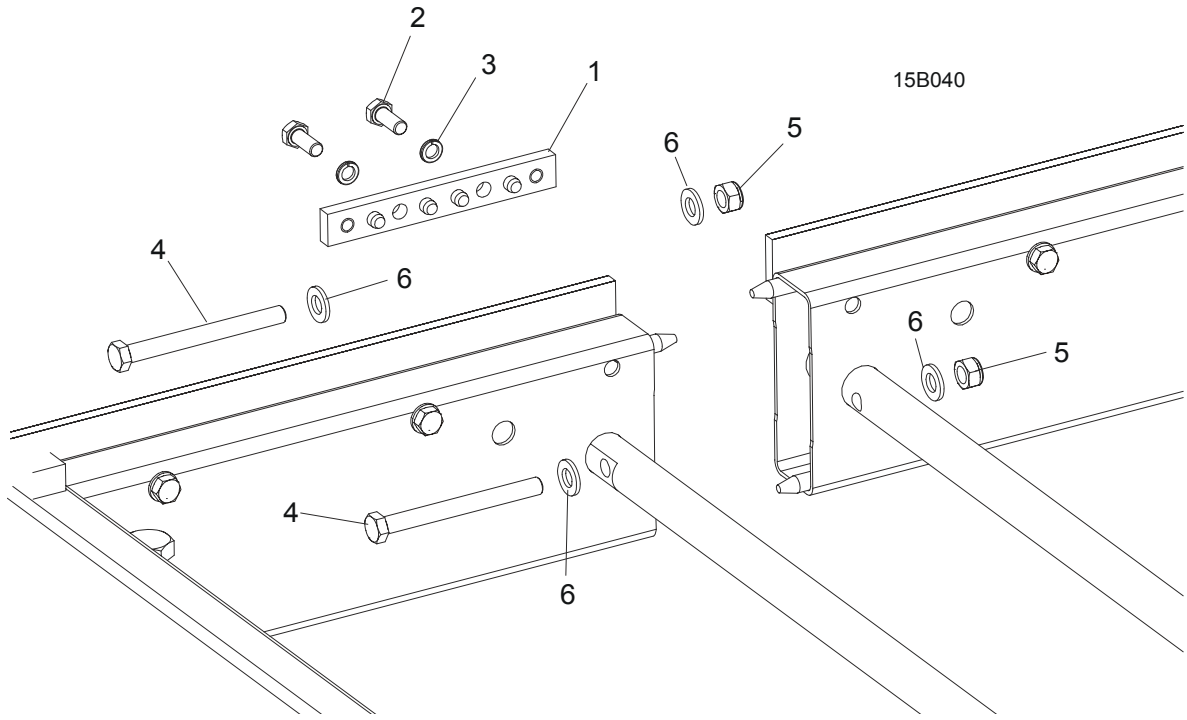
## SECTION 2 FRAME PARTS

### 2.1 Side Support Assembly



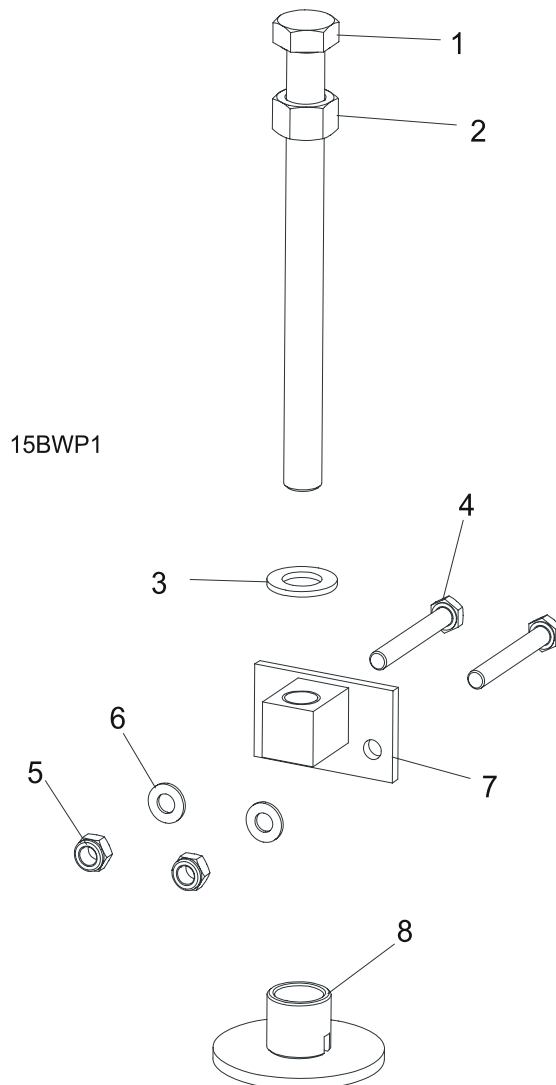
REF	DESCRIPTION (◆ Indicates Parts Available In Assemblies Only)	PART #	QTY.	
1	BOLT, M12 X 130-8.8 HEX HEAD ZINC	F81004-36	1	
2	WASHER, 33/64 X 1 3/4 X 1/32" NYLON	014972	1	
3	WASHER, LOG SIDE SUPPORT	085981-1	1	
4	PIN, 1/4 X 1" ROLL	085983	1	
5	BOLT, M10 X 20-5.8 HEX HEAD FULL THREAD ZINC	F81003-1	1	
6	SUPPORT, LOG SIDE	085982-1	1	
7	NUT, M12-8 NYLON HEX LOCK	F81034-2	1	
8	WASHER, 13 FLAT ZINC	F81056-1	1	

**2.2 Bed Connecting Hardware**



REF	DESCRIPTION (◆ Indicates Parts Available In Assemblies Only)	PART #	QTY.
1	PLATE, BED CONNECTION	086659-1	1
2	BOLT, M10 X 25 - 8.8 HEX HEAD FULL THREAD ZINC	F81003-11	2
3	WASHER, 10.2 FLAT	F81055-2	2
4	BOLT, M12 X 120 - 8.8 HEX HEAD ZINC	F81004-38	2
5	NUT, M12-8-B HEX NYLON ZINC LOCK	F81034-2	2
6	WASHER, 13 FLAT ZINC	F81056-1	4

### 2.3 Outrigger Leg Kit

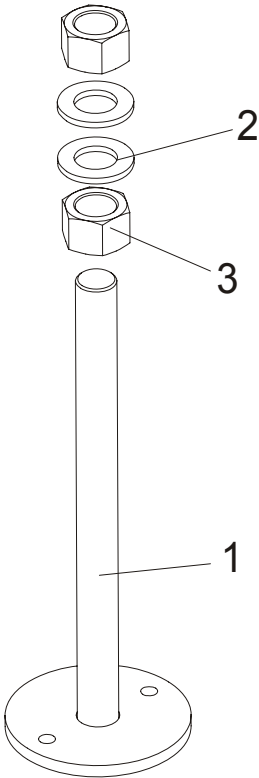


REF	DESCRIPTION (◆ Indicates Parts Available In Assemblies Only)	PART #	QTY.
	<b>OUTRIGGER LEG KIT FOR 1950 MM BED SECTION (LT15S3)</b>	095232 <sup>1</sup>	3
	<b>OUTRIGGER LEG KIT FOR 2700 MM BED SECTION (LT15M2)</b>	095234 <sup>2</sup>	2
1	Bolt, M20x240-8.8 Hex Head Full Thread Zinc	F81007-1	1
2	Nut, M20-8 Hex Zinc	F81037-1	1
3	Washer, 21 Flat Zinc	F81059-2	1
4	Bolt, M10x75-8.8 Hex Head Zinc	F81003-15	2
5	Nut, M10-8-B Hex Nylon Zinc Lock	F81033-1	2
6	Washer, 10.5 Flat Zinc	F81055-1	2
7	Bracket Weldment, LT15 Leg Mount	085986-1	1
8	Plate Weldment, LT15 Leg Foot Zinc-plated	086723-1	1

<sup>1</sup> Four legs are mounted to each 1950-mm long bed section.

<sup>2</sup> Six legs are mounted to each 2700-mm long bed section.

2.4 Outrigger Leg Kit (Optional)

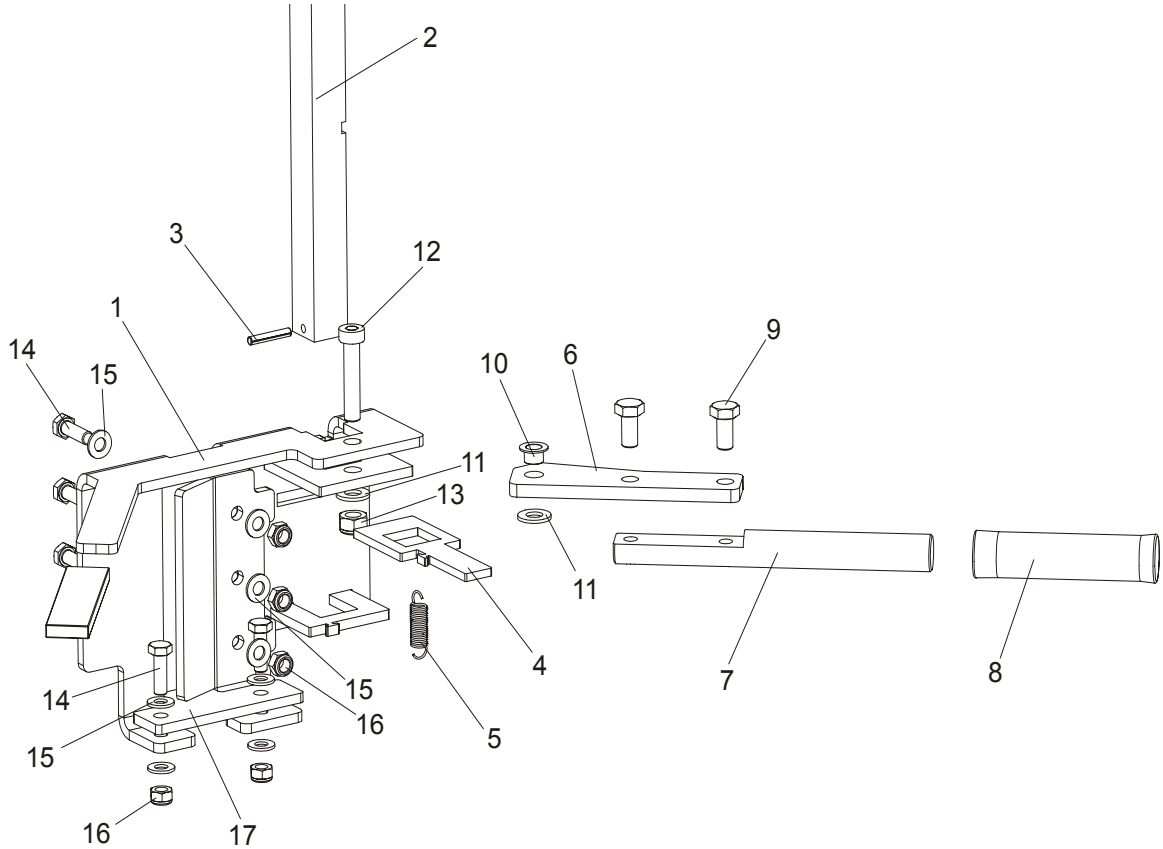


REF	DESCRIPTION (◆ Indicates Parts Available In Assemblies Only)	PART #	QTY.
	<b>OUTRIGGER LEG KIT FOR 1950 MM BED SECTION (LT15S3)</b>	095231 <sup>1</sup>	3
	<b>OUTRIGGER LEG KIT FOR 2700 MM BED SECTION (LT15M2)</b>	095233 <sup>2</sup>	2
1	Outrigger Weldment, LT15 Zinc-plated	094513-1	1
2	Washer, 21 Flat Zinc	F81059-2	2
3	Nut, M20-8 Hex Zinc	F81037-1	2

<sup>1</sup> Four legs are mounted to each 1950-mm long bed section.

<sup>2</sup> Six legs are mounted to each 2700-mm long bed section.

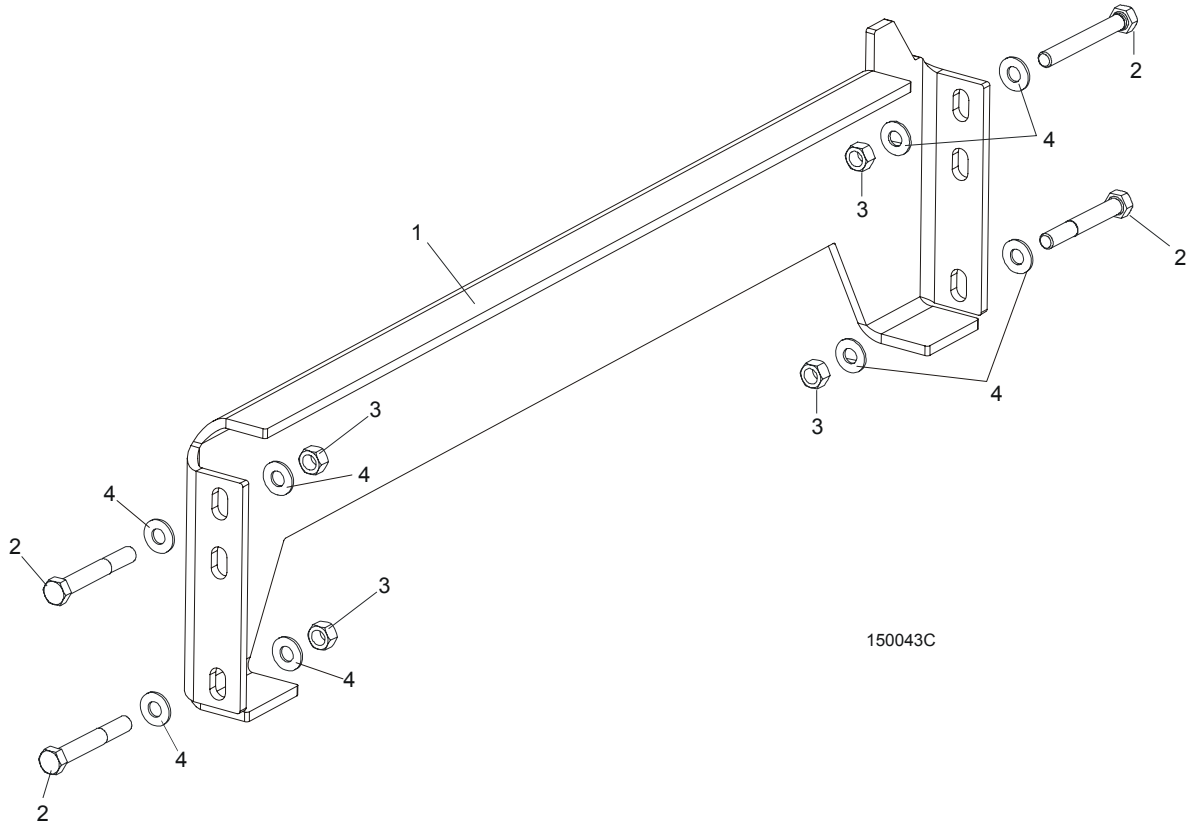
**2.5 Log Clamp Assembly**



REF	DESCRIPTION (◆ Indicates Parts Available In Assemblies Only)	PART #	QTY.
	<b>LT15 LOG CLAMP ASSEMBLY</b>	094530	2
1	Clamp Weldment, LT15 Zinc-plated	094527-1	1
2	Arm Weldment, Log Clamp Zinc-plated	094534-1	1
3	Pin, 5x30 Roll Zinc-plated	F81044-21	1
4	Plate, Log Clamp Lock Zinc-plated	094529-1	1
5	Spring, 1.6x12x38 Extension	092208	1
6	Cam, LT15 Log Clamp Zinc-plated	095018-1	1
7	Handle, Log Clamp Zinc-plated	095019-1	1
8	Grip, LT15 Log Clamp Handle	086164	1
9	Bolt, M10x20-5.8 Hex Head Full Thread Zinc	F81003-1	2
10	Bushing, XFM-1012-09	093822	1
11	Washer, 10.5 Flat Zinc	F81055-1	2
12	Bolt, 10/M8X25 12.9 ISO7379 Shoulder	F81003-77	1
13	Nut, M8-8-B Hex Nylon Zinc Lock	F81032-2	1
14	Bolt, M8x25-8.8-B Hex Head Full Thread Zinc	F81002-5	7
15	Washer, 8.4 Flat Zinc	F81054-1	10
16	Nut, M8-8-B Hex Nylon Zinc Lock	F81032-2	5
17	Plate, Log Clamp Lower Zinc-plated	094525-1	1



## 2.6 Auxiliary Bed Rail Assembly



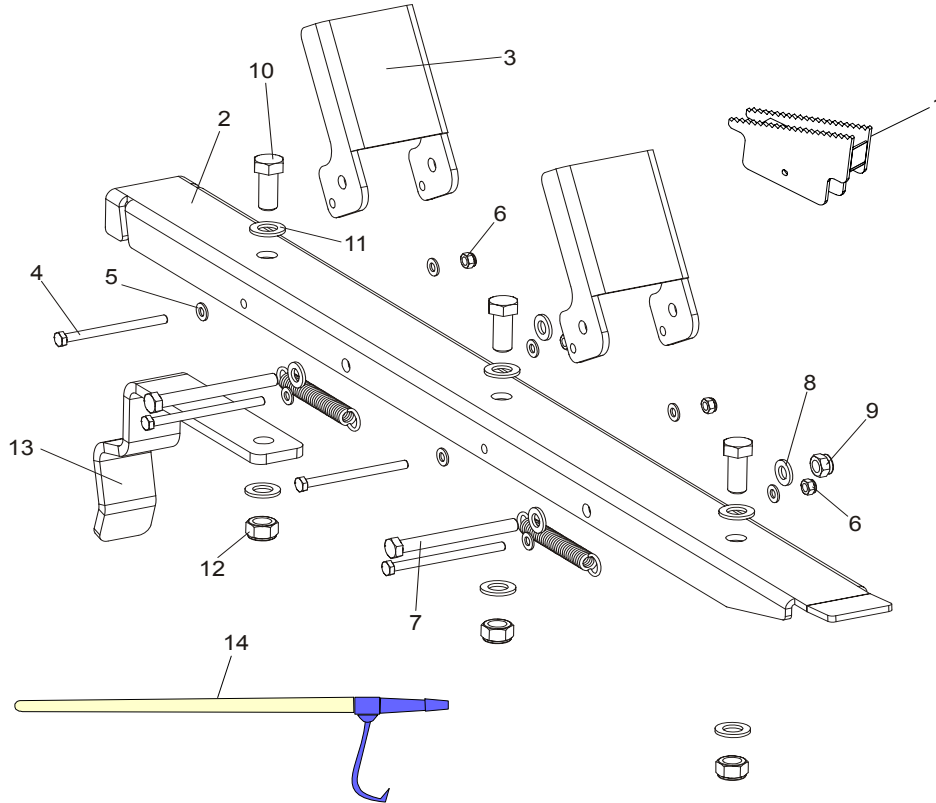
REF	DESCRIPTION (◆ Indicates Parts Available In Assemblies Only)	PART #	QTY.	
1	RAIL WELDMENT, LT15 AUXILIARY BED	095490-1	1	◆
2	BOLT M10X75-8.8 HEX HEAD ZINC	F81003-15	4	
3	NUT, M10-8-B HEX NYLON ZINC LOCK	F81033-1	4	
4	WASHER 10,5 ZINC FLAT	F81055-1	8	

# 2

## Frame Parts

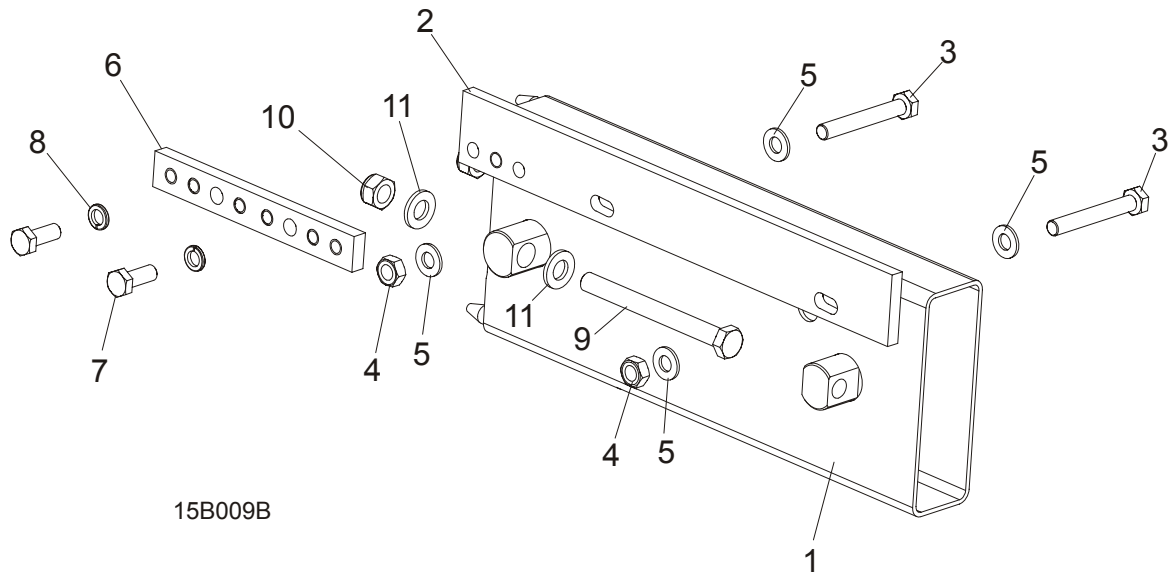
Log Wedge, Loading Ramps, & Cant Hook (Optional)

### 2.7 Log Wedge, Loading Ramps, & Cant Hook (Optional)



REF	DESCRIPTION (◆ Indicates Parts Available In Assemblies Only)	PART #	QTY.
	<b>ACCESSORIES, LT15 SAWMILLS</b>	085997	1
1	Wedge Weldment, Log Taper (included in 015811 kit)	<b>086035-1</b>	1
	Ramp Assembly, Log Loading, LT15 compl.	<b>097977</b>	2
	Ramp Assembly	<b>097483</b>	1
2	Ramp Weldment, zink plated	<b>097481-1</b>	1
3	Bracket, Log Loading Stop, zink plated	<b>097482-1</b>	2
4	Bolt M8x100 -8.8	<b>F81002-23</b>	4
5	Washer, M8, Flat, zinc	<b>F81054-1</b>	8
6	Nut, M8, Hexagon, Nylon lock, zinc	<b>F81032-2</b>	4
7	Bolt, M12x115-8.8-Fe/Zn5 PN-M/82101	<b>F81004-33</b>	2
8	Washer, M12 , Flat, Zinc	<b>F81056-1</b>	2
9	Nut, M12, Hexagon, Nylon, zinc,lock	<b>F81034-2</b>	2
10	Bolt, M16x40-8.8 Fe/Zn5	<b>F81006-13</b>	2
11	Washer, M16, Flat, zinc	<b>F81058-1</b>	4
12	Nut, M16, hex, nylon zinc lock	<b>F81036-2</b>	2
13	Bracket, LT15 Ramp, zinc	<b>097976-1</b>	1
14	Cant Hook ( included in 015811 kit)	<b>CH</b>	1

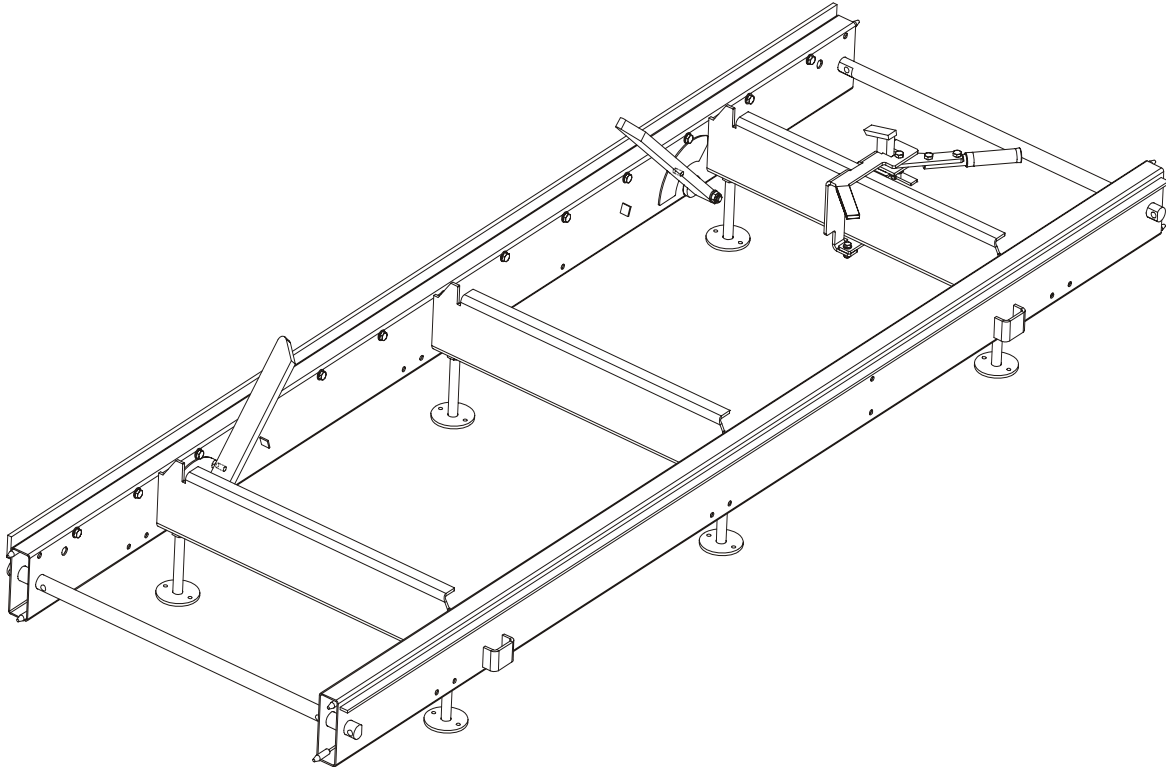
## 2.8 Bed Extension



REF	DESCRIPTION (◆ Indicates Parts Available In Assemblies Only)	PART #	QTY.	
	<b>EXTENSION, BED COMPLETE</b>	094251	1	
1	Tube, LT15 GP Bed Extension	094249-1	1	
2	Rail, Bed Extension Track Zinc-plated	094250-1	1	
3	Bolt, M10 x 75-8.8 Hex Head Zinc	F81003-15	2	
4	Nut, M10-8-B Hex Nylon Zinc Lock	F81033-1	2	
5	Washer, 10.5 Flat Zinc	F81055-1	4	
6	Splice, Track Rail Pinned	086659-1	1	
7	Bolt, M10 x 25-8.8 Hex Head Full Thread Zinc	F81003-11	2	
8	Washer, 10.2 Split Lock Zinc	F81055-2	2	
9	Bolt, M12 x 120-8.8 Hex Head Zinc	F81004-38	2	
10	Nut, M12-8 Hex Nylon Zinc Lock	F81034-2	2	
11	Washer, 13 Flat Zinc	F81056-1	4	

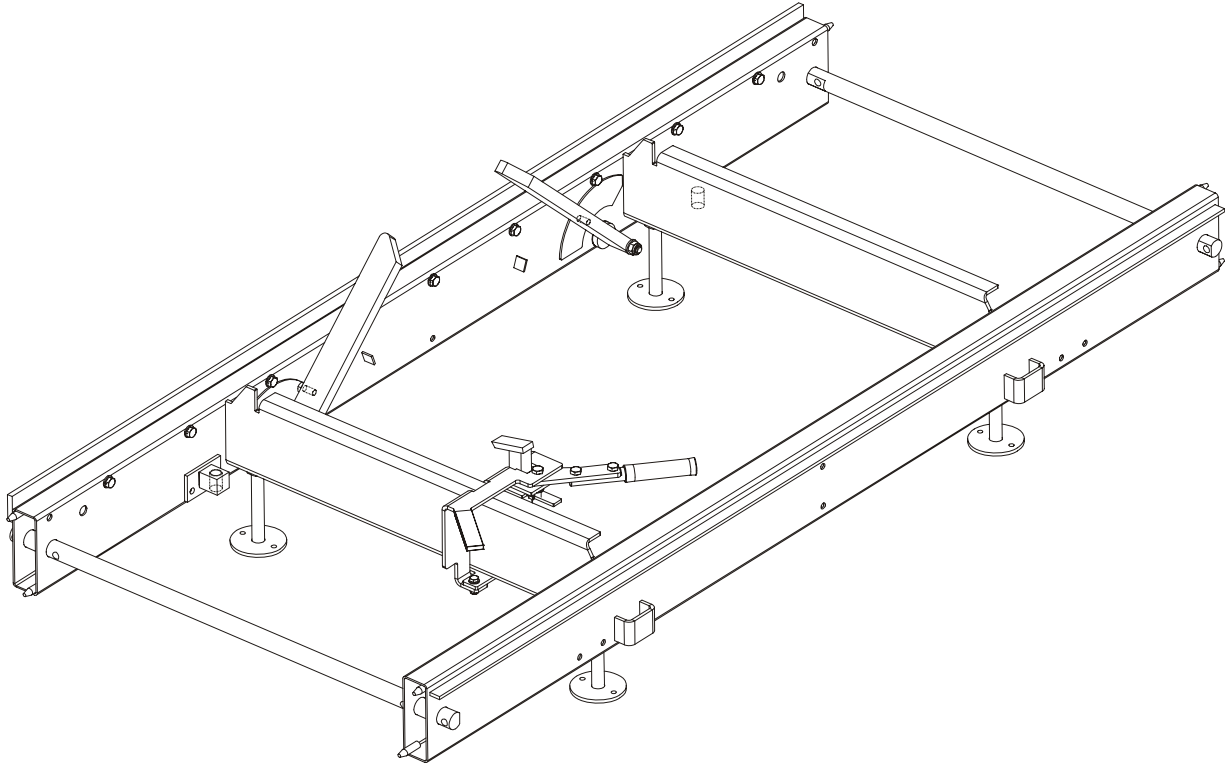
**2** **Frame Parts**  
*"M" Type Frame Bed Section*

**2.9 "M" Type Frame Bed Section**



REF	DESCRIPTION (◆ Indicates Parts Available In Assemblies Only)	PART #	QTY.	
	LT15 BED SECTION ASSEMBLY - LONG	094697		

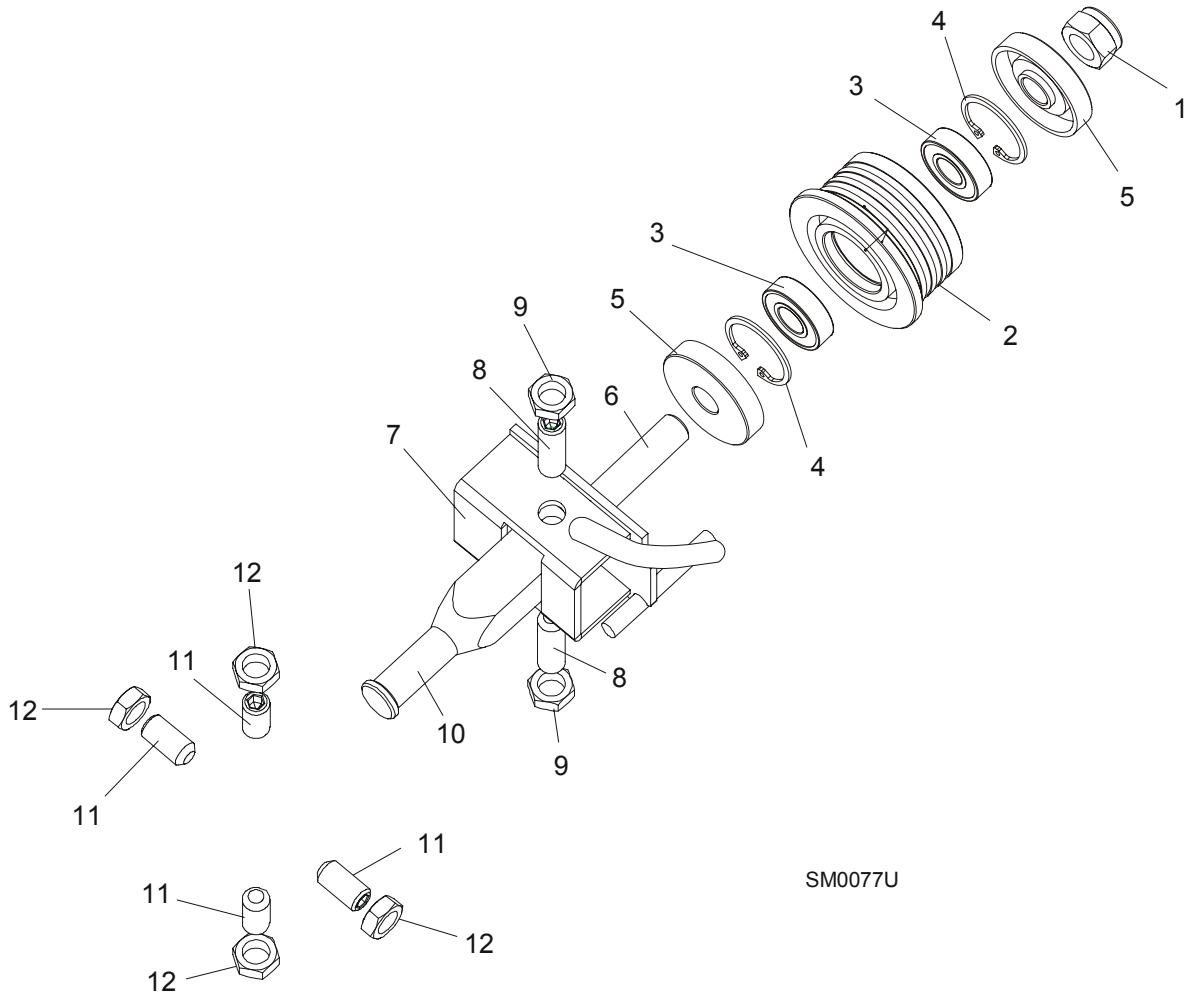
## 2.10 "S" Type Frame Bed Section



REF	DESCRIPTION (◆ Indicates Parts Available In Assemblies Only)	PART #	QTY.	
	<b>LT15 BED SECTION ASSEMBLY - SHORT</b>	094514		

**SECTION 3 BLADE GUIDE ROLLERS & ARM**

**3.1 Blade Guide Assembly, Idle Side**



SM0077U

REF	DESCRIPTION (◆ Indicates Parts Available In Assemblies Only)	PART #	QTY.	
	<b>BLADE GUIDE ASSEMBLY, IDLE SIDE</b>	094683	1	
	Roller, Blade Guide Complete Standard	087887	1	
1	Nut, M12-8 Hex Nylon Zinc Lock	F81034-2	1	
2	Roller, Blade Guide Narrow	087889	1	◆
3	Bearing, 6001 2RSR FAG	087893	2	
4	Ring, W28 Inside Retaining	F81090-9	1	
5	Washer, Zinc-plated Spacer	087891-1	2	
6	Shaft, Blade Guide Roller Zinc-plated	087763-1	1	
7	Bracket Weldment, Idle Side Blade Guide Painted	094681-1	1	
8	Screw, M10x1x40 DIN 913 A2-70 Set Stainless Steel	F81015-2	2	
9	Nut, M10x1-04-ST-A2 ISO 8675 Thin	F81033-10	2	

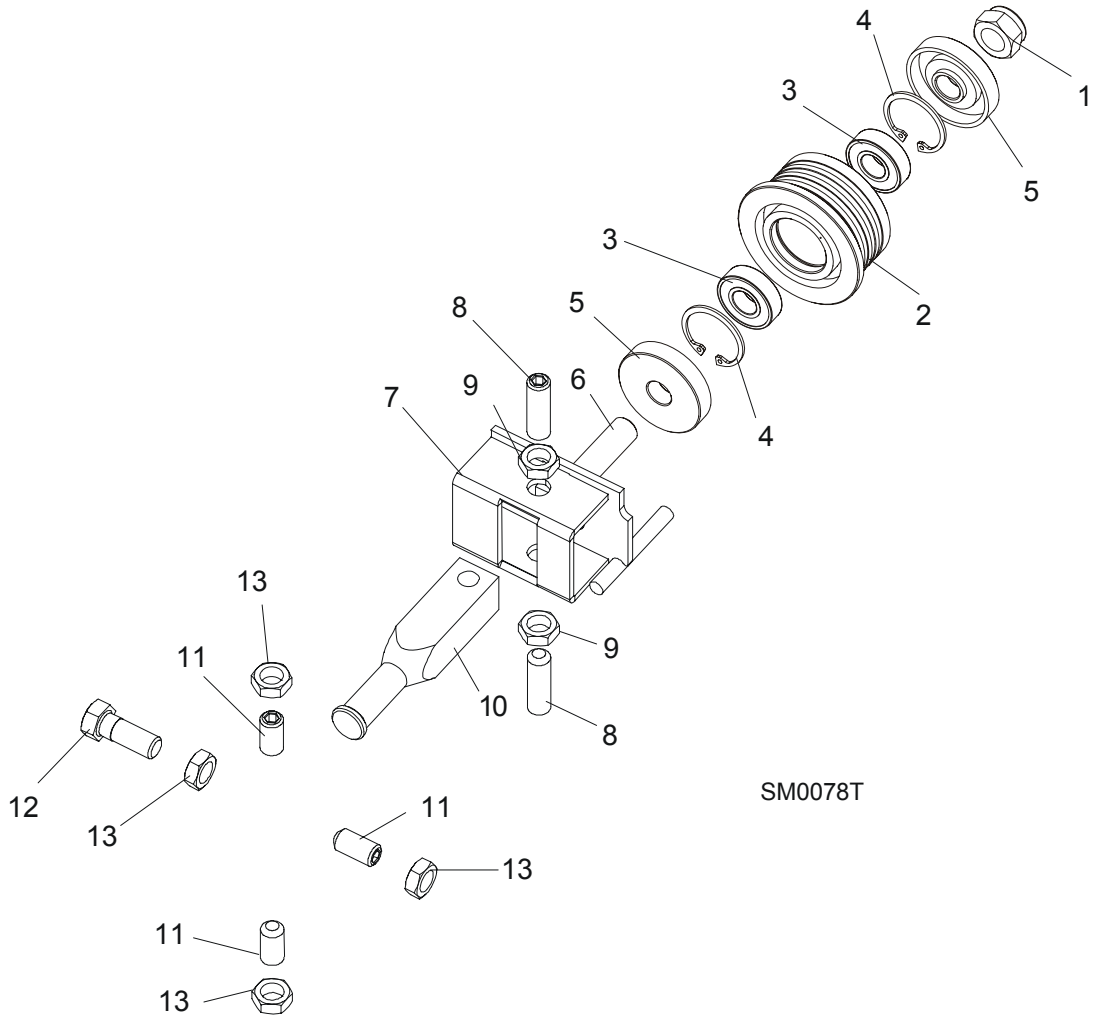
## Blade Guide Rollers & Arm

*Blade Guide Assembly, Idle Side*

3

10	Shaft, Zinc-plated Blade Guide Mount	088255-1	1	
11	<b>SCREW, M10X1X20 DIN 913 SET STAINLESS STEEL</b>	F81015-1	4	
12	<b>NUT, M10x1-04-ST-A2 ISO 8675 THIN</b>	F81033-10	4	

**3.2 Blade Guide Assembly, Drive Side**



REF	DESCRIPTION (◆ Indicates Parts Available In Assemblies Only)	PART #	QTY.	
	<b>BLADE GUIDE ASSEMBLY, DRIVE SIDE</b>	094682	1	
	Roller, Blade Guide Complete Standard	087887	1	
1	Nut, M12-8 Hex Nylon Zinc Lock	F81034-2	1	
2	Roller, Blade Guide Narrow	087889	1	◆
3	Bearing, 6001 2RSR FAG	087893	2	
4	Ring, W28 Inside Retaining	F81090-9	1	
5	Washer, Zinc-plated Spacer	087891-1	2	
6	Shaft, Blade Guide Roller Zinc-plated	087763-1	1	
7	Bracket Weldment, Blade Guide Painted	094679-1	1	
	Screw Kit, Blade Guide Adjustment w/Nuts (for two blade guide assemblies)	K09942	1	
8	Screw, M10x1x40 DIN 913 A2-70 Set Stainless Steel	F81015-2	2	
9	Nut, M10x1-04-ST-A2 ISO 8675 Thin	F81033-10	2	
10	Shaft, Zinc-plated Blade Guide Mount	088255-1	1	

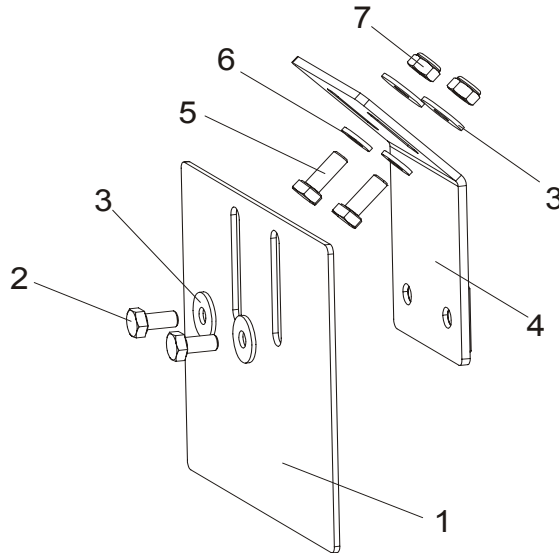


11	SCREW, M10X1X20 DIN 913 SET STAINLESS STEEL	F81015-1	3	
12	BOLT, M10X1X25 DIN 933 STAINLESS STEEL	F81003-28	1	
13	NUT, M10x1-04-ST-A2 ISO 8675 THIN	F81033-10	4	

# 3 Blade Guide Rollers & Arm

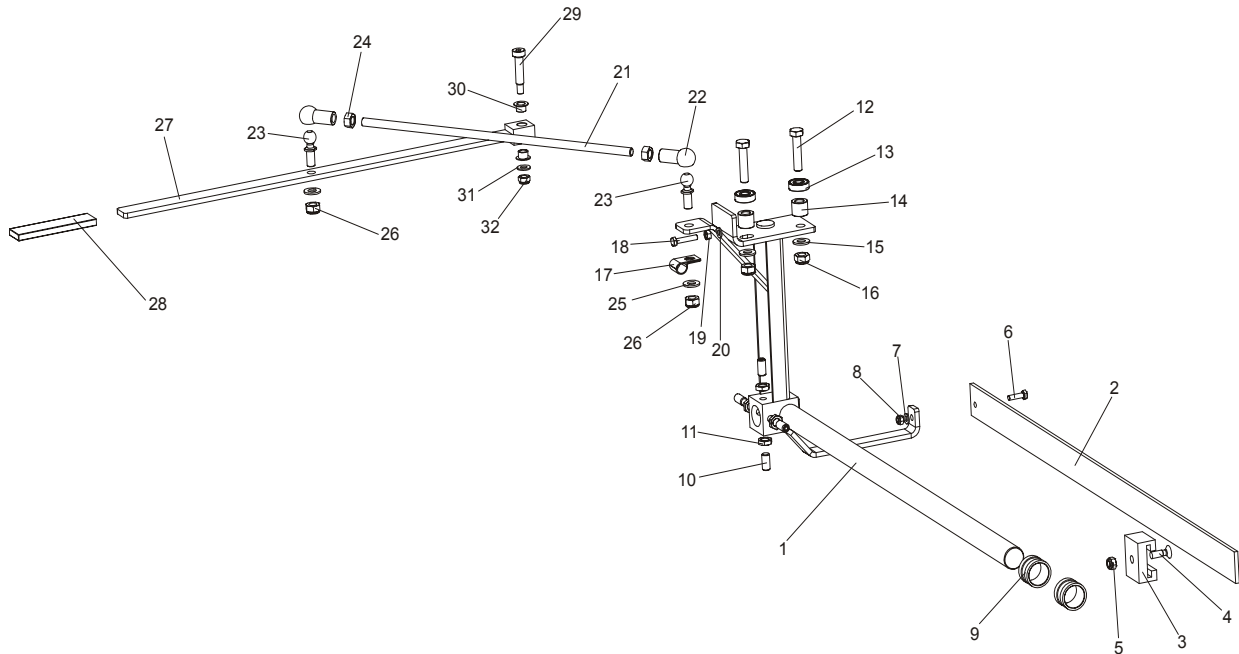
## Blade Guide Roller Guard

### 3.3 Blade Guide Roller Guard



REF	DESCRIPTION (◆ Indicates Parts Available In Assemblies Only)	PART #	QTY.
1	GUARD, BLADE GUIDE ROLLER PAINTED	092379-1	1
2	BOLT, M6X12-8.8 HEX HEAD FULL THREAD ZINC	F81001-7	2
3	WASHER, 6.5 SPECIAL FLAT ZINC	F81053-11	4
4	BRACKET, ROLLER GUARD MOUNT PAINTED	092378-1	1
5	BOLT, M6X16 8.8 HEX HEAD FULL THREAD ZINC	F81001-15	2
6	WASHER, 6.4 FLAT ZINC	F81053-1	2
7	NUT, M6-8-B HEX NYLON ZINC LOCK	F81031-2	2

### 3.4 Blade Guide Arm Assembly



REF	DESCRIPTION (◆ Indicates Parts Available In Assemblies Only)	PART #	QTY.
	<b>BLADE GUIDE ARM W/LEVER - COMPLETE</b>	094136	1
1	Arm Weldment, LT15 Blade Guide	086662	1
2	Bar, LT15 Blade Guard	088306	1
3	Guide, Blade Guard	088305	1
4	Screw, M8x25 Cross Recessed Countersunk Head Zinc	F81002-51	1
5	Nut, M8-8-B Hex Nylon Zinc Lock	F81032-2	1
6	Bolt, M6x20-8.8 Hex Head Full Thread Zinc	F81001-2	1
7	Washer, 6.4 Flat Zinc	F81053-1	1
8	Nut, M6-8-B Hex Nylon Zinc Lock	F81031-2	1
9	Bushing, LT15 Blade Guide	086684	1
10	Screw, M10x1x20 DIN913 Set Stainless Steel	F81015-1	4
11	Nut, M10x1-04-ST-A2 ISO 8675 Thin	F81033-10	4
12	Bolt, M10x45-8.8 Hex Head Full Thread Zinc	F81003-3	2
13	Bearing, 6000.2RSR FAG	087471	2
14	Bushing, Zinc-plated Spacer	094255-1	2
15	Washer, 10.5 Flat Zinc	F81055-1	2
16	Nut, M10-8-B Hex Nylon Zinc Lock	F81033-1	2
17	Clamp, 1/2" EMT Coated	P07584	1
18	Bolt, M6x30 5.8 Hex Head Full Thread	F81001-13	1
19	Nut, M6-8 Hex Zinc	F81031-1	1
20	Washer, 6.4 Flat Zinc	F81053-1	1
	Stud Bolt Assembly, Arm Lever Connection	094204	1
21	Bolt, Zinc-plated Stud	094203-1	1

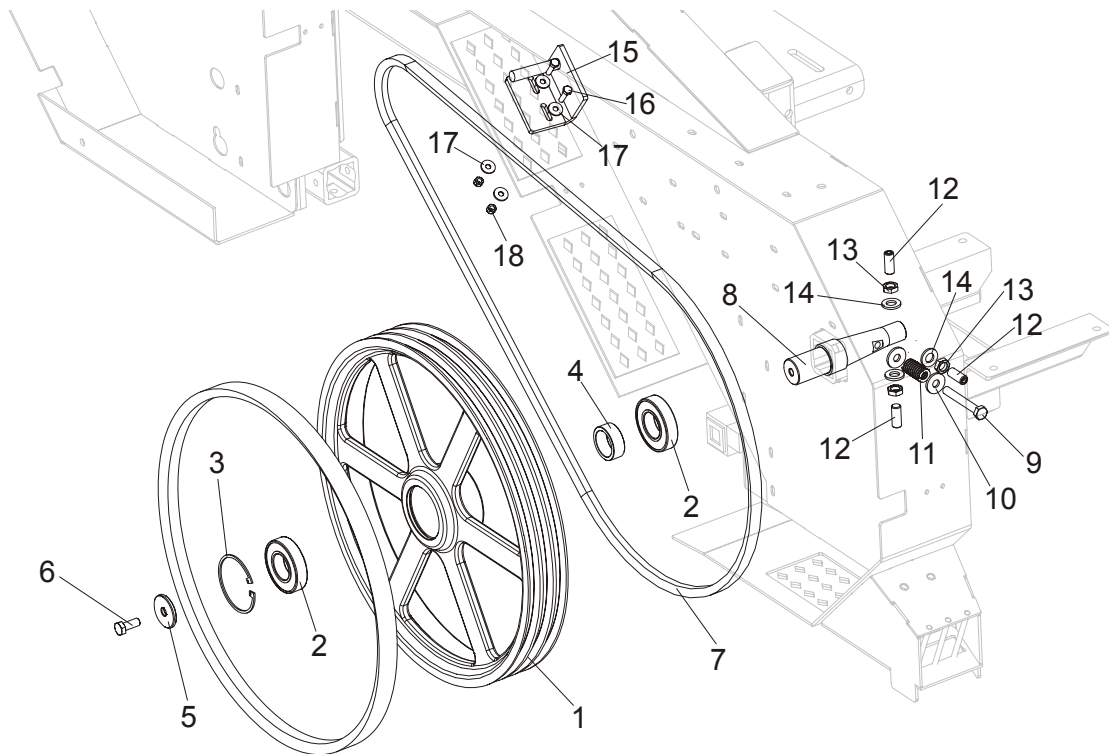
**3****Blade Guide Rollers & Arm***Blade Guide Arm Assembly*

---

22	Seat, 16 DIN71805-A BN488 Ball	093824	2	
23	Stud, 16/SW-13 DIN71803-C BN486 Ball	093823	2	
24	Nut, M10-8-B Hex Zinc	F81033-3	2	
25	Washer, 10.5 Flat Zinc	F81055-1	2	
26	Nut, M10-8-B Hex Nylon Zinc Lock	F81033-1	2	
	Lever Assembly, Blade Guide Arm Adjustment	093812	1	
27	Lever, Blade Guide Arm Adjustment Painted	093813-1	1	
28	Cover, RRWA-91626-110 Grip	086875	1	
29	Bolt, 10/M8x35 12.9 ISO7379 Shoulder	F81003-63	1	
30	Bushing, XFM-1012-09	093822	2	
31	Washer, 8.4 Flat Zinc	F81054-1	1	
32	Nut, M8-8-B Hex Nylon Zinc Lock	F81032-2	1	

## SECTION 4 BLADE WHEELS & TENSIONER

### 4.1 Blade Wheel Assembly, Drive Side

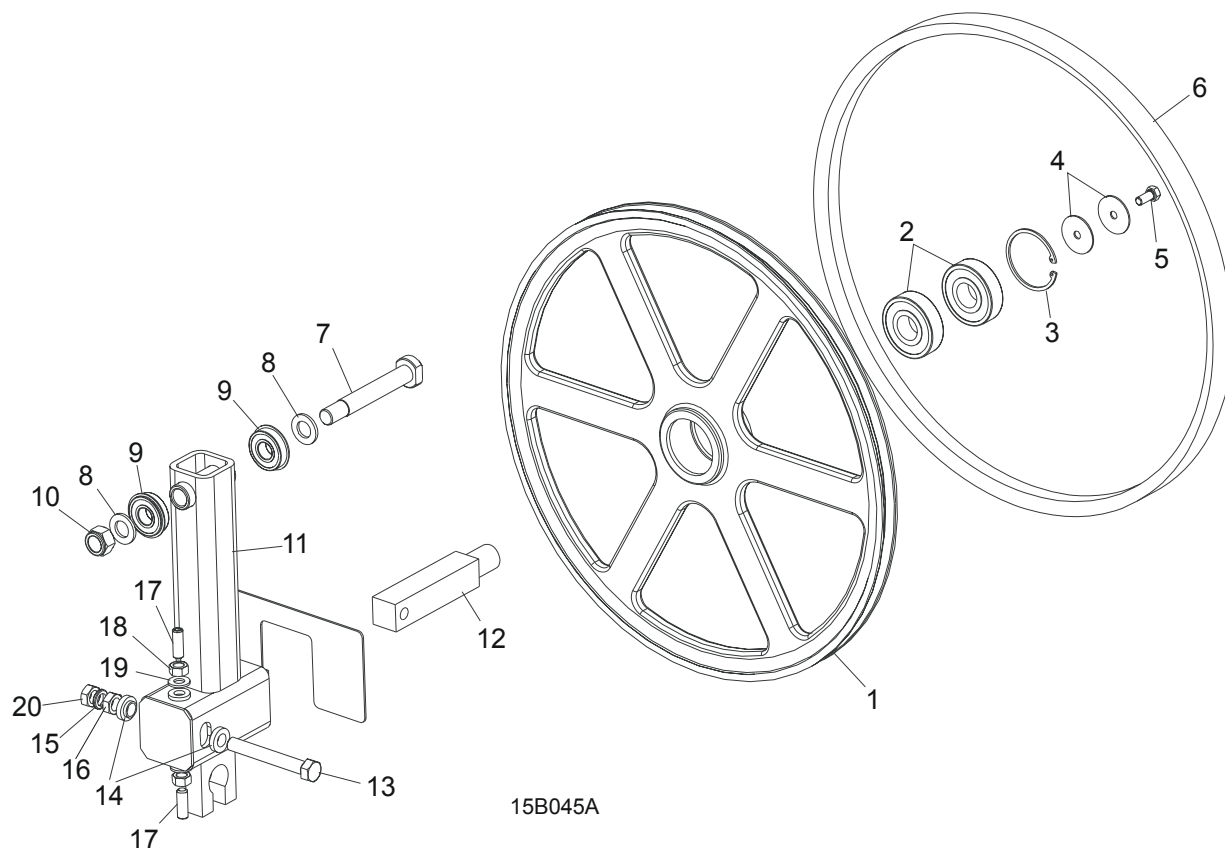


LP	OPIS (◆ wskazuje części dostępne jedynie w zespołach)	Nr części	Ilość
	<b>WHEEL ASSEMBLY, DRIVE SIDE BLADE</b>	093849	1
1	Wheel, Drive Side Blade	014727	1
2	Bearing, 6207 2RS 35x72x17 FAG	014811	2
3	Ring, 72mm OD N5002-281 Retaining	F04254-30	1
4	Spacer, Drive Bearing	093851	1
5	<b>WASHER, LT15 DRIVE SIDE BLADE WHEEL</b>	086286	1
6	<b>BOLT, M10X25-8.8 HEX HEAD FULL THREAD ZINC</b>	F81003-11	1
7	<b>BELT, G15, D10</b>	097448	1
8	<b>SHAFT, LT15 DRIVE SIDE BLADE WHEEL</b>	093850	1
9	<b>BOLT, M10X75-8.8-FE/ZN5 PN-M/82101</b>	F81003-15	1
10	<b>WASHER, 10.5 FLAT SPECIAL ZINC-PLATED</b>	F81055-6	2
11	<b>SPRING, 3/4 O.D.X 1 1/2 DIE</b>	034430	1
12	<b>SCREW, M12X1,25X30 DIN913 STAINLESS STEEL SET</b>	F81016-1	3
13	<b>NUT, M12X1,25 DIN439 STAINLESS STEEL THIN</b>	F81034-9	3
14	<b>WASHER, 13 FLAT</b>	F81056-1	3
15	<b>BRACKET, DRIVE BELT LOWER</b>	092636-1	1
16	<b>BOLT, M6X20MM, HH, FULL THREAD, ZINC</b>	F81001-2	2
17	<b>WASHER, 6.5 FLAT</b>	F81053-11	4
18	<b>NUT, M6, HEX, NYLON LOCK ZINC</b>	F81031-2	2

# 4 Blade Wheels & Tensioner

## Blade Wheel Assembly, Idle Side

### 4.2 Blade Wheel Assembly, Idle Side



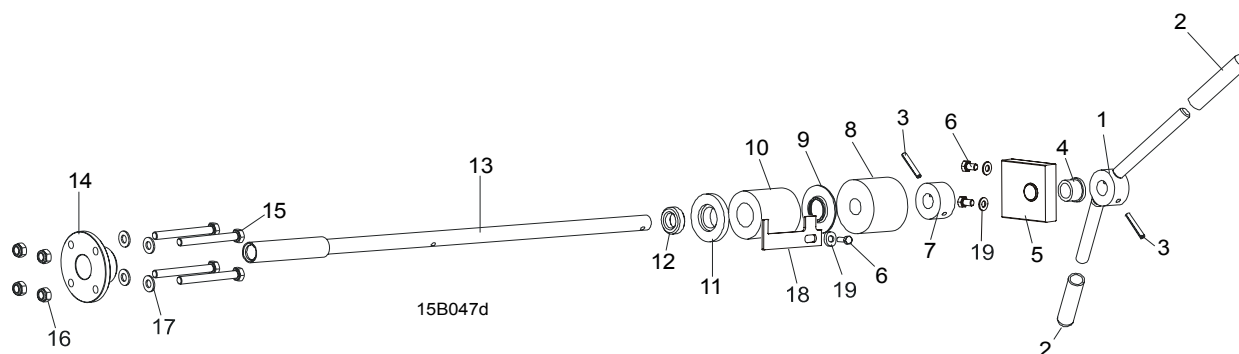
REF	DESCRIPTION (◆ Indicates Parts Available In Assemblies Only)	PART #	QTY.	
	<b>WHEEL ASSEMBLY, IDLE SIDE BLADE</b>	<b>A08218</b>	1	
1	Wheel, Idle Side Blade	P08125	1	◆
2	Bearing, 6305 2RS NSK	P08066	2	
3	Ring, 2 7/16" Internal Retaining	F04254-21	1	
4	<b>WASHER, IDLE BLADE WHEEL RETAINER</b>	S08220	1	
5	<b>BOLT, 5/16-18 X 3/4" HEX HEAD</b>	F05006-5	1	
6	<b>BELT, BLADE WHEEL B57</b>	P04185	1	
7	<b>PIN, IDLER ARM MOUNT</b>	086404	1	
8	<b>WASHER, 17 ZINC FLAT</b>	F81058-1	2	
9	<b>BEARING, 6203-2RS NR</b>	086395	2	
10	<b>NUT, M16-8 HEX NYLON ZINC LOCK</b>	F81036-2	1	
11	<b>HOUSING WELDMENT, IDLER SHAFT</b>	093857	1	
12	<b>SHAFT, IDLE WHEEL</b>	093853	1	
13	<b>BOLT, M12X1,25X100-8.8 HEX HEAD GRADE 2</b>	F81004-41	1	
14	<b>SPACER, FLANGED</b>	086769-1	2	
15	<b>WASHER, Z12.2 SPLIT ZINC LOCK</b>	F81056-2	1	

16	NUT,M12X1,25 -8 ZINC-PLATED	F81034-8	2	
17	SCREW, M10X40-45H HEX SOCKET SET W/CONE POINT ZINC	F81003-61	2	
18	NUT, M10-8-B ZINC HEX	F81033-3	2	
19	WASHER, 10.5 FLAT ZINC	F81055-1	2	
20	NUT M12X1,25 8.8	F81034-5	1	

# 4 Blade Wheels & Tensioner

## Blade Tensioner Assembly

### 4.3 Blade Tensioner Assembly

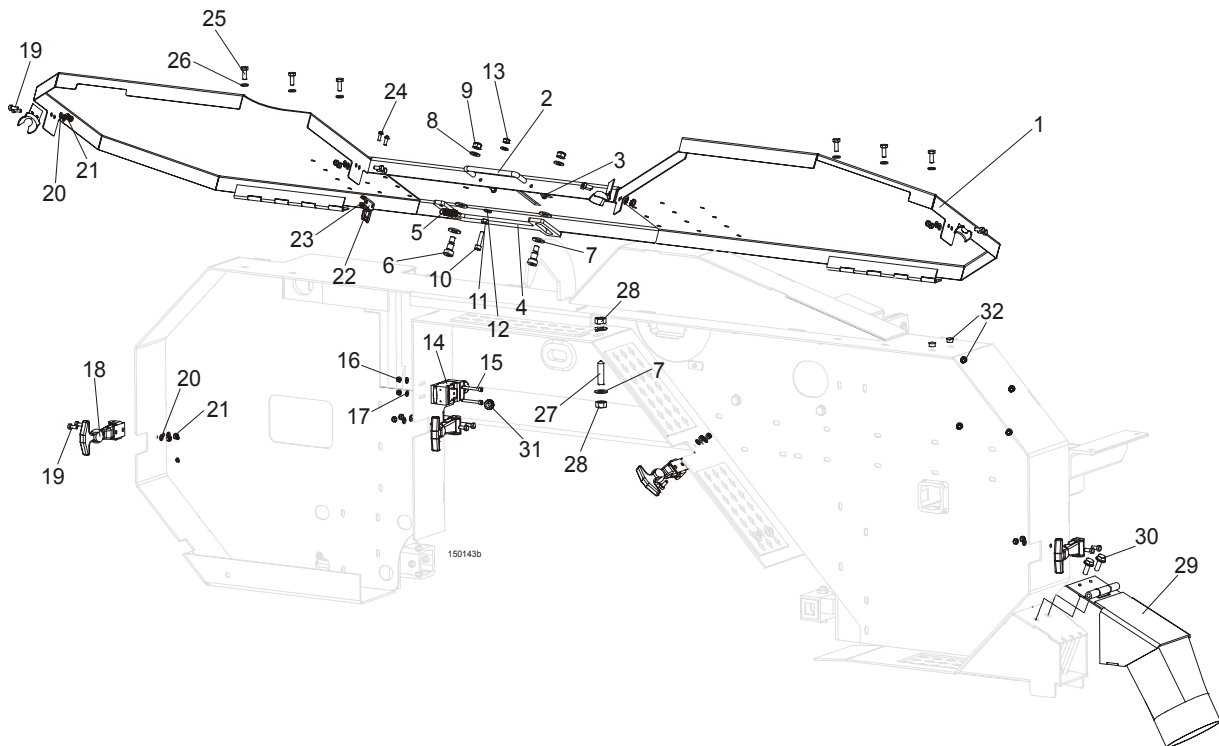


REF	DESCRIPTION (◆ Indicates Parts Available In Assemblies Only)	PART #	QTY.
	<b>BLADE TENSIONER ASSEMBLY, LT15</b>	<b>086680</b>	1
1	Handle, Blade Tension Zinc-Plated	086677-1	1
2	Grip, 1/2" I.D. x 3" Long Handle	014835	2
3	Pin, 5 x 30 Roll Zinc	F81044-21	2
4	Bracket, Tension Handle Mount w/Bushing	096729	1
5	Bracket, Painted	096730	1
6	Bolt, M6x16 8.8 Hex Head Full Thread Zinc	F81001-15	3
7	Nut, M6-8-B Hex Nylon Zinc Lock	F81031-2	2
8	Collar, Blade Tensioner	086712-1	1
9	Bushing, Rubber Stop	P12165	1
10	Guide, LT15 Tension Handle	014925	1
11	Spring, Rubber Blade Tensioner	014828	1
12	Washer, Rubber Spring Front	086674-1	1
13	Bearing, 51103 FLT Ball Thrust	086675	1
14	Shaft Weldment, Blade Tensioner Zinc-Plated	086669-1	1
15	Nut, Blade Tensioner	086672-1	1
16	Bolt, M8x70 8.8 Hex Head Zinc	F81002-71	4
17	Nut, M8-8-B Hex Nylon Zinc Lock	F81032-2	4
18	Washer, 8.4 Flat Zinc	F81054-1	8
19	<b>INDICATOR, LT15 BLADE TENSION ZINC-PLATED</b>	086783-1	1
20	<b>WASHER, 6.4 FLAT ZINC</b>	F81053-1	5



## SECTION 5 SAW HEAD

### 5.1 Blade Housing Cover



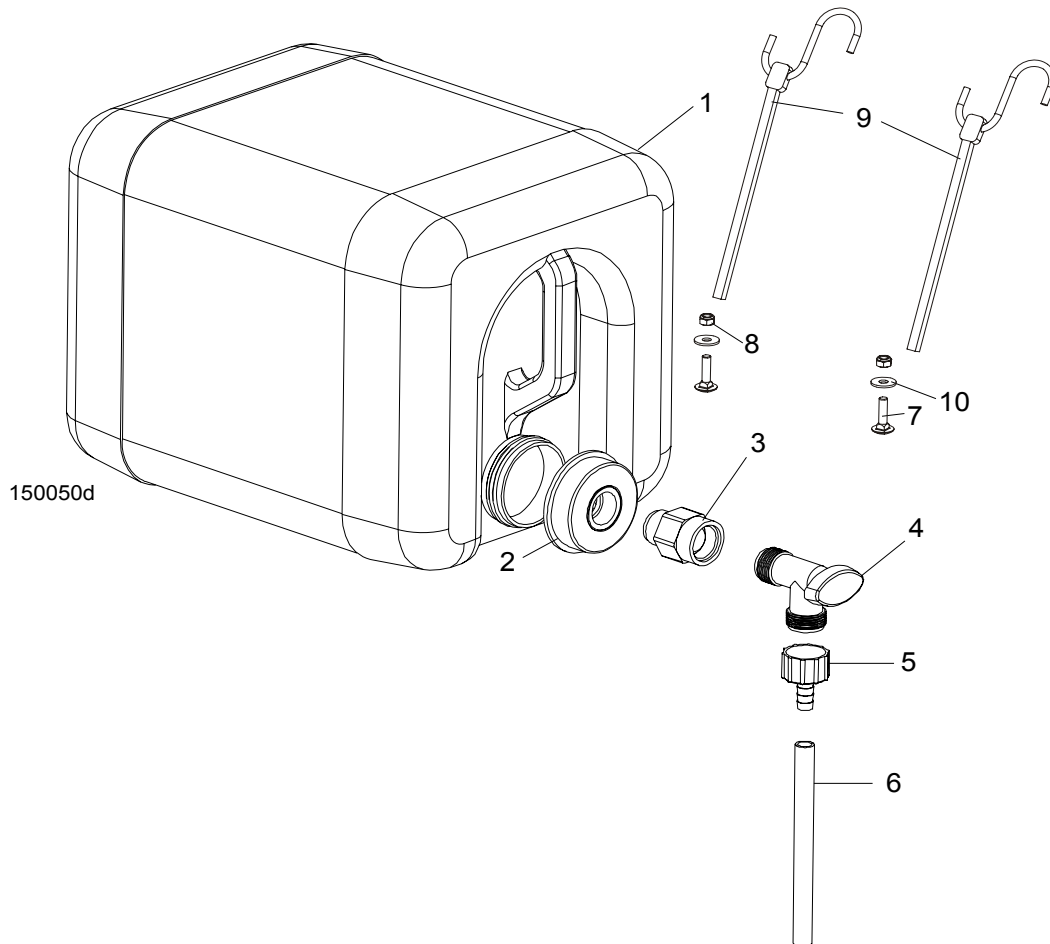
REF	DESCRIPTION (◆ Indicates Parts Available In Assemblies Only)	PART #	QTY.
1	COVER WELDMENT, BLADE HOUSING PAINTED	090633-1	1
2	HANDLE W/BOLT	P08065	1
3	SCREW, #8-32X3/8 SELF-TAPPING	F05015-8	2
4	PAWL, LOCKING PAINTED	090643-1	1
5	SPRING, 1.6X12X38 EXTENSION	092208	1
6	BOLT, 10/M8X12-12.9 ISO-7379 SHOULDER	F81003-62	2
7	WASHER, 10.5 FLAT ZINC	F81055-1	4
8	WASHER, 8.4 FLAT ZINC	F81054-1	2
9	NUT, M8-8-B HEX NYLON ZINC LOCK	F81032-2	2
10	SCREW, M6X25-8.8 HEX SOCKET HEAD CAP ZINC	F81001-41	1
11	NUT, M6-8 HEX ZINC	F81031-1	1
12	WASHER, 6.4 FLAT ZINC	F81053-1	2
13	NUT, M6-8-B HEX NYLON ZINC LOCK	F81031-2	1
14	SWITCH, AZ17-11ZRK SAFETY	094232	1
15	SCREW, M4X35-8.8 HEX SOCKET HEAD CAP ZINC	F81011-34	2

# 5 Saw Head

## Blade Housing Cover

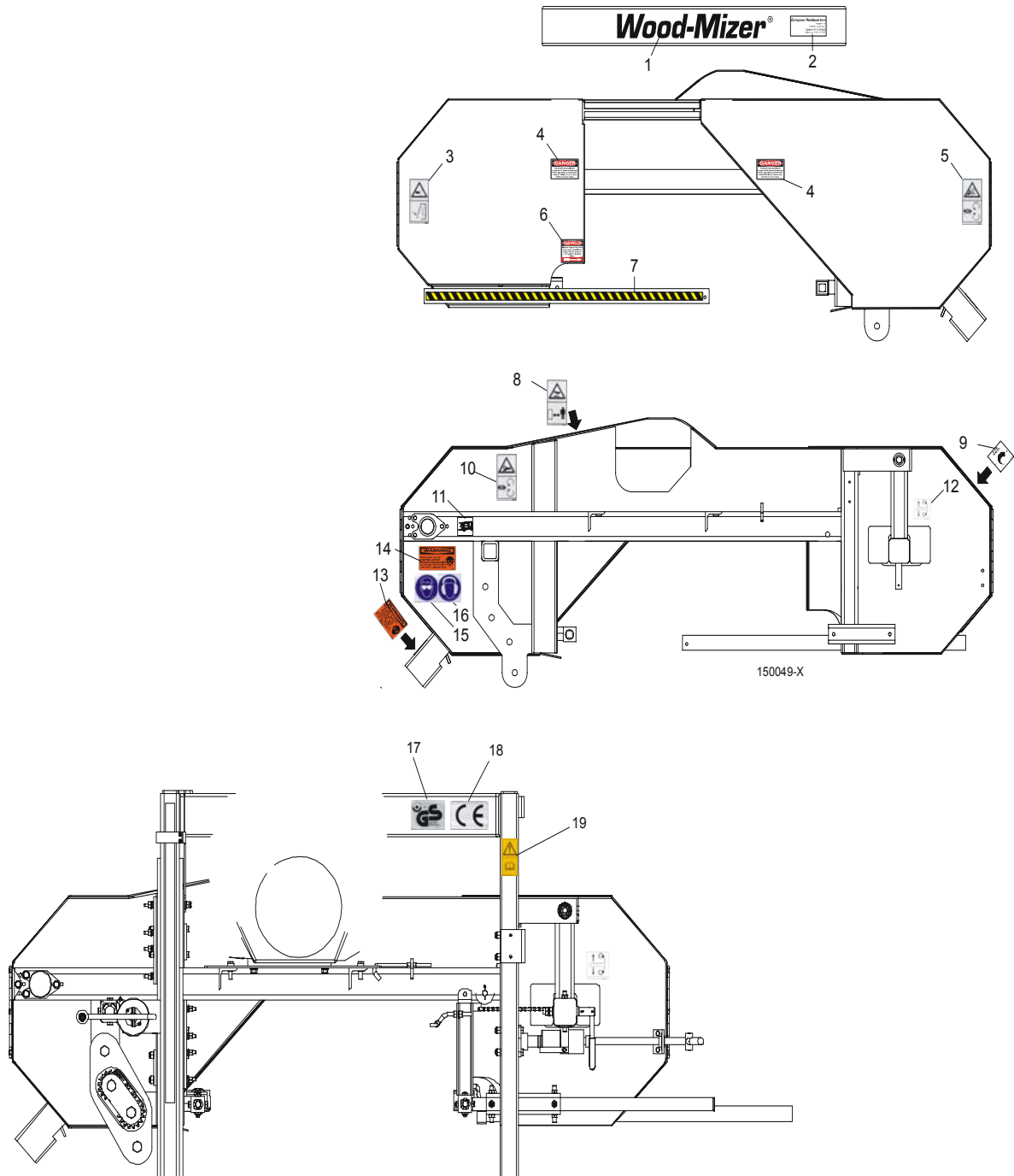
16	NUT, M4-B HEX NYLON ZINC LOCK	F81029-1	2	
17	WASHER, 4.3 FLAT ZINC	F81051-2	2	
18	LATCH, FLEXIBLE DRAW	014829	4	
19	BOLT, M5X12-5.8 HEX HEAD FULL THREAD ZINC	F81000-5	8	
20	WASHER, 5.3 FLAT ZINC	F81052-1	8	
21	NUT, M5-8 DIN 985 ZINC-PLATED	F81030-2	8	
22	KEY, A217/170-B5 SAFETY SWITCH	094422	1	
23	NUT, M4-B HEX NYLON ZINC LOCK	F81029-1	2	
24	SCREW, M4X12-5.8-B CROSS RECESSED PAN HEAD ZINC	F81011-43	2	
25	BOLT, M6X16 8.8 HEX HEAD FULL THREAD ZINC	F81001-15	6	
26	WASHER, 6.4 FLAT ZINC	F81053-1	6	
27	SCREW, M10X40-45H HEX SOCKET SET CONE POINT ZINC	F81003-61	1	
28	NUT, M10-8-B HEX ZINC	F81033-3	2	
29	CHUTE, SAWDUST	092460-1	1	
30	BOLT, M8X16-8.8-B HEX HEAD FULL THREAD ZINC	F81002-20	2	
31	GROMMET, 22mm DIA. RUBBER	087400	1	
32	PLUG, SR1086-9,5	096846	6	

## 5.2 Water Lube Assembly



REF	DESCRIPTION (◆ Indicates Parts Available In Assemblies Only)	PART #	QTY.
1	Bottle, 5-gallon Water	014637	1
2	Cap, Water Lube Bottle	014773	1
3	Fitting, 3/4FPT x 3/4MPT Reducer	014636	1
4	Fitting, Water Lube Shutoff Valve	014100	1
5	Fitting, 5/8" NPT to 3/8" Hose Barb	014113	1
6	Tube, 3/8" I.D. Water Lube	R01885	1,7 m
7	Bolt, M6x25-8.8 Mushroom Head Square Neck Zinc	F81001-20	2
8	Nut, M6-8-B Hex Nylon Zinc Lock	F81031-2	2
9	Strap, 24" Rubber w/Hook	P11258	2
10	Washer, 6.5 Special Flat Zinc	F81053-11	2

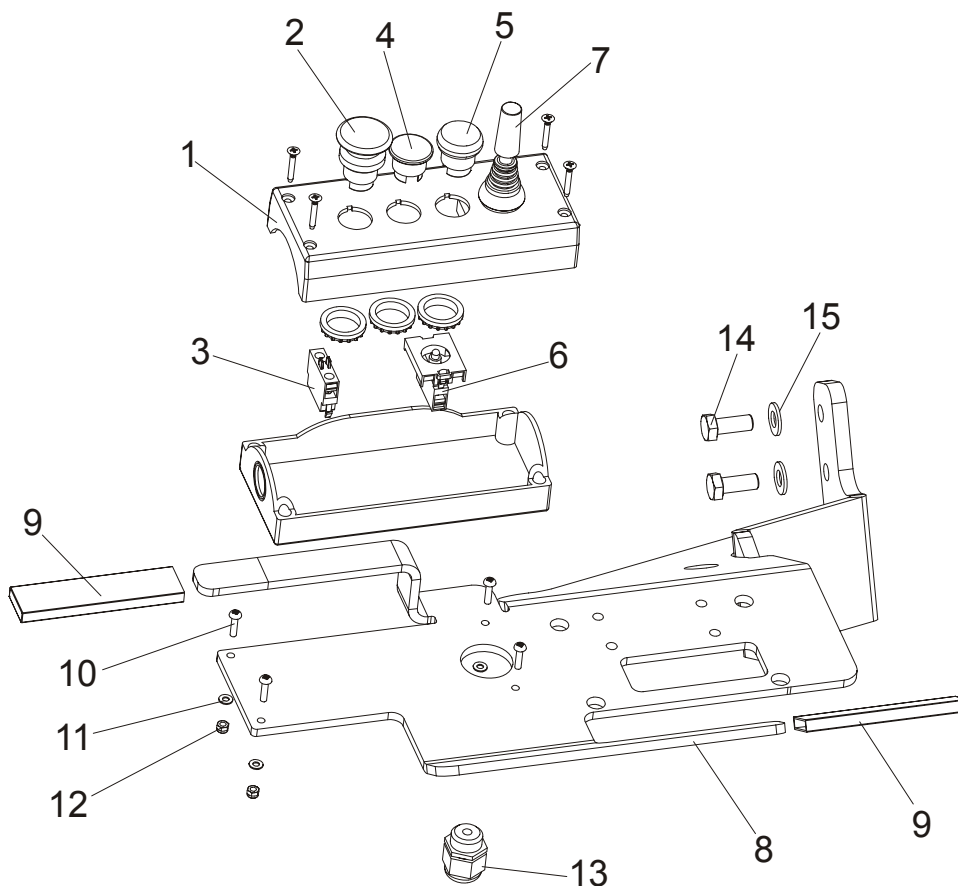
### 5.3 Saw Head Decals



REF	DESCRIPTION (◆ Indicates Parts Available In Assemblies Only)	PART #	QTY.
1	DECAL, WOOD-MIZER LOGO	S12281	1

2	DECAL, EUROPEAN HEADQUARTERS ADDRESS	015841	1	
3	DECAL, SHUT BLADE COVERS	086097	1	
4	DECAL, BLADE COVER DANGER	S20039	2	
5	DECAL, ROTATING ENGINE PARTS DANGER	086098	1	
6	DECAL, BLADE DANGER W/ARROW	S11752	1	
7	DECAL, BLADE GUIDE ARM STRIPES	015849	1	
8	DECAL, KEEP AWAY - HOT PARTS	086099	1	
9	DECAL, BLADE TENSION INFO	P11790	1	
10	DECAL, BLADE MOVEMENT WARNING	086096	1	
11	DECAL, BLADE GUIDE ADJUSTMENT	086093	1	
12	DECAL, BLADE ALIGNMENT INFO	P11789	1	
13	DECAL, SAWDUST CHUTE WARNING	P11754	1	
14	DECAL, EYE/EAR PROTECTION WARNING	S11753	1	
15	DECAL, EYE PROTECTION WARNING	S12004G	1	
16	DECAL, EAR PROTECION WARNING	S12005G	1	
17	DECAL, GS SAFETY CERTIFICATION, SMALL	P85072	1	
18	DECAL, CE CERTIFIED SAWMILL, SMALL	P85070	1	
19	DECAL, READ MANUALS BEFORE OPERATING THE MACHINE	086095	1	
	DECAL, POWED FEED & UP/DOWN SYSTEMS ENGAGEMENT (NOT SHOWN)	086094	1	
	DECAL, LT15 CENTIMETER SCALE (NOT SHOWN)	086142	1	
	DECAL, POWER FEED & UP/DOWN SYSTEMS EGAGEMENT (NOT SHOWN)	086094	1	

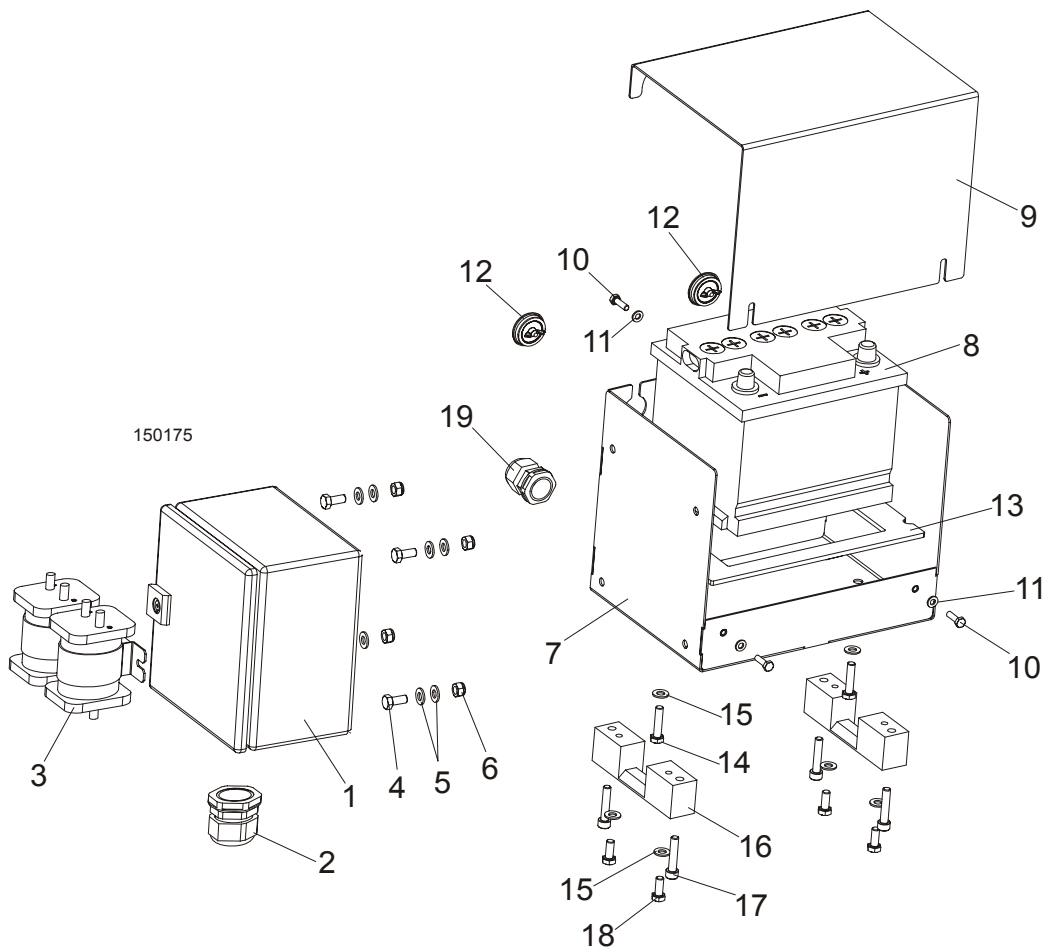
### 5.4 Control Panel, LT15 DC



REF	DESCRIPTION (◆ Indicates Parts Available In Assemblies Only)	PART #	QTY.
	<b>CONTROL PANEL, LT15 G13, G15, D10 COMPLETE</b>	095304	1
	Control Panel, LT15 G13, G15, D10 COMPLETE	095330	1
1	Housing, Control Panel	094259	1
2	Button, M22 DO Momentary Mushroom Red	094328	1
3	Element, M22-KC10 Contact	094314	1
4	Cap, M22-B ( 216388)	093748	1
5	Button	095331	1
6	Control Light M22 White-LED 24V	090448	2
7	Joystick	095332	1
8	Bracket, Control Panel Ptd	094233-1	1
9	Cover, LT15 Grip Log Clamp	086875	2
10	Screw, M4x16 5,8-B Fe/Zn5	F81011-42	4
11	Washer 4,3 Fe/Zn5	F81051-2	4
12	Nut, M4-B Fe/Zn5	F81029-1	2

<b>13</b>	Connector, DP 13/H	F81096-4	1	
<b>14</b>	Washer, Flat, M10, Zinc	F81055-1	2	
<b>15</b>	Bolt, M10-1.5x25mm HH Gr8.8	F81003-11	2	

### 5.5 Electric & Battery Box, LT15 DC



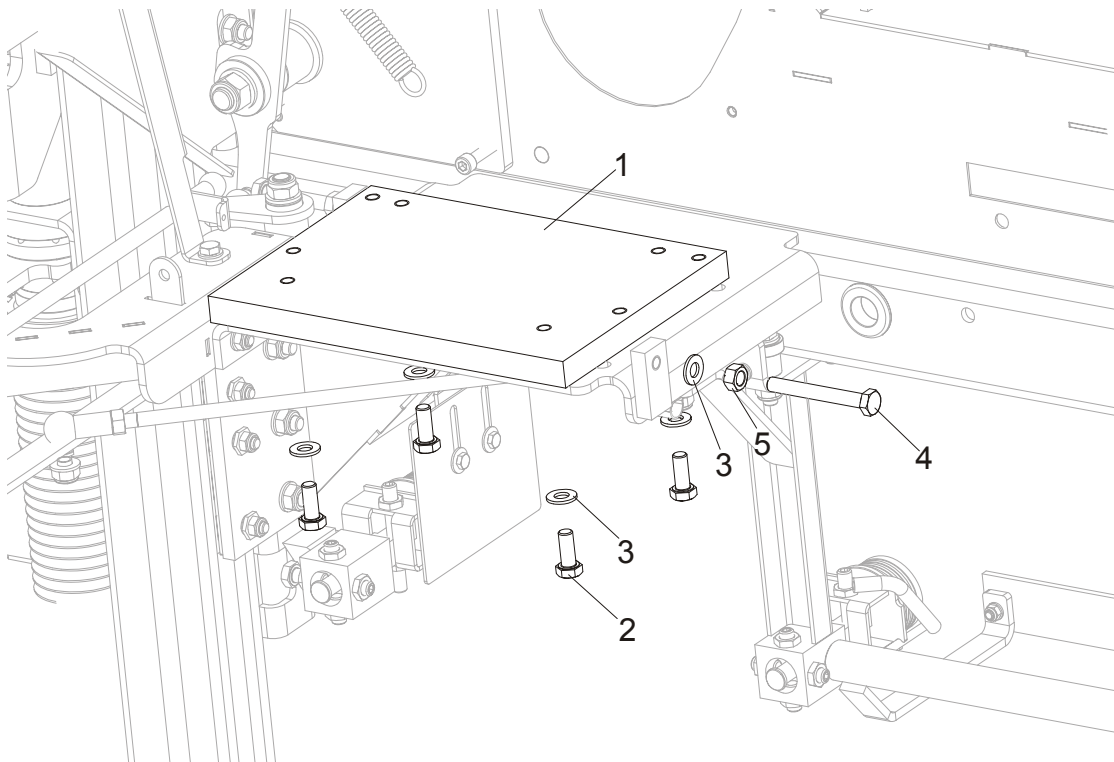
REF	DESCRIPTION (◆ Indicates Parts Available In Assemblies Only)	PART #	QTY.
	<b>ELECTRIC BOX, LT15 DC COMPLETE</b>	097450	1
1	Electric Box, LT15 DC	095337	1
2	Connector, PG29	F81096-1	1
3	Solenoid, 200A 12V DPST	015417	2
4	Bolt, M8x16-8.8-B-Fe/Zn5	F81002-20	4
5	Washer, M8, Flat, Zinc	F81054-1	8
6	Nut, M8, Hexagon, Nylon Lock Zinc	F81032-2	4
	<b>BATTERY BOX, LT15 DC, 36Ah COMPLETE</b>	095251	1
7	Battery Box	091377-1	1
8	Battery, 12V, 36Ah	091775	1
9	Cover, Battery Box	091382-1	1
10	Bolt, M6x20mm, HH, Full Thread, Zinc	F81001-2	3



<b>11</b>	Washer, M6, Flat, Zinc	F81053-1	3	
<b>12</b>	Plug, ASO75 Oiltite	E20570	2	
<b>13</b>	Clamp, Battery	091381-1	1	
<b>14</b>	Bolt, 8mm x 1.25x35mm HH Zinc	F81002-13	2	
<b>15</b>	Washer, M8, Flat, Zinc	F81054-1	6	
<b>16</b>	Block, Battery	095295	2	
<b>17</b>	Bolt, M8x40 -8.8- Fe/Zn5 Socket Head	F81002-29	4	
<b>18</b>	Bolt, M8x20mm, Hex Head, Gr 5.8 Zinc	F81002-4	4	
<b>19</b>	Connector, DP 21/H	F81096-3	1	

**5** Saw Head  
*D10 & G15 Engine Mounting Plate*

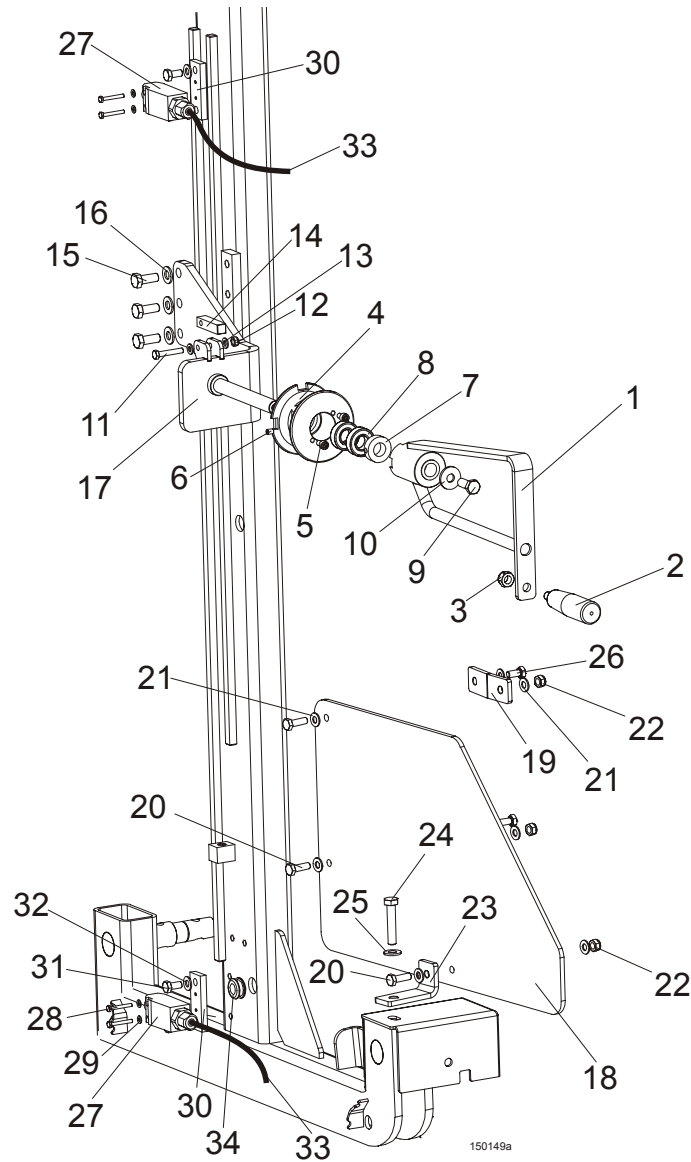
**5.6 D10 & G15 Engine Mounting Plate**



REF	DESCRIPTION (◆ Indicates Parts Available In Assemblies Only)	PART #	QTY.
1	PLATE, D10, G13, G15 MOTOR MOUNT	095294	1
2	BOLT, M10-1.5X25MM HH GR8.8	F81003-11	4
3	WASHER, FLAT, M10, ZINC	F81055-1	5
4	BOLT, M10X80-8.8- ZINC	F81003-76	1
5	NUT, M10-8-B-ZINC	F81033-3	1

## SECTION 6 FEED SYSTEM

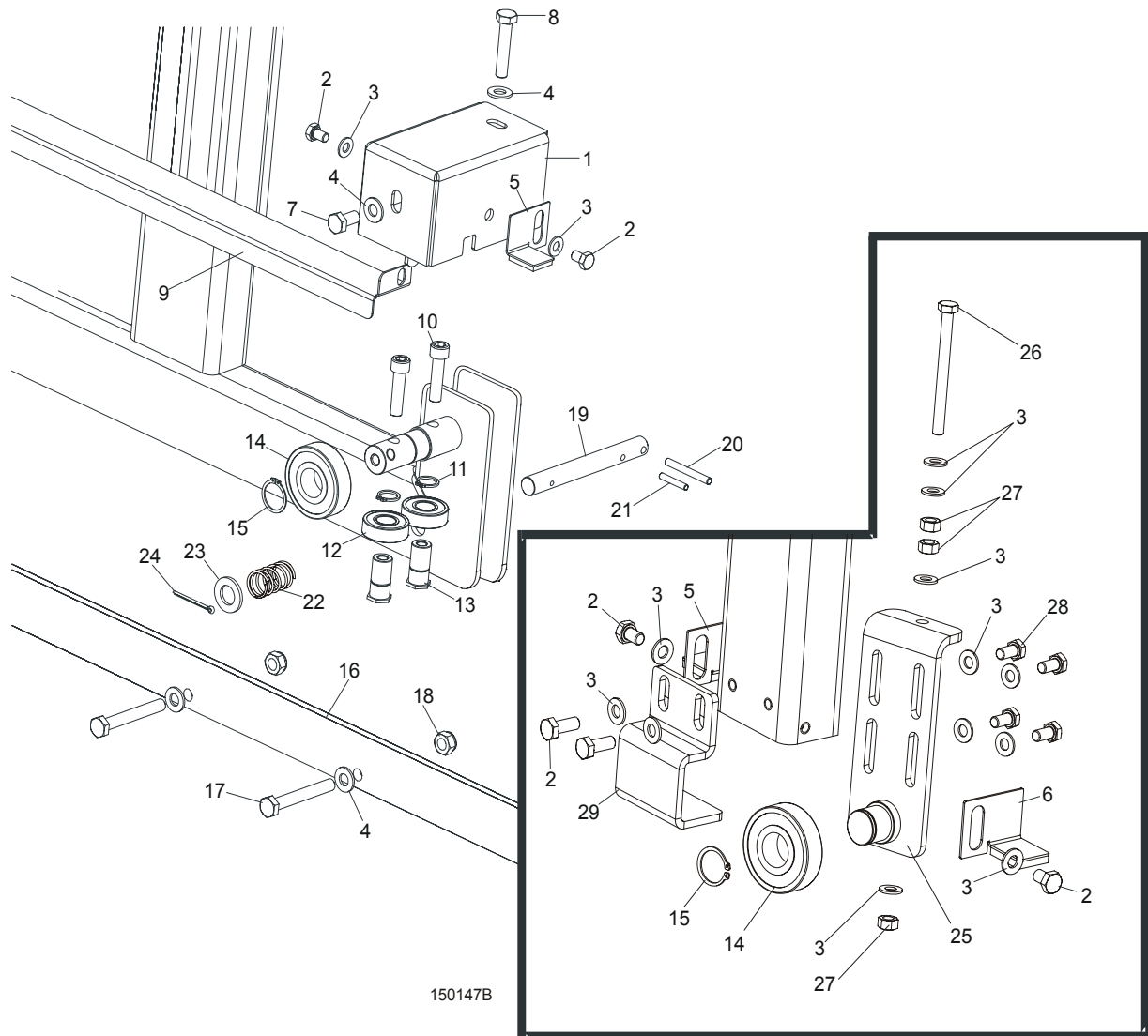
### 6.1 Feed Crank Assembly



REF	DESCRIPTION (◆ Indicates Parts Available In Assemblies Only)	PART #	QTY.
	<b>MANUAL FEED SYSTEM</b>	094186	1
	Feed Crank Assembly	094260	1
1	Crank Weldment, Feed Painted	094191-1	1
2	Knob, 12992M10 Plastic Crank Handle	086338	1
3	Nut, M10-8-B Hex Nylon Zinc Lock	F81033-1	1
4	Pulley, LT15 Feed Rope	086117	1
5	Screw, M6x10-8.8 Hex Socket Head Cap Zinc	F81001-12	2
6	Screw, M6x8 Hex Socket Set Cone Point Zinc	F81013-1	1
7	Ring, 17 Stopping Light Type Zinc-plated	F81039-1	1

8	Bearing, 6003-2RS FAG Rolling	086116	2	
9	Bolt, M10x25-8.8 Hex Head Full Thread Zinc	F81003-11	1	
10	Washer, 10.5 Special Flat Zinc	F81055-6	1	
11	Bolt, M6x35 8.8 Hex Head Zinc	F81001-71	1	
12	Nut, M6-8-B Hex Nylon Zinc Lock	F81031-2	1	
13	Washer, 6.4 Flat Zinc	F81053-1	2	
14	Pawl, LT15 Detent Zinc-plated	086156-1	1	
15	Bolt, M10x25-8.8 Hex Head Full Thread Zinc	F81003-11	3	
16	Washer, 10.5 Flat Zinc	F81055-1	3	
17	Bracket Weldment, Feed Rope Pulley Painted	094187-1	1	
	<b>GUARD, LT15 COMPLETE LOWER</b>	093858	1	
18	Plate, LT15 Lower Guard	093859	1	
19	Bracket, Side Painted	086171-1	2	
20	Bolt, M8x25-8.8-B Hex Head Full Thread Zinc	F81002-5	3	
21	Washer, 8.4 Flat Zinc	F81054-1	6	
22	Nut, M8-8-B Hex Nylon Zinc Lock	F81032-2	3	
23	Bracket, Lower Painted	086172-1	1	
24	<b>BOLT, M10X50-8.8 HEX HEAD FULL THREAD ZINC</b>	F81003-4	1	
25	<b>WASHER, 10.5 FLAT ZINC</b>	F81055-1	1	
26	<b>BOLT, M8X16-8.8-B HEX HEAD FULL THREAD ZINC</b>	F81002-20	1	
	<b>EVN2000C LIMIT SWITCH W/MOUNT PLATE</b>	094227	2	
27	Switch, EVN2000 C Limit	089816	1	
28	Bolt, M4x30 8.8 Hex Head Full Thread Zinc	F81011-5	2	
29	Washer, 4.3 Flat Zinc	F81051-2	2	
30	Plate, Limit Switch Mount Painted	094228-1	1	
31	Bolt, M8x16 -8.8-B Hex Head Full Thread Zinc	F81002-20	2	
32	Washer, 8.4 Flat Zinc	F81054-1	2	
33	Cable, OLFLEX 400P 2x1	R80583-5	3m	
34	<b>GROMMET, 20/13 RUBBER</b>	086188	1	

## 6.2 Track Rail, Rollers & Travel Pins



150147B

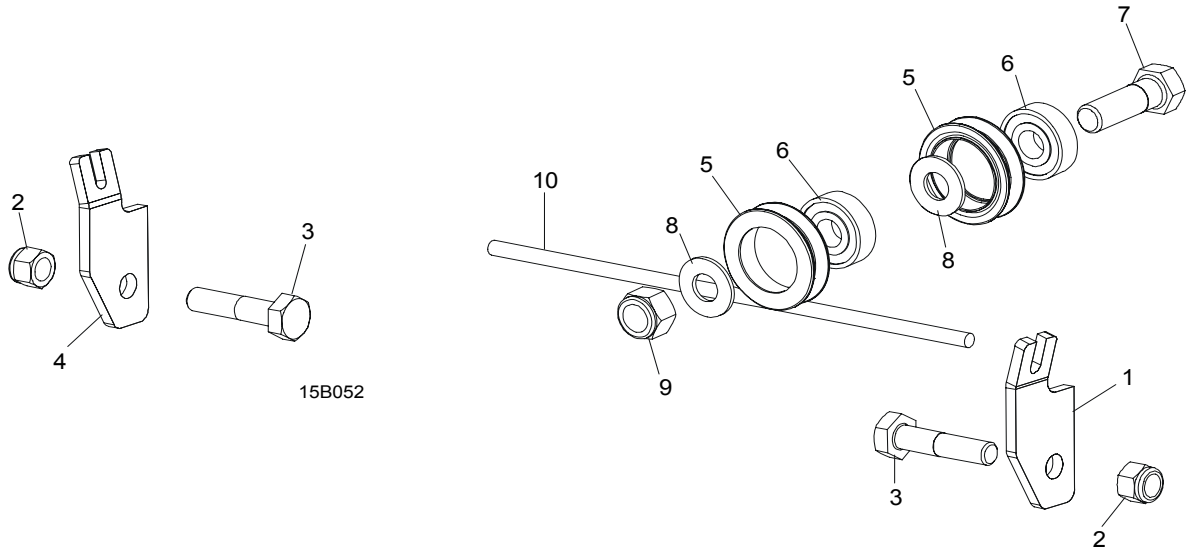
REF	DESCRIPTION (◆ Indicates Parts Available In Assemblies Only)	PART #	QTY.
1	HOUSING, TRACK ROLLER PAINTED	086739-1	2
2	BOLT, M8X12-8.8 HEX HEAD FULL THREAD ZINC	F81002-6	8
3	WASHER, 8.4 FLAT ZINC	F81054-1	16
4	WASHER, 10.5 FLAT ZINC	F81055-1	13
5	PLATE, LT15 RIGHT TRACK WIPER PAINTED	086324-1	2
6	PLATE, LT15 LEFT TRACK WIPER PAINTED	086325-1	2
7	BOLT, M10 X 20 5.8 HEX HEAD FULL THREAD ZINC	F81003-1	2
8	BOLT, M10X50-8.8 HEX HEAD FULL THREAD ZINC	F81003-4	2
9	COVER, MIDDLE TRACK	086745	1
10	SCREW, M10X40 HEX SOCKET HEAD CAP ZINC	F81003-22	4

11	RING, Z 17 OUTSIDE RETAINING	F81090-21	4	
12	BEARING, 6203-2RS ROLLING	086114	4	
13	SHAFT, SIDE BEARING MOUNT ZINC-PLATED	086645-1	4	
14	BEARING, 6305-2RS CX	085706	3	
15	RING, 25Z OUTSIDE RETAINING	F81090-22	2	
16	RAIL, LT15 1950 (LT15S3) TRACK ZINC-PLATED	094427-1	3	
	RAIL, LT15 2700 (LT15M2) TRACK ZINC-PLATED	094696-1	2	
17	BOLT, M10X75-8.8 HEX HEAD ZINC	F81003-15	9/13 <sup>1</sup>	
18	NUT, M10-8-B HEX NYLON ZINC LOCK	F81033-1	9/13 <sup>2</sup>	
19	PIN, TRAVEL LOCK ZINC-PLATED	086743-1	2	
20	PIN, 6X50 ROLL ZINC	F81045-1	2	
21	PIN, 5 X 30 ROLL ZINC	F81044-21	2	
22	SPRING, 18X37X1.8 COMPRESSION ZINC-PLATED	087301	2	
23	WASHER, 17 FLAT ZINC	F81058-1	2	
24	PIN, 4 X 25 COTTER ZINC	F81043-2	2	
25	BRACKET WELDMENT, IDLE SIDE ROLLER PAINTED	094198-1	1	
26	BOLT, M8X90-8.8 HEX HEAD FULL THREAD ZINC	F81002-16	1	
27	NUT, M8-8-B HEX ZINC	F81032-1	3	
28	BOLT, M8X16-8.8-B HEX HEAD FULL THREAD ZINC	F81002-20	4	
29	GUIDE, LT15 MAST IDLE SIDE PAINTED	086202-1	1	

<sup>1</sup> Number of bolts for one bed section.

<sup>2</sup> Number of nuts for one bed section.

### 6.3 Feed Rope, Lower Pulleys & Brackets

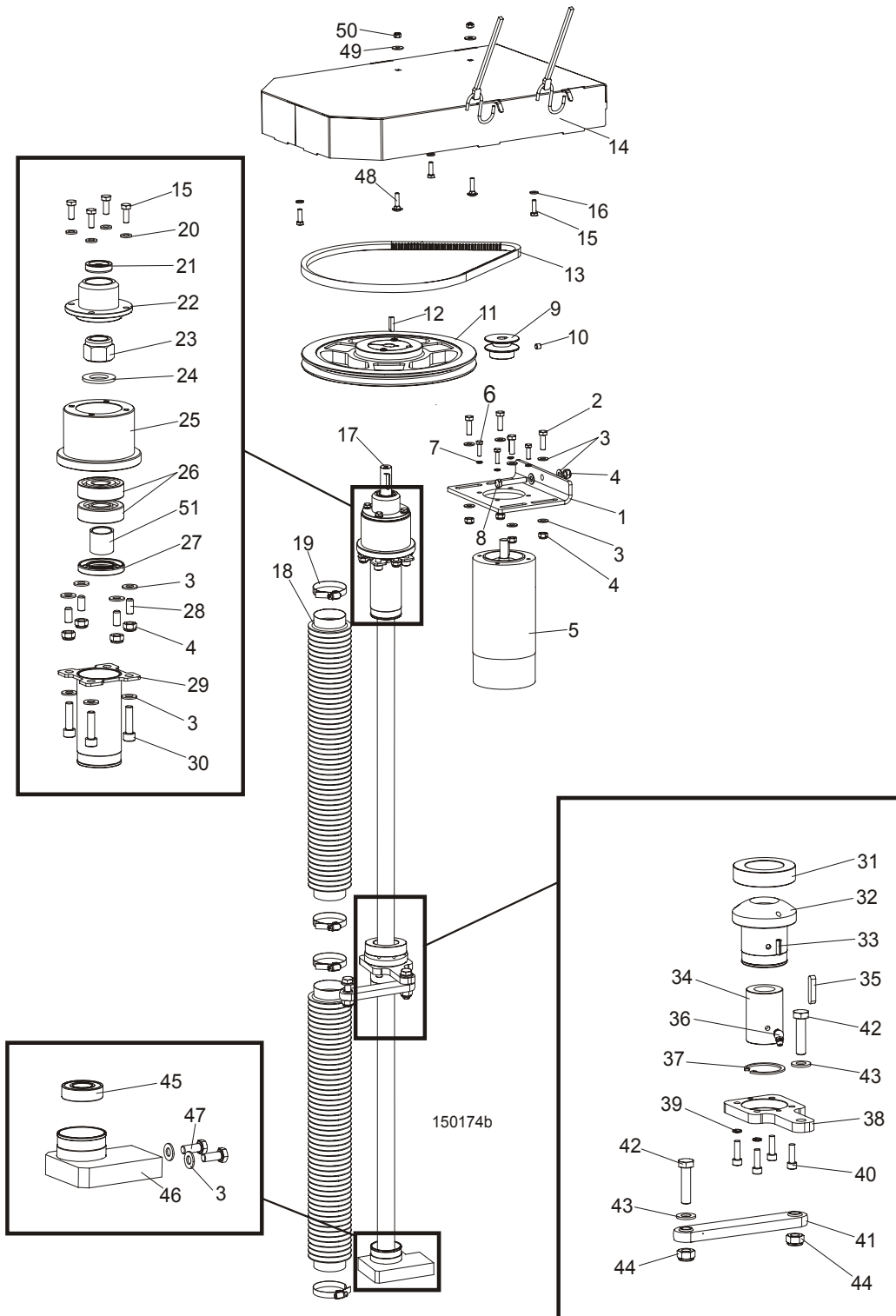


REF	DESCRIPTION (◆ Indicates Parts Available In Assemblies Only)	PART #	QTY.	
1	BRACKET, FRONT ROPE MOUNT	092569-1	1	
2	NUT, M12-8 HEX NYLON ZINC LOCK	F81034-2	2	
3	BOLT, M12X40-8.8 HEX HEAD FULL THREAD ZINC	F81004-4	2	
4	BRACKET, REAR ROPE MOUNT	092570-1	1	
	ROLLER ASSEMBLY, V-GROOVE W/BEARING	093855	2	
5	Roller, V-Groove	093856-1	1	◆
6	Bearing, 6203 2RS 5/8 CX	095087	1	
7	BOLT, M16X60 8.8 HEX HEAD FULL THREAD ZINC	F81006-12	1	
8	WASHER, 17 FLAT ZINC	F81058-1	2	
9	NUT, M16-8 HEX NYLON ZINC LOCK	F81036-2	1	
10	ROPE, 5/16" DIA. BRAIDED POLYESTER	R02080	9 m <sup>1</sup>	

<sup>1</sup> Used when sawmill is equipped with three-segment bed. When it is equipped with two-segment bed, 5.6m long rope is used.

## SECTION 7 UP/DOWN SYSTEM

### 7.1 Up/Down Assembly, DC





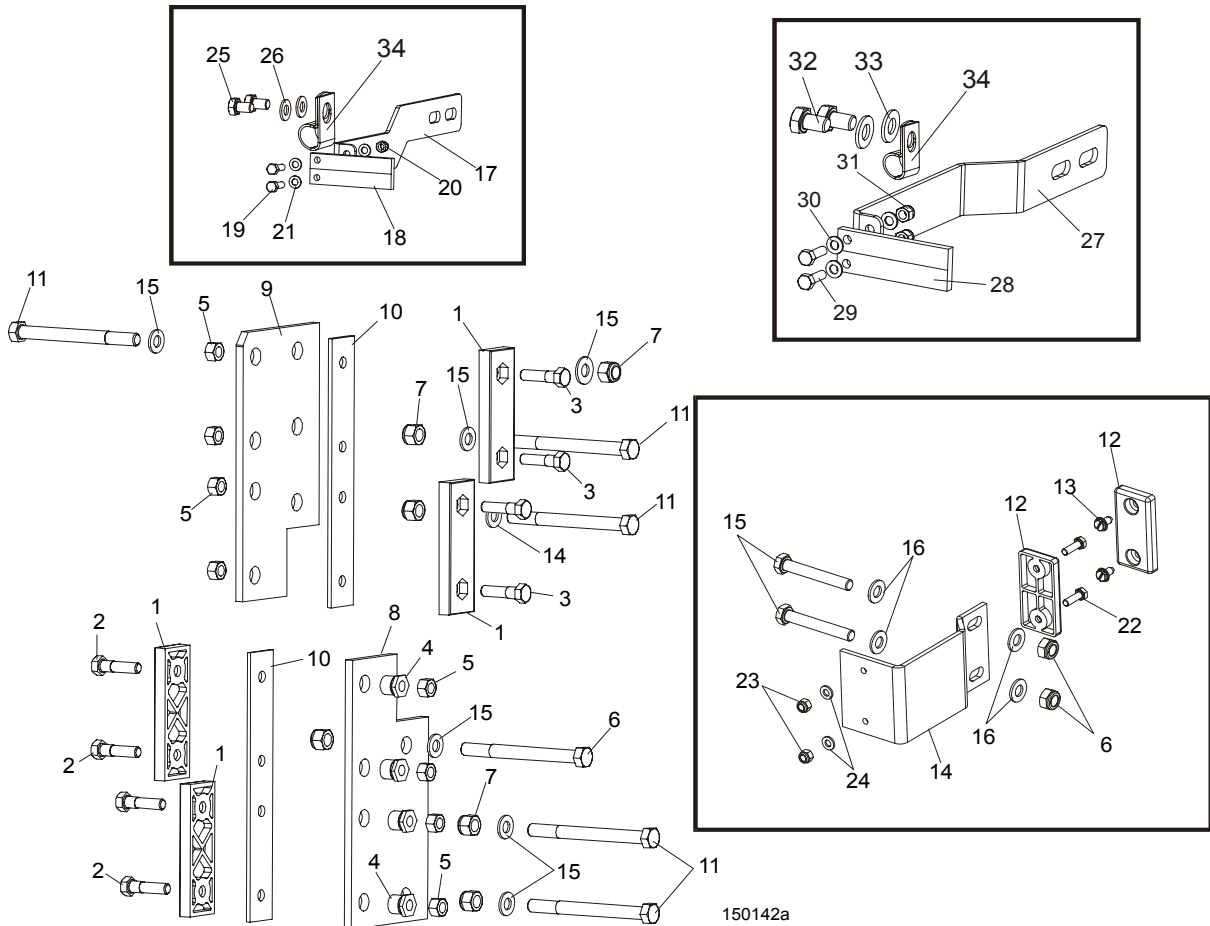
LP	OPIS (◆ Wskazuje części dostępne jedynie w zespołach)	NR CZĘŚCI	ILOŚĆ	
	<b>UP/DOWN DRIVE - DC, COMPLETE</b>	095253	1	
1	Plate, Drive Belt Tension	094162-1	1	
2	Bolt, M8x25-8.8-B Hex Head Full Thread Zinc	F81002-5	4	
3	Washer, 8.4 Flat Zinc	F81054-1	22	
4	Nut, M8-8-B Hex Nylon Zinc Lock	F81032-2	9	
5	Motor, Drive 12V 0.5HP	P04140	1	
6	Bolt, 1/4-20x3/4 FT HHC	F05005-1	4	
7	Washer, 6.4 Flat Zinc	F81053-1	4	
8	Bolt, M8x50-8.8 Hex Head Full Thread Zinc	F81002-19	1	
9	Pulley, LT15DC Up/Down Motor	095340-1	1	
10	Screw, M8x8-33H Hex Socket Set Flat Point Zinc	F81014-1	2	
11	Pulley, SPA 280/1 w/18 Split Taper Bushing	094157	1	
12	Key, AB 6x6x23 Parallel	089191	1	
13	V-belt, AVX-13x1100 La	095306	1	
	Guard Weldment, Up/Down Drive Complete	095327	1	
14	Guard Weldment, LT15 Up/Down Drive	095341-1	1	
	Strap, 24 in rubber with hooks	P11258	2	
15	Bolt, M6x20-8.8 Hex Head Full Thread Zinc	F81001-2	8	
16	Washer, 6.4 Flat Zinc	F81053-11	4	
17	Screw, Tr 28x5 Acme	094144	1	
18	Bellows, 50/700 Protective	094208	2	
19	Clamp, 40-60mm	F81095-4	4	
20	Washer, 6.4 Flat Zinc	F81053-1	4	
21	Ring, A018x30x7 Sealing	094159	1	
22	Cover, Up/Down Bearing Housing	094165-1	1	
23	Nut, M20x1.5-8-A2 ISO10512 Self-locking	F81037-5	1	
24	Washer, 21 Flat Zinc	F81059-2	1	
25	Housing, Up/Down Bearings	094164-1	1	
26	Bearing, 7304B -UO CX	094256	2	
27	Ring, A28x52x7 Sealing	094155	1	
28	Screw, M8x16-33H Hex Socket Set Flat Point	F81014-2	4	
29	Bracket, Upper Bellows Mount Zinc-plated	094221-1	2	
30	Screw, M8x30-8.8 Hex Socket Head Cap Zinc	F81002-31	4	
31	Washer, DIN6319-42-C Spherical Seat	F81061-7	1	
	Up/Down Nut Assembly	094150	1	
32	Housing, TR28x5 Acme Nut Zinc-plated	094241-1	1	
33	Pin, 5x16 Roll Zinc	F81044-3	2	
34	Nut, Tr 28x5 (PET T) Acme Screw	094243	1	
35	Key, A6x6x30 Parallel	094245	1	
36	Fitting, M6 "B" Type PN-M/86003 Grease	094213	1	
37	Ring, W40 Inside Retaining	F81090-3	1	
38	Plate, Nut Housing Seat	094242-1	1	
39	Washer, Z 6.1 Split Lock Zinc	F81053-3	4	
40	Screw, M6x20-8.8 Hex Socket Head Cap Zinc	F81001-22	4	
41	Link, SBPL 10104 Pivotal	097700	1	

**7****Up/Down System***Up/Down Assembly, DC*

---

<b>42</b>	Bolt, M10x40-8.8 Hex Head Full Thread Zinc	F81003-16	2	
<b>43</b>	Washer, 10.5 Flat Zinc	F81055-1	2	
<b>44</b>	Nut, M10-8-B Hex Nylon Zinc Lock	F81033-1	2	
<b>45</b>	Bearing, 6004 2RS-CX Rolling	093868	1	
<b>46</b>	Seat, Lower Bearing	093866-1	1	
<b>47</b>	Bolt, M8x20-8.8-B Hex Head Full Thread Zinc	F81002-4	2	
<b>48</b>	Bolt, M6x25-8.8 Mushroom Head Square Neck Zinc	F81001-20	2	
<b>49</b>	Washer, 6.5 Special Flat Zinc	F81053-11	2	
<b>50</b>	Nut, M6-8-B Hex Nylon Zinc Lock	F81031-2	2	
<b>51</b>	Spacer, LT15 Drive Bearing	094156-1	1	

## 7.2 Slide Pads & Blade Height Scale Indicator



150142a

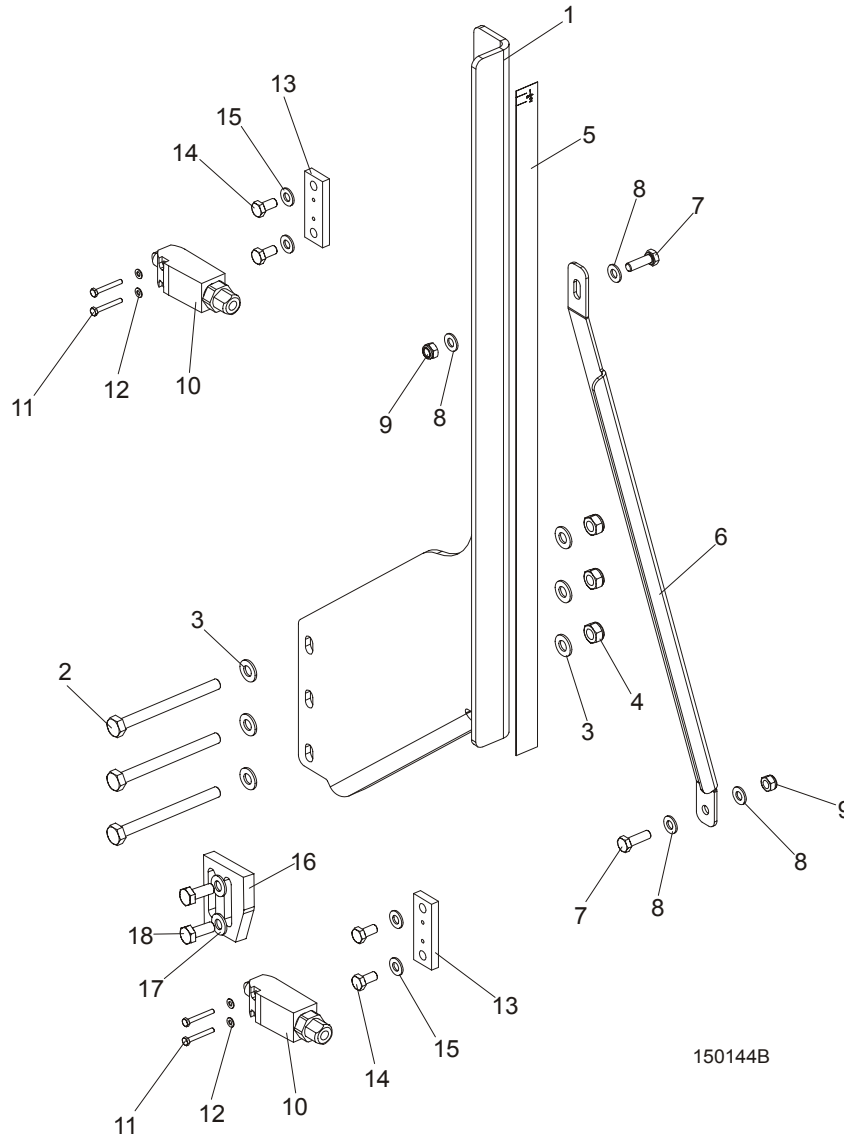
REF	DESCRIPTION (◆ Indicates Parts Available In Assemblies Only)	PART #	QTY.
1	PADS, DELRIN UP/DOWN SLIDE	M04096	4
2	BOLT, M8X35-8.8 HEX HEAD FULL THREAD ZINC	F81002-13	4
3	BOLT, M8X20-8.8 HEX HEAD FULL THREAD ZINC	F81002-4	4
4	NUT, LT15 SLIDE PAD ADJUSTMENT	086683-1	4
5	NUT, M8-8-B HEX NYLON ZINC LOCK	F81032-2	8
6	BOLT, M10X110 8.8 HEX HEAD ZINC	F81003-43	1
7	NUT, M10-8-B HEX NYLON ZINC LOCK	F81033-1	8
8	PLATE, SAW HEAD LOWER GUIDE PAINTED	086682-1	1
9	PLATE, SAW HEAD UPPER GUIDE PAINTED	094139-1	1
10	PLATE, SLIDE PAD SPACER PAINTED	094140-1	2
11	BOLT, M10X115-8.8 HEX HEAD ZINC	F81003-19	5
12	PAD, IDLE SIDE SLIDE	P13576	2
13	SCREW, 1/4-20 X 1/2" "23" TYPE SELF-TAPPING	F05015-1	2
14	GUIDE, LT15 SAW HEAD PAINTED	087192-1	1
15	BOLT, M10X70-8.8 HEX HEAD FULL THREAD ZINC	F81003-20	2

## 7

**Up/Down System***Slide Pads & Blade Height Scale Indicator*

16	<b>WASHER, 10.5 FLAT ZINC</b>	F81055-1	11	
	<b>SCALE INDICATOR (STANDARD)</b>	094226	1	
17	Bracket, Scale Indicator Mount Painted	094224-1	1	
18	Indicator, Blade Height Scale	094821	1	
19	Bolt, M5NX16-8.8 Hex Head Full Thread Zinc	F81000-20	2	
20	Nut, M5-8 DIN 985 Zinc-Plated	F81030-2	2	
21	Washer, 5.3 Flat Zinc	F81052-1	4	
22	<b>BOLT, M6X20-8.8 HEX HEAD FULL THREAD ZINC</b>	F81001-2	2	
23	<b>NUT, M6-8-B HEX NYLON ZINC LOCK</b>	F81031-2	2	
24	<b>WASHER, 6.4 FLAT ZINC</b>	F81053-1	2	
25	<b>BOLT, M8X12-8.8 HEX HEAD FULL THREAD ZINC</b>	F81002-6	2	
26	<b>WASHER, 8.4 FLAT ZINC</b>	F81054-1	2	
	<b>SCALE INDICATOR (OPTIONAL)</b>	<b>095967</b>		
27	Bracket, Scale Indicator Mount Painted	095968-1	1	
28	Indicator, Blade Height Scale	094821	1	
29	Bolt, M5X16-8.8 Hex Head Full Thread Zinc5	F81000-20	2	
30	Washer, 5.3 Flat Zinc	F81052-1	4	
31	Nut, M5-8 DIN 985 Zinc-plated	F81030-2	2	
32	Bolt, M8x12-8.8 Hex Head Full Thread Zinc	F81002-6	2	
33	Washer, 8.4 Flat Zinc	F81054-1	2	
34	<b>CLAMP, 1/2" EMT COATED</b>	P07584	1	

### 7.3 Blade Height Scale & Up/Down Limit Switches



150144B

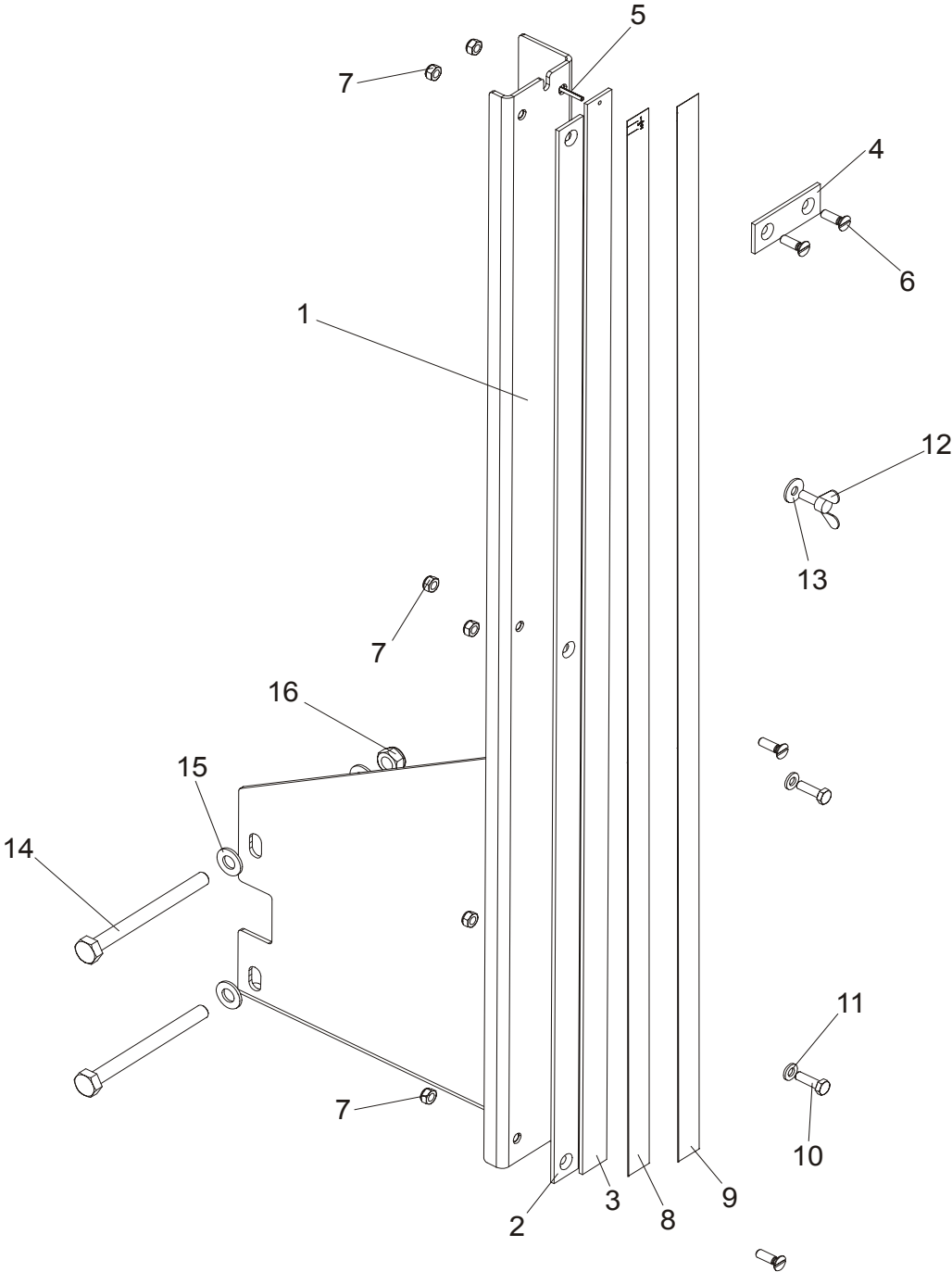
REF	DESCRIPTION (◆ Indicates Parts Available In Assemblies Only)	PART #	QTY.
	<b>BRACKET, BLADE HEIGHT SCALE, COMPLETE</b>	094225	1
1	Bracket, Blade Height Scale, Painted	094223-1	1
2	Bolt, M10X115-8.8 Hex Head Zinc	F81003-19	3
3	washer, 10.5 flat zinc	F81055-1	6
4	Nut, M10-8-B Hex Nylon Zinc Lock	F81033-1	3
5	Decal, LT15AC Blade Height Metric Scale	094151	1
	Decal, LT15AC Blade Height Inch Scale	096658	1
6	<b>BRACKET, BLADE HEIGHT SCALE MOUNT PAINTED</b>	094257-1	1
7	<b>BOLT, M8X25-8.8-B HEX HEAD FULL THREAD ZINC</b>	F81002-5	2

## 7

**Up/Down System***Blade Height Scale & Up/Down Limit Switches*

8	<b>WASHER, 8.4 FLAT ZINC</b>	F81054-1	4	
9	<b>NUT, M8-8-B HEX NYLON ZINC LOCK</b>	F81032-2	2	
	<b>EVN2000C LIMIT SWITCH W/MOUNT PLATE</b>	094227	2	
10	Switch, EVN2000 C Limit	089816	1	
11	Bolt, M4x30 8.8 Hex Head Full Thread Zinc	F81011-5	2	
12	Washer, 4.3 Flat Zinc	F81051-2	2	
13	Plate, Limit Switch Mount	094228-1	1	
14	Bolt, M8x16-8.8-B Hex Head Full Thread Zinc	F81002-20	2	
15	Washer, 10.5 Flat Zinc	F81055-1	2	
16	<b>BRACKET, LIMIT SWITCH</b>	094229-1	1	
17	<b>WASHER, 8.4 FLAT ZINC</b>	F81054-1	2	
18	<b>BOLT, M8X20MM, HEX HEAD,GR 5.8 ZINC</b>	F81002-4	2	

7.4 Blade Height Scale (Optional)



REF	DESCRIPTION (◆ Indicates Parts Available In Assemblies Only)	PART #	QTY.
	<b>BRACKET, BLADE HEIGHT SCALE COMPLETE</b>	<b>095964</b>	1
1	Bracket, Blade Height Scale Painted	095965-1	1
2	Plate, Decal Mount	092750	1
3	Plate, Inch Decal Mount	093133	1
4	BAR, SCALE MOUNT	093134	1

## 7

**Up/Down System***Blade Height Scale (Optional)*

5	PIN, 3x20 ROLL ZINC	F81044-5	1	
6	screw, M6x20- 4.8-B slotted countersunk head zinc	F81001-31	3	
7	Nut, M6-8-B hex nylon zinc lock	F81031-2	6	
8	decal, LT20 0-80CM centimeter scale	091239	1	
9	Decal, 16-40CM Metric Decal, 45-63CM Metric	P12040-1 P12040-2	1	
10	<b>BOLT, M6X20-8.8 HEX HEAD FULL THREAD ZINC</b>	F81001-2	2	
11	<b>WASHER, 6.4 FLAT ZINC</b>	F81053-1	2	
12	<b>SCREW, M6X16 BN276 DIN 316 WING</b>	F81001-16	1	
13	<b>WASHER, 6.5 SPECIAL FLAT ZINC</b>	F81053-11	1	
14	<b>BOLT, M10X115-8.8 HEX HEAD ZINC</b>	F81003-19	2	
15	<b>WASHER, 10.5 FLAT ZINC</b>	F81055-1	4	
16	<b>NUT, M10-8-B HEX NYLON ZINC LOCK</b>	F81033-1	2	