

# **Wood-Mizer®**

## **Parts Manual**

---

**LT10S3 E7,5S**

**rev. A5.00**

---



**Safety is our #1 concern!** Read and understand all safety information and instructions before operating, setting up or maintaining this machine.

*December 2006*

*Form #795*

# Table of Contents

# Section-Page

|                  |   |            |
|------------------|---|------------|
| <b>SECTION 1</b> | <b>GENERAL INFORMATION</b>                              | <b>1-1</b> |
| 1.1              | How To Use The Parts List .....                         | 1-1        |
| 1.2              | Sample Assembly .....                                   | 1-1        |
| <b>SECTION 2</b> | <b>BED FRAME</b>  | <b>2-1</b> |
| 2.1              | Log Side Support Assembly .....                         | 2-1        |
| 2.2              | Bed Section Connecting Hardware .....                   | 2-2        |
| 2.3              | Stationary Leg Kit .....                                | 2-3        |
| 2.4              | Log Clamp Assembly .....                                | 2-4        |
| 2.5              | Auxiliary Bed Rail Assembly .....                       | 2-5        |
| 2.6              | Log Wedge, Loading Ramps & Cant Hook (Optional).....    | 2-6        |
| 2.7              | Bed Extensions .....                                    | 2-7        |
| 2.8              | ”M” Type Frame Bed Section (LT15 Sawmills only).....    | 2-8        |
| 2.9              | ”S” Type Frame Bed Section .....                        | 2-8        |
| 2.10             | Additional Bed Frame Section with Stationary Legs ..... | 2-9        |
| 2.11             | Additional Bed Frame Section with Outrigger Legs.....   | 2-9        |
| <b>SECTION 3</b> | <b>BLADE GUIDE ROLLERS &amp; ARM</b>                    | <b>3-1</b> |
| 3.1              | Blade Guide Assembly, Idle Side.....                    | 3-1        |
| 3.2              | Blade Guide Assembly, Drive Side.....                   | 3-3        |
| 3.3              | Blade Guide Roller Guard .....                          | 3-5        |
| 3.4              | Blade Guide Arm Assembly .....                          | 3-6        |
| <b>SECTION 4</b> | <b>BLADE WHEELS &amp; TENSIONER</b>                     | <b>4-1</b> |
| 4.1              | Blade Wheel Assembly, Drive Side .....                  | 4-1        |
| 4.2              | Blade Wheel Assembly, Idle Side .....                   | 4-2        |
| 4.3              | Blade Tensioner Assembly .....                          | 4-4        |
| 4.4              | Motor .....   | 4-6        |
| 4.5              | Power Cord Bracket .....                                | 4-7        |
| <b>SECTION 5</b> | <b>SAW HEAD</b>   | <b>5-1</b> |
| 5.1              | Blade Housing Cover .....                               | 5-1        |
| 5.2              | Water Lube Assembly .....                               | 5-3        |
| 5.3              | LT10 Saw Head Decals .....                              | 5-4        |
| 5.4              | Control Box .....                                       | 5-6        |

# Table of Contents

# Section-Page

## **SECTION 6 FEED SYSTEM**

**6-1**

|     |   |     |
|-----|---|-----|
| 6.1 | Track Rail, Rollers & Travel Pins .....     | 6-1 |
| 6.2 | Track Rail, Rollers & Travel Pins .....     | 6-3 |
| 6.3 | Feed Rope, V-groove Rollers & Brackets..... | 6-4 |

## **SECTION 7 UP/DOWN SYSTEM**

**7-1**

|     |   |     |
|-----|---|-----|
| 7.1 | Up/Down Crank Assembly.....                       | 7-1 |
| 7.2 | Up/Down Drive Sprocket Assembly .....             | 7-2 |
| 7.3 | Slide Pads and Blade Height Scale Indicator ..... | 7-4 |
| 7.4 | Blade Height Scale (Optional).....                | 7-6 |

## SECTION 1 GENERAL INFORMATION

### 1.1 How To Use The Parts List

- Use the index above to locate the assembly that contains the part you need.
- Go to the appropriate section and locate the part in the illustration.
- Use the number pointing to the part to locate the correct part number and description in the table.
- Parts shown indented under another part are included with that part.
- Parts marked with a diamond (◆) are only available in the assembly listed above the part.

See the sample table below. Sample Part #A01111 includes part F02222-2 and subassembly A03333. Subassembly A03333 includes part S04444-4 and subassembly K05555. The diamond (◆) indicates that S04444-4 is not available except in subassembly A03333. Subassembly K05555 includes parts M06666 and F07777-77. The diamond (◆) indicates M06666 is not available except in subassembly K05555.

| <b>1.2 Sample Assembly</b> |   |           |      |   |
|----------------------------|---|-----------|------|---|
| REF                        | DESCRIPTION (◆ Indicates Parts Available In Assemblies Only)  | PART #    | QTY. |   |
|                            | Sample Assembly, Complete (Includes All Indented Parts Below) | A01111    | 1    |   |
| 1                          | Sample Part   | F02222-22 | 1    |   |
|                            | Sample Subassembly (Includes All Indented Parts Below)        | A03333    | 1    |   |
| 2                          | Sample Part (◆ Indicates Part Is Only Available With A03333)  | S04444-4  | 1    | ◆ |
|                            | Sample Subassembly (Includes All Indented Parts Below)        | K05555    | 1    |   |
| 3                          | Sample Part (◆ Indicates Part Is Only Available With K05555)  | M06666    | 2    | ◆ |
| 4                          | Sample Part   | F07777-77 | 1    |   |

#### To Order Parts:

- From Europe call our European Headquarters and Manufacturing Facility in Kolo, Poland at **+48-63-2626000**. From the continental U.S., call our toll-free Parts hotline at **1-800-525-8100**. Have your customer number, vehicle identification number, and part numbers ready when you call. From other international locations, contact the Wood-Mizer distributor in your area for parts.

#### Office Hours:

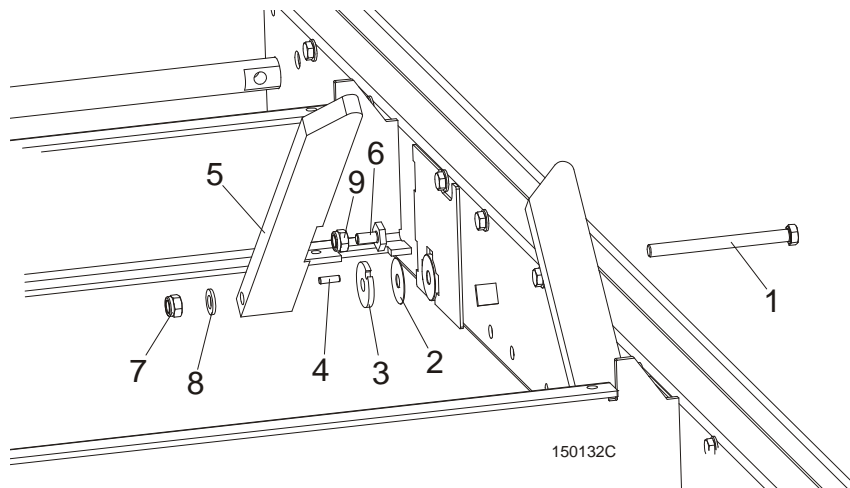
| Country | Monday - Friday | Saturday        | Sunday |
|---------|-----------------|-----------------|--------|
| Poland  | 7-15            | Closed          | Closed |
| US      | 8 a.m.- 5 a.m.  | 8 a.m.- 12 p.m. | Closed |



**CAUTION!** It is strongly recommended that only original spare parts be used.

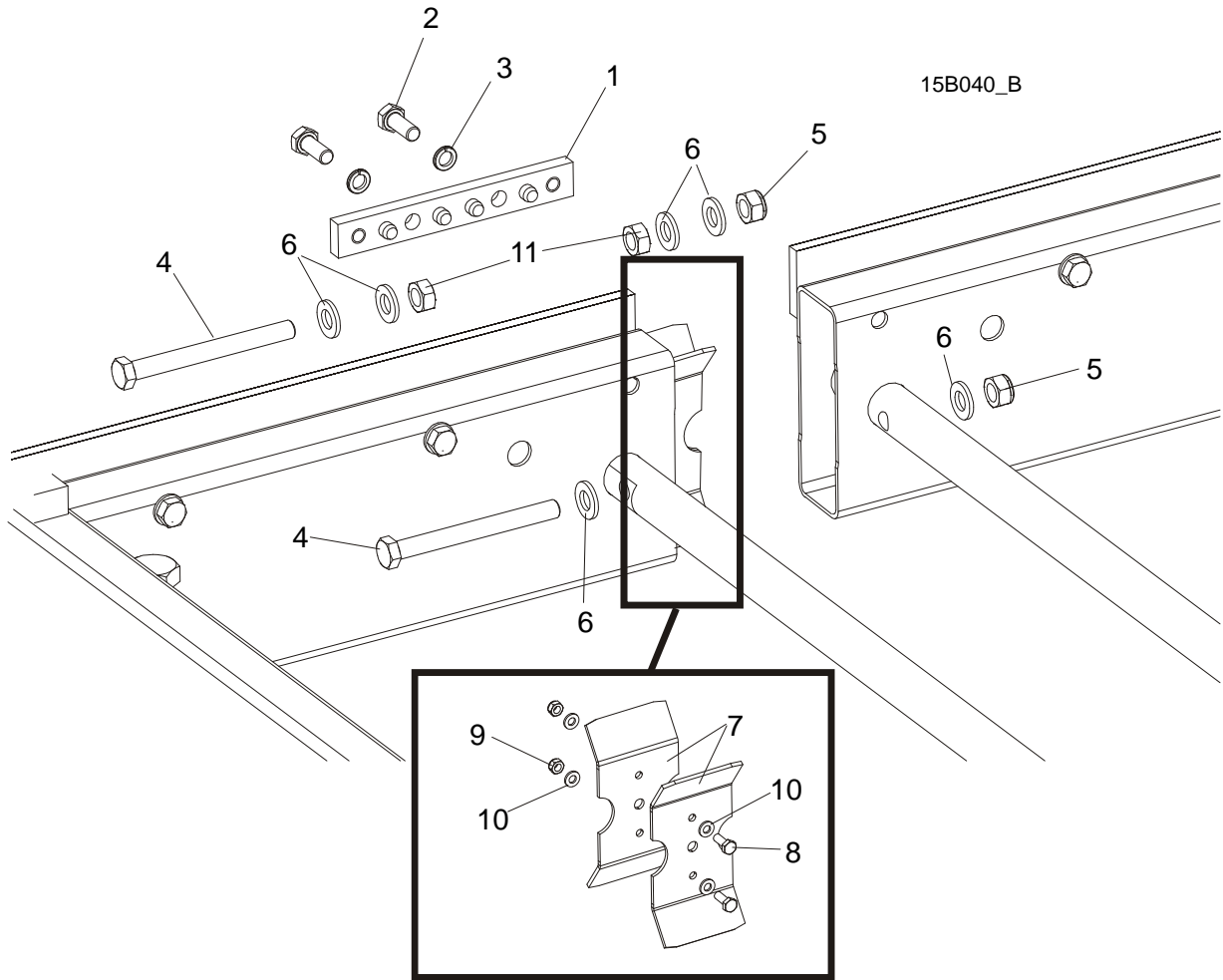
## SECTION 2 BED FRAME

### 2.1 Log Side Support Assembly



| REF | DESCRIPTION (◆ Indicates Parts Available In Assemblies Only) | PART #    | QTY. |
|-----|--|-----------|------|
| 1   | BOLT, M12X140-8.8 HEX HEAD ZINC                              | F81004-35 | 1    |
| 2   | WASHER, 33/64 X 1 3/4 X 1/32" NYLON                          | 014972    | 1    |
| 3   | WASHER, LT15 THICK SPACER                                    | 085981-1  | 1    |
|     | SUPPORT, LT15 LOG SIDE COMPLETE PAINTED                      | 085982-1  | 1    |
| 4   | PIN, H 6n6x20 60HRC ROLL                                     | 100472    | 1    |
| 5   | PLATE, LT15 LOG SIDE SUPPORT                                 | 085980    | 1    |
| 6   | BOLT, M10x20 SPECIAL   | 100076-1  | 1    |
| 7   | NUT, M12-8 HEX NYLON ZINC LOCK                               | F81034-2  | 1    |
| 8   | WASHER, 13 FLAT ZINC   | F81056-1  | 1    |
| 9   | NUT, M10-8-B-FE  | F81033-3  | 1    |

**2.2 Bed Section Connecting Hardware**



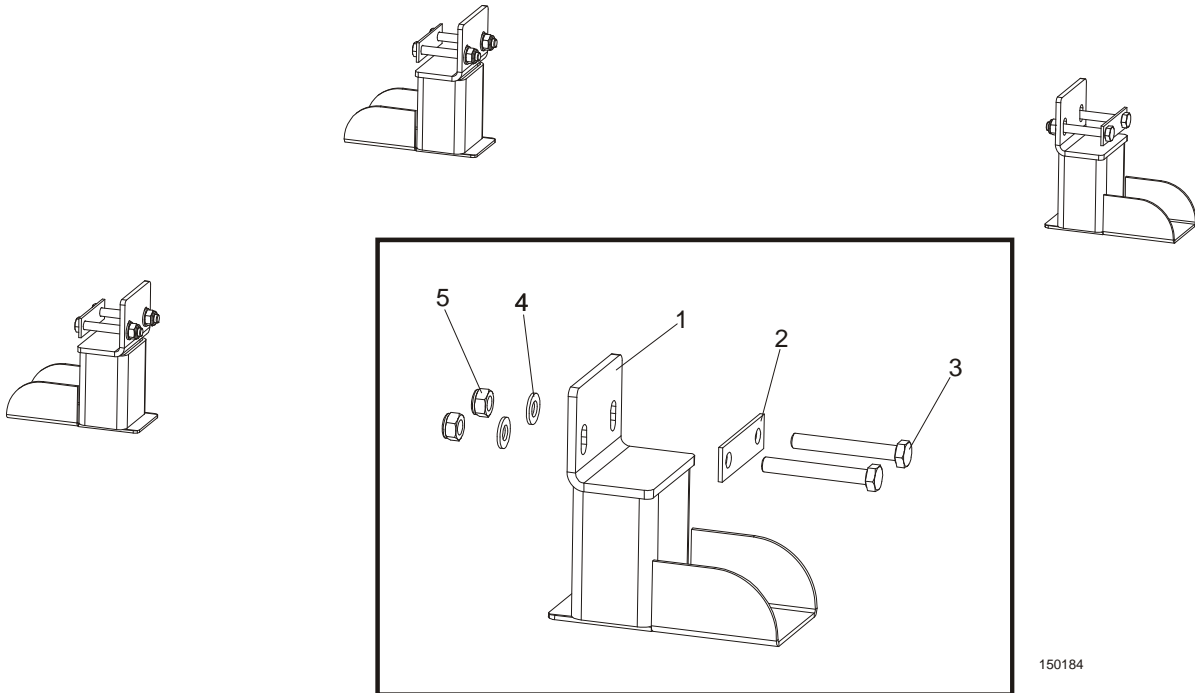
| REF | DESCRIPTION (◆ Indicates Parts Available In Assemblies Only) | PART #              | QTY. |
|-----|--|---------------------|------|
| 1   | SPLICE, TRACK RAIL PINNED                                    | 086659-1            | 1    |
| 2   | BOLT, M10X30-5.8 HEX HEAD FULL THREAD ZINC                   | F81003-2            | 2    |
| 3   | WASHER, 10.2 SPLIT LOCK ZINC                                 | F81055-2            | 2    |
| 4   | BOLT, M12X120 8.8 HEX HEAD ZINC                              | F81004-38           | 2    |
| 5   | NUT, M12-8 HEX NYLON ZINC LOCK                               | F81034-2            | 2    |
| 6   | WASHER, 13 FLAT ZINC   | F81056-1            | 6    |
|     | CONNECTOR, LT15 BED SECTION                                  | 506288 <sup>1</sup> | 2    |
| 7   | PLATE, LT15 BED SECTION CONNECTOR                            | 506287-1            | 1    |
| 8   | BOLT, M6 x 16 8.8 Fe/Zn5 PN-M/82105                          | F81001-15           | 2    |
| 9   | NUT, M6-8-B HEX NYLON ZINC LOCK                              | F81031-2            | 2    |
| 10  | WASHER, 6.4 FLAT ZINC  | F81053-1            | 4    |
| 11  | NUT, M12, HEXAGON, GRADE 5.8, ZINC                           | F81034-1            | 2    |

<sup>1</sup> 2 pieces for each bed section

## 2 BED FRAME

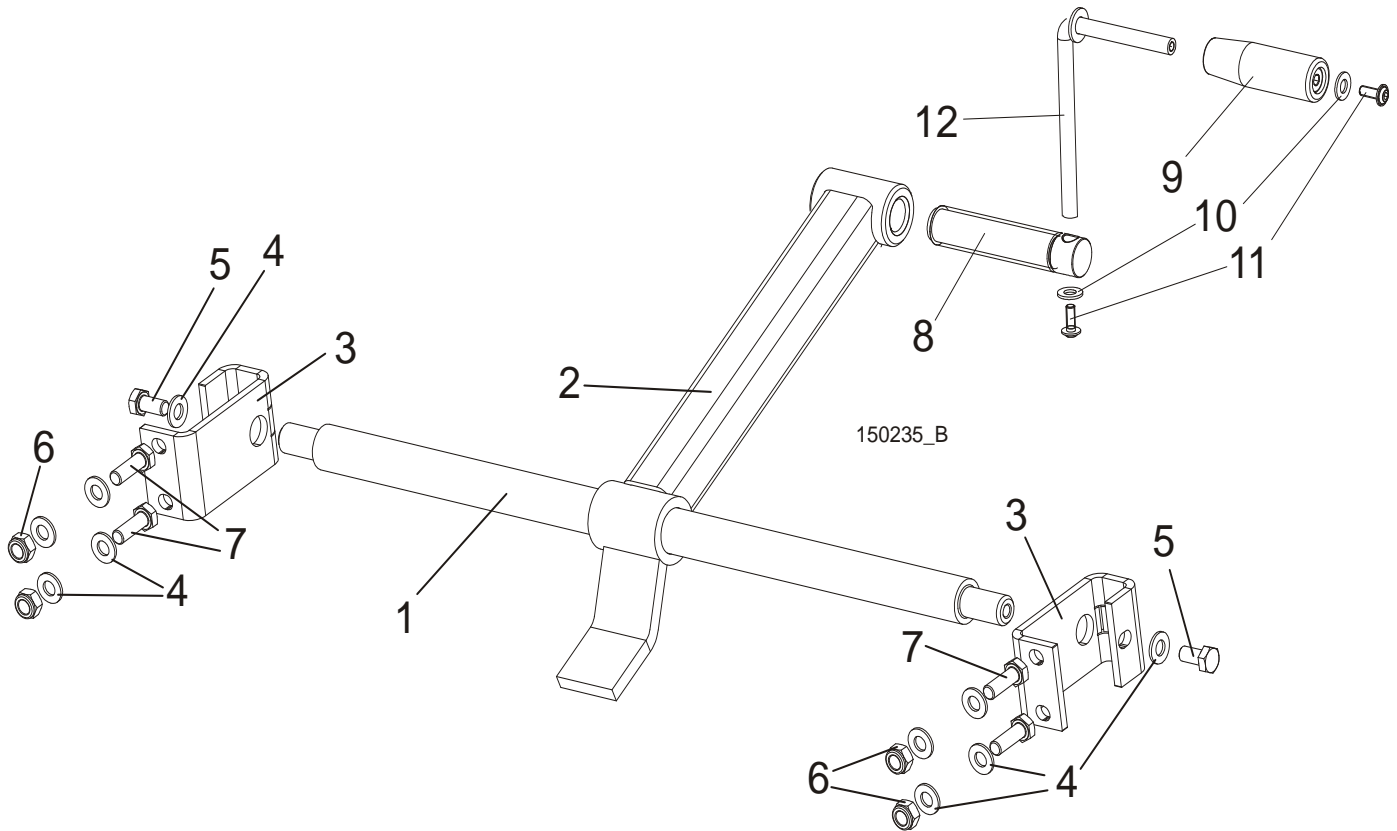
### Stationary Leg Kit

### 2.3 Stationary Leg Kit



| REF | DESCRIPTION (◆ Indicates Parts Available In Assemblies Only) | PART #    | QTY. |  |
|-----|--|-----------|------|--|
|     | <b>STATIONARY LEG KIT FOR 1950 MM BED SECTION</b>            | 100069    | 1    |  |
| 1   | Leg, LT15 Stationary Bed                                     | 100064-1  | 4    |  |
| 2   | Washer, LT15 Bed Leg   | 085994-1  | 4    |  |
| 3   | Bolt, M10x75-8.8 Hex Head Zinc                               | F81003-15 | 8    |  |
| 4   | Washer, 10.5 Flat Zinc                                       | F81055-1  | 8    |  |
| 5   | Nut, M10-8-B Hex Nylon Zinc Lock                             | F81033-1  | 8    |  |
|     | <b>STATIONARY LEG KIT FOR 2700 MM BED SECTION</b>            | 100070    | 1    |  |
| 1   | Leg, LT15 Stationary Bed                                     | 100064-1  | 6    |  |
| 2   | Washer, LT15 Bed Leg   | 085994-1  | 6    |  |
| 3   | Bolt, M10x75-8.8 Hex Head Zinc                               | F81003-15 | 12   |  |
| 4   | Washer, 10.5 Flat Zinc                                       | F81055-1  | 12   |  |
| 5   | Nut, M10-8-B Hex Nylon Zinc Lock                             | F81033-1  | 12   |  |

## 2.4 Log Clamp Assembly



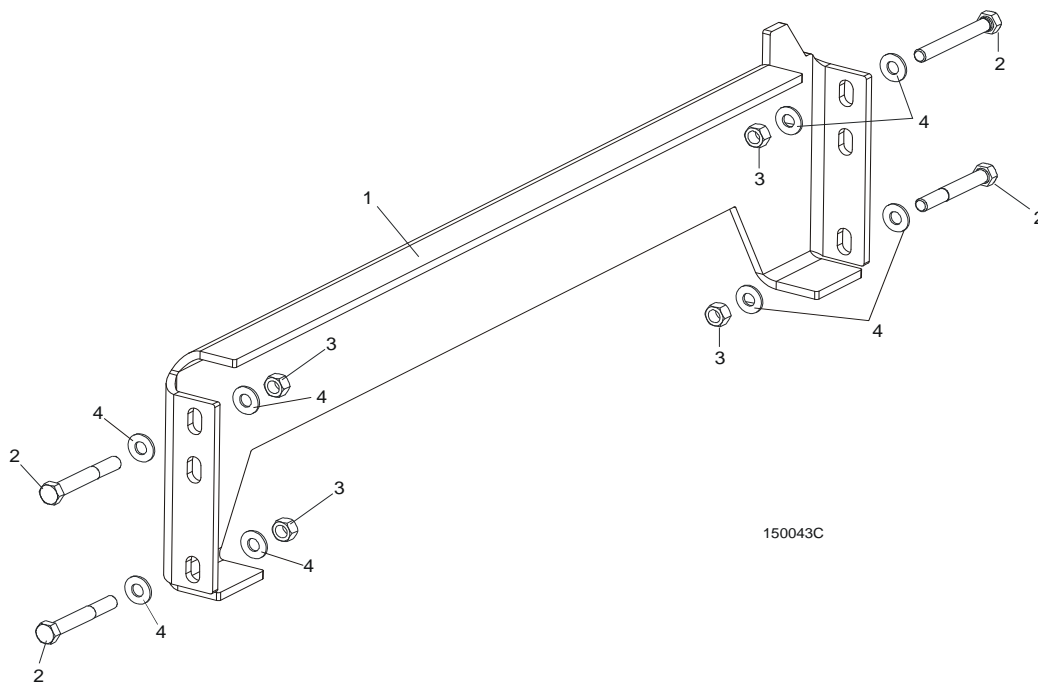
| REF | DESCRIPTION (◆ Indicates Parts Available In Assemblies Only) | PART #        | QTY.     |
|-----|--|---------------|----------|
|     | <b>LOG CLAMP ASSEMBLY, LT15/15 COMPLETE</b>                  | <b>507565</b> | <b>2</b> |
| 1   | ROD MAIN CLAMP   | 500343-1      | 1        |
| 2   | CLAMP ARM  | 507566-1      | 1        |
| 3   | BRACKET, LOG CLAMP MOUNT ZINC                                | 506535-1      | 2        |
| 4   | WASHER, 10.5 FLAT ZINC                                       | F81055-1      | 10       |
| 5   | BOLT, M10x20MM,HEX HEAD,GR 5.8 ZINC                          | F81003-1      | 2        |
| 6   | NUT,M10-8-B NYLON HEX ZINC LOCK                              | F81033-1      | 4        |
| 7   | BOLT,M10X30-5.8 HEX HEAD FULL THREA                          | F81003-2      | 4        |
|     | <b>CLAMP BOLT COMPLETE</b>                                   | <b>507563</b> | <b>1</b> |
| 8   | CLAMP BOLT   | 507463        | 1        |
| 9   | KNOB, PLASTIC CRANK HANDLE                                   | 086338        | 1        |
| 10  | WASHER, 8.4 FLAT ZINC  | F81054-1      | 2        |
| 11  | BOLT, M6x16 BN 11252 "BOSSARD"                               | F81001-24     | 2        |
| 12  | CRANK CLAMP BOLT WELDED/PAINTED                              | 510210-1      | 1        |



# 2 BED FRAME

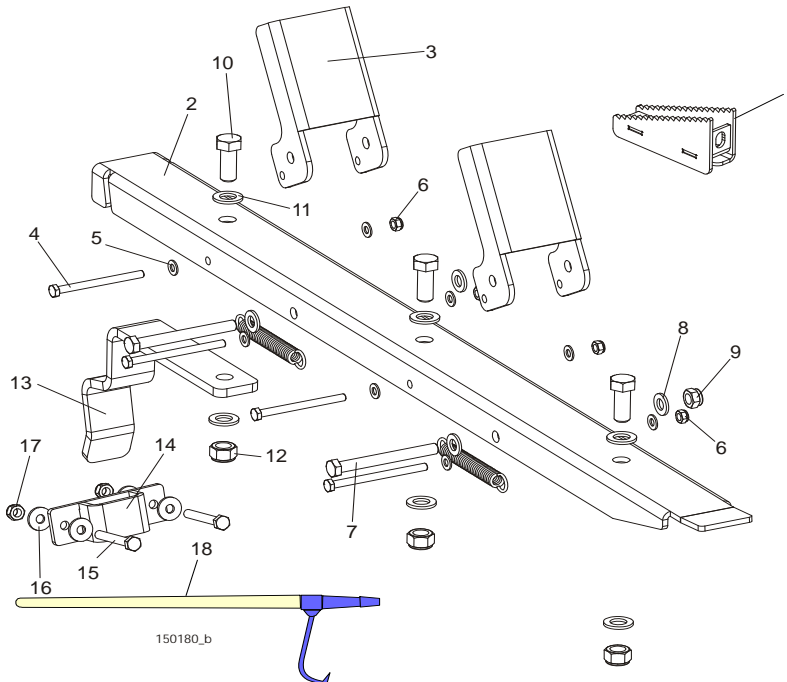
Auxiliary Bed Rail Assembly

## 2.5 Auxiliary Bed Rail Assembly



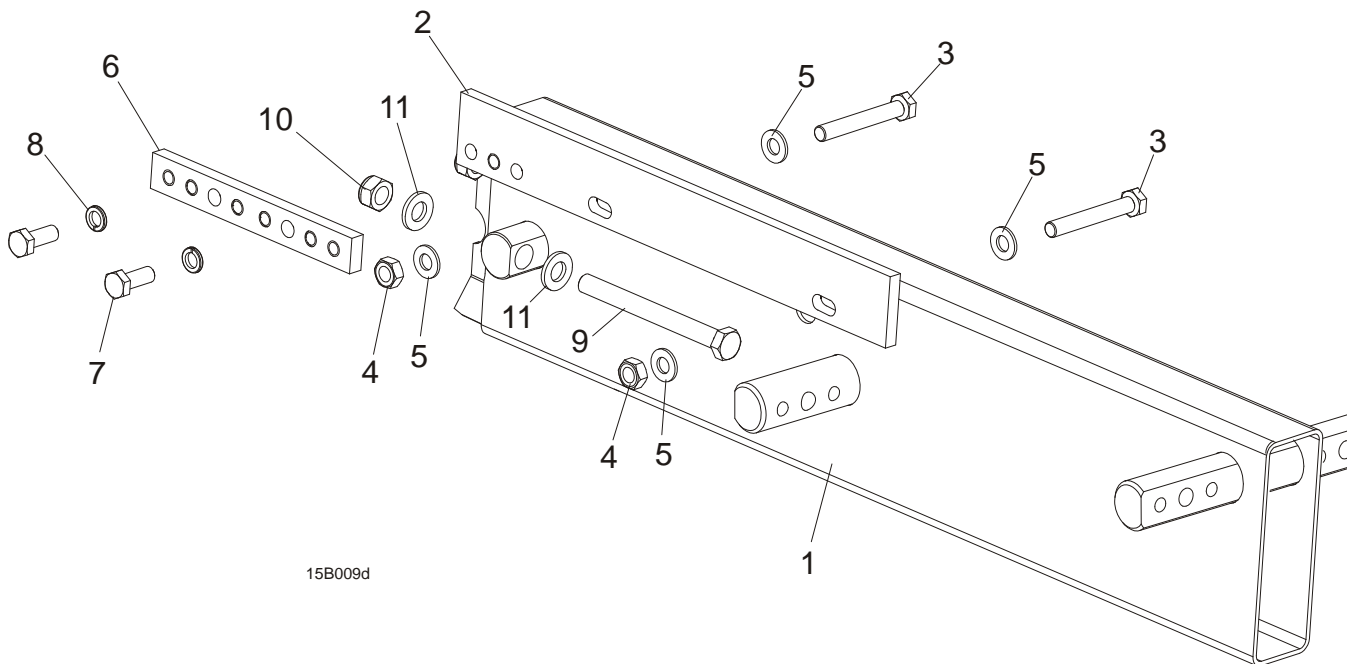
| REF | DESCRIPTION (◆ Indicates Parts Available In Assemblies Only) | PART #    | QTY. |   |
|-----|--|-----------|------|---|
| 1   | RAIL WELDMENT, LT15 AUXILIARY BED                            | 095490-1  | 1    | ◆ |
| 2   | BOLT M10X75-8.8 HEX HEAD ZINC                                | F81003-15 | 4    |   |
| 3   | NUT, M10-8-B HEX NYLON ZINC LOCK                             | F81033-1  | 4    |   |
| 4   | WASHER 10,5 ZINC FLAT  | F81055-1  | 8    |   |

**2.6 Log Wedge, Loading Ramps & Cant Hook (Optional)**



| REF | DESCRIPTION (◆ Indicates Parts Available In Assemblies Only) | PART #        | QTY.     |
|-----|--|---------------|----------|
|     | <b>ACCESSORIES, LT15 SAWMILLS</b>                            | <b>085997</b> | <b>1</b> |
| 1   | Wedge Weldment, Log Taper (included in 015811 kit)           | 510720-1      | 1        |
|     | <b>Ramp Assembly, Log Loading, LT15 compl.</b>               | <b>097977</b> | <b>2</b> |
|     | <b>Ramp Assembly</b>   | <b>097483</b> | <b>1</b> |
| 2   | Ramp Weldment, zink plated                                   | 097481-1      | 1        |
| 3   | Bracket, Log Loading Stop, zink plated                       | 097482-1      | 2        |
| 4   | Bolt M8x100 -8.8   | F81002-23     | 4        |
| 5   | Washer, M8, Flat, zinc                                       | F81054-1      | 8        |
| 6   | Nut, M8, Hexagon, Nylon lock, zinc                           | F81032-2      | 4        |
| 7   | Bolt, M12x115-8.8-Fe/Zn5 PN-M/82101                          | F81004-33     | 2        |
| 8   | Washer, M12 , Flat, Zinc                                     | F81056-1      | 2        |
| 9   | Nut, M12, Hexagon, Nylon, zinc,lock                          | F81034-2      | 2        |
| 10  | Bolt, M16x40-8.8 Fe/Zn5                                      | F81006-13     | 2        |
| 11  | Washer, M16, Flat, zinc                                      | F81058-1      | 4        |
| 12  | Nut, M16, hex, nylon zinc lock                               | F81036-2      | 2        |
| 13  | Bracket, LT15 Ramp, zinc                                     | 097976-1      | 1        |
|     | <b>Bracket, Ramp LT15 complete</b>                           | <b>507518</b> | <b>1</b> |
| 14  | Bracket, Ramp LT15 Weld                                      | 507517-1      | 1        |
| 15  | BOLT, M10x75-8.8-Fe/Zn5 PN-M/82101                           | F81003-15     | 2        |
| 16  | WASHER,10.5 ZINC FLAT SPECIAL                                | F81055-6      | 4        |
| 17  | NUT, M10-8-B HEX NYLON ZINC LOCK                             | F81033-1      | 2        |
| 18  | Cant Hook ( included in 015811 kit)                          | CH            | 1        |

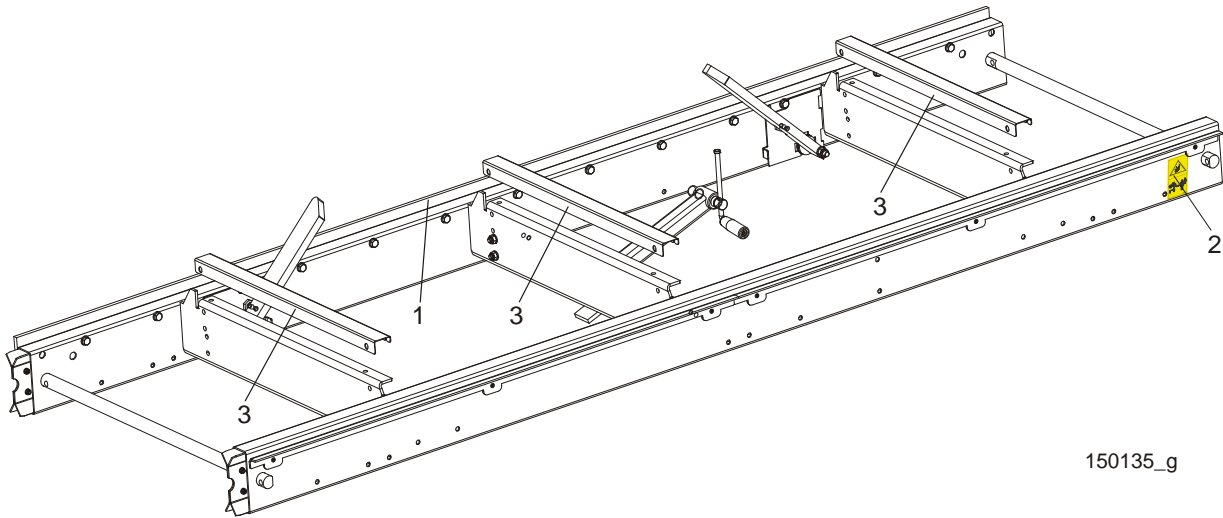
**2.7 Bed Extensions**



15B009d

| REF | DESCRIPTION (◆ Indicates Parts Available In Assemblies Only) | PART #    | QTY. |
|-----|--|-----------|------|
|     | <b>EXTENSION, BED FRONT COMPLETE</b>                         | 500845    | 1    |
|     | <b>EXTENSION, BED REAR COMPLETE</b>                          | 500843    | 1    |
| 1   | Tube, LT15 GP Bed Extension                                  | 500844-1  | 1    |
| 2   | Rail, Bed Extension Track Zinc-plated                        | 094250-1  | 1    |
| 3   | Bolt, M10 x 75-8.8 Hex Head Zinc                             | F81003-15 | 2    |
| 4   | Nut, M10-8-B Hex Nylon Zinc Lock                             | F81033-1  | 2    |
| 5   | Washer, 10.5 Flat Zinc                                       | F81055-1  | 4    |
| 6   | Splice, Track Rail Pinned                                    | 086659-1  | 1    |
| 7   | Bolt, M10x30-8.8 Hex Head Full Thread Zinc                   | F81003-2  | 2    |
| 8   | Washer, 10.2 Split Lock Zinc                                 | F81055-2  | 2    |
| 9   | Bolt, M12 x 120-8.8 Hex Head Zinc                            | F81004-38 | 2    |
| 10  | Nut, M12-8 Hex Nylon Zinc Lock                               | F81034-2  | 2    |
| 11  | Washer, 13 Flat Zinc   | F81056-1  | 4    |

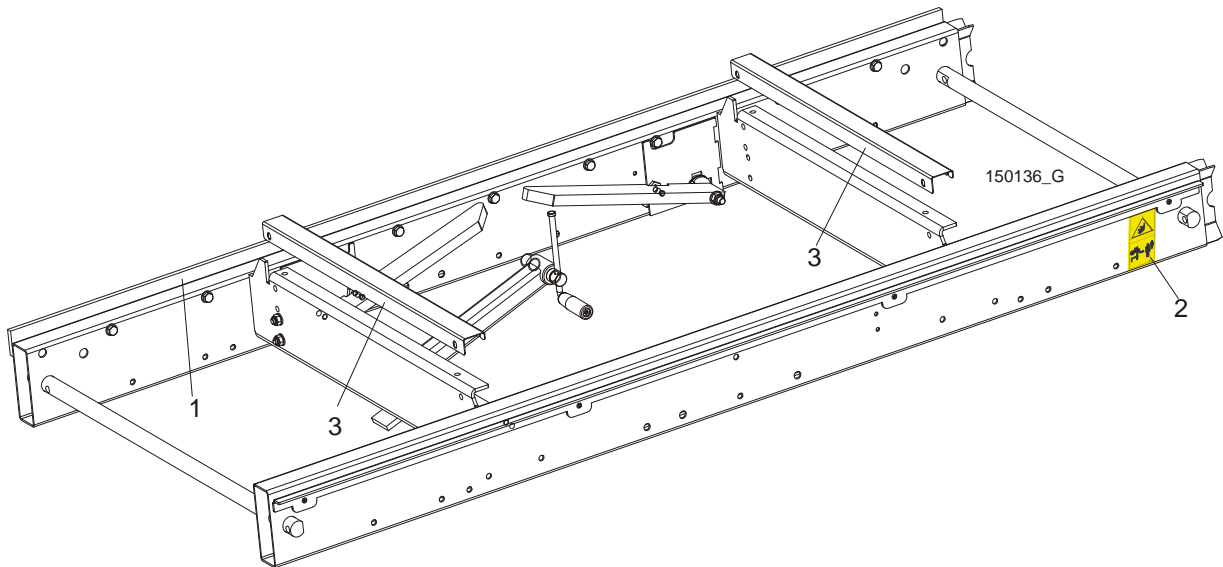
**2.8 "M" Type Frame Bed Section (LT15 Sawmills only)**



| REF | DESCRIPTION (◆ Indicates Parts Available In Assemblies Only) | PART #              | QTY. |
|-----|--|---------------------|------|
|     | <b>LT15 BED SECTION ASSEMBLY - LONG</b>                      | <b>094697</b>       |      |
| 1   | Bar, LT15 2700 Track, Zinc-plated                            | 094696-1            | 1    |
| 2   | DECAL, KEEP AWAY DANGER, PICTOGRAM                           | 099221              | 1    |
| 3   | COVER, BED RAIL LT15/15                                      | 509300 <sup>1</sup> | 3    |

<sup>1</sup> Option

**2.9 "S" Type Frame Bed Section**



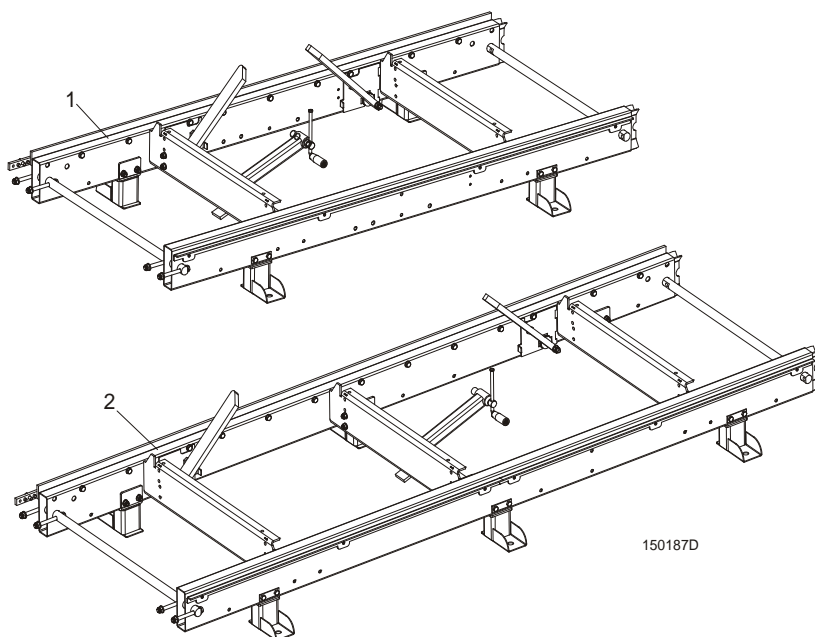
| REF | DESCRIPTION (◆ Indicates Parts Available In Assemblies Only) | PART #              | QTY. |
|-----|--|---------------------|------|
|     | <b>LT15 BED SECTION ASSEMBLY - SHORT</b>                     | <b>094514</b>       |      |
| 1   | Bar, LT15 1950 Track, Zinc-plated                            | 094427-1            | 1    |
| 2   | DECAL, KEEP AWAY DANGER, PICTOGRAM                           | 099221              | 1    |
| 3   | COVER, BED RAIL LT15/15                                      | 509300 <sup>1</sup> | 2    |

<sup>1</sup> Option

## 2 BED FRAME

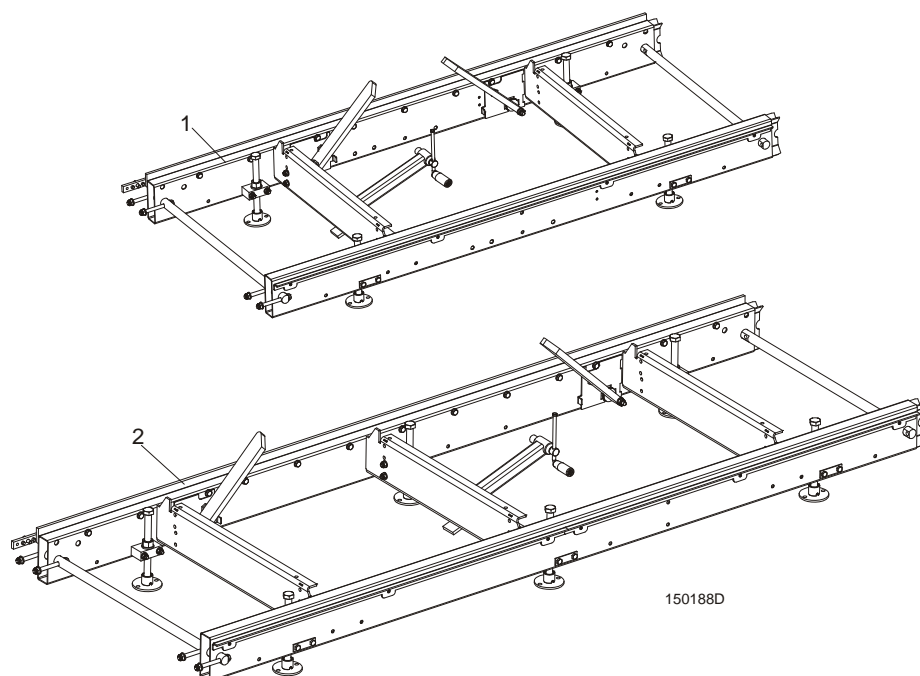
*Additional Bed Frame Section with Stationary Legs*

### 2.10 Additional Bed Frame Section with Stationary Legs



| REF | DESCRIPTION (◆ Indicates Parts Available In Assemblies Only) | PART #   | QTY. |  |
|-----|--|----------|------|--|
| 1   | BED SECTION, LT15 1950 W/STATIONARY LEGS                     | 100341-S | 1    |  |
| 2   | BED SECTION, LT15 2700 W/STATIONARY LEGS (LT15 Sawmill only) | 100342-S | 1    |  |

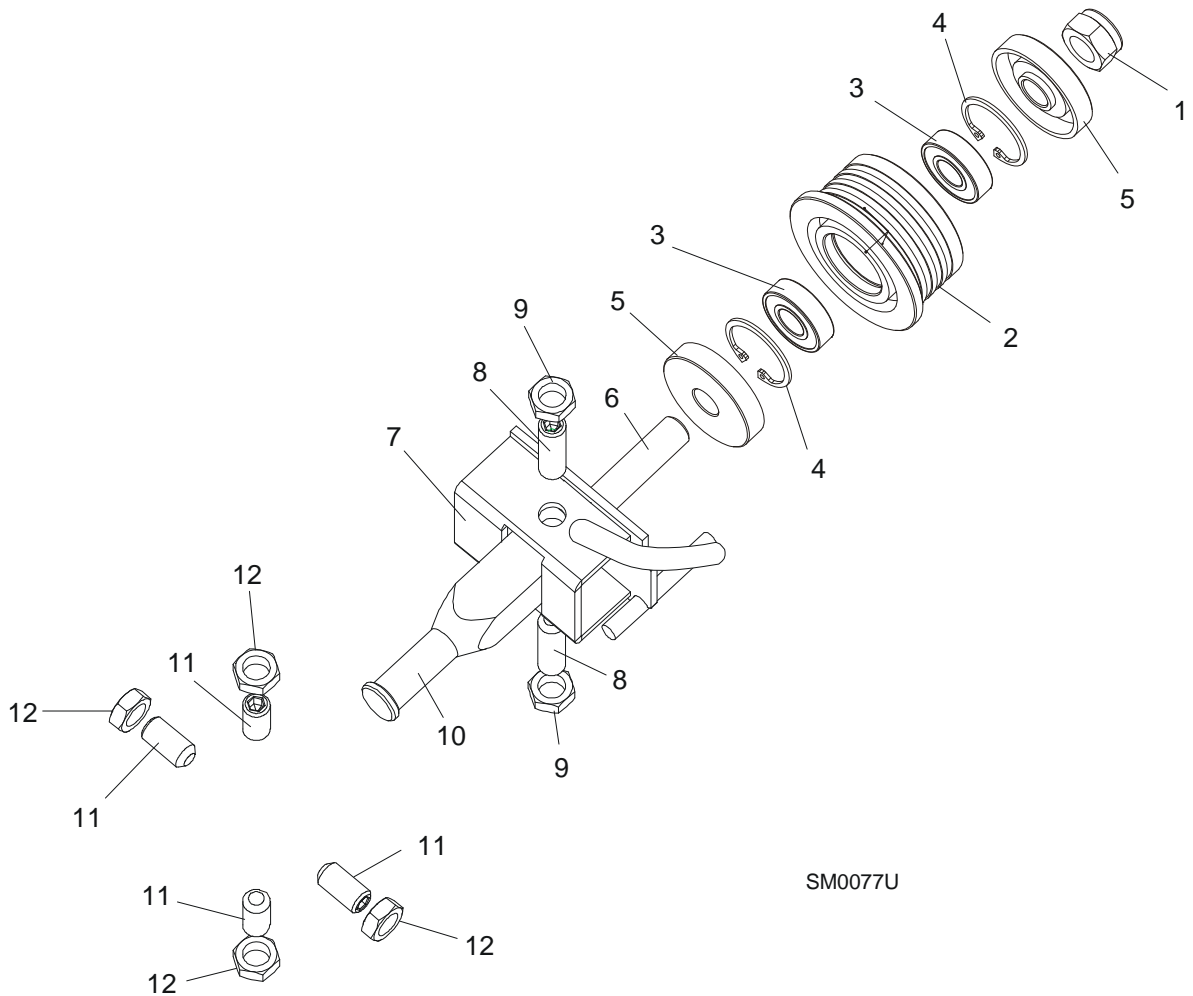
### 2.11 Additional Bed Frame Section with Outrigger Legs



| REF | DESCRIPTION (◆ Indicates Parts Available In Assemblies Only) | PART #   | QTY. |  |
|-----|--|----------|------|--|
| 1   | BED SECTION, LT15 1950 W/OUTRIGGER LEGS                      | 095082-S | 1    |  |
| 2   | BED SECTION, LT15 2700 W/OUTRIGGER LEGS (LT15 Sawmill only)  | 095083-S | 1    |  |

**SECTION 3 BLADE GUIDE ROLLERS & ARM**

**3.1 Blade Guide Assembly, Idle Side**



SM0077U

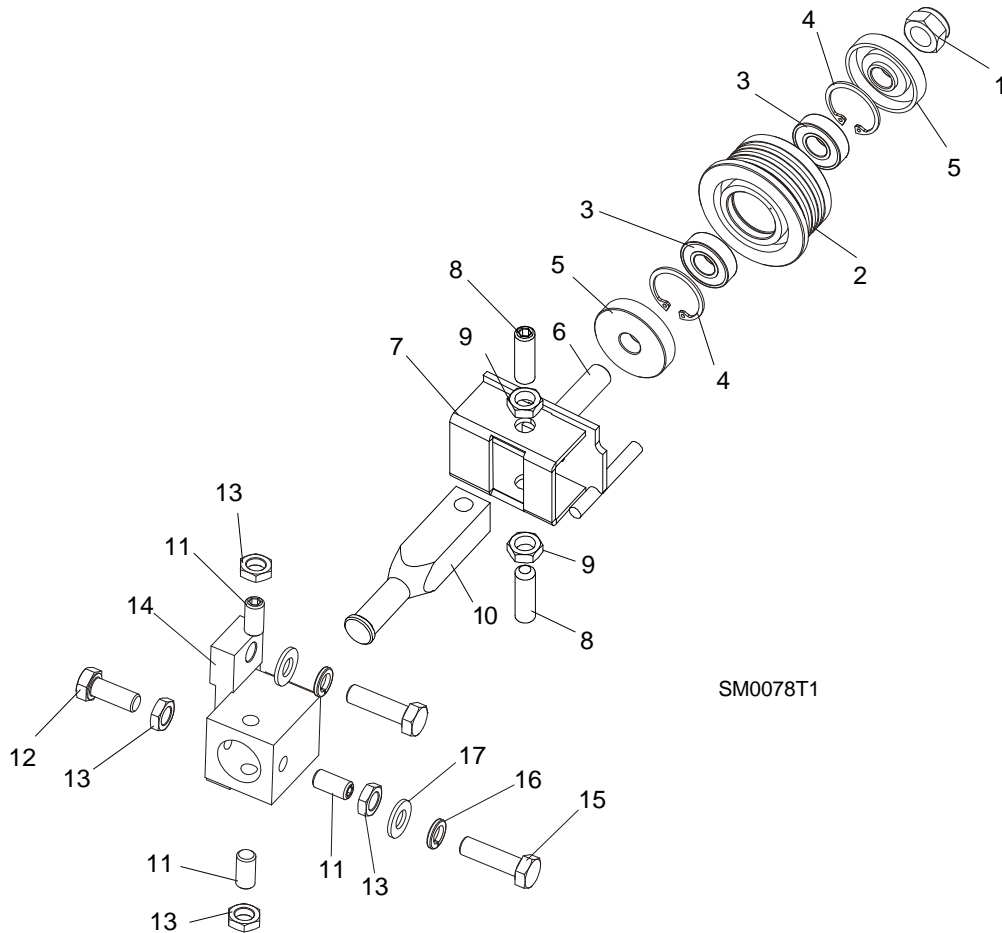
| REF | DESCRIPTION (◆ Indicates Parts Available In Assemblies Only) | Part #   | Qty. |   |
|-----|--|----------|------|---|
|     | <b>BLADE GUIDE ASSEMBLY, IDLE SIDE</b>                       | 094683   | 1    |   |
|     | Roller Assembly, Standard Blade Guide                        | 087887   | 1    |   |
| 1   | Nut, M12-8 Hex Nylon Lock Nut                                | F81034-2 | 1    |   |
| 2   | Roller, Narrow Blade Guide                                   | 087889   | 1    | ◆ |
| 3   | Bearing, 6001 2RSR FAG                                       | 087893   | 2    |   |
| 4   | Ring, W28 Inside Retaining                                   | F81090-9 | 1    |   |
| 5   | Washer, Zinc-plated Spacer                                   | 087891-1 | 2    |   |
| 6   | Shaft, Standard Blade Guide Roller Zinc                      | 087763-1 | 1    |   |
| 7   | Bracket Weldment, Idle Side Blade Guide Painted              | 094681-1 | 1    |   |
| 8   | Screw, M10x1x40 DIN 913 A2-70 Stainless Steel Set            | F81015-2 | 2    |   |

**3****BLADE GUIDE ROLLERS & ARM***Blade Guide Assembly, Idle Side*

---

|    |  |           |   |  |
|----|--|-----------|---|--|
| 9  | Nut, M10x1-04-ST-A2 ISO 8675 Thin                  | F81033-10 | 2 |  |
| 10 | Shaft, Zinc-plated Blade Guide Mount               | 088255-1  | 1 |  |
| 11 | <b>SCREW, M10X1X20 DIN 913 STAINLESS STEEL SET</b> | F81015-1  | 4 |  |
| 12 | <b>NUT, M10x1-04-ST-A2 ISO 8675 THIN</b>           | F81033-10 | 4 |  |

**3.2 Blade Guide Assembly, Drive Side**



SM0078T1

| REF | DESCRIPTION (◆ Indicates Parts Available In Assemblies Only)              | Part #    | Qty. |   |
|-----|---|-----------|------|---|
|     | <b>BLADE GUIDE ASSEMBLY DRIVE SIDE</b>                                    | 094682    | 1    |   |
|     | Roller Assembly, Standard Blade Guide                                     | 087887    | 1    |   |
| 1   | Nut, M12-8 Hex Nylon Lock Nut   | F81034-2  | 1    |   |
| 2   | Roller, Narrow Blade Guide  | 087889    | 1    | ◆ |
| 3   | Bearing, 6001 2RSR FAG  | 087893    | 2    |   |
| 4   | Ring, W28 Inside Retaining  | F81090-9  | 1    |   |
| 5   | Washer, Zinc-plated Spacer  | 087891-1  | 2    |   |
| 6   | Shaft, Standard Blade Guide Roller Zinc                                   | 087763-1  | 1    |   |
| 7   | Bracket Weldment, Blade Guide Painted                                     | 094679-1  | 1    |   |
|     | Screw Kit, Blade Guide Adjustment w/Nuts (for two blade guide assemblies) | K09942    | 1    |   |
| 8   | Screw, M10x1x40 DIN 913 A2-70 Stainless Steel Set                         | F81015-2  | 2    |   |
| 9   | Nut, M10x1-04-ST-A2 ISO 8675 THIN   | F81033-10 | 2    |   |
| 10  | Shaft, Zinc-plated Blade Guide Mount                                      | 088255-1  | 1    |   |

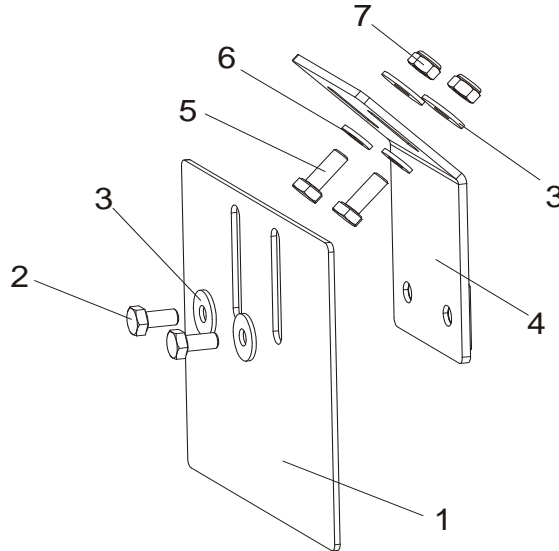


**3****BLADE GUIDE ROLLERS & ARM***Blade Guide Assembly, Drive Side*

---

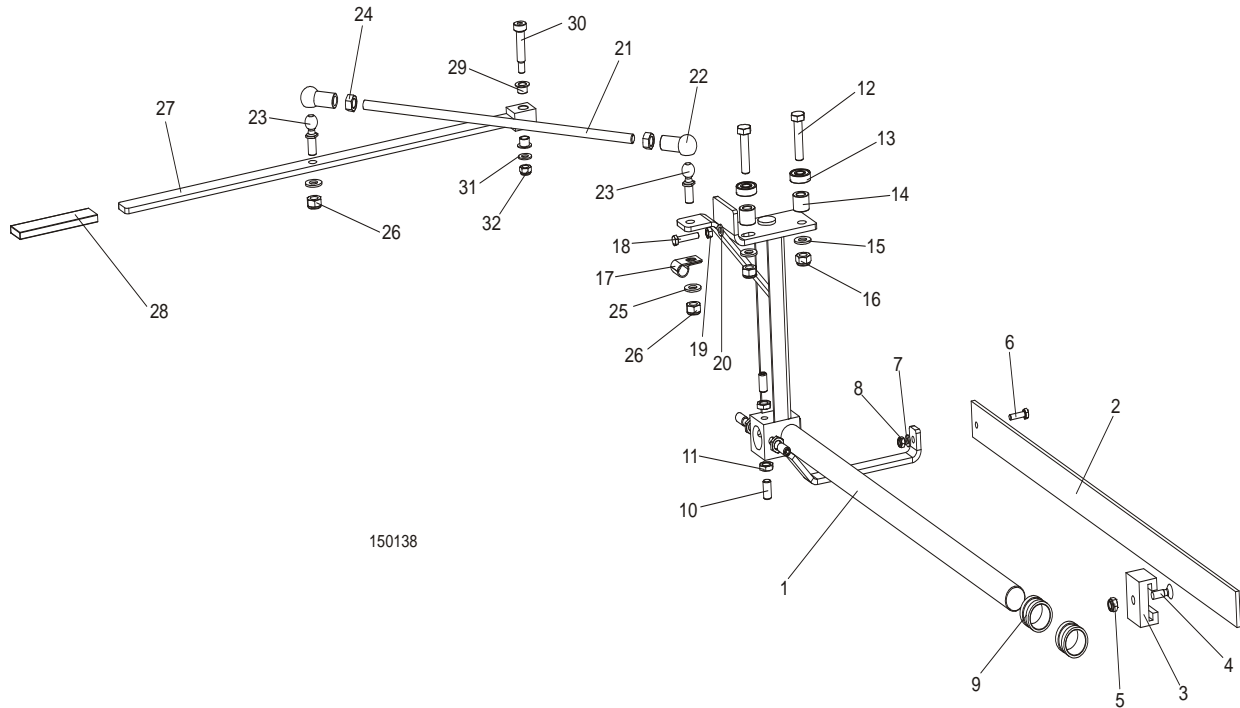
|    |   |           |   |  |
|----|---|-----------|---|--|
| 11 | SCREW, M10X1X20 DIN 913 SET STAINLESS STEEL | F81015-1  | 3 |  |
| 12 | BOLT, M10X1X25 DIN 933 STAINLESS STEEL      | F81003-28 | 1 |  |
| 13 | NUT, M10x1-04-ST-A2 ISO 8675 THIN           | F81033-10 | 4 |  |
| 14 | TUBE, BLADE GUIDE MOUNT                     | 087744    | 1 |  |
| 15 | BOLT, M10X35-8.8 HEX HEAD FULL THREAD ZINC  | F81003-17 | 2 |  |
| 16 | WASHER, 10.2 SPLIT LOCK ZINC                | F81055-2  | 2 |  |
| 17 | WASHER, 10.5 FLAT ZINC                      | F81055-1  | 2 |  |

**3.3 Blade Guide Roller Guard**



| REF | DESCRIPTION (◆ Indicates Parts Available In Assemblies Only) | Part #    | Qty |  |
|-----|--|-----------|-----|--|
| 1   | GUARD, BLADE GUIDE ROLLER PAINTED                            | 092379-1  | 1   |  |
| 2   | BOLT, M6X12-8.8 HEX HEAD FULL THREAD ZINC                    | F81001-7  | 2   |  |
| 3   | WASHER, 6,5 SPECIAL FLAT ZINC                                | F81053-11 | 4   |  |
| 4   | BRACKET, ROLLER GUARD MOUNT PAINTED                          | 092378-1  | 1   |  |
| 5   | SCREW, M6X16 8.8 HEX HEAD FULL THREAD ZINC                   | F81001-15 | 2   |  |
| 6   | WASHER, 6.4 FLAT ZINC  | F81053-1  | 2   |  |
| 7   | NUT, M6-8-B HEX NYLON ZINC LOCK                              | F81031-2  | 2   |  |

### 3.4 Blade Guide Arm Assembly



| REF | DESCRIPTION (◆ Indicates Parts Available In Assemblies Only) | Part #    | Qty |
|-----|--|-----------|-----|
|     | <b>BLADE GUIDE ARM W/LEVER - COMPLETE</b>                    | 094136    | 1   |
| 1   | Arm weldment, LT15 Blade Guide                               | 086662    | 1   |
| 2   | Bar, Blade Guard   | 088306    | 1   |
| 3   | Guide, Blade Guard   | 088305    | 1   |
| 4   | Screw, M8x25 Cross Recessed Countersunk Head Zinc            | F81002-51 | 1   |
| 5   | Nut, M8-8-B-FeZn5 Hex Nylon Zinc Lock                        | F81032-2  | 1   |
| 6   | Bolt, M6x20-8.8 Hex Head Full Thread Zinc                    | F81001-2  | 1   |
| 7   | Washer, 6.4 Flat Zinc  | F81053-1  | 1   |
| 8   | Nut, M6-8-B Hex Nylon Zinc Lock                              | F81031-2  | 1   |
| 9   | Bushing, LT15 Blade Guide                                    | 086684    | 1   |
| 10  | Screw, M10x1x20 DIN913 Set Stainless Steel                   | F81015-1  | 4   |
| 11  | NUT, M10x1-04-ST-A2 ISO 8675 Thin                            | F81033-10 | 4   |
| 12  | Bolt, M10x45-8.8 Hex Head Full Thread Zinc                   | F81003-3  | 2   |
| 13  | Bearing 6000.2RSR FAG  | 087471    | 2   |
| 14  | Bushing, Zinc-Plated Spacer                                  | 094255-1  | 2   |
| 15  | Washer, 10.5 Flat Zinc                                       | F81055-1  | 2   |
| 16  | Nut, M10-8-B Hex Nylon Zinc Lock                             | F81033-1  | 2   |
| 17  | Clamp, 1/2" EMT Coated                                       | P07584    | 1   |
| 18  | Bolt, M6x30 5.8 Hex Head Full Thread                         | F81001-13 | 1   |
| 19  | Nut, M16-8 Hex Nylon Zinc Lock                               | F81031-1  | 1   |
| 20  | Washer, 6.4 Flat Zinc  | F81053-1  | 1   |
|     | Stud Bolt Assembly, Arm Lever Connection                     | 094204    | 1   |

**BLADE GUIDE ROLLERS & ARM***Blade Guide Arm Assembly***3**

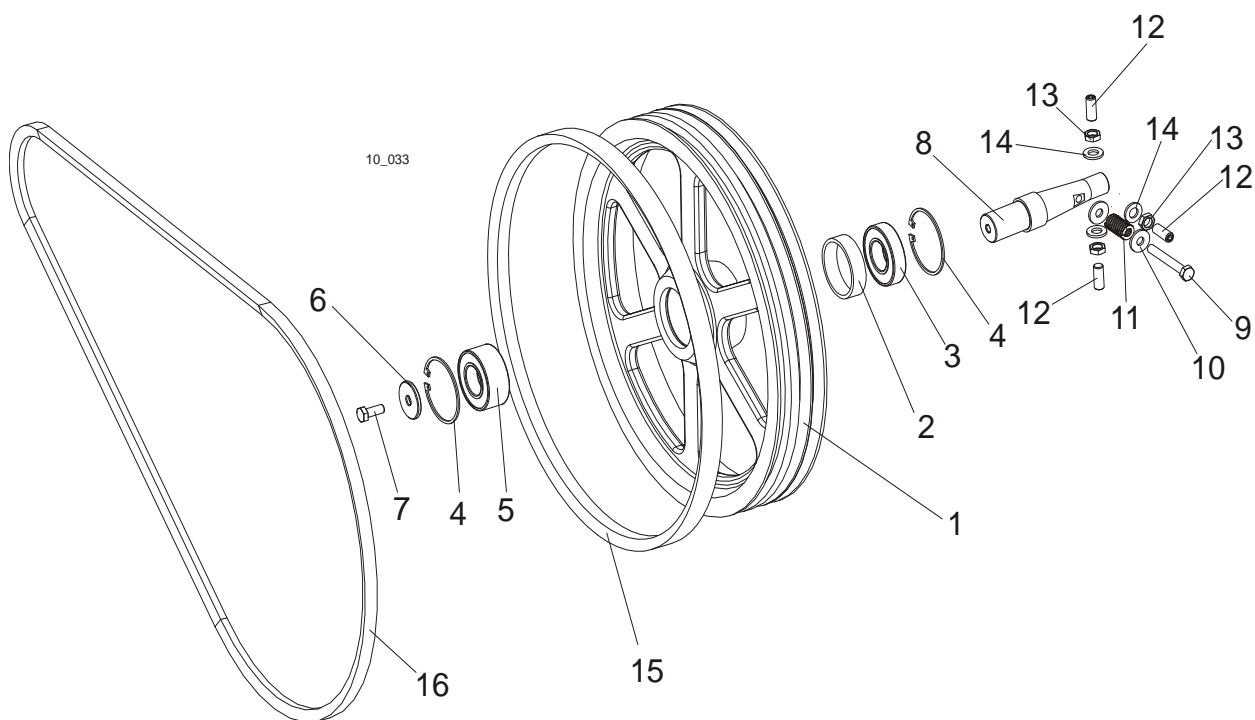
|    |  |           |   |  |
|----|--|-----------|---|--|
| 21 | Bolt, Zinc-Plated Stud                     | 094203-1  | 1 |  |
| 22 | Seat, 16 DIN71805-A BN488 Ball             | 093824    | 2 |  |
| 23 | Stud, 16/SW-13 DIN71803-C BN486 BALL       | 093823    | 2 |  |
| 24 | Nut, M10-8-B Hex Zinc                      | F81033-3  | 2 |  |
| 25 | Washer, 10.5 Flat Zinc                     | F81055-1  | 2 |  |
| 26 | Nut, M10-8-B Hex Nylon Zinc Lock           | F81033-1  | 2 |  |
|    | Lever Assembly, Blade Guide Arm Adjustment | 093812    | 1 |  |
| 27 | Lever, Blade Guide Arm Adjustment Painted  | 093813-1  | 1 |  |
| 28 | Cover, RRWA-91626-110 Grip                 | 086875    | 1 |  |
| 29 | Bushing, TUF1 18X120 CX                    | 500106    | 2 |  |
| 30 | Bolt, 10/M8x35 12.9 ISO7379 Shoulder       | F81003-63 | 1 |  |
| 31 | Washer, 8.4 Flat Zinc                      | F81054-1  | 1 |  |
| 32 | Nut, M8-8-B hex nylon zinc lock            | F81032-2  | 1 |  |

# 4 BLADE WHEELS & TENSIONER

## Blade Wheel Assembly, Drive Side

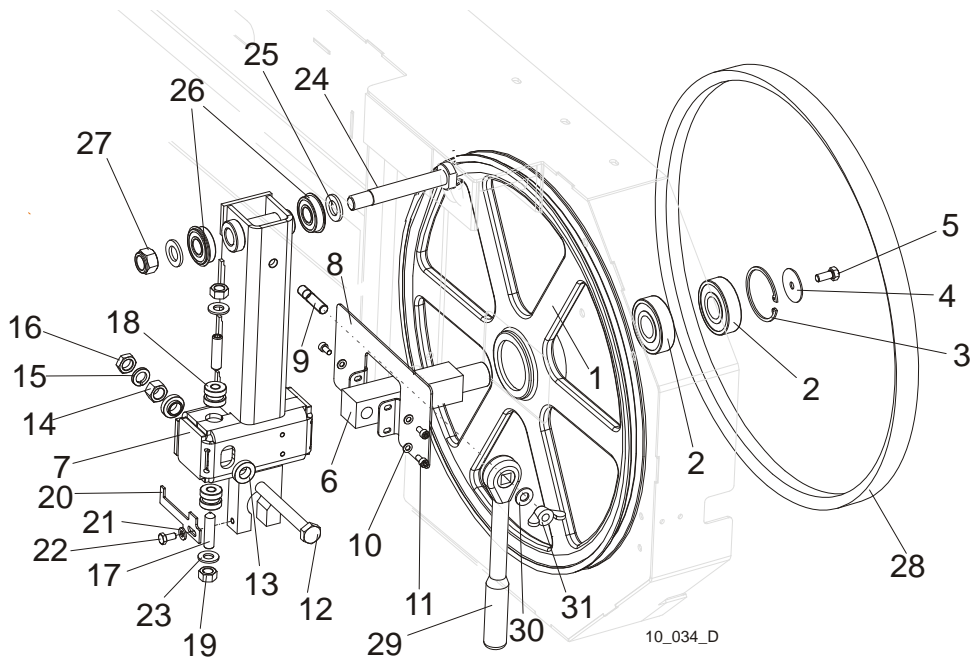
### SECTION 4 BLADE WHEELS & TENSIONER

#### 4.1 Blade Wheel Assembly, Drive Side



| REF | DESCRIPTION (◆ Indicates Parts Available In Assemblies Only) | PART #    | QTY. |
|-----|--|-----------|------|
|     | <b>WHEEL ASSEMBLY, DRIVE SIDE BLADE</b>                      | 091612    | 1    |
| 1   | BLADE WHEEL, DRIVE SIDE PTD                                  | 090646-1  | 1    |
| 2   | BUSHING, SPACER  | 096778    | 1    |
| 3   | BEARING, 6207 2RS 35X72X17 FAG                               | 014811    | 1    |
| 4   | RING, W72 INSIDE RETAINING                                   | F81090-4  | 2    |
| 5   | BEARING, 3207B, 2RSR TVH FAQ                                 | P04185-2  | 1    |
| 6   | WASHER, DRIVE SIDE BLADE WHEEL                               | 092006    | 1    |
| 7   | SCREW, M10X25-8.8 HEX HEAD FULL THREAD ZINC                  | F81003-11 | 1    |
| 8   | SHAFT, DRIVE SIDE BLADE WHEEL                                | 093850    | 1    |
| 9   | BOLT, M10X75-8.8 HEX HEAD ZINC                               | F81003-15 | 1    |
| 10  | WASHER, 10.5 SPECIAL FLAT ZINC                               | F81055-6  | 2    |
| 11  | SPRING, 19X38 COMPRESSION                                    | 034430    | 1    |
| 12  | SCREW, M12X1,25X30 DIN913 SET STAINLESS STEEL                | F81016-1  | 3    |
| 13  | WASHER, 13 FLAT ZINC   | F81056-1  | 3    |
| 14  | NUT, M12X1.25 DIN439 THIN STAINLESS STEEL                    | F81034-9  | 3    |
| 15  | V-BELT, B57  | P04185-2  | 1    |
| 16  | DRIVE BELT, BX81   | 014819    | 1    |

**4.2 Blade Wheel Assembly, Idle Side**



| REF | DESCRIPTION (◆ Indicates Parts Available In Assemblies Only) | PART #        | QTY.     |
|-----|--|---------------|----------|
|     | <b>WHEEL ASSEMBLY, IDLE SIDE BLADE</b>                       | <b>A08218</b> | <b>1</b> |
| 1   | WHEEL ASSEMBLY, 18.62" BLADE IDLE SIDE                       | P08125        | 1        |
| 2   | BEARING, 6305 2RS NSK IDLE SIDE WHEEL                        | P08066        | 2        |
| 3   | RING, 2 7/16" INSIDE RETAINING                               | F04254-21     | 1        |
|     | <b>HOUSING, LT10 &amp; LT15 IDLER SHAFT, COMPLETE</b>        | <b>100180</b> | <b>1</b> |
| 4   | WASHER, IDLE SIDE WHEEL RETAINING                            | 093854-1      | 1        |
| 5   | BOLT, M8X25-8.8-B HEX HEAD FULL THREAD ZINC                  | F81002-5      | 1        |
| 6   | SHAFT, IDLE SIDE BLADE WHEEL (METRIC)                        | 096045        | 1        |
|     | <b>HOUSING, IDLER SHAFT COMPLETE</b>                         | <b>508145</b> | <b>1</b> |
| 7   | HOUSING, IDLER SHAFT WELDED/PAINTED                          | 508144-1      | 1        |
| 8   | COVER, HOUSING, IDLER SHAFT COMPLETE PAINTED                 | 508128-1      | 1        |
| 9   | BOLT M10X35-8.8  | F81003-9      | 1        |
| 10  | WASHER, 5.3 FLAT ZINC  | F81052-1      | 3        |
| 11  | SCREW, M5x10 DIN912 A2-70 HEX SOCKET HEAD                    | F81000-23     | 3        |
| 12  | BOLT, M12X1,25X100-8.8 HEX HEAD FULL THREAD ZINC             | F81004-41     | 1        |
| 13  | WASHER, FLANGED ZINC-PLATED                                  | 086769-1      | 2        |
| 14  | NUT, M12X1,25 -8 HEX ZINC                                    | F81034-8      | 1        |
| 15  | WASHER, 12.2 SPLIT LOCK ZINC                                 | F81056-2      | 1        |
| 16  | <b>NUT, M12x1.25 DIN439 THIN STAINLESS STEEL</b>             | F81034-5      | 1        |
| 17  | SCREW, M10X40-45H CONE POINT HEX SOCKET                      | F81003-61     | 2        |
| 18  | BUSHING, M10 IDLER SHAFT HOUSING                             | 086987        | 2        |
| 19  | NUT, M10-8-B HEX HEAD ZINC                                   | F81033-3      | 2        |

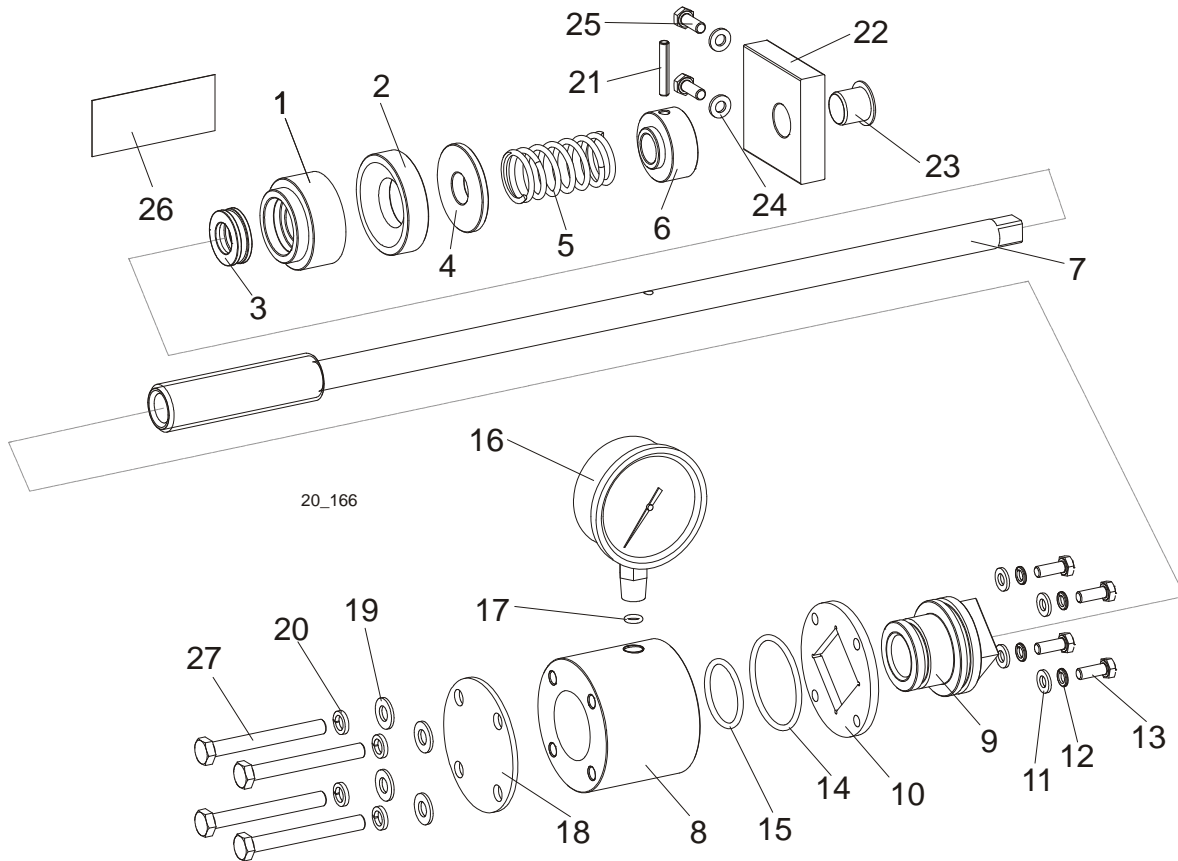
## **4** **BLADE WHEELS & TENSIONER**

### *Blade Wheel Assembly, Idle Side*

---

|    |   |          |   |  |
|----|---|----------|---|--|
| 20 | INDICATOR, LT15/LT20 PTD BLADE TENSION      | 092467-1 | 1 |  |
| 21 | WASHER, 6.4 FLAT ZINC                       | F81053-1 | 1 |  |
| 22 | BOLT, M6x12-8.8 HEX HEAD FULL THREAD ZIN    | F81001-7 | 1 |  |
| 23 | WASHER, 10.5 FLAT ZINC                      | F81055-1 | 2 |  |
| 24 | <b>PIN, IDLER ARM MOUNT</b>                 | 086404   | 1 |  |
| 25 | <b>WASHER, 17 FLAT ZINC</b>                 | F81058-1 | 2 |  |
| 26 | <b>BEARING, 6203-2RS NR NSK W/SNAP RING</b> | 086395   | 2 |  |
| 27 | <b>NUT, M16-8 HEX NYLON ZINC LOCK</b>       | F81036-2 | 1 |  |
| 28 | <b>V-BELT, B57</b>                          | P04185-2 | 1 |  |

**4.3 Blade Tensioner Assembly**



| REF. | DESCRIPTION (◆ Indicates Parts Available In Assemblies Only) | PART #        | QTY.     |
|------|--|---------------|----------|
|      | <b>COMPLETE BLADE TENSIONER</b>                              | <b>510640</b> | <b>1</b> |
| 1    | HOUSING, BALL THRUST BEARING                                 | 510635        | 1        |
| 2    | SOCKET, BEARING HOUSING                                      | 510634-1      | 1        |
| 3    | BEARING, 51103. BALL THRUST                                  | 086675        | 1        |
| 4    | WASHER   | 510633-1      | 1        |
| 5    | SPRING, n3mm   | 088992        | 1        |
| 6    | BUSHING, BLADE TENSIONER SCREW                               | 510636-1      | 1        |
| 7    | SCREW, BLADE TENSIONER ZINC-PLATED                           | 510650-1      | 1        |
|      | <b>CYLINDER ASSEMBLY</b>                                     | <b>510641</b> | <b>1</b> |
| 8    | CYLINDER   | 510637-1      | 1        |
| 9    | PISTON   | 510638        | 1        |
| 10   | PLATE, CYLINDER  | 510490-1      | 1        |
| 11   | WASHER, 6.4 FLAT ZINC  | F81053-1      | 4        |
| 12   | WASHER, Z 6.1 SPLIT LOCK ZINC                                | F81053-3      | 4        |
| 13   | BOLT, M6x16-8.8 HEX HEAD FULL THREAD ZINC                    | F81001-15     | 4        |
| 14   | O-RING, 46.2x3   | 510646        | 1        |
| 15   | O-RING, 32.2x3   | 510647        | 1        |
| 16   | GAUGE, 3000psi/200 bar OIL PRESSURE                          | 505176        | 1        |

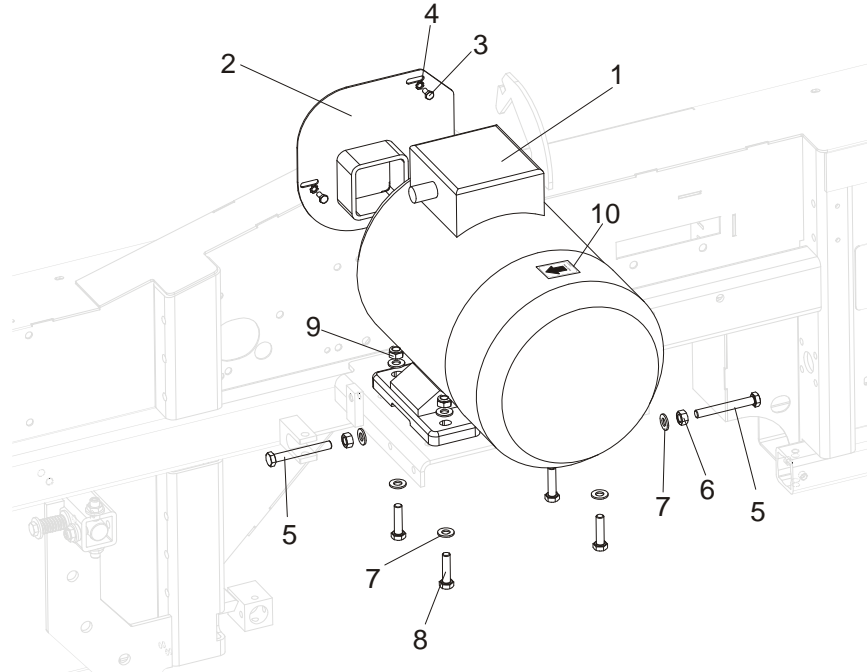


## **4** BLADE WHEELS & TENSIONER

### *Blade Tensioner Assembly*

|    |   |           |   |  |
|----|---|-----------|---|--|
| 17 | O-RING, 6.2x2                             | 510648    | 1 |  |
| 18 | PLATE, CYLINDER COVER                     | 510642-1  | 1 |  |
| 19 | WASHER, 8.4 FLAT ZINC                     | F81054-1  | 4 |  |
| 20 | WASHER, 8.2 SPLIT LOCK ZINC               | F81054-4  | 4 |  |
| 21 | PIN, 5x30 ROLL ZINC                       | F81044-21 | 1 |  |
| 22 | BLOCK, TENSIONER HANDLE MOUNT             | 096730    | 1 |  |
| 23 | BUSHING, GFM-1618-17                      | 089589    | 1 |  |
| 24 | WASHER, 6.4 FLAT ZINC                     | F81053-1  | 2 |  |
| 25 | BOLT, M6x16-8.8 HEX HEAD FULL THREAD ZINC | F81001-15 | 2 |  |
| 26 | DECAL, PRESSURE VALUES                    | 510643    | 1 |  |
| 27 | BOLT, M8x70-8.8 HEX HEAD ZINC             | F81002-71 | 4 |  |

4.4 Motor



| REF | DESCRIPTION (◆ Indicates Parts Available In Assemblies Only) | Part #               | Qty. |
|-----|--|----------------------|------|
| 1   | MOTOR, 1LA7130-2AA60 5,5KW,400V,50HZ ELECTRIC                | 095785               | 1    |
| 2   | MOTOR SHAFT COVER, E11 E15 PAINTED                           | 095335-1             | 1    |
| 3   | BOLT, M6X12-8.8 HEX HEAD FULL THREAD ZINC                    | F81001-7             | 3    |
| 4   | WASHER, 6.4 STAR LOCK ZINC                                   | F81053-2             | 3    |
| 5   | BOLT, M10X80-8.8 HEX HEAD FULL THREAD ZINC                   | F81003-76            | 2    |
| 6   | NUT, M10-8-B HEX ZINC  | F81033-3             | 2    |
| 7   | WASHER, 10.5 FLAT ZINC                                       | F81055-1             | 10   |
| 8   | BOLT, M10X40-8.8 HEX HEAD FULL THREAD ZINC                   | F81003-16            | 4    |
| 9   | NUT, M10-8-B NYLON HEX ZINC LOCK                             | F81033-1             | 4    |
| 10  | DECAL, ROTATION DIRECTION - 2925 RPM                         | S20097F <sup>1</sup> | 1    |

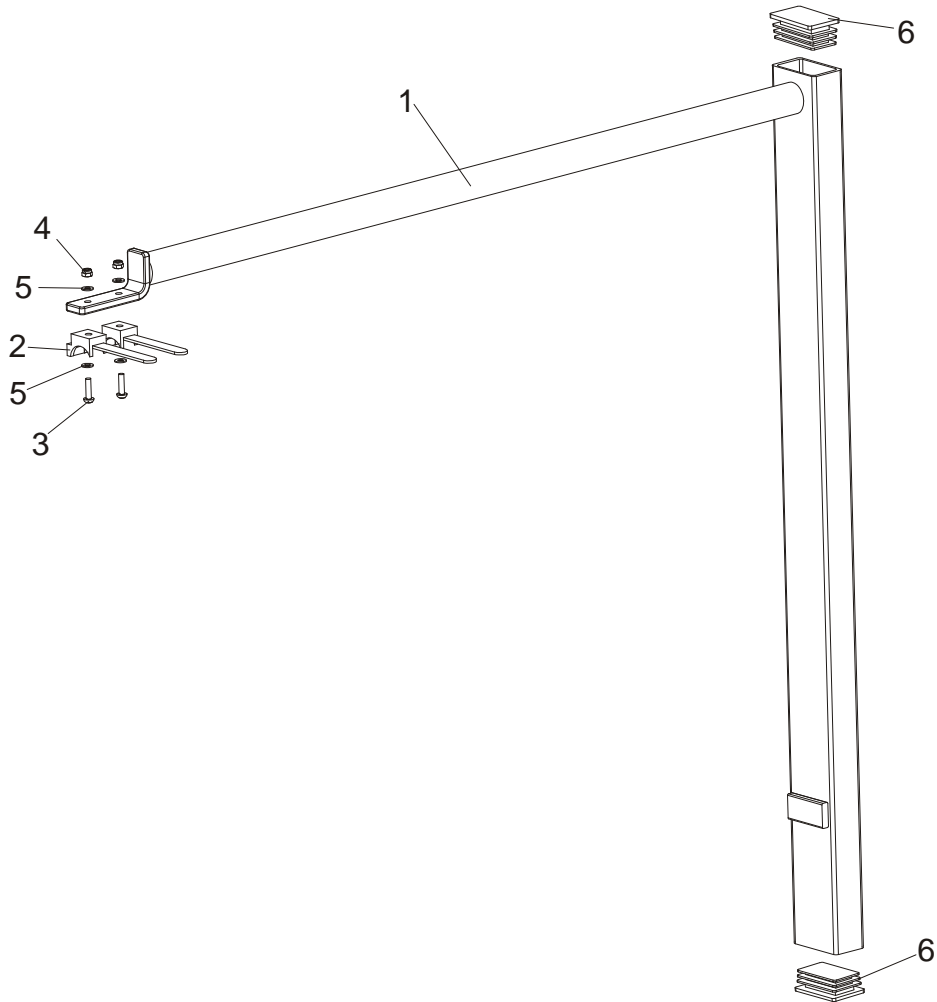
<sup>1</sup> Included in 099419 - LT10 Pictographic Decal Kit.

# 4

## BLADE WHEELS & TENSIONER

### Power Cord Bracket

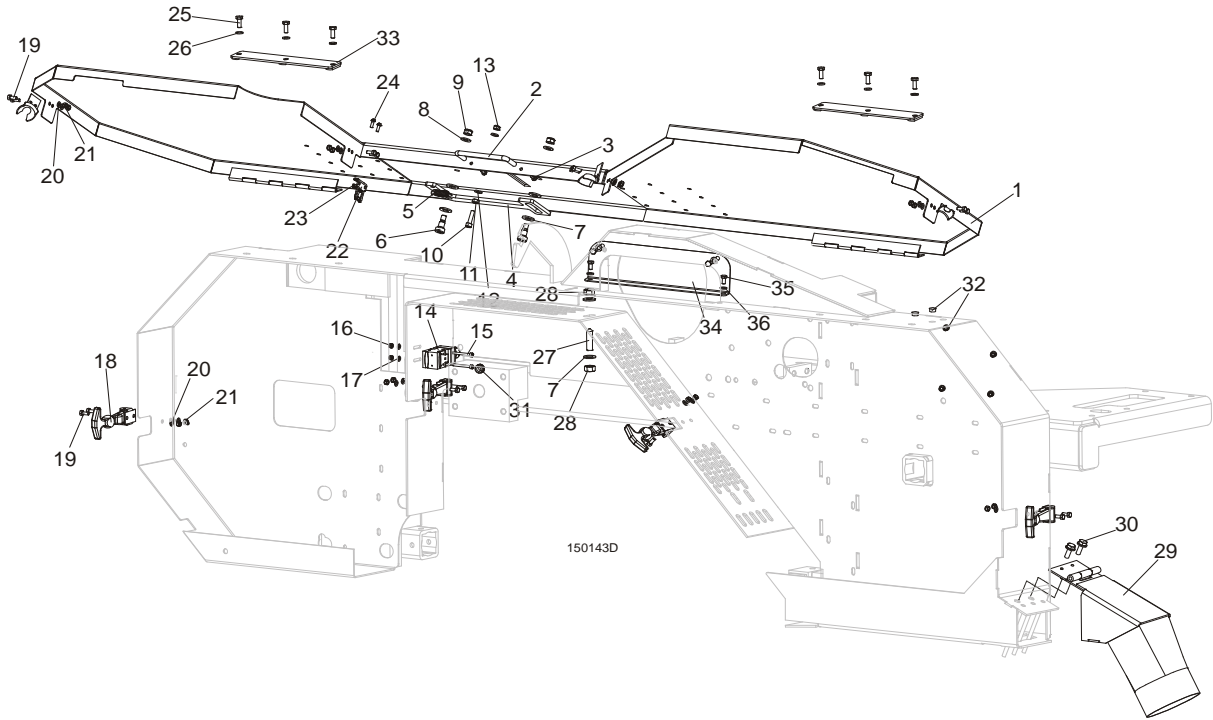
#### 4.5 Power Cord Bracket



| REF | DESCRIPTION (◆ Indicates Parts Available In Assemblies Only) | Part #    | Qty. |
|-----|--|-----------|------|
|     | <b>BRACKET, LT10 POWER CORD COMPLETE</b>                     | 097449    | 1    |
| 1   | Bracket, Power Cord Painted LT10                             | 086132-1  | 1    |
| 2   | Holder, UP30 Cable Plastic Tie                               | F81082-1  | 2    |
| 3   | Screw, M4x16 5,8-B Cross Recessed Pan Head Zinc              | F81011-42 | 2    |
| 4   | Nut, M4-B Hex Nylon Zinc Lock                                | F81029-1  | 2    |
| 5   | Washer, 4.3 Flat Zinc  | F81051-2  | 4    |
| 6   | Cap, 50x30 Black   | 095919    | 2    |

## SECTION 5 SAW HEAD

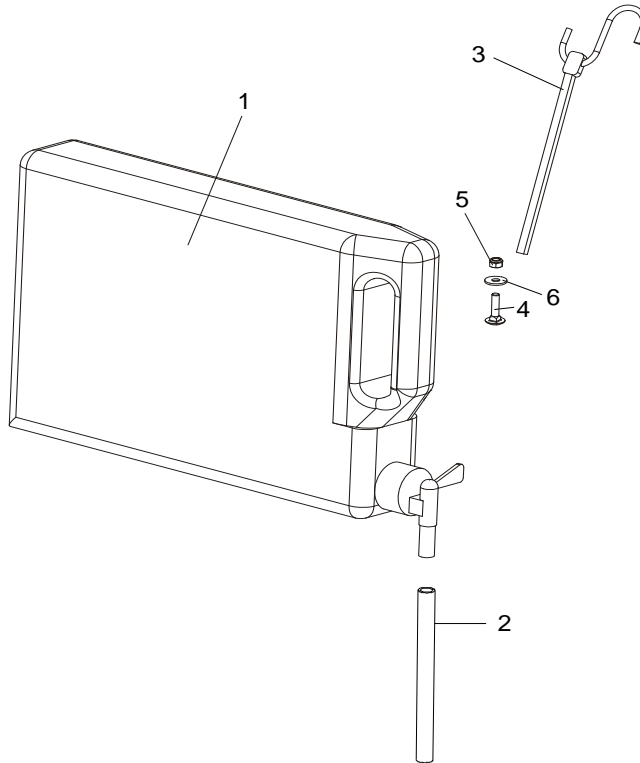
### 5.1 Blade Housing Cover



| REF | DESCRIPTION (◆ Indicates Parts Available In Assemblies Only) | PART #    | QTY. |
|-----|--|-----------|------|
|     | <b>COVER, LT15 FRONT COMPLETE</b>                            | 098678    | 1    |
| 1   | Cover Weldment, LT10/15/20 Blade Housing Painted             | 096776-1  | 1    |
| 2   | Handle w/Bolt  | P08065    | 1    |
| 3   | Screw, #8-32x3/8 Self-tapping                                | F05015-8  | 2    |
| 4   | Pawl, Locking Painted  | 090643-1  | 1    |
| 5   | Spring, 1.6x12x38 Extension                                  | 092208    | 1    |
| 6   | Bolt, 10/M8x12-12.9 ISO-7379 Shoulder                        | F81003-62 | 2    |
| 7   | Washer, 10.5 Flat Zinc                                       | F81055-1  | 4    |
| 8   | Washer, 8.4 Flat Zinc  | F81054-1  | 2    |
| 9   | Nut, M8-8-B Hex Nylon Zinc Lock                              | F81032-2  | 2    |
| 10  | Screw, M6x25-8.8 Hex Socket Head Cap Zinc                    | F81001-41 | 1    |
| 11  | Nut, M6-8 Hex Zinc   | F81031-1  | 1    |
| 12  | Washer, 6.4 Flat Zinc  | F81053-1  | 2    |
| 13  | Nut, M6-8-B Hex Nylon Zinc Lock                              | F81031-2  | 1    |
| 14  | <b>SWITCH, AZ17-11ZRK SAFETY</b>                             | 094232    | 1    |
| 15  | <b>SCREW, M4X35-8.8 HEX SOCKET HEAD CAP ZINC</b>             | F81011-34 | 2    |
| 16  | <b>NUT, M4-B HEX NYLON ZINC LOCK</b>                         | F81029-1  | 2    |

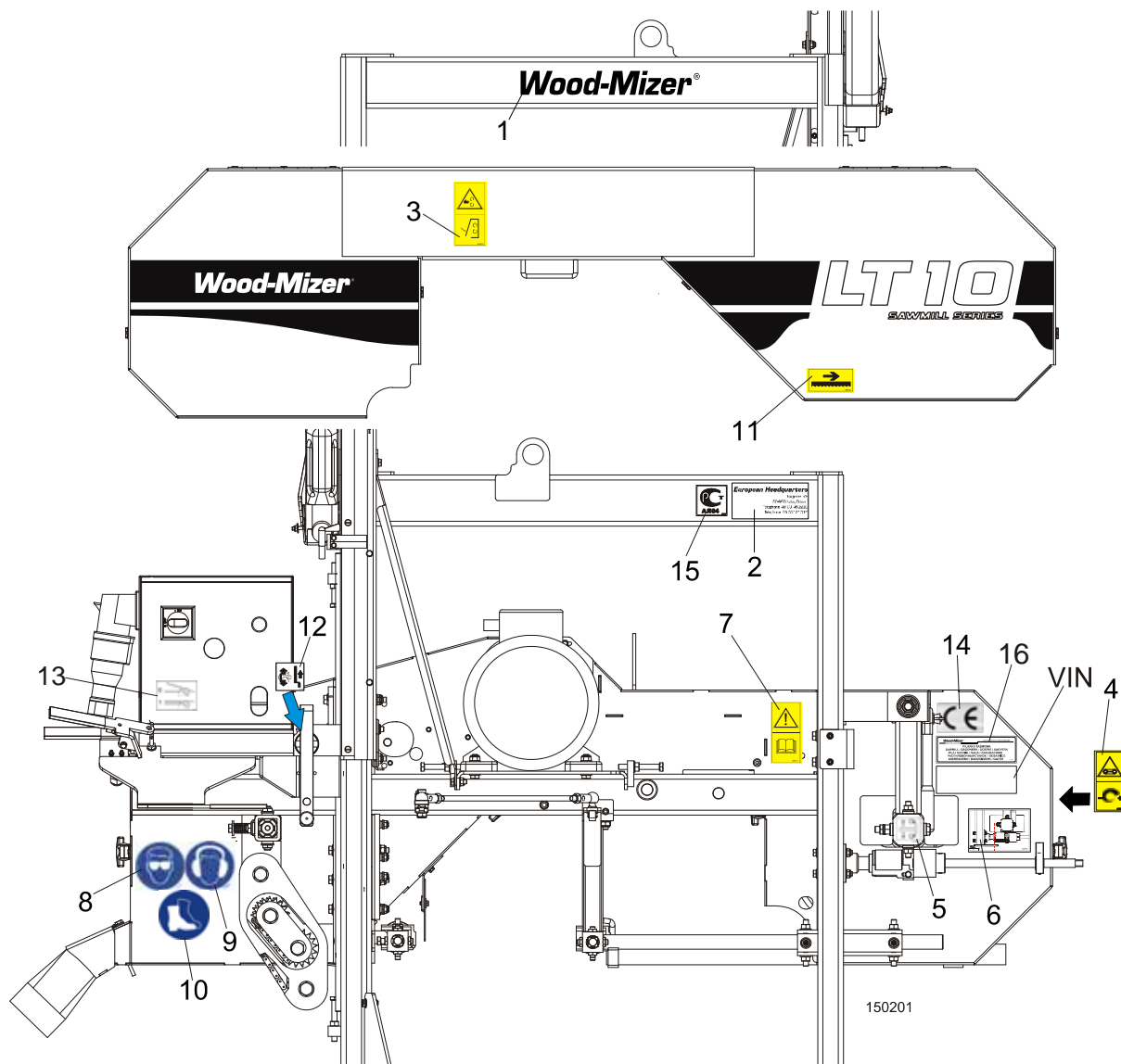
|    |  |           |   |  |
|----|--|-----------|---|--|
| 17 | WASHER, 4.3 FLAT ZINC                            | F81051-2  | 2 |  |
| 18 | LATCH, FLEXIBLE DRAW                             | 014829    | 4 |  |
| 19 | BOLT, M5X12-5.8 HEX HEAD FULL THREAD ZINC        | F81000-5  | 8 |  |
| 20 | WASHER, 5.3 FLAT ZINC                            | F81052-1  | 8 |  |
| 21 | NUT, M5-8 DIN 985 ZINC-PLATED                    | F81030-2  | 8 |  |
| 22 | KEY, A217/170-B5 SAFETY SWITCH                   | 094422    | 1 |  |
| 23 | NUT, M4-B HEX NYLON ZINC LOCK                    | F81029-1  | 2 |  |
| 24 | SCREW, M4X12-5.8-B CROSS RECESSED PAN HEAD ZINC  | F81011-43 | 2 |  |
| 25 | BOLT, M6X16 8.8 HEX HEAD FULL THREAD ZINC        | F81001-15 | 6 |  |
| 26 | WASHER, 6.4 FLAT ZINC                            | F81053-1  | 6 |  |
| 27 | SCREW, M10X40-45H HEX SOCKET SET CONE POINT ZINC | F81003-61 | 1 |  |
| 28 | NUT, M10-8-B HEX ZINC                            | F81033-3  | 2 |  |
| 29 | CHUTE, LT10/15/20 SAWDUST                        | 100903-1  | 1 |  |
| 30 | BOLT, M8X16-8.8-B HEX HEAD FULL THREAD ZINC      | F81002-20 | 2 |  |
| 31 | GROMMET, 22mm DIA. RUBBER                        | 087400    | 1 |  |
| 32 | PLUG, SR1086-9,5                                 | 096846    | 6 |  |
| 33 | PLATE, COVER MOUNT                               | 086701-1  | 2 |  |
| 34 | COVER, SAW HEAD MOUNT                            | 096788-1  | 1 |  |
| 35 | BOLT, M6X12MM HEX HEAD ZINC                      | F81001-7  | 4 |  |
| 36 | WASHER, M6 FLAT ZINC                             | F81053-1  | 4 |  |

## 5.2 Water Lube Assembly



| REF | DESCRIPTION (◆ Indicates Parts Available In Assemblies Only) | Part #    | Qty.  |
|-----|--|-----------|-------|
| 1   | Bottle, 5-liter Water  | 049119    | 1     |
| 2   | Tube, 3/8" I.D. Water Lube                                   | R01885    | 1,7 m |
| 3   | Strap, 24" Rubber w/Hook                                     | P11258    | 2     |
| 4   | Bolt, M6x25-8.8 Mushroom Head Square Neck Zinc               | F81001-20 | 1     |
| 5   | Nut, M6-8-B Hex Nylon Zinc Lock                              | F81031-2  | 1     |
| 6   | Washer, 6.5 Special Flat Zinc                                | F81053-11 | 1     |

### 5.3 LT10 Saw Head Decals

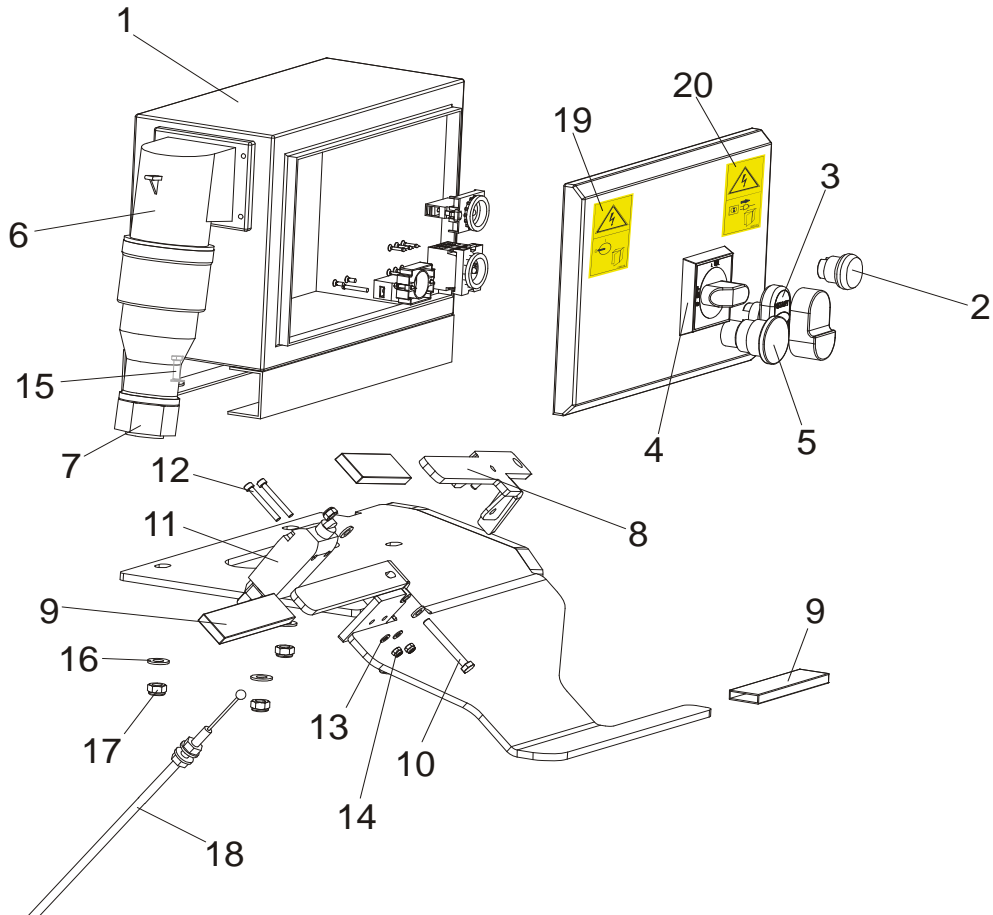


| REF | DESCRIPTION (◆ Indicates Parts Available In Assemblies Only) | Part #  | Qty. |
|-----|--|---------|------|
|     | <b>PICTOGRAPHIC DECAL KIT, LT10</b>                          | 099419  | 1    |
|     | Decal, LT10 sawmill name                                     | 098109  | 1    |
| 1   | DECAL, WOOD-MIZER  | S12281  | 1    |
| 2   | DECAL, EUROPEAN HEADQUARTERS ADDRESS                         | 015841  | 1    |
| 3   | DECAL, SAWMILL COVERS CAUTION                                | 099220  | 1    |
| 4   | DECAL, BLADE TENSION (PICTOGRAM)                             | 099219  | 1    |
| 5   | DECAL, BLADE ALIGNMENT                                       | P11789  | 1    |
| 6   | DECAL, BLADE TENSION INDICATOR ADJUSTMENT                    | 092597  | 1    |
| 7   | DECAL, READ OPERATOR'S MANUAL (PICTOGRAM)                    | 096317  | 1    |
| 8   | DECAL, EYE PROTECTION WARNING (PICTOGRAM)                    | S12004G | 1    |
| 9   | DECAL, EAR PROTECTION WARNING (PICTOGRAM)                    | S12005G | 1    |

|           |   |        |   |  |
|-----------|---|--------|---|--|
| <b>10</b> | DECAL, USE SAFETY BOOTS (PICTOGRAM)             | 501465 | 1 |  |
| <b>11</b> | DECAL, BLADE MOVEMENT DIRECTION (PICTOGRAM)     | 096321 | 1 |  |
| <b>12</b> | DECAL, POWER FEED SYSTEM ENGAGEMENT (PICTOGRAM) | 099226 | 1 |  |
| <b>13</b> | DECAL, SAFETY HANDLE                            | 501477 | 1 |  |
| <b>14</b> | <b>DECAL, CE CERTIFIED SAWMILL (SMALL)</b>      | P85070 | 1 |  |
| <b>15</b> | <b>DECAL, RUSSIAN SAFETY CERTIFICATION</b>      | 099401 | 1 |  |
| <b>16</b> | <b>DECAL, INTERNATIONAL SAWMILL NAME</b>        | 501466 | 1 |  |



### 5.4 Control Box

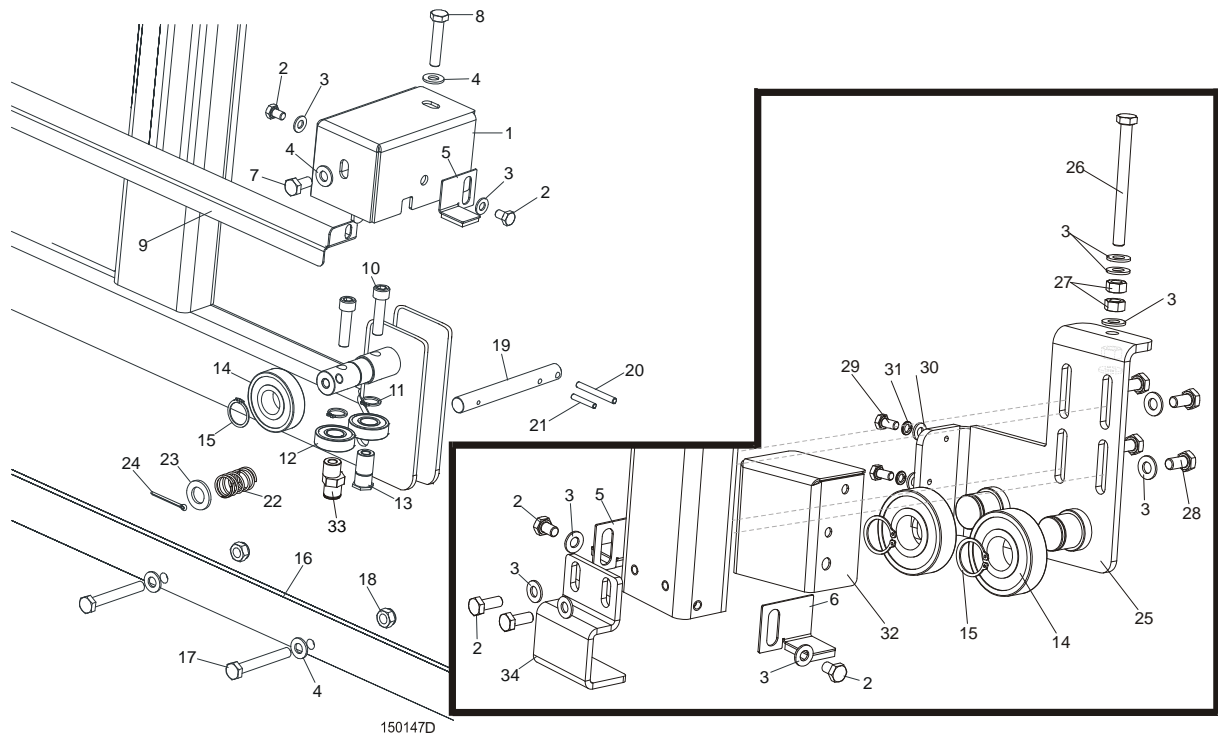


| REF | DESCRIPTION (◆ Indicates Parts Available In Assemblies Only) | Part #           | Qty. |
|-----|--|------------------|------|
|     | <b>BOX, LT10 ELECTRIC</b>                                    | <b>096001-M</b>  | 1    |
|     | <b>BOX, LT10 ELECTRIC (NORWEGIAN VERSION)</b>                | <b>096001-M2</b> | 1    |
| 1   | Box, Electric  | 092628           | 1    |
| 2   | Light, M22 White-LED 24V Control                             | 090448           | 1    |
| 3   | Start/Stop Switch 24V  | 090452           | 1    |
| 4   | Switch, ABB OT40 F3  | 502312           | 1    |
|     | Knob, OHB S2A1 ABB Switch                                    | 502312-1         | 1    |
|     | Axle, OXS6160 ABB Switch                                     | 502312-2         | 1    |
| 5   | Switch, XB4 BS542 Emergency Stop                             | 086556           | 1    |
| 6   | Plug, 16A  | E85239           | 1    |
| 7   | Plug in socket, 16A 400V IP57 31243 Bals                     | E85240           | 1    |
| 8   | <b>HANDLE, BLADE ENGAGEMENT WLDMT/PTD</b>                    | 097221-1         | 1    |
| 9   | <b>COVER, RRWA-91626-110 GRIP</b>                            | 086875           | 3    |
| 10  | <b>BOLT, M6X50-8.8 HEX HEAD ZINC</b>                         | F81001-62        | 1    |
| 11  | <b>SWITCH, GLCB01C LIMIT</b>                                 | 100910           | 1    |
| 12  | <b>SCREW, M4X35 -8.8 HEX SOCKED HEAD CAP ZINC</b>            | F81011-34        | 2    |
| 13  | <b>WASHER, 4.3 FLAT ZINC</b>                                 | F81051-2         | 2    |

|    |   |          |   |  |
|----|---|----------|---|--|
| 14 | NUT, M4-B HEX NYLON ZINC LOCK                             | F81029-1 | 2 |  |
| 15 | BOLT, M8X25-8.8-B HEX HEAD FULL THREAD ZINC               | F81002-5 | 4 |  |
| 16 | WASHER, 8.4 FLAT ZINC                                     | F81054-1 | 8 |  |
| 17 | NUT, M8-8-B HEX NYLON ZINC LOCK                           | F81032-2 | 4 |  |
| 18 | CABLE, THROTTLE   | 089450   | 1 |  |
| 19 | DECAL, HIGH VOLTAGE INSIDE THE ELECTRIC BOX (PICTOGRAM)   | 096316   | 1 |  |
| 20 | DECAL, REMOVE THE PLUG BEFORE OPENING THE BOX (PICTOGRAM) | 096319   | 1 |  |

## SECTION 6 FEED SYSTEM

### 6.1 Track Rail, Rollers & Travel Pins



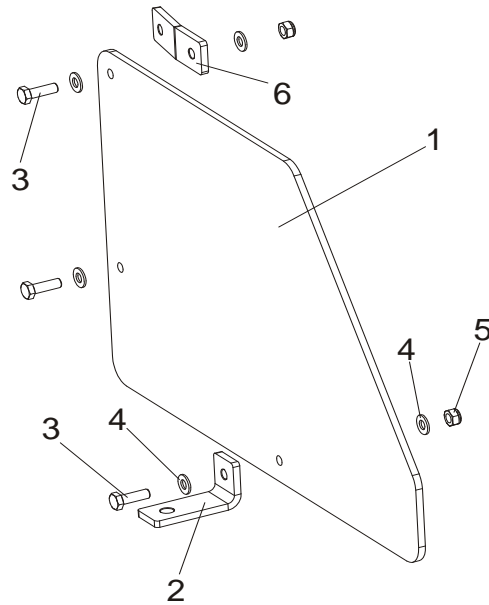
| REF | DESCRIPTION (◆ Indicates Parts Available In Assemblies Only) | PART #    | QTY. |
|-----|--|-----------|------|
| 1   | HOUSING, TRACK ROLLER PAINTED                                | 086739-1  | 2    |
| 2   | BOLT, M8X12-8.8 HEX HEAD FULL THREAD ZINC                    | F81002-6  | 8    |
| 3   | WASHER, 8.4 FLAT ZINC  | F81054-1  | 16   |
| 4   | WASHER, 10.5 FLAT ZINC                                       | F81055-1  | 13   |
| 5   | PLATE, RIGHT TRACK WIPER                                     | 086322    | 2    |
| 6   | PLATE, LEFT TRACK WIPER                                      | 086323    | 2    |
| 7   | BOLT, M10 X 20 5.8 HEX HEAD FULL THREAD ZINC                 | F81003-1  | 2    |
| 8   | BOLT, M10X50-8.8 HEX HEAD FULL THREAD ZINC                   | F81003-4  | 2    |
| 9   | COVER, MIDDLE TRACK  | 086745    | 1    |
| 10  | SCREW, M10X40 HEX SOCKET HEAD CAP ZINC                       | F81003-22 | 4    |
| 11  | RING, Z 17 OUTSIDE RETAINING                                 | F81090-21 | 4    |
| 12  | BEARING, 6203-2RS ROLLING                                    | 086114    | 4    |
| 13  | SHAFT, SIDE BEARING MOUNT ZINC-PLATED                        | 086645-1  | 2    |
| 14  | BEARING, 6305-2RS CX   | 085706    | 4    |
| 15  | RING, 25Z OUTSIDE RETAINING                                  | F81090-22 | 4    |

|    |   |           |                   |  |
|----|---|-----------|-------------------|--|
| 16 | RAIL, LT15 1950 (LT15S3) TRACK ZINC-PLATED  | 094427-1  | 3                 |  |
|    | RAIL, LT15 2700 (LT15M2) TRACK ZINC-PLATED  | 094696-1  | 2                 |  |
| 17 | BOLT, M10X75-8.8 HEX HEAD ZINC              | F81003-15 | 9/13 <sup>1</sup> |  |
| 18 | NUT, M10-8-B HEX NYLON ZINC LOCK            | F81033-1  | 9/13 <sup>2</sup> |  |
| 19 | PIN, TRAVEL LOCK ZINC-PLATED                | 086743-1  | 2                 |  |
| 20 | PIN, 6X50 ROLL ZINC                         | F81045-1  | 2                 |  |
| 21 | PIN, 5 X 30 ROLL ZINC                       | F81044-21 | 2                 |  |
| 22 | SPRING, 18X37X1.8 COMPRESSION ZINC-PLATED   | 087301    | 2                 |  |
| 23 | WASHER, 17 FLAT ZINC                        | F81058-1  | 2                 |  |
| 24 | PIN, 4 X 25 COTTER ZINC                     | F81043-2  | 2                 |  |
| 25 | BRACKET, ROLLER                             | 506707-1  | 1                 |  |
| 26 | BOLT, M8X90-8.8 HEX HEAD FULL THREAD ZINC   | F81002-16 | 1                 |  |
| 27 | NUT, M8-8-B HEX ZINC                        | F81032-1  | 3                 |  |
| 28 | BOLT, M8X16-8.8-B HEX HEAD FULL THREAD ZINC | F81002-20 | 4                 |  |
| 29 | BRACKET MAST GUIDE                          | 503768-1  | 1                 |  |
| 30 | WASHER, 6.4 FLAT ZINC                       | F81053-1  | 2                 |  |
| 31 | WASHER, Z 6.1 SPLIT LOCK ZINC               | F81053-3  | 2                 |  |
| 32 | COVER, ROLLER                               | 501783-1  | 1                 |  |
| 33 | SHAFT, OUTER ECCENTRIC E=3,3-ZINC           | 098898-1  | 2                 |  |

<sup>1</sup> Number of bolts for one bed section.

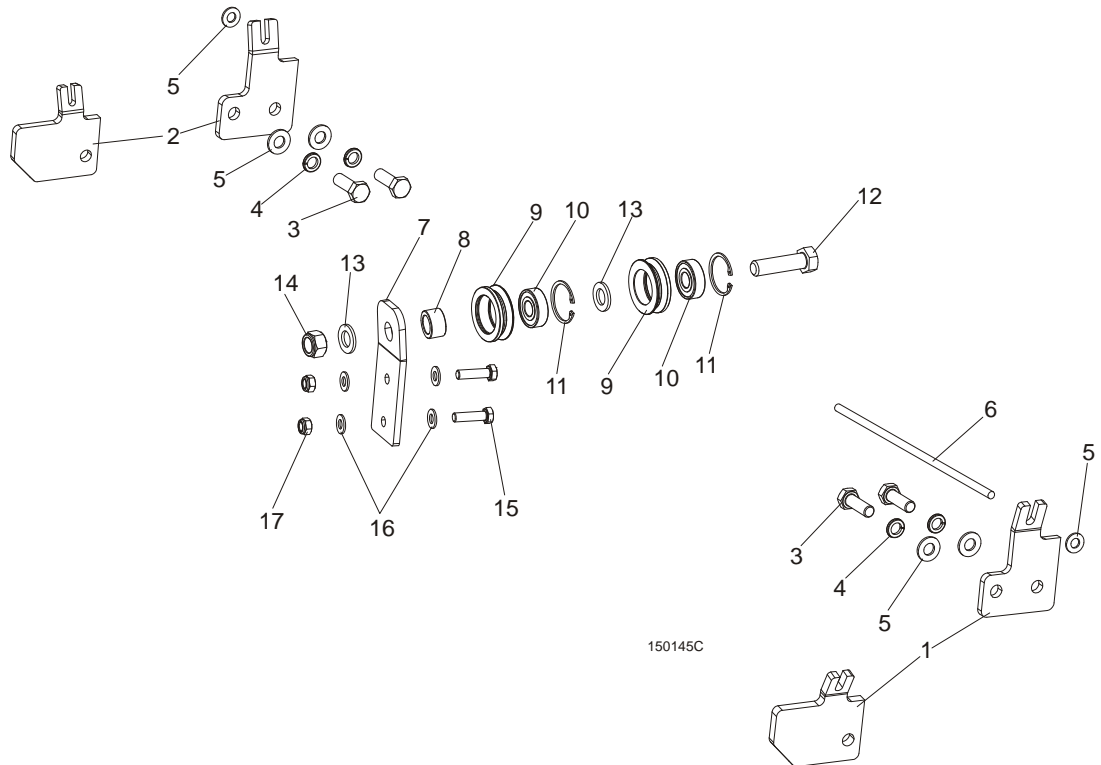
<sup>2</sup> Number of nuts for one bed section.

## 6.2 Track Rail, Rollers & Travel Pins



| REF | DESCRIPTION (◆ Indicates Parts Available In Assemblies Only) | Part #   | Qty. |  |
|-----|--|----------|------|--|
|     | <b>GUARD, LT15 COMPLETE LOWER</b>                            | 093858   | 1    |  |
| 1   | Plate, LT15 Lower Guard                                      | 093859   | 1    |  |
| 2   | Bracket, Lower PTD   | 086172-1 | 1    |  |
| 3   | Bolt, M8x25-8.8 Hex Head Full Thread                         | F81002-5 | 3    |  |
| 4   | Washer, 8.4 Flat Zinc  | F81054-1 | 6    |  |
| 5   | Nut, M8-8-B Hex Nylon Zinc Lock                              | F81032-2 | 3    |  |
| 6   | Bracket, Side PTD  | 086171-1 | 2    |  |

### 6.3 Feed Rope, V-groove Rollers & Brackets

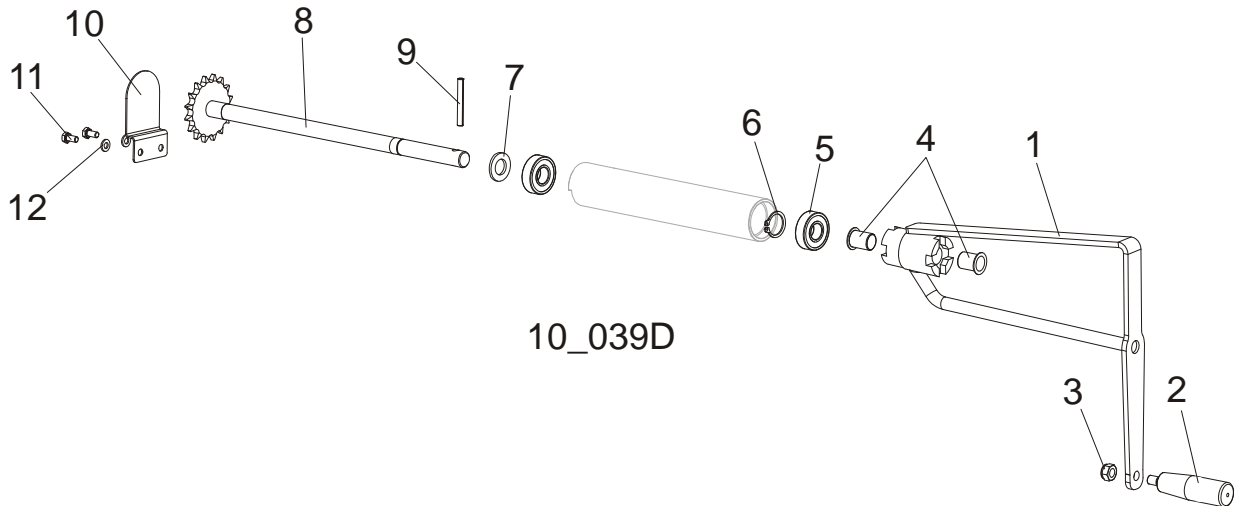


150145C

| REF | DESCRIPTION (◆ Indicates Parts Available In Assemblies Only) | PART #                            | QTY.  |
|-----|--|-----------------------------------|-------|
| 1   | BRACKET, LT15 ROPE MOUNT FRONT PAINTED                       | 502725-1<br>508236-1<br>(LT15-EC) | 1     |
| 2   | BRACKET, LT15 ROPE MOUNT REAR PAINTED                        | 502726-1<br>508237-1<br>(LT15-EC) | 1     |
| 3   | BOLT, M10X30-5.8 HEX HEAD FULL THREAD                        | F81003-2                          | 4     |
| 4   | WASHER,10.2 SPLIT LOCK ZINC                                  | F81055-2                          | 4     |
| 5   | WASHER, 10.5 FLAT ZINC                                       | F81055-1                          | 6     |
| 6   | ROPE, 5/16" DIA. BRAIDED POLYESTER                           | R02080                            | 9,0 m |
|     | <b>ROPE ROLLER GUIDE SYSTEM COMPLETE</b>                     | 501413                            | 1     |
| 7   | SUPPORT, ROPE ROLLER GUIDE SYSTEM                            | 501416-1                          | 1     |
| 8   | SPACER, N25XN16.5X60 BEARING                                 | 501415-1                          | 1     |
|     | ROLLER ASSEMBLY, V-GROOVE W/BEARING                          | 093855                            | 2     |
| 9   | ROLLER, V-GROOVE ZINC-PLATED                                 | 093856-1                          | 1     |
| 10  | BEARING, 6203 2RS 5/8 CX                                     | 095087                            | 1     |
| 11  | RING, W40 INSIDE RETAINING                                   | F81090-3                          | 1     |
| 12  | BOLT, M16X70 8.8 HEX HEAD FULL THREAD ZINC                   | F81006-16                         | 1     |
| 13  | WASHER, 17 FLAT ZINC   | F81058-1                          | 2     |
| 14  | NUT, M16-8 HEX NYLON ZINC LOCK                               | F81036-2                          | 1     |
| 15  | BOLT, M8X30-8.8 ZINC   | F81002-7                          | 2     |
| 16  | WASHER, 8.4 FLAT ZINC  | F81054-1                          | 4     |
| 17  | NUT, M8-8-B HEX NYLON ZINC LOCK                              | F81032-2                          | 2     |

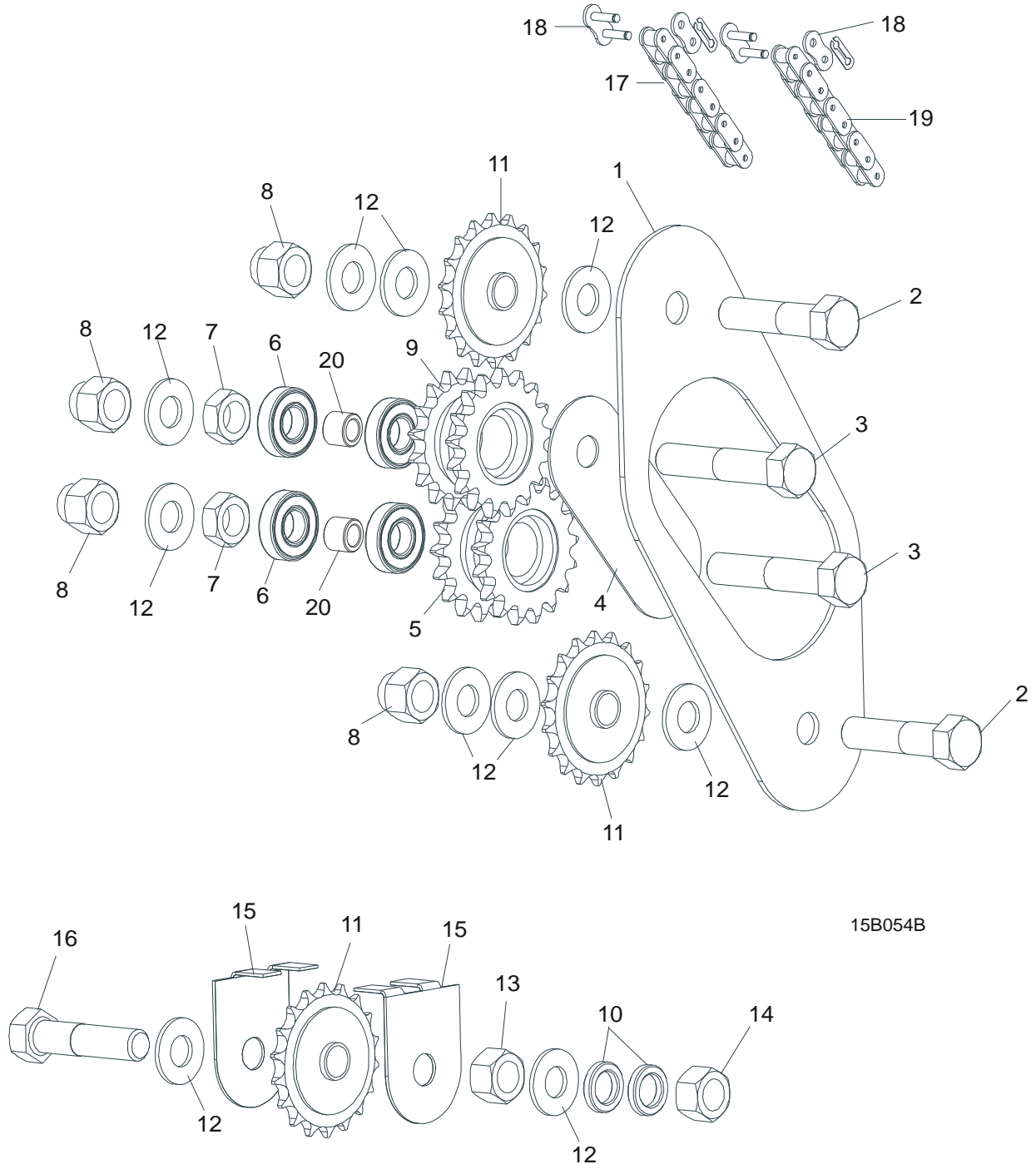
## SECTION 7 UP/DOWN SYSTEM

### 7.1 Up/Down Crank Assembly



| REF | DESCRIPTION (◆ Indicates Parts Available In Assemblies Only) | Part #        | Qty. |  |
|-----|--|---------------|------|--|
|     | <b>FEED CRANK ASSEMBLY LT15/MP100/HR110</b>                  | <b>508239</b> | 1    |  |
| 1   | CRANK, WELDMENT LT155  | 508238-1      | 1    |  |
| 2   | KNOB, 12992M10 PLASTIC CRANK HANDLE                          | 086338        | 1    |  |
| 3   | NUT, M10-8-B HEX NYLON ZINC LOCK                             | F81033-1      | 1    |  |
| 4   | BUSHING, GFM-1719-25   | 094142        | 2    |  |
| 5   | <b>BEARING, 6203-2RS</b>                                     | 086114        | 2    |  |
| 6   | <b>RING, Z 17 OUTSIDE RETAINING</b>                          | F81090-21     | 1    |  |
| 7   | <b>WASHER, 17 FLAT ZINC</b>                                  | F81058-1      | 1    |  |
| 8   | <b>SHAFT W/SPROCKET LT15</b>                                 | 097242-1      | 1    |  |
| 9   | <b>PIN, 6X50 ZINC ROLL</b>                                   | F81045-1      | 1    |  |
| 10  | <b>GUARD, UPPER LT15 SAW HEAD SPROCKET</b>                   | 092567-1      | 1    |  |
| 11  | <b>BOLT, M6X12-8.8 HEX HEAD FULL THREAD ZINC</b>             | F81001-7      | 2    |  |
| 12  | <b>WASHER, 6.4 FLAT ZINC</b>                                 | F81053-1      | 2    |  |

## 7.2 Up/Down Drive Sprocket Assembly



| REF | DESCRIPTION (◆ Indicates Parts Available In Assemblies Only) | Part #    | Qty. |
|-----|--|-----------|------|
| 1   | GUARD, UP/DOWN CHAIN INTERNAL LT15                           | 014907    | 1    |
| 2   | BOLT, M16X65-8.8-B HEX HEAD FULL THREAD ZINC                 | F81006-1  | 2    |
| 3   | BOLT, M16X80 8.8-B HEX HEAD FULL THREAD ZINC                 | F81006-11 | 2    |
| 4   | PLATE, UP/DOWN DRIVE SPROCKET MOUNT PTD                      | 087104-1  | 1    |

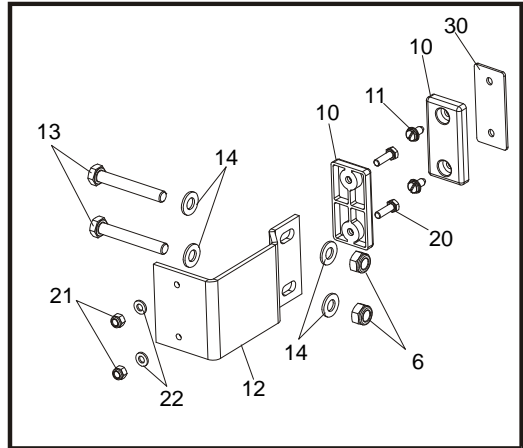
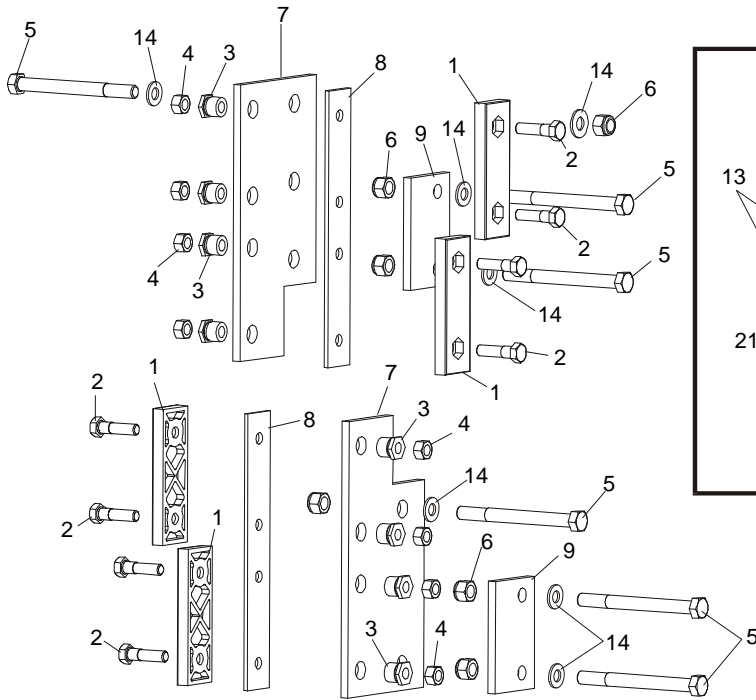
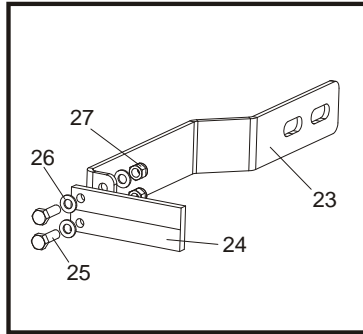
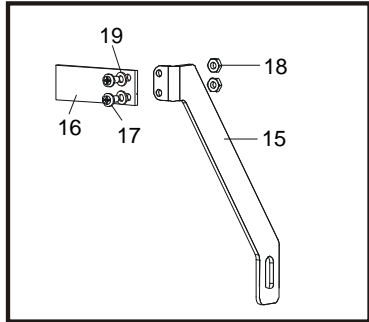


## 7

**UP/DOWN SYSTEM***Up/Down Drive Sprocket Assembly*

|    |  |           |    |  |
|----|--|-----------|----|--|
| 5  | SPROCKET DUAL 17/17 PTD                      | 086812-1  | 1  |  |
| 6  | BEARING, R-10                                | P04156    | 4  |  |
| 7  | NUT, M16 HEX THIN ZINC                       | F81036-4  | 2  |  |
| 8  | NUT, M16-8 HEX NYLON ZINC LOCK               | F81036-2  | 4  |  |
| 9  | SPROCKET DUAL 16/17 PTD                      | 086813-1  | 1  |  |
| 10 | WASHER, 41/64" X 1" X 3/16 SPACER            | S12480    | 3  |  |
| 11 | SPROCKET, 17T G1#40-41 5/8" ID               | P04333    | 3  |  |
| 12 | WASHER 17 FLAT ZINC                          | F81058-1  | 12 |  |
| 13 | NUT M16-5.8 HEX ZINC                         | F81036-1  | 1  |  |
| 14 | NUT, M16-8 HEX NYLON ZINC LOCK               | F81036-2  | 1  |  |
| 15 | GUARD,LT15 UP/DOWN CHAIN SPROCKET            | 092566-1  | 2  |  |
| 16 | BOLT, M16X75-8.8-B HEX HEAD FULL THREAD ZINC | F81006-10 | 1  |  |
| 17 | CHAIN, #40 X 111 1/2"                        | 014831    | 1  |  |
| 18 | LINK, #40 MASTER                             | P04200    | 2  |  |
| 19 | CHAIN, #40 X 15 1/2"                         | P12496    | 1  |  |
| 20 | BUSHING - ZINC                               | 095938-1  | 2  |  |

7.3 Slide Pads and Blade Height Scale Indicator



10\_041B

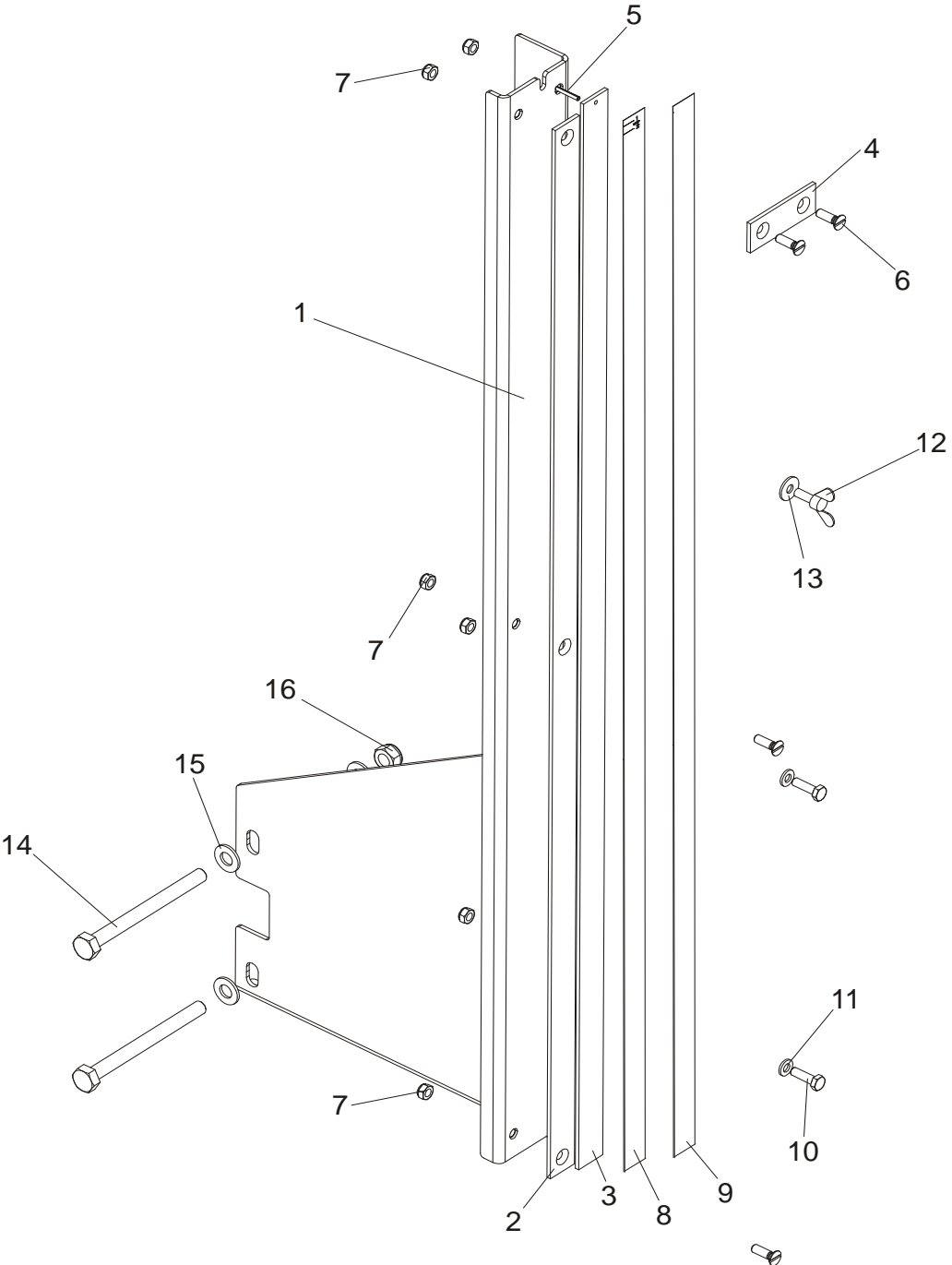
| REF | DESCRIPTION (◆ Indicates Parts Available In Assemblies Only) | Part #    | Qty. |
|-----|--|-----------|------|
| 1   | PADS, UP/DOWN SLIDE  | M04096    | 4    |
| 2   | BOLT, M8X35 -8.8 HEX HEAD FULL THREAD ZINC                   | F81002-13 | 8    |
| 3   | NUT, LT15 SLIDE PAD ADJUSTMENT ZINC-PLATED                   | 086683-1  | 8    |
| 4   | NUT, M8-8-B HEX NYLON ZINC LOCK                              | F81032-2  | 8    |
| 5   | BOLT, M10X110 8.8 HEX HEAD ZINC                              | F81003-43 | 6    |
| 6   | NUT, M10-8-B HEX NYLON ZINC LOCK                             | F81033-1  | 8    |
| 7   | PLATE, LT15 SLIDE PAD MOUNT                                  | 086682-1  | 2    |
| 8   | BACKING, MAST SLIDE PADS                                     | 014898-1  | 2    |
| 9   | PLATE, SHORT SLIDE PAD MOUNT                                 | 085978-1  | 2    |
| 10  | PAD, CATERPILLAR TRACK                                       | P13576    | 2    |

## 7

**UP/DOWN SYSTEM***Slide Pads and Blade Height Scale Indicator*

|    |  |               |    |  |
|----|--|---------------|----|--|
| 11 | <b>BOLT, 1/4-20 X 1/2"SELF TAP HEX HEAD</b>            | F05015-1      | 2  |  |
| 12 | <b>BRACKET, LT15MAST GUIDE IDLE SIDE PAINTED</b>       | 087192-1      | 1  |  |
| 13 | <b>BOLT, M10X70-8.8 HEX HEAD FULL THREAD ZINC</b>      | F81003-20     | 2  |  |
| 14 | <b>WASHER, 10.5 FLAT ZINC</b>                          | F81055-1      | 11 |  |
| 15 | <b>BRACKET, LT15 BLADE HEIGHT SCALE MOUNT</b>          | 092568-1      | 1  |  |
| 16 | <b>INDICATOR, BLADE HEIGHT SCALE</b>                   | 094821        | 1  |  |
| 17 | <b>BOLT, M4X16 5.8 HEX HEAD FULL THREAD ZINC</b>       | F81011-6      | 2  |  |
| 18 | <b>NUT, M4-B HEX NYLON ZINC LOCK</b>                   | F81029-1      | 2  |  |
| 19 | <b>WASHER, 4.3-FLAT ZINC</b>                           | F81051-2      | 2  |  |
|    | <b>DECAL, METRIC SCALE LT15</b>                        | 086142        |    |  |
| 20 | <b>BOLT, M6X20-8.8 HEX HEAD FULL THREAD ZINC</b>       | F81001-2      | 2  |  |
| 21 | <b>NUT, M6-8-B HEX NYLON ZINC LOCK</b>                 | F81031-2      | 2  |  |
| 22 | <b>WASHER, 6.4 FLAT ZINC</b>                           | F81053-1      | 2  |  |
|    | <b>INDICATOR, BLADE HEIGHT SCALE COMPLETE (OPTION)</b> | <b>097569</b> |    |  |
| 23 | Base, Blade Height Indicator Painted                   | 097568-1      | 1  |  |
| 24 | Indicator, Blade Height                                | 094821        | 1  |  |
| 25 | Bolt, M5x16 -8.8 Hex Head Full Thread Zinc             | F81000-20     | 2  |  |
| 26 | Washer, 5.3 Flat Zinc                                  | F81052-1      | 4  |  |
| 27 | Nut, M5-8-Fe/Zn5 DIN 985                               | F81030-2      | 2  |  |
| 28 | Bolt, M8x12-8.8 Hex Head Full Thread Zinc              | F81002-6      | 2  |  |
| 29 | Washer, 8,4 Flat Zinc                                  | F81054-1      | 2  |  |
| 30 | <b>WASHER, SLIDE PAD</b>                               | 101324-1      | 1  |  |

7.4 Blade Height Scale (Optional)



| REF | DESCRIPTION (◆ Indicates Parts Available In Assemblies Only) | PART #   | QTY. |
|-----|--|----------|------|
|     | <b>SCALE , BLADE HEIGHT COMPLETE</b>                         | 095964   | 1    |
| 1   | Bcracket, Blade Height Scale LT15 Painted                    | 095965-1 | 1    |
| 2   | Plate, Decal Mount   | 092750   | 1    |
| 3   | Plate, Inch Decal Mount                                      | 093133   | 1    |

## 7

**UP/DOWN SYSTEM***Blade Height Scale (Optional)*

|    |  |                      |   |  |
|----|--|----------------------|---|--|
| 4  | Bar, Scale Mount                               | 093134               | 1 |  |
| 5  | Pin, 3x20 Zinc Roll                            | F81044-5             | 1 |  |
| 6  | Screw, M6x20 Slotted Countersunk Head Zinc     | F81001-31            | 3 |  |
| 7  | Nut, Hex Nylon Zinc Lock                       | F81031-2             | 6 |  |
| 8  | Decal, LT15 0-80CM Centimeter Scale            | 091239               | 1 |  |
| 9  | Decal, 16-40mm Metric<br>Decal, 45-63mm Metric | P12040-1<br>P12040-2 | 1 |  |
| 10 | Bolt, M6x20-8.8 Hex Head Full Thread Zinc      | F81001-2             | 2 |  |
| 11 | Washer, 6.4 Flat Zinc                          | F81053-1             | 2 |  |
| 12 | Screw, M6x16 BN276 DIN 316 Thumb               | F81001-16            | 1 |  |
| 13 | Washer, 6.5 Special Flat Zinc                  | F81053-11            | 1 |  |
| 14 | Bolt, M10x115-8.8 Hex Head Zinc                | F81003-19            | 2 |  |
| 15 | Washer, 10.5 Flat Zinc                         | F81055-1             | 4 |  |
| 16 | Nut, M10-8-B Hex Nylon Zinc Lock               | F81033-1             | 2 |  |