

Wood-Mizer®

Parts List

LT15WC E15	rev. A2.02
LT15WC G25	rev. A2.02
LT15WC D15	rev.A2.02
LT15WC D17	rev. A2.02



Safety is our #1 concern! Read and understand all safety information and instructions before operating, setting up and/or maintaining this machine.

Form #791

Table of Contents

Section-Page

SECTION 1	GENERAL INFORMATION	1-1
1.1	How To Use the Parts List.....	1-1
1.2	Sample Assembly	1-1
SECTION 2	BED FRAME PARTS	2-1
2.1	”S” Bed Frame Section	2-1
2.2	”S” Service Bed Frame Section	2-3
2.3	”S” Service Bed Frame Section for Mobile Sawmills	2-4
2.4	”M” Bed Frame Section	2-5
2.5	”M” LT15 Wide Bed Frame Section	2-6
2.6	Log Clamp	2-7
2.7	Log Side Support Rollers	2-8
2.8	Adjustable Leg Kit, LT15 Wide M-Frame	2-9
2.9	Bed Section Connection Hardware	2-10
2.10	Mast Track Extension (M-type Frame).....	2-11
2.11	Mast Track Extension - Rear (S-type Frame).....	2-12
2.12	Mast Track Extension - Front (S-type Frame)	2-13
2.13	Manual Toe Board (Optional)	2-14
2.14	Wedge	2-16
2.15	Saw Head Bumper	2-17
2.16	Additional Bed Frame Section with Adjustable Legs	2-18
2.17	LT15 Bed Frame Section Connector (No. 506288)	2-19
SECTION 3	LEG KITS	3-1
3.1	”S” Frame Legs	3-1
3.2	”M” Frame Legs	3-2
SECTION 4	DECALS	4-1
4.1	LT15WC AC Saw Head Decals	4-1
4.2	LT15WC DC Saw Head Decals	4-3
SECTION 5	SAW HEAD	5-1
5.1	Covers, Grommets	5-1
5.2	Limit Switches, Limit Switch Activator Plate	5-3
5.3	Limit Switch w/Mount Plate (Part No. 094227)	5-4
5.4	Saw Head Housing Cover LT15WC (No. 531636)	5-5
5.5	Left Up/Down Slide Pads Assembly (No. 531633)	5-6
5.6	Right Up/Down Slide Pads Assembly (No. 531639)	5-8
5.7	Blade Height Scale Assembly, LT15 Wide (Stationary Sawmill).....	5-9
5.8	Blade Guide Roller Assembly, Drive Side. (094682)	5-11
5.9	Blade Guide Roller Cover, Drive Side. (No. 531627)	5-12
5.10	Blade Guide Roller Assembly, Idle Side (094683)	5-13
5.11	Blade Guide Arm Assembly (531621).....	5-14
5.12	Drive Belt Lower Support Bracket (092636-1)	5-16
5.13	Belt Tensioner & Brake (No. 096448)	5-17
5.14	Tension Roller w/Brake (No. 097446)	5-18
5.15	Tension Roller (No. 511166)	5-19
5.16	Tensioner and Brake Handle (No. 097436)	5-20

Table of Contents

Section-Page

SECTION 6	BLADE WHEELS & TENSIONER	6-1
6.1	Blade Wheel Assembly, Drive Side	6-1
6.2	Blade Wheel Assembly, Idle Side	6-2
6.3	Blade Tensioner Assembly	6-4
6.4	Blade Wheel Assembly, Drive Side Motor E15.....	6-6
SECTION 7	UP/DOWN SYSTEM	7-1
7.1	Up/Down Drive Assembly (No. 531642_531674)	7-1
7.2	Up/Down Motor (No. 094161)	7-3
7.3	Up/Down Motor (Part No. 531679)	7-4
7.4	Up/Down Drive Nut (Part No. 094150)	7-5
SECTION 8	EQUIPMENT KITS W/ELECTRIC OR MANUAL FEED	8-1
8.1	Equipment Kits w/Electric or Manual Feed	8-1
8.2	LT15WC Mast (No. 531615)	8-3
8.3	Power Cord Bracket (Part No. 097449)	8-4
8.4	Power Feed Assembly (No. 580830-S3_550644-S3)	8-5
8.5	DC Power Feed Drive Assembly (No. 550645)	8-7
8.6	Power Feed Cable/Chain Replacement Kit, Lenze/Besel	8-9
8.7	Power Feed Cable/Chain Replacement Kit, DC-version	8-11
8.8	Lower Cover (Part No. 500727)	8-13
8.9	Manual Feed Assembly (No. 531671)	8-14
8.10	Crank Handle Assembly, Manual Feed (No. 094186)	8-15
8.11	Feed Cable Guide Roller (No. 502521)	8-17
8.12	Lower Cover (Part No. 093858)	8-18
SECTION 9	MOTOR KIT (NO. 531650-P)	9-1
9.1	EH15 Motor Kit	9-1
9.2	Control Box, LT15 (Part No. 538731)	9-2
9.3	G23 Engine Mount Kit, LT15WC (No. 586745)	9-4
9.4	Belt Tensioner (No. 531695)	9-6
9.5	Fuel Tank Assembly, LT15 Wide (No. 586776)	9-7
9.6	Electrical Box (No. 505376)	9-9
9.7	Blade Lube Kit (No. 503470)	9-10

SECTION 1 GENERAL INFORMATION

1.1 How To Use the Parts List

- Use the index above to locate the assembly that contains the part you need.
- Go to the appropriate section and locate the part in the illustration.
- Use the number pointing to the part to locate the correct part number and description in the table.
- Parts shown indented under another part are included with that part.
- Parts marked with a diamond (◆) are only available in the assembly listed above the part.

See the sample table below. Sample Part #A01111 includes part F02222-2 and subassembly A03333. Subassembly A03333 includes part S04444-4 and subassembly K05555. The diamond (◆) indicates that S04444-4 is not available except in subassembly A03333. Subassembly K05555 includes parts M06666 and F07777-77. The diamond (◆) indicates M06666 is not available except in subassembly K05555.

1.2 Sample Assembly				
REF.	DESCRIPTION (◆ Indicates Parts Available In Assemblies Only)	PART #	QTY	
	Sample Assembly, Complete (Includes All Indented Parts Below)	A01111	1	
1	Sample Part	F02222-22	1	
	Sample Subassembly (Includes All Indented Parts Below)	A03333	1	
2	Sample Part (◆ Indicates Part Is Only Available With A03333)	S04444-4	1	◆
	Sample Subassembly (Includes All Indented Parts Below)	K05555	1	
3	Sample Part (◆ Indicates Part Is Only Available With K05555)	M06666	2	◆
4	Sample Part	F07777-77	1	

To Order Parts:

- From Europe call our European Headquarters and Manufacturing Facility in Kolo, Poland at **+48-63-2626000**. From the continental U.S., call our toll-free Parts hotline at **1-800-525-8100**. Have your customer number, vehicle identification number, and part numbers ready when you call. From other international locations, contact the Wood-Mizer distributor in your area for parts.

Office Hours:

Country	Monday - Friday	Saturday	Sunday
Poland	7-15	Closed	Closed
US	8 a.m.- 5 p.m.	8 a.m.- 12 p.m.	Closed

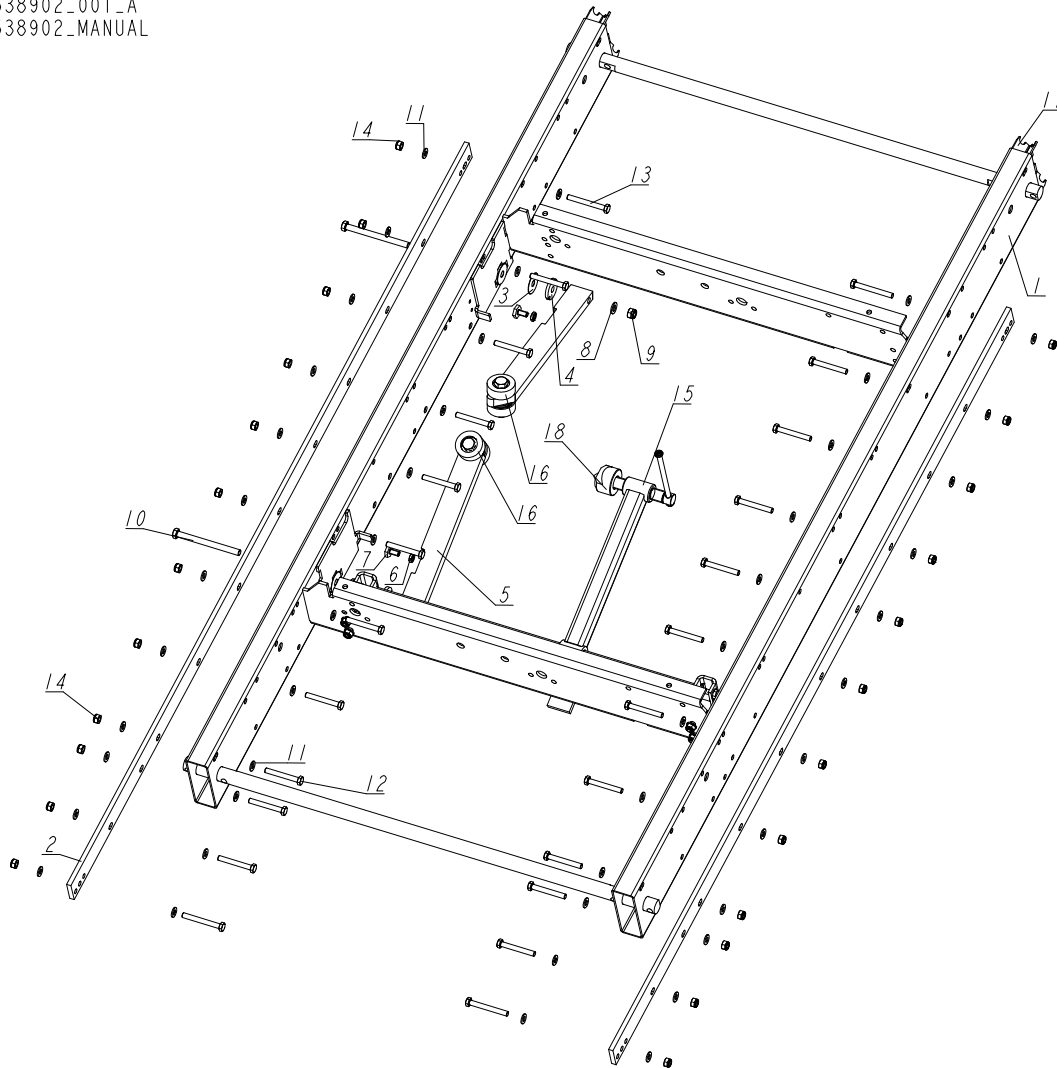


CAUTION! It is strongly recommended that only original spare parts be used.

SECTION 2 BED FRAME PARTS

2.1 "S" Bed Frame Section

538902_001_A
 538902_MANUAL



REF	DESCRIPTION (u indicates parts available in assemblies only)	PART #	QTY
-	SECTION, LT15 WIDE "S" BED FRAME - COMPL	538902	1
1	SECTION WELDMENT, LT15 WIDE - 1950 BED FRAME	538903-1	1
2	RAIL, LT15 1950 TRACK	538799-1	2
3	WASHER, 33/64 X 1 3/4 X 1/32" NYLON	014972	2
4	WASHER, LT15 THICK SPACER	085981-1	2
-	SUPPORT, LT15 WIDE LOG SIDE - COMPLETE	526462	2
5	SUPPORT, LT15 LOG SIDE COMPLETE	085982-1	1
6	NUT, M10 DIN439 THIN	F81033-20	1
7	BOLT, M10X20 SPECIAL	100076-1	1
8	WASHER,13 FLAT ZINC	F81056-1	2
9	NUT, M12 8 HEX NYLON ZINC LOCK	F81034-2	2

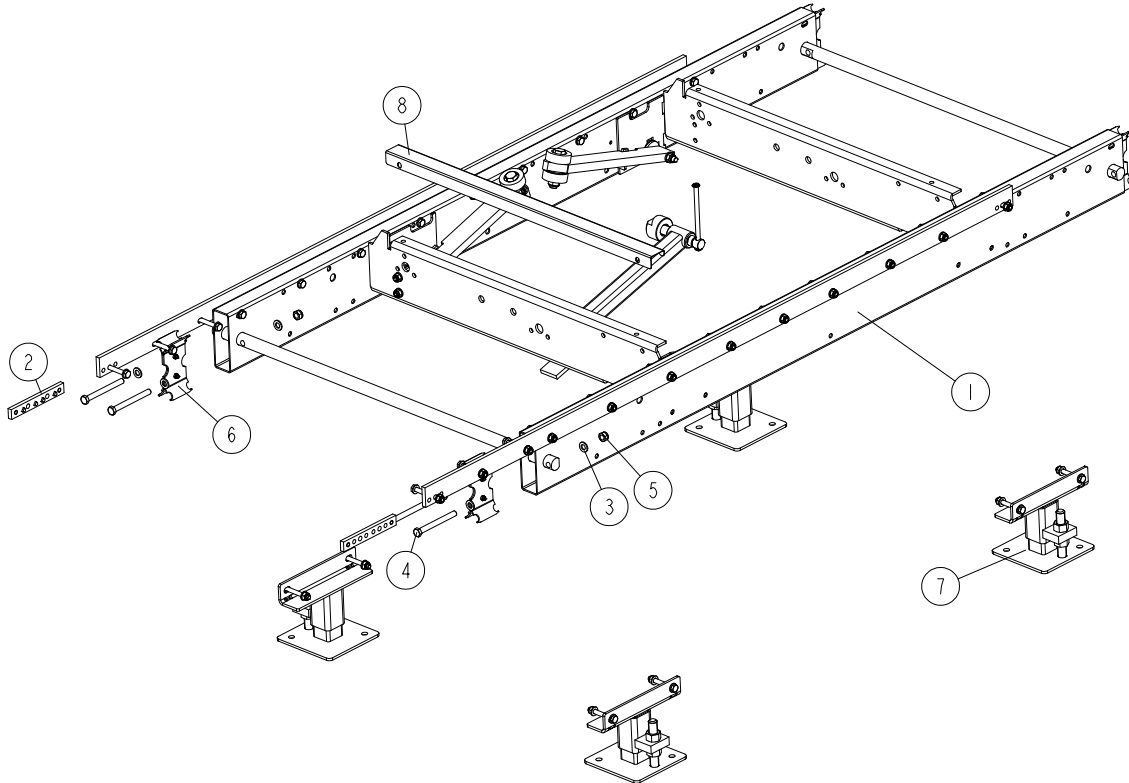
2 Bed Frame Parts

"S" Bed Frame Section

REF	DESCRIPTION (u indicates parts available in assemblies only)	PART #	QTY	
10	BOLT, M12X140-8.8 HEX HEAD ZINC	F81004-35	2	
11	WASHER, 10.5 FLAT ZINC	F81055-1	48	
12	BOLT, M10X75-8.8-HEX HEAD ZINC	F81003-15	20	
13	BOLT, M10X85-8.8-HEX HEAD ZINC	F81003-125	4	
14	NUT, M10-8-B HEX NYLON ZINC LOCK	F81033-1	24	
15	CLAMP, LT15 WIDE - COMPLETE See Section 2.6	526466	1	
16	ROLLER ASSEMBLY See Section 2.7	526475	2	
17	CONNECTOR, LT15 BED FRAME SECTION See Section 2.17	506288	2	
18	CAP, MOUNTING	T00414	1	

2.2 "S" Service Bed Frame Section

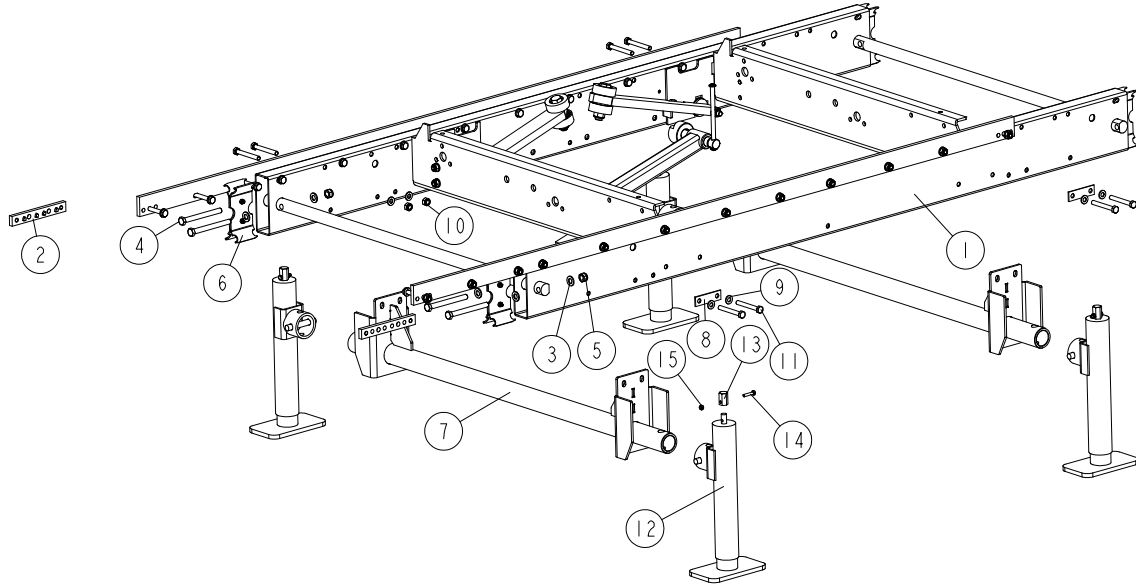
538902-S_001_EXP
 538902-S_MANUAL



REF.	DESCRIPTION (* indicates parts available in assemblies only)	PART #	QTY
-	BED SECTION, LT15 WIDE UNIVERSAL S-TYPE W. FEED	538902-S-P	1
-	BED SECTION, LT15 WIDE UNIVERSAL S-TYPE	538902-S	1
1	SECTION, LT15 WIDE "S" BED FRAME - COMPLETE See Section 2.1	538902	1
2	BED SECTION CONNECTOR, LT15	086659-1	2
3	WASHER, 13 FLAT ZINC	F81056-1	8
4	BOLT, M12X120-8.8 HEX HEAD ZINC	F81004-38	4
5	NUT, M12-8 DIN 982 HEX NYLON ZINC LOCK	F81034-2	4
6	CONNECTOR, LT15 BED FRAME SECTION See Section 2.17	506288	2
7	LEG KIT, LT15 WIDE S-FRAME ADJUSTABLE See Section 3.1	508240	1
	CHAIN 08B; LENGTH.=1.94M (153 LINKS)	605911	1
	LINK, 08B-1PZ MASTER	091625	2
8	COVER, LT15 WIDE BED RAIL (OPTION)	526476	1

2.3 "S" Service Bed Frame Section for Mobile Sawmills

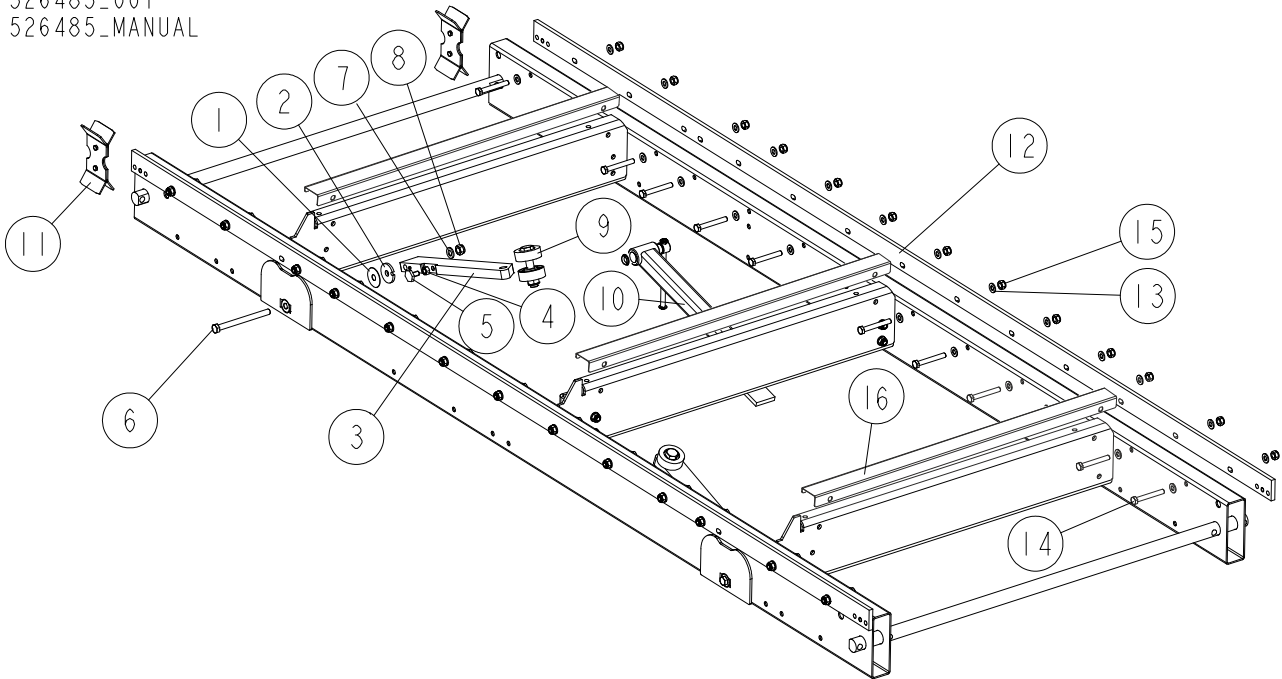
538902-ST_001
538902-ST_MANUAL



REF.	DESCRIPTION (* indicates parts available in assemblies only)	PART #	QTY
-	BED SECTION, LT15 WIDE S-TYPE FOR MOBILE SAWMILLS W. FEED	538902-ST-P	1
-	BED SECTION, LT15 WIDE S-TYPE FOR MOBILE SAWMILLS	538902-ST	1
1	SECTION, LT15 WIDE "S" BED FRAME - COMPLETE See Section 2.1	538902	1
2	BED SECTION CONNECTOR, LT15	086659-1	2
3	WASHER, 13 FLAT ZINC	F81056-1	8
4	BOLT, M12X120-8.8 HEX HEAD ZINC	F81004-38	4
5	NUT, M12-8 DIN 982 HEX NYLON ZINC LOCK	F81034-2	4
6	CONNECTOR, LT15 BED FRAME SECTION See Section 2.17	506288	2
7	TUBE WELDMENT, LEG MOUNT LT15 WIDE TRAILER	550495-1	2
8	WASHER, LT15 BED LEG	085994-1	4
9	WASHER, 10.5 FLAT ZINC	F81055-1	16
10	NUT, M10-8-B HEX NYLON ZINC LOCK	F81033-1	8
11	BOLT, M10X80-8.8 HEX HEAD ZINC	F81003-50	8
-	LEG, SUPPORT - COMPLETE	550455	4
12	LEG, SUPPORT - MOBILE SAWMILLS	110403	1
13	ADAPTER, SUPPORT LEG	550454-1	1
14	BOLT, M6X30-8.8 HEX HEAD FULL THREAD ZIN	F81001-8	1
15	NUT, M6-8-B HEX NYLON ZINC LOCK	F81031-2	1
	CHAIN 08B; LENGTH.=1,94M (153 LINKS)	605911	1
	LINK, 08B-1PZ MASTER	091625	2

2.4 "M" Bed Frame Section

526485_001
526485_MANUAL



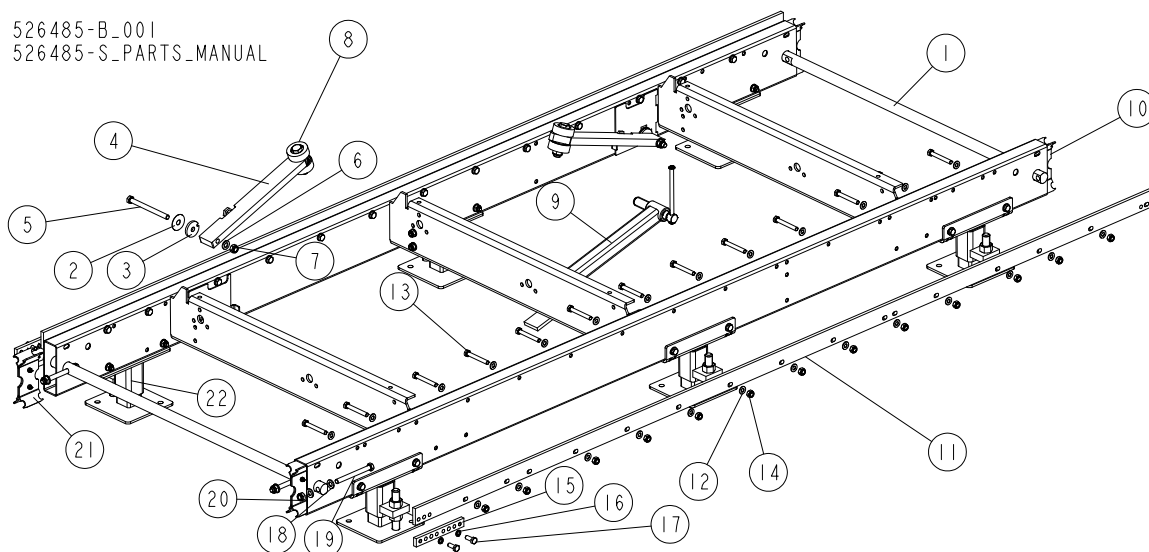
REF.	DESCRIPTION (* indicates parts available in assemblies only)	PART NO.	QTY
-	SECTION, LT15 WIDE "M" BED FRAME - COMPLETE	526485	1
1	WASHER, 33/64X1 3/4X1/32 NYLON	014972	2
2	WASHER, 12.5/44-5	085981-1	2
-	SUPPORT, LT15 WIDE LOG SIDE - COMPLETE	526462	2
3	SUPPORT, LT15 LOG SIDE - COMPLETE	085982-1	1
4	NUT, M10 DIN439 THIN	F81033-20	1
5	BOLT, M10X20 SPECIAL	100076-1	1
6	BOLT, M12X140-8.8 HEX HEAD ZINC	F81004-35	2
7	WASHER, 13 FLAT ZINC	F81056-1	2
8	NUT, M12 8 HEX NYLON ZINC LOCK	F81034-2	2
9	ROLLER ASSEMBLY See Section 2.7	526475	2
10	CLAMP, LT15 WIDE - COMPLETE See Section 2.6	526466	1
11	BRACKET, LT15 BED SECTION CONNECTION See Section 2.17	506288	2
12	BAR, LT15 2700 TRACK	538935-1	2
13	WASHER, 10.5 FLAT ZINC	F81055-1	52
14	BOLT, M10X75-8.8 HEX HEAD ZINC	F81003-15	26
15	NUT, M10-8-B HEX NYLON ZINC LOCK	F81033-1	26
16	COVER, LT15 WIDE BED RAIL (OPTION)	526476	3
	BOLT, M10X25 8.8 HEX HEAD FULL THREAD (OPTION)	F81003-31	2
	WASHER, 10.5 FLAT ZINC (OPTION)	F81055-1	4
	NUT, M10-8-B HEX NYLON ZINC LOCK (OPTION)	F81033-1	2

2 Bed Frame Parts

"M" LT15 Wide Bed Frame Section

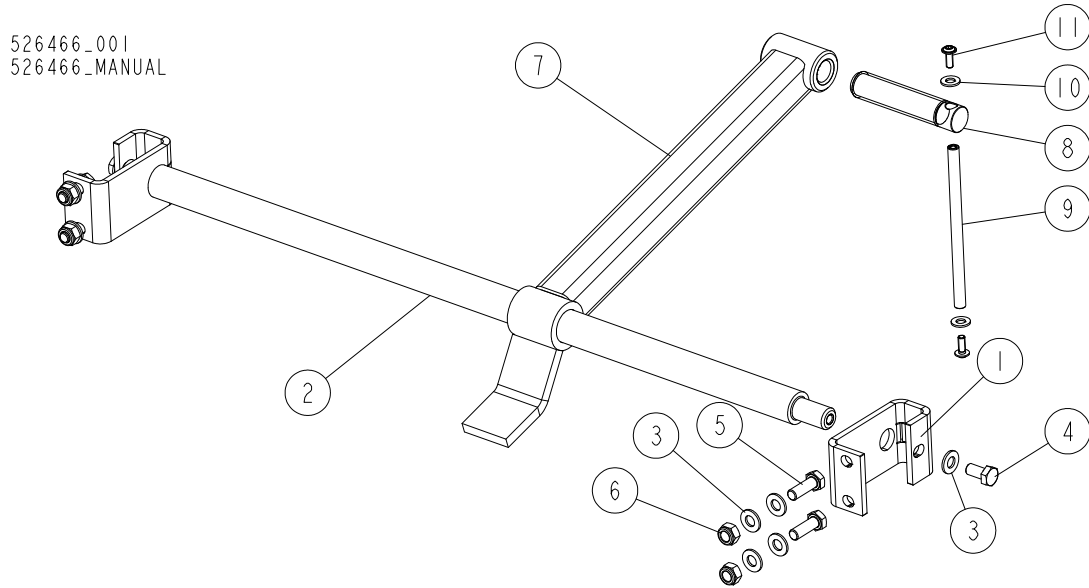
2.5 "M" LT15 Wide Bed Frame Section

526485-B_001
526485-S_PARTS_MANUAL



REF.	DESCRIPTION (* indicates parts available in assemblies only)	PART NO.	QTY
-	SECTION, LT15 WIDE, BED FRAME - COMPLETE W. FEED	526485-S-P	1
-	SECTION, LT15 WIDE, BED FRAME - COMPLETE	526485-S	1
-	SECTION, LT15 WIDE, BED FRAME - COMPLETE	526485	1
1	BED FRAME, WELDED LT15 WIDE - 2700.	526480-1	1
2	WASHER, 33/64X1 3/4X1/32 NYLON	014972	2
3	WASHER, LOG SIDE SUPPORT LT15	085981-1	2
4	SUPPORT, LT15 WIDE LOG SIDE - COMPLETE	526462	2
5	BOLT M12X140-8.8	F81004-35	2
6	WASHER, M12, FLAT, ZINC	F81056-1	2
7	NUT, M12-8 HEX,NYLON,ZINC,LOC	F81034-2	2
8	ROLLER ASSEMBLY See Section 2.7	526475	2
9	CLAMP, LT15 WIDE - COMPLETE See Section 2.6	526466	1
10	CONNECTOR, LT15 BED SECTION See Section 2.17	506288	2
11	RAIL, LT15 2700	538935-1	2
12	WASHER, 10.5 FLAT ZINC	F81055-1	52
13	BOLT, M10X75-8.8-FE/ZN5 PN-M/82101	F81003-15	26
14	NUT,M10-8-B NYLON HEX ZINC LOCK	F81033-1	26
15	BED SECTION CONNECTOR, LT15	086659-1	2
16	WASHER,10.2 SPLIT LOCK ZINC	F81055-2	4
17	BOLT, M10-1.5X25MM HH GR8.8	F81003-11	4
18	WASHER, M12 FLAT, ZINC	F81056-1	8
19	BOLT M12X120 8.8 FE/ZN5	F81004-38	4
20	NUT,M12-8 HEX,NYLON,ZINC,LOCK	F81034-2	4
21	CONNECTOR, LT15 BED SECTION See Section 2.17	506288	2
22	LEG KIT, LT15 WIDE M-FRAME ADJUSTABLE See Section 2.8	550415	1
	CHAIN 08B; LENGTH.=2,78M (219 LINKS)	521433	1
	LINK, 08B-1PZ MASTER	091625	2

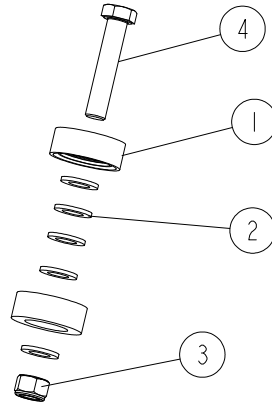
2.6 Log Clamp



REF.	DESCRIPTION (* indicates parts available in assemblies only)	PART NO.	QTY
-	CLAMP, LT15 WIDE - COMPLETE	526466	1
1	BRACKET, LT15 LOG CLAMP MOUNT	506535-1	2
2	ROD, LOG CLAMP MAIN	526467-1	1
3	WASHER, 10.5 FLAT ZINC	F81055-1	10
4	BOLT, M10X20-8.8 HEX HEAD FULL THREAD ZINC	F81003-1	2
5	BOLT, M10X30-8.8 HEX HEAD FULL THREAD ZINC	F81003-2	4
6	NUT, M10-8-B HEX NYLON ZINC LOCK	F81033-1	4
7	ARM, LOG CLAMP	521465-1	1
-	BOLT, CLAMP - COMPLETE	507563	1
8	BOLT, LOG CLAMP	507463	1
-	COMPLETE ROD	511924	1
9	ROD, ZINC-PLATED	511923-1	1
10	WASHER, 8.4 FLAT ZINC	F81054-1	2
11	SCREW, M6X16 BN 11252 "BOSSARD".	F81001-24	2

2.7 Log Side Support Rollers

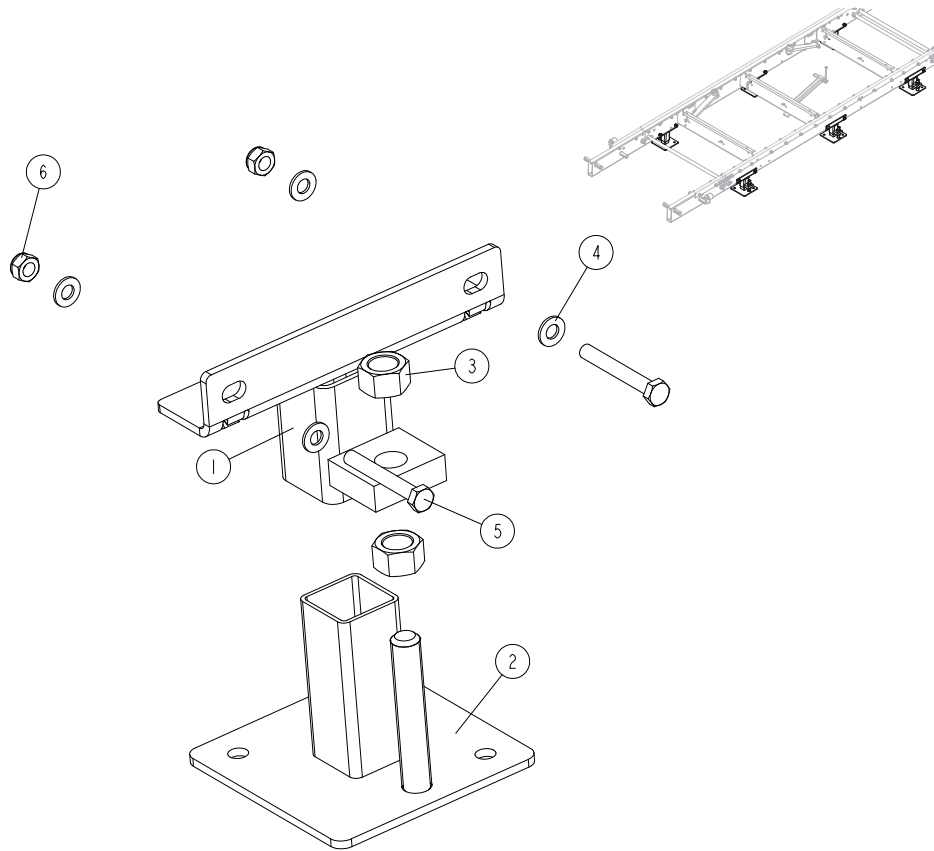
526475_001
 526475_MANUAL



REF.	DESCRIPTION (* indicates parts available in assemblies only)	PART NO.	QTY	
-	ROLLER ASSEMBLY	526475	1	
1	ROLLER, LOG SIDE SUPPORT	015014-1	2	
2	WASHER, 17 SPLIT LOCK ZINC	F81058-1	5	
3	NUT, M16-8 HEX NYLON ZINC LOCK	F81036-2	1	
4	BOLT, M16X80-8.8 HEX HEAD ZINC	F81006-41	1	

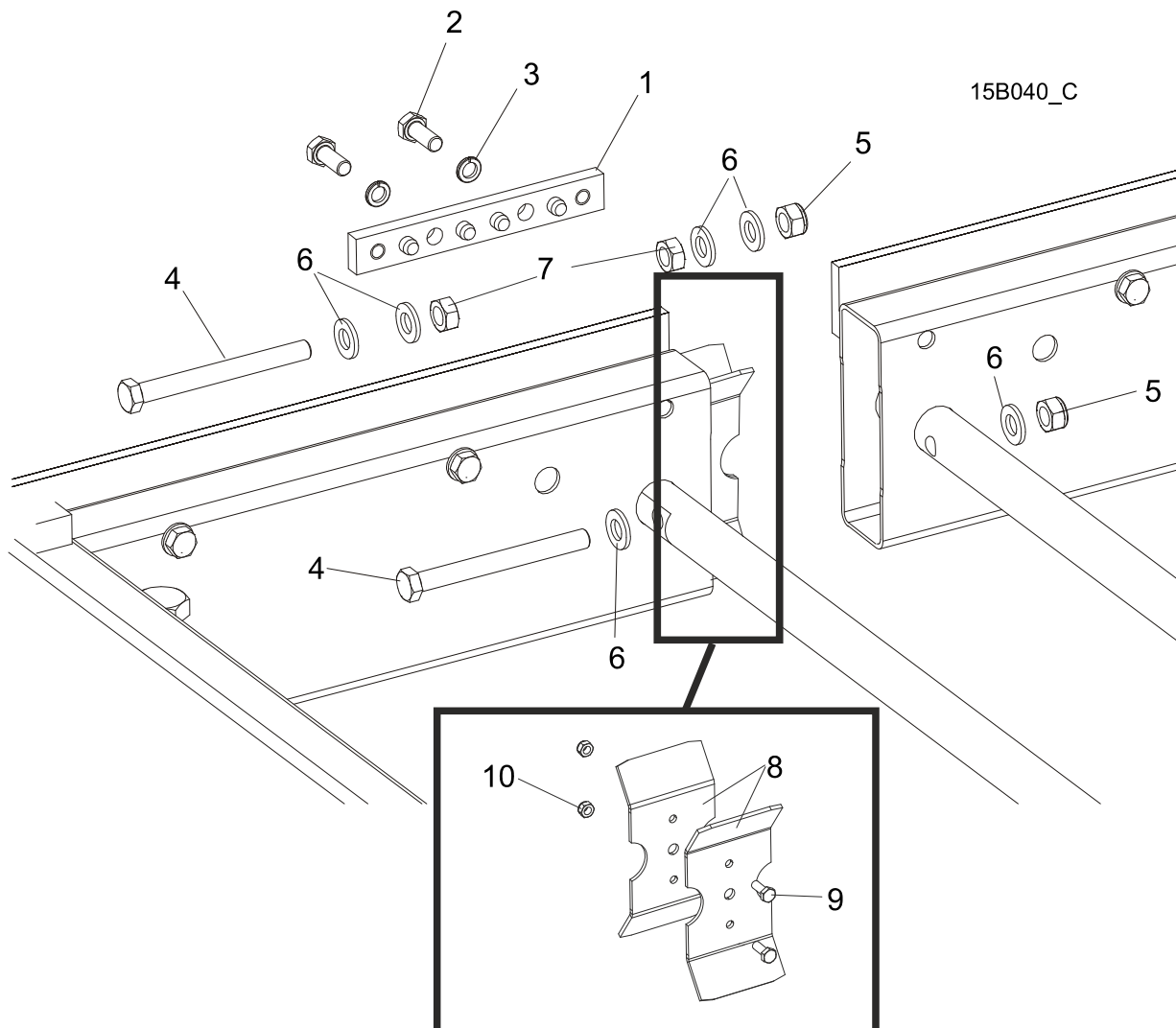
2.8 Adjustable Leg Kit, LT15 Wide M-Frame

550415_001
550415_MANUAL



REF.	DESCRIPTION (* indicates parts available in assemblies only)	PART NO.	QTY	
-	LEG KIT, LT15 WIDE M-FRAME ADJUSTABLE	550415	1	
1	SUPPORT, SHORT	550408-1	6	
2	FOOT, LES TABLE LEG	099281-1	6	
3	NUT, M20-8-FE/ZN5 PN-86/M-82144	F81037-1	12	
4	WASHER, 10.5 FLAT ZINC	F81055-1	24	
5	BOLT, M10X75-8.8 HEX HEAD ZINC	F81003-15	12	
6	NUT, M10-8-B NYLON HEX ZINC LOCK	F81033-1	12	

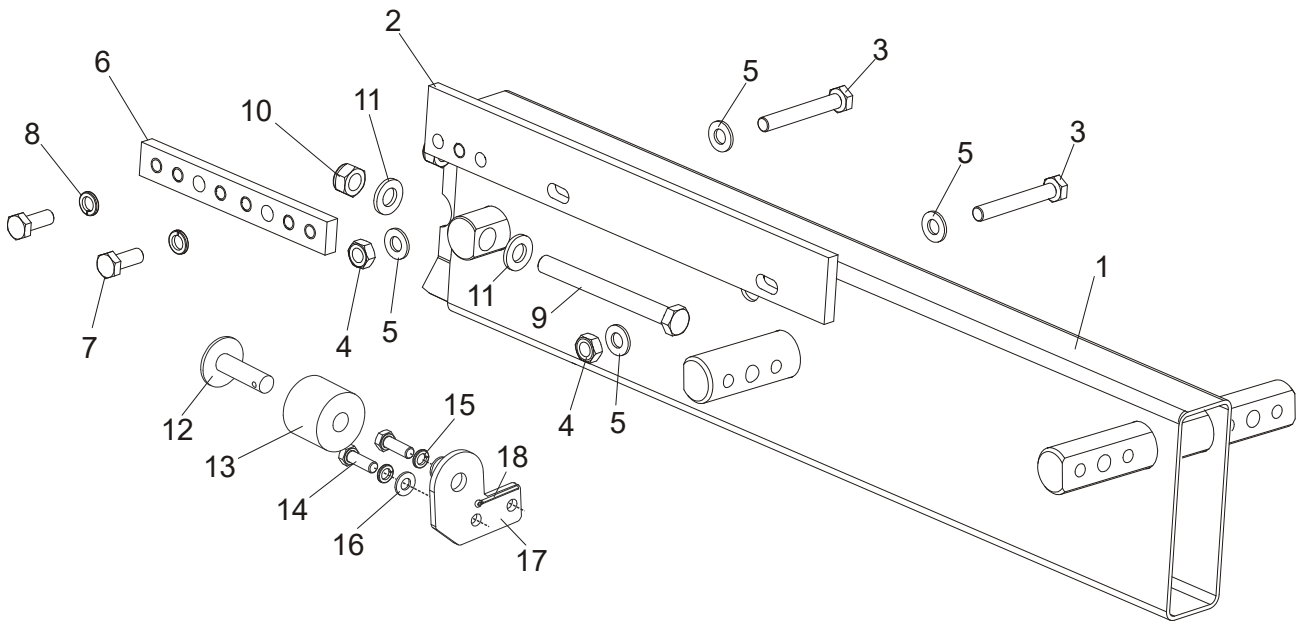
2.9 Bed Section Connection Hardware



REF.	DESCRIPTION (* indicates parts available in assemblies only)	PART NO.	QTY
1	SPLICE, TRACK BAR PINNED ZINC-PLATED	086659-1	1
2	BOLT, M10x25-8.8 HEX HEAD FULL THREAD ZINC	F81003-11	2
3	WASHER, 10.2 SPLIT LOCK ZINC	F81055-2	2
4	BOLT, M12x120 8.8 HEX HEAD ZINC	F81004-38	2
5	NUT, M12-8 HEX NYLON ZINC LOCK	F81034-2	2
6	WASHER, 13 FLAT ZINC	F81056-1	6
7	NUT, M12-8-B HEX ZINC	F81034-1	2
	BRACKET, LT15 BED SECTION CONNECTION	506288 ¹	2
8	PLATE, CONNECTION BRACKET	506287-1	1
9	BOLT, M6x16 8.8 HEX HEAD FULL THREAD ZINC	F81001-15	2
10	NUT, M6-8-B HEX NYLON ZINC LOCK	F81031-2	2

¹ 2 pieces for each bed section

2.10 Mast Track Extension (M-type Frame)



15B009d

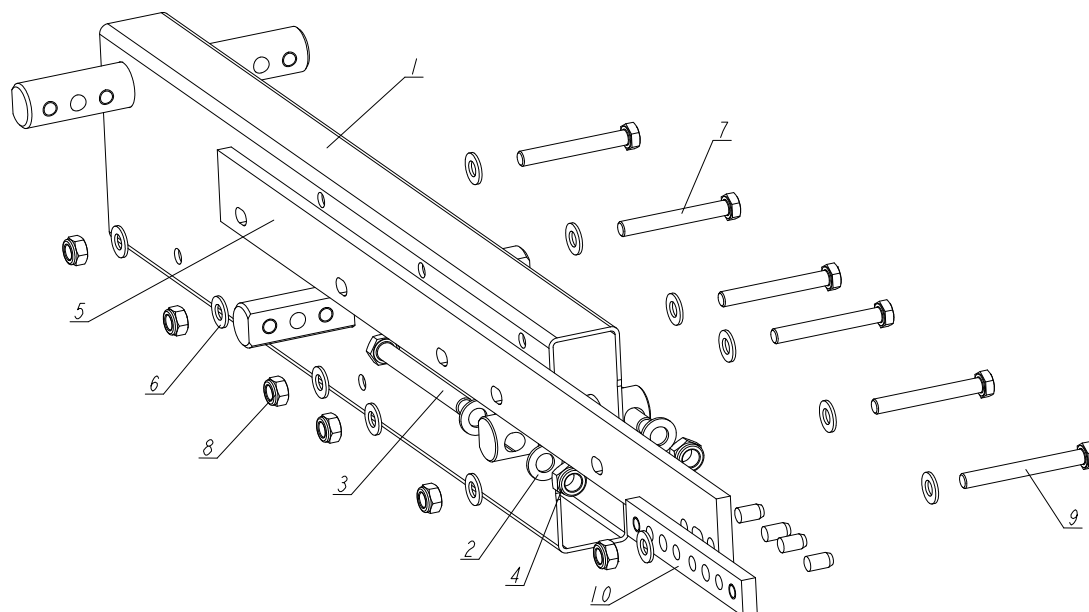
REF.	DESCRIPTION (* indicates parts available in assemblies only)	PART NO.	QTY
	EXTENSION, MAST TRACK FRONT - COMPLETE	500845	1
	EXTENSION, MAST TRACK REAR - COMPLETE	500843	1
1	TUBE, LT15 MAST TRACK EXTENSION	500844-1	1
2	BAR, MAST TRACK EXTENSION ZINC-PLATED	094250-1	1
3	BOLT, M10X75-8.8 HEX HEAD ZINC	F81003-15	2
4	NUT, M10-8-B HEX NYLON ZINC LOCK	F81033-1	2
5	WASHER, 10.5 FLAT ZINC	F81055-1	4
6	SPLICE, TRACK BAR PINNED ZINC-PLATED	086659-1	1
7	BOLT, M10X30-8.8 HEX HEAD FULL THREAD ZINC	F81003-2	2
8	WASHER, 10.2 SPLIT LOCK ZINC	F81055-2	2
9	BOLT, M12X120 8.8 HEX HEAD ZINC	F81004-38	2
10	NUT, M12-8 HEX NYLON ZINC LOCK	F81034-2	2
11	WASHER, 13 FLAT ZINC	F81056-1	4
12	MOUNT WELDMENT, CARRIAGE STOP PTD	086182-1	1
13	BUSHING, 11/16x2 1/8x1 3/4 RUBBER	P12165	1
14	BOLT, M10X30-5.8 HEX HEAD FULL THREAD	F81003-2	2
15	WASHER, 10.2 SPLIT LOCK ZINC	F81055-2	2
16	WASHER, 10.5 FLAT ZINC	F81055-1	2
17	PLATE, LT15 POWER FEED SUPPORT	501414-1	1
18	PIN, S-ZN, 4 X 25 COTTER	F81043-2, F05012-1	1

2 Bed Frame Parts

Mast Track Extension - Rear (S-type Frame)

2.11 Mast Track Extension - Rear (S-type Frame)

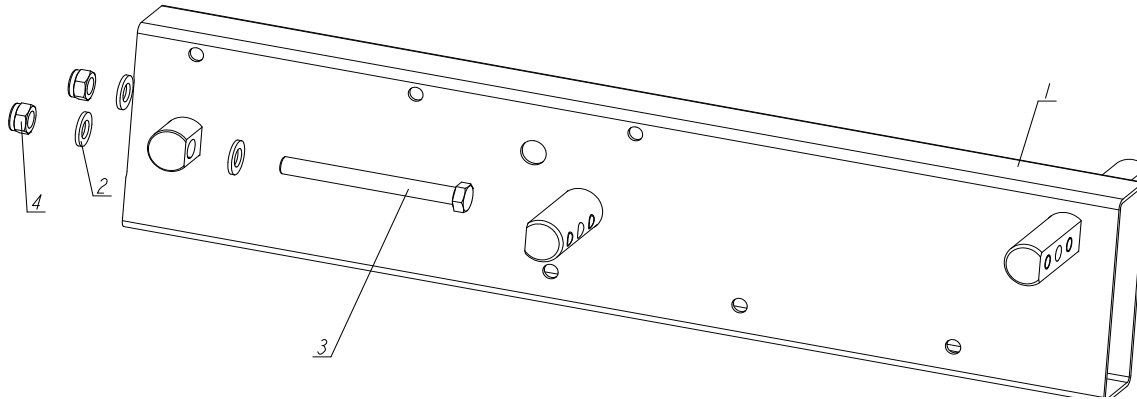
538808_001_A
538808_MANUAL



REF	DESCRIPTION (* indicates parts available in assemblies only)	PART #	QTY
-	EXTENSION, MAST TRACK REAR - COMPLETE	538808	1
	EXTENSION, MAST TRACK REAR - COMPLETE	538905	1
1	TUBE, MAST TRACK EXTENSION	538809-1	1
2	WASHER, 13 FLAT ZINC	F81056-1	4
3	BOLT M12X120 8.8 FE/ZN5	F81004-38	2
4	NUT, M12-8 HEX NYLON ZINC LOCK	F81034-2	2
5	BAR, EXTENSION TRACK ZINC-PLATED	538811-1	1
6	WASHER, 10.5 FLAT ZINC	F81055-1	12
7	BOLT, M10X75-8.8-FE/ZN5 PN-M/82101	F81003-15	5
8	NUT, M10-8-B HEX NYLON ZINC LOCK	F81033-1	6
9	BOLT, M10X85-8.8 HEX HEAD ZINC	F81003-125	1
10	BED SECTION CONNECTOR, LT15	086659-1	1

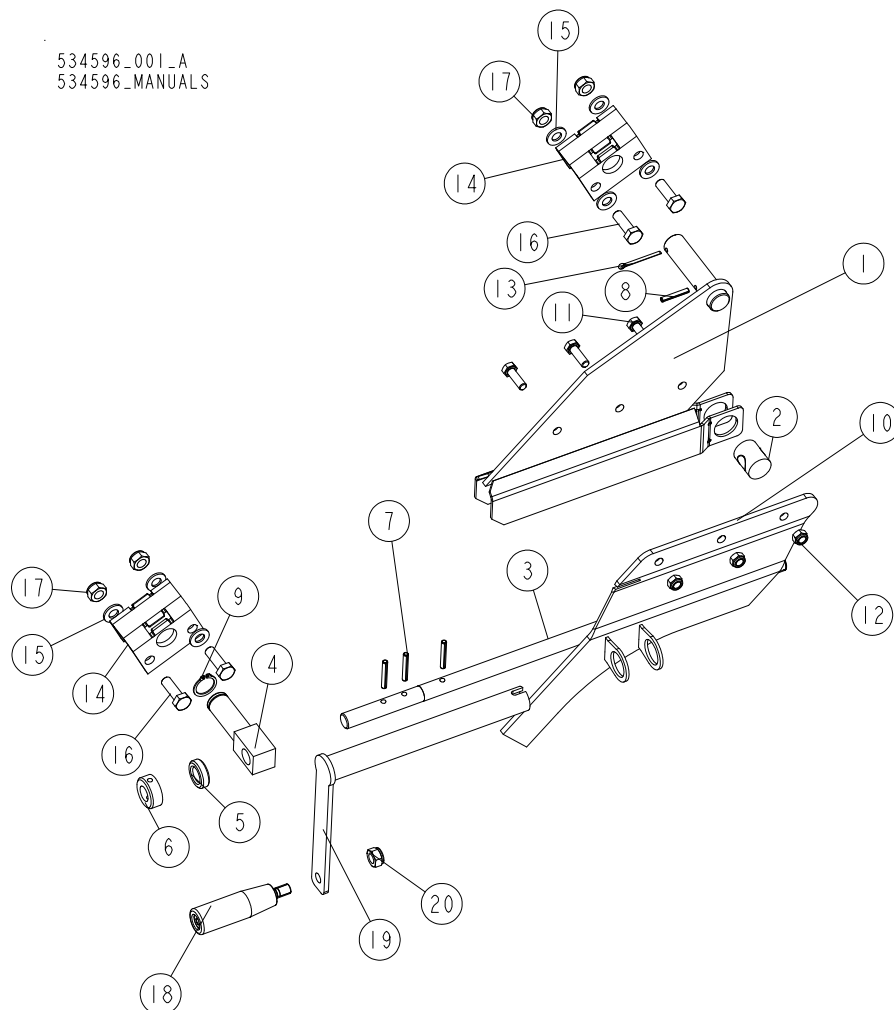
2.12 Mast Track Extension - Front (S-type Frame)

538807_001_A
538807_MANUALS



REF	DESCRIPTION (* indicates parts available in assemblies only)	PART #	QTY
-	EXTENSION, MAST TRACK FRONT - COMPLETE	538807	1
1	TUBE, MAST TRACK EXTENSION	538809-1	1
2	WASHER, 13 FLAT ZINC	F81056-1	4
3	BOLT M12X120 8.8 FE/ZN5	F81004-38	2
4	NUT, M12-8 HEX NYLON ZINC LOCK	F81034-2	2

2.13 Manual Toe Board (Optional)

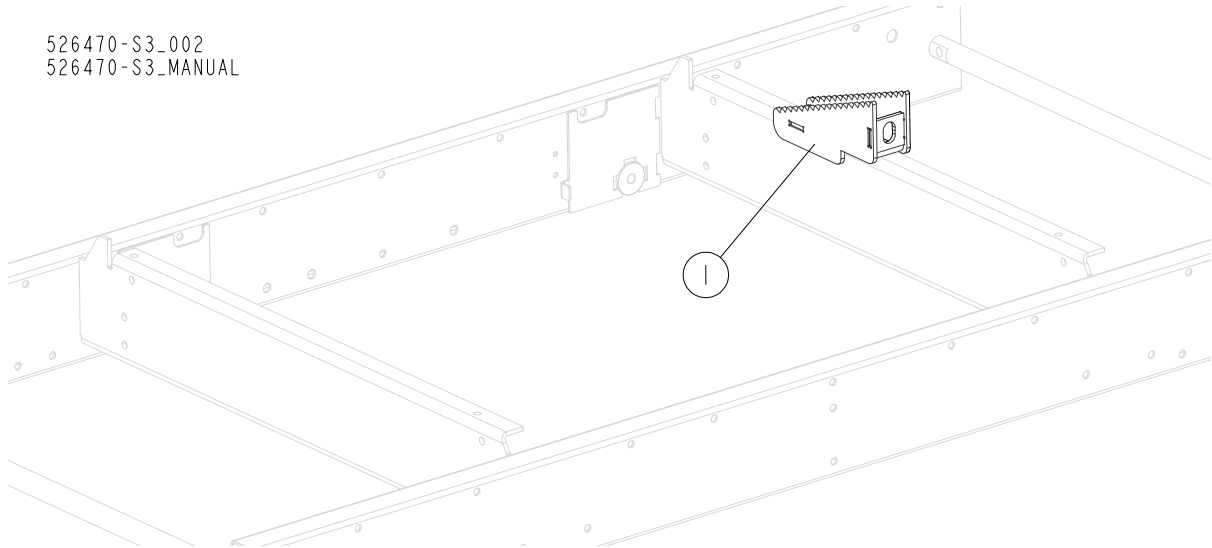


REF.	DESCRIPTION (* indicates parts available in assemblies only)	PART NO.	QTY
-	MANUAL TOE BOARD W/CRANK HANDLE (SINGLE)	534596	1
-	LT15 MANUAL TOE BOARD	534573	1
-	MANUAL TOE BOARD W/CRANK HANDLE (DOUBLE)	534596	1
-	LT15 MANUAL TOE BOARD	534573	2
-	HANDLE, TOE BOARD - COMPLETE	534595	1
1	PLATE WELDMENT, MANUAL TOE BOARD FRONT	094927-1	1
2	PIN, THREADED (MANUAL TOE BOARD)	090017	1
3	SHAFT, MANUAL TOE BOARD	580809-1	1
4	PIVOT, MANUAL TOE BOARD SHAFT ZINC-PLATED (1)	094931-1	1
5	BEARING, 5/8 THRUST	581701	1
6	RING, 16 ADJUSTING	F81039-30	1
7	PIN, 5X35-N-C PN-EN ISO 8752 ROLL	F81044-9	3
8	PIN, 4X30 ROLL ZINC	F81044-7	1
9	RING, Z 22 OUTSIDE RETAINING	F81090-24	1

REF.	DESCRIPTION (* indicates parts available in assemblies only)	PART NO.	QTY	
10	PLATE, MANUAL TOE BOARD COVER - COMPLETE	534593-1	1	
11	BOLT, M8X25-8.8-B HEX HEAD FULL THREAD ZINC	F81002-5	3	
12	NUT, M8-8-B HEX NYLON LOCK ZINC	F81032-2	3	
13	PIN, S-ZN, 4 X 25 COTTER	F81043-2	1	
14	PLATE	534574-1	2	
15	WASHER, 10.5 FLAT ZINC	F81055-1	7	
16	BOLT, DIN 933-M10X30 8.8-A2E	F81003-111	4	
17	NUT, M10-8-B NYLON HEX ZINC LOCK	F81033-1	4	
-	HANDLE, MANUAL TOE BOARD CRANK	500600	1	
18	KNOB, L=85 M10, RO11-M10 PLASTIC CRANK HANDLE	086338	1	
19	MANUAL TOE BOARD KNOB - WELDMENT	500599-1	1	
20	NUT, M10-8-B NYLON HEX ZINC LOCK	F81033-1	1	

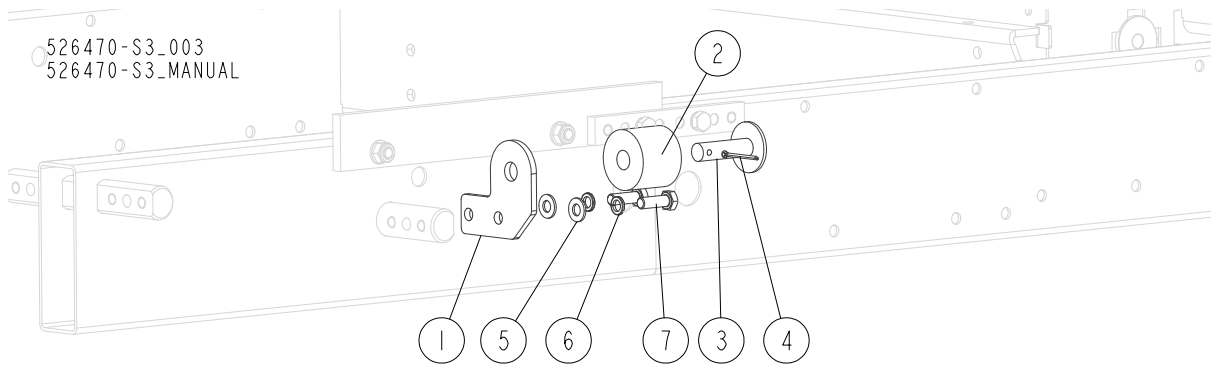
2.14 Wedge

526470-S3_002
526470-S3_MANUAL



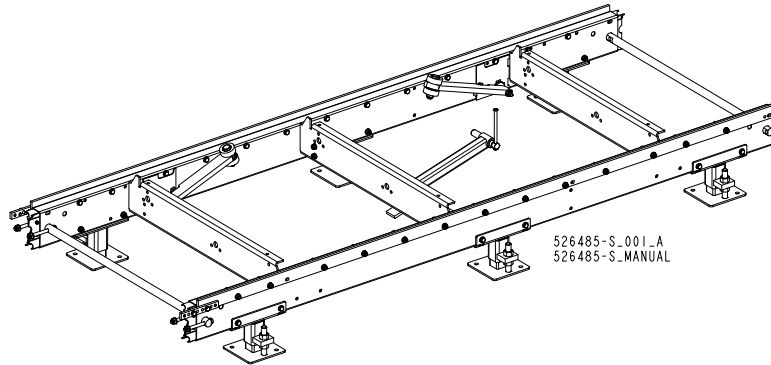
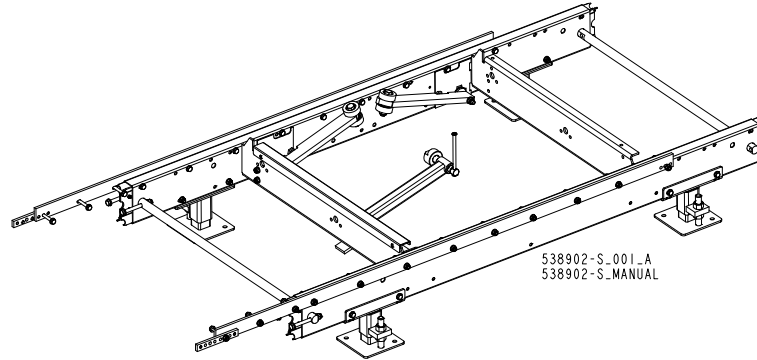
REF.	DESCRIPTION (* indicates parts available in assemblies only)	PART NO.	QTY	
1	WEDGE	526473-1	1	
	WEDGE WELDMENT, LT10/15 BED (OPTION)	515360-1	1	

2.15 Saw Head Bumper



REF.	DESCRIPTION (* indicates parts available in assemblies only)	PART NO.	QTY
1	PLATE, LT15 POWER FEED SUPPORT	501414-1	1
2	BUSHING, 11/16X2 1/8X1 3/4 RUBBER	P12165	1
3	MOUNT WELDMENT, RUBBER BUSHING	086182-1	1
4	PIN, S-ZN 4X25 COTTER	F81043-2	1
5	WASHER, 10.5 FLAT ZINC	F81055-1	2
6	WASHER, Z 10.2 SPLIT LOCK ZINC	F81055-2	2
7	BOLT, M10X30-8.8 HEX HEAD FULL THREAD ZINC	F81003-2	2

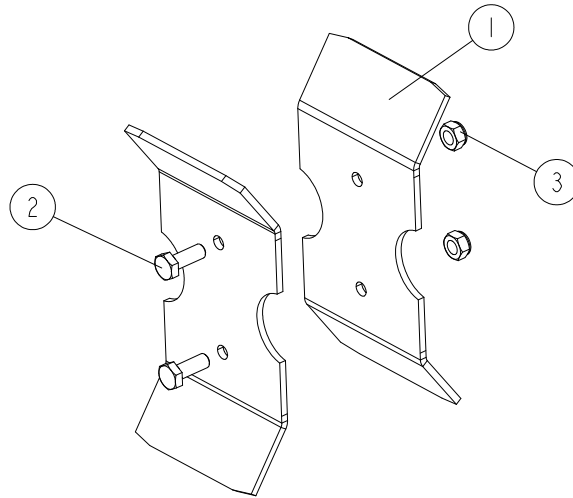
2.16 Additional Bed Frame Section with Adjustable Legs



REF.	DESCRIPTION (◆ Indicates Parts Available In Assemblies Only)	PART #	QTY	
	BED SECTION, LT15 WIDE UNIVERSAL S-TYPE, SERVICE - COMPLETE	538902-S	1	
	BED SECTION, LT15 WIDE UNIVERSAL M-TYPE, SERVICE - COMPLETE	526485-S	1	

2.17 LT15 Bed Frame Section Connector (No. 506288)

506288_001
506288_MANUAL

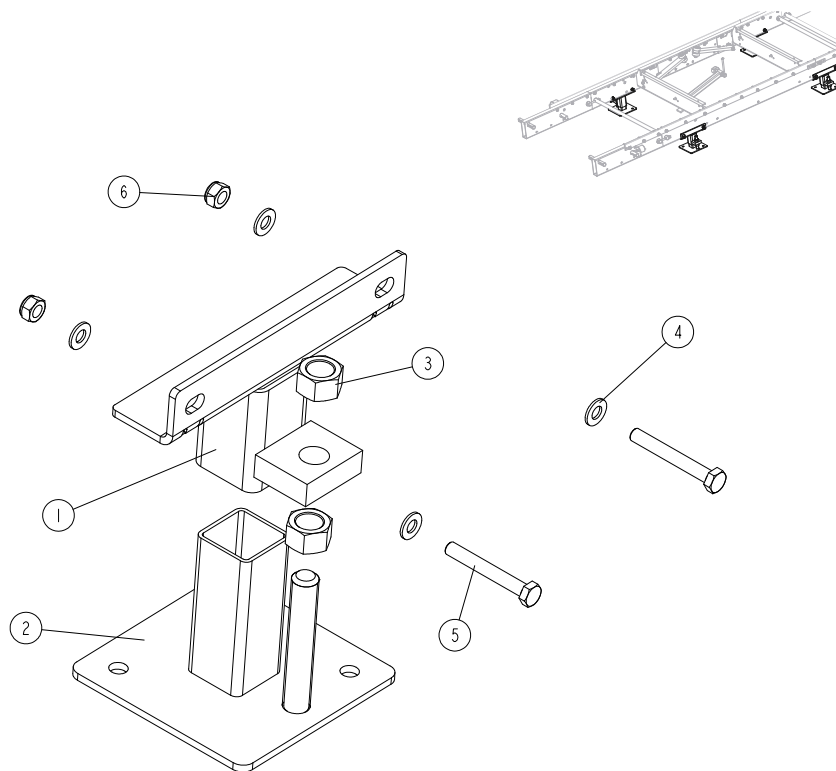


REF.	DESCRIPTION (* indicates parts available in assemblies only)	PART #	QTY
-	CONNECTOR, LT15 BED FRAME SECTION	506288	1
1	PLATE, BED SECTION CONNECTOR	506287-1	2
2	BOLT, M6X16-8.8 HEX HEAD FULL THREAD ZINC	F81001-15	2
3	NUT, M6-8-B HEX NYLON ZINC LOCK	F81031-2	2

SECTION 3 LEG KITS

3.1 "S" Frame Legs

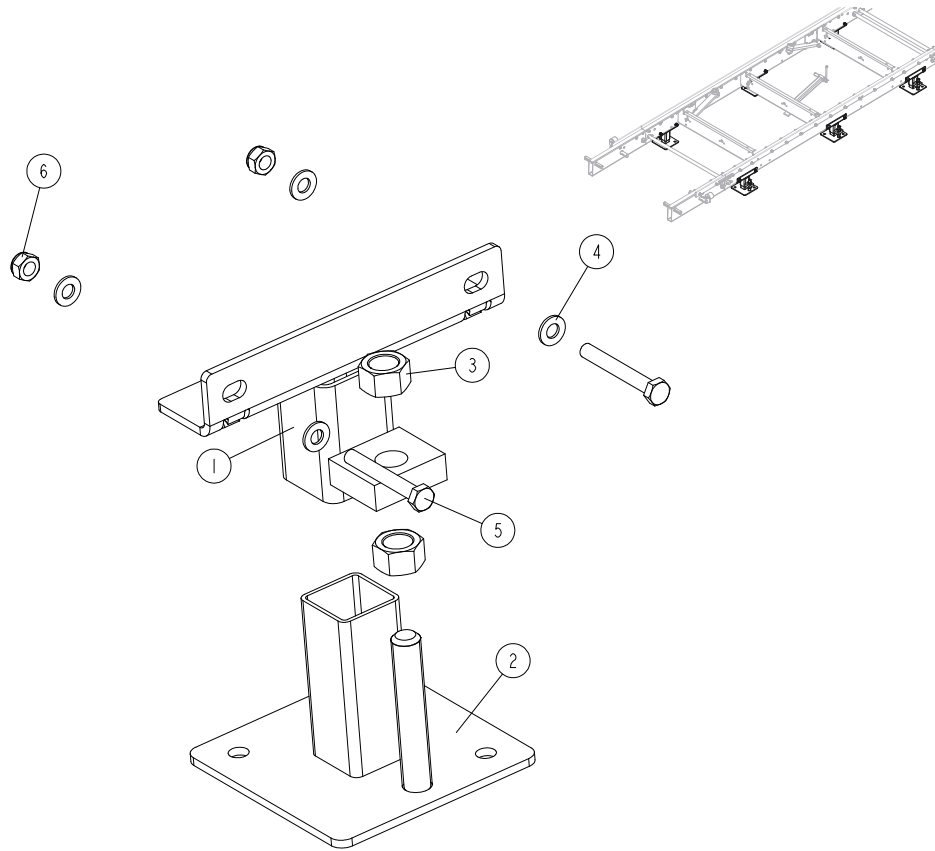
508240_001
 508240_MANUAL



REF.	DESCRIPTION (* indicates parts available in assemblies only)	PART NO.	QTY
-	LEG KIT, LT15 WIDE S-FRAME ADJUSTABLE	508240	1
1	SUPPORT, SHORT	550408-1	4
2	FOOT, LES TABLE LEG	099281-1	4
3	NUT, M20-8-FE/ZN5 PN-86/M-82144	F81037-1	8
4	WASHER, 10.5 FLAT ZINC	F81055-1	16
5	BOLT, M10X75-8.8 HEX HEAD ZINC	F81003-15	8
6	NUT, M10-8-B NYLON HEX ZINC LOCK	F81033-1	8

3.2 "M" Frame Legs

550415_001
550415_MANUAL

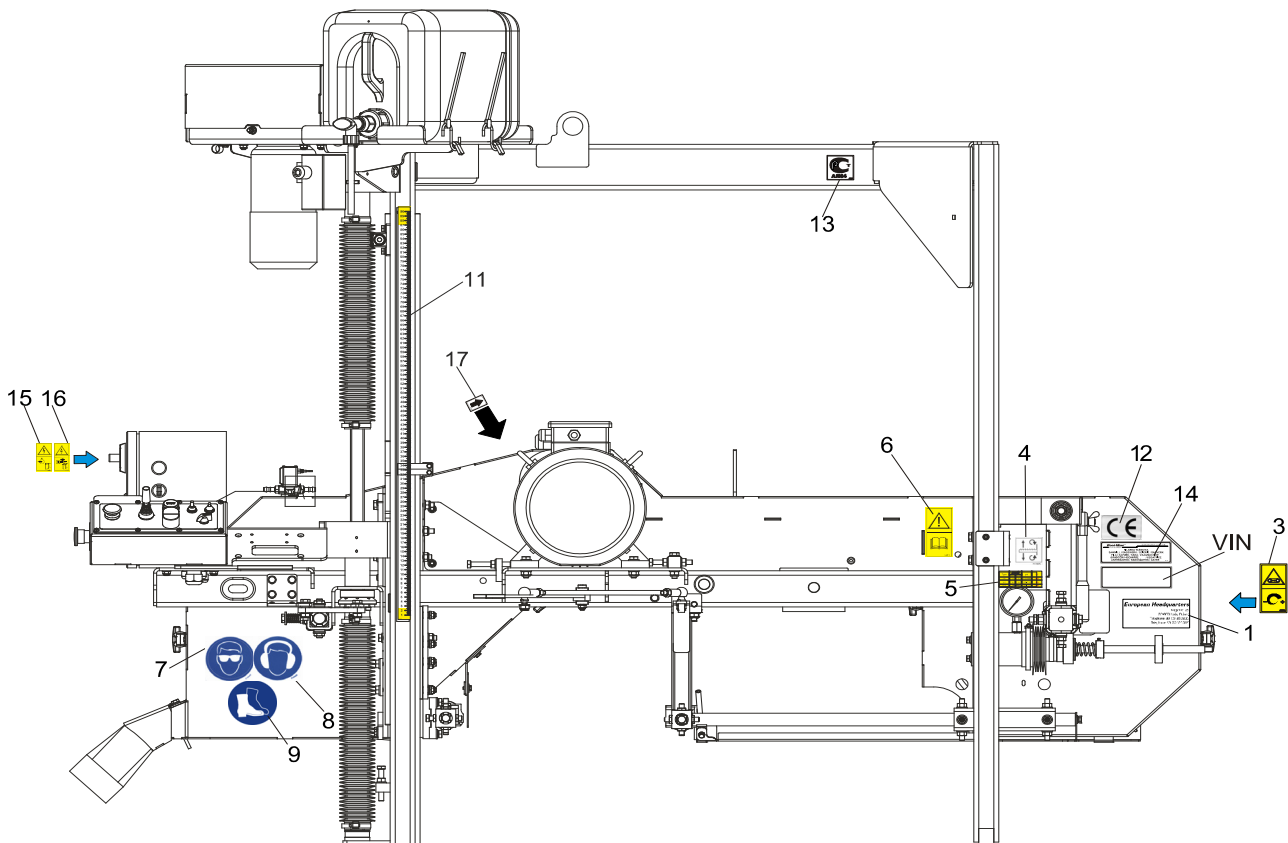
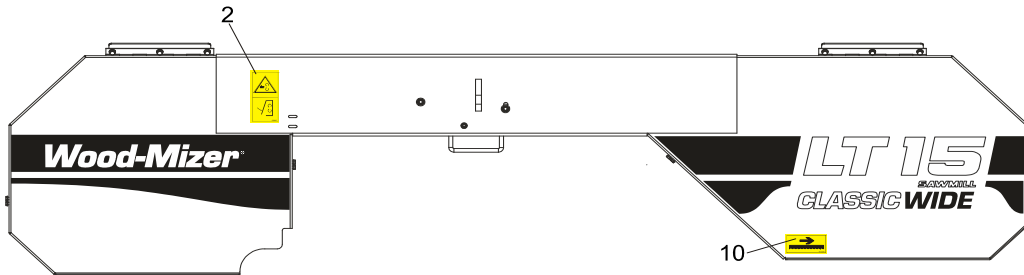


REF.	DESCRIPTION (* indicates parts available in assemblies only)	PART NO.	QTY	
-	LEG KIT, LT15 WIDE M-FRAME ADJUSTABLE	550415	1	
1	SUPPORT, SHORT	550408-1	6	
2	FOOT, LES TABLE LEG	099281-1	6	
3	NUT, M20-8-FE/ZN5 PN-86/M-82144	F81037-1	12	
4	WASHER, 10.5 FLAT ZINC	F81055-1	24	
5	BOLT, M10X75-8.8 HEX HEAD ZINC	F81003-15	12	
6	NUT, M10-8-B NYLON HEX ZINC LOCK	F81033-1	12	

SECTION 4 DECALS

4.1 LT15WC AC Saw Head Decals

LT15WCS3EH15SP-ESWP_009
 LT15WCS3EH15SP-ESWP_MANUAL



REF.	DESCRIPTION (◆ indicates parts available in assemblies only)	PART NO.	QTY
	DECAL KIT, LT15WC AC PICTOGRAPHIC	536603	1
	DECAL, LT15WC SAWMILL LOGO	536605	1
1	DECAL, EUROPEAN HEADQUARTERS ADDRESS	015841	1
2	DECAL, "CLOSE GUARDS AND COVERS"	099220	1

3	DECAL, BLADE TENSION	099219	1	
4	DECAL, BLADE ALIGNMENT	P11789	1	
5	DECAL, PRESSURE SETTING VALUES	510643	1	
6	DECAL, "READ OPERATOR'S MANUAL"	096317	1	
7	DECAL, EYE PROTECTION WARNING	S12004G	1	
8	DECAL, EAR PROTECTION WARNING	S12005G	1	
9	DECAL, "USE SAFETY BOOTS"	501465	1	
10	DECAL, BLADE MOVEMENT DIRECTION	096321	1	
11	DECAL, LT15WC CE CENTIMETER SCALE DECAL, LT15WC CE INCH SCALE	531647 531709	1	
	DECAL, KEEP A SAFE DISTANCE	099221	2 ¹	
	DECAL, BLADE SETTING	P85066	1	
12	DECAL, CE CERTIFIED SAWMILL	P85070	1	
13	DECAL, RUSSIAN SAFETY CERTIFICATION	099401	1	
14	DECAL, INTERNATIONAL SAWMILL NAME	501466	1	
15	DECAL, HIGH VOLTAGE INSIDE ELECTRIC BOX	096316	1	
16	DECAL, "DISCONNECT POWER SUPPLY BEFORE OPENING THE ELECTRIC BOX"	096319	1	
17	DECAL, MOTOR REVOLUTIONS DIRECTION	S20097	1	

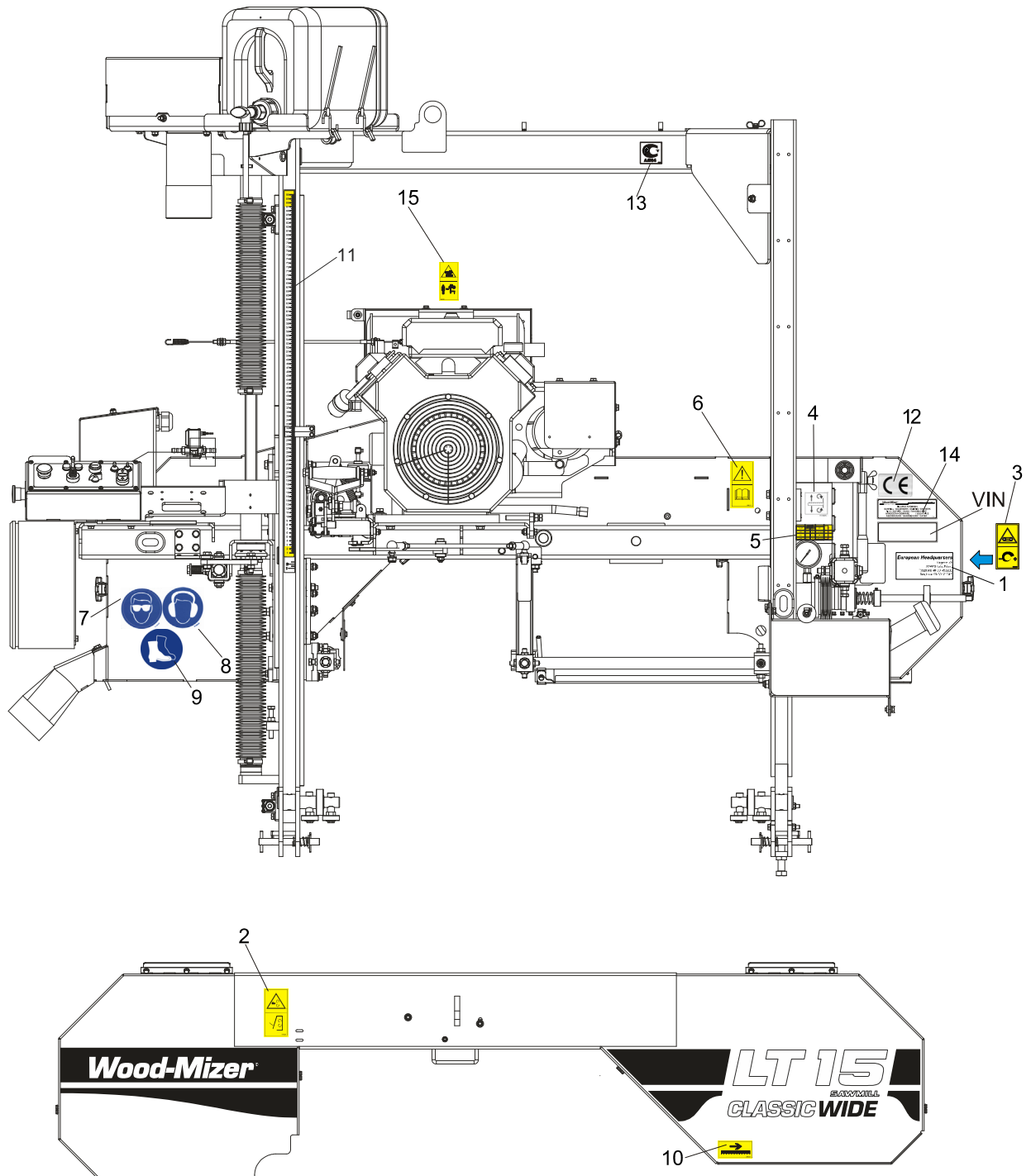
¹ Two pieces per bed frame section.

4 DECALS

LT15WC DC Saw Head Decals

4.2 LT15WC DC Saw Head Decals

LT15WCS3G25SP-ESWP_002
 LT15WCS3G25SP-ESWP_MANUAL

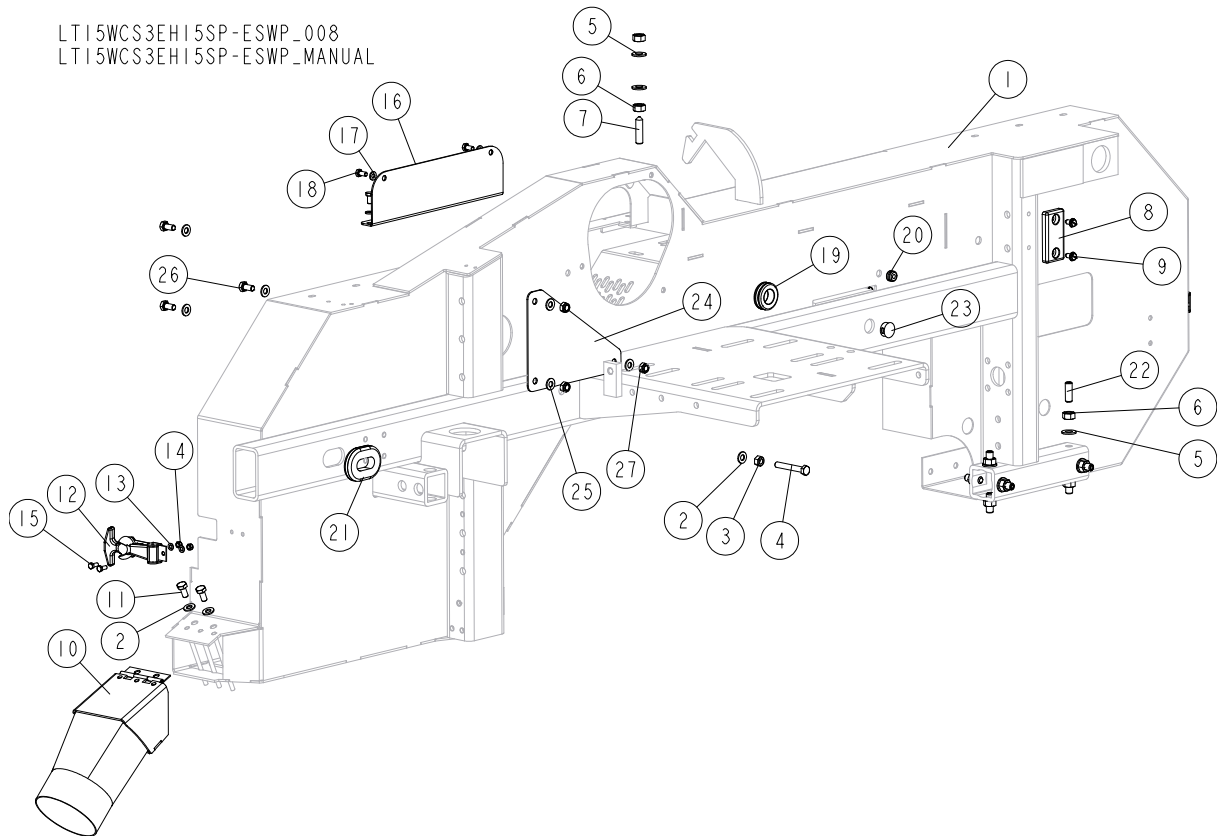


REF.	DESCRIPTION (◆ indicates parts available in assemblies only)	PART NO.	QTY
	DECAL KIT, LT15WC DC PICTOGRAPHIC	536604	1
	DECAL, LT15WC SAWMILL LOGO	536605	1

1	DECAL, EUROPEAN HEADQUARTERS ADDRESS	015841	1	
2	DECAL, "CLOSE GUARDS AND COVERS"	099220	1	
3	DECAL, BLADE TENSION	099219	1	
4	DECAL, BLADE ALIGNMENT	P11789	1	
5	DECAL, PRESSURE SETTING VALUES	510643	1	
6	DECAL, READ OPERATOR'S MANUAL	096317	1	
7	DECAL, EYE PROTECTION WARNING	S12004G	1	
8	DECAL, EAR PROTECTION WARNING	S12005G	1	
9	DECAL, "USE SAFETY BOOTS"	501465	1	
10	DECAL, BLADE MOVEMENT DIRECTION	096321	1	
11	DECAL, LT15WC CE CENTIMETER SCALE DECAL, LT15WC CE INCH SCALE	531647 531709	1	
12	DECAL, CE CERTIFIED SAWMILL	P85070	1	
13	DECAL, RUSSIAN SAFETY CERTIFICATION	099401	1	
14	DECAL, INTERNATIONAL SAWMILL NAME	501466	1	
15	DECAL, KEEP AWAY - HOT PARTS	086099	1	

SECTION 5 SAW HEAD

5.1 Covers, Grommets

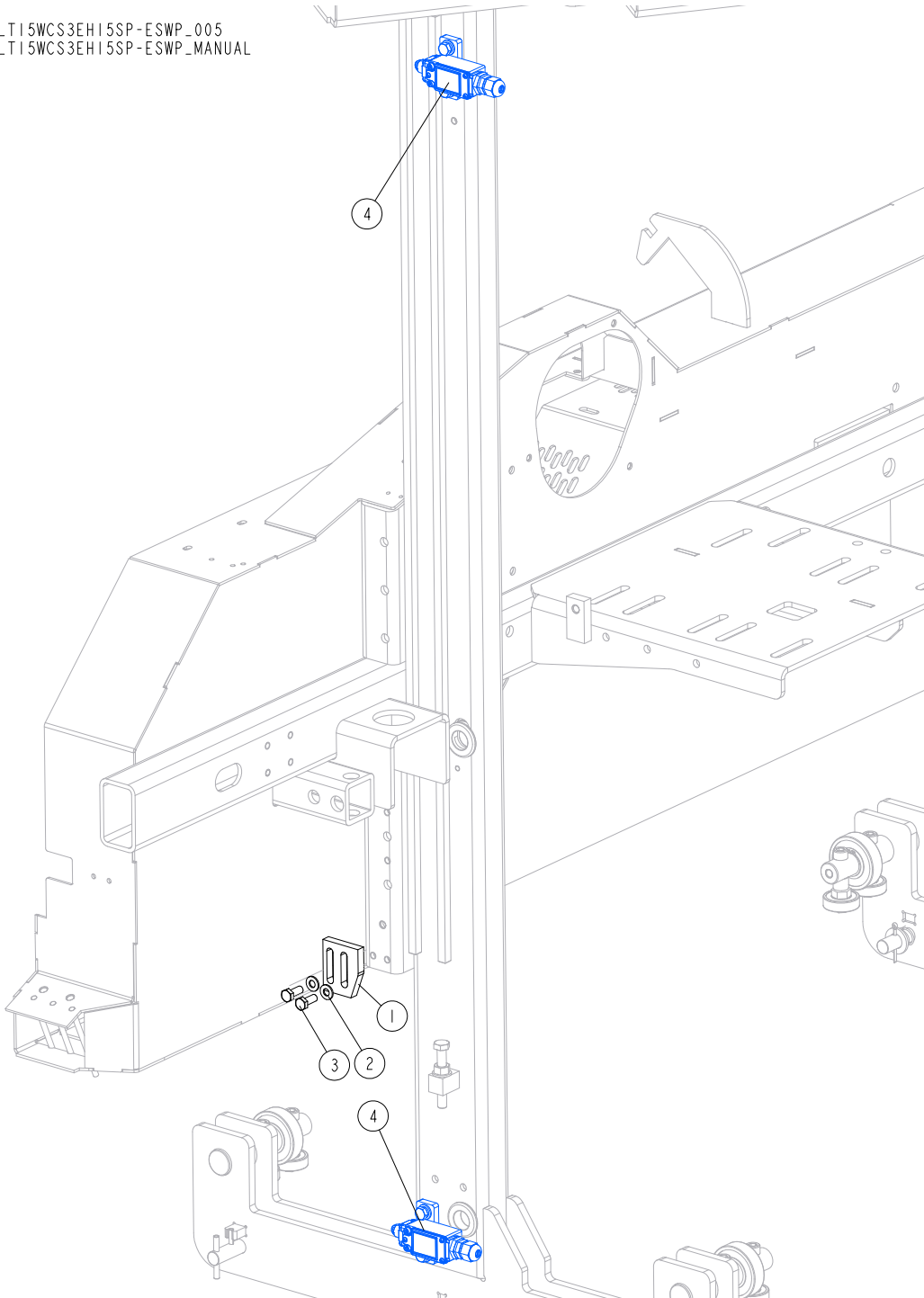


REF.	DESCRIPTION (* indicates parts available in assemblies only)	PART NO.	QTY
1	SAW HEAD WELDMENT, LT15WC	531625-1	1
2	WASHER, 8.4 FLAT ZINC	F81054-1	3
3	NUT, M8-8-B HEX ZINC	F81032-1	1
4	BOLT, M8X55-8.8 HEX HEAD ZINC	F81002-8	1
5	WASHER, 10.5 FLAT ZINC	F81055-1	10
6	NUT, M10 8 HEX ZINC	F81033-3	10
7	SCREW, M10X40-45H-GEOMET HEX SOCKET SET W/CONE POINT	F81003-61	1
8	PAD, CATAPILLAR TRACK	P13576	1
9	BOLT, 1/4-20X1/2 SL HH	F05015-1	2
10	CHUTE, SAWDUST	100903-1	1
11	BOLT, M8X16-8.8-B HEX HEAD FULL THREAD ZINC	F81002-20	2
12	LATCH, FLEXIBLE DRAW	014829	4
13	WASHER, 5.3 FLAT ZINC	F81052-1	8
14	NUT, M5-8 DIN985 HEX NYLON ZINC LOCK	F81030-2	8
15	BOLT, M5X12 8.8 HEX HEAD FULL THREAD ZINC	F81000-5	8
16	PLATE, COVER	096788-1	1
17	WASHER, 6.4 FLAT ZINC	F81053-1	4
18	BOLT, M6X12 8.8 HEX HEAD FULL THREAD ZINC	F81001-7	4
19	GROMMET, 22MM ID RUBBER	087400	1

REF.	DESCRIPTION (* indicates parts available in assemblies only)	PART NO.	QTY	
20	GROMMET, 6MM ID RUBBER	085338	1	
21	GROMMET, 1 X 1 3/4 OVAL RUBBER	085613	1	
22	SCREW, M10X30-33H-GEOMET HEX SOCKET SET W/FLAT POINT	F81003-35	8	
23	CAP, 20.6 HOLE HEYMAN DP-812	086811	1	
24	PLATE, COVER	094247-1	1	
25	WASHER, 8.4 FLAT ZINC	F81054-1	6	
26	BOLT, M8X16-8.8-B HEX HEAD FULL THREAD ZINC	F81002-20	3	
27	NUT, M8-8-B HEX HYLON ZINC LOCK	F81032-2	3	

5.2 Limit Switches, Limit Switch Activator Plate

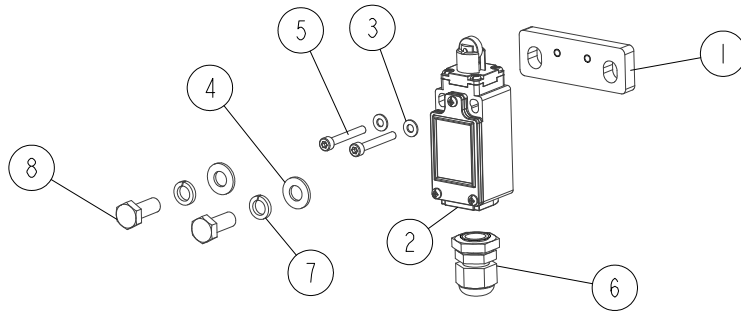
LT15WCS3EH15SP-ESWP_005
 LT15WCS3EH15SP-ESWP_MANUAL



REF.	DESCRIPTION (* indicates parts available in assemblies only)	PART NO.	QTY
1	PLATE, LIMIT SWITCH ACTIVATOR	094229-1	1
2	WASHER, 8.4 FLAT ZINC	F81054-1	2
3	BOLT, M8X20 8.8 HEX HEAD FULL THREAD ZINC	F81002-4	2
4	LIMIT SWITCH W/MOUNT PLATE See Section 5.3	094227	2

5.3 Limit Switch w/Mount Plate (Part No. 094227)

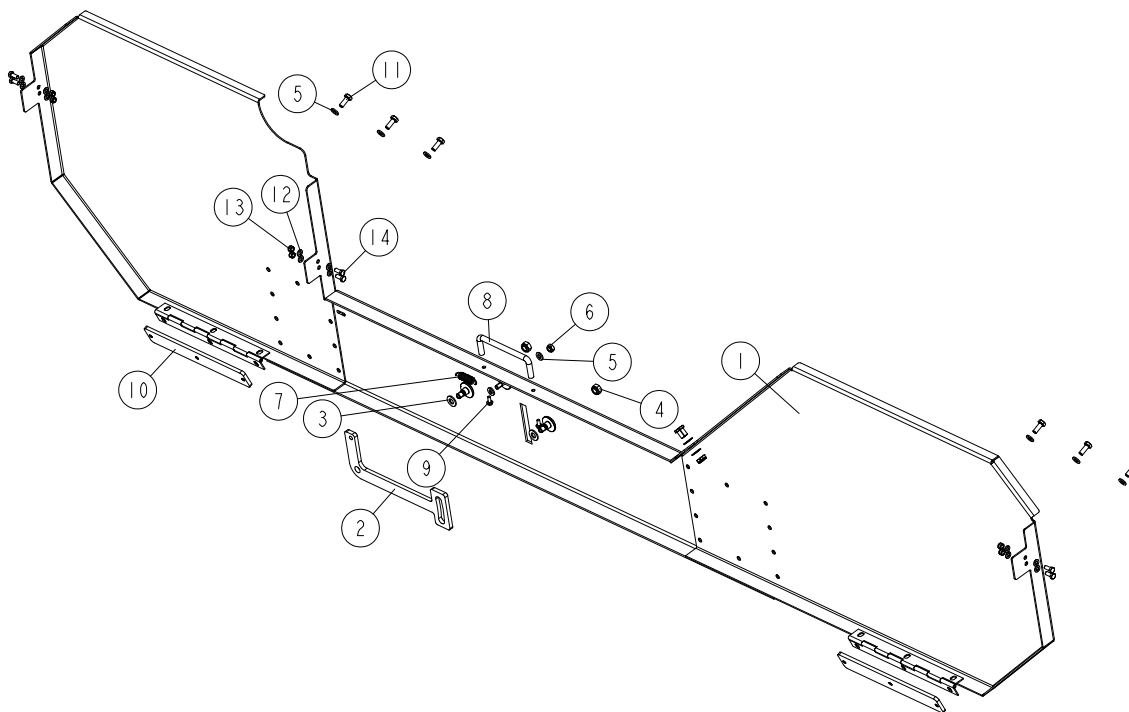
094227_001
094227_MANUAL



REF.	DESCRIPTION (* indicates parts available in assemblies only)	PART NO.	QTY
-	SWITCH, LIMIT W/MOUNT PLATE	094227	1
1	PLATE, LIMIT SWITCH ZINC-PLATED MOUNT	094228-1	1
2	SWITCH, GLCB01C LIMIT	100910	1
3	WASHER, 4.3 FLAT ZINC	F81051-2	2
4	WASHER, 8.4 FLAT ZINC	F81054-1	2
5	SCREW, M4X30-8.8 DIN 912 HEX SOCKET HEAD CAP ZINC	F81000-85	2
6	GLAND, DP9/H CABLE	F81096-2	1
7	WASHER, 8.2 SPLIT LOCK ZINC	F81054-4	2
8	BOLT, M8X20 8.8 HEX HEAD FULL THREAD ZINC	F81002-4	2

5.4 Saw Head Housing Cover LT15WC (No. 531636)

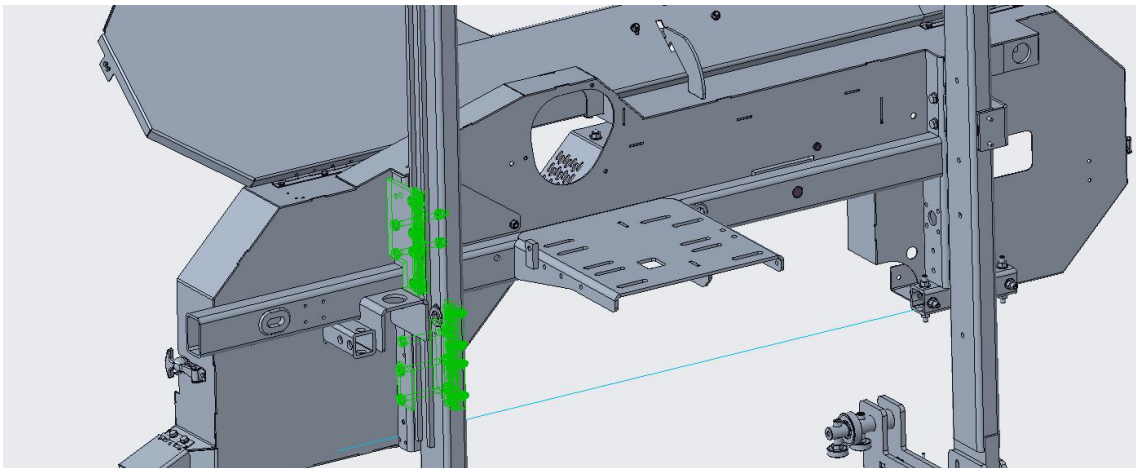
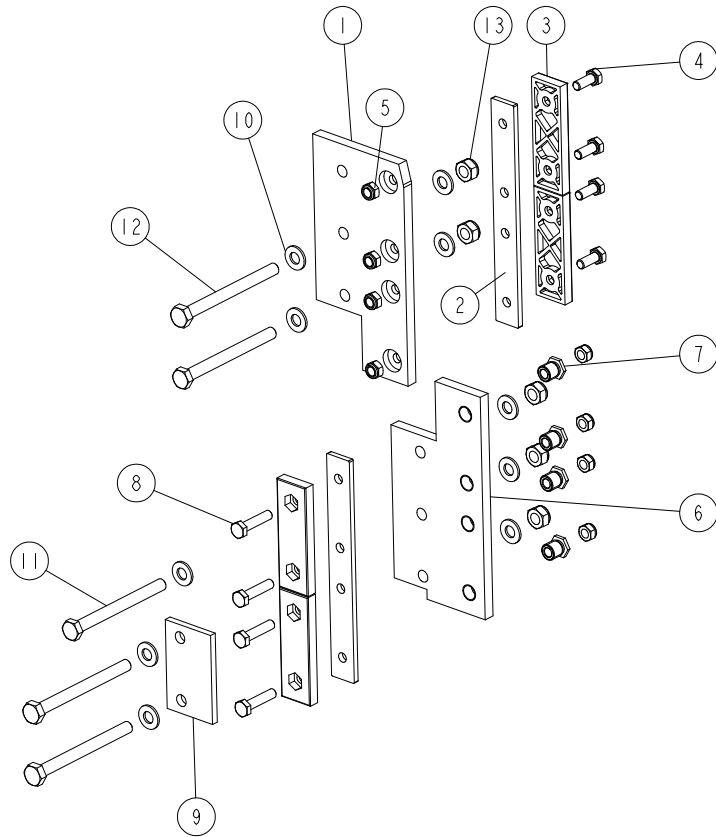
531636_001_A
531636_MANUAL



REF.	DESCRIPTION (* indicates parts available in assemblies only)	PART #	QTY
-	COVER, LT15WC CE SAW HEAD HOUSING - COMPLETE	531636	1
1	COVER WELDMENT, SAW HEAD LT15WC CE PTD.	531635-1	1
2	PAWL, LT20 LOCKING PTD.	090643-1	1
3	WASHER, 8.4 FLAT ZINC	F81054-1	2
4	NUT, M8-8-B HEX NYLON ZINC LOCK	F81032-2	2
5	WASHER, 6.4 FLAT ZINC	F81053-1	8
6	NUT, M6-8-B HEX NYLON ZINC LOCK	F81031-2	1
7	SPRING, 1.6X12X38 EXTENSION	092208	1
8	HANDLE W/BOLTS	P08065	1
9	BOLT, #8-32X3/8 SELF-TAPPING	F05015-8	2
10	PLATE WELDMENT, COVER MOUNTING	086701-1	2
11	BOLT, M6X16-8.8 HEX HEAD FULL THREAD ZINC	F81001-15	6
12	WASHER, 5.3 FLAT ZINC	F81052-1	16
13	NUT, M5-8 DIN985 HEX NYLON ZINC LOCK	F81030-2	8
14	BOLT, M5X12 8.8 HEX HEAD FULL THREAD ZINC	F81000-5	8

5.5 Left Up/Down Slide Pads Assembly (No. 531633)

531633_001
531633_MANUAL

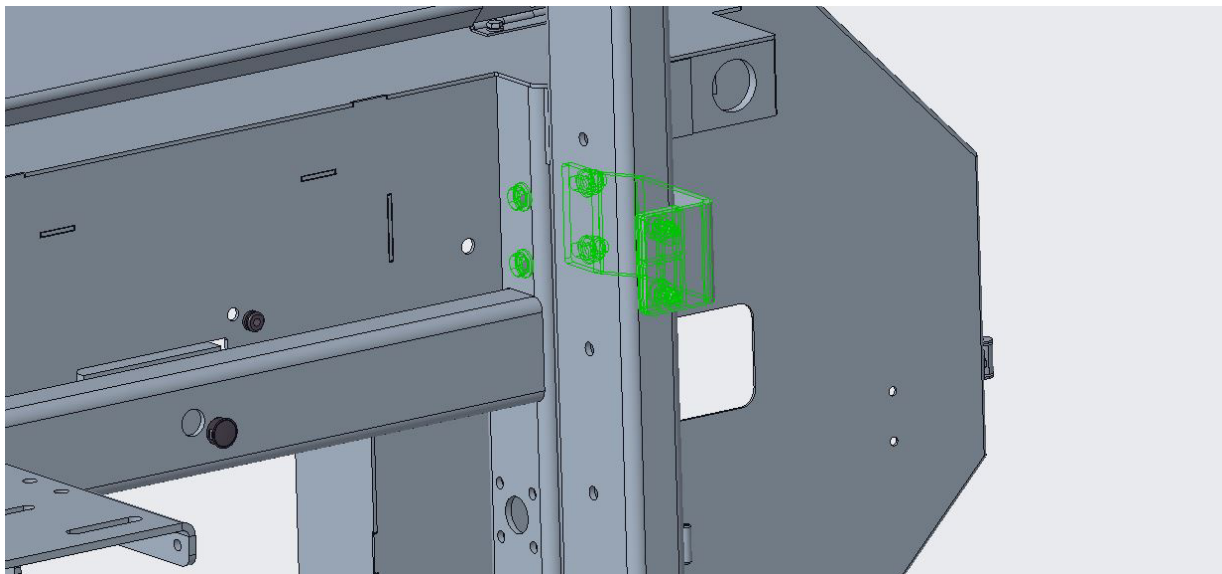
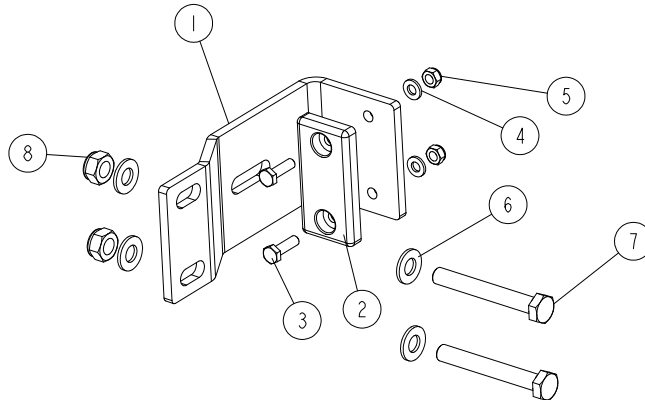


REF.	DESCRIPTION (* indicates parts available in assemblies only)	PART #	QTY
-	UP/DOWN SLIDE PADS ASSEMBLY, LEFT	531633	1
1	PLATE, SAW HEAD UPPER GUIDE PAINTED	094139-1	1
2	PLATE, SLIDE PAD SPACER PAINTED	094140-1	2
3	PADS, DELRIN UP/DOWN SLIDE	M04096	4
4	BOLT, M8X20 8.8 HEX HEAD FULL THREAD ZINC	F81002-4	4
5	NUT, M8-8-B HEX NYLON ZINC LOCK	F81032-2	8
6	PLATE, SAW HEAD LOWER GUIDE LT15 PAINTED	086682-1	1
7	NUT, LT15 SLIDE PAD ADJUSTMENT ZINC-PLATED	086683-1	4
8	BOLT, M8X35-8.8 HEX HEAD FULL THREAD ZINC	F81002-13	4
9	PLATE, GUIDE SHORT PAINTED	085978-1	1

REF.	DESCRIPTION (* indicates parts available in assemblies only)	PART #	QTY	
10	WASHER, 10.5 FLAT ZINC	F81055-1	10	
11	BOLT, M10X110-8.8 HEX HEAD ZINC	F81003-43	2	
12	BOLT, M10X115-8.8 HEX HEAD	F81003-19	3	
13	NUT, M10-8-B HEX NYLON ZINC LOCK	F81033-1	5	

5.6 Right Up/Down Slide Pads Assembly (No. 531639)

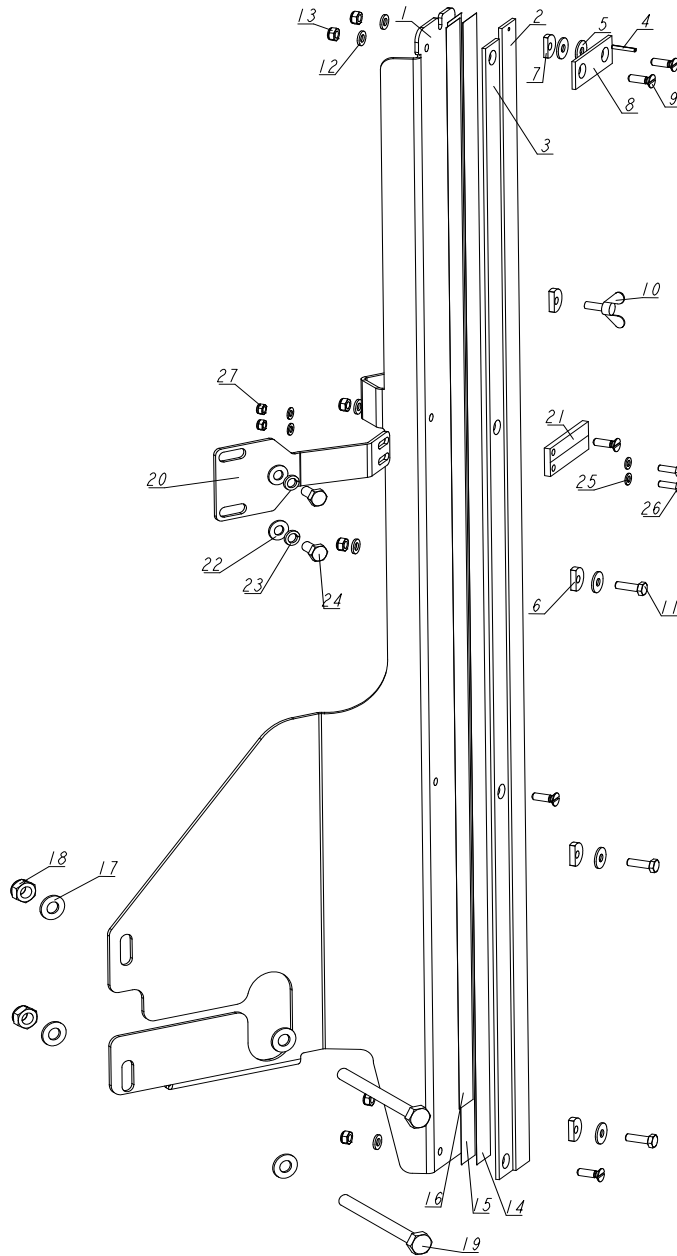
531639_001
531639_MANUAL



REF.	DESCRIPTION (* indicates parts available in assemblies only)	PART #	QTY
-	RIGHT UP/DOWN SLIDE PADS ASSEMBLY - COMPLETE	531639	1
1	BRACKET	531638-1	1
2	PAD, CATAPILLAR TRACK	P13576	1
3	BOLT, M6X20 8.8 HEX HEAD FULL THREAD ZINC	F81001-2	2
4	WASHER, 6.4 FLAT ZINC	F81053-1	2
5	NUT, M6-8-B HEX NYLON ZINC LOCK	F81031-2	2
6	WASHER, 10.5 FLAT ZINC	F81055-1	4
7	BOLT, M10X75-8.8 HEX HEAD ZINC	F81003-15	2
8	NUT, M10-8-B HEX NYLON ZINC LOCK	F81033-1	2

5.7 Blade Height Scale Assembly, LT15 Wide (Stationary Sawmill)

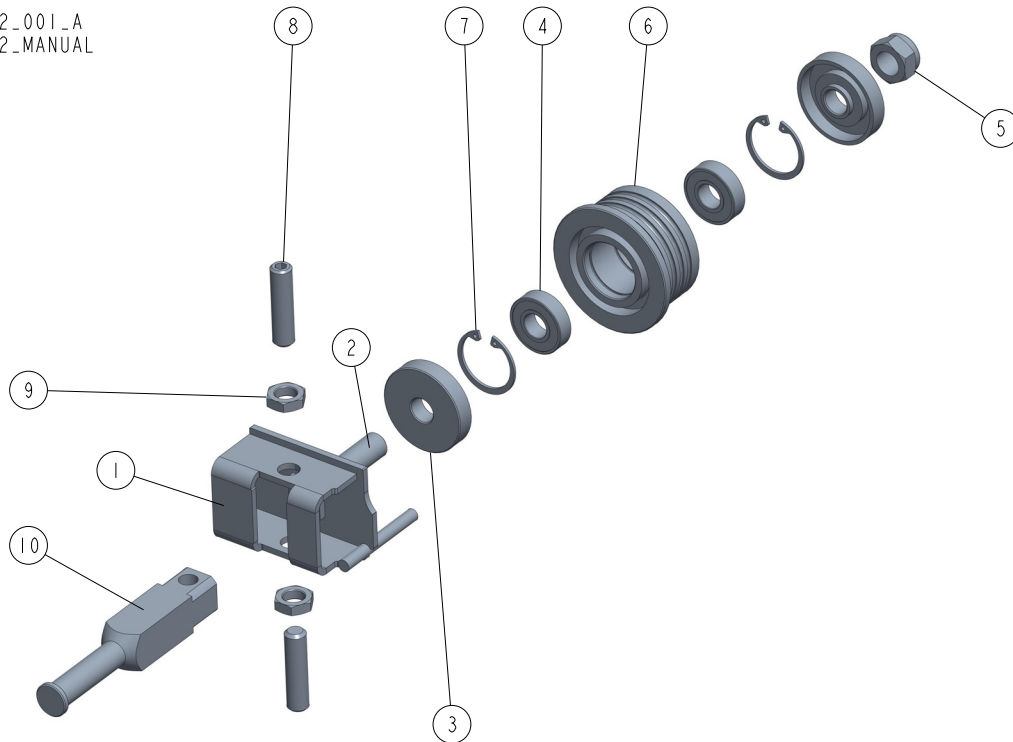
550800_001_A
550800_MANUAL



REF.	DESCRIPTION (* indicates parts available in assemblies only)	PART #	QTY
-	BLADE HEIGHT SCALE ASSEMBLY	550800	1
-	BLADE HEIGHT SCALE ASSEMBLY, LT15W	550802	1
1	BRACKET, BLADE HEIGHT SCALE LT15	550798-1	1
2	BAR, SCALE	550434	1
3	BAR, SCALE	550435	1
4	PIN, 3X20 GEOMET ROLL	F81044-5	1
5	WASHER, 6.5 SPECIAL FLAT ZINC	F81053-11	5
6	WASHER, 6.2X20X4.5 SPECIAL	503098	4

REF.	DESCRIPTION (* indicates parts available in assemblies only)	PART #	QTY	
7	WASHER, 6.2X20X3.5 SPECIAL	503096	1	
8	BAR, SCALE CLAMP	093134	1	
9	SCREW, M6X20-5.8-B SLOTTED COUNTERSUNK HEAD ZINC	F81001-31	5	
10	SCREW, M6X16 DIN-316/BN-276 ZINC-PL. WING	F81001-16	1	
11	BOLT, M6X20 8.8 HEX HEAD FULL THREAD ZINC	F81001-2	3	
12	WASHER, 6.4 FLAT ZINC	F81053-1	8	
13	NUT, M6-8-B HEX NYLON ZINC LOCK	F81031-2	8	
14	DECAL, METRIC SCALE 16-40MM LT15WIDE	550438	1	
15	DECAL, METRIC SCALE 45-63MM LT15WIDE	550439	1	
16	DECAL, CENTIMETER SCALE LT15WIDE	550440	1	
17	WASHER, 10.5 ZINC FLAT	F81055-1	4	
18	NUT, M10-8-B HEX NYLON ZINC LOCK	F81033-1	2	
19	BOLT, M10X115-8.8 HEX HEAD	F81003-19	2	
-	INDICATOR, BLADE HEIGHT SCALE - COMPLETE	550801	1	
20	PLATE, BLADE HEIGHT SCALE INDICATOR	550797-1	1	
21	INDICATOR, BLADE HEIGHT SCALE	094821	1	
22	WASHER, 8.4 FLAT ZINC	F81054-1	2	
23	WASHER, 8.2 SPLIT LOCK ZINC	F81054-4	2	
24	BOLT, M8X16-8.8-B HEX HEAD FULL THREAD ZINC	F81002-20	2	
25	WASHER, 5.3 FLAT ZINC	F81052-1	4	
26	BOLT, M5x16-8.8 HEX HEAD FULL THREAD ZINC	F81000-20	2	
27	NUT, M5-8 DIN985 HEX NYLON ZINC LOCK	F81030-2	2	

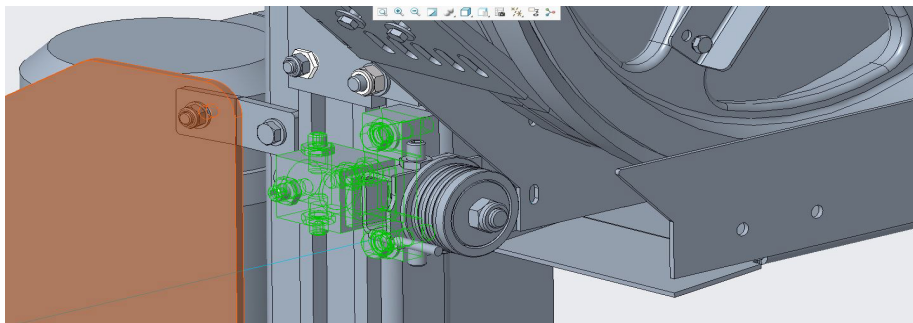
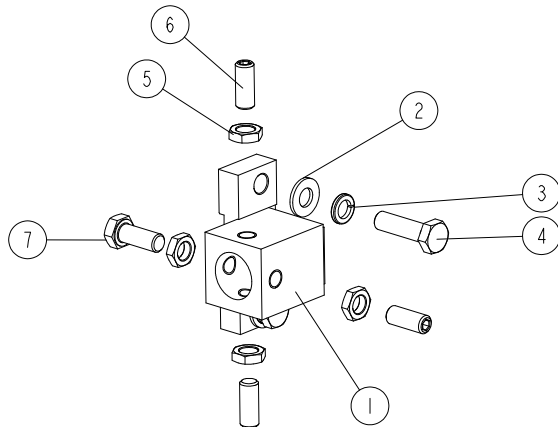
5.8 Blade Guide Roller Assembly, Drive Side. (094682)

094682_001_A
094682_MANUAL

REF.	DESCRIPTION (* indicates parts available in assemblies only)	PART #	QTY
-	BLADE GUIDE ROLLER ASSEMBLY, DRIVE SIDE	094682	1
1	BRACKET WELDMENT, BLADE GUIDE ROLLER ZINC-PLATED	094679-1	1
-	ROLLER, BLADE GUIDE NARROW W/BEARINGS	087887	1
2	SHAFT, BLADE GUIDE ROLLER ZINC-PLATED	087763-1	1
3	RING, ZINC-PLATED SPACER	087891-1	2
4	BEARING, 6001 2RSR (FAG, SKF)	087893	2
5	NUT, M12 8 HEX NYLON ZINC LOCK	F81034-2	1
6	ROLLER, BLADE GUIDE NARROW	087889	1
7	RING, W28 INSIDE RETAINING	F81090-9	2
8	SCREW, M10X1X40 DIN913 A2-70 STAINLESS STEEL SET	F81015-2	2
9	NUT, M10X1-04-ST-A2E ISO8675 THIN	F81033-10	2
10	SHAFT, ZINC-PLATED BLADE GUIDE MOUNT	503588-1	1

5.9 Blade Guide Roller Cover, Drive Side. (No. 531627)

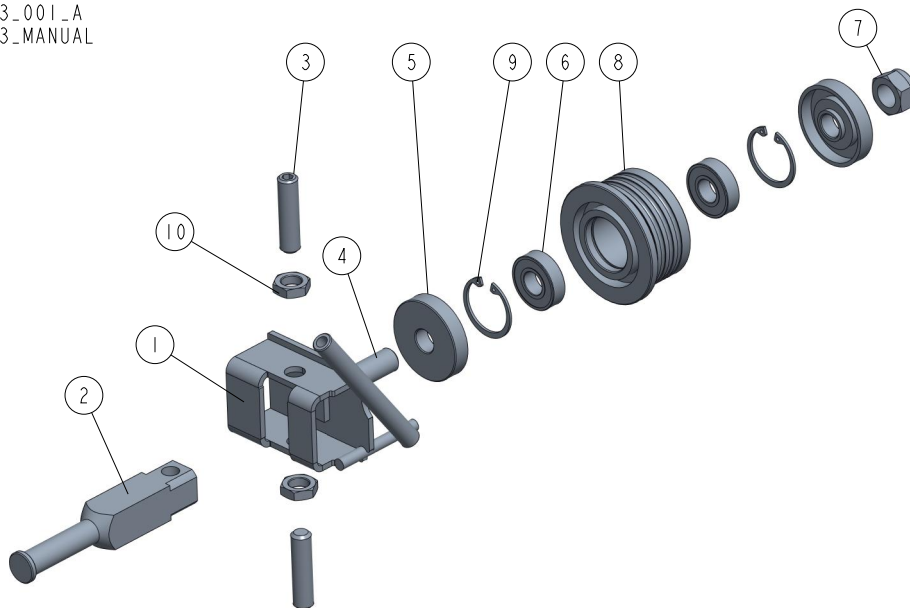
531627_001
531627_MANUAL



REF.	DESCRIPTION (* indicates parts available in assemblies only)	PART #	QTY
-	BLOCK, BLADE GUIDE MOUNT - COMPLETE	531627	1
1	MOUNT WELDMENT, BLADE GUIDE (METRIC GP SAW HEAD)	087744	1
2	WASHER, 10.5 FLAT ZINC	F81055-1	2
3	WASHER, Z 10.2 SPLIT LOCK ZINC	F81055-2	2
4	BOLT, M10X35 8.8 HEX HEAD FULL THREAD ZINC	F81003-17	2
5	NUT, M10X1-04-ST-A2E ISO8675 THIN	F81033-10	4
6	SCREW, M10X1X25 DIN 913 STAINLESS STEEL SET	F81015-4	3
7	BOLT, M10X1X25 DIN 933 STAINLESS STEEL	F81003-28	1

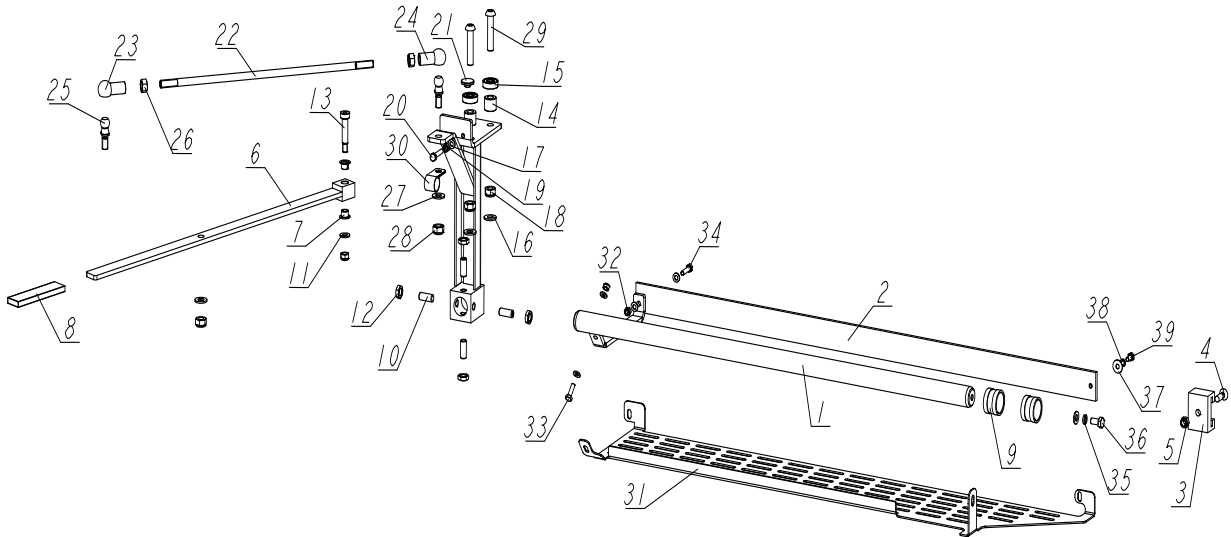
5.10 Blade Guide Roller Assembly, Idle Side (094683)

094683_001_A
094683_MANUAL



REF.	DESCRIPTION (* indicates parts available in assemblies only)	PART #	QTY
-	BLADE GUIDE ROLLER ASSEMBLY, IDLE SIDE	094683	1
1	BRACKET WELDMENT, BLADE GUIDE ROLLER ZINC-PLATED MOUNT	094681-1	1
2	SHAFT, ZINC-PLATED BLADE GUIDE MOUNT	503588-1	1
3	SCREW, M10X1X40 DIN913 A2-70 STAINLESS STEEL SET	F81015-2	2
-	ROLLER, BLADE GUIDE NARROW W/BEARINGS	087887	1
4	SHAFT, BLADE GUIDE ROLLER ZINC-PLATED	087763-1	1
5	RING, ZINC-PLATED SPACER	087891-1	2
6	BEARING, 6001 2RSR (FAG, SKF)	087893	2
7	NUT, M12 8 HEX NYLON ZINC LOCK	F81034-2	1
8	ROLLER, BLADE GUIDE NARROW	087889	1
9	RING, W28 INSIDE RETAINING	F81090-9	2
10	NUT, M10X1-04-ST-A2E ISO8675 THIN	F81033-10	2

5.11 Blade Guide Arm Assembly (531621)

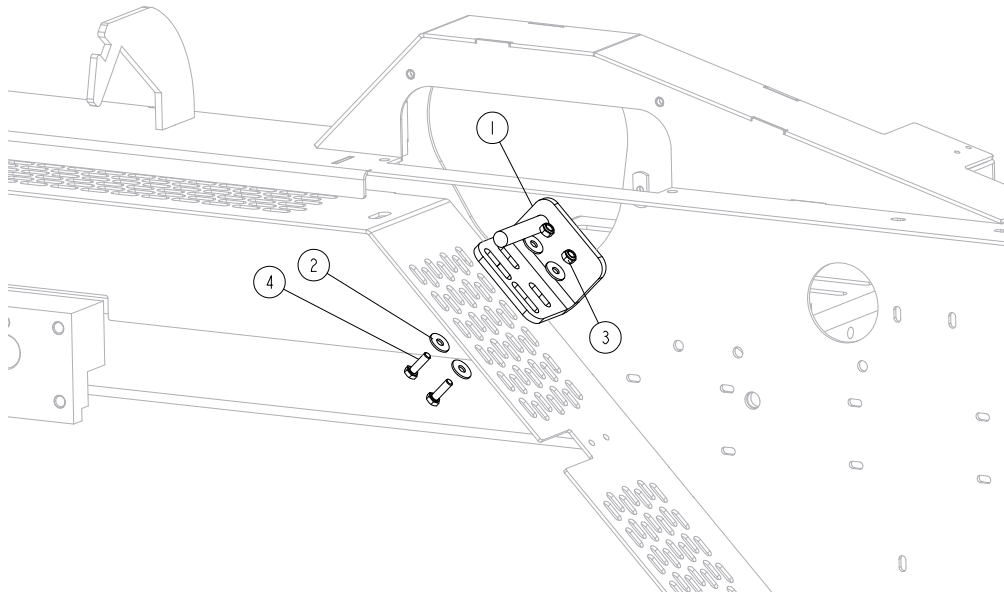
531621_001
531621_MANUAL

REF.	DESCRIPTION (◆ indicates parts available in assemblies only)	PART #	QTY
-	BLADE GUIDE ARM W/LEVER - COMPLETE	531621	1
1	ARM WELDMENT, BLADE GUIDE	531620-1	1
2	BAR, BLADE GUARD	531618	1
3	BRACKET, BLADE GUIDE ARM GUIDE	088305	1
4	SCREW, M8X25-5.8 CROSS RECESSED COUNTERS	F81002-51	1
5	NUT, M8-8-B HEX NYLON ZINC LOCK	F81032-2	2
-	LEVER ASSEMBLY, BLADE GUIDE ARM ADJUSTME	531630	1
6	LEVER, BLADE GUIDE ARM ADJUSTMENT	531628-1	1
7	BEARING, TUF1 10.090 (CX)	099074	2
8	CAP, RRWA 91626 HANDLE END	086875	1
9	BUSHING, BLADE GUIDE	086684	2
10	SCREW, M10X1X25 DIN 913 STAINLESS STEEL	F81015-4	4
11	WASHER, 8.4 FLAT ZINC	F81054-1	2
12	NUT, M10X1-04-ST-A2 ISO 8675 THIN	F81033-10	4
13	BOLT, 10/M8X35 12.9 ISO7379 SHOULDER	F81003-63	1
14	BUSHING, 11/20-17 ZINC-PLATED	094255-1	2
15	BEARING, 6000.2RSR	087471	2
16	WASHER, 10.5 FLAT ZINC	F81055-1	2
17	WASHER, 6.4 FLAT ZINC	F81053-1	5
18	NUT, M10-8-B HEX NYLON ZINC LOCK	F81033-1	2
19	NUT, M6 8 HEX ZINC	F81031-1	1
20	BOLT, M6X30-8.8 HEX HEAD FULL THREAD	F81001-13	1
21	BUSHING, BLADE GUIDE ARM	095936	1
-	STUD BOLT ASSEMBLY, ARM LEVER CONNECTION	094204	1
22	BOLT, ZINC-PLATED STUD	094203-1	1
23	SEAT, BALL	093824	1
24	SEAT, BALL	093824-1	1

REF.	DESCRIPTION (◆ indicates parts available in assemblies only)	PART #	QTY	
25	STUD, 16/SW-13 DIN71803-C BN486 BALL	093823	2	
26	NUT, M10-8-B-HEX ZINC	F81033-3	2	
27	WASHER, 10.5 FLAT ZINC	F81055-1	2	
28	NUT, M10-8-B HEX NYLON ZINC LOCK	F81033-1	2	
29	BOLT, M10X50-8.8 HEX HEAD FULL THREAD ZI	F81003-131	2	
30	CLAMP, 5/8 EMT COATED	010748	1	
31	GUARD, BOTTOM	531617-1	1	
32	NUT, M6-8-B HEX NYLON ZINC LOCK	F81031-2	2	
33	BOLT, M6X20 8.8 HEX HEAD FULL THREAD ZINC	F81001-2	1	
34	BOLT, M6X25-5.8 HEX HEAD FULL THREAD ZINC	F81001-3	1	
35	WASHER 8,2 SPLIT LOCK ZINC	F81054-4	1	
36	BOLT, M8X16 -8.8-B HEX HEAD FULL THREAD	F81002-20	1	
37	WASHER, 6.5 SPECIAL FLAT ZINC	F81053-11	1	
38	WASHER, Z 6.1 SPLIT LOCK	F81053-3	1	
39	BOLT, M6X12-8.8 HEX HEAD FULL THREAD ZINC	F81001-7	1	

5.12 Drive Belt Lower Support Bracket (092636-1)

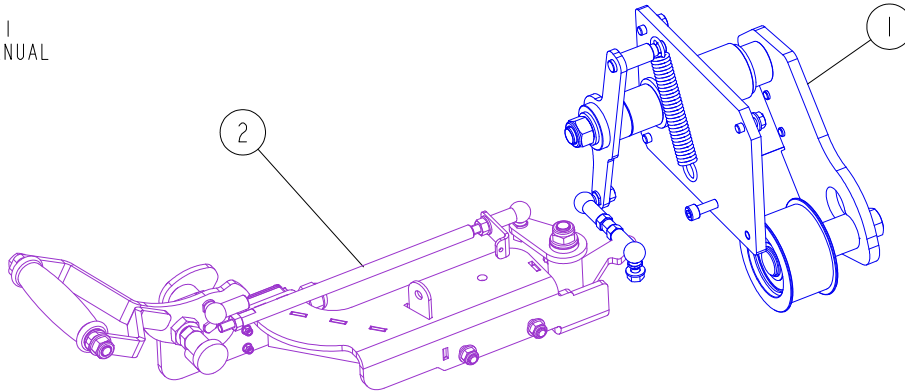
LT15WCS3G25SP-ESWP_001
 LT15WCS3G25SP-ESWP_MANUAL



REF.	DESCRIPTION (* indicates parts available in assemblies only)	PART #	QTY
1	BRACKET, DRIVE BELT LOWER SUPPORT WLDMT/PTD	092636-1	1
2	WASHER, 6.5 SPECIAL FLAT ZINC	F81053-11	4
3	NUT, M6-8-B HEX NYLON ZINC LOCK	F81031-2	2
4	BOLT, M6X20 8.8 HEX HEAD FULL THREAD ZINC	F81001-2	2

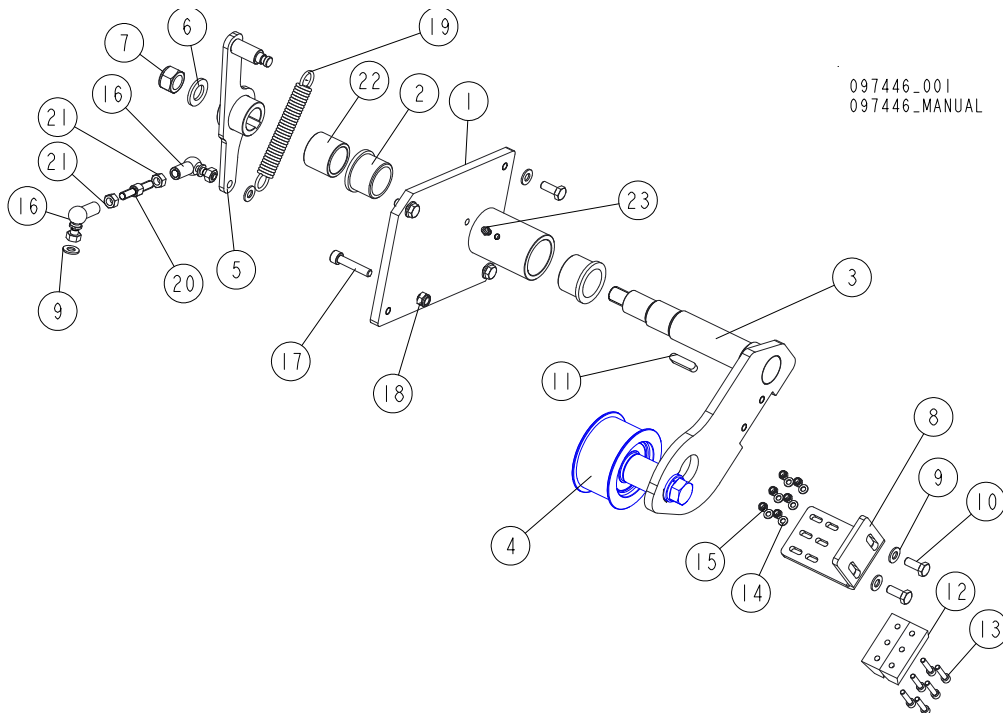
5.13 Belt Tensioner & Brake (No. 096448)

096448_001
096448_MANUAL



REF.	DESCRIPTION (* indicates parts available in assemblies only)	PART NO.	QTY
-	BELT TENSIONER & BRAKE ASSEMBLY	096448	1
1	TENSION ROLLER W/BRAKE - COMPLETE See Section 5.14	097446	1
2	HANDLE, TENSIONER AND BRAKE - COMPLETE See Section 5.16	097436	1

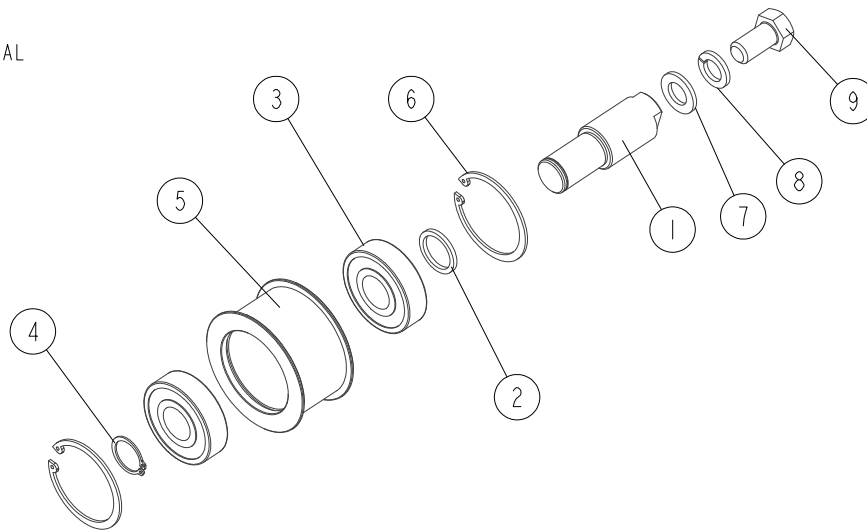
5.14 Tension Roller w/Brake (No. 097446)



REF.	DESCRIPTION (* indicates parts available in assemblies only)	PART#	QTY
-	ROLLER, TENSION W/BRAKE - COMPLETE	097446	1
1	MOUNT WELDMENT, TENSIONER SHAFT	091112-1	1
2	BUSHING, MFM-3240-30 (IGUS)	088461	2
3	SHAFT WELDMENT, BELT TENSIONER	096451-1	1
4	ROLLER, COMPLETE TENSION See Section 4.17	511166	1
5	HANDLE, TENSIONER	096449-1	1
6	WASHER, 17 SPLIT LOCK ZINC	F81058-1	1
7	NUT, M16-8-HEX NYLON ZINC LOCK	F81036-2	1
8	BRACKET, BRAKE BLOCK MOUNT	091248-1	1
9	WASHER, 8.4 FLAT ZINC	F81054-1	7
10	BOLT, M8X20 8.8 HEX HEAD FULL THREAD ZINC	F81002-4	5
11	KEY, A8X7X32 PARALLEL	088564	1
12	BLOCK, BRAKING	092111	2
13	SCREW, M5X25 8.8 HEX SOCKET HEAD CAP ZINC	F81000-7	6
14	WASHER, 5.3 FLAT ZINC	F81052-1	6
15	NUT, M5-8 DIN985 ZINC-PLATED	F81030-2	6
16	JOINT, 13-M8 (T17628- ULMER) BALL	095285	2
17	SCREW, M8X40-8.8 HEX SOCKET HEAD CAP ZINC	F81002-29	1
18	NUT, M8-8-B HEX NYLON ZINC LOCK	F81032-2	1
19	SPRING, N1.9XN14.2X104	091865	1
20	PUSHER, SHORT ZINC-PLATED	097445-1	1
21	NUT, M8-8-B HEX ZINC	F81032-1	2
22	BUSHING, TENSIONER ZINC-PLATED SPACER	097447-1	1
23	FITTING, M6 GREASE	086280	1

5.15 Tension Roller (No. 511166)

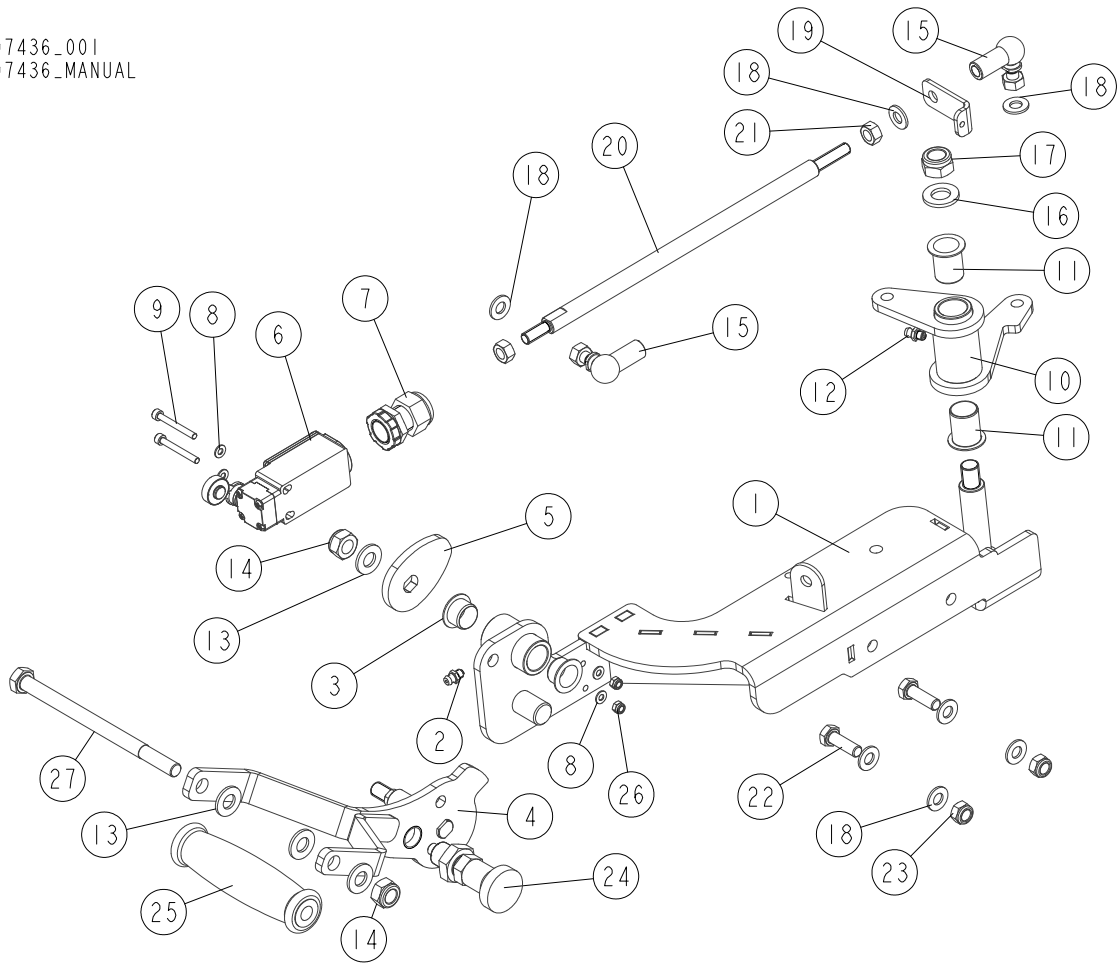
511166_001
511166_MANUAL



REF.	DESCRIPTION (* indicates parts available in assemblies only)	PART NO.	QTY
-	ROLLER, COMPLETE TENSION	511166	1
1	SHAFT, TENSION ROLLER	509901-1	1
2	WASHER, 25.1/32-3 ZINC-PLATED	500863-1	1
3	BEARING, 6305 2RS NSK	P08066	2
4	RING, 25Z OUTSIDE RETAINING	F81090-22	1
5	ROLLER, TENSION	087671-1	1
6	RING, 62W INSIDE RETAINING	F81090-1	2
7	WASHER, 17 SPLIT LOCK ZINC	F81058-1	1
8	WASHER, 16.3 SPLIT LOCK ZINC	F81058-2	1
9	BOLT, M16X30-8.8 HEX HEAD FULL THREAD ZINC	F81006-36	1

5.16 Tensioner and Brake Handle (No. 097436)

097436_001
097436_MANUAL

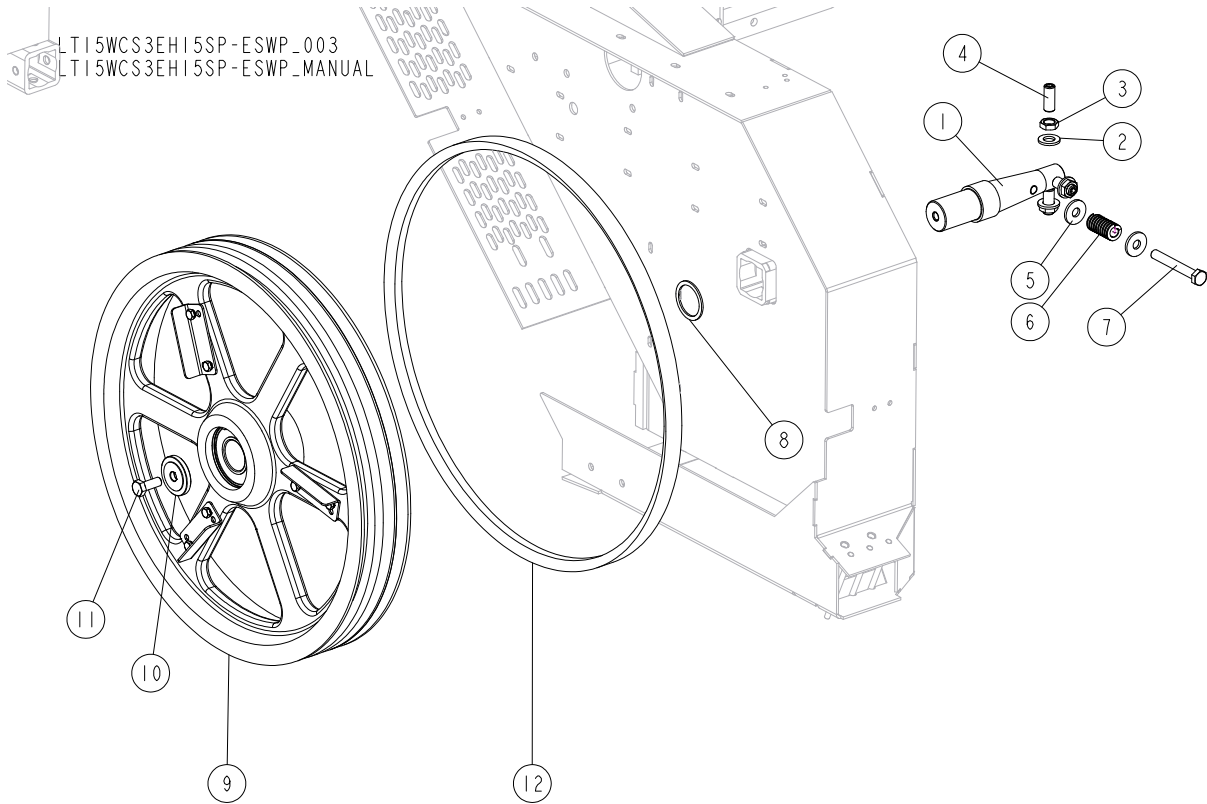


REF.	DESCRIPTION (* indicates parts available in assemblies only)	PART #	QTY
-	HANDLE, TENSIONER AND BRAKE - COMPLETE	097436	1
-	PLATE, TENSIONER/BRAKE HANDLE MOUNT - COMPLETE	097437	1
1	PLATE, TENSIONER/BRAKE HANDLE MOUNT	097438-1	1
2	FITTING, M6 GREASE	086280	1
3	BUSHING, GFM-1618-12	091455	2
4	HANDLE, TENSIONER/BRAKE	524091-1	1
5	PLATE, LT15 LIMIT SWITCH ZINC-PL. ACTIVATOR	096969-1	1
6	SWITCH, FA138 Z11 LIMIT	100931	1
7	GLAND, PG13.5 CABLE	086524	1
8	WASHER, 4.3 FLAT ZINC	F81051-2	4
9	SCREW, M4X35 8.8 HEX SOCKET HEAD CAP ZINC	F81011-34	2
-	LEVER, ANGLE -COMPLETE	097432	1
10	LEVER, ANGLE	097433-1	1
11	BUSHING, GFM 1719-25 (IGUS)	094142	2
12	FITTING, M6 GREASE	086280	1
13	WASHER, 10.5 FLAT ZINC	F81055-1	4
14	NUT, M10-8-B HEX NYLON ZINC LOCK	F81033-1	2
15	PIVOT, FI 13-M8 ANGLE (T17628-ULMER)	095285	2
16	WASHER, 13 FLAT ZINC	F81056-1	1

REF.	DESCRIPTION (* indicates parts available in assemblies only)	PART #	QTY	
17	NUT, M12 8 HEX NYLON ZINC LOCK	F81034-2	1	
18	WASHER, 8.4 FLAT ZINC	F81054-1	7	
19	PLATE, TENSIONER	097442-1	1	
20	PUSHER, M8 ZINC-PLATED LONG	097444-1	1	
21	NUT, M8-8-B HEX ZINC	F81032-1	2	
22	BOLT, M8X25-8.8-B HEX HEAD FULL THREAD ZINC	F81002-5	2	
23	NUT, M8-8-B HEX NYLON ZINC LOCK	F81032-2	2	
24	PIN, 45308DNW DETENT	089939	1	
25	GRIP, I.135/120-10 REVOLVING	524094	1	
26	NUT, M4-8 HEX NYLON ZINC LOCK	F81029-1	2	
27	BOLT, M10X150-8.8 HEX HEAD ZINC	F81003-124	1	

SECTION 6 BLADE WHEELS & TENSIONER

6.1 Blade Wheel Assembly, Drive Side

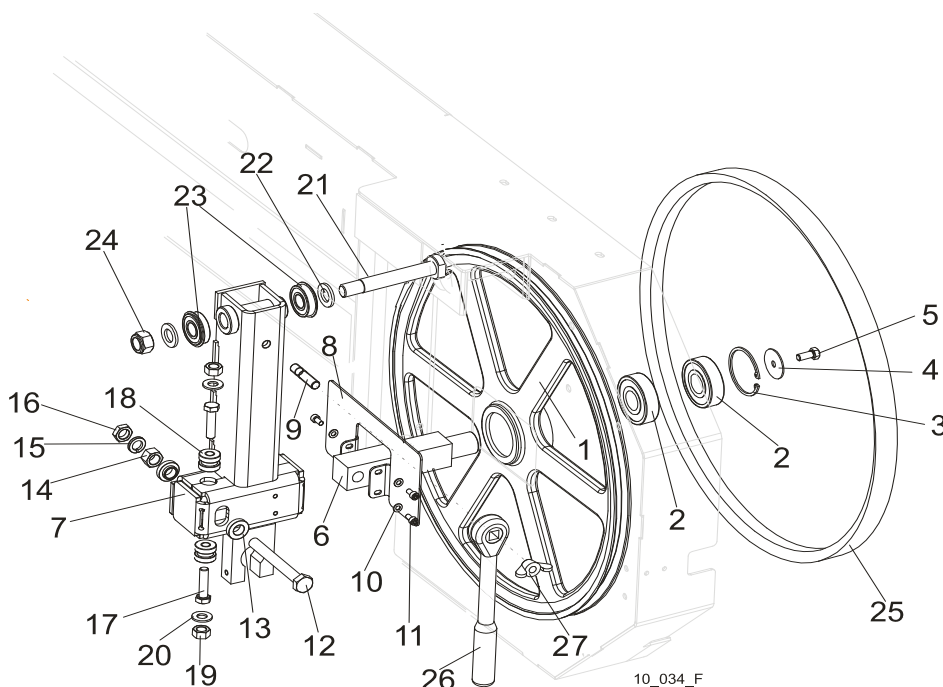


REF.	DESCRIPTION (* indicates parts available in assemblies only)	PART #	QTY
1	SHAFT, LT 15 DRIVE SIDE BLADE WHEEL	093850	1
2	WASHER, 13 FLAT ZINC	F81056-1	3
3	NUT, M12X1.25 DIN 439 A2-70 THIN STAINLESS STEEL	F81034-9	3
4	SCREW, M12X1.25X30 DIN913 A2-70 SET	F81016-1	3
5	WASHER, 10.5 SPECIAL FLAT ZINC	F81055-6	2
6	SPRING, 3/4 O.D.X 1 1/2 DIE	034430	1
7	BOLT, M10X75-8.8 HEX HEAD ZINC	F81003-15	1
8	WASHER, 36/45-2	091851	1
9	BLADE WHEEL, DRIVE SIDE - COMPLETE See Section 6.4	091612	1
10	WASHER, CLAMPING	092006	1
11	BOLT, M10X25 8.8 HEX HEAD FULL THREAD ZINC	F81003-11	1
12	BELT, B-57	P04185-3	1

6 BLADE WHEELS & TENSIONER

Blade Wheel Assembly, Idle Side

6.2 Blade Wheel Assembly, Idle Side



REF.	DESCRIPTION (◆ indicates parts available in assemblies only)	PART #	QTY
	WHEEL ASSEMBLY, IDLE SIDE BLADE	A08218	1
1	SHEAVE, 18.62" IDLER	P08125	1
2	BEARING, 6305 2RS NSK	P08066	2
3	RING, 2 7/16 IR N 5002-244 BEVELED SNAP	F04254-21	1
	ROCKER ARM, LT10/LT15 IDLE SIDE WHEEL - COMPLETE	100180	1
4	WASHER, ZINC-PLATED CLAMPING	093854-1	1
5	BOLT, M8x25-8.8-B HEX HEAD FULL THREAD ZINC	F81002-5	1
6	SHAFT, IDLE SIDE WHEEL (METRIC)	096045	1
	ROCKER ARM, IDLE SIDE WHEEL - COMPLETE	508145	1
7	ARM WELDMENT, IDLER WHEEL ROCKER	508144-1	1
8	GUARD, IDLER WHEEL SHAFT	508128-1	1
9	STUD, M10x35-8.8 ZINC-PLATED	F81003-9	1
10	WASHER, 5.3 FLAT ZINC	F81052-1	3
11	SCREW, M5x10 DIN912 A2-70 HEX SOCKET HEAD CAP STAINLESS STEEL	F81000-23	3
12	BOLT, M12x1.25x100-8.8 HEX HEAD FULL THREAD ZINC	F81004-41	1
13	SPACER, FLANGED	086769-1	2
14	NUT, M12x1.25 -8 HEX ZINC	F81034-8	1
15	WASHER, 12.2 SPLIT LOCK ZINC	F81056-2	1
16	NUT, M12x1.25 8.8 THIN ZINC	F81034-5	1
17	BOLT, M10x40-8.8 HEX HEAD FULL THREAD ZINC	F81003-16	2
18	BUSHING, M10 IDLER WHEEL SHAFT HOUSING	086987	2
19	NUT, M10-8-B HEX ZINC	F81033-3	2
20	WASHER, 10.5 ZINC FLAT	F81055-1	2
21	PIN, ARM BEARING MOUNT	086404	1
22	WASHER, 17 ZINC FLAT	F81058-1	2
23	BEARING, 6203-2RS NR NSK W/SNAP RING	086395	2

BLADE WHEELS & TENSIONER

Blade Wheel Assembly, Idle Side

6

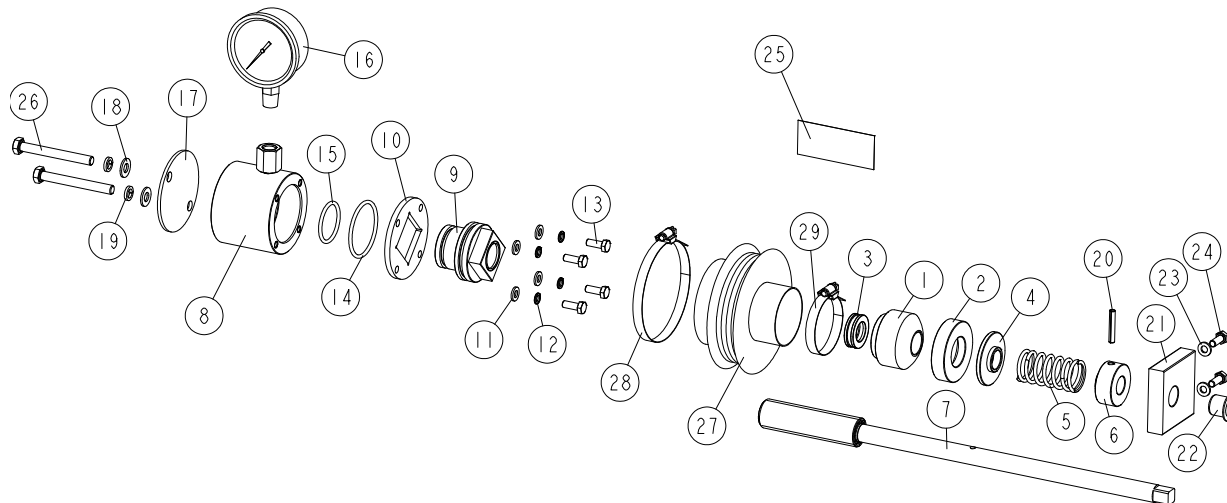
24	NUT, M16-8 HEX NYLON ZINC LOCK	F81036-2	1	
25	V- BELT, B-57 DRIVE	P04185-3	1	
26	WRENCH, BLADE TENSION	091620	1	
27	NUT, M10 WING ZINC	F81033-8	1	

6 BLADE WHEELS & TENSIONER

Blade Tensioner Assembly

6.3 Blade Tensioner Assembly

510640_001
510640_MANUAL



REF	DESCRIPTION (u indicates parts available in assemblies only)	PART #	QTY
-	COMPLETE BLADE TENSIONER	510640	1
1	HOUSING, BALL THRUST BEARING	510635	1
2	SOCKET, BEARING HOUSING	510634-1	1
3	BEARING, 51103. BALL THRUST	086675	1
4	WASHER	510633-1	1
5	SPRING, 60X23X3	088992	1
6	BUSHING, BLADE TENSIONER SCREW	510636-1	1
7	SCREW, BLADE TENSIONER ZINC-PLATED	510650-1	1
-	CYLINDER ASSEMBLY	510641	1
8	CYLINDER ASSEMBLY WITH REDUCTION	550762-1	1
9	PISTON	510638	1
10	PLATE, CYLINDER	510490-1	1
11	WASHER, 6.4 FLAT ZINC	F81053-1	4
12	WASHER, Z 6.1 SPLIT LOCK	F81053-3	4
13	BOLT, M6X16-5.8 HEX HEAD FULL THREAD ZIN	F81001-15	4
14	O-RING, 46.2X3	510646	1
15	O-RING, 32.2X3	510647	1
16	GAUGE, 3000PSI/200 BAR OIL PRESSURE	505176	1
17	COVER, TENSIONER	550761-1	1
18	WASHER, 8.4 FLAT ZINC	F81054-1	2
19	WASHER 8,2 SPLIT LOCK ZINC	F81054-4	2
20	PIN 5X30 ROLL	F81044-21	1
21	BLOCK, TENSIONER HANDLE MOUNT	096730	1
22	BUSHING, GFM-1618-17	089589	1
23	WASHER, 6.4 FLAT ZINC	F81053-1	2
24	BOLT, M6X16-5.8 HEX HEAD FULL THREAD ZIN	F81001-15	2
25	DECAL, BLADE TENSION INDICATOR ADJUSTMEN	510643	1
26	BOLT, M8X70-8.8 HEX HEAD ZINC	F81002-71	2

BLADE WHEELS & TENSIONER

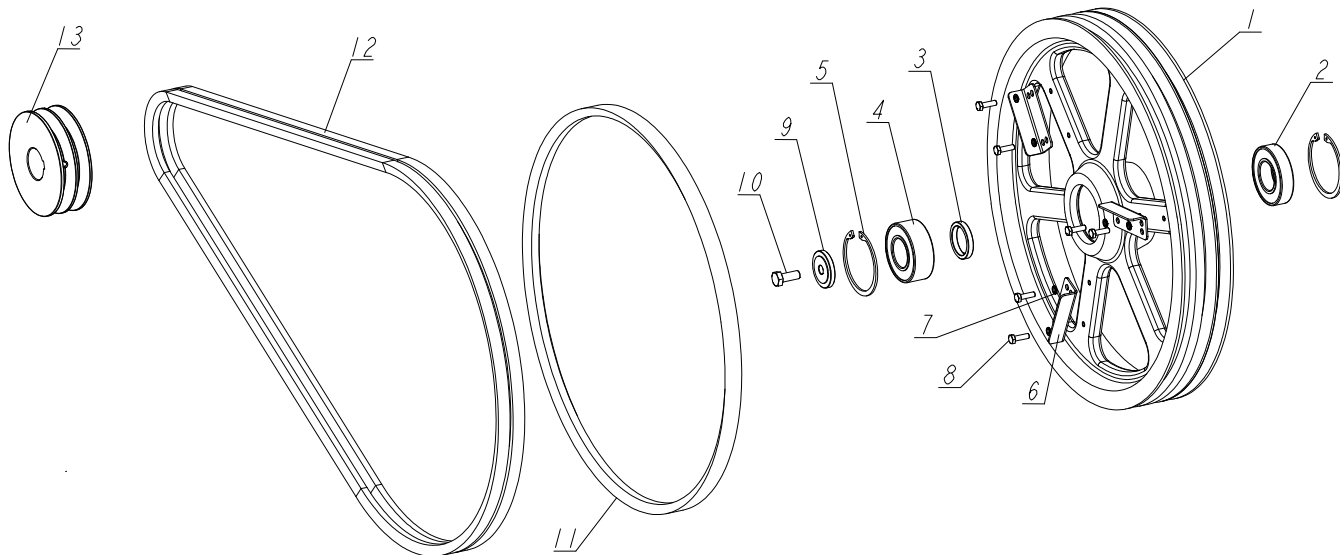
Blade Tensioner Assembly

6

REF	DESCRIPTION (u indicates parts available in assemblies only)	PART #	QTY	
-	BELLOWS, COMPLETE	515050	1	
27	BELLOWS	515051	1	
28	CLAMP, 70-80MM DIA.	F81095-5	1	
29	CLAMP, 40-60MM DIA.	F81095-4	1	

6.4 Blade Wheel Assembly, Drive Side Motor E15

LT15SCS3EH15EP-E_001_C
 LT15SCS3EH15EP-E_MANUAL

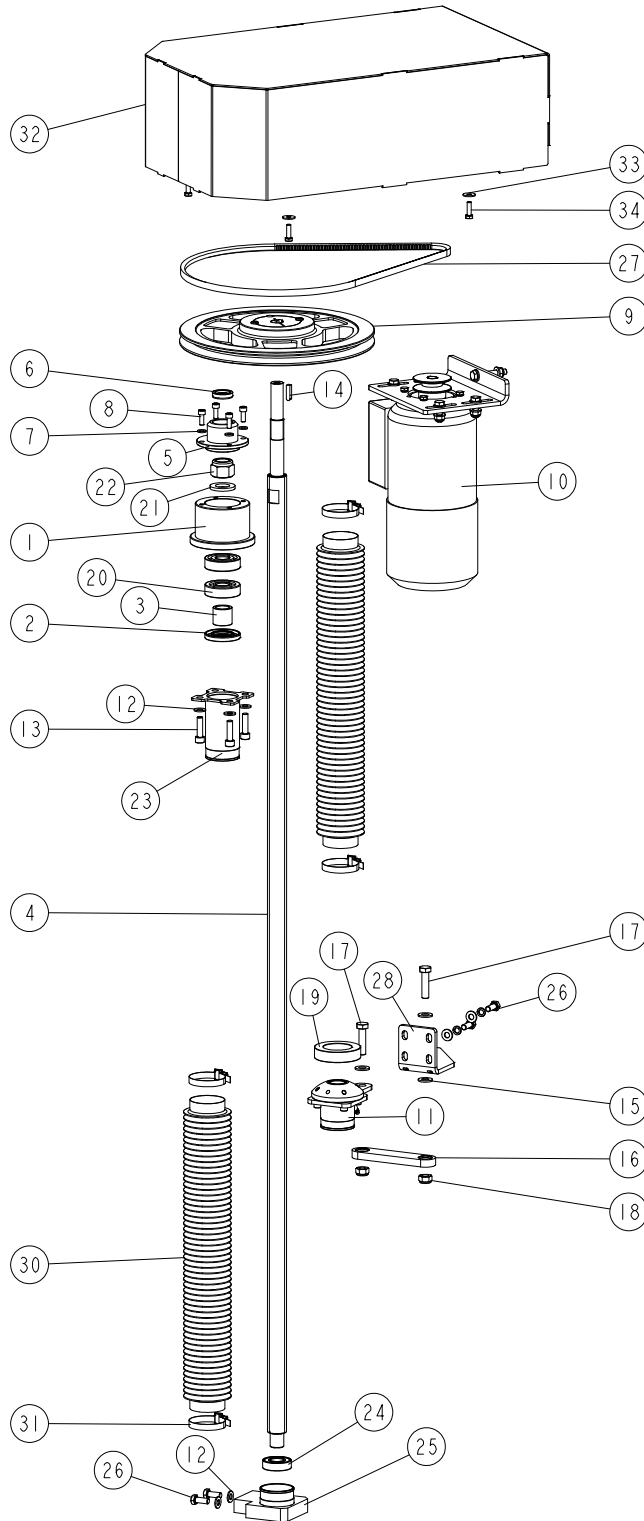


REF.	DESCRIPTION (* indicates parts available in assemblies only)	PART #	QTY
-	BLADE WHEEL, DRIVE - COMPLETE	550620	1
1	BLADE WHEEL, LT20 DRIVE SIDE	090646-1	1
2	BEARING, 6207-2RS, C3, 35X72X17	014811	1
3	BUSHING, SPACER	096778	1
4	BEARING, 3207B.2RSR.TVH "FAG"	092005	1
5	RING, W72 INSIDE RETAINING	F81090-4	2
6	WING	097808-1	3
7	WASHER, Z 6.1 SPLIT LOCK ZINC	F81053-3	6
8	BOLT, M6X20 8.8 HEX HEAD FULL THREAD ZINC	F81001-2	6
9	WASHER, CLAMPING	092006	1
10	BOLT, M10X25 8.8 HEX HEAD FULL THREAD ZINC	F81003-11	1
11	BELT, B-57	P04185-2	1
12	BELT, 2BX81	014819-2	1
13	PULLEY, E15 MOTOR 2-GROOVE E15	091560	1

SECTION 7 UP/DOWN SYSTEM

7.1 Up/Down Drive Assembly (No. 531642_531674)

531642_001
531642_MANUAL



REF	DESCRIPTION (u indicates parts available in assemblies only)	PART #	QTY
-	DRIVE, LT15WC AC UP/DOWN - COMPLETE	531642	1
-	DRIVE, LT15WC DC UP/DOWN - COMPLETE	531674	1

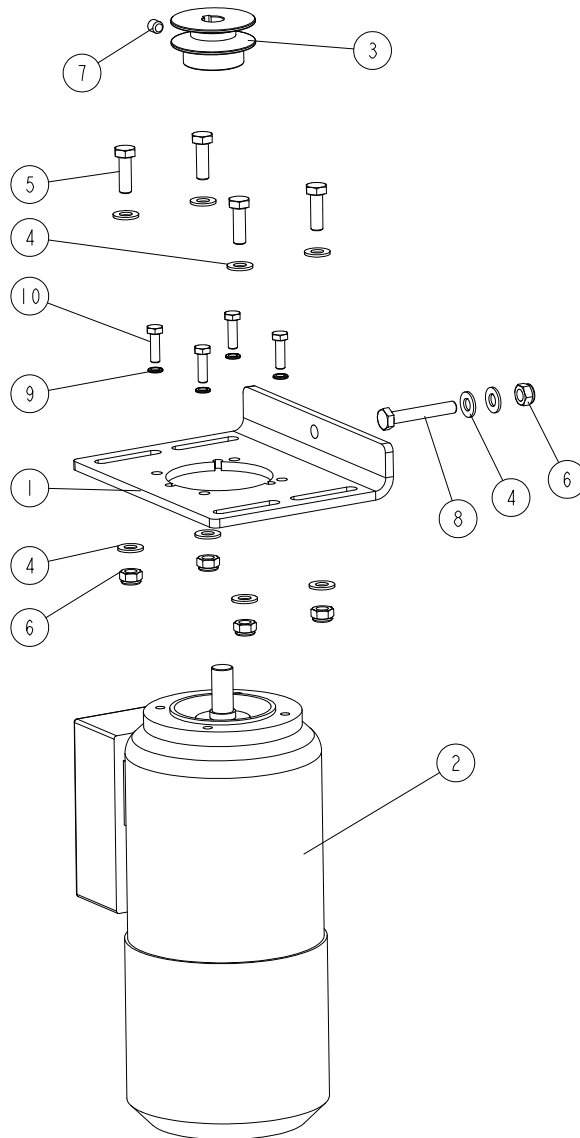
7

UP/DOWN SYSTEM

Up/Down Drive Assembly (No. 531642_531674)

REF	DESCRIPTION (u indicates parts available in assemblies only)	PART #	QTY	
1	HOUSING, ACME SCREW BEARING	094164-1	1	
2	RING, AO28X52X7 SEALING	094155	1	
3	BUSHING, 20/28-25 ZINC-PLATED	094156-1	1	
4	SCREW, TR28X5 UP/DOWN ACME	531641	1	
5	COVER, ACME SCREW BEARING HOUSING	094165-1	1	
6	RING, A18X30X7 SEALING	094159	1	
7	WASHER, 6.4 FLAT ZINC	F81053-1	4	
8	SCREW, M6X16 -8.8 HEX SOCKET HEAD CAP ZI	F81001-21	4	
9	PULLEY, SPA 280 X 1 W/18 SPLIT TAPER BUS	094157	1	
10	MOTOR, AC UP/DOWN - COMPLETE See Section 7.2	094161	1	
	MOTOR, DC UP/DOWN - COMPLETE See Section 7.3	531679	1	
11	NUT, UP/DOWN DRIVE - COMPLETE See Section 7.4	094150	1	
12	WASHER, 8.4 FLAT ZINC	F81054-1	8	
13	BOLT, M8 X 30-8.8 SOCKET HEAD	F81002-31	4	
14	KEY, 6X6X23	089191	1	
15	WASHER, 10.5 FLAT ZINC	F81055-1	3	
16	LINK, SBPL 10104 PIVOTAL (COMPLEX)	097700	1	
17	BOLT, M10X40-8.8 HEX HEAD FULL THREAD ZI	F81003-16	2	
18	NUT, M10-8-B HEX NYLON ZINC LOCK	F81033-1	2	
19	WASHER, DIN6319-42-C SPHERICAL SEAT	093864-1	1	
20	BEARING, 7304B-UO. ROLLING	094256	2	
21	WASHER, 21 FLAT ZINC	F81059-2	1	
22	NUT, ISO10512-M20X1.5-8-A2 SELF-LOCKING	F81037-5	1	
23	BRACKET, UPPER BELLOWS	531637-1	1	
24	BEARING, 6004 2RS CX ROLLING	093868	1	
25	HOUSING, LOWER BEARING (W/LOWER BELLOWS)	093866-1	1	
26	BOLT, M8X20 8.8 HEX HEAD FULL THREAD ZIN	F81002-4	4	
27	V-BELT, AVX-13X1100LA	095306	1	
28	BRACKET, PIVOTAL LINK MOUNT	511217-1	1	
29	WASHER 8,2 SPLIT LOCK ZINC	F81054-4	2	
30	BELLOWS, 50/940 PROTECTIVE	531643	2	
31	CLAMP, 40-60MM DIA.	F81095-4	4	
32	GUARD, LT15 UP/DOWN DRIVE	096945-1	1	
33	WASHER, 6.5 SPECIAL FLAT ZINC	F81053-11	4	
34	BOLT, M6X20 8.8 HEX HEAD FULL THREAD ZIN	F81001-2	4	

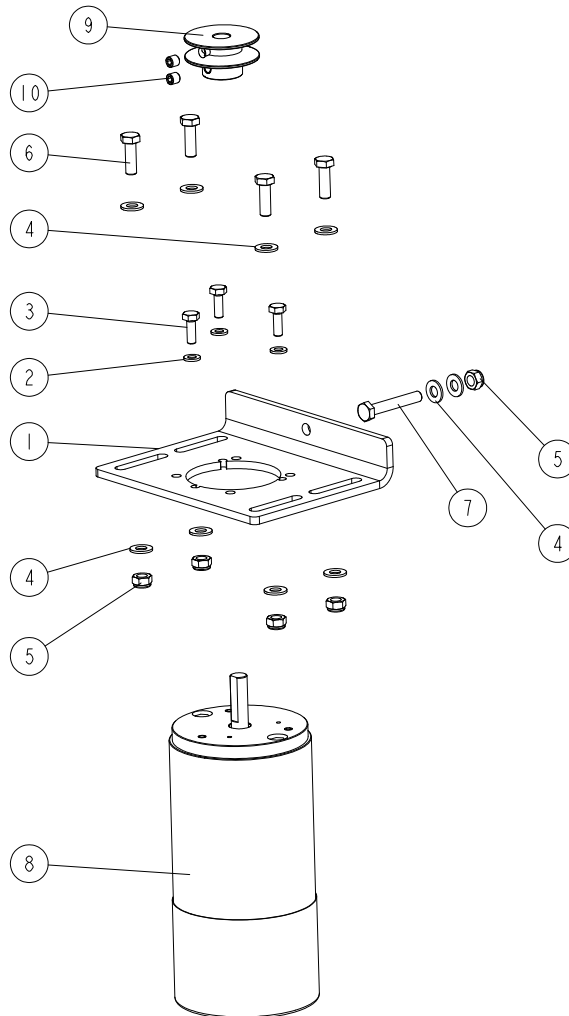
7.2 Up/Down Motor (No. 094161)

094161_001
094161_MANUAL

REF.	DESCRIPTION (* indicates parts available in assemblies only)	PART #	QTY
-	MOTOR, AC UP/DOWN - COMPLETE	094161	1
1	PLATE, DRIVE BELT TENSION	094162-1	1
2	MOTOR, SKH71X-4C2/HPS	093860	1
3	PULLEY, UP/DOWN DRIVE	094160-1	1
4	WASHER, 8.4 FLAT ZINC	F81054-1	10
5	BOLT, M8X25-8.8-B HEX HEAD FULL THREAD ZINC	F81002-5	4
6	NUT, M8-8-B HEX NYLON ZINC LOCK	F81032-2	5
7	SCREW, M8X8-33H GEOMET HEX SOCKET SET W/FLAT POINT	F81014-1	1
8	BOLT, M8X50 -8.8 HEX HEAD FULL THREAD ZINC	F81002-19	1
9	WASHER, Z 6.1 SPLIT LOCK ZINC	F81053-3	4
10	BOLT, M6X20 8.8 HEX HEAD FULL THREAD ZINC	F81001-2	4

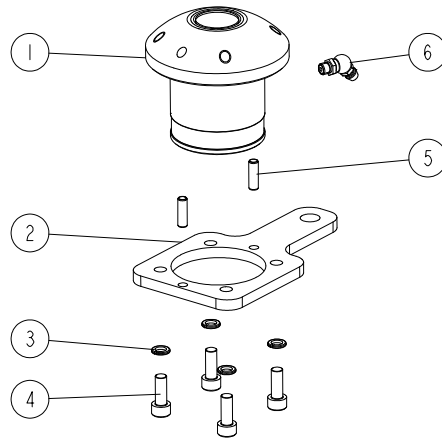
7.3 Up/Down Motor (Part No. 531679)

531679_001
531679_MANUAL



REF.	DESCRIPTION (* indicates parts available in assemblies only)	PART #	QTY
-	DRIVE, LT15WC DC UP/DOWN - COMPLETE	531679	1
1	PLATE, DRIVE BELT TENSION	094162-1	1
2	WASHER, 6.4 FLAT ZINC	F81053-1	3
3	BOLT, 1/4-20X3/4 FT HHC	F05005-1	3
4	WASHER, 8.4 FLAT ZINC	F81054-1	10
5	NUT, M8-8-B HEX NYLON ZINC LOCK	F81032-2	5
6	BOLT, M8X25-8.8-B HEX HEAD FULL THREAD ZINC	F81002-5	4
7	BOLT, M8X50 -8.8 HEX HEAD FULL THREAD ZINC	F81002-19	1
8	MOTOR, 0.75HP/1550 R.P.M. 12V DC	100918	1
9	PULLEY, LT15DC UP/DOWN DRIVE	095340-1	1
10	SCREW, M8X8-33H GEOMET HEX SOCKET SET W/FLAT POINT	F81014-1	2

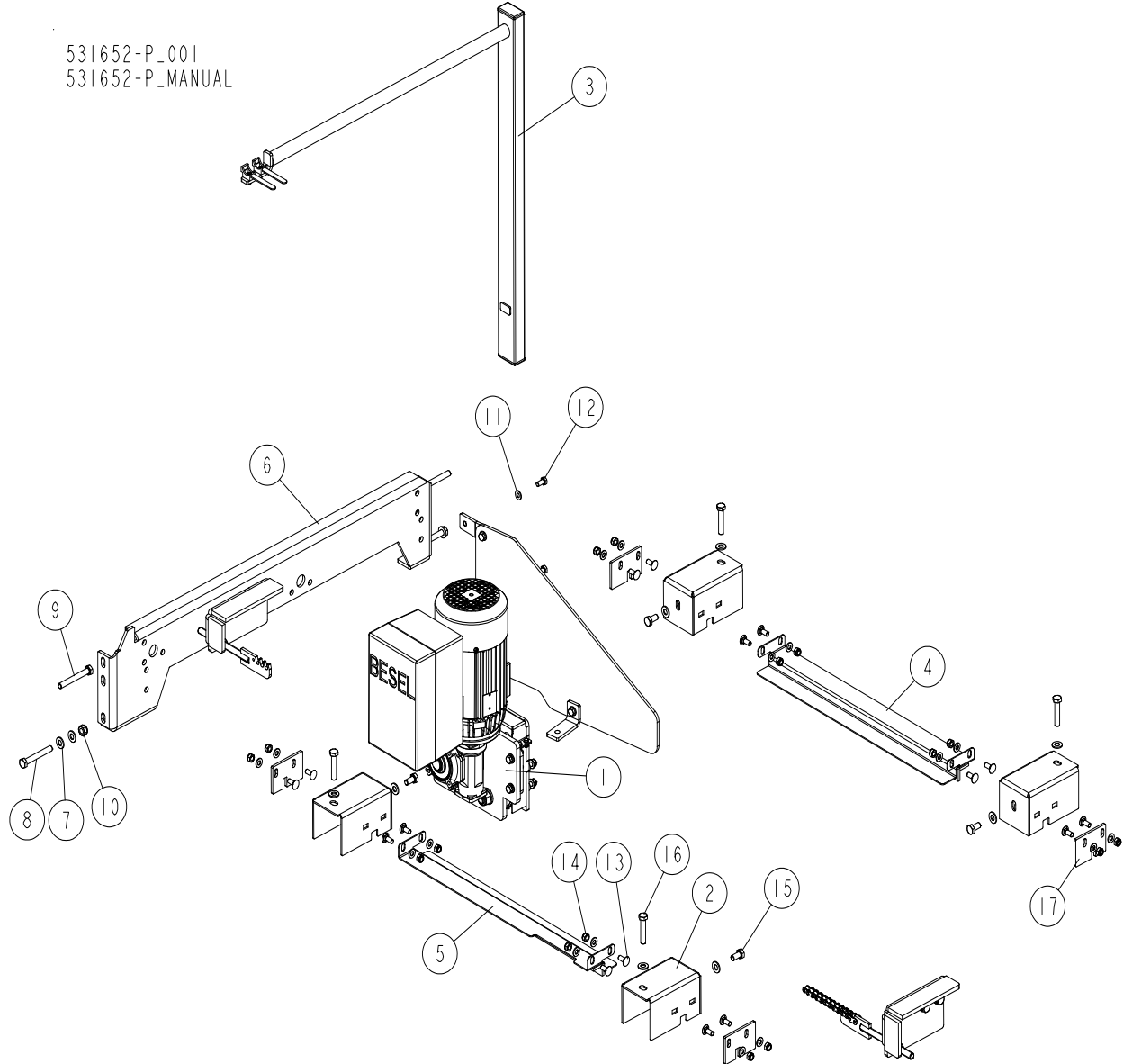
7.4 Up/Down Drive Nut (Part No. 094150)

094150_001
094150_MANUAL

REF.	DESCRIPTION (* indicates parts available in assemblies only)	PART #	QTY	
-	NUT, UP/DOWN DRIVE - COMPLETE	094150	1	
1	NUT, TR28X5 UP/DOWN DRIVE	505315	1	
2	PLATE, NUT HOUSING SEAT	094242-1	1	
3	WASHER, Z 6.1 SPLIT LOCK ZINC	F81053-3	4	
4	SCREW, M6X16 8.8 HEX SOCKET HEAD CAP ZINC	F81001-21	4	
5	PIN, 5X16 ROLL ZINC	F81044-3	2	
6	FITTING, M6 TYPE B GREASE	094213	1	

SECTION 8 EQUIPMENT KITS W/ELECTRIC OR MANUAL FEED

8.1 Equipment Kits w/Electric or Manual Feed



REF	DESCRIPTION (u indicates parts available in assemblies only)	PART #	QTY
-	EQUIPMENT KIT, LT15WCS3 CE W/ELECTRIC FEED	531652-P	1
-	EQUIPMENT KIT, LT15WCS3 CE W/MANUAL FEED	531652	1
-	EQUIPMENT KIT, LT15WCS3 CE DC W/ELECTRIC FEED	531675-P	1
-	EQUIPMENT KIT, LT15WCS3 CE DC W/MANUAL FEED	531675	1
1	POWER FEED ASSEMBLY, LT15WC/AC BESEL See Section 8.4	580830-S3 ¹	1
	POWER FEED ASSEMBLY, LT15WC/DC See Section 8.4	550644-S3 ²	1
	FEED ASSEMBLY, LT15WC/AC MANUAL See Section 8.9	531671 ³	1
2	COVER TRACK ROLLER	531664-1	4
3	BRACKET, LT15 POWER CORD COMPLETE See Section 8.3	097449 ⁴	1
4	COVER, TRACK RAIL - COMPLETE	531658	1

EQUIPMENT KITS W/ELECTRIC OR MANUAL FEED

Equipment Kits w/Electric or Manual Feed

8

REF	DESCRIPTION (u indicates parts available in assemblies only)	PART #	QTY	
5	COVER, LT15 TRACK W/FELT STRIP	500839	1	
6	RAIL, LT15WC ADDITIONAL MIDDLE	531659-1	1	
7	WASHER, 10.5 FLAT ZINC	F81055-1	12	
8	BOLT, M10X75-8.8 HEX HEAD ZINC	F81003-15	2	
9	BOLT, M10X80-8.8 HEX HEAD ZINC	F81003-50	2	
10	NUT, M10-8-B HEX NYLON ZINC LOCK	F81033-1	2	
11	WASHER, 8.4 FLAT ZINC	F81054-1	18	
12	BOLT, M8X16-8.8-B HEX HEAD FULL THREAD Z	F81002-20	2	
13	BOLT, M8X20-8.8 CARRIAGE ZINC	F81002-11	16	
14	NUT, M8-8-B HEX NYLON ZINC LOCK	F81032-2	16	
15	BOLT, ISO 4017-M10X20-8.8-A2E HEX HEAD	F81003-53	4	
16	BOLT, M10X50-8.8 HEX HEAD FULL THREAD ZI	F81003-4	4	
17	PLATE, TRACK WIPER	531670	4	

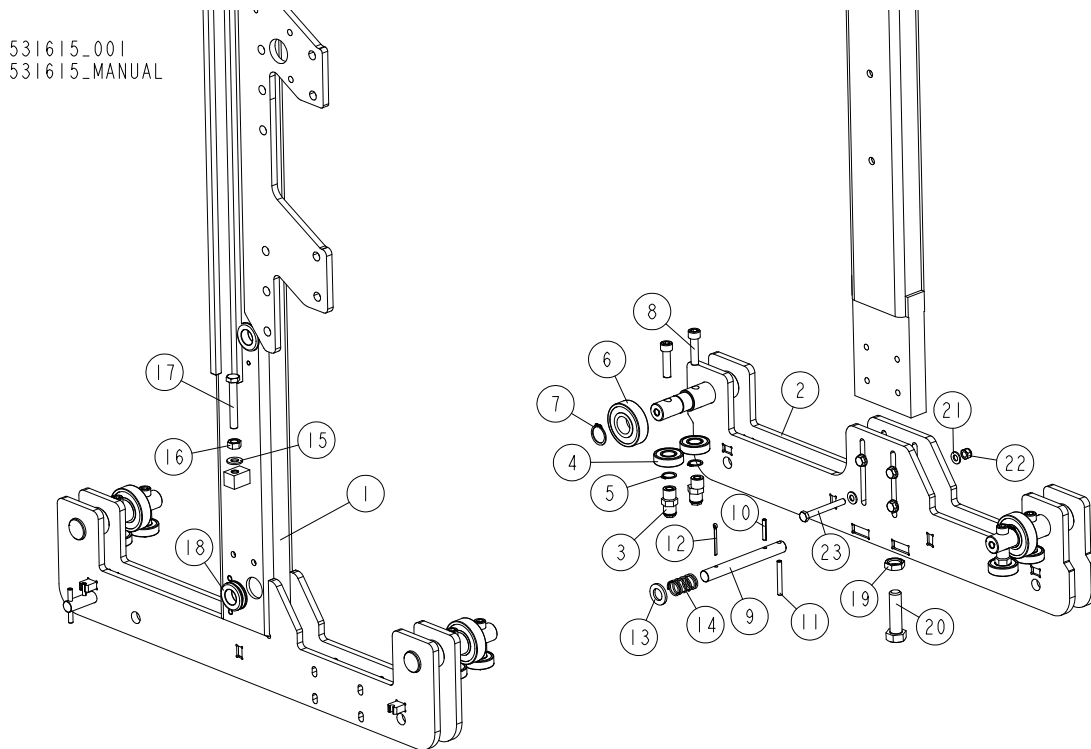
¹ Included in assy # 531652-P

² Included in assy # 531675-P

³ Included in assemblies # 531652 and 531675

⁴ In the AC version of equipment only

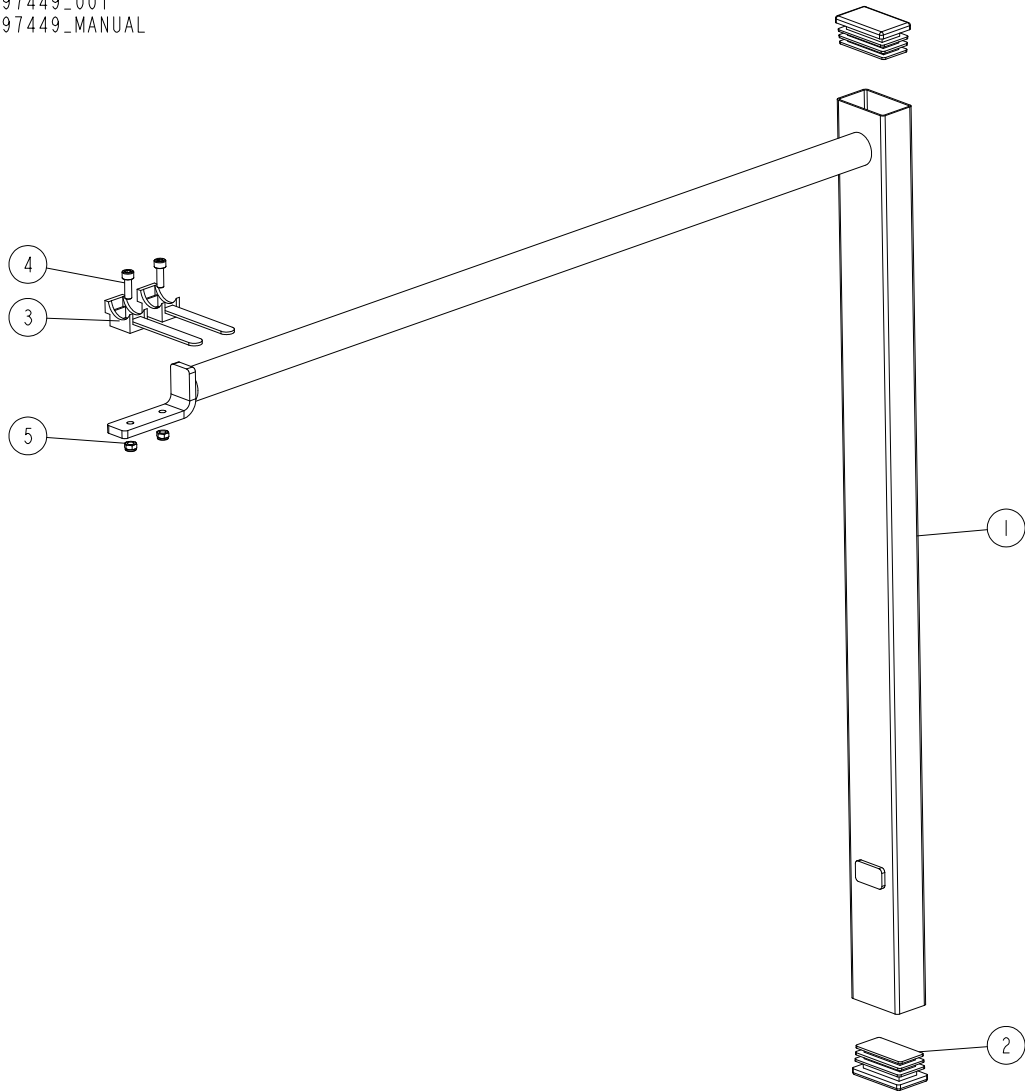
8.2 LT15WC Mast (No. 531615)



REF	DESCRIPTION (u indicates parts available in assemblies only)	PART #	QTY
-	MAST, LT15WC CE - COMPLETE	531615	1
1	MAST WELDMENT, LT15WC	531605-1	1
2	FOOT, MAST RIGHT	531616-1	1
3	SHAFT, E=3.3 ECCENTRIC ZINC-PLATED	531678-1	8
4	BEARING, 6203-2RS FLT ROLLING	086114	8
5	RING, 17Z OUISSIDE RETAINING	F81090-21	8
6	BEARING, 6305 2RS CX.	085706	4
7	PIERSCIEN OSADCZY SPR. 25Z PN-M/ 85111.	F81090-22	4
8	SCREW, M10X40-8.8 HEX SOCKET HEAD CAP ZI	F81003-22	8
9	PIN, ZINC-PLATED LOCK	086743-1	2
10	PIN 5X30 ROLL	F81044-21	2
11	PIN, 6X50 ZINC-PLATED ROLL	F81045-1	2
12	PIN, S-ZN, 4 X 25 COTTER	F81043-2	2
13	WASHER, 17 SPLIT LOCK ZINC	F81058-1	2
14	SPRING, 18X37X1.8 COMPRESSION	087301	2
15	WASHER, 10.5 FLAT ZINC	F81055-1	1
16	NUT, M10-8-B-HEX ZINC	F81033-3	1
17	BOLT, M10X70-8.8-HEX HEAD FULL THREAD ZI	F81003-20	1
18	GROMMET, 22MM RUBBER	087400	3
19	NUT, M16 HEX THIN ZINC	F81036-4	1
20	BOLT, M16 X 60 8.8 FE/ZN5 HEX HEAD FULL	F81006-12	1
21	WASHER, 8.4 FLAT ZINC	F81054-1	8
22	NUT, M8-8-B HEX NYLON ZINC LOCK	F81032-2	4
23	BOLT, M8X70-8.8 HEX HEAD ZINC	F81002-71	4

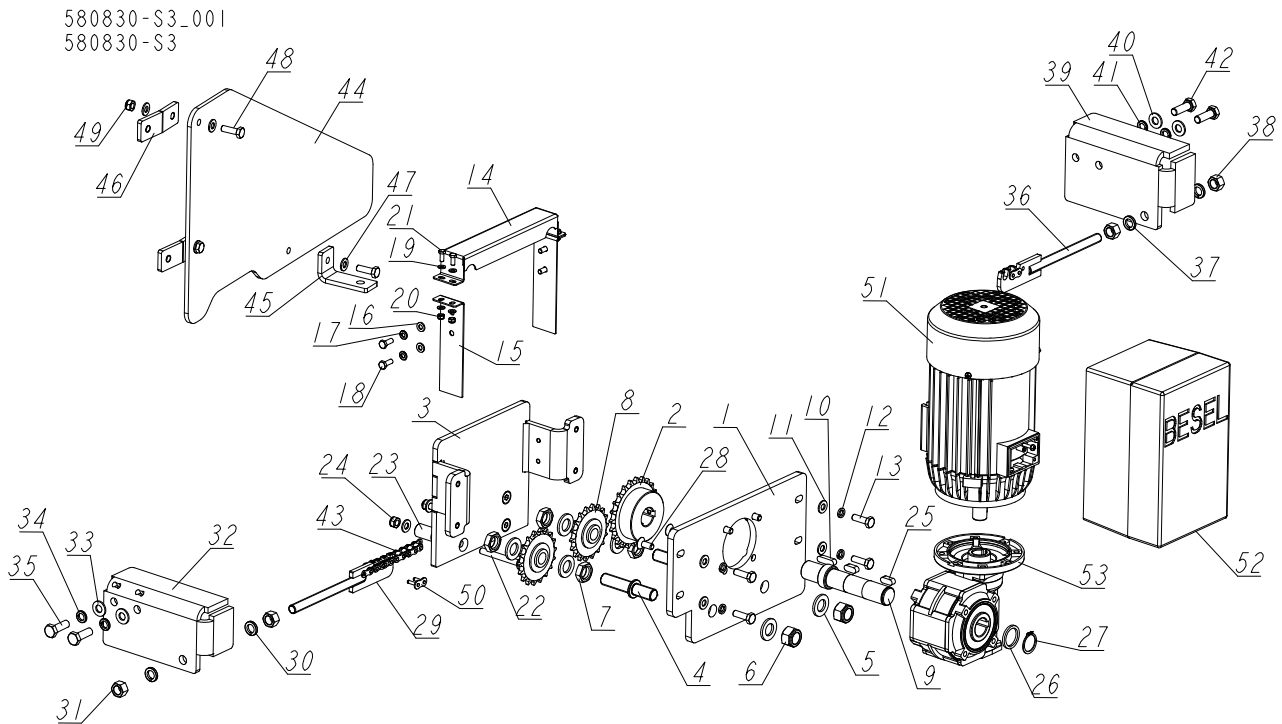
8.3 Power Cord Bracket (Part No. 097449)

097449_001
097449_MANUAL



REF.	DESCRIPTION (◆ indicates parts available in assemblies only)	PART #	QTY	
	BRACKET, LT15 POWER CORD COMPLETE	097449	1	
1	BRACKET, LT15 POWER CORD PAINTED	086132-1	1	
2	CAP, 50X30 BLACK	095919	2	
3	HOLDER, UP30 CABLE PLASTIC TIE	F81082-1	2	
4	SCREW, M5X16-8.8 HEX SOCKET HEAD CAP ZINC	F81000-25	2	
5	NUT, M5-8-FE/ZN5 DIN985	F81030-2	2	

8.4 Power Feed Assembly (No. 580830-S3_550644-S3)

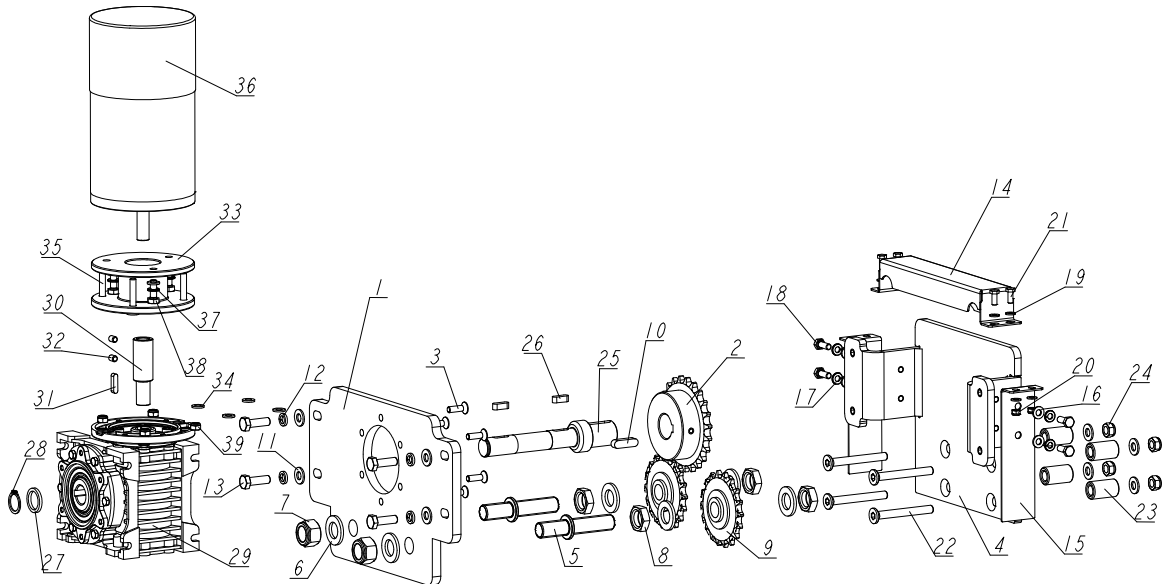


REF	DESCRIPTION (u indicates parts available in assemblies only)	PART #	QTY
-	POWER FEED ASSEMBLY, - LT15WC/AC S3	580830-S3	1
-	POWER FEED ASSEMBLY, LT15WC/DC S3	550644-S3	1
-	POWER FEED ASSEMBLY, LT15WC/DC S4	550644-S4	1
-	POWER FEED ASSEMBLY, LT15WC/DC M2	550644-M2	1
-	DRIVE ASSEMBLY, DC POWER FEED See Section 8.5	550645	1
-	DRIVE ASSEMBLY, BESEL POWER FEED	580829	1
1	MOUNTING PLATE	580828-1	1
2	SPROCKET, 08B-1; Z=23;DP=93.27 (T 72548)	517883-1	1
3	BRACKET, MOUNT	544313-1	1
-	SPROCKET ASSEMBLY	517890	2
4	SHAFT, SPROCKET	517891-1	1
5	WASHER, 17 SPLIT LOCK ZINC	F81058-1	3
6	NUT, M16-8-HEX NYLON ZINC LOCK	F81036-2	1
7	NUT, M16 HEX THIN ZINC	F81036-4	2
8	SPROCKET, IDLER Z=18 KSR16.L0.08.10.18.0	088700	1
9	SHAFT, OUTPUT	580831	1
10	KEY, A8X7X28 PARALLEL	096035	1
11	WASHER, 8.4 FLAT ZINC	F81054-1	8
12	WASHER 8,2 SPLIT LOCK ZINC	F81054-4	4
13	BOLT, M8X25-8.8-B HEX HEAD FULL THREAD Z	F81002-5	4
-	GUARD ASSEMBLY, POWER FEED DRIVE	544315	1
14	GUARD, UPPER	517912-1	1
15	PLATE, SIDE	544316-1	2
16	WASHER, 6.4 FLAT ZINC	F81053-1	4

REF	DESCRIPTION (u indicates parts available in assemblies only)	PART #	QTY
17	WASHER, 6.1 DIN 127 (A2-304) STAINLESS S	F81053-4	4
18	BOLT, M6X16-5.8 HEX HEAD FULL THREAD ZIN	F81001-15	4
19	WASHER, 5.3 FLAT ZINC	F81052-1	8
20	NUT, M5-8 DIN985 ZINC-PLATED	F81030-2	4
21	BOLT, M5X12 8.8 HEX HEAD FULL THREAD ZIN	F81000-5	4
22	SCREW, M8X70-8.8-10.9 DIN 7991 FLAT SOCK	F81002-141	4
23	BUSHING, 10/18 - 30 SPACER	550625-1	4
24	NUT, M8-8-B HEX NYLON ZINC LOCK	F81032-2	4
25	KEY, A8X7X20 PARALLEL	099059	2
26	WASHER, 25.1/32-3 ZINC-PLATED	500863-1	1
27	RING, 25Z OUTSIDE RETAINING	F81090-22	1
28	SCREW, M8X20-8.8 DIN 7991 FLAT SOCKET HE	F81002-70	4
-	TENSIONER, CHAIN - LEFT	544320	1
29	BRACKET, POWER FEED CHAIN HOOK	517895-1	1
30	WASHER, Z12.2 SPLIT LOCK ZINC	F81056-2	2
31	NUT, M12-8 HEX ZINC	F81034-1	2
32	PLATE, CHAIN TENSION - LEFT	544318-1	1
33	WASHER, 10.5 FLAT ZINC	F81055-1	2
34	WASHER, Z 10.2 SPLIT LOCK ZINC	F81055-2	2
35	BOLT, DIN933-M10X30-8.8-A2E HEX HEAD	F81003-111	2
-	TENSIONER, CHAIN - RIGHT	544321	1
36	BRACKET, POWER FEED CHAIN HOOK	517895-1	1
37	WASHER, Z12.2 SPLIT LOCK ZINC	F81056-2	2
38	NUT, M12-8 HEX ZINC	F81034-1	2
39	PLATE, CHAIN TENSION - RIGHT	544319-1	1
40	WASHER, 10.5 FLAT ZINC	F81055-1	2
41	WASHER, Z 10.2 SPLIT LOCK ZINC	F81055-2	2
42	BOLT, DIN933-M10X30-8.8-A2E HEX HEAD	F81003-111	2
43	CHAIN, 08B; LENGHT = 7.201 M (567-LINK)	544323-S3 ¹	1
	CHAIN, 08B; LENGHT = 9.157 M (721-LINK)	544323-S4 ²	1
	CHAIN, 08B; LENGHT =6.756 M (532-LINK)	544323-M2 ³	1
-	COVER, LT15 COMPLETE LOWER See Section 8.8	500727	1
44	PLATE, LT15 LOWER COVER	500726	1
45	BRACKET, BOTTOM	086172-1	1
46	BRACKET, SIDE	086171-1	2
47	WASHER, 8.4 FLAT ZINC	F81054-1	6
48	BOLT, M8X25-8.8-B HEX HEAD FULL THREAD Z	F81002-5	3
49	NUT, M8-8-B HEX NYLON ZINC LOCK	F81032-2	3
50	LINK, 08B-1PZ MASTER	091625	2
-	KIT, 2SIEK80-4 + OPC-2-140022 +KC50-15	580823	1
51	MOTOR, BESEL 2SIEK80-4A2 0.55KW 1400REV. 3X400V, 50HZ, Y, B14/2, IE2	580827	1
52	INVERTER, INVERTEK OPC-2-140022-3F11003E	580825	1
53	GEAR, TRAMEC KC50-15 PAM 120/19 I=15	580826	1

¹ Included in assy #550644-S3² Included in assy #550644-S4³ Included in assy #550644-M2

8.5 DC Power Feed Drive Assembly (No. 550645)

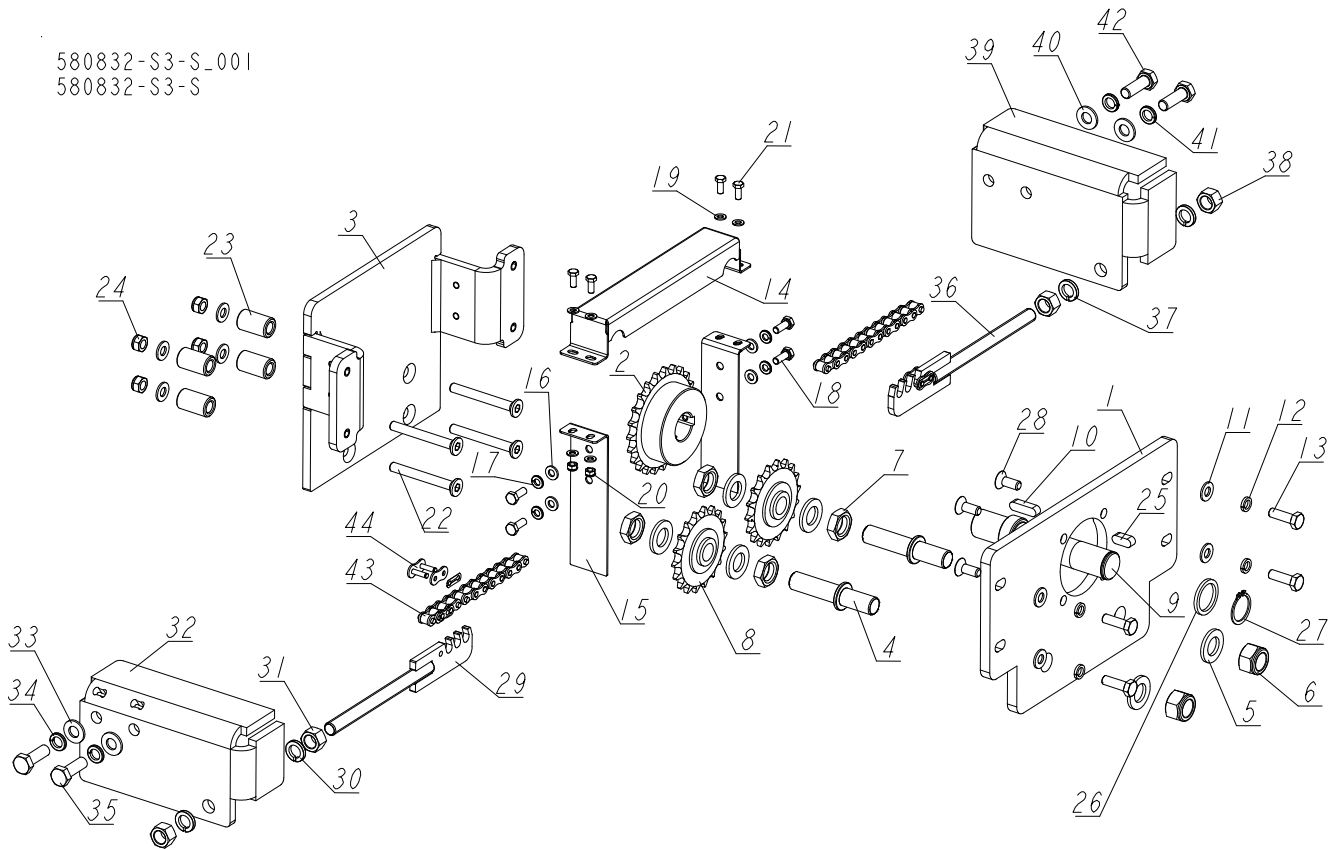
550645_001_A
550645

REF	DESCRIPTION (u indicates parts available in assemblies only)	PART #	QTY
-	DRIVE ASSEMBLY, DC POWER FEED	550645	1
1	PLATE, MOTOREDCUER MOUNTING	550646-1	1
2	SPROCKET, 08B-1; Z=23;DP=93.27 (T 72548)	517883-1	1
3	SCREW, M6X20-10.9 FE/ZN5 DIN-7991 FLAT S	F81001-17	6
4	BRACKET, MOUNT	544313-1	1
-	SPROCKET ASSEMBLY	517890	2
5	SHAFT, SPROCKET	517891-1	1
6	WASHER, 17 SPLIT LOCK ZINC	F81058-1	3
7	NUT, M16-8-HEX NYLON ZINC LOCK	F81036-2	1
8	NUT, M16 HEX THIN ZINC	F81036-4	2
9	SPROCKET, IDLER Z=18 KSR16.L0.08.10.18.0	088700	1
10	KEY, A8X7X28 PARALLEL	096035	1
11	WASHER, 8.4 FLAT ZINC	F81054-1	8
12	WASHER 8,2 SPLIT LOCK ZINC	F81054-4	4
13	BOLT, M8X25-8.8-B HEX HEAD FULL THREAD Z	F81002-5	4
-	GUARD ASSEMBLY, POWER FEED DRIVE	544315	1
14	GUARD, UPPER	517912-1	1
15	PLATE, SIDE	544316-1	2
16	WASHER, 6.4 FLAT ZINC	F81053-1	4
17	WASHER, 6.1 DIN 127 (A2-304) STAINLESS S	F81053-4	4
18	BOLT, M6X16-5.8 HEX HEAD FULL THREAD ZIN	F81001-15	4
19	WASHER, 5.3 FLAT ZINC	F81052-1	8
20	NUT, M5-8 DIN985 ZINC-PLATED	F81030-2	4
21	BOLT, M5X12 8.8 HEX HEAD FULL THREAD ZIN	F81000-5	4

REF	DESCRIPTION (u indicates parts available in assemblies only)	PART #	QTY	
22	SCREW, M8X70-8.8-10.9 DIN 7991 FLAT SOCK	F81002-141	4	
23	BUSHING, 10/18 - 30 SPACER	550625-1	4	
24	NUT, M8-8-B HEX NYLON ZINC LOCK	F81032-2	4	
25	SHAFT, OUTPUT	597528	1	
26	KEY, A 6X6X18 PARALLEL	089404	2	
27	SPACER, D19 IDLER	500868-1	1	
28	RING, 19Z OUTSIDE RETAINING	F81090-20	1	
-	GEAR MOTOR, MRA-40/21[0.25-1550-105/14]	520157	1	
29	GEAR MOTOR, MR 40/21-105/14-V5	597526	1	
30	ADAPTER	520158	1	
31	KEY, A5X5X20 PARALLEL	513320	1	
32	SCREW, M6X8 HEX SOCKET SET CONE POINT ZI	F81013-1	2	
33	BUSHING	520159-1	1	
34	WASHER, 6.4 FLAT ZINC	F81053-1	11	
35	BOLT, M6X30-8.8 HEX HEAD FULL THREAD ZIN	F81001-8	4	
36	MOTOR, 12V 0.5HP	006747	1	
37	WASHER, 1/4" UNC ZINC SPLIT LOCK	F81052-21	3	
38	BOLT, 1/4-20X3/4 FT HHC	F05005-1	3	
39	NUT, M6-8-B HEX NYLON ZINC LOCK	F81031-2	4	

8.6 Power Feed Cable/Chain Replacement Kit, Lenze/Besel

580832-S3-S_001
580832-S3-S

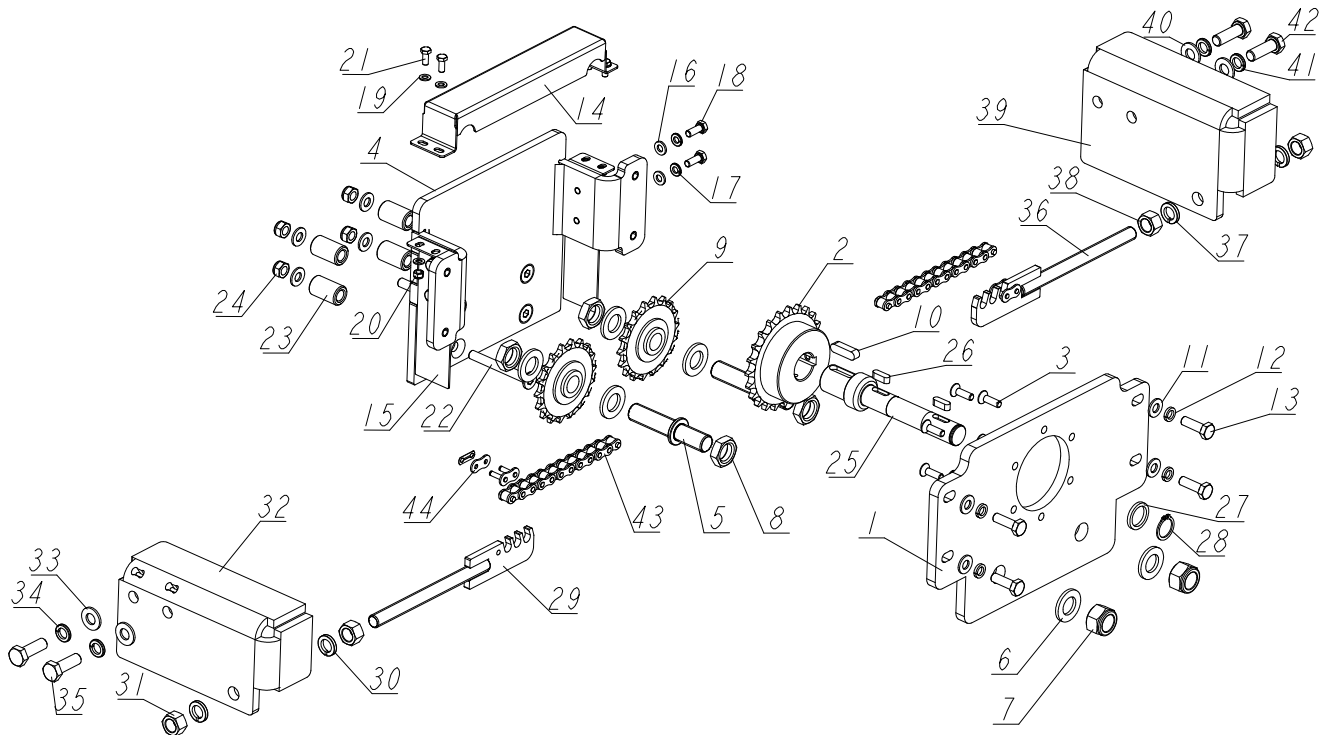


REF	DESCRIPTION (u indicates parts available in assemblies only)	PART #	QTY
-	POWER FEED ASSEMBLY - S3 -LENZE , BESEL	580832-S3-S	1
-	POWER FEED DRIVE ASSEMBLY, BESEL	580829	1
1	PLATE, GEARBOX MOUNT	580828-1	1
2	SPROCKET, 08B-1; Z=23;DP=93.27(T 72548)	517883-1	1
3	BRACKET, MOUNTING	544313-1	1
-	SPROCKET ASSEMBLY	517890	2
4	SHAFT, SPROCKET	517891-1	1
5	WASHER, 17 FLAT ZINC	F81058-1	3
6	NUT, M16 HEX NYLON ZINC LOCK	F81036-2	1
7	NUT, M16 THIN	F81036-4	2
8	SPROCKET, LARGE Z=18	088700	1
9	SHAFT, OUTPUT	580831	1
10	KEY, A8X7X28 PARALLEL	096035	1
11	WASHER, 8.4 FLAT ZINC	F81054-1	8
12	WASHER, 8.2 SPLIT LOCK ZINC	F81054-4	4
13	BOLT, M8X25-8.8-B-HEX HEAD FULL THREAD ZINC	F81002-5	4
-	POWER FEED DRIVE COVER ASSEMBLY	544315	1
14	COVER, TOP	517912-1	1
15	COVER, SIDE	544316-1	2
16	WASHER, 6.4 FLAT ZINC	F81053-1	4
17	WASHER, 6,1 DIN 127 (A2-304) SPLIT LOCK ZINC	F81053-4	4
18	BOLT, M6X16-8.8-HEX HEAD FULL THREAD ZINC	F81001-15	4

REF	DESCRIPTION (u indicates parts available in assemblies only)	PART #	QTY
19	WASHER, 5.3 FLAT ZINC	F81052-1	8
20	NUT, M5-8-DIN985 ZINC	F81030-2	4
21	BOLT, M5X12 8.8 ZINC	F81000-5	4
22	SCREW, M8X70-8.8-10.9 DIN 7991 FLAT SOCKET HEAD ZINC	F81002-141	4
23	BUSHING, 10/18 - 30 SAPCER	550625-1	4
24	NUT, M8-8-B-HEX NYLON ZINC LOCK	F81032-2	4
25	KEY, A8X7X20 PARALLEL	099059	2
26	WASHER, 25.1/32-3 ZINC	500863-1	1
27	RING, 25Z RETAINING	F81090-22	1
28	SCREW, M8X20-8.8-HSFHS DIN7991	F81002-70	4
-	CHAIN TENSIONER - LEFT	544320	1
29	BRACKET, POWER FEED CHAIN	517895-1	1
30	WASHER, Z12.2 SPLIT LOCK ZINC	F81056-2	2
31	NUT, M12-8 ZINC	F81034-1	2
32	PLATE, CHAIN TENSIONER	544318-1	1
33	WASHER, 10,5 FLAT ZINC	F81055-1	2
34	WASHER, Z10.2 SPLIT LOCK ZINC	F81055-2	2
35	WASHER, M10X30-8.8 FLAT ZINC	F81003-111	2
-	CHAIN TENSIONER- RIGHT	544321	1
36	BRACKET, POWER FEED CHAIN	517895-1	1
37	WASHER, Z12.2 SPLIT LOCK ZINC	F81056-2	2
38	NUT, M12-8 ZINC	F81034-1	2
39	PLATE, CHAIN TENSIONER	544319-1	1
40	WASHER, 10,5 FLAT ZINC	F81055-1	2
41	WASHER, Z 10.2 SPLIT LOCK ZINC	F81055-2	2
42	BOLT, M10X30-8.8 HEX HEAD FULL THREAD ZINC	F81003-111	2
43	CHAIN, 08B; LENGTH.=7.201 M (567 LINKS)	544323-S3	1
44	LINK, 08B-1PZ.MASTER	091625	2

8.7 Power Feed Cable/Chain Replacement Kit, DC-version

580833-S3-S_001_A
580833-S3-S

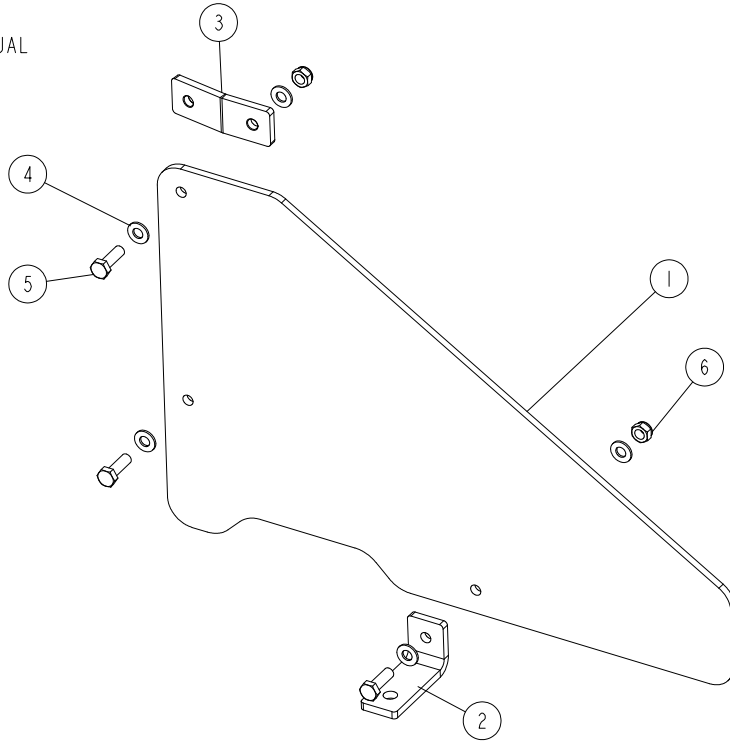


REF	DESCRIPTION (u indicates parts available in assemblies only)	PART #	QTY
-	FEED ASSEMBLY, DC- S3	580833-S3-S	1
-	POWER FEED ASSEMBLY, DC	580834	1
1	PLATE, MOTOREDUCER MOUNTING	550646-1	1
2	SPROCKET, 08B-1; Z=23;DP=93.27 (T 72548)	517883-1	1
3	SCREW, M6X20-10.9 FE/ZN5 DIN-7991 FLAT S	F81001-17	6
4	BRACKET, MOUNT	544313-1	1
-	SPROCKET ASSEMBLY	517890	2
5	SHAFT, SPROCKET	517891-1	1
6	WASHER, 17 SPLIT LOCK ZINC	F81058-1	3
7	NUT, M16-8-HEX NYLON ZINC LOCK	F81036-2	1
8	NUT, M16 HEX THIN ZINC	F81036-4	2
9	SPROCKET, IDLER Z=18 KSR16.L0.08.10.18.0	088700	1
10	KEY, A8X7X28 PARALLEL	096035	1
11	WASHER, 8.4 FLAT ZINC	F81054-1	8
12	WASHER 8,2 SPLIT LOCK ZINC	F81054-4	4
13	BOLT, M8X25-8.8-B HEX HEAD FULL THREAD Z	F81002-5	4
-	GUARD ASSEMBLY, POWER FEED DRIVE	544315	1
14	GUARD, UPPER	517912-1	1
15	PLATE, SIDE	544316-1	2
16	WASHER, 6.4 FLAT ZINC	F81053-1	4
17	WASHER, 6.1 DIN 127 (A2-304) STAINLESS S	F81053-4	4

REF	DESCRIPTION (u indicates parts available in assemblies only)	PART #	QTY
18	BOLT, M6X16-5.8 HEX HEAD FULL THREAD ZIN	F81001-15	4
19	WASHER, 5.3 FLAT ZINC	F81052-1	8
20	NUT, M5-8 DIN985 ZINC-PLATED	F81030-2	4
21	BOLT, M5X12 8.8 HEX HEAD FULL THREAD ZIN	F81000-5	4
22	SCREW, M8X70-8.8-10.9 DIN 7991 FLAT SOCK	F81002-141	4
23	BUSHING, 10/18 - 30 SPACER	550625-1	4
24	NUT, M8-8-B HEX NYLON ZINC LOCK	F81032-2	4
25	SHAFT, OUTPUT	518213	1
26	KEY, A 6X6X18 PARALLEL	089404	2
27	SPACER, D19 IDLER	500868-1	1
28	RING, 19Z OUTSIDE RETAINING	F81090-20	1
-	TENSIONER, CHAIN - LEFT	544320	1
29	BRACKET, POWER FEED CHAIN HOOK	517895-1	1
30	WASHER, Z12.2 SPLIT LOCK ZINC	F81056-2	2
31	NUT, M12-8 HEX ZINC	F81034-1	2
32	PLATE, CHAIN TENSION - LEFT	544318-1	1
33	WASHER, 10.5 FLAT ZINC	F81055-1	2
34	WASHER, Z 10.2 SPLIT LOCK ZINC	F81055-2	2
35	BOLT, DIN933-M10X30-8.8-A2E HEX HEAD	F81003-111	2
-	TENSIONER, CHAIN - RIGHT	544321	1
36	BRACKET, POWER FEED CHAIN HOOK	517895-1	1
37	WASHER, Z12.2 SPLIT LOCK ZINC	F81056-2	2
38	NUT, M12-8 HEX ZINC	F81034-1	2
39	PLATE, CHAIN TENSION - RIGHT	544319-1	1
40	WASHER, 10.5 FLAT ZINC	F81055-1	2
41	WASHER, Z 10.2 SPLIT LOCK ZINC	F81055-2	2
42	BOLT, DIN933-M10X30-8.8-A2E HEX HEAD	F81003-111	2
43	CHAIN 08B; LENGTH = 7.201 M (567 LINKS)	544323-S3	1
44	LINK, 08B-1PZ MASTER	091625	2

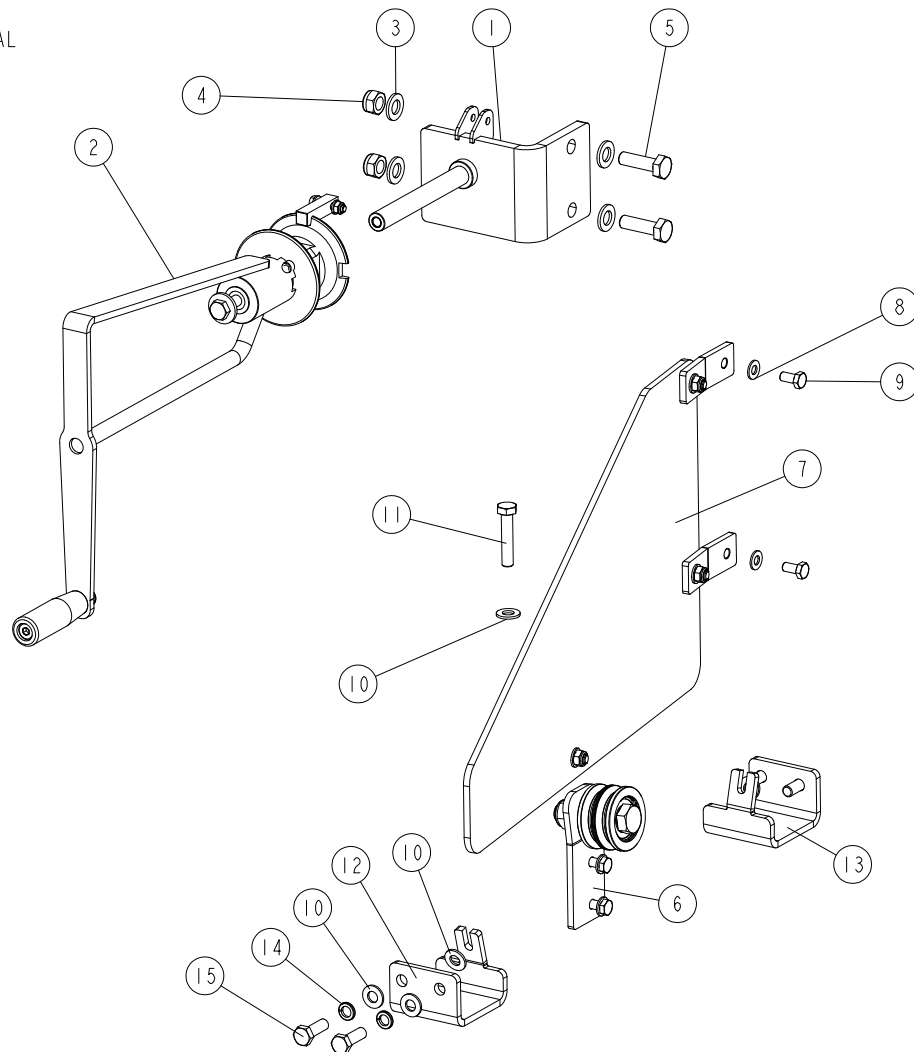
8.8 Lower Cover (Part No. 500727)

500727_001
500727_MANUAL



REF.	DESCRIPTION (* indicates parts available in assemblies only)	PART #	QTY
-	COVER, LT15 COMPLETE LOWER	500727	1
1	PLATE, LT15 LOWER COVER	500726	1
2	BRACKET, BOTTOM	086172-1	1
3	BRACKET, SIDE	086171-1	2
4	WASHER, 8.4 FLAT ZINC	F81054-1	6
5	BOLT, M8X25-8.8-B HEX HEAD FULL THREAD ZINC	F81002-5	3
6	NUT, M8-8-B HEX NYLON ZINC LOCK	F81032-2	3

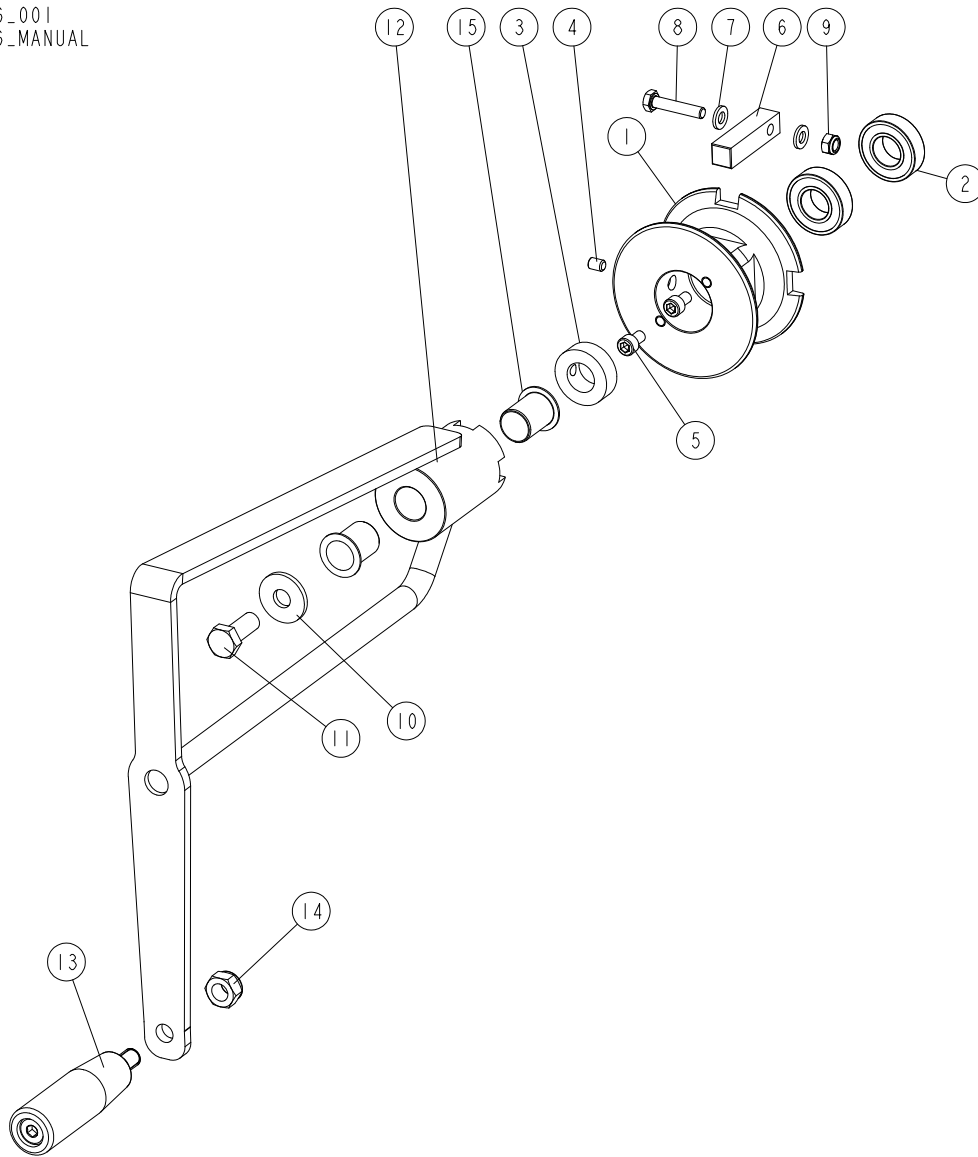
8.9 Manual Feed Assembly (No. 531671)

531671_001
531671_MANUAL

REF.	DESCRIPTION (* indicates parts available in assemblies only)	PART #	QTY
-	FEED ASSEMBLY, LT15WC MANUAL	531671	1
1	BRACKET WELDMENT, LT15 CRANK HANDLE MOUNT	501411-1	1
2	HANDLE, MANUAL FEED CRANK - COMPLETE See Section 8.10	094186	1
3	WASHER, 13 FLAT ZINC	F81056-1	4
4	NUT, M12 8 HEX NYLON ZINC LOCK	F81034-2	2
5	BOLT, M12X40 8.8 HEX HEAD FULL THREAD ZINC	F81004-4	2
6	ROLLER ASSEMBLY, FEED CABLE GUIDE See Section 8.11	502521	1
7	COVER, LT15 COMPLETE LOWER See Section 8.12	093858	1
8	WASHER, 8.4 FLAT ZINC	F81054-1	2
9	BOLT, M8X16-8.8-B HEX HEAD FULL THREAD ZINC	F81002-20	2
10	WASHER, 10.5 FLAT ZINC	F81055-1	7
11	BOLT, M10X50-8.8 HEX HEAD FULL THREAD ZINC	F81003-4	1
12	BRACKET, LT15WC FEED CABLE MOUNT - FRONT	531672-1	1
13	BRACKET, LT15WC FEED CABLE MOUNT - REAR	531673-1	1
14	WASHER, Z 10.2 SPLIT LOCK ZINC	F81055-2	4
15	BOLT, M10X30-8.8 HEX HEAD FULL THREAD ZINC	F81003-2	4

8.10 Crank Handle Assembly, Manual Feed (No. 094186)

094186_001
094186_MANUAL

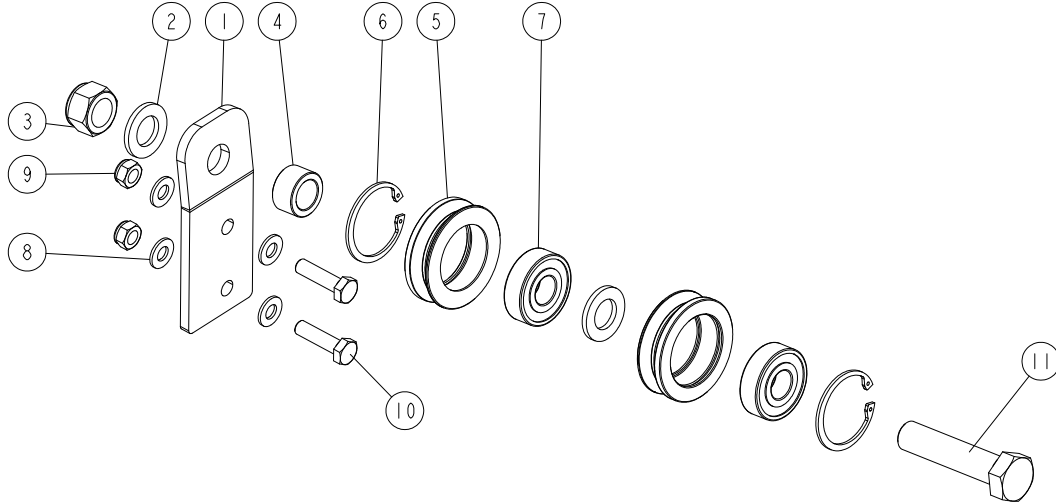


REF.	DESCRIPTION (* indicates parts available in assemblies only)	PART #	QTY
-	HANDLE, MANUAL FEED CRANK - COMPLETE	094186	1
1	PULLEY, MANUAL FEED CRANK HANDLE	086117	1
2	BEARING, 6003-2RS ROLLING	086116	2
3	RING, 17 STOPPING LIGHT TYPE ZINC-PLATED	F81039-1	1
4	SCREW, M6X8-33H-GEOMET HEX SOCKET SET W/CONE POINT	F81013-1	1
5	SCREW, M6X10 8.8 HEX SOCKET HEAD CAP ZINC	F81001-12	2
6	PAWL, LT15 DETENT ZINC-PLATED	086156-1	1
7	WASHER, 6.4 FLAT ZINC	F81053-1	2
8	BOLT, M6X30-8.8 HEX HEAD FULL THREAD ZINC	F81001-8	1
9	NUT, M6-8-B HEX NYLON ZINC LOCK	F81031-2	1
10	WASHER, 10.5 SPECIAL FLAT ZINC	F81055-6	1
11	BOLT, M10X25 8.8 HEX HEAD FULL THREAD ZINC	F81003-11	1

REF.	DESCRIPTION (* indicates parts available in assemblies only)	PART #	QTY	
-	HANDLE, MANUAL FEED CRANK - COMPLETE	506426	1	
12	HANDLE, MANUAL FEED CRANK	538949-1	1	
13	KNOB, L=85 M10, RO11-M10 PLASTIC CRANK HANDLE	086338	1	
14	NUT, M10-8-B HEX NYLON ZINC LOCK	F81033-1	1	
15	BUSHING, GFM 1719-25 (IGUS)	094142	2	

8.11 Feed Cable Guide Roller (No. 502521)

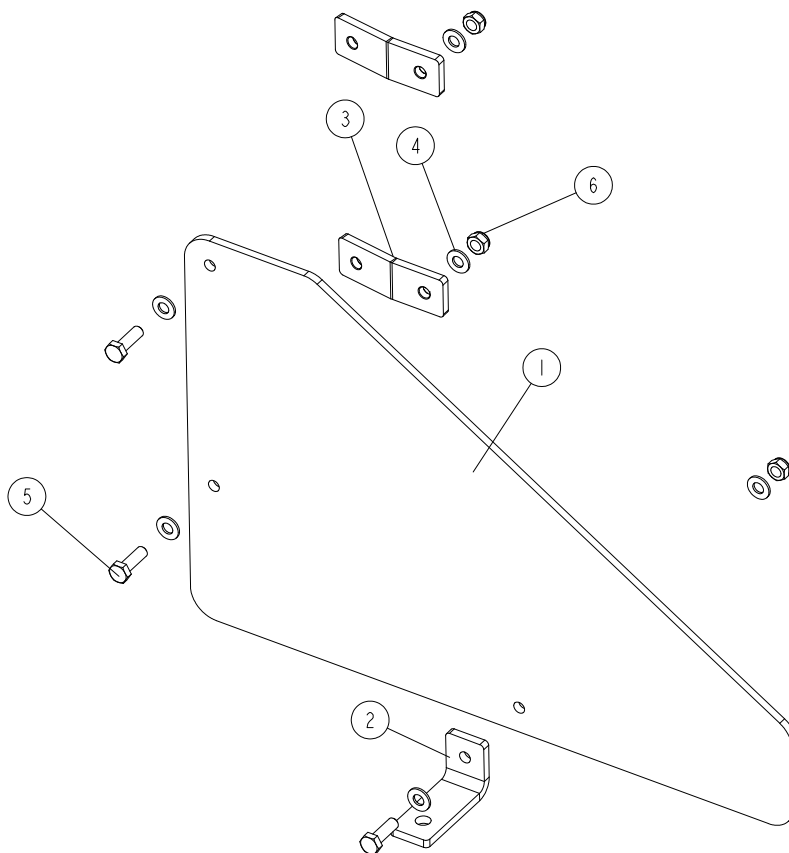
502521_001
502521_MANUAL



REF.	DESCRIPTION (* indicates parts available in assemblies only)	PART #	QTY
-	ROLLER ASSEMBLY, FEED CABLE GUIDE	502521	1
1	BRACKET, FEED CABLE GUIDE ROLLER	501955	1
2	WASHER, 17 SPLIT LOCK ZINC	F81058-1	2
3	NUT, M16-8 HEX NYLON ZINC LOCK	F81036-2	1
4	BUSHING, 16.5/25-14 ZINC-PLATED	501415-1	1
-	ROLLER ASSEMBLY, V-GROOVE W/BEARING	093855	2
5	ROLLER, V-GROOVE ZINC-PLATED	093856-1	1
6	RING, W40 INSIDE RETAINING	F81090-3	1
7	BEARING, 6203 2RSP6- 5/8 CX	095087	1
8	WASHER, 8.4 FLAT ZINC	F81054-1	4
9	NUT, M8-8-B HEX NYLON ZINC LOCK	F81032-2	2
10	BOLT, M8X30 8.8 HEX HEAD FULL THREAD ZINC	F81002-7	2
11	BOLT, M16X70 HEX HEAD ZINC	F81006-16	1

8.12 Lower Cover (Part No. 093858)

093858_001
093858_MANUAL

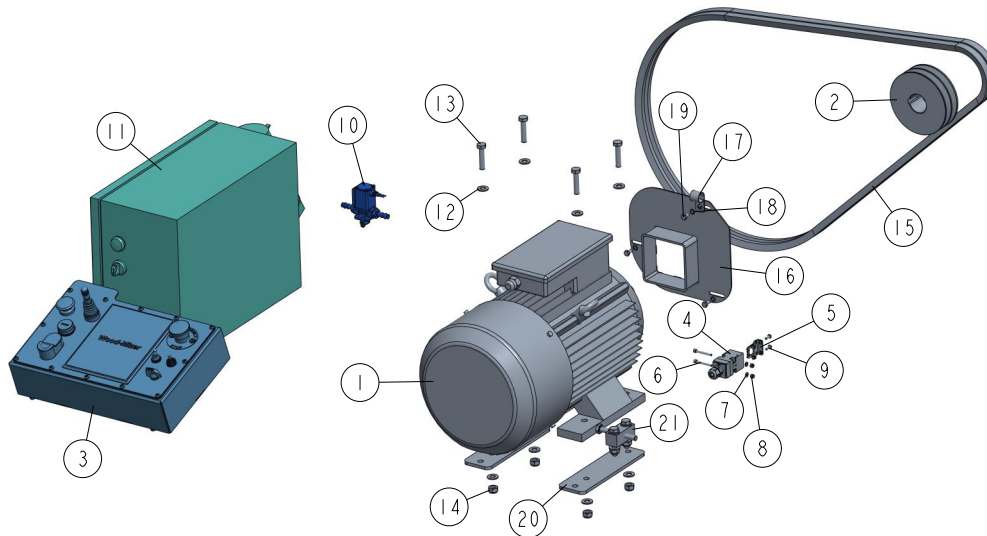


REF.	DESCRIPTION (* indicates parts available in assemblies only)	PART #	QTY
-	COVER, LT15 COMPLETE LOWER	093858	1
1	PLATE, LT15 LOWER COVER	093859	1
2	BRACKET, BOTTOM	086172-1	1
3	BRACKET, SIDE	086171-1	2
4	WASHER, 8.4 FLAT ZINC	F81054-1	6
5	BOLT, M8X25-8.8-B HEX HEAD FULL THREAD ZINC	F81002-5	3
6	NUT, M8-8-B HEX NYLON ZINC LOCK	F81032-2	3

SECTION 9 MOTOR KIT (NO. 531650-P)

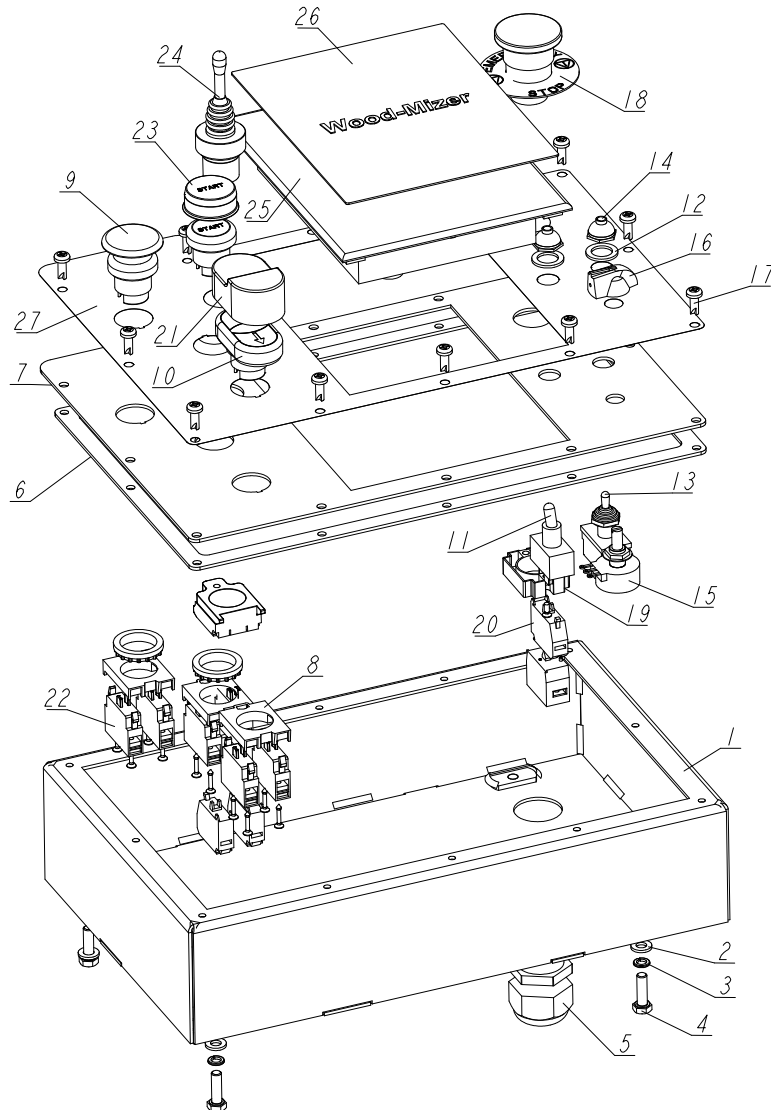
9.1 EH15 Motor Kit

531650-P_001_B
531650-P_MANUAL



REF	DESCRIPTION (◆ indicates parts available in assemblies only)	PART #	QTY
-	MOTOR KIT, EH15 LT15WC CE WITH POWER FEE	531650-P	1
1	MOTOR, 11KW PSSG-132S -2 HM+132	089049	1
2	PULLEY, E15 MOTOR 2-GROOVE	091560	1
3	BOX, LT15SC/AC CONTROL See Section 9.2	538731	1
4	SAFETY SWITCH, AZ17-11ZRK	094232	1
5	KEY, AZ17/170-B5 SAFETY SWITCH	094422	1
6	SCREW, M4X35 8.8 HEX SOCKET HEAD CAP ZIN	F81011-34	2
7	WASHER 4.3 ZC DIN 126 ISO 7091	F81051-2	2
8	NUT M4 ZC 8 NYLOCK DIN 982 ISO 7040	F81029-1	4
9	SCREW, M4X12 -5,8-B CROSS RECESSED PAN HE	F81011-43	2
10	LUBE KIT, LT15SC-AC BLADE See Section 9.7	503470	1
11	BOX, LT15/AC ELECTRICAL See Section 9.6	505376	1
12	WASHER, 10.5 FLAT ZINC	F81055-1	8
13	BOLT, M10X45-8.8 HEX HEAD FULL THREAD ZI	F81003-3	4
14	NUT M10 ZC 8 NYLOCK DIN 982 ISO 7040	F81033-1	4
15	BELT, BX2101LP, LT20	014819-2	1
16	MOTOR SHAFT COVER, E11 E15 PAINTED	095335-1	1
17	CLAMP, 5/8 EMT COATED	010748	1
18	WASHER, 6.4 FE/ZN5 SERRATED LOCK EXTERNA	F81053-2	3
19	BOLT, M6X12 8.8 HEX HEAD FULL THREAD ZIN	F81001-7	3
20	PLATE, ENGINE SPACER	592342-1	2
21	TENSIONER, LT15WC E15 BELT	531694	1

9.2 Control Box, LT15 (Part No. 538731)

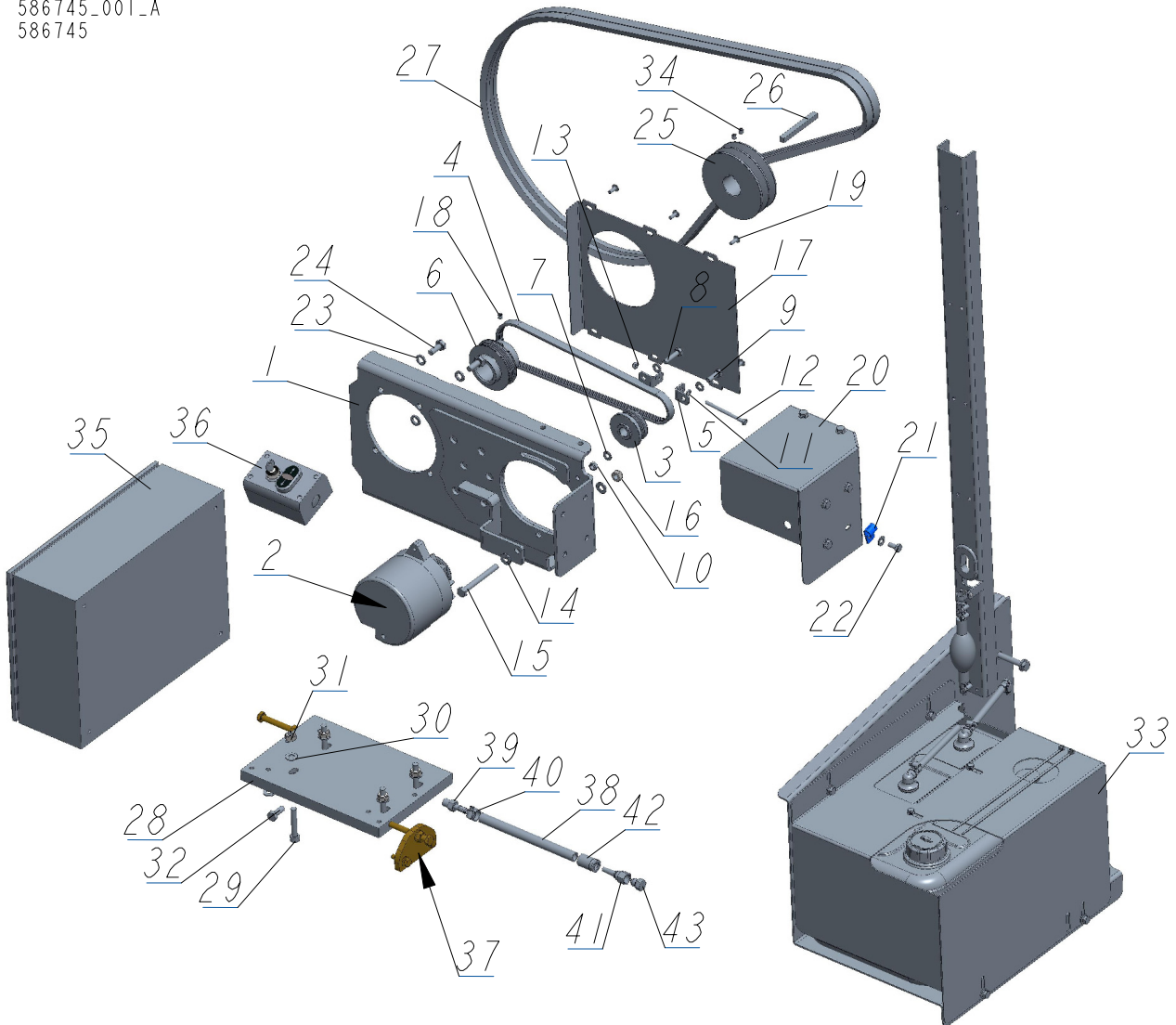
538731_001
538731_MANUAL

REF.	DESCRIPTION (* indicates parts available in assemblies only)	PART NO.	QTY
-	BOX, LT15SC/AC CONTROL	538731	1
1	BOX WELDMENT, LT15 CONTROL	538729-1	1
2	WASHER, 6.4 FLAT ZINC	F81053-1	4
3	WASHER, Z 6.1 SPLIT LOCK	F81053-3	4
4	BOLT, M6X20 8.8 HEX HEAD FULL THREAD ZINC	F81001-2	4
5	GLAND, DP21/H CABLE	F81096-3	1
6	GASKET, LT15 CONTROL BOX	538732	1
7	PANEL, LT15 CONTROL BOX FRONT	538730-1	1
8	ADAPTER, LPXAU120 MOUNTING	535438	3
9	BUTTON, LPCB6143	536909	1
10	SWITCH, LPCBL7191	536908	1
11	SWITCH, TOGGLE	P03027	1
12	WASHER, 1/2X3/4X1/16 NYLON	P05251-1	2

REF.	DESCRIPTION (* indicates parts available in assemblies only)	PART NO.	QTY	
13	SWITCH, TOGGLE 21A DPDT REV MOM SPADE	024200	1	
14	BOOT, TOGGLE SWITCH	P02575	2	
15	POTENTIOMETER, 1K, LTAGA	E20519	1	
16	KNOB, SPEED CONTROL	P06257	1	
17	BOLT, #10-24X1/2 PH	F05015-17	12	
18	WASHER, LPX AU115 E-STOP BUTTON	536912	1	
19	BUTTON, LPCB6644 EMERGENCY STOP	535445-K	1	
20	CONTACT, 1NCLPXC01	535440	1	
21	BOOT, LPXAU157 BUTTON	536926	1	
22	CONTACT, 1NOLPXC10	535439	6	
23	BUTTON, LPCBL1163	536921	1	
24	JOYSTICK, BLM 2T J200	536914	1	
-	CAP, CONTROLLER - COMPLETE	527597	1	
25	CAP, CONTROLLER	504378	1	
26	DECAL, CONTROLLER CAP	504381	1	
27	DECAL, CONTROL BOX	538733	1	

9.3 G23 Engine Mount Kit, LT15WC (No. 586745)

586745_001_A
586745



REF	DESCRIPTION (◆ indicates parts available in assemblies only)	PART #	QTY
-	MOUNT KIT, LT15WC G23 ENGINE	586745	1
-	ALTERNATOR KIT, G23 ENGINE	586749	1
1	BRACKET, G23 ALTERNATOR MOUNT	586756-1	1
2	ALTERNATOR, 105A 12V CS130	050287	1
3	PULLEY, 105A (050287) ALTERNATOR ZINC-PLATED	506378-1	1
4	BELT, 4PK813 (GOOD-YEAR) MULTI-GROOVE	586760	1
5	TENSIONER, 30A ALTERNATOR BELT	095296-1	2
6	PULLEY, 105A ALTERNATOR G23 ENGINE ZINC-PLATED	550895-1	1
7	WASHER, 8.4 FLAT ZINC	F81054-1	9
8	BOLT, M8X35-8.8 HEX HEAD FULL THREAD ZINC	F81002-13	1
9	BOLT, M8X25-8.8-B HEX HEAD FULL THREAD ZINC	F81002-5	1
10	NUT, M8-8-B HEX NYLON ZINC LOCK	F81032-2	1
11	WASHER, 6.4 FLAT ZINC	F81053-1	2
12	BOLT, M6X80 8.8 HEX HEAD FULL THREAD ZINC	F81001-61	1
13	NUT, M6-8-B HEX NYLON ZINC LOCK	F81031-2	1

REF	DESCRIPTION (◆ indicates parts available in assemblies only)	PART #	QTY
14	WASHER, 10.5 FLAT ZINC	F81055-1	2
15	BOLT, M10X90-8.8-B HEX HEAD ZINC	F81003-66	1
16	NUT, M10-8-B HEX NYLON ZINC LOCK	F81033-1	1
17	COVER, 105A G23 ALTERNATOR BELT	586761-1	1
18	SCREW, M8X8-33H HEX SOCKET SET FLAT POIN	F81014-1	1
19	SCREW, M6X16 BN 11252 "BOSSARD".	F81001-24	6
20	GUARD, ALTERNATOR	521864-1	1
21	CLAMP, 1/2EMT COATED	P07584	1
22	BOLT, M8X16 -8.8-B HEX HEAD FULL THREAD	F81002-20	6
23	WASHER, Z12.2 SPLIT LOCK ZINC	F81056-2	4
24	BOLT, M10X1.25X25-8.8-A HEX HEAD FULL THREAD ZINC	F81003-29	4
25	PULLEY, SPB-2 N127/36.5 G23 ZINC-PLATED	586746-1	1
26	KEY, B9.5X9.5X92 ZINC-PLATED	586747-1	1
27	V-BELT, 17BX2250 BX87 2210LI-GOOD-Y	097448	2
28	PLATE, G23 ENGINE MOUNT	550893	1
29	SCREW, M10X55-8.8 HEX SOCKET HEAD CAP ZINC	F81003-55	4
30	WASHER, 10.5 FLAT ZINC	F81055-1	8
31	NUT, M10-8-B HEX NYLON ZINC LOCK	F81033-1	4
32	BOLT, M10X25 8.8 HEX HEAD FULL THREAD ZINC	F81003-11	4
33	TANK ASSEMBLY, LT15WIDE FUEL See Section 9.5	586776	1
34	SCREW, M8X8-33H HEX SOCKET SET FLAT POIN	F81014-1	2
35	BOX, LT15WC G23 COMPLETE ELECTRICAL	586777	1
36	BOX, LT15WC G23 ELECTRICAL	586779	1
-	TENSIONER, LT15WC G25/G19 BELT See Section 9.4	531695	1
44	CABLE, LT15 G23 THROTTLE	586736	1
45	BOLT, THROTTLE CABLE CLAMP ZINC-PLATED	088120-1	1
46	WASHER, 6.4 FLAT ZINC	F81053-1	1
47	NUT, M6-8-B HEX NYLON ZINC LOCK	F81031-2	1
-	HOSE, G23 OIL DRAIN	586782	1
48	HOSE, OIL DRAIN - COMPLETE	091756	1
49	END, HOSE	586783	1
50	CLAMP, 12-20	F81080-3	1
51	FITTING, JIC 9/16-18 HYDRAULIC	085900	1
52	CRIMP SOCKET 3/8" HYDRAULIC HOSE	085901	1
53	CAP, 9/16"	095491	1

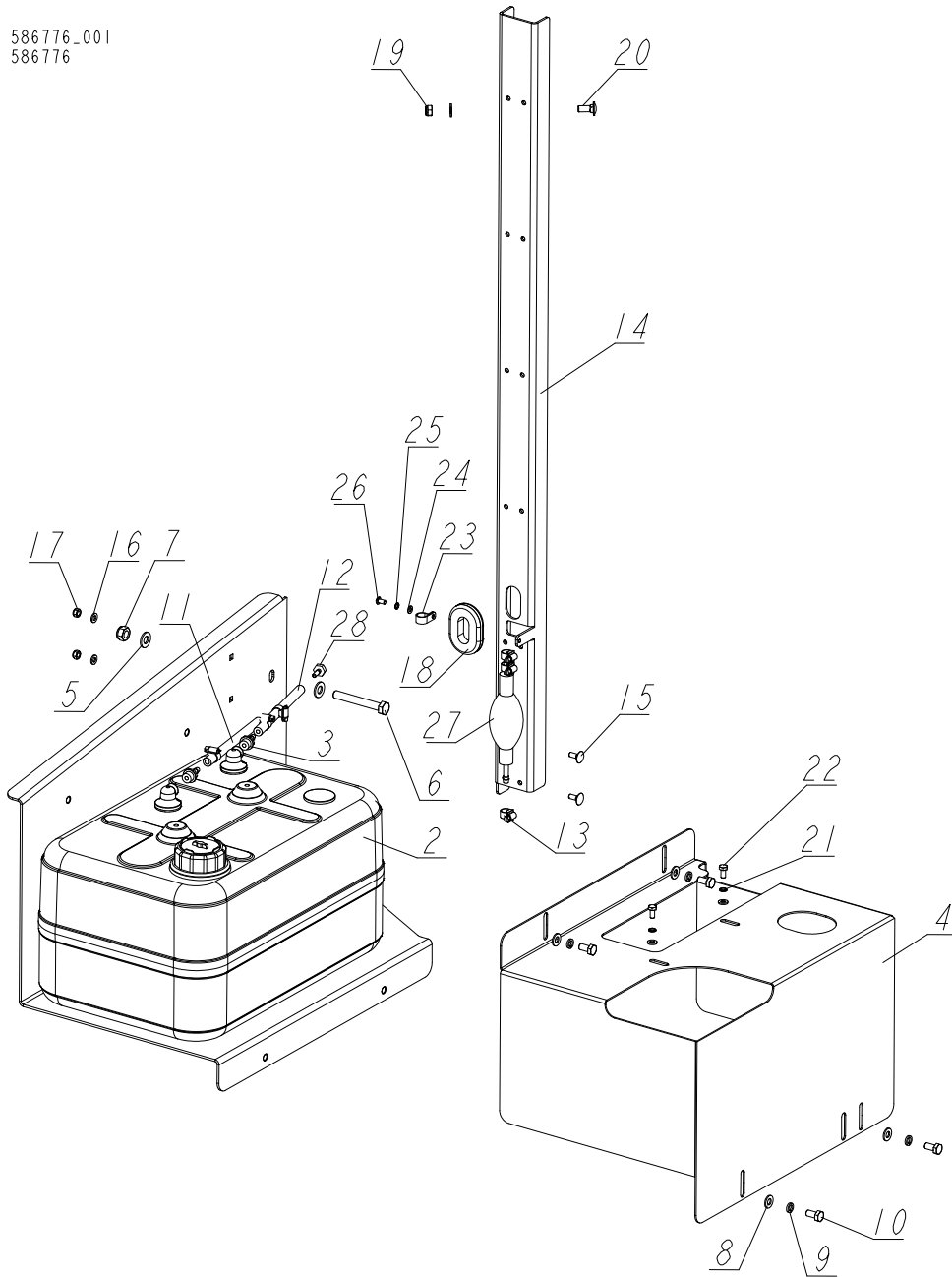
9.4 Belt Tensioner (No. 531695)

531695_001
531695_MANUAL



REF.	DESCRIPTION (* indicates parts available in assemblies only)	PART #	QTY
-	TENSIONER, LT15WC G25/G19 BELT	531695	1
1	BOLT, M10X80 8.8 HEX HEAD FULL THREAD ZINC	F81003-76	2
2	NUT, M10 8 HEX ZINC	F81033-3	2
3	WASHER, 10.5 FLAT ZINC	F81055-1	2
4	PLATE, TENSIONER	531696-1	1
5	WASHER, 8.4 FLAT ZINC	F81054-1	4
6	NUT, M8-8-B HEX NYLON ZINC LOCK	F81032-2	2
7	BOLT, M8X30 8.8 HEX HEAD FULL THREAD ZINC	F81002-7	2

9.5 Fuel Tank Assembly, LT15 Wide (No. 586776)

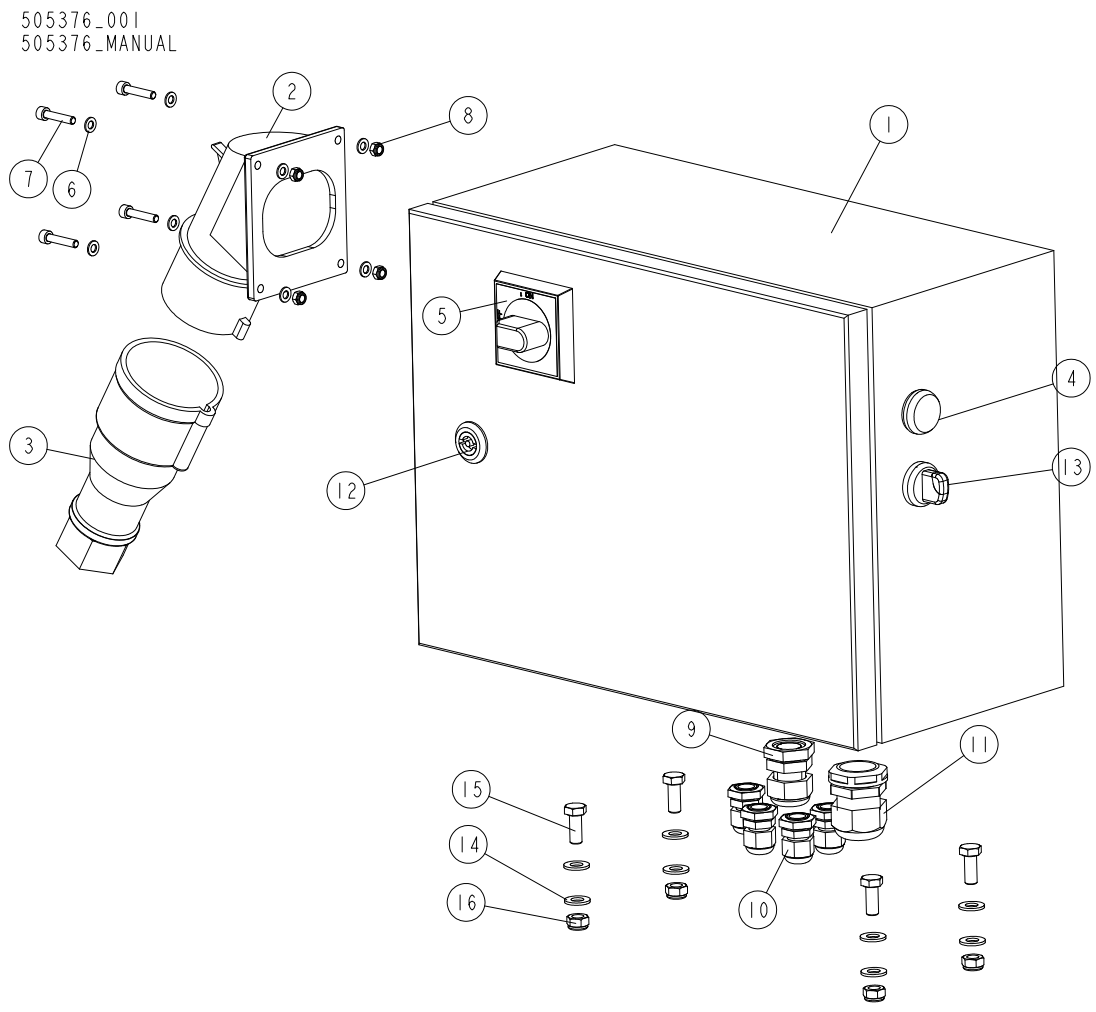


586776_001
586776

REF.	DESCRIPTION (* indicates parts available in assemblies only)	PART #	QTY
-	TANK ASSEMBLY, LT15 WIDE FUEL	586776	1
1	BRACKET, LT15 FUEL TANK MOUNT - COMPLETE	550766-1	1
-	TANK, 25L FUEL (A NEW)	550767	1
2	TANK, SP 198214 25L PORTABLE FUEL	550772	1
3	ADAPTOR, 1/4" X 6 MM (BEVO #0440134) HOSE TAIL	550770	2
4	GUARD, FUEL TANK	550769-1	1
5	WASHER, 10.5 FLAT ZINC	F81055-1	4
6	BOLT, M10X75-8.8 HEX HEAD ZINC	F81003-15	2
7	NUT, M10-8-B HEX NYLON ZINC LOCK	F81033-1	2
8	WASHER, 8.4 FLAT ZINC	F81054-1	5

REF.	DESCRIPTION (* indicates parts available in assemblies only)	PART #	QTY	
9	WASHER, 8.2 SPLIT LOCK ZINC	F81054-4	4	
10	BOLT, M8X16-8.8-B HEX HEAD FULL THREAD ZINC	F81002-20	4	
11	HOSE, NITRIL WEATHERHEAD FUEL	P642	1	
12	HOSE, 5X12 FUEL	R80703-4	1	
13	CLAMP, 8-12	F81080-1	6	
14	BRACKET, FUEL HOSE GUIDE	531668-1	1	
15	BOLT, M6X16-8.8 CARRIAGE ZINC	F81001-36	2	
16	WASHER, 6.4 FLAT ZINC	F81053-1	4	
17	NUT, M6-8-B HEX NYLON ZINC LOCK	F81031-2	2	
18	GROMMET, 1 X 1 3/4 OVAL RUBBER	085613	1	
19	NUT, M8-8-B HEX NYLON ZINC LOCK	F81032-2	1	
20	BOLT, M8X20-8.8 CARRIAGE ZINC	F81002-11	1	
21	WASHER, Z 6.1 SPLIT LOCK ZINC	F81053-3	2	
22	BOLT, M6X12 8.8 HEX HEAD FULL THREAD ZINC	F81001-7	2	
23	CLAMP, 1/2 WIRE PLAS.	F05114-1	1	
24	WASHER, 5.3 FLAT ZINC	F81052-1	1	
25	WASHER, 5.1 SPLIT LOCK ZINC	F81052-2	1	
26	SCREW, M5X10 ISO7380 HEX SOCKET BUTTON HEAD	F81000-32	1	
27	BULB, FUEL PRIMER	014481	1	
28	CAP	543868-1	1	

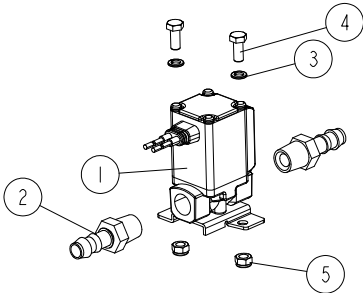
9.6 Electrical Box (No. 505376)



REF.	DESCRIPTION (* indicates parts available in assemblies only)	PART #	QTY
-	BOX, LT15/AC ELECTRICAL	505376	1
1	BOX, 400X300X200	502689	1
2	PLUG, 16A 5P 778152-6 PCE	E85239	1
3	SOCKET, 16A 5P 2152-6TT PCE	E85240	1
4	LIGHT, M22 LED 24V BLUE CONTROL	090448	1
5	HANDLE, ABB SWITCH	088265-1	1
6	WASHER, 5.3 FLAT ZINC	F81052-1	8
7	SCREW, M5X25 8.8 HEX SOCKET HEAD CAP ZINC	F81000-7	4
8	NUT, M5-8 DIN985 HEX NYLON ZINC LOCK	F81030-2	4
9	GLAND, DP16/H CABLE	F81096-7	1
10	GLAND, DP9/H CABLE	F81096-2	4
11	GLAND, DP21/H CABLE	F81096-3	1
12	LATCH, ELECTRIC BOX (094237) DOOR - COMP	084817	1
13	SWITCH, M22 3-POSITION GREEN ILLUMINATED (MOELLER)	091359	1
14	WASHER, 8.4 FLAT ZINC	F81054-1	8
15	BOLT, M8X20 8.8 HEX HEAD FULL THREAD ZINC	F81002-4	4
16	NUT, M8-8-B HEX NYLON ZINC LOCK	F81032-2	4

9.7 Blade Lube Kit (No. 503470)

503470_001
503470_MANUAL



REF.	DESCRIPTION (* indicates parts available in assemblies only)	PART #	QTY	
-	LUBE KIT, LT15SC-AC BLADE	503470	1	
1	VALVE, VX212FZ1DAXB SMC SOLENOID	509113	1	
2	FITTING, 3/8 BARB 1/4NPT MALE	P04682	2	
3	WASHER, 5.1 SPLIT LOCK	F81052-2	2	
4	BOLT, M5X12 8.8 HEX HEAD FULL THREAD ZINC	F81000-5	2	
5	NUT, M5-8 DIN985 HEX NYLON ZINC LOCK	F81030-2	2	