

Wood-Mizer®

Sorting Table

Parts Manual

CRS
CRD

rev.A1.00
rev.A1.00



Safety is our #1 concern! Read and understand all safety information and instructions before operating, setting up or maintaining this machine.

Form #716

Table of Contents

Section-Page

SECTION 1	GENERAL INFORMATION	1-1
1.1	How To Use the Parts List.....	1-1
1.2	Sample Assembly	1-1
SECTION 2	SORTING TABLES CRS HP	2-1
2.1	Sorting table CRS HP	2-1
2.2	Pneumatic Box	2-2
2.3	Rear Beam	2-4
2.4	Pneumatic System Connecting Kit, CRS1HP-WB	2-5
SECTION 3	SORTING TABLE BASIC MODULE CRS HP	3-1
3.1	CRS1HP-WB. (Part 1/2)	3-1
3.2	CRS1HP-WB. (Part 2/2)	3-3
3.3	Roller Drive Assembly	3-5
3.4	Leg 530854	3-6
3.5	Bottom Slide Plate 530861	3-7
3.6	Bottom Slide Plate 531804	3-8
3.7	Front Cover	3-9
3.8	Cross Frame	3-10
SECTION 4	SORTING TABLE EXTENSION MODULE CRS HP	4-1
4.1	Sorting Table Pneumatic Extension Module Part 1.	4-1
4.2	Pneumatic Extension Module Part 2.	4-3
4.3	Bottom Slide Plate 535321	4-4
4.4	Bottom Slide Plate 535323	4-5
SECTION 5	SORTING TABLES CRS HH	5-1
5.1	Sorting table CRS HH	5-1
5.2	Extension w/Tensioner For CRS Tables	5-2
SECTION 6	SORTING TABLE BASIC MODULE CRS HH	6-1
6.1	Cross Frame	6-1
6.2	Roller Drive Assembly	6-3
6.3	Torque Arm	6-4
6.4	Table Top	6-5
6.5	Table Top	6-6
6.6	Table Top	6-7
6.7	Table Top 535240	6-8
6.8	Bumper	6-9
6.9	Front Cover	6-10
6.10	Rear Beam	6-11

Table of Contents

Section-Page

6.11	Cross Frame	6-12
6.12	Cross Rail	6-13
6.13	Torque Beam	6-15
6.14	Retroreflective Sensor Assembly	6-16
6.15	Reflector Bracket	6-17
6.16	CRS 2 Hydraulic System Collection Kit	6-18
SECTION 7 SORTING TABLE EXTENSION MODULE CRS HH		7-1
7.1	Extension Module	7-1
7.2	Cover Plate	7-2
7.3	Sorting Table Roller	7-3
7.4	Hydraulic Cylinder	7-4
7.5	Leg Assembly	7-5
7.6	Hydraulic Hose Bracket	7-6
7.7	Cross Frame	7-7
7.8	Cross Rail	7-8
SECTION 8 CRS BOARD REMOVAL SYSTEM		8-1
8.1	3S Timber Collection Slide	8-1
8.2	2S Timber Collection Slide	8-2
8.3	Timber Collection Slide Segment	8-3
8.4	High Leg	8-4
8.5	High Leg (2)	8-5
SECTION 9 CRD BOARD REMOVAL SYSTEM		9-1
9.1	2S LT Timber Collection Slide	9-1
9.2	2S WB Timber Collection Slide	9-2
9.3	3S LT Timber Collection Slide	9-3
9.4	3S WB Timber Collection Slide	9-4
9.5	High Leg (556285)	9-5
9.6	High Leg 2 (556283)	9-6
9.7	High Leg	9-7
SECTION 10 CRD SORTING TABLES		10-1
10.1	Sorting Table, CRD1H-LT, CRD1H-WB	10-2
10.2	Sorting Table CRD2H-LT, CRD2H-WB	10-3
10.3	Sorting Table CRD2H-LTR	10-4
10.4	Sorting Table CRD2CU-WB	10-5
10.5	Motor Assembly (534867)	10-6
10.6	Motor Assembly (534862)	10-7
10.7	Control Kit	10-8
10.8	Control Panel (539844)	10-9

Table of Contents

Section-Page

10.9	Electric Box (554904-1)	10-10
10.10	Extension Table (543657)	10-11
10.11	Sorting Table CRD3H-LT	10-12
10.12	Leg Assembly	10-13
10.13	Sorting Table (545573). (Part 1/2)	10-14
10.14	Sorting Table (545573). (Part 2/2)	10-16
10.15	Sorting Table (Part 1/2) 535005	10-18
10.16	Sorting Table (Part 2/2) 535005	10-20
10.17	Roller	10-22
10.18	Transverse Drive Assembly.	10-23
10.19	Slide 1 (534970)	10-24
10.20	Slide 2 (534972)	10-25
10.21	Cover 1. (534977)	10-26
10.22	Cover 2. (534984)	10-27
10.23	Cover 2. (547969)	10-28
10.24	Cover 4. (534990)	10-29
10.25	Cable Duct 1. (536006)	10-30
10.26	Cable Duct 2.(536008)	10-31
10.27	Torque Arm.	10-32
10.28	Longitudinal Drive Mounting.	10-33
10.29	Transverse Drive Assembly. (536003)	10-34
10.30	Transverse Drive Assembly. (536662)	10-35
10.31	Extension Table CRD.	10-36
10.32	Sensor Cover	10-37
10.33	Sorting Table (Part 1/2)	10-38
10.34	Sorting Table (Part 2/2)	10-40
10.35	Leg Assembly 543912	10-42
10.36	Leg 543913	10-43
10.37	Emergency Stop W/Guard Assembly (536687)	10-44
10.38	Emergency Stop Switch Assembly. 522795	10-45
10.39	Bumper 551870 (Option)	10-46
SECTION 11 DECALS		11-1
11.1	Basic Module Decals	11-1
11.2	Extension Module Decals	11-3
SECTION 12 DRIVE ASSEMBLY 554590		12-1
12.1	Drive Assembly Complete LT70. (554590)	12-2
12.2	Transverse Drive Assembly. (534941)	12-3
12.3	Bumper (552826)	12-4
12.4	Rail Crossed. Bolted (552821)	12-5
12.5	Transverse Drive Chain	12-7
12.6	Absorber Complete. (551867)	12-8

Table of Contents

Section-Page

12.7	Roller Absorber. (551861)	12-9
12.8	Roller with Rubber Bushing	12-11
12.9	Roller Drive Assembly (547990)	12-12
12.10	Leg Set (547991)	12-14
12.11	Leg (547986)	12-15
12.12	Roller (547951)	12-16
12.13	Roller Drive (547996)	12-17
12.14	Extension Drive 3 Rollers . (552806)	12-18
12.15	Extension (552807)	12-19
12.16	Leg (534995).....	12-21
12.17	Roller Cover (552828)	12-22
12.18	Extension (547973)	12-23
12.19	Extension (547950)	12-24
12.20	Roller Cover (547960)	12-26
SECTION 13 DOUBLE TABLE CC2-2.7H-WIDE-H		13-1
13.1	Table Log Rest . 717279	13-2
13.2	Chain Table Wide. 717278	13-3
13.3	Chain Conveyor Module (No. 505985)	13-5
13.4	Chain Conveyor Drive Assembly (505999)	13-7
SECTION 14 CRD2H-LT-H		14-1
14.1	Double Roller Transporter. CRD2H-LT-H	14-2
14.2	Control Kit. 560202	14-3
14.3	Sorting Table. 534940 (Part 1/2)	14-4
14.4	Sorting Table. 534940 (Part 2/2)	14-6

SECTION 1 GENERAL INFORMATION

1.1 How To Use the Parts List

- Use the index above to locate the assembly that contains the part you need.
- Go to the appropriate section and locate the part in the illustration.
- Use the number pointing to the part to locate the correct part number and description in the table.
- Parts shown indented under another part are included with that part.
- Parts marked with a diamond (◆) are only available in the assembly listed above the part.

See the sample table below. Sample Part #A01111 includes part F02222-2 and subassembly A03333. Subassembly A03333 includes part S04444-4 and subassembly K05555. The diamond (◆) indicates that S04444-4 is not available except in subassembly A03333. Subassembly K05555 includes parts M06666 and F07777-77. The diamond (◆) indicates M06666 is not available except in subassembly K05555.

1.2 Sample Assembly				
REF.	DESCRIPTION (◆ Indicates Parts Available In Assemblies Only)	PART #	QTY	
	Sample Assembly, Complete (Includes All Indented Parts Below)	A01111	1	
1	Sample Part	F02222-22	1	
	Sample Subassembly (Includes All Indented Parts Below)	A03333	1	
2	Sample Part (◆ Indicates Part Is Only Available With A03333)	S04444-4	1	◆
	Sample Subassembly (Includes All Indented Parts Below)	K05555	1	
3	Sample Part (◆ Indicates Part Is Only Available With K05555)	M06666	2	◆
4	Sample Part	F07777-77	1	

To Order Parts:

- From Europe call our European Headquarters and Manufacturing Facility in Kolo, Poland at **+48-63-2626000**. From the continental U.S., call our toll-free Parts hotline at **1-800-525-8100**. Have your customer number, vehicle identification number, and part numbers ready when you call. From other international locations, contact the Wood-Mizer distributor in your area for parts.

Office Hours:

Country	Monday - Friday	Saturday	Sunday
Poland	7-15	Closed	Closed
US	8 a.m.- 5 p.m.	8 a.m.- 12 p.m.	Closed

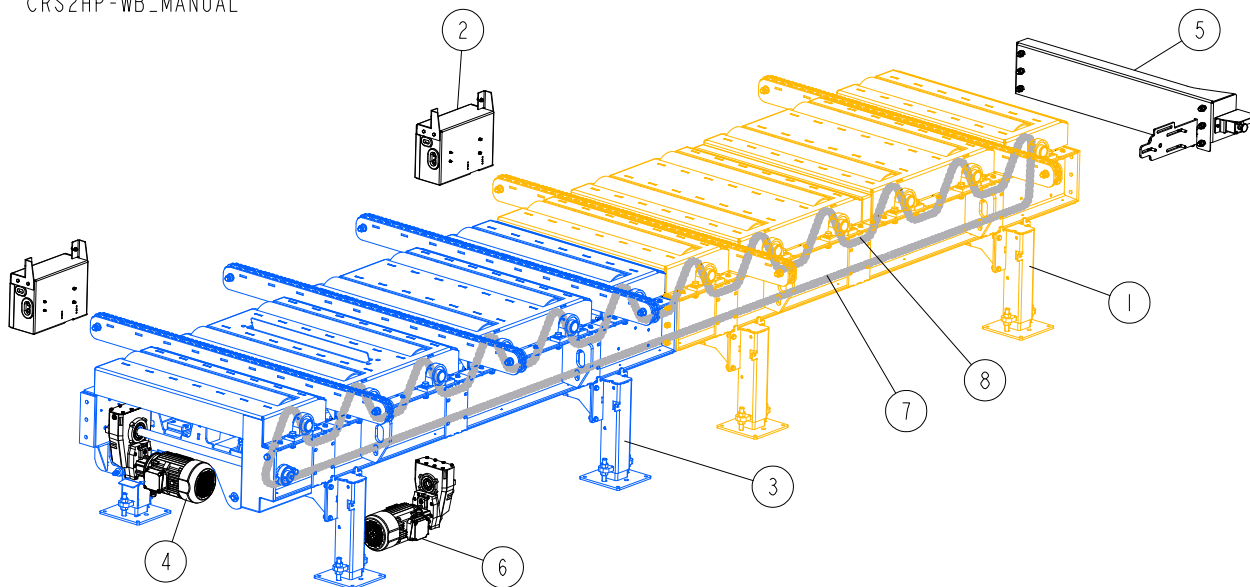


CAUTION! It is strongly recommended that only original spare parts be used.

SECTION 2 SORTING TABLES CRS HP

2.1 Sorting table CRS HP

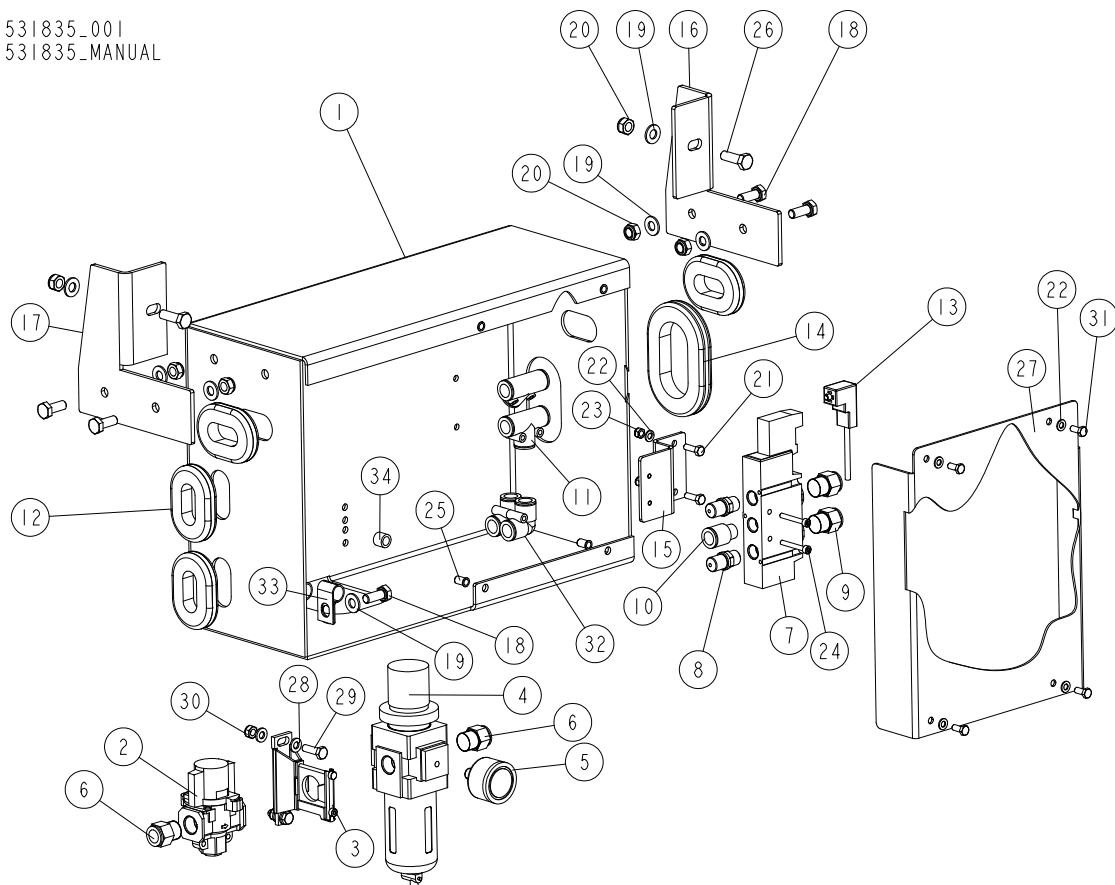
CRS2HP-WB_001
CRS2HP-WB_MANUAL



REF.	DESCRIPTION (* indicates parts available in assemblies only)	PART #	QTY
-	SORTING TABLE, PNEUMATIC 3x400V 50Hz (2)	CRS2HP-WB	1
1	EXTENSION MODULE, PNEUMATIC See Section 4.1	535320	1
2	BOX, PNEUMATIC - COMPLETE See Section 2.2	531835	2
3	CRS1HP-WB See Section 3.1	530860	1
4	MOTOREDUCER, HR-402/37,24[2,2-1400-160/28-PTC-IE2-[S3=60%]-G]B3	527838	1
5	BEAM, REAR - COMPLETE See Section 2.3	535334	1
6	MOTOREDUCER, HR-352/44,32[1,5-1400-140/24-PTC-IE2-[S3=60%]-G]B3	530845	1
7	CHAIN, LONGITUDINAL DRIVE	531851	1
8	LINK, 16B-1 (T 35759) MASTER	504233	1

2.2 Pneumatic Box

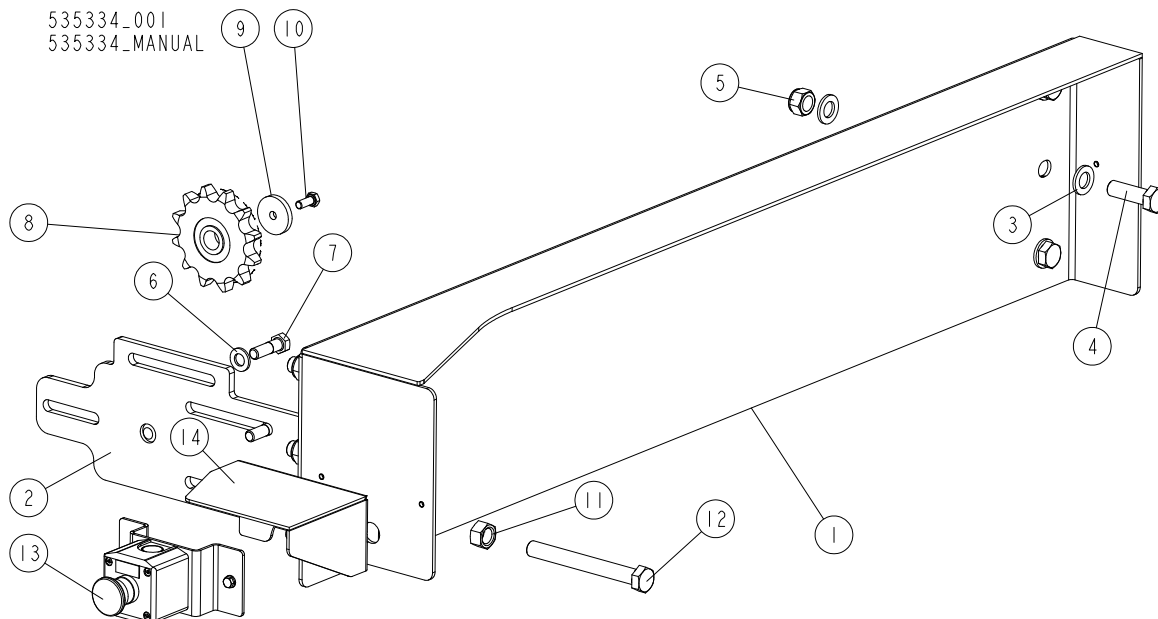
531835_001
531835_MANUAL



REF.	DESCRIPTION (* indicates parts available in assemblies only)	PART #	QTY
-	Box, Pneumatic - Complete	531835	1
1	BOX, PNEUMATIC	531826-1	1
-	AIR SUPPLY ASSEMBLY	531832	1
2	VALVE, 3/2 VHS3510-F03B-S MANUAL SHUT-OFF	531828	1
3	SPACER, Y300T W/BRACKET	510067	1
4	REGULATOR, AW30-F03H-A FILTER	510974	1
5	GAUGE, G36-10-01-L PRESSURE	531831	1
6	FITTING, KQ2H12-03AS 3/8"-12 MM MALE	531833	2
7	VALVE, 5/2-3/8" SY9120-5YO-03F-Q SOLENOID	531836	1
8	SILENCER - AN15-02 (1/4")	510073	2
9	FITTING, KQ2H12-03AS 3/8"-12 MM MALE	531833	2
10	FITTING, 1/4"-12MM KQ2S12-02AS MALE	531838	1
11	CONNECTOR, 12MM - KQ2T12-00A HOSE TEE	515604	2
12	GROMMET, 1 X 1 3/4 OVAL RUBBER	085613	4
13	CONNECTOR, DIN - K41	513459	1
14	GROMMET, RUBBER	089532	1
15	BRACKET, VALVE	531840-1	1
16	BRACKET, BOX RIGHT	531841-1	1
17	BRACKET, BOX RIGHT	531842-1	1
18	BOLT, M8X20 8.8 HEX HEAD FULL THREAD ZINC	F81002-4	8
19	WASHER, 8.4 FLAT ZINC	F81054-1	10
20	NUT, M8-8-B HEX NYLON ZINC LOCK	F81032-2	6

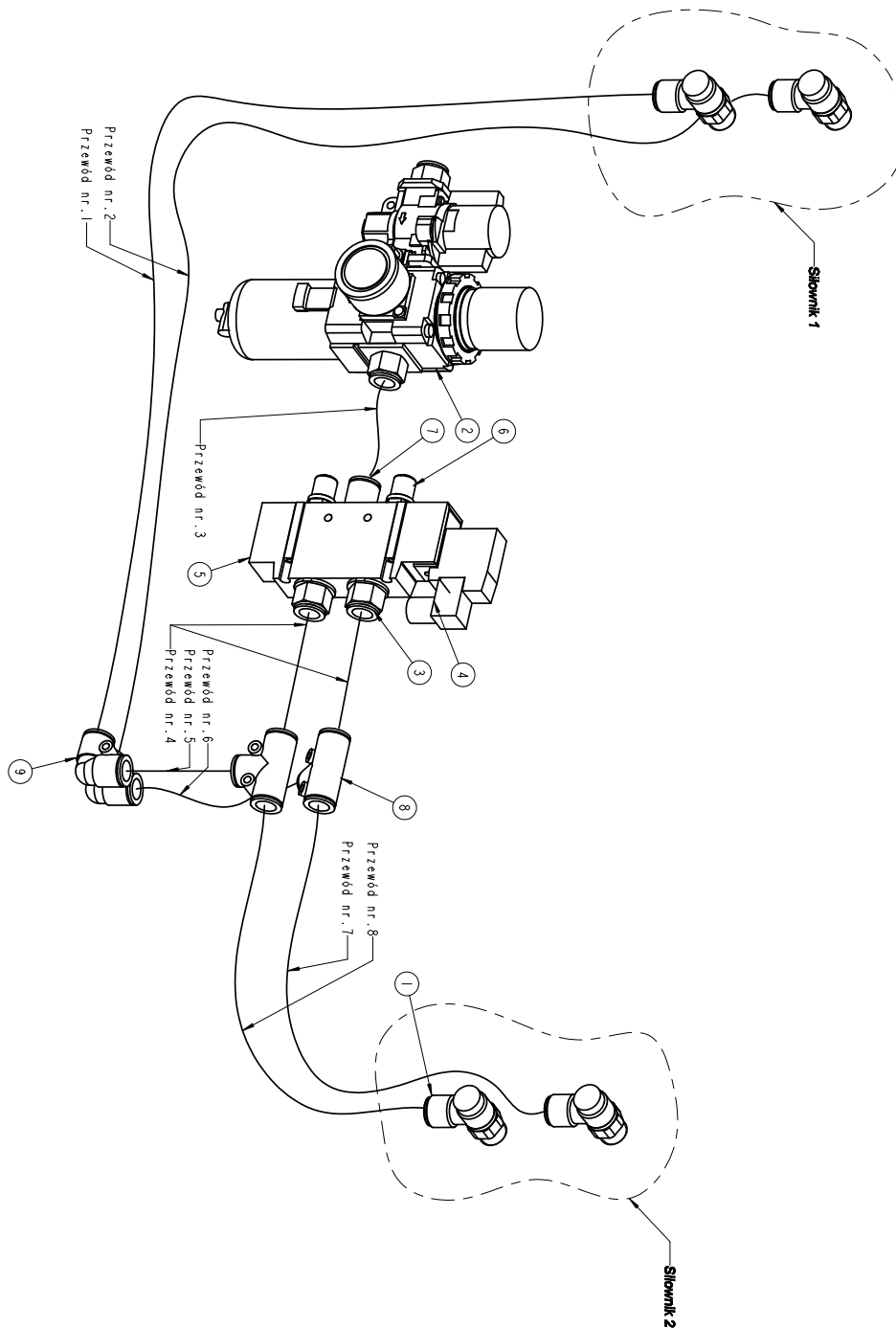
REF.	DESCRIPTION (* indicates parts available in assemblies only)	PART #	QTY	
21	BOLT, M5 X 16-8.8 HEX HEAD FULL THREAD ZINC	F81000-20	2	
22	WASHER, 5.3 FLAT ZINC	F81052-1	6	
23	NUT, M5-8 DIN985 HEX NYLON ZINC LOCK	F81030-2	2	
24	SCREW, M4X30-8.8 HEX SOCKET HEAD CAP ZINC	F81000-85	2	
25	NUT, M5 G= 0.5-3.0 RIVET	F81033-17	4	
26	BOLT, M8X25-8.8-B HEX HEAD FULL THREAD ZINC	F81002-5	2	
27	COVER, PNEUMATIC BOX	531843-1	1	
28	WASHER, 6.4 FLAT ZINC	F81053-1	4	
29	BOLT, M6X20 8.8 HEX HEAD FULL THREAD ZINC	F81001-2	2	
30	NUT, M6-8-B HEX NYLON ZINC LOCK	F81031-2	2	
31	BOLT, M5X12 8.8 HEX HEAD FULL THREAD ZINC	F81000-5	4	
32	FITTING, KQ2L12-00A MALE ELBOW	535336	2	
33	CLAMP, 1/2EMT COATED	P07584	4	
34	HOSE, TU1208B-20 POLYURETHANE	R80705-1	1	

2.3 Rear Beam



REF.	DESCRIPTION (* indicates parts available in assemblies only)	PART #	QTY
-	Beam, Rear - Complete	535334	1
1	CHANNEL	716272-1	1
2	PLATE, CHAIN TENSIONER WLDMT/PTD	530858-1	1
3	WASHER, 17 SPLIT LOCK ZINC	F81058-1	12
4	BOLT, M16X50-8.8 HEX HEAD FULL THREAD ZINC	F81006-38	6
5	NUT, M16-8 HEX NYLON ZINC LOCK	F81036-2	6
6	WASHER, 13 FLAT ZINC	F81056-1	3
7	BOLT, M12X40-8.8 HEX HEAD	F81004-1	3
8	SPROCKET, 16B1 Z=12 ULMER 554570	715087	1
9	WASHER, 8.5/40-6 ZINC-PLATED	512011-1	1
10	BOLT, M8X20 8.8 HEX HEAD FULL THREAD ZINC	F81002-4	1
11	NUT, M16-8 HEX ZINC	F81036-1	1
12	BOLT, M16X140-8.8 HEX HEAD FULL THREAD ZINC	F81006-48	1
13	SWITCH ASSEMBLY, EMERGENCY STOP See Section 10.38	527795	1
14	PLATE, SECURING	536683-1	1

2.4 Pneumatic System Connecting Kit, CRS1HP-WB



REF.	DESCRIPTION (* indicates parts available in assemblies only)	PART #	QTY
-	PNEUMATIC SYSTEM CONNECTION DIAGRAM CRS1HP-WB	535335	1
1	Air Supply Assembly	531832	1
2	VALVE, 5/2-3/8" SY9120-5YO-03F-Q SOLENOID	531836	1
3	Fitting, 1/4"-12mm KQ2S12-02AS Male	531838	1
4	Silencer, R1/4" AN15-02	531837	2
5	Fitting, KQ2H12-03AS 3/8"-12 mm Male	531833	2
6	T-Fitting, 12 mm KQ2T12-00A	531839	2

SORTING TABLES CRS HP*Pneumatic System Connecting Kit, CRSIHP-WB*

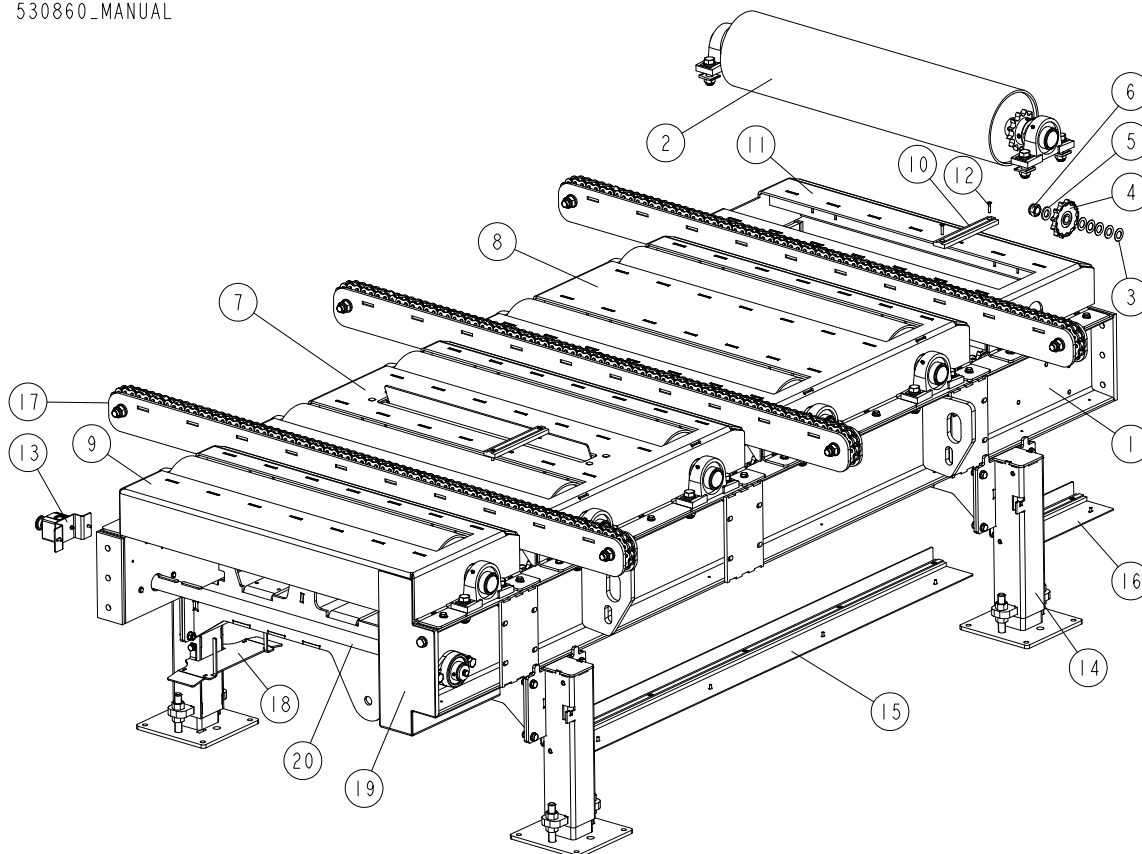
REF.	DESCRIPTION (* indicates parts available in assemblies only)	PART #	QTY	
7	FITTING, KQ2L12-00A MALE ELBOW	535336	2	
8	VALVE, AS3201F-03-12SA FLOW CONTROL	531825	4	
9	Plug, K41 Valve	531834	1	
10	HOSE, AIR 12mm dia.	R01869-7	1	

Hose No	Item No	Qty.	Hydraulic Hose Length (running meter)
1	R01869-7	1	1.55
2	R01869-7	1	1.65
3	R01869-7	1	0.1
4	R01869-7	2	0.05
5	R01869-7	1	0.085
6	R01869-7	1	0.125
7	R01869-7	1	1.95
8	R01869-7	1	1.85
Total length			7.36

SECTION 3 SORTING TABLE BASIC MODULE CRS HP

3.1 CRS1HP-WB. (Part 1/2)

530860_001
530860_MANUAL



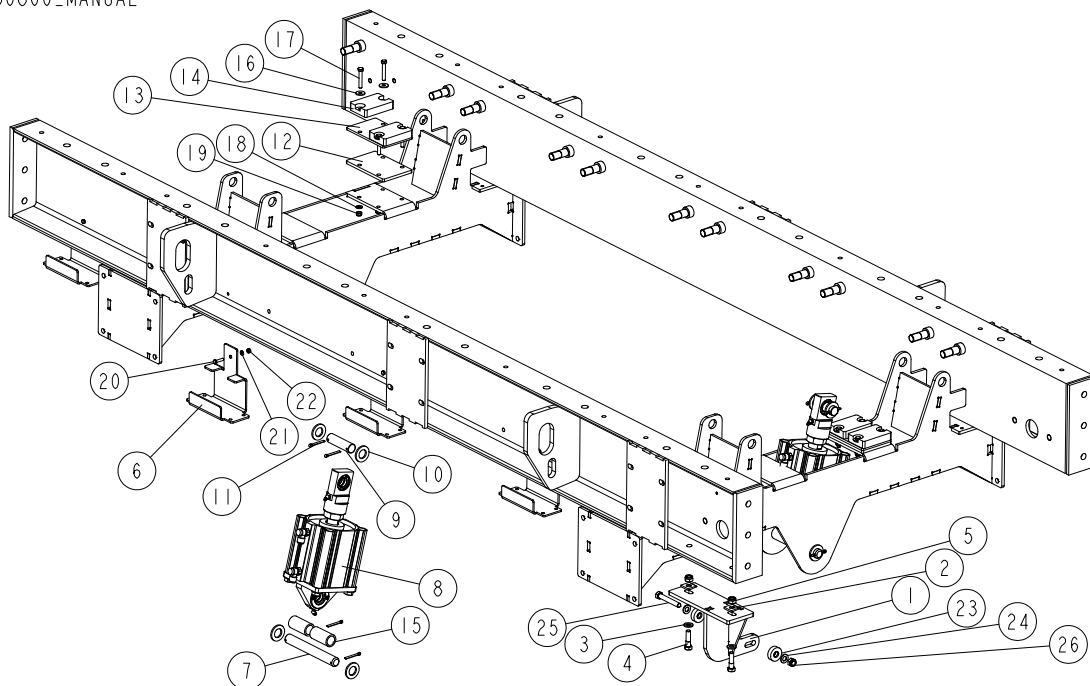
REF.	DESCRIPTION (* indicates parts available in assemblies only)	PART #	QTY
-	CRS1HP-WB	530860	1
1	FRAME, BASIC TABLE	530846-1	1
2	ROLLER, SORTING TABLE - COMPLETE See Section 7.3	715415	6
-	SHIM SET	530842	11
3	SHIM, 21/37-1	530841	5
4	SPROCKET, 16B1 Z=12 ULMER 554570	715087	11
5	WASHER, 21 FLAT ZINC	F81059-2	11
6	NUT, M20-8 DIN985 HEX NYLON ZINC LOCK	F81037-2	11
7	COVER (4) - COMPLETE See Section 6.7	535240	1
8	COVER (1) - COMPLETE See Section 6.4	527229	1
9	COVER (2) - COMPLETE See Section 6.5	527231	1
10	BAR, 16B-1 CHAIN GUIDE	530853	2
11	COVER (3) - COMPLETE See Section 6.6	527233	1
12	SCREW, M6X30-10.9 FLAT SOCKET HEAD CAP ZINC	F81001-67	4
13	SWITCH ASSEMBLY, EMERGENCY STOP See Section 10.38	527795	1
14	LEG ASSEMBLY See Section 3.4	530854	4
15	BOTTOM SLIDE PLATE - COMPLETE See Section 3.5	530861	1
16	BOTTOM SLIDE PLATE - COMPLETE See Section 3.6	531804	1
17	TABLE CROSS FRAME - COMPLETE See Section 3.8	535333	1

3**SORTING TABLE BASIC MODULE CRS HP***CRS1HP-WB. (Part 1/2)*

REF.	DESCRIPTION (* indicates parts available in assemblies only)	PART #	QTY	
18	HYDRAULIC HOSE HANGER- COMPLETE See Section 7.6	714441	2	
19	FRONT COVER - COMPLETE See Section 3.7	531845	1	
20	ROLLER DRIVE ASSEMBLY See Section 3.3	535332	1	

3.2 CRS1HP-WB. (Part 2/2)

530860_002
530860_MANUAL



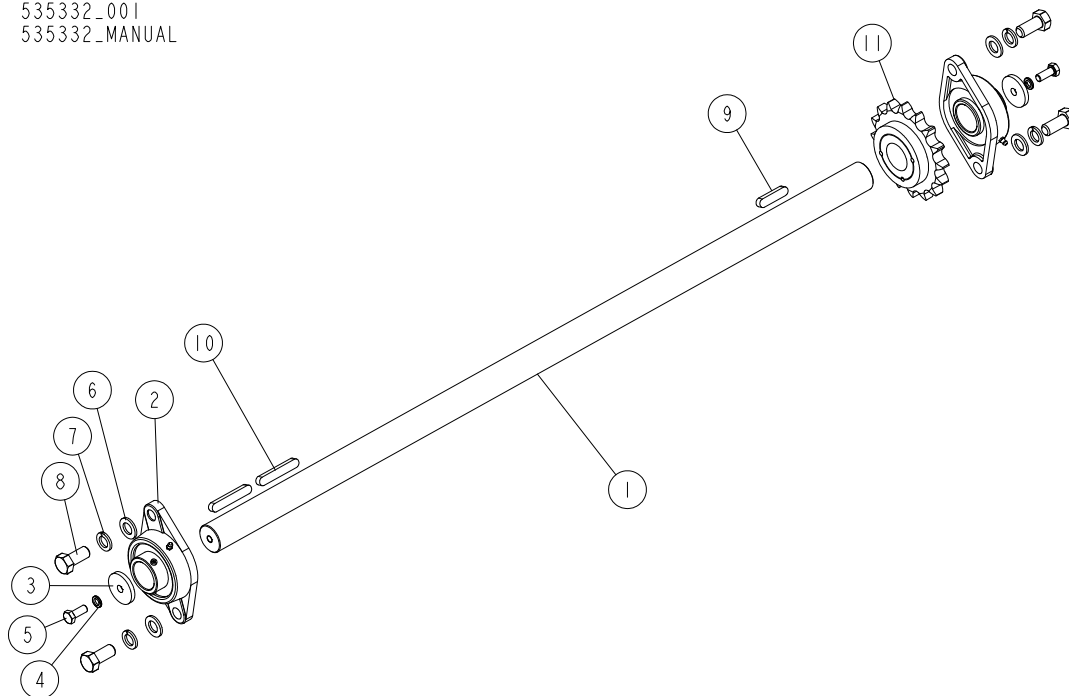
REF.	DESCRIPTION (* indicates parts available in assemblies only)	PART #	QTY
-	CRS1HP-WB	530860	1
-	ARM, TORQUE	527844	1
1	ARM, TORQUE WELDMENT	527845-1	1
2	WASHER, 14 SQUARE TAPER ZINC	F81055-13	2
3	WASHER, 13 FLAT ZINC	F81056-1	2
4	BOLT, M12X45 8.8 HEX HEAD ZINC	F81004-32	2
5	NUT, M12- 8 DIN 982 NYLON ZINC	F81034-2	2
6	BRACKET, HYDRAULIC HOSE	528135-1	4
7	PIN, 25X202 COTTER	531809-1	2
8	HYDRAULIC CYLINDER ASSEMBLY	531815	2
9	PIN, 25X90	715398-1	2
10	WASHER, 25 FLAT ZINC	F81061-3	8
11	PIN, S-FE 5X40 COTTER	F81043-31	8
12	WASHER, BUMPER SPACER	531821-1	4
13	WASHER, BUMPER SPACER 6MM	531822-1	4
14	BUMPER, GRENE 70 3201 0010 RUBBER	094969	8
15	BUSHING, 25.7 / 33.7 - 67	531824-1	4
16	WASHER, ISO 7093-1-8-200 HV-A2E.	F81054-11	16
17	BOLT, M8X50 -8.8 HEX HEAD FULL THREAD ZINC	F81002-19	16
18	WASHER, 8.4 FLAT ZINC	F81054-1	16
19	NUT, M8-8-B HEX NYLON ZINC LOCK	F81032-2	16
20	BOLT, M6X25 -8.8 HEX HEAD FULL THREAD ZINC	F81001-3	4
21	WASHER, 6.4 FLAT ZINC	F81053-1	4
22	NUT, M6-8-B HEX NYLON ZINC LOCK	F81031-2	4
23	WASHER, RUBBER	090443	2

3**SORTING TABLE BASIC MODULE CRS HP***CRS1HP-WB. (Part 2/2)*

REF.	DESCRIPTION (* indicates parts available in assemblies only)	PART #	QTY	
24	WASHER, 13 FLAT ZINC	F81056-1	2	
25	BOLT, M12X80 -8.8 HEX HEAD ZINC	F81004-46	1	
26	NUT, M12- 8 DIN 982 NYLON ZINC	F81034-2	1	

3.3 Roller Drive Assembly

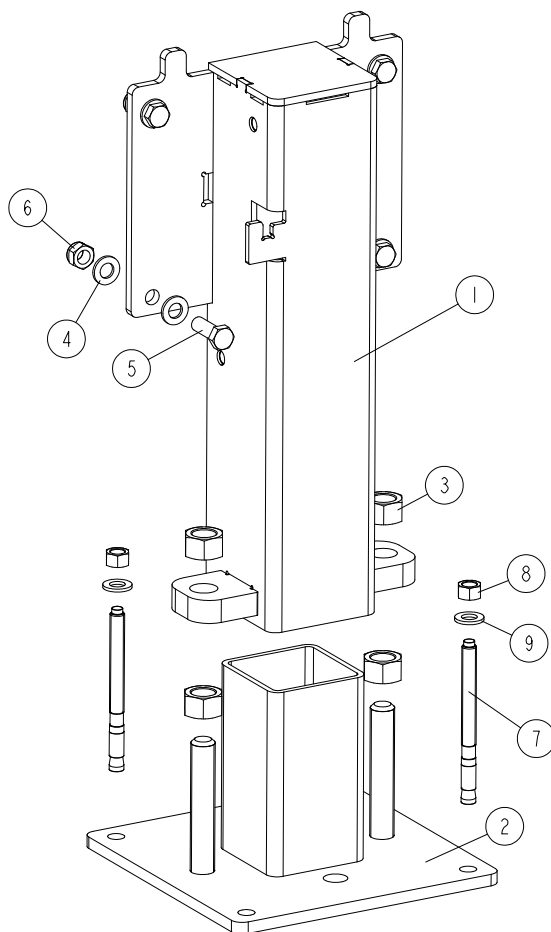
535332_001
535332_MANUAL



REF.	DESCRIPTION (* indicates parts available in assemblies only)	PART #	QTY
-	ROLLER DRIVE ASSEMBLY	535332	1
1	SHAFT, SORTING TABLE DRIVE	527842	1
2	BEARING, UCFL208 W/HOUSING (KG INTERN. FZCO)	099423	2
3	WASHER, 10.5/45-6 ZINC-PLATED	086286-1	2
4	WASHER, Z 10.2 SPLIT LOCK ZINC	F81055-2	2
5	BOLT, M10X25 8.8 HEX HEAD FULL THREAD ZINC	F81003-11	2
6	WASHER, 17 SPLIT LOCK ZINC	F81058-1	4
7	WASHER, 16.3 SPLIT LOCK ZINC	F81058-2	4
8	BOLT, M16X35 -8.8 HEX HEAD FULL THREAD ZINC	F81006-74	4
9	KEY, A12X8X50 PARALLEL	506735	1
10	KEY, A12X8X70 PARALLEL	715417	2
11	T65005 + T31110	715115	1

3.4 Leg 530854

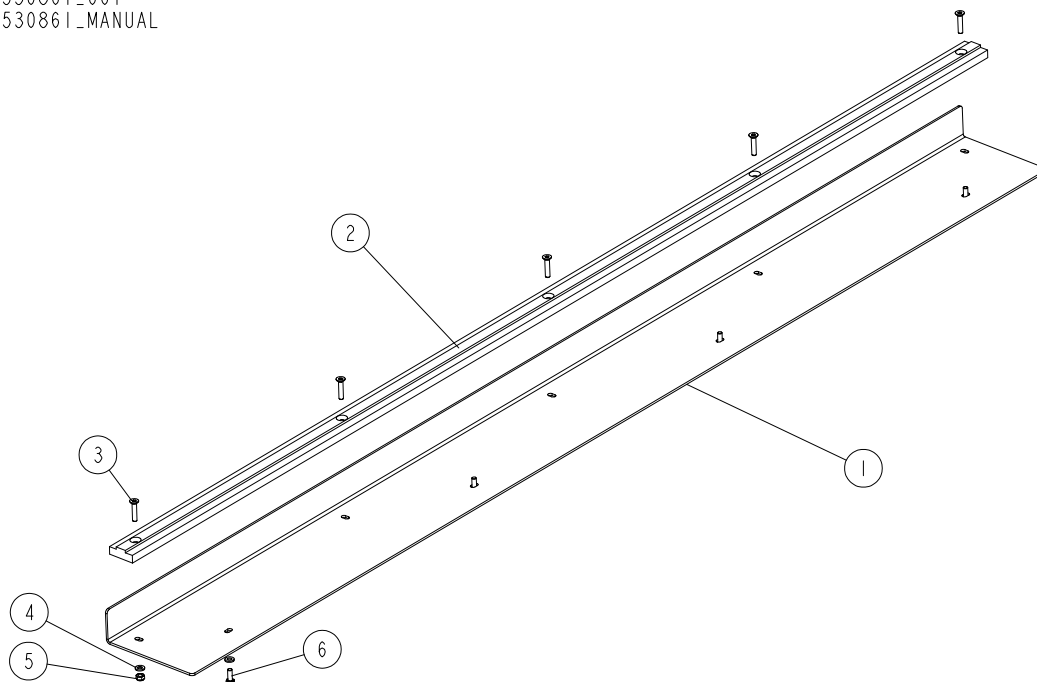
530854_001
 530854_MANUAL



REF	DESCRIPTION (u indicates parts available in assemblies only)	PART #	QTY
-	LEG ASSEMBLY	530854	1
1	LEG, BED	530855-1	1
2	FOOT WELDMENT, BED LEG	510897-1	1
3	NUT, M20-8 HEX ZINC	F81037-1	4
4	WASHER, 13 FLAT ZINC	F81056-1	8
5	BOLT, M12X35-8.8 HEX HEAD FULL THREAD ZI	F81004-24	4
6	NUT, M12-8 HEX NYLON ZINC LOCK	F81034-2	4
-	STUD, M12 140MM ANCHOR	084529	2
7	STUD, M12 140MM ANCHOR	084529	1
8	NUT, M12-8-B HEX ZINC	F81034-1	1
9	WASHER, 13 FLAT ZINC	F81056-1	1

3.5 Bottom Slide Plate 530861

530861_001
530861_MANUAL



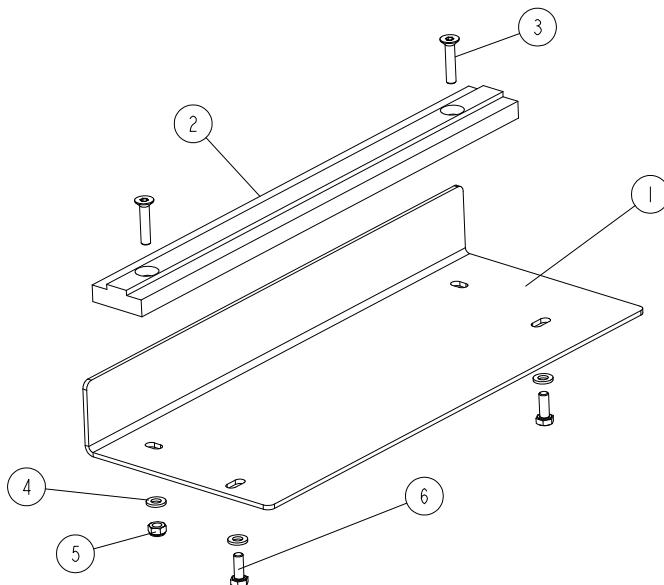
REF.	DESCRIPTION (* indicates parts available in assemblies only)	PART #	QTY	
-	Plate, Bottom Slide - Complete	530861	1	
1	PLATE, SLIDE 1	530862-1	1	
2	BAR, 16B-1 CHAIN GUIDE	531803	1	
3	SCREW, M6X30-8.8 DIN7991 FLAT SOCKET HEAD CAP ZINC	F81001-75	5	
4	WASHER, 6.4 FLAT ZINC	F81053-1	9	
5	NUT, M6-8-B HEX NYLON ZINC LOCK	F81031-2	5	
6	BOLT, M6X16-8.8 HEX HEAD FULL THREAD ZINC	F81001-15	4	

3 SORTING TABLE BASIC MODULE CRS HP

Bottom Slide Plate 531804

3.6 Bottom Slide Plate 531804

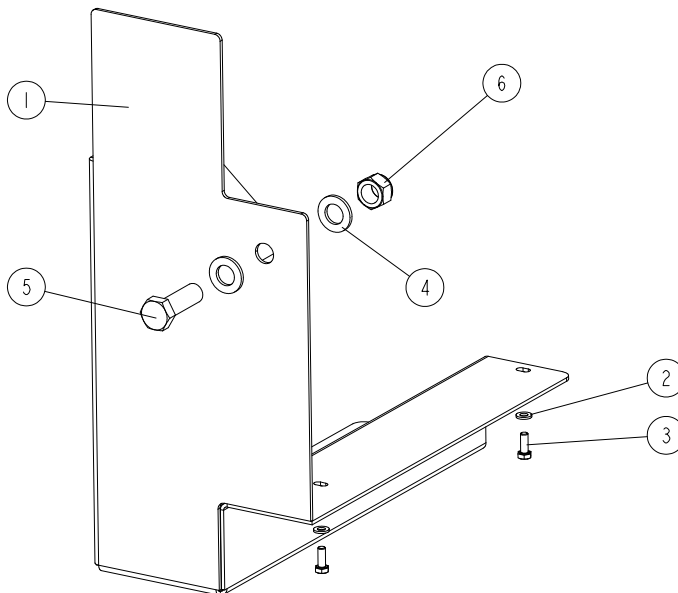
531804_001
531804_MANUAL



REF.	DESCRIPTION (* indicates parts available in assemblies only)	PART #	QTY
-	Plate, Bottom Slide - Complete	531804	1
1	PLATE, SLIDE 2	531805-1	1
2	BAR, 16B-1 CHAIN GUIDE	531806	1
3	SCREW, M6X30-8.8 DIN7991 FLAT SOCKET HEAD CAP ZINC	F81001-75	2
4	WASHER, 6.4 FLAT ZINC	F81053-1	4
5	NUT, M6-8-B HEX NYLON ZINC LOCK	F81031-2	2
6	BOLT, M6X16-8.8 HEX HEAD FULL THREAD ZINC	F81001-15	2

3.7 Front Cover

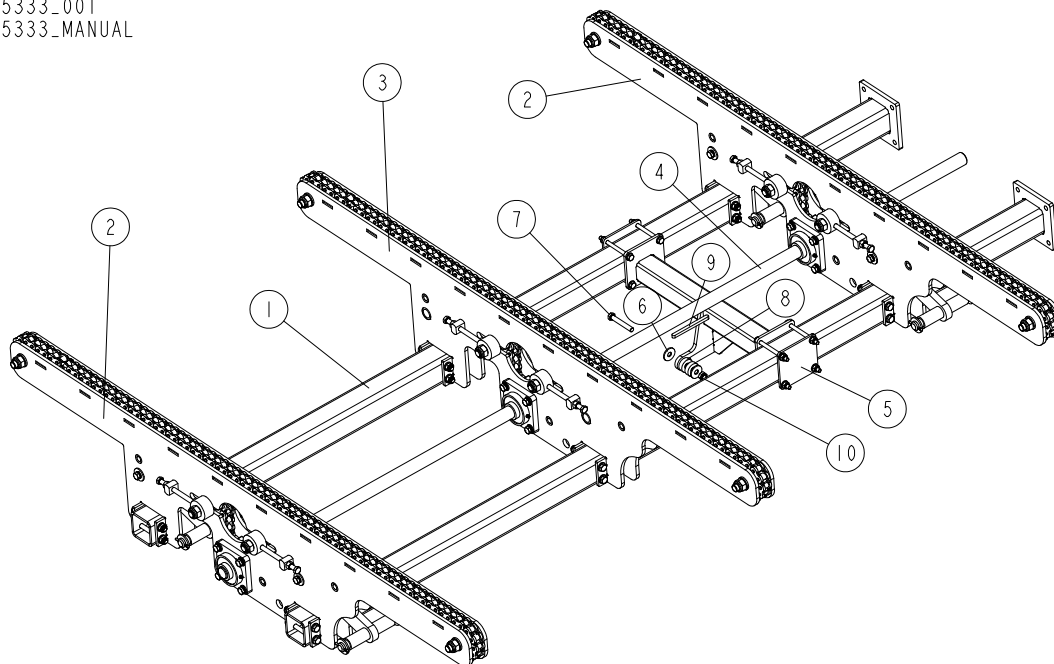
531845_001
531845_MANUAL



REF.	DESCRIPTION (* indicates parts available in assemblies only)	PART #	QTY	
-	Cover, Front - Complete	531845	1	
1	PLATE, FRONT COVER	531846-1	1	
2	WASHER, 6.4 FLAT ZINC	F81053-1	2	
3	BOLT, M6X16-8.8 HEX HEAD FULL THREAD ZINC	F81001-15	2	
4	WASHER, 17 SPLIT LOCK ZINC	F81058-1	2	
5	BOLT, M16X50-8.8 HEX HEAD FULL THREAD ZINC	F81006-38	1	
6	NUT, M16-8 HEX NYLON ZINC LOCK	F81036-2	1	

3.8 Cross Frame

535333_001
535333_MANUAL

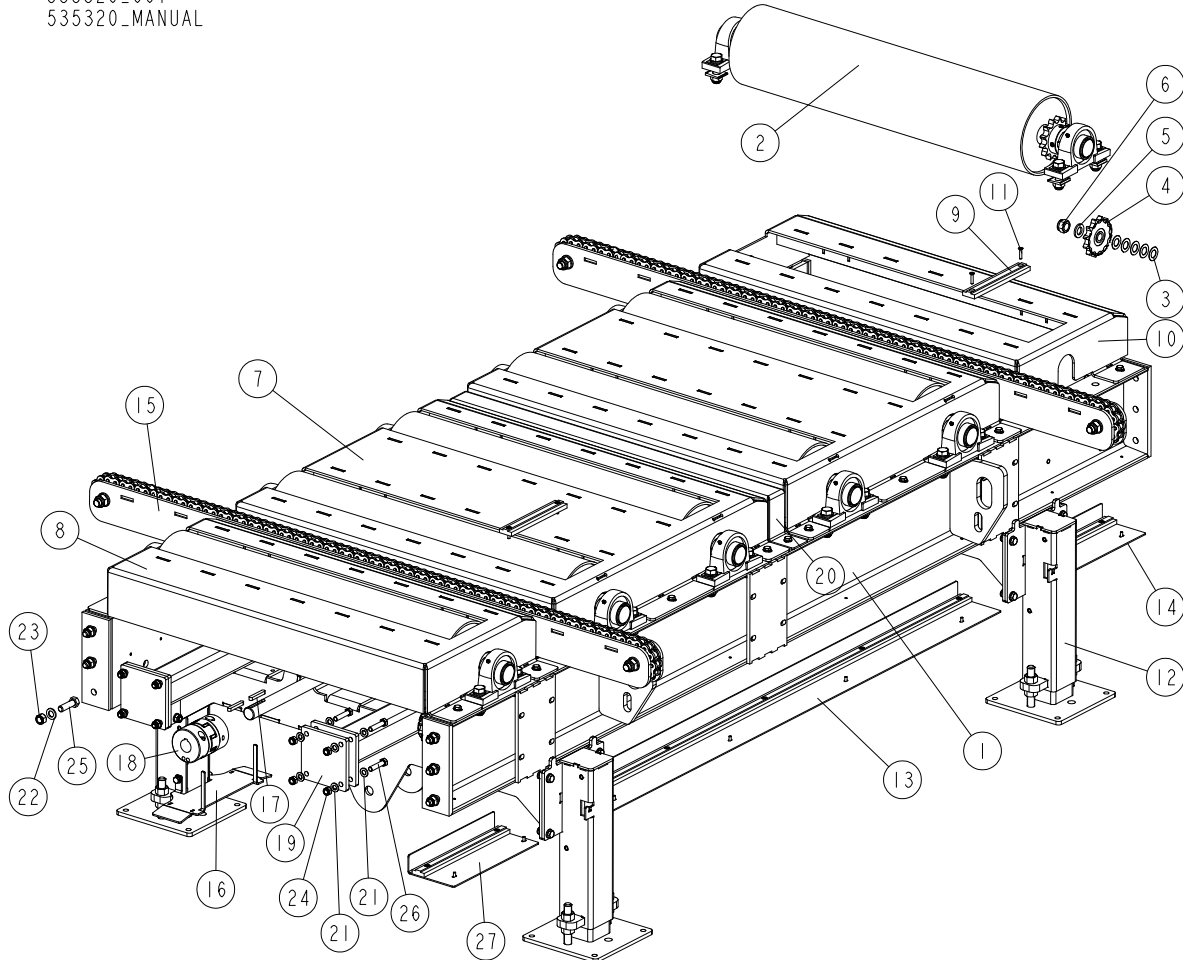


REF.	DESCRIPTION (* indicates parts available in assemblies only)	PART #	QTY
-	Frame, Table Cross - Complete	535333	1
1	TUBE, MOUNT	527773-1	2
2	RAIL, SORTING TABLE CROSS See Section 7.8	531808	2
3	RAIL, SORTING TABLE CROSS See Section 6.12	527214	1
4	SHAFT, TRANSVERSE DRIVE	527849	1
5	BEAM, TORQUE - COMPLETE See Section 6.13	527850	1
6	WASHER, 13 SPECIAL FLAT ZINC	F81056-14	2
7	BOLT, M12X80 -8.8 HEX HEAD ZINC	F81004-46	1
8	WASHER, RUBBER	090443	2
9	KEY, A10X8X125, PARALLEL	530837	1
10	NUT, M12- 8 DIN 982 NYLON ZINC	F81034-2	1

SECTION 4 SORTING TABLE EXTENSION MODULE CRS HP

4.1 Sorting Table Pneumatic Extension Module Part 1.

535320_001
535320_MANUAL



REF.	DESCRIPTION (* indicates parts available in assemblies only)	PART #	QTY
-	PNEUMATIC EXTENSION MODULE	535320	1
1	FRAME WELDMENT, BASIC TABLE	535322-1	1
2	ROLLER, SORTING TABLE - COMPLETE See Section 7.3	715415	6
-	SHIMS ASSEMBLY	530842	12
3	SHIM, 21/37-1	530841	5
4	SPROCKET, 16B1 Z=12 ULMER 554570	715087	12
5	WASHER, 21 FLAT ZINC	F81059-2	12
6	NUT, M20-8 DIN985 HEX NYLON ZINC LOCK	F81037-2	12
7	COVER (1) - COMPLETE See Section 6.4	527229	2
8	COVER (2) - COMPLETE See Section 6.5	527231	1
9	BAR, 16B-1 CHAIN GUIDE	530853	2
10	COVER (3) - COMPLETE See Section 6.6	527233	1
11	SCREW, M6X30-10.9 FLAT SOCKET HEAD CAP ZINC	F81001-67	4
12	LEG ASSEMBLY See Section 3.4	530854	4
13	PLATE, BOTTOM SLIDE - COMPLETE See Section 3.5	530861	1
14	PLATE, BOTTOM SLIDE - COMPLETE See Section 3.6	531804	1

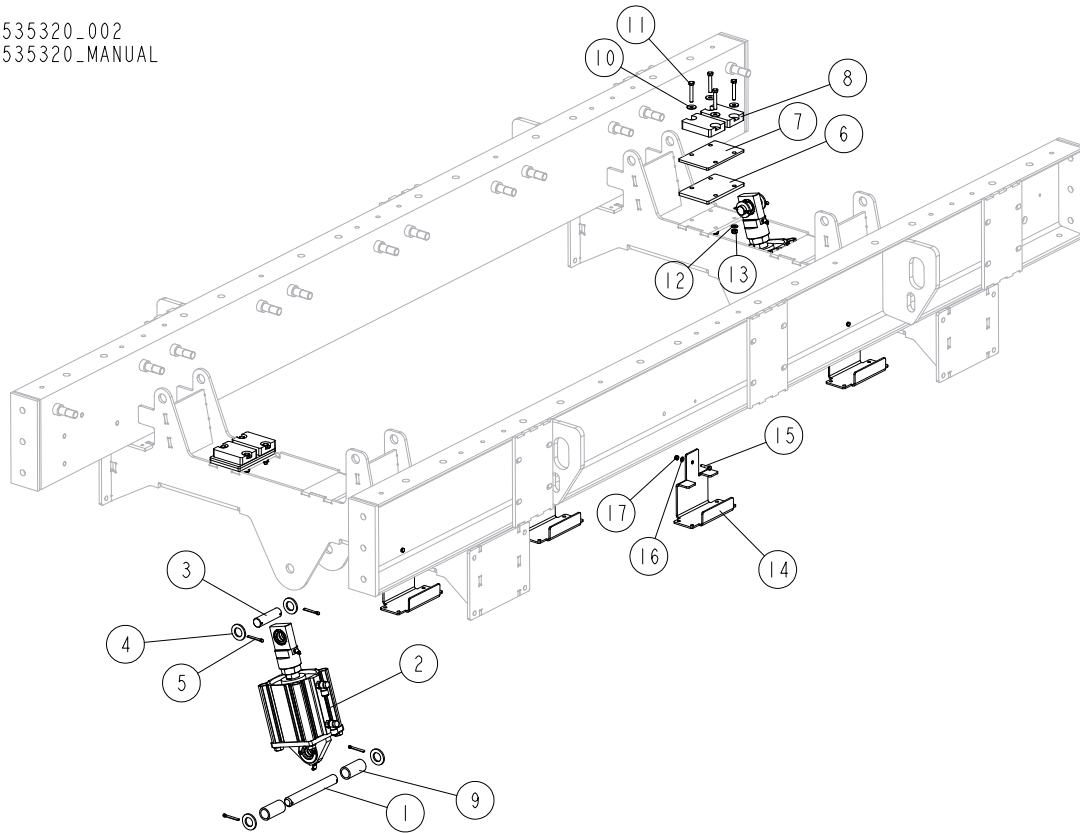
4

SORTING TABLE EXTENSION MODULE CRS HP*Sorting Table Pneumatic Extension Module Part 1.*

REF.	DESCRIPTION (* indicates parts available in assemblies only)	PART #	QTY	
15	FRAME, TABLE CROSS - COMPLETE See Section 4.3	535321	1	
16	HANGER, HYDRAULIC HOSE - COMPLETE See Section 7.6	714441	2	
17	KEY, A10X8X63, PARALLEL	088130	2	
18	COUPLING, ROTEX 42 S-H 98 SH-A 7.1 FI=35 7.1 FI=35	527785	1	
19	PLATE	527794-1	2	
20	PLATE, COVER - COMPLETE See Section 7.2	530844	1	
21	WASHER, 13 FLAT ZINC	F81056-1	16	
22	WASHER, 17 SPLIT LOCK ZINC	F81058-1	6	
23	NUT, M16-8 HEX NYLON ZINC LOCK	F81036-2	6	
24	NUT, M12- 8 DIN 982 NYLON ZINC	F81034-2	8	
25	BOLT, M16X55-8.8 HEX HEAD FULL THREAD ZINC	F81006-61	6	
26	BOLT, M12X55-8.8 HEX HEAD ZINC	F81004-12	8	
27	PLATE, BOTTOM SLIDE - COMPLETE See Section 4.4	535323	1	

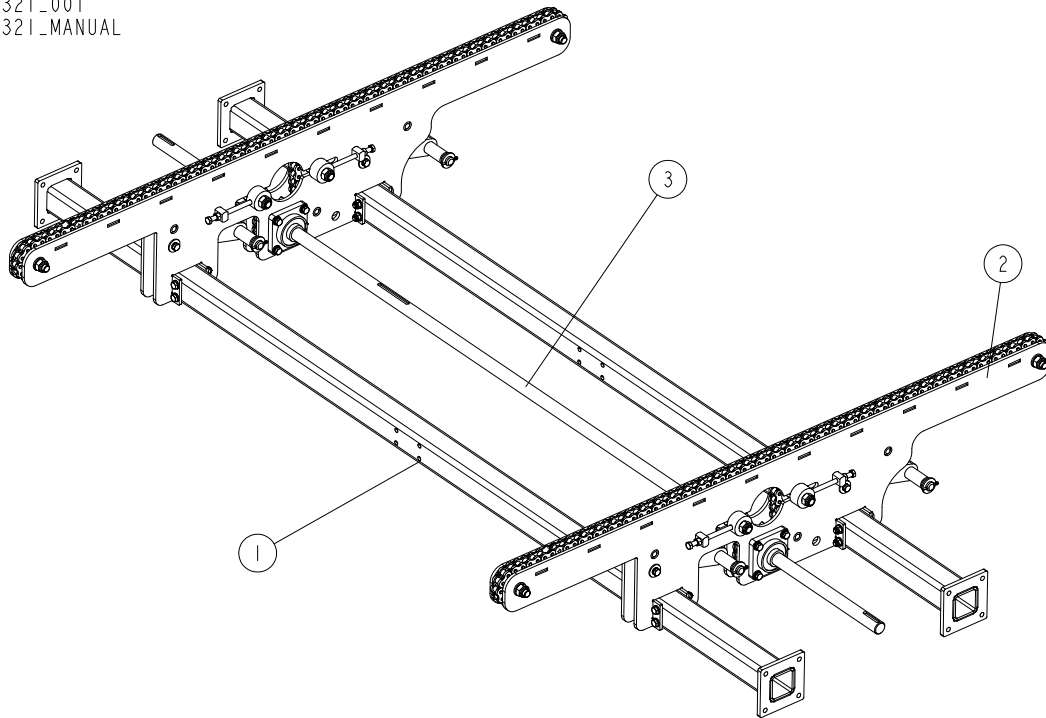
4.2 Pneumatic Extension Module Part 2.

535320_002
535320_MANUAL



REF.	DESCRIPTION (* indicates parts available in assemblies only)	PART #	QTY
-	MODULE, PNEUMATIC EXTENSION	535320	1
1	PIN, 25X202 COTTER	531809-1	2
2	CYLINDER ASSEMBLY	531815	2
3	PIN, 25X90	715398-1	2
4	WASHER, 25 FLAT ZINC	F81061-3	8
5	PIN, S-FE 5X40 COTTER	F81043-31	8
6	WASHER, BUMPER SPACER	531821-1	4
7	WASHER, BUMPER SPACER 6MM	531822-1	4
8	BUMPER, GRENE 70 3201 0010 RUBBER	094969	8
9	BUSHING, 25.7 / 33.7 - 67	531824-1	4
10	WASHER, ISO 7093-1-8-200 HV-A2E.	F81054-11	16
11	BOLT, M8X50 -8.8 HEX HEAD FULL THREAD ZINC	F81002-19	16
12	WASHER, 8.4 FLAT ZINC	F81054-1	16
13	NUT, M8-8-B HEX NYLON ZINC LOCK	F81032-2	16
14	BRACKET, HYDRAULIC HOSE	528135-1	4
15	BOLT, M6X25 -8.8 HEX HEAD FULL THREAD ZINC	F81001-3	4
16	WASHER, 6.4 FLAT ZINC	F81053-1	4
17	NUT, M6-8-B HEX NYLON ZINC LOCK	F81031-2	4

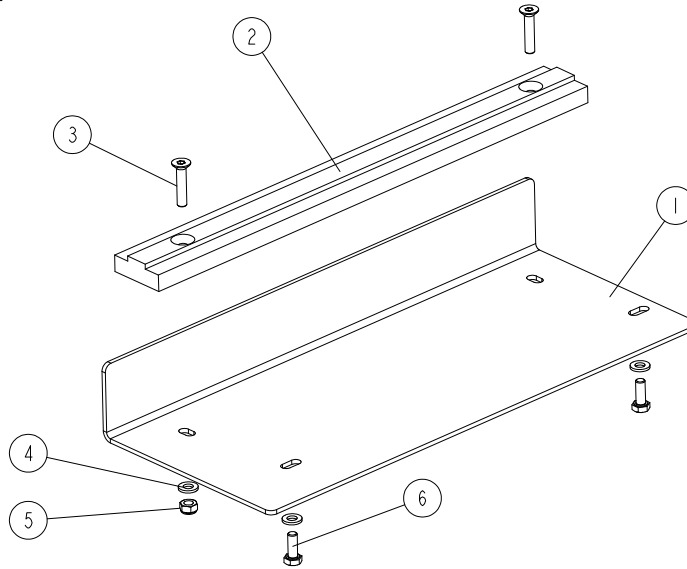
4.3 Bottom Slide Plate 535321

535321_001
535321_MANUAL

REF.	DESCRIPTION (* indicates parts available in assemblies only)	PART #	QTY
-	Frame, Table Cross - Complete	535321	1
1	TUBE, WELDMENT	527793-1	2
2	RAIL, SORTING TABLE CROSS See Section 7.8	531808	2
3	SHAFT, TRANSVERSE DRIVE	527792-1	1

4.4 Bottom Slide Plate 535323

535323_001
535323_MANUAL

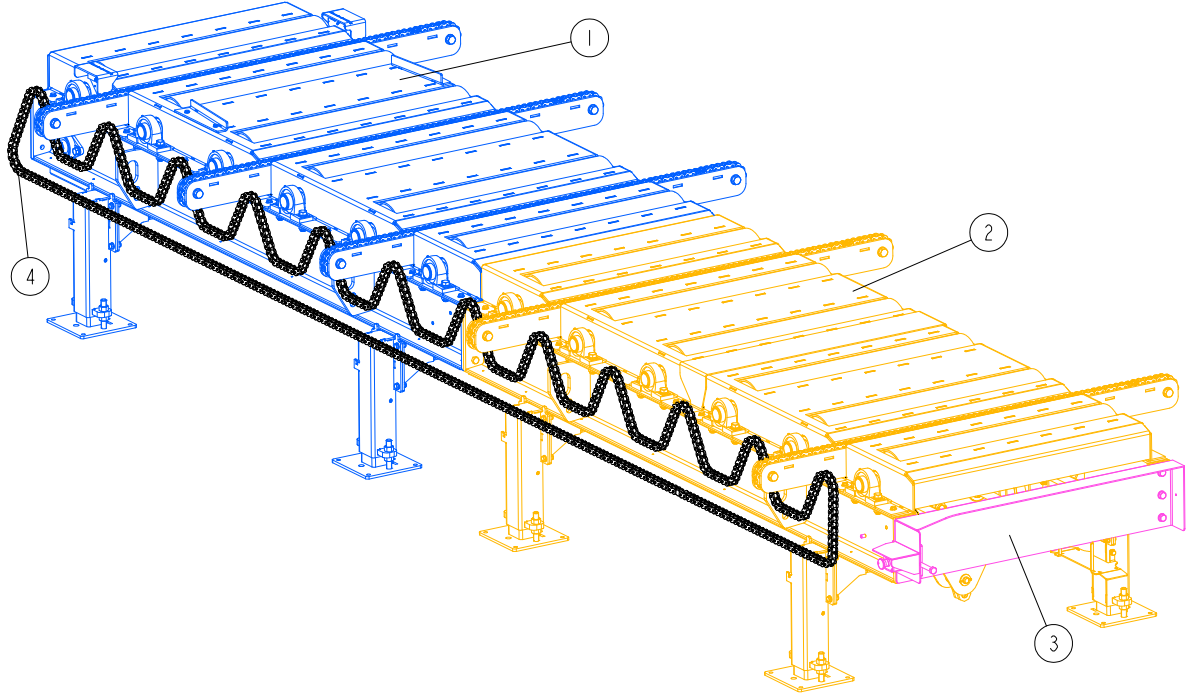


REF.	DESCRIPTION (* indicates parts available in assemblies only)	PART #	QTY
-	Plate, Bottom Slide - Complete	535323	1
1	PLATE, SLIDE 2	535324-1	1
2	BAR, 16B-1 CHAIN GUIDE	531806	1
3	SCREW, M6X30-8.8 DIN7991 FLAT SOCKET HEAD CAP ZINC	F81001-75	2
4	WASHER, 6.4 FLAT ZINC	F81053-1	4
5	NUT, M6-8-B HEX NYLON ZINC LOCK	F81031-2	2
6	BOLT, M6X16-8.8 HEX HEAD FULL THREAD ZINC	F81001-15	2

SECTION 5 SORTING TABLES CRS HH

5.1 Sorting table CRS HH

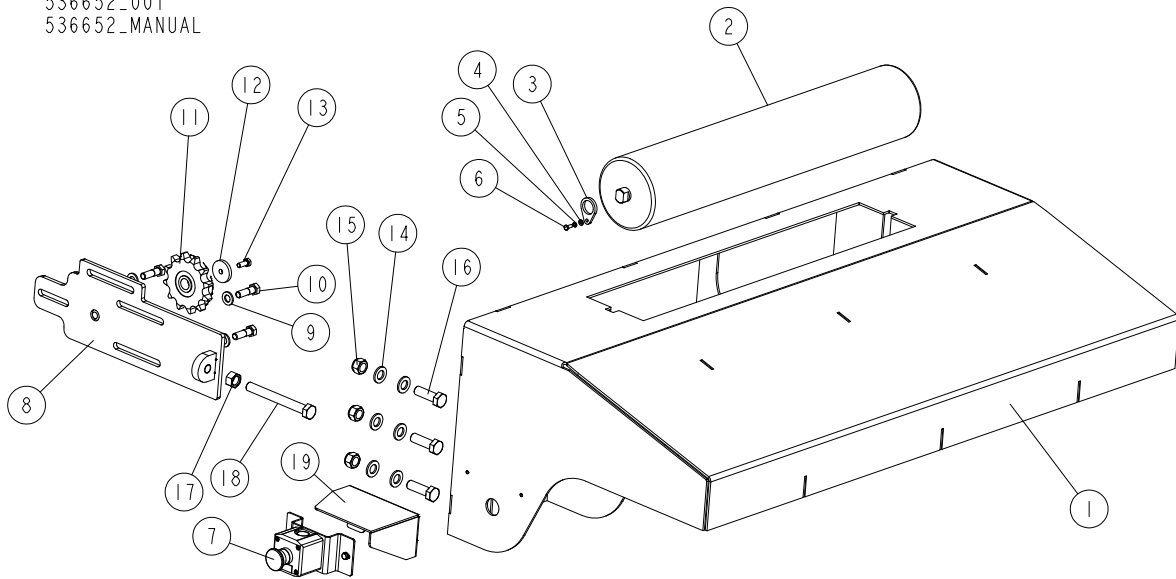
CRS2HH-WB_001_A
 CRS2HH-WB_MANUAL



REF.	DESCRIPTION (* indicates parts available in assemblies only)	PART #	QTY
-	CRS2HH-WB	CRS2HH-WB	1
1	MODULE, BASIC CRS2HH See Section 6.1	534032	1
2	MODULE, EXTENSION See Section 7	527768	1
3	BEAM, REAR - COMPLETE See Section 6.10	527767	1
4	CHAIN, LONGITUDINAL DRIVE	531851	1

5.2 Extension w/Tensioner For CRS Tables

536652_001
 536652_MANUAL

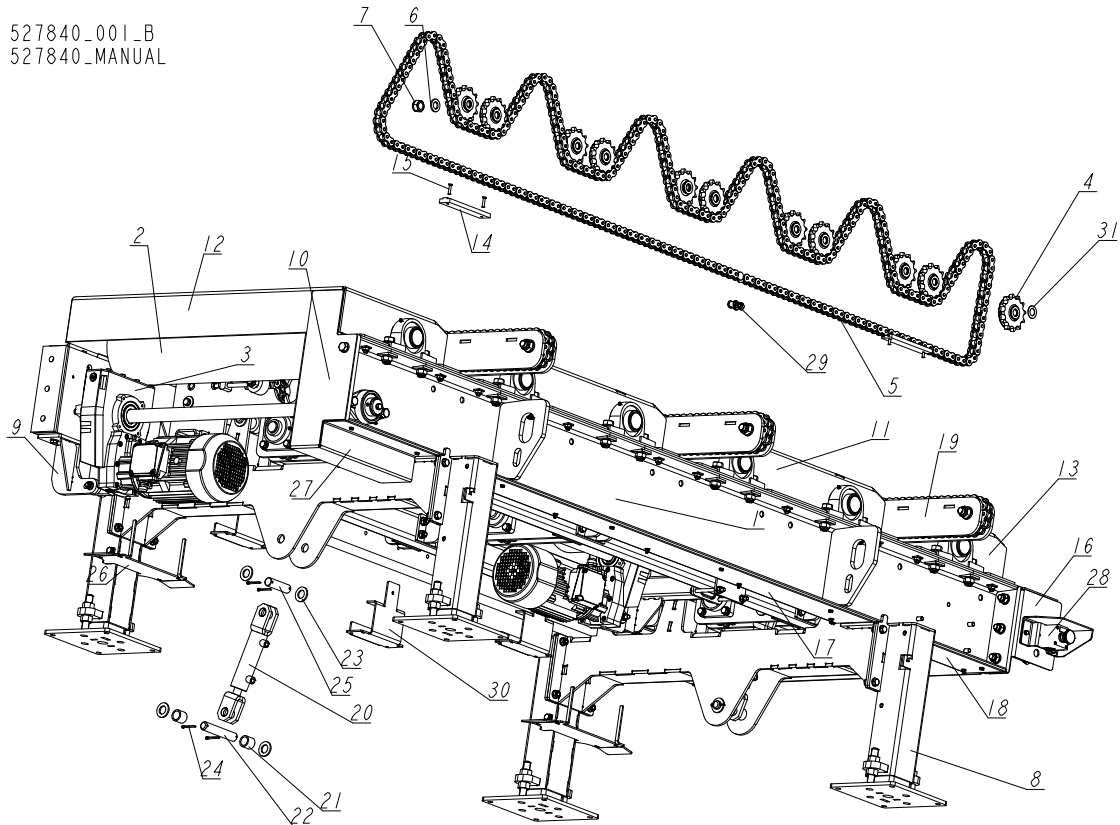


REF.	DESCRIPTION (* indicates parts available in assemblies only)	PART #	QTY
-	EXTENSION WITH CHAIN TENSIONER	536652	1
-	EXTENSION, SORTING TABLE - COMPLETE	536645	1
1	EXTENSION, SORTING TABLE	536646-1	1
2	ROLLER, FI=133/25-700 S=18 BEARING 6305 TYPE 2 PAINTED	522428-1	1
3	LOCK, ROLLER	522426-1	2
4	WASHER, 5.3 FLAT ZINC	F81052-1	2
5	WASHER, 5.1 SPLIT LOCK	F81052-2	2
6	BOLT, M5X12 5.8 HEX HEAD FULL THREAD ZINC	F81000-5	2
7	SWITCH ASSEMBLY, EMERGENCY STOP See Section 10.38	527795	1
8	PLATE, CHAIN TENSIONER WLDMT/PTD	530858-1	1
9	WASHER, 13 FLAT ZINC	F81056-1	3
10	BOLT, M12X40-8.8 HEX HEAD	F81004-1	3
11	SPROCKET, 16B1 Z=12 ULMER 554570	715087	1
12	WASHER, 8.5/40-6 ZINC-PLATED	512011-1	1
13	BOLT, M8X20 8.8 HEX HEAD FULL THREAD ZINC	F81002-4	1
14	WASHER, 17 SPLIT LOCK ZINC	F81058-1	12
15	NUT, M16-8 HEX NYLON ZINC LOCK	F81036-2	6
16	BOLT, M16X50-8.8 HEX HEAD FULL THREAD ZINC	F81006-38	6
17	NUT, M16-8 HEX ZINC	F81036-1	1
18	BOLT, M16X140-8.8 HEX HEAD FULL THREAD ZINC	F81006-48	1
19	PLATE, SECURING	536683-1	1

SECTION 6 SORTING TABLE BASIC MODULE CRS HH

6.1 Cross Frame

527840_001_B
527840_MANUAL



REF	DESCRIPTION (u indicates parts available in assemblies only)	PART #	QTY
-	MODULE, SORTING TABLE BASIC	527840	1
1	FRAME WELDMENT, BASIC TABLE	527197-1	1
2	ROLLER, SORTING TABLE - COMPLETE See Section 7.3	715415	6
3	ROLLER DRIVE ASSEMBLY See Section 6.2	527841	1
4	SPROCKET, 16B1 Z=12ULMER 554570	715087	11
5	CHAIN, LONGITUDINAL DRIVE	527843 ¹	1
6	WASHER, M21 FLAT ZINC	F81059-2	11
7	NUT, M20-6 HEX	F81037-2	11
8	LEG ASSEMBLY See Section 7.5	714423	4
9	TORQUE ARM See Section 6.3	527844	1
10	COVER 4 - COMPLETE See Section 6.7	535240 ²	1
11	COVER (1) - COMPLETE See Section 6.4	527229	1
12	COVER (2) - COMPLETE See Section 6.5	527231	1
13	COVER (3) - COMPLETE See Section 6.6	527233	1
14	BAR, 16B-1 CHAIN GUIDE	715343	2
15	SCREW, M6X30-10.9 DIN7991(BN 0021) FLAT	F81001-67	4
16	FRAME, TABLE CROSS - COMPLETE See Section 6.11	527767 ³	1
17	PLATE, SLIDE- COMPLETE	527775	1
18	PLATE, SLIDE - COMPLETE	527778	1
19	FRAME, CROSS - COMPLETE See Section 6.11	527848	1

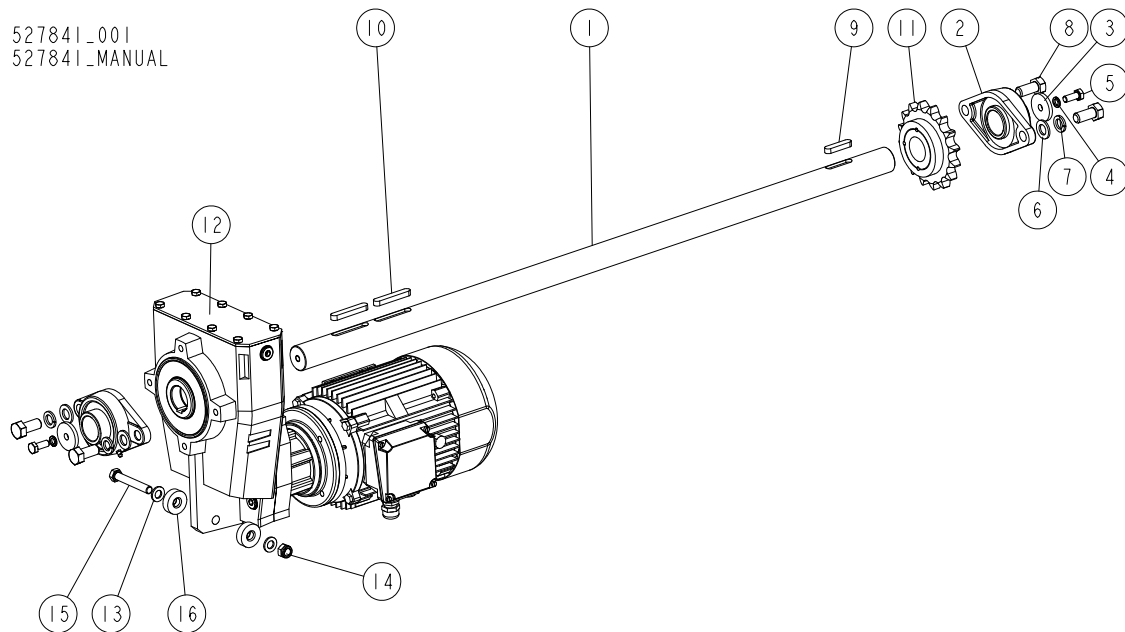
REF	DESCRIPTION (u indicates parts available in assemblies only)	PART #	QTY	
20	CYLINDER, 40-22H80L311	715112	2	
21	BUSHING, 25.7 / 33.7 - 29	715474-1	4	
22	PIN, 25X144	715397-1	2	
23	WASHER, 25 FLAT ZINC	F81061-3	8	
24	PIN, 5 X 40 COTTER	F81043-31	8	
25	PIN, 25X90	715398-1	2	
26	BRACKET, HYDRAULIC HOSE - COMPLETE See Section 7.6	714441	2	
27	COVER, FRONT - COMPLETE See Section 6.9	527788	1	
28	SWITCH ASSEMBLY, EMERGENCY STOP See Section 10.38	527795	2	
29	LINK, 16B-1 (T 35759)WM1000	504233	1	
30	HYDRAULIC HOSE BRACKET	528135-1	3	
-	SHIMS ASSEMBLY	530842	11	
31	SHIM, 21/37-1	530841	5	

¹ Included in assy # 527840

² Included in assy # 527840

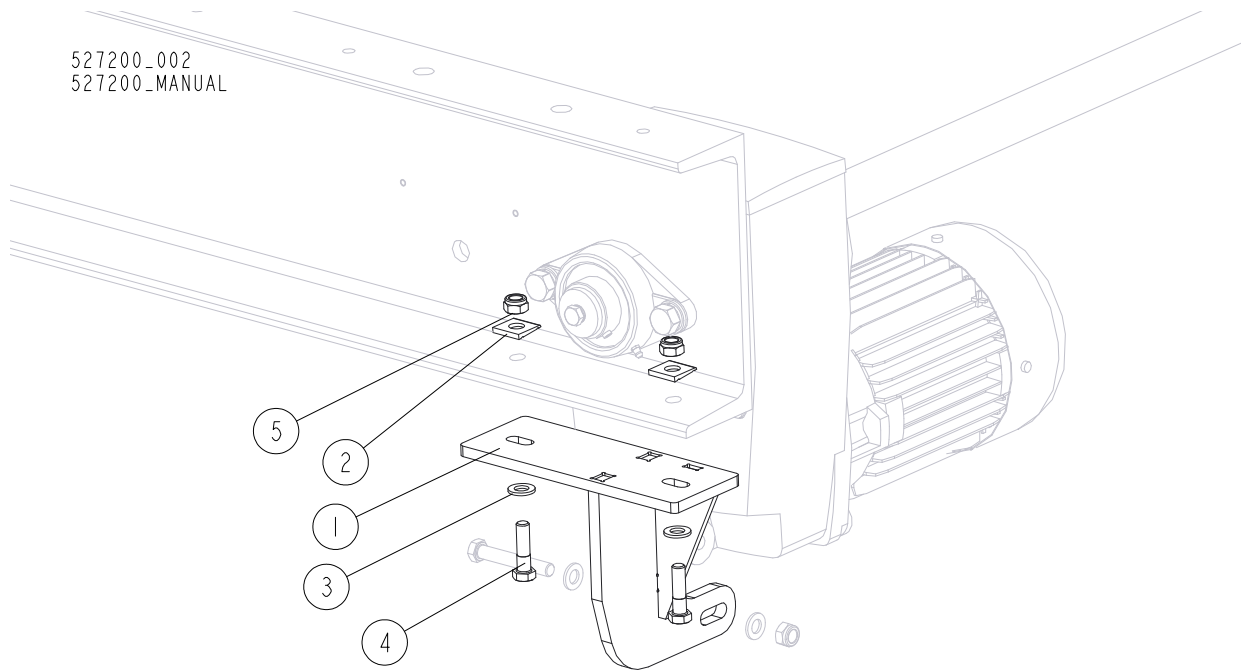
³ Included in assy # 527840

6.2 Roller Drive Assembly



REF.	DESCRIPTION (* indicates parts available in assemblies only)	PART #	QTY
-	ROLLER DRIVE ASSEMBLY	527841	1
1	SHAFT, SORTING TABLE DRIVE	527842	1
2	BEARING, UCFL208 W/HOUSING (KG INTERN. FZCO)	099423	2
3	WASHER, 10.5/45-6 ZINC-PLATED	086286-1	2
4	WASHER, Z 10.2 SPLIT LOCK ZINC	F81055-2	2
5	BOLT, M10X25 8.8 HEX HEAD FULL THREAD ZINC	F81003-11	2
6	WASHER, 17 SPLIT LOCK ZINC	F81058-1	4
7	WASHER, 16.3 SPLIT LOCK ZINC	F81058-2	4
8	BOLT, M16X35 -8.8 HEX HEAD FULL THREAD ZINC	F81006-74	4
9	KEY, A12X8X50 PARALLEL	506735	1
10	KEY, A12X8X70 PARALLEL	715417	2
11	T65005 + T31110	715115	1
12	MOTOREDUCER, HR-402/37,24[2,2-1400-160/28-PTC-IE2-[S3=60%]-G]B3	527838	1
13	WASHER, 13 FLAT ZINC	F81056-1	2
14	NUT, M12 8 HEX NYLON ZINC LOCK	F81034-2	1
15	BOLT, M12X80 -8.8 HEX HEAD ZINC	F81004-46	1
16	WASHER, RUBBER	090443	2

6.3 Torque Arm



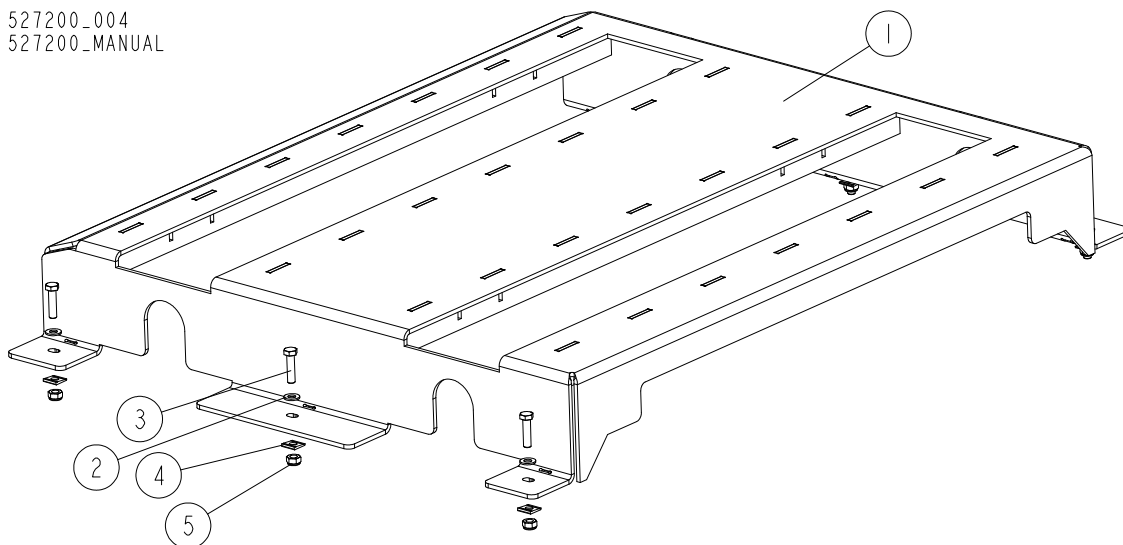
REF.	DESCRIPTION (* indicates parts available in assemblies only)	PART #	QTY	
-	ARM, TORQUE	527844	1	
1	ARM, TORQUE WELDMENT	527845-1	1	
2	WASHER, 14 SQUARE TAPER ZINC	F81055-13	2	
3	WASHER, 13 FLAT ZINC	F81056-1	2	
4	BOLT, M12X45 8.8 HEX HEAD ZINC	F81004-32	2	
5	NUT, M12 8 HEX NYLON ZINC LOCK	F81034-2	2	

6 SORTING TABLE BASIC MODULE CRS HH

Table Top

6.4 Table Top

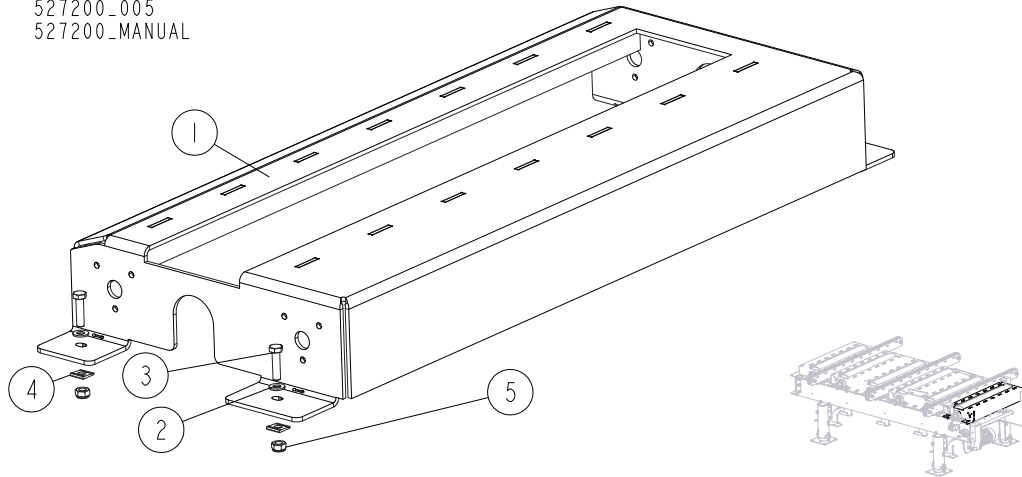
527200_004
527200_MANUAL



REF.	DESCRIPTION (* indicates parts available in assemblies only)	PART #	QTY
-	COVER 1 - COMPLETE	527229	1
1	COVER 1, WLDMT/PTD	527818-1	1
2	WASHER, 10.5 FLAT ZINC	F81055-1	6
3	BOLT, M10X40-8.8 HEX HEAD FULL THREAD ZINC	F81003-16	6
4	WASHER, M10 DIN 434 / PN 82018 SQUARE TAPER	715344	6
5	NUT, M10-8-B HEX NYLON ZINC LOCK	F81033-1	6

6.5 Table Top

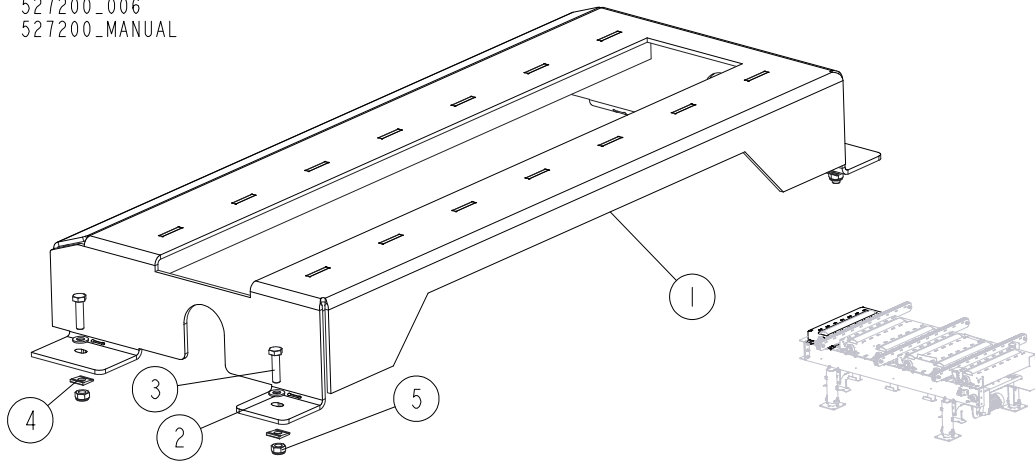
527200_005
527200_MANUAL



REF.	DESCRIPTION (* indicates parts available in assemblies only)	PART #	QTY
-	COVER 2 - COMPLETE	527231	1
1	COVER 3, WLDMT/PTD	527819-1	1
2	WASHER, 10.5 FLAT ZINC	F81055-1	4
3	BOLT, M10X40-8.8 HEX HEAD FULL THREAD ZINC	F81003-16	4
4	WASHER, M10 DIN 434 / PN 82018 SQUARE TAPER	715344	4
5	NUT, M10-8-B HEX NYLON ZINC LOCK	F81033-1	4

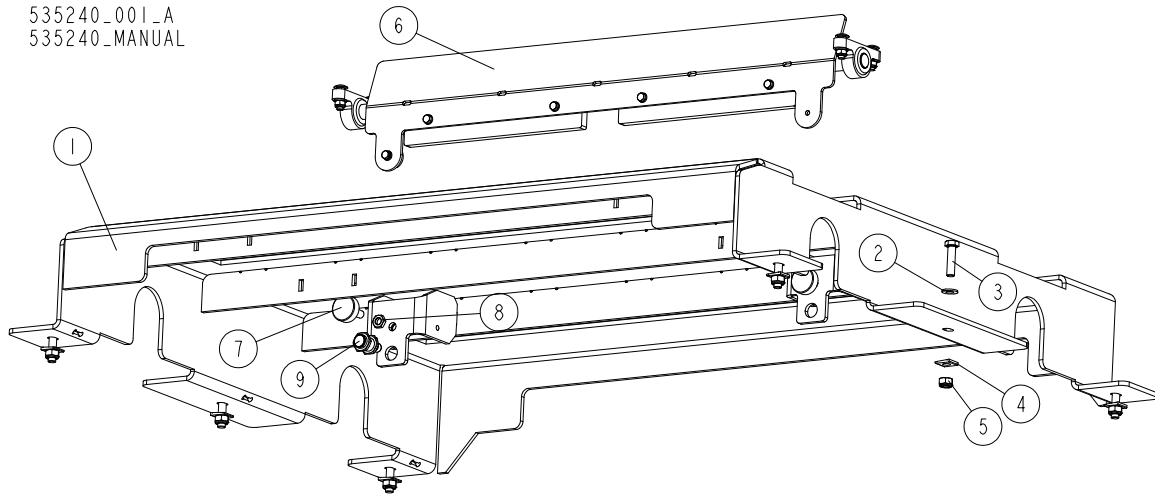
6.6 Table Top

527200_006
527200_MANUAL



REF.	DESCRIPTION (* indicates parts available in assemblies only)	PART #	QTY
-	COVER 3 - COMPLETE	527233	1
1	COVER 3, WLDMT/PTD	527817-1	1
2	WASHER, 10.5 FLAT ZINC	F81055-1	4
3	BOLT, M10X40-8.8 HEX HEAD FULL THREAD ZINC	F81003-16	4
4	WASHER, M10 DIN 434 / PN 82018 SQUARE TAPER	715344	4
5	NUT, M10-8-B HEX NYLON ZINC LOCK	F81033-1	4

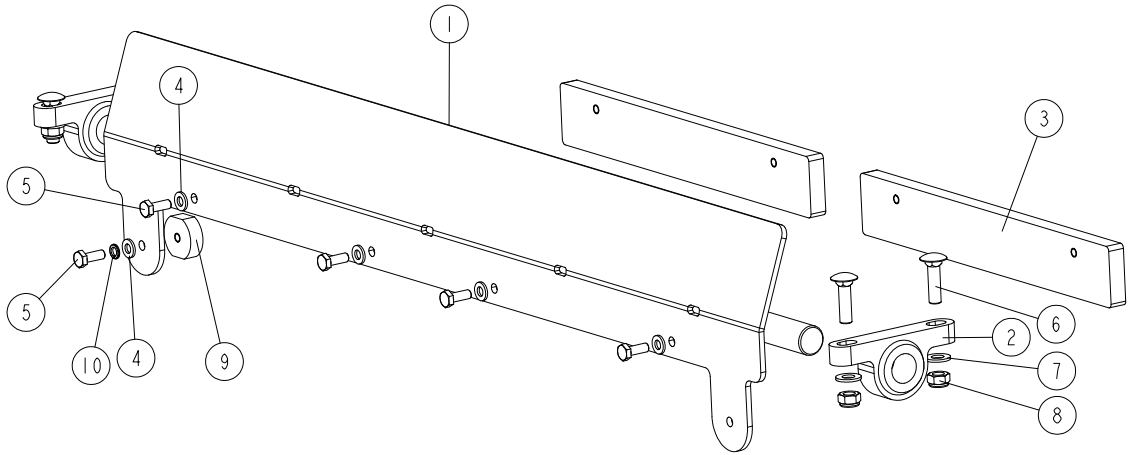
6.7 Table Top 535240



REF.	DESCRIPTION (* indicates parts available in assemblies only)	PART #	QTY
-	Cover (4) - COMPLETE	535240	1
1	COVER 1	535241-1	1
2	WASHER, 10.5 FLAT ZINC	F81055-1	8
3	BOLT, M10X40-8.8 HEX HEAD FULL THREAD ZINC	F81003-16	6
4	WASHER, M10 DIN 434 / PN 82018 SQUARE TAPER	715344	6
5	NUT, M10-8-B HEX NYLON ZINC LOCK	F81033-1	8
6	BUMPER, COMPLETE See Section 6.8	534999	1
7	FOOT, M10	092839	2
8	NUT, M10-04-A HEX THIN ZINC	F81033-6	2
9	SENSOR, IGC204 MAGNETIC SHUTOFF	512970	1

6.8 Bumper

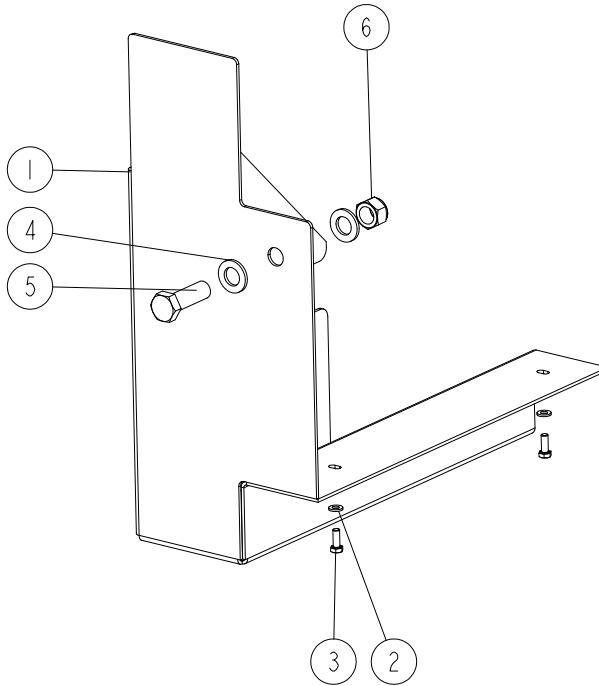
534999_001
534999_MANUAL



REF.	DESCRIPTION (* indicates parts available in assemblies only)	PART #	QTY
-	BUMPER, COMPLETE	534999	1
1	BUMPER, MOVABLE	534997-1	1
2	BEARING, KSTM-20 IGUS W/HOUSING	535003	2
3	WEIGHT, HEAVY	535006-1	2
4	WASHER, 6.4 FLAT ZINC	F81053-1	5
5	BOLT, M6X16-8.8 HEX HEAD FULL THREAD ZINC	F81001-15	5
6	BOLT, M8X30-8.8 CARRIAGE ZINC	F81002-69	4
7	WASHER, 8.4 FLAT ZINC	F81054-1	4
8	NUT, M8-8-B HEX NYLON ZINC LOCK	F81032-2	4
9	SPACER, MAGNETIC SHUTOFF SENSOR	535004-1	1
10	WASHER, Z 6.1 SPLIT LOCK ZINC	F81053-3	1

6.9 Front Cover

527788_001
527788_MANUAL



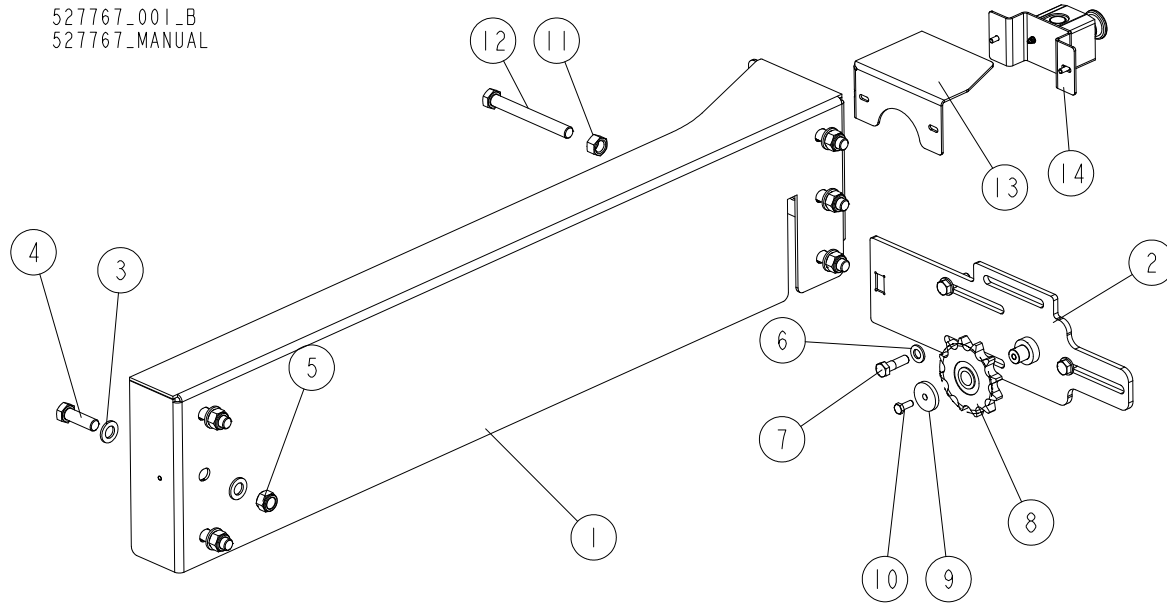
REF.	DESCRIPTION (* indicates parts available in assemblies only)	PART #	QTY
-	COVER, FRONT - COMPLETE	527788	1
1	PLATE, COVER	527786-1	1
2	WASHER, 6.4 FLAT ZINC	F81053-1	2
3	BOLT, M6X16-8.8 HEX HEAD FULL THREAD ZINC	F81001-15	2
4	WASHER, 17 SPLIT LOCK ZINC	F81058-1	2
5	BOLT, M16X50-8.8 HEX HEAD FULL THREAD ZINC	F81006-38	1
6	NUT, M16-8 HEX NYLON ZINC LOCK	F81036-2	1

6 SORTING TABLE BASIC MODULE CRS HH

Rear Beam

6.10 Rear Beam

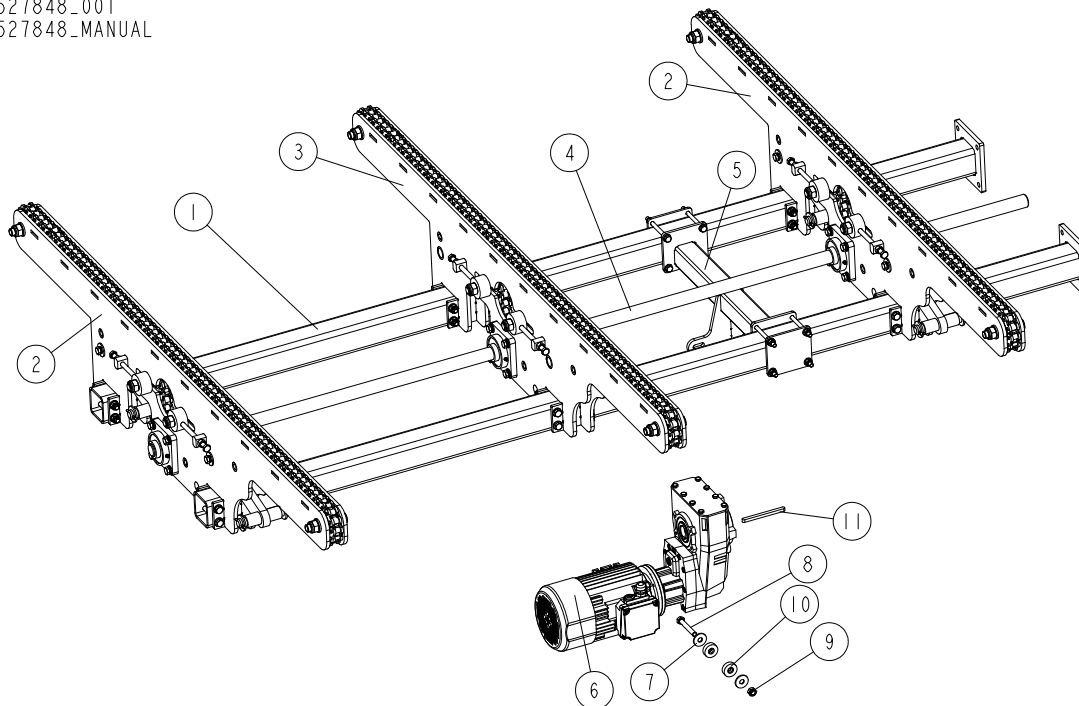
527767_001_B
527767_MANUAL



REF.	DESCRIPTION (* indicates parts available in assemblies only)	PART #	QTY
-	Beam, Rear - Complete	527767	1
1	CHANNEL	716272-1	1
2	PLATE, CHAIN TENSIONER WLDMT/PTD	716270-1	1
3	WASHER, 17 SPLIT LOCK ZINC	F81058-1	12
4	BOLT, M16X50-8.8 HEX HEAD FULL THREAD ZINC	F81006-38	6
5	NUT, M16-8 HEX NYLON ZINC LOCK	F81036-2	6
6	WASHER, 13 FLAT ZINC	F81056-1	3
7	BOLT, M12X40-8.8 HEX HEAD	F81004-1	3
8	SPROCKET, 16B1 Z=12 ULMER 554570	715087	1
9	WASHER, 8.5/40-6 ZINC-PLATED	512011-1	1
10	BOLT, M8X20 8.8 HEX HEAD FULL THREAD ZINC	F81002-4	1
11	NUT, M16-8 HEX ZINC	F81036-1	1
12	BOLT, M16X140-8.8 HEX HEAD FULL THREAD ZINC	F81006-48	1
13	PLATE, SECURING	536683-1	1
14	SWITCH ASSEMBLY, EMERGENCY STOP See Section 10.38	527795	1

6.11 Cross Frame

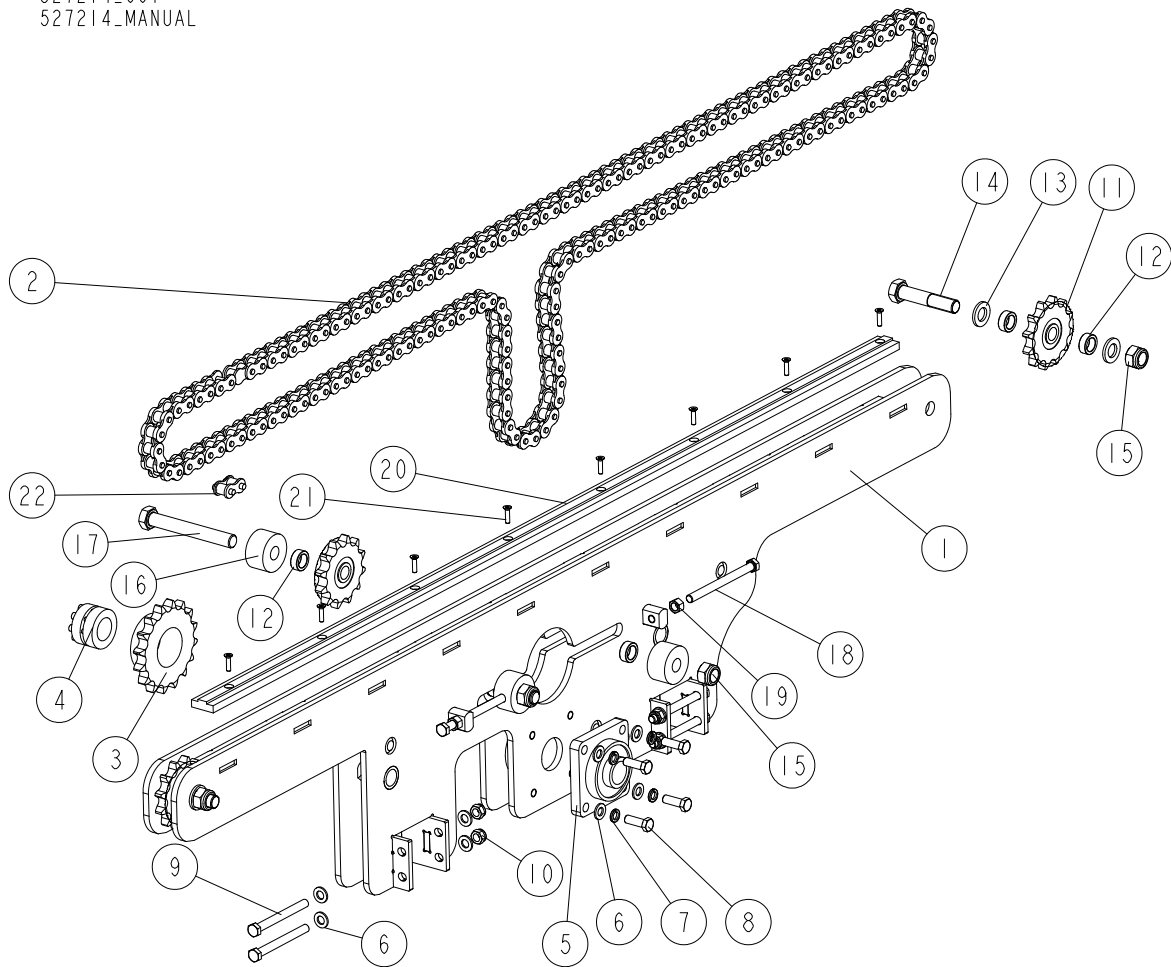
527848_001
527848_MANUAL



REF.	DESCRIPTION (* indicates parts available in assemblies only)	PART #	QTY
-	Frame, Cross - Complete	527848	1
1	TUBE, MOUNT	527773-1	2
2	RAIL, SORTING TABLE CROSS See Section 7.8	527208	2
3	RAIL, SORTING TABLE CROSS See Section 6.12	527214	1
4	SHAFT, TRANSVERSE DRIVE	527849	1
5	BEAM, TORQUE - COMPLETE See Section 6.13	527850	1
6	MOTOREDUCER, HR-352/21,78[1,5-1400-140/24-PTC-IE2-[S3=60%]-G]B3	530845	1
7	WASHER, 13 SPECIAL FLAT ZINC	F81056-14	2
8	BOLT, M12X80 -8.8 HEX HEAD ZINC	F81004-46	1
9	NUT, M12 8 HEX NYLON ZINC LOCK	F81034-2	1
10	WASHER, RUBBER	090443	2
11	KEY, A10X8X125, PARALLEL	530837	1

6.12 Cross Rail

527214_001
527214_MANUAL

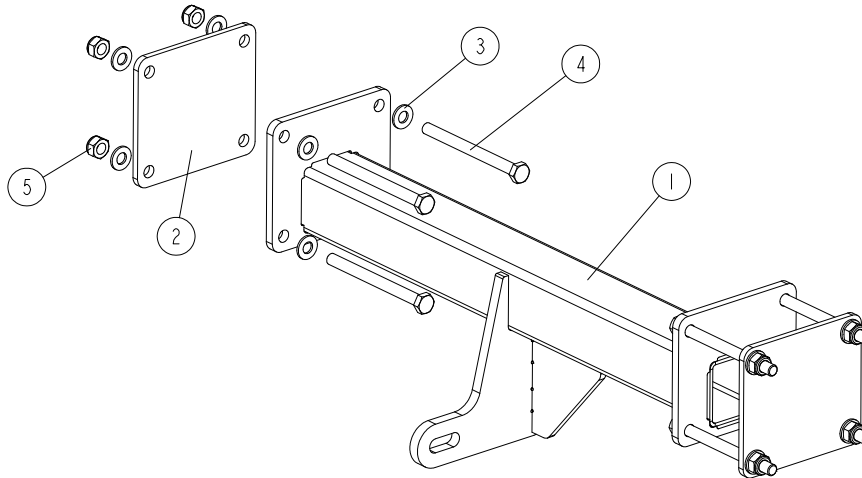


REF.	DESCRIPTION (* indicates parts available in assemblies only)	PART #	QTY
-	RAIL, SORTING TABLE CROSS	527214	1
1	RAIL, CROSS	527211-1	1
2	CHAIN, 16B1 4.256 MB JWIS	527217	1
-	SPROCKET W/MOUNTING BUSHING	715121	1
3	SPROCKET, 16B-1 Z16	715105	1
4	BUSHING, BK13 322627 MOUNTING	715106	1
5	BEARING, UCFC 207 W/HOUSING	097668	1
6	WASHER, 13 FLAT ZINC	F81056-1	20
7	WASHER, Z12.2 SPLIT LOCK ZINC	F81056-2	4
8	BOLT, M12X35 8.8 HEX HEAD FULL THREAD ZINC	F81004-24	4
9	BOLT, M12X120-8.8 HEX HEAD ZINC	F81004-38	8
10	NUT, M12 8 HEX NYLON ZINC LOCK	F81034-2	8
11	SPROCKET, 16B1 Z=12 T28510	715087	4
12	BUSHING, 20.5/30-11.5 ZINC-PLATED	715108-1	8
13	WASHER, 21 FLAT ZINC	F81059-2	4
14	BOLT, M20X100-8.8 HEX HEAD ZINC	F81007-6	2
15	NUT, M20-8 DIN985 HEX NYLON ZINC LOCK	F81037-2	4
16	BUSHING, 20.5 / 58 - 26	715366-1	4

SORTING TABLE BASIC MODULE CRS HH*Cross Rail***6**

REF.	DESCRIPTION (* indicates parts available in assemblies only)	PART #	QTY	
17	BOLT, ISO 4017 M20X150 8.8 HEX HEAD ZINC	F81007-3	2	
18	BOLT, M12X150-8.8 HEX HEAD FULL THREAD ZINC	F81004-54	4	
19	NUT, M12-8 HEX ZINC	F81034-1	4	
20	BAR, 16B-1 CHAIN GUIDE	527220	1	
21	SCREW, M6X25-8.8 DIN7991 FLAT SOCKET HEAD CAP ZINC	F81001-68	8	
22	LINK, 16B-1 (T 35759) MASTER	504233	1	

6.13 Torque Beam

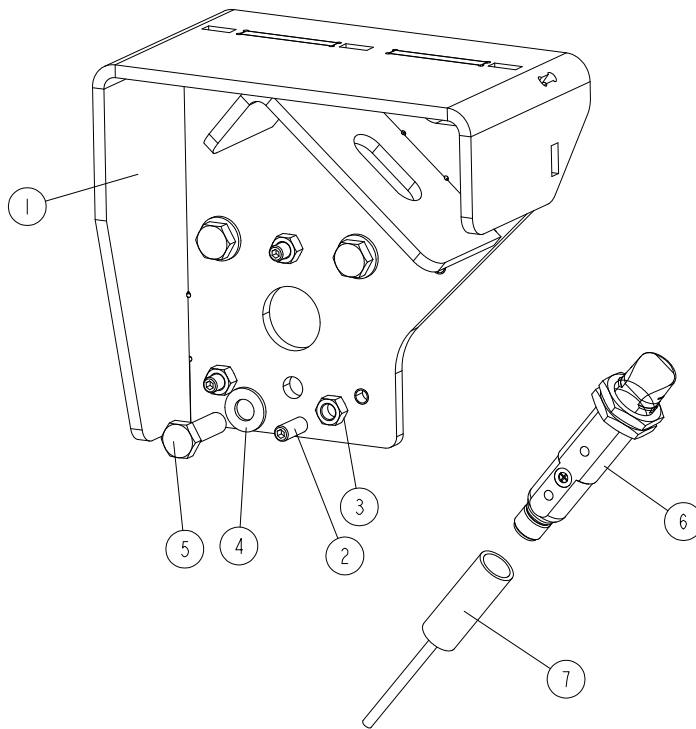


527850_001
527850_MANUAL

REF.	DESCRIPTION (* indicates parts available in assemblies only)	PART #	QTY
-	Beam, Torque - Complete	527850	1
1	BEAM, TORQUE ARM WELDMENT	530835-1	1
2	PLATE	527237-1	2
3	WASHER, 10.5 FLAT ZINC	F81055-1	16
4	BOLT, M10X120 8.8 HEX HEAD FULL THREAD ZINC	F81003-58	8
5	NUT, M10-8-B HEX NYLON ZINC LOCK	F81033-1	8

6.14 Retroreflective Sensor Assembly

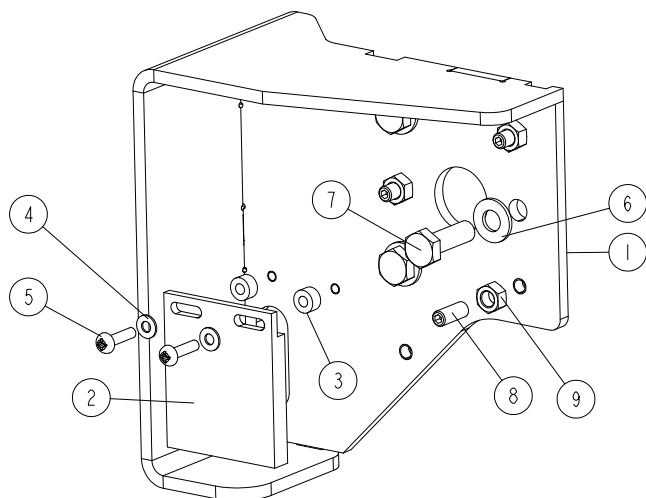
534005_001
534005_MANUAL



REF.	DESCRIPTION (* indicates parts available in assemblies only)	PART #	QTY
-	Retroreflective Sensor Assembly	534005	1
1	BRACKET, SENSOR PTD/WLDMT	534004-1	1
2	SCREW, M6X16-45H HEX SOCKET SET FLAT POINT ZINC	F81001-10	3
3	NUT, M6 8 HEX ZINC	F81031-1	3
4	WASHER, 8.4 FLAT ZINC	F81054-1	3
5	BOLT, M8X25-8.8-B HEX HEAD FULL THREAD ZINC	F81002-5	3
6	SENSOR, BALLUFF BOS-18KW-PA-1QC-S4-C0126859 RETROREFLECTIVE	527803	1
7	CABLE, BCC BALLUFF M425-0000-1A-001-PX0334-300	527880	1

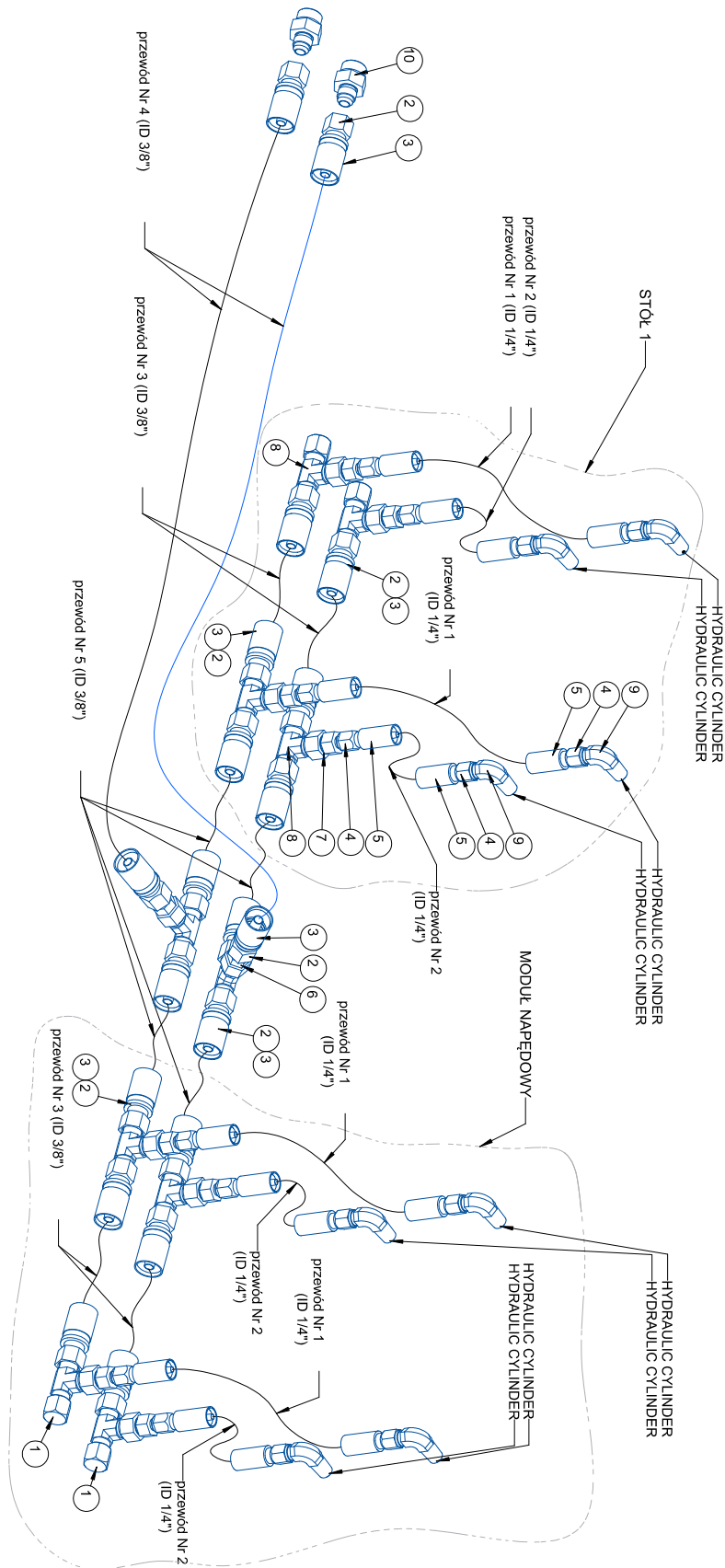
6.15 Reflector Bracket

534009_001
 534009_MANUAL



REF.	DESCRIPTION (* indicates parts available in assemblies only)	PART #	QTY
-	Reflector Bracket - Complete	534009	1
1	BRACKET, REFLECTOR PTD/WLDMT	534008-1	1
2	REFLECTOR, BALLUFF BOS R-9	527804	1
3	SPACER, BUSHING	527829-1	2
4	WASHER, 4.3 FLAT ZINC	F81051-2	2
5	SCREW, M4X16 5.8-B CROSS RECESSED PAN HEAD ZINC	F81011-42	2
6	WASHER, 8.4 FLAT ZINC	F81054-1	3
7	BOLT, M8X25-8.8-B HEX HEAD FULL THREAD ZINC	F81002-5	3
8	SCREW, M6X16-45H HEX SOCKET SET FLAT POINT ZINC	F81001-10	3
9	NUT, M6 8 HEX ZINC	F81031-1	3

6.16 CRS 2 Hydraulic System Collection Kit



SORTING TABLE BASIC MODULE CRS HH*CRS 2 Hydraulic System Collection Kit*

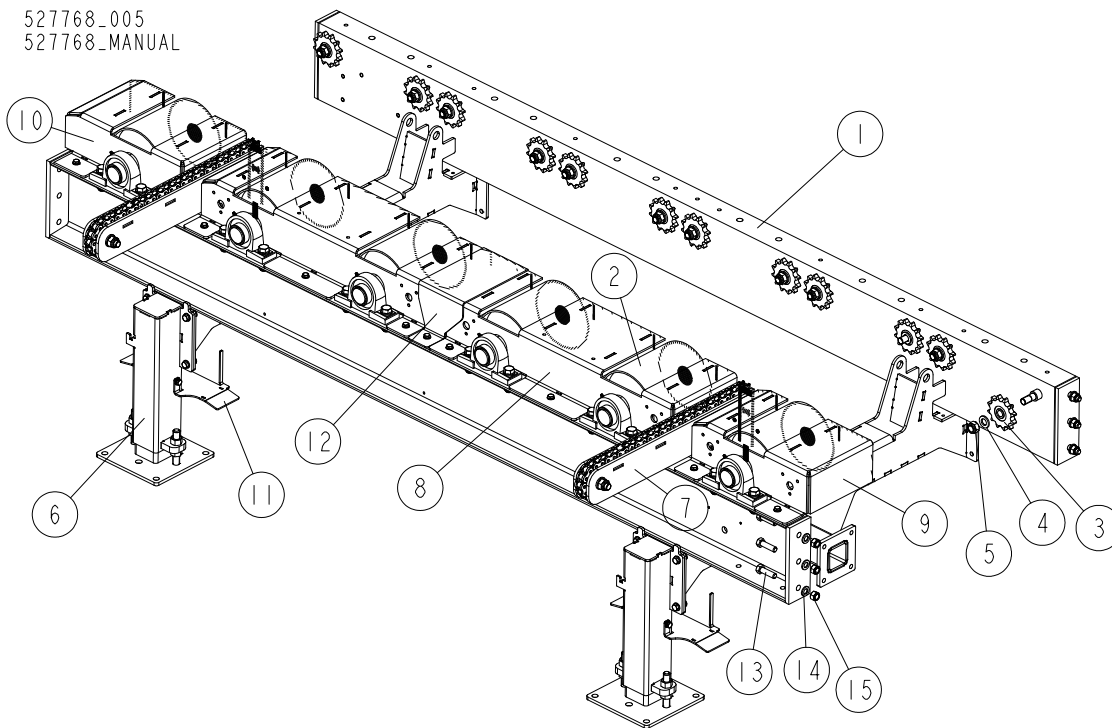
REF.	DESCRIPTION (* indicates parts available in assemblies only)	PART #	QTY	
-	CRS 2 HYDRAULIC SYSTEM COLLECTION KIT	534024		
1	FITTING, 3/8JIC CAP	016816	4	
2	FITTING, JIC 9/16-18	085900	20	
3	SLEEVE, 3/8" HYDRAULIC HOSE CLAMPING	085901	20	
4	FITTING, JIC 7/16-20	085902	16	
5	SLEEVE, 1/4" HYDRAULIC HOSE CLAMPING	085903	16	
6	FITTING, 3/8JIC - 3/8JIC	530186	2	
7	FITTING, UNF 9/16" TO UNF 7/16" STRAIGHT REDUCER	534021	8	
8	T-FITTING W/NUT (3/8" HOSE)	534022	10	
9	FITTING, 1/4NPTX1/4JIC MALE ELBOW	P09142	8	
10	FITTING, 8SAE-3/8JIC	P12703	2	

Hose No	ITEM No	Qty	Hydraulic Hose Length (running metre)
1	R02130	4	0.7
2	R02130	4	0.65
3	R02132	4	2.15
4	R02132	2	15
5	R02132	4	0.6
ITEM R02130 Total length			5.4
ITEM R02132 Total length			41

SECTION 7 SORTING TABLE EXTENSION MODULE CRS HH

7.1 Extension Module

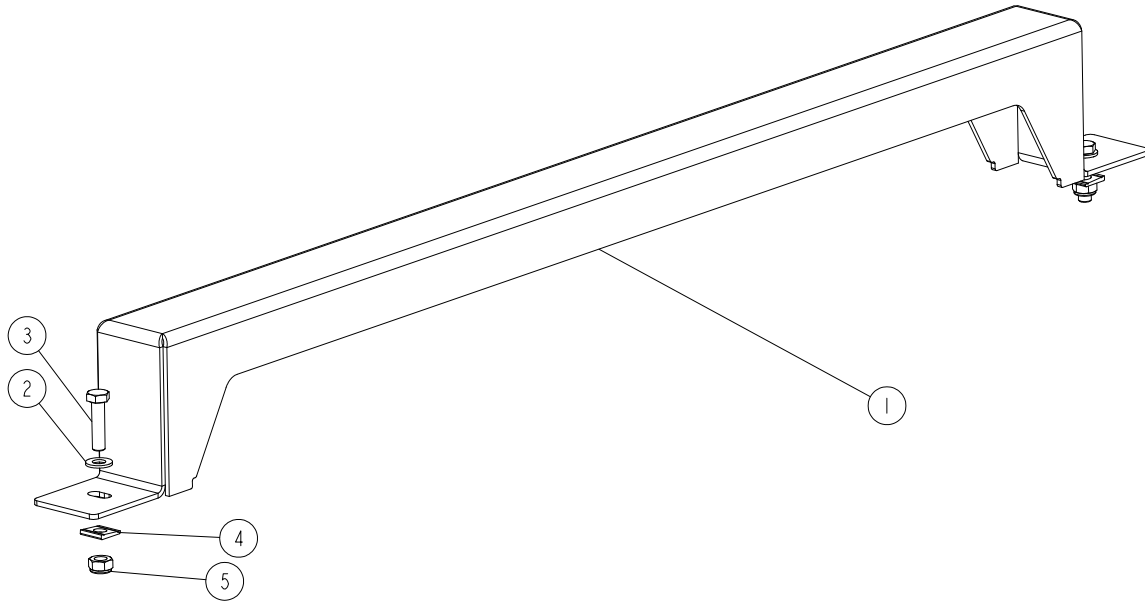
527768_005
527768_MANUAL



REF.	DESCRIPTION (* indicates parts available in assemblies only)	PART #	QTY
1	FRAME WELDMENT, BASIC TABLE	527813-1	1
2	ROLLER, SORTING TABLE - COMPLETE See Section 7.3	715415	6
3	SPROCKET, 16B1 Z=12 T28510	715087	12
4	WASHER, 21 FLAT ZINC	F81059-2	12
5	NUT, M20-8 DIN985 HEX NYLON ZINC LOCK	F81037-2	12
6	LEG ASSEMBLY See Section 7.5	714423	4
7	FRAME, TABLE CROSS - COMPLETE See Section 7.7	527790	1
8	COVER (1) - COMPLETE See Section 6.4	527229	2
9	COVER (2) - COMPLETE See Section 6.5	527231	1
10	COVER (3) - COMPLETE See Section 6.6	527233	1
11	HANGER, HYDRAULIC HOSE - COMPLETE	714441	2
12	PLATE, COVER - COMPLETE See Section 7.2	530844	1
13	BOLT, M16X55-8.8 HEX HEAD FULL THREAD ZINC	F81006-61	6
14	WASHER, 17 SPLIT LOCK ZINC	F81058-1	6
15	NUT, M16-8 HEX NYLON ZINC LOCK	F81036-2	6

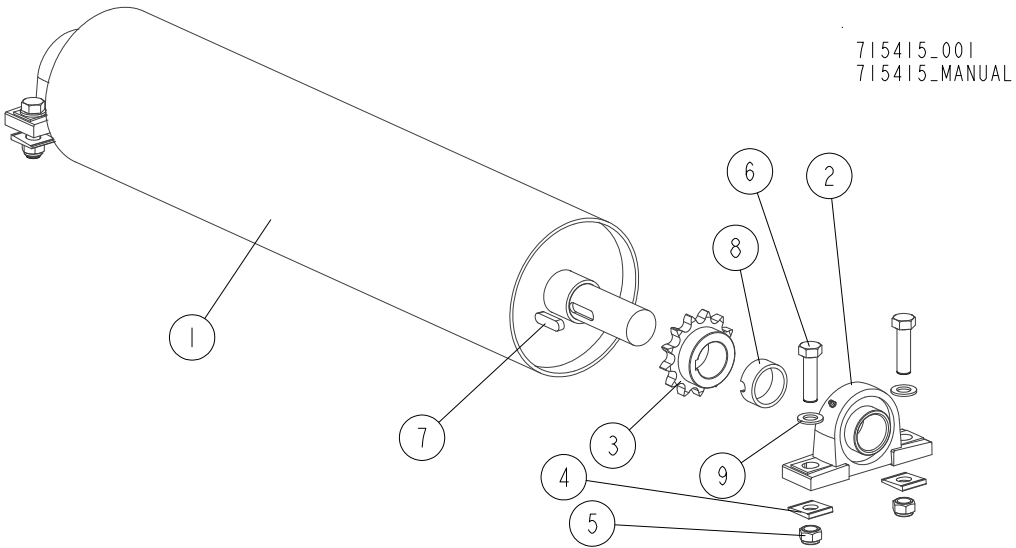
7.2 Cover Plate

530844_001
530844_MANUAL



REF.	DESCRIPTION (* indicates parts available in assemblies only)	PART #	QTY
-	PLATE, COVER - COMPLETE	530844	1
1	PLATE, COVER	530843-1	1
2	WASHER, 10.5 FLAT ZINC	F81055-1	2
3	BOLT, M10X40-8.8 HEX HEAD FULL THREAD ZINC	F81003-16	2
4	WASHER, M10 DIN 434 / PN 82018 SQUARE TAPER	715344	2
5	NUT, M10-8-B HEX NYLON ZINC LOCK	F81033-1	2

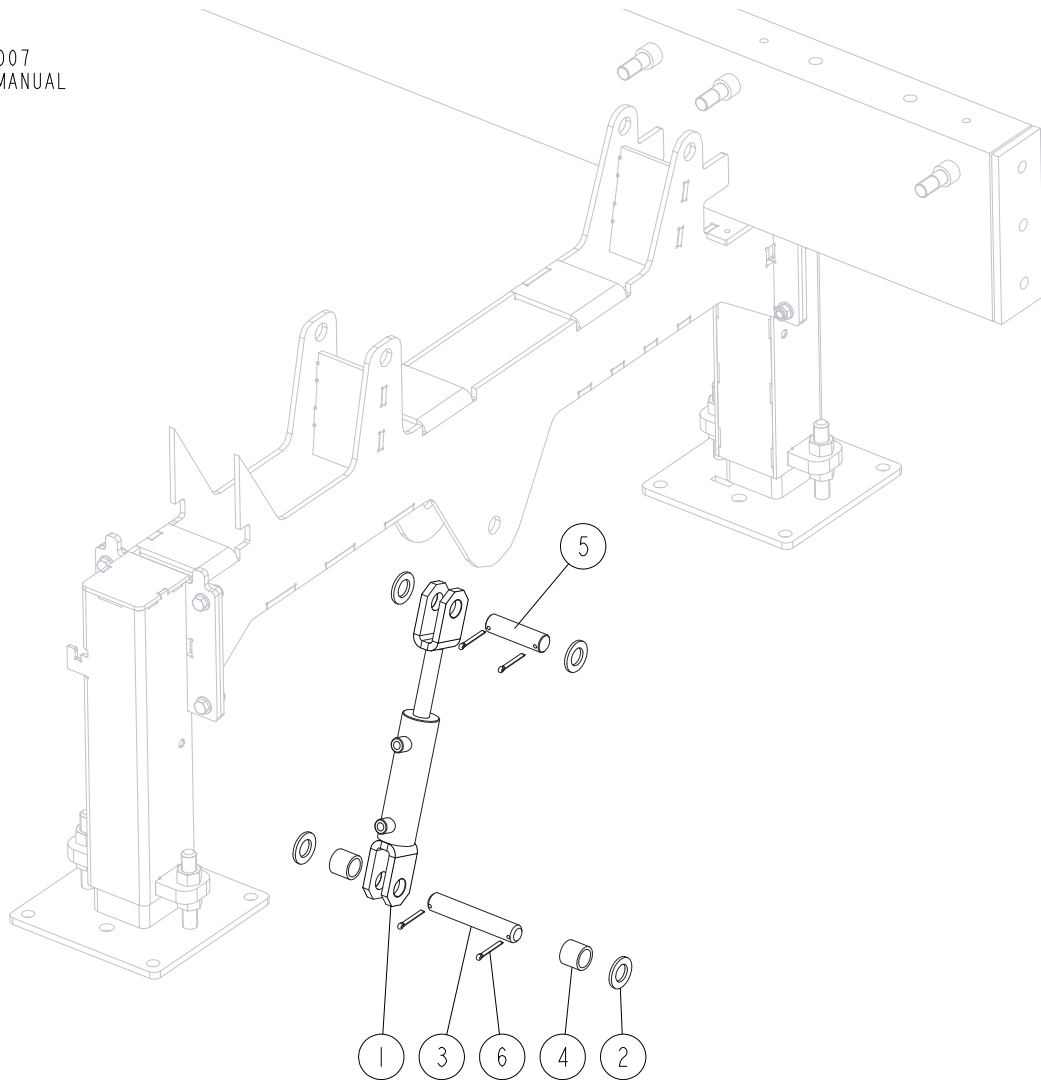
7.3 Sorting Table Roller



REF.	DESCRIPTION (* indicates parts available in assemblies only)	PART #	QTY
-	ROLLER, SORTING TABLE - COMPLETE	715415	1
1	ROLLER, SORTING TABLE	715073-1	1
2	BEARING, UCP 210 W/HOUSING	089041	2
3	SPROCKET, 16B1 13Z N50 T75298	715088	1
4	WASHER, M20 DIN 434 / PN 82018 SQUARE TAPER	715414	4
5	NUT, M18 HEX NYLON LOCK	F81039-15	4
6	BOLT, M18X65-8.8 HEX HEAD FULL THREAD ZINC	F81008-3	4
7	KEY, A 14X9X50 PARALLEL	514071	1
8	BUSHING	715447-1	1
9	WASHER, 19 FLAT ZINC	F81060-1	4

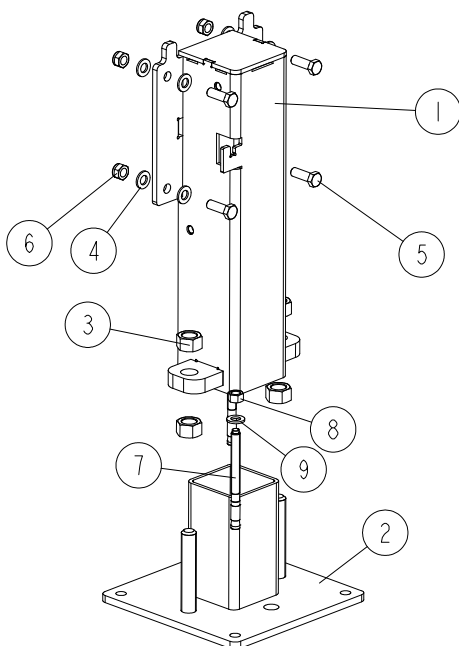
7.4 Hydraulic Cylinder

527768_007
527768_MANUAL



REF.	DESCRIPTION (* indicates parts available in assemblies only)	PART #	QTY
1	CYLINDER, 40-22H80L311 HYDRAULIC	715112	1
2	WASHER, 25 ZINC	F81061-3	4
3	PIN, 25X144	715397-1	1
4	BUSHING, 25.7 / 33.7 - 29	715474-1	2
5	PIN, 25X90	715398-1	1
6	PIN, S-FE 5X40 COTTER	F81043-31	4

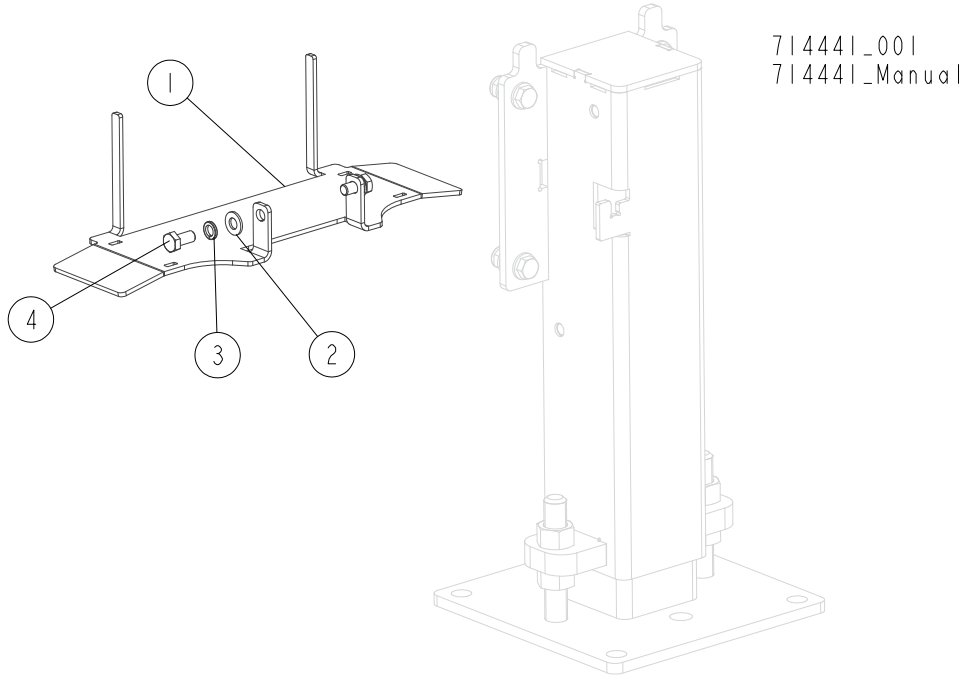
7.5 Leg Assembly



714423_001
714423_Manual

REF	DESCRIPTION (u indicates parts available in assemblies only)	PART #	QTY
-	LEG ASSEMBLY	714423	1
1	LEG, WB2000 BED	714424-1	1
2	FOOT WELDMENT, BED LEG	510897-1	1
3	NUT, M20-8 HEX ZINC	F81037-1	4
4	WASHER, 13 FLAT ZINC	F81056-1	8
5	BOLT, M12X35-8.8 HEX HEAD FULL THREAD ZI	F81004-24	4
6	NUT, M12-8 HEX NYLON ZINC LOCK	F81034-2	4
-	STUD, M12 140MM ANCHOR	084529	2
7	STUD, M12 140MM ANCHOR	084529	1
8	NUT, M12-8-B HEX ZINC	F81034-1	1
9	WASHER, 13 FLAT ZINC	F81056-1	1

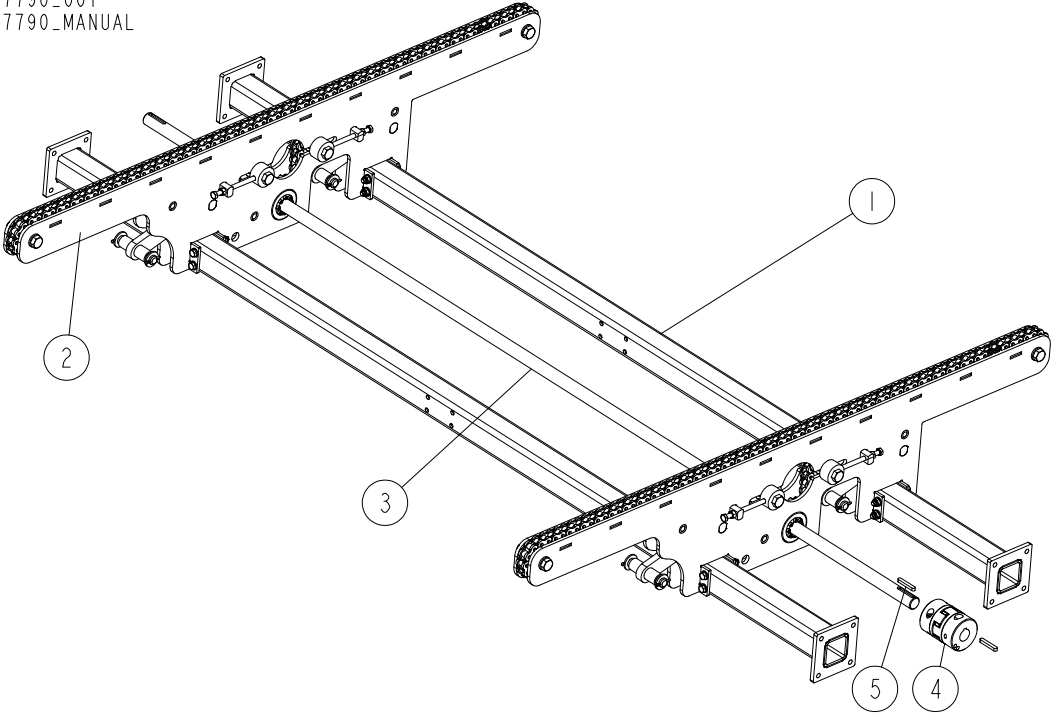
7.6 Hydraulic Hose Bracket



REF.	DESCRIPTION (* indicates parts available in assemblies only)	PART #	QTY	
-	BRACKET, HYDRAULIC HOSE - COMPLETE	714441	1	
1	HANGER, HYDRAULIC HOSE	714422-1	1	
2	WASHER, 10.5 FLAT ZINC	F81055-1	2	
3	WASHER, Z 10.2 SPLIT LOCK ZINC	F81055-2	2	
4	BOLT, M10X20-8.8 HEX HEAD FULL THREAD ZINC	F81003-1	2	

7.7 Cross Frame

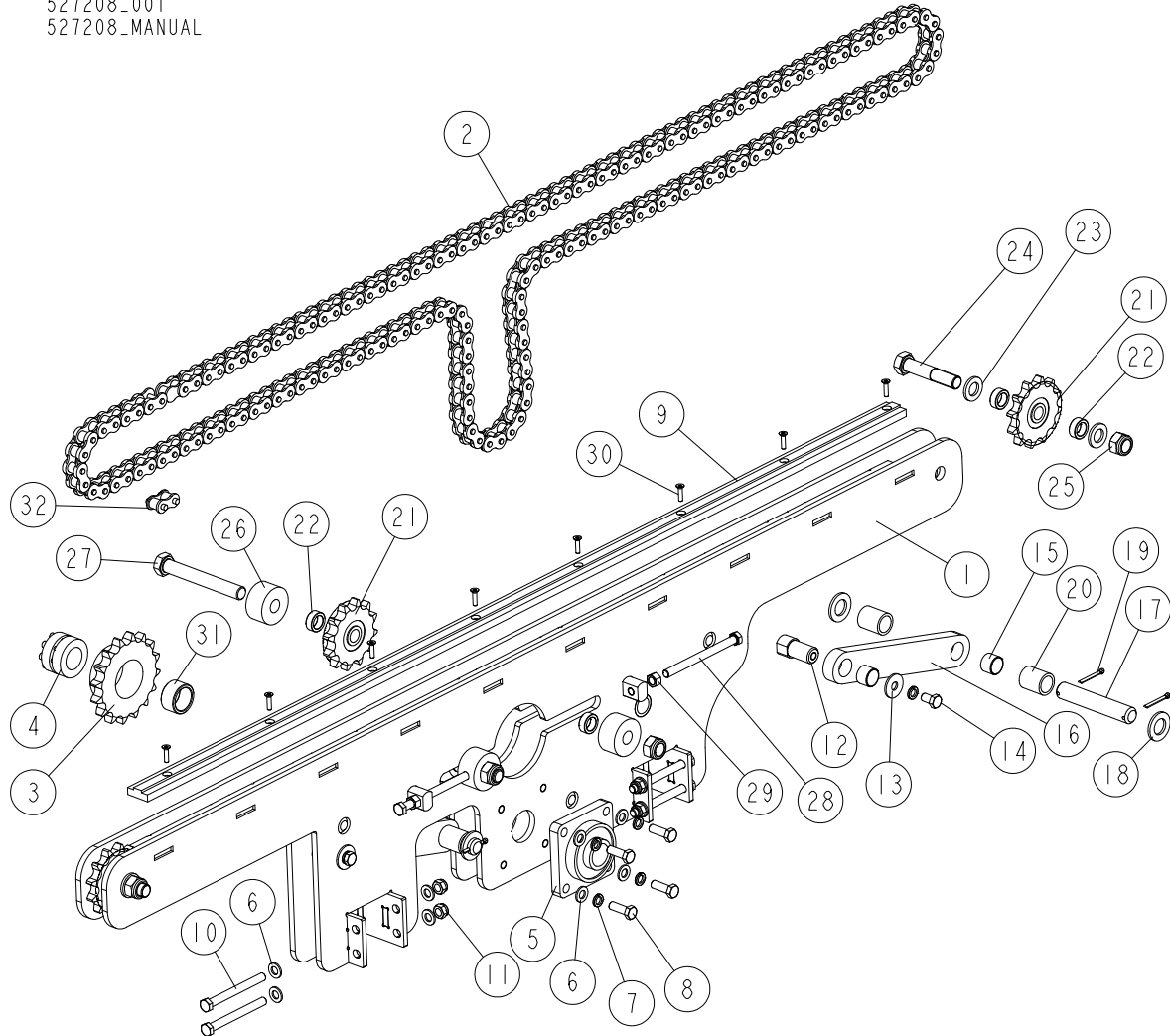
527790_001
527790_MANUAL



REF.	DESCRIPTION (* indicates parts available in assemblies only)	PART #	QTY
-	FRAME, TABLE CROSS - COMPLETE	527790	1
1	TUBE, WELDMENT	527793-1	2
2	RAIL, SORTING TABLE CROSS See Section 7.8	527208	2
3	SHAFT, DRIVE	527792-1	1
4	COUPLING, ROTEX 42 S-H 98 SH-A 7.1 FI=35 7.1 FI=35	527785	1
5	KEY, A10X8X63, PARALLEL	088130	2

7.8 Cross Rail

527208_001
527208_MANUAL



REF.	DESCRIPTION (* indicates parts available in assemblies only)	PART #	QTY
-	RAIL, SORTING TABLE CROSS	527208	1
-	RAIL, SORTING TABLE CROSS	531808	1
1	RAIL, CROSS	527211-1	1
2	CHAIN, 16B1 4.256 MB JWIS	527217	1
-	SPROCKET W/MOUNTING BUSHING	715121	1
3	SPROCKET, 16B-1 Z16	715105	1
4	BUSHING, BK13 322627 MOUNTING	715106	1
5	BEARING, UCFC 207 W/HOUSING	097668	1
6	WASHER, 13 FLAT ZINC	F81056-1	20
7	WASHER, Z12.2 SPLIT LOCK ZINC	F81056-2	6
8	BOLT, M12X35 8.8 HEX HEAD FULL THREAD ZINC	F81004-24	4
9	BAR, 16B-1 CHAIN GUIDE	527220	1
10	BOLT, M12X120-8.8 HEX HEAD ZINC	F81004-38	8
11	NUT, M12 8 HEX NYLON ZINC LOCK	F81034-2	8
12	PIN, MOUNTING	715390-1	2
13	WASHER, 13 SPECIAL FLAT ZINC	F81056-14	2

SORTING TABLE EXTENSION MODULE CRS HH

REF.	DESCRIPTION (* indicates parts available in assemblies only)	PART #	QTY	
14	BOLT, M12X20-8.8 HEX HEAD FULL THREAD ZINC	F81004-67	2	
15	BUSHING, IGLIDUR P210SM-2528-20	715391	4	
16	BAR, CROSS RAIL MOUNTING	715392-1	2	
17	PIN, 25X144	715397-1 ¹	2	
	PIN, 25X202 COTTER	531809-1 ²	2	
18	WASHER, 25 ZINC	F81061-3	4	
19	PIN, S-FE 5X40 COTTER	F81043-31	4	
20	BUSHING, 25.7 / 33.7 - 40	715472-1 ³	4	
	BUSHING, 25.7 / 33.7 - 69	531810-1 ⁴	4	
21	SPROCKET, 16B1 Z=12 T28510	715087	4	
22	BUSHING, 20.5/30-11.5 ZINC-PLATED	715108-1	8	
23	WASHER, 21 FLAT ZINC	F81059-2	4	
24	BOLT, M20X100-8.8 HEX HEAD ZINC	F81007-6	2	
25	NUT, M20-8 DIN985 HEX NYLON ZINC LOCK	F81037-2	4	
26	BUSHING, 20.5 / 58 - 26	715366-1	4	
27	BOLT, ISO 4017 M20X150 8.8 HEX HEAD ZINC	F81007-3	2	
28	BOLT, M12X150-8.8 HEX HEAD FULL THREAD ZINC	F81004-54	4	
29	NUT, M12-8 HEX ZINC	F81034-1	4	
30	SCREW, M6X25-8.8 DIN7991 FLAT SOCKET HEAD CAP ZINC	F81001-68	8	
31	BUSHING, 35.5/46-25	527218-1	1	
32	LINK, 16B-1 (T 35759) MASTER	504233	1	

¹ Included in assy # 527208

² Included in assy # 531808

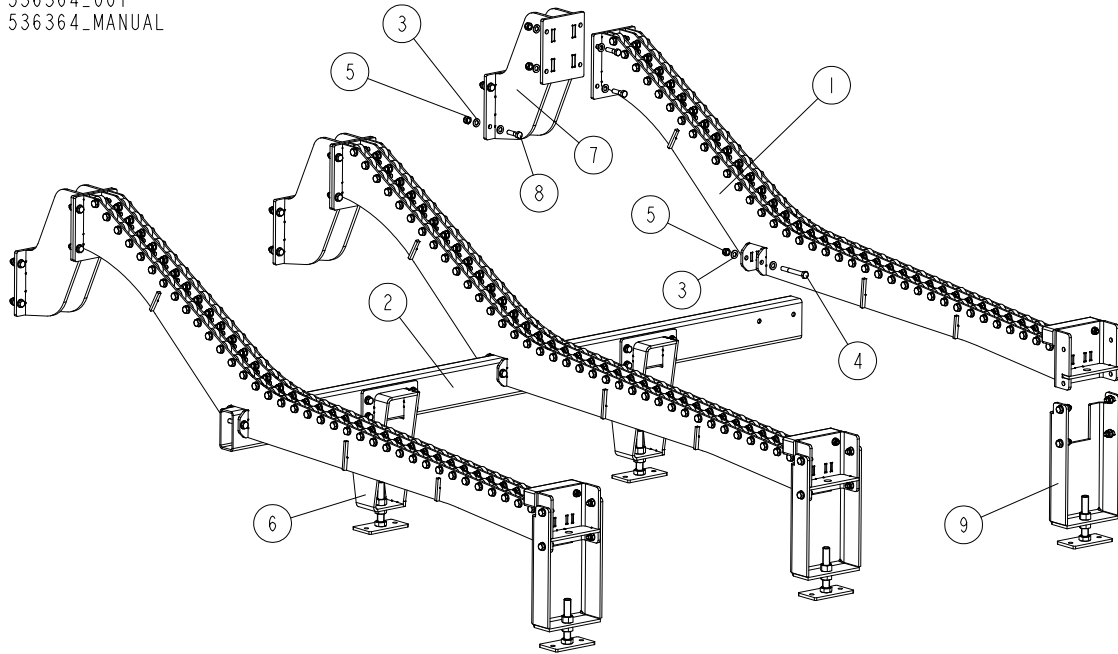
³ Included in assy # 527208

⁴ Included in assy # 531808

SECTION 8 CRS BOARD REMOVAL SYSTEM

8.1 3S Timber Collection Slide

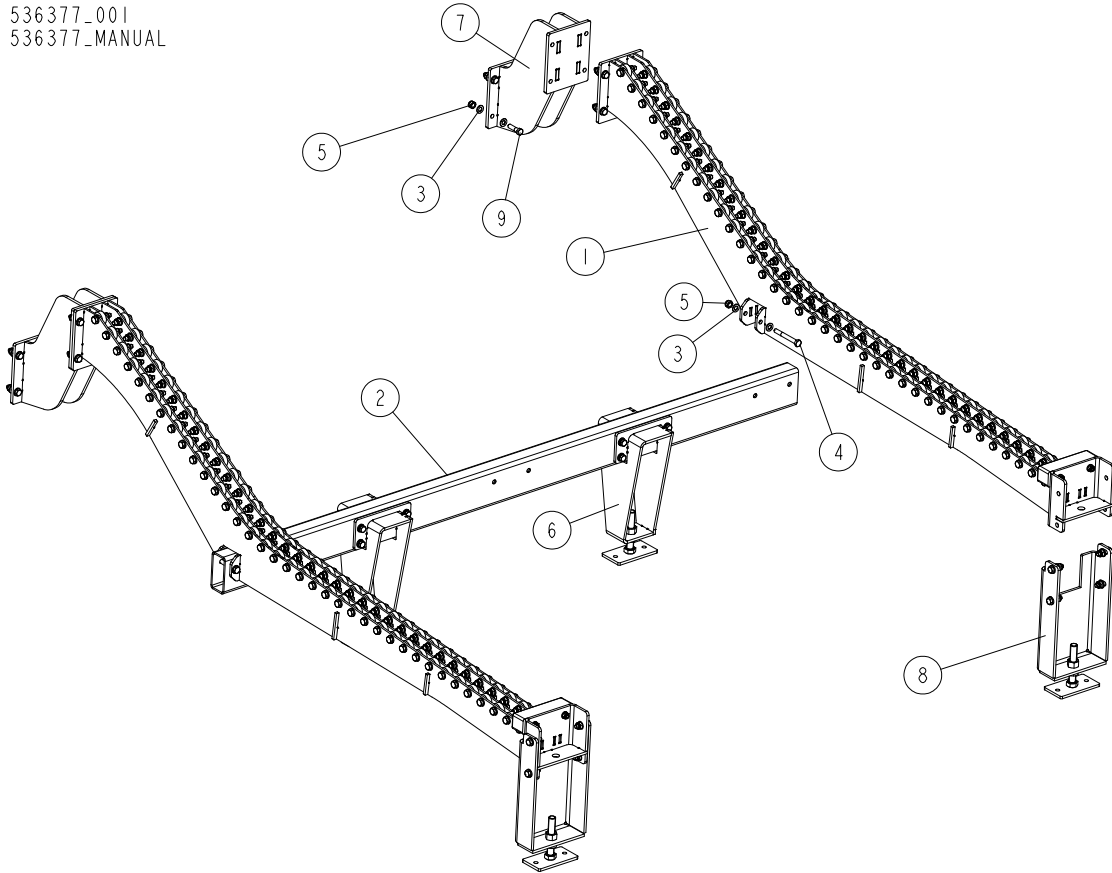
536364_001
 536364_MANUAL



REF.	DESCRIPTION (* indicates parts available in assemblies only)	PART #	QTY
-	3S TIMBERY COLLECTION SLIDE - COMPLETE	536364	1
1	TIMBER COLLECTION SLIDE SEGMENT See Section 8.3	716475	3
2	TUBE, BOARD REMOVAL SYSTEM CONNECTING	716742-1	1
3	WASHER, 13 FLAT ZINC	F81056-1	36
4	BOLT, M12X100-8.8 HEX HEAD ZINC	F81004-3	6
5	NUT, M12- 8 DIN 982 NYLON ZINC	F81034-2	18
6	LEG, HIGH - COMPLETE See Section 8.4	536367	2
7	BRACKET, TIMBER COLLECTION SLIDE MOUNTING	716515-1	3
8	BOLT, M12X45 8.8 HEX HEAD ZINC	F81004-32	12
9	LEG, HIGH (2) See Section 8.5	536371	3

8.2 2S Timber Collection Slide

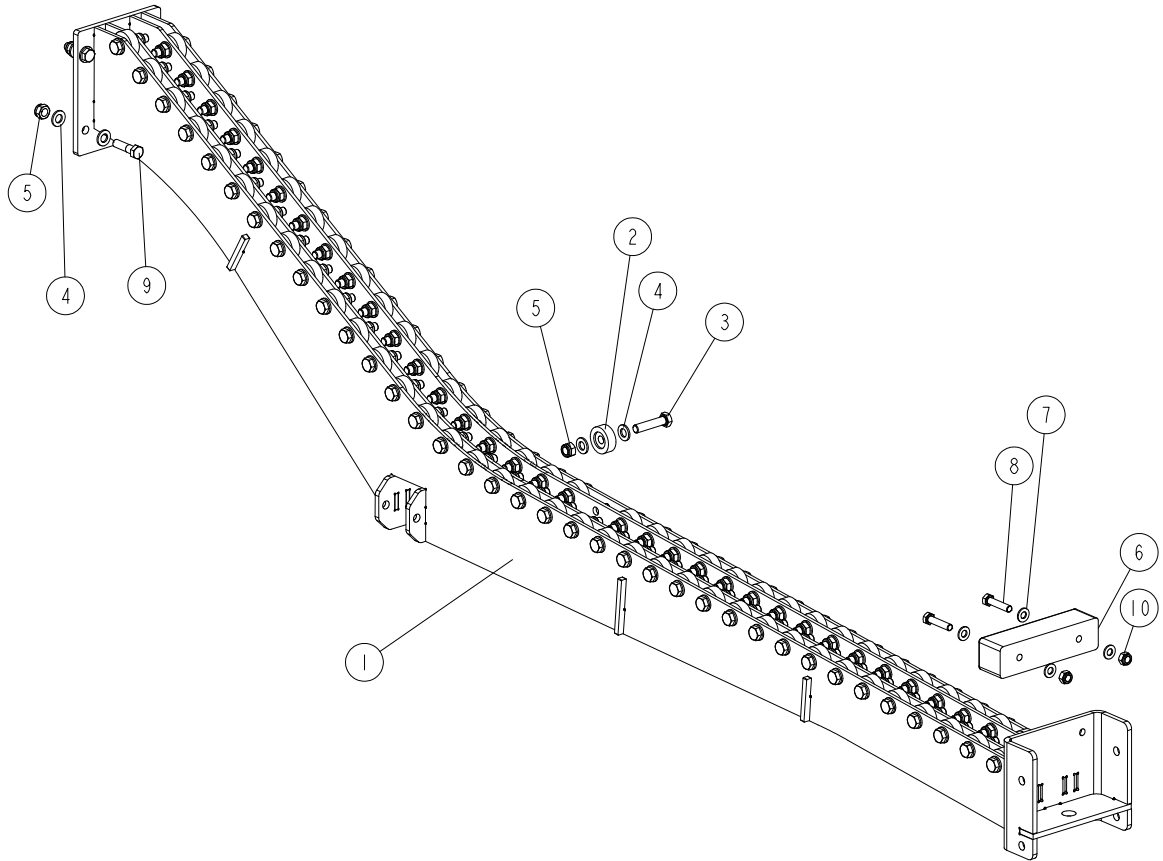
536377_001
 536377_MANUAL



REF.	DESCRIPTION (* indicates parts available in assemblies only)	PART #	QTY
-	TIMBER COLLECTION SLIDE 2S - COMPLETE	536377	1
1	TIMBER COLLECTION SLIDE SEGMENT See Section 8.3	716475	2
2	TUBE, BOARD REMOVAL SYSTEM CONNECTING	716742-1	1
3	WASHER, 13 FLAT ZINC	F81056-1	28
4	BOLT, M12X100-8.8 HEX HEAD ZINC	F81004-3	6
5	NUT, M12- 8 DIN 982 NYLON ZINC	F81034-2	14
6	LEG, HIGH - COMPLETE See Section 8.4	536367	2
7	BRACKET, TIMBER COLLECTION SLIDE MOUNTING	716515-1	2
8	LEG, HIGH (2) See Section 8.5	536371	2
9	BOLT, M12X45 8.8 HEX HEAD ZINC	F81004-32	8

8.3 Timber Collection Slide Segment

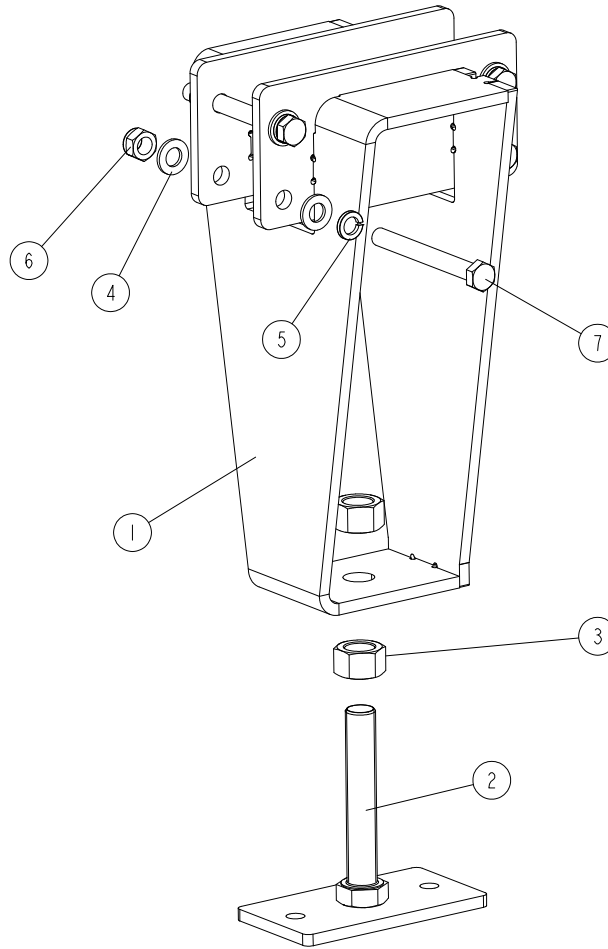
716475_001
 716475_MANUAL



REF.	DESCRIPTION (* indicates parts available in assemblies only)	PART #	QTY
-	TIMBER COLLECTION SLIDE SEGMENT	716475	1
1	SEGMENT, TIMBER COLLECTION SLIDE WLDMT	716517-1	1
2	ROLLER, N41MM RB-41W STRAIGHT PLASTIC	716468	71
3	BOLT, M12X55-8.8 HEX HEAD ZINC	F81004-12	71
4	WASHER, 13 FLAT ZINC	F81056-1	150
5	NUT, M12- 8 DIN 982 NYLON ZINC	F81034-2	75
6	BLOCK, RUBBER BUMPER	089717	1
7	WASHER, 10.5 FLAT ZINC	F81055-1	4
8	BOLT, M10X45 HEX HEAD FULL THREAD ZINC	F81003-3	2
9	BOLT, M12X45 8.8 HEX HEAD ZINC	F81004-32	4
10	NUT, M10-8-B HEX NYLON ZINC LOCK	F81033-1	2

8.4 High Leg

536367_001
536367_MANUAL



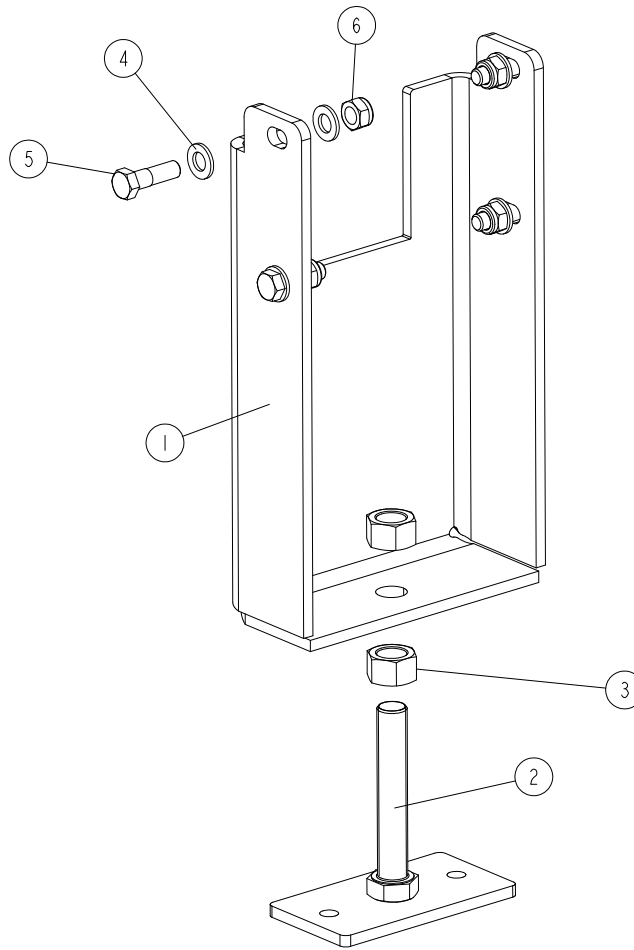
REF.	DESCRIPTION (* indicates parts available in assemblies only)	PART #	QTY
-	LEG, HIGH - COMPLETE	536367	1
1	LEG, HIGH (1) WLDMT	536365-1	1
2	FOOT WELDMENT, LT15 BED	514996-1	1
3	NUT, M20-8- HEX ZINC	F81037-1	2
4	WASHER, 13 FLAT ZINC	F81056-1	8
5	WASHER, Z12.2 SPLIT LOCK ZINC	F81056-2	4
6	NUT, M12- 8 DIN 982 NYLON ZINC	F81034-2	4
7	BOLT, M12X110-8.8-B HEX HEAD ZINC	F81004-47	4

8 CRS BOARD REMOVAL SYSTEM

High Leg (2)

8.5 High Leg (2)

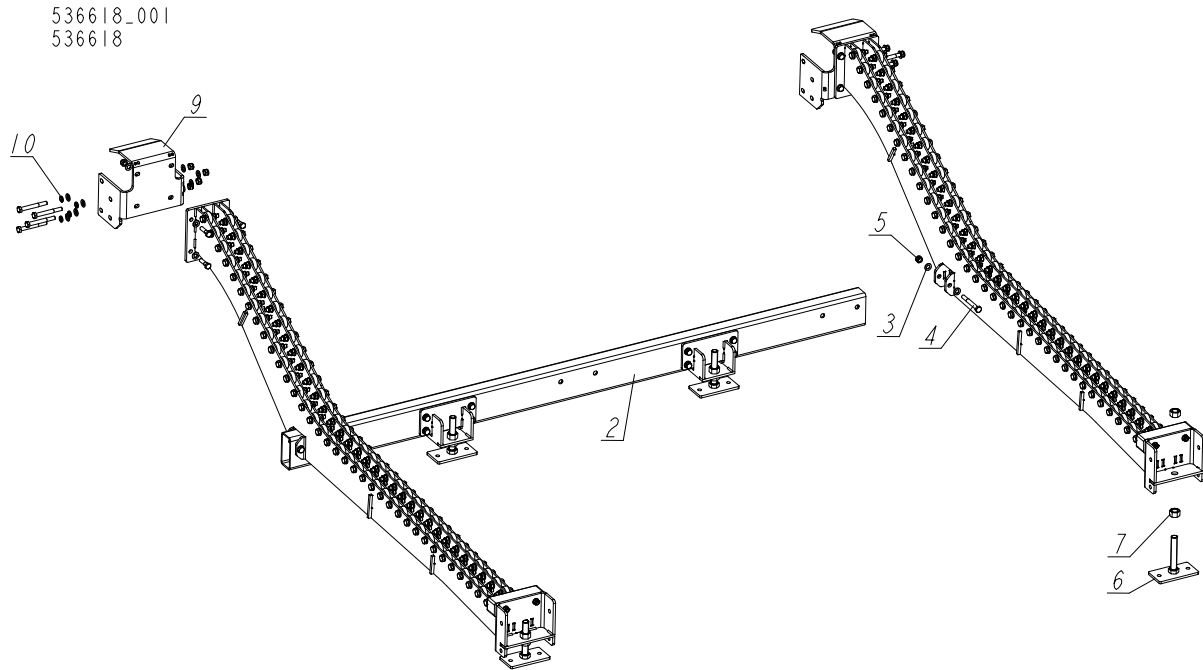
536371_001
536371_MANUAL



REF.	DESCRIPTION (* indicates parts available in assemblies only)	PART #	QTY
-	LEG, HIGH (2)	536371	1
1	LEG, TIMBER COLLECTION SLIDE	536370-1	1
2	FOOT WELDMENT, LT15 BED	514996-1	1
3	NUT, M20-8- HEX ZINC	F81037-1	2
4	WASHER, 13 FLAT ZINC	F81056-1	8
5	BOLT, M12X40-8.8 HEX HEAD	F81004-1	4
6	NUT, M12- 8 DIN 982 NYLON ZINC	F81034-2	4

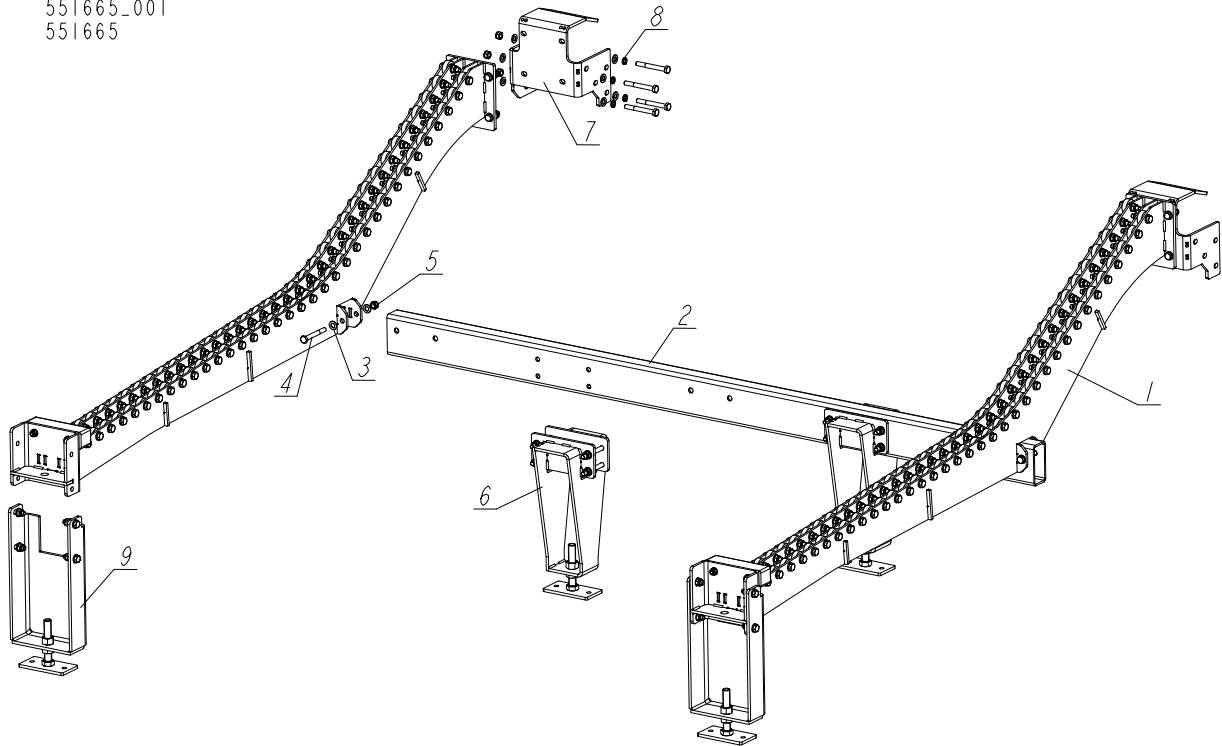
SECTION 9 CRD BOARD REMOVAL SYSTEM

9.1 2S LT Timber Collection Slide



REF.	DESCRIPTION (* indicates parts available in assemblies only)	PART #	QTY
-	SLIDE, 2S TIMBER COLLECTION - COMPLETE	536618	1
1	SEGMENT, TIMBER COLLECTION SLIDE See Section 8.3	716475	2
2	TUBE, SLIDE CONNECTION	716742-1	1
3	WASHER, 13 FLAT ZINC	F81056-1	24
4	BOLT, M12X100-8.8 HEX HEAD ZINC	F81004-3	12
5	NUT, M12-8 DIN 982 HEX NYLON ZINC LOCK	F81034-2	12
6	FOOT WELDMENT, LT15 BED ZINC-PLATED	514996-1	2
7	NUT, M20-8 HEX ZINC	F81037-1	4
8	LEG, COMPLETE HIGH See Section 9.7	536608	2
9	PLATE, SLIDE MOUNT	582418-1	2
10	WASHER, Z12.2 SPLIT LOCK ZINC	F81056-2	8

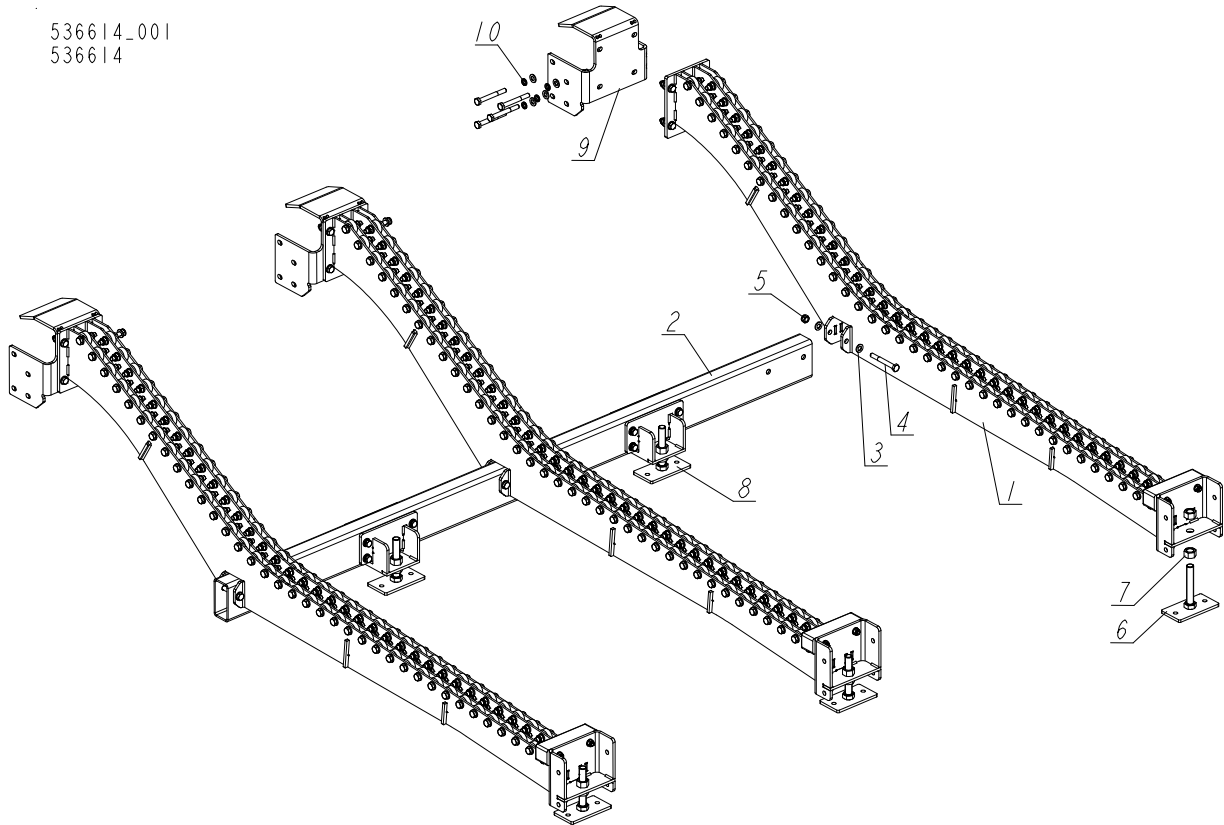
9.2 2S WB Timber Collection Slide

551665_001
551665

REF.	DESCRIPTION (* indicates parts available in assemblies only)	PART #	QTY	
-	SLIDE, 2S TIMBER COLLECTION - COMPLETE	551665	1	
1	SEGMENT, TIMBER COLLECTION SLIDE See Section 8.3	716475	2	
2	TUBE, SLIDE CONNECTION	716742-1	1	
3	WASHER, 13 FLAT ZINC	F81056-1	24	
4	BOLT, M12X100-8.8 HEX HEAD ZINC	F81004-3	12	
5	NUT, M12-8 DIN 982 HEX NYLON ZINC LOCK	F81034-2	12	
6	LEG, COMPLETE HIGH See Section 9.5	556285	2	
7	PLATE, SLIDE MOUNT	582418-1	2	
8	WASHER, Z12.2 SPLIT LOCK ZINC	F81056-2	8	
9	LEG, HIGH (2) See Section 9.6	556283	2	

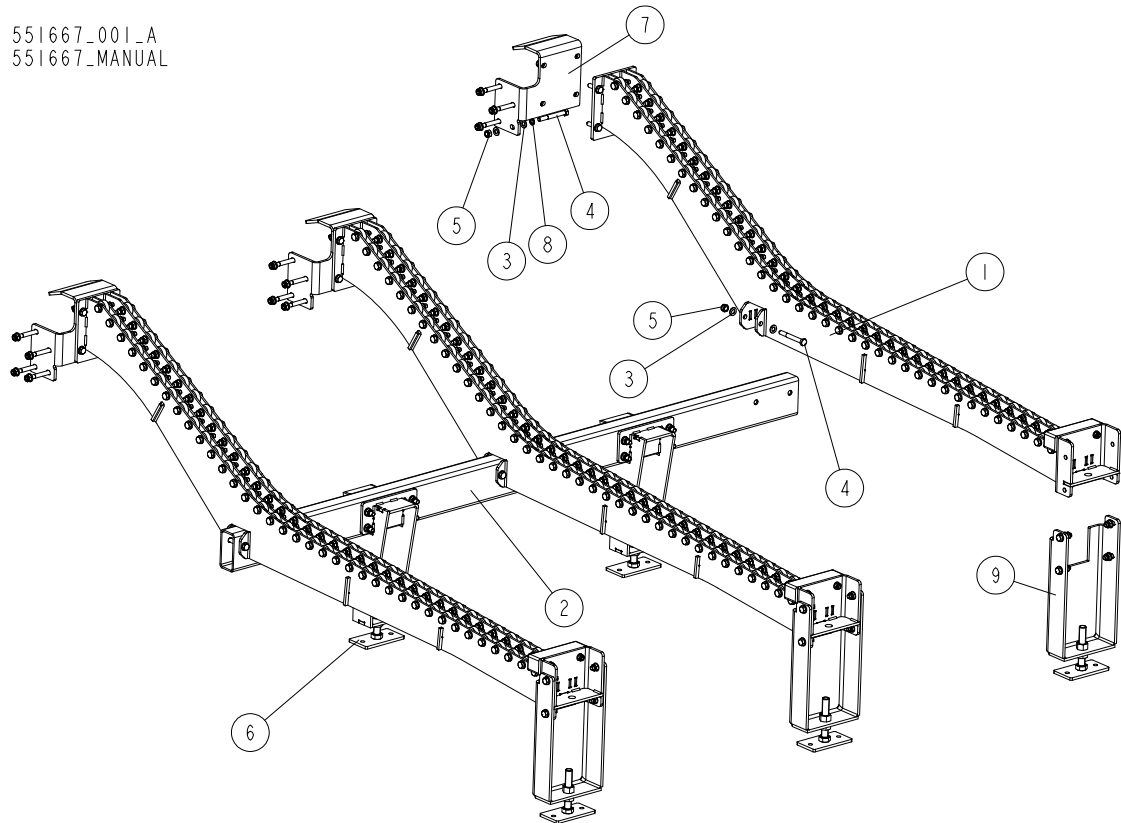
9.3 3S LT Timber Collection Slide

536614_001
536614



REF.	DESCRIPTION (* indicates parts available in assemblies only)	PART #	QTY
-	SLIDE, 3S TIMBER COLLECTION - COMPLETE	536614	1
1	SEGMENT, TIMBER COLLECTION SLIDE See Section 8.3	716475	3
2	TUBE, SLIDE CONNECTION	716742-1	1
3	WASHER, 13 FLAT ZINC	F81056-1	36
4	BOLT, M12X100-8.8 HEX HEAD ZINC	F81004-3	18
5	NUT, M12-8 DIN 982 HEX NYLON ZINC LOCK	F81034-2	18
6	FOOT WELDMENT, LT15 BED ZINC-PLATED	514996-1	3
7	NUT, M20-8 HEX ZINC	F81037-1	6
8	LEG, COMPLETE HIGH See Section 9.7	536608	2
9	PLATE, SLIDE MOUNT	582418-1	3
10	WASHER, Z12.2 SPLIT LOCK ZINC	F81056-2	12

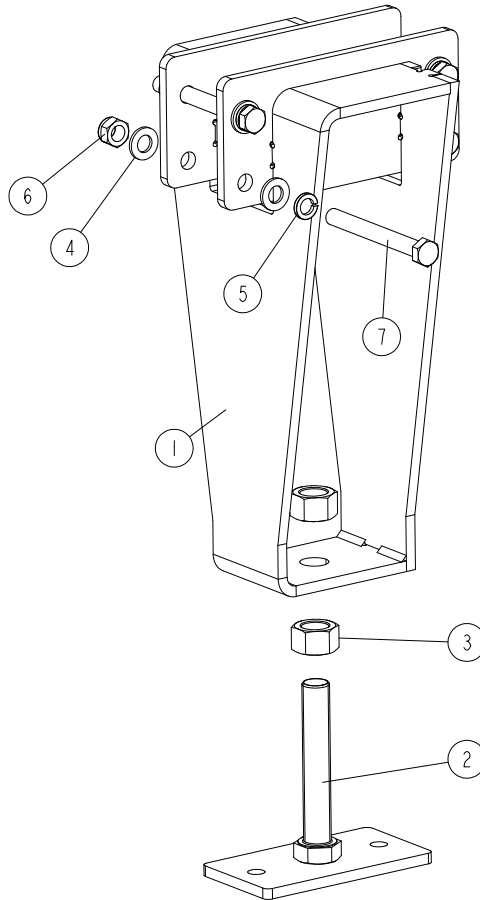
9.4 3S WB Timber Collection Slide

551667_001_A
551667_MANUAL

REF.	DESCRIPTION (* indicates parts available in assemblies only)	PART #	QTY
-	SLIDE, 3S TIMBER COLLECTION - COMPLETE	551667	1
-	SLIDE, 3S TIMBER COLLECTION - COMPLETE	551668	1
1	SEGMENT, TIMBER COLLECTION SLIDE See Section 8.3	716475	3
2	TUBE, SLIDE CONNECTION	716742-1	1
3	WASHER, 13 FLAT ZINC	F81056-1	36
4	BOLT, M12X100-8.8 HEX HEAD ZINC	F81004-3	18
5	NUT, M12-8 DIN 982 HEX NYLON ZINC LOCK	F81034-2	18
6	LEG, HIGH - COMPLETE See Section 9.5	556285	2
7	PLATE, SLIDE MOUNT	582418-1	3
8	WASHER, Z12.2 SPLIT LOCK ZINC	F81056-2	12
9	LEG, HIGH (2) See Section 9.6	556283	3

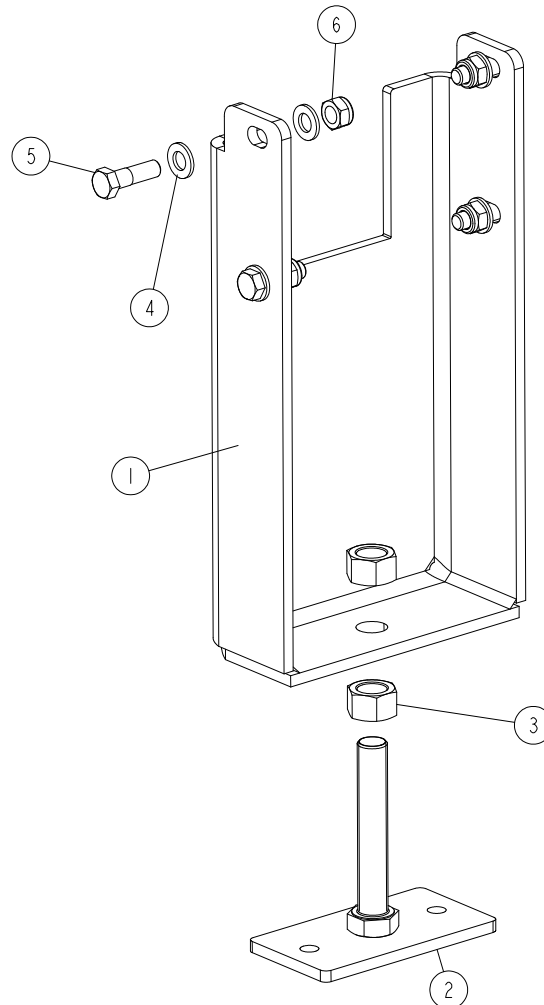
9.5 High Leg (556285)

556285_001
556285_MANUAL



REF.	DESCRIPTION (◆ indicates parts available in assemblies only)	PART #	QTY
-	LEG, HIGH - COMPLETE	556285	1
1	LEG, HIGH 1 WLDMT	556286-1	1
2	FOOT WELDMENT, LT15 BED	514996-1	1
3	NUT, M20-8-FE/ZN5 PN-86/M-82144	F81037-1	2
4	WASHER, 13 FLAT ZINC	F81056-1	8
5	WASHER, Z12.2 SPLIT LOCK ZINC	F81056-2	4
6	NUT, M12-8 HEX NYLON ZINC LOCK	F81034-2	4
7	BOLT M12X110	F81004-47	4

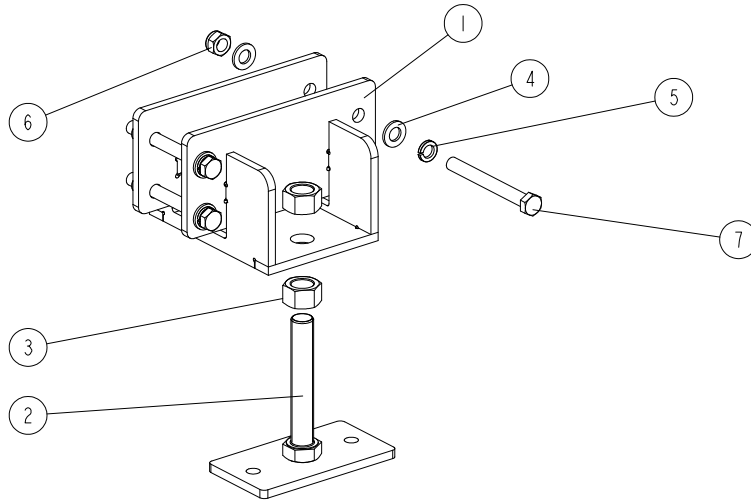
9.6 High Leg 2 (556283)

556283_001
556283_MANUAL

REF.	DESCRIPTION (◆ indicates parts available in assemblies only)	PART #	QTY
-	LEG, HIGH 2	556283	1
1	LEG, TIMBER COLLECTION SLIDE	556284-1	1
2	FOOT WELDMENT, LT15 BED	514996-1	1
3	NUT, M20-8 HEX ZINC	F81037-1	2
4	WASHER, 13 FLAT ZINC	F81056-1	8
5	BOLT, M12X40-8.8 HEX HEAD ZINC	F81004-1	4
6	NUT, M12-8 HEX NYLON ZINC LOCK	F81034-2	4

9.7 High Leg

536608_001
536608_MANUAL

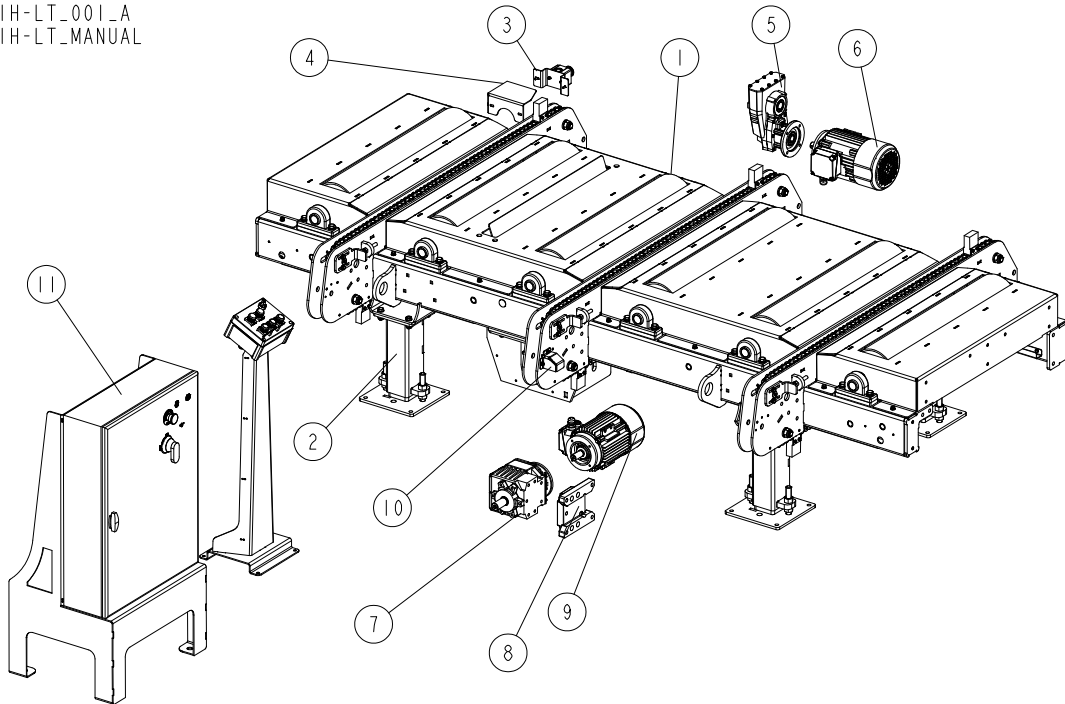


REF.	DESCRIPTION (◆ indicates parts available in assemblies only)	PART #	QTY	
-	LEG, HIGH - COMPLETE	536608	1	
1	LEG, HIGH (1) - COMPLETE	536609-1	1	
2	FOOT WELDMENT, LT15 BED	514996-1	1	
3	NUT, M20-8 HEX ZINC	F81037-1	2	
4	WASHER, 13 FLAT ZINC	F81056-1	8	
5	WASHER, Z12.2 SPLIT LOCK ZINC	F81056-2	4	
6	NUT, M12-8 HEX NYLON ZINC LOCK	F81034-2	4	
7	BOLT, M12X110-8.8-B HEX HEAD ZINC	F81004-47	4	

SECTION 10 CRD SORTING TABLES

10.1 Sorting Table, CRD1H-LT, CRD1H-WB

CRD1H-LT_001-A
 CRD1H-LT_MANUAL

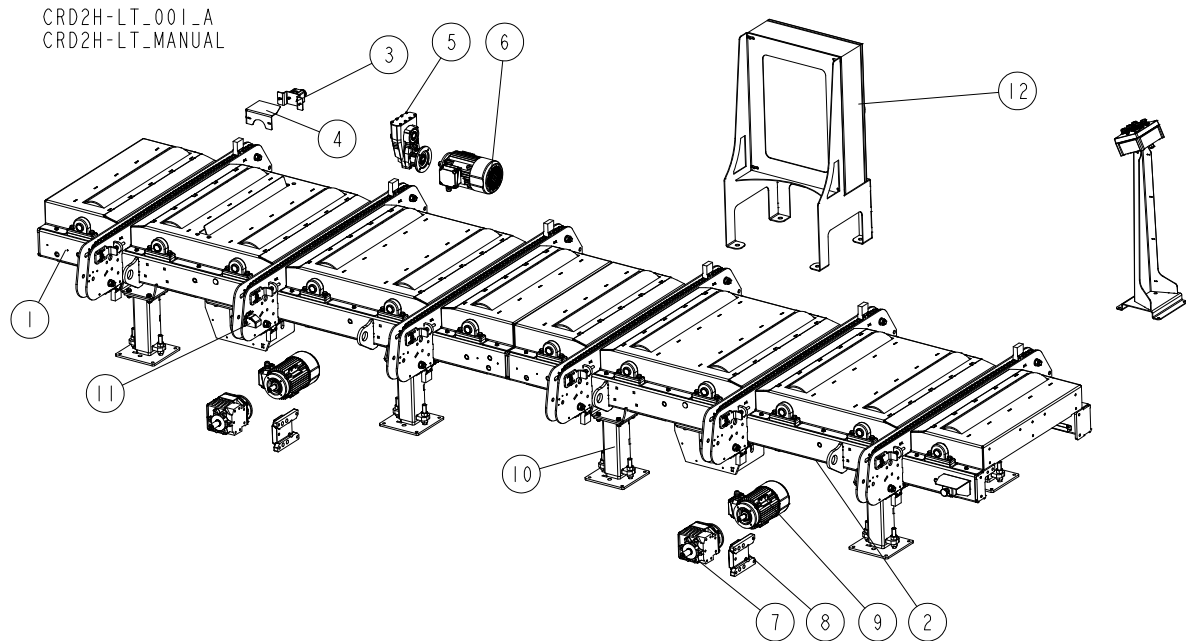


REF	DESCRIPTION (◆ indicates parts available in assemblies only)	PART #	QTY
-	SORTING TABLE	CRD1H-LT	1
-	SORTING TABLE	CRD1H-WB	1
1	TABLE, SORTING See Section 10.33	536623	1
2	LEG ASSEMBLY, LT70 See Section 10.12	536624	1
	LEG ASSEMBLY, WB2000 See Section 10.35	543912	1
-	EMERGENCY STOP SWITCH ASSEMBLY W/GUARD	536687	2
3	SWITCH ASSEMBLY, EMERGENCY STOP See Section 10.38	527795	1
4	PLATE, PROTECTIVE	536683-1	1
-	HR-302/36,21[1,5-2800-140/24-PTC-IE2-[S3=60%]-G]/B8	534867	1
5	MOTOREDUCER HR302/36.21	538129	1
6	MOTOR 90B14 2800	538128	1
-	HM-302/29,41[1,5-1400-140/24-PTC-IE2-[S3=60%]-G]/L/B7	534862	1
7	MOTOREDUCER HM302/29.41	538126	1
8	PAW, MOUNTING HM302	538125	1
9	MOTOR 90B14 1400	538127	1
10	GUARD, INDUCTIVE SENSOR See Section 10.32	536694	1
11	CONTROL KIT, CRD 1 MOD TABLE See Section 10.7	560196 ¹	1
	CONTROL KIT, CRD 1 MOD TABLE See Section 10.7	560192 ²	

¹ Belongs to CRD1H-LT

² Belongs to CRD1H-WB

10.2 Sorting Table CRD2H-LT, CRD2H-WB



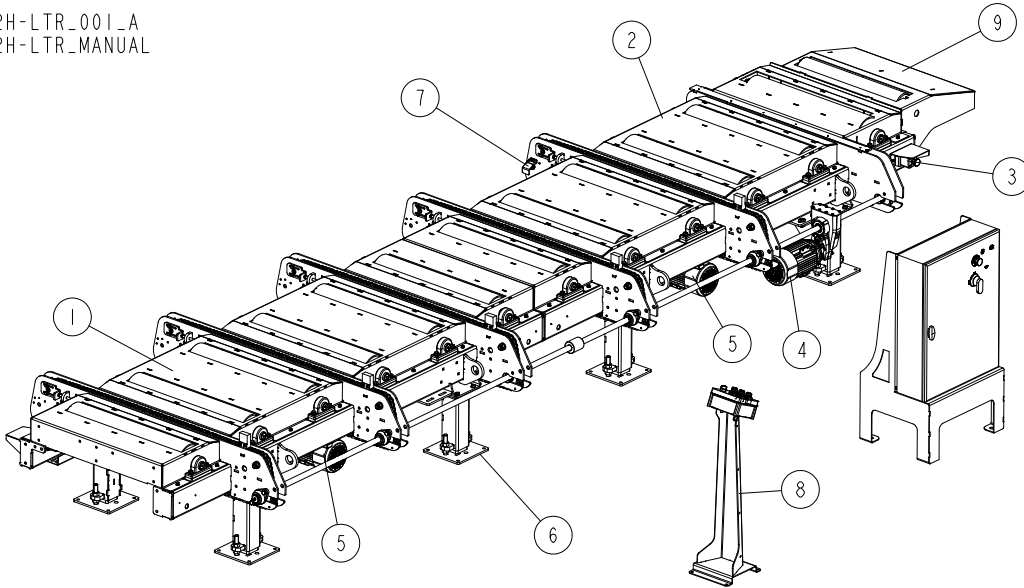
REF	DESCRIPTION (◆ indicates parts available in assemblies only)	PART #	QTY
-	SORTING TABLE	CRD2H-LT	1
-	SORTING TABLE	CRD2H-WB	1
1	TABLE, SORTING See Section 14.3	534940	1
2	TABLE, SORTING See Section 10.15	535005	1
-	EMERGENCY STOP SWITCH ASSEMBLY W/GUARD	536687	2
3	SWITCH ASSEMBLY, EMERGENCY STOP See Section 10.38	527795	1
4	PLATE, PROTECTIVE	536683-1	1
-	HR-302/36,21[1,5-2800-140/24-PTC-IE2-[S3=60%]-G]/B8	534867	1
5	MOTOREDUCER HR302/36.21	538129	1
6	MOTOR 90B14 2800	538128	1
-	HM-302/29,41[1,5-1400-140/24-PTC-IE2-[S3=60%]-G]/L/B7	534862	2
7	MOTOREDUCER HM302/29.41	538126	1
8	PAW, MOUNTING HM302	538125	1
9	MOTOR 90B14 1400	538127	1
10	LEG ASSEMBLY, LT70 See Section 10.12	536624	2
	LEG ASSEMBLY, WB2000 See Section 10.35	543912	2
11	GUARD, INDUCTIVE SENSOR See Section 10.32	536694	1
12	CONTROL KIT, CRD 2 MOD TABLE See Section 10.7	560202 ¹	1
	CONTROL KIT, CRD 2 MOD TABLE See Section 10.7	560198 ²	1

¹ Belongs to CRD2H-LT

² Belongs to CRD2H-WB

10.3 Sorting Table CRD2H-LTR

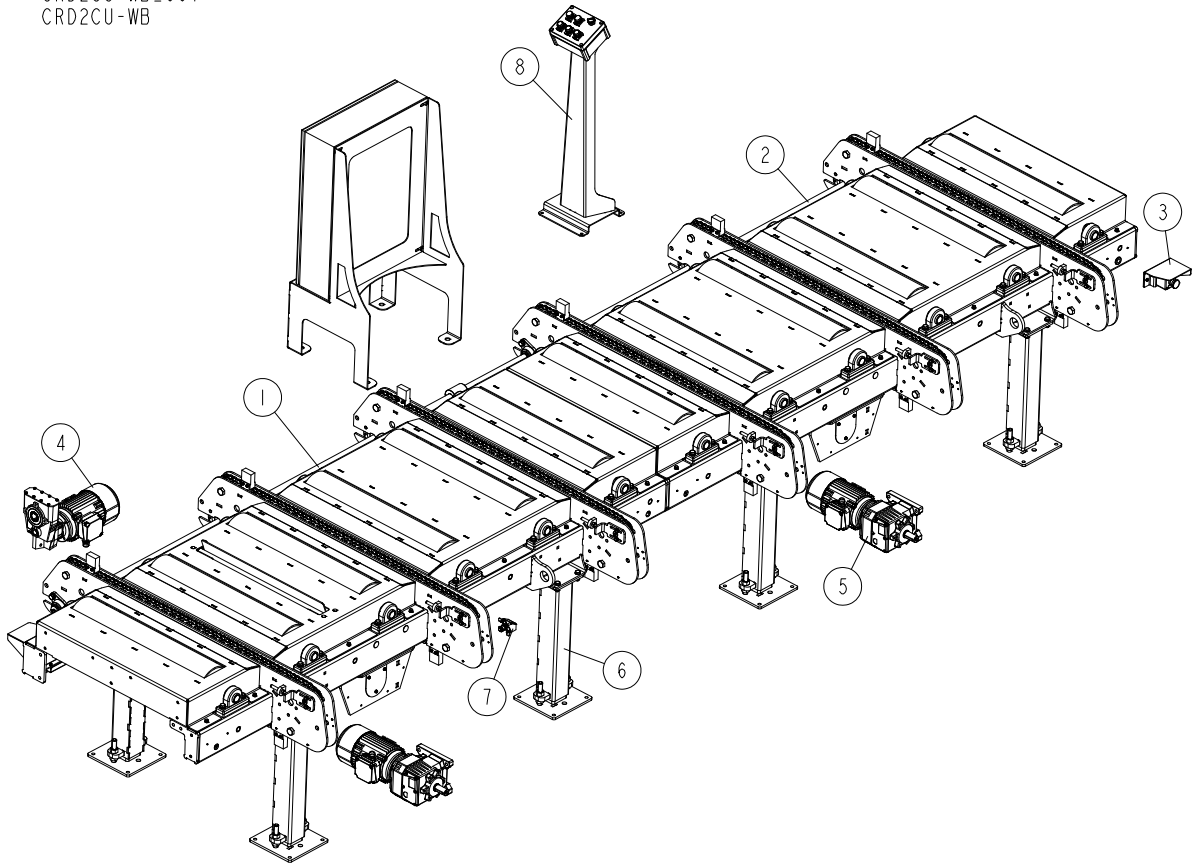
CRD2H-LTR_001_A
 CRD2H-LTR_MANUAL



REF	DESCRIPTION (◆ indicates parts available in assemblies only)	PART #	QTY	
-	TABLE, SORTING DOUBLE	CRD2H-LTR	1	
1	TABLE, SORTING See Section 10.15	535005	1	
2	TABLE, SORTING See Section 10.13	545573	1	
3	EMERGENCY STOP SWITCH ASSEMBLY W/GUARD See Section 10.37	536687	2	
4	HR-302/36,21[1,5-2800-140/24-PTC-IE2-[S3 See Section 10.5	534867	1	
5	HM-302/29,41[1,5-1400-140/24-PTC-IE2-[S3 See Section 10.6	534862	2	
6	LEG ASSEMBLY, LT70 See Section 10.12	536624	2	
7	GUARD, INDUCTIVE SENSOR See Section 10.32	536694	1	
8	CONTROL KIT, CRD 2 MOD TABLE See Section 10.7	539843-2	1	
9	EXTENSION, TABLE SORTING COMPLETE See Section 10.10	543657	1	

10.4 Sorting Table CRD2CU-WB

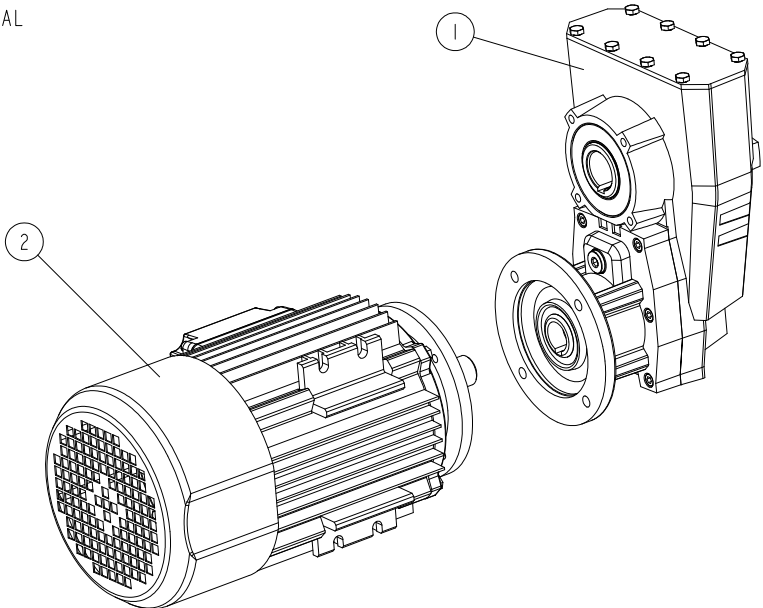
CRD2CU-WB_001
CRD2CU-WB



REF	DESCRIPTION (u indicates parts available in assemblies only)	PART #	QTY
-	TABLE, SORTING DOUBLE	CRD2CU-W B	1
1	TABLE, SORTING See Section 14.3	534940	1
2	TABLE, SORTING See Section 10.15	535005	1
3	EMERGENCY STOP SWITCH ASSEMBLY W/GUARD See Section 10.37	536687	2
4	HR-302/36,21[1,5-2800-140/24-PTC-IE2-[S3=60%]-G]/B8 See Section 10.5	534867	1
5	HM-302/29,41[1,5-1400-140/24-PTC-IE2-[S3=60%]-G]/L/B7 See Section 10.6	534862	2
6	LEG ASSEMBLY, WB2000 See Section 10.35	543912	2
7	GUARD, INDUCTIVE SENSOR See Section 10.32	536694	1
8	CONTROL KIT, CRD 2 MOD TABLE See Section 10.7	560198-UL	1

10.5 Motor Assembly (534867)

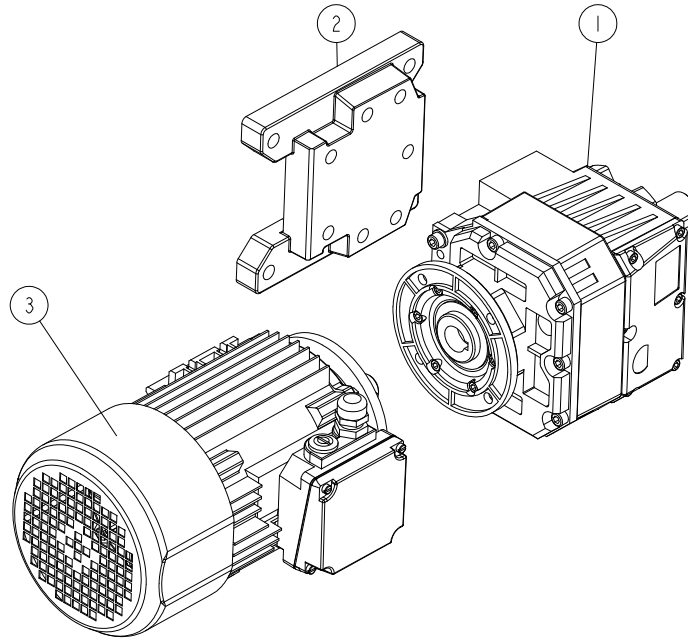
534867_001
 534867_MANUAL



REF	DESCRIPTION (◆ indicates parts available in assemblies only)	PART #	QTY	
-	HR-302/36,21[1,5-2800-140/24-PTC-IE2-[S3=60%]-G]/B8	534867	1	
1	MOTOREDUCER HR302/36.21	538129	1	
2	MOTOR 90B14 2800	538128	1	

10.6 Motor Assembly (534862)

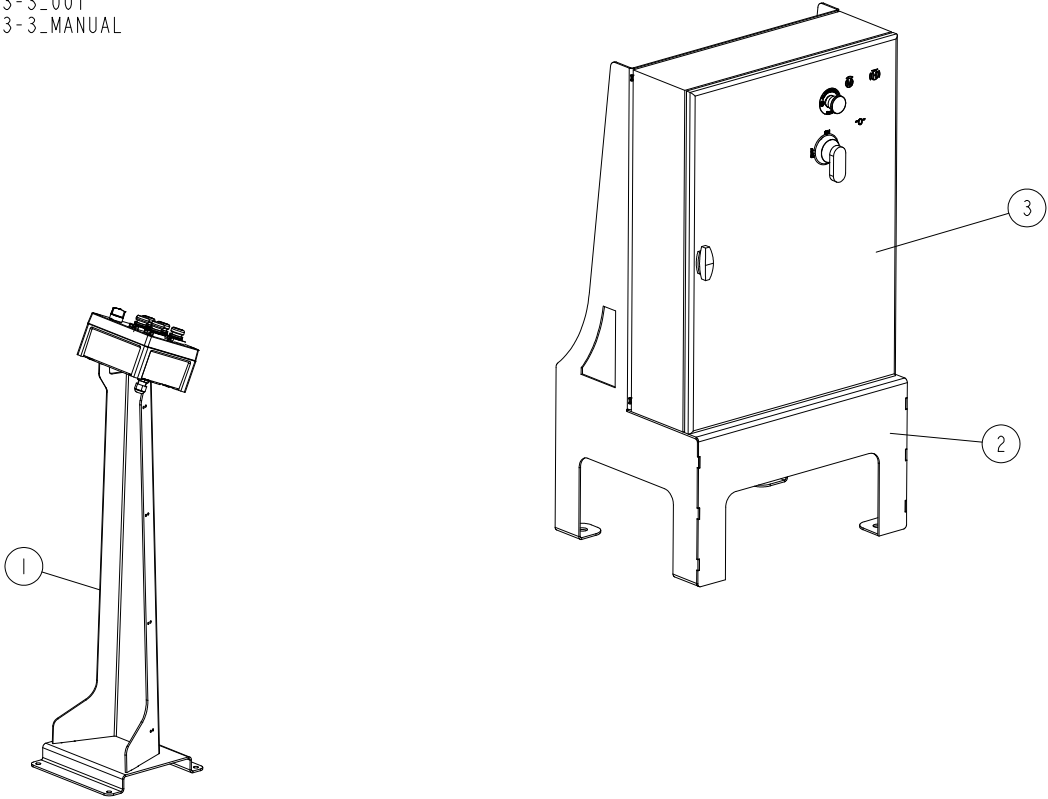
534862_001
534862_MANUAL



REF	DESCRIPTION (◆ indicates parts available in assemblies only)	PART #	QTY	
-	HM-302/29,41[1,5-1400-140/24-PTC-IE2-[S3=60%]-G]L/B7	534862	1	
1	MOTOREDUCER HM302/29.41	538126	1	
2	PAW, MOUNTING HM302	538125	1	
3	MOTOR 90B14 1400	538127	1	

10.7 Control Kit

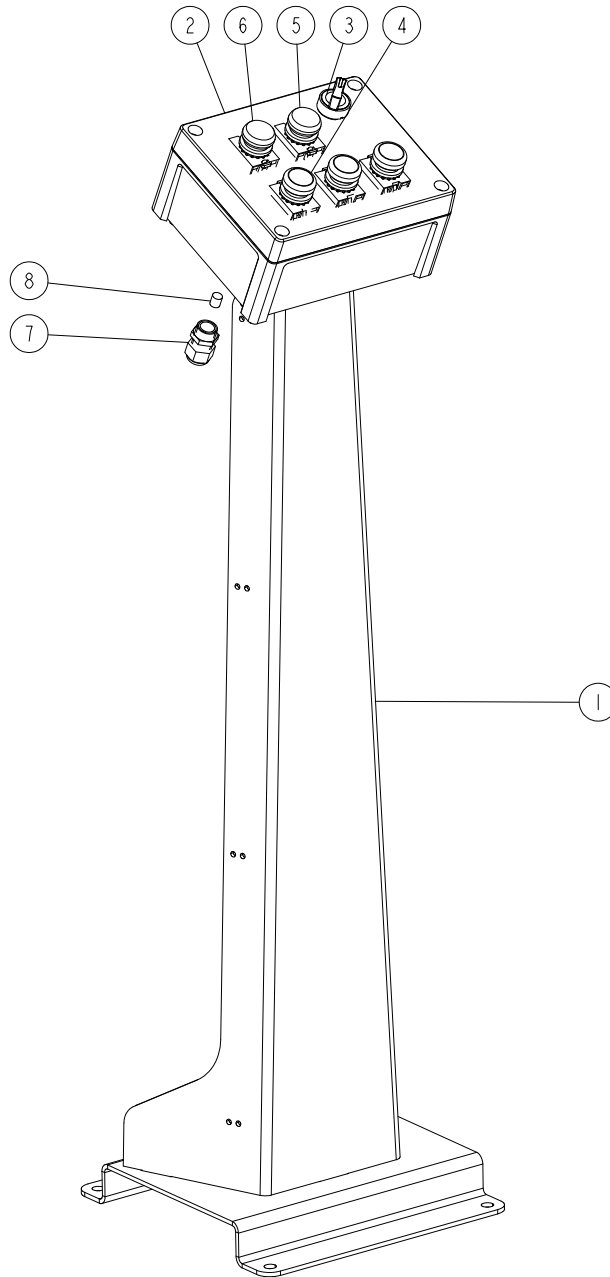
539843-3_001
539843-3_MANUAL



REF	DESCRIPTION (u indicates parts available in assemblies only)	PART #	QTY
-	CONTROL KIT, CRD 1 MOD TABLE	560196	1
	CONTROL KIT, CRD 1 MOD TABLE	560192	
-	CONTROL KIT, CRD 2 MOD TABLE	560202	1
	CONTROL KIT, CRD 2 MOD TABLE	560198	
	CONTROL KIT, CRD 2 MOD TABLE	560198-UL	
-	CONTROL KIT, CRD 3 MOD TABLE	560208	1
	CONTROL KIT, CRD 3 MOD TABLE	560204	
1	CONTROL PANEL, CRD COMPLETE See Section 10.8	539844	1
2	BRACKET, BOX	554591-1	1
3	BOX, ELECTRIC See Section 10.9	554904-1	1

10.8 Control Panel (539844)

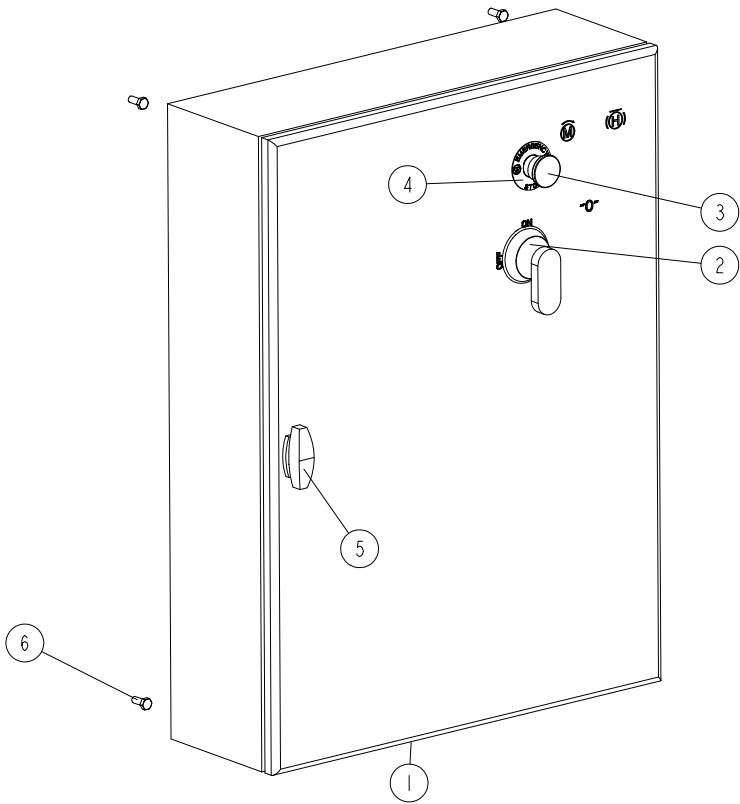
539844_001
539844_MANUAL



REF	DESCRIPTION (◆ indicates parts available in assemblies only)	PART #	QTY
-	CONTROL PANEL, CRD COMPLETE	539844	1
1	STAND, CONTROL PANEL	519218-1	1
2	HOUSING, FIBOX - TEMPO TA201610	535452	1
3	SWITCH, M22-WRK	536902	1
4	BUTTON, MONOSTABLE M22 FLAT GREEN LIGHT	093119	3
5	LIGHT, M22 LED24 V CONTROL RED	092719	1
6	LIGHT, M22 24V LED YELLOW CONTROL	090450	1
7	GLAND NUT, TRAILER HITCH, DW 11/H	085388	1
8	CABLE, OLFLEX 400P 12G0,5 -DRUM	R80581-4	1

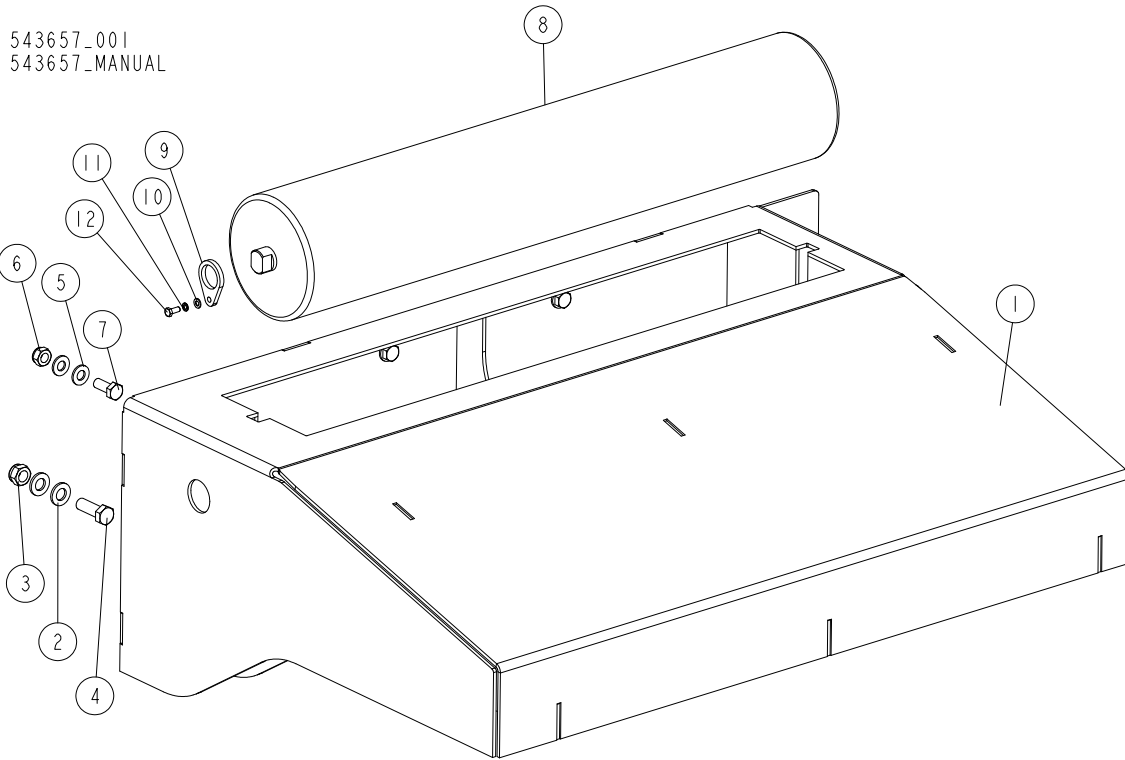
10.9 Electric Box (554904-1)

554904-1_001
554904-1_MANUAL



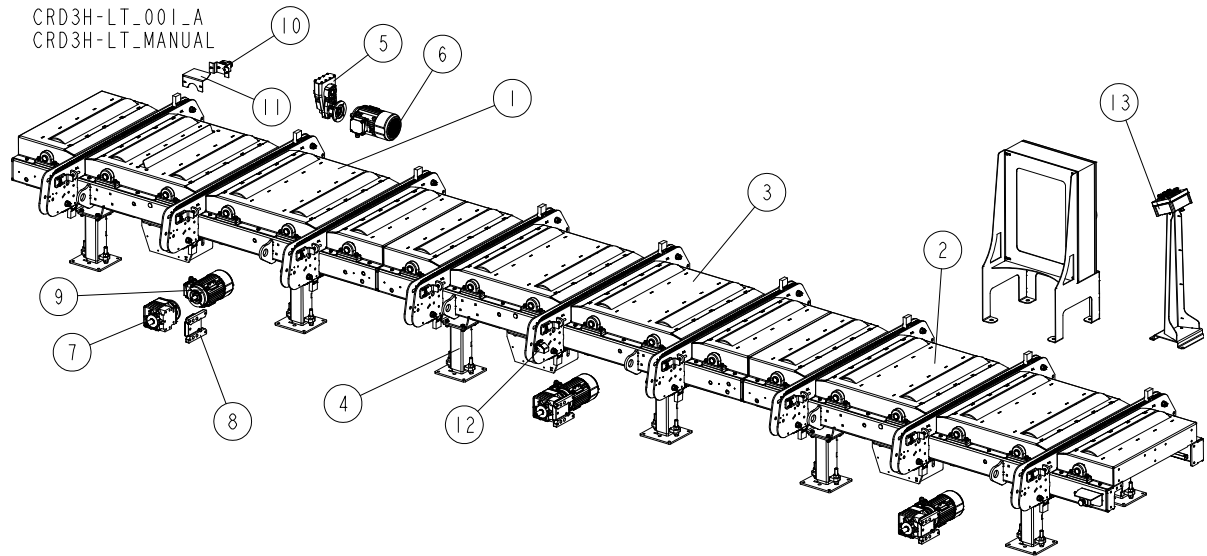
REF	DESCRIPTION (u indicates parts available in assemblies only)	PART #	QTY	
-	BOX, ELECTRIC	554904-1	1	
1	BODY	554904_KORPUS_	1	
2	SWITCH, M22 3-POSITION ILLUMINATED	091359	1	
3	SWITCH EMERGENCY XB4 BS42	086556	1	
4	LEGEND, ZBY9320 E-STOP MARKED	086561	1	
5	LOCK	536157_ZAMEK_	1	
6	BOLT, M8X20-8.8-B HEX HEAD FULL THREAD Z	F81002-4	4	

10.10 Extension Table (543657)



REF	DESCRIPTION (◆ indicates parts available in assemblies only)	PART #	QTY
-	EXTENSION, TABLE SORTING COMPLETE	543657	1
1	EXTENSION, TABLE SORTING	543658-1	1
2	WASHER, 13 FLAT ZINC	F81056-1	8
3	NUT, M12-8 HEX NYLON ZINC LOCK	F81034-2	4
4	BOLT, M12 X 35-8.8-FE/ZN5 HEX HEAD FULL	F81004-24	4
5	WASHER, 10.5 FLAT ZINC	F81055-1	8
6	NUT, M10-8-B HEX NYLON ZINC LOCK	F81033-1	4
7	BOLT, M10X25-8.8-FE/ZN5	F81003-11	4
8	ROLLER, FI=133/25-700 S=18 BEARING 6305	522428-1	1
9	LOCK, ROLLER	522426-1	2
10	WASHER, 5.3 FLAT ZINC	F81052-1	2
11	WASHER, 5.1 SPLIT LOCK ZINC	F81052-2	2
12	BOLT, M5 X 12-5.8-FE/ZN5, PN-M/82105	F81000-5	2

10.11 Sorting Table CRD3H-LT

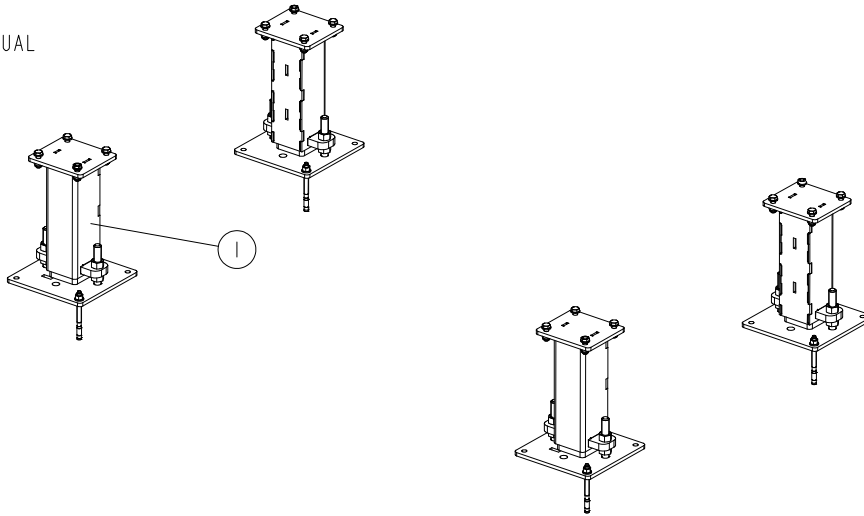


REF	DESCRIPTION (u indicates parts available in assemblies only)	PART #	QTY
-	Three Tables Kit	CRD3H-LT	1
-	Three Tables Kit	CRD3H-WB	1
1	TABLE, SORTING See Section 14.3	534940	1
2	TABLE, SORTING See Section 10.15	535005	1
3	TABLE, SORTING See Section 10.15	536663	1
4	LEG ASSEMBLY, LT70 See Section 10.12	536624	3
	LEG ASSEMBLY, WB2000 See Section 10.35	543912	3
-	HR-302/36,21[1,5-2800-140/24-PTC-IE2-[S3=60%]-G]/B8	534867	1
5	MOTOREDUCER HR302/36.21	538129	1
6	MOTOR 90B14 2800	538128	1
-	HM-302/29,41[1,5-1400-140/24-PTC-IE2-[S3=60%]-G]/L/B7	534862	3
7	MOTOREDUCER HM302/29.41	538126	1
8	PAW, MOUNTING HM302	538125	1
9	MOTOR 90B14 1400	538127	1
-	EMERGENCY STOP SWITCH ASSEMBLY W/GUARD	536687	2
10	SWITCH ASSEMBLY, EMERGENCY STOP See Section 10.38	527795	1
11	PLATE, PROTECTIVE	536683-1	1
12	GUARD, INDUCTIVE SENSOR See Section 10.32	536694	1
13	CONTROL KIT, CRD 2 MOD TABLE See Section 10.7	560208 ¹	1
	CONTROL KIT, CRD 2 MOD TABLE See Section 10.7	560204 ²	

¹ Belongs to CRD3H-LT
² Belongs to CRD3H-WB

10.12 Leg Assembly

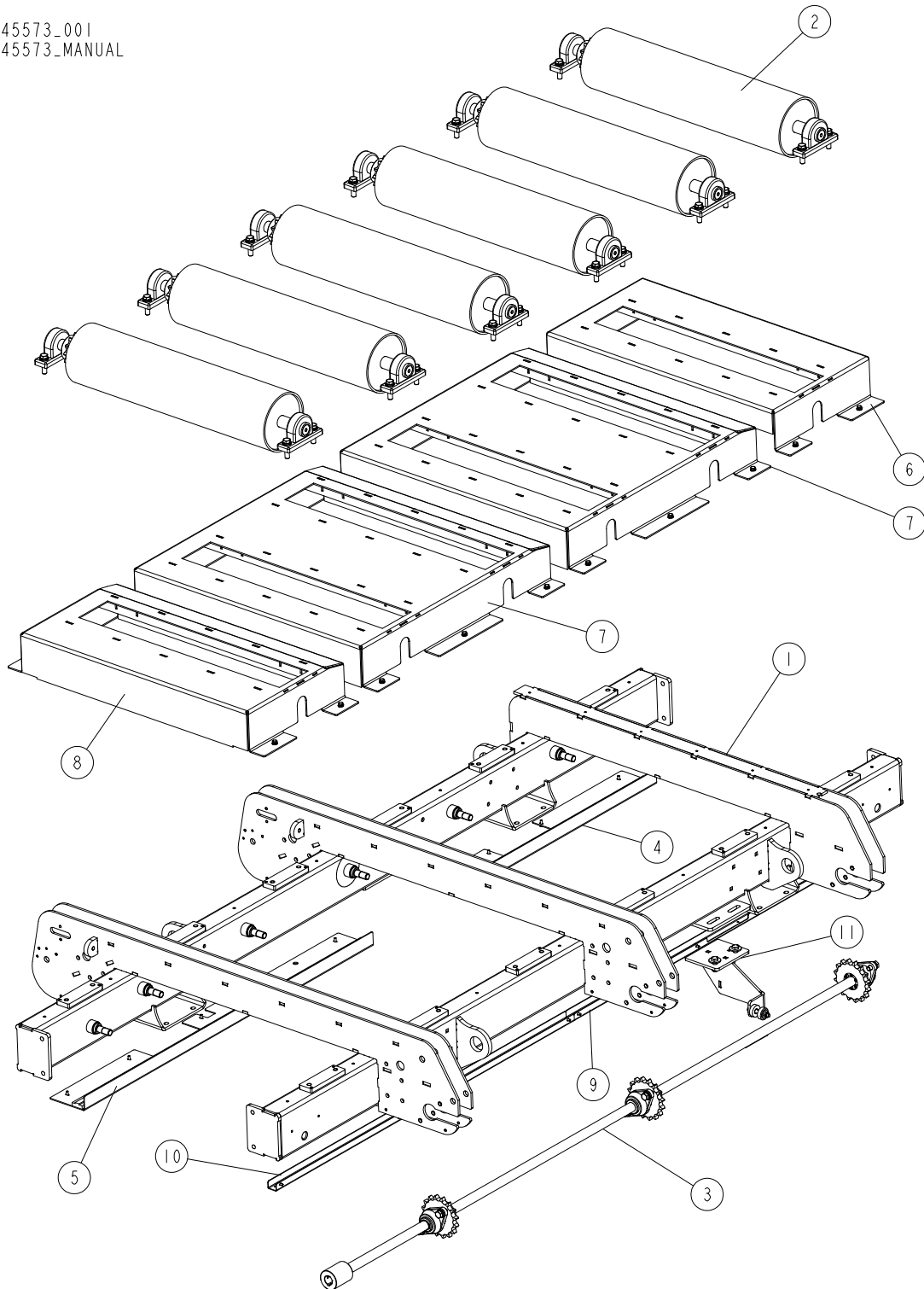
536624_001
536624_MANUAL



REF	DESCRIPTION (◆ indicates parts available in assemblies only)	PART #	QTY	
-	LEG ASSEMBLY, LT70	536624	1	
1	LEG - COMPLETE See Section 12.16	534995	4	

10.13 Sorting Table (545573). (Part 1/2)

545573_001
 545573_MANUAL



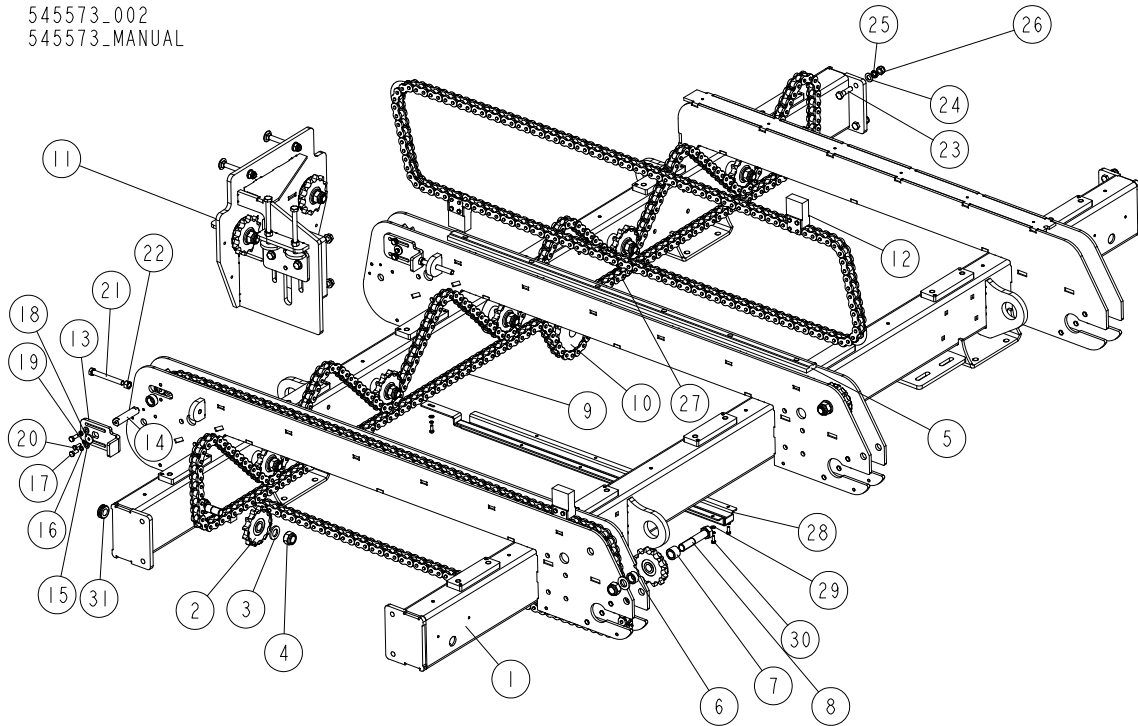
REF	DESCRIPTION (◆ indicates parts available in assemblies only)	PART #	QTY
-	TABLE, SORTING	545573	1
1	FRAME WELDMENT PAINTED)	545572-1	1
2	ROLLER, SORTING TABLE - COMPLETE See Section 10.17	534853	6
3	TRANSVERSE DRIVE ASSEMBLY	534949	1
4	PLATE, SLIDE 1 - COMPLETE See Section 10.19	534970	1

10**CRD SORTING TABLES***Sorting Table (545573). (Part 1/2)*

REF	DESCRIPTION (◆ indicates parts available in assemblies only)	PART #	QTY	
5	PLATE, SLIDE 2 - COMPLETE See Section 10.20	534972	1	
6	COVER 1 - COMPLETE See Section 10.21	534977	1	
7	COVER 2 - COMPLETE See Section 10.22	534984	2	
8	COVER 4 - COMPLETE See Section 10.22	534990	1	
9	DUCT, CABLE 1 - COMPLETE See Section 10.25	536006	1	
10	DUCT, CABLE 2 - COMPLETE See Section 10.26	536008	1	
11	ARM, TORQUE - COMPLETE See Section 10.27	534948	1	

10.14 Sorting Table (545573). (Part 2/2)

545573_002
 545573_MANUAL

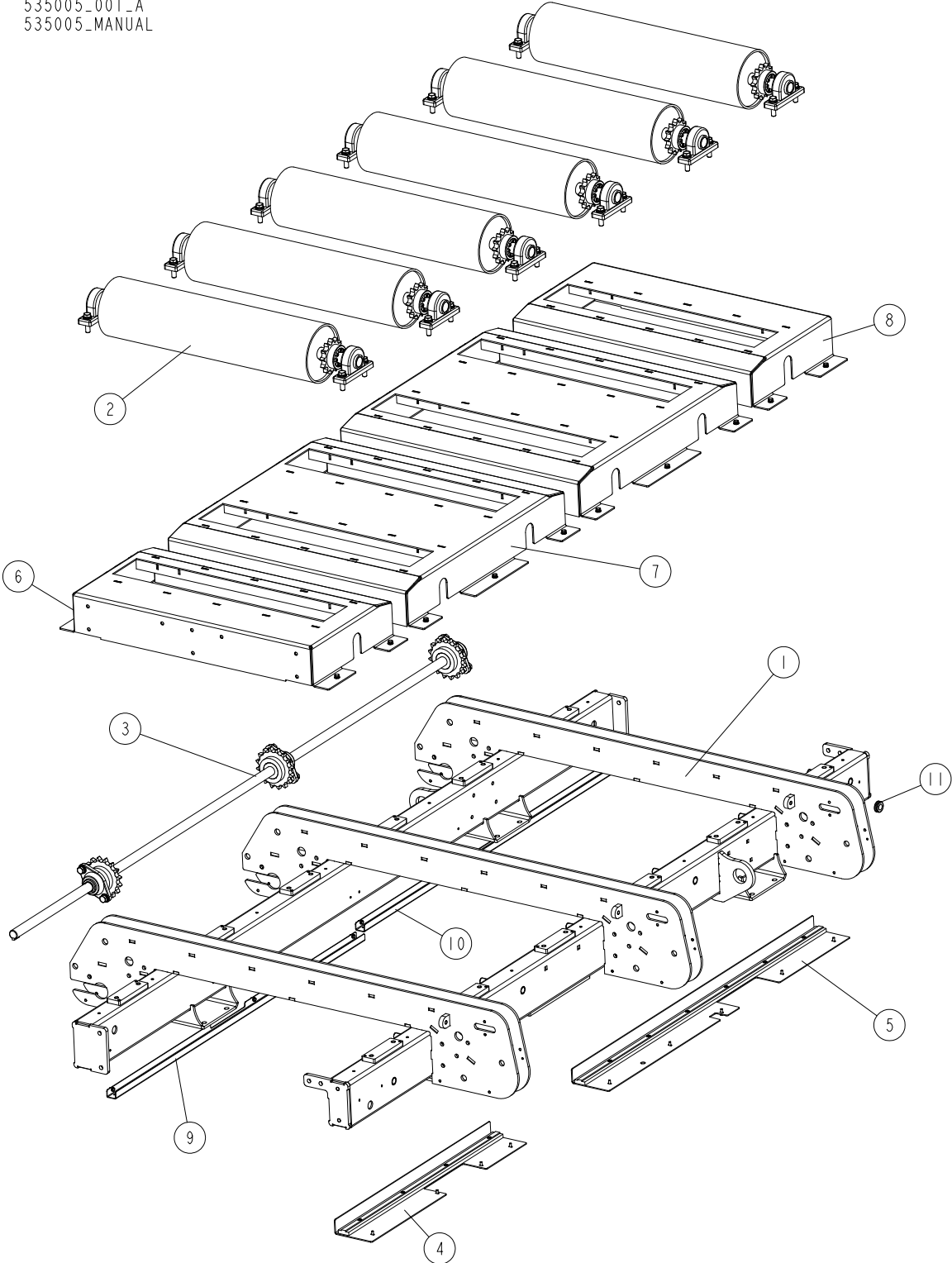


REF	DESCRIPTION (◆ indicates parts available in assemblies only)	PART #	QTY
-	TABLE, SORTING	545573	1
1	FRAME WELDMENT PAINTED)	545572-1	1
2	SPROCKET, 16B1 Z=12ULMER 554570	715087	13
3	WASHER, M21 FLAT ZINC	F81059-2	11
4	NUT, M20-6 HEX	F81037-2	11
5	BAR, 16B-1 CHAIN GUIDE	534918	2
6	BUSHING, 20.5/28-14 ZINC-PLATED	534921-1	6
7	BUSHING, 20.5/28-22.5 ZINC-PLATED	534922-1	6
8	BOLT, M20X100-8.8 HEX HEAD FULL THREAD Z	F81007-13	4
9	CHAIN, LONGITUDINAL DRIVE	534936	1
10	SPROCKET ASSEMBLY	535008	1
11	BRACKET, LONGITUDINAL DRIVE MOUNTING See Section 10.28	534959	1
12	TRANSVERSE DRIVE CHAIN - COMPLETE See Section 12.5	535010	2
13	PLATE, TENSIONER	534885-1	4
14	SHAFT, SPROCKET	534925-1	2
15	WASHER, 8.4 FLAT ZINC	F81054-1	8
16	WASHER 8,2 FE/ZN9	F81054-4	8
17	BOLT, M8X20-8.8-B HEX HEAD FULL THREAD Z	F81002-4	8
18	WASHER, 6.5/25-3	516008-1	4
19	WASHER, Z 6.1 SPLIT LOCK ZINC	F81053-3	7
20	BOLT, M6X20-8.8 HEX HEAD FULL THREAD ZIN	F81001-2	4
21	BOLT, M12X100 8.8 FE/ZN5 PN-85/M-82105	F81004-45	4
22	NUT, M12-8-B ZINC HEX	F81034-1	4
23	BOLT M12X45-8.8	F81004-32	4
24	WASHER, 13 FLAT ZINC	F81056-1	4

REF	DESCRIPTION (◆ indicates parts available in assemblies only)	PART #	QTY	
25	WASHER, Z12.2 SPLIT LOCK ZINC	F81056-2	4	
26	NUT, M12-8 HEX NYLON ZINC LOCK	F81034-2	4	
27	LINK, 16B-1 (T 35759)WM1000	504233	1	
28	DUCT, CABLE/HOSE	536024-1	1	
29	WASHER, 6.4 FLAT ZINC	F81053-1	3	
30	BOLT, M6 X 16 8.8 FE/ZN5 PN-M/82105	F81001-15	3	
31	GROMMET, RUBBER 3/4 ID	025247	1	

10.15 Sorting Table (Part 1/2) 535005

535005_001_A
535005_MANUAL



REF	DESCRIPTION (◆ indicates parts available in assemblies only)	PART #	QTY
-	Table, Sorting	535005	1
-	Table, Sorting	536663	1
1	FRAME, PTD/WLDMT	534935-1	1
2	ROLLER, SORTING TABLE - COMPLETE See Section 10.17	534853	6

10

CRD SORTING TABLES

Sorting Table (Part 1/2) 535005

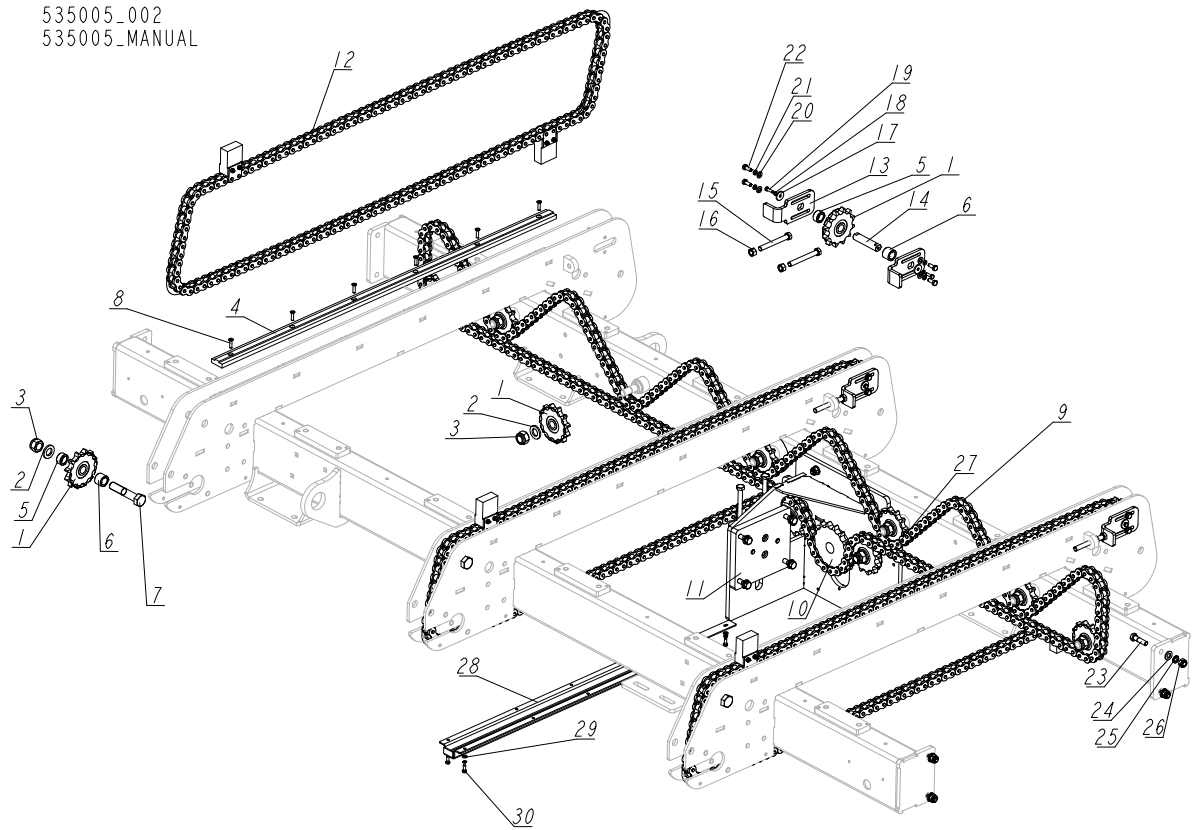
REF	DESCRIPTION (◆ indicates parts available in assemblies only)	PART #	QTY	
3	TRANSVERSE DRIVE ASSEMBLY	536003 ¹	1	
	TRANSVERSE DRIVE ASSEMBLY	536662 ²	1	
4	PLATE, SLIDE 1 - COMPLETE See Section 10.19	534970	1	
5	PLATE, SLIDE 2 - COMPLETE See Section 10.20	534972	1	
6	COVER 1 - COMPLETE See Section 10.21	534977	1	
7	COVER 2 - COMPLETE See Section 10.22	534984	2	
8	COVER 4 - COMPLETE See Section 10.24	534990	1	
9	DUCT, CABLE 1 - COMPLETE See Section 10.25	536006	1	
10	DUCT, CABLE 2 - COMPLETE See Section 10.26	536008	1	
11	GROMMET, RUBBER 3/4 ID	025247 ³	1	

¹ Included in 535005

² Included in 536663

³ Included in 535005

10.16 Sorting Table (Part 2/2) 535005

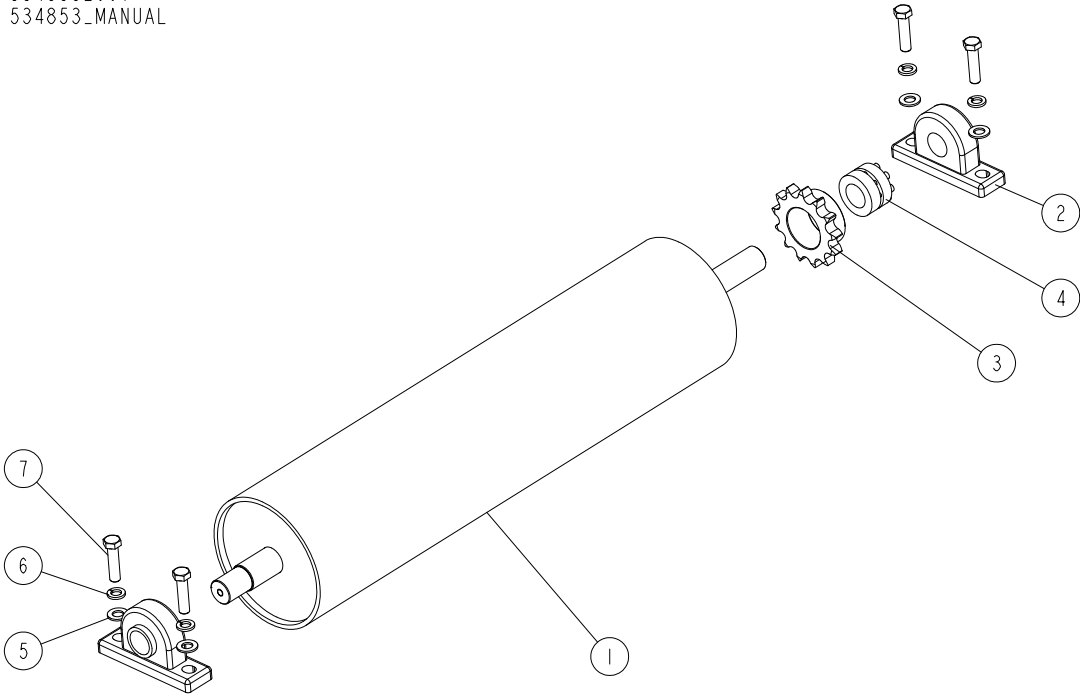


REF	DESCRIPTION (◆ indicates parts available in assemblies only)	PART #	QTY
-	Table, Sorting	535005	1
1	SPROCKET, 16B1 Z=12ULMER 554570	715087	16
2	WASHER, M21 FLAT ZINC	F81059-2	13
3	NUT, M20-6 HEX	F81037-2	13
4	BAR, 16B-1 CHAIN GUIDE	534918	3
5	BUSHING, 20.5/28-14 ZINC-PLATED	534921-1	9
6	BUSHING, 20.5/28-22.5 ZINC-PLATED	534922-1	9
7	BOLT, M20X100-8.8 HEX HEAD FULL THREAD Z	F81007-13	6
8	SCREW M6X25 HSFH ZC 8.8 DIN7991	F81001-68	18
9	CHAIN, LONGITUDINAL DRIVE	534936	1
10	SPROCKET ASSEMBLY	535008	1
11	BRACKET, LONGITUDINAL DRIVE MOUNTING See Section 10.28	534959	1
12	TRANSVERSE DRIVE CHAIN - COMPLETE See Section 12.5	535010	3
13	PLATE, TENSIONER	534885-1	6
14	SHAFT, SPROCKET	534925-1	3
15	BOLT, M12X100 8.8 FE/ZN5 PN-85/M-82105	F81004-45	6
16	NUT, M12-8-B ZINC HEX	F81034-1	6
17	WASHER, 6.5/25-3	516008-1	6
18	WASHER, Z 6.1 SPLIT LOCK ZINC	F81053-3	9
19	BOLT, M6X20-8.8 HEX HEAD FULL THREAD ZIN	F81001-2	6
20	WASHER, 8.4 FLAT ZINC	F81054-1	12
21	WASHER 8,2 FE/ZN9	F81054-4	12
22	BOLT, M8X20-8.8-B HEX HEAD FULL THREAD Z	F81002-4	12

REF	DESCRIPTION (◆ indicates parts available in assemblies only)	PART #	QTY	
23	BOLT M12X45-8.8	F81004-32	4	
24	WASHER, 13 FLAT ZINC	F81056-1	4	
25	WASHER, Z12.2 SPLIT LOCK ZINC	F81056-2	4	
26	NUT, M12-8 HEX NYLON ZINC LOCK	F81034-2	4	
27	LINK, 16B-1 (T 35759)WM1000	504233	1	
28	DUCT, CABLE/HOSE	536024-1	1	
29	WASHER, 6.4 FLAT ZINC	F81053-1	3	
30	BOLT, M6 X 16 8.8 FE/ZN5 PN-M/82105	F81001-15	3	

10.17 Roller

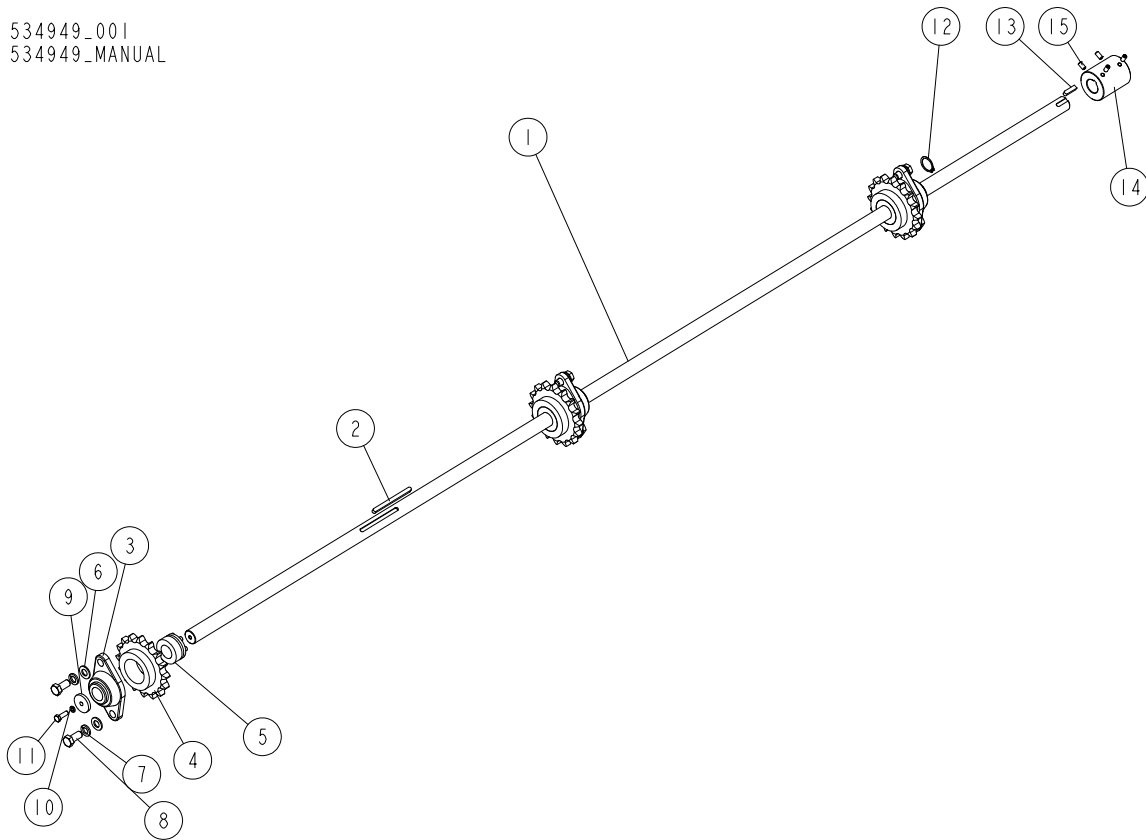
534853_001
534853_MANUAL



REF	DESCRIPTION (◆ indicates parts available in assemblies only)	PART #	QTY
-	ROLLER, SORTING TABLE - COMPLETE	534853	1
1	ROLLER, SORTING TABLE	534858-1	1
2	BEARING, UCP207 (CX) W/HOUSING	511501	2
3	SPROCKET, 16B1 Z=13 N60 T12204	534934	1
4	BUSHING, BK13 322627 MOUNTING	715106	1
5	WASHER, FLAT, M14 BOLT, ZINC	F81057-2	4
6	WASHER, M14 SPLIT LOCK ZINC	F81057-1	4
7	BOLT, M14X55-8.8 HEX HEAD FULL THREAD ZI	F81005-2	4

10.18 Transverse Drive Assembly.

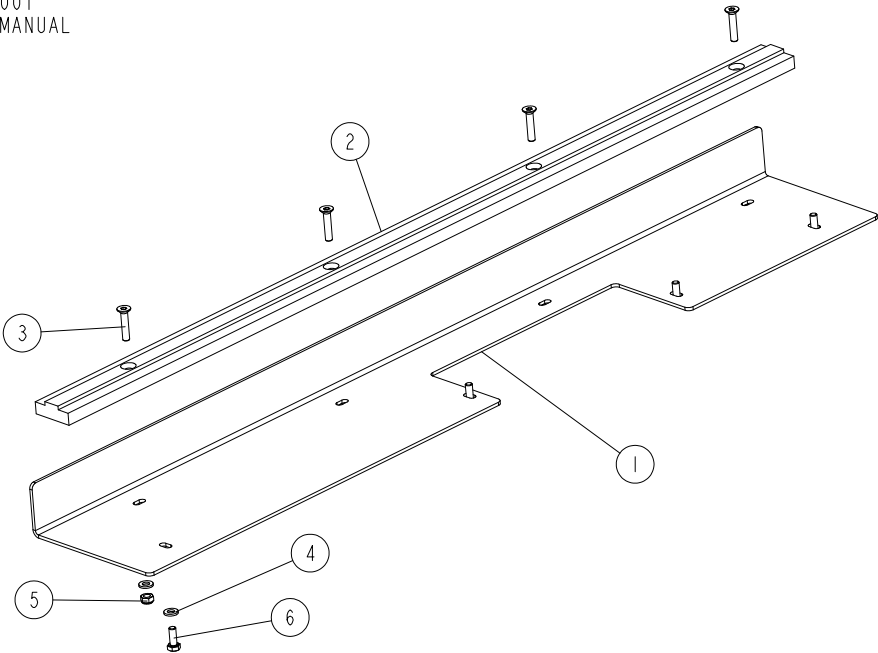
534949_001
534949_MANUAL



REF	DESCRIPTION (◆ indicates parts available in assemblies only)	PART #	QTY
-	TRANSVERSE DRIVE ASSEMBLY	534949	1
1	SHAFT, TRANSVERSE DRIVE	534950	1
2	KEY, A8X7X110, PARALLEL	534943	1
3	BEARING, FYTB30FJ BALL (SKF)	090851	3
4	SPROCKET, 16B-1 Z16	534920	3
5	BUSHING, BK13 30/55323626 MOUNTING	534919	3
6	WASHER, FLAT, M14 BOLT, ZINC	F81057-2	6
7	WASHER, M14 SPLIT LOCK ZINC	F81057-1	6
8	BOLT, M14X30 -8.8 HEX HEAD FULL THREAD Z	F81005-6	6
9	WASHER, 8.5/40-6 ZINC-PLATED	512011-1	1
10	WASHER 8,2 FE/ZN9	F81054-4	1
11	BOLT, M8X25-8.8-B HEX HEAD FULL THREAD Z	F81002-5	1
12	RING, Z30 SPRING RETAINING	F81090-23	1
13	KEY, AB 8X7X32 PARALLEL	534952	1
14	COUPLER	534951-1	1
15	SCREW, M8X16 DIN 916/ ISO 4035 SET	F81002-102	4

10.19 Slide 1 (534970)

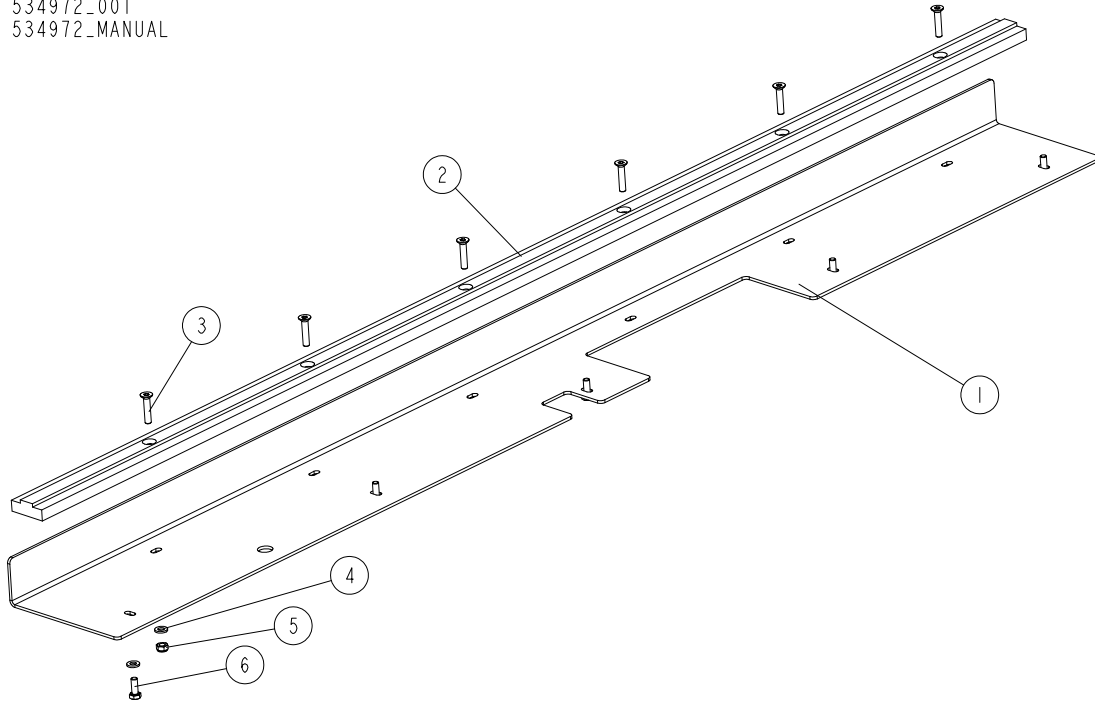
534970_001
534970_MANUAL



REF	DESCRIPTION (◆ indicates parts available in assemblies only)	PART #	QTY	
-	Plate, Slide 1 - Complete	534970	1	
1	PLATE, SLIDE 1	534967-1	1	
2	BAR, 16B-1 CHAIN GUIDE	534968	1	
3	SCREW, M6X30-8.8 DIN7991 FLAT SOCKET HEA	F81001-75	4	
4	WASHER, 6.4 FLAT ZINC	F81053-1	8	
5	NUT, M6-8-B HEX NYLON ZINC LOCK	F81031-2	4	
6	BOLT, M6 X 16 8.8 FE/ZN5 PN-M/82105	F81001-15	4	

10.20 Slide 2 (534972)

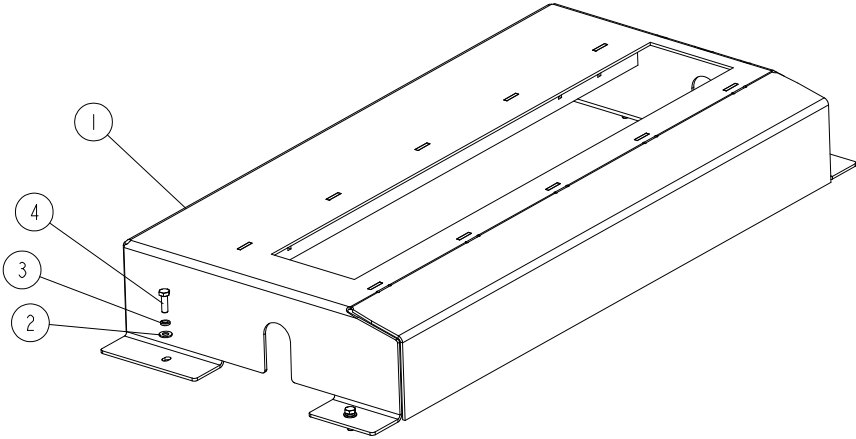
534972_001
534972_MANUAL



REF	DESCRIPTION (◆ indicates parts available in assemblies only)	PART #	QTY
-	Plate, Slide 2 - Complete	534972	1
1	PLATE, SLIDE 1	534969-1	1
2	BAR, 16B-1 CHAIN GUIDE	534971	1
3	SCREW, M6X30-8.8 DIN7991 FLAT SOCKET HEA	F81001-75	6
4	WASHER, 6.4 FLAT ZINC	F81053-1	11
5	NUT, M6-8-B HEX NYLON ZINC LOCK	F81031-2_	6
6	BOLT, M6 X 16 8.8 FE/ZN5 PN-M/82105	F81001-15	5

10.21 Cover 1. (534977)

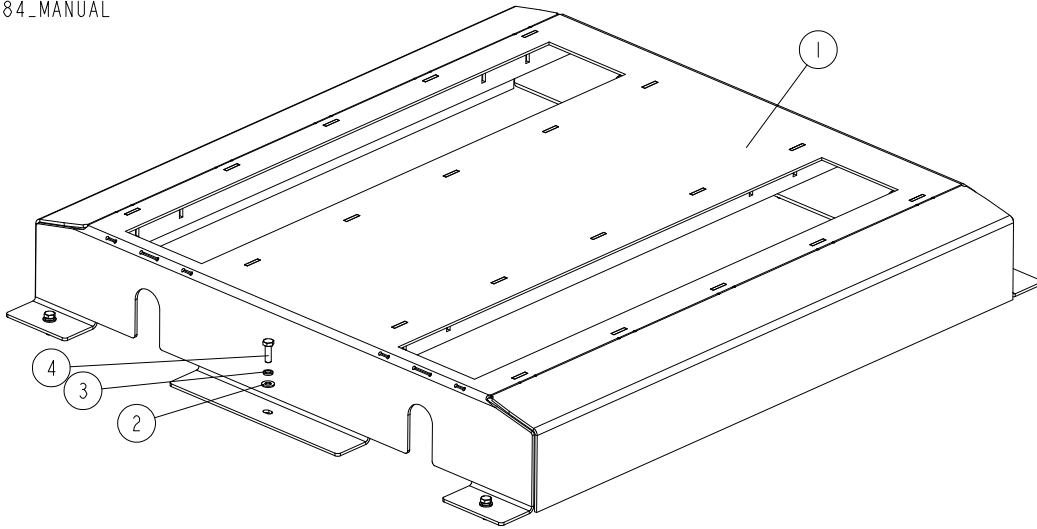
534977_001_A
534977_MANUAL



REF	DESCRIPTION (◆ indicates parts available in assemblies only)	PART #	QTY	
-	Cover 1 - Complete	534977	1	
1	COVER 1, PTD/WLDMT	534976-1	1	
2	WASHER, 8.4 FLAT ZINC	F81054-1	4	
3	WASHER 8,2 FE/ZN9	F81054-4	4	
4	BOLT, M8X25-8.8-B HEX HEAD FULL THREAD Z	F81002-5	4	

10.22 Cover 2. (534984)

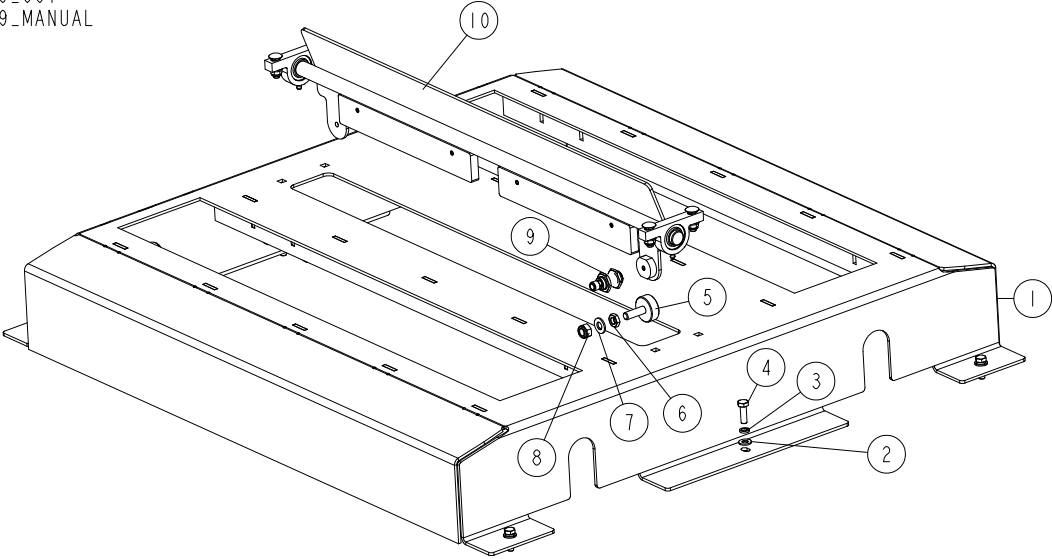
534984_001_A
534984_MANUAL



REF	DESCRIPTION (◆ indicates parts available in assemblies only)	PART #	QTY	
-	Cover 2 - Complete	534984	1	
1	COVER 2, PTD/WLDMT	534983-1	1	
2	WASHER, 8.4 FLAT ZINC	F81054-1	6	
3	WASHER 8,2 FE/ZN9	F81054-4	6	
4	BOLT, M8X25-8.8-B HEX HEAD FULL THREAD Z	F81002-5	6	

10.23 Cover 2. (547969)

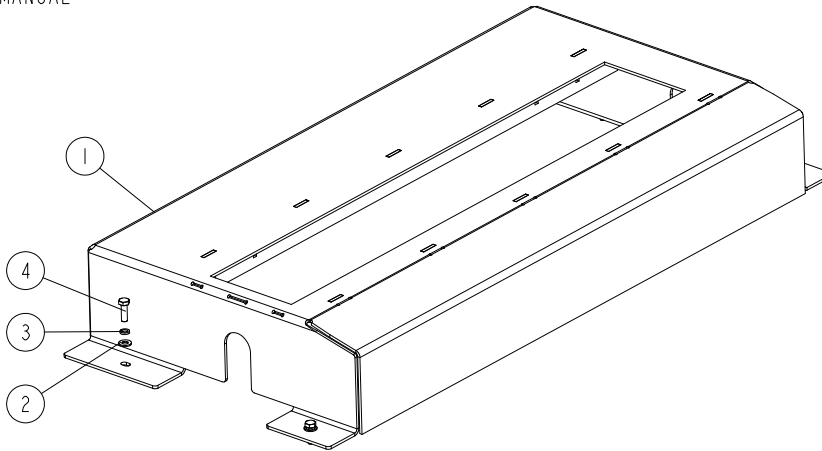
547969_001
547969_MANUAL



REF	DESCRIPTION (◆ indicates parts available in assemblies only)	PART #	QTY
-	COVER 2 COMPLETE	547969	1
1	COVER 2, PTD/WLDMT	547970-1	1
2	WASHER, 8.4 FLAT ZINC	F81054-1	6
3	WASHER 8,2 FE/ZN9	F81054-4	6
4	BOLT, M8X25-8.8-B HEX HEAD FULL THREAD Z	F81002-5	6
5	FOOT, BASE ADJUST	092839	2
6	NUT, M10-04-W THIN ZINC	F81033-6	2
7	WASHER, 10.5 FLAT ZINC	F81055-1	2
8	NUT, M10-8-B HEX NYLON ZINC LOCK	F81033-1	2
9	SENSOR, IGC204 MAGNETIC SHUTOFF	512970	1
10	BUMPER, COMPLETE See Section 6.8	534999	1

10.24 Cover 4. (534990)

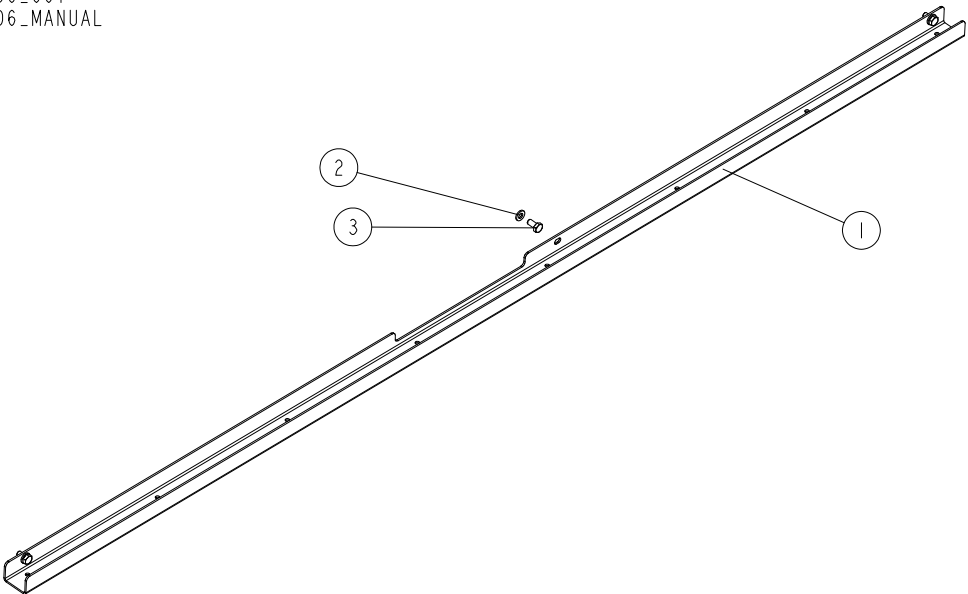
534990_001
534990_MANUAL



REF	DESCRIPTION (◆ indicates parts available in assemblies only)	PART #	QTY	
-	Cover 4 - Complete	534990	1	
1	COVER 2, PTD/WLDMT	534989-1	1	
2	WASHER, 8.4 FLAT ZINC	F81054-1	4	
3	WASHER 8,2 FE/ZN9	F81054-4	4	
4	BOLT, M8X25-8.8-B HEX HEAD FULL THREAD Z	F81002-5	4	

10.25 Cable Duct 1. (536006)

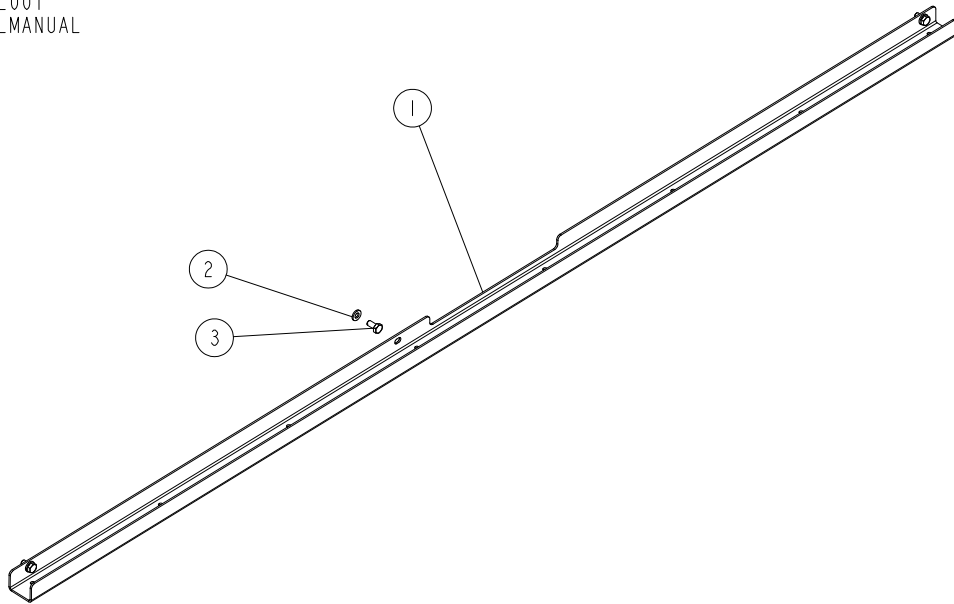
536006_001
536006_MANUAL



REF	DESCRIPTION (◆ indicates parts available in assemblies only)	PART #	QTY	
-	Duct, Cable 1 - Complete	536006	1	
1	DUCT, CABLE 1	536005-1	1	
2	WASHER, 6.4 FLAT ZINC	F81053-1	3	
3	BOLT, M6X12-8.8 HEX HEAD FULL THREAD ZIN	F81001-7	3	

10.26 Cable Duct 2.(536008)

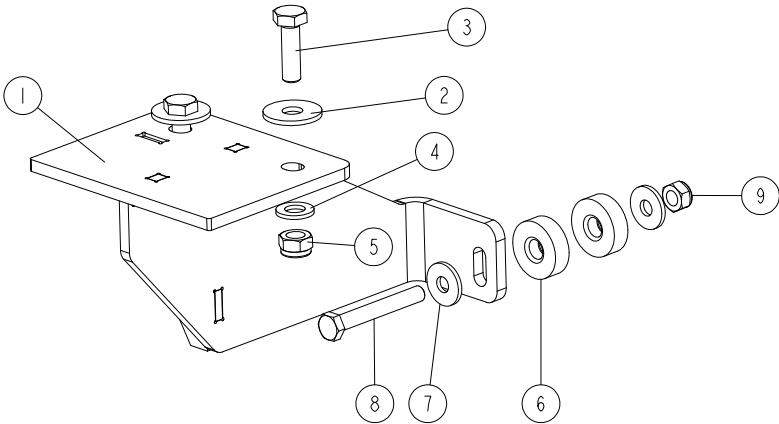
536008_001
536008_MANUAL



REF	DESCRIPTION (◆ indicates parts available in assemblies only)	PART #	QTY	
-	Duct, Cable 2 - Complete	536008	1	
1	DUCT, CABLE 2	536007-1	1	
2	WASHER, 6.4 FLAT ZINC	F81053-1	3	
3	BOLT, M6X12-8.8 HEX HEAD FULL THREAD ZIN	F81001-7	3	

10.27 Torque Arm.

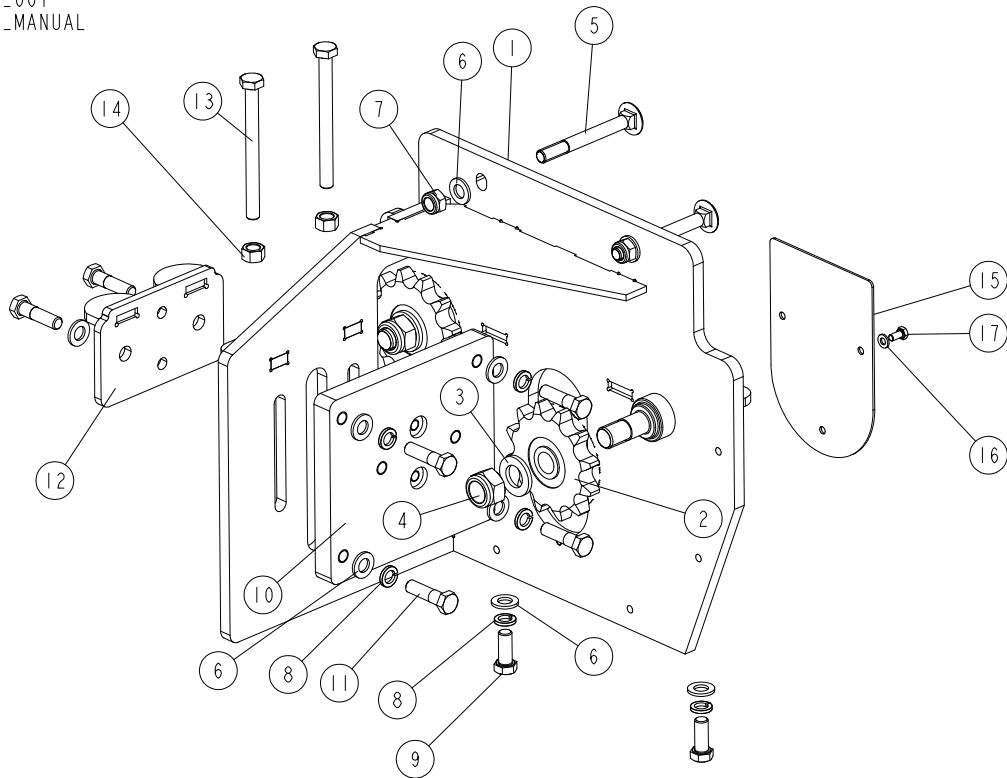
534948_001
534948_MANUAL



REF	DESCRIPTION (◆ indicates parts available in assemblies only)	PART #	QTY
-	Arm, Torque - Complete	534948	1
1	ARM, TORQUE PTD/WLDMT	534947-1	1
2	WASHER,13 SPECIAL FLAT ZINC	F81056-14	2
3	BOLT, M12X40 8.8 HEX HEAD FULL THR.ZINC	F81004-4	2
4	WASHER, 13 FLAT ZINC	F81056-1	2
5	NUT, M12-8 HEX NYLON ZINC LOCK	F81034-2	2
6	WASHER, RUBBER	090443	2
7	WASHER,10.5 ZINC FLAT SPECIAL	F81055-6	2
8	BOLT, M10X75-8.8-FE/ZN5 PN-M/82101	F81003-15	1
9	NUT, M10-8-B HEX NYLON ZINC LOCK	F81033-1	1

10.28 Longitudinal Drive Mounting.

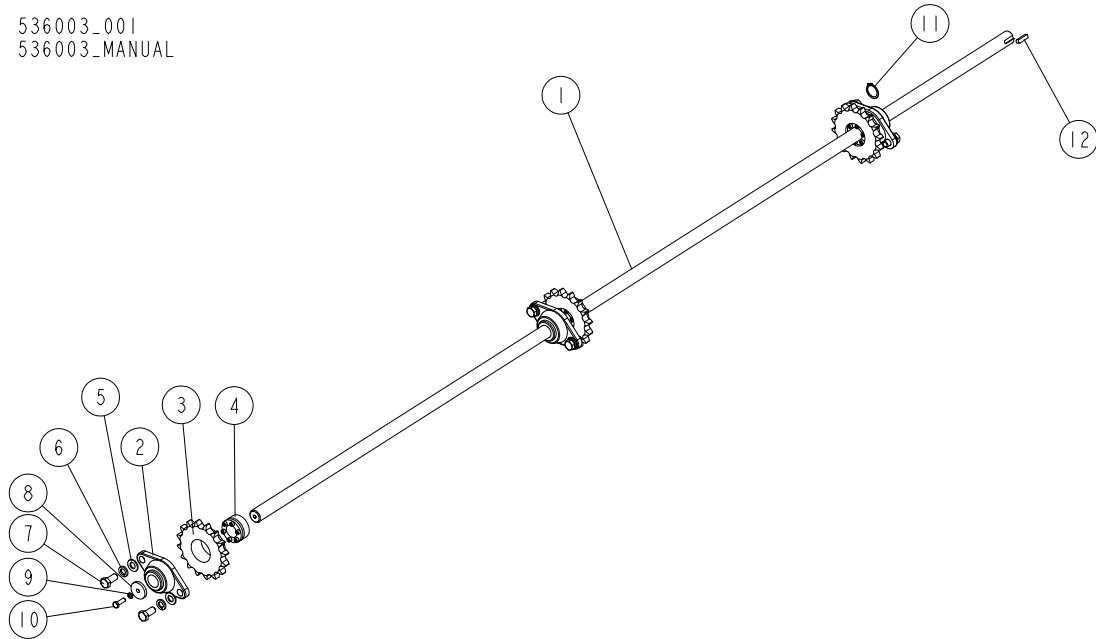
534959_001
534959_MANUAL



REF	DESCRIPTION (◆ indicates parts available in assemblies only)	PART #	QTY
-	Bracket, Longitudinal Drive Mounting	534959	1
1	BRACKET, LONGITUDINAL DRIVE MOUNTING PTD	534958-1	1
2	SPROCKET, 16B1 Z=12ULMER 554570	715087	2
3	WASHER, M21 FLAT ZINC	F81059-2	2
4	NUT, M20-6 HEX	F81037-2	2
5	BOLT, M12X110 8.8 FE/ZN5 PN-M/82406	F81004-63	2
6	WASHER, 13 FLAT ZINC	F81056-1	10
7	NUT, M12-8 HEX NYLON ZINC LOCK	F81034-2	2
8	WASHER, Z12.2 SPLIT LOCK ZINC	F81056-2	6
9	BOLT, M12X30-8.8 HEX HEAD FULL THREAD ZI	F81004-22	2
10	PLATE WELDMENT, ENGINE MOUNT - PTD/WLDMT	534966-1	1
11	BOLT M12X45-8.8	F81004-32	6
12	PLATE, TENSIONER PTD/WLDMT	534963-1	1
13	BOLT, M12X130-8.8 FE/ZN/PN/M82105	F81004-55	2
14	NUT, M12 X 1.25-8 HEX	F81034-8	2
15	PLATE	536004-1	1
16	WASHER, 6.4 FLAT ZINC	F81053-1	3
17	BOLT, M6X12-8.8 HEX HEAD FULL THREAD ZIN	F81001-7	3

10.29 Transverse Drive Assembly. (536003)

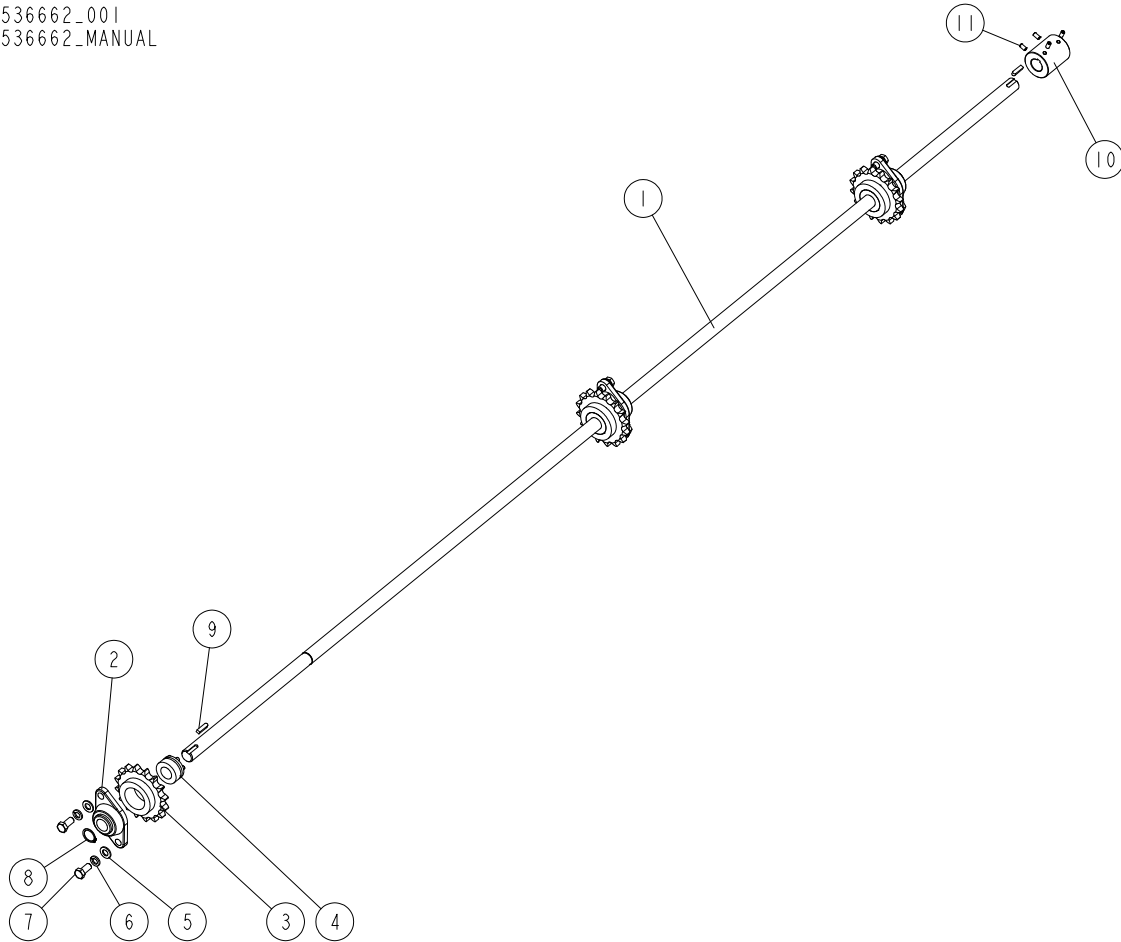
536003_001
 536003_MANUAL



REF	DESCRIPTION (◆ indicates parts available in assemblies only)	PART #	QTY
-	Transverse Drive Assembly	536003	1
1	SHAFT, TRANSVERSE DRIVE	536002	1
2	BEARING, FYTB30FJ BALL (SKF)	090851	3
3	SPROCKET, 16B-1 Z16	534920	3
4	BUSHING, BK13 30/55323626 MOUNTING	534919	3
5	WASHER, FLAT, M14 BOLT, ZINC	F81057-2	6
6	WASHER, M14 SPLIT LOCK ZINC	F81057-1	6
7	BOLT, M14X30 -8.8 HEX HEAD FULL THREAD Z	F81005-6	6
8	WASHER, 8.5/40-6 ZINC-PLATED	512011-1	1
9	WASHER 8,2 FE/ZN9	F81054-4	1
10	BOLT, M8X25-8.8-B HEX HEAD FULL THREAD Z	F81002-5	1
11	RING, Z30 SPRING RETAINING	F81090-23	1
12	KEY, AB 8X7X32 PARALLEL	534952	1

10.30 Transverse Drive Assembly. (536662)

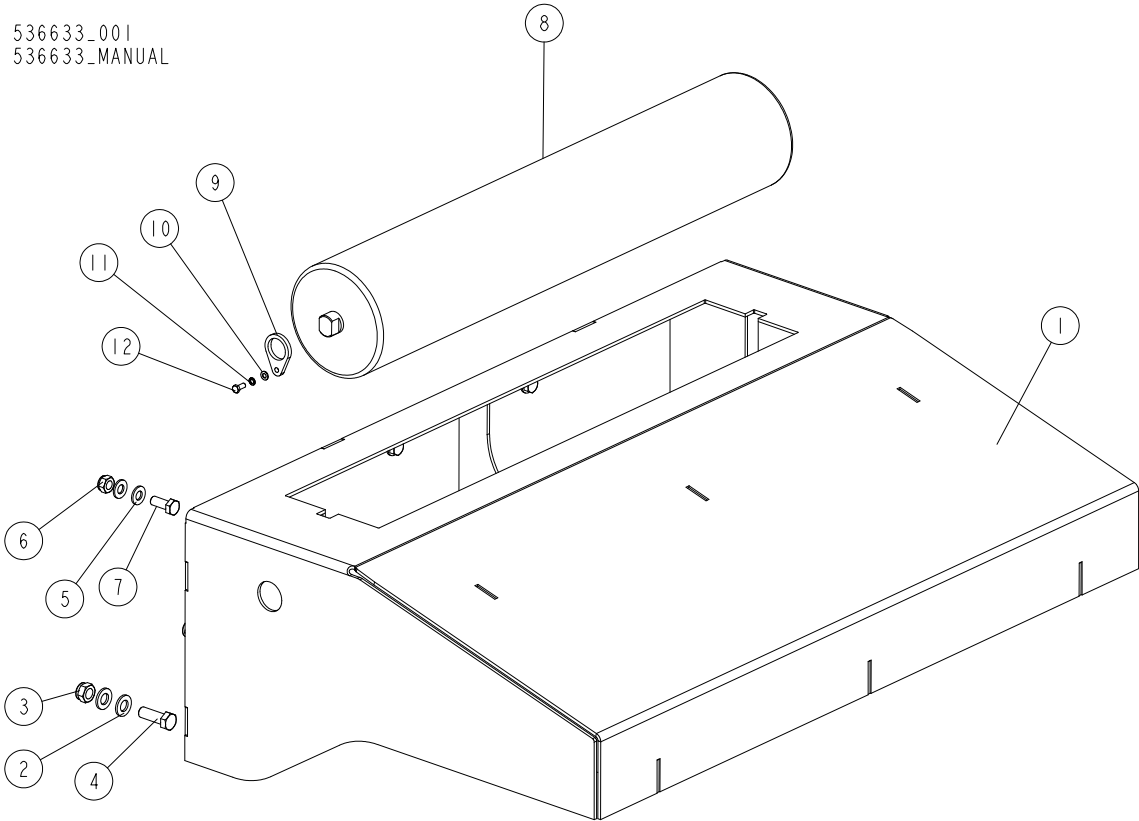
536662_001
536662_MANUAL



REF	DESCRIPTION (◆ indicates parts available in assemblies only)	PART #	QTY
-	TRANSVERSE DRIVE ASSEMBLY	536662	1
1	SHAFT, TRANSVERSE DRIVE	536661	1
2	BEARING, FYTB30FJ BALL (SKF)	090851	3
3	SPROCKET, 16B-1 Z16	534920	3
4	BUSHING, BK13 30/55323626 MOUNTING	534919	3
5	WASHER, FLAT, M14 BOLT, ZINC	F81057-2	6
6	WASHER, M14 SPLIT LOCK ZINC	F81057-1	6
7	BOLT, M14X30 -8.8 HEX HEAD FULL THREAD Z	F81005-6	6
8	RING, Z30 SPRING RETAINING	F81090-23	2
9	KEY, AB 8X7X32 PARALLEL	534952	2
10	COUPLER	534951-1	1
11	SCREW, M8X16 DIN 916/ ISO 4035 SET	F81002-102	4

10.31 Extension Table CRD.

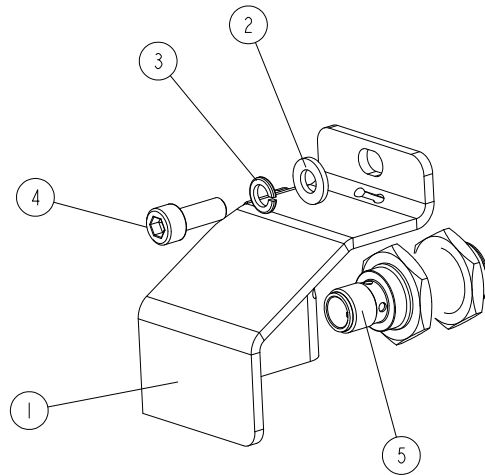
536633_001
536633_MANUAL



REF	DESCRIPTION (◆ indicates parts available in assemblies only)	PART #	QTY
-	EXTENSION, SORTING TABLE - COMPLETE	536633	1
1	EXTENSION, SORTING TABLE	536632-1	1
2	WASHER, 13 FLAT ZINC	F81056-1	8
3	NUT, M12-8 HEX NYLON ZINC LOCK	F81034-2	4
4	BOLT, M12 X 35-8.8-FE/ZN5 HEX HEAD FULL	F81004-24	4
5	WASHER, 10.5 FLAT ZINC	F81055-1	8
6	NUT, M10-8-B HEX NYLON ZINC LOCK	F81033-1	4
7	BOLT, M10X25-8.8-FE/ZN5	F81003-11	4
8	ROLLER, FI=133/25-700 S=18 BEARING 6305	522428-1	1
9	LOCK, ROLLER	522426-1	2
10	WASHER, 5.3 FLAT ZINC	F81052-1	2
11	WASHER, 5.1 SPLIT LOCK ZINC	F81052-2	2
12	BOLT, M5 X 12-5.8-FE/ZN5, PN-M/82105	F81000-5	2

10.32 Sensor Cover

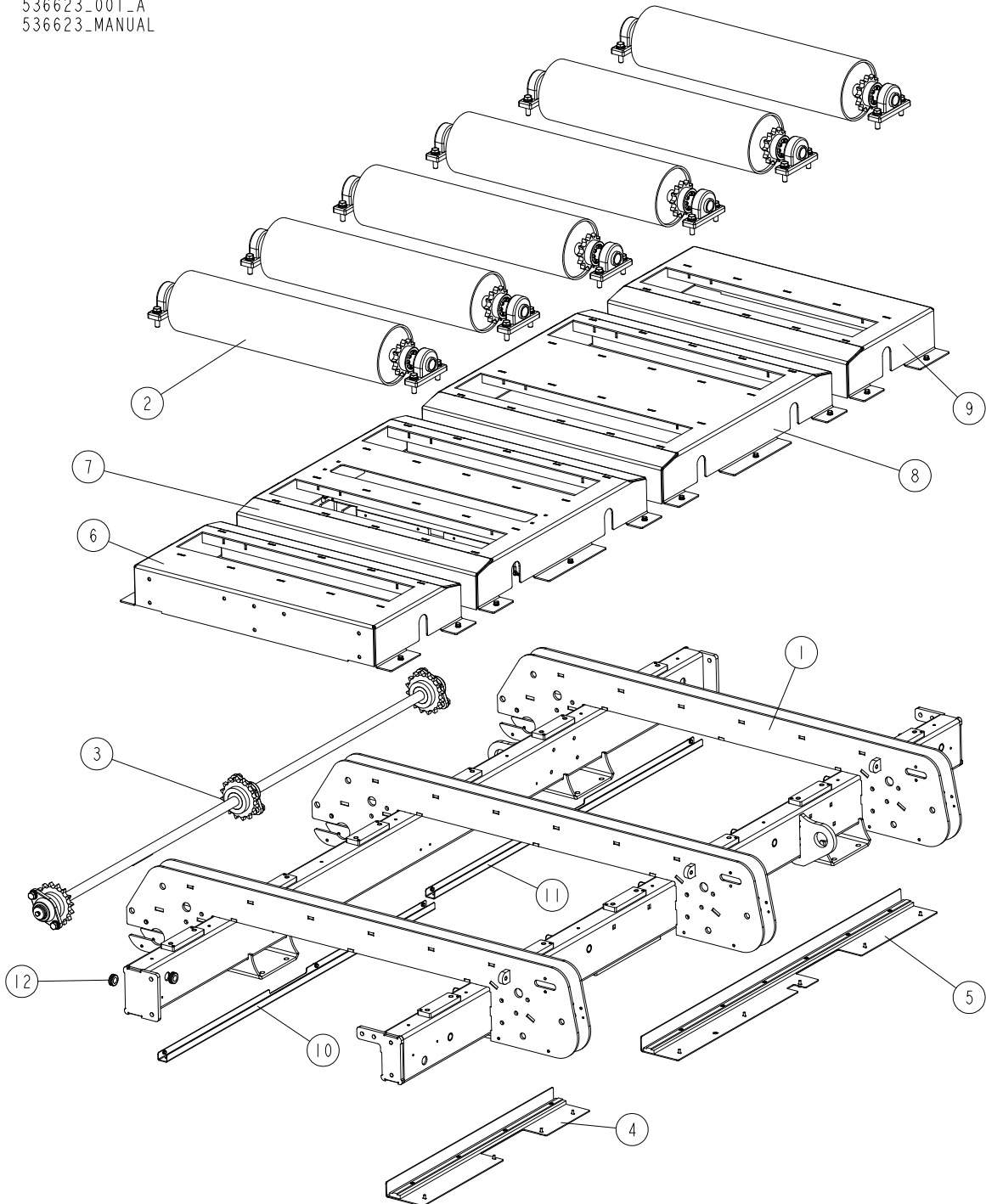
536694_001
536694_MANUAL



REF	DESCRIPTION (◆ indicates parts available in assemblies only)	PART #	QTY	
-	GUARD, INDUCTIVE SENSOR	536694	1	
1	PLATE, SENSOR GUARD	536668-1	1	
2	WASHER, 6.4 FLAT ZINC	F81053-1	2	
3	WASHER, Z 6.1 SPLIT LOCK ZINC	F81053-3	2	
4	SCREW, ISO 4762-M6X16-8.8-A2E HEX SOCKET	F81001-34	2	
5	SENSOR, IGC204 MAGNETIC SHUTOFF	512970	1	

10.33 Sorting Table (Part 1/2)

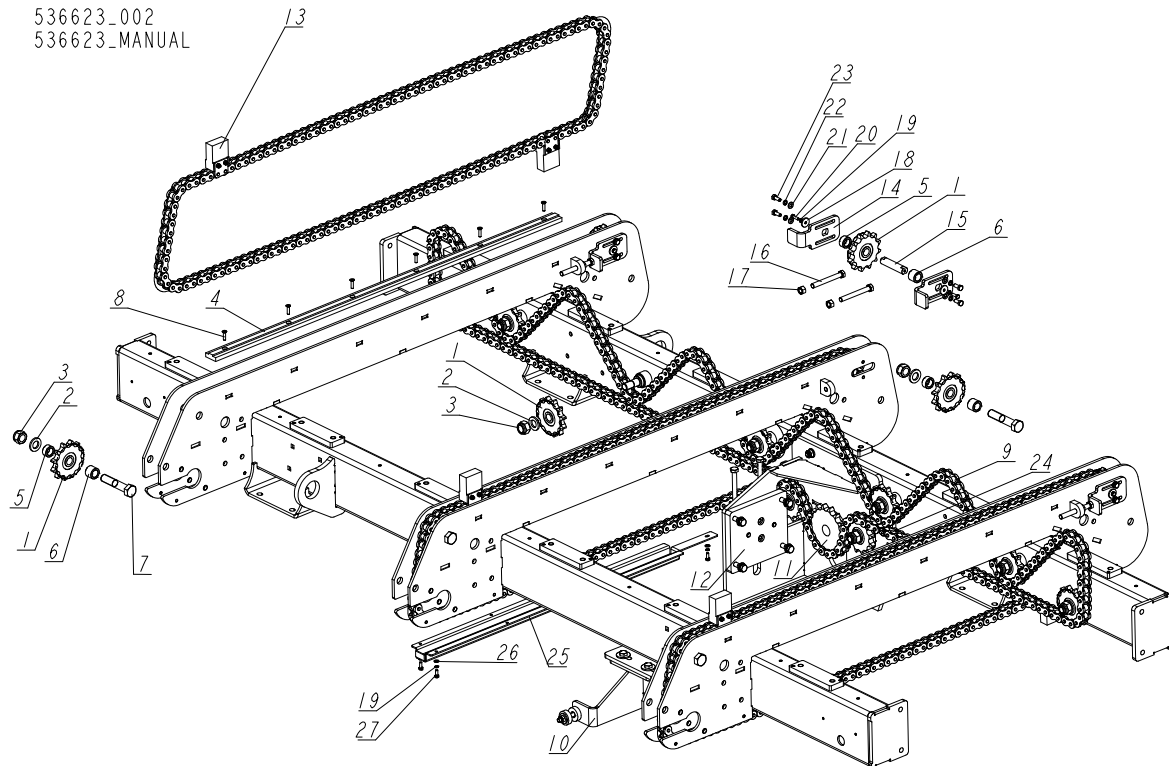
536623_001_A
536623_MANUAL



REF	DESCRIPTION (◆ indicates parts available in assemblies only)	PART #	QTY
-	TABLE, SORTING	536623	1
1	FRAME, PTD/WLDMT	534935-1	1
2	ROLLER, SORTING TABLE - COMPLETE See Section 10.17	534853	6
3	TRANSVERSE DRIVE ASSEMBLY See Section 12.2	534941	1
4	PLATE, SLIDE 1 - COMPLETE See Section 10.19	534970	1
5	PLATE, SLIDE 2 - COMPLETE See Section 10.20	534972	1

REF	DESCRIPTION (◆ indicates parts available in assemblies only)	PART #	QTY	
6	COVER 1 - COMPLETE See Section 10.21	534977	1	
7	COVER 2 COMPLETE See Section 10.23	547969	1	
8	COVER 2 - COMPLETE See Section 10.22	534984	1	
9	COVER 4 - COMPLETE See Section 10.24	534990	1	
10	DUCT, CABLE 1 - COMPLETE See Section 10.25	536006	1	
11	DUCT, CABLE 2 - COMPLETE See Section 10.26	536008	1	
12	GROMMET, RUBBER 3/4 ID	025247	2	

10.34 Sorting Table (Part 2/2)

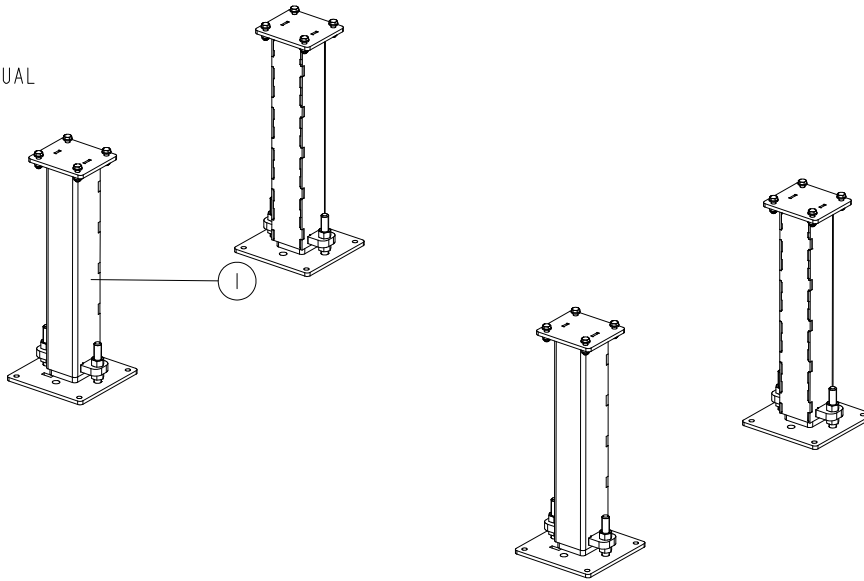


REF	DESCRIPTION (◆ indicates parts available in assemblies only)	PART #	QTY
-	Table, Sorting	536623	1
1	SPROCKET, 16B1 Z=12ULMER 554570	715087	16
2	WASHER, M21 FLAT ZINC	F81059-2	13
3	NUT, M20-6 HEX	F81037-2	13
4	BAR, 16B-1 CHAIN GUIDE	534918	3
5	BUSHING, 20.5/28-14 ZINC-PLATED	534921-1	9
6	BUSHING, 20.5/28-22.5 ZINC-PLATED	534922-1	9
7	BOLT, M20X100-8.8 HEX HEAD FULL THREAD Z	F81007-13	6
8	SCREW M6X25 HSFH ZC 8.8 DIN7991	F81001-68	18
9	CHAIN, LONGITUDINAL DRIVE	534936	1
10	ARM, TORQUE - COMPLETE See Section 10.27	534948	1
11	SPROCKET ASSEMBLY	535008	1
12	BRACKET, LONGITUDINAL DRIVE MOUNTING See Section 10.30	534959	1
13	TRANSVERSE DRIVE CHAIN - COMPLETE See Section 12.5	535010	3
14	PLATE, TENSIONER	534885-1	6
15	SHAFT, SPROCKET	534925-1	3
16	BOLT, M12X100 8.8 FE/ZN5 PN-85/M-82105	F81004-45	6
17	NUT, M12-8-B ZINC HEX	F81034-1	6
18	WASHER, 6.5/25-3	516008-1	6
19	WASHER, Z 6.1 SPLIT LOCK ZINC	F81053-3	9
20	BOLT, M6X20-8.8 HEX HEAD FULL THREAD ZIN	F81001-2	6
21	WASHER, 8.4 FLAT ZINC	F81054-1	12
22	WASHER 8,2 FE/ZN9	F81054-4	12

REF	DESCRIPTION (◆ indicates parts available in assemblies only)	PART #	QTY	
23	BOLT, M8X20-8.8-B HEX HEAD FULL THREAD Z	F81002-4	12	
24	LINK, 16B-1 (T 35759)WM1000	504233	1	
25	DUCT, CABLE/HOSE	536024-1	1	
26	WASHER, 6.4 FLAT ZINC	F81053-1	3	
27	BOLT, M6 X 16 8.8 FE/ZN5 PN-M/82105	F81001-15	3	

10.35 Leg Assembly 543912

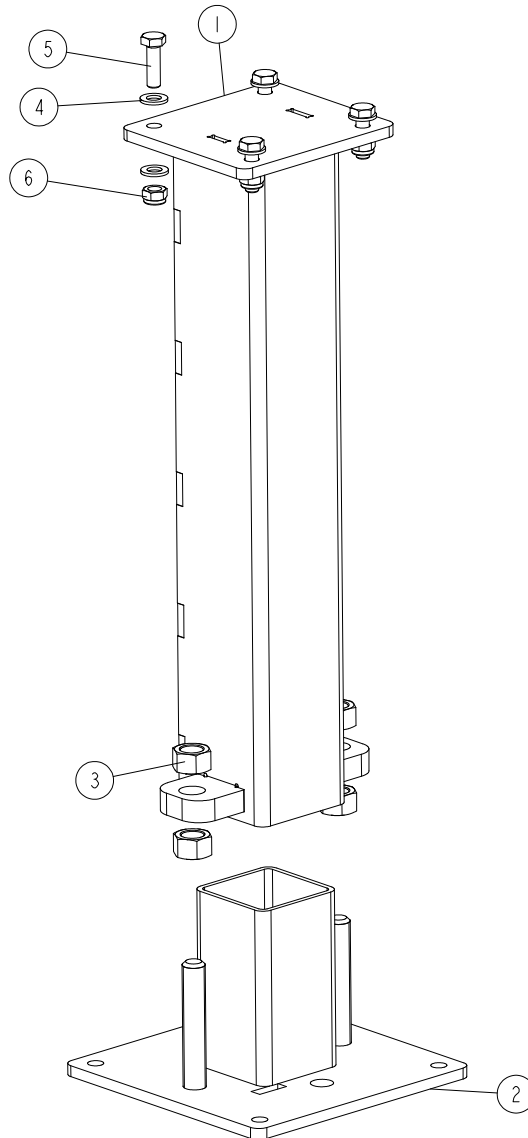
543912_001
543912_MANUAL



REF	DESCRIPTION (◆ indicates parts available in assemblies only)	PART #	QTY	
-	LEG ASSEMBLY, WB2000	543912	1	
1	LEG - COMPLETE See Section 10.36	543913	4	

10.36 Leg 543913

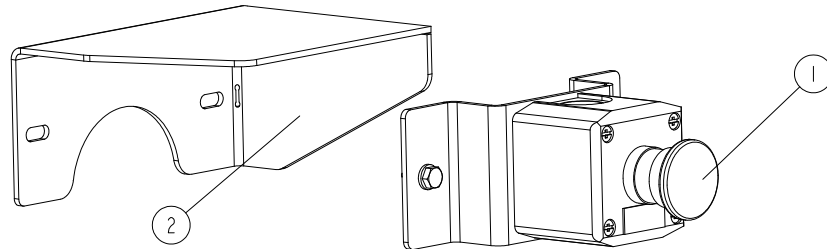
543913_001
543913_MANUAL



REF	DESCRIPTION (◆ indicates parts available in assemblies only)	PART #	QTY	
-	Leg - Complete	543913	1	
1	LEG, PTD/WLDMT	543914-1	1	
2	FOOT WELDMENT, WB2000 LEG ADJUSTABLE	510897-1	1	
3	NUT, M20-8-FE/ZN5 PN-86/M-82144	F81037-1	4	
4	WASHER, 13 FLAT ZINC	F81056-1	8	
5	BOLT, M12X40 8.8 HEX HEAD FULL THR.ZINC	F81004-4	4	
6	NUT, M12-8 HEX NYLON ZINC LOCK	F81034-2	4	

10.37 Emergency Stop W/Guard Assembly (536687)

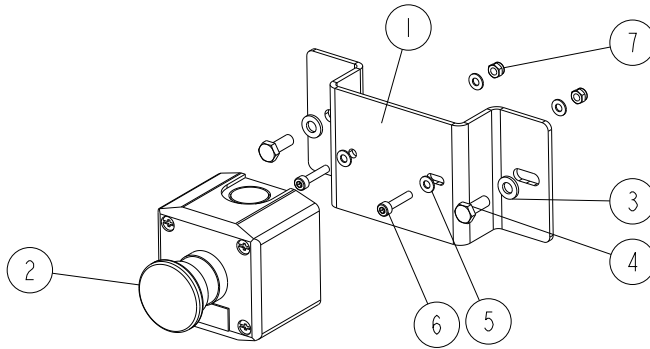
536687_001
536687_MANUAL



REF	DESCRIPTION (◆ indicates parts available in assemblies only)	PART #	QTY	
-	EMERGENCY STOP SWITCH ASSEMBLY W/GUARD	536687	1	
1	SWITCH ASSEMBLY, EMERGENCY STOP See Section 10.38	527795	1	
2	PLATE, PROTECTIVE	536683-1	1	

10.38 Emergency Stop Switch Assembly. 522795

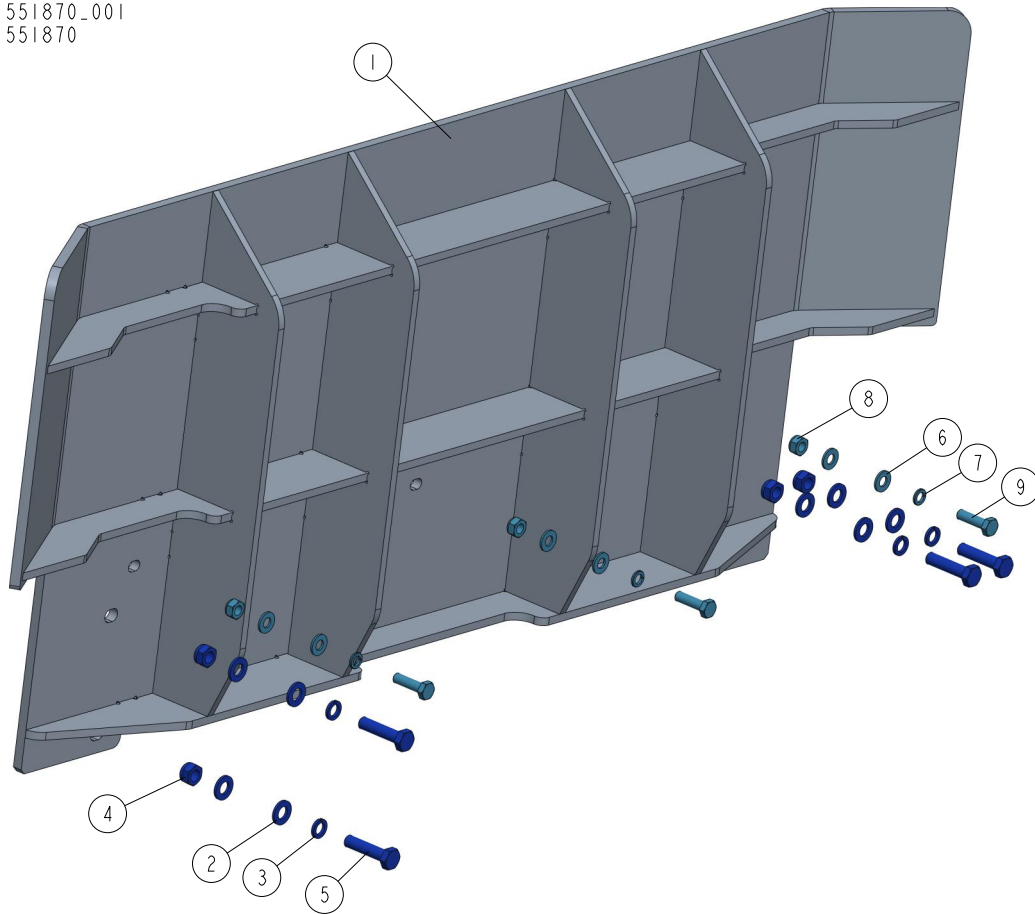
527795_001
527795_MANUAL



REF.	DESCRIPTION (* indicates parts available in assemblies only)	PART #	QTY
-	SWITCH ASSEMBLY, EMERGENCY STOP	527795	1
1	PLATE, EMERGENCY STOP SWITCH	527789-1	1
2	BUTTON, XALK 174 EMERGENCY STOP	E22703-P	1
3	WASHER, 6.4 FLAT ZINC	F81053-1	2
4	BOLT, M6X16-8.8 HEX HEAD FULL THREAD ZINC	F81001-15	2
5	WASHER, 4.3 FLAT ZINC	F81051-2	4
6	SCREW, M4X20 8.8 HEX SOCKET HEAD CAP ZINC	F81011-31	2
7	NUT, M4-8 HEX NYLON ZINC LOCK	F81029-1	2

10.39 Bumper 551870 (Option)

551870_001
551870

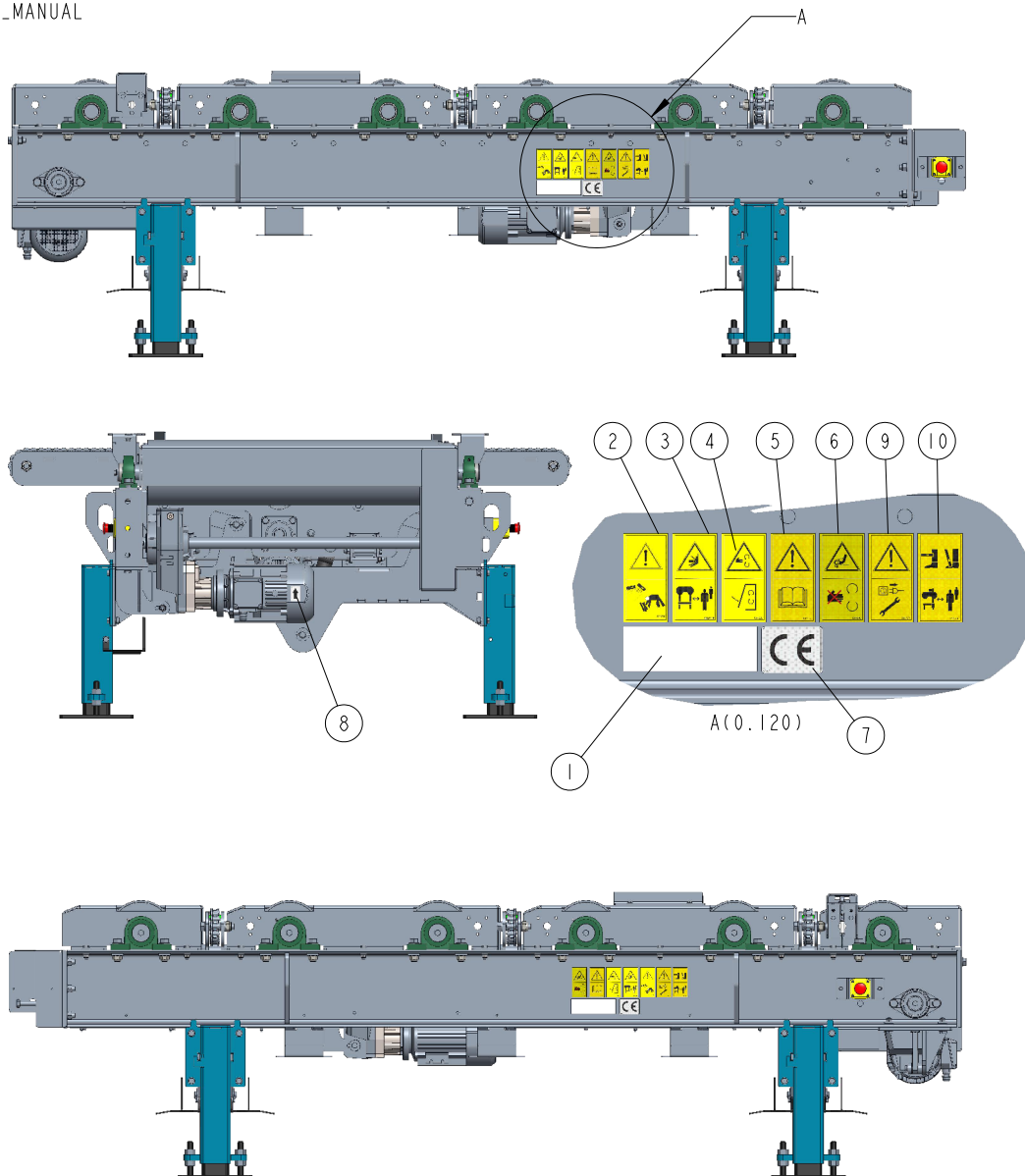


REF	DESCRIPTION (◆ indicates parts available in assemblies only)	PART #	QTY
-	BUMPER	551870	1
1	BUMPER, WLDDMT	552801-1	1
2	WASHER, 13 FLAT ZINC	F81056-1	8
3	WASHER, Z12.2 SPLIT LOCK ZINC	F81056-2	4
4	NUT, M12-8 HEX NYLON ZINC LOCK	F81034-2	4
5	BOLT, M12X50-8.8 HEX HEAD FULL THREAD ZI	F81004-77	4
6	WASHER, 10.5 FLAT ZINC	F81055-1	6
7	WASHER, Z 10.2 SPLIT LOCK ZINC	F81055-2	3
8	NUT M10 ZC 8 NYLOCK DIN 982 ISO 7040	F81033-1	3
9	BOLT, M10X35-8.8 HEX HEAD FULL THREAD ZI	F81003-17	3

SECTION 11 DECALS

11.1 Basic Module Decals

527840_002_B
527840_MANUAL



REF.	DESCRIPTION (* indicates parts available in assemblies only)	PART #	QTY
-	DECAL KIT, SORTING TABLE BASIC MODULE	533957	1
-	DECAL KIT, BASIC MODULE CRS HP	540682	1
1		DECAL, VIN NO.	2
2	DECAL, "SLABS FALLING OFF THE TABLE"	099780	2
3	DECAL, "KEEP A SAFE DISTANCE"	099221	2
4	DECAL, "CLOSE GUARDS BEFORE OPERATING"	099220	2
5	DECAL, "READ THE OPERATOR'S MANUAL"	096317	2
6	DECAL, TOOTHED GEAR WARNING	099540	2
7	DECAL, CE CERTIFIED SAWMILL - SMALL	P85070	2
8	DECAL, MOTOR DIRECTION	S20097	1
9	DECAL, "DISCONNECT POWER SUPPLY BEFORE SERVICING" (PICTOGRAM)	098177	2

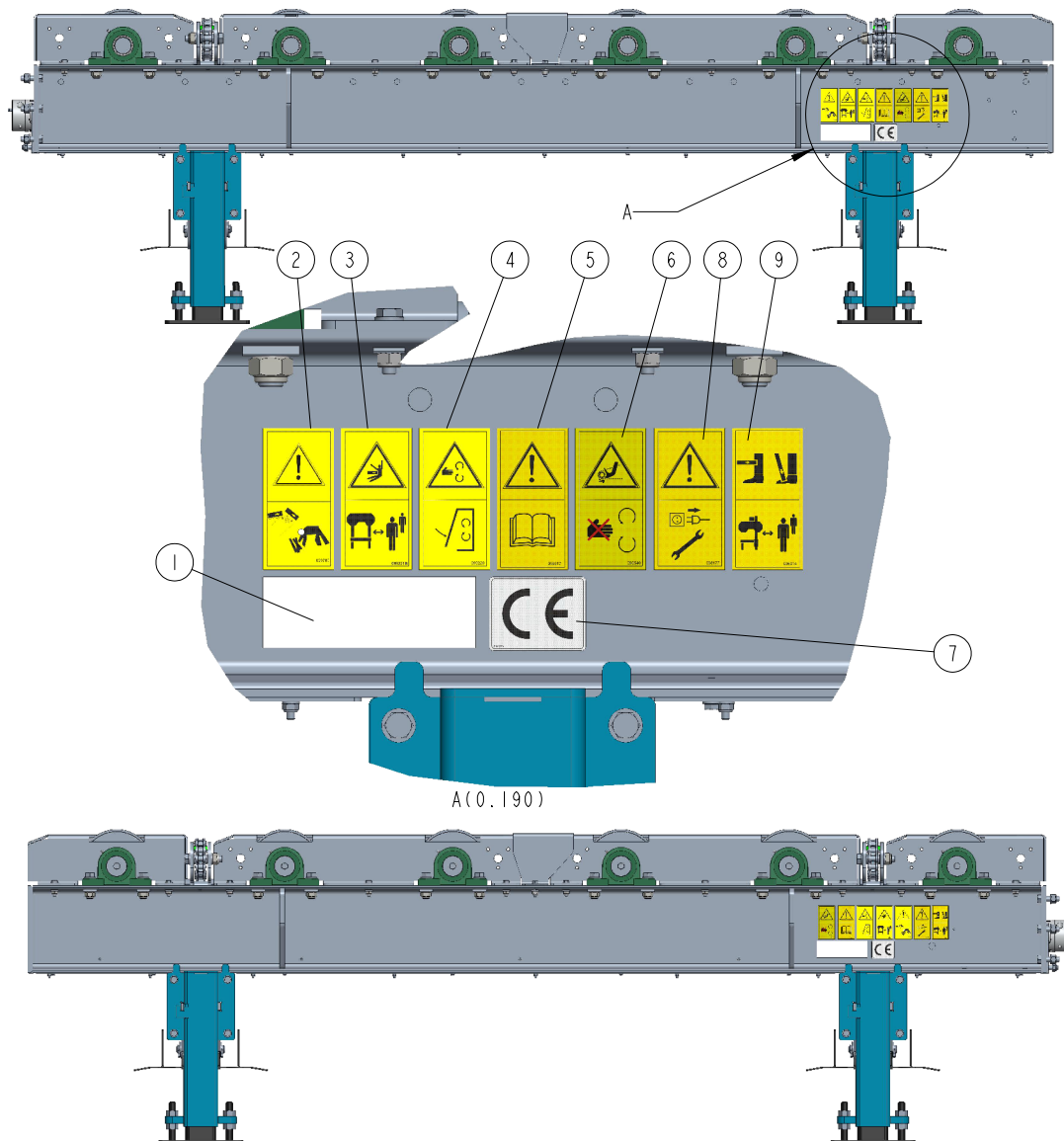
REF.	DESCRIPTION (* indicates parts available in assemblies only)	PART #	QTY	
10	DECAL, KEEP AWAY WARNING	096314	2	
-	DECAL, COMPRESSED AIR IN THE SYSTEM EVEN WITH DISCONNECTED VOLTAGE	101176 ¹	1	
-	DECAL, PRESSURE LEVEL IN THE AIR SYSTEM	513181 ²	1	

¹ Included in assy # 540682

² Included in assy # 540682

11.2 Extension Module Decals

527768_008_A
 527768_MANUAL



A(0.190)

REF.	DESCRIPTION (* indicates parts available in assemblies only)	PART #	QTY
-	DECAL KIT, SORTING TABLE EXTENSION MODULE	533958	1
-	DECAL KIT, EXTENSION MODULE CRS HP	540683	1
1		DECAL, VIN NO.	2
2	DECAL, "SLABS FALLING OFF THE TABLE"	099780	2
3	DECAL, "KEEP A SAFE DISTANCE"	099221	2
4	DECAL, "CLOSE GUARDS BEFORE OPERATING"	099220	2
5	DECAL, "READ THE OPERATOR'S MANUAL"	096317	2
6	DECAL, TOOTHED GEAR WARNING	099540	2
7	DECAL, CE CERTIFIED SAWMILL - SMALL	P85070	2
8	DECAL, "DISCONNECT POWER SUPPLY BEFORE SERVICING" (PICTOGRAM)	098177	2

REF.	DESCRIPTION (* indicates parts available in assemblies only)	PART #	QTY	
9	DECAL, KEEP AWAY WARNING	096314	2	
-	DECAL, COMPRESSED AIR IN THE SYSTEM EVEN WITH DISCONNECTED VOLTAGE	101176 ¹	1	
-	DECAL, PRESSURE LEVEL IN THE PNEUMATIC SYSTEM	513181 ²	1	

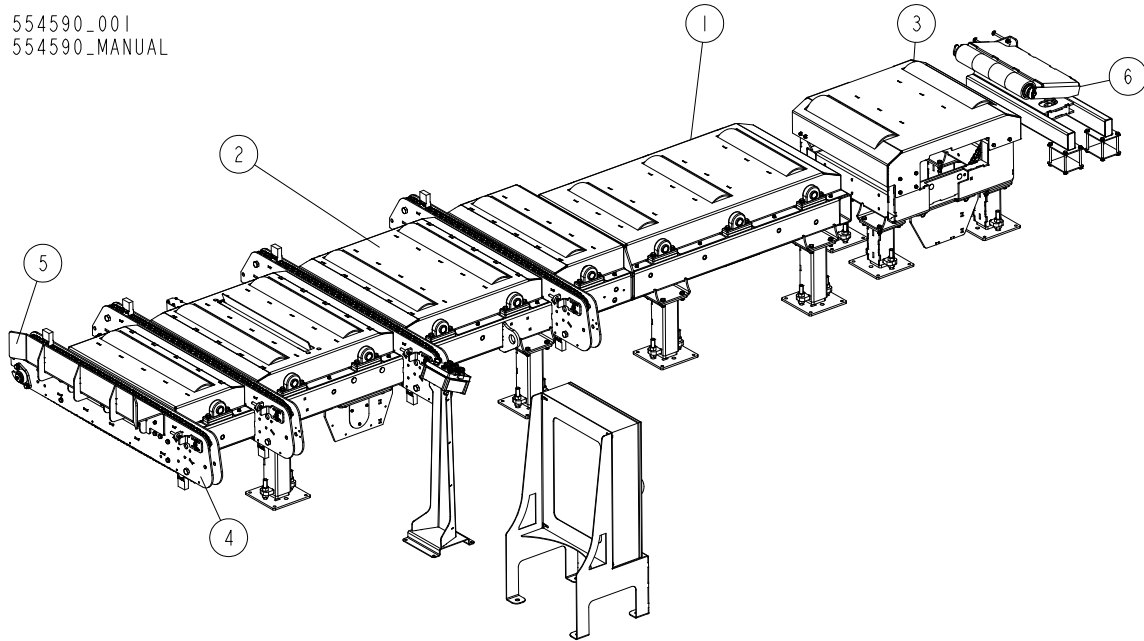
¹ Included in assy # 540683

² Included in assy # 540683

SECTION 12 DRIVE ASSEMBLY 554590

12.1 Drive Assembly Complete LT70. (554590)

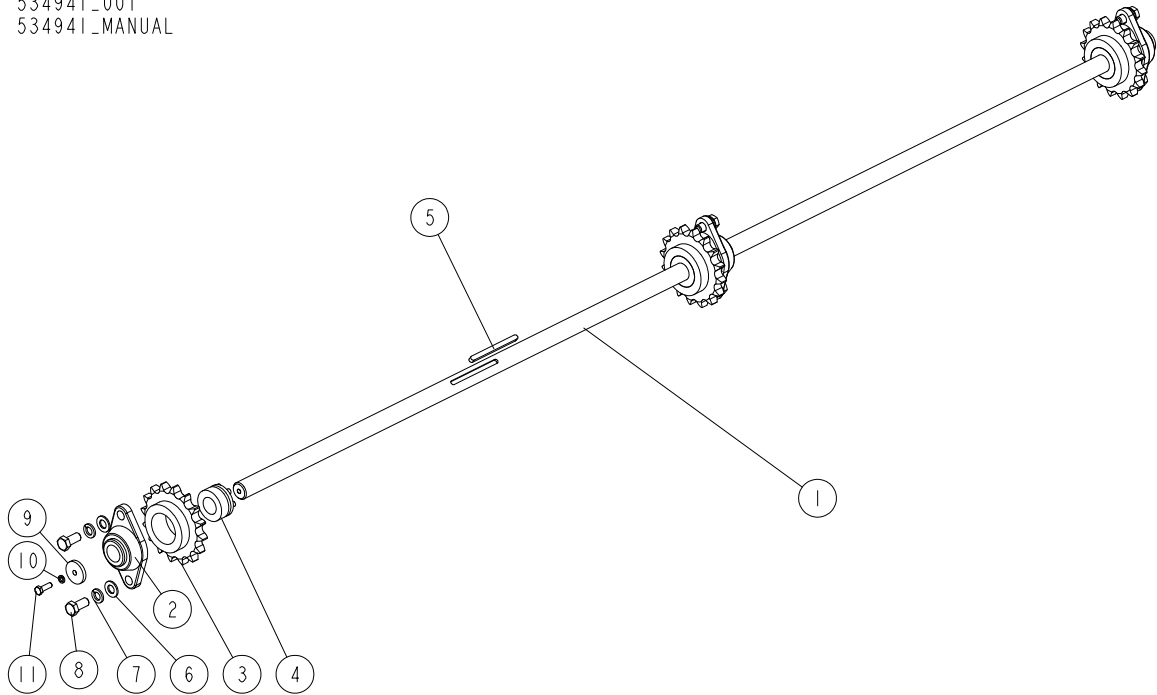
554590_001
554590_MANUAL



REF	DESCRIPTION (◆ indicates parts available in assemblies only)	PART #	QTY
-	DRIVE ASSEMBLY COMPLETE	554590	1
1	EXTENSION, DRIVE THREE ROLLERS See Section 12.14	552806	1
2	SORTING TABLE	CRD1H-LT	1
3	ROLLER DRIVE ASSEMBLY See Section 12.9	547990	1
4	RAIL, CROSS BOLTED See Section 12.3	552821	1
5	BUMPER See Section 12.3	552826	1
6	ABSORBER COMPLETE See Section 12.6	551867	1

12.2 Transverse Drive Assembly. (534941)

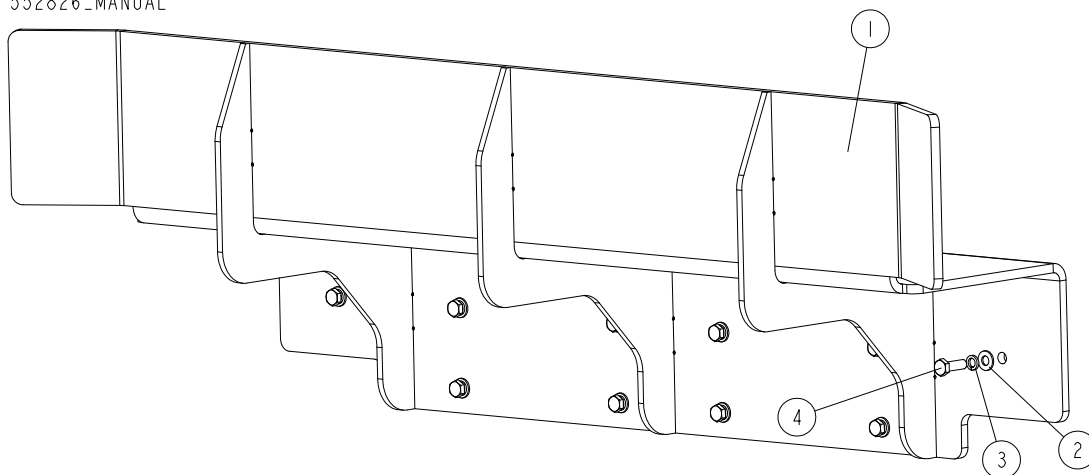
534941_001
534941_MANUAL



REF	DESCRIPTION (◆ indicates parts available in assemblies only)	PART #	QTY
-	TRANSVERSE DRIVE ASSEMBLY	534941	1
1	SHAFT, TRANSVERSE DRIVE	534942	1
2	BEARING, FYTB30FJ BALL (SKF)	090851	3
3	SPROCKET, 16B-1 Z16	534920	3
4	BUSHING, BK13 30/55323626 MOUNTING	534919	3
5	KEY, A8X7X110, PARALLEL	534943	1
6	WASHER, FLAT, M14 BOLT, ZINC	F81057-2	6
7	WASHER, M14 SPLIT LOCK ZINC	F81057-1	6
8	BOLT, M14X30 -8.8 HEX HEAD FULL THREAD ZINC	F81005-6	6
9	WASHER, 8.5/40-6 ZINC-PLATED	512011-1	2
10	WASHER 8,2 ZINC	F81054-4	2
11	BOLT, M8X25-8.8-B HEX HEAD FULL THREAD ZINC	F81002-5	2

12.3 Bumper (552826)

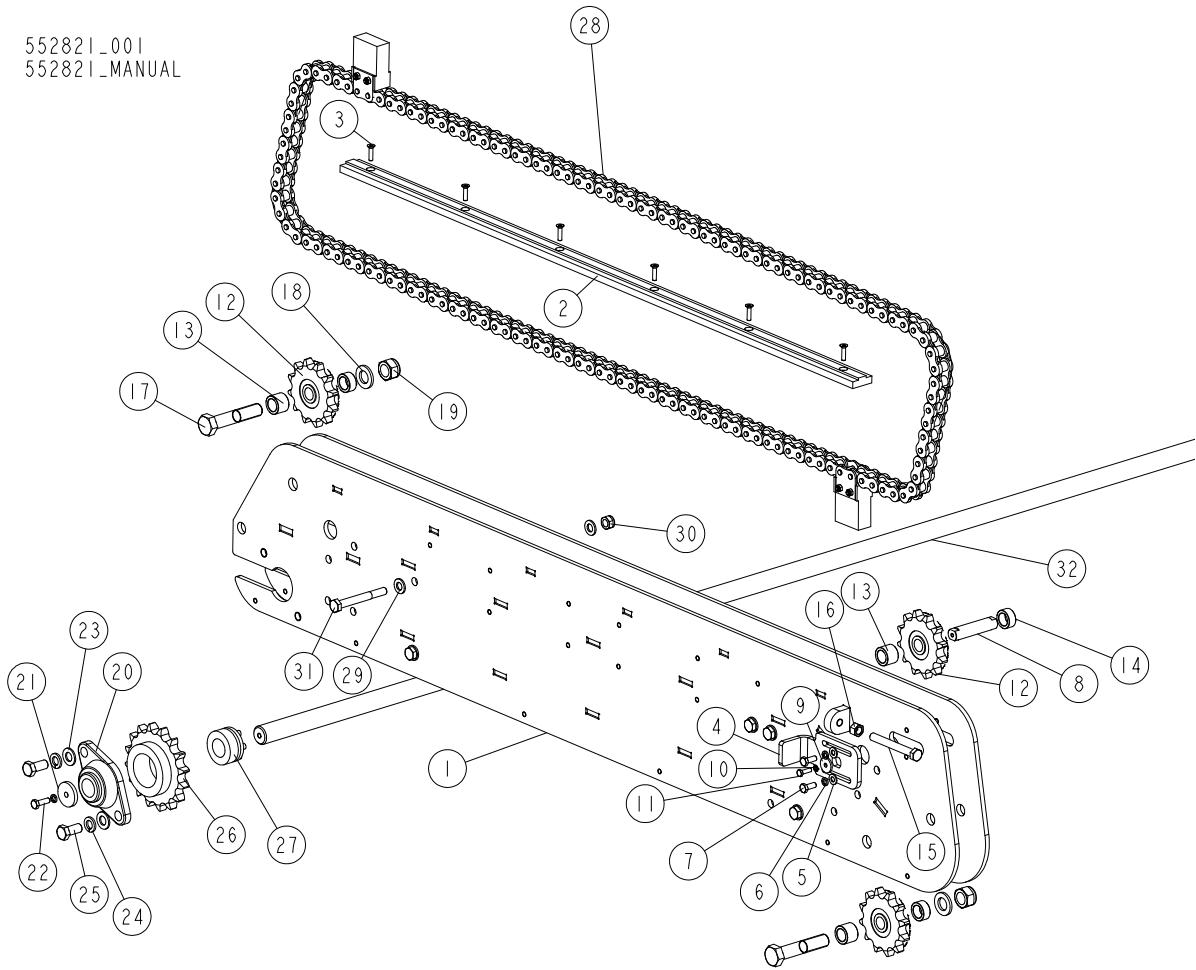
552826_001
552826_MANUAL



REF	DESCRIPTION (◆ indicates parts available in assemblies only)	PART #	QTY
-	BUMPER	552826	1
1	BUMPER, WLDDMT	552824-1	1
2	WASHER, 8.4 FLAT ZINC	F81054-1	10
3	WASHER 8,2 FE/ZN9	F81054-4	10
4	BOLT, M8X25-8.8-B HEX HEAD FULL THREAD Z	F81002-5	10

12.4 Rail Crossed. Bolted (552821)

552821_001
552821_MANUAL

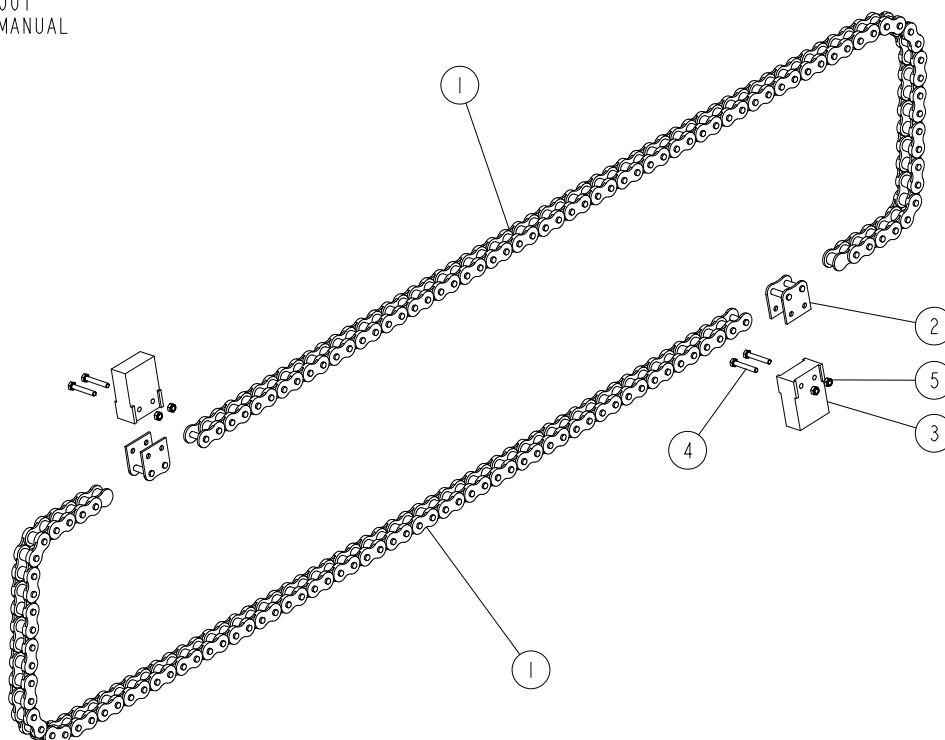


REF	DESCRIPTION (◆ indicates parts available in assemblies only)	PART #	QTY
-	RAIL, CROSS BOLTED	552821	1
1	RAIL CROSS WLDMNT	552818-1	1
2	BAR, 16B-1 CHAIN GUIDE	534918	1
3	SCREW M6X25 HSFH ZC 8.8 DIN7991	F81001-68	6
4	PLATE, TENSIONER	534885-1	2
5	WASHER, 8.4 FLAT ZINC	F81054-1	4
6	WASHER 8,2 FE/ZN9	F81054-4	5
7	BOLT, M8X20-8.8-B HEX HEAD FULL THREAD Z	F81002-4	4
8	SHAFT, SPROCKET	534925-1	1
9	WASHER, 6.5/25-3	516008-1	2
10	WASHER, Z 6.1 SPLIT LOCK ZINC	F81053-3	2
11	BOLT, M6X20-8.8 HEX HEAD FULL THREAD ZIN	F81001-2	2
12	SPROCKET, 16B1 Z=12ULMER 554570	715087	3
13	BUSHING, 20.5/28-22.5 ZINC-PLATED	534922-1	3
14	BUSHING, 20.5/28-14 ZINC-PLATED	534921-1	3
15	BOLT, M12X100 8.8 FE/ZN5 PN-85/M-82105	F81004-45	2
16	NUT, M12-8-B ZINC HEX	F81034-1	2
17	BOLT, M20X100-8.8 HEX HEAD FULL THREAD Z	F81007-13	2

REF	DESCRIPTION (◆ indicates parts available in assemblies only)	PART #	QTY	
18	WASHER, M21 FLAT ZINC	F81059-2	2	
19	NUT, M20-6 HEX	F81037-2	2	
20	BEARING, FYTB30FJ BALL (SKF)	090851	1	
21	WASHER, 8.5/40-6 ZINC-PLATED	512011-1	1	
22	BOLT, M8X25-8.8-B HEX HEAD FULL THREAD Z	F81002-5	1	
23	WASHER, FLAT, M14 BOLT, ZINC	F81057-2	2	
24	WASHER, M14 SPLIT LOCK ZINC	F81057-1	2	
25	BOLT, M14X30 -8.8 HEX HEAD FULL THREAD Z	F81005-6	2	
26	SPROCKET, 16B-1 Z16	534920	1	
27	BUSHING, BK13 30/55323626 MOUNTING	534919	1	
28	TRANSVERSE DRIVE CHAIN - COMPLETE See Section 12.5	535010	1	
29	WASHER, 13 FLAT ZINC	F81056-1	10	
30	NUT, M12-8 HEX NYLON ZINC LOCK	F81034-2	4	
31	BOLT, M12 X 100MM,HH,GRADE 5.8,ZINC	F81004-3	6	
32	SHAFT, TRANSVERSE DRIVE	553001	1	

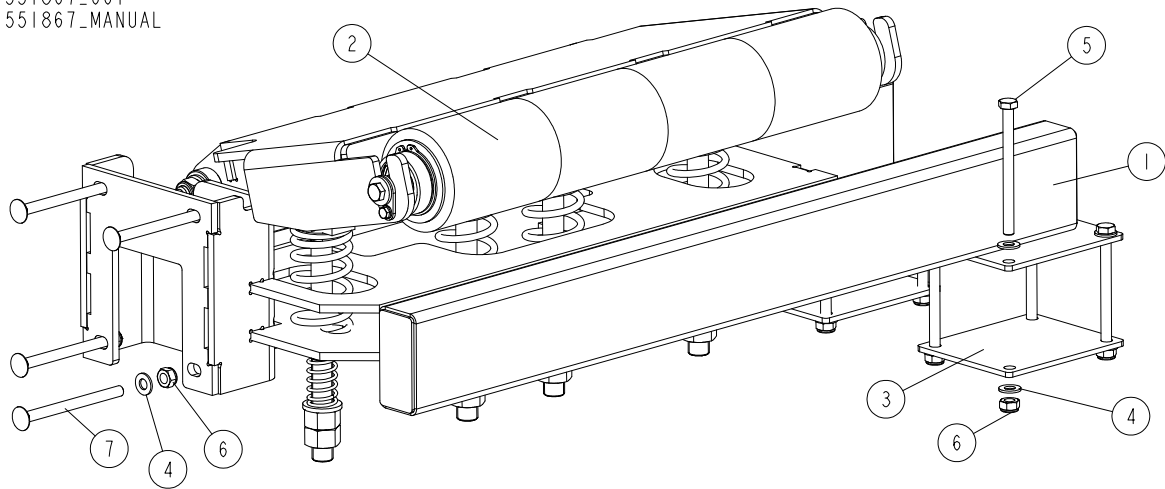
12.5 Transverse Drive Chain

535010_001
535010_MANUAL



REF	DESCRIPTION (◆ indicates parts available in assemblies only)	PART #	QTY	
-	Transverse Drive Chain - Complete	535010	1	
1	CHAIN, 16 B1 L=1775 MM	534973	2	
2	LINK, CHAIN W/TWO-SIDED DOG MK2	533999	2	
3	BLOCK, DOG	534878-1	2	
4	BOLT, M6X40MM,HEX HEAD,FULL THRD,ZINC	F81001-5	4	
5	NUT, M6-8-B HEX NYLON ZINC LOCK	F81031-2	4	

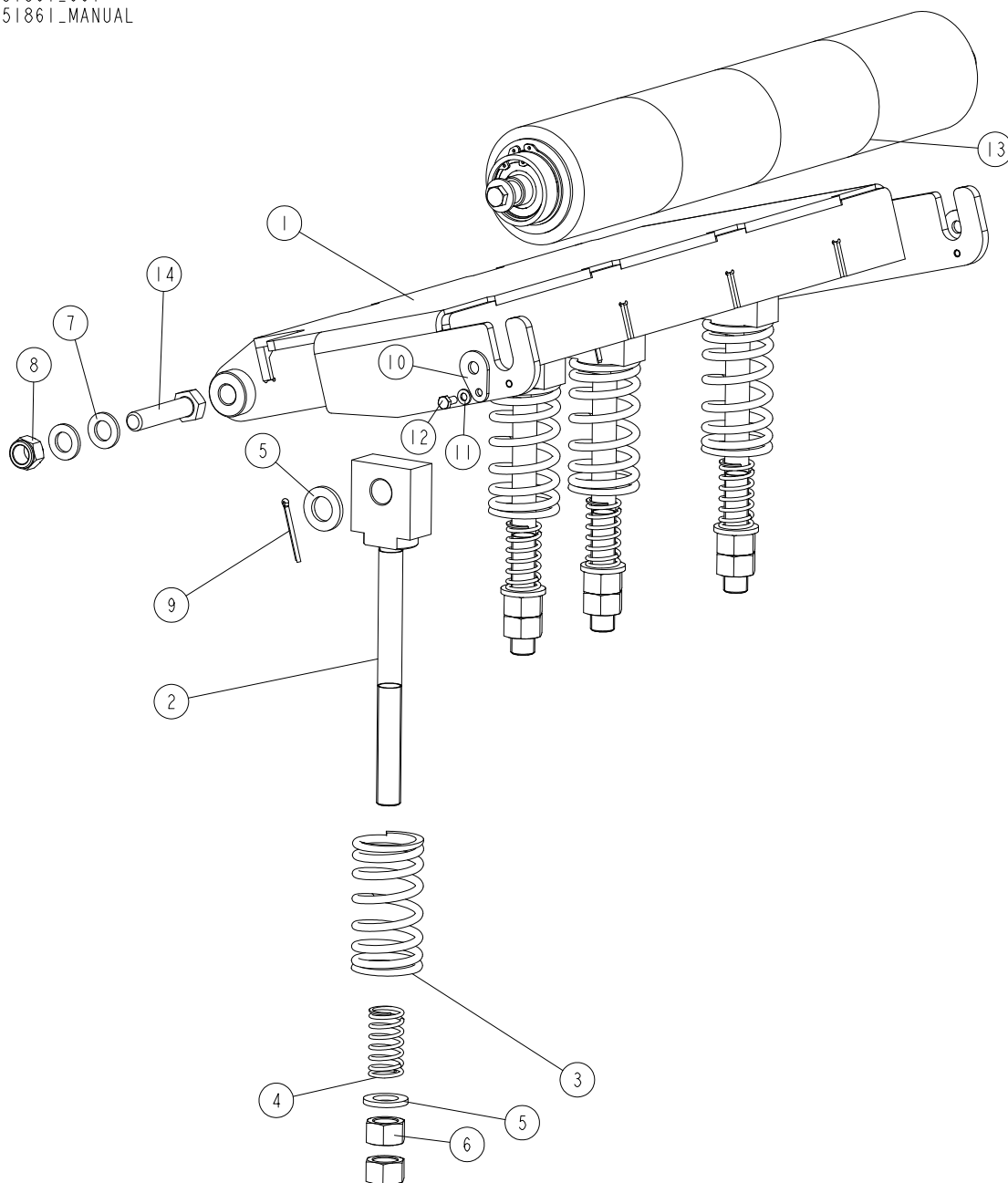
12.6 Absorber Complete. (551867)

551867_001
551867_MANUAL

REF	DESCRIPTION (◆ indicates parts available in assemblies only)	PART #	QTY	
-	ABSORBER COMPLETE	551867	1	
1	FRAME ABSORBER	551855-1	1	
2	ROLLER ABSORBER See Section 12.7	551861	1	
3	PLATE, MOUNT	087055-1	2	
4	WASHER, 10.5 FLAT ZINC	F81055-1	20	
5	BOLT, M10X125-8.8 HEX HEAD ZINC	F81003-18	8	
6	NUT, M10-8-B HEX NYLON ZINC LOCK	F81033-1	12	
7	BOLT M10X130	F81003-167	4	

12.7 Roller Absorber. (551861)

551861_001
551861_MANUAL

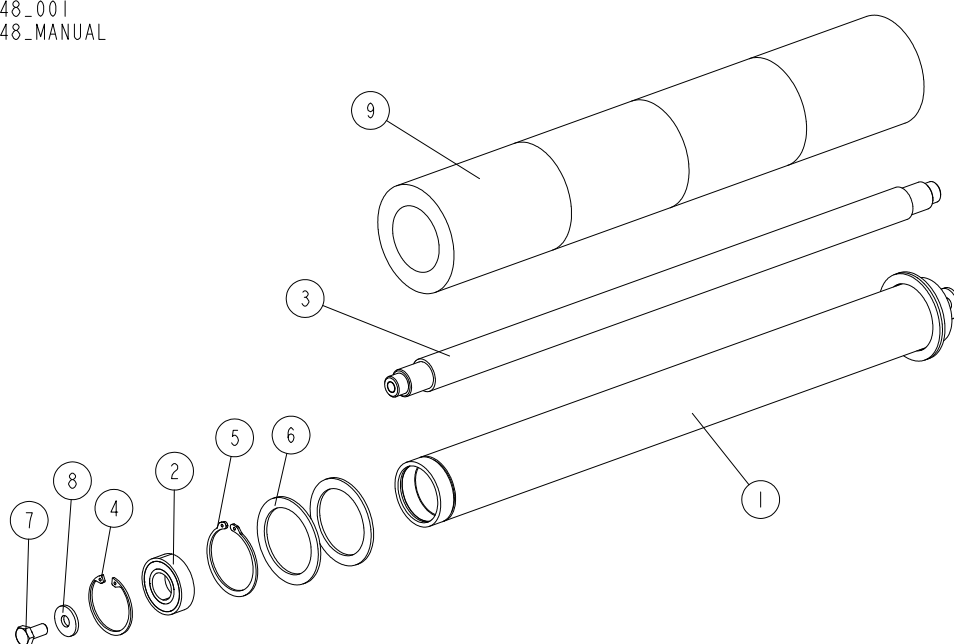


REF	DESCRIPTION (◆ indicates parts available in assemblies only)	PART #	QTY
-	ROLLER ABSORBER	551861	1
1	PLATE ROLLER ABSORBER	551862-1	1
2	ROD WELDMENT, BUMPER SPRING	510818-1	4
3	SPRING, 110X46X6.5 CUSHION	510815	4
4	SPRING, 60X23X3 ZINC	088992	4
5	WASHER, M21 FLAT ZINC	F81059-2	8
6	NUT, M20-8-FE/ZN5 PN-86/M-82144	F81037-1	8
7	WASHER, 17 FLAT ZINC	F81058-1	4

REF	DESCRIPTION (◆ indicates parts available in assemblies only)	PART #	QTY	
8	NUT, M16,HEX, NYLON ZINC LOCK	F81036-2	2	
9	PIN, 4X30 COTTER ZINC-PLATED	F81043-22	4	
10	WASHER, WM4000 ROLLER MOUNTING	510874-1	2	
11	WASHER, 6.4 FLAT ZINC	F81053-1	2	
12	BOLT, M6X12-8.8 HEX HEAD FULL THREAD ZIN	F81001-7	2	
13	ROLLER W/RUBBER BUSHING See Section 12.8	527048	1	
14	BOLT, M16X75-8.8-B HEX HEAD FULL THREAN	F81006-10	2	

12.8 Roller with Rubber Bushing

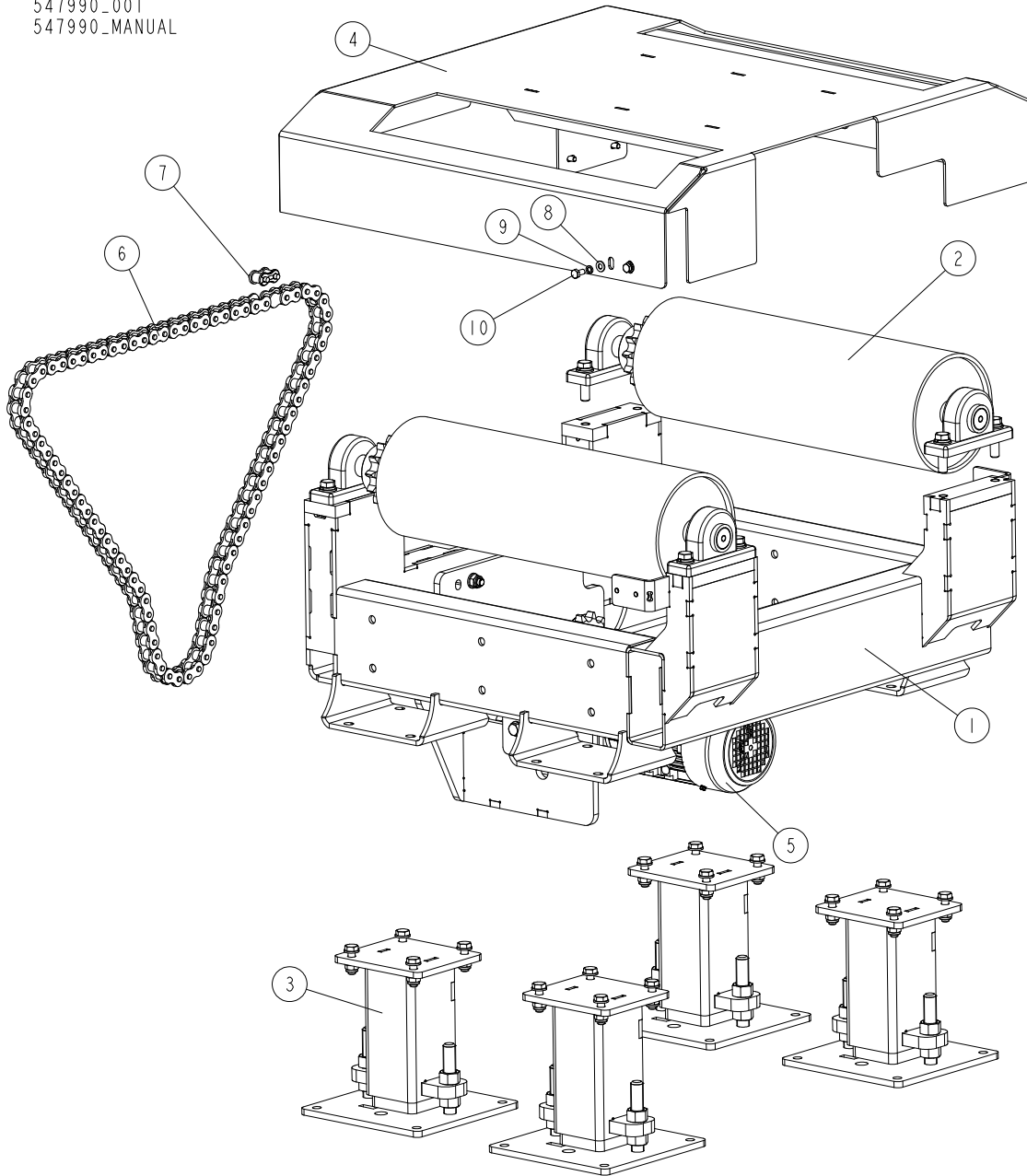
527048_001
527048_MANUAL



REF.	DESCRIPTION (◆ Indicates Parts Available in Assemblies Only)	PART #	QTY
-	ROLLER W/RUBBER BUSHING	527048	1
-	ROLLER, FRAME M/S	527044-1	1
1	TUBE, ROLLER - FRAME M/S - SR	527043	1
2	BEARING, 6205 2RS BALL	091804	2
3	SHAFT, ROLLER - FRAME M/S-SR	527050	1
4	RING, W52 INSIDE RETAINING	F81090-6	2
5	RING, Z60 OUTSIDE RETAINING	F81090-62	2
6	RING, 61/80X3 SPACER	515895	4
7	BOLT, M10X20-8.8 HEX HEAD FULL THREAD ZINC	F81003-1	2
8	WASHER, 10.5 SPECIAL FLAT ZINC	F81055-6	2
9	ROLLER, RUBBER	517493	4

12.9 Roller Drive Assembly (547990)

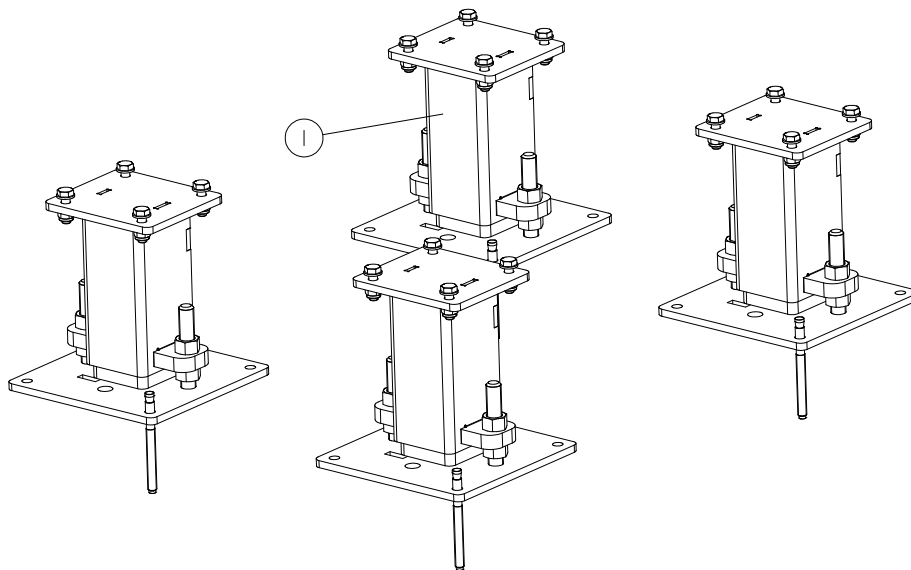
547990_001
547990_MANUAL



REF	DESCRIPTION (◆ indicates parts available in assemblies only)	PART #	QTY
-	ROLLER DRIVE ASSEMBLY	547990	1
-	EXTENSION UPPER COMPLETE	547980	1
1	FRAME ROLLER COMPLETE	547975-1	1
2	ROLLER SORTING TABLE COMPLETE See Section 12.12	547951	2
3	LEG SET ROLLER See Section 12.10	547991	1
4	COVER UPPER COMPLETE	551760-1	1
5	DRIVE ROLLER COMPLETE See Section 12.13	547996	1
6	CHAIN TRANSMISSION	551757	1
7	LINK, 16B-1 (T 35759)WM1000	504233	1
8	WASHER, 8.4 FLAT ZINC	F81054-1	10

12**Roller Drive Assembly (547990)**

REF	DESCRIPTION (◆ indicates parts available in assemblies only)	PART #	QTY	
9	WASHER 8,2 FE/ZN9	F81054-4	16	
10	BOLT M8X16 -8.8-B-FE/ZN5 PN-85/M-82105	F81002-20	10	

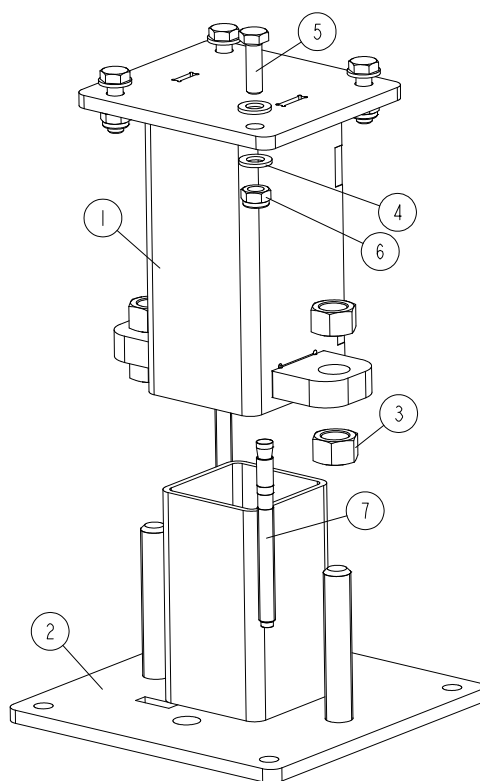
12.10 Leg Set (547991)547991_001
547991_MANUAL

SCALE 0.100

LP.	OPIS (* wskazuje części dostępne jedynie w zespołach)	Nr części	Ilość	
-	ZESTAW NÓG ROLKI LT70	547991	1	
1	NOGA KPL. Patrz rozdział 12.11	547986	4	

12.11 Leg (547986)

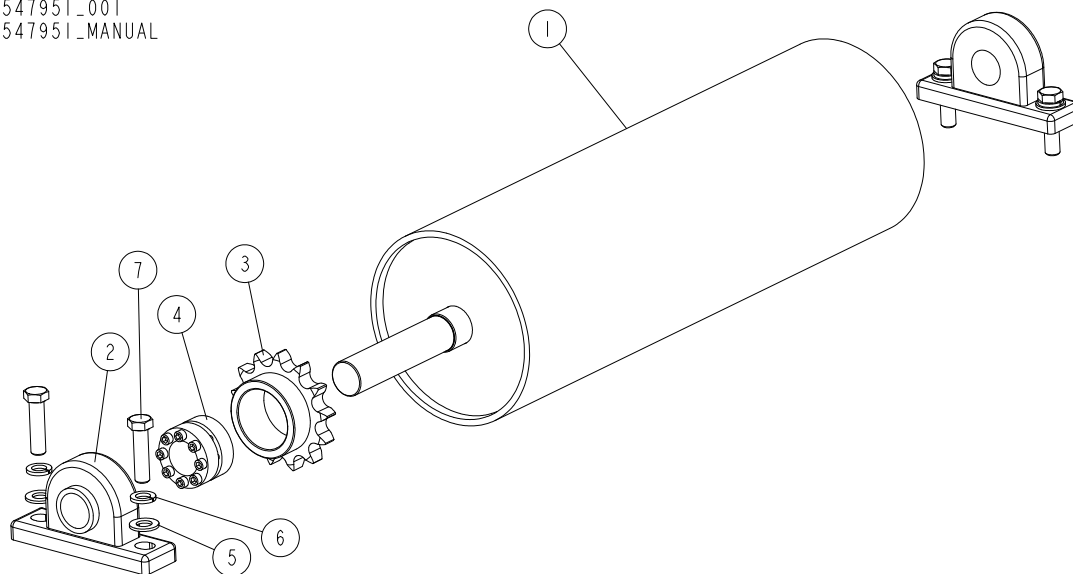
547986_001
547986_MANUAL



REF	DESCRIPTION (u indicates parts available in assemblies only)	PART #	QTY	
-	LEG COMPLETE	547986	1	
1	LEG BASE 1	547987-1	1	
2	FOOT WELDMENT, BED LEG	510897-1	1	
3	NUT, M20-8 HEX ZINC	F81037-1	4	
4	WASHER, 13 FLAT ZINC	F81056-1	8	
5	BOLT, M12X40-8.8 HEX HEAD FULL THREAD ZI	F81004-4	4	
6	NUT, M12-8 HEX NYLON ZINC LOCK	F81034-2	4	
7	STUD, M12 140MM ANCHOR	084529	2	

12.12 Roller (547951)

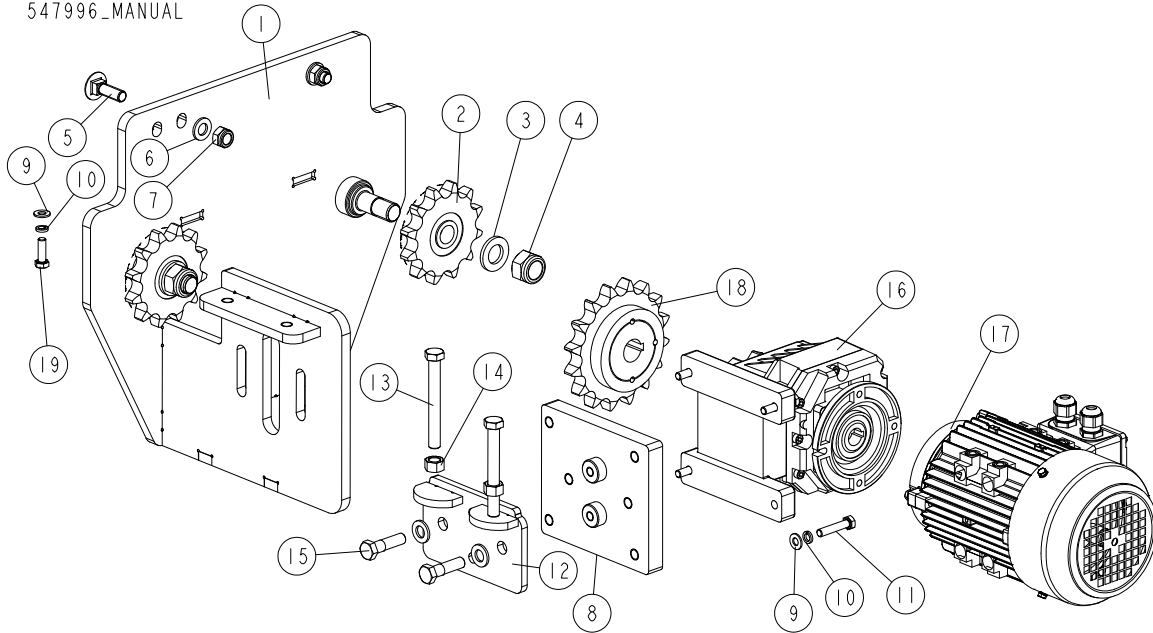
547951_001
547951_MANUAL



REF	DESCRIPTION (◆ indicates parts available in assemblies only)	PART #	QTY
-	ROLLER SORTING TABLE COMPLETE	547951	1
1	ROLLER EXTENSION CRD	547952-1	1
2	BEARING, UCP207 (CX) W/HOUSING	511501	2
3	SPROCKET, 16B1 Z=13 N60 T12204	534934	1
4	BUSHING, BK13 322627 MOUNTING	715106	1
5	WASHER, FLAT, M14 BOLT, ZINC	F81057-2	4
6	WASHER, M14 SPLIT LOCK ZINC	F81057-1	4
7	BOLT, M14X55-8.8 HEX HEAD FULL THREAD ZI	F81005-2	4

12.13 Roller Drive (547996)

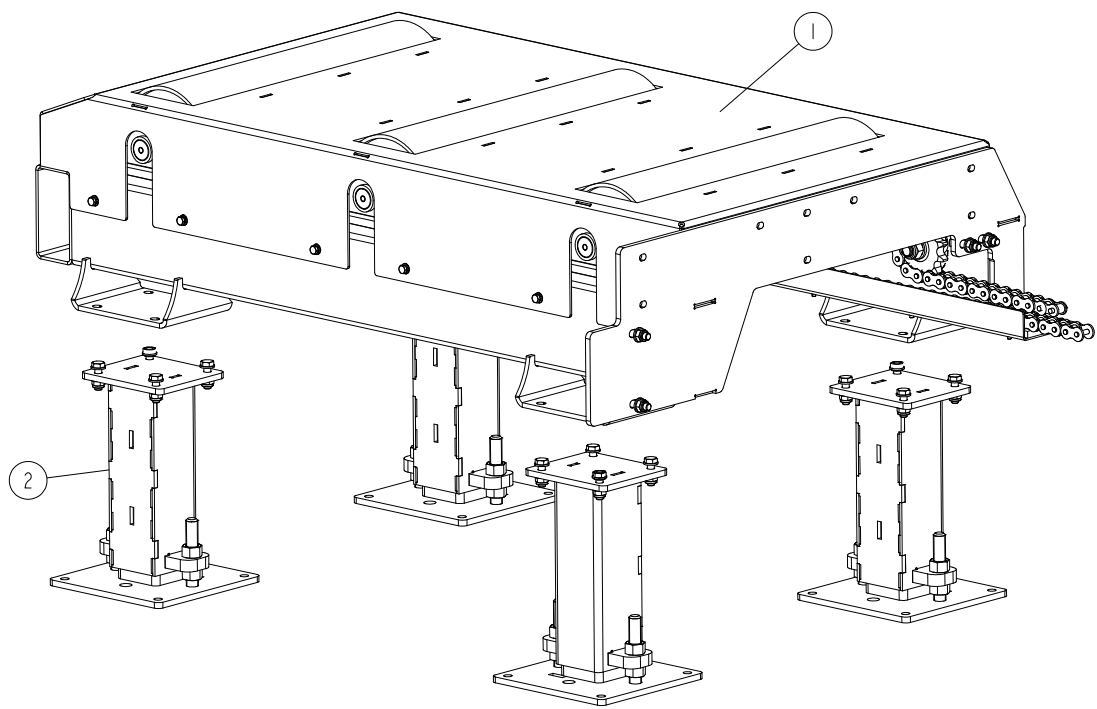
547996_001
547996_MANUAL



REF	DESCRIPTION (◆ indicates parts available in assemblies only)	PART #	QTY
-	DRIVE ROLLER COMPLETE	547996	1
1	DRIVE MOUNTING	547997-1	1
2	SPROCKET, 16B1 Z=12ULMER 554570	715087	2
3	WASHER, M21 FLAT ZINC	F81059-2	2
4	NUT, M20-6 HEX	F81037-2	2
5	BOLT M12X40 DIN 603	F81004-70	2
6	WASHER, 13 FLAT ZINC	F81056-1	4
7	NUT, M12-8 HEX NYLON ZINC LOCK	F81034-2	2
8	PLATE MOTOR	548000-1	1
9	WASHER, 8.4 FLAT ZINC	F81054-1	7
10	WASHER 8,2 FE/ZN9	F81054-4	7
11	BOLT, M8X40-8.8 HEX HEAD FULL THREAD ZIN	F81002-15	4
12	PLATE, TENSIONER PTD/WLDMT	534963-1	1
13	BOLT, M12X100 8.8 FE/ZN5 PN-85/M-82105	F81004-45	2
14	NUT, M12 X 1.25-8 HEX	F81034-8	2
15	BOLT M12X45-8.8	F81004-32	2
-	MOTOREDUCER COMPLETE	547995	1
16	REDUCER HM-252/29,4-120/19-L-B6	547994	1
17	MOTOR 80B14 3-80-4-0.75	547993	1
18	SPROCKET 16B-16Z COMPLETE}	551755	1
19	BOLT, M8X25-8.8-B HEX HEAD FULL THREAD Z	F81002-5	3

12.14 Extension Drive 3 Rollers . (552806)

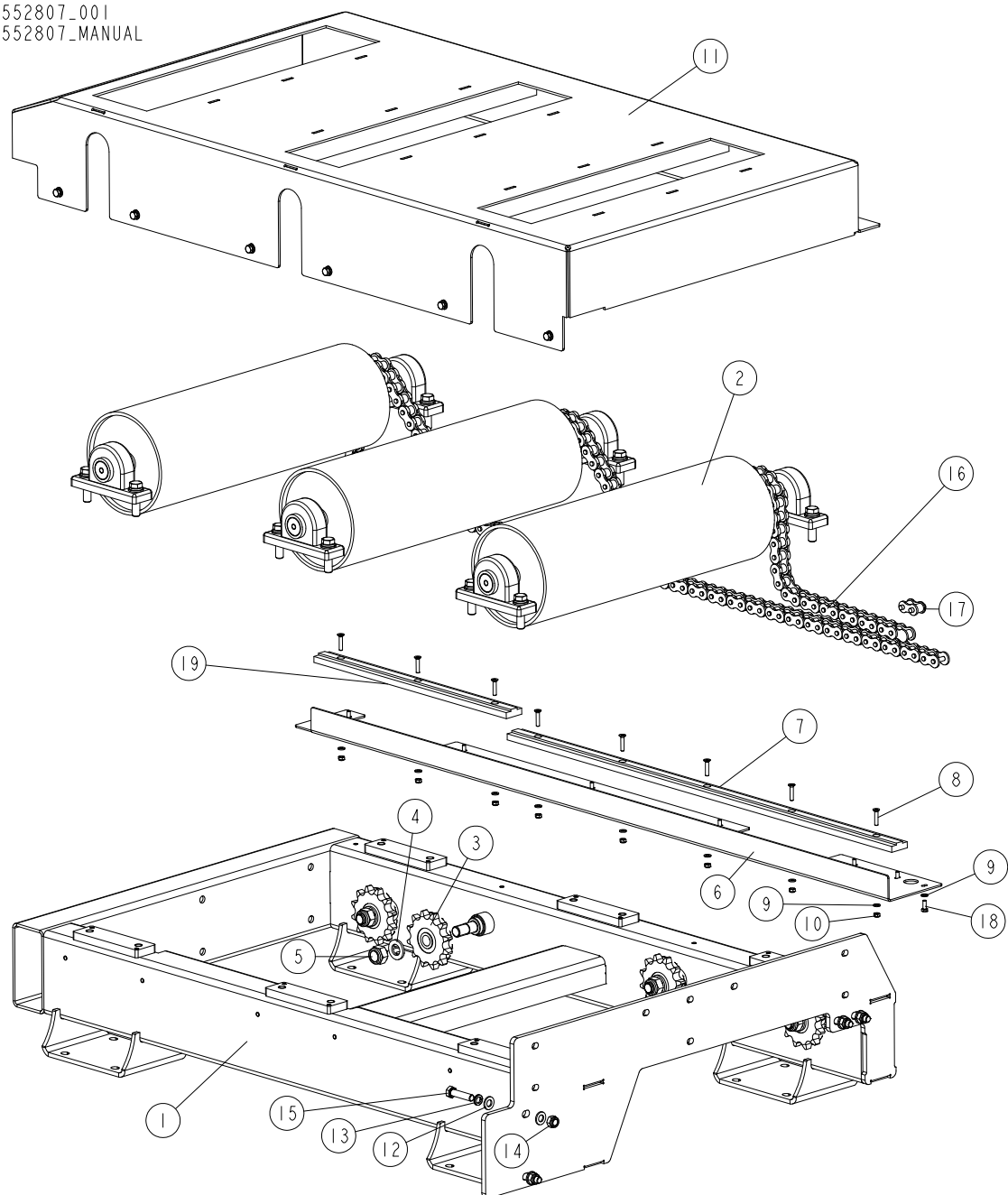
552806_001
552806_MANUAL



REF	DESCRIPTION (◆ indicates parts available in assemblies only)	PART #	QTY	
-	EXTENSION, DRIVE THREE ROLLERS	552806	1	
1	EXTENSION COMPLETE See Section 12.15	552807	1	
2	LEG - COMPLETE See Section 12.16	534995	4	

12.15 Extension (552807)

552807_001
552807_MANUAL

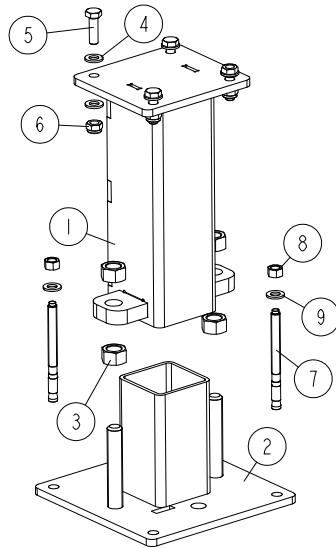


REF	DESCRIPTION (◆ indicates parts available in assemblies only)	PART #	QTY
-	EXTENSION COMPLETE	552807	1
1	FRAME EXTENSION CRD	552808-1	1
2	ROLLER SORTING TABLE COMPLETE See Section 12.12	547951	3
3	SPROCKET, 16B1 Z=12ULMER 554570	715087	4
4	WASHER, M21 FLAT ZINC	F81059-2	4
5	NUT, M20-6 HEX	F81037-2	4
6	PLATE SLIDE	552817-1	1
7	GUIDE 16B-1 EXTENSION	547959	1

REF	DESCRIPTION (◆ indicates parts available in assemblies only)	PART #	QTY	
8	SCREW, M6X30-8.8 DIN7991 FLAT SOCKET HEA	F81001-75	8	
9	WASHER, 6.4 FLAT ZINC	F81053-1	15	
10	NUT, M6-8-B HEX NYLON ZINC LOCK	F81031-2_	8	
11	COVER ROLLER COMPLETE See Section 12.17	552828	1	
12	WASHER, 13 FLAT ZINC	F81056-1	8	
13	WASHER, Z12.2 SPLIT LOCK ZINC	F81056-2	4	
14	NUT, M12-8 HEX NYLON ZINC LOCK	F81034-2	4	
15	BOLT, M12X50-8.8 HEX HEAD FULL THREAD ZI	F81004-77	4	
16	CHAIN TRANSMISSION	552811	1	
17	LINK, 16B-1 (T 35759)WM1000	504233	1	
18	BOLT, M6 X 16 8.8 FE/ZN5 PN-M/82105	F81001-15	7	
19	GUIDE 16B-1 EXTENSION	552813	1	

12.16 Leg (534995)

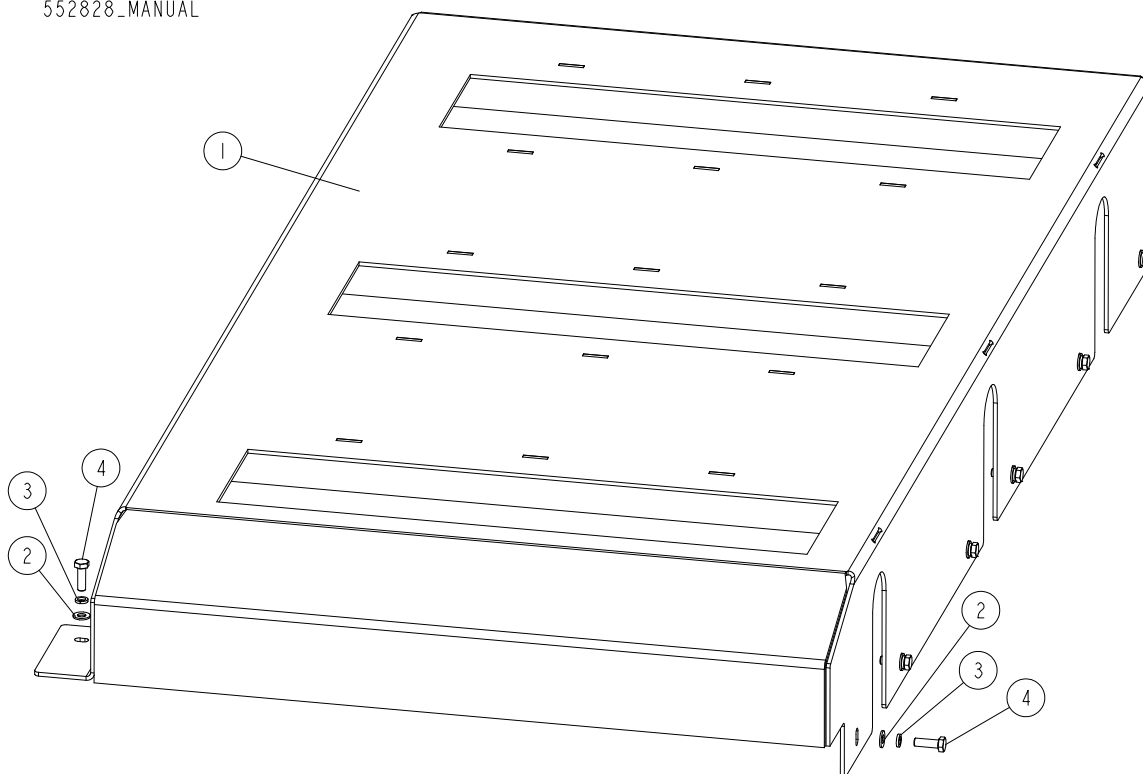
534995_001
534995_MANUAL



REF	DESCRIPTION (u indicates parts available in assemblies only)	PART #	QTY	
-	LEG - COMPLETE	534995	1	
1	LEG, PTD/WLDMT	534993-1	1	
2	FOOT WELDMENT, BED LEG	510897-1	1	
3	NUT, M20-8 HEX ZINC	F81037-1	4	
4	WASHER, 13 FLAT ZINC	F81056-1	8	
5	BOLT, M12X40-8.8 HEX HEAD FULL THREAD ZI	F81004-4	4	
6	NUT, M12-8 HEX NYLON ZINC LOCK	F81034-2	5	
-	STUD, M12 140MM ANCHOR	084529	2	
7	STUD, M12 140MM ANCHOR	084529	1	
8	NUT, M12-8-B HEX ZINC	F81034-1	1	
9	WASHER, 13 FLAT ZINC	F81056-1	1	

12.17 Roller Cover (552828)

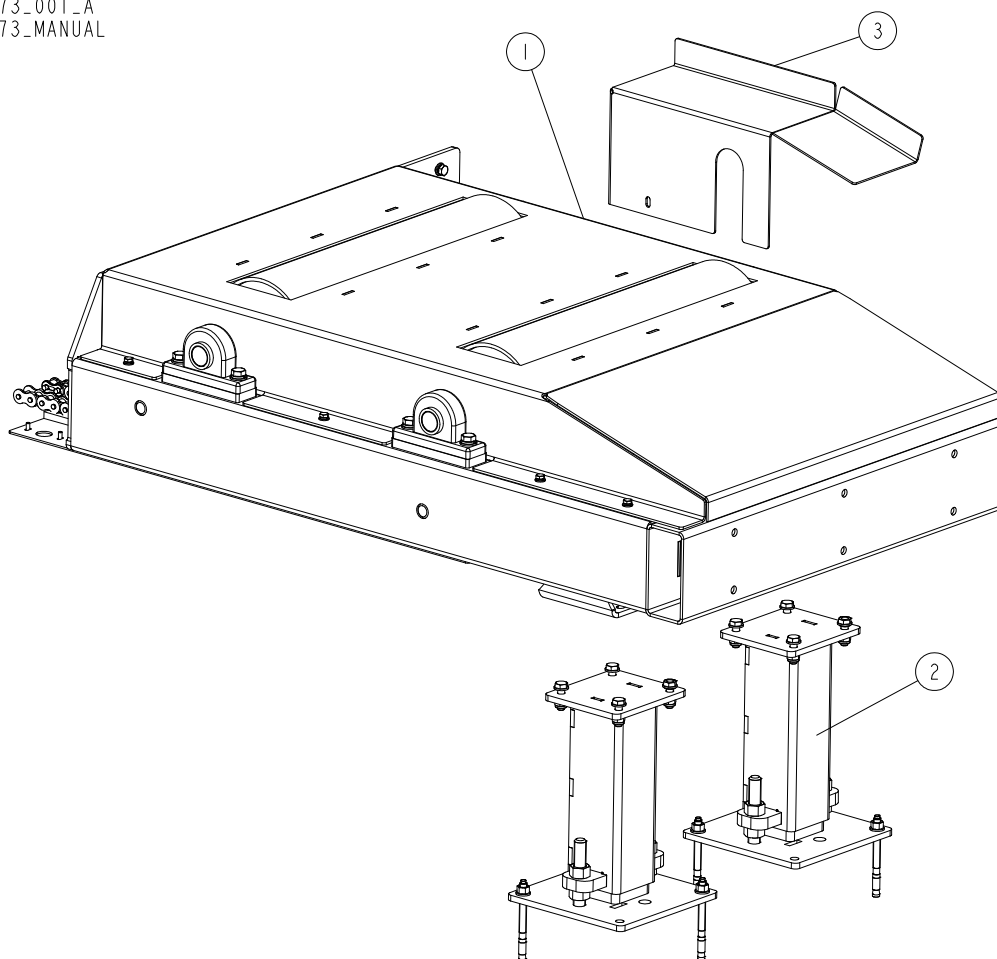
552828_001
552828_MANUAL



REF	DESCRIPTION (◆ indicates parts available in assemblies only)	PART #	QTY
-	COVER ROLLER COMPLETE	552828	1
1	COVER ROLLER WLDMT	552829-1	1
2	WASHER, 8.4 FLAT ZINC	F81054-1	10
3	WASHER 8,2 FE/ZN9	F81054-4	10
4	BOLT, M8X25-8.8-B HEX HEAD FULL THREAD Z	F81002-5	10

12.18 Extension (547973)

547973_001_A
547973_MANUAL

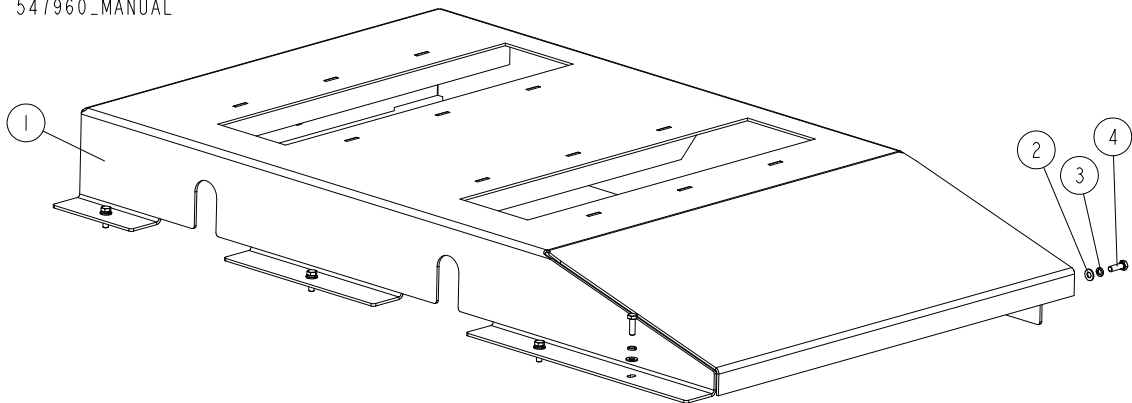


REF	DESCRIPTION (u indicates parts available in assemblies only)	PART #	QTY
-	SORTING TABLE CRD-LT70 EXTENSION	547973	1
1	EXTENSION COMPLETE See Section 12.19	547950	1
2	LEG - COMPLETE See Section 12.16	534995	2
3	PLATE, SIDE, EXTENSION CRD	578560-1	1

REF	DESCRIPTION (◆ indicates parts available in assemblies only)	PART #	QTY	
6	PLATE, SLIDE	547958-1	1	
7	GUIDE 16B-1 EXTENSION	547959	1	
8	SCREW, M6X30-8.8 DIN7991 FLAT SOCKET HEA	F81001-75	5	
9	WASHER, 6.4 FLAT ZINC	F81053-1	10	
10	NUT, M6-8-B HEX NYLON ZINC LOCK	F81031-2_	5	
11	BOLT, M6 X 16 8.8 FE/ZN5 PN-M/82105	F81001-15	5	
12	COVER, ROLLER See Section 12.20	547960	1	
13	WASHER, 10.5 FLAT ZINC	F81055-1	16	
14	WASHER, 10.2 SPLIT LOCK ZINC	F81055-2	8	
15	NUT, M10-8-B HEX NYLON ZINC LOCK	F81033-1	8	
16	BOLT, M10 X 40-8.8 FE/ZN5, PN-M/82105	F81003-16	8	
17	WASHER, 13 FLAT ZINC	F81056-1	8	
18	WASHER, Z12.2 SPLIT LOCK ZINC	F81056-2	4	
19	NUT, M12-8 HEX NYLON ZINC LOCK	F81034-2	4	
20	BOLT, M12X50-8.8 HEX HEAD FULL THREAD ZI	F81004-77	4	
21	CHAIN TRANSMISSION	547967	1	
22	LINK, 16B-1 (T 35759)WM1000	504233	1	

12.20 Roller Cover (547960)

547960_001
547960_MANUAL

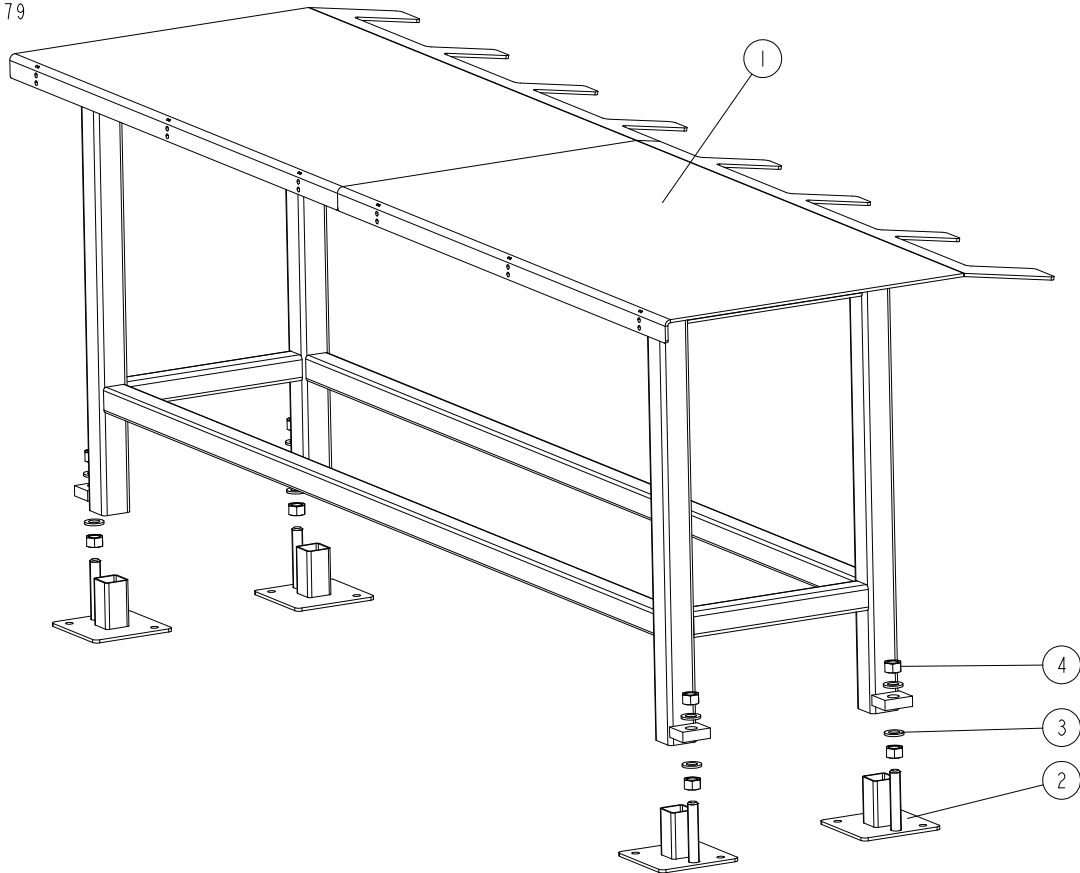


REF	DESCRIPTION (◆ indicates parts available in assemblies only)	PART #	QTY	
-	COVER, ROLLER	547960	1	
1	COVER ROLLER WLDMT	547961-1	1	
2	WASHER, 8.4 FLAT ZINC	F81054-1	8	
3	WASHER 8,2 FE/ZN9	F81054-4	8	
4	BOLT, M8X25-8.8-B HEX HEAD FULL THREAD Z	F81002-5	8	

SECTION 13 DOUBLE TABLE CC2-2.7H-WIDE-H

13.1 Table Log Rest . 717279

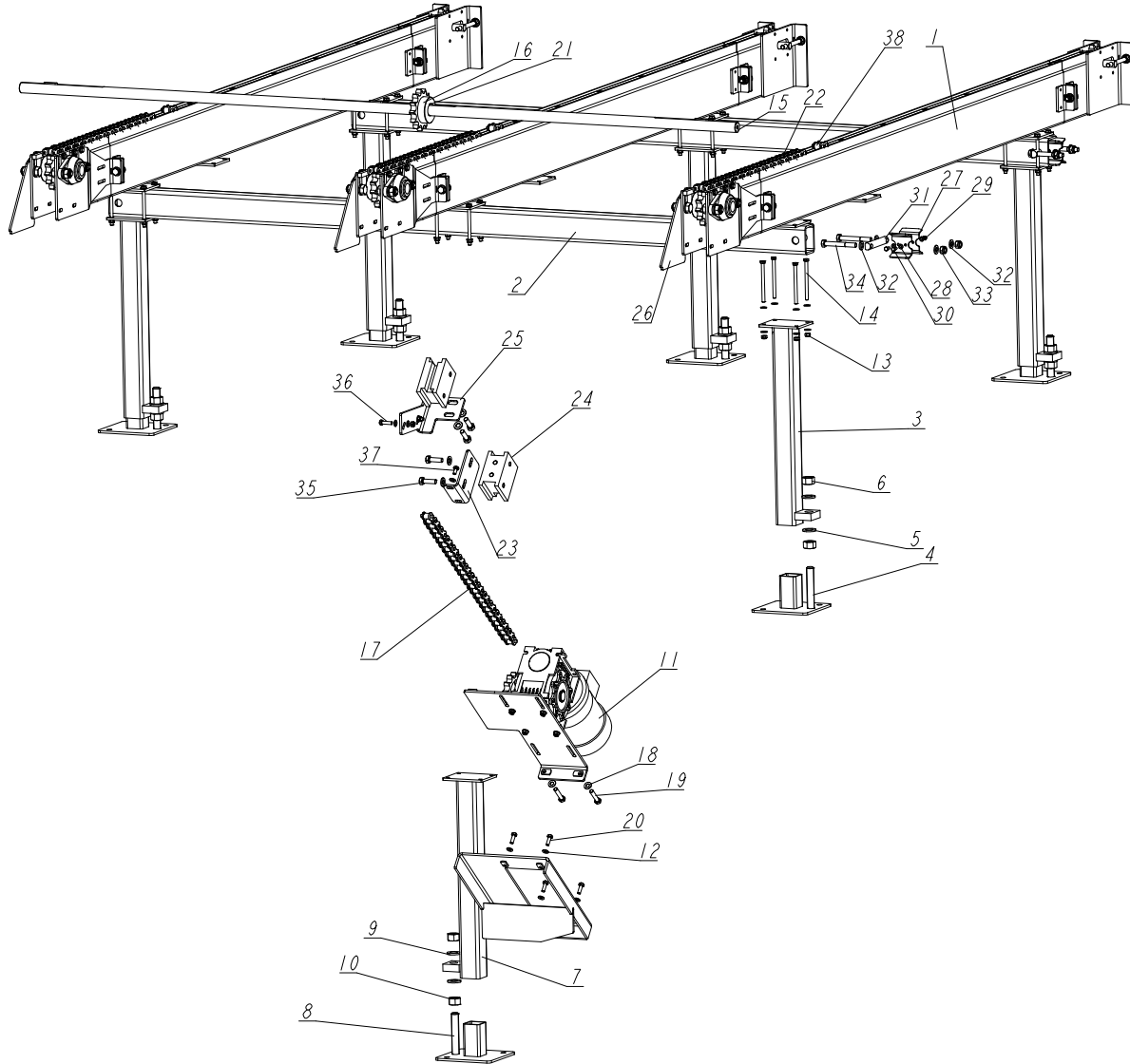
717279_001
717279



REF	DESCRIPTION (◆ indicates parts available in assemblies only)	PART #	QTY
-	TABLE, LOG REST, SIDE WIDE	717279	1
1	TABLE, LOG REST, SIDE WIDE WLDMT	717283-1	1
2	FOOT, LES TABLE LEG	099281-1	4
3	WASHER, 21 FLAT ZINC	F81059-2	8
4	NUT, M20-8- HEX ZINC	F81037-1	8

13.2 Chain Table Wide. 717278

717278_001
717278

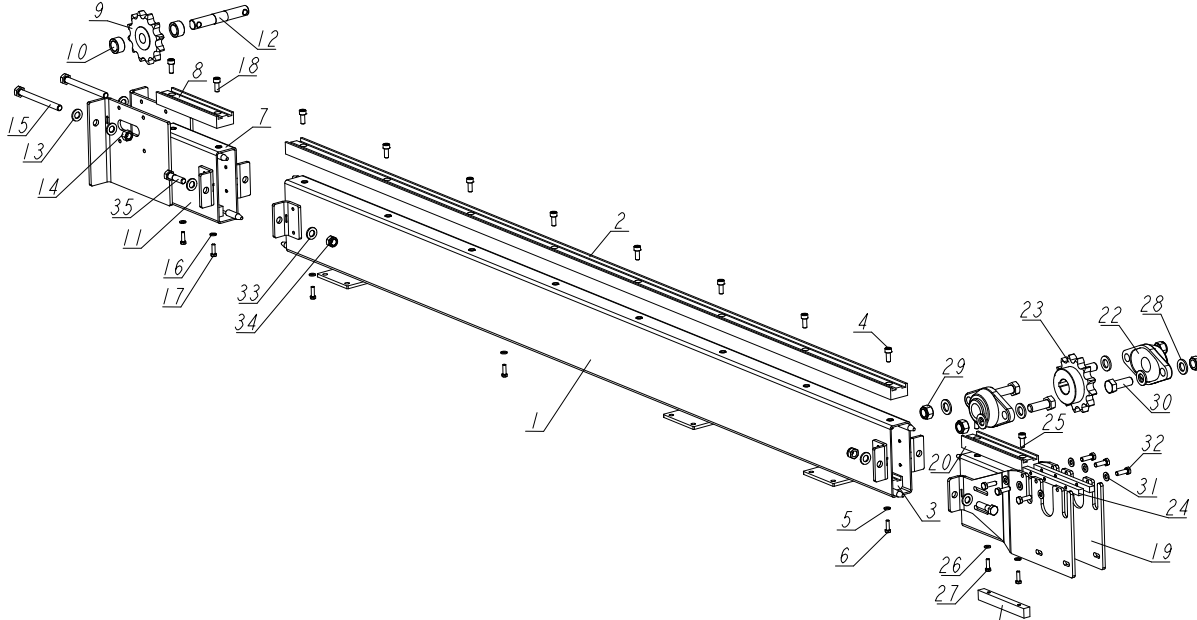


REF	DESCRIPTION (◆ indicates parts available in assemblies only)	PART #	QTY
-	TABLE, CHAIN, WIDE, LONG	717278	1
1	MODULE, CHAIN CONVEYOR - COMPLETE See Section 13.3	505985	3
2	TUBE, CONNECTING	717280-1	2
-	COMPLETE LONG TABLE LEG	505984	5
3	LEG, LONG	505983-1	1
4	FOOT, LES TABLE LEG	099281-1	1
5	WASHER, 21 FLAT ZINC	F81059-2	2
6	NUT, M20-8- HEX ZINC	F81037-1	2
-	COMPLETE MIDDLE LEG	508381	1
7	LEG WELDMENT, TABLE DRIVE SUPPORT	505997-1	1
8	FOOT, LES TABLE LEG	099281-1	1
9	WASHER, 21 FLAT ZINC	F81059-2	2

REF	DESCRIPTION (◆ indicates parts available in assemblies only)	PART #	QTY
10	NUT, M20-8- HEX ZINC	F81037-1	2
11	DRIVE ASSEMBLY, CC2 CHAIN CONVEYOR See Section 13.4	505999	1
12	WASHER, 8.4 FLAT ZINC	F81054-1	58
13	NUT, M8-8-B HEX NYLON ZINC LOCK	F81032-2	26
14	BOLT, M8X110-8.8 HEX HEAD ZINC	F81002-53	24
15	SHAFT, DRIVE	717282	1
16	SPROCKET, 13Z16BN30 T44023+T31091	505992	1
17	CHAIN, 16B-1 - 1.68M	508380	1
18	WASHER 10,5 ZC DIN 126 ISO 7091	F81055-1	2
19	BOLT, M10X50-8.8 HEX HEAD FULL THREAD ZI	F81003-4	2
20	BOLT, M8X25-8.8-B HEX HEAD FULL THREAD Z	F81002-5	4
21	KEY, A 8X7X40	503407	4
22	CHAIN, 16B-1 - 5.41M	508382	3
23	BRACKET, SPROCKET GUARD	501972-1	1
24	GUARD, SPROCKET	509162	2
25	PLATE, SPROCKET GUARD MOUNT	509163-1	1
26	PLATE, BOARD REMOVAL	509459-1	3
-	CONNECTING PLATE ASSEMBLY	511124	2
27	PLATE, SEGMENT CONNECTION	511125-1	2
28	WASHER, 6.4 FLAT ZINC	F81053-1_	4
29	NUT M6 ZC 8 NYLOCK DIN 982 ISO 7040	F81031-2_	2
30	BOLT, M6X16-8.8 HEX HEAD FULL THREAD ZIN	F81001-15_	2
31	PIN, SEGMENT CONNECTION	508366-1	2
32	WASHER, 13 FLAT ZINC	F81056-1	12
33	NUT, M12 8 HEX NYLON ZINC LOCK	F81034-2	4
34	BOLT, M12X95 8.8 HEX HEAD ZINC	F81004-29	4
35	BOLT, M12X40 8.8 HEX HEAD FULL THREAD ZI	F81004-4	4
36	BOLT M8X30 HH ZC FT 8.8 DIN 933	F81002-7	2
37	BOLT, M8X16-8.8-B HEX HEAD FULL THREAD Z	F81002-20	2
38	LINK, 16B-1 (T 35759)WM1000	504233	4

13.3 Chain Conveyor Module (No. 505985)

505985_001_A
505985_MANUAL

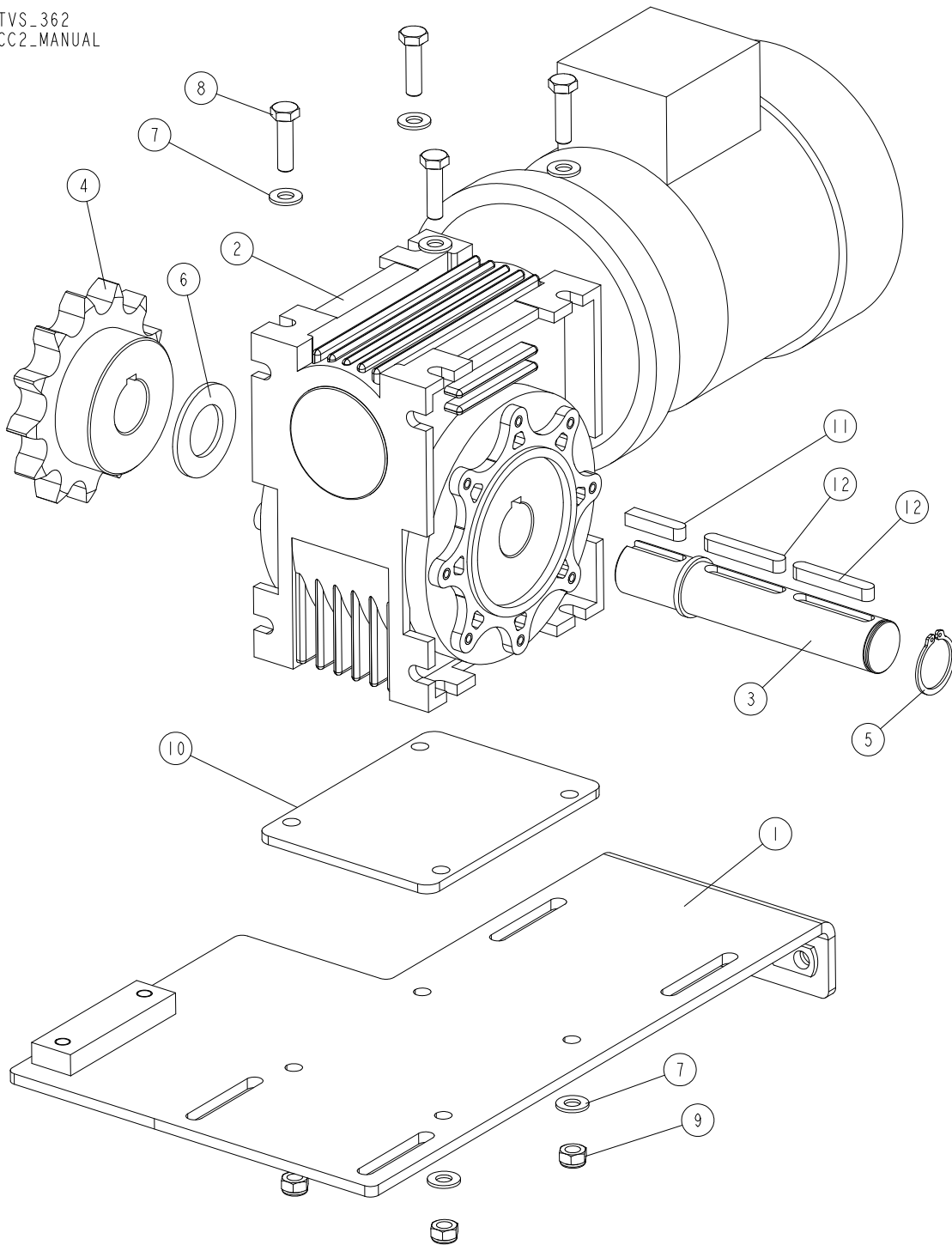


REF	DESCRIPTION (◆ indicates parts available in assemblies only)	PART #	QTY
-	MODULE, CHAIN CONVEYOR - COMPLETE	505985	1
-	MODULE, CHAIN CONVEYOR - COMPLETE	505980	1
1	MODULE, CHAIN CONVEYOR	505975-1	1
2	CHANNEL, 1989MM 1"17 PXTS 1001008 CHAIN GUIDE	505976	1
3	CHANNEL, 1940MM 1"17 PXTS 1001008 CHAIN GUIDE	505977	1
4	BOLT, M8 X 20-8.8 SOCKET HEAD	F81002-30	8
5	WASHER, 6.4 FLAT ZINC	F81053-1	3
6	BOLT, M6X20-8.8 HEX HEAD FULL THREAD ZIN	F81001-2	3
-	CHAIN TENSIONER ASSEMBLY	505968	1
7	TENSIONER WELDMENT, CHAIN	505965-1	1
8	CHANNEL, 198MM 1"X17 PXTS1001008 CHAIN G	505967	1
9	SPROCKET, KSR20-LO-16-10-12-15	099746	1
10	BUSHING, 20.5/30-16 ZINC-PLATED	505971-1	2
11	BAR, 150MM 1"X17 PXTS1001008 CHAIN GUIDE	505972	1
12	PIN, SPROCKET TENSION	509159-1	1
13	WASHER, 13 FLAT ZINC	F81056-1	4
14	NUT, M12-8 HEX ZINC	F81034-1	2
15	BOLT, M12X130 8.8 HEX HEAD FULL THREAD Z	F81004-55	2
16	WASHER, 6.4 FLAT ZINC	F81053-1	2
17	BOLT, M6X20-8.8 HEX HEAD FULL THREAD ZIN	F81001-2	2
18	BOLT, M8 X 20-8.8 SOCKET HEAD	F81002-30	2
-	DRIVE MODULE ASSEMBLY	505989	1
19	DRIVE MODULE WELDMENT	505988-1	1
20	CHANNEL, 198MM 1"X17 PXTS1001008 CHAIN G	505967	1
21	BAR, 150MM 1"X17 PXTS1001008 CHAIN GUIDE	505972	1
22	BEARING, UCFL 206 CX W/HOUSING	090851	2

REF	DESCRIPTION (◆ indicates parts available in assemblies only)	PART #	QTY	
23	SPROCKET, 13Z16BN30 T44023+T31091	505992	1	
24	BAR, PROTECTIVE	507940-1	2	
25	BOLT, M8 X 20-8.8 SOCKET HEAD	F81002-30	2	
26	WASHER, 6.4 FLAT ZINC	F81053-1	2	
27	BOLT, M6X20-8.8 HEX HEAD FULL THREAD ZIN	F81001-2	2	
28	WASHER, 17 FLAT ZINC	F81058-1	8	
29	NUT, M16-8 HEX NYLON ZINC LOCK	F81036-2	4	
30	BOLT, M16X45-8.8 HEX HEAD FULL THREAD ZINC	F81006-46	4	
31	WASHER, 8.4 FLAT ZINC	F81054-1	6	
32	BOLT, M8X25-8.8-B HEX HEAD FULL THREAD ZINC	F81002-5	6	
33	WASHER, 13 FLAT ZINC	F81056-1	8	
34	NUT, M12 8 HEX NYLON ZINC LOCK	F81034-2	4	
35	BOLT, M12 X 45-8.8 HEX HEAD FULL THREAD	F81004-32	4	

13.4 Chain Conveyor Drive Assembly (505999)

TVS_362
CC2_MANUAL

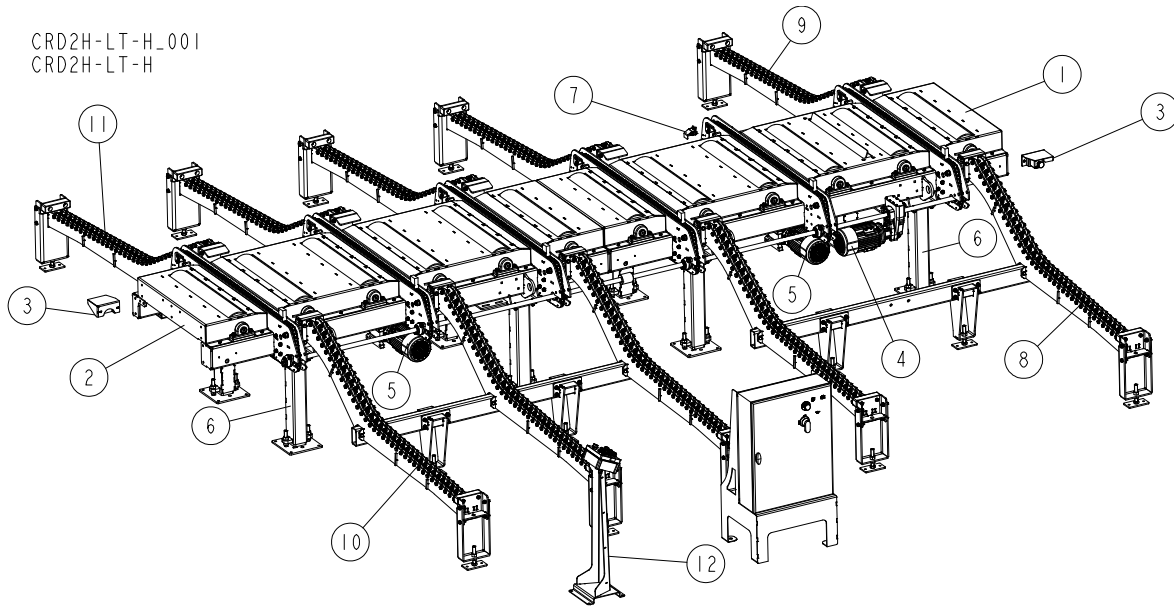


REF	DESCRIPTION (u indicates parts available in assemblies only)	PART #	QTY
-	DRIVE ASSEMBLY, CC2 CHAIN CONVEYOR	505999	1
1	PLATE, DRIVE MOUNT	505998-1	1
2	MOTOREDUCER, MR-63/32/0.75-1400/F3/V6	505991	1
3	SHAFT, MR63 OUTPUT	508384	1
4	SPROCKET, 13Z16B 28 DIA. T44023+T31090	506324	1

REF	DESCRIPTION (u indicates parts available in assemblies only)	PART #	QTY	
5	RING, Z28 OUTSIDE RETAINING	F81090-12	1	
6	WASHER 28X3	508383	1	
7	WASHER, 8.4 FLAT ZINC	F81054-1	8	
8	BOLT, M8X30 8.8 HEX HEAD FULL THREAD ZIN	F81002-7	4	
9	NUT, M8-8-B HEX NYLON ZINC LOCK	F81032-2	4	
10	PLATE, SPACER	509417-1	1	
11	KEY AB 8X7X35	568312	1	
12	KEY, A8X7X50 PARALLEL	088563	2	

SECTION 14 CRD2H-LT-H

14.1 Double Roller Transporter. CRD2H-LT-H

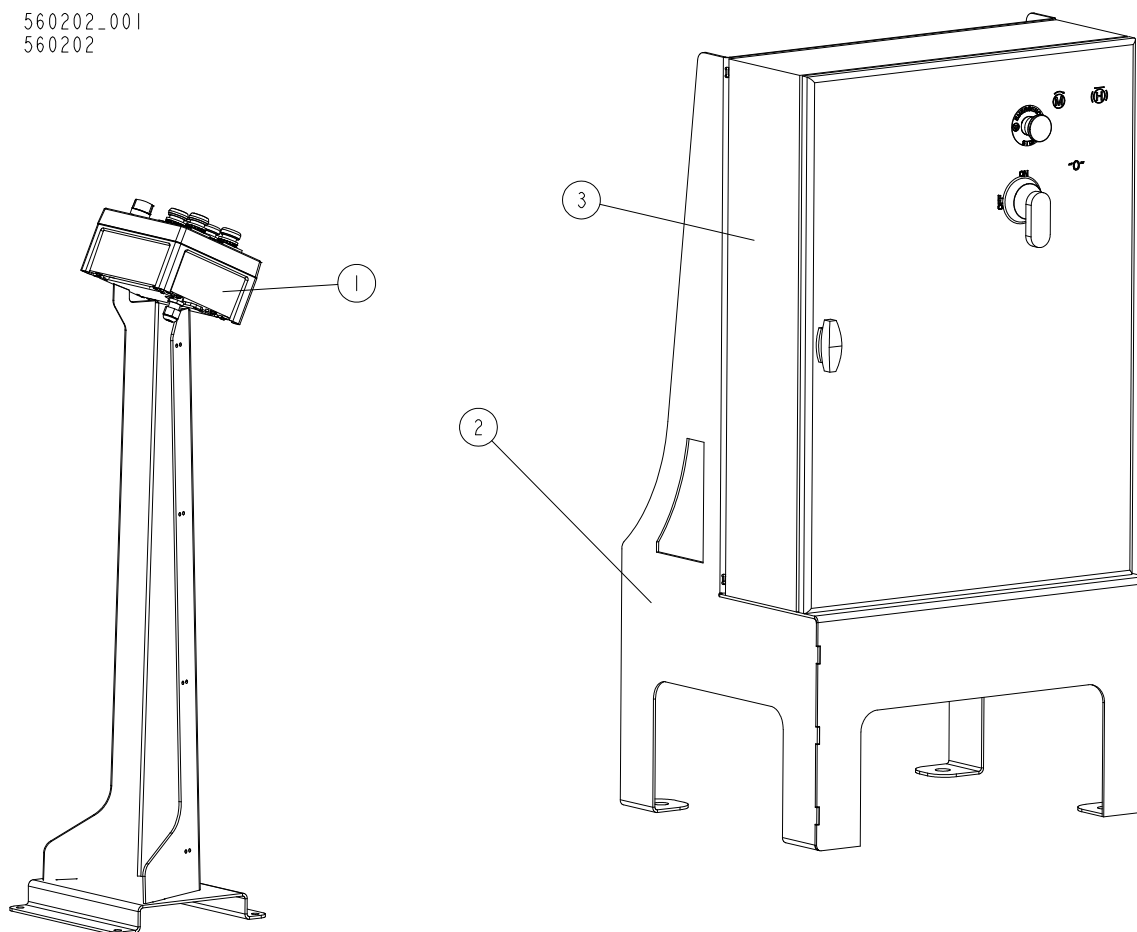


CRD2H-LT-H_001
CRD2H-LT-H

REF	DESCRIPTION (◆ indicates parts available in assemblies only)	PART #	QTY
-	TRANSPORTER, ROLLER DOUBLE, LTM/LTH	CRD2H-LT-H	1
1	TABLE, SORTING See Section 14.3	534940	1
2	TABLE, SORTING See Section 10.15	535005	1
3	EMERGENCY STOP SWITCH ASSEMBLY W/GUARD See Section 10.37	536687	2
4	HR-302/36,21[1,5-2800-140/24-PTC-IE2-[S3 See Section 10.5	534867	1
5	HM-302/29,41[1,5-1400-140/24-PTC-IE2-[S3 See Section 10.6	534862	2
6	LEG ASSEMBLY, WB2000 See Section 10.35	543912	2
7	GUARD, INDUCTIVE SENSOR See Section 10.32	536694	1
8	SLIDE , TIMBER COLLECTION 2S - RIGHT See Section 9.2	551665	1
9	SLIDE , TIMBER COLLECTION 2S - LEFT See Section 9.2	551666	1
10	SLIDE , TIMBER COLLECTION 3S - RIGHT See Section 9.4	551667	1
11	SLIDE , TIMBER COLLECTION 3S - LEFT See Section 9.4	551668	1
12	CONTROL KIT, CRD 2 MOD TABLE See Section 14.2	560202	1

14.2 Control Kit. 560202

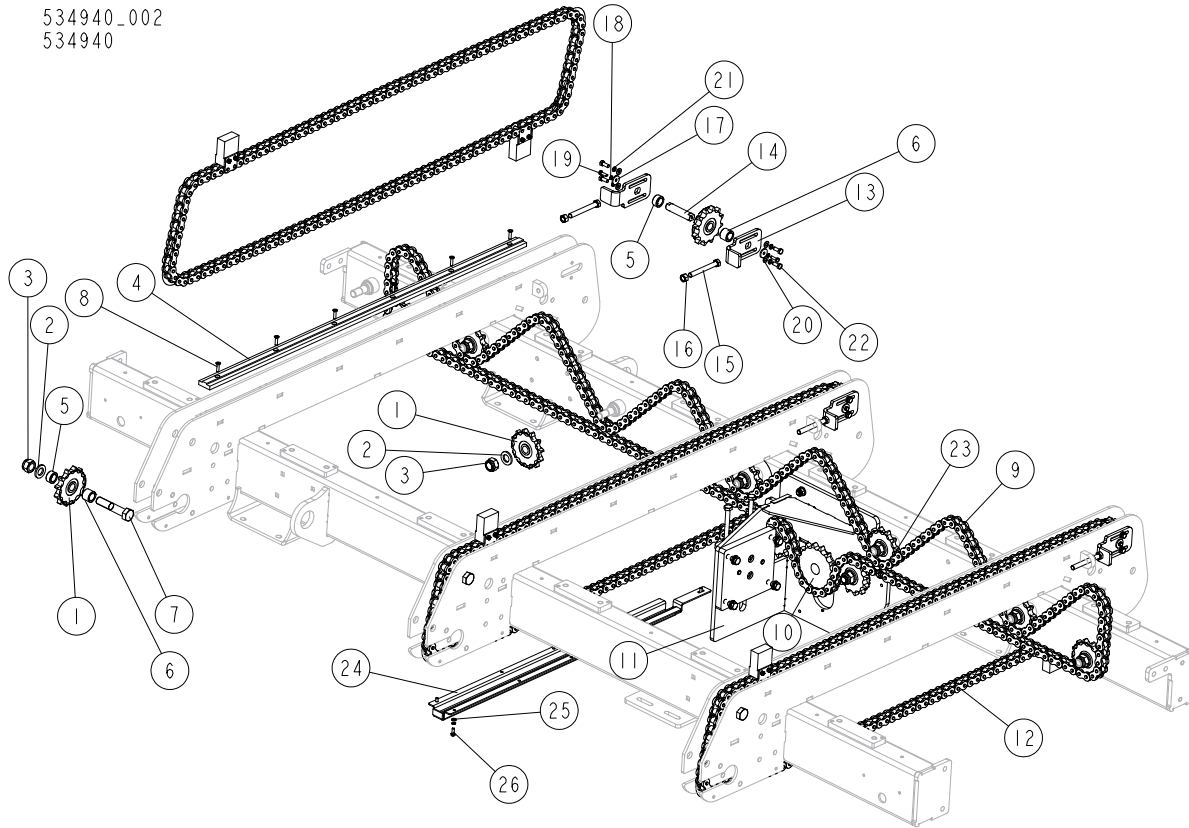
560202_001
560202



REF	DESCRIPTION (◆ indicates parts available in assemblies only)	PART #	QTY
-	CONTROL KIT, CRD 2 MOD TABLE	560202	1
1	CONTROL PANEL, CRD COMPLETE See Section 10.8	539844	1
2	BRACKET, BOX	554591-1	1
3	BOX, ELECTRIC	554904-1	1

REF	DESCRIPTION (◆ indicates parts available in assemblies only)	PART #	QTY	
10	COVER 4 - COMPLETE See Section 10.24	534990	1	
11	DUCT, CABLE 1 - COMPLETE See Section 10.25	536006	1	
12	DUCT, CABLE 2 - COMPLETE See Section 10.26	536008	1	
13	GROMMET, 3/4 ID RUBBER	025247	2	

14.4 Sorting Table. 534940 (Part 2/2)



REF	DESCRIPTION (◆ indicates parts available in assemblies only)	PART #	QTY
-	TABLE, SORTING	534940	1
1	SPROCKET, 16B1 Z=12ULMER 554570	715087	16
2	WASHER, 21 FLAT ZINC	F81059-2	13
3	NUT, M20-8 DIN985 HEX NYLON ZINC LOCK	F81037-2	13
4	BAR, 16B-1 CHAIN GUIDE	534918	3
5	BUSHING, 20.5/28-14 ZINC-PLATED	534921-1	9
6	BUSHING, 20.5/28-22.5 ZINC-PLATED	534922-1	9
7	BOLT, M20X100-8.8 HEX HEAD FULL THREAD ZINC	F81007-13	6
8	SCREW M6X25 HSFH ZC 8.8 DIN7991	F81001-68	18
9	CHAIN, LONGITUDINAL DRIVE	534936	1
10	SPROCKET ASSEMBLY	535008	1
11	BRACKET, LONGITUDINAL DRIVE MOUNTING See Section 10.28	534959	1
12	TRANSVERSE DRIVE CHAIN - COMPLETE See Section 12.5	535010	3
13	PLATE, TENSIONER	534885-1	6
14	SHAFT, SPROCKET	534925-1	3
15	BOLT,M12X100 8.8 HEX HEAD FULL THREAD ZINC	F81004-45	6
16	NUT M12 ZC 8 DIN 934	F81034-1	6
17	WASHER, 6.5/25-3	516008-1	6
18	WASHER 6,1 ZC SPRING LOCK DIN 127	F81053-3	9
19	BOLT, M6X20 8.8 HEX HEAD FULL THREAD ZINC	F81001-2	6
20	WASHER, 8.4 FLAT ZINC	F81054-1	12
21	WASHER 8,2 ZC SPRING LOCK DIN 127	F81054-4	12
22	BOLT, M8X20-8.8-B HEX HEAD FULL THREAD ZINC	F81002-4	12

REF	DESCRIPTION (◆ indicates parts available in assemblies only)	PART #	QTY	
23	LINK, 16B-1 (T 35759)WM1000	504233	1	
24	DUCT, CABLE/HOSE	536024-1	1	
25	WASHER, 6.4 FLAT ZINC	F81053-1	3	
26	BOLT, M6X16-8.8 HEX HEAD FULL THREAD ZINC	F81001-15	3	