

# Sorting Table

## Safety, Operation and Maintenance Manual

---

**CRS**  
**CRD**

**rev.A1.00**  
**rev.A1.00**

---



**Safety is our #1 concern!** Read and understand all safety information and instructions before operating, setting up and/or maintaining this equipment.

*Form #714*

# Table of Contents

# Section-Page

<b>SECTION 1</b>	<b>SAFETY INSTRUCTIONS</b>	<b>1-1</b>
1.1	Safety Symbols.....	1-1
1.2	Safety Instructions.....	1-2
<b>SECTION 2</b>	<b>GENERAL INFORMATION</b>	<b>2-1</b>
<b>SECTION 3</b>	<b>SPECIFICATIONS</b>	<b>3-1</b>
3.1	Dimensions.....	3-1
3.2	Motor Specifications.....	3-5
3.3	Air Supply Specification.....	3-5
<b>SECTION 4</b>	<b>SETUP &amp; OPERATION</b>	<b>4-1</b>
4.1	Setup.....	4-1
4.2	Operation of the Sorting Table with CC2 Cross Chain Conveyor (Optional).	4-4
<b>SECTION 5</b>	<b>MAINTENANCE</b>	<b>5-1</b>
5.1	Lubrication.....	5-1
5.2	Hydraulics.....	5-1
5.3	Optical system.....	5-1
5.4	Transfer Chain.....	5-2
5.5	Safety Devices Inspection.....	5-4

## Getting Service

Wood-Mizer is committed to providing you with the latest technology, best quality and strongest customer service available on the market today. We continually evaluate our customers' needs to ensure we're meeting current wood-processing demands. Your comments and suggestions are welcome.

### *General Contact Information*

From Europe call your local distributor or our European Headquarters and Manufacturing Facility in Koło, Nagórna 114 St, Poland at **+48-63-2626000**. From the continental U.S., call our U.S. Headquarter 8180 West 10th St. Indianapolis, IN 46214, toll-free at **1-800-525-8100**. Ask to speak with a Customer Service Representative. Please have your machine identification number and your customer number ready when you call. The Service Representative can help you with questions about the operation and maintenance of your machine. He also can schedule you for a service call.

### **Office Hours:**

<b>Country</b>	<b>Monday - Friday</b>	<b>Saturday</b>	<b>Sunday</b>
Poland	7 a.m.- 3 p.m.	Closed	Closed
US	8 a.m.- 5 p.m.	8 a.m.- 12 p.m	Closed

Please have your vehicle identification number and your customer number ready when you call.

Wood-Mizer will accept these methods of payment:

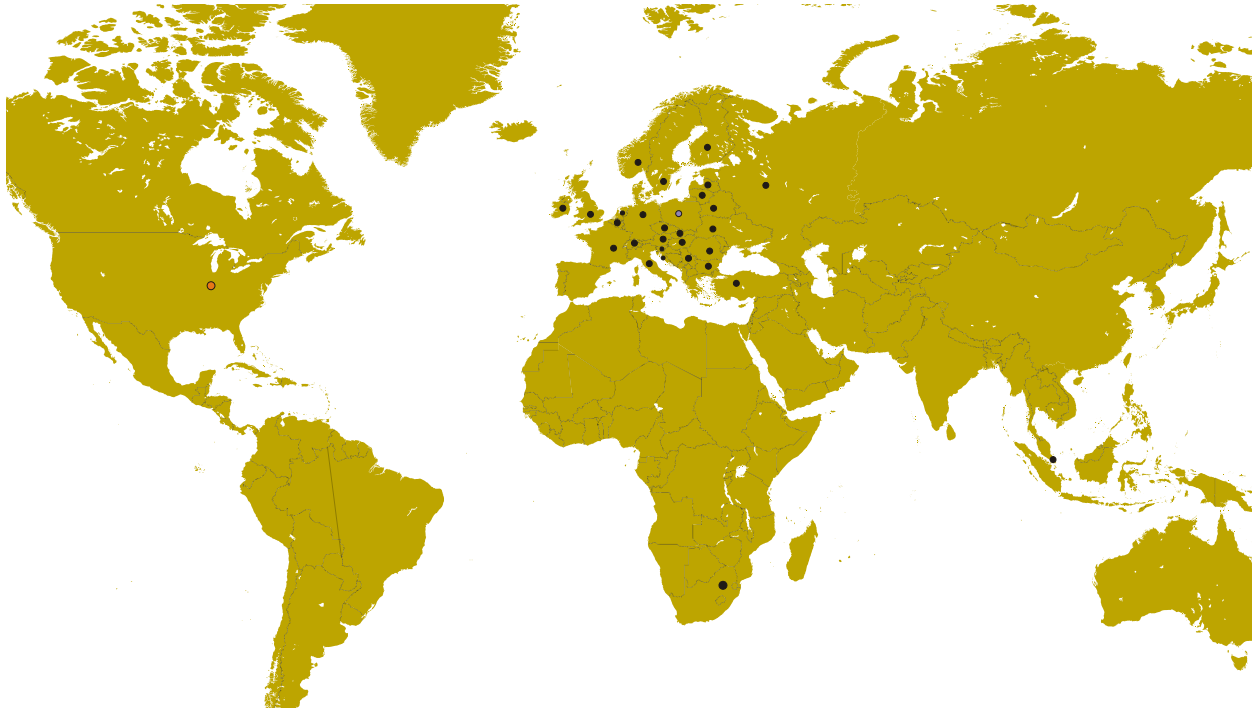
- Visa, Mastercard, or Discover
- COD
- Prepayment
- Net 15 (with approved credit)



Be aware that shipping and handling charges may apply. Handling charges are based on size and quantity of order.

Technical data are subject to change without prior notice.

Actual product may differ from product images. Some illustrations show machines with optional equipment.

**Branches & Authorized Sales Centers Wood-Mizer Locations (North and South America)**



EUROPE		UNITED STATES
<p> <b>European Headquarters</b>  <b>Wood-Mizer Industries Sp. z o.o.</b>                      Nagórna 114, 62-600 Kolo, Poland                      Tel.: +48-63-26-26-000                      Fax: +48-63-27-22-327  <a href="http://www.woodmizer.eu">www.woodmizer.eu</a></p>		<p> <b>World Headquarters</b>  <b>Wood-Mizer LLC</b>                      8180 West 10th Street                      Indianapolis, Indiana 46214-2400,                      USA                      Tel.: +1-317-271-1542                      Fax: +1-317-273-1011  <a href="http://www.woodmizer.com">www.woodmizer.com</a></p>
<p><b>BELARUS</b>  <b>MOST-GRUPP</b>                      Siemashko 15, k.3                      Minsk 2200116                      Tel.: +375-17-270-90-08                      Fax: +375-17-270-90-08                      GSM: +375-29-649-90-80                      e-mail: <a href="mailto:most-by@mail.ru">most-by@mail.ru</a></p>	<p><b>SWITZERLAND Stefan Wespi</b>                      Maschinen u. Geräte                      Spezialarbeiten GmbH                      Eichstraße 4                      6353 Weggis                      Tel.: +41-413-900-312                      GSM: +41-799-643-594  <a href="mailto:info@woodmizer.ch">info@woodmizer.ch</a>  <a href="http://www.woodmizer.ch">www.woodmizer.ch</a></p>	<p><b>RUSSIA Dariusz Mikołajewski</b>  <b>OOO WOOD-MIZER INDUSTRIES</b>                      141031, Moscow                      Reg., Mytishenski raj., pos. Veshki,                      Zavodskaja str., 3B                      Tel.Fax: +7(495) 788-72-35                      Tel.Fax: +7(495) 641-51-60                      e-mail: <a href="mailto:dariuszm@woodmizer-moscow.ru">dariuszm@woodmizer-moscow.ru</a></p>
<p><b>BULGARIA Kalin Simeonov</b>  <b>Ecotechproduct</b>                      38 Star Lozenski pat str.                      Sofia 1186                      Tel.: +359-2-462-7035                      Tel.: +359-2-963-1656                      Tel./Fax                      : +359-2-979-1710  <b>Kalin Simeonov</b>                      GSM: +3592-963-2559                      e-mail: <a href="mailto:office@ecotechproduct.com">office@ecotechproduct.com</a></p>	<p><b>HUNGARY Wiktor Turoczy</b>  <b>Wood-Mizer Hungary K.F.T.</b>                      Szonyi Ut 67., 2921 Komárom                      Tel./Fax: +36-34-346-255                      e-mail: <a href="mailto:woodmizer@woodmizer.hu">woodmizer@woodmizer.hu</a></p>	<p><b>RUSSIA Far East Wladimir Glazaczew</b>  <b>"WM Service"</b>                      Krasnoretchenskaya Str.111                      680006 Khabarovsk                      Tel./Fax: +7-914-541-1183                      e-mail: <a href="mailto:wms-khv@mail.ru">wms-khv@mail.ru</a></p>

<p><b>CROATIA Krešimir Pregernik</b>  <b>Pregimex d.o.o.</b>  S. Batušićeva 31, 10090 Zagreb  Tel./Fax: +3851-38-94-668  <b>Krešimir Pregernik</b>  GSM: +3851-98-207-106  e-mail: <a href="mailto:Kresimir.Pregernik@gmail.com">Kresimir.Pregernik@gmail.com</a></p>	<p><b>ITALY Pasquale Felice</b>  <b>Wood-Mizer Italia Srl</b>  <b>Cda. Capoiaccio SN</b>  86012 Cercemaggiore  Campobasso  Tel./Fax: +39-0874-798-357  GSM: +39-333-281-03-79  e-mail: <a href="mailto:wmitaliasrl@gmail.com">wmitaliasrl@gmail.com</a></p>	<p><b>SERBIA Dragan Markov</b>  <b>Wood-Mizer Balkan d.o.o.</b>  Svetosavska GA 3/3; P. Fah 25  23 300 Kikinda  Tel./Fax: +381-230-25-754  Tel./Fax: +381-230-23-567  GSM: +381-63-568-658  e-mail: <a href="mailto:office@woodmizer.co.yu">office@woodmizer.co.yu</a></p>
<p><b>CZECH REPUBLIC Miroslav Greill</b>  <b>Wood-Mizer CZ s.r.o.</b>  Za Kasárny 946  339 01 Klatovy  tel: +420-376-312-220  <b>Greill Miroslav</b>  GSM: +420 602-439-799  e-mail: <a href="mailto:woodmizer@woodmizer.cz">woodmizer@woodmizer.cz</a></p>		<p><b>SLOVAKIA Wiktor Turoczy</b>  <b>Wood-Mizer Danubia s.r.o.</b>  Hadovce 5, 94501 Komárno  Tel.: +421-35-77-40-316  Fax: +421-35-7740-326  GSM: +421-905-930-972  e-mail: <a href="mailto:woodmizer@woodmizer.sk">woodmizer@woodmizer.sk</a></p>
<p><b>CZECH REPUBLIC Lubomir Kudlik</b>  <b>Wood-Mizer Moravia</b>  Sovadinova 6  69002 Breclav  Tel./Fax: +420-519-322-443  <b>Lubomir Kudlik</b>  GSM: +420-602-734-792  e-mail: <a href="mailto:info@wood-mizer.net">info@wood-mizer.net</a></p>	<p><b>LATVIA Vilmars Jansons</b>  <b>OBERTS Ltd</b>  Gaujas str. 32/2  LV-2167 Marupe, Rigas Raj.  Tel.: +371-7-810-666  Fax: +371-7-810-655  <b>Vilmars Jansons</b>  GSM: +371-92-06-966  <b>Andris Orols</b>  GSM: +371-28-33-07-90  e-mail: <a href="mailto:andris@oberts.lv">andris@oberts.lv</a></p>	<p><b>TURKEY</b>  <b>Er-Ka Ahsap Profil Kerestecilik San. ve Tic. Ltd. Sti.</b>  Adana Keresteciler Sitesi 191 sk No.41  ADANA  Tel.: +90-322-346-15-86  Fax: +90-322-345-17-07  GSM: +90-533-363-18-44  e-mail: <a href="mailto:info@erkaahsap.com.tr">info@erkaahsap.com.tr</a></p>
<p><b>FINLAND Howard Blackburn</b>  <b>Oy Falkberg Jordbruk Ab</b>  Falkintie 220  25610 Ylonkyla  Tel.: +358-2732-2253  Fax: +358-2732-2263  <b>Howard Blackburn</b>  GSM: +358-440-424-339  e-mail: <a href="mailto:falkberg@woodmizer.fi">falkberg@woodmizer.fi</a></p>	<p><b>LITHUANIA Andrius Zuzevicius</b>  <b>UAB Singlis</b>  Savanoriu pr. 187, 2053 Vilnius  Tel.: +370-5-2-32-22-44  Fax: +370-5-2-64-84-15  GSM: +370-620-28-645  e-mail: <a href="mailto:andrius.z@singlis.lt">andrius.z@singlis.lt</a></p> <p><b>Dmitrij Gaiduk</b>  GSM: +370-69-84-51-91  e-mail: <a href="mailto:dmitrijus.g@singlis.lt">dmitrijus.g@singlis.lt</a></p>	<p><b>UKRAINE Ivan Vinnicki</b>  <b>MOST UKRAINA</b>  bul. Myru 3, Bajkivtsi Ternoplskyj r-j  Ternopolska oblast  47711 Ukraine  Tel/Fax: +38 (0352) 52 37 74  GSM: +38 (067) 352 54 34  GSM: +38 (067) 674 50 68  E-mail: <a href="mailto:most-ukraine@ukr.net">most-ukraine@ukr.net</a></p>
<p><b>FRANCE Tizoc Chavez</b>  Wood-Mizer France  556 chemin des Embouffus,  ZAC des Basses Echarrieres  38440 SAINT JEAN DE BOURNAY  Tel: +33-4 74 84 84 44  GSM: +33-607 52 02 82  Mail: <a href="mailto:tchavez@woodmizer.fr">tchavez@woodmizer.fr</a></p>	<p><b>NORWAY Tor Bakken Flaathe</b>  Bakken Flaathe A/S  Løkenvegen 5, 2034 Holter  Tel: + 47-638 74 989  Sales: + 47- 412 80 076  Service: +47- 975 87 588  <a href="mailto:post@woodmizer.no">post@woodmizer.no</a>  <a href="http://www.woodmizer.no">www.woodmizer.no</a></p>	<p><b>UNITED KINGDOM &amp; IRELAND</b>  <b>Wood-Mizer UK</b>  Hopfield Barn  Kenward Road, Yalding  Kent ME18 6JP, UK  Tel.: +44-1622-813-201  Fax: +44-1622-815-534  e-mail: <a href="mailto:info@woodmizer.co.uk">info@woodmizer.co.uk</a></p>
<p><b>SLOVENIA Jan Fale</b>  <b>FAMTEH d.o.o.</b>  Gacnikova pot 2,  2390 Ravne na Koroskem  Tel.: +386-2-62-04-232  Fax: +386-2-62-04-231  <b>Jan Fale</b>  GSM: +386-2-62-04-230  e-mail: <a href="mailto:jan.fale@famteh.si">jan.fale@famteh.si</a></p> <p><b>Matjaz Kolar</b>  Tel.: +386-2-62-04-232  GSM: +386-31-775-999  e-mail: <a href="mailto:matjaz.kolar@famteh.si">matjaz.kolar@famteh.si</a></p>		

<p><b>GERMANY/AUSTRIA Klaus Longmuss</b>  <b>Wood-Mizer GmbH</b>  Dorfstraße 5, 29485 Schletau  <b>Büro</b>  Tel: +49-5883 988 010  <b>Werkstatt</b>  Tel: +49-5883 988 220  <b>Ersatzteilservice</b>  Tel: +49 58 83 - 98 80 250  <b>Schärfservice</b>  Tel: +49-58 83 - 98 80 270  <b>E-mail:</b>  <a href="mailto:info@woodmizer.de">info@woodmizer.de</a>  <a href="http://www.woodmizer.de">www.woodmizer.de</a>  <b>Klaus Longmuss</b>  Tel.: +49-5883-9880-12  GSM: +49-17-298-55-892  e-mail: <a href="mailto:KLongmuss@woodmizer.de">KLongmuss@woodmizer.de</a></p>	<p><b>Subagent:</b>  <b>SWEDEN Kjell Larsson</b>  <b>Mekwood AB</b>  Slingan 14, 812 41 Gästrike-Hammarby  Tel.: +46-290-515-65  <b>Kjell Larsson</b>  GSM: +46-706-797-965  e-mail: <a href="mailto:kjell.larsson@mekwood.se">kjell.larsson@mekwood.se</a></p>	<p><b>IRELAND</b>  <b>Wood-Mizer Ireland</b>  Stephen Brennan  Cum Lahardane Ballina County Mayo  Tel:+353 96 51345   E-mail: <a href="mailto:brennanmill@ericom.net">brennanmill@ericom.net</a></p>
<p><b>Subagents:</b>  <b>DENMARK Kevin Christiansen</b>  Kevin Christiansen's  savværker PMV  Arnborgvej 40, 7330 Brande- Fasterholt   Mobile: +45 61468763  Mobile: +45-23495828  <a href="mailto:Info@woodmizer.dk">Info@woodmizer.dk</a>  www.woodmizer.dk</p>	<p><b>ROMANIA Adrian Echert</b>  <b>SC WOOD-MIZER RO SRL</b>  TRANSILVANIEI Nr. 5  Sibiu, Cisanadie 555300  Tel./Fax: : +40-369-405-433  GSM: +40-745-707-323  e-mail: <a href="mailto:aechert@woodmizer.ro">aechert@woodmizer.ro</a></p>	<p>Regional Manager - Asia  Robert Moxham  Regional Direction - Asia  Wood-Mizer Asia Manufacturing Co., Ltd.  No.2, Gongyequ 40th Rd. Xitun District,  Taichung City, 40768, Taiwan, R.O.C.  TEL: +886-4-2359 3022  FAX: +886-4-2359 3205  CELL: +886-9-0568 7708  EMAIL: <a href="mailto:RMoxham@woodmizer.com">RMoxham@woodmizer.com</a>  <a href="http://www.woodmizerasia.com">www.woodmizerasia.com</a>  Skype: r.g.moxham</p>
<p><b>NETHERLANDS Gerlo Breukers</b>  Breukers Houtzagerij en Bosbouwmachines  Hazenweg 5, 7481 PC Haaksbergen  Tel: +31-535741326  Mobile: +31-620419412  <a href="mailto:info@woodmizer.nl">info@woodmizer.nl</a>  <a href="http://www.woodmizer.nl">www.woodmizer.nl</a></p>	<p><b>Subagent:</b>  <b>ROMANIA M. Echert</b>  <b>S.C. Echert Comprod s.r.l</b>  Str. Schitului Nr. 6, Apt.7 etajul-1  725 70 Vatra Dornei, Romania  Tel./Fax: +40-230-374-235  Tel. : +40-740-35-35-74</p>	<p>Regional Manager - Africa  Gavin Prowse  Regional Sales Director - Africa  Wood-Mizer Africa (Pty) Ltd.  Unit 1, Leader Park  20 Chariot Street  Stormill Ext.5  Maraisburg, Johannesburg  South Africa  TEL: +27 11 473 1313  FAX: +27 11 473 2005  CELL: +27 71 398 8010  EMAIL: <a href="mailto:growse@woodmizer.com">growse@woodmizer.com</a>  <a href="http://www.woodmizerafrica.com">www.woodmizerafrica.com</a>  Skype: gavin.prowse</p>

## USA World Headquarters

*Serving North & South America, Oceania, East Asia*

Wood-Mizer LLC  
8180 West 10th Street  
Indianapolis, IN 46214

Phone: 317.271.1542 or 800.553.0182  
Customer Service: 800.525.8100  
Fax: 317.273.1011  
Email: [infocenter@woodmizer.com](mailto:infocenter@woodmizer.com)

## Brazil Headquarters

*Serving Brazil*

Wood-Mizer do Brasil  
Rua Dom Pedro 1, No: 205 Bairro: Sao Jose  
Ivoti/RS CEP:93.900-000

Tel: +55 51 9894-6461/ +55 21 8030-3338/ +55 51 3563-4784  
Email: [info@woodmizer.com.br](mailto:info@woodmizer.com.br)

## Canadian Headquarters

*Serving Canada*

Wood-Mizer Canada  
396 County Road 36, Unit B  
Lindsay, ON K9V 4R3

Phone: 705.878.5255 or 877.357.3373  
Fax: 705.878.5355  
Email: [ContactCanada@woodmizer.com](mailto:ContactCanada@woodmizer.com)

## Europe Headquarters

*Serving Europe, Africa, West Asia*

Wood-Mizer Industries Sp z o.o.  
Nagorna 114  
62-600 Kolo, Poland

Phone: +48.63.26.26.000  
Fax: +48.63.27.22.327

## Branches & Authorized Sales Centers

For a complete list of dealers, visit [www.woodmizer.com](http://www.woodmizer.com)

## SECTION 1 SAFETY INSTRUCTIONS

### 1.1 Safety Symbols

The following symbols and signal words call your attention to instructions concerning your personal safety. Be sure to observe and follow these instructions.



The word **DANGER** indicates an imminently hazardous situation which, if not avoided, will result in death or serious injury.



**WARNING!** suggests a potentially hazardous situation which, if not avoided, could result in death or serious injury.



**CAUTION** refers to potentially hazardous situations which, if not avoided, may result in minor or moderate injury to persons or equipment.



**IMPORTANT!** indicates vital information.

**NOTE:** gives helpful information.




Warning stripes are placed on areas where a single decal would be insufficient. To avoid serious injury, keep out of the path of any equipment marked with warning stripes.

## 1.2 Safety Instructions


**NOTE:** ONLY safety instructions regarding personal injury are listed in this section. Caution statements regarding only equipment damage appear where applicable throughout the manual.

### *Observe Safety Instructions*

 **IMPORTANT!** Read the entire Operator's Manual before operating the units. Take notice of all safety warnings throughout this manual and those posted on the equipment. Keep this manual with this equipment at all times, regardless of ownership.

Also read any additional manufacturer's manuals and observe any applicable safety instructions including dangers, warnings, and cautions.

Only persons who have read and understood the entire operator's manual should operate this equipment. The equipment is not intended for use by or around children.

 **IMPORTANT!** It is always the owner's responsibility to comply with all applicable federal, state and local laws, rules and regulations regarding the ownership, operation and towing of your Wood-Mizer equipment.

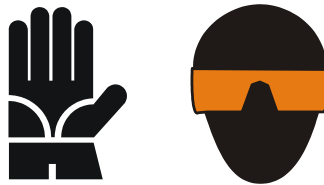




### ***Wear Safety Clothing***



**WARNING!** Secure all loose clothing and jewelry before operating this equipment. Failure to do so may result in serious injury or death.



**WARNING!** Always wear eye, ear, respiration and foot protection as well as safety clothing when operating or servicing the equipment.



### ***Keep the Equipment and Area Around Clean***



**DANGER!** Maintain a clean and clear path for all necessary movement around the equipment and lumber stacking areas. Failure to do so may result in serious injury.

### ***Dispose Of Sawing By-Products Properly***



**IMPORTANT!** Always properly dispose of all sawing by-products, including sawdust and other debris.

**Check the Equipment Before Operation**

**DANGER!** Make sure all guards and covers are in place and secured before operating the equipment. Failure to do so may result in serious injury.

**Keep Persons Away**

**DANGER!** Keep all persons out of the path of moving equipment and lumber when operating the equipment. Failure to do so may result in serious injury.



**DANGER!** Be sure that all persons are away from the equipment before starting it. Failure to do so may result in serious injury.

**Keep Hands Away**


**DANGER!** Always keep hands away from moving chain. Failure to do so may result in serious injury.




**DANGER!** Always be aware of and take proper protective measures against rotating shafts, pulleys, fans, etc. Always stay a safe distance from rotating members and make sure that loose clothing or long hair does not engage rotating members resulting in possible injury.





### *Use Proper Maintenance Procedures*


 **DANGER!** Make sure all electrical installation, service and/or maintenance work is performed by a qualified electrician and is in accordance with applicable electrical codes.


 **DANGER!** Hazardous voltage inside the electric box and at the motor can cause shock, burns, or death. Disconnect and lock out power supply before servicing! Keep all electrical component covers closed and securely fastened during equipment operation.




 **WARNING!** Consider all electrical circuits energized and dangerous.

 **WARNING!** Disconnect and lock out power supply before servicing! Failure to do so may result in serious injury.

 **WARNING!** Never assume or take the word of another person that the power is off; check it out and lock it out.

 **WARNING!** Do not wear rings, watches, or other jewelry while working around an open electrical circuit.

 **CAUTION!** The conveyor's work-stand should be equipped with a 4 kg or bigger dry powder extinguisher.

# 1

## Safety Instructions

### Keep Safety Labels In Good Condition

**CAUTION!** Before installation of the blade, inspect it for damage and cracks. Use only properly sharpened blades. Always handle the blade with extreme caution. Use suitable carrier equipment for transporting the blades.

### Keep Safety Labels In Good Condition



**IMPORTANT!** Always be sure that all safety decals are clean and readable. Replace all damaged safety decals to prevent personal injury or damage to the equipment. Contact your local distributor, or call your Customer Service Representative to order more decals.



**IMPORTANT!** If replacing a component which has a safety decal affixed to it, make sure the new component also has the safety decal affixed.

### Safety Labels Description

See Table 1-1. Pictographic safety labels are shown in the table below.

TABLE 1-1

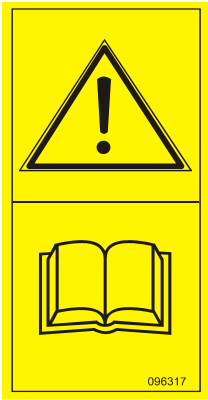



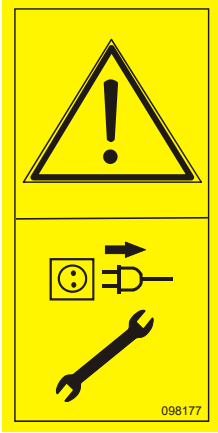

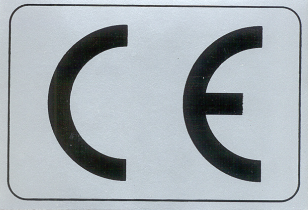

Decal View	Decal No.	Description
	096317	Read thoroughly the operator's manual before operating the equipment. Observe instructions and safety rules when operating.

TABLE 1-1

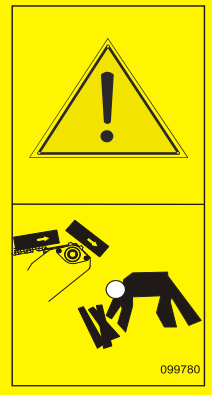
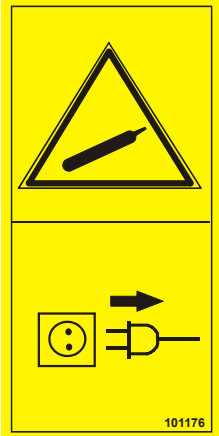

	<p>099220</p>	<p>Close all guards and covers prior to starting the equipment.</p>
	<p>099221</p>	<p>Keep all persons a safe distance away from work area when operating the unit.</p>
	<p>096314</p>	<p>Keep all persons a safe distance away from work area when operating the unit.</p>

**1** Safety Instructions  
*Safety Labels Description*

**TABLE 1-1**

	<p>098177</p>	<p>Disconnect power supply before servicing.</p>
	<p>099540</p>	<p>CAUTION! Gear danger – keep a safe distance away!</p>
	<p>P85070</p>	<p>CE safety certification</p>
	<p>S20097</p>	<p>Motor rotation direction</p>

**TABLE 1-1**

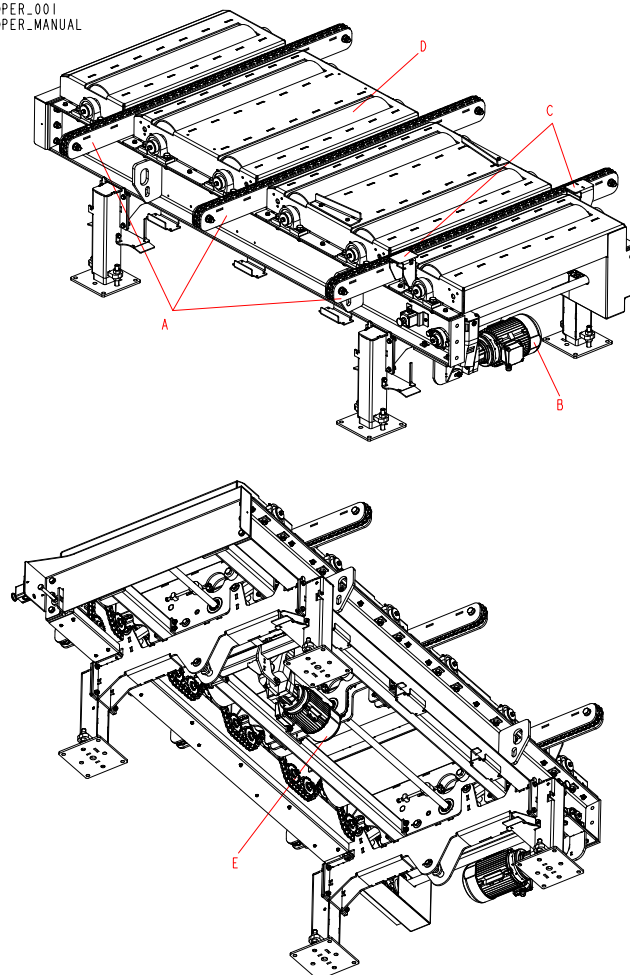
	<p>099780</p>	<p>Caution! Slabs falling off the deck!</p>
	<p>101176</p>	<p>CAUTION! Compressed air in the system even after electric power disconnection</p>
	<p>513181</p>	<p>Pressure value of the pneumatic system</p>

## SECTION 2 GENERAL INFORMATION

See Figure 2-1. The major components of the basic sorting table are shown below.

- A. Cross Rails
- B. Pulley Drive Assembly
- C. Photoelectric Sensors
- D. Pulleys
- E. Cross Chain Drive Assembly

527840\_OPER\_001  
527840\_OPER\_MANUAL



**FIG. 2-1**

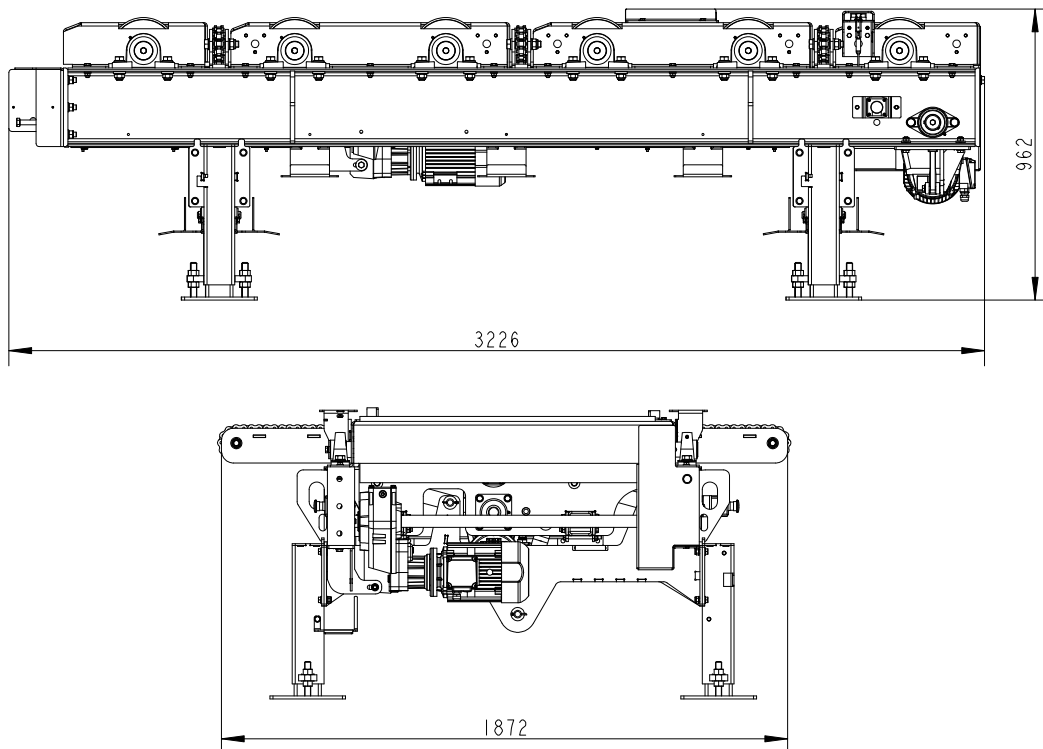


## SECTION 3 SPECIFICATIONS

### 3.1 Dimensions

See Figure 3-1 The overall dimensions of the Sorting Table CRS and leg layout are shown below.

527840\_OPER\_002  
527840\_OPER\_MANUAL



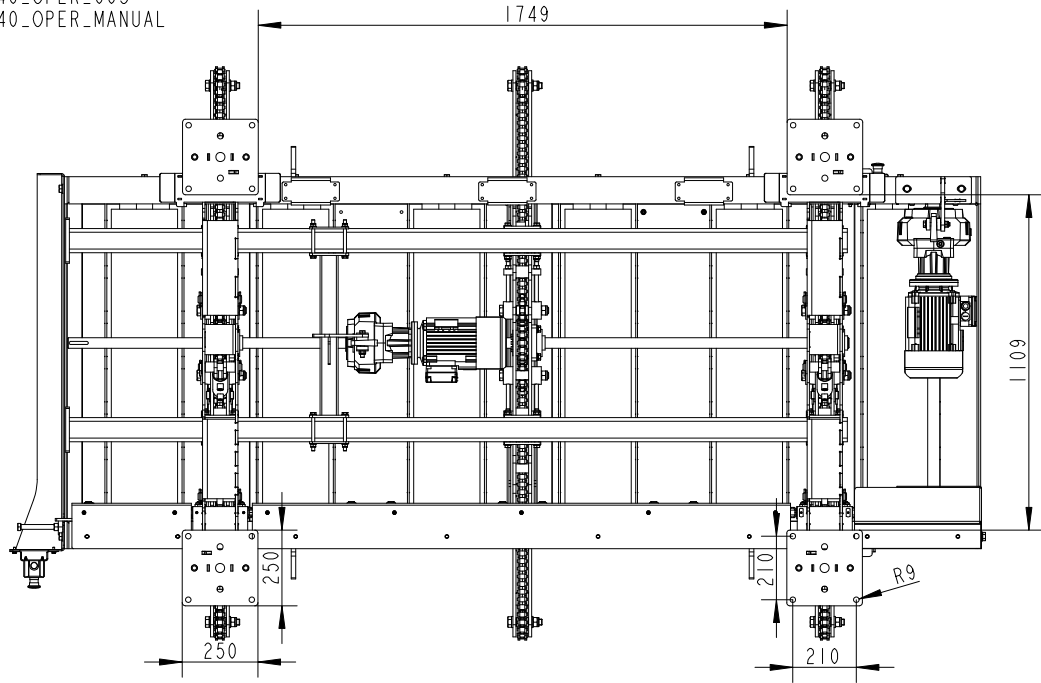
**FIG. 3-1 SORTING TABLE CRS**

# 3 SPECIFICATIONS

*Dimensions*

See Figure 3-2

527840\_OPER\_003  
527840\_OPER\_MANUAL



**FIG. 3-2 SORTING TABLE CRS**

See Figure 3-3 The overall dimensions of the Sorting Table CRD-LT and leg layout are shown below.

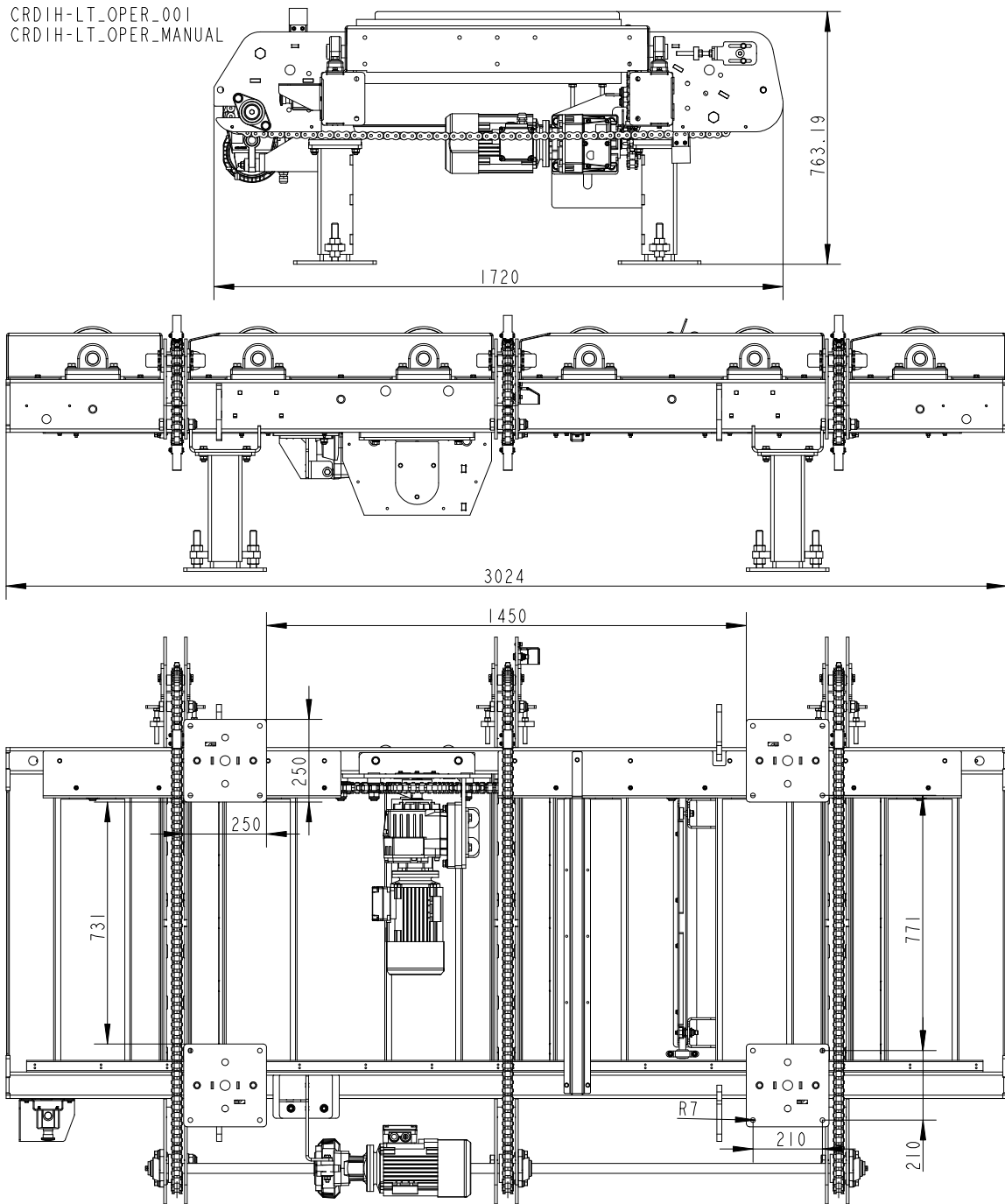


FIG. 3-3 SORTING TABLE CRD-LT

# 3

## SPECIFICATIONS

### Dimensions

See Figure 3-4 The overall dimensions of the Sorting Table CRD-WB and leg layout are shown below.

CRDIH-WB\_OPER\_001  
CRDIH-WB\_OPER\_MANUAL

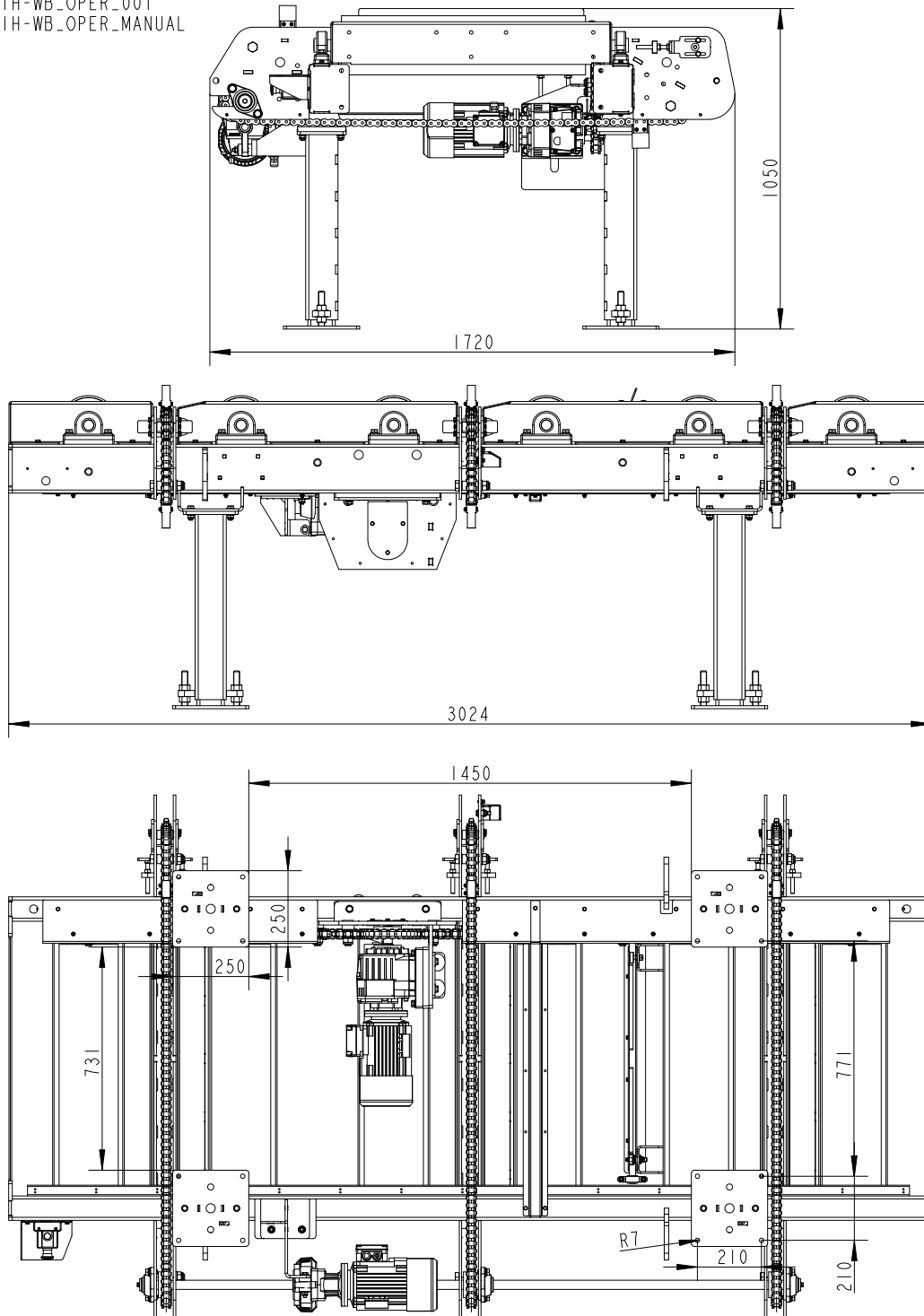


FIG. 3-4 SORTING TABLE CRD-WB

### 3.2 Motor Specifications

See Table 3-1. The specifications of the Sorting Table chain drive motors are listed below.

Manufacturer	Power	Other data
Kacperek	2.2kW	1480 r.p.m. 3x230/400V, 50Hz
Kacperek	1.1kW	1480 r.p.m. 3x230/400V, 50Hz

**TABLE 3-1**

### 3.3 Air Supply Specification

See Table 3-2. See the table below for air supply specifications:

Air Supply	Pressure
	Min. 6 bar

**TABLE 3-2**

## SECTION 4 SETUP & OPERATION

### 4.1 Setup



**IMPORTANT!** Before starting to use the Sorting Table, you have to meet the following conditions:

- Set up the Table on firm, level ground. Level the machine. Then secure the Table to the ground to prevent moving during operation. A concrete foundation (rated to support 31T/m<sup>2</sup> at each sawmill foot position) and anchored bolts are recommended.
- Sorting Table must not be used outdoors when it is raining or snowing. In such a case, they must be used and stored under roof or indoors.
- The machine can be operated in the temperature range of -15° C to 40° C.
- The intensity of light at the operator's work-place must be at least 300lx.
- Have a qualified electrician install the power supply (according to EN 60204 Standard).



**IMPORTANT!** When starting the machine for the first time, check that the chains/rollers rotation direction is correct and the main motor rotation direction is as indicated by the arrow located on the motor body. If the rotation direction is incorrect, invert the phases in the phase inverter in the power socket (electric box). Setting the phases in the phase inverter correctly will ensure correct rotation directions of all motors.



**IMPORTANT!** When starting the equipment for the first time, let it run without load for the first 1-2 hours.



**DANGER!** It is recommended that a 30mA Ground Fault Interrupter (GFI) be used.

See Figure 4-1



**CAUTION!** In case of emergency press the E-STOP button (B) located on the sides of the Sorting Table. Turn the emergency stop clockwise to release the stop. The Sorting Table will not restart if the emergency stop is not released.

- Tie the belts on the both sides of the Sorting Table in the places shown on the picture below (A). The Sorting Table can be lifted using a forklift, a winch or a crane. The belts and the lifting equipment must be rated for at least 2000kg (4400 lb).



**WARNING!** When lifting the sawmill, use extreme caution and keep all persons at a safe distance.

527840\_OPER\_004  
527840\_OPER\_MANUAL

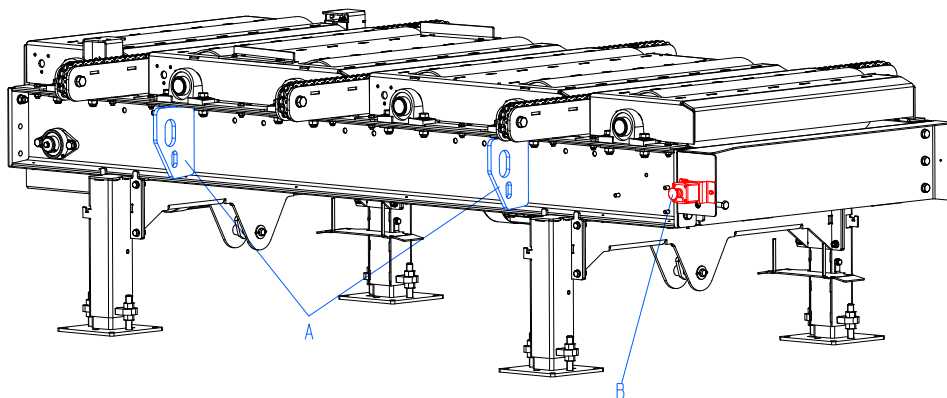


FIG. 4-1 SORTING TABLE

- Locate the air assembly. Connect the incoming air supply line to the fitting. Make sure the air gauge indicates 0,6MPa (6bar) Adjust the pressure if needed. To adjust the pressure, lift the black cap (A) located behind the air gauge. Turn the cap (A) clockwise to increase pressure, turn the cap (A) counterclockwise to decrease pressure. Push the cap (A) down to secure when adjustment is complete. Air supply cut-off valve (B) should be used to disconnect air supply and release compressed air from the pneumatic system. Set the cut-off valve (B) to "SUP." position for normal operation or to "Exh." to release compressed air.



**WARNING!** Disconnect air supply and release compressed air from the air system before servicing the saw! Failure to do so may result in serious injury.

# 4 SETUP & OPERATION

Setup

See Figure 4-2

CRS2HP-WB\_003  
CRS2HP-WB\_MANUAL

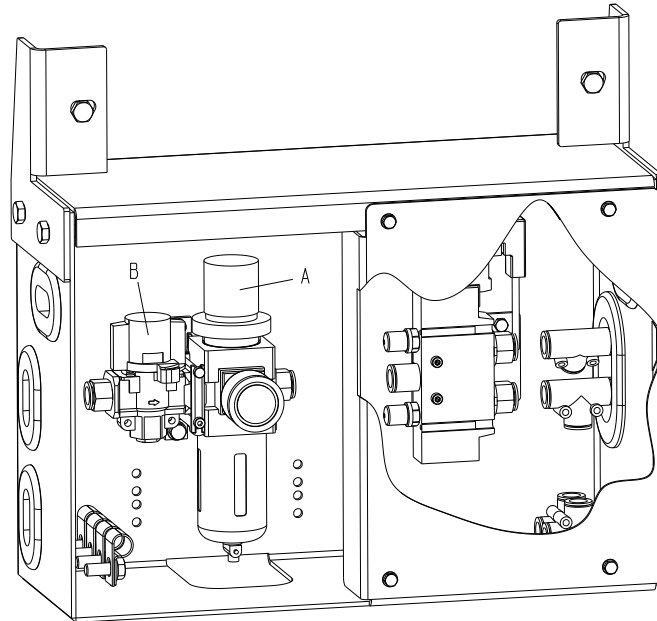
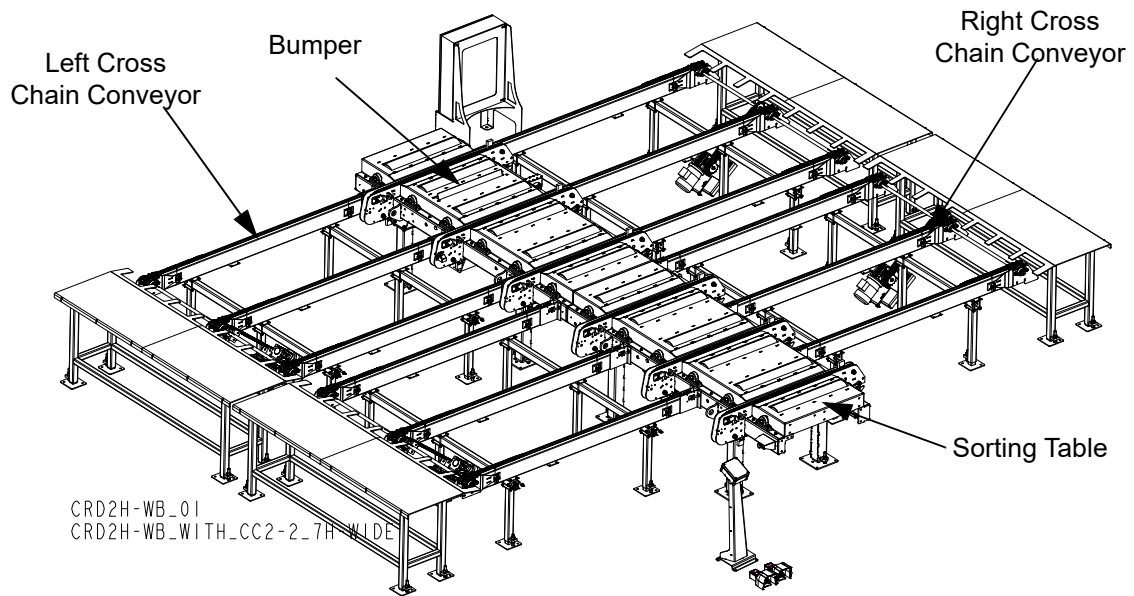


FIG. 4-2



**4.2 Operation of the Sorting Table with CC2 Cross Chain Conveyor (Optional).**

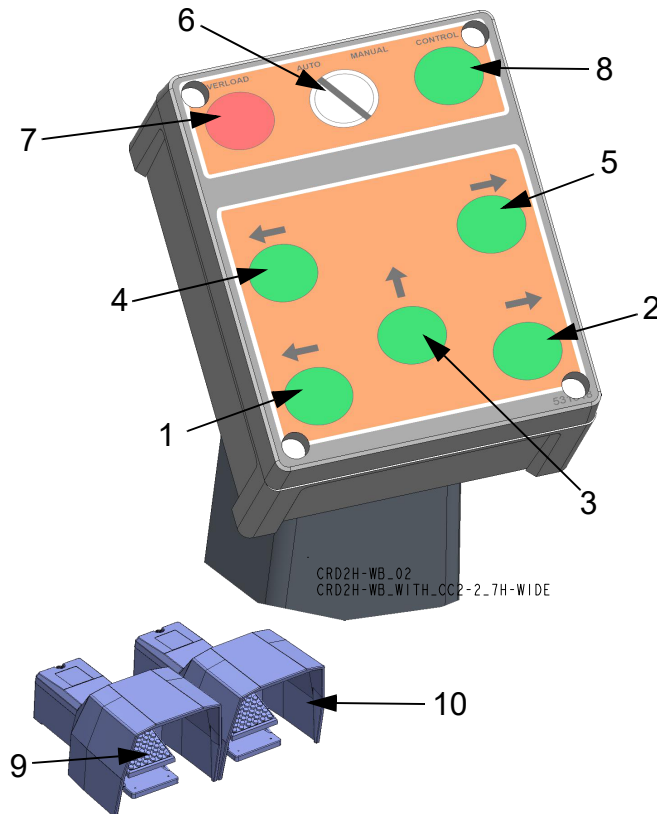
See Figure 4-3



**FIG. 4-3**

**Control Overview**

See Figure 4-4

**FIG. 4-4**

1. It activates left movement of the front sorting table.
2. It activates right movement of the front sorting table.
3. It activates forwards movement of both sorting tables.
4. It activates left movement of the rear sorting table (optional equipment).
5. It activates right movement of the rear sorting table (optional equipment).
6. AUTO/MANUAL mode switch.
7. OVERLOAD indication light.
8. CONTROL indication light.
9. Foot switch, it activates left cross chain conveyor when pressed (optional equipment).

10. Foot switch, it activates right cross chain conveyor when pressed (optional equipment).

### **Manual Mode**

It allows to set feed direction of the sorting tables manually. Feed is activated in chosen direction when the appropriate button is pressed.

### **Auto Mode**

It allows to set feed direction and activate the feed automatically when the material hits the bumper.

### **Programming the controller.**

Default feed time limits of the Cross Chain Conveyors (CC2) for both sides are set to 3 sec.

To change the time limit for the left (or right) CC2 conveyor:

- Set the switch to Manual Mode
- For left conveyor: press and hold simultaneously the left (1) and the up (3) buttons for 5 sec.
- For right conveyor: press and hold simultaneously the right (1) and the up (3) buttons for 5 sec.
- Time limit programming mode is indicated by blinking of the Overload light.
- Time limit is now re-set to zero. To increase the time limit press the left (1) button (for left conveyor) or the right (2) button (for right conveyor). Each press of the button increases the time by 0,1 sec. For ex. if you want to set the limit to 1,5 sec., you need to press the button fifteen times.
- To save the time limit press the up (3) button.

To restore default settings (3 sec. for both sides):

- Set the switch to Manual Mode
- Press and hold the up (3) button for 10 sec.
- Restoring is confirmed by fast blinking of the Overload light.

## SECTION 5 MAINTENANCE

This section lists the maintenance procedures that need to be performed.



**This symbol** identifies the interval (hours of operation) at which each maintenance procedure should be performed.

**WARNING!** Disconnect and lock out power supply before servicing the Table! Failure to do so may result in serious injury.

**WARNING!** Disconnect air supply and release compressed air from the air system before servicing the machines! Failure to do so may result in serious injury.

### 5.1 Lubrication



**CAUTION!** Never apply grease to the transfer chain. It causes sawdust buildup in chain links.



1. Using the grease fittings, lubricate the drive shaft bearings every 50 hours of operation.
2. Make sure all safety warning decals are readable. Remove sawdust and dirt. Replace any damaged or unreadable decals immediately. Order decals from your Wood-Mizer Customer Service Representative.

### 5.2 Hydraulics

Before every shift check hydraulic connections for any oil leaks.

### 5.3 Optical system

Be sure that the optical system is clean at all time, remove any dust from the sensor and mirror.

## 5.4 Transfer Chain

### 5.4.1 *Transfer Chain Tension*

See Figure 5-1.

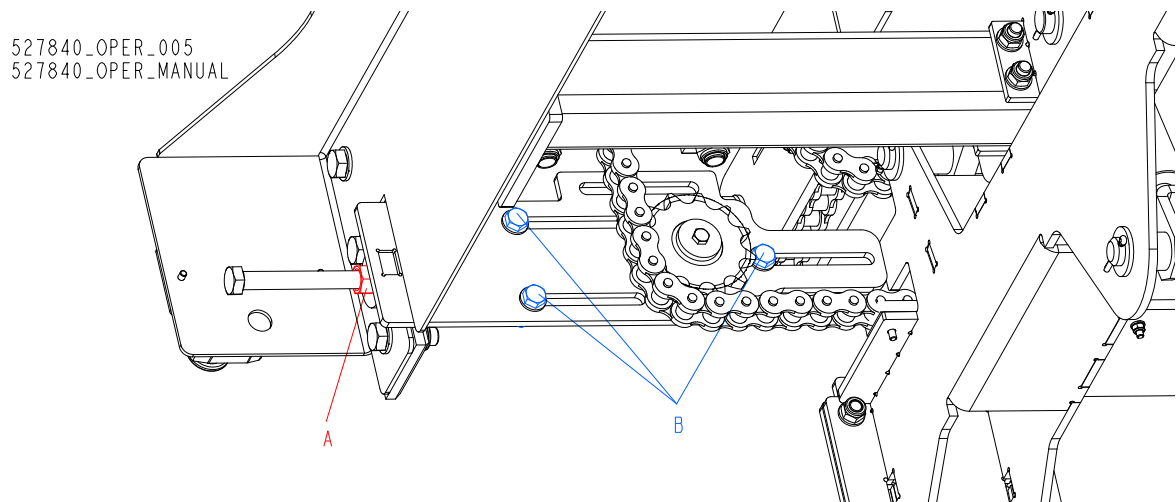


Check tensions of the drive chains every 40 hours of operation and adjust as necessary.

To adjust the transfer chain do following steps:

1. Loose mounting bolts (B)
2. Use the adjustment bolt (A) to adjust chain tension.
3. Tighten mounting bolts (B)

**CAUTION!** Do not over-tension chains. Over-tensioning may lead to premature failure of the gears, bearings, rollers and chains.



**FIG. 5-1**

### 5.4.2 Transfer Chain Replacement/Mounting

To replace the transfer chain perform following steps:

1. Loosen the chain [See Section 5.4.1](#)
2. Dismount the top covers.

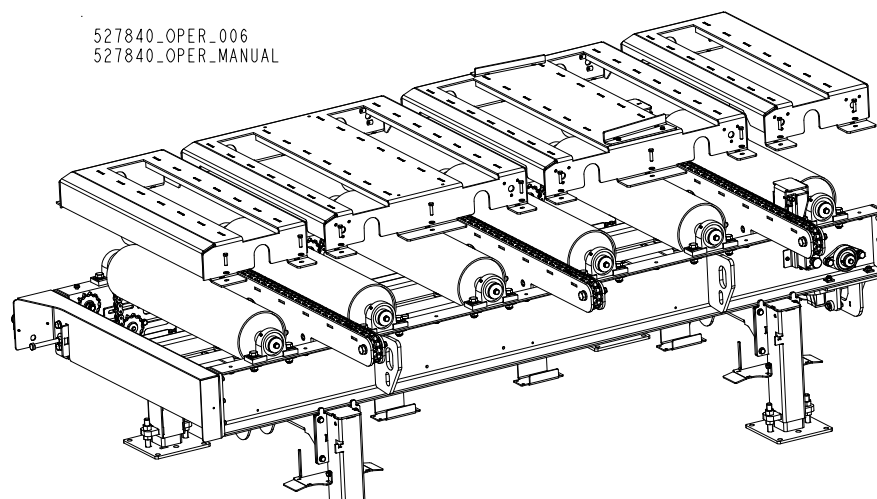


FIG. 5-2

3. Locate and disconnect the chain link. Dismount worn/damaged chain.
4. Route the chain as shown below.

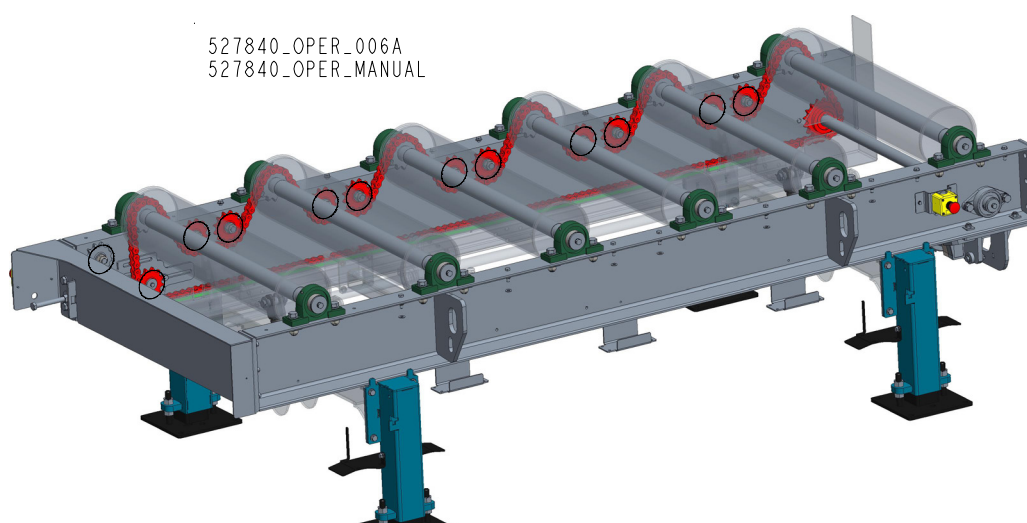


FIG. 5-3

5. Tension the chain [See Section 5.4.1](#).

## 5.5 Safety Devices Inspection

### *Safety Devices Inspection*

Safety devices on the Sorting Table which must be checked before every shift:

#### 1. E-STOP circuit inspection - table

- Turn on the Sorting Table;
- Push the E-STOP button located on side of the table. The drive motors should be stopped. The drive motors should not start until the E-STOP button is released.
- Turn on the Sorting Table;
- Push the E-STOP button located on the other side of the table. The drive motors should be stopped. The drive motors should not start until the E-STOP button is released.

## EC declaration of conformity according to EC Machinery Directive 2006/42/EC, Annex II, 1.A

**Manufacturer:**

Wood-Mizer Industries sp. z o.o.  
Nagórna 114, 62-600 Koło; Poland  
Tel. +48 63 26 26 000

This declaration of conformity is issued under the sole responsibility of the manufacturer.

Following machine in our delivered version complies with the appropriate essential safety and health requirements of the EC Machinery Directive 2006/42/EC based on its design and type, as brought into circulation by us. In case of alteration of the machine, not agreed by us, this declaration is no longer valid.

**We, the undersigned herewith declare, that:**

Designation of the machine:

**Sorting Table**

TYPE:

CRD1H-LT, CRD2H-LT, CRD3H-LT

Serial number:

.....

**Is in conformity with the following  
EC directives:**

EC Machinery Directive 2006/42/EC  
EC Electromagnetic Compatibility Directive  
2014/30/EU

**And is in conformity with the following  
Harmonized Standards:**

PN-EN ISO 13849-1:2016-02  
PN-EN 60204-1: 2018-12  
PN-EN ISO 13857:2020-03  
PN-EN ISO 14120:2016-03

Responsible for Technical Documentation:

Piotr Adamiec / Engineering Manager  
Wood-Mizer Industries Sp. z o.o.  
62-600 Koło, Nagórna 114, Poland  
Tel. +48 63 26 26 000

Place/Date/Authorized Signature:

Koło, 29.07.2020



Title :

Engineering Manager