

# D30 Engine

## Safety, Operation, Maintenance & Parts Manual

---

<b>LT30</b>	<b>rev. C6.00</b>
<b>LT40</b>	<b>rev. C6.00</b>
<b>LT30HD</b>	<b>rev. C7.00</b>
<b>LT40HD</b>	<b>rev. C7.00</b>

---



**Safety is our #1 concern!** Read and understand all safety information and instructions before operating, setting up or maintaining this machine.

*February 1998*

*Form #697*

# Table of Contents

# Section-Page

<b>SECTION 1</b>	<b>SAFETY &amp; GENERAL INFORMATION</b>	<b>1-1</b>
1.1	Refueling .....	1-1
1.2	Engine Operation.....	1-2
1.3	Battery Handling .....	1-4
1.4	General Information .....	1-5
<b>SECTION 2</b>	<b>OPERATION</b>	<b>2-1</b>
2.1	Starting The Engine.....	2-1
2.2	Cold Weather Operation.....	2-3
<b>SECTION 3</b>	<b>MAINTENANCE</b>	<b>3-1</b>
3.1	Engine Oil & Filter .....	3-2
3.2	Air Cleaner .....	3-3
3.3	Cooling System .....	3-4
3.4	Primary Fuel Filter .....	3-5
3.5	Battery .....	3-6
3.6	Alternator Belt.....	3-6
3.7	Drive Belt Adjustment.....	3-7
3.8	Clutch Handle Adjustment .....	3-9
3.9	Miscellaneous Maintenance .....	3-10
3.10	RPM Adjustments .....	3-11
3.11	Storage.....	3-13
<b>SECTION 4</b>	<b>REPLACEMENT PARTS</b>	<b>4-1</b>
4.1	How To Use The Parts List .....	4-1
4.2	Sample Assembly .....	4-1
4.3	Fuel Tank.....	4-2
4.4	Engine Mount Assembly .....	4-3
4.5	Engine Assembly.....	4-4
4.6	Primary Fuel Filter .....	4-5
4.7	Air Cleaner Assembly .....	4-6
4.8	Relay/Throttle Assembly.....	4-7
4.9	Muffler Assembly.....	4-9
4.10	Drive Assembly.....	4-10
4.11	Radiator Assembly .....	4-11
4.12	Engine Pulley Guards.....	4-12

**Table of Contents**

**Section-Page**

<b>SECTION 5</b>	<b>ELECTRICAL INFORMATION</b>	<b>5-1</b>
5.1	Electrical Symbol Diagram, D30 .....	5-1
5.2	Electrical Components, LT30/LT40 D30.....	5-4
5.3	Electrical Components, LT30HD/LT40HD D30 .....	5-5
5.4	Battery Specifications, D30.....	5-6
5.5	Electrical Wiring Diagram, D30.....	6-1



## SECTION 1 SAFETY & GENERAL INFORMATION



**IMPORTANT!** This manual is provided as a supplement to the equipment manufacturer's manuals. This manual takes into account the specific use of engines on the Wood-Mizer sawmill. Only safety, maintenance, and operating procedures that are not provided by the manufacturer are supplied in this manual. Refer to the manufacturer's manual before attempting to operate this equipment.



This symbol calls your attention to instructions concerning your personal safety. Be sure to observe and follow these instructions. This symbol accompanies a signal word. The word **DANGER** indicates an imminently hazardous situation which, if not avoided, will result in death or serious injury. **WARNING** suggests a potentially hazardous situation which, if not avoided, could result in death or serious injury. **CAUTION** refers to potentially hazardous situations which, if not avoided, may result in minor or moderate injury to persons or equipment. Read all safety instructions before operating this equipment and observe all safety warnings!

### 1.1 Refueling



**DANGER!** Due to the flammable nature of fuel and oil, never smoke, weld, grind or allow sparks near your engine or storage tanks, especially during times of fueling.

**DANGER!** Never allow fuel to spill on a hot engine during fueling operations or otherwise. The hot temperature of your engine could induce a fire or explosion.



**WARNING!** Store gasoline away from sawdust and other flammable materials. Failure to do so may result in serious injury.

## 1.2 Engine Operation



**DANGER!** Operate your engine/machine only in well ventilated areas. The exhaust gases of your engine can cause nausea, delirium and potentially death unless adequate ventilation is present.

**DANGER!** Never operate an engine with a fuel or oil leak. The leaking fuel or oil could potentially come in contact with hot surfaces and ignite into flames.

**DANGER!** Engine components can become very hot during operation. Avoid contact with any part of a hot engine. The exhaust components of your engine are especially hot during and following operation. Contact with hot engine components can cause serious burns. Therefore, never touch or perform service functions on a hot engine. Allow the engine to cool sufficiently before beginning any service function.

**DANGER!** Always be aware of and take proper protective measures against rotating shafts, pulleys, fans, etc. Always stay a safe distance from rotating members and make sure that loose clothing or long hair does not engage rotating members resulting in possible injury.

**DANGER!** Always be sure the blade is disengaged and all persons are out of the path of the blade before starting the engine or motor. Failure to do so will result in serious injury.



**WARNING!** Do not for any reason adjust the engine drive belts or belt support bracket with the engine running. Doing so may result in serious injury.

**WARNING!** Do not operate engine without proper and operational spark arrester/muffler. Sparks emitted from the engine exhaust could ignite surrounding materials, causing serious injury or death.

**WARNING!** Remove the blade before performing any engine service. Failure to do so may result in serious injury.



**WARNING!** Always disconnect the machine battery cables before performing service functions. Diesel engines by default require diesel fuel and lubricating oil for operation. Both diesel fuel and lubricating oil are flammable. Disconnection of the battery cables will reduce the possibility of sparks with potentially resultant fires or explosions.

**WARNING!** Be sure the power feed switch is in the neutral position before turning the key switch to the on (#1) or accessory (#3) position. This prevents accidental carriage movement, which may cause serious injury or death.

**WARNING!** Always wear proper and necessary safety equipment when performing service functions. Proper safety equipment includes eye protection, breathing protection, hand protection and foot protection.

**WARNING!** The engine exhaust from this product contains chemicals known to the State of California to cause cancer, birth defects or other reproductive harm.



**IMPORTANT!** Always dispose of coolant, oil, fuel, oil filters and fuel filters in a responsible manner and in conformance with local, state and federal regulations.



**CAUTION!** Do not crank starter for more than 7 seconds at one time during starting attempts. Damage to the engine may result.

**CAUTION!** During the initial 50 hours, do not exceed 70% of the maximum rated power. Damage to the engine may result.

**CAUTION!** Do not adjust the high-end RPM above 3200. Doing so may cause damage to the engine.

### 1.3 Battery Handling



**DANGER!** Batteries expel explosive gases. Keep sparks, flames, burning cigarettes, or other ignition sources away at all times. Always wear safety goggles and a face shield when working near batteries. Failure to do so will cause serious injury.<sup>1</sup>



**WARNING!** Charge the battery in a well ventilated area. Do not attempt to charge a frozen battery.

**WARNING!** Use extreme care to avoid spilling or splashing electrolyte (which is dilute sulfuric acid) as it can destroy clothing and burn the skin. If electrolyte is spilled or splashed on clothing or the body, it should be neutralized immediately and then rinsed with clean water. A solution of baking soda, or household ammonia, and water may be used as a neutralizer.

Electrolyte splashed into the eyes is extremely dangerous. If this should happen, force the eye open and flood it with cool, clean water for approximately fifteen minutes. A doctor should be called immediately when the accident occurs and “on-the-spot” medical attention given if possible. If a doctor cannot come to the scene of the accident immediately, follow his instructions concerning actions to take. Do not add eye drops or other medication unless advised to do so by the doctor. Do not place a battery or acid within the reach of children. If acid (electrolyte) is taken internally drink large quantities of water or milk. Follow with milk of magnesia, beaten egg or vegetable oil. Call a physician immediately.

If electrolyte is spilled or splashed on any surface of the machine, it should be neutralized and rinsed with clean water.<sup>1</sup>

---

1. Battery Council International, copyright 1987



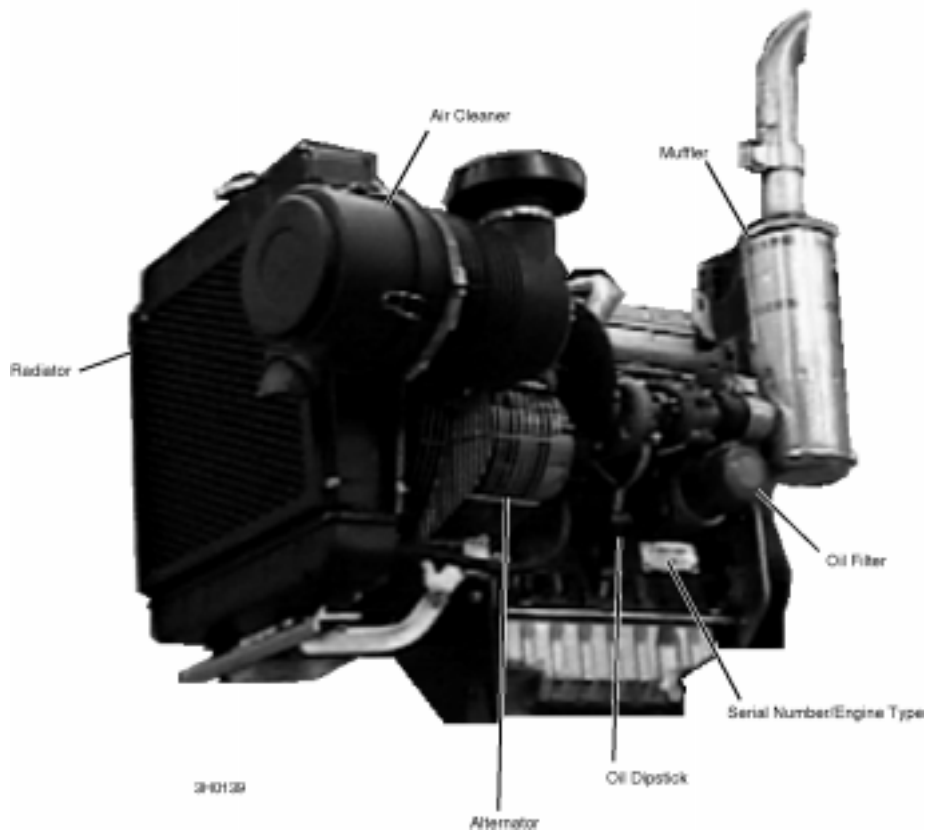
## 1.4 General Information



**IMPORTANT!** Read the engine manual for instructions and safety precautions before operating the engine.

For use with the Wood-Mizer sawmill, the radiator, air cleaner, alternator, and starter used differ from Lombardini's standard components.

**See Figure 1-1.** The main components of the diesel engine are shown.



**FIG. 1-1**

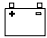



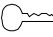







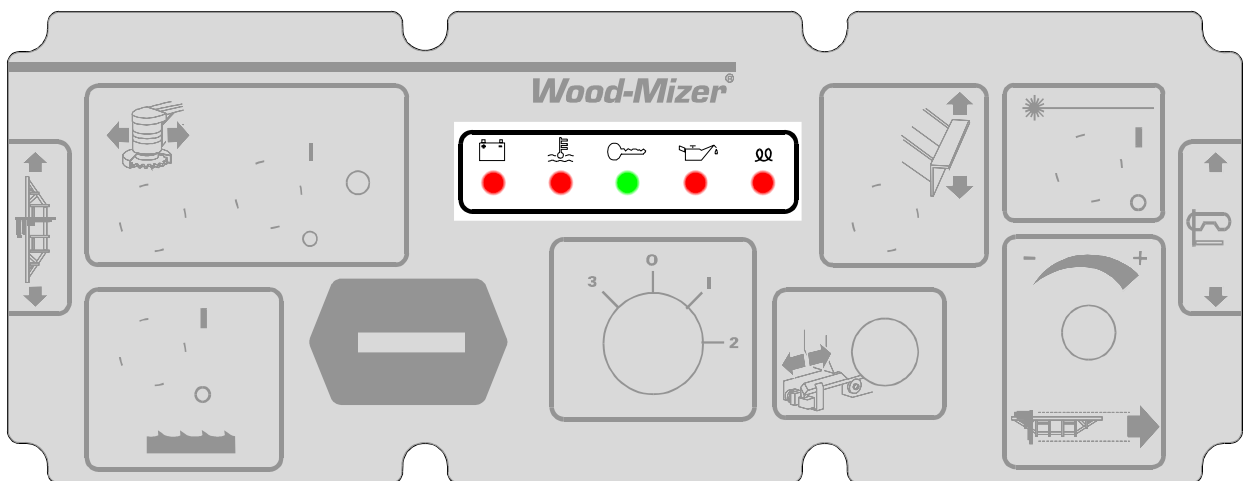
## SECTION 2 OPERATION

### 2.1 Starting The Engine

#### Engine Control Lights

See **Figure 2-1**. The following indicator lights are located on the sawmill control panel. See the manufacturer's engine manual for troubleshooting tips.

-  *Alternator Charge Indicator:* Lights up if the alternator is not charging the battery.  
 **NOTE:** Indicator also lights up when engine is started and remains lit until engine initially reaches approximately 1300RPM.
-  *Engine Temperature Indicator:* Lights up if the engine is overheating.  

-  *Key Switch Indicator:* Lights up when the key is in either the on or accessory (#1 or #3) position.  

-  *Oil Indicator:* Lights up if the oil pressure is too low.  

-  *Glow Plug Indicator:* Lights up after the key has been turned to the on (#1) position.  




**FIG. 2-1**

## 2 Operation

### Starting The Engine

---

See Table 2-1. **IMPORTANT!** The glow plug sensing relay is disconnected to provide manual control of glow plug operation. See the table for recommended glow plug on times.

On Times For Manually Operated Glow Plugs	
Ambient Temperature	Suggested Glow Plug On Time
Less Than 32° F (0° C)	30 Seconds
32 - 60° F (0 -15° C)	25 Seconds
60 - 80° F (15 - 27° C)	15 Seconds
Above 80° F (27° C)	10 Seconds

TABLE 2-1

**NOTE:** The glow plug light will stay on indefinitely when the key is in the pre-start (1) position. The glow plug light will go out after the engine is started.



**CAUTION!** Avoid leaving the key in the pre-start (1) position for more than 30 seconds while the engine is not running. Doing so will drain the sawmill battery which may reduce its service life.

## Engine Start



**DANGER!** Always be sure the blade is disengaged and all persons are out of the path of the blade before starting the engine or motor. Failure to do so will result in serious injury.



**WARNING!** Be sure the power feed switch is in the neutral position before turning the key switch to the on (#1) or accessory (#3) position. This prevents accidental carriage movement, which may cause serious injury or death.



**CAUTION!** Do not crank starter for more than 7 seconds at one time during starting attempts. Damage to the engine may result.

1. See engine manual lubricating oil for specific temperature-range oil recommendations.
2. Use #2 or better quality diesel fuel for above freezing starting. Use a #1 quality diesel fuel for below freezing starting.
3. Turn the key switch on the control panel to the on (#1) position.
4. Wait the recommended glow plug on time ([See Table 2-1.](#))
5. Turn the key switch to the start (#2) position and release.

## Engine Shutoff

Turn the key switch to the off (#0) position.

## 2.2 Cold Weather Operation

When sawing in extremely cold weather, you may need to use a different engine oil. Lombardini recommends using 0W30 for operating temperatures between -13° F (-25 C) and -31° F (-35° C). When sawing in temperatures below -31° F (-35° C), Lombardini recommends using a synthetic-based oil such as Mobil Delvac 1 5W40.

Wood-Mizer also offers an accessory engine water heater for Lombardini diesel engines. The heater unit installs around the lower radiator hose. When plugged into a grounded 120V outlet, the heater will keep the engine coolant warm enough to allow easy starts in cold climates.



## SECTION 3 MAINTENANCE



**IMPORTANT!** This manual only provides information about additional procedures or procedures to be performed at different time intervals than found in the engine manufacturer's manuals. Refer to the [manufacturer's manual](#) for complete maintenance instructions.



**DANGER!** Engine components can become very hot during operation. Avoid contact with any part of a hot engine. The exhaust components of your engine are especially hot during and following operation. Contact with hot engine components can cause serious burns. Therefore, never touch or perform service functions on a hot engine. Allow the engine to cool sufficiently before beginning any service function.



**WARNING!** Remove the blade before performing any engine service. Failure to do so may result in serious injury.

**WARNING!** Always disconnect the machine battery cables before performing service functions. Diesel engines by default require diesel fuel and lubricating oil for operation. Both diesel fuel and lubricating oil are flammable. Disconnection of the battery cables will reduce the possibility of sparks with potentially resultant fires or explosions.

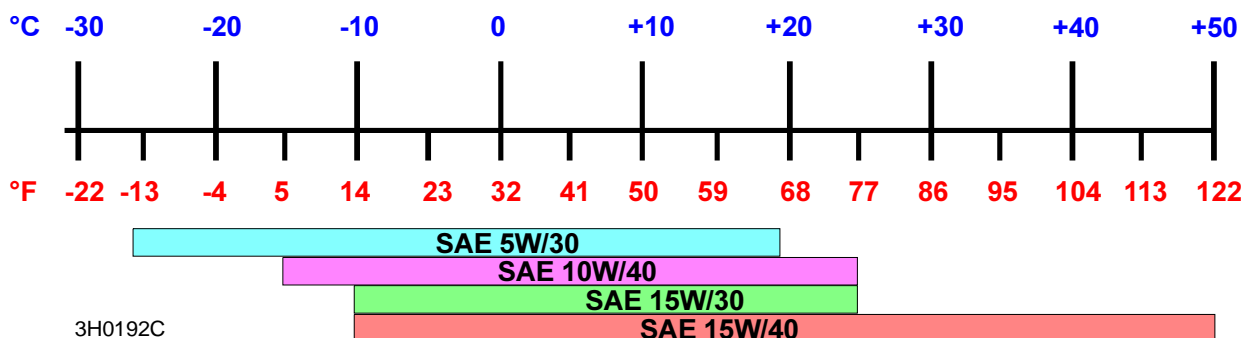
**WARNING!** Always wear proper and necessary safety equipment when performing service functions. Proper safety equipment includes eye protection, breathing protection, hand protection and foot protection.



**This symbol** identifies the interval (hours of operation) at which each maintenance procedure should be performed. "AR" signifies maintenance procedures which should be performed as required.

### 3.1 Engine Oil & Filter

**See Figure 3-1.** The following chart details lubricating oil viscosity as a function of ambient temperature. Select the lubricating oil viscosity based upon the prevailing temperature range expected. If your application will be subject to large ambient temperature ranges during a given oil change interval, select the lubricating oil viscosity based upon the highest temperature expected. Should the prevailing ambient temperatures change during a given oil service period interval, and the lubricating oil within the engine is reflective of a lower temperature range, the lubricating oil should be changed to reflect the prevailing temperature.



**FIG. 3-1**

**NOTE:** The use of straight weight lubricating oils such as SAE 40, SAE 30, etc. is not recommended for Lombardini diesel engines.

Lombardini recommends that only API (American Petroleum Institute) grades 'CD' or higher be used within Lombardini diesel engines. In addition to the API rating, lubricating oils should also meet or exceed MIL-L-2104D. Without respect to brand name, lubricating oil meeting API grade 'CD' and sourced from a reputable supplier are acceptable for use within Lombardini diesel engines.

The use of "SEMI-SYNTHETIC" lubricating oils meeting the grade and viscosity guidelines presented above is acceptable and may reduce engine wear rates due to the superior characteristics of the "SEMI-SYNTHETIC" oil with respect to mineral based engine lubricating oils.

Lombardini does not recommend the use of ANY oil additive other than those included within the respective manufacturer oil blends. Under no circumstances should oil additives claiming "teflon", "molecular adhesion", low wear rates etc. be added. These aftermarket oil additives may actually break down the recommended lubricating oil chemical properties resulting in accelerated engine wear.



When operating in temperatures below those specified in the chart, [See Section 2.2](#).

Oil capacity (including oil filter) is 4.5 quarts, or 4.3 liters.



Check the oil level every 8 hours of operation. Add oil as necessary.



Change the oil and replace the oil filter after the first 50 hours of operation. Change the oil every 125 hours and replace the oil filter every 250 hours thereafter.



**IMPORTANT NOTE!** Before reinstalling the clean oil filter, wipe all dirt and oil deposits from the oil filter receptacle.

## 3.2 Air Cleaner



Empty the air debris collector every 8 hours of operation.

**See Figure 3-2.** Squeeze the rubber tip of the collector to open it. After all debris has been emptied from the collector, release the tip and allow it to close.



**WARNING!** Always wear proper and necessary safety equipment when performing service functions. Proper safety equipment includes eye protection, breathing protection, hand protection and foot protection.

**FIG. 3-2**

AR

Replace the air filter when air filter indicator shows need (or every year). The air cleaner used on the Lombardini Diesel for Wood-Mizer sawmill applications is a special, non-standard filter which becomes more efficient with use. There is no need for periodic cleaning or servicing.

**See Figure 3-3.** The indicator is located on the side of the air cleaner housing, behind the radiator. A red band will appear in the sight window when the air restriction is at its maximum limit. Change the air filter and push the reset button on the indicator.

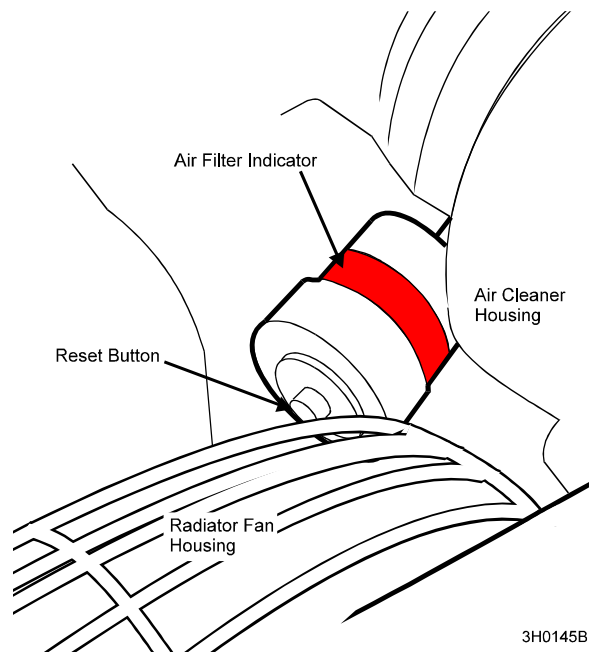


FIG. 3-3

### 3.3 Cooling System

8

Check the coolant level every 8 hours of operation.

8

Check the radiator fins every 8 hours of operation.

250

Clean the radiator fins every 250 hours of operation.

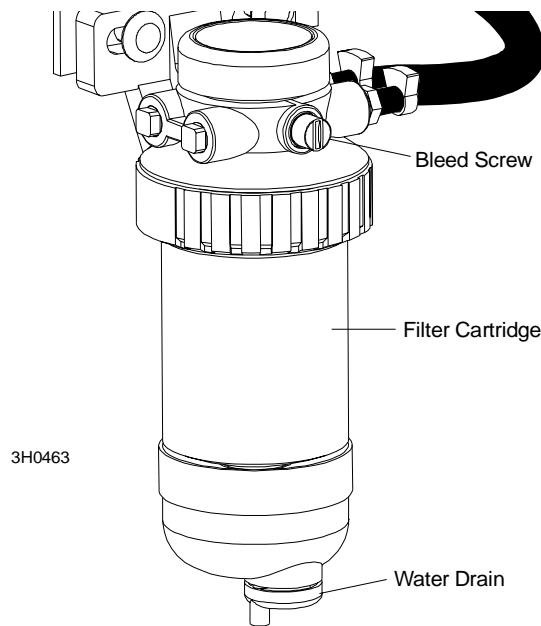
1000

Replace the coolant every 1000 hours of operation or every 2 years, whichever comes first. Use a mixture of 50% antifreeze and 50% water.

### 3.4 Primary Fuel Filter

1500

**See Figure 3-4.** Replace the primary fuel filter cartridge every 1500 hours or one year of operation. After replacing the filter cartridge, loosen the air bleed screw and operate the fuel pump bail until fuel begins to flow from the valve and is free of air bubbles. Tighten the bleed screw. Inspect the water separator bowl periodically and drain the bowl as required by turning the drain cap counterclockwise as viewed from the bottom.



**FIG. 3-4**

### 3.5 Battery



Check the battery electrolyte level every 50 hours of operation. See manufacturer's manual for instructions.



**DANGER!** Batteries expel explosive gases. Keep sparks, flames, burning cigarettes, or other ignition sources away at all times. Always wear safety goggles and a face shield when working near batteries. Failure to do so will cause serious injury.<sup>1</sup>

### 3.6 Alternator Belt



Check the alternator belt tension every 500 hours. Also check the alternator belt for tension and wear when battery is not charging properly or when the alternator belt is squealing. Adjust as needed.




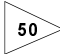
Replace the alternator belt every 1000 hours.

---

1. Battery Council International, copyright 1987

### 3.7 Drive Belt Adjustment

 **WARNING!** Do not for any reason adjust the engine drive belts or belt support bracket with the engine running. Doing so may result in serious injury.

 Check the drive belt tension after the first 20 hours, and every 50 hours thereafter. When engaged, the drive belt should have 7/16" (11 mm) deflection with a 15 lb. deflection force. Always be sure to check the drive belt support after adjusting drive belt tension.

To adjust drive belt tension:

1. Remove the two belt covers located underneath the engine.
2. Loosen the drive belt turnbuckle jam nuts. Turn the turnbuckle counterclockwise (as viewed from the top) to tighten the belts, clockwise to loosen the belts.

See Figure 3-5.

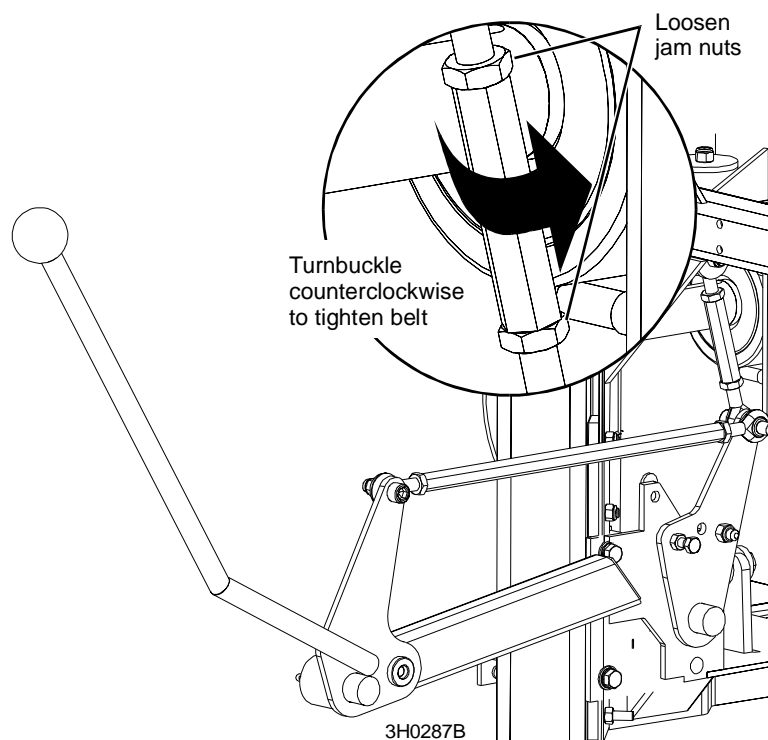


FIG. 3-5

 Periodically check all belts for wear. Replace any damaged or worn belts as needed.

# 3

## Maintenance

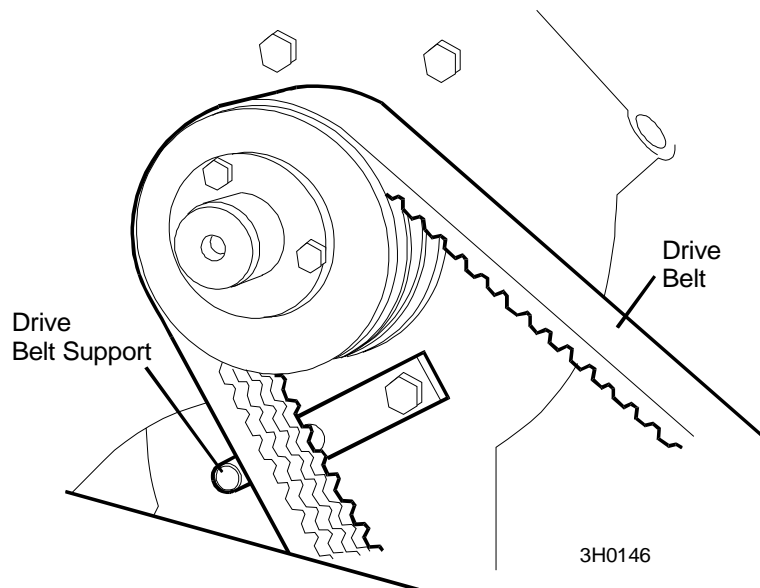
### Drive Belt Adjustment

AR

Adjust the drive belt support as needed. The drive belt support is designed to extend belt life. The bracket should be adjusted to NOT touch the drive belt when the clutch handle is engaged (down position), AND to hold the drive belt away from the engine pulley when the clutch handle is disengaged (up position).

**See Figure 3-6.** To adjust the drive belt support:

1. Make sure the motor is not running. Loosen the adjustment bolt.
2. Position the bracket so that the prong is close to, but does not touch, the drive belt with the clutch handle engaged.
3. Retighten the adjustment bolt.



**FIG. 3-6**

### 3.8 Clutch Handle Adjustment

After the drive belts and brake strap are properly adjusted, the clutch handle should lock in the down position when the drive belts are engaged. If the clutch handle does not stay locked, adjust the handle turnbuckle.

1. Remove the blade from the sawmill.
2. Remove the inner belt guard and engage the clutch handle.
3. Hold a straight edge between the bottom and top pivot centers and measure the distance to the middle pivot.
4. Adjust the clutch handle turnbuckle until the center of the middle pivot is  $7/16$ " from the straight edge.

See Figure 3-7.

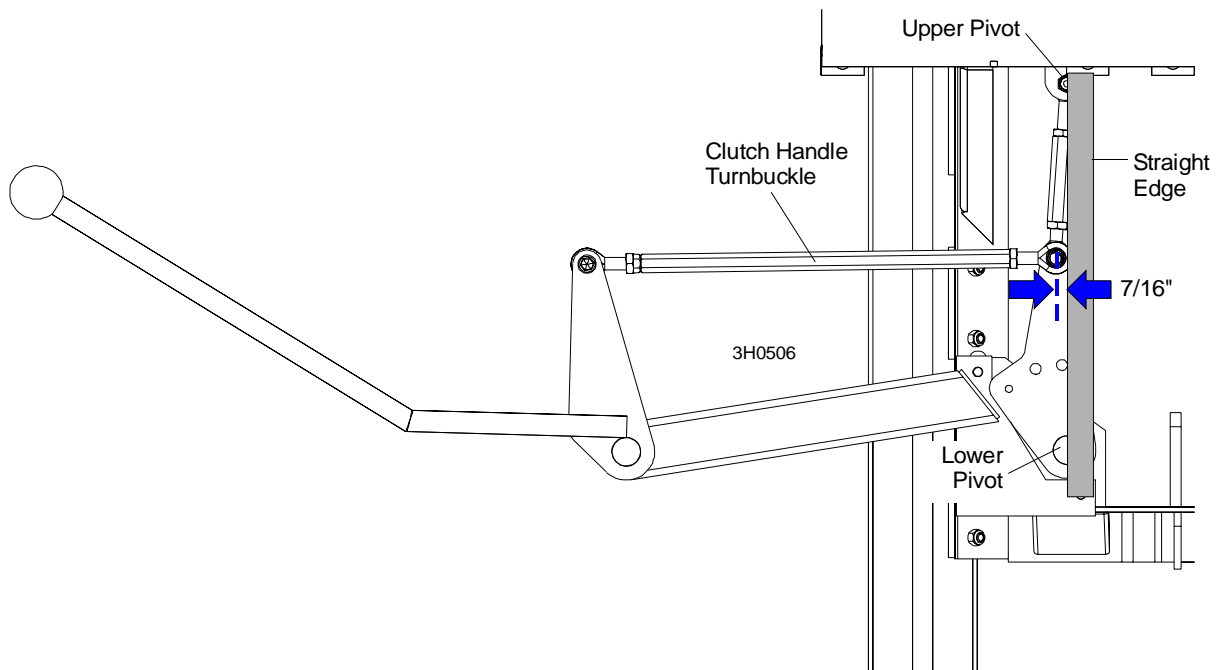


FIG. 3-7

### 3.9 Miscellaneous Maintenance

500

Check the valve clearance every 500 hours of operation. Adjust if necessary. See engine manual for further details.

1000

Clean the fuel tank every 1000 hours of operation.

1000

Clean and set the injectors every 1000 hours of operation. See engine manual for more information.

2500

Replace the timing belt every 2500 hours of operation.

2500

Perform a partial overhaul inspection as detailed in the engine manual every 2500 hours of operation.

5000

Perform a complete overhaul inspection as detailed in the engine manual every 5000 hours of operation.



### 3.10 RPM Adjustments



**WARNING!** Remove the blade before performing any engine service. Failure to do so may result in serious injury.



Check the RPM with a tachometer after the first 20 hours of operation and every 200 hours thereafter.

Before checking the RPM, make sure belt and brake strap tension are correct (See Saw-mill Maintenance). Also check oil, fuel, and coolant levels.

1. Start the engine to measure the low-end RPM. Let idle for 10 minutes.
2. With the engine at idle, check the low-end RPM. Adjust to 1500. To decrease speed, loosen the idle adjustment bolt. To increase speed, tighten the idle adjustment bolt. Tighten the lock nut to hold the bolt in place.

See Figure 3-8.

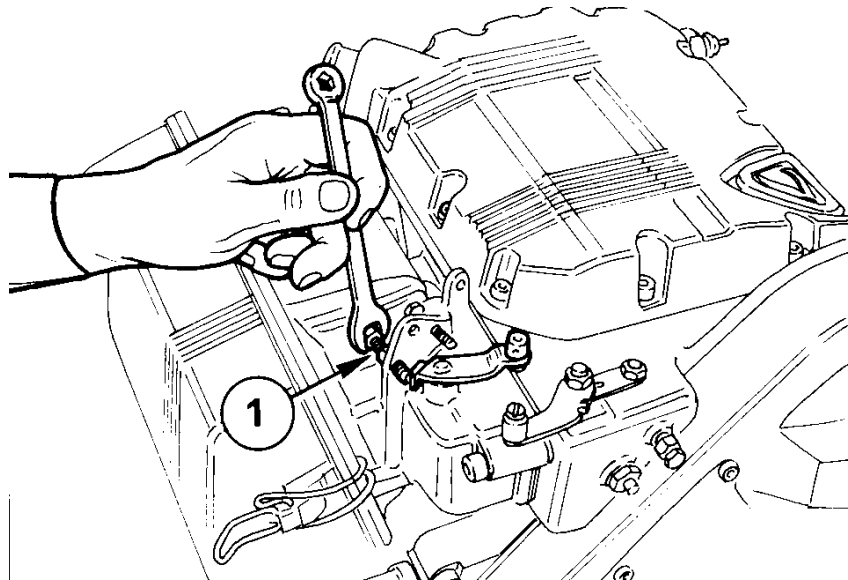


FIG. 3-8

# 3

## Maintenance

### RPM Adjustments

---

3. Adjust the high-end RPM to 3200. To decrease speed, tighten the full speed adjustment bolt. To increase speed, loosen the full speed adjustment bolt. Tighten the lock nut to hold the bolt in place.



**CAUTION!** Do not adjust the high-end RPM above 3200. Doing so may cause damage to the engine.

See Figure 3-9.

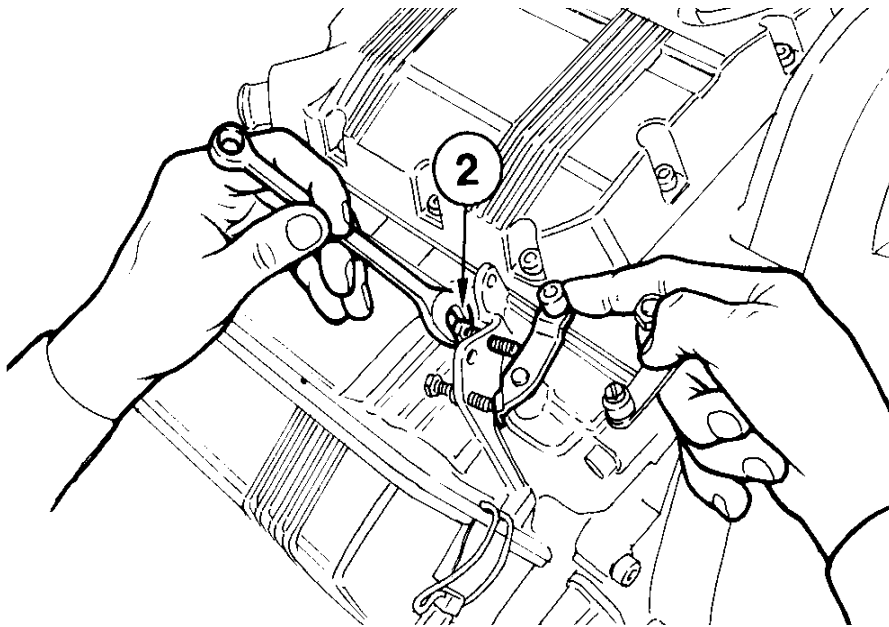


FIG. 3-9

## 3.11 Storage

### Short Term Storage

If storing the engine over 30 days but under 6 months, take the following maintenance steps:

1. Idle the engine for 15 minutes before shutting off.
2. Drain oil and refill crankcase with protection oil MIL-1-644-P9. Run engine at 3/4 full speed for 5-10 minutes.
3. Shut off engine.
4. While the engine is still warm, drain oil. Refill crankcase with standard oil.
5. Remove the fuel filter and drain the fuel tank. Replace gasket if need and reinstall the fuel filter.
6. Carefully clean the radiator fins, heads and fan.
7. Seal all openings with tape.
8. Remove injectors. Poor a spoonful of SAE 30 oil into the cylinders. Manually rotate the cylinders to distribute the oil. Reinstall injectors.
9. Spray SAE 10W oil into exhaust and intake manifolds, rocker arm, valves, tappet, etc. Grease all unpainted parts.
10. Loosen the fan belt.
11. Wrap the engine in a plastic film.
12. Store the engine in a dry place. Keep away from soil and high voltage electric lines.

**Long Term Storage**

If storing over 6 months follow these additional guidelines:

1. Use a rustproof type MIL-L-21260-P10 grade 2 SAE 30 oil, such as ESSO RUST BAN 623-AGIP, RUSTIA C - SAE 30 for the lubrication and the injection system as well as for moving parts. Let the engine run with rustproof oil and drain any excess.
2. Coat the external unpainted surfaces with an antirust type MIL-C-16173D grade 3 oil, such as ESSO RUST BAN 398-AGIP, RUSTIA 100/F.
3. Replace coolant every 2 years.

**Using Engine After Storage**

Before using the engine after short or long term storage, perform the following steps:

1. Clean the outside of the engine.
2. Remove protections and covers.
3. Remove antirust oil with an appropriate solvent or degreaser.
4. Remove the injectors, pour a spoonful of standard oil into the cylinders and rotate manually to distribute the oil. Remove the oil pan and drain the protective oil.
5. Check the injectors, valve clearance, belt tension, head tightening, oil filter and air cleaner for proper setting. If the engine has been stored over 6 months, check bearings for corrosion.

## SECTION 4 REPLACEMENT PARTS

### 4.1 How To Use The Parts List

- Use the table of contents or the index to locate the assembly that contains the part you need.
- Go to the appropriate section and locate the part in the illustration.
- Use the number pointing to the part to locate the correct part number and description in the table.
- Parts shown indented under another part are included with that part.
- Parts marked with a diamond (◆) are only available in the assembly listed above the part.

See the sample table below. Sample Part #A01111 includes part F02222-2 and subassembly A03333. Subassembly A03333 includes part S04444-4 and subassembly K05555. The diamond (◆) indicates that S04444-4 is not available except in subassembly A03333. Subassembly K05555 includes parts M06666 and F07777-77. The diamond (◆) indicates M06666 is not available except in subassembly K05555.

4.2 Sample Assembly				
REF	DESCRIPTION (◆ Indicates Parts Available In Assemblies Only)	PART #	QTY.	
	<b>SAMPLE ASSEMBLY, COMPLETE (INCLUDES ALL INDENTED PARTS BELOW)</b>	A01111	1	
1	Sample Part	F02222-22	1	
	Sample Subassembly (Includes All Indented Parts Below)	A03333	1	
2	Sample Part (◆ Indicates Part Is Only Available With A03333)	S04444-4	1	◆
	Sample Subassembly (Includes All Indented Parts Below)	K05555	1	
3	Sample Part (◆ Indicates Part Is Only Available With K05555)	M06666	2	◆
4	Sample Part	F07777-77	1	

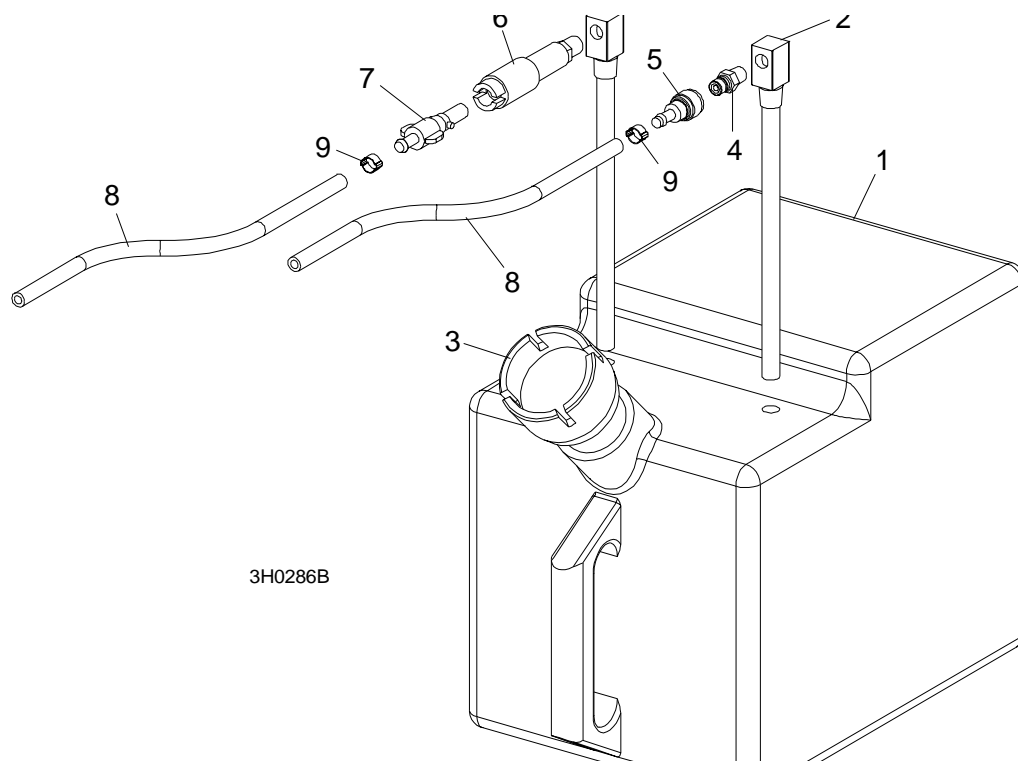
#### To Order Parts:

- From the continental U.S., call our toll-free Parts hotline at **1-800-448-7881**. From Europe call our European Headquarters and Manufacturing Facility in Kolo, Poland at **+48-63-2610233** or **+48-3912-1319**. Have your customer number, vehicle identification number, and part numbers ready when you call.
- From other international locations, contact the Wood-Mizer distributor in your area for parts.

# 4 Replacement Parts

## Fuel Tank

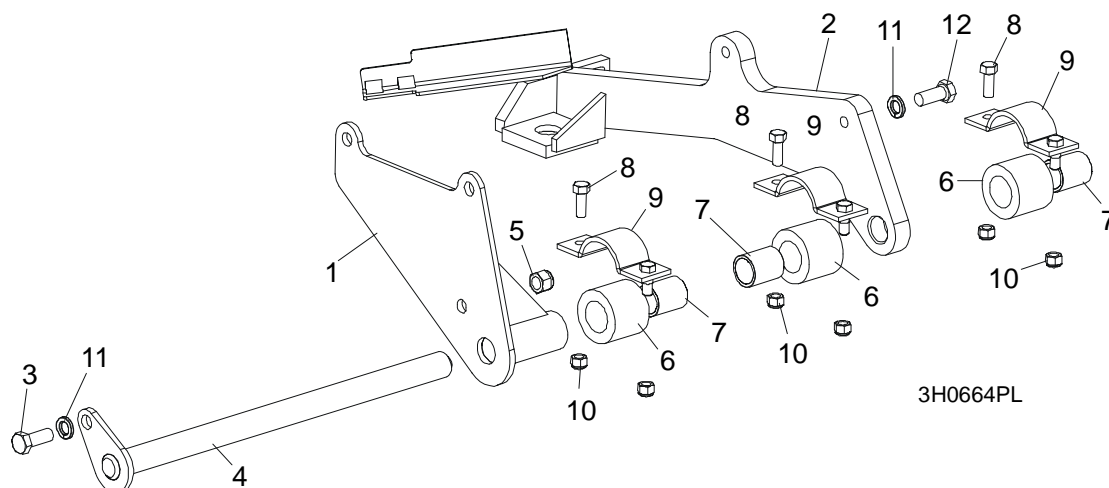
### 4.3 Fuel Tank



REF	DESCRIPTION (◆ Indicates Parts Available In Assemblies Only)	PART #	QTY.	
	<b>TANK ASSEMBLY, 5 GALLON GREEN DIESEL</b>	A12132	1	
1	Tank, 5 Gallon Green Fuel	P12166	1	◆
2	Pickup, 9" Fuel	P12172	2	
3	Cap, 3/5 Gallon Fuel Tank	P09683	1	
4	Fitting, 1/4" NPT Male Quick Disconnect	015583	1	
5	Fitting, Female Quick Disconnect Barb	015582	1	
6	Fitting, 1/4" NPT Plastic Female Disconnect	P12175	1	
7	Fitting, 1/4" Barb Plastic Male Disconnect	P12176	1	
8	<b>HOSE, 1/4" ID FUEL</b>	P642	15.6 Ft	
9	<b>CLAMP, 7/32 - 1/2 HOSE</b>	P649	6	
	<b>ADDITIVE, DIESEL FUEL 16OZ BOTTLE</b>	004878 <sup>1</sup>	1	

<sup>1</sup> Stanadyne Performance Formula helps eliminate contaminants and water in fuel, prevents gelling in cold weather, and improves lubrication of fuel system parts. 16 oz. bottle treats 60 gallons of diesel fuel.

### 4.4 Engine Mount Assembly

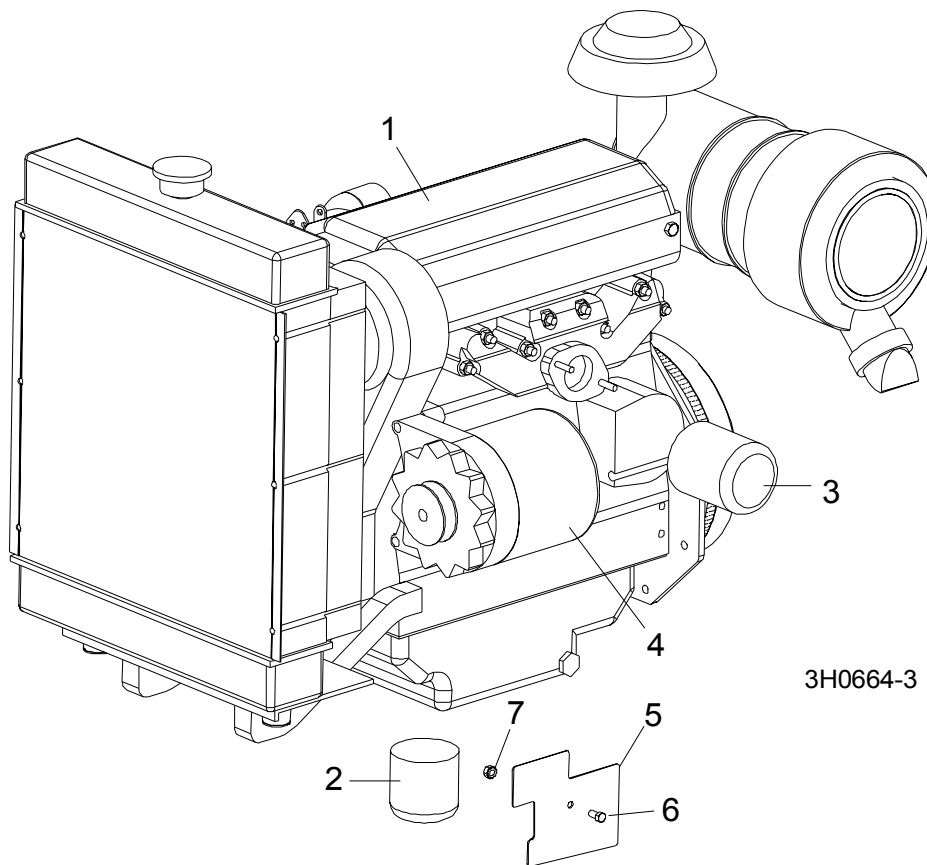


REF	DESCRIPTION (◆ Indicates Parts Available In Assemblies Only)	PART #	QTY.	
1	MOUNT, FRONT MOTOR	014237	1	
2	MOUNT WELDMENT, DIESEL MOTOR	086802-1	1	◆
3	BOLT, M12 X 30-8.8 HEX HEAD	F81004-22	1	
4	PIN WELDMENT, MOTOR PIVOT	014056	1	
5	NUT, M12-8 HEX NYLON LOCK	F81034-2	1	
	BUSHING ASSEMBLY, MOTOR MOUNT	016380	3	
6	Bushing, Motor Mount Rubber	016378	1	◆
7	Bushing, Clutch/Brake Lever	016379	1	◆
8	BOLT, M10 X 25-8.8 HEX HEAD	F81003-11	3	
9	CLAMP WELDMENT, MOTOR MOUNT	086200	3	
10	NUT, M10-8 HEX NYLON LOCK	F81033-1	6	
11	WASHER, 13 SPLIT LOCK	F81056-1	2	
12	BOLT, M12 X 30-8.8 HEX HEAD	F81004-22	1	

# 4 Replacement Parts

## Engine Assembly

### 4.5 Engine Assembly

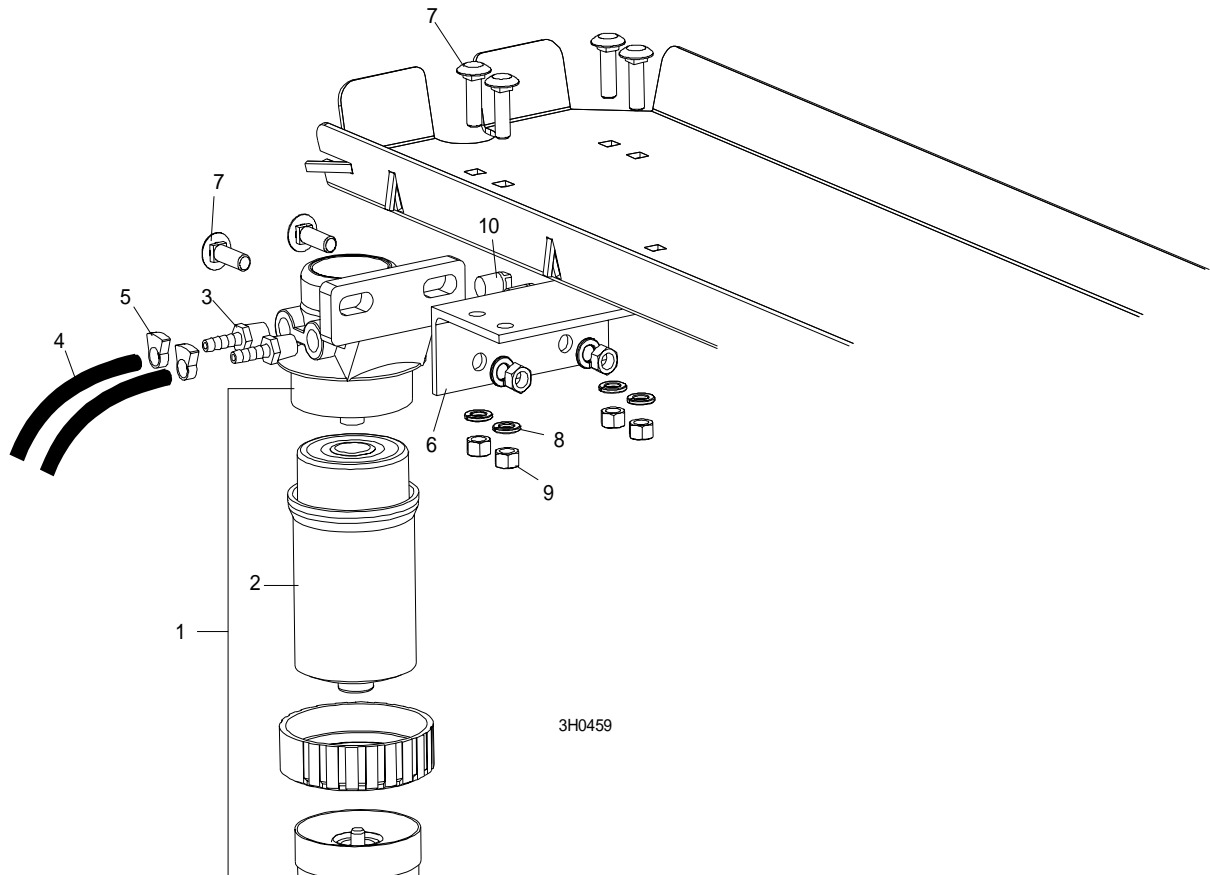


REF	DESCRIPTION (◆ Indicates Parts Available In Assemblies Only)	PART #	QTY.	
	<b>ENGINE ASSEMBLY, 30HP LOMBARDINI DIESEL</b>	015457 <sup>1</sup>	1	
1	Engine, 30HP Lombardini Diesel LDW-1204	014638	1	◆
2	Filter, Diesel Fuel	014209	1	
3	Filter, Oil	014211	1	
4	Alternator, 105A 12V CS130	050287	1	
	Pulley, 105 Amp Alternator	090635-1	1	
	Belt, AVX 10x875 Lz Alternator	090678	1	
	Guard, Lombardini Fan Left #6927-346	014747	1	
	Guard, Lombardini Fan Right #6927-350	014748	1	
	Belt, Lombardini Timing #2440-298	016289	1	
5	Plate, Lombardini Dust Shield	014400	1	
6	Bolt, 1/4-20 x 1/2" Hex Head	F05005-15	1	
7	Nut, 1/4-20 Self-Locking	F05010-9	1	
	Harness Assembly, Lombardini Diesel Engine	024452	1	
	Breaker Assembly, Water Temp Max Circuit	024453	1	

<sup>1</sup> Complete engine assembly includes engine, mounts, alternator, radiator, throttle, relay, and muffler.



## 4.6 Primary Fuel Filter

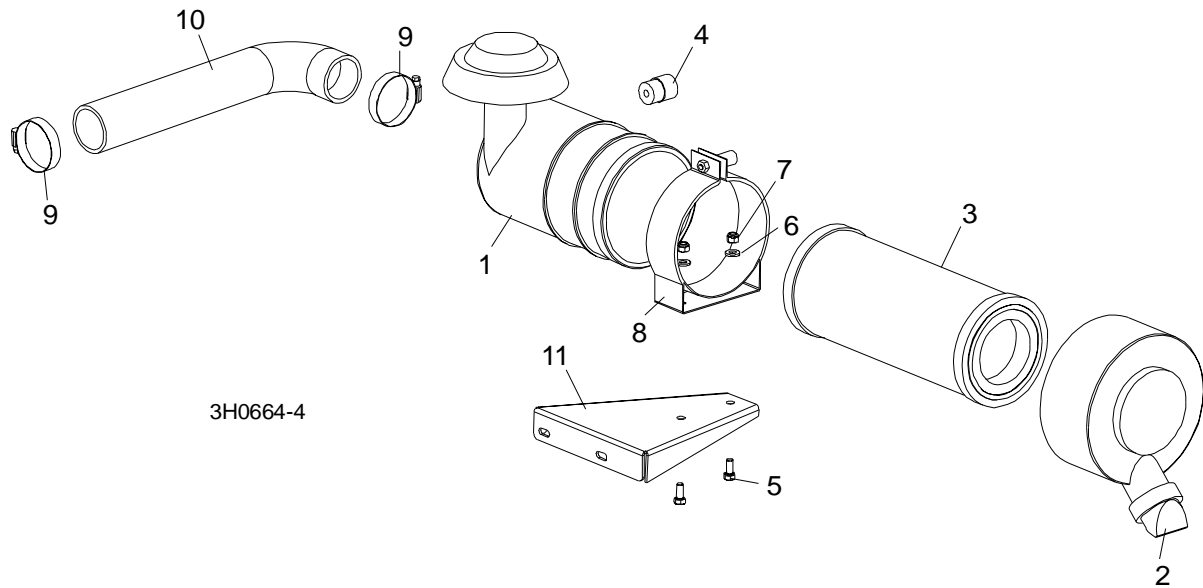


REF	DESCRIPTION (◆ Indicates Parts Available In Assemblies Only)	PART #	QTY.	
	<b>FILTER KIT, PRIMARY DIESEL FUEL</b>	015906	1	
1	Filter Assembly, Standadyne Fuel #33816	015897	1	
2	Filter, Standadyne Fuel Cartridge #31865	015898	1	
3	Fitting, 1/4" NPT to 1/4" Hose Barb	P05393	2	
4	Hose, 1/4" ID Fuel	R01890-1	6.5 Ft	
5	Clamp, 1/2" OD Plastic Hose	P12374	2	
6	Bracket, Diesel Fuel Filter Mount	015905	1	
7	Bolt, 3/8-16 x 1 1/4" Carriage Head	F05007-11	6	
8	Washer, 3/8" Split Lock	F05011-4	6	
9	Nut, 3/8-16 Hex	F05010-1	6	
10	Fitting, 1/4" NPT Plug	P05498	2	
	Instruction Sheet, Diesel Fuel Filter Retrofit	015906-348	1	

## 4 Replacement Parts

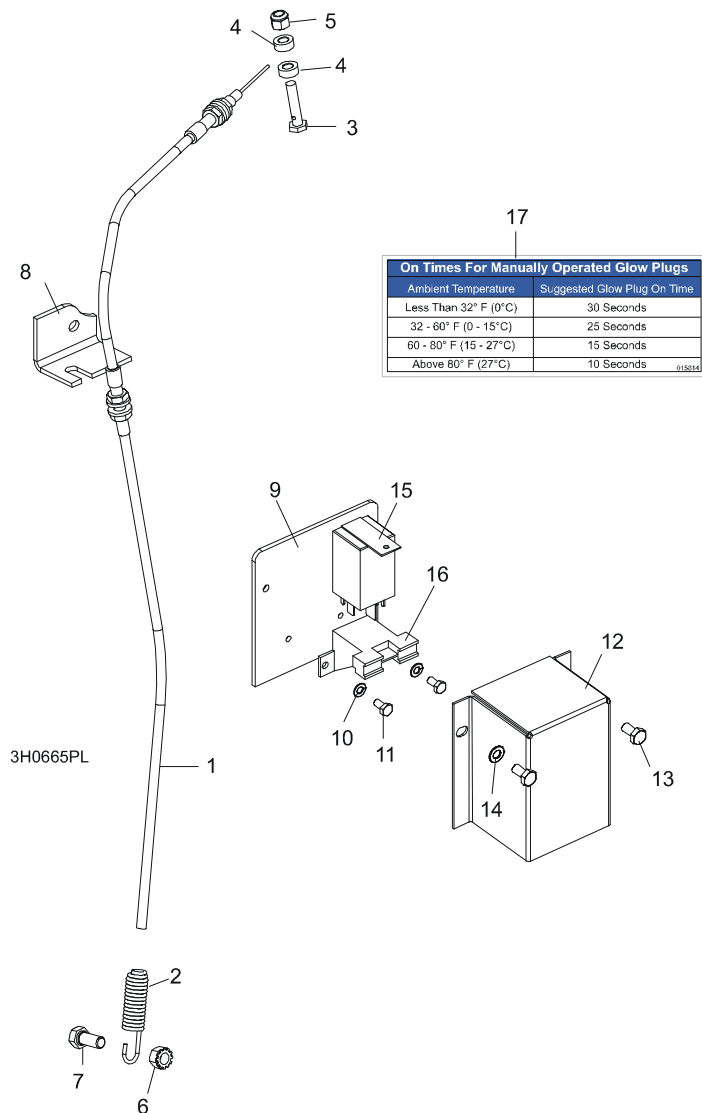
### Air Cleaner Assembly

#### 4.7 Air Cleaner Assembly



REF	DESCRIPTION (◆ Indicates Parts Available In Assemblies Only)	PART #	QTY.
1	<b>CLEANER ASSEMBLY, DONALDSON AIR COMPLETE</b>	N/A	1
2	Boot, Air Cleaner Evacuator	014287	1
3	Element, Donaldson Air Filter	014763	1
4	<b>INDICATOR, AIR CLEANER RESTRICTION</b>	014336	1
5	<b>BOLT, 5/16-18 X 3/4" HEX HEAD</b>	F05006-5	2
6	<b>WASHER, 5/16" SAE FLAT</b>	F05011-17	2
7	<b>NUT, 5/16-18 HEX NYLON LOCK</b>	F05010-58	2
8	<b>CLAMP, 7" SPRING</b>	014160	1
9	<b>CLAMP, 2 1/2" HOSE</b>	P09895	1
10	<b>TUBE, D30 AIR INTAKE</b>	015452	1
11	<b>BRACKET, AIR CLEANER MOUNT</b>	015450	1

## 4.8 Relay/Throttle Assembly



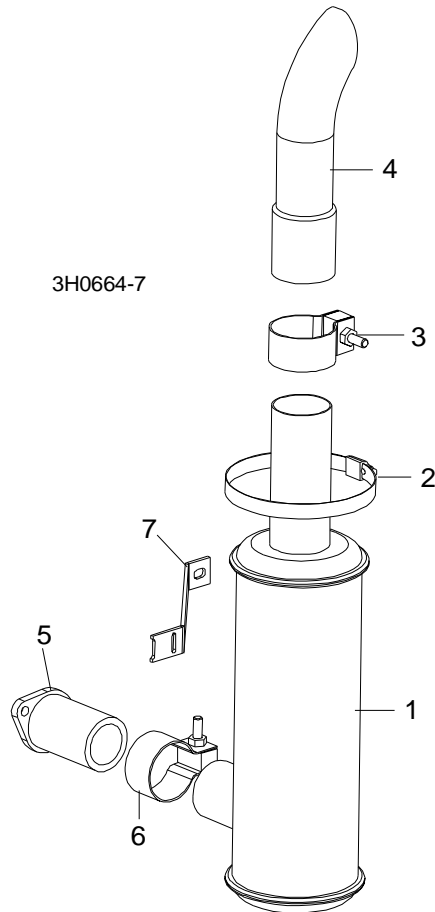
REF	DESCRIPTION (◆ Indicates Parts Available In Assemblies Only)	PART #	QTY.
	<b>CABLE ASSEMBLY, D30/D40 THROTTLE</b>	016125	1
1	Cable, D30/D40 .078" Throttle	016149	1
2	Spring, Throttle	016033	1
3	BOLT, D30/D40 THROTTLE CABLE	015985	1
4	WASHER, .266 X .50 X .28" AL-BRONZE	015986	2
5	NUT, 1/4-20 NYLON LOCK	F05010-69	1
6	NUT, M8-8 SELF-LOCKING HEX	F81032-1	1
7	BOLT, M8 X 20-8.8 HEX HEAD	F81002-4	1
8	BRACKET, THROTTLE CABLE MOUNT	015566	1
9	PLATE WELDMENT, DIESEL RELAY BOX MOUNT	086236-1	1
10	WASHER, #10-24 SPLIT LOCK	F05011-20	2
11	BOLT, #10-32 X 1/2" HEX HEAD	F05004-60	2
12	BOX, D40 GLOW PLUG RELAY	014199	1

**4****Replacement Parts***Relay/Throttle Assembly*

---

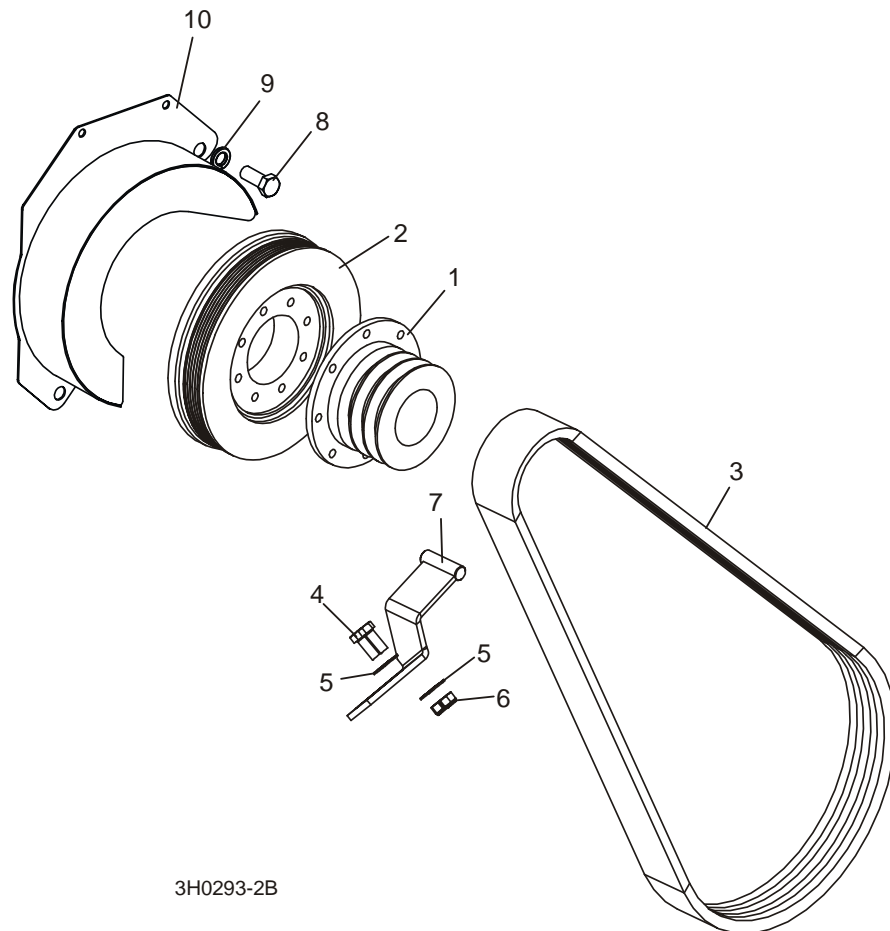
13	BOLT, M6 X 12-8.8 HEX HEAD	F81001-7	2	
14	WASHER, 6.4 FLAT	F81053-1	2	
15	RELAY, GLOW PLUG	023359	1	
16	SOCKET, GLOW PLUG RELAY + TERMINAL KIT	023358	1	
	TERMINAL, 1/4" QUICK 14-16GA FI	F05708-3	5	
	FLAG TERMINAL 12GA FI	F05708-4	1	
17	DECAL, LOMBARDINI GLOW PLUG ON TIME (LOCATED ON CONTROL BOX)	015814	1	

## 4.9 Muffler Assembly



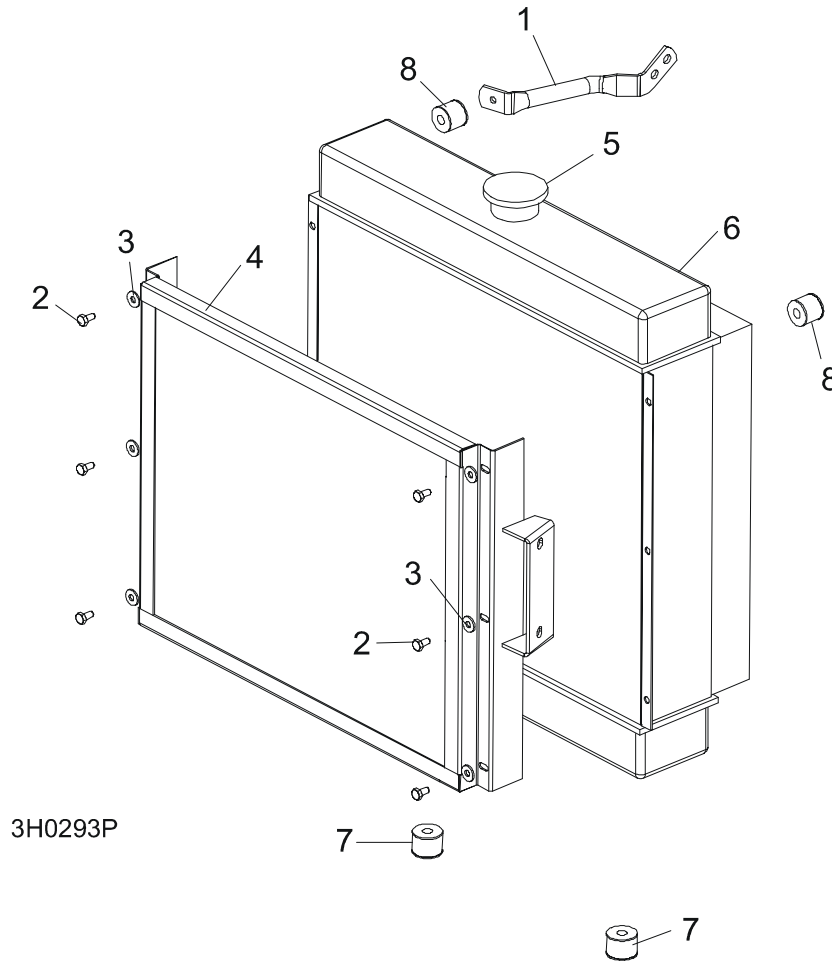
REF	DESCRIPTION (◆ Indicates Parts Available In Assemblies Only)	PART #	QTY.	
1	MUFFLER, DIESEL	014093	1	
2	CLAMP, 5" WORM	014096	2	
3	CLAMP, MUFFLER	014095	1	
4	STACK, DIESEL MUFFLER	014094	1	
5	TUBE WELDMENT, D30 EXHAUST	015469	1	
6	CLAMP, MUFFLER 2" NELSON 90869A	014205	1	
7	BRACKET, D30 MUFFLER	015451	1	

### 4.10 Drive Assembly



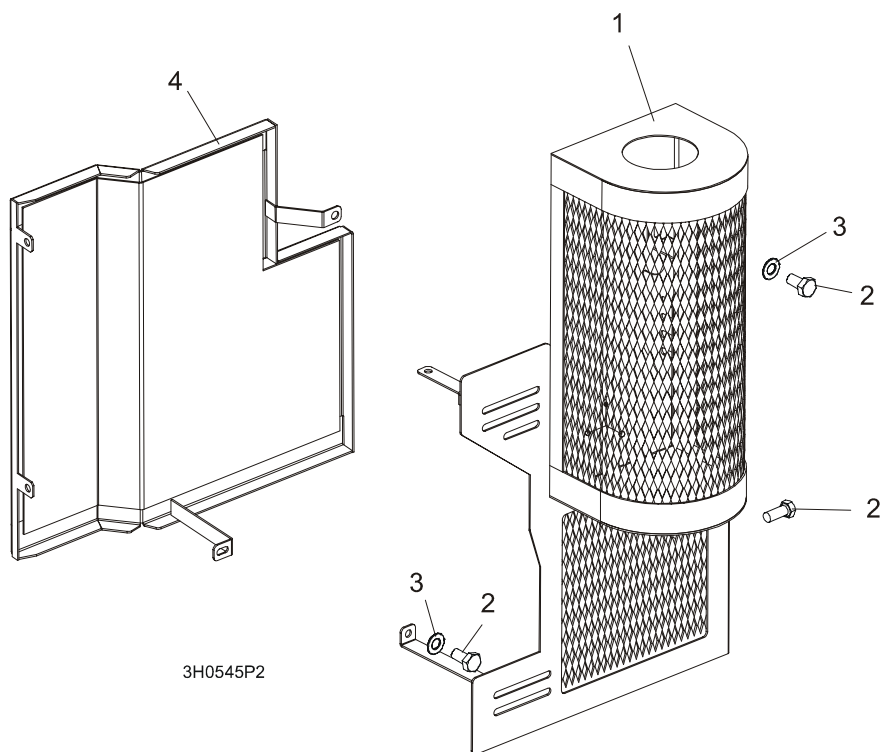
REF	DESCRIPTION (◆ Indicates Parts Available In Assemblies Only)	PART #	QTY.
1	SHEAVE, LOMBARDINI DRIVE	016124	1
2	FLYWHEEL, ALTERNATOR BELT	015309	1
3	BELT, 3BX72	014085	1
4	BOLT, 3/8-16 X 1 1/4" CARRIAGE	F05007-11	2
5	WASHER, 3/8" SAE FLAT	F05011-3	4
6	NUT, 3/8-16 HEX NYLON LOCK	F05010-10	2
7	SUPPORT, DRIVE BELT	015058	1
8	BOLT, 1/2-13 X 1 1/4" HEX HEAD GRADE 5	F05008-37	1
9	WASHER, 1/2" SPLIT LOCK	F05011-9	1
10	COVER WELDMENT, FLYWHEEL	014065	1

### 4.11 Radiator Assembly



REF	DESCRIPTION (◆ Indicates Parts Available In Assemblies Only)	PART #	QTY.
1	BRACE, LOMBARDINI RADIATOR SUPPORT #9265-162	016171	1
	BRACE, LOMBARDINI RADIATOR SUPPORT #9265-161 (NOT SHOWN)	016172	1
2	SCREW, M6 X 12 HEX HEAD CAP FULL THREAD	F81007-1	6
3	WASHER, 7.4 FLAT	F81056-1	6
4	GRILL, RADIATOR	087071-1	1
5	CAP, RADIATOR FILL	014295	1
6	RADIATOR, LOMBARDINI	N/A	1
7	BUSHING, RADIATOR VIBRATION LOWER	016143	2
8	BUSHING, RADIATOR VIBRATION UPPER	016144	2

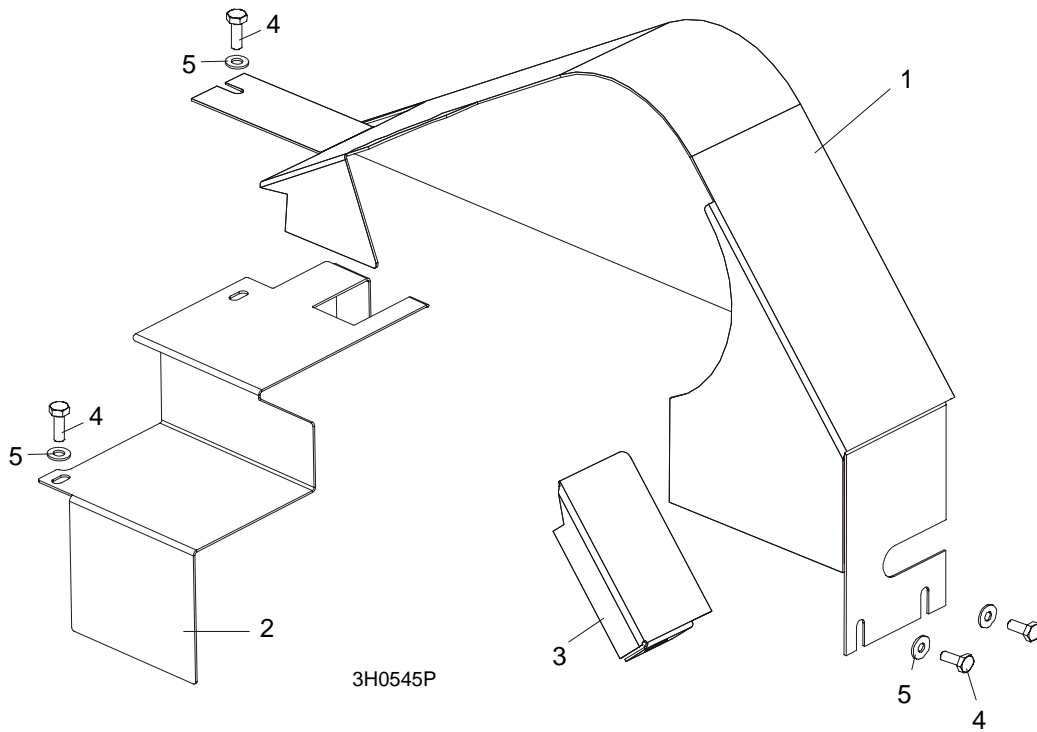
### 4.12 Engine/Muffler Guards



REF	DESCRIPTION (◆ Indicates Parts Available In Assemblies Only)	PART #	QTY.	
1	GUARD, D30 ENGINE MUFFLER	086021-1	1	
2	BOLT, M6 X 20-8.8 HEX HEAD WITH CONICAL WASHER	F81001-2	3	
3	WASHER, 7.4 FLAT	F81056-11	2	
4	GUARD, D30/D38/D40 ENGINE LEFT SIDE	086027-1	1	



### 4.13 Engine Pulley Guards



REF	DESCRIPTION (◆ Indicates Parts Available In Assemblies Only)	PART #	QTY.
1	GUARD WELDMENT, D30 ENGINE PULLEY	086043-1	1
2	GUARD, D30 SIDE ENGINE PULLEY	086403-1	1
3	GUARD, D30 BOTTOM ENGINE PULLEY	015454	1
4	BOLT, M6 X 20-8.8 HEX HEAD WITH CONICAL WASHER	F81001-2	4
5	WASHER, 6.5 FLAT	F81053-11	4



## **SECTION 5 ELECTRICAL INFORMATION**

### **5.1 Electrical Symbol Diagram, D30**

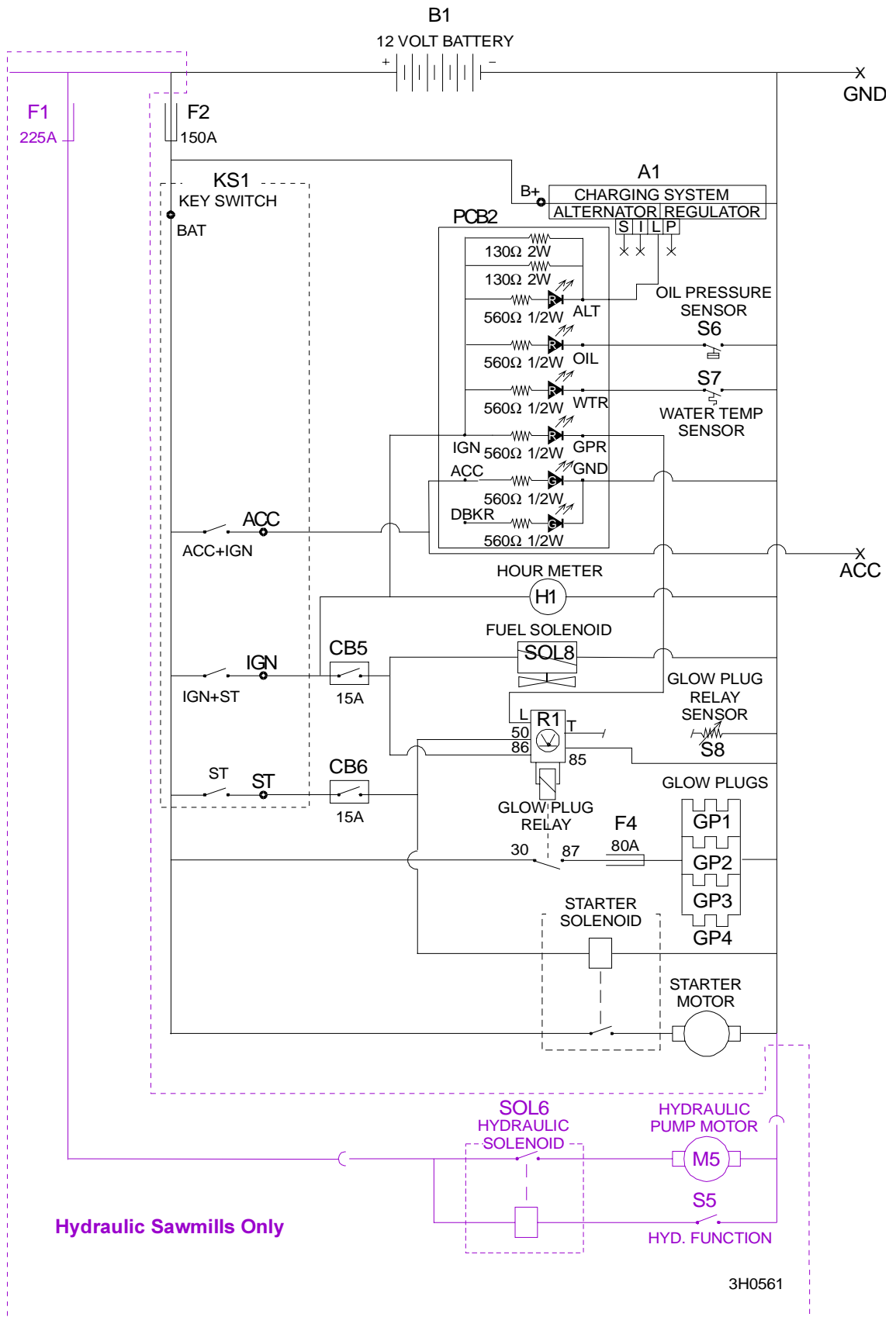


FIG. 5-1 D30 SYMBOL DIAGRAM (PAGE 1 OF 2).

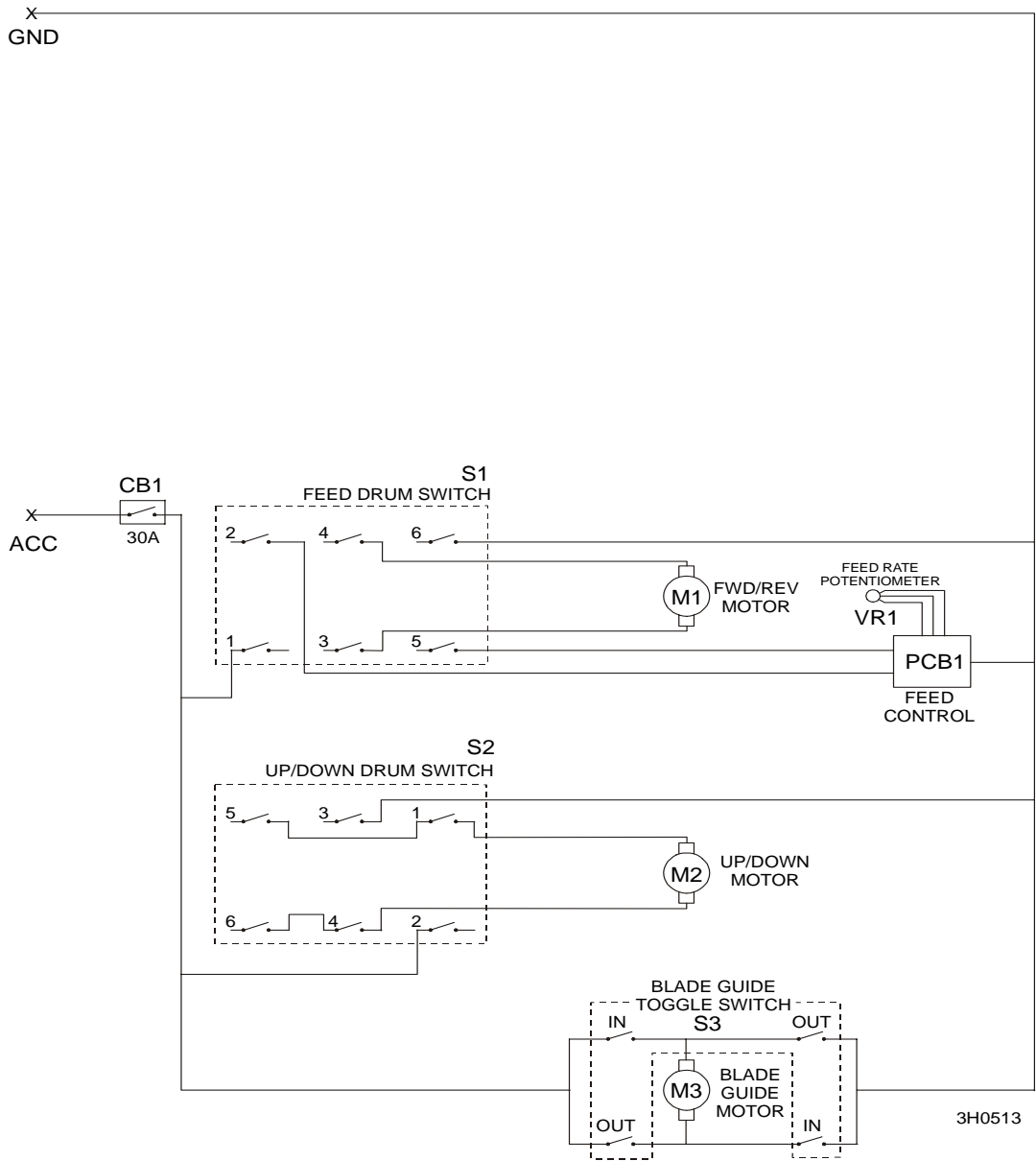


FIG. 5-2 D30 SYMBOL DIAGRAM (PAGE 2 OF 2).

## 5.2 Electrical Components, LT30/LT40 D30

Item	Mfg. Part No.	Mfg.	Wood-Mizer Part No.	Description
A1	1157-270	Lombardini	014277	Alternator, 65 Amp Lombardini
B1	724MFD	Deka	P12315	Battery, 12 Volt (See Battery Specifications)
CB1	1600-037-030-009	Mech. Prod.	024246	Breaker, 30 Amp Manual Reset Panel Mount, Power Feed
CB2	1600-037-030-009	Mech. Prod.	024246	Breaker, 30 Amp Manual Reset Panel Mount, Up/Down
CB3	CH30407-15	Cole-Hersee	E20430	Breaker, 15 Amp Manual Reset, Blade Guide
CB4	CH30407-15	Cole-Hersee	E20430	Breaker, 15 Amp Manual Reset, Accessory
CB5	CH30407-15	Cole-Hersee	E20430	Breaker, 15 Amp Manual Reset, Ignition
CB6	CH30407-15	Cole-Hersee	E20430	Breaker, 15 Amp Manual Reset, Start
CB7	CH30407-15	Cole-Hersee	E20430	Breaker, 15 Amp Manual Reset, Not Used
D1	1N4007	Motorola	014349	Diode, 1 Amp 400 Volt
F1	RL-150	Gould	023361	Fuse Link, 150 Amp, 250 Volt For Main + 12 Volt Starter, Alternator
F2	4062-232	Lombardini	014350	Fuse Link, 80 Amp Lombardini Glow Plug
GP1, GP2, GP3, GP4	2100-072	Lombardini	014278	Glow Plug
H1	T14BH517BC9	ENM Corp.	015401	Hour Meter, 12 Volt, Low Power T14 Series
KS1	121801	General	P04350	Key Switch, 4-position (Accessory, Off, Ignition, Start)
M1	PR4R0009Q	Owosso	014359	Motor, 12 Volt Power Feed
M2	PR-4P07Q	Owosso	A07974	Motor, 12 Volt Up/Down
M3	P09698-1	Klauber	A10365	Motor, 12 Volt Blade Guide Arm 53:1 Gear
PCB1	015410	Wood-Mizer	015410	Circuit Board, Control Box Power Feed
PCB2	015409	Wood-Mizer	015409	Board, LED Circuit (Diesel)
R1	2193-084	Lombardini	023359	Relay, Glow Plug Timer
S1	2601-AF2-S11	Square D	E20439	Drum Switch, (U.S.), Power Feed Fwd/Reverse Motor
S2	2601-AF2-S12	Square D	E20440	Drum Switch, Up/Down Motor
S3	34-591Q	Pollak	024200	Toggle Switch, Blade Guide In/Out Motor
S4	--	--	014557	Switch Kit, Oil Pressure Sending
	6745-044	Lombardini	014290	Switch, Oil Pressure Sending
	4670-060	Lombardini	014554	Gasket, Copper Oil Pressure
S5	--	--	014558	Switch Kit, Water Temperature Sending
	9195-077	Lombardini	014351	Switch, Water Temperature Sending
	4670-019	Lombardini	014555	Gasket, Copper Water Temperature
S6 <sup>1</sup>	--	--	014559	Switch Kit, Glow Plug Temperature Sending
	9195-067	Lombardini	014352	Switch, Glow Plug Temperature Sending
	4670-061	Lombardini	014556	Gasket, Copper Glow Plug Temperature
SOL1	3587-119	Lombardini	014279	Solenoid, Fuel

**TABLE 5-1**

<sup>1</sup> Glow plug sensing relay disconnected to provide manual control of glow plug operation. [See Section 2.1](#) for manual glow plug on time recommendations.

### 5.3 Electrical Components, LT30HD/LT40HD D30

Item	Mfg. Part No.	Mfg.	Wood-Mizer Part No.	Description
A1	1157-270	Lombardini	014277	Alternator, 65 Amp Lombardini
B1	724MFD	Deka	P12315	Battery, 12 Volt (See Battery Specifications)
CB1	1600-037-030-009	Mech. Prod.	024246	Breaker, 30 Amp Manual Reset Panel Mount, Power Feed
CB2	1600-037-030-009	Mech. Prod.	024246	Breaker, 30 Amp Manual Reset Panel Mount, Up/Down
CB3	CH30407-15	Cole-Hersee	E20430	Breaker, 15 Amp Manual Reset, Blade Guide
CB4	CH30407-15	Cole-Hersee	E20430	Breaker, 15 Amp Manual Reset, Accessory
CB5	CH30407-15	Cole-Hersee	E20430	Breaker, 15 Amp Manual Reset, Ignition
CB6	CH30407-15	Cole-Hersee	E20430	Breaker, 15 Amp Manual Reset, Start
CB7	CH30407-15	Cole-Hersee	E20430	Breaker, 15 Amp Manual Reset, Not Used
D1	1N4007	Motorola	014349	Diode, 1 Amp 400 Volt
F1	RL-225	Gould	P11550	Fuse Link, 225 Amp, 250 Volt For Hydraulic + 12 Volt Circuit
F2	RL-150	Gould	023361	Fuse Link, 150 Amp, 250 Volt For Main + 12 Volt Starter, Alt
F3	4062-232	Lombardini	014350	Fuse Link, 80 Amp Lombardini Glow Plug
GP1-GP4	2100-072	Lombardini	014278	Glow Plug
H1	T14BH517BC9	ENM Corp.	015401	Hour Meter, 12 Volt, Low Power T14 Series
KS1	121801	General	P04350	Key Switch, 4-position (Accessory, Off, Ignition, Start)
M1	PR4R0009Q	Owosso	014359	Motor, 12 Volt Power Feed
M2	PR-4P07Q	Owosso	A07974	Motor, 12 Volt Up/Down
M3	P09698-1	Klauber	A10365	Motor, 12 Volt Blade Guide Arm 53:1 Gear
M4	8111	Monarch Hyd.	P09955	Motor, 12 Volt Hydraulic Pump
PCB1	015410	Wood-Mizer	015410	Circuit Board, Control Box Power Feed
PCB2	015409	Wood-Mizer	015409	Board, LED Circuit (Diesel)
R1	2193-084	Lombardini	023359	Relay, Glow Plug Timer
S1	2601-AF2-S11	Square D	E20439	Drum Switch, (U.S.), Power Feed Fwd/Reverse Motor
S2	2601-AF2-S12	Square D	E20440	Drum Switch, Up/Down Motor
S3	34-591Q	Pollak	024200	Toggle Switch, Blade Guide In/Out Motor
S4	024198	Wood-Mizer	024198	Switch, Hydraulic Pump Levers
S5	--	--	014557	Switch Kit, Oil Pressure Sending
	6745-044	Lombardini	014290	Switch, Oil Pressure Sending
	4670-060	Lombardini	014554	Gasket, Copper Oil Pressure
S6	--	--	014558	Switch Kit, Water Temperature Sending
	9195-077	Lombardini	014351	Switch, Water Temperature Sending
	4670-019	Lombardini	014555	Gasket, Copper Water Temperature
S7 <sup>1</sup>	--	--	014559	Switch Kit, Glow Plug Temperature Sending
	9195-067	Lombardini	014352	Switch, Glow Plug Temperature Sending
	4670-061	Lombardini	014556	Gasket, Copper Glow Plug Temperature
SOL1	3587-119	Lombardini	014279	Solenoid, Fuel
SOL2	586-902	Stancor	015470	Solenoid, 200A 12V SPST Hydraulic Pump Motor

TABLE 5-2

## **5** Electrical Information

### *Battery Specifications, D30*

<sup>1</sup> Glow plug sensing relay disconnected to provide manual control of glow plug operation. [See Section 2.1](#) for manual glow plug on time recommendations.

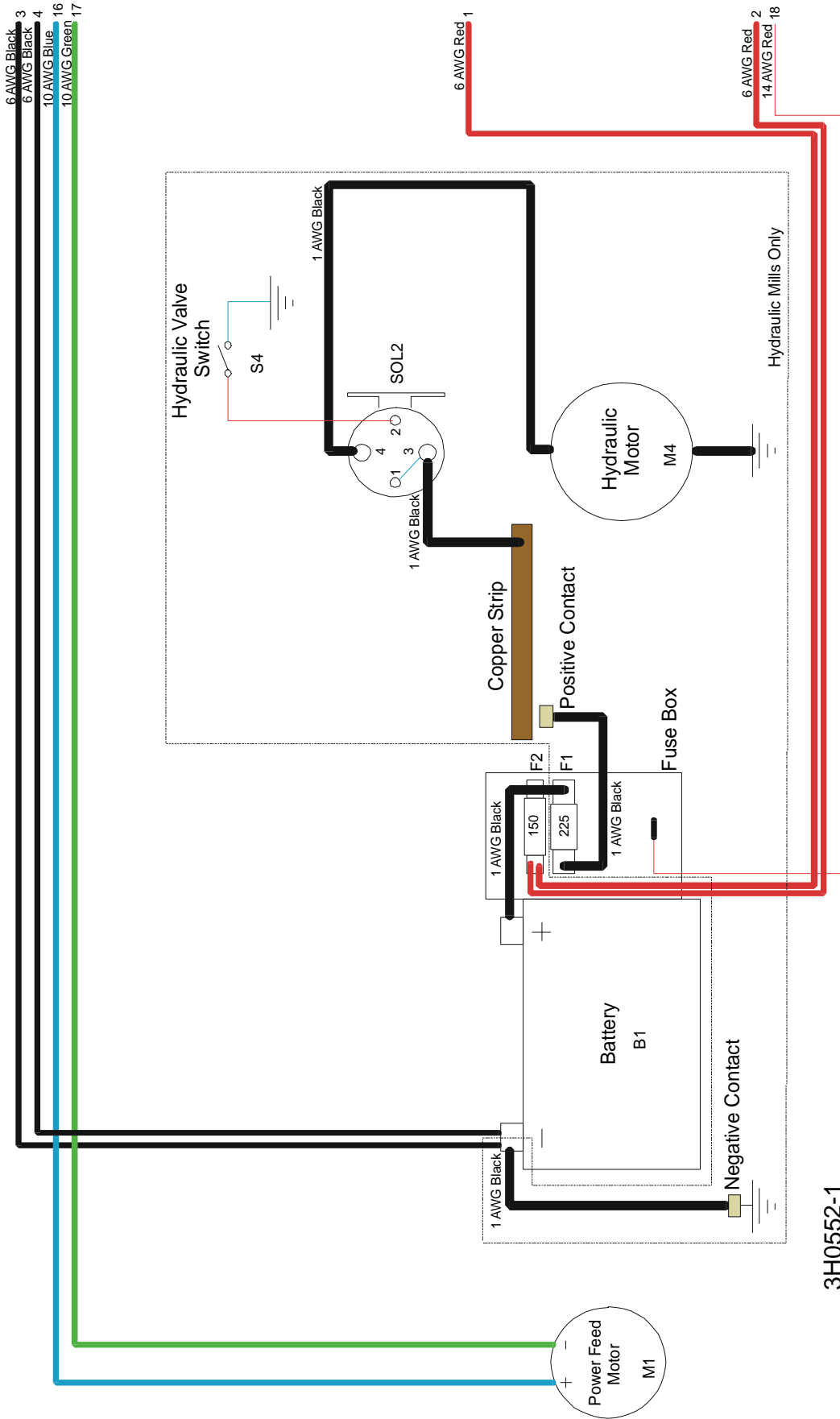
## **5.4 Battery Specifications, D30**

Group No.	Type No.	Performance Level		Quarts Of Acid	Approximate Weight	Maximum Overall Dimensions		
		Cranking Performance	Reserve Capacity		Wet	Length	Width	Height
24F	724MFD	875CC	135	6	47.0 lb. (21.32 kg)	10.25 in. (260.35 mm)	6.75 in. (171.45 mm)	9.0 in. (229.0 mm)

**TABLE 5-3**



## **5.5 Electrical Wiring Diagram, D30**



3H0552-1

FIG. 5-3 D30 WIRING DIAGRAM (PAGE 1 OF 3).

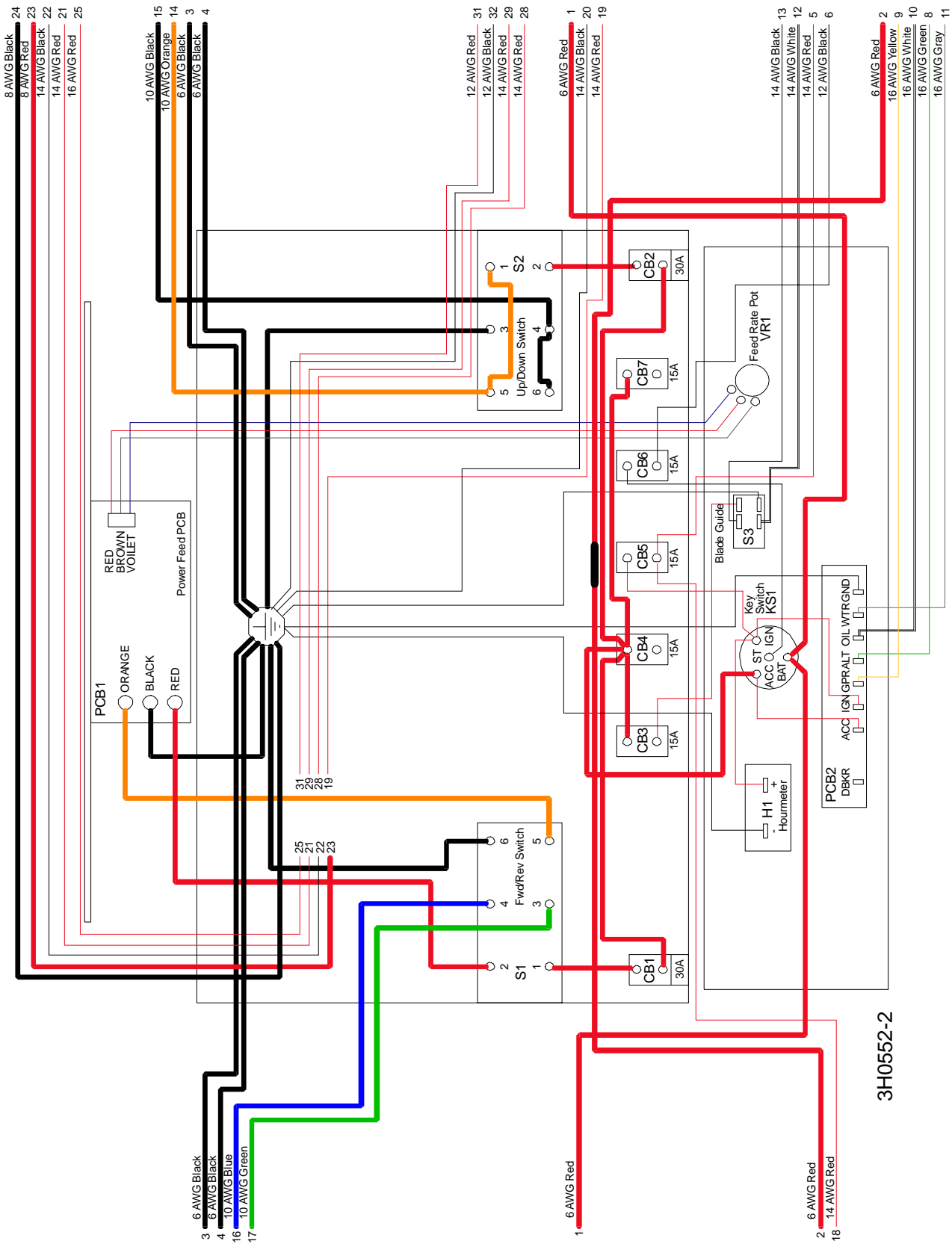


FIG. 5-4 D30 WIRING DIAGRAM (PAGE 2 OF 3).

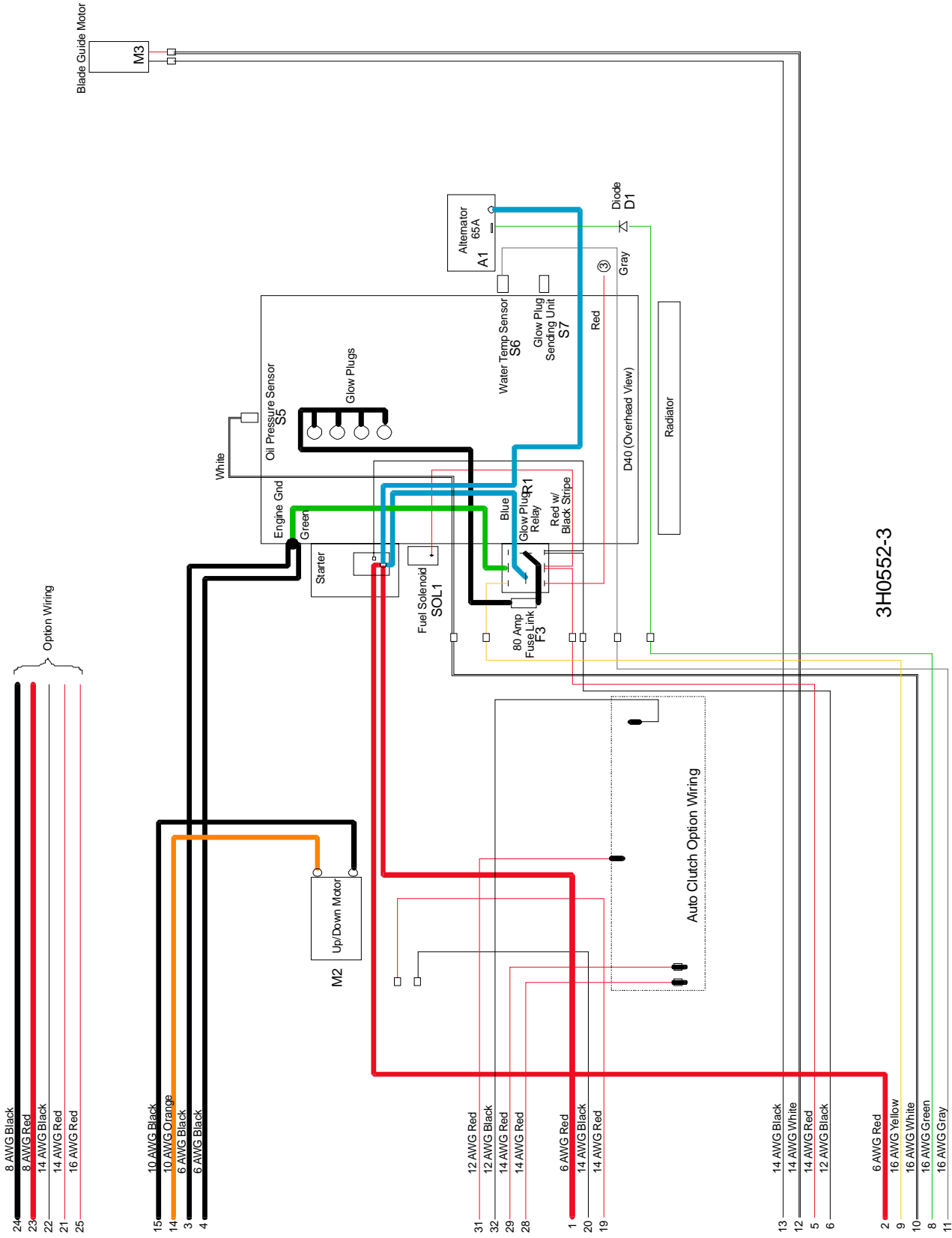


FIG. 5-5 D30 WIRING DIAGRAM (PAGE 3 OF 3).