

# **Wood-Mizer®**

## **Replacement Parts**

---

**WB2000-ECO**

**rev. B2.08**

---

**Safety is our #1 concern!** Read and understand all safety information and instructions before operating, setting up or maintaining this machine.

*Form #665*

# Table of Contents

# Section-Page

## **SECTION 1      GENERAL INFORMATION      1-1**

- 1.1    How To Use the Parts List.....1-1
- 1.2    Sample Assembly .....1-1

## **SECTION 2      SAWMILL MAST      2-1**

- 2.1    WB2000 Sawmill Mast .....2-1
- 2.2    Mast Drive Assembly - Left .....2-3
- 2.3    Mast Drive Assembly - Right .....2-4
- 2.4    Up/Down Chain Assembly .....2-5
- 2.5    Up/Down Rollers & Chain Guide Rollers .....2-6
- 2.6    Up/Down Rollers .....2-7
- 2.7    Up/Down Rollers .....2-8
- 2.8    Upper Mast Roller Bracket .....2-9
- 2.9    Upper Mast Roller Bracket .....2-10
- 2.10   Saw Head Rollers .....2-11
- 2.11   Track Roller .....2-12
- 2.12   Adjustable Track Roller .....2-13
- 2.13   Saw Head Roller .....2-14
- 2.14   Chain Guide Roller (No. 713609) .....2-15
- 2.15   Chain Guide Roller (No. 715949) .....2-16
- 2.16   Guard. 557032 .....2-17
- 2.17   Up/Down Drive Assembly (No. 715752) .....2-18

## **SECTION 3      SAW HEAD      3-1**

- 3.1    E40S Motor Kit .....3-1
- 3.2    E50S Motor Kit .....3-3
- 3.3    Sawdust Chute.....3-5
- 3.4    CCTV Camera Set .....3-6
- 3.5    CCTV Camera Set .....3-7
- 3.6    Blade Tension Plate Assembly .....3-8
- 3.7    Debarker w/Drive .....3-10
- 3.8    Debarker Track Rail Assembly .....3-11
- 3.9    Blade Wheel Wiper & Scraper .....3-13
- 3.10   Fixed Blade Guide .....3-14
- 3.11   Blade Wheel Assembly, Idle Side .....3-15
- 3.12   Blade Wheel Mounting Tubes .....3-17
- 3.13   Blade Wheel Assembly, Drive Side .....3-18
- 3.14   Blade Wheel Shaft Bracket .....3-20
- 3.15   Blade Wheel Guards .....3-22
- 3.16   Safety Switch, Blade Wheel Housing .....3-24
- 3.17   Decals .....3-25
- 3.18   Laser Assembly (Option) .....3-27
- 3.19   Hydraulic Blade Tensioner Oil Supply Assembly .....3-28
- 3.20   Blade Guide Arm .....3-30
- 3.21   Debarker (No. 710265) .....3-32
- 3.22   AC Debarker Blade Drive (096239) .....3-35
- 3.23   Debarker Decal Kit. 710265\_538001 .....3-37

## Table of Contents

## Section-Page

3.24	Side Camera Assembly. 716707 .....	3-38
3.25	Board Return Guide (Part No. 549730) .....	3-39
3.26	Board Return Assembly (No. 549735) .....	3-41
3.27	Narrow Blade Securing Plate. 719645 .....	3-43
3.28	Blade Guide Arm, 2" - 717011 .....	3-44
3.29	Arm Assembly - 715922 .....	3-46
3.30	Roller - 042543 .....	3-47
3.31	Blade Guide w/Extended Roller, Idle Side (524855) .....	3-48
3.32	Extended Blade Guide Roller w/Bearings - 522502 .....	3-50
<b>SECTION 4 OPERATOR STAND</b>		<b>4-1</b>
4.1	Operator Stand .....	4-1
4.2	Monitor Assembly .....	4-3
4.3	Control Box .....	4-4
<b>SECTION 5 BOARD REMOVAL PLATE</b>		<b>5-1</b>
5.1	Board Removal Plate .....	5-1
<b>SECTION 6 BLADE LUBE ASSEMBLY</b>		<b>6-1</b>
6.1	Blade Lube Assembly .....	6-1
6.2	Lube Pump Assembly .....	6-2
<b>SECTION 7 BED FRAME ASSEMBLY</b>		<b>7-1</b>
7.1	Power Feed Chain .....	7-1
7.2	WB2000 Bed Rail Assembly .....	7-2
7.3	WB2000 Cross Beam Cover .....	7-3
7.4	Ladder Assembly, Inspection Platform .....	7-4
7.5	Foot Assembly, Platform Ladder .....	7-5
7.6	Inspection Platform Grid .....	7-6
7.7	Leg Assembly .....	7-7
7.8	Angle Set, "M" Bed Frame .....	7-8
7.9	Angle Set, "S" Bed Frame .....	7-9
7.10	Wireway Assembly .....	7-10
7.11	Cable Duct Set .....	7-11
7.12	Wireway .....	7-12
7.13	Mast Stop Assembly .....	7-13
7.14	Hydraulic Hose Hanger .....	7-14
7.15	Wireway Bracket .....	7-15
7.16	Board Removal Bumper Assembly .....	7-16
7.17	Rubber Bumper .....	7-18
7.18	Bed Frame Extension Section ("M" Frame Only) .....	7-19
7.19	Bed Frame Extension Assembly M+2 .....	7-20
7.20	Bed Frame Extension Assembly M+4 .....	7-21
7.21	Hydraulic Hose Hanger .....	7-22
7.22	Cable Chain .....	7-23
7.23	Cable Duct Complete .....	7-24

## Table of Contents

## Section-Page

7.24	Cable Duct. 716884 .....	7-25
7.25	Cable Duct. 719961 .....	7-27

### SECTION 8 HYDRAULIC KITS

8-1

8.1	HS1 Hydraulic Kit .....	8-1
8.2	HS2 Hydraulic Kit .....	8-2
8.3	HS3 Hydraulic Kit .....	8-3
8.4	HS4 Hydraulic Kit .....	8-4
8.5	HS5 Hydraulic Kit .....	8-5
8.6	Log Side Support .....	8-6
8.7	Side Support Sensor .....	8-9
8.8	WB2000 Middle Log Clamp .....	8-10
8.9	Log Levelling Roller .....	8-12
8.10	Pull-Down Clamp .....	8-13
8.11	Side Support Drive Assembly (No. 719365) .....	8-16
8.12	Chain Log Turner. 719989 .....	8-18
8.13	Left Driven Log Levelling Roller (No. 715511) .....	8-21
8.14	Left Driven Log Levelling Roller (No. 715509) .....	8-23
8.15	Left Roller Arm (No. 715014) .....	8-25
8.16	Log Levelling Roller Arm .....	8-26
8.17	Standalone Oil Cooler Assy. 536050 .....	8-27
8.18	Oil Cooler Assy. 536032 .....	8-28
8.19	Hydraulic Set, WB2000 HS1 ECO (S) (No. 714791) .....	8-30
8.20	HyDRAULIC SET, WB2000 HS1 ECO (S) (NO. 714791) .....	8-32
8.21	Hydraulic Set, WB2000 HS2 ECO (S) (No. 714792) .....	8-33
8.22	Hydraulic Set, WB2000 HS2 ECO (S) (No. 714792) .....	8-35
8.23	Hydraulic Set, WB2000 HS3 ECO (M) (No. 714793) .....	8-36
8.24	Hydraulic Set, WB2000 HS3 ECO (M) (No. 714793) .....	8-38
8.25	Hydraulic Set, WB2000 HS4 ECO (M) (No. 714794) .....	8-39
8.26	Hydraulic Set, WB2000 HS4 ECO (M) (No. 714794) .....	8-41
8.27	Hydraulic Set, WB2000 HS5 ECO (M) (No. 714795) .....	8-42
8.28	hydraulic Set, WB2000 HS5 ECO (M) (No. 714795) .....	8-44
8.29	Hydraulic Pump w/Motor & Valves (No. 714796) .....	8-45
8.30	Hydraulic Pump w/Motor & Valves (No. 714796) .....	8-46
8.31	Sequential Valve (No. 714797) .....	8-47
8.32	Sequential Valve (No. 714798) .....	8-48
8.33	Sequential Valve (No. 714799) .....	8-49
8.34	Sequential Valve (No. 714800) .....	8-50

### SECTION 9 BELT CONVEYOR

9-1

9.1	Belt Conveyor Frame .....	9-1
9.2	Conveyor Side Plate .....	9-2
9.3	Idle-Side Roller .....	9-3
9.4	Conveyor Belt Tensioner .....	9-4
9.5	Belt Conveyor Pulley .....	9-5
9.6	Left Pulley Bracket .....	9-6
9.7	Right Pulley Bracket .....	9-7

## SECTION 1 GENERAL INFORMATION

### 1.1 How To Use the Parts List

- Use the index above to locate the assembly that contains the part you need.
- Go to the appropriate section and locate the part in the illustration.
- Use the number pointing to the part to locate the correct part number and description in the table.
- Parts shown indented under another part are included with that part.
- Parts marked with a diamond (◆) are only available in the assembly listed above the part.

See the sample table below. Sample Part #A01111 includes part F02222-2 and subassembly A03333. Subassembly A03333 includes part S04444-4 and subassembly K05555. The diamond (◆) indicates that S04444-4 is not available except in subassembly A03333. Subassembly K05555 includes parts M06666 and F07777-77. The diamond (◆) indicates M06666 is not available except in subassembly K05555.

<b>1.2 Sample Assembly</b>				
REF.	DESCRIPTION (◆ Indicates Parts Available In Assemblies Only)	PART #	QTY	
	Sample Assembly, Complete (Includes All Indented Parts Below)	A01111	1	
1	Sample Part	F02222-22	1	
	Sample Subassembly (Includes All Indented Parts Below)	A03333	1	
2	Sample Part (◆ Indicates Part Is Only Available With A03333)	S04444-4	1	◆
	Sample Subassembly (Includes All Indented Parts Below)	K05555	1	
3	Sample Part (◆ Indicates Part Is Only Available With K05555)	M06666	2	◆
4	Sample Part	F07777-77	1	

#### To Order Parts:

- From Europe call our European Headquarters and Manufacturing Facility in Kolo, Poland at **+48-63-2626000**. From the continental U.S., call our toll-free Parts hotline at **1-800-525-8100**. Have your customer number, vehicle identification number, and part numbers ready when you call. From other international locations, contact the Wood-Mizer distributor in your area for parts.

#### Office Hours:

Country	Monday - Friday	Saturday	Sunday
Poland	7-15	Closed	Closed
US	8 a.m.- 5 p.m.	8 a.m.- 12 p.m.	Closed

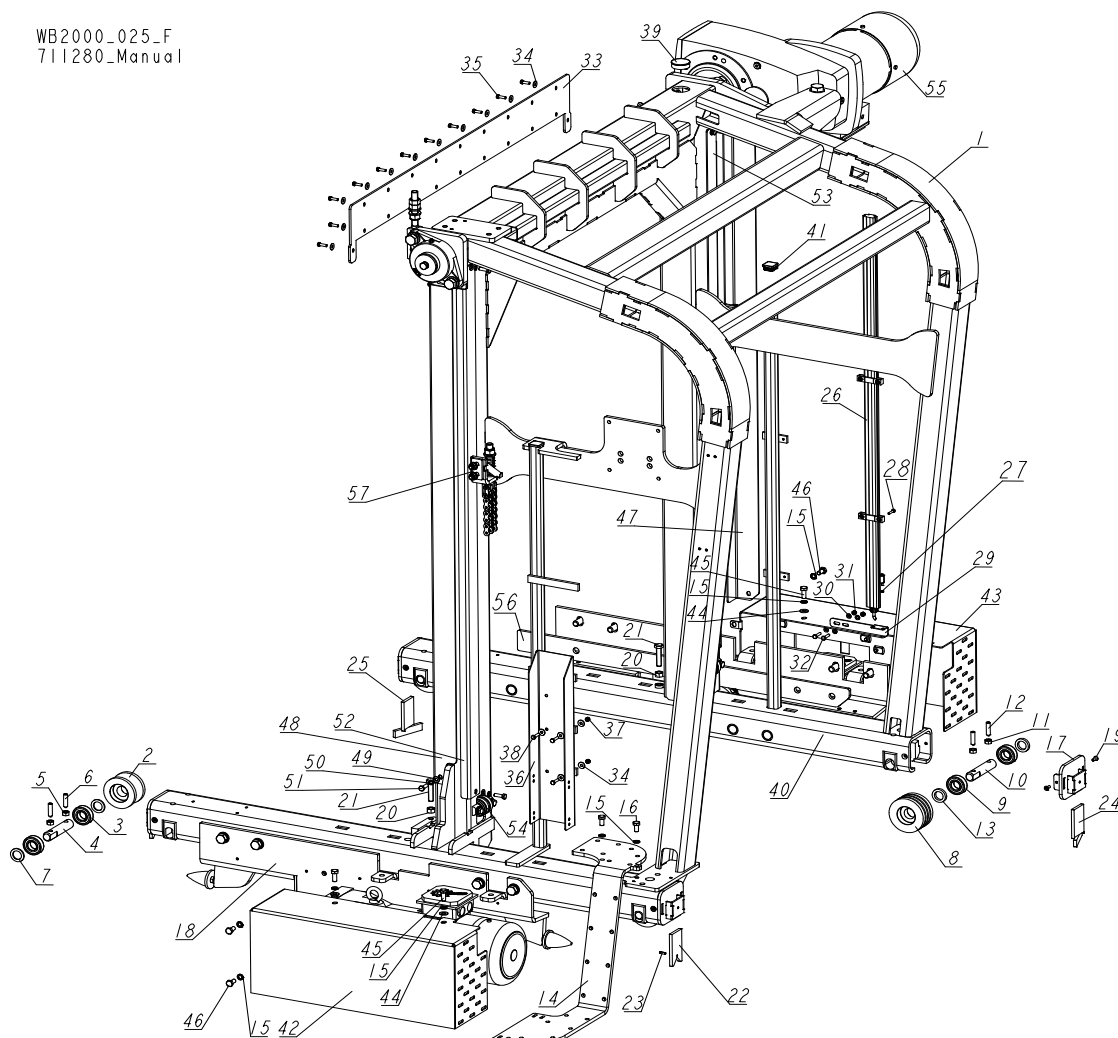


**CAUTION!** It is strongly recommended that only original spare parts be used.

## SECTION 2 SAWMILL MAST

### 2.1 WB2000 Sawmill Mast

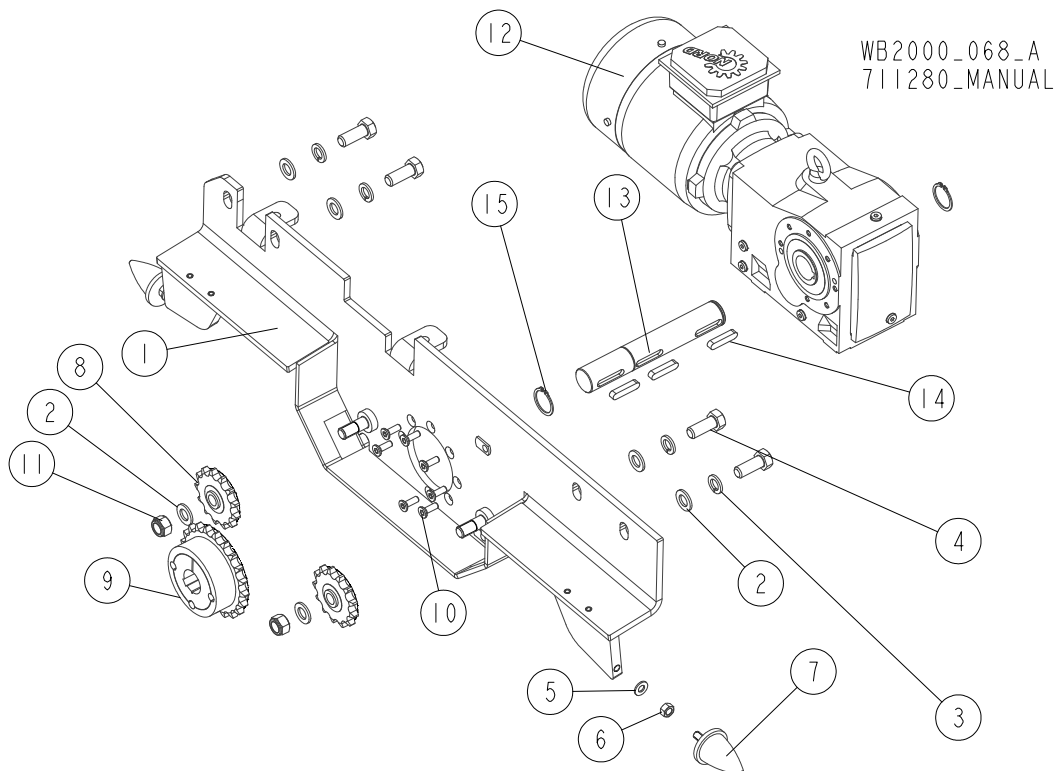
WB2000\_025\_F  
711280\_Manual



REF.	DESCRIPTION (* indicates parts available in assemblies only)	PART #	QTY
-	<b>MAST, WB2000 COMPLETE</b>	716899	1
1	MAST WELDMENT	716928-1	1
-	ROLLER, TRACK - COMPLETE	717243	2
2	ROLLER, MAST TRACK	717244-1	1
3	BEARING, 6205 2RSR P6 (FAG,NSK,SKF) BALL	087353	2
4	SHAFT, TRACK ROLLER	710013	1
5	NUT, M10 8 HEX ZINC	F81033-3	2
6	SCREW, M10X40-45H-GEOMET HEX SOCKET SET W/FLAT POINT	F81003-61	2
7	BUSHING, 25.2/38-3.5 ZINC-PLATED	717245-1	2
-	ROLLER, TRACK - COMPLETE	717311	2
8	ROLLER, TRACK	717312-1	1
9	BEARING, 6205 2RSR P6 (FAG,NSK,SKF) BALL	087353	2
10	SHAFT, TRACK ROLLER	710013	1
11	NUT, M10 8 HEX ZINC	F81033-3	2

REF.	DESCRIPTION (* indicates parts available in assemblies only)	PART #	QTY
12	SCREW, M10X40-45H-GEOMET HEX SOCKET SET W/FLAT POINT	F81003-61	2
13	BUSHING, 25.2/38-7 ZINC-PLATED	710039-1	2
14	BRACKET, CABLE CARRIER MOUNT	714983-1	1
15	WASHER, Z 10.2 SPLIT LOCK ZINC	F81055-2	10
16	BOLT, M10X20-8.8 HEX HEAD FULL THREAD ZINC	F81003-1	2
17	BRACKET, SCRAPER MOUNT	713209-1	4
18	DRIVE ASSEMBLY, MAST LEFT <a href="#">See Section 2.2</a>	713011	1
19	SCREW, M6X16-10.9 DIN7991 ISO10642 FLAT SOCKET HEAD CAP ZINC	F81001-55	8
20	NUT, M12-8-B HEX ZINC	F81034-1	2
21	BOLT, M12X55 8.8 HEX HEAD ZINC	F81004-43	2
22	SCRAPER, "V"	710634-1	2
23	PIN, 5X16 ROLL ZINC	F81044-3	2
24	SCRAPER, FRONT STRAIGHT	710635-1	1
25	SCRAPER, REAR STRAIGHT	710645-1	1
-	SENSOR ASSEMBLY, MAGNETOSTRICTIVE LINEAR POSITION (UL)	719434	1
26	SENSOR, BTL6-U110-M1000-PF-S4 IOL MAGNETOSTRICTIVE LINEAR POSITION	539852	1
27	NUT, M4 8 HEX ZINC	F81029-2	2
28	SCREW, M5X22-8.8 HEX SOCKET HEAD CAP ZINC	509155WM5	6
29	BRACKET, MAGNET	710871-1	1
30	WASHER, 6.4 FLAT ZINC	F81053-1	4
31	NUT, M6-8-B HEX NYLON ZINC LOCK	F81031-2	2
32	BOLT, M6X25 -8.8 HEX HEAD FULL THREAD ZINC	F81001-3	2
33	COVER, RUBBER	711031-1	1
34	WASHER, 6.5 SPECIAL FLAT ZINC	F81053-11	27
35	BOLT, M6X20 8.8 HEX HEAD FULL THREAD ZINC	F81001-2	20
36	CHANNEL, CABLE CARRIER BRACKET	710573-1	1
37	NUT, M6-8-B HEX NYLON ZINC LOCK	F81031-2	4
38	BOLT, M6X25-8.8 HEX HEAD FULL THREAD ZINC	F81001-3	4
39	CAP, 44.5 MM #466923 HOLE	500768	1
40	DRIVE ASSEMBLY, MAST RIGHT <a href="#">See Section 2.3</a>	713015	1
41	CAP, 30X30X3 SR1540, 111219 (MOSS) TUBE END	099463	2
42	GUARD, MOTOR	713147-1	1
43	GUARD, MOTOR <a href="#">See Section 2.16</a>	557032	1
44	WASHER, 10.5 FLAT ZINC	F81055-1	4
45	BOLT, M10X25 8.8 HEX HEAD FULL THREAD ZINC	F81003-11	4
46	BOLT, ISO 4017-M10X20-8.8-A2E HEX HEAD FULL THREAD	F81003-53	4
47	ANGLE, WB2000 MAST	714448-1	1
48	ANGLE, WB2000 MAST	714449-1	1
49	WASHER, 8.4 FLAT ZINC	F81054-1	8
50	WASHER, 8.2 SPLIT LOCK ZINC	F81054-4	8
51	BOLT, M8X25-8.8-B HEX HEAD FULL THREAD ZINC	F81002-5	8
52	ANGLE, WB2000 MAST	589064-1	1
53	ANGLE, WB2000 MAST	589065-1	1
54	ROLLER, CHAIN GUIDE - COMPLETE <a href="#">See Section 2.15</a>	715949	2
55	DRIVE ASSEMBLY, WB2000 UP/DOWN <a href="#">See Section 2.17</a>	715752	1
56	PLATE, SPACER	713128	1
57	CHAIN ASSEMBLY, UP/DOWN <a href="#">See Section 2.4</a>	713595	1

**2.2 Mast Drive Assembly - Left**

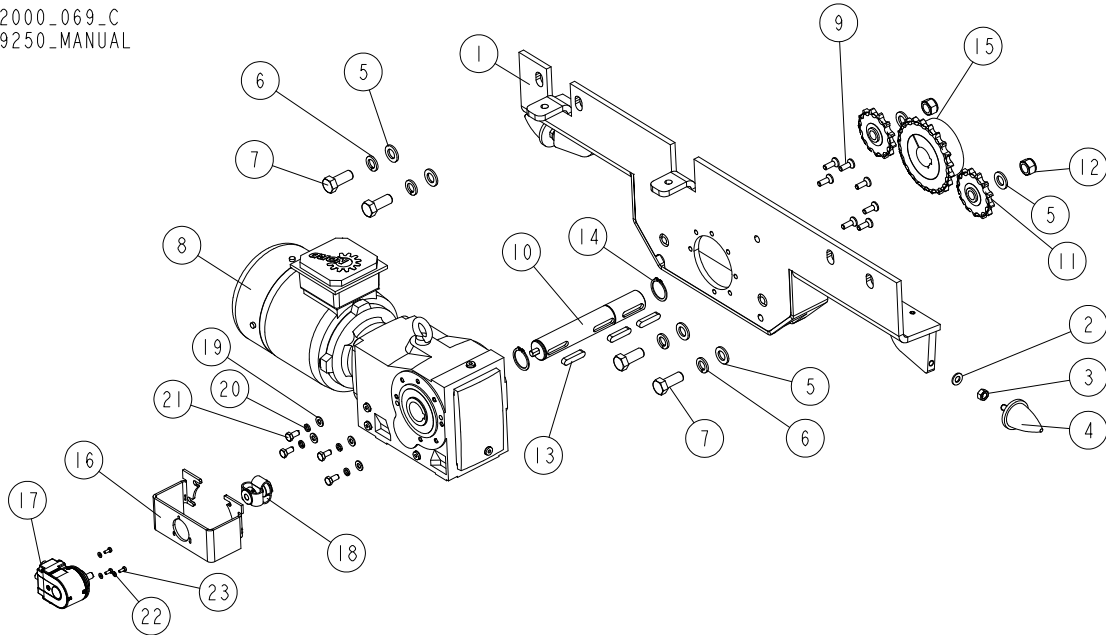


REF.	DESCRIPTION (◆ Indicates Parts Available in Assemblies Only)	PART #	QTY
	<b>DRIVE ASSEMBLY, MAST LEFT</b>	<b>713011</b>	<b>1</b>
1	PLATE, WELDMENT MAST SIDE	713012-1	1
2	WASHER, 17 SPLIT LOCK ZINC	F81058-1	6
3	WASHER, 16.3 SPLIT LOCK ZINC	F81058-2	4
4	BOLT, M16X40-8.8 HEX HEAD FULL THREAD ZINC	F81006-13	4
5	WASHER, 10.5 FLAT ZINC	F81055-1	2
6	NUT, M10 8 HEX ZINC	F81033-3	2
7	BUMPER	710846	2
8	SPROCKET, 12B1 Z=13	713045	2
9	SPROCKET/TAPER LOCK 12B1	713044	1
10	SCREW, M8X25-8.8 FE/ZN5 FLAT SOCKET HEAD CAP	F81002-65	7
11	NUT, M16-8 HEX NYLON ZINC LOCK	F81036-2	2
12	MOTOREDUCER, SK9012.1AZ-90LH/4	713333	1
13	SHAFT, ZINC-PLATED DRIVE (1)	713051-1	1
14	KEY, A10X8X45 PARALLEL	091312	3
15	RING, Z35 OUTSIDE RETAINING	F81090-36	2



## 2.3 Mast Drive Assembly - Right

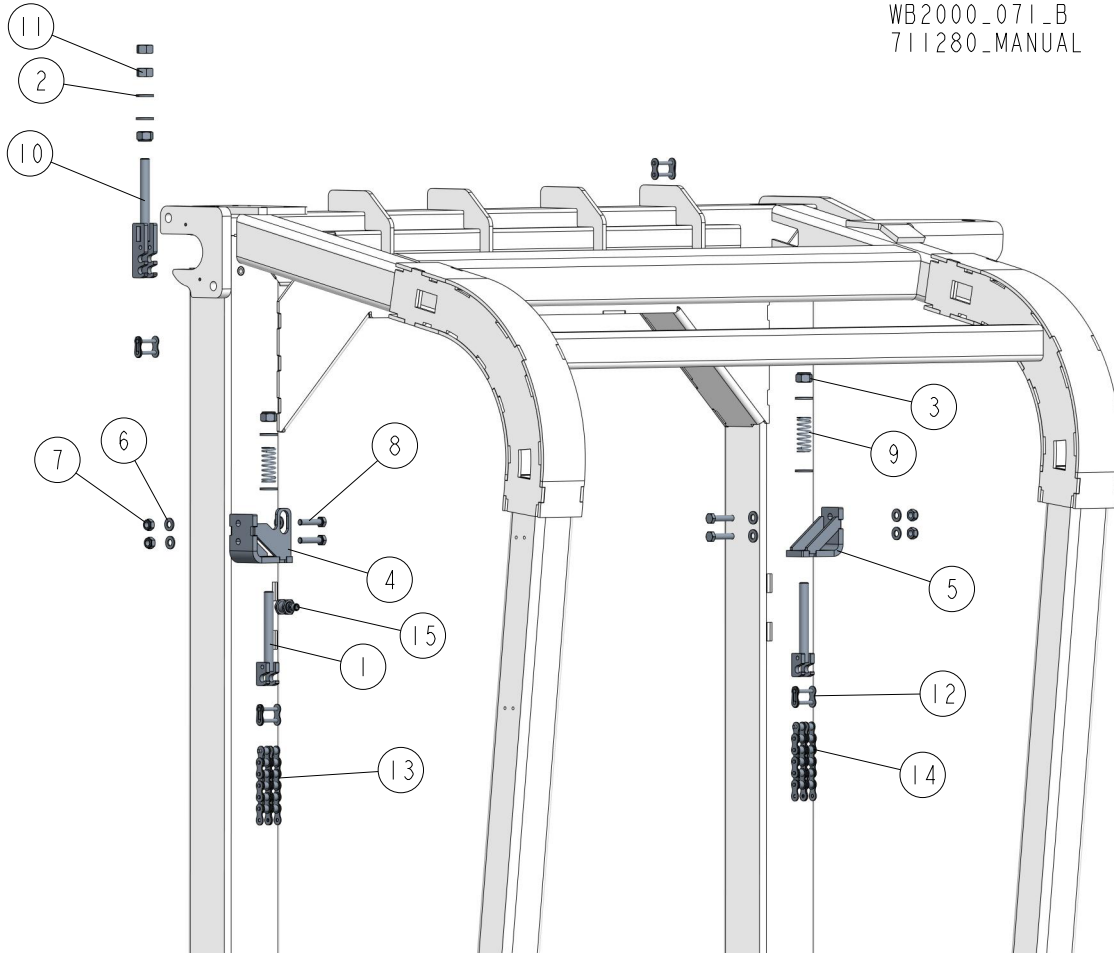
WB2000\_069\_C  
719250\_MANUAL



REF.	DESCRIPTION (◆ Indicates Parts Available In Assemblies Only)	PART #	QTY
	<b>DRIVE ASSEMBLY, MAST RIGHT</b>	<b>713015</b>	<b>1</b>
1	PLATE, WELDMENT MAST RIGHT SIDE	713016-1	1
2	WASHER, 10.5 FLAT ZINC	F81055-1	2
3	NUT, M10 8 HEX ZINC	F81033-3	2
4	BUMPER	710846	2
5	WASHER, 17 SPLIT LOCK ZINC	F81058-1	6
6	WASHER, 16.3 SPLIT LOCK ZINC	F81058-2	4
7	BOLT, M16X40-8.8 HEX HEAD FULL THREAD ZINC	F81006-13	4
8	MOTOREDUCER, SK9012.1AZ-90LH/4	713333	1
9	SCREW, M8X25-8.8 FE/ZN5 FLAT SOCKET HEAD CAP	F81002-65	7
10	SHAFT, ZINC-PLATED DRIVE (1)	713052-1	1
11	SPROCKET, 12B1 Z=13	713045	2
12	NUT, M16-8 HEX NYLON ZINC LOCK	F81036-2	2
13	KEY, A10X8X45 PARALLEL	091312	3
14	RING, Z35 OUTSIDE RETAINING	F81090-36	2
15	SPROCKET/TAPER LOCK 12B1	713044	1
16	BRACKET, ENCODER	557034-1	1
17	ENCODER, ETHERNET/IP EAL580 ABSOLUTE	536063	1
18	COUPLING, 8.0000.1K01.1010. ENCODER	713247	1
19	WASHER, 8.4 FLAT ZINC	F81054-1	4
20	WASHER, 8.2 SPLIT LOCK ZINC	F81054-4	4
21	BOLT, M8X16-8.8-B HEX HEAD FULL THREAD ZINC	F81002-20	4
22	WASHER, 4.3 FLAT ZINC	F81051-2	3
23	SCREW, M4X10 DIN 933/ISO 4017 (A2) STAINLESS STEEL	F81000-27	3

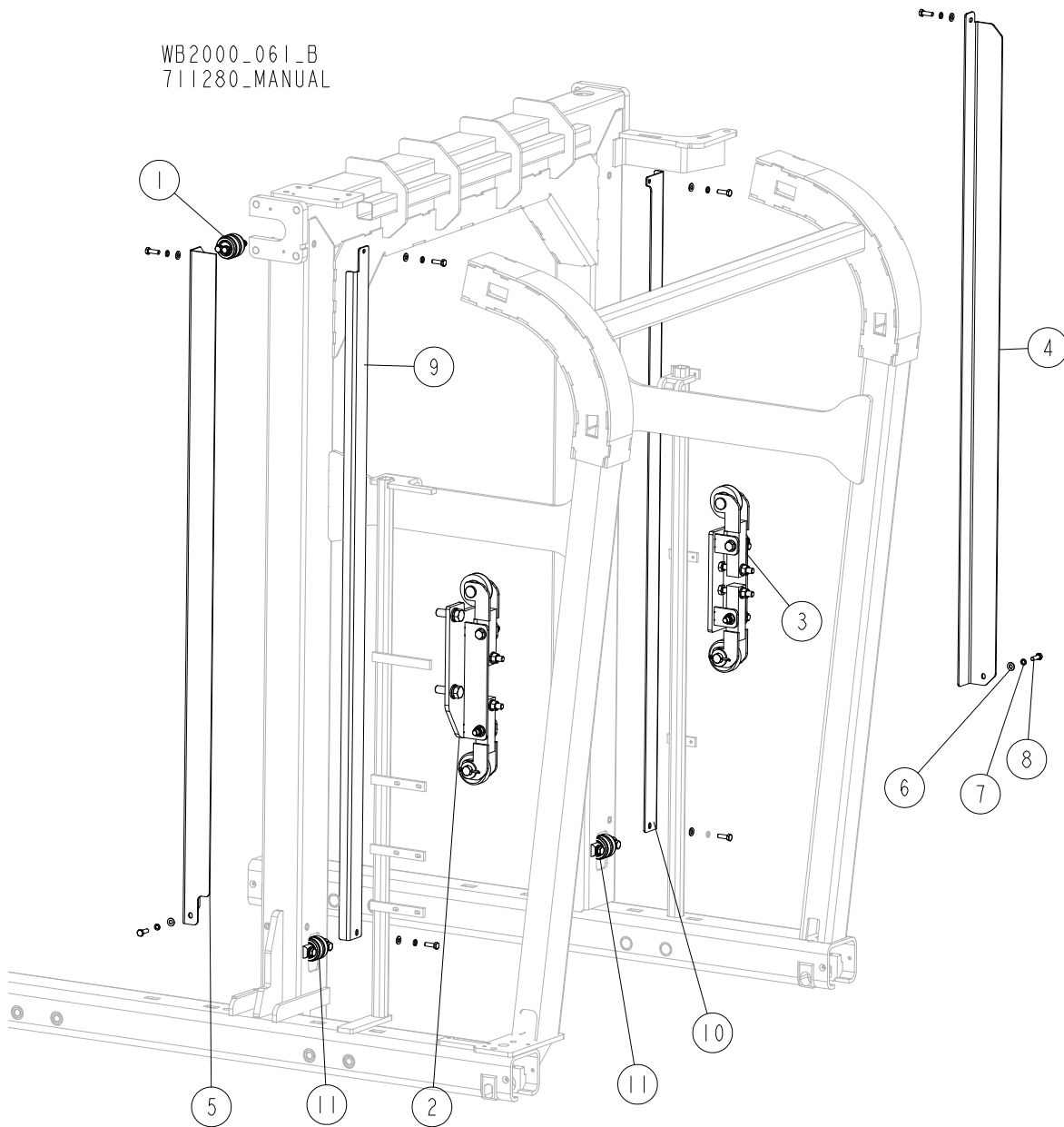
**2.4 Up/Down Chain Assembly**

WB2000\_071\_B  
711280\_MANUAL



REF	DESCRIPTION (u indicates parts available in assemblies only)	PART #	QTY
-	<b>CHAIN ASSEMBLY, UP/DOWN</b>	713595	1
1	ROD WELDMENT, CHAIN HOOK (LOWER)	713592-1	2
2	WASHER, 17 FLAT ZINC	F81058-1	6
3	NUT, M16-8 HEX NYLON ZINC LOCK	F81036-2	3
4	BRACKET, CHAIN MOUNTING	720044-1	1
5	BRACKET, CHAIN MOUNTING	720047-1	1
6	WASHER, 10.5 FLAT ZINC	F81055-1	8
7	NUT, M10-8-B HEX NYLON ZINC LOCK	F81033-1	4
8	BOLT, M10X45 HEX HEAD FULL THREAD ZINC	F81003-3	4
9	SPRING, 18X57XN3.2	710869	2
10	ROD WELDMENT, CHAIN HOOK	713597-1	1
11	NUT, M16-5.8 HEX ZINC	F81036-1	2
12	LINK, 12B-2PZ MASTER	099249	4
13	CHAIN, 12B-2 157-LINK	713596	1
14	CHAIN, 12B-2 151-LINK	713589	1
15	SENSOR, IGC204 MAGNETIC SHUTOFF	512970	1

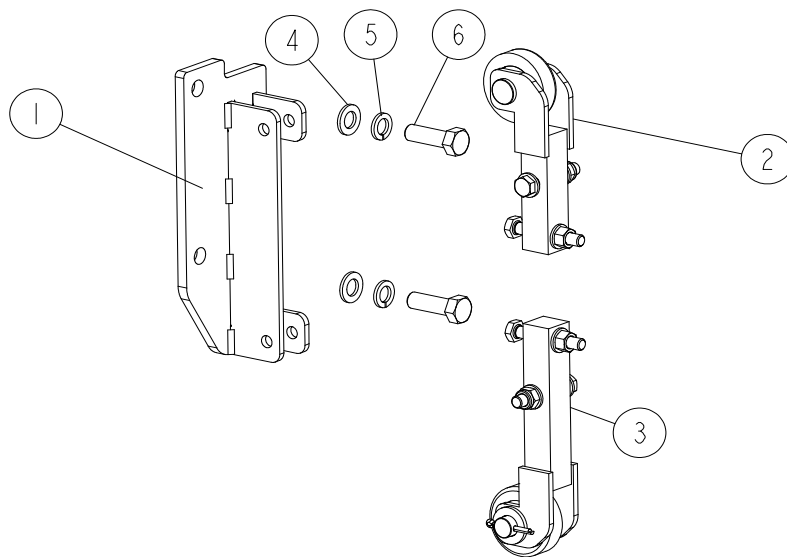
## 2.5 Up/Down Rollers & Chain Guide Rollers



REF.	DESCRIPTION (◆ indicates parts available in assemblies only)	PART #	QTY
1	ROLLER, CHAIN GUIDE - COMPLETE <a href="#">See Section 2.14</a>	713609	1
2	ROLLER SET, UP/DOWN <a href="#">See Section 2.6</a>	713324	1
3	ROLLER SET, UP/DOWN <a href="#">See Section 2.7</a>	713325	1
4	ANGLE, WB2000 MAST	714448-1	1
5	ANGLE, WB2000 MAST	714449-1	1
6	WASHER, 8.4 FLAT ZINC	F81054-1	8
7	WASHER 8,2 FE/ZN9	F81054-4	8
8	BOLT, M8X25-8.8-B HEX HEAD FULL THREAD ZINC	F81002-5	8
9	ANGLE, WB2000 MAST	714568-1	1
10	ANGLE, WB2000 MAST	714569-1	1
11	ROLLER, CHAIN GUIDE - COMPLETE <a href="#">See Section 2.15</a>	715949	2

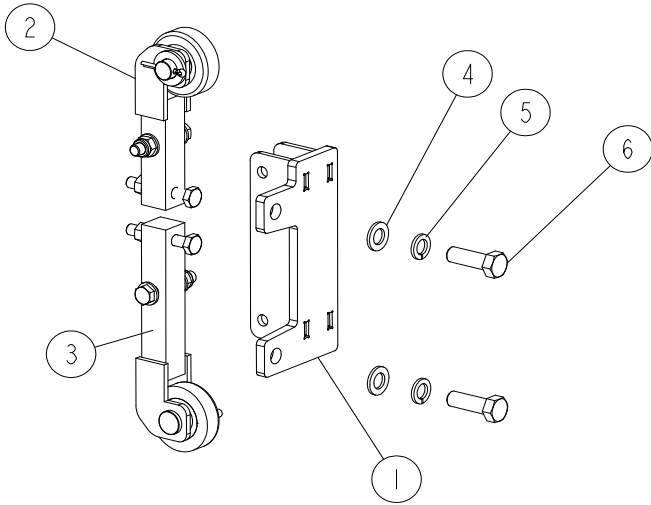
## 2.6 Up/Down Rollers

WB2000\_064\_A  
711280\_MANUAL



REF.	DESCRIPTION (◆ indicates parts available in assemblies only)	PART #	QTY	
-	<b>ROLLER SET, UP/DOWN</b>	713324	1	
1	PLATE WELDMENT, ROLLER MOUNT	713194-1	1	
2	BRACKET, UPPER MAST ROLLER - COMPLETE <a href="#">See Section 2.8</a>	503484	1	
3	BRACKET, UPPER MAST ROLLER - COMPLETE <a href="#">See Section 2.9</a>	589039	1	
4	WASHER, 17 FLAT ZINC	F81058-1	2	
5	WASHER, 16.3 SPLIT LOCK ZINC	F81058-2	2	
6	BOLT, M16X50-8.8 HEX HEAD FULL THREAD ZINC	F81006-7	2	

**2.7 Up/Down Rollers**

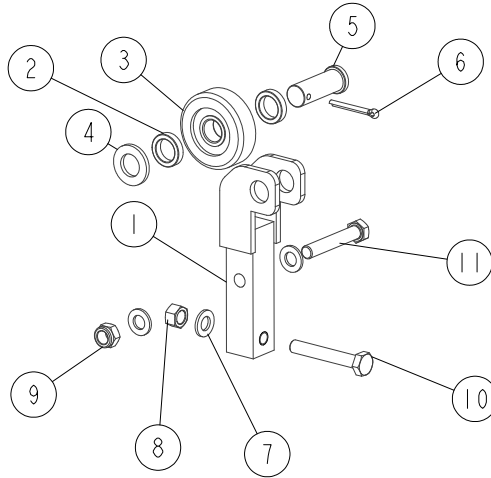


WB2000\_065-A  
711280\_MANUAL

REF.	DESCRIPTION (◆ indicates parts available in assemblies only)	PART #	QTY	
-	<b>ROLLER SET, UP/DOWN</b>	713325	1	
1	PLATE WELDMENT, ROLLER MOUNT	713195-1	1	
2	BRACKET, UPPER MAST ROLLER - COMPLETE <a href="#">See Section 2.8</a>	503484	1	
3	BRACKET, UPPER MAST ROLLER - COMPLETE <a href="#">See Section 2.9</a>	589039	1	
4	WASHER, 17 FLAT ZINC	F81058-1	2	
5	WASHER, 16.3 SPLIT LOCK ZINC	F81058-2	2	
6	BOLT, M16X50-8.8 HEX HEAD FULL THREAD ZINC	F81006-7	2	

**2.8 Upper Mast Roller Bracket**

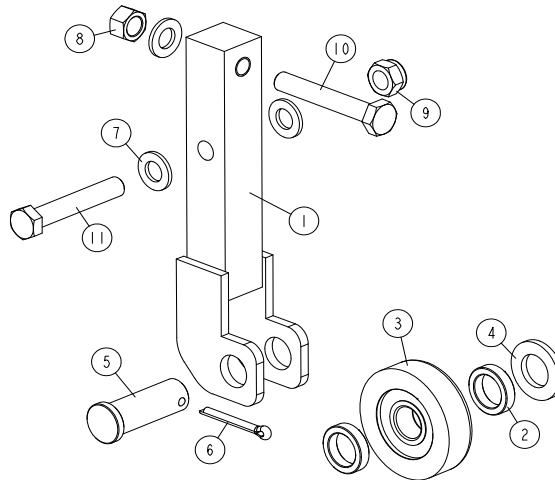
WB2000\_066  
711280\_MANUAL



REF.	DESCRIPTION (◆ Indicates Parts Available in Assemblies Only)	PART #	QTY
	<b>BRACKET, UPPER MAST ROLLER - COMPLETE</b>	<b>503484</b>	<b>1</b>
1	BRACKET WELDMENT, UPPER MAST ROLLER	503482-1	1
2	BUSHING, N21XN30X7.2	503478-1	2
3	ROLLER, R68,5M 20MM HOLE METAL	503475	1
4	WASHER, 21 FLAT ZINC	F81059-2	1
5	PIN, 12X55 FLANGE 25-5 ZINC-PLATED	504173-1	1
6	PIN, S-FE 5X40 COTTER	F81043-31	1
7	WASHER, 13 FLAT ZINC	F81056-1	3
8	NUT, M12-8 HEX ZINC	F81034-1	1
9	NUT, M12 8 HEX NYLON ZINC LOCK	F81034-2	1
10	BOLT, M12X75-8.8 HEX HEAD FULL THREAD ZINC	F81004-10	1
11	BOLT, M12X70-8.8 HEX HEAD ZINC	F81004-39	1

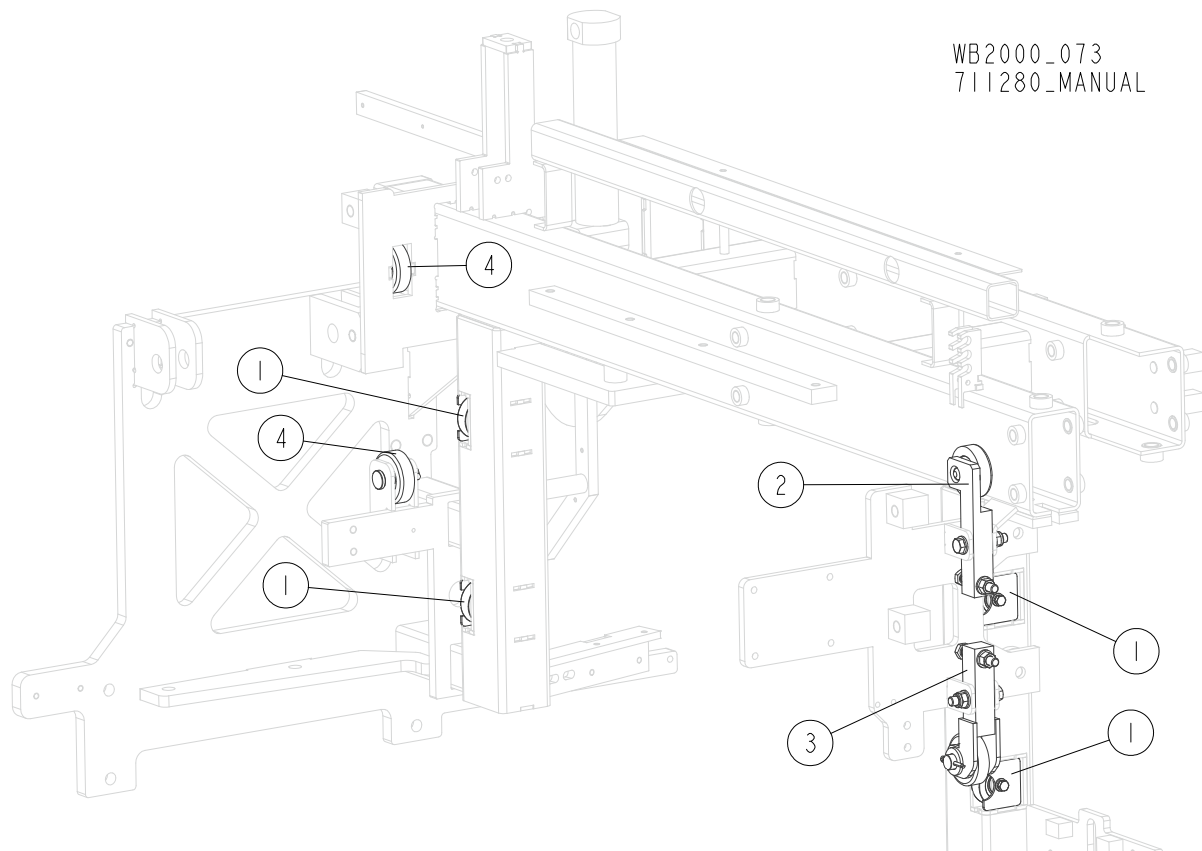
## 2.9 Upper Mast Roller Bracket

589039\_001  
589039



REF.	DESCRIPTION (◆ indicates parts available in assemblies only)	PART #	QTY
-	<b>BRACKET, UPPER MAST ROLLER - COMPLETE</b>	589039	1
1	BRACKET WELDMENT, UPPER MAST ROLLER	589040-1	1
2	BUSHING, N21XN30X7.2	503478-1	2
3	ROLLER, R68,5M 20MM HOLE METAL	503475	1
4	WASHER, 21 FLAT ZINC	F81059-2	1
5	PIN, 12X55 FLANGE 25-5 ZINC-PLATED	504173-1	1
6	PIN, S-FE 5X40 COTTER	F81043-31	1
7	WASHER, 13 FLAT ZINC	F81056-1	3
8	NUT, M12-8-B HEX ZINC	F81034-1	1
9	NUT, M12-8 DIN 982 HEX NYLON ZINC LOCK	F81034-2	1
10	BOLT, M12X75-8.8 DIN 933 HEX HEAD FULL THREAD ZINC	F81004-10	1
11	BOLT, M12X70-8.8 HEX HEAD ZINC	F81004-39	1

**2.10 Saw Head Rollers**

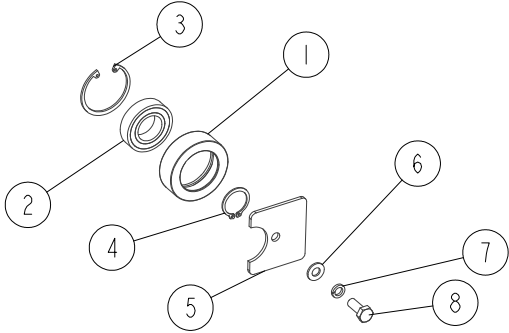


WB2000\_073  
711280\_MANUAL

REF.	DESCRIPTION (◆ Indicates Parts Available in Assemblies Only)	PART #	QTY
1	ROLLER, TRACK - COMPLETE <a href="#">See Section 2.11</a>	713159	4
2	ROLLER, ADJUSTABLE TRACK <a href="#">See Section 2.12</a>	713245	1
3	BRACKET, UPPER MAST ROLLER - COMPLETE <a href="#">See Section 2.8</a>	503484	1
4	ROLLER, SAW HEAD - COMPLETE <a href="#">See Section 2.13</a>	713564	2



**2.11 Track Roller**

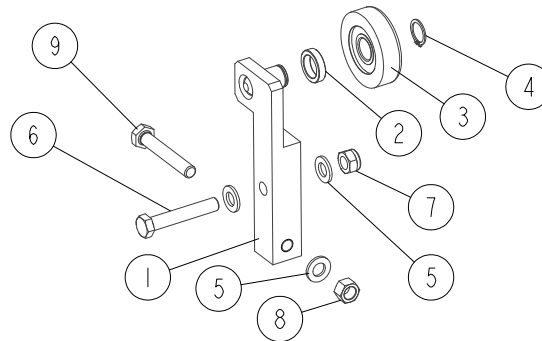


WB2000\_074  
 711280\_MANUAL

REF.	DESCRIPTION (◆ Indicates Parts Available in Assemblies Only)	PART #	QTY
	<b>ROLLER, TRACK - COMPLETE</b>	<b>713159</b>	<b>1</b>
1	ROLLER, TRACK	710184-1	1
2	BEARING, 6005 2RS, PN-85/M-86100	089652	1
3	RING, W 47 INSIDE RETAINING	089653	1
4	RING, 25Z OUIBSITE RETAINING	F81090-22	1
5	PLATE, COVER	713170-1	1
6	WASHER, 8.4 FLAT ZINC	F81054-1	1
7	WASHER, 8.2 SPLIT LOCK ZINC	F81054-4	1
8	BOLT, M8X20 5.8 HEX HEAD FULL THREAD ZINC	F81002-1	1

## 2.12 Adjustable Track Roller

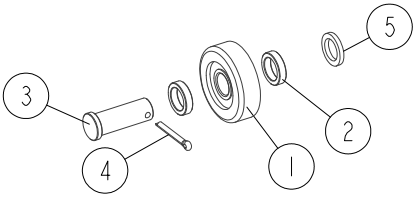
WB2000\_075  
711280\_MANUAL



REF.	DESCRIPTION (◆ Indicates Parts Available in Assemblies Only)	PART #	QTY
	<b>ROLLER, ADJUSTABLE TRACK - COMPLETE</b>	<b>713245</b>	<b>1</b>
1	BRACKET WELDMENT, ROLLER MOUNT	713244-1	1
2	BUSHING, N21XN30X7.2	503478-1	1
3	ROLLER, R68,5M 20MM HOLE METAL	503475	1
4	RING, Z20 OUTSIDE RETAINING	F81090-27	1
5	WASHER, 13 FLAT ZINC	F81056-1	3
6	BOLT, M12X70-8.8 HEX HEAD ZINC	F81004-39	1
7	NUT, M12 8 HEX NYLON ZINC LOCK	F81034-2	1
8	NUT, M12-8 HEX ZINC	F81034-1	1
9	BOLT, M12X75-8.8 HEX HEAD FULL THREAD ZINC	F81004-10	1

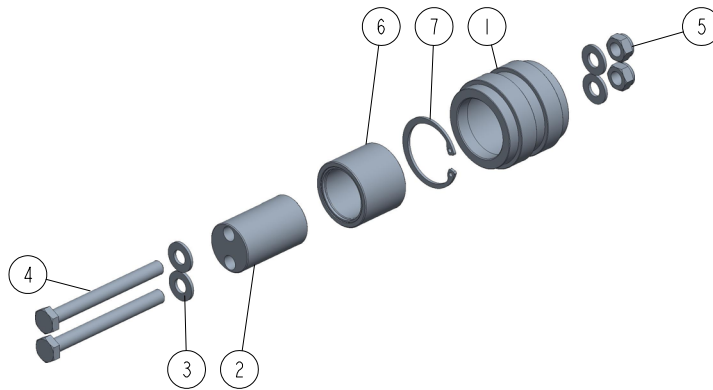
**2.13 Saw Head Roller**

WB2000\_076  
 711280\_MANUAL



REF.	DESCRIPTION (◆ Indicates Parts Available in Assemblies Only)	PART #	QTY
	<b>ROLLER, SAW HEAD - COMPLETE</b>	<b>713564</b>	<b>1</b>
1	ROLLER, R68,5M 20MM HOLE METAL	503475	1
2	BUSHING, N21XN30X7.2	503478-1	2
3	PIN, 12X55 FLANGE 25-5 ZINC-PLATED	504173-1	1
4	PIN, S-FE 5X40 COTTER	F81043-31	1
5	WASHER, 20.5X30-4 ZINC-PLATED	515021-1	

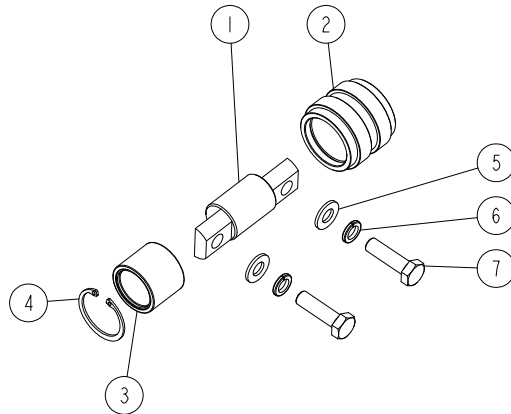
## 2.14 Chain Guide Roller (No. 713609)

713609\_001  
713609

REF	DESCRIPTION (◆ indicates parts available in assemblies only)	PART #	QTY	
-	<b>ROLLER, CHAIN GUIDE - COMPLETE</b>	713609	1	
1	ROLLER, CHAIN GUIDE	713590-1	1	
2	AXLE, ROLLER, CHAIN GUIDE	713610-1	1	
3	WASHER, 8.4 FLAT ZINC	F81054-1	4	
4	BOLT, M8X80-8.8 HEX HEAD ZINC	F81002-18	2	
5	NUT, M8-8-B HEX NYLON ZINC LOCK	F81032-2	2	
6	BEARING, NK 28/30 NEEDLE	711439	1	
7	RING, W37 INSIDE RETAINING	F81090-55	1	

## 2.15 Chain Guide Roller (No. 715949)

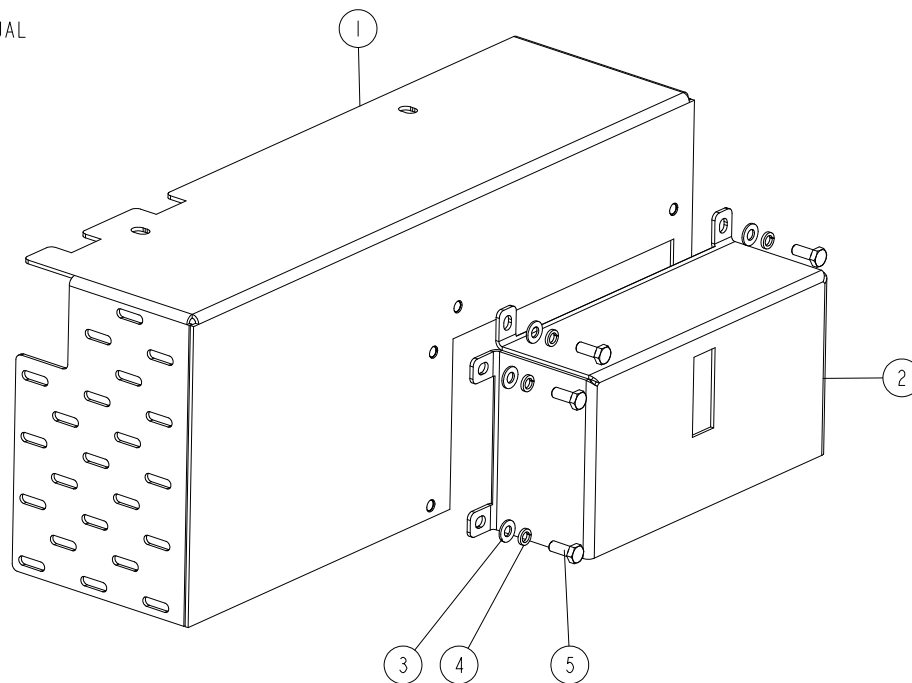
715949\_001  
715949\_MANUAL



REF.	DESCRIPTION (* indicates parts available in assemblies only)	PART #	QTY
-	<b>ROLLER, CHAIN GUIDE - COMPLETE</b>	715949	1
1	SHAFT, CHAIN GUIDE ROLLER	715948	1
2	ROLLER, CHAIN GUIDE	713590-1	1
3	BEARING, NK 28/30 NEEDLE	711439	1
4	RING, W37 INSIDE RETAINING	F81090-55	1
5	WASHER, 10.5 FLAT ZINC	F81055-1	2
6	WASHER, Z 10.2 SPLIT LOCK ZINC	F81055-2	2
7	BOLT, M10X35 8.8 HEX HEAD FULL THREAD ZINC	F81003-17	2

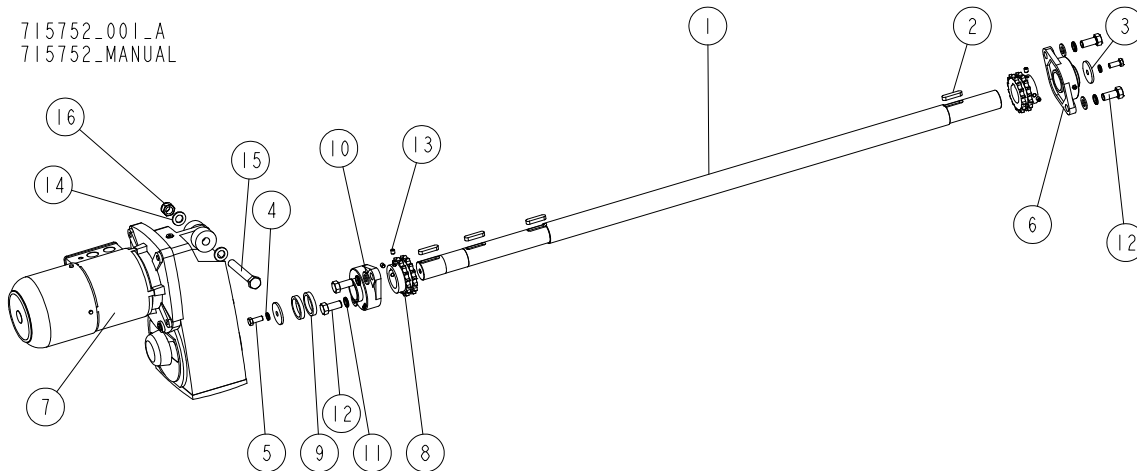
**2.16 Guard. 557032**

557032\_001  
557032\_MANUAL



REF	DESCRIPTION (u indicates parts available in assemblies only)	PART #	QTY
-	<b>GUARD, MOTOR</b>	557032	1
1	GUARD, MOTOR WLDMT	557056-1	1
2	GUARD, ENCODER	557033-1	1
3	WASHER, 8.4 FLAT ZINC	F81054-1	4
4	WASHER, 8.2 SPLIT LOCK ZINC	F81054-4	4
5	BOLT, M8X20 8.8 HEX HEAD FULL THREAD ZIN	F81002-4	4

## 2.17 Up/Down Drive Assembly (No. 715752)

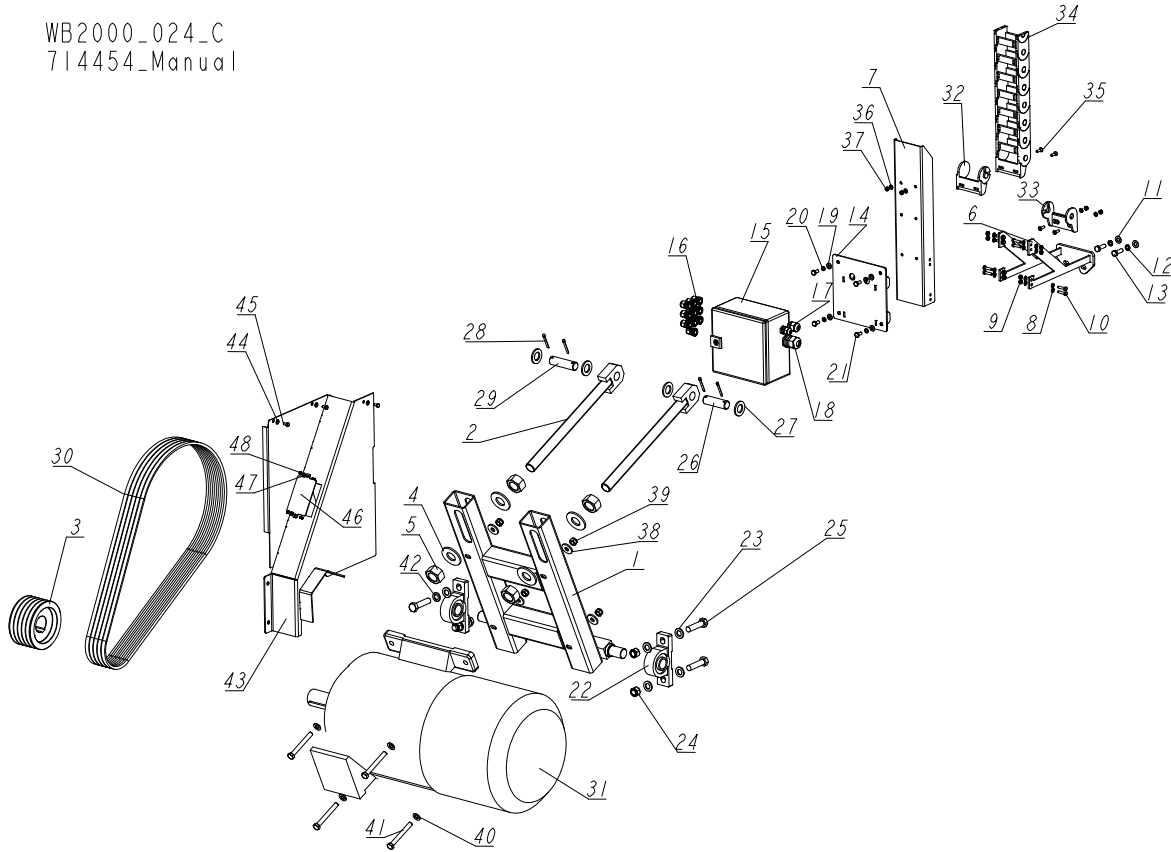


REF	DESCRIPTION (u indicates parts available in assemblies only)	PART #	QTY
-	<b>DRIVE ASSEMBLY, WB 2000 UP/DOWN</b>	715752	1
1	SHAFT, UP/DOWN DRIVE	715754-1	1
2	KEY, A14X9X56 PN-M/85005-WM1000 PARALLEL	504601	4
3	WASHER 12.5/60-5 ZINC	549918-1	2
4	WASHER, Z12.2 SPLIT LOCK ZINC	F81056-2	2
5	BOLT, M12X30 8.8 HEX HEAD FULL THREAD ZI	F81004-22	2
6	BEARING, UCFL 210 CX W/HOUSING	098824	2
7	MOTOREDUCER SK4282ABGH-100LP/4 BRE20 SR	715753	1
8	SPROCKET, 12B Z16	715751	2
9	BUSHING 50.5/63-10 ZINC	715755-1	2
10	WASHER, 19 FLAT ZINC	F81060-1	4
11	WASHER, 18.2 SPLIT LOCK ZINC	F81060-3	4
12	BOLT M18X40-8.8}	F81008-11	4
13	SCREW, M10X12-45H ZINC-PLATED SET	F81003-46	4
14	WASHER, 21 FLAT ZINC	F81059-2	2
15	BOLT, M20X150 8.8 FE/ZN5 ISO 4017	F81007-3	1
16	NUT, M20-8 HEX	F81037-2	1

## SECTION 3 SAW HEAD

### 3.1 E40S Motor Kit

WB2000\_024\_C  
714454\_Manual



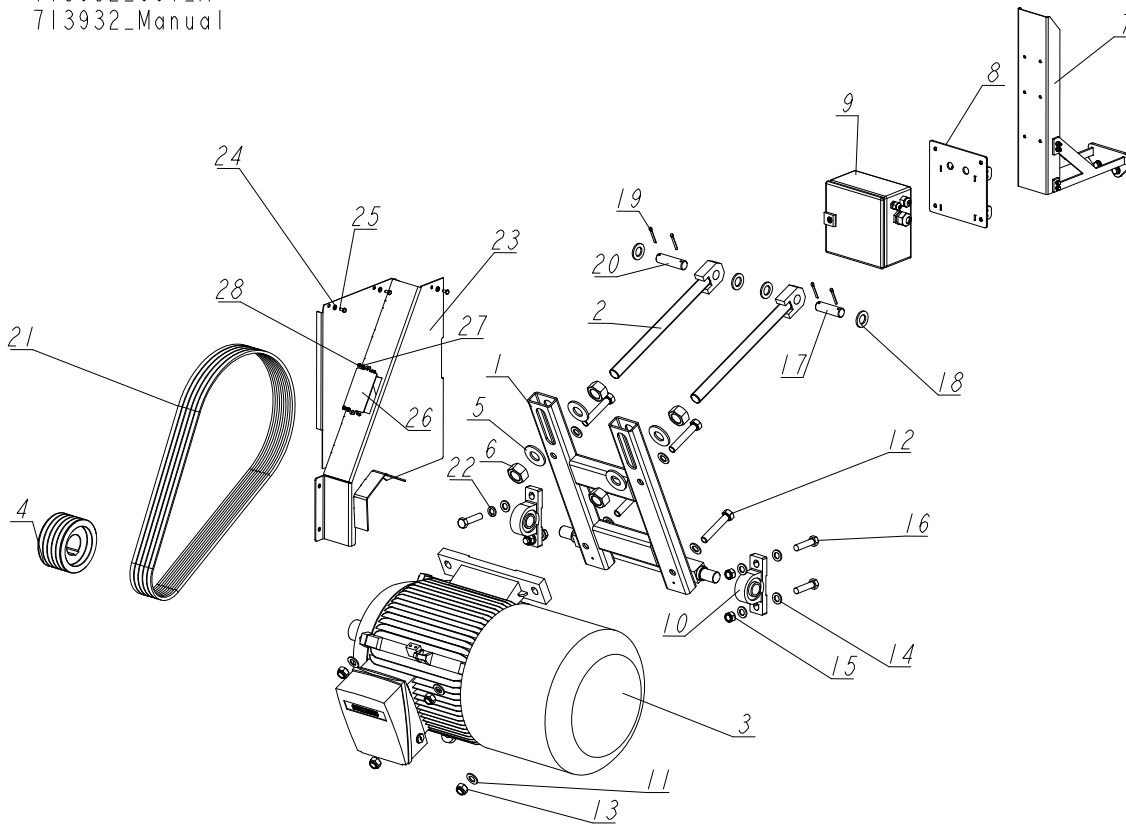
REF.	DESCRIPTION (* indicates parts available in assemblies only)	PART #	QTY
-	<b>MOTOR KIT, E40S (30kW) DO WB2000</b>	714454	1
1	MOUNT WELDMENT, 30 KW WB2000 MOTOR	714453-1	1
2	ROD WELDMENT, MOTOR TENSION ZINC-PLATED	713877-1	2
3	PULLEY, SPA-5;N140 (F02261+T31128)	714455	1
4	WASHER, 31/65-5	713940-1	4
5	NUT, M30-HEX ZINC	F81038-3	4
-	BRACKET, CABLE CARRIER MOUNT	710812	1
6	MOUNT WELDMENT, CABLE CARRIER BRACKET	714456-1	1
7	CHANNEL, CABLE CARRIER BRACKET	710573-1	1
8	WASHER, 6.4 FLAT ZINC	F81053-1	16
9	NUT, M6-8-B HEX NYLON ZINC LOCK	F81031-2	8
10	BOLT, M6X25 -8.8 HEX HEAD FULL THREAD ZINC	F81001-3	8
11	WASHER, 10.5 FLAT ZINC	F81055-1	2
12	WASHER, Z 10.2 SPLIT LOCK ZINC	F81055-2	2
13	BOLT, M10X30-8.8 HEX HEAD FULL THREAD ZINC	F81003-2	2
14	PLATE, COMPLETE	711389-1	1
-	BOX, ELECTRIC - COMPLETE	711376	1
15	BOX, EB 1549500 (200X200X80) ELECTRIC	716930	1
16	GLAND, DP9/H CABLE	F81096-2	11



REF.	DESCRIPTION (* indicates parts available in assemblies only)	PART #	QTY
17	GLAND, DP 13/H CABLE	F81096-4	1
18	GLAND, DP21/H CABLE	F81096-3	1
19	WASHER, 8.4 FLAT ZINC	F81054-1	4
20	WASHER, 8.2 SPLIT LOCK ZINC	F81054-4	4
21	BOLT, M8X16-8.8-B HEX HEAD FULL THREAD ZINC	F81002-20	4
22	BEARING, UCP206 W/HOUSING	099254	2
23	WASHER, 17 SPLIT LOCK ZINC	F81058-1	7
24	NUT, M16-8 HEX NYLON ZINC LOCK	F81036-2	3
25	BOLT, M16X65-8.8-B HEX HEAD FULL THREAD ZINC	F81006-1	4
26	PIN, 24.9X82 ZINC-PLATED	713938-1	1
27	WASHER, 25 FLAT ZINC	F81061-3	4
28	PIN, S-FE 5X40 COTTER	F81043-31	4
29	PIN, 24.9X90 ZINC-PLATED	713939-1	1
30	V-BELT, OPTIBELT XPA L=1682	713990	5
31	MOTOR, 1LG4188-4AA60-ZG26+C01	512119	1
-	BRACKET SET, 2607.12PZ CABLE CARRIER	087773	1
32	BRACKET, INGUS 2607.2PZ W/PIN	088600	1
33	BRACKET, INGUS 2607.1PZ W/BORE	088601	1
34	CARRIER, INGUS 27.07.063 CABLE	088048	1
35	SCREW, M6X20 7991 10.9 FLAT SOCKET HEAD CAP ZINC	F81001-17	4
36	WASHER, 6.4 FLAT ZINC	F81053-1	4
37	NUT, M6-8-B HEX NYLON ZINC LOCK	F81031-2	4
38	WASHER, 13/35-4 ZINC-PLATED	512311-1	4
39	NUT, M12- 8 DIN 982 NYLON ZINC	F81034-2	4
40	WASHER, 13 FLAT ZINC	F81056-1	4
41	BOLT,M12X100 8.8 HEX HEAD FULL THREAD ZINC	F81004-45	4
42	WASHER, 16.3 SPLIT LOCK ZINC	F81058-2	1
-	GUARD ASSEMBLY, PULLEY	716001	1
43	GUARD WELDMENT, PULLEY	716002-1	1
44	WASHER, 6.4 FLAT ZINC	F81053-1	3
45	BOLT, M6X12 8.8 HEX HEAD FULL THREAD ZINC	F81001-7	3
46	COVER, INSPECTION	714008-1	1
47	WASHER, 5.3 FLAT ZINC	F81052-1	2
48	NUT, M5-8 DIN985 HEX NYLON ZINC LOCK	F81030-2	2

### 3.2 E50S Motor Kit

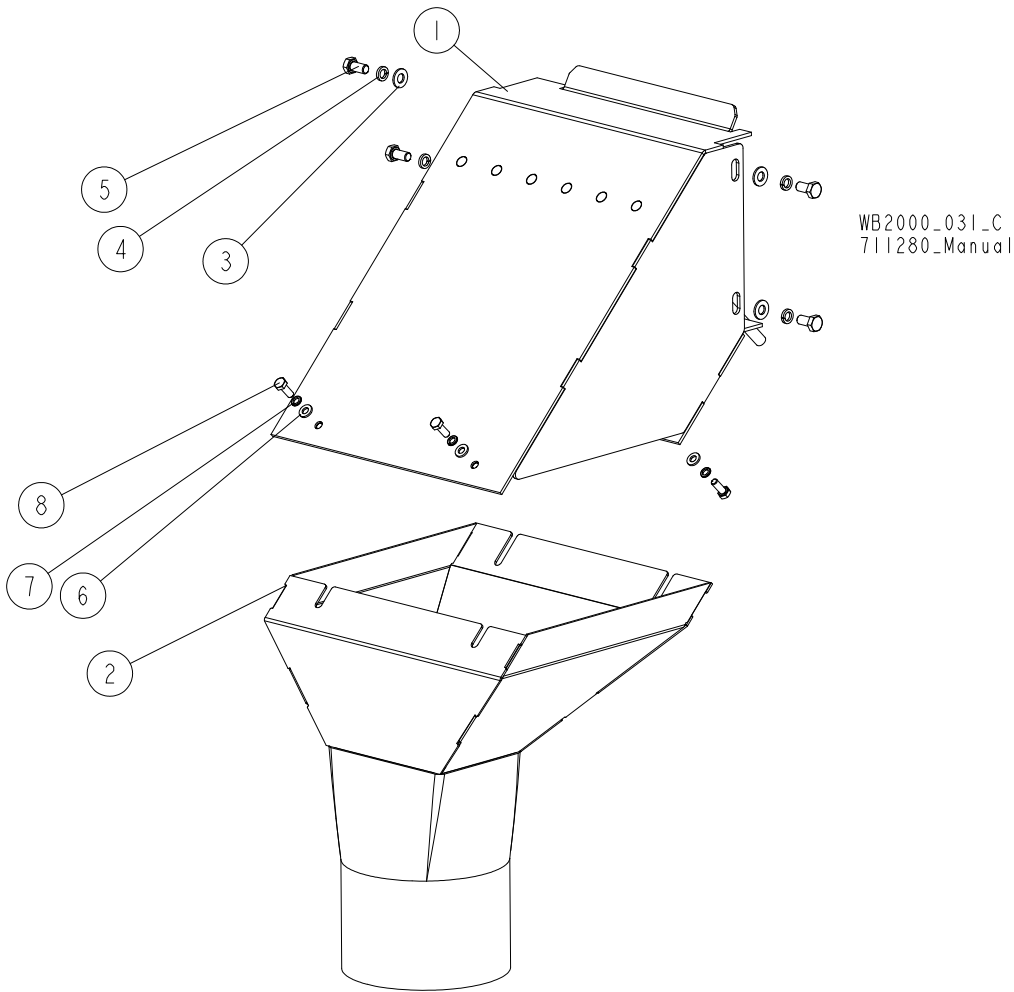
713932\_001\_A  
713932\_Manual



REF.	DESCRIPTION (* indicates parts available in assemblies only)	PART #	QTY
-	<b>MOTOR KIT, E50S (37kW) WB2000</b>	713932	1
1	MOUNT WELDMENT, 37KW WB2000 MOTOR	713867-1	1
2	ROD WELDMENT, MOTOR ZINC-PLATED TENSION	713877-1	2
3	MOTOR, 37KW 1LE1001-2AB63-4AA4-Z F01+F12 W/BRAKE	713941	1
4	PULLEY, SPA-5;N140 (F02261+T31130)	713934	1
5	WASHER, 31/65-5	713940-1	4
6	NUT, M30-HEX ZINC	F81038-3	4
7	BRACKET, CABLE CARRIER MOUNT	710812	1
8	COMPLETE PLATE	711389-1	1
9	BOX, ELECTRIC - COMPLETE <a href="#">See Section 3.1</a>	711376	1
10	BEARING, UCP206 W/HOUSING	099254	2
11	WASHER, 19 FLAT ZINC	F81060-1	8
12	BOLT, M18X100 -8.8 HEX HEAD ZINC	F81008-4	4
13	NUT, M18 HEX NYLON LOCK	F81039-15	4
14	WASHER, 17 SPLIT LOCK ZINC	F81058-1	7
15	NUT, M16-8 HEX NYLON ZINC LOCK	F81036-2	3
16	BOLT, M16X65-8.8-B HEX HEAD FULL THREAD ZINC	F81006-1	4
17	PIN, 24.9X82 ZINC-PLATED	713938-1	1
18	WASHER, 25 FLAT ZINC	F81061-3	4
19	PIN, S-FE 5X40 COTTER	F81043-31	4
20	PIN, 24.9X90 ZINC-PLATED	713939-1	1
21	V-BELT, OPTIBELT XPA L=1682	713990	5
22	WASHER, 16.3 SPLIT LOCK ZINC	F81058-2	1

REF.	DESCRIPTION (* indicates parts available in assemblies only)	PART #	QTY	
-	GUARD ASSEMBLY, PULLEY	716001	1	
23	GUARD WELDMENT, PULLEY	716002-1	1	
24	WASHER, 6.4 FLAT ZINC	F81053-1	3	
25	BOLT, M6X12 8.8 HEX HEAD FULL THREAD ZINC	F81001-7	3	
26	COVER, INSPECTION	714008-1	1	
27	WASHER, 5.3 FLAT ZINC	F81052-1	2	
28	NUT, M5-8 DIN985 HEX NYLON ZINC LOCK	F81030-2	2	

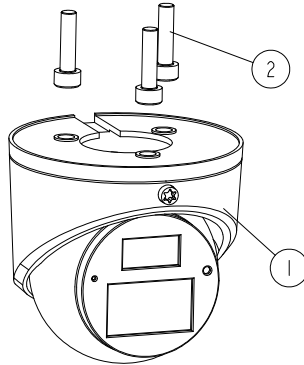
### 3.3 Sawdust Chute



REF.	DESCRIPTION (* Indicates Parts Available in Assemblies Only)	PART #	QTY
	<b>SAWDUST CHUTE, WB2000</b>	<b>713343</b>	<b>1</b>
1	CHUTE WELDMENT, SAWDUST	714845-1	1
2	TUBE WELDMENT, SAWDUST CHUTE	713291-1	1
3	WASHER, 8.4 FLAT ZINC	F81054-1	4
4	WASHER, 8.2 SPLIT LOCK ZINC	F81054-4	4
5	BOLT, M8X16-8.8-B HEX HEAD FULL THREAD ZINC	F81002-20	4
6	WASHER, 6.4 FLAT ZINC	F81053-1	4
7	WASHER, Z 6.1 SPLIT LOCK ZINC	F81053-3	4
8	BOLT, M6X16-8.8 HEX HEAD FULL THREAD ZINC	F81001-15	4

### 3.4 CCTV Camera Set

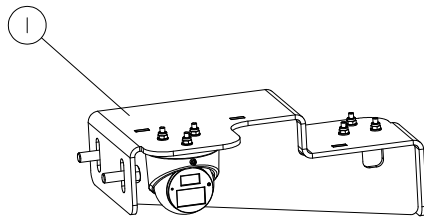
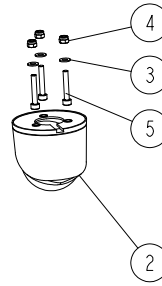
716894\_001\_A  
716894\_MANUAL



REF.	DESCRIPTION (* indicates parts available in assemblies only)	PART #	QTY	
-	<b>CAMERA SET, CCTV WB2000 (2)</b>	716894	1	
1	CAMERA, CCTV EL-AHD C202 MINI	553256	1	
2	SCREW, M4X16 8.8 HEX SOCKET HEAD CAP ZINC	F81011-56	3	

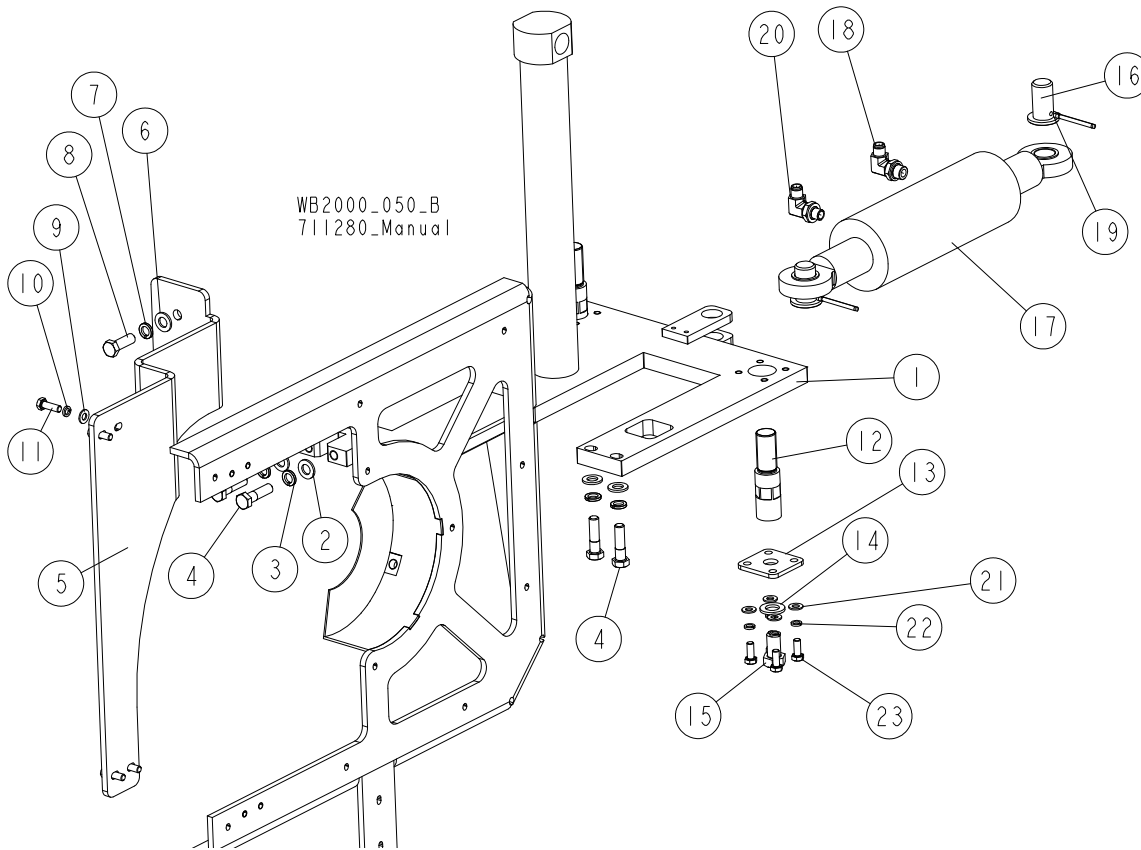
### 3.5 CCTV Camera Set

716893\_001  
716893\_MANUAL



REF.	DESCRIPTION (* indicates parts available in assemblies only)	PART #	QTY	
-	<b>CAMERA SET, CCTV WB2000 (4)</b>	716893	1	
1	CAMERA ASSEMBLY, SIDE <a href="#">See Section 3.24</a>	716707	1	
2	CAMERA, CCTV EL-AHD C202 MINI	553256	1	
3	WASHER, 4.3 FLAT ZINC	F81051-2	3	
4	NUT, M4-8 HEX NYLON ZINC LOCK	F81029-1	3	
5	SCREW, M4X25-8.8 HEX SOCKET HEAD CAP ZINC	F81011-3	3	

### 3.6 Blade Tension Plate Assembly



REF.	DESCRIPTION (◆ Indicates Parts Available in Assemblies Only)	PART #	QTY
1	PLATE ASSEMBLY, BLADE TENSION	717035-1	1
2	WASHER, 13 FLAT ZINC	F81056-1	4
3	WASHER, Z12.2 SPLIT LOCK ZINC	F81056-2	4
4	BOLT, M12X45 8.8 HEX HEAD ZINC	F81004-32	4
	<b>PLATE, IDLE SIDE STIFFENER - COMPLETE</b>	<b>717038</b>	<b>1</b>
5	PLATE, STIFFENER	717037-1	1
6	WASHER, 13 FLAT ZINC	F81056-1	2
7	WASHER, Z12.2 SPLIT LOCK ZINC	F81056-2	2
8	BOLT, M12X35 8.8 HEX HEAD FULL THREAD ZINC	F81004-24	2
9	WASHER, 8.4 FLAT ZINC	F81054-1	4
10	WASHER, 8.2 SPLIT LOCK ZINC	F81054-4	4
11	BOLT, M8X25-8.8-B HEX HEAD FULL THREAD ZINC	F81002-5	4
12	BOLT, ADJUSTMENT	710178-1	2
13	PLATE	711432-1	2
14	WASHER, 17 SPLIT LOCK ZINC	F81058-1	2
15	BOLT, M16X30-8.8 HEX HEAD FULL THREAD ZINC	F81006-36	2
	<b>COMPLETE CYLINDER</b>	<b>710814</b>	<b>1</b>
16	PIN	716009-1	2
17	CYLINDER, CJ-S582-20-80/45/100	711350 <sup>1</sup>	1
18	FITTING, 90\$ - 3/8 BSP - 9/16 JIC ELBOW	096335	1
19	PIN, S-FE 5X40 COTTER	F81043-31	2
20	FITTING, 1/4 BSP - 9/16 JIC ELBOW	711399	1

**3****SAW HEAD***Blade Tension Plate Assembly*

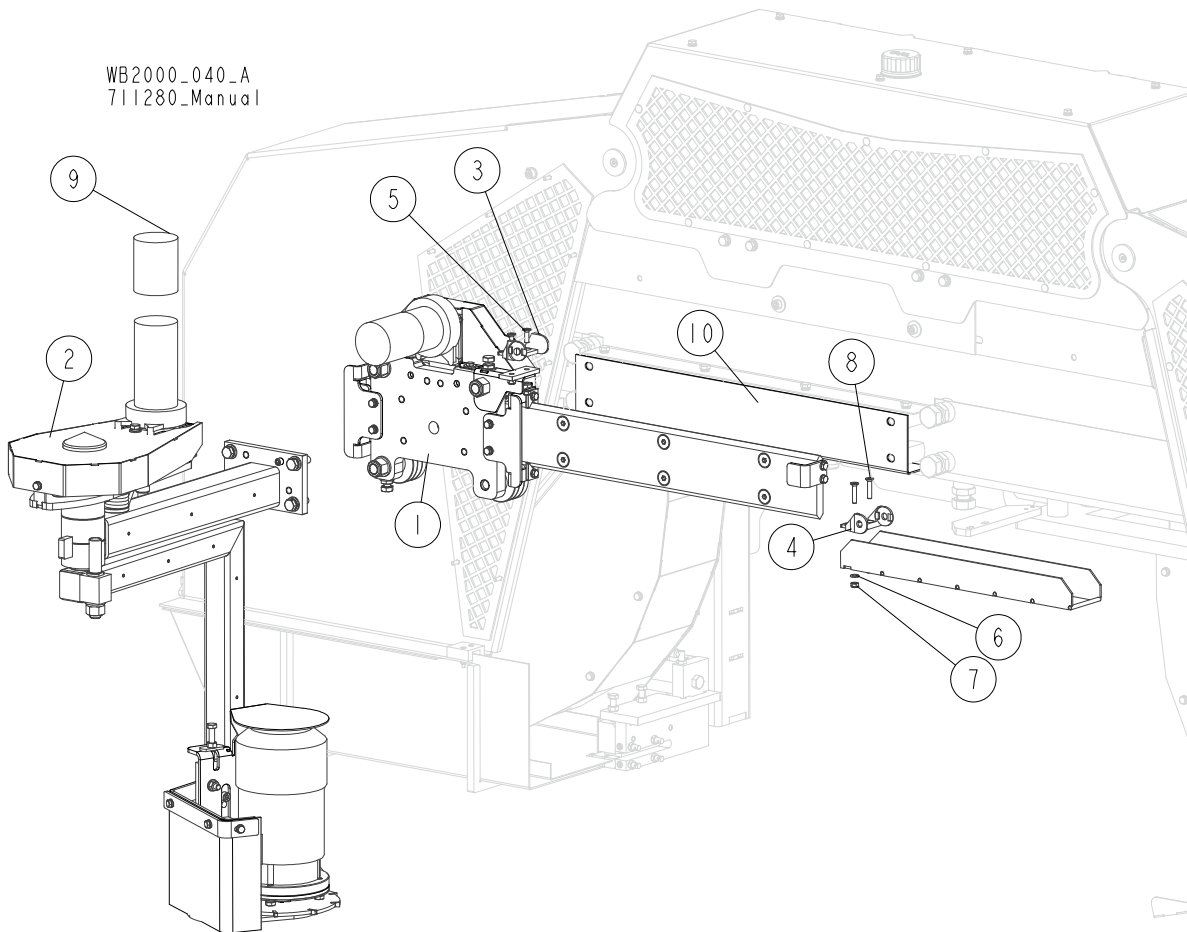
---

REF.	DESCRIPTION (◆ Indicates Parts Available in Assemblies Only)	PART #	QTY	
21	WASHER, 8.4 FLAT ZINC	F81054-1	8	
22	WASHER, 8.2 SPLIT LOCK ZINC	F81054-4	8	
23	BOLT, M8X20 8.8 HEX HEAD FULL THREAD ZINC	F81002-4	8	

<sup>1</sup> Seal kit - 714913

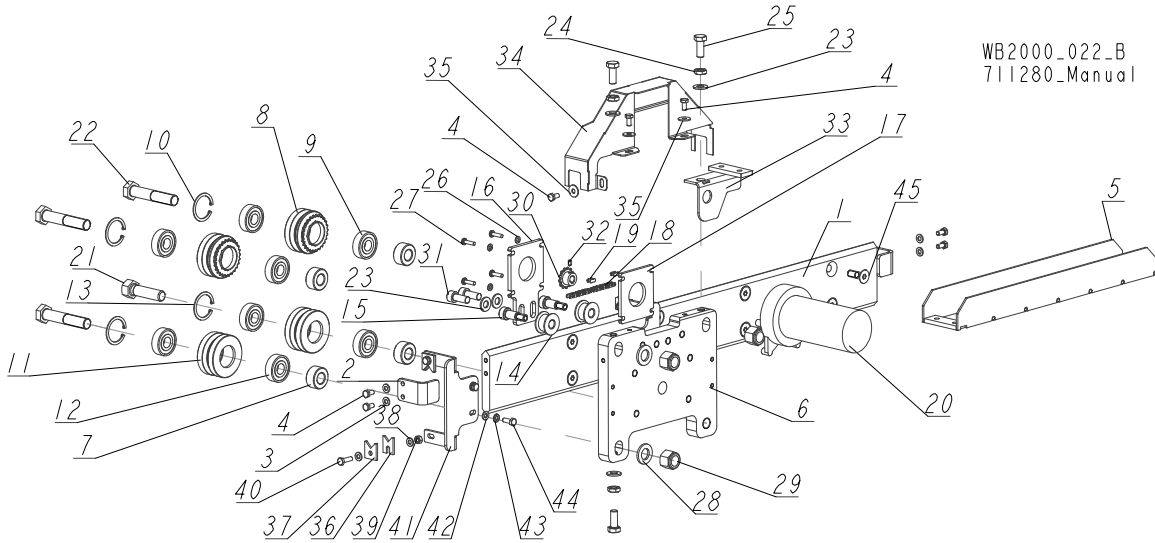


### 3.7 Debarker w/Drive



REF.	DESCRIPTION (* indicates parts available in assemblies only)	PART #	QTY
-	DEBARKER W/DRIVE - COMPLETE	711380	1
1	RAIL ASSEMBLY, DEBARKER TRACK <a href="#">See Section 3.8</a>	710811	1
2	DEBARKER, WB2000 <a href="#">See Section 3.21</a>	710265	1
3	BRACKET, 14050.2PZ MOUNTING	512945_2PZ	1
4	BRACKET, 14050.1PZ MOUNTING	512945_1PZ	1
5	SCREW, M6X20-10.9 FLAT SOCKET HEAD CAP ZINC	F81001-17	2
6	WASHER, 6.4 FLAT ZINC	F81053-1	3
7	NUT, M6-8-B HEX NYLON ZINC LOCK	F81031-2	4
8	SCREW, M6X30-10.9 FLAT SOCKET HEAD CAP ZINC	F81001-67	2
9	CAP, 2,5" IDX2" RUBBER	023720	2
10	PLATE	715034-1	1

3.8 Debarker Track Rail Assembly

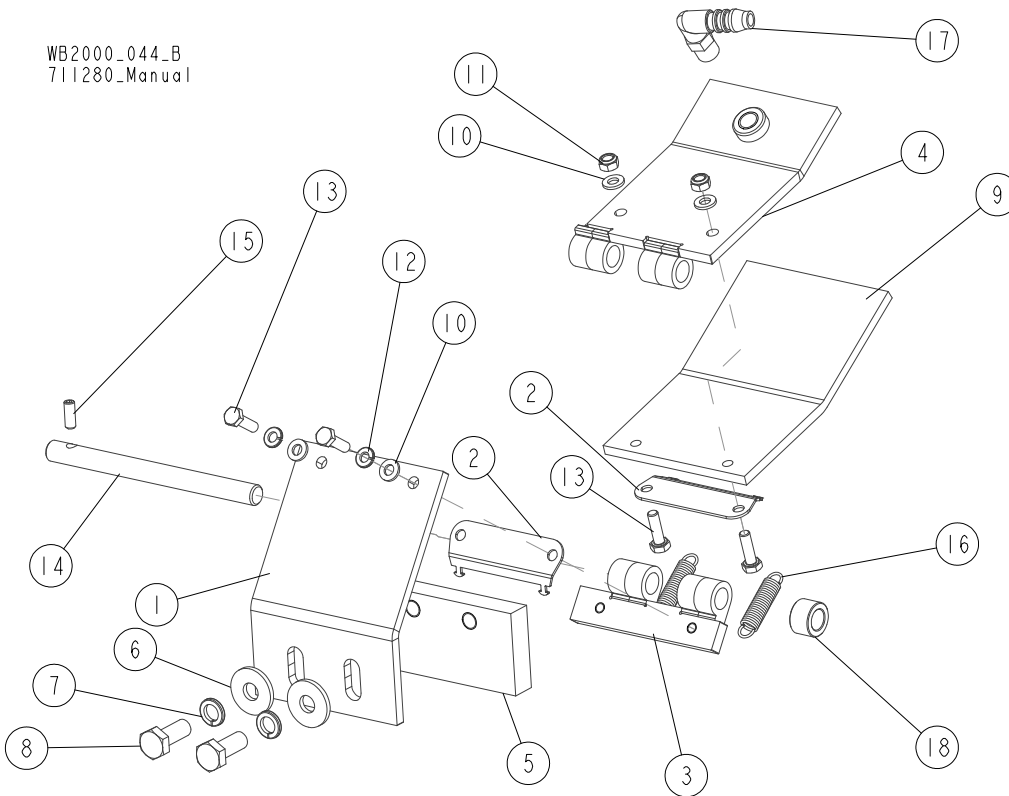


REF.	DESCRIPTION (◆ Indicates Parts Available in Assemblies Only)	PART #	QTY
	<b>RAIL ASSEMBLY, DEBARKER TRACK</b>	<b>710811</b>	<b>1</b>
1	RAIL, DEBARKER TRACK	713344-1	1
2	PLATE, STOP	711828-1	2
3	WASHER, 6.4 FLAT ZINC	F81053-1	4
4	BOLT, M6X12 8.8 HEX HEAD FULL THREAD ZINC	F81001-7	7
5	BRACKET, CABLE CARRIER SUPPORT	710650-1	1
	<b>DRIVE ASSEMBLY</b>	<b>710259</b>	<b>1</b>
6	PLATE, DEBARKER DRIVE MOUNT	710258-1	1
7	BUSHING, 16/32-16 ZINC-PLATED	090804-1	4
	<b>ROLLER ASSEMBLY, BLADE GUIDE DRIVE</b>	<b>042542</b>	<b>2</b>
8	ROLLER ASSEMBLY, BLADE GUIDE PRESSED DRIVE	042541	1
9	BEARING, 5/8X1.7548X.4724	P06030-1	2
10	RING, 1,575 INTERNAL BEVELED RETAINING	F04254-8	1
	<b>ROLLER ASSEMBLY, BLADE GUIDE IDLER</b>	<b>042543</b>	<b>2</b>
11	ROLLER, 2 /12 V-GROOVE	042536	1
12	BEARING, 5/8X1.7548X.4724	P06030-1	2
13	RING, 1,575 INTERNAL BEVELED RETAINING	F04254-8	1
14	ROLLER, CHAIN GUIDE	090801	2
15	BOLT, 12/M10X20 12.9 ISO7379 BOSSARD SHOULDER	F81003-68	2
16	PLATE, BLADE GUIDE MOTOR MOUNT	090803-1	1
17	PLATE, SPACER	090802-1	1
	<b>CHAIN, BLADE GUIDE ARM DRIVE</b>	<b>093805</b>	<b>1</b>
18	CHAIN, #25X92 PITCHES BLADE GUIDE	042443	2
19	LINK, MASTER	P09983	2
20	MOTOR ASSEMBLY, 24V GEAR	035659	1
21	BOLT, 5/8-18X2 1/4 HEX HEAD GRADE 5	F05009-80	1
22	BOLT, 5/8-18X3 1/4 HEX HEAD GRADE 5	F05009-98	3
23	WASHER, 10.5 FLAT ZINC	F81055-1	5
24	NUT, M10-04-A HEX THIN ZINC	F81033-6	3
25	BOLT, M10X25 8.8 HEX HEAD FULL THREAD ZINC	F81003-11	3

REF.	DESCRIPTION (◆ Indicates Parts Available in Assemblies Only)	PART #	QTY	
26	WASHER, 5.3 FLAT ZINC	F81052-1	4	
27	BOLT, #10-32X3/4 CrS1 PH	F05004-38	4	
28	WASHER, 17 SPLIT LOCK ZINC	F81058-1	2	
29	NUT, 5/8-18 HEX NYLON ZINC LOCK	F05010-71	3	
30	SPROCKET, Z=13 (CHAIN #25)	710895	1	
31	SCREW, M10X25 8.8 HEX SOCKET HEAD CAP ZINC	F81003-32	2	
32	SCREW, M4X8 GEOMET HEX SOCKET SET W/FLAT POINT	F81011-40	1	
33	HANDLE, ADDITIONAL - COMPLETE	710655-1	1	
34	GUARD, DEBARKER DRIVE	711053-1	1	
35	WASHER, 6.5 SPECIAL FLAT ZINC	F81053-11	3	
	<b>SCRAPER ASSEMBLY</b>	<b>711840</b>	<b>1</b>	
	<b>COMPLETE SCRAPER</b>	<b>711833</b>	<b>4</b>	
36	SCRAPER	711831	1	
37	PLATE	711832-1	1	
38	WASHER, 6.4 FLAT ZINC	F81053-1	2	
39	NUT, M6 8 HEX ZINC	F81031-1	1	
40	BOLT, M6X20 8.8 HEX HEAD FULL THREAD ZINC	F81001-2	1	
41	BRACKET, SCRAPER MOUNT	711834-1	2	
42	WASHER, 6.4 FLAT ZINC	F81053-1	4	
43	WASHER, 6,1 DIN 127 (A2-304) STAINLESS STEEL SPRING	F81053-4	4	
44	BOLT, M6X16-8.8 HEX HEAD FULL THREAD ZINC	F81001-15	4	
45	SCREW, M10X30-10.9 FLAT SOCKET HEAD CAP ZINC	F81003-104	8	

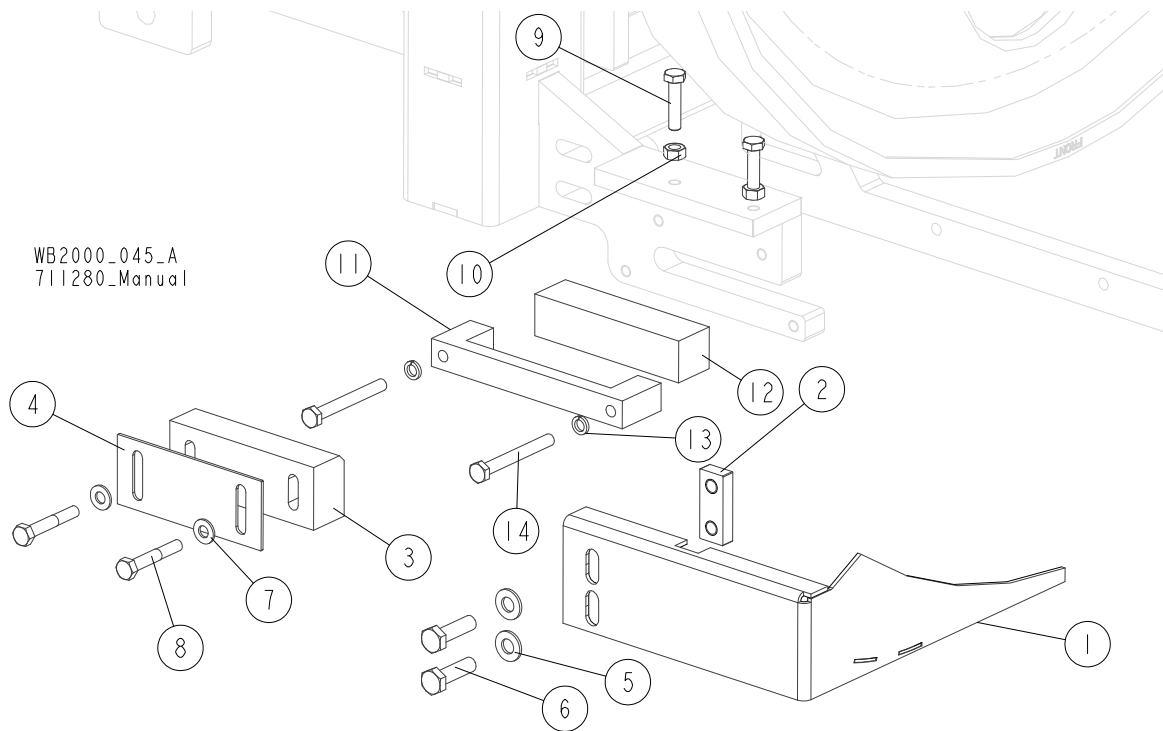
3.9 Blade Wheel Wiper & Scraper

WB2000\_044\_B  
711280\_Manual



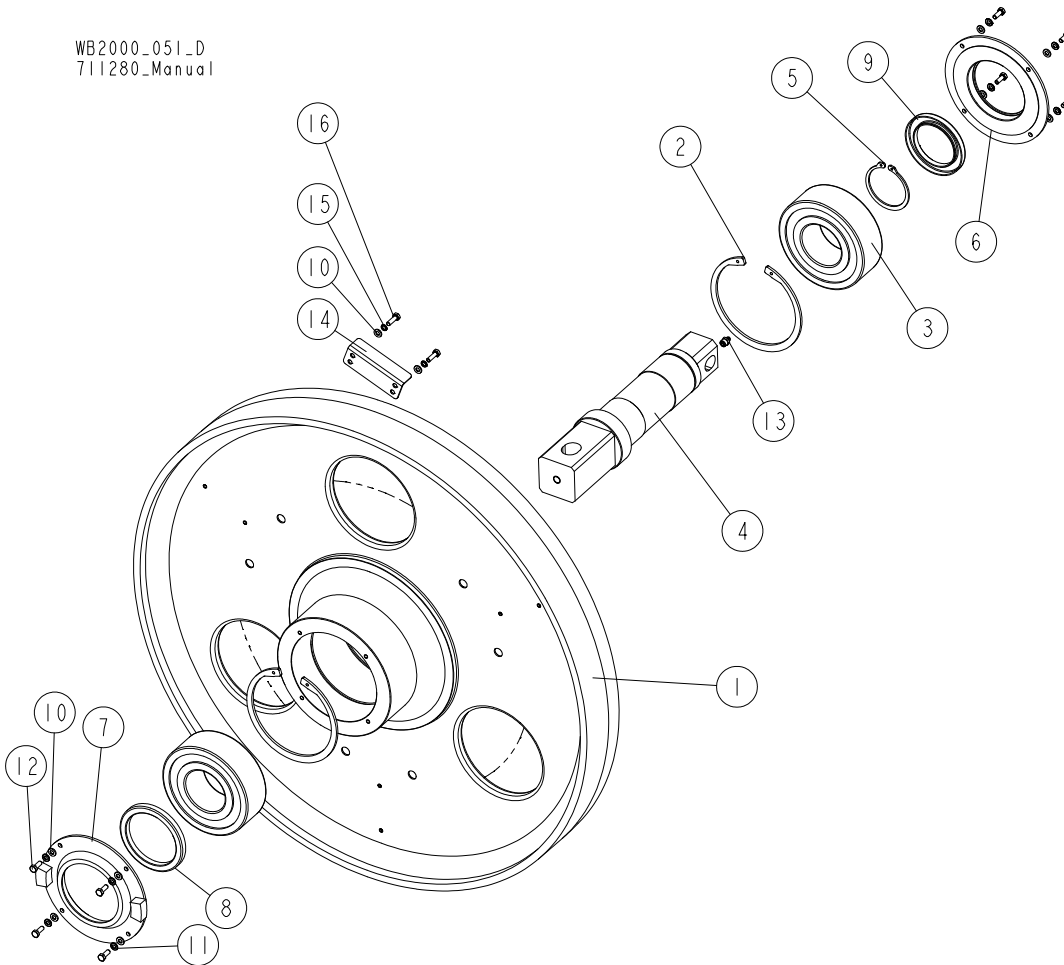
REF.	DESCRIPTION (◆ Indicates Parts Available in Assemblies Only)	PART #	QTY
	<b>WIPER/SCRAPER ASSEMBLY, IDLE-SIDE BLADE WHEEL</b>	<b>711210</b>	<b>1/0</b>
	<b>WIPER/SCRAPER ASSEMBLY, DRIVE-SIDE BLADE WHEEL</b>	<b>711205</b>	<b>0/1</b>
1	PLATE, SCRAPER MOUNT	711426-1	1/0
	PLATE, SCRAPER MOUNT	711427-1	0/1
2	PLATE, SPRING HOOK	710204-1	2
3	BRACKET, SCRAPER MOUNT	710211-1	1/0
	BRACKET, SCRAPER MOUNT	710208-1	0/1
4	MOUNT WELDMENT, FELT	710217-1	1/0
	MOUNT WELDMENT, FELT	710203-1	0/1
5	SCRAPER	713262	1
6	WASHER, 10.5 SPECIAL FLAT ZINC	F81055-6	2
7	WASHER, Z 10.2 SPLIT LOCK ZINC	F81055-2	2
8	BOLT, M10X25 8.8 HEX HEAD FULL THREAD ZINC	F81003-11	2
9	FELT	710214	1/0
	FELT	710201	0/1
10	WASHER, 6.4 FLAT ZINC	F81053-1	4
11	NUT, M6-8-B HEX NYLON ZINC LOCK	F81031-2	2
12	WASHER, 6,1 DIN 127 (A2-304) STAINLESS STEEL SPRING	F81053-4	2
13	BOLT, M6X20 8.8 HEX HEAD FULL THREAD ZINC	F81001-2	4
14	ROD, N12X151	711207-1	1
15	SCREW, M6X16-45H HEX SOCKET SET FLAT POINT ZINC	F81001-10	1
16	SPRING, VANEL	714601	2
17	FITTING, WES 10/R 1/4 ELBOW	088379	1
18	BUSHING, 20/12-13 SPACER	511722-1	1

### 3.10 Fixed Blade Guide



REF.	DESCRIPTION (* indicates parts available in assemblies only)	PART #	QTY
-	<b>FIXED BLADE GUIDE</b>	715519	1
1	GUARD WELDMENT, WHEEL	715442-1	1
2	PLATE	710034-1	1
3	BLOCK, BLADE GUIDE	711079	1
4	PLATE	711219-1	1
5	WASHER, 10.5 FLAT ZINC	F81055-1	2
6	BOLT, M10X35 8.8 HEX HEAD FULL THREAD ZINC	F81003-17	2
7	WASHER, 8.4 FLAT ZINC	F81054-1	2
8	BOLT, M8X50 -8.8 HEX HEAD ZINC	F81002-10	2
9	BOLT, M8X35-8.8 HEX HEAD FULL THREAD ZINC	F81002-13	2
10	NUT, M8-8-B HEX ZINC	F81032-1	2
11	CLAMP	715483-1	1
12	BLOCK, BLADE GUIDE	715482	1
13	WASHER, 8.2 SPLIT LOCK ZINC	F81054-4	2
14	BOLT, M8X70-8.8 HEX HEAD ZINC	F81002-71	2

## 3.11 Blade Wheel Assembly, Idle Side

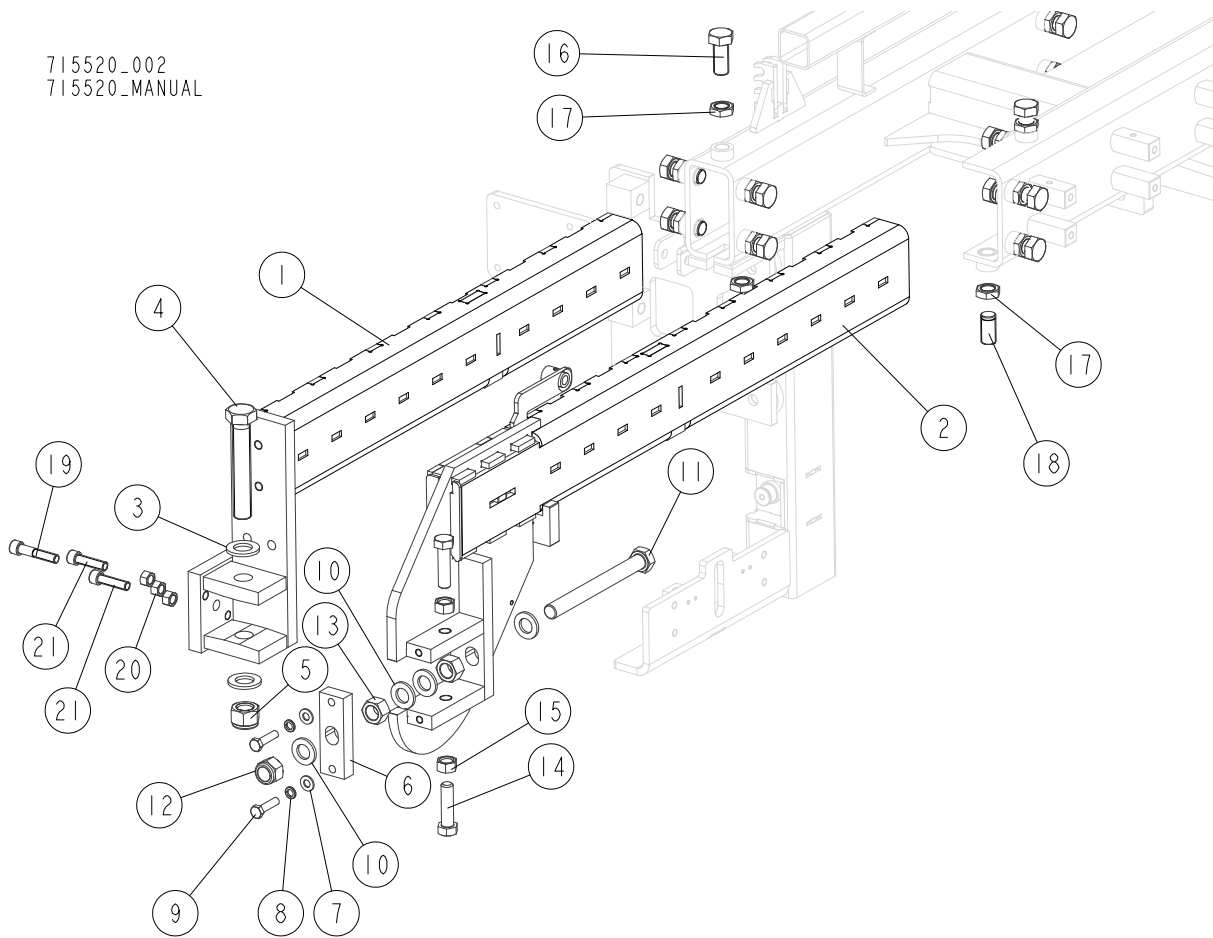
WB2000\_051\_D  
711280\_Manual

REF.	DESCRIPTION (* indicates parts available in assemblies only)	PART #	QTY
-	WHEEL ASSEMBLY, IDLE SIDE BLADE (86)	715499-1 <sup>1</sup>	1
-	WHEEL ASSEMBLY, IDLE SIDE BLADE (63)	715504-1 <sup>2</sup>	1
1	WHEEL, BLADE	713176 <sup>3</sup>	1
	WHEEL, BLADE (63)	714676 <sup>4</sup>	1
2	RING, W150 INSIDE RETAINING	F81090-43	2
3	BEARING, NJ2314E.TVP2 CYLINDRICAL ROLLER	503932	2
4	SHAFT, BLADE WHEEL	715358	1
5	RING, Z70 OUTSIDE RETAINING	F81090-56	1
6	COVER	710004-1	1
7	COVER	715989-1	1
8	RING, CC88X110X10 SEALING	715495	1
9	RING, CC70X100X10 SEALING	710802	1
10	WASHER, 6.4 FLAT ZINC	F81053-1	14
11	WASHER, 6,1 DIN 127 (A2-304) STAINLESS STEEL SPRING	F81053-4	8
12	BOLT, M6X16-8.8 HEX HEAD FULL THREAD ZINC	F81001-15	8
13	FITTING, M10X1 STRAIGHT GREASE	710834	1
14	WING	713554	3
15	WASHER, Z 6.1 SPLIT LOCK ZINC	F81053-3	6
16	BOLT, M6X20 8.8 HEX HEAD FULL THREAD ZINC	F81001-2	6

- 1 4" Idle Side Wheel Assembly
- 2 3" Idle Side Wheel Assembly
- 3 4" Idle Side Wheel
- 4 3" Idle Side Wheel

### 3.12 Blade Wheel Mounting Tubes

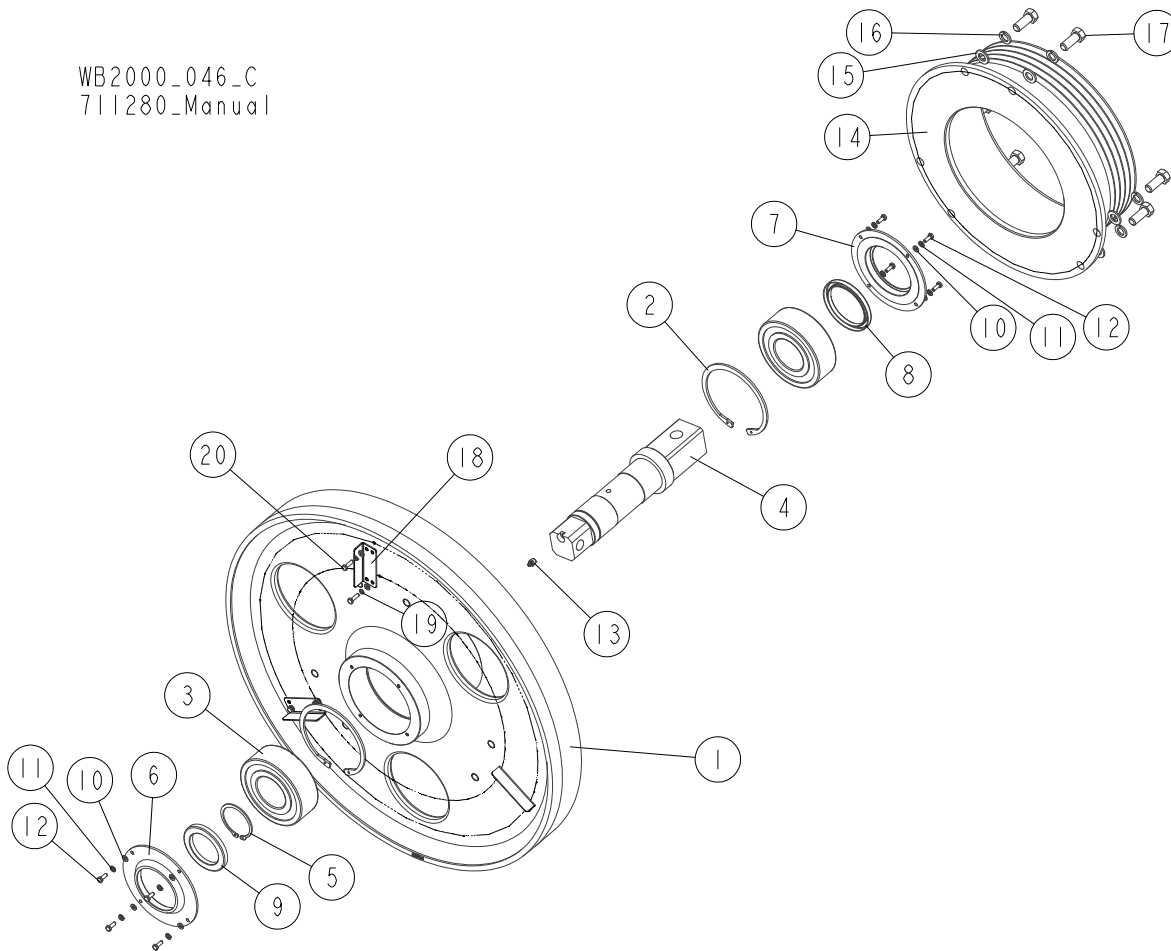
715520\_002  
715520\_MANUAL



REF.	DESCRIPTION (* indicates parts available in assemblies only)	PART #	QTY
1	TUBE WELDMENT, WHEEL MOUNT - LEFT	715161-1	1
2	TUBE WELDMENT, WHEEL MOUNT - RIGHT	715145-1	1
3	WASHER, 25 ZINC	F81061-3	2
4	BOLT, M24X140 8.8 HEX HEAD FULL THREAD ZINC	F81009-14	1
5	NUT, M24X2 HEX NYLON ZINC LOCK	F81039-10	1
6	BLOCK	715352-1	1
7	WASHER, 10.5 FLAT ZINC	F81055-1	2
8	WASHER, Z 10.2 SPLIT LOCK ZINC	F81055-2	2
9	BOLT, M10X40-8.8 HEX HEAD FULL THREAD ZINC	F81003-16	2
10	WASHER, 21 FLAT ZINC	F81059-2	4
11	BOLT, M20X1.5X200-8.8 HEX HEAD	F81007-28	1
12	NUT, ISO10512-M20X1.5-8-A2 HEX SELF-LOCKING	F81037-5	1
13	NUT, M20X1.5 -8 HEX ZINC	F81037-11	2
14	BOLT, M16X60-8.8 HEX HEAD FULL THREAD ZINC	F81006-12	2
15	NUT, M16-8 HEX ZINC	F81036-1	2
16	SCREW, ISO 4018 M20X45-HEX HEAD - BRASS	F81007-29	22
17	NUT, M20 FE/ZN5 ISO 4035 THIN ZINC	F81037-9	24
18	SCREW, M20X40 -45H HEX SOCKET ZINC SET W/FLAT POINT	F81018-2	2
19	SCREW, ISO 4762 M12X60-8.8-A2E HEX SOCKET HEAD CAP	F81004-100	1
20	NUT, M12-8 HEX ZINC	F81034-1	3
21	SCREW, M12X45-8.8-B HEX SOCKET HEAD CAP ZINC	F81004-93	2



## 3.13 Blade Wheel Assembly, Drive Side

WB2000\_046\_C  
711280\_Manual

REF.	DESCRIPTION (* indicates parts available in assemblies only)	PART #	QTY
-	<b>BLADE WHEEL ASSEMBLY, DRIVE SIDE (86)</b>	715498-1 <sup>1</sup>	1
-	<b>BLADE WHEEL ASSEMBLY, DRIVE SIDE (63)</b>	715501-1 <sup>2</sup>	1
1	WHEEL, BLADE	713176 <sup>3</sup>	1
	WHEEL, BLADE (63)	714676 <sup>4</sup>	1
2	RING, W150 INSIDE RETAINING	F81090-43	2
3	BEARING, NJ2314E.TVP2 CYLINDRICAL ROLLER	503932	2
4	SHAFT, BLADE WHEEL	715348	1
5	RING, Z70 OUTSIDE RETAINING	F81090-56	1
6	COVER	710004-1	1
7	COVER	715409-1	1
8	RING, CC88X110X10 SEALING	715495	1
9	RING, CC70X100X10 SEALING	710802	1
10	WASHER, 6.4 FLAT ZINC	F81053-1	14
11	WASHER, 6,1 DIN 127 (A2-304) STAINLESS STEEL SPRING	F81053-4	8
12	BOLT, M6X16-8.8 HEX HEAD FULL THREAD ZINC	F81001-15	8
13	FITTING, M10X1 STRAIGHT GREASE	710834	1
14	PULLEY	711201	1
15	WASHER, 17 SPLIT LOCK ZINC	F81058-1	6
16	WASHER, 16.3 SPLIT LOCK ZINC	F81058-2	6
17	BOLT, M16X40-8.8 HEX HEAD FULL THREAD ZINC	F81006-13	6

**3****SAW HEAD***Blade Wheel Assembly, Drive Side*

---

REF.	DESCRIPTION (* indicates parts available in assemblies only)	PART #	QTY	
18	WING	713554-1	3	
19	WASHER, Z 6.1 SPLIT LOCK ZINC	F81053-3	6	
20	BOLT,M6X20 8.8 HEX HEAD FULL THREAD ZINC	F81001-2	6	

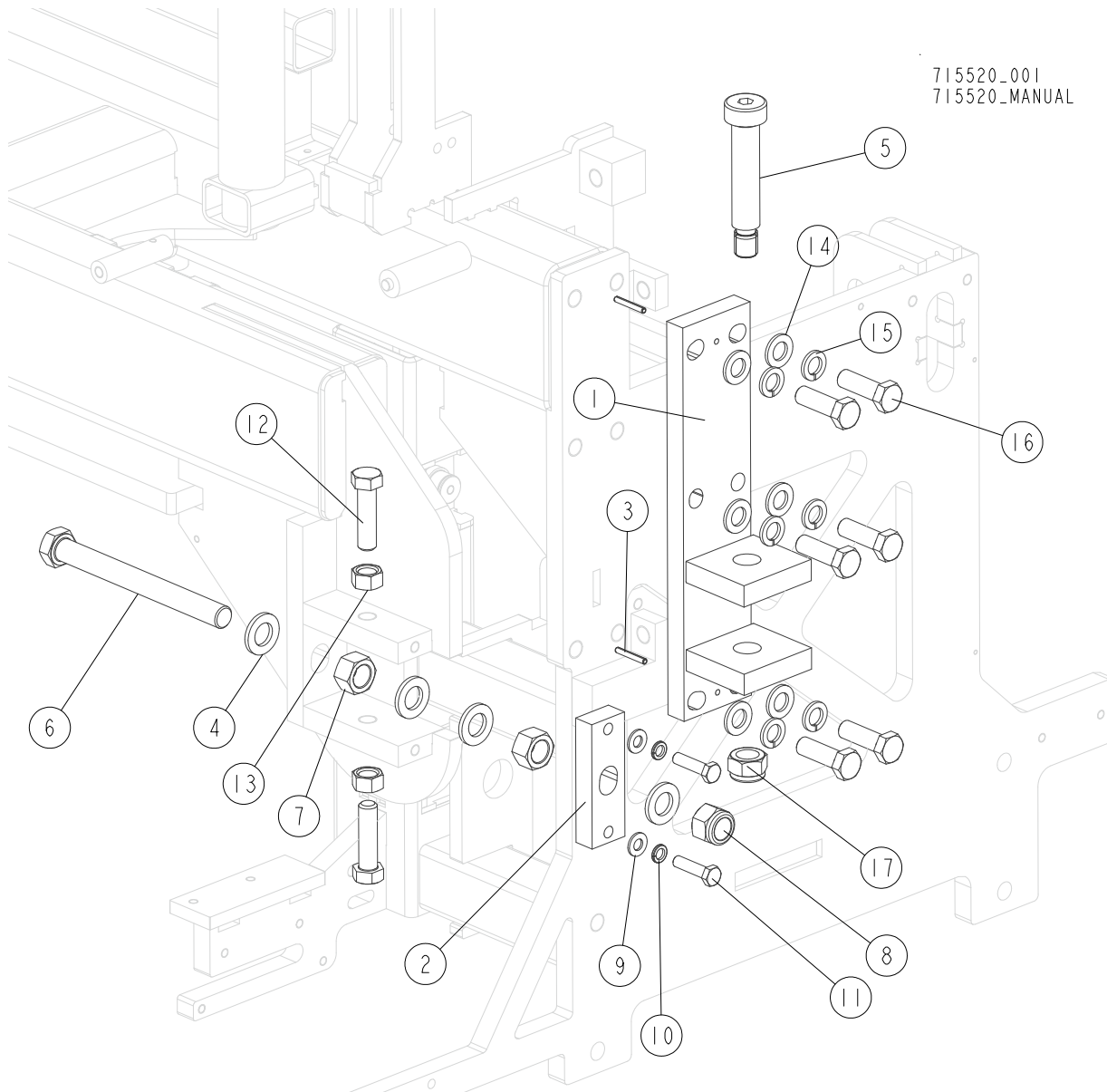
<sup>1</sup> 4" Drive Side Wheel Assembly

<sup>2</sup> 3" Drive Side Wheel Assembly

<sup>3</sup> 4" Drive Side Wheel

<sup>4</sup> 3" Drive Side Wheel

### 3.14 Blade Wheel Shaft Bracket



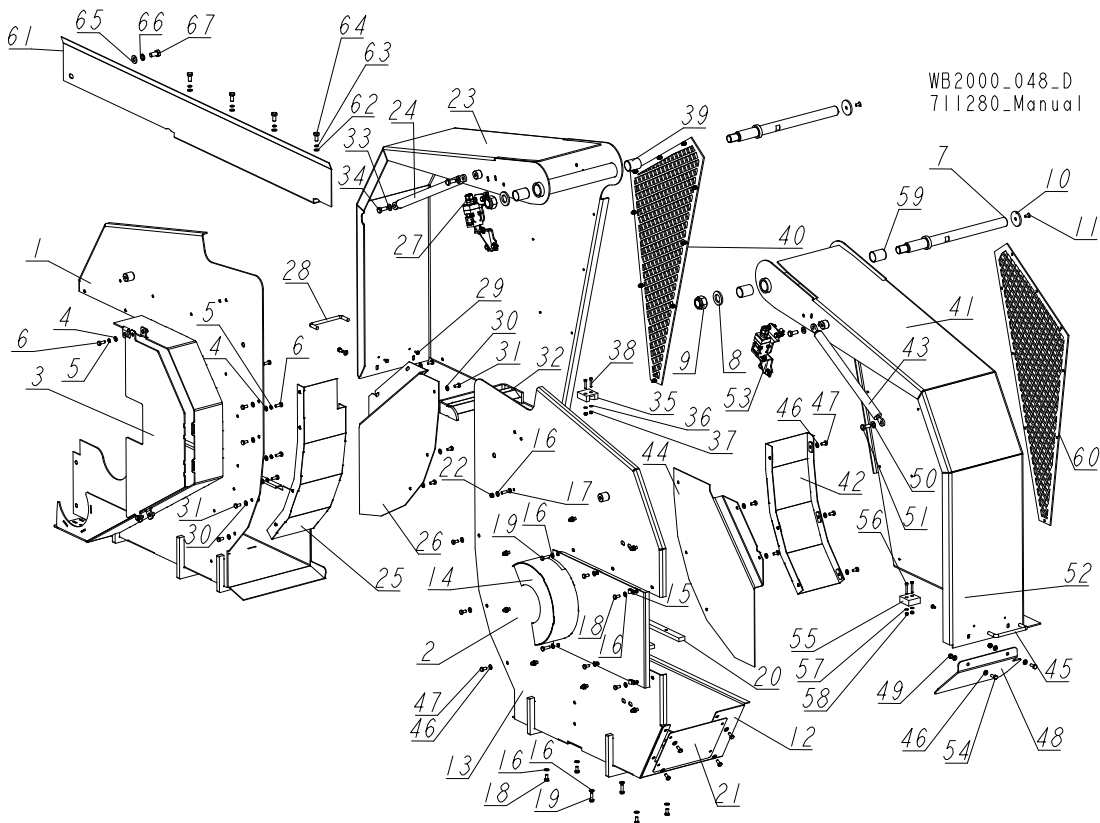
REF.	DESCRIPTION (* indicates parts available in assemblies only)	PART #	QTY
1	BRACKET, BLADE WHEEL SHAFT MOUNT	715349-1	1
2	BLOCK	715352-1	1
3	PIN, 5X35-N-C PN-EN ISO8752. ROLL	F81044-9	2
4	WASHER, 21 FLAT ZINC	F81059-2	4
5	BOLT, 24/M20X100-12.9-ISO7379 (BOSSARD - 1168983) SHOULDER	F81006-72	1
6	BOLT, M20X1.5X200-8.8 HEX HEAD	F81007-28	1
7	NUT, M20X1.5 -8 HEX ZINC	F81037-11	2
8	NUT, ISO10512-M20X1.5-8-A2 HEX SELF-LOCKING	F81037-5	1
9	WASHER, 10.5 FLAT ZINC	F81055-1	2
10	WASHER, Z 10.2 SPLIT LOCK ZINC	F81055-2	2
11	BOLT, M10X40-8.8 HEX HEAD FULL THREAD ZINC	F81003-16	2
12	SCREW, M16X45 -33H HEX SOCKET ZINC SET W/FLAT POINT	F81017-3	2
13	WASHER, 16.3 SPLIT LOCK ZINC	F81058-2	8
14	NUT, M16 8 THIN ZINC	F81036-4	2

**3****SAW HEAD***Blade Wheel Shaft Bracket*

---

REF.	DESCRIPTION (* indicates parts available in assemblies only)	PART #	QTY	
15	BOLT, M16X60-8.8 HEX HEAD FULL THREAD ZINC	F81006-12	2	
16	NUT, M16-8 HEX ZINC	F81036-1	2	
17	WASHER, 17 SPLIT LOCK ZINC	F81058-1	6	
18	BOLT, M16X50-8.8 HEX HEAD FULL THREAD ZINC	F81006-38	6	
19	NUT, M20-8 DIN985 HEX NYLON ZINC LOCK	F81037-2	1	

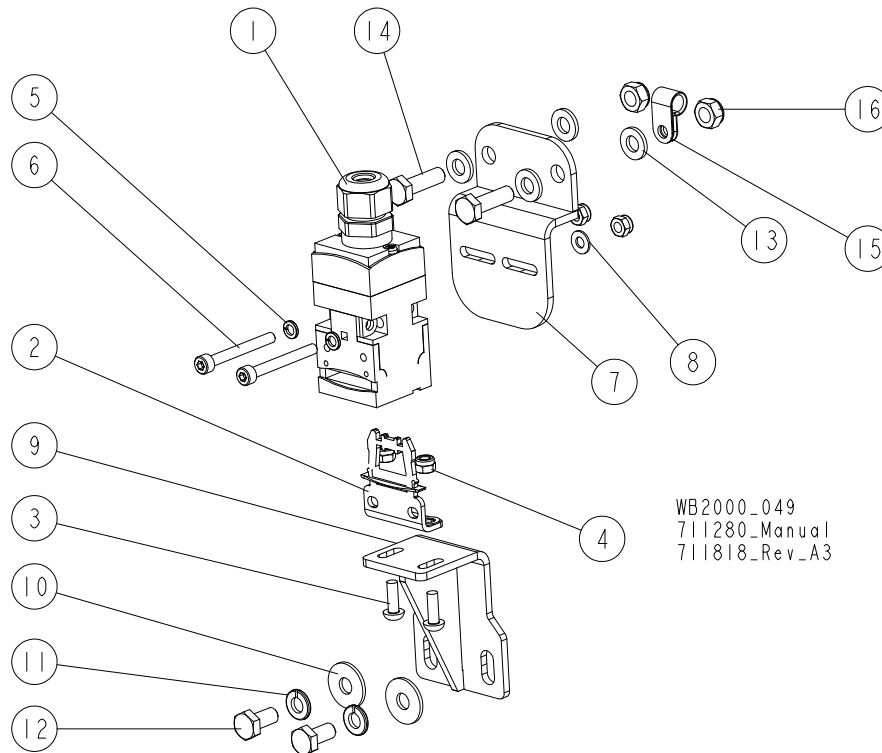
### 3.15 Blade Wheel Guards



REF.	DESCRIPTION (* indicates parts available in assemblies only)	PART #	QTY
1	GUARD SET, REAR RIGHT	715997	1
2	GUARD WELDMENT, REAR RIGHT	715998-1	1
3	GUARD, PULLEY	714951-1	1
4	WASHER, 6.4 FLAT ZINC	F81053-1	10
5	WASHER, Z 6.1 SPLIT LOCK ZINC	F81053-3	10
6	BOLT, M6X16-8.8 HEX HEAD FULL THREAD ZINC	F81001-15	10
7	ROD, N35/N21X348	714934-1	2
8	WASHER, 21 FLAT ZINC	F81059-2	2
9	NUT, M20-8 DIN985 HEX NYLON ZINC LOCK	F81037-2	2
10	WASHER, 7/25-3	711355	2
11	SCREW, M6X12-10.9 FLAT SOCKET HEAD CAP	F81001-54	2
12	GUARD SET, REAR LEFT	715973	1
13	GUARD, REAR LEFT	715974-1	1
14	GUARD, REAR MIDDLE	715977-1	1
15	ELEMENT, EE63 MOUNTING	F81080-4	2
16	WASHER, 6.4 FLAT ZINC	F81053-1	32
17	BOLT, M6X25 -8.8 HEX HEAD FULL THREAD ZINC	F81001-3	8
18	BOLT, M6X12 8.8 HEX HEAD FULL THREAD ZINC	F81001-7	12
19	BOLT, M6X20 8.8 HEX HEAD FULL THREAD ZINC	F81001-2	4
20	BAR	714841	2
21	PLATE	714842-1	1
22	NUT, M6-8-B HEX NYLON ZINC LOCK	F81031-2	8
-	GUARD SET, RIGHT SIDE	714941	1

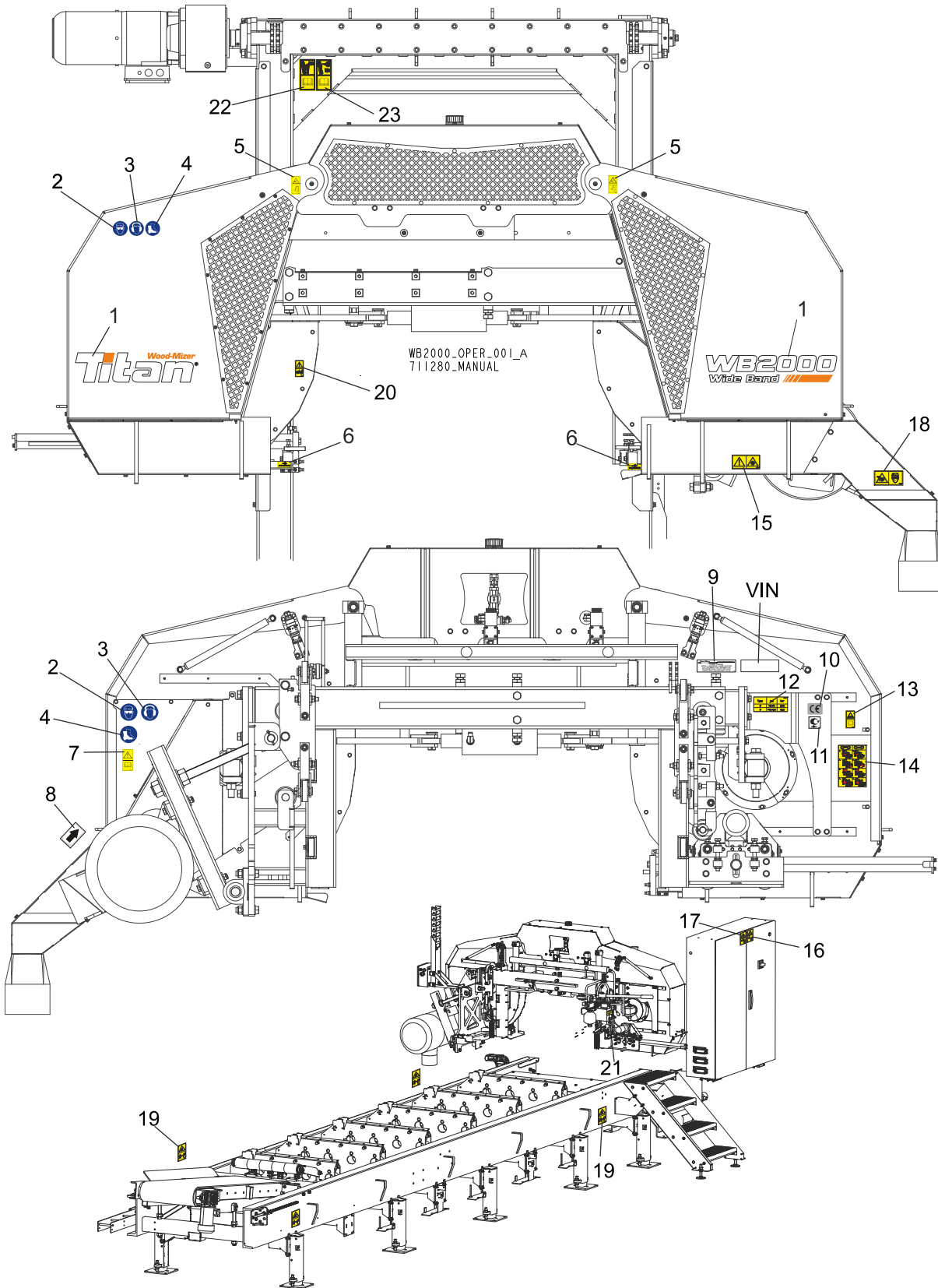
REF.	DESCRIPTION (* indicates parts available in assemblies only)	PART #	QTY	
23	GUARD, FRONT	714645-1	1	
24	SPRING, 700N GAS	714891	1	
25	GUARD, RIGHT INSIDE	713335-1	1	
26	GUARD, RIGHT INSIDE	713285-1	1	
27	SWITCH ASSEMBLY, SAFETY <a href="#">See Section 3.16</a>	711818	1	
28	HANDLE, 4 W/BOLT	P08065	1	
29	BOLT, #8-32X3/8 SELF TAP	F05015-8	2	
30	WASHER, 6.4 FLAT ZINC	F81053-1	11	
31	BOLT, M6X12 8.8 HEX HEAD FULL THREAD ZINC	F81001-7	11	
32	COVER, RUBBER	713340-1	1	
33	WASHER, 8.4 FLAT ZINC	F81054-1	2	
34	BOLT, M8X20-8.8 HEX HEAD FULL THREAD ZINC	F81002-1	2	
35	BLOCK, STIFFENER	713557	1	
36	WASHER, 4.3 FLAT ZINC	F81051-2	2	
37	NUT, M4-8 HEX NYLON ZINC LOCK	F81029-1	2	
38	SCREW, M4X20 8.8 HEX SOCKET HEAD CAP ZINC	F81011-31	2	
39	BUSHING, 25/28-35 - IGUS GSM-2528-35	715069	2	
40	GRID, COMPLETE FRONT	714870	1	
-	GUARD SET, LEFT SIDE	714938	1	
41	COVER, FRONT	714647-1	1	
42	GUARD, LEFT INSIDE	713332-1	1	
43	SPRING, 700N GAS	714891	1	
44	GUARD, LEFT INSIDE	713287-1	1	
45	HANDLE, 4 W/BOLT	P08065	1	
46	WASHER, 6.4 FLAT ZINC	F81053-1	12	
47	BOLT, M6X12 8.8 HEX HEAD FULL THREAD ZINC	F81001-7	8	
48	GUARD, INSIDE	713283-1	1	
49	NUT, M6-8-B HEX NYLON ZINC LOCK	F81031-2	2	
50	WASHER, 8.4 FLAT ZINC	F81054-1	2	
51	BOLT, M8X20-8.8 HEX HEAD FULL THREAD ZINC	F81002-1	2	
52	BOLT, #8-32X3/8 SELF TAP	F05015-8	2	
53	SWITCH ASSEMBLY, SAFETY <a href="#">See Section 3.16</a>	711818	1	
54	BOLT, M6X16-8.8 HEX HEAD FULL THREAD ZINC	F81001-15	2	
55	BLOCK, STIFFENER	713557	1	
56	SCREW, M4X25-8.8 HEX SOCKET HEAD CAP ZINC	F81011-3	2	
57	WASHER, 4.3 FLAT ZINC	F81051-2	2	
58	NUT, M4-8 HEX NYLON ZINC LOCK	F81029-1	2	
59	BUSHING, 25/28-35 - IGUS GSM-2528-35	715069	2	
60	GRID, COMPLETE FRONT	714870	1	
-	GUARD, UPPER COMPLETE	713329	1	
61	PLATE, COVER	713328-1	1	
62	WASHER, 6.4 FLAT ZINC	F81053-1	4	
63	WASHER, Z 6.1 SPLIT LOCK ZINC	F81053-3	4	
64	BOLT, M8X16-8.8-B HEX HEAD FULL THREAD ZINC	F81002-20	4	
65	WASHER, 10.5 FLAT ZINC	F81055-1	1	
66	WASHER, Z 10.2 SPLIT LOCK ZINC	F81055-2	1	
67	BOLT, M10X20-8.8 HEX HEAD FULL THREAD ZINC	F81003-1	1	

### 3.16 Safety Switch, Blade Wheel Housing



REF.	DESCRIPTION (◆ Indicates Parts Available in Assemblies Only)	PART #	QTY
	<b>SWITCH ASSEMBLY, SAFETY</b>	<b>711818</b>	<b>1</b>
1	SWITCH, AZ17-11ZRK SAFETY	094232	1
2	KEY, AZ17/170-B5	094422	1
3	SCREW, M4X12 -5,8-B CROSS RECESSED PAN HEAD ZINC	F81011-43	2
4	NUT, M4-8 HEX NYLON ZINC LOCK	F81029-1	4
5	WASHER, Z 4.1 SPLIT LOCK ZINC	F81051-1	2
6	SCREW, M4X35 8.8 HEX SOCKET HEAD CAP ZINC	F81011-34	2
7	BRACKET, SWITCH	711850-1	1
8	WASHER, 4.3 FLAT ZINC	F81051-2	2
9	BRACKET, SAFETY SWITCH KEY- COMPLETE	711820-1	1
10	WASHER, 6.5 SPECIAL FLAT ZINC	F81053-11	2
11	WASHER, 6,1 DIN 127 (A2-304) STAINLESS STEEL SPRING	F81053-4	2
12	BOLT, M6X12 8.8 HEX HEAD FULL THREAD ZINC	F81001-7	2
13	WASHER, 6.4 FLAT ZINC	F81053-1	4
14	BOLT, M6X20 8.8 HEX HEAD FULL THREAD ZINC	F81001-2	2
15	ELEMENT, EE63 MOUNTING	F81080-4	1
16	NUT, M6-8-B HEX NYLON ZINC LOCK	F81031-2	2

**3.17 Decals**

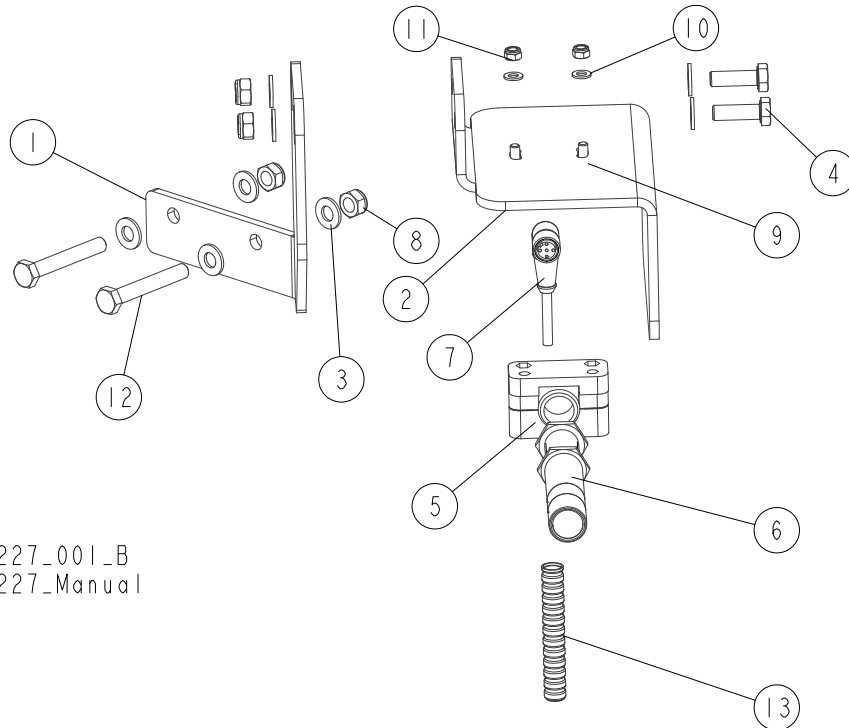


REF.	DESCRIPTION (◆ Indicates Parts Available in Assemblies Only)	PART #	QTY
	<b>DECAL KIT, WB2000</b>	<b>713635</b>	<b>1</b>
1	DECAL, WB2000 TITAN SAWMILL LOGO	524491	1



2	DECAL, EYE PROTECTION WARNING (PICTOGRAM)	S12004G	2	
3	DECAL, EAR PROTECTION WARNING (PICTOGRAM)	S12005G	2	
4	DECAL, USE SAFETY BOOTS (PICTOGRAM)	501465	2	
5	DECAL, SAWMILL COVERS CAUTION	099220	2	
6	DECAL, BLADE MOVEMENT DIRECTION (PICTOGRAM)	096321	2	
7	DECAL, READ OPERATOR'S MANUAL (PICTOGRAM)	096317	1	
8	DECAL, MOTOR REVOLUTIONS DIRECTION (1465 R.P.M.)	S200971	1	
9	DECAL, INTERNATIONAL SAWMILL NAME	501466	1	
10	DECAL, CE CERTIFIED SAWMILL	P85070	1	
11	DECAL, RUSSIAN SAFETY CERTIFICATION	099401	1	
12	DECAL, BLADE TENSION VALUE	568001	1	
13	DECAL, BLADE TENSION - INSTRUCTIONS (PICTOGRAM)	099223	1	
14	DECAL, WB2000 BLADE TENSION	518401	1	
15	DECAL, LASER BEAM WARNING (PICTOGRAM)	099504	1	
16	DECAL, HIGH VOLTAGE INSIDE THE ELECTRIC BOX (PICTOGRAM)	096316	2	
17	DECAL, REMOVE THE PLUG BEFORE OPENING THE BOX (PICTOGRAM)	096319	2	
18	DECAL, PROTECTION AGAINST SAWDUST (PIKTOGRAM)	099222	1	
19	DECAL, "KEEP A SAFE DISTANCE"	099221	4	
20	DECAL, DEBARKER BLADE WARNING (PIKTOGRAM)	098176	1	
21	DECAL, PRESSURE VALUES	711204	1	
22	DECAL, CHAIN CLEANING	512240	1	
23	DECAL, CHAIN LUBRICATION	512158	1	

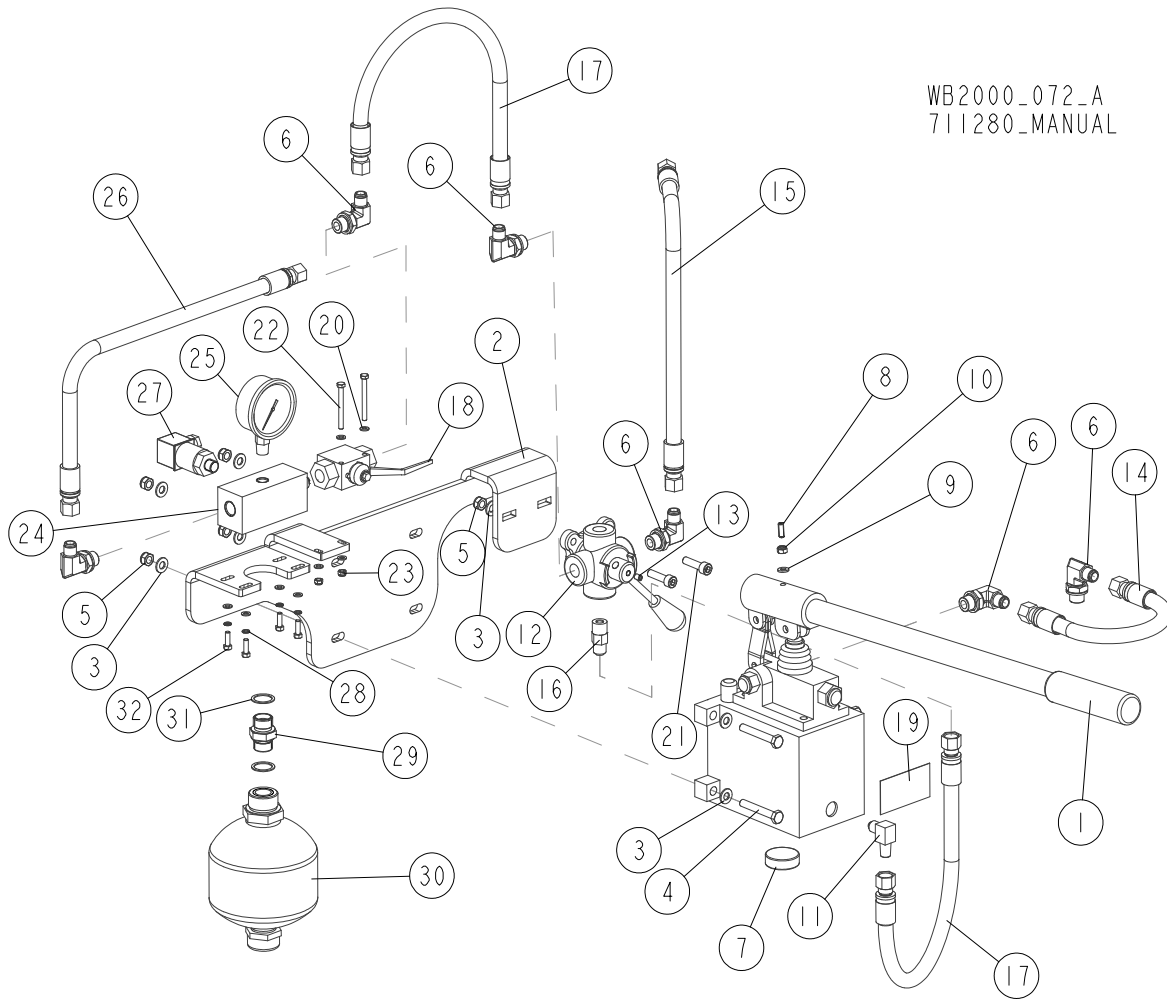
**3.18 Laser Assembly (Option)**



713227\_001\_B  
 713227\_Manual

REF.	DESCRIPTION (◆ Indicates Parts Available in Assemblies Only)	PART #	QTY
	<b>LASER SIGHT, WB2000 - COMPLETE</b>	<b>713227</b>	<b>1</b>
1	MOUNT WELDMENT, LASER	713983-1	1
2	MOUNT WELDMENT, LASER	713226-1	1
3	WASHER, 8.4 FLAT ZINC	F81054-1	8
4	BOLT, M8x25-8.8-B HEX HEAD FULL THREAD ZINC	F81002-5	2
5	BRACKET, SMB 18SF MOUNTING	503469	1
6	LASER, Z5M18B-F-532-IG90 GREEN LINEAR	501025	1
7	CABLE, 2M SAFETY SWITCH	094290	1
8	NUT, M8 8 HEX NYLON ZINC LOCK	F81032-2	4
9	SCREW, M5x16-8.8 HEX SOCKET HEAD CAP ZINC	F81000-25	2
10	WASHER, 5.3 FLAT ZINC	F81052-1	2
11	NUT, M5-8 DIN985 HEX NYLON ZINC LOCK	F81030-2	2
12	BOLT, M8x55-8.8 HEX HEAD ZINC	F81002-8	2
13	HOSE, SILVYN RILL PA6 SINUS 8,4 X 11,4	R80661-1	2

**3.19 Hydraulic Blade Tensioner Oil Supply Assembly**

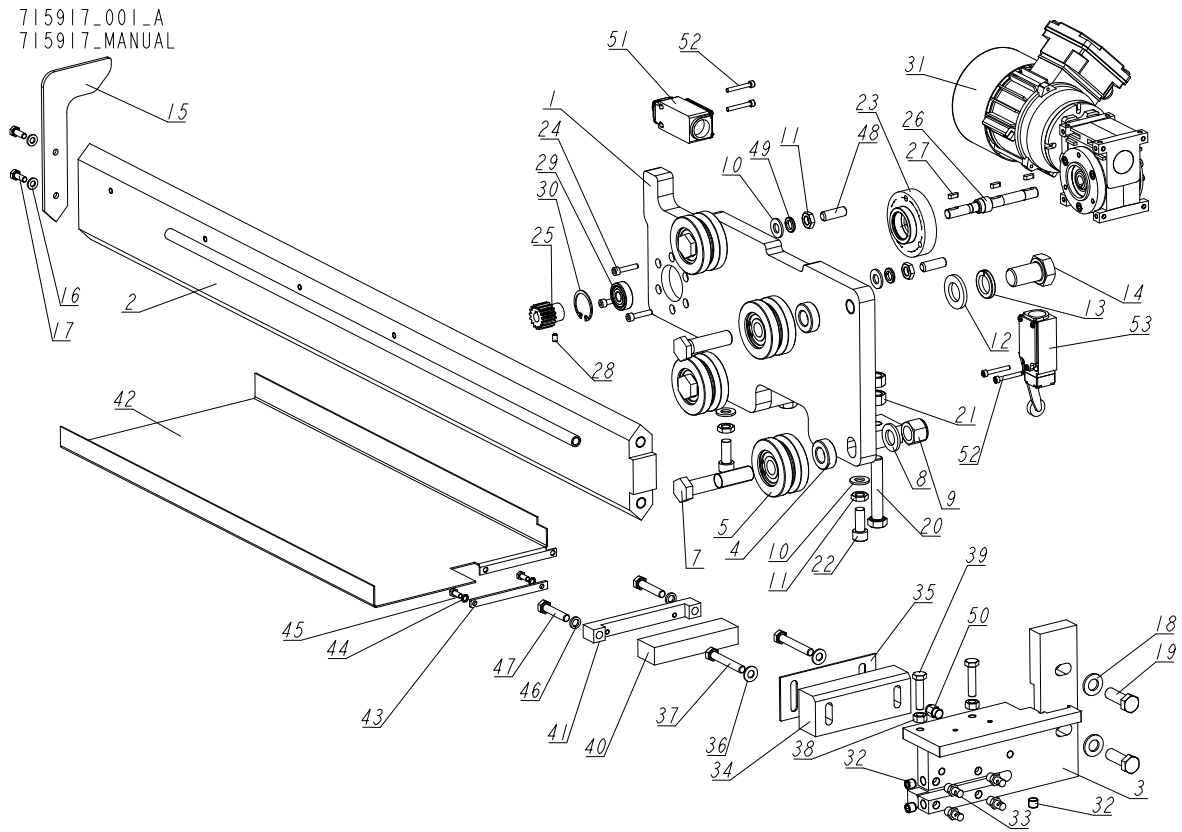


WB2000\_072\_A  
711280\_MANUAL

REF.	DESCRIPTION (◆ Indicates Parts Available in Assemblies Only)	PART #	QTY
	<b>OIL SUPPLY ASSEMBLY, HYDRAULIC BLADE TENSIONER</b>	<b>714700</b>	<b>1</b>
1	PUMP, PMS12/TNK1 W/1-LITRE TANK	092789	1
2	PLATE, MOUNTING	714697-1	1
3	WASHER, 8.4 FLAT ZINC	F81054-1	10
4	BOLT, M8X55-8.8 HEX HEAD ZINC	F81002-8	4
5	NUT, M8 8 HEX NYLON ZINC LOCK	F81032-2	6
6	FITTING, 90° - 3/8 BSP - 9/16 JIC ELBOW	096335	6
7	MAGNET, MW 38X12/N38 NEODYMIUM	500022	1
8	PLUNGER, GN615.3-M6-K BALL THREADED	096874	1
9	WASHER, 6.4 FLAT ZINC	F81053-1	1
10	NUT, M6-8-B HEX NYLON ZINC LOCK	F81031-2	1
11	FITTING, 3/8 JIC - 1/4NPT 90L	015491	1
12	VALVE, 4-WAY IDF4V02C	504324	1
13	SCREW, M6X8-33H-GEOMET HEX SOCKET SET W/FLAT POINT	F81013-1	1
14	HOSE, 2G3/8X0.300 W9/16UNF-W9/16UNF HYDRAULIC	711391	1
15	HOSE, 2G3/8X1.105 W9/16UNF-W9/16UNF HYDRAULIC	506935_714700	1
16	FITTING, 9/16" JIC/ 3/8"BSP STRAIGHT	091842	1

REF.	DESCRIPTION (◆ Indicates Parts Available in Assemblies Only)	PART #	QTY
17	HOSE, 2G3/8X8X0.400 W9/16UNF-W9/16UNF HYDRAULIC	711390	2
18	VALVE, PN 500 RSAP2V02FF 3/8" G DN10 BALL	502056	1
19	DECAL, PRESSURE VALUES	711204	1
20	WASHER, 5.3 FLAT ZINC	F81052-1	8
21	SCREW, M8X30 -8.8 HEX SOCKET HEAD CAP ZINC	F81002-31	2
22	BOLT, M5X50 -8.8-HEX HEAD ZINC	F81000-1	2
23	NUT, M5-8 DIN985 HEX NYLON ZINC LOCK	F81030-2	2
24	BLOCK, MOUNTING	714696-1	1
25	GAUGE, 200 BAR/3000PSI OIL PRESSURE	505176	1
26	HOSE, 2G3/8X1.625 W9/16UNF-W9/16UNF HYDRAULIC	710891	1
27	SWITCH, F4Z1/M3-20 BAR PRESSURE	504830	1
28	WASHER, 5.1 SPLIT LOCK	F81052-2	4
29	FITTING, G1/2 - G1/2 (BSP) STRAIGHT	714698	1
30	ACCUMULATOR MBSP 0.75-210-NBR-G1/2'FM33X1,5	714664	1
31	SEAL, CU 20.5X26X1	714699	2
32	BOLT, M5 X 16-8.8 HEX HEAD FULL THREAD ZINC	F81000-20	4

### 3.20 Blade Guide Arm

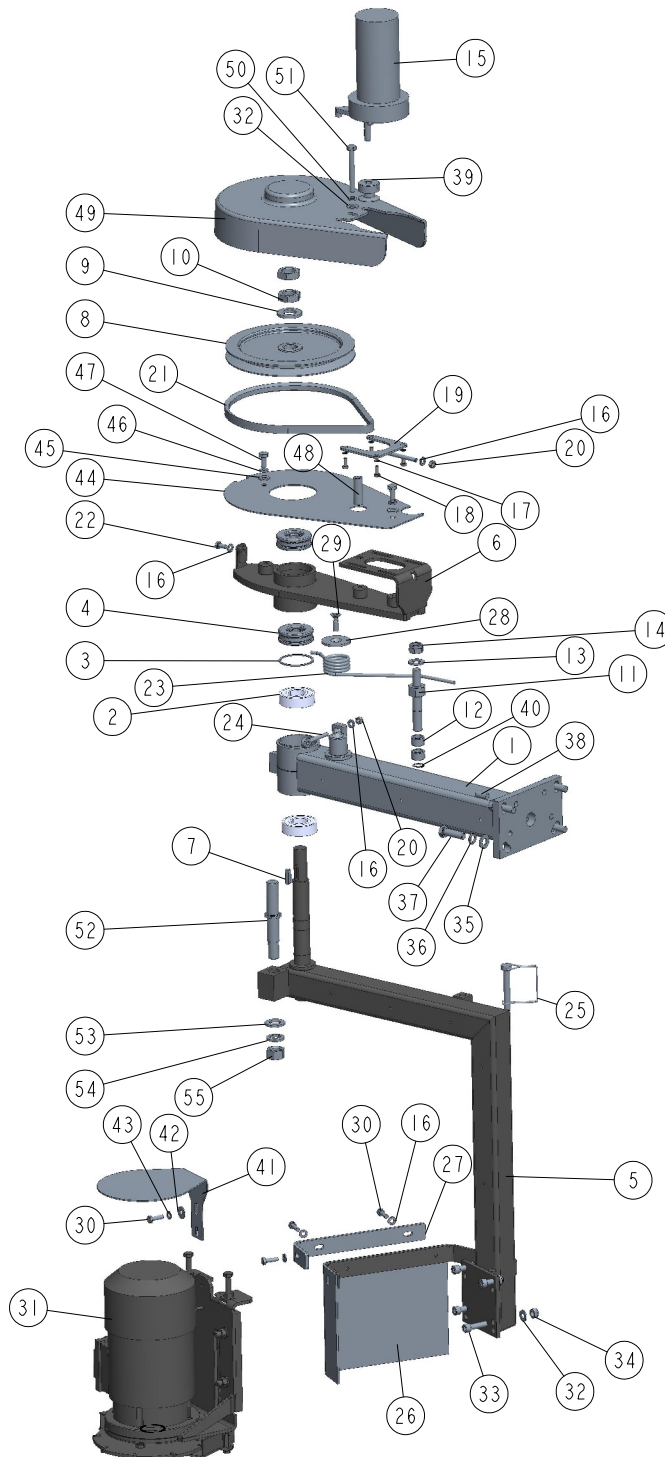


REF.	DESCRIPTION (* indicates parts available in assemblies only)	PART #	QTY
-	<b>ARM, BLADE GUIDE - COMPLETE</b>	715917	1
1	PLATE, COMPLETE MOUNT	715967-1	1
2	ARM ASSEMBLY	715922	1
3	BLADE GUIDE	715923	1
4	BUSHING, 16/32-16	715964-1	4
5	ROLLER ASSY, B/G IDLER	042543	4
6	BOLT, F05009-80 SPECIAL	718080-1	2
7	BOLT, 5/8-18X3 1/4 HEX HEAD CAP GRADE 5	F05009-98	2
8	WASHER, 17 SPLIT LOCK ZINC	F81058-1	2
9	NUT, 5/8-18 NYLON ZINC LOCK	F05010-71	2
10	WASHER, 10.5 FLAT ZINC	F81055-1	6
11	NUT, M10-04-A HEX THIN ZINC	F81033-6	6
12	WASHER, 21 FLAT ZINC	F81059-2	1
13	WASHER, 20.5 SPLIT LOCK ZINC	F81059-1	1
14	BOLT, M20X1.5X35-8.8-B HEX HEAD FULL THREAD ZINC	F81007-21	1
15	PLATE, STOP	715968-1	1
16	WASHER, 6.4 FLAT ZINC	F81053-1	2
17	BOLT, M6X16-8.8 HEX HEAD FULL THREAD ZINC	F81001-15	2
18	WASHER, 13 FLAT ZINC	F81056-1	2
19	BOLT, M12X35 8.8 HEX HEAD FULL THREAD ZINC	F81004-24	2
20	BOLT, M12X70-8.8 HEX HEAD FULL THREAD ZINC	F81004-102	2
21	NUT, M12-8 HEX ZINC	F81034-1	4
22	SCREW, M10X25 8.8 HEX SOCKET HEAD CAP ZINC	F81003-32	2

REF.	DESCRIPTION (* indicates parts available in assemblies only)	PART #	QTY	
23	BUSHING, INTERMEDIATE	715918-1	1	
24	SCREW, M5X25 8.8 HEX SOCKET HEAD CAP ZINC	F81000-7	3	
25	SPROCKET, M=1.5, Z=16; KZ-M1.5-Z16 /EBMIA/	715566	1	
26	SHAFT, DRIVE	715919	1	
27	KEY, A 4X4X12	715588	3	
28	SCREW, M5X8 45H DIN 913 SET	F81014-7	1	
29	BEARING, 6200 27	715569	1	
30	RING, W30 INSIDE RETAINING	F81090-15	1	
31	GEARMOTOR MRA 02/25,5 [0,06-1400] E V5	715570	1	
32	PLUG, M10X1 DIN906 BN40 ZINC	F81015-3	3	
33	NOZZLE, BLADE LUBE SPRAY	033479	4	
34	BLOCK, BLADE GUIDE	711079	1	
35	PLATE	711219-1	1	
36	WASHER, 8.4 FLAT ZINC	F81054-1	2	
37	BOLT, M8X55-8.8 HEX HEAD ZINC	F81002-8	2	
38	NUT, M8-8-B HEX ZINC	F81032-1	2	
39	BOLT, M8X35-8.8 HEX HEAD FULL THREAD ZINC	F81002-13	2	
40	BLOCK, BLADE GUIDE	715551	1	
41	CLAMP	715455-1	1	
42	COVER, BLADE	715438-1	1	
43	WASHER	715514-1	1	
44	WASHER, 5.1 SPLIT LOCK	F81052-2	2	
45	BOLT, M5X12 8.8 HEX HEAD FULL THREAD ZINC	F81000-5	2	
46	WASHER, 8.2 SPLIT LOCK ZINC	F81054-4	2	
47	BOLT, M8X40-8.8 HEX HEAD FULL THREAD ZINC	F81002-15	2	
48	SCREW, M10X30-33H-GEOMET HEX SOCKET SET W/FLAT POINT	F81003-35	4	
49	WASHER, Z 10.2 SPLIT LOCK ZINC	F81055-2	4	
50	FITTING, 1/8 NPT-HOSE 1/4 KQ2H07-34AS	715928	1	
51	SWITCH, FA134 Z11 SAFETY	100910	1	
52	SCREW, M4X30-8.8 HEX SOCKET HEAD CAP ZINC	F81000-85	4	
53	SWITCH, GLCB01A2B ( HONEYWELL) LIMIT	086469	1	

### 3.21 Debarker (No. 710265)

710265\_001  
710265



REF	DESCRIPTION (u indicates parts available in assemblies only)	PART #	QTY
-	<b>DEBARKER, WB2000</b>	710265	1
-	<b>DEBARKER, WB2000</b>	710265-UL	1
1	ARM, DEBARKER HORIZONTAL	710260-1	1
2	BEARING, 6205 2RS BALL	091804	2
3	RING, SPACER	098491-1P	1
4	BEARING, 51305 AXIAL	098597	2

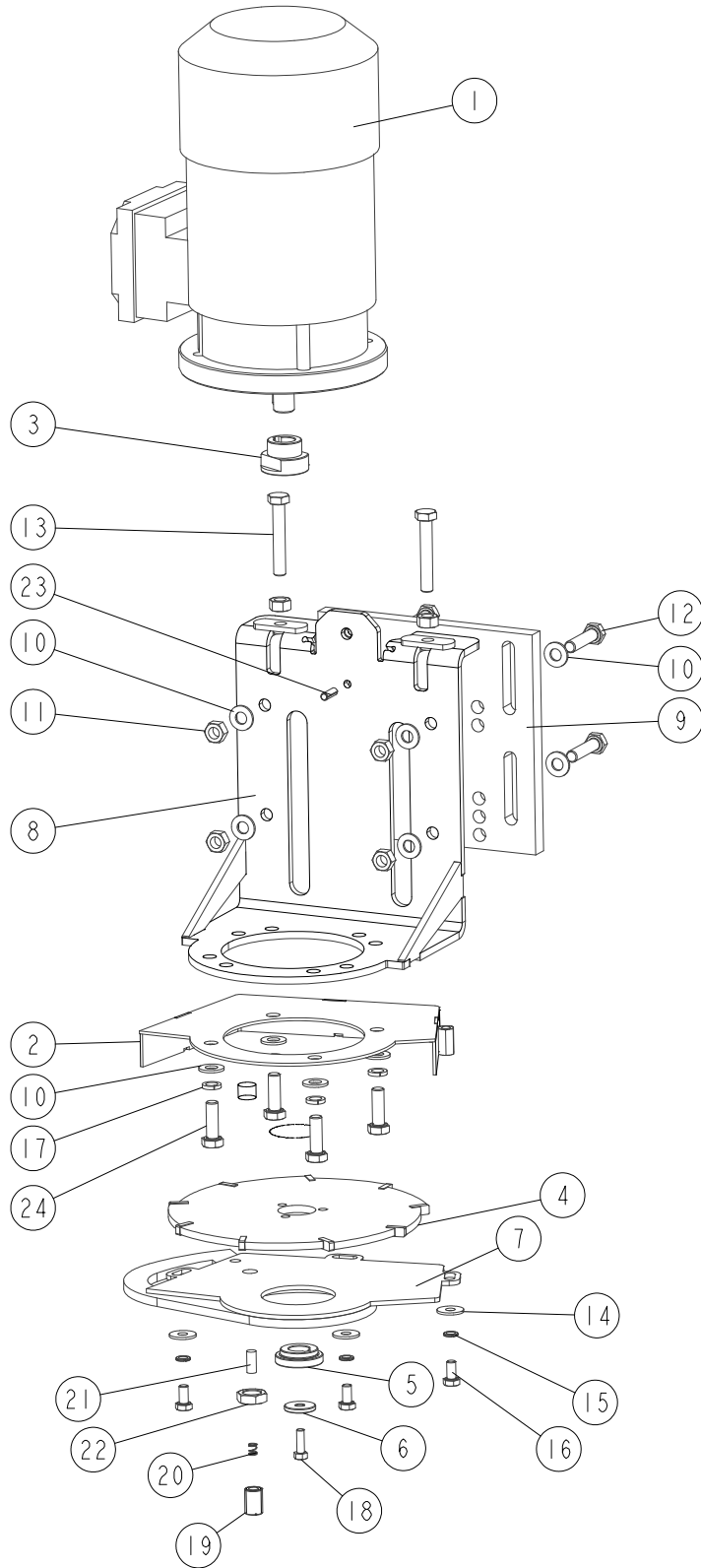
REF	DESCRIPTION (u indicates parts available in assemblies only)	PART #	QTY	
5	ARM, DEBARKER VERTICAL	710264-1	1	
6	ARM, DEBARKER	098626-1	1	
7	KEY, 6X6X23	089191	1	
8	PULLEY, DEBARKER MOTOR	098594-1	1	
9	WASHER, 21 FLAT ZINC	F81059-2	1	
10	NUT, M20X1,5 THIN	F81037-7	2	
11	PIN, DEBARKER	098593-1	1	
12	BEARING, HK 1412 NEEDLE	098595	2	
13	WASHER, 13 FLAT ZINC	F81056-1	1	
14	NUT, M12 8 HEX NYLON ZINC LOCK	F81034-2	1	
15	MOTOR ASSEMBLY, 24V 60 RPM GEAR	035659	1	
16	WASHER, 6.4 FLAT ZINC	F81053-1	6	
17	WASHER, 5.1 SPLIT LOCK ZINC	F81052-2	4	
18	BOLT, #10-32X1/2 HH	F05004-60	4	
19	TENSIONER WELDMENT, DEBARKER IN/OUT MOTO	089969-1	1	
20	NUT, M6 8 HEX ZINC	F81031-1	2	
21	BELT, 4L280V	P04031	1	
22	BOLT, M6X12 8.8 HEX HEAD FULL THREAD ZIN	F81001-7	1	
23	SPRING, DEBARKER RETAINING	098605	1	
24	BOLT, M6 TURNED EYE	098596	1	
25	PIN, 3/8X2 1/4 SNAP	014151	1	
26	GUARD, DEBARKER FLEXIBLE DEBRIS	097020	1	
27	GUARD, DEBARKER WRAP-AROUND PAINTED	098695-1	1	
28	PLATE, SPRING BUSHING	098592-1	1	
29	SCREW, M8X25-5.8 CROSS RECESSED COUNTERS	F81002-51	1	
30	BOLT, M6X20 8.8 HEX HEAD FULL THREAD ZIN	F81001-2	4	
31	DEBARKER BLADE DRIVE ASSEMBLY <a href="#">See Section 3.22</a>	096239	1	
	DEBARKER BLADE DRIVE ASSEMBLY <a href="#">See Section 3.22</a>	096239-UL	1	
32	WASHER, 8.4 FLAT ZINC	F81054-1	5	
33	BOLT, M8 X 30-8.8 SOCKET HEAD	F81002-31	4	
34	NUT, M8-8-B HEX NYLON ZINC LOCK	F81032-2	4	
35	WASHER, 10.5 FLAT ZINC	F81055-1	4	
36	WASHER, Z 10.2 SPLIT LOCK ZINC	F81055-2	4	
37	BOLT, M10X35 8.8 HEX HEAD FULL THREAD ZI	F81003-17	4	
38	SCREW, M10X1X20 DIN 913 STAINLESS STEEL	F81015-1	2	
39	PULLEY, MOTOR	710991-1	1	
40	RING, Z14 OUTSIDE RETAINING	F81090-31	1	
41	GUARD, DEBARKER MOTOR	101332-1	1	
42	WASHER, 6.5 SPECIAL FLAT ZINC	F81053-11	1	
43	WASHER, 6.1 DIN 127 (A2-304) STAINLESS S	F81053-4	1	
-	COVER ASSEMBLY	519064	1	
44	PLATE, GUARD	557349-1	1	
45	WASHER, 8.4 FLAT ZINC	F81054-1	2	
46	WASHER, 8.2 SPLIT LOCK ZINC	F81054-4	2	
47	BOLT, M8X16 -8.8-B HEX HEAD FULL THREAD	F81002-20	2	
48	BUSHING, 9/13-40.5	519067-1	1	
49	GUARD, DEBARKER BELT	557350	1	



REF	DESCRIPTION (u indicates parts available in assemblies only)	PART #	QTY	
50	WASHER, 8.2 SPLIT LOCK ZINC	F81054-4	1	
51	BOLT, M8X65 8.8 HEX HEAD FULL THREAD ZIN	F81002-9	1	
-	PIN, COMPLETE	519066	1	
52	PIN, LOC,KING	519065-1	1	
53	WASHER, 17 SPLIT LOCK ZINC	F81058-1	1	
54	WASHER, 16.3 SPLIT LOCK ZINC	F81058-2	1	
55	NUT, M16-5.8 HEX ZINC	F81036-1	1	

### 3.22 AC Debarker Blade Drive (096239)

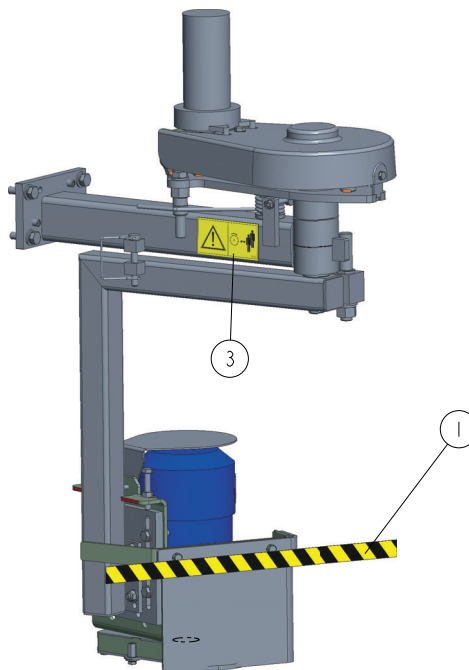
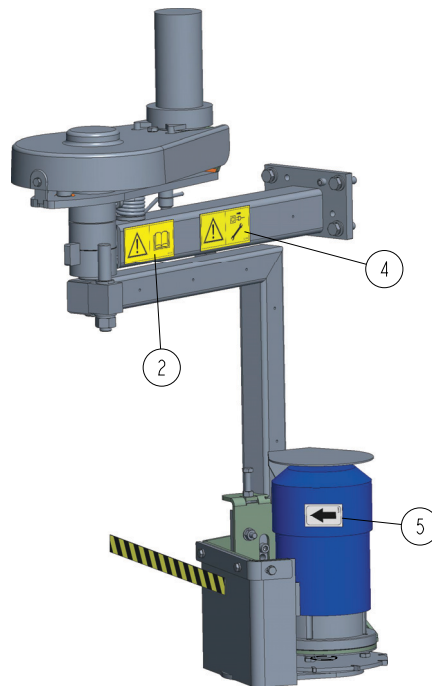
096239\_001  
096239\_MANUAL



REF.	DESCRIPTION (* indicates parts available in assemblies only)	PART #	QTY
-	DRIVE ASSEMBLY, AC DEBARKER BLADE	096239	1

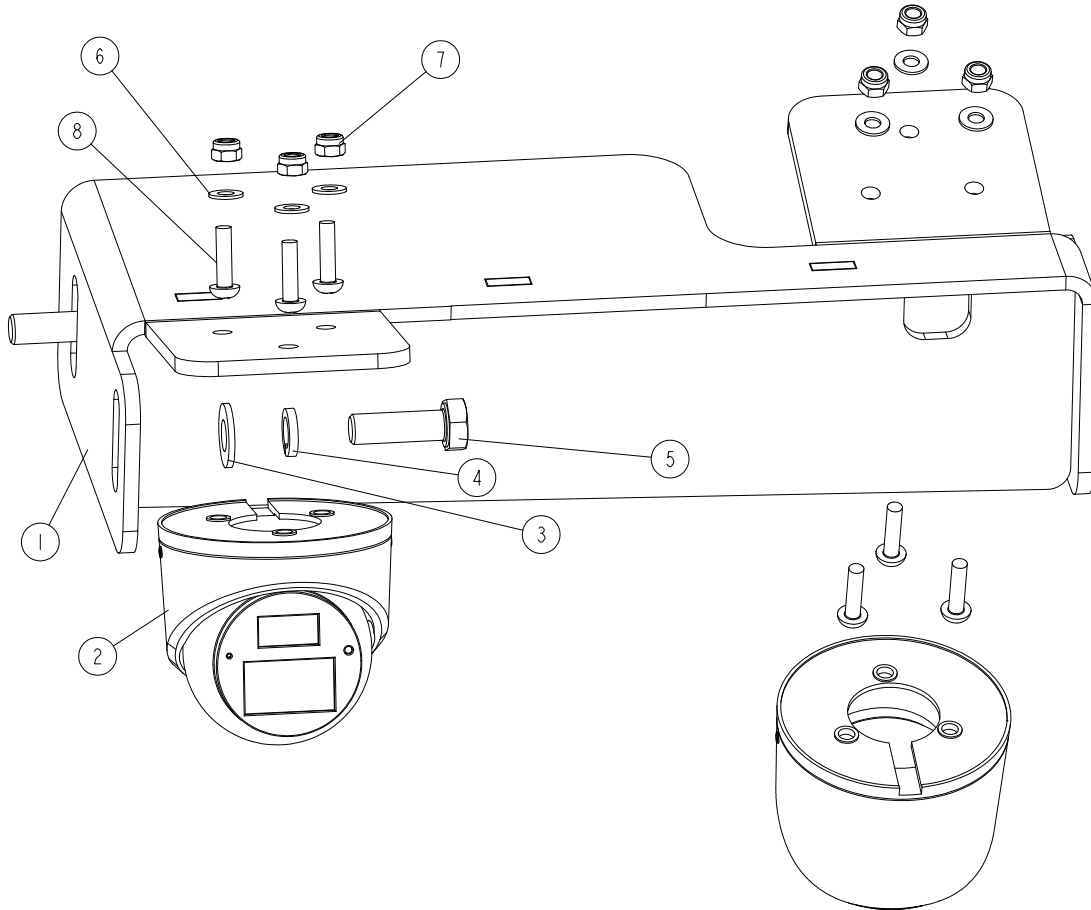
REF.	DESCRIPTION (* indicates parts available in assemblies only)	PART #	QTY	
-	<b>DRIVE ASSEMBLY, AC DEBARKER BLADE</b>	096239-UL	1	
1	MOTOR, STKG71X-2C IMB5 AC DEBARKER	096777	1	
	MOTOR, STKG71X-2C IMB5 AC DEBARKER	096777-UL	1	
2	GUARD, DEBARKER BLADE UPPER	096244-1	1	
3	BUSHING, CLAMPING	096088	1	
4	BLADE, 180 B-06.5/5.0 D-25.5 - COMPLETE	083848-1	1	
5	BUSHING, RETAINING	096087	1	
6	WASHER	096238-1	1	
7	GUARD, DEBARKER BLADE LOWER	096245-1	1	
8	BRACKET, DEBARKER MOTOR MOUNT	096780-1	1	
9	PLATE, DEBARKER MOTOR MOUNT	089551	1	
10	WASHER, 8.4 FLAT ZINC	F81054-1	12	
11	NUT, M8-8-B HEX ZINC	F81032-1	6	
12	BOLT, M8X35-8.8 HEX HEAD FULL THREAD ZINC	F81002-13	4	
13	BOLT, M8X50-8.8 HEX HEAD FULL THREAD ZINC	F81002-19	2	
14	WASHER, 6.5 SPECIAL FLAT ZINC	F81053-11	3	
15	WASHER, Z 6.1 SPLIT LOCK ZINC	F81053-3	3	
16	BOLT, M6X12 8.8 HEX HEAD FULL THREAD ZINC	F81001-7	3	
17	WASHER, 8.2 SPLIT LOCK ZINC	F81054-4	4	
18	BOLT, M5X16 8.8 HEX HEAD FULL THREAD ZINC	F81000-20	1	
-	<b>PIN ASSEMBLY, DEBARKER BLADE BRAKING</b>	501464	1	
19	SCREW, M12X17 SET	501462	1	
20	SPRING, 0.5X5.5-7	501463	1	
21	PIN, DEBARKER BLADE BRAKING	501461	1	
22	NUT, M12-04-A THIN	F81034-6	1	
23	PIN, 5X16 ROLL ZINC	F81044-3	1	
24	BOLT, M8X25-8.8-B HEX HEAD FULL THREAD ZINC	F81002-5	4	

## 3.23 Debarker Decal Kit. 710265\_538001

710265\_002  
710265

REF	DESCRIPTION (◆ indicates parts available in assemblies only)	PART #	QTY	
-	<b>DEBARKER DECAL KIT</b>	538001	1	
1	DECAL, LT15 DEBARKER WARNING STRIPE	098175	1	
2	DECAL, READ OPERATOR'S MANUAL - HORIZONTAL	101216	1	
3	DECAL, KEEP AWAY FROM DEBARKER BLADE - HORIZONTAL	101217	1	
4	DECAL, DISCONNECT POWER SUPPLY BEFORE SERVICING - HORIZONTAL	101218	1	
5	DECAL, MOTOR ROTATION DIRECTION	S20097	1	

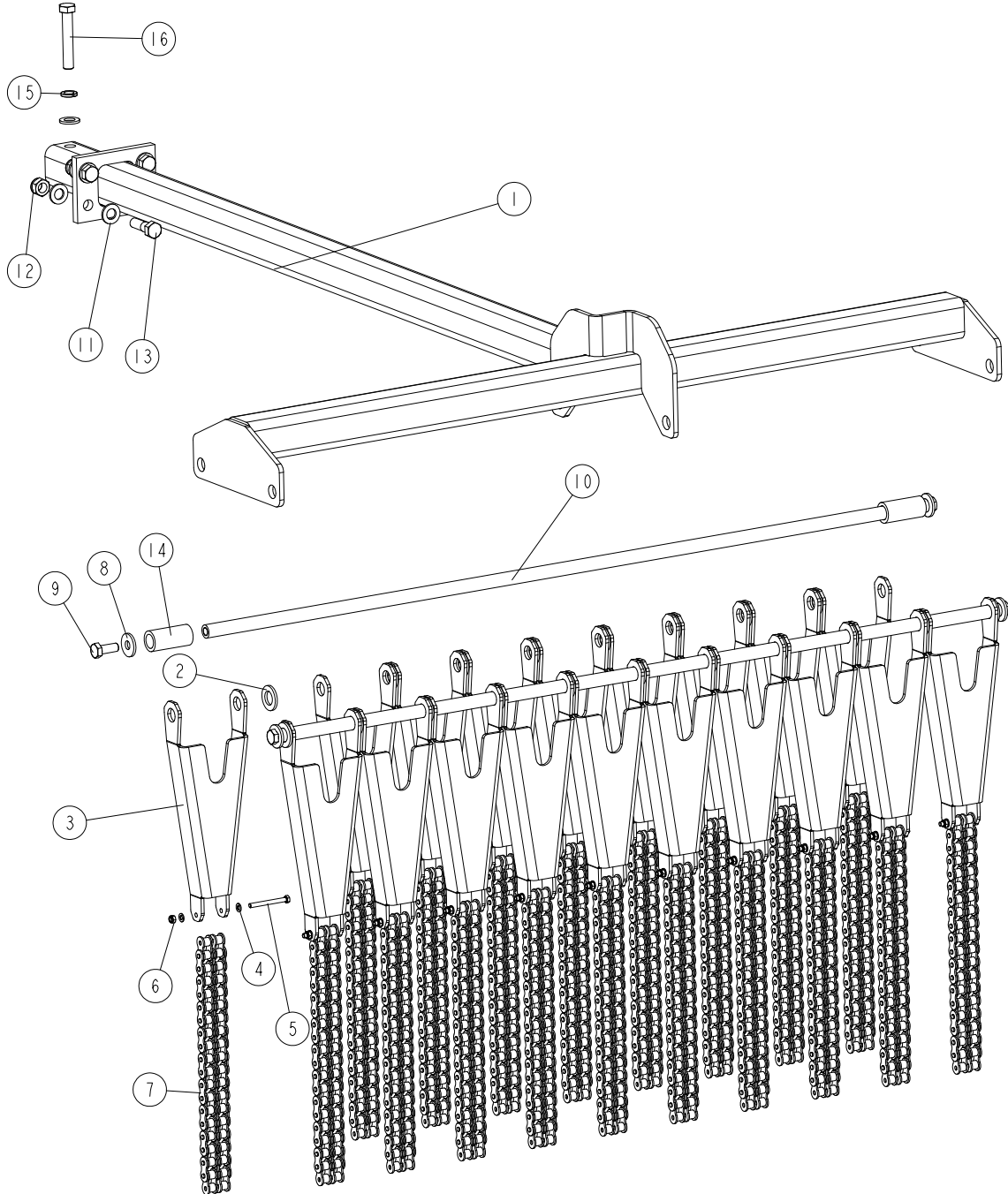
## 3.24 Side Camera Assembly. 716707

716707\_001\_A  
716707\_MANUAL

REF	DESCRIPTION (◆ indicates parts available in assemblies only)	PART #	QTY
-	<b>CAMERA ASSEMBLY, SIDE</b>	716707	1
1	BRACKET WELDMENT, SIDE CAMERA MOUNT	716709-1	1
2	CAMERA CCTV EL-AHD C202 MINI	553256	2
3	WASHER, 8.4 FLAT ZINC	F81054-1	2
4	WASHER 8,2 SPLIT LOCK ZINC	F81054-4	2
5	BOLT, M8X25-8.8-B HEX HEAD FULL THREAD Z	F81002-5	2
6	WASHER, 4.3 FLAT ZINC	F81051-2	6
7	NUT, M4-8 HEX NYLON ZINC LOCK	F81029-1	6
8	SCREW, M4X16 5.8-B CROSS RECESSED PAN HE	F81011-42	6

**3.25 Board Return Guide (Part No. 549730)**

549730\_001  
549730\_MANUAL

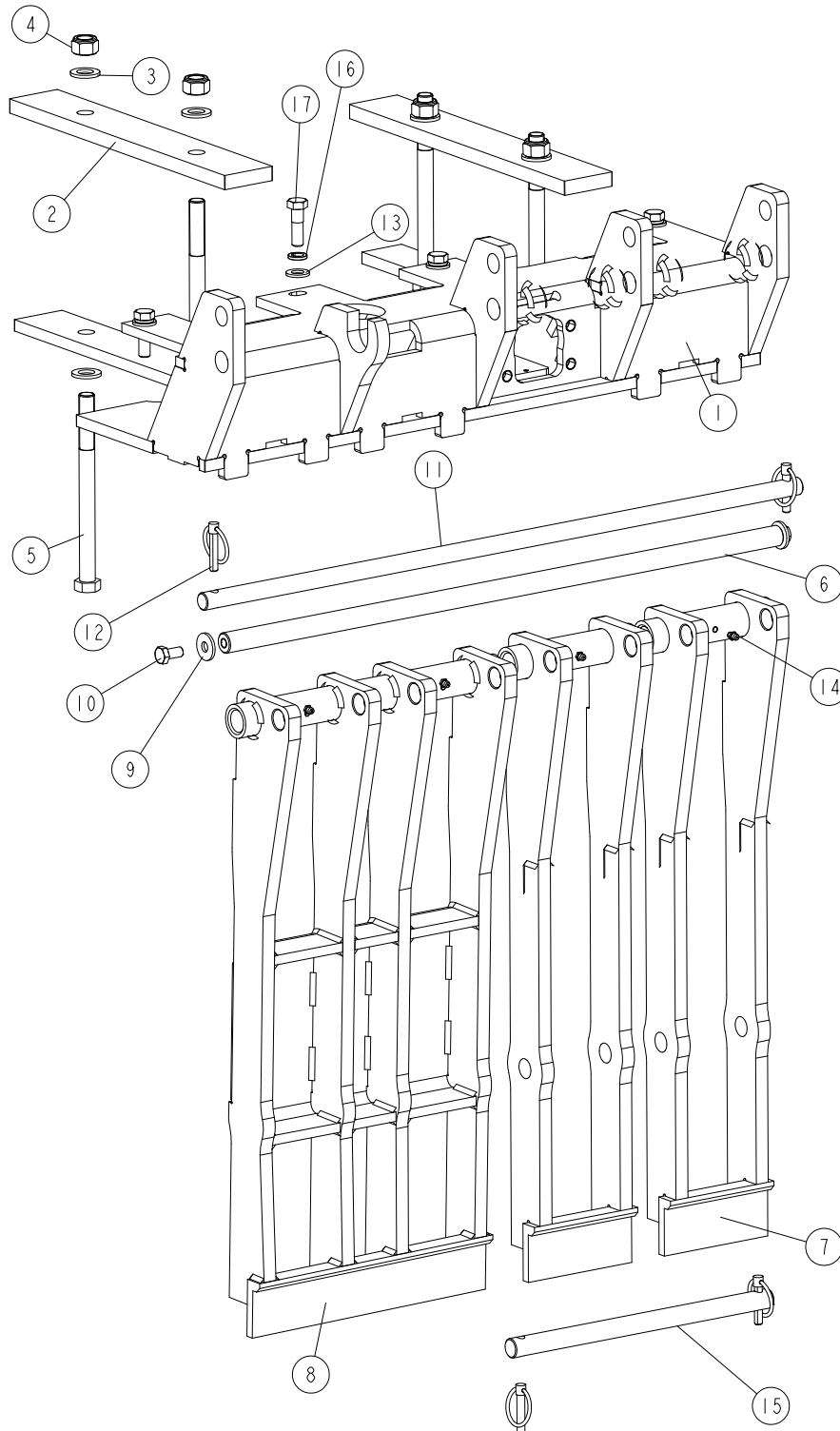


REF.	DESCRIPTION (* indicates parts available in assemblies only)	PART NO.	QTY
-	<b>GUIDE, BOARD RETURN</b>	549730	1
1	ARM, BOARD RETURN GUIDE HORIZONTAL	549731-1	1
2	WASHER, 17 FLAT ZINC	F81058-1	19
3	BRACKET, CHAIN MOUNT	715322-1	19
4	WASHER, 5.3 FLAT ZINC	F81052-1	38

REF.	DESCRIPTION (* indicates parts available in assemblies only)	PART NO.	QTY	
5	BOLT, M5X50-8.8 HEX HEAD ZINC	F81000-1	19	
6	NUT, M5-8 DIN985 HEX NYLON ZINC LOCK	F81030-2	19	
7	CHAIN, 10B-2 L?316 DIN 8187-1	717512	19	
8	WASHER, 10.5 SPECIAL FLAT ZINC	F81055-6	4	
9	BOLT, M10X25 8.8 HEX HEAD FULL THREAD ZINC	F81003-11	4	
10	ROD, CHAIN GUIDE	717519-1	2	
11	WASHER, 13 FLAT ZINC	F81056-1	9	
12	NUT, M12-8 DIN 982 HEX NYLON ZINC LOCK	F81034-2	4	
13	BOLT, M12X40-8.8 HEX HEAD	F81004-1	4	
14	BUSHING, 17/25-53	538043-1	2	
15	WASHER, Z12.2 SPLIT LOCK ZINC	F81056-2	1	
16	BOLT, M12X70-8.8 HEX HEAD FULL THREAD ZINC	F81004-102	1	

**3.26 Board Return Assembly (No. 549735)**

549735-001  
549735-MANUAL



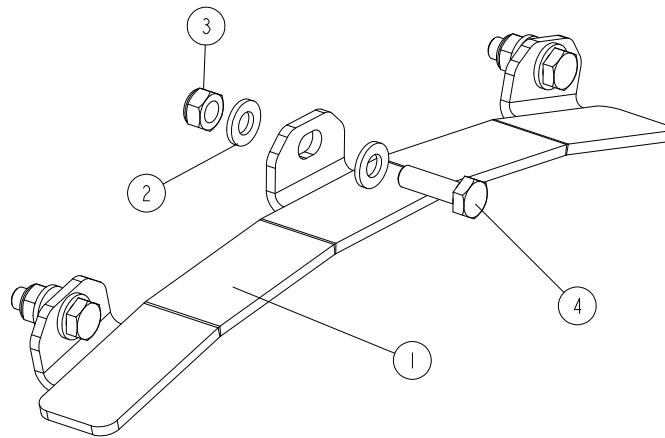
REF.	DESCRIPTION (* indicates parts available in assemblies only)	PART #	QTY
-	<b>BOARD RETURN ASSEMBLY</b>	549735	1
1	PLATE ASSEMBLY, BOARD RETURN MOUNT	549736-1	1
2	BAR, 60X373X15	711278-1	2
3	WASHER, 17 FLAT ZINC	F81058-1	8



REF.	DESCRIPTION (* indicates parts available in assemblies only)	PART #	QTY	
4	NUT, M16-8 HEX NYLON ZINC LOCK	F81036-2	4	
5	BOLT, ISO4014 M16X195-8.8-A2E HEX HEAD	F81006-44	4	
6	ROD, N21X697	710269-1	1	
7	ARM ASSEMBLY, BOARD RETURN	715941-1	2	
8	FINGER WELDMENT, BOARD RETURN	719459-1	1	
9	WASHER, 10.5 SPECIAL FLAT ZINC	F81055-6	2	
10	BOLT, M10X20-8.8 HEX HEAD FULL THREAD ZINC	F81003-1	2	
11	ROD, N18X750	710818-1	1	
12	PIN, 8 BN914 LINCH (BOSSARD 1364650)	F81046-2	4	
13	WASHER, 13 FLAT ZINC	F81056-1	4	
14	FITTING, M6 TYPE A STRAIGHT GREASE	086280	4	
15	ROD, N20X320	713563-1	1	
16	WASHER, Z12.2 SPLIT LOCK ZINC	F81056-2	4	
17	BOLT, M12X40-8.8 HEX HEAD	F81004-1		

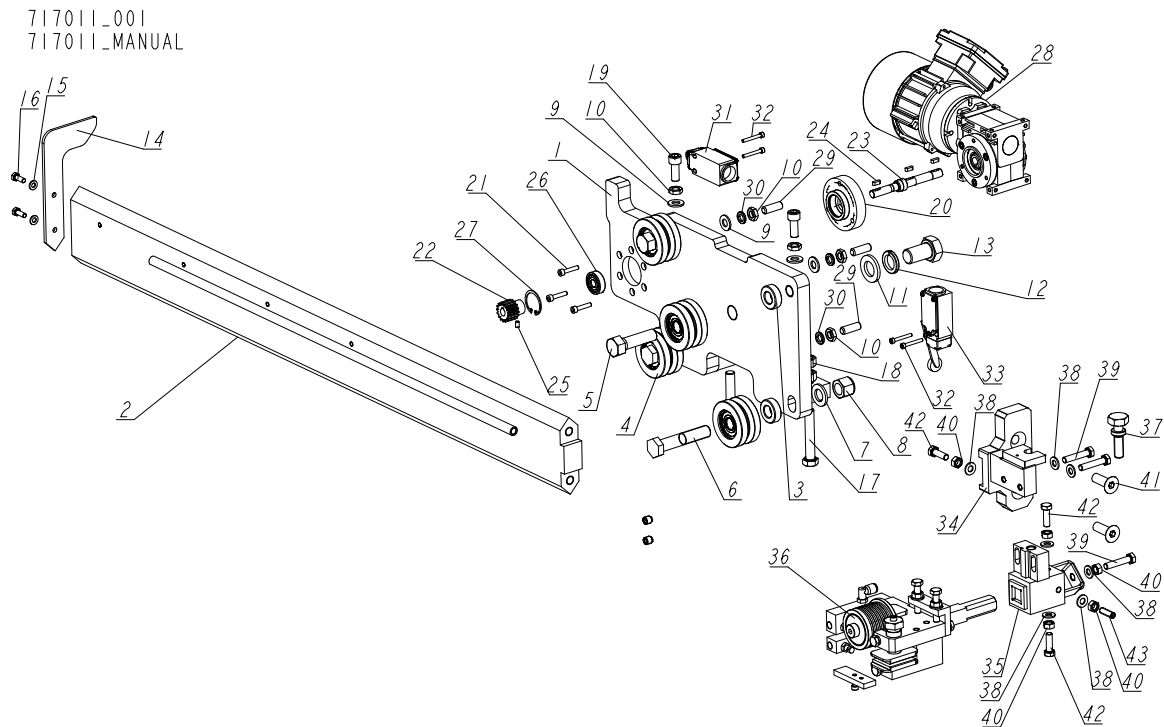
**3.27 Narrow Blade Securing Plate. 719645**

719645\_001  
719645



REF	DESCRIPTION (◆ indicates parts available in assemblies only)	PART #	QTY	
-	PLATE, SECURING, NARROW BLADE	719645	1	
1	PLATE	719644-1	1	
2	WASHER, 6.4 FLAT ZINC	F81053-1	6	
3	NUT, M6-8-B-HEX NYLON ZINC LOCK	F81031-2	3	
4	BOLT, M6X20 8.8 HEX HEAD FULL THREAD ZIN	F81001-2	3	

## 3.28 Blade Guide Arm, 2" - 717011

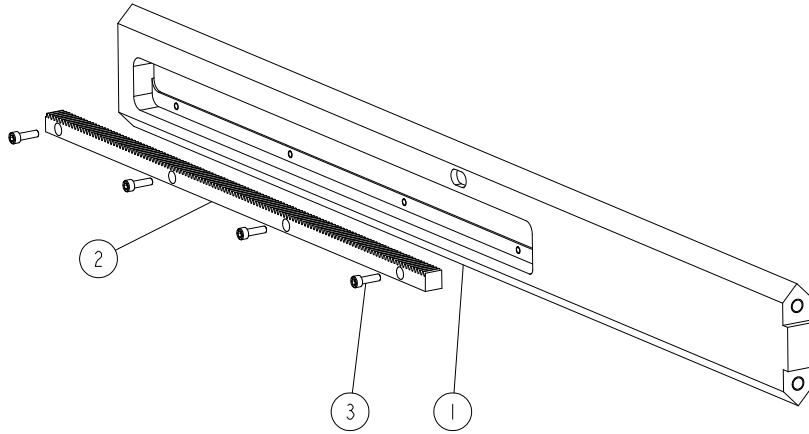


REF.	DESCRIPTION (* indicates parts available in assemblies only)	PART #	QTY
-	<b>ARM, BLADE GUIDE - COMPLETE (2" BLADE)</b>	717011	1
1	PLATE, COMPLETE MOUNT	715967-1	1
2	ARM ASSEMBLY <a href="#">See Section 3.29</a>	715922	1
3	BUSHING, 16/32-16	715964-1	4
4	ROLLER ASSY, B/G IDLER <a href="#">See Section 3.30</a>	042543	4
5	BOLT, 5/8-18X2 1/4 HEX HEAD GRADE 5	F05009-80	2
6	BOLT, 5/8-18X3 1/4 HEX HEAD CAP GRADE 5	F05009-98	2
7	WASHER, 17 SPLIT LOCK ZINC	F81058-1	2
8	NUT, 5/8-18 NYLON ZINC LOCK	F05010-71	2
9	WASHER, 10.5 FLAT ZINC	F81055-1	6
10	NUT, M10-04-A HEX THIN ZINC	F81033-6	6
11	WASHER, 21 FLAT ZINC	F81059-2	1
12	WASHER, 20.5 SPLIT LOCK ZINC	F81059-1	1
13	BOLT, M20X1.5X35-8.8-B HEX HEAD FULL THREAD ZINC	F81007-21	1
14	PLATE, STOP	715968-1	1
15	WASHER, 6.4 FLAT ZINC	F81053-1	2
16	BOLT, M6X16-8.8 HEX HEAD FULL THREAD ZINC	F81001-15	2
17	BOLT, M12X70-8.8 HEX HEAD FULL THREAD ZINC	F81004-102	2
18	NUT, M12-8 HEX ZINC	F81034-1	4
19	SCREW, M10X25 8.8 HEX SOCKET HEAD CAP ZINC	F81003-32	2
20	BUSHING, INTERMEDIATE	715918-1	1
21	SCREW, M5X25 8.8 HEX SOCKET HEAD CAP ZINC	F81000-7	3
22	SPROCKET, M=1.5, Z=16; KZ-M1.5-Z16 /EBMIA/	715566	1
23	SHAFT, DRIVE	715919	1

REF.	DESCRIPTION (* indicates parts available in assemblies only)	PART #	QTY	
24	KEY, A 4X4X12	715588	3	
25	SCREW, M5X8 45H DIN 913 SET	F81014-7	1	
26	BEARING, 6200 27	715569	1	
27	RING, W30 INSIDE RETAINING	F81090-15	1	
28	GEARMOTOR MRA 02/25,5 [0,06-1400] E V5	715570	1	
		MRA-02_80_KM2_WJ2_3D	1	
		56B14	1	
29	SCREW, M10X30-33H-GEOMET HEX SOCKET SET W/FLAT POINT	F81003-35	4	
30	WASHER, Z 10.2 SPLIT LOCK ZINC	F81055-2	4	
31	SWITCH, FA134 Z11 SAFETY	100910	1	
32	SCREW, M4X30-8.8 HEX SOCKET HEAD CAP ZINC	F81000-85	4	
33	SWITCH, GLCB01A2B ( HONEYWELL) LIMIT	086469	1	
34	BRACKET, 2"BLADE GUIDE ROLLER MOUNT	717009-1	1	
35	GUIDE, VERTICALZINC-PLATED	089503-1	1	
36	BLADE GUIDE W/EXTENDED ROLLER, IDLE SIDE <a href="#">See Section 3.31</a>	524855	1	
37	BOLT, ADJUSTMENT ZINC-PLATED	506552-1	1	
38	WASHER, 8.4 FLAT ZINC	F81054-1	7	
39	BOLT, M8X40 DIN933 A2-70 STAINLESS STEEL	F81002-28	3	
40	NUT, M8 DIN 934 A2-70 STAINLESS STEEL	F81032-7	5	
41	SCREW, M12X35-8.8 DIN7991 FLAT SOCKET HEAD CAP ZINC	F81004-69	2	
42	BOLT, M8X25 DIN933 A2-70 STAINLESS STEEL	F81002-26	3	
43	SCREW, M8X25 DIN 913 A2-70 STAINLESS STEEL SET	F81014-3	1	

### 3.29 Arm Assembly - 715922

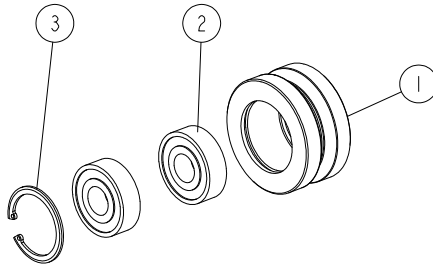
715922\_001  
715922\_MANUAL



REF.	DESCRIPTION (* indicates parts available in assemblies only)	PART #	QTY
-	<b>ARM ASSEMBLY</b>	715922	1
1	ARM WELDMENT	715985-1	1
2	BAR, M=1,5 LZ-M1,5-100-H TOOTHED	715536-1	1
3	SCREW, M6X20 8.8 HEX SOCKET HEAD CAP ZINC	F81001-22	4

**3.30 Roller - 042543**

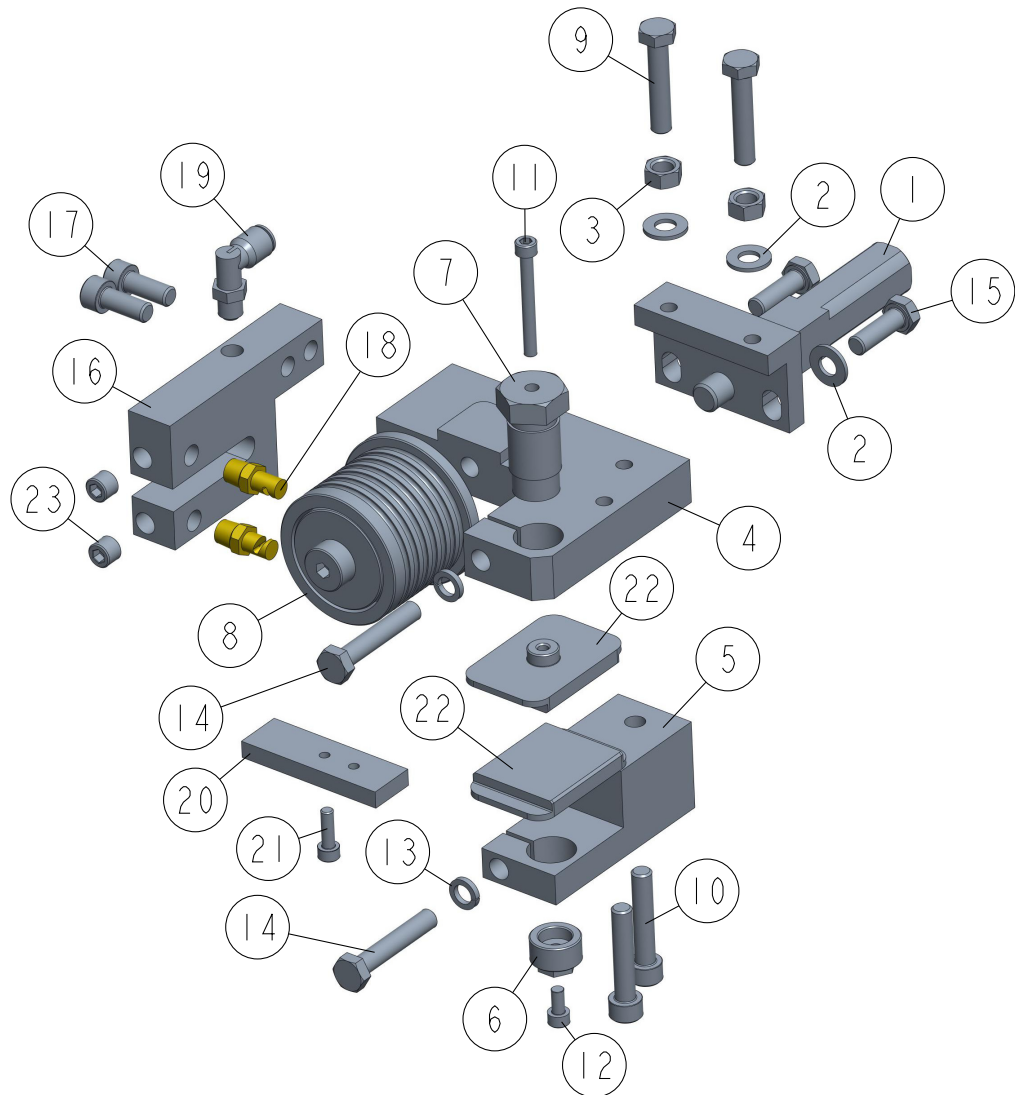
042543\_001  
042543\_MANUAL



REF.	DESCRIPTION (* indicates parts available in assemblies only)	PART #	QTY
-	<b>Roller Assy, Blade Guide Idler</b>	042543	1
1	ROLLER, 2 1/2 V-GROOVE	042536	1
2	BEARING, 5/8X1.7548X.4724	P06030-1	2
3	RING, 1.575 INTERNAL BEVELED RETAINING	F04254-8	1

## 3.31 Blade Guide w/Extended Roller, Idle Side (524855)

524855\_001  
524855\_MANUAL



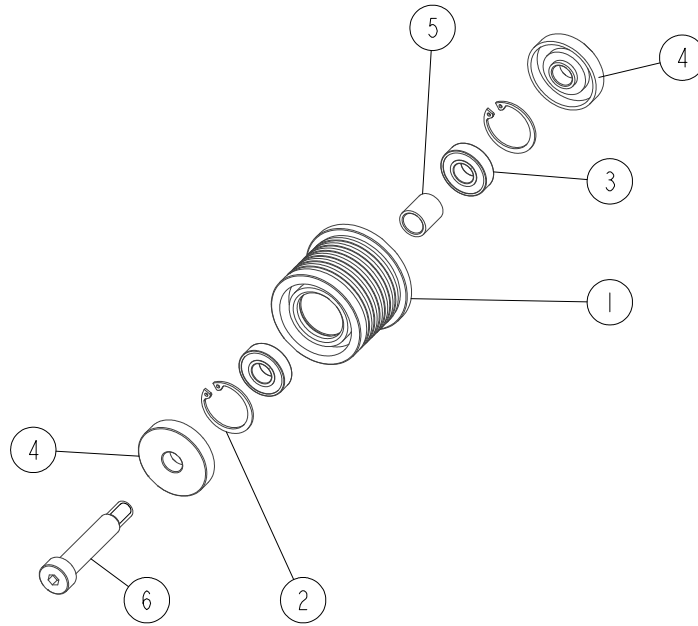
REF	DESCRIPTION (◆ indicates parts available in assemblies only)	PART #	QTY
-	BLADE GUIDE W/EXTENDED ROLLER, IDLE SIDE	524855	1
1	BRACKET WELDMENT, BLADE GUIDE ZINC-PLATE	089509-1	1
2	WASHER, 8.4 FLAT ZINC	F81054-1	4
3	NUT, M8 DIN 934 A2-70 STAINLESS STEEL	F81032-7	2
4	PLATE, BLADE GUIDE MOUNT - LEFT	524856-1	1
5	BLOCK, LOWER PAD SUPPORT LEFT	524857-1	1
6	SCREW, LOWER PAD ADJUSTER ZINC-PLATED	516191-1	1
7	BOLT, UPPER PAD ADJUSTMENT ZINC-PLATED	089515-1	1
8	ROLLER, BLADE GUIDE - EXTENDED W/BEARING <a href="#">See Section 2.8</a>	522502	1
9	BOLT, M8X40 DIN933 A2-70 STAINLESS STEEL	F81002-28	2
10	SCREW, M8X40-8.8 HEX SOCKET HEAD CAP ZIN	F81002-29	2
11	SCREW, M5X45 DIN912 A2-70 HEX SOCKET HE	F81000-24	1
12	SCREW, M5X10 DIN912 A2-70 HEX SOCKET HE	F81000-23	1
13	WASHER 8,2 SPLIT LOCK ZINC	F81054-4	2

REF	DESCRIPTION (◆ indicates parts available in assemblies only)	PART #	QTY	
14	BOLT, M8X45-8.8 HEX HEAD FULL THREAD ZIN	F81002-14	2	
15	BOLT, M8X25 DIN933 A2-70 STAINLESS STEEL	F81002-26	2	
16	BLOCK, NOZZLE HOUSING	524858-1	1	
17	SCREW, M8X20-8.8 HEX SOCKET HEAD CAP ZIN	F81002-30	2	
18	NOZZLE, BLADE LUBE SPRAY	033479	2	
19	ELBOW, 90 DEG 1/8MPT 1/4 TUBE SWIVEL	P09736	1	
-	PLATE, BLADE GUIDE ALIGNMENT - COMPLETE	090951	1	
20	PLATE, BLADE GUIDE ALIGNMENT ZINC-PLATED	090805-1	1	
21	SCREW, M5X16-8.8 HEX SOCKET HEAD CAP ZIN	F81000-25	1	
22	PAD, BLADE GUIDE (W/EXTENDED ROLLER)	524859-1	2	
23	PLUG, M10X1 DIN906 BN40 ZINC	F81015-3	2	



### 3.32 Extended Blade Guide Roller w/Bearings - 522502

522502\_001  
522502\_MANUAL

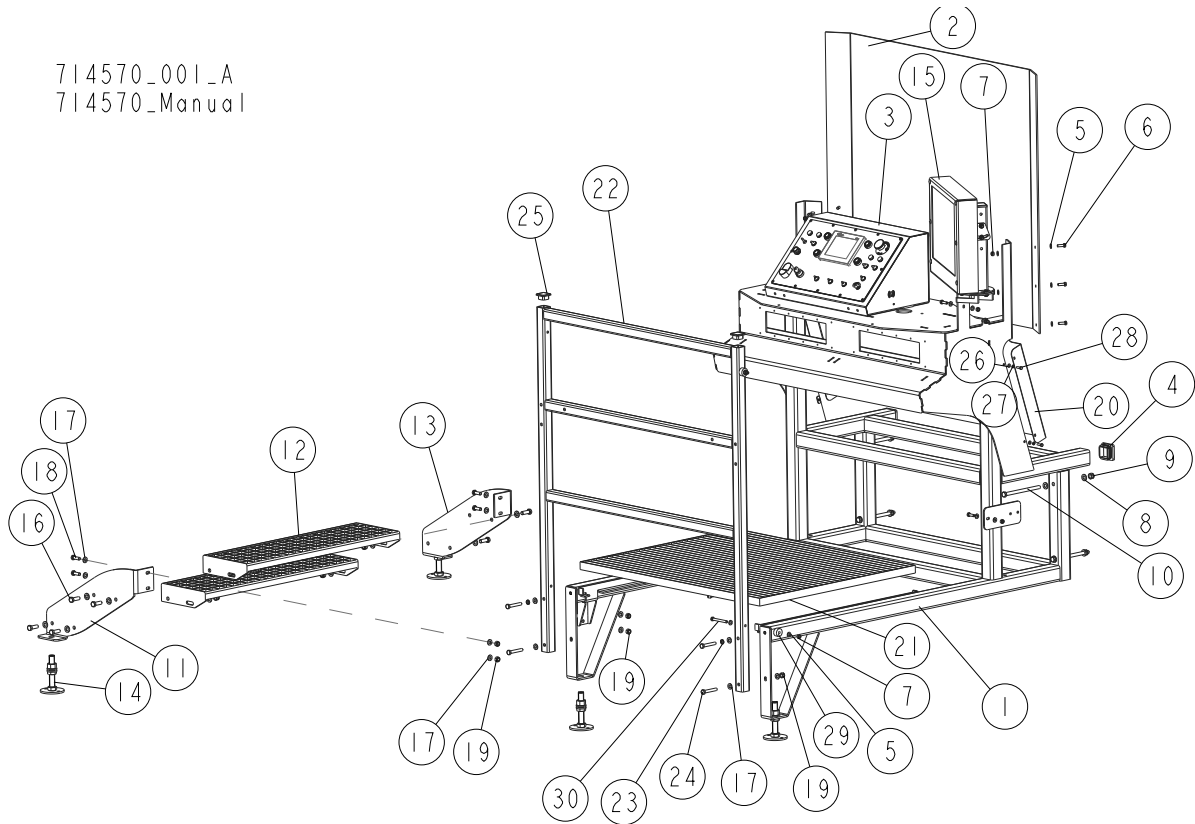


REF	DESCRIPTION (◆ indicates parts available in assemblies only)	PART #	QTY
-	<b>ROLLER, BLADE GUIDE - EXTENDED W/BEARINGS</b>	522502	1
1	ROLLER, BLADE GUIDE EXTENDED	522501	1
2	RING, W28 INSIDE RETAINING	F81090-9	2
3	BEARING, 6001 2RSR (FAG, SKF)	087893	2
4	RING, ZINC-PLATED SPACER	087891-1	2
5	BUSHING, 12/16-17	522504-1	1
6	BOLT, 12/M10X50 12.9 ISO7379 SHOULDER	F81003-122	1

SECTION 4 OPERATOR STAND

4.1 Operator Stand

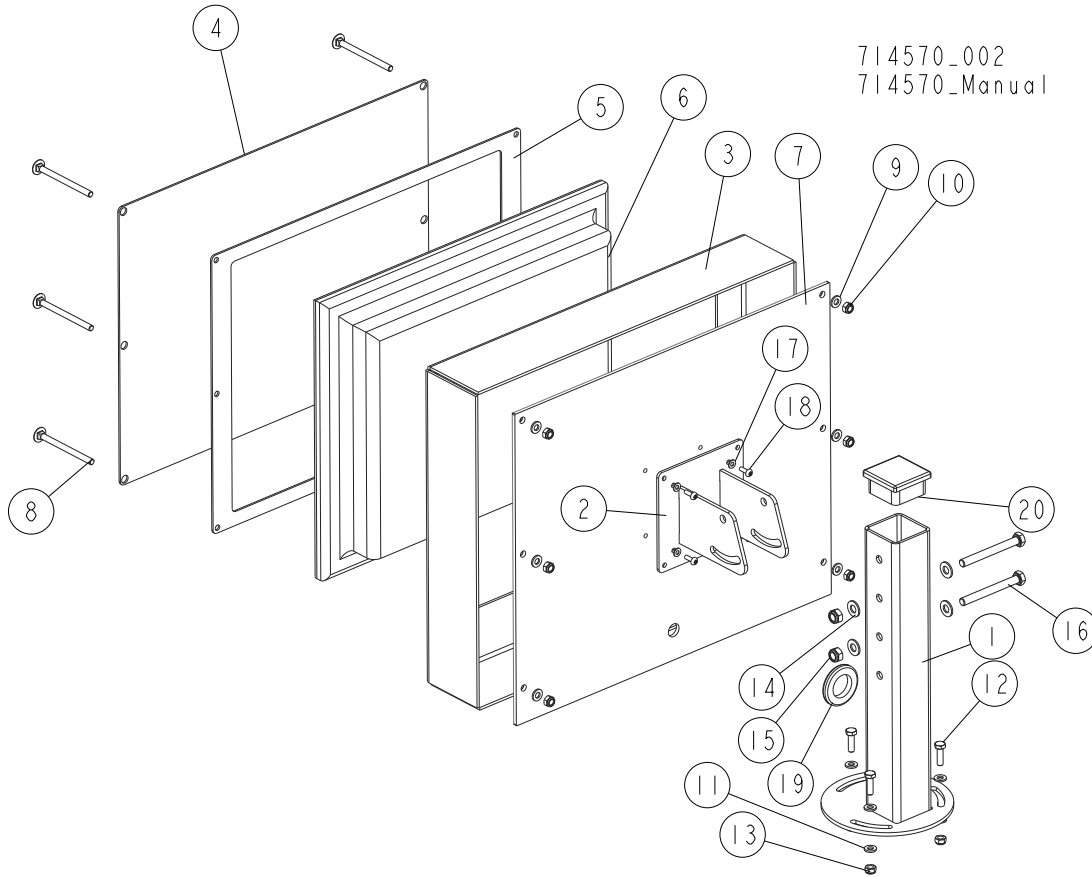
714570\_001\_A  
714570\_Manual



REF.	DESCRIPTION (◆ Indicates Parts Available In Assemblies Only)	PART #	QTY
	<b>BOX, E40 WB2000 EC CONTROL W/MOUNT</b>	<b>714570</b>	<b>1</b>
1	MOUNT, CONTROL BOX	714639-1	1
2	GUARD, CONTROL BOX	714579	1
3	BOX, WB2000 EC CONTROL - COMPLETE	714582	1
4	CAP, 60x60 3-4 THICK #199211 TUBE END	089710	2
5	WASHER, 8.4 FLAT ZINC	F81054-1	12
6	BOLT, M8x25-8.8-B HEX HEAD FULL THREAD ZINC	F81002-5	6
7	NUT, M8 8 HEX NYLON ZINC LOCK	F81032-2	6
8	WASHER, 13 FLAT ZINC	F81056-1	24
9	NUT, M12 8 HEX NYLON ZINC LOCK	F81034-2	12
10	BOLT, M12x180-8.8 HEX HEAD ZINC	F81004-49	4
11	PLATE, STEP SIDE BRACKET	714486-1	1
12	STEP, LADDER	714487	2
13	PLATE, STEP SIDE BRACKET	714488-1	1
14	FOOT ASSEMBLY <a href="#">See Section 7.5</a>	713584	2
15	MONITOR ASSEMBLY <a href="#">See Section 4.2</a>	714510	1
16	BOLT, M12x35 8.8 HEX HEAD FULL THREAD ZINC	F81004-24	8
17	WASHER, 10.5 FLAT ZINC	F81055-1	8
18	BOLT, M10x30 5.8 HEX HEAD FULL THREAD ZINC	F81003-2	4
19	NUT, M10-8-B HEX NYLON ZINC LOCK	F81033-1	4
20	GUARD	714726-1	1

REF.	DESCRIPTION (◆ Indicates Parts Available In Assemblies Only)	PART #	QTY	
21	GRID, 990x815x30 OPERATOR PLATFORM	714581-1	1	
22	RAIL WELDMENT, WB2000 EC	714587-1	1	
23	WASHER, Z 10.2 SPLIT LOCK ZINC	F81055-2	2	
24	BOLT, M10X65-8.8 HEX HEAD ZINC	F81003-67	4	
25	CAP, 40x40x(3-4) MOSS TUBE END	097480	2	
26	WASHER, 6.4 FLAT ZINC	F81053-1	4	
27	WASHER, Z 6.1 SPLIT LOCK ZINC	F81053-3	4	
28	BOLT, M6X20 8.8 HEX HEAD FULL THREAD ZINC	F81001-2	4	
29	WASHER	714707-1	2	
30	BOLT, M8x75-8.8 HEX HEAD ZINC	F81002-91	2	

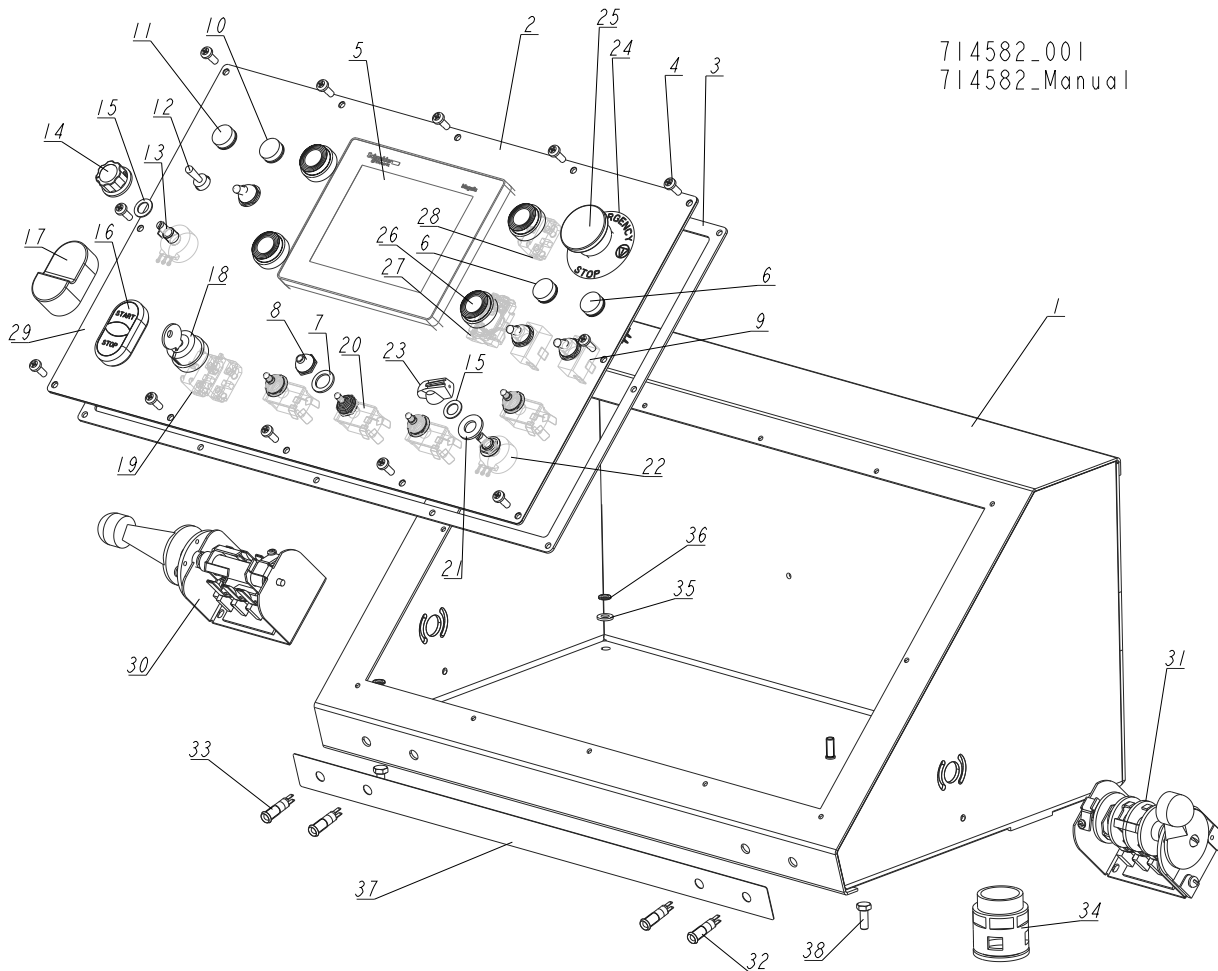
**4.2 Monitor Assembly**



REF.	DESCRIPTION (◆ Indicates Parts Available In Assemblies Only)	PART #	QTY
	<b>MONITOR ASSEMBLY</b>	<b>714510</b>	<b>1</b>
1	STAND, MONITOR	714506-1	1
2	BRACKET, MONITOR STAND	714509-1	1
	<b>MONITOR W/HOUSING - COMPLETE</b>	<b>714524</b>	<b>1</b>
3	HOUSING, MONITOR - FRONT	714522-1	1
4	COVER, MONITOR	714523	1
5	GASKET, MONITOR	714525	1
6	MONITOR, LCD CCTV 17RTVN	512959	1
7	PLATE, MONITOR HOUSING REAR	714526-1	1
8	BOLT, M6X80-8.8 CARRIAGE ZINC	F81001-60	6
9	WASHER, 6.4 FLAT ZINC	F81053-1	6
10	NUT, M6-8-B HEX NYLON ZINC LOCK	F81031-2	6
11	WASHER, 6.4 FLAT ZINC	F81053-1	6
12	BOLT, M6X20 8.8 HEX HEAD FULL THREAD ZINC	F81001-2	3
13	NUT, M6-8-B HEX NYLON ZINC LOCK	F81031-2	3
14	WASHER, 8.4 FLAT ZINC	F81054-1	4
15	NUT, M8 8 HEX NYLON ZINC LOCK	F81032-2	2
16	BOLT, M8X75-8.8 HEX HEAD ZINC	F81002-91	2
17	WASHER, 4.3 FLAT ZINC	F81051-2	4
18	SCREW, M4X12 5.8-B CROSS RECESSED PAN HEAD	F81011-43	4
19	GROMMET, 1"ID RUBBER	P11765	1
20	CAP, 50X50 19927 SHR TUBE END (3-5MM THICK)	095371	1

### 4.3 Control Box

714582\_001  
714582\_Manual



REF.	DESCRIPTION (◆ Indicates Parts Available In Assemblies Only)	PART #	QTY
	<b>BOX, WB2000 EC CONTROL - COMPLETE</b>	<b>714582</b>	<b>1</b>
	BOX WELDMENT, WB2000 EC	714583-1	1
	<b>PANEL, WB2000 EC CONTROL BOX FRONT - COMPLETE</b>	<b>713722</b>	<b>1</b>
2	PANEL, WB2000 EC CONTROL BOX FRONT	713723-1	1
3	GASKET, WB2000 EC CONTROL BOX	713724	1
4	BOLT, #10-24X1/2 PH PAN HEAD, TYPE 23	F05015-17	12
5	CONTROLLER, PLC W/HMI HMISTU8B5 PANEL	519634	1
6	LIGHT, XB6 AV 5BB CONTROL	089812	2
7	WASHER, 1/2X3/4X1/16 NYLON	P05251-1	7
8	BOOT, TOGGLE SWITCH	P02575	7
9	SWITCH, TOGGLE	P03027	3
10	LIGHT, XB6AV 1BB CONTROL	087398	1
11	LIGHT, XB6 AV 3BB CONTROL	087348	1
12	SWITCH, DPDT ON/OFF/ON 15A TOGGLE	024588	1
13	POTENTIOMETER, 500K 2W 10% CP PANEL MOUNT	024553	1
14	KNOB, 1/4 ID FLUTED ROUND PLASTIC	033478	1
15	WASHER, 3/8 ID 5/8 OD .032 THICK NYLON	033444	2
16	SWITCH, XB5AW73731B5 START/STOP	510254	1
17	DIAPHRAGM, M22-T-DD MOELLER	090462	1

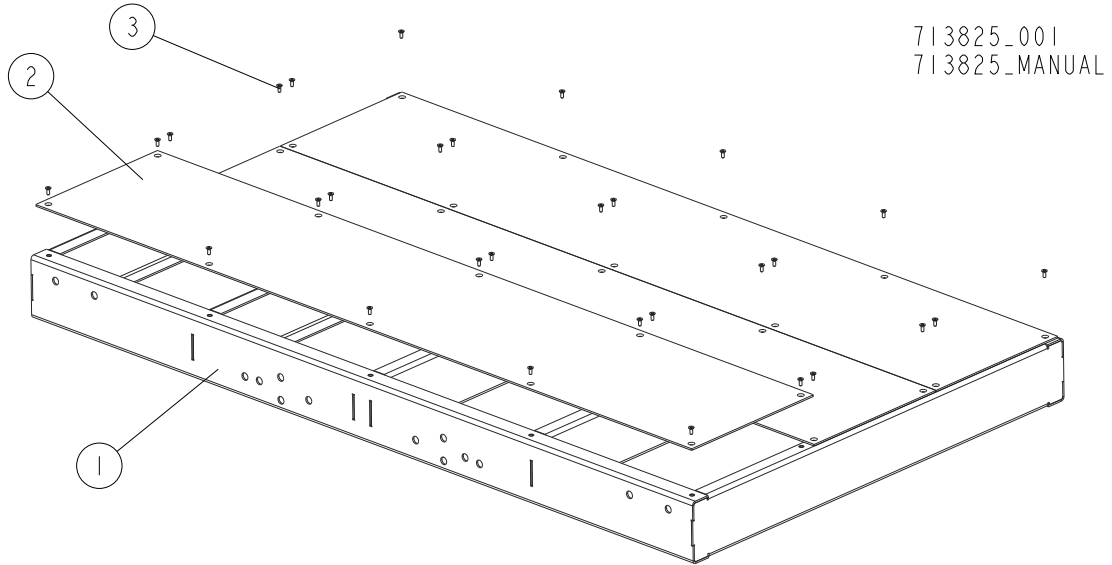
## 4

**OPERATOR STAND***Control Box*

REF.	DESCRIPTION (◆ Indicates Parts Available In Assemblies Only)	PART #	QTY	
18	SWITCH, XB4 BG33 KEY	087350	1	
19	CONTACT, ZBE101	087817	2	
20	SWITCH, TOGGLE 21A DPDT REV MOM SPADE	024200	4	
21	WASHER, 10.5 FLAT ZINC	F81055-1	1	
22	POTENTIOMETER,1K,LTAGA	E20519	1	
23	KNOB, SPEED CONTROL	P06257	1	
24	WASHER, EMERGENCY STOP BUTTON	086561	1	
25	BUTTON, XB4 BS542 EMERGENCY STOP	086556	1	
26	OPERATOR, ZB5AH6 NON-ILLUMINATED BLUE PUSHBUTTON	519638	4	
27	COLLAR, ZB5AZ009 BODY FIXING	519635	4	
28	CONTACT, ZBE101	087817	4	
29	DECAL, WB2000 EC CONTROL BOX	713735	1	
30	SWITCH, WB2000EC POWER FEED DRUM	714013	1	
31	SWITCH, 1992 UP/DOWN	E20440	1	
32	LIGHT, SMBD 14024 LED RED CONTROL	714562	2	
33	LIGHT, SMBD 08214 LED GREEN CONTROL	091456	2	
34	CONNECTOR, KLICK-GP29 RILL 29	086576	1	
35	WASHER, 6.4 FLAT ZINC	F81053-1	4	
36	WASHER, Z 6.1 SPLIT LOCK ZINC	F81053-3	4	
37	DECAL, WB2000 EC CONTROL BOX LOWER	713735-1	1	
38	BOLT, M6x16 8.8 HEX HEAD FULL THREAD ZINC	F81001-15	4	

**SECTION 5 BOARD REMOVAL PLATE**

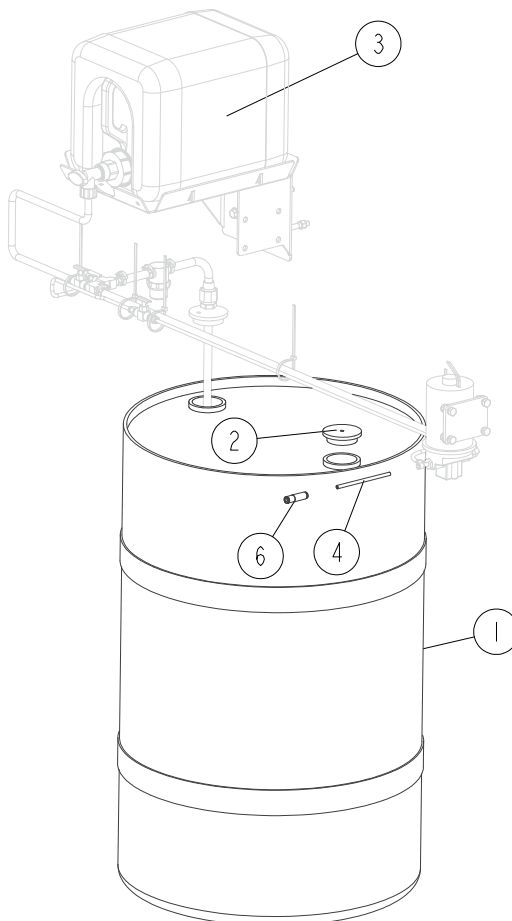
**5.1 Board Removal Plate**



REF.	DESCRIPTION (◆ Indicates Parts Available In Assemblies Only)	PART #	QTY
	<b>PLATE, WB2000 BOARD REMOVAL - COMPLETE</b>	<b>713825</b>	<b>1</b>
1	FRAME WELDMENT, BOARD REMOVAL PLATE	713820-1	1
2	PLATE, TOP	713821-1	3
3	SCREW, M6X16-10.9 DIN7991 FLAT SOCKET HEAD CAP ZINC	F81001-55	30

## SECTION 6 BLADE LUBE ASSEMBLY

### 6.1 Blade Lube Assembly

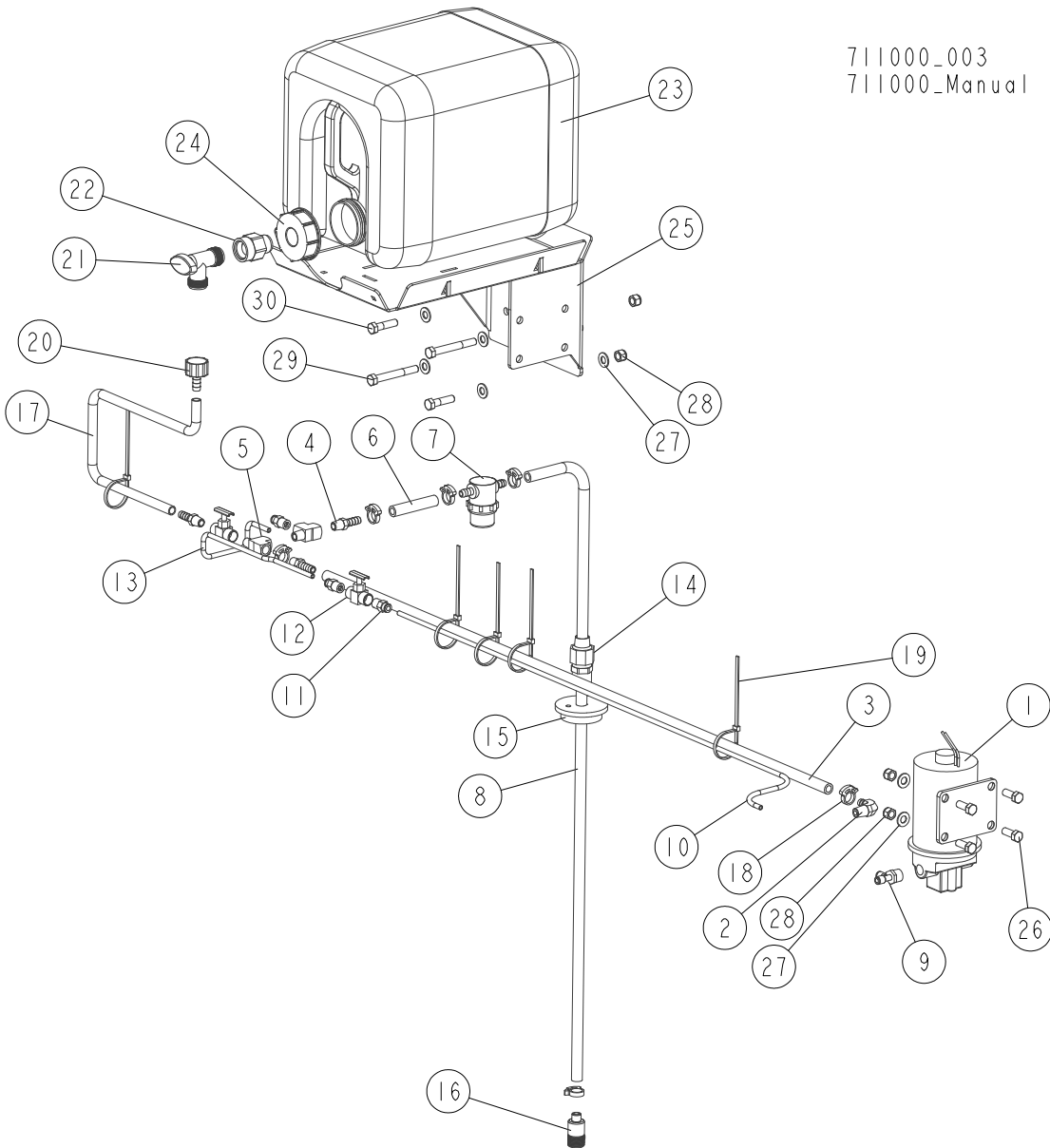


711000\_002  
711000\_Manual

REF.	DESCRIPTION (◆ Indicates Parts Available In Assemblies Only)	PART #	QTY
	<b>Lube System, WM3000</b>	<b>016926</b>	<b>1</b>
1	BARREL, PLASTIC	016784	1
2	CAP, BARREL WITH 1/4 VENT	016786	1
3	PUMP ASSY, LT300 LUBE <a href="#">See Section 6.2</a>	016883	1
4	TUBE, 1/4X100FT CHAIN FLEX PRESSURE	074018	1
5	ASSY, CABLE	025249	1
6	VALVE, 1/4 6PSI CHECK	016827	1



**6.2 Lube Pump Assembly**



711000\_003  
 711000\_Manual

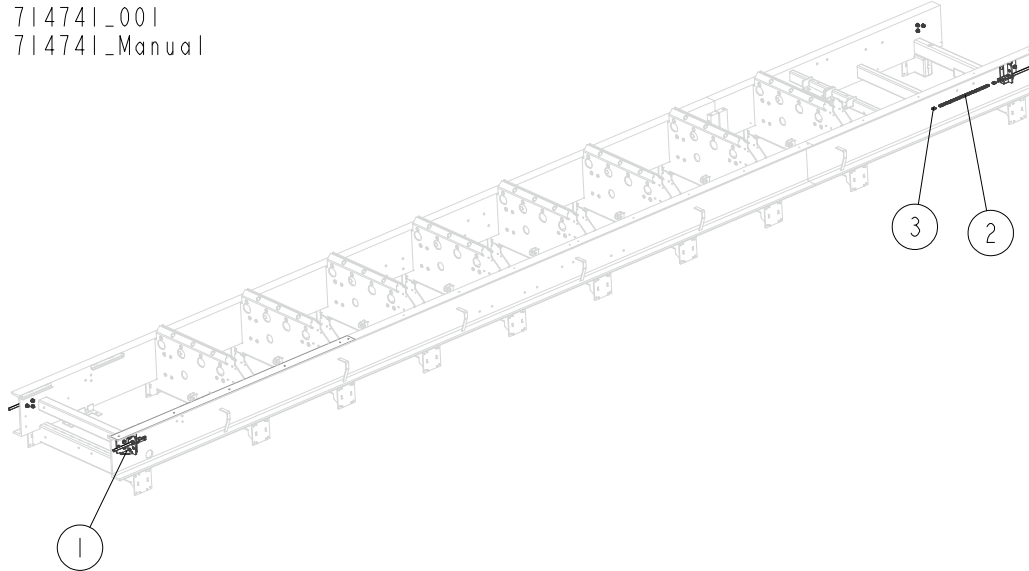
REF.	DESCRIPTION (◆ Indicates Parts Available in Assemblies Only)	PART #	QTY
	<b>Pump Assy, LT300 Lube</b>	<b>016883</b>	<b>1</b>
1	PUMP ASSY, LUBE	050029	1
2	FITTING, 3/8NPT-3/8 ELBOW	P12708	1
3	HOSE, SUCTION 3/8X44	016829	1
4	FITTING, 1/4NPT-3/8 BARB	014685	3
5	FITTING, 1/4 TEE	P05382	2
6	HOSE, SUCTION 3/8X3	038494	1
7	FILTER 38 BARB LUBE	033447	1
8	HOSE, SUCTION 3/8X40	016884	1
9	FITTING, TEE 3/8NPT TO 1/4 TUBE MALE RUN	016961	1
10	HOSE, 1/4X40 PRESSURE	016885	1
11	FITTING, 1/4" NPT TO 1/4" TUBE STRAIGHT	P20903	3

REF.	DESCRIPTION (◆ Indicates Parts Available in Assemblies Only)	PART #	QTY	
12	VALVE, NEEDLE 1/4 NPT FEMALE BRASS	051392	2	
13	HOSE, 1/4X24 PRESSURE	016886	1	
14	COUPLER, 3/4" NPT X 1/2" POLY COMPRESSION	016935	1	
15	CAP, BARREL VENT	016785	1	
16	VALVE, 3/8" BARB FOOT CHECK	016939	1	
17	TUBE, 3/8IDX25 WATER LINE	038495	1	
18	CLAMP, SINGLE SNAP GRIP #38	016845	6	
19	TIE WRAP, 3/16 X 5 1/2" UV BLACK	F05089-3	5	
20	FITTING, 5/8-3/8 HOSE BARB	014113	1	
21	VALVE, 5/8 90° MALE SHUTOFF	014100	1	
22	FITTING, 3/4FPTX3/4MPT	014636	1	
23	BOTTLE, 5 GALLON WATER	014637	1	
24	CAP, WATER BOTTLE BUTTRESS THREAD	036745	1	
25	TRAY WELDMENT, LUBE SYSTEM	038498	1	
26	BOLT, 3/8-16X1 HEX HEAD GRADE 5	F05007-87	4	
27	WASHER, 3/8 FLAT ZINC	F05011-3	10	
28	NUT, M8 3 HEX NYLON ZINC LOCK	F05010-10	8	
29	BOLT, 3/8-16X3 HEX HEAD GRADE 5	F05007-73	2	
30	BOLT, 3/8-16X1 1/2 HEX HEAD GRADE 5 ZINC	F05007-78	2	

## SECTION 7 BED FRAME ASSEMBLY

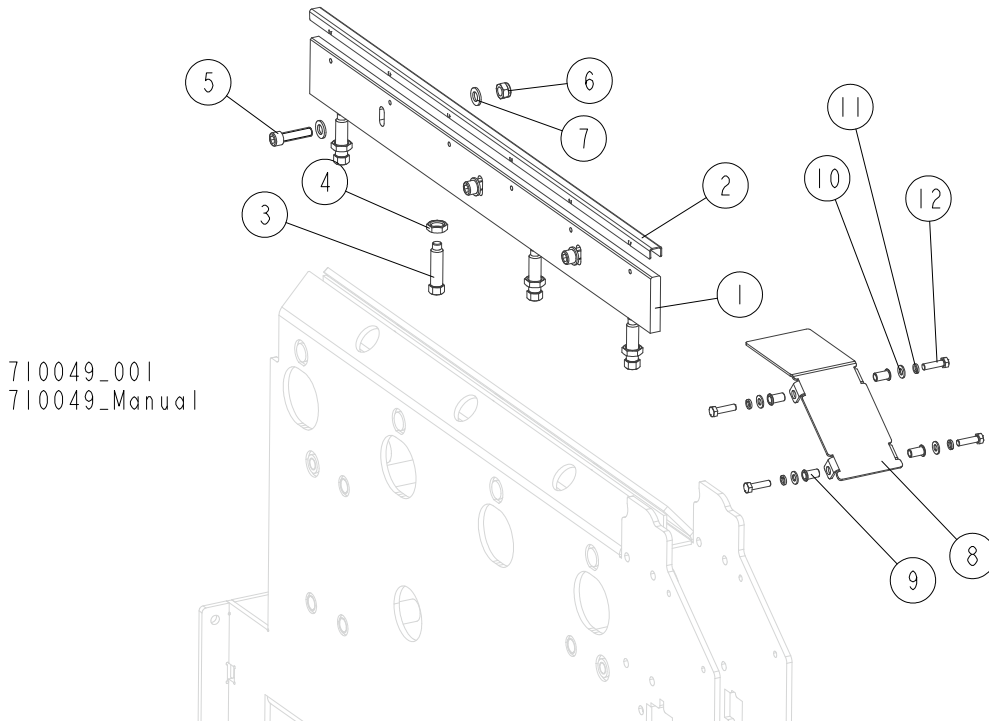
### 7.1 Power Feed Chain

714741\_001  
 714741\_Manual



REF.	DESCRIPTION (◆ Indicates Parts Available in Assemblies Only)	PART #	QTY	
1	STOP ASSEMBLY, MAST <a href="#">See Section 7.13</a>	713083	4	
2	CHAIN, 12B-1, L=9.3 m, M EC FRAME	714806	2	
	CHAIN, 12B-1, L=6.75 m, S EC FRAME	714807	2	
3	LINK, 12B-1PZ MASTER	090713	4	

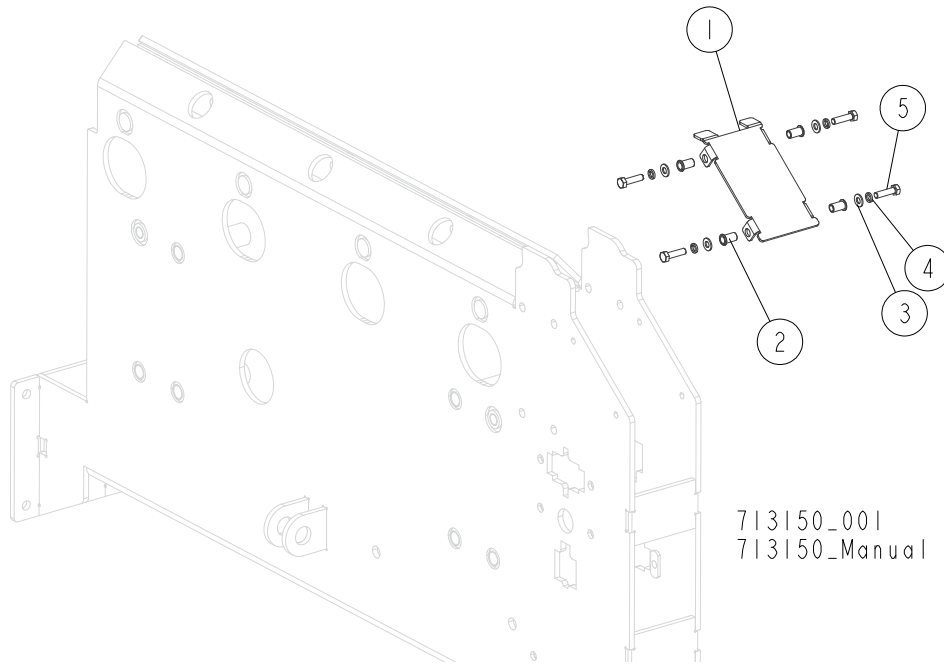
**7.2 WB2000 Bed Rail Assembly**



710049\_001  
710049\_Manual

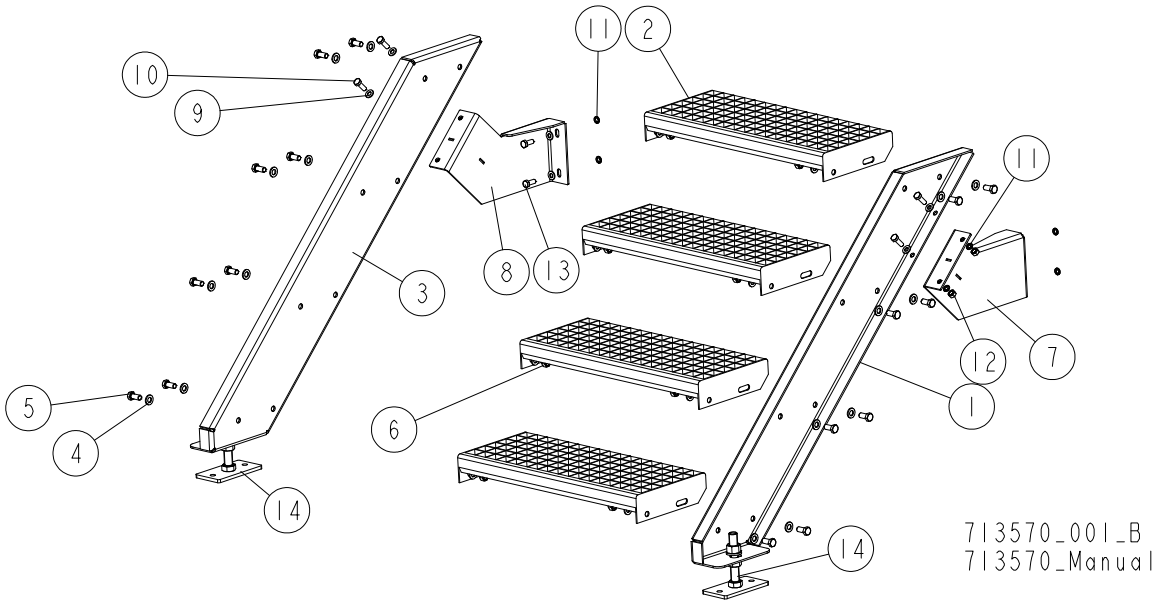
REF.	DESCRIPTION (◆ Indicates Parts Available in Assemblies Only)	PART #	QTY
	<b>RAIL, BED - COMPLETE</b>	<b>710049</b>	<b>1</b>
1	RAIL, WB2000 BED	710331-1	1
2	COVER, BED RAIL	710334	1
3	BOLT, M16x60-33H HEX ZINC SET W/FULL DOG POINT	F81006-56	4
4	NUT, M16 8 THIN ZINC	F81036-4	4
5	BOLT, M12X45 -8.8 HEX SOCKET HEAD CAP ZINC	F81004-93	3
6	NUT, M12-8 HEX NYLON ZINC LOCK	F81034-2	3
7	WASHER, 13 ZINC FLAT	F81056-1	6
	<b>PLATE, CROSS BEAM COVER - COMPLETE (For bed rails without side support)</b>	<b>713152</b>	<b>1</b>
8	PLATE, CROSS BEAM COVER	713151-1	1
9	NUT, M8 1.0-2.5 FTR-Z RIVET ZINC	F81032-9	4
10	WASHER, 8.4 FLAT ZINC	F81054-1	4
11	WASHER, 8.2 SPLIT LOCK ZINC	F81054-4	4
12	BOLT, M8x30-5.8 HEX HEAD FULL THREAD ZINC	F81002-2	4

**7.3 WB2000 Cross Beam Cover**



REF.	DESCRIPTION (◆Indicates Parts Available in Assemblies Only)	PART #	QTY
	<b>COVER, CROSS BEAM - COMPLETE (For bed rails with side support)</b>	<b>713150</b>	<b>1</b>
1	COVER, CROSS BEAM	713149-1	1
2	NUT, M8 1.0-2.5 FTR-Z RIVET ZINC	F81032-9	4
3	WASHER, 8.4 FLAT ZINC	F81054-1	4
4	WASHER, 8.2 SPLIT LOCK ZINC	F81054-4	4
5	BOLT, M8x30-5.8 HEX HEAD FULL THREAD ZINC	F81002-2	4

#### 7.4 Ladder Assembly, Inspection Platform

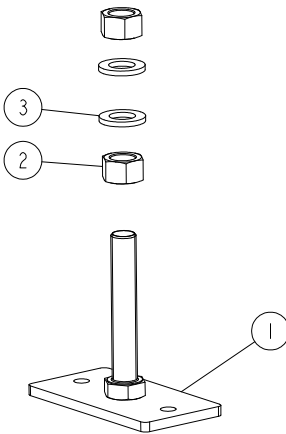


713570\_001\_B  
713570\_Manual

REF	DESCRIPTION (u indicates parts available in assemblies only)	PART #	QTY
-	<b>LADDER ASSEMBLY</b>	713570	1
1	PLATE WELDMENT, LADDER RIGHT	713567-1	1
2	STEP, LADDER	713569-1	4
3	PLATE WELDMENT, LADDER LEFT	713568-1	1
4	WASHER, 13 FLAT ZINC	F81056-1	32
5	BOLT, M12X25-8.8 HEX HEAD FULL THREAD ZI	F81004-31	16
6	NUT, M12-8 HEX ZINC	F81034-1	16
7	BRACKET, LADDER MOUNT (2)	713575-1	1
8	BRACKET, LADDER MOUNT (1)	713574-1	1
9	WASHER, 10.5 FLAT ZINC	F81055-1	12
10	BOLT, M10X30-5.8 HEX HEAD FULL THREAD ZI	F81003-2	4
11	WASHER, Z 10.2 SPLIT LOCK ZINC	F81055-2	8
12	NUT, M10-8-B-HEX ZINC	F81033-3	4
13	BOLT, M10X25 8.8 HEX HEAD FULL THREAD ZI	F81003-11	4
14	FOOT, LT15P BED - COMPLETE <a href="#">See Section 7.5</a>	514997	2

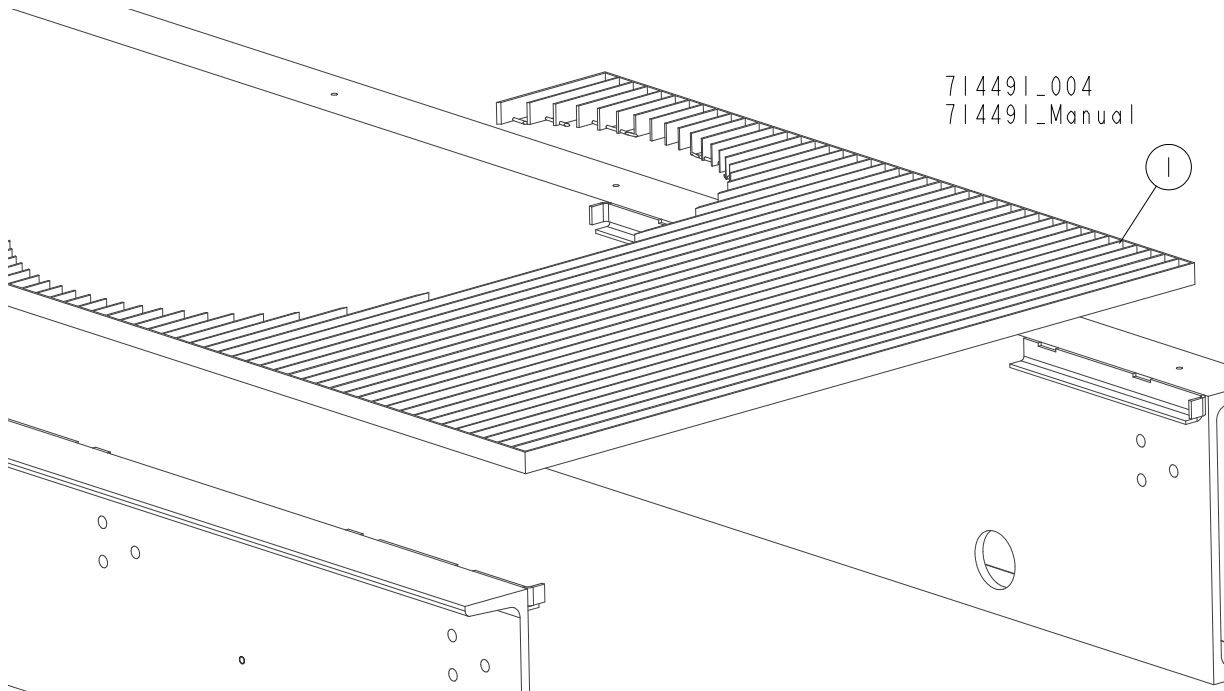
**7.5 Foot Assembly, Platform Ladder**

514997\_001  
 514997\_MANUAL



REF.	DESCRIPTION (* indicates parts available in assemblies only)	PART #	QTY	
-	<b>FOOT, LT15 BED - COMPLETE</b>	514997	1	
1	FOOT WELDMENT, LT15 BED	514996-1	1	
2	NUT, M20-8- HEX ZINC	F81037-1	2	
3	WASHER, 21 FLAT ZINC	F81059-2	2	

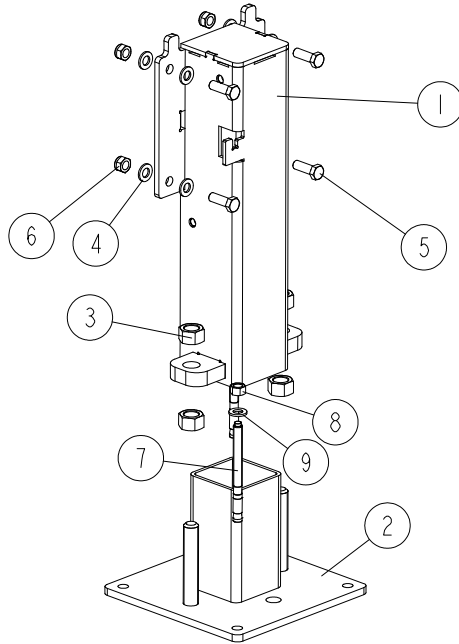
**7.6 Inspection Platform Grid**



REF.	DESCRIPTION (◆ Indicates Parts Available in Assemblies Only)	PART #	QTY	
1	GRID, 1180X1180X30 INSPECTION PLATFORM	710988-1	1	



**7.7 Leg Assembly**



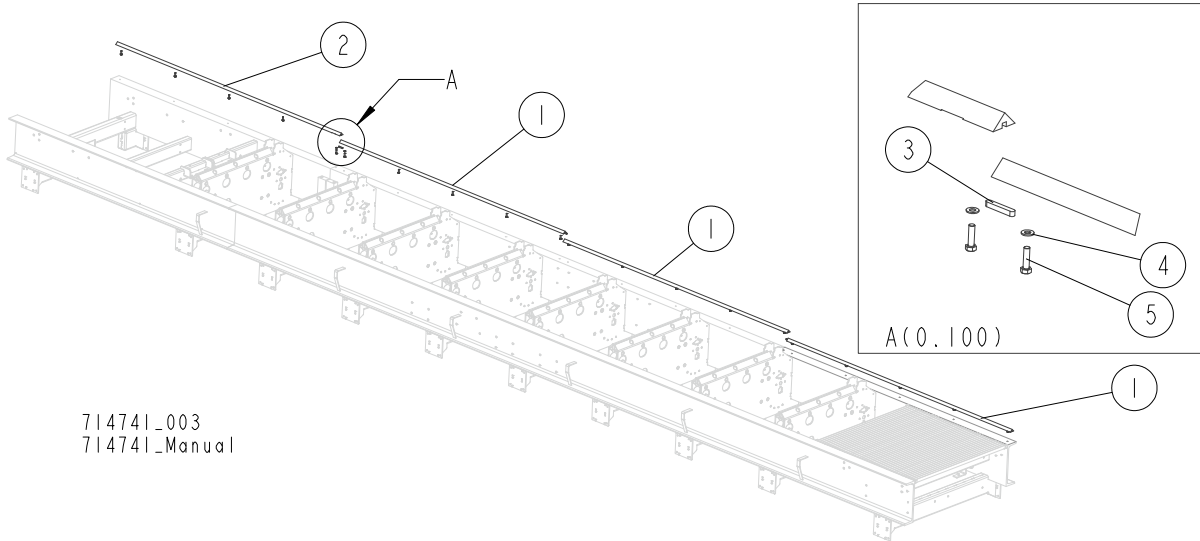
714423\_001  
 714423\_Manual

REF	DESCRIPTION (u indicates parts available in assemblies only)	PART #	QTY
-	<b>LEG ASSEMBLY</b>	714423	1
1	LEG, WB2000 BED	714424-1	1
2	FOOT WELDMENT, BED LEG	510897-1	1
3	NUT, M20-8 HEX ZINC	F81037-1	4
4	WASHER, 13 FLAT ZINC	F81056-1	8
5	BOLT, M12X35-8.8 HEX HEAD FULL THREAD ZI	F81004-24	4
6	NUT, M12-8 HEX NYLON ZINC LOCK	F81034-2	4
-	STUD, M12 140MM ANCHOR	084529	2
7	STUD, M12 140MM ANCHOR	084529	1
8	NUT, M12-8-B HEX ZINC	F81034-1	1
9	WASHER, 13 FLAT ZINC	F81056-1	1

# 7 BED FRAME ASSEMBLY

## Angle Set, "M" Bed Frame

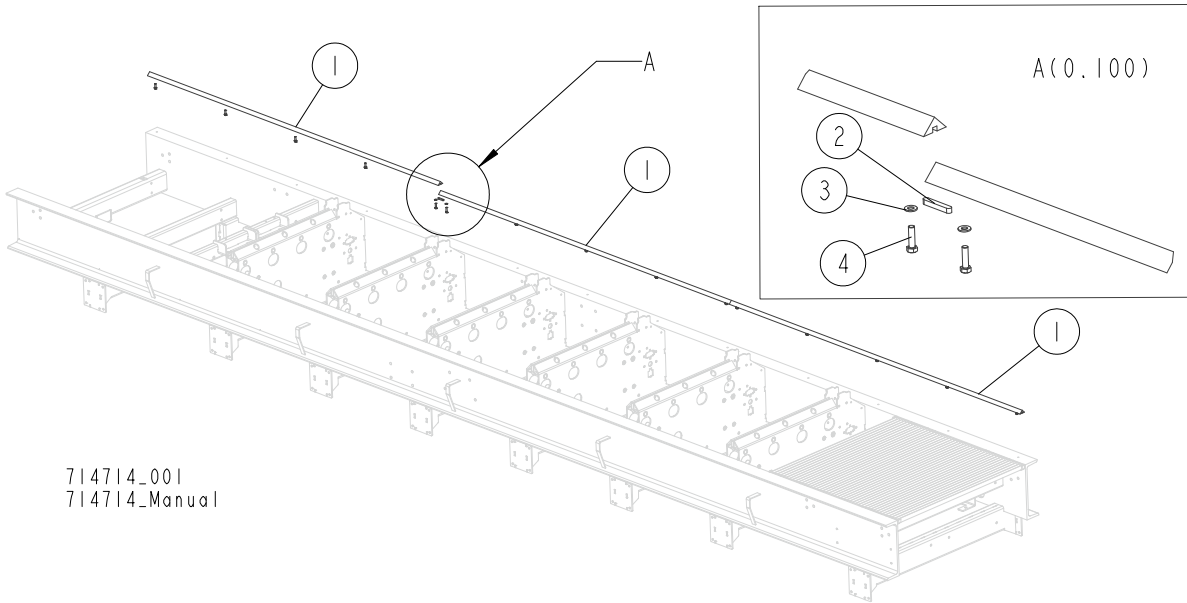
### 7.8 Angle Set, "M" Bed Frame



714741\_003  
714741\_Manual

REF.	DESCRIPTION (◆ Indicates Parts Available in Assemblies Only)	PART #	QTY	
	<b>ANGLE SET, WB2000 BED</b>	<b>714554</b>	<b>1</b>	
1	ANGLE, WB2000 BED	710303	3	
2	ANGLE, WB2000 BED	714556	1	
3	KEY, A8X7X50 PARALLEL	088563	3	
4	WASHER, 8.4 FLAT ZINC	F81054-1	20	
5	BOLT, M8X30-5.8-B HEX HEAD FULL THREAD ZINC	F81002-2	20	

## 7.9 Angle Set, "S" Bed Frame

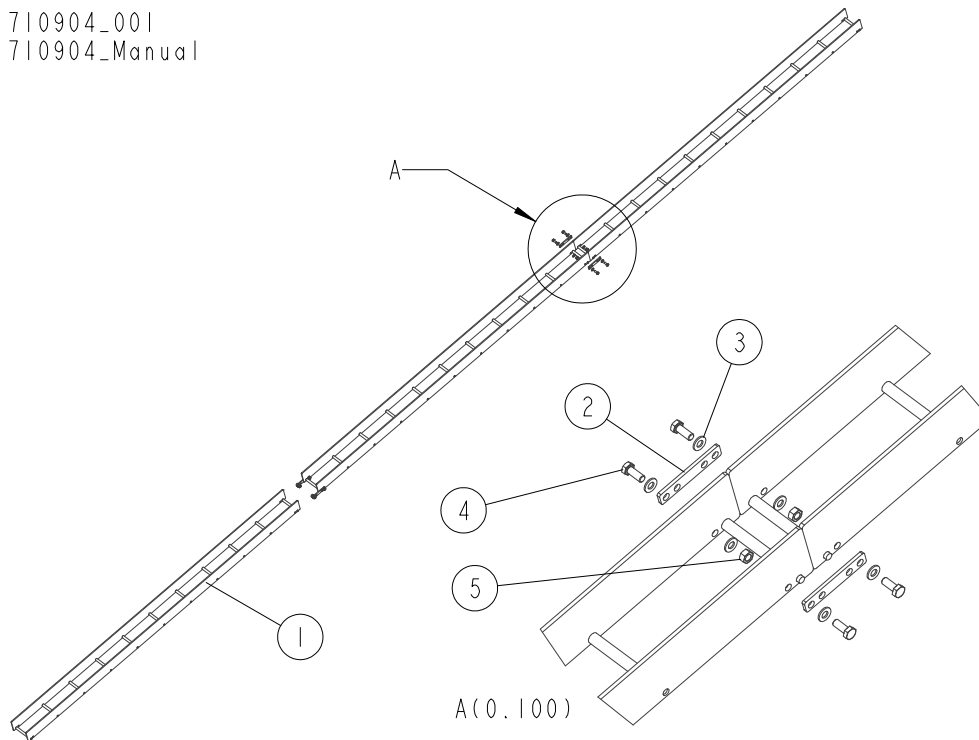


714714\_001  
 714714\_Manual

REF.	DESCRIPTION (◆ Indicates Parts Available in Assemblies Only)	PART #	QTY
	<b>ANGLE SET, WB2000 BED</b>	<b>714665</b>	<b>1</b>
1	ANGLE, WB2000 BED	714493	3
2	KEY, A8X7X50 PARALLEL	088563	2
3	WASHER, 8.4 FLAT ZINC	F81054-1	15
4	BOLT, M8X30-5.8-B HEX HEAD FULL THREAD ZINC	F81002-2	15

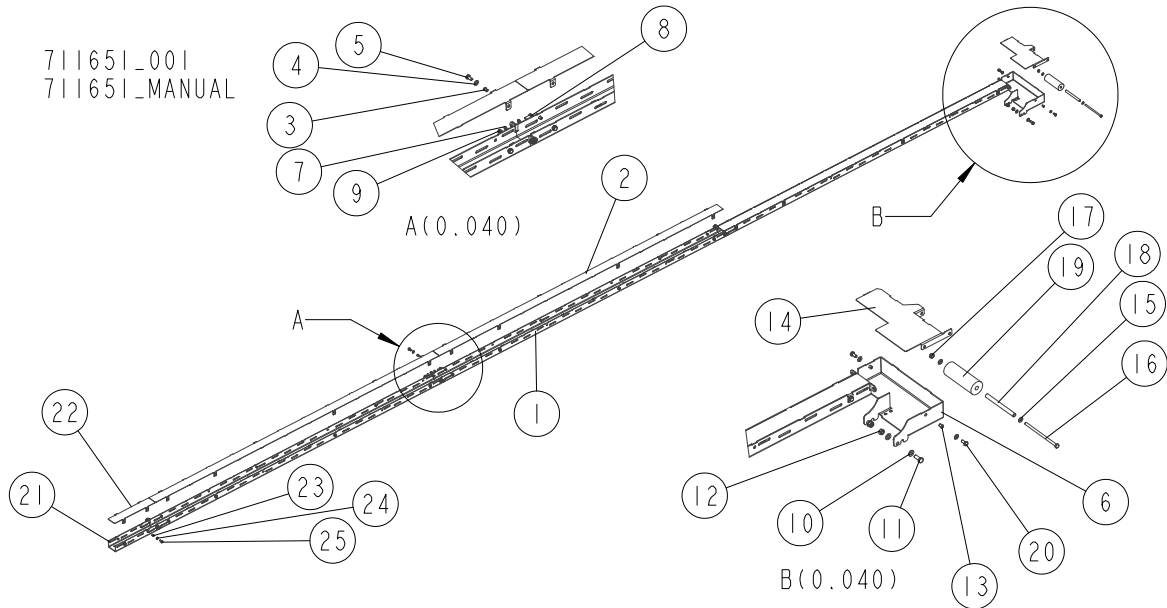
**7.10 Wireway Assembly**

710904\_001  
710904\_Manual



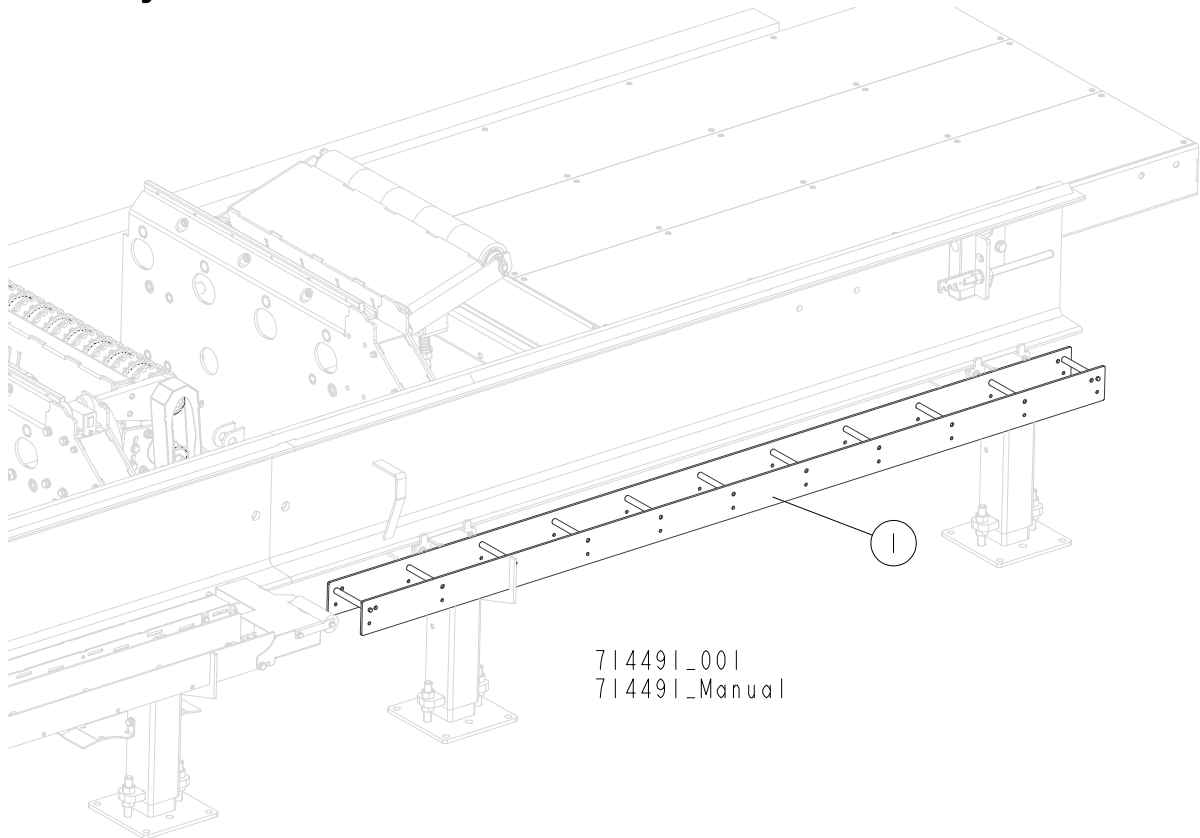
REF.	DESCRIPTION (◆Indicates Parts Available in Assemblies Only)	PART #	QTY	QTY
	<b>WIREWAY, WB2000 BED - COMPLETE ("M" FRAME)</b>	<b>714974</b>	<b>1</b>	<b>-</b>
	<b>WIREWAY, WB2000 BED - COMPLETE ("S" FRAME)</b>	<b>716885</b>	<b>-</b>	<b>1</b>
1	WIREWAY WELDMENT, WB2000	714973-1	3	2
2	BAR, WIREWAY	710903-1	4	2
3	WASHER, 10.5 FLAT ZINC	F81055-1	16	8
4	BOLT, M10X25 8.8 HEX HEAD FULL THREAD ZINC	F81003-11	8	4
5	NUT, M10 8 HEX ZINC	F81033-3	8	4

## 7.11 Cable Duct Set



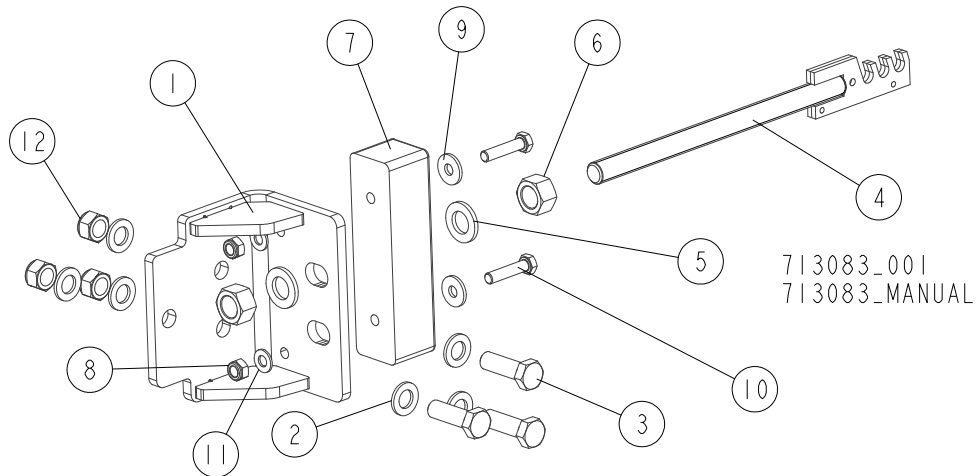
REF.	DESCRIPTION (◆Indicates Parts Available in Assemblies Only)	PART #	QTY	QTY
	<b>CABLE DUCT SET, WB2000 "M" FRAME</b>	<b>714967</b>	<b>1</b>	<b>-</b>
	<b>CABLE DUCT SET, WB2000 "S" FRAME</b>	<b>716884</b>	<b>-</b>	<b>1</b>
	<b>DUCT, CABLE - COMPLETE</b>	<b>711910</b>	<b>3</b>	<b>2</b>
1	DUCT, WB2000 CABLE	711644-1	1	1
2	COVER, CABLE DUCT	711646-1	1	1
3	NUT, M6 RIVET	F81033-18	8	8
4	WASHER, 8.4 FLAT ZINC	F81054-1	8	8
5	BOLT, M8X16-8.8-B HEX HEAD FULL THREAD ZINC	F81002-20	8	8
6	BRACKET, CABLE CHAIN CONNECTION	714966-1	1	1
7	WASHER, 8.4 FLAT ZINC	F81054-1	14	10
8	BOLT, M8X20 5.8 HEX HEAD FULL THREAD ZINC	F81002-1	6	4
9	NUT, M8 8 HEX NYLON ZINC LOCK	F81032-2	6	4
10	WASHER, 10.5 FLAT ZINC	F81055-1	4	4
11	BOLT, M10X25 8.8 HEX HEAD FULL THREAD ZINC	F81003-11	2	2
12	NUT, M10 8 HEX ZINC	F81033-3	2	2
13	NUT, M6 RIVET	F81033-18	2	2
	<b>COVER W/ROLLER</b>	<b>714965</b>	<b>1</b>	<b>1</b>
14	COVER, CONNECTION BRACKET	714964-1	1	1
15	WASHER, 8.4 FLAT ZINC	F81054-1	2	2
16	BOLT, M8X230-8.8-B HEX HEAD ZINC	F81002-111	1	1
17	NUT, M8 8 HEX NYLON ZINC LOCK	F81032-2	1	1
18	BUSHING, 9/14-142.5	714963-1	1	1
19	ROLLER	714962	1	1
20	BOLT, M8X16-8.8-B HEX HEAD FULL THREAD ZINC	F81002-20	2	2
	<b>DUCT, CABLE - COMPLETE</b>	<b>713250</b>	<b>1</b>	<b>1</b>
21	DUCT, WB2000 CABLE	713251-1	1	1
22	COVER, CABLE DUCT	713252-1	1	1
23	NUT, M6 RIVET	F81033-18	7	7
24	WASHER, 8.4 FLAT ZINC	F81054-1	4	4
25	BOLT, M8X16-8.8-B HEX HEAD FULL THREAD ZINC	F81002-20	4	4

**7.12 Wireway**



REF.	DESCRIPTION (◆ Indicates Parts Available in Assemblies Only)	PART #	QTY	
1	WIREWAY WELDMENT	714970-1	1	

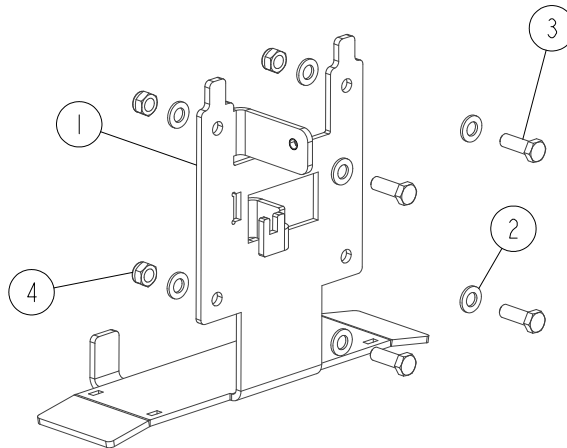
**7.13 Mast Stop Assembly**



REF.	DESCRIPTION (◆ Indicates Parts Available in Assemblies Only)	PART #	QTY
	<b>STOP ASSEMBLY, MAST</b>	<b>713083</b>	<b>1</b>
1	STOP WELDMENT, MAST	713084-1	1
2	WASHER, 17 SPLIT LOCK ZINC	F81058-1	6
3	BOLT, M16X50-8.8 HEX HEAD FULL THREAD ZINC	F81006-38	3
4	TENSIONER, 12B1 CHAIN	713087-1	1
5	WASHER, 21 FLAT ZINC	F81059-2	2
6	NUT, M20-8- HEX ZINC	F81037-1	2
7	BUMPER, RUBBER	089717	1
8	NUT, M10-8-B HEX NYLON ZINC LOCK	F81033-1	2
9	WASHER, 10.5 SPECIAL FLAT ZINC	F81055-6	2
10	BOLT, M10X45 HEX HEAD FULL THREAD ZINC	F81003-3	2
11	WASHER, 10.5 FLAT ZINC	F81055-1	2
12	NUT, M16-8 HEX NYLON ZINC LOCK	F81036-2	3

**7.14 Hydraulic Hose Hanger**

713995\_001  
 713995\_Manual

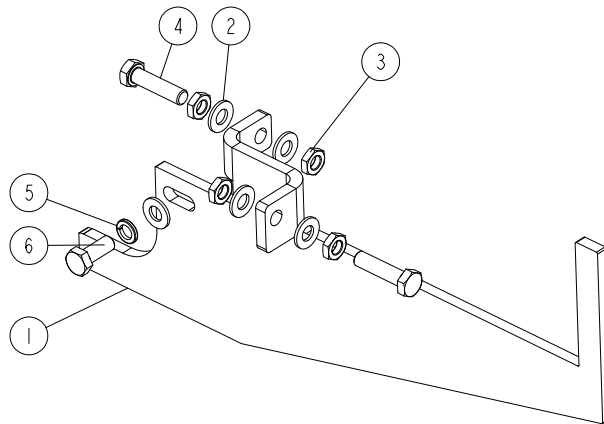


REF.	DESCRIPTION (◆ Indicates Parts Available in Assemblies Only)	PART #	QTY	
	<b>HANGER, HYDRAULIC HOSE - COMPLETE</b>	<b>713995</b>	<b>1</b>	
<b>1</b>	PLATE, HYDRAULIC HOSE HANGER	713905-1	1	
<b>2</b>	WASHER, 13 FLAT ZINC	F81056-1	8	
<b>3</b>	BOLT, M12X35 8.8 HEX HEAD FULL THREAD ZINC	F81004-24	4	
<b>4</b>	NUT, M12 8 HEX NYLON ZINC LOCK	F81034-2	4	



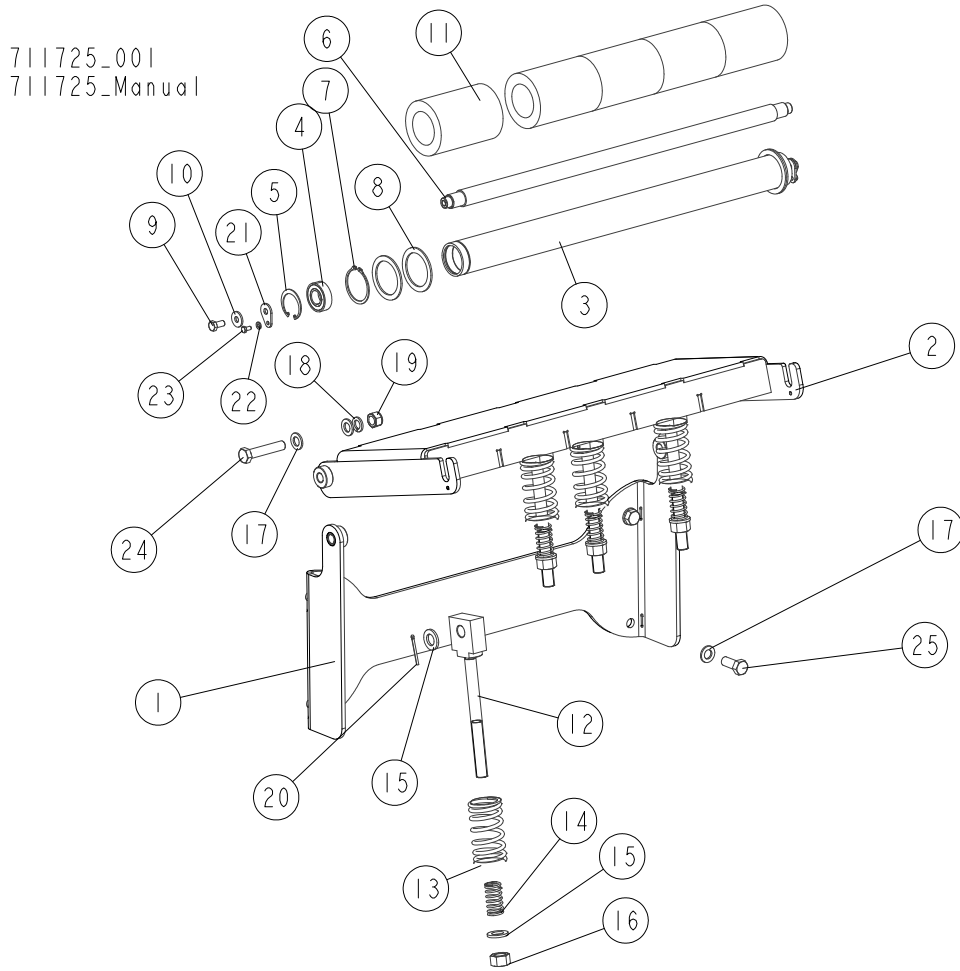
### 7.15 Wireway Bracket

714969\_001  
 714969\_MANUAL



REF.	DESCRIPTION (◆Indicates Parts Available in Assemblies Only)	PART #	QTY
	<b>PLATE, WIREWAY BRACKET - COMPLETE</b>	<b>714969</b>	<b>1</b>
1	PLATE, WIREWAY BRACKET	714968-1	1
2	WASHER, 10.5 FLAT ZINC	F81055-1	5
3	NUT, M10-04-A HEX THIN ZINC	F81033-6	4
4	BOLT, M10X40-8.8 HEX HEAD FULL THREAD ZINC	F81003-16	2
5	WASHER, Z 10.2 SPLIT LOCK ZINC	F81055-2	1
6	BOLT, M10X25 8.8 HEX HEAD FULL THREAD ZINC	F81003-11	1

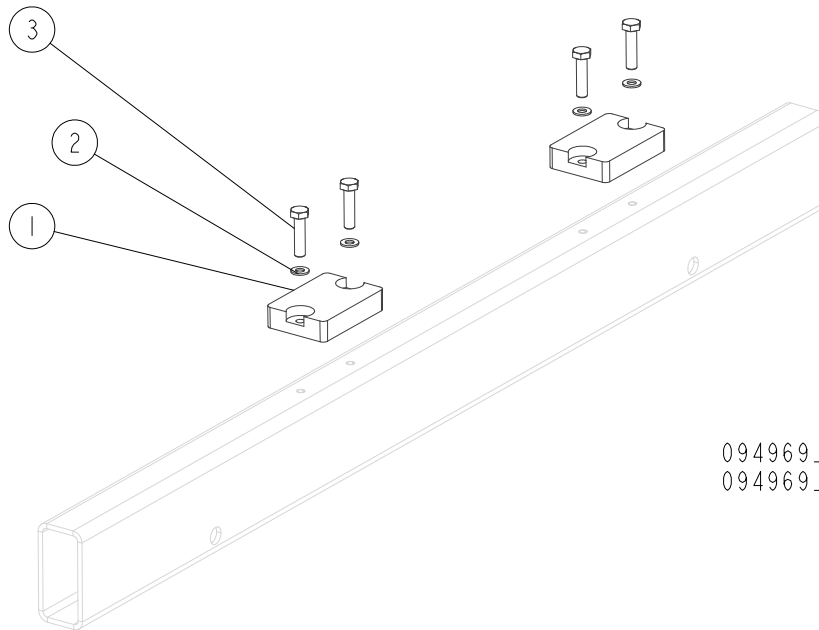
**7.16 Board Removal Bumper Assembly**



REF.	DESCRIPTION (◆ Indicates Parts Available In Assemblies Only)	PART #	QTY
	<b>BUMPER ASSEMBLY, WB2000 BOARD REMOVAL</b>	<b>711725</b>	<b>1</b>
1	BRACKET WELDMENT, BUMPER PLATE MOUNT	711726-1	1
2	PLATE WELDMENT, BOARD REMOVAL BUMPER	509547-1	1
	<b>ROLLER W/RUBBER BUSHING</b>	<b>514758</b>	<b>1</b>
	<b>ROLLER, LT300</b>	<b>091782-1</b>	<b>1</b>
3	TUBE, ROLLER	091781	1
4	BEARING, 6205-2RS BALL	091804	2
5	RING, W 52 INSIDE RETAINING	091805	2
6	SHAFT, ROLLER	091793	1
7	RING, Z60 OUTSIDE RETAINING	F81090-62	2
8	RING, 61/80X3 SPACER	515895	4
9	BOLT, M10X20-5.8 HEX HEAD FULL THREAD ZINC	F81003-1	2
10	WASHER, 10.5 SPECIAL FLAT ZINC	F81055-6	2
11	ROLLER, RUBBER	517493	5
12	ROD WELDMENT, BUMPER SPRING	510818-1	4
13	SPRING, 110X46X6.5 CUSHION	510815	4
14	SPRING, 60X23X3	088992	4
15	WASHER, 21 FLAT ZINC	F81059-2	8
16	NUT, M20-8- HEX ZINC	F81037-1	4
17	WASHER, 17 SPLIT LOCK ZINC	F81058-1	8

REF.	DESCRIPTION (◆ Indicates Parts Available In Assemblies Only)	PART #	QTY	
18	WASHER, 16.3 SPLIT LOCK ZINC	F81058-2	2	
19	NUT, M16-8 HEX NYLON ZINC LOCK	F81036-2	2	
20	PIN, S-ZN-4X45 COTTER	F81043-22	4	
21	WASHER, WM4000 ROLLER MOUNTING	510874-1	2	
22	WASHER, 6.4 FLAT ZINC	F81053-1	2	
23	BOLT, M6X12 8.8 HEX HEAD FULL THREAD ZINC	F81001-7	2	
24	BOLT, M16X80-8.8 HEX HEAD FULL THREAD ZINC	F81006-11	2	
25	BOLT, M16X40-8.8 HEX HEAD FULL THREAD ZINC	F81006-13	4	

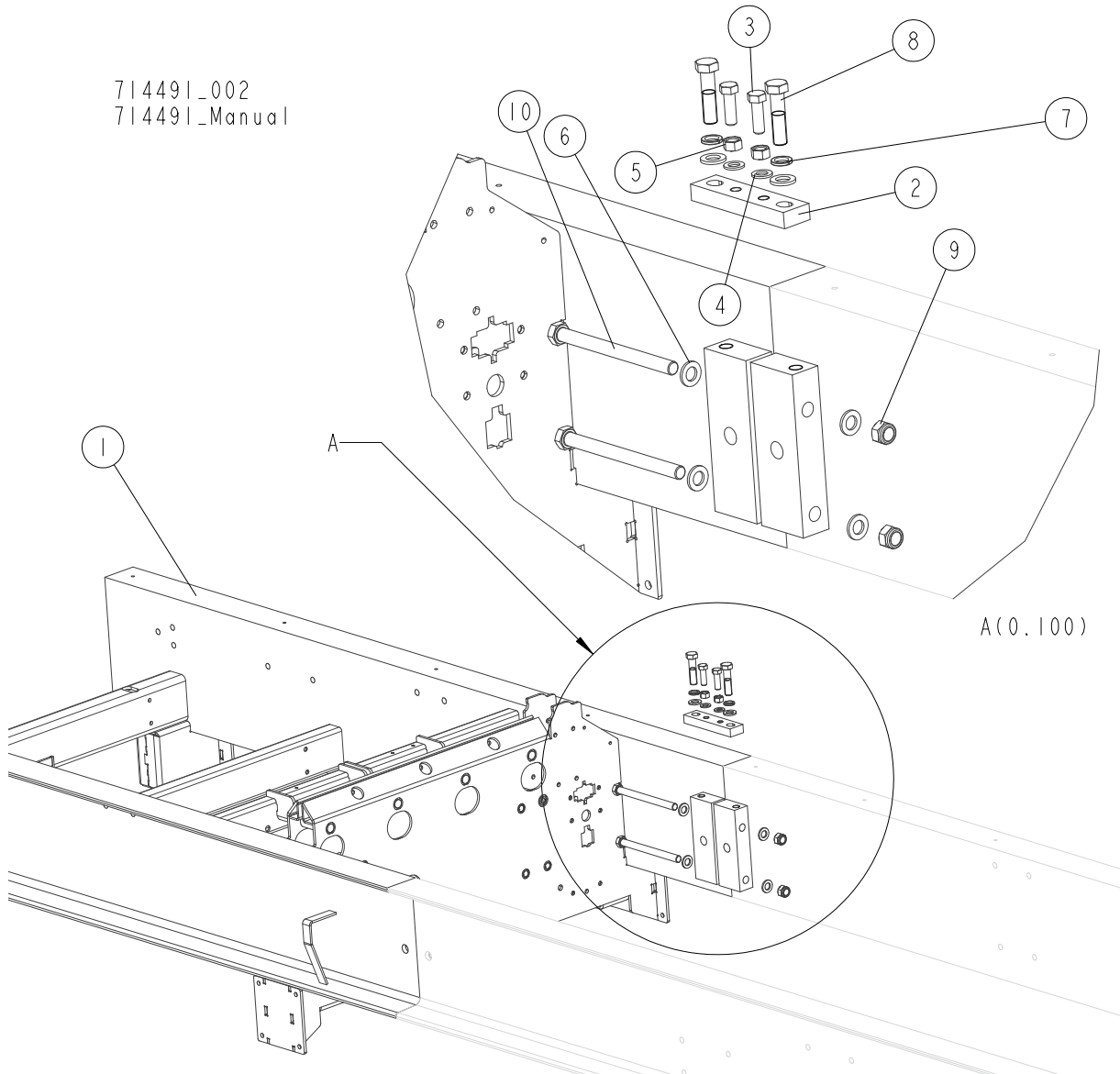
**7.17 Rubber Bumper**



094969\_001  
 094969\_MANUAL

REF.	DESCRIPTION (◆ Indicates Parts Available In Assemblies Only)	PART #	QTY	
1	BUMPER, GRENE 70 3201 0010 RUBBER	094969	2	
2	WASHER, 8.4 FLAT ZINC	F81054-1	4	
3	BOLT, M10X40-8.8 HEX HEAD FULL THREAD ZINC	F81003-16	4	

### 7.18 Bed Frame Extension Section ("M" Frame Only)



REF.	DESCRIPTION (◆ Indicates Parts Available In Assemblies Only)	PART #	QTY
1	BED SECTION, WB2000 M	713910-1 <sup>1</sup>	1
	BED SECTION, WB2000 M <a href="#">See Section 7.19</a>	715822 <sup>2</sup>	1
	BED SECTION, WB2000 M <a href="#">See Section 7.20</a>	715823 <sup>3</sup>	1
2	PLATE, FRAME CONNECTING	713956-1	2
3	BOLT, M6X16-8.8 HEX HEAD FULL THREAD ZINC	F81006-7	4
4	WASHER, 17 SPLIT LOCK ZINC	F81058-1	4
5	NUT, M16-8 HEX ZINC	F81036-1	4
6	WASHER, 21 FLAT ZINC	F81059-2	12
7	WASHER, 20.5 SPLIT LOCK ZINC	F81059-1	4
8	BOLT, M8X20-8.8 HEX HEAD FULL THREAD ZINC	F81007-10	4
9	NUT, M20-8 DIN985 HEX NYLON ZINC LOCK	F81037-2	4
10	BOLT, M20X240-8.8 HEX HEAD FULL THREAD ZINC	F81007-1	4

<sup>1</sup> Standard equipment

<sup>2</sup> WB2000 M + 2m to cutting length

<sup>3</sup> WB2000 M + 4m to cutting length

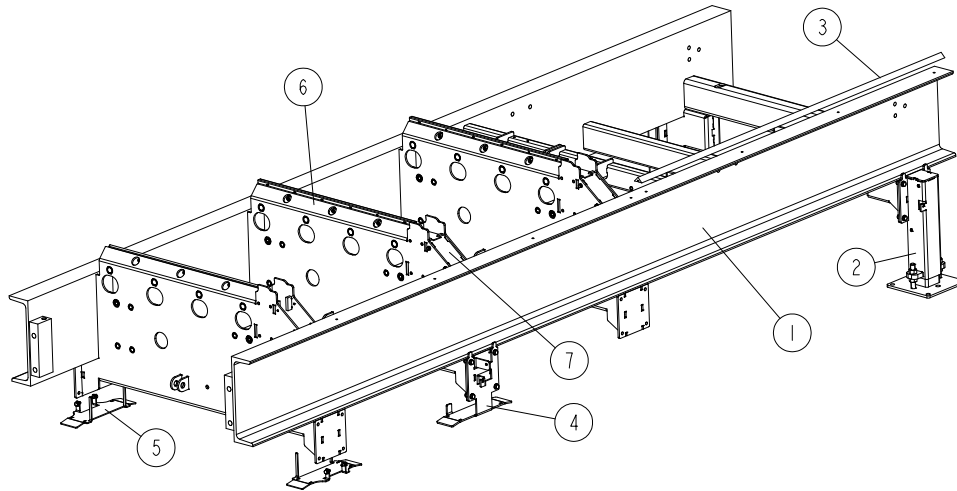


# BED FRAME ASSEMBLY

## Bed Frame Extension Assembly M+2

### 7.19 Bed Frame Extension Assembly M+2

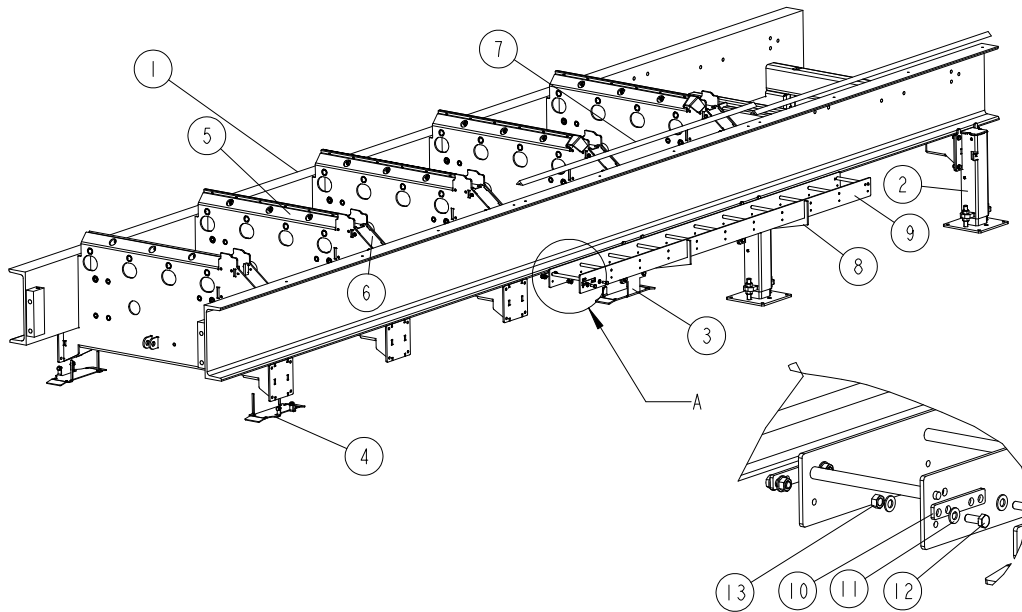
715822\_001  
715822\_MANUAL



REF.	DESCRIPTION (* indicates parts available in assemblies only)	PART #	QTY
-	<b>BED FRAME EXTENSION ASSEMBLY M+2</b>	715822	1
1	FRAME, M+2 WB2000 WELDMENT	713915-1	1
2	LEG ASSEMBLY <a href="#">See Section 7.7</a>	714423	2
3	BED, WB2000 ANGLED	715821	1
4	HANGER, HYDRAULIC HOSE - COMPLETE <a href="#">See Section 7.14</a>	713995	2
5	HANGER, HYDRAULIC HOSE - COMPLETE <a href="#">See Section 7.21</a>	714441	2
6	BED RAIL ASSEMBLY <a href="#">See Section 7.2</a>	710049	2
7	CROSS BEAM COVER <a href="#">See Section 7.2</a>	713152	2

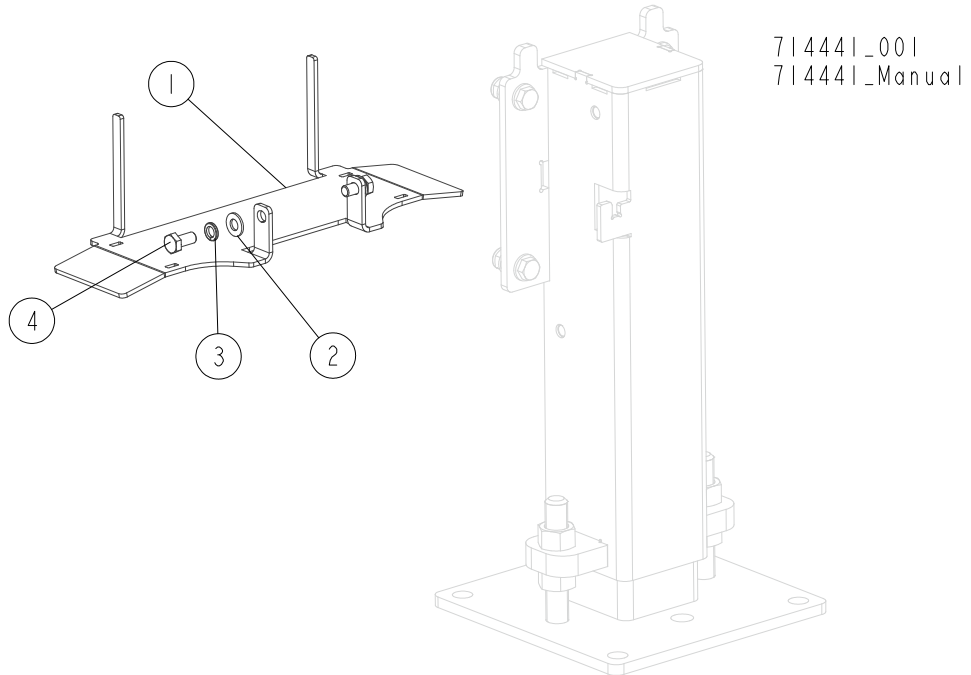
## 7.20 Bed Frame Extension Assembly M+4

715823\_001\_A  
 715823\_MANUAL



REF.	DESCRIPTION (* indicates parts available in assemblies only)	PART #	QTY
-	<b>BED FRAME EXTENSION ASSEMBLY M+4</b>	715823	1
1	FRAME, M+4 WB2000 WELDMENT	713920-1	1
2	LEG ASSEMBLY <a href="#">See Section 7.7</a>	714423	4
3	HANGER, HYDRAULIC HOSE - COMPLETE <a href="#">See Section 7.14</a>	713995	2
4	HANGER, HYDRAULIC HOSE - COMPLETE <a href="#">See Section 7.21</a>	714441	2
5	BED RAIL ASSEMBLY <a href="#">See Section 7.2</a>	710049	4
6	CROSS BEAM COVER <a href="#">See Section 7.2</a>	713152	4
7	BED, WB2000 ANGLED	715821	2
8	PLATE, WIREWAY BRACKET - COMPLETE <a href="#">See Section 7.15</a>	714969	2
9	WIREWAY WELDMENT, WB2000	714970-1	1
10	BAR, WIREWAY	710903-1	2
11	WASHER, 10.5 FLAT ZINC	F81055-1	8
12	BOLT, M10X25 8.8 HEX HEAD FULL THREAD ZINC	F81003-11	4
13	NUT, M10 8 HEX ZINC	F81033-3	4

**7.21 Hydraulic Hose Hanger**

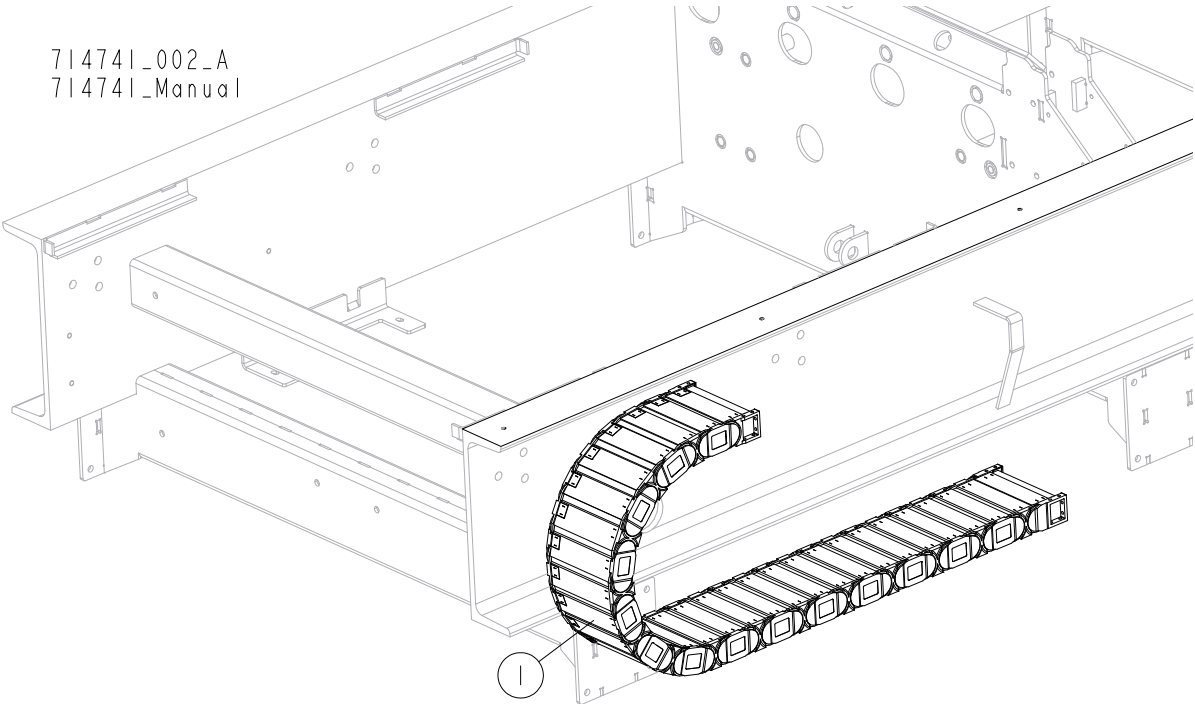


REF.	DESCRIPTION (◆ Indicates Parts Available In Assemblies Only)	PART #	QTY	
	<b>HANGER, HYDRAULIC HOSE - COMPLETE</b>	<b>714441</b>	<b>1</b>	
1	HANGER, HYDRAULIC HOSE	714422-1	1	
2	WASHER, 10.5 FLAT ZINC	F81055-1	2	
3	WASHER, Z 10.2 SPLIT LOCK ZINC	F81055-2	2	
4	BOLT, M10X20-5.8 HEX HEAD FULL THREAD ZINC	F81003-1	2	



7.22 Cable Chain

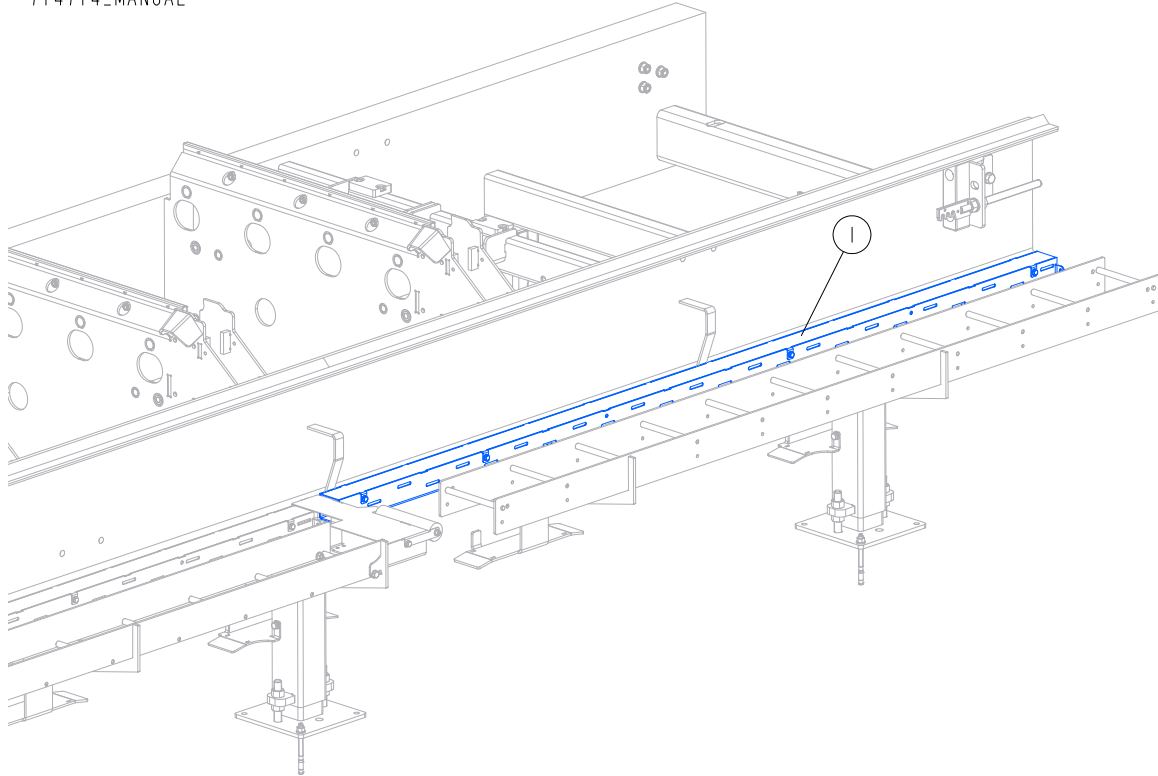
714741\_002\_A  
714741\_Manual



REF.	DESCRIPTION (◆ Indicates Parts Available in Assemblies Only)	PART #	QTY	
1	CABLE CHAIN, WB2000 "M" FRAME	716883	1	
	CABLE CHAIN, WB2000 "S" FRAME	716886	1	

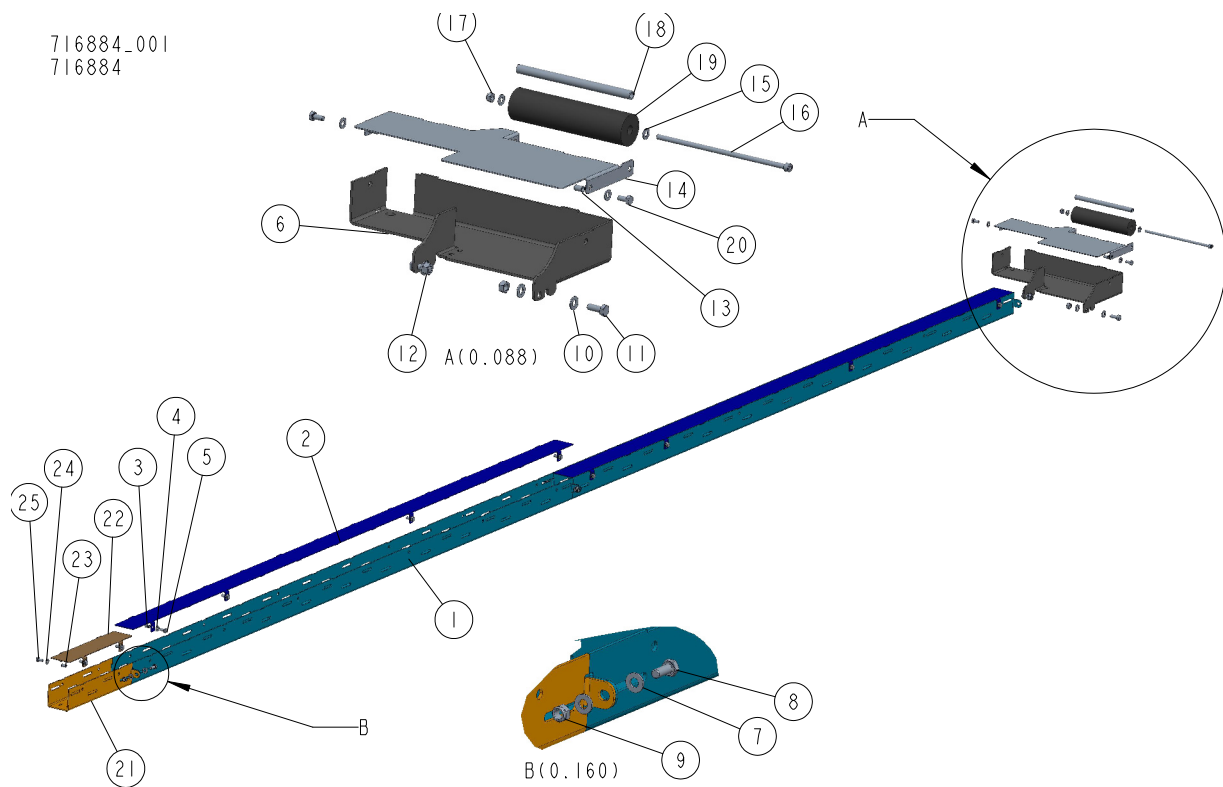
**7.23 Cable Duct Complete**

714714\_002  
714714\_MANUAL



REF	DESCRIPTION (◆ indicates parts available in assemblies only)	PART #	QTY	
1	CABLE DUCT COMPLETE <a href="#">See Section 7.25</a>	719961	1	

### 7.24 Cable Duct. 716884

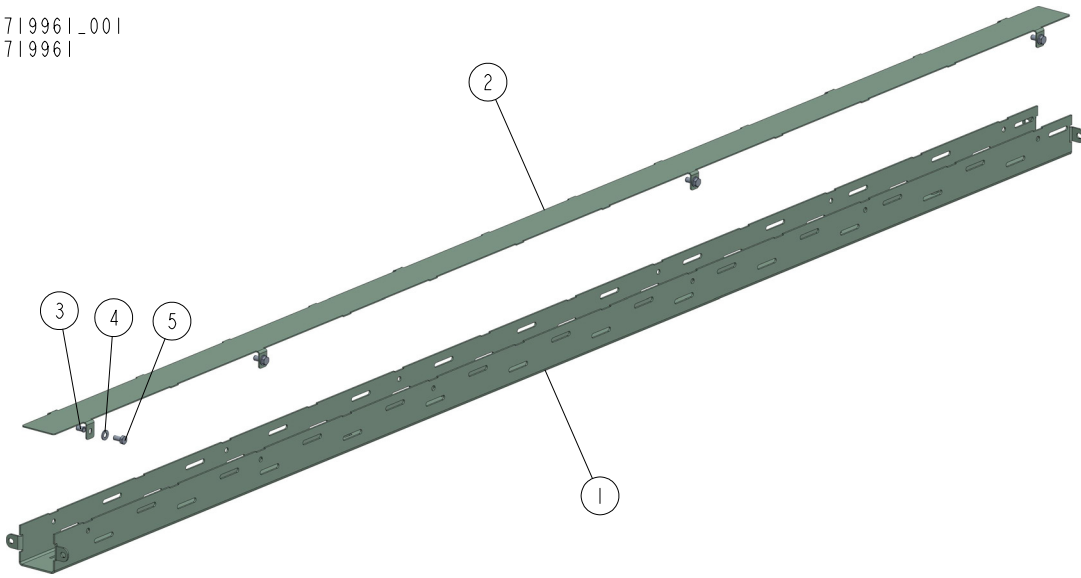


REF	DESCRIPTION (◆ indicates parts available in assemblies only)	PART #	QTY
-	CABLE DUCT SET, WB2000 'S' FRAME	716884	1
-	DUCT, CABLE - COMPLETE	711910	2
1	DUCT, WB2000 CABLE	711644-1	1
2	COVER, CABLE DUCT	711646-1	1
3	NUT, M6 RIVET	F81033-18	8
4	WASHER, 8.4 FLAT ZINC	F81054-1	8
5	BOLT, M8X16 -8.8-B HEX HEAD FULL THREAD	F81002-20	8
6	BRACKET, CABLE CHAIN CONNECTION	714966-1	1
7	WASHER, 8.4 FLAT ZINC	F81054-1	10
8	BOLT, M8X20-8.8 HEX HEAD FULL THREAD ZIN	F81002-1	4
9	NUT, M8-8-B HEX NYLON ZINC LOCK	F81032-2	4
10	WASHER, 10.5 FLAT ZINC	F81055-1	4
11	BOLT, M10X25 8.8 HEX HEAD FULL THREAD ZI	F81003-11	2
12	NUT, M10-8-B-HEX ZINC	F81033-3	2
13	NUT, M6 RIVET	F81033-18	2
-	COVER W/ROLLER	714965	1
14	COVER, CONNECTION BRACKET	714964-1	1
15	WASHER, 8.4 FLAT ZINC	F81054-1	2
16	BOLT, M8X230-8.8-B HEX HEAD ZINC	F81002-111	1
17	NUT, M8-8-B HEX NYLON ZINC LOCK	F81032-2	1
18	BUSHING, 9/14-142.5	714963-1	1
19	ROLLER	714962	1
20	BOLT, M8X16 -8.8-B HEX HEAD FULL THREAD	F81002-20	2
-	DUCT, CABLE - COMPLETE	713250	1

REF	DESCRIPTION (◆ indicates parts available in assemblies only)	PART #	QTY	
21	DUCT, WB2000 CABLE	713251-1	1	
22	COVER, CABLE DUCT	713252-1	1	
23	NUT, M6 RIVET	F81033-18	7	
24	WASHER, 8.4 FLAT ZINC	F81054-1	4	
25	BOLT, M8X16 -8.8-B HEX HEAD FULL THREAD	F81002-20	4	

7.25 Cable Duct. 719961

719961\_001  
719961

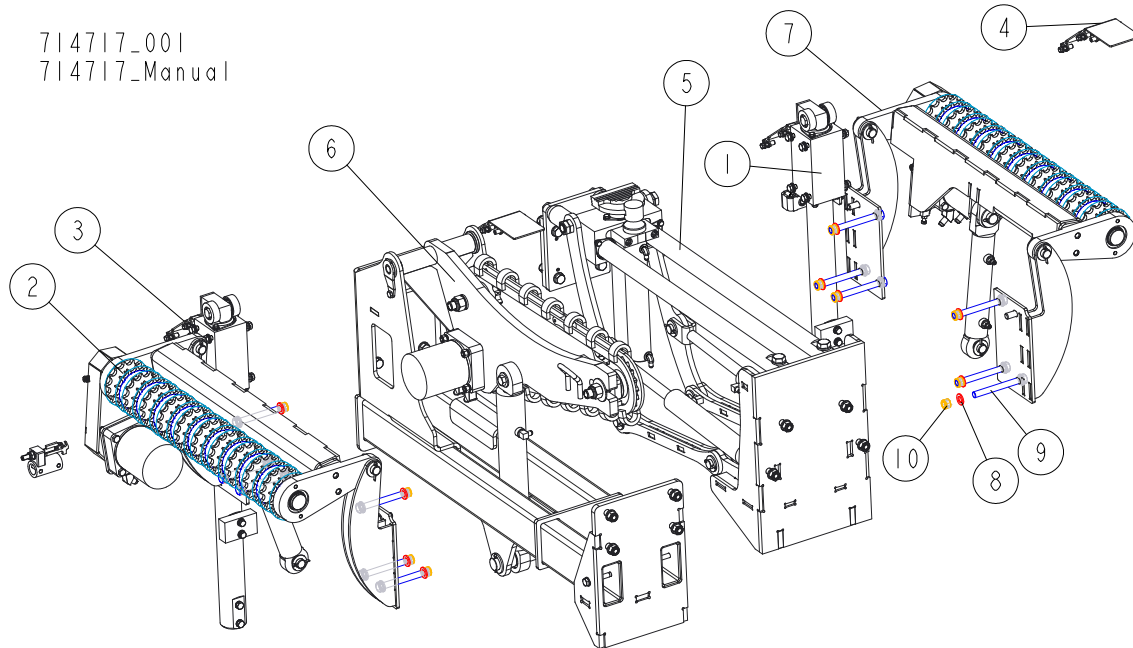


REF	DESCRIPTION (◆ indicates parts available in assemblies only)	PART #	QTY
-	<b>CABLE DUCT COMPLETE</b>	719961	1
1	CABLE DUCT WB2000	719962-1	1
2	COVER, CABLE DUCT	719963-1	1
3	NUT, M6 RIVET	F81033-18	8
4	WASHER, 8.4 FLAT ZINC	F81054-1	8
5	BOLT, M8X16 -8.8-B HEX HEAD FULL THREAD	F81002-20	8

## SECTION 8 HYDRAULIC KITS

## 8.1 HS1 Hydraulic Kit

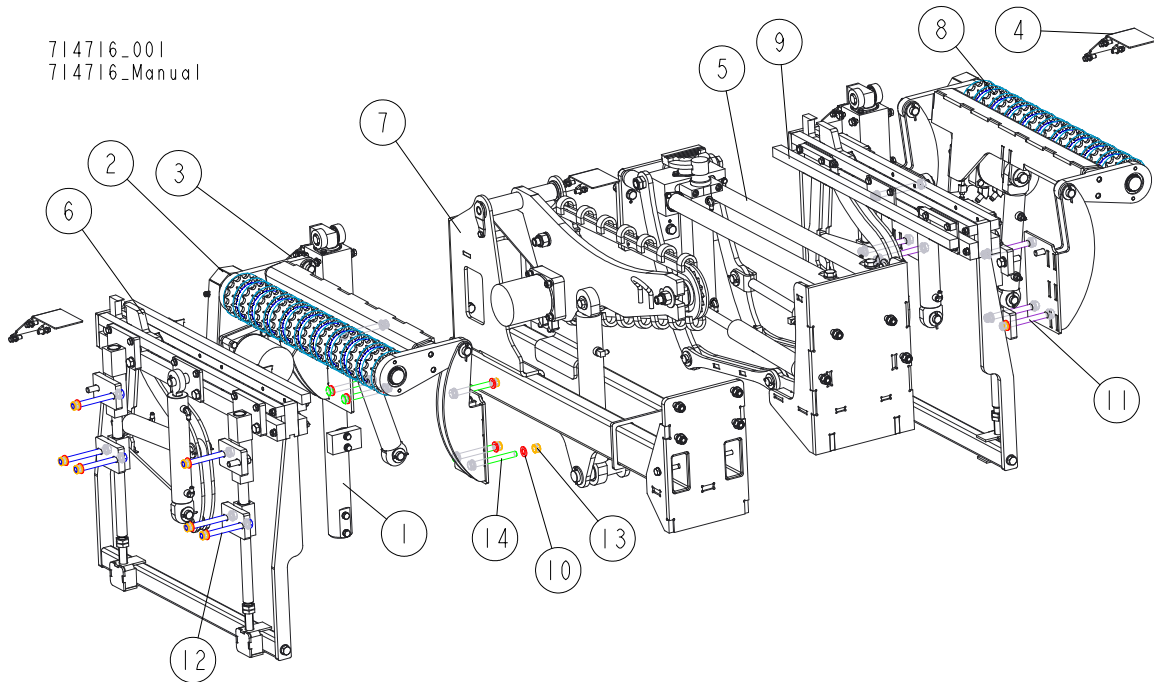
714717\_001  
714717\_Manual



REF.	DESCRIPTION (◆ Indicates Parts Available In Assemblies Only)	PART #	QTY
	<b>HS1 HYDRAULIC KIT</b>	<b>714717</b>	<b>1</b>
1	SUPPORT, SIDE - COMPLETE <a href="#">See Section 8.6</a>	713114	2
2	ROLLER, LEFT DRIVEN LOG LEVELLING <a href="#">See Section 6.34</a>	715511	1
3	COVER, CROSS BEAM - COMPLETE <a href="#">See Section 7.3</a>	713150	2
4	PLATE, CROSS BEAM COVER - COMPLETE <a href="#">See Section 7.2</a>	713152	4
5	CLAMP, WB2000 MIDDLE <a href="#">See Section 8.8</a>	713762	1
6	TURNER, WB2000 CHAIN - COMPLETE <a href="#">See Section 8.12</a>	719989	1
7	ROLLER, DRIVEN LOG LEVELLING <a href="#">See Section 8.14</a>	715509	1
8	WASHER, 17 SPLIT LOCK ZINC	F81058-1	24
9	BOLT, M16X150 HEX HEAD ZINC	F81006-9	12
10	NUT, M16-8 HEX NYLON ZINC LOCK	F81036-2	12

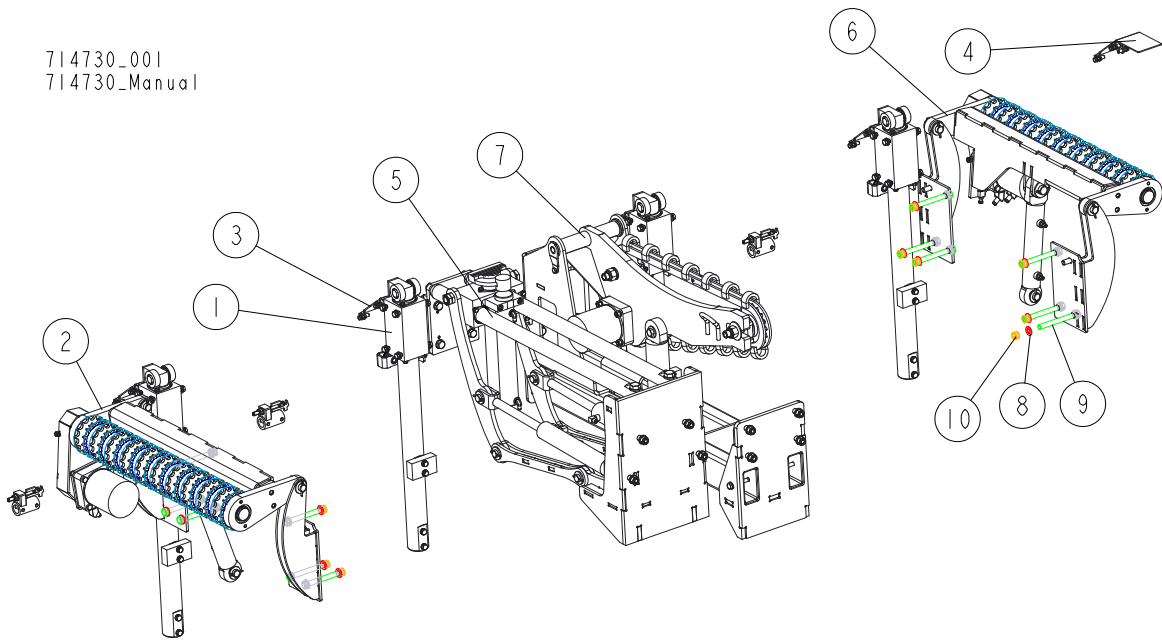
## 8.2 HS2 Hydraulic Kit

714716\_001  
714716\_Manual



REF.	DESCRIPTION (◆ Indicates Parts Available In Assemblies Only)	PART #	QTY
	<b>HS2 HYDRAULIC KIT</b>	<b>714716</b>	<b>1</b>
1	SUPPORT, SIDE - COMPLETE <a href="#">See Section 8.6</a>	713114	2
2	ROLLER, LEFT DRIVEN LOG LEVELLING <a href="#">See Section 6.34</a>	715511	1
3	COVER, CROSS BEAM - COMPLETE <a href="#">See Section 7.3</a>	713150	2
4	PLATE, CROSS BEAM COVER - COMPLETE <a href="#">See Section 7.2</a>	713152	4
5	CLAMP, WB2000 MIDDLE <a href="#">See Section 8.8</a>	713762	1
6	CLAMP, RIGHT PULL-DOWN - COMPLETE <a href="#">See Section 8.10</a>	710777	1
7	TURNER, WB2000 CHAIN - COMPLETE <a href="#">See Section 8.12</a>	719989	1
8	ROLLER, DRIVEN LOG LEVELLING <a href="#">See Section 8.14</a>	715509	1
9	CLAMP, LEFT PULL-DOWN - COMPLETE	710776	1
10	WASHER, 17 SPLIT LOCK ZINC	F81058-1	36
11	BOLT, M16X170 HEX HEAD ZINC	F81006-39	6
12	BOLT, M16X160 HEX HEAD ZINC	F81006-20	6
13	NUT, M16 HEX NYLON ZINC LOCK	F81036-2	18
14	BOLT, M16X150 HEX HEAD ZINC	F81006-9	6

## 8.3 HS3 Hydraulic Kit

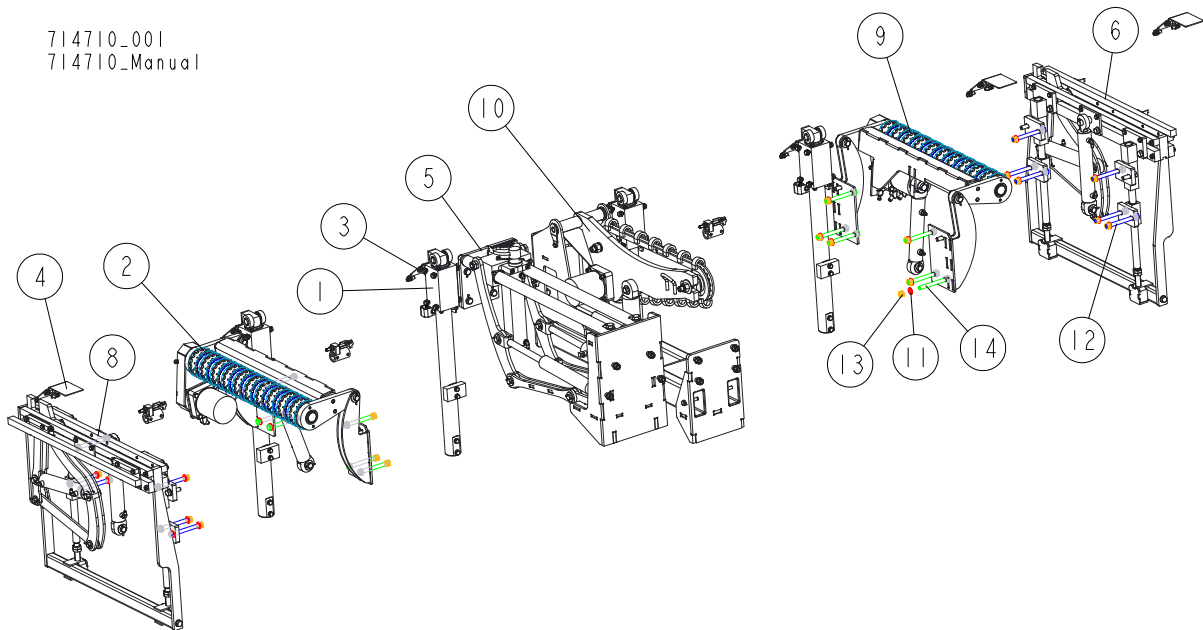
714730\_001  
714730\_Manual

REF.	DESCRIPTION (◆ Indicates Parts Available In Assemblies Only)	PART #	QTY
	<b>HS3 HYDRAULIC KIT</b>	<b>714730</b>	<b>1</b>
1	SUPPORT, SIDE - COMPLETE <a href="#">See Section 8.6</a>	713114	4
2	ROLLER, LEFT DRIVEN LOG LEVELLING <a href="#">See Section 6.34</a>	715511	1
3	COVER, CROSS BEAM - COMPLETE <a href="#">See Section 7.3</a>	713150	4
4	PLATE, CROSS BEAM COVER - COMPLETE <a href="#">See Section 7.2</a>	713152	4
5	CLAMP, WB2000 MIDDLE <a href="#">See Section 8.8</a>	713762	1
6	ROLLER, DRIVEN LOG LEVELLING <a href="#">See Section 8.14</a>	715509	1
7	TURNER, WB2000 CHAIN - COMPLETE <a href="#">See Section 8.12</a>	719989	1
8	WASHER, 17 SPLIT LOCK ZINC	F81058-1	24
9	BOLT, M16X150 HEX HEAD ZINC	F81006-9	12
10	NUT, M16-8 HEX NYLON ZINC LOCK	F81036-2	12



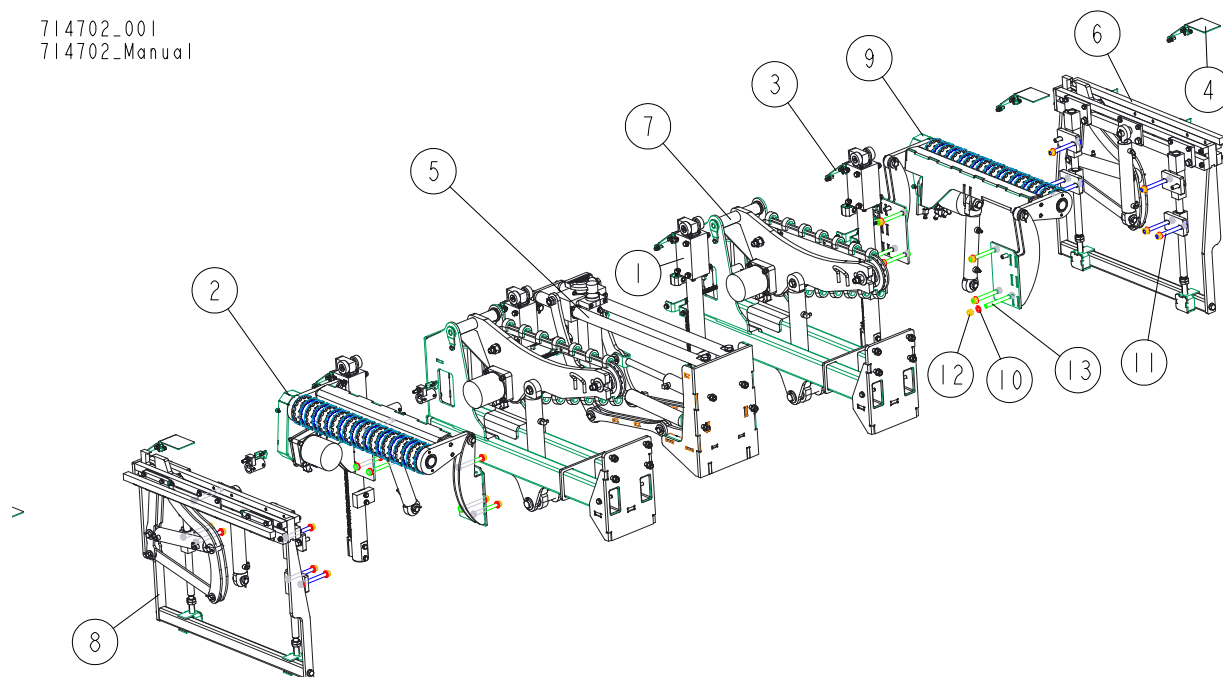
### 8.4 HS4 Hydraulic Kit

714710\_001  
714710\_Manual



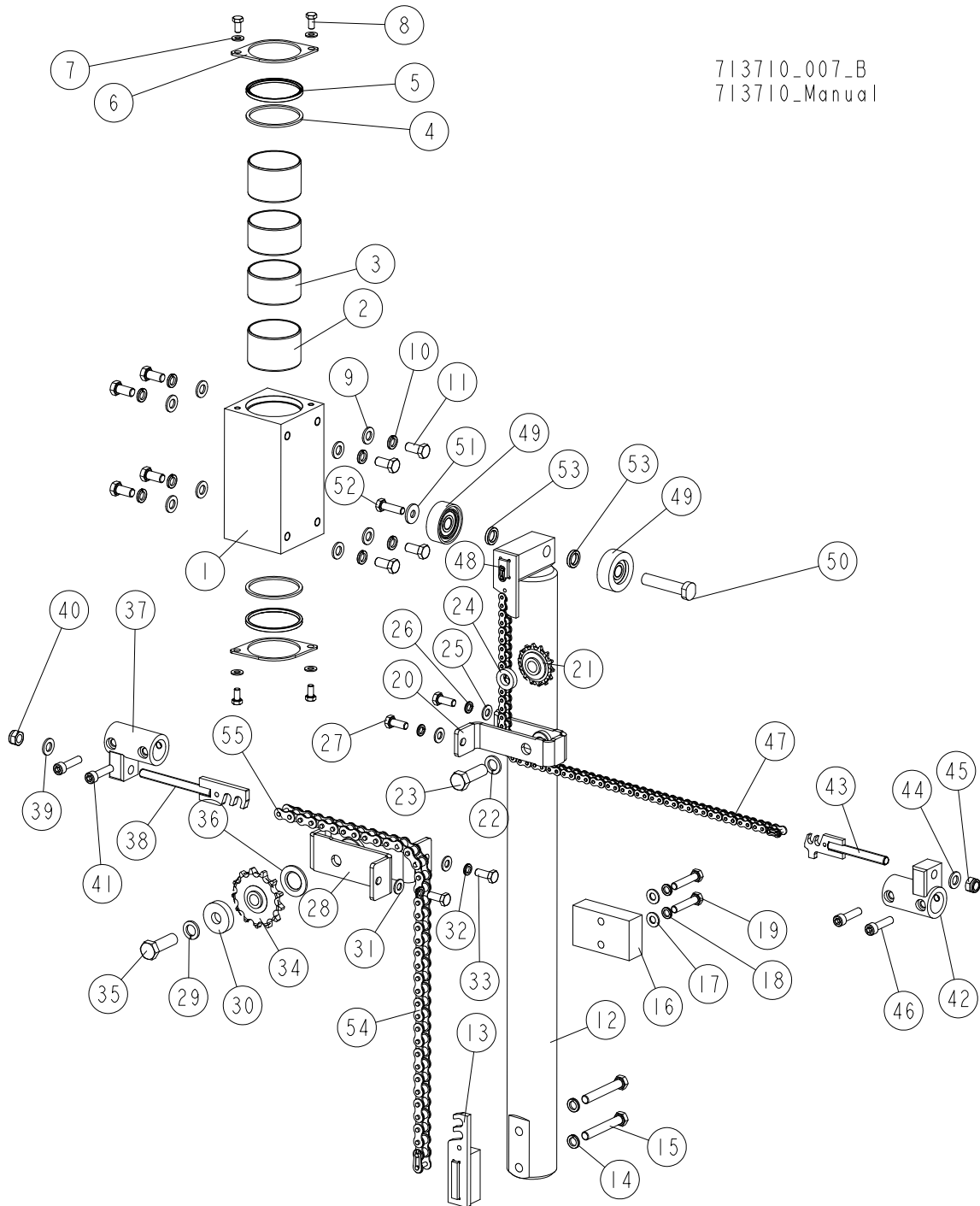
REF.	DESCRIPTION (◆ Indicates Parts Available In Assemblies Only)	PART #	QTY
	<b>HS4 HYDRAULIC KIT</b>	<b>714710</b>	<b>1</b>
1	SUPPORT, SIDE - COMPLETE <a href="#">See Section 8.6</a>	713114	2
2	ROLLER, LEFT DRIVEN LOG LEVELLING <a href="#">See Section 6.34</a>	715511	1
3	COVER, CROSS BEAM - COMPLETE <a href="#">See Section 7.3</a>	713150	4
4	PLATE, CROSS BEAM COVER- COMPLETE <a href="#">See Section 7.2</a>	713152	4
5	CLAMP, WB2000 MIDDLE <a href="#">See Section 8.8</a>	713762	1
6	CLAMP, RIGHT PULL-DOWN - COMPLETE <a href="#">See Section 8.10</a>	710777	1
7	SUPPORT, SIDE - COMPLETE <a href="#">See Section 8.6</a>	713114	2
8	CLAMP, LEFT PULL-DOWN - COMPLETE <a href="#">See Section 8.10</a>	710776	1
9	ROLLER, DRIVEN LOG LEVELLING <a href="#">See Section 8.14</a>	715509	1
10	TURNER, WB2000 CHAIN - COMPLETE <a href="#">See Section 8.12</a>	719989	1
11	WASHER, 17 SPLIT LOCK ZINC	F81058-1	42
12	BOLT, M16X160 HEX HEAD ZINC	F81006-20	12
13	NUT, M16-8 HEX NYLON ZINC LOCK	F81036-2	24
14	BOLT, M16X150 HEX HEAD ZINC	F81006-9	12

## 8.5 HS5 Hydraulic Kit

714702\_001  
714702\_Manual

REF.	DESCRIPTION (◆ Indicates Parts Available In Assemblies Only)	PART #	QTY
	<b>HS5 HYDRAULIC KIT</b>	<b>714702</b>	<b>1</b>
1	SUPPORT, SIDE - COMPLETE <a href="#">See Section 8.6</a>	713114	4
2	ROLLER, LEFT DRIVEN LOG LEVELLING <a href="#">See Section 6.34</a>	715511	1
3	COVER, CROSS BEAM - COMPLETE <a href="#">See Section 7.3</a>	713150	4
4	PLATE, CROSS BEAM COVER - COMPLETE <a href="#">See Section 7.2</a>	713152	4
5	CLAMP, WB2000 MIDDLE <a href="#">See Section 8.8</a>	713762	1
6	CLAMP, RIGHT PULL-DOWN - COMPLETE <a href="#">See Section 8.10</a>	710777	1
7	TURNER, WB2000 CHAIN - COMPLETE <a href="#">See Section 8.12</a>	719989	1
8	CLAMP, LEFT PULL-DOWN - COMPLETE <a href="#">See Section 8.10</a>	710776	1
9	ROLLER, DRIVEN LOG LEVELLING <a href="#">See Section 8.14</a>	715509	1
10	WASHER, 17 SPLIT LOCK ZINC	F81058-1	48
11	BOLT, M16X160 HEX HEAD ZINC	F81006-20	12
12	NUT, M16-8 HEX NYLON ZINC LOCK	F81036-2	24
13	BOLT, M16X150 HEX HEAD ZINC	F81006-9	12

8.6 Log Side Support



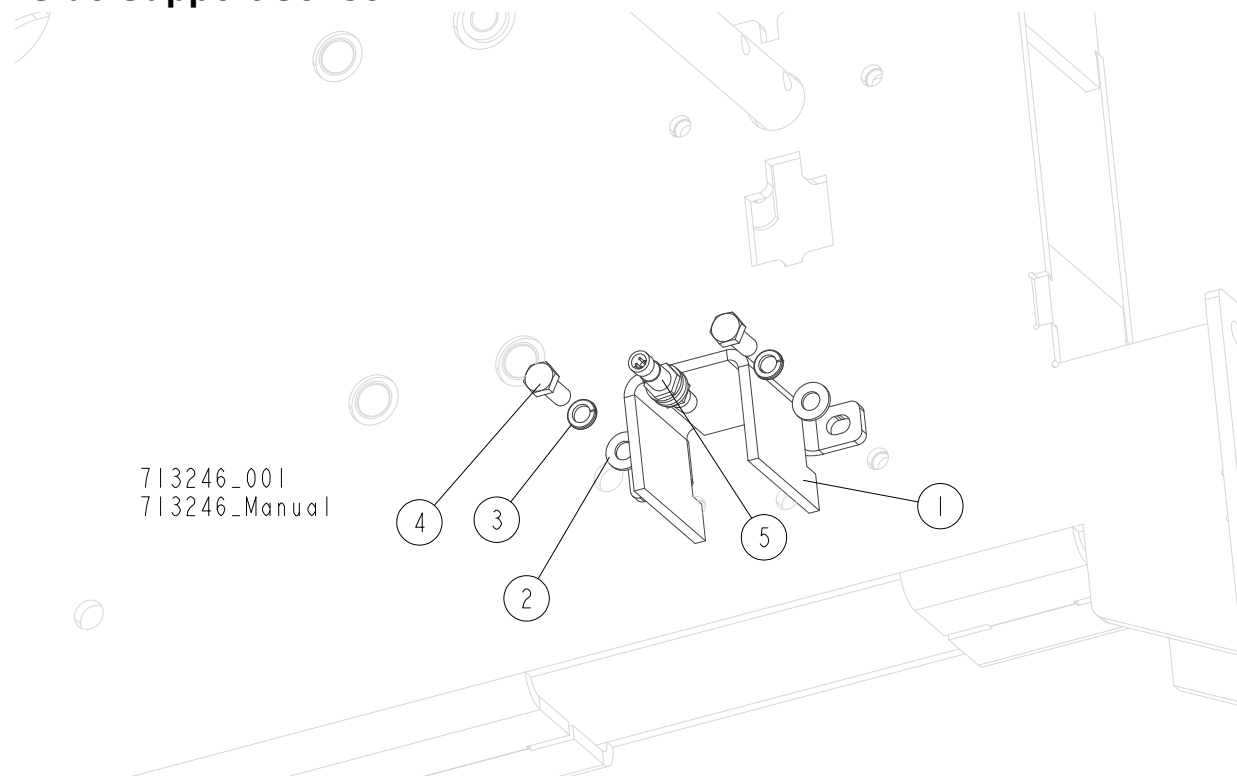
713710\_007\_B  
713710\_Manual

REF.	DESCRIPTION (◆ indicates parts available in assemblies only)	PART #	QTY
-	SUPPORT, SIDE - COMPLETE	713114	1
-	BLOCK, SIDE SUPPORT GUIDE - COMPLETE	713108	1
-	BLOCK, SIDE SUPPORT GUIDE W/BUSHINGS	713107-1	1
1	BLOCK, SIDE SUPPORT GUIDE	713146	1
2	BUSHING, 7050BS SELF-LUBRICATING	713131	2
3	BUSHING, 7040BS SELF-LUBRICATING	713130	2
4	WASHER, 71/80-3	713133	2
5	WIPER, ZZ 70X80X5/7 NBR	713134	2

REF.	DESCRIPTION (◆ indicates parts available in assemblies only)	PART #	QTY
6	PLATE, COVER	713132-1	2
7	WASHER, 8.4 FLAT ZINC	F81054-1	4
8	BOLT, M8X16 -8.8-B HEX HEAD FULL THREAD	F81002-20	4
9	WASHER, 13 FLAT ZINC	F81056-1	8
10	WASHER, Z12.2 SPLIT LOCK ZINC	F81056-2	8
11	BOLT, M12X25-8.8 HEX HEAD FULL THREAD ZINC	F81004-31	8
12	SUPPORT WELDMENT, SIDE	711965-1	1
13	ROD WELDMENT, CHAIN HOOK	714767-1	1
14	WASHER, Z12.2 SPLIT LOCK ZINC	F81056-2	2
15	BOLT, M12X80-8.8 HEX HEAD ZINC	F81004-46	2
16	BLOCK, SIDE SUPPORT POLYAMIDE	713106	1
17	WASHER, 10.5 FLAT ZINC	F81055-1	2
18	WASHER, Z 10.2 SPLIT LOCK ZINC	F81055-2	2
19	BOLT, M10X50MM,HEX HEAD FULL THREAD ZINC	F81003-4	2
-	SPROCKET ASSEMBLY	711976	1
20	BRACKET WELDMENT, LEFT SPROCKET MOUNT	713099-1	1
21	SPROCKET, 08B Z=14	711991	1
22	WASHER, 16.3 SPLIT LOCK ZINC	F81058-2	1
23	BOLT, M16 X 50-8.8 HEX HEAD FULL THREAD	F81006-7	1
24	WASHER, 16.5/30-6 ZINC-PLATED	711977-1	1
25	WASHER, 10.5 FLAT ZINC	F81055-1	2
26	WASHER, Z 10.2 SPLIT LOCK ZINC	F81055-2	2
27	BOLT, M10X25 8.8 HEX HEAD FULL THREAD ZINC	F81003-11	2
-	SPROCKET ASSEMBLY	714758	1
28	BRACKET WELDMENT, SPROCKET LEFT MOUNT	714759-1	1
29	WASHER, 16.3 SPLIT LOCK ZINC	F81058-2	1
30	BUSHING, SPECIAL	714776-1	1
31	WASHER, 10.5 FLAT ZINC	F81055-1	2
32	WASHER, Z 10.2 SPLIT LOCK ZINC	F81055-2	2
33	BOLT, M10X25 8.8 HEX HEAD FULL THREAD ZINC	F81003-11	2
34	SPROCKET, 12B1 Z=13	713045	1
35	BOLT, M16X50-8.8 HEX HEAD FULL THREAD ZINC	F81006-38	1
36	WASHER 26X45X3	531507-1	1
-	TENSIONER, CHAIN - COMPLETE	714762	1
37	BRACKET WELDMENT, CHAIN TENSIONER	713094-1	1
38	TENSIONER, 12B CHAIN	714764-1	1
39	WASHER, 13 FLAT ZINC	F81056-1	1
40	NUT, M12 8 HEX NYLON ZINC LOCK	F81034-2	1
41	SCREW, M10X40-8.8 HEX SOCKET HEAD CAP ZINC	F81003-22	2
-	TENSIONER, CHAIN - COMPLETE	711984	1
42	BRACKET WELDMENT, CHAIN TENSIONER	713094-1	1
43	TENSIONER, CHAIN	711641-1	1
44	WASHER, 13 FLAT ZINC	F81056-1	1
45	NUT, M12 8 HEX NYLON ZINC LOCK	F81034-2	1
46	SCREW, M10X40-8.8 HEX SOCKET HEAD CAP ZINC	F81003-22	2
47	CHAIN, 08B-1, L=710.5MM IWIS	713637	1
48	LINK, 08B-1PZ MASTER	091625	2
49	ROLLER, SIDE SUPPORT	015014-1	2

REF.	DESCRIPTION (◆ indicates parts available in assemblies only)	PART #	QTY	
50	BOLT, WB2000 SIDE SUPPORT	714661-1	1	
51	WASHER, 10.5 SPECIAL FLAT ZINC	F81055-6	1	
52	BOLT, M10X35-8.8 HEX HEAD FULL THREAD ZINC	F81003-17	1	
53	BUSHING	095937-1	2	
54	CHAIN, 12B-1, L=680MM	714761	1	
55	LINK, 12B-1PZ MASTER	090713	2	

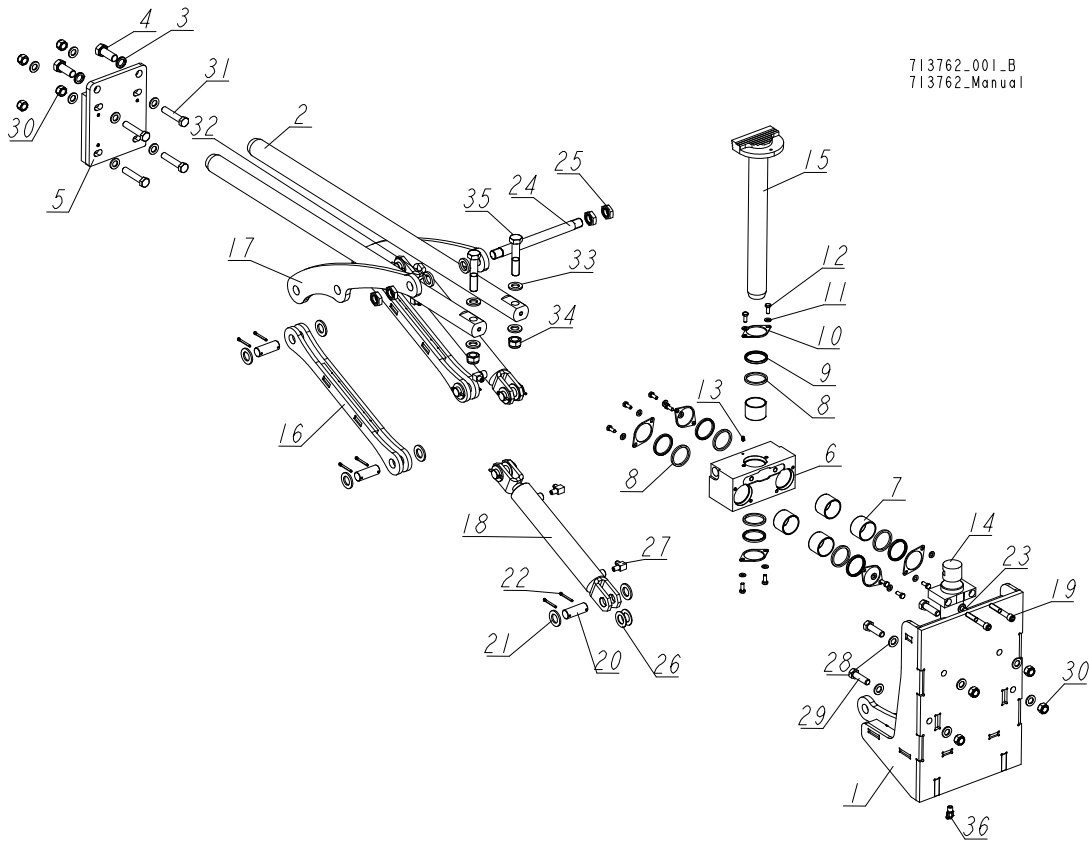
## 8.7 Side Support Sensor



REF.	DESCRIPTION (◆ Indicates Parts Available In Assemblies Only)	PART #	QTY
	<b>SENSOR, SIDE SUPPORT - COMPLETE</b>	<b>713246</b> <sup>1</sup>	<b>1</b>
<b>1</b>	GUIDE, SIDE SUPPORT SENSOR	713218-1	1
<b>2</b>	WASHER, 10.5 FLAT ZINC	F81055-1	2
<b>3</b>	WASHER, Z 10.2 SPLIT LOCK ZINC	F81055-2	2
<b>4</b>	BOLT, M10X25 8.8 HEX HEAD FULL THREAD ZINC	F81003-11	2
<b>5</b>	SENSOR, BES M12MG-PSC80F-S04G INDUCTIVE	093168	1

<sup>1</sup> Not in the EC version

## 8.8 WB2000 Middle Log Clamp



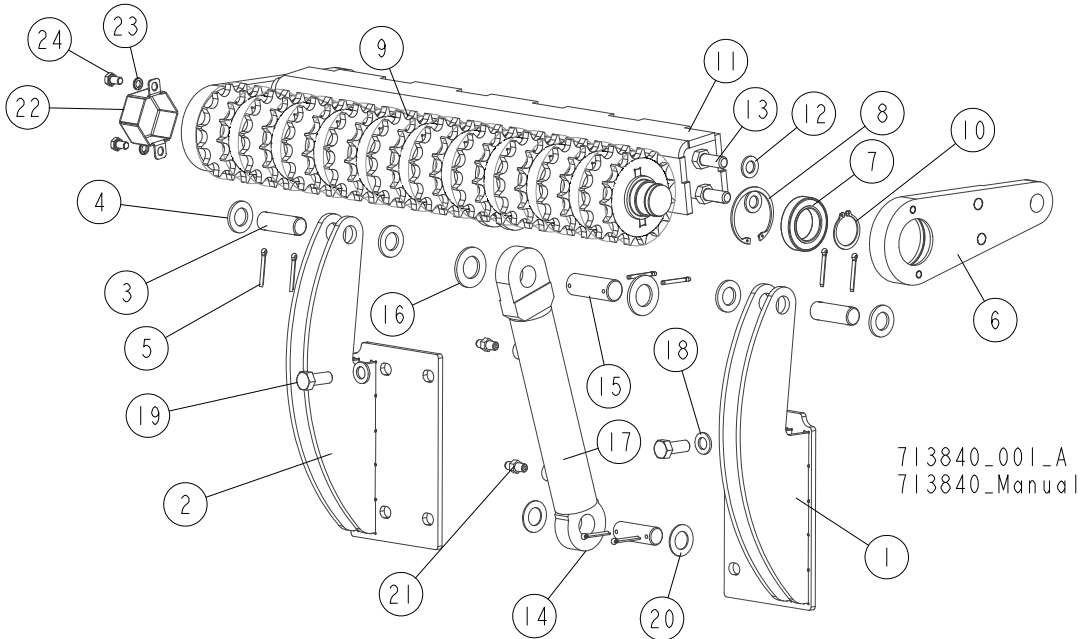
713762\_001\_B  
713762\_Manual

REF.	DESCRIPTION (◆ indicates parts available in assemblies only)	PART #	QTY
-	<b>CLAMP, WB2000 MIDDLE</b>	713762	1
1	MOUNT WELDMENT, MIIDDLE CLAMP	713763-1	1
2	ROD, LOG CLAMP HORIZONTAL	710731	2
3	WASHER, 20.5 SPLIT LOCK ZINC	F81059-1	2
4	BOLT, M20X50-8.8-B HEX HEAD FULL THREAD ZINC	F81007-17	2
5	PLATE, MOUNTING	713771-1	1
-	BLOCK, STEEL W/BUSHINGS - COMPLETE	711599	1
-	BLOCK, STEEL W/BUSHINGS	711598-1	1
6	BLOCK, STEEL	711577	1
7	BUSHING, 5040BS SELF-LUBRICATING	088660	6
8	WASHER, 51/60-5	089324	6
9	WIPER, ZZ 50X60X5/7 NBR LOG CLAMP ROD	088587	6
10	PLATE, COVER	088887-1	6
11	WASHER, 8.4 FLAT ZINC	F81054-1	12
12	BOLT, M8X20 8.8 HEX HEAD FULL THREAD ZINC	F81002-4	12
13	FITTING, 3/16X3/16 STRAIGHT GREASE	P04107	1
14	CYLINDER, CJ-S582-16-50/35/300 HYDRAULIC	711617	1
15	ROD, ASSEMBLY VERTICAL	710735-1	1
16	ARM WELDMENT, LOG CLAMP	711580-1	2
17	ARM, WB2000 LOG CLAMP	711602-1	2
18	CYLINDER, CJ-S606-16-50/28/250 HYDRAULIC	711594	2
19	SCREW, M12X80-8.8-B HEX SOCKET HEAD CAP ZINC	F81004-20	2
20	PIN, 25X67	711605-1	8

REF.	DESCRIPTION (◆indicates parts available in assemblies only)	PART #	QTY	
21	WASHER, 25 FLAT ZINC	F81061-3	16	
22	PIN, S-FE 5X40 COTTER	F81043-31	16	
23	FITTING, 1/4NPTX1/4JIC MALE ELBOW	P09142	1	
24	SHAFT, MAIN CLAMP	711606-1	1	
25	NUT, M24-04-B HEX THIN ZINC	F81039-3	4	
26	WASHER, 25 1X44X2	711319	8	
27	FITTING, 3/8JIC-1/4NPT 90L	015491	4	
28	WASHER, 17 SPLIT LOCK ZINC	F81058-1	15	
29	BOLT, M16X55-8.8 HEX HEAD FULL THREAD ZINC	F81006-61	4	
30	NUT, M16 HEX NYLON ZINC LOCK	F81036-2	8	
31	BOLT, M16X80-8.8 HEX HEAD FULL THREAD ZINC	F81006-11	4	
32	WASHER, 25.5/40-6 POLYAMIDE	715717	2	
33	WASHER, 21 FLAT ZINC	F81059-2	4	
34	NUT, M20-8 DIN985 HEX NYLON ZINC LOCK	F81037-2	2	
35	BOLT, M20X100-8.8 HEX HEAD ZINC	F81007-6	2	
36	FITTING, 7/16UNFX1/4NPT 45 DEG. HYDRAULIC MALE	589038	1	

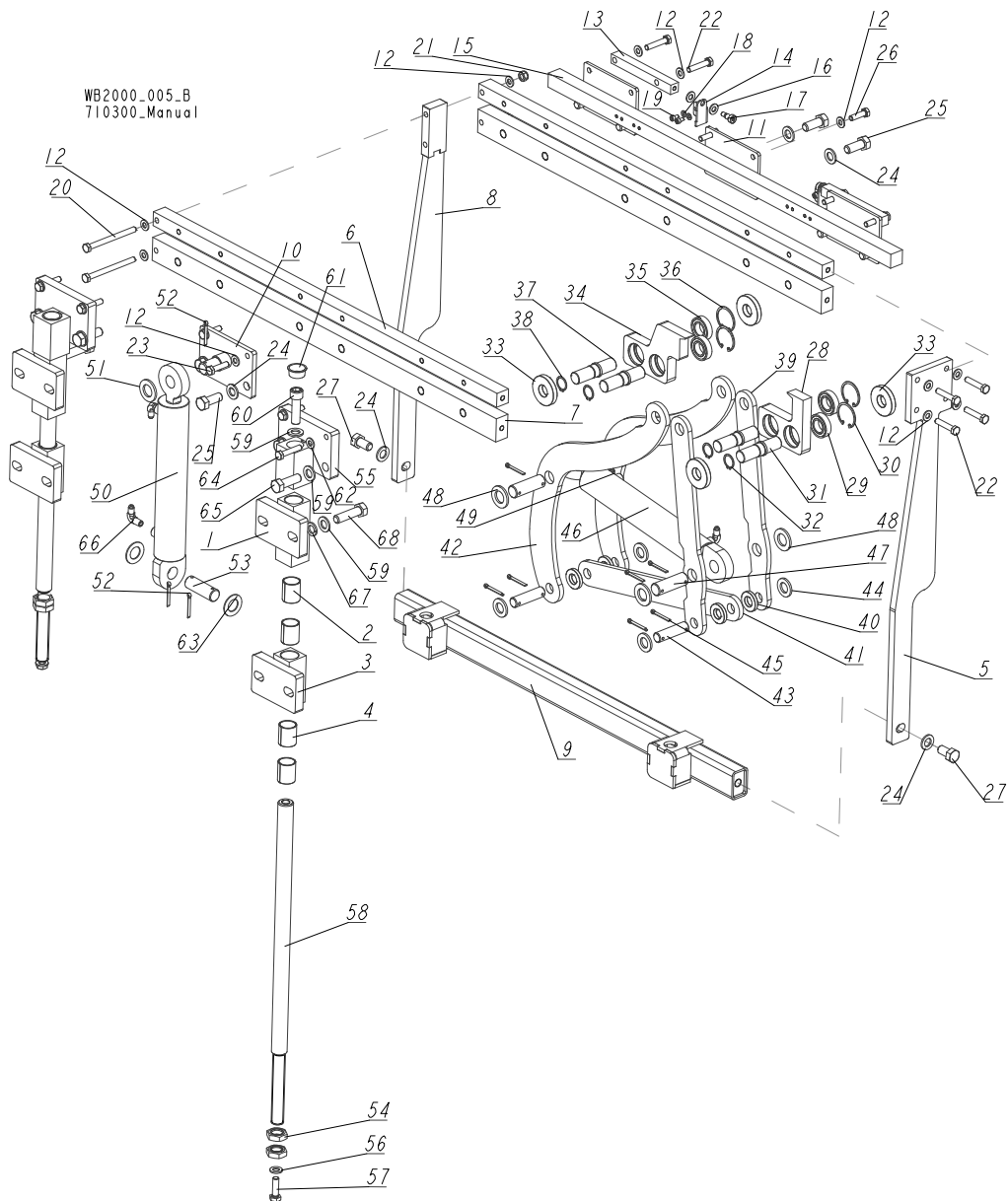


## 8.9 Log Levelling Roller



REF.	DESCRIPTION (◆Indicates Parts Available in Assemblies Only)	PART #	QTY
	<b>ROLLER, LOG LEVELLING</b>	<b>713840</b>	<b>1</b>
1	MOUNT WELDMENT, RIGHT	710531-1	1
2	MOUNT WELDMENT, LEFT	710749-1	1
3	PIN, 24.9X75 ZINC-PLATED	088659-1	3
4	WASHER, 25 ZINC	F81061-3	4
5	PIN, S-FE 5X40 COTTER	F81043-31	8
	<b>ARM, LOG LEVELLING ROLLER - COMPLETE</b>	<b>713841</b>	<b>1</b>
	<b>BRACKET WELDMENT, LOG LEVELLING ROLLER</b>	<b>710747</b>	<b>2</b>
6	BRACKET, CONNECTION	710746-1	1
7	BEARING, 6009.2RSR (FAG) ROLLING	096025	1
8	RING, W 75 INSIDE RETAINING	F81090-41	1
9	SHAFT, DRIVEN LOG LEVELLING ROLLER - COMPLETE	710716-1	1
10	RING, Z 45 OUTSIDE RETAINING	F81090-32	2
11	MOUNT WELDMENT, CYLINDER	713842-1	1
12	WASHER, 17 SPLIT LOCK ZINC	F81058-1	4
13	BOLT, M16X40-8.8 HEX HEAD FULL THREAD ZINC	F81006-13	4
14	CYLINDER, CJ-S579-16-50/28/145 HYDRAULIC	710756	1
15	PIN, 30X83	710799-1	1
16	WASHER, 31 FLAT ZINC	F81061-9	2
17	BUSHING, 25/30-30 ZINC-PLATED	710974-1	1
18	WASHER, 17 SPLIT LOCK ZINC	F81058-1	2
19	BOLT, M16X40-8.8 HEX HEAD FULL THREAD ZINC	F81006-13	2
20	WASHER, 25 1X44X2	711319	2
21	FITTING, C5205X4X4 MALE	P09143	2
22	GUARD	714626-1	1
23	WASHER, 10.2 SPLIT LOCK ZINC	F81055-2	2
24	BOLT, M10X16-8.8 HEX HEAD FULL THREAD ZINC	F81003-13	2

## 8.10 Pull-Down Clamp



REF.	DESCRIPTION (◆ Indicates Parts Available in Assemblies Only)	PART #	QTY
	<b>CLAMP, LEFT PULL-DOWN - COMPLETE</b>	<b>710776</b>	<b>1/0</b>
	<b>CLAMP, RIGHT PULL-DOWN - COMPLETE</b>	<b>710777</b>	<b>0/1</b>
	BLOCK ASSEMBLY, MIDDLE GUIDE	710343	2
1	BLOCK WELDMENT, GUIDE	710342-1	1
2	BUSHING, 3040BS SELF-LUBRICATING	088676	2
	BLOCK ASSEMBLY, LOWER GUIDE	710356	2
3	BLOCK WELDMENT, GUIDE	710355-1	1
4	BUSHING, 3040BS SELF-LUBRICATING	088676	2
	<b>CLAMP, PULL-DOWN</b>	<b>710340</b>	<b>1/0</b>
	<b>CLAMP, RIGHT PULL-DOWN - COMPLETE</b>	<b>710520</b> <sup>1</sup>	<b>0/1</b>
5	PLATE, MOUNTING	710364-1	1
6	BAR, UPPER MAIN	710335-1	2
7	BAR, LOWER MAIN	710336-1	2

REF.	DESCRIPTION (◆ Indicates Parts Available In Assemblies Only)	PART #	QTY
8	PLATE WELDMENT, MOUNTING	710379-1	1
9	TUBE WELDMENT, LEFT LOWER	710380-1	1/0
	TUBE WELDMENT, RIGHT LOWER	711160-1 <sup>2</sup>	0/1
10	BRACKET WELDMENT, LOG CLAMP CYLINDER	710359-1	1
11	PLATE, LOG CLAMP REAR	710351-1	3
12	WASHER, 10.5 FLAT ZINC	F81055-1	16
	<b>BAR ASSEMBLY, ADDITIONAL</b>	<b>511206</b>	<b>1</b>
13	BAR, MOUNTING	511207-1	2
14	BRACKET, MOUNTING	511209-1	2
15	BAR, MOUNTING	511208-1	1
16	WASHER, 10.5 FLAT ZINC	F81055-1	4
17	BOLT, 10/M8X12-12.9 BOSSARD SHOULDER	F81003-62	2
18	WASHER, 6.4 FLAT ZINC	F81053-1	4
19	SCREW, M6X10 8.8 HEX SOCKET HEAD CAP ZINC	F81001-12	4
20	BOLT, M10X120-8.8 HEX HEAD FULL THREAD ZINC	F81003-47	2
21	NUT, M10 HEX NYLON ZINC LOCK	F81033-1	2
22	BOLT, M10X50-8.8 HEX HEAD FULL THREAD ZINC	F81003-4	8
23	BOLT, M10X40-8.8 HEX HEAD FULL THREAD ZINC	F81003-16	2
24	WASHER, 17 SPLIT LOCK ZINC	F81058-1	10
25	BOLT, M16X40-8.8 HEX HEAD FULL THREAD ZINC	F81006-13	8
26	BOLT, M10X35 8.8 HEX HEAD FULL THREAD ZINC	F81003-17	2
27	BOLT, M16X30-8.8 HEX HEAD FULL THREAD ZINC	F81006-36	2
	<b>JAW, COMPLETE LEFT</b>	<b>094700</b>	<b>1</b>
28	JAW, LEFT	093464-1	1
29	BEARING, 6005 2RS, PN-85/M-86100	089652	2
30	RING, W 47 INSIDE RETAINING	089653	2
31	SHAFT, CLAMP JAW GUIDE	088620-1	2
32	RING, Z 24 OUTSIDE RETAINING	089654	2
33	WASHER, JAW SPACER	089542	4
	<b>JAW, COMPLETE RIGHT</b>	<b>094701</b>	<b>1</b>
34	JAW, RIGHT	093465-1	1
35	BEARING, 6005 2RS, PN-85/M-86100	089652	2
36	RING, W 47 INSIDE RETAINING	089653	2
37	SHAFT, CLAMP JAW GUIDE	088620-1	2
38	RING, Z 24 OUTSIDE RETAINING	089654	2
39	PLATE, CLAMP IN/OUT - SIDE	710795-1	2
40	WASHER, 20.5/40-7	089541	4
41	PLATE, CLAMP IN/OUT - BOTTOM	710347-1	1
42	PLATE, CLAMP IN/OUT - SIDE	710348-1	2
43	PIN, 19.9X75 ZINC-PLATED	088657-1	2
44	WASHER, 21 FLAT ZINC	F81059-2	4
45	PIN, S-FE 5X40 COTTER	F81043-31	8
46	CYLINDER, CJ-S606-16-50/28/235 HYDRAULIC	710778 <sup>3</sup>	1
47	PIN, 25X75 ZINC-PLATED	088659-1	2
48	WASHER, 25 FLAT ZINC	F81061-3	4
49	FITTING, 90° MALE ELBOW	P09142	2
50	CYLINDER, CJ-S606-16-50/28/235 HYDRAULIC	710778	1
51	WASHER, 25 FLAT ZINC	F81061-3	1

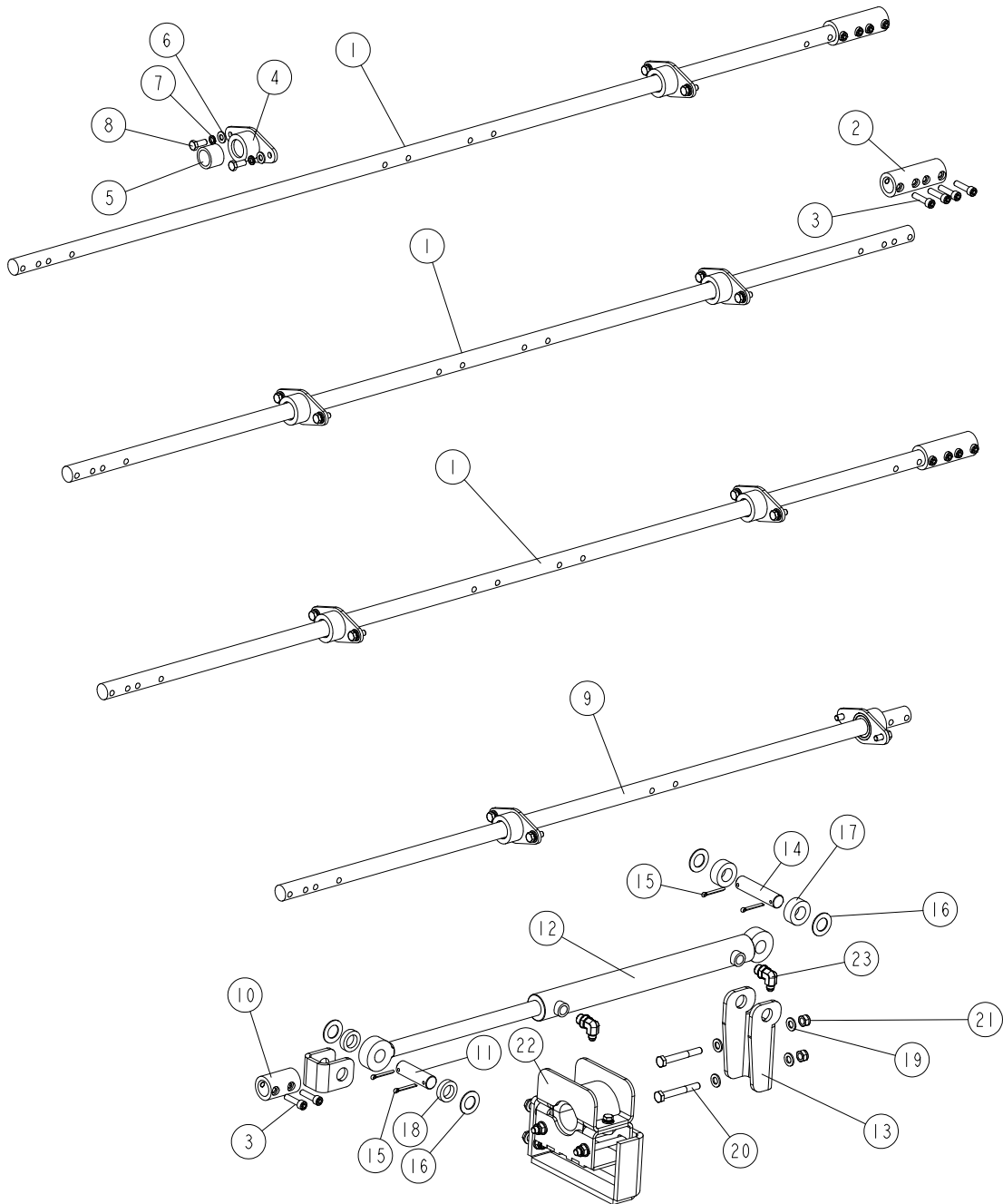
REF.	DESCRIPTION (◆ Indicates Parts Available In Assemblies Only)	PART #	QTY	
52	PIN, S-FE 5X40 COTTER	F81043-31	3	
53	PIN, 24.9X75 ZINC-PLATED	088659-1	1	
54	NUT, M24-04-B HEX THIN ZINC	F81039-3	4	
55	BLOCK WELDMENT, UPPER GUIDE	710353-1	2	
56	WASHER, 13MM FLAT ZINC	F81056-1	2	
57	BOLT, M12X40 8.8 HEX HEAD FULL THREAD ZINC	F81004-4	2	
58	ROD, GUIDE	710339	2	
59	WASHER, 17 SPLIT LOCK ZINC	F81058-1	8	
60	SCREW, M16X55-8.8 HEX SOCKET HEAD CAP ZINC	F81006-18	2	
61	PLUG, M33 THREAD	089839	2	
62	WASHER, 10.5 FLAT ZINC	F81055-1	4	
63	WASHER, 25 1X44X2	711319	2	
64	BOLT, M10X50-8.8 HEX HEAD FULL THREAD ZINC	F81003-4	4	
65	BOLT, M6X16-8.8 HEX HEAD FULL THREAD ZINC	F81006-7	4	
66	FITTING, C5205X4X4 MALE	P09143	2	
67	WASHER, 16.3 SPLIT LOCK ZINC	F81058-2	2	
68	BOLT, M16x60 8.8 HEX HEAD FULL THREAD ZINC	F81006-12	2	

<sup>1</sup> Included in assy # 710777

<sup>2</sup> Included in assy # 710520

<sup>3</sup> Seal kit - 714906

## 8.11 Side Support Drive Assembly (No. 719365)

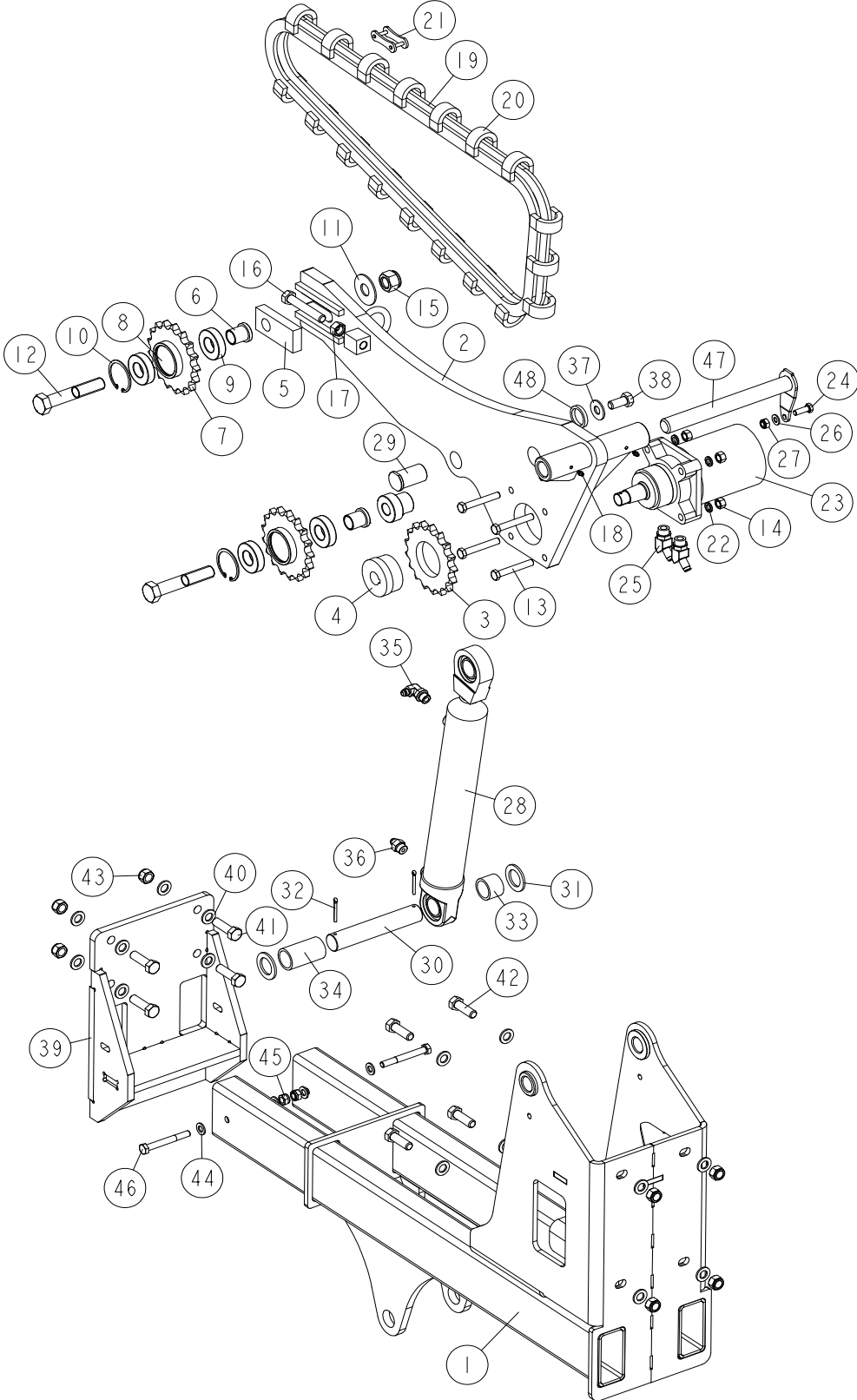
719365-001  
719365-MANUAL

REF	DESCRIPTION (u indicates parts available in assemblies only)	PART #	QTY
-	<b>DRIVE ASSEMBLY, SIDE SUPPORT</b>	719365	1
1	ROD, SIDE SUPPORT DRIVE	713828-1	3
2	BUSHING, SIDE SUPPORT DRIVE	711996-1	3
3	BOLT, M10 X 40-8.8 FE/ZN5, PN-87/M-82302	F81003-22	14
-	<b>BUSHING ASSEMBLY, ROD SLIDE</b>	713098	8
4	BUSHING WELDMENT, ROD SLIDE	711988-1	1
5	BUSHING, 30.1/40-30	711985	1

REF	DESCRIPTION (u indicates parts available in assemblies only)	PART #	QTY	
6	WASHER, 10.5 FLAT ZINC	F81055-1	2	
7	WASHER, 10.2 SPLIT LOCK ZINC	F81055-2	2	
8	BOLT, M10X25-8.8-FE/ZN5	F81003-11	2	
9	ROD SIDE SUPPORT DRIVE	719366-1	1	
10	BRACKET WELDMENT, CYLINDER	713101-1	1	
11	PIN, 25X85.5	713111-1	1	
12	MOTOR,CJ-S-16-40/28/350 HYD	713533	1	
13	BRACKET HYDRAULIC CYLINDER	719377-1	1	
14	BUSHING 25X103.5	719376-1	1	
15	PIN, 5 X 40 COTTER	F81043-31	4	
16	WASHER, 25 1X44X2	711319	4	
17	BUSHING 25/30-20	713831-1	2	
18	BUSHING, 25.5/40-10	713127-1	2	
19	WASHER, 13 FLAT ZINC	F81056-1	4	
20	BOLT, M12X90-8.8 HEX HEAD ZINC	F81004-2	2	
21	NUT, M12-8 HEX NYLON ZINC LOCK	F81034-2	2	
22	STABILIZER COMPLETE	719375	1	
23	FITTING 3/4UNF - 9/16 UNF - 90 (JIC)	719391	2	

8.12 Chain Log Turner. 719989

719989\_001  
719989



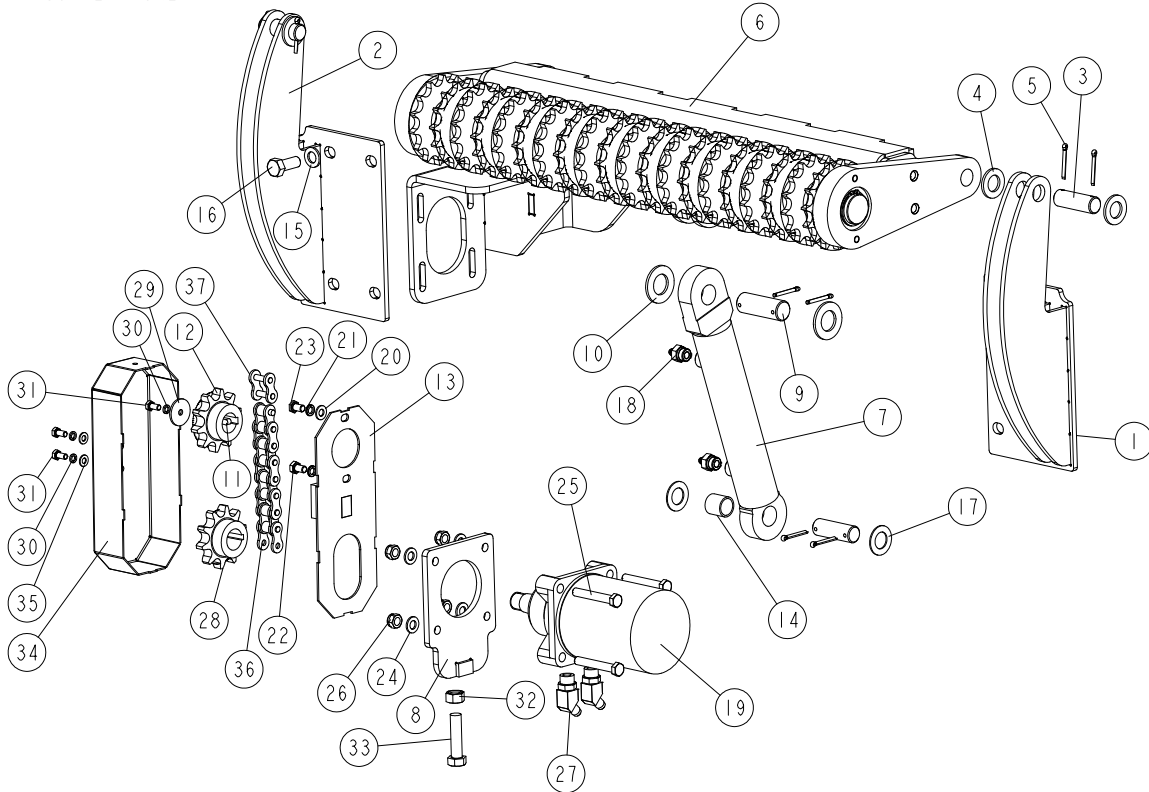
REF.	DESCRIPTION (◆ indicates parts available in assemblies only)	PART #	QTY
-	TURNER, WB2000 CHAIN - COMPLETE	719989	1

REF.	DESCRIPTION (◆ indicates parts available in assemblies only)	PART #	QTY
1	MOUNT WELDMENT, CHAIN TURNER	719990-1	1
-	TURNER, WB2000 CHAIN	710490	1
2	ARM WELDMENT, CHAIN LOG TURNER	710495-1	1
-	SPROCKET, LOG TURNER	092339	1
3	SPROCKET, A17X1"	093287	1
4	BUSHING, LOG TURNER SPROCKET	093293	1
5	PLATE, CHAIN TENSION	095664-1	1
6	BUSHING, LOG TURNER	095663-1	2
-	SPROCKET, COMPLETE	092399	2
-	SPROCKET W/HUB	093290	1
7	SPROCKET, A17X1"	093287	1
8	HUB, SPROCKET	093288	1
9	BEARING, 6206 25 IN IDLER	093292	2
10	RING, 62W INSIDE RETAINING	F81090-1	1
11	WASHER, 25X63 ZINC-PLATED	088585-1	1
12	BOLT, M24X130 PN-EN 24014 HEX HEAD	F81009-4	2
13	BOLT, M12X80-8.8 HEX HEAD ZINC	F81004-46	4
14	NUT, M12-8-B HEX ZINC	F81034-1	4
15	NUT, M24-8-AZ PN-EN ISO 7040 HEX NYLON ZINC LOCK	F81039-8	2
16	BOLT, M16X100-8.8 HEX HEAD FULL THREAD ZINC	F81006-2	1
17	NUT, M16-8 HEX ZINC	F81036-1	1
18	FITTING, M6 TYPE A STRAIGHT GREASE	086280	2
-	CHAIN, LOG TURNER	711157	1
19	CHAIN, A WB2000	711158	1
20	BRACKET, TURNER CHAIN	093425	18
21	LINK, MASTER	093427	1
22	WASHER, Z12.2 SPLIT LOCK ZINC	F81056-2	4
23	MOTOR, TG0475US080AABP HYDRAULIC	007331-2	1
24	BOLT, M10X30-8.8 HEX HEAD FULL THREAD ZINC	F81003-2	1
25	FITTING, #10SAE-3/8JIC 45 ELBOW	034538	2
26	WASHER, 10.5 FLAT ZINC	F81055-1	1
27	NUT, M10-8-B HEX NYLON ZINC LOCK	F81033-1	1
28	CYLINDER, HYDRAULIC	589066	1
29	PIN, N35X70 FLANGE 40-5 ZINC-PLATED	710792-1	1
30	PIN, 34.9 X 188 ZINC-PLATED	719992-1	1
31	WASHER, 35.2/55-4 ZINC-PLATED	507582-1	2
32	PIN, S-FE 5X40 COTTER	F81043-31	2
33	BUSHING, 35.1/44X31.5	719996-1	1
34	BUSHING, 35.1/44X77.5	719997-1	1
35	FITTING, SAE8-9/16 JIC ELBOW	094610	1
36	FITTING, 8SAE-3/8JIC	P12703	1
37	WASHER, 17/40-3 ZINC-PLATED	089360-1	1
38	BOLT, ISO 4017-M16X35-8.8-A2E HEX HEAD	F81006-45	1
39	BRACKET, CHAIN LOG TURNER	713781-1	1
40	WASHER, 17 FLAT ZINC	F81058-1	16
41	BOLT, M16X55-8.8 HEX HEAD FULL THREAD ZINC	F81006-61	4
42	BOLT, M16X50-8.8 HEX HEAD FULL THREAD ZINC	F81006-7	4



REF.	DESCRIPTION (◆ indicates parts available in assemblies only)	PART #	QTY	
43	NUT, M16-8 HEX NYLON ZINC LOCK	F81036-2	8	
44	WASHER, 13 FLAT ZINC	F81056-1	4	
45	NUT, M12-8 DIN 982 HEX NYLON ZINC LOCK	F81034-2	2	
46	BOLT, M12X100-8.8 HEX HEAD ZINC	F81004-3	2	
47	PIN, 30X290 W/PLATE	710505-1	1	
48	WASHER, 35.2/45-6.5	719994-1	1	

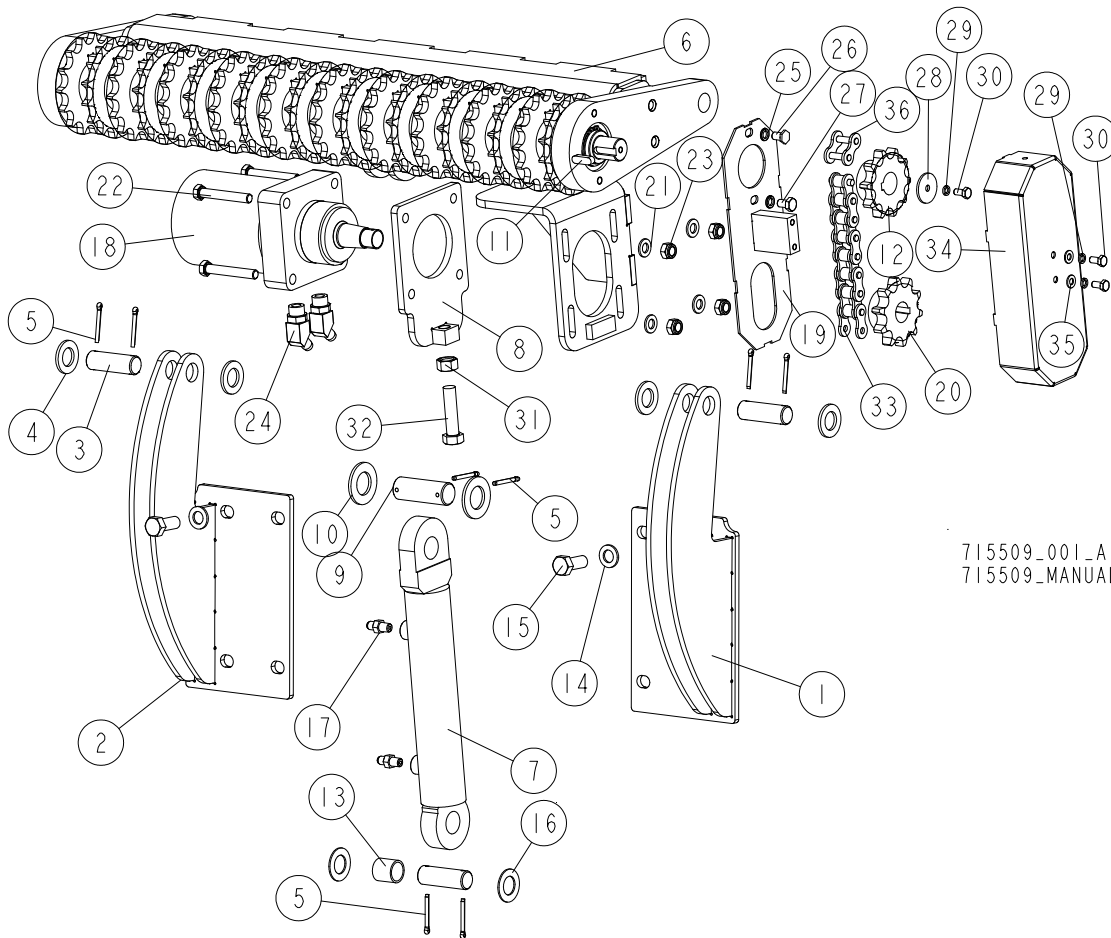
## 8.13 Left Driven Log Levelling Roller (No. 715511)

715511\_001  
715511\_MANUAL

REF	DESCRIPTION (u indicates parts available in assemblies only)	PART #	QTY
-	<b>ROLLER, DRIVEN LOG LEVELLING - LEFT</b>	715511	1
1	MOUNT WELDMENT, RIGHT	710531-1	1
2	MOUNT WELDMENT, LEFT	710749-1	1
3	PIN, 24.9X75 ROLL	088659-1	3
4	WASHER, 25 FLAT ZINC	F81061-3	4
5	PIN, 5 X 40 COTTER	F81043-31	8
6	ARM, LEFT ROLLER - COMPLETE <a href="#">See Section 8.15</a>	715014	1
7	MOTOR, CJ-S-16-50/28/145 HYD	713535	1
8	PLATE, MOTOR CHAIN TENSIONER	714879-1	1
9	PIN, 30X83	710799-1	1
10	WASHER, 31 FLAT ZINC	F81061-9	2
11	KEY, A 8X7X28 PN-70/M-85005	096035	1
12	SPROCKET, 16B Z10 HYDRAULIC MOTOR	714886	1
13	GUARD WELDMENT, DRIVEN LOG LEVELLING ROL	714896-1	1
14	BUSHING, 25/30-30 ZINC-PLATED	710974-1	1
15	WASHER, 17 FLAT ZINC	F81058-1	2
16	BOLT, M16X40-8.8 HEX HEAD FULL THREAD ZIN	F81006-13	2
17	WASHER, 25 1X44X2	711319	2
18	FITTING 3/4UNF - 7/16 UNF	719392	2
19	MOTOR, HYDRAULIC, TG0475US080AABP	007331-2	1
20	WASHER, 10.5 FLAT ZINC	F81055-1	2

REF	DESCRIPTION (u indicates parts available in assemblies only)	PART #	QTY	
21	WASHER, 10.2 SPLIT LOCK ZINC	F81055-2	2	
22	BOLT, M10X16-8.8	F81003-13	1	
23	BOLT, M10X16 SPECIAL	715510	1	
24	WASHER, 13 FLAT ZINC	F81056-1	4	
25	BOLT, M12X80-8.8 HEX HEAD ZINC	F81004-46	4	
26	NUT, M12-8 HEX NYLON ZINC LOCK	F81034-2	4	
27	FITTING,#10SAE-3/8 JIC 45 ELBOW	034538	2	
28	SPROCKET, 16B Z10 HYDRAULIC MOTOR	714885	1	
29	WASHER, ZINC-PLATED SPACER	094128-1	1	
30	WASHER 8,2 FE/ZN9	F81054-4	3	
31	BOLT M8X16 -8.8-B-FE/ZN5 PN-85/M-82105	F81002-20	3	
32	NUT, M16-5.8 HEX ZINC	F81036-1	1	
33	BOLT, M16X65-8.8 HEX HEAD FULL THREAD ZI	F81006-1	1	
34	GUARD, LOG LEVELLING ROLLER CHAIN	714888-1	1	
35	WASHER, 8.4 FLAT ZINC	F81054-1	2	
36	CHAIN, 16B-1	714996	1	
37	LINK, 16B-1 MASTER W/COTTER PINS	523672	1	

## 8.14 Left Driven Log Levelling Roller (No. 715509)

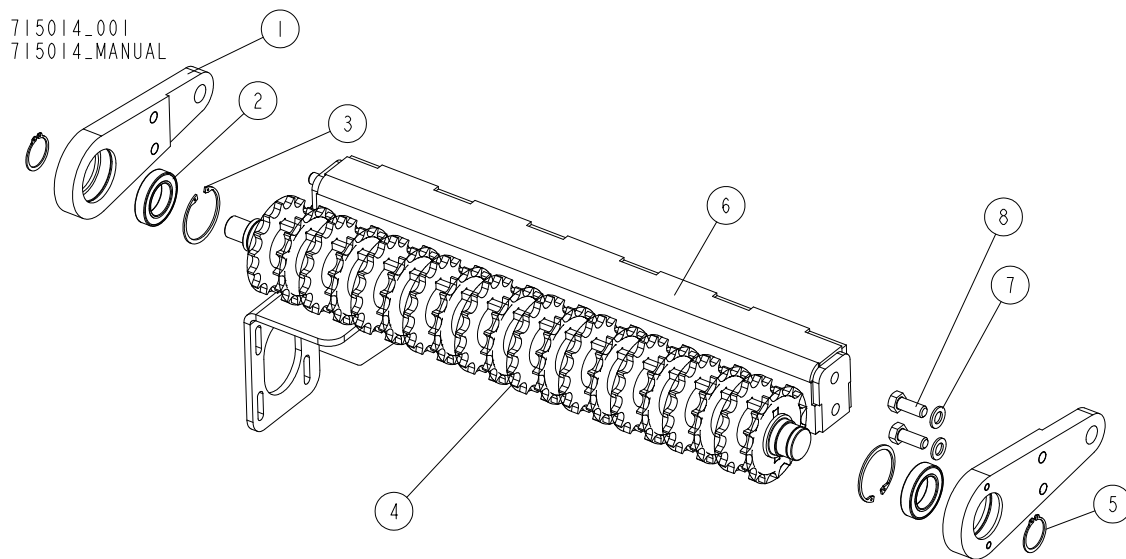


715509\_001\_A  
715509\_MANUAL

REF.	DESCRIPTION (* indicates parts available in assemblies only)	PART #	QTY
-	<b>ROLLER, DRIVEN LOG LEVELLING - RIGHT</b>	715509	1
1	MOUNT WELDMENT, RIGHT	710531-1	1
2	MOUNT WELDMENT, LEFT	710749-1	1
3	PIN, 24.9X75 ZINC-PLATED	088659-1	3
4	WASHER, 25 FLAT ZINC	F81061-3	4
5	PIN, S-FE 5X40 COTTER	F81043-31	8
6	ARM, RIGHT LOG LEVELLING ROLLER - COMPLETE <a href="#">See Section 8.16</a>	714995	1
7	CYLINDER, CJ-S579-16-50/28/145 HYDRAULIC	710756	1
8	PLATE, MOTOR CHAIN TENSIONER	714879-1	1
9	PIN, 30X83	710799-1	1
10	WASHER, 31-ZINC FLAT	F81061-9	2
11	KEY, A10X8X32, PARALLEL	507591	1
12	SPROCKET, 16B Z10 HYDRAULIC MOTOR	714886	1
13	BUSHING, 25/30-30 ZINC-PLATED	710974-1	1
14	WASHER, 17 SPLIT LOCK ZINC	F81058-1	2
15	BOLT, M16X40-8.8 HEX HEAD FULL THREAD ZINC	F81006-13	2
16	WASHER, 25 1X44X2	711319	2
17	Fitting, C5205x4x4 Male Hydraulic	P09143	2

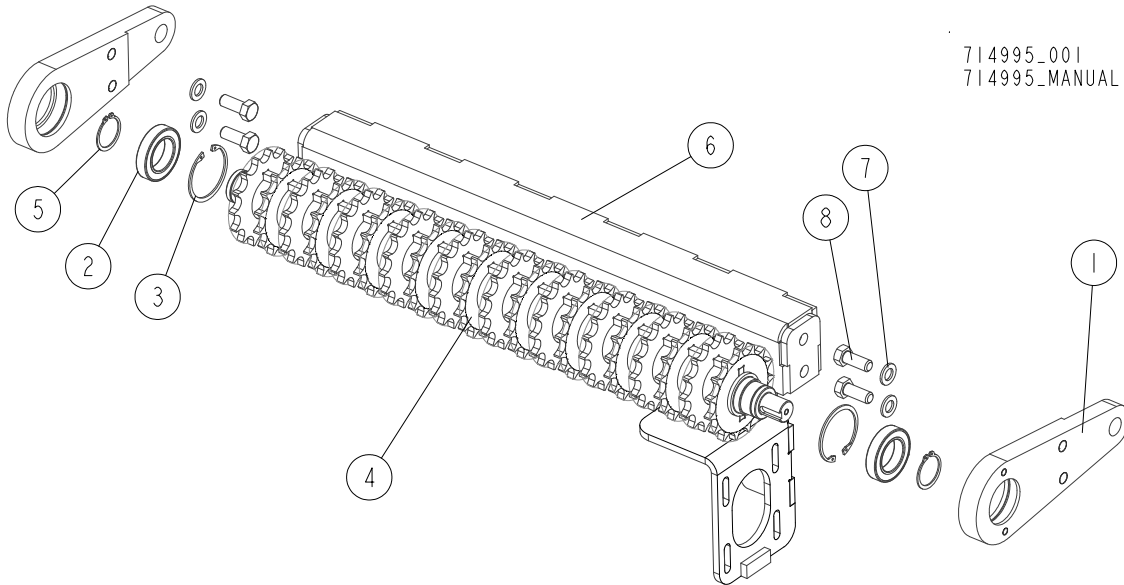
REF.	DESCRIPTION (* indicates parts available in assemblies only)	PART #	QTY	
18	MOTOR, TG0475US080AABP HYDRAULIC	007331-2	1	
19	GUARD WELDMENT, DRIVEN LOG LEVELLING ROLLER	714896-1	1	
20	SPROCKET, 16B Z10 HYDRAULIC MOTOR	714885	1	
21	WASHER, 13 FLAT ZINC	F81056-1	4	
22	BOLT, M12X80 -8.8 HEX HEAD ZINC	F81004-46	4	
23	NUT, M12 8 HEX NYLON ZINC LOCK	F81034-2	4	
24	FITTING, #10SAE-3/8JIC 45 ELBOW	034538	2	
25	WASHER, Z 10.2 SPLIT LOCK ZINC	F81055-2	2	
26	BOLT, M10X16 SPECIAL	715510	1	
27	BOLT, M10X16-8.8 HEX HEAD FULL THREAD ZINC	F81003-13	1	
28	WASHER, 8.3/40-3 ZINC-PLATED	094128-1	1	
29	WASHER, 8.2 SPLIT LOCK ZINC	F81054-4	3	
30	BOLT, M8X16-8.8-B HEX HEAD FULL THREAD ZINC	F81002-20	3	
31	NUT, M16-8 HEX ZINC	F81036-1	1	
32	BOLT, M16X65-8.8-B HEX HEAD FULL THREAD ZINC	F81006-1	1	
33	CHAIN, 16B-1 610 LINK	714996	1	
34	GUARD, LOG LEVELLING ROLLER CHAIN	714888-1	1	
35	WASHER, 8.4 FLAT ZINC	F81054-1	2	
36	LINK, 161 MASTER W/COTTER PINS	523672	1	

## 8.15 Left Roller Arm (No. 715014)



REF	DESCRIPTION (u indicates parts available in assemblies only)	PART #	QTY	
-	<b>ARM, LEFT ROLLER - COMPLETE</b>	715014	1	
-	BRACKET WELDMENT, DRIVEN LOG LEVELLING R	710747	2	
1	BRACKET, CONNECTION	710746-1	1	
2	BEARING, 6009.2RSR	096025	1	
3	RING, W75 INSIDE RETAINING	F81090-41	1	
4	SHAFT, DRIVEN LOG LEVELLING ROLLER - COM	714918-1	1	
5	RING, Z 45 SPRING RETAINING	F81090-32	2	
6	MOUNT WELDMENT, CYLINDER LEFT	714980-1	1	
7	WASHER, 17 FLAT ZINC	F81058-1	4	
8	BOLT,M16X40-8.8 HEX HEAD FULL THREAD ZIN	F81006-13	4	

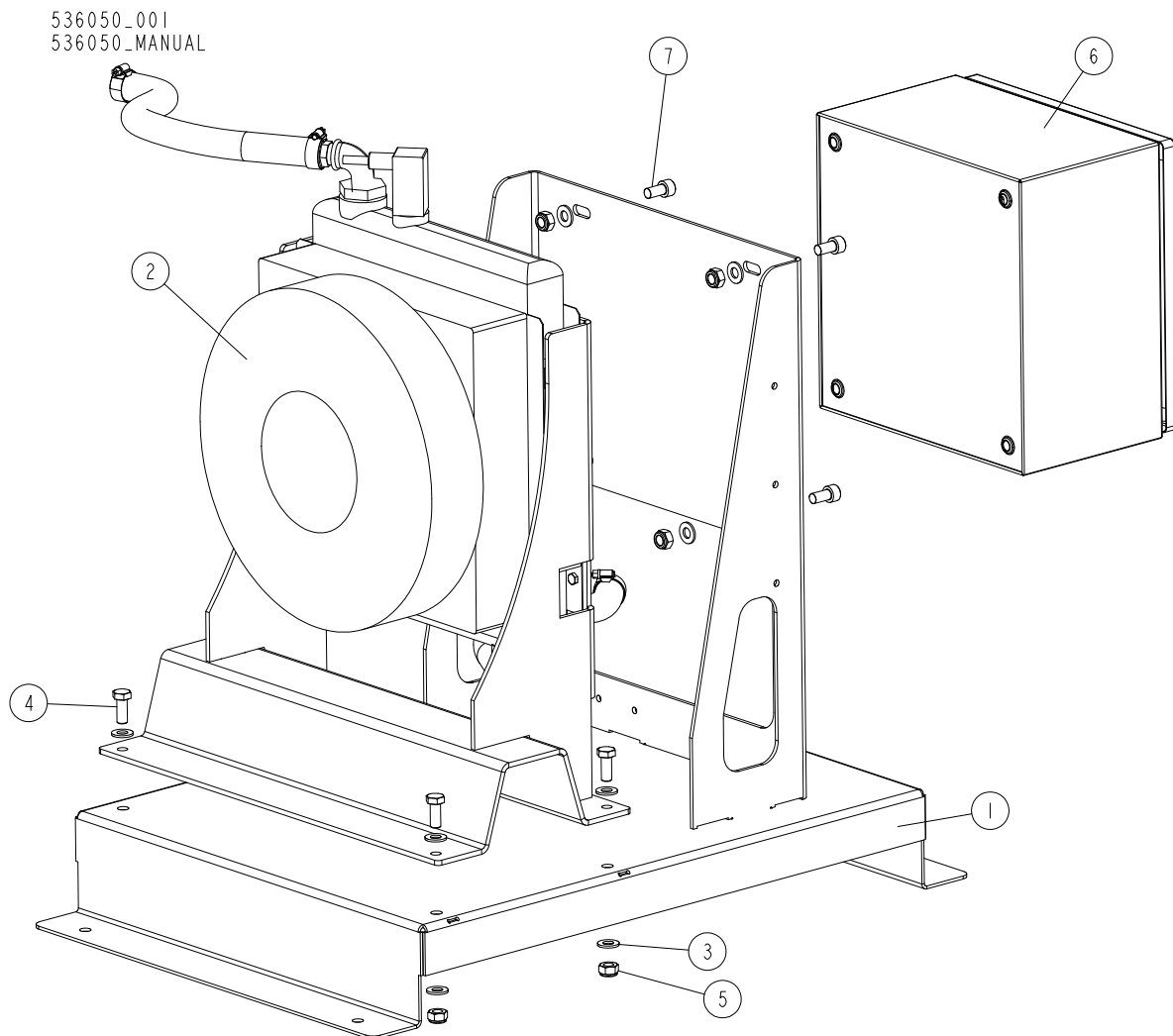
## 8.16 Log Levelling Roller Arm



714995-001  
714995-MANUAL

REF.	DESCRIPTION (* indicates parts available in assemblies only)	PART #	QTY
-	ARM, DRIVEN LOG LEVELLING ROLLER - COMPLETE	714995	1
-	BRACKET WELDMENT, DRIVEN LOG LEVELLING ROLLER	710747	2
1	BRACKET, CONNECTION	710746-1	1
2	BEARING, 6009.2RSR (FAG) ROLLING	096025	1
3	RING, W75 INSIDE RETAINING	F81090-41	1
4	SHAFT, DRIVEN LOG LEVELLING ROLLER - COMPLETE	714918-1	1
5	RING, Z 45 OUTSIDE RETAINING	F81090-32	2
6	MOUNT WELDMENT, CYLINDER	714892-1	1
7	WASHER, 17 SPLIT LOCK ZINC	F81058-1	4
8	BOLT, M16X40-8.8 HEX HEAD FULL THREAD ZINC	F81006-13	4

## 8.17 Standalone Oil Cooler Assy. 536050

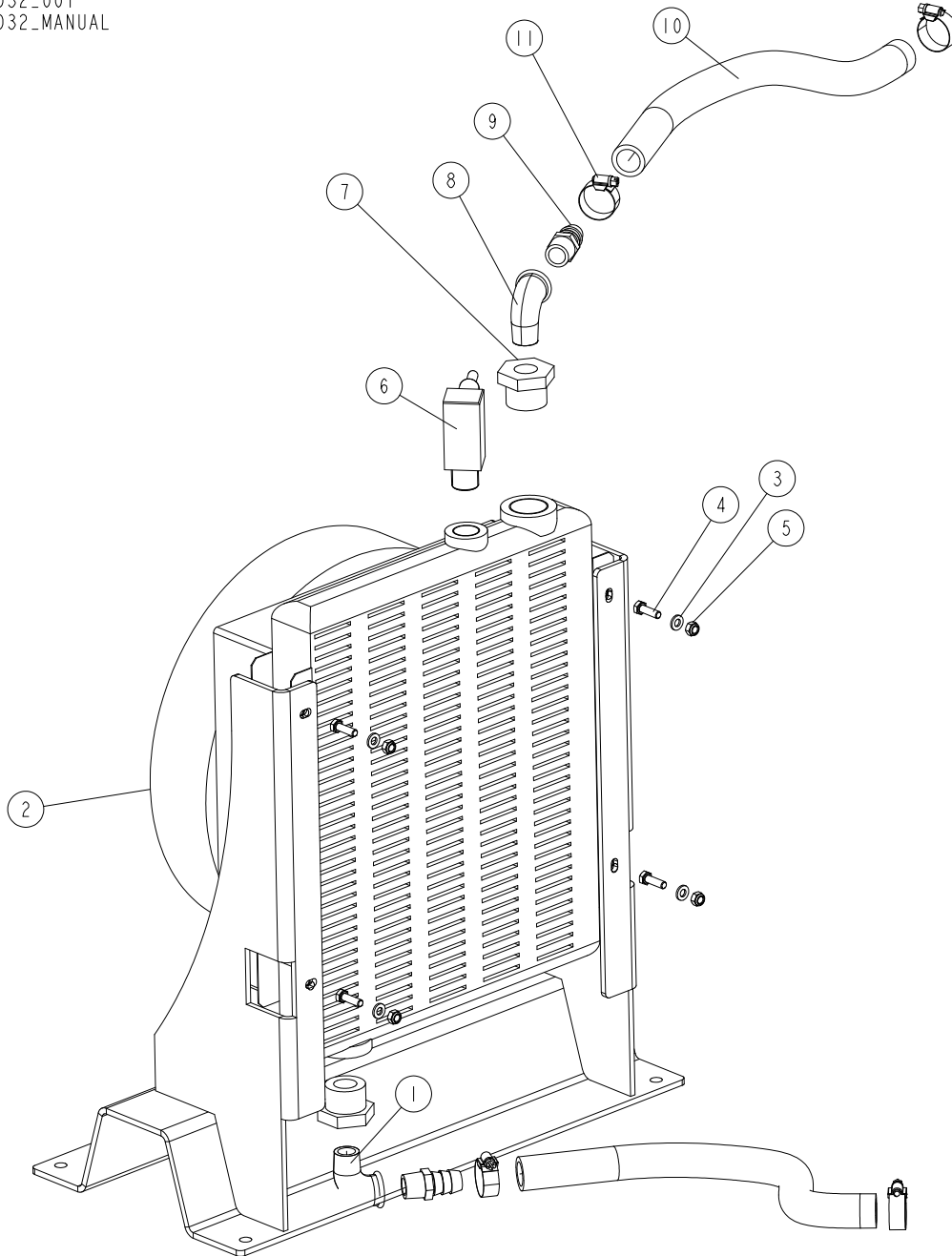


REF	DESCRIPTION (◆ indicates parts available in assemblies only)	PART #	QTY	
-	STANDALONE OIL COOLER ASSY	536050	1	
1	STAND, MOUNTING	536046-1	1	
2	OIL COOLER ASSY <a href="#">See Section 8.18</a>	536032	1	
3	WASHER, 10.5 FLAT ZINC	F81055-1	12	
4	BOLT, M10 X 25 8.8 FE/ZN5, PN-M/82105	F81003-31	4	
5	NUT, M10-8-B HEX NYLON ZINC LOCK	F81033-1	8	
6	BOX, ELECTRIC	539846	1	
7	BOLT, M10X20 8.8 FE/ZN5 PN-M/82302	F81003-108	4	



### 8.18 Oil Cooler Assy. 536032

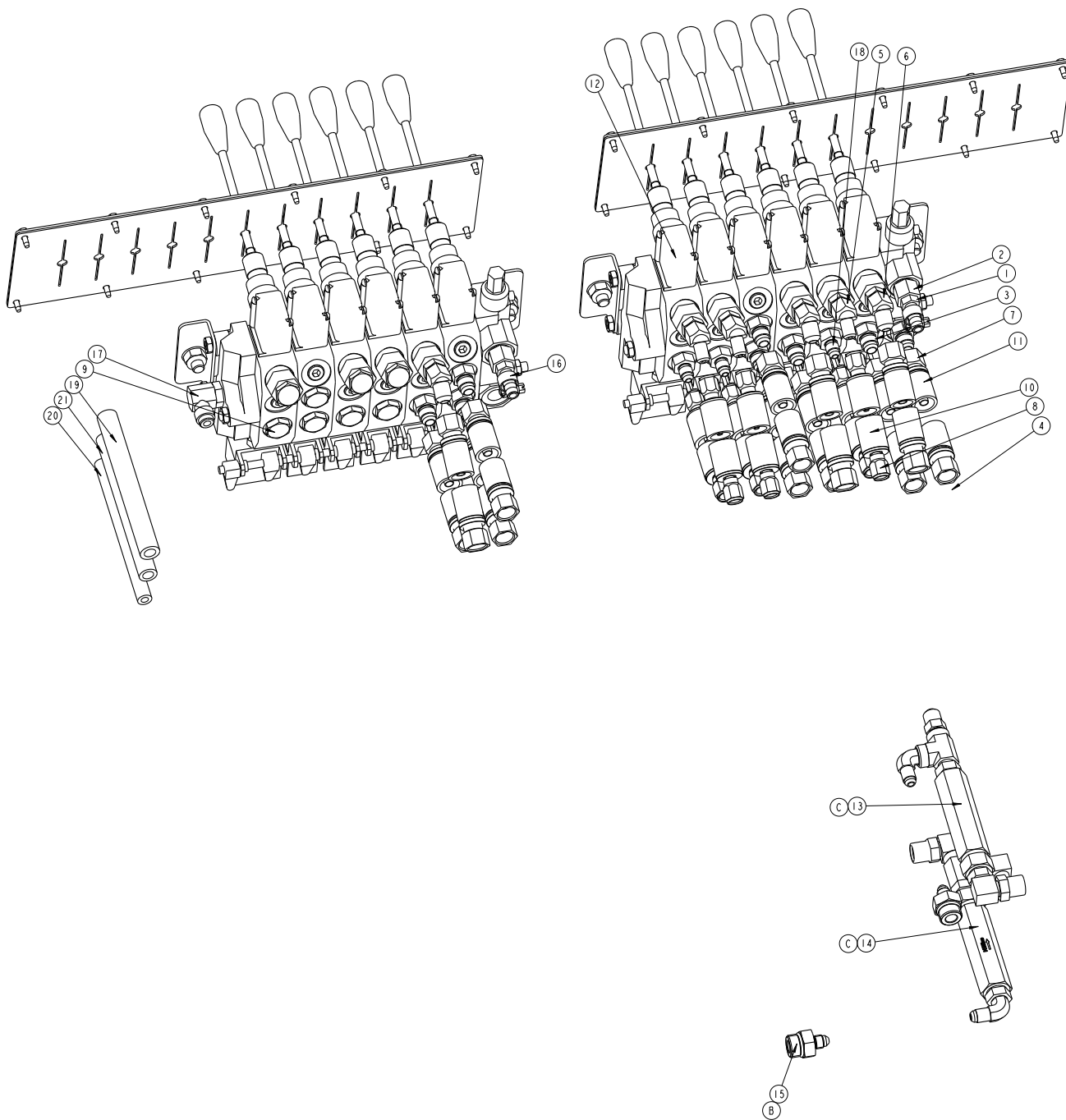
536032\_001  
536032\_MANUAL



REF	DESCRIPTION (◆ indicates parts available in assemblies only)	PART #	QTY
-	OIL COOLER ASSY	536032	1
1	BRACKET, COOLER	536017-1	1
2	COOLER GRS100-24A	525062	1
3	WASHER, 6.4 FLAT ZINC	F81053-1	4
4	BOLT, M6X20-8.8 HEX HEAD FULL THREAD ZIN	F81001-2	4
5	NUT, M6-8-B HEX NYLON ZINC LOCK	F81031-2	4
6	THERMOSTAT ATERODIN 4050	525063	1
7	SLEEVE, REDUCTION RI INCH BSP 1"-1/2" OUT.-IN.	536038	2

REF	DESCRIPTION (◆ indicates parts available in assemblies only)	PART #	QTY	
8	A4-ELBOW, WZ 1/2" ZINC	094749	2	
9	FITTING 1/2"NPTX3/4" HOSE BARB	035621	2	
10	HOSE, OILPROOF L=1000	536039	2	
11	CLAMP, 20-40 MM	F81095-3	4	
12	KIT, CONTROL	539841	1	

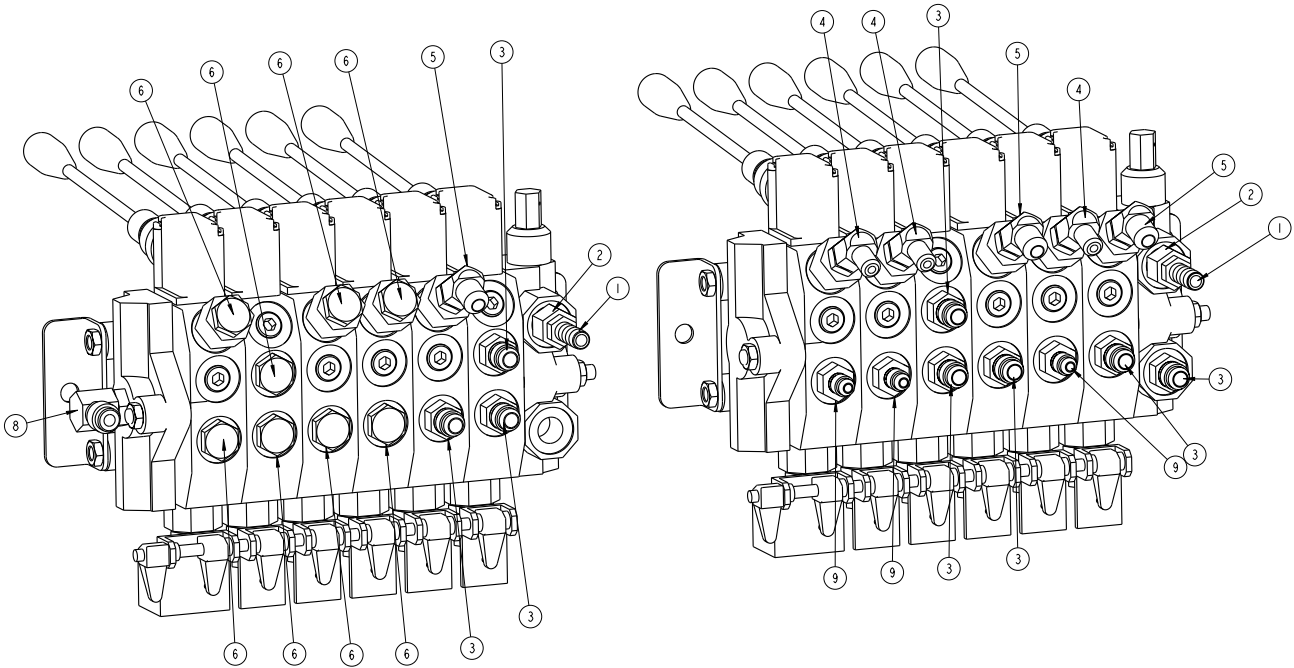
8.19 Hydraulic Set, WB2000 HS1 ECO (S) (No. 714791)



REF.	DESCRIPTION (◆ indicates parts available in assemblies only)	PART #	QTY
-	HYDRAULIC SET, WB2000 HS1 ECO (S)	714791	1
1	FITTING, 1/4NPT-3/8 BARB	014685	2
2	FITTING, 6SAE MALE-1/4NPT FEMALE	014686	2
3	FITTING, 3/8 O-RING-3/8JIC	014687	8
4	FITTING, 3/8JIC TEE	015487	2
5	FITTING, #4SAE-#6SAE 45 DEG ELBOW	015488	3
6	FITTING, #6SAE 45 DEG ELBOW	015489	3
7	FITTING, JIC 9/16-18	085900	36
8	FITTING, JIC 7/16-20	085902	16

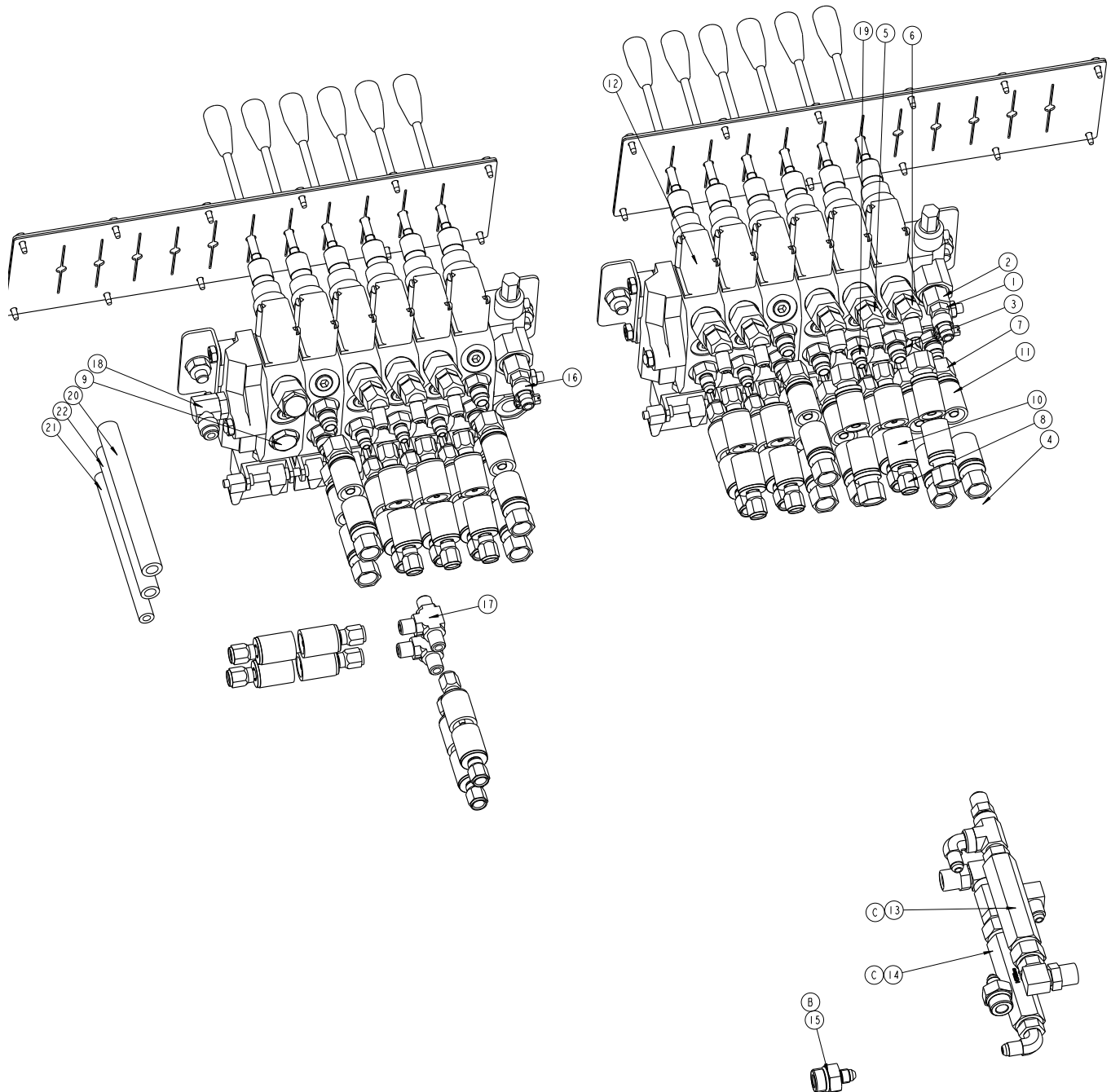
REF.	DESCRIPTION (◆ indicates parts available in assemblies only)	PART #	QTY
9	PLUG, 9/16-18 JIC HYDRAULIC VALVE	089647	8
10	FERRULE, DN-06 1/4"	096909	16
11	FERRULE, 10-2SN HOSE	096910	36
12	HYDRAULIC PUMP SET <a href="#">See Section 8.29</a>	714796	1
13	VALVE, SEQUENTIAL <a href="#">See Section 8.33</a>	714799	1
14	VALVE, SEQUENTIAL <a href="#">See Section 8.34</a>	714800	1
15	FITTING 3/4UNF - 7/16 UNF	719392	2
16	CLAMP, 11-16	F81080-31	2
17	FITTING, #6 SAE 3/8"JIC ELBOW	P12704	1
18	FITTING, 1/4JIC-3/8 O-RING	P26284	3
19	HOSE, 3/8" LOW PRESSURE HYDRAULIC	R01892-1	1
20	HOSE, DN-06/ 1/4" / 2SN HYDRAULIC	R02135	1
21	HOSE, DN-10/ 3/8" / 2SN HYDRAULIC	R02136	1

8.20 Hydraulic Set, WB2000 HS1 ECO (S) (No. 714791)



REF.	DESCRIPTION (◆ indicates parts available in assemblies only)	PART #	QTY
-	HYDRAULIC SET, WB2000 HS1 ECO (S)	714791	1
1	FITTING, 1/4NPT-3/8 BARB	014685	2
2	FITTING, 6SAE MALE-1/4NPT FEMALE	014686	2
3	FITTING, 3/8 O-RING-3/8JIC	014687	8
4	FITTING, #4SAE-#6SAE 45 DEG. ELBOW	015488	3
5	FITTING, #6SAE 45 DEG. ELBOW	015489	3
6	PLUG, 9/16-18 JIC HYDRAULIC VALVE	089647	8
7	HYDRAULIC PUMP W/MOTOR & VALVES (12 SECTIONS)	714796	1
8	FITTING, #6 SAE 3/8"JIC ELBOW	P12704	1
9	FITTING, 1/4JIC-3/8 O-RING	P26284	3

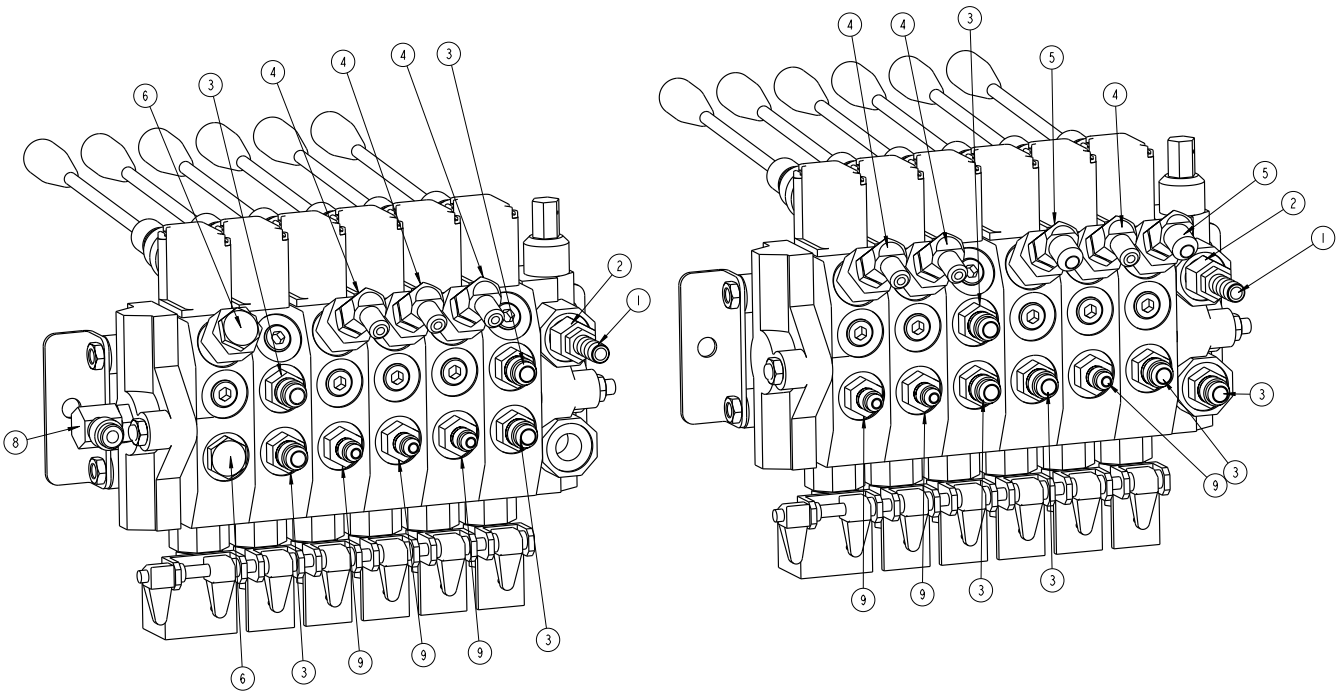
## 8.21 Hydraulic Set, WB2000 HS2 ECO (S) (No. 714792)



REF.	DESCRIPTION (◆ indicates parts available in assemblies only)	PART #	QTY
-	<b>HYDRAULIC SET, WB2000 HS2 ECO (S)</b>	714792	1
1	FITTING, 1/4NPT-3/8 BARB	014685	2
2	FITTING, 6SAE MALE-1/4NPT FEMALE	014686	2
3	FITTING, 3/8 O-RING-3/8JIC	014687	9
4	FITTING, 3/8JIC TEE	015487	2
5	FITTING, #4SAE-#6SAE 45 DEG ELBOW	015488	6
6	FITTING, #6SAE 45 DEG ELBOW	015489	2
7	FITTING, JIC 9/16-18	085900	36

REF.	DESCRIPTION (◆ indicates parts available in assemblies only)	PART #	QTY	
8	FITTING, JIC 7/16-20	085902	36	
9	PLUG, 9/16-18 JIC HYDRAULIC VALVE	089647	2	
10	FERRULE, DN-06 1/4"	096909	36	
11	FERRULE, 10-2SN HOSE	096910	36	
12	PUMP, HYDRAULIC, SECTION <a href="#">See Section 8.29</a>	714796	1	
13	VALVE, SEQUENTIAL <a href="#">See Section 8.33</a>	714799	1	
14	VALVE, SEQUENTIAL <a href="#">See Section 8.34</a>	714800	1	
15	FITTING 3/4UNF - 7/16 UNF	719392	2	
16	CLAMP, 11-16	F81080-31	2	
17	FITTING, 1/4JIC UNION TEE	P09145	2	
18	FITTING, #6 SAE 3/8" JIC ELBOW	P12704	1	
19	FITTING, 1/4JIC-3/8 O-RING	P26284	6	
20	HOSE, 3/8" LOW PRESSURE HYDRAULIC	R01892-1	1	
21	HOSE, DN-06/ 1/4" / 2SN HYDRAULIC	R02135	1	
22	HOSE, DN-10/ 3/8" / 2SN HYDRAULIC	R02136	1	

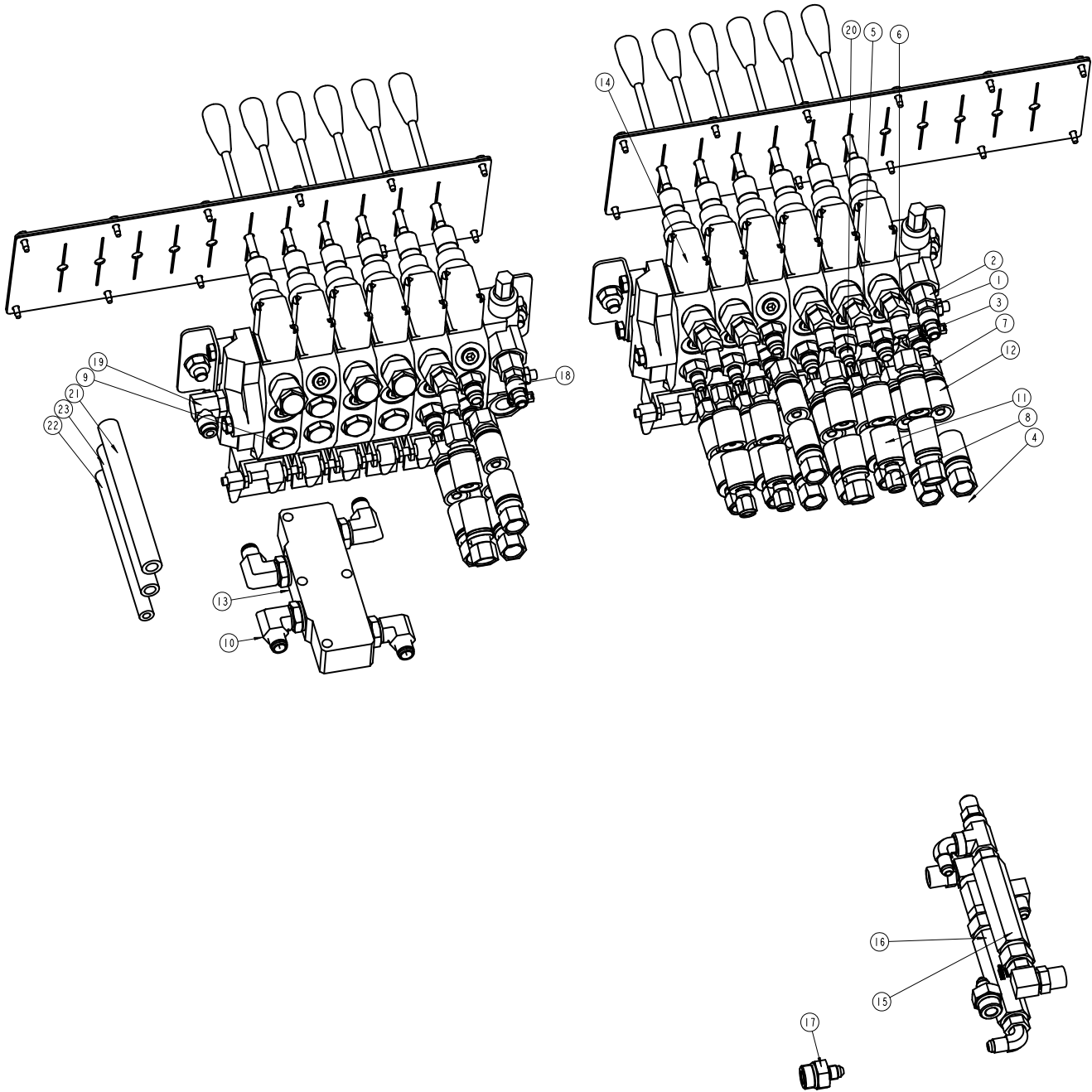
## 8.22 Hydraulic Set, WB2000 HS2 ECO (S) (No. 714792)



REF.	DESCRIPTION (◆ indicates parts available in assemblies only)	PART #	QTY
-	HYDRAULIC SET, WB2000 HS2 ECO (S)	714792	1
1	FITTING, 1/4NPT-3/8 BARB	014685	2
2	FITTING, 6SAE MALE-1/4NPT FEMALE	014686	2
3	FITTING, 3/8 O-RING-3/8JIC	014687	9
4	FITTING, #4SAE-#6SAE 45 DEG ELBOW	015488	6
5	FITTING, #6SAE 45 DEG ELBOW	015489	2
6	PLUG, 9/16-18 JIC HYDRAULIC VALVE	089647	2
7	HYDRAULIC PUMP W/MOTOR & VALVES (12-SECTION)	714796	1
8	FITTING, #6 SAE 3/8"JIC ELBOW	P12704	1
9	FITTING, 1/4JIC-3/8 O-RING	P26284	6



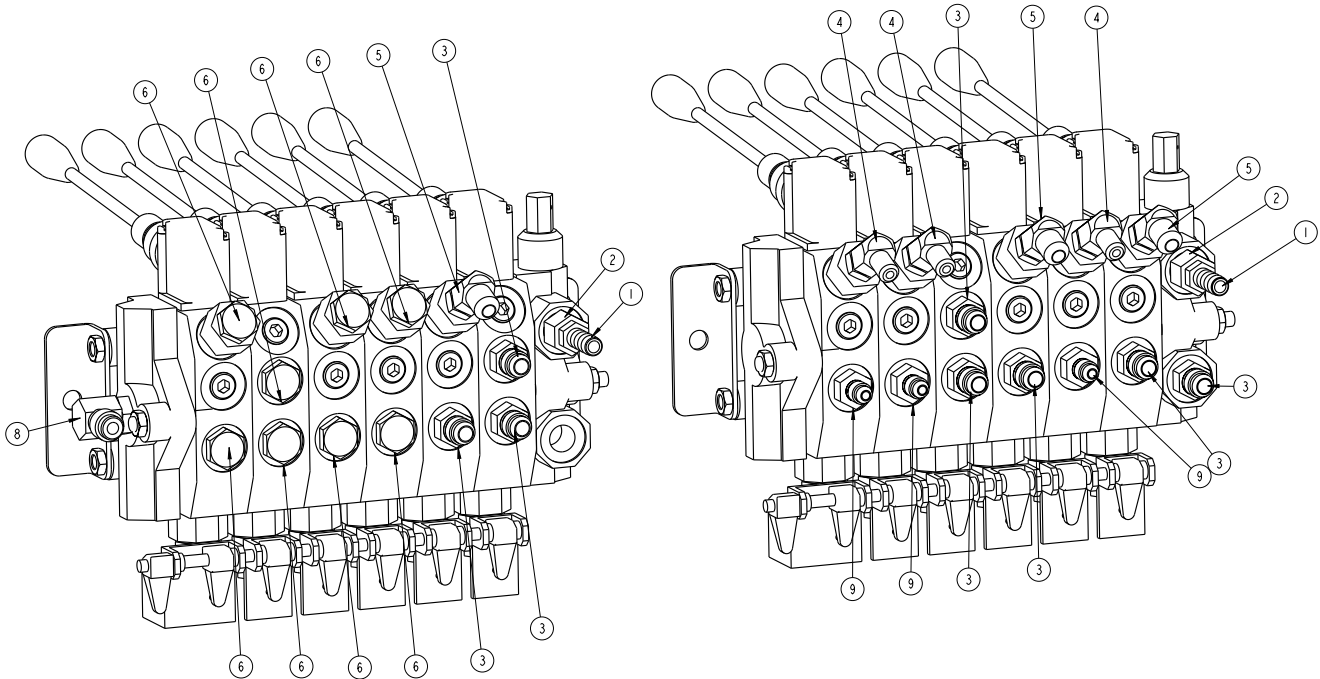
8.23 Hydraulic Set, WB2000 HS3 ECO (M) (No. 714793)



REF	DESCRIPTION (u indicates parts available in assemblies only)	PART #	QTY
-	HYDRAULIC SET, WB2000 HS3 ECO (M)	714793	1
1	FITTING, 1/4NPT-3/8 BARB	014685	2
2	FITTING, 6SAE MALE-1/4NPT FEMALE	014686	2
3	FITTING, 3/8" O-RING X 3/8" JIC	014687	8
4	FITTING, 3/8JIC TEE	015487	2
5	FITTING, #4 SAE - #6 SAE 45° ELBOW	015488	3
6	Fitting, #6SAE 45 Deg Elbow	015489	3
7	FITTING, JIC 9/16-18	085900	36
8	FITTING, JIC 7/16-20	085902	16

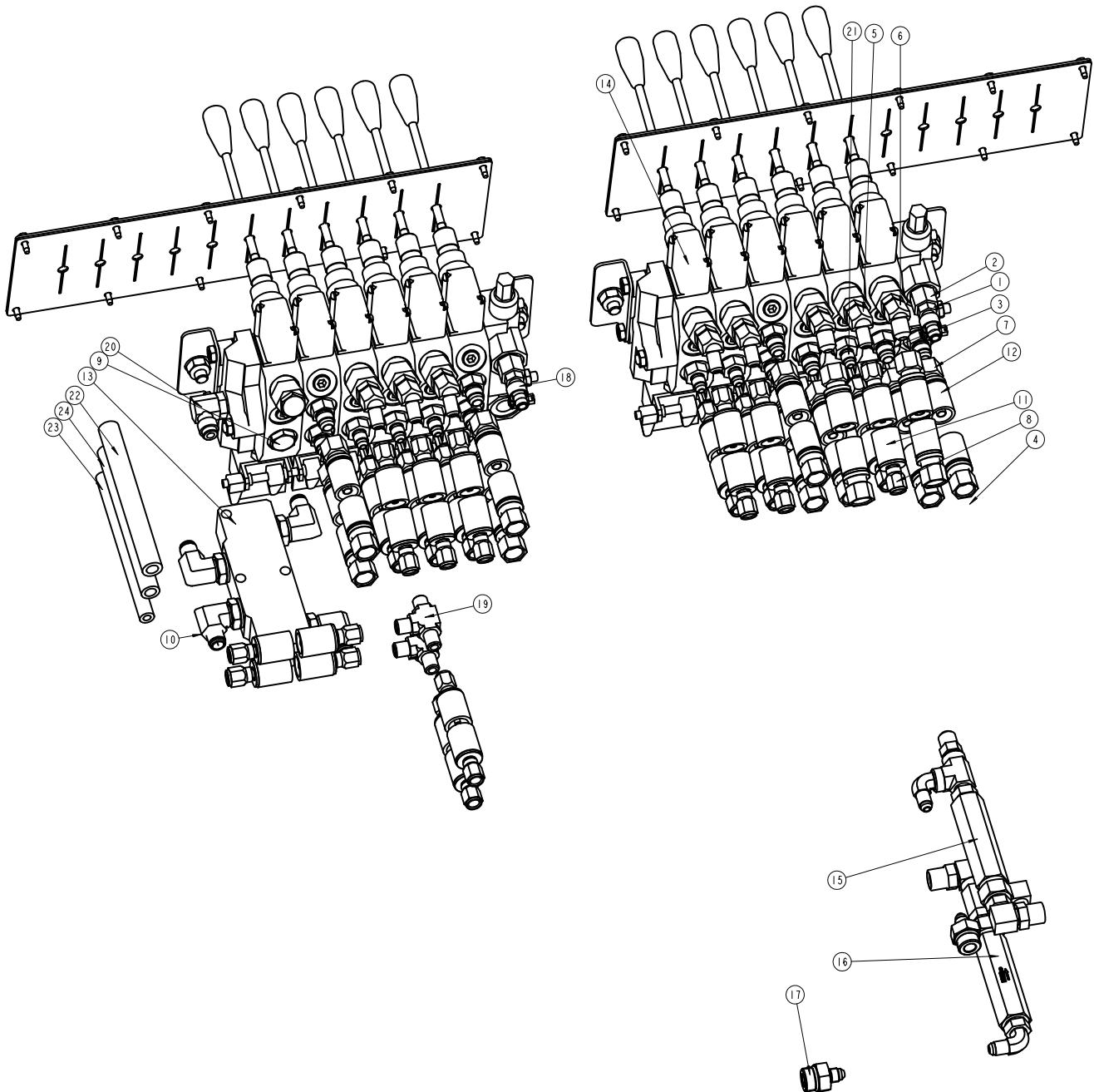
REF	DESCRIPTION (u indicates parts available in assemblies only)	PART #	QTY	
9	PLUG, 9/16-18 JIC HYDRAULIC VALVE	089647	8	
10	FITTING, 3/8" BSP-9/16" JIC ELBOW	096335	4	
11	FERRULE, DN-06 1/4"	096909	16	
12	FERRULE, 10-2SN HOSE	096910	36	
13	VALVE, OVERCENTER VBCD 380 2 S /	590362	1	
14	HYDRAULIC PUMP W/MOTOR & VALVES (12-SECTIONS) <a href="#">See Section 8.29</a>	714796	1	
15	VALVE, SEQUENTIAL <a href="#">See Section 8.33</a>	714799	1	
16	VALVE, SEQUENTIAL <a href="#">See Section 8.34</a>	714800	1	
17	FITTING 3/4UNF - 7/16 UNF	719392	2	
18	CLAMP, 11-16	F81080-31	2	
19	Fitting, 6SAE-3/8JIC Elbow	P12704	1	
20	Fitting, 1/4JIC-3/8 O-Ring	P26284	3	
21	HOSE, 3/8" LOW PRESSURE HYDRAULIC	R01892-1	1	
22	HOSE, DN-06/ 1/4" / 2SN HYDRAULIC	R02135	1	
23	HOSE, DN-10/ 3/8" / 2SN HYDRAULIC	R02136	1	

8.24 Hydraulic Set, WB2000 HS3 ECO (M) (No. 714793)



REF	DESCRIPTION (◆ indicates parts available in assemblies only)	PART #	QTY
-	HYDRAULIC SET, WB2000 HS3 ECO (M)	714793	1
1	Fitting, 1/4NPT-3/8 Barb	014685	2
2	Fitting, 6SAE Male-1/4NPT Female	014686	2
3	Fitting, 3/8 O-Ring-3/8JIC	014687	8
4	Fitting, #4SAE-#6SAE 45 Deg Elbow	015488	3
5	Fitting, #6SAE 45 Deg Elbow	015489	3
6	PLUG, 9/16-18 JIC HYDRAULIC VALVE	089647	8
7	HYDRAULIC PUMP W/MOTOR & VALVES (12 SECTIONS)	714796	1
8	FITTING, #6 SAE 3/8"JIC ELBOW	P12704	1
9	Fitting, 1/4JIC-3/8 O-Ring	P26284	3

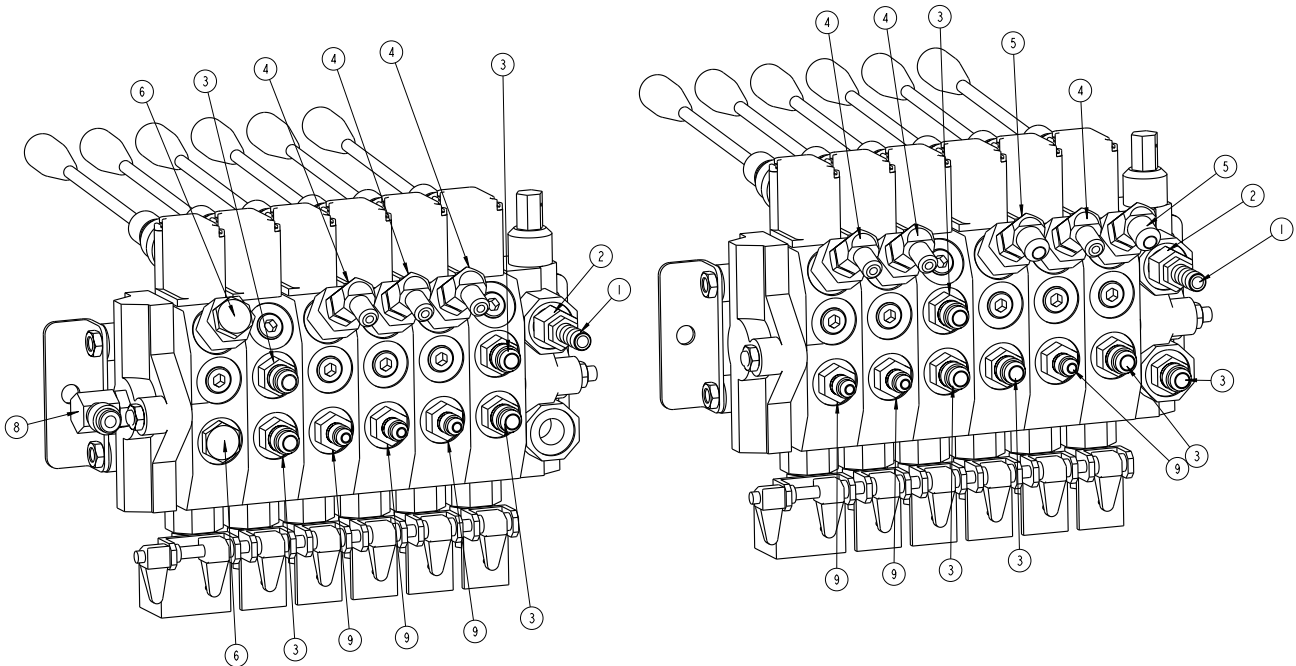
## 8.25 Hydraulic Set, WB2000 HS4 ECO (M) (No. 714794)



REF	DESCRIPTION (u indicates parts available in assemblies only)	PART #	QTY
-	HYDRAULIC SET, WB2000 HS4 ECO (M)	714794	1
1	FITTING, 1/4NPT-3/8 BARB	014685	2
2	FITTING, 6SAE MALE-1/4NPT FEMALE	014686	2
3	FITTING, 3/8" O-RING X 3/8" JIC	014687	9
4	FITTING, 3/8JIC TEE	015487	2
5	FITTING, #4 SAE - #6 SAE 45° ELBOW	015488	6
6	FITTING, #6SAE 45 DEG ELBOW	015489	2
7	FITTING, JIC 9/16-18	085900	36
8	FITTING, JIC 7/16-20	085902	36

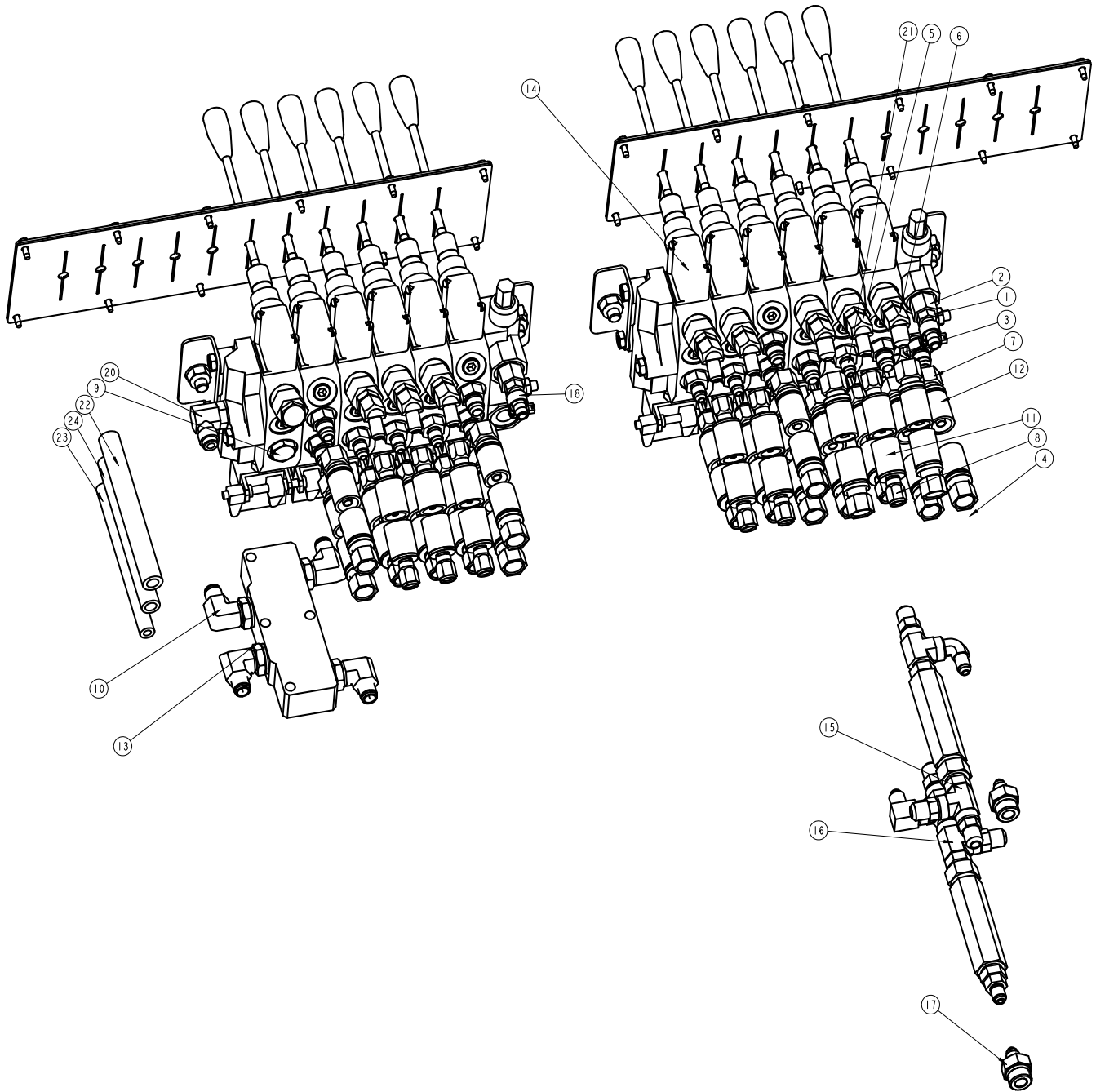
REF	DESCRIPTION (u indicates parts available in assemblies only)	PART #	QTY	
9	PLUG, 9/16-18 JIC HYDRAULIC VALVE	089647	2	
10	FITTING, 3/8" BSP-9/16" JIC ELBOW	096335	4	
11	FERRULE, DN-06 1/4"	096909	36	
12	FERRULE, 10-2SN HOSE	096910	36	
13	VALVE, OVERCENTER VBCD 380 2 S /	590362	1	
14	HYDRAULIC PUMP W/MOTOR & VALVES (12-SECTION) <a href="#">See Section 8.29</a>	714796	1	
15	VALVE, SEQUENTIAL <a href="#">See Section 8.33</a>	714799	1	
16	VALVE, SEQUENTIAL <a href="#">See Section 8.34</a>	714800	1	
17	FITTING 3/4UNF - 7/16 UNF	719392	2	
18	CLAMP, 11-16	F81080-31	2	
19	FITTING, 1/4JIC UNION TEE	P09145	2	
20	FITTING, 6SAE-3/8JIC ELBOW	P12704	1	
21	FITTING, 1/4JIC-3/8 O-RING	P26284	6	
22	HOSE, 3/8" LOW PRESSURE HYDRAULIC	R01892-1	1	
23	HOSE, DN-06/ 1/4"/ 2SN HYDRAULIC	R02135	1	
24	HOSE, DN-10/ 3/8"/ 2SN HYDRAULIC	R02136	1	

## 8.26 Hydraulic Set, WB2000 HS4 ECO (M) (No. 714794)



REF	DESCRIPTION (◆ indicates parts available in assemblies only)	PART #	QTY
-	HYDRAULIC SET, WB2000 HS4 ECO (M)	714794	1
1	FITTING, 1/4NPT-3/8 BARB	014685	2
2	FITTING, 6SAE MALE-1/4NPT FEMALE	014686	2
3	FITTING, 3/8 O-RING-3/8JIC	014687	9
4	FITTING, #4SAE-#6SAE 45 DEG. ELBOW	015488	6
5	FITTING, #6SAE 45 DEG. ELBOW	015489	2
6	PLUG, 9/16-18 JIC HYDRAULIC VALVE	089647	2
7	HYDRAULIC PUMP W/MOTOR & VALVES (12-SECTION)	714796	1
8	FITTING, #6 SAE 3/8"JIC ELBOW	P12704	1
9	FITTING, 1/4JIC-3/8 O-RING	P26284	6

8.27 Hydraulic Set, WB2000 HS5 ECO (M) (No. 714795)

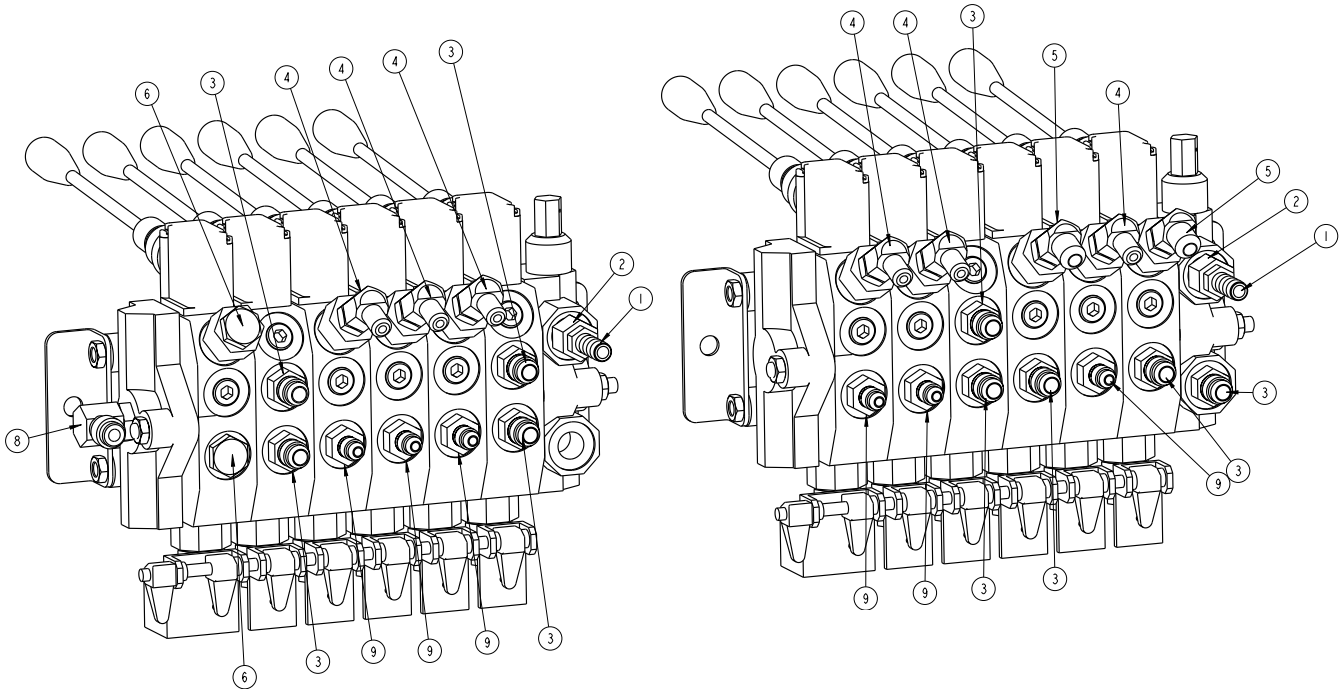


REF	DESCRIPTION (u indicates parts available in assemblies only)	PART #	QTY
-	HYDRAULIC SET, WB2000 HS5 ECO (M)	714795	1
1	FITTING, 1/4NPT-3/8 BARB	014685	2
2	FITTING, 6SAE MALE-1/4NPT FEMALE	014686	2
3	FITTING, 3/8" O-RING X 3/8" JIC	014687	9
4	FITTING, 3/8JIC TEE	015487	2
5	FITTING, #4 SAE - #6 SAE 45° ELBOW	015488	6
6	FITTING, #6SAE 45 DEG ELBOW	015489	2
7	FITTING, JIC 9/16-18	085900	42
8	FITTING, JIC 7/16-20	085902	36

REF	DESCRIPTION (u indicates parts available in assemblies only)	PART #	QTY	
9	PLUG, 9/16-18 JIC HYDRAULIC VALVE	089647	2	
10	FITTING, 3/8" BSP-9/16" JIC ELBOW	096335	4	
11	FERRULE, DN-06 1/4"	096909	36	
12	FERRULE, 10-2SN HOSE	096910	42	
13	VALVE, OVERCENTER VBCD 380 2 S /	590362	1	
14	HYDRAULIC PUMP W/MOTOR & VALVES (12-SECT) <a href="#">See Section 8.29</a>	714796	1	
15	VALVE, SEQUENTIAL <a href="#">See Section 8.31</a>	714797	1	
16	VALVE, SEQUENTIAL <a href="#">See Section 8.32</a>	714798	1	
17	FITTING 3/4UNF - 7/16 UNF	719392	2	
18	CLAMP, 11-16	F81080-31	2	
19	FITTING, 1/4JIC UNION TEE	P09145	2	
20	FITTING, 6SAE-3/8JIC ELBOW	P12704	1	
21	FITTING, 1/4JIC-3/8 O-RING	P26284	6	
22	HOSE, 3/8" LOW PRESSURE HYDRAULIC	R01892-1	1	
23	HOSE, DN-06/ 1/4"/ 2SN HYDRAULIC	R02135	1	
24	HOSE, DN-10/ 3/8"/ 2SN HYDRAULIC	R02136	1	

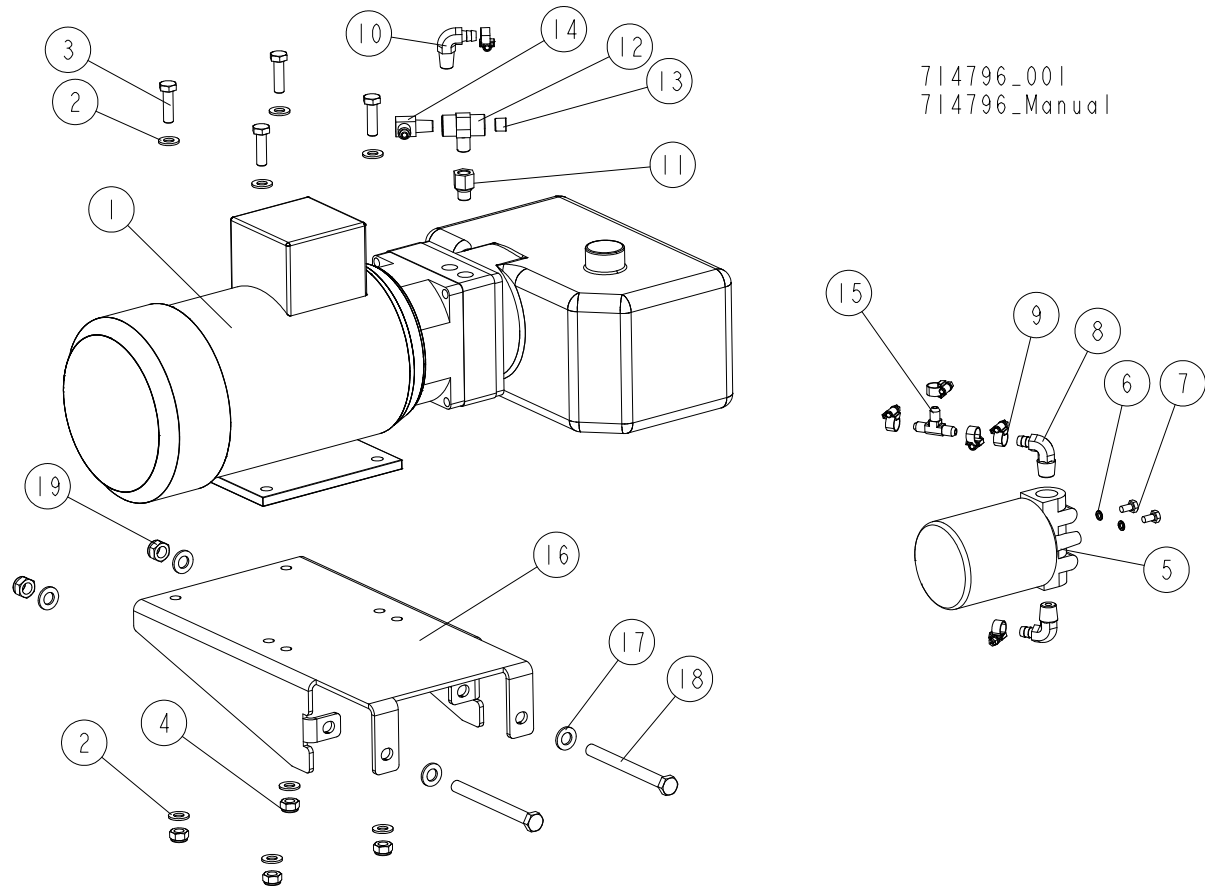


8.28 Hydraulic Set, WB2000 HS5 ECO (M) (No. 714795)



REF	DESCRIPTION (◆ indicates parts available in assemblies only)	PART #	QTY
-	<b>HYDRAULIC SET, WB2000 HS5 ECO (M)</b>	714795	1
1	FITTING, 1/4NPT-3/8 BARB	014685	2
2	FITTING, 6SAE MALE-1/4NPT FEMALE	014686	2
3	FITTING, 3/8 O-RING-3/8JIC	014687	9
4	FITTING, #4SAE-#6SAE 45 DEG. ELBOW	015488	6
5	FITTING, #6SAE 45 DEG. ELBOW	015489	2
6	PLUG, 9/16-18 JIC HYDRAULIC VALVE	089647	2
7	HYDRAULIC PUMP W/MOTOR & VALVES (12-SECTION)	714796	1
8	FITTING, #6 SAE 3/8"JIC ELBOW	P12704	1
9	FITTING, 1/4JIC-3/8 O-RING	P26284	6

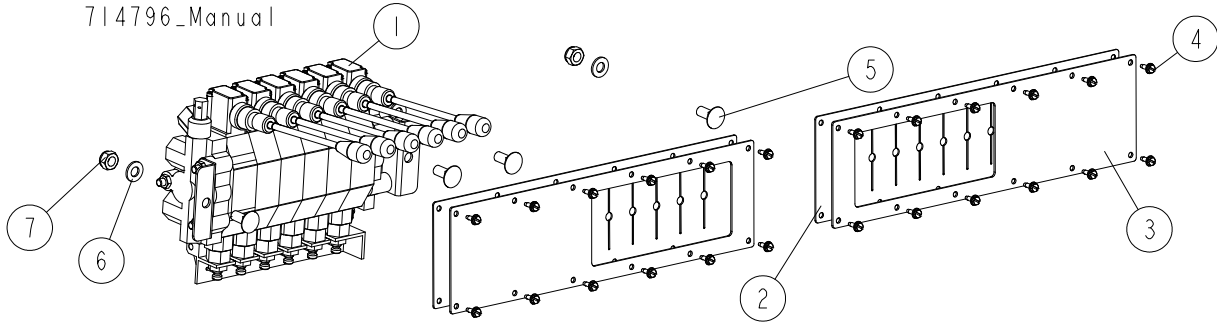
## 8.29 Hydraulic Pump w/Motor &amp; Valves (No. 714796)



REF.	DESCRIPTION (◆ indicates parts available in assemblies only)	PART #	QTY
-	<b>HYDRAULIC PUMP W/MOTOR &amp; VALVES (12-SECTION)</b>	714796	1
1	PUMP, AC,5,5KW 18.5L/MIN HYDRAULIC W/MOTOR	517840	1
2	WASHER 10,5 ZC DIN 126 ISO 7091	F81055-1	8
3	BOLT, M10X35-8.8 HEX HEAD FULL THREAD ZINC	F81003-17	4
4	NUT, M10-8-B HEX NYLON ZINC LOCK	F81033-1	4
5	MANIFOLD, W/FILTER	P22683	1
6	WASHER 6,1 ZC SPRING LOCK DIN 127	F81053-3	2
7	BOLT, 1/4-20X1/2 HEX HEAD	F05005-15	2
8	FITTING, 1/2NPT-3/8 BARB ELBOW	P12707	2
9	CLAMP, 11-16	F81080-31	6
10	FITTING, 3/8NPT-3/8 BARB ELBOW	P12708	1
11	FITTING, 6SAE MALE-1/4NPT FEMALE	014686	1
12	FITTING, 1/4NPT BRANCH TEE	015486	1
13	PLUG, 1/4-18 NPT BLANK	096221	1
14	FITTING, 3/8JIC-1/4NPT 90L	015491	1
15	FITTING, 3/8 BARB TEE	015485	1
16	BRACKET, HYDRAULIC MOTOR	714515-1	1
17	WASHER, 13 FLAT ZINC	F81056-1	4
18	BOLT, M12X130-8.8-HEX HEAD ZINC	F81004-36	2
19	NUT, M12 8 HEX NYLON ZINC LOCK	F81034-2	2

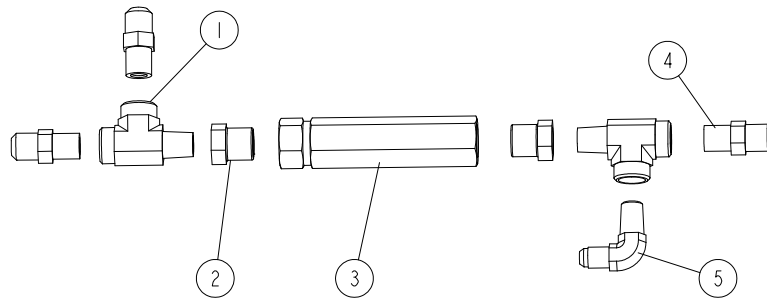
8.30 Hydraulic Pump w/Motor & Valves (No. 714796)

714796\_002  
714796\_Manual



REF	DESCRIPTION (◆ indicates parts available in assemblies only)	PART #	QTY
1	VALVE, 6-SECTION	714994	1
2	COVER, 11S HYDRAULIC VALVE RUBBER	714588	2
3	PLATE, HYDRAULIC VALVE	714589-1	2
4	BOLT, #10-24X1/2 SELF TAPPING	F05015-7	24
5	BOLT, M10X25-8.8 CARRIAGE ZINC	F81003-59	4
6	WASHER, 10.5 ZC DIN 126 ISO 7091	F81055-1	4
7	NUT, M10-8-B HEX NYLON ZINC LOCK	F81033-1	4

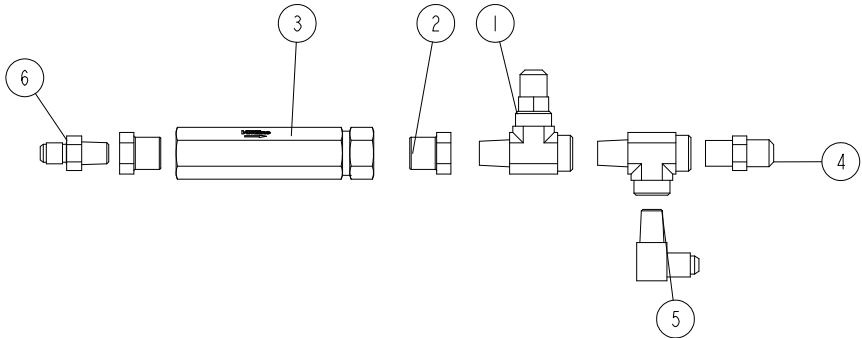
## 8.31 Sequential Valve (No. 714797)

714797\_001  
714797

REF.	DESCRIPTION (◆ indicates parts available in assemblies only)	PART #	QTY
-	VALVE, SEQUENTIAL	714797	1
1	FITTING, C3759X4 MALE 'T'	P09141	2
2	FITTING, 3/8" NPT X 1/4" NPT REDUCER	015490	2
3	RELIEF VALVE 49005-1000	557900	1
4	FITTING, 3/8JIC-1/4NPT STRAIGHT	015560	3
5	FITTING, 1/4NPTX1/4JIC MALE ELBOW	P09142	1

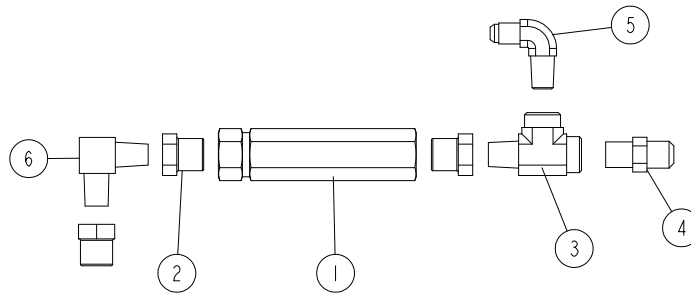
8.32 Sequential Valve (No. 714798)

714798\_001  
714798



REF.	DESCRIPTION (◆ indicates parts available in assemblies only)	PART #	QTY
-	VALVE, SEQUENTIAL	714798	1
1	FITTING, C3759X4 MALE 'T'	P09141	2
2	FITTING, 3/8" NPT X 1/4" NPT REDUCER	015490	2
3	RELIEF VALVE 49005-1000	557900	1
4	FITTING, 3/8JIC-1/4NPT STRAIGHT	015560	2
5	FITTING, 3/8JIC-1/4NPT 90L	015491	1
6	FITTING, 1/4NPTX1/4JIC MALE	P09143	1

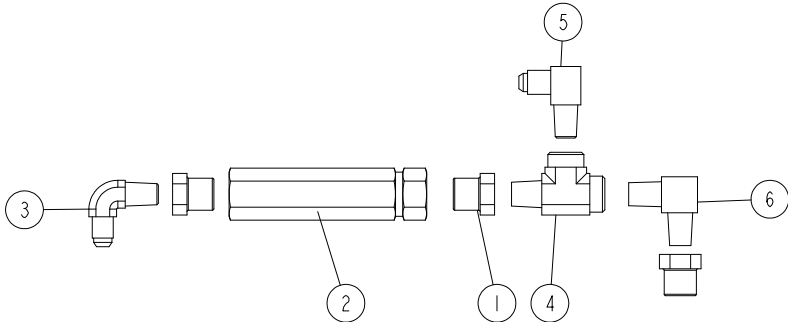
## 8.33 Sequential Valve (No. 714799)

714799\_001  
714799

REF.	DESCRIPTION (◆ indicates parts available in assemblies only)	PART #	QTY
-	<b>VALVE, SEQUENTIAL</b>	714799	1
1	RELIEF VALVE 49005-1000	557900	1
2	FITTING, 3/8" NPT X 1/4" NPT REDUCER	015490	3
3	FITTING, C3759X4 MALE 'T'	P09141	1
4	FITTING, 3/8JIC-1/4NPT STRAIGHT	015560	1
5	FITTING, 1/4NPTX1/4JIC MALE ELBOW	P09142	1
6	FITTING, 1/4NPT MALE PIPE ELBOW	P09140	1

8.34 Sequential Valve (No. 714800)

714800\_001  
714800



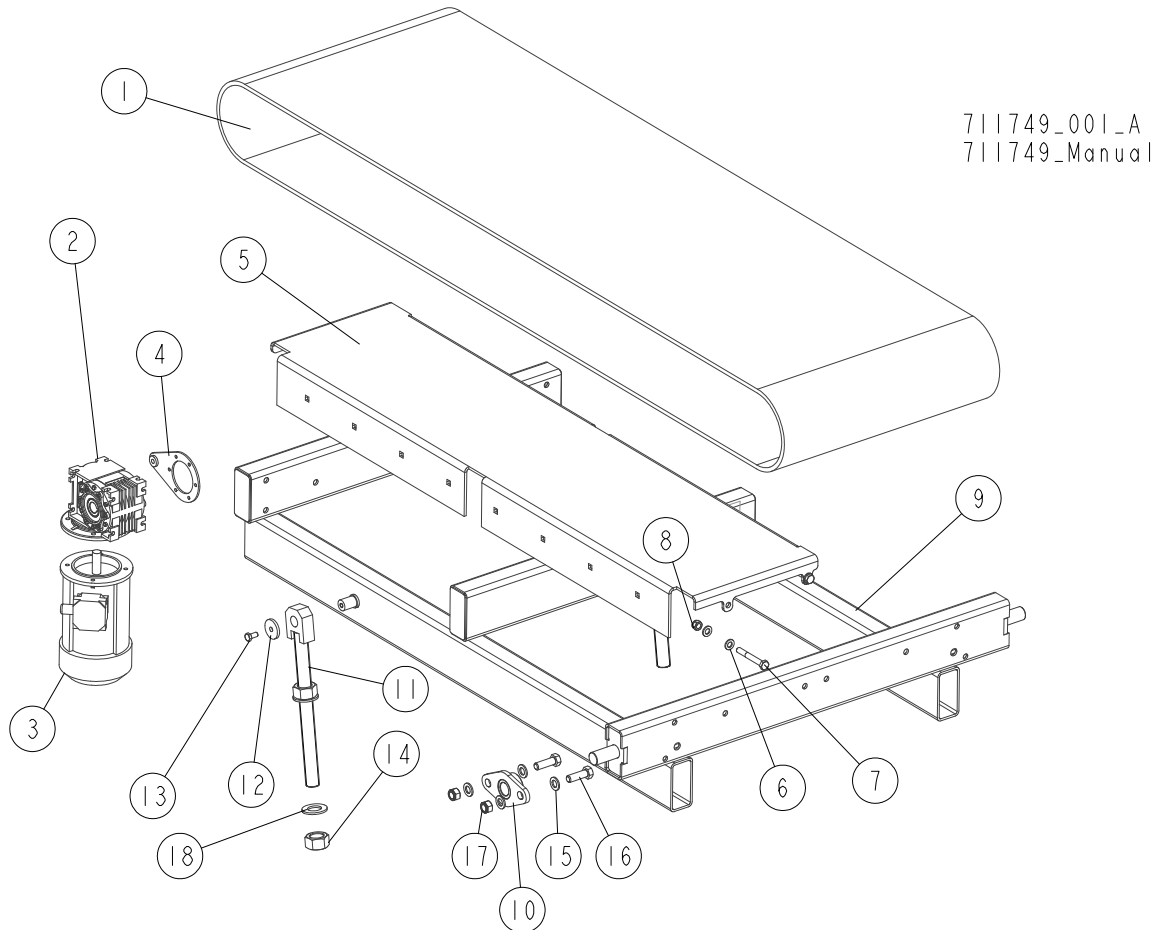
REF.	DESCRIPTION (◆ indicates parts available in assemblies only)	PART #	QTY
-	<b>VALVE, SEQUENTIAL</b>	714800	1
1	FITTING, 3/8" NPT X 1/4" NPT REDUCER	015490	3
2	RELIEF VALVE 49005-1000	557900	1
3	FITTING, 1/4NPTX1/4JIC MALE ELBOW	P09142	1
4	FITTING, C3759X4 MALE 'T'	P09141	1
5	FITTING, 3/8JIC-1/4NPT 90L	015491	1
6	FITTING, 1/4NPT MALE PIPE ELBOW	P09140	1

# 9

## BELT CONVEYOR Belt Conveyor Frame

### SECTION 9 BELT CONVEYOR

#### 9.1 Belt Conveyor Frame

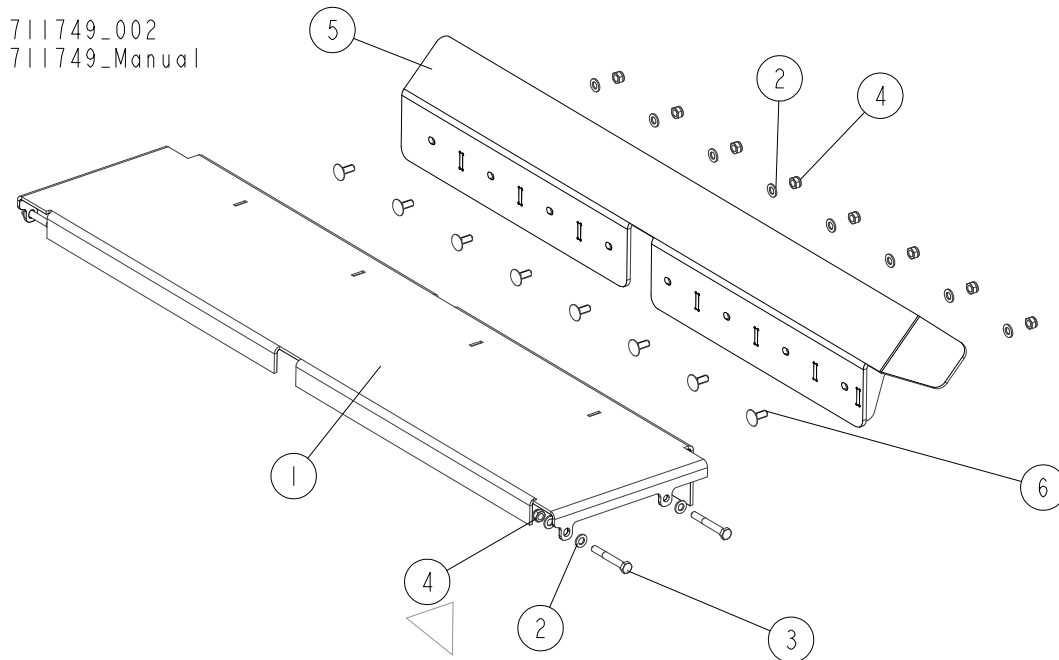


REF.	DESCRIPTION (◆Indicates Parts Available in Assemblies Only)	PART #	QTY
1	BELT, 2MOP3 LG4252x600 CONVEYOR	711750	1
	MOTOREDUCER, MR-50/7.5/1.1-1400/F3/V6	509560	1
2	REDUCER, MR-50/7.5/160	509557	1
3	MOTOR, STKG-80X-4C IMB14/1-162 INDUCTION	090104	1
4	ARM, R50 TORQUE	509558	1
5	PLATE, WB2000 CONVEYOR RIGHT TOP	711752-1	1
6	WASHER, 13 FLAT ZINC	F81056-1	8
7	BOLT, M12X90 8.8 HEX HEAD ZINC	F81004-2	4
8	NUT, M12 8 HEX NYLON ZINC LOCK	F81034-2	4
9	FRAME WELDMENT, BELT CONVEYOR	711760-1	1
10	BRACKET, BELT CONVEYOR MOUNT	711924-1	1
11	ROD WELDMENT, CONVEYOR TILT ADJUSTMENT ZINC-PLATED	711773-1	2
12	WASHER, 10.5/45-6 ZINC-PLATED	086286-1	1



REF.	DESCRIPTION (◆ Indicates Parts Available in Assemblies Only)	PART #	QTY
13	BOLT, M10X20-5.8 HEX HEAD FULL THREAD ZINC	F81003-1	1
14	NUT, M30-HEX ZINC	F81038-3	2
15	WASHER, 17 SPLIT LOCK ZINC	F81058-1	4
16	BOLT, M6X16-8.8 HEX HEAD FULL THREAD ZINC	F81006-7	2
17	NUT, M16 HEX NYLON ZINC LOCK	F81036-2	2
18	WASHER, 31 FLAT ZINC	F81061-9	2

## 9.2 Conveyor Side Plate



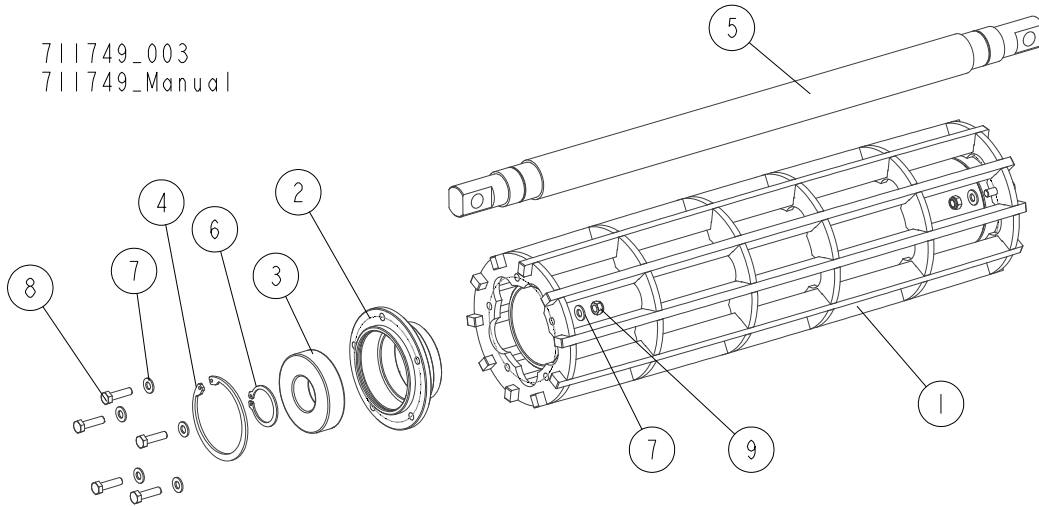
REF.	DESCRIPTION (◆ Indicates Parts Available in Assemblies Only)	PART #	QTY
1	PLATE, WB2000 CONVEYOR LEFT TOP	713126-1	1
2	WASHER, 13 FLAT ZINC	F81056-1	16
3	BOLT, M12X90 8.8 HEX HEAD ZINC	F81004-2	4
4	NUT, M12 8 HEX NYLON ZINC LOCK	F81034-2	12
5	PLATE WELDMENT, CONVEYOR SIDE	713124-1	1
6	SCREW, M12X30 8.8 CARRIAGE ZINC	F81004-61	8

# 9

## BELT CONVEYOR

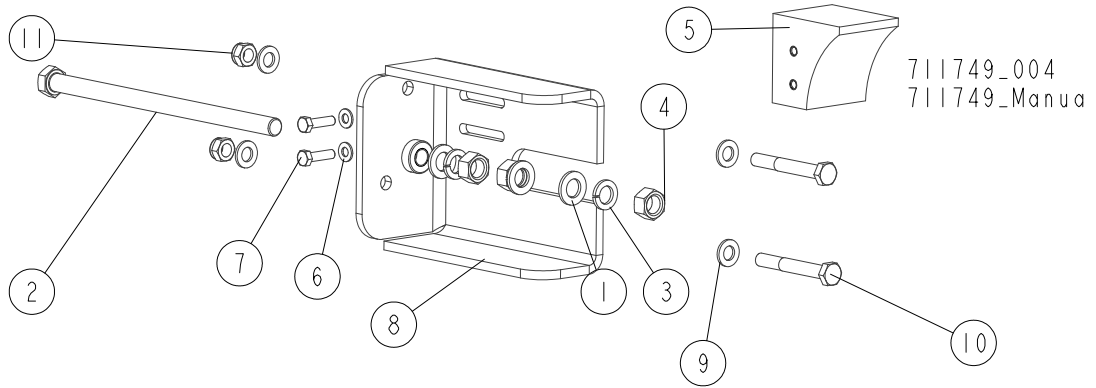
### Idle-Side Roller

### 9.3 Idle-Side Roller



REF.	DESCRIPTION (◆ Indicates Parts Available in Assemblies Only)	PART #	QTY
	<b>ROLLER, WM4000 IDLE SIDE - COMPLETE</b>	<b>511286</b>	<b>1</b>
1	ROLLER, BELT SCRAPER	511285-1	1
	<b>HUB, ROLLER BEARING - COMPLETE</b>	<b>511305</b>	<b>2</b>
2	HUB, ROLLER BEARING	511304-1	1
3	BEARING, 6308 2RS CX BALL	504268	1
4	RING, W90 INSIDE RETAINING	F81090-29	1
5	SHAFT, IDLE SIDE ROLLER	511283	1
6	RING, Z40 OUTSIDE RETAINING	F81090-33	2
7	WASHER, 8.4 FLAT ZINC	F81054-1	20
8	BOLT, M8X30-5.8-B HEX HEAD FULL THREAD ZINC	F81002-2	10
9	NUT, M8 8 HEX NYLON ZINC LOCK	F81032-2	10

**9.4 Conveyor Belt Tensioner**



REF.	DESCRIPTION (◆Indicates Parts Available in Assemblies Only)	PART #	QTY
1	WASHER, 17 SPLIT LOCK ZINC	F81058-1	3
2	BOLT, M16 X290-8.8 -A2 FULL THREAD	F81006-27	1
3	WASHER, 16.3 SPLIT LOCK ZINC	F81058-2	3
4	NUT, M16-8 HEX ZINC	F81036-1	3
5	BLOCK, SAFETY	711178	1
6	WASHER, 8.4 FLAT ZINC	F81054-1	2
7	BOLT, M8X30-5.8-B HEX HEAD FULL THREAD ZINC	F81002-2	2
8	BRACKET, BELT TENSION - LEFT	711776-1	1
	BRACKET, BELT TENSION - RIGHT	711775-1	1
9	WASHER, 13 FLAT ZINC	F81056-1	4
10	BOLT, M12X90 8.8 HEX HEAD ZINC	F81004-2	2
11	NUT, M12 8 HEX NYLON ZINC LOCK	F81034-2	2

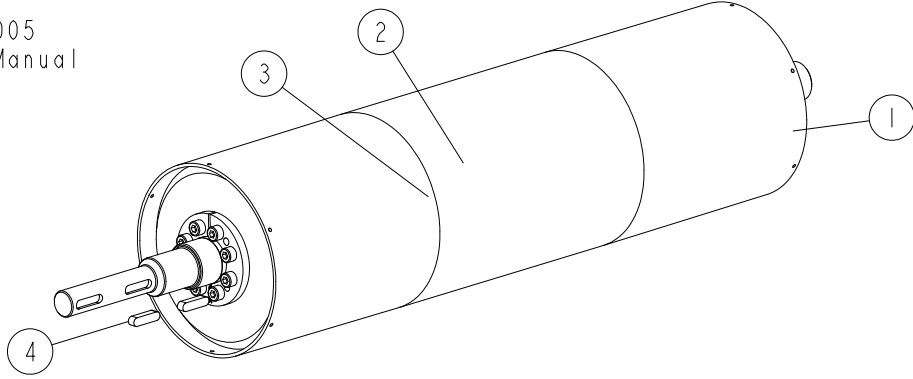
# 9

## BELT CONVEYOR

*Belt Conveyor Pulley*

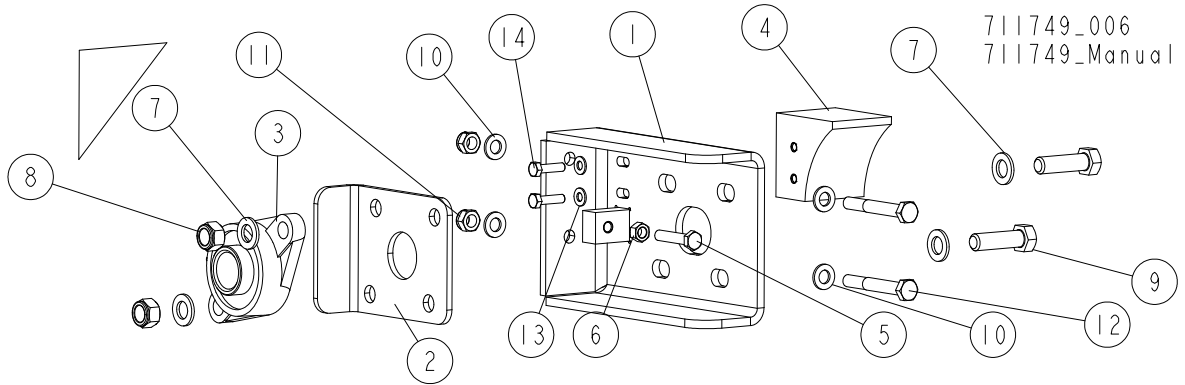
### 9.5 Belt Conveyor Pulley

711749\_005  
711749\_Manual



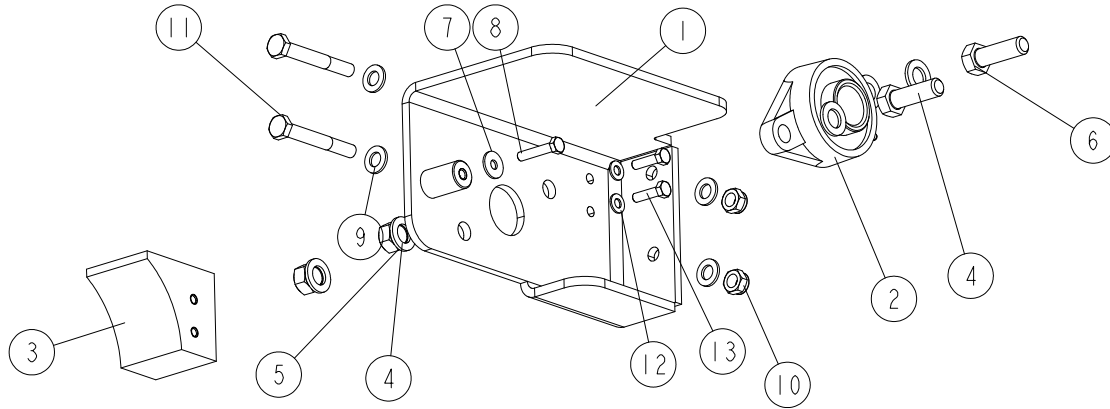
REF.	DESCRIPTION (◆Indicates Parts Available in Assemblies Only)	PART #	QTY
	PULLEY ASSEMBLY, BELT CONVEYOR - COMPLETE	<b>538054</b>	<b>1</b>
<b>1</b>	PULLEY, BELT CONVEYOR	538055-1	1
<b>2</b>	LAGGING, PULLEY	R00100	1
<b>3</b>	ADHESIVE, TEXCOL	090875	1
<b>4</b>	KEY, A8X7X32 PARALLEL	088564	2

**9.6 Left Pulley Bracket**



REF.	DESCRIPTION (◆ Indicates Parts Available in Assemblies Only)	PART #	QTY
1	BRACKET WELDMENT, PULLEY MOUNT - LEFT	711176-1	1
2	PLATE, BELT TENSION CORRECTION	511278-1	1
3	BEARING, UCFL 207 BALL	524021	1
4	BLOCK, SAFETY	711178	1
5	BOLT, M10X50-8.8 HEX HEAD FULL THREAD ZINC	F81003-4	1
6	NUT, M10 8 HEX ZINC	F81033-3	1
7	WASHER, 17 SPLIT LOCK ZINC	F81058-1	4
8	NUT, M16-8 HEX NYLON ZINC LOCK	F81036-2	2
9	BOLT, M16X50-8.8 HEX HEAD FULL THREAD ZINC	F81006-38	2
10	WASHER, 13 FLAT ZINC	F81056-1	4
11	NUT, M12 8 HEX NYLON ZINC LOCK	F81034-2	2
12	BOLT, M12X90 8.8 HEX HEAD ZINC	F81004-2	2
13	WASHER, 8.4 FLAT ZINC	F81054-1	2
14	BOLT, M8X30-5.8-B HEX HEAD FULL THREAD ZINC	F81002-2	2

## 9.7 Right Pulley Bracket



711749\_007  
711749\_Manual

REF.	DESCRIPTION (◆ Indicates Parts Available in Assemblies Only)	PART #	QTY
1	BRACKET WELDMENT, PULLEY MOUNT - RIGHT	715320-1	1
2	BEARING, UCFL 207 BALL	524021	1
3	BLOCK, SAFETY	711178	1
4	WASHER, 17 SPLIT LOCK ZINC	F81058-1	4
5	NUT, M16-8 HEX NYLON ZINC LOCK	F81036-2	2
6	BOLT, M16X50-8.8 HEX HEAD FULL THREAD ZINC	F81006-7	2
7	WASHER, ISO 7093-1-8-200 HV-A2E.	F81054-11	1
8	BOLT, M8X40-8.8 HEX HEAD FULL THREAD ZINC	F81002-15	1
9	WASHER, 13 FLAT ZINC	F81056-1	4
10	NUT, M12 8 HEX NYLON ZINC LOCK	F81034-2	2
11	BOLT, M12X90 8.8 HEX HEAD ZINC	F81004-2	2
12	WASHER, 8.4 FLAT ZINC	F81054-1	2
13	BOLT, M8X30-5.8-B HEX HEAD FULL THREAD ZINC	F81002-2	2