

Wood-Mizer®

Replacement Parts

WB2000

rev. B2.01



Safety is our #1 concern! Read and understand all safety information and instructions before operating, setting up or maintaining this machine.

Form #661

Table of Contents

Section-Page

SECTION 1 GENERAL INFORMATION

2-1

- 1.1 How To Use the Parts List.....2-1
- 1.2 Sample Assembly2-1

SECTION 2 SAWMILL MAST

2-1

- 2.1 WB2000 Sawmill Mast2-1
- 2.2 Mast Drive Assembly - Left2-4
- 2.3 Mast Drive Assembly - Right2-5
- 2.4 Up/Down Chain Assembly2-6
- 2.5 Up/Down Rollers & Chain Guide Rollers2-7
- 2.6 Up/Down Rollers2-8
- 2.7 Up/Down Rollers2-9
- 2.8 Upper Mast Roller Bracket2-10
- 2.9 Saw Head Rollers2-11
- 2.10 Track Roller2-12
- 2.11 Adjustable Track Roller2-13
- 2.12 Saw Head Roller2-14
- 2.13 Chain Guide Roller (No. 715949)2-15
- 2.14 Guard. 5570322-16
- 2.15 Up/Down Drive Assembly (No. 715752)2-17

SECTION 3 SAW HEAD

3-1

- 3.1 E40S Motor Kit3-1
- 3.2 E50S Motor Kit3-3
- 3.3 Sawdust Chute3-4
- 3.4 CCTV Camera Set3-6
- 3.5 CCTV Camera Set3-7
- 3.6 Side Camera Assembly3-8
- 3.7 Blade Tension Plate Assembly3-9
- 3.8 Debarker w/Drive3-11
- 3.9 Debarker, WB20003-12
- 3.10 Debarker Track Rail Assembly3-15
- 3.11 Blade Wheel Wiper & Scraper3-17
- 3.12 Fixed Blade Guide3-18
- 3.13 Blade Wheel Assembly, Idle Side3-19
- 3.14 Blade Wheel Mounting Tubes3-20
- 3.15 Blade Wheel Assembly, Drive Side3-21
- 3.16 Blade Wheel Shaft Bracket3-22
- 3.17 Blade Wheel Guards3-24
- 3.18 Safety Switch, Blade Wheel Housing3-26
- 3.19 Decals3-27
- 3.20 Laser Assembly (Option)3-29
- 3.21 Hydraulic Blade Tensioner Oil Supply Assembly3-30
- 3.22 Blade Guide Arm3-32
- 3.23 Blade Lube Assembly3-34
- 3.24 Board Return Guide. 5497303-36
- 3.25 Board Return Assy. 5497353-38

Table of Contents

Section-Page

| | | |
|------------------|--|------------|
| SECTION 4 | OPERATOR STAND | 4-1 |
| 4.1 | LCD Monitor w/Arm | 4-1 |
| 4.2 | Control Box Assembly | 4-2 |
| 4.3 | Rails | 4-3 |
| 4.4 | Operator Seat & Joysticks | 4-4 |
| 4.5 | Operator Stand Ladder | 4-6 |
| 4.6 | Operator Stand Base | 4-7 |
| 4.7 | Operator Guard | 4-8 |
| SECTION 5 | OPERATOR STAND W/CAB (OPTION) | 5-1 |
| 5.1 | Control Box/Monitor Pedestal | 5-1 |
| 5.2 | Control Box | 5-3 |
| 5.3 | Control Box Arm Bracket | 5-4 |
| 5.4 | Monitor Housing | 5-5 |
| 5.5 | Operator Stand Base | 5-6 |
| 5.6 | Operator Seat | 5-7 |
| 5.7 | Operator Stand Ladder | 5-8 |
| 5.8 | Joysticks | 5-10 |
| SECTION 6 | BLADE LUBE ASSEMBLY | 6-1 |
| 6.1 | Blade Lube Assembly | 6-1 |
| 6.2 | Lube Pump Assembly | 6-2 |
| SECTION 7 | BED FRAME ASSEMBLY | 7-1 |
| 7.1 | Power Feed Chain | 7-1 |
| 7.2 | WB2000 Bed Rail Assembly | 7-2 |
| 7.3 | WB2000 Cross Beam Cover | 7-3 |
| 7.4 | Ladder Assembly, Inspection Platform | 7-4 |
| 7.5 | Foot Assembly, Platform Ladder | 7-5 |
| 7.6 | Inspection Platform Grid | 7-6 |
| 7.7 | Leg Assembly | 7-7 |
| 7.8 | Angle Set, "M" Bed Frame | 7-8 |
| 7.9 | Angle Set, "S" Bed Frame | 7-9 |
| 7.10 | Wireway Assembly | 7-10 |
| 7.11 | Cable Duct Set | 7-11 |
| 7.12 | Wireway | 7-12 |
| 7.13 | Mast Stop Assembly | 7-13 |
| 7.14 | Hydraulic Hose Hanger | 7-14 |
| 7.15 | Wireway Bracket | 7-15 |
| 7.16 | Board Removal Bumper Assembly | 7-16 |
| 7.17 | Rubber Bumper | 7-18 |
| 7.18 | Bed Frame Extension Section ("M" Frame Only) | 7-19 |
| 7.19 | Bed Frame Extension Assembly M+2 | 7-20 |
| 7.20 | Bed Frame Extension Assembly M+4 | 7-21 |
| 7.21 | Hydraulic Hose Hanger | 7-22 |
| 7.22 | Cable Chain | 7-23 |

Table of Contents

Section-Page

| | | |
|-------------------|---|-------------|
| SECTION 8 | HYDRAULIC POWER KITS | 8-1 |
| 8.1 | Hydraulic Power Kit, WB2000 HS5 (714708) | 8-2 |
| 8.2 | Hydraulic Power Kit, WB2000 HS4 (714737) | 8-5 |
| 8.3 | Hydraulic Power Kit, WB2000 HS3 (714738) | 8-8 |
| 8.4 | Hydraulic Power Kit, WB2000 HS2 (714739) | 8-11 |
| 8.5 | Hydraulic Power Kit, WB2000 HS1 (714740) | 8-14 |
| SECTION 9 | HYDRAULIC PUMP W/MOTOR & HYDRAULIC BOX | 9-1 |
| 9.1 | Hydraulic Pump w/Motor | 9-1 |
| 9.2 | Hydraulic Box | 9-3 |
| 9.3 | Hydraulic Valve Mount | 9-5 |
| 9.4 | Hydraulic Valve | 9-6 |
| 9.5 | Hydraulic Box Hoses | 9-7 |
| 9.6 | Hydraulic Pump (2+1) | 9-8 |
| SECTION 10 | HYDRAULIC KITS | 10-1 |
| 10.1 | HS1 Hydraulic Kit | 10-1 |
| 10.2 | HS2 Hydraulic Kit | 10-2 |
| 10.3 | HS3 Hydraulic Kit | 10-3 |
| 10.4 | HS4 Hydraulic Kit | 10-4 |
| 10.5 | HS5 Hydraulic Kit | 10-5 |
| 10.6 | Log Side Support | 10-6 |
| 10.7 | Side Support Sensor | 10-9 |
| 10.8 | WB2000 MIDDLE LOG CLAMP | 10-10 |
| 10.9 | Chain Log Turner | 10-12 |
| 10.10 | Log Levelling Roller | 10-14 |
| 10.11 | Pull Down Clamp | 10-15 |
| 10.12 | Roller Driven Log Levelling Left (No. 719365) | 10-18 |
| 10.13 | Roller Driven Log Levelling Left (No. 715511) | 10-20 |
| 10.14 | Roller Driven Log Levelling Left (No. 715509) | 10-22 |
| 10.15 | Left Roller Arm(No. 715014) | 10-24 |
| 10.16 | Log Levelling Roller Arm | 10-25 |
| 10.17 | Standalone Oil Cooler Assy. 536050 | 10-26 |
| 10.18 | Oil Cooler Assy. 536032 | 10-27 |
| SECTION 11 | BELT CONVEYOR | 11-1 |
| 11.1 | Belt Conveyor Frame | 11-1 |
| 11.2 | Conveyor Side Plate | 11-2 |
| 11.3 | Idle-Side Roller | 11-3 |
| 11.4 | Conveyor Belt Tensioner | 11-4 |
| 11.5 | Belt Conveyor Pulley | 11-5 |
| 11.6 | Left Pulley Bracket | 11-6 |
| 11.7 | Right Pulley Bracket | 11-7 |
| SECTION 12 | CAB | 12-1 |
| 12.1 | Cab | 12-1 |

Table of Contents

Section-Page

12.2 Rear Panel12-2
12.3 Right Panel12-4
12.4 Front, Left Panel12-6
12.5 Roof12-7
12.6 Air Conditioning/Heat Assembly (Optional)12-8

SECTION 1 GENERAL INFORMATION

1.1 How To Use the Parts List

- Use the index above to locate the assembly that contains the part you need.
- Go to the appropriate section and locate the part in the illustration.
- Use the number pointing to the part to locate the correct part number and description in the table.
- Parts shown indented under another part are included with that part.
- Parts marked with a diamond (◆) are only available in the assembly listed above the part.

See the sample table below. Sample Part #A01111 includes part F02222-2 and subassembly A03333. Subassembly A03333 includes part S04444-4 and subassembly K05555. The diamond (◆) indicates that S04444-4 is not available except in subassembly A03333. Subassembly K05555 includes parts M06666 and F07777-77. The diamond (◆) indicates M06666 is not available except in subassembly K05555.

| 1.2 Sample Assembly | | | | |
|---------------------|---|-----------|-----|---|
| REF. | DESCRIPTION (◆ Indicates Parts Available In Assemblies Only) | PART # | QTY | |
| | Sample Assembly, Complete (Includes All Indented Parts Below) | A01111 | 1 | |
| 1 | Sample Part | F02222-22 | 1 | |
| | Sample Subassembly (Includes All Indented Parts Below) | A03333 | 1 | |
| 2 | Sample Part (◆ Indicates Part Is Only Available With A03333) | S04444-4 | 1 | ◆ |
| | Sample Subassembly (Includes All Indented Parts Below) | K05555 | 1 | |
| 3 | Sample Part (◆ Indicates Part Is Only Available With K05555) | M06666 | 2 | ◆ |
| 4 | Sample Part | F07777-77 | 1 | |

To Order Parts:

- From Europe call our European Headquarters and Manufacturing Facility in Kolo, Poland at **+48-63-2626000**. From the continental U.S., call our toll-free Parts hotline at **1-800-525-8100**. Have your customer number, vehicle identification number, and part numbers ready when you call. From other international locations, contact the Wood-Mizer distributor in your area for parts.

Office Hours:

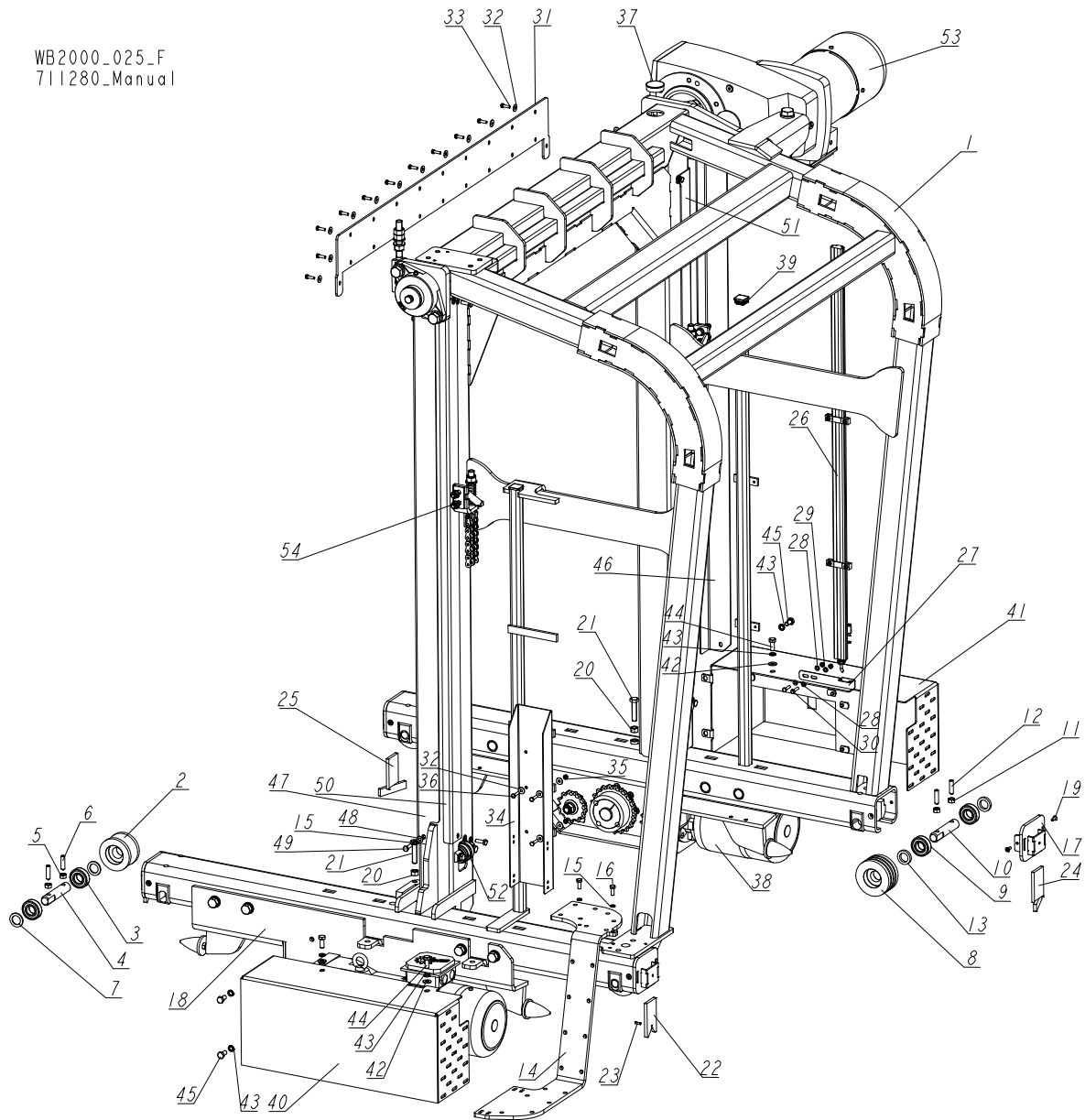
| Country | Monday - Friday | Saturday | Sunday |
|---------|-----------------|-----------------|--------|
| Poland | 7-15 | Closed | Closed |
| US | 8 a.m.- 5 p.m. | 8 a.m.- 12 p.m. | Closed |



CAUTION! It is strongly recommended that only original spare parts be used.

SECTION 2 SAWMILL MAST

2.1 WB2000 Sawmill Mast



| REF | DESCRIPTION (u indicates parts available in assemblies only) | PART # | QTY |
|-----|--|-----------|-----|
| - | MAST, WB 2000 COMPLETE | 716899 | 1 |
| 1 | MAST, WELDMENT | 716928-1 | 1 |
| - | ROLLER, TRACK - COMPLETE | 717243 | 2 |
| 2 | ROLLER, MAST TRACK | 717244-1 | 1 |
| 3 | BEARING, 6205 2RSR P6 (FAG,NSK,SKF) BALL | 087353 | 2 |
| 4 | SHAFT, TRACK ROLLER | 710013-1 | 1 |
| 5 | NUT, M10 8 HEX ZINC | F81033-3 | 2 |
| 6 | SCREW, M10X40-45H HEX SOCKET SET CONE PO | F81003-61 | 2 |
| 7 | BUSHING, 25.2/38-3.5 ZINC-PLATED | 717245-1 | 2 |

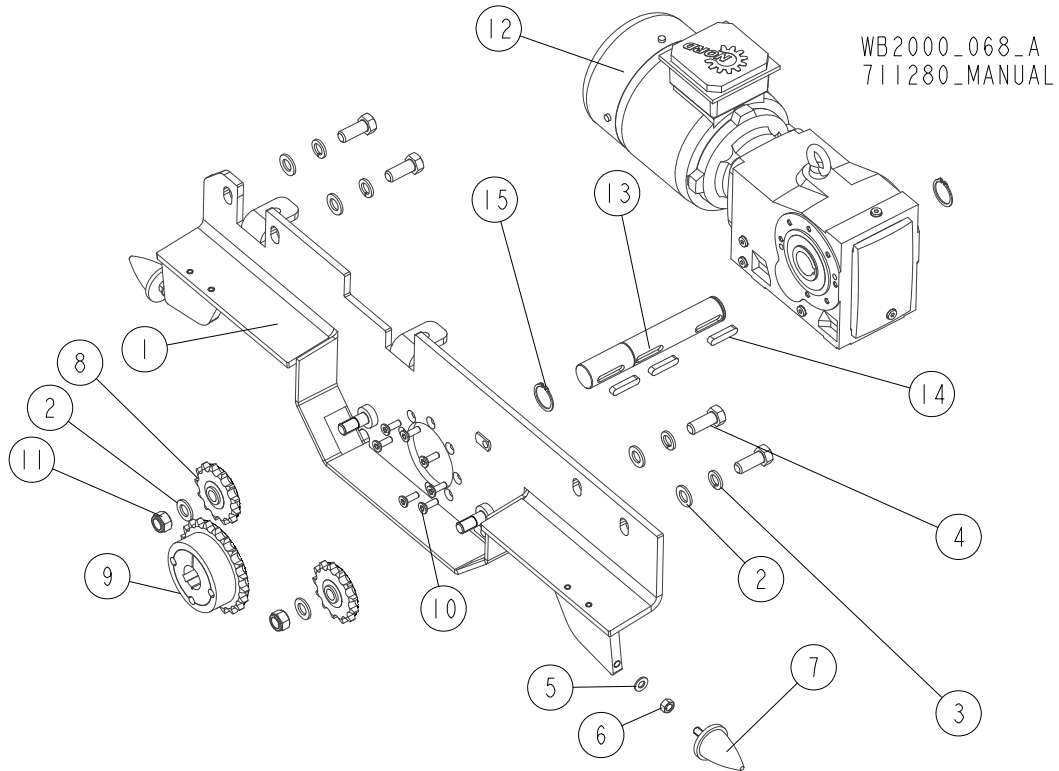
2 SAWMILL MAST

WB2000 Sawmill Mast

| REF | DESCRIPTION (u indicates parts available in assemblies only) | PART # | QTY |
|-----|---|-----------|-----|
| - | ROLLER, TRACK - COMPLETE | 717311 | 2 |
| 8 | ROLLER, TRACK | 717312-1 | 1 |
| 9 | BEARING, 6205 2RSR P6 (FAG,NSK,SKF) BALL | 087353 | 2 |
| 10 | SHAFT, TRACK ROLLER | 710013-1 | 1 |
| 11 | NUT, M10 8 HEX ZINC | F81033-3 | 2 |
| 12 | SCREW, M10X40-45H HEX SOCKET SET CONE PO | F81003-61 | 2 |
| 13 | BUSHING, 25.2/38-7 ZINC-PLATED | 710039-1 | 2 |
| 14 | BRACKET, CABLE CARRIER MOUNT | 714983-1 | 1 |
| 15 | WASHER, 8.2 SPLIT LOCK ZINC | F81054-4 | 10 |
| 16 | BOLT, M8X20 8.8 HEX HEAD FULL THREAD ZIN | F81002-4 | 2 |
| 17 | BRACKET, SCRAPER MOUNT | 713209-1 | 4 |
| 18 | DRIVE ASSEMBLY, MAST LEFT See Section 2.2 | 713011 | 1 |
| 19 | SCREW, M6X16-10.9 DIN7991 ISO10642 FLAT | F81001-55 | 8 |
| 20 | NUT M12 ZC 8 DIN 934 | F81034-1 | 2 |
| 21 | BOLT M12X55 HH ZC FT 8.8 DIN 933 | F81004-43 | 2 |
| 22 | SCRAPER, "V" | 710634-1 | 2 |
| 23 | PIN, 5X16 ROLL ZINC | F81044-3 | 2 |
| 24 | SCRAPER, FRONT STRAIGHT | 710635-1 | 1 |
| 25 | SCRAPER, REAR STRAIGHT | 710645-1 | 1 |
| - | TRANSDUCER ASSEMBLY, MICROPULSE | 710870 | 1 |
| 26 | TRANSDUCER, BTL6-E500-M1000-PF-S115 MICR | 509155 | 1 |
| 27 | BRACKET, MAGNET | 710871-1 | 1 |
| 28 | WASHER, 6.4 FLAT ZINC | F81053-1 | 4 |
| 29 | NUT, M6-8-B HEX NYLON ZINC LOCK | F81031-2 | 2 |
| 30 | BOLT, M6X25 -8.8 HEX HEAD FULL THREAD ZI | F81001-3 | 2 |
| 31 | COVER, RUBBER | 711031-1 | 1 |
| 32 | WASHER, 6.5 SPECIAL FLAT ZINC | F81053-11 | 27 |
| 33 | BOLT, M6X20 8.8 HEX HEAD FULL THREAD ZIN | F81001-2 | 20 |
| 34 | CHANNEL, CABLE CARRIER BRACKET | 710573-1 | 1 |
| 35 | NUT, M6-8-B HEX NYLON ZINC LOCK | F81031-2 | 4 |
| 36 | BOLT, M6X25 -8.8 HEX HEAD FULL THREAD ZI | F81001-3 | 4 |
| 37 | CAP, 44.5 MM NO. 466923 HOLE | 500768 | 1 |
| 38 | DRIVE ASSEMBLY, MAST RIGHT See Section 2.3 | 713015 | 1 |
| 39 | CAP, 30X30X3 SR1540, 111219 (MOSS) TUBE | 099463 | 2 |
| 40 | GUARD, MOTOR | 713147-1 | 1 |
| 41 | GUARD, MOTOR See Section 2.14 | 557032 | 1 |
| 42 | WASHER, 10.5 FLAT ZINC | F81055-1 | 4 |
| 43 | WASHER, 10.2 SPLIT LOCK ZINC | F81055-2 | 8 |
| 44 | BOLT, M10X25 8.8 HEX HEAD FULL THREAD ZI | F81003-11 | 4 |
| 45 | BOLT, ISO 4017-M10X20-8.8-A2E HEX HEAD F | F81003-53 | 4 |
| 46 | ANGLE, WB2000 MAST | 714448 | 1 |
| 47 | ANGLE, WB2000 MAST | 714449 | 1 |
| 48 | WASHER, 8.4 FLAT ZINC | F81054-1 | 8 |
| 49 | BOLT,M8X25-8.8-B HEX HEAD FULL THREAD ZI | F81002-5 | 8 |
| 50 | ANGLE, WB2000 MAST | 714568 | 1 |
| 51 | ANGLE, WB2000 MAST | 714569 | 1 |
| 52 | ROLLER, CHAIN GUIDE - COMPLETE See Section 2.13 | 715949 | 2 |

| REF | DESCRIPTION (u indicates parts available in assemblies only) | PART # | QTY | |
|-----|--|--------|-----|--|
| 53 | DRIVE ASSEMBLY, WB 2000 UP/DOWN See Section 2.15 | 715752 | 1 | |
| 54 | CHAIN ASSEMBLY, UP/DOWN See Section 2.4 | 713595 | 1 | |

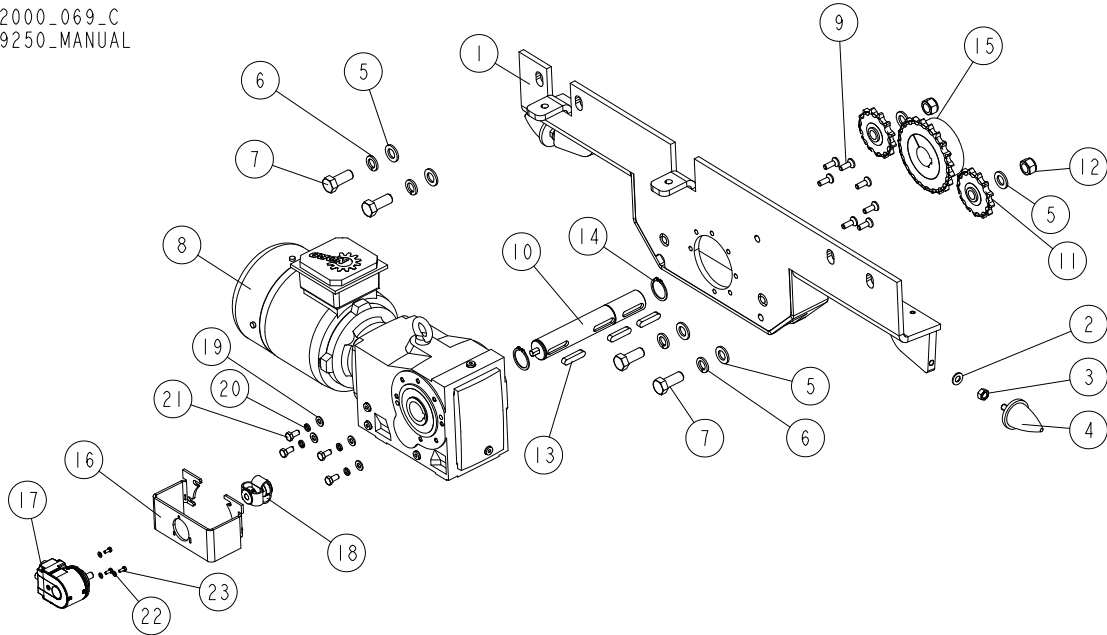
2.2 Mast Drive Assembly - Left



| REF. | DESCRIPTION (◆ Indicates Parts Available in Assemblies Only) | PART # | QTY |
|------|--|---------------|----------|
| | DRIVE ASSEMBLY, MAST LEFT | 713011 | 1 |
| 1 | PLATE, WELDMENT MAST SIDE | 713012-1 | 1 |
| 2 | WASHER, 17 SPLIT LOCK ZINC | F81058-1 | 6 |
| 3 | WASHER, 16.3 SPLIT LOCK ZINC | F81058-2 | 4 |
| 4 | BOLT, M16X40-8.8 HEX HEAD FULL THREAD ZINC | F81006-13 | 4 |
| 5 | WASHER, 10.5 FLAT ZINC | F81055-1 | 2 |
| 6 | NUT, M10 8 HEX ZINC | F81033-3 | 2 |
| 7 | BUMPER | 710846 | 2 |
| 8 | SPROCKET, 12B1 Z=13 | 713045 | 2 |
| 9 | SPROCKET/TAPER LOCK 12B1 | 713044 | 1 |
| 10 | SCREW, M8X25-8.8 FE/ZN5 FLAT SOCKET HEAD CAP | F81002-65 | 7 |
| 11 | NUT, M16-8 HEX NYLON ZINC LOCK | F81036-2 | 2 |
| 12 | MOTOREDUCER, SK9012.1AZ-90LH/4 | 713333 | 1 |
| 13 | SHAFT, ZINC-PLATED DRIVE (1) | 713051-1 | 1 |
| 14 | KEY, A10X8X45 PARALLEL | 091312 | 3 |
| 15 | RING, Z35 OUTSIDE RETAINING | F81090-36 | 2 |

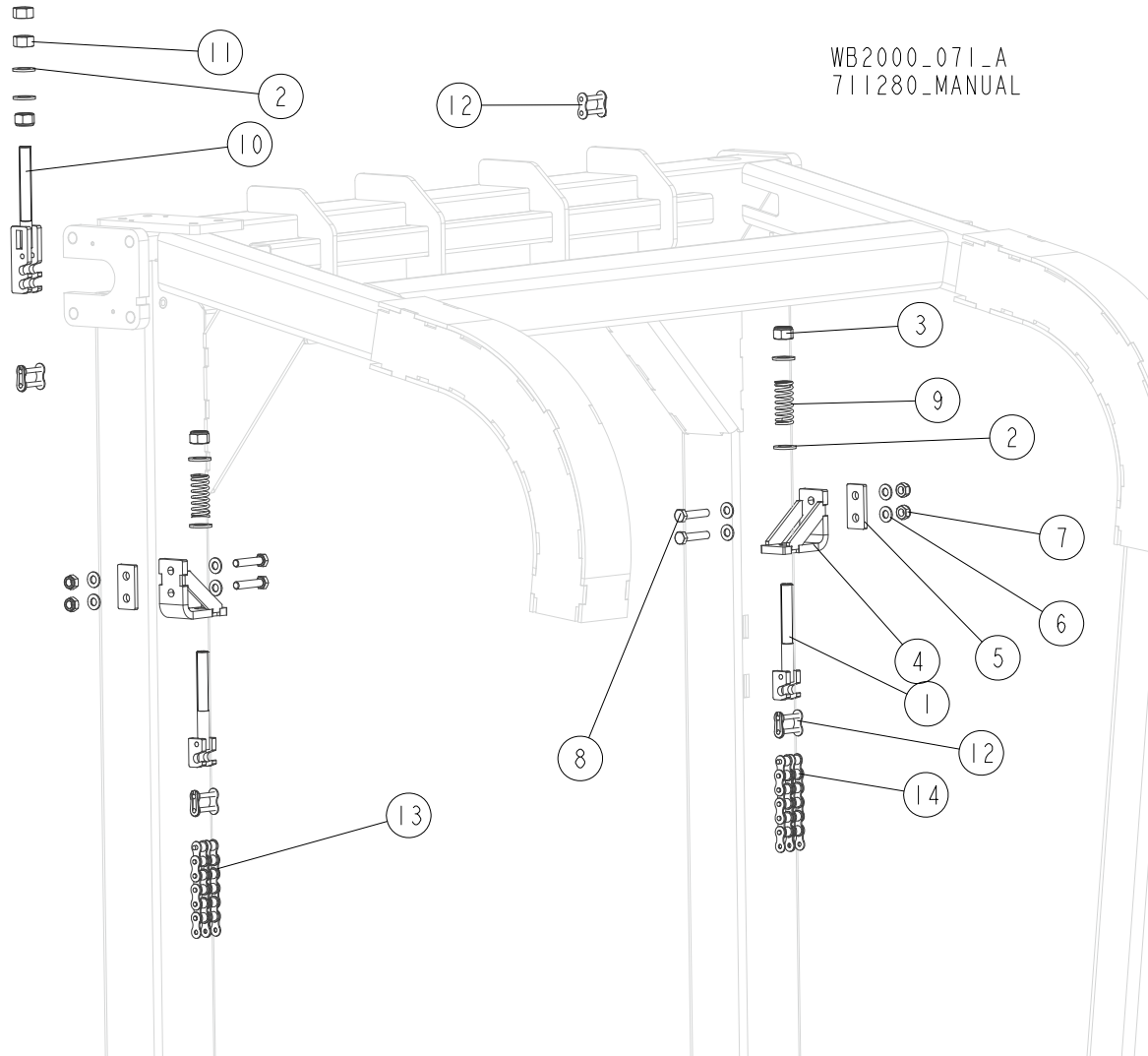
2.3 Mast Drive Assembly - Right

WB2000_069_C
719250_MANUAL



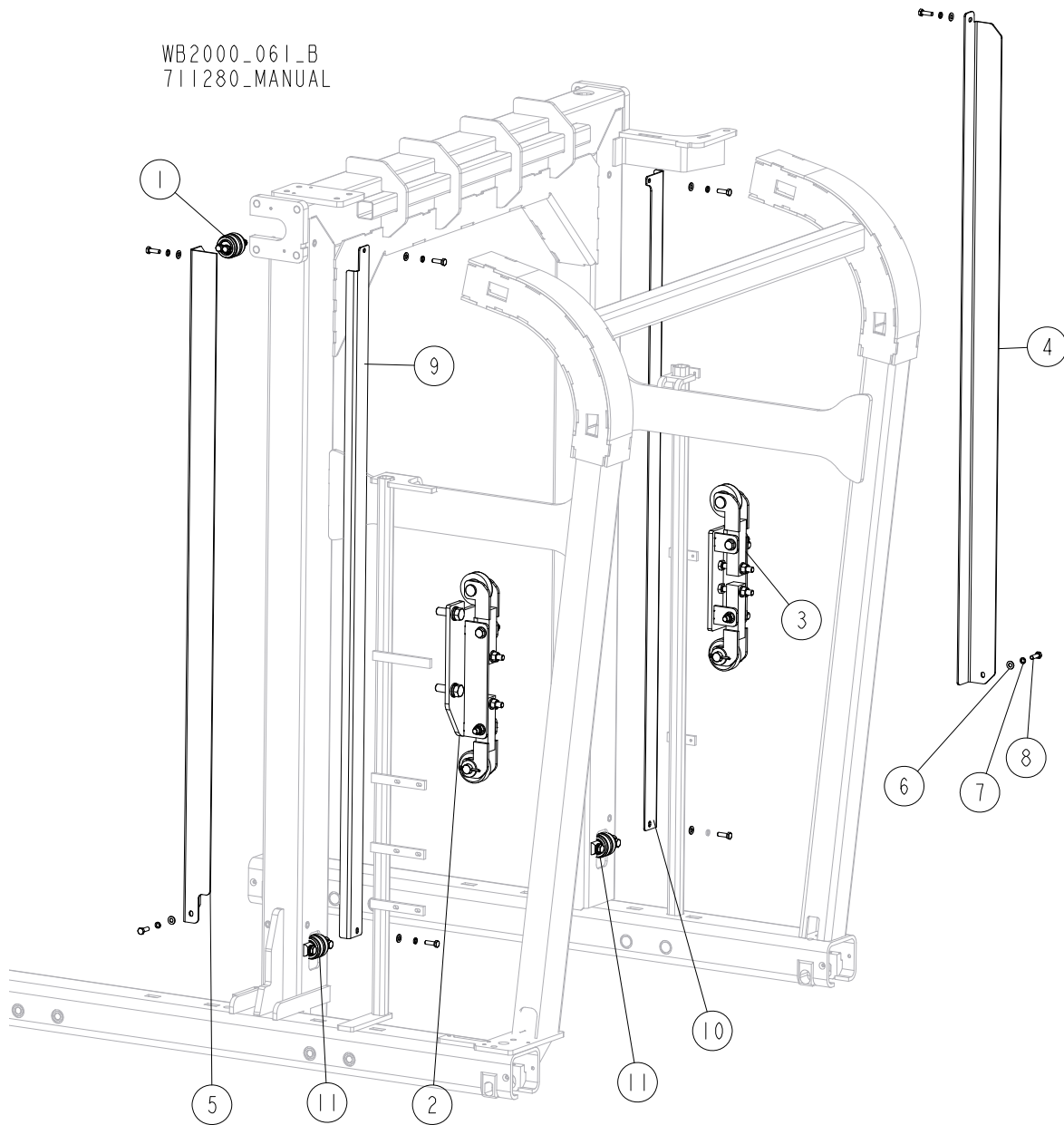
| REF. | DESCRIPTION (◆ Indicates Parts Available In Assemblies Only) | PART # | QTY |
|------|--|---------------|----------|
| | DRIVE ASSEMBLY, MAST RIGHT | 713015 | 1 |
| 1 | PLATE, WELDMENT MAST RIGHT SIDE | 713016-1 | 1 |
| 2 | WASHER, 10.5 FLAT ZINC | F81055-1 | 2 |
| 3 | NUT, M10 8 HEX ZINC | F81033-3 | 2 |
| 4 | BUMPER | 710846 | 2 |
| 5 | WASHER, 17 SPLIT LOCK ZINC | F81058-1 | 6 |
| 6 | WASHER, 16.3 SPLIT LOCK ZINC | F81058-2 | 4 |
| 7 | BOLT, M16X40-8.8 HEX HEAD FULL THREAD ZINC | F81006-13 | 4 |
| 8 | MOTOREDUCER, SK9012.1AZ-90LH/4 | 713333 | 1 |
| 9 | SCREW, M8X25-8.8 FE/ZN5 FLAT SOCKET HEAD CAP | F81002-65 | 7 |
| 10 | SHAFT, ZINC-PLATED DRIVE (1) | 713052-1 | 1 |
| 11 | SPROCKET, 12B1 Z=13 | 713045 | 2 |
| 12 | NUT, M16-8 HEX NYLON ZINC LOCK | F81036-2 | 2 |
| 13 | KEY, A10X8X45 PARALLEL | 091312 | 3 |
| 14 | RING, Z35 OUTSIDE RETAINING | F81090-36 | 2 |
| 15 | SPROCKET/TAPER LOCK 12B1 | 713044 | 1 |
| 16 | BRACKET, ENCODER | 557034-1 | 1 |
| 17 | ENCODER, ETHERNET/IP EAL580 ABSOLUTE | 536063 | 1 |
| 18 | COUPLING, 8.0000.1K01.1010. ENCODER | 713247 | 1 |
| 19 | WASHER, 8.4 FLAT ZINC | F81054-1 | 4 |
| 20 | WASHER, 8.2 SPLIT LOCK ZINC | F81054-4 | 4 |
| 21 | BOLT, M8X16-8.8-B HEX HEAD FULL THREAD ZINC | F81002-20 | 4 |
| 22 | WASHER, 4.3 FLAT ZINC | F81051-2 | 3 |
| 23 | SCREW, M4X10 DIN 933/ISO 4017 (A2) STAINLESS STEEL | F81000-27 | 3 |

2.4 Up/Down Chain Assembly



| REF. | DESCRIPTION (◆ Indicates Parts Available In Assemblies Only) | PART # | QTY |
|------|--|---------------|----------|
| | CHAIN ASSEMBLY, UP/DOWN | 713595 | 1 |
| 1 | ROD WELDMENT, CHAIN HOOK (LOWER) | 713592-1 | 2 |
| 2 | WASHER, 17 SPLIT LOCK ZINC | F81058-1 | 6 |
| 3 | NUT, M16-8 HEX NYLON ZINC LOCK | F81036-2 | 3 |
| 4 | BRACKET, CHAIN MOUNTING | 710998-1 | 2 |
| 5 | PLATE, SPACER | 710672-1 | 2 |
| 6 | WASHER, 10.5 Flat Zinc | F81055-1 | 8 |
| 7 | NUT, M10-8-B HEX NYLON ZINC LOCK | F81033-1 | 4 |
| 8 | BOLT, M10x50-8.8 HEX HEAD FULL THREAD ZINC | F81003-4 | 4 |
| 9 | SPRING, 18x57xn3.2 | 710869 | 2 |
| 10 | ROD WELDMENT, CHAIN HOOK | 713597-1 | 1 |
| 11 | NUT, M16-8 HEX ZINC | F81036-1 | 2 |
| 12 | LINK, 12B-2PZ MASTER | 099249 | 4 |
| 13 | CHAIN, 12B-2 157-LINK | 713596 | 1 |
| 14 | CHAIN, 12B-2 151-LINK | 713589 | 1 |

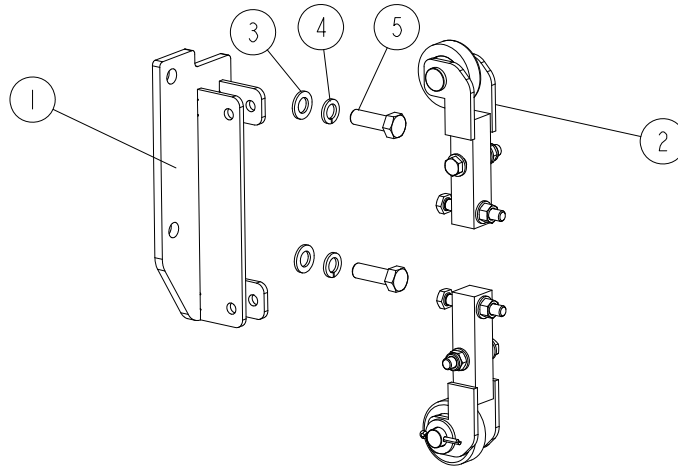
2.5 Up/Down Rollers & Chain Guide Rollers



| REF | DESCRIPTION (u indicates parts available in assemblies only) | PART # | QTY |
|-----|---|----------|-----|
| 1 | ROLLER, CHAIN GUIDE - COMPLETE See Section 2.12 | 713609 | 1 |
| 2 | ROLLER SET, UP/DOWN See Section 2.6 | 713324 | 1 |
| 3 | ROLLER SET, UP/DOWN See Section 2.7 | 713325 | 1 |
| 4 | ANGLE, WB2000 MAST | 714448 | 1 |
| 5 | ANGLE, WB2000 MAST | 714449 | 1 |
| 6 | WASHER, 8.4 FLAT ZINC | F81054-1 | 8 |
| 7 | WASHER 8,2 FE/ZN9 | F81054-4 | 8 |
| 8 | BOLT, M8X25-8.8-B HEX HEAD FULL THREAD Z | F81002-5 | 8 |
| 9 | ANGLE, WB2000 MAST | 714568 | 1 |
| 10 | ANGLE, WB2000 MAST | 714569 | 1 |
| 11 | ROLLER, CHAIN GUIDE - COMPLETE See Section 2.13 | 715949 | 2 |

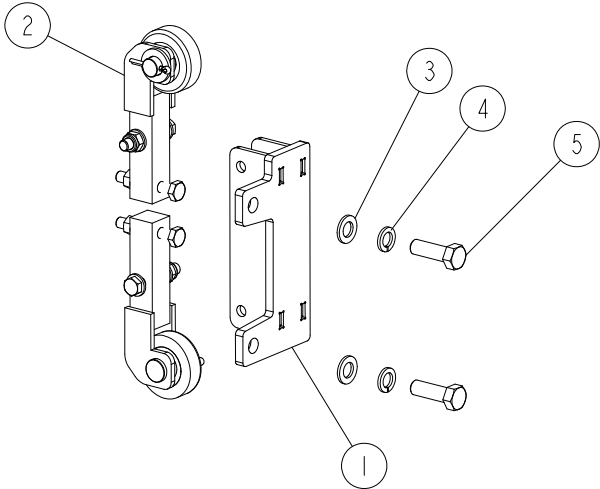
2.6 Up/Down Rollers

WB2000_064_A
711280_MANUAL



| REF. | DESCRIPTION (◆ Indicates Parts Available in Assemblies Only) | PART # | QTY | |
|------|---|---------------|----------|--|
| | ROLLER SET, UP/DOWN | 713324 | 1 | |
| 1 | PLATE WELDMENT, ROLLER MOUNT | 713194-1 | 1 | |
| 2 | BRACKET, UPPER MAST ROLLER - COMPLETE See Section 2.8 | 503484 | 2 | |
| 3 | WASHER, 17 SPLIT LOCK ZINC | F81058-1 | 2 | |
| 4 | WASHER, 16.3 SPLIT LOCK ZINC | F81058-2 | 2 | |
| 5 | BOLT, M6X16-8.8 HEX HEAD FULL THREAD ZINC | F81006-7 | 2 | |

2.7 Up/Down Rollers

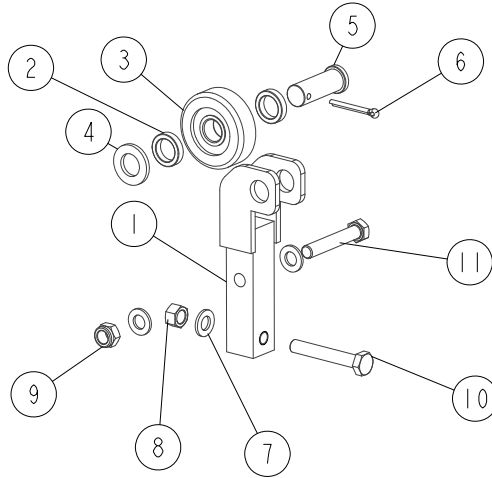


WB2000_065_A
711280_MANUAL

| REF. | DESCRIPTION (◆ Indicates Parts Available in Assemblies Only) | PART # | QTY |
|------|---|---------------|----------|
| | ROLLER SET, UP/DOWN | 713325 | 1 |
| 1 | PLATE WELDMENT, ROLLER MOUNT | 713195-1 | 1 |
| 2 | BRACKET, UPPER MAST ROLLER - COMPLETE See Section 2.8 | 503484 | 2 |
| 3 | WASHER, 17 SPLIT LOCK ZINC | F81058-1 | 2 |
| 4 | WASHER, 16.3 SPLIT LOCK ZINC | F81058-2 | 2 |
| 5 | BOLT, M6X16-8.8 HEX HEAD FULL THREAD ZINC | F81006-7 | 2 |

2.8 Upper Mast Roller Bracket

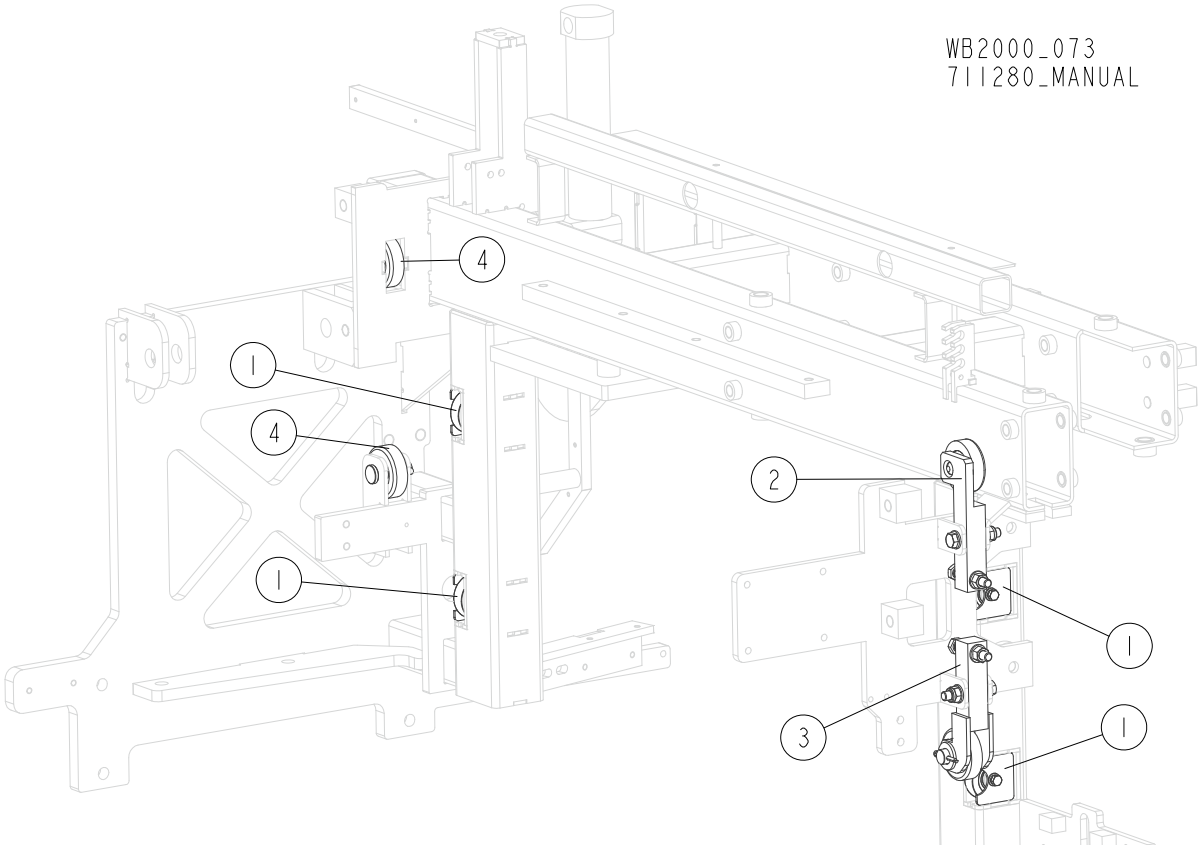
WB2000_066
711280_MANUAL



| REF. | DESCRIPTION (◆ Indicates Parts Available in Assemblies Only) | PART # | QTY |
|------|--|---------------|----------|
| | BRACKET, UPPER MAST ROLLER - COMPLETE | 503484 | 1 |
| 1 | BRACKET, UPPER MAST ROLLER - WLDMT/PTD | 503482-1 | 1 |
| 2 | BUSHING, N21XN30X7.2 | 503478-1 | 2 |
| 3 | ROLLER, R68,5M 20MM HOLE METAL | 503475 | 1 |
| 4 | WASHER, 21 FLAT ZINC | F81059-2 | 1 |
| 5 | PIN, 12X55 FLANGE 25-5 ZINC-PLATED | 504173-1 | 1 |
| 6 | PIN, S-FE 5X40 COTTER | F81043-31 | 1 |
| 7 | WASHER, 13 FLAT ZINC | F81056-1 | 3 |
| 8 | NUT, M12-8 HEX ZINC | F81034-1 | 1 |
| 9 | NUT, M12 8 HEX NYLON ZINC LOCK | F81034-2 | 1 |
| 10 | BOLT, M12X75-8.8 HEX HEAD FULL THREAD ZINC | F81004-10 | 1 |
| 11 | BOLT, M12X70-8.8 HEX HEAD ZINC | F81004-39 | 1 |

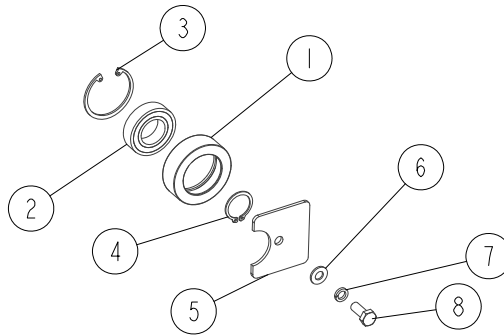
2.9 Saw Head Rollers

WB2000_073
 711280_MANUAL



| REF. | DESCRIPTION (◆ Indicates Parts Available in Assemblies Only) | PART # | QTY |
|------|---|--------|-----|
| 1 | ROLLER, TRACK - COMPLETE See Section 2.10 | 713159 | 4 |
| 2 | ROLLER, ADJUSTABLE TRACK See Section 2.11 | 713245 | 1 |
| 3 | BRACKET, UPPER MAST ROLLER - COMPLETE See Section 2.8 | 503484 | 1 |
| 4 | ROLLER, SAW HEAD - COMPLETE See Section 2.12 | 713564 | 2 |

2.10 Track Roller

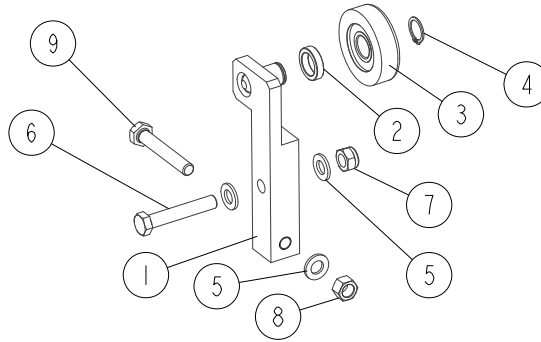


WB2000_074
711280_MANUAL

| REF. | DESCRIPTION (◆ Indicates Parts Available in Assemblies Only) | PART # | QTY |
|------|--|---------------|----------|
| | ROLLER, TRACK - COMPLETE | 713159 | 1 |
| 1 | ROLLER, TRACK | 710184-1 | 1 |
| 2 | BEARING, 6005 2RS, PN-85/M-86100 | 089652 | 1 |
| 3 | RING, W 47 INSIDE RETAINING | 089653 | 1 |
| 4 | RING, 25Z OUIBSITE RETAINING | F81090-22 | 1 |
| 5 | PLATE, COVER | 713170-1 | 1 |
| 6 | WASHER, 8.4 FLAT ZINC | F81054-1 | 1 |
| 7 | WASHER, 8.2 SPLIT LOCK ZINC | F81054-4 | 1 |
| 8 | BOLT, M8X20 5.8 HEX HEAD FULL THREAD ZINC | F81002-1 | 1 |

2.11 Adjustable Track Roller

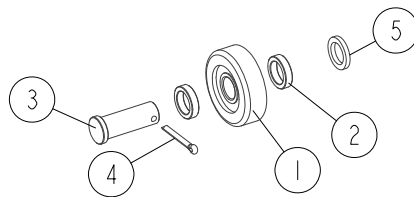
WB2000_075
711280_MANUAL



| REF. | DESCRIPTION (◆ Indicates Parts Available in Assemblies Only) | PART # | QTY |
|------|--|---------------|----------|
| | ROLLER, ADJUSTABLE TRACK - COMPLETE | 713245 | 1 |
| 1 | BRACKET WELDMENT, ROLLER MOUNT | 713244-1 | 1 |
| 2 | BUSHING, N21XN30X7.2 | 503478-1 | 1 |
| 3 | ROLLER, R68,5M 20MM HOLE METAL | 503475 | 1 |
| 4 | RING, Z20 OUTSIDE RETAINING | F81090-27 | 1 |
| 5 | WASHER, 13 FLAT ZINC | F81056-1 | 3 |
| 6 | BOLT, M12X70-8.8 HEX HEAD ZINC | F81004-39 | 1 |
| 7 | NUT, M12 8 HEX NYLON ZINC LOCK | F81034-2 | 1 |
| 8 | NUT, M12-8 HEX ZINC | F81034-1 | 1 |
| 9 | BOLT, M12X75-8.8 HEX HEAD FULL THREAD ZINC | F81004-10 | 1 |

2.12 Saw Head Roller

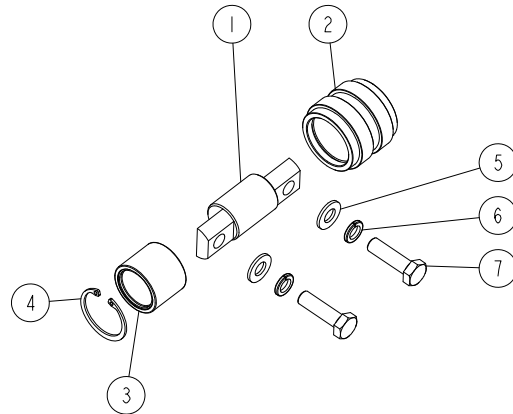
WB2000_076
711280_MANUAL



| REF. | DESCRIPTION (◆ Indicates Parts Available in Assemblies Only) | PART # | QTY |
|------|--|---------------|----------|
| | ROLLER, SAW HEAD - COMPLETE | 713564 | 1 |
| 1 | ROLLER, R68,5M 20MM HOLE METAL | 503475 | 1 |
| 2 | BUSHING, N21XN30X7.2 | 503478-1 | 2 |
| 3 | PIN, 12X55 FLANGE 25-5 ZINC-PLATED | 504173-1 | 1 |
| 4 | PIN, S-FE 5X40 COTTER | F81043-31 | 1 |
| 5 | WASHER, 20.5X30-4 ZINC-PLATED | 515021-1 | |

2.13 Chain Guide Roller (No. 715949)

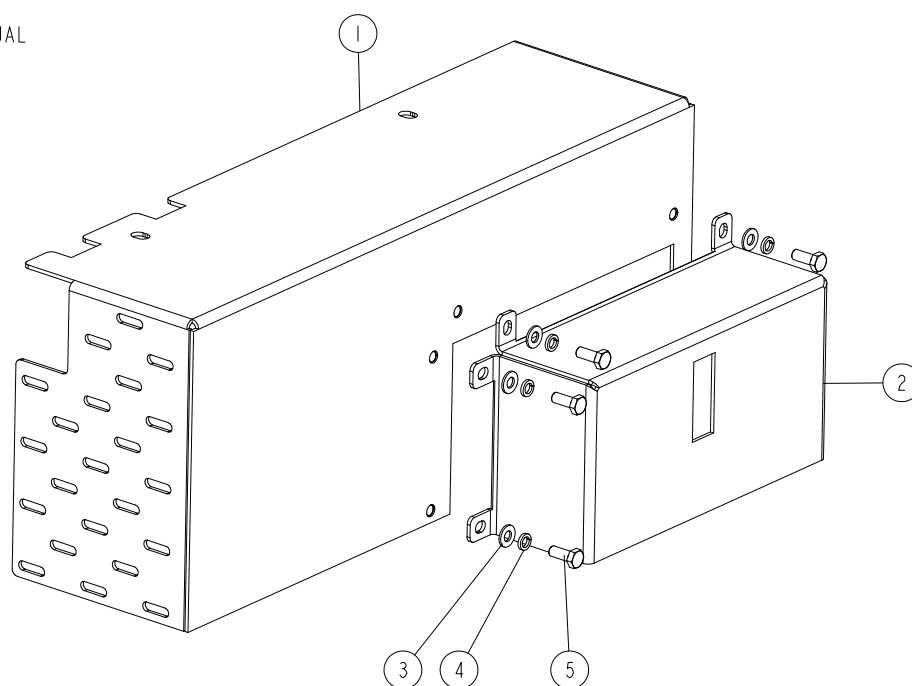
715949_001
715949_MANUAL



| REF. | DESCRIPTION (* indicates parts available in assemblies only) | PART # | QTY |
|------|--|-----------|-----|
| - | ROLLER, CHAIN GUIDE - COMPLETE | 715949 | 1 |
| 1 | SHAFT, CHAIN GUIDE ROLLER | 715948 | 1 |
| 2 | ROLLER, CHAIN GUIDE | 713590-1 | 1 |
| 3 | BEARING, NK 28/30 NEEDLE | 711439 | 1 |
| 4 | RING, W37 INSIDE RETAINING | F81090-55 | 1 |
| 5 | WASHER, 10.5 FLAT ZINC | F81055-1 | 2 |
| 6 | WASHER, Z 10.2 SPLIT LOCK ZINC | F81055-2 | 2 |
| 7 | BOLT, M10X35 8.8 HEX HEAD FULL THREAD ZINC | F81003-17 | 2 |

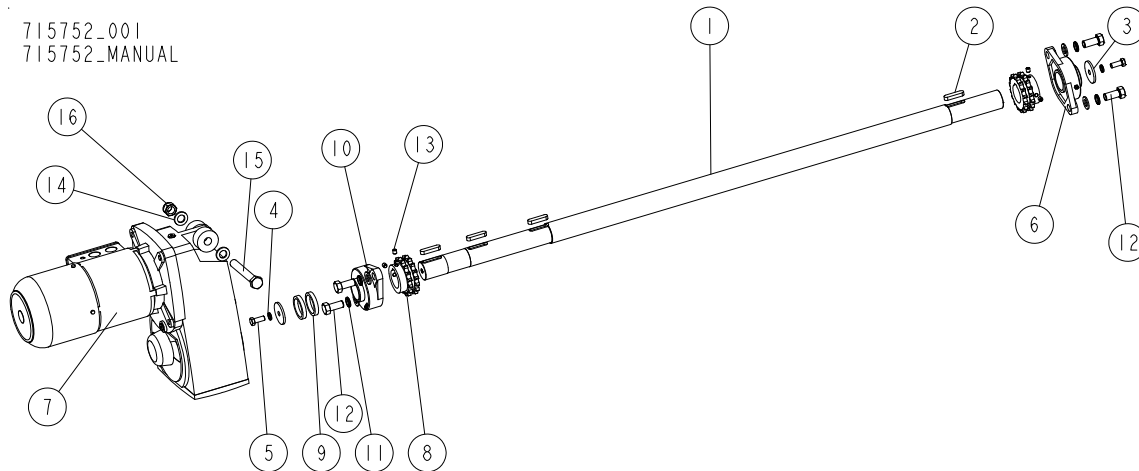
2.14 Guard. 557032

557032-001
557032-MANUAL



| REF | DESCRIPTION (u indicates parts available in assemblies only) | PART # | QTY | |
|-----|--|----------|-----|--|
| - | GUARD, MOTOR | 557032 | 1 | |
| 1 | GUARD, MOTOR WLDMT | 557056-1 | 1 | |
| 2 | GUARD, ENCODER | 557033-1 | 1 | |
| 3 | WASHER, 8.4 FLAT ZINC | F81054-1 | 4 | |
| 4 | WASHER, 8.2 SPLIT LOCK ZINC | F81054-4 | 4 | |
| 5 | BOLT, M8X20 8.8 HEX HEAD FULL THREAD ZIN | F81002-4 | 4 | |

2.15 Up/Down Drive Assembly (No. 715752)

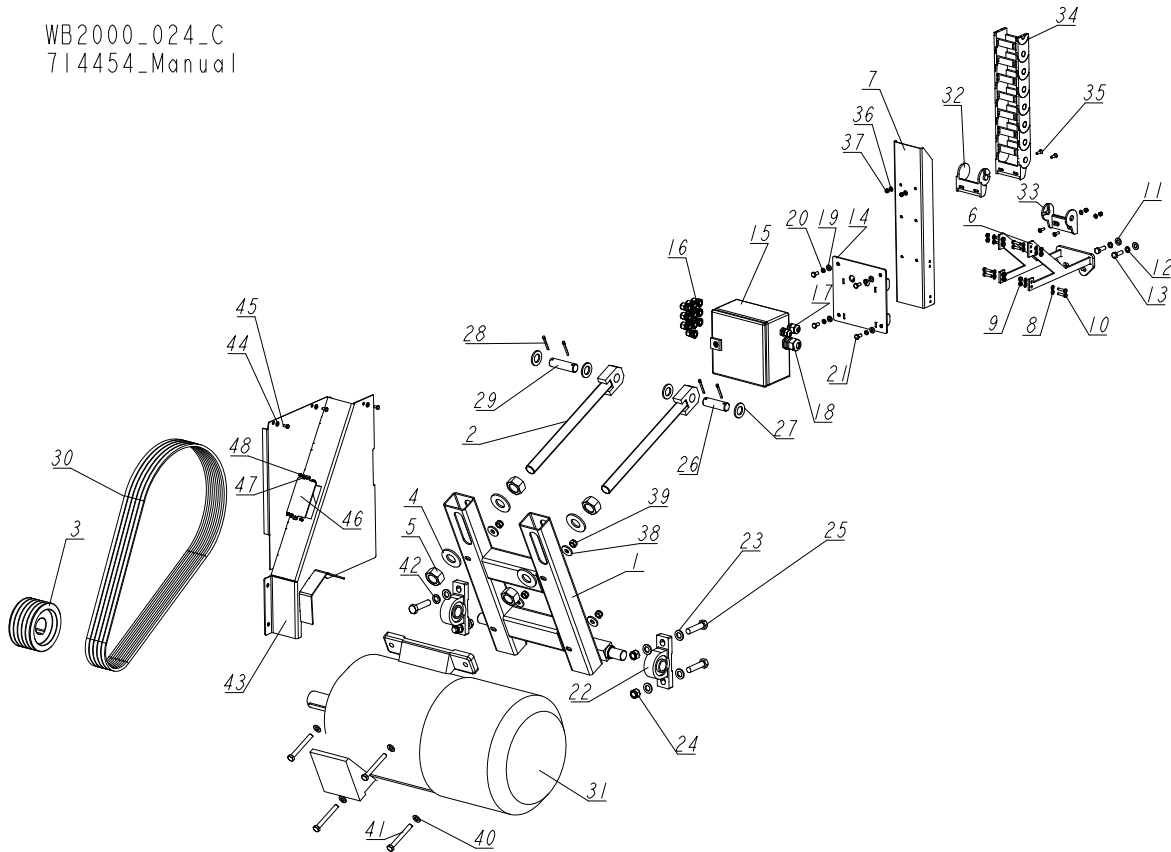


| REF | DESCRIPTION (u indicates parts available in assemblies only) | PART # | QTY |
|-----|--|-----------|-----|
| - | DRIVE ASSEMBLY, WB 2000 UP/DOWN | 715752 | 1 |
| 1 | SHAFT, UP/DOWN DRIVE | 715754-1 | 1 |
| 2 | KEY, A14X9X56 PN-M/85005-WM1000 PARALLEL | 504601 | 4 |
| 3 | WASHER, 60/12.5-5 SPECIAL | 513627 | 2 |
| 4 | WASHER, Z12.2 SPLIT LOCK ZINC | F81056-2 | 2 |
| 5 | BOLT, M12X30 8.8 HEX HEAD FULL THREAD ZI | F81004-22 | 2 |
| 6 | BEARING, UCFL 210 CX W/HOUSING | 098824 | 2 |
| 7 | MOTOREDUCTER SK4282ABGH-100LP/4 BRE20 SR TF IG12K | 715753 | 1 |
| 8 | SPROCKET, 12B Z16 | 715751 | 2 |
| 9 | BUSHING 50.5/63-10 ZINC | 715755-1 | 2 |
| 10 | WASHER, 19 FLAT ZINC | F81060-1 | 4 |
| 11 | WASHER, 18.2 SPLIT LOCK ZINC | F81060-3 | 4 |
| 12 | BOLT M18X40-8.8} | F81008-11 | 4 |
| 13 | SCREW, M10X12-45H ZINC-PLATED SET | F81003-46 | 4 |
| 14 | WASHER, 21 FLAT ZINC | F81059-2 | 2 |
| 15 | BOLT, ISO 4017 M20X150 8.8 HEX HEAD ZINC | F81007-3 | 1 |
| 16 | NUT, M20-8 DIN985 HEX NYLON ZINC LOCK | F81037-2 | 1 |

SECTION 3 SAW HEAD

3.1 E40S Motor Kit

WB2000_024_C
714454_Manual

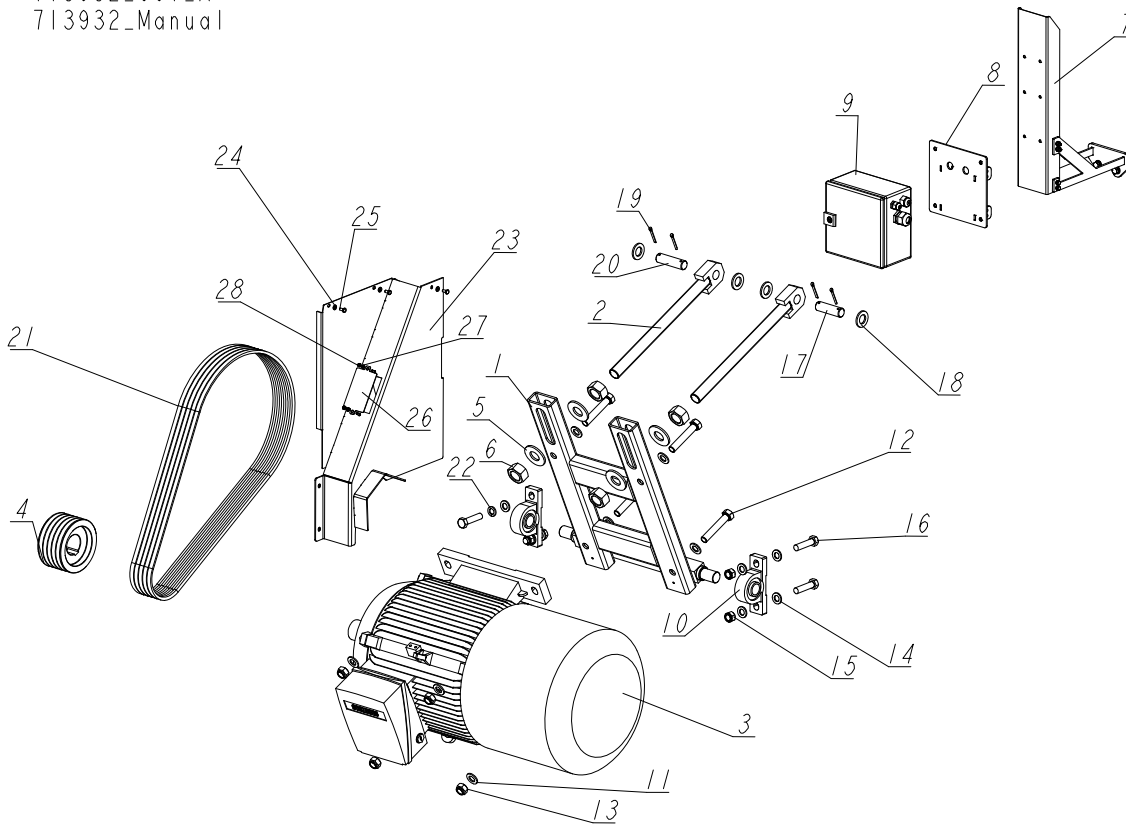


| REF. | DESCRIPTION (* indicates parts available in assemblies only) | PART # | QTY |
|------|--|----------|-----|
| - | MOTOR KIT, E40S (30kW) DO WB2000 | 714454 | 1 |
| 1 | MOUNT WELDMENT, 30 KW WB2000 MOTOR | 714453-1 | 1 |
| 2 | ROD WELDMENT, MOTOR TENSION ZINC-PLATED | 713877-1 | 2 |
| 3 | PULLEY, SPA-5;N140 (F02261+T31128) | 714455 | 1 |
| 4 | WASHER, 31/65-5 | 713940-1 | 4 |
| 5 | NUT, M30-HEX ZINC | F81038-3 | 4 |
| - | BRACKET, CABLE CARRIER MOUNT | 710812 | 1 |
| 6 | MOUNT WELDMENT, CABLE CARRIER BRACKET | 714456-1 | 1 |
| 7 | CHANNEL, CABLE CARRIER BRACKET | 710573-1 | 1 |
| 8 | WASHER, 6.4 FLAT ZINC | F81053-1 | 16 |
| 9 | NUT, M6-8-B HEX NYLON ZINC LOCK | F81031-2 | 8 |
| 10 | BOLT, M6X25 -8.8 HEX HEAD FULL THREAD ZINC | F81001-3 | 8 |
| 11 | WASHER, 10.5 FLAT ZINC | F81055-1 | 2 |
| 12 | WASHER, Z 10.2 SPLIT LOCK ZINC | F81055-2 | 2 |
| 13 | BOLT, M10X30-8.8 HEX HEAD FULL THREAD ZINC | F81003-2 | 2 |
| 14 | PLATE, COMPLETE | 711389-1 | 1 |
| - | BOX, ELECTRIC - COMPLETE | 711376 | 1 |
| 15 | BOX, EB 1549500 (200X200X80) ELECTRIC | 716930 | 1 |
| 16 | GLAND, DP9/H CABLE | F81096-2 | 11 |

| REF. | DESCRIPTION (* indicates parts available in assemblies only) | PART # | QTY | |
|------|--|-----------|-----|--|
| 17 | GLAND, DP 13/H CABLE | F81096-4 | 1 | |
| 18 | GLAND, DP21/H CABLE | F81096-3 | 1 | |
| 19 | WASHER, 8.4 FLAT ZINC | F81054-1 | 4 | |
| 20 | WASHER, 8.2 SPLIT LOCK ZINC | F81054-4 | 4 | |
| 21 | BOLT, M8X16-8.8-B HEX HEAD FULL THREAD ZINC | F81002-20 | 4 | |
| 22 | BEARING, UCP206 W/HOUSING | 099254 | 2 | |
| 23 | WASHER, 17 SPLIT LOCK ZINC | F81058-1 | 7 | |
| 24 | NUT, M16-8 HEX NYLON ZINC LOCK | F81036-2 | 3 | |
| 25 | BOLT, M16X65-8.8-B HEX HEAD FULL THREAD ZINC | F81006-1 | 4 | |
| 26 | PIN, 24.9X82 ZINC-PLATED | 713938-1 | 1 | |
| 27 | WASHER, 25 FLAT ZINC | F81061-3 | 4 | |
| 28 | PIN, S-FE 5X40 COTTER | F81043-31 | 4 | |
| 29 | PIN, 24.9X90 ZINC-PLATED | 713939-1 | 1 | |
| 30 | V-BELT, OPTIBELT XPA L=1682 | 713990 | 5 | |
| 31 | MOTOR, 1LG4188-4AA60-ZG26+C01 | 512119 | 1 | |
| - | BRACKET SET, 2607.12PZ CABLE CARRIER | 087773 | 1 | |
| 32 | BRACKET, INGUS 2607.2PZ W/PIN | 088600 | 1 | |
| 33 | BRACKET, INGUS 2607.1PZ W/BORE | 088601 | 1 | |
| 34 | CARRIER, INGUS 27.07.063 CABLE | 088048 | 1 | |
| 35 | SCREW, M6X20 7991 10.9 FLAT SOCKET HEAD CAP ZINC | F81001-17 | 4 | |
| 36 | WASHER, 6.4 FLAT ZINC | F81053-1 | 4 | |
| 37 | NUT, M6-8-B HEX NYLON ZINC LOCK | F81031-2 | 4 | |
| 38 | WASHER, 13/35-4 ZINC-PLATED | 512311-1 | 4 | |
| 39 | NUT, M12- 8 DIN 982 NYLON ZINC | F81034-2 | 4 | |
| 40 | WASHER, 13 FLAT ZINC | F81056-1 | 4 | |
| 41 | BOLT,M12X100 8.8 HEX HEAD FULL THREAD ZINC | F81004-45 | 4 | |
| 42 | WASHER, 16.3 SPLIT LOCK ZINC | F81058-2 | 1 | |
| - | GUARD ASSEMBLY, PULLEY | 716001 | 1 | |
| 43 | GUARD WELDMENT, PULLEY | 716002-1 | 1 | |
| 44 | WASHER, 6.4 FLAT ZINC | F81053-1 | 3 | |
| 45 | BOLT, M6X12 8.8 HEX HEAD FULL THREAD ZINC | F81001-7 | 3 | |
| 46 | COVER, INSPECTION | 714008-1 | 1 | |
| 47 | WASHER, 5.3 FLAT ZINC | F81052-1 | 2 | |
| 48 | NUT, M5-8 DIN985 HEX NYLON ZINC LOCK | F81030-2 | 2 | |

3.2 E50S Motor Kit

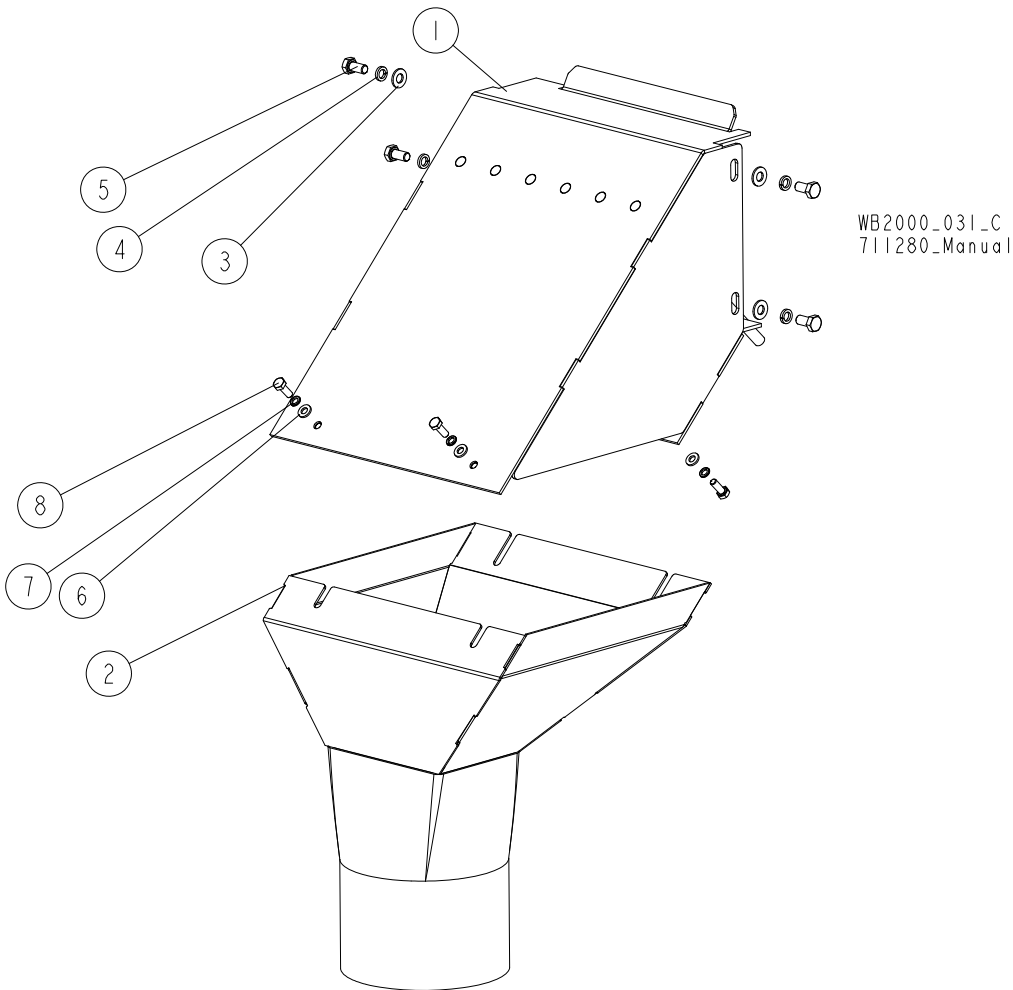
713932_001_A
713932_Manual



| REF. | DESCRIPTION (* indicates parts available in assemblies only) | PART # | QTY |
|------|--|-----------|-----|
| - | MOTOR KIT, E50S (37kW) WB2000 | 713932 | 1 |
| 1 | MOUNT WELDMENT, 37KW WB2000 MOTOR | 713867-1 | 1 |
| 2 | ROD WELDMENT, MOTOR ZINC-PLATED TENSION | 713877-1 | 2 |
| 3 | MOTOR, 37KW 1LE1001-2AB63-4AA4-Z F01+F12 W/BRAKE | 713941 | 1 |
| 4 | PULLEY, SPA-5;N140 (F02261+T31130) | 713934 | 1 |
| 5 | WASHER, 31/65-5 | 713940-1 | 4 |
| 6 | NUT, M30-HEX ZINC | F81038-3 | 4 |
| 7 | BRACKET, CABLE CARRIER MOUNT | 710812 | 1 |
| 8 | COMPLETE PLATE | 711389-1 | 1 |
| 9 | BOX, ELECTRIC - COMPLETE See Section 3.1 | 711376 | 1 |
| 10 | BEARING, UCP206 W/HOUSING | 099254 | 2 |
| 11 | WASHER, 19 FLAT ZINC | F81060-1 | 8 |
| 12 | BOLT, M18X100 -8.8 HEX HEAD ZINC | F81008-4 | 4 |
| 13 | NUT, M18 HEX NYLON LOCK | F81039-15 | 4 |
| 14 | WASHER, 17 SPLIT LOCK ZINC | F81058-1 | 7 |
| 15 | NUT, M16-8 HEX NYLON ZINC LOCK | F81036-2 | 3 |
| 16 | BOLT, M16X65-8.8-B HEX HEAD FULL THREAD ZINC | F81006-1 | 4 |
| 17 | PIN, 24.9X82 ZINC-PLATED | 713938-1 | 1 |
| 18 | WASHER, 25 FLAT ZINC | F81061-3 | 4 |
| 19 | PIN, S-FE 5X40 COTTER | F81043-31 | 4 |
| 20 | PIN, 24.9X90 ZINC-PLATED | 713939-1 | 1 |
| 21 | V-BELT, OPTIBELT XPA L=1682 | 713990 | 5 |
| 22 | WASHER, 16.3 SPLIT LOCK ZINC | F81058-2 | 1 |

| REF. | DESCRIPTION (* indicates parts available in assemblies only) | PART # | QTY |
|------|--|----------|-----|
| - | GUARD ASSEMBLY, PULLEY | 716001 | 1 |
| 23 | GUARD WELDMENT, PULLEY | 716002-1 | 1 |
| 24 | WASHER, 6.4 FLAT ZINC | F81053-1 | 3 |
| 25 | BOLT, M6X12 8.8 HEX HEAD FULL THREAD ZINC | F81001-7 | 3 |
| 26 | COVER, INSPECTION | 714008-1 | 1 |
| 27 | WASHER, 5.3 FLAT ZINC | F81052-1 | 2 |
| 28 | NUT, M5-8 DIN985 HEX NYLON ZINC LOCK | F81030-2 | 2 |

3.3 Sawdust Chute



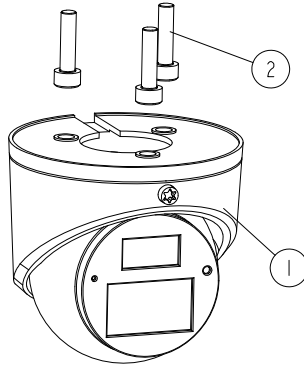
| REF. | DESCRIPTION (* Indicates Parts Available in Assemblies Only) | PART # | QTY |
|------|--|---------------|----------|
| | SAWDUST CHUTE, WB2000 | 713343 | 1 |
| 1 | CHUTE WELDMENT, SAWDUST | 714845-1 | 1 |
| 2 | TUBE WELDMENT, SAWDUST CHUTE | 713291-1 | 1 |
| 3 | WASHER, 8.4 FLAT ZINC | F81054-1 | 4 |
| 4 | WASHER, 8.2 SPLIT LOCK ZINC | F81054-4 | 4 |
| 5 | BOLT, M8X16-8.8-B HEX HEAD FULL THREAD ZINC | F81002-20 | 4 |
| 6 | WASHER, 6.4 FLAT ZINC | F81053-1 | 4 |
| 7 | WASHER, Z 6.1 SPLIT LOCK ZINC | F81053-3 | 4 |

3 **SAW HEAD**
Sawdust Chute

| REF. | DESCRIPTION (* Indicates Parts Available in Assemblies Only) | PART # | QTY | |
|------|--|-----------|-----|--|
| 8 | BOLT, M6X16-8.8 HEX HEAD FULL THREAD ZINC | F81001-15 | 4 | |

3.4 CCTV Camera Set

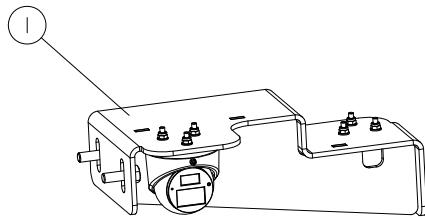
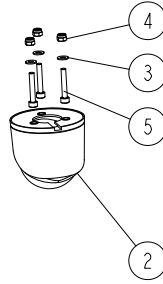
716894_001_A
716894_MANUAL



| REF. | DESCRIPTION (* indicates parts available in assemblies only) | PART # | QTY | |
|------|--|-----------|-----|--|
| - | CAMERA SET, CCTV WB2000 (2) | 716894 | 1 | |
| 1 | CAMERA, CCTV DAHUA HAC-HDW1220GP-0360B | 716703 | 1 | |
| 4 | SCREW, M4X16 8.8 HEX SOCKET HEAD CAP ZINC | F81011-56 | 3 | |

3.5 CCTV Camera Set

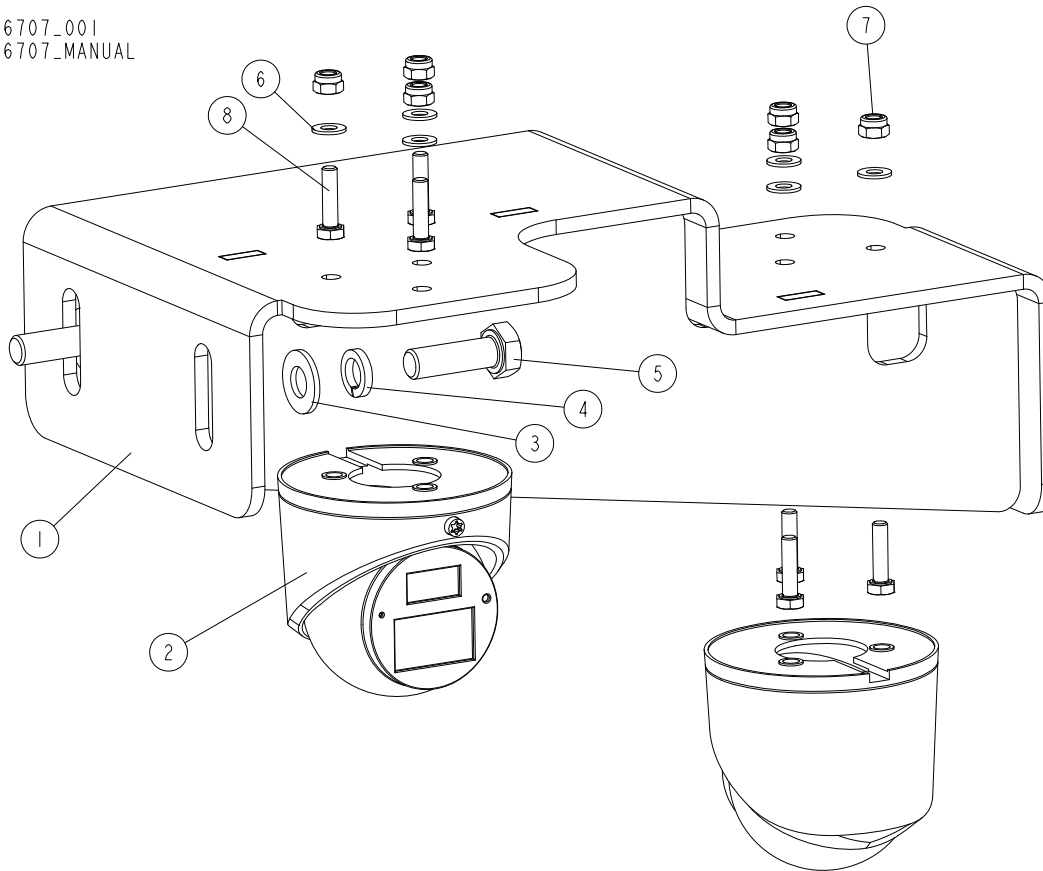
716893_001
716893_MANUAL



| REF. | DESCRIPTION (* indicates parts available in assemblies only) | PART # | QTY | |
|------|--|----------|-----|--|
| - | CAMERA SET, CCTV WB2000 (4) | 716893 | 1 | |
| 1 | CAMERA ASSEMBLY, SIDE See Section 3.6 | 716707 | 1 | |
| 2 | CAMERA, CCTV DAHUA HAC-HDW1220GP-0360B | 716703 | 1 | |
| 3 | WASHER, 4.3 FLAT ZINC | F81051-2 | 3 | |
| 4 | NUT, M4-8 HEX NYLON ZINC LOCK | F81029-1 | 3 | |
| 5 | SCREW, M4X25-8.8 HEX SOCKET HEAD CAP ZINC | F81011-3 | 3 | |

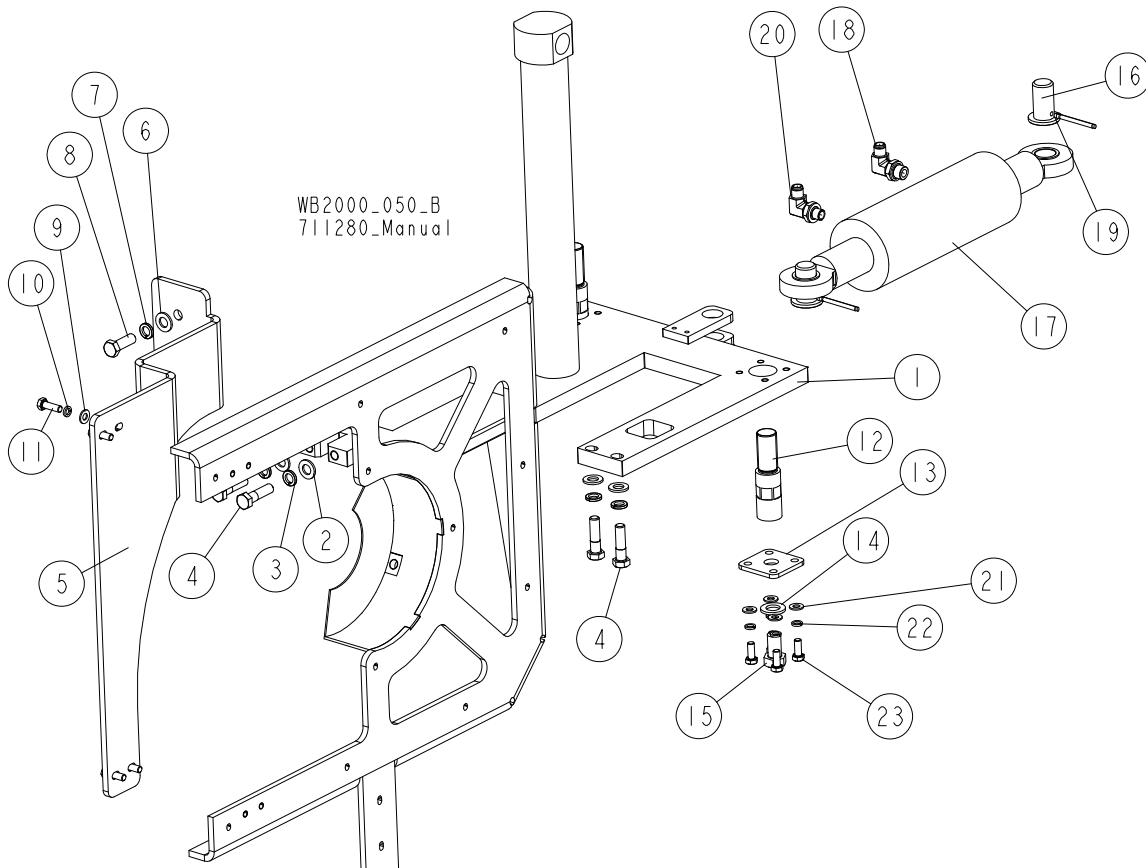
3.6 Side Camera Assembly

716707_001
716707_MANUAL



| REF. | DESCRIPTION (* indicates parts available in assemblies only) | PART # | QTY |
|------|--|----------|-----|
| - | CAMERA ASSEMBLY, SIDE | 716707 | 1 |
| 1 | BRACKET WELDMENT, SIDE CAMERA MOUNT | 716709-1 | 1 |
| 2 | CAMERA, CCTV DAHUA HAC-HDW1220GP-0360B | 716703 | 2 |
| 3 | WASHER, 8.4 FLAT ZINC | F81054-1 | 2 |
| 4 | WASHER, 8.2 SPLIT LOCK ZINC | F81054-4 | 2 |
| 5 | BOLT, M8X25-8.8-B HEX HEAD FULL THREAD ZINC | F81002-5 | 2 |
| 6 | WASHER, 4.3 FLAT ZINC | F81051-2 | 6 |
| 7 | NUT, M4-8 HEX NYLON ZINC LOCK | F81029-1 | 6 |
| 8 | BOLT, M4X16-8.8 HEX HEAD FULL THREAD ZINC | F81011-6 | 6 |

3.7 Blade Tension Plate Assembly

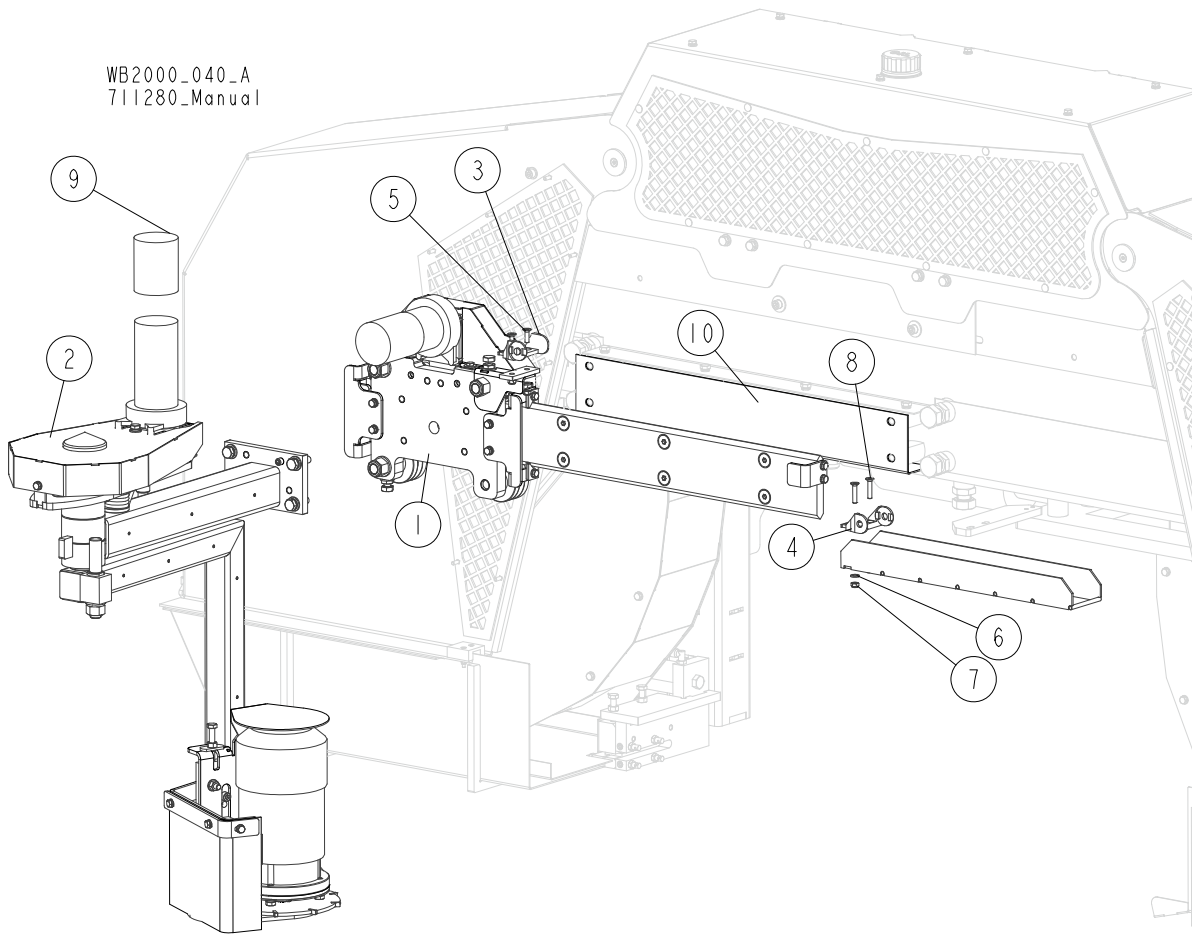


| REF. | DESCRIPTION (◆ Indicates Parts Available in Assemblies Only) | PART # | QTY |
|------|--|---------------------|-----|
| 1 | PLATE ASSEMBLY, BLADE TENSION | 717035-1 | 1 |
| 2 | WASHER, 13 FLAT ZINC | F81056-1 | 4 |
| 3 | WASHER, Z12.2 SPLIT LOCK ZINC | F81056-2 | 4 |
| 4 | BOLT, M12X45 8.8 HEX HEAD ZINC | F81004-32 | 4 |
| | PLATE, IDLE SIDE STIFFENER - COMPLETE | 717038 | 1 |
| 5 | PLATE, STIFFENER | 717037-1 | 1 |
| 6 | WASHER, 13 FLAT ZINC | F81056-1 | 2 |
| 7 | WASHER, Z12.2 SPLIT LOCK ZINC | F81056-2 | 2 |
| 8 | BOLT, M12X35 8.8 HEX HEAD FULL THREAD ZINC | F81004-24 | 2 |
| 9 | WASHER, 8.4 FLAT ZINC | F81054-1 | 4 |
| 10 | WASHER, 8.2 SPLIT LOCK ZINC | F81054-4 | 4 |
| 11 | BOLT, M8X25-8.8-B HEX HEAD FULL THREAD ZINC | F81002-5 | 4 |
| 12 | BOLT, ADJUSTMENT | 710178-1 | 2 |
| 13 | PLATE | 711432-1 | 2 |
| 14 | WASHER, 17 SPLIT LOCK ZINC | F81058-1 | 2 |
| 15 | BOLT, M16X30-8.8 HEX HEAD FULL THREAD ZINC | F81006-36 | 2 |
| | COMPLETE CYLINDER | 710814 | 1 |
| 16 | PIN | 716009-1 | 2 |
| 17 | CYLINDER, CJ-S582-20-80/45/100 | 711350 ¹ | 1 |
| 18 | FITTING, 90° - 3/8 BSP - 9/16 JIC ELBOW | 096335 | 1 |
| 19 | PIN, S-FE 5X40 COTTER | F81043-31 | 2 |
| 20 | FITTING, 1/4 BSP - 9/16 JIC ELBOW | 711399 | 1 |

| REF. | DESCRIPTION (◆ Indicates Parts Available in Assemblies Only) | PART # | QTY | |
|------|--|----------|-----|--|
| 21 | WASHER, 8.4 FLAT ZINC | F81054-1 | 8 | |
| 22 | WASHER, 8.2 SPLIT LOCK ZINC | F81054-4 | 8 | |
| 23 | BOLT, M8X20 8.8 HEX HEAD FULL THREAD ZINC | F81002-4 | 8 | |

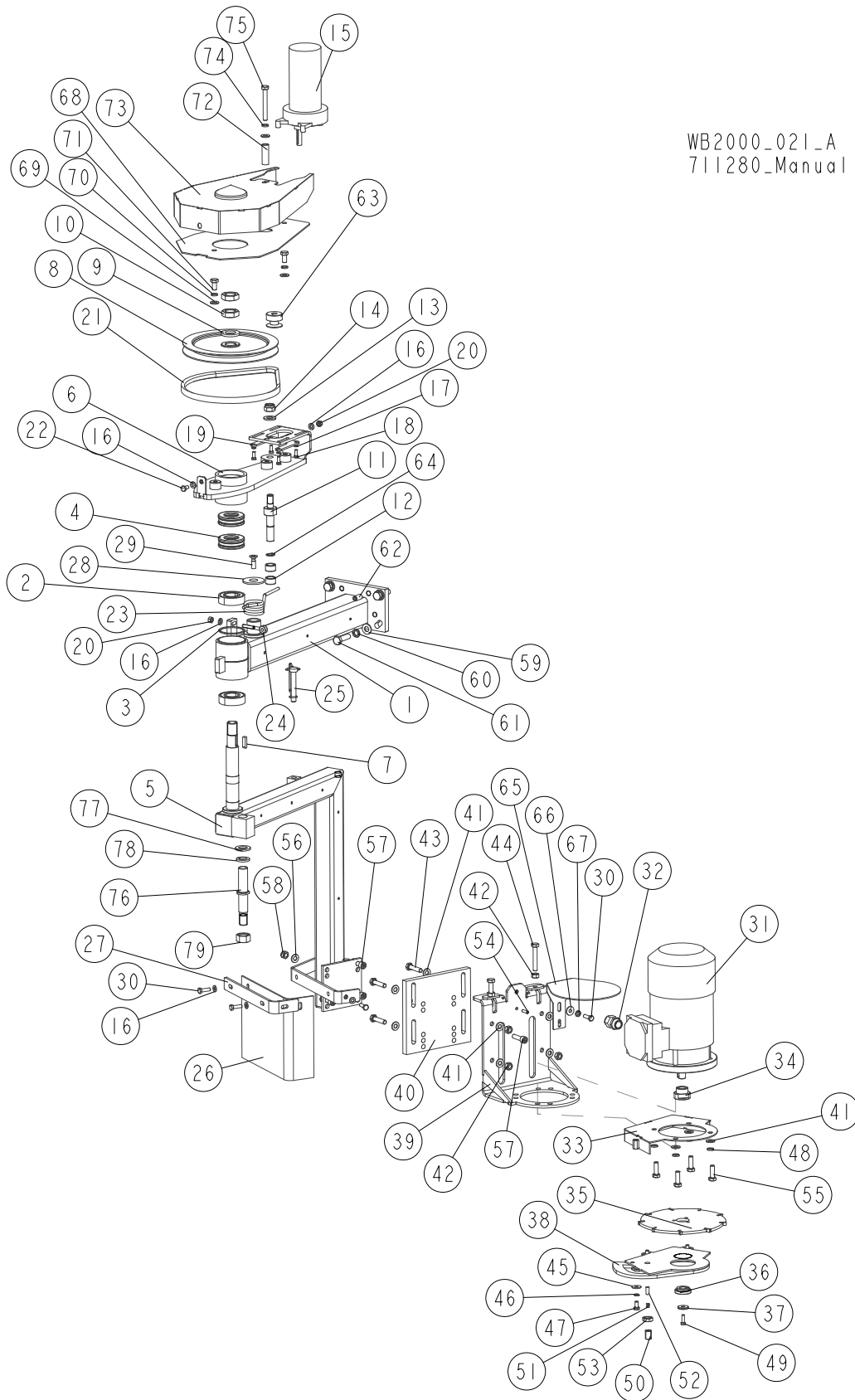
¹ Seal kit - 714913

3.8 Debarker w/Drive



| REF. | DESCRIPTION (* indicates parts available in assemblies only) | PART # | QTY |
|------|--|------------|-----|
| - | DEBARKER W/DRIVE - COMPLETE | 711380 | 1 |
| 1 | RAIL ASSEMBLY, DEBARKER TRACK See Section 3.10 | 710811 | 1 |
| 2 | DEBARKER, WB2000 See Section 3.9 | 710265 | 1 |
| 3 | BRACKET, 14050.2PZ MOUNTING | 512945_2PZ | 1 |
| 4 | BRACKET, 14050.1PZ MOUNTING | 512945_1PZ | 1 |
| 5 | SCREW, M6X20-10.9 FLAT SOCKET HEAD CAP ZINC | F81001-17 | 2 |
| 6 | WASHER, 6.4 FLAT ZINC | F81053-1 | 3 |
| 7 | NUT, M6-8-B HEX NYLON ZINC LOCK | F81031-2 | 4 |
| 8 | SCREW, M6X30-10.9 FLAT SOCKET HEAD CAP ZINC | F81001-67 | 2 |
| 9 | CAP, 2.5" IDX2" RUBBER | 023720 | 2 |
| 10 | PLATE | 715034-1 | 1 |

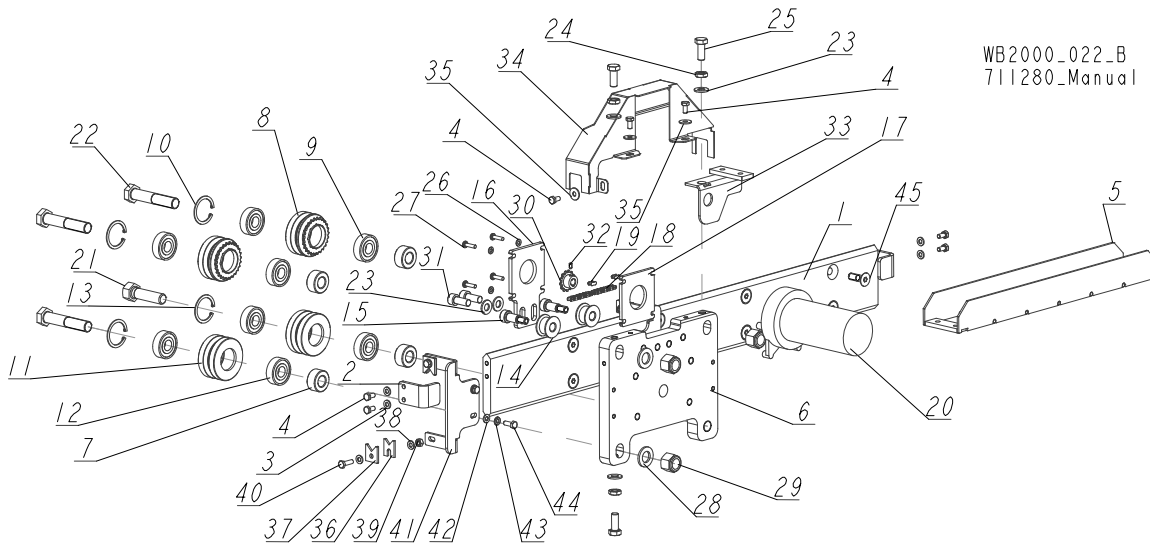
3.9 Debarker, WB2000



| REF. | DESCRIPTION (◆ Indicates Parts Available in Assemblies Only) | PART # | QTY |
|------|--|---------------|----------|
| | DEBARKER, WB2000 | 710265 | 1 |
| 1 | ARM, DEBARKER HORIZONTAL | 710260-1 | 1 |
| 2 | BEARING, 6205-2RS BALL | 091804 | 2 |
| 3 | RING, SPACER | 098491-1P | 1 |
| 4 | BEARING, 51305 THRUST | 098597 | 2 |
| 5 | ARM, DEBARKER VERTICAL | 710264-1 | 1 |
| 6 | ARM WELDMENT, DEBARKER | 098626-1 | 1 |
| 7 | KEY, 6X6X23 | 089191 | 1 |
| 8 | PULLEY, DEBARKER | 098594-1 | 1 |
| 9 | WASHER, 21 FLAT ZINC | F81059-2 | 1 |
| 10 | M20X1.5 HEX ZINC | F81037-7 | 2 |
| 11 | PIN, DEBARKER | 098593-1 | 1 |
| 12 | BEARING, 1412 NEEDLE | 098595 | 2 |
| 13 | WASHER, 13 FLAT ZINC | F81056-1 | 1 |
| 14 | NUT, M12 8 HEX NYLON ZINC LOCK | F81034-2 | 1 |
| 15 | MOTOR ASSEMBLY, 24V GEAR | 035659 | 1 |
| 16 | WASHER, 6.4 FLAT ZINC | F81053-1 | 6 |
| 17 | WASHER, 5.1 SPLIT LOCK | F81052-2 | 4 |
| 18 | BOLT, #10-32X1/2 HEX HEAD | F05004-60 | 4 |
| 19 | TENSIONER WELDMENT, DEBARKER IN/OUT MOTOR | 089969-1 | 1 |
| 20 | NUT, M6 8 HEX ZINC | F81031-1 | 2 |
| 21 | V-BELT, 4L280V | P04031 | 1 |
| 22 | BOLT, M6X12 8.8 HEX HEAD FULL THREAD ZINC | F81001-7 | 1 |
| 23 | SPRING, DEBARKER RETAINING | 098605 | 1 |
| 24 | BOLT, M6 TURNED EYE | 098596 | 1 |
| 25 | PIN, 3/8 X 2 1/4 SQ WIRE LOCK | 014151 | 1 |
| 26 | GUARD, DEBARKER FLEXIBLE DEBRIS | 097020 | 1 |
| 27 | GUARD, DEBARKER WRAP-AROUND PAINTED | 098695-1 | 1 |
| 28 | PLATE, SPRING BUSHING | 098592-1 | 1 |
| 29 | SCREW, M8X25-5.8 CROSS RECESSED FLAT HEAD ZINC | F81002-51 | 1 |
| 30 | BOLT, M6X20 8.8 HEX HEAD FULL THREAD ZINC | F81001-2 | 4 |
| | DRIVE ASSEMBLY, AC DEBARKER BLADE | 096239 | 1 |
| 31 | MOTOR, AC, STKG71X-2C IMB5. DEBARKER | 096777 | 1 |
| 32 | GLAND, DW11/H CABLE | 085388 | 1 |
| 33 | GUARD, DEBARKER BLADE UPPER | 096244-1 | 1 |
| 34 | BUSHING, AC DEBARKER CLAMP | 096088 | 1 |
| 35 | BLADE, 180 B-06.5/5.0 D-25.5 - COMPLETE | 083848-1 | 1 |
| 36 | BUSHING, AC DEBARKER CLAMP | 096087 | 1 |
| 37 | WASHER | 096238-1 | 1 |
| 38 | GUARD, DEBARKER BLADE LOWER | 096245-1 | 1 |
| 39 | BRACKET, AC DEBARKER MOTOR MOUNT PAINTED | 096780-1 | 1 |
| 40 | PLATE, DEBARKER MOTOR MOUNT | 089551 | 1 |
| 41 | WASHER, 8.4 FLAT ZINC | F81054-1 | 12 |
| 42 | NUT, M8-8-B HEX ZINC | F81032-1 | 6 |
| 43 | BOLT, M8X35-8.8 HEX HEAD FULL THREAD ZINC | F81002-13 | 4 |
| 44 | BOLT, M8X50 -8.8 HEX HEAD FULL THREAD ZINC | F81002-19 | 2 |
| 45 | WASHER, 6.5 SPECIAL FLAT ZINC | F81053-11 | 3 |
| 46 | WASHER, Z 6.1 SPLIT LOCK ZINC | F81053-3 | 3 |

| REF. | DESCRIPTION (◆ Indicates Parts Available in Assemblies Only) | PART # | QTY |
|------|--|---------------|----------|
| 47 | BOLT, M6X12 8.8 HEX HEAD FULL THREAD ZINC | F81001-7 | 3 |
| 48 | WASHER, 8.2 SPLIT LOCK ZINC | F81054-4 | 4 |
| 49 | BOLT, M5 X 16-8.8 HEX HEAD FULL THREAD ZINC | F81000-20 | 1 |
| | PIN ASSEMBLY, DEBARKER BLADE BRAKING | 501464 | 1 |
| 50 | SCREW, BLADE BRAKE SET | 501462 | 1 |
| 51 | SPRING, 0.5X5.5-7 | 501463 | 1 |
| 52 | PIN, DEBARKER BLADE BRAKING | 501461 | 1 |
| 53 | NUT, M12-04-A THIN ZINC | F81034-6 | 1 |
| 54 | PIN, 5X16 ROLL ZINC | F81044-3 | 1 |
| 55 | BOLT, M8X25-8.8-B HEX HEAD FULL THREAD ZINC | F81002-5 | 4 |
| 56 | WASHER, 8.4 FLAT ZINC | F81054-1 | 5 |
| 57 | SCREW, M8X30 8.8 HEX SOCKET HEAD CAP ZINC | F81002-31 | 4 |
| 58 | NUT, M8 8 HEX NYLON ZINC LOCK | F81032-2 | 4 |
| 59 | WASHER, 10.5 FLAT ZINC | F81055-1 | 4 |
| 60 | WASHER, Z 10.2 SPLIT LOCK ZINC | F81055-2 | 4 |
| 61 | BOLT, M10X35 8.8 HEX HEAD FULL THREAD ZINC | F81003-17 | 4 |
| 62 | SCREW, M10X1X20 DIN 913 STAINLESS STEEL SET | F81015-1 | 2 |
| 63 | PULLEY, MOTOR | 710991-1 | 1 |
| 64 | RING, Z14 OUTSIDE RETAINING | F81090-31 | 1 |
| 65 | GUARD, DEBARKER MOTOR | 101332-1 | 1 |
| 66 | WASHER, 6.5 SPECIAL FLAT ZINC | F81053-11 | 1 |
| 67 | WASHER, 6,1 DIN 127 (A2-304) STAINLESS STEEL SPRING | F81053-4 | 1 |
| | COVER ASSEMBLY | 519064 | 1 |
| 68 | PLATE, COVER | 519061-1 | 1 |
| 69 | WASHER, 8.4 FLAT ZINC | F81054-1 | 2 |
| 70 | WASHER, 8.2 SPLIT LOCK ZINC | F81054-4 | 2 |
| 71 | BOLT, M8X16-8.8-B HEX HEAD FULL THREAD ZINC | F81002-20 | 2 |
| 72 | BUSHING, 9/13-40.5 | 519067-1 | 1 |
| 73 | GUARD, V-BELT | 098598-1 | 1 |
| 74 | WASHER, 8.2 SPLIT LOCK ZINC | F81054-4 | 1 |
| 75 | BOLT, M8X65 8.8 HEX HEAD FULL THREAD ZINC | F81002-9 | 1 |
| | PIN, COMPLETE | 519066 | 1 |
| 76 | PIN, LOCK | 519065-1 | 1 |
| 77 | WASHER, 17 SPLIT LOCK ZINC | F81058-1 | 1 |
| 78 | WASHER, 16.3 SPLIT LOCK ZINC | F81058-2 | 1 |
| 79 | NUT, M16-8 HEX ZINC | F81036-1 | 1 |

3.10 Debarker Track Rail Assembly

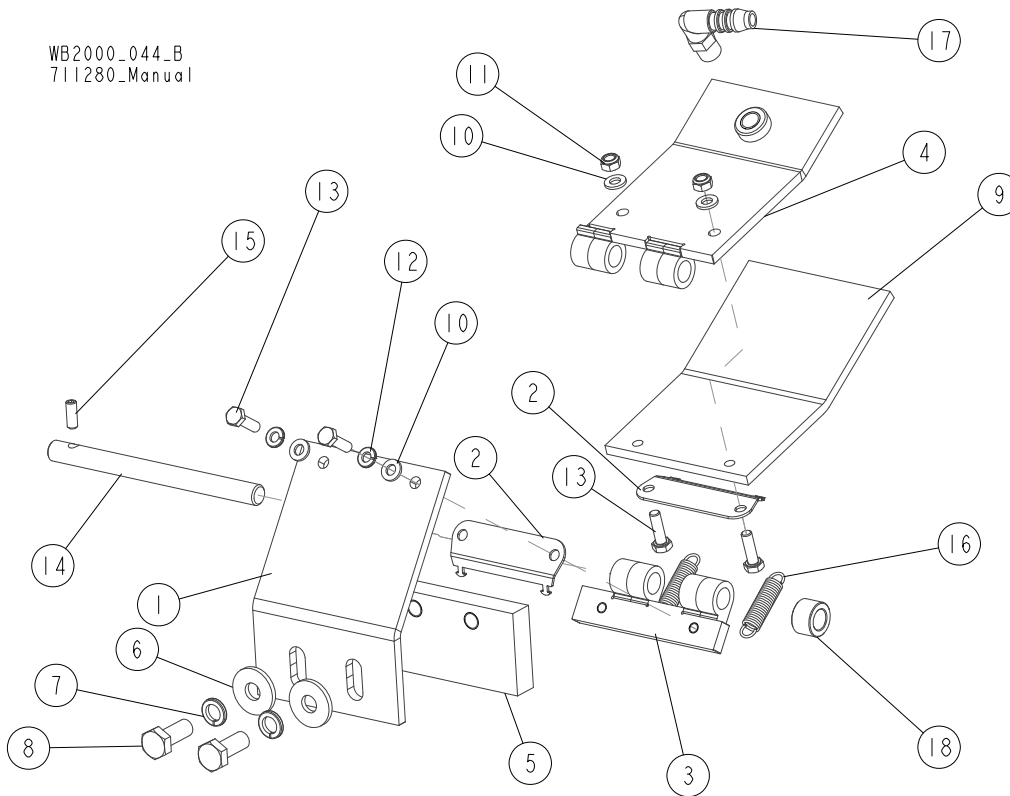


| REF. | DESCRIPTION (◆ Indicates Parts Available in Assemblies Only) | PART # | QTY |
|------|--|---------------|----------|
| | RAIL ASSEMBLY, DEBARKER TRACK | 710811 | 1 |
| 1 | RAIL, DEBARKER TRACK | 713344-1 | 1 |
| 2 | PLATE, STOP | 711828-1 | 2 |
| 3 | WASHER, 6.4 FLAT ZINC | F81053-1 | 4 |
| 4 | BOLT, M6X12 8.8 HEX HEAD FULL THREAD ZINC | F81001-7 | 7 |
| 5 | BRACKET, CABLE CARRIER SUPPORT | 710650-1 | 1 |
| | DRIVE ASSEMBLY | 710259 | 1 |
| 6 | PLATE, DEBARKER DRIVE MOUNT | 710258-1 | 1 |
| 7 | BUSHING, 16/32-16 ZINC-PLATED | 090804-1 | 4 |
| | ROLLER ASSEMBLY, BLADE GUIDE DRIVE | 042542 | 2 |
| 8 | ROLLER ASSEMBLY, BLADE GUIDE PRESSED DRIVE | 042541 | 1 |
| 9 | BEARING, 5/8X1.7548X.4724 | P06030-1 | 2 |
| 10 | RING, 1,575 INTERNAL BEVELED RETAINING | F04254-8 | 1 |
| | ROLLER ASSEMBLY, BLADE GUIDE IDLER | 042543 | 2 |
| 11 | ROLLER, 2 /12 V-GROOVE | 042536 | 1 |
| 12 | BEARING, 5/8X1.7548X.4724 | P06030-1 | 2 |
| 13 | RING, 1,575 INTERNAL BEVELED RETAINING | F04254-8 | 1 |
| 14 | ROLLER, CHAIN GUIDE | 090801 | 2 |
| 15 | BOLT, 12/M10X20 12.9 ISO7379 BOSSARD SHOULDER | F81003-68 | 2 |
| 16 | PLATE, BLADE GUIDE MOTOR MOUNT | 090803-1 | 1 |
| 17 | PLATE, SPACER | 090802-1 | 1 |
| | CHAIN, BLADE GUIDE ARM DRIVE | 093805 | 1 |
| 18 | CHAIN, #25X92 PITCHES BLADE GUIDE | 042443 | 2 |
| 19 | LINK, MASTER | P09983 | 2 |
| 20 | MOTOR ASSEMBLY, 24V GEAR | 035659 | 1 |
| 21 | BOLT, 5/8-18X2 1/4 HEX HEAD GRADE 5 | F05009-80 | 1 |
| 22 | BOLT, 5/8-18X3 1/4 HEX HEAD GRADE 5 | F05009-98 | 3 |
| 23 | WASHER, 10.5 FLAT ZINC | F81055-1 | 5 |
| 24 | NUT, M10-04-A HEX THIN ZINC | F81033-6 | 3 |
| 25 | BOLT, M10X25 8.8 HEX HEAD FULL THREAD ZINC | F81003-11 | 3 |

| REF. | DESCRIPTION (◆ Indicates Parts Available in Assemblies Only) | PART # | QTY | |
|------|--|---------------|----------|--|
| 26 | WASHER, 5.3 FLAT ZINC | F81052-1 | 4 | |
| 27 | BOLT, #10-32X3/4 CrS1 PH | F05004-38 | 4 | |
| 28 | WASHER, 17 SPLIT LOCK ZINC | F81058-1 | 2 | |
| 29 | NUT, 5/8-18 HEX NYLON ZINC LOCK | F05010-71 | 3 | |
| 30 | SPROCKET, Z=13 (CHAIN #25) | 710895 | 1 | |
| 31 | SCREW, M10X25 8.8 HEX SOCKET HEAD CAP ZINC | F81003-32 | 2 | |
| 32 | SCREW, M4X8 GEOMET HEX SOCKET SET W/FLAT POINT | F81011-40 | 1 | |
| 33 | HANDLE, ADDITIONAL - COMPLETE | 710655-1 | 1 | |
| 34 | GUARD, DEBARKER DRIVE | 711053-1 | 1 | |
| 35 | WASHER, 6.5 SPECIAL FLAT ZINC | F81053-11 | 3 | |
| | SCRAPER ASSEMBLY | 711840 | 1 | |
| | COMPLETE SCRAPER | 711833 | 4 | |
| 36 | SCRAPER | 711831 | 1 | |
| 37 | PLATE | 711832-1 | 1 | |
| 38 | WASHER, 6.4 FLAT ZINC | F81053-1 | 2 | |
| 39 | NUT, M6 8 HEX ZINC | F81031-1 | 1 | |
| 40 | BOLT, M6X20 8.8 HEX HEAD FULL THREAD ZINC | F81001-2 | 1 | |
| 41 | BRACKET, SCRAPER MOUNT | 711834-1 | 2 | |
| 42 | WASHER, 6.4 FLAT ZINC | F81053-1 | 4 | |
| 43 | WASHER, 6,1 DIN 127 (A2-304) STAINLESS STEEL SPRING | F81053-4 | 4 | |
| 44 | BOLT, M6X16-8.8 HEX HEAD FULL THREAD ZINC | F81001-15 | 4 | |
| 45 | SCREW, M10X30-10.9 FLAT SOCKET HEAD CAP ZINC | F81003-104 | 8 | |

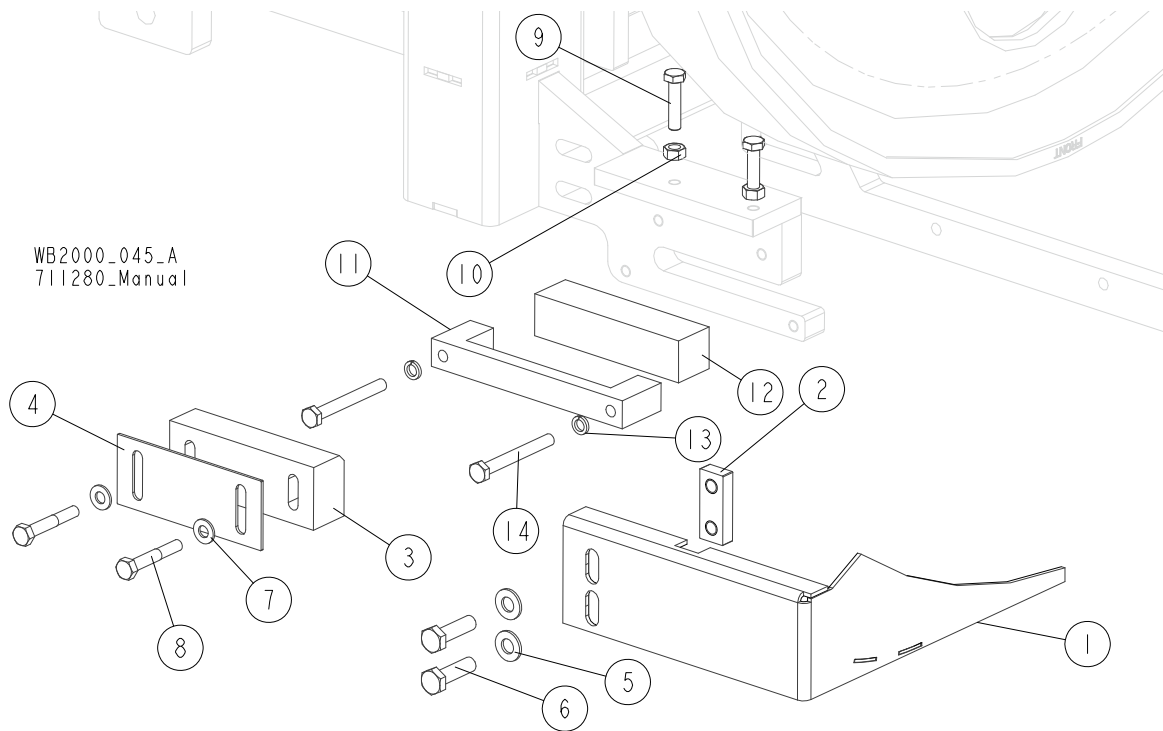
3.11 Blade Wheel Wiper & Scraper

WB2000_044_B
711280_Manual



| REF. | DESCRIPTION (◆ Indicates Parts Available in Assemblies Only) | PART # | QTY |
|------|--|---------------|------------|
| | WIPER/SCRAPER ASSEMBLY, IDLE-SIDE BLADE WHEEL | 711210 | 1/0 |
| | WIPER/SCRAPER ASSEMBLY, DRIVE-SIDE BLADE WHEEL | 711205 | 0/1 |
| 1 | PLATE, SCRAPER MOUNT | 711426-1 | 1/0 |
| | PLATE, SCRAPER MOUNT | 711427-1 | 0/1 |
| 2 | PLATE, SPRING HOOK | 710204-1 | 2 |
| 3 | BRACKET, SCRAPER MOUNT | 710211-1 | 1/0 |
| | BRACKET, SCRAPER MOUNT | 710208-1 | 0/1 |
| 4 | MOUNT WELDMENT, FELT | 710217-1 | 1/0 |
| | MOUNT WELDMENT, FELT | 710203-1 | 0/1 |
| 5 | SCRAPER | 713262 | 1 |
| 6 | WASHER, 10.5 SPECIAL FLAT ZINC | F81055-6 | 2 |
| 7 | WASHER, Z 10.2 SPLIT LOCK ZINC | F81055-2 | 2 |
| 8 | BOLT, M10X25 8.8 HEX HEAD FULL THREAD ZINC | F81003-11 | 2 |
| 9 | FELT | 710214 | 1/0 |
| | FELT | 710201 | 0/1 |
| 10 | WASHER, 6.4 FLAT ZINC | F81053-1 | 4 |
| 11 | NUT, M6-8-B HEX NYLON ZINC LOCK | F81031-2 | 2 |
| 12 | WASHER, 6,1 DIN 127 (A2-304) STAINLESS STEEL SPRING | F81053-4 | 2 |
| 13 | BOLT, M6X20 8.8 HEX HEAD FULL THREAD ZINC | F81001-2 | 4 |
| 14 | ROD, N12X151 | 711207-1 | 1 |
| 15 | SCREW, M6X16-45H HEX SOCKET SET FLAT POINT ZINC | F81001-10 | 1 |
| 16 | SPRING, VANEL | 714601 | 2 |
| 17 | FITTING, WES 10/R 1/4 ELBOW | 088379 | 1 |
| 18 | BUSHING, 20/12-13 SPACER | 511722-1 | 1 |

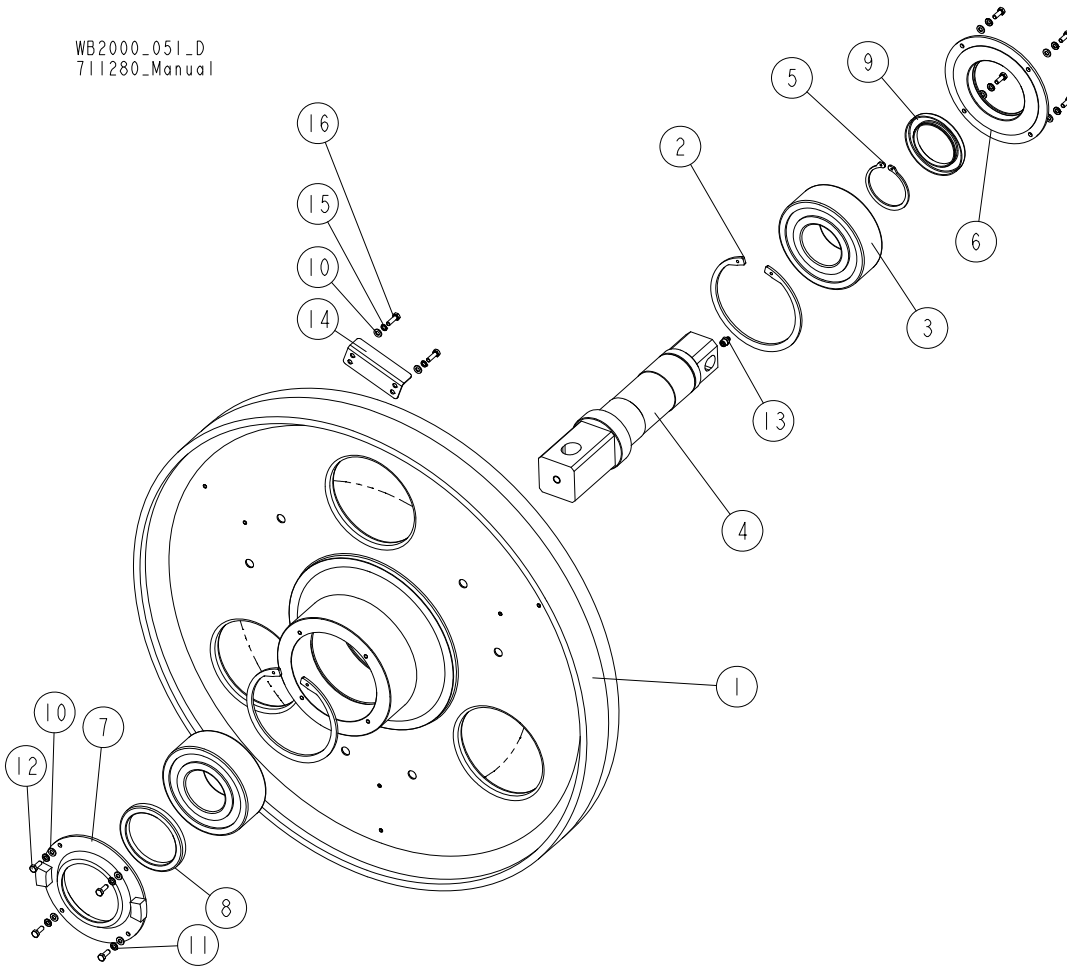
3.12 Fixed Blade Guide



| REF. | DESCRIPTION (* indicates parts available in assemblies only) | PART # | QTY |
|------|--|-----------|-----|
| - | FIXED BLADE GUIDE | 715519 | 1 |
| 1 | GUARD WELDMENT, WHEEL | 715442-1 | 1 |
| 2 | PLATE | 710034-1 | 1 |
| 3 | BLOCK, BLADE GUIDE | 711079 | 1 |
| 4 | PLATE | 711219-1 | 1 |
| 5 | WASHER, 10.5 FLAT ZINC | F81055-1 | 2 |
| 6 | BOLT, M10X35 8.8 HEX HEAD FULL THREAD ZINC | F81003-17 | 2 |
| 7 | WASHER, 8.4 FLAT ZINC | F81054-1 | 2 |
| 8 | BOLT, M8X50 -8.8 HEX HEAD ZINC | F81002-10 | 2 |
| 9 | BOLT, M8X35-8.8 HEX HEAD FULL THREAD ZINC | F81002-13 | 2 |
| 10 | NUT, M8-8-B HEX ZINC | F81032-1 | 2 |
| 11 | CLAMP | 715483-1 | 1 |
| 12 | BLOCK, BLADE GUIDE | 715482 | 1 |
| 13 | WASHER, 8.2 SPLIT LOCK ZINC | F81054-4 | 2 |
| 14 | BOLT, M8X70-8.8 HEX HEAD ZINC | F81002-71 | 2 |

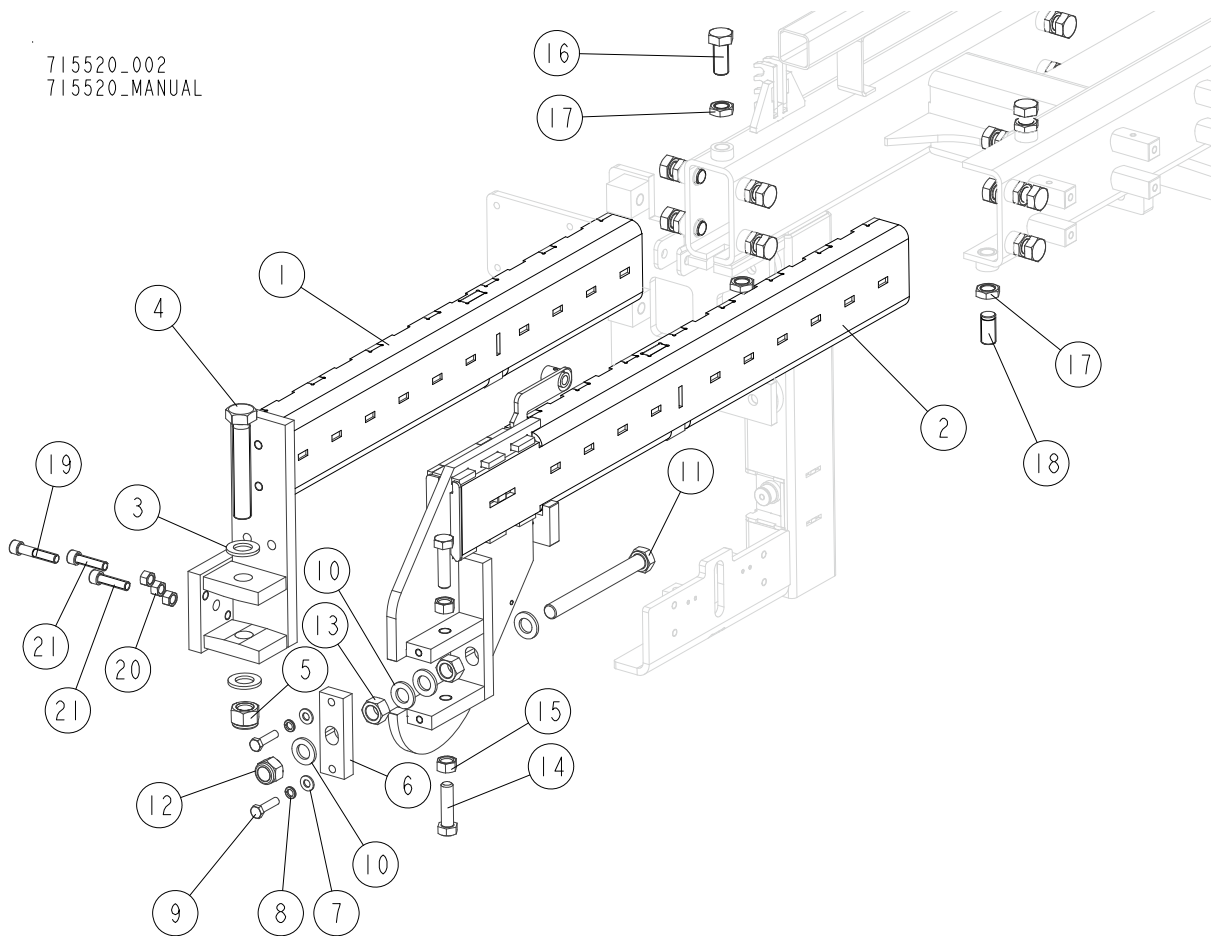
3.13 Blade Wheel Assembly, Idle Side

WB2000_051_D
711280_Manual



| REF. | DESCRIPTION (* indicates parts available in assemblies only) | PART # | QTY |
|------|--|-----------|-----|
| - | WHEEL ASSEMBLY, IDLE SIDE BLADE (86) | 715499-1 | 1 |
| 1 | WHEEL, BLADE | 713176 | 1 |
| 2 | RING, W150 INSIDE RETAINING | F81090-43 | 2 |
| 3 | BEARING, NJ2314E.TVP2 CYLINDRICAL ROLLER | 503932 | 2 |
| 4 | SHAFT, BLADE WHEEL | 715358 | 1 |
| 5 | RING, Z70 OUTSIDE RETAINING | F81090-56 | 1 |
| 6 | COVER | 710004-1 | 1 |
| 7 | COVER | 715989-1 | 1 |
| 8 | RING, CC88X110X10 SEALING | 715495 | 1 |
| 9 | RING, CC70X100X10 SEALING | 710802 | 1 |
| 10 | WASHER, 6.4 FLAT ZINC | F81053-1 | 14 |
| 11 | WASHER, 6,1 DIN 127 (A2-304) STAINLESS STEEL SPRING | F81053-4 | 8 |
| 12 | BOLT, M6X16-8.8 HEX HEAD FULL THREAD ZINC | F81001-15 | 8 |
| 13 | FITTING, M10X1 STRAIGHT GREASE | 710834 | 1 |
| 14 | WING | 713554 | 3 |
| 15 | WASHER, Z 6.1 SPLIT LOCK ZINC | F81053-3 | 6 |
| 16 | BOLT, M6X20 8.8 HEX HEAD FULL THREAD ZINC | F81001-2 | 6 |

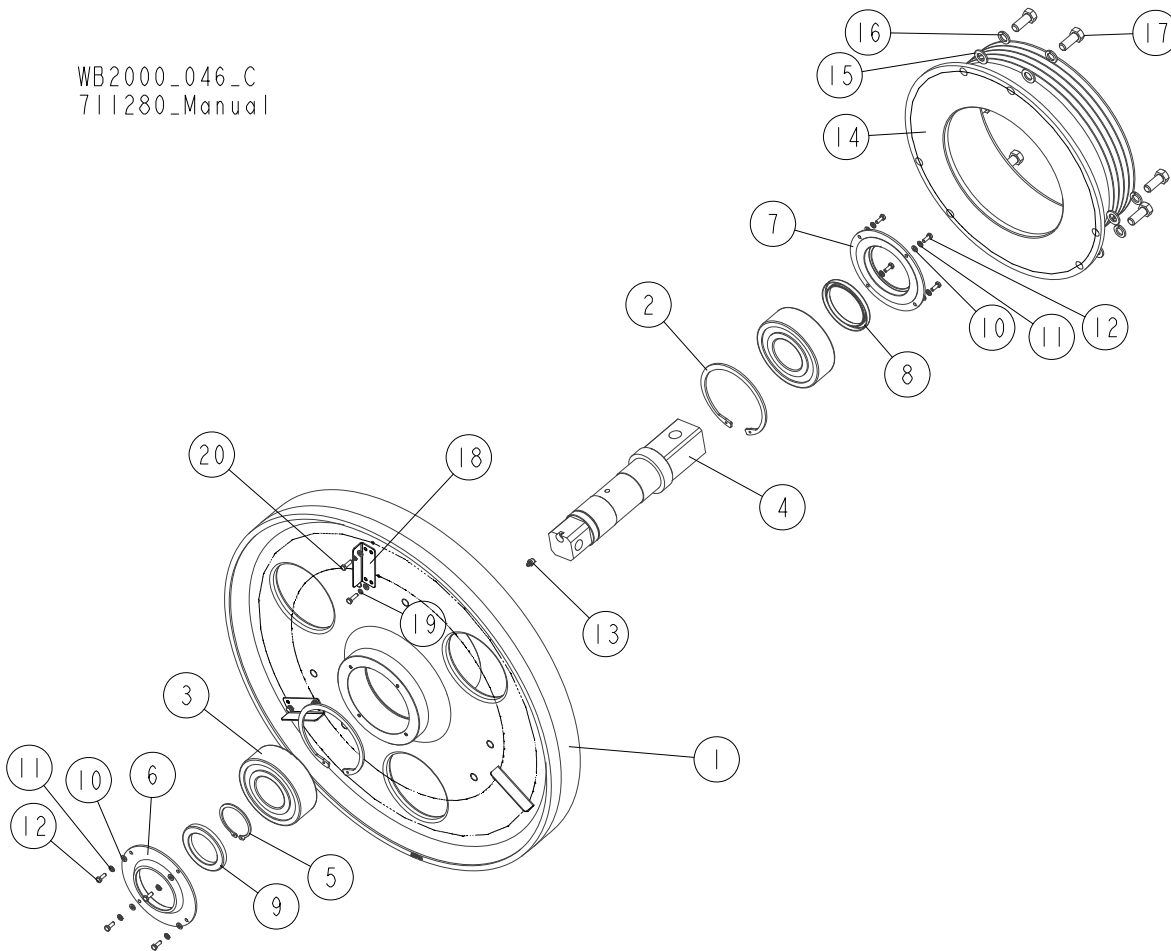
3.14 Blade Wheel Mounting Tubes



| REF. | DESCRIPTION (* indicates parts available in assemblies only) | PART # | QTY |
|------|--|------------|-----|
| 1 | TUBE WELDMENT, WHEEL MOUNT - LEFT | 715161-1 | 1 |
| 2 | TUBE WELDMENT, WHEEL MOUNT - RIGHT | 715145-1 | 1 |
| 3 | WASHER, 25 ZINC | F81061-3 | 2 |
| 4 | BOLT, M24X140 8.8 HEX HEAD FULL THREAD ZINC | F81009-14 | 1 |
| 5 | NUT, M24X2 HEX NYLON ZINC LOCK | F81039-10 | 1 |
| 6 | BLOCK | 715352-1 | 1 |
| 7 | WASHER, 10.5 FLAT ZINC | F81055-1 | 2 |
| 8 | WASHER, Z 10.2 SPLIT LOCK ZINC | F81055-2 | 2 |
| 9 | BOLT, M10X40-8.8 HEX HEAD FULL THREAD ZINC | F81003-16 | 2 |
| 10 | WASHER, 21 FLAT ZINC | F81059-2 | 4 |
| 11 | BOLT, M20X1.5X200-8.8 HEX HEAD | F81007-28 | 1 |
| 12 | NUT, ISO10512-M20X1.5-8-A2 HEX SELF-LOCKING | F81037-5 | 1 |
| 13 | NUT, M20X1.5 -8 HEX ZINC | F81037-11 | 2 |
| 14 | BOLT, M16X60-8.8 HEX HEAD FULL THREAD ZINC | F81006-12 | 2 |
| 15 | NUT, M16-8 HEX ZINC | F81036-1 | 2 |
| 16 | SCREW, ISO 4018 M20X45-HEX HEAD - BRASS | F81007-29 | 22 |
| 17 | NUT, M20 FE/ZN5 ISO 4035 THIN ZINC | F81037-9 | 24 |
| 18 | SCREW, M20X40 -45H HEX SOCKET ZINC SET W/FLAT POINT | F81018-2 | 2 |
| 19 | SCREW, ISO 4762 M12X60-8.8-A2E HEX SOCKET HEAD CAP | F81004-100 | 1 |
| 20 | NUT, M12-8 HEX ZINC | F81034-1 | 3 |
| 21 | SCREW, M12X45-8.8-B HEX SOCKET HEAD CAP ZINC | F81004-93 | 2 |

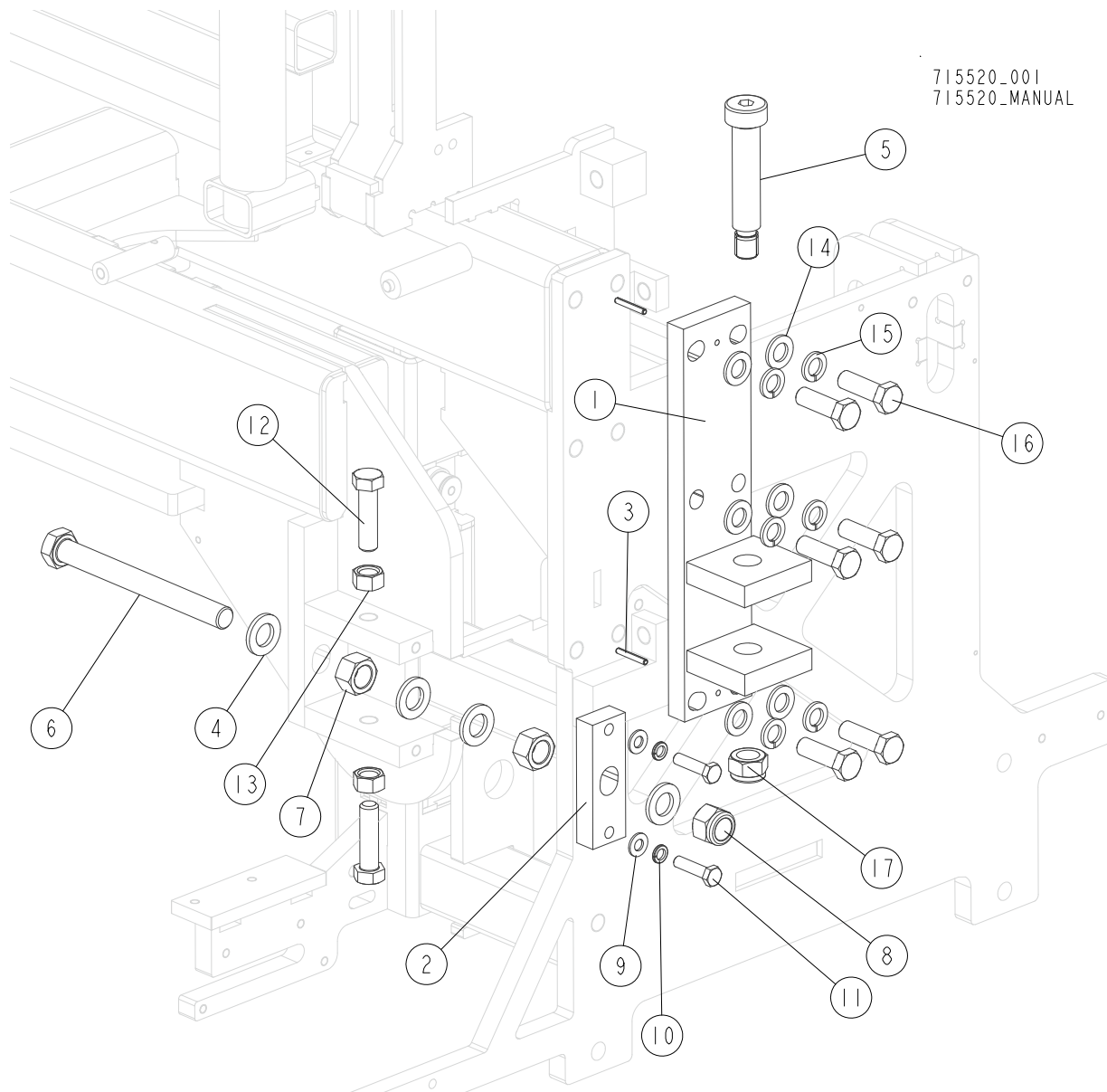
3.15 Blade Wheel Assembly, Drive Side

WB2000_046_C
711280_Manual



| REF. | DESCRIPTION (* indicates parts available in assemblies only) | PART # | QTY |
|------|--|-----------|-----|
| - | BLADE WHEEL ASSEMBLY, DRIVE SIDE (86) | 715498-1 | 1 |
| 1 | WHEEL, BLADE | 713176 | 1 |
| 2 | RING, W150 INSIDE RETAINING | F81090-43 | 2 |
| 3 | BEARING, NJ2314E.TVP2 CYLINDRICAL ROLLER | 503932 | 2 |
| 4 | SHAFT, BLADE WHEEL | 715348 | 1 |
| 5 | RING, Z70 OUTSIDE RETAINING | F81090-56 | 1 |
| 6 | COVER | 710004-1 | 1 |
| 7 | COVER | 715409-1 | 1 |
| 8 | RING, CC88X110X10 SEALING | 715495 | 1 |
| 9 | RING, CC70X100X10 SEALING | 710802 | 1 |
| 10 | WASHER, 6.4 FLAT ZINC | F81053-1 | 14 |
| 11 | WASHER, 6,1 DIN 127 (A2-304) STAINLESS STEEL SPRING | F81053-4 | 8 |
| 12 | BOLT, M6X16-8.8 HEX HEAD FULL THREAD ZINC | F81001-15 | 8 |
| 13 | FITTING, M10X1 STRAIGHT GREASE | 710834 | 1 |
| 14 | PULLEY | 711201 | 1 |
| 15 | WASHER, 17 SPLIT LOCK ZINC | F81058-1 | 6 |
| 16 | WASHER, 16.3 SPLIT LOCK ZINC | F81058-2 | 6 |
| 17 | BOLT, M16X40-8.8 HEX HEAD FULL THREAD ZINC | F81006-13 | 6 |
| 18 | WING | 713554-1 | 3 |
| 19 | WASHER, Z 6.1 SPLIT LOCK ZINC | F81053-3 | 6 |
| 20 | BOLT, M6X20 8.8 HEX HEAD FULL THREAD ZINC | F81001-2 | 6 |

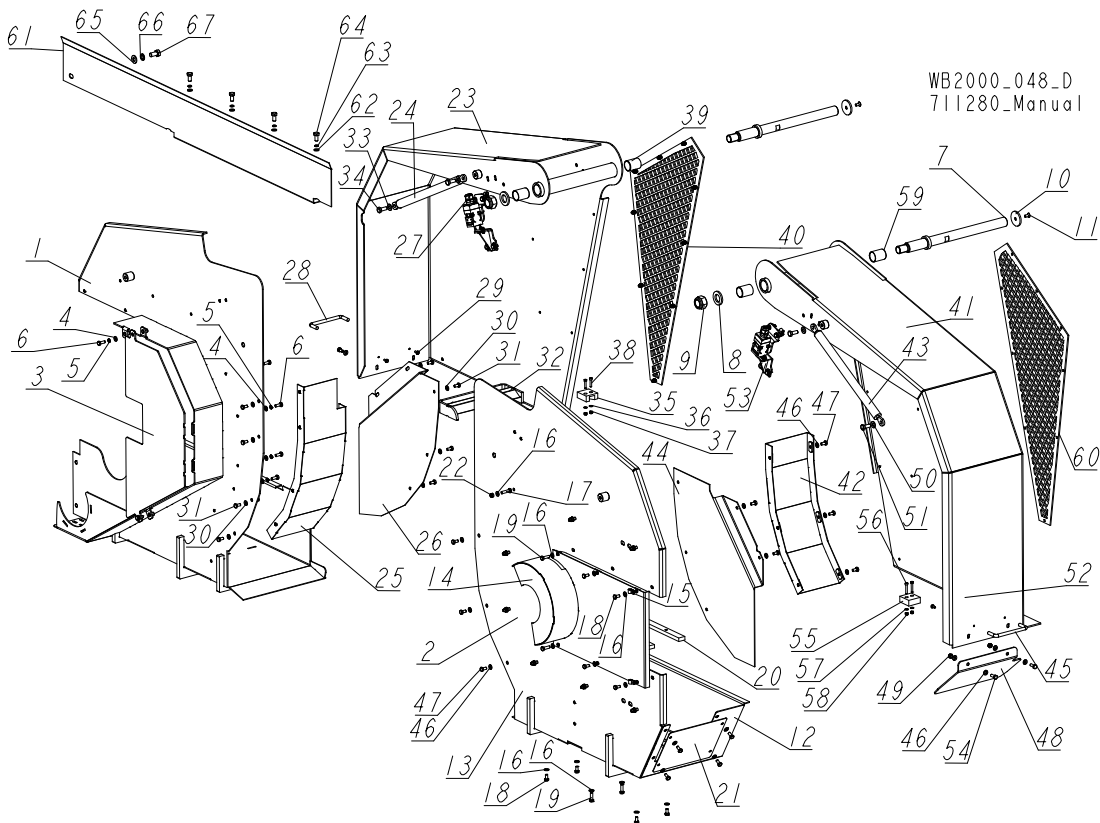
3.16 Blade Wheel Shaft Bracket



| REF. | DESCRIPTION (* indicates parts available in assemblies only) | PART # | QTY |
|------|--|-----------|-----|
| 1 | BRACKET, BLADE WHEEL SHAFT MOUNT | 715349-1 | 1 |
| 2 | BLOCK | 715352-1 | 1 |
| 3 | PIN, 5X35-N-C PN-EN ISO8752. ROLL | F81044-9 | 2 |
| 4 | WASHER, 21 FLAT ZINC | F81059-2 | 4 |
| 5 | BOLT, 24/M20X100-12.9-ISO7379 (BOSSARD - 1168983) SHOULDER | F81006-72 | 1 |
| 6 | BOLT, M20X1.5X200-8.8 HEX HEAD | F81007-28 | 1 |
| 7 | NUT, M20X1.5 -8 HEX ZINC | F81037-11 | 2 |
| 8 | NUT, ISO10512-M20X1.5-8-A2 HEX SELF-LOCKING | F81037-5 | 1 |
| 9 | WASHER, 10.5 FLAT ZINC | F81055-1 | 2 |
| 10 | WASHER, Z 10.2 SPLIT LOCK ZINC | F81055-2 | 2 |
| 11 | BOLT, M10X40-8.8 HEX HEAD FULL THREAD ZINC | F81003-16 | 2 |
| 12 | SCREW, M16X45 -33H HEX SOCKET ZINC SET W/FLAT POINT | F81017-3 | 2 |
| 13 | WASHER, 16.3 SPLIT LOCK ZINC | F81058-2 | 8 |
| 14 | NUT, M16 8 THIN ZINC | F81036-4 | 2 |

| REF. | DESCRIPTION (* indicates parts available in assemblies only) | PART # | QTY | |
|------|--|-----------|-----|--|
| 15 | BOLT, M16X60-8.8 HEX HEAD FULL THREAD ZINC | F81006-12 | 2 | |
| 16 | NUT, M16-8 HEX ZINC | F81036-1 | 2 | |
| 17 | WASHER, 17 SPLIT LOCK ZINC | F81058-1 | 6 | |
| 18 | BOLT, M16X50-8.8 HEX HEAD FULL THREAD ZINC | F81006-38 | 6 | |
| 19 | NUT, M20-8 DIN985 HEX NYLON ZINC LOCK | F81037-2 | 1 | |

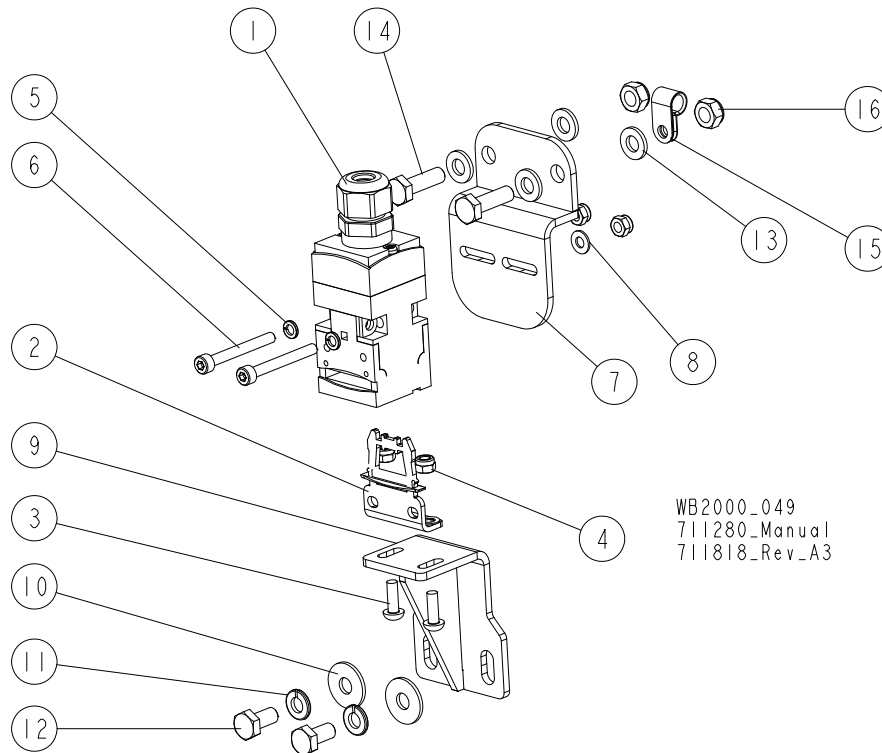
3.17 Blade Wheel Guards



| REF. | DESCRIPTION (* indicates parts available in assemblies only) | PART # | QTY |
|------|--|-----------|-----|
| 1 | GUARD SET, REAR RIGHT | 715997 | 1 |
| 2 | GUARD WELDMENT, REAR RIGHT | 715998-1 | 1 |
| 3 | GUARD, PULLEY | 714951-1 | 1 |
| 4 | WASHER, 6.4 FLAT ZINC | F81053-1 | 10 |
| 5 | WASHER, Z 6.1 SPLIT LOCK ZINC | F81053-3 | 10 |
| 6 | BOLT, M6X16-8.8 HEX HEAD FULL THREAD ZINC | F81001-15 | 10 |
| 7 | ROD, N35/N21X348 | 714934-1 | 2 |
| 8 | WASHER, 21 FLAT ZINC | F81059-2 | 2 |
| 9 | NUT, M20-8 DIN985 HEX NYLON ZINC LOCK | F81037-2 | 2 |
| 10 | WASHER, 7/25-3 | 711355 | 2 |
| 11 | SCREW, M6X12-10.9 FLAT SOCKET HEAD CAP | F81001-54 | 2 |
| 12 | GUARD SET, REAR LEFT | 715973 | 1 |
| 13 | GUARD, REAR LEFT | 715974-1 | 1 |
| 14 | GUARD, REAR MIDDLE | 715977-1 | 1 |
| 15 | ELEMENT, EE63 MOUNTING | F81080-4 | 2 |
| 16 | WASHER, 6.4 FLAT ZINC | F81053-1 | 32 |
| 17 | BOLT, M6X25 -8.8 HEX HEAD FULL THREAD ZINC | F81001-3 | 8 |
| 18 | BOLT, M6X12 8.8 HEX HEAD FULL THREAD ZINC | F81001-7 | 12 |
| 19 | BOLT, M6X20 8.8 HEX HEAD FULL THREAD ZINC | F81001-2 | 4 |
| 20 | BAR | 714841 | 2 |
| 21 | PLATE | 714842-1 | 1 |
| 22 | NUT, M6-8-B HEX NYLON ZINC LOCK | F81031-2 | 8 |
| - | GUARD SET, RIGHT SIDE | 714941 | 1 |

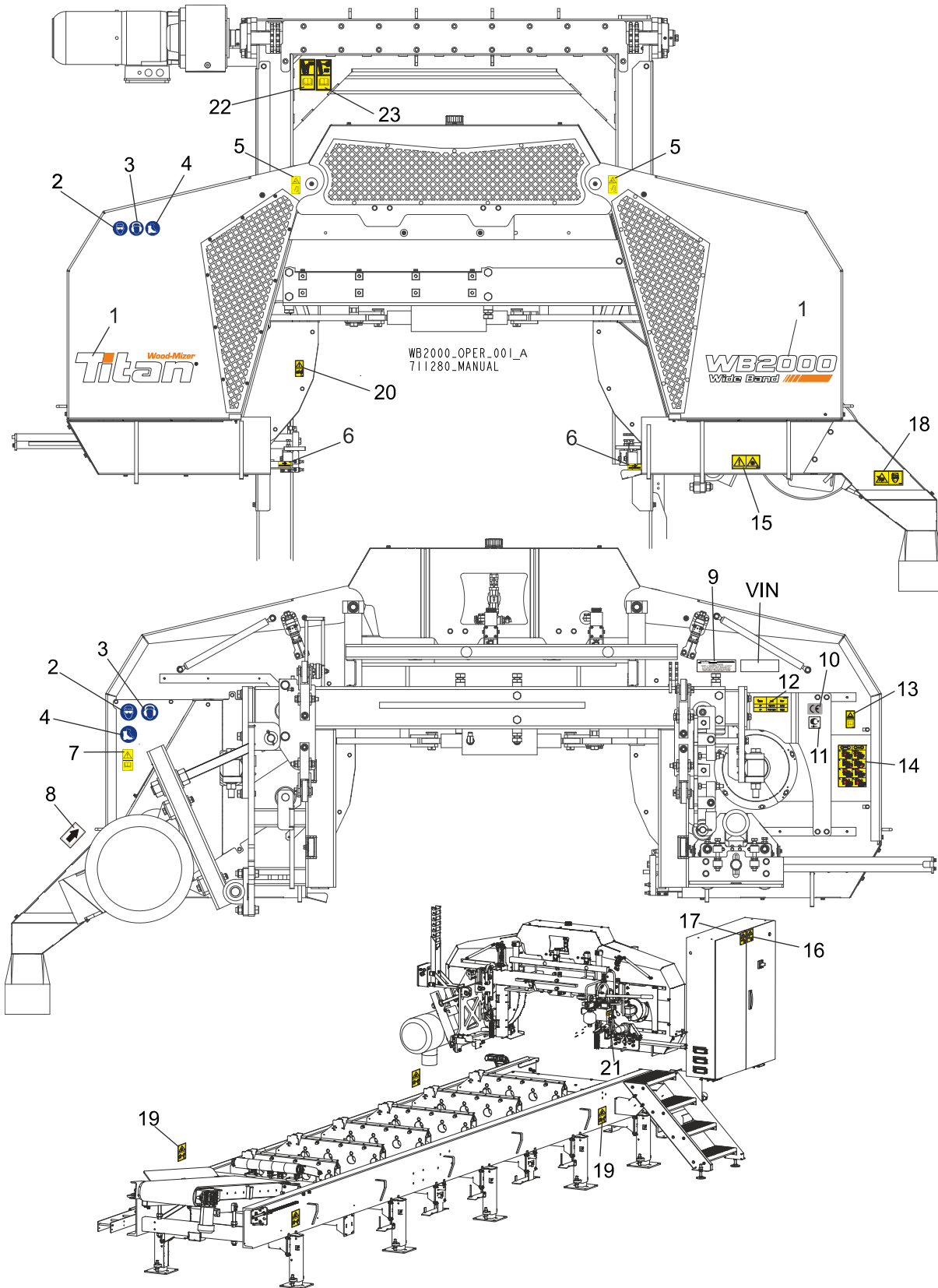
| REF. | DESCRIPTION (* indicates parts available in assemblies only) | PART # | QTY | |
|------|--|-----------|-----|--|
| 23 | GUARD, FRONT | 714645-1 | 1 | |
| 24 | SPRING, 700N GAS | 714891 | 1 | |
| 25 | GUARD, RIGHT INSIDE | 713335-1 | 1 | |
| 26 | GUARD, RIGHT INSIDE | 713285-1 | 1 | |
| 27 | SWITCH ASSEMBLY, SAFETY See Section 3.18 | 711818 | 1 | |
| 28 | HANDLE, 4 W/BOLT | P08065 | 1 | |
| 29 | BOLT, #8-32X3/8 SELF TAP | F05015-8 | 2 | |
| 30 | WASHER, 6.4 FLAT ZINC | F81053-1 | 11 | |
| 31 | BOLT, M6X12 8.8 HEX HEAD FULL THREAD ZINC | F81001-7 | 11 | |
| 32 | COVER, RUBBER | 713340-1 | 1 | |
| 33 | WASHER, 8.4 FLAT ZINC | F81054-1 | 2 | |
| 34 | BOLT, M8X20-8.8 HEX HEAD FULL THREAD ZINC | F81002-1 | 2 | |
| 35 | BLOCK, STIFFENER | 713557 | 1 | |
| 36 | WASHER, 4.3 FLAT ZINC | F81051-2 | 2 | |
| 37 | NUT, M4-8 HEX NYLON ZINC LOCK | F81029-1 | 2 | |
| 38 | SCREW, M4X20 8.8 HEX SOCKET HEAD CAP ZINC | F81011-31 | 2 | |
| 39 | BUSHING, 25/28-35 - IGUS GSM-2528-35 | 715069 | 2 | |
| 40 | GRID, COMPLETE FRONT | 714870 | 1 | |
| - | GUARD SET, LEFT SIDE | 714938 | 1 | |
| 41 | COVER, FRONT | 714647-1 | 1 | |
| 42 | GUARD, LEFT INSIDE | 713332-1 | 1 | |
| 43 | SPRING, 700N GAS | 714891 | 1 | |
| 44 | GUARD, LEFT INSIDE | 713287-1 | 1 | |
| 45 | HANDLE, 4 W/BOLT | P08065 | 1 | |
| 46 | WASHER, 6.4 FLAT ZINC | F81053-1 | 12 | |
| 47 | BOLT, M6X12 8.8 HEX HEAD FULL THREAD ZINC | F81001-7 | 8 | |
| 48 | GUARD, INSIDE | 713283-1 | 1 | |
| 49 | NUT, M6-8-B HEX NYLON ZINC LOCK | F81031-2 | 2 | |
| 50 | WASHER, 8.4 FLAT ZINC | F81054-1 | 2 | |
| 51 | BOLT, M8X20-8.8 HEX HEAD FULL THREAD ZINC | F81002-1 | 2 | |
| 52 | BOLT, #8-32X3/8 SELF TAP | F05015-8 | 2 | |
| 53 | SWITCH ASSEMBLY, SAFETY See Section 3.18 | 711818 | 1 | |
| 54 | BOLT, M6X16-8.8 HEX HEAD FULL THREAD ZINC | F81001-15 | 2 | |
| 55 | BLOCK, STIFFENER | 713557 | 1 | |
| 56 | SCREW, M4X25-8.8 HEX SOCKET HEAD CAP ZINC | F81011-3 | 2 | |
| 57 | WASHER, 4.3 FLAT ZINC | F81051-2 | 2 | |
| 58 | NUT, M4-8 HEX NYLON ZINC LOCK | F81029-1 | 2 | |
| 59 | BUSHING, 25/28-35 - IGUS GSM-2528-35 | 715069 | 2 | |
| 60 | GRID, COMPLETE FRONT | 714870 | 1 | |
| - | GUARD, UPPER COMPLETE | 713329 | 1 | |
| 61 | PLATE, COVER | 713328-1 | 1 | |
| 62 | WASHER, 6.4 FLAT ZINC | F81053-1 | 4 | |
| 63 | WASHER, Z 6.1 SPLIT LOCK ZINC | F81053-3 | 4 | |
| 64 | BOLT, M8X16-8.8-B HEX HEAD FULL THREAD ZINC | F81002-20 | 4 | |
| 65 | WASHER, 10.5 FLAT ZINC | F81055-1 | 1 | |
| 66 | WASHER, Z 10.2 SPLIT LOCK ZINC | F81055-2 | 1 | |
| 67 | BOLT, M10X20-8.8 HEX HEAD FULL THREAD ZINC | F81003-1 | 1 | |

3.18 Safety Switch, Blade Wheel Housing



| REF. | DESCRIPTION (◆ Indicates Parts Available in Assemblies Only) | PART # | QTY |
|------|--|---------------|----------|
| | SWITCH ASSEMBLY, SAFETY | 711818 | 1 |
| 1 | SWITCH, AZ17-11ZRK SAFETY | 094232 | 1 |
| 2 | KEY, AZ17/170-B5 | 094422 | 1 |
| 3 | SCREW, M4X12 -5,8-B CROSS RECESSED PAN HEAD ZINC | F81011-43 | 2 |
| 4 | NUT, M4-8 HEX NYLON ZINC LOCK | F81029-1 | 4 |
| 5 | WASHER, Z 4.1 SPLIT LOCK ZINC | F81051-1 | 2 |
| 6 | SCREW, M4X35 8.8 HEX SOCKET HEAD CAP ZINC | F81011-34 | 2 |
| 7 | BRACKET, SWITCH | 711850-1 | 1 |
| 8 | WASHER, 4.3 FLAT ZINC | F81051-2 | 2 |
| 9 | BRACKET, SAFETY SWITCH KEY- COMPLETE | 711820-1 | 1 |
| 10 | WASHER, 6.5 SPECIAL FLAT ZINC | F81053-11 | 2 |
| 11 | WASHER, 6,1 DIN 127 (A2-304) STAINLESS STEEL SPRING | F81053-4 | 2 |
| 12 | BOLT, M6X12 8.8 HEX HEAD FULL THREAD ZINC | F81001-7 | 2 |
| 13 | WASHER, 6.4 FLAT ZINC | F81053-1 | 4 |
| 14 | BOLT, M6X20 8.8 HEX HEAD FULL THREAD ZINC | F81001-2 | 2 |
| 15 | ELEMENT, EE63 MOUNTING | F81080-4 | 1 |
| 16 | NUT, M6-8-B HEX NYLON ZINC LOCK | F81031-2 | 2 |

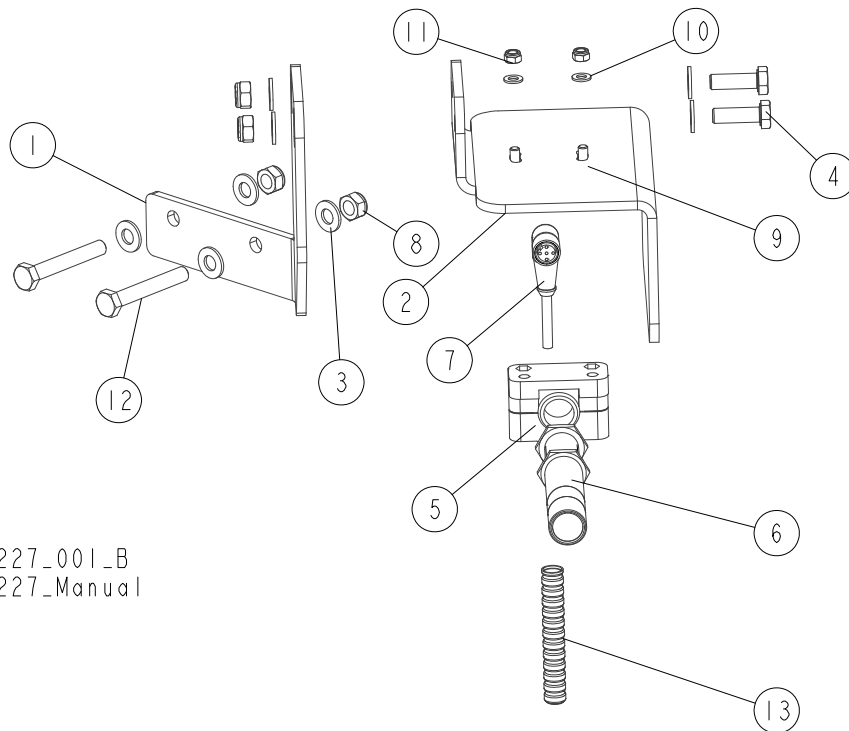
3.19 Decals



| REF. | DESCRIPTION (◆ Indicates Parts Available in Assemblies Only) | PART # | QTY |
|------|--|---------------|----------|
| | DECAL KIT, WB2000 | 713635 | 1 |
| 1 | DECAL, WB2000 TITAN SAWMILL LOGO | 524491 | 1 |

| | | | | |
|----|---|---------|---|--|
| 2 | DECAL, EYE PROTECTION WARNING (PICTOGRAM) | S12004G | 2 | |
| 3 | DECAL, EAR PROTECTION WARNING (PICTOGRAM) | S12005G | 2 | |
| 4 | DECAL, USE SAFETY BOOTS (PICTOGRAM) | 501465 | 2 | |
| 5 | DECAL, SAWMILL COVERS CAUTION | 099220 | 2 | |
| 6 | DECAL, BLADE MOVEMENT DIRECTION (PICTOGRAM) | 096321 | 2 | |
| 7 | DECAL, READ OPERATOR'S MANUAL (PICTOGRAM) | 096317 | 1 | |
| 8 | DECAL, MOTOR REVOLUTIONS DIRECTION (1465 R.P.M.) | S200971 | 1 | |
| 9 | DECAL, INTERNATIONAL SAWMILL NAME | 501466 | 1 | |
| 10 | DECAL, CE CERTIFIED SAWMILL | P85070 | 1 | |
| 11 | DECAL, RUSSIAN SAFETY CERTIFICATION | 099401 | 1 | |
| 12 | DECAL, BLADE TENSION VALUE | 568001 | 1 | |
| 13 | DECAL, BLADE TENSION - INSTRUCTIONS (PICTOGRAM) | 099223 | 1 | |
| 14 | DECAL, WB2000 BLADE TENSION | 518401 | 1 | |
| 15 | DECAL, LASER BEAM WARNING (PICTOGRAM) | 099504 | 1 | |
| 16 | DECAL, HIGH VOLTAGE INSIDE THE ELECTRIC BOX (PICTOGRAM) | 096316 | 2 | |
| 17 | DECAL, REMOVE THE PLUG BEFORE OPENING THE BOX (PICTOGRAM) | 096319 | 2 | |
| 18 | DECAL, PROTECTION AGAINST SAWDUST (PIKTOGRAM) | 099222 | 1 | |
| 19 | DECAL, "KEEP A SAFE DISTANCE" | 099221 | 4 | |
| 20 | DECAL, DEBARKER BLADE WARNING (PIKTOGRAM) | 098176 | 1 | |
| 21 | DECAL, PRESSURE VALUES | 711204 | 1 | |
| 22 | DECAL, CHAIN CLEANING | 512240 | 1 | |
| 23 | DECAL, CHAIN LUBRICATION | 512158 | 1 | |

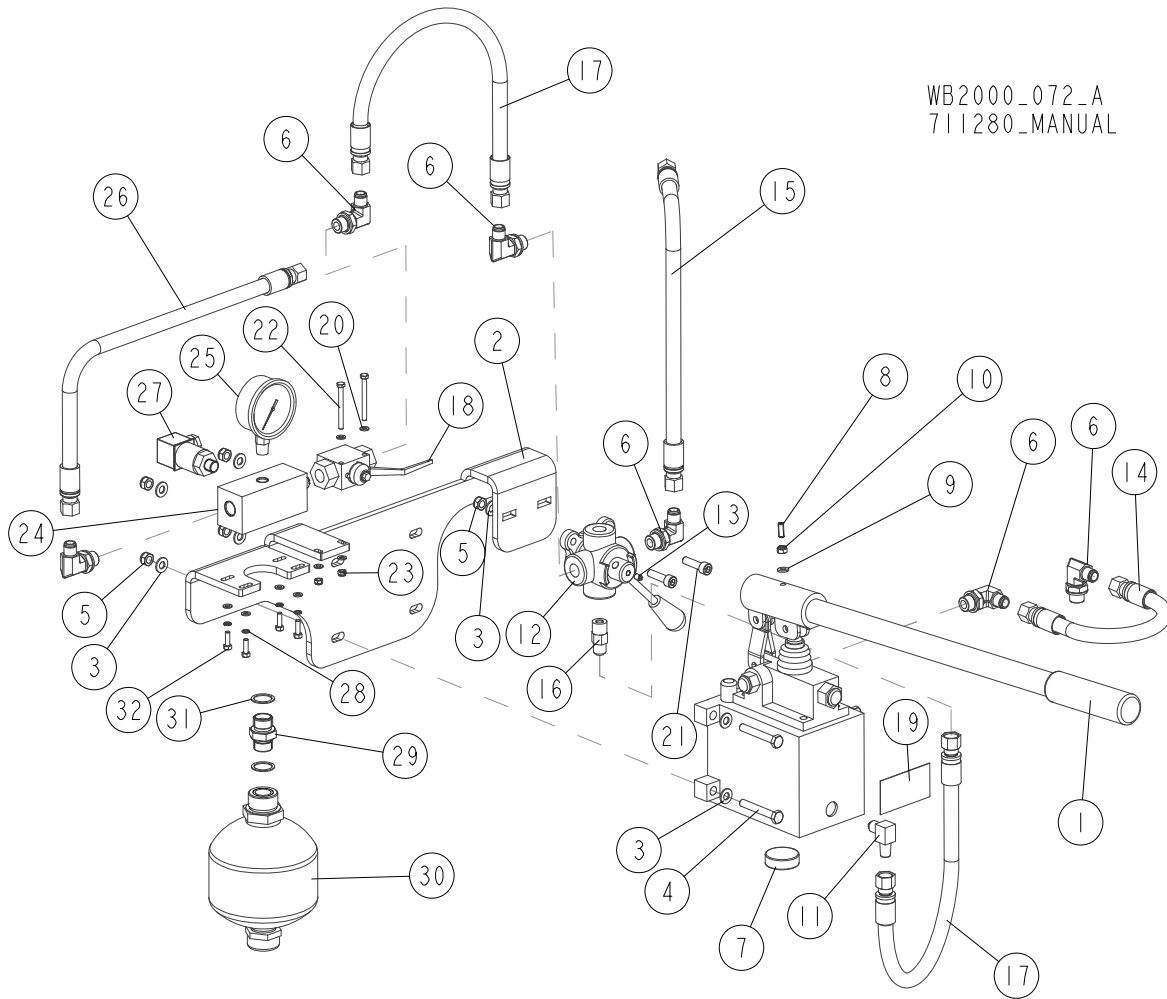
3.20 Laser Assembly (Option)



713227_001_B
 713227_Manual

| REF. | DESCRIPTION (◆ Indicates Parts Available in Assemblies Only) | PART # | QTY |
|------|--|---------------|----------|
| | LASER SIGHT, WB2000 - COMPLETE | 713227 | 1 |
| 1 | MOUNT WELDMENT, LASER | 713983-1 | 1 |
| 2 | MOUNT WELDMENT, LASER | 713226-1 | 1 |
| 3 | WASHER, 8.4 FLAT ZINC | F81054-1 | 8 |
| 4 | BOLT, M8x25-8.8-B HEX HEAD FULL THREAD ZINC | F81002-5 | 2 |
| 5 | BRACKET, SMB 18SF MOUNTING | 503469 | 1 |
| 6 | LASER, Z5M18B-F-532-IG90 GREEN LINEAR | 501025 | 1 |
| 7 | CABLE, 2M SAFETY SWITCH | 094290 | 1 |
| 8 | NUT, M8 8 HEX NYLON ZINC LOCK | F81032-2 | 4 |
| 9 | SCREW, M5x16-8.8 HEX SOCKET HEAD CAP ZINC | F81000-25 | 2 |
| 10 | WASHER, 5.3 FLAT ZINC | F81052-1 | 2 |
| 11 | NUT, M5-8 DIN985 HEX NYLON ZINC LOCK | F81030-2 | 2 |
| 12 | BOLT, M8x55-8.8 HEX HEAD ZINC | F81002-8 | 2 |
| 13 | HOSE, SILVYN RILL PA6 SINUS 8,4 X 11,4 | R80661-1 | 2 |

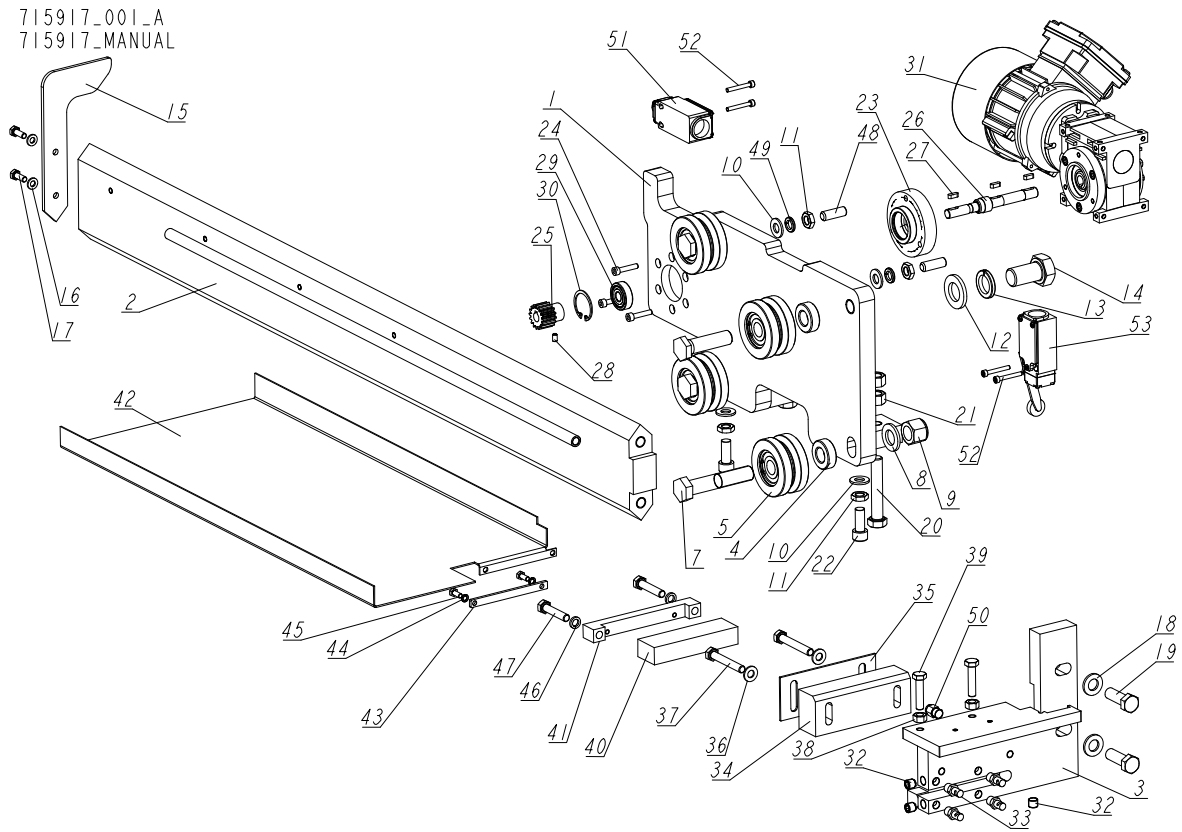
3.21 Hydraulic Blade Tensioner Oil Supply Assembly



| REF. | DESCRIPTION (◆ Indicates Parts Available in Assemblies Only) | PART # | QTY |
|------|--|---------------|----------|
| | OIL SUPPLY ASSEMBLY, HYDRAULIC BLADE TENSIONER | 714700 | 1 |
| 1 | PUMP, PMS12/TNK1 W/1-LITRE TANK | 092789 | 1 |
| 2 | PLATE, MOUNTING | 714697-1 | 1 |
| 3 | WASHER, 8.4 FLAT ZINC | F81054-1 | 10 |
| 4 | BOLT, M8X55-8.8 HEX HEAD ZINC | F81002-8 | 4 |
| 5 | NUT, M8 8 HEX NYLON ZINC LOCK | F81032-2 | 6 |
| 6 | FITTING, 90° - 3/8 BSP - 9/16 JIC ELBOW | 096335 | 6 |
| 7 | MAGNET, MW 38X12/N38 NEODYMIUM | 500022 | 1 |
| 8 | PLUNGER, GN615.3-M6-K BALL THREADED | 096874 | 1 |
| 9 | WASHER, 6.4 FLAT ZINC | F81053-1 | 1 |
| 10 | NUT, M6-8-B HEX NYLON ZINC LOCK | F81031-2 | 1 |
| 11 | FITTING, 3/8 JIC - 1/4NPT 90L | 015491 | 1 |
| 12 | VALVE, 4-WAY IDF4V02C | 504324 | 1 |
| 13 | SCREW, M6X8-33H-GEOMET HEX SOCKET SET W/FLAT POINT | F81013-1 | 1 |
| 14 | HOSE, 2G3/8X0.300 W9/16UNF-W9/16UNF HYDRAULIC | 711391 | 1 |
| 15 | HOSE, 2G3/8X1.105 W9/16UNF-W9/16UNF HYDRAULIC | 506935_714700 | 1 |
| 16 | FITTING, 9/16" JIC/ 3/8"BSP STRAIGHT | 091842 | 1 |

| REF. | DESCRIPTION (◆ Indicates Parts Available in Assemblies Only) | PART # | QTY |
|------|--|-----------|-----|
| 17 | HOSE, 2G3/8X8X0.400 W9/16UNF-W9/16UNF HYDRAULIC | 711390 | 2 |
| 18 | VALVE, PN 500 RSAP2V02FF 3/8" G DN10 BALL | 502056 | 1 |
| 19 | DECAL, PRESSURE VALUES | 711204 | 1 |
| 20 | WASHER, 5.3 FLAT ZINC | F81052-1 | 8 |
| 21 | SCREW, M8X30 -8.8 HEX SOCKET HEAD CAP ZINC | F81002-31 | 2 |
| 22 | BOLT, M5X50 -8.8-HEX HEAD ZINC | F81000-1 | 2 |
| 23 | NUT, M5-8 DIN985 HEX NYLON ZINC LOCK | F81030-2 | 2 |
| 24 | BLOCK, MOUNTING | 714696-1 | 1 |
| 25 | GAUGE, 200 BAR/3000PSI OIL PRESSURE | 505176 | 1 |
| 26 | HOSE, 2G3/8X1.625 W9/16UNF-W9/16UNF HYDRAULIC | 710891 | 1 |
| 27 | SWITCH, F4Z1/M3-20 BAR PRESSURE | 504830 | 1 |
| 28 | WASHER, 5.1 SPLIT LOCK | F81052-2 | 4 |
| 29 | FITTING, G1/2 - G1/2 (BSP) STRAIGHT | 714698 | 1 |
| 30 | ACCUMULATOR MBSP 0.75-210-NBR-G1/2'FM33X1,5 | 714664 | 1 |
| 31 | SEAL, CU 20.5X26X1 | 714699 | 2 |
| 32 | BOLT, M5 X 16-8.8 HEX HEAD FULL THREAD ZINC | F81000-20 | 4 |

3.22 Blade Guide Arm

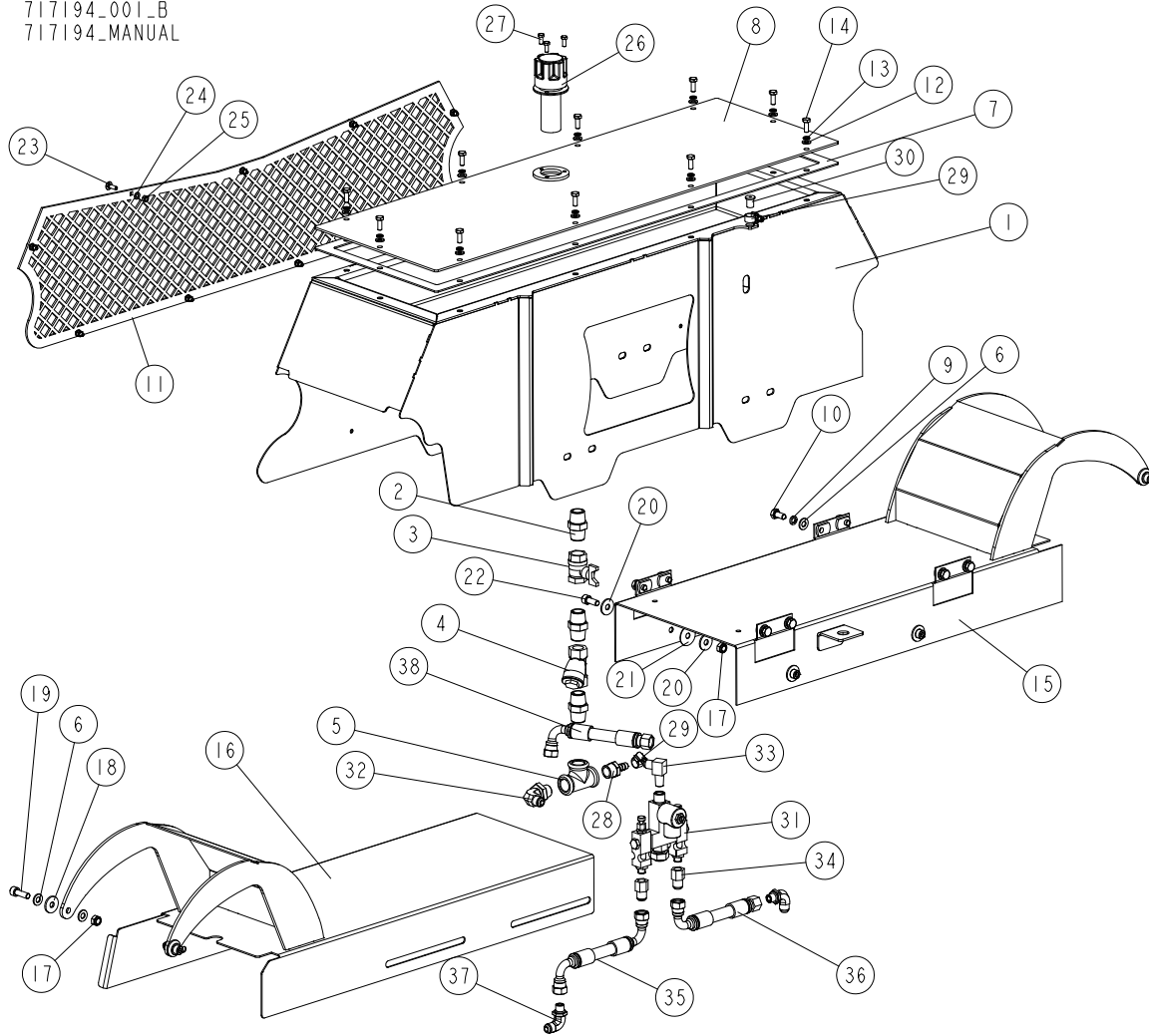


| REF. | DESCRIPTION (* indicates parts available in assemblies only) | PART # | QTY |
|------|--|------------|-----|
| - | ARM, BLADE GUIDE - COMPLETE | 715917 | 1 |
| 1 | PLATE, COMPLETE MOUNT | 715967-1 | 1 |
| 2 | ARM ASSEMBLY | 715922 | 1 |
| 3 | BLADE GUIDE | 715923 | 1 |
| 4 | BUSHING, 16/32-16 | 715964-1 | 4 |
| 5 | ROLLER ASSY, B/G IDLER | 042543 | 4 |
| 6 | BOLT, F05009-80 SPECIAL | 718080-1 | 2 |
| 7 | BOLT, 5/8-18X3 1/4 HEX HEAD CAP GRADE 5 | F05009-98 | 2 |
| 8 | WASHER, 17 SPLIT LOCK ZINC | F81058-1 | 2 |
| 9 | NUT, 5/8-18 NYLON ZINC LOCK | F05010-71 | 2 |
| 10 | WASHER, 10.5 FLAT ZINC | F81055-1 | 6 |
| 11 | NUT, M10-04-A HEX THIN ZINC | F81033-6 | 6 |
| 12 | WASHER, 21 FLAT ZINC | F81059-2 | 1 |
| 13 | WASHER, 20.5 SPLIT LOCK ZINC | F81059-1 | 1 |
| 14 | BOLT, M20X1.5X35-8.8-B HEX HEAD FULL THREAD ZINC | F81007-21 | 1 |
| 15 | PLATE, STOP | 715968-1 | 1 |
| 16 | WASHER, 6.4 FLAT ZINC | F81053-1 | 2 |
| 17 | BOLT, M6X16-8.8 HEX HEAD FULL THREAD ZINC | F81001-15 | 2 |
| 18 | WASHER, 13 FLAT ZINC | F81056-1 | 2 |
| 19 | BOLT, M12X35 8.8 HEX HEAD FULL THREAD ZINC | F81004-24 | 2 |
| 20 | BOLT, M12X70-8.8 HEX HEAD FULL THREAD ZINC | F81004-102 | 2 |
| 21 | NUT, M12-8 HEX ZINC | F81034-1 | 4 |
| 22 | SCREW, M10X25 8.8 HEX SOCKET HEAD CAP ZINC | F81003-32 | 2 |

| REF. | DESCRIPTION (* indicates parts available in assemblies only) | PART # | QTY | |
|------|--|-----------|-----|--|
| 23 | BUSHING, INTERMEDIATE | 715918-1 | 1 | |
| 24 | SCREW, M5X25 8.8 HEX SOCKET HEAD CAP ZINC | F81000-7 | 3 | |
| 25 | SPROCKET, M=1.5, Z=16; KZ-M1.5-Z16 /EBMIA/ | 715566 | 1 | |
| 26 | SHAFT, DRIVE | 715919 | 1 | |
| 27 | KEY, A 4X4X12 | 715588 | 3 | |
| 28 | SCREW, M5X8 45H DIN 913 SET | F81014-7 | 1 | |
| 29 | BEARING, 6200 27 | 715569 | 1 | |
| 30 | RING, W30 INSIDE RETAINING | F81090-15 | 1 | |
| 31 | GEARMOTOR MRA 02/25,5 [0,06-1400] E V5 | 715570 | 1 | |
| 32 | PLUG, M10X1 DIN906 BN40 ZINC | F81015-3 | 3 | |
| 33 | NOZZLE, BLADE LUBE SPRAY | 033479 | 4 | |
| 34 | BLOCK, BLADE GUIDE | 711079 | 1 | |
| 35 | PLATE | 711219-1 | 1 | |
| 36 | WASHER, 8.4 FLAT ZINC | F81054-1 | 2 | |
| 37 | BOLT, M8X55-8.8 HEX HEAD ZINC | F81002-8 | 2 | |
| 38 | NUT, M8-8-B HEX ZINC | F81032-1 | 2 | |
| 39 | BOLT, M8X35-8.8 HEX HEAD FULL THREAD ZINC | F81002-13 | 2 | |
| 40 | BLOCK, BLADE GUIDE | 715551 | 1 | |
| 41 | CLAMP | 715455-1 | 1 | |
| 42 | COVER, BLADE | 715438-1 | 1 | |
| 43 | WASHER | 715514-1 | 1 | |
| 44 | WASHER, 5.1 SPLIT LOCK | F81052-2 | 2 | |
| 45 | BOLT, M5X12 8.8 HEX HEAD FULL THREAD ZINC | F81000-5 | 2 | |
| 46 | WASHER, 8.2 SPLIT LOCK ZINC | F81054-4 | 2 | |
| 47 | BOLT, M8X40-8.8 HEX HEAD FULL THREAD ZINC | F81002-15 | 2 | |
| 48 | SCREW, M10X30-33H-GEOMET HEX SOCKET SET W/FLAT POINT | F81003-35 | 4 | |
| 49 | WASHER, Z 10.2 SPLIT LOCK ZINC | F81055-2 | 4 | |
| 50 | FITTING, 1/8 NPT-HOSE 1/4 KQ2H07-34AS | 715928 | 1 | |
| 51 | SWITCH, FA134 Z11 SAFETY | 100910 | 1 | |
| 52 | SCREW, M4X30-8.8 HEX SOCKET HEAD CAP ZINC | F81000-85 | 4 | |
| 53 | SWITCH, GLCB01A2B (HONEYWELL) LIMIT | 086469 | 1 | |

3.23 Blade Lube Assembly

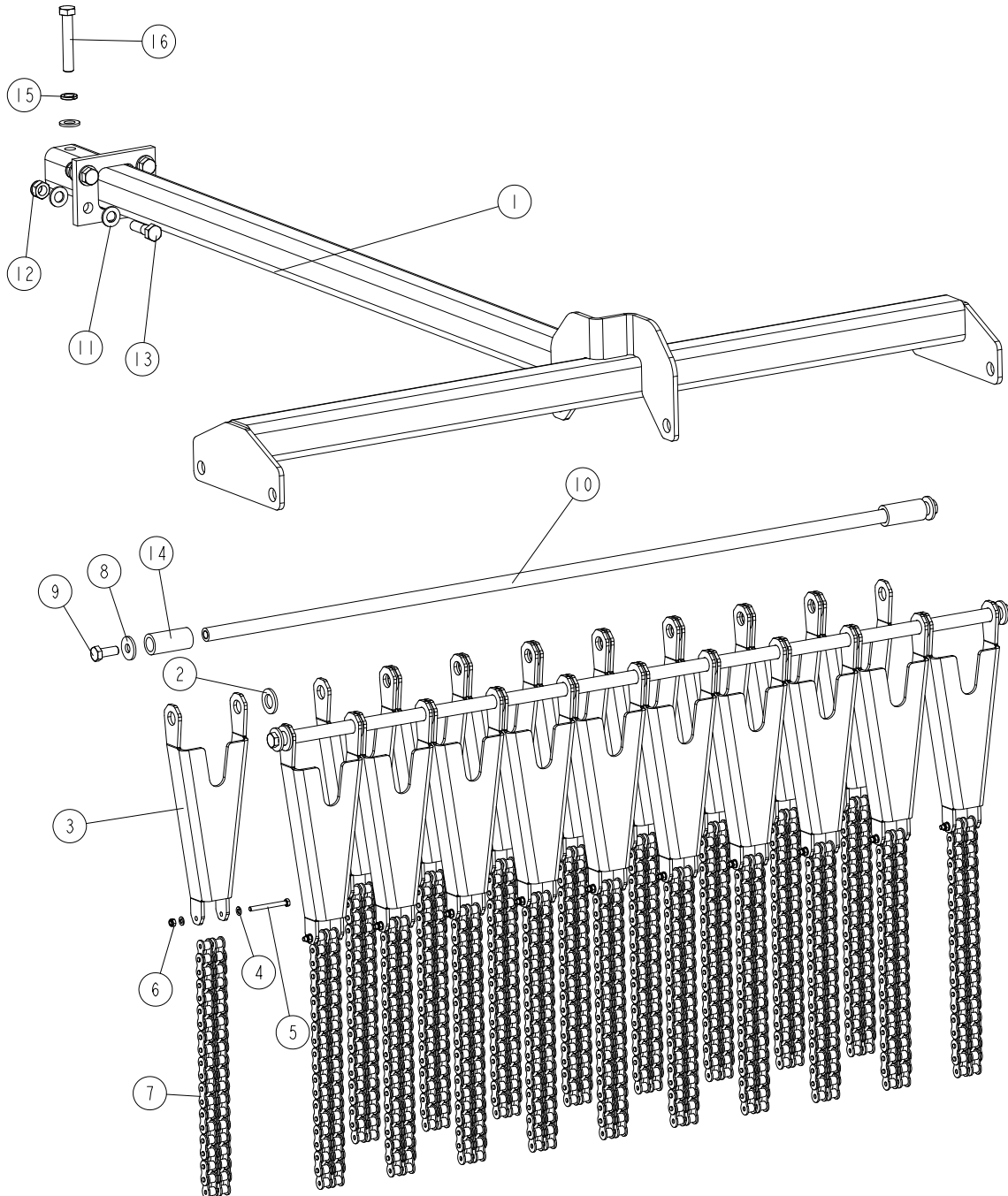
717194_001_B
717194_MANUAL



| REF. | DESCRIPTION (* indicates parts available in assemblies only) | PART # | QTY |
|------|--|-----------|-----|
| - | LUBE ASSEMBLY, BLADE | 717194 | 1 |
| 1 | GUARD WELDMENT, TOP | 717195-1 | 1 |
| 2 | NIPPLE, N8 1/2" MALE ZINC-PLATED | 094751 | 3 |
| 3 | VALVE, Z 1/2" W/T-HANDLE | 094395 | 1 |
| 4 | FILTER, 1/2 GRID | 717193 | 1 |
| 5 | B1-ELBOW, 1/2" ZINC-PLATED | 094750 | 1 |
| 6 | WASHER, 8.4 FLAT ZINC | F81054-1 | 16 |
| 7 | SEAL | 717203 | 1 |
| 8 | COVER, WELDMENT | 717205-1 | 1 |
| 9 | WASHER, 8.2 SPLIT LOCK ZINC | F81054-4 | 8 |
| 10 | BOLT, M8X16-8.8-B HEX HEAD FULL THREAD ZINC | F81002-20 | 8 |
| 11 | GRID, FRONT | 714854-1 | 1 |
| 12 | WASHER, 6.4 FLAT ZINC | F81053-1 | 10 |
| 13 | WASHER, Z 6.1 SPLIT LOCK ZINC | F81053-3 | 10 |
| 14 | BOLT, M6X16-8.8 HEX HEAD FULL THREAD ZINC | F81001-15 | 10 |
| 15 | COVER, RIGHT TOP | 717207-1 | 1 |

| REF. | DESCRIPTION (* indicates parts available in assemblies only) | PART # | QTY | |
|------|--|-----------|-----|--|
| 16 | COVER, LEFT TOP | 714862-1 | 1 | |
| 17 | NUT, M8-8-B HEX NYLON ZINC LOCK | F81032-2 | 8 | |
| 18 | WASHER, 8.4/25 - 2.5 (ESSENTRA 032080000001) NYLON | 714861 | 4 | |
| 19 | SCREW, M8X25 -8.8 HEX SOCKET HEAD CAP ZINC | F81002-21 | 4 | |
| 20 | WASHER, ISO 7093-1-8-200 HV-A2E. | F81054-11 | 8 | |
| 21 | WASHER, 8.2/30-1 (1008810000VR) NYLON | 713634 | 4 | |
| 22 | SCREW, M8X20-8.8 HEX SOCKET HEAD CAP ZINC | F81002-30 | 4 | |
| 23 | BOLT, M5X16-8.8 CARRIAGE, PTD. | 715068-1 | 9 | |
| 24 | WASHER, 5.3 FLAT ZINC | F81052-1 | 9 | |
| 25 | NUT, M5-8 DIN985 HEX NYLON ZINC LOCK | F81030-2 | 9 | |
| 26 | CAP, TM450G65-40MIC FILTER W/BREATHER PLUG | 715987 | 1 | |
| 27 | BOLT, M5X12 8.8 HEX HEAD FULL THREAD ZINC | F81000-5 | 3 | |
| 28 | FITTING, 1/2" HOSE END | 092356 | 1 | |
| 29 | CLAMP, 11-16 | F81080-31 | 2 | |
| 30 | CAP | 717206 | 1 | |
| 31 | OILER, (VENTO B3192-2X00) W/2-WAY SOLENOID VALVE | 717208 | 1 | |
| 32 | FITTING, 1/2 G - 9/16UNF ELBOW | 717212 | 1 | |
| 33 | FITTING, 7/16UNF - 9/16JIC ELBOW | 717215 | 1 | |
| 34 | FITTING, W 7/16 UNF - 9/16 UNF Z | 717213 | 2 | |
| 35 | HOSE, 2G3/8X0.405 90W9/16UNF-90W9/16UNF HYDRAULIC | 718081 | 1 | |
| 36 | HOSE, 2G3/8X0.620 90W9/16UNF-W9/16UNF HYDRAULIC | 717308 | 1 | |
| 37 | FITTING, 1/4 G - 9/16UNF ELBOW | 717216 | 2 | |
| 38 | HOSE, 2G3/8X0.112 90W9/16UNF-90W9/16UNF HYDRAULIC | 717309 | 1 | |

3.24 Board Return Guide. 549730

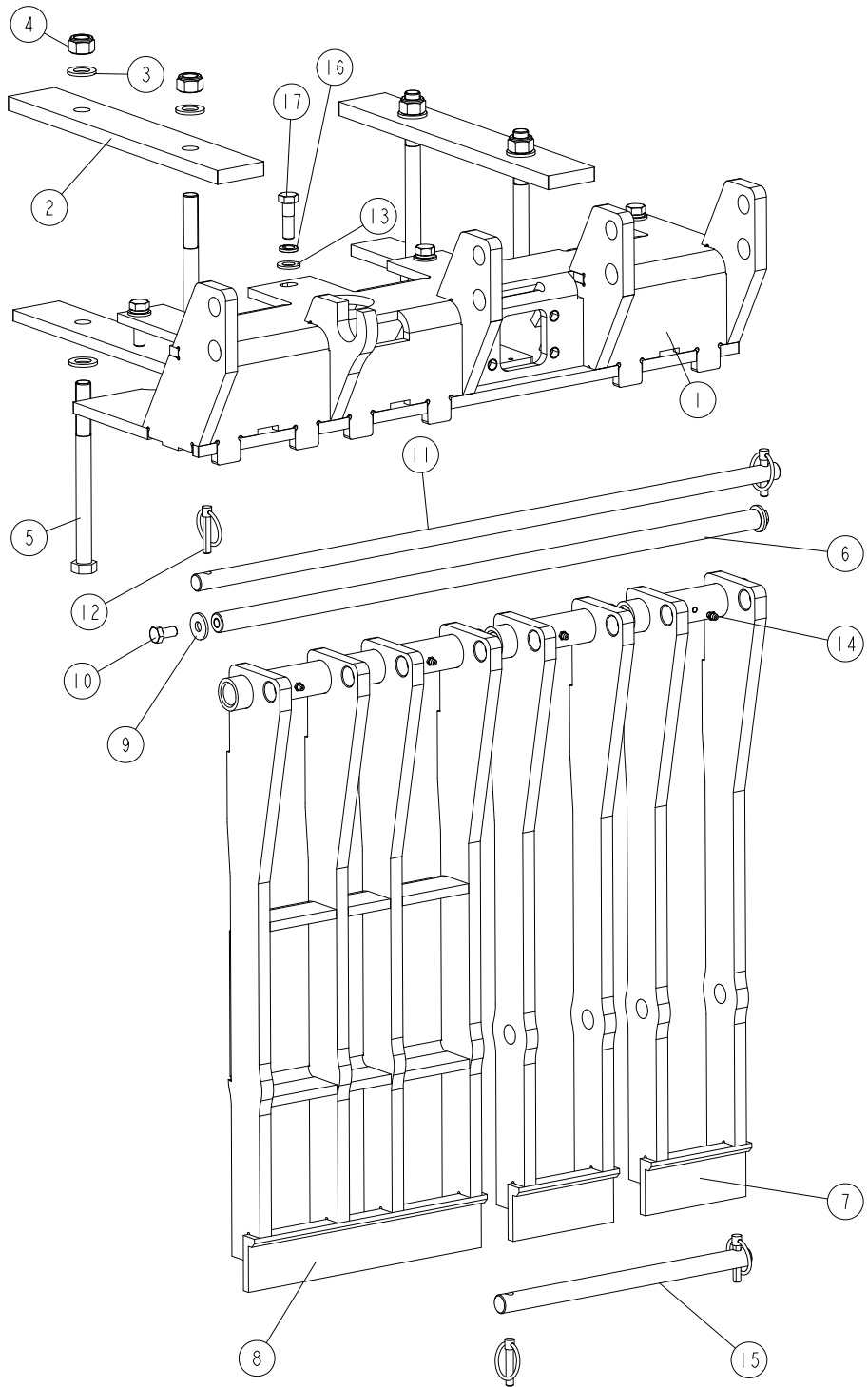
549730_001
549730_MANUAL

| REF | DESCRIPTION (◆ indicates parts available in assemblies only) | PART # | QTY |
|-----|--|----------|-----|
| - | GUIDE, BOARD RETURN | 549730 | 1 |
| 1 | ARM LEVEL GUIDE | 549731-1 | 1 |
| 2 | WASHER, 17 FLAT ZINC | F81058-1 | 19 |
| 3 | ROD WELDMENT, CHAIN HOOK | 715322-1 | 19 |
| 4 | WASHER, 5.3 FLAT ZINC | F81052-1 | 38 |
| 5 | BOLT, M5X50MM, HH, GR 8.8, ZINC | F81000-1 | 19 |

| REF | DESCRIPTION (◆ indicates parts available in assemblies only) | PART # | QTY | |
|-----|--|------------|-----|--|
| 6 | NUT, M5-8-FE/ZN5 DIN985 | F81030-2 | 19 | |
| 7 | CHAIN 10B-2 L316 DIN 8187-1 | 717512 | 19 | |
| 8 | WASHER,10.5 ZINC FLAT SPECIAL | F81055-6 | 4 | |
| 9 | BOLT, M10X25-8.8-FE/ZN5 | F81003-11 | 4 | |
| 10 | ROD, BOARD RETURN GUIDE | 717519-1 | 2 | |
| 11 | WASHER, 13 FLAT ZINC | F81056-1 | 9 | |
| 12 | NUT, M12-8 HEX NYLON ZINC LOCK | F81034-2 | 4 | |
| 13 | BOLT, M12X40-8.8 HEX HEAD ZINC | F81004-1 | 4 | |
| 14 | BUSHING, 17/25-53 | 538043-1 | 2 | |
| 15 | WASHER, Z12.2 SPLIT LOCK ZINC | F81056-2 | 1 | |
| 16 | BOLT, M12X70-8.8 HEX HEAD FULL THREAD Z | F81004-102 | 1 | |

3.25 Board Return Assy. 549735

549735_001
549735_MANUAL

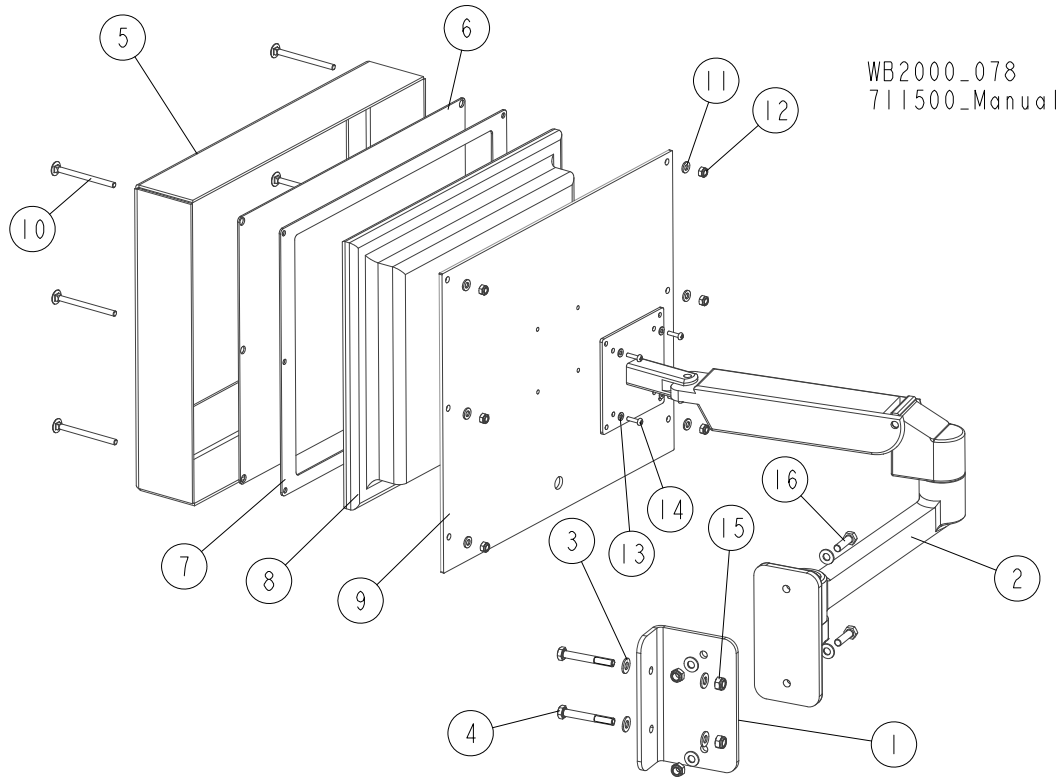


| REF | DESCRIPTION (◆ indicates parts available in assemblies only) | PART # | QTY |
|-----|--|-----------|-----|
| - | RETURN ASSEMBLY, BOARD | 549735 | 1 |
| 1 | PLATE ASSEMBLY, BOARD RETURN MOUNT | 549736-1 | 1 |
| 2 | BAR, 60X373X15 | 711278-1 | 2 |
| 3 | WASHER, 17 FLAT ZINC | F81058-1 | 8 |
| 4 | NUT, M16,HEX, NYLON ZINC LOCK | F81036-2 | 4 |
| 5 | BOLT, ISO4014 M16X195-8.8-A2E HEX HEAD | F81006-44 | 4 |

| REF | DESCRIPTION (◆ indicates parts available in assemblies only) | PART # | QTY | |
|-----|--|----------|-----|--|
| 6 | ROD, N21X697 | 710269-1 | 1 | |
| 7 | ARM WELDMENT, BOARD RETURN | 715941-1 | 2 | |
| 8 | FINGER, BOARD RETURN | 715951-1 | 1 | |
| 9 | WASHER,10.5 ZINC FLAT SPECIAL | F81055-6 | 2 | |
| 10 | BOLT, M10X20MM,HEX HEAD,GR 5.8 ZINC | F81003-1 | 2 | |
| 11 | ROD, N18X750 | 710818-1 | 1 | |
| 12 | PIN, 8 BN914 (BOSSARD 134650) LOCK | F81046-2 | 4 | |
| 13 | WASHER, 13 FLAT ZINC | F81056-1 | 4 | |
| 14 | FITTING, M6 GREASE | 086280 | 4 | |
| 15 | ROD, N20X320 | 713563-1 | 1 | |
| 16 | WASHER, Z12.2 SPLIT LOCK ZINC | F81056-2 | 4 | |
| 17 | BOLT, M12X40-8.8 HEX HEAD ZINC | F81004-1 | 4 | |

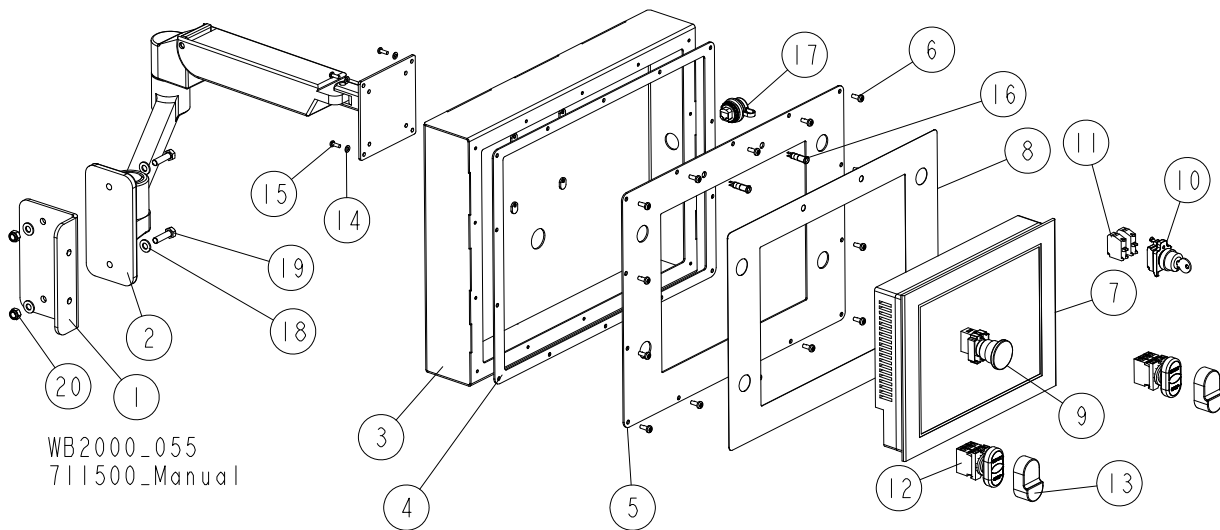
SECTION 4 OPERATOR STAND

4.1 LCD Monitor w/Arm



| REF. | DESCRIPTION (◆ Indicates Parts Available In Assemblies Only) | PART # | QTY |
|------|--|---------------|----------|
| | MONITOR WB2000 CCTV - COMPLETE | 713208 | 1 |
| 1 | ANGLE, CONTROL BOC ARM | 711493-1 | 1 |
| 2 | ARM, LMX WALL ERGOTRON CONTROL BOX | 512941 | 1 |
| 3 | WASHER, 8.4 FLAT ZINC | F81054-1 | 8 |
| 4 | BOLT, M8X60 8.8 HEX HEAD ZINC | F81002-54 | 2 |
| | MONITOR W/HOUSING - COMPLETE | 714524 | 1 |
| 5 | COVER, MONITOR | 714522-1 | 1 |
| 6 | PLATE, FRONT COVER | 714523 | 1 |
| 7 | GASKET, MONITOR | 714525 | 1 |
| 8 | MONITOR, LCD CCTV 17RTVN | 512959 | 1 |
| 9 | PLATE, REAR COVER | 714526-1 | 1 |
| 10 | BOLT, M6X80-8.8 CARRIAGE ZINC | F81001-60 | 6 |
| 11 | WASHER, 6.4 FLAT ZINC | F81053-1 | 6 |
| 12 | NUT, M6-8-B HEX NYLON ZINC LOCK | F81031-2 | 6 |
| 13 | WASHER, 4.3 FLAT ZINC | F81051-2 | 4 |
| 14 | SCREW, M4X16 5.8-B CROSS RECESSED PAN HEAD ZINC | F81011-42 | 4 |
| 15 | NUT, M8 8 HEX NYLON ZINC LOCK | F81032-2 | 4 |
| 16 | BOLT, M8X30-5.8-B HEX HEAD FULL THREAD ZINC | F81002-2 | 2 |

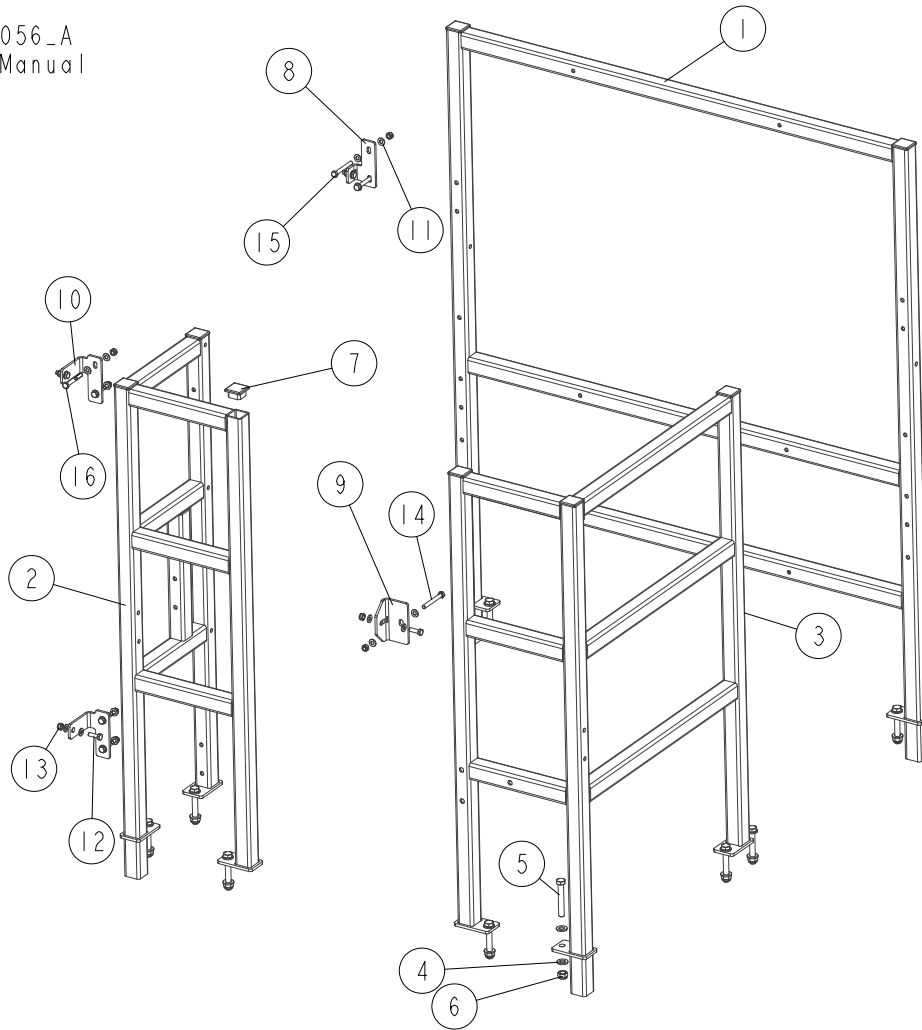
4.2 Control Box Assembly



| REF. | DESCRIPTION (◆ Indicates Parts Available In Assemblies Only) | PART # | QTY |
|------|--|---------------|----------|
| 1 | ANGLE, CONTROL BOC ARM | 711493-1 | 1 |
| 2 | ARM, LMX WALL ERGOTRON CONTROL BOX | 512941 | 1 |
| | BOX, WB2000 CONTROL | 510268 | 1 |
| 3 | BOX WELDMENT, WB2000 CONTROL | 711138-1 | 1 |
| 4 | GASKET, WB2000 CONTROL BOX | 711141 | 1 |
| 5 | PANEL, WB2000 CONTROL BOX FRONT | 711142-1 | 1 |
| 6 | BOLT, #10-24X1/2 PAN HEAD | F05015-17 | 14 |
| 7 | PANEL, HMI MAGELIS HMIGT06310 | 512940 | 1 |
| 8 | DECAL, WB2000 CONTROL BOX | 512946 | 1 |
| 9 | SWITCH, XB4 BS542 EMERGENCY STOP | 086556 | 1 |
| 10 | SWITCH, XB4 BG33 KEY | 087350 | 1 |
| 11 | CONTACT, ZBE101 | 087817 | 2 |
| 12 | Switch, XB5AW73731B5 START/STOP | 510254 | 2 |
| 13 | DIAPHRAGM, M22-T-DD MOELLER | 090462 | 1 |
| 14 | WASHER, 4.3 FLAT ZINC | F81051-2 | 4 |
| 15 | SCREW, M4X12 -5,8-B CROSS RECESSED PAN HEAD ZINC | F81011-43 | 4 |
| 16 | LIGHT, LED YELLOW CONTROL | 711548 | 2 |
| 17 | SOCKET, USB 3.0 (M22-USB-SA) | 514486 | 1 |
| 18 | WASHER, 8.4 FLAT ZINC | F81054-1 | 4 |
| 19 | BOLT, M8X30-5.8-B HEX HEAD FULL THREAD ZINC | F81002-2 | 2 |
| 20 | NUT, M8 8 HEX NYLON ZINC LOCK | F81032-2 | 2 |

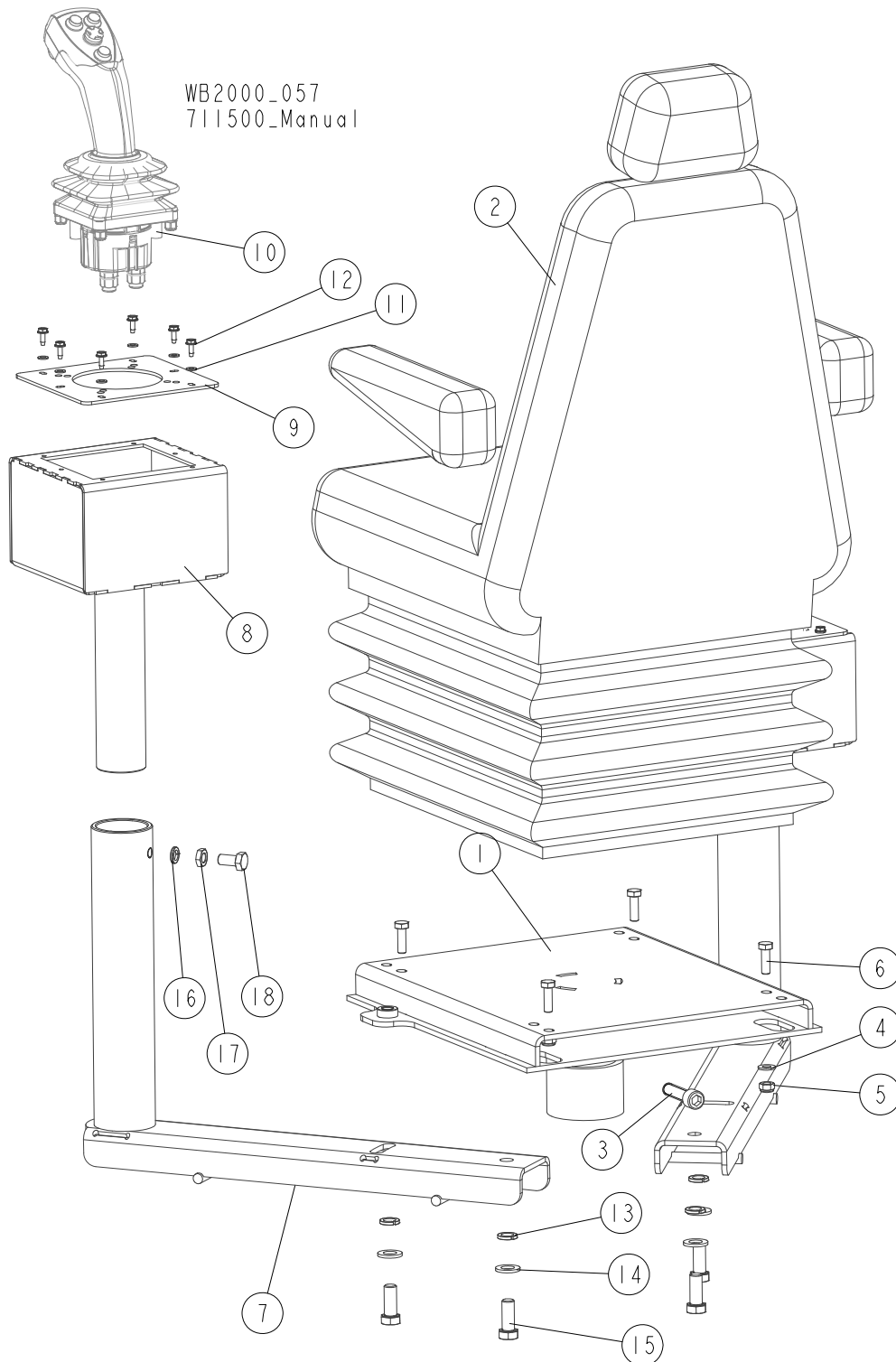
4.3 Rails

WB2000_056_A
711500_Manual



| REF. | DESCRIPTION (◆ Indicates Parts Available In Assemblies Only) | PART # | QTY |
|------|--|---------------|----------|
| | RAIL WELDMENT, FRONT | 514741 | 1 |
| 1 | RAIL WELDMENT, FRONT | 514315-1 | 1 |
| 2 | RAIL WELDMENT, REAR LEFT | 514313-1 | 1 |
| 3 | RAIL WELDMENT, REAR RIGHT | 514311-1 | 1 |
| 4 | WASHER, 13 FLAT ZINC | F81056-1 | 21 |
| 5 | BOLT, M12X80 -8.8 HEX HEAD ZINC | F81004-46 | 9 |
| 6 | NUT, M12 8 HEX NYLON ZINC LOCK | F81034-2 | 9 |
| 7 | CAP, 40x40x(3-4) MOSS TUBE END | 097480 | 8 |
| 8 | WASHER, 8.4 FLAT ZINC | F81054-1 | 22 |
| 9 | BOLT, M8X25-8.8-B HEX HEAD FULL THREAD ZINC | F81002-5 | 4 |
| 10 | NUT, M8 8 HEX NYLON ZINC LOCK | F81032-2 | 11 |
| 11 | BRACKET WELDMENT, WB2000 ELECTRIC BOX LOWER | 711462-1 | 1 |
| 12 | BRACKET, ELECTRIC BOX UPPER RIGHT | 092648-1 | 1 |
| 13 | BRACKET, ELECTRIC BOX UPPER LEFT | 711459-1 | 2 |
| 14 | BOLT, M8X70-8.8 HEX HEAD ZINC | F81002-71 | 1 |
| 15 | BOLT, M8X65 5.8-FE/ZN5 HEX HEAD ZINC | F81002-3 | 2 |
| 16 | BOLT, M8X60 8.8 HEX HEAD ZINC | F81002-54 | 4 |

4.4 Operator Seat & Joysticks

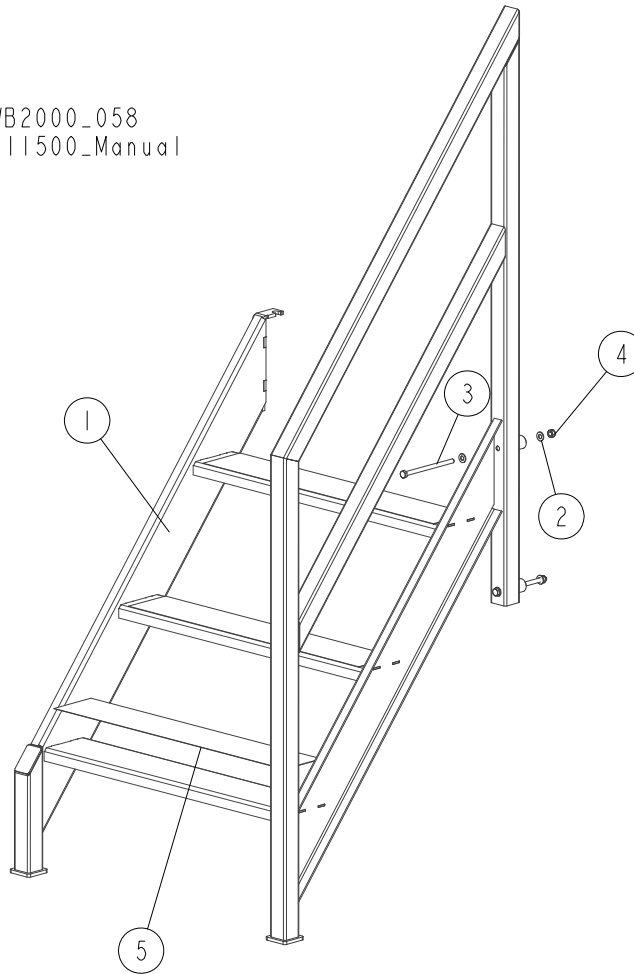


| REF. | DESCRIPTION (◆ Indicates Parts Available In Assemblies Only) | PART # | QTY |
|------|--|-----------|-----|
| 1 | BRACKET, OPERATOR SEAT MOUNT | 711496-1 | 1 |
| 2 | SEAT, CS85/C1 AR HD PVC OPERATOR | 711482 | 1 |
| 3 | SCREW, M12X45-8.8-B HEX SOCKET HEAD CAP ZINC | F81004-93 | 1 |
| 4 | WASHER, 8.4 FLAT ZINC | F81054-1 | 4 |

| REF. | DESCRIPTION (◆ Indicates Parts Available In Assemblies Only) | PART # | QTY | |
|------|--|-----------|-----|--|
| 5 | NUT, M8 8 HEX NYLON ZINC LOCK | F81032-2 | 4 | |
| 6 | BOLT, M8X25-8.8-B HEX HEAD FULL THREAD ZINC | F81002-5 | 4 | |
| 7 | ARM WELDMENT, JOYSTICK | 711484-1 | 2 | |
| 8 | BRACKET, JOYSTICK | 711491-1 | 2 | |
| 9 | PLATE, JOYSTICK MOUNTING | 711492-1 | 2 | |
| 10 | JOYSTICK, HJMST-000004 | 078360 | 2 | |
| 11 | WASHER, 5.3 FLAT ZINC | F81052-1 | 12 | |
| 12 | BOLT, #10-24X1/2 SELF-TAPPING | F05015-7 | 12 | |
| 13 | WASHER, Z12.2 SPLIT LOCK ZINC | F81056-2 | 4 | |
| 14 | WASHER, 13 FLAT ZINC | F81056-1 | 4 | |
| 15 | BOLT, M12X30 8.8 HEX HEAD FULL THREAD ZINC | F81004-22 | 4 | |
| 16 | WASHER, Z 10.2 SPLIT LOCK ZINC | F81055-2 | 2 | |
| 17 | NUT, M10-04-A HEX THIN ZINC | F81033-6 | 2 | |
| 18 | BOLT, M10X20-5.8 HEX HEAD FULL THREAD ZINC | F81003-1 | 2 | |

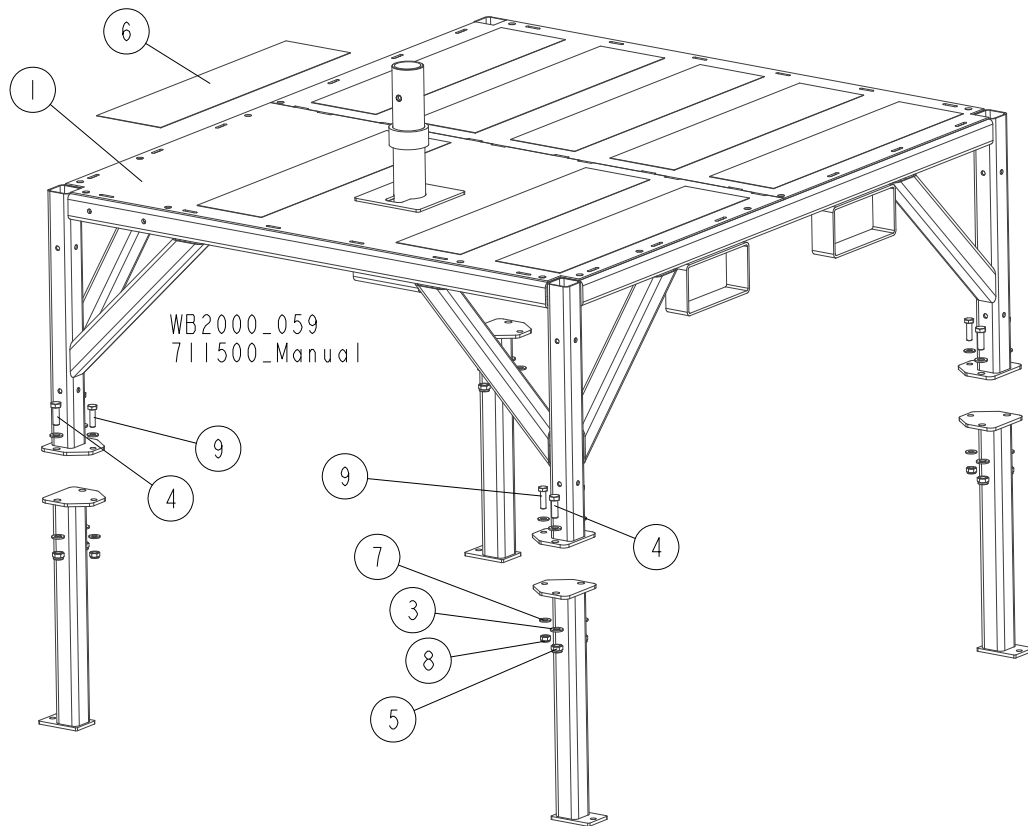
4.5 Operator Stand Ladder

WB2000_058
711500_Manual



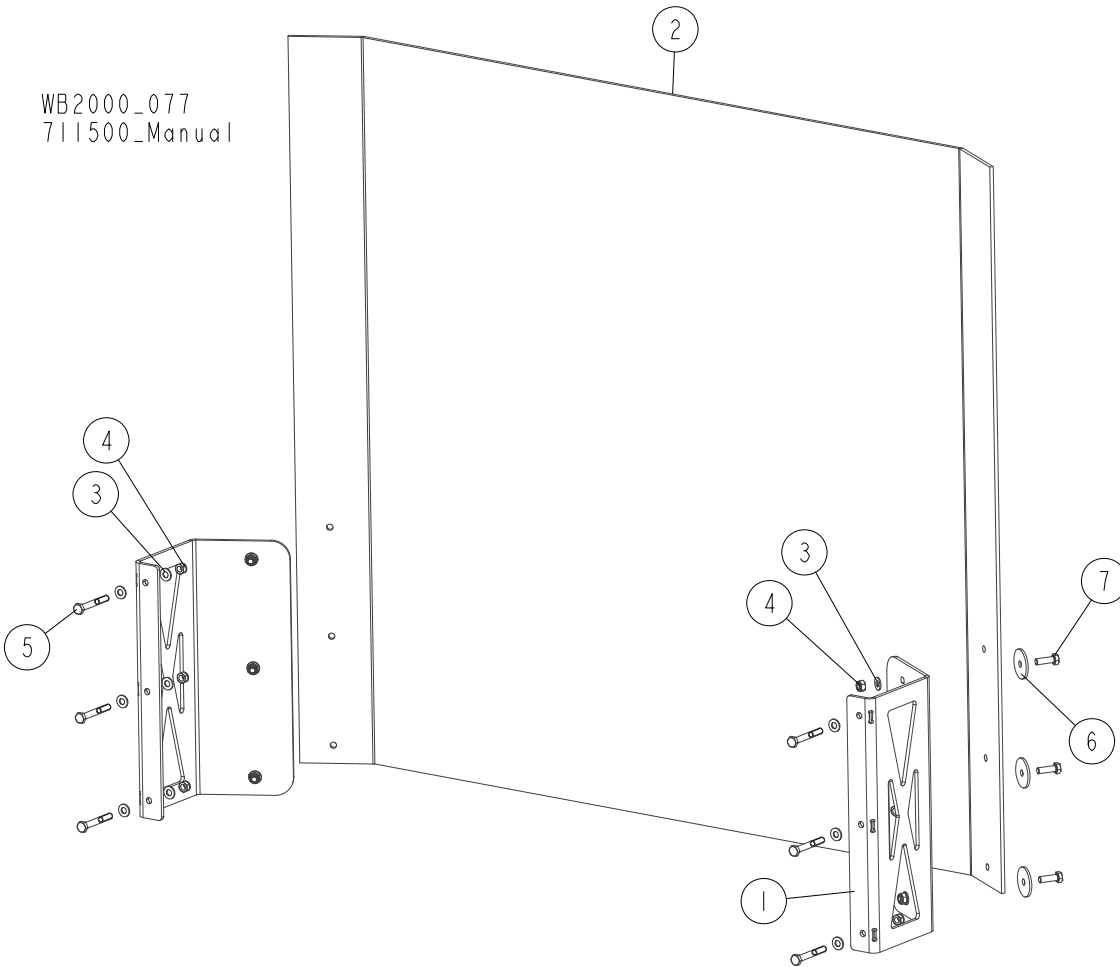
| REF. | DESCRIPTION (◆ Indicates Parts Available In Assemblies Only) | PART # | QTY |
|------|--|-----------|-----|
| 1 | LADDER, WB2000 OPERATOR STAND | 711478-1 | 1 |
| 2 | WASHER, 8.4 FLAT ZINC | F81054-1 | 4 |
| 3 | BOLT, M18X130 -8.8 HEX HEAD ZINC | F81002-50 | 2 |
| 4 | NUT, M8 8 HEX NYLON ZINC LOCK | F81032-2 | 2 |
| 5 | PAD, NON-SKID STEP | 711495 | 3 |

4.6 Operator Stand Base



| REF. | DESCRIPTION (◆ Indicates Parts Available In Assemblies Only) | PART # | QTY |
|------|--|-----------|-----|
| 1 | BASE WELDMENT, OPERATOR STAND | 513437-1 | 1 |
| 2 | LEG, OPERATOR STAND | 513886-1 | 4 |
| 3 | WASHER, 13 FLAT ZINC | F81056-1 | 16 |
| 4 | BOLT, M12X35 8.8 HEX HEAD FULL THREAD ZINC | F81004-24 | 8 |
| 5 | NUT, M12 8 HEX NYLON ZINC LOCK | F81034-2 | 8 |
| 6 | PAD, NON-SKID | 711494 | 9 |
| 7 | WASHER, 10.5 FLAT ZINC | F81055-1 | 8 |
| 8 | NUT, M10-8-B HEX NYLON ZINC LOCK | F81033-1 | 4 |
| 9 | BOLT, M10X35 8.8 HEX HEAD FULL THREAD ZINC | F81003-17 | 4 |

4.7 Operator Guard

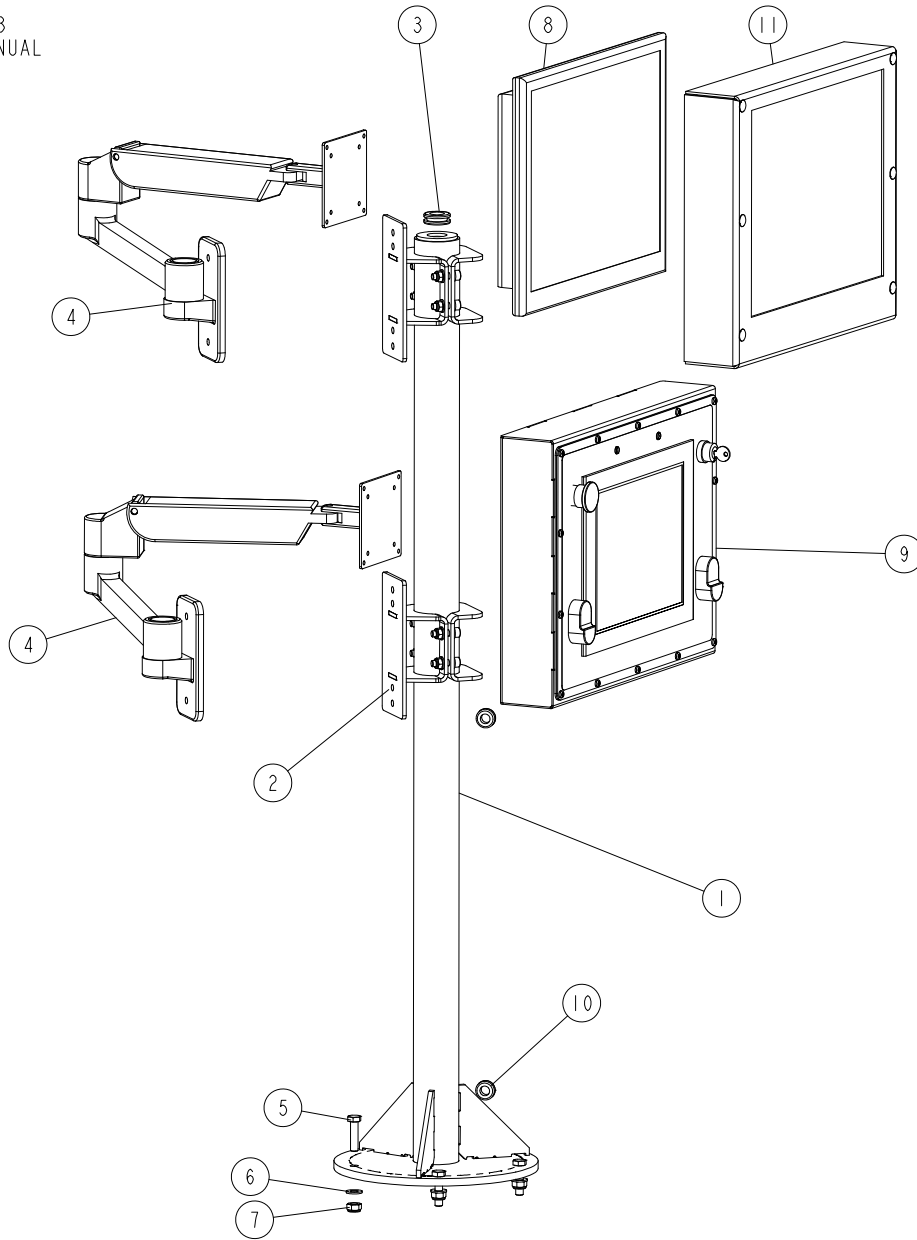


| REF. | DESCRIPTION (* Indicates Parts Available in Assemblies Only) | PART # | QTY |
|------|--|-----------|-----|
| 1 | BRACKET, OPERATOR GUARD MOUNT | 714591-1 | 2 |
| 2 | GUARD, WB2000 CONTROL BOX | 714579 | 1 |
| 3 | WASHER, 8.4 FLAT ZINC | F81054-1 | 18 |
| 4 | NUT, M8-8-B HEX NYLON ZINC LOCK | F81032-2 | 12 |
| 5 | BOLT, M8X60 8.8 HEX HEAD ZINC | F81002-54 | 6 |
| 6 | WASHER, 8.3/40-3 ZINC-PLATED | 094128-1 | 6 |
| 7 | BOLT, M8X25-8.8-B HEX HEAD FULL THREAD ZINC | F81002-5 | 6 |

SECTION 5 OPERATOR STAND W/CAB (OPTION)

5.1 Control Box/Monitor Pedestal

719439_003
719439_MANUAL



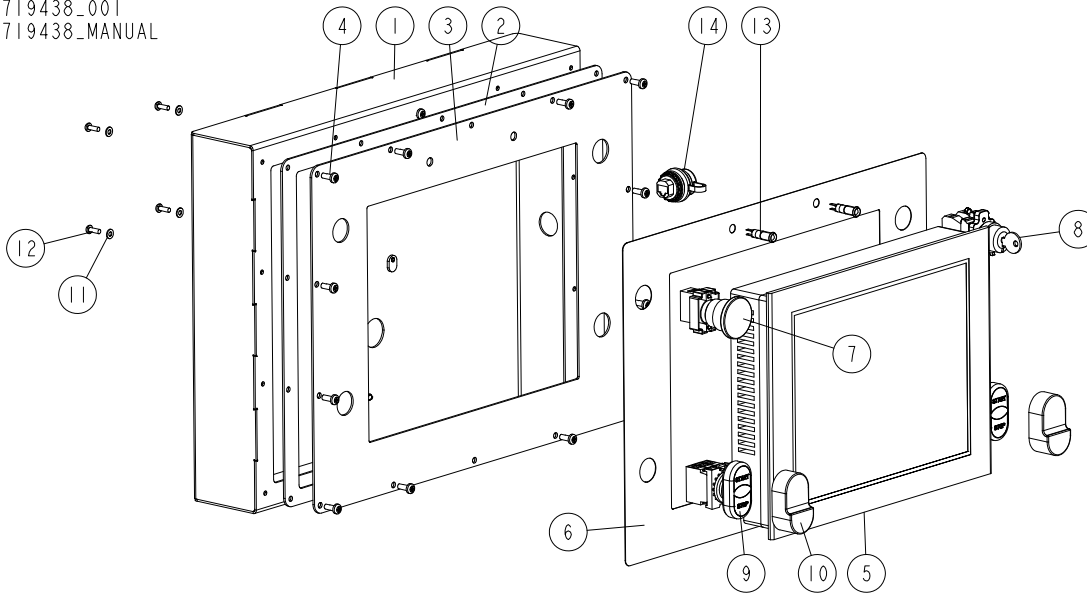
| REF | DESCRIPTION (u indicates parts available in assemblies only) | PART # | QTY |
|-----|--|-----------|-----|
| - | BRACKET MONITOR UL | 719441 | 1 |
| 1 | PEDESTAL, CONTROL BOX/MONITOR | 713438-1 | 1 |
| 2 | BRACKET, CONTROL BOX ARM MOUNT See Section 5.3 | 713444 | 2 |
| 3 | GROMMET, RUBBER 3/4 ID | 025247 | 1 |
| 4 | ARM, LMX WALL ERGOTRON CONTROL BOX | 512941 | 2 |
| 5 | BOLT, M10 X 40-8.8 FE/ZN5, PN-M/82105 | F81003-16 | 5 |
| 6 | WASHER, 10.5 FLAT ZINC | F81055-1 | 5 |
| 7 | NUT, M10-8-B HEX NYLON ZINC LOCK | F81033-1 | 5 |
| 8 | MONITOR, LCD CCTV 17RTVN | 512959 | 1 |

5**OPERATOR STAND W/CAB (OPTION)***Control Box/Monitor Pedestal*

| REF | DESCRIPTION (u indicates parts available in assemblies only) | PART # | QTY | |
|-----|--|--------|-----|--|
| 9 | CONTROL BOX UL See Section 5.2 | 719438 | 1 | |
| 10 | GROMMET, 20/13 RUBBER | 086188 | 2 | |
| 11 | HOUSING MONITOR COMPLETE See Section 5.4 | 717380 | 1 | |

5.2 Control Box

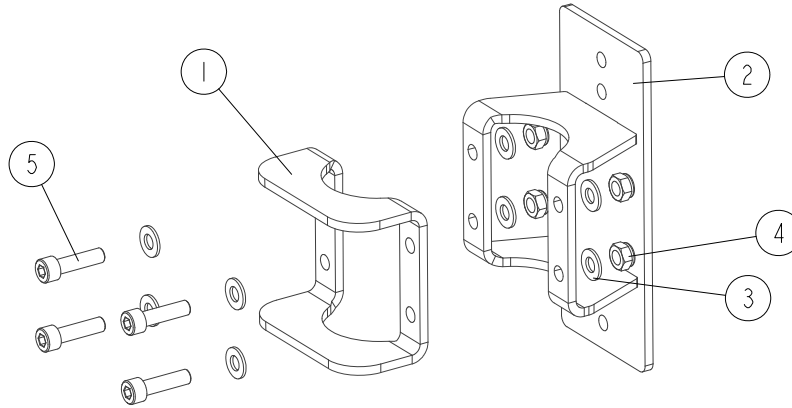
719438_001
719438_MANUAL



| REF | DESCRIPTION (u indicates parts available in assemblies only) | PART # | QTY |
|-----|--|-----------|-----|
| - | CONTROL BOX UL | 719438 | 1 |
| 1 | CONTROL BOX WLDMT | 719436-1 | 1 |
| 2 | GASKET, WB2000 CONTROL BOX | 711141 | 1 |
| 3 | PANEL, WB2000 CONTROL BOX FRONT | 711142-1 | 1 |
| 4 | BOLT, #10-24 X 1/2 PH PAN HD, TYPE 23 | F05015-17 | 14 |
| 5 | DISPLAY, HMI TOUCH | 512940 | 1 |
| 6 | DECAL, WB2000 CONTROL BOX | 512946 | 1 |
| 7 | SWITCH EMERGENCY XB4 BS542 | 086556 | 1 |
| 8 | KEY SWITCH XB4 BG33 | 087350 | 1 |
| 9 | SWITCH, START-STOP COMPLETE | 510254 | 2 |
| 10 | DIAPHRAGM, M22-T-DD MOELLER | 090462 | 1 |
| 11 | WASHER 4,3 FE/ZN5 PN-M/82005 | F81051-2 | 4 |
| 12 | SCREW, M4X12 5,8-B CROSS RECESSED PAN HE | F81011-43 | 4 |
| 13 | LIGHT, LED YELLOW CONTROL | 711548 | 2 |
| 14 | SOCKET, USB 3.0 (M22-USB-SA) | 514486 | 1 |

5.3 Control Box Arm Bracket

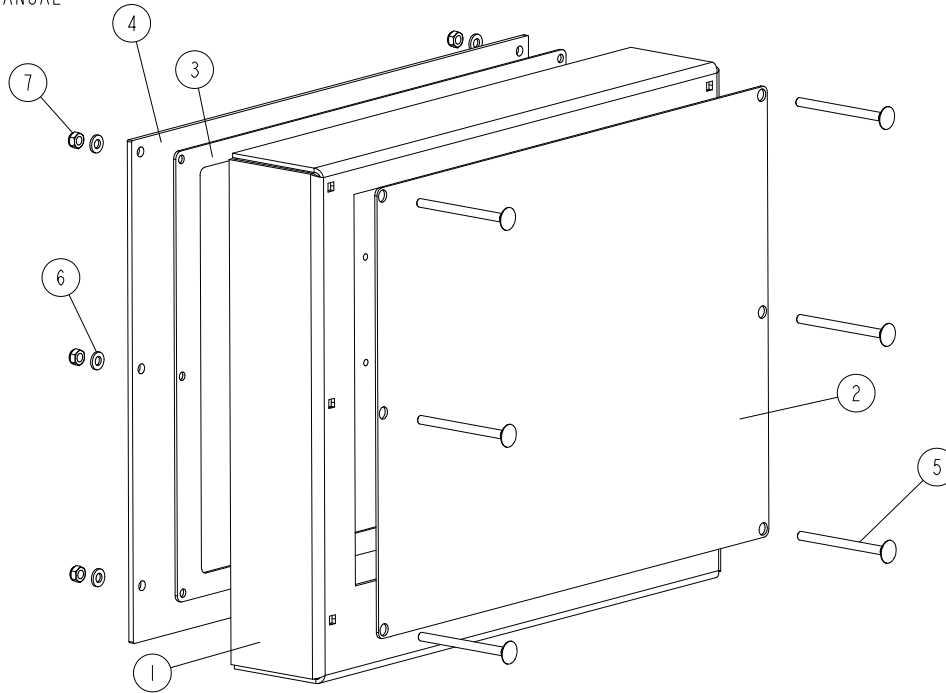
713444_001
713444_MANUAL



| REF. | DESCRIPTION (* Indicates Parts Available in Assemblies Only) | PART # | QTY |
|------|--|---------------|----------|
| | BRACKET, CONTROL BOX ARM MOUNT | 713444 | 1 |
| 1 | PLATE (1) | 713445-1 | 1 |
| 2 | BRACKET WELDMENT | 713450-1 | 1 |
| 3 | WASHER, 8.4 FLAT ZINC | F81054-1 | 8 |
| 4 | NUT, M8-8-B HEX NYLON ZINC LOCK | F81032-2 | 4 |
| 5 | SCREW, M8x30-8.8 HEX SOCKET HEAD CAP ZINC | F81002-31 | 4 |

5.4 Monitor Housing

717380_001
717380_MANUAL



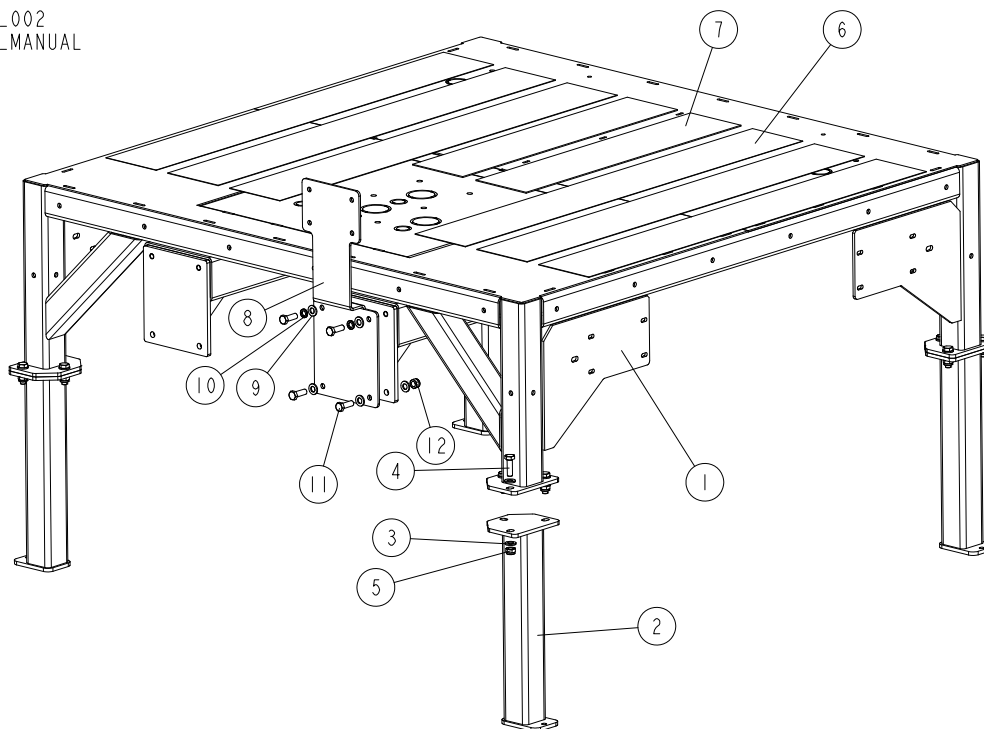
| REF | DESCRIPTION (u indicates parts available in assemblies only) | PART # | QTY | |
|-----|--|-----------|-----|--|
| - | HOUSING MONITOR COMPLETE | 717380 | 1 | |
| 1 | COVER, MONITOR | 714522-1 | 1 | |
| 2 | PLATE, FRONT COVER | 714523 | 1 | |
| 3 | GASKET, MONITOR | 714525 | 1 | |
| 4 | PLATE, REAR COVER | 714526-1 | 1 | |
| 5 | BOLT, M6X80-8.8 CARRIAGE ZINC | F81001-60 | 6 | |
| 6 | WASHER, 6.4 FLAT ZINC | F81053-1 | 6 | |
| 7 | NUT, M6-8-B HEX NYLON ZINC LOCK | F81031-2 | 6 | |

5 OPERATOR STAND W/CAB (OPTION)

Operator Stand Base

5.5 Operator Stand Base

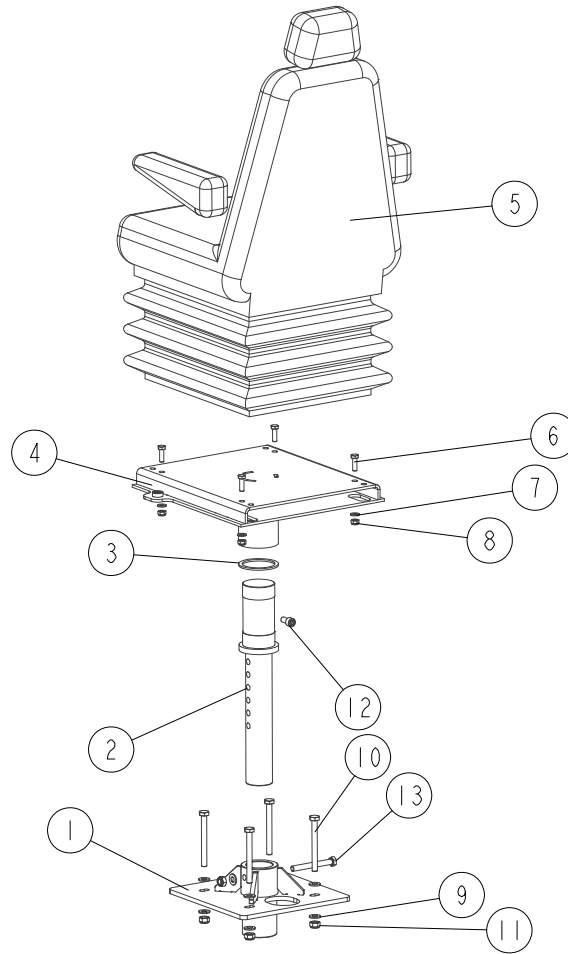
719439_002
719439_MANUAL



| REF | DESCRIPTION (u indicates parts available in assemblies only) | PART # | QTY |
|-----|--|-----------|-----|
| - | BASE OPERATOR STAND | 715599 | 1 |
| 1 | OPERATOR STAND | 716698-1 | 1 |
| 2 | LEG, WB2000 OPERATOR STAND BASE | 713360-1 | 4 |
| 3 | WASHER, 13 FLAT ZINC | F81056-1 | 24 |
| 4 | BOLT, M12X40 8.8 HEX HEAD FULL THR.ZINC | F81004-4 | 12 |
| 5 | NUT, M12-8 HEX NYLON ZINC LOCK | F81034-2 | 12 |
| 6 | PAD, NON-SKID | 713579 | 6 |
| 7 | PAD, NON-SKID | 713580 | 2 |
| 8 | PLATE MOUNTING LMS PUMP | 719437-1 | 1 |
| 9 | WASHER, 13 FLAT ZINC | F81056-1 | 6 |
| 10 | WASHER, Z12.2 SPLIT LOCK ZINC | F81056-2 | 2 |
| 11 | BOLT, M12 X 35-8.8-FE/ZN5 HEX HEAD FULL | F81004-24 | 4 |
| 12 | NUT, M12-8 HEX NYLON ZINC LOCK | F81034-2 | 2 |

5.6 Operator Seat

713566_001
713566_MANUAL



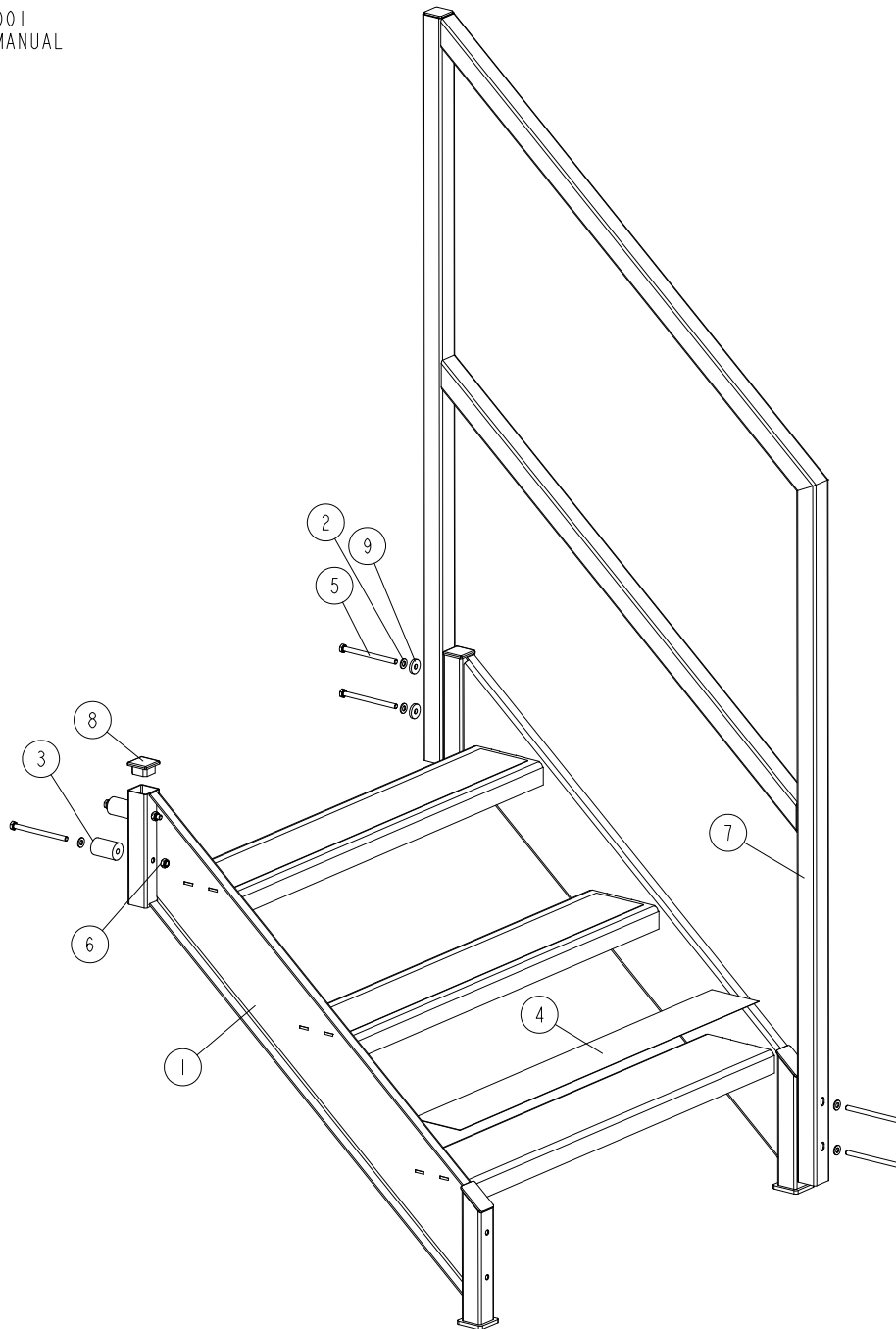
| REF. | DESCRIPTION (* Indicates Parts Available in Assemblies Only) | PART # | QTY |
|------|--|---------------|----------|
| | SEAT ASSEMBLY, OPERATOR | 713566 | 1 |
| 1 | MOUNT WELDMENT, WB2000 OPERATOR SEAT | 713364-1 | 1 |
| 2 | ROD, OPERATOR SEAT SUPPORT | 713416-1 | 1 |
| 3 | WASHER, SLIDE | 713395 | 1 |
| 4 | BRACKET, OPERATOR SEAT MOUNT | 711496-1 | 1 |
| 5 | SEAT, CS85/C1 AR HD PVC OPERATOR | 711482 | 1 |
| 6 | BOLT, M8x25-8.8-B HEX HEAD FULL THREAD ZINC | F81002-5 | 4 |
| 7 | WASHER, 8.4 FLAT ZINC | F81054-1 | 4 |
| 8 | NUT, M8-8-B HEX NYLON ZINC LOCK | F81032-2 | 4 |
| 9 | WASHER, 10.5 FLAT ZINC | F81055-1 | 9 |
| 10 | BOLT, M10x100-8.8 HEX HEAD FULL THREAD ZINC | F81003-91 | 4 |
| 11 | NUT, M10-8-B HEX NYLON ZINC LOCK | F81033-1 | 5 |
| 12 | SCREW, M10x20 8.8 HEX SOCKET HEAD CAP ZINC | F81003-108 | 1 |
| 13 | BOLT, M10x90-8.8-B HEX HEAD ZINC | F81003-66 | 1 |

5 OPERATOR STAND W/CAB (OPTION)

Operator Stand Ladder

5.7 Operator Stand Ladder

719439_001
719439_MANUAL



| REF | DESCRIPTION (u indicates parts available in assemblies only) | PART # | QTY |
|-----|--|-----------|-----|
| - | LADDER COMPLETE | 717323_ | 1 |
| 1 | LADDER | 717324-1 | 1 |
| 2 | WASHER, 8.4 FLAT ZINC | F81054-1 | 16 |
| 3 | SLEEVE 8.5/30-44 | 717329-1 | 2 |
| 4 | PAD, NON-SKID | 713405 | 3 |
| 5 | BOLT, M8X110-8.8 HEX HEAD ZINC | F81002-53 | 6 |
| 6 | NUT, M8-8-B HEX NYLON ZINC LOCK | F81032-2 | 6 |
| 7 | RAIL PLATFORM | 717331-1 | 1 |
| 8 | CAP, TUBE 40 X 40 X (3-4) | 097480 | 2 |

OPERATOR STAND W/CAB (OPTION)

Operator Stand Ladder

5

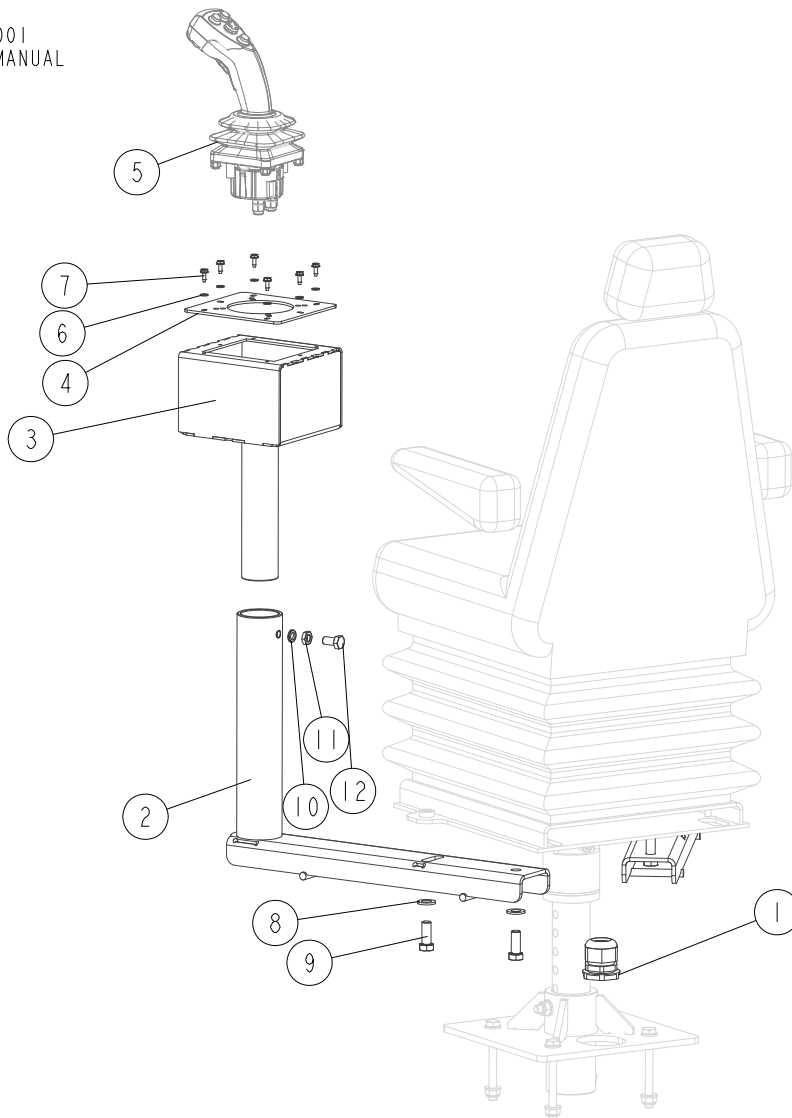
| REF | DESCRIPTION (u indicates parts available in assemblies only) | PART # | QTY | |
|-----|--|----------|-----|--|
| 9 | WASHER 8.4/25-4 | 535377-1 | 2 | |

5 OPERATOR STAND W/CAB (OPTION)

Joysticks

5.8 Joysticks

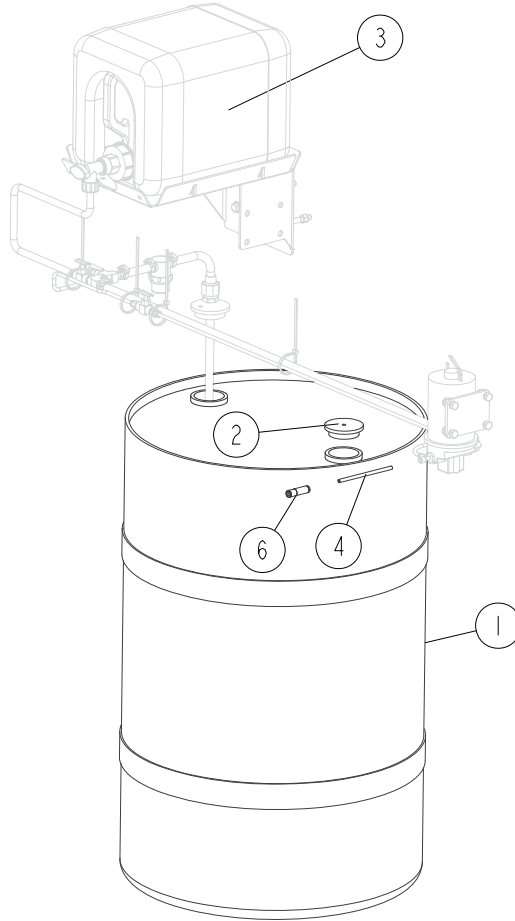
713377_001
713377_MANUAL



| REF. | DESCRIPTION (* Indicates Parts Available in Assemblies Only) | PART # | QTY |
|------|--|-----------|-----|
| 1 | GLAND, PG29 CABLE | F81096-1 | 1 |
| 2 | ARM WELDMENT, JOYSTICK | 711484 | 2 |
| 3 | BRACKET, JOYSTICK | 711491-1 | 2 |
| 4 | PLATE, JOYSTICK MOUNTING | 711492-1 | 2 |
| 5 | JOYSTICK, 5 BUTTON (OTTO) | 069716 | 2 |
| 6 | WASHER, 5.3 FLAT ZINC | F81052-1 | 12 |
| 7 | BOLT, #10-24x1/2 SELF-TAPPING | F05015-7 | 12 |
| 8 | WASHER, 13 FLAT ZINC | F81056-1 | 4 |
| 9 | BOLT, M12X30 8.8 HEX HEAD FULL THREAD ZINC | F81004-22 | 4 |
| 10 | WASHER, Z 10.2 SPLIT LOCK ZINC | F81055-2 | 2 |
| 11 | NUT, M10-04-A HEX THIN ZINC | F81033-6 | 2 |
| 12 | BOLT, M10X20-5.8 HEX HEAD FULL THREAD ZINC | F81003-1 | 2 |

SECTION 6 BLADE LUBE ASSEMBLY

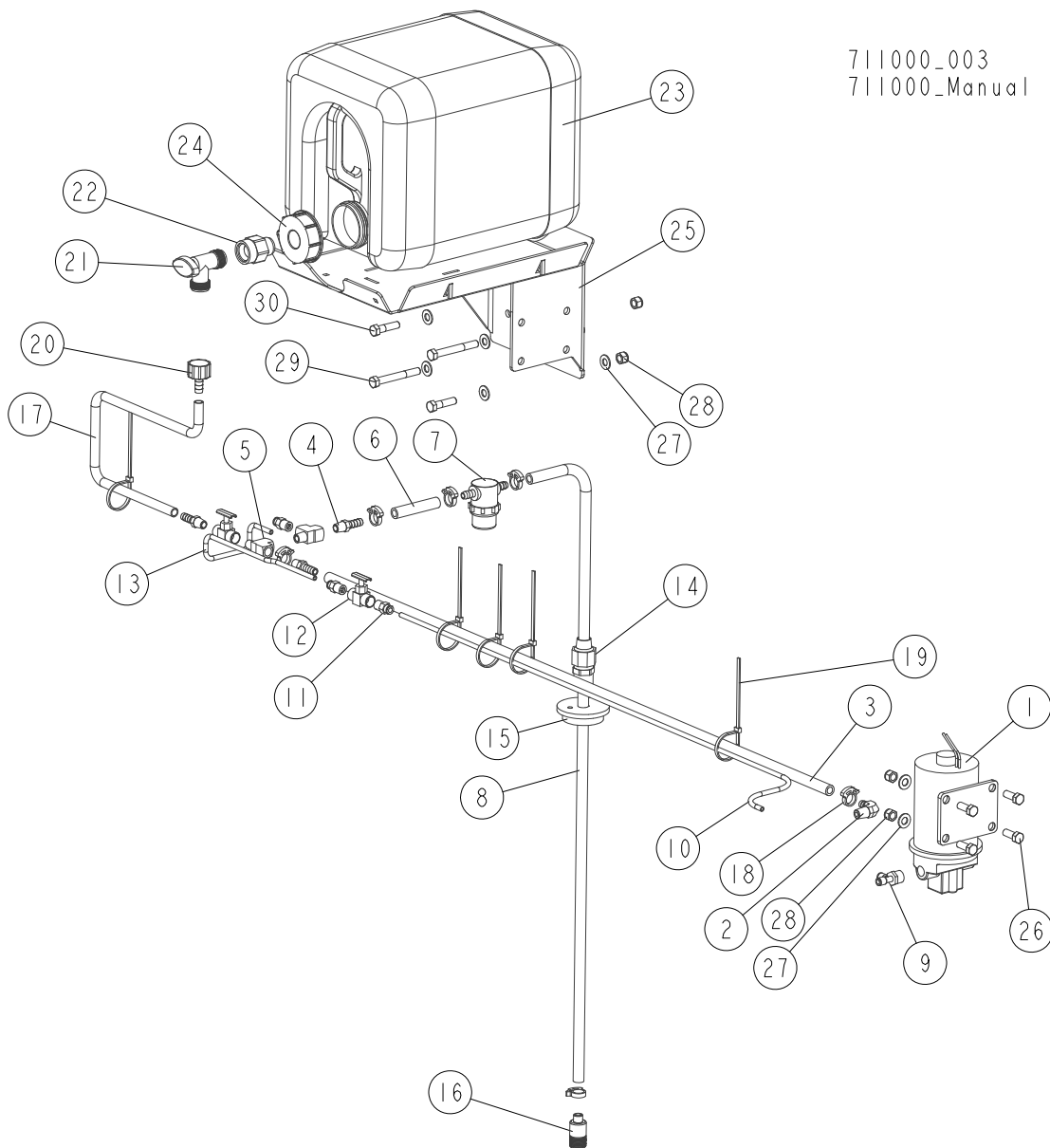
6.1 Blade Lube Assembly



711000_002
 711000_Manual

| REF. | DESCRIPTION (◆ Indicates Parts Available In Assemblies Only) | PART # | QTY | |
|------|--|---------------|----------|--|
| | Lube System, WM3000 | 016926 | 1 | |
| 1 | BARREL, PLASTIC | 016784 | 1 | |
| 2 | CAP, BARREL WITH 1/4 VENT | 016786 | 1 | |
| 3 | PUMP ASSY, LT300 LUBE See Section 6.2 | 016883 | 1 | |
| 4 | TUBE, 1/4X100FT CHAIN FLEX PRESSURE | 074018 | 1 | |
| 5 | ASSY, CABLE | 025249 | 1 | |
| 6 | VALVE, 1/4 6PSI CHECK | 016827 | 1 | |

6.2 Lube Pump Assembly



711000_003
711000_Manual

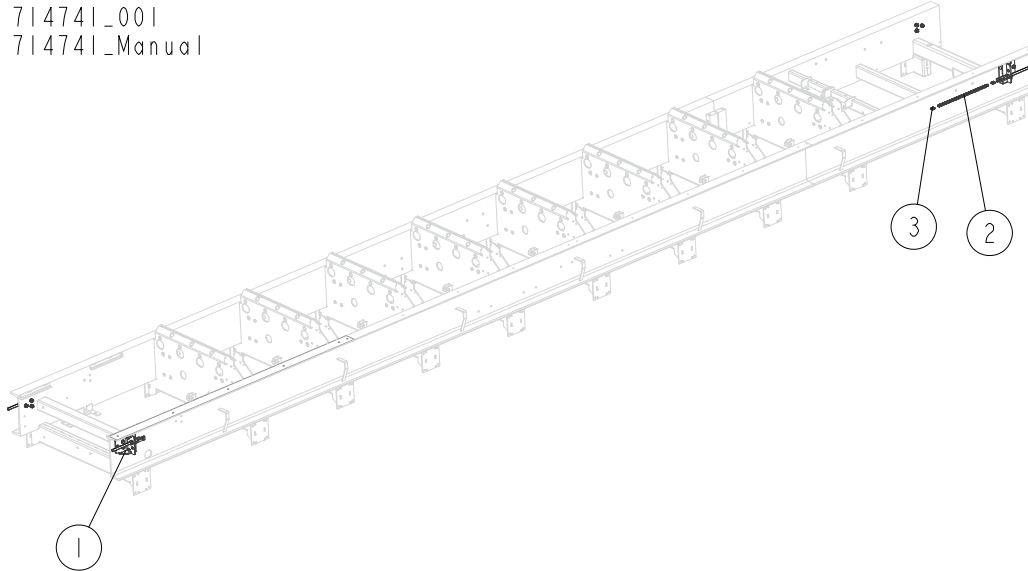
| REF. | DESCRIPTION (◆ Indicates Parts Available In Assemblies Only) | PART # | QTY |
|------|--|---------------|----------|
| | Pump Assy, LT300 Lube | 016883 | 1 |
| 1 | PUMP ASSY, LUBE | 050029 | 1 |
| 2 | FITTING, 3/8NPT-3/8 ELBOW | P12708 | 1 |
| 3 | HOSE, SUCTION 3/8X44 | 016829 | 1 |
| 4 | FITTING, 1/4NPT-3/8 BARB | 014685 | 3 |
| 5 | FITTING, 1/4 TEE | P05382 | 2 |
| 6 | HOSE, SUCTION 3/8X3 | 038494 | 1 |
| 7 | FILTER 38 BARB LUBE | 033447 | 1 |
| 8 | HOSE, SUCTION 3/8X40 | 016884 | 1 |
| 9 | FITTING, TEE 3/8NPT TO 1/4 TUBE MALE RUN | 016961 | 1 |
| 10 | HOSE, 1/4X40 PRESSURE | 016885 | 1 |

| REF. | DESCRIPTION (◆ Indicates Parts Available In Assemblies Only) | PART # | QTY | |
|------|--|-----------|-----|--|
| 11 | FITTING, 1/4" NPT TO 1/4" TUBE STRAIGHT | P20903 | 3 | |
| 12 | VALVE, NEEDLE 1/4 NPT FEMALE BRASS | 051392 | 2 | |
| 13 | HOSE, 1/4X24 PRESSURE | 016886 | 1 | |
| 14 | COUPLER, 3/4" NPT X 1/2" POLY COMPRESSION | 016935 | 1 | |
| 15 | CAP, BARREL VENT | 016785 | 1 | |
| 16 | VALVE, 3/8" BARB FOOT CHECK | 016939 | 1 | |
| 17 | TUBE, 3/8IDX25 WATER LINE | 038495 | 1 | |
| 18 | CLAMP, SINGLE SNAP GRIP #38 | 016845 | 6 | |
| 19 | TIE WRAP, 3/16 X 5 1/2" UV BLACK | F05089-3 | 5 | |
| 20 | FITTING, 5/8-3/8 HOSE BARB | 014113 | 1 | |
| 21 | VALVE, 5/8 90° MALE SHUTOFF | 014100 | 1 | |
| 22 | FITTING, 3/4FPTX3/4MPT | 014636 | 1 | |
| 23 | BOTTLE, 5 GALLON WATER | 014637 | 1 | |
| 24 | CAP, WATER BOTTLE BUTTRESS THREAD | 036745 | 1 | |
| 25 | TRAY WELDMENT, LUBE SYSTEM | 038498 | 1 | |
| 26 | BOLT, 3/8-16X1 HEX HEAD GRADE 5 | F05007-87 | 4 | |
| 27 | WASHER, 3/8 FLAT ZINC | F05011-3 | 10 | |
| 28 | NUT, M8 3 HEX NYLON ZINC LOCK | F05010-10 | 8 | |
| 29 | BOLT, 3/8-16X3 HEX HEAD GRADE 5 | F05007-73 | 2 | |
| 30 | BOLT, 3/8-16X1 1/2 HEX HEAD GRADE 5 ZINC | F05007-78 | 2 | |

SECTION 7 BED FRAME ASSEMBLY

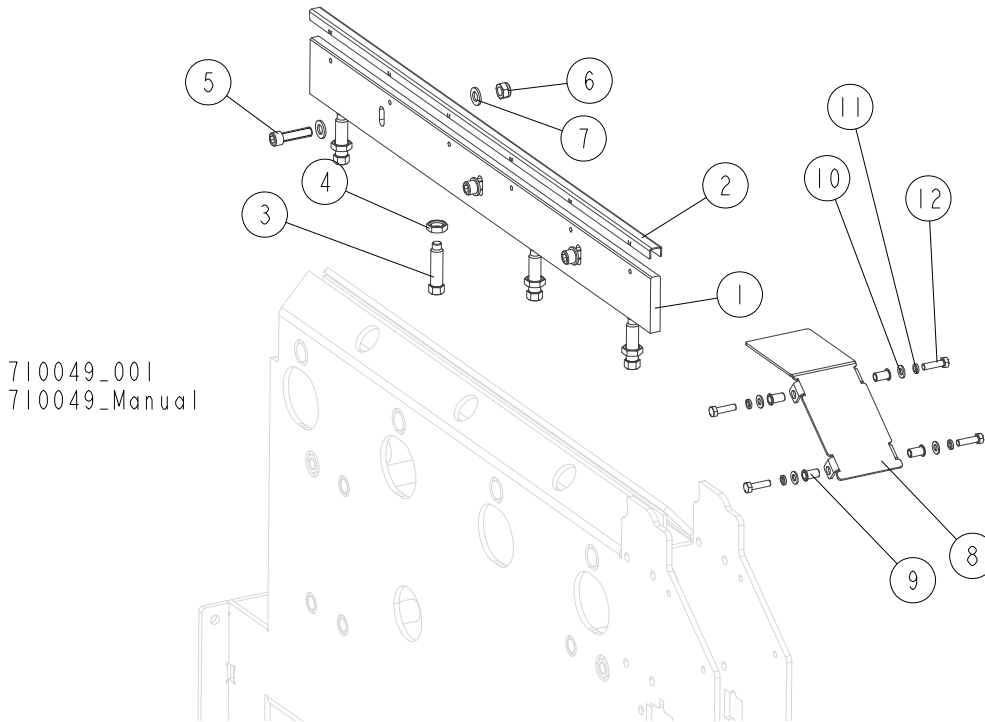
7.1 Power Feed Chain

714741_001
 714741_Manual



| REF. | DESCRIPTION (◆ Indicates Parts Available in Assemblies Only) | PART # | QTY | |
|------|--|--------|-----|--|
| 1 | STOP ASSEMBLY, MAST See Section 7.13 | 713083 | 4 | |
| 2 | CHAIN, 12B-1, L=9.3 m, M EC FRAME | 714806 | 2 | |
| | CHAIN, 12B-1, L=6.75 m, S EC FRAME | 714807 | 2 | |
| 3 | LINK, 12B-1PZ MASTER | 090713 | 4 | |

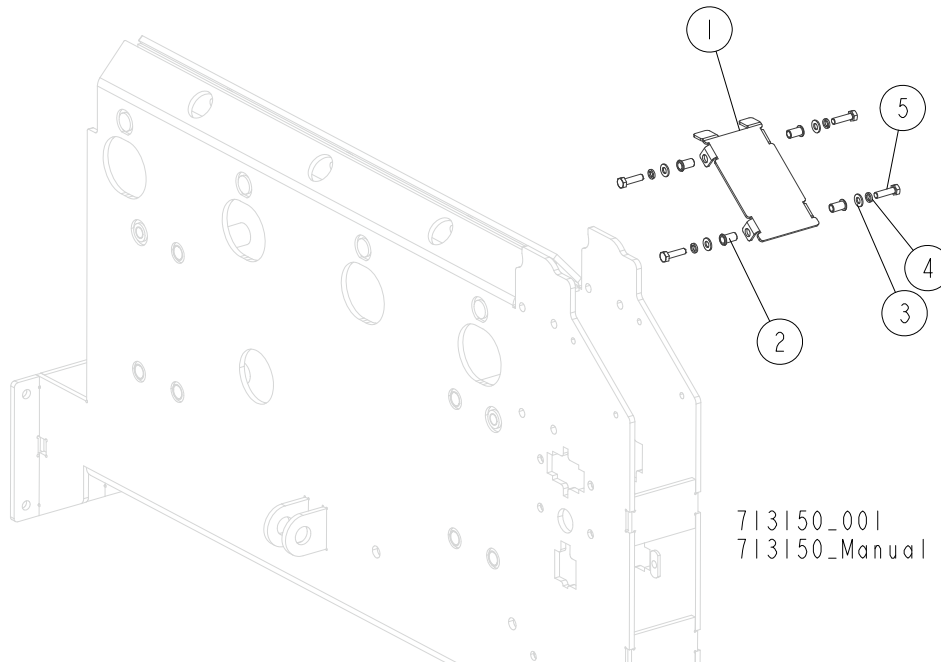
7.2 WB2000 Bed Rail Assembly



710049_001
 710049_Manual

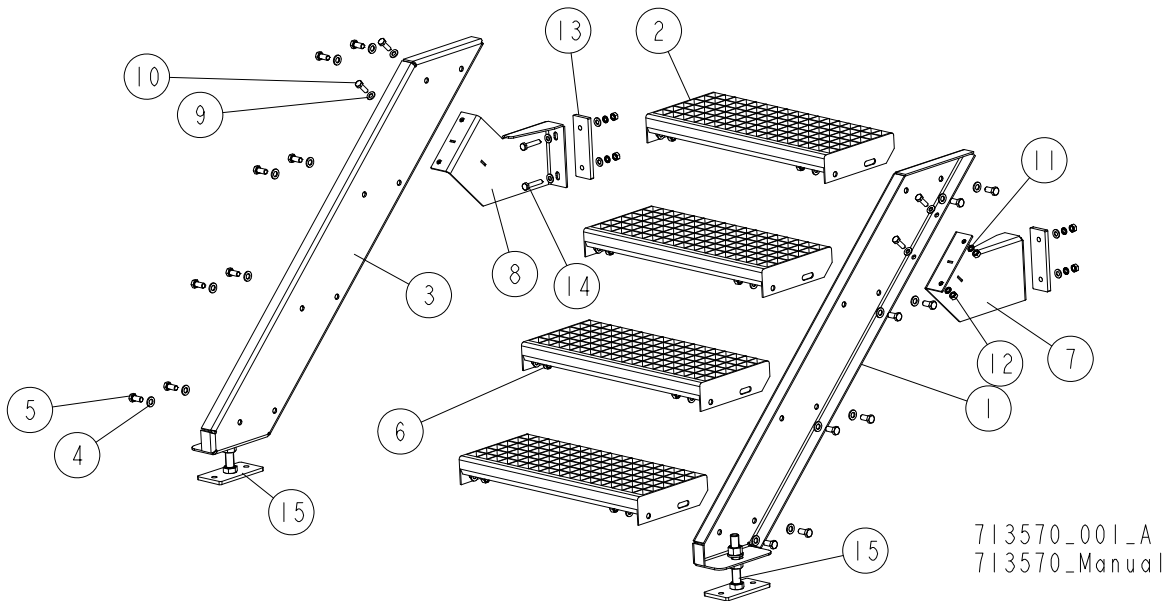
| REF. | DESCRIPTION (◆ Indicates Parts Available in Assemblies Only) | PART # | QTY |
|------|--|---------------|----------|
| | RAIL, BED - COMPLETE | 710049 | 1 |
| 1 | RAIL, WB2000 BED | 710331-1 | 1 |
| 2 | COVER, BED RAIL | 710334 | 1 |
| 3 | BOLT, M16x60-33H HEX ZINC SET W/FULL DOG POINT | F81006-56 | 4 |
| 4 | NUT, M16 8 THIN ZINC | F81036-4 | 4 |
| 5 | BOLT, M12X45 -8.8 HEX SOCKET HEAD CAP ZINC | F81004-93 | 3 |
| 6 | NUT, M12-8 HEX NYLON ZINC LOCK | F81034-2 | 3 |
| 7 | WASHER, 13 ZINC FLAT | F81056-1 | 6 |
| | PLATE, CROSS BEAM COVER - COMPLETE (For bed rails without side support) | 713152 | 1 |
| 8 | PLATE, CROSS BEAM COVER | 713151-1 | 1 |
| 9 | NUT, M8 1.0-2.5 FTR-Z RIVET ZINC | F81032-9 | 4 |
| 10 | WASHER, 8.4 FLAT ZINC | F81054-1 | 4 |
| 11 | WASHER, 8.2 SPLIT LOCK ZINC | F81054-4 | 4 |
| 12 | BOLT, M8x30-5.8 HEX HEAD FULL THREAD ZINC | F81002-2 | 4 |

7.3 WB2000 Cross Beam Cover



| REF. | DESCRIPTION (◆Indicates Parts Available in Assemblies Only) | PART # | QTY |
|------|---|---------------|----------|
| | COVER, CROSS BEAM - COMPLETE (For bed rails with side support) | 713150 | 1 |
| 1 | COVER, CROSS BEAM | 713149-1 | 1 |
| 2 | NUT, M8 1.0-2.5 FTR-Z RIVET ZINC | F81032-9 | 4 |
| 3 | WASHER, 8.4 FLAT ZINC | F81054-1 | 4 |
| 4 | WASHER, 8.2 SPLIT LOCK ZINC | F81054-4 | 4 |
| 5 | BOLT, M8x30-5.8 HEX HEAD FULL THREAD ZINC | F81002-2 | 4 |

7.4 Ladder Assembly, Inspection Platform



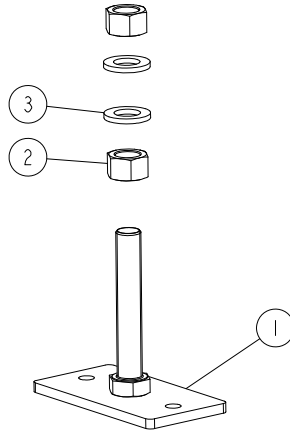
| REF. | DESCRIPTION (◆ Indicates Parts Available in Assemblies Only) | PART # | QTY |
|------|--|---------------|----------|
| | LADDER ASSEMBLY | 713570 | 1 |
| 1 | PLATE WELDMENT, LADDER RIGHT | 713567-1 | 1 |
| 2 | STEP, LADDER | 713569 | 4 |
| 3 | PLATE WELDMENT, LADDER LEFT | 713568-1 | 1 |
| 4 | WASHER, 13 FLAT ZINC | F81056-1 | 32 |
| 5 | BOLT, M12X25-8.8 HEX HEAD FULL THREAD ZINC | F81004-31 | 16 |
| 6 | NUT, M12-8 HEX ZINC | F81034-1 | 16 |
| 7 | BRACKET, LADDER MOUNT (2) | 713575-1 | 1 |
| 8 | BRACKET, LADDER MOUNT (1) | 713574-1 | 1 |
| 9 | WASHER, 10.5 FLAT ZINC | F81055-1 | 16 |
| 10 | BOLT, M10X30 5.8 HEX HEAD FULL THREAD ZINC | F81003-2 | 4 |
| 11 | WASHER, Z 10.2 SPLIT LOCK ZINC | F81055-2 | 8 |
| 12 | NUT, M10 8 HEX ZINC | F81033-3 | 8 |
| 13 | PLATE, SPACER | 713581-1 | 2 |
| 14 | BOLT, M10X50-8.8 HEX HEAD FULL THREAD ZINC | F81003-4 | 4 |
| 15 | FOOT ASSEMBLY See Section 7.5 | 514997 | 2 |

7 BED FRAME ASSEMBLY

Foot Assembly, Platform Ladder

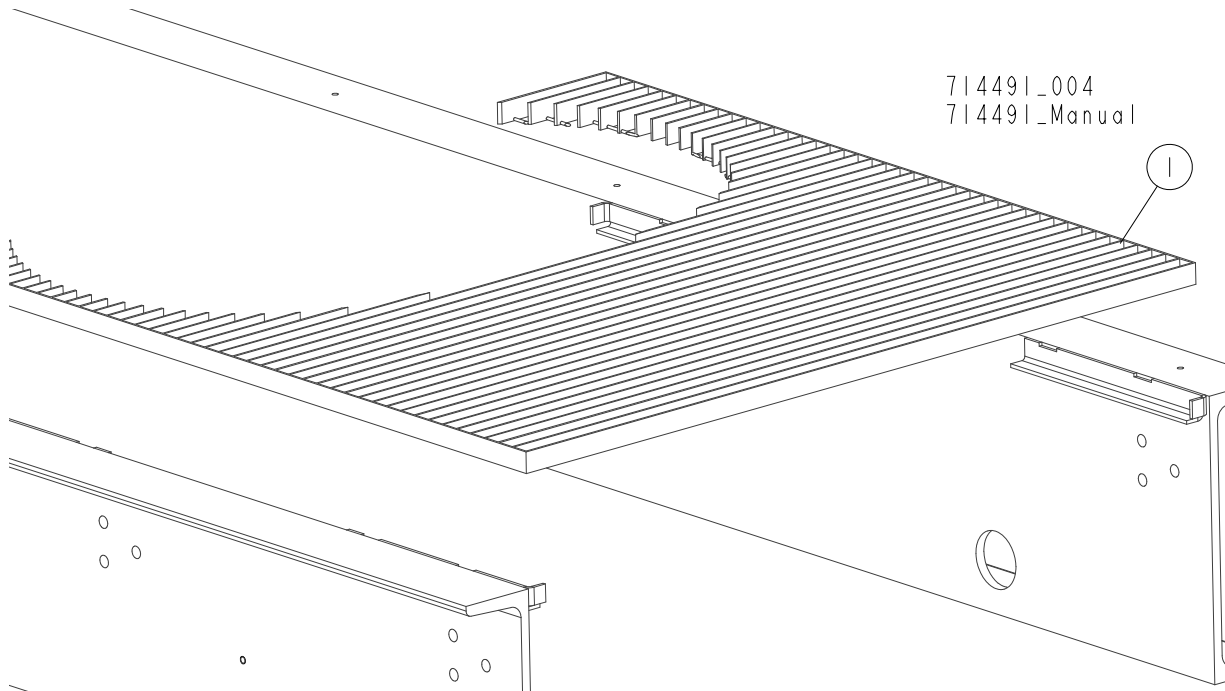
7.5 Foot Assembly, Platform Ladder

514997_001
514997_MANUAL



| REF. | DESCRIPTION (* indicates parts available in assemblies only) | PART # | QTY | |
|------|--|----------|-----|--|
| - | FOOT, LT15 BED - COMPLETE | 514997 | 1 | |
| 1 | FOOT WELDMENT, LT15 BED | 514996-1 | 1 | |
| 2 | NUT, M20-8- HEX ZINC | F81037-1 | 2 | |
| 3 | WASHER, 21 FLAT ZINC | F81059-2 | 2 | |

7.6 Inspection Platform Grid

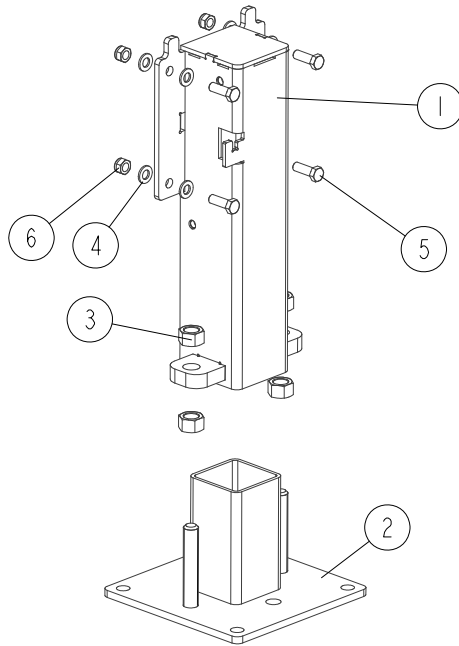


| REF. | DESCRIPTION (◆Indicates Parts Available in Assemblies Only) | PART # | QTY | |
|------|---|----------|-----|--|
| 1 | GRID, 1180X1180X30 INSPECTION PLATFORM | 710988-1 | 1 | |

7 BED FRAME ASSEMBLY

Leg Assembly

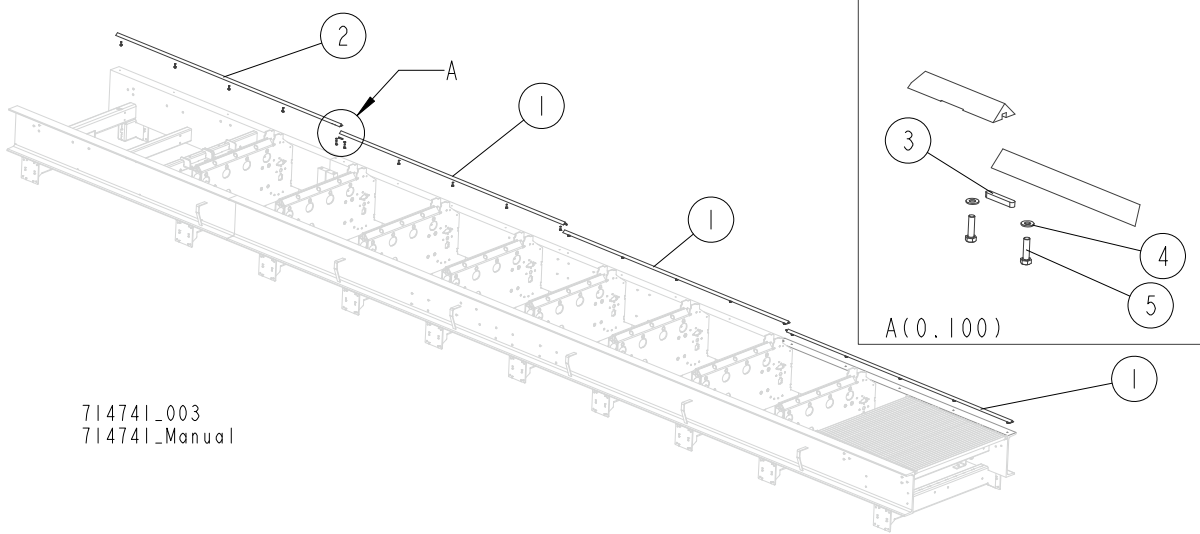
7.7 Leg Assembly



714423_001
714423_Manual

| REF. | DESCRIPTION (◆ Indicates Parts Available in Assemblies Only) | PART # | QTY |
|------|--|---------------|----------|
| | LEG ASSEMBLY | 714423 | 1 |
| 1 | LEG, WB2000 BED | 714424-1 | 1 |
| 2 | FOOT WELDMENT, BED LEG | 510897-1 | 1 |
| 3 | NUT, M20-8- HEX ZINC | F81037-1 | 4 |
| 4 | WASHER, 13 FLAT ZINC | F81056-1 | 8 |
| 5 | BOLT, M12X35 8.8 HEX HEAD FULL THREAD ZINC | F81004-24 | 4 |
| 6 | NUT, M12 8 HEX NYLON ZINC LOCK | F81034-2 | 4 |

7.8 Angle Set, "M" Bed Frame



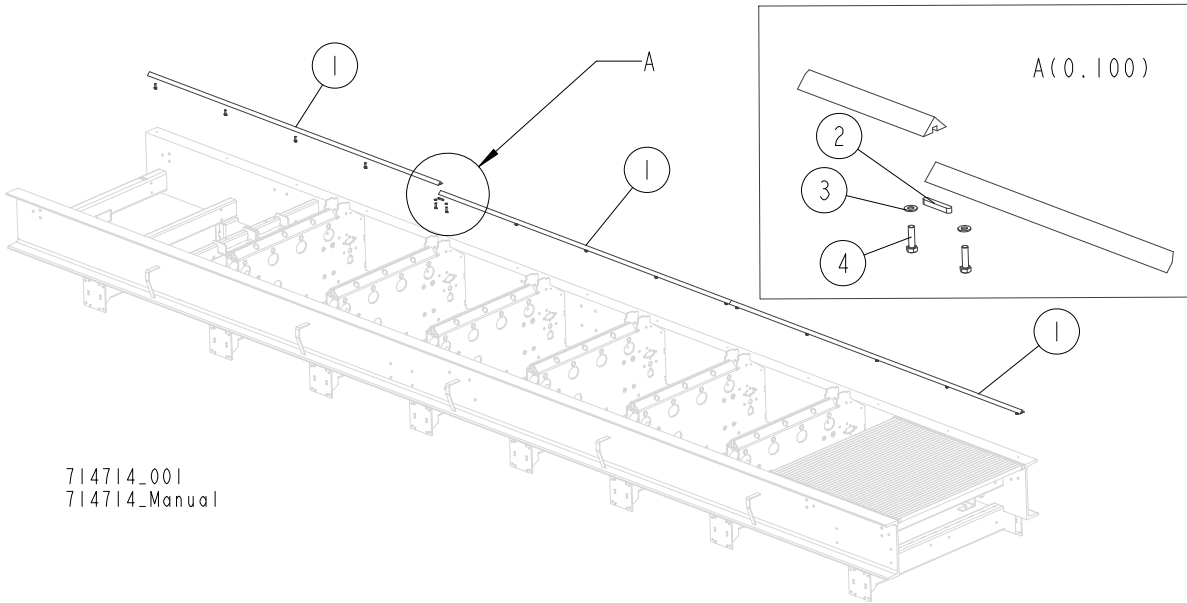
714741_003
 714741_Manual

| REF. | DESCRIPTION (◆ Indicates Parts Available in Assemblies Only) | PART # | QTY | |
|------|--|---------------|----------|--|
| | ANGLE SET, WB2000 BED | 714554 | 1 | |
| 1 | ANGLE, WB2000 BED | 710303 | 3 | |
| 2 | ANGLE, WB2000 BED | 714556 | 1 | |
| 3 | KEY, A8X7X50 PARALLEL | 088563 | 3 | |
| 4 | WASHER, 8.4 FLAT ZINC | F81054-1 | 20 | |
| 5 | BOLT, M8X30-5.8-B HEX HEAD FULL THREAD ZINC | F81002-2 | 20 | |

7 BED FRAME ASSEMBLY

Angle Set, "S" Bed Frame

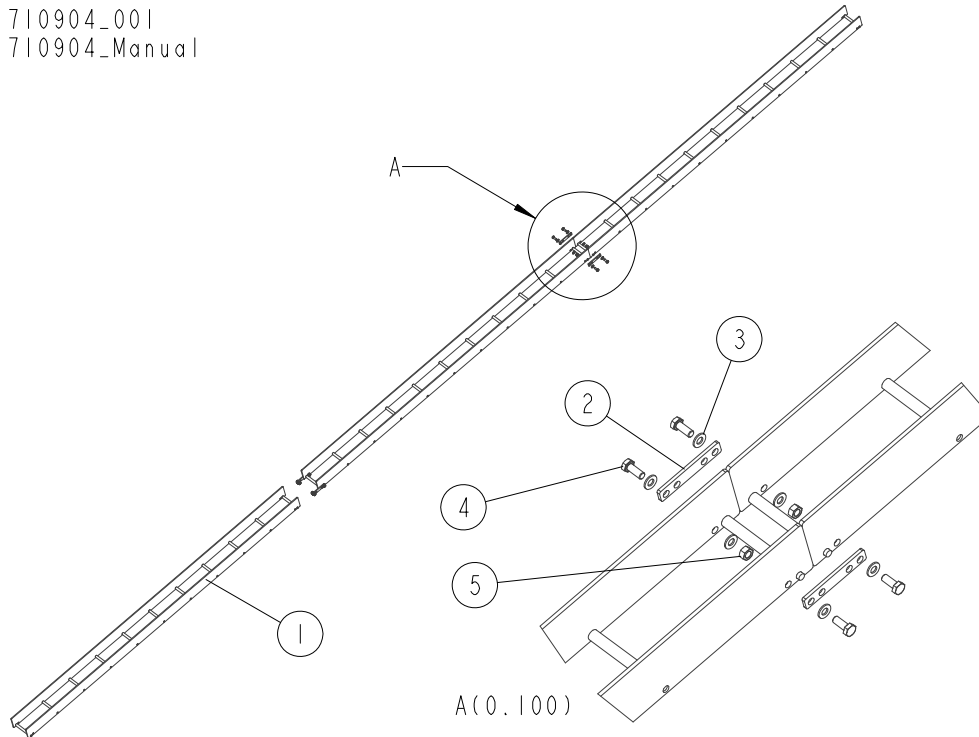
7.9 Angle Set, "S" Bed Frame



| REF. | DESCRIPTION (◆ Indicates Parts Available in Assemblies Only) | PART # | QTY |
|------|--|---------------|----------|
| | ANGLE SET, WB2000 BED | 714665 | 1 |
| 1 | ANGLE, WB2000 BED | 714493 | 3 |
| 2 | KEY, A8X7X50 PARALLEL | 088563 | 2 |
| 3 | WASHER, 8.4 FLAT ZINC | F81054-1 | 15 |
| 4 | BOLT, M8X30-5.8-B HEX HEAD FULL THREAD ZINC | F81002-2 | 15 |

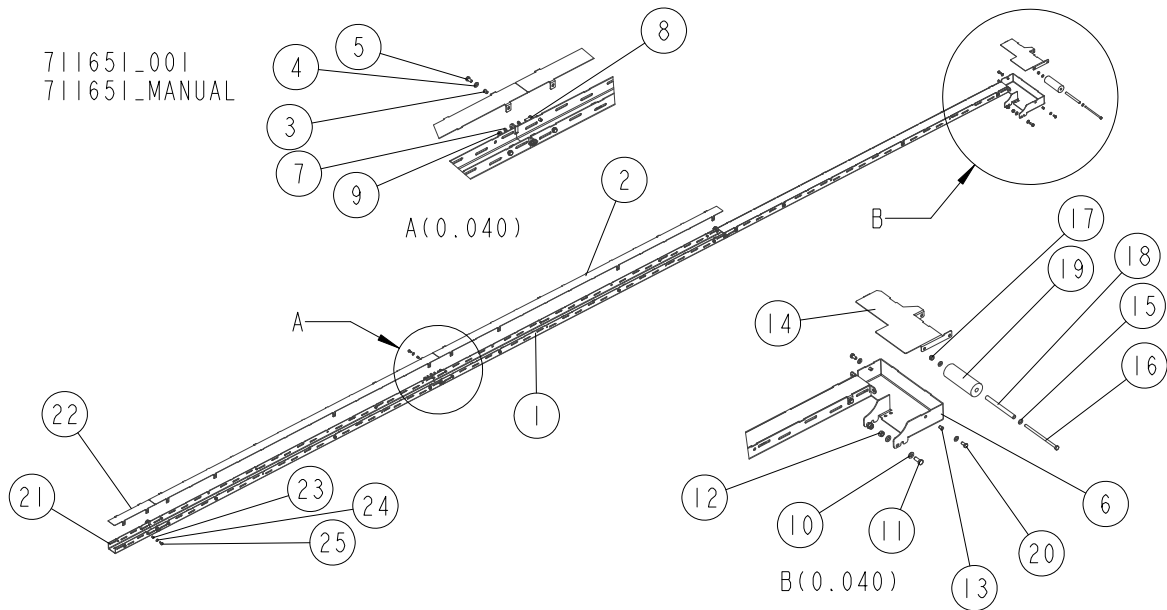
7.10 Wireway Assembly

710904_001
710904_Manual



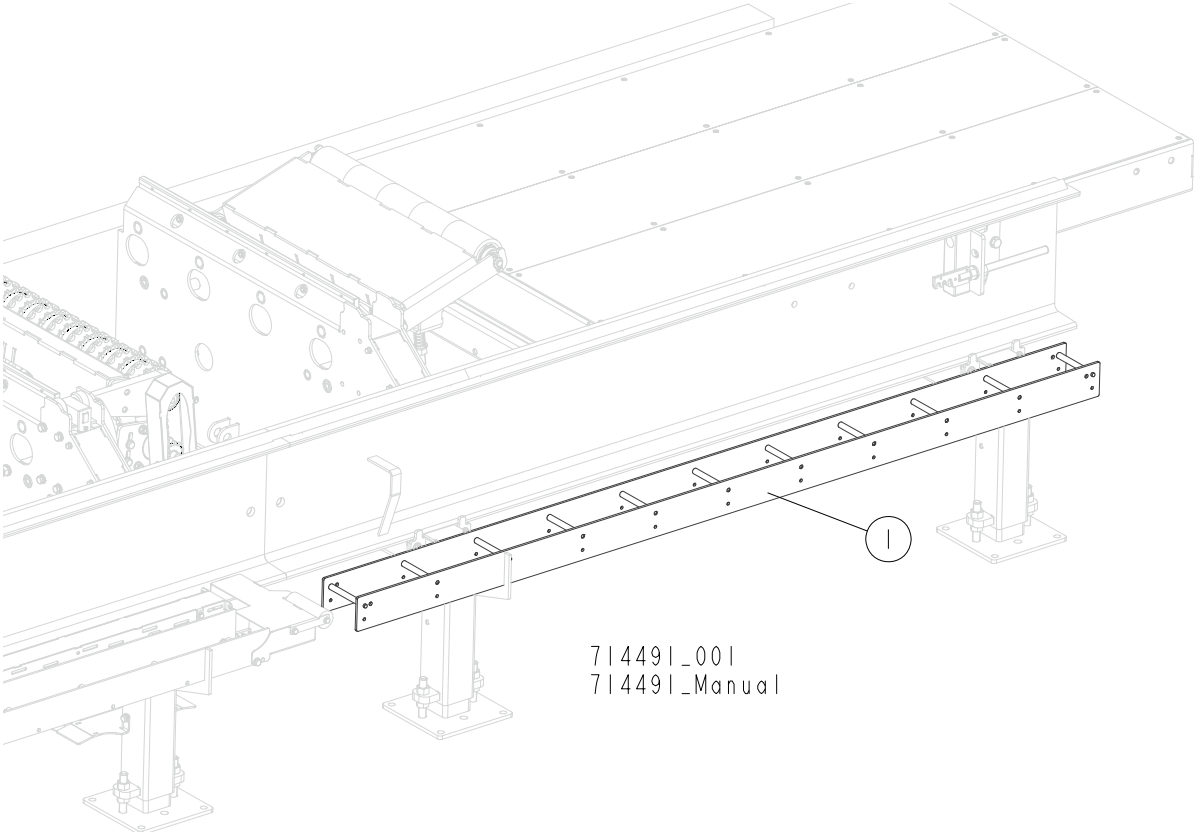
| REF. | DESCRIPTION (◆Indicates Parts Available in Assemblies Only) | PART # | QTY | QTY |
|------|---|---------------|----------|----------|
| | WIREWAY, WB2000 BED - COMPLETE ("M" FRAME) | 714974 | 1 | - |
| | WIREWAY, WB2000 BED - COMPLETE ("S" FRAME) | 716885 | - | 1 |
| 1 | WIREWAY WELDMENT, WB2000 | 714973-1 | 3 | 2 |
| 2 | BAR, WIREWAY | 710903-1 | 4 | 2 |
| 3 | WASHER, 10.5 FLAT ZINC | F81055-1 | 16 | 8 |
| 4 | BOLT, M10X25 8.8 HEX HEAD FULL THREAD ZINC | F81003-11 | 8 | 4 |
| 5 | NUT, M10 8 HEX ZINC | F81033-3 | 8 | 4 |

7.11 Cable Duct Set



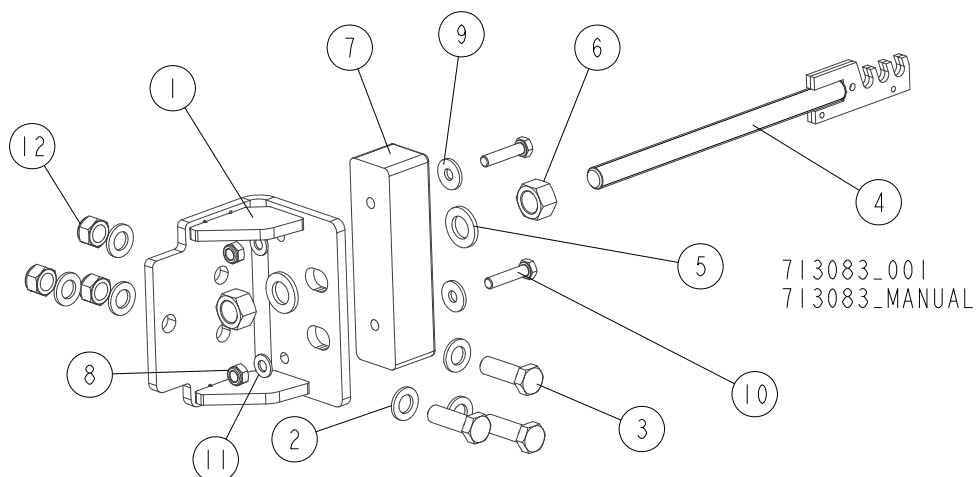
| REF. | DESCRIPTION (◆Indicates Parts Available in Assemblies Only) | PART # | QTY | QTY |
|------|---|---------------|----------|----------|
| | CABLE DUCT SET, WB2000 "M" FRAME | 714967 | 1 | - |
| | CABLE DUCT SET, WB2000 "S" FRAME | 716884 | - | 1 |
| | DUCT, CABLE - COMPLETE | 711910 | 3 | 2 |
| 1 | DUCT, WB2000 CABLE | 711644-1 | 1 | 1 |
| 2 | COVER, CABLE DUCT | 711646-1 | 1 | 1 |
| 3 | NUT, M6 RIVET | F81033-18 | 8 | 8 |
| 4 | WASHER, 8.4 FLAT ZINC | F81054-1 | 8 | 8 |
| 5 | BOLT, M8X16-8.8-B HEX HEAD FULL THREAD ZINC | F81002-20 | 8 | 8 |
| 6 | BRACKET, CABLE CHAIN CONNECTION | 714966-1 | 1 | 1 |
| 7 | WASHER, 8.4 FLAT ZINC | F81054-1 | 14 | 10 |
| 8 | BOLT, M8X20 5.8 HEX HEAD FULL THREAD ZINC | F81002-1 | 6 | 4 |
| 9 | NUT, M8 8 HEX NYLON ZINC LOCK | F81032-2 | 6 | 4 |
| 10 | WASHER, 10.5 FLAT ZINC | F81055-1 | 4 | 4 |
| 11 | BOLT, M10X25 8.8 HEX HEAD FULL THREAD ZINC | F81003-11 | 2 | 2 |
| 12 | NUT, M10 8 HEX ZINC | F81033-3 | 2 | 2 |
| 13 | NUT, M6 RIVET | F81033-18 | 2 | 2 |
| | COVER W/ROLLER | 714965 | 1 | 1 |
| 14 | COVER, CONNECTION BRACKET | 714964-1 | 1 | 1 |
| 15 | WASHER, 8.4 FLAT ZINC | F81054-1 | 2 | 2 |
| 16 | BOLT, M8X230-8.8-B HEX HEAD ZINC | F81002-111 | 1 | 1 |
| 17 | NUT, M8 8 HEX NYLON ZINC LOCK | F81032-2 | 1 | 1 |
| 18 | BUSHING, 9/14-142.5 | 714963-1 | 1 | 1 |
| 19 | ROLLER | 714962 | 1 | 1 |
| 20 | BOLT, M8X16-8.8-B HEX HEAD FULL THREAD ZINC | F81002-20 | 2 | 2 |
| | DUCT, CABLE - COMPLETE | 713250 | 1 | 1 |
| 21 | DUCT, WB2000 CABLE | 713251-1 | 1 | 1 |
| 22 | COVER, CABLE DUCT | 713252-1 | 1 | 1 |
| 23 | NUT, M6 RIVET | F81033-18 | 7 | 7 |
| 24 | WASHER, 8.4 FLAT ZINC | F81054-1 | 4 | 4 |
| 25 | BOLT, M8X16-8.8-B HEX HEAD FULL THREAD ZINC | F81002-20 | 4 | 4 |

7.12 Wireway



| REF. | DESCRIPTION (◆ Indicates Parts Available in Assemblies Only) | PART # | QTY | |
|------|--|----------|-----|--|
| | WIREWAY WELDMENT | 714970-1 | 1 | |

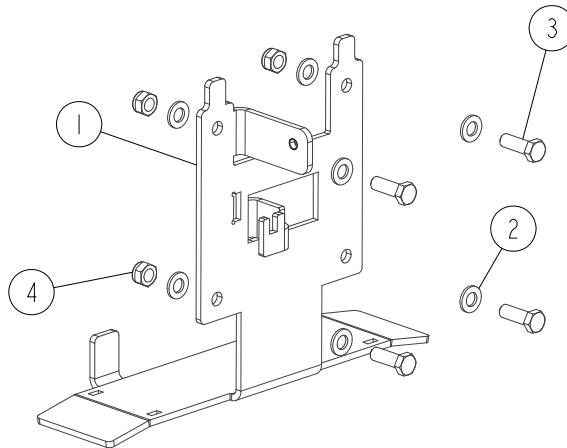
7.13 Mast Stop Assembly



| REF. | DESCRIPTION (◆ Indicates Parts Available in Assemblies Only) | PART # | QTY |
|------|--|---------------|----------|
| | STOP ASSEMBLY, MAST | 713083 | 1 |
| 1 | STOP WELDMENT, MAST | 713084-1 | 1 |
| 2 | WASHER, 17 SPLIT LOCK ZINC | F81058-1 | 6 |
| 3 | BOLT, M16X50-8.8 HEX HEAD FULL THREAD ZINC | F81006-38 | 3 |
| 4 | TENSIONER, 12B1 CHAIN | 713087-1 | 1 |
| 5 | WASHER, 21 FLAT ZINC | F81059-2 | 2 |
| 6 | NUT, M20-8- HEX ZINC | F81037-1 | 2 |
| 7 | BUMPER, RUBBER | 089717 | 1 |
| 8 | NUT, M10-8-B HEX NYLON ZINC LOCK | F81033-1 | 2 |
| 9 | WASHER, 10.5 SPECIAL FLAT ZINC | F81055-6 | 2 |
| 10 | BOLT, M10X45 HEX HEAD FULL THREAD ZINC | F81003-3 | 2 |
| 11 | WASHER, 10.5 FLAT ZINC | F81055-1 | 2 |
| 12 | NUT, M16-8 HEX NYLON ZINC LOCK | F81036-2 | 3 |

7.14 Hydraulic Hose Hanger

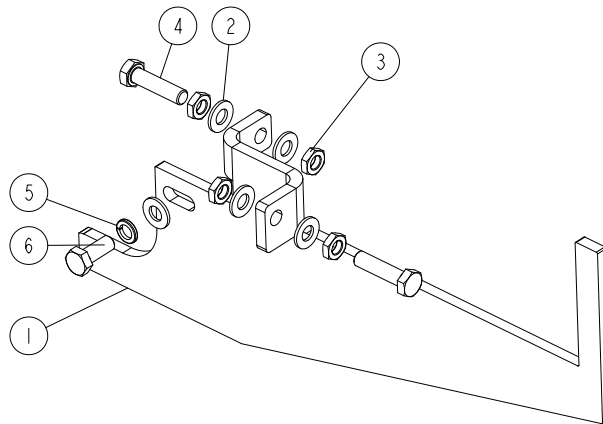
713995_001
 713995_Manual



| REF. | DESCRIPTION (◆ Indicates Parts Available in Assemblies Only) | PART # | QTY | |
|----------|--|---------------|----------|--|
| | HANGER, HYDRAULIC HOSE - COMPLETE | 713995 | 1 | |
| 1 | PLATE, HYDRAULIC HOSE HANGER | 713905-1 | 1 | |
| 2 | WASHER, 13 FLAT ZINC | F81056-1 | 8 | |
| 3 | BOLT, M12X35 8.8 HEX HEAD FULL THREAD ZINC | F81004-24 | 4 | |
| 4 | NUT, M12 8 HEX NYLON ZINC LOCK | F81034-2 | 4 | |

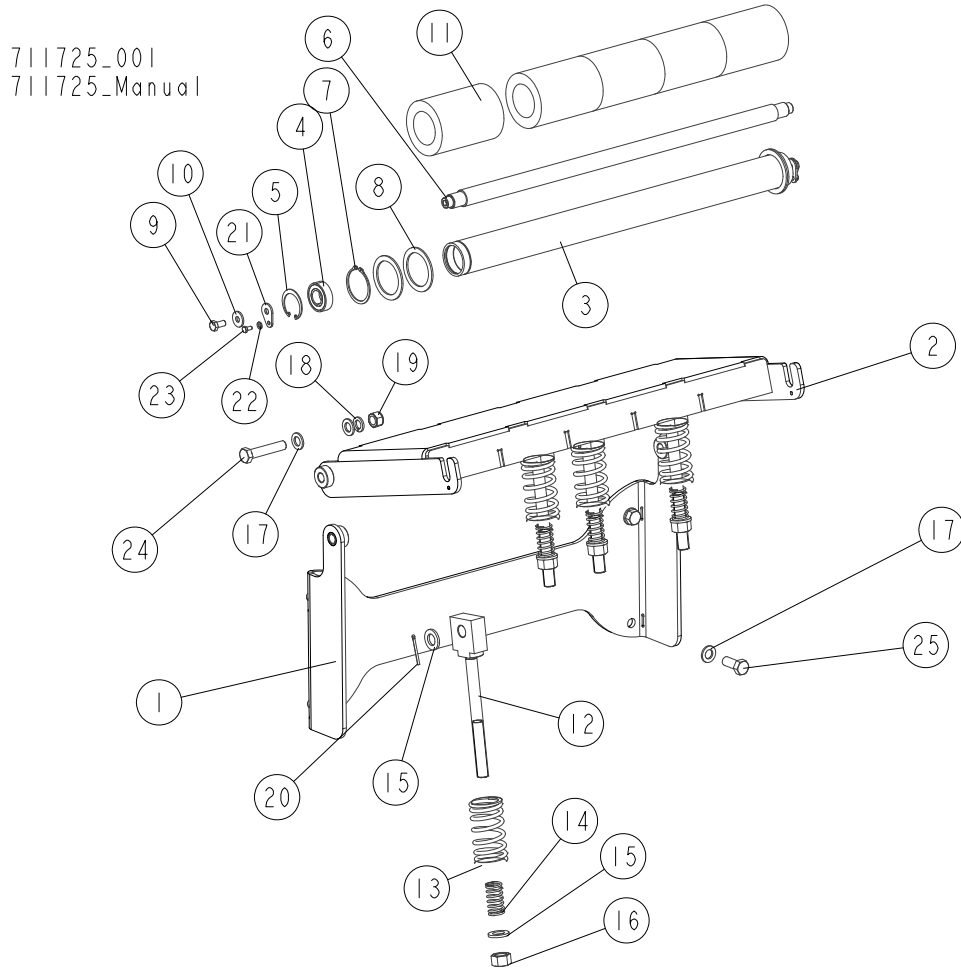
7.15 Wireway Bracket

714969_001
714969_MANUAL



| REF. | DESCRIPTION (◆ Indicates Parts Available in Assemblies Only) | PART # | QTY |
|------|--|---------------|----------|
| | PLATE, WIREWAY BRACKET - COMPLETE | 714969 | 1 |
| 1 | PLATE, WIREWAY BRACKET | 714968-1 | 1 |
| 2 | WASHER, 10.5 FLAT ZINC | F81055-1 | 5 |
| 3 | NUT, M10-04-A HEX THIN ZINC | F81033-6 | 4 |
| 4 | BOLT, M10X40-8.8 HEX HEAD FULL THREAD ZINC | F81003-16 | 2 |
| 5 | WASHER, Z 10.2 SPLIT LOCK ZINC | F81055-2 | 1 |
| 6 | BOLT, M10X25 8.8 HEX HEAD FULL THREAD ZINC | F81003-11 | 1 |

7.16 Board Removal Bumper Assembly

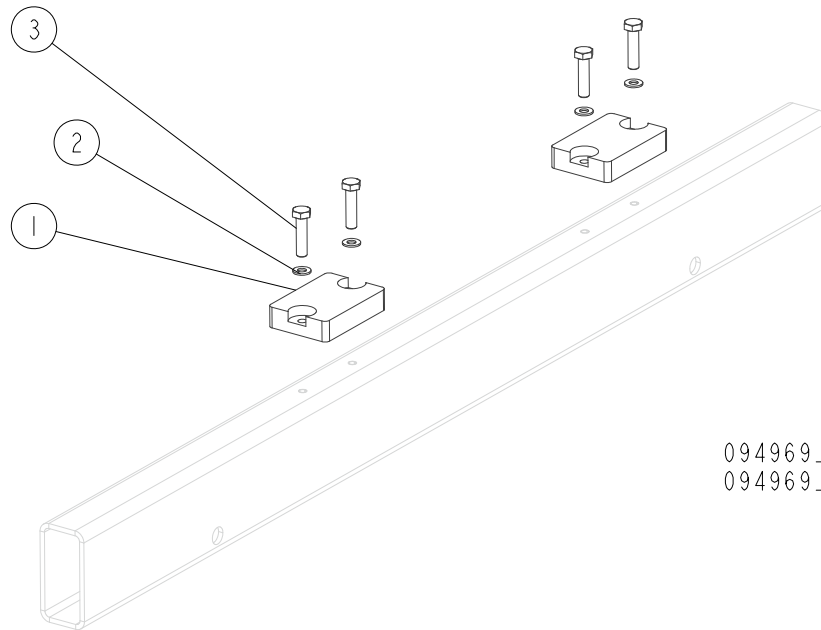


| REF. | DESCRIPTION (◆ Indicates Parts Available In Assemblies Only) | PART # | QTY |
|------|--|-----------------|----------|
| | BUMPER ASSEMBLY, WB2000 BOARD REMOVAL | 711725 | 1 |
| 1 | BRACKET WELDMENT, BUMPER PLATE MOUNT | 711726-1 | 1 |
| 2 | PLATE WELDMENT, BOARD REMOVAL BUMPER | 509547-1 | 1 |
| | ROLLER W/RUBBER BUSHING | 514758 | 1 |
| | ROLLER, LT300 | 091782-1 | 1 |
| 3 | TUBE, ROLLER | 091781 | 1 |
| 4 | BEARING, 6205-2RS BALL | 091804 | 2 |
| 5 | RING, W 52 INSIDE RETAINING | 091805 | 2 |
| 6 | SHAFT, ROLLER | 091793 | 1 |
| 7 | RING, Z60 OUTSIDE RETAINING | F81090-62 | 2 |
| 8 | RING, 61/80X3 SPACER | 515895 | 4 |
| 9 | BOLT, M10X20-5.8 HEX HEAD FULL THREAD ZINC | F81003-1 | 2 |
| 10 | WASHER, 10.5 SPECIAL FLAT ZINC | F81055-6 | 2 |
| 11 | ROLLER, RUBBER | 517493 | 5 |
| 12 | ROD WELDMENT, BUMPER SPRING | 510818-1 | 4 |
| 13 | SPRING, 110X46X6.5 CUSHION | 510815 | 4 |
| 14 | SPRING, 60X23X3 | 088992 | 4 |
| 15 | WASHER, 21 FLAT ZINC | F81059-2 | 8 |
| 16 | NUT, M20-8- HEX ZINC | F81037-1 | 4 |
| 17 | WASHER, 17 SPLIT LOCK ZINC | F81058-1 | 8 |

7**BED FRAME ASSEMBLY***Board Removal Bumper Assembly*

| REF. | DESCRIPTION (◆ Indicates Parts Available In Assemblies Only) | PART # | QTY | |
|------|--|-----------|-----|--|
| 18 | WASHER, 16.3 SPLIT LOCK ZINC | F81058-2 | 2 | |
| 19 | NUT, M16-8 HEX NYLON ZINC LOCK | F81036-2 | 2 | |
| 20 | PIN, S-ZN-4X45 COTTER | F81043-22 | 4 | |
| 21 | WASHER, WM4000 ROLLER MOUNTING | 510874-1 | 2 | |
| 22 | WASHER, 6.4 FLAT ZINC | F81053-1 | 2 | |
| 23 | BOLT, M6X12 8.8 HEX HEAD FULL THREAD ZINC | F81001-7 | 2 | |
| 24 | BOLT, M16X80-8.8 HEX HEAD FULL THREAD ZINC | F81006-11 | 2 | |
| 25 | BOLT, M16X40-8.8 HEX HEAD FULL THREAD ZINC | F81006-13 | 4 | |

7.17 Rubber Bumper

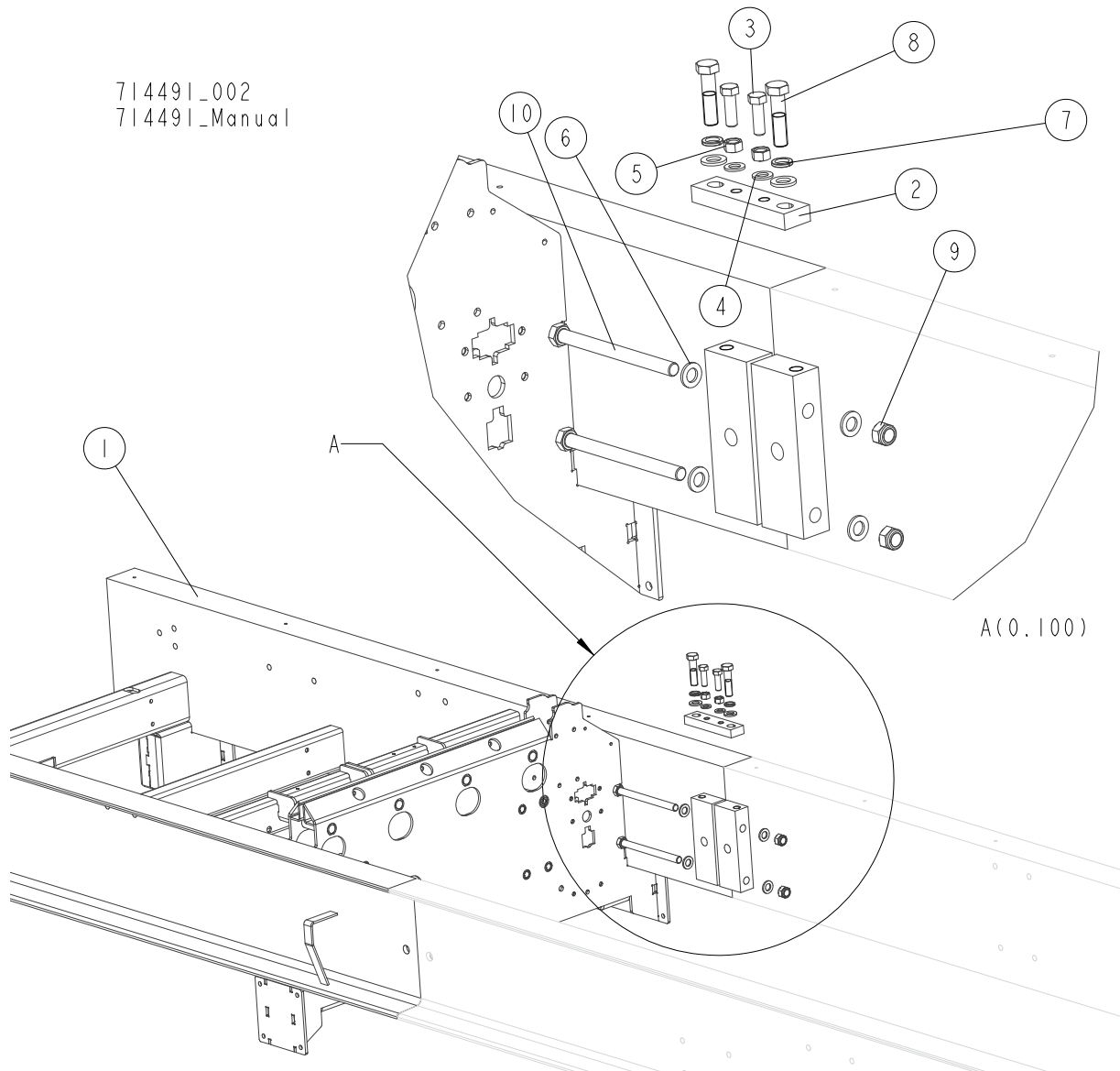


094969_001
 094969_MANUAL

| REF. | DESCRIPTION (◆ Indicates Parts Available In Assemblies Only) | PART # | QTY | |
|------|--|-----------|-----|--|
| 1 | BUMPER, GRENE 70 3201 0010 RUBBER | 094969 | 2 | |
| 2 | WASHER, 8.4 FLAT ZINC | F81054-1 | 4 | |
| 3 | BOLT, M10X40-8.8 HEX HEAD FULL THREAD ZINC | F81003-16 | 4 | |

7.18 Bed Frame Extension Section ("M" Frame Only)

714491_002
714491_Manual



| REF. | DESCRIPTION (◆ Indicates Parts Available In Assemblies Only) | PART # | QTY |
|------|--|-----------------------|-----|
| 1 | BED SECTION, WB2000 M | 713910-1 ¹ | 1 |
| | BED SECTION, WB2000 M See Section 7.19 | 715822 ² | 1 |
| | BED SECTION, WB2000 M See Section 7.20 | 715823 ³ | 1 |
| 2 | PLATE, FRAME CONNECTING | 713956-1 | 2 |
| 3 | BOLT, M6X16-8.8 HEX HEAD FULL THREAD ZINC | F81006-7 | 4 |
| 4 | WASHER, 17 SPLIT LOCK ZINC | F81058-1 | 4 |
| 5 | NUT, M16-8 HEX ZINC | F81036-1 | 4 |
| 6 | WASHER, 21 FLAT ZINC | F81059-2 | 12 |
| 7 | WASHER, 20.5 SPLIT LOCK ZINC | F81059-1 | 4 |
| 8 | BOLT, M8X20-8.8 HEX HEAD FULL THREAD ZINC | F81007-10 | 4 |
| 9 | NUT, M20-8 DIN985 HEX NYLON ZINC LOCK | F81037-2 | 4 |
| 10 | BOLT, M20X240-8.8 HEX HEAD FULL THREAD ZINC | F81007-1 | 4 |

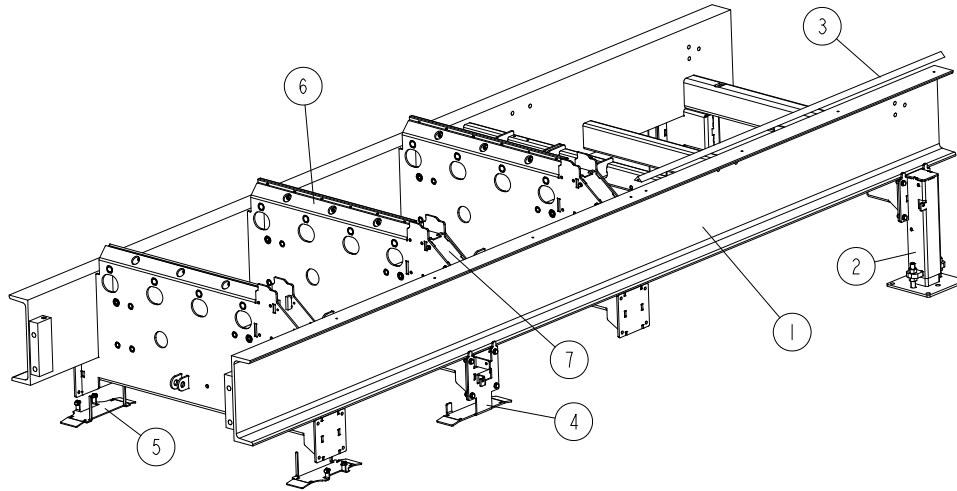
¹ Standard equipment

² WB2000 M + 2m to cutting length

³ WB2000 M + 4m to cutting length

7.19 Bed Frame Extension Assembly M+2

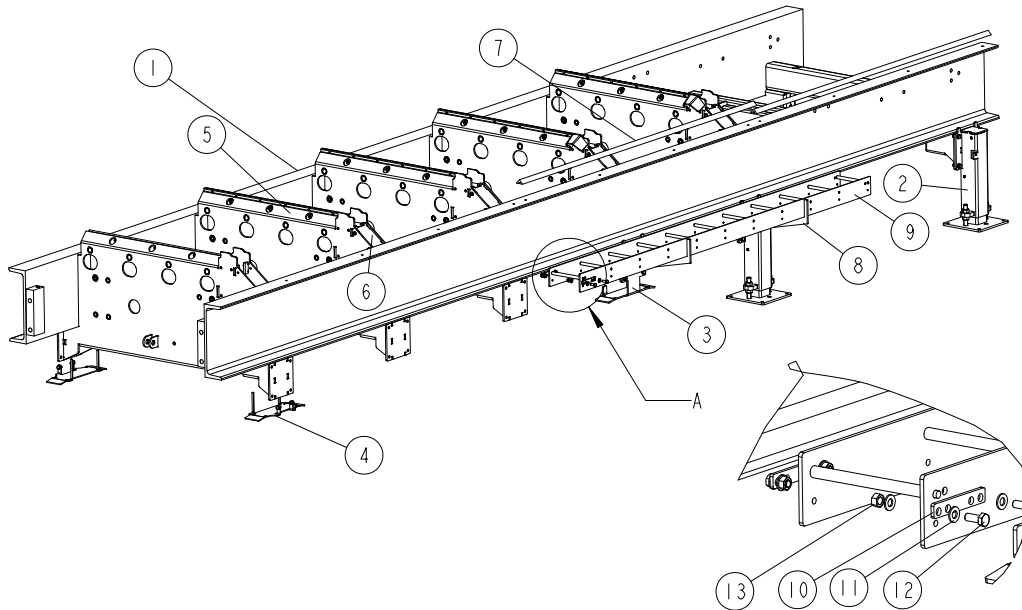
715822_001
 715822_MANUAL



| REF. | DESCRIPTION (* indicates parts available in assemblies only) | PART # | QTY |
|------|--|----------|-----|
| - | BED FRAME EXTENSION ASSEMBLY M+2 | 715822 | 1 |
| 1 | FRAME, M+2 WB2000 WELDMENT | 713915-1 | 1 |
| 2 | LEG ASSEMBLY See Section 7.7 | 714423 | 2 |
| 3 | BED, WB2000 ANGLED | 715821 | 1 |
| 4 | HANGER, HYDRAULIC HOSE - COMPLETE See Section 7.14 | 713995 | 2 |
| 5 | HANGER, HYDRAULIC HOSE - COMPLETE See Section 7.21 | 714441 | 2 |
| 6 | BED RAIL ASSEMBLY See Section 7.2 | 710049 | 2 |
| 7 | CROSS BEAM COVER See Section 7.2 | 713152 | 2 |

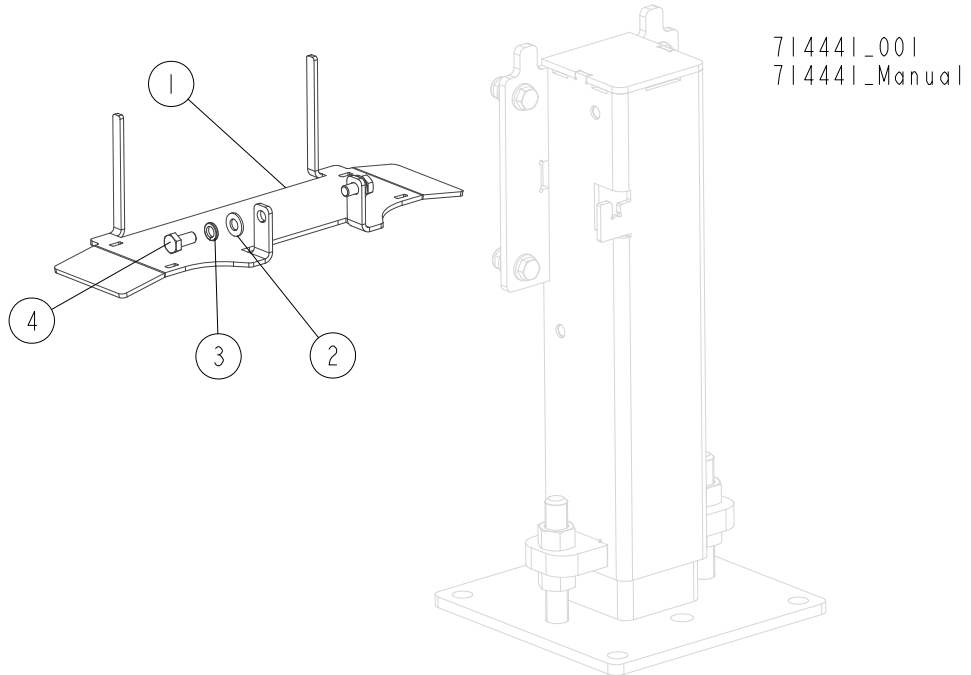
7.20 Bed Frame Extension Assembly M+4

715823_001_A
715823_MANUAL



| REF. | DESCRIPTION (* indicates parts available in assemblies only) | PART # | QTY |
|------|--|-----------|-----|
| - | BED FRAME EXTENSION ASSEMBLY M+4 | 715823 | 1 |
| 1 | FRAME, M+4 WB2000 WELDMENT | 713920-1 | 1 |
| 2 | LEG ASSEMBLY See Section 7.7 | 714423 | 4 |
| 3 | HANGER, HYDRAULIC HOSE - COMPLETE See Section 7.14 | 713995 | 2 |
| 4 | HANGER, HYDRAULIC HOSE - COMPLETE See Section 7.21 | 714441 | 2 |
| 5 | BED RAIL ASSEMBLY See Section 7.2 | 710049 | 4 |
| 6 | CROSS BEAM COVER See Section 7.2 | 713152 | 4 |
| 7 | BED, WB2000 ANGLED | 715821 | 2 |
| 8 | PLATE, WIREWAY BRACKET - COMPLETE See Section 7.15 | 714969 | 2 |
| 9 | WIREWAY WELDMENT, WB2000 | 714970-1 | 1 |
| 10 | BAR, WIREWAY | 710903-1 | 2 |
| 11 | WASHER, 10.5 FLAT ZINC | F81055-1 | 8 |
| 12 | BOLT, M10X25 8.8 HEX HEAD FULL THREAD ZINC | F81003-11 | 4 |
| 13 | NUT, M10 8 HEX ZINC | F81033-3 | 4 |

7.21 Hydraulic Hose Hanger



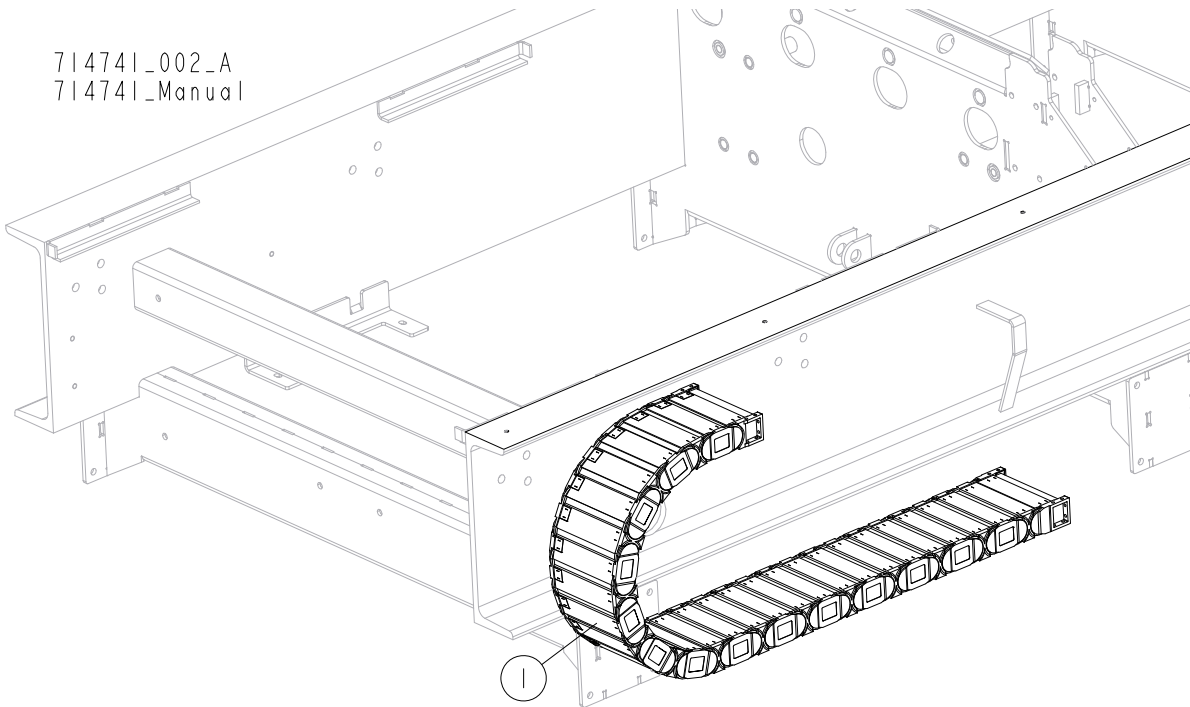
| REF. | DESCRIPTION (◆ Indicates Parts Available In Assemblies Only) | PART # | QTY | |
|------|--|---------------|----------|--|
| | HANGER, HYDRAULIC HOSE - COMPLETE | 714441 | 1 | |
| 1 | HANGER, HYDRAULIC HOSE | 714422-1 | 1 | |
| 2 | WASHER, 10.5 FLAT ZINC | F81055-1 | 2 | |
| 3 | WASHER, Z 10.2 SPLIT LOCK ZINC | F81055-2 | 2 | |
| 4 | BOLT, M10X20-5.8 HEX HEAD FULL THREAD ZINC | F81003-1 | 2 | |

7 BED FRAME ASSEMBLY

Cable Chain

7.22 Cable Chain

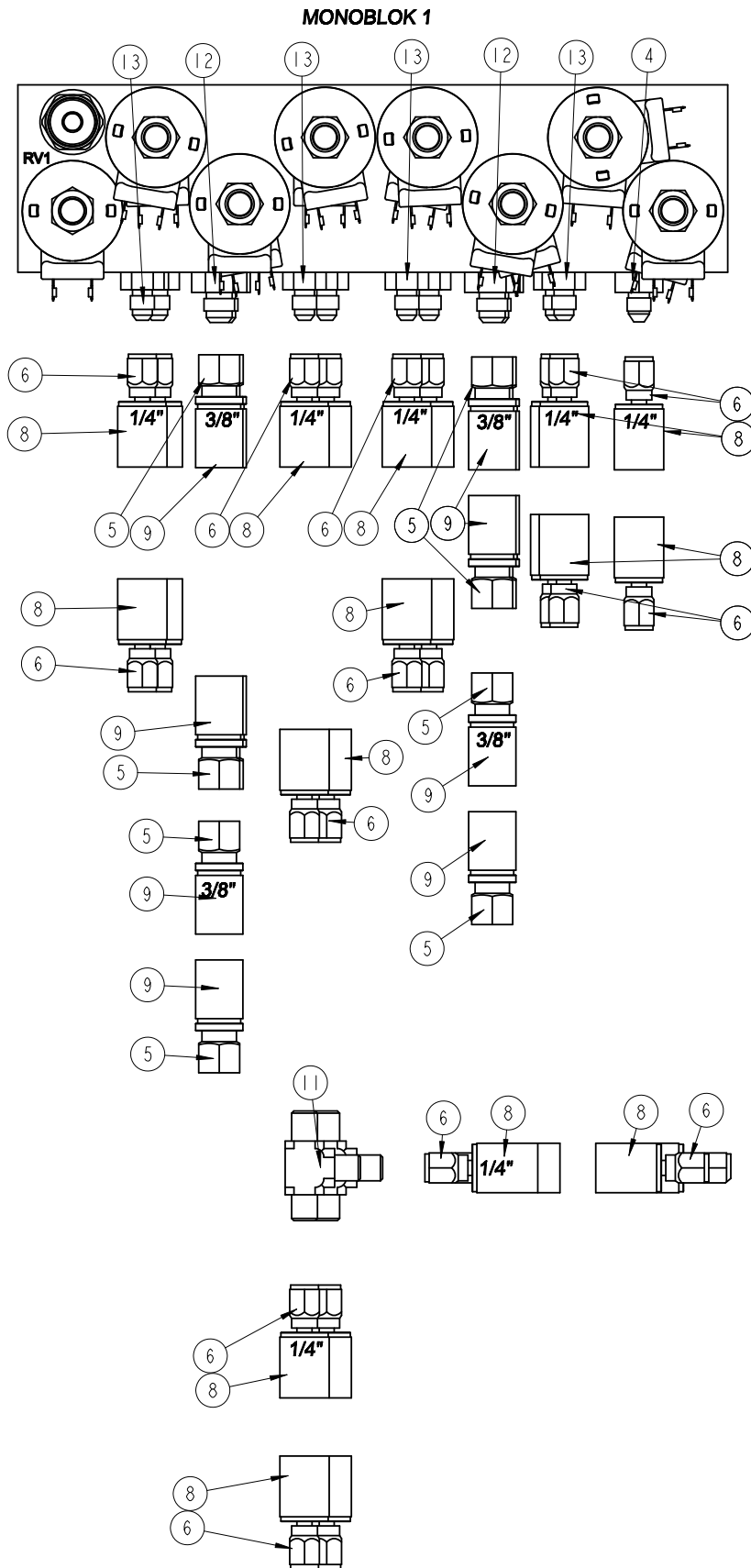
714741_002_A
714741_Manual

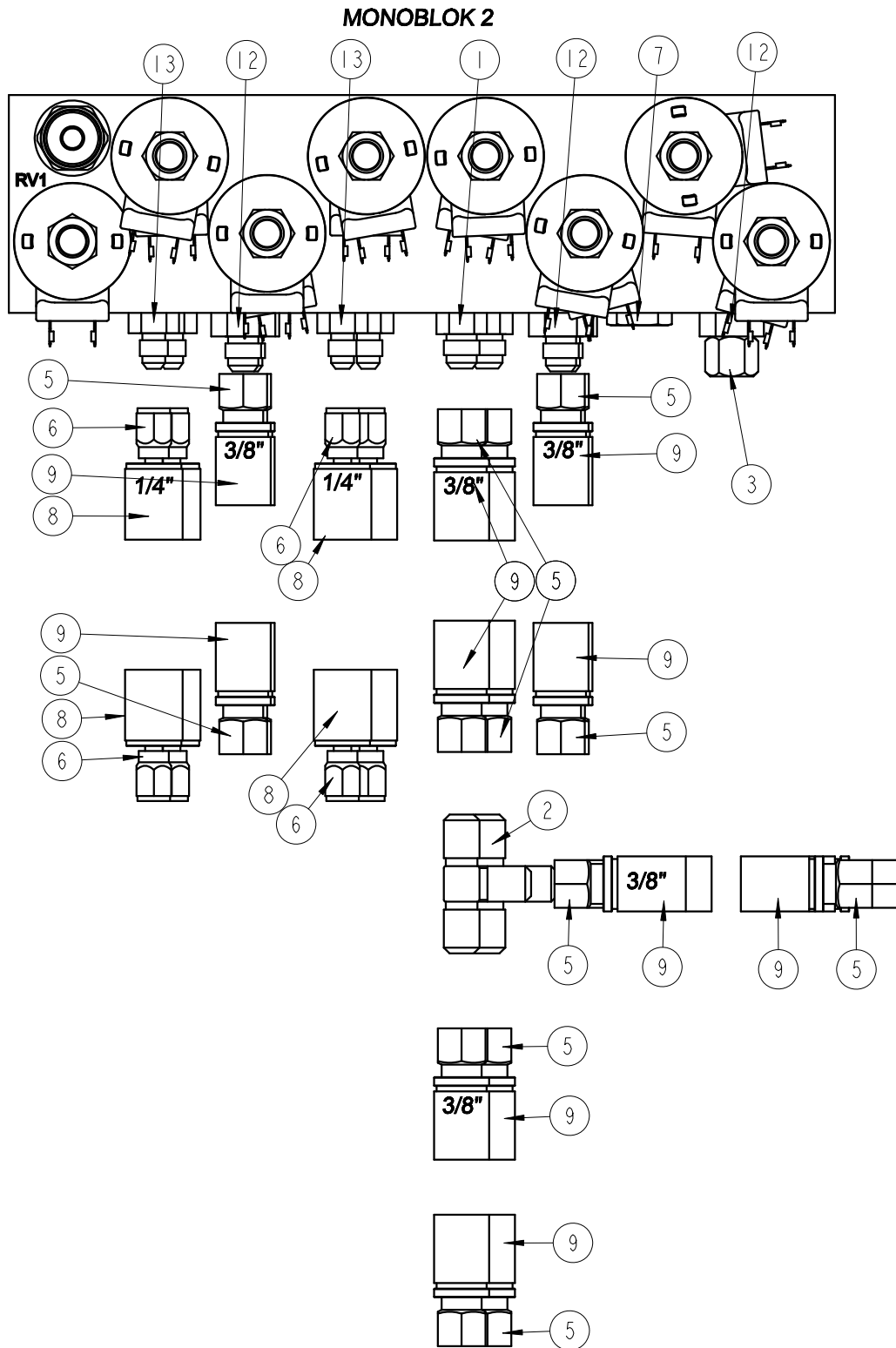


| REF. | DESCRIPTION (◆ Indicates Parts Available in Assemblies Only) | PART # | QTY |
|------|--|--------|-----|
| 1 | CABLE CHAIN, WB2000 "M" FRAME | 716883 | 1 |
| | CABLE CHAIN, WB2000 "S" FRAME | 716886 | 1 |

SECTION 8 HYDRAULIC POWER KITS

8.1 Hydraulic Power Kit, WB2000 HS5 (714708)



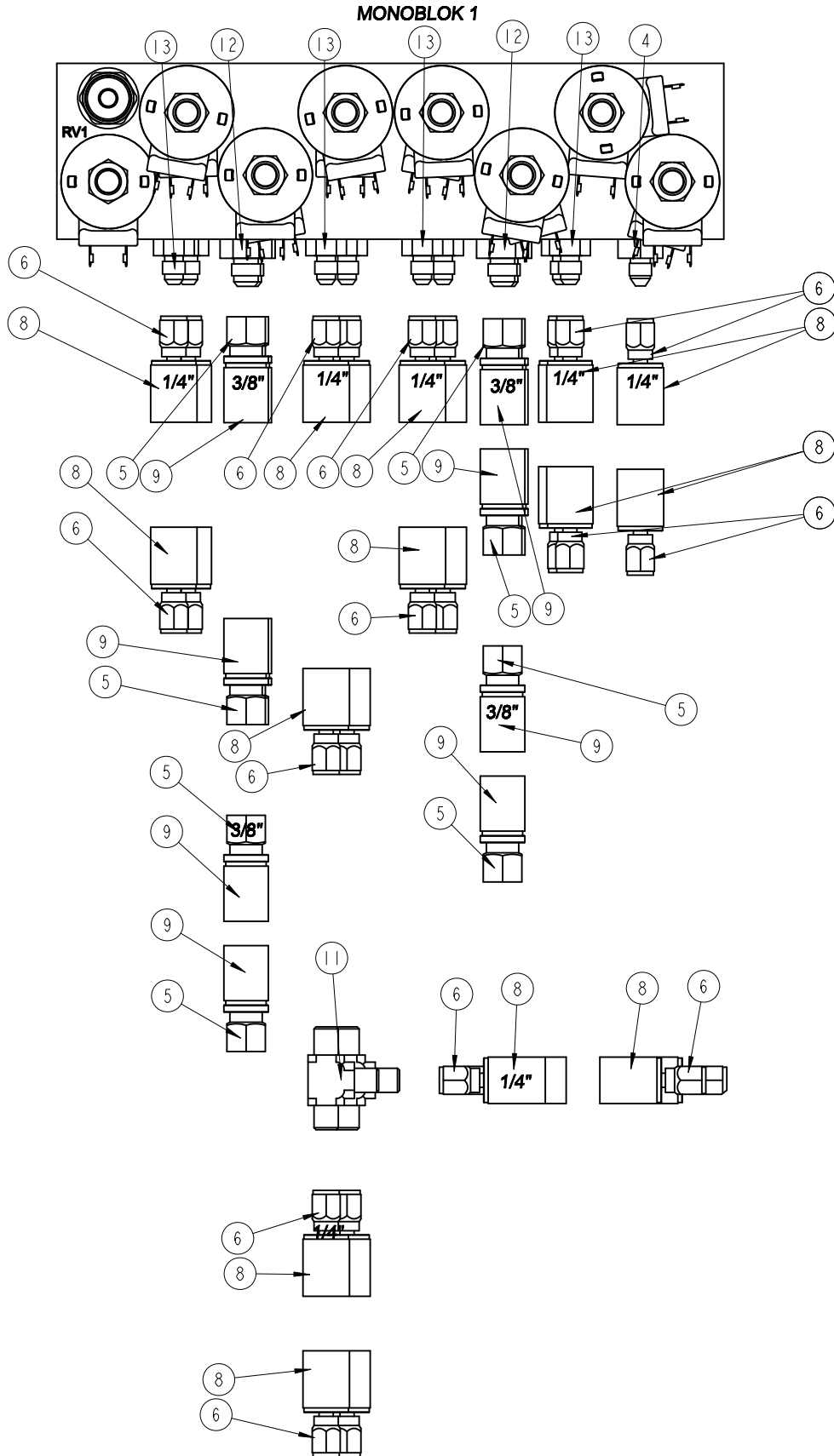


| REF. | DESCRIPTION (* indicates parts available in assemblies only) | PART # | QTY |
|------|--|--------|-----|
| - | POWER KIT, WB2000 HS5 HYDRAULIC | 714708 | 1 |
| 1 | FITTING, 3/8 O-RING-3/8JIC | 014687 | 2 |
| 2 | FITTING, 3/8JIC TEE | 015487 | 2 |
| 3 | FITTING, 3/8JIC CAP | 016816 | 2 |

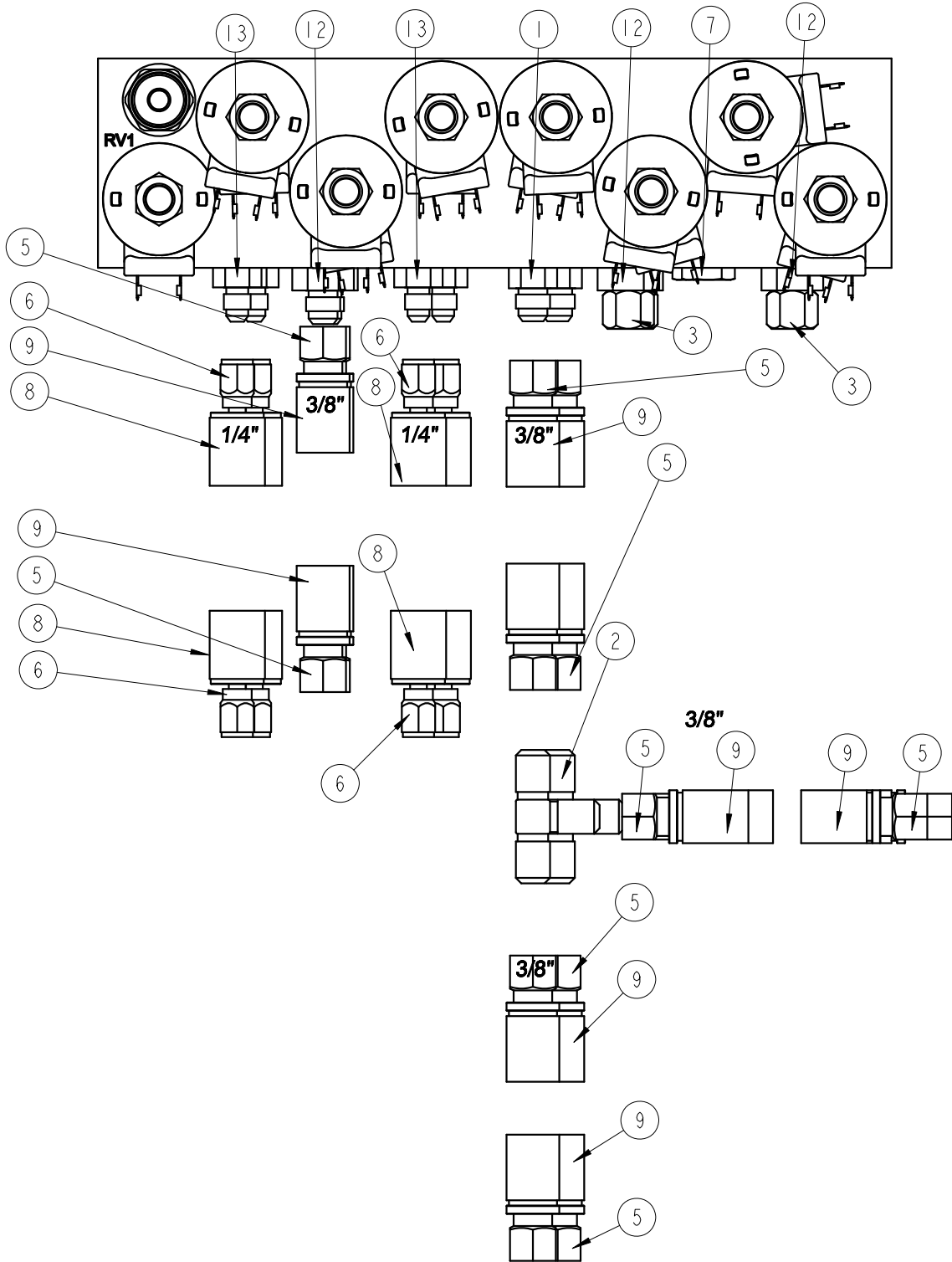
HYDRAULIC POWER KITS*Hydraulic Power Kit, WB2000 HS5 (714708)*

| REF. | DESCRIPTION (* indicates parts available in assemblies only) | PART # | QTY | |
|------|--|--------|-----|--|
| 4 | FITTING, #8SAE-1/4JIC | 036759 | 2 | |
| 5 | FITTING, JIC 9/16-18 | 085900 | 32 | |
| 6 | FITTING, JIC 7/16-20 | 085902 | 36 | |
| 7 | PLUG, 9/16-18 JIC HYDRAULIC VALVE | 089647 | 2 | |
| 8 | FERRULE, DN-06 1/4" | 096909 | 36 | |
| 9 | FERRULE, 10-2SN | 096910 | 32 | |
| 10 | HYDRAULIC BOX, 14-SECTION W/HYDRAULIC PUMP & MOTOR | 714706 | 1 | |
| 11 | FITTING, 1/4JIC UNION TEE | P09145 | 2 | |
| 12 | FITTING, 8SAE-3/8JIC | P12703 | 10 | |
| 13 | FITTING, 1/4JIC-3/8 O-RING | P26284 | 12 | |
| 14 | HOSE, DN-06/ 1/4"/ 2SN HYDRAULIC | R02135 | 1 | |
| 15 | HOSE, DN-10/ 3/8"/ 2SN HYDRAULIC | R02136 | 1 | |

8.2 Hydraulic Power Kit, WB2000 HS4 (714737)



MONOBLOK 2

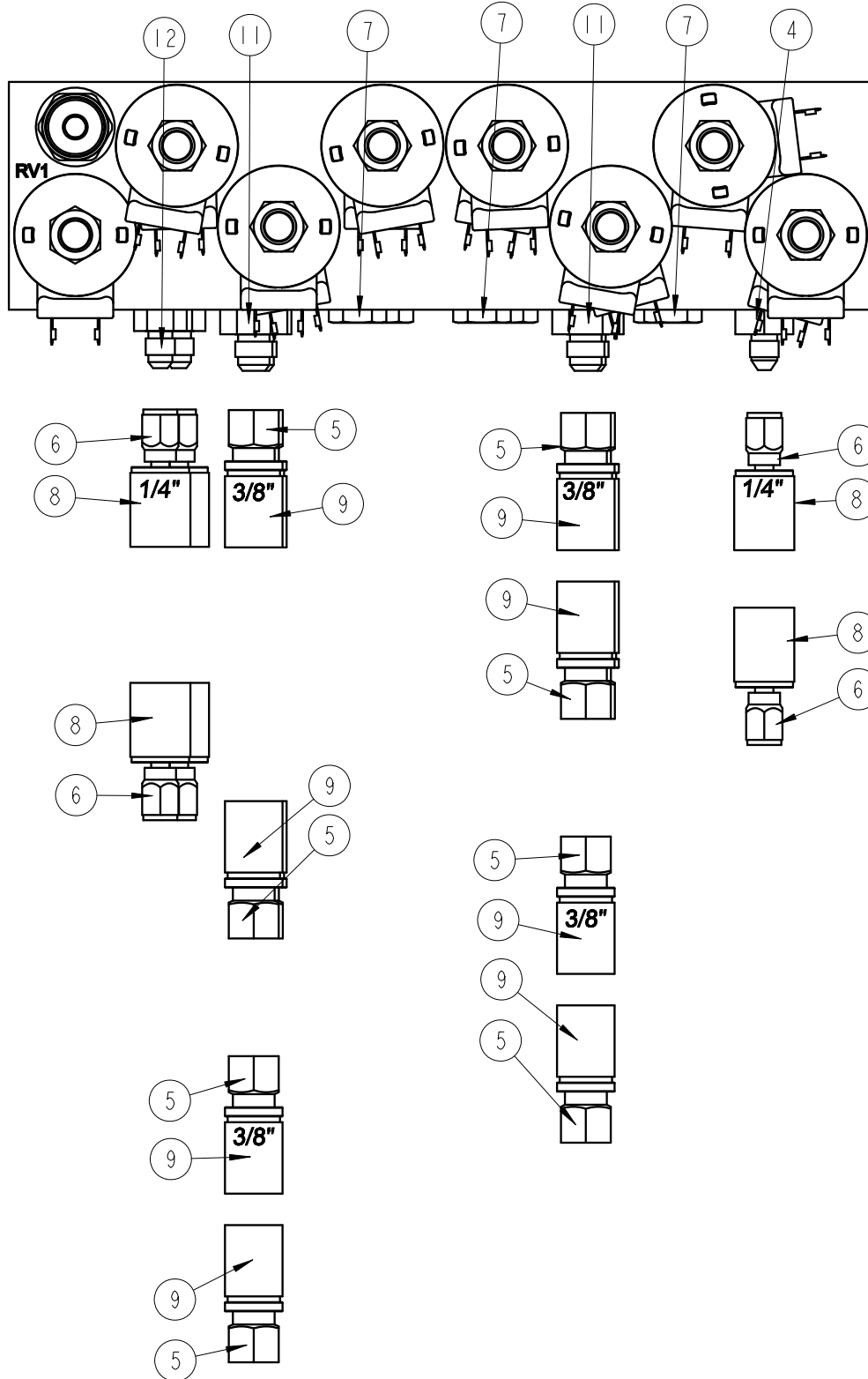


| REF. | DESCRIPTION (* indicates parts available in assemblies only) | PART # | QTY |
|------|--|--------|-----|
| - | POWER KIT, WB2000 HS4 HYDRAULIC | 714737 | 1 |
| 1 | FITTING, 3/8 O-RING-3/8JIC | 014687 | 2 |
| 2 | FITTING, 3/8JIC TEE | 015487 | 2 |
| 3 | FITTING, 3/8JIC CAP | 016816 | 4 |
| 4 | FITTING, #8SAE-1/4JIC | 036759 | 2 |

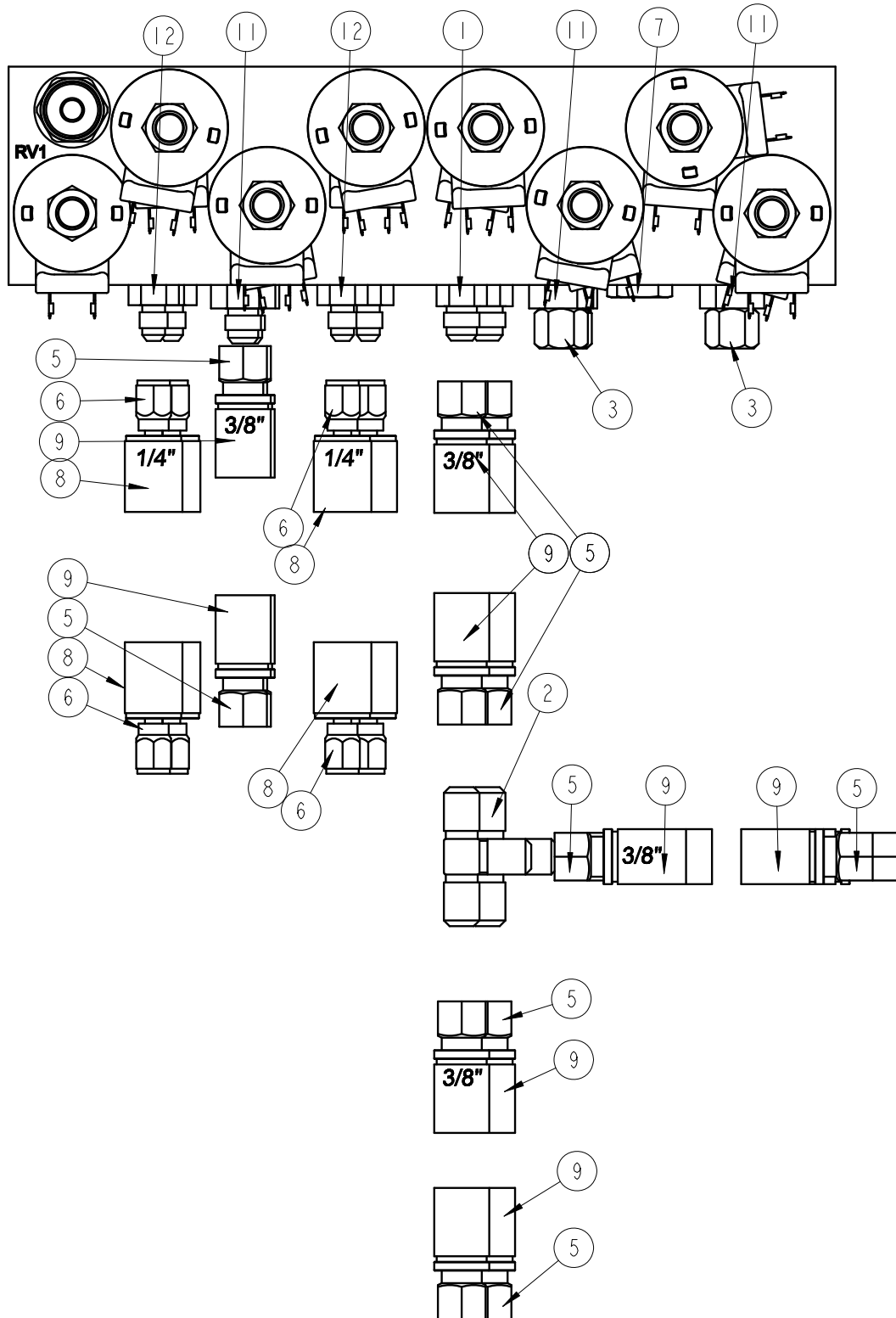
| REF. | DESCRIPTION (* indicates parts available in assemblies only) | PART # | QTY | |
|------|--|--------|-----|--|
| 5 | FITTING, JIC 9/16-18 | 085900 | 28 | |
| 6 | FITTING, JIC 7/16-20 | 085902 | 36 | |
| 7 | PLUG, 9/16-18 JIC HYDRAULIC VALVE | 089647 | 2 | |
| 8 | FERRULE, DN-06 1/4" | 096909 | 36 | |
| 9 | FERRULE, 10-2SN | 096910 | 28 | |
| 10 | HYDRAULIC BOX, 14-SECTION W/HYDRAULIC PUMP & MOTOR | 714706 | 1 | |
| 11 | FITTING, 1/4JIC UNION TEE | P09145 | 2 | |
| 12 | FITTING, 8SAE-3/8JIC | P12703 | 10 | |
| 13 | FITTING, 1/4JIC-3/8 O-RING | P26284 | 12 | |
| 14 | HOSE, DN-06/ 1/4"/ 2SN HYDRAULIC | R02135 | 1 | |
| 15 | HOSE, DN-10/ 3/8"/ 2SN HYDRAULIC | R02136 | 1 | |

8.3 Hydraulic Power Kit, WB2000 HS3 (714738)

MONOBLOK 1



MONOBLOK 2



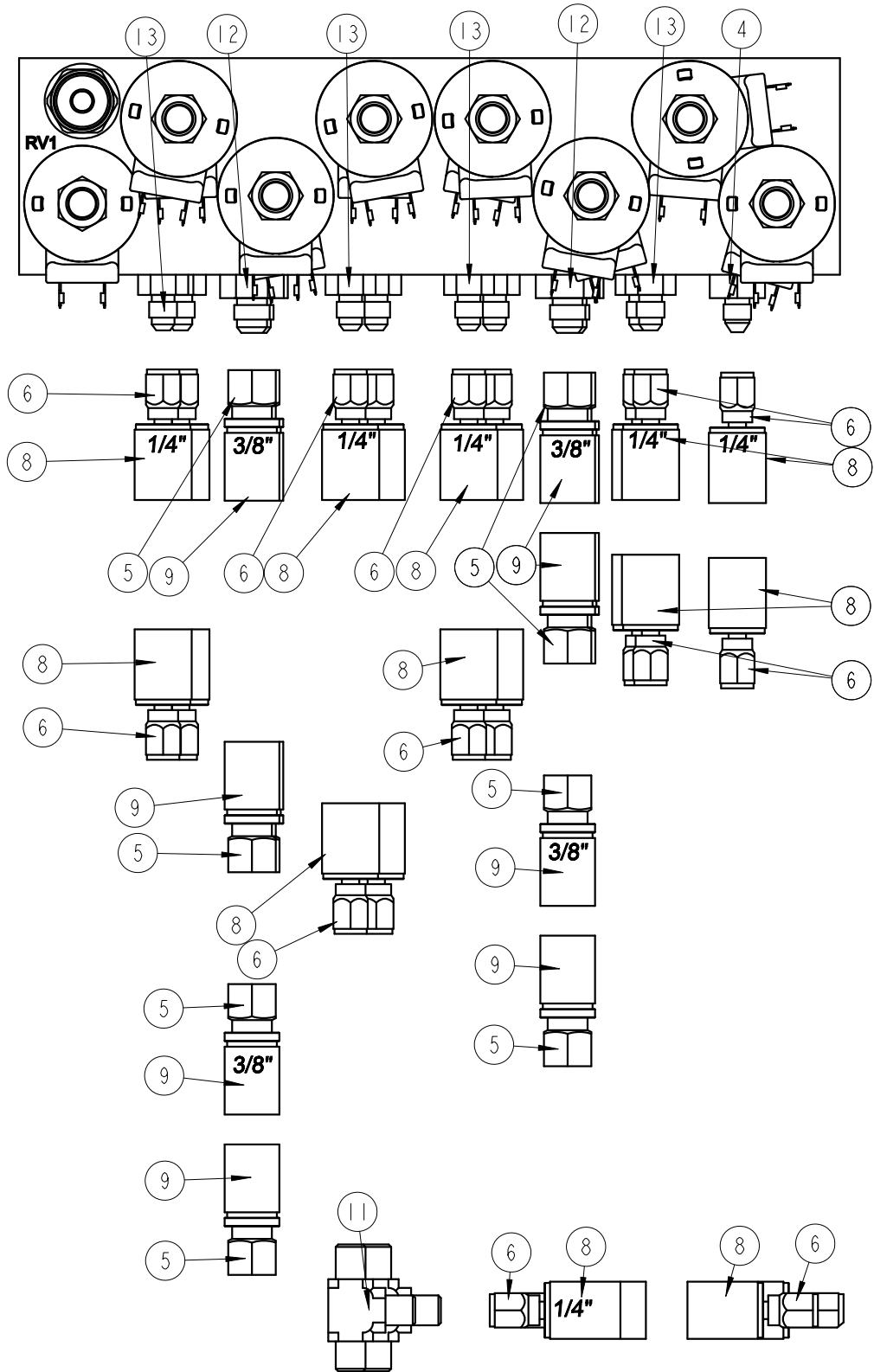
| REF. | DESCRIPTION (* indicates parts available in assemblies only) | PART # | QTY |
|------|--|--------|-----|
| - | POWER KIT, WB2000 HS3 HYDRAULIC | 714738 | 1 |
| 1 | FITTING, 3/8 O-RING-3/8JIC | 014687 | 2 |
| 2 | FITTING, 3/8JIC TEE | 015487 | 2 |
| 3 | FITTING, 3/8JIC CAP | 016816 | 4 |

HYDRAULIC POWER KITS*Hydraulic Power Kit, WB2000 HS3 (714738)*

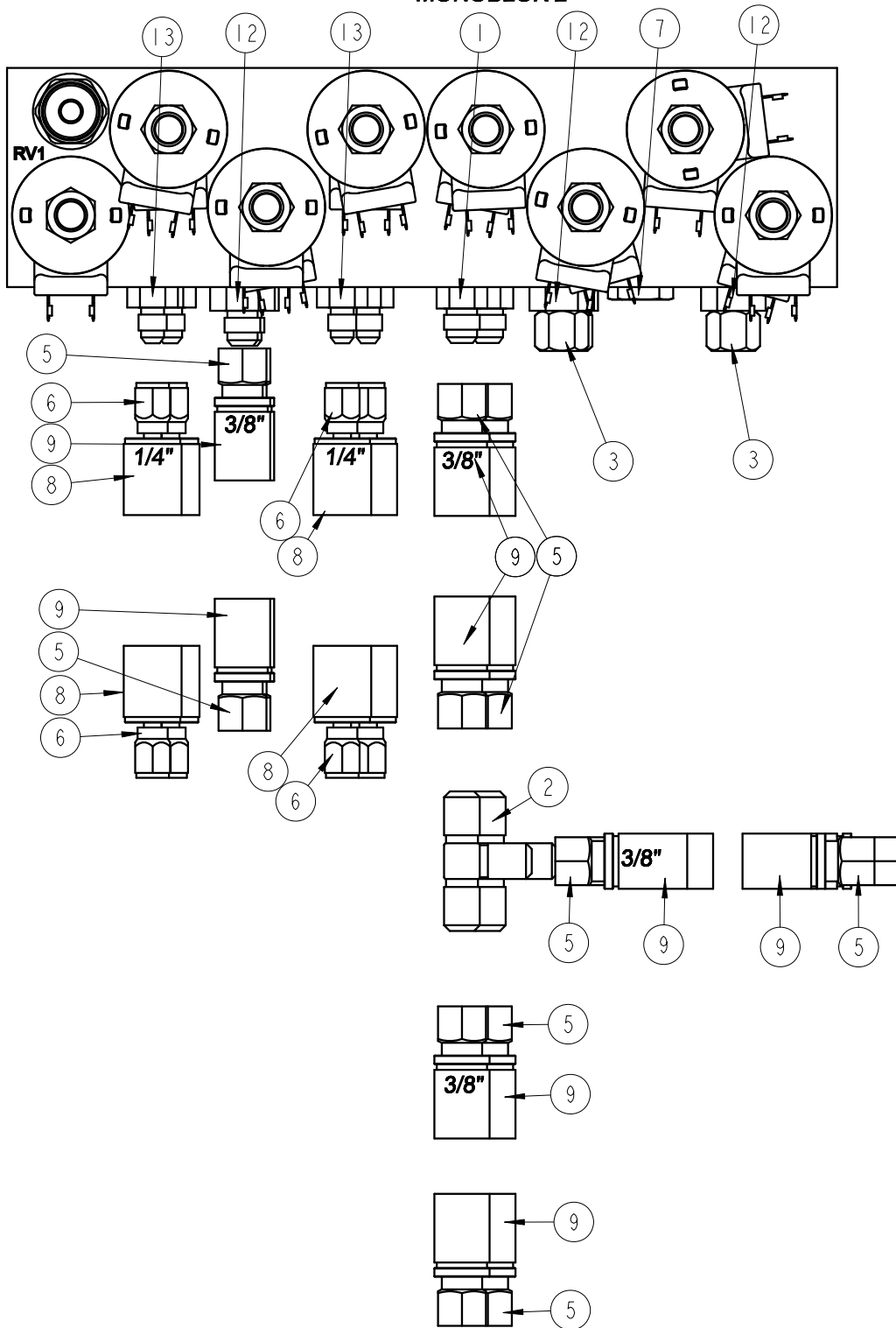
| REF. | DESCRIPTION (* indicates parts available in assemblies only) | PART # | QTY | |
|------|--|--------|-----|--|
| 4 | FITTING, #8SAE-1/4JIC | 036759 | 2 | |
| 5 | FITTING, JIC 9/16-18 | 085900 | 28 | |
| 6 | FITTING, JIC 7/16-20 | 085902 | 16 | |
| 7 | PLUG, 9/16-18 JIC HYDRAULIC VALVE | 089647 | 8 | |
| 8 | FERRULE, DN-06 1/4" | 096909 | 16 | |
| 9 | FERRULE, 10-2SN | 096910 | 28 | |
| 10 | HYDRAULIC BOX, 14-SECTION W/HYDRAULIC PUMP & MOTOR | 714706 | 1 | |
| 11 | FITTING, 8SAE-3/8JIC | P12703 | 10 | |
| 12 | FITTING, 1/4JIC-3/8 O-RING | P26284 | 6 | |
| 13 | HOSE, DN-06/ 1/4"/ 2SN HYDRAULIC | R02135 | 1 | |
| 14 | HOSE, DN-10/ 3/8"/ 2SN HYDRAULIC | R02136 | 1 | |

8.4 Hydraulic Power Kit, WB2000 HS2 (714739)

MONOBLOK 1



MONOBLOK 2

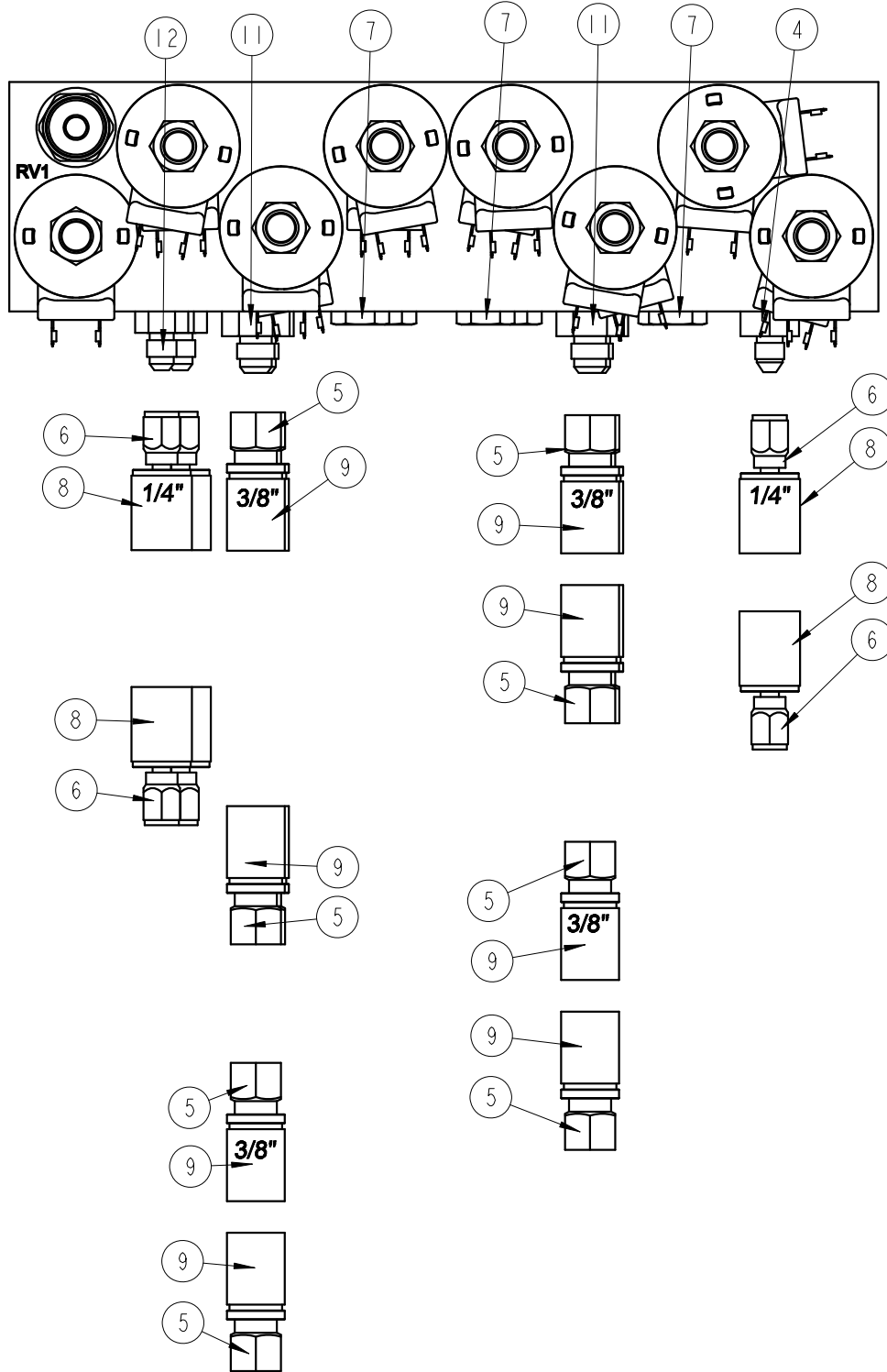


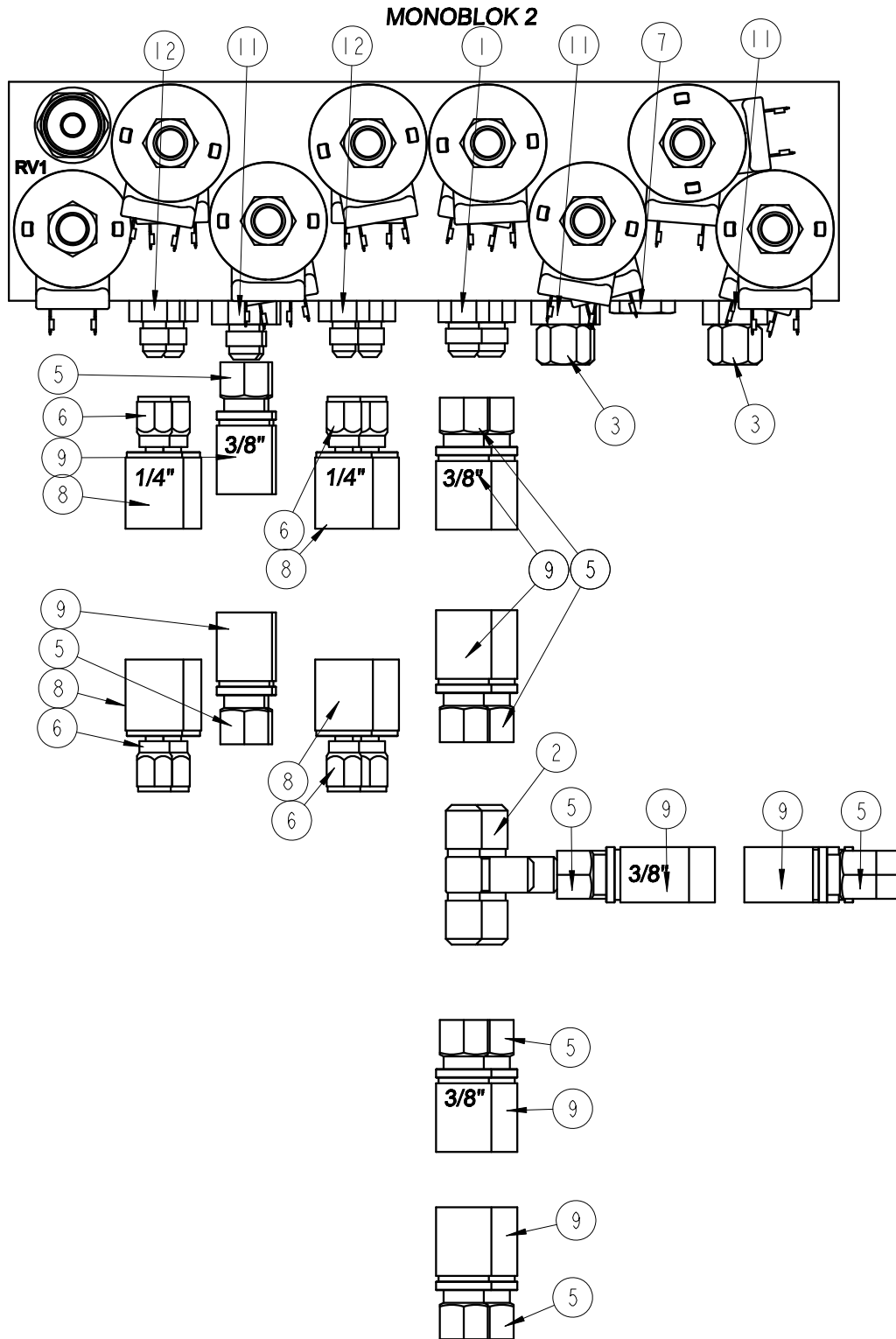
| REF. | DESCRIPTION (* indicates parts available in assemblies only) | PART # | QTY |
|------|--|--------|-----|
| - | POWER KIT, WB2000 HS2 HYDRAULIC | 714739 | 1 |
| 1 | FITTING, 3/8 O-RING-3/8JIC | 014687 | 2 |
| 2 | FITTING, 3/8JIC TEE | 015487 | 2 |
| 3 | FITTING, 3/8JIC CAP | 016816 | 4 |
| 4 | FITTING, #8SAE-1/4JIC | 036759 | 2 |

| REF. | DESCRIPTION (* indicates parts available in assemblies only) | PART # | QTY | |
|------|--|--------|-----|--|
| 5 | FITTING, JIC 9/16-18 | 085900 | 28 | |
| 6 | FITTING, JIC 7/16-20 | 085902 | 36 | |
| 7 | PLUG, 9/16-18 JIC HYDRAULIC VALVE | 089647 | 2 | |
| 8 | FERRULE, DN-06 1/4" | 096909 | 36 | |
| 9 | FERRULE, 10-2SN | 096910 | 28 | |
| 10 | HYDRAULIC BOX, 14-SECTION W/HYDRAULIC PUMP & MOTOR | 714706 | 1 | |
| 11 | FITTING, 1/4JIC UNION TEE | P09145 | 2 | |
| 12 | FITTING, 8SAE-3/8JIC | P12703 | 10 | |
| 13 | FITTING, 1/4JIC-3/8 O-RING | P26284 | 12 | |
| 14 | HOSE, DN-06/ 1/4"/ 2SN HYDRAULIC | R02135 | 1 | |
| 15 | HOSE, DN-10/ 3/8"/ 2SN HYDRAULIC | R02136 | 1 | |

8.5 Hydraulic Power Kit, WB2000 HS1 (714740)

MONOBLOK 1





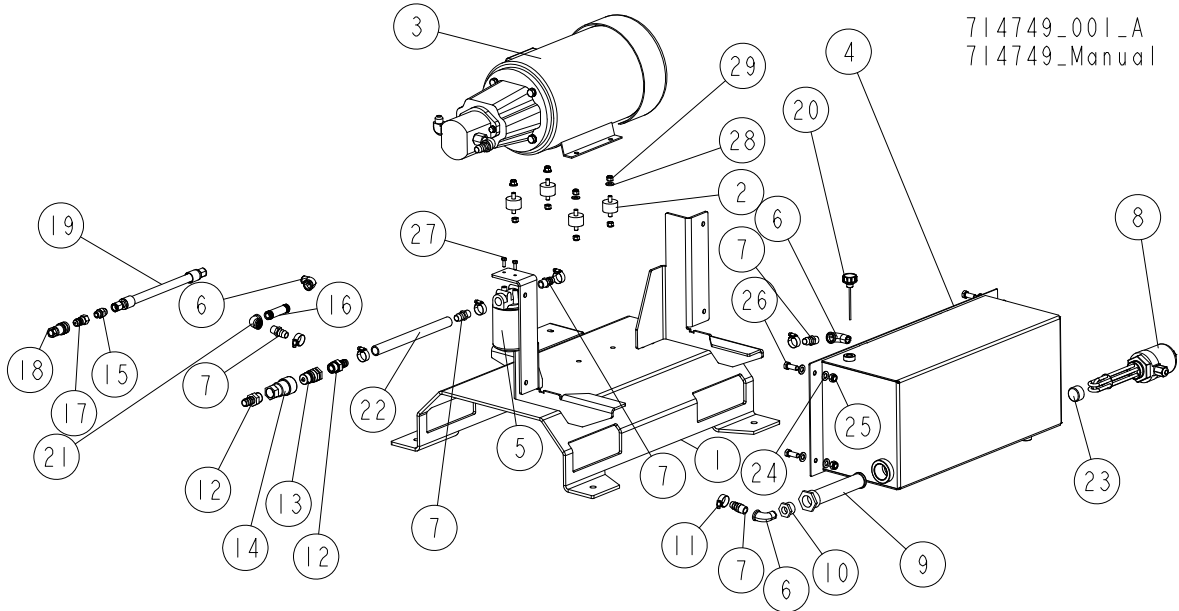
| REF. | DESCRIPTION (* indicates parts available in assemblies only) | PART # | QTY |
|------|--|--------|-----|
| - | POWER KIT, WB2000 HS1 HYDRAULIC | 714740 | 1 |
| 1 | FITTING, 3/8 O-RING-3/8JIC | 014687 | 2 |
| 2 | FITTING, 3/8JIC TEE | 015487 | 2 |
| 3 | FITTING, 3/8JIC CAP | 016816 | 4 |
| 4 | FITTING, #8SAE-1/4JIC | 036759 | 2 |
| 5 | FITTING, JIC 9/16-18 | 085900 | 28 |

HYDRAULIC POWER KITS*Hydraulic Power Kit, WB2000 HS1 (714740)*

| REF. | DESCRIPTION (* indicates parts available in assemblies only) | PART # | QTY | |
|------|--|--------|-----|--|
| 6 | FITTING, JIC 7/16-20 | 085902 | 16 | |
| 7 | PLUG, 9/16-18 JIC HYDRAULIC VALVE | 089647 | 8 | |
| 8 | FERRULE, DN-06 1/4" | 096909 | 16 | |
| 9 | FERRULE, 10-2SN | 096910 | 28 | |
| 10 | HYDRAULIC BOX, 14-SECTION W/HYDRAULIC PUMP & MOTOR | 714706 | 1 | |
| 11 | FITTING, 8SAE-3/8JIC | P12703 | 10 | |
| 12 | FITTING, 1/4JIC-3/8 O-RING | P26284 | 6 | |
| 13 | HOSE, DN-06/ 1/4"/ 2SN HYDRAULIC | R02135 | 1 | |
| 14 | HOSE, DN-10/ 3/8"/ 2SN HYDRAULIC | R02136 | 1 | |

SECTION 9 HYDRAULIC PUMP W/MOTOR & HYDRAULIC BOX

9.1 Hydraulic Pump w/Motor



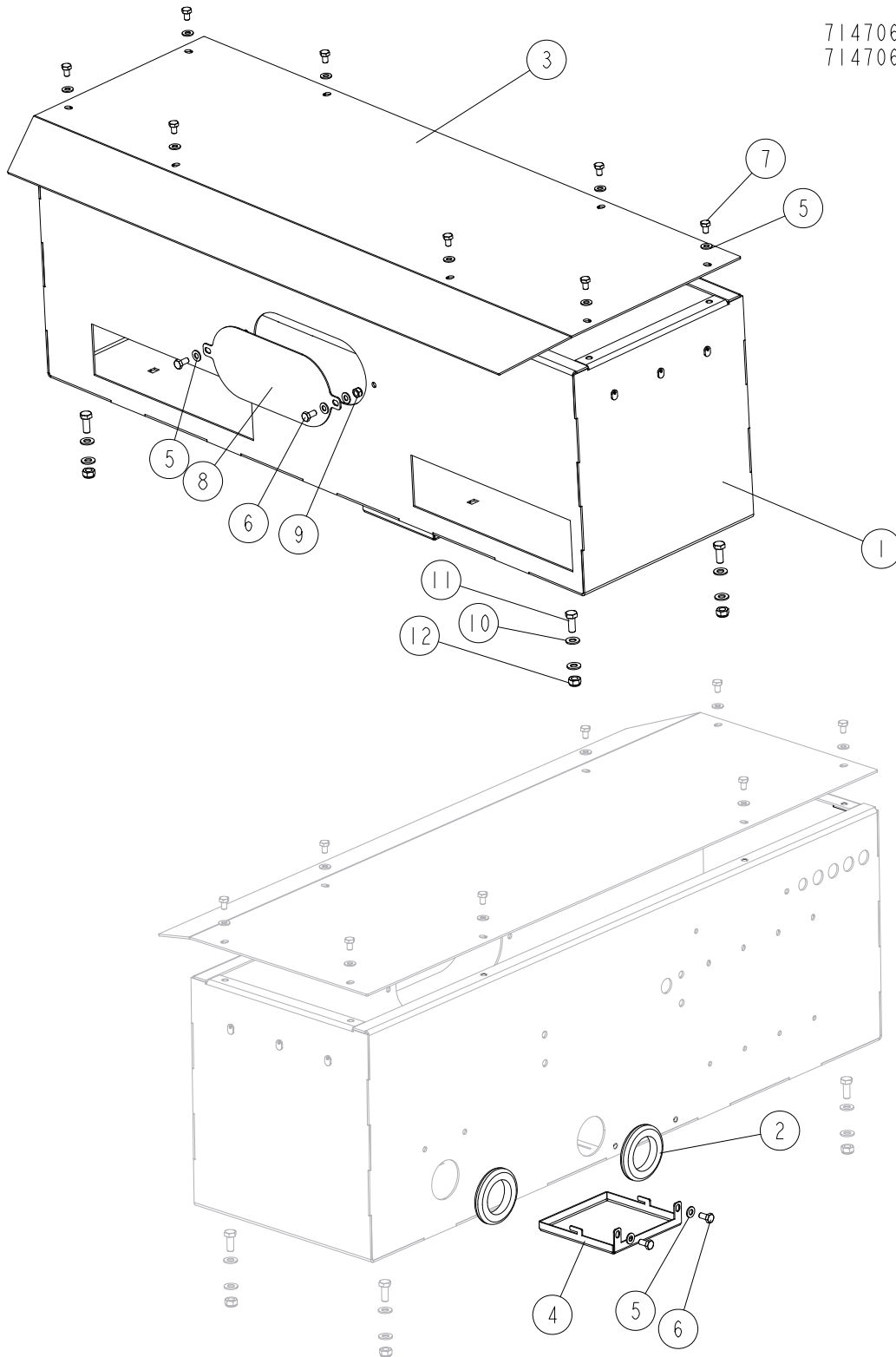
714749_001_A
714749_Manual

| REF. | DESCRIPTION (* indicates parts available in assemblies only) | PART # | QTY |
|------|--|------------|-----|
| - | PUMP, WB2000 HYDRAULIC W/MOTOR - COMPLETE | 714749 | 1 |
| 1 | MOUNT WELDMENT, WM4000 HYDRAULIC PUMP & TANK | 510624-1 | 1 |
| 2 | MOUNT, RUBBER VIBRATION CONTROL | 035546 | 4 |
| 3 | PUMP, 7.5KW, N=2925, 32.5L/MIN HYDRAULIC W/MOTOR See Section 9.6 | 533938 | 1 |
| 4 | TANK, WM4000 (52L) OIL | 517426-1 | 1 |
| 5 | MANIFOLD, W/FILTER | P22683 | 1 |
| 6 | A4-ELBOW, WZ 1/2" ZINC-PLATED | 094749 | 3 |
| 7 | FITTING, 1/2NPT MALE-3/4 HOSE BARB | 035621 | 5 |
| 8 | HEATER, EH-380-200-G11/2"-TA-2X400V TERMO | 511737 | 1 |
| 9 | FILTER, RESAW TANK SUCTION | P20210 | 1 |
| 10 | BUSHING, 1/2 TO 1 | P20239 | 1 |
| 11 | CLAMP, HI-GRIP 22-30 MM. | F81095-3 | 6 |
| 12 | NIPPLE, AGR 3/4" | 505066 | 2 |
| 13 | FITTING, 3/4" INT. THREAD BSP MALE QUICK DISCONNECT | 505065 | 1 |
| 14 | FITTING, 3/4" INT. THREAD BSP FEMALE QUICK DISCONNECT | 505064 | 1 |
| 15 | FITTING, UNF-BSPP 3/4-3/8 HYDRAULIC | 714746 | 1 |
| 16 | ADAPTER, 1/2" - 80MMZINC-PLATED THREADED | 511417 | 1 |
| 17 | FITTING, 3/8" INT. THREAD BSP MALE QUICK DISCONNECT | 504966 | 1 |
| 18 | FITTING, 3/8" INT. THREAD BSP FEMALE QUICK DISCONNECT | 504965 | 1 |
| 19 | HOSE, 2G1/2X0.30 W3/4UNF-W3/4UNF HYDRAULIC | 512176 | 1 |
| 20 | CAP, 3/8" W/DIPSTICK | 507166 | 1 |
| 21 | ELBOW, 1/2" ZINC-PLATED | 511419 | 1 |
| 22 | HOSE, 3/4 L=0.86 | 094790_0-8 | 1 |
| 23 | PLUG, R 1 1/2 THREADED | 512574 | 1 |
| 24 | WASHER, 13 FLAT ZINC | F81056-1 | 8 |
| 25 | NUT, M12- 8 DIN 982 NYLON ZINC | F81034-2 | 4 |

HYDRAULIC PUMP W/MOTOR & HYDRAULIC BOX*Hydraulic Pump w/Motor*

| REF. | DESCRIPTION (* indicates parts available in assemblies only) | PART # | QTY | |
|------|--|-----------|-----|--|
| 26 | BOLT, M12X30 8.8 HEX HEAD FULL THREAD ZINC | F81004-22 | 4 | |
| 27 | BOLT, 1/4-20X3/4 FULL THREAD HEX HEAD | F05005-1 | 2 | |
| 28 | WASHER, 10.5 FLAT ZINC | F81055-1 | 4 | |
| 29 | NUT, 3/8-16 HEX NYLON LOCK | F05010-10 | 8 | |

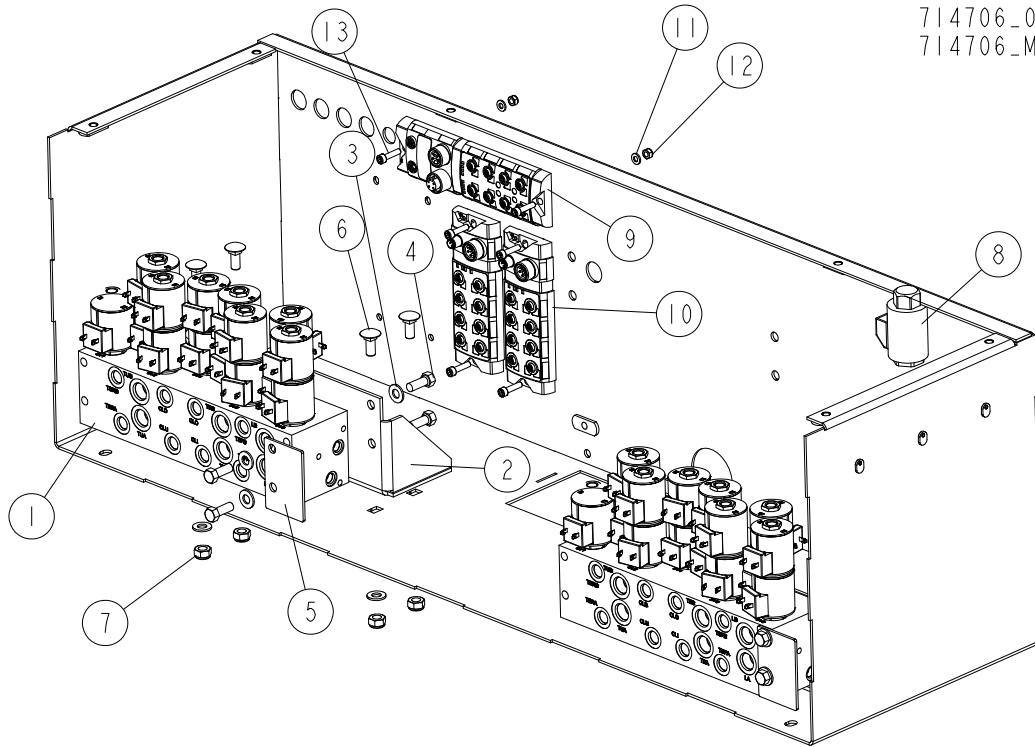
9.2 Hydraulic Box



| REF. | DESCRIPTION (◆ Indicates Parts Available In Assemblies Only) | PART # | QTY |
|------|--|----------|-----|
| - | BOX, 14-SECTION HYDRAULIC | 714706 | 1 |
| 1 | BOX, HYDRAULIC | 710924-1 | 1 |
| 2 | GROMMET, 55MM DIA. RUBBER | 085614 | 2 |

| REF. | DESCRIPTION (◆ Indicates Parts Available In Assemblies Only) | PART # | QTY | |
|------|--|-----------|-----|--|
| 3 | COVER, HYDRAULIC BOX | 710927-1 | 1 | |
| 4 | TRAY, OIL LEAK | 710989-1 | 1 | |
| 5 | WASHER, 8.4 FLAT ZINC | F81054-1 | 14 | |
| 6 | BOLT, M8X16-8.8-B HEX HEAD FULL THREAD ZINC | F81002-20 | 4 | |
| 7 | BOLT, M8X12-8.8 HEX HEAD FULL THREAD ZINC | F81002-6 | 8 | |
| 8 | PLATE, HYDRAULIC VALVE SECTION COVER | 711345-1 | 1 | |
| 9 | NUT, M8 8 HEX NYLON ZINC LOCK | F81032-2 | 2 | |
| 10 | WASHER, 10.5 FLAT ZINC | F81055-1 | 8 | |
| 11 | BOLT, M10X25 8.8 HEX HEAD FULL THREAD ZINC | F81003-11 | 4 | |
| 12 | NUT, M10-8-B HEX NYLON ZINC LOCK | F81033-1 | 4 | |

9.3 Hydraulic Valve Mount

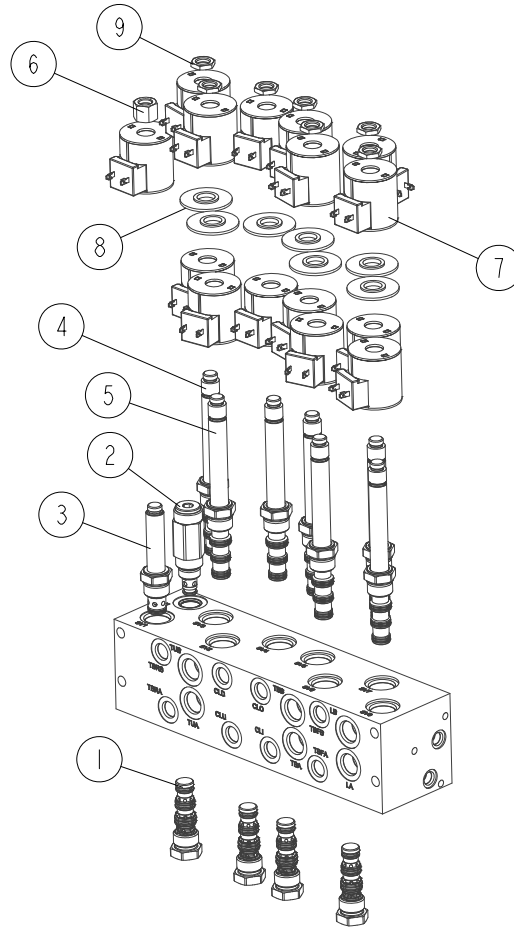


714706_002_B
714706_Manual

| REF. | DESCRIPTION (* indicates parts available in assemblies only) | PART # | QTY |
|------|---|-----------|-----|
| 1 | VALVE, 24V 7-SECTION HYDRAULIC EXPANDABLE See Section 9.4 | 025689 | 2 |
| 2 | BRACKET, HYDRAULIC VALVE MOUNT | 711333-1 | 2 |
| 3 | WASHER, 10.5 FLAT ZINC | F81055-1 | 18 |
| 4 | BOLT, 3/8-16X1 HEX HEAD | F05007-7 | 10 |
| 5 | PLATE, COVER | 711337-1 | 2 |
| 6 | BOLT, Z M10X25-8.8 CARRIAGE ZINC | F81003-59 | 8 |
| 7 | NUT, M10-8-B HEX NYLON ZINC LOCK | F81033-1 | 8 |
| 8 | DRIVER, EVDR-0201.A DUAL/SINGLE VALVE | 068227-1 | 1 |
| 9 | VALVE, 4X IOLINK ETHERNETIP ACTIVE | 532585 | 1 |
| 10 | VALVE, 16 IO IOLINK ACTIVE | 532586 | 2 |
| 11 | WASHER, 6.4 FLAT ZINC | F81053-1 | 6 |
| 12 | NUT, M6-8-B HEX NYLON ZINC LOCK | F81031-2 | 6 |
| 13 | SCREW, M6X25-8.8 HEX SOCKET HEAD CAP ZINC | F81001-41 | 6 |

9.4 Hydraulic Valve

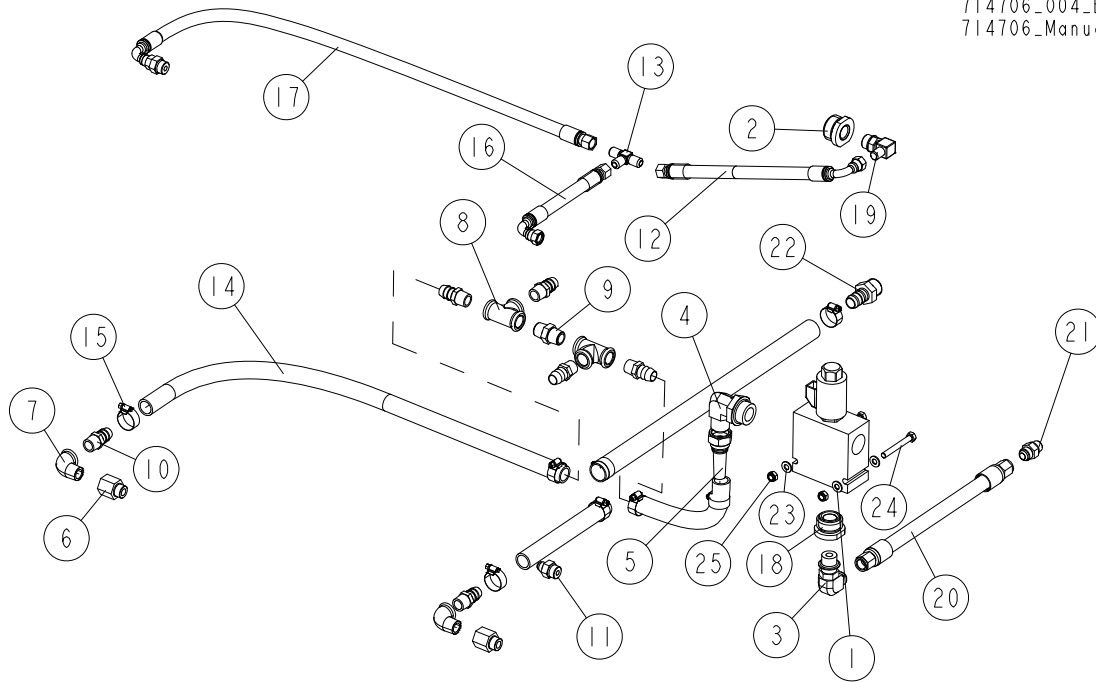
714706_003
714706_Manual



| REF. | DESCRIPTION (◆ Indicates Parts Available In Assemblies Only) | PART # | QTY |
|------|--|---------------|----------|
| | VALVE, 24V 7-SECTION HYDRAULIC EXPANDABLE | 025689 | 1 |
| 1 | VALVE, PO CHECK | 025832 | 4 |
| 2 | VALVE, RELIEF | 025833 | 1 |
| 3 | VALVE, 2-WAY, NORMALLY OPEN (LESS COIL) | 025831 | 1 |
| 4 | VALVE, 4-WAY 3-POSITION, MOTOR SPOOL (LESS COILS) | 025829 | 4 |
| 5 | VALVE, 4-WAY 3-POSITION, CLOSED CENTER (LESS COILS) | 025830 | 3 |
| 6 | NUT, COIL (SV10-21) | 025836 | 1 |
| 7 | COIL, 24V DC | 025835 | 15 |
| 8 | SPACER, COIL | 025838 | 7 |
| 9 | NUT, COIL (SV10-47) | 025837 | 7 |

9.5 Hydraulic Box Hoses

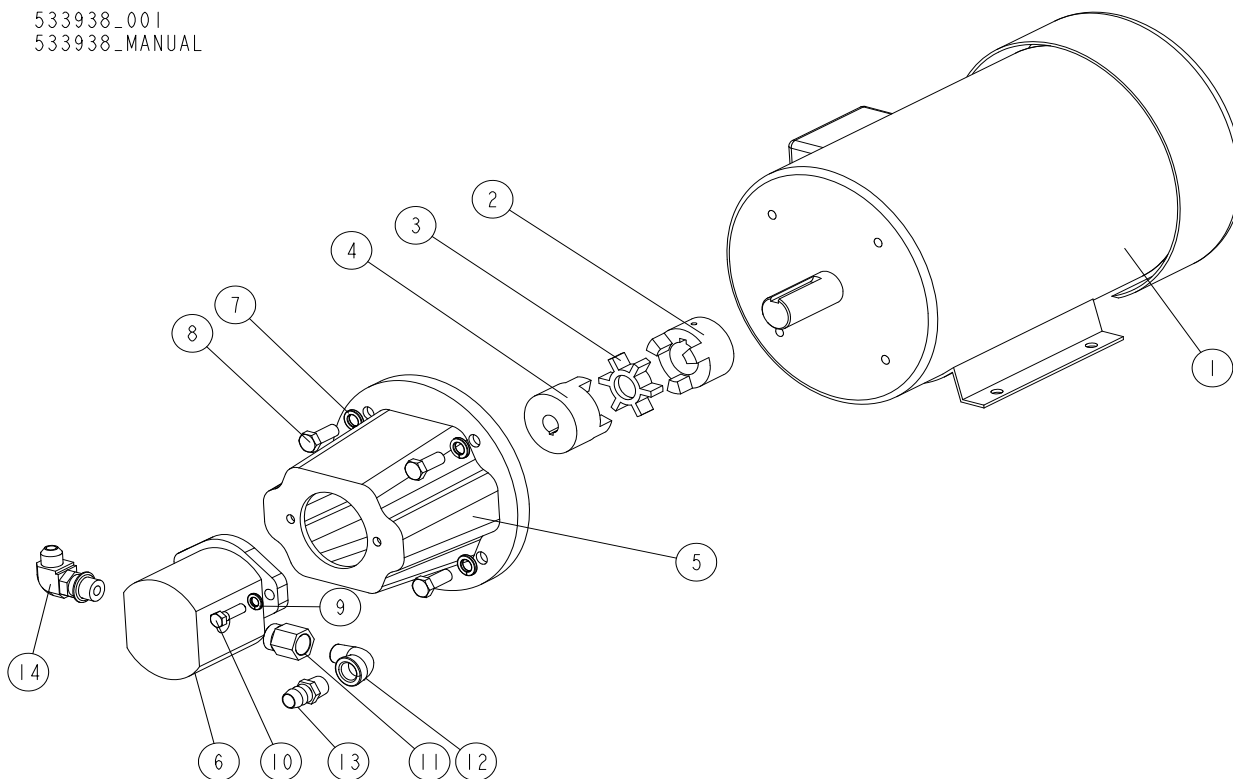
714706_004_B
714706_Manual



| REF. | DESCRIPTION (* indicates parts available in assemblies only) | PART # | QTY |
|------|--|----------|-----|
| 1 | VALVE, PV72 PROPORTIONAL | 068273 | 1 |
| 2 | FITTING, 1 5/16" UNF MALE - 3/4" UNF FEMALE | 510836 | 1 |
| 3 | FITTING, #10SAE-1/2JIC 90 ELBOW | 042784 | 1 |
| 4 | FITTING, 1.5/16" UNF - 1.1/16" JIC ELBOW W/JAM NUT | 530192 | 1 |
| 5 | FITTING, 1.1/16"JIC HOSE 19 HYDRAULIC | 530195 | 1 |
| 6 | FITTING, #8SAE-1/2NPT FEMALE ADAPTER | 035620 | 2 |
| 7 | A4-ELBOW, WZ 1/2" ZINC-PLATED | 094749 | 2 |
| 8 | B1-ELBOW, 1/2" ZINC-PLATED | 094750 | 2 |
| 9 | NIPPLE, N8 1/2" MALE ZINC-PLATED | 094751 | 1 |
| 10 | FITTING, 1/2NPT MALE-3/4 HOSE BARB | 035621 | 6 |
| 11 | FITTING, 8SAE-3/8JIC | P12703 | 2 |
| 12 | HOSE, 2G3/8X380 W9/16UNF-90W9/16UNF HYDRAULIC | 710951 | 1 |
| 13 | FITTING, 3/8JIC TEE | 015487 | 1 |
| 14 | HOSE, 20MM (3/4") DIA. OILPROOF | 094790__ | 1 |
| 15 | CLAMP, HI-GRIP 22-30 MM. | F81095-3 | 8 |
| 16 | HOSE, 2G3/8X150 W9/16UNF-90W9/16UNF HYDRAULIC | 710952 | 1 |
| 17 | HOSE, 2G3/8X850 W9/16UNF-90W9/16UNF HYDRAULIC | 711344 | 1 |
| 18 | FITTING, 1 5/16" MALE - 7/8" FEMALE. | 510837 | 1 |
| 19 | FITTING, SAE8-9/16 JIC ELBOW | 094610 | 1 |
| 20 | HOSE, 2G 1/2X3.0 W3/4UNF-W3/4UNF HYDRAULIC | 711191 | 1 |
| 21 | FITTING, UNF-BSPP 3/4-3/8 HYDRAULIC | 714746 | 1 |
| 22 | NIPPLE, AGR 3/4" | 505066 | 1 |
| 23 | WASHER, 8.4 FLAT ZINC | F81054-1 | 4 |
| 24 | BOLT, M8X65 5.8-HEX HEAD ZINC | F81002-3 | 2 |
| 25 | NUT, M8-8-B HEX NYLON ZINC LOCK | F81032-2 | 2 |

9.6 Hydraulic Pump (2+1)

533938_001
533938_MANUAL

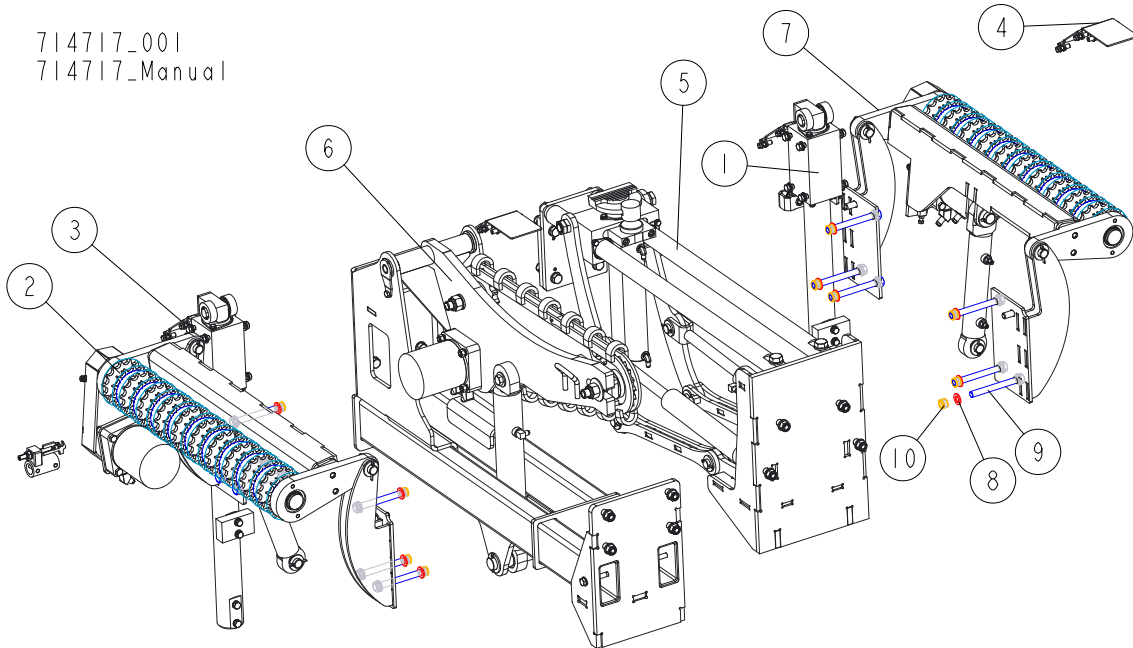


| REF. | DESCRIPTION (* indicates parts available in assemblies only) | PART # | QTY |
|------|--|----------|-----|
| - | PUMP, 7.5kW, n=2925, 32.5l/min HYDRAULIC W/MOTOR | 533938 | 1 |
| 1 | MOTOR | 084591 | 1 |
| 2 | COUPLING, MOTOR | 084592 | 1 |
| 3 | COUPLER, COUPLINGS | 084593 | 1 |
| 4 | COUPLING, PUMP | 084594 | 1 |
| 5 | COUPLER, ADAPTER | 084595 | 1 |
| 6 | PUMP PLP20 | 084597 | 1 |
| 7 | WASHER, ADAPTER - MOTOR | 084596 | 4 |
| 8 | BOLT, ADAPTER - MOTOR | 084599 | 4 |
| 9 | WASHER, PUMP - ADAPTER | 084598 | 2 |
| 10 | BOLT PUMP - ADAPTER | 084599-1 | 2 |
| 11 | FITTING, #12SAE-1/2NPT FEMALE ADAPTER | 042785 | 1 |
| 12 | ELBOW, 1/2 NPT ST GALV | P22684 | 1 |
| 13 | FITTING, 1/2NPT MALE-3/4 HOSE BARB | 035621 | 1 |
| 14 | FITTING, #10SAE-1/2JIC 90 ELBOW | 042784 | 1 |

SECTION 10 HYDRAULIC KITS

10.1 HS1 Hydraulic Kit

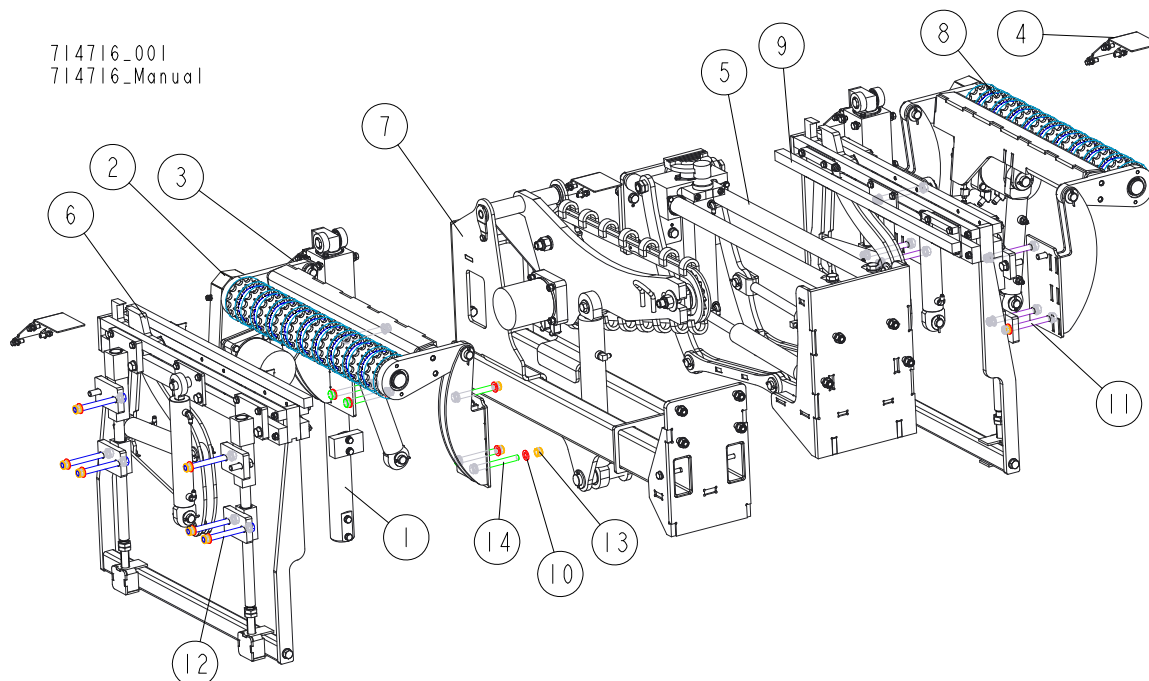
714717_001
 714717_Manual



| REF. | DESCRIPTION (◆ Indicates Parts Available In Assemblies Only) | PART # | QTY |
|------|--|---------------|----------|
| | HS1 HYDRAULIC KIT | 714717 | 1 |
| 1 | SUPPORT, SIDE - COMPLETE See Section 10.6 | 713114 | 2 |
| 2 | ROLLER, LEFT DRIVEN LOG LEVELLING See Section 6.34 | 715511 | 1 |
| 3 | COVER, CROSS BEAM - COMPLETE See Section 7.3 | 713150 | 2 |
| 4 | PLATE, CROSS BEAM COVER - COMPLETE See Section 7.2 | 713152 | 4 |
| 5 | CLAMP, WB2000 MIDDLE See Section 10.8 | 713762 | 1 |
| 6 | TURNER, WB2000 CHAIN - COMPLETE See Section 10.11 | 713772 | 1 |
| 7 | ROLLER, DRIVEN LOG LEVELLING See Section 10.14 | 715509 | 1 |
| 8 | WASHER, 17 SPLIT LOCK ZINC | F81058-1 | 24 |
| 9 | BOLT, M16X150 HEX HEAD ZINC | F81006-9 | 12 |
| 10 | NUT, M16-8 HEX NYLON ZINC LOCK | F81036-2 | 12 |

10.2 HS2 Hydraulic Kit

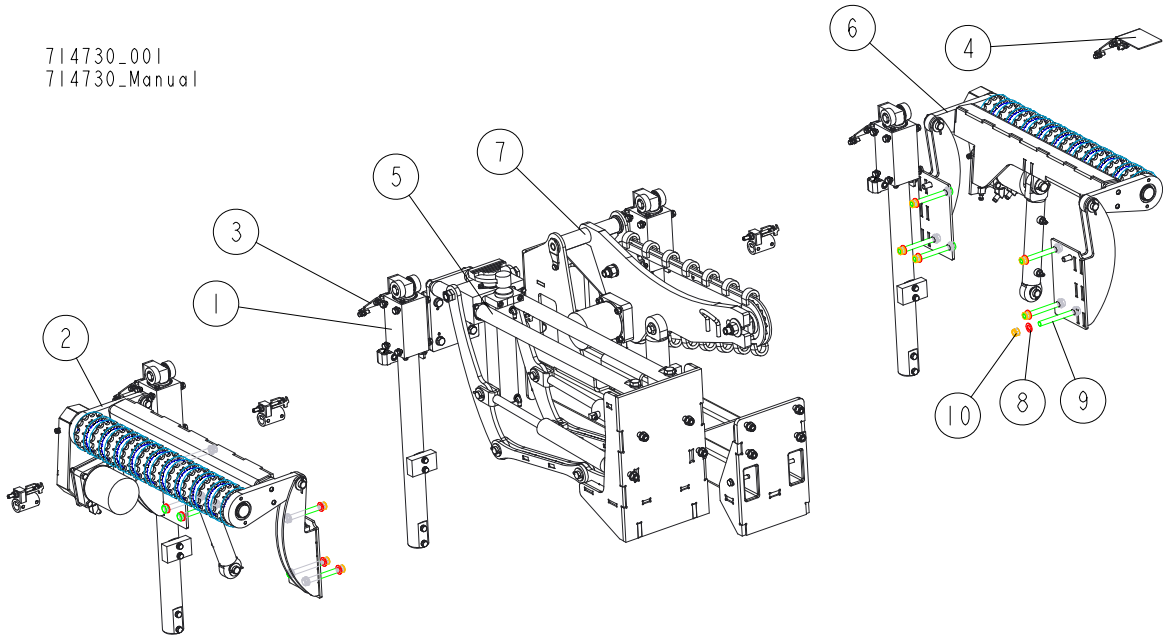
714716_001
714716_Manual



| REF. | DESCRIPTION (◆ Indicates Parts Available In Assemblies Only) | PART # | QTY |
|------|---|---------------|----------|
| | HS2 HYDRAULIC KIT | 714716 | 1 |
| 1 | SUPPORT, SIDE - COMPLETE See Section 10.6 | 713114 | 2 |
| 2 | ROLLER, LEFT DRIVEN LOG LEVELLING See Section 6.34 | 715511 | 1 |
| 3 | COVER, CROSS BEAM - COMPLETE See Section 7.3 | 713150 | 2 |
| 4 | PLATE, CROSS BEAM COVER - COMPLETE See Section 7.2 | 713152 | 4 |
| 5 | CLAMP, WB2000 MIDDLE See Section 10.8 | 713762 | 1 |
| 6 | CLAMP, RIGHT PULL-DOWN - COMPLETE See Section 10.11 | 710777 | 1 |
| 7 | TURNER, WB2000 CHAIN - COMPLETE See Section 10.9 | 713772 | 1 |
| 8 | ROLLER, DRIVEN LOG LEVELLING See Section 10.14 | 715509 | 1 |
| 9 | CLAMP, LEFT PULL-DOWN - COMPLETE | 710776 | 1 |
| 10 | WASHER, 17 SPLIT LOCK ZINC | F81058-1 | 36 |
| 11 | BOLT, M16X170 HEX HEAD ZINC | F81006-39 | 6 |
| 12 | BOLT, M16X160 HEX HEAD ZINC | F81006-20 | 6 |
| 13 | NUT, M16 HEX NYLON ZINC LOCK | F81036-2 | 18 |
| 14 | BOLT, M16X150 HEX HEAD ZINC | F81006-9 | 6 |

10.3 HS3 Hydraulic Kit

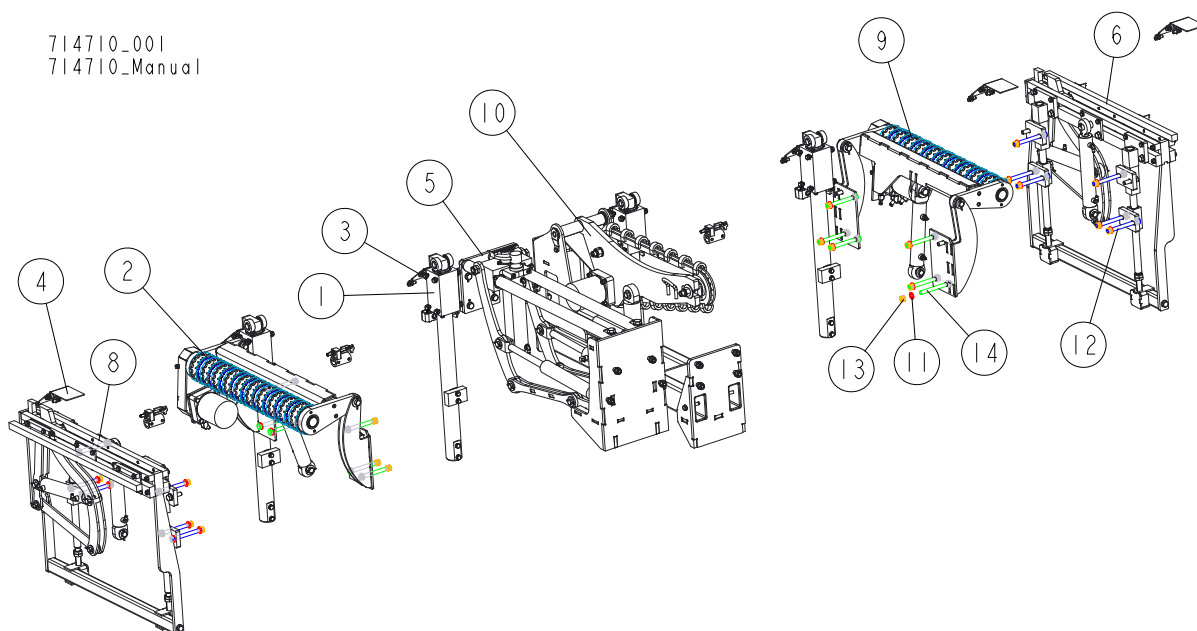
714730_001
 714730_Manual



| REF. | DESCRIPTION (◆ Indicates Parts Available in Assemblies Only) | PART # | QTY |
|------|--|---------------|----------|
| | HS3 HYDRAULIC KIT | 714730 | 1 |
| 1 | SUPPORT, SIDE - COMPLETE See Section 10.6 | 713114 | 4 |
| 2 | ROLLER, LEFT DRIVEN LOG LEVELLING See Section 6.34 | 715511 | 1 |
| 3 | COVER, CROSS BEAM - COMPLETE See Section 7.3 | 713150 | 4 |
| 4 | PLATE, CROSS BEAM COVER - COMPLETE See Section 7.2 | 713152 | 4 |
| 5 | CLAMP, WB2000 MIDDLE See Section 10.8 | 713762 | 1 |
| 6 | ROLLER, DRIVEN LOG LEVELLING See Section 10.14 | 715509 | 1 |
| 7 | TURNER, WB2000 CHAIN - COMPLETE See Section 10.9 | 713772 | 1 |
| 8 | WASHER, 17 SPLIT LOCK ZINC | F81058-1 | 24 |
| 9 | BOLT, M16X150 HEX HEAD ZINC | F81006-9 | 12 |
| 10 | NUT, M16-8 HEX NYLON ZINC LOCK | F81036-2 | 12 |

10.4 HS4 Hydraulic Kit

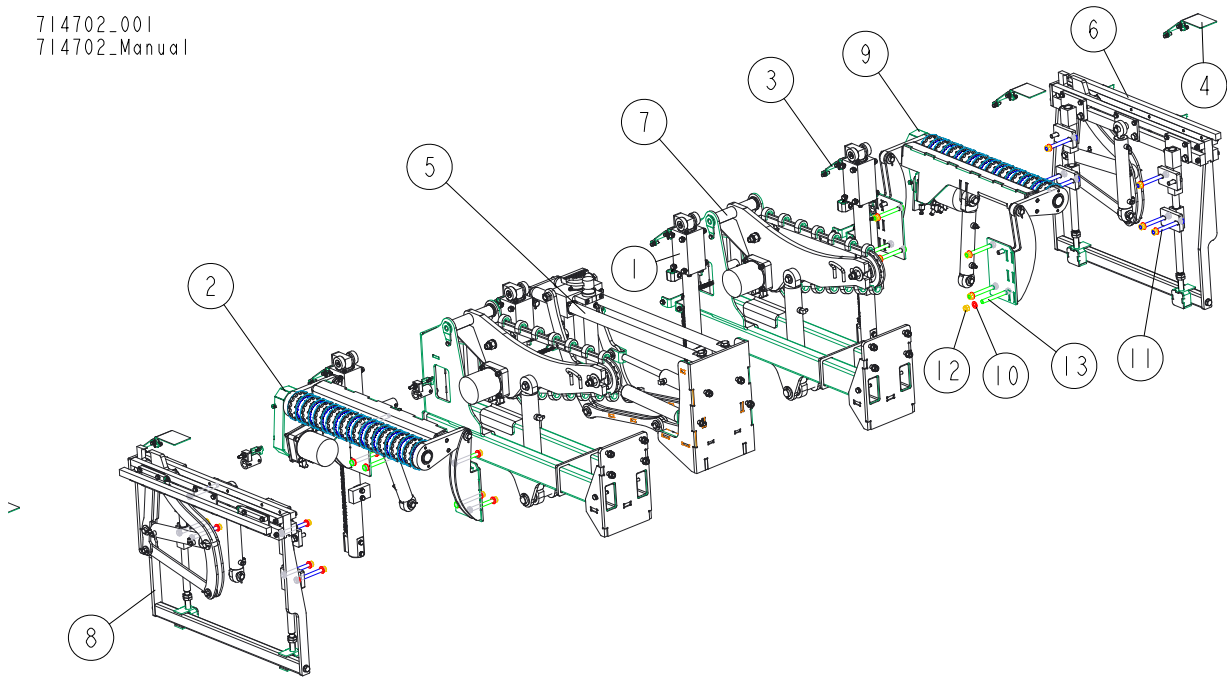
714710_001
714710_Manual



| REF. | DESCRIPTION (◆ Indicates Parts Available In Assemblies Only) | PART # | QTY |
|------|---|---------------|----------|
| | HS4 HYDRAULIC KIT | 714710 | 1 |
| 1 | SUPPORT, SIDE - COMPLETE See Section 10.6 | 713114 | 2 |
| 2 | ROLLER, LEFT DRIVEN LOG LEVELLING See Section 6.34 | 715511 | 1 |
| 3 | COVER, CROSS BEAM - COMPLETE See Section 7.3 | 713150 | 4 |
| 4 | PLATE, CROSS BEAM COVER- COMPLETE See Section 7.2 | 713152 | 4 |
| 5 | CLAMP, WB2000 MIDDLE See Section 10.8 | 713762 | 1 |
| 6 | CLAMP, RIGHT PULL-DOWN - COMPLETE See Section 10.11 | 710777 | 1 |
| 7 | SUPPORT, SIDE - COMPLETE See Section 10.6 | 713114 | 2 |
| 8 | CLAMP, LEFT PULL-DOWN - COMPLETE See Section 10.11 | 710776 | 1 |
| 9 | ROLLER, DRIVEN LOG LEVELLING See Section 10.14 | 715509 | 1 |
| 10 | TURNER. WB2000 CHAIN - COMPLETE See Section 10.9 | 713772 | 1 |
| 11 | WASHER, 17 SPLIT LOCK ZINC | F81058-1 | 42 |
| 12 | BOLT, M16X160 HEX HEAD ZINC | F81006-20 | 12 |
| 13 | NUT, M16-8 HEX NYLON ZINC LOCK | F81036-2 | 24 |
| 14 | BOLT, M16X150 HEX HEAD ZINC | F81006-9 | 12 |

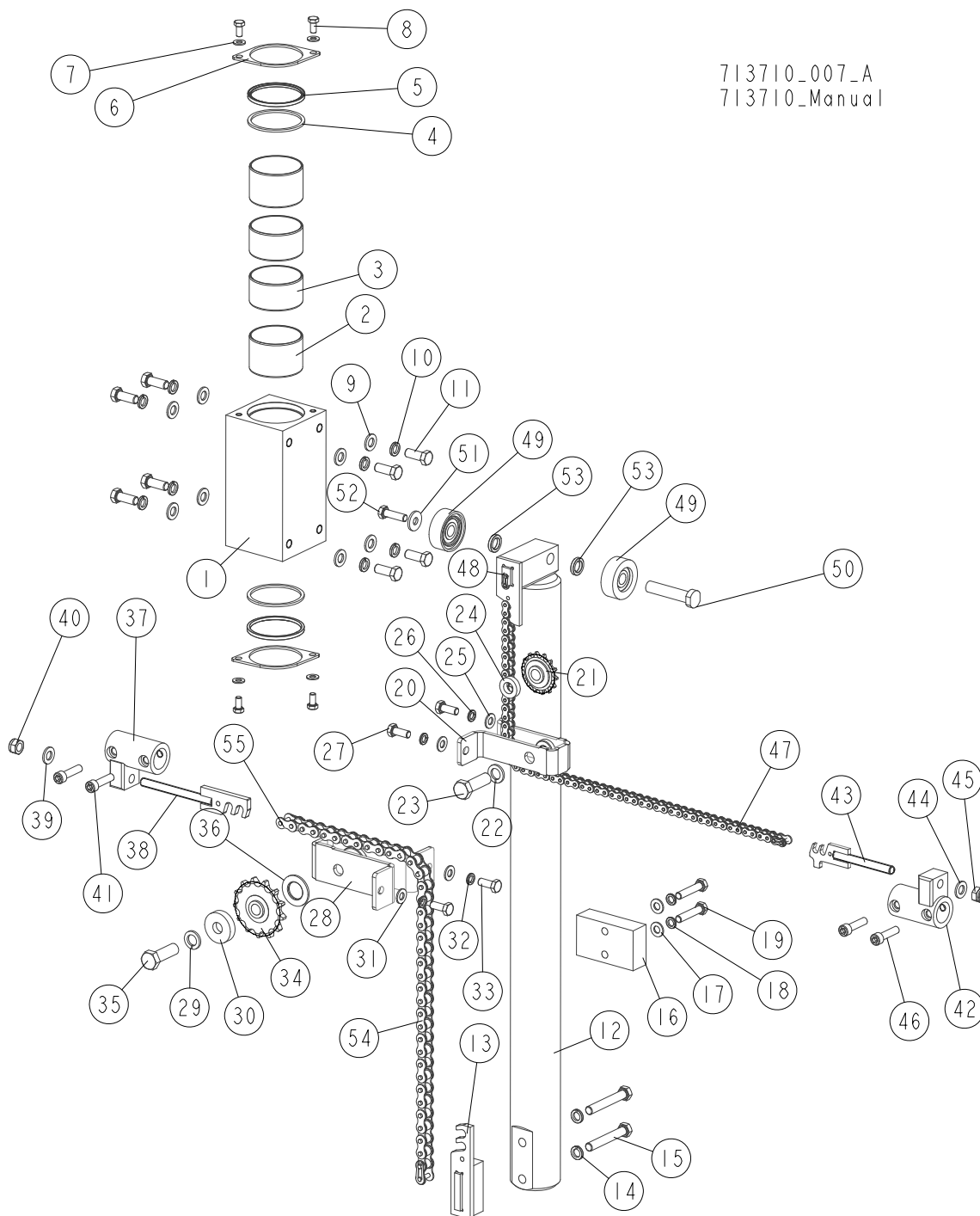
10.5 HS5 Hydraulic Kit

714702_001
714702_Manual



| REF. | DESCRIPTION (◆ Indicates Parts Available In Assemblies Only) | PART # | QTY |
|------|---|---------------|----------|
| | HS5 HYDRAULIC KIT | 714702 | 1 |
| 1 | SUPPORT, SIDE - COMPLETE See Section 10.6 | 713114 | 4 |
| 2 | ROLLER, LEFT DRIVEN LOG LEVELLING See Section 6.34 | 715511 | 1 |
| 3 | COVER, CROSS BEAM - COMPLETE See Section 7.3 | 713150 | 4 |
| 4 | PLATE, CROSS BEAM COVER - COMPLETE See Section 7.2 | 713152 | 4 |
| 5 | CLAMP, WB2000 MIDDLE See Section 10.8 | 713762 | 1 |
| 6 | CLAMP, RIGHT PULL-DOWN - COMPLETE See Section 10.11 | 710777 | 1 |
| 7 | TURNER, WB2000 CHAIN - COMPLETE See Section 10.9 | 713772 | 2 |
| 8 | CLAMP, LEFT PULL-DOWN - COMPLETE See Section 10.11 | 710776 | 1 |
| 9 | ROLLER, DRIVEN LOG LEVELLING See Section 10.14 | 715509 | 1 |
| 10 | WASHER, 17 SPLIT LOCK ZINC | F81058-1 | 48 |
| 11 | BOLT, M16X160 HEX HEAD ZINC | F81006-20 | 12 |
| 12 | NUT, M16-8 HEX NYLON ZINC LOCK | F81036-2 | 24 |
| 13 | BOLT, M16X150 HEX HEAD ZINC | F81006-9 | 12 |

10.6 Log Side Support



713710_007_A
713710_Manual

| REF. | DESCRIPTION (* Indicates Parts Available in Assemblies Only) | PART # | QTY |
|------|--|-----------------|----------|
| | SUPPORT, SIDE - COMPLETE | 713114 | 1 |
| | BLOCK, SIDE SUPPORT GUIDE - COMPLETE | 713108 | 1 |
| | BLOCK, SIDE SUPPORT GUIDE W/BUSHINGS | 713107-1 | 1 |
| 1 | BLOCK, SIDE SUPPORT GUIDE | 713146 | 1 |
| 2 | BUSHING, 7050BS SELF-LUBRICATING | 713131 | 2 |
| 3 | BUSHING, 7040BS SELF-LUBRICATING | 713130 | 2 |
| 4 | WASHER, 71/80-3 | 713133 | 2 |
| 5 | WIPER, ZZ 70X80X5/7 NBR | 713134 | 2 |

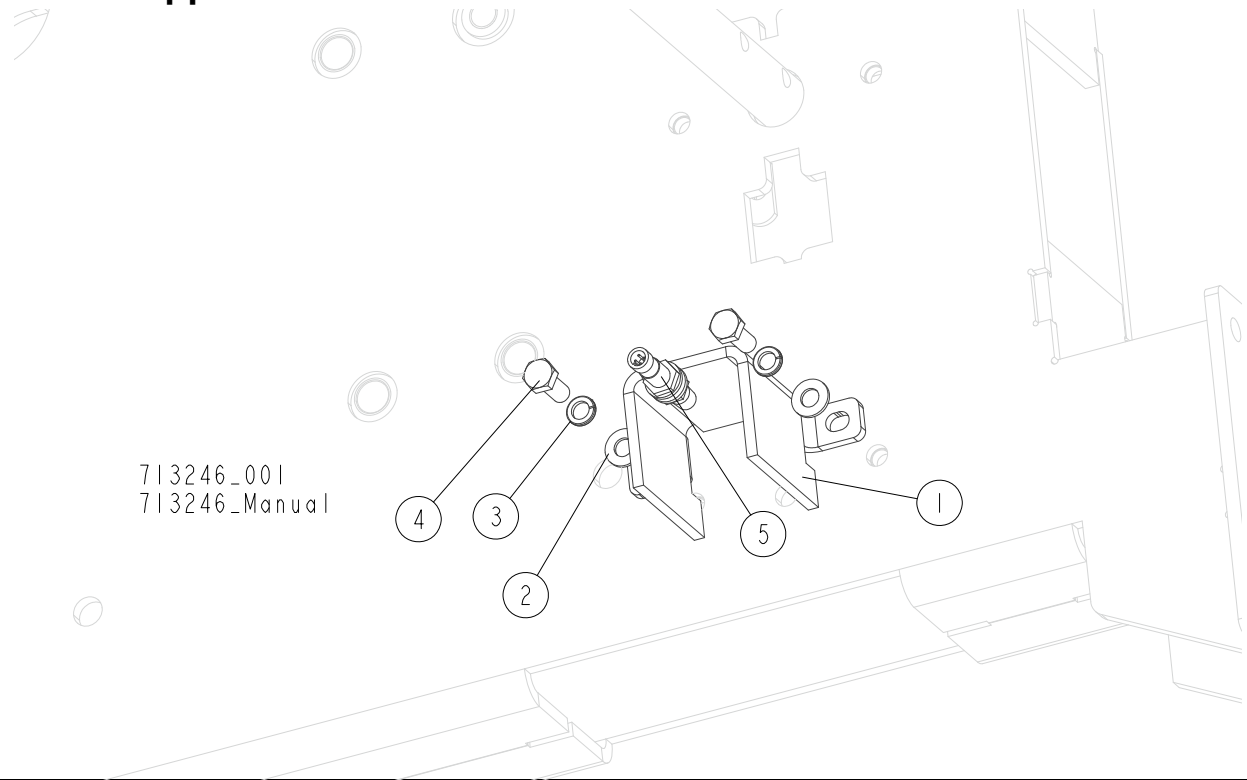
| REF. | DESCRIPTION (* Indicates Parts Available in Assemblies Only) | PART # | QTY |
|------|--|---------------|----------|
| 6 | PLATE, COVER | 713132-1 | 2 |
| 7 | WASHER, 8.4 FLAT ZINC | F81054-1 | 4 |
| 8 | BOLT, M8X16-8.8-B HEX HEAD FULL THREAD ZINC | F81002-20 | 4 |
| 9 | WASHER, 13 FLAT ZINC | F81056-1 | 8 |
| 10 | WASHER, Z12.2 SPLIT LOCK ZINC | F81056-2 | 8 |
| 11 | BOLT, M12X30 8.8 HEX HEAD FULL THREAD ZINC | F81004-22 | 8 |
| 12 | SUPPORT WELDMENT, SIDE | 711965-1 | 1 |
| 13 | ROD WELDMENT, CHAIN HOOK | 714767-1 | 1 |
| 14 | WASHER, Z12.2 SPLIT LOCK ZINC | F81056-2 | 2 |
| 15 | BOLT, M12X80 -8.8 HEX HEAD ZINC | F81004-46 | 2 |
| 16 | BLOCK, SIDE SUPPORT POLYAMIDE | 713106 | 1 |
| 17 | WASHER, 10.5 FLAT ZINC | F81055-1 | 2 |
| 18 | WASHER, Z 10.2 SPLIT LOCK ZINC | F81055-2 | 2 |
| 19 | BOLT, M10X50-8.8 HEX HEAD FULL THREAD ZINC | F81003-4 | 2 |
| | SPROCKET ASSEMBLY | 711976 | 1 |
| 20 | BRACKET WELDMENT, LEFT SPROCKET MOUNT | 713099-1 | 1 |
| 21 | SPROCKET, 08B Z=14 | 711991 | 1 |
| 22 | WASHER, 16.3 SPLIT LOCK ZINC | F81058-2 | 1 |
| 23 | BOLT, M16X50-8.8 HEX HEAD FULL THREAD ZINC | F81006-38 | 1 |
| 24 | WASHER, 16.5/30-6 ZINC-PLATED | 711977-1 | 1 |
| 25 | WASHER, 10.5 FLAT ZINC | F81055-1 | 2 |
| 26 | WASHER, Z 10.2 SPLIT LOCK ZINC | F81055-2 | 2 |
| 27 | BOLT, M10X25 8.8 HEX HEAD FULL THREAD ZINC | F81003-11 | 2 |
| | SPROCKET ASSEMBLY | 714758 | 1 |
| 28 | BRACKET WELDMENT, SPROCKET LEFT MOUNT | 714759-1 | 1 |
| 29 | WASHER, 16.3 SPLIT LOCK ZINC | F81058-2 | 1 |
| 30 | BUSHING, SPECIAL | 714776-1 | 1 |
| 31 | WASHER, 10.5 FLAT ZINC | F81055-1 | 2 |
| 32 | WASHER, Z 10.2 SPLIT LOCK ZINC | F81055-2 | 2 |
| 33 | BOLT, M10X25 8.8 HEX HEAD FULL THREAD ZINC | F81003-11 | 2 |
| 34 | SPROCKET, 12B1 Z=13 | 713045 | 1 |
| 35 | BOLT, M16X50-8.8 HEX HEAD FULL THREAD ZINC | F81006-38 | 1 |
| 36 | WASHER, 26X45X3 | 714775 | 1 |
| | TENSIONER, CHAIN - COMPLETE | 714762 | 1 |
| 37 | BRACKET WELDMENT, CHAIN TENSIONER | 713094-1 | 1 |
| 38 | TENSIONER, 12B CHAIN | 714764-1 | 1 |
| 39 | WASHER, 13 FLAT ZINC | F81056-1 | 1 |
| 40 | NUT, M12 8 HEX NYLON ZINC LOCK | F81034-2 | 1 |
| 41 | SCREW, M10X40-8.8 HEX SOCKET HEAD CAP ZINC | F81003-22 | 2 |
| | TENSIONER, CHAIN - COMPLETE | 711984 | 1 |
| 42 | BRACKET WELDMENT, CHAIN TENSIONER | 713094-1 | 1 |
| 43 | TENSIONER, CHAIN | 711641-1 | 1 |
| 44 | WASHER, 13 FLAT ZINC | F81056-1 | 1 |
| 45 | NUT, M12 8 HEX NYLON ZINC LOCK | F81034-2 | 1 |
| 46 | SCREW, M10X40-8.8 HEX SOCKET HEAD CAP ZINC | F81003-22 | 2 |
| 47 | CHAIN, 08B-1, L=710.5MM IWIS | 713637 | 1 |
| 48 | LINK, 08B-1PZ CHAIN | 091625 | 2 |
| 49 | ROLLER, SIDE SUPPORT | 015014-1 | 2 |

10 HYDRAULIC KITS

Log Side Support

| REF. | DESCRIPTION (* Indicates Parts Available in Assemblies Only) | PART # | QTY | |
|------|--|-----------|-----|--|
| 50 | BOLT, WB2000 SIDE SUPPORT | 714661-1 | 1 | |
| 51 | WASHER, 10.5 SPECIAL FLAT ZINC | F81055-6 | 1 | |
| 52 | BOLT, M10X35 8.8 HEX HEAD FULL THREAD ZINC | F81003-17 | 1 | |
| 53 | BUSHING | 095937-1 | 2 | |
| 54 | CHAIN, 12B-1, L=680MM | 714761 | 1 | |
| 55 | LINK, 12B-1PZ MASTER | 090713 | 2 | |

10.7 Side Support Sensor



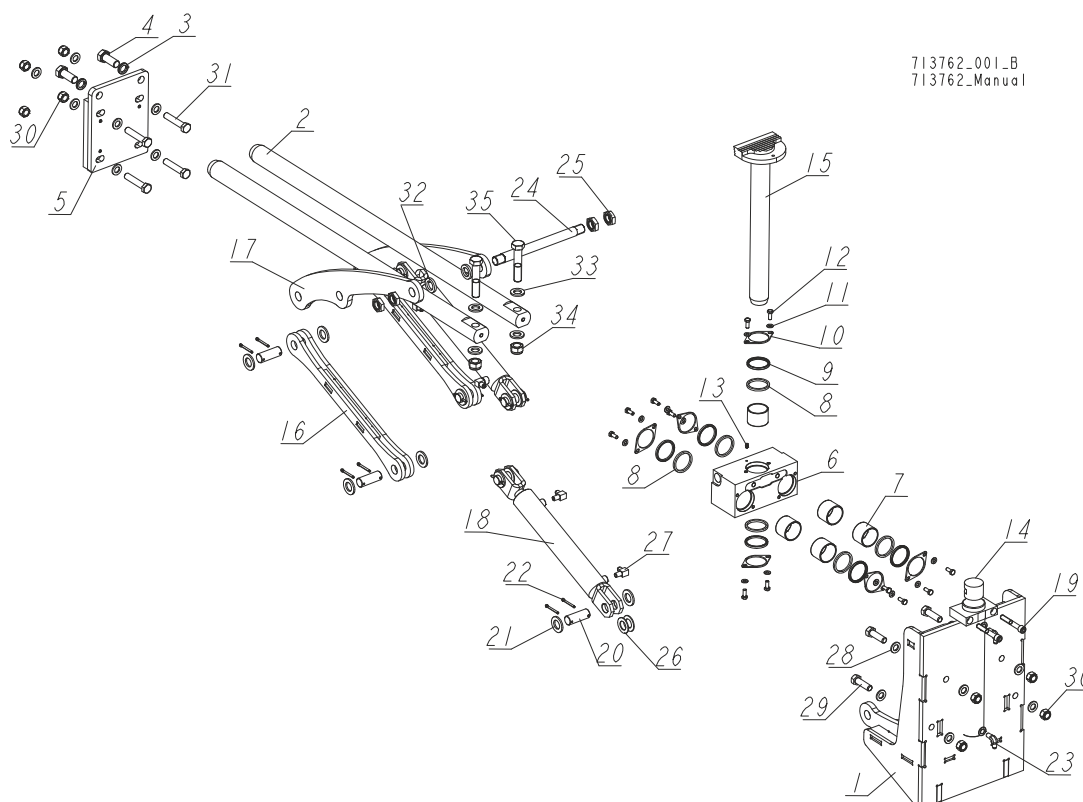
| REF. | DESCRIPTION (◆ Indicates Parts Available In Assemblies Only) | PART # | QTY |
|----------|--|---------------------------|----------|
| | SENSOR, SIDE SUPPORT - COMPLETE | 713246¹ | 1 |
| 1 | GUIDE, SIDE SUPPORT SENSOR | 713218-1 | 1 |
| 2 | WASHER, 10.5 FLAT ZINC | F81055-1 | 2 |
| 3 | WASHER, Z 10.2 SPLIT LOCK ZINC | F81055-2 | 2 |
| 4 | BOLT, M10X25 8.8 HEX HEAD FULL THREAD ZINC | F81003-11 | 2 |
| 5 | SENSOR, BES M12MG-PSC80F-S04G INDUCTIVE | 093168 | 1 |

¹ Not in the EC version

10 HYDRAULIC KITS

WB2000 MIDDLE LOG CLAMP

10.8 WB2000 MIDDLE LOG CLAMP



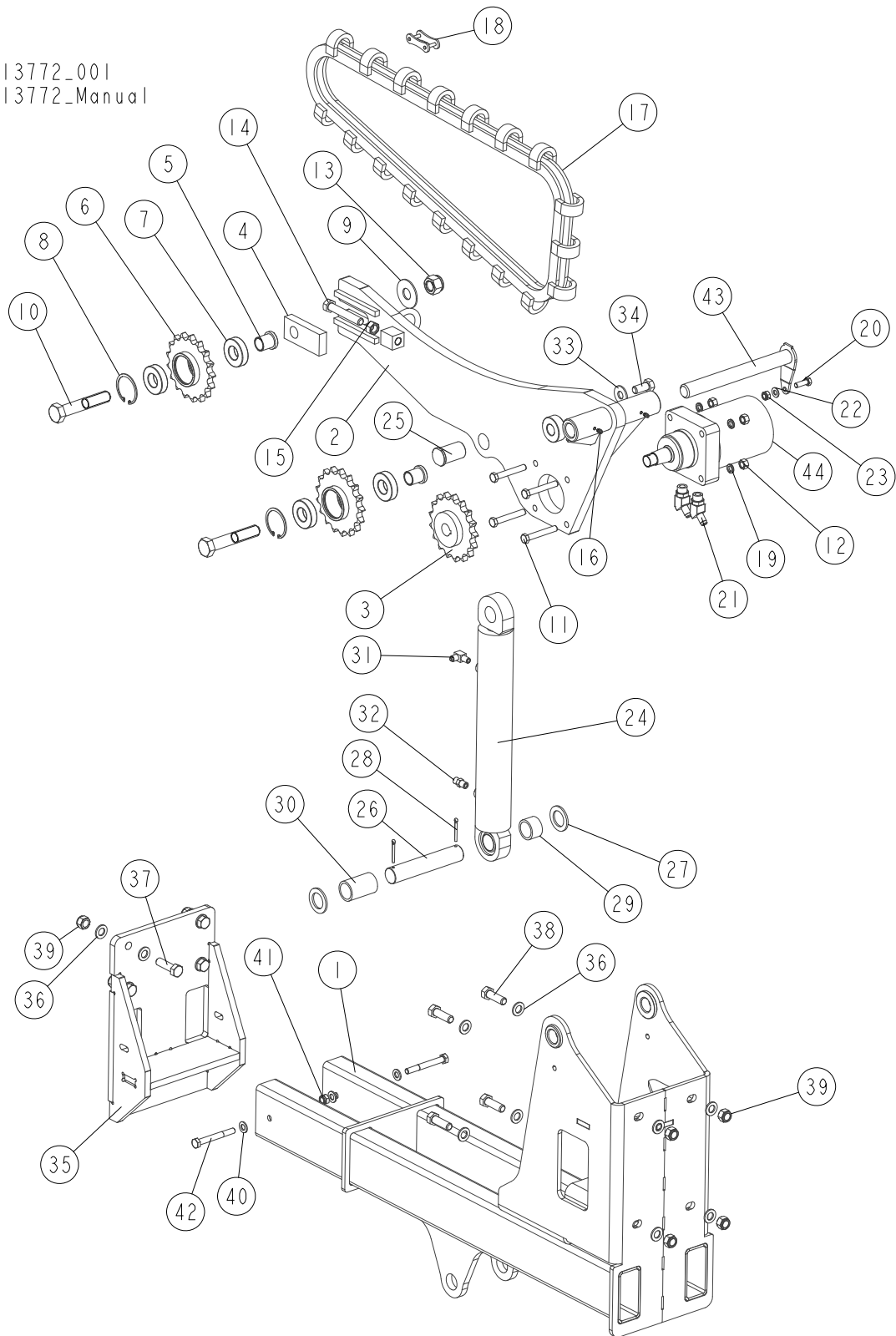
713762_001_B
713762_Manual

| REF. | DESCRIPTION (* indicates parts available in assemblies only) | PART # | Qty. |
|------|--|-----------|------|
| - | CLAMP, WB2000 MIDDLE | 713762 | 1 |
| 1 | MOUNT WELDMENT, MIIDDLE CLAMP | 713763-1 | 1 |
| 2 | ROD, LOG CLAMP HORIZONTAL | 710731 | 2 |
| 3 | WASHER, 20.5 SPLIT LOCK ZINC | F81059-1 | 2 |
| 4 | BOLT, M20X50-8.8-B HEX HEAD FULL THREAD ZINC | F81007-17 | 2 |
| 5 | PLATE, MOUNTING | 713771-1 | 1 |
| - | BLOCK, STEEL W/BUSHINGS - COMPLETE | 711599 | 1 |
| - | BLOCK, STEEL W/BUSHINGS | 711598-1 | 1 |
| 6 | BLOCK, STEEL | 711577 | 1 |
| 7 | BUSHING, 5040BS SELF-LUBRICATING | 088660 | 6 |
| 8 | WASHER, 51/60-5 | 089324 | 6 |
| 9 | WIPER, ZZ 50X60X5/7 NBR LOG CLAMP ROD | 088587 | 6 |
| 10 | PLATE, COVER | 088887-1 | 6 |
| 11 | WASHER, 8.4 FLAT ZINC | F81054-1 | 12 |
| 12 | BOLT, M8X20 8.8 HEX HEAD FULL THREAD ZINC | F81002-4 | 12 |
| 13 | FITTING, 3/16X3/16 STRAIGHT GREASE | P04107 | 1 |
| 14 | CYLINDER, CJ-S582-16-50/35/300 HYDRAULIC | 711617 | 1 |
| 15 | ROD, ASSEMBLY VERTICAL | 710735-1 | 1 |
| 16 | ARM WELDMENT, LOG CLAMP | 711580-1 | 2 |
| 17 | ARM, WB2000 LOG CLAMP | 711602-1 | 2 |
| 18 | CYLINDER, CJ-S606-16-50/28/250 HYDRAULIC | 711594 | 2 |
| 19 | SCREW, M12X80-8.8-B HEX SOCKET HEAD CAP ZINC | F81004-20 | 2 |
| 20 | PIN, 25X67 | 711605-1 | 8 |

| REF. | DESCRIPTION (* indicates parts available in assemblies only) | PART # | Qty. | |
|------|--|-----------|------|--|
| 21 | WASHER, 25 FLAT ZINC | F81061-3 | 16 | |
| 22 | PIN, S-FE 5X40 COTTER | F81043-31 | 16 | |
| 23 | FITTING, 1/4NPTX1/4JIC MALE ELBOW | P09142 | 2 | |
| 24 | SHAFT, MAIN CLAMP | 711606-1 | 1 | |
| 25 | NUT, M24-04-B HEX THIN ZINC | F81039-3 | 4 | |
| 26 | WASHER, 25 1X44X2 | 711319 | 8 | |
| 27 | FITTING, 3/8JIC-1/4NPT 90L | 015491 | 4 | |
| 28 | WASHER, 17 SPLIT LOCK ZINC | F81058-1 | 15 | |
| 29 | BOLT, M16X55-8.8 HEX HEAD FULL THREAD ZINC | F81006-61 | 4 | |
| 30 | NUT, M16 HEX NYLON ZINC LOCK | F81036-2 | 8 | |
| 31 | BOLT, M16X80-8.8 HEX HEAD FULL THREAD ZINC | F81006-11 | 4 | |
| 32 | WASHER, 25.5/40-6 POLYAMIDE | 715717 | 2 | |
| 33 | WASHER, 21 FLAT ZINC | F81059-2 | 4 | |
| 34 | NUT, M20-8 DIN985 HEX NYLON ZINC LOCK | F81037-2 | 2 | |
| 35 | BOLT, M20X100-8.8 HEX HEAD ZINC | F81007-6 | 2 | |

10.9 Chain Log Turner

713772_001
713772_Manual

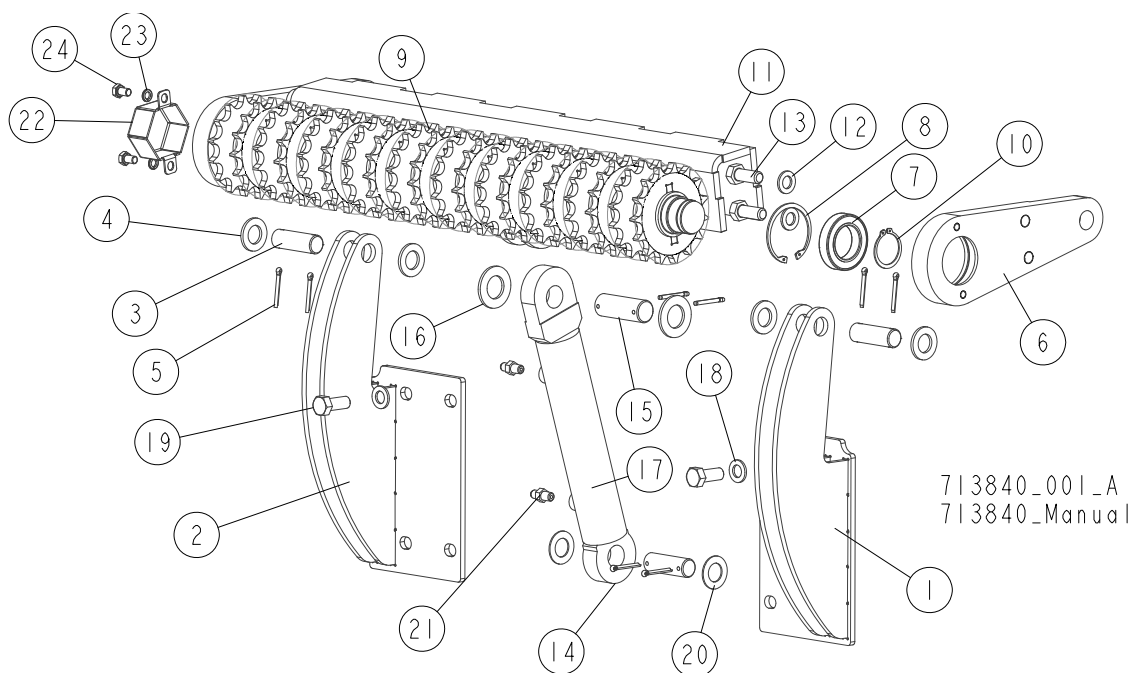


| REF. | DESCRIPTION (* Indicates Parts Available in Assemblies Only) | PART # | QTY |
|----------|--|---------------|----------|
| | TURNER. WB2000 CHAIN - COMPLETE | 713772 | 1 |
| 1 | MOUNT WELDMENT, CHAIN TURNER | 713773-1 | 1 |
| | TURNER. WB2000 CHAIN | 710490 | 1 |

| REF. | DESCRIPTION (* Indicates Parts Available in Assemblies Only) | PART # | QTY |
|------|--|---------------------|----------|
| 2 | ARM WELDMENT, CHAIN LOG TURNER | 710495-1 | 1 |
| 3 | SPROCKET, LOG TURNER | 092339 | 1 |
| 4 | PLATE, CHAIN TENSION | 095664-1 | 1 |
| 5 | BUSHING, LOG TURNER | 095663-1 | 2 |
| | SPROCKET, COMPLETE | 092399 | 2 |
| 6 | SPROCKET W/HUB | 093290 | 1 |
| 7 | BEARING, 6206 25 IN IDLER | 093292 | 2 |
| 8 | RING, 62W INSIDE RETAINING | F81090-1 | 1 |
| 9 | WASHER, 25X63 ZINC-PLATED | 088585-1 | 1 |
| 10 | BOLT, M24X130 HEX HEAD | F81009-4 | 2 |
| 11 | BOLT, M12X80 -8.8 HEX HEAD ZINC | F81004-46 | 4 |
| 12 | NUT, M12-8 HEX ZINC | F81034-1 | 4 |
| 13 | NUT, M24 Z PN-EN ISO 7040 NYLON | F81039-8 | 2 |
| 14 | BOLT, M16X100-8.8 HEX HEAD FULL THREAD ZINC | F81006-2 | 1 |
| 15 | NUT, M16-8 HEX ZINC | F81036-1 | 1 |
| 16 | FITTING, M6 TYPE A STRAIGHT GREASE | 086280 | 2 |
| 17 | CHAIN, LOG TURNER | 711157 | 1 |
| 18 | LINK, MASTER | 093427 | 1 |
| 19 | WASHER, Z12.2 SPLIT LOCK ZINC | F81056-2 | 4 |
| 20 | BOLT, M10X30 5.8 HEX HEAD FULL THREAD ZINC | F81003-2 | 1 |
| 21 | FITTING, 3/8" ELBOW | 034538 | 2 |
| 22 | WASHER, 10.5 FLAT ZINC | F81055-1 | 1 |
| 23 | NUT, M10 HEX NYLON ZINC LOCK | F81033-1 | 1 |
| 24 | CYLINDER, CJ-SXXX-16-63/36/250 HYDRAULIC | 713984 ¹ | 1 |
| 25 | PIN, N35X70 FLANGE 40-5 ZINC-PLATED | 710792-1 | 1 |
| 26 | PIN, 34.9 X 188 ZINC-PLATED | 710972-1 | 1 |
| 27 | WASHER, 35.2/55-4 ZINC-PLATED | 507582-1 | 2 |
| 28 | PIN, S-FE 5X40 COTTER | F81043-31 | 2 |
| 29 | BUSHING, 35/44X27.5 | 710983-1 | 1 |
| 30 | BUSHING, 35/44X69.5 | 710984-1 | 1 |
| 31 | FITTING, 3/8JIC-1/4NPT 90L | 015491 | 1 |
| 32 | FITTING, 3/8JIC-1/4NPT STRAIGHT | 015560 | 1 |
| 33 | WASHER, 17/40-3 ZINC-PLATED | 089360-1 | 1 |
| 34 | SCREW, ISO 4017-M16X35-8.8-A2E HEX HEAD | F81006-45 | 1 |
| 35 | BRACKET, CHAIN LOG TURNER | 713781-1 | 1 |
| 36 | WASHER, 17 SPLIT LOCK ZINC | F81058-1 | 16 |
| 37 | BOLT, M16X55-8.8 HEX HEAD FULL THREAD ZINC | F81006-61 | 4 |
| 38 | BOLT, M6X16-8.8 HEX HEAD FULL THREAD ZINC | F81006-7 | 4 |
| 39 | NUT, M16-8 HEX NYLON ZINC LOCK | F81036-2 | 8 |
| 40 | WASHER, 13 FLAT ZINC | F81056-1 | 4 |
| 41 | NUT, M12 8 HEX NYLON ZINC LOCK | F81034-2 | 2 |
| 42 | BOLT, M12X100-8.8 HEX HEAD ZINC | F81004-3 | 2 |
| 43 | PIN W/PLATE | 710505-1 | 1 |
| 44 | MOTOR, TG0475US080AABP HYDRAULIC | 007331-2 | 1 |

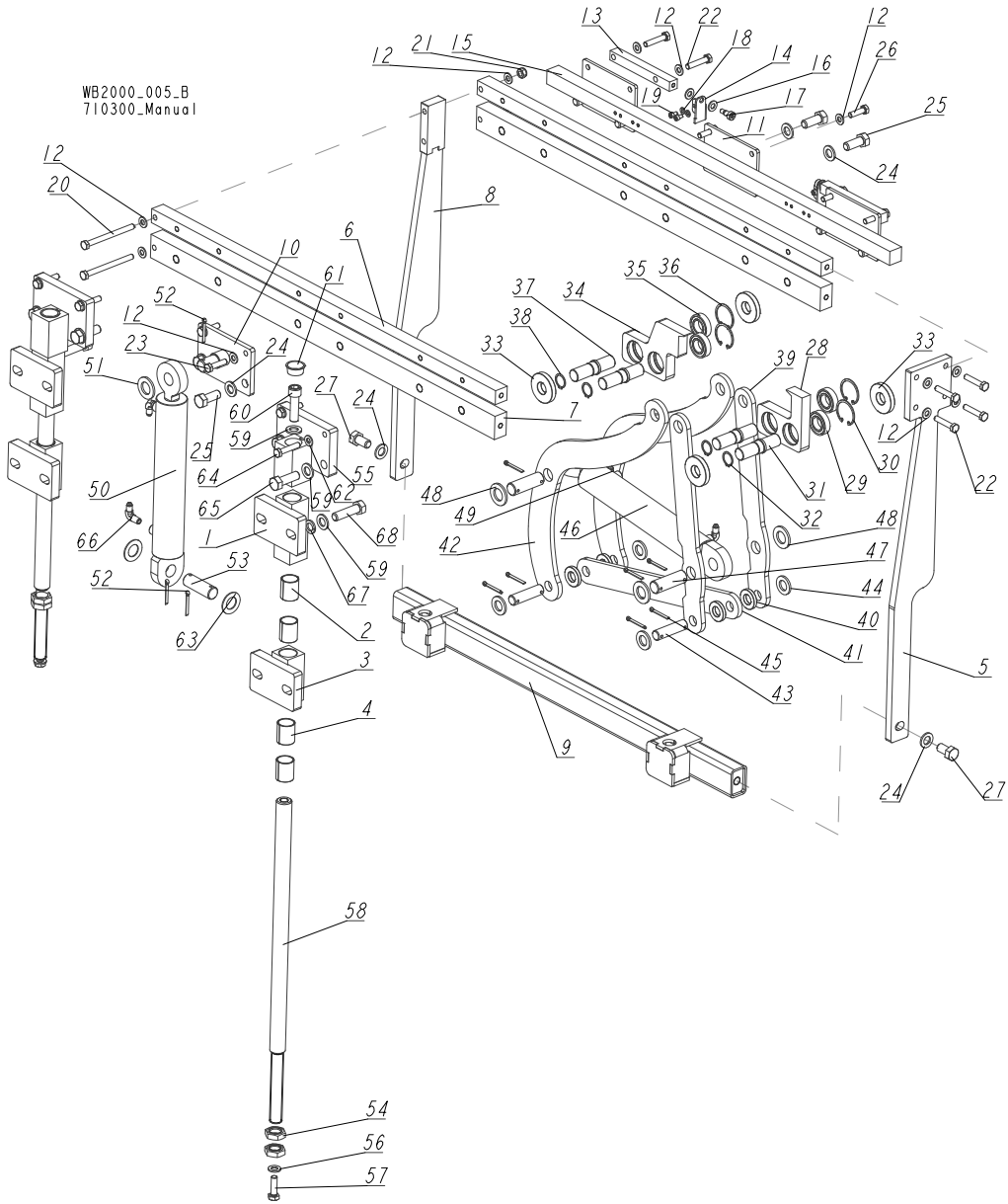
¹ Seal kit - 714908

10.10 Log Levelling Roller



| REF. | DESCRIPTION (◆Indicates Parts Available in Assemblies Only) | PART # | QTY |
|------|---|---------------|----------|
| | ROLLER, LOG LEVELLING | 713840 | 1 |
| 1 | MOUNT WELDMENT, RIGHT | 710531-1 | 1 |
| 2 | MOUNT WELDMENT, LEFT | 710749-1 | 1 |
| 3 | PIN, 24.9X75 ZINC-PLATED | 088659-1 | 3 |
| 4 | WASHER, 25 ZINC | F81061-3 | 4 |
| 5 | PIN, S-FE 5X40 COTTER | F81043-31 | 8 |
| | ARM, LOG LEVELLING ROLLER - COMPLETE | 713841 | 1 |
| | BRACKET WELDMENT, LOG LEVELLING ROLLER | 710747 | 2 |
| 6 | BRACKET, CONNECTION | 710746-1 | 1 |
| 7 | BEARING, 6009.2RSR (FAG) ROLLING | 096025 | 1 |
| 8 | RING, W 75 INSIDE RETAINING | F81090-41 | 1 |
| 9 | SHAFT, DRIVEN LOG LEVELLING ROLLER - COMPLETE | 710716-1 | 1 |
| 10 | RING, Z 45 OUTSIDE RETAINING | F81090-32 | 2 |
| 11 | MOUNT WELDMENT, CYLINDER | 713842-1 | 1 |
| 12 | WASHER, 17 SPLIT LOCK ZINC | F81058-1 | 4 |
| 13 | BOLT, M16X40-8.8 HEX HEAD FULL THREAD ZINC | F81006-13 | 4 |
| 14 | CYLINDER, CJ-S579-16-50/28/145 HYDRAULIC | 710756 | 1 |
| 15 | PIN, 30X83 | 710799-1 | 1 |
| 16 | WASHER, 31 FLAT ZINC | F81061-9 | 2 |
| 17 | BUSHING, 25/30-30 ZINC-PLATED | 710974-1 | 1 |
| 18 | WASHER, 17 SPLIT LOCK ZINC | F81058-1 | 2 |
| 19 | BOLT, M16X40-8.8 HEX HEAD FULL THREAD ZINC | F81006-13 | 2 |
| 20 | WASHER, 25 1X44X2 | 711319 | 2 |
| 21 | FITTING, C5205X4X4 MALE | P09143 | 2 |
| 22 | GUARD | 714626-1 | 1 |
| 23 | WASHER, 10.2 SPLIT LOCK ZINC | F81055-2 | 2 |
| 24 | BOLT, M10X16-8.8 HEX HEAD FULL THREAD ZINC | F81003-13 | 2 |

10.11 Pull Down Clamp



| REF. | DESCRIPTION (◆ Indicates Parts Available In Assemblies Only) | PART # | QTY |
|------|--|----------------------------|------------|
| | CLAMP, LEFT PULL-DOWN - COMPLETE | 710776 | 1/0 |
| | CLAMP, RIGHT PULL-DOWN - COMPLETE | 710777 | 0/1 |
| | BLOCK ASSEMBLY, MIDDLE GUIDE | 710343 | 2 |
| 1 | BLOCK WELDMENT, GUIDE | 710342-1 | 1 |
| 2 | BUSHING, 3040BS SELF-LUBRICATING | 088676 | 2 |
| | BLOCK ASSEMBLY, LOWER GUIDE | 710356 | 2 |
| 3 | BLOCK WELDMENT, GUIDE | 710355-1 | 1 |
| 4 | BUSHING, 3040BS SELF-LUBRICATING | 088676 | 2 |
| | CLAMP, PULL-DOWN | 710340 | 1/0 |
| | CLAMP, RIGHT PULL-DOWN - COMPLETE | 710520 ¹ | 0/1 |
| 5 | PLATE, MOUNTING | 710364-1 | 1 |
| 6 | BAR, UPPER MAIN | 710335-1 | 2 |
| 7 | BAR, LOWER MAIN | 710336-1 | 2 |

10 HYDRAULIC KITS

Pull Down Clamp

| REF. | DESCRIPTION (◆ Indicates Parts Available In Assemblies Only) | PART # | QTY |
|------|--|-----------------------|----------|
| 8 | PLATE WELDMENT, MOUNTING | 710379-1 | 1 |
| 9 | TUBE WELDMENT, LEFT LOWER | 710380-1 | 1/0 |
| | TUBE WELDMENT, RIGHT LOWER | 711160-1 ² | 0/1 |
| 10 | BRACKET WELDMENT, LOG CLAMP CYLINDER | 710359-1 | 1 |
| 11 | PLATE, LOG CLAMP REAR | 710351-1 | 3 |
| 12 | WASHER, 10.5 FLAT ZINC | F81055-1 | 16 |
| | BAR ASSEMBLY, ADDITIONAL | 511206 | 1 |
| 13 | BAR, MOUNTING | 511207-1 | 2 |
| 14 | BRACKET, MOUNTING | 511209-1 | 2 |
| 15 | BAR, MOUNTING | 511208-1 | 1 |
| 16 | WASHER, 10.5 FLAT ZINC | F81055-1 | 4 |
| 17 | BOLT, 10/M8X12-12.9 BOSSARD SHOULDER | F81003-62 | 2 |
| 18 | WASHER, 6.4 FLAT ZINC | F81053-1 | 4 |
| 19 | SCREW, M6X10 8.8 HEX SOCKET HEAD CAP ZINC | F81001-12 | 4 |
| 20 | BOLT, M10X120-8.8 HEX HEAD FULL THREAD ZINC | F81003-47 | 2 |
| 21 | NUT, M10 HEX NYLON ZINC LOCK | F81033-1 | 2 |
| 22 | BOLT, M10X50-8.8 HEX HEAD FULL THREAD ZINC | F81003-4 | 8 |
| 23 | BOLT, M10X40-8.8 HEX HEAD FULL THREAD ZINC | F81003-16 | 2 |
| 24 | WASHER, 17 SPLIT LOCK ZINC | F81058-1 | 10 |
| 25 | BOLT, M16X40-8.8 HEX HEAD FULL THREAD ZINC | F81006-13 | 8 |
| 26 | BOLT, M10X35 8.8 HEX HEAD FULL THREAD ZINC | F81003-17 | 2 |
| 27 | BOLT, M16X30-8.8 HEX HEAD FULL THREAD ZINC | F81006-36 | 2 |
| | JAW, COMPLETE LEFT | 094700 | 1 |
| 28 | JAW, LEFT | 093464-1 | 1 |
| 29 | BEARING, 6005 2RS, PN-85/M-86100 | 089652 | 2 |
| 30 | RING, W 47 INSIDE RETAINING | 089653 | 2 |
| 31 | SHAFT, CLAMP JAW GUIDE | 088620-1 | 2 |
| 32 | RING, Z 24 OUTSIDE RETAINING | 089654 | 2 |
| 33 | WASHER, JAW SPACER | 089542 | 4 |
| | JAW, COMPLETE RIGHT | 094701 | 1 |
| 34 | JAW, RIGHT | 093465-1 | 1 |
| 35 | BEARING, 6005 2RS, PN-85/M-86100 | 089652 | 2 |
| 36 | RING, W 47 INSIDE RETAINING | 089653 | 2 |
| 37 | SHAFT, CLAMP JAW GUIDE | 088620-1 | 2 |
| 38 | RING, Z 24 OUTSIDE RETAINING | 089654 | 2 |
| 39 | PLATE, CLAMP IN/OUT - SIDE | 710795-1 | 2 |
| 40 | WASHER, 20.5/40-7 | 089541 | 4 |
| 41 | PLATE, CLAMP IN/OUT - BOTTOM | 710347-1 | 1 |
| 42 | PLATE, CLAMP IN/OUT - SIDE | 710348-1 | 2 |
| 43 | PIN, 19.9X75 ZINC-PLATED | 088657-1 | 2 |
| 44 | WASHER, 21 FLAT ZINC | F81059-2 | 4 |
| 45 | PIN, S-FE 5X40 COTTER | F81043-31 | 8 |
| 46 | CYLINDER, CJ-S606-16-50/28/235 HYDRAULIC | 710778 ³ | 1 |
| 47 | PIN, 25X75 ZINC-PLATED | 088659-1 | 2 |
| 48 | WASHER, 25 FLAT ZINC | F81061-3 | 4 |
| 49 | FITTING, 90° MALE ELBOW | P09142 | 2 |
| 50 | CYLINDER, CJ-S606-16-50/28/235 HYDRAULIC | 710778 | 1 |
| 51 | WASHER, 25 FLAT ZINC | F81061-3 | 1 |

| REF. | DESCRIPTION (◆ Indicates Parts Available In Assemblies Only) | PART # | QTY | |
|------|--|-----------|-----|--|
| 52 | PIN, S-FE 5X40 COTTER | F81043-31 | 3 | |
| 53 | PIN, 24.9X75 ZINC-PLATED | 088659-1 | 1 | |
| 54 | NUT, M24-04-B HEX THIN ZINC | F81039-3 | 4 | |
| 55 | BLOCK WELDMENT, UPPER GUIDE | 710353-1 | 2 | |
| 56 | WASHER, 13MM FLAT ZINC | F81056-1 | 2 | |
| 57 | BOLT, M12X40 8.8 HEX HEAD FULL THREAD ZINC | F81004-4 | 2 | |
| 58 | ROD, GUIDE | 710339 | 2 | |
| 59 | WASHER, 17 SPLIT LOCK ZINC | F81058-1 | 8 | |
| 60 | SCREW, M16X55-8.8 HEX SOCKET HEAD CAP ZINC | F81006-18 | 2 | |
| 61 | PLUG, M33 THREAD | 089839 | 2 | |
| 62 | WASHER, 10.5 FLAT ZINC | F81055-1 | 4 | |
| 63 | WASHER, 25 1X44X2 | 711319 | 2 | |
| 64 | BOLT, M10X50-8.8 HEX HEAD FULL THREAD ZINC | F81003-4 | 4 | |
| 65 | BOLT, M6X16-8.8 HEX HEAD FULL THREAD ZINC | F81006-7 | 4 | |
| 66 | FITTING, C5205X4X4 MALE | P09143 | 2 | |
| 67 | WASHER, 16.3 SPLIT LOCK ZINC | F81058-2 | 2 | |
| 68 | BOLT, M16x60 8.8 HEX HEAD FULL THREAD ZINC | F81006-12 | 2 | |

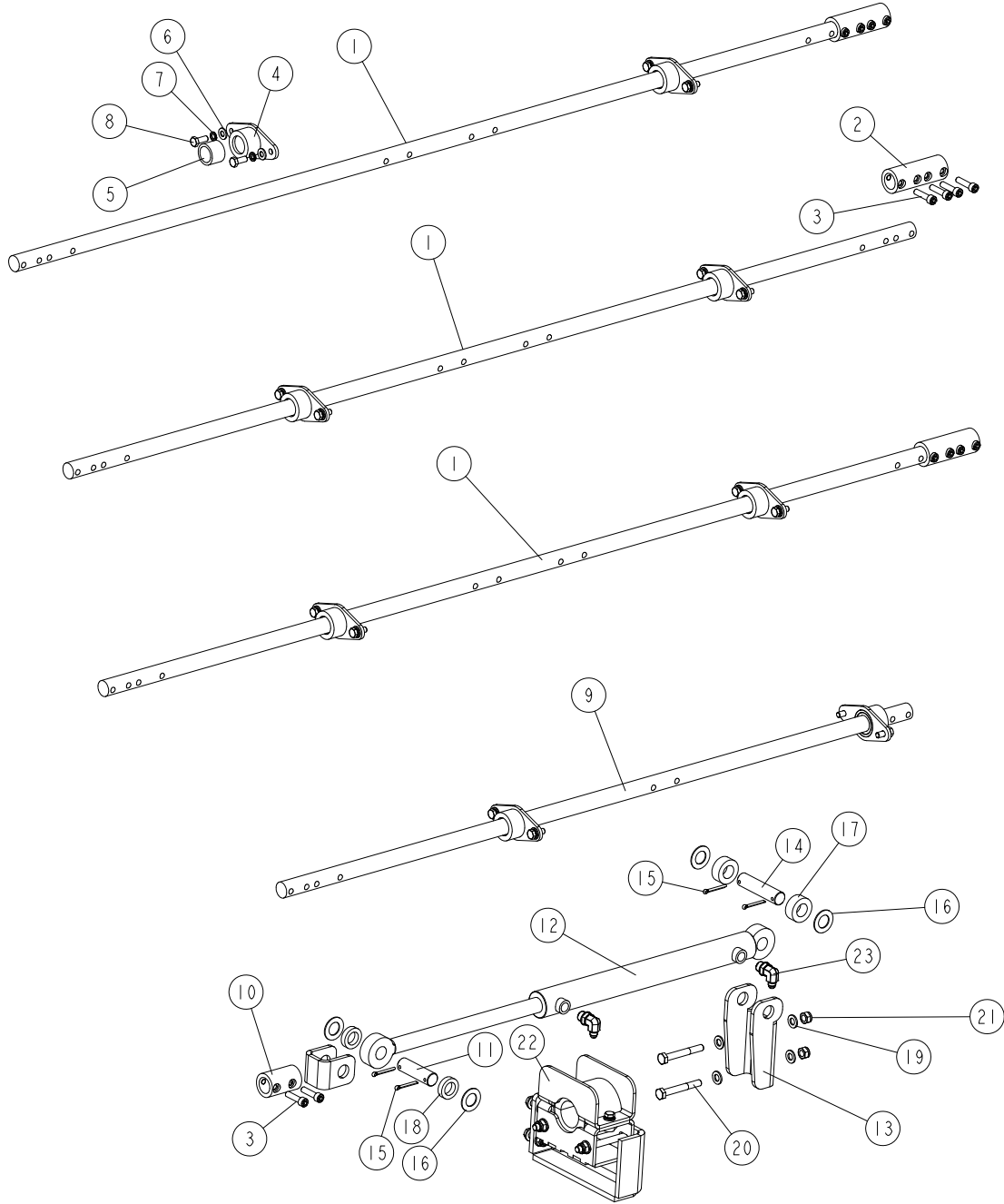
¹ Included in assy # 710777

² Included in assy # 710520

³ Seal kit - 714906

10.12 Roller Driven Log Levelling Left (No. 719365)

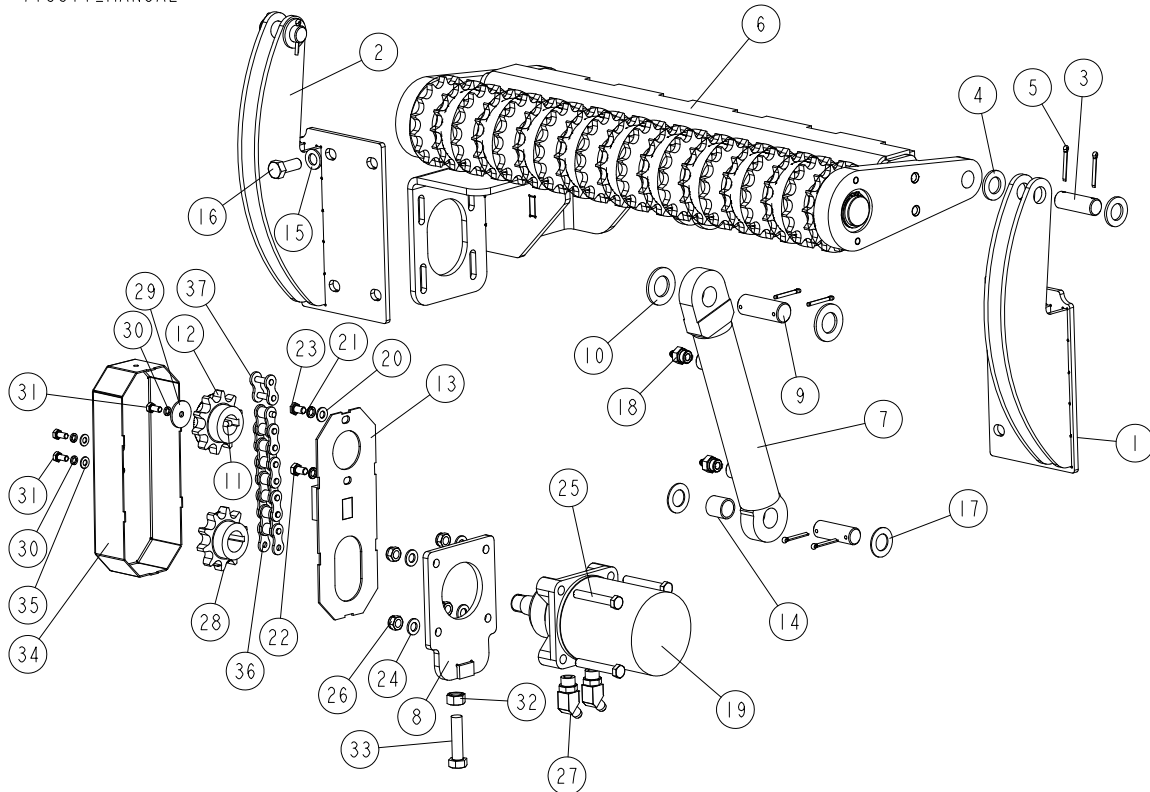
719365_001
719365_MANUAL



| REF | DESCRIPTION (u indicates parts available in assemblies only) | PART # | QTY |
|-----|--|-----------|-----|
| - | DRIVE ASSEMBLY SIDE SUPPORT | 719365 | 1 |
| 1 | ROD, SIDE SUPPORT DRIVE | 713828-1 | 3 |
| 2 | BUSHING, SIDE SUPPORT DRIVE | 711996-1 | 3 |
| 3 | BOLT, M10 X 40-8.8 FE/ZN5, PN-87/M-82302 | F81003-22 | 14 |
| - | BUSHING ASSEMBLY, ROD SLIDE | 713098 | 8 |
| 4 | BUSHING WELDMENT, ROD SLIDE | 711988-1 | 1 |

| REF | DESCRIPTION (u indicates parts available in assemblies only) | PART # | QTY | |
|-----|--|-----------|-----|--|
| 5 | BUSHING, 30.1/40-30 | 711985 | 1 | |
| 6 | WASHER, 10.5 FLAT ZINC | F81055-1 | 2 | |
| 7 | WASHER, 10.2 SPLIT LOCK ZINC | F81055-2 | 2 | |
| 8 | BOLT, M10X25-8.8-FE/ZN5 | F81003-11 | 2 | |
| 9 | ROD SIDE SUPPORT DRIVE | 719366-1 | 1 | |
| 10 | BRACKET WELDMENT, CYLINDER | 713101-1 | 1 | |
| 11 | PIN, 25X85.5 | 713111-1 | 1 | |
| 12 | MOTOR,CJ-S-16-40/28/350 HYD | 713533 | 1 | |
| 13 | BRACKET HYDRAULIC CYLINDER | 719377-1 | 1 | |
| 14 | BUSHING 25X103.5 | 719376-1 | 1 | |
| 15 | PIN, 5 X 40 COTTER | F81043-31 | 4 | |
| 16 | WASHER, 25 1X44X2 | 711319 | 4 | |
| 17 | BUSHING 25/30-20 | 713831-1 | 2 | |
| 18 | BUSHING, 25.5/40-10 | 713127-1 | 2 | |
| 19 | WASHER, 13 FLAT ZINC | F81056-1 | 4 | |
| 20 | BOLT, M12X90-8.8 HEX HEAD ZINC | F81004-2 | 2 | |
| 21 | NUT, M12-8 HEX NYLON ZINC LOCK | F81034-2 | 2 | |
| 22 | STABILIZER COMPLETE | 719375 | 1 | |
| 23 | FITTING 3/4UNF - 9/16 UNF - 90 (JIC) | 719391 | 2 | |

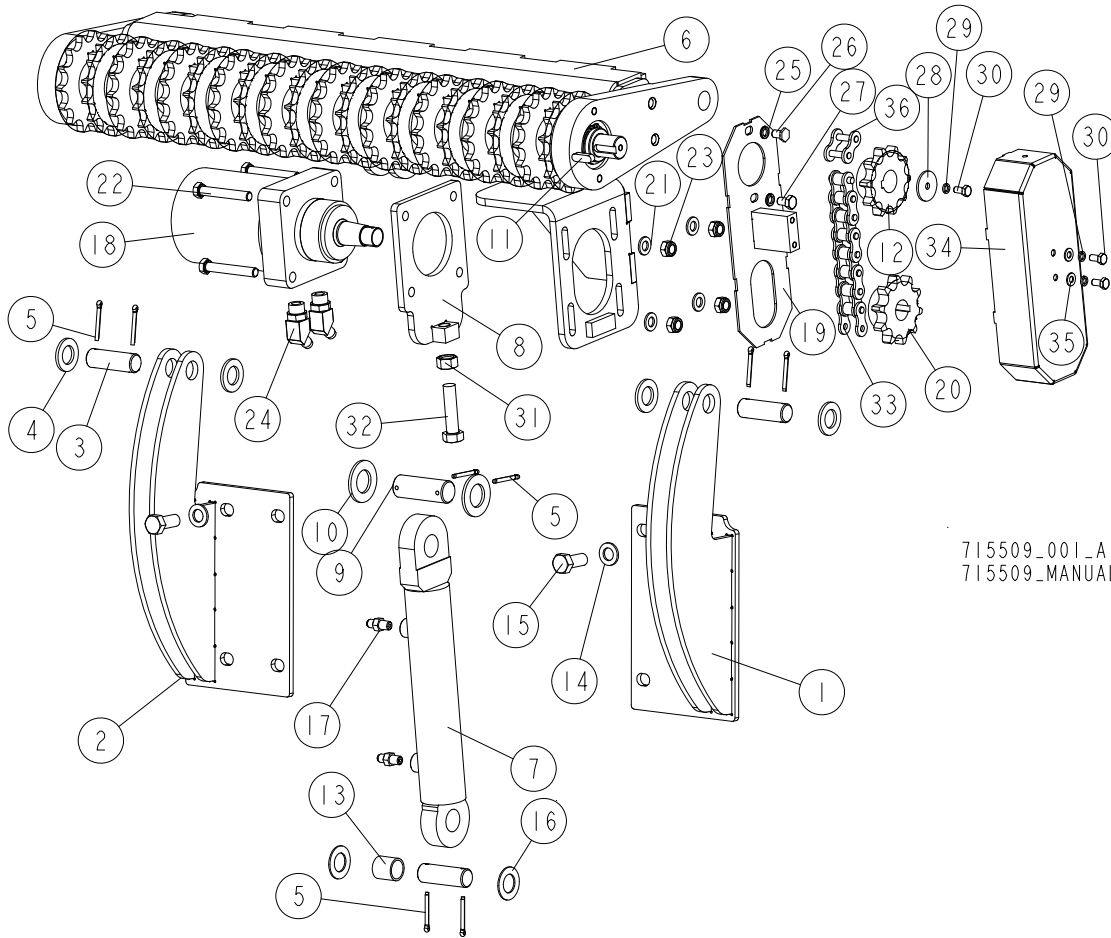
10.13 Roller Driven Log Levelling Left (No. 715511)

715511_001
715511_MANUAL

| REF | DESCRIPTION (u indicates parts available in assemblies only) | PART # | QTY |
|-----|---|-----------|-----|
| - | ROLLER, DRIVEN LOG LEVELLING - LEFT | 715511 | 1 |
| 1 | MOUNT WELDMENT, RIGHT | 710531-1 | 1 |
| 2 | MOUNT WELDMENT, LEFT | 710749-1 | 1 |
| 3 | PIN, 24.9X75 ROLL | 088659-1 | 3 |
| 4 | WASHER, 25 FLAT ZINC | F81061-3 | 4 |
| 5 | PIN, 5 X 40 COTTER | F81043-31 | 8 |
| 6 | ARM, LEFT ROLLER - COMPLETE Patrz rozdział 6.34 | 715014 | 1 |
| 7 | MOTOR, CJ-S-16-50/28/145 HYD | 713535 | 1 |
| 8 | PLATE, MOTOR CHAIN TENSIONER | 714879-1 | 1 |
| 9 | PIN, 30X83 | 710799-1 | 1 |
| 10 | WASHER, 31 FLAT ZINC | F81061-9 | 2 |
| 11 | KEY, A 8X7X28 PN-70/M-85005 | 096035 | 1 |
| 12 | SPROCKET, 16B Z10 HYDRAULIC MOTOR | 714886 | 1 |
| 13 | GUARD WELDMENT, DRIVEN LOG LEVELLING ROL | 714896-1 | 1 |
| 14 | BUSHING, 25/30-30 ZINC-PLATED | 710974-1 | 1 |
| 15 | WASHER, 17 FLAT ZINC | F81058-1 | 2 |
| 16 | BOLT, M16X40-8.8 HEX HEAD FULL THREAD ZIN | F81006-13 | 2 |
| 17 | WASHER, 25 1X44X2 | 711319 | 2 |
| 18 | FITTING 3/4UNF - 7/16 UNF | 719392 | 2 |
| 19 | MOTOR, HYDRAULIC, TG0475US080AABP | 007331-2 | 1 |
| 20 | WASHER, 10.5 FLAT ZINC | F81055-1 | 2 |

| REF | DESCRIPTION (u indicates parts available in assemblies only) | PART # | QTY | |
|-----|--|-----------|-----|--|
| 21 | WASHER, 10.2 SPLIT LOCK ZINC | F81055-2 | 2 | |
| 22 | BOLT, M10X16-8.8 | F81003-13 | 1 | |
| 23 | BOLT, M10X16 SPECIAL | 715510 | 1 | |
| 24 | WASHER, 13 FLAT ZINC | F81056-1 | 4 | |
| 25 | BOLT, M12X80-8.8 HEX HEAD ZINC | F81004-46 | 4 | |
| 26 | NUT, M12-8 HEX NYLON ZINC LOCK | F81034-2 | 4 | |
| 27 | FITTING,#10SAE-3/8 JIC 45 ELBOW | 034538 | 2 | |
| 28 | SPROCKET, 16B Z10 HYDRAULIC MOTOR | 714885 | 1 | |
| 29 | WASHER, ZINC-PLATED SPACER | 094128-1 | 1 | |
| 30 | WASHER 8,2 FE/ZN9 | F81054-4 | 3 | |
| 31 | BOLT M8X16 -8.8-B-FE/ZN5 PN-85/M-82105 | F81002-20 | 3 | |
| 32 | NUT, M16-5.8 HEX ZINC | F81036-1 | 1 | |
| 33 | BOLT, M16X65-8.8 HEX HEAD FULL THREAD ZI | F81006-1 | 1 | |
| 34 | GUARD, LOG LEVELLING ROLLER CHAIN | 714888-1 | 1 | |
| 35 | WASHER, 8.4 FLAT ZINC | F81054-1 | 2 | |
| 36 | CHAIN, 16B-1 | 714996 | 1 | |
| 37 | LINK, 16B-1 MASTER W/COTTER PINS | 523672 | 1 | |

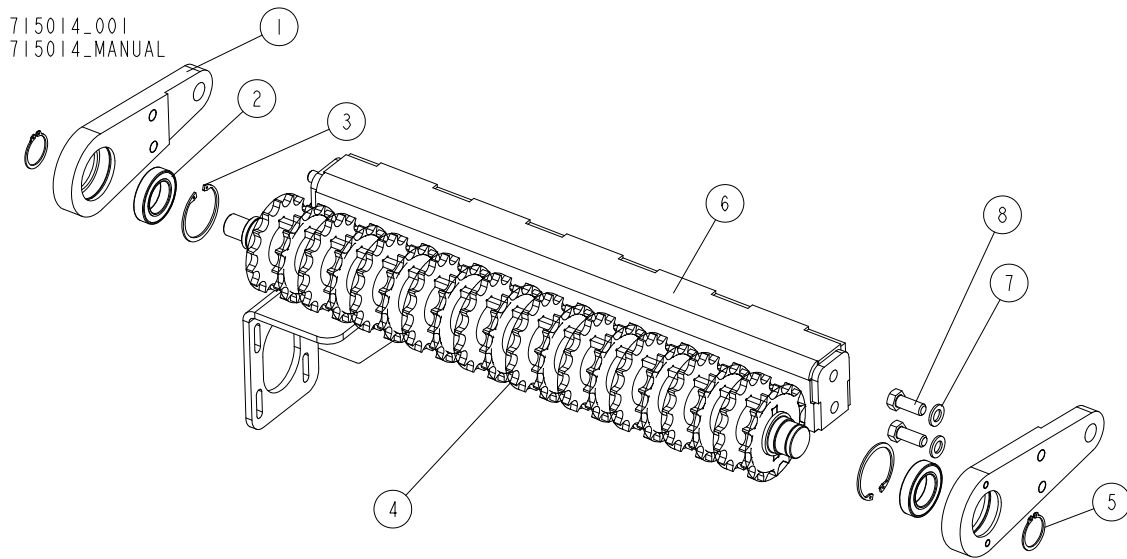
10.14 Roller Driven Log Levelling Left (No. 715509)



| REF. | DESCRIPTION (* indicates parts available in assemblies only) | PART # | QTY |
|------|--|-----------|-----|
| - | ROLLER, DRIVEN LOG LEVELLING - RIGHT | 715509 | 1 |
| 1 | MOUNT WELDMENT, RIGHT | 710531-1 | 1 |
| 2 | MOUNT WELDMENT, LEFT | 710749-1 | 1 |
| 3 | PIN, 24.9X75 ZINC-PLATED | 088659-1 | 3 |
| 4 | WASHER, 25 FLAT ZINC | F81061-3 | 4 |
| 5 | PIN, S-FE 5X40 COTTER | F81043-31 | 8 |
| 6 | ARM, RIGHT LOG LEVELLING ROLLER - COMPLETE See Section 10.16 | 714995 | 1 |
| 7 | CYLINDER, CJ-S579-16-50/28/145 HYDRAULIC | 710756 | 1 |
| 8 | PLATE, MOTOR CHAIN TENSIONER | 714879-1 | 1 |
| 9 | PIN, 30X83 | 710799-1 | 1 |
| 10 | WASHER, 31-ZINC FLAT | F81061-9 | 2 |
| 11 | KEY, A10X8X32, PARALLEL | 507591 | 1 |
| 12 | SPROCKET, 16B Z10 HYDRAULIC MOTOR | 714886 | 1 |
| 13 | BUSHING, 25/30-30 ZINC-PLATED | 710974-1 | 1 |
| 14 | WASHER, 17 SPLIT LOCK ZINC | F81058-1 | 2 |
| 15 | BOLT, M16X40-8.8 HEX HEAD FULL THREAD ZINC | F81006-13 | 2 |
| 16 | WASHER, 25 1X44X2 | 711319 | 2 |
| 17 | Fitting, C5205x4x4 Male Hydraulic | P09143 | 2 |

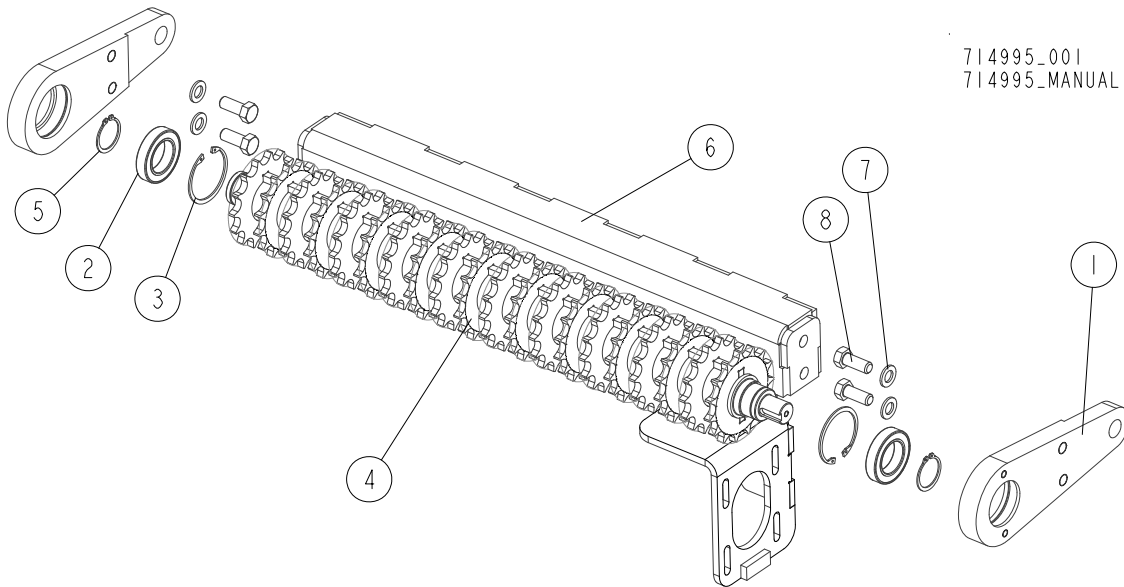
| REF. | DESCRIPTION (* indicates parts available in assemblies only) | PART # | QTY | |
|------|--|-----------|-----|--|
| 18 | MOTOR, TG0475US080AABP HYDRAULIC | 007331-2 | 1 | |
| 19 | GUARD WELDMENT, DRIVEN LOG LEVELLING ROLLER | 714896-1 | 1 | |
| 20 | SPROCKET, 16B Z10 HYDRAULIC MOTOR | 714885 | 1 | |
| 21 | WASHER, 13 FLAT ZINC | F81056-1 | 4 | |
| 22 | BOLT, M12X80 -8.8 HEX HEAD ZINC | F81004-46 | 4 | |
| 23 | NUT, M12 8 HEX NYLON ZINC LOCK | F81034-2 | 4 | |
| 24 | FITTING, #10SAE-3/8JIC 45 ELBOW | 034538 | 2 | |
| 25 | WASHER, Z 10.2 SPLIT LOCK ZINC | F81055-2 | 2 | |
| 26 | BOLT, M10X16 SPECIAL | 715510 | 1 | |
| 27 | BOLT, M10X16-8.8 HEX HEAD FULL THREAD ZINC | F81003-13 | 1 | |
| 28 | WASHER, 8.3/40-3 ZINC-PLATED | 094128-1 | 1 | |
| 29 | WASHER, 8.2 SPLIT LOCK ZINC | F81054-4 | 3 | |
| 30 | BOLT, M8X16-8.8-B HEX HEAD FULL THREAD ZINC | F81002-20 | 3 | |
| 31 | NUT, M16-8 HEX ZINC | F81036-1 | 1 | |
| 32 | BOLT, M16X65-8.8-B HEX HEAD FULL THREAD ZINC | F81006-1 | 1 | |
| 33 | CHAIN, 16B-1 610 LINK | 714996 | 1 | |
| 34 | GUARD, LOG LEVELLING ROLLER CHAIN | 714888-1 | 1 | |
| 35 | WASHER, 8.4 FLAT ZINC | F81054-1 | 2 | |
| 36 | LINK, 161 MASTER W/COTTER PINS | 523672 | 1 | |

10.15 Left Roller Arm(No. 715014)



| REF | DESCRIPTION (u indicates parts available in assemblies only) | PART # | QTY |
|-----|--|-----------|-----|
| - | ARM, LEFT ROLLER - COMPLETE | 715014 | 1 |
| - | BRACKET WELDMENT, DRIVEN LOG LEVELLING R | 710747 | 2 |
| 1 | BRACKET, CONNECTION | 710746-1 | 1 |
| 2 | BEARING, 6009.2RSR | 096025 | 1 |
| 3 | RING, W75 INSIDE RETAINING | F81090-41 | 1 |
| 4 | SHAFT, DRIVEN LOG LEVELLING ROLLER - COM | 714918-1 | 1 |
| 5 | RING, Z 45 SPRING RETAINING | F81090-32 | 2 |
| 6 | MOUNT WELDMENT, CYLINDER LEFT | 714980-1 | 1 |
| 7 | WASHER, 17 FLAT ZINC | F81058-1 | 4 |
| 8 | BOLT,M16X40-8.8 HEX HEAD FULL THREAD ZIN | F81006-13 | 4 |

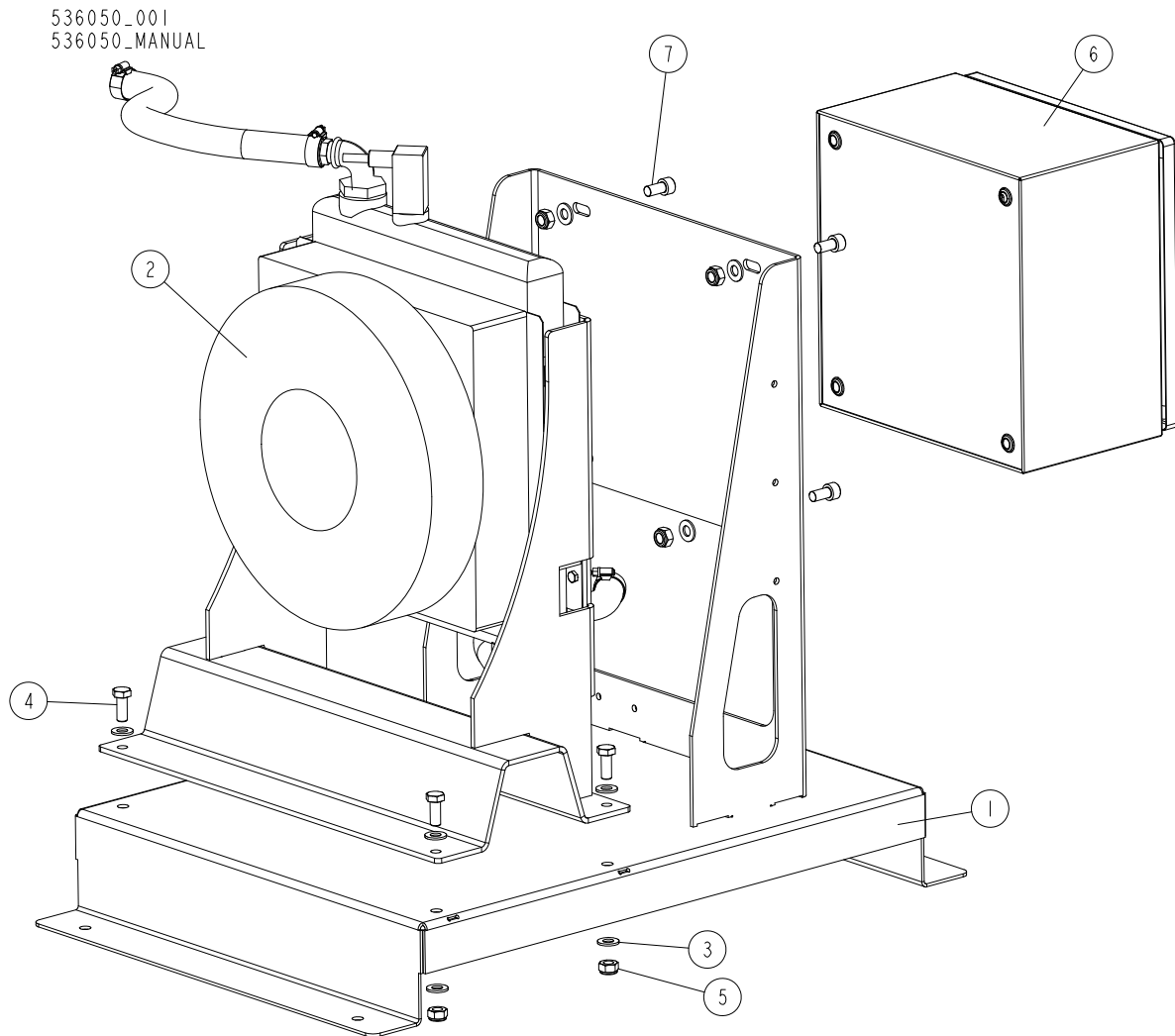
10.16 Log Levelling Roller Arm



714995-001
714995-MANUAL

| REF. | DESCRIPTION (* indicates parts available in assemblies only) | PART # | QTY |
|------|--|-----------|-----|
| - | ARM, DRIVEN LOG LEVELLING ROLLER - COMPLETE | 714995 | 1 |
| - | BRACKET WELDMENT, DRIVEN LOG LEVELLING ROLLER | 710747 | 2 |
| 1 | BRACKET, CONNECTION | 710746-1 | 1 |
| 2 | BEARING, 6009.2RSR (FAG) ROLLING | 096025 | 1 |
| 3 | RING, W75 INSIDE RETAINING | F81090-41 | 1 |
| 4 | SHAFT, DRIVEN LOG LEVELLING ROLLER - COMPLETE | 714918-1 | 1 |
| 5 | RING, Z 45 OUTSIDE RETAINING | F81090-32 | 2 |
| 6 | MOUNT WELDMENT, CYLINDER | 714892-1 | 1 |
| 7 | WASHER, 17 SPLIT LOCK ZINC | F81058-1 | 4 |
| 8 | BOLT, M16X40-8.8 HEX HEAD FULL THREAD ZINC | F81006-13 | 4 |

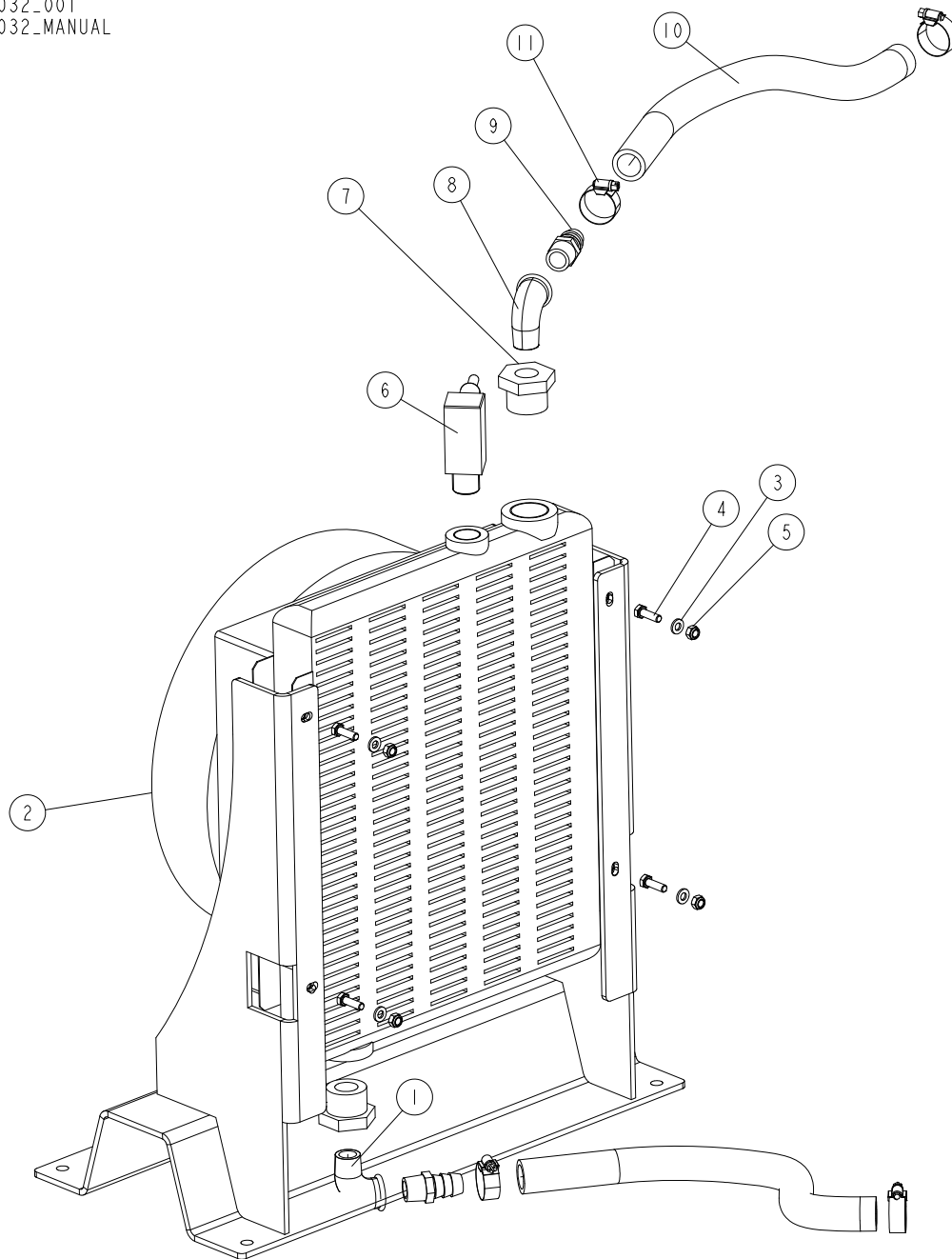
10.17 Standalone Oil Cooler Assy. 536050



| REF | DESCRIPTION (◆ indicates parts available in assemblies only) | PART # | QTY | |
|-----|--|------------|-----|--|
| - | STANDALONE OIL COOLER ASSY | 536050 | 1 | |
| 1 | STAND, MOUNTING | 536046-1 | 1 | |
| 2 | OIL COOLER ASSY See Section 10.18 | 536032 | 1 | |
| 3 | WASHER, 10.5 FLAT ZINC | F81055-1 | 12 | |
| 4 | BOLT, M10 X 25 8.8 FE/ZN5, PN-M/82105 | F81003-31 | 4 | |
| 5 | NUT, M10-8-B HEX NYLON ZINC LOCK | F81033-1 | 8 | |
| 6 | BOX, ELECTRIC | 539846 | 1 | |
| 7 | BOLT, M10X20 8.8 FE/ZN5 PN-M/82302 | F81003-108 | 4 | |

10.18 Oil Cooler Assy. 536032

536032_001
536032_MANUAL

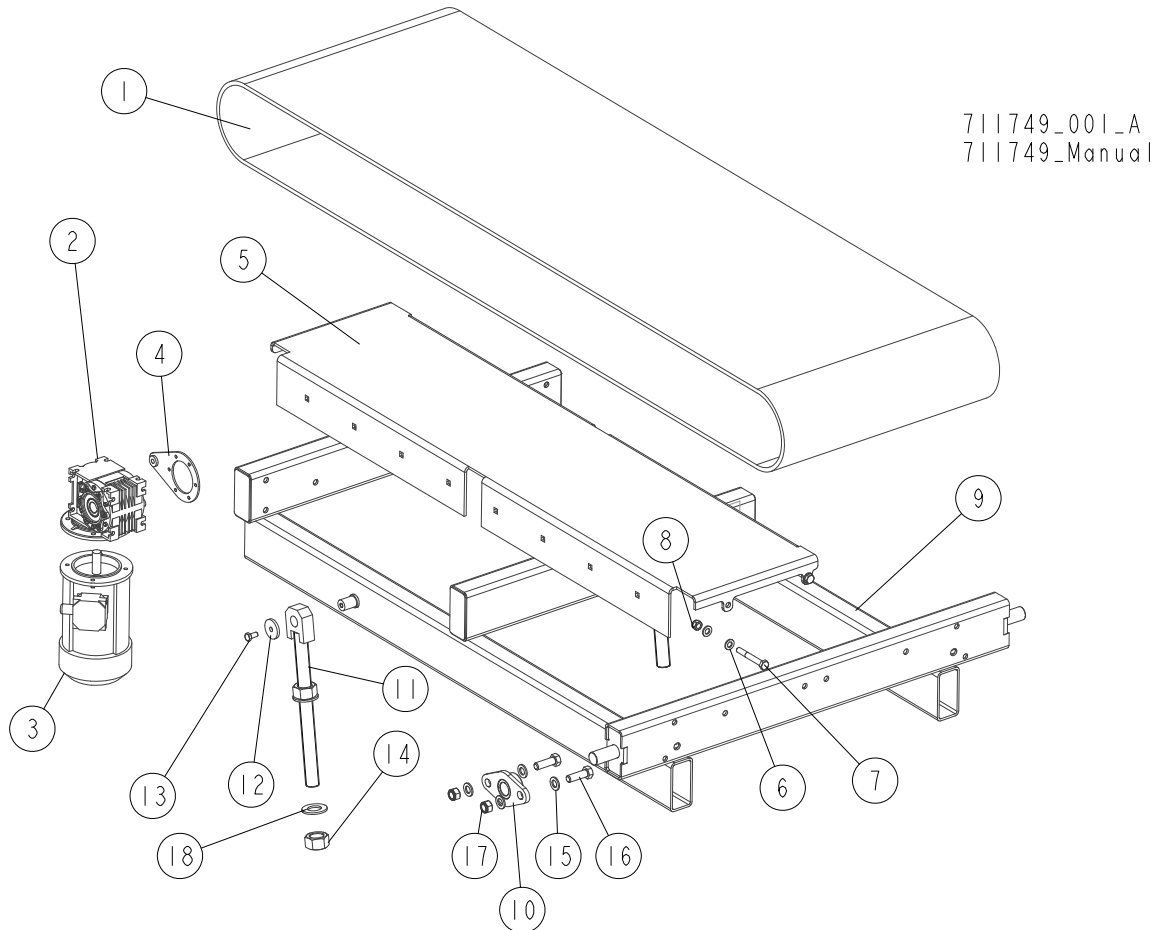


| REF | DESCRIPTION (◆ indicates parts available in assemblies only) | PART # | QTY |
|-----|--|----------|-----|
| - | OIL COOLER ASSY | 536032 | 1 |
| 1 | BRACKET, COOLER | 536017-1 | 1 |
| 2 | COOLER GRS100-24A | 525062 | 1 |
| 3 | WASHER, 6.4 FLAT ZINC | F81053-1 | 4 |
| 4 | BOLT, M6X20-8.8 HEX HEAD FULL THREAD ZIN | F81001-2 | 4 |
| 5 | NUT, M6-8-B HEX NYLON ZINC LOCK | F81031-2 | 4 |
| 6 | THERMOSTAT ATERODIN 4050 | 525063 | 1 |
| 7 | SLEEVE, REDUCTION RI INCH BSP 1"-1/2" OUT.-IN. | 536038 | 2 |

| REF | DESCRIPTION (◆ indicates parts available in assemblies only) | PART # | QTY | |
|-----|--|----------|-----|--|
| 8 | A4-ELBOW, WZ 1/2" ZINC | 094749 | 2 | |
| 9 | FITTING 1/2"NPTX3/4" HOSE BARB | 035621 | 2 | |
| 10 | HOSE, OILPROOF L=1000 | 536039 | 2 | |
| 11 | CLAMP, 20-40 MM | F81095-3 | 4 | |
| 12 | KIT, CONTROL | 539841 | 1 | |

SECTION 11 BELT CONVEYOR

11.1 Belt Conveyor Frame



| REF. | DESCRIPTION (◆Indicates Parts Available in Assemblies Only) | PART # | QTY |
|------|---|----------|-----|
| 1 | BELT, 2MOP3 LG4252x600 CONVEYOR | 711750 | 1 |
| | MOTOREDUCER, MR-50/7.5/1.1-1400/F3/V6 | 509560 | 1 |
| 2 | REDUCER, MR-50/7.5/160 | 509557 | 1 |
| 3 | MOTOR, STKG-80X-4C IMB14/1-162 INDUCTION | 090104 | 1 |
| 4 | ARM, R50 TORQUE | 509558 | 1 |
| 5 | PLATE, WB2000 CONVEYOR RIGHT TOP | 711752-1 | 1 |
| 6 | WASHER, 13 FLAT ZINC | F81056-1 | 8 |
| 7 | BOLT, M12X90 8.8 HEX HEAD ZINC | F81004-2 | 4 |
| 8 | NUT, M12 8 HEX NYLON ZINC LOCK | F81034-2 | 4 |
| 9 | FRAME WELDMENT, BELT CONVEYOR | 711760-1 | 1 |
| 10 | BRACKET, BELT CONVEYOR MOUNT | 711924-1 | 1 |
| 11 | ROD WELDMENT, CONVEYOR TILT ADJUSTMENT ZINC-PLATED | 711773-1 | 2 |
| 12 | WASHER, 10.5/45-6 ZINC-PLATED | 086286-1 | 1 |



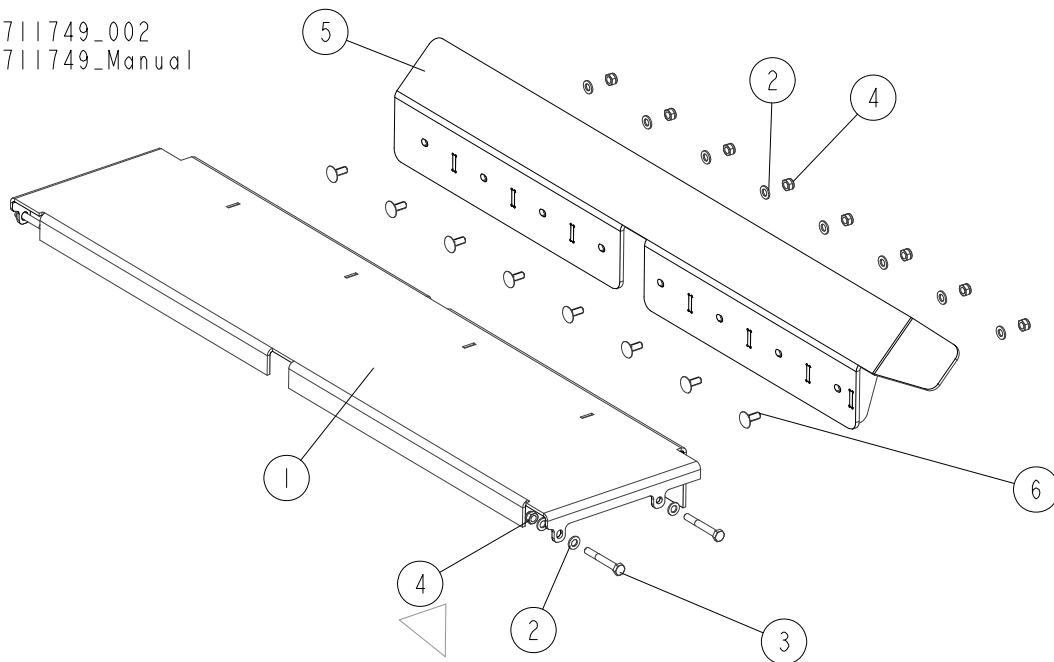
BELT CONVEYOR

Conveyor Side Plate

| REF. | DESCRIPTION (◆ Indicates Parts Available in Assemblies Only) | PART # | QTY |
|------|--|----------|-----|
| 13 | BOLT, M10X20-5.8 HEX HEAD FULL THREAD ZINC | F81003-1 | 1 |
| 14 | NUT, M30-HEX ZINC | F81038-3 | 2 |
| 15 | WASHER, 17 SPLIT LOCK ZINC | F81058-1 | 4 |
| 16 | BOLT, M6X16-8.8 HEX HEAD FULL THREAD ZINC | F81006-7 | 2 |
| 17 | NUT, M16 HEX NYLON ZINC LOCK | F81036-2 | 2 |
| 18 | WASHER, 31 FLAT ZINC | F81061-9 | 2 |

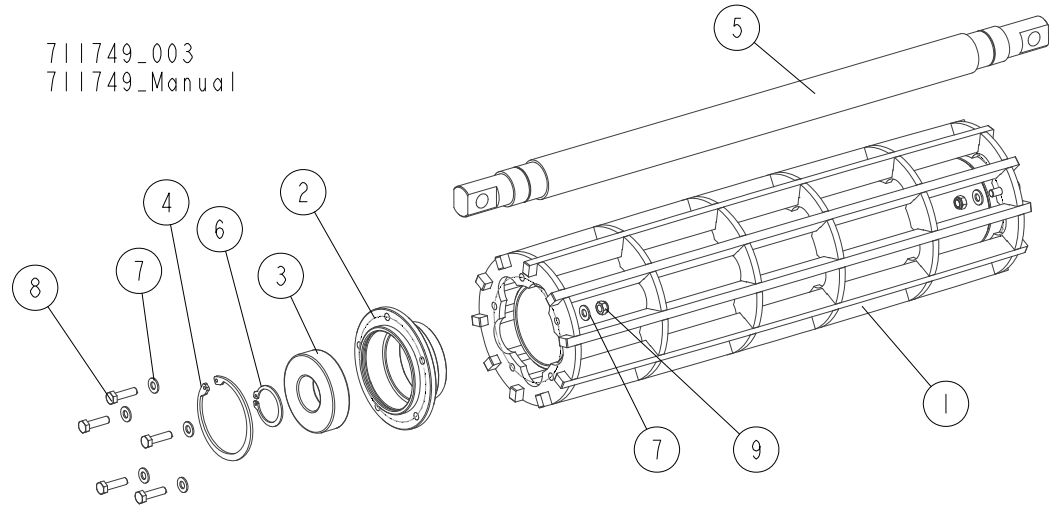
11.2 Conveyor Side Plate

711749_002
711749_Manual



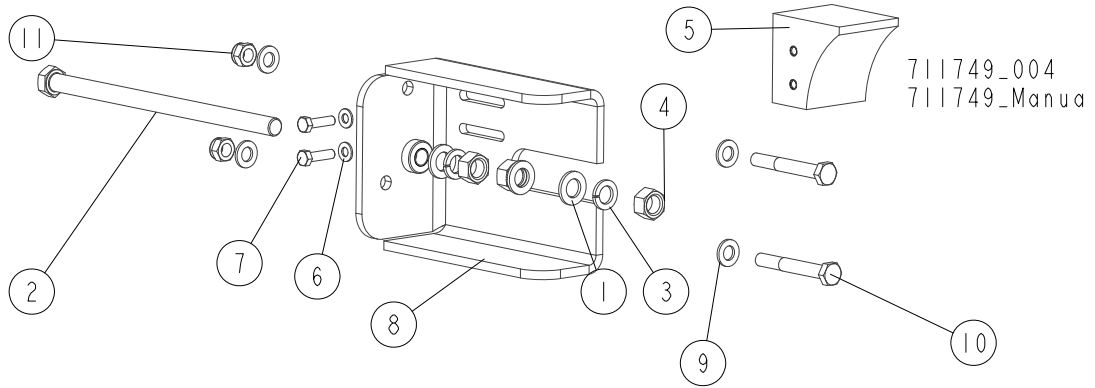
| REF. | DESCRIPTION (◆ Indicates Parts Available in Assemblies Only) | PART # | QTY |
|------|--|-----------|-----|
| 1 | PLATE, WB2000 CONVEYOR LEFT TOP | 713126-1 | 1 |
| 2 | WASHER, 13 FLAT ZINC | F81056-1 | 16 |
| 3 | BOLT, M12X90 8.8 HEX HEAD ZINC | F81004-2 | 4 |
| 4 | NUT, M12 8 HEX NYLON ZINC LOCK | F81034-2 | 12 |
| 5 | PLATE WELDMENT, CONVEYOR SIDE | 713124-1 | 1 |
| 6 | SCREW, M12X30 8.8 CARRIAGE ZINC | F81004-61 | 8 |

11.3 Idle-Side Roller



| REF. | DESCRIPTION (◆ Indicates Parts Available in Assemblies Only) | PART # | QTY |
|------|--|---------------|----------|
| | ROLLER, WM4000 IDLE SIDE - COMPLETE | 511286 | 1 |
| 1 | ROLLER, BELT SCRAPER | 511285-1 | 1 |
| | HUB, ROLLER BEARING - COMPLETE | 511305 | 2 |
| 2 | HUB, ROLLER BEARING | 511304-1 | 1 |
| 3 | BEARING, 6308 2RS CX BALL | 504268 | 1 |
| 4 | RING, W90 INSIDE RETAINING | F81090-29 | 1 |
| 5 | SHAFT, IDLE SIDE ROLLER | 511283 | 1 |
| 6 | RING, Z40 OUTSIDE RETAINING | F81090-33 | 2 |
| 7 | WASHER, 8.4 FLAT ZINC | F81054-1 | 20 |
| 8 | BOLT, M8X30-5.8-B HEX HEAD FULL THREAD ZINC | F81002-2 | 10 |
| 9 | NUT, M8 8 HEX NYLON ZINC LOCK | F81032-2 | 10 |

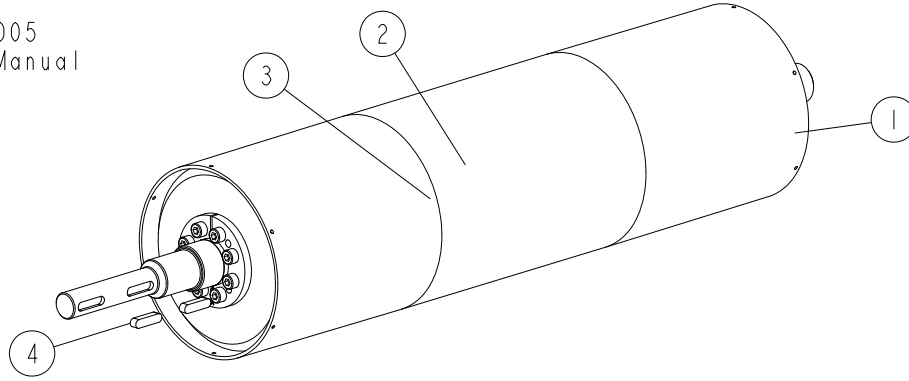
11.4 Conveyor Belt Tensioner



| REF. | DESCRIPTION (◆Indicates Parts Available in Assemblies Only) | PART # | QTY |
|------|---|-----------|-----|
| 1 | WASHER, 17 SPLIT LOCK ZINC | F81058-1 | 3 |
| 2 | BOLT, M16 X290-8.8 -A2 FULL THREAD | F81006-27 | 1 |
| 3 | WASHER, 16.3 SPLIT LOCK ZINC | F81058-2 | 3 |
| 4 | NUT, M16-8 HEX ZINC | F81036-1 | 3 |
| 5 | BLOCK, SAFETY | 711178 | 1 |
| 6 | WASHER, 8.4 FLAT ZINC | F81054-1 | 2 |
| 7 | BOLT, M8X30-5.8-B HEX HEAD FULL THREAD ZINC | F81002-2 | 2 |
| 8 | BRACKET, BELT TENSION - LEFT | 711776-1 | 1 |
| | BRACKET, BELT TENSION - RIGHT | 711775-1 | 1 |
| 9 | WASHER, 13 FLAT ZINC | F81056-1 | 4 |
| 10 | BOLT, M12X90 8.8 HEX HEAD ZINC | F81004-2 | 2 |
| 11 | NUT, M12 8 HEX NYLON ZINC LOCK | F81034-2 | 2 |

11.5 Belt Conveyor Pulley

711749_005
 711749_Manual



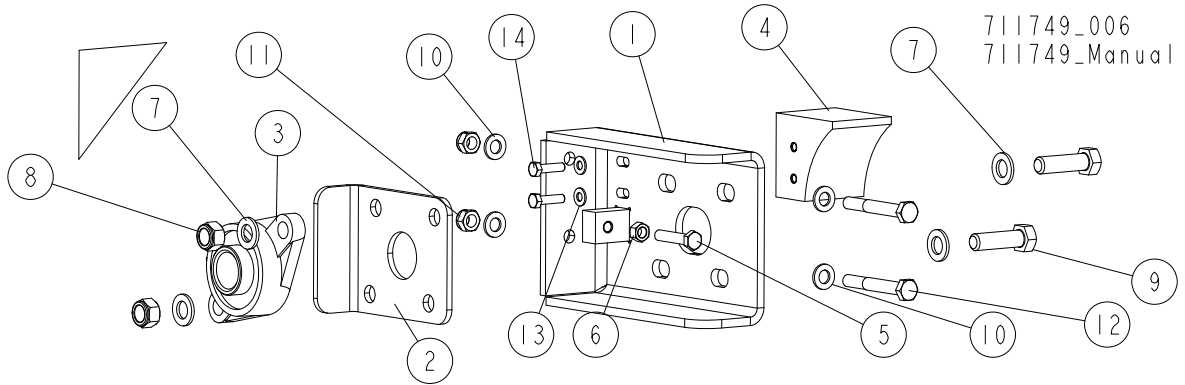
| REF. | DESCRIPTION (◆Indicates Parts Available in Assemblies Only) | PART # | QTY |
|----------|---|---------------|----------|
| | PULLEY ASSEMBLY, BELT CONVEYOR - COMPLETE | 538054 | 1 |
| 1 | PULLEY, BELT CONVEYOR | 538055-1 | 1 |
| 2 | LAGGING, PULLEY | R00100 | 1 |
| 3 | ADHESIVE, TEXCOL | 090875 | 1 |
| 4 | KEY, A8X7X32 PARALLEL | 088564 | 2 |



BELT CONVEYOR

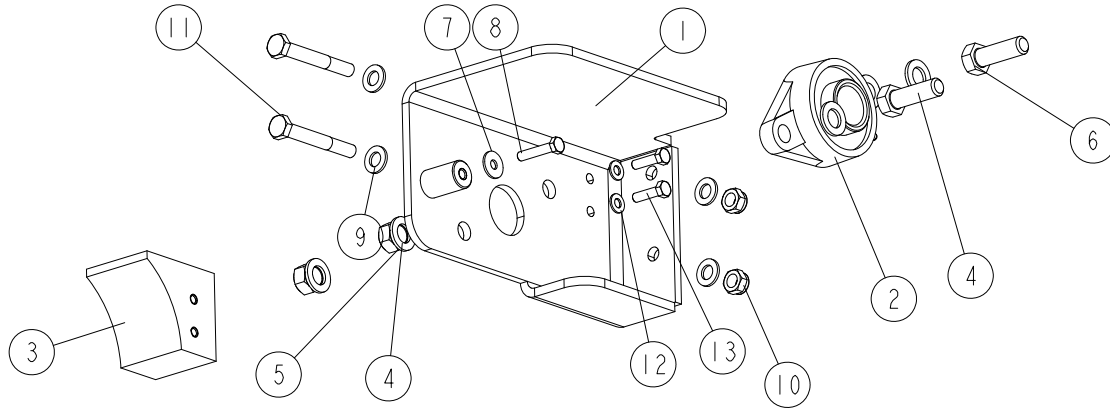
Left Pulley Bracket

11.6 Left Pulley Bracket



| REF. | DESCRIPTION (◆ Indicates Parts Available in Assemblies Only) | PART # | QTY |
|------|--|-----------|-----|
| 1 | BRACKET WELDMENT, PULLEY MOUNT - LEFT | 711176-1 | 1 |
| 2 | PLATE, BELT TENSION CORRECTION | 511278-1 | 1 |
| 3 | BEARING, UCFL 207 BALL | 524021 | 1 |
| 4 | BLOCK, SAFETY | 711178 | 1 |
| 5 | BOLT, M10X50-8.8 HEX HEAD FULL THREAD ZINC | F81003-4 | 1 |
| 6 | NUT, M10 8 HEX ZINC | F81033-3 | 1 |
| 7 | WASHER, 17 SPLIT LOCK ZINC | F81058-1 | 4 |
| 8 | NUT, M16-8 HEX NYLON ZINC LOCK | F81036-2 | 2 |
| 9 | BOLT, M16X50-8.8 HEX HEAD FULL THREAD ZINC | F81006-38 | 2 |
| 10 | WASHER, 13 FLAT ZINC | F81056-1 | 4 |
| 11 | NUT, M12 8 HEX NYLON ZINC LOCK | F81034-2 | 2 |
| 12 | BOLT, M12X90 8.8 HEX HEAD ZINC | F81004-2 | 2 |
| 13 | WASHER, 8.4 FLAT ZINC | F81054-1 | 2 |
| 14 | BOLT, M8X30-5.8-B HEX HEAD FULL THREAD ZINC | F81002-2 | 2 |

11.7 Right Pulley Bracket

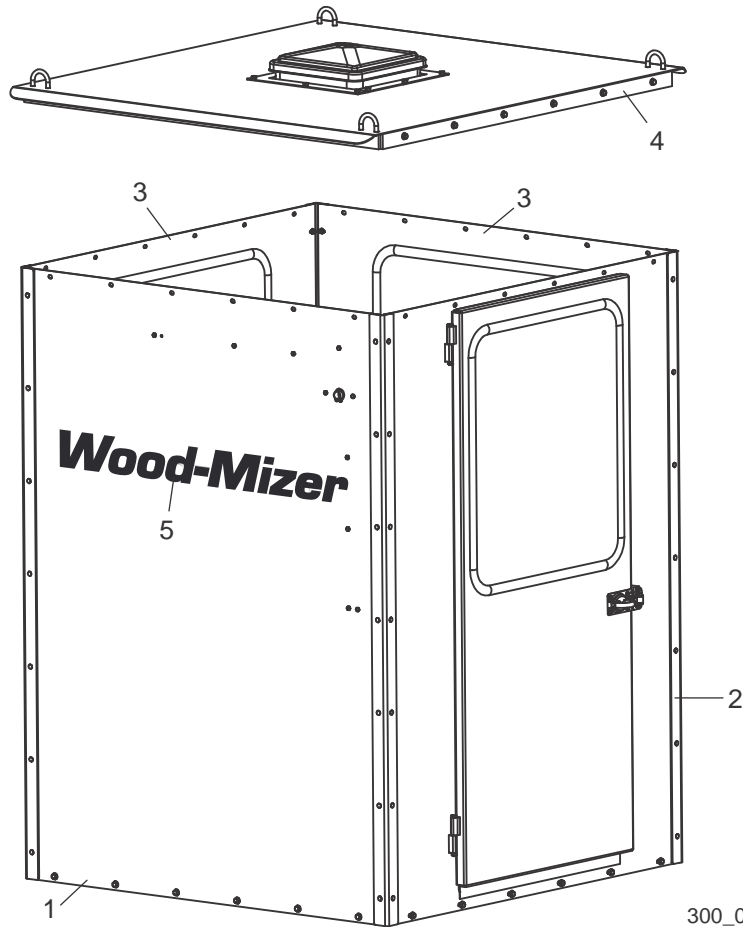


711749_007
 711749_Manual

| REF. | DESCRIPTION (◆Indicates Parts Available in Assemblies Only) | PART # | QTY |
|------|---|-----------|-----|
| 1 | BRACKET WELDMENT, PULLEY MOUNT - RIGHT | 715320-1 | 1 |
| 2 | BEARING, UCFL 207 BALL | 524021 | 1 |
| 3 | BLOCK, SAFETY | 711178 | 1 |
| 4 | WASHER, 17 SPLIT LOCK ZINC | F81058-1 | 4 |
| 5 | NUT, M16-8 HEX NYLON ZINC LOCK | F81036-2 | 2 |
| 6 | BOLT, M16X50-8.8 HEX HEAD FULL THREAD ZINC | F81006-7 | 2 |
| 7 | WASHER, ISO 7093-1-8-200 HV-A2E. | F81054-11 | 1 |
| 8 | BOLT, M8X40-8.8 HEX HEAD FULL THREAD ZINC | F81002-15 | 1 |
| 9 | WASHER, 13 FLAT ZINC | F81056-1 | 4 |
| 10 | NUT, M12 8 HEX NYLON ZINC LOCK | F81034-2 | 2 |
| 11 | BOLT, M12X90 8.8 HEX HEAD ZINC | F81004-2 | 2 |
| 12 | WASHER, 8.4 FLAT ZINC | F81054-1 | 2 |
| 13 | BOLT, M8X30-5.8-B HEX HEAD FULL THREAD ZINC | F81002-2 | 2 |

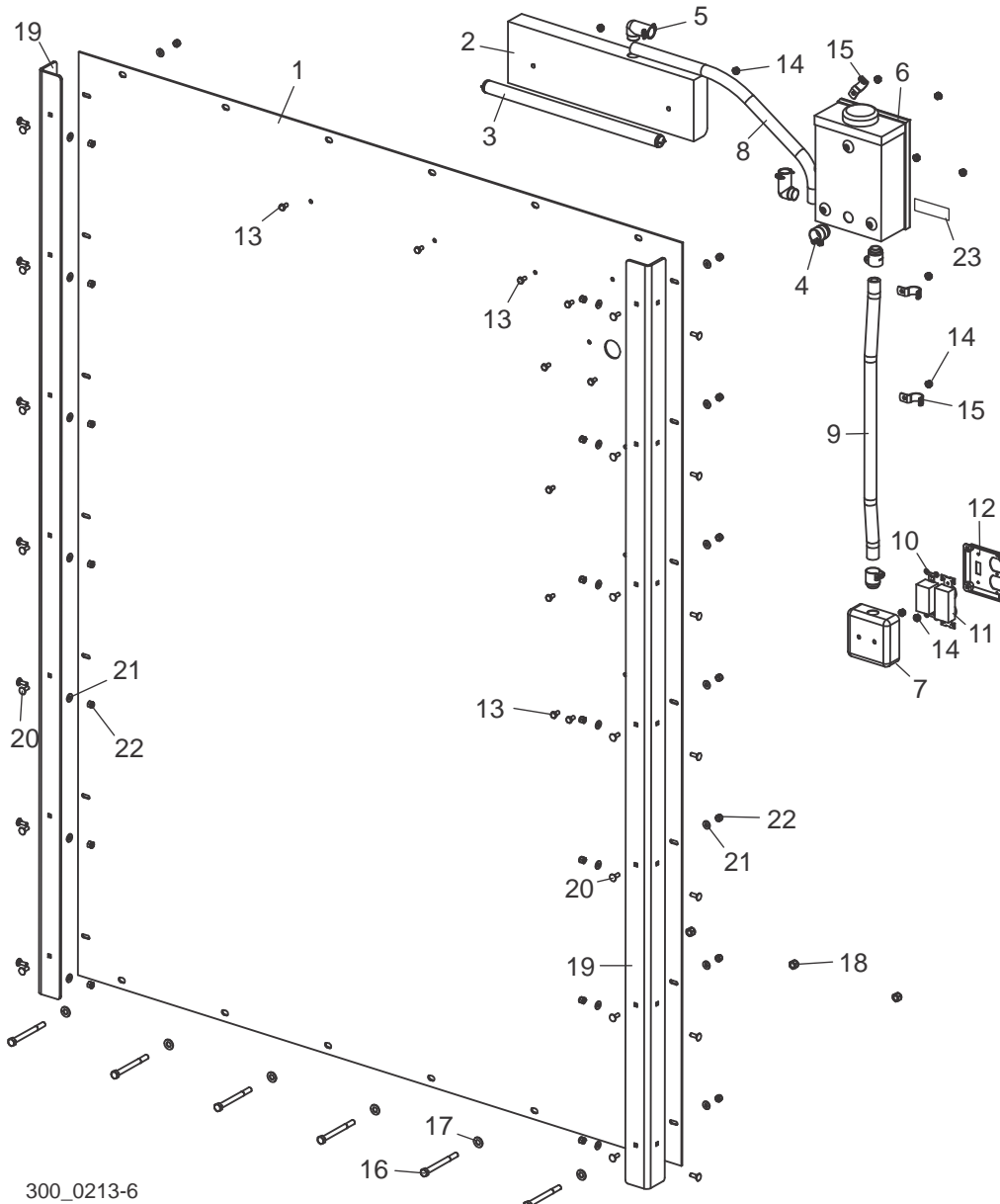
SECTION 12 CAB

12.1 Cab



| REF. | DESCRIPTION (◆ Indicates Parts Available in Assemblies Only) | PART # | QTY | |
|------|--|--------|-----|--|
| | CAB ASSEMBLY, OPERATOR | 058169 | 1 | |
| 1 | Rear Panel Parts See Section 12.2 | | | |
| 2 | Right Panel Parts See Section 12.3 | | | |
| 3 | Front & Left Panel Parts See Section 12.4 | | | |
| 4 | Roof Parts See Section 12.5 | | | |
| 5 | DECAL, 40" BLACK WOOD-MIZER LOGO | 076274 | 1 | |

12.2 Rear Panel

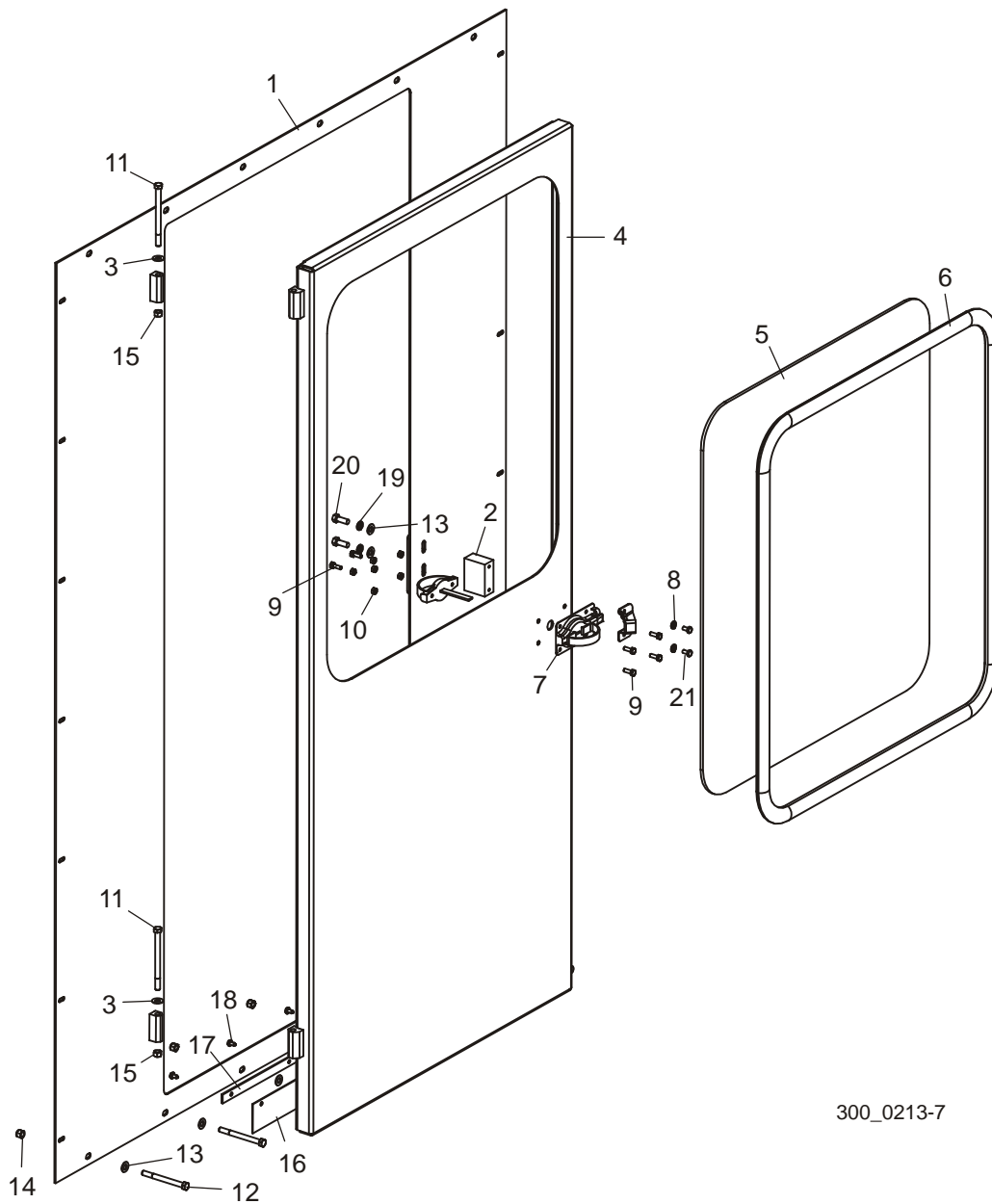


300_0213-6

| REF. | DESCRIPTION (◆Indicates Parts Available in Assemblies Only) | PART # | QTY |
|------|---|-----------|-----|
| | PANEL ASSEMBLY, 2013 REAR | 058175 | 1 |
| 1 | Panel, 2013 Rear | 058176 | 1 |
| 2 | Fixture, Fluorescent Uncer-Cabinet Light | 042590 | 1 |
| 3 | Bulb, 15 Watt Fluorescent | 016876 | 1 |
| 4 | Clamp, 1/2" Flex Conduit | 042595 | 3 |
| 5 | Clamp, 1/2" 90° Flex Conduit | 017801 | 2 |
| 6 | Disconnect Switch, 30A Nema 1 Safety | 069553 | 1 |
| 7 | Box, 4" Electrical Utility | 042591 | 1 |
| 8 | Conduit, 1/2" x 21" Steel Flex | 042597 | 1 |
| 9 | Conduit, 1/2" x 25" Steel Flex | 042596 | 1 |
| 10 | Switch, 120VAC 20Amp Single Pole | 042592 | 1 |
| 11 | Switch, 120VAC 20Amp Duplex | 042593 | 1 |
| 12 | Cover, Stainless Steel Switch/Plug | 042594 | 1 |
| 13 | Bolt, 1/4-20 x 1/2" Hex Head Zinc | F05005-15 | 9 |

| | | | | |
|----|---|------------|----|--|
| 14 | Nut, 1/4-20 Self-Locking Hex | F05010-9 | 9 | |
| 15 | Clamp, 3/4 EMT | P04851 | 3 | |
| 16 | Bolt, 3/8-16 x 4" Hex Head Zinc Grade 5 | F05007-126 | 6 | |
| 17 | Washer, 3/8" SAE Flat | F05011-3 | 6 | |
| 18 | Nut, 3/8-16 Hex Nylon Zinc Lock | F05010-10 | 6 | |
| 19 | ANGLE, CORNER SUPPORT | 058917 | 2 | |
| 20 | SCREW, 1/4-20 x 3/4" CARRIAGE | F05005-113 | 28 | |
| 21 | WASHER, 1/4" SAE FLAT | F05011-11 | 28 | |
| 22 | NUT, 1/4-20 HEX NYLON ZINC LOCK | F05010-69 | 28 | |
| 23 | DECAL, CAB VOLTAGE | 042676 | 1 | |

12.3 Right Panel

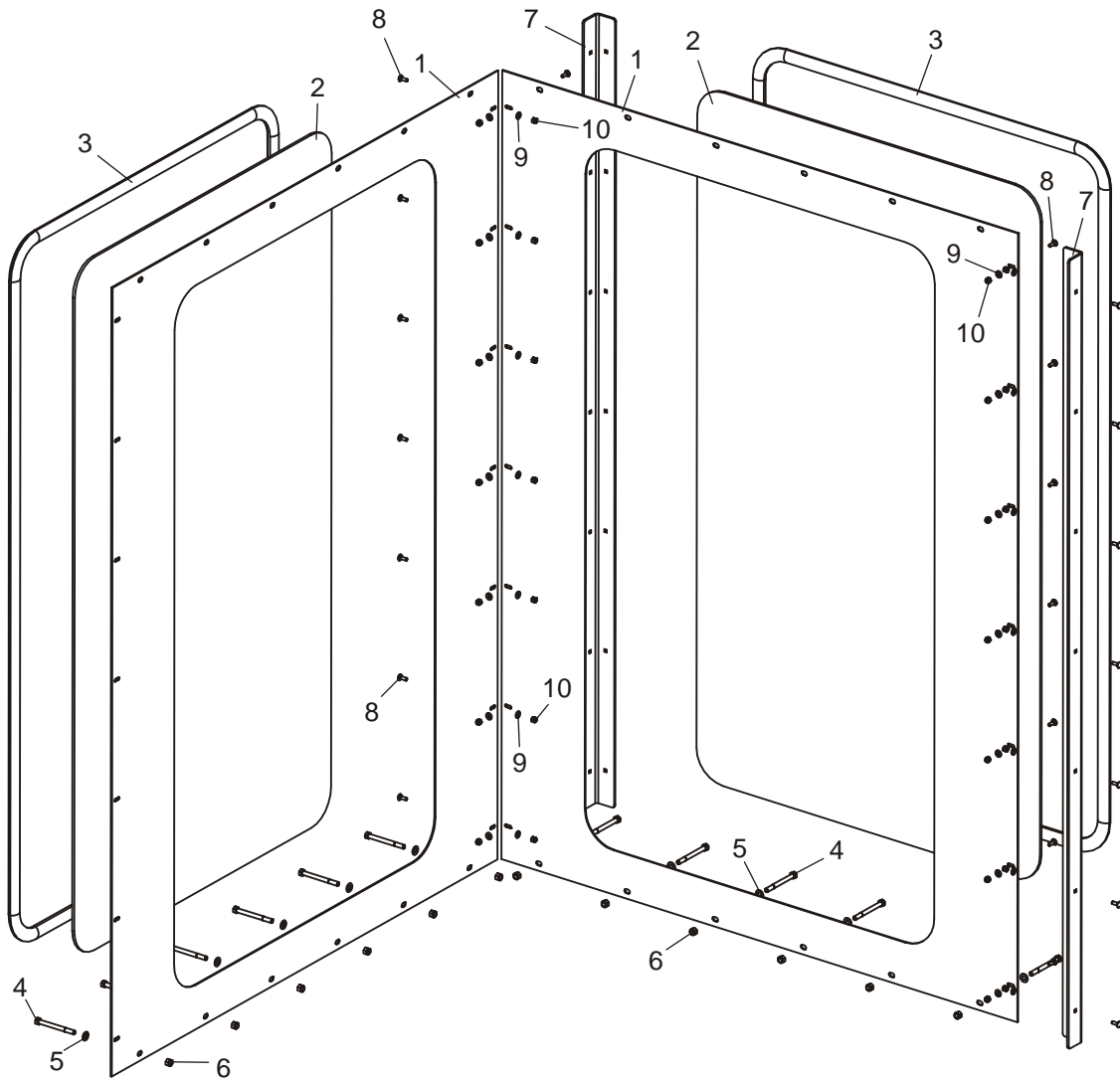


300_0213-7

| REF. | DESCRIPTION (◆ Indicates Parts Available in Assemblies Only) | PART # | QTY |
|------|--|------------|-----|
| | PANEL ASSEMBLY, DOOR | 058166 | 1 |
| 1 | Panel Weldment, Door | 058167 | 1 |
| 2 | Block, Latch Mount | 042634 | 1 |
| 3 | Washer, Door Hinge | 042578 | 1 |
| 4 | Door Weldment, Cab | 042632 | 1 |
| 5 | Window, Cab Door | 042576 | 1 |
| 6 | Seal, Cab Door Window | 042575 | 1 |
| 7 | Latch, Door | 042587 | 1 |
| 8 | Washer, 1/4" Split Lock | F05011-14 | 2 |
| 9 | Bolt, 1/4-20 x 3/4" Hex Head Full Thread | F05005-1 | 6 |
| 10 | Nut, 1/4-20 Hex Nylon Zinc Lock | F05010-21 | 6 |
| 11 | Bolt, 3/8-16 x 5" Hex Head Grade 5 | F05007-86 | 2 |
| 12 | Bolt, 3/8-16 x 4" Hex Head Grade 5 | F05007-126 | 4 |

| | | | | |
|----|-----------------------------------|-----------|---|--|
| 13 | Washer, 3/8" SAE Flat | F05011-3 | 4 | |
| 14 | Nut, 3/8-16 Hex Nylon Zinc Lock | F05010-10 | 4 | |
| 15 | Nut, 3/8-16 Hex Nylon Zinc Lock | F05010-25 | 2 | |
| 16 | Flap, Rubber Door | 042638 | 1 | |
| 17 | Plate, Rubber Door Flap | 042637 | 1 | |
| 18 | Screw, 1/4-20 x 1/2" Self-Tapping | F05015-1 | 5 | |
| 19 | Washer, 3/8" Split Lock | F05011-4 | 2 | |
| 20 | Bolt, 3/8-16 x 1" Hex Head | F05007-7 | 2 | |
| 21 | Bolt, 1/4-20 x 1/2" Hex Head | F05005-15 | 2 | |

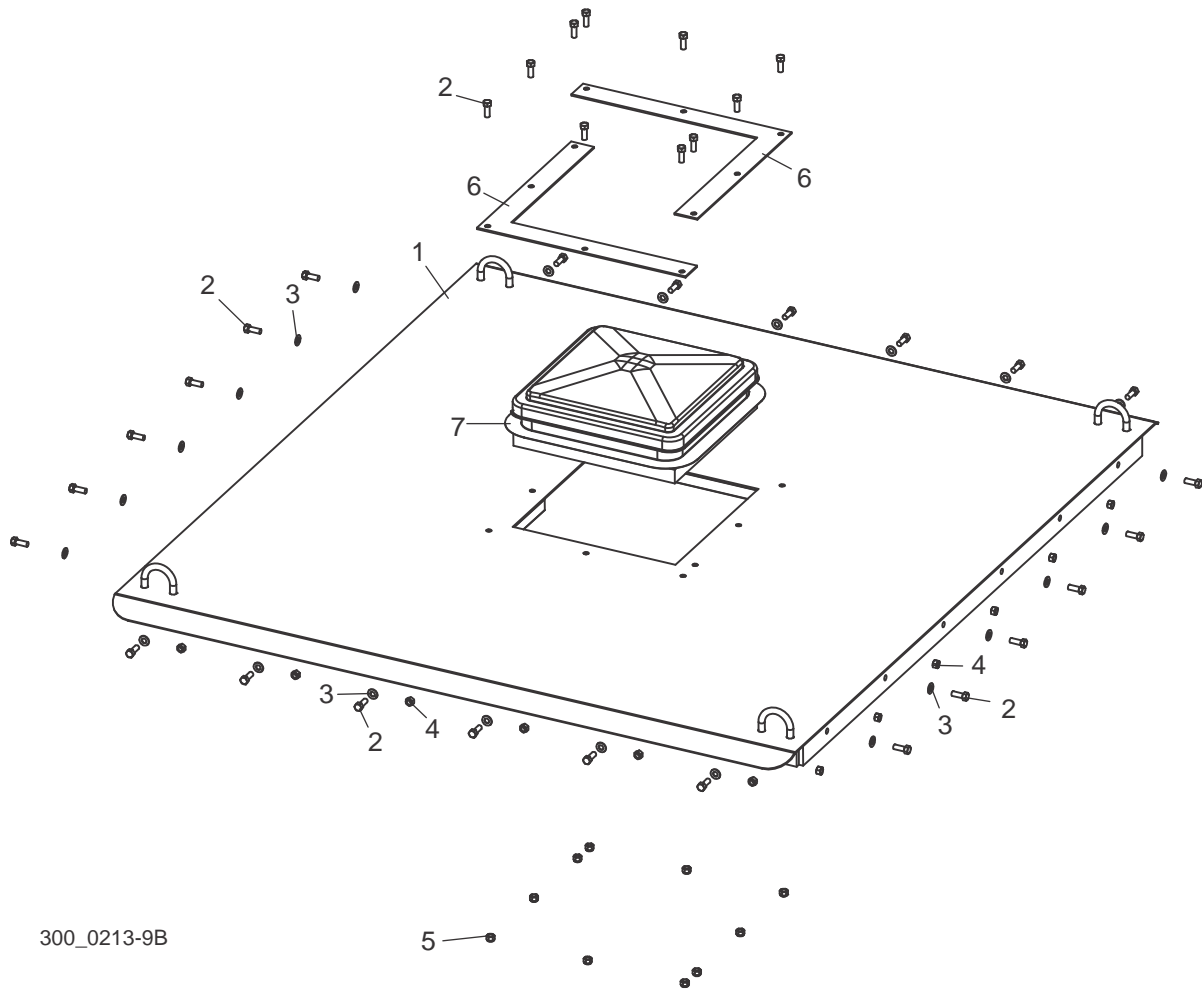
12.4 Front, Left Panel



300_0213-8

| REF. | DESCRIPTION (◆ Indicates Parts Available in Assemblies Only) | PART # | QTY |
|------|--|------------|-----|
| | Panel Assembly, Window | 058177 | 2 |
| 1 | Panel, Window | 058179 | 1 |
| 2 | Window, Cab Front | 042631 | 1 |
| 3 | Seal, Cab Front Window | 042630 | 1 |
| 4 | Bolt, 3/8-16 x 4" Hex Head Grade 5 | F05007-126 | 6 |
| 5 | Washer, 3/8" SAE Flat | F05011-3 | 6 |
| 6 | Nut, 3/8-16 Hex Nylon Lock | F05010-10 | 6 |
| 7 | ANGLE, CORNER SUPPORT | 058917 | 2 |
| 8 | SCREW, 1/4-20 x 3/4" CARRIAGE | F05005-113 | 28 |
| 9 | WASHER, 1/4" SAE FLAT | F05011-11 | 28 |
| 10 | NUT, 1/4-20 HEX NYLON ZINC LOCK | F05010-69 | 28 |

12.5 Roof



300_0213-9B

| REF. | DESCRIPTION (◆ Indicates Parts Available in Assemblies Only) | PART # | QTY |
|------|--|-----------|-----|
| | ROOF ASSEMBLY, LT300 CAB | 058182 | 1 |
| 1 | Roof, Weldment, Cab | 058183 | 1 |
| 2 | Bolt, 3/8-16 x 1" Hex Head | F05007-7 | 34 |
| 3 | Washer, 3/8" SAE Flat | F05011-3 | 24 |
| 4 | Nut, 3/8-16 Swaged Lock | F05010-25 | 24 |
| 5 | Nut, 3/8-16 Hex Nylon Lock | F05010-10 | 10 |
| 6 | Plate, Air Vent | 016866 | 2 |
| 7 | Vent, Plastic Dome | 016867 | 1 |

12.6 Air Conditioning/Heat Assembly (Optional)



300_0303



| REF. | DESCRIPTION (◆ Indicates Parts Available in Assemblies Only) | PART # | QTY |
|----------|--|----------|-------|
| | AIR CONDITIONING/HEAT ASSEMBLY, CAB (OPTIONAL) | A/C1 | 1 |
| 1 | A/C Unit, AC1 (Rev. A4.00) | 074118 | 1 |
| 2 | Control, A/C1 (Rev. A4.00) | 074117 | 1 |
| | Plug, 13/32 Plastic | 014537 | 10 |
| | Caulk, 10 oz. Tube Clear Silicon | P02616 | 1 |
| | Clamp, 1/2" Flex Steel Conduit 90 Deg. El. | 017801 | 1 |
| | Conduit, 1/2" x 77" Flex Steel | 017802 | 1 |
| | Wire Nut, Yellow | 016863 | 3 |
| | Clamp, 3/4 EMT | P04851 | 4 |
| | Screw, 1/4-20 x 1/2" Self-Tapping | F05015-1 | 4 |
| | Foam, 1/2"x1" Adhesive Back | R02306 | 5 ft. |
| 3 | Heat Package, A/C1 (Rev. A4.00) | 074116 | 1 |
| 4 | Drain Kit, A/C1 | 076000 | 1 |