

Wood-Mizer®

Replacement Parts

WB2000

rev. A1.00



Safety is our #1 concern! Read and understand all safety information and instructions before operating, setting up or maintaining this machine.

May 2014

Form #661

Table of Contents

Section-Page

SECTION 1	GENERAL INFORMATION	1-1
1.1	How To Use The Parts List	1-1
1.2	Sample Assembly	1-1
SECTION 2	SAW HEAD	2-1
2.1	Motor Kit	2-1
2.2	Motor Kit	2-2
2.3	Board Return Guide	2-4
2.4	Blade Guide Arm w/Drive	2-5
2.5	Middle & Side Cameras	2-8
2.6	Middle Camera Assembly	2-9
2.7	Side Camera Assembly	2-10
2.8	Blade Tension Plate Assembly	2-11
2.9	Debarker w/Drive	2-12
2.10	WB2000 Debarker	2-13
2.11	Debarker Track Rail Assembly	2-16
2.12	Chain Guide Roller	2-18
2.13	Blade Wheel Wiper & Scraper	2-19
2.14	Blade Wheel	2-20
2.15	Oil Supply Assembly, Hydraulic Blade Tensioner	2-21
2.16	Blade Wheel Top Covers	2-23
2.17	Water Lube Assembly	2-24
2.18	Oil Tank & Dispenser Assembly	2-26
2.19	Idle-Side Blade Wheel Assembly	2-28
2.20	Mounting Tubes, Idle-Side Blade Wheel	2-29
2.21	Drive-Side Blade Wheel Assembly	2-30
2.22	Safety Switch Assembly, Blade Housing Cover	2-31
2.23	Decals	2-32
SECTION 3	OPERATOR STATION	3-1
3.1	LCD Monitor w/Arm	3-1
3.2	Control Box	3-2
3.3	Rails & Electric Box	3-3
3.4	Operator Seat & Joysticks	3-5
SECTION 4	BED FRAME ASSEMBLY	4-1
4.1	WB2000 Bed Rail	4-1
4.2	WB2000 Bed Frame	4-2
4.3	Wireway Assembly, WB2000	4-4
4.4	Hydraulic Hose Guards, WB2000	4-5
4.5	WB2000 Forklift Pockets	4-6
SECTION 5	HYDRAULIC SYSTEM	5-1
5.1	Hydraulic Hoses, WB2000	5-1
5.2	Hydraulic Valve, WB2000	5-3
5.3	Hydraulic Box, WB2000 HS1	5-4

Table of Contents

Section-Page

5.4	Hydraulic Box, WB2000 HS2	5-6
5.5	Hydraulic Box, WB2000 HS3	5-9
5.6	Hydraulic Pump & Oil Tank	5-12
5.7	Chain Log Turner, WB2000	5-14
5.8	Driven Log Levelling Roller, WB2000.....	5-16
5.9	Pull-Down Clamp, WB2000	5-18

SECTION 1 GENERAL INFORMATION

1.1 How To Use The Parts List

- Use the index above to locate the assembly that contains the part you need.
- Go to the appropriate section and locate the part in the illustration.
- Use the number pointing to the part to locate the correct part number and description in the table.
- Parts shown indented under another part are included with that part.
- Parts marked with a diamond (◆) are only available in the assembly listed above the part.

See the sample table below. Sample Part #A01111 includes part F02222-2 and subassembly A03333. Subassembly A03333 includes part S04444-4 and subassembly K05555. The diamond (◆) indicates that S04444-4 is not available except in subassembly A03333. Subassembly K05555 includes parts M06666 and F07777-77. The diamond (◆) indicates M06666 is not available except in subassembly K05555.

1.2 Sample Assembly				
REF	DESCRIPTION (◆ Indicates Parts Available In Assemblies Only)	PART #	QTY.	
	Sample Assembly, Complete (Includes All Indented Parts Below)	A01111	1	
1	Sample Part	F02222-22	1	
	Sample Subassembly (Includes All Indented Parts Below)	A03333	1	
2	Sample Part (◆ Indicates Part Is Only Available With A03333)	S04444-4	1	◆
	Sample Subassembly (Includes All Indented Parts Below)	K05555	1	
3	Sample Part (◆ Indicates Part Is Only Available With K05555)	M06666	2	◆
4	Sample Part	F07777-77	1	

To Order Parts:

- From Europe call our European Headquarters and Manufacturing Facility in Kolo, Poland at **+48-63-2626000**. From the continental U.S., call our toll-free Parts hotline at **1-800-525-8100**. Have your customer number, vehicle identification number, and part numbers ready when you call. From other international locations, contact the Wood-Mizer distributor in your area for parts.

Office Hours:

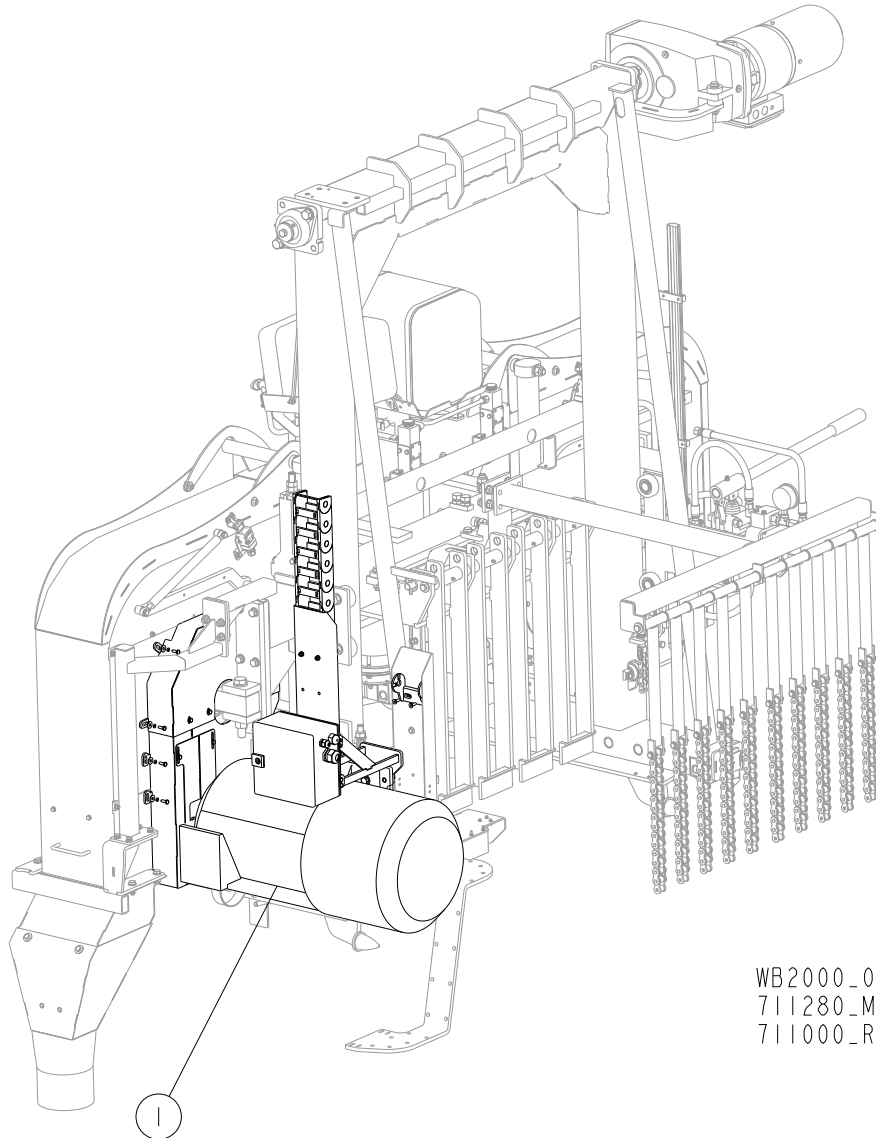
Country	Monday - Friday	Saturday	Sunday
Poland	7-15	Closed	Closed
US	8 a.m.- 5 a.m.	8 a.m.- 12 p.m.	Closed



CAUTION! It is strongly recommended that only original spare parts be used.

SECTION 2 SAW HEAD

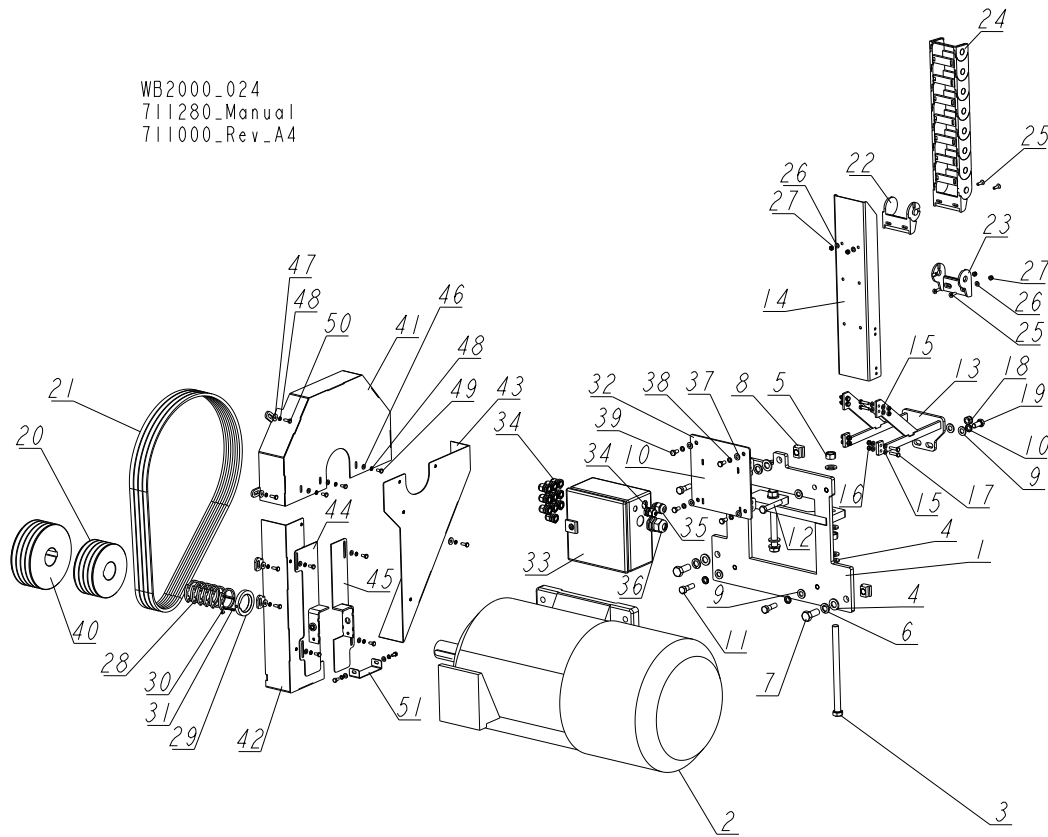
2.1 Motor Kit



WB2000_023
711280_Manual
711000_Rev_A4

REF.	DESCRIPTION (◆ indicates parts available in assemblies only)	PART#	QTY	
1	MOTOR KIT, E40S WB2000 See Section 2.2	711000	1	

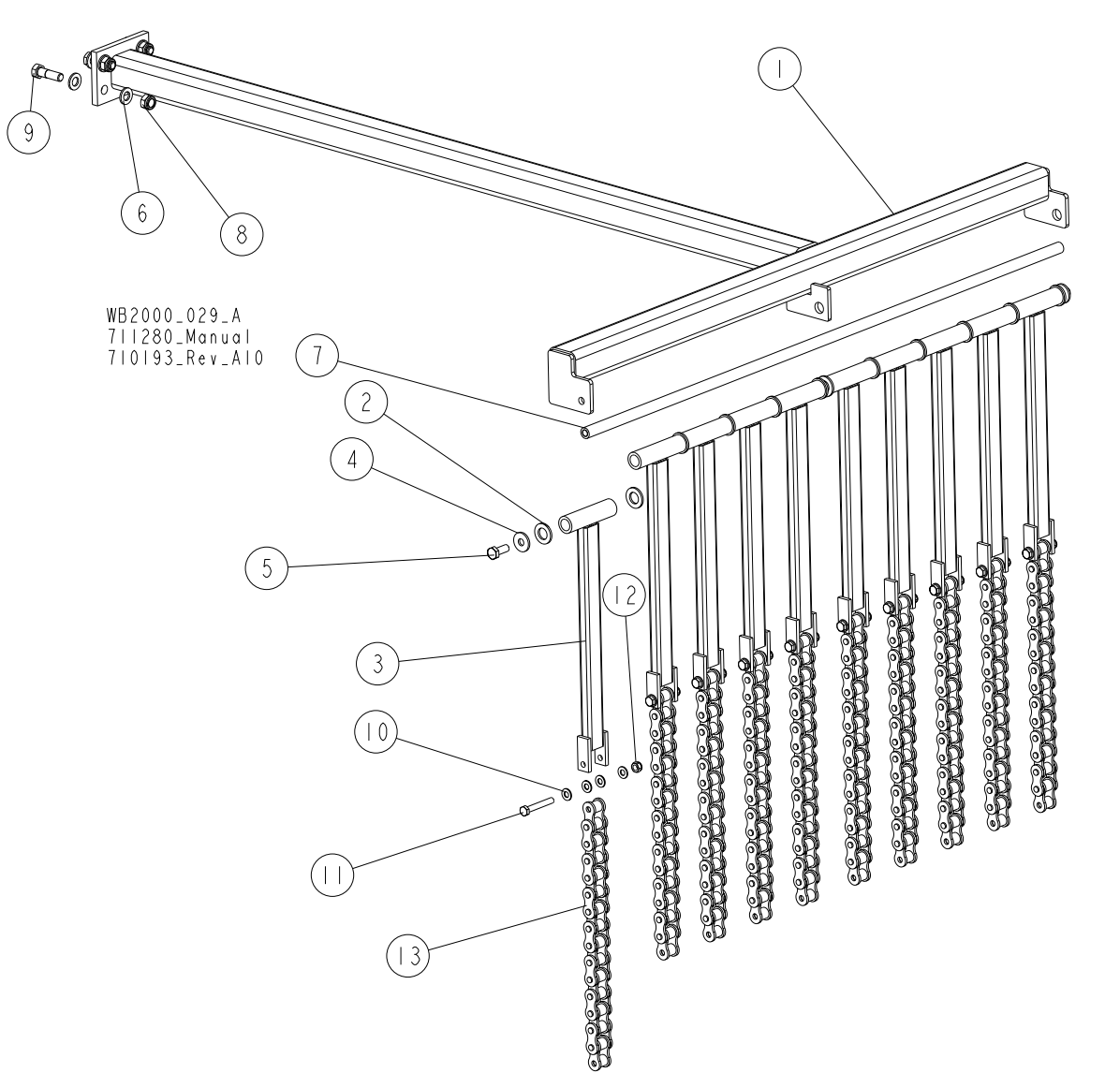
2.2 Motor Kit



REF.	DESCRIPTION (◆ indicates parts available in assemblies only)	PART#	QTY
	MOTOR KIT, E40S WB2000	711000	1
	MOTOR KIT, E40S (30 KW) WB2000	710866	1
1	PLATE, 30 KW WB 2000 MOTOR MOUNTING	710868-1	1
2	MOTOR, 1LG4188-4AA60-ZG26+C01	512119	1
3	SCREW, ISO 4017-M16X240-8.8-A2E HEX HEAD	F81006-29	2
4	WASHER, 17 SPLIT LOCK ZINC	F81058-1	11
5	NUT, M16-8 HEX ZINC	F81036-1	4
6	WASHER, 16.3 SPLIT LOCK ZINC	F81058-2	3
7	BOLT, M16X40-8.8 HEX HEAD FULL THREAD ZINC	F81006-13	3
8	T-NUT, DIN 508-18-M16-8	F81036-8	3
9	WASHER,13 FLAT ZINC	F81056-1	6
10	WASHER, Z12.2 SPLIT LOCK ZINC	F81056-2	4
11	BOLT, M12X40-5.8 HEX HEAD	F81004-1	3
12	BOLT, M12X70-8.8 HEX HEAD ZINC	F81004-39	1
	BRACKET, CABLE CARRIER MOUNT	710812	1
13	MOUNT WELDMENT, CABLE CARRIER BRACKET	710576-1	1
14	CHANNEL, CABLE CARRIER BRACKET	710573-1	1
15	WASHER, 6.4 FLAT ZINC	F81053-1	16
16	NUT, M6-8-B HEX NYLON ZINC LOCK	F81031-2	8
17	BOLT, M6X25 5.8 HEX HEAD FULL THREAD ZINC	F81001-3	8

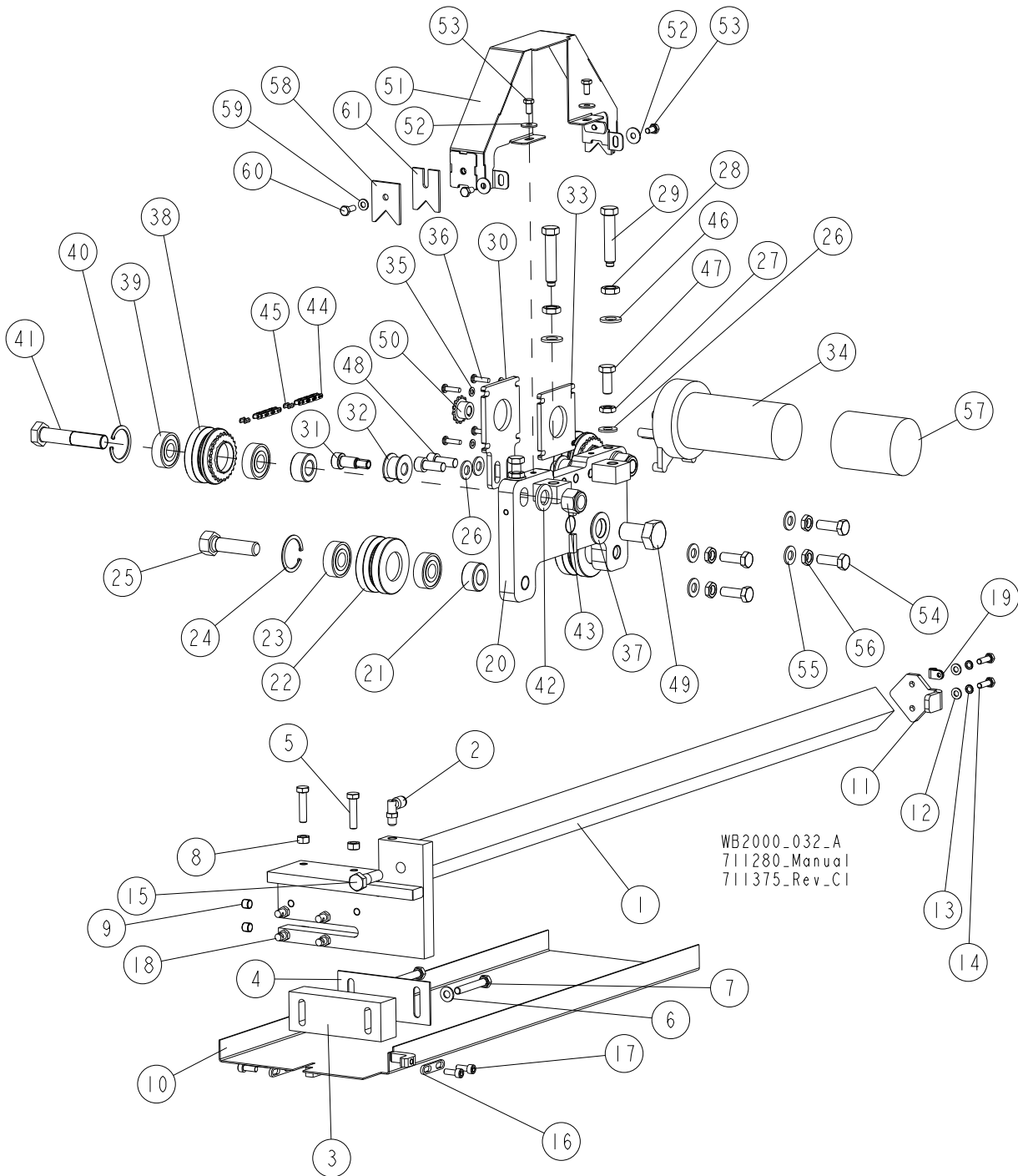
REF.	DESCRIPTION (◆ indicates parts available in assemblies only)	PART#	QTY	
18	NUT, M12-8 HEX NYLON ZINC LOCK	F81034-2	1	
19	BOLT, M12X25-8.8 HEX HEAD FULL THREAD ZINC	F81004-31	1	
20	PULLEY, SPA-4;N140 (F01787+T31128)	710267-1	1	
21	V-BELT, A59 LI=1495	710864	4	
	BRACKET SET, 2607.12PZ CABLE CARRIER	087773	1	
22	BRACKET, INGUS 2607.2PZ W/PIN	088600	1	
23	BRACKET, INGUS 2607.1PZ W/BORE	088601	1	
24	CARRIER, INGUS 27.07.063 CABLE	088048	1	
25	SCREW, M6X20-10.9 DIN7991 FLAT SOCKET HEAD CAP ZINC	F81001-17	4	
26	WASHER, 6.4 FLAT ZINC	F81053-1	4	
27	NUT, M6-8-B HEX NYLON ZINC LOCK	F81031-2	4	
	CAM ASSEMBLY, ROTATIONS CONTROL	710898	1	
28	CAM, ROTATIONS CONTROL	711381-1	6	
29	BUSHING	711382-1	1	
30	SCREW, M6X8-33H-GEOMET HEX SOCKET SET W/CONE POINT	F81013-1	1	
31	PIN, 5X35-N-C PN-EN ISO8752 ROLL	F81044-9	2	
32	COMPLETE PLATE	711389-1	1	
	BOX, ELECTRIC - COMPLETE	711376	1	
33	BOX, EB 1549500 (200X200X80) ELECTRIC	089802	1	
34	GLAND, DP9/H CABLE	F81096-2	11	
35	GLAND, DP 13/H CABLE	F81096-4	1	
36	GLAND, DP21/H CABLE	F81096-3	1	
37	WASHER, 8.4 FLAT ZINC	F81054-1	4	
38	WASHER, 8.2 SPLIT LOCK ZINC	F81054-4	4	
39	BOLT, M8X16-8.8-B HEX HEAD FULL THREAD ZINC	F81002-20	4	
40	PULLEY, SPA-4;N170 (F02263+T31128)	711384-1	1	
	GUARD SET, DRIVE	711235	1	
41	GUARD, UPPER	710615-1	1	
42	GUARD, DRIVE LOWER	711038-1	1	
43	GUARD, DRIVE RIGHT LOWER	711013-1	1	
44	GUARD, SHAFT LEFT	711044-1	1	
45	GUARD, SHAFT RIGHT	711046-1	1	
46	WASHER, 6.4 FLAT ZINC	F81053-1	9	
47	WASHER, 6.5 SPECIAL FLAT ZINC	F81053-11	6	
48	WASHER, Z 6.1 SPLIT LOCK ZINC	F81053-3	15	
49	BOLT, M6X12 8.8 HEX HEAD FULL THREAD ZINC	F81001-7	9	
50	BOLT, M6X16 DIN 933 STAINLESS STEEL (A2)	F81001-39	6	
51	GUARD	711377-1	1	

2.3 Board Return Guide



REF.	DESCRIPTION (◆ indicates parts available in assemblies only)	PART#	QTY
	GUIDE, BOARD RETURN SYSTEM	710193	1
1	ARM, HORIZONTAL	710290-1	1
2	WASHER, 17 SPLIT LOCK ZINC	F81058-1	12
3	TUBE WELDMENT, DRAGBACK UPPER	710194-1	10
4	WASHER, 10.5 SPECIAL FLAT ZINC	F81055-6	2
5	BOLT, M10X25 8.8 HEX HEAD FULL THREAD	F81003-31	2
6	WASHER, 13 FLAT ZINC	F81056-1	8
7	ROD, BOARD RETURN GUIDE	710292-1	1
8	NUT, M12-8 HEX NYLON ZINC LOCK	F81034-2	4
9	BOLT, M12X40-5.8 HEX HEAD	F81004-1	4
10	WASHER, 8.4 FLAT ZINC	F81054-1	40
11	BOLT, M8X55-8.8 HEX HEAD ZINC	F81002-8	10
12	NUT, M8 8 HEX NYLON ZINC LOCK	F81032-2	10
13	CHAIN, 16B-1 0.381 M LONG	711374	10

2.4 Blade Guide Arm w/Drive

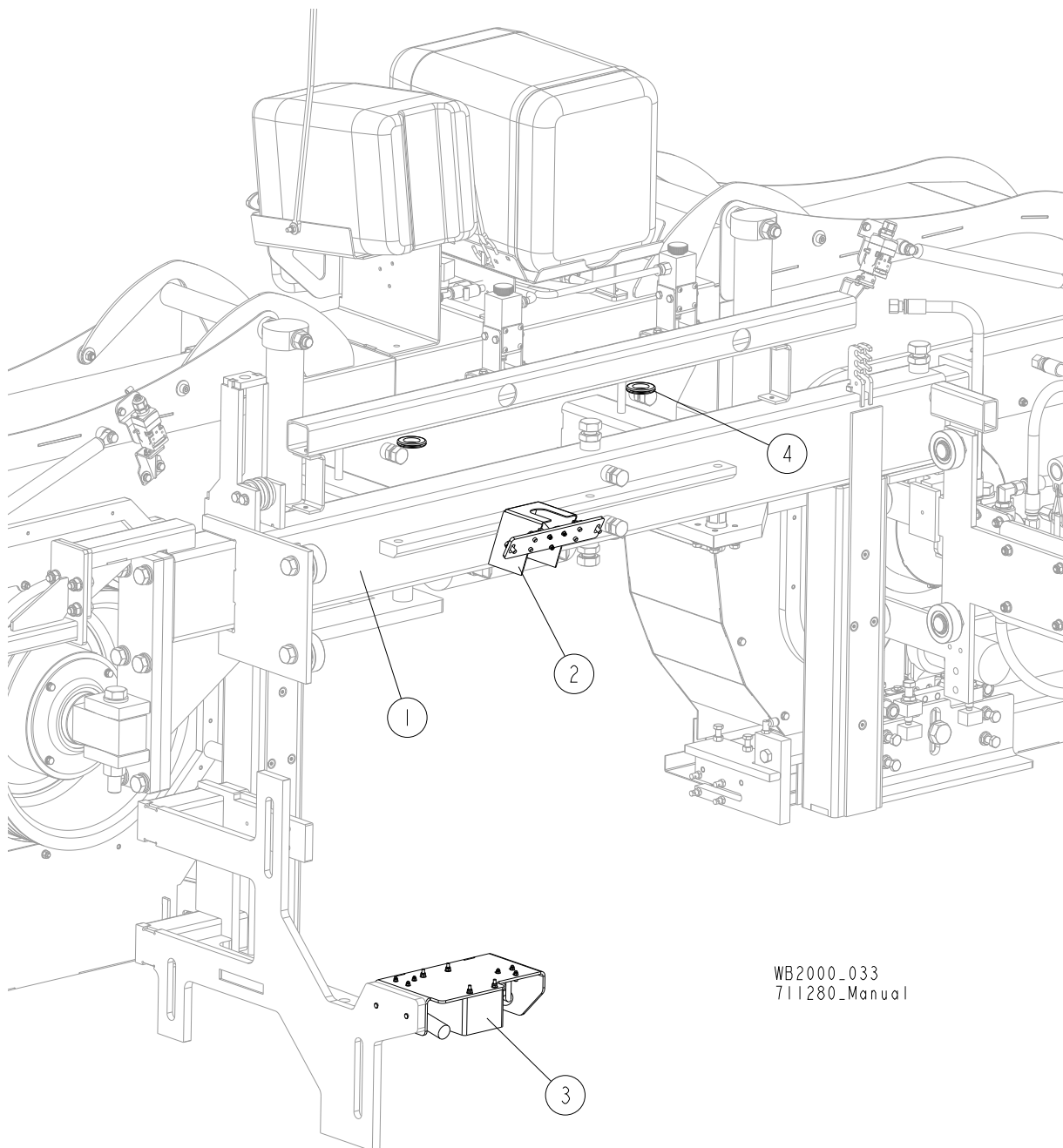


REF.	DESCRIPTION (◆ indicates parts available in assemblies only)	PART#	QTY
	ARM, BLADE GUIDE W/DRIVE - COMPLETE	711375	1
	ARM, BLADE GUIDE - COMPLETE	711055	1
1	ARM, BLADE GUIDE	711098-1	1
2	ELBOW, 90 DEG 1/8MPT 1/4 TUBE SWIVEL	P09736	1
3	BLOCK, BLADE GUIDE	711079	1
4	PLATE	711219-1	1

REF.	DESCRIPTION (◆ indicates parts available in assemblies only)	PART#	QTY	
5	BOLT, M8X35-8.8 HEX HEAD FULL THREAD ZINC	F81002-13	2	
6	WASHER, 8.4 FLAT ZINC	F81054-1	2	
7	BOLT, M8X55-8.8 HEX HEAD ZINC	F81002-8	2	
8	NUT, M8-8-B HEX ZINC	F81032-1	2	
9	PLUG, M10X1 DIN906 BN40 ZINC-PLATED	F81015-3	2	
10	GUARD, BLADE GUIDE ARM - COMPLETE	711086-1	1	
11	PLATE, BLADE GUIDE ARM END	711827-1	1	
12	WASHER, 6.4 FLAT ZINC	F81053-1	2	
13	WASHER, Z 6.1 SPLIT LOCK ZINC	F81053-3	2	
14	BOLT, M6X20 8.8 HEX HEAD FULL THREAD ZINC	F81001-2	2	
15	BOLT, M12X40-5.8 HEX HEAD	F81004-1	1	
16	PLATE	711373-1	2	
17	SCREW, M6X16 8.8 HEX SOCKET HEAD CAP ZINC	F81001-21	4	
18	NOZZLE, BLADE LUBE SPRAY	033479	4	
19	ELEMENT, EE63 MOUNTING	F81080-4	1	
	DRIVE ASSEMBLY, BLADE GUIDE W/GUARD	711275	1	
	DRIVE ASSEMBLY, BLADE GUIDE	710815	1	
20	PLATE, BLADE GUIDE ROLLER ZINC-PLATED MOUNT	090800-1	1	
21	BUSHING, 16/32-16 ZINC-PLATED	090804-1	4	
	ROLLER ASSY, BLADE GUIDE IDLER	042543	2	
22	ROLLER, 2 1/2 V-GROOVE	042536	1	
23	BEARING, 5/8X1.7548X.4724	P06030-1	2	
24	RING, 1.575 INTERNAL BEVELED RETAINING	F04254-8	1	
25	BOLT, 5/8-18X2 1/4 HEX HEAD GRADE 5	F05009-80	2	
26	WASHER, 10.5 FLAT ZINC	F81055-1	4	
27	NUT, M10-04-A THIN ZINC	F81033-6	2	
28	NUT, M12X1.25-8 THIN ZINC	F81034-5	2	
29	SCREW, M12X1.25X60-33H HEX ZINC SET W/FULL DOG POINT	F81004-52	2	
30	PLATE, BLADE GUIDE DRIVE MOUNT	090803-1	1	
31	BOLT, 12/M10X20 12.9 ISO7379 (BOSSARD) SHOULDER	F81003-68	2	
32	ROLLER, CHAIN GUIDE	090801	2	
33	PLATE, BLADE GUIDE DRIVE SPACER	090802-1	1	
34	MOTOR ASSEMBLY, 24V 60 RPM GEAR	035659	1	
35	WASHER, 5.3 FLAT ZINC	F81052-1	4	
36	BOLT, #10-32X3/4 CRSL PH	F05004-38	4	
37	WASHER, DIN 6319-21-C (GOMA) SPHERICAL	F81059-6	1	
	ROLLER ASSY, BLADE GUIDE DRIVE	042542	2	
38	ROLLER ASSY, BLADE GUIDE PRESSED DRIVE	042541	1	
39	BEARING, 5/8X1.7548X.4724	P06030-1	2	
40	RING, 1.575 INTERNAL BEVELED RETAINING	F04254-8	1	
41	BOLT, 5/8-18X3 1/4 HHC GRADE 5	F05009-98	2	
42	WASHER, 17 SPLIT LOCK ZINC	F81058-1	2	
43	NUT, 5/8-18 NYLON ZINC LOCK	F05010-71	2	
	CHAIN ASSEMBLY, BLADE GUIDE ARM DRIVE	093805	1	
44	CHAIN, #25X92 PITCHES BLADE GUIDE	042443	2	
45	LINK, 25 MASTER	P09983	2	
46	WASHER, 13 FLAT ZINC	F81056-1	2	

REF.	DESCRIPTION (◆ indicates parts available in assemblies only)	PART#	QTY	
47	BOLT, M10X25 8.8 HEX HEAD FULL THREAD	F81003-31	2	
48	SCREW, M10X25 8.8 HEX SOCKET HEAD CAP ZINC	F81003-32	2	
49	BOLT, M20X1.5X35-8.8-B HEX HEAD FULL THREAD ZINC	F81007-21	1	
50	SPROCKET, Z=13 (CHAIN #25)	710895	1	
51	GUARD, BLADE GUIDE DRIVE	711095-1	1	
52	WASHER, 6.5 SPECIAL FLAT ZINC	F81053-11	4	
53	BOLT, M6X12 8.8 HEX HEAD FULL THREAD ZINC	F81001-7	4	
54	BOLT, M10X30 5.8 HEX HEAD FULL THREAD ZINC	F81003-2	4	
55	WASHER, 10.5 FLAT ZINC	F81055-1	4	
56	NUT, M10X1-04-ST-A2E ISO8675 THIN	F81033-10	4	
57	CAP, 2.5 ID X 3 RUBBER	023720	1	
	COMPLETE SCRAPER	711825	2	
58	PLATE, V SCRAPER	711824-1	1	
59	WASHER, 6.4 FLAT ZINC	F81053-1	1	
60	BOLT, M6X16-8.8 HEX HEAD FULL THREAD ZINC	F81001-15	1	
61	SCRAPER, V	711823	1	

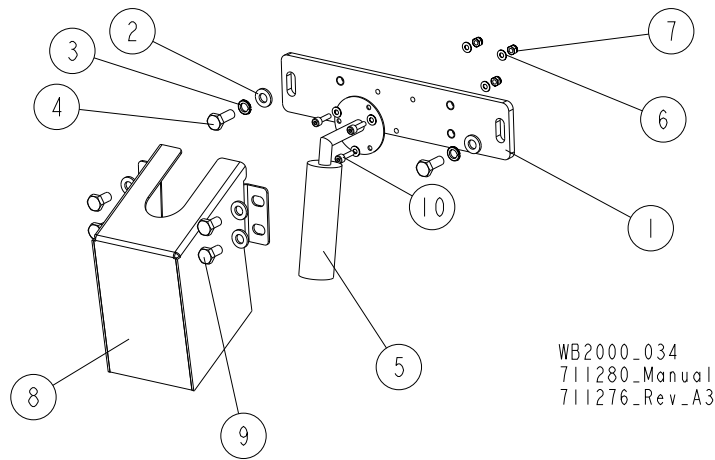
2.5 Middle & Side Cameras



WB2000_033
 711280_Manual

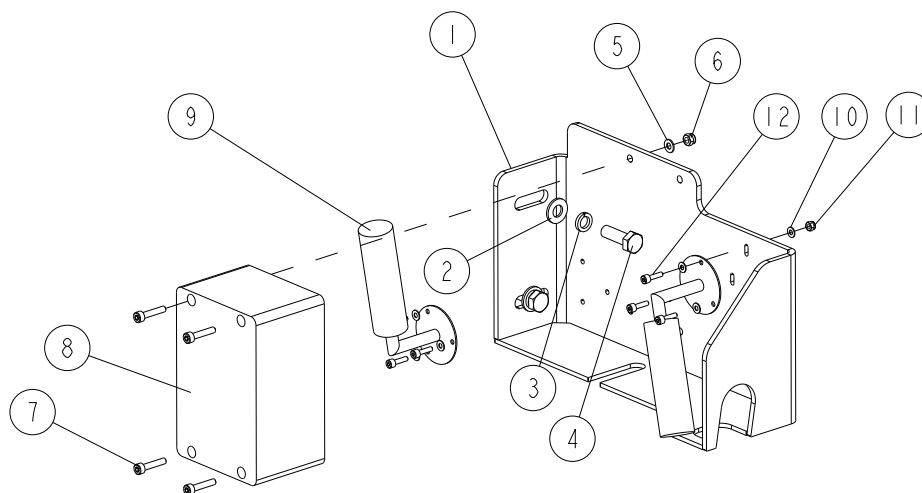
REF.	DESCRIPTION (◆ indicates parts available in assemblies only)	PART#	QTY
1	FRAME, WB2000 SAW HEAD SUPPORT	711001-1	1
2	MIDDLE CAMERA ASSEMBLY See Section 2.6	711276	1
3	SIDE CAMERA ASSEMBLY See Section 2.9	711297	1
4	GROMMET, 1" ID RUBBER	P11765	2

2.6 Middle Camera Assembly



REF.	DESCRIPTION (◆ indicates parts available in assemblies only)	PART#	QTY
	CAMERA ASSEMBLY, MIDDLE	711276	1
1	PLATE, CAMERA MOUNTING	711259-1	1
2	WASHER, 6.4 FLAT ZINC	F81053-1	6
3	WASHER, Z 6.1 SPLIT LOCK ZINC	F81053-3	2
4	BOLT, M6X16-8.8 HEX HEAD FULL THREAD ZINC	F81001-15	2
5	CAMERA, CCTV VTC-206	512960	1
6	WASHER, 3.2 FLAT ZINC	F81050-2	6
7	NUT, M3-6 HEX NYLON ZINC LOCK	F81028-2	3
8	GUARD, CAMERA	711274-1	1
9	BOLT, M6X12 8.8 HEX HEAD FULL THREAD ZINC	F81001-7	4
10	SCREW, M3X12-8.8 PN-EN ISO 4762 HEX SOCKET HEAD CAP ZINC	F81011-30	3

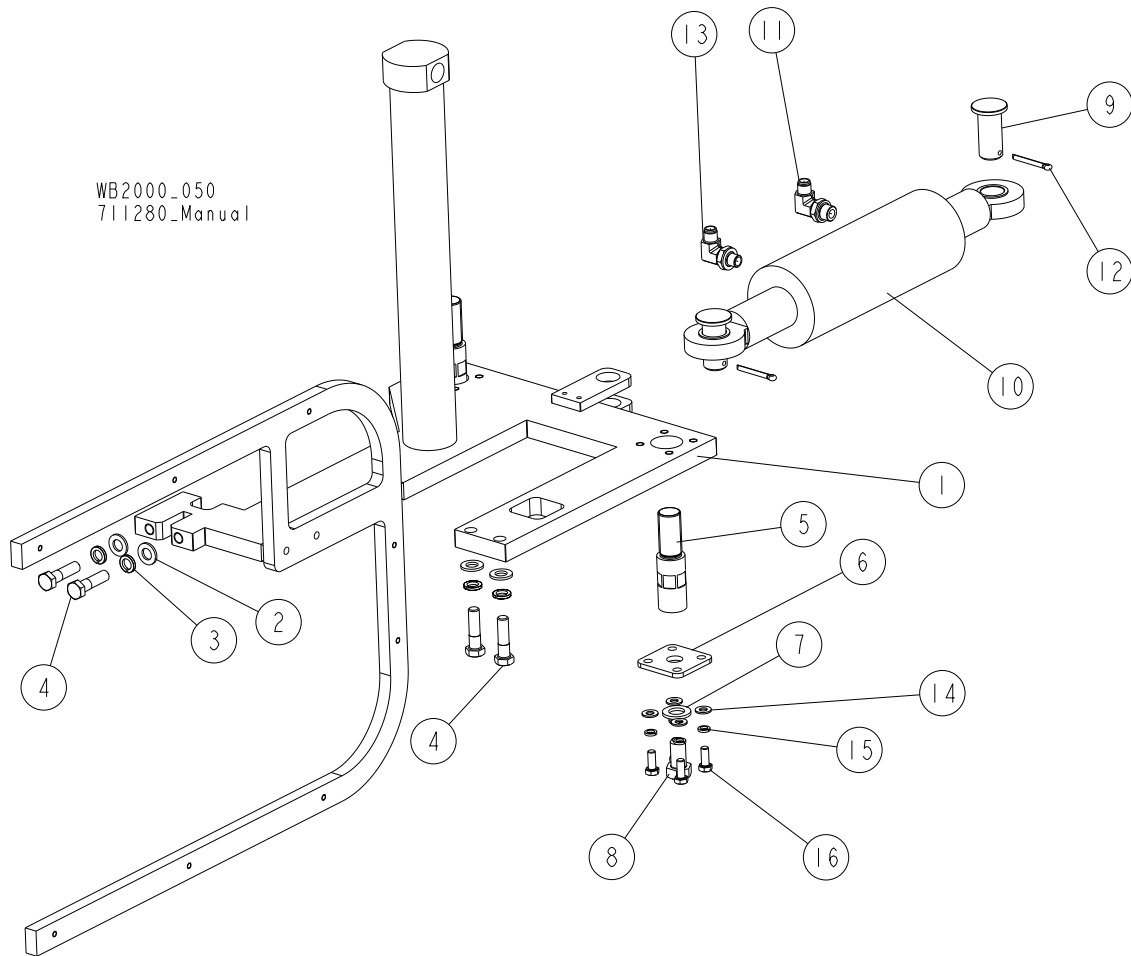
2.7 Side Camera Assembly



WB2000_035
711280_Manual
711297_Rev_A5

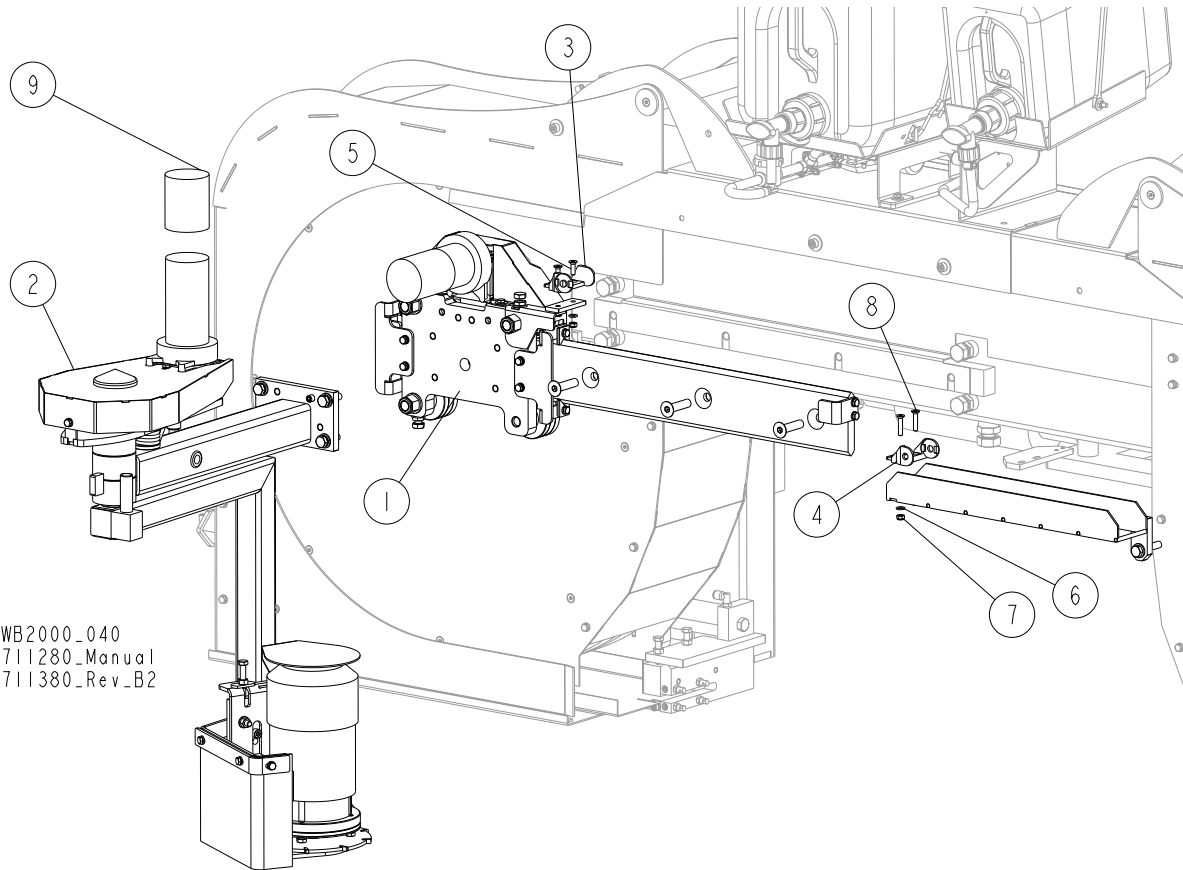
REF.	DESCRIPTION (◆ indicates parts available in assemblies only)	PART#	QTY
	CAMERA ASSEMBLY, SIDE	711297	1
1	BRACKET, SIDE CAMERA MOUNT	711296-1	1
2	WASHER, 8.4 FLAT ZINC	F81054-1	2
3	WASHER, 8.2 SPLIT LOCK ZINC	F81054-4	2
4	BOLT, M8X25-8.8-B HEX HEAD FULL THREAD ZINC	F81002-5	2
5	WASHER, 4.3 FLAT ZINC	F81051-2	4
6	NUT, M4-8 HEX NYLON ZINC LOCK	F81029-1	4
7	SCREW, M4X20 8.8 HEX SOCKET HEAD CAP ZINC	F81011-31	4
8	ENCLOSURE, FIBOX EURONORD AB 081206H	711298	1
9	CAMERA, CCTV VTC-206	512960	2
10	WASHER, 3.2-FLAT ZINC	F81050-2	12
11	NUT, M3-6 HEX NYLON ZINC LOCK	F81028-2	6
12	SCREW, M3X12-8.8 PN-EN ISO 4762 HEX SOCKET HEAD CAP ZINC	F81011-30	6

2.8 Blade Tension Plate Assembly



REF.	DESCRIPTION (◆ indicates parts available in assemblies only)	PART#	QTY
1	PLATE ASSEMBLY, BLADE TENSION	711250-1	1
2	WASHER, 13 FLAT ZINC	F81056-1	4
3	WASHER, Z12.2 SPLIT LOCK ZINC	F81056-2	4
4	BOLT, M12X45 8.8 HEX HEAD ZINC	F81004-32	4
5	BOLT, ADJUSTMENT	710178-1	2
6	PLATE	711432-1	2
7	WASHER, 17 SPLIT LOCK ZINC	F81058-1	2
8	BOLT, M16X30-8.8 HEX HEAD FULL THREAD ZINC	F81006-36	2
	COMPLETE CYLINDER	710814	1
9	PIN	710397-1	2
10	CYLINDER, CJ-S582-20-80/45/100	711350	1
11	FITTING, 90\$ - 3/8 BSP - 9/16 JIC ELBOW	096335	1
12	PIN, S-FE 5X40 COTTER	F81043-31	2
13	FITTING, 90\$ - 1/4 BSP - 9/16 JIC ELBOW	711399	1
14	WASHER, 8.4 FLAT ZINC	F81054-1	8
15	WASHER, 8.2 SPLIT LOCK ZINC	F81054-4	8
16	BOLT, M8X20 8.8 HEX HEAD FULL THREAD ZINC	F81002-4	8

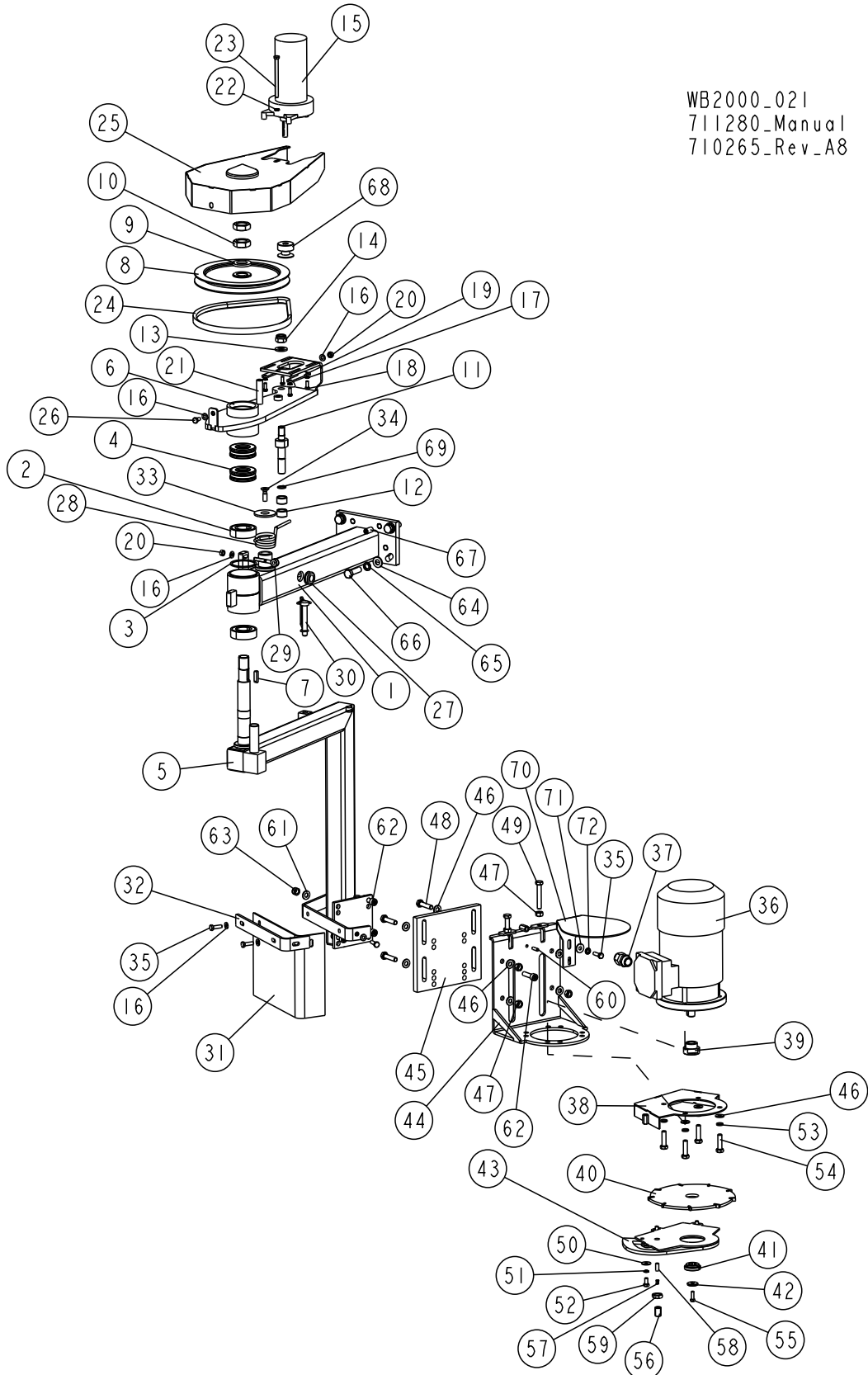
2.9 Debarker w/Drive



WB2000_040
 711280_Manual
 711380_Rev_B2

REF.	DESCRIPTION (◆ indicates parts available in assemblies only)	PART#	QTY
	DEBARKER W/DRIVE - COMPLETE	711380	1
1	RAIL ASSEMBLY, DEBARKER TRACK See Section 2.11	710811	1
2	DEBARKER, WB2000 See Section 2.10	710265	2
3	BRACKET, 14050.1PZ	512945_2PZ	1
4	BRACKET, 14050.2PZ	512945_1PZ	1
5	SCREW, M6X20-10.9 DIN-7991 FLAT SOCKET HEAD CAP ZINC	F81001-17	2
6	WASHER, 6.4 FLAT ZINC	F81053-1	3
7	NUT, M6-8-B HEX NYLON ZINC LOCK	F81031-2	4
8	SCREW, M6X30-10.9 DIN-7991 FLAT SOCKET HEAD CAP ZINC	F81001-67	2
9	CAP, 2.5 ID X 3 RUBBER	023720	2

2.10 WB2000 Debarker



REF.	DESCRIPTION (◆ indicates parts available in assemblies only)	PART#	QTY
	DEBARKER, WB 2000	710265	1

REF.	DESCRIPTION (◆ indicates parts available in assemblies only)	PART#	QTY	
1	ARM, DEBARKER HORIZONTAL	710260-1	1	
2	BEARING, 6205 2RS BALL	091804	2	
3	RING, SPACER	098491-1	1	
4	BEARING, 51305 THRUST	098597	2	
5	ARM, DEBARKER VERTICAL	710264-1	1	
6	ARM WELDMENT, DEBARKER	098626-1	1	
7	KEY, 6X6X23	089191	1	
8	PULLEY, DEBARKER	098594-1	1	
9	WASHER, 21 FLAT ZINC	F81059-2	1	
10	NUT, M20X1.5 HEX THIN ZINC-PL.	F81037-7	2	
11	PIN, DEBARKER	098593-1	1	
12	BEARING, 1412 NEEDLE	098595	2	
13	WASHER, 13 FLAT ZINC	F81056-1	1	
14	NUT, M12 8 HEX NYLON ZINC LOCK	F81034-2	1	
15	MOTOR ASSEMBLY, 24V 60 RPM GEAR	035659	1	
16	WASHER, 6.4 FLAT ZINC	F81053-1	6	
17	WASHER, 5.1 SPLIT LOCK	F81052-2	4	
18	BOLT, #10-32X1/2 HEX HEAD	F05004-60	4	
19	TENSIONER WELDMENT, DEBARKER MOTOR	089969-1	1	
20	NUT, M6 8 HEX ZINC	F81031-1	2	
21	BUSHING, 8/12-48.3 ZINC-PLATED	089949-1	1	
22	WASHER, Z 6.1 SPLIT LOCK	F81053-3	1	
23	BOLT, M6X80 8.8 HEX HEAD FULL THREAD ZINC	F81001-61	1	
24	BELT, 4L280	P04031	1	
25	GUARD, V-BELT	098598-1	1	
26	BOLT, M6X12 8.8 HEX HEAD FULL THREAD ZINC	F81001-7	1	
27	GROMMET, 20/13 RUBBER	086188	1	
28	SPRING, DEBARKER RETAINING	098605	1	
29	BOLT, M6 EYE	098596	1	
30	PIN, 3/8X2 1/4 SNAP	014151	1	
31	GUARD, DEBARKER DEBRIS	097020	1	
32	BAR, GUARD MOUNTING	098695-1	1	
33	WASHER, LOCKING	098592-1	1	
34	SCREW, M8X25-5.8 CROSS RECESSED COUNTERSUNK HEAD ZINC	F81002-51	1	
35	BOLT, M6X20 8.8 HEX HEAD FULL THREAD ZINC	F81001-2	4	
	DRIVE ASSEMBLY, AC DEBARKER BLADE	096239	1	
36	MOTOR, STKG71X-2C IMB5 AC DEBARKER	096777	1	
37	GLAND, DW11/H CABLE	085388	1	
38	GUARD, DEBARKER BLADE UPPER	096244-1	1	
39	BUSHING, CLAMPING	096088	1	
40	BLADE, 7IN DIA (DEBARKER)	021236	1	
41	BUSHING, RETAINING	096087	1	
42	WASHER	096238-1	1	
43	GUARD, DEBARKER BLADE LOWER	096245-1	1	
44	BRACKET, AC DEBARKER MOTOR MOUNT	096780-1	1	
45	PLATE, DEBARKER MOTOR MOUNTING	089551	1	
46	WASHER, 8.4 FLAT ZINC	F81054-1	12	
47	NUT, M8-8-B HEX ZINC	F81032-1	6	

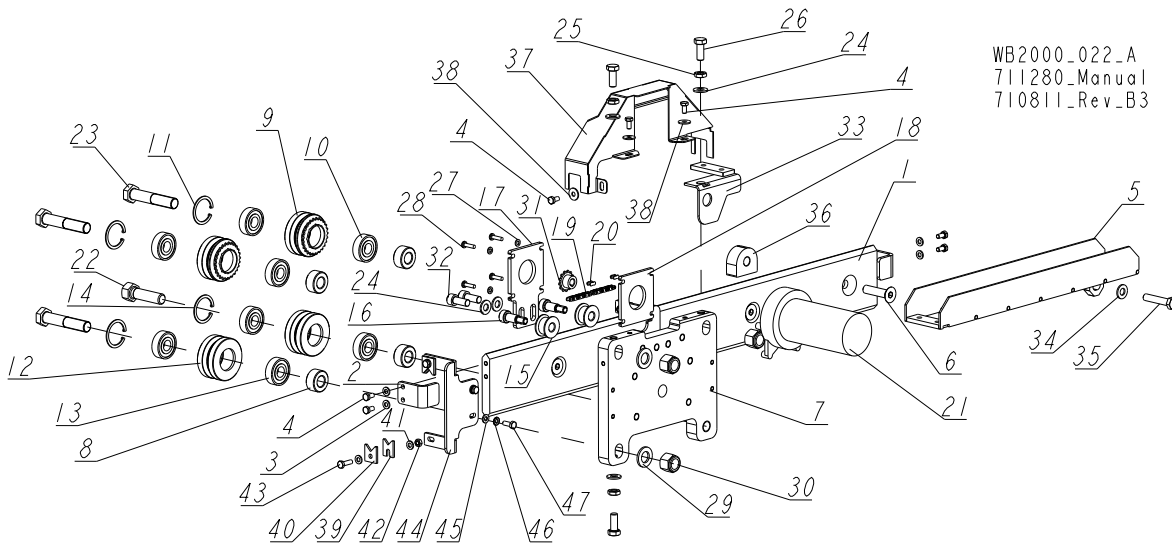
REF.	DESCRIPTION (◆ indicates parts available in assemblies only)	PART#	QTY	
48	BOLT, M8X35-8.8 HEX HEAD FULL THREAD ZINC	F81002-13	4	
49	BOLT, M8X50 -8.8 HEX HEAD FULL THREAD ZINC	F81002-19	2	
50	WASHER, 6.5 SPECIAL FLAT ZINC	F81053-11	3	
51	WASHER, Z 6.1 SPLIT LOCK	F81053-3	3	
52	BOLT, M6X12 8.8 HEX HEAD FULL THREAD ZINC	F81001-7	3	
53	WASHER, 8.2 SPLIT LOCK ZINC	F81054-4	4	
54	BOLT, M8X30 8.8 HEX HEAD FULL THREAD ZINC	F81002-7	4	
55	BOLT, M5X16 8.8 HEX HEAD FULL THREAD ZINC	F81000-20	1	
	PIN ASSEMBLY, DEBARKER BLADE BRAKING	501464	1	
56	SCREW, M12 X 17 BLADE BRAKE SET	501462	1	
57	SPRING, 0.5X5.5-7	501463	1	
58	PIN, DEBARKER BLADE BRAKING	501461	1	
59	NUT, M12-04-A THIN	F81034-6	1	
60	PIN, 5X16 ROLL ZINC	F81044-3	1	
61	WASHER, 8.4 FLAT ZINC	F81054-1	4	
62	SCREW, M8X30-8.8 HEX SOCKET HEAD CAP ZINC	F81002-31	4	
63	NUT, M8 8 HEX NYLON ZINC LOCK	F81032-2	4	
64	WASHER, 10.5 FLAT ZINC	F81055-1	4	
65	WASHER, Z 10.2 SPLIT LOCK ZINC	F81055-2	4	
66	BOLT, M10X35 8.8 HEX HEAD FULL THREAD ZINC	F81003-17	4	
67	SCREW, M10X1X20 DIN 913 STAINLESS STEEL SET	F81015-1	2	
68	PULLEY, MOTOR	710991-1	1	
69	RING, Z14 OUTSIDE RETAINING	F81090-31	1	
70	GUARD, DEBARKER MOTOR	101332-1	1	
71	WASHER, 6.5 SPECIAL FLAT ZINC	F81053-11	1	
72	WASHER, 6,1 DIN 127 (A2-304) STAINLESS STEEL SPRING	F81053-4	1	



SAW HEAD

Debarker Track Rail Assembly

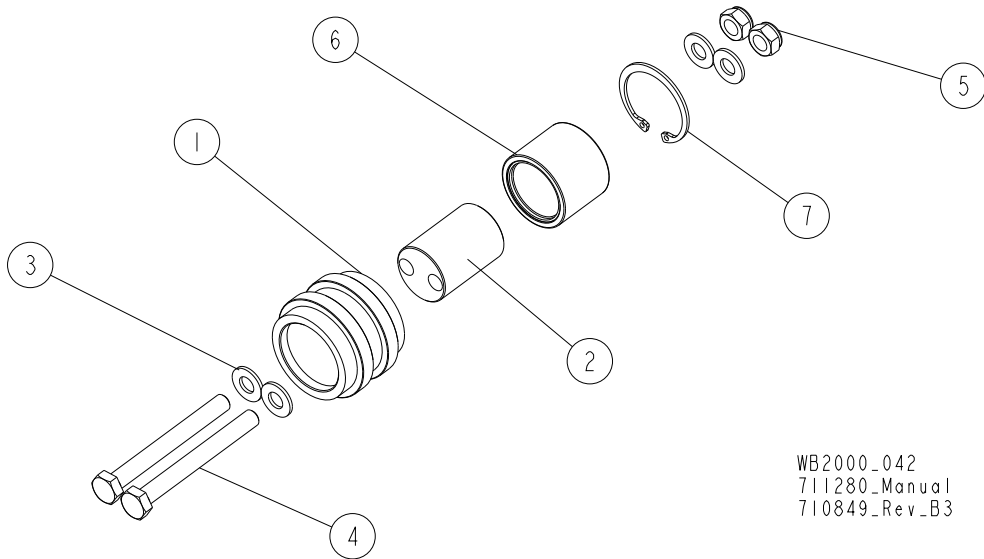
2.11 Debarker Track Rail Assembly



REF.	DESCRIPTION (◆ indicates parts available in assemblies only)	PART#	QTY
	RAIL ASSEMBLY, DEBARKER TRACK	710811	1
1	RAIL, TRACK	710256-1	1
2	PLATE, STOP	711828-1	2
3	WASHER, 6.4 FLAT ZINC	F81053-1	4
4	BOLT, M6X12 8.8 HEX HEAD FULL THREAD ZINC	F81001-7	7
5	BRACKET, CABLE CARRIER SUPPORT	710650-1	1
6	SCREW, M12X50-10.9 DIN7991 FLAT SOCKET HEAD CAP ZINC-PL.	F81004-19	4
	DRIVE ASSEMBLY	710259	1
7	PLATE, DEBARKER DRIVE MOUNT	710258-1	1
8	BUSHING, 16/32-16 ZINC-PLATED	090804-1	4
	ROLLER ASSY, BLADE GUIDE DRIVE	042542	2
9	ROLLER ASSEMBLY, BLADE GUIDE PRESSED DRIVE	042541	1
10	BEARING, 5/8X1.7548X.4724	P06030-1	2
11	RING, 1.575 INTERNAL BEVELED RETAINING	F04254-8	1
	ROLLER ASSEMBLY, BLADE GUIDE IDLER	042543	2
12	ROLLER, 2 1/2 V-GROOVE	042536	1
13	BEARING, 5/8X1.7548X.4724	P06030-1	2
14	RING, 1.575 INTERNAL BEVELED RETAINING	F04254-8	1
15	ROLLER, CHAIN GUIDE	090801	2
16	BOLT, 12/M10X20 12.9 ISO7379 (BOSSARD) SHOULDER	F81003-68	2
17	PLATE, BLADE GUIDE MOTOR MOUNT	090803-1	1
18	PLATE, SPACER	090802-1	1
	CHAIN, BLADE GUIDE ARM DRIVE	093805	1
19	CHAIN, #25X92 PITCHES BLADE GUIDE	042443	2
20	LINK, 25 MASTER	P09983	2
21	MOTOR ASSEMBLY, 24V 60 RPM GEAR	035659	1
22	BOLT, 5/8-18X2 1/4 HEX HEAD GRADE 5	F05009-80	1
23	BOLT, 5/8-18X3 1/4 HHC GRADE 5	F05009-98	3
24	WASHER, 10.5 FLAT ZINC	F81055-1	5
25	NUT, M10-04-A THIN ZINC	F81033-6	3

REF.	DESCRIPTION (◆ indicates parts available in assemblies only)	PART#	QTY	
26	BOLT, M10X25 8.8 HEX HEAD FULL THREAD	F81003-31	5	
27	WASHER, 5.3 FLAT ZINC	F81052-1	4	
28	BOLT, #10-32X3/4 CRSL PH	F05004-38	4	
29	WASHER, 17 SPLIT LOCK ZINC	F81058-1	2	
30	NUT, 5/8-18 NYLON ZINC LOCK	F05010-71	3	
31	SPROCKET, Z=13 (CHAIN #25)	710895	1	
32	SCREW, M10x25 8.8 HEX SOCKET HEAD CAP ZINC	F81003-32	2	
33	BRACKET WELDMENT - COMPLETE	710655-1	1	
34	WASHER, 10.5 FLAT ZINC	F81055-1	1	
35	BOLT, M10X50-8.8 HEX HEAD FULL THREAD ZINC	F81003-4	1	
36	BLOCK	711441-1	4	
37	GUARD, DEBARKER DRIVE	711053-1	1	
38	WASHER, 6.5 SPECIAL FLAT ZINC	F81053-11	3	
	SCRAPER ASSEMBLY	711840	1	
	SCRAPER - COMPLETE	711833	4	
39	SCRAPER	711831	1	
40	PLATE	711832-1	1	
41	WASHER, 6.4 FLAT ZINC	F81053-1	2	
42	NUT, M6-8 HEX ZINC	F81031-1	1	
43	BOLT, M6X20 8.8 HEX HEAD FULL THREAD ZINC	F81001-2	1	
44	BRACKET, SCRAPER MOUNT	711834-1	2	
45	WASHER, 6.4 FLAT ZINC	F81053-1	4	
46	WASHER, 6,1 DIN 127 (A2-304) STAINLESS STEEL SPRING	F81053-4	4	
47	BOLT, M6X16-8.8 HEX HEAD FULL THREAD ZINC	F81001-15	4	

2.12 Chain Guide Roller

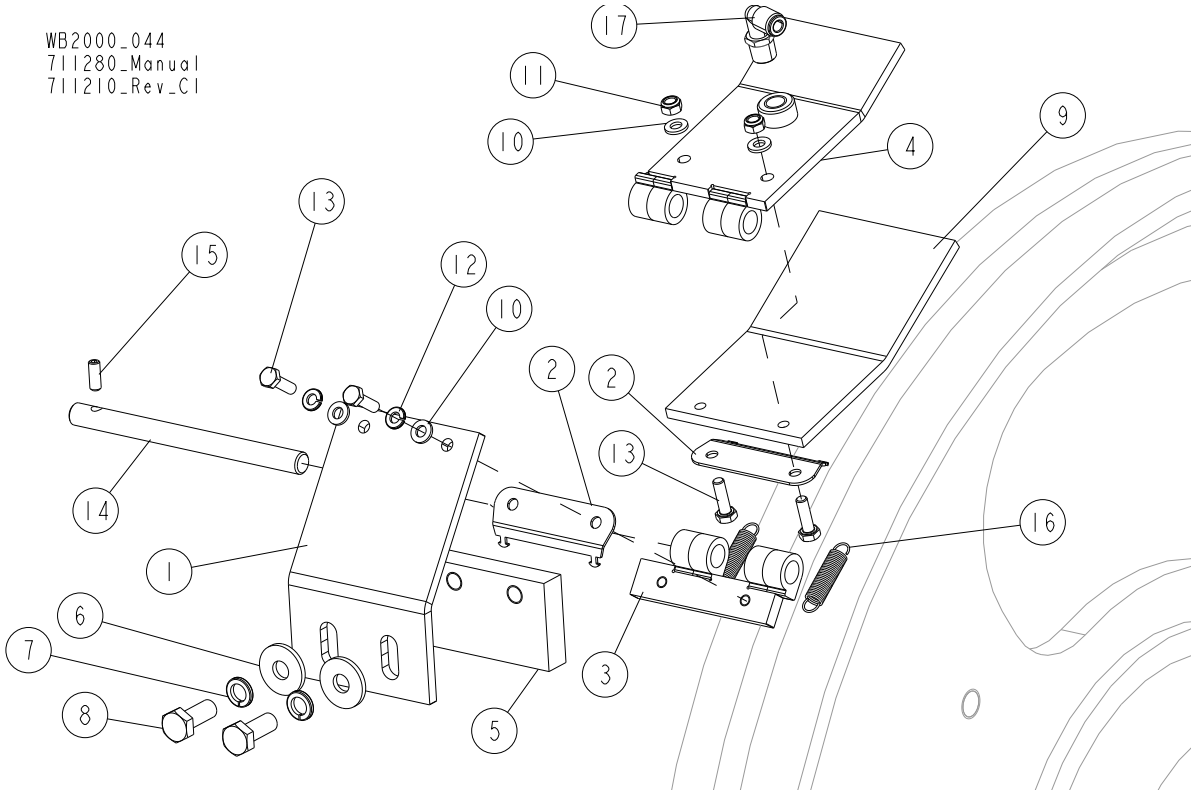


WB2000_042
711280_Manual
710849_Rev_B3

REF.	DESCRIPTION (◆ indicates parts available in assemblies only)	PART #	QTY.	
	ROLLER, CHAIN GUIDE - COMPLETE	710849	1	
1	ROLLER, CHAIN GUIDE	711443-1	1	
2	SHAFT, CHAIN GUIDE ROLLER	710169-1	1	
3	WASHER, 8.4 FLAT ZINC	F81054-1	4	
4	BOLT, M8X75-8.8 HEX HEAD ZINC	F81002-91	2	
5	NUT, M8 8 HEX NYLON ZINC LOCK	F81032-2	2	
6	BEARING, NK 28/30 NEEDLE	711439	1	
7	RING, W37 INSIDE RETAINING	F81090-55	1	

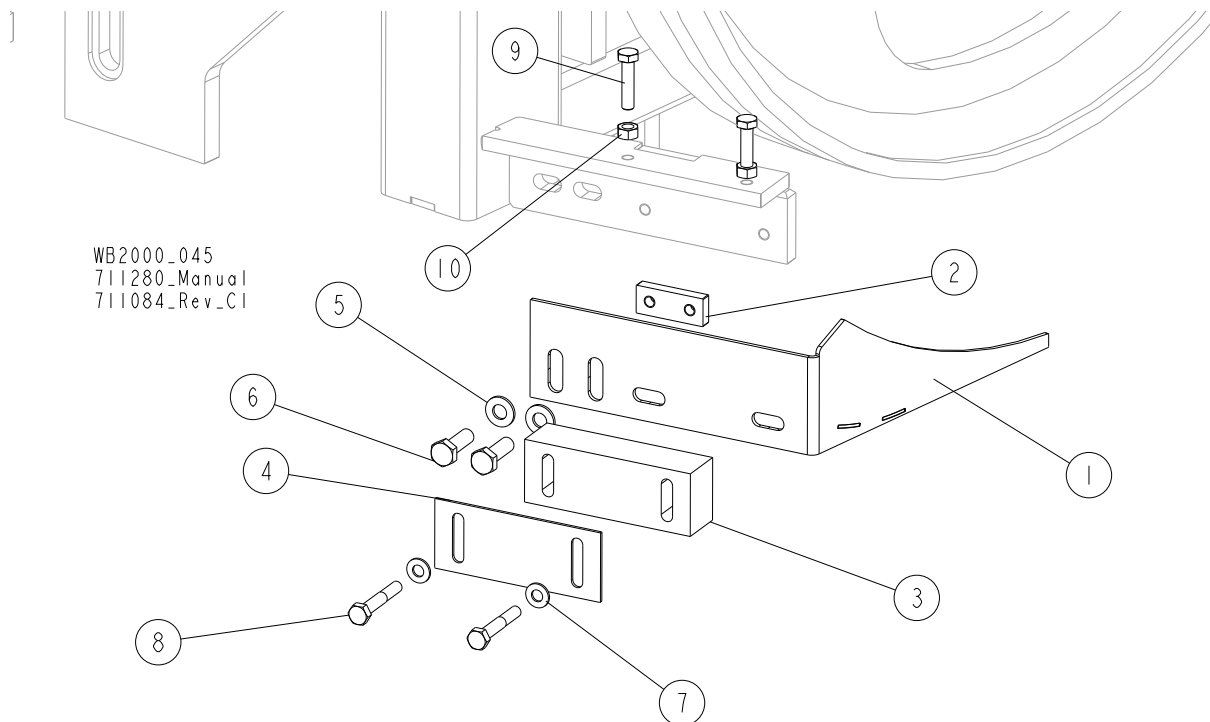
2.13 Blade Wheel Wiper & Scraper

WB2000_044
711280_Manual
711210_Rev_CI



REF.	DESCRIPTION (◆ indicates parts available in assemblies only)	PART #	QTY
	WIPER/SCRAPER ASSEMBLY, IDLE-SIDE BLADE WHEEL	711210	1/0
	WIPER/SCRAPER ASSEMBLY, DRIVE-SIDE BLADE WHEEL	711205	0/1
1	PLATE, SCRAPER MOUNT	711426-1	1/0
	PLATE, SCRAPER MOUNT	711427-1	0/1
2	PLATE, SPRING HOOK	710204-1	2
3	BRACKET, SCRAPER MOUNT	710211-1	1/0
	BRACKET, SCRAPER MOUNT	710208-1	0/1
4	MOUNT WELDMENT, FELT	710217-1	1/0
	MOUNT WELDMENT, FELT	710203-1	0/1
5	SCRAPER	501922	1
6	WASHER, 10.5 SPECIAL FLAT ZINC	F81055-6	2
7	WASHER, 10.2 SPLIT LOCK ZINC	F81055-2	2
8	BOLT, M10X25 8.8 HEX HEAD FULL THREAD ZINC	F81003-11	2
9	FELT	710214	1/0
	FELT	710201	0/1
10	WASHER, 6.4 FLAT ZINC	F81053-1	4
11	NUT, M6-8-B HEX NYLON ZINC LOCK	F81031-2	2
12	WASHER, 6.1 DIN 127 (A2-304) STAINLESS STEEL SPRING	F81053-4	2
13	BOLT, M6X20 8.8 HEX HEAD FULL THREAD ZINC	F81001-2	4
14	ROD, N12X151	711207-1	1
15	SCREW, M6X16-45H HEX SOCKET SET FLAT POINT ZINC	F81001-10	1
16	SPRING, 1X10X30 EXTENSION ZINC-PLATED	504701-1	2
17	FITTING, KQ2L06-02S (6MM; R1/4) MALE ELBOW	510671	1

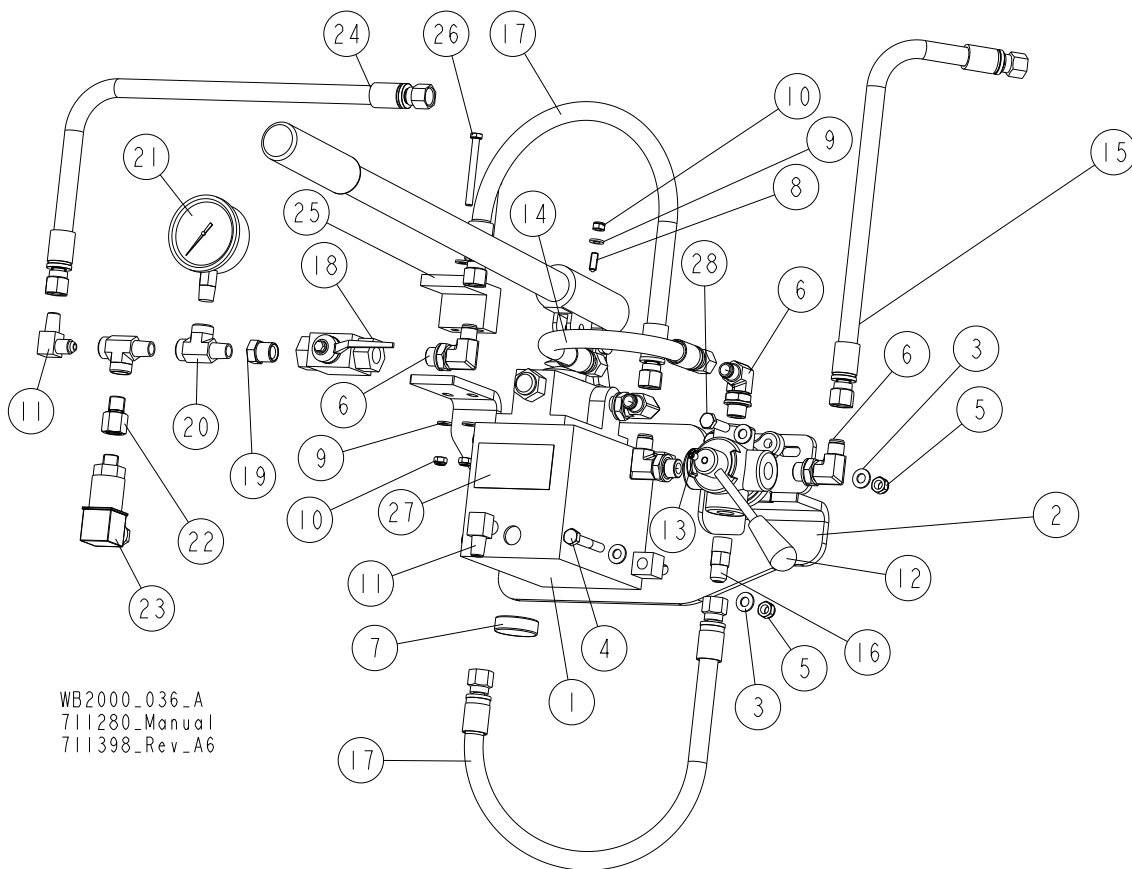
2.14 Blade Wheel



WB2000_045
711280_Manual
711084_Rev_CI

REF.	DESCRIPTION (◆ indicates parts available in assemblies only)	PART #	QTY
	GUARD, WHEEL - COMPLETE	711084	1
1	GUARD WELDMENT, WHEEL	711846-1	1
2	BLOCK	710034-1	1
3	BLOCK, BLADE GUIDE	711079	1
4	BLOCK	711219-1	1
5	WASHER, 10.5 FLAT ZINC	F81055-1	2
6	BOLT, M10X30 5.8 HEX HEAD FULL THREAD ZINC	F81003-2	2
7	WASHER, 8.4 FLAT ZINC	F81054-1	2
8	BOLT, M8X50 8.8 HEX HEAD ZINC	F81002-10	2
9	BOLT, M8X35-8.8 HEX HEAD FULL THREAD ZINC	F81002-13	2
10	NUT, M8-8-B HEX ZINC	F81032-1	2

2.15 Oil Supply Assembly, Hydraulic Blade Tensioner



WB2000_036_A
711280_Manual
711398_Rev_A6

REF.	DESCRIPTION (◆ indicates parts available in assemblies only)	PART #	QTY
	OIL SUPPLY ASSEMBLY, HYDRAULIC BLADE TENSIONER	711398	1
1	PUMP, PMS12/TNK1 MANUAL W/1-L TANK	092789	1
2	PLATE WELDMENT, MOUNTING	711395-1	1
3	WASHER, 8.4 FLAT ZINC	F81054-1	12
4	BOLT, M8X50 8.8 HEX HEAD ZINC	F81002-10	4
5	NUT, M8 8 HEX NYLON ZINC LOCK	F81032-2	6
6	FITTING, 90° - 3/8 BSP - 9/16 JIC ELBOW	096335	5
7	MAGNET, MW 38X12/N38 NEODYMIUM	500022	1
8	PLUNGER, GN615.3-M6-K BALL THREADED	096874	1
9	WASHER, 6.4 FLAT ZINC	F81053-1	5
10	NUT, M6-8-B HEX NYLON ZINC LOCK	F81031-2	3
11	FITTING, 3/8JIC-1/4NPT 90L	015491	2
12	VALVE, 4-WAY IDF 4V02C 4-DR IDF4V02C	504324	1
13	SCREW, M6X8-33H-GEOMET HEX SOCKET SET W/CONE POINT	F81013-1	1
14	HOSE, 2T3/8X0.300 W9/16UNF-W9/16UNF HYDRAULIC	711391	1
15	HOSE, 2G3/8X1.105 W9/16UNF-W9/16UNF HYDRAULIC	506935_711398	1
16	FITTING, 9/16" JIC/ 3/8"BSP STRAIGHT	091842	1
17	HOSE, 2T3/8X0.500 W9/16UNF-W9/16UNF HYDRAULIC	711390	2
18	VALVE, RSAP2 V02 3/8" G DN10 BALL	502056	1
19	FITTING, 3/8NPT-1/4NPT REDUCER	015490	1

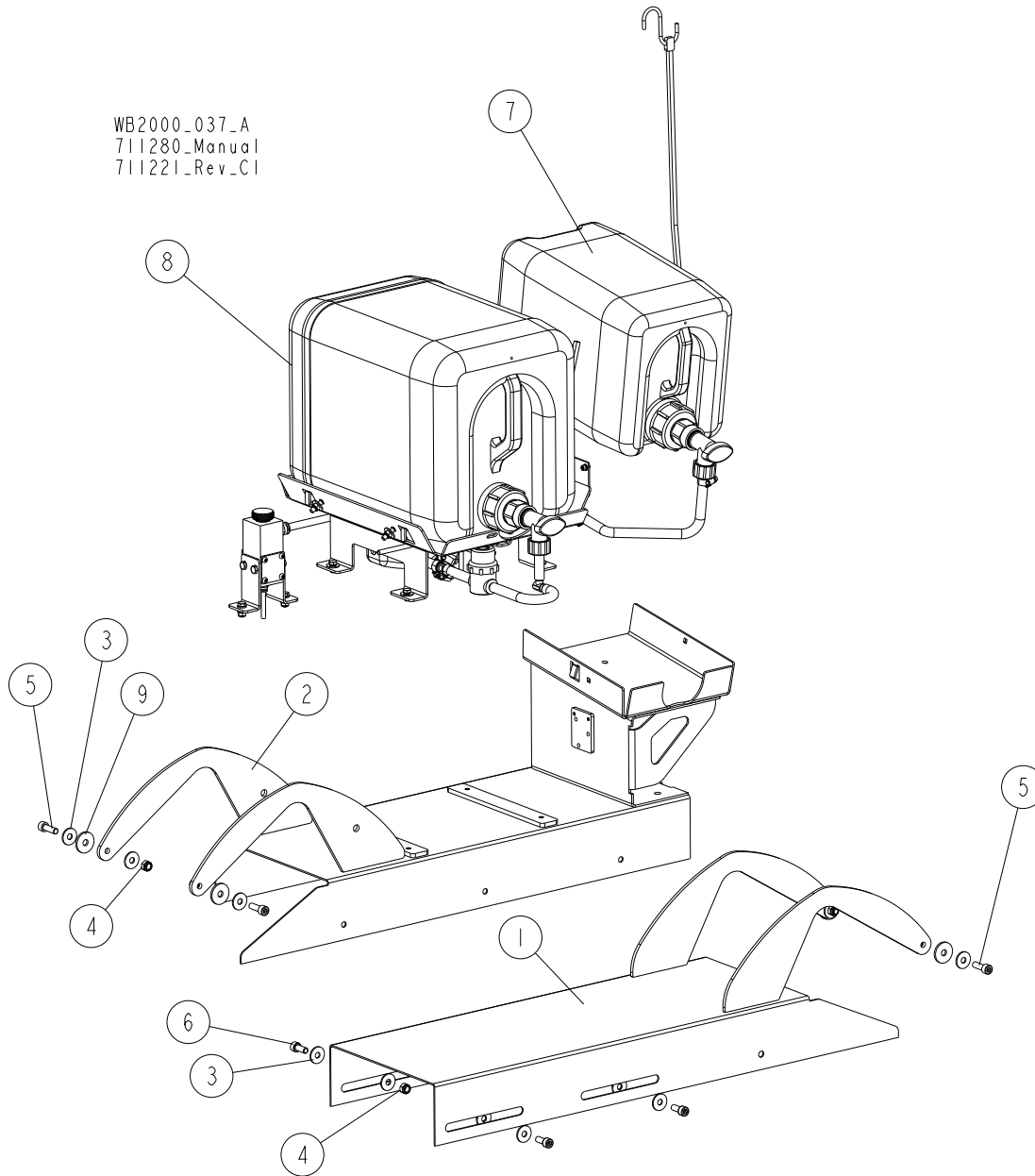
2

SAW HEAD

Oil Supply Assembly, Hydraulic Blade Tensioner

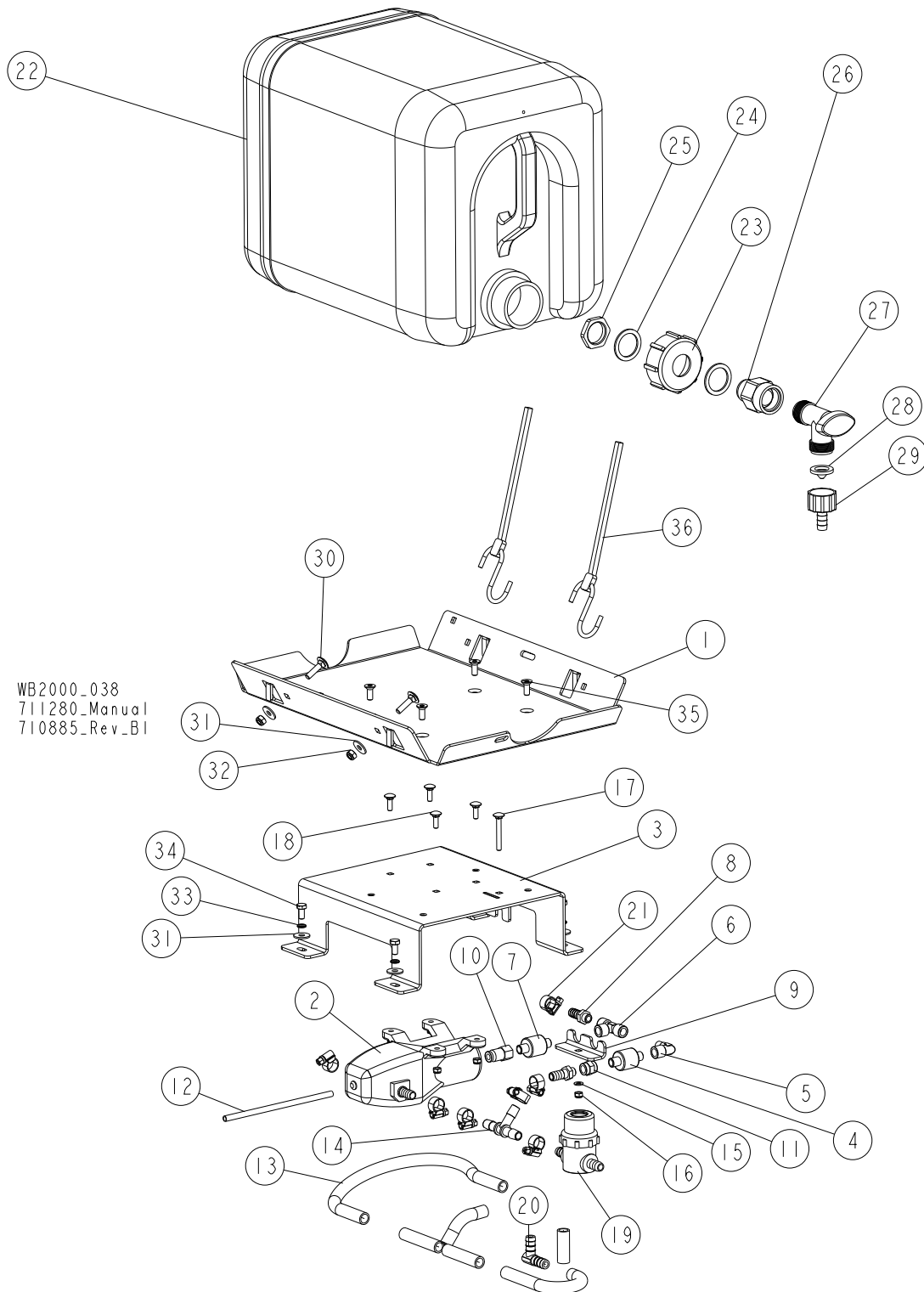
REF.	DESCRIPTION (◆ indicates parts available in assemblies only)	PART #	QTY	
20	FITTING, 1/4NPTX1/4JIC MALE RUN TEE	P09141	2	
21	GAUGE, 200 BAR/3000PSI OIL PRESSURE	505176	1	
22	FITTING, PRESSURE SWITCH #504830	507052-1	1	
23	SWITCH, F4-T-1-M3-16 BAR PRESSURE	504830	1	
24	HOSE, 2G3/8X1.575 W9/16UNF-W9/16UNF HYDRAULIC	710891	1	
25	BLOCK	711397	1	
26	BOLT, M6X60-8.8 HEX HEAD FULL THREAD ZINC	F81001-9	2	
27	DECAL, PRESSURE VALUES	711204	1	
28	BOLT, M8X30 8.8 HEX HEAD FULL THREAD ZINC	F81002-7	2	

2.16 Blade Wheel Top Covers



REF.	DESCRIPTION (◆ indicates parts available in assemblies only)	PART #	QTY
	COVERS, BLADE WHEEL TOP	711221	1
1	COVER, LEFT TOP	711080-1	1
2	COVER, RIGHT TOP	711015-1	1
3	WASHER, ISO 7093-1-8-200 HV-A2E.	F81054-11	16
4	NUT, M8 8 HEX NYLON ZINC LOCK	F81032-2	8
5	SCREW, M8X25 8.8 HEX SOCKET HEAD CAP ZINC	F81002-21	4
6	SCREW, M8X20-8.8 HEX SOCKET HEAD CAP ZINC	F81002-30	4
7	OIL TANK & DISPENSER ASSEMBLY	710832	1
8	WATER LUBE ASSEMBLY See Section 2.22	710885	1
9	WASHER, 9/30-3	711299	4

2.17 Water Lube Assembly

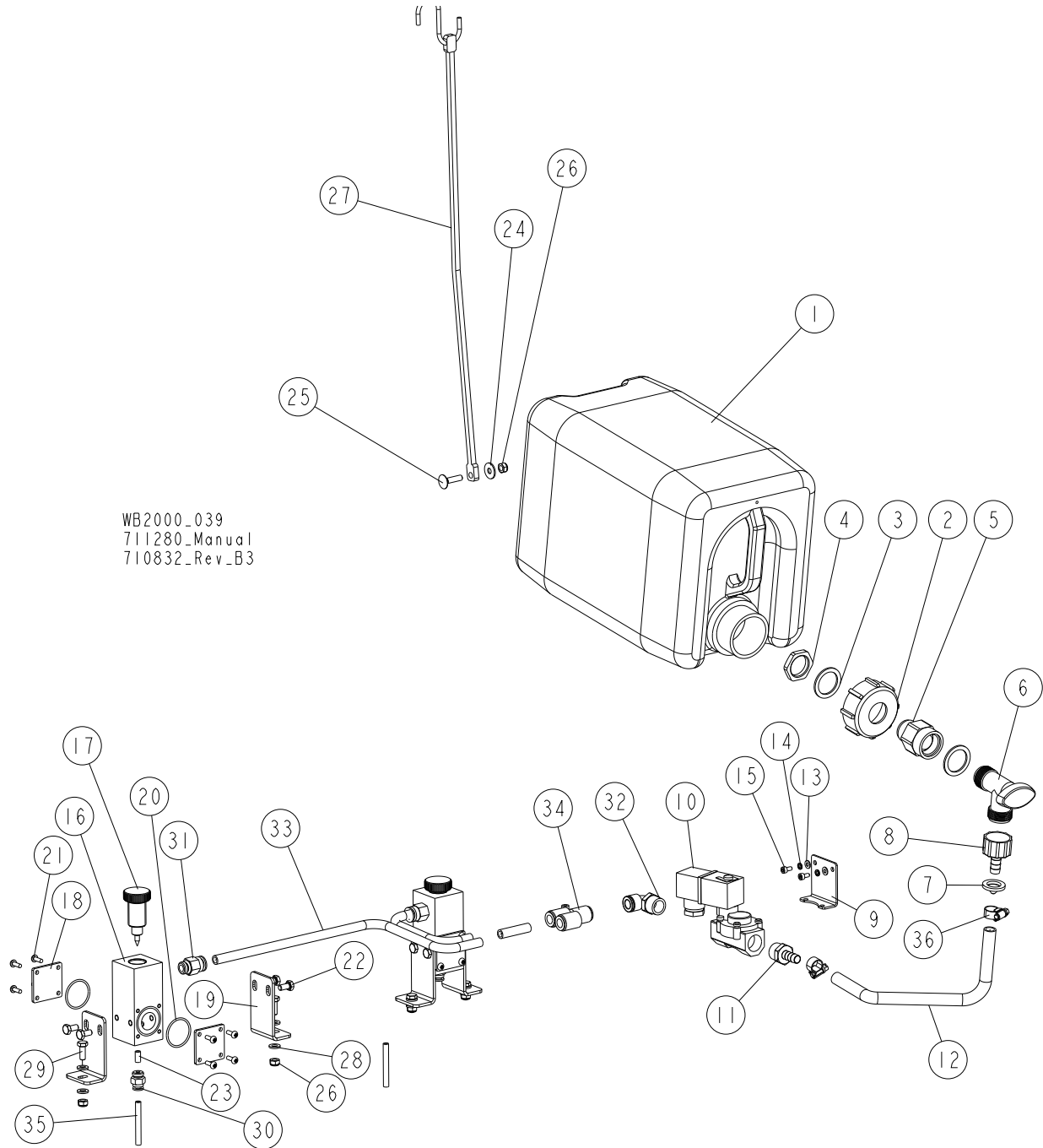


WB2000_038
711280_Manual
710885_Rev_B1

REF.	DESCRIPTION (◆ indicates parts available in assemblies only)	PART #	QTY
	WATER LUBE ASSEMBLY	710885	1
1	TRAY, WATER TANK	710893-1	1

REF.	DESCRIPTION (◆ indicates parts available in assemblies only)	PART #	QTY
	PUMP ASSEMBLY, LMS WB 2000	710887	1
2	PUMP, FLOJET RLFP222201D 24VDC/TVS (LMS)	510763	1
3	PLATE, MOUNTING	710889-1	1
4	VALVE, 1/8"NPT 6PSI CHECK	512790	1
5	ELBOW, WZ G1/8 THREADED	512717	1
6	FITTING, T WWW G1/8 THREADED TEE	512716	1
7	VALVE, 1/8"NPT 3PSI CHECK	033449	1
8	FITTING, G1/8 THREADED (FOR 10MM HOSE)	512715	2
9	PLATE, VALVE CLAMPING	512668-1	1
10	FITTING, 1/4TBx1/8FPT STRAIGHT AIR	033450	1
11	FITTING, 1/8	512718	1
12	HOSE, 1/2" 4M	R01869_710887	1
13	HOSE, 3/8" FLEXIBLE	R01885_710887	1
14	FITTING, 3/8 BARB TEE CONNECTOR	033451	1
15	WASHER, 5.3 FLAT ZINC	F81052-1	1
16	NUT, M5-8-FE/ZN5 DIN985	F81030-2	5
17	BOLT, M5X40 DIN 603 CARRIAGE HEAD	F81000-76	1
18	BOLT, M5X16 DIN 603 CARRIAGE HEAD	F81000-75	4
19	FILTER, 3/8 BARB LUBE	033447	1
20	FITTING, 90 DEG. 10mm ELBOW	504800	1
21	CLAMP, 11-16	F81080-31	7
	TANK, WATER - COMPLETE	513864	1
	TANK, WATER W/CAP	513865	1
22	TANK, WATER	513866	1
23	CAP, WATER TANK	513867	1
24	SEAL, 35x26x2 RUBBER	513869	2
25	NUT, 3/4 NPT GLAND	513868	1
26	FITTING, 3/4FPTX3/4MPT	014636	1
27	VALVE, 5/8 90 DEG. MALE SHUTOFF	014100	1
28	FILTER, WATER LUBE	016086	1
29	FITTING, 5/8-3/8 HOSE BARB	014113	1
30	BOLT, M6X25-8.8 CARRIAGE HEAD ZINC	F81001-20	2
31	WASHER, 6.5 SPECIAL FLAT ZINC	F81053-11	6
32	NUT, M6-8-B HEX NYLON ZINC LOCK	F81031-2	2
33	WASHER, Z 6.1 SPLIT LOCK ZINC	F81053-3	4
34	BOLT, M6X12 8.8 HEX HEAD FULL THREAD ZINC	F81001-7	4
35	SCREW, M6X16-10.9 FLAT SOCKET HEAD CAP ZINC	F81001-55	4
36	STRAP, 24 RUBBER W/HOOKS	P11258	2

2.18 Oil Tank & Dispenser Assembly

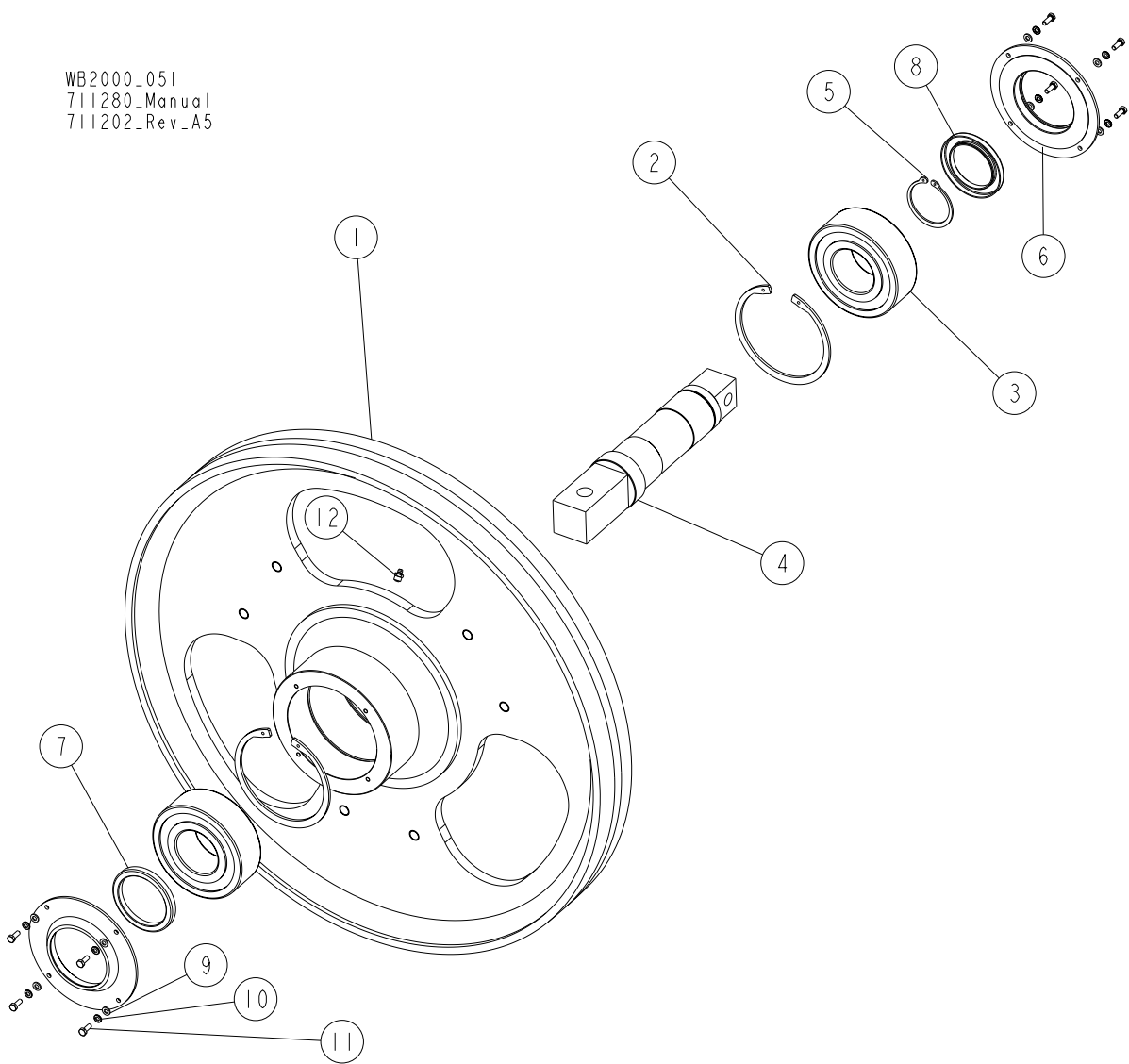


REF.	DESCRIPTION (◆ indicates parts available in assemblies only)	PART #	QTY
	TANK/DISPENSER ASSEMBLY, OIL	710832	1
	TANK, OIL - COMPLETE	711401	1
1	TANK, OIL (10 L)	711400	1
2	CAP, TANK	513867	1
3	SEAL, 35X26X2 RUBBER	513869	2
4	NUT, 3/4 NPT GLAND	513868	1
5	FITTING, 3/4FPTX3/4MPT	014636	1

REF.	DESCRIPTION (◆ indicates parts available in assemblies only)	PART #	QTY	
6	VALVE, 5/8 90 DEG. MALE SHUTOFF	014100	1	
7	FILTER, WATER LUBE	016086	1	
8	FITTING, 5/8-3/8 HOSE BARB	014113	1	
9	BRACKET, SOLENOID VALVE ZINC-PLATED	092870-1	1	
10	VALVE, ASCO SCE238A002 24V DC SOLENOID	510270	1	
11	FITTING, 1/2" HOSE END	092356	1	
12	HOSE, OIL TANK	R01885_710832	1	
13	WASHER, 4.3 FLAT ZINC	F81051-2	2	
14	WASHER, Z 4.1 SPLIT LOCK ZINC	F81051-1	2	
15	SCREW, M4X8 8.8 HEX SOCKET HEAD CAP ZINC	F81011-36	2	
	DISPENSER, OIL	502660	2	
16	BLOCK, OIL DISPENSER	502658	1	
17	BOLT, OIL DISPENSER ADJUSTMENT	502657	1	
18	COVER, PC	502661	2	
19	BRACKET, OIL DISPENSER MOUNT	502662	2	
20	O-RING, OR30X2 NBR	502954	2	
21	SCREW, M4X12-5.8-B CROSS RECESSED PAN HEAD ZINC	F81011-43	8	
22	BOLT, M6X12 8.8 HEX HEAD FULL THREAD ZINC	F81001-7	4	
23	HOSE, 6 X 4 POLYURETHANE	R01869-3	1	
24	WASHER, 6.5 SPECIAL FLAT ZINC	F81053-11	1	
25	BOLT, M6X25-8.8 CARRIAGE HEAD ZINC	F81001-20	1	
26	NUT, M6-8-B HEX NYLON ZINC LOCK	F81031-2	5	
27	STRAP, 15 RUBBER W/S HOOKS	P07461	1	
28	WASHER, 6.4 FLAT ZINC	F81053-1	8	
29	BOLT, M6X16-8.8 HEX HEAD FULL THREAD ZINC	F81001-15	4	
30	FITTING, 6MM (KAH06-UO2) MALE STRAIGHT	503977	2	
31	FITTING, 10MM (KAH10-UO2) MALE STRAIGHT	503976	2	
32	FITTING, KQ2L10-04S MALE ELBOW	710884	1	
33	HOSE, 10 X 6.5 POLYURETHANE	R80588_710832	1	
34	FITTING, KQ2U 10-00 1/4" TYPE-Y	503974	1	
35	HOSE, 6X4 POLYURETHANE	R01869_710832	1	
36	CLAMP, 11-16	F81080-31	2	

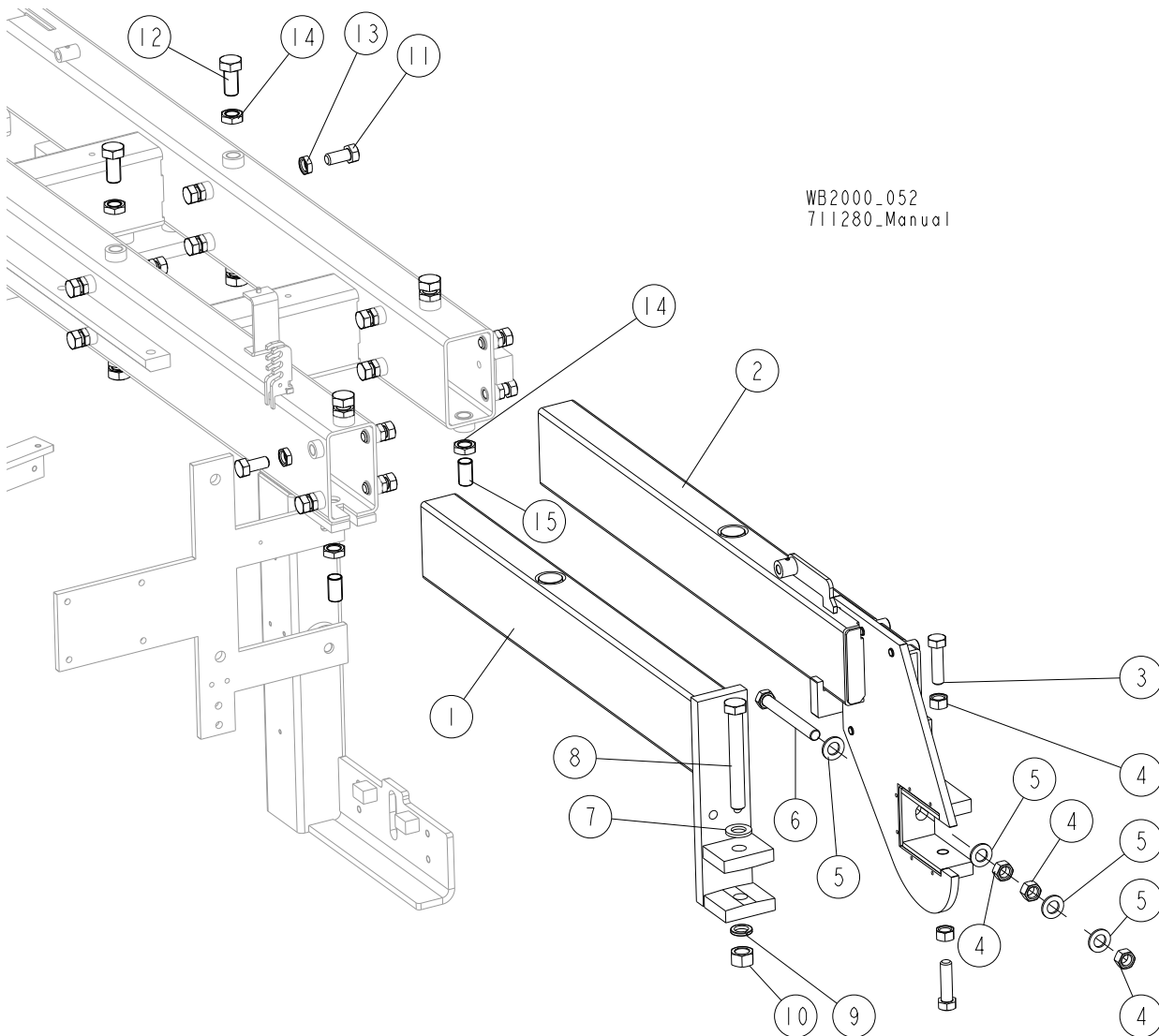
2.19 Idle-Side Blade Wheel Assembly

WB2000_051
711280_Manual
711202_Rev_A5



REF.	DESCRIPTION (◆ indicates parts available in assemblies only)	PART #	QTY
	WHEEL ASSEMBLY, IDLE-SIDE	711202	1
1	WHEEL, BLADE	710002-1	1
2	RING, W150 INSIDE RETAINING	F81090-43	2
3	BEARING, NJ2314E.TVP2 CYLINDRICAL ROLLER	503932	2
4	SHAFT, BLADE WHEEL	711203	1
5	RING, Z70 OUTSIDE RETAINING	F81090-56	1
6	COVER	710004-1	2
7	RING, CC80X100X10 SEALING	710801	1
8	RING, CC70X100X10 SEALING	710802	1
9	WASHER, 6.4 FLAT ZINC	F81053-1	8
10	WASHER, 6.1 DIN 127 (A2-304) STAINLESS STEEL SPRING	F81053-4	8
11	BOLT, M6X16-8.8 HEX HEAD FULL THREAD ZINC	F81001-15	8
12	FITTING, M10X1 STRAIGHT GREASE	710834	1

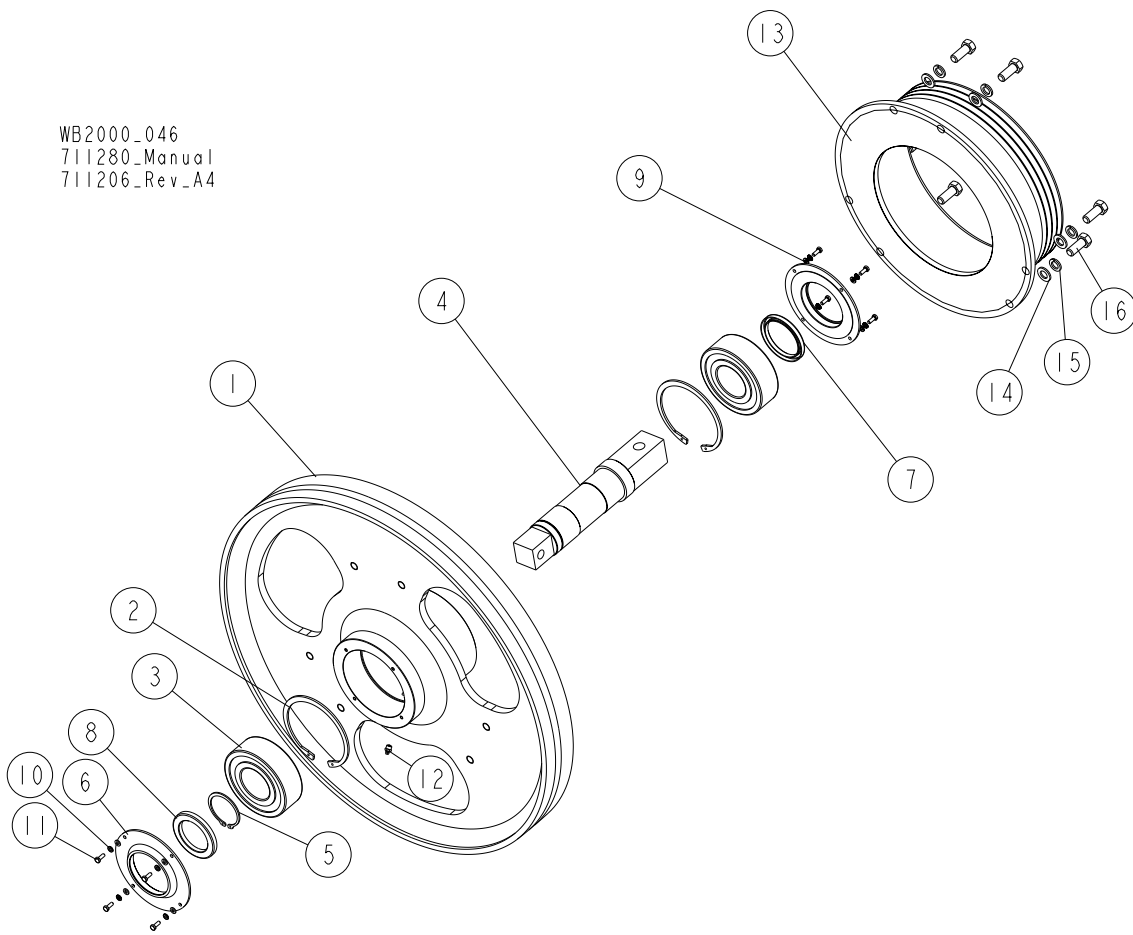
2.20 Mounting Tubes, Idle-Side Blade Wheel



REF.	DESCRIPTION (◆ indicates parts available in assemblies only)	PART #	QTY
1	TUBE WELDMENT, WHEEL MOUNT - LEFT	711265-1	1
2	TUBE WELDMENT, WHEEL MOUNT - RIGHT	711260-1	1
3	BOLT, M16X60-8.8 HEX HEAD FULL THREAD ZINC	F81006-12	2
4	NUT, M16-8 HEX ZINC	F81036-1	5
5	WASHER, 19 FLAT ZINC	F81060-1	4
6	BOLT, M16X140-8.8 HEX HEAD FULL THREAD ZINC	F81006-48	1
7	WASHER, 21 FLAT ZINC	F81059-2	1
8	BOLT, ISO 4017 M20X150 8.8 ZINC-PLATED	F81007-3	1
9	WASHER, 20.5 SPLIT LOCK ZINC	F81059-1	1
10	NUT, M20-8 HEX ZINC	F81037-1	1
11	BOLT, ISO 4018-M16X35-BRASS	F81006-49	16
12	BOLT, ISO 4018 M20X40-BRASS	F81007-19	6
13	NUT, M16 8 THIN ZINC	F81036-4	16
14	NUT, M20 ISO 4035 THIN ZINC	F81037-9	8
15	SCREW, M20X35-45H HEX SOCKET ZINC-PL. SET W/FLAT POINT	F81018-1	2

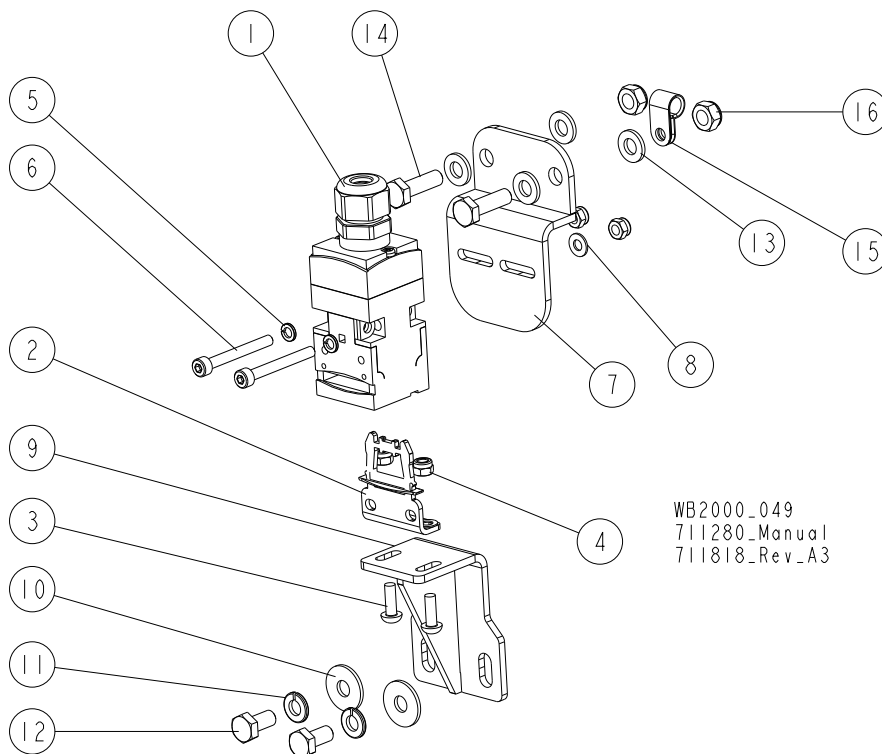
2.21 Drive-Side Blade Wheel Assembly

WB2000_046
711280_Manual
711206_Rev_A4



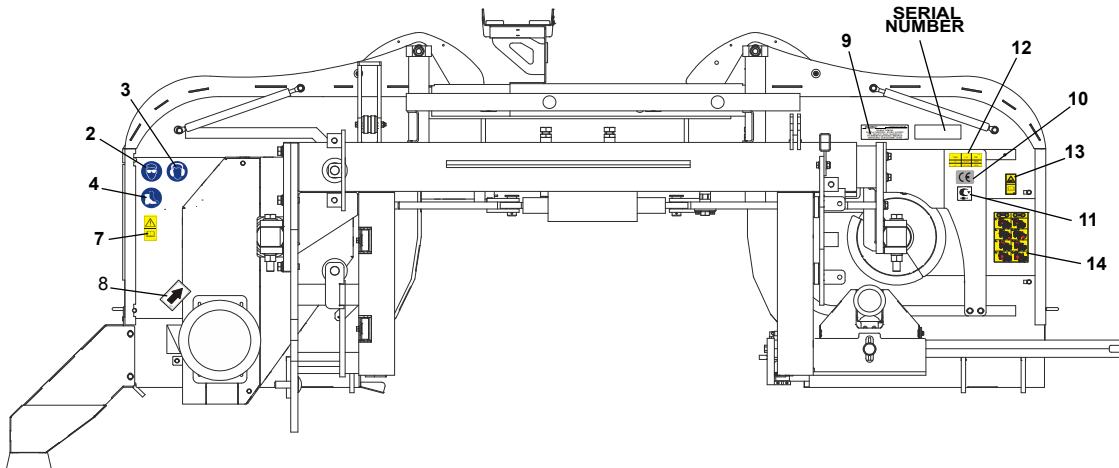
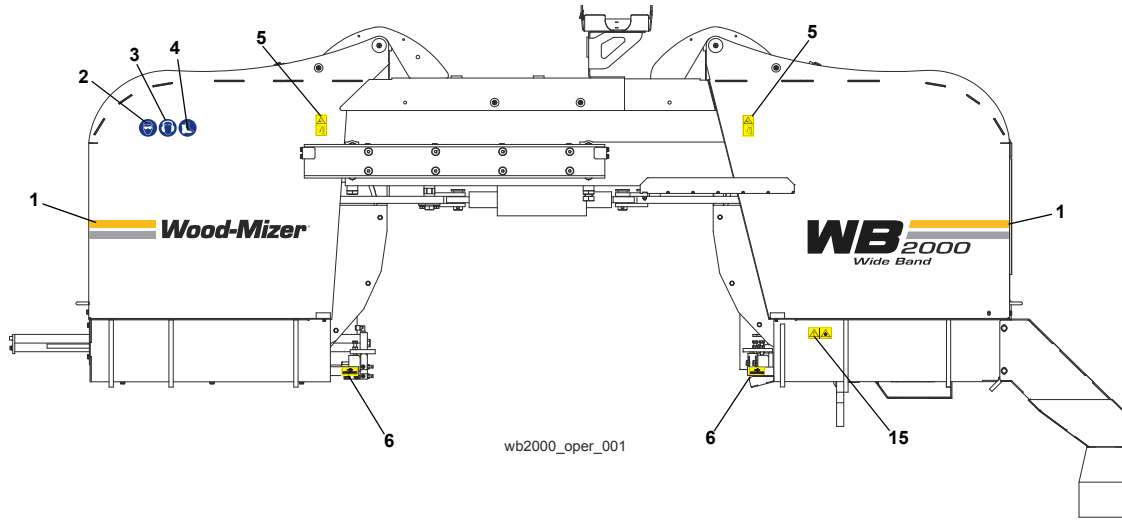
REF.	DESCRIPTION (◆ indicates parts available in assemblies only)	PART #	QTY
	WHEEL ASSEMBLY, DRIVE-SIDE	711206	1
	WHEEL ASSEMBLY, IDLE-SIDE	711202	1
1	WHEEL, BLADE	710002-1	1
2	RING, W150 INSIDE RETAINING.	F81090-43	2
3	BEARING, NJ2314E.TVP2 CYLINDRICAL ROLLER	503932	2
4	SHAFT, BLADE WHEEL	711203	1
5	RING, Z70 OUTSIDE RETAINING	F81090-56	1
6	COVER	710004-1	2
7	RING, CC80X100X10 SEALING	710801	1
8	RING, CC70X100X10 SEALING	710802	1
9	WASHER, 6.4 FLAT ZINC	F81053-1	8
10	WASHER, 6.1 DIN 127 (A2-304) STAINLESS STEEL SPRING	F81053-4	8
11	BOLT, M6X16-8.8 HEX HEAD FULL THREAD ZINC	F81001-15	8
12	FITTING, M10X1 STRAIGHT GREASE	710834	1
13	PULLEY	711201-1	1
14	WASHER, 17 SPLIT LOCK ZINC	F81058-1	6
15	WASHER, 16.3 SPLIT LOCK ZINC	F81058-2	6
16	BOLT, M16X40-8.8 HEX HEAD FULL THREAD ZINC	F81006-13	6

2.22 Safety Switch Assembly, Blade Housing Cover



REF.	DESCRIPTION (◆ indicates parts available in assemblies only)	PART #	QTY
	SWITCH ASSEMBLY, SAFETY	711818	1
1	SWITCH, AZ17-11ZRK SAFETY	094232	1
2	KEY, AZ17/170-B5 SAFETY SWITCH	094422	1
3	SCREW, M4X12-5.8-B CROSS RECESSED PAN HEAD ZINC	F81011-43	2
4	NUT, M4-8 HEX NYLON ZINC LOCK	F81029-1	4
5	WASHER, Z 4.1 SPLIT LOCK ZINC	F81051-1	2
6	SCREW, M4X35 8.8 HEX SOCKET HEAD CAP ZINC	F81011-34	2
7	BRACKET, SAFETY SWITCH	711850-1	1
8	WASHER, 4.3 FLAT ZINC	F81051-2	2
9	BRACKET, SAFETY SWITCH KEY	711820-1	1
10	WASHER, 6.5 SPECIAL FLAT ZINC	F81053-11	2
11	WASHER, 6.1 DIN 127 (A2-304) STAINLESS STEEL SPRING	F81053-4	2
12	BOLT, M6X12 8.8 HEX HEAD FULL THREAD ZINC	F81001-7	2
13	WASHER, 6.4 FLAT ZINC	F81053-1	4
14	BOLT, M6X20 8.8 HEX HEAD FULL THREAD ZINC	F81001-2	2
15	ELEMENT, EE63 MOUNTING	F81080-4	1
16	NUT, M6-8-B HEX NYLON ZINC LOCK	F81031-2	2

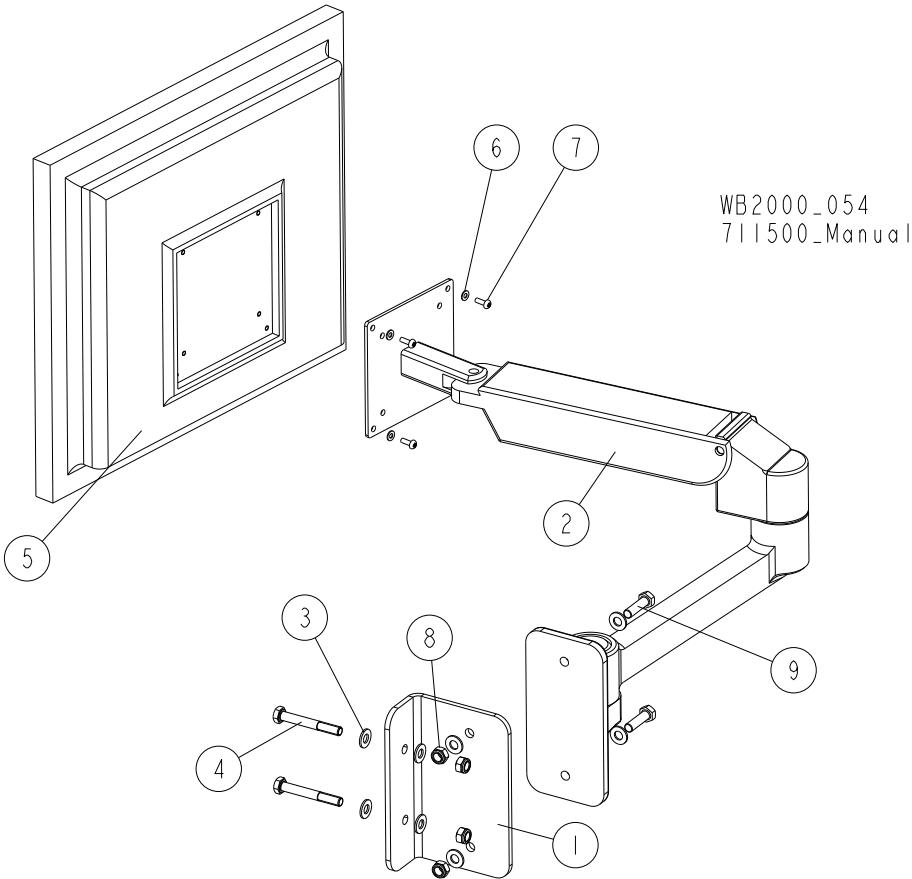
2.23 Decals



REF.	DESCRIPTION (◆ indicates parts available in assemblies only)	PART #	QTY
	DECAL KIT, WB2000	713635	1
1	DECAL, WB2000 SAWMILL	514078	1
2	DECAL, EYE PROTECTION WARNING (PICTOGRAM)	S12004G	2
3	DECAL, EAR PROTECTION WARNING (PICTOGRAM)	S12005G	2
4	DECAL, USE SAFETY BOOTS (PICTOGRAM)	501465	2
5	DECAL, SAWMILL COVERS CAUTION	099220	2
6	DECAL, BLADE MOVEMENT DIRECTION (PICTOGRAM)	096321	2
7	DECAL, READ OPERATOR'S MANUAL (PICTOGRAM)	096317	1
8	DECAL, MOTOR REVOLUTIONS DIRECTION (1465 R.P.M.)	S200971	1
9	DECAL, INTERNATIONAL SAWMILL NAME	501466	1
10	DECAL, CE CERTIFIED SAWMILL	P85070	1
11	DECAL, RUSSIAN SAFETY CERTIFICATION	099401	1
12	DECAL, BLADE TENSION VALUE	511621	1
13	DECAL, BLADE TENSION - INSTRUCTIONS (PICTOGRAM)	099223	1
14	DECAL, WB2000 BLADE TENSION	518401	1
15	DECAL, CAUTION - LASER BEAM (PICTOGRAM)	099504	1
	DECAL, HIGH VOLTAGE INSIDE THE ELECTRIC BOX (PICTOGRAM)	096316	2
	DECAL, REMOVE THE PLUG BEFORE OPENING THE BOX (PICTOGRAM)	096319	2

SECTION 3 OPERATOR STATION

3.1 LCD Monitor w/Arm

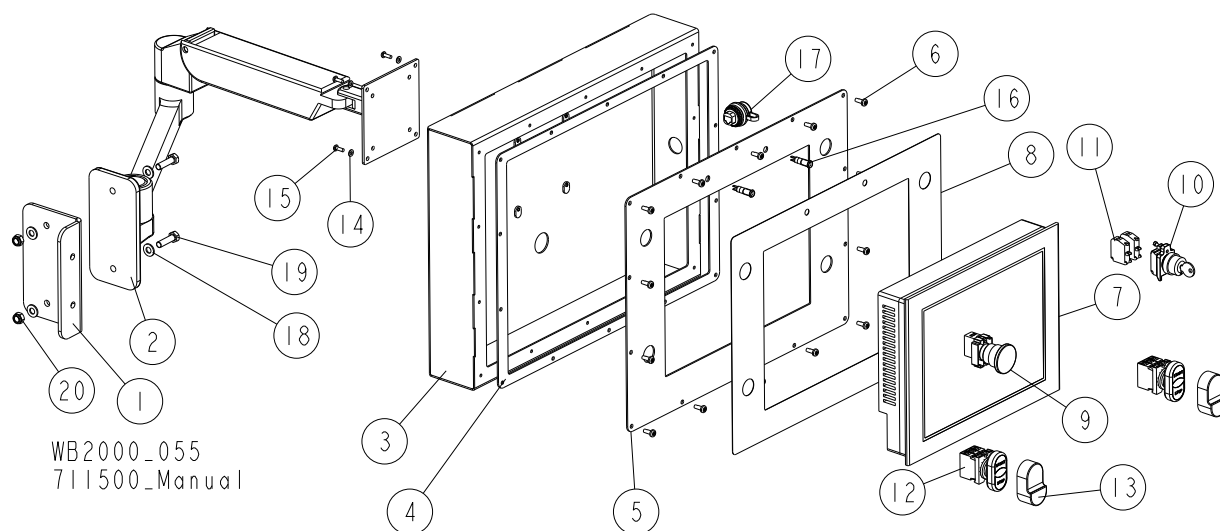


REF.	DESCRIPTION (◆ Indicates Parts Available in Assemblies Only)	PART #	QTY
1	ANGLE, CONTROL BOX ARM	711493-1	1
2	ARM, LMX WALL ERGOTRON CONTROL BOX	512941	1
3	WASHER, 8.4 FLAT ZINC	F81054-1	8
4	BOLT, M8X60 8.8 HEX HEAD ZINC	F81002-54	2
5	MONITOR, LCD CCTV 17RTVN	512959	1
6	WASHER, 4.3 FLAT ZINC	F81051-2	4
7	SCREW, M4X12-5.8-B CROSS RECESSED PAN HEAD ZINC	F81011-43	4
8	NUT, M8 8 HEX NYLON ZINC LOCK	F81032-2	4
9	BOLT, M8X30-5.8-B HEX HEAD FULL THREAD ZINC	F81002-2	2

3 OPERATOR STATION

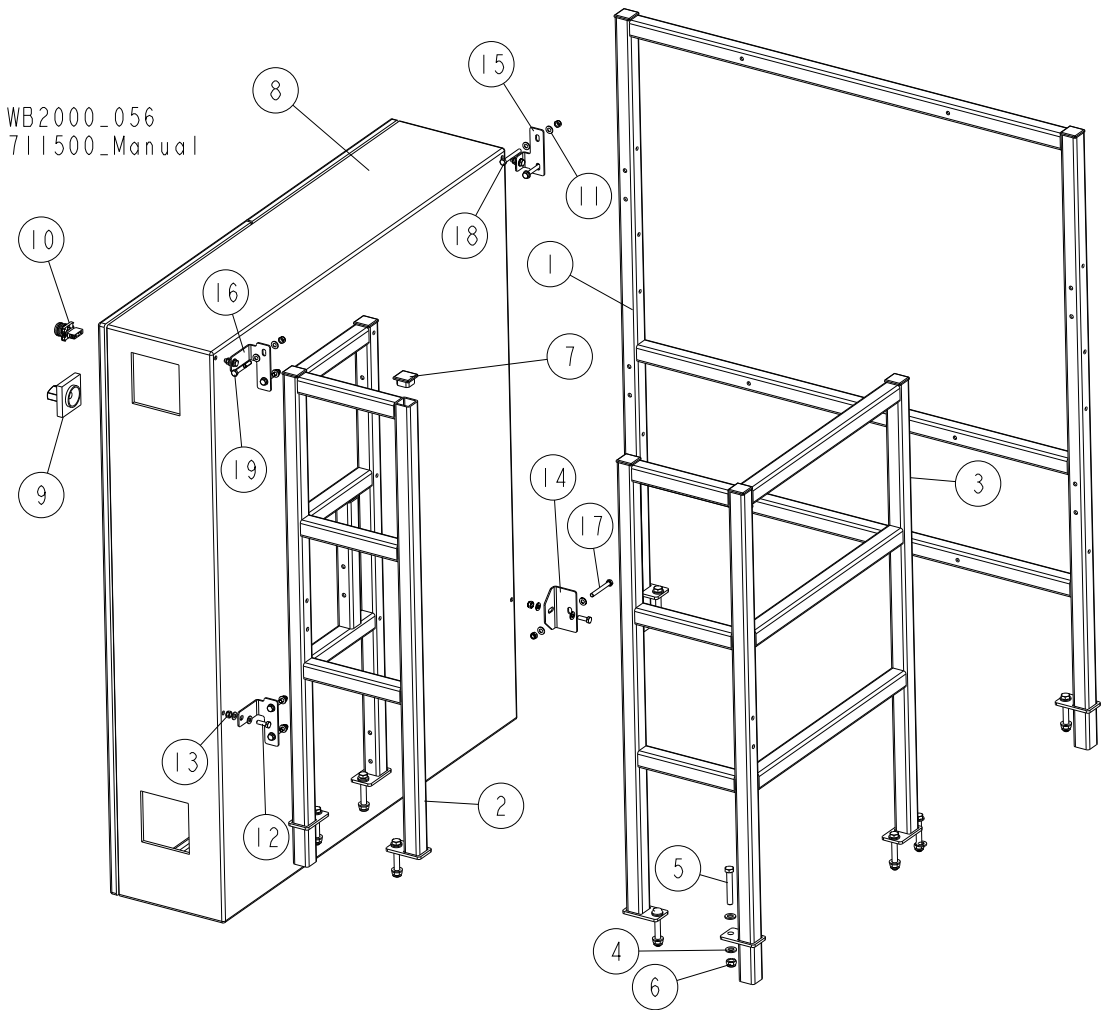
Control Box

3.2 Control Box



REF.	DESCRIPTION (◆ Indicates Parts Available in Assemblies Only)	PART #	QTY
1	ANGLE, CONTROL BOX ARM	711493-1	1
2	ARM, LMX WALL ERGOTRON CONTROL BOX	512941	1
	BOX, WB2000 CONTROL	510268	1
3	BOX WELDMENT, WB2000 CONTROL	711138-1	1
4	GASKET, WB2000 CONTROL BOX	711141	1
5	PANEL, WB2000 CONTROL BOX FRONT	711142-1	1
6	BOLT, #10-24X1/2 PH	F05015-17	14
7	PANEL, HMI MAGELIS HMIGT06310	512940	1
8	DECAL, WB2000 CONTROL BOX	512946	1
9	BUTTON, XB4 BS542 EMERGENCY STOP	086556	1
10	SWITCH, XB4 BG33 KEY	087350	1
11	CONTACT, ZBE101	087817	2
12	SWITCH, XB5AW73731B5 START/STOP	510254	2
13	DIAPHRAGM, M22-T-DD MOELLER	090462	1
14	WASHER, 4.3 FLAT ZINC	F81051-2	4
15	SCREW, M4X12-5.8-B CROSS RECESSED PAN HEAD ZINC	F81011-43	4
16	LIGHT, LED YELLOW CONTROL	711548	2
17	SOCKET, USB 3.0 (M22-USB-SA)	514486	1
18	WASHER, 8.4 FLAT ZINC	F81054-1	4
19	BOLT, M8X30-5.8-B HEX HEAD FULL THREAD ZINC	F81002-2	2
20	NUT, M8 8 HEX NYLON ZINC LOCK	F81032-2	2

3.3 Rails & Electric Box

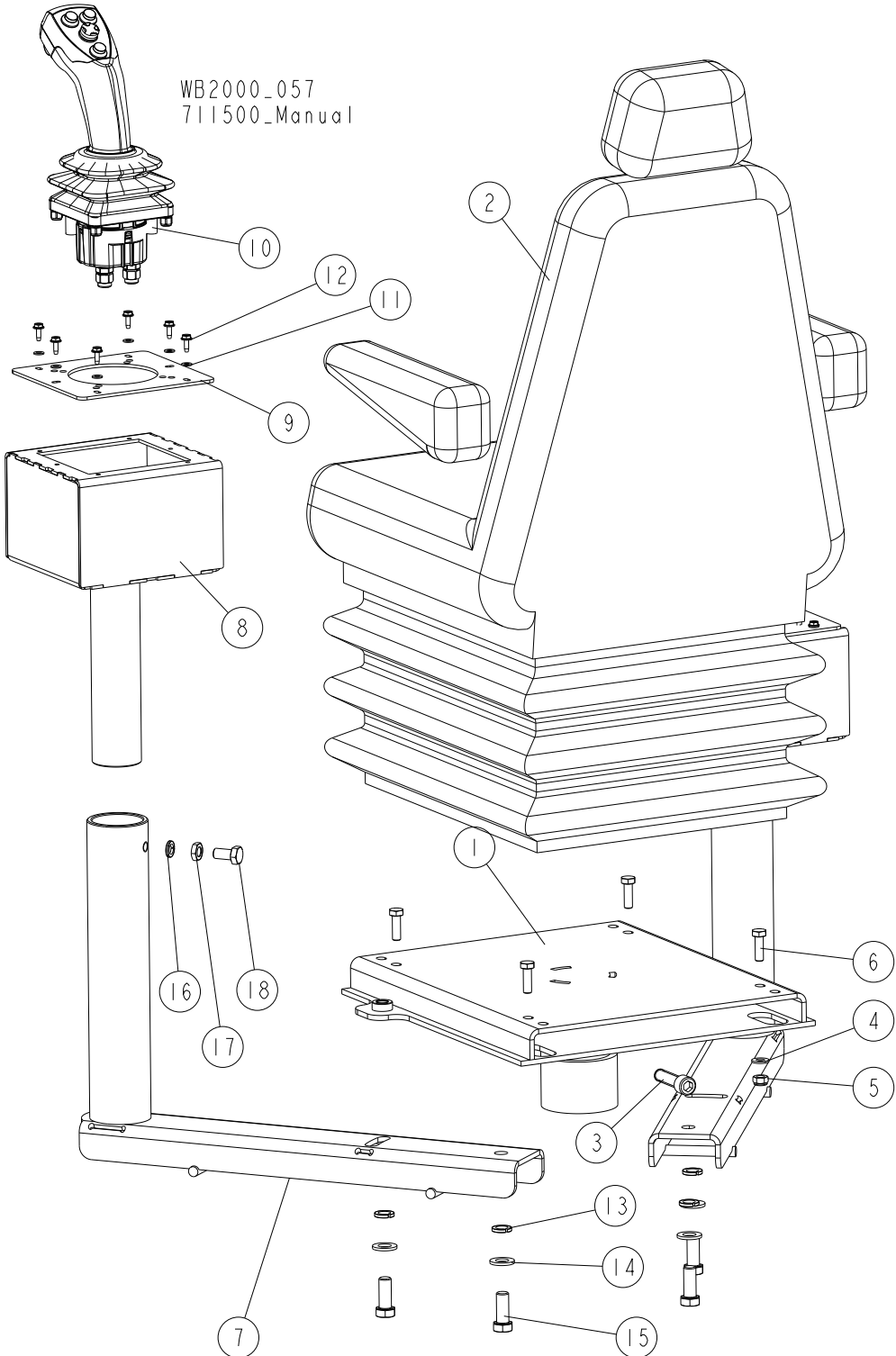


REF.	DESCRIPTION (◆ Indicates Parts Available in Assemblies Only)	PART #	QTY
1	RAIL WELDMENT, FRONT	514741	1
2	RAIL WELDMENT, FRONT	514315-1	1
3	RAIL WELDMENT, REAR LEFT	514313-1	1
4	RAIL WELDMENT, REAR RIGHT	514311-1	1
5	WASHER, 13 FLAT ZINC	F81056-1	21
6	BOLT, M12X80-8.8 HEX HEAD ZINC	F81004-46	9
7	NUT, M12 8 HEX NYLON ZINC LOCK	F81034-2	9
8	CAP, 40x40x(3-4) MOSS TUBE	097480	8
	BOX, WB2000 ELECTRIC	509149	1
9	BOX, ELECTRIC	509149_OBUDOWA	1
10	HANDLE, INS40-160 (28942) ROTARY	091553	1
11	LIGHT, M22 LED 24V BLUE CONTROL	090448	1
12	WASHER, 8.4 FLAT ZINC	F81054-1	22
13	BOLT, M8X25-8.8-B HEX HEAD FULL THREAD ZINC	F81002-5	4
14	NUT, M8 8 HEX NYLON ZINC LOCK	F81032-2	11
15	BRACKET WELDMENT, WB2000 ELECTRIC BOX LOWER	711462-1	1
16	BRACKET, ELECTRIC BOX UPPER RIGHT	092648-1	1

3**OPERATOR STATION***Rails & Electric Box*

REF.	DESCRIPTION (◆ Indicates Parts Available in Assemblies Only)	PART #	QTY	
17	BRACKET, WB2000 ELECTRIC BOX UPPER LEFT	711459-1	2	
18	BOLT, M8X70-8.8 HEX HEAD ZINC	F81002-71	1	
19	BOLT, M8X65 5.8 HEX HEAD ZINC	F81002-3	2	
20	BOLT, M8X60 8.8 HEX HEAD ZINC	F81002-54	4	

3.4 Operator Seat & Joysticks



REF.	DESCRIPTION (◆ Indicates Parts Available in Assemblies Only)	PART #	QTY
1	BRACKET, OPERATOR SEAT MOUNT	711496-1	1
2	SEAT, CS85/C1 AR HD PVC OPERATOR	711482	1
3	SCREW, M12X45-8.8-B HEX SOCKET HEAD CAP ZINC	F81004-93	1
4	WASHER, 8.4 FLAT ZINC	F81054-1	4

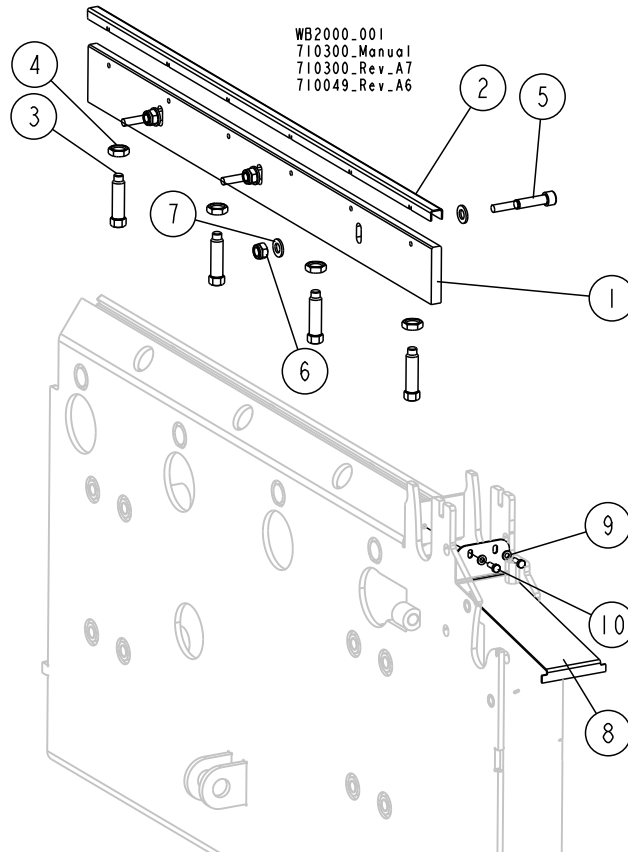
3 OPERATOR STATION

Operator Seat & Joysticks

REF.	DESCRIPTION (◆ Indicates Parts Available in Assemblies Only)	PART #	QTY	
5	NUT, M8 8 HEX NYLON ZINC LOCK	F81032-2	4	
6	BOLT, M8X25-8.8-B HEX HEAD FULL THREAD ZINC	F81002-5	4	
7	ARM WELDMENT, JOYSTICK	711484	2	
8	BRACKET, JOYSTICK	711491-1	2	
9	PLATE, JOYSTICK MOUNTING	711492-1	2	
10	JOYSTICK, 5 BUTTON (OTTO)	069716	2	
11	WASHER, 5.3 FLAT ZINC	F81052-1	12	
12	BOLT, #10-24X1/2 SELF-TAPPING	F05015-7	12	
13	WASHER, Z12.2 SPLIT LOCK ZINC	F81056-2	4	
14	WASHER, 13 FLAT ZINC	F81056-1	4	
15	BOLT, M12X30 8.8 HEX HEAD FULL THREAD ZINC	F81004-22	4	
16	WASHER, Z 10.2 SPLIT LOCK ZINC	F81055-2	2	
17	NUT, M10-04-A HEX THIN ZINC	F81033-6	2	
18	BOLT, M10X20-5.8 HEX HEAD FULL THREAD ZINC	F81003-1	2	

SECTION 4 BED FRAME ASSEMBLY

4.1 WB2000 Bed Rail



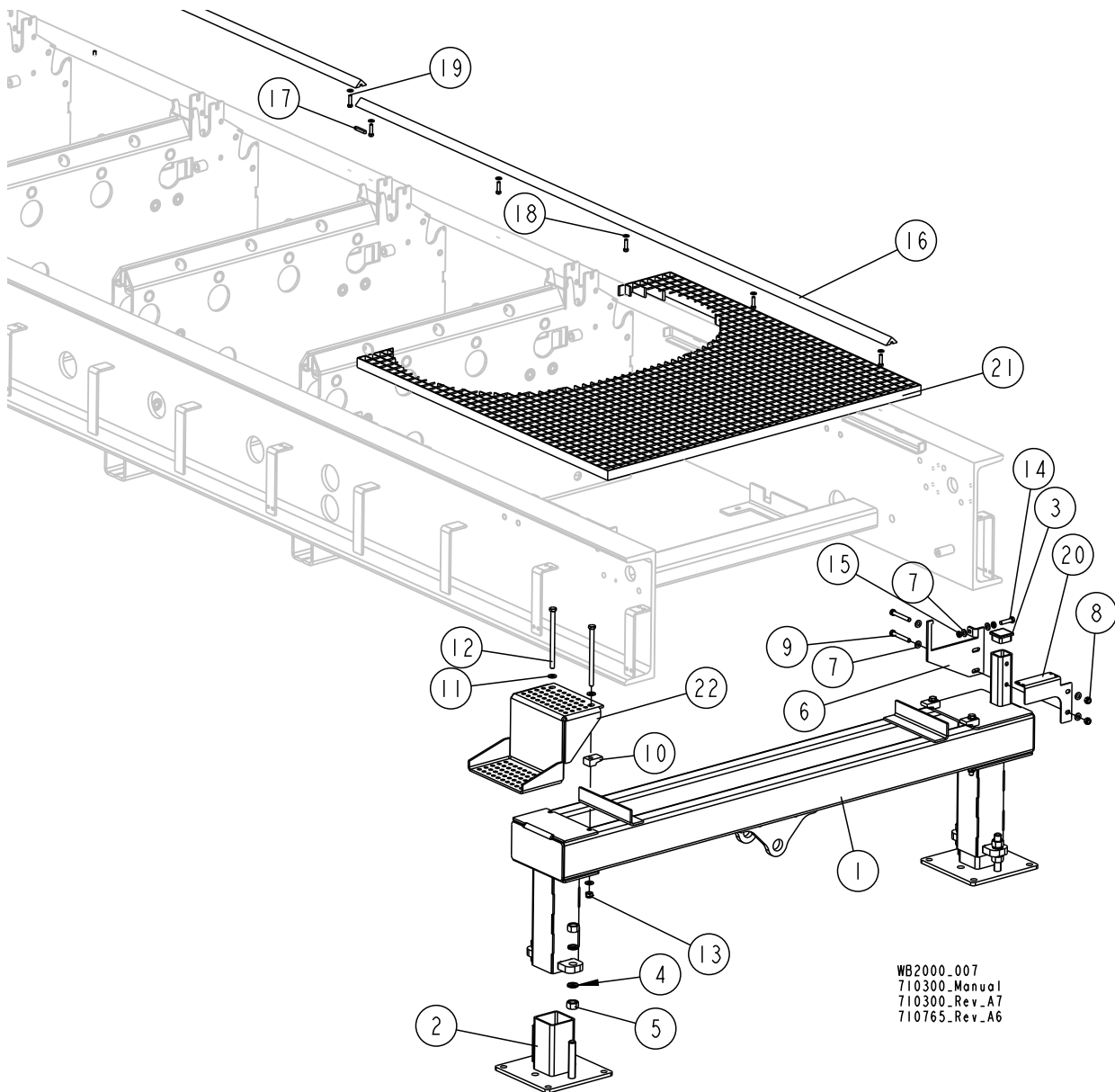
REF.	DESCRIPTION (◆ Indicates Parts Available in Assemblies Only)	PART #	QTY
	RAIL, BED - COMPLETE	710049	1
1	RAIL, WB2000 BED	710331-1	1
2	COVER, BED RAIL	710334	1
3	SCREW, M16x60-33H HEX ZINC SET W/FULL DOG POINT	F81006-56	4
4	NUT, M16 Fe/Zn5 8 HEX THIN ZINC	F81036-4	4
5	SCREW, M8x30-8.8-B HEX SOCKET HEAD CAP ZINC	F81004-93	3
6	NUT, M12 8 HEX NYLON ZINC LOCK	F81034-2	3
7	WASHER, 13 FLAT ZINC	F81056-1	6
	PLATE, CROSS BEAM COVER - COMPLETE	711338	1
8	PLATE, CROSS BEAM COVER	711330-1	1
9	WASHER, 6.4 FLAT ZINC	F81053-1	2
10	BOLT, M6X16-8.8 HEX HEAD FULL THREAD ZINC	F81001-15	2

4

Bed Frame Assembly

WB2000 Bed Frame

4.2 WB2000 Bed Frame

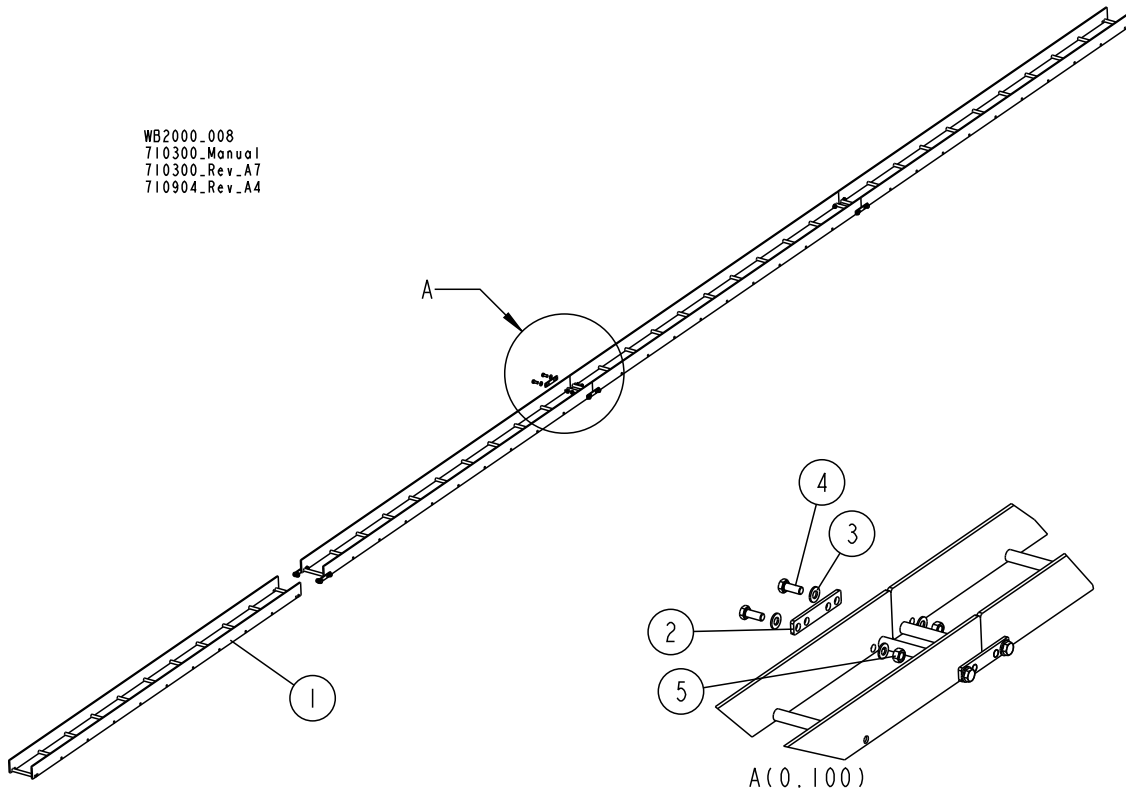


WB2000_007
710300_Manual
710300_Rev_A7
710765_Rev_A6

REF.	DESCRIPTION (◆ Indicates Parts Available In Assemblies Only)	PART #	QTY
	FRAME, WB2000 BED - COMPLETE	710765	1
1	LEG WELDMENT, WB2000	710475-1	1
2	FOOT WELDMENT, WB2000 LEG ADJUSTABLE	510897-1	2
3	CAP, 50X50 (3-5MM THICK) (199274MOSS) TUBE	095371	1
4	WASHER, Z 20.5 SPLIT LOCK ZINC	F81059-1	8
5	NUT, M20 HEX ZINC	F81037-1	8
6	BRACKET, WIREWAY SUPPORT	710463-1	1
7	WASHER, 10.5 FLAT ZINC	F81055-1	6
8	NUT, M10-8-B HEX NYLON ZINC LOCK	F81033-1	2
9	BOLT, M10X75-8.8 HEX HEAD ZINC	F81003-15	2
10	BLOCK, MOUNTING	710916-1	4
11	WASHER, 13 FLAT ZINC	F81056-1	8
12	BOLT, M12X180-8.8 HEX HEAD ZINC	F81004-49	4

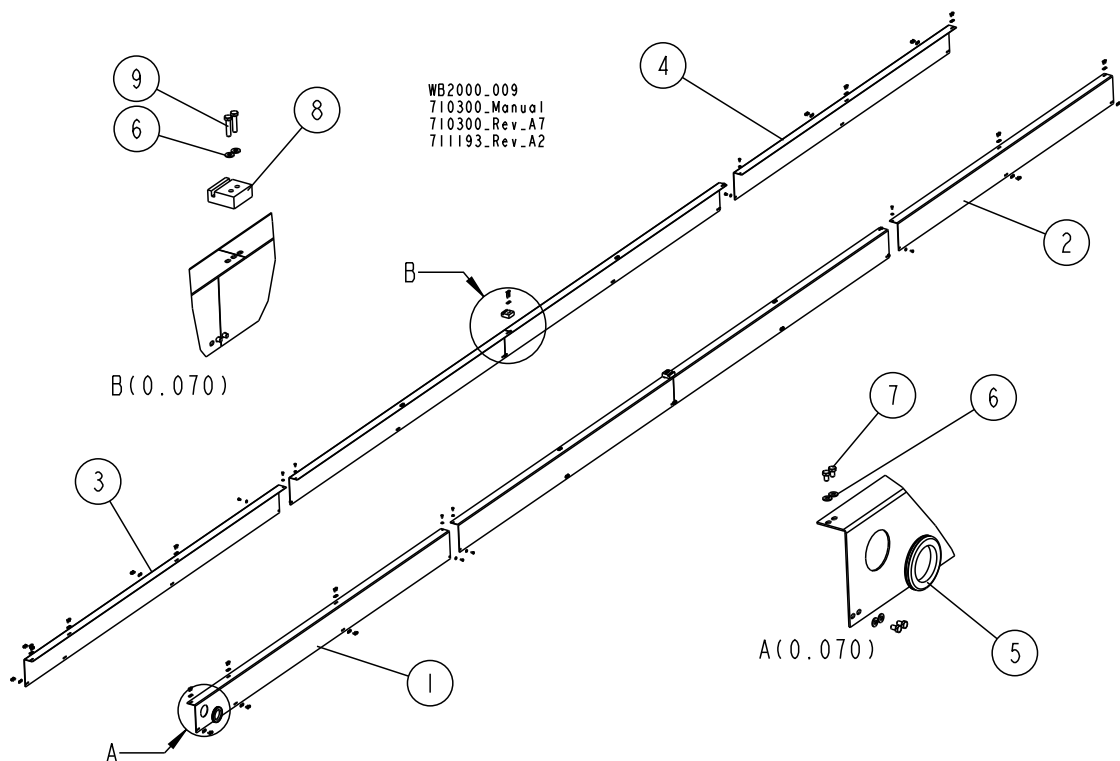
REF.	DESCRIPTION (◆ Indicates Parts Available In Assemblies Only)	PART #	QTY	
13	NUT, M12 8 HEX NYLON ZINC LOCK	F81034-2	4	
14	BOLT, M10X40-8.8 HEX HEAD FULL THREAD ZINC	F81003-16	1	
15	NUT, M10X1-04-ST-A2E ISO8675 THIN	F81033-10	2	
	ANGLE SET, WB2000 BED	711180	1	
16	ANGLE, WB2000 BED	710303	4	
17	KEY, A8X7X50 PARALLEL	088563	3	
18	WASHER, 8.4 FLAT ZINC	F81054-1	20	
19	BOLT, M8X30-5.8-B HEX HEAD FULL THREAD ZINC	F81002-2	20	
20	PLATE, MOUNTING	710985-1	1	
21	GRID, 1180X1180X30 PLATFORM	710988	1	
22	STEP	711316-1	1	

4.3 Wireway Assembly, WB2000



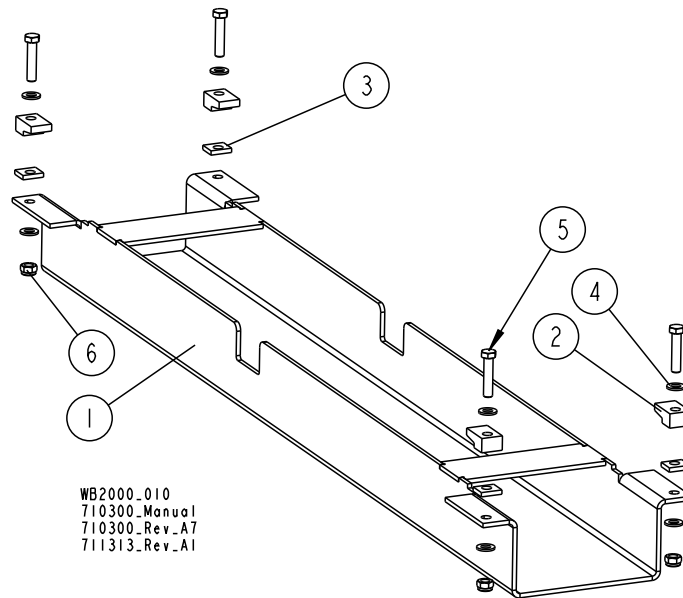
REF.	DESCRIPTION (◆ Indicates Parts Available In Assemblies Only)	PART #	QTY
	WIREWAY, WB2000 BED - COMPLETE	710904	1
1	WIREWAY WELDMENT, WB2000	710773-1	4
2	BAR, WIREWAY	710903-1	6
3	WASHER, 10.5 FLAT ZINC	F81055-1	24
4	BOLT, M10X25 8.8 HEX HEAD FULL THREAD ZINC	F81003-11	12
5	NUT, M10 8 HEX ZINC	F81033-3	12

4.4 Hydraulic Hose Guards, WB2000



REF.	DESCRIPTION (◆ Indicates Parts Available In Assemblies Only)	PART #	QTY
	GUARD SET, WB2000 HYDRAULIC HOSE	711193	1
1	GUARD, HYDRAULIC HOSE FRONT RIGHT	710968-1	1
2	GUARD, HYDRAULIC HOSE RIGHT	710967-1	3
3	GUARD, HYDRAULIC HOSE FRONT LEFT	710970-1	1
4	GUARD, HYDRAULIC HOSE LEFT	710969-1	3
5	GROMMET, 80 MM DIA. RUBBER	089293	1
6	WASHER, 8.4 FLAT ZINC	F81054-1	80
7	BOLT, M8X12-8.8 HEX HEAD FULL THREAD ZINC	F81002-6	76
8	BLOCK, ANTI-VIBRATION	711310	2
9	BOLT, M8X35-8.8 HEX HEAD FULL THREAD ZINC	F81002-13	4

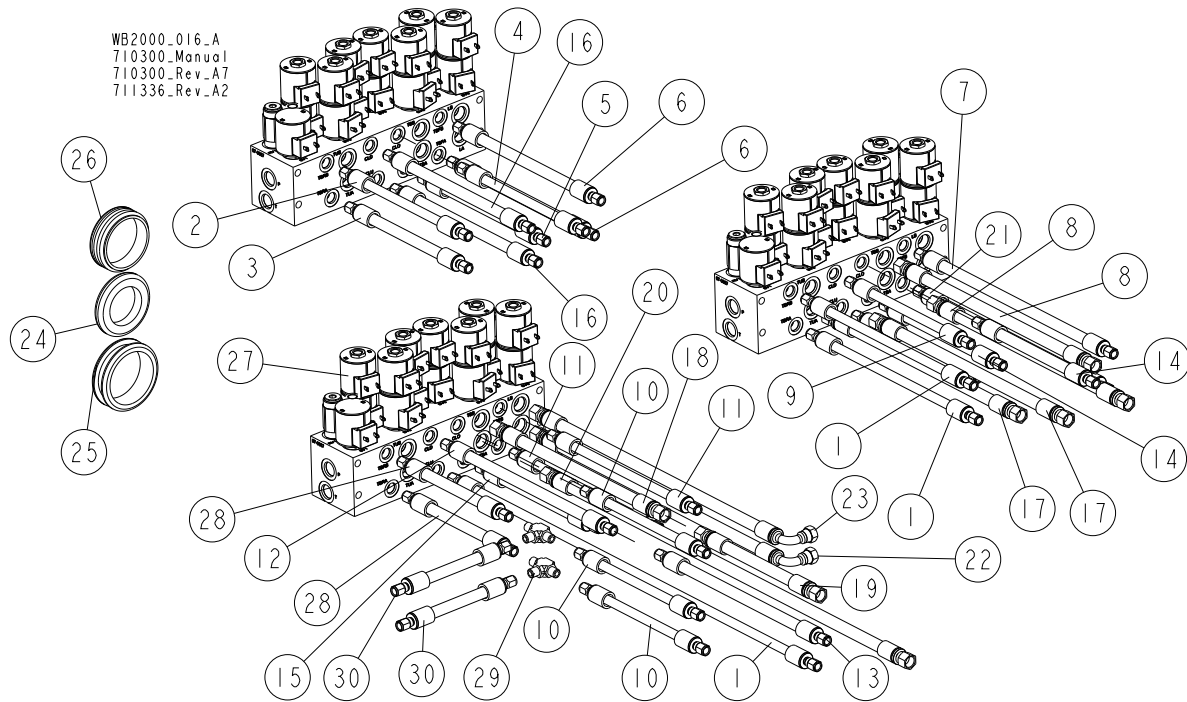
4.5 WB2000 Forklift Pockets



REF.	DESCRIPTION (◆ Indicates Parts Available In Assemblies Only)	PART #	QTY
	FORKLIFT POCKET	711313	1
1	POCKET WELDMENT, FORKLIFT	711318-1	1
2	BLOCK, MOUNTING	710916-1	4
3	PLACE, SPACER	711314-1	4
4	WASHER, 13 FLAT ZINC	F81056-1	8
5	BOLT, M12X55-8.8 HEX HEAD ZINC	F81004-12	4
6	NUT, M12 8 HEX NYLON ZINC LOCK	F81034-2	4

SECTION 5 HYDRAULIC SYSTEM

5.1 Hydraulic Hoses, WB2000

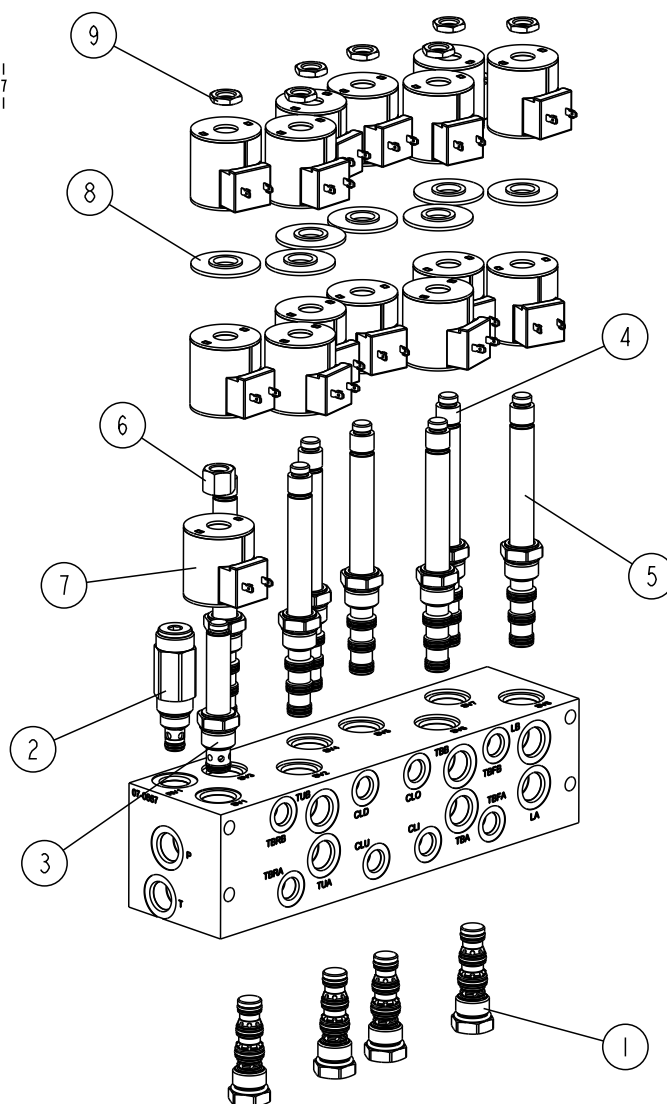


REF.	DESCRIPTION (◆ Indicates Parts Available in Assemblies Only)	PART #	QTY
	HOSE SET, WB2000 HS3 HYDRAULIC WB2000 HS3	711336	0/0/1
	HOSE SET, WB2000 HS2 HYDRAULIC WB2000 HS2	711336	0/1/0
	HOSE SET, WB2000 HS1 HYDRAULIC WB2000 HS1	711336	1/0/0
1	HOSE, 2G1/4X7.600 W7/16UNF-W7/16UNF HYDRAULIC	094756	4/3/3
2	HOSE, 2G 1/4X6,900 W7/16UNF-W7/16UNF HYDRAULIC	507221	0/0/1
3	HOSE, PHD2G 1/4X7.1M W7/16UNF-W7/16UNF HYDRAULIC	710932	0/0/1
4	HOSE, 2G 1/4X9,100 W7/16UNF-W7/16UNF HYDRAULIC	507631	0/1/1
5	HOSE, 2G 1/4X8,800 W7/16UNF-W7/16UNF HYDRAULIC	507632	0/1/1
6	HOSE, 2G 1/4X 3,51 W7/16UNF-W7/16UNF HYDRAULIC	506959	0/2/2
7	HOSE, 2G 1/4X6,01 W7/16UNF-W7/16UNF HYDRAULIC	512173	1/1/1
8	HOSE, 2G 3/8X5,200 W9/16UNF-W9/16UNF HYDRAULIC	097067	2/2/2
9	HOSE, 2G 1/4X3,71 W7/16UNF-W7/16UNF HYDRAULIC	506933	0/2/2
10	HOSE, 2G 1/4X3,800 W7/16UNF-W7/16UNF HYDRAULIC	094779	0/1/3
11	HOSE, 2G 1/4X 6,51 W7/16UNF-W7/16UNF HYDRAULIC	506934	0/0/2
12	HOSE, 2G 1/4X4.15M W7/16UNF-W7/16UNF HYDRAULIC	710938	0/1/1
13	HOSE, 2G 1/4X5.5M W7/16UNF-W7/16UNF HYDRAULIC	710939	0/1/1
14	HOSE, 2G 1/4X8.6M W7/16UNF-W7/16UNF HYDRAULIC	710928	2/2/2
15	HOSE, 2G 1/4X4.1M W7/16UNF-W7/16UNF HYDRAULIC	710930	0/1/1
16	HOSE, 2G 1/4X10.08M W7/16UNF-W7/16UNF HYDRAULIC	710933	0/2/2
17	HOSE, 2G 3/8X6.750 W9/16UNF-W9/16UNF HYDRAULIC	099381	2/2/2
18	HOSE, 2G 3/8X4.5M W9/16UNF-W9/16UNF HYDRAULIC	710945	1/1/1
19	HOSE, 2G 3/8X3.3M W9/16UNF-W9/16UNF HYDRAULIC	087793	1/1/1
20	HOSE, 2G 3/8X6.2M W9/16UNF-W9/16UNF HYDRAULIC	710947	1/1/1
21	HOSE, 2G 1/4X L=6.15M W7/16UNF-W7/16UNF HYDRAULIC	710948	1/1/1

REF.	DESCRIPTION (◆ Indicates Parts Available in Assemblies Only)	PART #	QTY	
22	HOSE, 2G 3/8X L=5.8M 90W9/16UNF-W9/16UNF HYDRAULIC	711323	1/1/1	
23	HOSE, 2G 3/8X L=5.55M 90W9/16UNF-W9/16UNF HYDRAULIC	710949	1/1/1	
24	GROMMET, 55 MM DIA. RUBBER	085614	0/4/6	
25	GROMMET, 75X80X15 RUBBER	710964	19/19/19	
26	GROMMET, 465603 D85 MM ROUND BLACK	711322	17/17/17	
27	VALVE, 24V 7-SPOOL EXPANDABLE HYDRAULIC See Section 5.2	025689	2/3/3	
28	HOSE, 2G 1/4X1.55M W7/16UNF-W7/16UNF HYDRAULIC	711467	0/0/2	
	HOSE, 2G1/4X5.300W7/16UNF-W7/16UNF HYDRAULIC	087789	2/2/0	
29	FITTING, 1/4JIC UNION TEE	P09145	2/2/2	
30	HOSE, 2G 1/4X0.45M W7/16UNF-W7/16UNF HYDRAULIC	711466	0/0/2	

5.2 Hydraulic Valve, WB2000

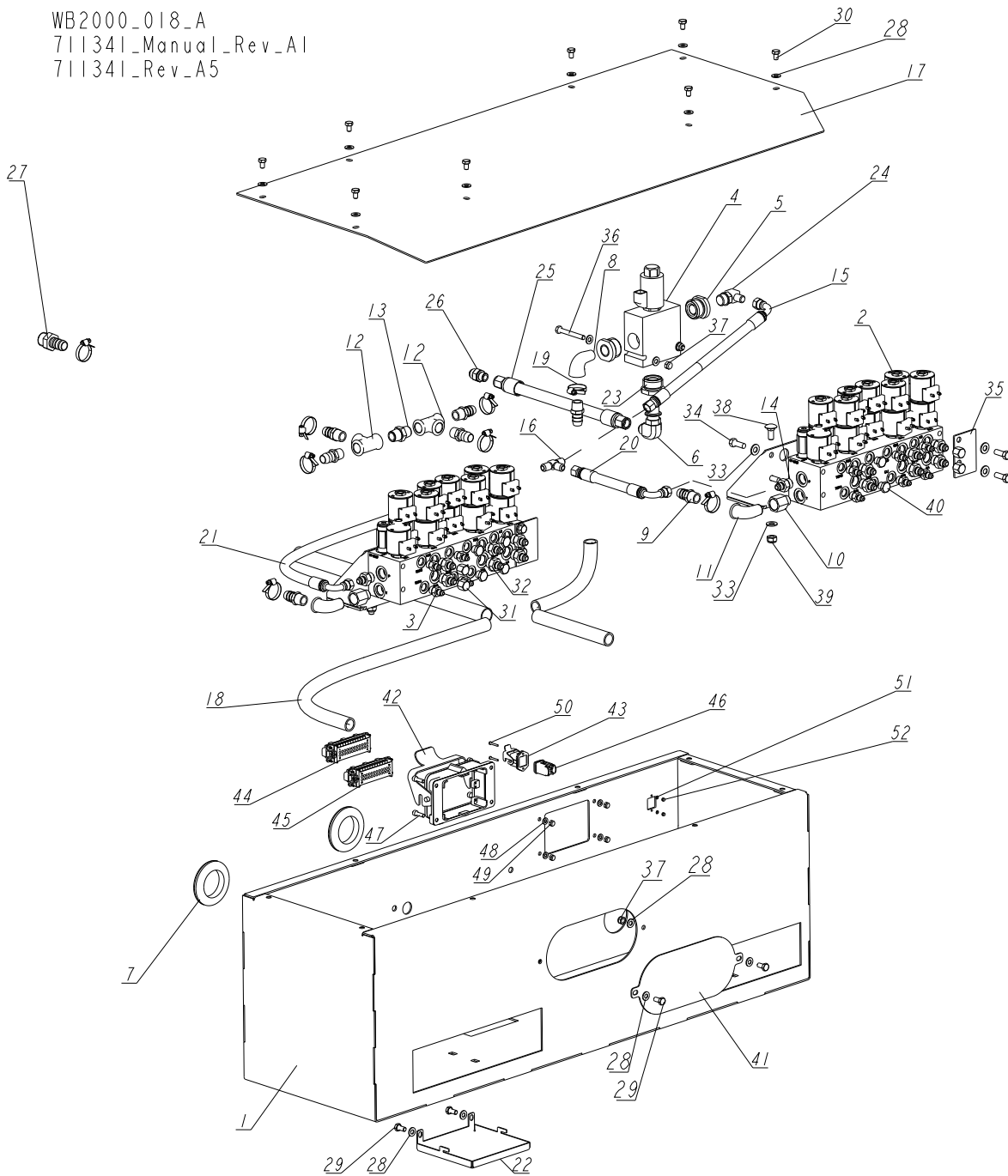
WB2000_017
710300_Manual
710300_Rev_A7
025689_Rev_B1



REF.	DESCRIPTION (◆ Indicates Parts Available in Assemblies Only)	PART #	QTY
	VALVE, 24V 7-SPOOL EXPANDABLE HYDRAULIC	025689	1
1	VALVE, DUAL PO CHECK	025832	4
2	VALVE, RELIEF	025833	1
3	VALVE, SV10-21 HYDRAULIC	025831	1
4	VALVE, SV10-47D	025829	4
5	VALVE, 4-WAY 3-POSITION, CLOSED CENTER	025830	3
6	NUT, COIL (SV10-21)	025836	1
7	COIL, 24V DC	025835	15
8	SPACER, COIL	025838	7
9	NUT, COIL (SV10-47)	025837	7

5.3 Hydraulic Box, WB2000 HS1

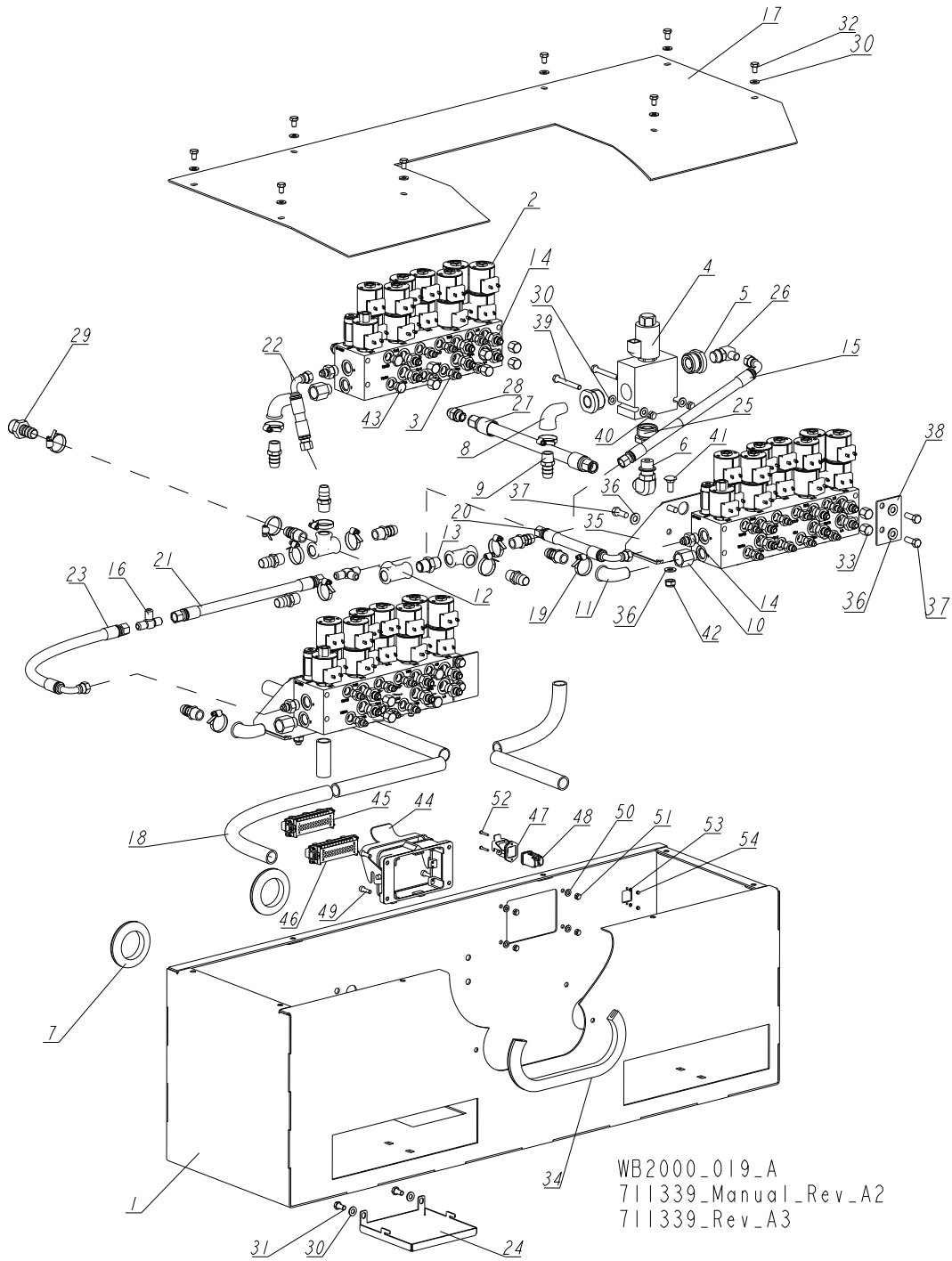
WB2000_018_A
711341_Manual_Rev_A1
711341_Rev_A5



REF.	DESCRIPTION (◆ Indicates Parts Available in Assemblies Only)	PART #	QTY
	BOX, HS1 HYDRAULIC - COMPLETE	711341	1
1	BOX, HYDRAULIC	710924-1	1
2	VALVE, 24V 7-SPOOL EXPANDABLE HYDRAULIC See Section 5.2	025689	2
3	FITTING, 3/8" O-RING - 1/4" JIC	P26284	10
4	VALVE, PV72 PROPORTIONAL	512110	1
5	FITTING, 1 5/16"UNF MALE - 3/4" UNF FEMALE	510836	2
6	FITTING, #10SAE-1/2 JIC 90 ELBOW	042784	1
7	GROMMET, 55 MM DIA. RUBBER	085614	2

REF.	DESCRIPTION (◆ Indicates Parts Available in Assemblies Only)	PART #	QTY
8	ELBOW, 3/4" UNF 1/2" NPT (HANSA FLEX W90 IN 08 HJ)	512745	1
9	FITTING, 1/2"NPTX3/4" HOSE BARB	035621	7
10	FITTING, #8SAE X 1/2" NPT FEMALE ADAPTER	035620	2
11	ELBOW, A4 WZ 1/2" ZINC-PLATED	094749	2
12	FITTING, B1 1/2" TEE ZINC-PLATED	094750	2
13	NIPPLE, N8 1/2" MALE ZINC-PLATED	094751	1
14	FITTING, 8SAE-6JIC PROSTA 3/4"UNF- 3/8"JIC	P12703	14
15	HOSE, 2T3/8X0.25 W9/16UNF-90W9/16UNF HYDRAULIC	710951	1
16	FITTING, 3/8JIC TEE	015487	1
17	COVER, HYDRAULIC BOX	710927-1	1
18	HOSE SET, HS1 LOW-PRESSURE	711343	1
19	CLAMP, 20-40 MM	F81095-3	8
20	HOSE, 2T3/8X0.15M W9/16UNF-90W9/16UNF HYDRAULIC	710952	1
21	HOSE, 2T3/8X0.48M W9/16UNF-90W9/16UNF HYDRAULIC	711344	1
22	TRAY, OIL LEAK	710989-1	1
23	FITTING, 1 5/16" MALE - 7/8" FEMALE	510837	1
24	FITTING, SAE8-9/16 JIC ELBOW	094610	1
25	HOSE, 2G 1/2X3.0 W3/4UNF-W3/4UNF HYDRAULIC	711191	1
26	FITTING, 1/2-3/8	512162	1
27	NIPPLE, AGR DN20 3/4"	505066	1
28	WASHER, 8.4 FLAT ZINC	F81054-1	18
29	BOLT, M8X16-8.8-B HEX HEAD FULL THREAD ZINC	F81002-20	4
30	BOLT, M8X12-8.8 HEX HEAD FULL THREAD ZINC	F81002-6	8
31	FITTING,3/8 JIC CAP	016816	4
32	BRACKET, HYDRAULIC VALVE MOUNT	711333-1	2
33	WASHER, 10.5 FLAT ZINC	F81055-1	20
34	SCREW,3/8-16X1 HHC	F05007-7	12
35	PLATE, COVER	711337-1	2
36	BOLT, M8X65 5.8 HEX HEAD ZINC	F81002-3	2
37	NUT, M8 8 HEX NYLON ZINC LOCK	F81032-2	4
38	BOLT, Z M10X25-8.8 CARRIAGE HEAD ZINC	F81003-59	8
39	NUT, M10-8-B HEX NYLON ZINC LOCK	F81033-1	8
40	PLUG, 9/16-18 JIC HYDRAULIC VALVE	089647	6
41	PLATE, HYDRAULIC VALVE SECTION COVER	711345-1	1
	PUMP & TANK, WM4000 HYDRAULIC - COMPLETE See Section 5.6	510630	1
42	HOUSING, H-B 48 AG-LB CONNECTOR	711565	1
43	HOUSING, H-A 3 MAG CONNECTOR	711568	1
44	INSERT, 1-24 H-BE 24 SS MALE	711566	1
45	INSERT, 25-48 H-BE 24 SS MALE	711567	1
46	INSERT, 1-4 H-A 4 SS MALE	711569	1
47	SCREW, M6X20 8.8 HEX SOCKET HEAD CAP ZINC	F81001-22	4
48	WASHER, 6.4 FLAT ZINC	F81053-1	4
49	NUT, M6-8-B HEX NYLON ZINC LOCK	F81031-2	4
50	SCREW, M3X20-5.8-A SLOTTED CHEESE HEAD ZINC	F81000-8	2
51	WASHER, 3.2 A MS FLAT	F81050-1	2
52	NUT, M3-6 HEX NYLON ZINC LOCK	F81028-2	2

5.4 Hydraulic Box, WB2000 HS2



WB2000_019_A
711339_Manual_Rev_A2
711339_Rev_A3

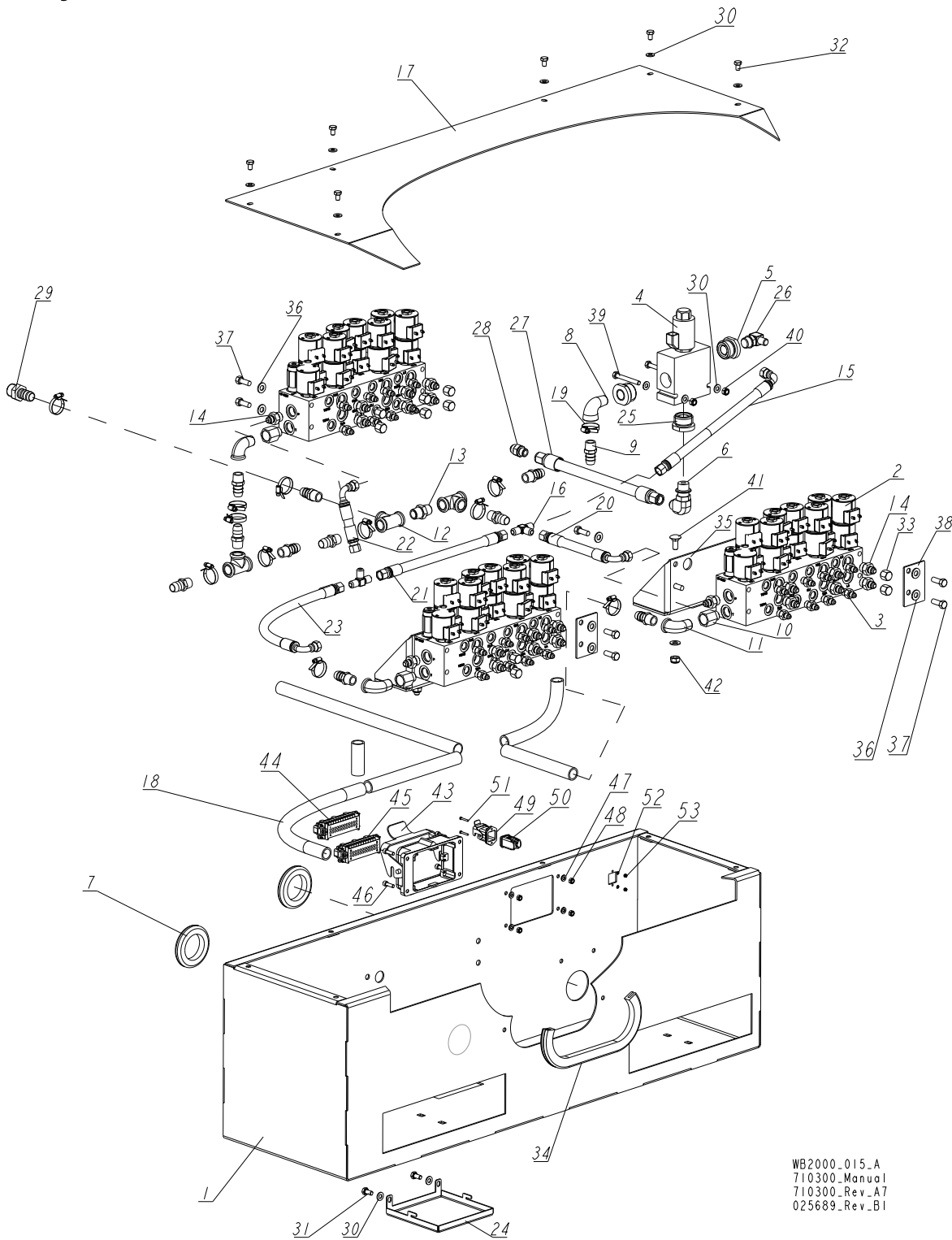
REF.	DESCRIPTION (◆ Indicates Parts Available in Assemblies Only)	PART #	QTY
	BOX, HS2 HYDRAULIC - COMPLETE	711339	1
1	BOX, HYDRAULIC	710924-1	1
2	VALVE, 24V 7-SPOOL EXPANDABLE HYDRAULIC See Section 5.2	025689	3
3	FITTING, 3/8" O-RING - 1/4" JIC	P26284	20
4	VALVE, PV72 PROPORTIONAL	512110	1
5	FITTING, 1 5/16"UNF MALE - 3/4" UNF FEMALE	510836	2
6	FITTING, #10SAE-1/2 JIC 90 ELBOW	042784	1

REF.	DESCRIPTION (◆ Indicates Parts Available in Assemblies Only)	PART #	QTY
7	GROMMET, 55 MM DIA. RUBBER	085614	2
8	ELBOW, 3/4" UNF 1/2" NPT (HANSA FLEX W90 IN 08 HJ)	512745	1
9	FITTING, 1/2"NPTX3/4" HOSE BARB	035621	11
10	FITTING, #8SAE X 1/2" NPT FEMALE ADAPTER	035620	3
11	ELBOW, A4 WZ 1/2" ZINC-PLATED	094749	3
12	FITTING, B1 1/2" TEE ZINC-PLATED	094750	3
13	NIPPLE, N8 1/2" MALE ZINC-PLATED	094751	1
14	FITTING, 8SAE-6JIC PROSTA 3/4"UNF- 3/8"JIC	P12703	21
15	HOSE, 2T3/8X0.25 W9/16UNF-90W9/16UNF HYDRAULIC	710951	1
16	FITTING, 3/8JIC TEE	015487	2
17	COVER, HYDRAULIC BOX	710927-1	1
18	HOSE SET, HS2/3 LOW-PRESSURE	710950	1
19	CLAMP, 20-40 MM	F81095-3	12
20	HOSE, 2T3/8X0.15M W9/16UNF-90W9/16UNF HYDRAULIC	710952	1
21	HOSE, 2T3/8X0.33M W9/16UNF-90W9/16UNF HYDRAULIC	710954	1
22	HOSE, 2T3/8X0.12M W9/16UNF-90W9/16UNF HYDRAULIC	710955	1
23	HOSE, 2T3/8X0.45M W9/16UNF-90W9/16UNF HYDRAULIC	710957	1
24	TRAY, OIL LEAK	710989-1	1
25	FITTING, 1 5/16" MALE - 7/8" FEMALE	510837	1
26	FITTING, SAE8-9/16 JIC ELBOW	094610	1
27	HOSE, 2G 1/2X3.0 W3/4UNF-W3/4UNF HYDRAULIC	711191	1
28	FITTING, 1/2-3/8	512162	1
29	NIPPLE, AGR DN20 3/4"	505066	1
30	WASHER, 8.4 FLAT ZINC	F81054-1	14
31	BOLT, M8X16-8.8-B HEX HEAD FULL THREAD ZINC	F81002-20	2
32	BOLT, M8X12-8.8 HEX HEAD FULL THREAD ZINC	F81002-6	8
33	FITTING,3/8 JIC CAP	016816	10
34	GROMMET, 230X95X15MM RUBBER	085759	1
35	BRACKET, HYDRAULIC VALVE MOUNT	711333-1	2
36	WASHER, 10.5 FLAT ZINC	F81055-1	24
37	SCREW,3/8-16X1 HHC	F05007-7	16
38	PLATE, COVER	711337-1	2
39	BOLT, M8X65 5.8 HEX HEAD ZINC	F81002-3	2
40	NUT, M8 8 HEX NYLON ZINC LOCK	F81032-2	2
41	BOLT, Z M10X25-8.8 CARRIAGE HEAD ZINC	F81003-59	8
42	NUT, M10-8-B HEX NYLON ZINC LOCK	F81033-1	8
43	PLUG, 9/16-18 JIC HYDRAULIC VALVE	089647	4
	PUMP & TANK, WM4000 HYDRAULIC - COMPLETE See Section 5.6	510630	1
44	HOUSING, H-B 48 AG-LB CONNECTOR	711565	1
45	INSERT, 1-24 H-BE 24 SS MALE	711566	1
46	INSERT, 25-48 H-BE 24 SS MALE	711567	1
47	HOUSING, H-A 3 MAG CONNECTOR	711568	1
48	INSERT, 1-4 H-A 4 SS MALE	711569	1
49	SCREW, M6X20 8.8 HEX SOCKET HEAD CAP ZINC	F81001-22	4
50	WASHER, 6.4 FLAT ZINC	F81053-1	4
51	NUT, M6-8-B HEX NYLON ZINC LOCK	F81031-2	4
52	SCREW, M3X20-5.8-A SLOTTED CHEESE HEAD ZINC	F81000-8	2
53	WASHER, 3.2 A MS FLAT	F81050-1	2

5**Hydraulic System***Hydraulic Box, WB2000 HS2*

REF.	DESCRIPTION (◆ Indicates Parts Available in Assemblies Only)	PART #	QTY	
54	NUT, M3-6 HEX NYLON ZINC LOCK	F81028-2	2	

5.5 Hydraulic Box, WB2000 HS3



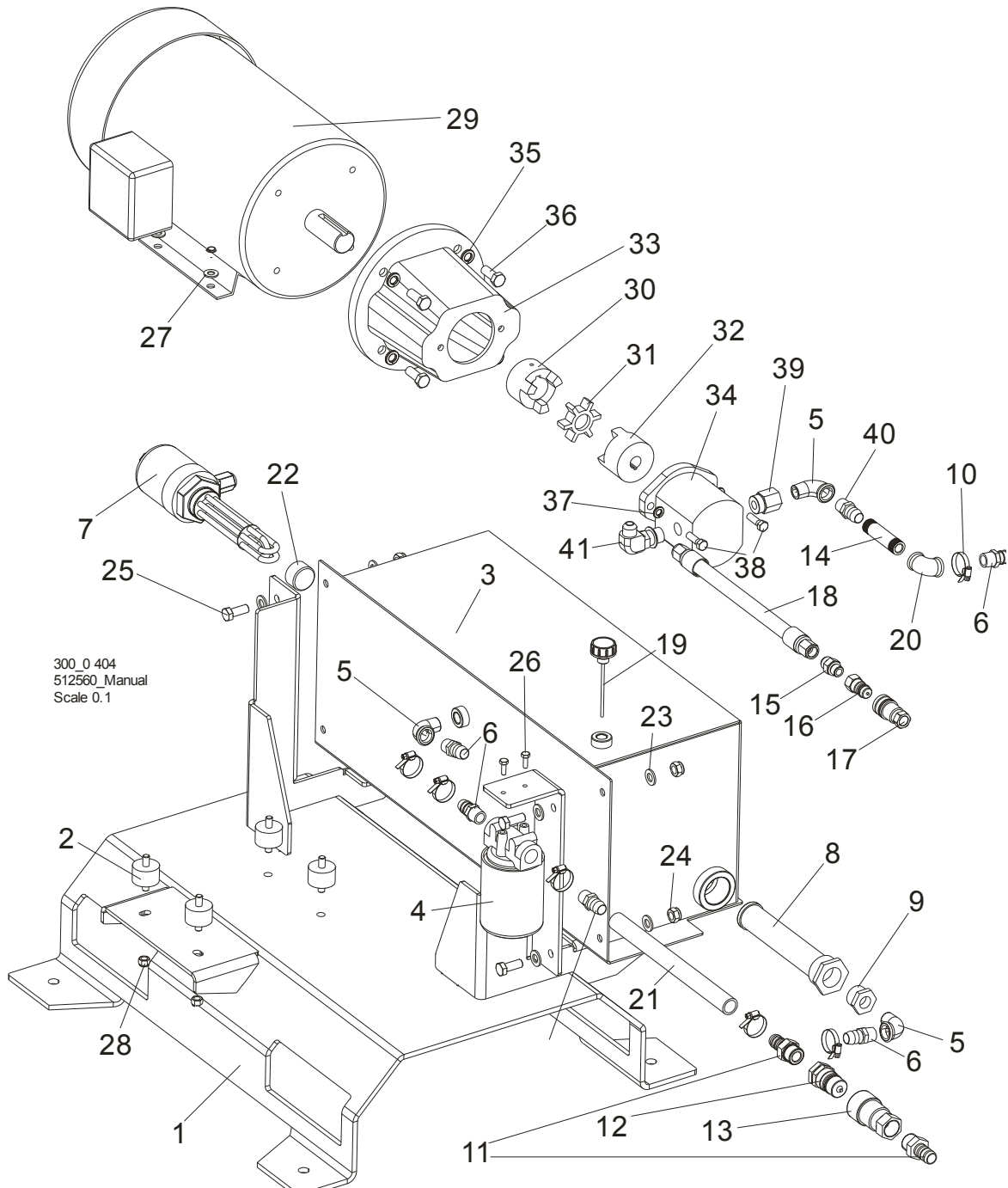
WB2000_015_A
710300_Manual
710300_Rev_A7
025689_Rev_B1

REF.	DESCRIPTION (◆ Indicates Parts Available in Assemblies Only)	PART #	QTY
	BOX, HS3 HYDRAULIC - COMPLETE	710925	1
1	BOX, HYDRAULIC	710924-1	1
2	VALVE, 24V 7-SPOOL EXPANDABLE HYDRAULIC See Section 5.2	025689	3
3	FITTING, 3/8" O-RING - 1/4" JIC	P26284	24
4	VALVE, PV72 PROPORTIONAL	512110	1

REF.	DESCRIPTION (◆ Indicates Parts Available in Assemblies Only)	PART #	QTY	
5	FITTING, 1 5/16"UNF MALE - 3/4" UNF FEMALE	510836	2	
6	FITTING, #10SAE-1/2 JIC 90 ELBOW	042784	1	
7	GROMMET, 55 MM DIA. RUBBER 55MM	085614	2	
8	ELBOW, 3/4" UNF 1/2" NPT (HANSA FLEX W90 IN 08 HJ)	512745	1	
9	FITTING, 1/2"NPTX3/4" HOSE BARB	035621	11	
10	FITTING, #8SAE X 1/2" NPT FEMALE ADAPTER	035620	3	
11	ELBOW, A4 WZ 1/2" ZINC-PLATED	094749	3	
12	FITTING, B1 1/2" TEE ZINC-PLATED	094750	3	
13	NIPPLE, N8 1/2" MALE ZINC-PLATED	094751	1	
14	FITTING, 8SAE-6JIC PROSTA 3/4"UNF- 3/8"JIC	P12703	21	
15	HOSE, 2T3/8X0.25 W9/16UNF-90W9/16UNF HYDRAULIC	710951	1	
16	FITTING, 3/8JIC TEE	015487	2	
17	COVER, HYDRAULIC BOX	710927-1	1	
18	HOSE SET, HS2/3 LOW-PRESSURE	710950	1	
19	CLAMP, 20-40 MM	F81095-3	12	
20	HOSE, 2T3/8X0.15M W9/16UNF-90W9/16UNF HYDRAULIC	710952	1	
21	HOSE, 2G3/8x0.330 W9/16UNF-W9/16UNF HYDRAULIC	710954	1	
22	HOSE, 2G3/8x0.120 W9/16UNF-90W9/16UNF HYDRAULIC	710955	1	
23	HOSE, 2T3/8X0.48M W9/16UNF-90W9/16UNF HYDRAULIC	710957	1	
24	TRAY, OIL LEAK	710989-1	1	
25	FITTING, 1 5/16" MALE - 7/8" FEMALE	510837	1	
26	FITTING, SAE8-9/16 JIC ELBOW	094610	1	
27	HOSE, 2G 1/2X3.0 W3/4UNF-W3/4UNF HYDRAULIC	711191	1	
28	FITTING, 1/2-3/8	512162	1	
29	NIPPLE, AGR DN20 3/4"	505066	1	
30	WASHER, 8.4 FLAT ZINC	F81054-1	14	
31	BOLT, M8X16-8.8-B HEX HEAD FULL THREAD ZINC	F81002-20	2	
32	BOLT, M8X12-8.8 HEX HEAD FULL THREAD ZINC	F81002-6	8	
33	FITTING,3/8 JIC CAP	016816	10	
34	GROMMET, 230X95X15MM RUBBER	085759	1	
35	BRACKET, HYDRAULIC VALVE MOUNT	711333-1	2	
36	WASHER, 10.5 FLAT ZINC	F81055-1	24	
37	BOLT, 3/8-16X1 1/2 HEX HEAD	F05007-3	16	
38	PLATE, COVER	711337-1	2	
39	BOLT, M8X65 5.8 HEX HEAD ZINC	F81002-3	2	
40	NUT, M8 8 HEX NYLON ZINC LOCK	F81032-2	2	
41	BOLT, Z M10X25-8.8 CARRIAGE HEAD ZINC	F81003-59	8	
42	NUT, M10-8-B HEX NYLON ZINC LOCK	F81033-1	8	
	PUMP & TANK, WM4000 HYDRAULIC - COMPLETE See Section 5.6	510630	1	
43	HOUSING, H-B 48 AG-LB CONNECTOR	711565	1	
44	INSERT, 1-24 H-BE 24 SS MALE	711566	1	
45	INSERT, 25-48 H-BE 24 SS MALE	711567	1	
46	SCREW, M6X20 8.8 HEX SOCKET HEAD CAP ZINC	F81001-22	4	
47	WASHER, 6.4 FLAT ZINC	F81053-1	4	
48	NUT, M6-8-B HEX NYLON ZINC LOCK	F81031-2	4	
49	HOUSING, H-A 3 MAG CONNECTOR	711568	1	
50	INSERT, 1-4 H-A 4 SS MALE	711569	1	
51	SCREW, M3X20-5.8-A SLOTTED CHEESE HEAD ZINC	F81000-8	2	

REF.	DESCRIPTION (◆ Indicates Parts Available in Assemblies Only)	PART #	QTY	
52	WASHER, 3.2 A MS FLAT	F81050-1	2	
53	NUT, M3-6 HEX NYLON ZINC LOCK	F81028-2	2	

5.6 Hydraulic Pump & Oil Tank

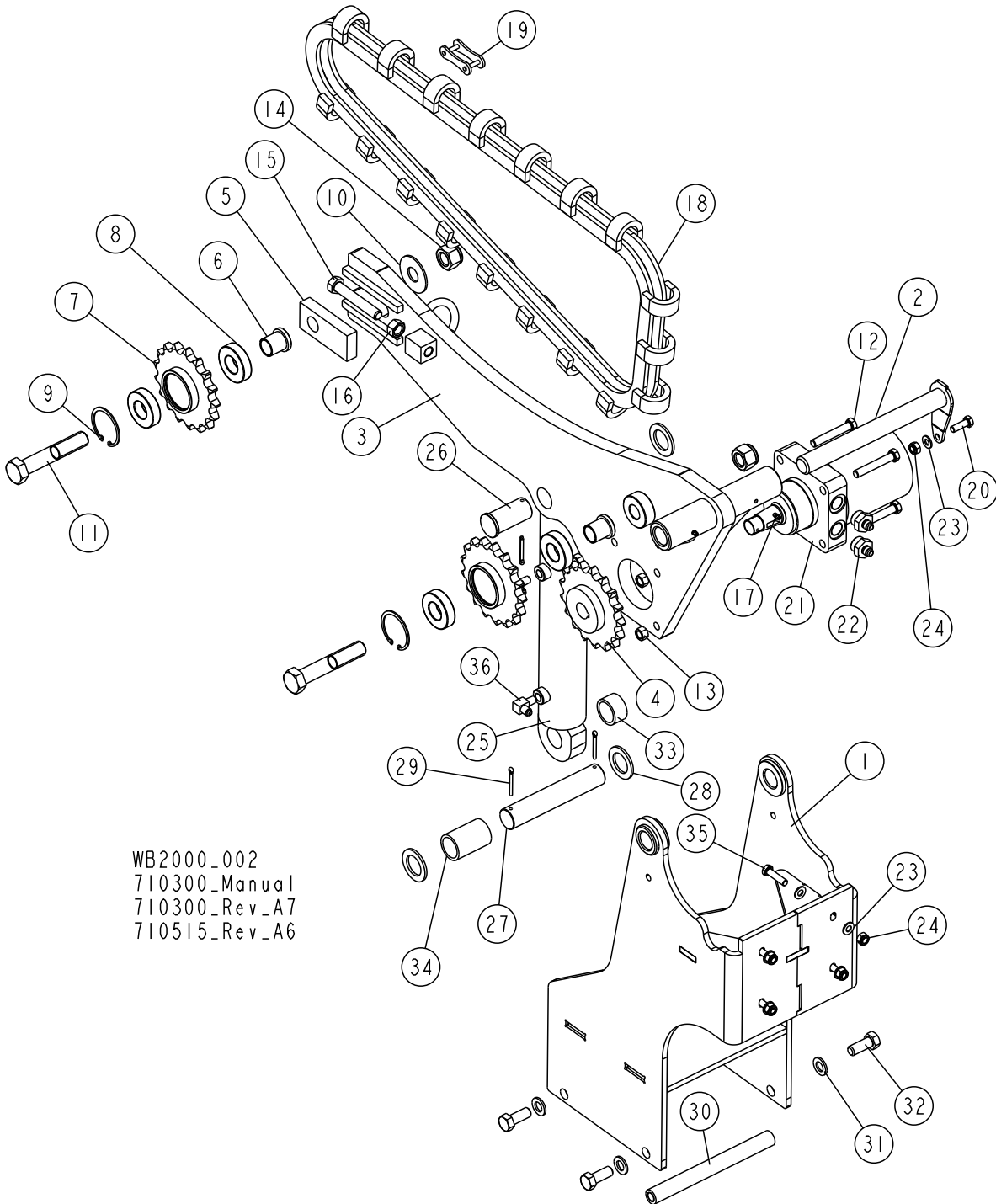


300_0 404
512560_Manual
Scale 0.1

REF.	DESCRIPTION (◆ Indicates Parts Available in Assemblies Only)	PART #	QTY
	PUMP & TANK, WM4000 HYDRAULIC - COMPLETE	510630	1
1	MOUNT WELDMENT, WM4000 HYDRAULIC PUMP & TANK	510624-1	1
2	MOUNT, HYDRAULIC MOTOR RUBBER	035546	4
3	TANK, WM4000 (52L) OIL	510619-1	1
4	MANIFOLD, W/FILTER	P22683	1
5	ELBOW, A4 WZ 1/2" ZINC-PLATED	094749	3
6	FITTING, 1/2"NPTx3/4" HOSE BARB	035621	5
7	HEATER, EH-380-200-G11/2"TA-2x400V TERMO	511737	1
8	FILTER, RESAW TANK SUCTION	P20210	1
9	BUSHING, 1/2 TO 1	P20239	1

10	CLAMP, 20-40 MM DIA.	F81095-3	6	
11	NIPPLE, AGR DN20 3/4"	505066	2	
12	FITTING, 3/4" ID BSP MALE QUICK DISCONNECT	505065	1	
13	FITTING, 3/4" ID BSP FEMALE QUICK DISCONNECT	505064	1	
14	FITTING, 1/2" 80MM THREAD ZINC-PLATED	511417	1	
15	FITTING, 1/2-3/8 BA.19.05.06 HYDRAULIC	512162	1	
16	FITTING, 3/8" ID BSP MALE QUICK DISCONNECT	504966	1	
17	FITTING, 3/8" ID BSP FEMALE QUICK DISCONNECT	504965	1	
18	HOSE, 2G1/2X0,30 W3/4UNF-W3/4UNF HYDRAULIC	512176	1	
19	CAP, 3/8" W/DIPSTICK	507166	1	
20	ELBOW, 1/2" ZINC-PLATED	511419	1	
21	HOSE, 3/4 L=0.86	094790_0-8	1	
22	PLUG, R 1 1/2 THREADED	512574	1	
23	WASHER, 13 FLAT ZINC	F81056-1	8	
24	NUT, M12-8 HEX NYLON ZINC LOCK	F81034-2	4	
25	BOLT, M12x30-8.8 HEX HEAD FULL THREAD ZINC	F81004-22	4	
26	BOLT, 1/4-20x3/4 FT HHC	F05005-1	2	
27	WASHER, 10.5 FLAT ZINC	F81055-1	4	
28	NUT, 3/8-16 HEX NYLON LOCK	F05010-10	8	
	PUMP ASSEMBLY, 10HP 9GPM HYDRAULIC	008743	1	
29	MOTOR, 10HP 3525 r.p.m. LINCOLN LM24962	008737	1	
30	COUPLING BODY, L100x1 3/8	042777	1	
31	COUPLING, L100 SPIDER	042779	1	
32	COUPLING BODY, L100 x 3/4	042778	1	
33	ADAPTER, 50Hz HYDRAULIC PUMP	042781	1	
34	PUMP, 9GPM HYDRAULIC	008738	1	
35	WASHER, 1/2" SPLIT LOCK	F05011-9	4	
36	BOLT, 1/2-13X1 1/4 HEX HEAD GRADE 5	F05008-37	4	
37	WASHER, 3/8" SPLIT LOCK	F05011-4	2	
38	BOLT, 3/8-16X 1 1/4 HEX HEAD GRADE 5	F05007-123	2	
39	FITTING, 1/2"NPT x #12 SAE FEMALE AD	042785	1	
40	FITTING, 1/2"NPTx3/4" HOSE BARB	035621	1	
41	FITTING, #10SAE-1/2 JIC 90 ELBOW	042784	1	

5.7 Chain Log Turner, WB2000

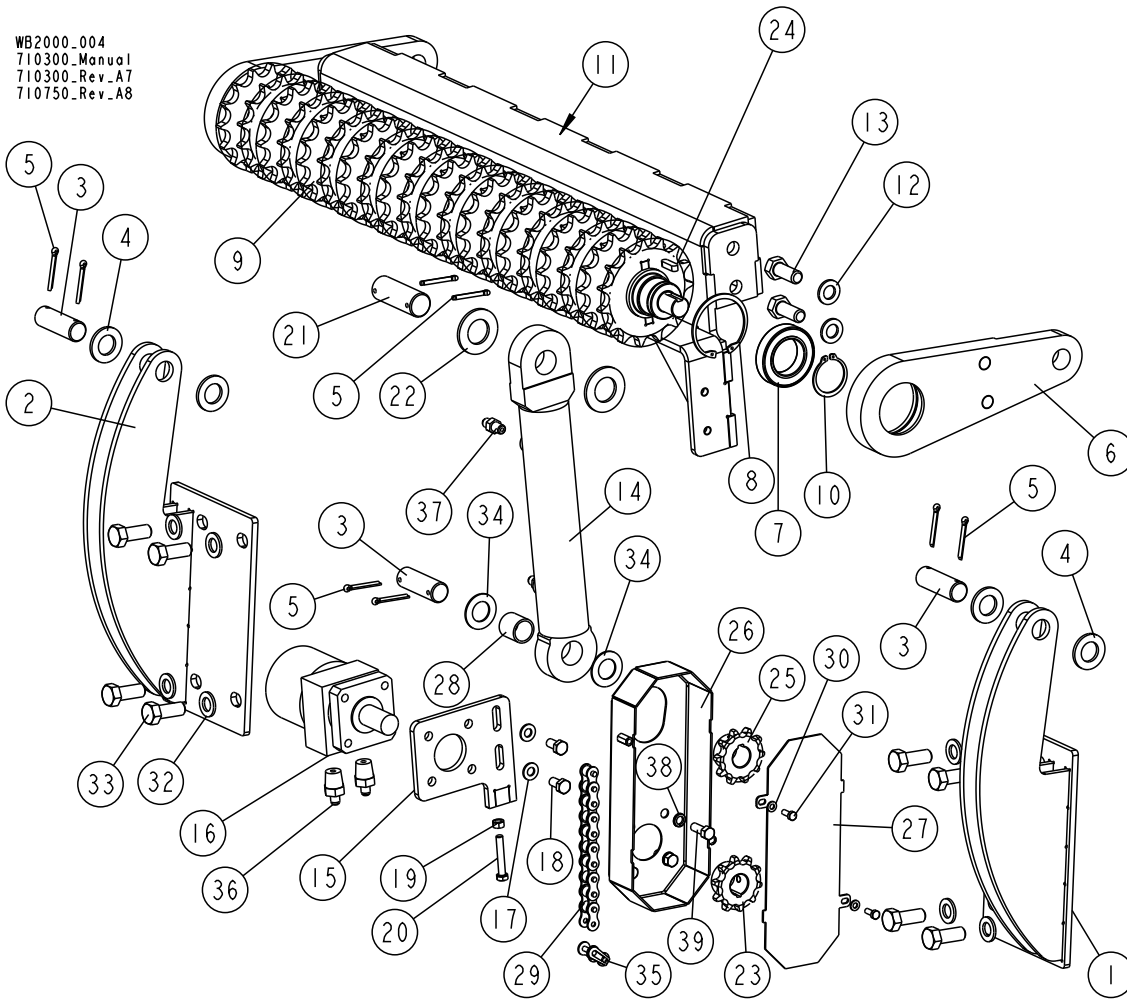


WB2000_002
 710300_Manual
 710300_Rev_A7
 710515_Rev_A6

REF.	DESCRIPTION (◆ Indicates Parts Available in Assemblies Only)	PART #	QTY
	TURNER, WB2000 CHAIN LOG - COMPLETE	710515	1
1	MOUNT WELDMENT, CHAIN LOG TURNER	710500-1	1
2	PIN, 30X290 W/PLATE	710505-1	1
	TURNER, WB2000 CHAIN LOG	710490	1
3	ARM WELDMENT, CHAIN LOG TURNER	710495-1	1
4	SPROCKET, LOG TURNER	092339	1

REF.	DESCRIPTION (◆ Indicates Parts Available in Assemblies Only)	PART #	QTY
5	PLATE, LOG TURNER CHAIN TENSION	095664-1	1
6	BUSHING, LOG TURNER	095663-1	2
	COMPLETE SPROCKET	092399	2
7	SPROCKET W/HUB	093290	1
8	BEARING, 6206 25	093292	2
9	RING, 62W INSIDE RETAINING	F81090-1	1
10	WASHER, 25X63 ZINC-PLATED	088585-1	1
11	BOLT, M24X130 HEX HEAD	F81009-4	2
12	BOLT, M12X75-8.8 HEX HEAD ZINC	F81004-21	4
13	NUT, M12-8-B HEX ZINC	F81034-1	4
14	NUT, M24 Z PN-EN ISO 7040 NYLON	F81039-8	2
15	BOLT, M16X100-8.8 HEX HEAD FULL THREAD ZINC	F81006-2	1
16	NUT, M16-8 HEX ZINC	F81036-1	1
17	FITTING, M6 TYPE A STRAIGHT GREASE	086280	2
18	CHAIN, LOG TURNER	711157	1
19	LINK, MASTER	093427	1
20	BOLT, M10X30 5.8 HEX HEAD FULL THREAD ZINC	F81003-2	1
21	MOTOR, TG0475US080AABP HYDRAULIC	007331-2	1
22	FITTING, #10SAE X 3/8JIC STRAIGHT	017640	2
23	WASHER, 10.5 FLAT ZINC	F81055-1	9
24	NUT, M10-8-B HEX NYLON ZINC LOCK	F81033-1	5
25	CYLINDER, CJ-S602-16-63/36/200	710779	1
26	PIN, 35X70 DIA. 40-5 ZINC-PLATED	710792-1	1
27	PIN, 34.9 X 188 ZINC-PLATED	710972-1	1
28	WASHER, 35.2/55-4 ZINC-PLATED	507582-1	3
29	PIN, S-ZN 5X40 COTTER	F81043-31	3
30	PIN, MOUNTING	711152-1	2
31	WASHER, 17 FLAT ZINC	F81058-1	4
32	BOLT, M16X40-8.8 HEX HEAD FULL THREAD ZINC	F81006-13	4
33	BUSHING, 35/44X24.5	710983-1	1
34	BUSHING, 35/44X66.5	710984-1	1
35	BOLT, M10X40-8.8 HEX HEAD FULL THREAD ZINC	F81003-16	4
36	FITTING, 3/8JIC-1/4NPT 90L	015491	2

5.8 Driven Log Levelling Roller, WB2000

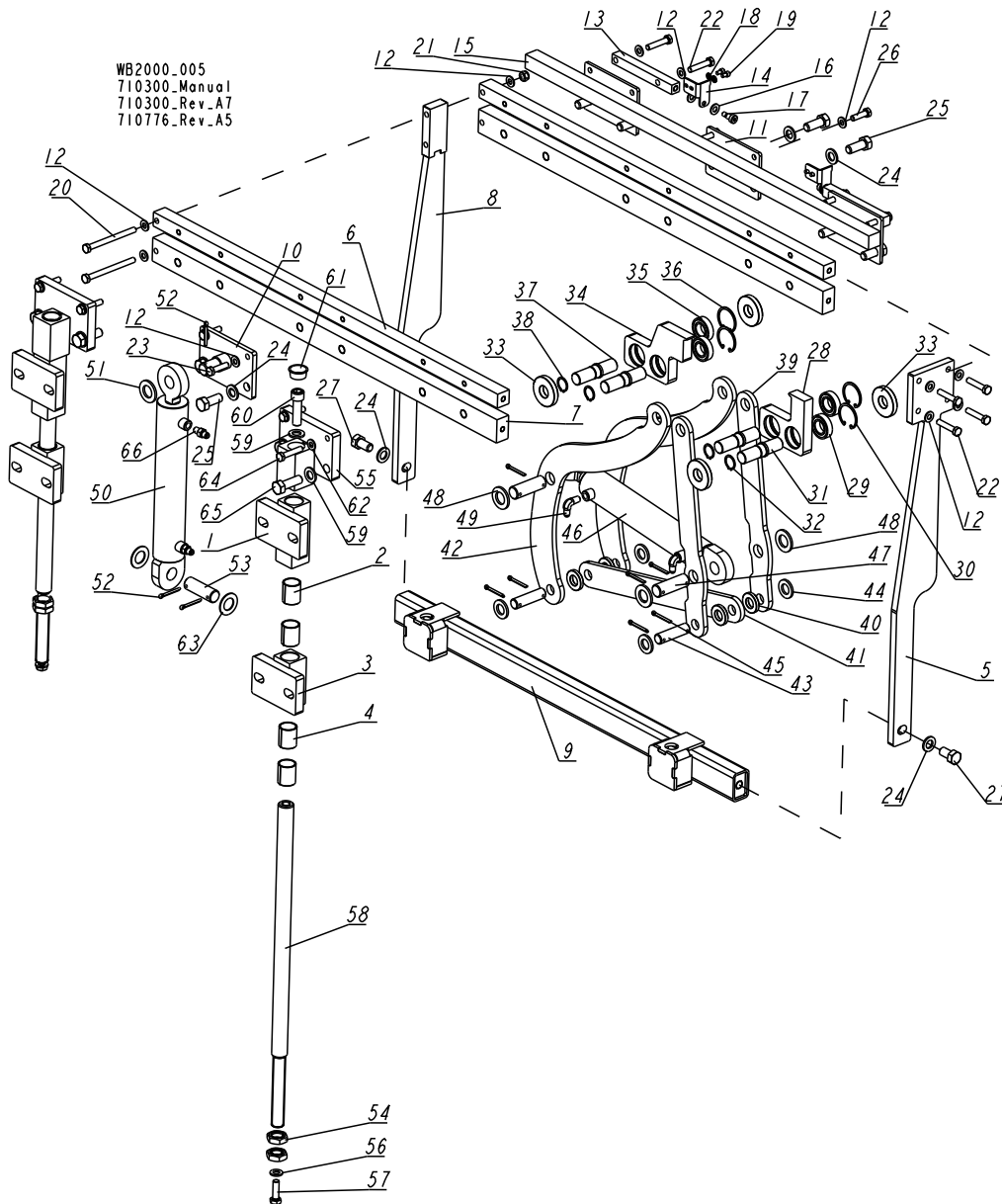


WB2000_004
710300_Manual
710300_Rev_A7
710750_Rev_A8

REF.	DESCRIPTION (◆ Indicates Parts Available In Assemblies Only)	PART #	QTY
	ROLLER, DRIVEN LOG LEVELLING	710750	1
1	MOUNT WELDMENT, RIGHT	710531-1	1
2	MOUNT WELDMENT, LEFT	710749-1	1
3	PIN, 24.9X75 ZINC-PLATED	088659-1	3
4	WASHER, 25 FLAT ZINC	F81061-3	4
5	PIN, S-FE 5X40 COTTER	F81043-31	8
	ARM, DRIVEN LOG LEVELLING ROLLER - COMPLETE	710748	1
	BRACKET WELDMENT, DRIVEN LOG LEVELLING ROLLER	710747	2
6	BRACKET, ROLLER	710746-1	1
7	BEARING, 6009.2RSR (FAG) ROLLING	096025	1
8	RING, W 75 INSIDE RETAINING	F81090-41	1
9	ROLLER, DRIVEN LOG LEVELLING - COMPLETE	710716-1	1
10	RING, Z 45 OUTSIDE RETAINING	F81090-32	2
11	MOUNT WELDMENT, CYLINDER	710755-1	1
12	WASHER, 17 FLAT ZINC	F81058-1	4
13	BOLT, M16X40-8.8 HEX HEAD FULL THREAD ZINC	F81006-13	4
14	CYLINDER, CJ-S579-16-50/28/145 HYDRAULIC PISTON	710756	1
15	PLATE WELDMENT, HYDRAULIC MOTOR	710758-1	1

REF.	DESCRIPTION (◆ Indicates Parts Available In Assemblies Only)	PART #	QTY	
16	MOTOR, MG06-13-13AAAB HYDRAULIC	P21506	1	
17	WASHER, 10.5 FLAT ZINC	F81055-1	2	
18	BOLT, M10X20-5.8 HEX HEAD FULL THREAD ZINC	F81003-1	2	
19	NUT, M8-8-B HEX ZINC	F81032-1	1	
20	BOLT, M8X50-8.8 HEX HEAD FULL THREAD ZINC	F81002-19	1	
21	PIN, 30X83	710799-1	1	
22	WASHER, 31 FLAT ZINC	F81061-9	2	
23	SPROCKET, 12B Z10 HYDRAULIC MOTOR	710900	1	
24	KEY, A8X7X28 PARALLEL	096035	1	
25	SPROCKET, 12B Z10	710901	1	
26	GUARD, ROLLER DRIVE	710986-1	1	
27	PLATE, GUARD FRONT	710965-1	1	
28	BUSHING, 25/30-30 ZINC-PLATED	710974-1	1	
29	CHAIN, 12B-1 (28-LINK)	711190	1	
30	WASHER, 6.4 FLAT ZINC	F81053-1	2	
31	BOLT, M6X16-8.8 HEX HEAD FULL THREAD ZINC	F81001-15	2	
32	WASHER, 17 FLAT ZINC	F81058-1	8	
33	BOLT, M16X40-8.8 HEX HEAD FULL THREAD ZINC	F81006-13	8	
34	WASHER, 25.1X44X2	711319	2	
35	LINK, 12B-1PZ MASTER	090713	1	
36	FITTING, Z-7/16 JIC / Z-1/2" NPT STRAIGHT	096919	2	
37	FITTING, 1/4NPTX1/4JIC MALE	P09143	2	
38	WASHER, Z 10.2 SPLIT LOCK ZINC	F81055-2	4	
39	BOLT, 3/8-16x1 HHC	F05007-7	4	

5.9 Pull-Down Clamp, WB2000



REF.	DESCRIPTION (◆ Indicates Parts Available in Assemblies Only)	PART #	QTY
	CLAMP, LEFT PULL-DOWN - COMPLETE	710776	1/0
	CLAMP, RIGHT PULL-DOWN - COMPLETE	710777	0/1
	BLOCK ASSEMBLY, MIDDLE GUIDE	710343	2
1	BLOCK WELDMENT, GUIDE	710342-1	1
2	BUSHING, 3040BS SELF-LUBRICATING	088676	2
	BLOCK ASSEMBLY, LOWER GUIDE	710356	2
3	BLOCK WELDMENT, GUIDE	710355-1	1
4	BUSHING, 3040BS SELF-LUBRICATING	088676	2
	CLAMP, PULL-DOWN	710340	1/0
	CLAMP, RIGHT PULL-DOWN - COMPLETE	710520 ¹	0/1
5	PLATE, MOUNTING	710364-1	1
6	BAR, UPPER MAIN	710335-1	2

REF.	DESCRIPTION (◆ Indicates Parts Available in Assemblies Only)	PART #	QTY
7	BAR, LOWER MAIN	710336-1	2
8	PLATE WELDMENT, MOUNTING	710379-1	1
9	TUBE WELDMENT, LEFT LOWER	710380-1	1/0
	TUBE WELDMENT, RIGHT LOWER	711160-1 ²	0/1
10	BRACKET WELDMENT, LOG CLAMP CYLINDER	710359-1	1
11	PLATE, LOG CLAMP REAR	710351-1	3
12	WASHER, 10.5 FLAT ZINC	F81055-1	16
	BAR ASSEMBLY, ADDITIONAL	511206	1
13	BAR, MOUNTING	511207-1	2
14	BRACKET, MOUNTING	511209-1	2
15	BAR, MOUNTING	511208-1	1
16	WASHER, 10.5 FLAT ZINC	F81055-1	4
17	BOLT, 10/M8X12-12.9 BOSSARD SHOULDER	F81003-62	2
18	WASHER, 6.4 FLAT ZINC	F81053-1	4
19	SCREW, M6X10 8.8 HEX SOCKET HEAD CAP ZINC	F81001-12	4
20	BOLT, M10X120-8.8 HEX HEAD FULL THREAD ZINC	F81003-47	2
21	NUT, M10-8-B HEX NYLON ZINC LOCK	F81033-1	2
22	BOLT, M10X50-8.8 HEX HEAD FULL THREAD ZINC	F81003-4	8
23	BOLT, M10X40-8.8 HEX HEAD FULL THREAD ZINC	F81003-16	2
24	WASHER, 17 SPLIT LOCK ZINC	F81058-1	10
25	BOLT, M16X40-8.8 HEX HEAD FULL THREAD ZINC	F81006-13	8
26	BOLT, M10X35 8.8 HEX HEAD FULL THREAD ZINC	F81003-17	2
27	BOLT, M16X30-8.8 HEX HEAD FULL THREAD ZINC	F81006-36	2
	JAW, COMPLETE LEFT	094700	1
28	JAW, LEFT	093464-1	1
29	BEARING, 6005 2RS PN-85/M-86100	089652	2
30	RING, W 47 INSIDE RETAINING	089653	2
31	SHAFT, CLAMP JAW GUIDE	088620-1	2
32	RING, Z 24 OUTSIDE RETAINING	089654	2
33	WASHER, JAW SPACER	089542	4
	JAW, COMPLETE RIGHT	094701	1
34	JAW, RIGHT	093465-1	1
35	BEARING, 6005 2RS PN-85/M-86100	089652	2
36	RING, W 47 INSIDE RETAINING	089653	2
37	SHAFT, CLAMP JAW GUIDE	088620-1	2
38	RING, Z 24 OUTSIDE RETAINING	089654	2
39	PLATE, CLAMP IN/OUT - SIDE	710795-1	2
40	WASHER, 20.5/40-7	089541	4
41	PLATE, CLAMP IN/OUT - BOTTOM	710347-1	1
42	PLATE, CLAMP IN/OUT - SIDE	710348-1	2
43	PIN, 19.9X75 ZINC-PLATED	088657-1	2
44	WASHER, 21 FLAT ZINC	F81059-2	4
45	PIN, S-FE 5X40 COTTER	F81043-31	8
46	CYLINDER, SJ2F-16-50/28/235 HYDRAULIC	710778	1
47	PIN, 25X75 ZINC-PLATED	088659-1	2
48	WASHER, 25 FLAT ZINC	F81061-3	4
49	FITTING, 1/4NPTX1/4JIC MALE ELBOW	P09142	2
50	CYLINDER, SJ2F-16-50/28/235 HYDRAULIC	710778	1

REF.	DESCRIPTION (◆ Indicates Parts Available in Assemblies Only)	PART #	QTY	
51	WASHER, 25 FLAT ZINC	F81061-3	1	
52	PIN, S-FE 5X40 COTTER	F81043-31	3	
53	PIN, 24.9X75 ZINC-PLATED	088659-1	1	
54	NUT, M24-04-B HEX THIN ZINC	F81039-3	4	
55	BLOCK WELDMENT, UPPER GUIDE	710353-1	2	
56	WASHER, 13 FLAT ZINC	F81056-1	2	
57	BOLT, M12X40 8.8 HEX HEAD FULL THREAD ZINC	F81004-4	2	
58	ROD, GUIDE	710339	2	
59	WASHER, 17 FLAT ZINC	F81058-1	6	
60	SCREW, M16X55-8.8 HEX SOCKET HEAD CAP ZINC	F81006-18	2	
61	PLUG, M33 THREAD	089839	2	
62	WASHER, 10.5 FLAT ZINC	F81055-1	4	
63	WASHER, 25.1X44X2	711319	2	
64	BOLT, M10X50-8.8 HEX HEAD FULL THREAD ZINC	F81003-4	4	
65	BOLT, M16X50-8.8 HEX HEAD FULL THREAD ZINC	F81006-7	4	
66	FITTING, 1/4NPTX1/4JIC MALE	P09143	2	

¹ Included in assy # 710777

² Included in assy # 710520