

Wood-Mizer®

Parts Manual

| | |
|--------------------------|-------------------|
| LT70 B1-4 E15S MH | rev. A1.00 |
| LT70 B1-4 E20S MH | rev. A1.00 |
| LT70 B1-4 E25S MH | rev. A1.00 |



Safety is our #1 concern! Read and understand all safety information and instructions before operating, setting up or maintaining this machine.

January 2011

Form #638

Table of Contents

Section-Page

| | | |
|------------------|--|------------|
| SECTION 1 | GENERAL INFORMATION | 1-1 |
| 1.1 | How To Use The Parts List | 1-1 |
| 1.2 | Sample Assembly | 1-1 |
| SECTION 2 | BLADE GUIDE ROLLERS & ARM | 2-1 |
| 2.1 | Blade Guide Assembly, Idle Side | 2-1 |
| 2.2 | Blade Guide Assembly, Drive Side | 2-2 |
| 2.3 | Blade Guide Arm Drive Assembly..... | 2-4 |
| 2.4 | Blade Guide Mount Assembly, Drive Side | 2-6 |
| SECTION 3 | BLADE WHEELS & TENSIONER | 3-1 |
| 3.1 | Blade Drive Assembly..... | 3-1 |
| 3.2 | Idle Blade Wheel Assembly | 3-2 |
| 3.3 | Hydraulic Blade Tensioner Assembly..... | 3-4 |
| 3.4 | Sawdust Flow Guide..... | 3-6 |
| SECTION 4 | SAW HEAD | 4-1 |
| 4.1 | Middle Throat Screw | 4-1 |
| 4.2 | Drive Belt Tensioner | 4-1 |
| 4.3 | Board Return Assembly (optional)..... | 4-2 |
| 4.4 | Water Lube Assembly | 4-4 |
| 4.5 | LT70AC Saw Head Decals | 4-5 |
| 4.6 | Blade Housing Covers..... | 4-7 |
| 4.7 | Sawdust Chute | 4-8 |
| 4.8 | Saw Head Protection Kit, LT70M Mobile | 4-9 |
| SECTION 5 | CONTROL & BATTERY BOXES | 5-1 |
| 5.1 | Control Assembly, LT40AC Series MH | 5-1 |
| 5.2 | Control Box Bracket..... | 5-3 |
| 5.3 | Drum Switches | 5-4 |
| 5.4 | Circuit Breakers..... | 5-5 |
| SECTION 6 | UP/DOWN SYSTEM | 6-1 |
| 6.1 | Up/Down Rollers & Covers | 6-1 |
| 6.2 | Blade Height Scale | 6-2 |
| 6.3 | Up/Down Chain & Sprockets..... | 6-3 |
| 6.4 | Up/Down Drive Assembly | 6-4 |
| 6.5 | Safety Switches | 6-6 |

Table of Contents

Section-Page

| | | |
|------------------|--|------------|
| SECTION 7 | FEED SYSTEM & TRACK ROLLERS | 7-1 |
| 7.1 | Upper Track Rollers And Wipers..... | 7-1 |
| 7.2 | Power Feed Assembly | 7-2 |
| 7.3 | Feed Chain/Stop, LT70 S/M | 7-4 |
| 7.4 | Lower Track Rollers..... | 7-5 |
| SECTION 8 | BED FRAME ASSEMBLY | 8-1 |
| 8.1 | Bed Section..... | 8-1 |
| 8.2 | Bed Section, Additional..... | 8-2 |
| 8.3 | Bed Extension..... | 8-3 |
| 8.4 | Stationary Leg Kit | 8-4 |
| 8.5 | Outrigger Leg Kit | 8-5 |
| 8.6 | Log Side Support Assembly | 8-6 |
| 8.7 | Tubes, Front & Rear | 8-7 |
| 8.8 | Bumpers..... | 8-8 |
| 8.9 | Remote Equipment Option | 8-10 |
| 8.10 | Bed Frame Decals..... | 8-11 |
| SECTION 9 | LOG CLAMP, LOADING RAMP & TOE BOARD | 9-1 |
| 9.1 | Log Clamp | 9-1 |
| 9.2 | Loading Ramp | 9-3 |
| 9.3 | Manual Toe Board..... | 9-4 |
| 9.4 | H1/H2/H3 Control Assemblies - Options..... | 9-5 |
| 9.5 | Toe Board Roller Option | 9-8 |
| 9.6 | Roller Turner Option | 9-10 |
| 9.7 | Winch Option | 9-12 |
| 9.8 | Log Side Supports w/Lever Option..... | 9-13 |

SECTION 1 GENERAL INFORMATION

1.1 How To Use The Parts List

- Use the index above to locate the assembly that contains the part you need.
- Go to the appropriate section and locate the part in the illustration.
- Use the number pointing to the part to locate the correct part number and description in the table.
- Parts shown indented under another part are included with that part.
- Parts marked with a diamond (◆) are only available in the assembly listed above the part.

See the sample table below. Sample Part #A01111 includes part F02222-2 and subassembly A03333. Subassembly A03333 includes part S04444-4 and subassembly K05555. The diamond (◆) indicates that S04444-4 is not available except in subassembly A03333. Subassembly K05555 includes parts M06666 and F07777-77. The diamond (◆) indicates M06666 is not available except in subassembly K05555.

| 1.2 Sample Assembly | | | | |
|----------------------------|---|-----------|------|---|
| REF | DESCRIPTION (◆ Indicates Parts Available In Assemblies Only) | PART # | QTY. | |
| | Sample Assembly, Complete (Includes All Indented Parts Below) | A01111 | 1 | |
| 1 | Sample Part | F02222-22 | 1 | |
| | Sample Subassembly (Includes All Indented Parts Below) | A03333 | 1 | |
| 2 | Sample Part (◆ Indicates Part Is Only Available With A03333) | S04444-4 | 1 | ◆ |
| | Sample Subassembly (Includes All Indented Parts Below) | K05555 | 1 | |
| 3 | Sample Part (◆ Indicates Part Is Only Available With K05555) | M06666 | 2 | ◆ |
| 4 | Sample Part | F07777-77 | 1 | |

To Order Parts:

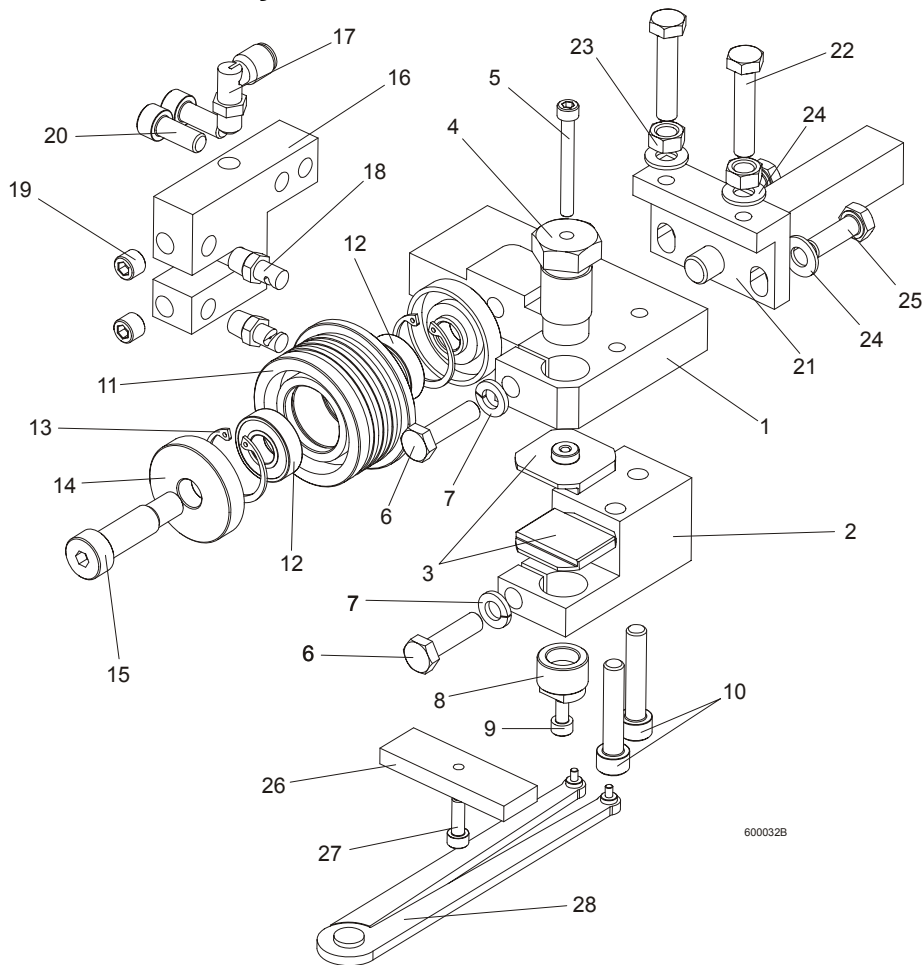
- From Europe call our European Headquarters and Manufacturing Facility in Kolo, Poland at **+48-63-2626000**. From the continental U.S., call our toll-free Parts hotline at **1-800-448-7881**. Have your customer number, vehicle identification number, and part numbers ready when you call.
- From other international locations, contact the Wood-Mizer distributor in your area for parts.



CAUTION! It is strongly recommended to use original spare parts only.

SECTION 2 BLADE GUIDE ROLLERS & ARM

2.1 Blade Guide Assembly, Idle Side



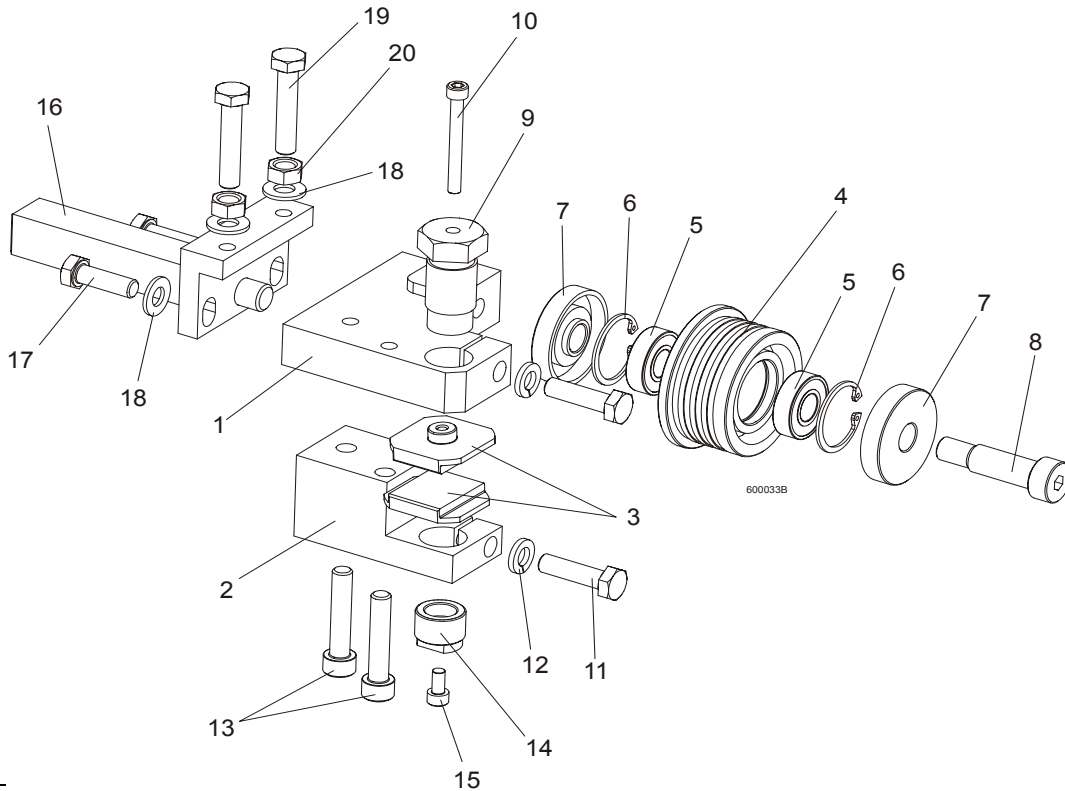
| REF | DESCRIPTION (u Indicates Parts Available In Assemblies Only) | PART# | QTY. |
|-----|--|-----------|------|
| | BLADE GUIDE ASSEMBLY, IDLE SIDE, EXTENDED (for optional use with 1 1/2" blades) | 092997 | 1 |
| 1 | Block, Blade Guide Mount Zinc-plated | 090947-1 | 1 |
| 2 | Block, Lower Ceramic Pad Mount Zinc-plated | 090948-1 | 1 |
| 3 | Block, Blade Guide Zinc | 093430-1 | 2 |
| 4 | Bolt, Upper Pad Adjustment Zinc-plated | 089515-1 | 1 |
| 5 | Screw, M5x45 DIN912 A2-70 Hex Socket Head Cap Stainless Steel | F81000-24 | 1 |
| 6 | Bolt, M8x30 DIN933 A2-70 Stainless Steel | F81002-27 | 2 |
| 7 | Washer, 8.2 Split Lock Zinc | F81054-4 | 2 |
| 8 | Screw, Lower Pad Adjuster Zinc-plated | 090945-1 | 1 |
| 9 | Screw, M5x10 DIN912 A2-70 Hex Socket Head Cap Stainless Steel | F81000-23 | 1 |
| 10 | Screw, M8x40-8.8 Hex Socket Head Cap Zinc | F81002-29 | 2 |
| | Roller, Blade Guide W/Bearing, Extended | 092939 | 1 |
| 11 | Roller, Blade Guide Extended | 087890 | 1 |
| 12 | Bearing, 6001 2RSR NACHI | 087893 | 2 |
| 13 | Ring, W28 Inside Retaining | F81090-9 | 2 |
| 14 | Washer, Blade Guide Roller Spacer Zinc-plated | 087891-1 | 1 |
| | Washer, Blade Guide Roller Spacer Zinc-plated | 087892-1 | 1 |

2 BLADE GUIDE ROLLERS & ARM

Blade Guide Assembly, Drive Side

| | | | | |
|----|---|-----------|---|--|
| 15 | Screw, 12/M10x30 12.9 ISO 7379 Socket Head Shoulder | F81003-70 | 1 | |
| | Screw, 12/M10x35 12.9 ISO 7379 Socket Head Shoulder, (used with the Extended Roller only) | F81003-48 | 1 | |
| 16 | Block, Nozzle Mounting Zinc-plated | 090487-1 | 1 | |
| 17 | Fitting, 90° Elbow 1/8NPT-1/4 Tube Swivel | P09736 | 1 | |
| 18 | Nozzle, Blade Lube Spray | 033479 | 2 | |
| 19 | Plug, M10x1 DIN 906 BN40 "BOSSARD" | F81015-3 | 2 | |
| 20 | Screw, M8x20-8.8 Hex Socket Head Cap Zinc | F81002-30 | 2 | |
| 21 | Pivot Weldment, Blade Guide Zinc-plated | 089509-1 | 1 | |
| 22 | Bolt, M8x40 DIN933 A2-70 Stainless Steel | F81002-28 | 2 | |
| 23 | Nut, M8 DIN934 A2-70 Stainless Steel | F81032-7 | 2 | |
| 24 | Washer, 8.4 Zinc Flat | F81054-1 | 4 | |
| 25 | Bolt, M8x25 DIN933 A2-70 Stainless Steel | F81002-26 | 2 | |
| | Block, Blade Guide Alignment | 090951 | 1 | |
| 26 | Block, Blade Guide Alignment Zinc-plated | 090805-1 | 1 | |
| 27 | Screw, M5x16-8.8 Hex Socket Head Cap Zinc | F81000-25 | 1 | |
| 28 | Tool, 62860-3 (PERSCHMAN) Lower Pad Adjustment | 090949 | 1 | |

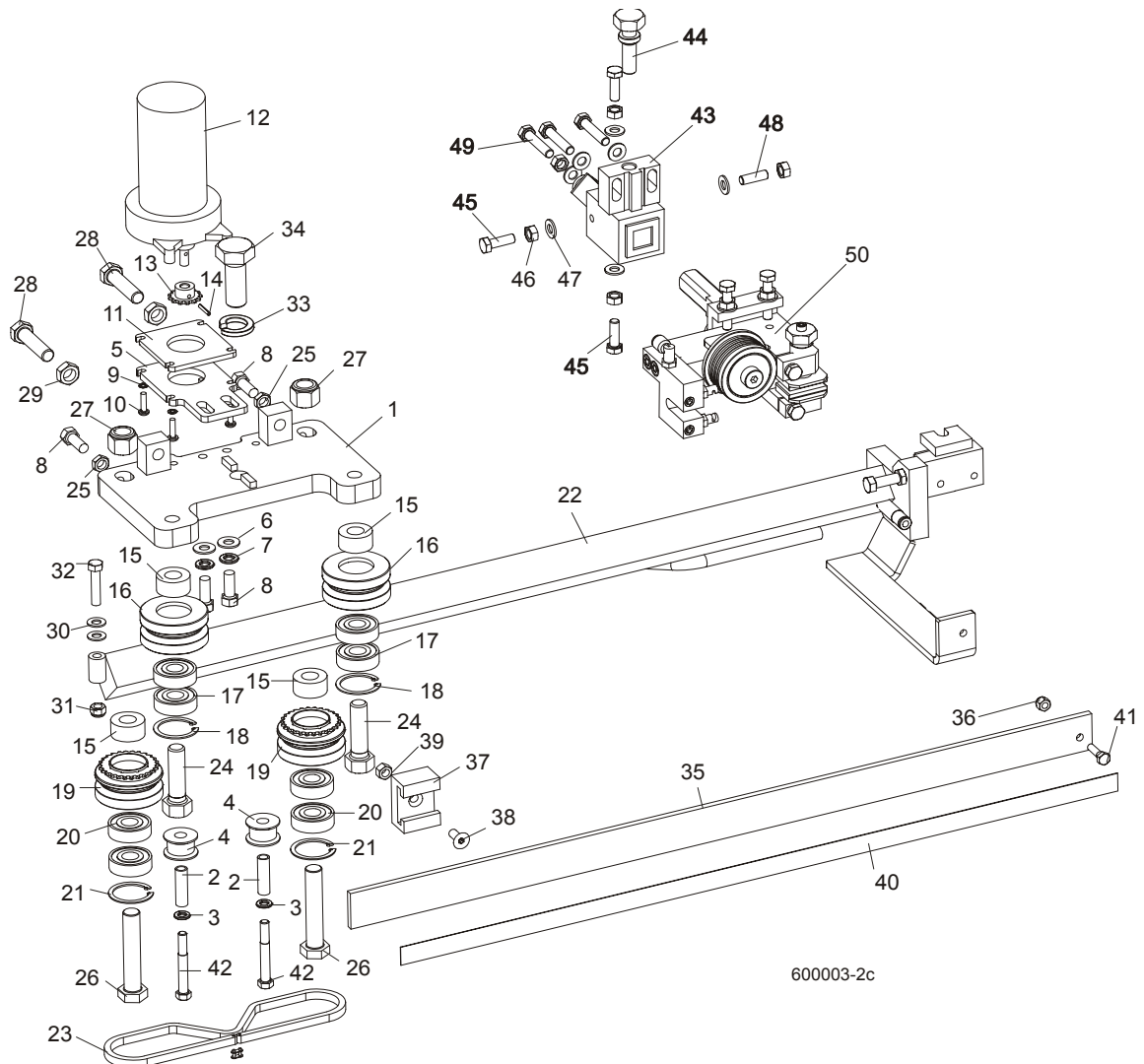
2.2 Blade Guide Assembly, Drive Side



| REF | DESCRIPTION (u Indicates Parts Available In Assemblies Only) | PART # | QTY. | |
|-----|---|----------|------|--|
| | BLADE GUIDE ASSEMBLY, DRIVE SIDE, EXTENDED (for optional use with 1 1/2" blades) | 092998 | 1 | |
| 1 | Block, Blade Guide Mount Zinc-plated | 090944-1 | 1 | |
| 2 | Block, Lower Ceramic Pad Mount Zinc-plated | 090946-1 | 1 | |
| 3 | Block, Blade Guide Zinc | 093430-1 | 2 | |
| 4 | Roller, Blade Guide W/Bearing, Extended | 092939 | 1 | |
| 4 | Roller, Blade Guide Extended | 087890 | 1 | |

| | | | | |
|----|--|-----------|---|---|
| 5 | Bearing, 6001 2RSR NACHI | 087893 | 2 | ◆ |
| 6 | Ring, W28 Inside Retaining | F81090-9 | 2 | |
| 7 | Washer, Blade Guide Roller Spacer Zinc-plated | 087891-1 | 1 | |
| | Washer, Blade Guide Roller Spacer Zinc-plated | 087892-1 | 1 | |
| 8 | Screw, 12/M10x30 12.9 ISO 7379 Socket Head Shoulder | F81003-70 | 1 | |
| | Screw, 12/M10x35 12.9 ISO 7379 Socket Head Shoulder (used with the Extended Roller only) | F81003-48 | 1 | |
| 9 | Bolt, Upper Pad Adjustment | 089515 | 1 | |
| 10 | Screw, M5x45 DIN912 A2-70 Hex Socket Head Cap Stainless Steel | F81000-24 | 1 | |
| 11 | Bolt, M8x30 DIN933 A2-70 Stainless Steel | F81002-27 | 2 | |
| 12 | Washer, 8.2 Split Lock Zinc | F81054-4 | 2 | |
| 13 | Screw, M8x40-8.8 Hex Socket Head Cap Zinc | F81002-29 | 2 | |
| 14 | Screw, Lower Pad Adjustment Zinc-plated | 090945-1 | 1 | |
| 15 | Screw, M5x10 DIN912 A2-70 Hex Socket Head Cap Stainless Steel | F81000-23 | 1 | |
| 16 | Pivot Weldment, Blade Guide Zinc-plated | 089509-1 | 1 | |
| 17 | Bolt, M8x25 DIN933 A2-70 Stainless Steel | F81002-26 | 2 | |
| 18 | Washer, 8.4 Zinc Flat | F81054-1 | 4 | |
| 19 | Bolt, M8x40 DIN933 A2-70 Stainless Steel | F81002-28 | 2 | |
| 20 | Nut, M8 DIN934 A2-70 Stainless Steel | F81032-7 | 2 | |

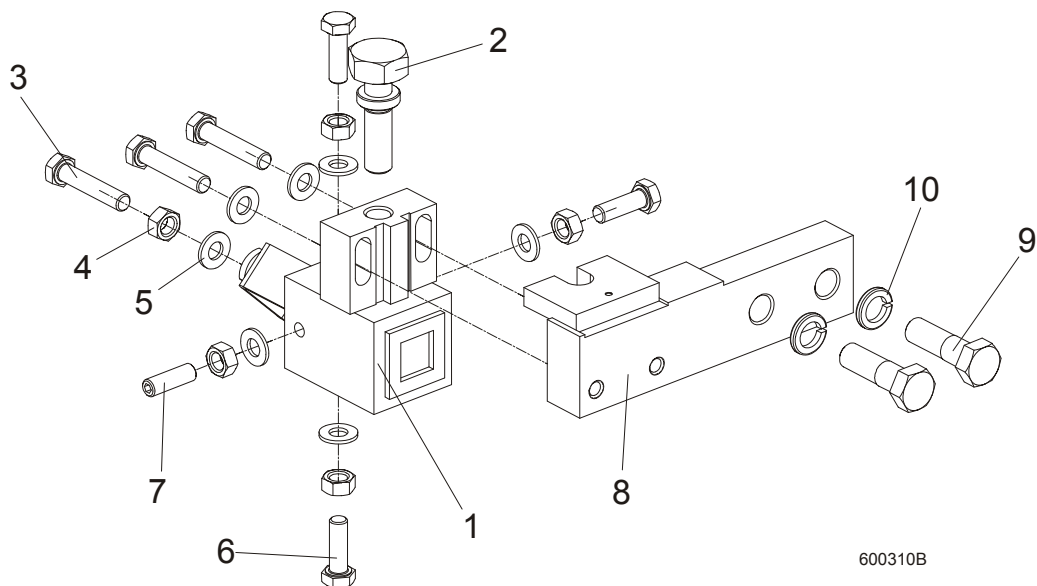
2.3 Blade Guide Arm Drive Assembly



| REF | DESCRIPTION (u Indicates Parts Available In Assemblies Only) | PART# | QTY. |
|-----|--|-----------|------|
| | BLADE GUIDE ARM ASSEMBLY | 090950 | 1 |
| 1 | Plate Weldment, Blade Guide Arm Zinc-plated | 090800-1 | 1 |
| 2 | Bushing, 0.322 x 0.44 x 1 1/2" Spacer | S09996 | 2 |
| 3 | Washer, 5/16" Split Lock Zinc | F05011-13 | 2 |
| 4 | Roller, Chain Guide | 090801 | 2 |
| 5 | Plate, Blade Guide Motor Mount Ptd | 090803-1 | 1 |
| 6 | Washer, 10.5 Zinc Flat | F81055-1 | 2 |
| 7 | Washer, 3/8" Zinc Flat | F05011-4 | 2 |
| 8 | Bolt, M10 x 25 8.8 Hex Head Full Thread | F81003-31 | 4 |
| 9 | Washer, 5.3 Zinc Flat | F81052-1 | 4 |
| 10 | Screw, #10-32 x 3/4 CrS1 Phillips Head | F05004-38 | 4 |
| 11 | Plate, Spacer Ptd | 090802-1 | 1 |
| 12 | Motor, 53:1 Gear ASA Blade Guide Arm | P09698-1 | 1 |
| 13 | Sprocket, 25B13 x .3130 | P09970 | 1 |
| 14 | Pin, 3 x 14 Zinc Roll | F81044-4 | 1 |
| 15 | Spacer, Drive Roller Zinc-plated | 090804-1 | 4 |

| | | | | |
|----|---|-----------|---|--|
| | ROLLER ASSEMBLY, BLADE GUIDE ARM IDLER | 042543 | 2 | |
| 16 | Housing, 2 1/2" V-Groove | 042536 | 1 | |
| 17 | Bearing, 6203 2RSP6-5/8 CX | 095087 | 2 | |
| 18 | Ring, 1.575" ID 5002-156 Retaining | F04254-8 | 1 | |
| | ROLLER ASSEMBLY, BLADE GUIDE ARM DRIVE | 042542 | 2 | |
| 19 | Housing, 2 1/2" V-Groove W/Sprocket | 042541 | 1 | |
| 20 | Bearing, 6203 2RSP6-5/8 CX | 095087 | 2 | |
| 21 | Ring, 1.575" ID 5002-156 Retaining | F04254-8 | 1 | |
| 22 | Arm Weldment, Blade Guide Zinc-plated | 090479-1 | 1 | |
| 23 | Chain, #25 x 92 PITCHES B/G | 093805 | 1 | |
| 24 | Bolt, 5/8-18 x 2 1/4 Hex Head Grade 5 | F05009-80 | 2 | |
| 25 | Nut, M10-04-W Zinc Hex Thin | F81033-6 | 2 | |
| 26 | Bolt, 5/8-18 x 3 1/4 Hex Head Grade 5 | F05009-80 | 2 | |
| 27 | Nut, 5/8-18 Hex Nylon Lock | F05010-71 | 2 | |
| 28 | Screw, M12 x 1.25 x 60-33H Zinc Hex Set W/Full Dog Point | F81004-52 | 2 | |
| 29 | Nut, M12 x 1.25 8.8 Zinc Hex Thin | F81034-5 | 2 | |
| 30 | Washer, 8.4 Zinc Flat | F81054-1 | 1 | |
| 31 | Nut, M8-8-B Hex Nylon Zinc Lock | F81032-2 | 1 | |
| 32 | Bolt, M8 x 40-8.8 Hex Head Full Thread Zinc | F81002-15 | 1 | |
| 33 | Washer, DIN 6319-21C Spherical | F81059-6 | 1 | |
| 34 | Bolt, M20 x 1.5 x 50-8.8-B Hex Head Full Thread Zinc | F81007-2 | 1 | |
| 35 | Guard, Blade | 088306 | 1 | |
| 36 | Nut, M6-8-B Hex Nylon Zinc Lock | F81031-2 | 1 | |
| 37 | Guide, Blade Guard | 088305 | 1 | |
| 38 | Screw, M8 x 25 Cross Recessed Countersunk Head Zinc | F81002-51 | 1 | |
| 39 | Nut, M8-8-B Hex Nylon Zinc Lock | F81032-2 | 1 | |
| 40 | Decal, Warning | 015849 | 1 | |
| 41 | Bolt, M6 x 20-8.8 Hex Head Full Thread Zinc | F81001-2 | 2 | |
| 42 | Screw, 12/M10 x 20 12.9 ISO7379(BOSSARD) Socket Head Shoulder | F81003-68 | 2 | |
| 43 | Mounting Block, LT70 Blade Guide, zinc | 089503-1 | 1 | |
| 44 | Bolt, Blade Guide Adjustment, zinc | 506552-1 | 1 | |
| 45 | Bolt, M8x25 DIN933 A2-70, Stainless | F81002-26 | 3 | |
| 46 | Nut, M8 DIN934 A2-70, Stainless | F81032-7 | 5 | |
| 47 | Washer, 8.4 FLAT,ZINC | F81054-1 | 7 | |
| 48 | Screw, Set, M8x8-33H FE/ZN Hex Socket Head, Stainless | F81014-3 | 1 | |
| 49 | Bolt M8x40 DIN933 A2-70, Stainless | F81002-28 | 3 | |
| 50 | Blade Guide Parts (See Section 2.1) | 093805 | 1 | |

2.4 Blade Guide Mount Assembly, Drive Side

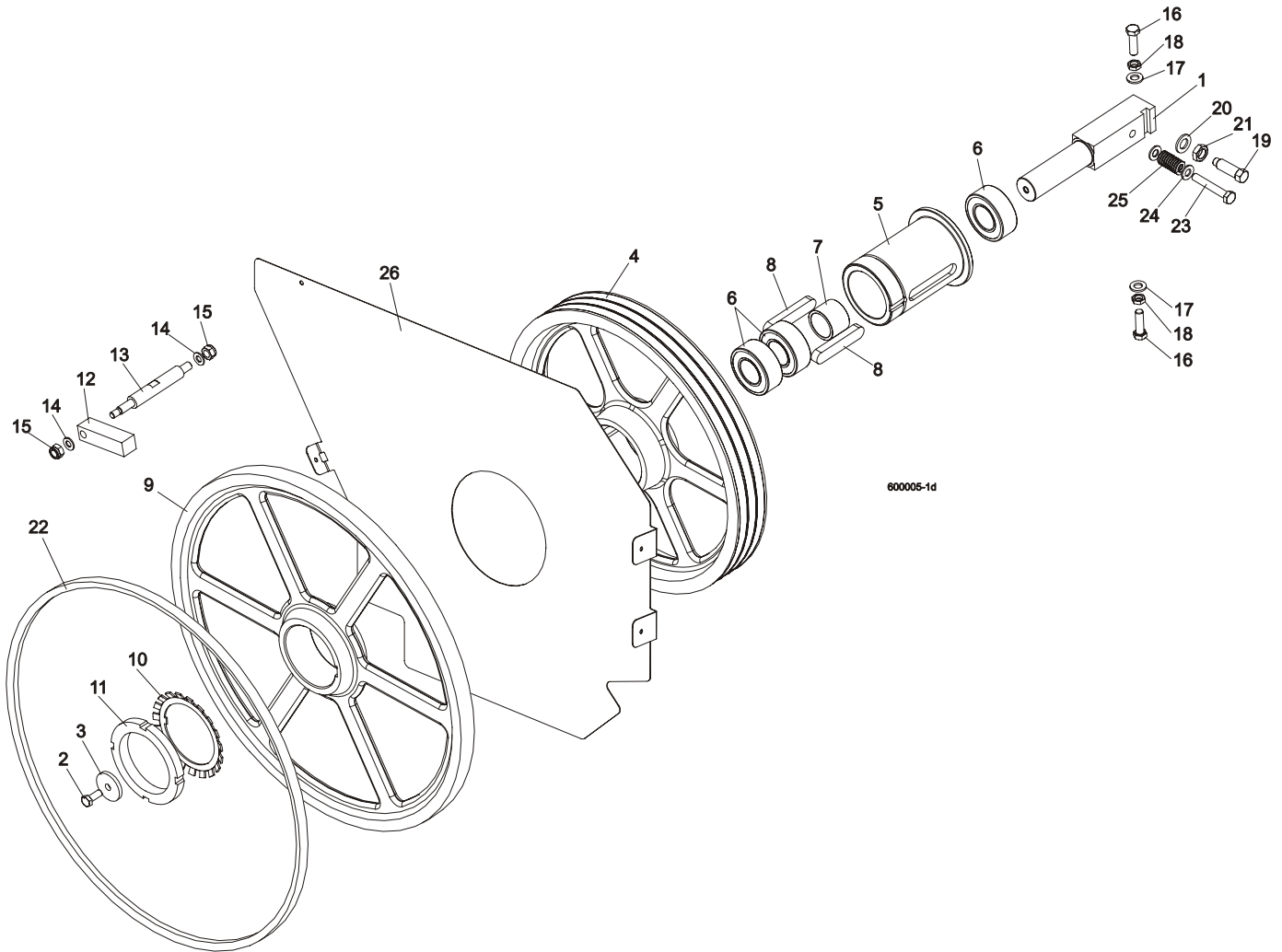


600310B

| L.P. | OPIS (♦ wskazuje części dostępne jedynie w zespołach) | NUMER KAT. | SZT. | |
|------|---|------------|------|--|
| | MOUNTING BLOCK, DRIVE SIDE | 091338 | 1 | |
| 1 | MOUNTING BLOCK, BLADE GUIDE, DRIVE SIDE, ZINC | 089503-1 | 1 | |
| 2 | BOLT, BLADE GUIDE ADJUSTMENT, ZINC | 506552-1 | 1 | |
| 3 | BOLT, M8X40 DIN933 A2-70, STAINLESS | F81002-28 | 3 | |
| 4 | NUT, M8 DIN934 A2-70, STAINLESS | F81032-7 | 5 | |
| 5 | WASHER, 8.4 FLAT,ZINC | F81054-1 | 7 | |
| 6 | BOLT, M8X25 DIN933 A2-70, STAINLESS | F81002-26 | 3 | |
| 7 | SCREW, BLADE GUIDE ADJUSTMENT, M8X25 A2-70 DIN 913, STAINLESS | F81014-3 | 1 | |
| 8 | BAR, BLADE GUIDE MOUNT, ZINC | 089501-1 | 1 | |
| 9 | BOLT,M12X40-8.8 HEX HEAD ZINC | F81004-1 | 2 | |
| 10 | WASHER, M12 SPLIT LOCK ZINC | F81056-2 | 2 | |

SECTION 3 BLADE WHEELS & TENSIONER

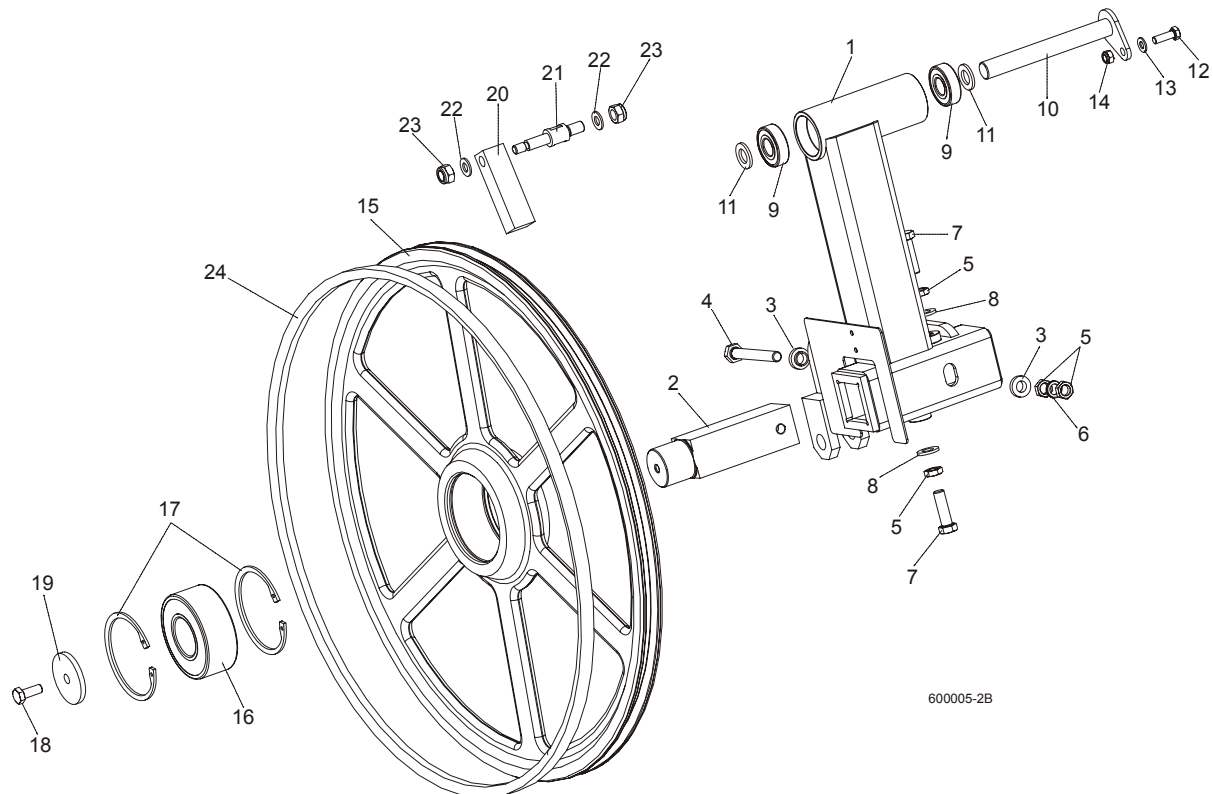
3.1 Blade Drive Assembly



| REF | DESCRIPTION (◆ Indicates Parts Available In Assemblies Only) | PART # | QTY. |
|-----|--|-----------|------|
| 1 | SHAFT, BLADE DRIVE WHEEL | 088475 | 1 |
| 2 | BOLT, M10x25 8.8 HEX HEAD FULL THREAD | F81003-31 | 1 |
| 3 | WASHER, BLADE DRIVE WHEEL | 088956-1 | 1 |
| | PULLEY ASSEMBLY, BLADE DRIVE | 504808 | 1 |
| 4 | Pulley, 3-Groove 484 mm Diameter | 089457-1 | 1 |
| 5 | Bushing, Blade Drive Wheel | 504809 | 1 |
| 6 | Bearing, 3208.2rsr.tvh (FAG) Rolling | 088449 | 3 |
| 7 | Spacer, 51x41x36.3 Drive Bearing | 504810 | 1 |
| 8 | Key, A20x12x100 Parallel | 088477 | 2 |
| 9 | WHEEL, BLADE DRIVE | 090811 | 1 |
| 10 | WASHER, MB21 (FAG) LOCK | 088451 | 1 |
| 11 | NUT, KM21(M105X2) (FAG) LOCK | 088450 | 1 |
| 12 | BAR, WHEEL SCRAPER | 088781 | 1 |
| 13 | SHAFT, WHEEL SCRAPER | 088780-1 | 1 |

| | | | | |
|----|--|-----------|---|--|
| 14 | WASHER, 10.5 ZINC FLAT | F81055-1 | 2 | |
| 15 | NUT, M12-8 HEX NYLON ZINC LOCK | F81034-2 | 2 | |
| 16 | BOLT, M12X1.25X40 HEX HEAD | F81004-42 | 3 | |
| 17 | WASHER, 13 FLAT ZINC | F81056-1 | 3 | |
| 18 | NUT, M12X1.25 8.8 THIN ZINC | F81034-5 | 3 | |
| 19 | SCREW, M16X1.5X50-33H HEX HEAD FULL DOG POINT SET ZINC | F81006-14 | 1 | |
| 20 | WASHER, 17 ZINC FLAT | F81058-1 | 1 | |
| 21 | NUT, M16x1.5-08-B ZINC THIN | F81036-6 | 1 | |
| 22 | BELT, BLADE WHEEL B72.5 | 017922 | 1 | |
| 23 | BOLT M10X65 | F81003-67 | 1 | |
| 24 | WASHER, 10.5 ZINC FLAT | F81055-1 | 2 | |
| 25 | SPRING19X38 | 034430 | 1 | |
| 26 | PLATE, LT70AC SAW HEAD (OPTION) | 100897-1 | 1 | |
| | BELT 3B/HB2462 La | 089464 | 1 | |

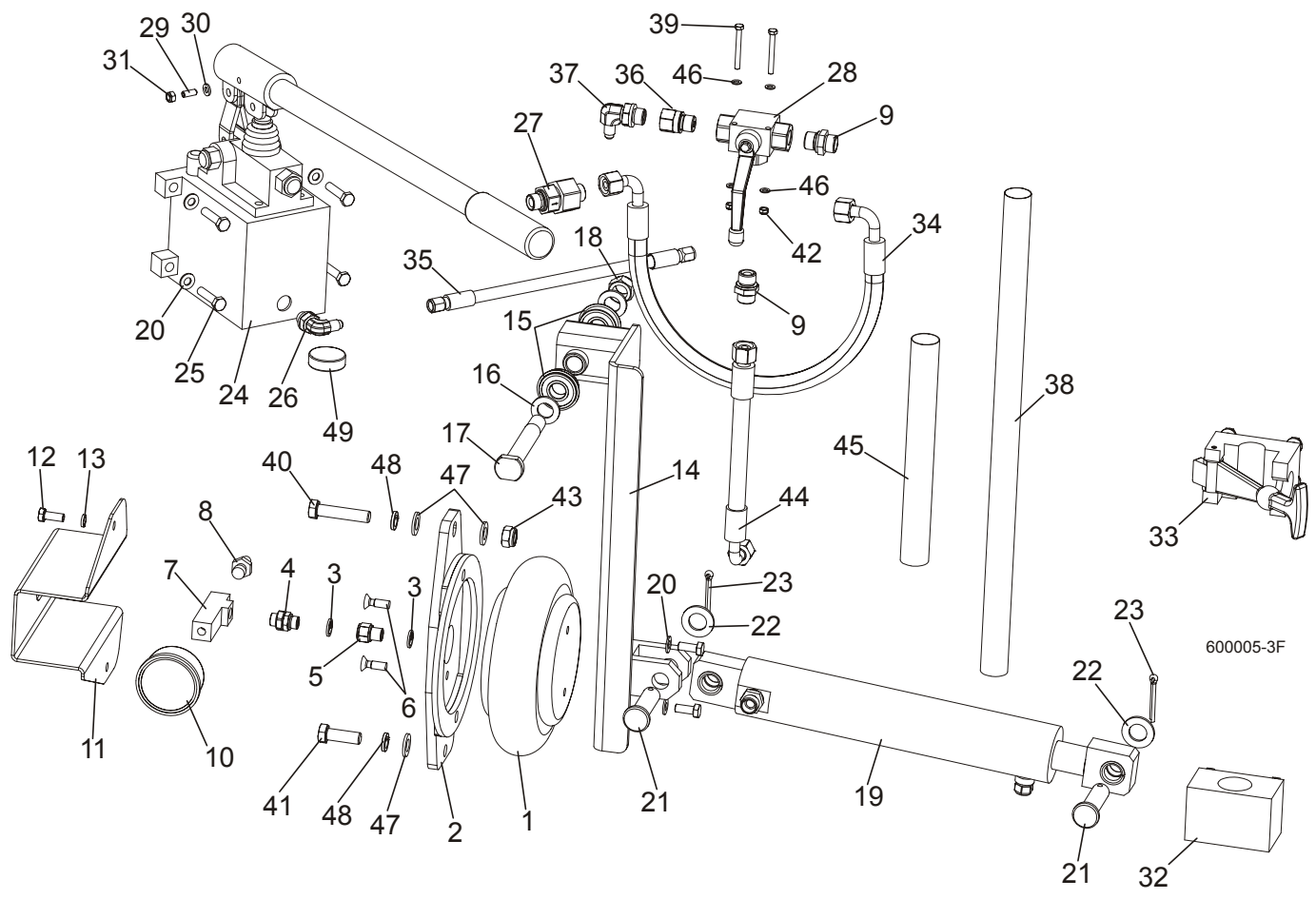
3.2 Idle Blade Wheel Assembly



| REF | DESCRIPTION (◆ Indicates Parts Available In Assemblies Only) | PART # | QTY. | |
|-----|--|-----------|------|--|
| | TUBE, LT70 IDLE SIDE BLADE WHEEL W/LEVER COMPLETE | 092791 | 1 | |
| 1 | Tube Weldment, LT70 Idle Blade Wheel w/Lever | 092780-1 | 1 | |
| 2 | Shaft, Idle Blade Wheel | 088474 | 1 | |
| 3 | Washer, Zinc Special | 086769-1 | 2 | |
| 4 | Bolt, M12x1.25x100-8.8 Hex Head Zinc | F81004-41 | 1 | |
| 5 | Nut, M12x1.25 8.8 Hex ZincThin | F81034-5 | 4 | |
| 6 | Washer, Z12.2 Split Zinc Lock | F81056-2 | 1 | |
| 7 | Bolt, M12x1.25x40 Hex Head | F81004-42 | 2 | |
| 8 | Washer, 13 Zinc Flat | F81056-1 | 2 | |
| 9 | Bearing, 6204 2RS-CX Rolling | 088447 | 2 | |

| | | | | |
|----|--|-----------|---|--|
| 10 | PIN WELDMENT, PIVOT | 088759-1 | 1 | |
| 11 | WASHER, 17 ZINC FLAT | F81058-1 | 2 | |
| 12 | BOLT, M8X25-8.8-B HEX HEAD FULL THREAD ZINC | F81002-5 | 1 | |
| 13 | WASHER, 8.4 ZINC FLAT | F81054-1 | 1 | |
| 14 | NUT, M8-8-B HEX NYLON ZINC LOCK | F81032-2 | 1 | |
| | WHEEL ASSEMBLY, IDLE SIDE | 088764 | 1 | |
| 15 | Wheel, Blade Idle Side | 090810 | 1 | |
| 16 | Bearing, 3309B.2RSR.TVH-P66 FAG | 086428 | 1 | |
| 17 | Ring, W100 Spring Retaining | F81090-10 | 2 | |
| 18 | BOLT, M10X25 8.8 HEX HEAD FULL THREAD | F81003-31 | 1 | |
| 19 | WASHER, IDLE BLADE WHEEL RETAINING | 088957-1 | 1 | |
| 20 | SCRAPER, IDLE BLADE WHEEL | 088781 | 1 | |
| 21 | SHAFT, SHORT ZINC WHEEL SCRAPER | 088779-1 | 1 | |
| 22 | WASHER, 10.5 ZINC FLAT | F81055-1 | 2 | |
| 23 | NUT, M12-8 HEX NYLON ZINC LOCK | F81034-2 | 2 | |
| 24 | BELT, BLADE WHEEL B72.5 | 017922 | 1 | |

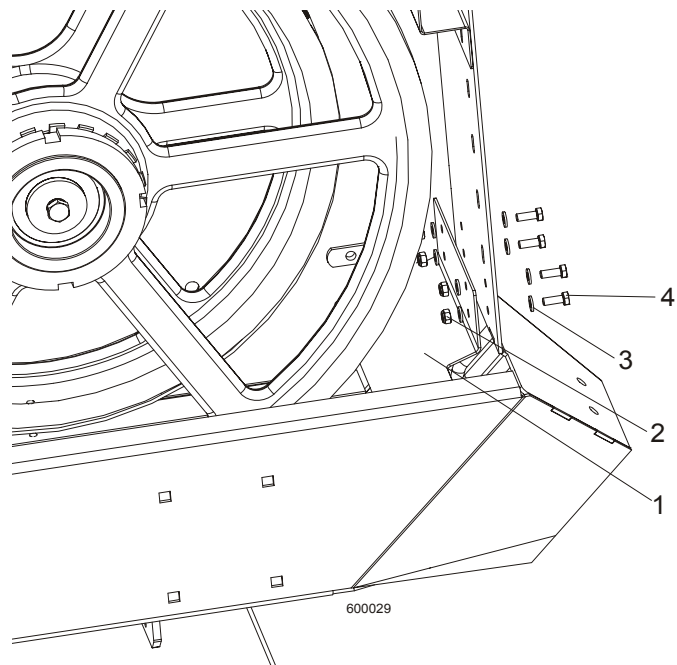
3.3 Hydraulic Blade Tensioner Assembly



| REF | DESCRIPTION (◆ Indicates Parts Available In Assemblies Only) | PART # | QTY. |
|-----|--|-----------|------|
| | HYDRAULIC BLADE TENSIONER, COMPLETE | 504801 | 1 |
| 1 | BAG, POJ 192 308 100 0 AIR | 088576 | 1 |
| 2 | BRACKET, AIR BAG MOUNT | 088798-1 | 1 |
| 3 | SEAL, G1/4 866-014-000-0 | 090809 | 4 |
| 4 | NIPPLE, 1/4 8632141400)BOSCH | 097703 | 1 |
| 5 | FITTING, 1/4 THREAD/1/4 THREAD 2521 | 097704 | 1 |
| 6 | BOLT, M8X25 PAN HEAD ZINC | F81002-51 | 2 |
| 7 | TEE CONNECTOR, SPECIAL | 097702-1 | 1 |
| 8 | FITTING, 1/4" THREAD 390 004 004 0 (REXROTH) AIR TANK VALVE | 088575 | 1 |
| 9 | FITTING, HD-GE-12L-BE-06 STRAIGHT | 094561 | 2 |
| 10 | GAUGE, M63T-2,5/20G G 1/8 0-0,6 MPA/PSI AIR PRESSURE | 088568 | 1 |
| 11 | GUARD, AIR PRESSURE GAUGE | 088924-1 | 1 |
| 12 | SCREW, M8X25 CROSS RECESSED COUNTERSUNK HEAD ZINC | F81002-4 | 4 |
| 13 | WASHER 8.2 ZINC SPLIT | F81054-4 | 2 |
| 14 | ARM, AIR CYLINDER PAINTED | 092779-1 | 1 |
| 15 | BEARING W/SNAP RING 6203-2RS | 086395 | 2 |
| 16 | WASHER, 17 FLAT ZINC | F81058-1 | 2 |
| 17 | PIN, IDLER ARM MOUNT | 086404 | 1 |
| 18 | NUT, M16, HEX, NYLON ZINC LOCK | F81036-2 | 2 |

| | | | | |
|----|--|-----------|---|--|
| 19 | CYLINDER, HYDRAULIC COMPLETE | 092788 | 1 | |
| | CYLINDER, SHDJ050/030X80 HYDRAULIC | 092787-1 | 1 | |
| | BUSHING, TUF1 18x120 CX | 500106 | 4 | |
| | FITTING, HD-GE-12L-BE-06 STRAIGHT | 094561 | 1 | |
| | VALVE, 2901-14-17 AIR VENT | 090794 | 1 | |
| 20 | WASHER, 8.4 ZINC FLAT | F81054-1 | 6 | |
| 21 | PIN, PN-EN 22341-B-18X65X57-A2 | F81049-4 | 2 | |
| 22 | WASHER, 19 FLAT ZINC | F81060-1 | 2 | |
| 23 | PIN, S-ZN 5X40 PN-M/82001 | F81043-31 | 2 | |
| 24 | PUMP,PMS12/TNK1 MANUAL W/TANK 1L | 092789-1 | 1 | |
| 25 | BOLT, 8MM X 1.25X35MM HH ZINC | F81002-13 | 4 | |
| 26 | ELBOW, CA-204410-3 | 094562 | 1 | |
| 27 | VALVE, RHV12LREDA3C CHECK | 094559 | 1 | |
| 28 | VALVE, BALL 3-WAY RSAP3 VOL2L G3/8" | 504803 | 1 | |
| 29 | LATCH, GN615.3-M6-KN BALL THREADED | 096874 | 1 | |
| 30 | WASHER, M6, FLAT, ZINC | F81053-1 | 1 | |
| 31 | NUT, M6, HEX, NYLON LOCK ZINC | F81031-2 | 1 | |
| 32 | BRACKET, TENSIONER PUMP HANDLE BOTTOM | 096951 | 1 | |
| 33 | BRACKET, TENSIONER PUMP HANDLE UPPER | 092800 | 1 | |
| 34 | HOSE, DN10 W/FITTING 10AOL 90 M18X1.5 | 504804 | 1 | |
| 35 | HOSE, 1/4 W/FITTING JIC 7/16-20 | 504805 | 1 | |
| 36 | FITTING, G 3/8 THROTTLE | 096849 | 1 | |
| 37 | ELBOW, CA-204411-3 | 094563 | 1 | |
| 38 | HOSE PROTECTION | 505178 | 1 | |
| 39 | BOLT, M5X45 DIN933 A2-70 STAINLESS STEEL | F81000-22 | 2 | |
| 40 | BOLT, M12X55-8.8 HEX HEAD ZINC | F81004-12 | 1 | |
| 41 | BOLT, M12 X 35-8.8-FE/ZN5 HEX HEAD FULL | F81004-24 | 1 | |
| 42 | NUT, M5-8-FE/ZN5 DIN985 | F81030-2 | 2 | |
| 43 | NUT, M12-8 HEX NYLON ZINC LOCK | F81034-2 | 1 | |
| 44 | HOSE, DN12 W/FITTINGS PN10AOL90 I PN10AOL M1.5 | 096964 | 1 | |
| 45 | HOSE PROTECTION | 098489 | 1 | |
| 46 | WASHER, 5.3 FLAT ZINC | F81052-1 | 4 | |
| 47 | WASHER, 13 FLAT ZINC | F81056-1 | 3 | |
| 48 | WASHER, Z12.2 SPLIT LOCK ZINC | F81056-2 | 2 | |
| 49 | MAGNET, MW.38X12/N38 NEODYMIUM | 500022 | 1 | |

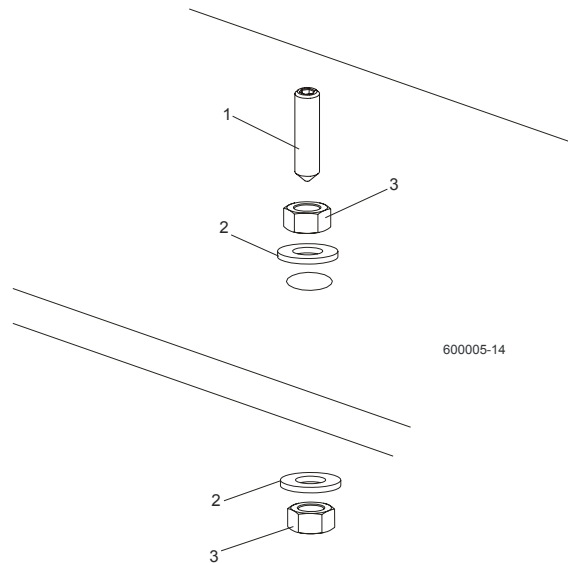
3.4 Sawdust Flow Guide



| REF | DESCRIPTION (◆ Indicates Parts Available In Assemblies Only) | PART # | QTY. | |
|-----|--|-----------|------|--|
| 1 | GUIDE, SAWDUST FLOW PAINTED | 090506 | 1 | |
| 2 | NUT, M6-8-B HEX NYLON ZINC LOCK | F81031-2 | 4 | |
| 3 | WASHER 6.4 ZINC FLAT | F81053-1 | 8 | |
| 4 | BOLT, M6 X 16 8.8 FE/ZN5 PN-M/82105 | F81001-15 | 4 | |

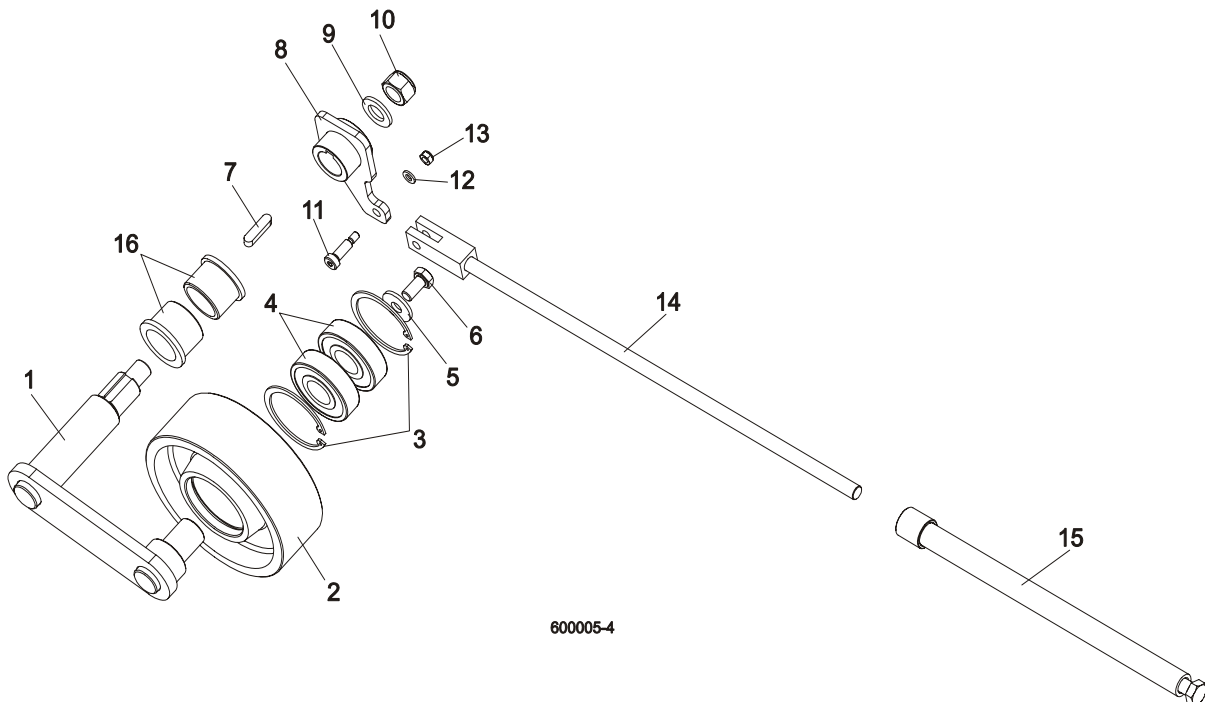
SECTION 4 SAW HEAD

4.1 Middle Throat Screw



| REF | DESCRIPTION (◆ Indicates Parts Available In Assemblies Only) | PART # | QTY. |
|-----|--|-----------|------|
| 1 | SCREW, M10X40-45H HEX SOCKET SET CONE POINT ZINC | F81003-61 | 1 |
| 2 | WASHER, 10.5 ZINC FLAT | F81055-1 | 2 |
| 3 | NUT, M10-8-B ZINC HEX | F81033-3 | 2 |

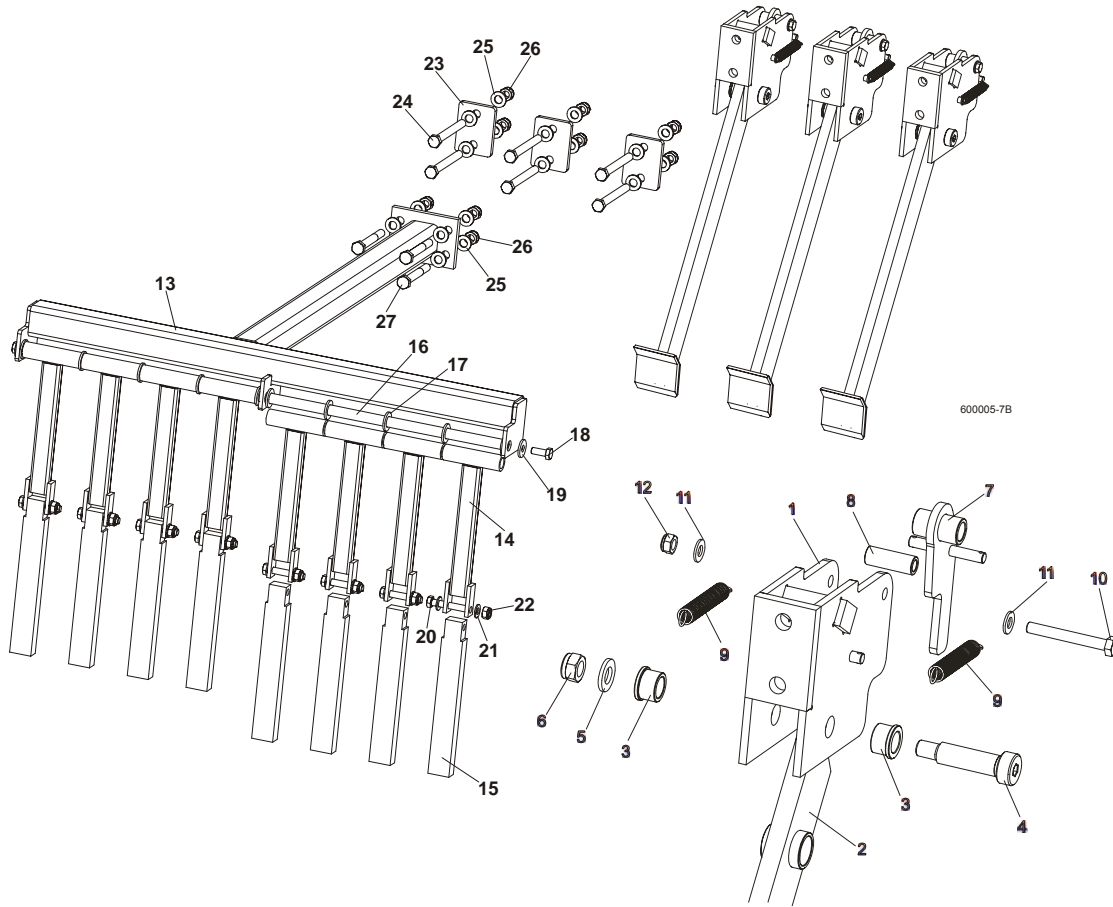
4.2 Drive Belt Tensioner



| REF | DESCRIPTION (◆ Indicates Parts Available In Assemblies Only) | PART # | QTY. |
|-----|--|----------|------|
| | TENSIONER ASSEMBLY, DRIVE BELT | 088786 | 1 |
| 1 | Pivot Weldment, Drive Belt Tensioner | 088810-1 | 1 |

| | | | | |
|----|--|-----------|---|--|
| 2 | Wheel, Belt Tension | 088814 | 1 | |
| 3 | Ring, 62 mm Inside Spring Retaining | F81090-1 | 2 | |
| 4 | Bearing, 6305 2RS NSK | P08066 | 2 | |
| 5 | Washer, 11 Dia. Zinc Flat Special | 088787-1 | 1 | |
| 6 | Bolt, M10x20-5.8 Hex Head Full Thread Zinc | F81003-1 | 1 | |
| 7 | Key, A8X7X32 Parallel | 088564 | 1 | |
| 8 | Arm Weldment, Drive Belt Tensioner | 088807-1 | 1 | |
| 9 | Washer, 17 Zinc Flat | F81058-1 | 1 | |
| 10 | Nut, M16-5.8 Zinc Hex | F81036-2 | 1 | |
| 11 | Bolt, 8/M6X20 12.9 ISO 7379 BOSSARD | F81001-25 | 1 | |
| 12 | Washer 6.4 Zinc Flat | F81053-1 | 1 | |
| 13 | Nut, M6-8-B Hex Nylon Zinc Lock | F81031-2 | 1 | |
| 14 | Rod Weldment, Threaded Zinc-Plated | 088789-1 | 1 | |
| 15 | Tube Weldment, Threaded Zinc-Plated | 088782-1 | 1 | |
| 16 | BUSHING, MFM-3240-30 | 088461 | 2 | |

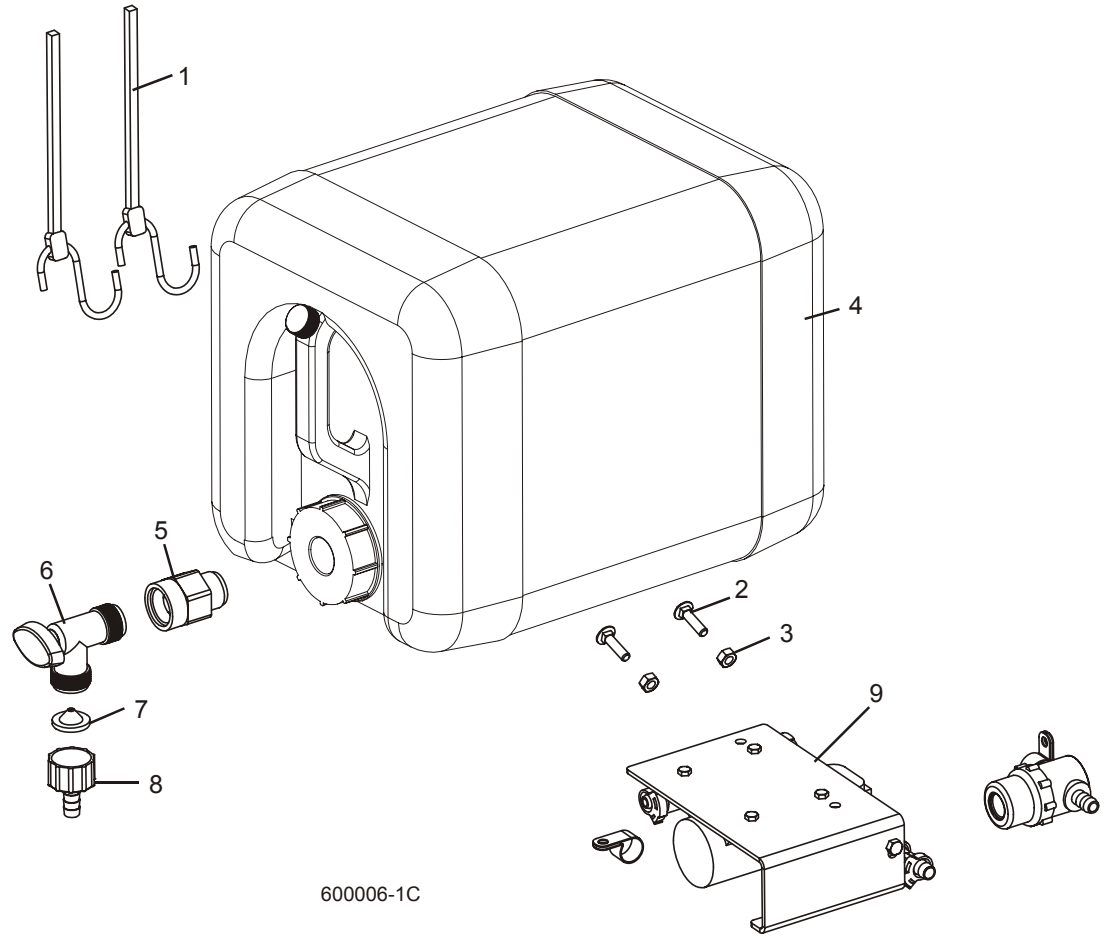
4.3 Board Return Assembly (optional)



| REF | DESCRIPTION (◆ Indicates Parts Available In Assemblies Only) | PART # | QTY. |
|-----|--|-----------|------|
| | BOARD RETURN ASSEMBLY, LT70 | 092757 | 1 |
| | Board Return Assembly | 090120 | 3 |
| 1 | Mount Weldment, Board Return Arm | 090109-1 | 3 |
| 2 | Arm, Board Return | 090112-1 | 3 |
| 3 | Bushing, Bronze | 086676 | 6 |
| 4 | Bolt, 16/M12x50-12.9 ISO7379-BOSSARD Socket Head | F81004-25 | 3 |

| | | | | |
|----|--|-----------|----|--|
| 5 | Washer, 13 Zinc Flat | F81056-1 | 3 | |
| 6 | Nut, M12-8 Hex Nylon Zinc Lock | F81034-2 | 6 | |
| 7 | Latch Weldment, Board Return Arm | 090118-1 | 3 | |
| 8 | Spacer, Zinc | 090115-1 | 3 | |
| 9 | Spring, 1/2 x 2 1/4 x 0,06 Extension | 014817 | 6 | |
| 10 | Bolt, M8 x 65-5.8 Hex Head Zinc | F81002-3 | 3 | |
| 11 | Washer, 8.4 Zinc Flat | F81054-1 | 6 | |
| 12 | Nut, M8-8-B Hex Nylon Zinc Lock | F81032-2 | 3 | |
| | Guide, Board Return | 091076 | 1 | |
| 13 | Guide Weldment, Board Return | 091067-1 | 1 | |
| 14 | Bar Weldment, Board Guide Upper | 091070-1 | 8 | |
| 15 | Bar, Board Guide Lower Aluminium | 091071 | 8 | |
| 16 | Rod, Board Return Guide | 091074 | 1 | |
| 17 | Washer, M16, Flat Zinc | F81058-1 | 10 | |
| 18 | Bolt, M10x25 8.8, Hex Head, Full Thrd, Zinc | F81003-31 | 2 | |
| 19 | Washer, 10,5 Fe/Zn5 | F81055-6 | 2 | |
| 20 | Bolt, M10x60 -8.8, Hex Head, Full Thrd, Zinc | F81003-10 | 8 | |
| 21 | Washer, M10, Flat Zinc | F81055-1 | 16 | |
| 22 | Nut, M10, Nylon Hex Zinc Lock | F81033-1 | 8 | |
| 23 | Washer, Special | 092756-1 | 3 | |
| 24 | Bolt, M12x120, Hex Head, Full Thrd, Zinc | F81004-38 | 6 | |
| 25 | Washer, 13 Zinc | F81056-1 | 20 | |
| 26 | Nut, M12 Hex Nylon Zinc Lock | F81034-2 | 10 | |
| 27 | Bolt, M12x100, Hex Head, Full Thrd, Zinc | F81004-3 | 4 | |

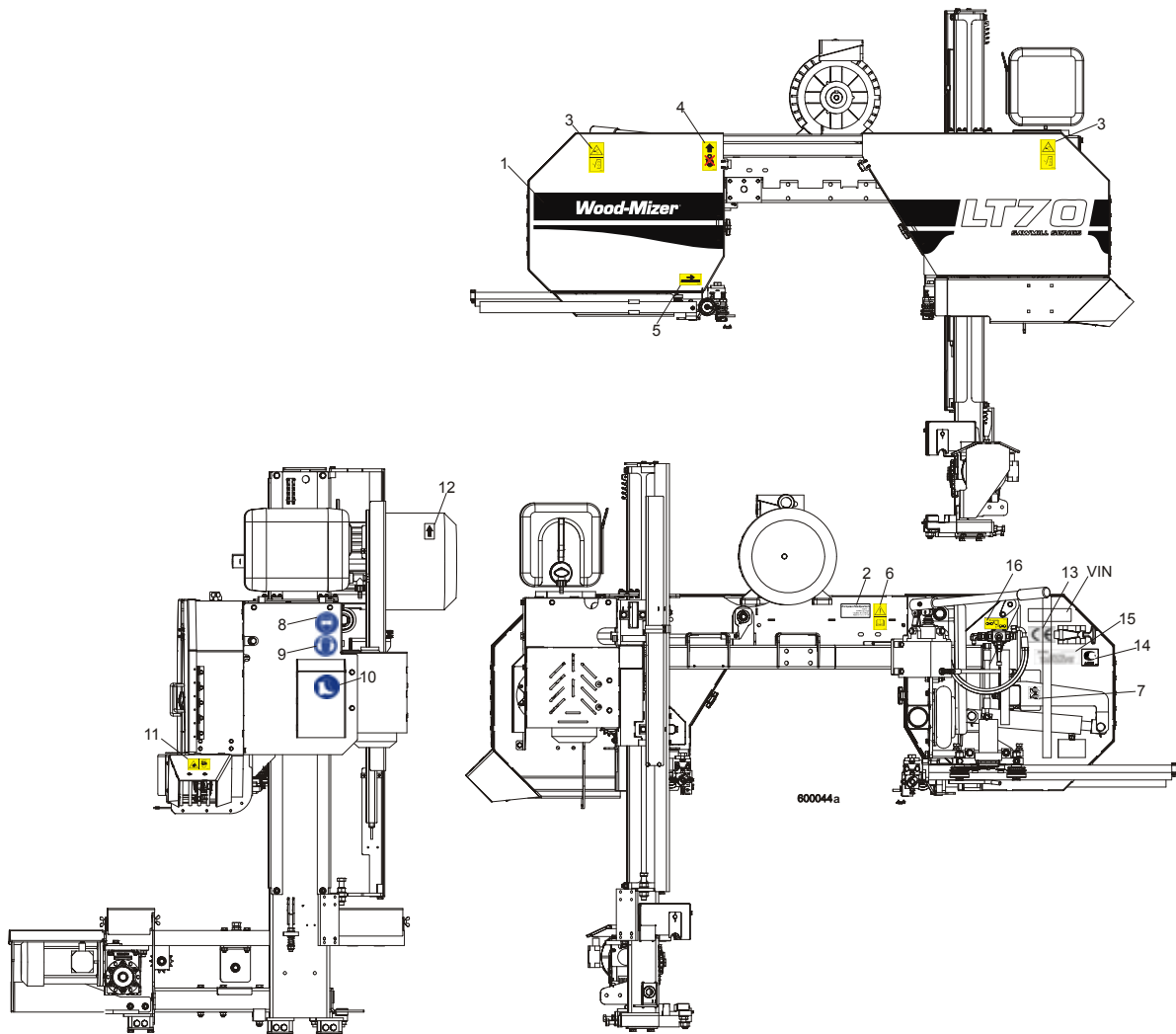
4.4 Water Lube Assembly



600006-1C

| REF | DESCRIPTION (◆ Indicates Parts Available In Assemblies Only) | PART # | QTY. | |
|-----|--|-----------|------|--|
| 1 | STRAP, 20" RUBBER | P11668 | 2 | |
| 2 | BOLT, 1/4-20 X 1" CARRIAGE HEAD | F05005-34 | 2 | |
| 3 | NUT, 1/4-20 HEX LOCK | F05010-21 | 2 | |
| 4 | BOTTLE, 5-GALLON WATER | 014637 | 1 | |
| 5 | CAP, WATER LUBE BOTTLE BUTTRESS THREAD | 016123 | 1 | |
| 6 | FITTING, 3/4FPT X 3/4MPT | 014636 | 1 | |
| 7 | FITTING, WATER LUBE SHUTOFF VALVE | 014100 | 1 | |
| 8 | FILTER, WATER LUBE | 016086 | 1 | |
| 9 | FITTING, 5/8" NPT TO 3/8" HOSE BARB | 014113 | 1 | |
| 10 | LUBEMIZER PARTS/HOSES (SEE LUBEMIZER OPTION MANUAL) | | | |

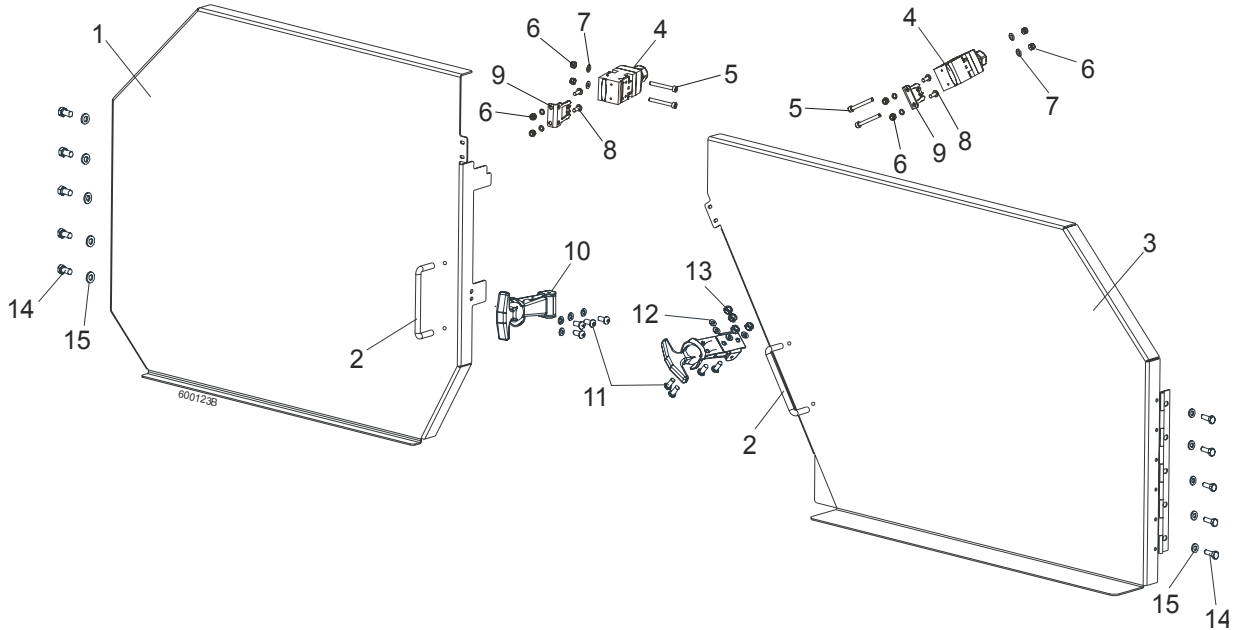
4.5 LT70AC Saw Head Decals



| REF | DESCRIPTION (◆ Indicates Parts Available In Assemblies Only) | PART # | QTY. |
|-----|--|-----------|------|
| 1 | DECAL, LT70 SERIES SAWMILL | 092764 | 1 |
| | PICTOGRAPHIC DECAL KIT, LT70AC | 099518 | 1 |
| 2 | DECAL, EUROPEAN HEADQUARTERS ADDRESS | 015841 | 1 |
| 3 | DECAL, SAWMILL COVERS CAUTION (PICTOGRAM) | 099220 | 2 |
| 4 | DECAL, PICTOGRAM (BLACK ARROW & HOOK) | 085977B | 1 |
| 5 | DECAL, BLADE MOVEMENT DIRECTION (PICTOGRAM) | 096321 | 1 |
| 6 | DECAL, READ OPERATOR'S MANUAL (PICTOGRAM) | 096317 | 1 |
| 7 | DECAL, BLADE ALIGNMENT (PICTOGRAM) | P11789-70 | 1 |
| 8 | DECAL, EYE PROTECTION WARNING (PICTOGRAM) | S12004G | 1 |
| 9 | DECAL, EAR PROTECTION WARNING (PICTOGRAM) | S12005G | 1 |
| 10 | DECAL, USE SAFETY BOOTS (PICTOGRAM) | 501465 | 1 |
| 11 | DECAL, SAWDUST CHUTE WARNING (PICTOGRAM) | 099222 | 1 |
| 12 | DECAL, MOTOR ROTATION DIRECTION | S20097 | 1 |
| 13 | DECAL, CE CERTIFIED SAWMILL | P85070 | 2 |

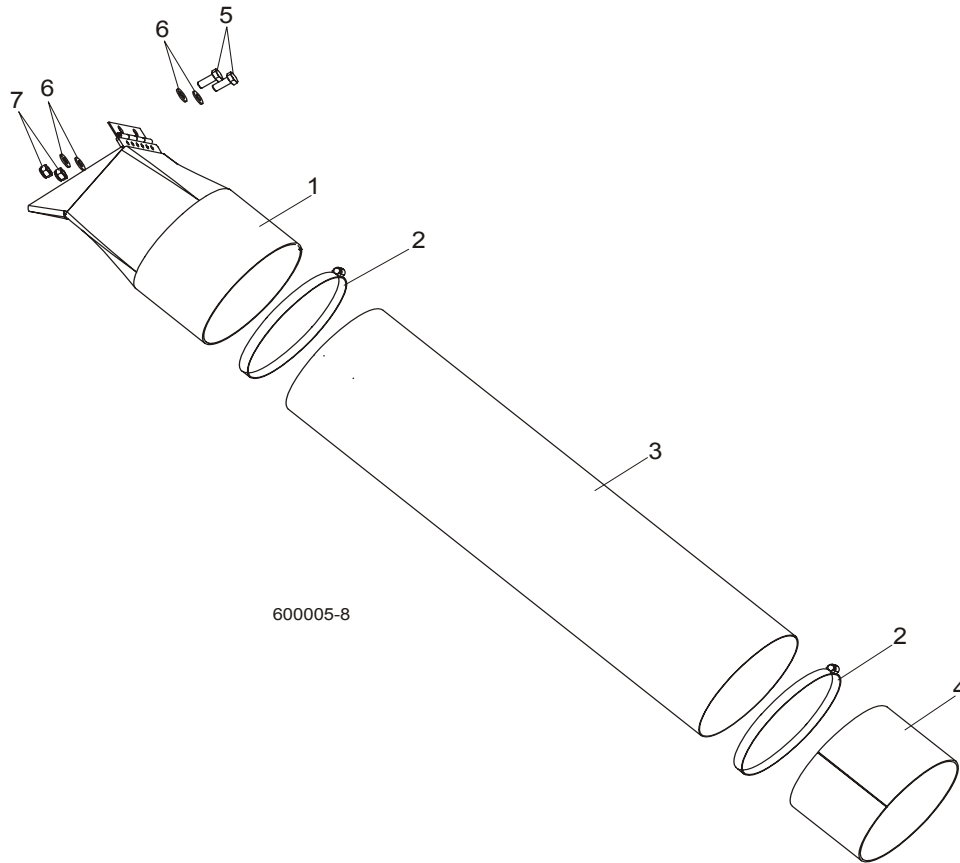
| | | | | |
|----|--|-----------|---|--|
| 14 | DECAL, RUSSIAN SAFETY CERTIFICATION | 099401 | 1 | |
| 15 | DECAL, INTERNATIONAL SAWMILL NAME | 501466 | 1 | |
| 16 | DECAL, LEVER OF TENSIONER'S BALL VALVE | 505189 | 1 | |
| | DECAL, HIGH VOLTAGE INSIDE THE ELECTRIC BOX (PICTOGRAM) | 096316 | 2 | |
| | DECAL, REMOVE THE PLUG BEFORE OPENING THE BOX (PICTOGRAM) | 096319 | 2 | |
| | DECAL, STAY A SAFE DISTANCE FROM THE BLADE (FOR DEBARKERS) | 098176 | 1 | |
| | DECAL, BLADE SETTING | P85066-70 | 1 | |
| | DECAL, KEEP AWAY DANGER, PICTOGRAM | 099221 | 1 | |
| | DECAL, MAX. OIL PRESSURE, PICTOGRAM | 099524 | 1 | |

4.6 Blade Housing Covers



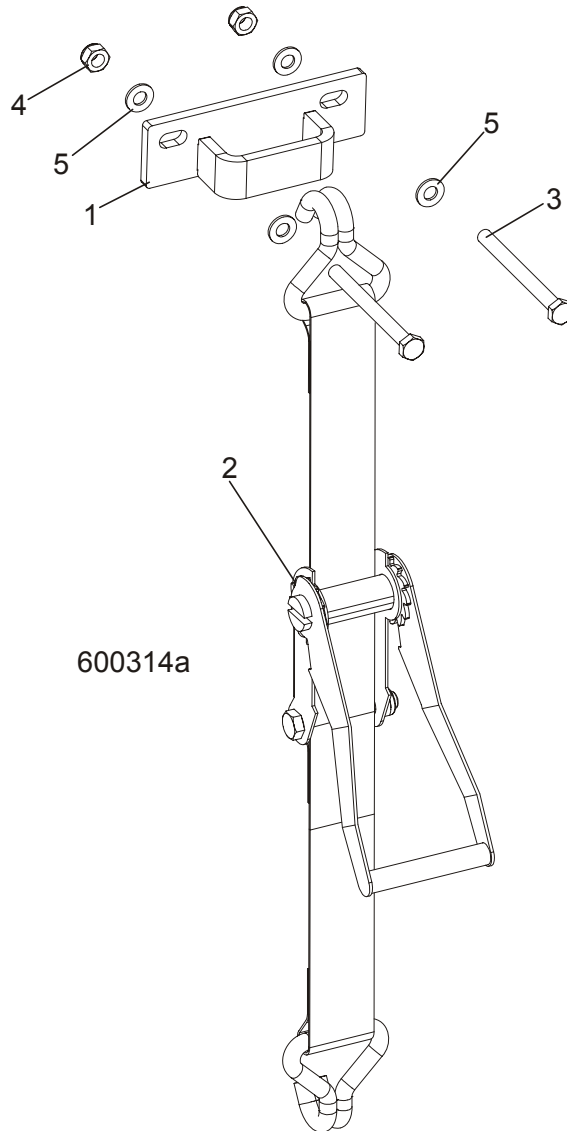
| REF | DESCRIPTION (◆ Indicates Parts Available In Assemblies Only) | PART # | QTY. |
|-----|--|-----------|------|
| | COVER ASSEMBLY, IDLE SIDE BLADE HOUSING | 088920 | 1 |
| 1 | Cover Assembly, Idle Side Blade Housing, Ptd | 088915-1 | 1 |
| 2 | Handle, Blade Housing Cover | P08065 | 1 |
| | COVER ASSEMBLY, DRIVE SIDE BLADE HOUSING | 088921 | 1 |
| 3 | Cover Assembly, Drive Side Blade Housing, Ptd | 088917-1 | 1 |
| 2 | Handle, Blade Housing Cover | P08065 | 1 |
| 4 | LIMIT SWITCH, HONEYWELL GKMB 23W2 | 086681 | 2 |
| 5 | BOLT, M4 X 35-8.8 SOCKET HEAD | F81011-34 | 4 |
| 6 | NUT, M4-B HEX NYLON ZIN | F81028-2 | 8 |
| 7 | WASHER 4,3 ZINC, FLAT | F81051-2 | 8 |
| 8 | SCREW, M4 X 12-5.8 | F81011-41 | 4 |
| 9 | KEY, AZ17/170-B5 SAFETY SWITCH | 094422 | 4 |
| 10 | LATCH, FLEXIBLE DRAW | 014829 | 2 |
| 11 | BOLT, M5X12-5.8 | F81000-5 | 8 |
| 12 | WASHER 5,3 ZINC FLAT | F81052-1 | 8 |
| 13 | NUT M5-8 DIN 985 ZINC | F81030-2 | 8 |
| 14 | BOLT, M6X16 8.8 HEX HEAD FULL THREAD ZINC | F81001-15 | 10 |
| 15 | WASHER 6.4 ZINC FLAT | F81053-1 | 10 |

4.7 Sawdust Chute



| REF | DESCRIPTION (◆ Indicates Parts Available In Assemblies Only) | PART # | QTY. | |
|-----|--|----------|------|--|
| 1 | CHUTE WELDMENT, SAWDUST | 089352-1 | 1 | |
| 2 | CLAMP, 152 MM | 089358 | 2 | |
| 3 | TUBE, SAWDUST CHUTE | 090153 | 1 | |
| 4 | TUBE, CHUTE END | 090126-1 | 1 | |
| 5 | BOLT, M8X20-8.8-B HEX HEAD FULL THREAD ZINC | F81002-4 | 2 | |
| 6 | WASHER 8.4 ZINC FLAT | F81054-1 | 4 | |
| 7 | NUT, M8-8-B HEX NYLON ZINC LOCK | F81032-2 | 2 | |

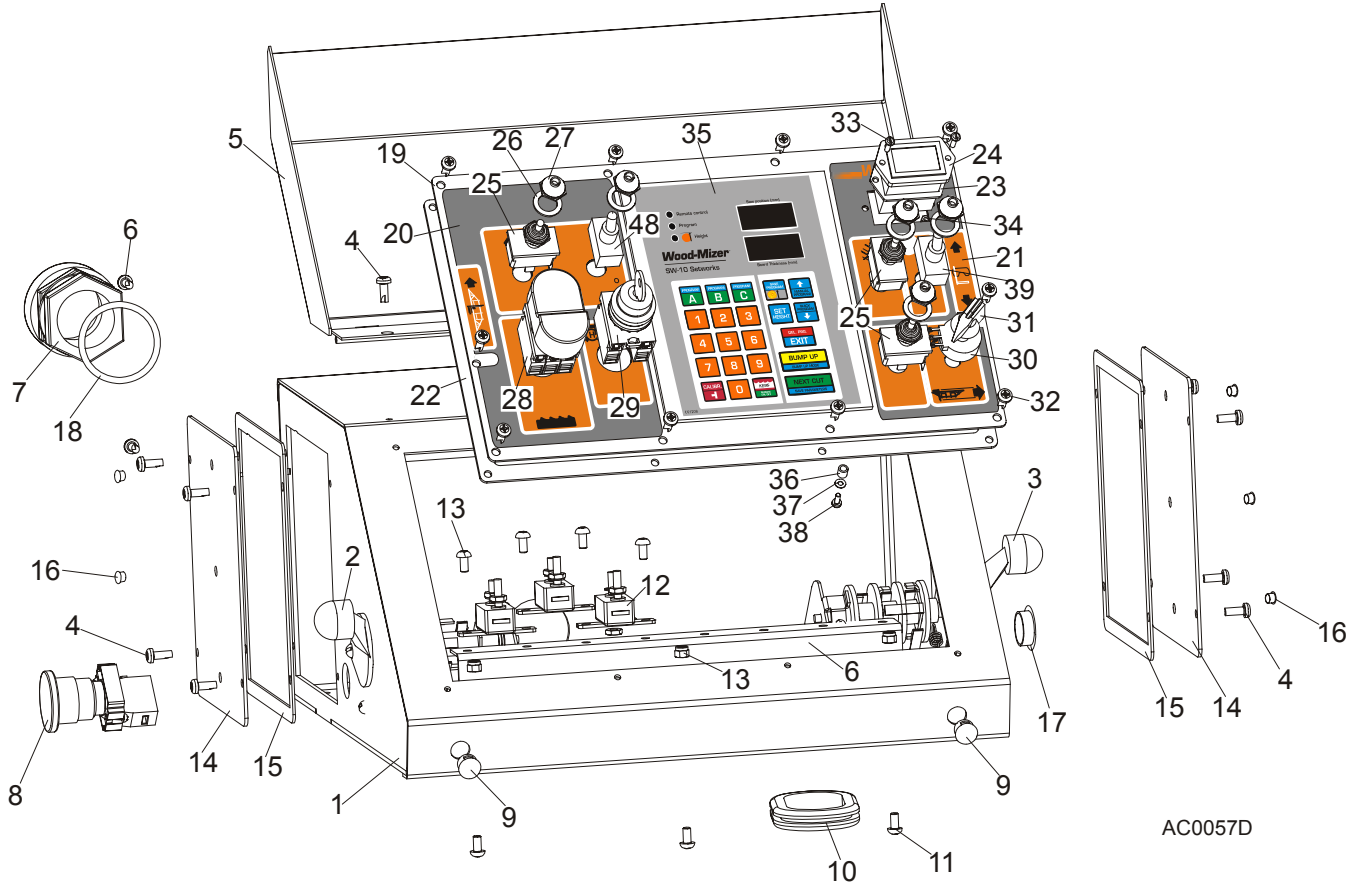
4.8 Saw Head Protection Kit, LT70M Mobile



| REF | DESCRIPTION (◆ Indicates Parts Available In Assemblies Only) | PART # | QTY. |
|-----|--|-----------|------|
| | SAW HEAD PROTECTION KIT, LT70M MOBILE | 505564 | 1 |
| 1 | BRACKET, PROTECTION BELT | 505364-1 | 1 |
| 2 | BELT, LT70 SAW HEAD PROTECTION | 505563 | 1 |
| 3 | BOLT, M10x75-8.8-Fe/Zn5 PN-M/82101 | F81003-15 | 2 |
| 4 | NUT, M10-8-B NYLON HEX ZINC LOCK | F81033-1 | 2 |
| 5 | WASHER, 10.5 FLAT ZINC | F81055-1 | 4 |

SECTION 5 CONTROL & BATTERY BOXES

5.1 Control Assembly, LT40AC Series MH

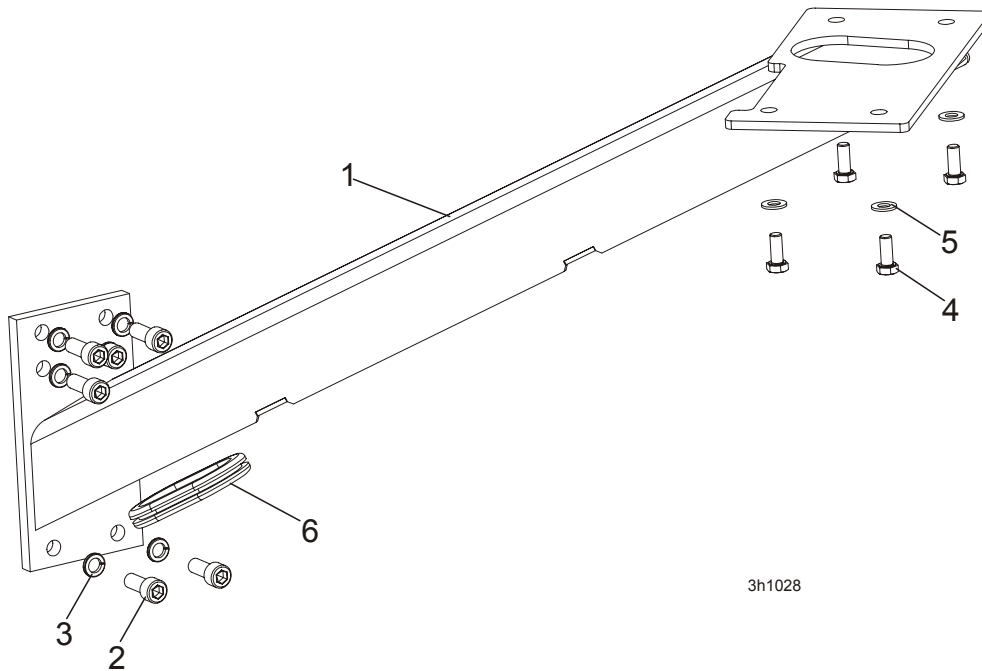


| REF | DESCRIPTION (◆ Indicates Parts Available In Assemblies Only) | PART # | QTY. |
|-----|--|-----------|------|
| | CONTROL BOX ASSEMBLY, LT40 AC | 098690 | 1 |
| 1 | Control Box, LT40AC | 099622-1 | 1 |
| 2 | Switch, 1992GS Pwr/Feed (Service Package) | E20438 | 1 |
| 3 | Switch, 1992 Up/Down (Service Package) | E20440 | 1 |
| 4 | Bolt, #10-24x1/2 Ph Pan Hd, Type 23 | F05015-17 | 12 |
| 5 | Cover Weldment, LT20/40 Complete | 097135-1 | 1 |
| 6 | Rail, Circuit Breaker | 015310 | 1 |
| 7 | Connector, 1 1/4 Straight Metal Conduit | 024402 | 1 |
| 8 | Switch, XB2 BS542 Emergency | 086556 | 1 |
| 9 | Switch, Speed Control | 086773 | 2 |
| 10 | Grommet, Rubber | 087065 | 1 |
| 11 | Screw, H M5x10 8.8 Zinc | F81000-13 | 7 |
| 12 | Breaker, 15A Manual Reset | E20430 | 3 |
| 13 | Nut, M5-8 Zinc | F81030-2 | 3 |
| | Cover, Control Box Side Complete | 086700 | 2 |
| 14 | Cover, Control Box Side | 086699-1 | 1 |
| 15 | Gasket, Control Box Side | 015274 | 1 |

| | | | | |
|----|---|-----------------------|----|--|
| 16 | Cap, SR1086 6.4 Dia. Hole | 099700 | 6 | |
| 17 | Cap, SR1086 22.2 Dia. Hole | 093544 | 1 | |
| 18 | Seal, 1 1/4 Ring LQTI w/Retainer | 015430 | 1 | |
| | Panel, LT40 AC Front Control Complete | 098689 | 1 | |
| 19 | Panel, LT20/40 AC Front Control | 100572-1 | 1 | |
| | Panel, LT40 AC Front Control | 098586-1 ¹ | 1 | |
| 20 | Decal, LT20/40 AC Control Box Left | 099594 | 1 | |
| 21 | Decal, LT40 DC Control Box Right | 099596 | 1 | |
| 22 | Gasket, LT20/40 Control Box | 097132 | 1 | |
| 23 | Gasket, Hour Meter | 093346 | 1 | |
| 24 | Meter, Hour | 093166 | 1 | |
| 25 | Switch, Toggle | 024200 | 3 | |
| 26 | Washer, 1/2x3/4x1/16 Nylon | P05251-1 | 5 | |
| 27 | Boot, Toggle Switch | P02575 | 5 | |
| 28 | Button, 24V Start/Stop | 090452 | 1 | |
| | Membrane M22-T-DD | 090462 | 1 | |
| 29 | Switch, M22 3-position Key | 091361 | 1 | |
| 30 | Potentiometer, 1k Feed Rate | E20519 | 1 | |
| 31 | Knob, Speed Control | P06257 | 1 | |
| 32 | Bolt, #10-24x1/2 Ph Pan Hd, Type 23 | F05015-17 | 10 | |
| 33 | Bolt, M3x12-8.8 Zinc | F81000-12 | 2 | |
| 34 | Nut, M3-6 Nylon Zinc Lock | F81028-2 | 2 | |
| 35 | Controller, SW-10 Setworks | 500628 | 1 | |
| 36 | Spacer, 4.2x6mm Idler | R80671-4 | 6 | |
| 37 | Washer, 3.2 Flat Zinc | F81050-2 | 6 | |
| 38 | Screw, M3x8-4.8 Zinc | F81000-83 | 6 | |
| 39 | Switch, SPST On/Off 15A .25 TABS Toggle | P03027 | 2 | |

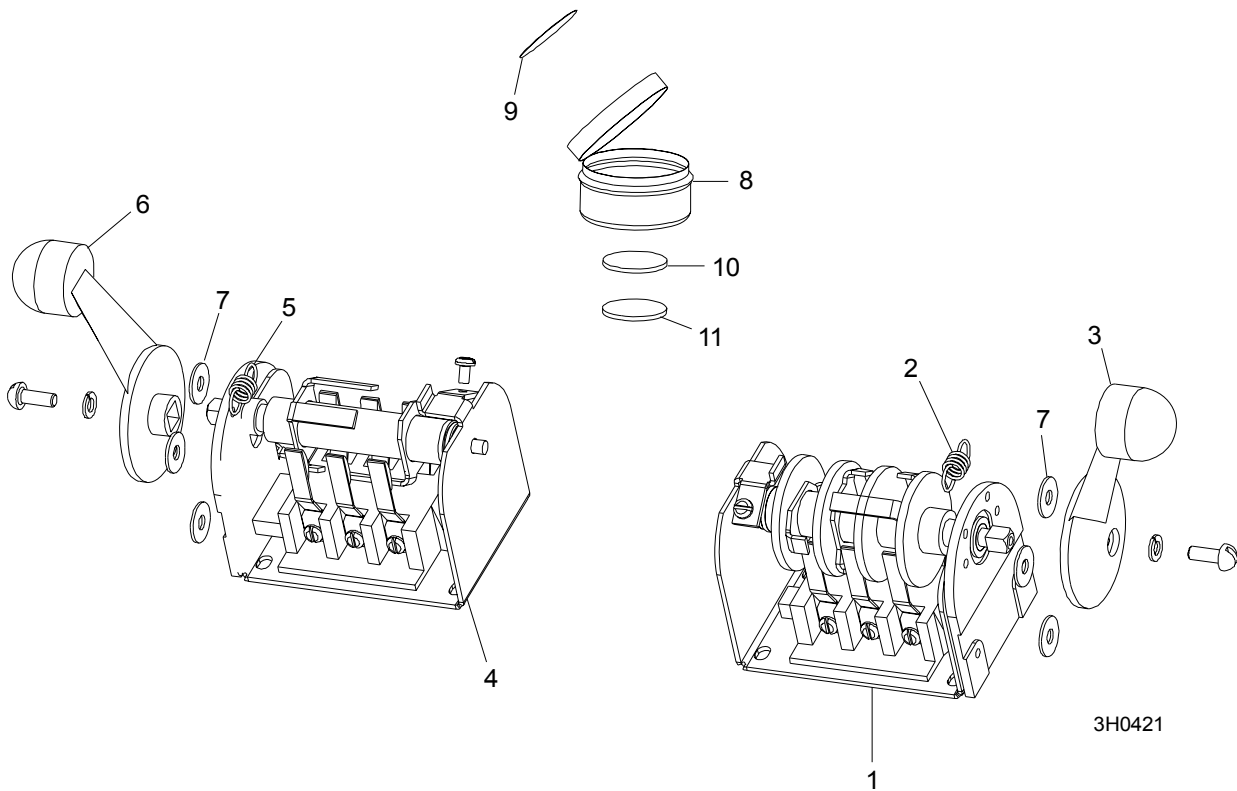
¹ Use in African version only.

5.2 Control Box Bracket



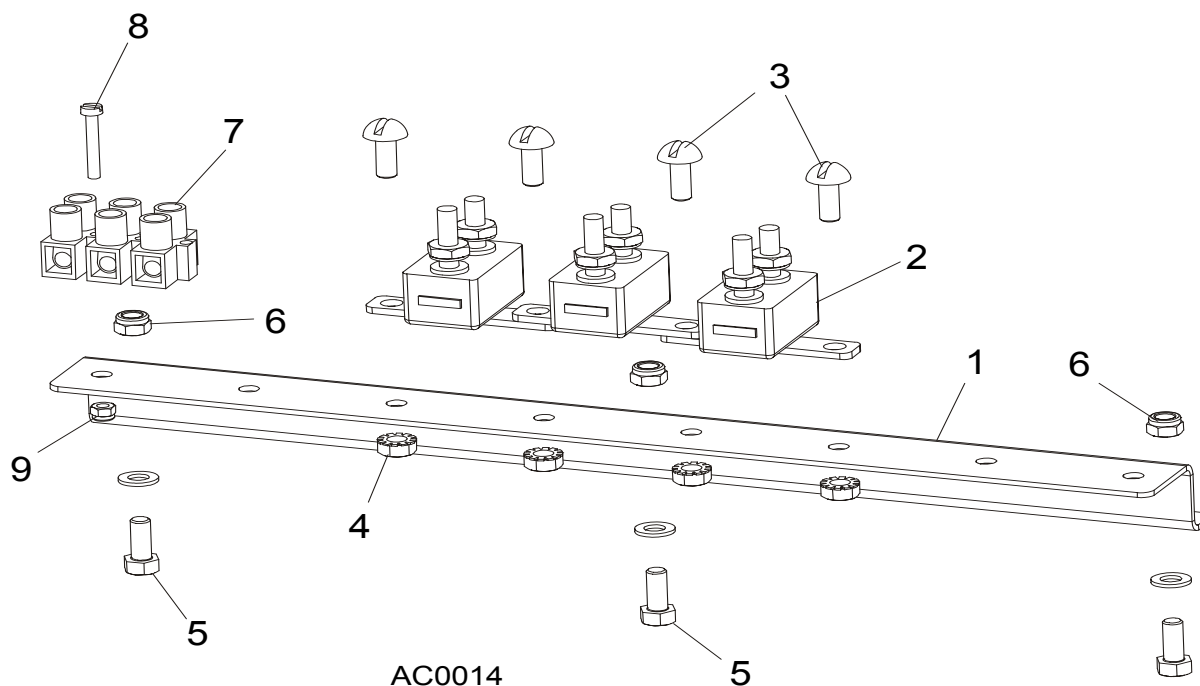
| L.P. | OPIS (◆ wskazuje części dostępne jedynie w zespołach) | NUMER KAT. | SZT. | |
|------|---|------------|------|--|
| 1 | MOUNT WELDMENT, STANDARD CONTROL BOX | 086732-1 | 1 | |
| 2 | BOLT, M10x25 8.8 ZINC SOCKET HEAD | F81003-32 | 6 | |
| 3 | WASHER, 10.2 SPLIT LOCK ZINC | F81055-2 | 6 | |
| 4 | BOLT, M8X20MM HEX HEAD, GR 5.8 ZINC | F81002-4 | 4 | |
| 5 | WASHER, 8.4 FLAT ZINC | F81054-1 | 4 | |
| 6 | GROMMET, RUBBER | 087065 | 1 | |

5.3 Drum Switches



| REF | DESCRIPTION (◆ Indicates Parts Available In Assemblies Only) | PART # | QTY. | |
|-----|--|-----------|--------|---|
| | SWITCH ASSEMBLY, UP/DOWN DRUM | E20440 | 1 | |
| 1 | Switch, S12 Bulk Drum | E20440-B | 1 | ◆ |
| 2 | Spring, Drum Switch | P12570 | 1 | |
| 3 | Handle, Drum Switch Replacement | P12500 | 1 | |
| | SWITCH ASSEMBLY, POWER FEED DRUM | E20438 | 1 | |
| 4 | Switch, S10 Bulk Drum | E20438-B | 1 | ◆ |
| 5 | Spring, Drum Switch | P12570 | 1 | |
| 6 | Handle, Drum Switch Replacement | P12500 | 1 | |
| 7 | WASHER, #8 SAE FLAT | F05011-41 | 6 | |
| | CUP ASSEMBLY, DRUM SWITCH GREASE | A20463 | 1 | |
| 8 | Cup, Plastic Container | P20464 | 1 | ◆ |
| 9 | Decal, Grease Cup Label | P20467 | 1 | |
| 10 | Pad, Velcro Loop | P20466 | 1 | ◆ |
| 11 | Pad, Velcro Hook | P20465 | 1 | ◆ |
| | Grease, High Temp Drum Switch | P20468 | .011ml | ◆ |

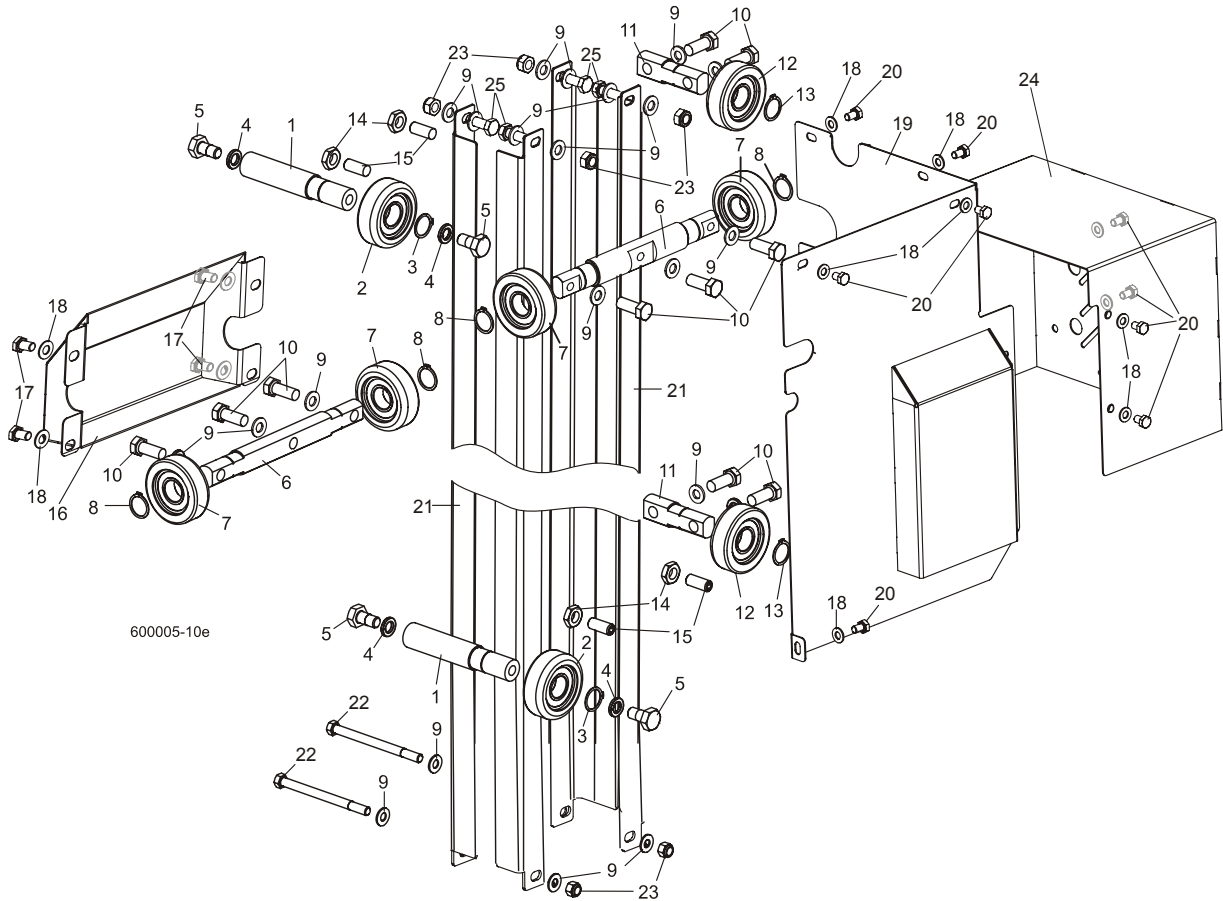
5.4 Circuit Breakers



| REF | DESCRIPTION (◆ Indicates Parts Available In Assemblies Only) | PART # | QTY. |
|-----|--|-----------|------|
| 1 | RAIL, CIRCUIT BREAKER | 015310 | 1 |
| 2 | BREAKER, 15 AMP MANUAL RESET | E20430 | 5 |
| 3 | SCREW, H M5X10 8.8 ZINC | F81000-13 | 4 |
| 4 | NUT, M5-8 ZINC HEX SELF-LOCKING | F81030-2 | 4 |
| 5 | SCREW, M5X12-5.8 ZINC | F81000-5 | 3 |
| 6 | NUT, M5-8 ZINC HEX SELF-LOCKING | F81030-2 | 3 |
| 7 | STRIP, ELECTRIC WIRE | F81086-1 | 1 |
| 8 | SCREW, M3 X 20-5.8 | F81000-8 | 1 |
| 9 | NUT, M3 | F81028-2 | 1 |

SECTION 6 UP/DOWN SYSTEM

6.1 Up/Down Rollers & Covers



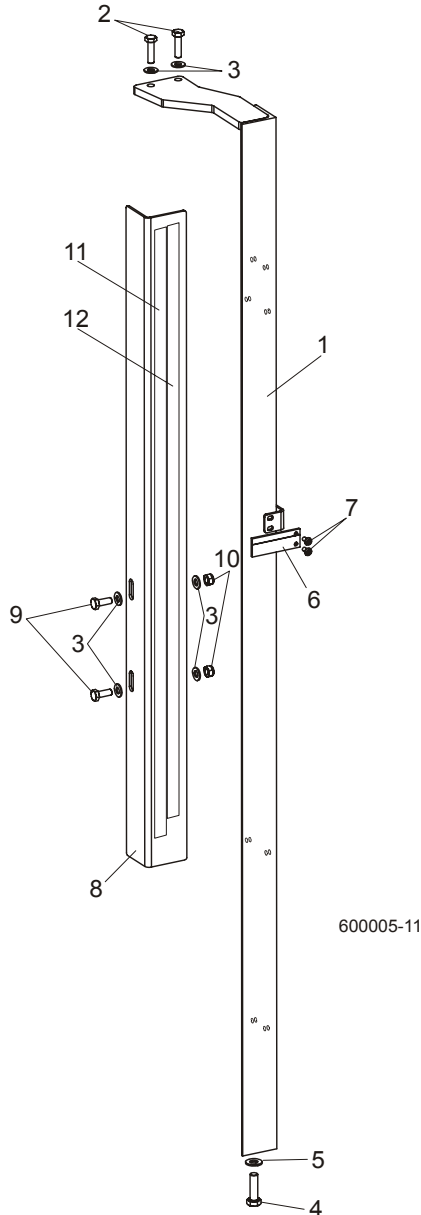
| REF | DESCRIPTION (◆ Indicates Parts Available In Assemblies Only) | PART # | QTY. |
|-----|--|-----------|------|
| | ROLLER ASSEMBLY, INSIDE UP/DOWN | 089456 | 2 |
| 1 | Shaft, Inside Up/Down Roller | 088817-1 | 1 |
| 2 | Bearing, CBK-468 Rolling | 088433 | 1 |
| 3 | Ring, Z30 Spring Retaining | F81090-23 | 1 |
| 4 | Washer, 13 Zinc Flat | F81056-1 | 2 |
| 5 | Bolt, M12x25-8.8 Hex Head Full Thread Zinc | F81004-31 | 2 |
| | ROLLER ASSEMBLY, OUTSIDE UP/DOWN | 089454 | 2 |
| 6 | Shaft, Long Up/Down Roller | 088815-1 | 1 |
| 7 | Bearing, CBK-468 Rolling | 088433 | 2 |
| 8 | Ring, Z30 Spring Retaining | F81090-23 | 2 |
| 9 | Washer, 10.5 Zinc Flat | F81055-1 | 22 |
| 10 | Bolt, M10x35-8.8 Hex Head Full Thread Zinc | F81003-17 | 10 |
| | ROLLER ASSEMBLY, SHORT UP/DOWN | 089455 | 2 |
| 11 | Shaft, Short Up/Down Roller | 088816-1 | 1 |
| 12 | Bearing, CBK-468 Rolling | 088433 | 1 |
| 13 | Ring, Z30 Spring Retaining | F81090-23 | 1 |
| 14 | NUT, M10-04-W HEX ZINC THIN | F81033-6 | 4 |
| 15 | SCREW, GN 913.3-M10-40-MS SET | F81003-65 | 4 |
| 16 | COVER WELDMENT, UP/DOWN ROLLER | 089483-1 | 1 |
| 17 | BOLT, M8X16-8.8-B HEX HEAD FULL THREAD ZINC | F81002-20 | 4 |

6 Up/Down System

Blade Height Scale

| | | | | |
|----|---|-----------|----|--|
| 18 | WASHER, 8.4 ZINC FLAT | F81054-1 | 13 | |
| 19 | GUARD WELDMENT, RA-08 UP/DOWN GEAR BOX SIDE PTD | 091319-1 | 1 | |
| 20 | BOLT, M8X12-8.8 HEX HEAD FULL THREAD ZINC | F81002-6 | 9 | |
| 21 | ANGLE, MAST TUBE STAINLESS | 088492 | 4 | |
| 22 | BOLT, M10X125-8.8 HEX HEAD ZINC | F81003-18 | 2 | |
| 23 | NUT, M10-8-B HEX NYLON ZINC LOCK | F81033-1 | 6 | |
| 24 | GUARD, UP/DOWN MOTOR PAINTED | 090501-1 | 1 | |
| 25 | BOLT,M10X30-5.8 HEX HEAD FULL THREAD | F81003-2 | 4 | |

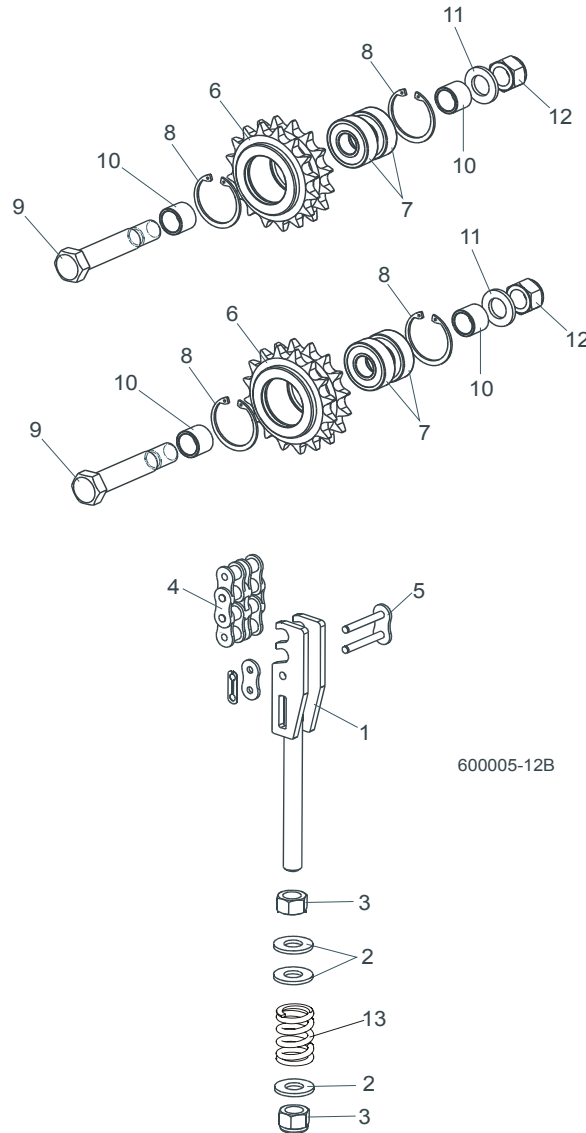
6.2 Blade Height Scale



| REF | DESCRIPTION (◆ Indicates Parts Available In Assemblies Only) | PART # | QTY. | |
|-----|--|-----------|------|--|
| 1 | MOUNT WELDMENT, SCALE PAINTED | 088554-1 | 1 | |
| 2 | BOLT, M8 x 30-8.8-B HEX HEAD FULL THREAD ZINC | F81002-7 | 2 | |
| 3 | WASHER, 8.4 ZINC FLAT | F81054-1 | 6 | |
| 4 | BOLT, M10 x 35-8.8 HEX HEAD FULL THREAD ZINC | F81003-17 | 1 | |

| | | | | |
|----|---|----------|---|--|
| 5 | WASHER, 10.5 ZINC FLAT | F81055-1 | 1 | |
| 6 | INDICATOR, BLADE HEIGHT SCALE | 094821 | 1 | |
| 7 | SCREW, #10-24 X 3/8 PHILLIPS PAN HEAD ZINC | F05004-3 | 2 | |
| 8 | ANGLE, SCALE MOUNT | 088785-1 | 1 | |
| 9 | BOLT, M8 X 20-8.8-B HEX HEAD FULL THREAD ZINC | F81002-4 | 2 | |
| 10 | NUT, M8-8-B HEX NYLON ZINC LOCK | F81032-2 | 2 | |
| 11 | DECAL, METRIC SCALE | S11711 | 1 | |
| 12 | DECAL, 16-40 MM METRIC SCALE | P12040-1 | 1 | |

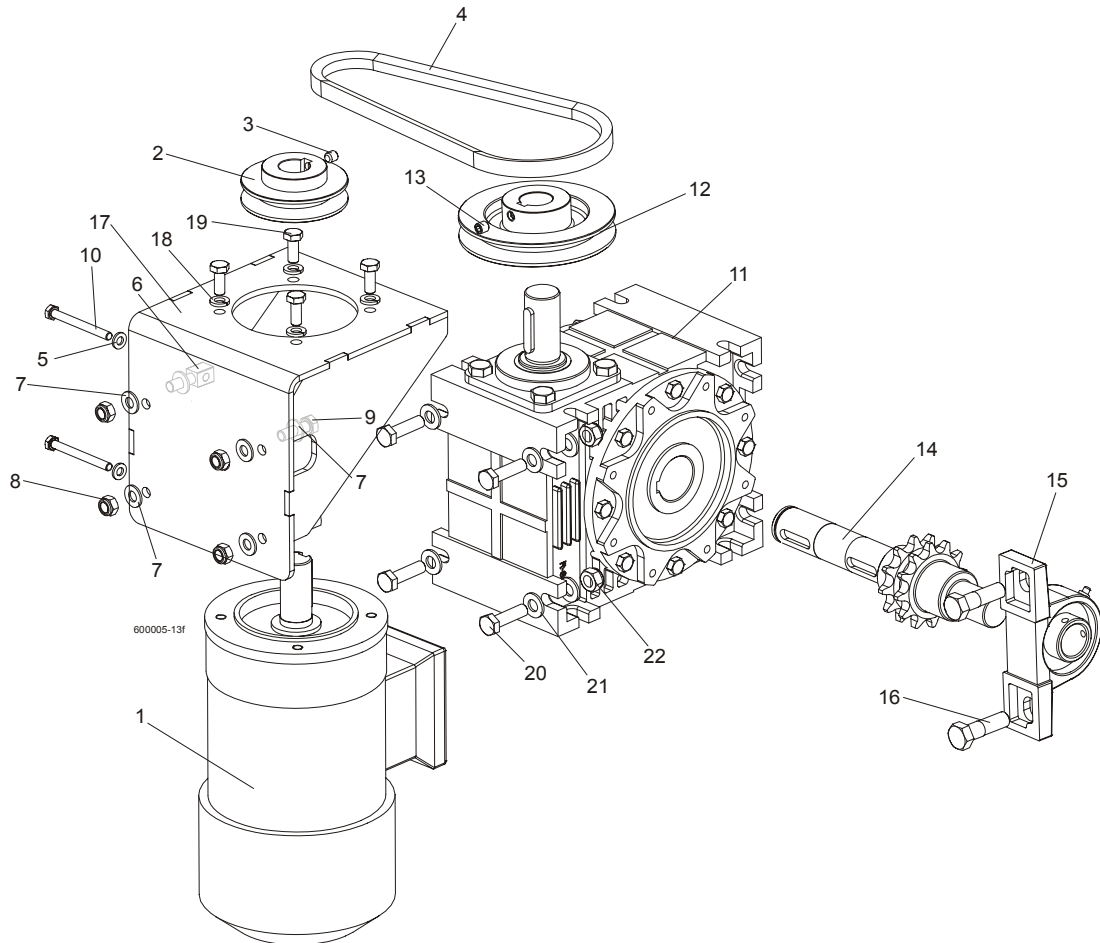
6.3 Up/Down Chain & Sprockets



| REF | DESCRIPTION (◆ Indicates Parts Available In Assemblies Only) | PART # | QTY. | |
|-----|--|----------|------|--|
| 1 | TENSIONER WELDMENT, UP/DOWN CHAIN ZINC | 088551-1 | 1 | |
| 2 | WASHER, 13 ZINC FLAT | F81056-1 | 3 | |
| 3 | NUT, M12-8 HEX NYLON ZINC LOCK | F81034-2 | 2 | |
| 4 | CHAIN, 10B-2 113-LINK UP/DOWN | 088672 | 1 | |
| 5 | LINK, 10B-2Pz MASTER | 088673 | 1 | |
| | SPROCKET ASSEMBLY, UP/DOWN IDLER | 088470 | 2 | |
| 6 | Sprocket, Zinc | 088471-1 | 1 | |

| | | | | |
|----|--|-----------|---|--|
| 7 | Bearing, 6203-2RS FLT Rolling | 086114 | 2 | |
| 8 | Ring, W40 Spring Retaining | F81090-3 | 2 | |
| 9 | Bolt, M16D1F6 x 90-8.8 Hex Fit Short Thread Zinc | F81006-15 | 1 | |
| 10 | Spacer, Idler Zinc | 088792-1 | 2 | |
| 11 | Washer, 17 Zinc Flat | F81058-1 | 1 | |
| 12 | Nut, M16-8 Hex Nylon Zinc Lock | F81036-2 | 1 | |
| 13 | Spring, 14x30x3,2 | 090797 | 1 | |

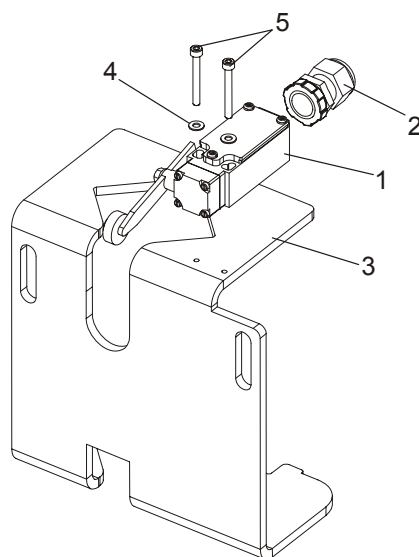
6.4 Up/Down Drive Assembly



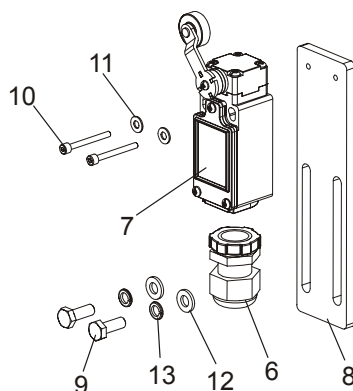
| REF | DESCRIPTION (◆ Indicates Parts Available In Assemblies Only) | PART # | QTY. | |
|-----|--|----------|------|--|
| | MOTOR W/MOUNT BRACKET, AC UP/DOWN | 090493 | 1 | |
| 1 | AC Motor, 2 gear STKg90 6/4L2 IMB14/162 | 086530 | 1 | |
| 2 | Pulley, AC Motor Painted | 090497-1 | 1 | |
| 3 | Screw, M8x8-33H Hex Socket Set Flat Point Zinc | F81014-1 | 1 | |
| 4 | V-Belt, HA-670 | 091328 | 1 | |
| 5 | Washer, 6.4 Zinc Flat | F81053-1 | 2 | |
| 6 | Bolt, Special - Zinc Plated | 088962-1 | 2 | |
| 7 | Washer, 8.4 Zinc Flat | F81054-1 | 8 | |
| 8 | Nut, M8-8-B Hex Nylon Zinc Lock | F81032-2 | 4 | |
| 9 | Bolt, M8X25-8.8-B Hex Head Full Thread Zinc | F81002-5 | 2 | |
| 10 | Bolt, M6x60-8.8 Hex Head Full Thread Zinc | F81001-9 | 2 | |
| | GEAR BOX ASSEMBLY, UP/DOWN DRIVE | 091310 | 1 | |

| | | | | |
|----|--|-----------|---|--|
| 11 | Gear Box, R80/64/WBS/D1,N+S,V5 | 097701 | 1 | |
| 12 | Pulley, Up/Down Gear Painted | 091308-1 | 1 | |
| 13 | Screw, M8x8-33H Hex Socket Set Flat Point Zinc | F81014-1 | 1 | |
| 14 | Output Shaft W/Sprocket, Up/Down Drive | 091311 | 1 | |
| 15 | Bearing Assembly, UCP205 CX | 088468 | 1 | |
| 16 | Bolt, M12 x 40-8.8 Hex Head Zinc | F81004-1 | 1 | |
| 17 | BRACKET, AC UP/DOWN MOTOR MOUNT PTD | 090494-1 | 1 | |
| 18 | WASHER 8.2 SPLIT LOCK ZINC | F81054-4 | 4 | |
| 19 | BOLT, M8 X 20-8.8-B HEX HEAD FULL THREAD ZINC | F81002-4 | 4 | |
| 20 | BOLT M10x35-8.8 HEX HEAD FULL THREAD ZINC | F81003-17 | 4 | |
| 21 | WASHER 10,5Fe/Zn5, SPECIAL | F81055-4 | 8 | |
| 22 | NUT,M10-8-B NYLON HEX ZINC LOCK | F81033-1 | 4 | |

6.5 Safety Switches



600045B

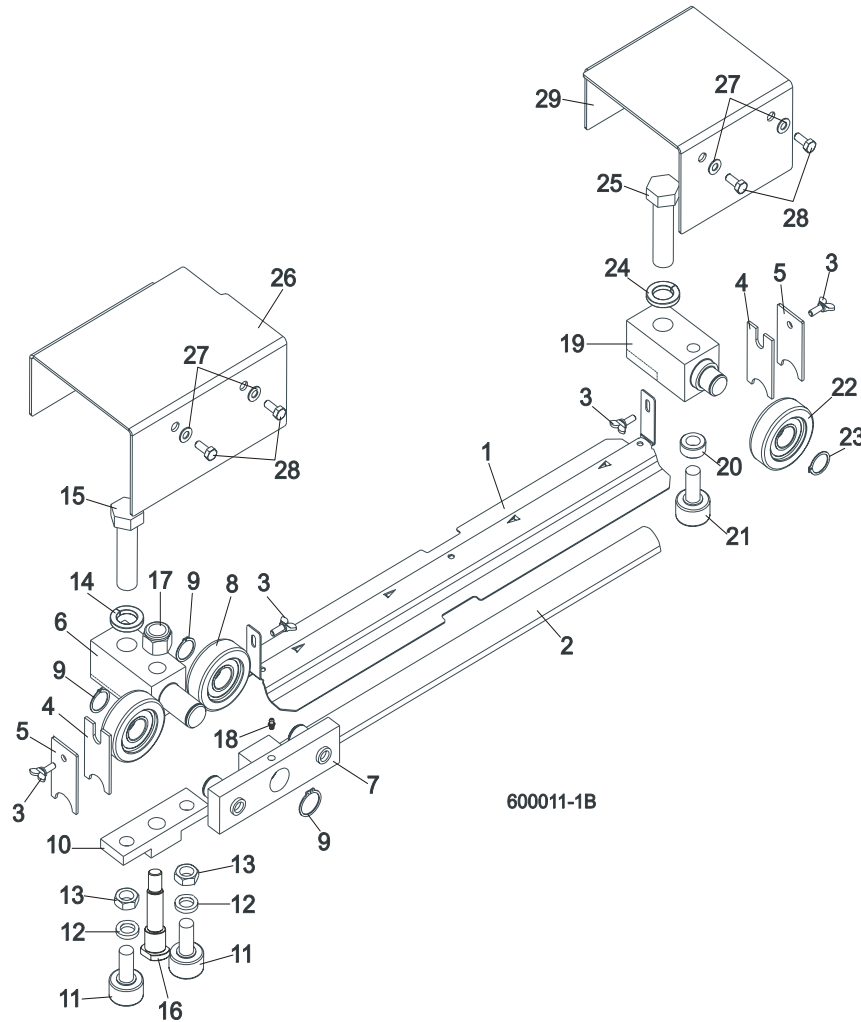


| REF | DESCRIPTION (◆ Indicates Parts Available In Assemblies Only) | PART # | QTY. |
|-----|--|-----------------------|------|
| 1 | SWITCH , GLCB01A2B SAFETY | 086469 | 2 |
| 2 | STUFFING-BOX, SKINTOP PG 13,5 | 086524 | 2 |
| 3 | SUPPORT, POWER CORD BRACKET | 090460-1 ¹ | 1 |
| 4 | WASHER 4,3 FE/ZN5 PN-M/82005 | F81051-2 | 4 |
| 5 | SCREW, M4x35-8.8 HEX SOCKET HEAD CAP ZINC | F81011-34 | 4 |
| | KIT, LT70 SAFETY SWITCH LOWER | 505711 | 1 |
| 6 | STUFFING-BOX, SKINTOP PG 13,5 | 086524 | 1 |
| 7 | LIMIT SWITCH, GLCB01A1B | 100931 | 1 |
| 8 | BAR, SAFETY SWITCH MOUNT | 505125-1 | 1 |
| 9 | BOLT, M6 x 16 8.8 Fe/Zn5 PN-M/82105 | F81001-15 | 2 |
| 10 | BOLT, M3X30 8.8 SOCKET HEAD ZINC | F81011-38 | 2 |
| 11 | WASHER 4,3 FE/ZN5 PN-M/82005 | F81051-2 | 2 |
| 12 | WASHER, M6, FLAT,ZINC | F81053-1 | 2 |
| 13 | WASHER, M6 SPLIT LOCK ZINC | F81053-3 | 2 |

¹ LT70DC version only.

SECTION 7 FEED SYSTEM & TRACK ROLLERS

7.1 Upper Track Rollers And Wipers



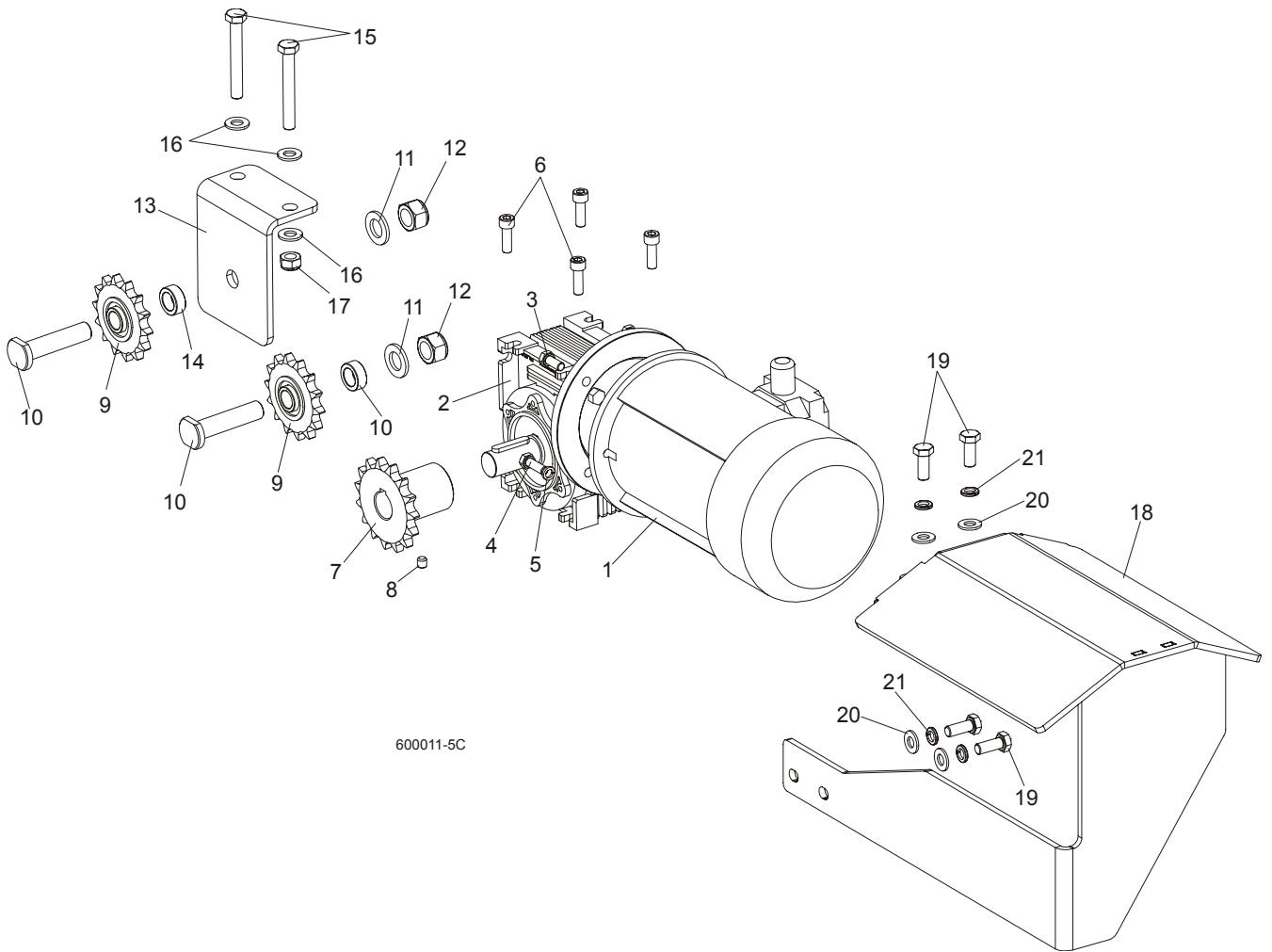
| REF | DESCRIPTION (◆ Indicates Parts Available In Assemblies Only) | PART # | QTY. |
|-----|--|-----------|------|
| 1 | COVER, LT40/70 MIDDLE TRACK - SERVICE | 092868-S | 1 |
| | Cover, LT40/70 Middle Track Ptd | 092868-1 | 1 |
| 2 | Strip, 3/16 X 2 X 23 Felt | S09915 | 1 |
| 3 | SCREW, M6X16 DIN 316 WING | F81001-16 | 4 |
| 4 | WIPER, TOP RAIL | M04113 | 2 |
| 5 | PLATE, TRACK WIPER | 088559-1 | 2 |
| | ROLLER ASSEMBLY, UPPER TANDEM TRACK | 088530 | 1 |
| 6 | Block, Tandem Roller Mount | 088532 | 1 |
| 7 | Block Assembly, Tandem Roller | 088535 | 1 |
| 8 | Bearing, CBK-468 Rolling | 088433 | 2 |
| 9 | Ring, Z30 Spring Retaining | F81090-23 | 2 |
| 10 | Block, Cam Follower Mount | 088520 | 1 |
| 11 | Bearing, Cam Follower (McGill) | 012797 | 2 |
| 12 | Washer, 16.3 Split Zinc Lock | F81058-2 | 2 |
| 13 | Nut, 5/8"-18 Zinc | F05010-11 | 2 |
| 14 | Washer, Z24.5 Split Zinc Lock | F81061-4 | 1 |
| 15 | Bolt, M24 x 2 x 90-8.8 Hex Head Full Thread Zinc | F81009-2 | 1 |

7 Feed System & Track Rollers

Power Feed Assembly

| | | | | |
|----|--|-----------|---|--|
| 16 | Pin, Cam Follower Mount | 088531 | 1 | |
| 17 | Nut, M16-8 Hex Nylon Zinc Lock | F81036-2 | 1 | |
| 18 | Fitting, M6 Straight Grease | 086280 | 1 | |
| | ROLLER ASSEMBLY, REAR UPPER TRACK | 088529 | 1 | |
| 19 | Block, Rear Upper Roller Mount | 088528 | 1 | |
| 20 | Spacer, Cam Follower | 088536 | 1 | |
| 21 | Bearing, Cam Follower (McGill) | 012797 | 1 | |
| 22 | Roller, CBK-468 | 088433 | 1 | |
| 23 | Ring, Z30 Spring Retaining | F81090-23 | 1 | |
| 24 | Washer, Z24.5 Split Zinc Lock | F81061-4 | 1 | |
| 25 | Bolt, M24x2x90-8.8 Hex Head Full Thread Zinc | F81009-2 | 1 | |
| 26 | COVER, TANDEM ROLLER | 088526-1 | 1 | |
| 27 | WASHER, 6.4 ZINC FLAT | F81053-1 | 4 | |
| 28 | BOLT, M6X16 8.8 HEX HEAD FULL THREAD ZINC | F81001-15 | 4 | |
| 29 | COVER, REAR UPPER ROLLER | 088527-1 | 1 | |

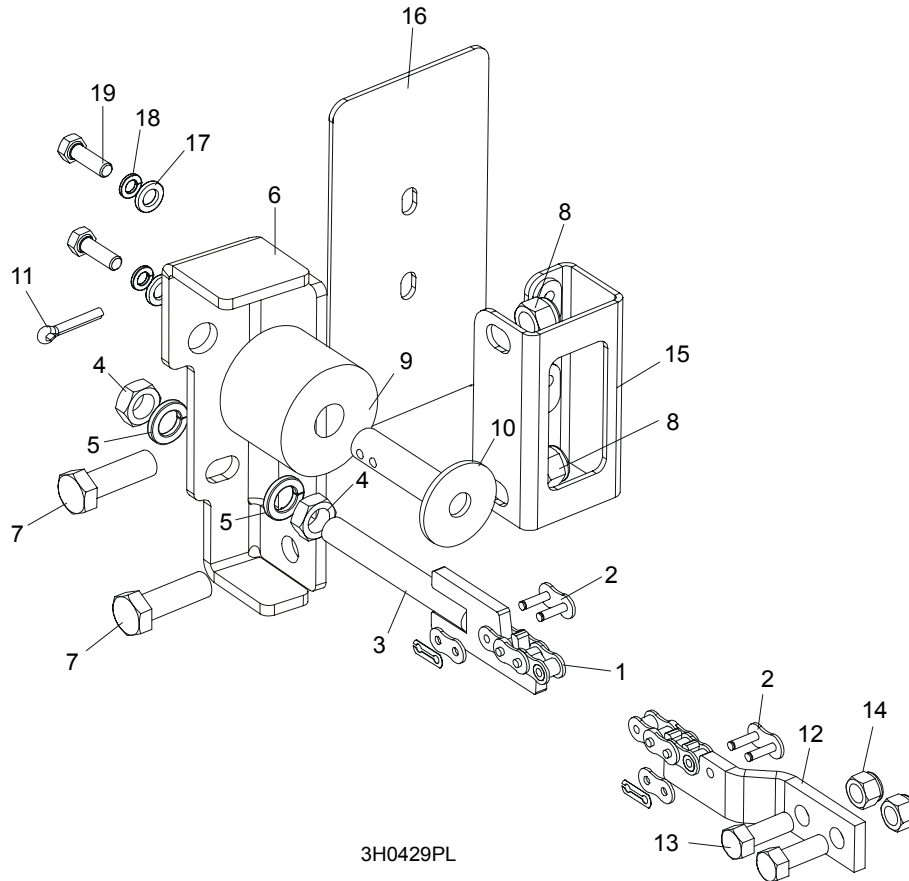
7.2 Power Feed Assembly



| REF | DESCRIPTION (◆ Indicates Parts Available In Assemblies Only) | PART # | QTY. |
|-----|--|--------|------|
|-----|--|--------|------|

| | | | | |
|----|---|-----------|---|--|
| | MOTOREDUCER MR-50/7.5/1.1-1380/K3/B8 | 100936 | 1 | |
| 1 | Electric motor 1,1kW AC | 090104 | 1 | |
| 2 | RA-0,5/7,5/D3/S/B8 l.3 koln.160/19 B14/1 | 100935 | 1 | |
| 3 | BOLT, M8X20MM, HEX HEAD,GR 5.8 ZINC | F81002-4 | 2 | |
| 4 | BOLT,M8X25-8.8-B HEX HEAD FULL THREAD | F81002-5 | 2 | |
| 5 | WASHER 8,2 FE/ZN9 | F81054-4 | 2 | |
| 6 | SCREW, M8x25 -8.8 HEX SOCKET HEAD CAP | F81002-21 | 4 | |
| 7 | SPROCKET, 10B Z15 ZINC | 088541-1 | 1 | |
| 8 | SCREW, M8x8-33H HEX SOCKET SET FLAT POINT ZINC | F81014-1 | 2 | |
| 9 | SPROCKET, KSR 16.L0.10.10.14.08 W/BEARING | 088867 | 2 | |
| 10 | PIN, ZINC SPROCKET MOUNT | 088994-1 | 2 | |
| 11 | WASHER, 17 ZINC FLAT | F81058-1 | 2 | |
| 12 | NUT, M16-8 HEX NYLON ZINC LOCK | F81036-2 | 2 | |
| 13 | BRACKET, POWER FEED SPROCKET MOUNT | 088507-1 | 1 | |
| 14 | SPACER, POWER FEED SPROCKET | 088550-1 | 1 | |
| 15 | BOLT, M10x75-8.8 HEX HEAD ZINC | F81003-15 | 2 | |
| 16 | WASHER, 10.5 ZINC FLAT | F81055-1 | 4 | |
| 17 | NUT, M10-8-B HEX NYLON ZINC LOCK | F81033-1 | 2 | |
| | GUARD, LT70AC POWER FEED MOTOR COMPLETE | 504651 | 1 | |
| 18 | GUARD, LT70AC POWER FEED MOTOR | 504652-1 | 1 | |
| 19 | BOLT, M10-1.5X25MM HH GR8.8 | F81003-11 | 4 | |
| 20 | WASHER, 10.5 ZINC FLAT | F81055-1 | 4 | |
| 21 | WASHER,10.2 SPLIT LOCK ZINC | F81055-2 | 4 | |

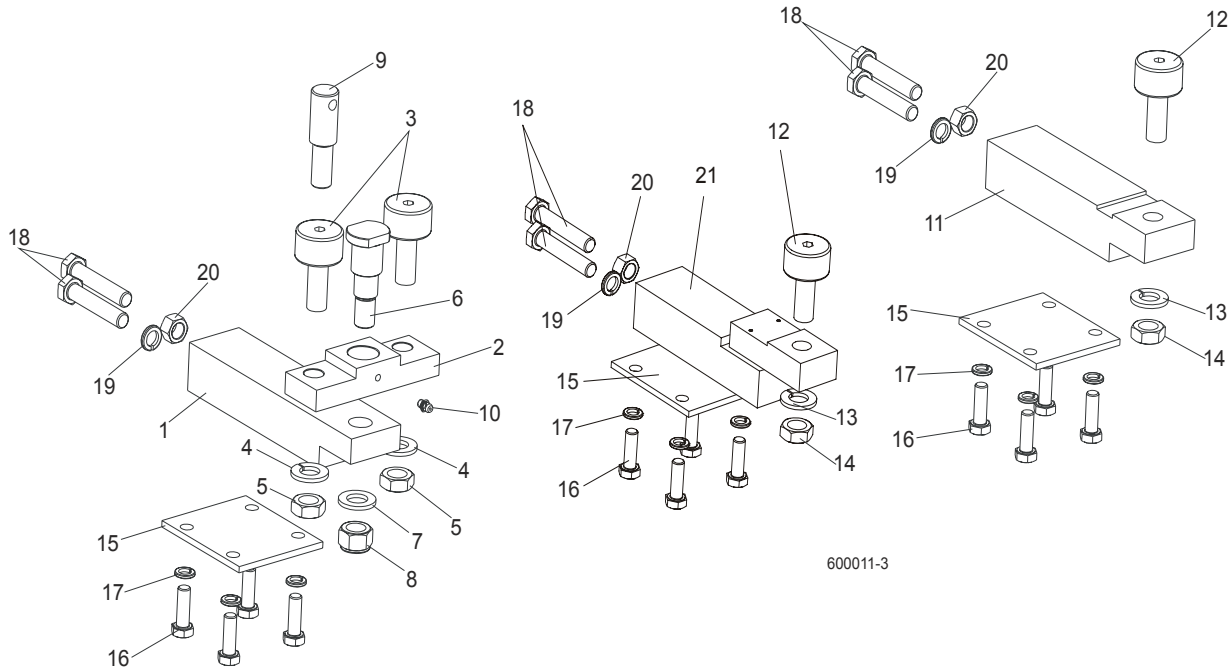
7.3 Feed Chain/Stop, LT70 S/M



3H0429PL

| REF | DESCRIPTION (◆ Indicates Parts Available In Assemblies Only) | PART # | QTY. |
|-----|--|-----------|------|
| 1 | CHAIN, 10B-1-375 (5.95M) LT70S FEED | 090427 | 1 |
| | CHAIN, 10B-1-457 (7.25M) LT70M FEED | 090370 | 1 |
| 2 | LINK, 10B-1Pz MASTER | 088671 | 2 |
| 3 | TENSIONER WELDMENT, POWER FEED CHAIN ZINC-PLATED | 086818-1 | 1 |
| 4 | NUT, M12-5 HEX JAM | F81034-4 | 2 |
| 5 | WASHER, 12.2 SPLIT LOCK | F81056-2 | 2 |
| 6 | BRACKET, FEED CHAIN REAR MOUNT | 087628-1 | 1 |
| 7 | BOLT, M12 X 40 8.8 HEX HEAD GRADE 5 | F81004-4 | 2 |
| 8 | NUT, M12-8 HEX NYLON LOCK | F81034-2 | 2 |
| | STOP KIT, RUBBER CARRIAGE | K09630 | 2 |
| 9 | Stop, Rubber Carriage | P12165 | 1 |
| 10 | Pin, Rubber Carriage Stop | W09293 | 1 |
| 11 | Pin, 3/16" X 1" Cotter | F05012-21 | 1 |
| 12 | BRACKET, FRONT FEED CHAIN MOUNT | 015008 | 1 |
| 13 | BOLT, 3/8-16 X 1" HEX HEAD | F05007-7 | 2 |
| 14 | NUT, 3/8-16 HEX NYLON LOCK | F05010-10 | 2 |
| 15 | BRACKET WELDMENT, REAR MAIN TUBE COVER MOUNT | 087105-1 | 1 |
| 16 | COVER, REAR MAIN TUBE | 015023 | 1 |
| 17 | WASHER, 8.4 FLAT | F81054-1 | 2 |
| 18 | WASHER, 8.2 SPLIT LOCK | F81054-4 | 2 |
| 19 | BOLT, 5/16-18 X 1" HEX HEAD | F05006-1 | 2 |

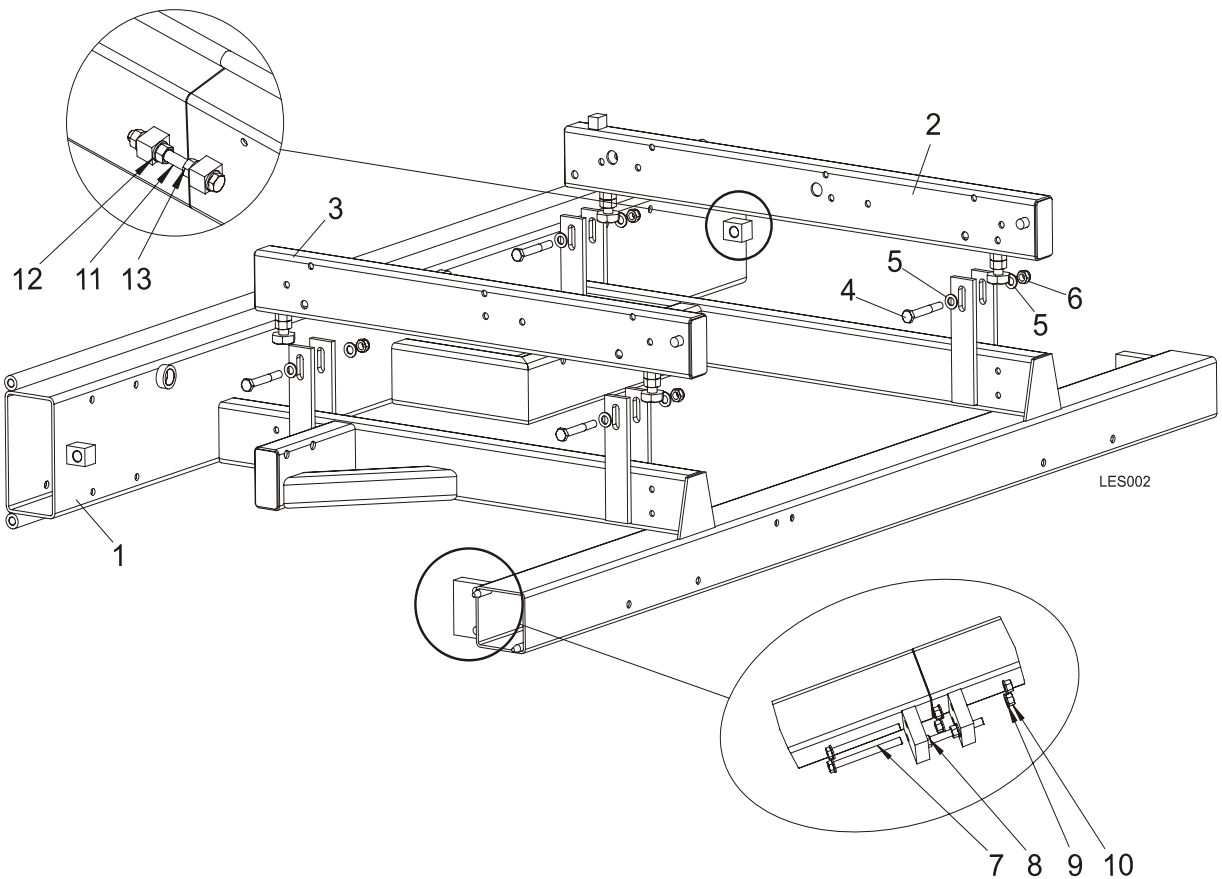
7.4 Lower Track Rollers



| REF | DESCRIPTION (◆ Indicates Parts Available In Assemblies Only) | PART # | QTY. |
|-----|--|-----------|------|
| | BLOCK ASSEMBLY, VERTICAL MAST ALIGNMENT DOUBLE | 088523 | 1 |
| 1 | Block, Vertical Mast Alignment Double | 088517 | 1 |
| 2 | Block, Cam Follower Mount | 088520 | 1 |
| 3 | Bearing, Cam Follower (McGill) | 012797 | 2 |
| 4 | Washer, 16.3 Split Zinc Lock | F81058-2 | 2 |
| 5 | Nut, 5/8"-18 Zinc | F05010-11 | 2 |
| 6 | Pin, Cam Follower Mount | 088521 | 1 |
| 7 | Washer, 17 Zinc Flat | F81058-1 | 1 |
| 8 | Nut, M16-8 Hex Nylon Zinc Lock | F81036-2 | 1 |
| 9 | Pin, Safety Lock | 088519 | 1 |
| 10 | Fitting, M6 Straight Grease | 086280 | 1 |
| | BLOCK ASSEMBLY, VERTICAL MAST ALIGNMENT SINGLE | 088524 | 1 |
| 11 | Block, Vertical Mast Alignment Single | 088518 | 1 |
| 12 | Bearing, Cam Follower (McGill) | 012797 | 1 |
| 13 | Washer, 16.3 Split Zinc Lock | F81058-2 | 1 |
| 14 | Nut, 5/8"-18 Zinc | F05010-11 | 1 |
| 15 | PLATE, LOWER TRACK ROLLER RETAINER | 088516 | 3 |
| 16 | BOLT, M10X30-5.8 HEX HEAD FULL THREAD ZINC | F81003-2 | 12 |
| 17 | WASHER, 10.2 SPLIT ZINC LOCK | F81055-2 | 12 |
| 18 | BOLT, M12X1.25X65-8.8 HEX HEAD FULL THREAD ZINC | F81004-40 | 6 |
| 19 | WASHER, Z12.2 SPLIT ZINC LOCK | F81056-2 | 3 |
| 20 | NUT, M12X1.25-8 ZINC HEX | F81034-8 | 3 |
| 21 | BLOCK WELDMENT, LOWER TRACK ROLLER MOUNT | 091425 | 1 |

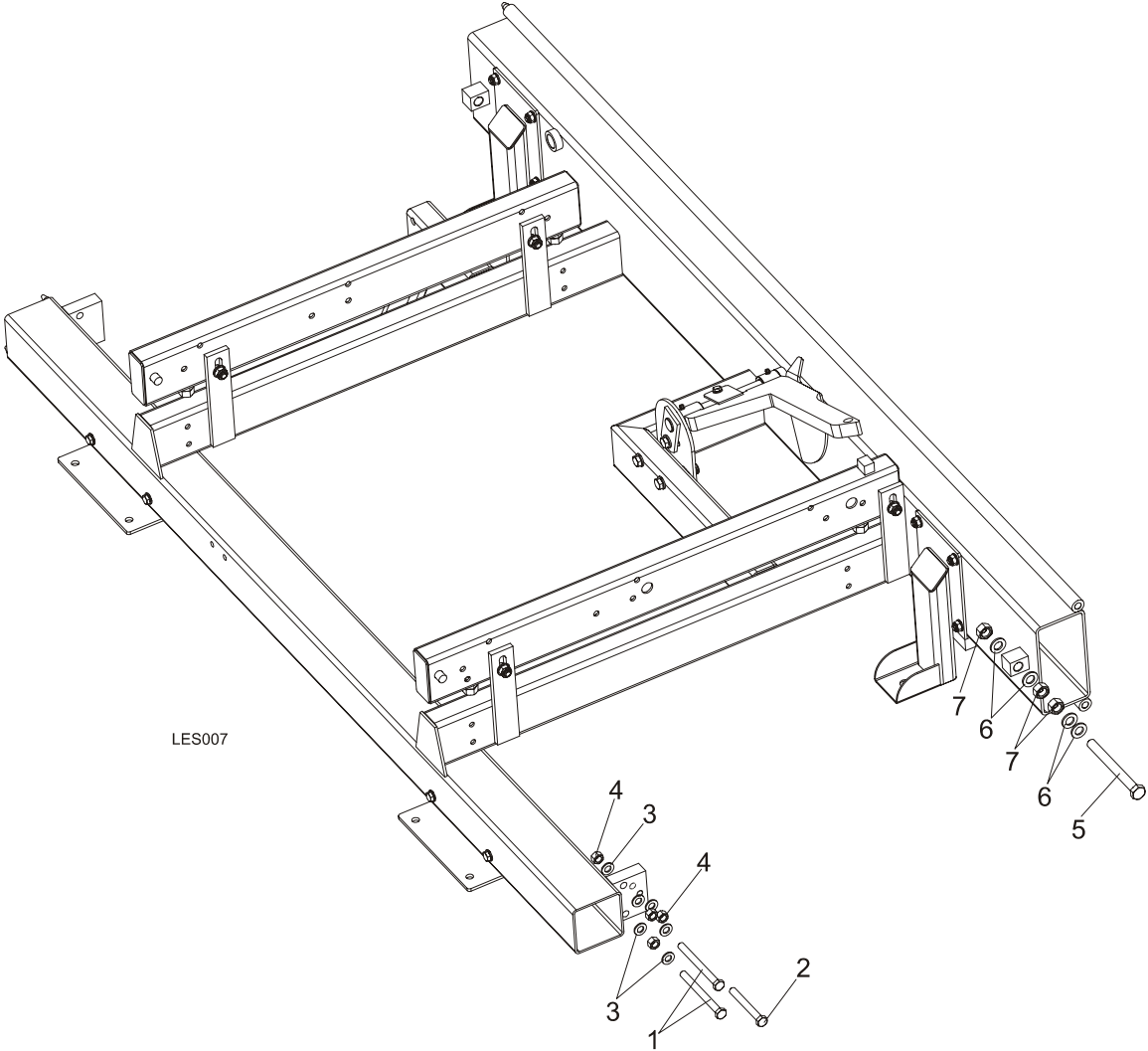
SECTION 8 BED FRAME ASSEMBLY

8.1 Bed Section



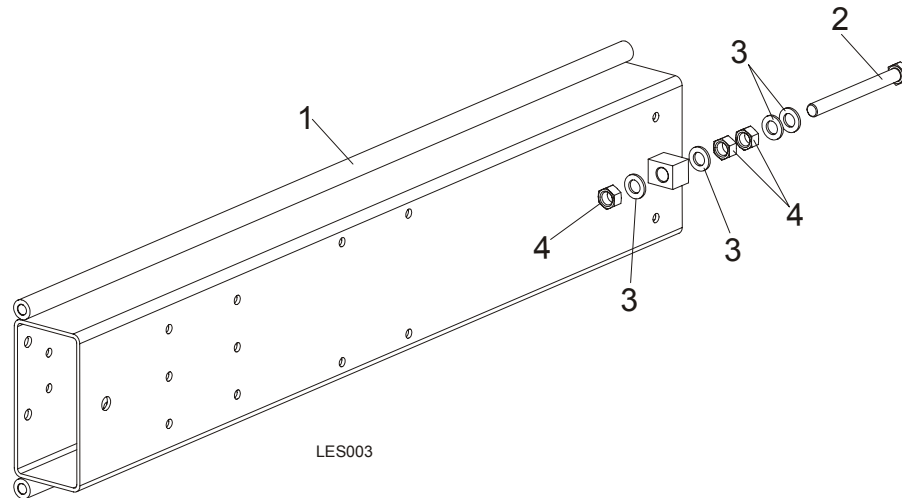
| REF | DESCRIPTION (◆ Indicates Parts Available In Assemblies Only) | PART # | QTY. |
|-----|--|-----------|------|
| | BED SECTION, LES COMPLETE | 099714 | 1 |
| 1 | Bed Rail Assembly, LES | 099710-1 | 1 |
| 2 | Tube Wldmt, Bed, LT80 Long | 089385 | 1 |
| 3 | Tube Wldmt, Bed, LT80 Short | 089386 | 1 |
| 4 | Bolt, M12 x 90-8.8 Hex Head Zinc | F81004-2 | 4 |
| 5 | Washer, 13 SAE Flat | F81056-1 | 8 |
| 6 | Nut, M12-8 Hex Nylon Zinc Lock | F81034-2 | 4 |
| 7 | BOLT, M12X130-8.8 HEX HEAD ZINC | F81004-55 | 2 |
| 8 | BOLT, M12X100-8.8 HEX HEAD ZINC | F81004-45 | 1 |
| 9 | WASHER, 13 SAE FLAT | F81056-1 | 7 |
| 10 | NUT, M10-8-B HEX NYLON ZINC LOCK | F81033-1 | 5 |
| 11 | BOLT, M16X160-8.8 HEX HEAD ZINC | F81006-23 | 1 |
| 12 | WASHER, 17 FLAT ZINC | F81058-1 | 4 |
| 13 | NUT, M16-5.8 HEX ZINC | F81036-1 | 3 |

8.2 Bed Section, Additional



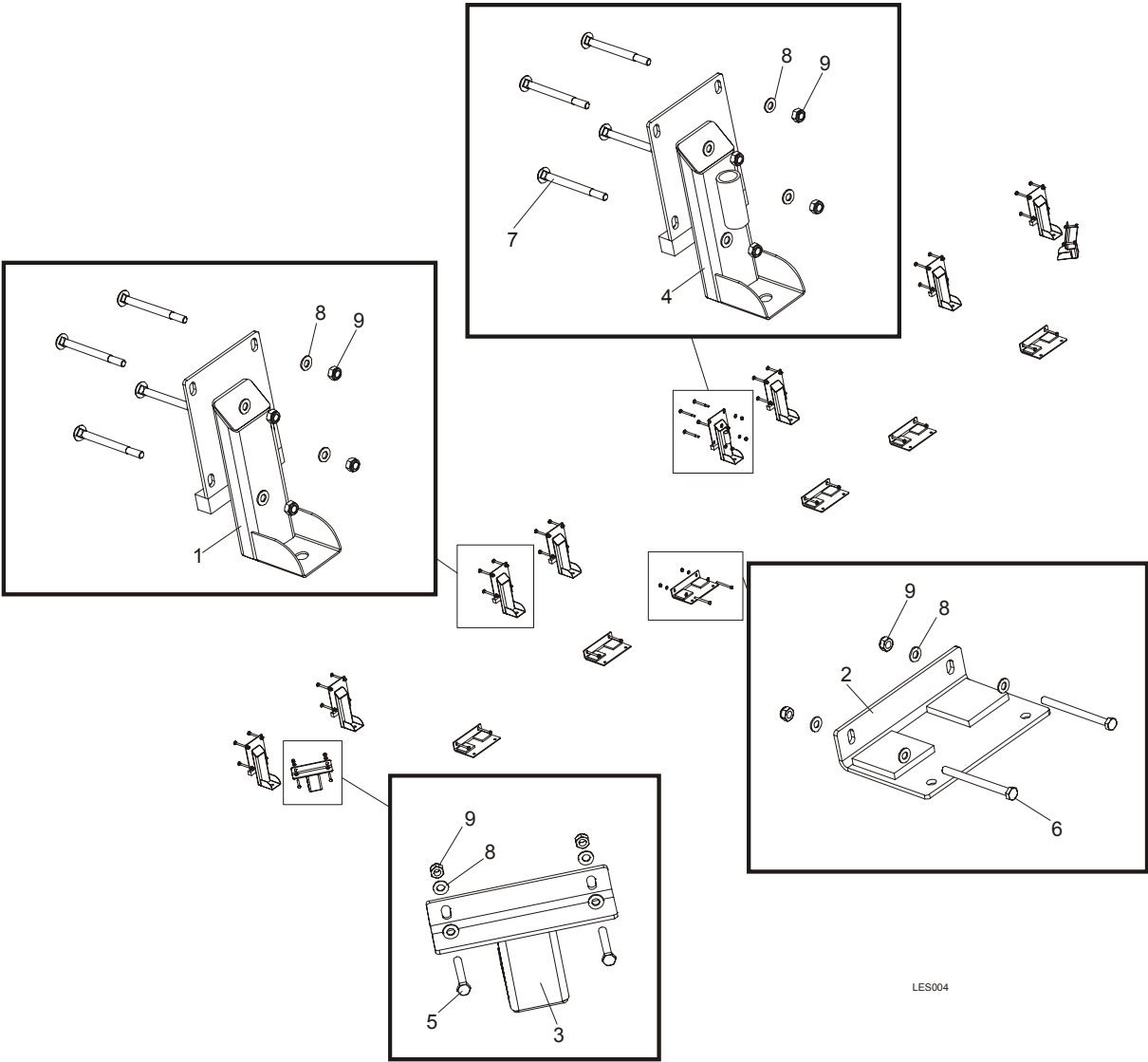
| REF | DESCRIPTION (◆ Indicates Parts Available In Assemblies Only) | PART # | QTY. |
|-----|--|-----------|------|
| | BED SECTION, LES ADDITIONAL | 101061 | 1 |
| 1 | Bolt, M12x130-8.8 Hex Head Zinc | F81004-55 | 2 |
| 2 | Bolt, M12x100-8.8 Hex Head Zinc | F81004-45 | 1 |
| 3 | Washer, 13 SAE Flat | F81056-1 | 7 |
| 4 | Nut, M10-8-B Hex Nylon Zinc Lock | F81033-1 | 5 |
| 5 | Bolt, M16x160-8.8 Hex Head Zinc | F81006-23 | 1 |
| 6 | Washer, 17 Flat Zinc | F81058-1 | 4 |
| 7 | Nut, M16-5.8 Hex Zinc | F81036-1 | 3 |

8.3 Bed Extension



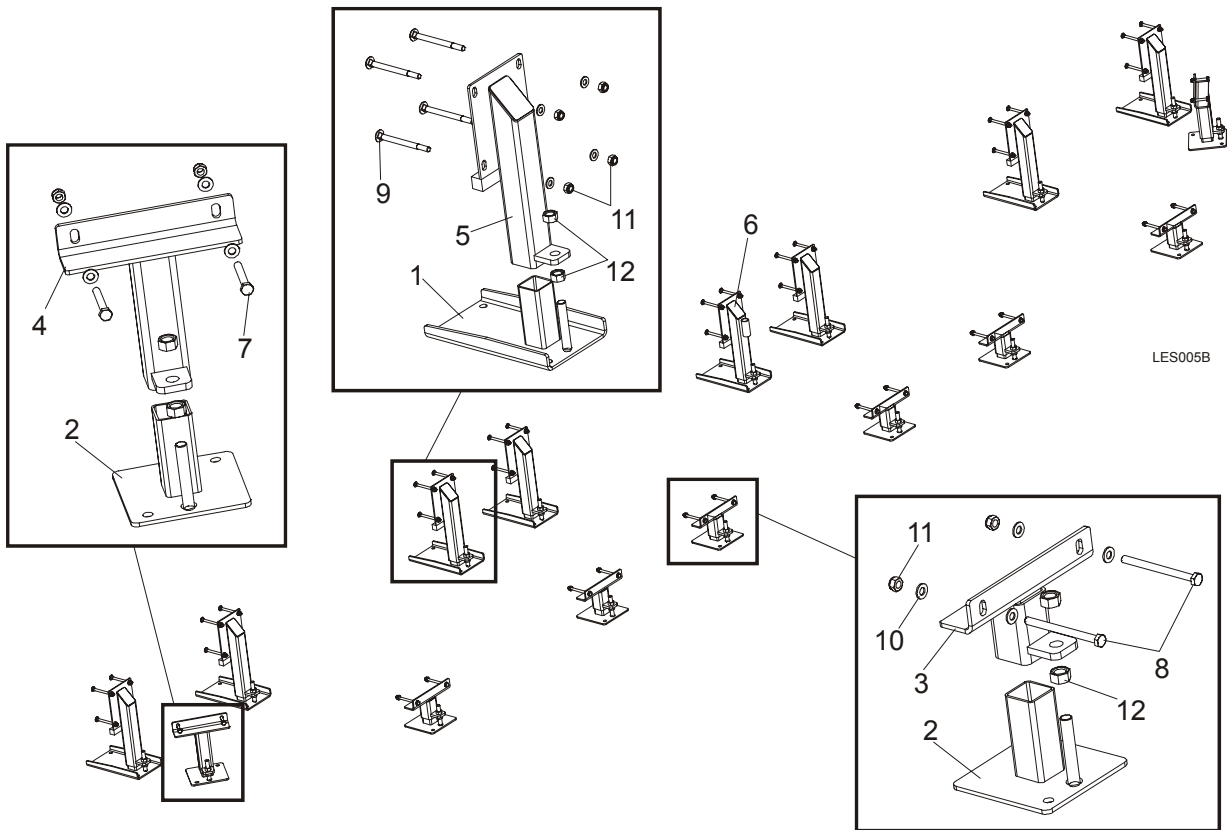
| REF | DESCRIPTION (◆ Indicates Parts Available In Assemblies Only) | PART # | QTY. |
|-----|--|-----------|------|
| | BED EXTENSION, LES COMPLETE | 099729 | 1 |
| 1 | Bed Extension, LES | 099728-1 | 1 |
| 2 | Bolt, M16x160-8.8 Hex Head Zinc | F81006-23 | 1 |
| 3 | Washer, 17 Zinc Flat | F81058-1 | 4 |
| 4 | Nut, M16, Hex, Grade 5.8 Plain | F81036-1 | 3 |

8.4 Stationary Leg Kit



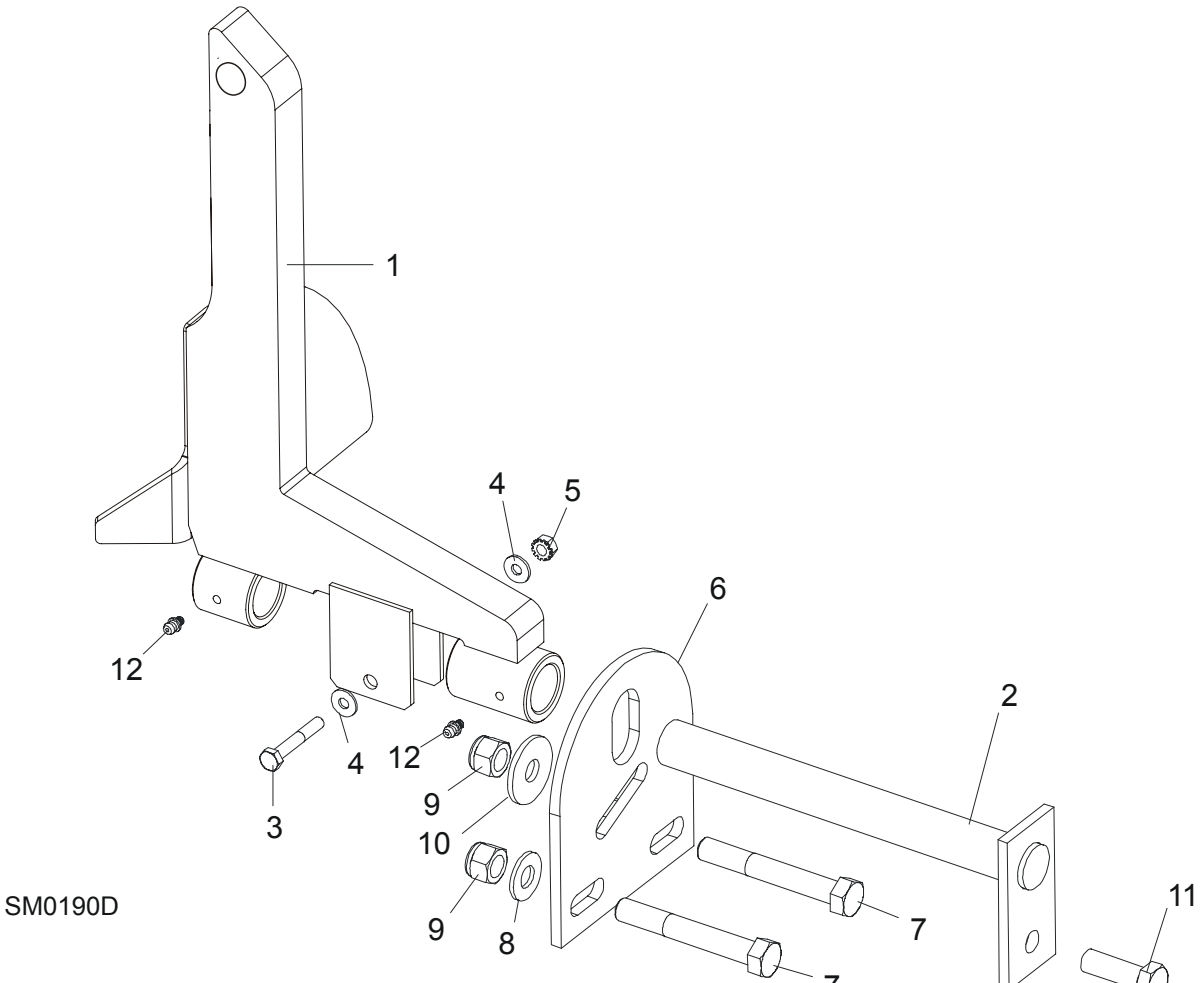
| REF | DESCRIPTION (◆ Indicates Parts Available In Assemblies Only) | PART # | QTY. |
|-----|--|-----------|-------|
| | KIT, LES STATIONARY LEG (LT20B2) | 500802 | 1 |
| | KIT, LES STATIONARY LEG (LT20B3) | 100864 | 1 |
| 1 | Leg, LES High | 100536-1 | 5/7 |
| 2 | Leg, LES Low | 100550-1 | 6 |
| 3 | Leg, LES Side | 100868-1 | 2 |
| 4 | Leg, LES High w/Bushing | 101186-1 | 1 |
| 5 | Bolt, M10X75-8.8-Fe/Zn5 PN-M/82101 | F81003-15 | 4 |
| 6 | Bolt, M10x125-8.8 Hex Head Zinc | F81003-18 | 8/12 |
| 7 | Bolt, M10X120 8.8 Fe/Zn5 | F81003-33 | 24/32 |
| 8 | Washer, 10.5 Flat Zinc | F81055-1 | 52/64 |
| 9 | Nut, M10-8-B Hex Nylon Zinc Lock | F81033-1 | 36/48 |

8.5 Outrigger Leg Kit



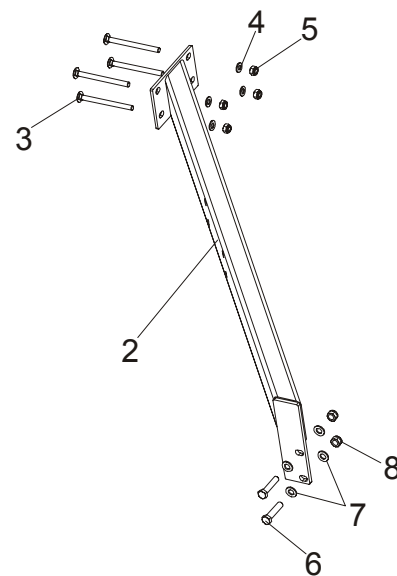
| REF | DESCRIPTION (◆ Indicates Parts Available In Assemblies Only) | PART # | QTY. |
|-----|--|-----------|-------|
| | KIT, LES OUTRIGGER LEG (LT20B2) | 500803 | 1 |
| | KIT, LES OUTRIGGER LEG (LT20B3) | 100865 | 1 |
| 1 | Foot, LES Wide | 500775-1 | 6/8 |
| 2 | Foot, LES Table Leg | 099281-1 | 6/8 |
| 3 | Leg, LES Low | 100553-1 | 4/6 |
| 4 | Leg, LES Side | 100554-1 | 2 |
| 5 | Leg, LES High | 100559-1 | 5/7 |
| 6 | Leg, LES High w/Bushing | 101187-1 | 1 |
| 7 | Bolt, M10X75-8.8-Fe/Zn5 PN-M/82101 | F81003-15 | 4 |
| 8 | Bolt, M10x125-8.8 Hex Head Zinc | F81003-18 | 8/12 |
| 9 | Bolt, M10X120 8.8 Fe/Zn5 | F81003-33 | 24/32 |
| 10 | Washer, 10.5 Flat Zinc | F81055-1 | 48/64 |
| 11 | Nut, M10-8-B Hex Nylon Zinc Lock | F81033-1 | 40/48 |
| 12 | Nut, M16, Hex, Grade 5.8 Plain | F81036-1 | 32 |

8.6 Log Side Support Assembly

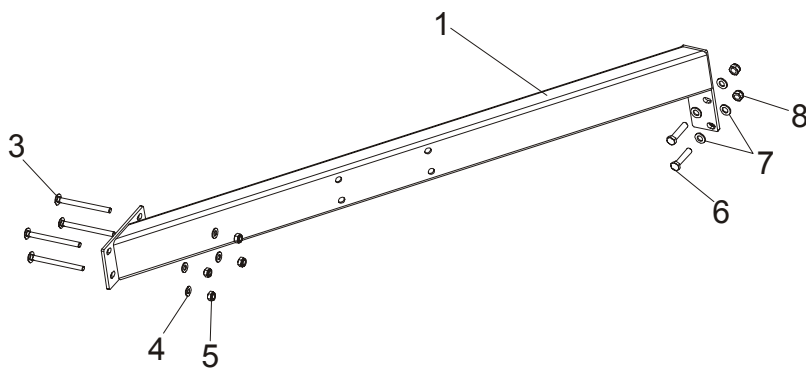


| REF | DESCRIPTION (◆ Indicates Parts Available In Assemblies Only) | PART # | QTY. |
|-----|--|-----------|------|
| | LOG SIDE SUPPORT - LT20B | 500960 | 1 |
| 1 | SUPPORT, LOG SIDE W/GUARD | 099785-1 | 1 |
| 2 | Pin, Log Side Support Pivot | 091549-1 | 1 |
| 3 | Bolt, M8x45 - 8.8 Hex Head Grade 5 | F81002-14 | 1 |
| 4 | Washer, 8.4 Flat | F81054-1 | 2 |
| 5 | Nut, M8-8-B Self Locking | F81032-2 | 1 |
| 6 | Plate, Log Side Support End | 091591-1 | 1 |
| 7 | Bolt, M12 x 75-8.8 Hex Head | F81004-21 | 2 |
| 8 | Washer, 13 Flat | F81056-1 | 2 |
| 9 | Nut, M12-8 Hex Nylon Lock | F81034-2 | 3 |
| 10 | Washer, 15 Flat Special Zinc-Plated | F81057-3 | 1 |
| 11 | Bolt, M12 x 35-8.8 Hex Head | F81004-24 | 1 |
| 12 | FITTING, 3/16" GREASE | P04107 | 2 |

8.7 Tubes, Front & Rear

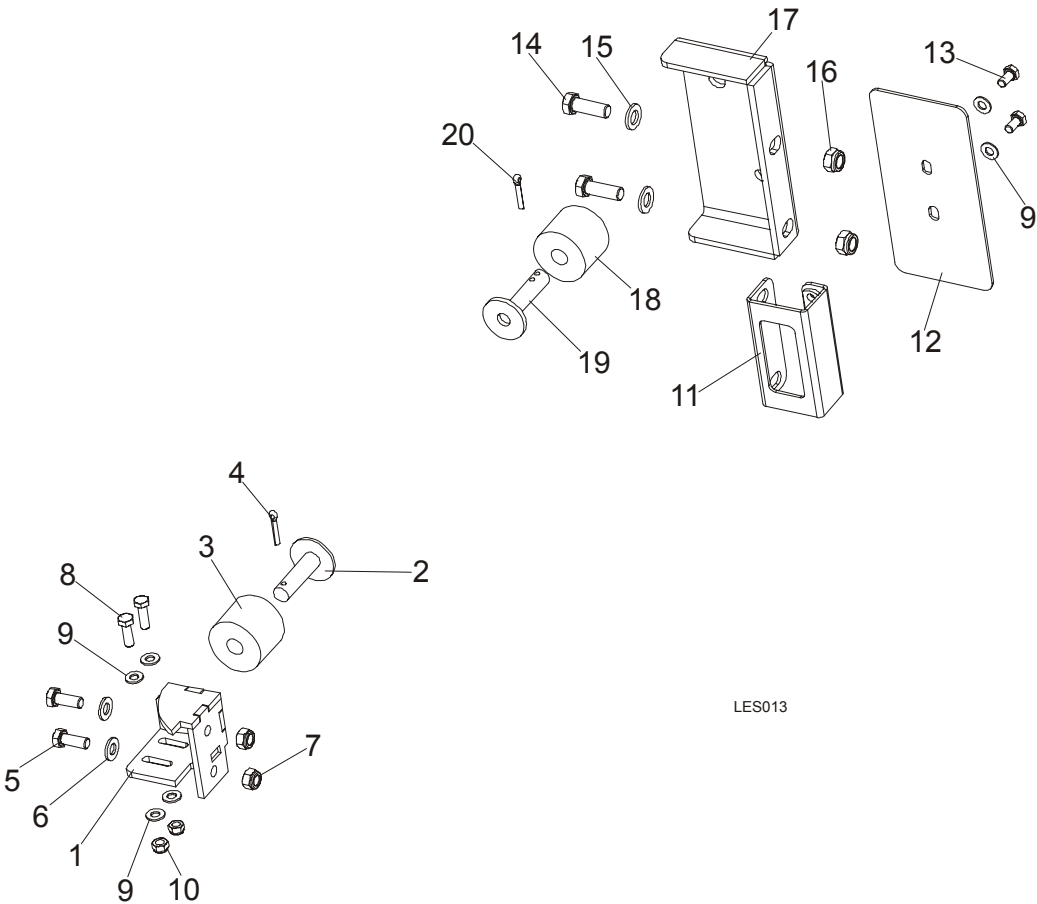


LES012



| REF | DESCRIPTION (◆ Indicates Parts Available In Assemblies Only) | PART # | QTY. |
|-----|--|-----------|------|
| 1 | TUBE, LES BED FRONT | 100551-1 | 1 |
| 2 | TUBE, LES BED REAR | 100545-1 | 1 |
| 3 | BOLT, M10X125 CARRIAGE | F81003-34 | 8 |
| 4 | WASHER, 10.5 ZINC FLAT | F81055-1 | 8 |
| 5 | NUT, M10-8-B HEX NYLON ZINC LOCK | F81033-1 | 8 |
| 6 | BOLT, M12X55-8.8 HEX HEAD ZINC | F81004-12 | 4 |
| 7 | WASHER, 13 SAE FLAT | F81056-1 | 8 |
| 8 | NUT, M12-8 HEX NYLON ZINC LOCK | F81034-2 | 4 |

8.8 Bumpers



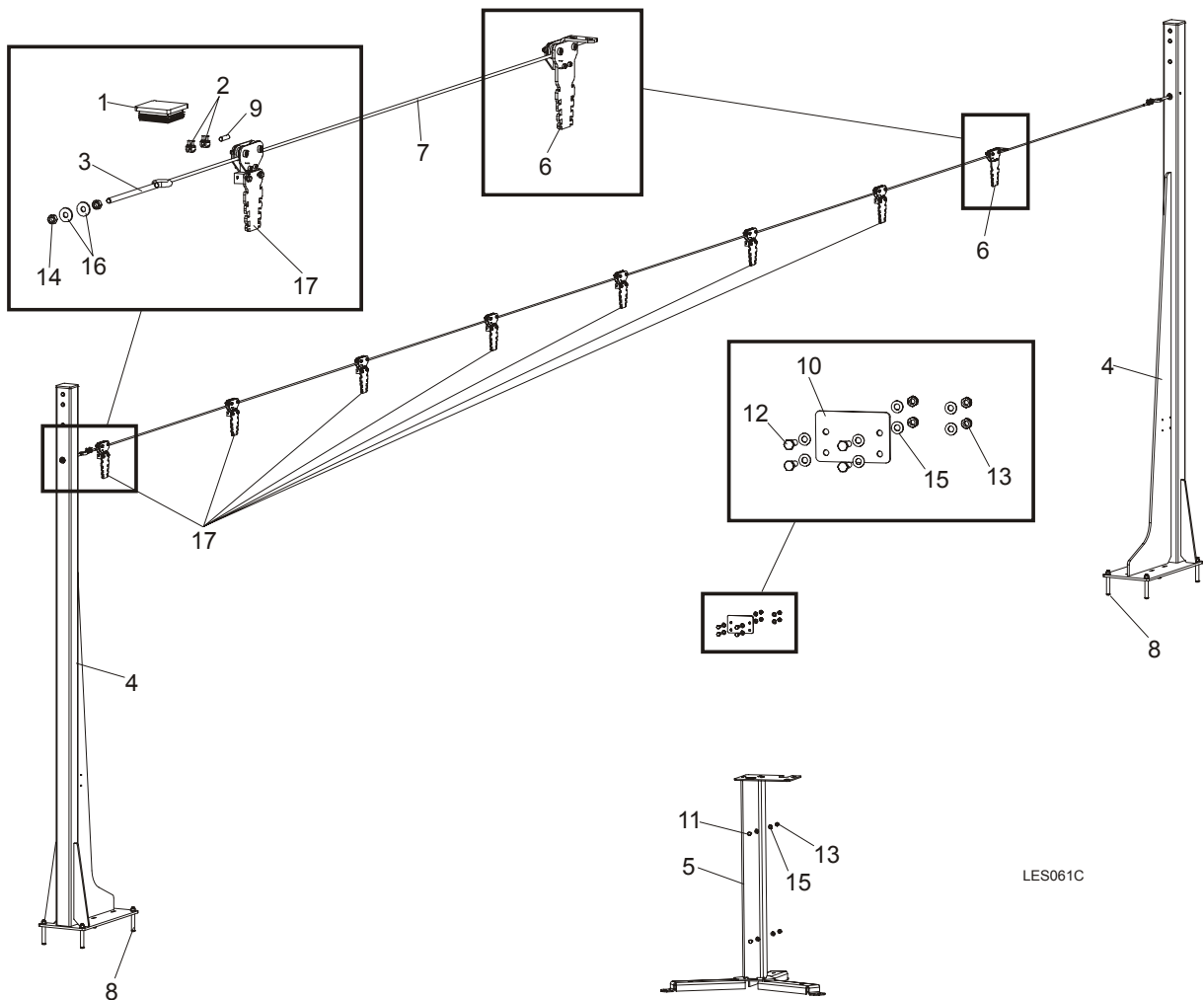
LES013

| REF | DESCRIPTION (◆ Indicates Parts Available In Assemblies Only) | PART # | QTY. |
|-----|--|-----------|------|
| 1 | MOUNT WELDMENT, FRONT CARRIAGE STOP | 089712-1 | 1 |
| 2 | MOUNT WELDMENT, CARRIAGE STOP PTD | 086182-1 | 1 |
| 3 | BUSHING, 11/16x2 1/8x1 3/4 RUBBER | P12165 | 1 |
| 4 | PIN, 3/16 X 1 COTTER | F05012-21 | 1 |
| 5 | BOLT, M10X25-8.8-FE/ZN5 | F81003-11 | 2 |
| 6 | WASHER, 10.5 ZINC FLAT | F81055-1 | 2 |
| 7 | NUT, M10-8-B HEX NYLON ZINC LOCK | F81033-1 | 2 |
| 8 | BOLT, M8x25-8.8-B HEX HEAD FULL THREAD ZINC | F81002-5 | 2 |
| 9 | WASHER, 8.4 FLAT ZINC | F81054-1 | 2 |
| 10 | NUT, M8-8-B HEX NYLON ZINC LOCK | F81032-2 | 2 |
| 11 | BRACKET WELDMENT, REAR MAIN TUBE COVER PT | 087105-1 | 1 |
| 12 | COVER, MAIN TUBE REAR | 015023 | 1 |
| 13 | BOLT, M8x16-8.8-B HEX HEAD FULL THREAD ZINC | F81002-20 | 2 |
| 14 | BOLT, M12 X 35-8.8-FE/ZN5 HEX HEAD FULL | F81004-24 | 2 |
| 15 | WASHER, 13 SAE FLAT | F81056-1 | 2 |
| 16 | NUT, M12-8 HEX NYLON ZINC LOCK | F81034-2 | 2 |

8**Bed Frame Assembly***Bumpers*

| | | | | |
|-----------|-----------------------------------|-----------|---|--|
| | BUMPER, REAR COMPLETE | 091828 | 1 | |
| 17 | BRACKET, BUMPER REAR | 091829-1 | 1 | |
| 18 | BUSHING, 11/16X2 1/8X1 3/4 RUBBER | P12165 | 1 | |
| 19 | STOP, (PTD) CARRIAGE | W09293 | 1 | |
| 20 | PIN, 3/16 X 1 COTTER | F05012-21 | 1 | |

8.9 Remote Equipment Option



| REF | DESCRIPTION (◆ Indicates Parts Available In Assemblies Only) | PART # | QTY. |
|-----|--|----------|------|
| | EQUIPMENT, LT20B REMOTE COMPLETE | 501649 | 1 |
| 1 | CAP, EDGER FRAME | 089644 | 2 |
| 2 | CLAMP, LT20 STRING | 091614 | 4 |
| 3 | TENSIONER, ZINC-PLATED | 500846-1 | 2 |
| 4 | COLUMN, LT20B LINE GUIDE | 503600-1 | 2 |
| 5 | STAND, LT20B CONTROL BOX | 501651-1 | 1 |
| 6 | PULLEY, STATIONARY | 504264 | 1 |
| 7 | CABLE, 6MM (11,5 M) STEEL | 504279 | 1 |
| 8 | PIN, LT 16X120 | 501877 | 8 |
| 9 | POINTER, 6MM STEEL CABLE | 504280-1 | 2 |
| 10 | CAP, LT20B REMOTE CONTROL BOX | 501879-1 | 1 |
| 11 | BOLT, M8X20-5.8 HEX HEAD FULL THREAD ZINC | F81002-1 | 2 |
| 12 | BOLT, M8x25-8.8-B HEX HEAD FULL THREAD ZINC | F81002-5 | 4 |

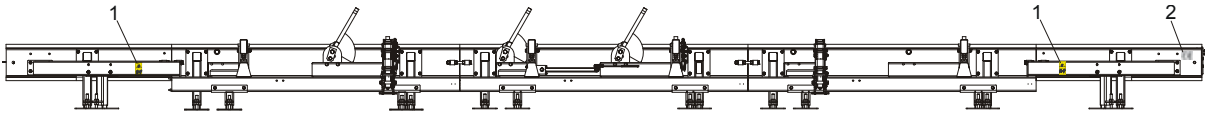
8

Bed Frame Assembly

Bed Frame Decals

| | | | | |
|----|---------------------------------|----------|----|--|
| 13 | NUT, M8-8-B HEX NYLON ZINC LOCK | F81032-2 | 6 | |
| 14 | NUT, M10-8-B-FE | F81033-3 | 4 | |
| 15 | WASHER, 8.4 FLAT ZINC | F81054-1 | 12 | |
| 16 | WASHER, 10.5 ZINC FLAT SPECIAL | F81055-6 | 4 | |
| 17 | PULLEY | 504114 | 7 | |

8.10 Bed Frame Decals

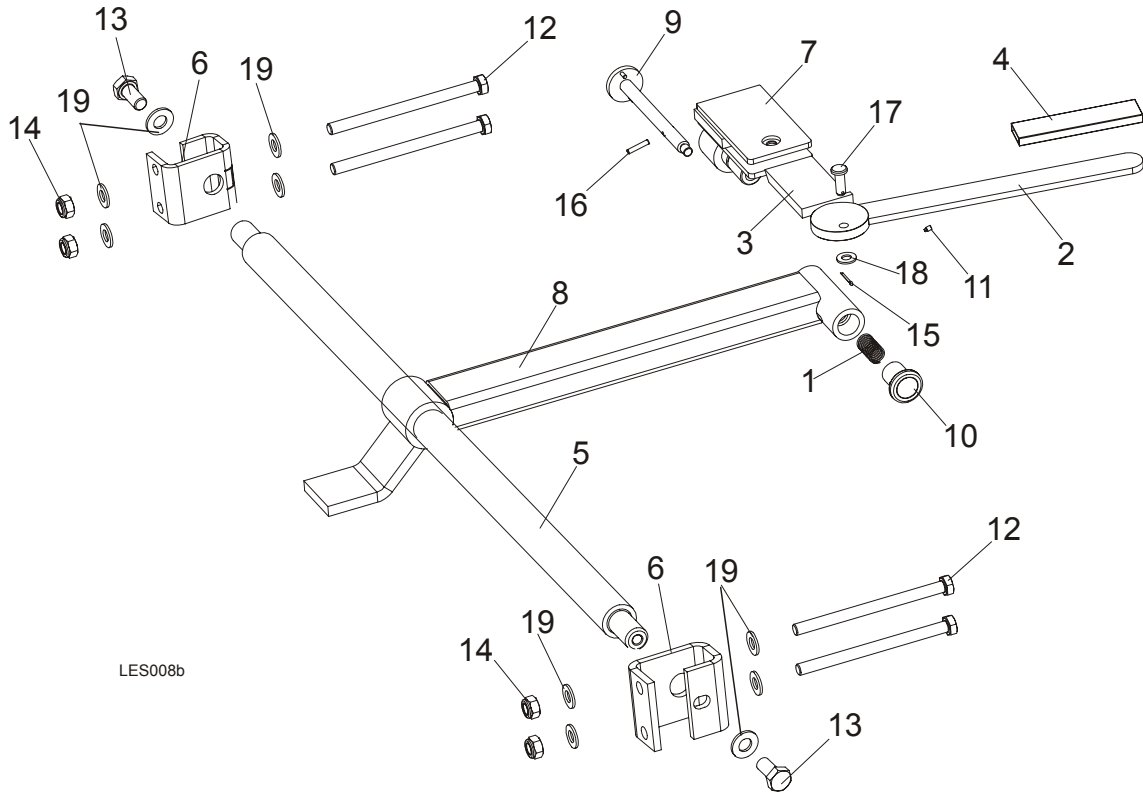


LES014

| REF | DESCRIPTION (◆ Indicates Parts Available In Assemblies Only) | PART # | QTY. | |
|-----|--|--------|------|--|
| | PICTOGRAPHIC DECAL KIT, LES | 101215 | 1 | |
| | PICTOGRAPHIC DECAL KIT, LT20AC See Section 4.5 | 099509 | 1 | |
| 1 | DECAL, KEEP AWAY DANGER, PICTOGRAM | 099221 | 2 | |
| 2 | DECAL, CE CERTIFIED SAWMILL SMALL | P85070 | 1 | |

SECTION 9 LOG CLAMP, LOADING RAMP & TOE BOARD

9.1 Log Clamp



LES008b

| REF | DESCRIPTION (◆ Indicates Parts Available In Assemblies Only) | PART # | QTY. |
|-----|--|-----------|------|
| | LES LOG CLAMP | 100650 | 1 |
| 1 | Spring, .58 ODx1 1/8 | 021243 | 1 |
| 2 | Lever, Log Clamp Zinc-plated | 086828-1 | 1 |
| 3 | Bracket, Log Clamp Zinc-plated | 086831-1 | 1 |
| 4 | Cover, LT15 Grip Log Clamp | 086875 | 1 |
| 5 | Rod, Clamp Main | 100643 | 1 |
| 6 | Block, Clamp Mounting | 100644 | 2 |
| 7 | Bracket, LES Cam | 100646-1 | 1 |
| 8 | Arm, LES Clamp | 100721-1 | 1 |
| 9 | Pin, Clamp Adjustable | 101044-1 | 1 |
| 10 | Pin, Blocking | 101194 | 1 |
| 11 | Screw, M4x6 ISO4028 | 101195 | 1 |
| 12 | Bolt, M10x140-8.8 Hex Head Zinc | F81003-50 | 4 |
| 13 | Nut, M10X20-5.8 FE/ZN5 PN-85/M-82105 | F81003-1 | 2 |
| 14 | Nut, M10-8-B Hex Nylon Zinc Lock | F81033-1 | 4 |
| 15 | Pin, 1234-2x16 Cotter | F81041-2 | 1 |
| 16 | Pin, 5x26 Roll | F81044-2 | 1 |

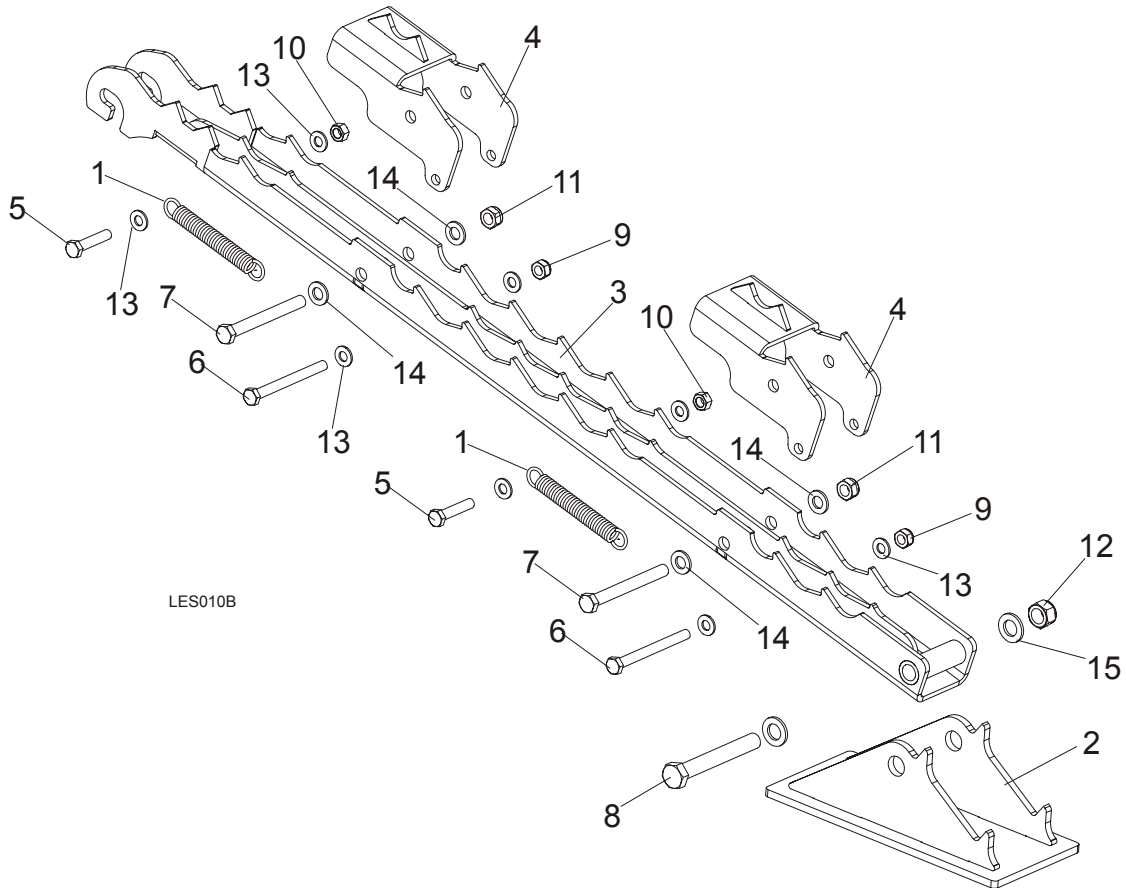


Log Clamp, Loading Ramp & Toe Board

Log Clamp

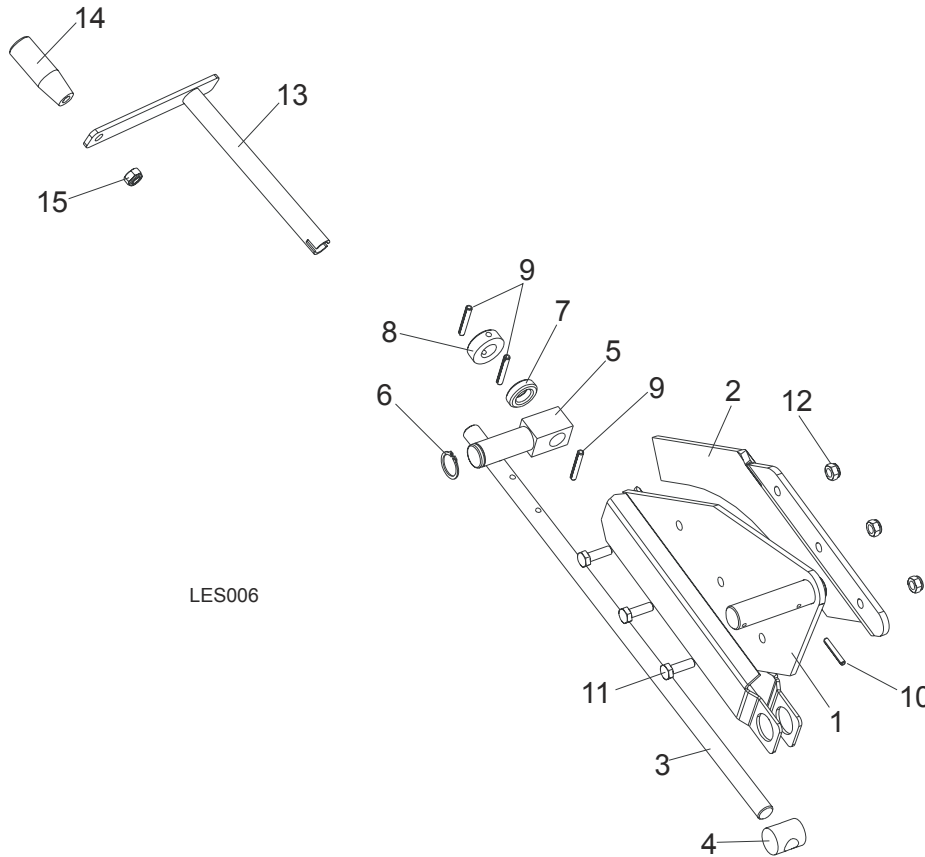
| | | | | |
|----|-------------------------|----------|----|--|
| 17 | Pin, B-8x24x2x20.5 Roll | F81046-3 | 1 | |
| 18 | Washer, 8.4 Zinc Flat | F81054-1 | 1 | |
| 19 | Washer, 10.5 Zinc Flat | F81055-1 | 10 | |

9.2 Loading Ramp



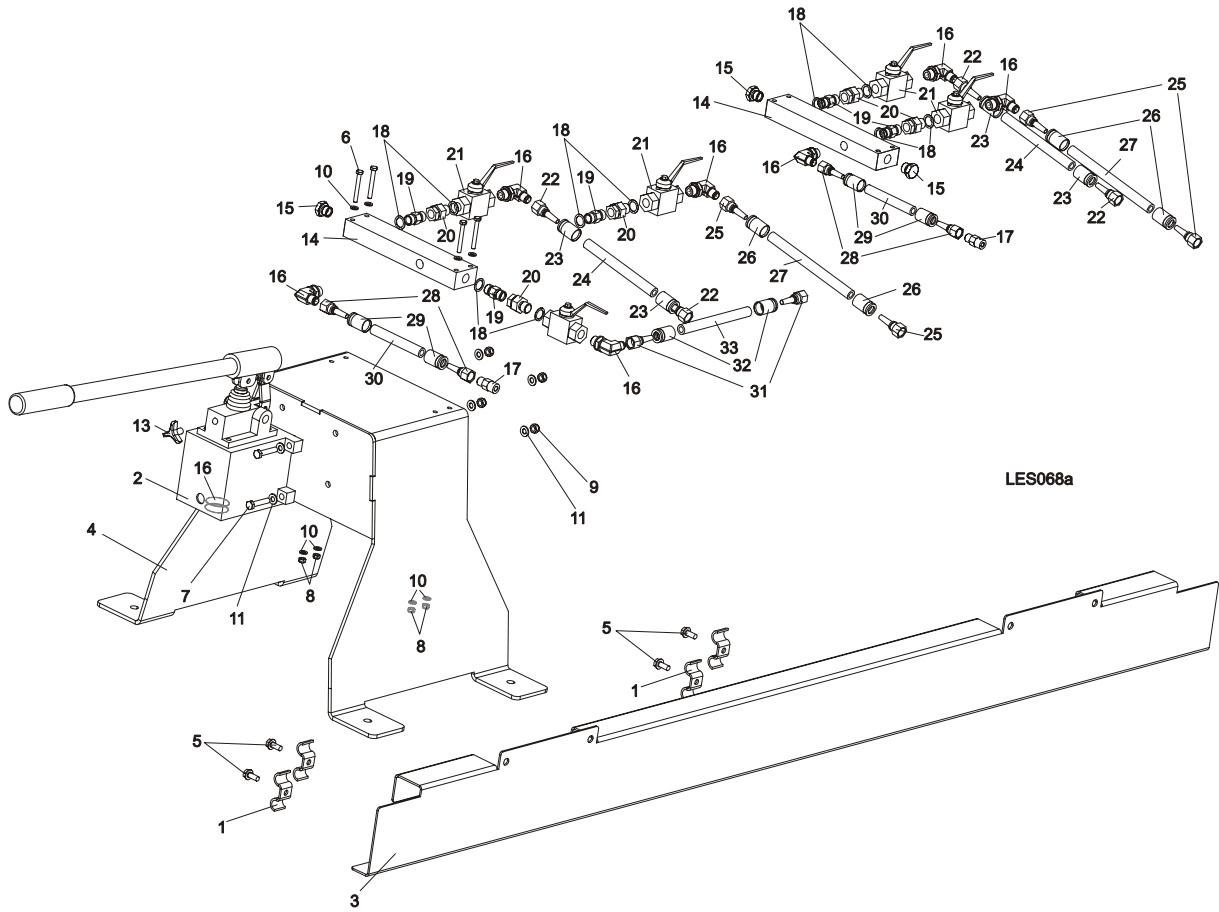
| REF | DESCRIPTION (◆ Indicates Parts Available In Assemblies Only) | PART # | QTY. |
|-----|--|-----------|------|
| | LOADING RAMP, LES | 500795 | 1 |
| 1 | Spring, $\phi 1.9 \times \phi 14.2 \times 104$ | 091865 | 2 |
| 2 | Foot, LES Loading Ramp | 500788-1 | 1 |
| 3 | Loading Ramp, LES | 500790-1 | 1 |
| 4 | Plate, LES Log w/Teeth | 500799-1 | 2 |
| 5 | Bolt, M10X50mm, Hex Head Full Thrd Zinc | F81003-4 | 2 |
| 6 | Bolt, M10x110 8.8 Hex Head Zinc | F81003-43 | 2 |
| 7 | Bolt, M12X115-8.8-FE/ZN5 PN-M/82101 | F81004-33 | 2 |
| 8 | Bolt, ISO 24014 M16 X 120 .8.8 A2E | F81006-25 | 1 |
| 9 | Nut, M10-8-B Hex Nylon Zinc Lock | F81033-1 | 2 |
| 10 | Nut, M10-8-B-Fe | F81033-3 | 2 |
| 11 | Nut, M12-8 Hex Nylon Zinc Lock | F81034-2 | 2 |
| 12 | Nut, M16 Hex Nylon Zinc Lock | F81036-2 | 1 |
| 13 | Washer, 10.5 Zinc Flat | F81055-1 | 8 |
| 14 | Washer, 13 Flat Zinc | F81056-1 | 4 |
| 15 | Washer, 17 Flat Zinc | F81058-1 | 2 |

9.3 Manual Toe Board



| REF | DESCRIPTION (◆ Indicates Parts Available In Assemblies Only) | PART # | QTY. |
|-----|--|-----------|------|
| | TOE BOARD KIT, MANUAL REAR | 094928 | 2 |
| 1 | Plate Weldment, Manual Toe Board Rear | 094926-1 | 1 |
| 2 | Extension, Manual Toe Board Plate (II) | 095202-1 | 1 |
| 3 | Shaft, Manual Toe Board | 090344-1 | 2 |
| 4 | Nut, Special Threaded | 090017 | 2 |
| 5 | Pivot, Manual Toe Board Shaft (I) | 094931-1 | 2 |
| 6 | Ring, Z 22 Outside Retaining | F81090-24 | 2 |
| 7 | Bearing, 5/8" Thrust | P04214 | 2 |
| 8 | Collar, 16 | F81039-6 | 2 |
| 9 | Pin, 5x35-N-C PN-EN ISO 8752 Roll | F81044-9 | 6 |
| 10 | Pin, 4x30 Zinc Roll | F81044-7 | 2 |
| 11 | Bolt, M8 x 25-8.8-B Hex Head Full Thread Zinc | F81002-5 | 6 |
| 12 | Nut, M8-8-B Hex Nylon Zinc Lock | F81032-2 | 6 |
| | CRANK ASSEMBLY, MANUAL TOE BOARD | 500600 | 1 |
| 13 | Crank, Manual Toe Board | 500599-1 | 1 |
| 14 | Knob, Plastic Crank Handle | 086338 | 1 |
| 15 | Nut, M10-8-B Nylon Hex Zinc Lock | F81033-1 | 1 |

9.4 H1/H2/H3 Control Assemblies - Options



| REF | DESCRIPTION (◆ Indicates Parts Available In Assemblies Only) | PART # | QTY. |
|-----|--|-----------|------|
| | H1 CONTROL ASSEMBLY-LES | 504360 | 1 |
| 1 | CLAMP, 3/8" HOSE | 016041 | 8 |
| 2 | PUMP, PMS12/TNK1 HAND W/RELIEF VALVE | 505630 | 1 |
| 3 | CHANNEL, HYDRAULIC HOSE GUIDE | 502419-1 | 3 |
| 4 | BRACKET, PUMP & VALVE MOUNT | 502543-1 | 1 |
| 5 | SCREW, 5/16-18 x 3/4 SELF-TAPPING | F05015-30 | 8 |
| 6 | BOLT, M6x50-8.8 HEX HEAD ZINC | F81001-62 | 4 |
| 7 | BOLT, M8x40-8.8 HEX HEAD FULL THREAD ZINC | F81002-15 | 4 |
| 8 | NUT, M6-8-B HEX NYLON ZINC LOCK | F81031-2 | 4 |
| 9 | NUT, M8-8-B HEX NYLON ZINC LOCK | F81032-2 | 4 |
| 10 | WASHER, 6.4 FLAT ZINC | F81053-1 | 8 |
| 11 | WASHER, 8.4 FLAT ZINC | F81054-1 | 8 |
| 12 | MAGNET, MW.38x12/N38 NEODYMIUM | 500022 | 1 |
| 13 | VALVE, LES HAND PUMP RELIEF - COMPLETE | 083712 | 1 |
| 14 | BLOCK, 4-WAY HYDRAULIC VALVE | 502540-1 | 1 |
| 15 | CAP, 3/8 BSPP (G3/8) | 502544 | 2 |
| | VALVE, H1 LES HYDRAULIC | 504361 | 1 |



Log Clamp, Loading Ramp & Toe Board

H1/H2/H3 Control Assemblies - Options

| | | | | |
|----|--|-----------|---------|--|
| 16 | FITTING, 3/8" BSP-9/16" JIC ELBOW | 096335 | 3 | |
| 17 | FITTING, G3/8-9/16-18JIC HAND PUMP | 091842 | 1 | |
| 18 | WASHING, 16x22 SEALING COPPER | 502420 | 4 | |
| 19 | FITTING, 3/8 BSP GZ STRAIGHT | 503617 | 2 | |
| 20 | FITTING, 3/8" BSP-GZ/GW 600 106 06 REDUCER | 503616 | 2 | |
| 21 | VALVE, 3/8 " G BALL | 502056 | 2 | |
| | PHD 2T3/8X4.200 W9/16UNF-W9/16UNF | 502413 | 1 | |
| 22 | FITTING, JIC 9/16-18 | 085900 | 2 | |
| 23 | CRIMP SOCKET, 3/8" HYDRAULIC HOSE | 085901 | 2 | |
| 24 | HOSE, 3/8" (C/S-20MPa)P/N8106-6-06 HYDRAULIC | R02132 | (4.2m) | |
| | PHD 2T3/8X4.200 W9/16UNF-W9/16UNF | 502414 | 1 | |
| 25 | FITTING, JIC 9/16-18 | 085900 | 2 | |
| 26 | CRIMP SOCKET, 3/8" HYDRAULIC HOSE | 085901 | 2 | |
| 27 | HOSE, 3/8" (C/S-20MPa)P/N8106-6-06 HYDRAULIC | R02132 | (7.2m) | |
| | PHD 2T3/8X4.200 W9/16UNF-W9/16UNF | 502416 | 1 | |
| 28 | FITTING, JIC 9/16-18 | 085900 | 2 | |
| 29 | CRIMP SOCKET, 3/8" HYDRAULIC HOSE | 085901 | 2 | |
| 30 | HOSE, 3/8" (C/S-20MPa)P/N8106-6-06 HYDRAULIC | R02132 | (0.58m) | |
| | H2/H3-LES CONTROL ASSEMBLY | 502055 | 1 | |
| 1 | CLAMP, 3/8" HOSE | 016041 | 8 | |
| 2 | PUMP, PMS12/TNK1 HAND W/RELIEF VALVE | 505630 | 1 | |
| 3 | CHANNEL, HYDRAULIC HOSE GUIDE | 502419-1 | 3 | |
| 4 | BRACKET, PUMP & VALVE MOUNT | 502543-1 | 1 | |
| 5 | SCREW, 5/16-18 x 3/4 SELF-TAPPING | F05015-30 | 8 | |
| 6 | BOLT, M6x50-8.8 HEX HEAD ZINC | F81001-62 | 4 | |
| 7 | BOLT, M8x40-8.8 HEX HEAD FULL THREAD ZINC | F81002-15 | 4 | |
| 8 | NUT, M6-8-B HEX NYLON ZINC LOCK | F81031-2 | 4 | |
| 9 | NUT, M8-8-B HEX NYLON ZINC LOCK | F81032-2 | 4 | |
| 10 | WASHER, 6.4 FLAT ZINC | F81053-1 | 8 | |
| 11 | WASHER, 8.4 FLAT ZINC | F81054-1 | 8 | |
| 12 | MAGNET, MW.38x12/N38 NEODYMIUM | 500022 | 1 | |
| 13 | VALVE, LES HAND PUMP RELIEF - COMPLETE | 083712 | 1 | |
| 14 | BLOCK, 4-WAY HYDRAULIC VALVE | 502540-1 | 1 | |
| 15 | CAP, 3/8 BSPP (G3/8) | 502544 | 1 | |
| | VALVE, H2/3-LES HYDRAULIC | 502040 | 1 | |
| 16 | FITTING, 3/8" BSP-9/16" JIC ELBOW | 096335 | 4 | |
| 17 | FITTING, G3/8-9/16-18JIC HAND PUMP | 091842 | 1 | |
| 18 | WASHER, 16x22 SEALING COPPER | 502420 | 6 | |
| 19 | FITTING, 3/8 BSP GZ STRAIGHT | 503617 | 3 | |
| 20 | FITTING, 3/8" BSP-GZ/GW 600 106 06 REDUCER | 503616 | 3 | |
| 21 | VALVE, 3/8 " G BALL | 502056 | 3 | |
| | PHD 2T3/8X4.200 W9/16UNF-W9/16UNF | 502413 | 1 | |
| 22 | FITTING, JIC 9/16-18 | 085900 | 2 | |
| 23 | CRIMP SOCKET, 3/8" HYDRAULIC HOSE | 085901 | 2 | |
| 24 | HOSE, 3/8" (C/S-20MPa)P/N8106-6-06 HYDRAULIC | R02132 | (4.2m) | |
| | PHD 2T3/8X4.200 W9/16UNF-W9/16UNF | 502414 | 1 | |

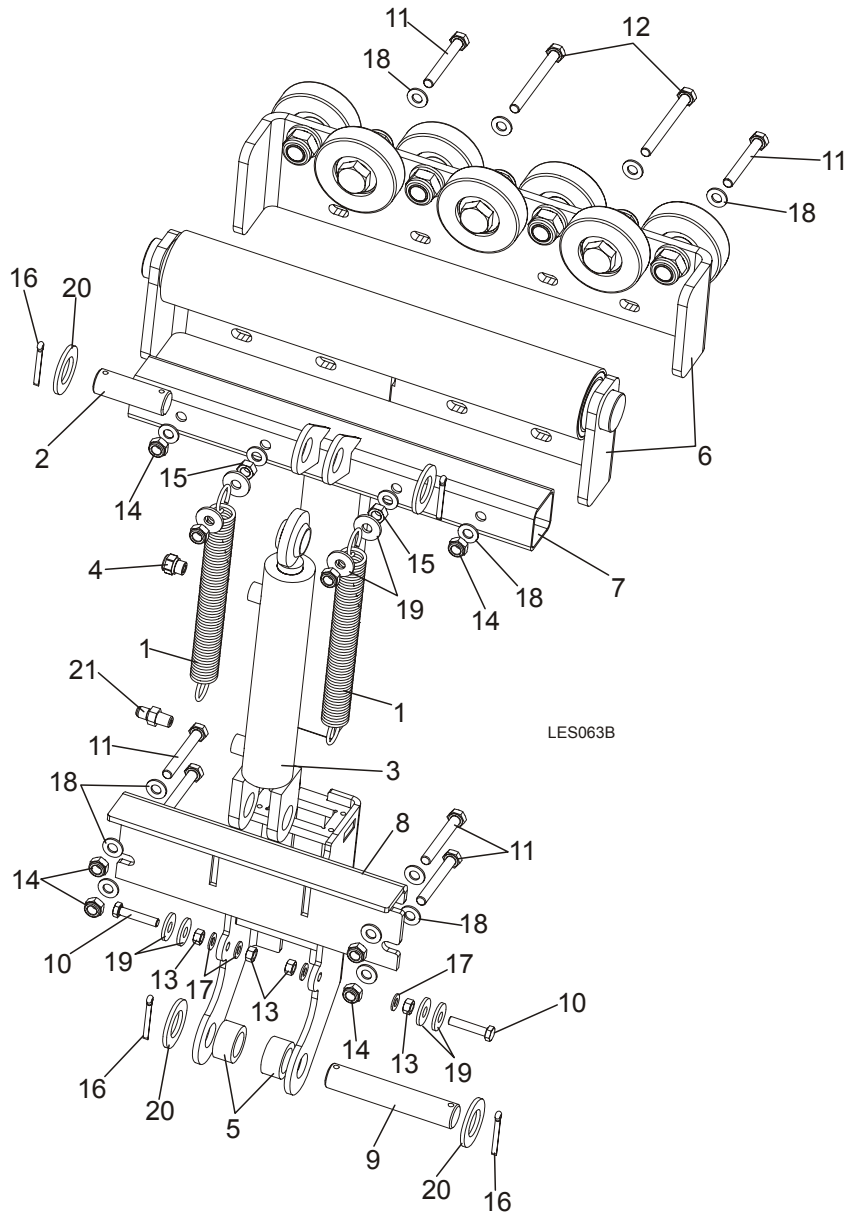
Log Clamp, Loading Ramp & Toe Board

H1/H2/H3 Control Assemblies - Options

9

| | | | | |
|----|--|--------|---------|--|
| 25 | FITTING, JIC 9/16-18 | 085900 | 2 | |
| 26 | CRIMP SOCKET, 3/8" HYDRAULIC HOSE | 085901 | 2 | |
| 27 | HOSE, 3/8" (C/S-20MPa)P/N8106-6-06 HYDRAULIC | R02132 | (7.2m) | |
| | PHD 2T3/8X4.200 W9/16UNF-W9/16UNF | 502416 | 1 | |
| 28 | FITTING, JIC 9/16-18 | 085900 | 2 | |
| 29 | CRIMP SOCKET, 3/8" HYDRAULIC HOSE | 085901 | 2 | |
| 30 | HOSE, 3/8" (C/S-20MPa)P/N8106-6-06 HYDRAULIC | R02132 | (0.58m) | |
| | PHD 2T3/8X4.200 W9/16UNF-W9/16UNF | 092357 | 1 | |
| 31 | FITTING, JIC 9/16-18 | 085900 | 2 | |
| 32 | CRIMP SOCKET, 3/8" HYDRAULIC HOSE | 085901 | 2 | |
| 33 | HOSE, 3/8" (C/S-20MPa)P/N8106-6-06 HYDRAULIC | R02132 | (6.25m) | |

9.5 Toe Board Roller Option



| REF | DESCRIPTION (◆ Indicates Parts Available In Assemblies Only) | PART # | QTY. |
|-----|--|----------|------|
| | KIT, ROLLER TOE BOARD | 502110 | 1 |
| 1 | SPRING, 1 1/16x8x.135 DIA | 015718 | 2 |
| 2 | PIN, 25X75 ZINC-PLATED | 088659-1 | 1 |
| 3 | CYLINDER, CJ-S170-16-40/25/152 HYDRAULIC | 088681 | 1 |
| 4 | AIR VENT VALVE 2901-14-17 | 090794 | 1 |
| 5 | BUSHING, 38/25.4-19.6 | 505514-1 | 2 |
| 6 | BRACKET, HYDRAULIC TOE BOARD - FRONT | 502050-1 | 1 |
| | RETROFIT KIT, ROLLER TURNER OPTION | 504893-S | 1 |

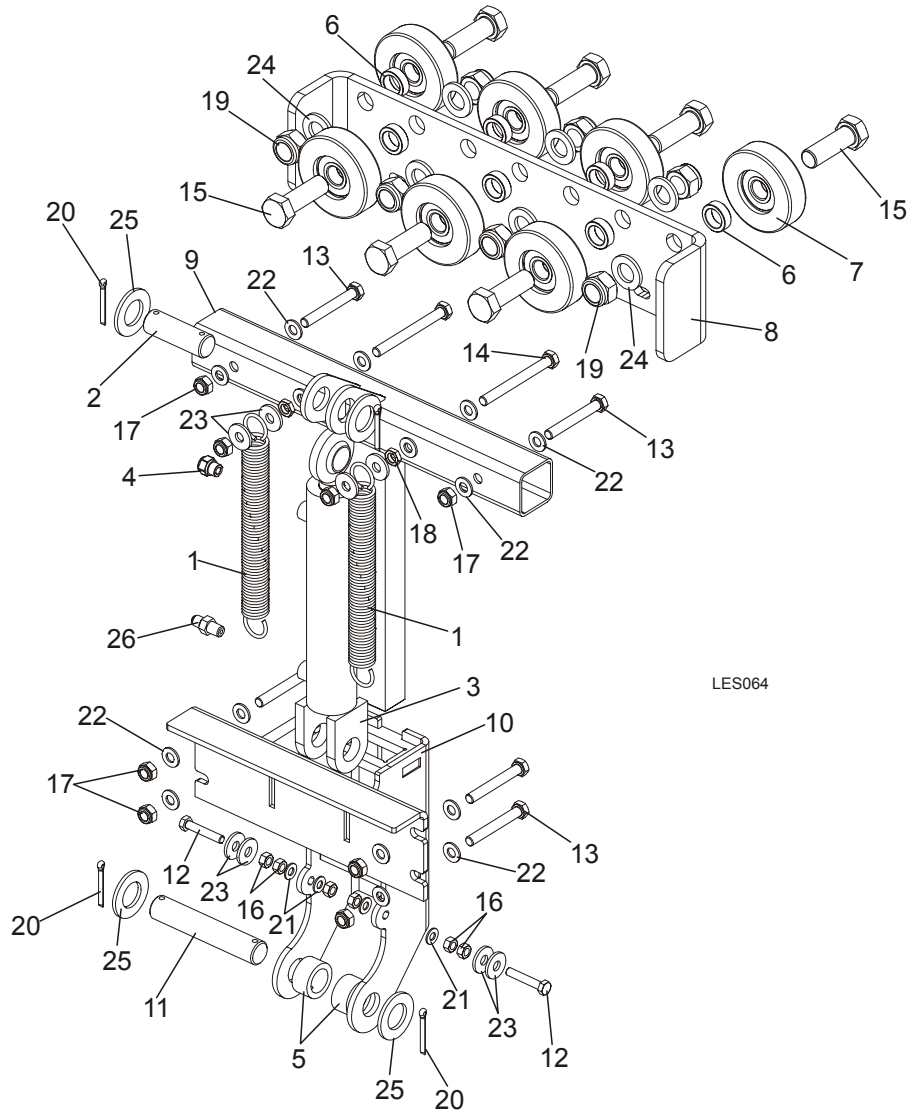
Log Clamp, Loading Ramp & Toe Board

Toe Board Roller Option

9

| | | | | |
|----|--|-----------|----|--|
| 7 | LINE FEED PART, TOE BOARD | 502104-1 | 1 | |
| 8 | GUIDE, TOE BOARD ROLLER | 502105-1 | 1 | |
| 9 | PIN, 25 x 140 | 502109-1 | 1 | |
| 10 | BOLT, M8 X 45 - 8.8 Fe/Zn5, PN-M/82105 | F81002-14 | 2 | |
| 11 | BOLT, M10x75-8.8-Fe/Zn5 PN-M/82101 | F81003-15 | 6 | |
| 12 | BOLT, M10x100-8.8 FE/ZN PN-M/82105 | F81003-91 | 2 | |
| 13 | NUT, M8 HEXAGON, GRADE 5.8 FREE ZINC | F81032-1 | 6 | |
| 14 | NUT, M10-8-B HEX NYLON ZINC LOCK | F81033-1 | 8 | |
| 15 | NUT, M10-8-B-FE | F81033-3 | 2 | |
| 16 | PIN, 5 X 40 COTTER | F81043-31 | 4 | |
| 17 | WASHER, 8.4 FLAT ZINC | F81054-1 | 4 | |
| 18 | WASHER, 10.5 FLAT ZINC | F81055-1 | 16 | |
| 19 | WASHER, 10.5 ZINC FLAT SPECIAL | F81055-6 | 8 | |
| 20 | WASHER 28 FE/ZN5 | F81061-1 | 4 | |
| 21 | FITTING, 3/8JIC-1/4NPT STR | 015560 | 1 | |

9.6 Roller Turner Option



| REF | DESCRIPTION (◆ Indicates Parts Available In Assemblies Only) | PART # | QTY. |
|-----|--|----------|------|
| | KIT, ROLLER TURNER | 502309 | 1 |
| 1 | SPRING, 1 1/16x8x.135 DIA | 015718 | 2 |
| 2 | PIN, 25X75 ZINC-PLATED | 088659-1 | 1 |
| 3 | CYLINDER, CJ-S170-16-40/25/152 HYDRAULIC | 088681 | 1 |
| 4 | AIR VENT VALVE 2901-14-17 | 090794 | 1 |
| 5 | BUSHING, 38/25.4-19.6 | 505514-1 | 2 |
| 6 | BUSHING, 21X30X10 SPACER ZINC | 099351-1 | 7 |
| 7 | ROLLER, RP-90, 6304 POLYURETHANE | 099689 | 7 |
| 8 | PLATE, TOE BOARD ROLLER MAIN | 502037-1 | 1 |
| 9 | LINE FEED PART, TOE BOARD | 502104-1 | 1 |
| 10 | GUIDE, TOE BOARD ROLLER | 502105-1 | 1 |

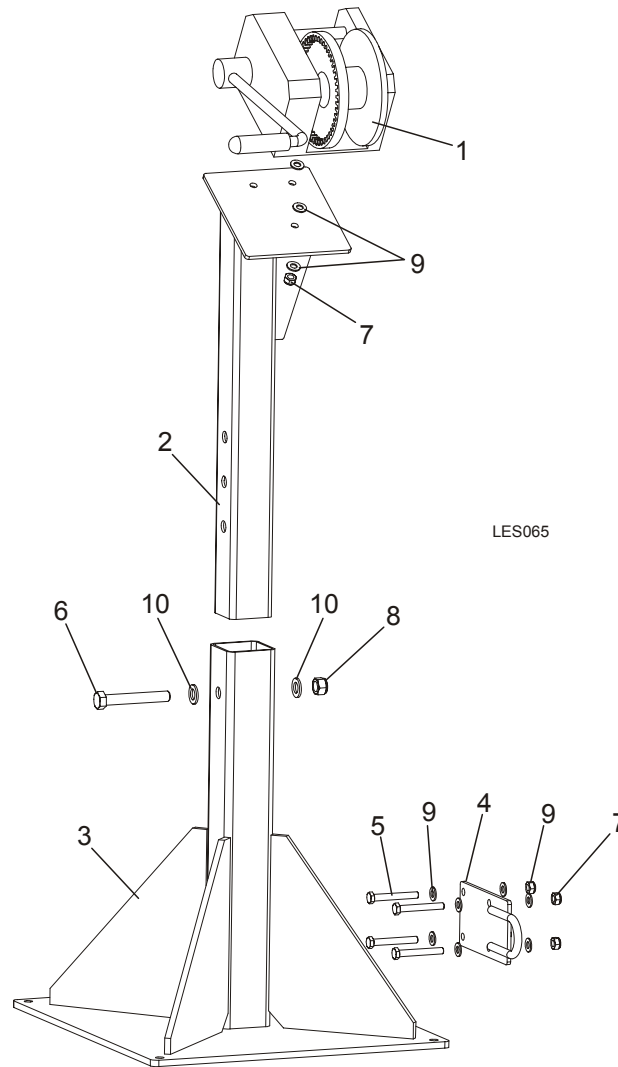
Log Clamp, Loading Ramp & Toe Board

Roller Turner Option

9

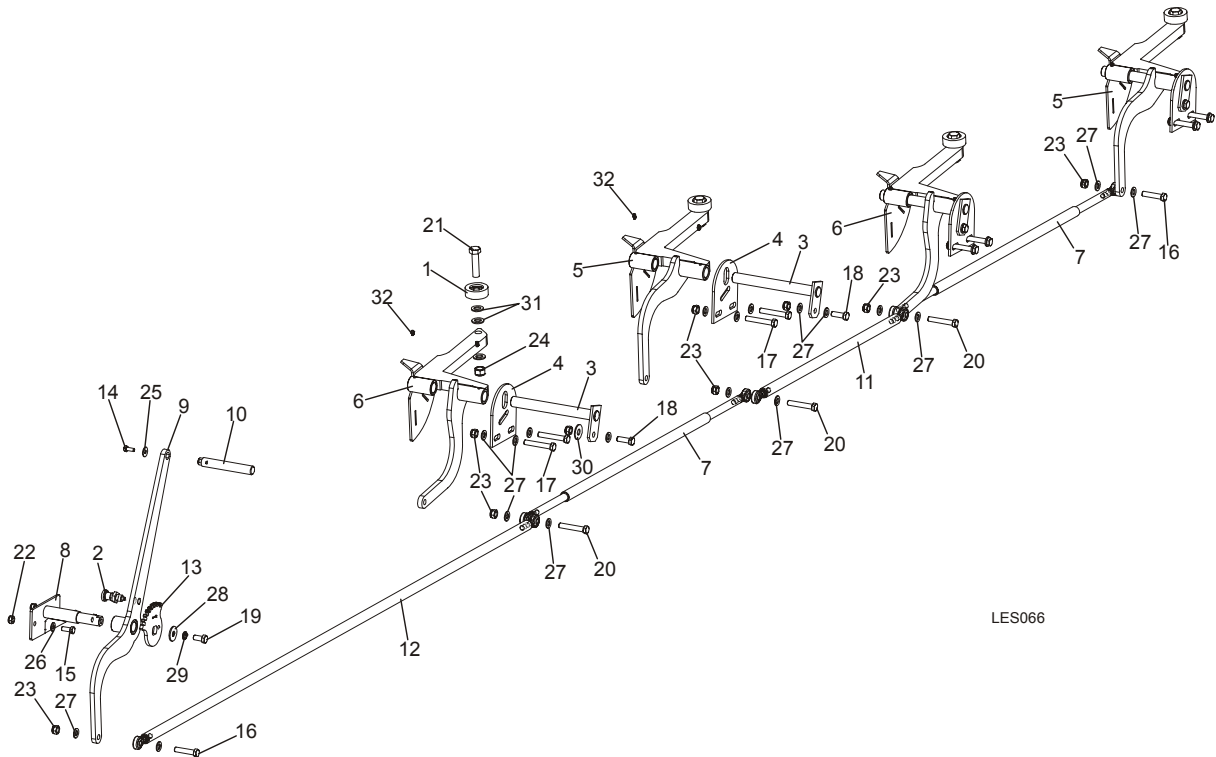
| | | | | |
|----|---------------------------------------|-----------|----|--|
| 11 | PIN, 25 x 140 | 502109-1 | 1 | |
| 12 | BOLT, M8x45-8.8 Fe/Zn5 PN-M/82105 | F81002-14 | 2 | |
| 13 | BOLT, M10X75-8.8 FE/ZN5 PN-M/82101 | F81003-15 | 6 | |
| 14 | BOLT, M10x100-8.8 FE/ZN PN-M/82105 | F81003-91 | 2 | |
| 15 | BOLT, M20X60-8.8-FE/ZN5 PN-85/M-82101 | F81007-7 | 7 | |
| 16 | NUT, M8 HEXAGON, GRADE 5.8 FREE ZINC | F81032-1 | 4 | |
| 17 | NUT, M10-8-B HEX NYLON ZINC LOCK | F81033-1 | 8 | |
| 18 | NUT, M10-8-B-FE | F81033-3 | 2 | |
| 19 | NUT, M20-6 HEX | F81037-2 | 7 | |
| 20 | PIN, 5 X 40 COTTER | F81043-31 | 4 | |
| 21 | WASHER, 8.4 FLAT ZINC | F81054-1 | 4 | |
| 22 | WASHER, 10.5 FLAT ZINC | F81055-1 | 16 | |
| 23 | WASHER, 10.5 ZINC FLAT SPECIAL | F81055-6 | 8 | |
| 24 | WASHER, M20 FLAT ZINC | F81059-2 | 7 | |
| 25 | WASHER 28 FE/ZN5 | F81061-1 | 4 | |
| 26 | FITTING, 3/8JIC-1/4NPT STR | 015560 | 1 | |

9.7 Winch Option



| REF | DESCRIPTION (◆ Indicates Parts Available In Assemblies Only) | PART # | QTY. |
|-----|--|-----------|------|
| | KIT, WINCH | 501341 | 1 |
| 1 | WINCH, AL-KO TYPE 901 | 096453 | 1 |
| 2 | TUBE, VERTICAL OUTRIGGER | 501128-1 | 1 |
| 3 | BASE WDMT, WINCH | 502068-1 | 1 |
| 4 | UCHWYT LINKI | 502418-1 | 1 |
| 5 | BOLT, M10x75-8.8-Fe/Zn5 PN-M/82101 | F81003-15 | 4 |
| 6 | BOLT, M16x110-8.8-Fe/Zn5 PN-M/82101 | F81006-24 | 1 |
| 7 | NUT, M10-8-B HEX NYLON ZINC LOCK | F81033-1 | 7 |
| 8 | NUT, M16,HEX, NYLON ZINC LOCK | F81036-2 | 1 |
| 9 | WASHER, 10.5 FLAT ZINC | F81055-1 | 14 |
| 10 | WASHER, 17 FLAT ZINC | F81058-1 | 2 |

9.8 Log Side Supports w/Lever Option



LES066

| REF | DESCRIPTION (◆ Indicates Parts Available In Assemblies Only) | PART # | QTY. |
|-----|--|-----------|------|
| | KIT, LOG SIDE SUPPORTS W/LEVER | 503672 | 1 |
| 1 | ROLLER ASSY, SIDE SUPPORT | 015014 | 4 |
| 2 | PIN, DETENT | 090197 | 1 |
| 3 | PIN, SIDE SUPPORT ZINC-PLATED | 091549-1 | 4 |
| 4 | PLATE, LOG SIDE SUPPORT MOUNT PTD | 091591-1 | 4 |
| 5 | SIDE SUPPORT, W/COVER 1 | 502955-1 | 2 |
| 6 | SIDE SUPPORT, W/COVER 2 | 502958-1 | 2 |
| 7 | STRING, EXTREME COMPLETE | 502961 | 2 |
| 8 | AXIS, COMPLETE | 502966-1 | 1 |
| 9 | LEVER | 502977-1 | 1 |
| 10 | KNOB, LEVER | 502979 | 1 |
| 11 | STRING, MIDDLE COMPLETE | 502980 | 1 |
| 12 | STRING, LEVER COMPLETE | 502981 | 1 |
| 13 | BLOCK, SIDE SUPPORT LEVER | 502982-1 | 1 |
| 14 | BOLT,M8X20-5.8 HEX HEAD FULL THREAD ZINC | F81002-1 | 1 |
| 15 | BOLT, M10X25-8.8-FE/ZN5 | F81003-11 | 2 |
| 16 | BOLT, M12X55-8.8 HEX HEAD ZINC | F81004-12 | 2 |
| 17 | BOLT, M12 X 75-8.8 ZINC | F81004-21 | 8 |
| 18 | BOLT, M12 X 35-8.8-FE/ZN5 HEX HEAD FULL | F81004-24 | 4 |
| 19 | SCREW, M12X25-8.8-FE/ZN5 PN-M/82105 | F81004-31 | 1 |
| 20 | BOLT, M12x70 8.8 Fe/Zn5 HEX HEAD | F81004-39 | 3 |



Log Clamp, Loading Ramp & Toe Board

Log Side Supports w/Lever Option

| | | | | |
|----|--|-----------|----|--|
| 21 | BOLT, M16x65-8.8 HEX HEAD FULL THREAD ZINC | F81006-1 | 4 | |
| 22 | NUT, M10-8-B HEX NYLON ZINC LOCK | F81033-1 | 2 | |
| 23 | NUT, M12-8 HEX NYLON ZINC LOCK | F81034-2 | 17 | |
| 24 | NUT, M16,HEX, NYLON ZINC LOCK | F81036-2 | 4 | |
| 25 | WASHER, 8.5 FLAT, ZINC SPECIAL | F81054-11 | 1 | |
| 26 | WASHER, 10.5 FLAT ZINC | F81055-1 | 2 | |
| 27 | WASHER, M12 , FLAT, ZINC | F81056-1 | 33 | |
| 28 | WASHER, 13 FLAT, ZINC SPECIAL | F81056-14 | 1 | |
| 29 | WASHER, Z12.2 SPLIT LOCK ZINC | F81056-2 | 1 | |
| 30 | WASHER, 15 FLAT SPECIAL ZINC-PLATED | F81057-3 | 1 | |
| 31 | WASHER, 17 FLAT ZINC | F81058-1 | 12 | |
| 32 | FITTING, 3/16X3/16 STRAIGHT GREASE | P04107 | 9 | |