

Wood-Mizer[®] Sawmill

Parts Manual

1992 LT30HD
1992 LT40HD

rev. C7 - F7
rev. C7 - F7



Safety is our #1 concern! Read and understand all safety information and instructions before operating, setting up or maintaining this machine.

Form #626

Table of Contents

Section-Page

SECTION 1	GENERAL INFORMATION	1-1
1.1	How To Use The Parts List	1-1
1.2	Sample Assembly	1-1
SECTION 2	BLADE DRIVE & GUIDES	2-1
2.1	Blade Guide Assembly, Idle Side	2-2
2.2	Blade Guide Assembly, Drive Side	2-4
2.3	Blade Drive Assembly	2-6
2.4	Idle Blade Wheel Assembly	2-8
	<i>LT30HD</i> <i>Rev. E2 - F7</i>	
	<i>LT40HD</i> <i>Rev. E2 - F7</i>	
2.5	Idle Blade Wheel Assembly	2-10
	<i>LT30HD</i> <i>Rev. C7 - E1</i>	
	<i>LT40HD</i> <i>Rev. C7 - E1</i>	
2.6	Hydraulic Blade Tensioner Assembly	2-12
2.7	Blade Guide Arm Assembly	2-14
	<i>LT30HD</i> <i>Rev. D3 - F7</i>	
	<i>LT40HD</i> <i>Rev. D3 - F7</i>	
2.8	Blade Guide Arm Assembly	2-16
	<i>LT30HD</i> <i>Rev. C7 - D2</i>	
	<i>LT40HD</i> <i>Rev. C7 - D2</i>	
2.9	Brake Strap Assembly	2-18
	<i>LT30HD</i> <i>Retrofit</i>	
	<i>LT40HD</i> <i>Retrofit</i>	
2.10	Clutch/Brake Lever Assembly	2-20
	<i>LT30HD</i> <i>Rev. F2 - F7</i>	
	<i>LT40HD</i> <i>Rev. F2 - F7</i>	
2.11	Clutch/Brake Lever Assembly	2-22
	<i>LT30HD</i> <i>Rev. C7 - F1</i>	
	<i>LT40HD</i> <i>Rev. C7 - F1</i>	
2.12	Water Lube Assembly	2-24
	<i>LT30HD</i> <i>Retrofit</i>	
	<i>LT40HD</i> <i>Retrofit</i>	
2.13	Water Lube Assembly	2-26
	<i>LT30HD</i> <i>Rev. C7 - F7</i>	
	<i>LT40HD</i> <i>Rev. C7 - F7</i>	
2.14	Middle Throat Screw	2-28
	<i>LT30HD</i> <i>Rev. D1 - F7</i>	
	<i>LT40HD</i> <i>Rev. D1 - F7</i>	
2.15	Middle Throat Cam	2-28
	<i>LT30HD</i> <i>Rev. C7 - C9</i>	
	<i>LT40HD</i> <i>Rev. C7 - C9</i>	

Table of Contents

Section-Page

SECTION 3	DECALS & SAW HEAD COVERS	3-1
3.1	Safety Decals	3-2
3.2	Saw Head Covers	3-4
SECTION 4	CONTROL & BATTERY BOXES	4-1
4.1	Control Assembly, LT30HD/LT40HD (U.S.).....	4-2
4.2	Control Assembly, LT30HD/LT40HD (G.S.).....	4-4
4.3	Battery Box Assembly, LT30HD/LT40HD	4-7
	<i>LT30HD</i> <i>Rev. E3 - F7</i>	
	<i>LT40HD</i> <i>Rev. E3 - F7</i>	
4.4	Battery Box Assembly, LT30HD/LT40HD	4-11
	<i>LT30HD</i> <i>Rev. D3 - E2</i>	
	<i>LT40HD</i> <i>Rev. D3 - E2</i>	
4.5	Battery Box Assembly, LT30HD/LT40HD	4-15
	<i>LT30HD</i> <i>Rev. C7 - D2</i>	
	<i>LT40HD</i> <i>Rev. C7 - D2</i>	
SECTION 5	UP/DOWN SYSTEM & SCALES	5-1
5.1	Saw Head V-Brace Mount.....	5-2
5.2	Blade Height Scale	5-4
	<i>LT30HD</i> <i>Rev. D3 - F7</i>	
	<i>LT40HD</i> <i>Rev. D3 - F7</i>	
5.3	Blade Height Scale	5-6
	<i>LT30HD</i> <i>Rev. C7 - D2</i>	
	<i>LT40HD</i> <i>Rev. C7 - D2</i>	
5.4	Up/Down Assembly	5-8
	<i>LT30HD</i> <i>Rev. D5 - F7</i>	
	<i>LT40HD</i> <i>Rev. D5 - F7</i>	
5.5	Up/Down Assembly	5-10
	<i>LT30HD</i> <i>Rev. C7 - D4</i>	
	<i>LT40HD</i> <i>Rev. C7 - D4</i>	
SECTION 6	POWER FEED & TRACK ROLLERS	6-1
6.1	Upper Track Rollers And Wipers.....	6-2
6.2	Power Feed Assembly	6-4
6.3	Lower Track Rollers.....	6-6
	<i>LT30HD</i> <i>Rev. E8 - F7</i>	
	<i>LT40HD</i> <i>Rev. E8 - F7</i>	
6.4	Lower Track Rollers.....	6-7
	<i>LT30HD</i> <i>Rev. C7 - E7</i>	
	<i>LT40HD</i> <i>Rev. C7 - E7</i>	

Table of Contents

Section-Page

SECTION 7 BED FRAME ASSEMBLY

7-1

7.1	Bed Rail Assembly, Front And Rear	7-2
7.2	Bed Rail Assembly, Middle	7-3
7.3	Pivot Bed Rail Assembly.....	7-4
7.4	Log Side Support Assembly (Manual).....	7-5
7.5	Leg, Stationary	7-6
7.6	Tie Down Chain Assembly	7-7

SECTION 8 HYDRAULIC SYSTEM

8-1

8.1	Hydraulic Hoses	8-1
	<i>LT30HD</i> <i>Rev. F5 - F7</i>	
	<i>LT40HD</i> <i>Rev. F5 - F7</i>	
8.2	Hydraulic Hoses	8-2
	<i>LT30HD</i> <i>Rev. C7 - F4</i>	
	<i>LT40HD</i> <i>Rev. C7 - F4</i>	
8.3	Hydraulic Control Box	8-3
	<i>LT30HD</i> <i>Rev. F3 - F7</i>	
	<i>LT40HD</i> <i>Rev. F3 - F7</i>	
8.4	Hydraulic Control Box	8-6
	<i>LT30HD</i> <i>Rev. E7 - F2</i>	
	<i>LT40HD</i> <i>Rev. E7 - F2</i>	
8.5	Hydraulic Control Box	8-8
	<i>LT30HD</i> <i>Rev. C7 - E6</i>	
	<i>LT40HD</i> <i>Rev. C7 - E6</i>	
8.6	Hydraulic Pump/Valve	8-10
	<i>LT30HD</i> <i>Rev. C7 - E6</i>	
	<i>LT40HD</i> <i>Rev. C7 - E6</i>	
8.7	Hydraulic Power Supply Strip.....	8-12
8.8	Hydraulic Log Loader	8-14
	<i>LT30HD</i> <i>Rev. F5 - F7</i>	
	<i>LT40HD</i> <i>Rev. F5 - F7</i>	
8.9	Hydraulic Log Loader	8-16
	<i>LT30HD</i> <i>Rev. C7 - F4</i>	
	<i>LT40HD</i> <i>Rev. C7 - F4</i>	
8.10	Hydraulic Log Turner.....	8-18
8.11	Hydraulic Log Side Supports	8-20
8.12	Hydraulic Log Clamp Activator.....	8-22
	<i>LT30HD</i> <i>Retrofit</i>	
	<i>LT40HD</i> <i>Retrofit</i>	
8.13	Hydraulic Log Clamp	8-23
	<i>LT30HD</i> <i>Rev. C8 - F7</i>	
	<i>LT40HD</i> <i>Rev. C8 - F7</i>	
8.14	Hydraulic Log Clamp	8-27
	<i>LT30HD</i> <i>Rev. C7</i>	
	<i>LT40HD</i> <i>Rev. C7</i>	
8.15	Hydraulic Toe Board (Roller-Style).....	8-30
	<i>LT30HD</i> <i>Retrofit</i>	
	<i>LT40HD</i> <i>Retrofit</i>	
8.16	Hydraulic Toe Board	8-32

SECTION 1 GENERAL INFORMATION

1.1 How To Use The Parts List

- Use the index above to locate the assembly that contains the part you need.
- Go to the appropriate section and locate the part in the illustration.
- Use the number pointing to the part to locate the correct part number and description in the table.
- Parts shown indented under another part are included with that part.
- Parts marked with a diamond (◆) are only available in the assembly listed above the part.

See the sample table below. Sample Part #A01111 includes part F02222-2 and subassembly A03333. Subassembly A03333 includes part S04444-4 and subassembly K05555. The diamond (◆) indicates that S04444-4 is not available except in subassembly A03333. Subassembly K05555 includes parts M06666 and F07777-77. The diamond (◆) indicates M06666 is not available except in subassembly K05555.

1.2 Sample Assembly				
REF	DESCRIPTION (◆ Indicates Parts Available In Assemblies Only)	PART #	QTY.	
	Sample Assembly, Complete (Includes All Indented Parts Below)	A01111	1	
1	Sample Part	F02222-22	1	
	Sample Subassembly (Includes All Indented Parts Below)	A03333	1	
2	Sample Part (◆ Indicates Part Is Only Available With A03333)	S04444-4	1	◆
	Sample Subassembly (Includes All Indented Parts Below)	K05555	1	
3	Sample Part (◆ Indicates Part Is Only Available With K05555)	M06666	2	◆
4	Sample Part	F07777-77	1	

To Order Parts:

- From Europe call our European Headquarters and Manufacturing Facility in Kolo, Poland at **+48-63-2610233**. From the continental U.S., call our toll-free Parts hotline at **1-800-448-7881**. Have your customer number, vehicle identification number, and part numbers ready when you call.
- From other international locations, contact the Wood-Mizer distributor in your area for parts.

SECTION 2 BLADE DRIVE & GUIDES

2 Blade Drive & Guides

Blade Guide Assembly, Idle Side

2.1 Blade Guide Assembly, Idle Side				
REF	DESCRIPTION (◆ Indicates Parts Available In Assemblies Only)	PART #	QTY.	
	BLADE GUIDE ASSEMBLY, COMPLETE IDLE SIDE	A08197	1	
1	Nut, 1/2-20 Jam Nylon Lock	F05010-79	1	
	Roller, Blade Guide With Bearings	A04925	1	
	Roller, Blade Guide With Bearings Extended (for optional use with 1 1/2" blades)	014299	1	
2	Roller, Flanged Blade Guide	S04250	1	◆
	Roller, Blade Guide Extended (for optional use with 1 1/2" blades)	014298 ¹	1	◆
	Bearing Kit, Blade Guide Rebuild	K07079	1	
3	Bearing, R8-2RS Blade Guide	015975 ²	2	◆
4	Ring, 1 1/8" Interior Retaining	F04254-1	1	
5	Spacer, Blade Guide	S04253	2	
6	Washer, 5/8" Gray Felt	P06455	1	
7	Washer, 5/8" White Felt	P04252	1	
	Screw, 1/4-28 x 1/4" Socket Head Cup Point Set Black Oxide	F05005-105 ²	1	
	Instruction Sheet, Blade Guide Rebuild/Replacement	A04925-364	1	
8	Bolt, Blade Guide Mounting	S08192 ³	1	
9	Bracket, Blade Guide Idle Side With Water Tube	W08495 ⁴	1	
	Screw Kit, Blade Guide Adjustment w/Nuts (For two blade guide assemblies)	K09942	1	
10	Screw, 3/8-24 X 1 1/4" Stainless Steel Socket Head Flat Point	F05007-96 ⁵	4	
11	Nut, 3/8-24 Jam	F05010-22	4	
12	Shaft, Blade Guide Adjustment	S08196	1	
13	SCREW, 3/8-24 X 3/4" STAINLESS STEEL SOCKET HEAD FLAT POINT	F05007-95 ⁶	4	
14	NUT, 3/8-24 JAM	F05010-22	4	
15	TUBE, BLADE GUIDE MOUNT (See Section 2.7 Blade Guide Arm Assembly)	W08159	1	

¹ Extended roller available 2/8/96.

² Sealed bearing replaces greasable-type bearing M04902 (4/98). If applicable, use set screw F05005-105 to plug grease fitting hole in blade guide mounting bolt S08192.

³ Grease fitting hole removed from S08192 mounting bolt 4/98. New-style bolt requires sealed bearings 015975.

⁴ Bracket flange replaced with rod on Rev. D1 (11/91). New bracket is interchangeable with brackets on Rev. C7 - C9.

⁵ Stainless screw replaces F05007-51 used on Rev. C7 to E4 (8/93).

⁶ Stainless screw replaces F05007-20 used on Rev. C7 to E4 (8/93).

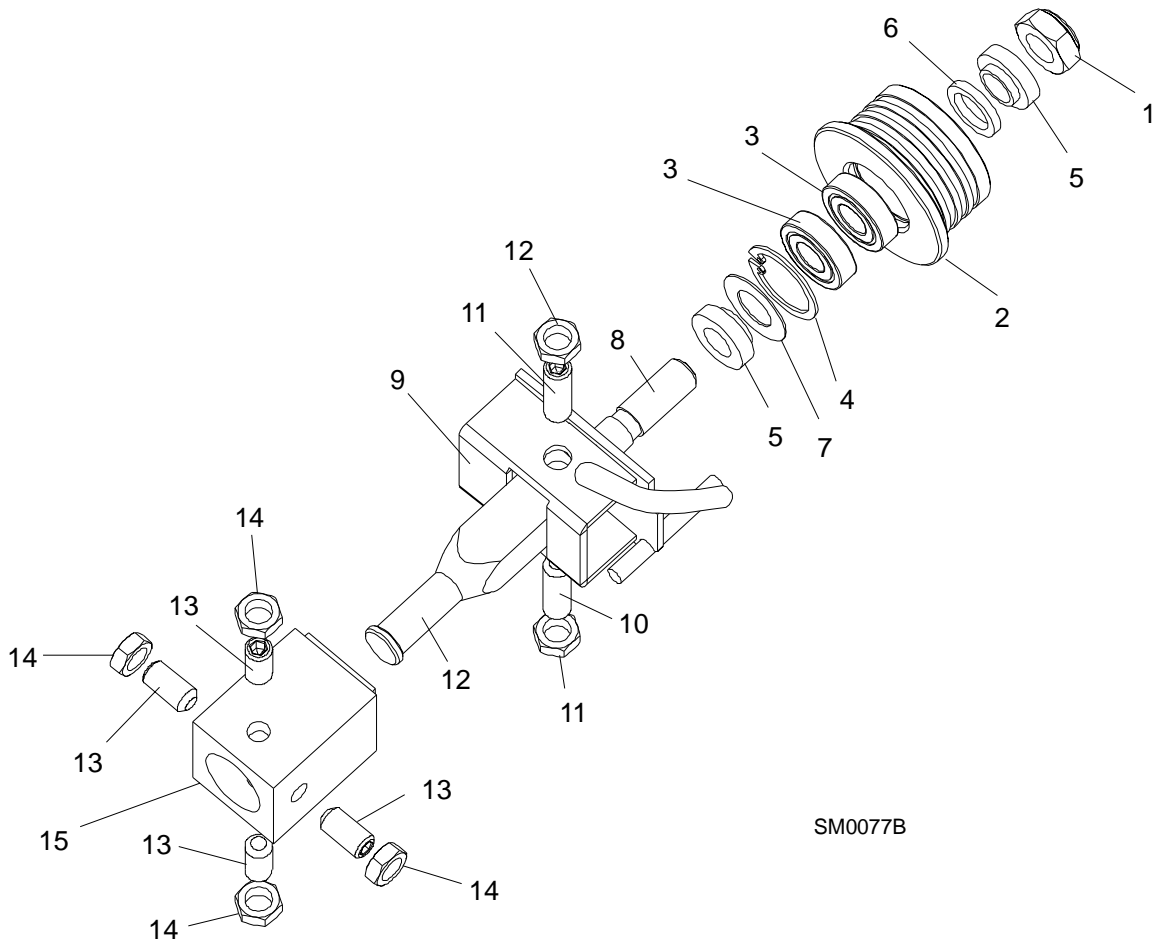


FIG. 2-1

2 Blade Drive & Guides

Blade Guide Assembly, Drive Side

2.2 Blade Guide Assembly, Drive Side				
REF	DESCRIPTION (◆ Indicates Parts Available In Assemblies Only)	PART #	QTY.	
	BLADE GUIDE ASSEMBLY, COMPLETE DRIVE SIDE	A08191	1	
1	Nut, 1/2-20 Jam Nylon Lock	F05010-79	1	
	Roller, Blade Guide With Bearings	A04925	1	
	Roller, Blade Guide With Bearings (for optional use with 1 1/2" blades)	014299	1	
2	Roller, Flanged Blade Guide	S04250	1	◆
	Roller, Blade Guide Extended (for optional use with 1 1/2" blades)	014298 ¹	1	◆
	Bearing Kit, Blade Guide Rebuild	K07079	1	
3	Bearing, R8-2RS Blade Guide	015975 ²	2	◆
4	Ring, 1 1/8" Interior Retaining	F04254-1	1	
5	Spacer, Blade Guide	S04253	2	
6	Washer, 5/8" Gray Felt	P06455	1	
7	Washer, 5/8" White Felt	P04252	1	
	Screw, 1/4-28 x 1/4" Socket Head Cup Point Set Black Oxide	F05005-105 ²	1	
	Instruction Sheet, Blade Guide Rebuild/Replacement	A04925-364	1	
8	Bolt, Blade Guide Mounting	S08192 ³	1	
9	Bracket, Blade Guide Drive Side	W08482 ⁴	1	
	Screw Kit, Blade Guide Adjustment w/Nuts (For two blade guide assemblies)	K09942	1	
10	Screw, 3/8-24 X 1 1/4" Stainless Steel Socket Head Flat Point	F05007-96 ⁵	4	
11	Nut, 3/8-24 Jam	F05010-22	4	
12	Shaft, Blade Guide Adjustment	S08196	1	
13	SCREW, 3/8-24 X 3/4" STAINLESS STEEL SOCKET HEAD FLAT POINT SET	F05007-95 ⁶	3	
14	BOLT, 3/8-24 X 1" STAINLESS STEEL HEX HEAD	F05007-99 ⁷	1	
15	NUT, 3/8-24 JAM	F05010-22	4	
16	TUBE, BLADE GUIDE MOUNT (Part of Saw Frame Weldment)	W08159	1	

¹ Extended roller available 2/8/96.

² Sealed bearing replaces greasable-type bearing M04902 (4/98). If applicable, use set screw F05005-105 to plug grease fitting hole in blade guide mounting bolt S08192.

³ Grease fitting hole removed from S08192 mounting bolt 4/98. New-style bolt requires sealed bearings 015975.

⁴ Bracket flange replaced with rod on Rev. D1 (11/91). New bracket is interchangeable with brackets on Rev. C7 - C9.

⁵ Stainless screw replaces F05007-51 used on Rev. C7 to E4 (8/93).

⁶ Stainless screw replaces F05007-20 used on Rev. C7 to E4 (8/93).

⁷ Stainless bolt replaces F05007-95 (12/94).

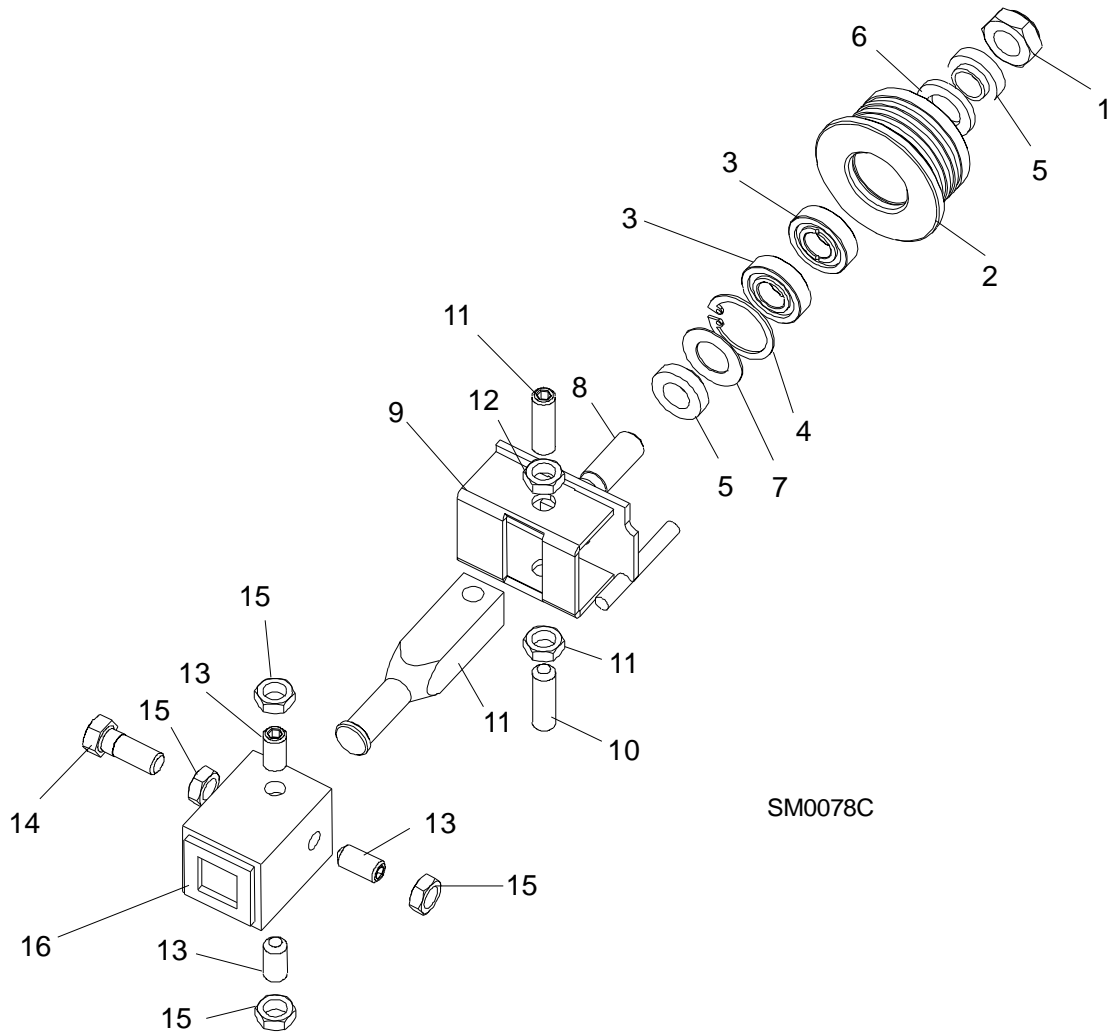


FIG. 2-2

2 Blade Drive & Guides

Blade Drive Assembly

2.3 Blade Drive Assembly			
REF	DESCRIPTION (◆ Indicates Parts Available In Assemblies Only)	PART #	QTY.
	BEARING ASSEMBLY, BLADE WHEEL DRIVE	K10200 ¹	1
	Bearing Assembly, Drive Painted	A10199	1
1	Housing, Blade Wheel Drive Bearing	W10201	1
2	Shaft, Blade Wheel Drive	S10204	1
3	Bearing, Blade Wheel Drive #MU1308TV	P10205	1
4	Bearing, Blade Wheel Drive #6308 C3 Open	016055 ²	1
5	Ring, 90mm Interior Retaining #17	F04254-17	2
6	Seal, Drive Bearing #CR15890	P10206	2
7	Fitting, 1/4" NPT x 3/8" Hose Barb Elbow	016330 ³	1
8	Fitting, 1/4" NPT x 3/8" Hose Barb Vented Elbow	016331	1
9	Hose, Oil Level Viewer	016337	1
10	Clamp, 7/32-5/8" Hose	P649	2
11	Decal, Oil Level Gauge	017470	1
12	Bolt, 1/2-13 Long U	S10207-1	1
13	Bolt, 1/2-13 Short U	S10207-2	1
14	Spacer, 1/2" I.D. Flanged	S04253	2
15	Washer, 1/2" SAE Flat	F05011-2	8
16	Washer, 1/2" Split Lock	F05011-9	4
17	Nut, 1/2-13 Hex	F05010-35	4
18	Nut, 1/2-13 Hex Jam	F05010-31	6
19	Pin, 3/16" X 5/8" Roll	F05012-22	2
20	Bushing, 1 7/16" Type 'H' Thick Flange	P12962 ⁴	3
	Instruction Sheet, Bearing Replacement	K10200-275	1
	WHEEL KIT, DRIVE SIDE BLADE	K12897 ⁵	1
21	Bushing, 1 7/16" P1	P12890 ⁵	1
22	Key, .375" x .375"	S12892 ⁶	1
	Key, .375" x .360"	S12893 ⁶	1
23	Wheel, Drive Side Blade	P12891	1
	Drive Side Blade Wheel Replacement Kit Instruction Sheet	K12897-488	1
24	BELT, BLADE WHEEL B57	P04185	1
25	BELT, 2BX74 DRIVE (24HP ONAN GAS ENGINE)	P10277-2 ⁷	1
	BELT, 2BX72 DRIVE (25HP KOHLER GAS ENGINE)	P09555-2 ⁸	1
	BELT, 2BX70 DRIVE (15HP BALDOR ELECTRIC MOTOR)	P04857-2 ⁹	1
	BELT, 2BX68 DRIVE (20HP ACME DIESEL)	P12139-2 ¹⁰	1
26	PULLEY, 2BK130H DRIVE	P04854	1
	WHEEL ASSEMBLY, BRAKE	A09953	1
27	Wheel, Brake	014000 ¹¹	1
28	Bushing, 1 7/16" P-1 Split Taper	014460 ¹²	1

29	STRAP, METAL-BACKED BRAKE	014391 ¹³	1	
	STRAP, COTTON BRAKE	M07484 ¹⁴	1	

¹ Shipped without oil after 4/95. Customer should source a multipurpose Automatic Transmission Fluid (ATF) to add to the bearing after installation.

² Replaces P10205 Blade Wheel Drive Bearing #MU1308TV 6/98.

³ Oil level viewer added 6/99. New fitting replaces P05498 1/4" NPT Pipe Plug and P12868 1/4" NPT Vented Pipe Plug supplied prior to 6/99 (and P11757 1/4" NPT Square Head Pipe Plug supplied prior to 12/98).

⁴ Replaces P05152 1 7/16" type 'H' standard bushing originally supplied.

⁵ Replaces S09948 drive blade wheel supplied prior to Rev. F4. Use P12962 'H' Bushing for original pulley. Use P12890 'P1" Bushing if wheel upgraded with K12897 wheel kit.

⁶ Only one key required; key size will depend on keyway size in shaft.

⁷ One Double-Belt replaces two P10277 single belts on Rev. C7 - E2.

⁸ One Double-Belt replaces two P09555 single belts on Rev. C7 - E2.

⁹ One Double-Belt replaces two P04857 single belts on Rev. C7 - E2.

¹⁰ One Double-Belt replaces two P12139 single belts on Rev. C7 - E2.

¹¹ Replaces 014339 and W09953 Brake Wheels (4/96). NOTE: Change from W09953 to 014339 was a part number change only.

¹² Use P12962 'H' Bushing for original brake pulley. Use 014460 'P1" Bushing if wheel upgraded with 014000 brake wheel.

¹³ If you are replacing a leather, cotton, or P12791 metal brake strap, purchase the entire upper pivot brake strap retrofit kit 014443 (Replaces retrofit kit K12820). *See Section 2.9.*

¹⁴ Replaces leather brake strap originally supplied on Rev. C7 - F1. Customers may retrofit to metal-backed brake strap (014443). *See Section 2.9.*

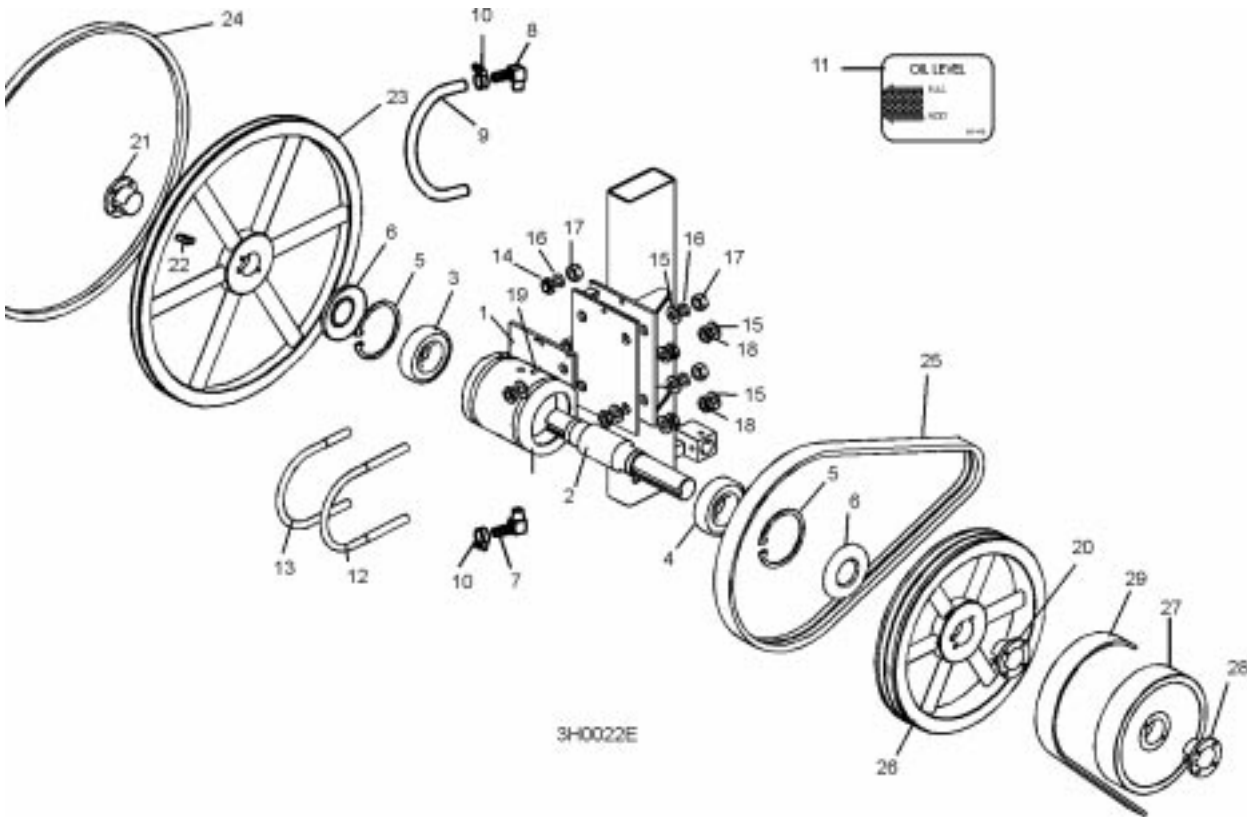


FIG. 2-3

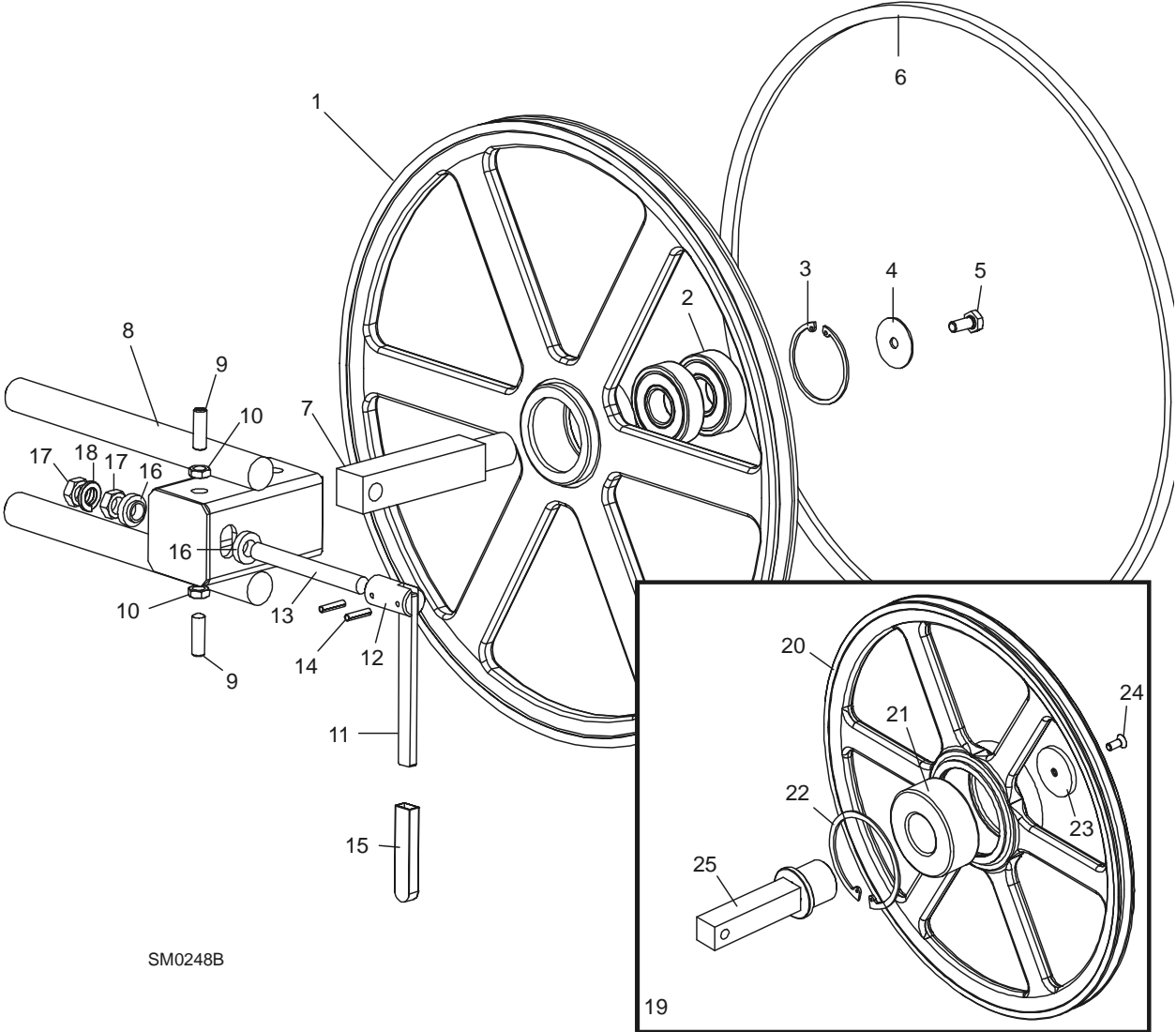
2 Blade Drive & Guides

Idle Blade Wheel Assembly

2.4 Idle Blade Wheel Assembly				
LT30HD		Rev. E2 - F7		
LT40HD		Rev. E2 - F7		
REF	DESCRIPTION (◆ Indicates Parts Available In Assemblies Only)	PART #	QTY.	
	WHEEL ASSEMBLY, IDLE SIDE BLADE	A08218 ¹	1	
1	Wheel, Idle Side Blade	P08125	1	◆
2	Bearing, Idle Side Blade Wheel #6305-AA, C3, ABEC-1, SRI-2 Grease	P08066 ²	2	
3	Ring, 2 7/16" Internal Retaining	F04254-21	1	
4	WASHER, IDLE BLADE WHEEL RETAINER	S08220	1	
5	BOLT, 5/16-18 X 3/4" HEX HEAD	F05006-5	1	
6	BELT, BLADE WHEEL B57	P04185	1	
7	SHAFT, IDLE BLADE WHEEL	S12565	1	
8	HOUSING, IDLE BLADE WHEEL SHAFT	W10157	1	
9	SCREW, 3/8-16 X 1 1/4" SOCKET HEAD OVAL POINT	F05007-18	2	
10	NUT, 3/8-16 HEX JAM	F05010-29	2	
	HANDLE ASSEMBLY, IDLE SIDE PULLEY TILT	A09357	1	
11	Handle, Tilt Adjustment Screw	S08174	1	◆
12	Driver, Tilt Adjustment Screw	S09405	1	◆
13	Rod, Threaded Tilt Adjustment Screw	S09358	1	◆
14	Pin, 3/16" x 7/8" Roll	F05012-19	2	
15	SLEEVE, PLASTIC HANDLE	P08072	1	
16	SPACER, 1/2" I.D. FLANGED	S04253	2	
17	NUT, 1/2-20 HEX JAM	F05010-16	2	
18	WASHER, 1/2" SPLIT LOCK	F05011-9	1	
19	WHEEL KIT, IDLE SIDE BLADE UPGRADE	016189 ¹		
	Wheel Assembly, Idle Side Blade	016120	1	
20	Wheel, Idle Side Blade	016013	1	◆
21	Bearing, Idle Side Blade Wheel #5309-2RS, C3, SRI-2 Grease	016014	1	
22	Ring, 100mm Internal Retaining Beveled	F04254-28	1	
23	Washer, 2 3/16 x 1/4"	016095	1	
24	Bolt, 5/16-18 X 3/4" Flat Head Socket	F05006-95	1	
25	Shaft, Idle Side Blade Wheel Retrofit	016180	1	

¹ Upgrade kit 016189 including blade wheel with larger diameter bearing and retrofit shaft 016180 available. *See Item #19* for upgrade parts.

² C3 Clearance bearing replaces C0 clearance supplied until 3/96.



SM0248B

FIG. 2-4

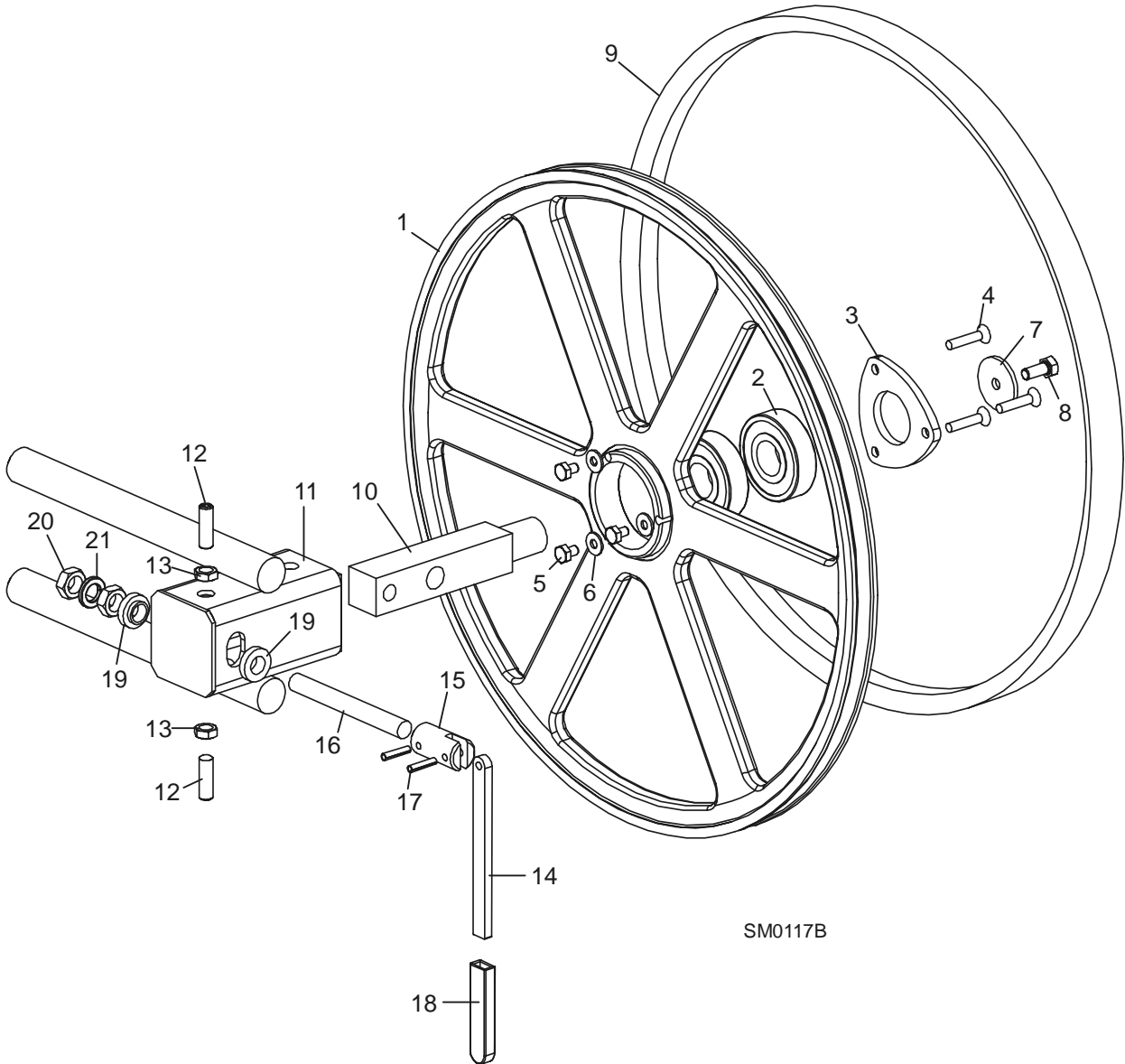
2 Blade Drive & Guides

Idle Blade Wheel Assembly

2.5 Idle Blade Wheel Assembly				
LT30HD		Rev. C7 - E1		
LT40HD		Rev. C7 - E1		
REF	DESCRIPTION (◆ Indicates Parts Available In Assemblies Only)	PART #	QTY.	
	WHEEL ASSEMBLY, IDLE SIDE BLADE	A08218 ¹	1	
1	Wheel, Idle Side Blade	P08125	1	◆
2	Bearing, Idle Side Blade Wheel #6305-AA, C3, ABEC-1, SRI-2 Grease	P08066 ²	2	
3	Retainer Plate, Bearing	S10159	1	
4	Screw, 1/4-20 X 1 1/4" Flat Head	F05005-66	3	
5	Bolt, 1/4-20 X 3/8" Hex Head Grade 2	F05005-67	3	
6	Washer, 1/4" SAE Flat	F05011-11	3	
7	WASHER, IDLE BLADE WHEEL RETAINER	S08220	1	
8	BOLT, 5/16-18 X 3/4" HEX HEAD	F05006-5	1	
9	BELT, BLADE WHEEL B57	P04185	1	
10	SHAFT, IDLE BLADE WHEEL	S09893	1	
11	HOUSING, IDLE BLADE WHEEL SHAFT	W10157	1	
12	SCREW, 3/8-16 X 1 1/4" SOCKET HEAD OVAL POINT	F05007-18	2	
13	NUT, 3/8-16 HEX JAM	F05010-29	2	
	HANDLE ASSEMBLY, IDLE SIDE PULLEY TILT	A09357	1	
14	Handle, Tilt Adjustment Screw	S08174	1	◆
15	Driver, Tilt Adjustment Screw	S09405	1	◆
16	Rod, Threaded Tilt Adjustment Screw	S09358	1	◆
17	Pin, 3/16" X 7/8" Roll	F05012-19	2	
18	SLEEVE, PLASTIC HANDLE	P08072	1	
19	SPACER, 1/2" I.D. FLANGED	S04253	2	
20	NUT, 1/2-20 HEX JAM	F05010-16	2	
21	WASHER, 1/2" SPLIT LOCK	F05011-9	1	

¹ Replacement assembly A08218 includes upgraded wheel with hub and retaining ring. Blade wheel kit 016189 with larger diameter bearing and retrofit hardware also available. (See Section 2.4).

² C3 Clearance bearing replaces C0 clearance supplied until 3/96.



SM0117B

FIG. 2-5

2 Blade Drive & Guides

Hydraulic Blade Tensioner Assembly

2.6 Hydraulic Blade Tensioner Assembly				
REF	DESCRIPTION (◆ Indicates Parts Available In Assemblies Only)	PART #	QTY.	
	HYDRAULIC BLADE TENSIONER ASSEMBLY	A10136	1	
	Handle Assembly, Hydraulic Blade Tensioner Screw	A12294	1	
1	Screw, Hydraulic Blade Tensioner	S10056 ¹	1	
2	Handle, Hydraulic Tensioner Screw	S08174	1	
3	Sleeve, Plastic Handle	P08072	1	
4	Pin, 3/16" x 7/8" Roll	F05012-19	1	
5	Ball, 1/2" Steel	P02720	1	
6	Block, Threaded Tensioner End	S10062 ¹	1	
7	Fitting, 1/4-28 Grease	P05060	1	
	Instruction Sheet, Tensioner Screw	A12294-518	1	
8	Bolt, 5/16-18 X 7 1/2" Hex Head Grade 5	F05006-43	4	
9	Piston, Hydraulic Tensioner Front 2 3/4" Long	S10060	1	
10	Block, Piston Guide	S10061 ¹	1	
11	Seal, 1" Diameter	P10051	2	
12	Block, Hydraulic Tensioner Gauge Mounting	S10140 ¹	1	
13	Gauge, 5000 P.S.I.	P10052	1	
14	Plug, Hydraulic Tensioner Fill	P10065 ²	2	
15	Ring, 5/8" X 3/32" Square "O"	P10377	1	
16	Block, Rear Tensioner Piston	S10142 ¹	1	
17	Piston, Hydraulic Tensioner Rear 3 5/8" Long	S10059 ¹	1	
18	Block, Rear Piston End	S10089 ¹	1	
19	Wiper, 1" Diameter	P10053	1	
20	Bolt, #10-24 X 1" Socket Button Head	F05004-43	4	
21	Bolt, 5/16-18 X 2 3/4" Hex Head Grade 5	F05006-28	4	
22	Decal, Hydraulic Tension Caution	P10147	1	
	Instruction Sheet, Hydraulic Tensioner Installation	A10136-272	1	

¹ Replaces part number with "-W" suffix. Part number change only.

² Plug added to S10142 Rear Tensioner Piston Block 6/99.

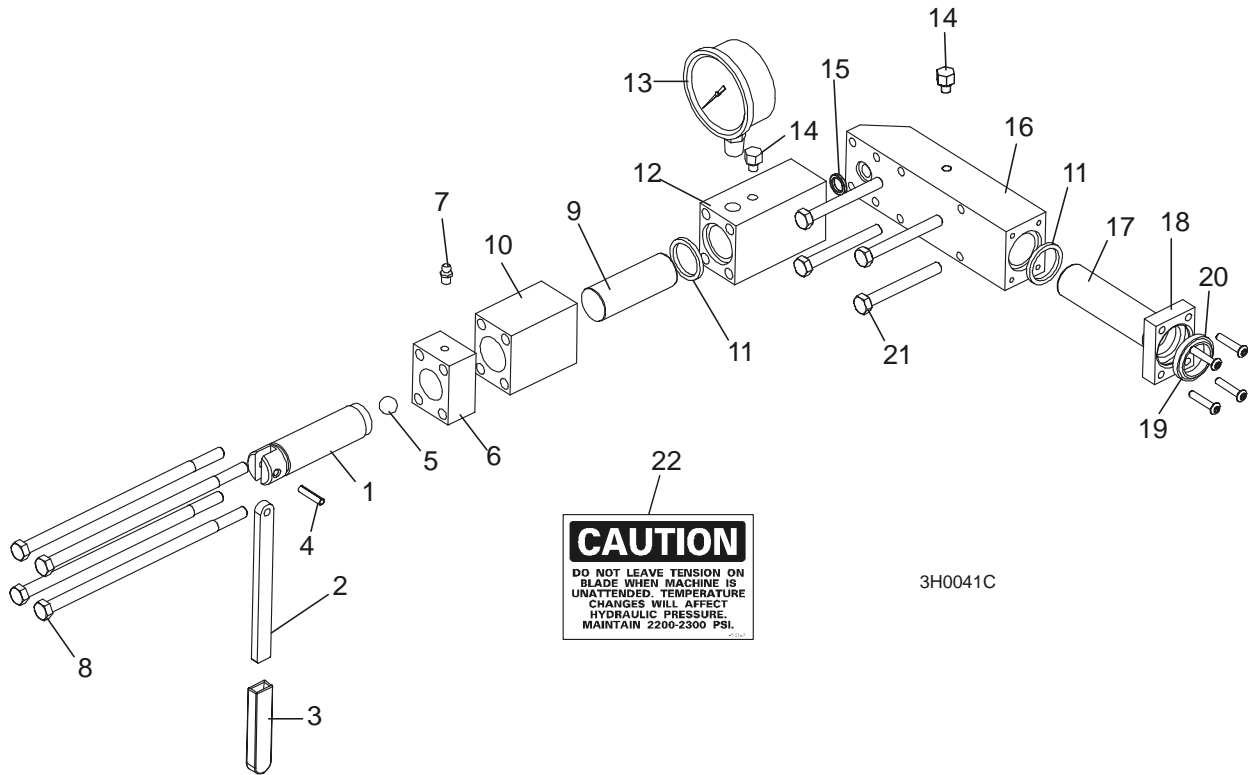


FIG. 2-6

2

Blade Drive & Guides

Blade Guide Arm Assembly

2.7 Blade Guide Arm Assembly				
LT30HD		Rev. D3 - F7		
LT40HD		Rev. D3 - F7		
REF	DESCRIPTION (◆ Indicates Parts Available In Assemblies Only)	PART #	QTY.	
1	BLADE GUIDE ARM WELDMENT (U.S. 28 5/8" [72.7 CM])	W10005	1	
	BLADE GUIDE ARM WELDMENT (G.S. 37 1/8" [94.2 CM])	W10429	1	
2	Tube, Blade Guide Mount (U.S. - Welded to Blade Guide Arm)	W08159	1	
	Tube, Blade Guide Mount (G.S. - Bolted to Blade Guide Arm)	W10426	1	
3	BOLT, BLADE GUIDE ARM ROLLER CAM	W09067	4	
4	WASHER, 5/8" SAE FLAT	F05011-5	4	
5	WASHER, 5/8" EXTERNAL STAR	F05011-26	4	
6	NUT, 5/8-18 HEX JAM	F05010-11	12	
7	WASHER, 5/8" INTERNAL STAR	F05011-25	8	
	ROLLER ASSEMBLY, BLADE GUIDE ARM WITH BEARING	A09059	2	
8	Roller, Blade Guide Arm V-Groove	S07989-W	1	◆
9	Bearing, 6203-2NSL 5/8" I.D.	P06030-1	1	
	ROLLER ASSEMBLY, BLADE GUIDE ARM WITH BEARING AND SPROCKET	A09932	2	
10	Roller, Blade Guide Arm Drive	S09930-W	1	◆
11	Bearing, 6203-2NSL 5/8" I.D.	P06030-1	1	
12	Sprocket, #25 26-Tooth	S09931	1	◆
13	CHAIN, #25 X 20 1/4"	P09984	1	
14	LINK, #25 MASTER	P09983	1	
15	BOLT, 5/16-18 X 2 3/4" HEX HEAD GRADE 5	F05006-28	4	
16	WASHER, 5/16" SAE FLAT	F05011-17	4	
17	TUBE, 3/8" X 1/2" NEOPRENE	R01897	2.5ft	
18	CLAMP, 1/2" COATED EMT	P07584	2	
19	WRAP, 1/4" X 6" TIE	F05089-1	2	
	DRIVE ASSEMBLY, BLADE GUIDE ARM	A09974	1	
	Motor Assembly, Blade Guide Arm Replacement	A10353	1	
20	Motor, Blade Guide Arm 53:1 Gear	P09698-1	1	
	Housing, Klauber Motor End	P12756	1	
	Gear Kit, Klauber Motor Replacement	P12569	1	
	Brush Kit, Gear Motor Replacement	P12800 ¹	1	
	Shaft Kit, Klauber Gear Motor Replacement	009695	1	
21	Connector, 14 Gauge Butt	F04875-1	2	
22	Pin, 1/8" X 3/4" Roll	F05012-6	1	
23	Sprocket, Gear Motor #25 14-Tooth	P09970 ²	1	
24	Screw, #10-32 x 1/2" Hex Head	F05004-60 ³	4	
25	Washer, #10 Split Lock	F05011-20 ⁴	4	
	Instruction Sheet, Blade Guide Arm Motor	A10353-296	1	
26	Bracket, Blade Guide Arm Motor Mount	S09934	1	
27	Roller, Blade Guide Arm Chain Idler	S09999 ⁵	1	

28	Bolt, 5/16-18 X 3 1/2" Hex Head Full Thread	F05006-3	1	
29	Spacer, 5/16" I.D. X 1 1/2"	S09996-W	1	
30	Washer, 5/16" SAE Flat	F05011-17	2	
31	Washer, 5/16" Split Lock	F05011-13	1	
32	Nut, 5/16-18 Hex Lock	F05010-6	1	
33	COVER, BLADE GUIDE ARM MOTOR	S11617	1	
	GUARD, BLADE GUIDE ARM (G.S. ONLY)	S12029	1	

- ¹ Brush kit used for Von Wiese and Klauber gear motors.
- ² 14-Tooth sprocket replaces 13-tooth sprocket originally supplied before 5/93.
- ³ Replaces (4) F05004-29 button head screws 3/95. Included with motor after 12/95.
- ⁴ Lock washers added 8/95 to prevent mounting bolts from becoming loose. Included with motor after 12/95.
- ⁵ Replaces S09999-W. Part Number change only.

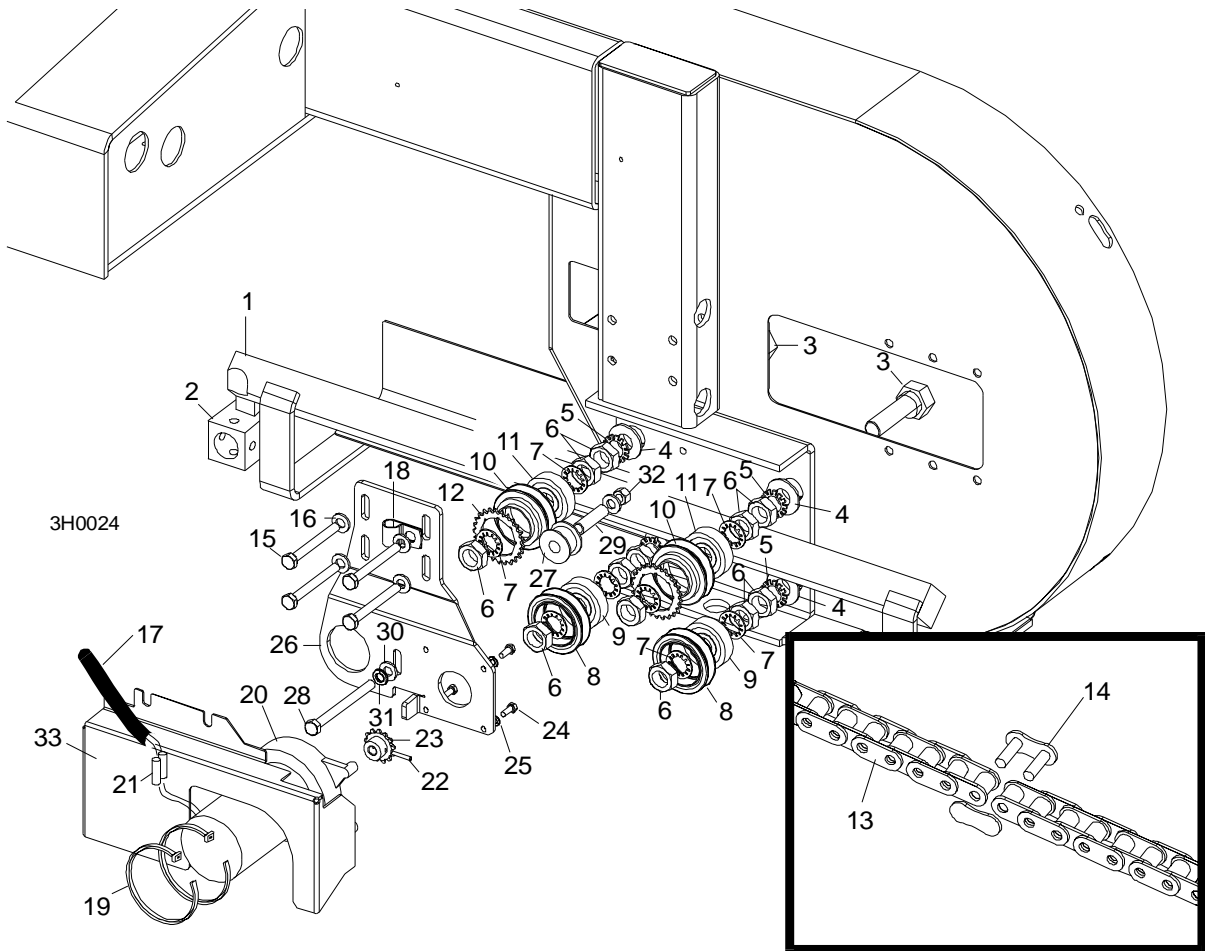


FIG. 2-7

2

Blade Drive & Guides

Blade Guide Arm Assembly

2.8 Blade Guide Arm Assembly				
LT30HD		Rev. C7 - D2		
LT40HD		Rev. C7 - D2		
REF	DESCRIPTION (◆ Indicates Parts Available In Assemblies Only)	PART #	QTY.	
1	BLADE GUIDE ARM WELDMENT (U.S. 28 5/8" [72.7 CM])	W10005	1	
	BLADE GUIDE ARM WELDMENT (G.S. 37 1/8" [94.2 CM])	W10429	1	
2	Tube, Blade Guide Mount (U.S. - Welded to Blade Guide Arm)	W08159	1	
	Tube, Blade Guide Mount (G.S. - Bolted to Blade Guide Arm)	W10426	1	
3	BOLT, BLADE GUIDE ARM ROLLER CAM	W09067	4	
4	WASHER, 5/8" SAE FLAT	F05011-5	4	
5	WASHER, 5/8" EXTERNAL STAR	F05011-26	4	
6	NUT, 5/8-18 HEX JAM	F05010-11	12	
7	WASHER, 5/8" INTERNAL STAR	F05011-25	8	
	ROLLER ASSEMBLY, BLADE GUIDE ARM WITH BEARING	A09059	2	
8	Roller, Blade Guide Arm V-Groove	S07989-W	1	◆
9	Bearing, 6203-2NSL 5/8" I.D.	P06030-1	1	
	ROLLER ASSEMBLY, BLADE GUIDE ARM WITH BEARING AND SPROCKET	A09932	2	
10	Roller, Blade Guide Arm Drive	S09930-W	1	◆
11	Bearing, 6203-2NSL 5/8" I.D.	P06030-1	1	
12	Sprocket, #25 26-Tooth	S09931	1	◆
13	CHAIN, #25 X 20 1/4"	P09984	1	
14	LINK, #25 MASTER	P09983	1	
15	BOLT, 5/16-18 X 2 3/4" HEX HEAD GRADE 5	F05006-28	4	
16	WASHER, 5/16" SAE FLAT	F05011-17	4	
17	TUBE, 3/8" X 1/2" NEOPRENE	R01897	2.5ft	
18	CLAMP, 1/2" COATED EMT	P07584	2	
19	WRAP, 1/4" X 6" TIE	F05089-1	2	
	DRIVE ASSEMBLY, BLADE GUIDE ARM	A09974	1	
	Motor Assembly, Blade Guide Arm Replacement	A10353 ¹	1	
20	Motor, Blade Guide Arm 50:1 Gear	P09698	1	◆
	Gear Kit, Von Weise Motor Replacement	A10239 ²	1	
	Gear #2, A11651-0001 50:1 Motor	P10185	1	
	Gear, H06099-0001 50:1 Motor Output	P10186	1	
	Shaft, J06185-0001 50:1 Motor Gear	P10187	1	
	Ring, R01877-0007 50:1 Motor Retaining	P10188	1	
	Shaft, J06171-0305 50:1 Motor Output	P10189	1	
	Bearing, L06162-0001 50:1 Motor Front	P10190	1	
	Gear #4, A11652-0001 50:1 Motor	P10192	1	
	Bearing, L06163-0001 50:1 Motor Rear	P10193	1	
	Pin, 1" x 9/16" Dowel	S10528	1	
	Brush Kit, Gear Motor Replacement	P12800 ³	1	
21	Connector, 14 Gauge Butt	F04875-1	2	

22	Pin, 1/8" X 3/4" Roll	F05012-6	1	
	Instruction Sheet, Blade Guide Arm Motor	A10353-296	1	
23	Sprocket, Gear Motor #25 14-Tooth	P09970 ⁴	1	
24	Bracket, Blade Guide Arm Motor Mount	S09934	1	
25	Bolt, #10-32 X 1" Phillips Head	F05004-20 ⁵	4	
26	Roller, Blade Guide Arm Chain Idler	S09999 ⁶	1	
27	Bolt, 5/16-18 X 3 1/2" Hex Head Full Thread	F05006-3	1	
28	Spacer, 5/16" I.D. X 1 1/2"	S09996-W	1	
29	Washer, 5/16" SAE Flat	F05011-17	2	
30	Washer, 5/16" Split Lock	F05011-13	1	
31	Nut, 5/16-18 Hex Lock	F05010-6	1	
32	COVER, BLADE GUIDE ARM MOTOR	S11617	1	
	GUARD, BLADE GUIDE ARM (G.S. ONLY)	S12029 ⁷	1	

¹ Replacement kit includes new gear motor (*See Section 2.7*). Four F05004-60 mounting screws and four F05011-20 split-lock washers included. New motor cover S11617 (U.S.) or S12029 (G.S.) required on Rev. C7 - D2.

² Gear kit for motors originally equipped on Rev. C7 - D2 only. *See Section 2.7* for new motor gear kit.

³ Brush kit used for Von Wiese and Klauer gear motors.

⁴ 14-Tooth sprocket replaces 13-tooth sprocket originally supplied before 5/93.

⁵ Mounting screws for motors originally equipped on Rev. C7 - D2 only. *See Section 2.7* for new motor mounting screws.

⁶ Replaces S09999-W. Part Number change only.

⁷ Replaces S10433 originally supplied on Rev. C7 - C9.

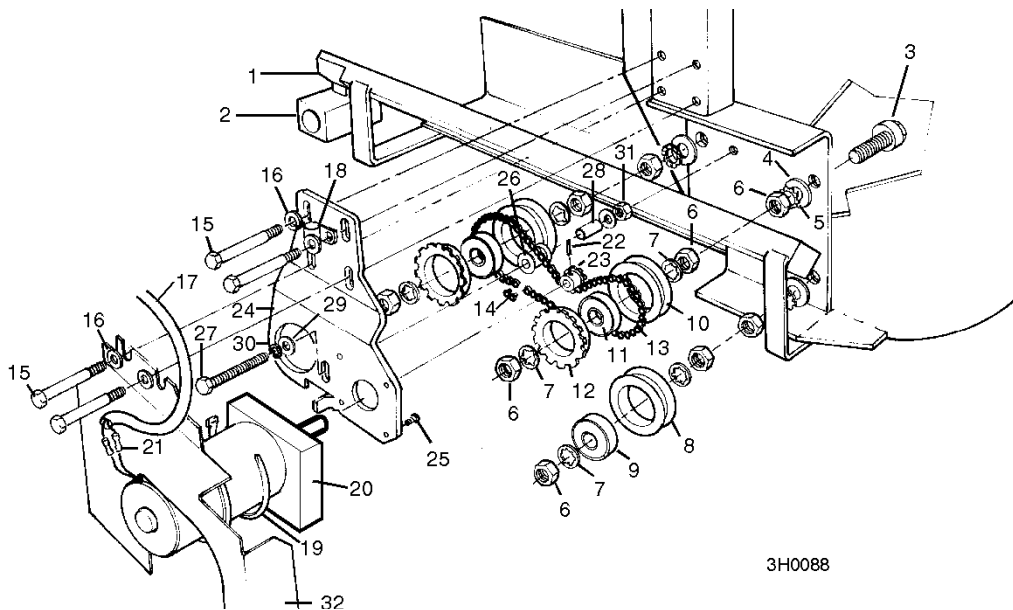
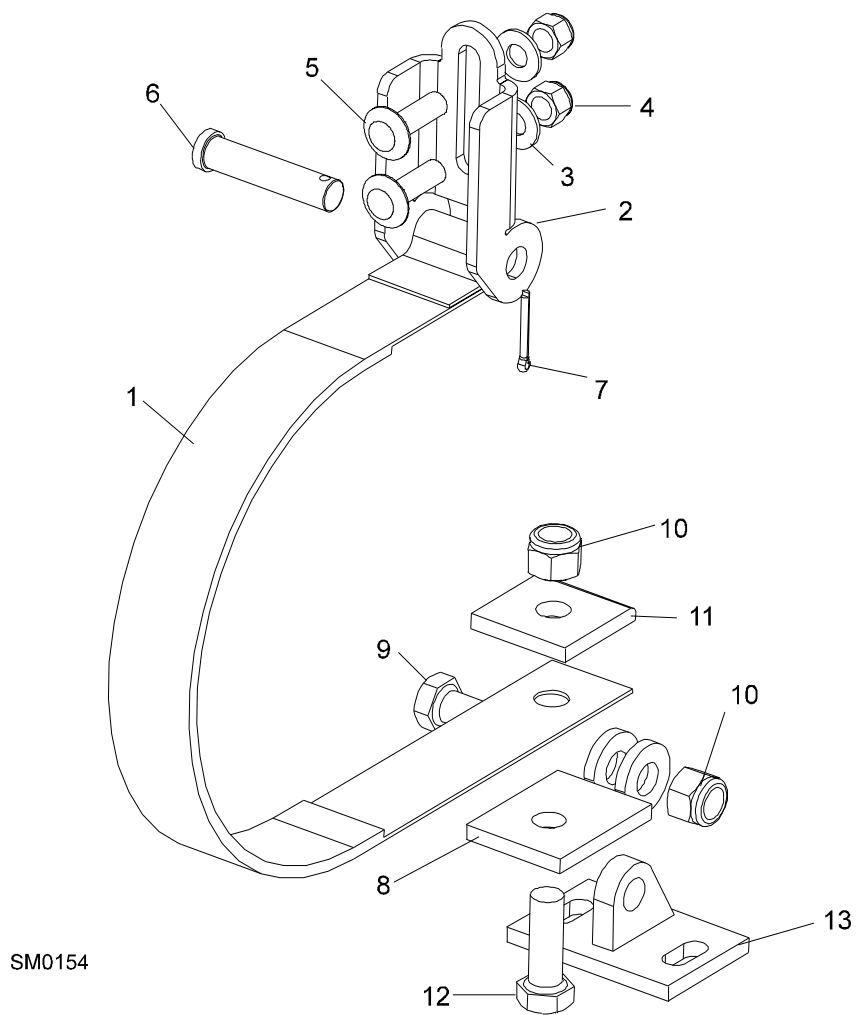


FIG. 2-8

2 Blade Drive & Guides

Brake Strap Assembly

2.9 Brake Strap Assembly				
	<i>LT30HD</i>	<i>Retrofit</i>		
	<i>LT40HD</i>	<i>Retrofit</i>		
REF	DESCRIPTION (◆ Indicates Parts Available In Assemblies Only)	PART #	QTY.	
	STRAP KIT, UPPER PIVOT BRAKE	014443	1	
1	Strap, Upper Pivot Brake	014391	1	
2	Bracket, Upper Brake Strap Mount	014397	1	
3	Washer, 3/8" SAE Flat	F05011-3	2	
4	Nut, 3/8-16 Hex Nylon Lock	F05010-10	2	
5	Bolt, 3/8-16 X 1 1/4" Carriage Head	F05007-11	2	
6	Pin, 1/2" x 2 1/4" Clevis	014396	1	
7	Pin, 1/8" x 1" Cotter	F05012-1	1	
8	Bracket, Lower Brake Strap Mount	014392	1	
9	Bolt, 1/2-13 X 1 1/2" Hex Head	F05008-4	1	
10	Nut, 1/2-13 Hex Nylon Lock	F05010-8	2	
11	Plate, Brake Strap Clamp	S04195	1	
12	Bolt, 1/2-13 x 1 1/4" Hex Head Grade 5	F05008-37	1	
13	Bracket, Lower Brake Strap Mount (Pre-95)	W12792	1	
	Instruction Sheet, Standard Brake Strap Retrofit	014443-470	1	



SM0154

FIG. 2-9

2.10 Clutch/Brake Lever Assembly				
	LT30HD	Rev. F2 - F7		
	LT40HD	Rev. F2 - F7		
REF	DESCRIPTION (◆ Indicates Parts Available In Assemblies Only)	PART #	QTY.	
	LEVER ASSEMBLY, CLUTCH/BRAKE	A12334	1	
1	Lever, Clutch/brake	W11571	1	◆
2	Knob, Plastic Round	P04211	1	
3	Bushing, Clutch/Brake Pivot	P05041	1	
4	Washer, Clutch/Brake Pivot	S11570	2	
5	Pin, 1/8" X 1 3/4" Cotter	F05012-43	1	
6	BOLT, 3/8-16 X 1" SOCKET HEAD	F05007-52	1	
7	NUT, 3/8-16 HEX NYLON LOCK	F05010-10	1	
8	NUT, 7/16-20 HEX NYLON LOCK	F05010-83	2	
9	BOLT, 7/16-20 X 1 1/2" SOCKET HEAD	F05007-55	2	
	TURNBUCKLE ASSEMBLY, CLUTCH/BRAKE LEVER (G18/G24/G25/E15)	A11576 ¹	1	
	TURNBUCKLE ASSEMBLY, CLUTCH/BRAKE LEVER (D20)	A12304	1	
10	Rod End, 7/16-20 Right Hand Thread	P11579 ²	1	
11	Nut, 7/16-20 Hex Jam	F05010-38	1	
12	Turnbuckle, 3 3/4" Clutch/Brake Lever (G18/G24/G25/E15)	S12262 ³	1	◆
	Turnbuckle, 3" Clutch/Brake Lever (D20)	S11577-W	1	◆
13	Nut, 7/16-20 Hex Jam Left Hand Thread	F05010-87	1	
14	Rod End, 7/16-20 Left Hand Thread	P11578 ²	1	
15	BOLT, 1/2-13 X 1 1/2" HEX HEAD	F05008-4	1	
16	PLATE, UPPER BRAKE STRAP CLAMP	S04195	1	
17	NUT, 1/2-13 HEX NYLON LOCK	F05010-8	1	
	RETROFIT KIT, METAL-BACKED BRAKE STRAP	K12820 ⁴	1	◆
18	Strap, Metal-Backed Brake	P12791 ⁴	1	◆
19	Plate, Lower Brake Strap Clamp	W12792	1	
20	Washer, Brake Strap	S12804 ⁴	1	◆
21	Bolt, 1/2-13 x 2 1/4" Hex Head Grade 5	F05008-10	1	
22	Nut, 1/2-13 Nylon Hex Lock	F05010-8	1	
23	NUT, 3/8-16 HEX NYLON LOCK	F05010-10	2	
24	BOLT, 3/8-16 X 1 1/4" CARRIAGE HEAD	F05007-11	2	

¹ Replaces A12304 on Rev. C7 - D5 G24/E15. Longer turnbuckle provides more drive belt adjustment.

² Left and Right Hand Ends may be positioned at opposite end of turnbuckle. Check carefully before ordering.

³ Replaces S12262-W. Part Number change only.

⁴ Brake Strap parts obsolete. Retrofit brake strap and mounting hardware with 014443. [See Section 2.9.](#)

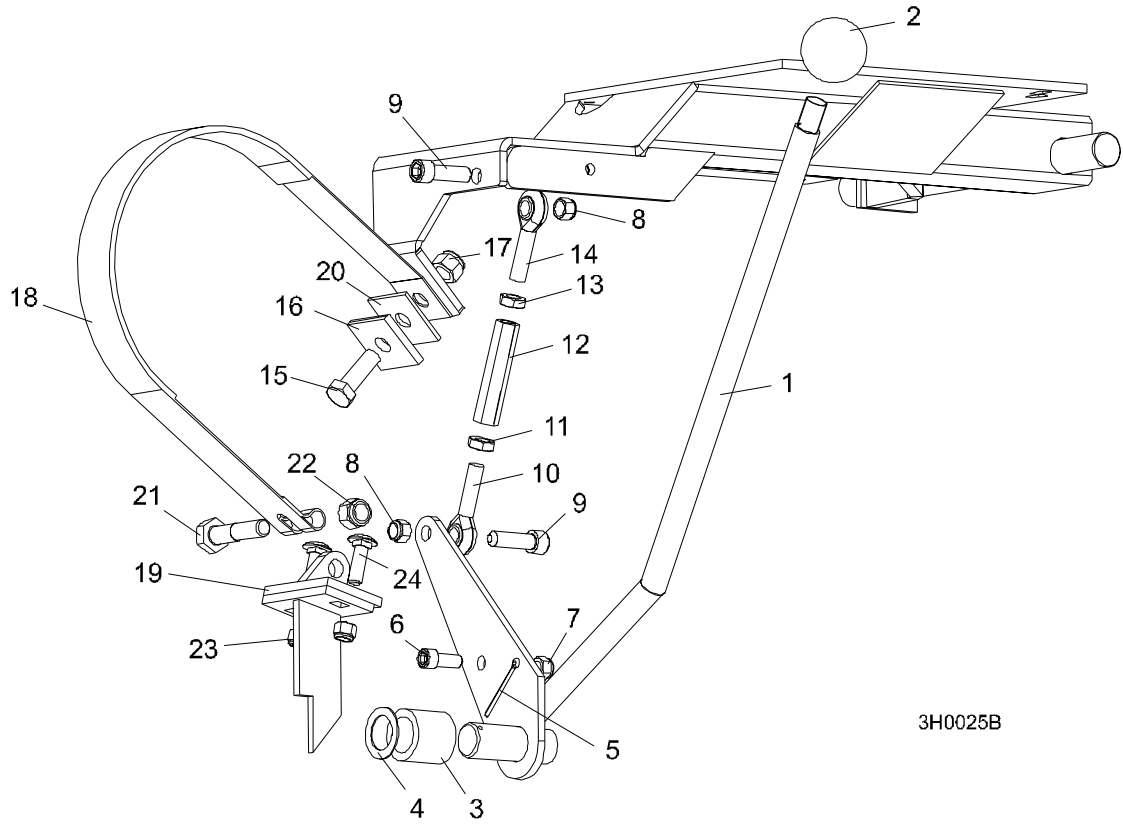


FIG. 2-10

2

Blade Drive & Guides Clutch/Brake Lever Assembly

2.11 Clutch/Brake Lever Assembly				
LT30HD		Rev. C7 - F1		
LT40HD		Rev. C7 - F1		
REF	DESCRIPTION (◆ Indicates Parts Available In Assemblies Only)	PART #	QTY.	
	LEVER ASSEMBLY, CLUTCH/BRAKE	A12334	1	
1	Lever, Clutch/Brake	W11571	1	◆
2	Knob, Plastic Round	P04211	1	
3	Bushing, Clutch/Brake Pivot	P05041	1	
4	Washer, Clutch/Brake Pivot	S11570	2	
5	Pin, 1/8" X 1 3/4" Cotter	F05012-43	1	
6	BOLT, 3/8-16 X 1" SOCKET HEAD	F05007-52	1	
7	NUT, 3/8-16 HEX NYLON LOCK	F05010-10	1	
8	NUT, 7/16-20 HEX NYLON LOCK	F05010-83	2	
9	BOLT, 7/16-20 X 1 1/2" SOCKET HEAD	F05007-55	2	
	TURNBUCKLE ASSEMBLY, CLUTCH/BRAKE LEVER (G18/G24/G25/E15)	A11576 ¹	1	
	TURNBUCKLE ASSEMBLY, CLUTCH/BRAKE LEVER (D20)	A12304	1	
10	Rod End, 7/16-20 Right Hand Thread	P11579 ²	1	
11	Nut, 7/16-20 Hex Jam	F05010-38	1	
12	Turnbuckle, 3 3/4" Clutch/Brake Lever (G18/G24/G25/E15)	S12262 ³	1	◆
	Turnbuckle, 3" Clutch/Brake Lever (D20)	S11577-W	1	◆
13	Nut, 7/16-20 Hex Jam Left Hand Thread	F05010-87	1	
14	Rod End, 7/16-20 Left Hand Thread	P11578 ²	1	
15	BOLT, 1/2-13 X 1 1/2" HEX HEAD	F05008-4	1	
16	PLATE, UPPER BRAKE STRAP CLAMP	S04195	1	
17	NUT, 1/2-13 HEX NYLON LOCK	F05010-8	1	
18	STRAP, COTTON BRAKE	M07484 ⁴	1	
19	NUT, 3/8-16 HEX NYLON LOCK	F05010-10	2	
20	PLATE, LOWER BRAKE STRAP CLAMP	S04123	1	
21	BOLT, 3/8-16 X 1 1/4" CARRIAGE HEAD	F05007-11	2	

¹ Replaces A12304 on Rev. C7 - D5 G24/E15. Longer turnbuckle provides more drive belt adjustment.

² Left and Right Hand Ends may be positioned at opposite end of turnbuckle. Check carefully before ordering.

³ Replaces S12262-W. Part Number change only.

⁴ Replaces leather brake strap originally supplied on Rev. C7 - F1. Customers may retrofit to metal-backed brake strap (014443). See Section 2.9.

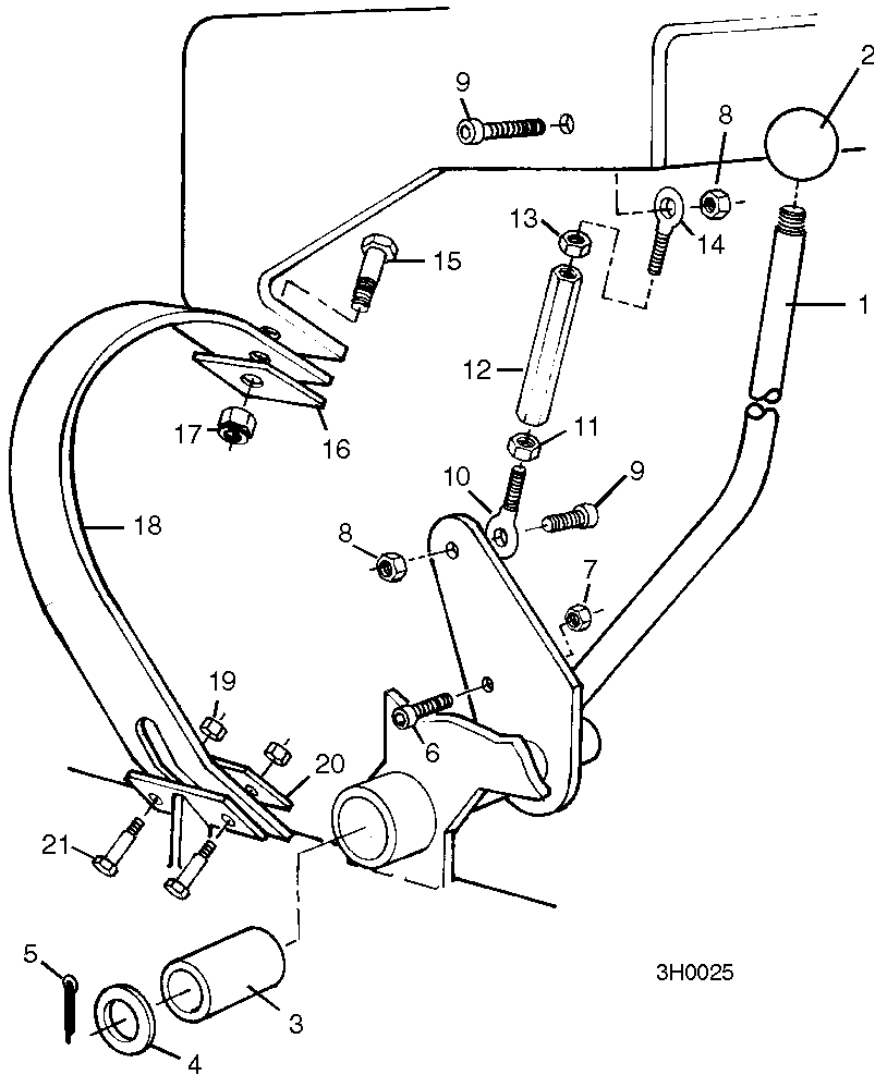


FIG. 2-11

2.12 Water Lube Assembly				
<i>LT30HD</i>		<i>Retrofit</i>		
<i>LT40HD</i>		<i>Retrofit</i>		
REF	DESCRIPTION (◆ Indicates Parts Available In Assemblies Only)	PART #	QTY.	
	TRAY ASSEMBLY, FUEL TANK/WATER BOTTLE	A11685	1	
1	Tray, Fuel Tank/Water Bottle	S11684	1	◆
2	Strap, 24" Rubber (For Fuel Tank - See Engine Manual)	P11258	2	
3	Strap, 20" Rubber	P11668	2	
4	Bolt, 1/4-20 X 1" Carriage Head	F05005-34	4	
5	Nut, 1/4-20 Hex Lock	F05010-21	4	
6	BOLT, 1/4-20 X 1" CARRIAGE HEAD	F05005-34	1	
7	BOLT, 1/4-20 X 1/2" CARRIAGE HEAD	F05005-33	2	
8	CLAMP, 1/2" EMT HOSE	P07584	3	
9	WASHER, 1/4" SAE FLAT	F05011-11	3	
10	NUT, 1/4-20 HEX LOCK	F05010-21	1	
11	STRAP, 15" RUBBER	P07461	1	
12	NUT, 1/4-20 SELF-LOCKING	F05010-9	2	
	BOTTLE ASSY, WATER LUBE	014642 ¹	1	
13	Bottle, 5-Gallon Water Lube	014637	1	◆
14	Cap, Water Lube Bottle Buttress Thread	014773 ²	1	
	Cap, Water Lube Bottle 70mm Thread	014754 ²	1	
15	FITTING, 3/4FPT X 3/4 MPT	014636 ²	1	
16	FITTING, WATER LUBE SHUTOFF VALVE	014100 ²	1	
17	FILTER, WATER LUBE	016086 ³	1	
18	FITTING, 5/8" NPT TO 3/8" HOSE BARB	014113 ²	1	
19	TUBING, WATER LUBE 3/8" I.D.	R01885	7 ft.	

¹ 014642 Bottle Kit replaces P04357 bottle originally supplied (requires fittings 014636, 014113, and valve 014100).

² Use Buttress Thread Cap 014773 to service US1318-61NATD/U bottles supplied after 4/97. Use 70mm Thread Cap 014754 To service US1818-70NATD/U bottles originally supplied 3/97 through 4/97. Cap and fittings apply only to retrofit bottle supplied after 3/97. *See Section 2.13* for original bottle replacement parts.

³ Filter recommended for Super models to prevent debris from entering water lube solenoid valve.

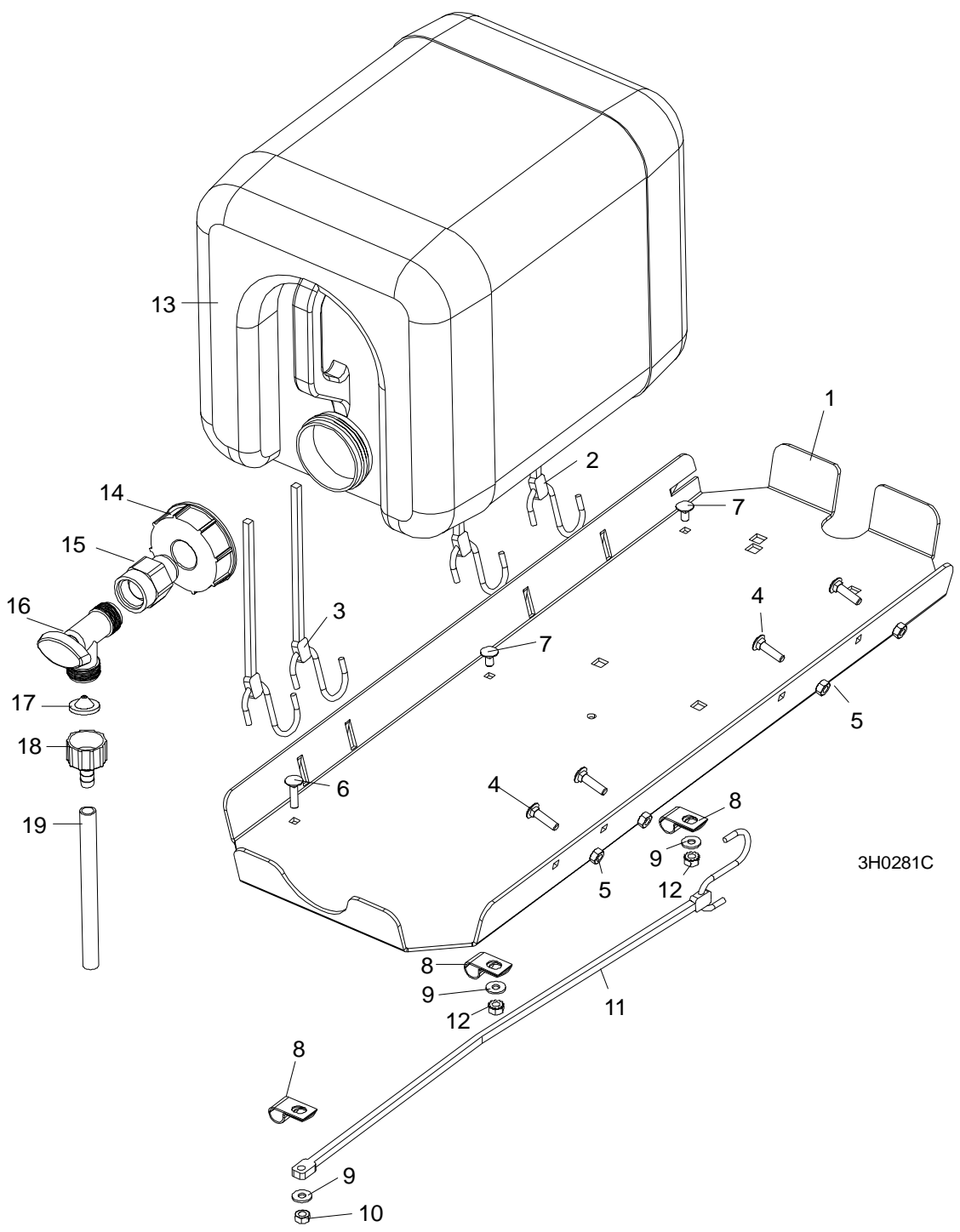


FIG. 2-12

2

Blade Drive & Guides

Water Lube Assembly

2.13 Water Lube Assembly				
<i>LT30HD</i>		<i>Rev. C7 - F7</i>		
<i>LT40HD</i>		<i>Rev. C7 - F7</i>		
REF	DESCRIPTION (◆ Indicates Parts Available In Assemblies Only)	PART #	QTY.	
	TRAY ASSEMBLY, FUEL TANK/WATER BOTTLE	A11685	1	
1	Tray, Fuel Tank/Water Bottle	S11684	1	◆
2	Strap, 20" Rubber	P11668	2	
3	Strap, 24" Rubber	P11258 ¹	2	
4	Bolt, 1/4-20 X 1" Carriage Head	F05005-34	4	
5	Nut, 1/4-20 Hex Lock	F05010-21	4	
6	BOTTLE, 5 GALLON WATER	P04357 ²	1	◆
7	Cap, 5 Gallon Water Bottle	P09088 ³	1	
8	FITTING, 3/4" TO 1/4" REDUCER	P04695 ³	1	
9	VALVE, WATER FLOW	P04669 ³	1	
10	FITTING, 3/8" HOSE BARB	P04730 ³	1	
11	HOSE, PLASTIC WATER LUBE	R01885	6.5 Ft	

¹ Tank tray includes 24" strap to secure 5-gallon fuel tank. Order two P07461 15" straps if 3-gallon tank used.

² Bottle P04357 no longer available. New bottle 014642 available 3/97 provides higher UV resistance (*See Section 2.12*).

³ Cap, fittings and valve apply only to original P04357 bottle. *See Section 2.12* for replacement parts if bottle replaced after 3/97.

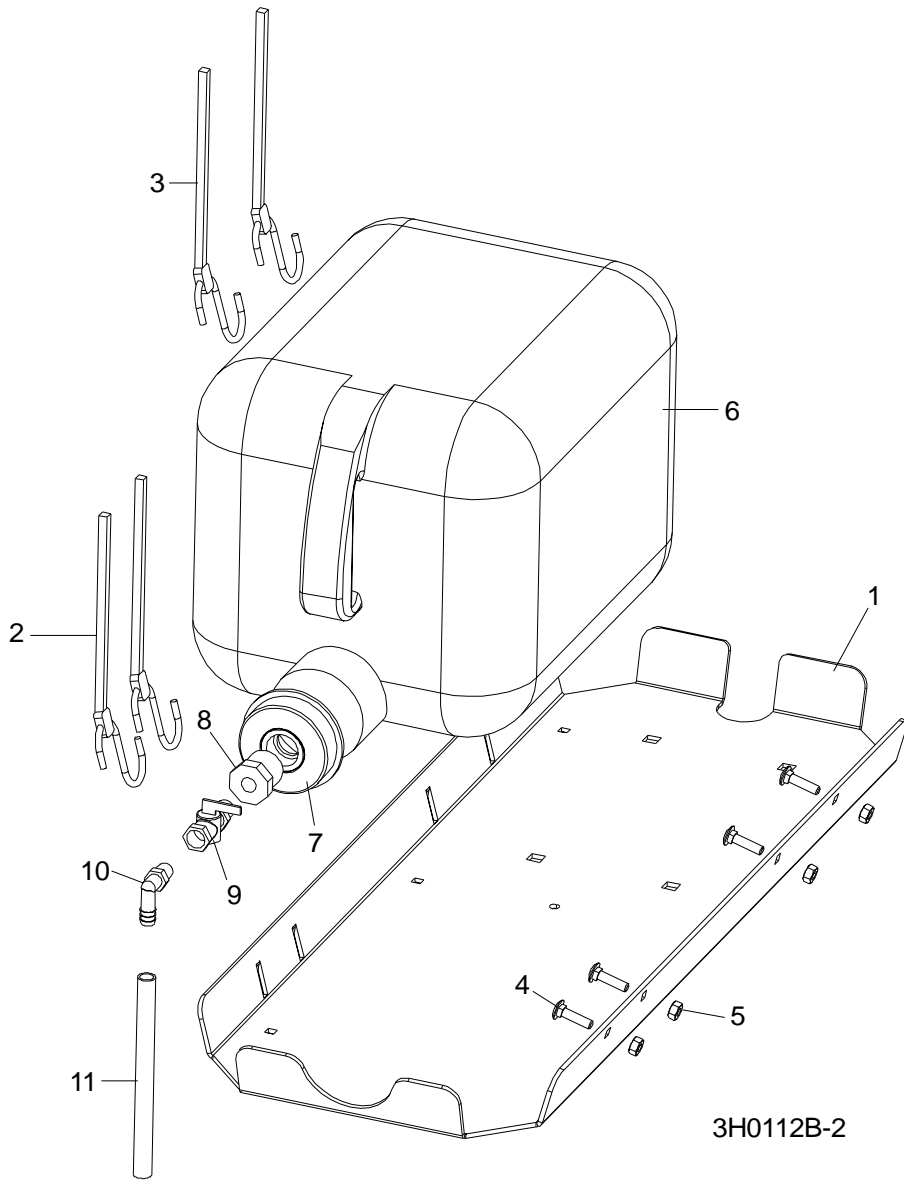


FIG. 2-13

2 Blade Drive & Guides

Middle Throat Screw

2.14 Middle Throat Screw					
		<i>LT30HD</i>	<i>Rev. D1 - F7</i>		
		<i>LT40HD</i>	<i>Rev. D1 - F7</i>		
REF	DESCRIPTION	(◆ Indicates Parts Available In Assemblies Only)		PART #	QTY.
1	SCREW, 3/8-16 X 1 1/4" OVAL POINT SOCKET SET			F05007-18	1
2	NUT, 3/8-16 HEX JAM			F05010-29	1

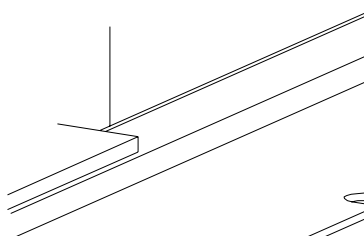


FIG. 2-14

2.15 Middle Throat Cam					
		<i>LT30HD</i>	<i>Rev. C7 - C9</i>		
		<i>LT40HD</i>	<i>Rev. C7 - C9</i>		
REF	DESCRIPTION	(◆ Indicates Parts Available In Assemblies Only)		PART #	QTY.
1	BOLT, 3/8-16 X 3" HEX HEAD FULL THREAD			F05007-73	1
2	NUT, 3/8-16 HEX SELF-LOCKING			F05010-19	2
3	CAM, MIDDLE THROAT			S11818	1

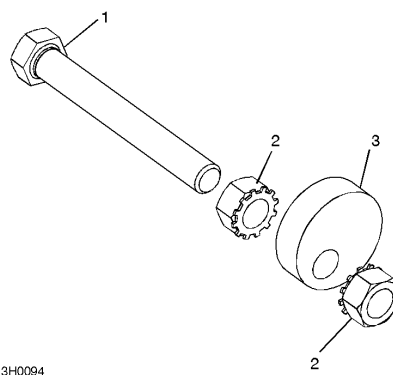
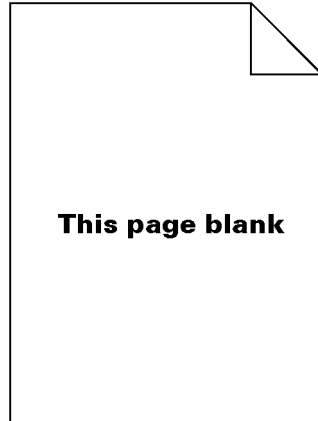


FIG. 2-15

SECTION 3 DECALS & SAW HEAD COVERS



3 Decals & Saw Head Covers

Safety Decals

3.1 Safety Decals				
REF	DESCRIPTION (◆ Indicates Parts Available In Assemblies Only)	PART #	QTY.	
1	DECAL, BLADE TENSION CAUTION	P10147	1	
2	DECAL, SAWDUST CHUTE CAUTION	P11754	1	
3	DECAL, BLADE DANGER ARROW LEFT	S11751	3	
4	DECAL, FENDER DAMAGE CAUTION	S11761	2	
5	DECAL, BLADE COVERS CAUTION	S20039	2	
6	DECAL, BLADE DANGER ARROW RIGHT	S11752	1	
7	DECAL, UP/DOWN CAUTION	S11762	1	
8	DECAL, EYE/EAR WARNING	S11753	1	
9	DECAL, PINCH POINT CAUTION	P10287	1	
10	DECAL, ELECTRICAL HAZARD DANGER	S20061	1	
11	DECAL, KEEP AWAY WARNING (HYDRAULIC CONTROL BOX REV E7 - F7)	S12726	1	
	DECAL, KEEP AWAY WARNING (HYDRAULIC CONTROL BOX REV. C7 - E6)	S11760	1	
12	DECAL, KEEP AWAY WARNING (HYDRAULIC SAWMILL FRAME)	S09851	1	
13	DECAL, 12 VOLT POWER SUPPLY CAUTION	P10364	1	
14	DECAL, SAW HEAD REST CAUTION (ADDED 4/94)	S12581	1	



FIG. 3-1

3 Decals & Saw Head Covers

Saw Head Covers

3.2 Saw Head Covers				
REF	DESCRIPTION (◆ Indicates Parts Available In Assemblies Only)	PART #	QTY.	
	COVER, DRIVE SIDE BLADE HOUSING WITH HANDLE	A09420	1	
1	Cover, Drive Side Blade Housing	W07948	1	◆
2	Handle, Blade Housing Cover	P08065	1	
3	Screw, #8-32 X 3/8" Self-Tap	F05015-8	2	
	Pin Assembly, Cover Retainer	A12812 ¹	1	
4	Pin, Safety Retainer	P05059	1	
	Cable, 1/8" O.D. Coated Nylon	R02075	.92 Ft.	
	Clamp, 1/8" Dual Cable	P11830	1	
	COVER, IDLE SIDE BLADE HOUSING WITH HANDLE	A09419	1	
5	Cover, Idle Side Blade Housing	W09351	1	◆
2	Handle, Blade Housing Cover	P08065	1	
3	Screw, #8-32 X 3/8" Self-Tap	F05015-8	2	
	Pin Assembly, Cover Retainer	A12812 ¹	1	
4	Pin, Safety Retainer	P05059	1	
	Cable, 1/8" O.D. Coated Nylon	R02075	.92 Ft.	
	Clamp, 1/8" Dual Cable	P11830	1	
6	COVER, MIDDLE BLADE HOUSING	W07409 ²	1	
	DECAL, LT30HDD20	S12588	1	
	DECAL, LT30HDE15	S12589	1	
	DECAL, LT30HDG24	S12590	1	
	DECAL, LT40HDD20	S12595	1	
	DECAL, LT40HDE15	S12596	1	
	DECAL, LT40HDG24	S12597	1	
	DECAL, LT40HDG25	S12598	1	
7	BOLT, 1/4-20 X 3/4" HEX HEAD	F05005-1	2	
8	HINGE, MIDDLE BLADE HOUSING COVER	S07522	2	
9	NUT, COVER TURN	021145 ³	3	
10	GUARD, CLUTCH LEVER	W11772	1	
11	GUARD, DRIVE PULLEY SIDE	W11537	1	
	BOLT, 1/4-20 X 3/4" HEX HEAD	F05005-1	5	
12	GUARD, DRIVE PULLEY TOP	W11750	1	
13	GUARD, LOWER DRIVE BELT (REV. D5 11/92+)	W12288	1	
	GUARD, LOWER DRIVE BELT (REV. C7 - D5 10/92)	W11697 ⁴	1	
14	GUARD, ENGINE/MOTOR PULLEY (G25/E15)	W09010	1	
	GUARD, ENGINE PULLEY (G24)	W10272	1	
	GUARD, ENGINE PULLEY (D20)	W12146	1	

¹ Hole must be drilled in cover pin to accept retainer pin. Retainer secures cover while traveling.

² Replaces W12123 and W12125 on Rev. C7 - E8 . Order appropriate model decal for cover label.

³ Directly replaces W07511 nut weldment (8/97).

⁴ Replaces S11697 on Rev. C7 - D1LT30 Rev. C4 - C6 and LT40 Rev. C5 - C7. Includes formed tab with slot for mounting.

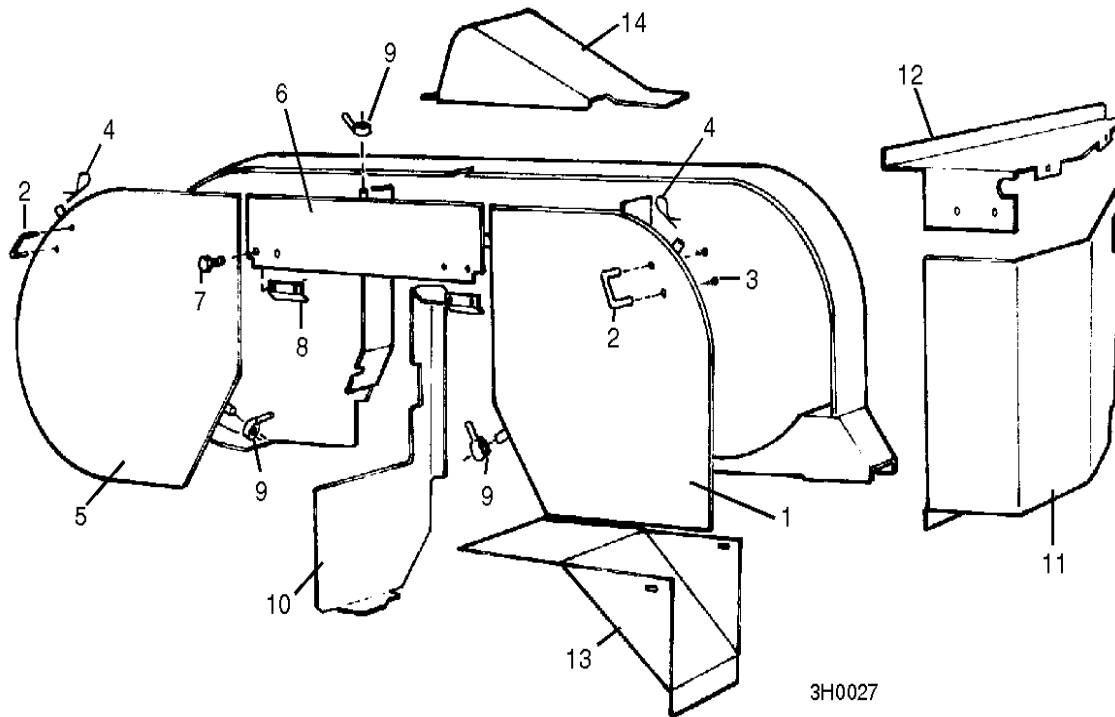
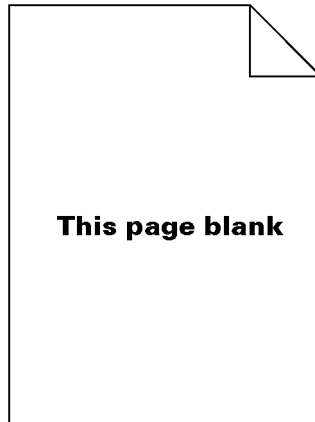


FIG. 3-2

SECTION 4 CONTROL & BATTERY BOXES



4

Control & Battery Boxes

Control Assembly, LT30HD/LT40HD (U.S.)

4.1 Control Assembly, LT30HD/LT40HD (U.S.)				
REF	DESCRIPTION (◆ Indicates Parts Available In Assemblies Only)	PART #	QTY.	
	CONTROL BOX ASSEMBLY, G24	A11981-W	1	
	CONTROL BOX ASSEMBLY, G25	A12574-W	1	
	CONTROL BOX ASSEMBLY, E15	A11982-W	1	
	CONTROL BOX ASSEMBLY, D20	A12130-W	1	
1	Box Weldment, Sawmill Control	W11621 ¹	1	
2	Cover, Control Box Hinged	W11636	1	
3	Rivet, 3/16" x 1/4" Aluminum Pop	F04203-7 ²	3	
4	Switch, Power Feed Drum (U.S.)	E20439	1	
5	Spring, Drum Switch	P12570	1	
6	Handle, Drum Switch Replacement	P12500	1	
7	Switch, Up/Down Drum	E20440	1	
5	Spring, Drum Switch	P12570	1	
6	Handle, Drum Switch Replacement	P12500	1	
	Panel Assembly, Control Front (G24, D20, E15, G25)	A20435	1	
8	Panel (With Alternator Label), G24/D20/E15/G25 Control	S11632-1	1	◆
9	Light, 12v Red Alternator Indicator (G24, D20, E15, G25 Only)	P04986 ³	1	
10	Light, 12v Green Indicator	P20436 ⁴	1	
11	Meter, Hour	P09631	1	
12	Switch, Key	P04350	1	
13	Switch, Toggle	P10006	1	
14	Boot, Toggle Switch Rubber	P02575	1	
15	Switch Assembly, Feed Rate	024450-1 ⁵	1	
16	Knob, Feed Rate With Set Screw	P06257	1	
17	Harness, Upper G24 Wiring	A20442	1	
	Harness, Upper E15 Wiring	A20449	1	
	Harness, Upper D20 Wiring	A12158	1	
	Harness, Upper G25 Wiring	A20477	1	
18	Harness, Lower G18/G24/E15/G25 Wiring	A20479	1	
	Harness, Lower D20 Wiring	A12157	1	
19	Circuit Board Assembly, Power Feed	024495 ⁶	1	
	Breaker Assembly (U.S.), Sawmill Control Circuit	A20433	1	
20	Breaker, 30 Amp Auto Reset	E20486 ⁷	1	
21	Bracket, Circuit Breaker	S11656-N	1	
22	Screw, #8-32 X 1/2" Slotted Head	F05004-12	2	
23	Nut, #8-32 Hex Self-Locking	F05010-41	2	
24	Pad, Rubber Bumper	P08184	4	
25	Panel, Control Box Front Access	S11625	1	
26	Screw, #10-24 x 1/2" Pan Head	F05015-17	6	
	Cup Assembly, Drum Switch Grease	A20463	1	

27	Cup, Plastic Container	P20464	1	◆
28	Pad, Velcro Loop	P20466	1	◆
29	Pad, Velcro Hook	P20465	1	◆
30	Decal, Grease Cup Label	P20467	1	
	Grease, High Temp Drum Switch	P20468	.025 Lb	◆
31	TUBE, CONTROL BOX MOUNT	W11640	1	

- ¹ Replaces W11620-W on Rev. C7 - D5. Also order access panel S11625 & six screws F05015-17.
- ² Replaces #10-24 x 1/2" screw (F05015-17) & #10-24 nut (F05010-14).
- ³ Replaces P20480 on Rev. D2 - D5. Includes E20482 red light, wire, terminals, and instructions.
- ⁴ Replaces P20481 on Rev. D2 - D5. Includes E20483 green light, wire, terminals, and instructions.
- ⁵ Replaces A20437 and 015408 originally supplied.
- ⁶ Replaces A20428 originally supplied before 4/99. New assembly includes LED indicator lights for easier troubleshooting. Modularized components and surface mount technology improve durability and power capability.
- ⁷ 30 Amp breaker replaces E20434 50 Amp breaker 10/9/95.

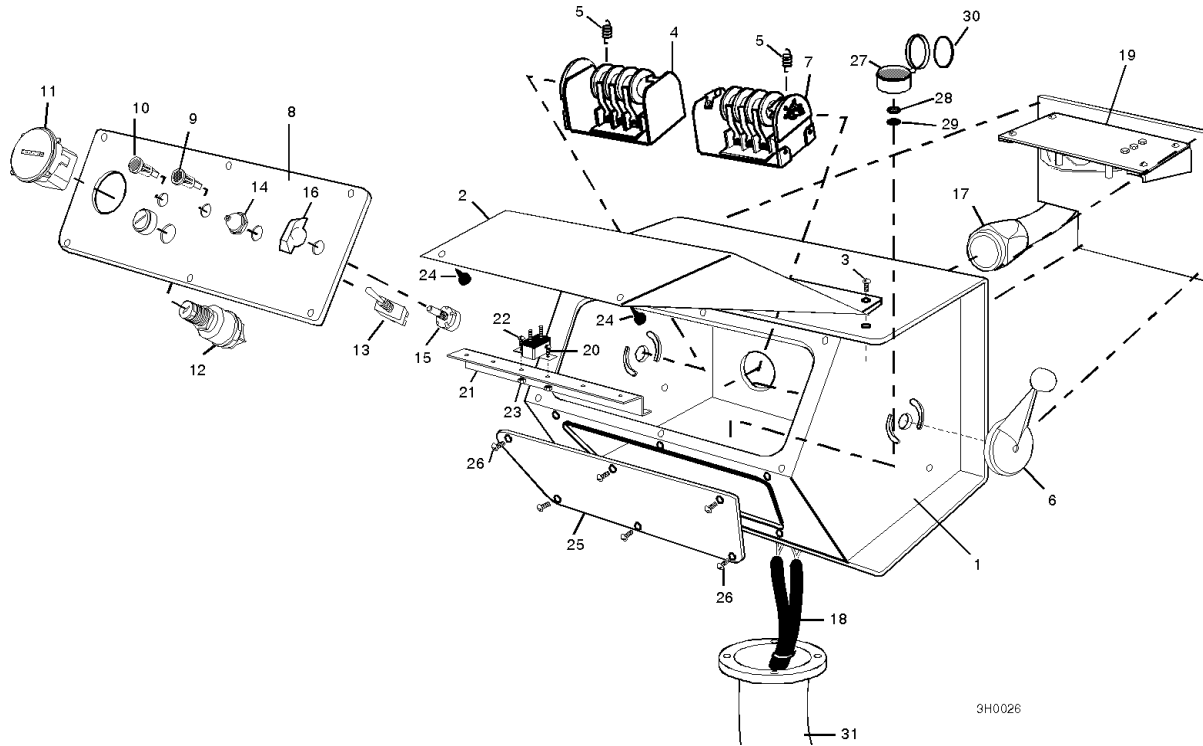


FIG. 4-1

4

Control & Battery Boxes*Control Assembly, LT30HD/LT40HD (G.S.)*

4.2 Control Assembly, LT30HD/LT40HD (G.S.)				
REF	DESCRIPTION (◆ Indicates Parts Available In Assemblies Only)	PART #	QTY.	
	CONTROL BOX ASSEMBLY, G24S	A11986-W	1	
	CONTROL BOX ASSEMBLY, E15S	A11987-W	1	
	CONTROL BOX ASSEMBLY, D20S	A12131-W	1	
1	Box Weldment, Sawmill Control	W11621 ¹	1	
2	Cover, Control Box Hinged	W11636	1	
3	Rivet, 3/16" x 1/4" Aluminum Pop	F04203-7 ²	3	
4	Switch, Power Feed Drum (G.S.)	E20438	1	
5	Spring, Drum Switch	P12570	1	
6	Handle, Drum Switch Replacement	P12500	1	
7	Switch, Up/Down Drum	E20440	1	
5	Spring, Drum Switch	P12570	1	
6	Handle, Drum Switch Replacement	P12500	1	
	Panel Assembly, Control Front (G24s, D20s, E15s)	A20448	1	
8	Panel (With Alternator Label)	S11632-1	1	◆
9	Light, 12v Red Alternator Indicator	P04986 ³	1	
10	Light, 12v Green Indicator	P20436 ⁴	1	
11	Meter, Hour	P09631	1	
12	Switch, Key	P04350	1	
13	Switch, Toggle	P10006	1	
14	Boot, Toggle Switch Rubber	P02575	1	
15	Switch Assembly, Feed Rate	024450-1 ⁵	1	
16	Knob, Feed Rate With Set Screw	P06257	1	
17	Harness, Upper G24s Wiring	A20447	1	
	Harness, Upper E15s Wiring	A20450	1	
	Harness, Upper D20s Wiring	A12159	1	
18	Harness, Lower G24s/E15s Wiring	A20476	1	
	Harness, Lower D20s Wiring	A12157	1	
19	Circuit Board Assembly, Power Feed	024495 ⁶	1	
	Breaker Assembly (G.S.), Sawmill Control Circuit	A20429	1	
20	Breaker, 15 Amp Manual Reset	E20430	3	
21	Breaker, 30 Amp Manual Reset	E20431	1	
22	Breaker, 50 Amp Manual Reset	E20432	1	
23	Bracket, Circuit Breaker	S11656-N	1	
24	Screw, #8-32 X 1/2" Slotted Head	F05004-12	8	
25	Nut, #8-32 Hex Self-Locking	F05010-41	8	
26	Pad, Rubber Bumper	P08184	4	
27	Panel, Control Box Front Access	S11625	1	
28	Screw, #10-24 x 1/2" Pan Head	F05015-17	6	
	Cup Assembly, Drum Switch Grease	A20463	1	
29	Cup, Plastic Container	P20464	1	◆

Control & Battery Boxes

4

Control Assembly, LT30HD/LT40HD (G.S.)

30	Pad, Velcro Loop	P20466	1	◆
31	Pad, Velcro Hook	P20465	1	◆
32	Decal, Grease Cup Label	P20467	1	
	Grease, High Temp Drum Switch	P20468	.025 Lb	◆
33	TUBE, CONTROL BOX MOUNT	W11640	1	

- ¹ Replaces W11622-W on Rev. C7 - D5. Also order access panel S11625 & six screws F05015-17.
- ² Replaces #10-24 x 1/2" screw (F05015-17) & #10-24 nut (F05010-14).
- ³ Replaces P20480 on Rev. D2 - D5. Includes E20482 red light, wire, terminals, and instructions.
- ⁴ Replaces P20481 on Rev. D2 - D5. Includes E20483 green light, wire, terminals, and instructions.
- ⁵ Replaces A20437 and 015408 originally supplied.
- ⁶ Replaces A20428 originally supplied before 4/99. New assembly includes LED indicator lights for easier troubleshooting. Modularized components and surface mount technology improve durability and power capability.

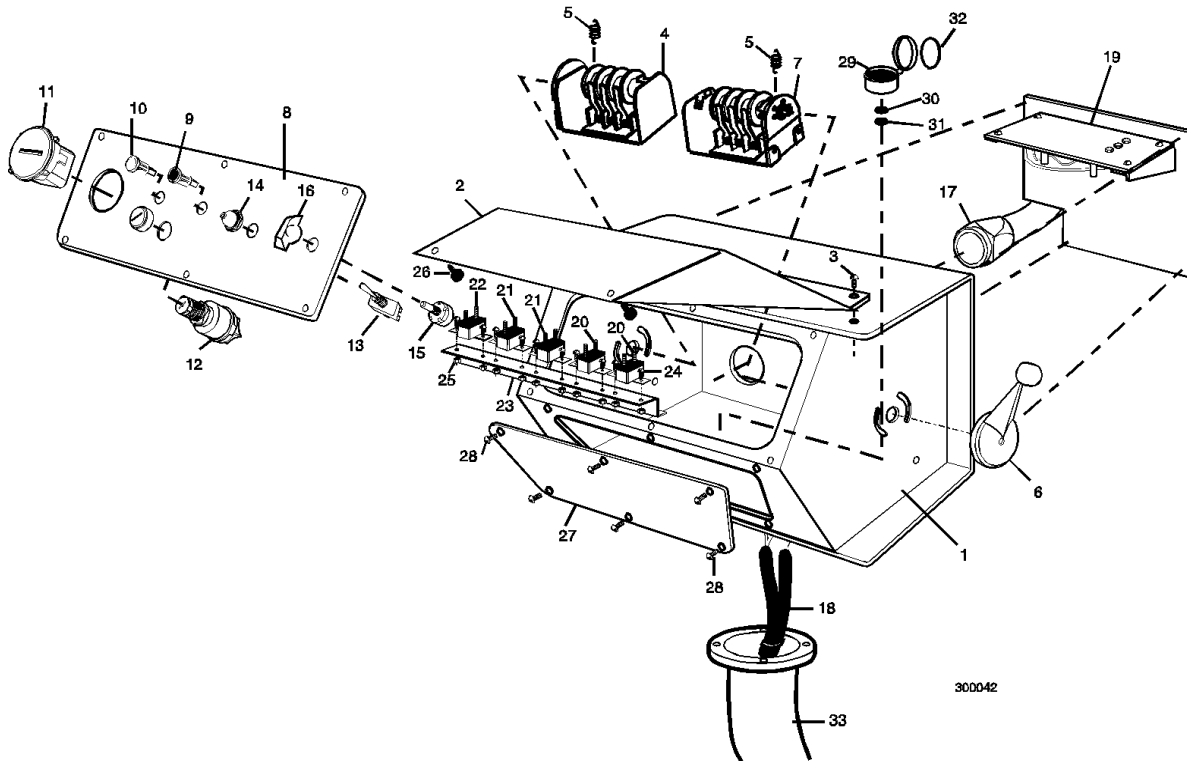


FIG. 4-2

4.3 Battery Box Assembly, LT30HD/LT40HD				
<i>LT30HD</i>		<i>Rev. E3 - F7</i>		
<i>LT40HD</i>		<i>Rev. E3 - F7</i>		
REF	DESCRIPTION (◆ Indicates Parts Available In Assemblies Only)	PART NUMBER	QTY.	
1	BATTERY, 8T24 DEKA 12 VOLT DEEP CYCLE DRY (G24/G24S/G25/E15/E15S)	P09853-1 ¹	1	
	BATTERY, 875CC DEKA TYPE 24F (D20/D20S)	P12315 ²	1	◆
	BOX ASSEMBLY, 8T24 BATTERY (U.S. G24/G25/E15 MODELS)	A11938 ³	1	
	BOX ASSEMBLY, 8T24 BATTERY (G.S. G24S/E15S MODELS)	A11978 ³	1	
	BOX ASSEMBLY, 875 BATTERY (U.S. D20 MODELS)	A12128 ³	1	
	BOX ASSEMBLY, 875 BATTERY (G.S. D20S MODELS)	A12129 ³	1	
2	Terminal, Battery	P05085	2	
3	Washer, Battery Terminal	P12161	1	
4	Retainer Loop, Battery	P09790	1	
5	Washer, 5/16" SAE Flat	F05011-17	2	
6	Nut, 5/16-18 Hex Nylon Lock	F05010-58	2	
7	Bolt, 3/8-16 X 4" Hex Head Grade 2	F05007-4	2	
8	Washer, 3/8" SAE Flat	F05011-3	2	
9	Washer, 3/8" External Star	F05011-36	2	
10	Nut, 3/8" Hex Nylon Lock	F05010-10	2	
11	Washer, 1/4" SAE Flat	F05011-11	2	
12	Nut, 1/4-20 Wing	F05010-13	2	
13	Box Weldment, Battery	W11951	1	
14	Pad, Fuse Box Insulator	S11944	1	
	Fuse Block Replacement Kit	A12381	1	
	Fuse Block Assembly	A12380-W	1	◆
15	Buss Bar Weldment	W12388	1	
16	Fuse Block	S12383	1	
17	Nut, #10-24 Cadmium Plated Weld	S12391	1	
18	Nut, 1/4-20 Cadmium Plated Weld	S12392	1	
19	Stud Weldment, 1/4-20 Fuse	W12389	1	
20	Stud Weldment, #10-24 Fuse	W12390	1	
21	Nut, #10-24 Hex Lock	F05010-14 ⁴	1	
22	Bolt, 1/4-20 X 3/4" Hex Head Full Thread	F05005-1	2	
23	Fuse Link, 12 Volt 100 Amp	P11549	1	
24	Washer, #10 SAE Flat	F05011-18	2	
25	Nut, #10-24 Hex Self-Locking	F05010-14	2	
26	Fuse Link, 12 Volt 225 Amp	P11550	1	
27	Washer, 1/4" SAE Flat	F05011-11	2	
28	Nut, 1/4-20 Hex Self-Locking	F05010-9	2	
29	Bushing, Fuse Post Insulator	S12387 ⁵	1	
30	Washer, 5/16" Split Lock	F05011-13	1	

4

Control & Battery Boxes*Battery Box Assembly, LT30HD/LT40HD*

31	Bolt, 5/16-18 X 1/2" Hex Head	F05006-46	1	
32	Cover, Fuse Box	S11950	1	
33	Screw, #10-24 X 1/2" Self-Tapping	F05015-7	4	
34	Grommet, 5/8" Rubber Wire (U.S. Models)	P11764	6	
	Grommet, Sealed Rubber Nipple (G.S. Models)	P11945	6	
	Contact Assembly, Hydraulic Power Supply (Positive)	A11971	1	
35	Contact, Hydraulic Power Supply w/Set Screw	S11970 ⁶	1	
36	Screw, 5/16-24 X 3/8 Socket Head Oval Point Set	F05006-40	1	
37	Insulator, Positive Contact	S10072	1	
38	Bracket, Positive Contact Mounting	S11972	1	
39	Spring, Positive Contact	P10077	2	
40	Bolt, 5/16" X 3/4" Shoulder (1/4-20 Thread)	F05006-44	2	
41	Washer, 1/4" SAE Flat	F05011-11	2	
42	Cable, #2 Weld	R01948	1.83 Ft	◆
43	Bolt, 1/4-20 X 1" Hex Head Grade 2	F05005-38	2	
44	Nut, 1/4-20 Hex Self-Locking	F05010-9	2	
45	Terminal, 5/16" Ring #2 Gauge	F05092-16	2	
46	Solenoid Kit, Hydraulic Shutoff (G.S. Models Only)	016372 ⁷	1	
47	Bracket, Solenoid Connector (G.S. Models Only)	S11942	1	
48	LID, BATTERY BOX	S10447	1	
49	BOLT, 3/8-16 X 1" HEX HEAD GRADE 5	F05007-87	2	
50	WASHER, 3/8" SAE FLAT	F05011-3	2	
51	NUT, 3/8-16 HEX NYLON LOCK	F05010-10	2	

¹ P09853-1 Dry battery replaces P09853. Wood-Mizer is not able to ship batteries containing electrolyte.

² P12315 Wet battery not available. Wood-Mizer is not able to ship batteries containing electrolyte.

³ Battery removed from assembly 2/95. Wood-Mizer is not able to ship batteries containing electrolyte.

⁴ Replaces duplicate part number F05010-42 (11/95).

⁵ S12387 Replaces S12387-W originally supplied before 11/95.

⁶ Set screw included with block after 1/99.

⁷ Solenoid Kit 016372 replaces Solenoid P10449. Kit includes solenoid and replacement instructions. Optional retrofit kit 024267 also available. Kit includes solenoid, solenoid wire assembly w/resistor upgrade (024260), and installation instructions. Designed to bring solenoid coil current within specifications and to prevent possible solenoid over-heating. Available 10/97.

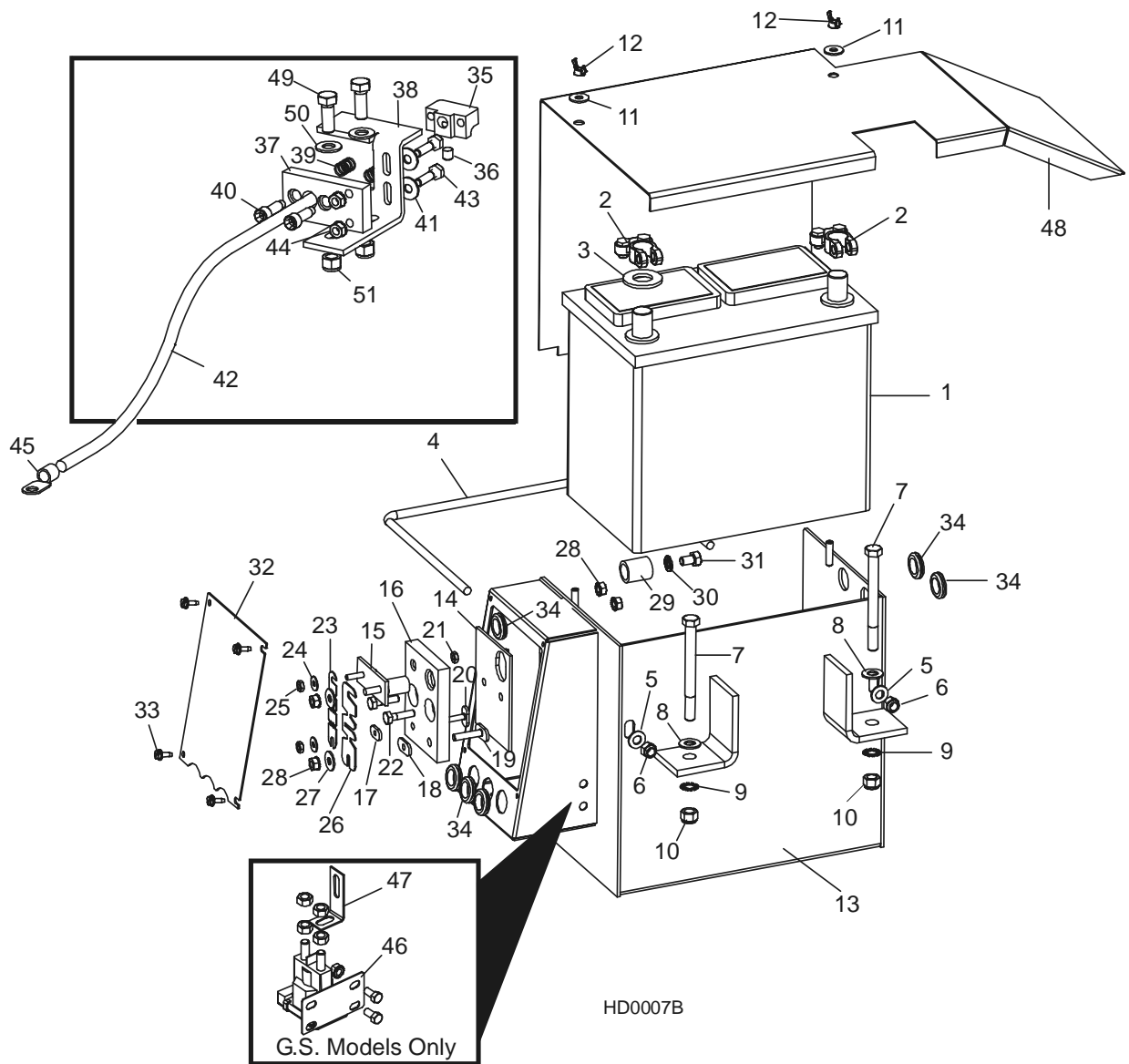


FIG. 4-3

4.4 Battery Box Assembly, LT30HD/LT40HD				
<i>LT30HD</i>		<i>Rev. D3 - E2</i>		
<i>LT40HD</i>		<i>Rev. D3 - E2</i>		
REF	DESCRIPTION (◆ Indicates Parts Available In Assemblies Only)	PART NUMBER	QTY.	
1	BATTERY, 8T24 DEKA 12 VOLT DEEP CYCLE DRY (G24/G24S/G25/E15/E15S)	P09853-1 ¹	1	
	BATTERY, 875CC DEKA TYPE 24F (D20/D20S)	P12315 ²	1	◆
	BOX ASSEMBLY, 8T24 BATTERY (U.S. G24/G25/E15 MODELS)	A11938 ³	1	
	BOX ASSEMBLY, 8T24 BATTERY (G.S. G24S/E15S MODELS)	A11978 ³	1	
	BOX ASSEMBLY, 875 BATTERY (U.S. D20 MODELS)	A12128 ³	1	
	BOX ASSEMBLY, 875 BATTERY (G.S. D20S MODELS)	A12129 ³	1	
2	Terminal, Battery	P05085	2	
3	Washer, Battery Terminal	P12161 ⁴	1	
4	Retainer Loop, Battery	P09790	1	
5	Washer, 5/16" SAE Flat	F05011-17	2	
6	Nut, 5/16-18 Hex Nylon Lock	F05010-58	2	
7	Bolt, 3/8-16 X 4" Hex Head Grade 2	F05007-4	2	
8	Washer, 3/8" SAE Flat	F05011-3	2	
9	Washer, 3/8" External Star	F05011-36	2	
10	Nut, 3/8" Hex Nylon Lock	F05010-10	2	
11	Washer, 1/4" SAE Flat	F05011-11	2	
12	Nut, 1/4-20 Wing	F05010-13	2	
13	Box Weldment, Battery	W11951	1	
14	Pad, Fuse Box Insulator	S11944	1	
15	Stud, 1/4-20 x 2 1/2" Terminal	S11937 ⁵	1	◆
16	Fuse Block	S11943-W ⁵	1	◆
17	Bolt, 1/4-20 X 3/4" Hex Head Full Thread	F05005-1	2	
18	Bolt, 1/4-20 x 1 1/4" Hex Head Full Thread	F05005-3	1	
19	Bolt, #10-24 x 1 1/4 Hex Head	F05004-19	2	
20	Washer, #10 SAE Flat	F05011-18	4	
21	Nut, #10-24 Hex Self-Locking	F05010-14	5	
22	Fuse Link, 12 Volt 100 Amp	P11549	1	
23	Cover, Fuse Box	S11950	1	
24	Screw, #10-24 X 1/2" Self-Tapping	F05015-7	4	
25	Fuse Link, 12 Volt 225 Amp	P11550	1	
26	Grommet, 5/8" Rubber Wire (U.S. Models)	P11764	6	
	Grommet, Sealed Rubber Nipple (G.S. Models)	P11945	6	
27	Nut, 1/4-20 Hex Self-Locking	F05010-9	9	
28	Bushing, Fuse Terminal Insulator	S11940 ⁵	1	◆
29	Washer, 1/4" SAE Flat	F05011-11	7	
30	Buss Bar, '92 Fuse Block	S11941 ⁵	1	◆
31	Weld Nut, #10-24	F05010-78	1	

4

Control & Battery Boxes**Battery Box Assembly, LT30HD/LT40HD**

32	Weld Nut, 1/4-20	F05010-40	1	
	Contact Assembly, Hydraulic Power Supply (Positive)	A11971	1	
33	Contact, Hydraulic Power Supply w/Set Screw	S11970 ⁶	1	
34	Screw, 5/16-24 X 3/8 Socket Head Oval Point Set	F05006-40	1	
35	Insulator, Positive Contact	S10072	1	
36	Bracket, Positive Contact Mounting	S11972	1	
37	Spring, Positive Contact	P10077	2	
38	Bolt, 5/16" X 3/4" Shoulder (1/4-20 Thread)	F05006-44	2	
39	Washer, 1/4" SAE Flat	F05011-11	2	
40	Cable, #2 Weld	R01948	1.83 Ft	◆
41	Bolt, 1/4-20 X 1" Hex Head Grade 2	F05005-38	2	
42	Nut, 1/4-20 Hex Self-Locking	F05010-9	2	
43	Terminal, 5/16" Ring #2 Gauge	F05092-16	2	
44	Solenoid Kit, Hydraulic Shutoff (G.S. Models Only)	016372 ⁷	1	
45	Bracket, Solenoid Connector (G.S. Models Only)	S11942	1	
46	LID, BATTERY BOX	S10447	1	
47	BOLT, 3/8-16 X 1" HEX HEAD GRADE 5	F05007-87	2	
48	WASHER, 3/8" SAE FLAT	F05011-3	2	
49	NUT, 3/8-16 HEX NYLON LOCK	F05010-10	2	

¹ P09853-1 Dry battery replaces P09853. Wood-Mizer is not able to ship batteries containing electrolyte.

² P12315 Wet battery not available. Wood-Mizer is not able to ship batteries containing electrolyte.

³ Battery removed from assembly 2/95. Wood-Mizer is not able to ship batteries containing electrolyte.

⁴ Protective terminal washer added to positive battery terminal after 5/92 to prevent corrosion.

⁵ Replace all fuse mounting components with fuse block upgrade A12381 to insure good electrical contact. See Section 4.3.

⁶ Set screw included with block after 1/99.

⁷ Solenoid Kit 016372 replaces Solenoid P10449. Kit includes solenoid and replacement instructions.

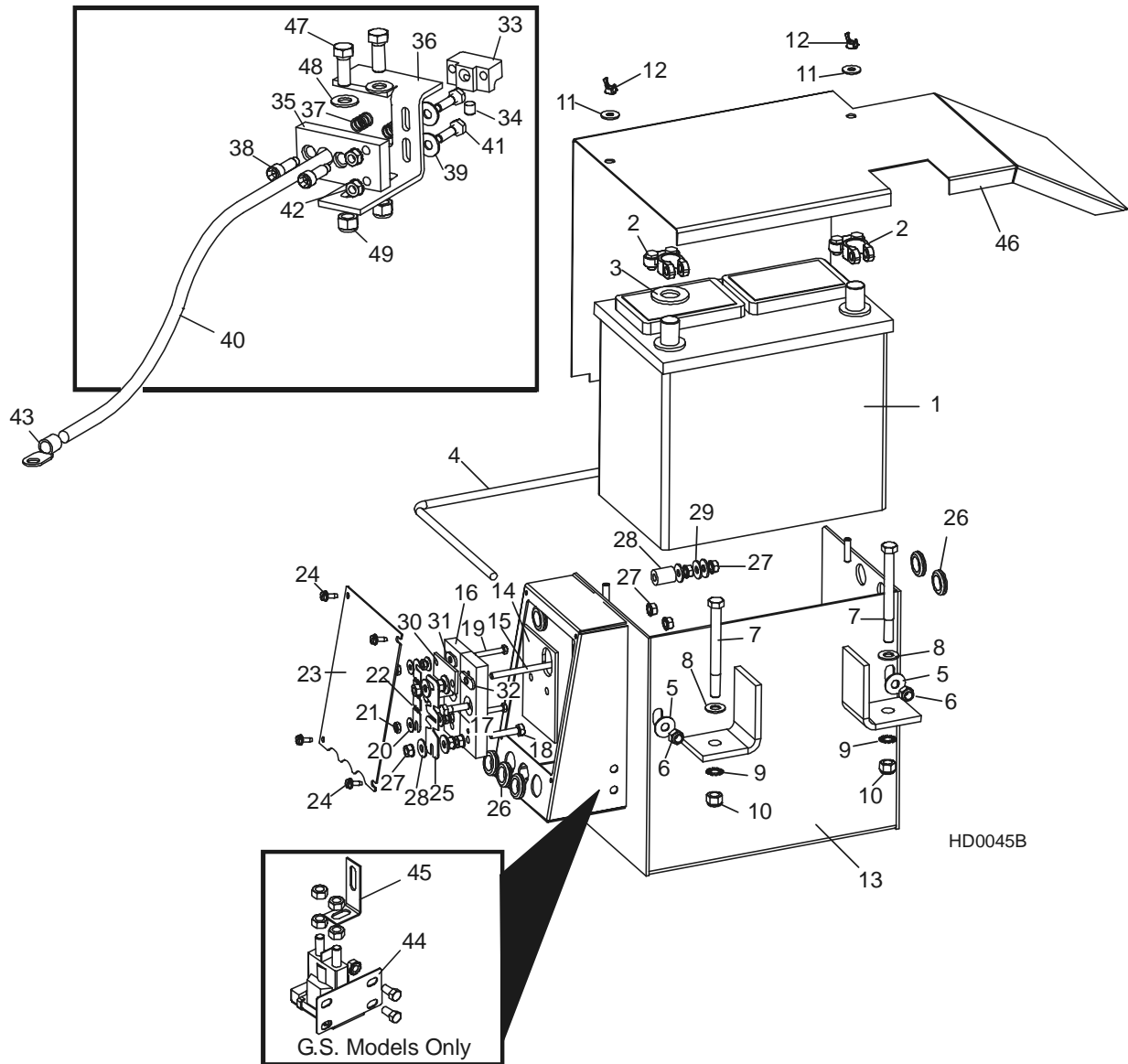


FIG. 4-4

4.5 Battery Box Assembly, LT30HD/LT40HD				
<i>LT30HD</i>		<i>Rev. C7 - D2</i>		
<i>LT40HD</i>		<i>Rev. C7 - D2</i>		
REF	DESCRIPTION (◆ Indicates Parts Available In Assemblies Only)	PART NUMBER	QTY.	
	BOX ASSEMBLY, 8T24 BATTERY	K10439 ¹	1	
1	Battery, 8T24 Deka 12 Volt Deep Cycle Dry	P09853-1 ²	1	
2	Terminal, Battery	P05085	1	
3	Washer, Battery Terminal	P12161 ³	1	
4	Retainer Loop, Battery	P09790	1	
5	Washer, 5/16" SAE Flat	F05011-17	2	
6	Nut, 5/16-18 Hex Nylon Lock	F05010-58	2	
7	Bolt, 3/8-16 X 4" Hex Head Grade 2	F05007-4	2	
8	Washer, 3/8" SAE Flat	F05011-3	2	
9	Washer, 3/8" External Star	F05011-36	2	
10	Nut, 3/8" Hex Nylon Lock	F05010-10	2	
11	Washer, 1/4" SAE Flat	F05011-11	2	
12	Nut, 1/4-20 Wing	F05010-13	2	
13	Box Weldment, Battery	W10442 ¹	1	
14	Cover, '91 Flat Fuse Box	S11554	1	
15	Screw, #10-24 X 1/2" Self-Tapping	F05015-7	4	
16	Grommet, 5/8" Rubber Wire	P11764	4	
17	Grommet, 1" Rubber Wire	P11765	2	
	Fuse Kit, 1992 Flat Box Service	015982 ⁴	1	
18	Pad, Fuse Box Insulator	S11695	2	
19	Fuse Block, '91 Flat Box	S11747 ⁵	2	
20	Bolt, 1/4-20 X 3/4" Hex Head Full Thread	F05005-1	4	
21	Bolt, 1/4-20 x 1 1/4" Hex Head Full Thread	F05005-3	2	
22	Bolt, #10-24 x 1 1/4 Hex Head	F05004-19	2	
23	Washer, #10 SAE Flat	F05011-18	8	
24	Nut, #10-24 Hex Self-Locking	F05010-14	4	
25	Fuse Link, 12 Volt 100 Amp	P11549	1	
26	Fuse Link, 12 Volt 225 Amp	P11550	1	
27	Nut, 1/4-20 Hex Self-Locking	F05010-9	8	
28	Washer, 1/4" SAE Flat	F05011-11	8	
29	Terminal, Battery	P05085	1	
	Cable, 1AWG SO Welding	R01971	.667 ft.	
	Terminal, 5/16" Ring #2 Gauge	F05092-16	1	
	Contact Assembly, Hydraulic Power Supply (Positive)	A11971	1	
30	Contact, Hydraulic Power Supply w/Set Screw	S11970 ⁶	1	
31	Screw, 5/16-24 X 3/8 Socket Head Oval Point Set	F05006-40	1	
32	Insulator, Positive Contact	S10072	1	
33	Bracket, Positive Contact Mounting	S11972	1	

4

Control & Battery Boxes

Battery Box Assembly, LT30HD/LT40HD

34	Spring, Positive Contact	P10077	2	
35	Bolt, 5/16" X 3/4" Shoulder (1/4-20 Thread)	F05006-44	2	
36	Washer, 1/4" SAE Flat	F05011-11	2	
37	Cable, #2 Weld	R01948	1.83 Ft	◆
38	Bolt, 1/4-20 X 1" Hex Head Grade 2	F05005-38	2	
39	Nut, 1/4-20 Hex Self-Locking	F05010-9	2	
40	Terminal, 5/16" Ring #2 Gauge	F05092-16	2	
41	LID, BATTERY BOX	S10447	1	
42	BOLT, 3/8-16 X 1" HEX HEAD GRADE 5	F05007-87	2	
43	WASHER, 3/8" SAE FLAT	F05011-3	2	
44	NUT, 3/8-16 HEX NYLON LOCK	F05010-10	2	

¹ Obsolete part. Replace with new battery/fuse box assembly A11938. Also requires new lower control box harness (See Section 4.1 or Section 4.2)

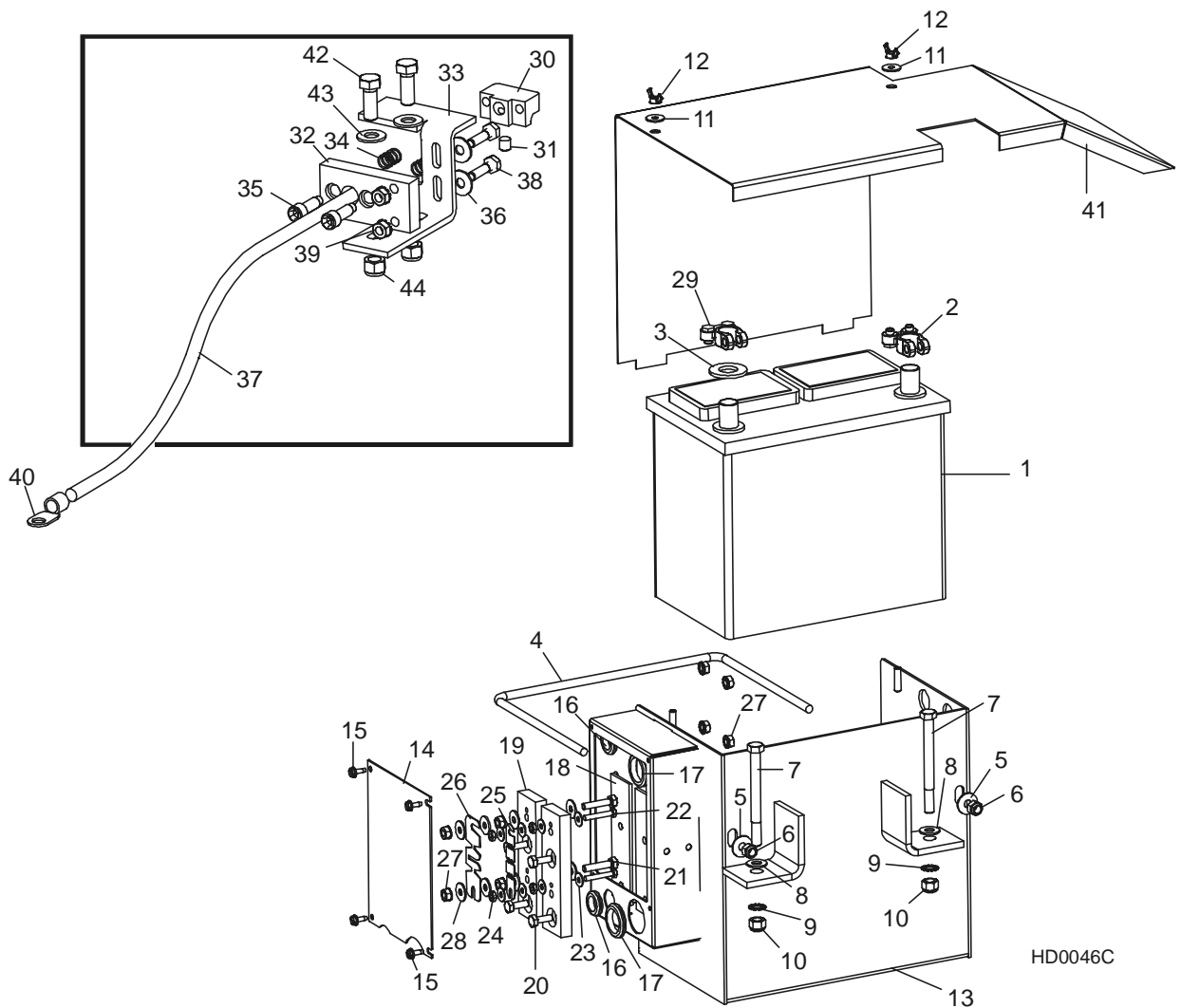
² P09853-1 Dry battery replaces P09853. Wood-Mizer is not able to ship batteries containing electrolyte.

³ Protective terminal washer added to positive battery terminal after 5/92 to prevent corrosion.

⁴ New service kit available 1/98. 225A Fuse Link only used for hydraulic sawmills.

⁵ Replaces S11747-W and S11748-W. Block redesigned to accept 100 or 225 Amp fuses.

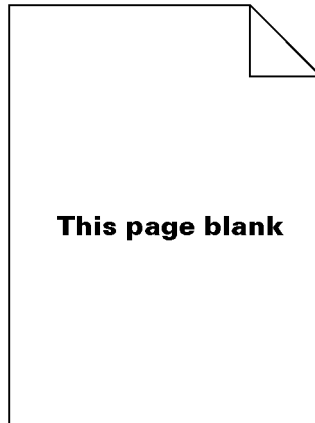
⁶ Set screw included with block after 1/99.



HD0046C

FIG. 4-5

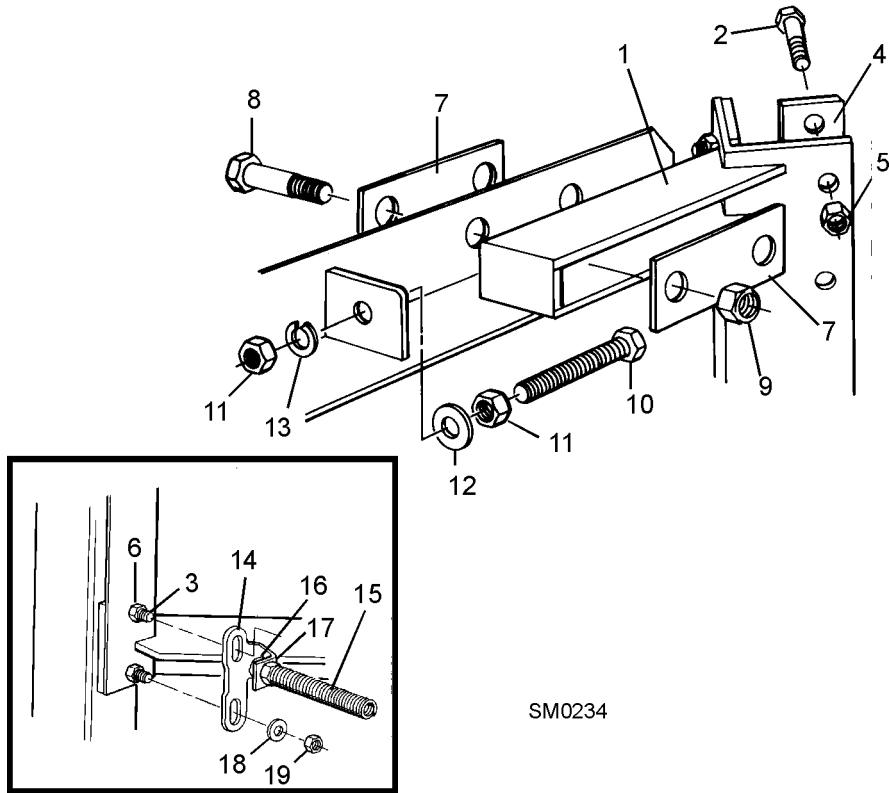
SECTION 5 UP/DOWN SYSTEM & SCALES



5 Up/Down System & Scales

Saw Head V-Brace Mount

5.1 Saw Head V-Brace Mount				
REF	DESCRIPTION (◆ Indicates Parts Available In Assemblies Only)	PART #	QTY.	
1	V-BRACE, SAW HEAD MOUNT	W04099	1	
2	BOLT, 5/16-18 X 3/4" HEX HEAD GRADE 5	F05006-5	11	
3	BOLT, 5/16-18 X 1 1/4" HEX HEAD FULL THREAD	F05006-18	5	
4	PAD, PLASTIC SLIDE	M04096	8	
5	NUT, 5/16-18 NYLON LOCK	F05010-58	16	
6	NUT, 5/16-18 HEX	F05010-17	5	
7	PLATE, V-BRACE WASHER	S07935	4	
8	BOLT, 1/2-13 X 3" HEX HEAD	F05008-1	4	
9	NUT, 1/2-13 NYLON LOCK	F05010-8	4	
10	BOLT, 3/8-16 X 3" FULL THREAD	F05007-1	2	
11	NUT, 3/8-16 HEX	F05010-1	4	
12	WASHER, 3/8" SAE FLAT	F05011-3	2	
13	WASHER, 3/8" SPLIT LOCK	F05011-4	2	
	SIGHT GAUGE KIT	A10087	1	
	Sight Gauge Assembly	A09997	1	◆
14	Bracket, Sight Gauge Mount	S09998	1	◆
15	Spring, Sight Gauge	S10031	1	
16	Bolt, 3/8-16 X 2" Hex Head Full Thread	F05007-16	1	
17	Nut, 3/8-16 Hex Lock	F05010-25	1	
18	Washer, 5/16" SAE Flat	F05011-17	2	
19	Nut, 5/16-18 Hex Lock	F05010-6	2	
	Instruction Sheet, Sight Gauge	A10087-257	1	



SM0234

FIG. 5-1

5.2 Blade Height Scale				
<i>LT30HD</i>		<i>Rev. D3 - F7</i>		
<i>LT40HD</i>		<i>Rev. D3 - F7</i>		
REF	DESCRIPTION (◆ Indicates Parts Available In Assemblies Only)	PART #	QTY.	
	SCALE RETROFIT, FIXED WITH POINTER	A12030	1	
	Scale Kit, Fixed With Pointer	K11998	1	◆
	Scale Assembly, Fixed	A12022	1	◆
1	Bracket, Scale Mounting	W11996	1	
2	Scale, 35" Quarter	S11989	1	
3	Decal, 35" Standard Quarter Scale	S11774	1	
	Decal, 35" Grade Hardwood Quarter Scale	P12819 ¹	1	
4	Scale, 35" Inch	S11988	1	
5	Decal, 35" Inch	S11773	1	
6	Strap, Scale Hold-Down	S04805	1	
7	Pin, 1/8" X 5/8" Roll	F05012-14	1	
8	Screw, 1/4-20 X 5/8" Wing	F05005-64	1	
9	Bolt, 1/4-20 X 3/4" Hex Head Full Thread	F05005-1	4	
10	Washer, 1/4" SAE Flat	F05011-11	3	
11	Washer, 1/4" X .020 Thick Nylon Flat	F05011-22	2	
12	Nut, 1/4-20 Hex Self-Locking	F05010-9	2	
13	Screw, 1/4-20 X 3/4" Flat Socket Head	F05005-70	1	
	Pointer Assembly, Fixed Scale	A12023	1	
14	Bracket, Fixed Scale Pointer Mount	S12245 ²	1	◆
15	Pointer, Fixed Scale	M07267-N ³	1	
16	Screw, #10-24 X 3/8" Phillips Head	F05004-3	2	
17	Nut, #10-24 Hex Self-Locking	F05010-14	2	
18	Washer, 1/4" SAE Flat	F05011-11	2	
19	Bolt, 1/4-20 x 1/2" Hex Head	F05005-1	2	
20	Washer, 5/16" SAE Flat	F05011-17	2	
21	Nut, 5/16-18 Hex Lock	F05010-6	2	
	Bolt, 1/4-20 X 1/2" Hex Head Grade 2	F05005-15	1	
	Instruction Sheet, Fixed Scale Retrofit	A12030-370	1	
	DECAL KIT, METRIC SCALE	K12064	1	
	Decal, Metric	S11711	1	
	Decal, Metric 16-40mm	P12040-1	1	
	Decal, Metric 45-63mm	P12040-2	1	
22	DECAL, CLUTCH HANDLE OPERATION	P11779	1	

¹ P12819 Grade Hardwood Quarter Scale Decal supplied on back of scale after 5/95.

² Replaces W11994 originally used through 8/92.

³ Replaces W07267. Part Number change only.

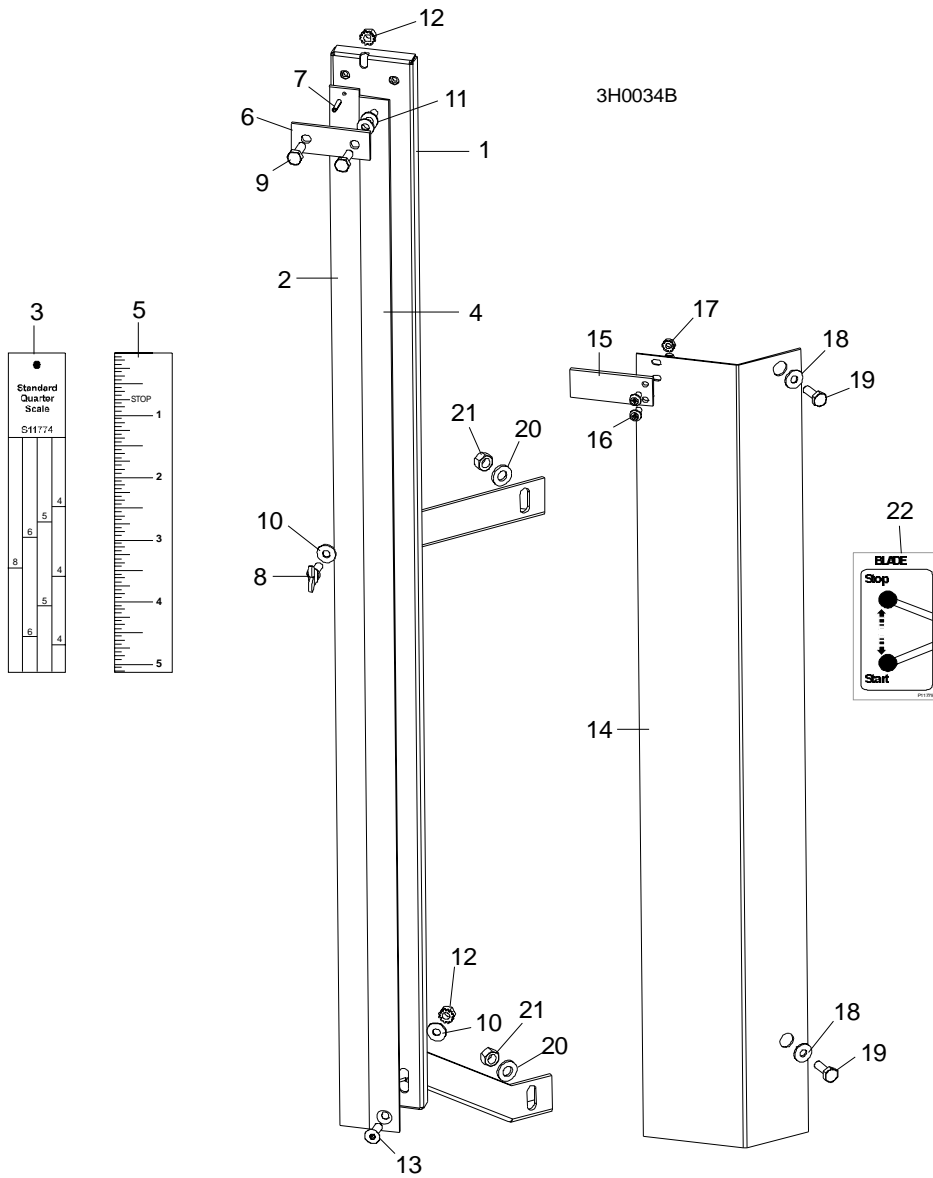


FIG. 5-2

5 Up/Down System & Scales

Blade Height Scale

5.3 Blade Height Scale				
<i>LT30HD</i>		<i>Rev. C7 - D2</i>		
<i>LT40HD</i>		<i>Rev. C7 - D2</i>		
REF	DESCRIPTION (◆ Indicates Parts Available In Assemblies Only)	PART #	QTY.	
	SCALE KIT, 35" BLADE HEIGHT	K11594 ¹	1	◆
1	Scale, 35" Quarter	S11429 ²	1	◆
	Decal, 35" Quarter Scale	P11039	1	
2	Scale, 35" Inch	S11428 ³	1	◆
	Decal, 35" Inch (See Optional Metric Scale Below)	P11038	1	
3	Strap, Scale Hold-Down	S04805	2	
4	Screw, 1/4-20 X 5/8" Wing	F05005-64	2	
5	Screw, 1/4-20 x 1/2" Slotted Hex Head Self-Tapping	F05015-1	3	
6	Washer, 1/4" X .020 Thick Nylon Flat	F05011-22	4	
	Indicator Kit, Blade Height	K07709	1	
7	Bolt, 1/4-20 X 3/4" Hex Head Full Thread	F05005-1	2	
8	Washer, 1/4" SAE Flat	F05011-11	2	
9	Indicator Assembly, Blade Height	A07377	1	◆
	Indicator, Plastic Blade Height	M07267-N ⁴	1	
	Bracket, Blade Height Indicator Mount	S07503	1	
	Screw, #10-24 x 3/8" Phillips Head	F05004-3	2	
	Nut, #10-24 Self-Locking	F05010-14	2	
10	Plate, Indicator Washer	S07527	1	
	DECAL, METRIC 88 MM	S11670	1	

¹ Scale Kit Not Available. Use Upgrade Kit A12030 as shown in Section 5.2.

² Scale Not Available. Use S11989 with decal P11039.

³ Scale Not Available. Use S11988 with decal P11038.

⁴ Replaces W07267. Part Number change only.

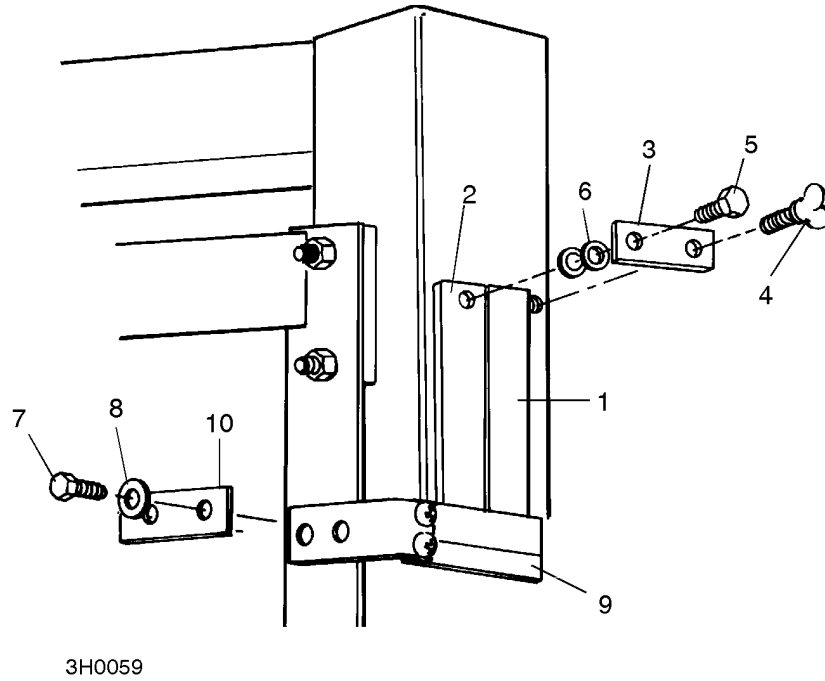


FIG. 5-3

5 Up/Down System & Scales

Up/Down Assembly

5.4 Up/Down Assembly				
LT30HD		Rev. D5 - F7		
LT40HD		Rev. D5 - F7		
REF	DESCRIPTION (◆ Indicates Parts Available In Assemblies Only)	PART #	QTY.	
	UP/DOWN DRIVE ASSEMBLY	A11585	1	
	Motor, Up/Down Replacement	A04367	1	
1	Motor, Up/Down External Brush	P12093	1	◆
	Brush Kit, Up/Down Motor External	A12198	1	
	Brush w/Spring, Up/Down Motor External	P12196	2	◆
	Cap, Up/Down Motor External Brush	P12197	1	◆
2	Pulley, Up/Down Motor	S04338	1	
3	Screw, 1/4-28 X 3/8" Cup Point Set	F05005-24	1	
4	Washer, #10 SAE Flat	F05011-18	2	
5	Washer, #10 Split Lock	F05011-20	2	
6	Nut, #10-32 Hex	F05010-27	2	
7	Belt, 3L290 Ribbed V	P04349	1	
8	Pulley, 8" Up/Down	P04343	1	
9	Reducer, 60:1 Gear With Extended Shaft	P11692	1	
10	Washer, 5/16" SAE Flat	F05011-17	2	
11	Washer, 5/16" Split Lock	F05011-13	2	
12	Bolt, 5/16-18 X 3/4" Hex Head Grade 5	F05006-5	2	
13	Bracket, Up/Down Motor Mount	W11587	1	
14	Bolt, 1/4-20 X 1 1/4" Hex Head Full Thread	F05005-3	1	
15	Nut, 1/4-20 Hex Self-Locking	F05010-9	1	
16	Sprocket, Up/Down Dual Chain	S07976	1	
17	Bearing, 3/4" I.D. Flanged	P11600	1	
18	BOLT, 3/8-16 X 1 1/4" HEX HEAD GRADE 2	F05007-2	4	
19	WASHER, 3/8" SAE FLAT	F05011-3	4	
20	NUT, 3/8-16 HEX NYLON LOCK	F05010-10	4	
21	BOLT, 5/16-18 X 3/4" HEX HEAD GRADE 5	F05006-5	4	
22	WASHER, 5/16" SAE FLAT	F05011-17	4	
23	PLATE, UP/DOWN IDLER SPROCKET	S09084	1	
24	SPROCKET, UP/DOWN IDLER G1-40-41-17 5/8" BORE 17 TOOTH	P04333 ¹	4	
25	BOLT, 5/8-11 X 5" HEX HEAD GRADE 2	F05009-6	2	
26	WASHER, 5/8" SAE FLAT	F05011-5 ¹	8	
27	NUT, 5/8-11 HEX NYLON LOCK	F05010-34	2	
	KIT, UP/DOWN CHAIN REPLACEMENT	014486	1	
28	Chain, #40 X 75.5" Up/Down	P11602	2	
29	Link, #40 Master	P04200	4	
	Instruction Sheet, Up/Down Chain Replacement	014487-492	1	
	TENSIONER ASSEMBLY, UP/DOWN CHAIN	A09046 ²	1	
30	Bolt, 1/2-13 x 7 1/2" Hex Head Full Thread	F05008-87 ³	1	◆

31	Bracket, Up/Down Chain Tensioner	014216	1	◆
32	Washer, 1/2" Split Lock	F05011-9	2	
33	Nut, 1/2-13 Hex	F05010-35	2	
	OIL, 8 OZ. MOBIL SHC634 BOTTLED SYNTHETIC GEAR	L04869-4	1	

¹ (4) 016366 Idler Sprocket Assemblies and (6) 016433 Spacers replace (4) P04333 Idler Sprocket Assemblies and (8) F05011-5 5/8" Flat Washers originally supplied (available 01/00; not shown).

² Assembly includes new bolt F05008-87 and bracket 014216. Assembly replaces original rod S04201, bracket S09053, roll pin F05012-11, and bracket retrofit kit A12037 originally supplied until 2/96.

³ Replaces 014233 threaded rod/nut weldment previously supplied.

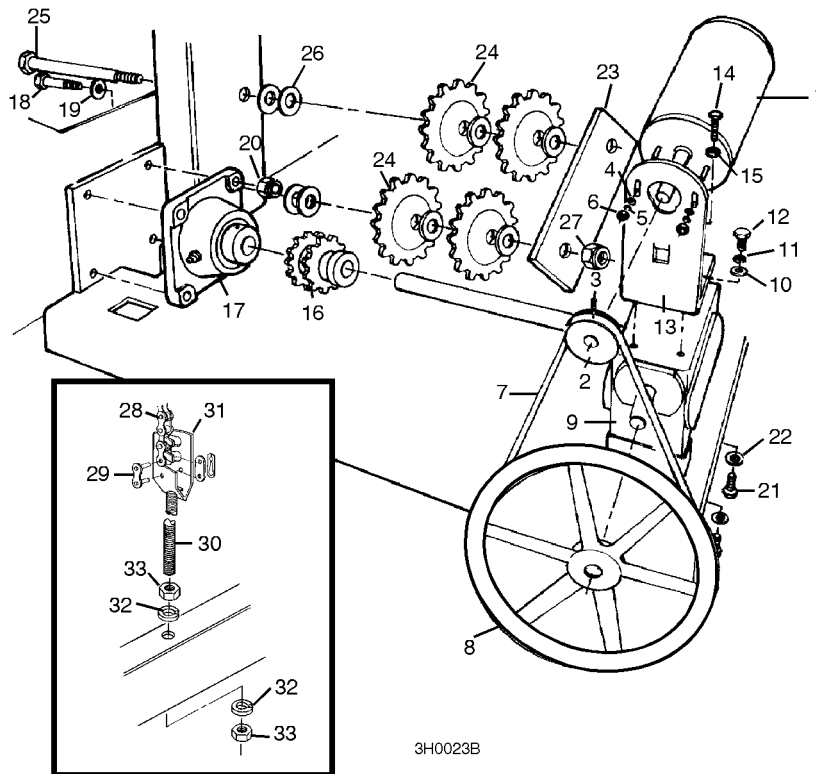


FIG. 5-4

5 Up/Down System & Scales

Up/Down Assembly

5.5 Up/Down Assembly				
	LT30HD	Rev. C7 - D4		
	LT40HD	Rev. C7 - D4		
REF	DESCRIPTION (◆ Indicates Parts Available In Assemblies Only)	PART #	QTY.	
	UP/DOWN DRIVE ASSEMBLY	A11585	1	
	Motor, Up/Down Replacement	A04367 ¹	1	
1	Motor, Up/Down Internal Brush	P04340	1	◆
	Brush Kit, Up/Down Motor Internal	A07969	1	
	Brush w/Spring, Up/Down Motor Internal	P07967	2	◆
	Instruction Sheet, Internal Motor Brush	A07969-232	1	
2	Pulley, Up/Down Motor	S04338	1	
3	Screw, 1/4-28 X 3/8" Cup Point Set	F05005-24	1	
4	Washer, #10 SAE Flat	F05011-18	2	
5	Washer, #10 Split Lock	F05011-20	2	
6	Nut, #10-32 Hex	F05010-27	2	
7	Belt, 3L290 Ribbed V	P04349	1	
8	Pulley, 8" Up/Down	P04343	1	
9	Reducer, 60:1 Gear With Extended Shaft	P11692 ²	1	
10	Coupler, Up/Down Shaft	S11597-W	1	
11	Screw, 1/4-20 x 3/4" Socket Head Cap	F05005-26	2	
12	Shaft, Up/Down Extension	S11598-W	1	
13	Washer, 5/16" SAE Flat	F05011-17	2	
14	Washer, 5/16" Split Lock	F05011-13	2	
15	Bolt, 5/16-18 X 3/4" Hex Head Grade 5	F05006-5	2	
16	Bracket, Up/Down Motor Mount	W11587	1	
17	Bolt, 1/4-20 X 1 1/4" Hex Head Full Thread	F05005-3	1	
18	Nut, 1/4-20 Hex Self-Locking	F05010-9	1	
19	Sprocket, Up/Down Dual Chain	S07976	1	
20	Bearing, 3/4" I.D. Flanged	P11600	1	
21	BOLT, 3/8-16 X 1 1/4" HEX HEAD GRADE 2	F05007-2	4	
22	WASHER, 3/8" SAE FLAT	F05011-3	4	
23	NUT, 3/8-16 HEX NYLON LOCK	F05010-10	4	
24	BOLT, 5/16-18 X 3/4" HEX HEAD GRADE 5	F05006-5	4	
25	WASHER, 5/16" SAE FLAT	F05011-17	4	
26	PLATE, UP/DOWN IDLER SPROCKET	S09084	1	
27	SPROCKET, UP/DOWN IDLER G1-40-41-17 5/8" BORE 17 TOOTH	P04333 ³	4	
28	BOLT, 5/8-11 X 5" HEX HEAD GRADE 2	F05009-6	2	
29	WASHER, 5/8" SAE FLAT	F05011-5 ³	8	
30	NUT, 5/8-11 HEX NYLON LOCK	F05010-34	2	
	CHAIN KIT, UP/DOWN REPLACEMENT	014486	1	
31	Chain, #40 X 75.5" Up/Down	P11602	2	
32	Link, #40 Master	P04200	4	

	Instruction Sheet, Up/Down Chain Replacement	014487-492	1	
	TENSIONER ASSEMBLY, UP/DOWN CHAIN	A09046 ⁴	1	
33	Bolt, 1/2-13 x 7 1/2" Hex Head Full Thread	F05008-87 ⁵	1	◆
34	Bracket, Up/Down Chain Tensioner	014216	1	◆
35	Washer, 1/2" Split Lock	F05011-9	2	
36	Nut, 1/2-13 Hex	F05010-35	2	
	OIL, 8 OZ. MOBIL SHC634 BOTTLED SYNTHETIC GEAR	L04869-4	1	

¹ Motor assembly includes new external-brush motor. See Section 5.4.

² New gear reducer with extended shaft replaces P07977 reducer, coupler, and shaft extension originally supplied on Rev. C7 - C8.

³ (4) 016366 Idler Sprocket Assemblies and (6) 016433 Spacers replace (4) P04333 Idler Sprocket Assemblies and (8) F05011-5 5/8" Flat Washers originally supplied (available 01/00; not shown).

⁴ Assembly includes new bolt F05008-87 and bracket 014216. Assembly replaces original rod S04201, bracket S09053, roll pin F05012-11, and bracket retrofit kit A12037 originally supplied until 2/96.

⁵ Replaces 014233 threaded rod/nut weldment previously supplied.

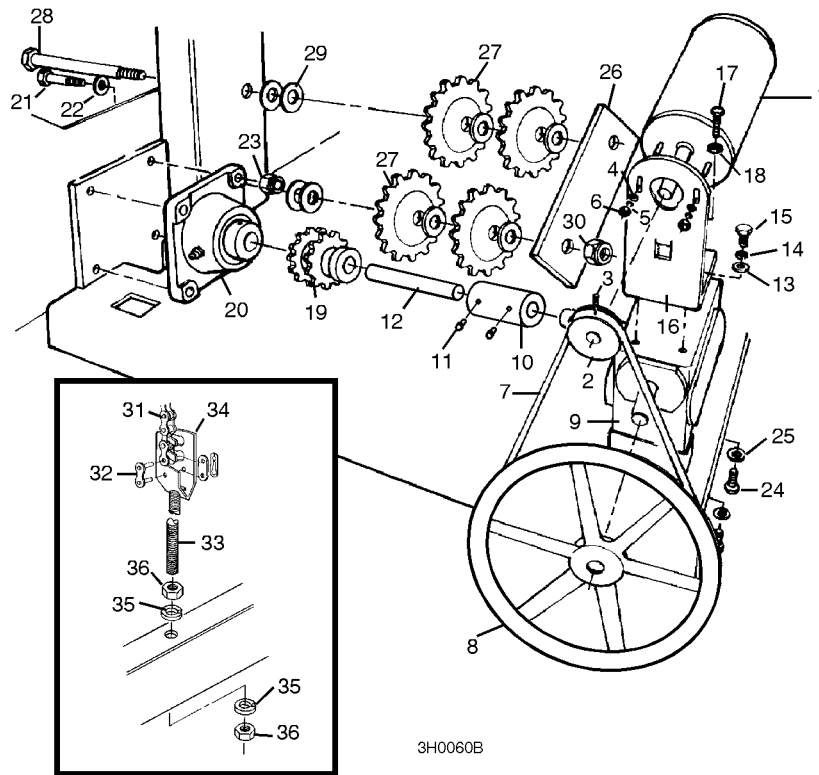
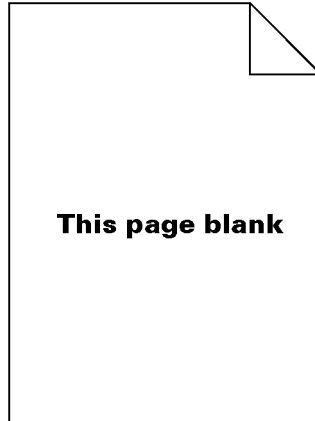


FIG. 5-5

SECTION 6 POWER FEED & TRACK ROLLERS



6 Power Feed & Track Rollers

Upper Track Rollers And Wipers

6.1 Upper Track Rollers And Wipers				
REF	DESCRIPTION (◆ Indicates Parts Available In Assemblies Only)	PART #	QTY.	
1	ROLLER, TRACK CAM BEARING	P12843 ¹	1	
	FITTING, 3/16" 45° GREASE (FOR A05044 GREASABLE ROLLERS ONLY)	P05045	1	
2	ROLLER, TRACK CAM BEARING	P12843 ²	1	
	FITTING, 3/16" STRAIGHT GREASE (FOR A05043 GREASABLE ROLLERS ONLY)	P04107	1	
3	NUT, 5/8-18 HEX JAM	F05010-11	4	
4	COVER, MIDDLE TRACK OILER ASSEMBLY	A09918 ³	1	
	Cover, Middle Track Oiler	S09917	1	◆
	Wiper, Middle Track Felt	S09915	1	◆
5	SCREW, 1/4-20 X 5/8" THUMB	F05005-64	4	
6	COVER, UPPER TRACK ROLLER REAR	S12532 ⁴	1	
7	COVER, UPPER TRACK ROLLER FRONT	S12531 ⁴	1	
8	WIPER, PLASTIC TRACK	M04113	2	
9	GUARD, FEED CHAIN SAWDUST	W11964 ⁵	1	

¹ Use P12843 to replace greasable rollers A05044 and non-greasable rollers P12318 originally supplied.

² Use P12843 to replace greasable rollers A05043 and non-greasable rollers P12318 originally supplied.

³ Cover redesigned with "dual-flange" to prevent sawdust buildup (3/97). Feed chain guard W11964 no longer required if A09918 is replaced with new design.

⁴ Single-piece covers replace hinged housing/covers (S11691, S11701, & S11702) originally supplied on some equipment.

⁵ Not available for Rev. C7 - C9. Feed chain guard W11964 no longer required if A09918 track oiler is replaced with new design (See Note #3).

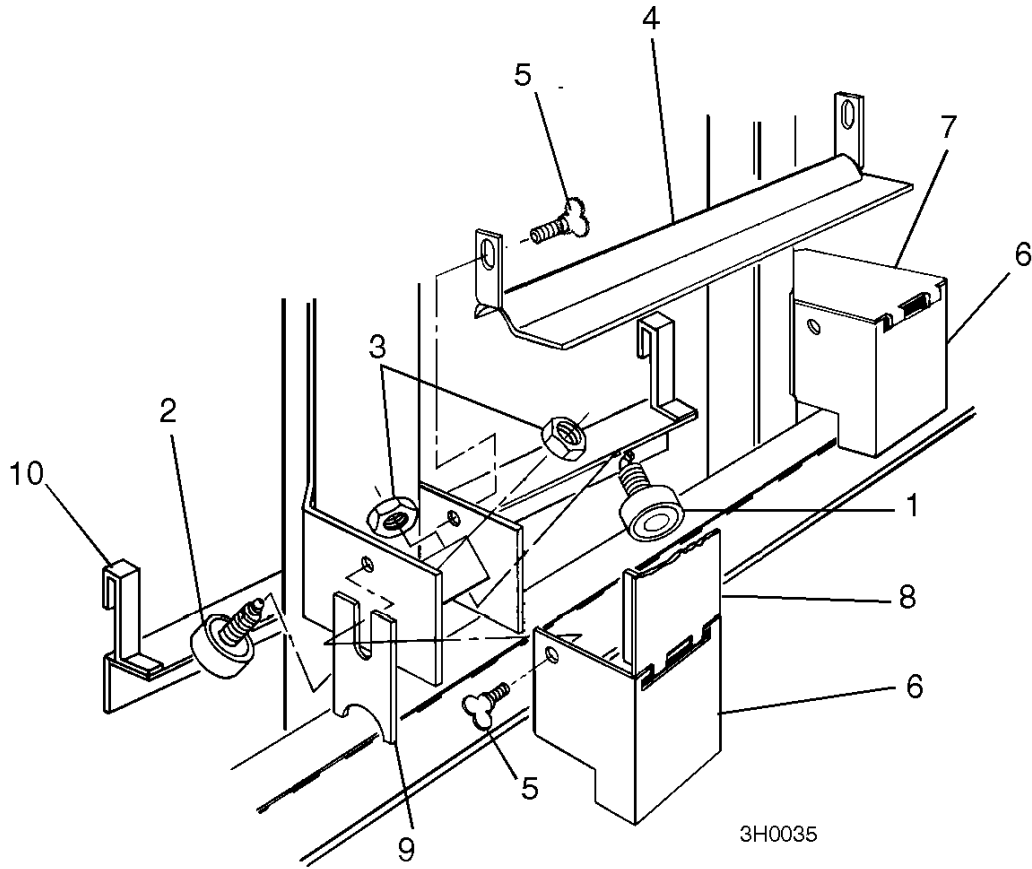


FIG. 6-1

6

Power Feed & Track Rollers

Power Feed Assembly

6.2 Power Feed Assembly				
REF	DESCRIPTION (◆ Indicates Parts Available In Assemblies Only)	PART #	QTY.	
	POWER FEED ASSEMBLY	A11603	1	
	Motor, Power Feed Replacement	A07974	1	
1	Motor, Power Feed	P04140	1	◆
	Brush Kit, Power Feed Motor	A09086	1	
2	Bracket, Power Feed Mount	W11605	1	
3	Bearing, 5/8" 6203-2NSL	P06030-1	2	
	Shaft Assembly, Power Feed w/Key	016067 ¹	1	
4	Shaft, Power Feed With Sprocket	W11610	1	◆
5	Key, 3/16" Square x 1" Long	S31027	1	◆
6	Pulley, 8" Power Feed	P04343	1	
7	Belt, 4L280 V	P04031	1	
8	Pulley, Power Feed Motor	S09579-W	1	
9	Screw, 3/8-16 X 1/2" Cup Point Socket Set	F05007-12	1	
10	Bolt, 1/4-20 X 1" Hex Head Grade 5	F05005-101 ²	3	
11	Washer, 1/4" Split Lock	F05011-14	3	
12	Washer, 1/4" SAE Flat	F05011-11	3	
13	Roller, Feed Chain	P12843 ³	1	
	Fitting, 3/16" x 45° Grease (For A05044 Greasable roller only)	P05045	1	
14	Washer, 5/8" SAE Flat	F05011-5	6	
15	Nut, 5/8-11 Hex Jam	F05010-11	1	
16	Guard, Power Feed Belt	W11613	1	
17	Washer, 1/4" Split Lock	F05011-14	2	
18	Bolt, 1/4-20 X 2 1/4" Hex Head Grade 2	F05005-32	2	
19	BOLT, 3/8-16 X 3 1/2" HEX HEAD GRADE 8	F05007-6	2	
20	WASHER, 3/8" SPLIT LOCK	F05011-4	2	
21	WASHER, 3/8" SAE FLAT	F05011-3	2	
	CHAIN KIT, LT30 FEED	K10408	1	
	CHAIN KIT, LT40 FEED	K10410	1	
22	Chain, #40 X 208.5" LT30 Feed	P10407 ⁴	1	
	Chain, #40 X 260.5" LT40 Feed	P10409 ⁵	1	
23	Link, #40 Master	P04200 ⁶	2	
24	Rod, Feed Chain Tension	S09569	1	
25	Nut, 1/2-20 Hex Jam	F05010-16	2	
26	Washer, 1/2" Split Lock	F05011-9	2	
	BRACKET KIT, CARRIAGE STOP AND FEED CHAIN	K11820	1	
27	Bracket, Feed Chain Rear Mount	W11822 ⁷	1	
28	Bolt, 1/2-13 X 1 1/2" Hex Head Grade 5	F05008-33	2	
29	Nut, 1/2-13 Hex Nylon Lock	F05010-8	2	
	STOP KIT, RUBBER CARRIAGE	K09630	2	
30	Stop, Rubber Carriage	P12165	1	◆

31	Pin, Rubber Carriage Stop	W09293	1	
32	Pin, 3/16" X 1" Cotter	F05012-21	1	

¹ Square key replaces P04101-1 #606 Woodruff key. Shaft weldment modified to accommodate key change (3/98).

² Replaces Grade 2 bolts F05005-38 originally supplied until 2/96.

³ Use P12843 to replace greasable rollers A05044 and non-greasable rollers P12318 originally supplied.

⁴ Replaces #41 chain originally supplied until 7/91.

⁵ Replaces #41 chain originally supplied until 7/91.

⁶ Use P04176 #41 master link for feed chain originally supplied before 7/91.

⁷ Replaced welded frame bracket after 7/91. Not retrofittable.

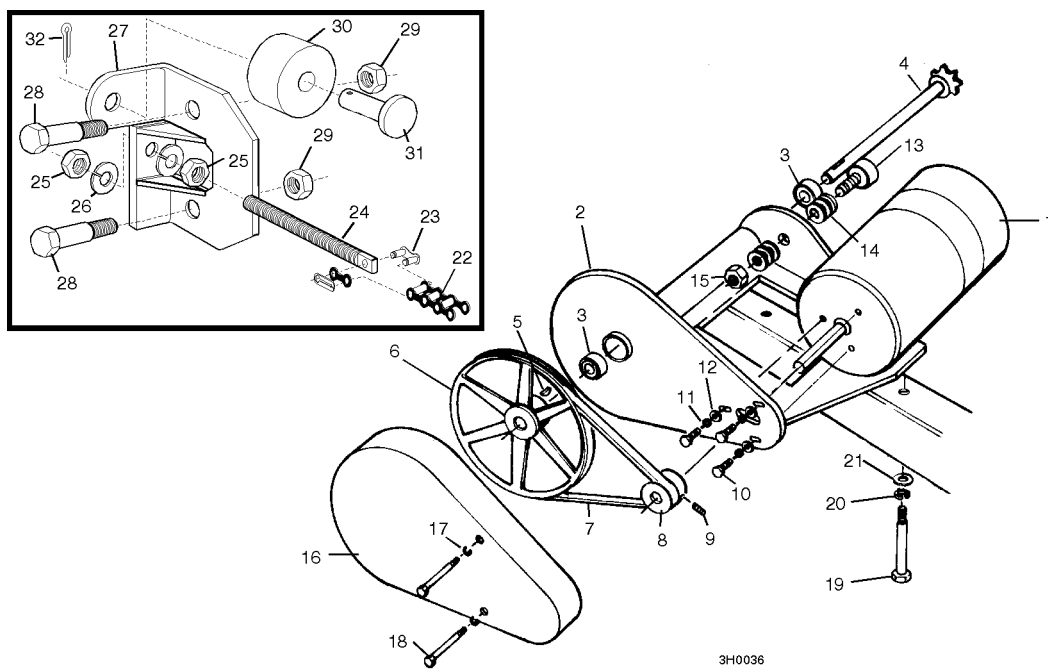


FIG. 6-2

6

Power Feed & Track Rollers

Lower Track Rollers

6.3 Lower Track Rollers				
LT30HD		Rev. E8 - F7		
LT40HD		Rev. E8 - F7		
REF	DESCRIPTION (◆ Indicates Parts Available In Assemblies Only)	PART #	QTY.	
ROLLER KIT, LOWER TRACK		K07278	1	
Roller Assembly, Lower Track		A04938	2	
1	Bracket, Lower Track Roller Mounting	W09001	1	◆
2	Roller, Track Cam Bearing	P12843 ¹	1	
3	Fitting, 3/16" Straight Grease (For A05043 Greasable Rollers Only)	P04107	1	
4	Nut, 5/8-18 Hex Jam	F05010-11	1	
5	Nut, 5/8-11 Hex	F05010-5	2	
6	Washer, 5/8" Split Lock	F05011-27	2	
7	Nut, 5/8-11 Hex Lock	F05010-4	2	
8	Bolt, 1/2-13 x 3 1/2" Hex Head Grade 5	F05008-61	2	
9	Nut, 1/2-13 Hex Lock	F05010-3	2	

¹ Use P12843 to replace greasable rollers A05043 and non-greasable rollers P12318 originally supplied.

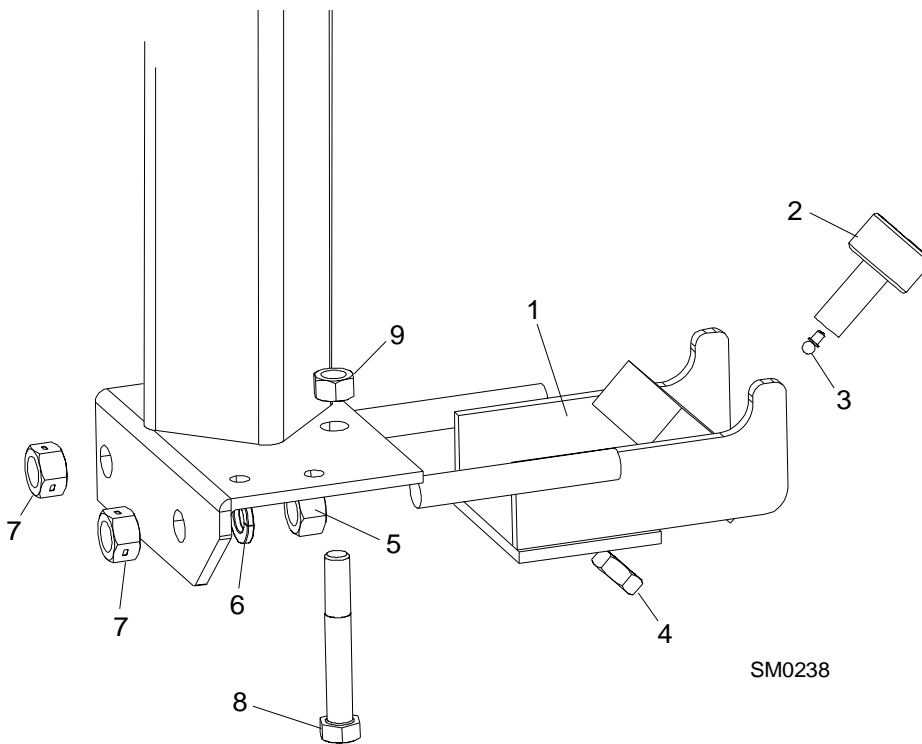


FIG. 6-3

6.4 Lower Track Rollers				
<i>LT30HD</i>		<i>Rev. C7 - E7</i>		
<i>LT40HD</i>		<i>Rev. C7 - E7</i>		
REF	DESCRIPTION (◆ Indicates Parts Available In Assemblies Only)	PART #	QTY.	
ROLLER KIT, LOWER TRACK		K07278	1	
Roller Assembly, Lower Track		A04938	2	
1	Bracket, Lower Track Roller Mounting	W09001 ¹	1	◆
2	Roller, Track Cam Bearing	P12843 ²	1	
3	Fitting, 3/16" Straight Grease (For A05043 Greasable Rollers Only)	P04107	1	
4	Nut, 5/8-18 Hex Jam	F05010-11	1	
5	Nut, 5/8-11 Hex	F05010-5	2	
6	Washer, 5/8" Split Lock	F05011-27	2	
7	Nut, 5/8-11 Hex Lock	F05010-4	2	
8	Bolt, 1/2-13 x 3 1/2" Hex Head Grade 5	F05008-61	2	
9	Washer, 1/2" SAE Flat	F05011-2	2	
10	Nut, 1/2-13 Hex Lock	F05010-3	2	
OILER ASSEMBLY, LOWER TRACK ROLLER		A12375 ³	1	
11	Bracket, Lower Track Roller Oiler	S12376	1	◆
12	Pad, Lower Track Roller Oiler Felt	S12378	1	

¹ Redesigned bracket interchangeable with old design. See Section 6.3.

² Use P12843 to replace greasable rollers A05043 and non-greasable rollers P12318 originally supplied.

³ Applicable to P12318 rollers only. See the Maintenance Section in the Operator's Manual for maintenance information on greasable and non-greasable rollers. See also Section 6.3.

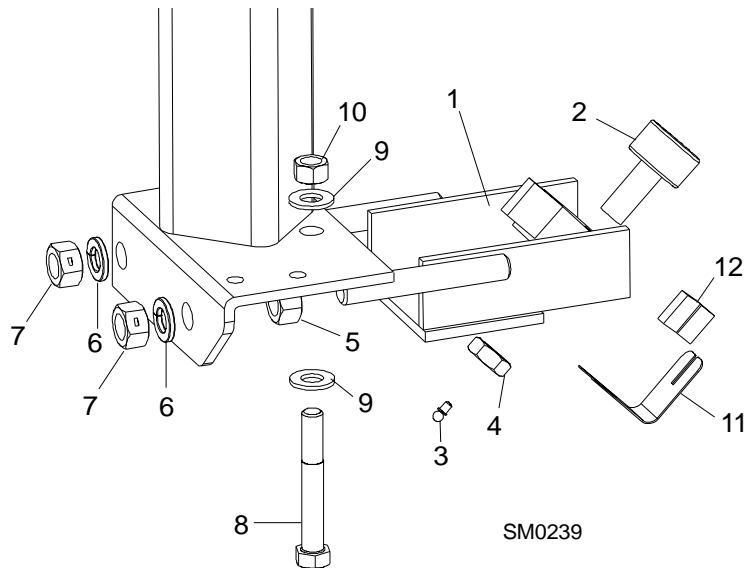
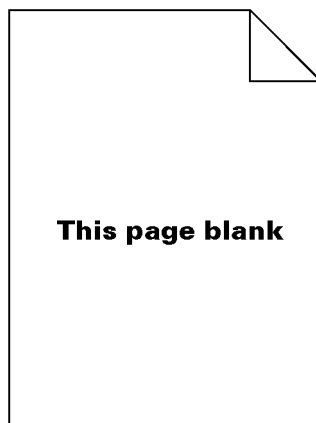


FIG. 6-4

SECTION 7 BED FRAME ASSEMBLY



7 Bed Frame Assembly

Bed Rail Assembly, Front And Rear

7.1 Bed Rail Assembly, Front And Rear				
REF	DESCRIPTION (◆ Indicates Parts Available In Assemblies Only)	PART #	QTY.	
	BED RAIL ASSEMBLY, FRONT/REAR PAINTED	A09774	2	
1	Bed Rail Tube, Long	S09102 ¹	1	◆
2	Pin, Ramp Mount	S04030	1	
3	Block, Log Stop	S09034	1	
	Bolt Assembly, Bed Rail	A09775	2	◆
4	Nut, 5/8-11 Hex	F05010-54	1	
5	Bolt, 5/8-11 X 2 1/2" Hex Head Full Thread	F05009-12	1	
6	BOLT, 1/2-13 X 4" HEX HEAD	F05008-26	4	
7	WASHER, 1/2" SAE FLAT	F05011-2	8	
8	NUT, 1/2-13 NYLON LOCK	F05010-8	4	
	COVER ASSEMBLY, STAINLESS STEEL BED RAIL (LONG)	A09956	2	
9	Cover, Stainless Steel Bed Rail	S09944	1	◆
10	Bolt, 5/16-18 X 2 1/2" Hex Head	F05006-10	3	
11	Nut, 5/16-18 Hex Lock	F05010-6	3	

¹ Replaces S09102-W for all mills.

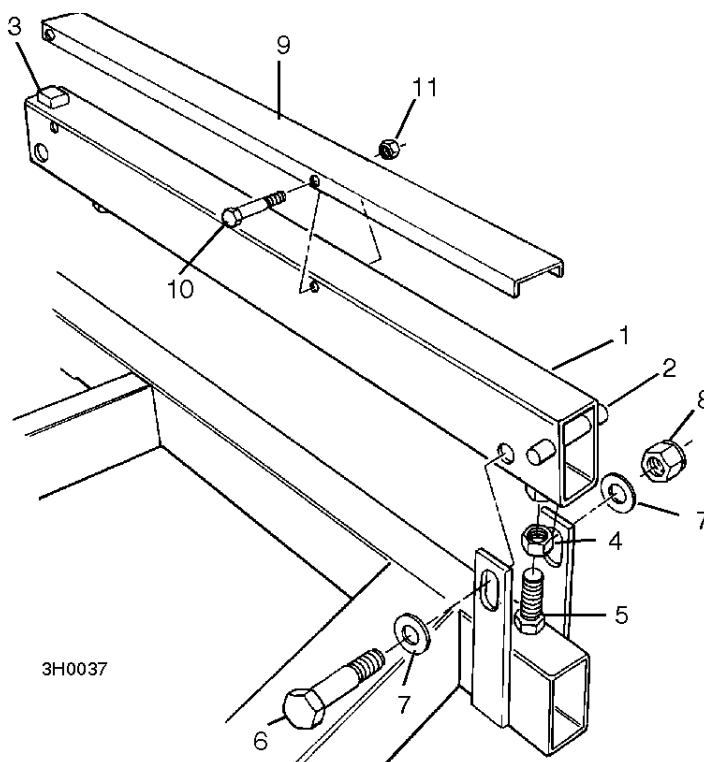


FIG. 7-1

7.2 Bed Rail Assembly, Middle				
REF	DESCRIPTION (◆ Indicates Parts Available In Assemblies Only)	PART #	QTY.	
	BED RAIL ASSEMBLY, FRONT/REAR MIDDLE PAINTED	A09566	2	
1	Bed Rail Tube, Short	S09103	1	◆
2	Pin, Ramp Mount	S04030	1	
	Bolt Assembly, Bed Rail	A09775	2	◆
3	Nut, 5/8-11 Hex	F05010-54	2	
4	Bolt, 5/8-11 X 2 1/2" Hex Head Full Thread	F05009-12	2	
5	BOLT, 1/2-13 X 4" HEX HEAD	F05008-26	4	
6	WASHER, 1/2" SAE FLAT	F05011-2	8	
7	NUT, 1/2-13 NYLON LOCK	F05010-8	4	
	COVER ASSEMBLY, STAINLESS STEEL BED RAIL (LONG)	A09956	2	
8	Cover, Stainless Steel Bed Rail	S09944	1	◆
9	Bolt, 5/16-18 X 2 1/2" Hex Head	F05006-10	3	
10	Nut, 5/16-18 Hex Lock	F05010-6	3	

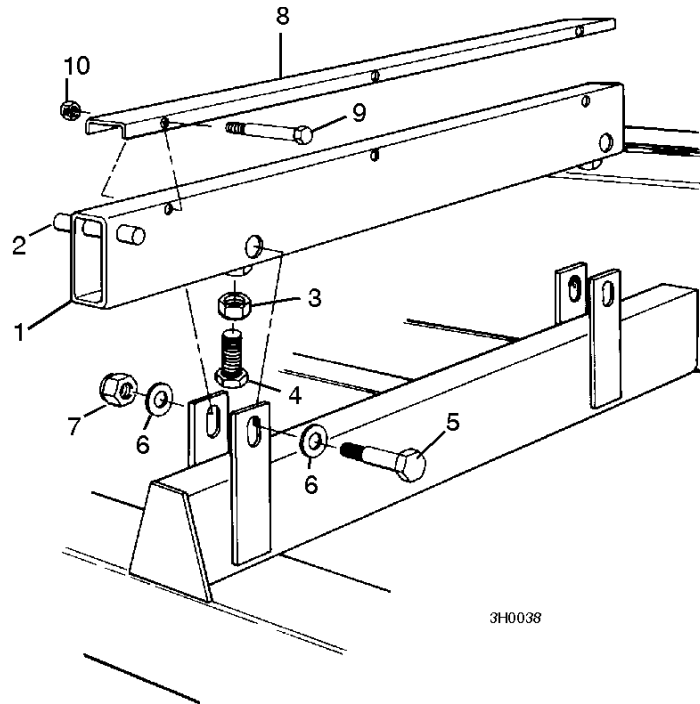


FIG. 7-2

7 Bed Frame Assembly

Pivot Bed Rail Assembly

7.3 Pivot Bed Rail Assembly

REF	DESCRIPTION (◆ Indicates Parts Available In Assemblies Only)	PART #	QTY.	
	PIVOT BED RAIL COMPLETE KIT	K06897	2	
	Pivot Bed Rail Assembly	A09435	1	◆
1	Pivot Bed Rail Weldment	W09320	1	◆
2	Bolt, 1/2-13 X 2 1/4" Hex Head Full Thread	F05008-2	1	
3	Washer, 1/2" Split Lock	F05011-9	1	
4	Nut, 1/2-13 Hex	F05010-35	1	
	Bag Assembly, Pivot Bed Rail	A06893	1	◆
5	Screw, 1/2-13 X 1" Socket Head Oval Point	F05008-9	1	
6	Screw, 1/2-13 X 1 1/2" Socket Head Flat Point	F05008-31	3	
7	Nut, 1/2-13 Hex Jam	F05010-31	3	
	Instruction Sheet, Pivot Bed Rail	K06897-270	1	
8	Bolt, 3/8-16 X 5" Hex Head	F05007-5	4	
9	Nut, 3/8-16 Nylon Lock	F05010-10	4	
	COVER ASSEMBLY, STAINLESS STEEL PIVOT BED RAIL	A09609	2	
10	Cover, Stainless Steel Pivot Bed Rail (Short)	S09252	1	◆
11	Bolt, 5/16-18 X 2 1/2" Hex Head	F05006-10	2	
12	Nut, 5/16-18 Hex Lock	F05010-6	2	
13	NUT, 3/8-16 HEX LOCK (FOR G.S. APPLICATIONS ONLY)	F05010-25	4	
14	PLATE, PIVOT BED RAIL LOCK (FOR G.S. APPLICATIONS ONLY)	S10424	2	

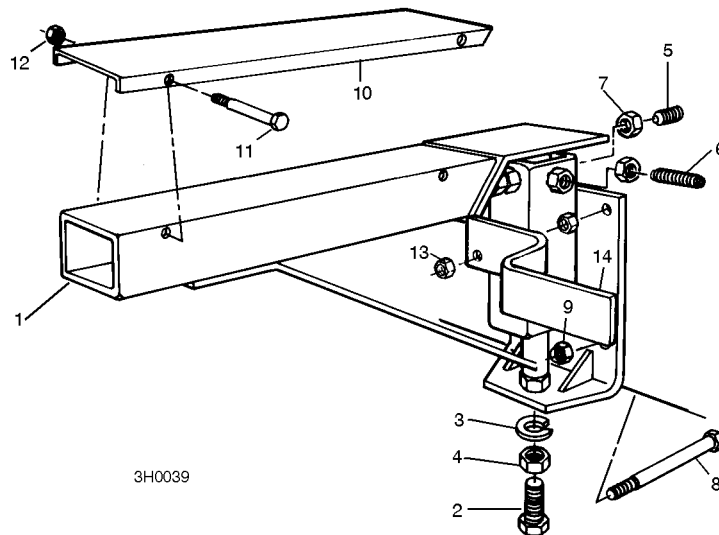


FIG. 7-3

7.4 Log Side Support Assembly (Manual)

REF	DESCRIPTION (◆ Indicates Parts Available In Assemblies Only)	PART #	QTY.
1	SUPPORT, LOG SIDE	015235 ¹	2
	MOUNTING KIT, LOG SIDE SUPPORT	K09440	2
2	Pin, Log Side Support Pivot	W09238	1
3	Bolt, 1/4-20 X 1 1/2" Hex Head	F05005-5	2
4	Washer, 1/4" SAE Flat	F05011-11	4
5	Nut, 1/4-20 Self Locking	F05010-9	2
6	Plate, Log Side Support Clamping	S09224	2
7	Fitting, 3/16" Grease	P04107	1
8	Plate, Log Side Support End	S09148	1
9	Bolt, 1/2-13 X 3 1/2" Hex Head	F05008-15	2
10	Washer, 1/2" SAE Flat	F05011-2	3
11	Nut, 1/2-13 Hex Nylon Lock	F05010-8	3
12	Bolt, 1/2-13 X 1 1/2" Hex Head	F05008-4	1

¹ Replaces W12566 or unpainted W09401 originally supplied. Side support redesigned for added strength.

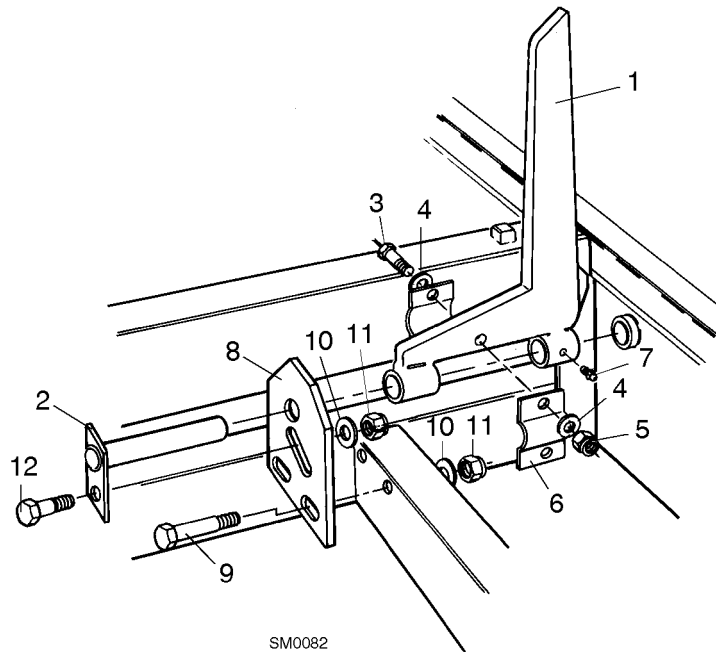


FIG. 7-4

7 Bed Frame Assembly

Leg, Stationary

7.5 Leg, Stationary			
REF	DESCRIPTION (◆ Indicates Parts Available In Assemblies Only)	PART #	QTY.
1	LEG, LONG STATIONARY	W09513	3
2	BOLT, 3/8-16 X 5" HEX HEAD GRADE 2	F05007-5	8
	BOLT, 3/8-16 X 1" HEX HEAD GRADE 2 (REQ'D FOR REAR ONLY)	F05007-7	4
3	NUT, 3/8-16 HEX NYLON LOCK	F05010-10	8/12
4	LEG, SHORT STATIONARY	W09515	2
5	BOLT, 3/8-16 X 1" HEX HEAD GRADE 2	F05007-7	8
6	NUT, 3/8-16 HEX NYLON LOCK	F05010-10	8
7	LEG, LT40 FRONT STATIONARY	W09517	1
8	BOLT, 5/8-11 X 5 1/2" HEX HEAD GRADE 5	F05009-11	2
9	NUT, 5/8-11 HEX LOCK	F05010-4	2

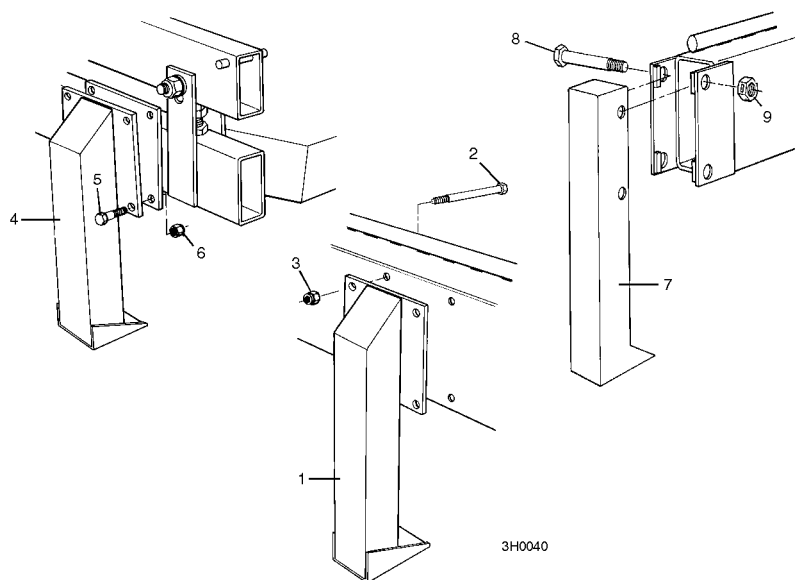


FIG. 7-5

7.6 Tie Down Chain Assembly				
REF	DESCRIPTION (◆ Indicates Parts Available In Assemblies Only)	PART #	QTY.	
	CHAIN ASSEMBLY, TIE DOWN	A04376	1	
1	Hook, 5/8" Safety Chain	P12075	1	◆
2	Cold Shut, 3/8" Plain	P04772-2	1	◆
3	Chain, 5/16" Unplated	R02111	.938 ft.	◆

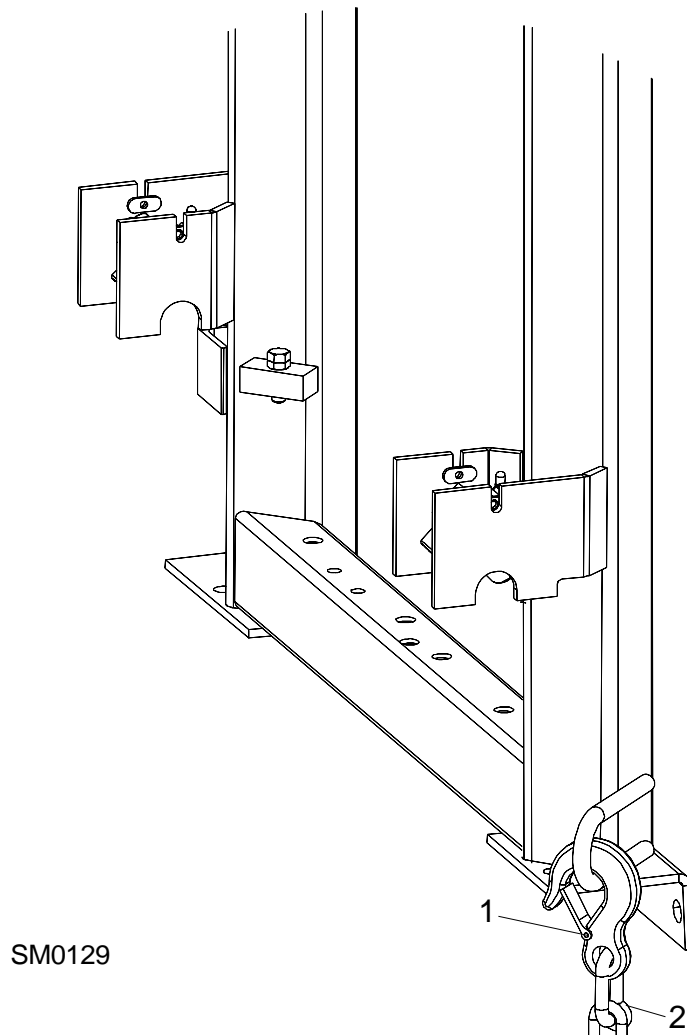


FIG. 7-6

SECTION 8 HYDRAULIC SYSTEM

8.1 Hydraulic Hoses					
<i>LT30HD</i>		<i>Rev. F5 - F7</i>			
<i>LT40HD</i>		<i>Rev. F5 - F7</i>			
COLOR	LENGTH "A"	DESCRIPTION (♦ Indicates Parts Available In Assemblies Only)	PART #	QTY.	
None	16"	HYDRAULIC PUMP TO VALVE	P12705 ¹	1	
Plain	14"	LOG TURNER CYLINDER BASE	P12533	1	
Orange	27"	LOG TURNER CYLINDER TOP	P12535	1	
Yellow	84"	FRONT TOE BOARD (LT30HD)	P12539	1	
	106"	FRONT TOE BOARD (LT40HD)	P12541	1	
Pink	151"	SIDE SUPPORT CYLINDER BASE (LT30HD)	P12545	1	
	173"	SIDE SUPPORT CYLINDER BASE (LT40HD)	P12549	1	
White	142"	CLAMP CYLINDER TOP (LT30HD)	P12544	1	
	164"	CLAMP CYLINDER TOP (LT40HD)	P12548	1	
Dark Orange	135"	CLAMP CYLINDER BASE (LT30HD)	P12543	1	
	157"	CLAMP CYLINDER BASE (LT40HD)	P12546	1	
Plain	159"	SIDE SUPPORT CYLINDER TOP (LT30HD)	P12547	1	
	186" ²	SIDE SUPPORT CYLINDER TOP (LT40HD)	P12550	1	
Purple	173"	REAR TOE BOARD (LT30HD)	P12549	1	
	208" ²	REAR TOE BOARD (LT40HD)	P12551	1	
Green	52" ²	LOADING ARM BRANCH TOP	P12537	2	
Yellow	55"	LOADING ARM BRANCH BASE	P12538	2	
Blue	151"	LOADING ARM CYLINDER TOP (LT30HD)	P12545	1	
	173"	LOADING ARM CYLINDER TOP (LT40HD)	P12549	1	
Red	151"	LOADING ARM CYLINDER BOTTOM (LT30HD)	P12545	1	
	173"	LOADING ARM CYLINDER BOTTOM (LT40HD)	P12549	1	

¹ 16" hose replaces 22" hose originally supplied.

² Hoses longer than those originally supplied. Longer hoses are interchangeable with original hoses.

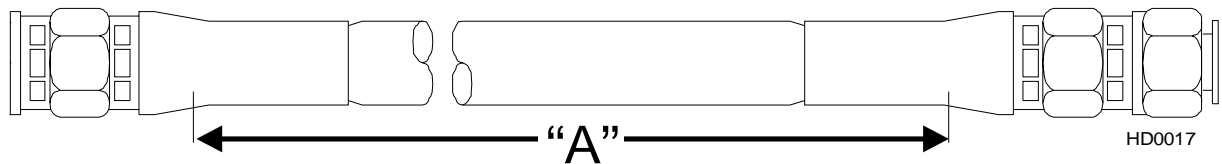


FIG. 8-1

8.2 Hydraulic Hoses					
LT30HD		Rev. C7 - F4			
LT40HD		Rev. C7 - F4			
COLOR	LENGTH "A"	DESCRIPTION (◆ Indicates Parts Available In Assemblies Only)	PART #	QTY.	
Brown	22"	TOE BOARD RETURN (REVISIONS C7 - E6 ONLY)	P12534	2	
None	16"	HYDRAULIC PUMP TO VALVE (REVISIONS E7 - F7 ONLY)	P12705 ¹	1	
Gold	14"	LOG TURNER CYLINDER BASE	P12533	1	
Grey	27"	LOG TURNER CYLINDER TOP	P12535	1	
Bright Yellow	84" ²	FRONT TOE BOARD (LT30HD)	P12539	1	
	106" ²	FRONT TOE BOARD (LT40HD)	P12541	1	
Silver	151"	SIDE SUPPORT CYLINDER BASE (LT30HD)	P12545	1	
	173"	SIDE SUPPORT CYLINDER BASE (LT40HD)	P12549	1	
White	142"	CLAMP CYLINDER TOP (LT30HD)	P12544	1	
	164"	CLAMP CYLINDER TOP (LT40HD)	P12548	1	
Orange	135"	CLAMP CYLINDER BASE (LT30HD)	P12543	1	
	157"	CLAMP CYLINDER BASE (LT40HD)	P12546	1	
Plain	159"	SIDE SUPPORT CYLINDER TOP (LT30HD)	P12547	1	
	186" ²	SIDE SUPPORT CYLINDER TOP (LT40HD)	P12550	1	
Black	173"	REAR TOE BOARD (LT30HD)	P12549	1	
	108" ²	REAR TOE BOARD (LT40HD)	P12551	1	
Dark Green	52" ²	LOADING ARM BRANCH TOP	P12537	2	
Dark Yellow	55"	LOADING ARM BRANCH BASE	P12538	2	
Blue	151"	LOADING ARM CYLINDER TOP (LT30HD)	P12545	1	
	173"	LOADING ARM CYLINDER TOP (LT40HD)	P12549	1	
Red	151"	LOADING ARM CYLINDER BOTTOM (LT30HD)	P12545	1	
	173"	LOADING ARM CYLINDER BOTTOM (LT40HD)	P12549	1	

¹ 16" hose replaces 22" hose originally supplied.

² Hoses longer than those originally supplied with Rev. C7 - E6. Longer hoses are interchangeable with original hoses.

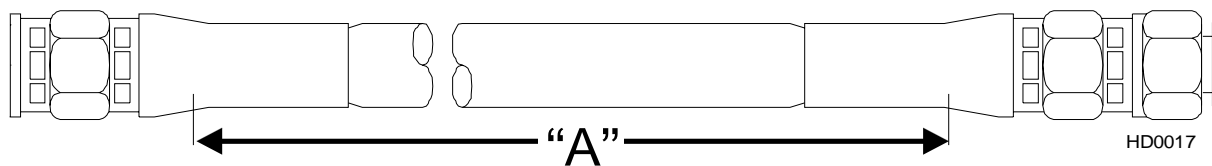


FIG. 8-2

8.3 Hydraulic Control Box				
<i>LT30HD</i>		<i>Rev. F3 - F7</i>		
<i>LT40HD</i>		<i>Rev. F3 - F7</i>		
REF	DESCRIPTION (◆ Indicates Parts Available In Assemblies Only)	PART #	QTY.	
1	BOX, HYDRAULIC PUMP HOUSING	W12852	1	
2	COVER, HYDRAULIC PUMP HOUSING	W12849	1	
3	PUMP W/MOTOR, HYDRAULIC #M-300-0230	P12701	1	
	Pump, Hydraulic Replacement Monarch Model #12070	016199	1	
	Motor, 12 VDC Hydraulic Pump #08058	P09955	1	
	Brush Kit, 4-Valve Hydraulic Pump Motor #08658	P09585	1	
	Field Kit, 4-Valve Hydraulic Pump Motor #08618	P09584 ¹	1	◆
	Bearing, Base Motor #02318	P12513	1	
	Cap, Hydraulic Pump Vented Fill #03171	P12817	1	
	O-Ring, Hydraulic Pump/Reservoir #02352	P10198	1	
	Seal, Hydraulic Pump/Motor #02330	P10315	1	
	SOLENOID KIT, 200A 12V SPST	015783 ²	1	
	FLUID, 1-QUART DEXRON III HYDRAULIC	P12742	2 1/4 gal.	
	FLUID, 1-GALLON EXXON UNIVIS J26 HYDRAULIC	P12823	2 1/4 gal.	
	FLUID, 1-GALLON EXXON UNIVIS P13 HYDRAULIC	P12822	2 1/4 gal.	
4	BOLT, 3/8-16 X 1" HEX HEAD GRADE 5	F05007-87	8	
5	BOLT, 3/8-16 X 5" HEX HEAD GRADE 2	F05007-5	4	
6	WASHER, 3/8" SAE FLAT	F05011-3	8	
7	WASHER, 3/8" SPLIT LOCK	F05011-4	4	
8	WASHER, 3/8" EXTERNAL STAR LOCK	F05011-36	4	
9	NUT, 3/8-16 HEX NYLON LOCK	F05010-10	4	
10	VALVE, HYDRAULIC 5-HANDLE	P12700 ³	1	
	Switch, Hydraulic Valve Electric	024198 ⁴	1	
	Valve Kit, Low-Pressure Check Replacement	014534	1	
11	Valve, Low-Pressure Check 01786	014533	1	◆
	Instruction Sheet, Check Valve Replacement	A12869-649	1	◆
	Valve Kit, High-Pressure Check Replacment	A12869	1	
12	Valve, High-Pressure Check 04282	P12844 ⁵	2	◆
	Instruction Sheet, Check Valve Replacement	A12869-649	1	◆
13	BOLT, 1/4-20 X 1 3/4" HEX HEAD GRADE 2	F05005-4	2	
14	WASHER, 1/4" SAE FLAT	F05011-11	2	
15	NUT, 1/4-20 HEX SELF-RETAINING	F05010-9	2	
16	HOSE W/FITTINGS, 3/8" DIA. X 22" HYDRAULIC	P12705	1	
17	FITTING, 3/8" O-RING - 1/4" JIC	P26284	8	
18	FITTING, #6 SAE - 3/8" JIC ELBOW	P12704	2	
19	FITTING, #6-8 (1/2" NPT) - 3/8" HOSE BARB ELBOW	P12707	2	
20	FITTING, #6-6 (3/8" NPT) - 3/8" HOSE BARB ELBOW	P12708	2	
21	HOSE, 3/8" LOW PRESSURE HYDRAULIC	R01892-1	A/R	

8 Hydraulic System

Hydraulic Control Box

22	FITTING, #6 SAE - #6 HOSE BARB ELBOW	P12722	2	
23	FITTING, #6 SAE - #6 NPT ADAPTOR	P12723	1	
24	CLAMP, 3/8" I.D. HOSE	P12725	6	
25	DECAL, 1994 HYDRAULIC CONTROL BOX	S12726	1	
26	MANIFOLD, HYDRAULIC CARTRIDGE FILTER	P22683	1	
27	Filter, S28 Hydraulic Cartridge	P20301	1	
28	BOLT, 1/4-20 X 1/2" HEX HEAD	F05005-15	2	
29	WASHER, 1/4" SPLIT LOCK	F05011-14	2	
30	FITTING, #8 SAE - #6 JIC HOSE	P12703	1	
31	FITTING, #8 SAE MALE - 3/8" NPT FEMALE	P12706	1	
32	FITTING, 3/8" NPT - 3/8" HOSE BARB	P12724	1	
33	CLAMP, 11/16" HOSE	P12739	4	

¹ Part no longer available. Replace entire motor P09955.

² Solenoid supplied separately from pump and mounted to valve bracket after 5/96. Flat base solenoid #3301 replaces curved base solenoid #03336. Solenoid bracket may be bent to fit mount on motor. 015783 solenoid kit includes 200 amp solenoid 015470 to replace P09595 100 amp solenoid.

³ Rear-port valve replaced with side-port valve (See inset). Alternate fittings required for side-port valve. See Items 30-33.

⁴ Saleable service assembly created which includes 014765 3-wire switch and crimped terminals (7/97). 014765 3-wire switch directly replaces P12735 2-wire switch (4/97).

⁵ Monarch check valves 04282 replace Monarch check valves 07197 (Wood-Mizer part number N/A) to prevent unwanted toe board movement when the toe boards are not in use.

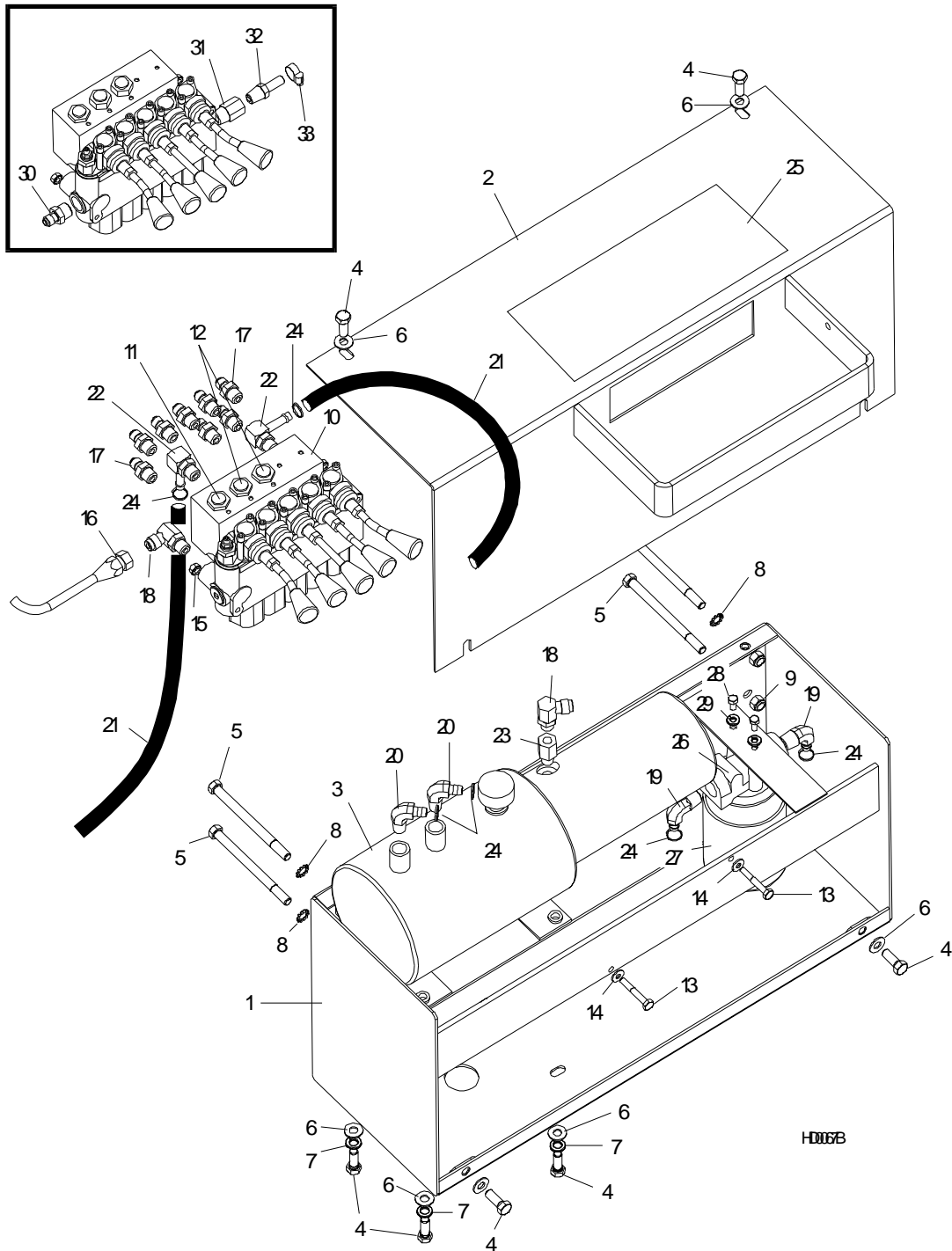


FIG. 8-3

8 Hydraulic System

Hydraulic Control Box

8.4 Hydraulic Control Box				
<i>LT30HD</i>		<i>Rev. E7 - F2</i>		
<i>LT40HD</i>		<i>Rev. E7 - F2</i>		
REF	DESCRIPTION (◆ Indicates Parts Available In Assemblies Only)	PART #	QTY.	
1	BOX, HYDRAULIC PUMP HOUSING	W12711	1	
2	COVER, HYDRAULIC PUMP HOUSING	W12717	1	
3	PUMP W/MOTOR, HYDRAULIC #M-300-0230	P12701	1	
	Pump, Hydraulic Replacement Monarch Model #12070	016199	1	
	Motor, 12 VDC Hydraulic Pump #08058 ¹	P09955	1	
	Brush Kit, 4-Valve Hydraulic Pump Motor #08658	P09585	1	
	Bearing, Base Motor #02318	P12513	1	
	Cap, Hydraulic Pump Vented Fill #03171	P12817	1	
	O-Ring, Hydraulic Pump/Reservoir #02352	P10198	1	
	Seal, Hydraulic Pump/Motor #02330	P10315	1	
	SOLENOID KIT, 200A 12V SPST	015783 ²	1	
	FLUID, 1-QUART DEXRON III HYDRAULIC	P12742	2 1/4 gal.	
	FLUID, 1-GALLON EXXON UNIVIS J26 HYDRAULIC	P12823	2 1/4 gal.	
	FLUID, 1-GALLON EXXON UNIVIS P13 HYDRAULIC	P12822	2 1/4 gal.	
4	BOLT, 3/8-16 X 1" HEX HEAD GRADE 5	F05007-87	8	
5	BOLT, 3/8-16 X 5" HEX HEAD GRADE 2	F05007-5	4	
6	WASHER, 3/8" SAE FLAT	F05011-3	8	
7	WASHER, 3/8" SPLIT LOCK	F05011-4	4	
8	WASHER, 3/8" EXTERNAL STAR LOCK	F05011-36	4	
9	NUT, 3/8-16 HEX NYLON LOCK	F05010-10	4	
10	VALVE, HYDRAULIC 5-HANDLE	P12700 ³	1	
	Switch, Hydraulic Valve Electric	024198 ⁴	1	
11	BOLT, 1/4-20 X 1 3/4" HEX HEAD GRADE 2	F05005-4	2	
12	WASHER, 1/4" SAE FLAT	F05011-11	2	
13	NUT, 1/4-20 HEX SELF-RETAINING	F05010-9	2	
14	HOSE W/FITTINGS, 3/8" DIA. X 22" HYDRAULIC	P12705	1	
15	FITTING, 3/8" O-RING - 1/4" JIC	P26284	8	
16	FITTING, #6 SAE - 3/8" JIC ELBOW	P12704	2	
17	FITTING, #6-8 (1/2" NPT) - 3/8" HOSE BARB ELBOW	P12707	2	
18	FITTING, #6-6 (3/8" NPT) - 3/8" HOSE BARB ELBOW	P12708	2	
19	HOSE, 3/8" LOW PRESSURE HYDRAULIC	R01892-1	A/R	
20	FITTING, #6 SAE - #6 HOSE BARB ELBOW	P12722	2	
21	FITTING, #6 SAE - #6 NPT ADAPTOR	P12723	1	
22	CLAMP, 3/8" I.D. HOSE	P12725	6	
23	DECAL, 1994 HYDRAULIC CONTROL BOX	S12726	1	
24	MANIFOLD, HYDRAULIC CARTRIDGE FILTER	P22683	1	
25	Filter, S28 Hydraulic Cartridge	P20301	1	
26	BOLT, 1/4-20 X 1/2" HEX HEAD	F05005-15	2	

27	WASHER, 1/4" SPLIT LOCK	F05011-14	2	
28	FITTING, #8 SAE - #6 JIC HOSE	P12703	1	
29	FITTING, #8 SAE MALE - 3/8" NPT FEMALE	P12706	1	
30	FITTING, 3/8" NPT - 3/8" HOSE BARB	P12724	1	
31	CLAMP, 11/16" HOSE	P12739	4	

¹ Replaces Monarch #08111 originally supplied before 8/94.

² Solenoid supplied separately from pump and mounted to valve bracket after 5/96. Flat base solenoid #3301 replaces curved base solenoid #03336. Solenoid bracket may be bent to fit mount on motor. 015783 solenoid kit includes 200 amp solenoid 015470 to replace P09595 100 amp solenoid.

³ Rear-port valve replaced with side-port valve (See inset). Alternate fittings required for side-port valve. See Items 28-31.

⁴ Saleable service assembly created which includes 014765 3-wire switch and crimped terminals (7/97). 014765 3-wire switch directly replaces P12735 2-wire switch (4/97).

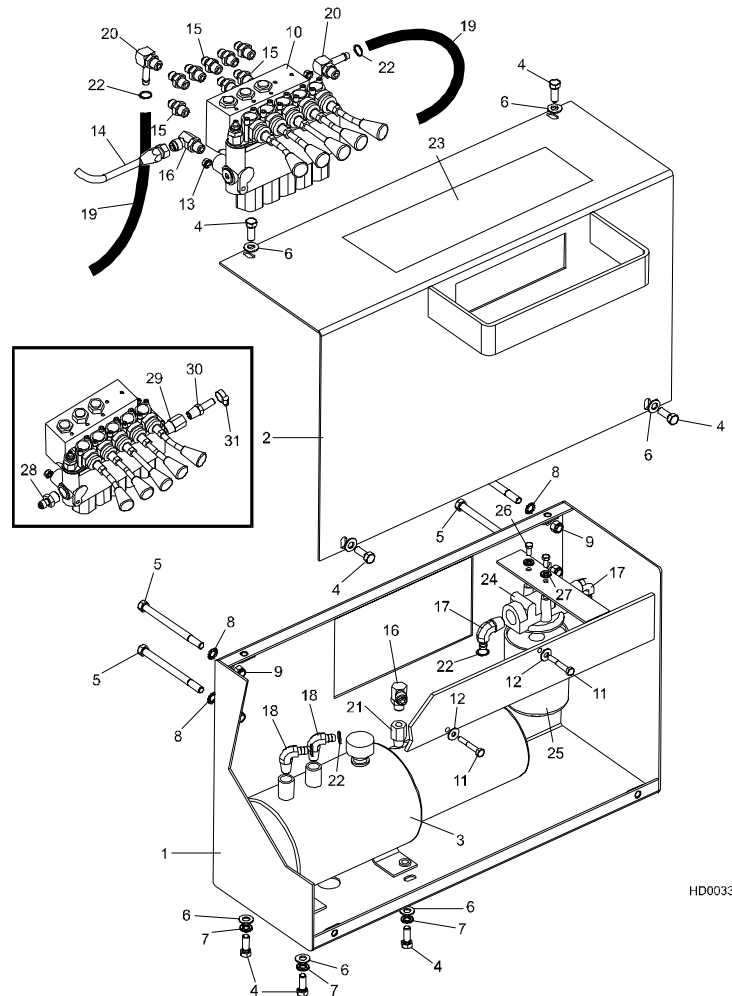


FIG. 8-4

8.5 Hydraulic Control Box				
<i>LT30HD</i>		<i>Rev. C7 - E6</i>		
<i>LT40HD</i>		<i>Rev. C7 - E6</i>		
REF	DESCRIPTION (◆ Indicates Parts Available In Assemblies Only)	PART #	QTY.	
1	BOX, HYDRAULIC PUMP HOUSING	W10164	1	
2	COVER, HYDRAULIC PUMP HOUSING	W10169	1	
3	PUMP, FOUR 4-WAY VALVE HYDRAULIC (See Section 8.6 Hydraulic Pump/Valve FOR PUMP DETAIL)	P10371	1	
4	BOLT, 3/8-16 X 1" HEX HEAD GRADE 5	F05007-87	7	
5	BOLT, 3/8-16 X 5" HEX HEAD GRADE 2	F05007-5	4	
6	WASHER, 3/8" SAE FLAT	F05011-3	10	
7	WASHER, 3/8" EXTERNAL STAR LOCK	F05011-36	4	
8	NUT, 3/8-16 HEX NYLON LOCK	F05010-10	7	
	VALVE ASSEMBLY, HYDRAULIC TOE BOARD RELEASE	A09680	1	
9	Block, Toe Board Release Valve	S09681-W	1	◆
10	Spool, Toe Board Release Valve	S09682-W	1	◆
11	O-Ring, Hydraulic Toe Board Release Valve	P09685	2	
12	Ring, 5/8" Shaft #5100-62	F04254-2	2	
13	Pin, 3/16" X 2 1/2" Roll	F05012-27	1	
14	Pin, 1/8" X 3/4" Roll	F05012-6	3	
15	Fitting, 90° Elbow 1/8" NPT X 1/4" Tube	P09736	1	
16	Ball, 3/16" Diameter Steel	P09744	2	◆
17	Ball, 3/8" Diameter Steel	P09133	2	◆
18	Spring, Toe Board Release Valve	P09135	2	◆
19	Fitting, C5205 X 4 X 4 Male	P09143	2	
20	SCREW, 1/4-20 X 1/2" SLOTTED HEX HEAD	F05015-1	2	
21	HOSE, TOE BOARD RETURN	S09798	1	
22	FITTING, 90° ELBOW 1/8" NPT X 1/4" TUBE	P09736	1	
23	FITTING, 1/4" NPT TO 1/8" REDUCER	P10373	1	
24	FITTING, C3409X4 90° STREET ELBOW	P09139	5	
25	FITTING, 90° MALE ELBOW	P09142	3	
	VALVE, TOE BOARD CHECK 'T'	A11687	2	
26	Body, Tapped Check Valve	S11688-W	1	◆
27	Seat, Brass Check Valve	S11689-W	1	◆
28	Spring, Check Valve	P11690	1	◆
29	Ball, 1/4" Hardened Steel	P11691	2	◆

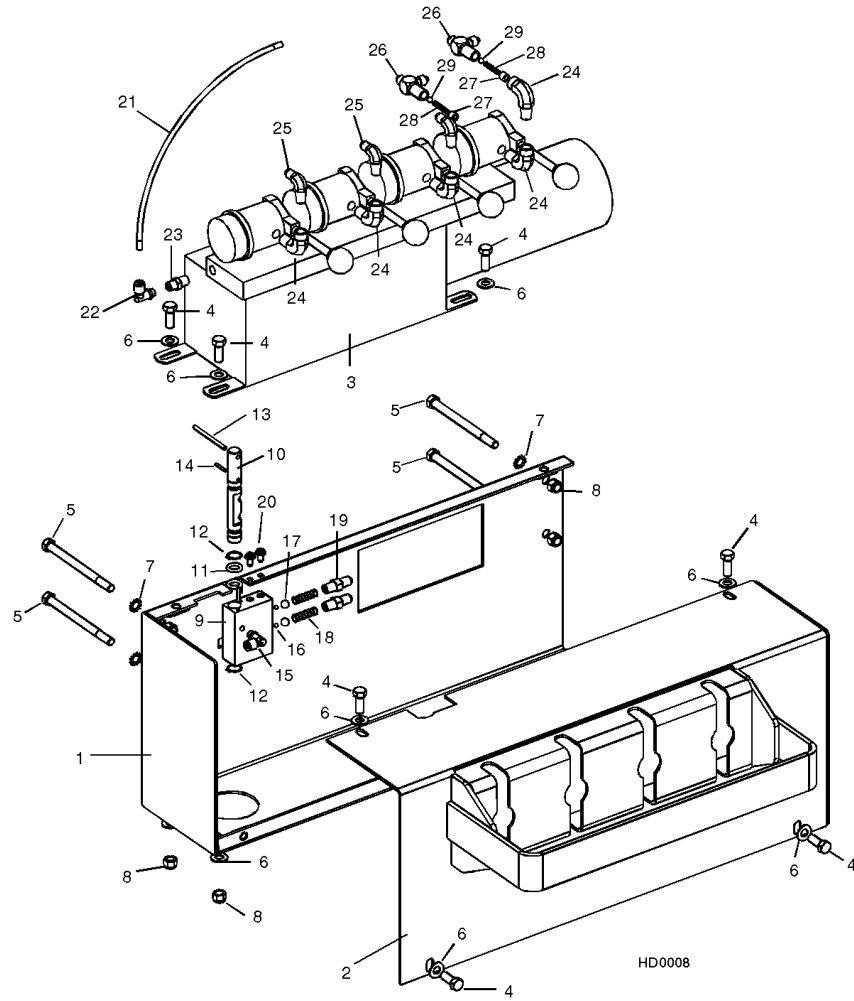


FIG. 8-5

8 Hydraulic System

Hydraulic Pump/Valve

8.6 Hydraulic Pump/Valve					
<i>LT30HD</i>		<i>Rev. C7 - E6</i>			
<i>LT40HD</i>		<i>Rev. C7 - E6</i>			
REF	DESCRIPTION (◆ Indicates Parts Available In Assemblies Only)	MONARCH PART #	PART #	QTY.	
	PUMP, FOUR 4-WAY VALVE HYDRAULIC MONARCH	#02414	P10371	1	
1	Valve Assembly, 4-Way Monarch (Toe Board)	#00647	P11581	1	
2	Electrical Parts Kit, Hydraulic Pump Valve	#03721	P09593	1	
3	Spring, Hydraulic Pump Valve Contact	#00188	P09846	1	
4	O-ring, Hydraulic Pump Valve Cover	#02354	P09592	1	
5	Valve Assembly, 4-Way Monarch	#00524	P10143	3	
6	Electrical Parts Kit, Hydraulic Pump Valve	#03721	P09593	1	
7	Spring, Hydraulic Pump Valve Contact	#00188	P09846	1	
8	O-ring, Hydraulic Pump Valve Cover	#02354	P09592	1	
9	Handle Assembly, Hydraulic Pump Valve	#00172	P09594	4	
10	Spring, Hydraulic Pump Valve Handle	#00018	P09753	4	
11	Solenoid, 12 VDC 3 Post Insulated Ground	#3301	P09595 ¹	1	
12	Motor, 12 VDC Hydraulic Pump	#08058	P09955 ²	1	
	Brush Kit, 4-Valve Hydraulic Pump Motor	#08658	P09585	1	
	Field Kit, 4-Valve Hydraulic Pump Motor	#08618	P09584 ³	1	
	Bearing, Base Motor	#02318	P12513	1	
13	Cap, Hydraulic Pump Vented Fill	#01143	P09596	1	
14	O-ring, Hydraulic Pump/Reservoir	#02352	P10198	1	
15	Seal, Hydraulic Pump/Motor	#02330	P10315	1	
16	Pump, Hydraulic Replacement	#02414	P10392	1	
	WASHER KIT, HYDRAULIC MOTOR THRUST		P12275 ⁴	1	
	FLUID, 1-QUART DEXRON III HYDRAULIC		P12742	2 1/4 gal.	
	FLUID, 1-GALLON EXXON UNIVIS J26 HYDRAULIC		P12823	2 1/4 gal.	
	FLUID, 1-GALLON EXXON UNIVIS P13 HYDRAULIC		P12822	2 1/4 gal.	

¹ Flat base solenoid #3301 replaces curved base solenoid #03336. Solenoid bracket may be bent to fit mount on motor.

² Replaces Monarch #08111 originally supplied.

³ Part no longer available. Replace entire motor P09955.

⁴ Kit contains one .010" Steel Thrust Washer, two .020" Fiber Thrust Washers, and four .050" Fiber Thrust Washers for use in adjusting drive motor end-play.

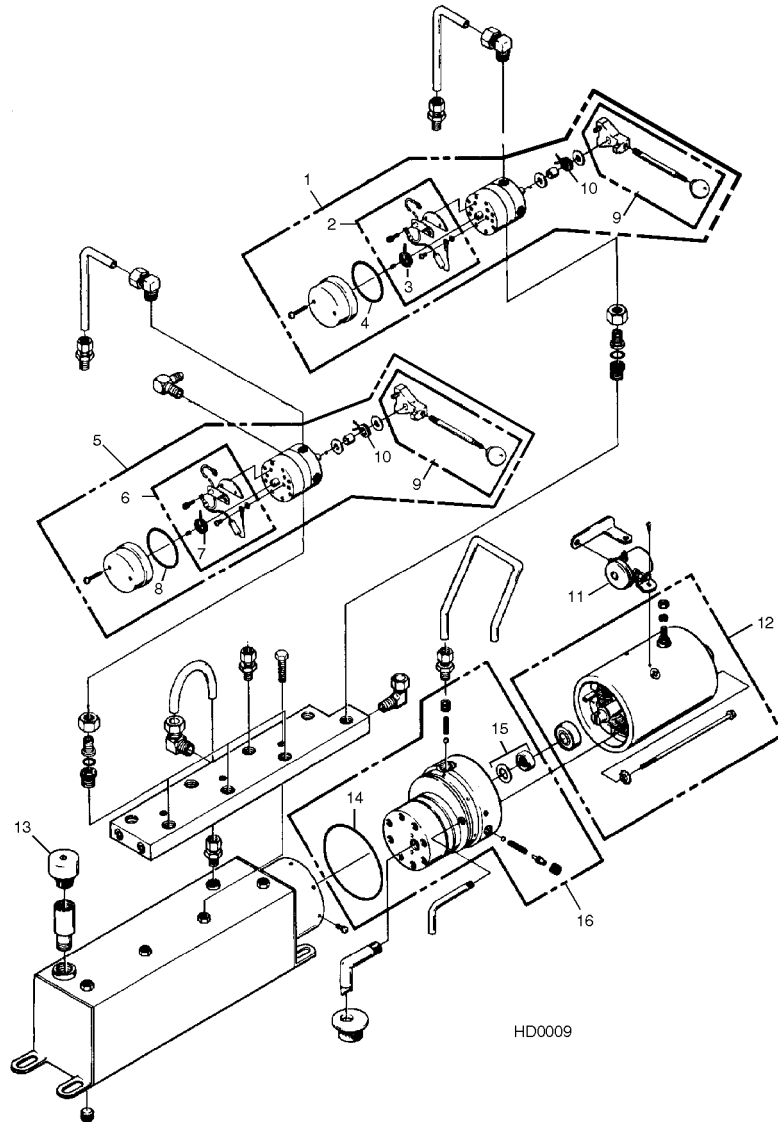


FIG. 8-6

8.7 Hydraulic Power Supply Strip				
REF	DESCRIPTION (◆ Indicates Parts Available In Assemblies Only)	PART #	QTY.	
	CONTACT KIT, HYDRAULIC 6' POWER SUPPLY	A10130 ¹	1	◆
	Contact Hardware Kit	A10073-N	1	
	Contact Assembly, Hydraulic Power Supply (Positive)	A11971	1	
1	Contact, Hydraulic Power Supply w/Set Screw	S11970 ²	1	
2	Screw, 5/16-24 X 3/8 Socket Head Oval Point Set	F05006-40	1	
3	Insulator, Positive Contact	S10072 ³	1	
4	Bracket, Positive Contact Mounting	S11972 ⁴	1	
5	Spring, Positive Contact	P10077	2	
6	Bolt, 5/16" X 3/4" Shoulder (1/4-20 Thread)	F05006-44	2	
7	Washer, 1/4" SAE Flat	F05011-11	2	
	Cable Assy, Hydraulic Positive Contact	015885	1	
8	Cable, #1 Weld	R01971	2.5 Ft	◆
9	Terminal, 5/16" Ring #1-2 Gauge	F05092-16 ⁵	2	
10	Bolt, 1/4-20 X 1" Hex Head Grade 2	F05005-38	2	
11	Nut, 1/4-20 Hex Self-Locking	F05010-9	2	
12	Bolt, 3/8-16 X 1" Hex Head Grade 5	F05007-87	2	
13	Washer, 3/8" SAE Flat	F05011-3	4	
14	Nut, 3/8-16 Hex Nylon Lock	F05010-10	4	
	Contact Assembly, Hydraulic Power Supply (Ground)	A10066	1	◆
15	Contact, Hydraulic Power Supply (Ground)	S10048 ³	1	
16	Bracket, Ground Contact Mounting	S10067	1	
	Cable Assembly, Hydraulic Negative Contact (Ground)	024676	1	
17	Cable, #1 Weld	R01971	2.2 Ft	◆
18	Terminal, 5/16" Ring #1-2 Gauge	F05092-16	1	
19	Bolt, 5/16-18 X 1/2" Hex Head Grade 5	F05006-15	2	
20	Washer, 5/16" Split Lock	F05011-13	2	
21	Bolt, 3/8-16 X 4 1/2" Hex Head Grade 2	F05007-35	2	
22	Spring, Ground Contact	P04282	2	
23	Screw, 1/4-20 X 1/2" Slotted Hex Head	F05015-1	14	

	Strip Assembly, 6' Hydraulic Power Supply w/2.8 ft. Cable	A12042-N ⁶	1	
	Strip Assembly, 6' Hydraulic Power Supply w/2 ft. Cable	A11977 ⁷	1	
24	Housing, 6' Contact Strip	P11976 ⁸	1	
	Strip, 6' Contact With Cable	A12043-N	1	
25	Strip, 6' Contact	S10075	1	◆
26	Cable, #1 Weld	R01971	2 Ft	◆
27	Terminal, 5/16" Ring #1-2 Gauge	F05092-16	2	
28	Bolt, 5/16-18 X 3/4" Hex Head Black Nylon	F05006-45	1	
29	Nut, 5/16-18 Hex Black Nylon	F05010-86	1	
	Tube, 5/8" Heat Shrink	R01950-5	.10 Ft	◆

¹ A10130 Kit no longer available. Order contact kit A10073-N & strip assembly A12042-N.

² Set screw included with block after 1/99.

³ Replaces part number with "-W" suffix. Part number change only.

⁴ Replaces S11070 originally supplied on Rev. C7 - D2.

⁵ Additional ring terminal added with change of contact button 8/96.

⁶ Strip with 2.8 Ft. cable for Rev. E6 and earlier mills. Replaces A10069 originally supplied on Rev. C7 - D2. Requires new contact button S11970 on Rev. C7 - D2.

⁷ Strip with 2 Ft. cable for Rev. E7 - F7 mills.

⁸ Replaces P11032 originally supplied on Rev. C7 - D2. Requires new contact button S11970.

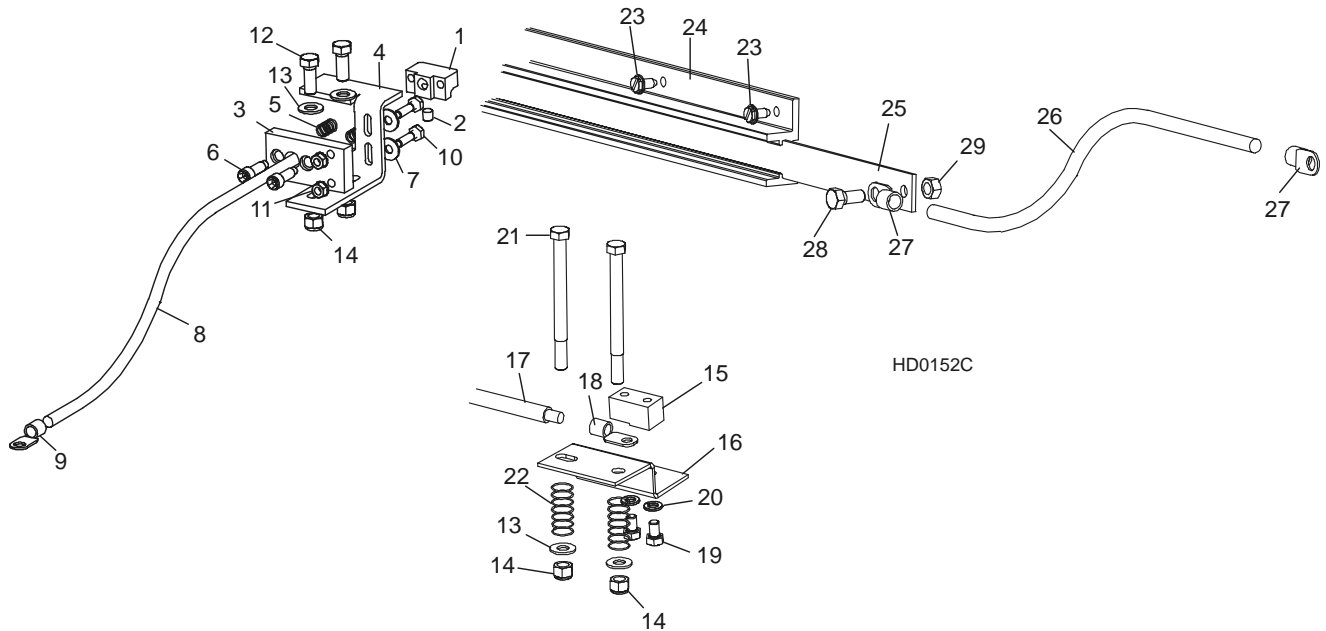


FIG. 8-7

8 Hydraulic System

Hydraulic Log Loader

8.8 Hydraulic Log Loader				
<i>LT30HD</i>		<i>Rev. F5 - F7</i>		
<i>LT40HD</i>		<i>Rev. F5 - F7</i>		
REF	DESCRIPTION (◆ Indicates Parts Available In Assemblies Only)	PART #	QTY.	
	LOADER KIT, HYDRAULIC LOG (LT30HD)	LTHDLA-30H	1	
	LOADER KIT, HYDRAULIC LOG (LT40HD)	LTHDLA	1	
1	Arm, Hydraulic Log Loading	W11805	1	
2	Fitting, 3/16" Grease	P04107	2	
3	Chain, Hydraulic Log Loader Safety	A04376	1	
4	Channel, Hydraulic Log Loading Foot	W09444	2	
5	Fitting, 3/16" Grease	P04107	2	
	Cylinder Assembly, Hydraulic Log Loading Arm	A09284 ¹	2	◆
6	Cylinder, 8" X 3" Hydraulic	P12847	1	
	Seal Kit, 8" x 3" Hydraulic Cylinder	P12956 ²	1	
7	Fitting, C5205x4x4 Male Connector	P09143	2	
	Fitting Kit, 1/4NPT 4.0GPM Velocity Fuse	015832	1	
8	Fitting, 1/4NPT 4.0GPM Velocity Fuse	015750 ³	2	◆
	Instruction Sheet, Velocity Fuse Replacement	015832-255	1	
9	Fitting, 0455x4x4 90° Swivel Elbow	P12199	1	
10	Pin, Loading Arm Mount	W09446	4	
11	Screw, 5/16-24 X 5/8" Self Tapping	F05015-15	8	
12	Pin, Loading Arm Cylinder Mount	S09251	2	
13	Washer, 1" SAE Flat	F05011-28	4	
14	Pin, 3/16" X 1 1/2" Cotter	F05012-23	4	
15	Fitting, C5705x5x4 Union 'T'	P09145	2	
16	Clamp, Hydraulic Hose	S09245	6	
17	Bolt, 5/16-18 X 1" Hex Head Grade 2	F05006-1	2	
18	Nut, 5/16-18 Hex Lock	F05010-6	2	
	Fitting, C3409x4 90° Elbow (Pump Valve; <u>See Section 8.5 Hydraulic Control Box</u>)	P09139	1	
	Fitting, 90° Male Elbow (Pump Valve; <u>See Section 8.5 Hydraulic Control Box</u>)	P09142	1	
	Hose Kit, Hydraulic Log Loader (LT30HD)	P10318	1	
	Hose Kit, Hydraulic Log Loader (LT40HD)	P09896	1	

¹ Cylinder assembly no longer available for service. Sell cylinder w/o fittings P12847 to insure compatibility of velocity fuses. Welded cylinder P12847 for sawmills after Rev. F5 only. Use P09128 tie-rod cylinder for Rev. C7 - F4 (See Section 8.9 Hydraulic Log Loader).

² Seal kit applicable only to welded cylinders supplied on Rev. F5 - F7.

³ Replaces 3.0GPM velocity fuse P11566 originally supplied.

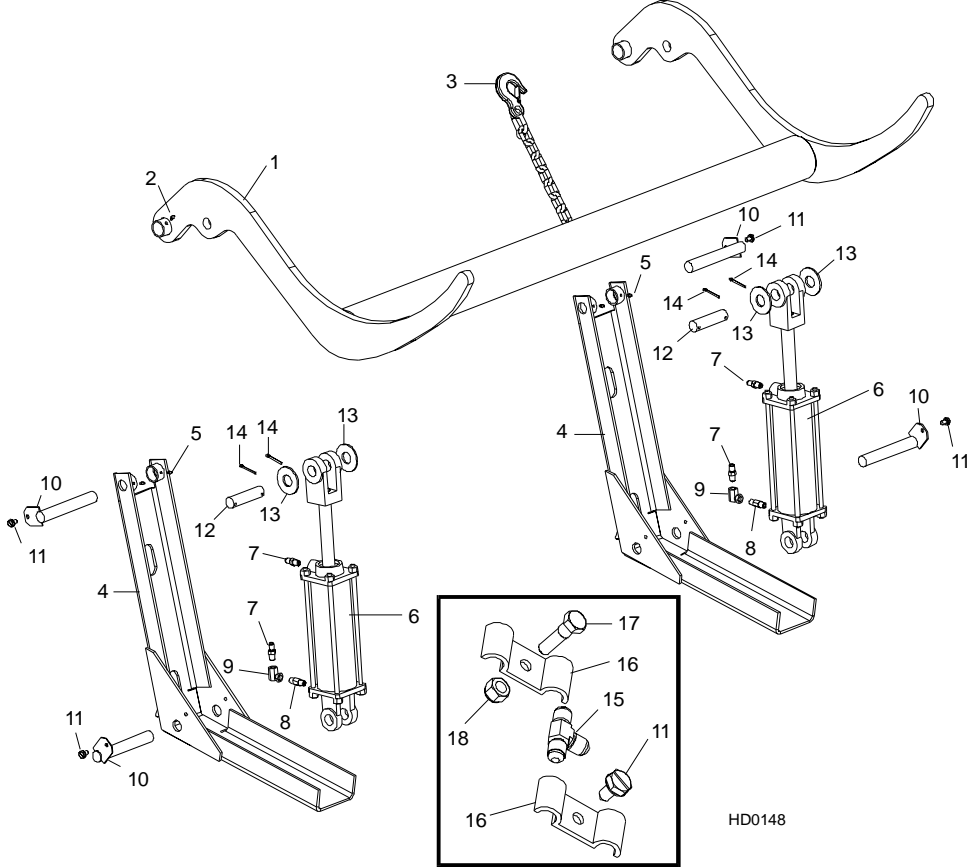


FIG. 8-8

8 Hydraulic System

Hydraulic Log Loader

8.9 Hydraulic Log Loader				
<i>LT30HD</i>		<i>Rev. C7 - F4</i>		
<i>LT40HD</i>		<i>Rev. C7 - F4</i>		
REF	DESCRIPTION (◆ Indicates Parts Available In Assemblies Only)	PART #	QTY.	
	LOADER KIT, HYDRAULIC LOG (LT30HD)	LTHDLA-30H ¹	1	◆
	LOADER KIT, HYDRAULIC LOG (LT40HD)	LTHDLA ¹	1	◆
1	Arm, Hydraulic Log Loading (For Rev. C8 - F7 Only)	W11805	1	
	Arm, Hydraulic Log Loading (For Rev. C7 Only)	W09445		
2	Fitting, 3/16" Grease	P04107	2	
3	Chain, Hydraulic Log Loader Safety	A04376	1	
4	Channel, Hydraulic Log Loading Foot	W09444	2	
5	Fitting, 3/16" Grease	P04107	2	
	Cylinder, Hydraulic Log Loading Arm	A12899 ²	2	◆
6	Cylinder, 8" X 3" Hydraulic (Monarch #TQ3008-Q0002)	P09128	1	
	Seal Kit With Instructions, 8" X 3" Hydraulic Cylinder	A12238 ³	1	
	Seal Kit, 8" X 3" Hydraulic Cylinder	P10144	1	◆
	Instruction Sheet, Hydraulic Cylinder Seal Replacement	A12238-415	1	
7	Fitting, C5205x4x4 Male Connector	P09143 ⁴	2	
	Fitting Kit, 1/4NPT 4.0GPM Velocity Fuse	015832	1	
8	Fitting, 1/4NPT 4.0GPM Velocity Fuse	015750 ⁵	2	◆
	Instruction Sheet, Velocity Fuse Replacement	015832-255	1	
9	Fitting, 0455x4x4 90° Swivel Elbow	P12199 ⁶	1	
10	Pin, Loading Arm Mount	W09446	4	
11	Screw, 5/16-24 X 5/8" Self Tapping	F05015-15	8	
12	Pin, Loading Arm Cylinder Mount	S09251	2	
13	Washer, 1" SAE Flat	F05011-28	4	
14	Pin, 3/16" X 1 1/2" Cotter	F05012-23	4	
15	Fitting, C5705x5x4 Union 'T'	P09145	2	
16	Clamp, Hydraulic Hose	S09245	6	
17	Bolt, 5/16-18 X 1" Hex Head Grade 2	F05006-1	2	
18	Nut, 5/16-18 Hex Lock	F05010-6	2	
	Fitting, C3409x4 90° Elbow (Pump Valve; <u>See Section 8.5 Hydraulic Control Box</u>)	P09139	1	
	Fitting, 90° Male Elbow (Pump Valve; <u>See Section 8.5 Hydraulic Control Box</u>)	P09142	1	
	Hose Kit, Hydraulic Log Loader (LT30HD)	P10318	1	
	Hose Kit, Hydraulic Log Loader (LT40HD)	P09896	1	

¹ Available for Rev. F5 - F7 Only.

² Cylinder assembly no longer available for service. Sell cylinder w/o fittings P09128 to insure compatibility of velocity fuses. Tie-rod cylinder P09128 for Rev. C7 - F4 only. Use P12847 for Rev. F5 - F7 (See Section 8.8 Hydraulic Log Loader).

³ Seal kit applicable only to tie rod cylinders originally supplied on Rev. C7 - F4.

⁴ Replaces P03420 originally supplied until 6/92.

⁵ Replaces 3.0GPM velocity fuse P11566 originally supplied.

⁶ Replaces P09142 originally supplied until 6/92.

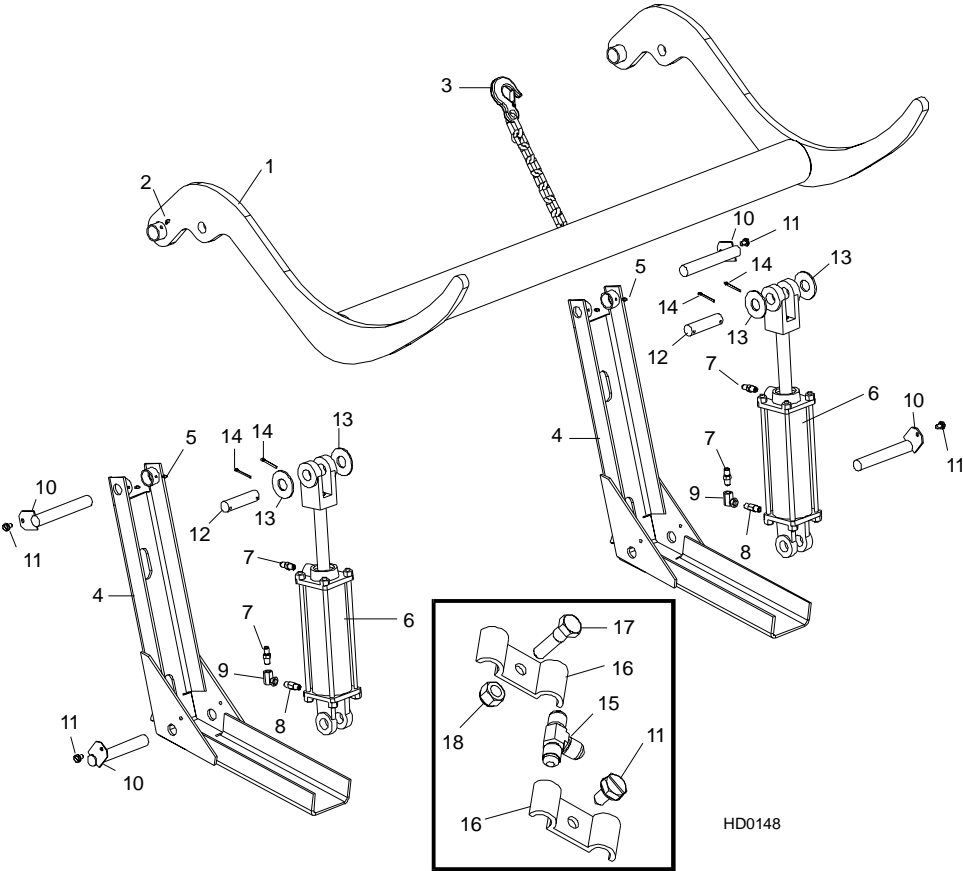


FIG. 8-9

8 Hydraulic System

Hydraulic Log Turner

8.10 Hydraulic Log Turner				
REF	DESCRIPTION (◆ Indicates Parts Available In Assemblies Only)	PART #	QTY.	
	TURNER KIT, HYDRAULIC LOG (WITHOUT CYLINDER)	K09686	1	
1	Arm, Hydraulic Log Turner Link	W09260	1	
	Arm Assembly, Hydraulic Log Turner	A09258	1	
2	Arm, Hydraulic Log Turner	015233 ¹	1	
3	Claw, Hydraulic Log Turner	014675 ²	2	
4	Bolt, 1/2-13 X 1 1/2" Hex Head Grade 5	F05008-33	4	
5	Bolt, 1/2-13 X 4 1/2" Hex Head Grade 5	F05008-35	1	
6	Nut, 1/2-13 Hex Nylon Lock	F05010-8	5	
7	Pin, Log Turner Stop	S09211 ³	1	
8	Spacer, Log Turner Stop Pin	S09913 ³	2	
9	Collar, 5/8" I.D. With Set Screw	P05035 ³	1	
10	Pin, Log Turner Mount	W09446	2	
11	Bolt, 5/16-18 X 1" Hex Head Grade 2	F05006-1	2	
12	Washer, 5/16 SAE Flat	F05011-17	2	
13	Nut, 5/16-18 Hex Lock	F05010-6	2	
14	Pin, Log Turner Pivot	S09247 ⁴	1	
15	Washer, 1" SAE Flat	F05011-28	2	
16	Pin, 3/16" X 1 1/2" Cotter	F05012-23	2	
17	Spring, Hydraulic Log Turner	P09136	2	
18	Plate, Log Turner Cylinder Mount	S09155 ⁵	1	
19	Plate, Log Turner Brace Mount	S09109	2	
	Brace Assembly, Hydraulic Log Turner	A09606	2	
20	Plate, Log Turner Mount	S09604	1	◆
21	Plate, Log Turner Brace	S09605	1	◆
22	Bolt, 1/2-13 X 1 1/2" Hex Head Grade 5	F05008-33	1	
23	Washer, 1/2" SAE Flat	F05011-2	1	
24	Nut, 1/2-13 Hex Nylon Lock	F05010-8	1	
	Paint, Orange Aerosol	P04498	1	
	CYLINDER ASSEMBLY, HYDRAULIC LOG TURNER	A09286	1	
25	Cylinder, 8" X 2 1/2" Hydraulic	P12846 ⁶	1	◆
	Seal Kit, 8" x 2 1/2" Hydraulic Cylinder	P12955 ⁷	1	
	Seal Kit With Instructions, 8" X 2 1/2" Hydraulic Cylinder	A12239 ⁸	1	
	Seal Kit, 8" X 2 1/2" Hydraulic Cylinder	P10145	1	◆
	Instruction Sheet, Hydraulic Cylinder Seal Replacement	A12239-415	1	
26	Fitting, 90° Male Elbow	P09142	2	

¹ Turner arm 015233 replaces W12340 originally supplied. Requires change in quantity of F05008-35 bolts and F05010-8 nuts from 5 to 2.

² Painted claw 014675 replace unpainted S09146.

³ Parts not required if turner arm replaced after 5/97. New arm includes welded stop pin. S09913 replaces S09913-W (part number change only).

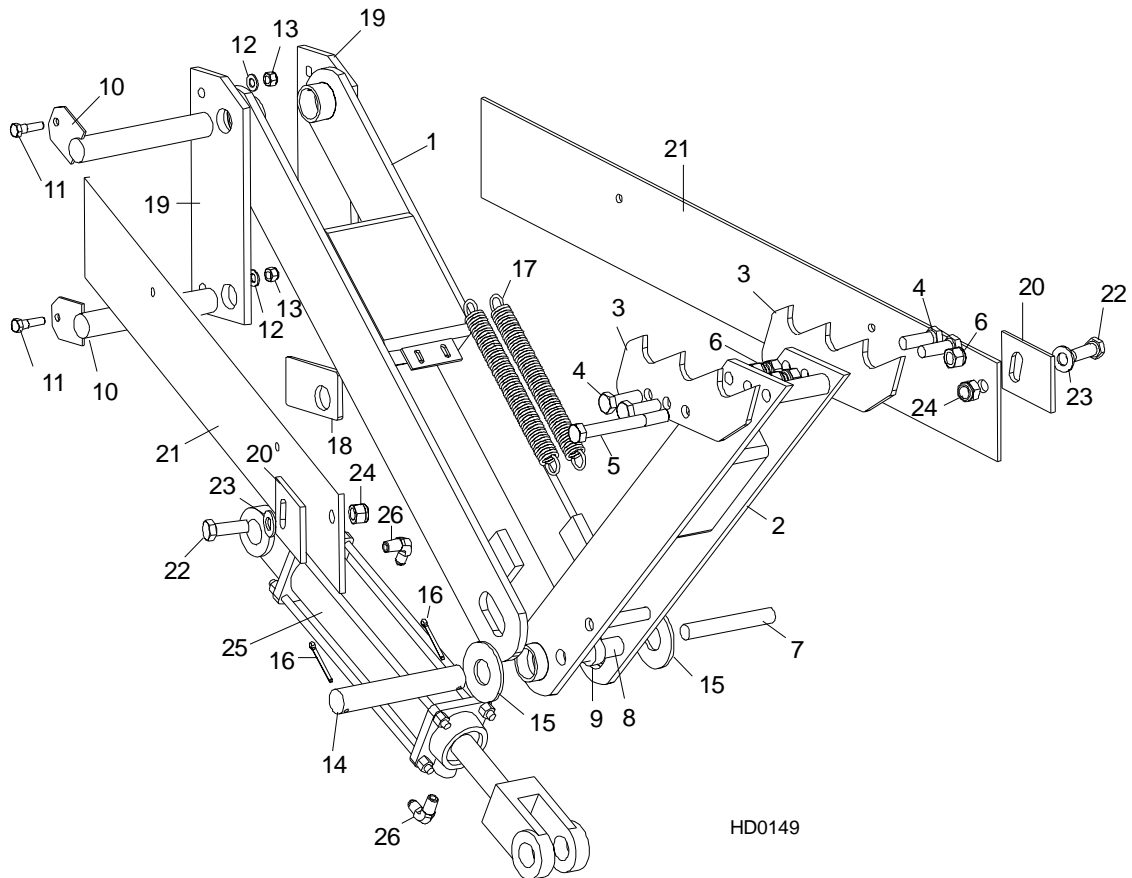
⁴ Replaces S09247-W.

⁵ Replaces S09116 originally supplied on Rev. C7 - E3.

⁶ Welded cylinder P12847 replaces P09128 tie rod cylinder originally supplied before Rev. F5.

⁷ Seal kit applicable only to welded cylinders supplied on Rev. F5 - F7.

⁸ Seal kit applicable only to tie rod cylinders originally supplied on Rev. C7 - F4.



HD0149

FIG. 8-10

8 Hydraulic System

Hydraulic Log Side Supports

8.11 Hydraulic Log Side Supports				
REF	DESCRIPTION (◆ Indicates Parts Available In Assemblies Only)	PART #	QTY.	
1	SUPPORT, HYDRAULIC LOG SIDE	W12339	2	
	MOUNTING KIT, HYDRAULIC LOG SIDE SUPPORT	K09344	2	
2	Pin, Log Side Support Pivot	W09238	1	
3	Plate, Log Side Support End	S09148	1	
4	Bolt, 1/2-13 X 3 1/2" Hex Head	F05008-15	2	
5	Washer, 1/2" SAE Flat	F05011-2	2	
6	Nut, 1/2-13 Hex Nylon Lock	F05010-8	3	
7	Bolt, 1/2-13 X 1 1/2" Hex Head Grade 5	F05008-33	1	
8	Washer, 1/2" I.D. X 1 1/2" O.D. X .1196"	S09225	1	
9	FITTING, 3/16" GREASE	P04107	4	
	CYLINDER ASSEMBLY, HYDRAULIC LOG SIDE SUPPORT	A09283	1	
10	Cylinder, 6" X 2" Hydraulic	P12845 ¹	1	◆
	Seal Kit, 6" x 2" Hydraulic Cylinder	P12954 ²	1	
	Seal Kit With Instructions, 6" X 2" Hydraulic Cylinder	A12240 ³	1	
	Seal Kit, 6" X 2" Hydraulic Cylinder	P10146	1	◆
	Instruction Sheet, Hydraulic Cylinder Seal Replacement	A12239-415	1	
11	Fitting, 90° Male Elbow	P09142	1	
12	Fitting, C3529x4 90° Pipe	P09140	2	
13	Fitting, C3759x4 Male 'T'	P09141	2	
14	Fitting, C5205x4x4 Male Connector	P09143	3	
	Valve Assembly, Hydraulic Sequence	A09207	2	
15	Block, Sequence Valve	S09205-W	1	◆
16	Plug, 1/16" NPT Pipe	P09206	2	
17	Ball, 3/8" Steel	P09133	2	◆
18	Spring, Hydraulic Sequence Valve	P09135	1	◆
19	Spring, Hydraulic Sequence Valve (Heavy)	P11644	1	◆
20	Retainer, Valve Spring	S09204-W ⁴	2	◆
21	ROD, HYDRAULIC SIDE SUPPORT LINK	S12744 ⁵	1	
22	END, 1/2" ROD	P09137	2	
23	BOLT, 1/2-13 X 2 1/4" HEX HEAD GRADE 5	F05008-10	2	
24	WASHER, 1/2" SAE FLAT	F05011-2	4	
25	NUT, 1/2-13 HEX NYLON LOCK	F05010-8	2	
26	NUT, 1/2-20 HEX JAM	F05010-16	1	
27	PIN, CYLINDER MOUNT	S09251	2	
28	WASHER, 1" SAE FLAT	F05011-28	4	
29	PIN, 3/16" X 1 1/2" COTTER	F05012-23	4	

¹ Welded cylinder P12845 replaces P09125 tie rod cylinder originally supplied before Rev. F5.

² Seal kit applicable only to welded cylinders supplied on Rev. F5 - F7.

³ Seal kit applicable only to tie rod cylinders originally supplied on Rev. C7 - F4.

⁴ Removed from assembly 7/94. Fittings hold the springs in the assembly which is not field-serviceable.

⁵ Rod Kit K09343 not available. Order individual items as required.

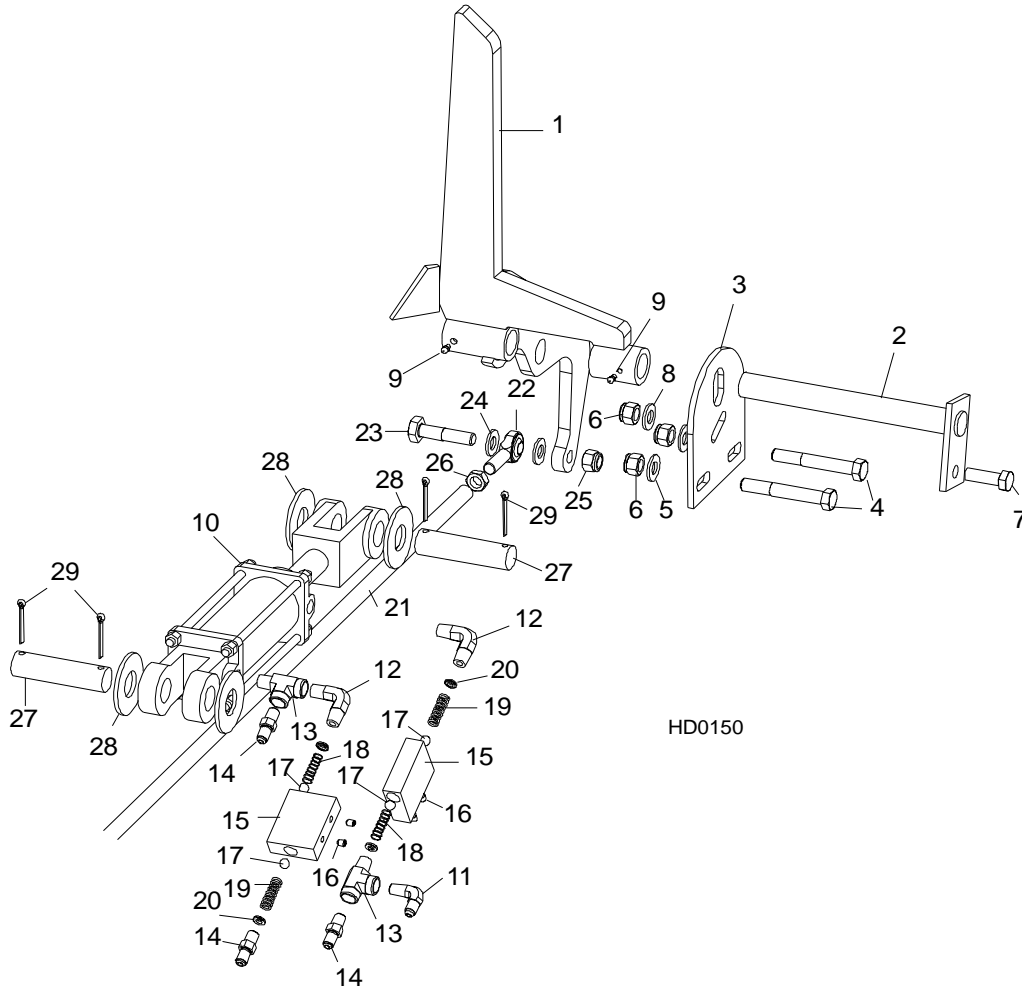


FIG. 8-11

8 Hydraulic System

Hydraulic Log Clamp Activator

8.12 Hydraulic Log Clamp Activator

REF	DESCRIPTION (◆ Indicates Parts Available In Assemblies Only)	PART #	QTY.
	PLATE ASSEMBLY, HYDRAULIC CLAMP END	014614 ¹	1
1	Plate, Hydraulic Clamp End	S09660	1
2	Arm Pivot, Clamp Activator	014615	1
3	Arm, Clamp Activator	014613	1
4	Spring, Clamp Activator Compression	014617	1
5	Fitting, 3/16" Grease	P04107	1
6	Nut, 3/8-16 Hex Nylon Lock	F05010-10	1
7	Collar, Clamp Activator Arm	014616	1
8	Screw, 1/4-20 x 3/8" Socket Head Cup Point Set	F05005-47	1
9	Spring, Clamp Activator Torsion	014618	1
10	Pin, 3/16" x 1 1/4" Roll	F05012-16	2
11	Washer, 3/8" SAE Flat	F05011-3	1
12	Washer, 5/16" Split Lock	F05011-13	1
13	Bolt, 5/16-18 x 3/4" Hex Head	F05006-5	1

¹ Replaces A09640 originally supplied. Spring-loaded activator provides more consistent clamp operation.

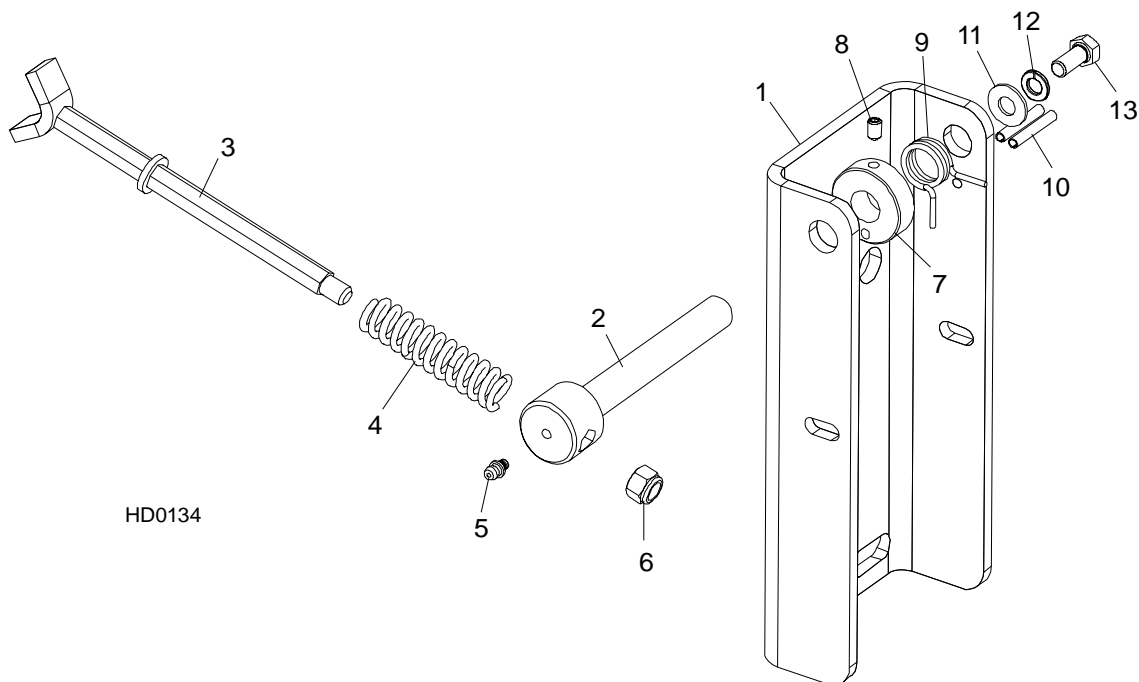


FIG. 8-12

8.13 Hydraulic Log Clamp				
	<i>LT30HD</i>	<i>Rev. C8 - F7</i>		
	<i>LT40HD</i>	<i>Rev. C8 - F7</i>		
REF	DESCRIPTION (◆ Indicates Parts Available In Assemblies Only)	PART #	QTY.	
	CLAMP KIT, 30" HYDRAULIC LOG	K09465	1	
	Clamp Assembly, 30" Hydraulic Log	A11792	1	◆
1	Tube, 30" Hydraulic Log Clamp	W11802	1	
2	Arm, 30" Hydraulic Log Clamp (Front)	W11793	1	
3	Fitting, 3/16" Straight Grease	P04107	1	
4	Arm, 30" Hydraulic Log Clamp (Rear)	W11795	1	
	Fitting, 3/16" Straight Grease	P04107	1	
5	Arm, 30" Hydraulic Log Clamp Link	W11799	1	
6	Fitting, 3/16" Straight Grease	P04107	2	
7	Plate, Clamp Slide Pad Mount	W09422	1	
	Box/plate Assembly, Hydraulic Clamp	A09635	1	
8	Box Weldment, Hydraulic Clamp	W12069 ¹	1	◆
9	Plate Weldment, Hydraulic Clamp	W12752 ²	1	
10	Pin Weldment, Hydraulic Clamp Plate Pivot	W09639	1	
11	Arm, Clamp Prop	W09638	1	
12	Plate, Clamp Prop Arm End	S09649	1	
13	Spacer, Clamp Prop Arm	S09657	1	
14	Bolt, 1/4-20 X 1 1/2" Hex Head Grade 2	F05005-5	1	
15	Bolt, 1/4-20 X 1" Hex Head Grade 2	F05005-38	1	
16	Nut, 1/4-20 Hex Self-Locking	F05010-9	4	
17	Spring, .36 O.D. X 2.5" Extension	P11817	2	
18	Nut, 1/4-20 Hex Lock	F05010-21	2	
19	Screw, 3/8-16 X 1/2" Socket Head	F05007-50	2	
20	Washer, 5/8" SAE Flat	F05011-5	2	
21	Bushing, 5/8" I.D. Bronze	P05135	2	
22	Screw, 1/4-20 X 3/4" Socket Head	F05005-26	1	
23	Fitting, 3/16" Straight Grease	P04107	1	
24	Pad, Clamp Box Plastic Slide	S09219	2	
25	Button, Bronze	S09167-W	4	
26	Screw, 1/2-13 X 1 1/2" Flat Point Set	F05008-31	3	
27	Nut, 1/2-13 Hex Jam	F05010-31	3	
	Plate Assembly, Hydraulic Clamp End	A09640 ³	1	◆
28	Plate, Hydraulic Clamp End	S09660	1	
	Clamp Kit, Y-Activator	K12872	1	
29	Arm Pivot, Clamp Activator	W09642	1	
30	Arm, Clamp Activator	W09641-N	1	
31	Spring, .5 X 3.75 X .08 Extension Modified	S09661 ⁴	1	
32	Spring, Clamp Die Compression	P09663	1	

8

Hydraulic System*Hydraulic Log Clamp*

33	Bolt, 5/16-18 X 1 1/2" Hex Head Full Thread	F05006-2	1	
34	Nut, 5/16-18 Hex Self-retaining	F05010-20	2	
35	Bolt, 3/8-16 X 3 1/2" Square Head Grade 5	F05007-38	1	
36	Nut, 3/8-16 Hex	F05010-1	1	
37	Collar, 5/8" I.D.	P05035	2	
38	Nut, 5/8-11 Hex Nylon Lock	F05010-34	2	
39	Bearing, Hydraulic Clamp Bronze	P09464	2	
40	Bolt, 1/2-13 X 6 1/2" Hex Head	F05008-6	1	
41	Spacer, Clamp	S09493	1	
42	Nut, 1/2-13 Hex Nylon Lock	F05010-8	1	
	Cylinder Assembly, Hydraulic Log Clamp	A09285	1	
43	Cylinder, 8" X 3" Hydraulic	P12847 ⁵	1	◆
	Seal Kit, 8" x 3" Hydraulic Cylinder	P12956 ⁶	1	
	Seal Kit With Instructions, 8" X 3" Hydraulic Cylinder	A12238 ⁷	1	
	Seal Kit, 8" X 3" Hydraulic Cylinder	P10144	1	◆
	Instruction Sheet, Hydraulic Cylinder Seal Replacement	A12238-415	1	
44	Fitting, 90° Male Elbow	P09142	2	
45	Pin, Clamp Cylinder Mount	S09246 ⁸	2	
46	Pin, Clamp Pivot	S09247 ⁹	1	
47	Washer, 1" SAE Flat	F05011-28	6	
48	Pin, 3/16" X 1 1/2" Cotter	F05012-23	6	
49	Bolt, 3/8-16 X 5" Hex Head Grade 2	F05007-5	2	
50	Washer, 3/8" SAE Flat	F05011-3	2	
51	Nut, 3/8-16 Hex Nylon Lock	F05010-10	2	
52	Bolt, 3/8-16 X 4 1/2" Hex Head Grade 2	F05007-35	2	
53	Bolt, 1/2-13 X 1 1/2" Hex Head Grade 5	F05008-33	2	
54	Washer, 1/2" SAE Flat	F05011-2	2	
55	Nut, 1/2-13 Hex Lock	F05010-3	2	
	Clamp Extension Assembly	A12208 ¹⁰	1	
56	Clamp Extension, 3" Hydraulic	W09922	1	◆
57	Pin, 5/16" X 1" Retaining	F05012-45	1	
	CLAMP STOP KIT, HYDRAULIC LOG	K09485	1	
58	Plate, Clamp Stop	W09404	1	
59	Bolt, 1/2-13 X 1 1/2" Hex Head Grade 5	F05008-33	2	
60	Washer, 1/2" SAE Flat	F05011-2	2	
61	Nut, 1/2-13 Hex Nylon Lock	F05010-8	2	
62	BRACKET, LOG CLAMP SUPPORT	S11810 ¹¹	1	

¹ Replaces W09636 originally supplied on Rev. C7 - D3.

² Replaces W09637 originally supplied on Rev. C7 - D3. Use W12752 painted clamp plate to replace W12068 unpainted clamp plate.

³ Use 014614 to replace original activator assembly A09640 (See Section 8.12).

⁴ Service part only. Modified P08538 spring.

⁵ Welded cylinder P12847 replaces P09128 tie rod cylinder originally supplied before Rev. F5.

⁶ Seal kit applicable only to welded cylinders supplied on Rev. F5 - F7.

⁷ Seal kit applicable only to tie rod cylinders originally supplied on Rev. C7 - F4.

⁸ Replaces S09246-W. Pins on LT30HD Rev. C8033 - D6101 and LT40HD Rev. C8343 - D6595 should be replaced with upgraded pin (marked with white paint). Improved pin material will prevent pin from breaking when clamp is forced beyond its operating limits.

⁹ Replaces S09247-W.

¹⁰ Replaces W09922 on Rev. C7 - D4. Retaining pin added for more convenient storage of clamp when not in use.

¹¹ S11810 required if retrofitting Rev. C7 with 30" clamp.

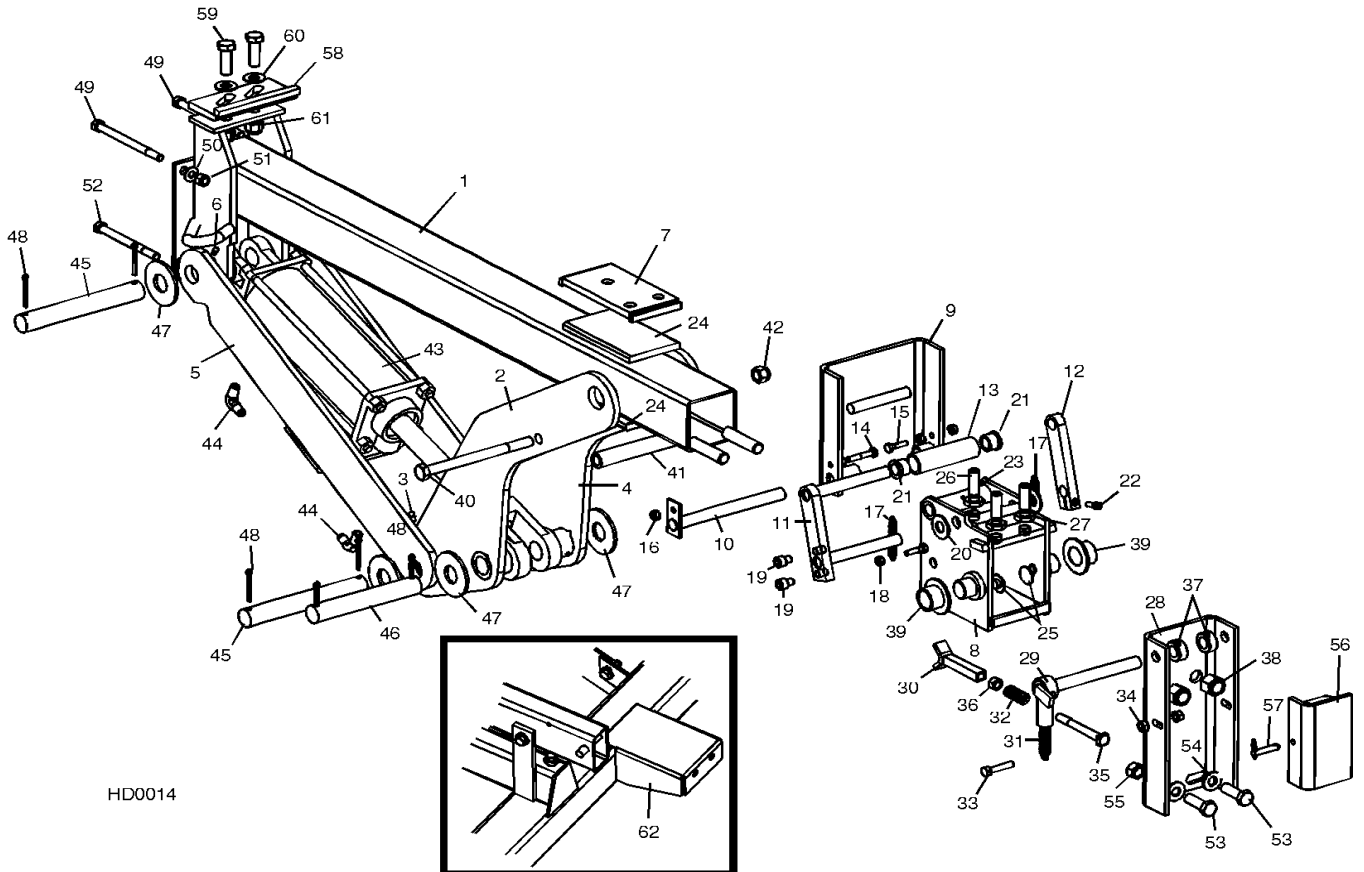


FIG. 8-13

8.14 Hydraulic Log Clamp				
	<i>LT30HD</i>	<i>Rev. C7</i>		
	<i>LT40HD</i>	<i>Rev. C7</i>		
REF	DESCRIPTION (◆ Indicates Parts Available In Assemblies Only)	PART #	QTY.	
	CLAMP KIT, 24" HYDRAULIC LOG	K09465 ¹	1	◆
	Clamp Assembly, 24" Hydraulic Log	A09287	1	
1	Tube, 24" Hydraulic Log Clamp	W09263	1	◆
2	Arm, 24" Hydraulic Log Clamp (Front)	W09269	1	
3	Fitting, 3/16" Straight Grease	P04107	1	
4	Arm, 24" Hydraulic Log Clamp (Rear)	W09271	1	
	Fitting, 3/16" Straight Grease	P04107	1	
5	Arm, 24" Hydraulic Log Clamp Link	W09273	1	
6	Fitting, 3/16" Straight Grease	P04107	2	
7	Plate, Clamp Slide Pad Mount	W09422	1	
	Box/Plate Assembly, Hydraulic Clamp	A09635	1	
8	Box Weldment, Hydraulic Clamp	W12069 ²	1	◆
9	Plate Weldment, Hydraulic Clamp	014675 ³	1	◆
10	Pin Weldment, Hydraulic Clamp Plate Pivot	W09639	1	
11	Arm, Clamp Prop	W09638	1	
12	Plate, Clamp Prop Arm End	S09649-W	1	
13	Spacer, Clamp Prop Arm	S09657-W	1	
14	Bolt, 1/4-20 X 1 1/2" Hex Head Grade 2	F05005-5	1	
15	Bolt, 1/4-20 X 1" Hex Head Grade 2	F05005-38	1	
16	Nut, 1/4-20 Hex Self-Locking	F05010-9	4	
17	Spring, .36 O.D. X 2.5" Extension	P11817 ⁴	2	
18	Nut, 1/4-20 Hex Lock	F05010-21	2	
19	Screw, 3/8-16 X 1/2" Socket Head	F05007-50	2	
20	Washer, 5/8" SAE Flat	F05011-5	2	
21	Bushing, 5/8" I.D. Bronze	P05135	2	
22	Screw, 1/4-20 X 3/4" Socket Head	F05005-26	1	
23	Fitting, 3/16" Straight Grease	P04107	1	
24	Pad, Clamp Box Plastic Slide	S09219	2	
25	Button, Bronze	S09167-W	4	
26	Screw, 1/2-13 X 1 1/2" Flat Point Set	F05008-31	3	
27	Nut, 1/2-13 Hex Jam	F05010-31	3	
	Plate Assembly, Hydraulic Clamp End	A09640 ⁵	1	◆
28	Plate, Hydraulic Clamp End	S09660	1	
	Clamp Kit, Y-Activator	K12872	1	
29	Arm Pivot, Clamp Activator	W09642	1	
30	Arm, Clamp Activator	W09641-N	1	
31	Spring, .5 X 3.75 X .08 Extension Modified	S09661 ⁶	1	
32	Spring, Clamp Die Compression	P09663	1	

8

Hydraulic System*Hydraulic Log Clamp*

33	Bolt, 5/16-18 X 1 1/2" Hex Head Full Thread	F05006-2	1	
34	Nut, 5/16-18 Hex Self-Locking	F05010-20	2	
35	Bolt, 3/8-16 X 3 1/2" Square Head Grade 5	F05007-38	1	
36	Nut, 3/8-16 Hex	F05010-1	1	
37	Collar, 5/8" I.D.	P05035	2	
38	Nut, 5/8-11 Hex Nylon Lock	F05010-34	2	
39	Bearing, Hydraulic Clamp Bronze	P09464	2	
40	Bolt, 1/2-13 X 6 1/2" Hex Head	F05008-6	1	
41	Spacer, Clamp	S09493	1	
42	Nut, 1/2-13 Hex Nylon Lock	F05010-8	1	
	Cylinder Assembly, Hydraulic Log Clamp	A09285	1	
43	Cylinder, 8" X 3" Hydraulic	P12847 ⁷	1	◆
	Seal Kit, 8" x 3" Hydraulic Cylinder	P12956 ⁸	1	
	Seal Kit With Instructions, 8" X 3" Hydraulic Cylinder	A12238 ⁹	1	
	Seal Kit, 8" X 3" Hydraulic Cylinder	P10144	1	◆
	Instruction Sheet, Hydraulic Cylinder Seal Replacement	A12238-415	1	
44	Fitting, 90° Male Elbow	P09142	2	
45	Pin, Clamp Cylinder Mount	S09246 ¹⁰	2	
46	Pin, Clamp Pivot	S09247 ¹¹	1	
47	Washer, 1" SAE Flat	F05011-28	6	
48	Pin, 3/16" X 1 1/2" Cotter	F05012-23	6	
49	Bolt, 3/8-16 X 5" Hex Head Grade 2	F05007-5	2	
50	Washer, 3/8" SAE Flat	F05011-3	2	
51	Nut, 3/8-16 Hex Nylon Lock	F05010-10	2	
52	Bolt, 3/8-16 X 4 1/2" Hex Head Grade 2	F05007-35	2	
53	Bolt, 1/2-13 X 5 1/2" Hex Head Grade 5	F05008-28	2	
54	Washer, 1/2" SAE Flat	F05011-2	2	
55	Nut, 1/2-13 Hex Lock	F05010-3	2	
	Clamp Extension Assembly	A12208 ¹²	1	
56	Clamp Extension, 3" Hydraulic	W09922	1	◆
57	Pin, 5/16" X 1" Retaining	F05012-45	1	
58	PLATE, CLAMP STOP	W09404	1	
59	BOLT, 1/2-13 X 1 1/2" HEX HEAD GRADE 5	F05008-33	2	
60	WASHER, 1/2" SAE FLAT	F05011-2	2	
61	NUT, 1/2-13 HEX NYLON LOCK	F05010-8	2	

¹ 24" Clamp assembly replaced by 30" assembly on Rev. C8 - F7. Also requires support bracket S11810. [See Section 8.13 Hydraulic Log Clamp.](#)

² Replaces W09636 originally supplied on Rev. C7 - D3.

³ Painted claw 014675 replace unpainted S09146.

⁴ Replaces P08539 originally supplied on Rev. C7.

⁵ Use 014614 to replace original activator assembly A09640 ([See Section 8.12](#)).

⁶ Service part only. Modified P08538 spring.

⁷ Welded cylinder P12847 replaces P09128 tie rod cylinder originally supplied before Rev. F5.

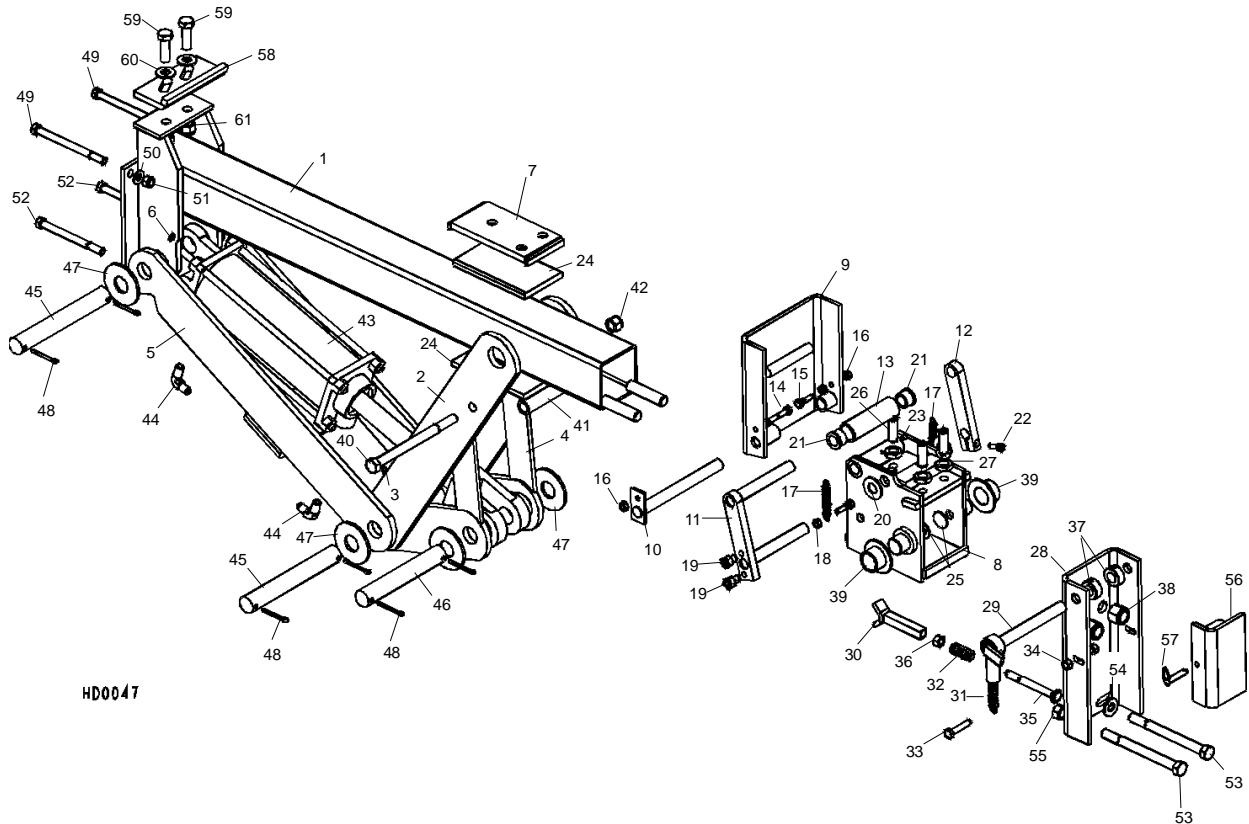
⁸ Seal kit applicable only to welded cylinders supplied on Rev. F5 - F7.

⁹ Seal kit applicable only to tie rod cylinders originally supplied on Rev. C7 - F4.

¹⁰ Replaces S09246-W.

¹¹ Replaces S09247-W.

¹² Replaces W09922 on Rev. C7 - D4. Retaining pin added for more convenient storage of clamp when not in use.



HD0047

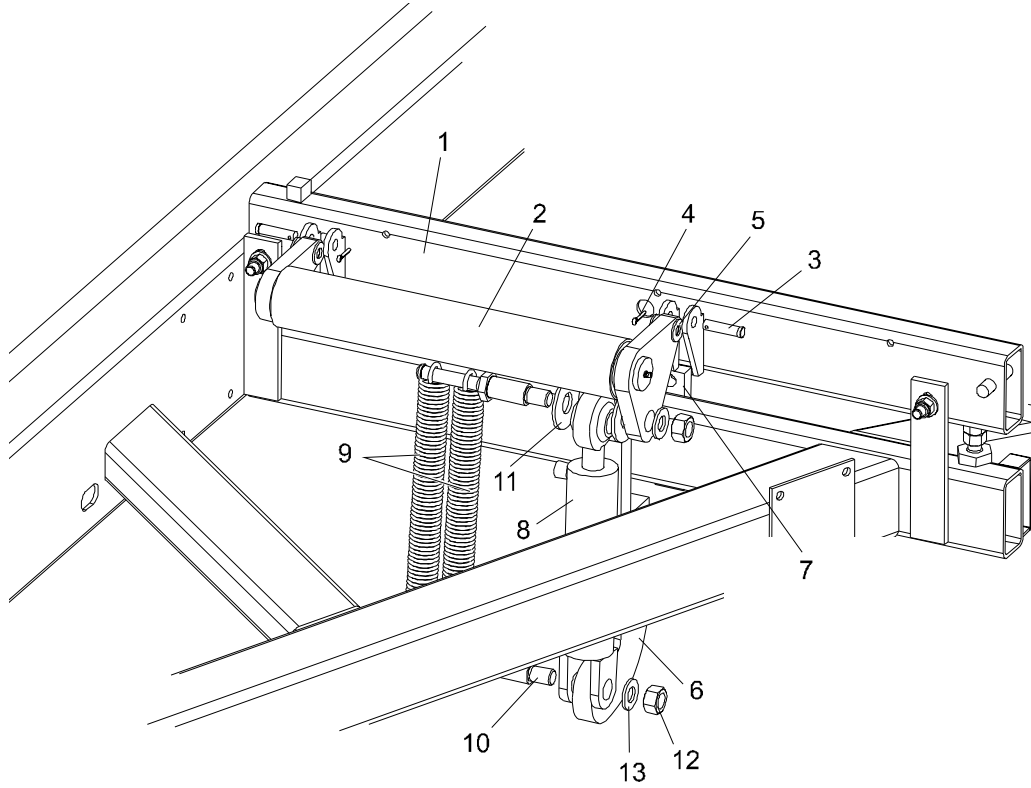
FIG. 8-14

8.15 Hydraulic Toe Board (Roller-Style)				
<i>LT30HD</i>		<i>Retrofit</i>		
<i>LT40HD</i>		<i>Retrofit</i>		
REF	DESCRIPTION (◆ Indicates Parts Available In Assemblies Only)	PART #	QTY.	
	TOE BOARD ASSEMBLY, HYDRAULIC	014440 ¹	1	
1	Bed Rail, Adjustable Long	S09102	2	◆
	Bolt, Assembly, Bed Rail	A09775	2	◆
	Nut, 5/8-11 Hex	F05010-54	1	
	Bolt, Bed Rail Adjustment	S13006	1	
2	Toe Board Weldment	W13025	2	
3	Pin, 1/2-1 3/4 Clevis	F05012-82 ²	4	
4	Pin, 1/8" x 3/4" Cotter	F05012-3 ³	4	
5	Washer, 1/2" SAE Flat	F05011-2	8	
6	Mount, Toe Board Cylinder	S13022	2	
7	Bracket, Toe Board Cylinder Mount	S13023	2	
	Bolt, 5/6-18 x 1 1/2" Hex Head Full Thread	F05009-19	4	
	Washer, 5/8" Split Lock	F05011-27	4	
8	Cylinder, Toe Board	014426	2	
	Muffler, 1/4" NPT Air	P20904	2	
	Fitting, 90° Elbow Male	P09142	2	
9	Spring, Toe Board Retrofit	014428	4	
10	Pin, Clevis Toe Board	014427	4	
11	Washer, 1" ID SAE Flat	F05011-28	2	
12	Nut, 3/4-10 Self-Locking	F05010-80	4	
13	Washer, 3/4" Flat	F05011-29	4	
	Hose Assembly, 1/4" x 9" Hydraulic	014437	2	◆
	Hose, 1/4" ID	R02130	.75 ft.	
	Fitting, 1/4" Hydraulic Compr.	P09132	2	◆
	Fitting, 1/4" JIC Coupling	014436	2	
	WRENCH, BED RAIL ADJUSTMENT (NOT SHOWN)	015970	1	

¹ Optional retrofit upgrades mill to roller-style toe boards. Available 4/96.

² Clevis pin replaces F05008-25 bolt (8/96). Use of clevis pin also requires cotter pin F05012-3.

³ Cotter pin replaces F05010-8 nut (8/96). Use of cotter pin also requires clevis pin F05012-82.



HD0085C

FIG. 8-15

8 Hydraulic System

Hydraulic Toe Board

8.16 Hydraulic Toe Board

REF	DESCRIPTION (◆ Indicates Parts Available In Assemblies Only)	PART #	QTY.
	TOE BOARD ASSEMBLY, HYDRAULIC	A09665	2
1	Housing, Hydraulic Toe Board	W09666	1
2	Piston, Hydraulic Toe Board	W09667	1
3	Seal, Hydraulic Toe Board	P09740	1
4	Tube, Hydraulic Toe Board Guide	W10027	2
5	Spring, Hydraulic Toe Board	P09742	2
6	Washer, 1/2" SAE Flat	F05011-2	2
7	Nut, 1/2-13 Hex Nylon Lock	F05010-8	2
8	Fitting, 90° Male Elbow	P09142	1
9	Bolt, 1/2-13 X 3" Hex Head Full Thread	F05008-7	2
10	WASHER, 1/2" SAE FLAT	F05011-2	4
11	NUT, 1/2-13 HEX NYLON LOCK	F05010-8	4

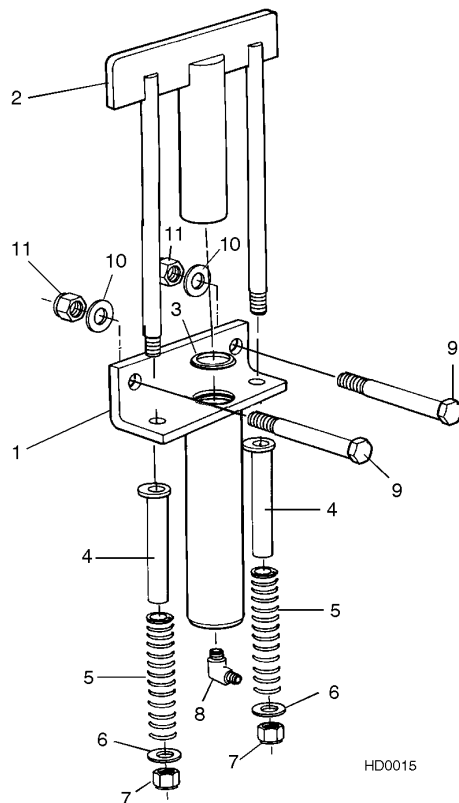


FIG. 8-16

B

battery box 4-7, 4-11, 4-15

bed rails

front/rear 7-2

middle 7-3

pivot 7-4

blade guide

drive side 2-4

idle side 2-2

throat screw 2-28

blade guide arm 2-14, 2-16

blade tensioner 2-12

blade wheel

drive side 2-6

idle side 2-8, 2-10

C

clutch/brake lever 2-18, 2-20, 2-22

control box 4-2, 4-4

covers 3-4

D

decals 3-2

H

hydraulic

control box 8-3, 8-6, 8-8

hoses 8-1, 8-2

log loader 8-14, 8-16

log turner 8-18

power strip 8-12

pump replacement parts 8-10

side support 8-20

toe board 8-30, 8-32

L

legs

stationary 7-6

P

parts list

how to use 1-1

power feed 6-4

S

scale

blade height 5-4, 5-6

side supports 7-5

sight gauge 5-2

T

track rollers

lower 6-6, 6-7

upper 6-2

U

up/down 5-8, 5-10

v-brace mount 5-2

W

water lube

bottle/tray assembly 2-24

