

Wood-Mizer®

Parts Manual

LT20 Series AH
LT20 Series DH

rev. D3.03
rev. D2.05



Safety is our #1 concern! Read and understand all safety information and instructions before operating, setting up or maintaining this machine.

April 2003

Form #620

Table of Contents

Section-Page

SECTION 1	GENERAL INFORMATION	1-1
1.1	How To Use The Parts List	1-1
1.2	Sample Assembly	1-1
SECTION 2	BLADE GUIDE ROLLERS & ARM	2-1
2.1	Blade Guide Assembly, Idle Side.....	2-1
2.2	Blade Guide Assembly, Drive Side.....	2-3
2.3	Blade Guide Arm & Rollers	2-5
2.4	Blade Guide Arm Drive Assembly.....	2-6
SECTION 3	BLADE WHEELS & TENSIONER	3-1
3.1	Blade Wheel Assembly, Drive Side	3-1
3.2	Blade Wheel Assembly, Idle Side.....	3-3
3.3	Blade Tensioner Assembly.....	3-5
SECTION 4	SAW HEAD	4-1
4.1	Middle Throat Screw	4-1
4.2	Drive Belt Tensioner, DC Sawmills	4-2
4.3	Water Lube Assembly	4-4
4.4	LT20AC Saw Head Decals	4-6
4.5	LT20DC Saw Head Decals	4-8
4.6	Blade Housing Cover	4-10
4.7	Control Box (AC Sawmills).....	4-12
4.8	Control Box (DC Sawmills).....	4-14
4.9	Drum Switches	4-16
4.10	Sawdust Chute.....	4-17
4.11	Up/Down Cable Chain Assembly	4-18
SECTION 5	UP/DOWN ASSEMBLY	5-1
5.1	Up/Down Assembly, AC Mills	5-1
5.2	Up/Down Assembly, DC Mills	5-3
5.3	Up/Down Chain Tensioner Assembly.....	5-5
5.4	Battery Box Assembly, DC Mills.....	5-6
SECTION 6	UP/DOWN ROLLERS & BLADE HEIGHT SCALE	6-1
6.1	Up/Down Rollers.....	6-1
6.2	Blade Height Scale	6-3
6.3	Limit Switches.....	6-5

Table of Contents

Section-Page

SECTION 7 POWER FEED & TRACK ROLLERS

7-1

7.1	Power Feed Assembly, AC Mills	7-1
7.2	Power Feed Assembly, DC Mills	7-3
7.3	Upper Track Rollers And Wipers	7-5
7.4	Lower Track Rollers	7-7

SECTION 8 BED FRAME ASSEMBLY

8-1

8.1	Bed Rail Assembly, Front (S/M type frame).....	8-1
8.2	Bed Rail Assembly, Rear (S/M type frame).....	8-2
8.3	Bed Rail Assembly, Front Middle (S/M type frame).....	8-3
8.4	Bed Rail Assembly, Rear Middle (S/M type frame).....	8-4
8.5	Clamp Mount Assembly, Front (AH5/7).....	8-5
8.6	Clamp Mount Assembly, Rear (AH5/7).....	8-6
8.7	Bed Rail Assembly (L type frame).....	8-7
8.8	Bed Rail Assembly (L type frame).....	8-8
8.9	Stationary Leg	8-10
8.10	Pivot Bed Rail Assembly.....	8-12
8.11	Board Return Table, Podpora stacjonarna.....	8-14
8.12	“M” Frame Option.....	8-16
8.13	Log Side Support Assembly (Manual)	8-18
8.14	Tie Down Chain Assembly	8-20
8.15	Bed Frame Decals.....	8-21

SECTION 9 HYDRAULIC SYSTEM

9-1

9.1	Hydraulic Hoses, LT20 Series A/DH	9-1
9.2	Hydraulic Hoses, LT20 Series DH.....	9-3
9.3	Hydraulic Control Box, LT20 Series AH3	9-4
9.4	Hydraulic Control Box, LT20 Series AH5/7.....	9-7
9.5	Hydraulic Control Box, LT20 Series DH3.....	9-10
9.6	Hydraulic Control Box, LT20 Series DH5/7.....	9-13
9.7	Hydraulic Power Supply Strip (DC).....	9-16
9.8	Hydraulic Log Loader	9-18
9.9	Hydraulic Log Turner	9-20
9.10	Hydraulic Log Side Supports	9-22
9.11	Hydraulic Log Clamp, Main.....	9-24
9.12	Hydraulic Pull Down Clamp	9-26
9.13	Hydraulic Toe Board	9-28

SECTION 1 GENERAL INFORMATION

1.1 How To Use The Parts List

- Use the index above to locate the assembly that contains the part you need.
- Go to the appropriate section and locate the part in the illustration.
- Use the number pointing to the part to locate the correct part number and description in the table.
- Parts shown indented under another part are included with that part.
- Parts marked with a diamond (◆) are only available in the assembly listed above the part.

See the sample table below. Sample Part #A01111 includes part F02222-2 and subassembly A03333. Subassembly A03333 includes part S04444-4 and subassembly K05555. The diamond (◆) indicates that S04444-4 is not available except in subassembly A03333. Subassembly K05555 includes parts M06666 and F07777-77. The diamond (◆) indicates M06666 is not available except in subassembly K05555.

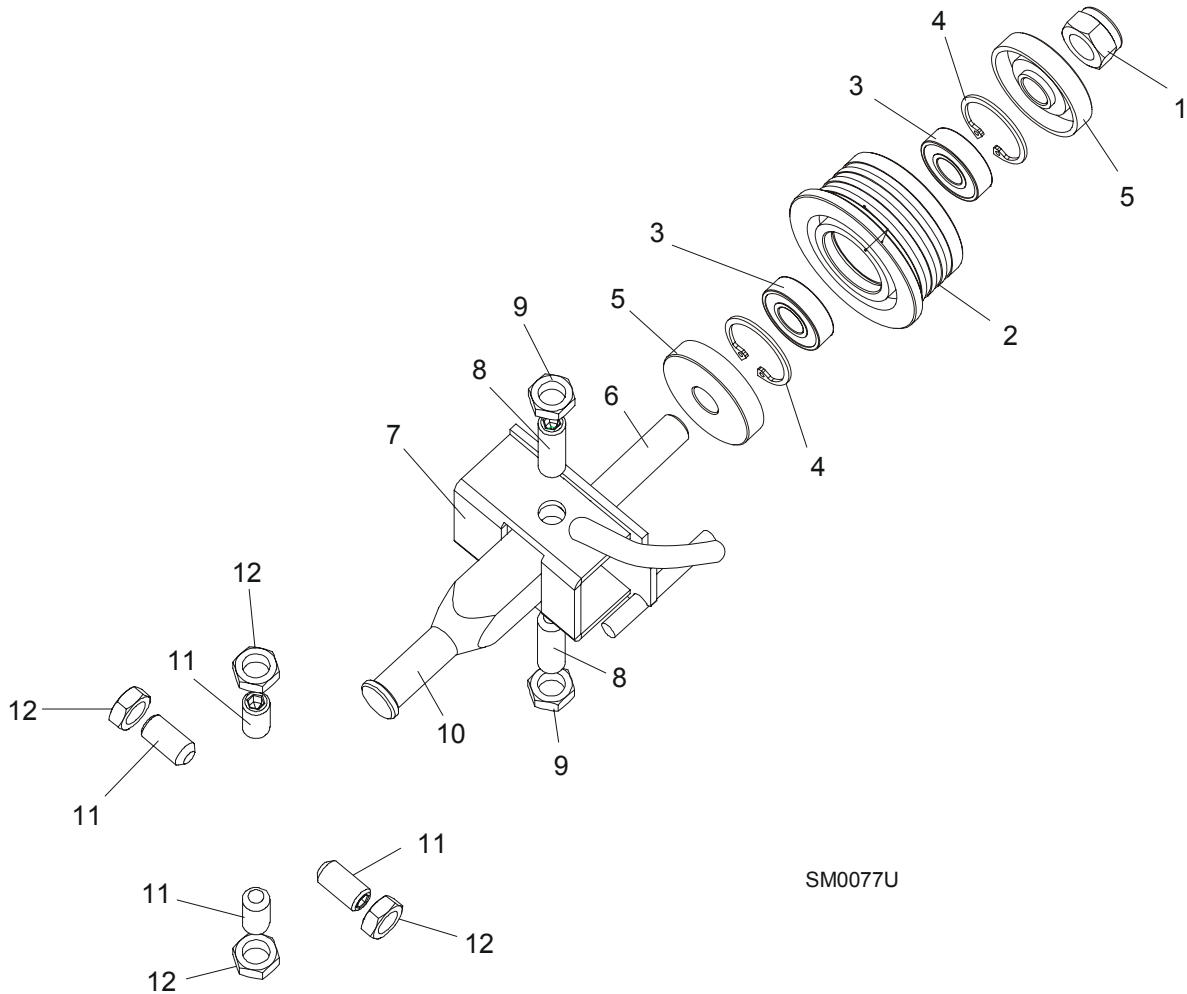
1.2 Sample Assembly				
REF	DESCRIPTION (◆ Indicates Parts Available In Assemblies Only)	PART #	QTY.	
	Sample Assembly, Complete (Includes All Indented Parts Below)	A01111	1	
1	Sample Part	F02222-22	1	
	Sample Subassembly (Includes All Indented Parts Below)	A03333	1	
2	Sample Part (◆ Indicates Part Is Only Available With A03333)	S04444-4	1	◆
	Sample Subassembly (Includes All Indented Parts Below)	K05555	1	
3	Sample Part (◆ Indicates Part Is Only Available With K05555)	M06666	2	◆
4	Sample Part	F07777-77	1	

To Order Parts:

- From Europe call our European Headquarters and Manufacturing Facility in Kolo, Poland at **+48-63-2626000**. From the continental U.S., call our toll-free Parts hotline at **1-800-448-7881**. Have your customer number, vehicle identification number, and part numbers ready when you call.
- From other international locations, contact the Wood-Mizer distributor in your area for parts.

SECTION 2 BLADE GUIDE ROLLERS & ARM

2.1 Blade Guide Assembly, Idle Side



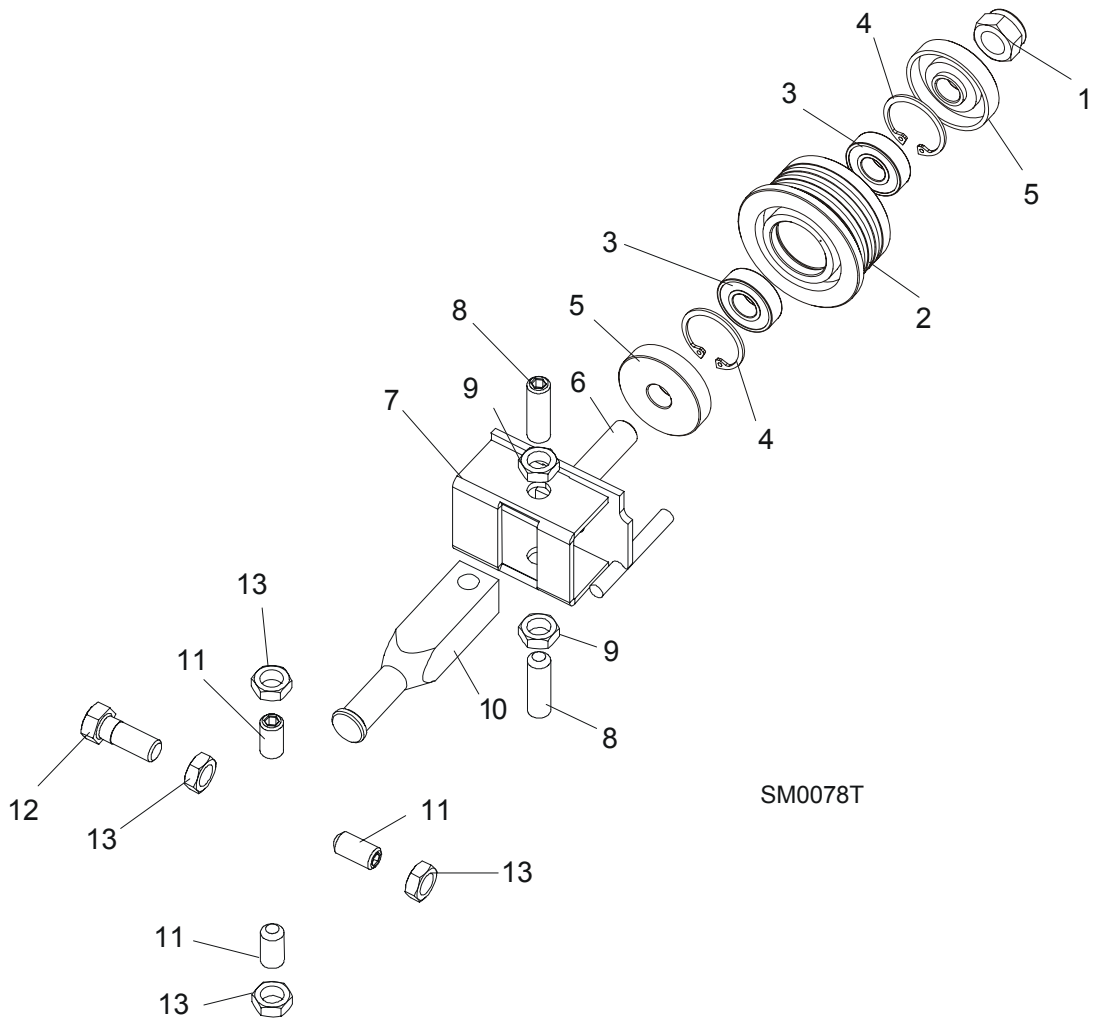
SM0077U

REF	DESCRIPTION (◆ Indicates Parts Available In Assemblies Only)	PART #	QTY.	
	BLADE GUIDE ASSEMBLY, IDLE SIDE	094683	1	
	Roller, Blade Guide Complete Standard	087887	1	
1	Nut, M12-8 Hex Nylon Zinc Lock	F81034-2	1	
2	Roller, Blade Guide Narrow	087889	1	◆
3	Bearing, 6001 2RSR FAG	087893	2	
4	Ring, W28 Inside Retaining	F81090-9	1	
5	Washer, Zinc-plated Spacer	087891-1	2	
6	Shaft, Blade Guide Roller Zinc-plated	087763-1	1	
7	Bracket Weldment, Idle Side Blade Guide Painted	094681-1	1	
8	Screw, M10x1x40 DIN 913 A2-70 Set Stainless Steel	F81015-2	2	

2**Blade Guide Rollers & Arm***Blade Guide Assembly, Idle Side*

9	Nut, M10x1-04-ST-A2 ISO 8675 Thin	F81033-10	2	
10	Shaft, Blade Guide Mount Zinc-plated	088255-1	1	
11	SCREW, M10X1X20 DIN 913 SET STAINLESS STEEL	F81015-1	4	
12	NUT, M10x1-04-ST-A2 ISO 8675 THIN	F81033-10	4	

2.2 Blade Guide Assembly, Drive Side

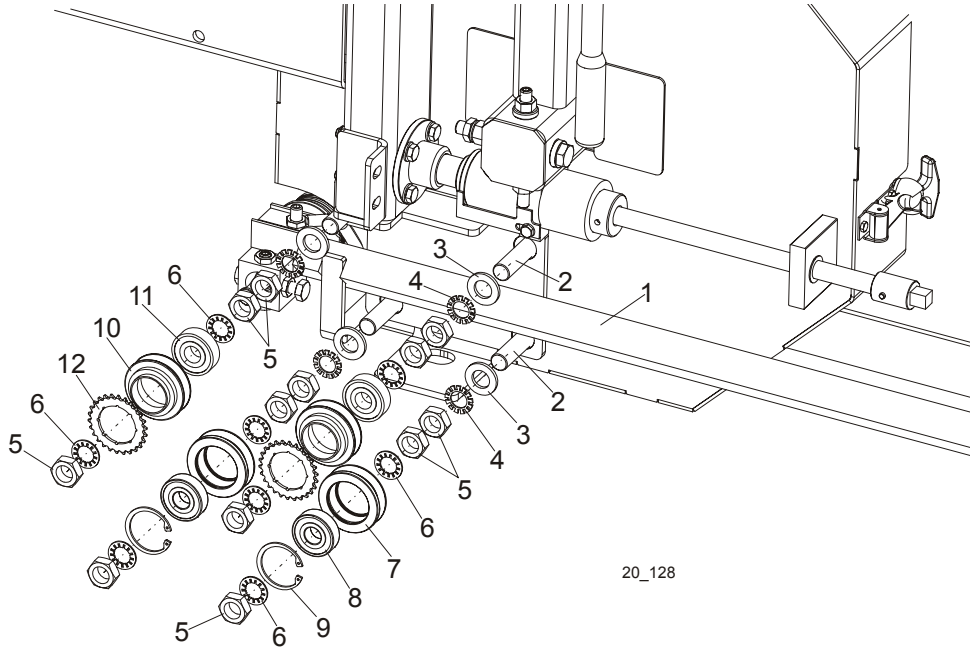


REF	DESCRIPTION (◆ Indicates Parts Available In Assemblies Only)	PART #	QTY.	
	BLADE GUIDE ASSEMBLY, DRIVE SIDE	094682	1	
	Roller, Blade Guide Complete Standard	087887	1	
1	Nut, M12-8 Hex Nylon Zinc Lock	F81034-2	1	
2	Roller, Blade Guide Narrow	087889	1	◆
3	Bearing, 6001 2RSR FAG	087893	2	
4	Ring, W28 Inside Retaining	F81090-9	1	
5	Washer, Zinc-plated Spacer	087891-1	2	
6	Shaft, Blade Guide Roller Zinc-plated	087763-1	1	
7	Bracket Weldment, Blade Guide Painted	094679-1	1	
	Screw Kit, Blade Guide Adjustment w/Nuts (for two blade guide assemblies)	K09942	1	
8	Screw, M10x1x40 DIN 913 A2-70 Set Stainless Steel	F81015-2	2	
9	Nut, M10x1-04-ST-A2 ISO 8675 Thin	F81033-10	2	

2**Blade Guide Rollers & Arm***Blade Guide Assembly, Drive Side*

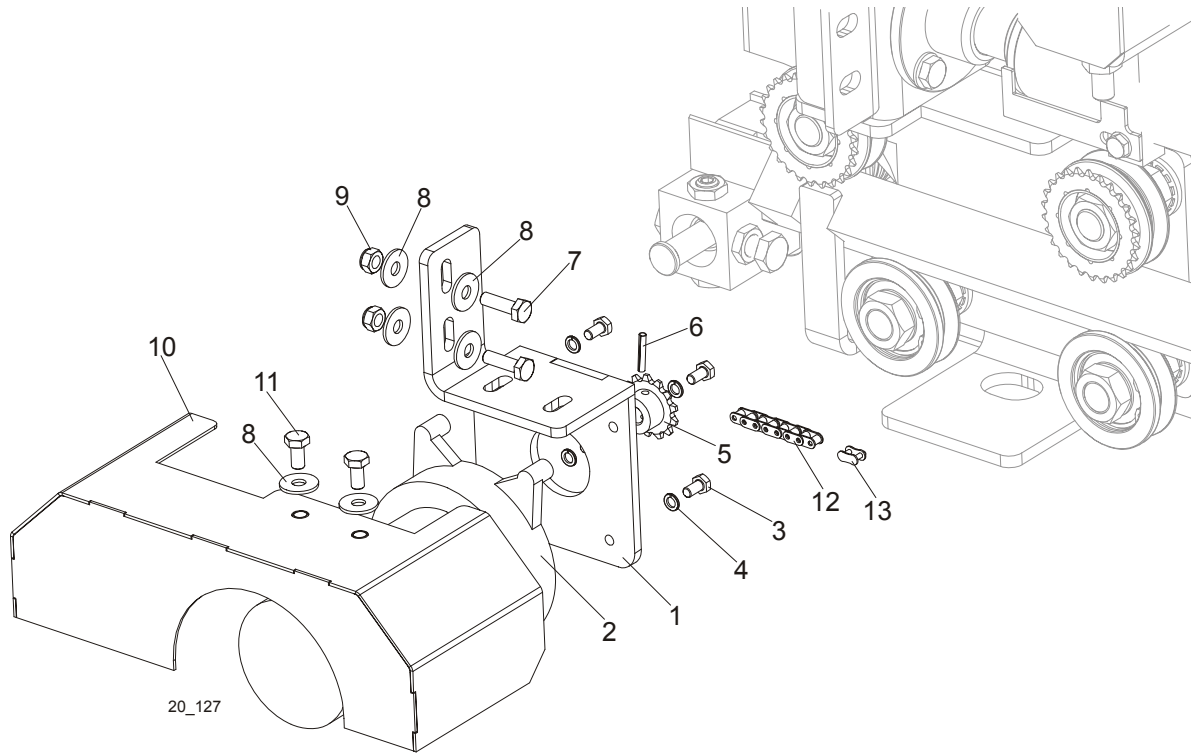
10	Shaft, Blade Guide Mount Zinc-plated	088255-1	1	
11	SCREW, M10X1X20 DIN 913 SET STAINLESS STEEL	F81015-1	3	
12	BOLT, M10X1X25 DIN 933 STAINLESS STEEL	F81003-28	1	
13	NUT, M10x1-04-ST-A2 ISO 8675 THIN	F81033-10	4	

2.3 Blade Guide Arm & Rollers



REF	DESCRIPTION (◆ Indicates Parts Available In Assemblies Only)	PART #	QTY.	
1	BLADE GUIDE ARM WELDMENT	096397-1	1	
2	BOLT, BLADE GUIDE ARM ROLLER CAM	086508-1	4	
3	WASHER, M16,FLAT ZINC	F81058-1	4	
4	WASHER, 5/8" EXTERNAL STAR	F05011-26	4	
5	NUT, 5/8-18 HEX JAM	F05010-11	12	
6	WASHER, 5/8" INTERNAL STAR	F05011-25	8	
	ROLLER ASSY, BLADE GUIDE ARM WITH BEARING	093855	2	
7	Roller, Blade Guide Arm V-Groove	093856-1	1	◆
8	Bearing, 6203 2RSP6-5/8 CX	095087	1	
9	Ring, W40 Retaining	F81090-3	1	
	ROLLER ASSY, BLADE GUIDE ARM DRIVE	A09932	2	
10	Roller, Blade Guide Arm Drive	S09930	1	◆
11	Bearing, 6203-2 RSP6-5/8 CX	095087	1	
12	Sprocket	S09931	1	◆

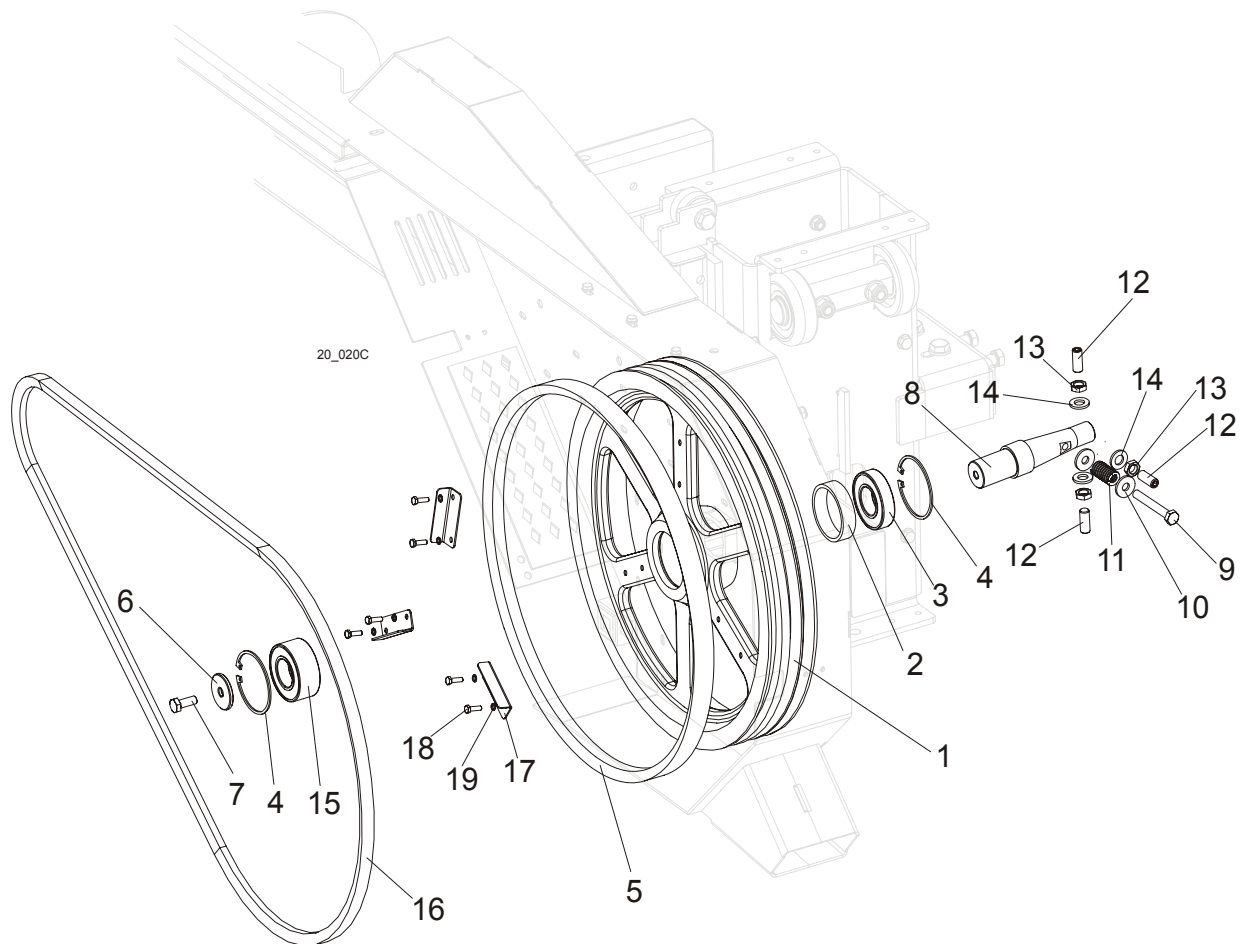
2.4 Blade Guide Arm Drive Assembly



REF	DESCRIPTION (◆ Indicates Parts Available In Assemblies Only)	PART #	QTY.
	DRIVE ASSEMBLY, BLADE GUIDE ARM	096396	1
1	Bracket, Blade Guide Arm Motor Mount	096390-1	1
2	Motor, Blade Guide Arm 53:1 Gear	P09698-1	1
3	Screw, 10-32x1/2 HH Machine	F05004-60	4
4	Washer, 5.1 Split Lock	F81052-2	4
5	Sprocket, 25B13x.3130	P09970	1
6	Pin, 1/8x3/4 Roll	F05012-6	1
7	Bolt, M6x20mm, HH, Full Thread, Zinc	F81001-2	2
8	Washer, 6.5 Flat Zinc	F81053-11	6
9	Nut, M6, Hex, Nylon Lock Zinc	F81031-2	2
10	COVER, LT20 BLADE GUIDE ARM MOTOR	097424-1	1
11	BOLT, M6X12MM HEX HEAD ZINC	F81001-7	2
12	CHAIN, 20 1/4IN #25	P09984	1
13	LINK, 25 MASTER	P09983	1

SECTION 3 BLADE WHEELS & TENSIONER

3.1 Blade Wheel Assembly, Drive Side

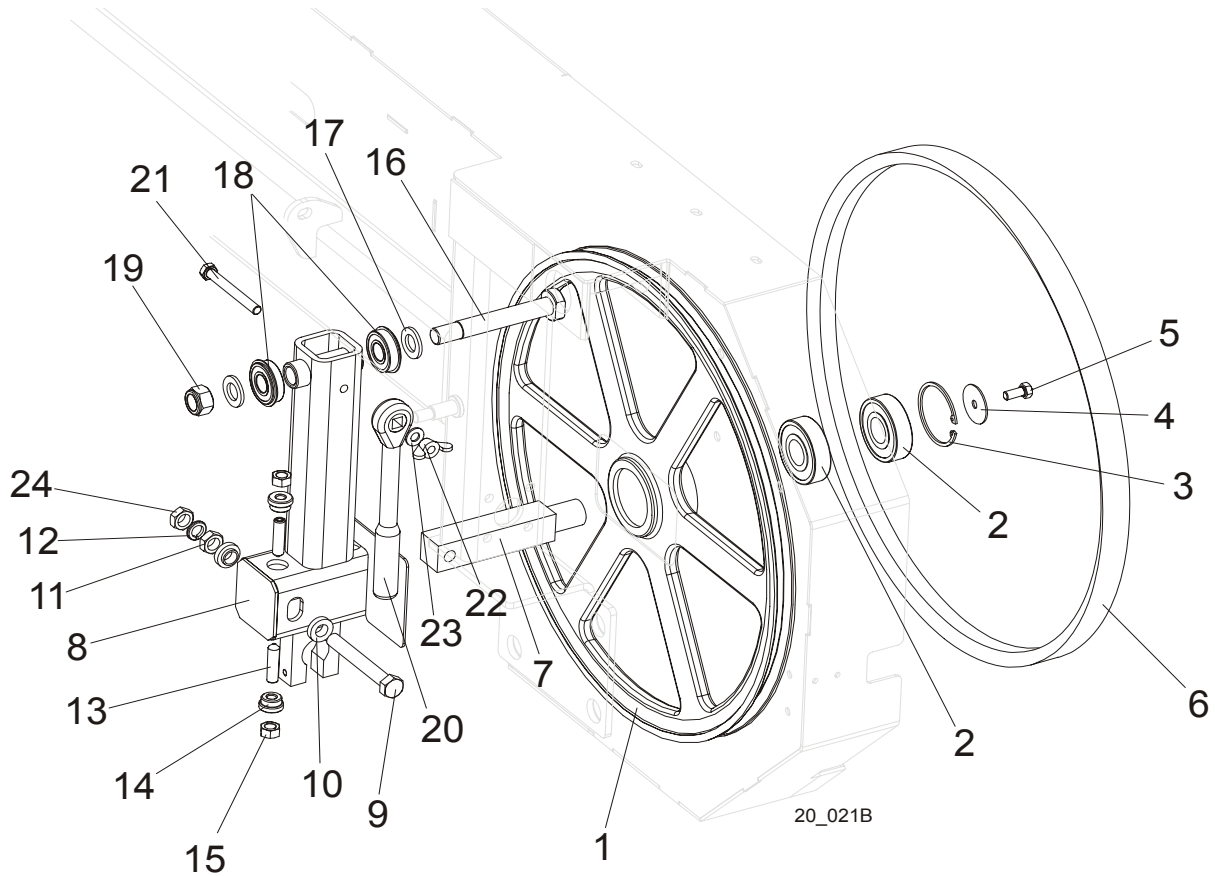


REF	DESCRIPTION (◆ Indicates Parts Available In Assemblies Only)	PART #	QTY.
	BLADE WHEEL ASSEMBLY, LT20 DRIVE SIDE	091612	1
1	Wheel, LT20 Drive Side Blade	090646-1	1
2	Bushing, Bearing Spacer	096778	1
3	Bearing, 6207 2RS 35x72x17 FAG	014811	1
4	Ring, W72 Retaining	F81090-4	2
5	Belt, B57 Blade Wheel	P04185	1
6	Washer, Drive Side Blade Wheel	092006	1
7	Bolt, M10x25-8.8 Hex Head Full Thread Zinc	F81003-11	1
8	Shaft, LT15/20 Drive Side Blade Wheel	093850	1
9	Bolt, M10x75-8.8 Hex Head Zinc	F81003-15	1
10	Washer, 10.5 Special Flat Zinc	F81055-6	2
11	Spring, 19x38 Compression	034430	1
12	Screw, M12x1,25x30 DIN913 Set	F81016-1	4

3**Blade Wheels & Tensioner***Blade Wheel Assembly, Drive Side*

13	Washer, 13 Flat Zinc	F81056-1	4	
14	Nut, M12x1,25 DIN439 Thin Stainless Steel	F81034-9	4	
15	Bearing, 3207B, 2RSR. TVH FAQ	092005	1	
16	Drive Belt, 2BX81, AC Sawmills (E11, E15) Drive Belt, 2BX84, DC Sawmills (D17, D22 & G25)	014819-2 (AC) 088110 (DC)	1 2	
17	Wing	097808-1	3	
18	Bolt, M6x20mm, HH, Full Thread, Zinc	F81001-2	6	
19	Washer, M6 Split Lock Zinc	F81053-3	6	

3.2 Blade Wheel Assembly, Idle Side

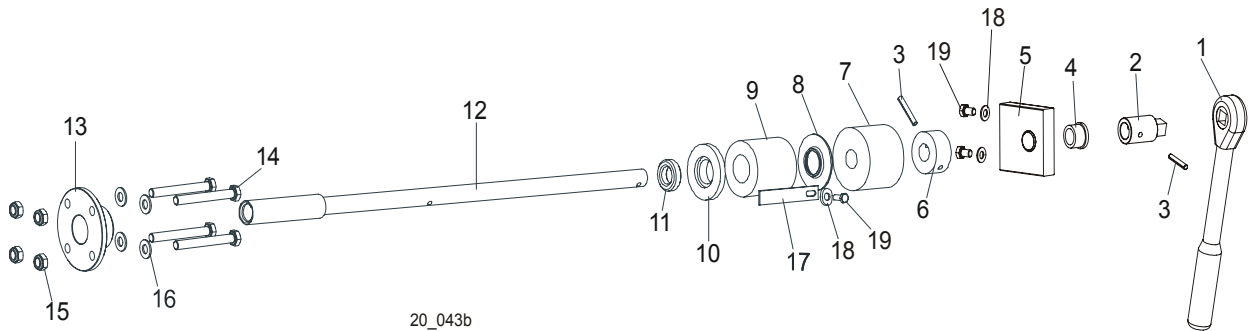


REF	DESCRIPTION (◆ Indicates Parts Available In Assemblies Only)	PART #	QTY.
	WHEEL ASSEMBLY, IDLE SIDE BLADE	A08218	1
1	Sheave, 18.62" Idler	P08125	1
2	Bearing, 6305 2RS NSK	P08066	2
3	Ring, 2 7/16" Inside Retaining	F04254-21	1
4	WASHER, WHEEL RETAINING ZINC-PLATED	093854-1	1
5	BOLT, M8 x 25mm HEX HEAD GR 5.8 ZINC	F81002-5	1
6	BELT, B57 BLADE WHEEL	P04185	1
7	SHAFT, IDLE SIDE WHEEL METRIC	096045	1
8	HOUSING, IDLER SHAFT	091595	1
9	BOLT, M12X1.25X100-8.8 HEX HEAD FULL THREAD ZINC	F81004-41	1
10	SPACER, FLANGED ZINC-PLATED	086769-1	2
11	NUT, M12 X 1.25-8 HEX ZINC	F81034-8	1
12	WASHER, 12.2 SPLIT ZINC LOCK	F81056-2	1
13	SCREW, M10 X 40-45H HEX SOCKET SET CONE POINT ZINC	F81003-61	2
14	BUSHING, M10 IDLER SHAFT HOUSING	086987	2
15	NUT, M10-8-B HEX ZINC	F81033-3	2
16	PIN, IDLER ARM BEARINGS	086404	1
17	WASHER, 17 FLAT ZINC	F81058-1	2

3**Blade Wheels & Tensioner***Blade Wheel Assembly, Idle Side*

18	BEARING, 6203-2RS NR NSK W/RING	086395	2	
19	NUT, M16-8 HEX NYLON ZINC LOCK	F81036-2	1	
20	WRENCH, LT20 BLADE TENSION	091620	1	
21	BOLT, M10x90-8.8-B HEX HEAD ZINC	F81003-66	1	
22	STUD, M10x25-8.8 ZINC-PLATED	F81003-8	1	
23	WASHER, M10 FLAT ZINC	F81055-1	1	
24	NUT, M12x1.25 DIN439 THIN STAINLES STEEL	F81034-9	1	

3.3 Blade Tensioner Assembly



REF	DESCRIPTION (◆ Indicates Parts Available In Assemblies Only)	PART#	QTY.
	BLADE TENSIONER ASSEMBLY	090587	1
1	Wrench, LT20 Blade Tension	091620	1
2	End, LT20 Blade Tensioner Shaft	091606-1	1
3	Pin, 5 x 30 Zinc Roll	F81044-21	2
	Bracket, Tension Handle Mount w/Bushing	096729	1
4	Bushing GFM-1618-17(IGUS)	089589	1
5	Bracket, Painted	096730	1
6	Collar, Blade Tensioner	086712-1	1
7	Bushing, Rubber Stop	P12165	1
8	Guide, LT15 Tension Handle	014925	1
9	Spring, LT15 Rubber Blade Tensioner	014828	1
10	Washer, Rubber Spring Front	086674-1	1
11	Bearing, 51103 FLT Ball Thrust	086675	1
12	Shaft Weldment, Blade Tensioner Zinc-plated	086669-1	1
13	Nut, Blade Tensioner	086672-1	1
14	Bolt, M8x70 8.8 Hex Head Zinc	F81002-71	4
15	Nut, M8-8-B Hex Nylon Zinc Lock	F81032-2	4
16	Washer, 8.4 Zinc Flat	F81054-1	8
17	Indicator, LT15 Blade Tension Zinc-plated	086783-1	1
18	Washer, 6.4 Zinc Flat	F81053-1	1
19	Bolt, M6x16 8.8 Hex Head Full Thread Zinc	F81001-15	1

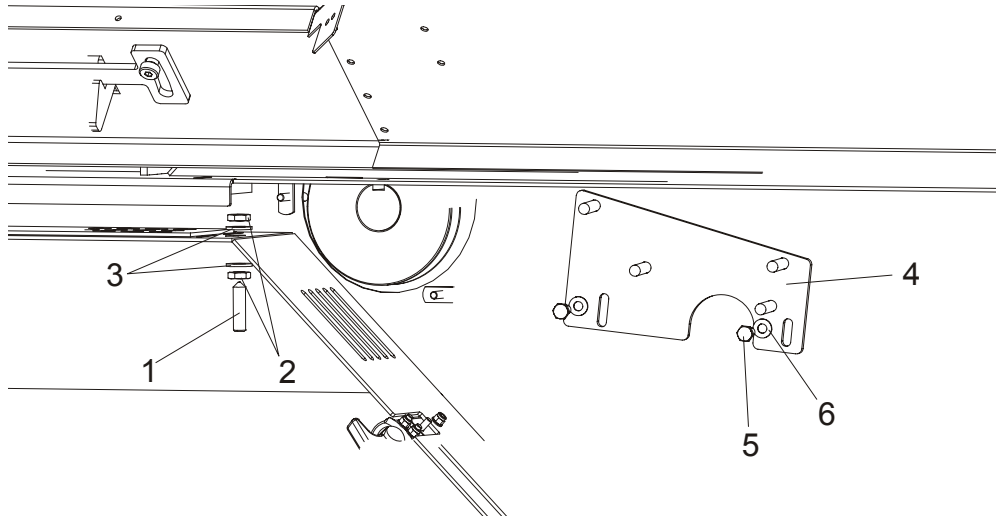
4

Saw Head

Middle Throat Screw

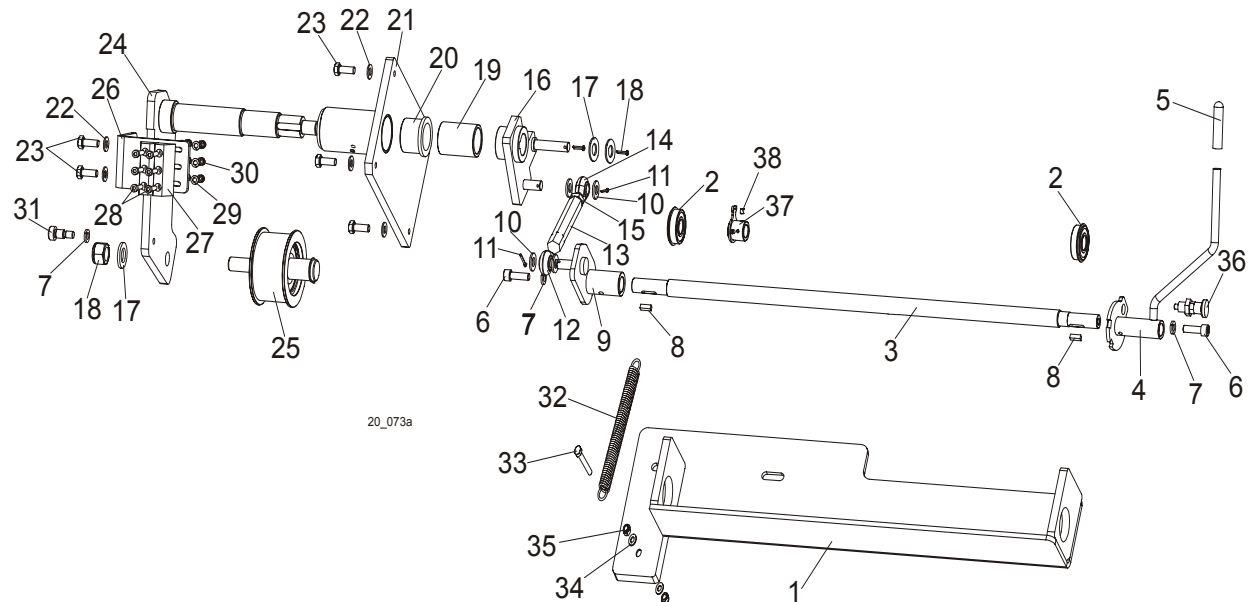
SECTION 4 SAW HEAD

4.1 Middle Throat Screw



REF	DESCRIPTION (◆ Indicates Parts Available In Assemblies Only)	PART #	QTY.	
1	SCREW, M10 X 40-45H HEX SOCKET SET CONE POINT ZINC	F81003-61	1	
2	NUT, M10-8-B ZINC HEX	F81033-6	2	
3	WASHER, 10.5 ZINC FLAT	F81055-1	2	
4	BRACKET, DRIVE BELT SUPPORT, UPPER	092668-1	1	
5	BOLT, M8X20-5.8 HEX HEAD FULL THREAD ZINC	F81002-1	2	
6	WASHER, 8.4 ZINC FLAT	F81054-1	2	

4.2 Drive Belt Tensioner, DC Sawmills

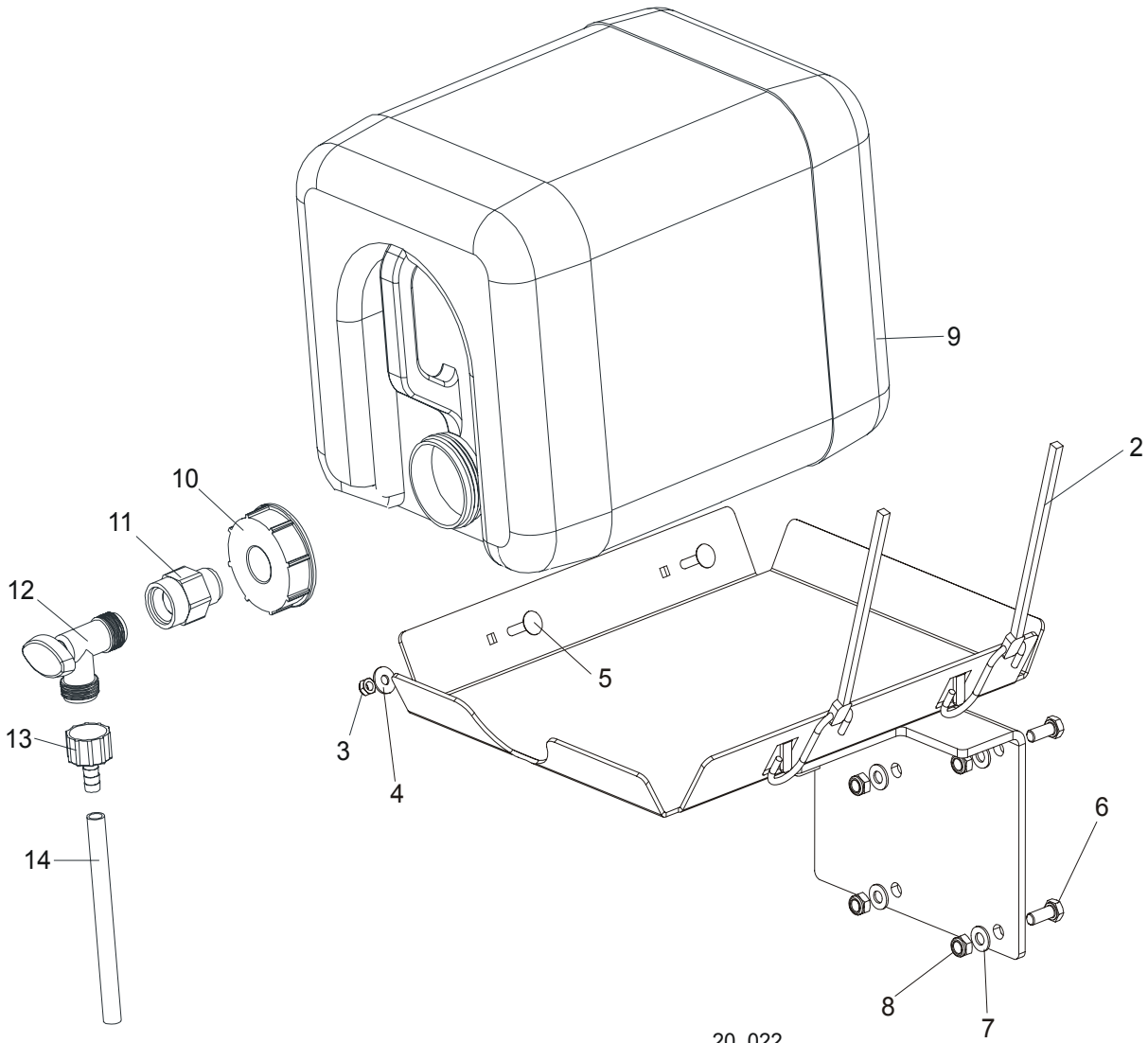


REF	DESCRIPTION (◆ Indicates Parts Available In Assemblies Only)	PART #	QTY.
	BELT TENSIONER, LT20 COMPLETE, D22	098456	1
	BELT TENSIONER, LT20 COMPLETE, G25	097842	1
1	Mount Weldment, Belt Tensioner Ptd	091169-1	1
2	Bearing, 6203-2RS NR NSK w/Ring	086395	2
3	Rod, LT20 Belt Tensioner Ptd	091176-1	1
4	Handle Weldment, Accelerate/Brake, Ptd	097837-1	1
5	Grip, Handle 1/2" ID x 3" Long	014835	1
6	Screw, M8x25 -8.8 Hex Socket Head Cap Zinc	F81002-21	2
7	Washer, 8.2 Split Lock Zinc	F81054-4	3
8	Key, B 5x5.1x14 Parallel	087365	2
9	Bracket, Belt Tensioner Pivot	091245-1	1
10	Washer, 10.5 Zinc Flat	F81055-1	4
11	Pin, 2.5x20 Zinc Cotter	F81043-1	2
12	Rod End, 7/16-20 Right-Hand Male	P11579	1
13	Turnbuckle, Clutch/Brake	S11577	1
14	Rod End, 7/16-20 Left-Hand Male	P11578	1
15	Nut, 7/16-20 Zinc	F05010-38	1
16	Arm Weldment, Belt Tensioner Ptd	091172-1	1
17	Washer, 17 Zinc Flat	F81058-1	2
18	Nut, M16-8 Hex Nylon Zinc Lock	F81036-2	2
19	Bushing, Spacer Ptd	091351-1	1
20	Bushing, MFM-3240-30 (IGUS)	088461	2
21	Mount Weldment, Tensioner Shaft Ptd	091112-1	1
22	Washer, 8.4 Zinc Flat	F81054-1	7
23	Bolt, M8x20-5.8 Hex Head Full Thread Zinc	F81002-1	6
24	Shaft Weldment, Belt Tensioner Ptd	097828-1	1

4**Saw Head***Drive Belt Tensioner, DC Sawmills*

25	Roller, Belt Tension	097832	1	
26	Bracket, Brake Block Mount Ptd	091248-1	1	
27	Block, F9150 123 Belt Tensioner Brake	087648	2	
28	Screw, M5x25-8.8 Hex Socket Head Cap Zinc	F81000-7	6	
29	Washer, 5.3 Zinc Flat	F81052-1	6	
30	Nut, M5-8 Zinc DIN 985	F81030-2	6	
31	Screw, M8x25-8.8 Hex Socket Head Cap Zinc	F81002-21	2	
32	Spring, Hydraulic Log Turner	P09136	1	
33	Bolt, M8x45-8.8 Hex Head Zinc	F81002-17	1	
34	Washer, 8.4 Zinc Flat	F81054-1	2	
35	Nut, M8-8-B Hex Nylon Zinc Lock	F81032-2	2	
36	Pin, Detent	089939	1	
37	Tension Member, (G25 Engine Only) Ptd	092535-1	1	
38	Set Screw M6x8	F81013-1	2	

4.3 Water Lube Assembly



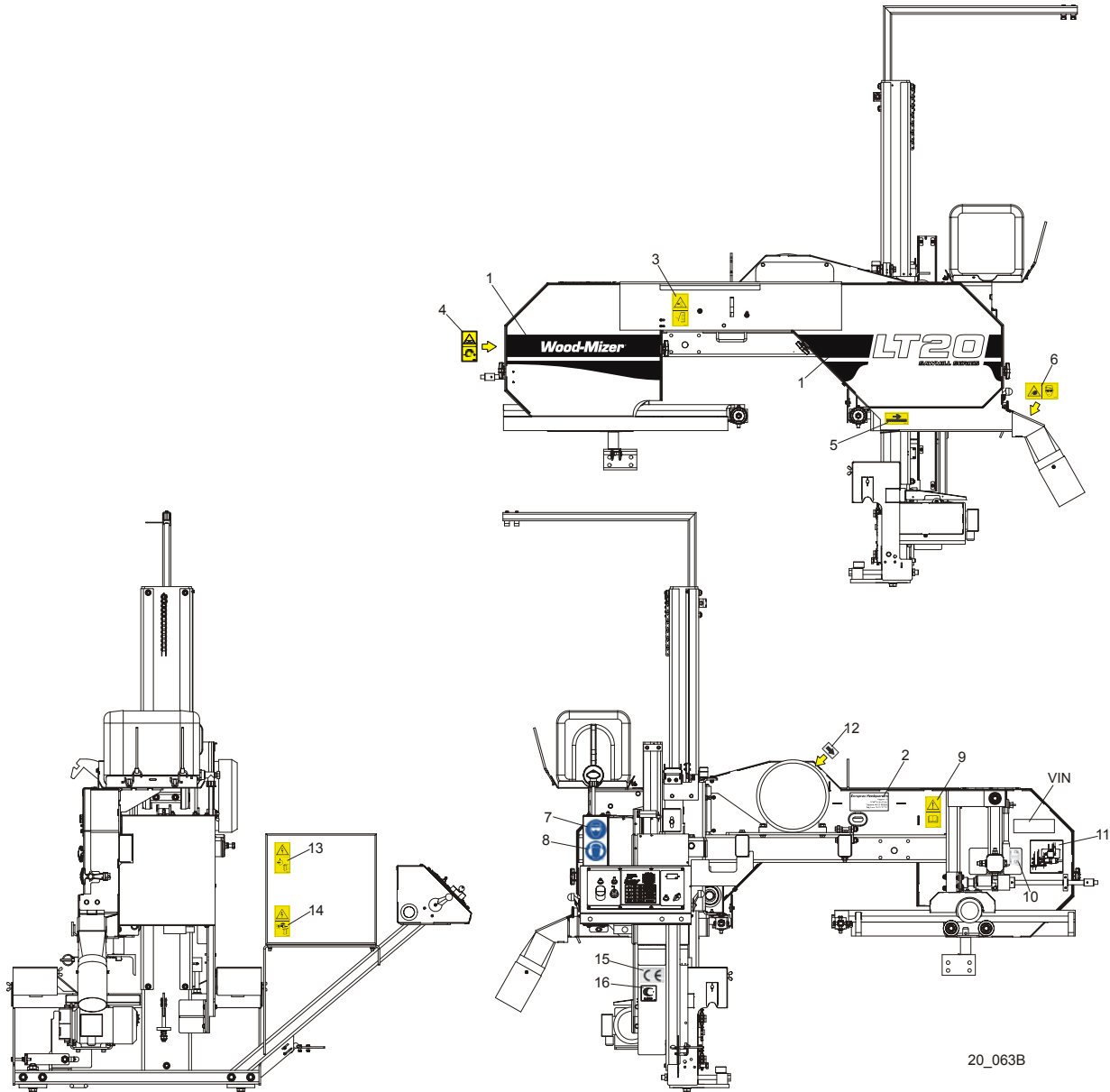
20_022

REF	DESCRIPTION (◆ Indicates Parts Available In Assemblies Only)	PART #	QTY.
	BOTTLE KIT, LT20 WATER LUBE	091036	1
1	Tray Weldment, LT20 Water Lube	091033-1	1
2	Strap, 20" Rubber	P11668	2
3	Nut, M6-8-B Hex Nylon Zinc Lock	F81031-2	2
4	Washer, 6.5 Zinc Flat	F81053-11	2
5	Bolt, M6x25-8.8 Carriage Head Zinc	F81001-20	2
6	Bolt, M8x20-8.8 Hex Head Full Thread Zinc	F81002-1	2
7	Washer, 8.4 Zinc Flat	F81054-1	2
8	Nut, M8-8-B Hex Nylon Zinc Lock	F81032-2	2
	Bottle Assembly, Water Lube	014642	1
9	Bottle, 19 l Water Lube	014637	1
10	Cap, Water Lube Bottle Buttress Thread	014773	1

4**Saw Head***Water Lube Assembly*

11	Fitting, 3/4FPT x 3/4MPT	014636	1	
12	Fitting, Water Lube Shutoff Valve	014100	1	
13	Fitting, 5/8" NPT to 3/8" Hose Barb	014113	1	
14	Tubing, Water Lube	R01885	2.1 m	

4.4 LT20AC Saw Head Decals



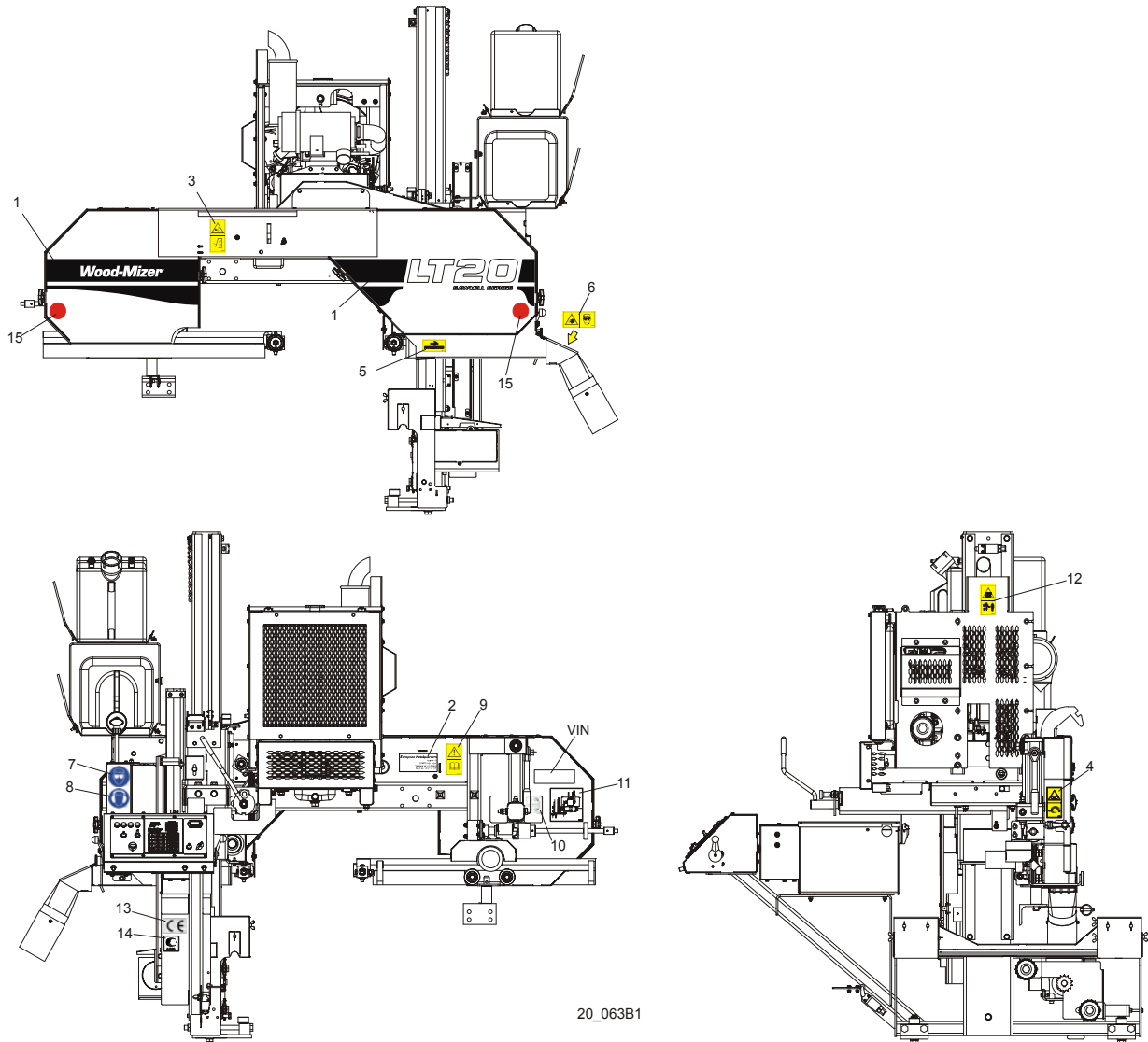
REF	DESCRIPTION (◆ Indicates Parts Available In Assemblies Only)	PART #	QTY.
1	DECAL, LT20 SERIES SAWMILL	092762	1
	PICTOGRAPHIC DECAL KIT, LT20AC	099509	1
2	DECAL, EUROPEAN HEADQUARTERS ADDRESS	015841	1
3	DECAL, SAWMILL COVERS CAUTION	099220	1
4	DECAL, BLADE TENSION (PICTOGRAM)	099219	1
5	DECAL, BLADE MOVEMENT DIRECTION (PICTOGRAM)	096321	1
6	DECAL, SAWDUST CHUTE WARNING (PICTOGRAM)	099222	1
7	DECAL, EYE PROTECTION WARNING (PICTOGRAM)	S12004G	1

4

Saw Head*LT20AC Saw Head Decals*

8	DECAL, EAR PROTECTION WARNING (PICTOGRAM)	S12005G	1	
9	DECAL, READ OPERATOR'S MANUAL (PICTOGRAM)	096317	1	
10	DECAL, BLADE ALIGNMENT	P11789	1	
11	DECAL, BLADE TENSION INDICATOR ADJUSTMENT	092597	1	
12	DECAL, MOTOR ROTATION DIRECTION	S20097	1	
13	DECAL, HIGH VOLTAGE INSIDE THE ELECTRIC BOX (PICTOGRAM)	096316	1	
14	DECAL, REMOVE THE PLUG BEFORE OPENING THE BOX (PICTOGRAM)	096319	1	
15	DECAL, CE CERTIFIED SAWMILL	P85070	1	
16	DECAL, RUSSIAN SAFETY CERTIFICATION	099401	1	
	Nalepka, trak typu LT30HDD40S	086897	1	
	Nalepka, trak typu LT30HDE25S	086899	1	
	Nalepka, trak typu LT40HDD40S	086907	1	
	Nalepka SUPER	085088	1	
17	NALEPKA NIEBEZPIECZEŃSTWO PIŁA W RUCHU STRZAŁKA W LEWO	S11751	1	

4.5 LT20DC Saw Head Decals



20_063B1

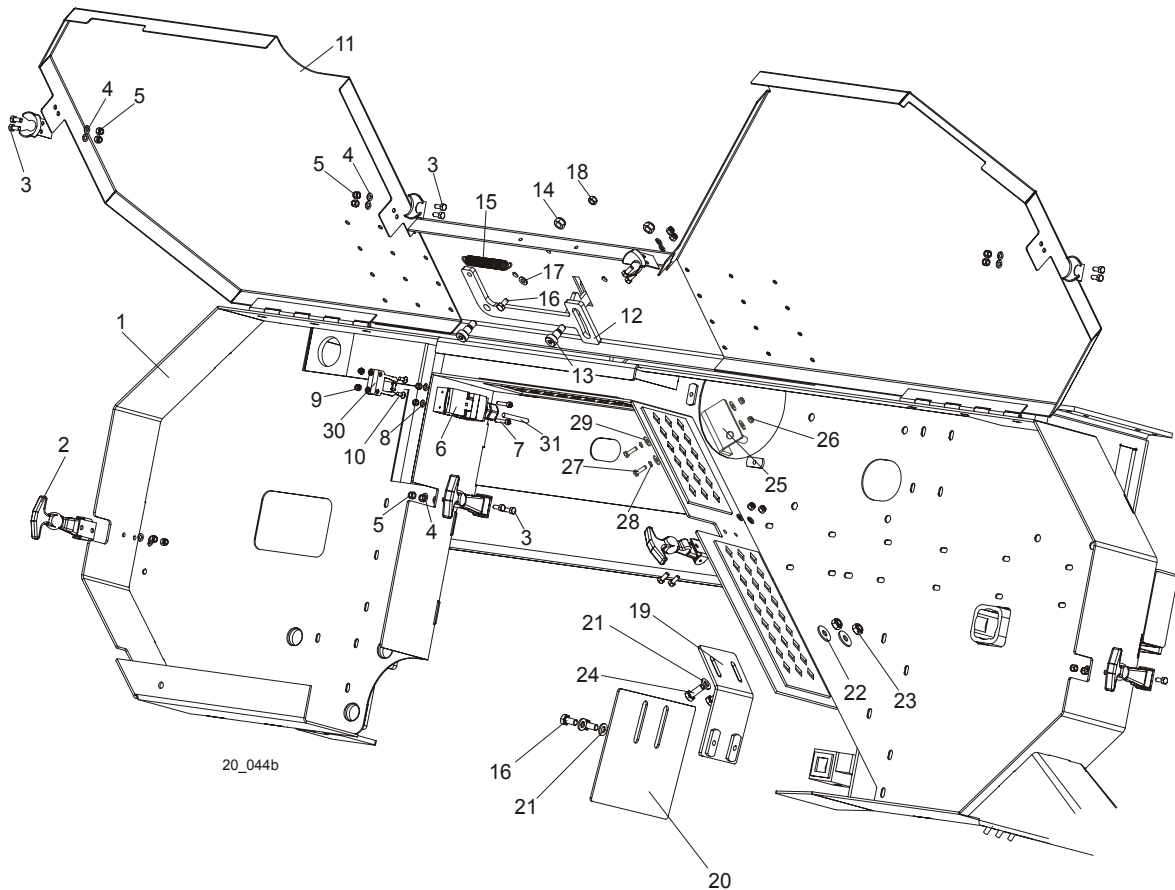
REF	DESCRIPTION (◆ Indicates Parts Available In Assemblies Only)	PART #	QTY.
	PICTOGRAPHIC DECAL KIT, LT20DC	099510	1
1	DECAL, LT20 SERIES SAWMILL	092762	1
2	DECAL, EUROPEAN HEADQUARTERS ADDRESS	015841	1
3	DECAL, SAWMILL COVERS CAUTION	099220	1
4	DECAL, BLADE TENSION (PICTOGRAM)	099219	1
5	DECAL, BLADE MOVEMENT DIRECTION (PICTOGRAM)	096321	1
6	DECAL, SAWDUST CHUTE WARNING (PICTOGRAM)	099222	1
7	DECAL, EYE PROTECTION WARNING (PICTOGRAM)	S12004G	1
8	DECAL, EAR PROTECTION WARNING (PICTOGRAM)	S12005G	1
9	DECAL, READ OPERATOR'S MANUAL (PICTOGRAM)	096317	1
10	DECAL, BLADE ALIGNMENT	P11789	1

4

Saw Head*LT20DC Saw Head Decals*

11	DECAL, BLADE TENSION INDICATOR ADJUSTMENT	092597	1	
12	DECAL, KEEP AWAY - HOT PARTS (PICTOGRAM)	086099	1	
13	DECAL, CE CERTIFIED SAWMILL	P85070	1	
14	DECAL, RUSSIAN SAFETY CERTIFICATION	099401	1	
15	REFLECTOR, 2 DIA RED (MOBILE SAWMILLS ONLY)	P07452	1	
	Nalepka, trak typu LT30HDD40S	086897	1	
	Nalepka, trak typu LT30HDE25S	086899	1	
	Nalepka, trak typu LT40HDD40S	086907	1	
	Nalepka SUPER	085088	1	
16	NALEPKA NIEBEZPIECZEŃSTWO PIŁA W RUCHU STRZAŁKA W LEWO	S11751	1	

4.6 Blade Housing Cover



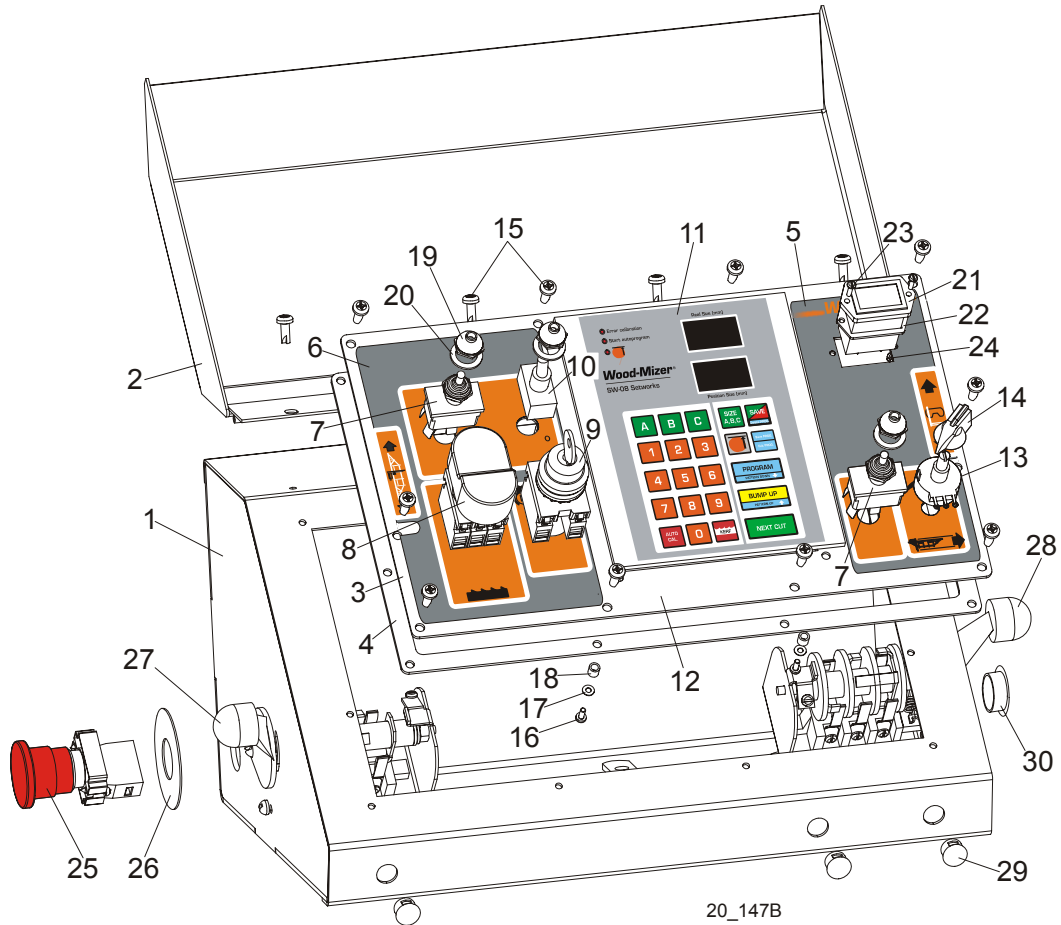
REF	DESCRIPTION (◆ Indicates Parts Available in Assemblies Only)	PART #	QTY.
1	SAW HEAD WELDMENT, LT20	090567	1
2	LATCH, FLEXIBLE DRAW	014829	4
3	BOLT, M5 X 12-5.8 HEX HEAD FULL THREAD ZINC	F81000-5	16
4	WASHER, 5.3 ZINC FLAT	F81052-1	16
5	NUT, M5-8 HEX NYLON ZINC LOCK	F81030-2	16
6	SWITCH, AZ17-11ZRK SAFETY KEY	094232	1
7	SCREW, M4 X 35 8.8 HEX SOCKET HEAD CAP ZINC	F81011-34	2
8	WASHER, 4.3 ZINC FLAT	F81051-2	4
9	NUT, M4-B HEX NYLON ZINC LOCK	F81029-1	4
10	SCREW, M4 X 12 5.8-B SLOTTED COUNTERSUNK HEAD ZINC	F81011-43	2
11	COVER WELDMENT, LT20 BLADE HOUSING PTD	096776-1	1
12	PAWL, LOCKING PTD	090643-1	1
13	SCREW, 10/M8 X 12-12.9 ISO-7379 SOCKET HEAD SHOULDER	F81003-62	2
14	NUT, M8-8-B HEX NYLON ZINC LOCK	F81032-2	2
15	SPRING, 1,6x12x38 EXTENSION	092208	1
16	BOLT, M6 X 12-8.8 HEX HEAD FULL THREAD ZINC	F81001-7	3

4

Saw Head*Blade Housing Cover*

17	WASHER, 6.4 ZINC FLAT	F81053-1	1	
18	NUT, M6-8-B HEX NYLON ZINC LOCK	F81031-2	1	
19	BRACKET, BLADE GUIDE ROLLER GUARD PAINTED	092378-1	1	
20	GUARD, BLADE GUIDE ROLLER PAINTED	092379-1	1	
21	WASHER, 6.4 ZINC FLAT	F81053-1	4	
22	WASHER, 6.5 ZINC FLAT	F81053-11	2	
23	NUT, M6-8-B HEX NYLON ZINC LOCK	F81031-2	2	
24	BOLT, M6X16 8.8 HEX HEAD FULL THREAD ZINC	F81001-15	2	
25	BRACKET WLDMT, PTD DRIVE BELT SUPPORT	092636-1	1	
26	NUT, M6-8-B HEX NYLON ZINC LOCK	F81031-2	2	
27	BOLT, M6 X 20-8.8 HEX HEAD FULL THREAD ZINC	F81001-2	2	
28	WASHER 6,1 FE/ZN9 PN/M-82008	F81053-3	2	
29	WASHER, 6.5 ZINC FLAT	F81053-11	4	
30	KEY, AZ17/170-B5 SAFETY SWITCH	094422	1	
31	CABLE, OLFLEX 400P 2X1	R80583-5	3m (DC) 5m (AC)	

4.7 Control Box (AC Sawmills)



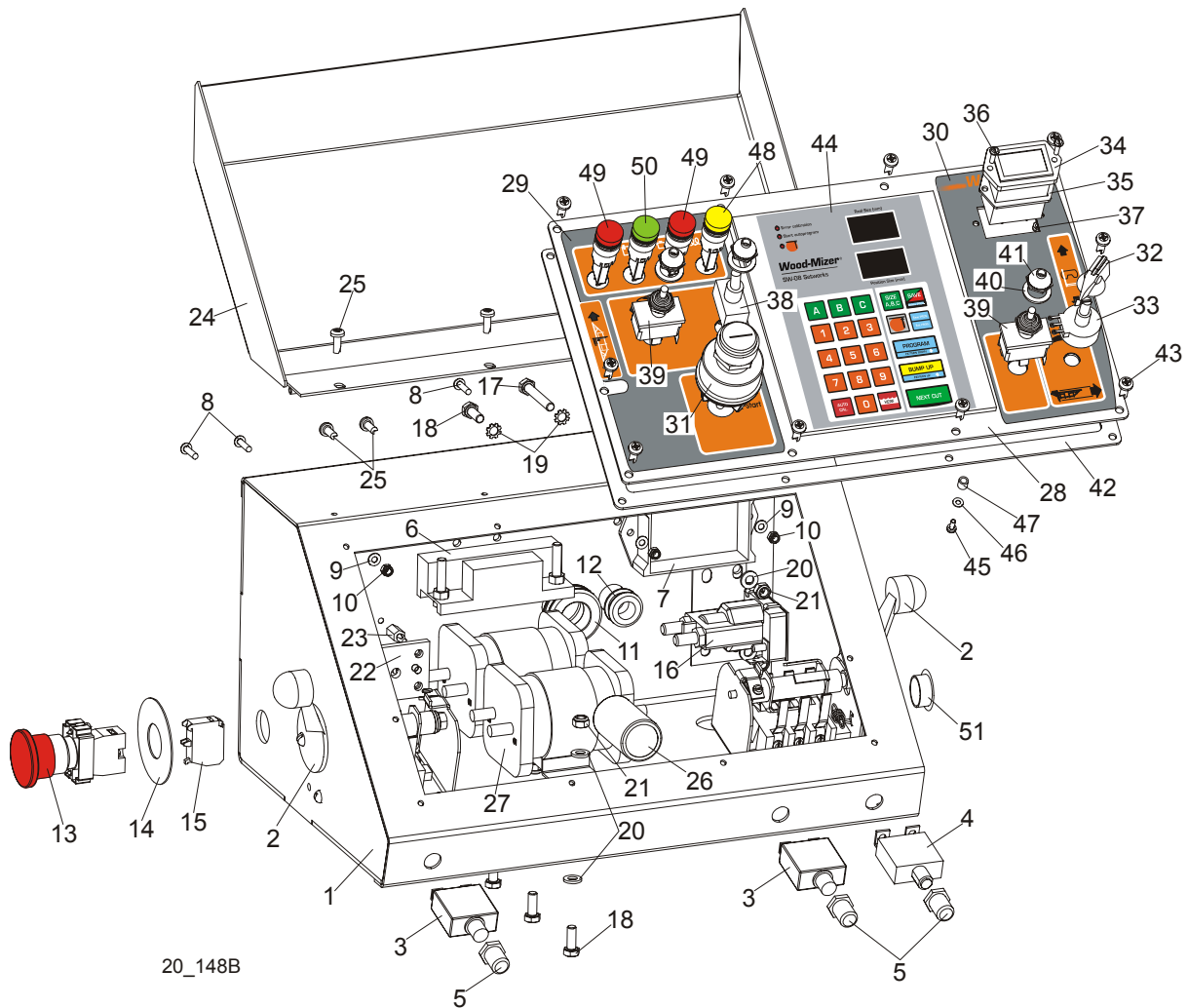
REF	DESCRIPTION (◆ Indicates Parts Available In Assemblies Only)	PART #	QTY.
	CONTROL BOX ASSEMBLY, LT20 AC COMPLETE	097136	1
1	Box Weldment, LT20 AC Control	097134-1	1
2	Cover Control Box, LT20	097135-1	1
3	Panel, LT20AC Front Control Complete	097131	1
4	Gasket, LT20 Control Box	097132	1
5	Decal, LT20AC/DC Control Box Right	099593	1
6	Decal, LT20AC Control Box Left	099594	1
7	Switch, DPDT Toggle 21A Rev Mom Spade	024200	2
8	Button, 24V Start/Stop	090452	1
	Membrane M22-T-DD	090462	1
9	Switch, M22 3-position Key	091361	1
	Contact, M22 - K10	091362	2
10	Switch, SPST ON/OFF 15A .25 Tabs Toggle	P03027	1
11	Controller, SW-08 Networks	100570	1
	Frame, SW08 Networks Rear	100909	1
12	Panel, LT20/40AC Front Control	100572-1	1

4

Saw Head*Control Box (AC Sawmills)*

13	Potentiometer, 1K Feed Rate	E20519	1	
14	Knob, Speed Control	P06257	1	
15	Bolt, #10-24x1/2 Ph Pan Hd, Type 23	F05015-17	14	
16	Screw, M3x8 -4.8- Fe/Zn5 PN-M/82202	F81000-83	6	
17	Washer, 3.2 Fe/Zn5 PN-M/82005	F81050-2	6	
18	Tube, 6mm 4.2 long	R80671-4	6	
19	Boot, Toggle Switch	P02575	3	
20	Washer, 1/2x3/4x1/16 Nylon	P05251-1	3	
21	Meter, Hour	093166	1	
22	Gasket, Hour Meter	093346	1	
23	Bolt, M3x12-8.8 Zinc	F81000-12	2	
24	Nut, M3-6 Hex Nylon Zinc Lock	F81028-2	2	
25	Button, XB4 BS542 Emergency Stop	086556	1	
26	Washer, Emergency Stop Switch	086561	1	
27	Switch, 1992GS Pwr/Feed (Service Package)	E20438	1	
28	Switch, 1992 Up/Down (Service Package)	E20440	1	
29	Cap, DP 812 Heyman 12.7 Dia. Hole	086773	3	
30	Cap, SR1086 22.2 Dia. Hole	093544	1	

4.8 Control Box (DC Sawmills)



REF	DESCRIPTION (◆ Indicates Parts Available In Assemblies Only)	PART #	QTY.
	CONTROL BOX ASSEMBLY, LT20 DC DIESEL COMPLETE	097167	1
1	Box Weldment, LT20 DC	097165-1	1
2	Switch, 1992GS Pwr/Feed (Service Package)	E20438	2
3	Breaker, 50A Manual Reset Panel Mount	021256	2
4	Breaker, 30A Manual Reset Panel Mount	024246	1
5	Boot, Circuit Breaker	021253	3
6	Module Assy, Mosfet 4x 92-96 P/F	024540	1
7	Control Module Assy, P/F SMT Service '97	024396	1
8	Screw M4x16 5,8-B Zinc Lock	F81011-42	4
9	Washer, 4.3 Flat Zinc	F81051-2	4
10	Nut, M4-B Hex Nylon Zinc Lock	F81029-1	4
11	Grommet, 22mm Rubber	087400	1
12	Grommet, 20/13 Rubber	086188	1

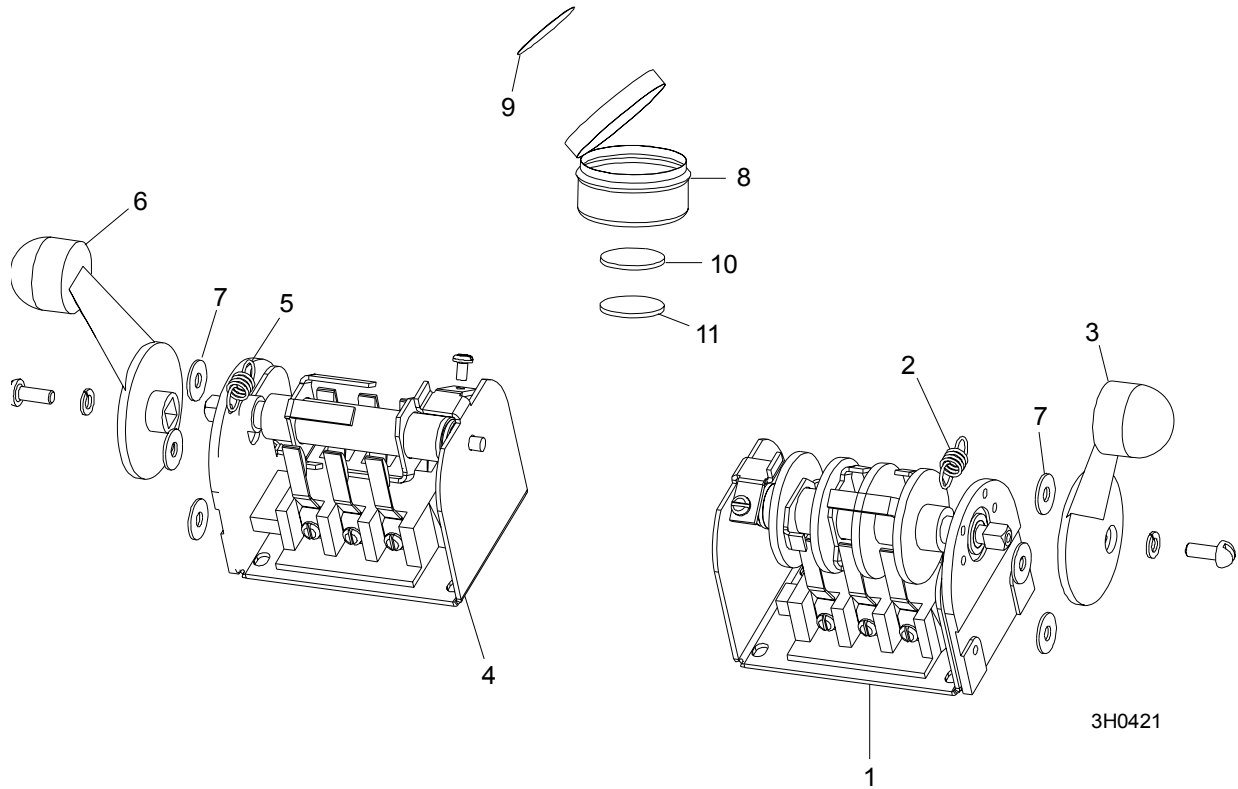
4

Saw Head

Control Box (DC Sawmills)

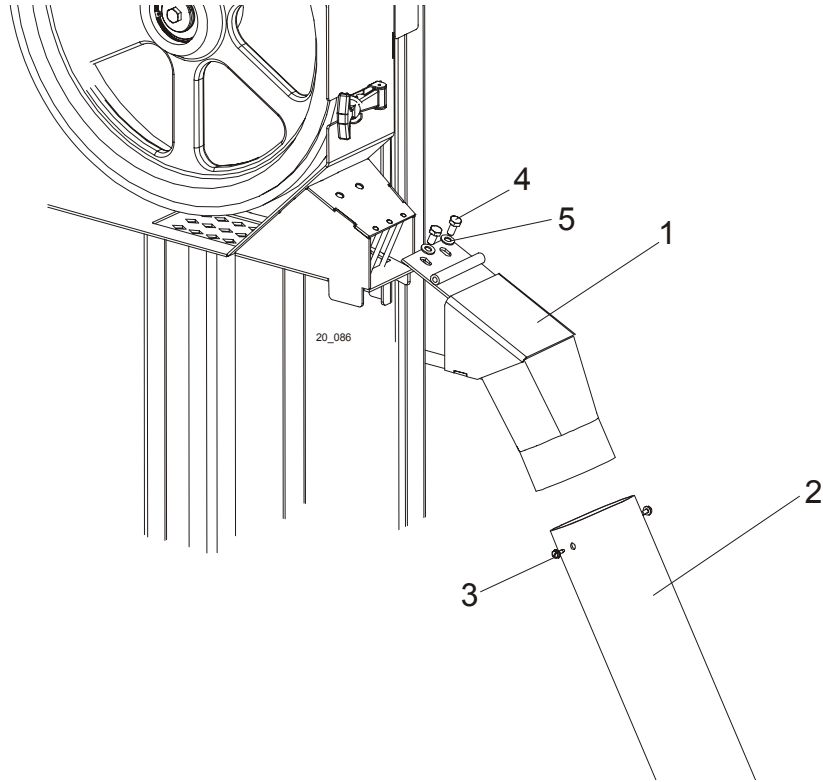
13	Button, XB4 BS542 Emergency Stop	086556	1	
14	Washer, ZBY9330 Emergency Stop Button	086561	1	
15	Contact, ZBE102	086810	1	
16	Solenoid, 120-943 Hyd Shut-Off	P10449	1	
17	Bolt, M6x40mm, Hex Head, Full Thrd, Zinc	F81001-5	1	
18	Bolt, M6x16mm, Hex Head, Full Thrd, Zinc	F81001-15	6	
19	Washer, M6 Star Lock Zinc	F81053-2	2	
20	Washer, M6 Flat Zinc	F81053-1	8	
21	Nut, M6 Hex Nylon Lock Zinc	F81031-2	5	
22	Radiator, Diode	091867	1	
23	Spacer, P3/12	R80671-2	4	
24	Cover Weldment, LT20 Complete	097135-1	1	
25	Bolt, #10-24x1/2 Ph Pan Hd, Type 23	F05015-17	6	
26	Capacitor, 10000/63V Elektrolytic	091166	1	
27	Solenoid, 200A 12V DPST	015417	2	
	Panel, LT20DC Front Complete	097163	1	
28	Panel, LT20/40DC Front	100573-1	1	
29	Decal, LT20DC Control Box Left	099592	1	
30	Decal, LT20AC/DC Control Box Right	099593	1	
31	Switch, Key	P04350	1	
32	Knob, Speed Control	P06257	1	
33	Potentiometer, 1k	E20519	1	
34	Meter, Hour	093166	1	
35	Gasket, Hour Meter	093346	1	
36	Bolt, M3x12-8.8 Zinc	F81000-12	2	
37	Nut, M3-6 Hex Nylon Zinc Lock	F81028-2	2	
38	Switch, SPST On/Off 15A .25 Tabs Toggle	P03027	1	
39	Switch, DPDT Toggle 21A Rev Mom Spade	024200	2	
40	Washer, 1/2x3/4x1/16 Nylon	P05251-1	3	
41	Boot, Toggle Switch	P02575	3	
42	Gasket, LT20 Control Box	097132	1	
43	Bolt, #10-24x1/2 Ph Pan Hd, Type 23	F05015-17	10	
44	Controller, SW-08 Networks	100570	1	
	Frame, SW08 Networks Rear	100909	1	
45	Screw, FH ST 3,5x6,5 A4	F81000-82	6	
46	Washer, 3.2 Flat Zinc	F81050-2	6	
47	Spacer, 4.2x6mm Idler	R80671-4	6	
48	Light, XB6AV5BB Yellow	089812	1	
49	Light, XB6AV4BB Red	091099	2	
50	Light, XB6AV3BB Green	087348	1	
51	Cap, SR1086 22.2 Dia. Hole	093544	1	

4.9 Drum Switches



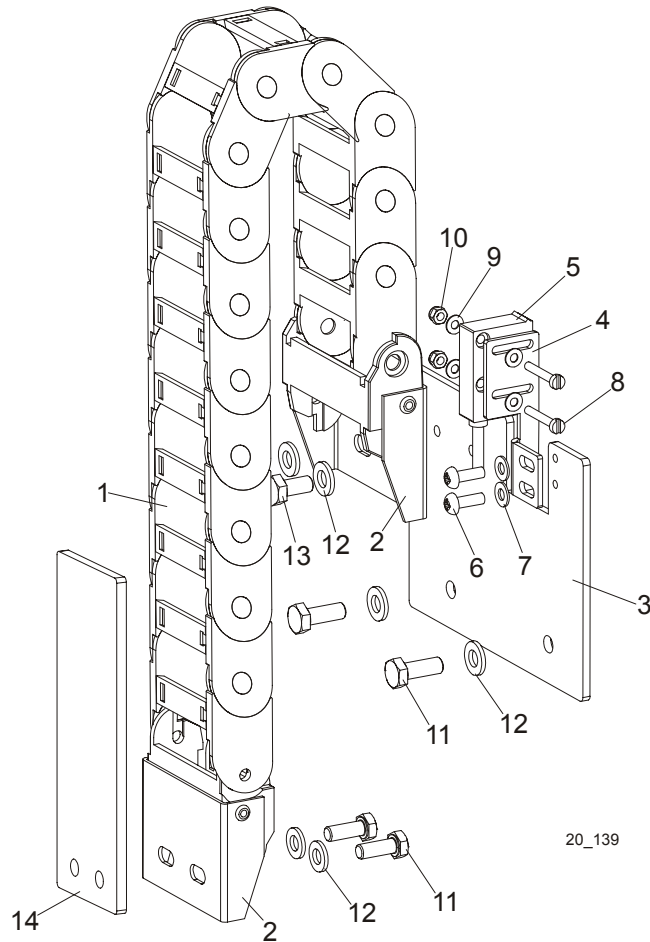
REF	DESCRIPTION (◆ Indicates Parts Available In Assemblies Only)	PART #	QTY.	
	SWITCH ASSEMBLY, UP/DOWN DRUM	E20440	1	
1	Switch, Drum	E20440-B	1	◆
2	Spring, Drum Switch	P12570	1	
3	Handle, Drum Switch w/Screws	P12500	1	
	SWITCH ASSEMBLY, POWER FEED DRUM	E20438	1	
4	Switch, Drum	E20438-B	1	◆
5	Spring, Drum Switch	P12570	1	
6	Handle, Drum Switch w/Screws	P12500	1	
7	WASHER, #8 SAE FLAT	F05011-41	6	
	CUP ASSEMBLY, DRUM SWITCH GREASE	A20463	1	
8	Cup, Plastic Container	P20464	1	◆
9	Label, Grease Cup	P20467	1	
10	Pad, Velcro Loop	P20466	1	◆
11	Pad, Velcro Hook	P20465	1	◆
	Grease, Drum Switch	P20468	.011ml	◆

4.10 Sawdust Chute



REF	DESCRIPTION (◆ Indicates Parts Available In Assemblies Only)	PART #	QTY.
1	CHUTE WELDMENT, SAWDUST	092460-1	1
2	TUBE, SAWDUST CHUTE RUBBER	R02336	1
3	SCREW, #10-24 X 1/2 SELF-TAPPING	F05015-7	2
4	BOLT, M8x16	F81002-20	2
5	WASHER, 8.4 ZINC FLAT	F81054-1	2

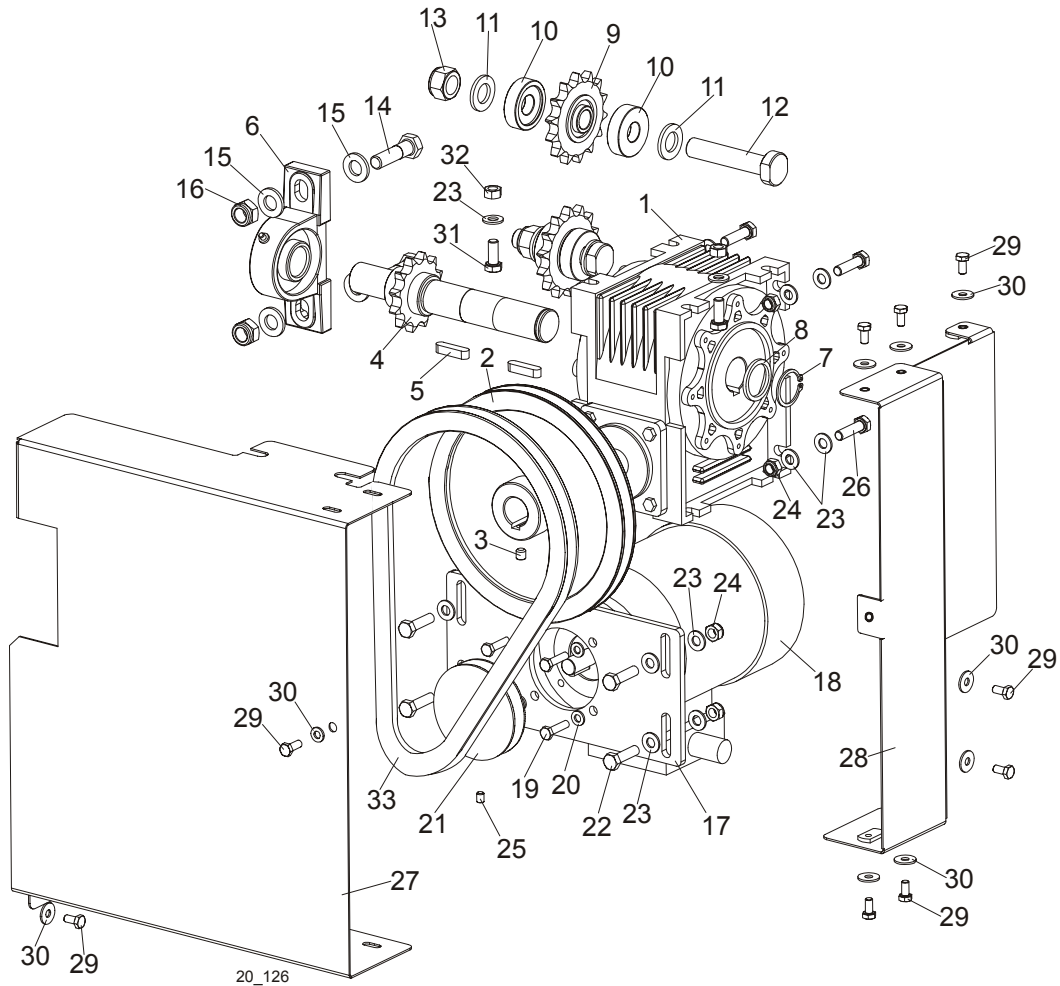
4.11 Up/Down Cable Chain Assembly



REF	DESCRIPTION (◆ Indicates Parts Available In Assemblies Only)	PART #	QTY.
	HARNES GUIDE AND SENSOR ASSEMBLY	098052	1
1	Harness Guide, SR300A 050 080	097924	1
2	Bracket, AN300A 050K Mount	097925	1
3	Mounting Plate, Harness and Sensor Assy.	096067-1	1
4	Bracket, Sensor Mount	096068-1	1
5	Sensor, MSK-320	096014	1
6	Screw, M4x12-5,8-B Zinc	F81011-43	2
7	Washer, 4.3 Zinc	F81051-2	2
8	Screw, M3x20-5.8-A Zinc	F81000-8	2
9	Washer, 3.2 Zinc	F81050-2	4
10	Nut, M3-6 Zinc	F81028-2	2
11	Bolt, M6x20-8.8 Hex Head Zinc	F81001-2	4
12	Washer, 6.4 Zinc	F81053-1	6
13	Bolt, M6x12-8.8 Hex Head Zinc	F81001-7	2
14	Plate, Guide Mount	098662-1	1

SECTION 5 UP/DOWN ASSEMBLY

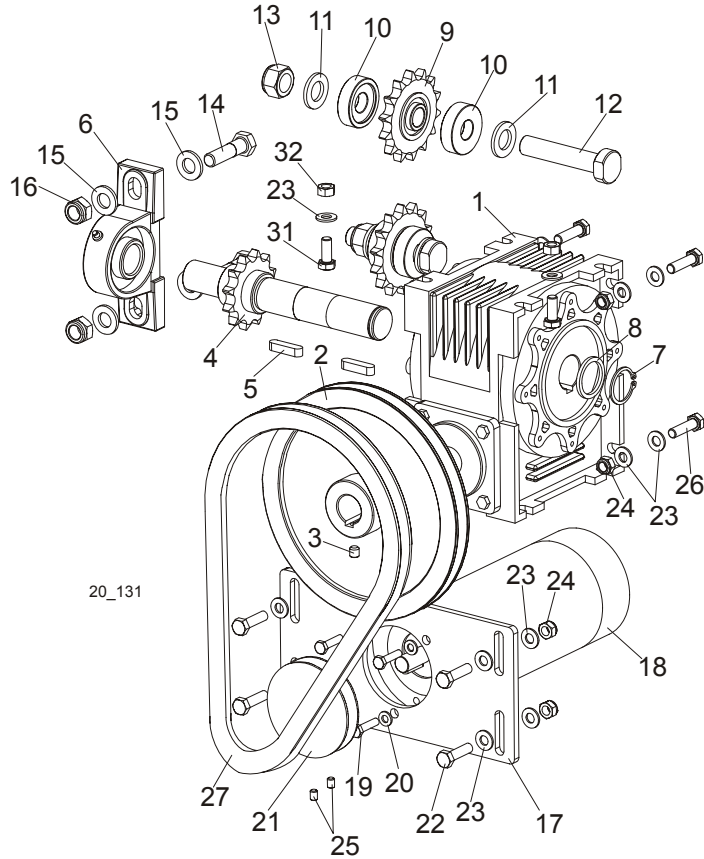
5.1 Up/Down Assembly, AC Mills



REF	DESCRIPTION (◆ Indicates Parts Available In Assemblies Only)	PART #	QTY.	
	MOTOR ASSEMBLY, LT20 AC UP/DOWN	098300	1	◆
	Motor Assembly, LT20 Up/Down	098299	1	
1	Box, R-63/66/F1/B3 Gear	097786	1	
2	Pulley, LT20	091078-1	1	
3	Screw, M8x8-33H Hex Socket Set Flat Point	F81014-1	1	
4	Shaft, LT20 Up/Down w/Sprocket	098298	1	
5	Key, A8x7x32 Parallel	088564	2	
6	Bearing Assembly, UCP 205CX	088468	1	
7	Ring, Z28 Spring Retaining	F81090-12	1	
8	Washer	098351	1	
	Shaft Assembly	098353	2	
9	Sprocket, KSR 16.LO.10.10.14.08 w/Bearing	088867	1	
10	Spacer, Drive Bearing	098166	2	

11	Washer, M16, Flat Zinc	F81058-1	2	
12	Pin, Up/Down Drive Shaft	098289-1	1	
13	Nut, M16, Hex, Nylon Zinc Lock	F81036-2	1	
14	Bolt, M12x45-8.8 Zinc Lock	F81004-32	2	
15	Washer, M12, Flat Zinc	F81056-1	4	
16	Nut, M12 ,Hexagon, Nylon, Zinc, Lock	F81034-2	2	
	Motor Assembly, LT20 AC Up/Down	091302	1	
17	Plate, LT20 AC Up/Down Motor Mount Ptd	098355-1	1	
18	Motor, SKh 71- 4B2 RAL 9005	091304	1	
19	Bolt, M6x25mm, Hex Head, Gr 8.8, Zinc	F81001-3	4	
20	Washer, M6, Flat Zinc	F81053-1	4	
21	Pulley, LT20 Gear Box	090699-1	1	
22	Bolt, M8x30mm,HH,Gr 5.8, Full Thrd, Zinc	F81002-2	4	
23	Washer, M8, Flat Zinc	F81054-1	18	
24	Nut, M8, Hexagon, Nylon Lock Zinc	F81032-2	8	
25	Screw, M6x8-33H Hex Socket Set Flat Point	F81013-1	1	
26	Bolt, M8x30-8.8-B-Fe/Zn5 PN-M82105	F81002-7	4	
27	Guard, Up/Down System Front	098393-1	1	
28	Guard, Up/Down System Side Complete	098395-1	1	
29	Bolt, M6x12mm Hex Head Zinc	F81001-7	9	
30	Washer, 6.5 Flat Special Zinc-Plated	F81053-11	9	
31	Bolt, M8x20mm,HH,GR 8.8, Full Thrd, Zinc	F81002-1	2	
32	Nut, M8 Hexagon, Grade 5.8 Free Zinc	F81032-1	2	
33	Belt, HA-800 (Kleberg)	091086	1	

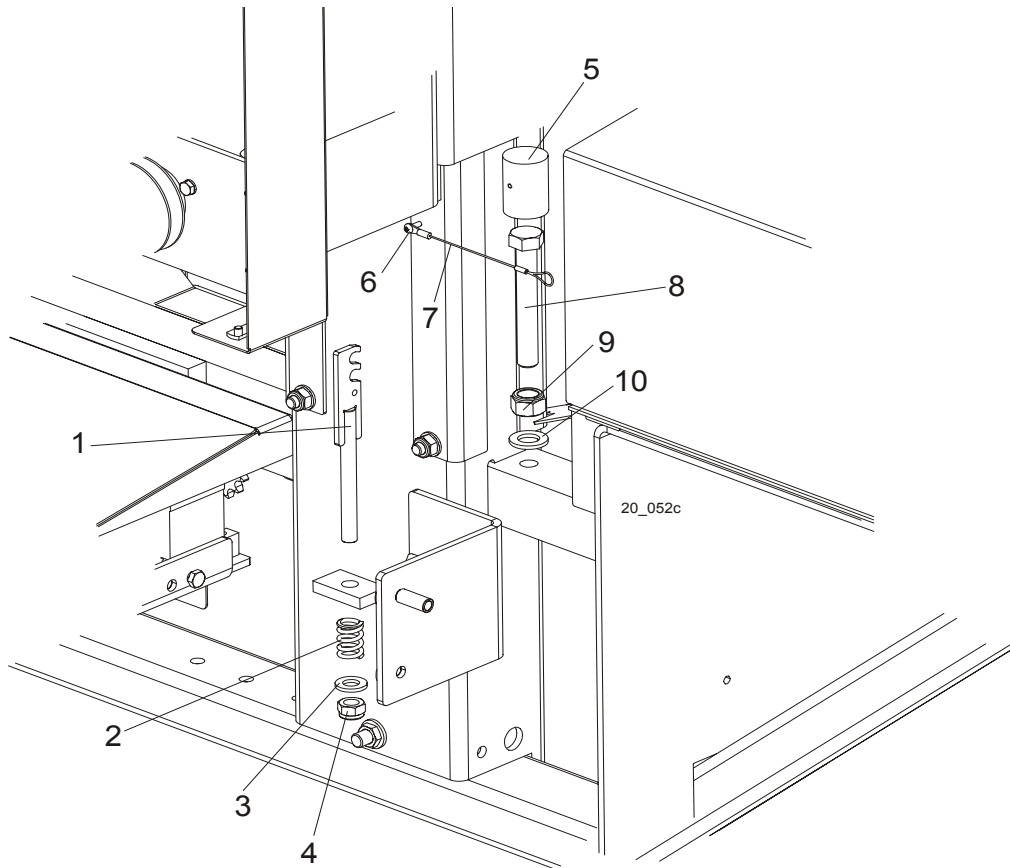
5.2 Up/Down Assembly, DC Mills



REF	DESCRIPTION (◆ Indicates Parts Available In Assemblies Only)	PART #	QTY.	
	MOTOR ASSEMBLY, LT20 DC UP/DOWN	098346	1	◆
	Motor Assembly, LT20 Up/Down	098299	1	
1	Box, R-63/66/F1/B3 Gear	097786	1	
2	Pulley, LT20	091078-1	1	
3	Screw, M8x8-33H Hex Socket Set Flat Point	F81014-1	1	
4	Shaft, LT20 Up/Down w/Sprocket	098298	1	
5	Key, A8x7x32 Parallel	088564	2	
6	Bearing Assembly, UCP 205CX	088468	1	
7	Ring, Z28 Spring Retaining	F81090-12	1	
8	Washer	098351	1	
	Shaft Assembly	098353	2	
9	Sprocket, KSR 16.LO.10.10.14.08 w/Bearing	088867	1	
10	Spacer, Drive Bearing	098166	2	
11	Washer, M16, Flat Zinc	F81058-1	2	
12	Pin, Up/Down Drive Shaft	098289-1	1	
13	Nut, M16, Hex, Nylon Zinc Lock	F81036-2	1	
14	Bolt, M12x45-8.8 Zinc Lock	F81004-32	2	

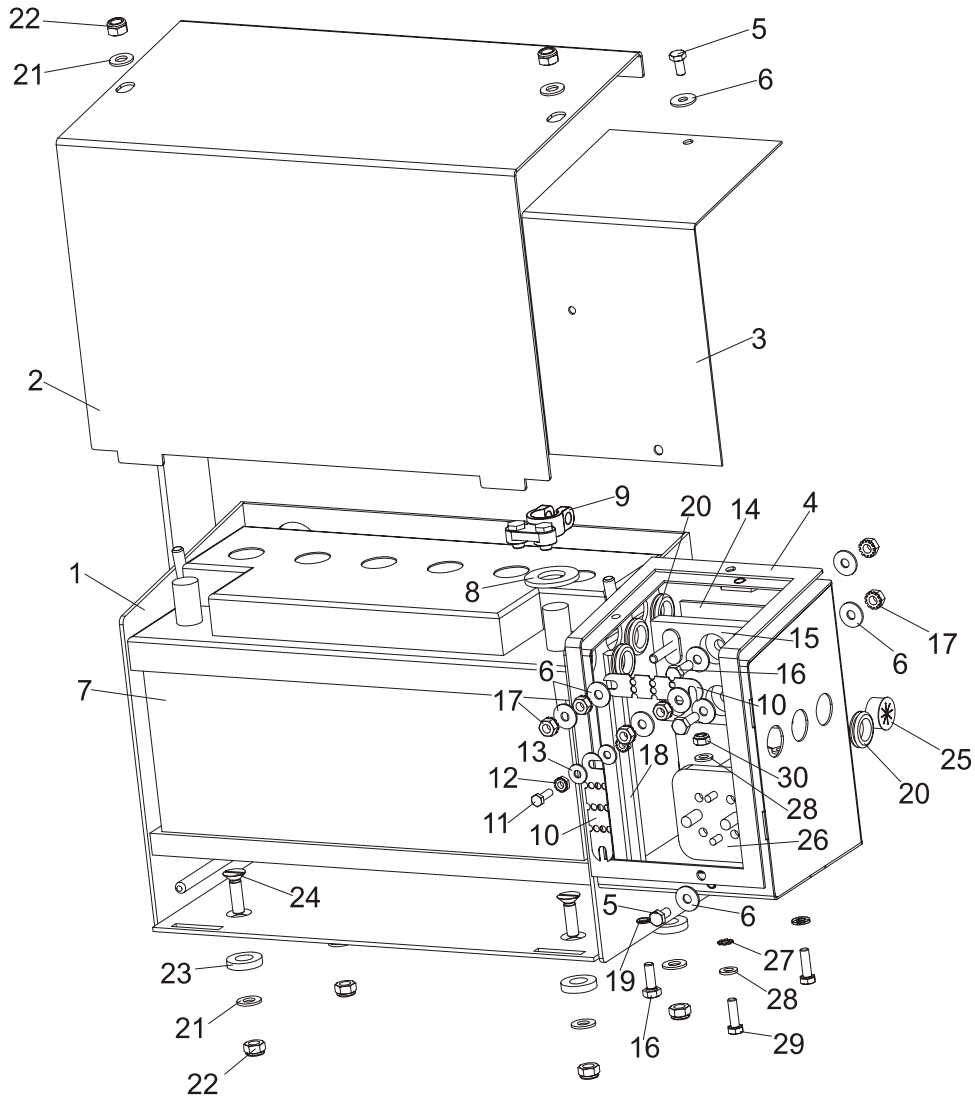
15	Washer, M12, Flat Zinc	F81056-1	4	
16	Nut, M12 ,Hexagon, Nylon, Zinc, Lock	F81034-2	2	
	Motor Assembly, LT20 AC Up/Down	091303	1	
17	Plate, LT20 DC Up/Down Motor Mount Ptd	098363-1	1	
18	Motor, 12V 0.5HP Drive	P04140	1	
19	Bolt, 1/4-20x3/4 FT HHC	F05005-1	3	
20	Washer, M6, Flat Zinc	F81053-1	3	
21	Pulley, "A" 82/12,7 Gear Box	093158-1	1	
22	Bolt, M8x30mm,HH,Gr 5.8, Full Thrd, Zinc	F81002-2	4	
23	Washer, M8, Flat Zinc	F81054-1	18	
24	Nut, M8, Hexagon, Nylon Lock Zinc	F81032-2	8	
25	Screw, M6x8-33H Hex Socket Set Flat Point	F81013-1	2	
26	Bolt, M8x30-8.8-B-Fe/Zn5 PN-M82105	F81002-7	4	
27	Belt, HA-800 (Kleberg)	091086	1	

5.3 Up/Down Chain Tensioner Assembly



REF	DESCRIPTION (◆ Indicates Parts Available In Assemblies Only)	PART #	QTY.
1	TENSIONER WELDMENT, LT20 UP/DOWN CHAIN ZINC-PLATED	090730-1	1
2	SPRING, 14 X 30 X 3.2	090797	1
3	WASHER, 13 ZINC FLAT	F81056-1	1
4	NUT, M12-8 HEX NYLON ZINC LOCK	F81034-2	1
	BLOCK, HEAD SUPPORTING, COMPLETE	097775	1
5	Block, Head Support, ptd	097771-1	1
6	Screw M4x12 -5,8-B- Fe/Zn5 PN-M/82202	F81011-43	1
7	Lanyard, 3/64 x 6	016030	1
8	BOLT M16X110-8.8	F81006-24	1
9	NUT, M16,HEX, NYLON ZINC LOCK	F81036-2	1
10	WASHER, M16,FLAT ZINC	F81058-1	1
	UP/DOWN CHAIN, LT20 TYPE 10B-1-111	098451	1

5.4 Battery Box Assembly, DC Mills



REF	DESCRIPTION (◆ Indicates Parts Available In Assemblies Only)	PART #	QTY.
	BATTERY BOX, LT20 COMPLETE	097490	1
1	Battery Box, LT20	097486-1	1
2	Lid, Battery Box	097489-1	1
3	Lid, Fuse Box	092222-1	1
4	Gasket, Fuse Box	092226	1
5	Bolt, M6x12mm Hex Head Zinc	F81001-7	2
6	Washer, 6.5 Split Lock Zinc	F81053-11	10
7	Battery, "Banner" 12V 100Ah #95751	088323	1
8	Washer, Battery Terminal	P12161	1
9	Terminal, Battery	P05085	1
10	Fuse, 150A 12V Link	023361	2

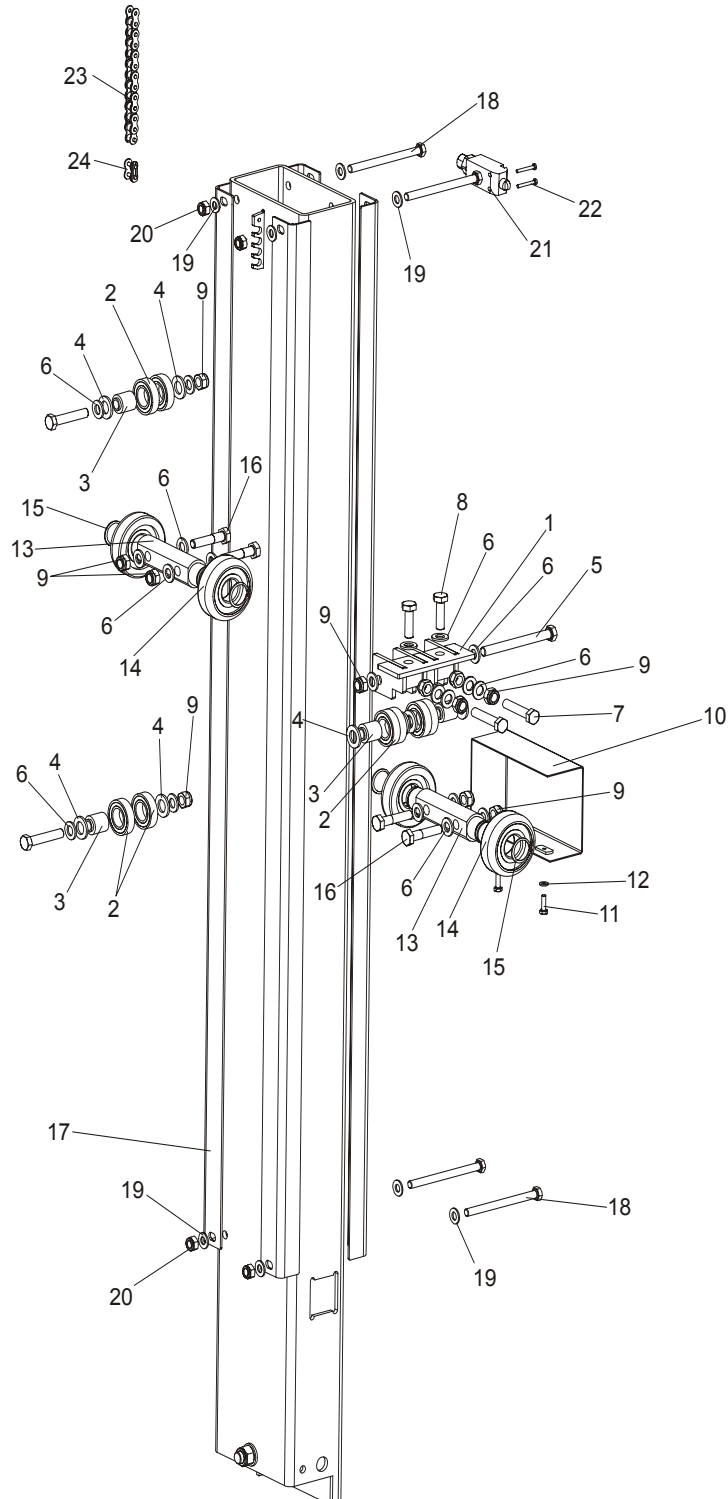
5

Up/Down Assembly Battery Box Assembly, DC Mills

11	Screw, 10-24x5/8 Unsl Indent HH Machine	F05004-18	1	
12	Nut, #10-24 Keps	F05010-14	2	
13	Washer, 5.5 Split Lock Zinc	F81052-3	2	
14	Plate, 1/8 Plasic Fuse Box	015287	1	
15	Block Assy, Fuse, High Amp	017665	1	
16	Bolt, 1/4-20x3/4 FT HHC	F05005-1	3	
17	Nut, 1/4-20 Self Locking Zinc	F05010-9	6	
18	Nut, Fuse Stud Extended	015517	1	
19	Washer, M6 Split Lock Zinc	F81053-3	1	
20	Grommet, 5/8 ID Rubber	P11764	3	
	Grommet, SR170P No.462041	098816	1	
21	Washer, M8 Flat Zinc	F81054-1	6	
22	Nut, M8 Hexagon Nylon Lock Zinc	F81032-2	6	
23	Spacer, SR 1941 Idler	R80671-5	4	
24	Bolt, M8x30-5.8-B Zinc	F81002-37	4	
25	Grommet, Heyco Wire	P04137	1	
26	Solenoid, 200A 12V SPST Hyd. Pump 1997	015470	1	
27	Washer, M6 Star Lock Zinc	F81053-2	1	
28	Washer, M6 Flat Zinc	F81053-1	4	
29	Bolt, M6x20mm, HH, Full Thread, Zinc	F81001-2	2	
30	Nut, M6 Hex Nylon Lock Zinc	F81031-2	2	

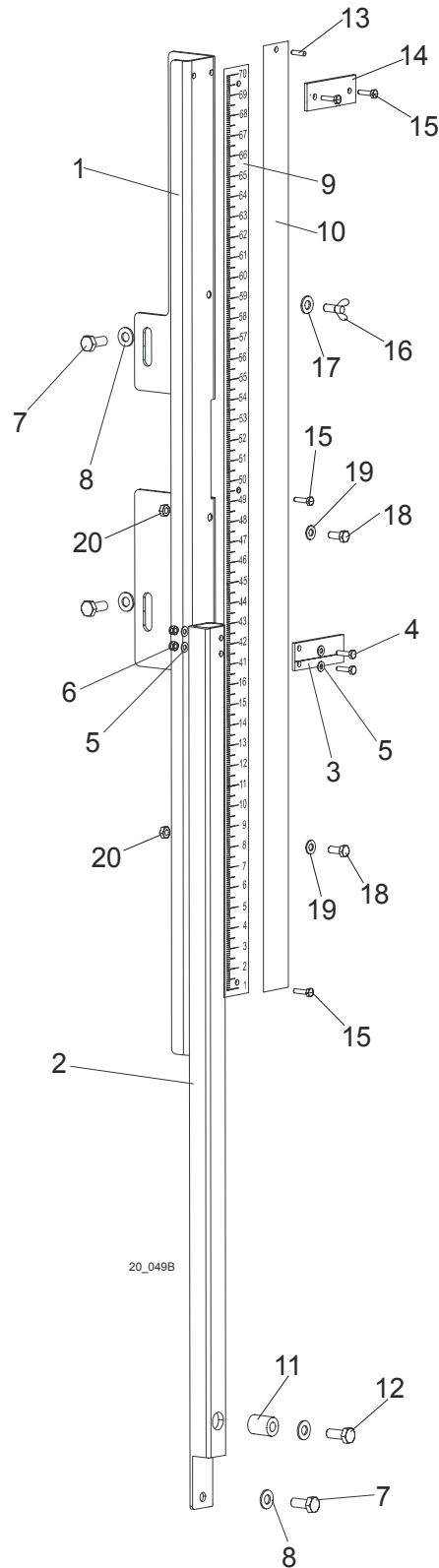
SECTION 6 UP/DOWN ROLLERS & BLADE HEIGHT SCALE

6.1 Up/Down Rollers



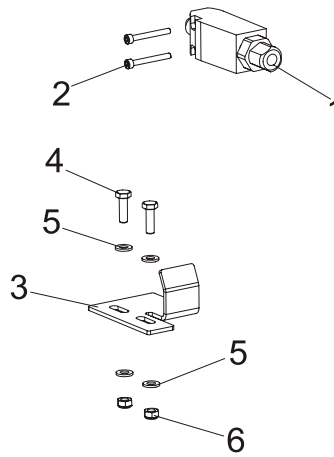
REF	DESCRIPTION (◆ Indicates Parts Available In Assemblies Only)	PART #	QTY.	
1	BRACKET WELDMENT, LT20 UP/DOWN ROLLER PTD	091095-1	1	
2	BEARING, 6005 2RS CX	089652	8	
3	BUSHING, LT20 UP/DOWN ROLLER	090790	4	
4	WASHER, 17 ZINC FLAT	F81058-1	10	
5	BOLT, M12 X 120 8.8 HEX HEAD ZINC	F81004-38	1	
6	WASHER, 13 ZINC FLAT	F81056-1	20	
7	BOLT, M12 X 60-8.8 HEX HEAD FULL THREAD ZINC	F81004-51	2	
8	BOLT, M12 X 40-8.8 HEX HEAD FULL THREAD ZINC	F81004-4	2	
9	NUT, M12-8 HEX NYLON ZINC LOCK	F81034-2	11	
10	GUARD, LT20 UP/DOWN ROLLERS PTD	091619-1	1	
11	BOLT, M6 X 20-8.8 HEX HEAD FULL THREAD ZINC	F81001-2	2	
12	WASHER, 6.4 ZINC FLAT	F81053-1	2	
13	SHAFT, UP/DOWN ROLLERS ZINC-PLATED	090616-1	2	
14	ROLLER, CBK-468	088433	4	
15	RING, Z30 SPRING RETAINING	F81090-23	4	
16	BOLT, M12 X 55-8.8 HEX HEAD FULL THREAD ZINC	F81004-43	4	
17	ANGLE, LT20 MAST TUBE	091182	4	
18	BOLT, M10 X 125-8.8 HEX HEAD ZINC	F81003-18	4	
19	WASHER, 10.5 ZINC FLAT	F81055-1	16	
20	NUT, M10-8-B HEX NYLON ZINC LOCK	F81033-1	8	
21	SWITCH, GLCB01C LIMIT	100910	1	
22	BOLT, M4 X 30 8.8 HEX HEAD FULL THREAD ZINC	F81011-5	2	
23	CHAIN, LT20 10B-1-111 TYPE UP/DOWN	098451	1	
24	LINK, 10B-1PZ MASTER	088671	1	

6.2 Blade Height Scale

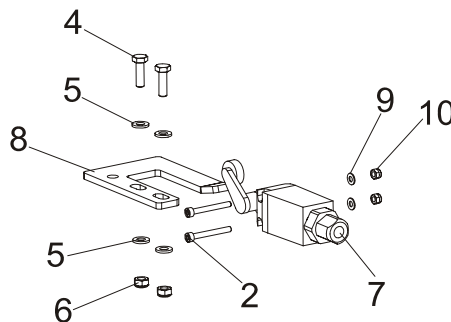


REF	DESCRIPTION (◆ Indicates Parts Available In Assemblies Only)	PART #	QTY.	
1	BRACKET, SCALE MOUNT PTD	092749-1	1	
2	BRACKET, SCALE INDICATOR MOUNT PTD	092751-1	1	
3	INDICATOR, BLADE HEIGHT SCALE	094821	1	
4	BOLT, M4 X 16 5.8 HEX HEAD FULL THREAD ZINC	F81011-6	2	
5	WASHER, 4.3 ZINC FLAT	F81051-2	4	
6	NUT, M4-B HEX NYLON ZINC LOCK	F81029-1	2	
7	BOLT, M8 X 20-5.8 HEX HEAD FULL THREAD ZINC	F81002-1	4	
8	WASHER, 8.4 ZINC FLAT	F81054-1	4	
9	BAR, SCALE	092750	1	
	DECAL, LT20 0-80CM METRIC SCALE	091239	1	
10	BAR, INCH SCALE	093133	1	
	DECAL, 45-63CM METRIC	P12040-2	1	
	DECAL, METRIC 16-40MM	P12040-1	1	
11	BUSHING, SPACER	092008-1	1	
12	BOLT, M8 X 45 - 8.8 Fe/Zn5, PN-M/82105	F81002-14	1	
13	PIN, 3x20 ROLL ZINC	F81044-5	1	
14	BAR, SCALE MOUNT	093134	1	
15	SCREW, M6x20- 4.8-B Fe/Zn5 PN-85/M-82207	F81001-31	1	
16	BOLT, M6X16 BN276	F81001-16	1	
17	WASHER, FLAT ZINC	F81053-11	1	
18	BOLT, M6X20MM, HH, FULL THREAD, ZINC	F81001-2	2	
19	WASHER, M6, FLAT,ZINC	F81053-1	2	
20	NUT, M6, HEX,NYLON LOCK ZINC	F81031-2	2	

6.3 Limit Switches



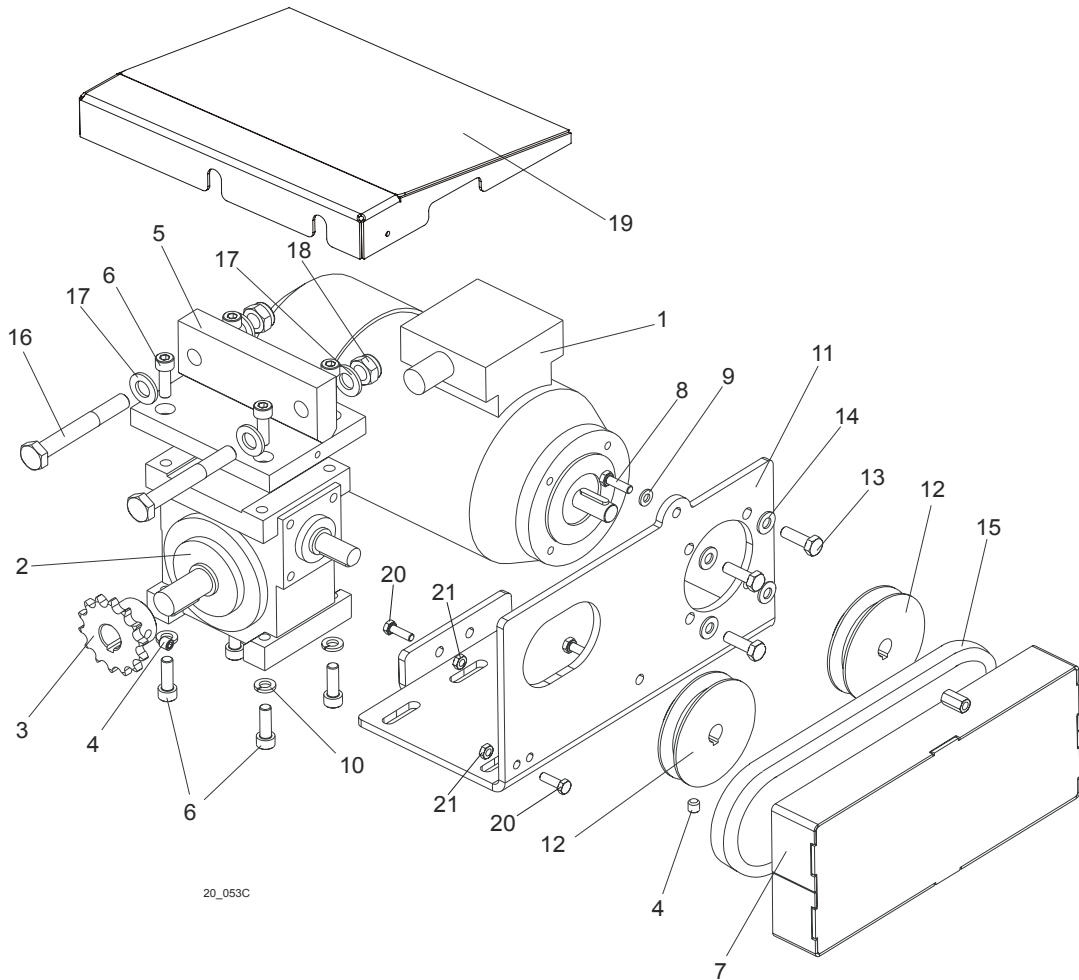
20_133



REF	DESCRIPTION (◆ Indicates Parts Available In Assemblies Only)	PART #	QTY.	
1	SWITCH, GLCB01C LIMIT	100910	1	
2	SCREW, M4x35-8.8 HEX SOCKET HEAD CAP ZINC	F81011-34	4	
3	BRACKET, LIMIT SWITCH	091682-1	1	
4	BOLT, M6X20MM, HH, FULL THREAD, ZINC	F81001-2	4	
5	WASHER, M6 FLAT ZINC	F81053-1	8	
6	NUT, M6 HEX NYLON LOCK ZINC	F81031-2	4	
7	SWITCH, GLCB01A1B LIMIT	100931	1	
8	BRACKET, LIMIT SWITCH	091852-1	1	
9	WASHER, M4 FLAT ZINC	F81051-2	2	
10	NUT, M4 HEX NYLON LOCK ZINC	F81029-1	2	

SECTION 7 POWER FEED & TRACK ROLLERS

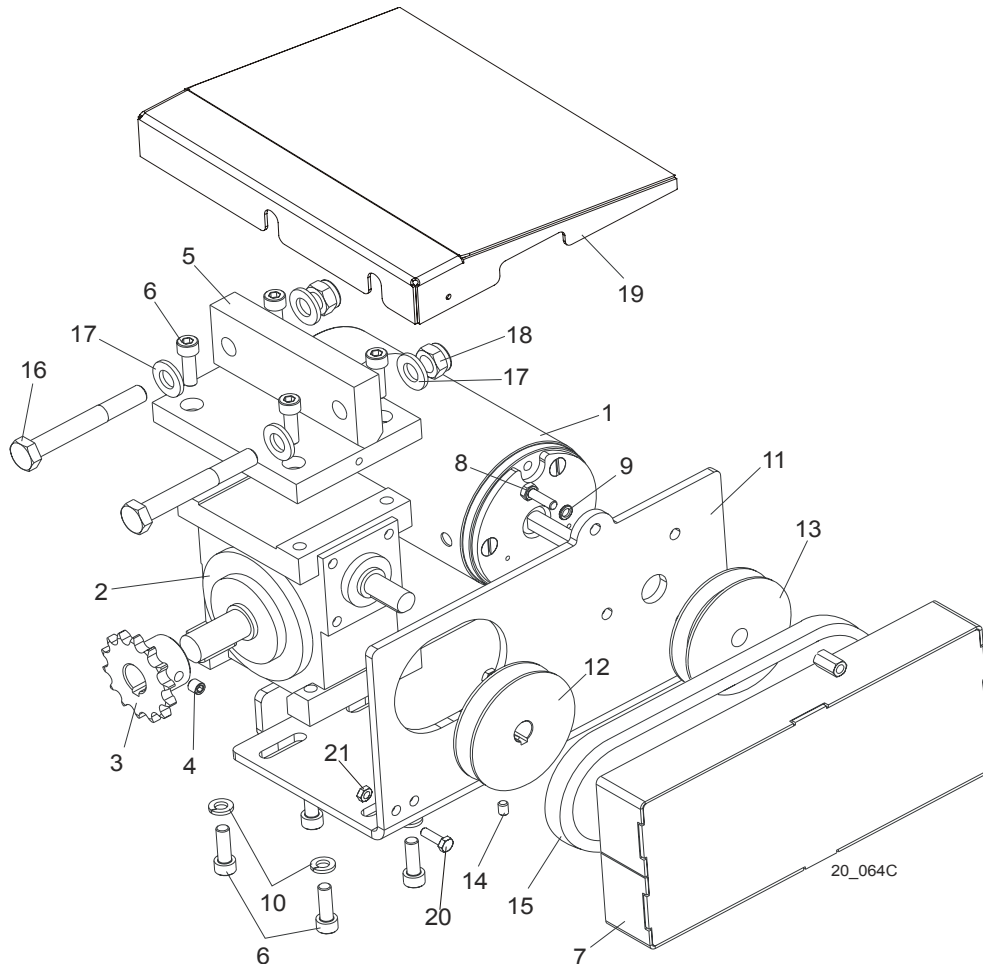
7.1 Power Feed Assembly, AC Mills



REF	DESCRIPTION (◆ Indicates Parts Available In Assemblies Only)	PART #	QTY.
	POWER FEED ASSEMBLY, LT20 AC	091196	1
1	Motor, Kh71X-2C2, RAL 9005	097313	1
2	Gear Box, RA-04/7.5/D1/N+S/B8 w/Output Shaft	090698	1
3	Sprocket, 10B Z14 Zinc-plated	090702-1	1
4	Screw, M8x8-33H Hex Socket Set Flat Point Zinc	F81014-1	1
5	Bracket, Power Feed Gear Box Mount	090715-1	1
6	Screw, M8X25-8.8 Hex Socket Head Cap Zinc	F81002-21	4
7	Guard, Power Feed Drive Belt	091195-1	1
8	Bolt, M6x20-8.8 Hex Head Full Thread Zinc	F81001-2	2
9	Washer, 6.4 Zinc Flat	F81053-1	2
10	Washer, 8.2 Split Lock Zinc	F81054-4	4
11	Bracket, Power Feed Gear Box	091191	1
12	Pulley, LT20 Power Feed Gear Box Ptd	090699-1	2

13	Bolt, M8x25-8.8-B Hex Head Full Thread Zinc	F81002-5	4	
14	Washer, 8.4 Zinc Flat	F81054-1	4	
15	V-Belt, HA-560 (STOMIL-SANOK)	088562	1	
16	BOLT, M12X90-8.8 HEX HEAD ZINC	F81004-2	2	
17	WASHER, 13 ZINC FLAT	F81056-1	4	
18	NUT, M12-8 HEX NYLON ZINC LOCK	F81034-2	2	
19	GUARD, POWER FEED MOTOR	093780-1	1	
20	BOLT, M8 x 25mm HEX HEAD GR 5.8 ZINC	F81002-5	2	
21	NUT, M8 HEXAGON, GRADE 5.8 FREE ZINC	F81032-1	2	

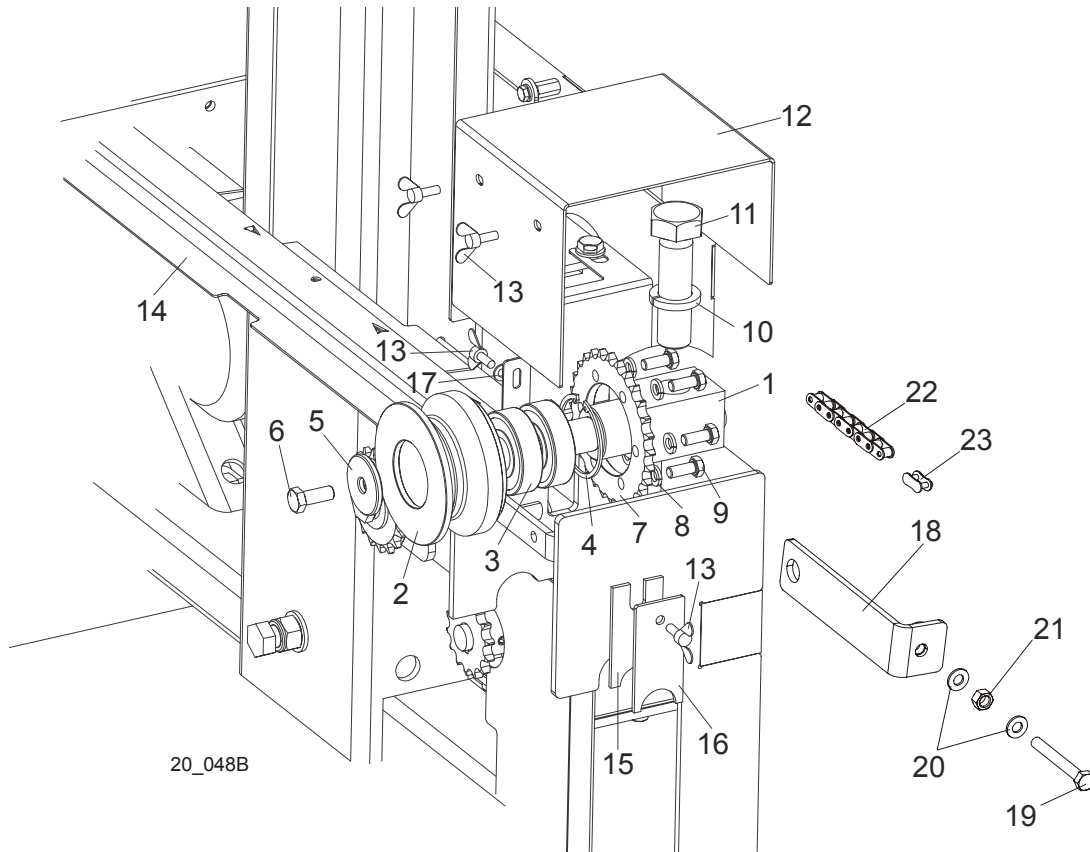
7.2 Power Feed Assembly, DC Mills



REF	DESCRIPTION (◆ Indicates Parts Available In Assemblies Only)	PART #	QTY.
	POWER FEED ASSEMBLY, LT20 DC	090703	1
1	Motor, 12V 0.5HP	P04140	1
2	Gear Box, RA-04/7.5/D1/N+S/B8 w/Output Shaft	090698	1
3	Sprocket, 10B Z14 Zinc-plated	090702-1	1
4	Screw, M8x8-33H Hex Socket Set Flat Point Zinc	F81014-1	1
5	Bracket, Power Feed Gear Box Mount	090715-1	1
6	Screw, M8X25-8.8 Hex Socket Head Cap Zinc	F81002-21	4
7	Guard, Power Feed Drive Belt	091195-1	1
8	Bolt, M6x20-8.8 Hex Head Full Thread Zinc	F81001-2	2
9	Washer, 6.4 Zinc Flat	F81053-1	2
10	Washer, 8.2 Split Lock Zinc	F81054-4	4
11	Bracket, LT20 Power Feed Motor Mount Ptd	090701-1	1
12	Pulley, LT20 Power Feed Gear Box Ptd	090699-1	2
13	Sheave, Up/Down Motor "A" 82/12.7 Ptd	093158-1	1
14	Screw, M6x8 Hex Socket Set Cone Point Zinc	F81013-1	1

15	V-Belt, HA-560 (STOMIL-SANOK)	088562	1	
16	BOLT, M12X90-8.8 HEX HEAD ZINC	F81004-2	2	
17	WASHER, 13 ZINC FLAT	F81056-1	4	
18	NUT, M12-8 HEX NYLON ZINC LOCK	F81034-2	2	
19	GUARD, POWER FEED MOTOR	093780-1	1	
20	BOLT, M8 x 25mm HEX HEAD GR 5.8 ZINC	F81002-5	2	
21	NUT, M8 HEXAGON, GRADE 5.8 FREE ZINC	F81032-1	2	

7.3 Upper Track Rollers And Wipers



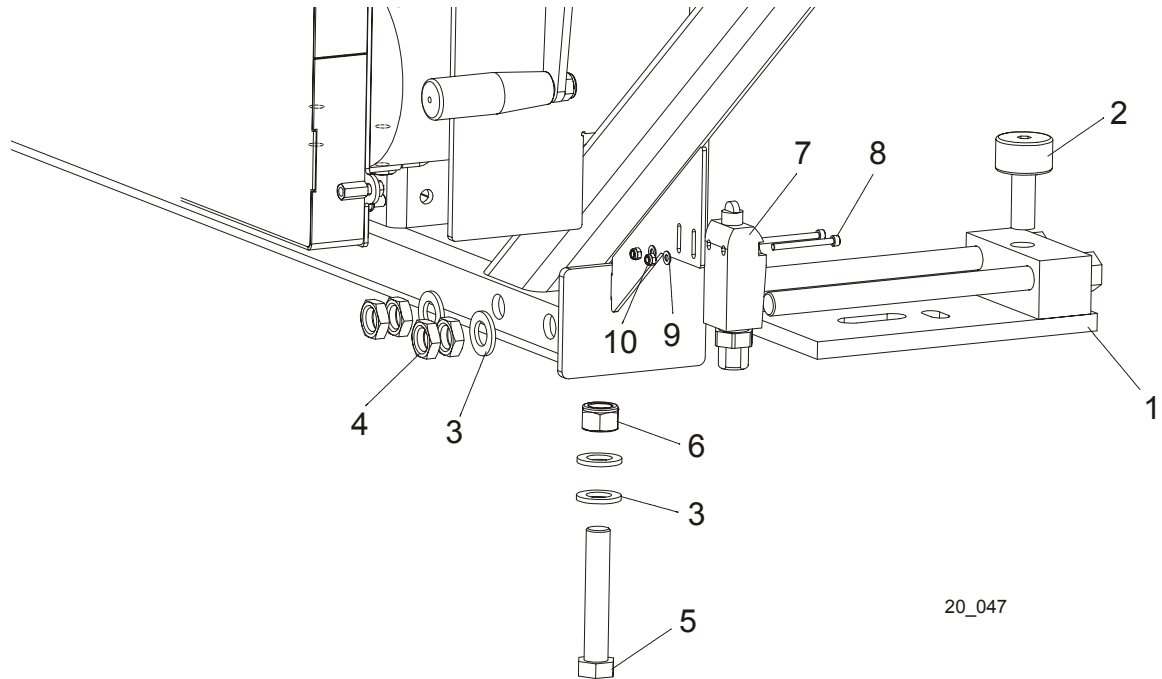
REF	DESCRIPTION (◆ Indicates Parts Available In Assemblies Only)	PART #	QTY.
	ROLLER ASSEMBLY, LT20 UPPER TRACK	090662	2
1	Block, Upper Track Roller Mount	090665	1
2	Roller, Upper Track	090663	1
3	Bearing, 6305 2RS NSK	P08066	2
4	Ring, 2 7/16" Bevelled Snap	F04254-21	1
5	Washer, Drive Wheel	086286	1
6	Bolt, M10x25-8.8 Hex Head Full Thread Zinc	F81003-11	1
7	Sprocket, O8B Z28	090664	2
8	Washer, 8.2 Split Lock Zinc	F81054-4	6
9	Bolt, M8x20-5.8 Hex Head Full Thread Zinc	F81002-1	6
10	WASHER, Z 24.5 SPLIT LOCK ZINC	F81061-4	2
11	BOLT, M24X2X90-8.8 HEX HEAD FULL THREAD ZINC	F81009-2	2
12	GUARD, UPPER TRACK ROLLER	090749-1	2
13	SCREW, M6 X 16 BN276 DIN 316 THUMB	F81001-16	8
14	COVER, LT20 MIDDLE TRACK W/FELT - SERVICE	091656-S	1
	Cover, LT20 Middle Track Ptd	091656-1	1
	Strip, 3/16 X 2 X 23 Felt	S09915	1
15	WIPER, TOP RAIL	M04113	2

16	PLATE, TRACK WIPER PTD	088559-1	2	
17	WASHER, 6.4 ZINC FLAT	F81053-1	2	
18	TENSIONER, POWER FEET SPROCKET	092862-1	1	
19	BOLT, M8 X 65MM,HH,GRADE 5.8, ZINC	F81002-3	1	
20	WASHER, M8, FLAT, ZINC	F81054-1	2	
21	NUT, M8 HEXAGON,GRADE 5.8 FREE ZINC	F81032-1	1	
22	CHAIN, LT20 08B-185 TYPE POWER FEED	091624	1	
23	LINK, 08B-1PZ MASTER	091625	1	

7 Power Feed & Track Rollers

Lower Track Rollers

7.4 Lower Track Rollers

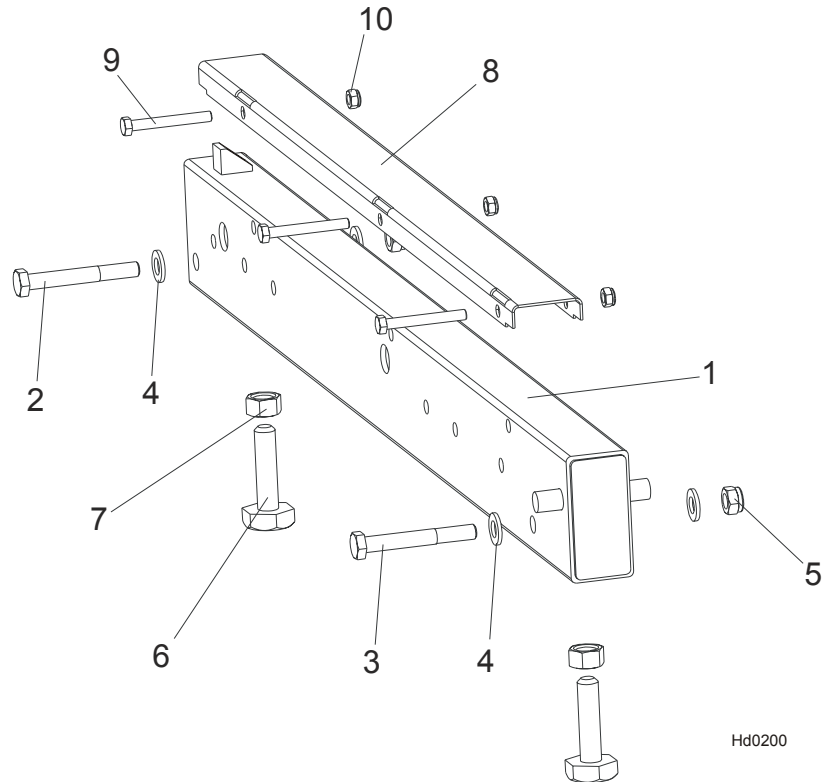


20_047

REF	DESCRIPTION (◆ Indicates Parts Available In Assemblies Only)	PART #	QTY.	
	ROLLER ASSEMBLY, LT20 LOWER TRACK	090670	2	
1	Bracket, LT20 Lower Track Roller	090671-1	1	
2	Bearing, Cam Follower (McGill)	012797	1	
3	WASHER, 17 ZINC FLAT	F81058-1	4	
4	NUT, M16 HEX THIN ZINC	F81036-4	4	
5	BOLT, M16 X 90-8.8 HEX HEAD ZINC	F81006-17	1	
6	NUT, M16-8 HEX NYLON ZINC LOCK	F81036-2	1	
7	SWITCH, GLCB01A1B LIMIT	100931	1	
8	SCREW, M4 X 45-8.8 HEX SOCKET HEAD CAP ZINC	F81011-33	2	
9	NUT, M4-B HEX NYLON ZINC LOCK	F81029-1	2	
10	WASHER, 4.3 ZINC FLAT	F81051-2	2	

SECTION 8 BED FRAME ASSEMBLY

8.1 Bed Rail Assembly, Front (S/M type frame)



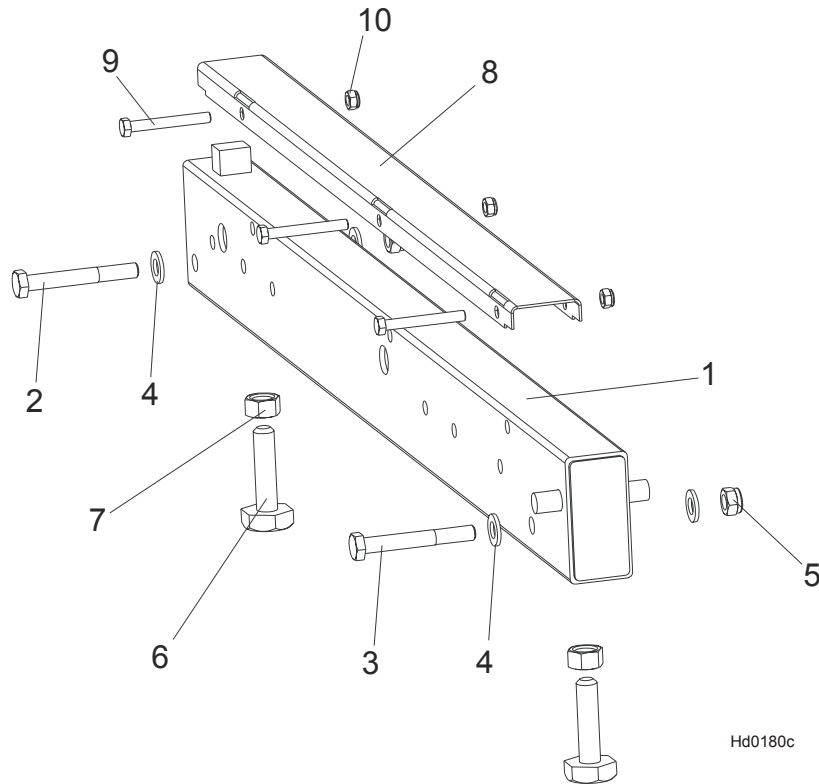
REF	DESCRIPTION (◆ Indicates Parts Available In Assemblies Only)	PART #	QTY.
1	BED RAIL ASSEMBLY, FRONT (S&M FRAME)	099955	1
2	Bolt, M12 x 90-8.8 Hex Head	F81004-2	1
3	Bolt, M12 x 95-8.8 Hex Head	F81004-29	1
4	Washer, 13 SAE Flat	F81056-1	4
5	Nut, M12-8 Hex Nylon Lock	F81034-2	2
	Bed Rail Bolt, Complete (M16 Bolt + 2xNut)	093710	2
6	Bolt, M16, Bed Rail Adjustment	086809	1
7	Nut, M16-5-B Zinc Hex Head	F81036-5	2
8	COVER, STAINLESS STEEL BED RAIL	099124	1
9	BOLT, M8X65-5,8 ZINC HEX HEAD	F81002-3	3
10	NUT, M8-8-B-ZINC HEX NYLON LOCK	F81032-2	3

8

Bed Frame Assembly

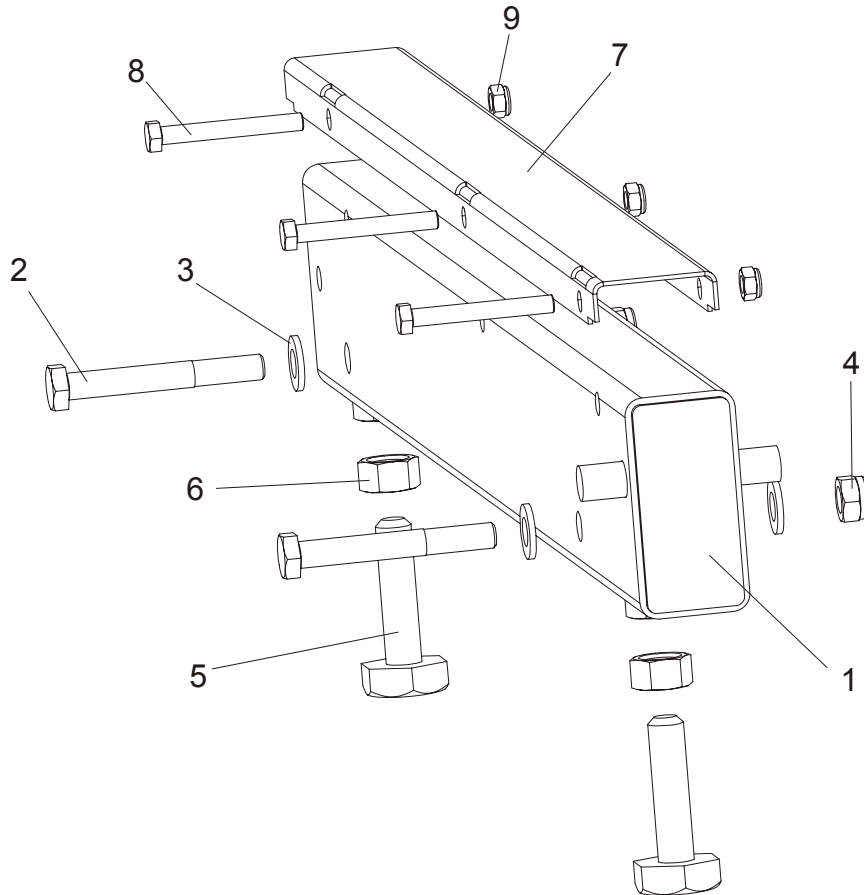
Bed Rail Assembly, Rear (S/M type frame)

8.2 Bed Rail Assembly, Rear (S/M type frame)



REF	DESCRIPTION (◆ Indicates Parts Available In Assemblies Only)	PART #	QTY.
1	BED RAIL ASSEMBLY, REAR PAINTED	091555	1
2	Bolt, M12 x 90-8.8 Hex Head	F81004-2	1
3	Bolt, M12 x 95-8.8 Hex Head	F81004-29	1
4	Washer, 13 SAE FLAT	F81056-1	4
5	Nut, m12-8 Hex Nylon Lock	F81034-2	2
	Bed Rail Bolt, Complete (M16 Bolt + 2xNut)	093710	1
6	Bolt, M16, Bed Rail Adjustment	086809	1
7	Nut, M16-5-B Zinc Hex Head	F81036-5	2
8	COVER, STAINLESS STEEL BED RAIL	099124	1
9	BOLT, M8X65-5,8 ZINC HEX HEAD	F81002-3	3
10	NUT, M8-8-B-ZINC HEX NYLON LOCK	F81032-2	3

8.3 Bed Rail Assembly, Front Middle (S/M type frame)



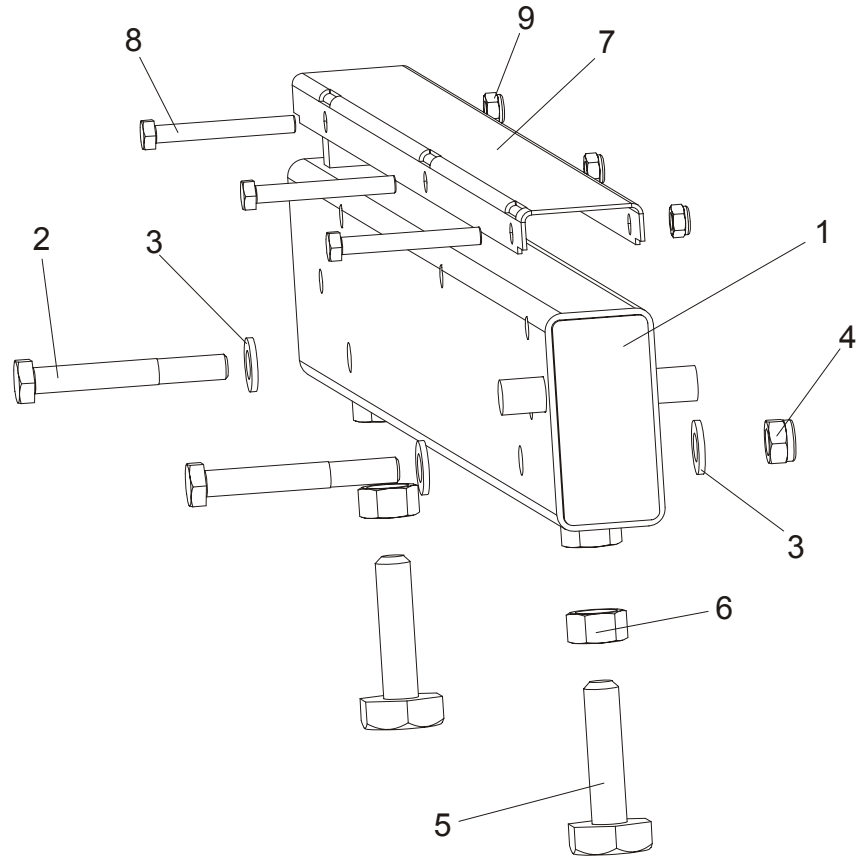
REF	DESCRIPTION (◆ Indicates Parts Available In Assemblies Only)	PART #	QTY.
1	BED RAIL ASSEMBLY, FRONT MIDDLE	091556	1
2	Bolt, M12 x 90-8.8 Hex Head	F81004-2	2
3	Washer, 13 SAE Flat	F81056-1	4
4	Nut, M12-8 hex Nylon Lock	F81034-2	2
	Bed Rail Bolt, Complete (M16 Bolt + 2xNut)	093710	2
5	Bolt, M16, Bed Rail Adjustment	086809	1
6	Nut, M16-5-B Zinc Hex Head	F81036-5	2
7	COVER, STAINLESS STEEL BED RAIL	099124	2
8	BOLT, M8X65-5,8 ZINC HEX HEAD	F81002-3	3
9	NUT, M8-8-B-ZINC HEX NYLON LOCK	F81032-2	3

8

Bed Frame Assembly

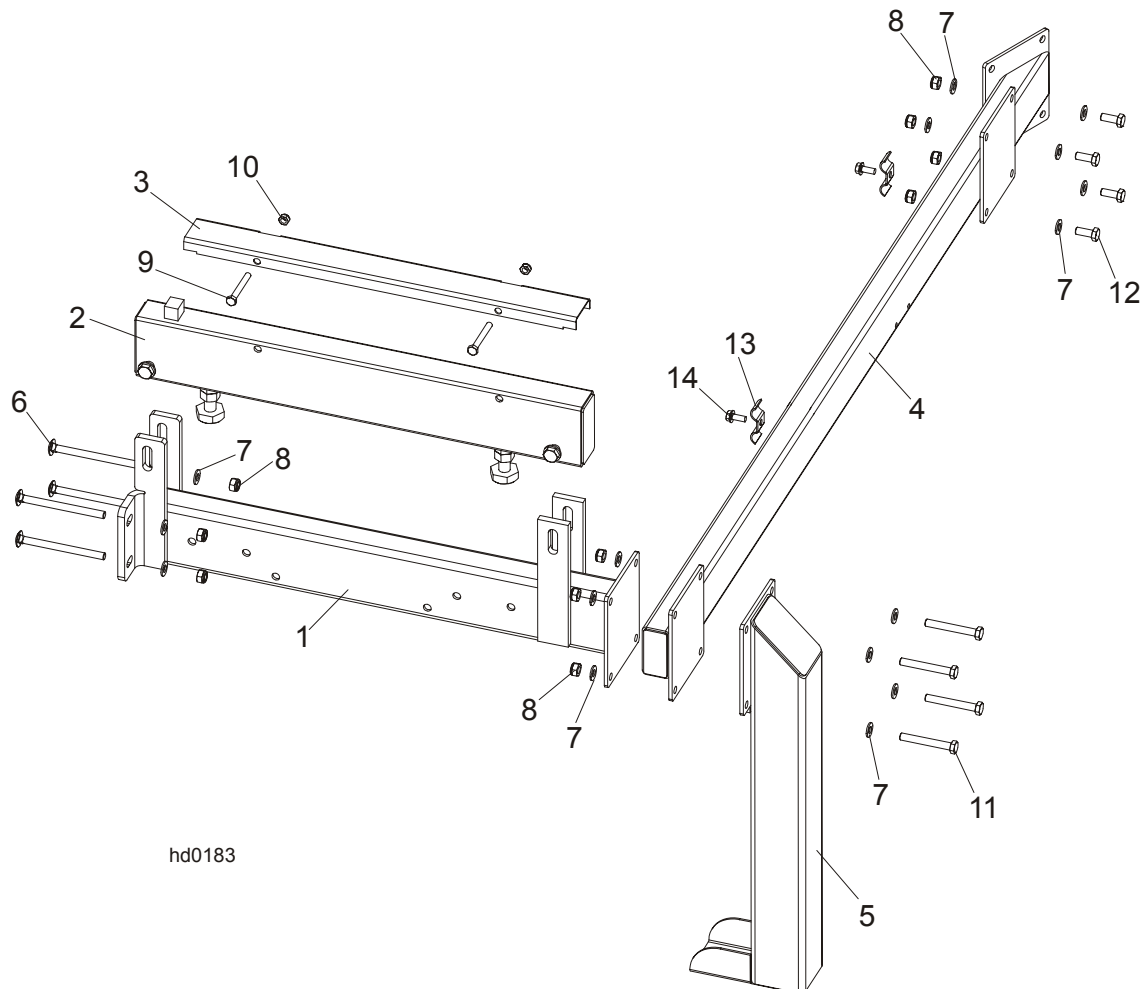
Bed Rail Assembly, Rear Middle (S/M type frame)

8.4 Bed Rail Assembly, Rear Middle (S/M type frame)



REF	DESCRIPTION (◆ Indicates Parts Available In Assemblies Only)	PART #	QTY.
1	BED RAIL ASSEMBLY, REAR MIDDLE PAINTED	091557	1
2	Bolt, M12 x 90-8.8 Hex Head	F81004-2	2
3	Washer, 13 SAE Flat	F81056-1	4
4	Nut, M12-8 hex Nylon Lock	F81034-2	2
	Bed Rail Bolt, Complete (M16 Bolt + 2xNut)	093710	2
5	Bolt, M16, Bed Rail Adjustment	086809	1
6	Nut, M16-5-B Zinc Hex Head	F81036-5	2
7	COVER, STAINLESS STEEL BED RAIL	099124	1
8	BOLT, M8X65-5,8 ZINC HEX HEAD	F81002-3	3
9	NUT, M8-8-B-ZINC HEX NYLON LOCK	F81032-2	3

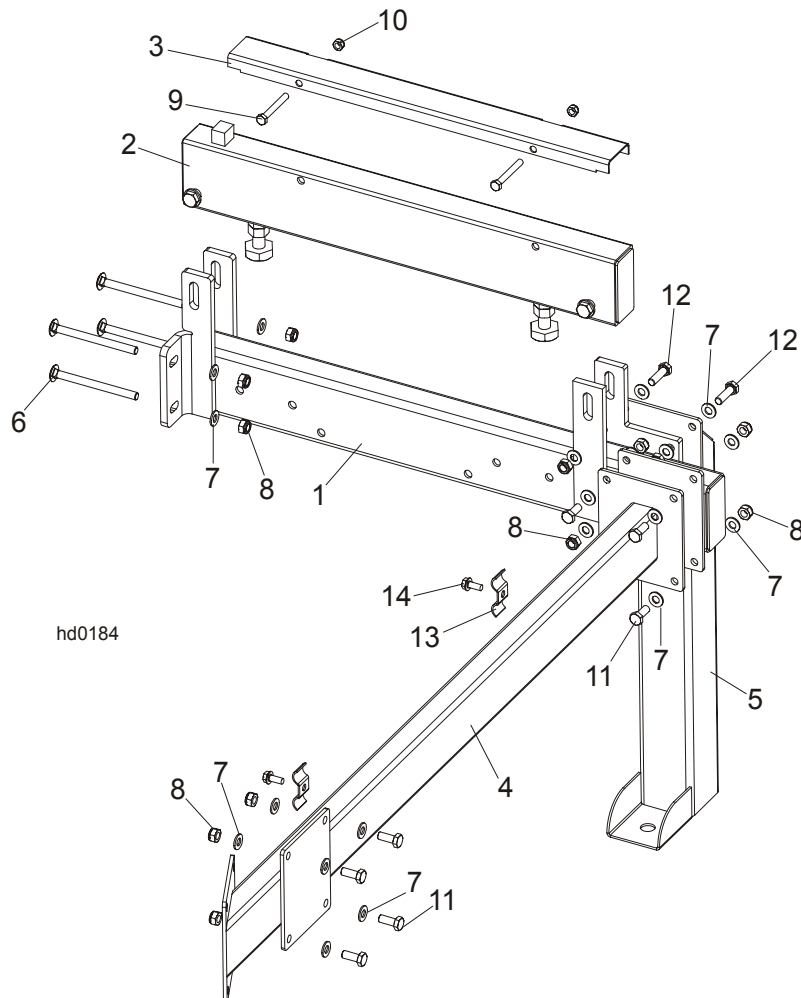
8.5 Clamp Mount Assembly, Front (AH5/7)



hd0183

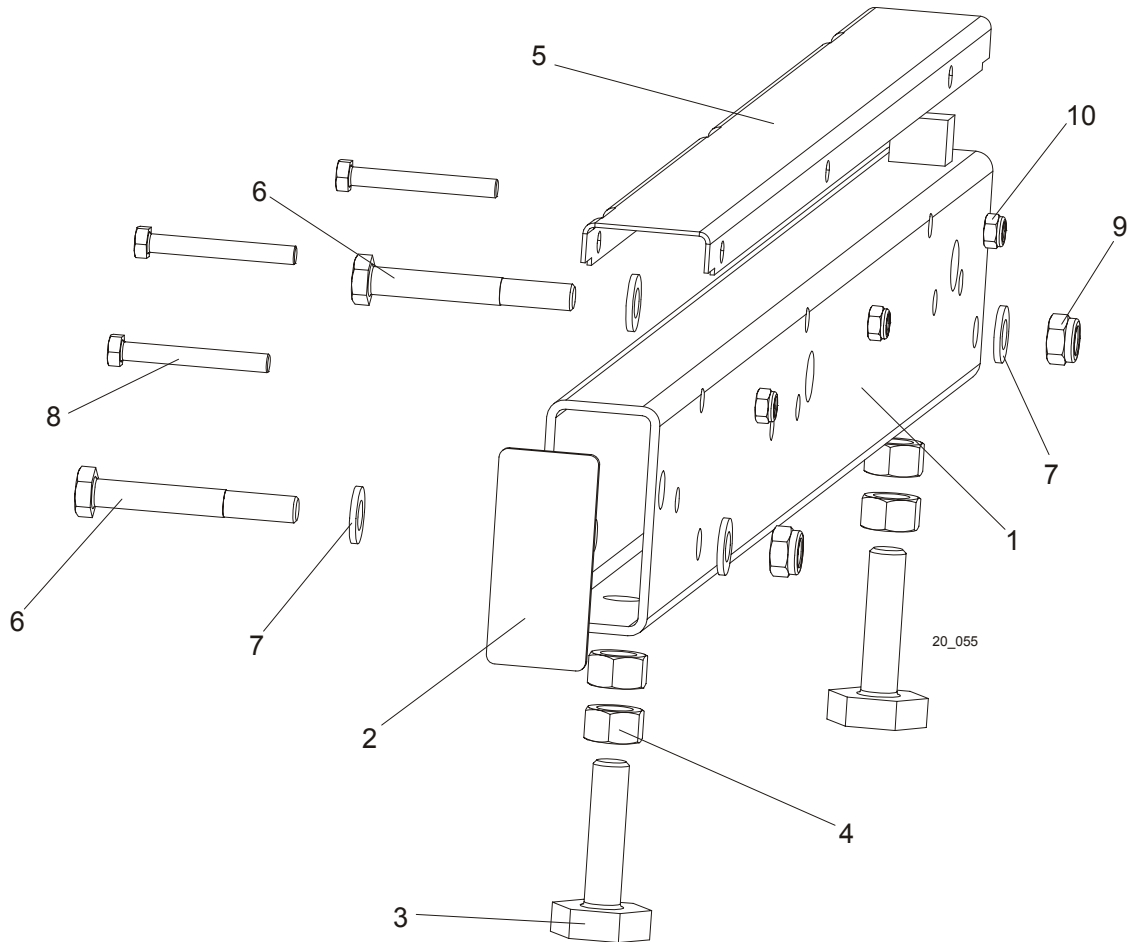
L.P.	OPIS (♦ wskazuje części dostępne jedynie w zespołach)	NUMER KAT.	SZT.
	CLAMP MOUNT ASSEMBLY - FRONT	092937	1
1	Bed Rail Assembly, Front	092903-1	1
2	Bed Rail AH5/DH5	095131-1	1
3	Cover, 22.75 SS LT50 Pivot	S13012	1
4	Tube Weldment, Bed Front	092904-1	1
5	Leg, Stationary Left	087450-1	1
6	Bolt, M10 X 125-8.8 Carriage Head	F81003-34	4
7	Washer, Flat, M10, Zinc	F81055-1	20
8	Nut, M10, Nylon Hex Zinc Lock	F81033-1	12
9	Bolt, M8 x 65mm, HH, Grade 5.8, Zinc	F81002-3	2
10	Nut, M8, Hexagon, Nylon Lock Zinc	F81032-2	2
11	Bolt, M10x75-8.8-Fe/Zn5 PN-M/82101	F81003-15	4
12	Bolt, M10-1.5x25mm HH Gr 8.8	F81003-11	4
13	Plate, 1/4 Hose Clamp Ptd	S09245	2
14	Bolt, 5/16-18x3/4 Self Tap	F05015-30	2

8.6 Clamp Mount Assembly, Rear (AH5/7)



L.P.	OPIS (◆ wskazuje części dostępne jedynie w zespołach)	NUMER KAT.	SZT.
	CLAMP MOUNT ASSEMBLY - REAR	092938	1
1	Bed Rail Assembly, Rear	092902-1	1
2	Bed Rail AH5/DH5	095131-1	1
3	Cover, 22.75 SS LT50 Pivot	S13012	1
4	Tube Weldment, Bed Rear	092907-1	1
5	Leg, Stationary Left	087450-1	1
6	Bolt, M10 X 125-8.8 Carriage Head	F81003-34	4
7	Washer, Flat, M10, Zinc	F81055-1	28
8	Nut, M10, Nylon Hex Zinc Lock	F81033-1	16
9	Bolt, M8 x 65mm, HH, Grade 5.8, Zinc	F81002-3	2
10	Nut, M8, Hexagon, Nylon Lock Zinc	F81032-2	2
11	Bolt, M10-1.5x25mm HH Gr 8.8	F81003-11	4
12	Bolt, M10x35mm HH Gr 8.8	F81003-17	4
13	Plate, 1/4 Hose Clamp Ptd	S09245	2
14	Bolt, 5/16-18x3/4 Self Tap	F05015-30	2

8.7 Bed Rail Assembly (L type frame)

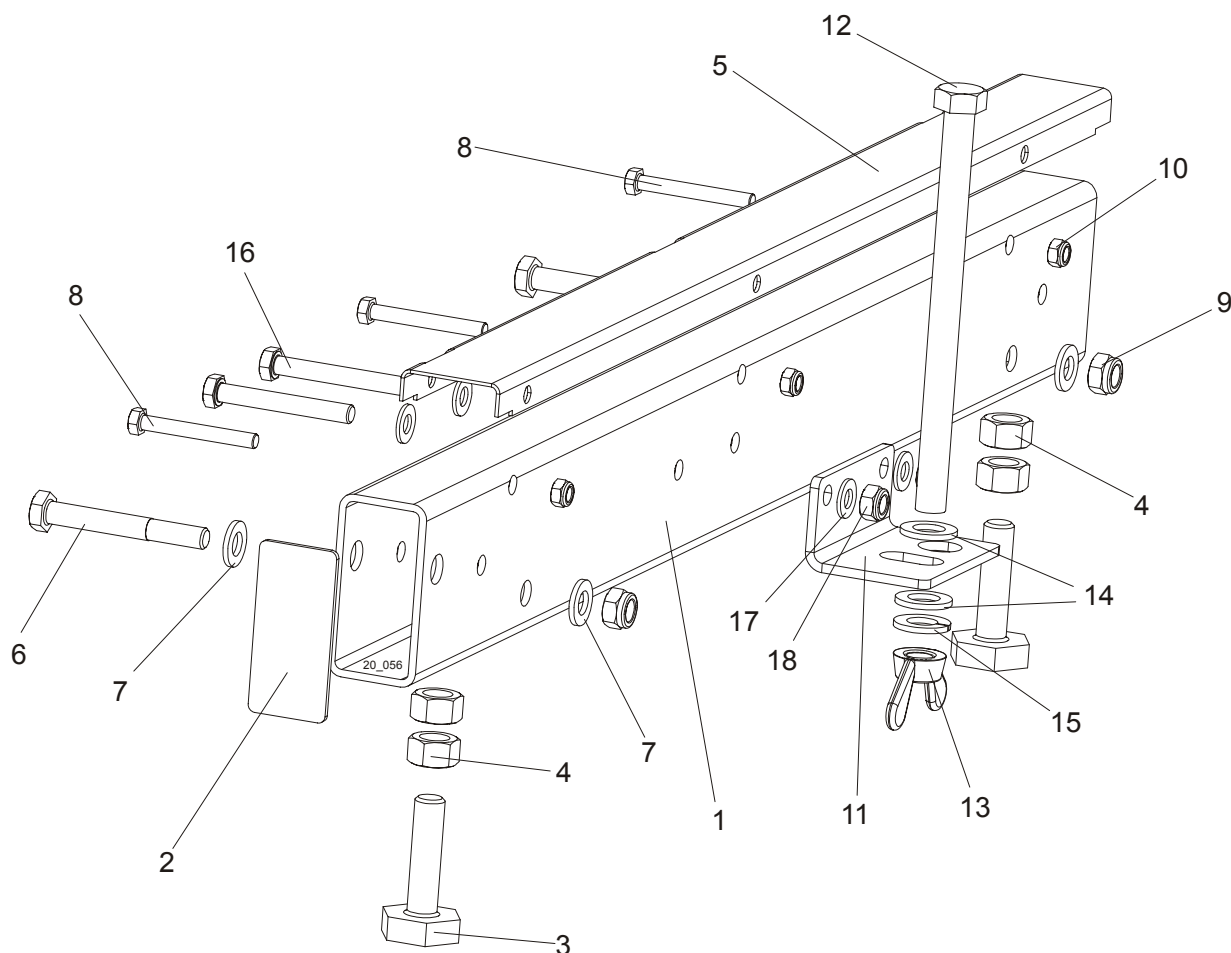


REF	DESCRIPTION (◆ Indicates Parts Available In Assemblies Only)	PART #	QTY.
	LONG BED RAIL ASSEMBLY	089385	1
1	Bed Rail Tube, Long	087433	1
2	Plate, Bed Rail End Cap	087853	1
3	Bolt, Bed Rail Adjustment	S13006	2
4	Nut, 5/8-11 Hex	F05010-54	4
5	Cover, Stainless Steel Bed Rail	099124	1
6	Bolt, M12 x 90-8.8 Hex Head Zinc	F81004-2	2
7	Washer, 13 Zinc Flat	F81056-1	4
8	Bolt, M8x65-5.8 Hex Head Zinc	F81002-3	3
9	Nut, M12-8 Hex Nylon Zinc Lock	F81034-2	2
10	Nut, M8-8-B Hex Nylon Zinc Lock	F81032-2	3

8 Bed Frame Assembly

Bed Rail Assembly (L type frame)

8.8 Bed Rail Assembly (L type frame)



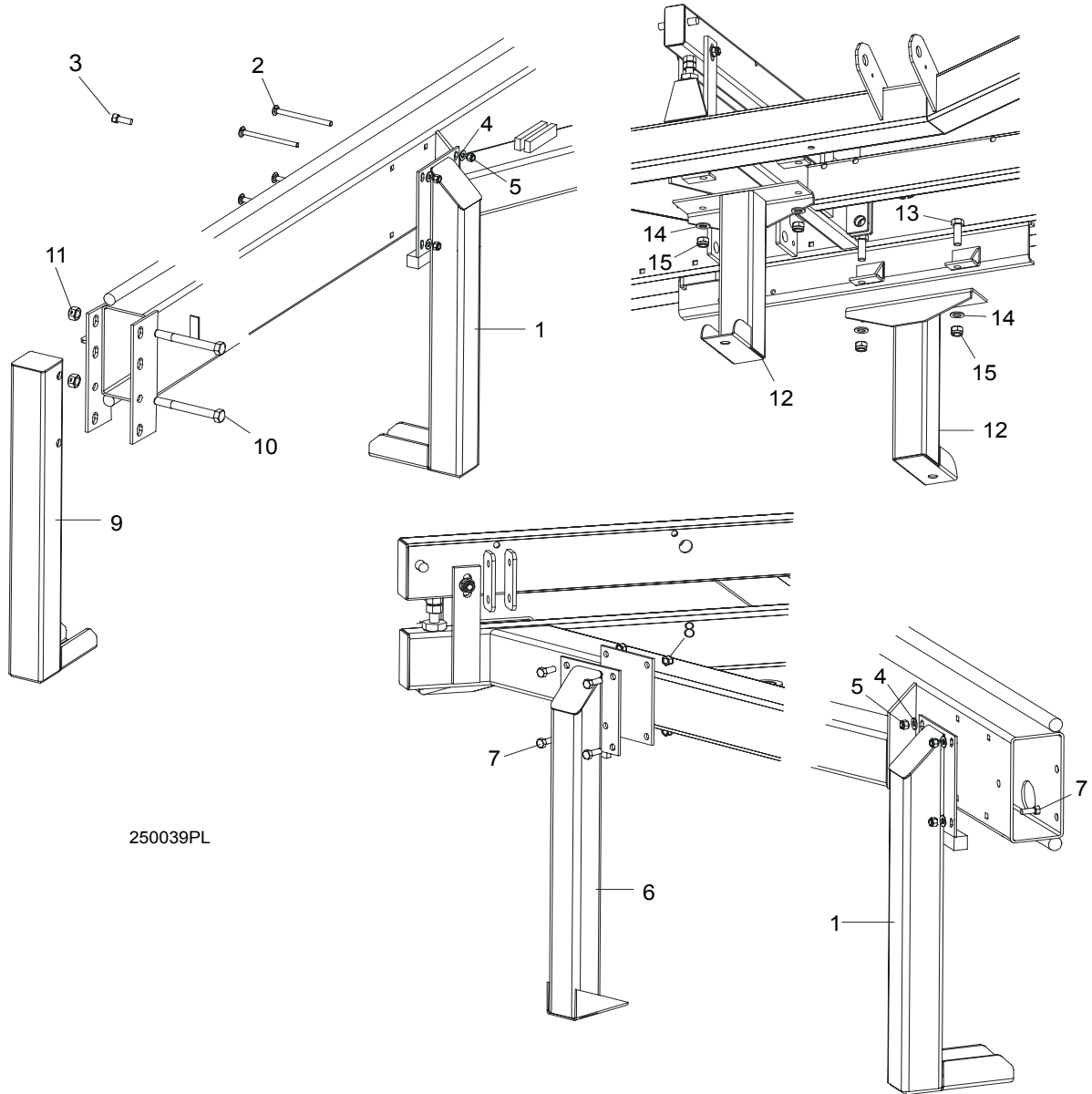
REF	DESCRIPTION (◆ Indicates Parts Available In Assemblies Only)	PART #	QTY.
	BED RAIL ASSEMBLY, SHORT	089386	1
1	Bed Rail Tube, Short	087878	1
2	Plate, Bed Rail End Cap	087853	1
3	Bolt, Bed Rail Adjustment	S13006	2
4	Nut, 5/8-11 Hex	F05010-54	4
5	Cover, Bed Rail Stainless Steel	099124	1
6	Bolt, M12x90-8.8 Hex Head Zinc	F81004-2	2
7	Washer, 13 Zinc Flat	F81056-1	4
8	Bolt, M8x65-5.8 Hex Head Zinc	F81002-3	3
9	Nut, M12-8 Hex Nylon Zinc Lock	F81034-2	2
10	Nut, M8-8-B Hex Nylon Zinc Lock	F81032-2	3
11	Bracket, Loading Arms Link Storage	090258-1	1
12	Bolt, M16x220-8.8-B Hex Head Zinc	F81006-21	1
13	Nut, M16-8 Hex Nylon Zinc Lock	F81036-2	1
14	Washer, 17 Zinc Flat	F81058-1	2
15	Washer, 16.3 Split Lock Zinc	F81058-2	1

16	Bolt, M10x75-8.8 Hex Head Zinc	F81003-15	2	
17	Washer, 10.5 Zinc Flat	F81055-1	2	
18	Nut, M10-8-B Hex Nylon Zinc Lock	F81033-1	2	

8 Bed Frame Assembly

Stationary Leg

8.9 Stationary Leg



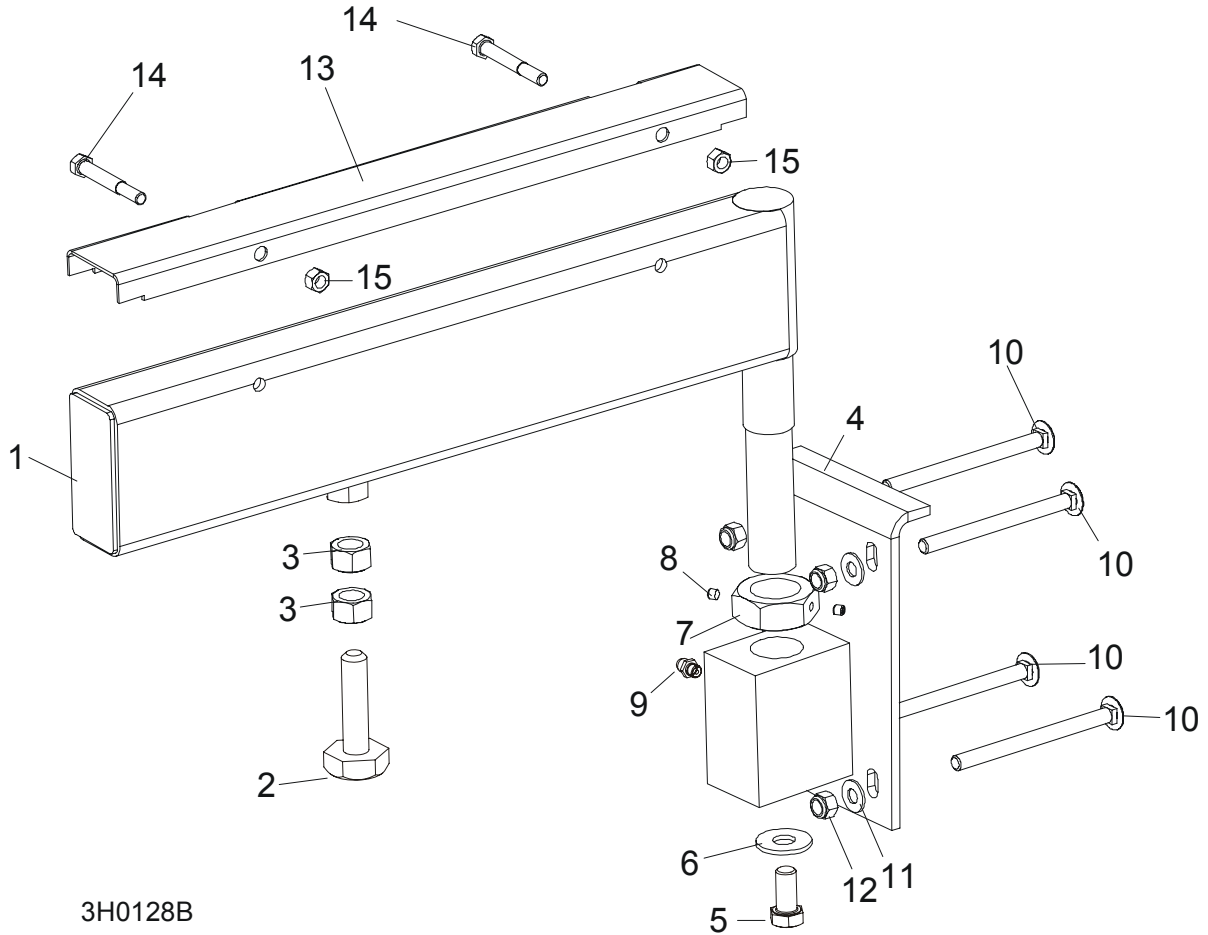
REF	DESCRIPTION (◆ Indicates Parts Available In Assemblies Only)	PART #	QTY.
1	LEG, LONG STATIONARY	087451-1	2/3
2	BOLT, M10 X 120 - 8.8 CARRIAGE HEAD ZINC	F81003-33	8
3	BOLT, 3/8-16 X 1" HEX HEAD ZINC GRADE 8	F05007-7	4
4	WASHER, 10.5 ZINC FLAT	F81055-1	16
5	NUT, M10-8-B HEX NYLON ZINC LOCK	F81033-1	8/12
6	LEG, SHORT STATIONARY	087450-1	2
7	BOLT, M10 X 25-8.8 HEX HEAD ZINC	F81003-11	12
8	NUT, M10-8-B HEX NYLON ZINC LOCK	F81033-1	12
9	LEG, FRONT STATIONARY	087452-1	1

10	BOLT, M16 X 140 - 8.8 HEX HEAD	F81006-4	2	
11	NUT, 5/8-11 HEX ZINC	F05010-4	2	
12	LEG, MIDDLE STATIONARY	087093-1	2	
13	BOLT, M16 X 50-8.8 HEX HEAD FULL THREAD ZINC	F81006-7	4	
14	WASHER, 17 ZINC FLAT	F81058-1	4	
15	NUT, M16-8 HEX NYLON ZINC LOCK	F81036-2	4	

8 Bed Frame Assembly

Pivot Bed Rail Assembly

8.10 Pivot Bed Rail Assembly

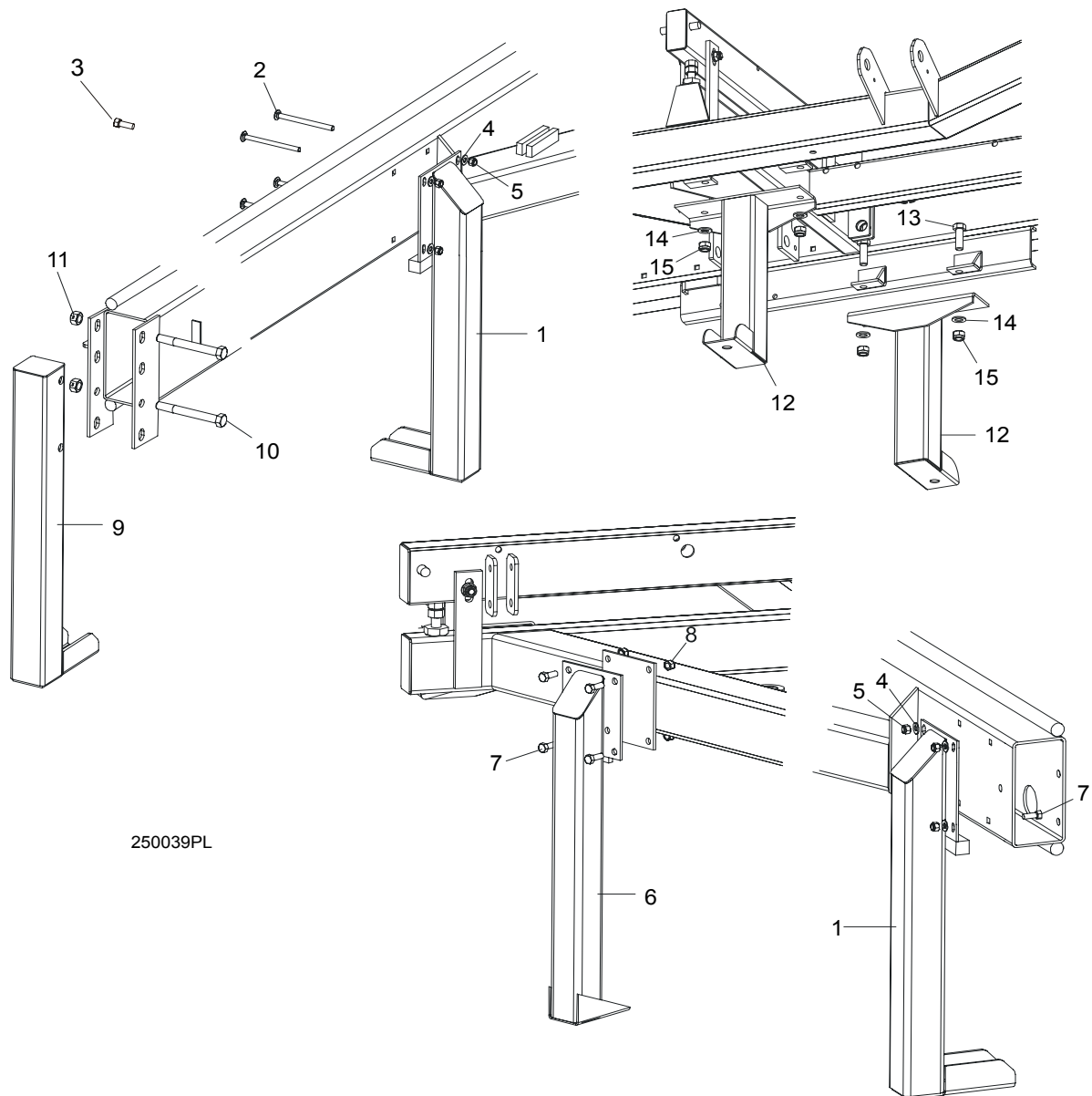


3H0128B

REF	DESCRIPTION (◆ Indicates Parts Available In Assemblies Only)	PART #	QTY.
	PIVOT BED RAIL, COMPLETE	087829	2
	PIVOT BED RAIL, COMPLETE	087855	2
1	Rail Weldment, Pivot Bed	087852-1	1
	Rail, Pivot Bed	087848-1	1
	Bolt Assembly, Bed Rail Adjustment		
2	Bolt, Pivot Bed Rail Adjustment	086809	1
3	Nut, M16-5.8 Zinc Hex	F81036-1	2
4	Bracket, Pivot Bed Rail Mounting	087841-1	1
5	Bolt, M12x25-8.8 Hex Head Full Thread Zinc	F81004-31	1
6	Washer, 9/16" Zinc Flat	F05011-52	1
7	Nut, M16-5.8 Zinc Hex Nut, M32 Zinc Hex Thin	F81036-1 F81039-2	1
8	Screw, 1/4-28 x 1/4 Socket Head Brass Tip Set	F05005-42	2
9	Fitting, M6 Grease	086280	1
10	BOLT, M10 X 120 8.8 CARRIAGE HEAD ZINC	F81003-33	2
11	BOLT, M10 X 120 8.8 CARRIAGE HEAD ZINC	F81003-33	6
12	WASHER, 10.5 ZINC FLAT	F81055-1	8

13	NUT, M16-8 HEX NYLON ZINC LOCK	F81036-2	8	
	COVER KIT, PIVOT BED RAIL	015926	2	
	COVER KIT, PIVOT BED RAIL	N/A	2	
14	Cover, Pivot Bed Rail Stainless Steel	012994	1	
	Cover, Pivot Bed Rail	099123	1	
15	Bolt, M8x65-5.8 Hex Head Zinc	F81002-3	2	
16	Nut, M8-8-B Hex Nylon Zinc Lock	F81032-2	2	
	WRENCH, BED RAIL ADJUSTMENT (Patrz rozdział 8.4)	015970	1	

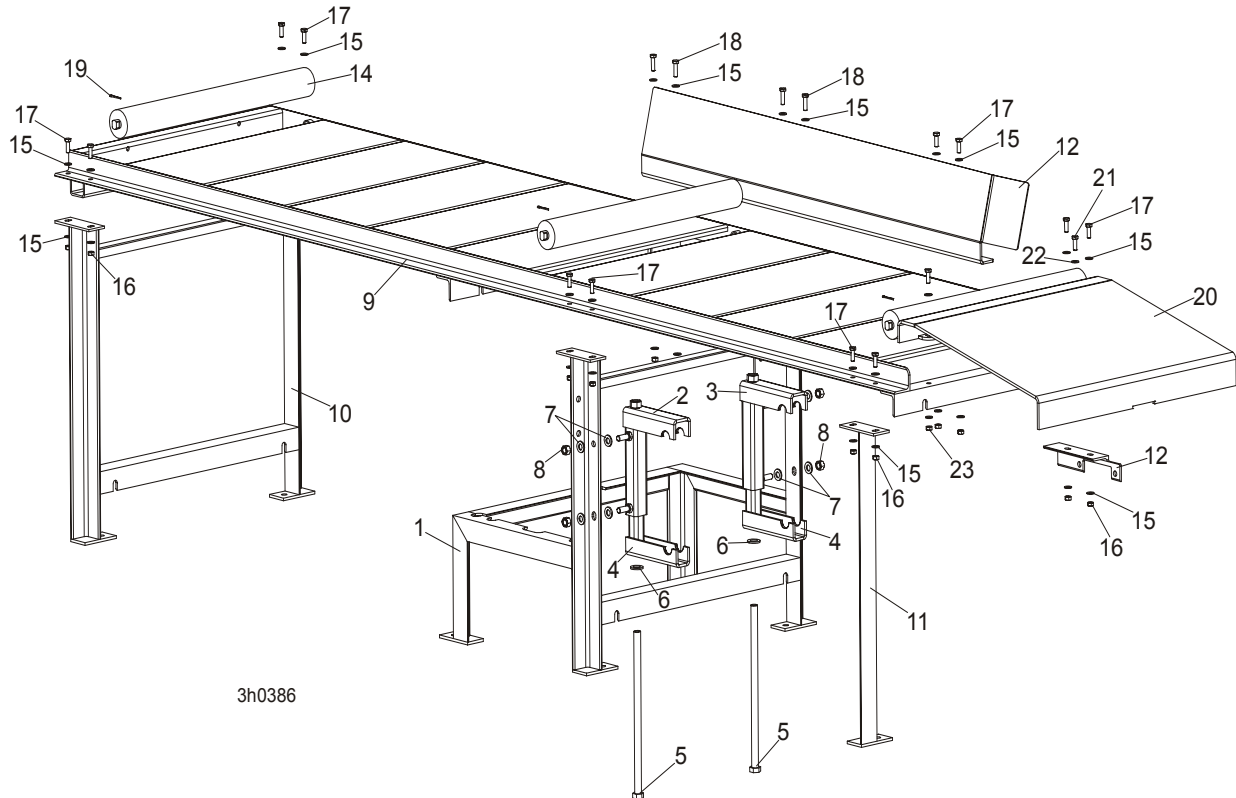
8.11 Board Return Table, Podpora stacjonarna



250039PL

L.P.	OPIS (♦ wskazuje części dostępne jedynie w zespołach)	NUMER KAT.	SZT.
1	PODPORA STACJONARNA DŁUGA (2 DLA LT25; 3 DLA LT25L)	087451-1	2/3
2	ŚRUBA Z ŁBEM SZEŚCIOKĄTNYM M10 X 120 - 8.8	F81003-33	8
3	ŚRUBA Z ŁBEM SZEŚCIOKĄTNYM 3/8-16 X 1" GR 2	F05007-7	4
4	PODKŁADKA PŁASKA 10,5	F81055-1	16
5	NAKRĘTKA SAMOZABEZPIEZAJĄCA Z WKŁADKĄ POLIAMIDOWĄ M10-8-B	F81033-1	8/12
6	PODPORA STACJONARNA KRÓTKA	087450-1	2
7	ŚRUBA Z ŁBEM SZEŚCIOKĄTNYM M10 X 25-8.8	F81003-11	12
8	NAKRĘTKA SAMOZABEZPIEZAJĄCA Z WKŁADKĄ POLIAMIDOWĄ M10-8-B	F81033-1	12
9	PODPORA STACJONARNA PRZEDNIA	087452-1	1

10	ŚRUBA Z ŁBEM SZEŚCIOKĄTNYM M16 X 140 - 8.8	F81006-4	2	
11	NAKRĘTKA SAMOZABEZPIECZAJĄCA 5/8-11	F05010-4	2	
12	PODPORA STACJONARNA ŚRODKOWA	087093-1	2	
13	ŚRUBA Z ŁBEM SZEŚCIOKĄTNYM M16 X 50-8.8	F81006-7	4	
14	PODKŁADKA PŁASKA 17	F81058-1	4	
15	NAKRĘTKA SAMOZABEZPIECZAJĄCA Z WKŁADKĄ POLIAMIDOWĄ M16	F81036-2	4	

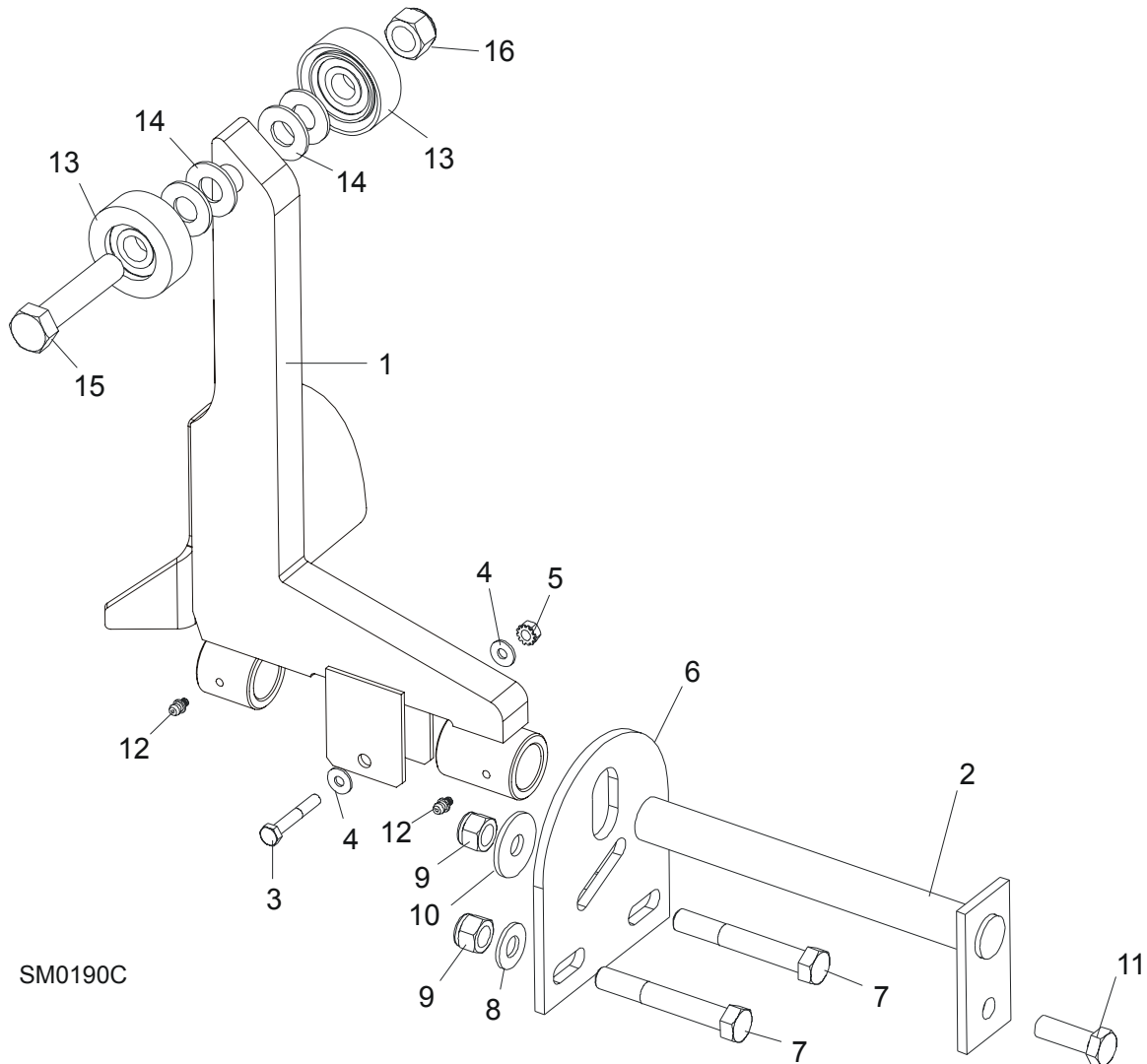
8.12 "M" Frame Option


3h0386

REF	DESCRIPTION (◆ Indicates Parts Available In Assemblies Only)	PART #	QTY.
	BOARD RETURN TABLE, "M" FRAME	097056	1
1	Platform, Hydraulic Control Box	097036	1
	Bracket, Hydraulic Control Box - Left	097054	1
2	Interlock, Hydraulic Control Box - Upper, Left	097052-1	1
	Bracket, Hydraulic Control Box - Right	097491	1
3	Interlock, Hydraulic Control Box - Upper, Right	097055-1	1
4	Interlock, Hydraulic Control Box - Lower	097053-1	2
5	Bolt, M16x360 8.8 Hex Head Zinc	F81006-51	2
6	Washer, M16, Flat Zinc	F81058-1	2
7	Washer, M12, Flat Zinc	F81056-1	8
8	Nut, M12, Hexagon, Grade 5.8, Zinc	F81034-1	4
	Table, Board Return Complete	097076	1
9	Table, Board Return	097075-1	1
10	Leg, Board Return Table	097044-1	1
11	Leg, Board Return Table Rear	097077-1	1
12	Bracket, Board Return Table	097058-1	1
13	Plate, Board Return Table Side	097078-1	1
14	Roller, 63.5/20X600/608/626	089044-1	3
15	Washer, M8, Flat, Zinc	F81054-1	32

16	Nut, M8 Hexagon, Grade 5.8 Free Zinc	F81032-1	16	
17	Bolt, M8 x 25mm Hex Head Gr 5.8 Zinc	F81002-5	12	
18	Bolt, M8 x 30mm Hex Head Gr 8.8 Zinc	F81002-7	4	
19	Pin, 3.2x32 Cotter Zinc	F81043-11	3	
	Plate, Board Return Table Front Complete	097931	1	
20	Plate, Board Return Table Front	097778-1	1	
21	Bolt, M8 x 25mm Hex Head Gr 5.8 Zinc	F81002-5	2	
22	Washer, M8, Flat, Zinc	F81054-1	4	
23	Nut, M8 Hexagon, Grade 5.8 Free Zinc	F81032-1	2	

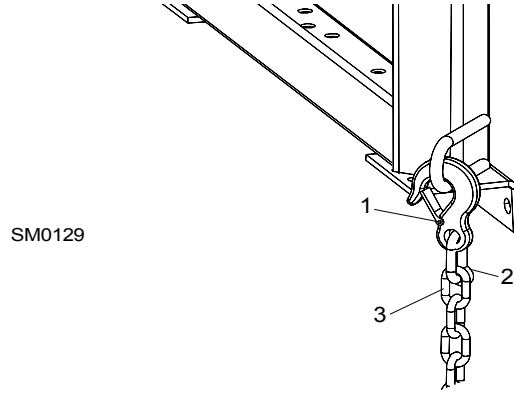
8.13 Log Side Support Assembly (Manual)



Patrz rozdział 9.7 for hydraulic side supports...			
REF	DESCRIPTION (◆ Indicates Parts Available In Assemblies Only)	PART #	QTY.
1	SUPPORT, LOG SIDE W/GUARD	099785-1	1
2	PIN, LOG SIDE SUPPORT PIVOT	091549-1	1
3	BOLT, M8X45 - 8.8 HEX HEAD GRADE 5	F81002-14	1
4	WASHER, 8.4 FLAT	F81054-1	2
5	NUT, M8-8-B SELF LOCKING	F81032-2	1
6	PLATE, LOG SIDE SUPPORT END	091591-1	1
7	BOLT, M12 X 75-8.8 HEX HEAD	F81004-21	2
8	WASHER, 13 FLAT	F81056-1	2
9	NUT, M12-8 HEX NYLON LOCK	F81034-2	3
10	WASHER, 15 FLAT SPECIAL ZINC-PLATED	F81057-3	1
11	BOLT, M12 X 35-8.8 HEX HEAD	F81004-24	1

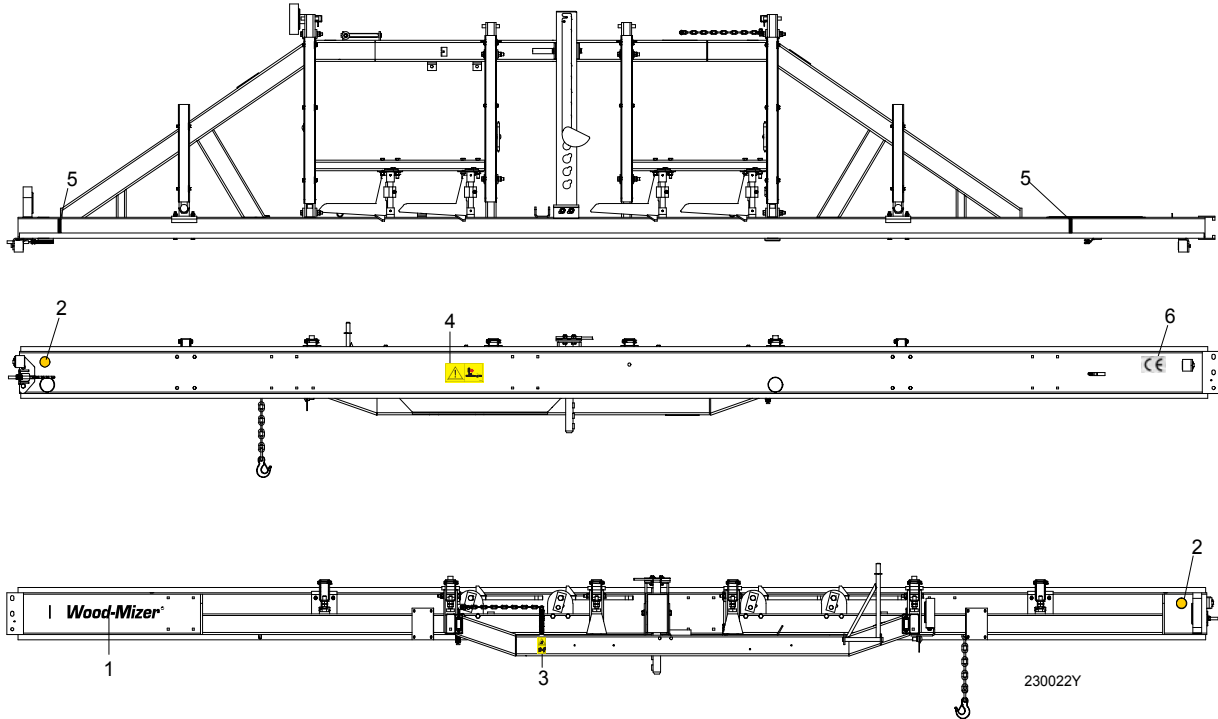
12	FITTING, 3/16" GREASE	P04107	2	
13	ROLLER ASSEMBLY, SIDE SUPPORT	015014-1	2	
14	WASHER, 17 FLAT	F81058-1	2	
15	BOLT, M16X65-8.8-B HEX HEAD GRADE 5	F81006-1	1	
16	NUT, M16-8 NYLON LOCK	F81036-2	1	
	INSTRUCTION SHEET, SIDE SUPPORT ROLLER	015109-526	1	

8.14 Tie Down Chain Assembly



REF	DESCRIPTION (◆ Indicates Parts Available In Assemblies Only)	PART #	QTY.	
	TIE DOWN CHAIN ASSEMBLY	A04376-1	1	
1	Hook, 5/8" Safety Chain	P12075	1	◆
2	Screw Closed Chain Link, 10	100767	1	◆
3	Chain, N-10 x 35, 6 Links	100951	1	◆

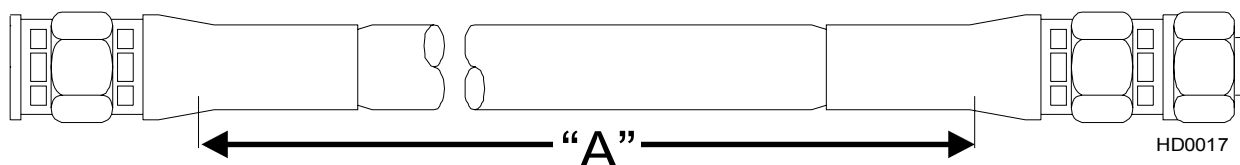
8.15 Bed Frame Decals



REF	DESCRIPTION (◆ Indicates Parts Available In Assemblies Only)	PART #	QTY.
1	DECAL, WOOD-MIZER LOGO	014751	1
2	DECAL, AMBER REFLECTIVE 2" ROUND	P07453	2
3	DECAL, KEEP AWAY DANGER, PICTOGRAM	099221	1
4	DECAL, SAWMILL TRAILER CAUTION, PICTOGRAM	099542	1
5	DECAL, LOG LENGTH LIMIT	S12051	2
6	DECAL, CE CERTIFIED SAWMILL SMALL	P85070	1

SECTION 9 HYDRAULIC SYSTEM

9.1 Hydraulic Hoses, LT20 Series A/DH



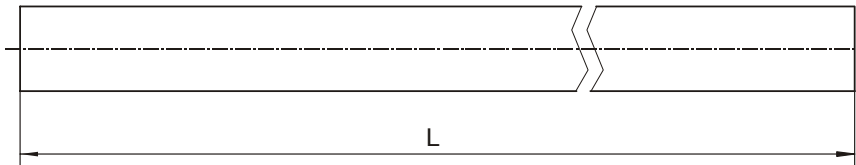
COLOR	LENGTH "A"	DESCRIPTION (◆ Indicates Parts Available In Assemblies Only)	PART #	QTY	ID
None	10"	3/8" HYDRAULIC PUMP TO VALVE	087774	1	H1
None	0,46	1/4" HYDRAULIC PUMP TO VALVE	015704	2	
Plain	27"	3/8" LOG TURNER CYLINDER BASE	014796	1	H3
Orange	22"	3/8" LOG TURNER CYLINDER TOP	087775	1	H4
Yellow	129"	1/4" FRONT TOE BOARD TOP (LT40S)	087790	1	H5
	151"	1/4" FRONT TOE BOARD TOP (LT40M)	087776	1	H5
Gray	129"	1/4" FRONT TOE BOARD BASE (LT40S)	087790	1	H6
	151"	1/4" FRONT TOE BOARD BASE (LT40M)	087776	1	H6
Plain	166"	3/8" SIDE SUPPORT CYLINDER TOP (LT40S)	087791	1	H7
	188"	3/8" SIDE SUPPORT CYLINDER TOP (LT40M)	087777	1	H7
Pink	168"	3/8" SIDE SUPPORT CYLINDER BASE (LT40S)	087791	1	H8
	188"	3/8" SIDE SUPPORT CYLINDER BASE (LT40M)	087777	1	H8
White	145"	3/8" CLAMP CYLINDER TOP (LT40S)	087792	1	H9
	157"	3/8" CLAMP CYLINDER TOP (LT40M)	087778	1	H9
Dark Orange	129"	3/8" CLAMP CYLINDER BASE (LT40S)	087793	1	H10
	151"	3/8" CLAMP CYLINDER BASE (LT40M)	087779	1	H10
Purple	204"	1/4" REAR TOE BOARD TOP (LT40S)	087794	1	H11
	226"	1/4" REAR TOE BOARD TOP (LT40M)	087780	1	H11
Black	204"	1/4" REAR TOE BOARD BASE (LT40S)	087794	1	H12
	226"	1/4" REAR TOE BOARD BASE (LT40M)	087780	1	H12
Green	62"	3/8" LOADING ARM BRANCH TOP	014797	2	H13
Yellow	63"	3/8" LOADING ARM BRANCH BASE	014798	1	H14
Yellow	71"	3/8" LOADING ARM BRANCH BASE	093329	1	H14
Blue	171"	3/8" LOADING ARM CYLINDER TOP (LT40S)	087795	1	H15
	193"	3/8" LOADING ARM CYLINDER TOP (LT40M)	087781	1	H15
Red	171"	3/8" LOADING ARM CYLINDER BOTTOM (LT40S)	087795	1	H16
	193"	3/8" LOADING ARM CYLINDER BOTTOM (LT40M)	087781	1	H16
Green	180"	1/4" CLAMP UP (LT40S)	087796	1	H17
	202"	1/4" CLAMP UP (LT40M)	087789	1	H17
Yellow	180"	1/4" CLAMP DOWN (LT40S)	087796	1	H18
	202"	1/4" CLAMP DOWN (LT40M)	087789	1	H18
White	157"	3/8" FRONT LOG CLAMP, IN/OUT CYLINDER BOTTOM (A/DH5)	094778	1	H19
Orange	157"	3/8" FRONT LOG CLAMP, IN/OUT CYLINDER TOP (A/DH5)	094778	1	H20

Red	150"	3/8" FRONT LOG CLAMP, UP/DOWN CYLINDER BOTTOM (A/DH5)	094779	1	H21
Blue	150"	3/8" FRONT LOG CLAMP, UP/DOWN CYLINDER TOP (A/DH5)	094779	1	H22
White	236"	3/8" REAR LOG CLAMP, IN/OUT CYLINDER BOTTOM (A/DH5)	094780	1	H23
Orange	236"	3/8" REAR LOG CLAMP, IN/OUT CYLINDER TOP (A/DH5)	094780	1	H24
Red	220"	3/8" REAR LOG CLAMP, UP/DOWN CYLINDER BOTTOM (A/DH5)	094781	1	H25
Blue	220"	3/8" REAR LOG CLAMP, UP/DOWN CYLINDER TOP (A/DH5)	094781	1	H26
Plain	15"	3/8" VALVE TO OIL FLOW CONTROL VALVE (A/DH5)	094782	1	H27
Plain	21"	3/8" HYDRAULIC PUMP W/MOTOR TO OIL FLOW CONTROL VALVE (A/DH5)	087775	1	H28
Red	1,50	1/4" FIRST CLAMP, UP/DOWN CYLINDER BOTTOM (AH7)	095211	1	H29
Blue	1,50	1/4" FIRST CLAMP, UP/DOWN CYLINDER TOP (AH7)	095211	1	H30
Red	4,00	1/4" SECOND CLAMP, UP/DOWN CYLINDER BOTTOM (AH7)	095212	1	H31
Blue	4,00	1/4" SECOND CLAMP, UP/DOWN CYLINDER TOP (AH7)	095212	1	H32
Red	7,70	1/4" THIRD CLAMP, UP/DOWN CYLINDER BOTTOM (AH7)	095213	1	H33
Blue	7,70	1/4" THIRD CLAMP, UP/DOWN CYLINDER TOP (AH7)	095213	1	H34
Orange	0,40	1/4" HYDRAULIC VALVE POWER CORD TO CLAMP IN/OUT CYLINDER T-FITTING, BOTTOM (AH7)	095214	1	H35
White	0,40	1/4" HYDRAULIC VALVE POWER CORD TO CLAMP IN/OUT CYLINDER T-FITTING, TOP (AH7)	095214	1	H36
Orange	7,00	1/4" THIRD CLAMP, IN/OUT CYLINDER BOTTOM (AH7)	095215	1	H37
White	7,00	1/4" THIRD CLAMP, IN/OUT CYLINDER TOP (AH7)	095215	1	H38
Orange	2,50	1/4" FIRST/SECOND CLAMP, IN/OUT CYLINDER BOTTOM (AH7)	095216	1	H39
White	2,50	1/4" FIRST/SECOND CLAMP, IN/OUT CYLINDER TOP (AH7)	095216	1	H40
Orange	1,20	1/4" FIRST/SECOND CLAMP, IN/OUT CYLINDER BOTTOM (AH7)	095217	1	H41
White	1,20	1/4" FIRST/SECOND CLAMP, IN/OUT CYLINDER TOP (AH7)	095217	1	H42

9.2 Hydraulic Hoses, LT20 Series DH

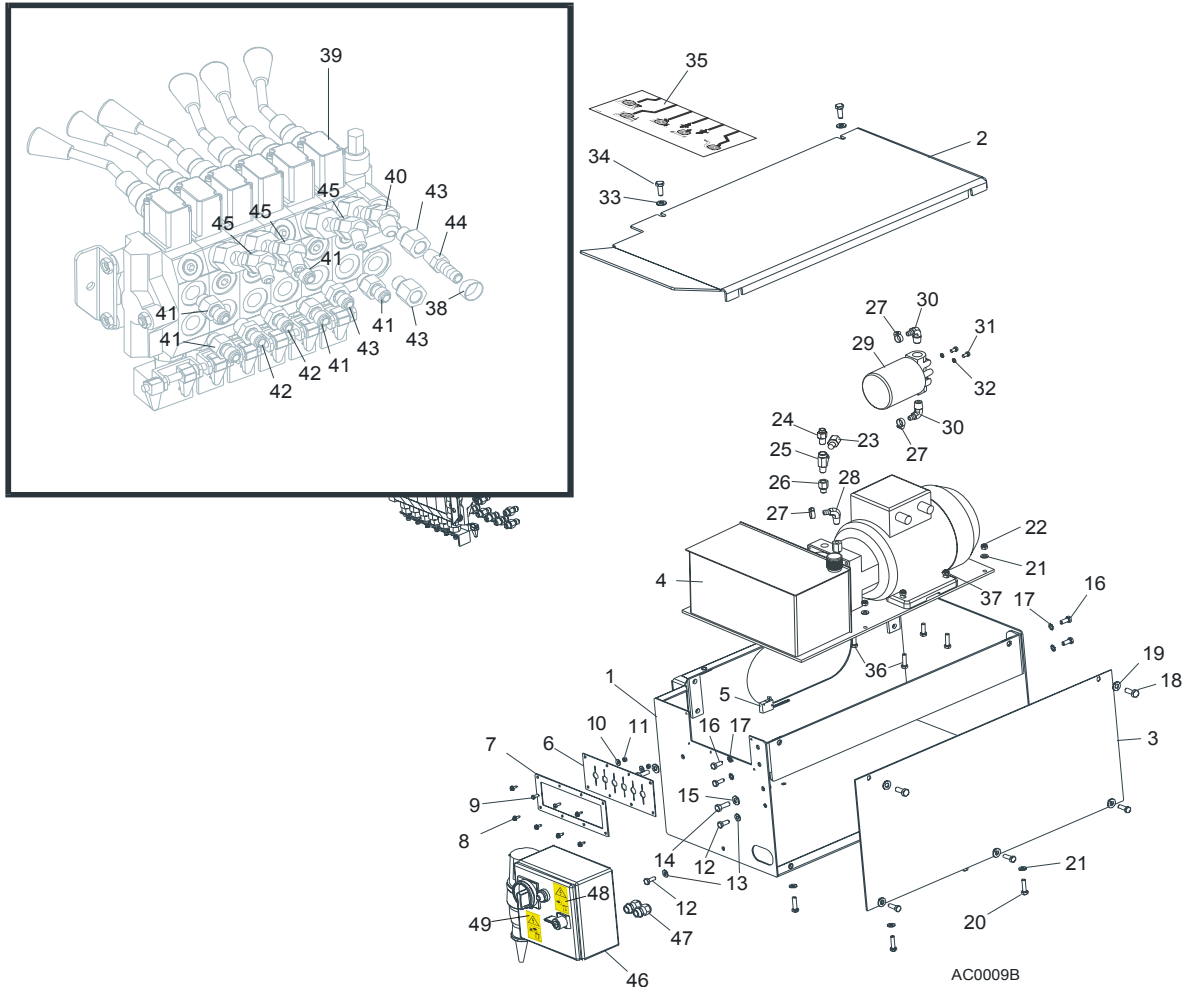
[See Section 1.18](#) of the LT20 DH Operators Manual (Form#629)

Protective Conduits, LT20 Series A/DH Hydraulic Hoses



LENGTH "L"	DESCRIPTION (◆ Indicates Parts Available In Assemblies Only)	PART #	QTY.	
0,70	PROTECTIVE CONDUIT, LOG TURNER HOSE	099761	2	
0,28	PROTECTIVE CONDUIT, IN/OUT CYLINDER HOSE - BOTTOM	099762	1	
0,45	PROTECTIVE CONDUIT, IN/OUT CYLINDER HOSE - TOP	099763	1	
1,35	PROTECTIVE CONDUIT, UP/DOWN CYLINDER HOSE - BOTTOM	099764	1	
1,65	PROTECTIVE CONDUIT, UP/DOWN CYLINDER HOSE - TOP	099765	1	

9.3 Hydraulic Control Box, LT20 Series AH3

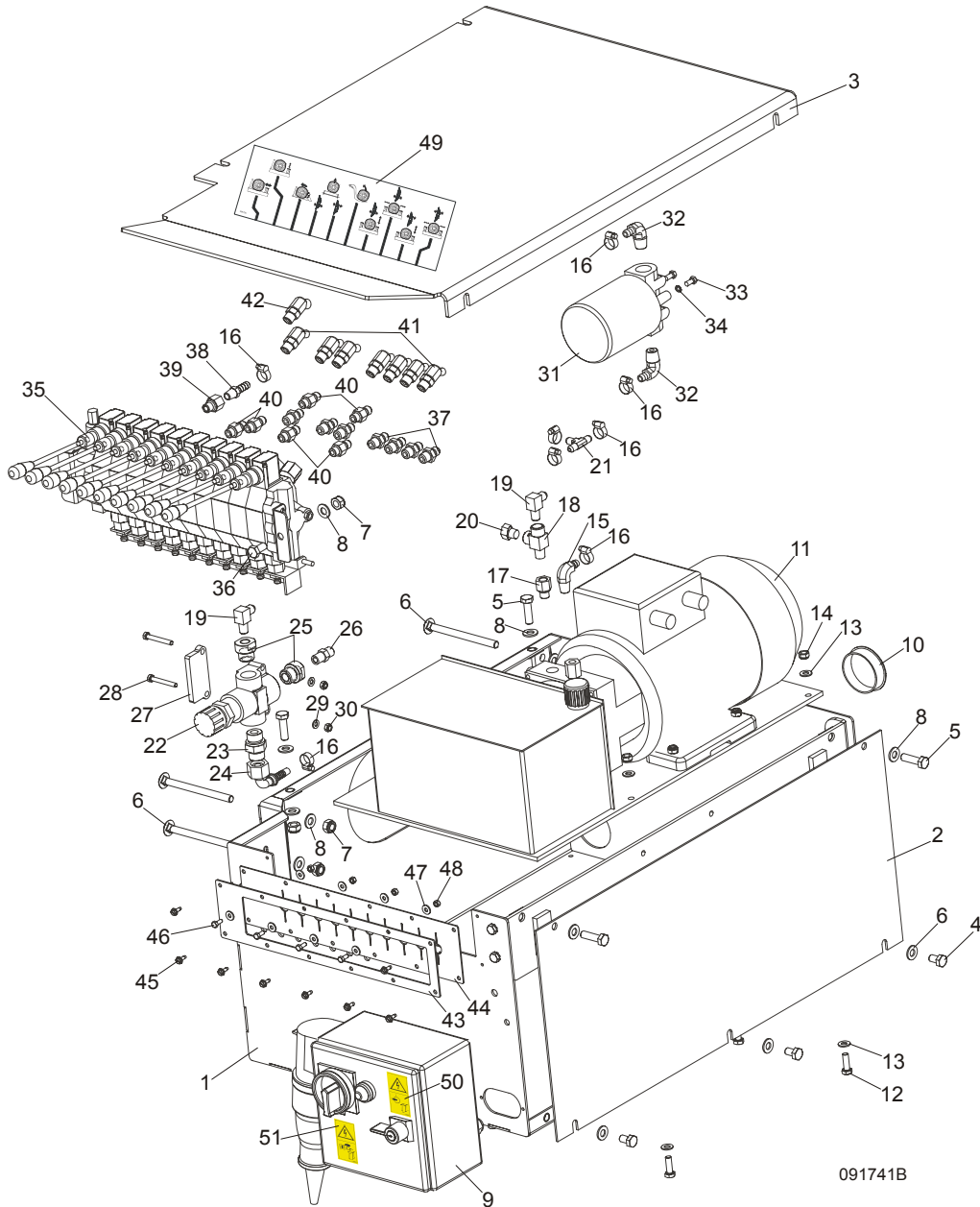


REF	DESCRIPTION (◆ Indicates Parts Available In Assemblies Only)	PART #	QTY.
	BOX, AC SUPER HYDRAULIC (EA20, EA25)	086791	1
	Cap, SR1086 22.2 Hole	093544	2
1	BOX WELDMENT, HYDRAULIC PUMP HOUSING	092243-1	1
2	COVER, AC HYDRAULIC PUMP HOUSING TOP	086485-1	1
3	COVER, AC HYDRAULIC PUMP HOUSING SIDE	086484-1	1
4	HYDRAULIC PUMP W/MOTOR, 4 KW 14.5 L/MIN AC	093459	1
	Pump, AC-4kW Hydraulic	097782	1
	Plate, AC-4kW Hydraulic Connecting	097783	1
	Seal, AC-4kW Hydraulic Complete	097784	1
5	Microswitch, 2A 125V Hydraulic Valve	014765	1
6	GUARD, DOUBLE VALVE RUBBER	015079	1
7	PLATE, AC VALVE PAINTED	086519-1	1
8	SCREW, #10 X 1/2 SLOTTED HEX SELF-TAPPING	F05015-7	6
9	BOLT, M5X12-5.8 HEX HEAD FULL THREAD ZINC	F81000-5	2
10	WASHER, 5.5 SPECIAL FLAT ZINC	F81052-3	2

11	NUT, M5-8 HEX ZINC	F81030-1	2	
12	BOLT, M8 X 20-8.8-B HEX HEAD FULL THREAD ZINC	F81002-4	2	
13	WASHER, 8.4 FLAT ZINC	F81054-1	2	
14	BOLT, 3/8-16X1 HEX HEAD ZINC GRADE 8	F05007-7	2	
15	WASHER, 10.5 FLAT ZINC	F81055-1	2	
16	BOLT, M8 X 20-8.8-B HEX HEAD FULL THREAD ZINC	F81002-4	4	
17	WASHER, 8.4 EXTERNAL STAR LOCK	F81054-3	4	
18	BOLT, M10 X 25-8.8 HEX HEAD FULL THREAD ZINC	F81003-11	4	
19	WASHER, 10.5 FLAT ZINC	F81055-1	4	
20	BOLT, M8 X 25-8.8-B HEX HEAD FULL THREAD ZINC	F81002-5	4	
21	WASHER, 8.4 FLAT ZINC	F81054-1	4	
22	NUT, M8-8-B HEX NYLON ZINC LOCK	F81032-2	4	
23	PLUG, 1/4" NPT EXTERNAL THREAD	096221	1	
24	FITTING, 1/4NPT X 1/4JIC MALE	P09143	1	
25	FITTING, 1/4NPT X 1/4JIC MALE RUN TEE	P09141	1	
26	FITTING, 6SAE MALE - 1/4NPT FEMALE	014686	1	
27	CLAMP, 11/16 HOSE	P12739	3	
28	FITTING, 3/8" NPT - 3/8" BARB ELBOW	P12708	1	
29	MANIFOLD, 1.2" W/FILTER	P22683	1	
30	FITTING, 1/2" NPT - 3/8" BARB ELBOW	P12707	2	
31	BOLT, 1/4-20 X 1/2" HEX HEAD ZINC GRADE 2	F05005-15	2	
32	WASHER, 6.1 SPLIT LOCK ZINC	F81053-3	2	
33	WASHER, 10.5 FLAT ZINC	F81055-1	2	
34	BOLT, M10 X 25-8.8 HEX HEAD FULL THREAD ZINC	F81003-11	2	
35	DECAL, 1997 SUPER HYDRAULIC CONTROL BOX	015364	1	
36	BOLT, M8 X 30-8.8-B HEX HEAD FULL THREAD ZINC	F81002-7	4	
37	NUT, M8-8-B HEX NYLON ZINC LOCK	F81032-2	4	
38	CLAMP, 11/16" HOSE	P12739	10	
39	VALVE, HYDRAULIC 6-SECTION	086589	1	
	MICROSWITCH ASSEMBLY, HYDRAULIC VALVE	024198	1	
40	FITTING, #6 SAE 45° ELBOW	015489	1	
41	FITTING, 3/8" O-RING - 3/8" JIC	014687	5	
42	FITTING, 3/8" O-RING - 1/4" JIC	P26284	3	
43	FITTING, #6 SAE MALE - 1/4" NPT FEMALE	014686	2	
44	FITTING, 1/4" NPT X 3/8" HOSE BARB	014685	1	
45	FITTING, #6 SAE - 1/4" JIC 45° ELBOW	015488	3	
46	BOX, ELECTRIC HYDRAULIC LT20 (See Section 1.20 Electrical Information, 620 Operation Manual)	093088	1	
	Contactor, LC1 K0910 P7	092736	1	
	Light, XB4-BVM1 White	084310	1	
	Phase Supply Control Relay, RM3 TG201	084452	1	
	Time Relay, RE9 RA 11MW7	084453	1	
	Switch, C60N 24395	084454	1	
	Thermal Overload Relay, LR2 K0316	084456	1	
	Switch, AAB OT16E3	089801	1	
	Plyg, 16A 5P 2607 BALS	E85239	1	
	Switch, 2A 125V R-LEVER NO/NC/COM	014765	1	

	Limit Switch, GLCB01A1B	100931	1	
47	GLAND, DP 11/H CABLE (SUPER ONLY)	085388	2	
48	DECAL, HIGH VOLTAGE INSIDE THE ELECTRIC BOX (PICTOGRAM)	096316	1	
49	DECAL, REMOVE THE PLUG BEFORE OPENING THE BOX (PICTOGRAM)	096319	1	

9.4 Hydraulic Control Box, LT20 Series AH5/7



REF	DESCRIPTION (◆ Indicates Parts Available In Assemblies Only)	PART #	QTY.
	BOX ASSEMBLY, LT20 AH5 HYDRAULIC CONTROL	093128	1
1	Box Weldment, Hydraulic Pump Housing	091729-1	1
	Bracket, AC Hydraulic Control Box Complete	086518-1	1
	Bolt, M8x20-8.8-B Hex Head Full Thread Zinc	F81002-4	4
	Washer, 8.4 External Star	F81054-3	4
2	Cover, AC Hydraulic Pump Housing Side	086484-1	1
3	Cover, AC/DC Hydraulic Pump Housing Top	091734-1	1
4	Bolt, M10x16-8.8 Hex Head Full Thread Zinc	F81003-13	3

5	Bolt, M10x35-8.8 Hex Head Full Thread Zinc	F81003-17	4	
6	Bolt, M10x125 8.8 Carriage Head Zinc	F81003-34	4	
7	Nut, M10-8-B Hex Nylon Zinc Lock	F81033-1	6	
8	Washer, 10.5 Flat Zinc	F81055-1	13	
9	Box, Electric Hydraulic LT20 <i>(See Section 1.20 Electrical Information, 620 Operation Manual)</i>	093088	1	
	Contactor, LC1 K0910 P7	092736	1	
	Light, XB4-BVM1 White	084310	1	
	Phase Supply Control Relay, RM3 TG201	084452	1	
	Time Relay, RE9 RA 11MW7	084453	1	
	Switch, C60N 24395	084454	1	
	Thermal Overload Relay, LR2 K0316	084456	1	
	Switch, AAB OT16E3	089801	1	
	Plyg, 16A 5P 2607 BALS	E85239	1	
	Switch, 2A 125V R-LEVER NO/NC/COM	014765	1	
	Limit Switch, GLCB01A1B	100931	1	
10	Cap, HSA2790 (63.6 Dia.)	092859	1	
11	Hydraulic Pump W/Motor, 4 kW 14.5 l/min AC	093459	1	
	Pump, AC-4kW Hydraulic	097782	1	
	Plate, AC-4kW Hydraulic Connecting	097783	1	
	Seal, AC-4kW Hydraulic Complete	097784	1	
12	Bolt, M8 x 25-8.8-B Hex Head Full Thread Zinc	F81002-5	4	
13	Washer, 8.4 Flat Zinc	F81054-1	8	
14	Nut, M8-8-B Hex Nylon Zinc Lock	F81032-2	4	
15	Fitting, 3/8" NPT - 3/8" Barb Elbow	P12708	1	
16	Clamp, 11/16 Hose	P12739	8	
17	Fitting, 6 SAE Male - 1/4 NPT Female	014686	1	
18	Fitting, 1/4 NPT x 1/4 JIC Male Run Tee	P09141	1	
19	Fitting, 3/8 JIC - 1/4 NPT 90L	015491	2	
20	Plug, 1/4" NPT Blank	096221	1	
21	Fitting, 3/8" Barb Tee	015485	1	
22	Valve, MTKA.VB Oil Flow Control	093794	1	
23	Fitting, VMNW10HS22	094486	1	
24	Fitting, PN10AOL13-90 Elbow	094485	1	
25	Fitting, M22x1.5 / 1/4 - 18 NPT Zinc	093139-1	2	
26	Fitting, 3/8JIC-1/4 NPT Straight	015560	1	
27	Plate, MTKA Control Valve Spacer Zinc-Plated	094477-1	1	
28	Bolt, M6x45-8.8 Hex Head Zinc	F81001-6	2	
29	Washer, 6.4 Flat Zinc	F81053-1	2	
30	Nut, M6-8-B Hex Nylon Zinc Lock	F81031-2	2	
31	Manifold, 1.2" W/Filter	P22683	1	
32	Fitting, 1/2" NPT - 3/8" Barb Elbow	P12707	2	
33	Bolt, 1/4-20 x 1/2" Hex Head Zinc Grade 2	F05005-15	2	
34	Washer, Z6.1 Split Lock Zinc	F81053-3	2	
35	Valve, HDS11/10 6-Section Hydraulic	091344	1	
36	Bolt, M10x20-5.8 Hex Head Full Thread Zinc	F81003-1	2	
37	Fitting, 3/8" O-Ring - 1/4" JIC	P26284	7	

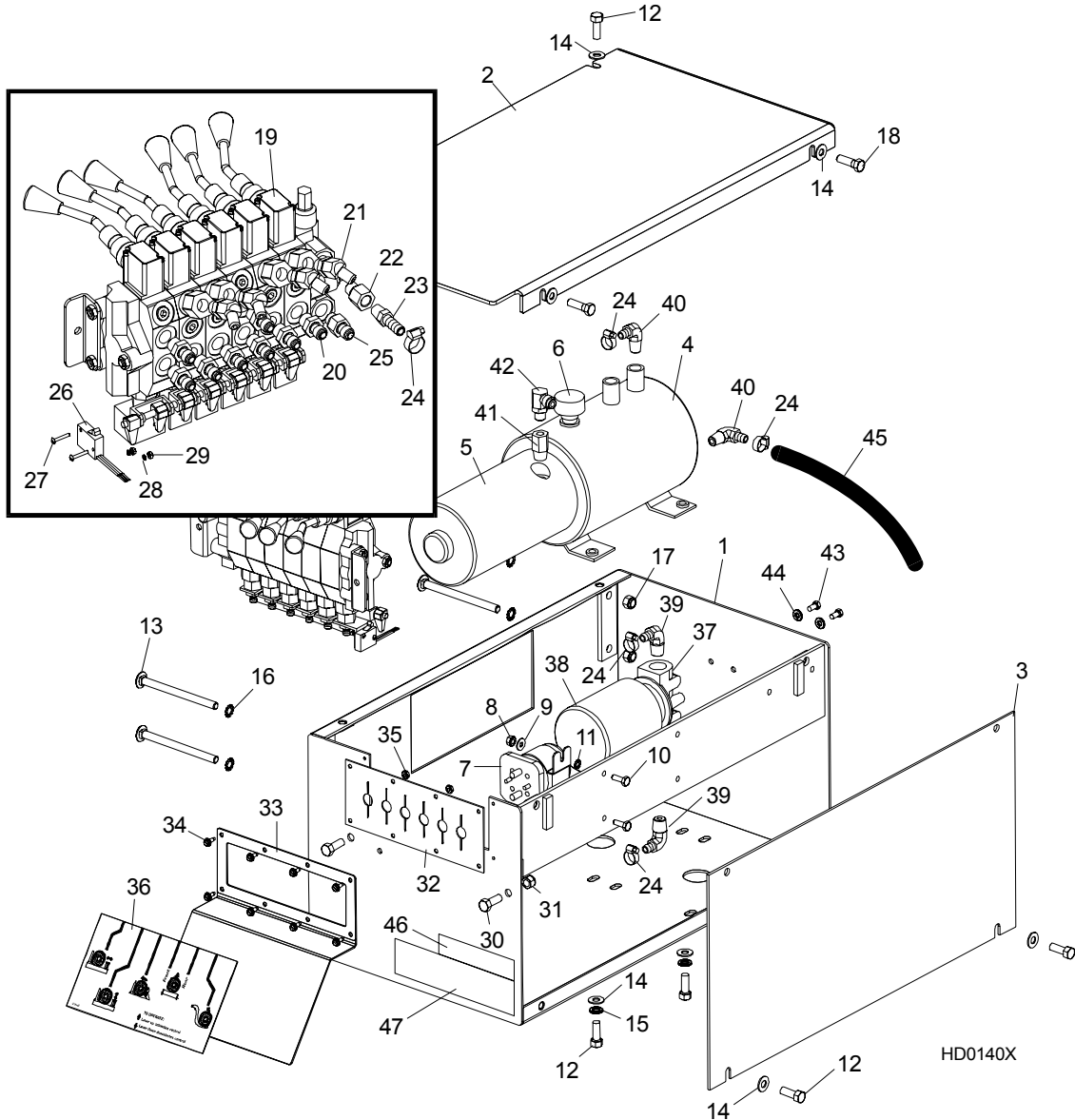
9

Hydraulic System

Hydraulic Control Box, LT20 Series AH5/7

38	Fitting, 1/4" NPT x 3/8" Hose Barb	014685	1	
39	Fitting, #6 SAE Male - 1/4" NPT Female	014686	1	
40	Fitting, 3/8" O-Ring - 3/8" JIC	014687	6	
41	Fitting, #4 SAE - #6 SAE 45° Elbow	015488	7	
42	Fitting, #6 SAE 45° Elbow	015489	1	
43	Plate, 10-Section Valve Painted	091826-1	1	
44	Guard, 10-Section Valve Rubber	091739	1	
45	Screw, #10-24x1/2 Self-Tapping	F05015-7	8	
46	Bolt, M5x12-5.8 Hex Head Full Thread Zinc	F81000-5	4	
47	Washer, 5.5 Special Flat Zinc-Plated	F81052-3	8	
48	Nut, M5-8 Hex Zinc	F81030-1	4	
49	Decal, AH5 Hydraulic Control Box	094795	1	
	Decal, AH7 Hydraulic Control Box	094970	1	
50	DECAL, HIGH VOLTAGE INSIDE THE ELECTRIC BOX (PICTOGRAM)	096316	1	
51	DECAL, REMOVE THE PLUG BEFORE OPENING THE BOX (PICTOGRAM)	096319	1	

9.5 Hydraulic Control Box, LT20 Series DH3



REF	DESCRIPTION (◆ Indicates Parts Available In Assemblies Only)	PART #	QTY.
1	BOX WELDMENT, SUPER HYDRAULIC PUMP HOUSING	092243-1	1
2	COVER, SUPER HYDRAULIC PUMP HOUSING TOP	086485-1	1
3	COVER, SUPER HYDRAULIC PUMP HOUSING SIDE	086484-1	1
4	PUMP W/MOTOR, HYDRAULIC #M-300-0230	P12701	1
5	Motor, 12 VDC Hydraulic Pump #08058	P09955	1
	Brush Kit, 4-Valve Hydraulic Pump Motor #08658	P09585	1
	Bearing, Base Motor #02318	P12513	1
6	Cap, Hydraulic Pump Vented Fill #03171	P12817	1



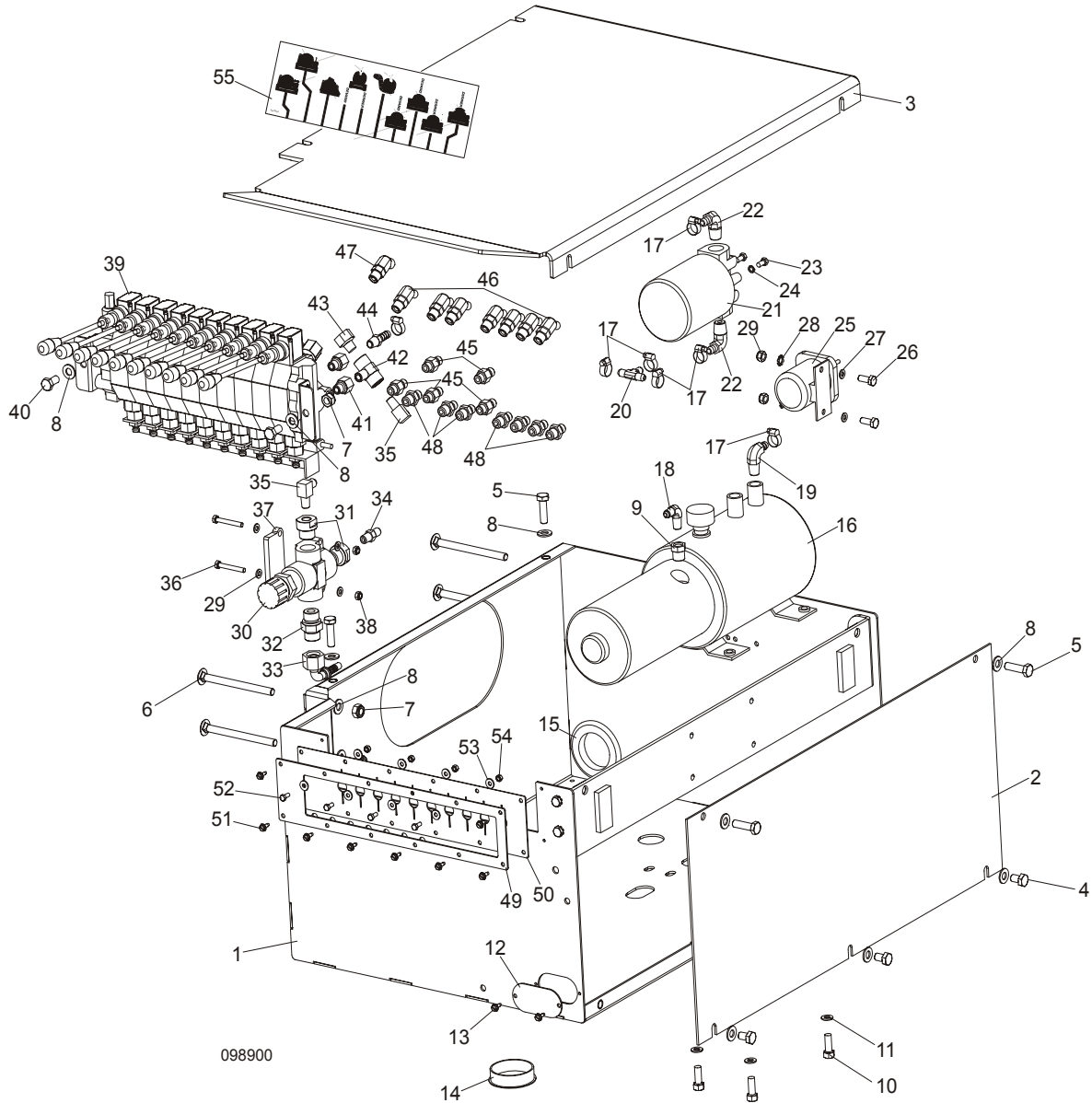
Hydraulic System

Hydraulic Control Box, LT20 Series DH3

	O-Ring, Hydraulic Pump/Reservoir #02352	P10198	1	
	Seal, Hydraulic Pump/Motor #02330	P10315	1	
7	SOLENOID, 200A 12V SPST HYDRAULIC PUMP MOTOR	015470	1	
8	NUT, 1/4-20 SELF-LOCKING HEX	F05010-9	2	
9	WASHER, 1/4" SAE FLAT	F05011-11	2	
10	BOLT, #1/4-20 X 3/4" HEX HEAD FULL THREAD	F05005-1	2	
11	WASHER, 1/4" EXTERIOR STAR LOCK	F05011-37	2	
	FLUID, 1-QUART DEXRON III HYDRAULIC	P12742	8.5 l	
	FLUID, 1-GALLON EXXON UNIVIS J26 HYDRAULIC	P12823	8.5 l	
	FLUID, 1-GALLON EXXON UNIVIS P13 HYDRAULIC	P12822	8.5 l	
12	BOLT, 3/8-16 X 1" HEX HEAD GRADE 8	F05007-7	8	
13	BOLT, 3/8-16 X 5" CARRIAGE HEAD	F05007-113	4	
14	WASHER, 3/8" SAE FLAT	F05011-3	10	
15	WASHER, 3/8" SPLIT LOCK	F05011-4	4	
16	WASHER, 3/8" EXTERNAL STAR LOCK	F05011-36	4	
17	NUT, 3/8-16 HEX NYLON LOCK	F05010-10	4	
18	BOLT, 3/8-16 X 1 1/4" HEX HEAD	F05007-2	2	
19	VALVE, HYDRAULIC 6 SECTION (See Form 575 FOR VALVE SERVICE PARTS)	015260	1	
20	FITTING, 3/8" O-RING - 1/4" JIC	P26284	8	
21	FITTING, #6 SAE - 1/4" JIC 45° ELBOW	015488	4	
22	FITTING, #6 SAE MALE - 1/4" NPT FEMALE	014686	1	
23	FITTING, 1/4" NPT X 3/8" HOSE BARB	014685	1	
24	CLAMP, 11/16" WORM	P12739	5	
25	FITTING, 3/8" O-RING - 1/4" JIC	P26284	1	
26	SWITCH, HYDRAULIC VALVE ELECTRIC	024198	1	
27	SCREW, #4-40 X 3/4" SLOTTED	F05004-13	2	
28	WASHER, #4 SPLIT LOCK	F05011-21	2	
29	NUT, #4-40 HEX	F05010-43	2	
30	BOLT, 3/8-16 X 1" HEX HEAD GRADE 8	F05007-7	2	
31	NUT, 3/8-16 HEX NYLON LOCK	F05010-10	2	
32	SEAL, RUBBER VALVE HANDLE	015079	1	
33	PLATE, VALVE HANDLE DECAL	086519-1	1	
34	SCREW, #10-24 X 1/2 SELF-TAPPING	F05015-7	8	
35	NUT, #10-24 SELF-LOCKING HEX	F05010-14	2	
36	DECAL, 1997 HYDRAULIC CONTROL BOX	015364	1	
37	MANIFOLD, HYDRAULIC CARTRIDGE FILTER	P22683	1	
38	Filter, S28 Hydraulic Cartridge	P20301	1	
39	FITTING, #6-8 (1/2" NPT) - 3/8" HOSE BARB ELBOW	P12707	2	
40	FITTING, #6-6 (3/8" NPT) - 3/8" HOSE BARB ELBOW	P12708	2	
41	FITTING, 3/8" NPT MALE - 1/4" NPT FEMALE	015490	1	
42	FITTING, 1/4" NPT - 1/4" JIC ELBOW	P09142	1	
43	BOLT, 1/4-20 X 1/2" HEX HEAD	F05005-15	2	
44	WASHER, 1/4" SPLIT LOCK	F05011-14	2	
45	HOSE, 3/8" LOW PRESSURE HYDRAULIC	R01892-1	A/R	
	GROUNDING ASSEMBLY, HYDRAULIC PUMP	N/A	1	
	Bolt, 3/8-16 x 1/2" Hex Head Grade 5	F05004-124	1	

	Cable, 1AWG SO Welding	R01971	.39 m	
	Terminal, 5/16 1-2Ga Ring NI Loose	F05092-16	2	
	Washer, 3/8" Star External	F05011-36	2	
46	DECAL, HYDRAULIC WORKING PRESSURE	P85069	1	
47	DECAL, HYDRAULIC FLUID	P85068	1	

9.6 Hydraulic Control Box, LT20 Series DH5/7



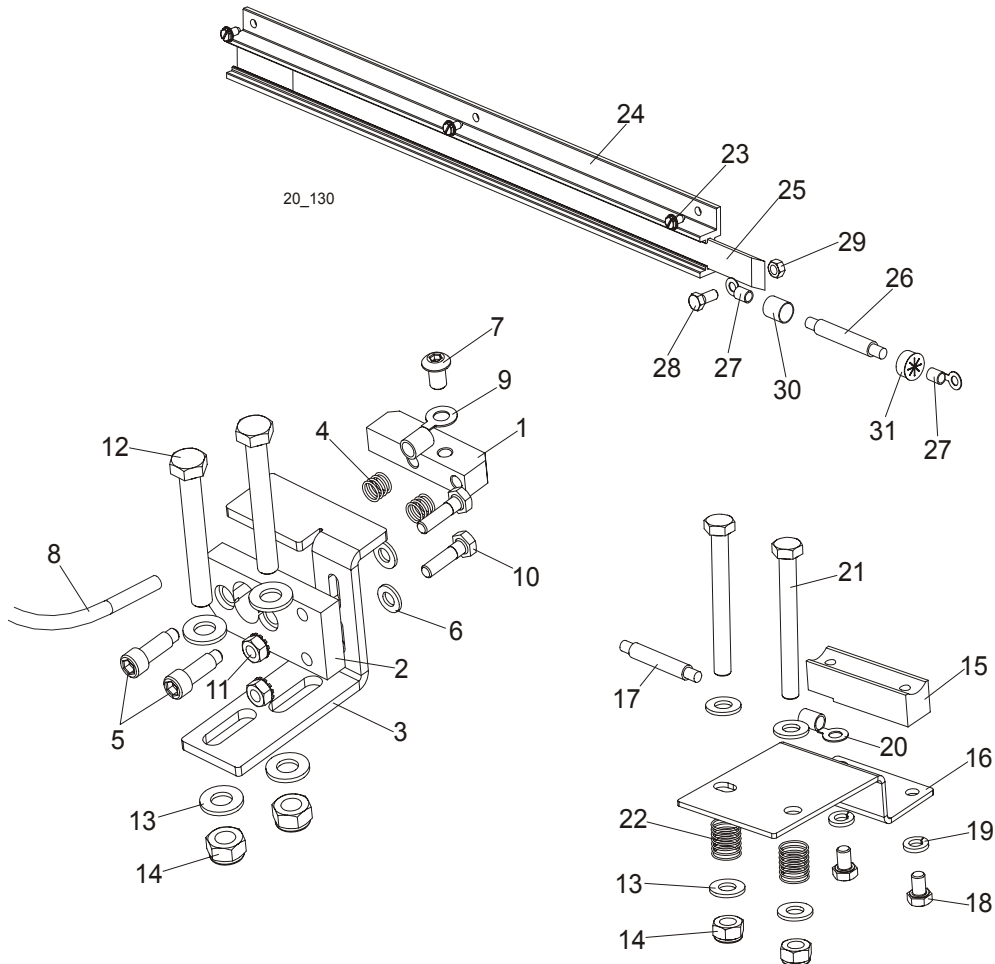
REF	DESCRIPTION (◆ Indicates Parts Available In Assemblies Only)	PART #	QTY.
	BOX ASSEMBLY, LT20 DH5/7 HYDRAULIC CONTROL	098900	1
1	Box Weldment, Hydraulic Pump Housing	091729-1	1
	Bracket, AC Hydraulic Control Box Complete	086518-1	1
	Bolt, M8X20-8.8-B, Hex Head Full Thread Zinc	F81002-4	4
	Washer, 8.4 External Star	F81054-3	4
2	Cover, AC Hydraulic Pump Housing Side	086484-1	1
3	Cover, AC/DC Hydraulic Pump Housing Top	091734-1	1
4	Bolt, M10x16-8.8 Hex Head Full Thread Zinc	F81003-13	3
5	Bolt, M10x35-8.8 Hex Head Full Thread Zinc	F81003-17	4
6	Bolt, M10x125 8.8 Carriage Head Zinc	F81003-34	4

7	Nut, M10-8-B Hex Nylon Zinc Lock	F81033-1	6	
8	Washer, 10.5 Flat Zinc	F81055-1	13	
9	Fitting, 3/8NPT-1/4NPT Reducer	015490	1	
10	Bolt, 3/8-16x1 Hex Head Grade 8	F05007-7	8	
11	Washer, 8.4 Flat Zinc	F81054-1	8	
12	Cap, Hydraulic Control Box	091733-1	1	
13	Screw, #10-24x1/2, Self Tap	F05015-7	2	
14	Cap, HSA2790 (63.6 Dia.)	092859	1	
15	Grommet, 55mm Dia. Rubber	085614	1	
16	Pump Assy, W/Motor Hyd	P12701	1	
17	Clamp, 11/16 Worm	P12739	8	
18	Fitting, 1/4NPTx1/4JIC Male Elbow	P09142	1	
19	Fitting, 3/8" NPT - 3/8" Barb Elbow	P12708	1	
20	Fitting, 3/8" Barb Tee	015485	1	
21	Manifold, 1.2" W/Filter	P22683	1	
22	Fitting, 1/2" NPT - 3/8" Barb Elbow	P12707	2	
23	Bolt, 1/4-20 x 1/2" Hex Head Zinc Grade 2	F05005-15	2	
24	Washer, Z6.1 Split Lock Zinc	F81053-3	2	
25	Solenoid, 200A 12V SPST Hyd. Pump 1997	015470	1	
26	Bolt, M8X20-8.8-B, Hex Head Full Thread Zinc	F81002-4	2	
27	Washer, 6.4 Flat Zinc	F81053-1	4	
28	Washer, 8.4 External Star	F81054-3	2	
29	Nut, M8-8-B Hex Nylon Zinc Lock	F81032-2	2	
30	Valve, MTKA.VB Oil Flow Control	093794	1	
31	Fitting, M22x1.5 / 1/4 - 18 NPT Zinc	093139-1	2	
32	Fitting, VMNW10HS22	094486	1	
33	Fitting, PN10AOL13-90 Elbow	094485	1	
34	Fitting, 1/4NPTx1/4JIC Male	P09143	1	
35	Fitting, 3/8 JIC - 1/4 NPT 90L	015491	2	
36	Bolt, M6x45-8.8 Hex Head Zinc	F81001-6	2	
37	Plate, MTKA Control Valve Spacer Zinc-Plated	094477-1	1	
38	Nut, M6-8-B Hex Nylon Zinc Lock	F81031-2	2	
39	Valve, HDS11/10 6-Section Hydraulic	091344	1	
40	Bolt, M10x20-5.8 Hex Head Full Thread Zinc	F81003-1	2	
41	Fitting, #6 SAE Male - 1/4" NPT Female	014686	2	
42	Fitting, 1/4NPT Branch Tee	015486	1	
43	Plug, 1/4" NPT Blank	096221	1	
44	Fitting, 1/4" NPT x 3/8" Hose Barb	014685	1	
45	Fitting, 3/8" O-Ring - 3/8" JIC	014687	5	
46	Fitting, #4 SAE - #6 SAE 45° Elbow	015488	7	
47	Fitting, #6 SAE 45° Elbow	015489	1	
48	Fitting, 3/8" O-Ring - 1/4" JIC	P26284	7	
49	Plate, 10-Section Valve Painted	091826-1	1	
50	Guard, 10-Section Valve Rubber	091739	1	
51	Screw, #10-24x1/2 Self-Tapping	F05015-7	8	
52	Bolt, M5x12-5.8 Hex Head Full Thread Zinc	F81000-5	4	

9**Hydraulic System***Hydraulic Control Box, LT20 Series DH5/7*

53	Washer, 5.5 Special Flat Zinc-Plated	F81052-3	8	
54	Nut, M5-8 Hex Zinc	F81030-1	4	
55	Decal, DH5 Hydraulic Control Box	094795	1	
	Decal, DH7 Hydraulic Control Box	094970	1	

9.7 Hydraulic Power Supply Strip (DC)



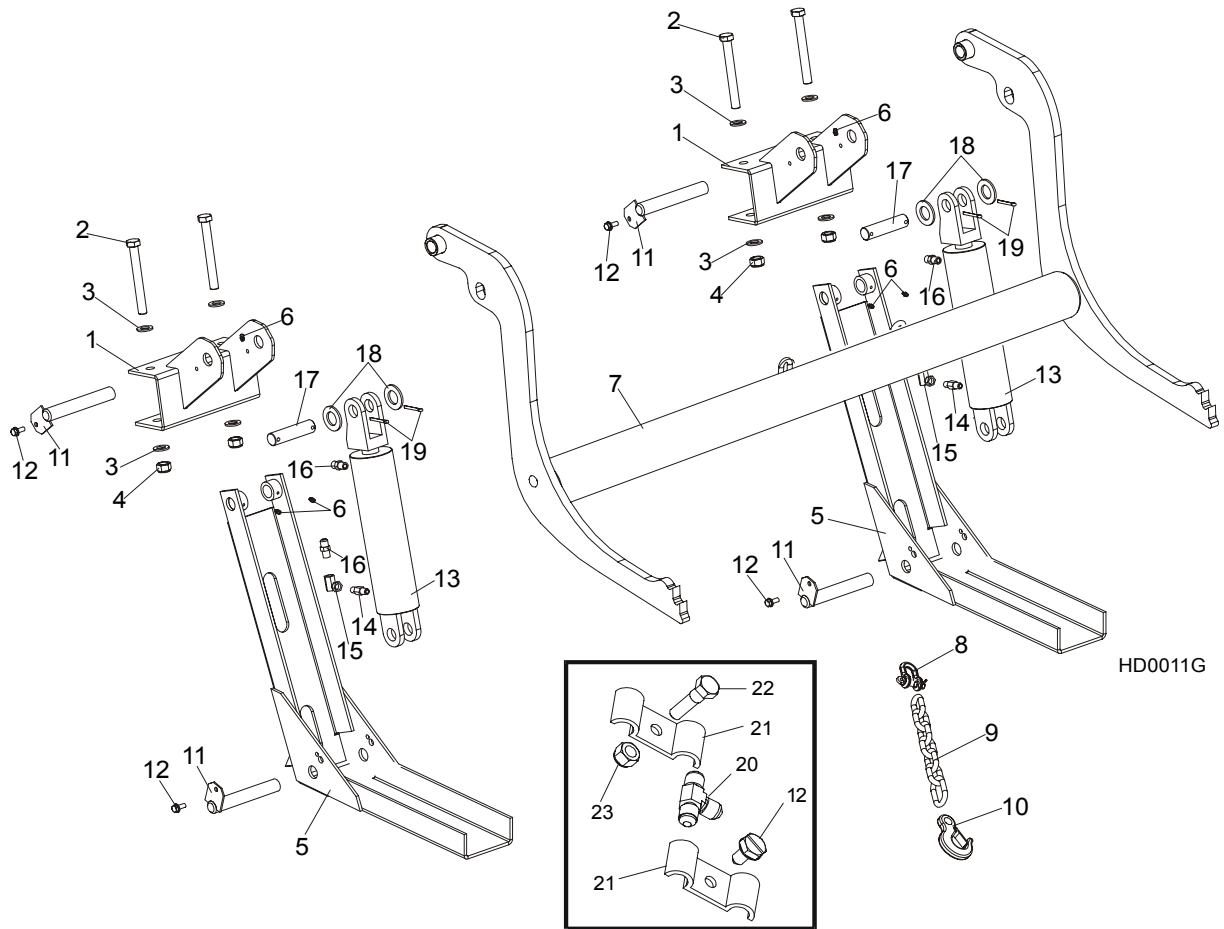
REF	DESCRIPTION (◆ Indicates Parts Available In Assemblies Only)	PART #	QTY.	
	CONTACT ASSEMBLY, LT20 HYDRAULIC POWER SUPPLY (POSITIVE)	097922	1	
1	Contact, Hydraulic Power Supply (Positive)	015253	1	
2	Insulator, Positive Contact	S10072	1	
3	Bracket, Positive Contact Mounting	097911-1	1	
4	Spring, Positive Contact	P10077	2	
5	Bolt, 5/16" X 3/4" Shoulder (1/4-20 Thread)	F05006-44	2	
6	Washer, 7.4 Flat	F81056-11	2	
7	Bolt, 5/16-24 x 3/8" Socket Button Head Zinc	F05006-20	1	
8	Cable, H07V-K BK 1x50	R80591-1	0.7m	◆
9	Terminal, KO 1/10	F81066-3	1	
10	Bolt, 1/4-20 X 1" Hex Head Grade 2	F05005-38	2	
11	Nut, 1/4-20 Hex Self-Locking	F05010-9	2	
12	Bolt, M10x75-8.8-Fe/Zn5 PN-M/82101	F81003-15	2	
13	Washer, 10.5 Flat	F81055-1	6	
14	Nut, M10 Hex Nylon Zinc Lock	F81033-1	4	

9

Hydraulic System*Hydraulic Power Supply Strip (DC)*

	CONTACT ASSEMBLY, LT20 HYDRAULIC POWER SUPPLY (GROUND)	097923	1	
15	Contact, Hydraulic Power Supply (Ground)	015264	1	
16	Bracket, Ground Contact Mounting	097912-1	1	
17	Cable, H07V-K BK 1x50	R80591	.76m	◆
18	Bolt, 5/16-18x1/2 HH Gr5	F05006-15	2	
19	Washer, 8.2 Split Lock	F81054-4	2	
20	Terminal, KO50/8	F81067-2	1	
21	Bolt, M10x90 -8.8-B- Fe/Zn5 PN/M-82101	F81003-66	2	
22	Spring, Ground Contact	P04282	2	
	STRIP ASSEMBLY, LT20 HYDRAULIC POWER SUPPLY	097916	1	
23	Screw, 1/4-20 X 1/2" Slotted Hex Head	F05015-1	3	
24	Housing, Contact Strip	097915	1	◆
25	Strip, Contact	097914	1	◆
26	Cable, H07V-K BK 1x50	R80591-1	1.9m	◆
27	Terminal, KO 50/8	F81067-2	2	
28	Bolt, 5/16-18 X 3/4" Hex Head Black Nylon	F05006-45	1	
29	Nut, 5/16-18 Hex Black Nylon	F05010-86	1	
30	Tube, RC19/9,5 Heat Shrink Black	R80600-3	.14 m	◆
31	Grommet, HEYCO Wire	P04137	1	

9.8 Hydraulic Log Loader

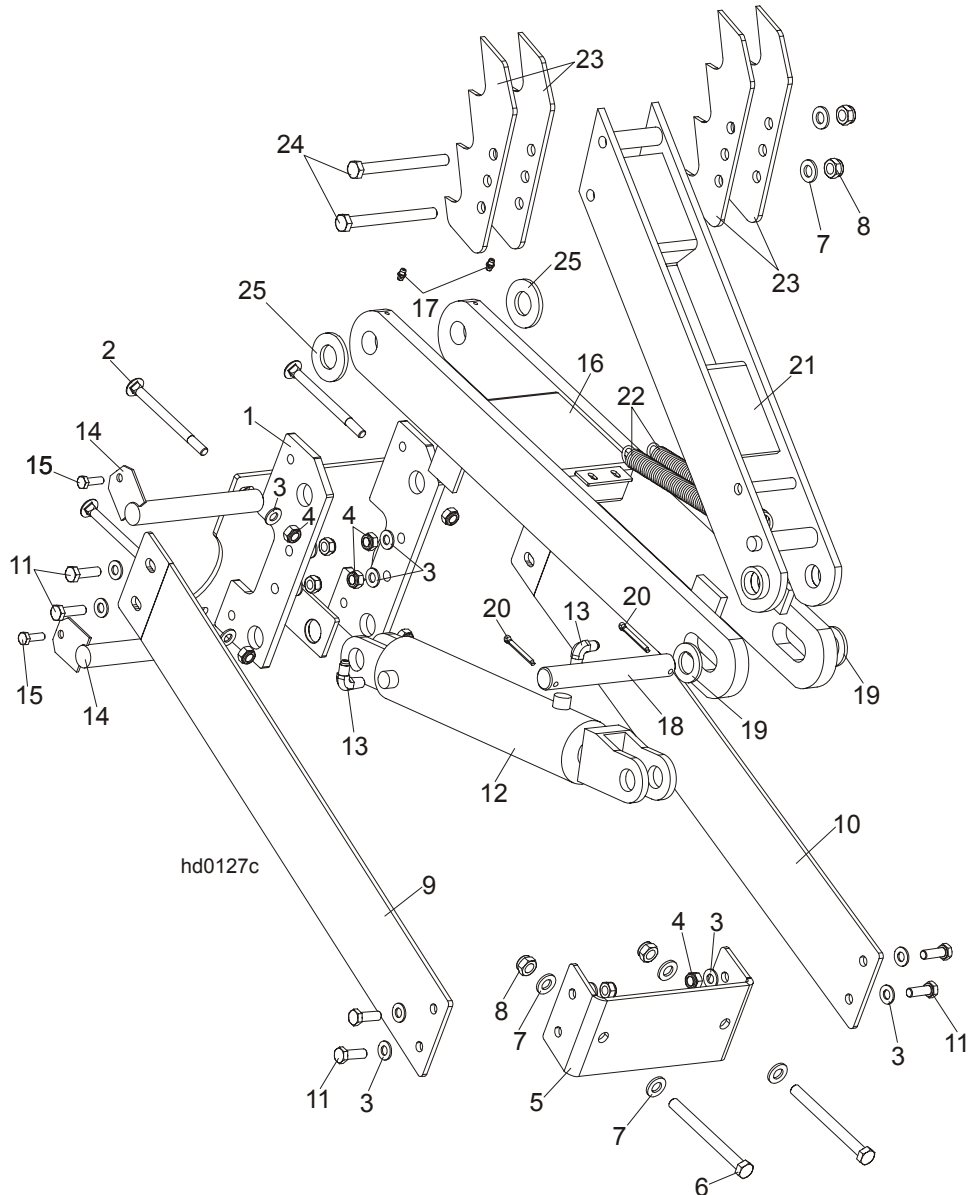


REF	DESCRIPTION (◆ Indicates Parts Available In Assemblies Only)	PART #	QTY.
	HYDRAULIC LOG LOADER - COMPLETE	092863	1
1	Bracket, Log Loader Mount	092865-1	1
2	Bolt, M16x140-8.8 Hex Head Zinc	F81006-4	4
3	Washer, 17 Flat Zinc	F81058-1	8
4	Nut, M16-8 Hex Nylon Zinc Lock	F81036-2	4
5	Channel, Hydraulic Log Loading Foot Complete	090049	2
5	Channel, Hydraulic Log Loading Foot	090048-1	2
6	Fitting, 3/16x3/16 Straight Grease	P04107	6
7	Arm, Hydraulic Log Loading Complete	090044	1
7	Arm, Hydraulic Log Loading	090006-1	1
8	Shackle, M-D .63	086540	1
9	Chain, Hydraulic Log Loader Safety	090007-1	1
10	Hook, 5/8 Safety Chain	P12075	1
11	Pin, Turner Arm	099127-1	4
12	Screw, 5/16-18x3/4 Self-Tapping	F05015-30	4
13	Cylinder Assy, Log Loading Super	015562	2

9**Hydraulic System**
Hydraulic Log Loader

14	Fitting, 1/4NPT Velocity Fuse 5.0GPM	015750	2	
15	Fitting, 1/4NPT-1/4JIC Swivel Elbow	P12199	2	
16	Fitting, 3/8JIC-1/4NPT Straight	015560	4	
17	Washer, 28 Flat Zinc	F81061-1	4	
18	Fitting, 1/4JIC Union Tee	P09145	2	
19	Fitting, 3/8 Barb Tee	015485	1	
20	Plate, 1/4 Hose Clamp Painted	S09245	6	
21	Clamp, 3/8 Hose	016041	2	
22	Bolt, 5/16-18x1 Hex Head Zinc Grade 2	F05006-1	1	
23	Nut, 5/16-18 Self-Locking Nylon Zinc	F05010-58	1	

9.9 Hydraulic Log Turner



REF	DESCRIPTION (◆ Indicates Parts Available In Assemblies Only)	PART #	QTY.
	HYDRAULIC LOG TURNER OPTION (S/M TYPE FRAME)	088711	1
1	Bracket, Hydraulic Log Turner (S/M TYPE FRAME)	088710-1	1
2	Bolt, M10x120 8.8 Carriage Head Zinc	F81003-33	4
3	Washer, 10.5 Flat Zinc	F81055-1	20
4	Nut, M10-8-B Hex Nylon Zinc Lock	F81033-1	12
5	Bracket, Hydraulic Log Turner Front	091046-1	1
6	Bolt, M12x130-8.8 Hex Head Zinc	F81004-36	2
7	Washer, 13 Flat Zinc	F81056-1	6
8	Nut, M12-8 Hex Nylon Zinc Lock	F81034-2	4

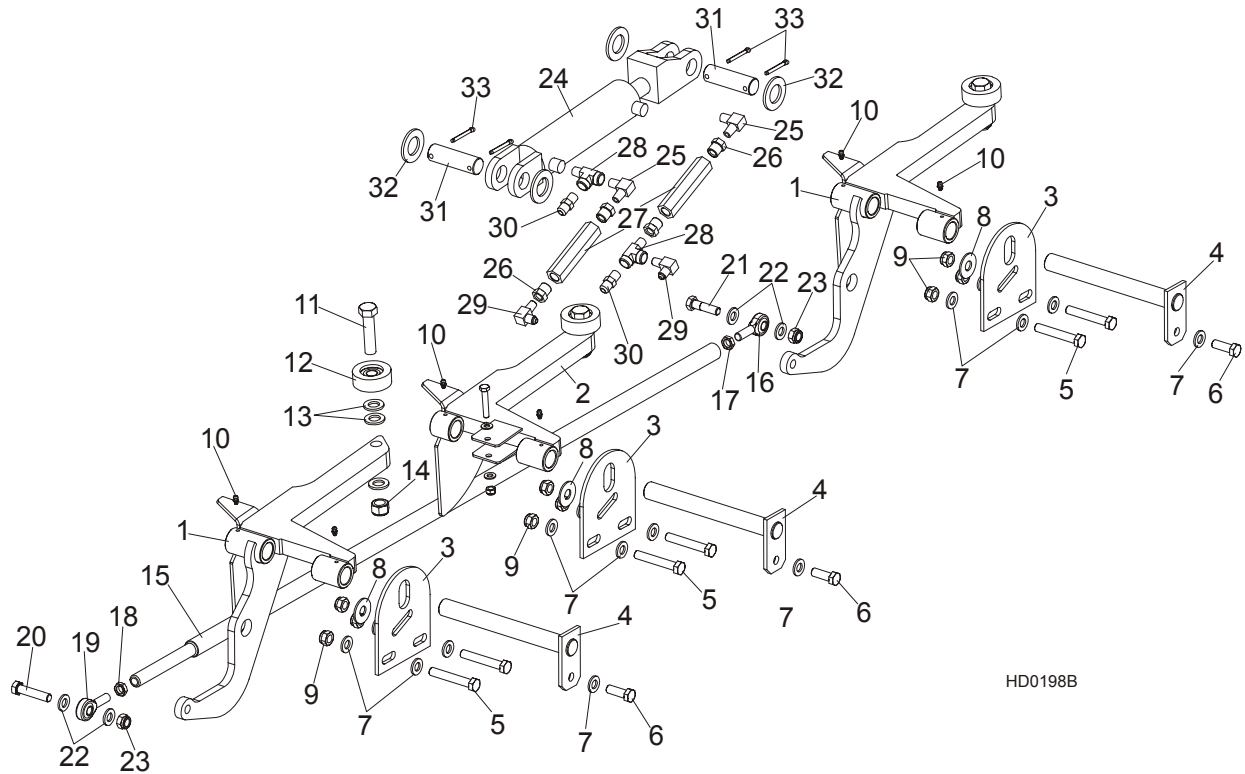
9

Hydraulic System

Hydraulic Log Turner

9	Plate, Hydraulic Log Turner Left	091048-1	1	
10	Plate, Hydraulic Log Turner Right	091049-1	1	
11	Bolt, M10x30-5.8 Hex Head Full Thread Zinc	F81003-2	8	
	Cylinder Assy, Log Turner Super	015563	1	
12	Cylinder, CJ-S305-16-63/28/203 Hydraulic	088679	1	
13	Fitting, 1/4NPTx1/4JIC Male Elbow	P09142	2	
14	Pin, Log Turner Mount	088667-1	2	
15	Bolt, M8x25-8.8-B Hex Head Full Thread Zinc	F81002-5	2	
16	Arm, Hydraulic Log Turner Link	088060-1	1	
17	Fitting, M6 Grease	086280	2	
18	Pin, 25 X 180	088664	1	
19	Washer, 25 Flat Zinc	F81061-3	2	
20	Pin, 5x40 Cotter	F81043-31	2	
21	Arm, Hydraulic Log Turner Painted	088067-1	1	
22	Spring, 7/8x8 1/2x1/8 Extension	P09136	2	
23	Claw, Hydraulic Log Turner	088082-1	4	
24	Bolt, M12x130-8.8 Hex Head Zinc	F81004-36	2	
25	Washer, GTM-2644-015	093359	2	

9.10 Hydraulic Log Side Supports



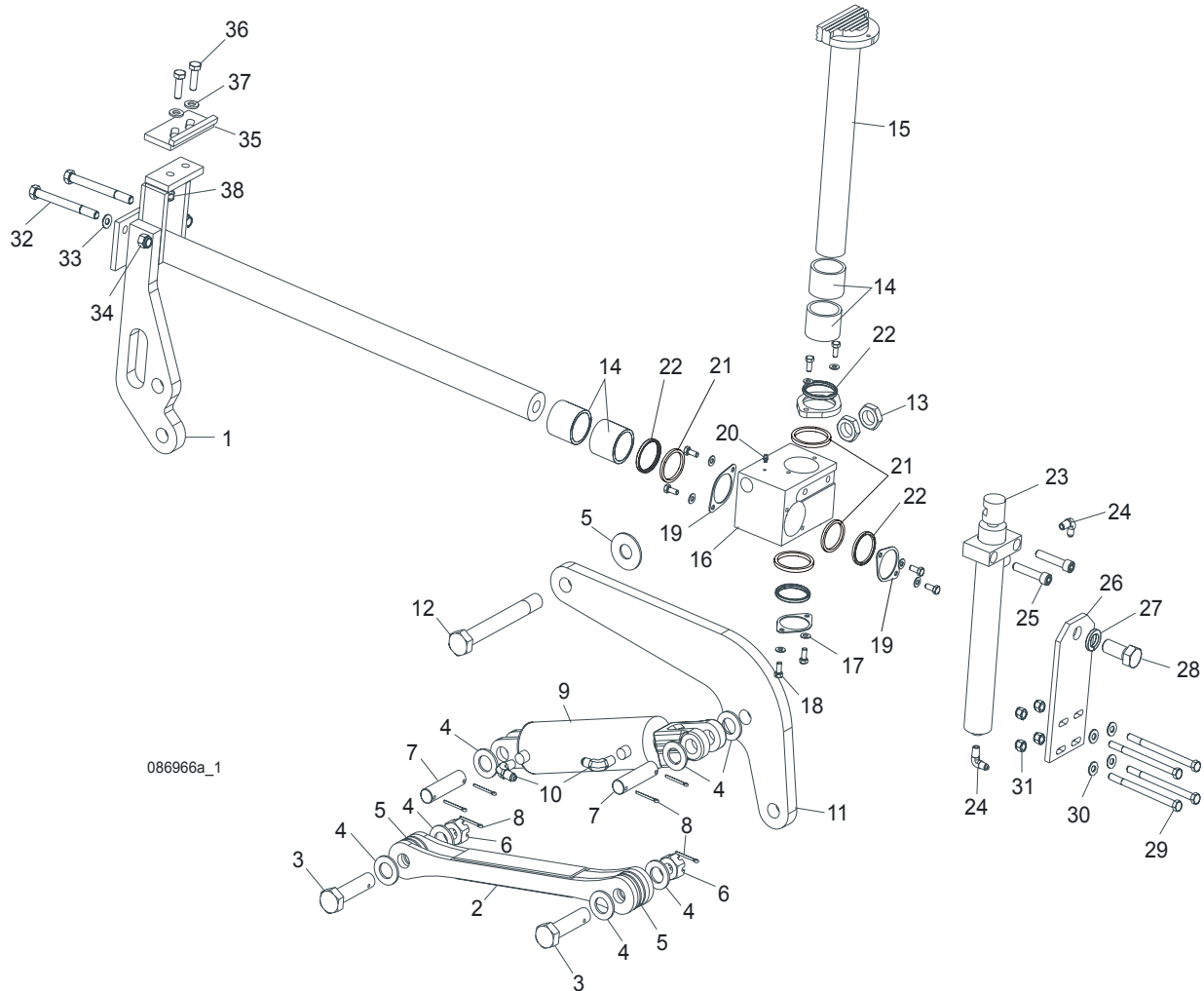
REF	DESCRIPTION (◆ Indicates Parts Available In Assemblies Only)	PART #	QTY.
	LOG SIDE SUPPORT KIT, S/M FRAME	092611	1
1	SUPPORT, HYDRAULIC LOG SIDE W/GUARD	099788-1	2
2	SUPPORT, LOG SIDE W/GUARD	099785-1	1
3	PLATE, LOG SIDE SUPPORT END	091591-1	3
4	PIN, LOG SIDE SUPPORT PIVOT	091549-1	3
5	BOLT, M12 X 75-8.8 HEX HEAD FULL THREAD ZINC	F81004-21	6
6	BOLT, M12 X 35-8.8 HEX HEAD FULL THREAD ZINC	F81004-24	3
7	WASHER, 13 FLAT ZINC	F81056-1	15
8	WASHER, 15 FLAT SPECIAL ZINC-PLATED	F81057-3	3
9	NUT, M12-8 HEX NYLON ZINC LOCK	F81034-2	9
10	FITTING, 3/16" STRAIGHT GREASE	P04107	6
11	BOLT, M16X65-8.8 HEX HEAD FULL THREAT	F81006-1	3
12	ROLLER ASSY, SIDE SUPPORT, PTD	015014-1	3
13	WASHER, 17 FLAT ZINC	F81058-1	9
14	NUT, M16,HEX, NYLON ZINC LOCK	F81036-2	3
	ROD, SIDE SUPPORT LINK COMPLETE	091640	1
15	ROD, SIDE SUPPORT LINK ZINC-PLATED	089374-1	1
16	ROD END (LEFT THREAD)	087036	1
17	NUT, M12-04-A RIGHT HEX THIN	F81034-6	1
18	NUT, M12-04-A LEFT HEX THIN	F81034-7	1

9

Hydraulic System*Hydraulic Log Side Supports*

19	ROD END (RIGHT THREAD)	087035	1	
20	BOLT, M12 X 55-8.8 HEX HEAD FULL THREAD ZINC	F81004-12	1	
21	BOLT, M12 X 45-8.8 HEX HEAD FULL THREAD ZINC	F81004-32	2	
22	WASHER, 13 FLAT ZINC	F81056-1	4	
23	NUT, M12-8 HEX NYLON ZINC LOCK	F81034-2	2	
	CYLINDER ASSEMBLY, SUPER HYDRAULIC LOG SIDE SUPPORT	015561	1	
24	CYLINDER, C.J-S270-16-50/28/152 HYDRAULIC	088678	1	
	SEAL KIT, 6" X 2" HYDRAULIC CYLINDER	P12954	1	
25	FITTING, #C3529X4 90° ELBOW	P09140	2	
26	FITTING, 3/8" NPT - 1/4" NPT REDUCER	015490	4	
27	VALVE, SIDE SUPPORT SEQUENCE	015484	2	
28	FITTING, C3759X4 MALE TEE	P09141	2	
29	FITTING, C3759X4 MALE TEE	P09141	2	
30	FITTING, 3/8" JIC - 1/4" NPT STRAIGHT	015560	2	
31	PIN, HYDRAULIC CYLINDER ZINC-PLATED	086979-1	2	
32	WASHER, 28 FLAT ZINC	F81061-1	4	
33	PIN, 5 X 40 COTTER	F81043-31	4	

9.11 Hydraulic Log Clamp, Main



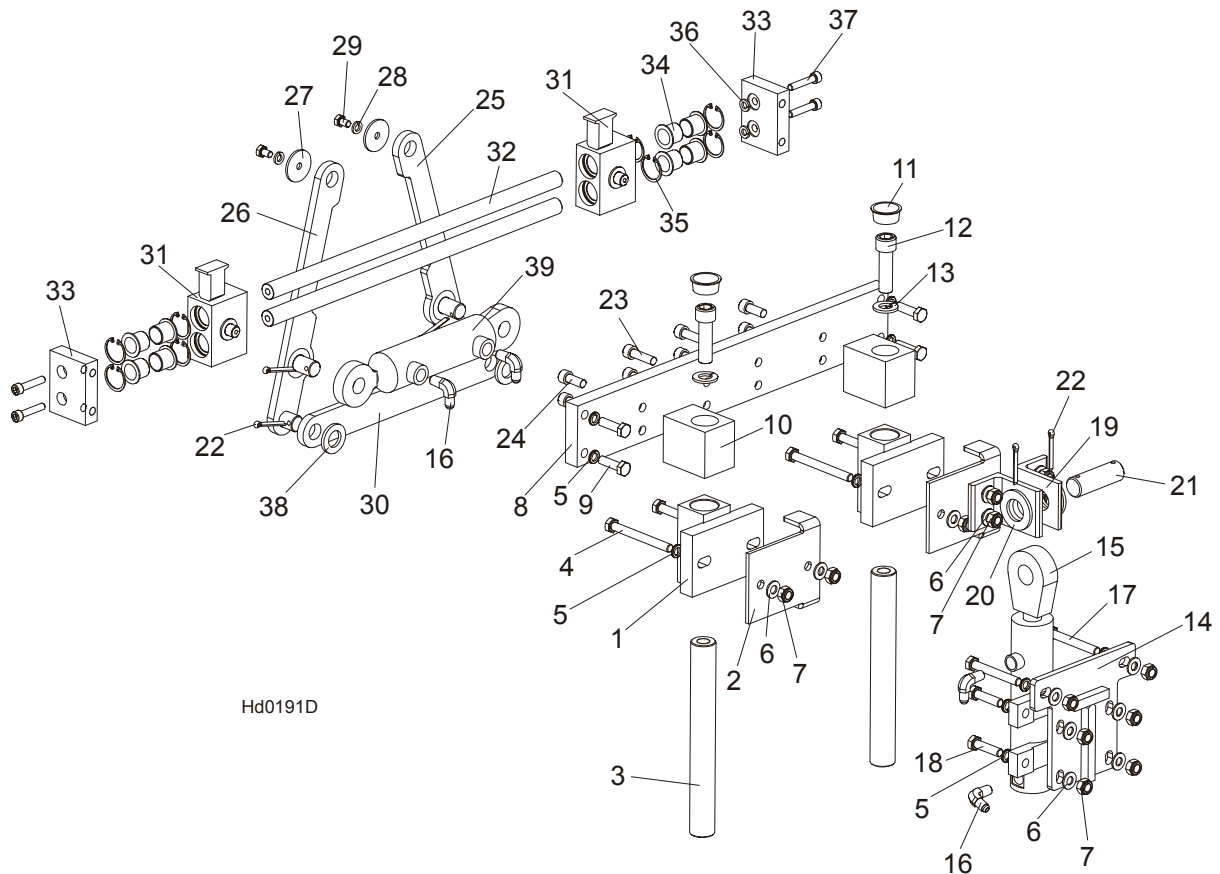
REF	DESCRIPTION (◆ Indicates Parts Available In Assemblies Only)	PART #	QTY.
	LOG CLAMP ASSEMBLY, TWO-PLANE	088658	1
1	Rod Weldment, Log Clamp Slide Painted	086967-1	1
2	Arm Weldment, Hydraulic Clamp Link Painted	086963-1	1
3	Pin, B 24x95/85 Clevis Zinc	F81049-2	1
4	Washer, 25 Flat Zinc	F81061-3	8
5	Washer, 25x63 Zinc-Plated	088585-1	5
6	Nut, M20-8-3 Hex Slotted Castle Zinc	F81037-3	2
7	Pin, Hydraulic Cylinder Zinc-Plated	086979-1	2
8	Pin, 6.3x45 Cotter Zinc	F81045-2	6
9	Cylinder, CJ-S96-16-70/32/178 Hydraulic	088589	1
10	Fitting, 1/4" NPT - 1/4" JIC Male Elbow	P09142	2
11	Arm, Hydraulic Log Clamp Link Painted	086974-1	1

9

Hydraulic System*Hydraulic Log Clamp, Main*

12	Bolt, M24x217/39 -8.8-B Hex Head Zinc	088586-1	1	
13	Nut, M24 -04-B Hex Thin Zinc	F81039-3	2	
14	Bushing, 5040BS Self-Lubricating	088660	2	
15	Rod Weldment, Log Clamp Vertical Painted	088582-1	1	
16	Block, Log Clamp Painted Steel	088591-1	1	
17	Washer, 8.4 Flat Zinc	F81054-1	8	
18	Bolt, M8x20-8.8-B Hex Head Full Thread Zinc	F81002-4	8	
19	Flange, Clamp Rod Wiper Painted	088887-1	3	
20	Fitting, 3/16" Straight Grease	P04107	1	
21	Spacer, Log Clamp	089324	1	
22	Wiper, ZZ 50x60x7 INCO Log Clamp Rod	088587	1	
23	Cylinder, C-J-S169-16-40/22/254 Hydraulic	088590	1	
24	Fitting, 1/4" NPT - 1/4" JIC Male Elbow	P09142	2	
25	Screw, M12x55 -8.8-B Hex Socket Head Cap Zinc	F81004-23	2	
26	Plate, Log Clamp Mount Painted	086975-1	1	
27	Washer, Z 22.5 Split Lock Zinc	F81059-4	1	
28	Bolt, M22x1.5x40-8.8-B Hex Head Full Thread Zinc	F81009-1	1	
29	Bolt, M10x125-8.8 Hex Head Zinc	F81003-18	4	
30	Washer, 10.5 Flat Zinc	F81055-1	4	
31	Nut, M10-8-B Hex Nylon Zinc Lock	F81033-1	4	
32	Bolt, M12 x 140-8.8 Hex Head Zinc	F81004-37	2	
33	Washer, 13 Flat Zinc	F81056-1	2	
34	Nut, M12-8-B Hex Zinc	F81034-1	2	
	STOP ASSEMBLY, LOG CLAMP	K09485	1	
35	Stop Weldment, Hydraulic Log Clamp Painted	086980-1	1	
36	Bolt, M12 x 40-8.8 Hex Head Full Thread Zinc	F81004-4	2	
37	Washer, 13 Flat Zinc	F81056-1	2	
38	Nut, M12-8 Hex Nylon Zinc Lock	F81034-2	2	

9.12 Hydraulic Pull Down Clamp



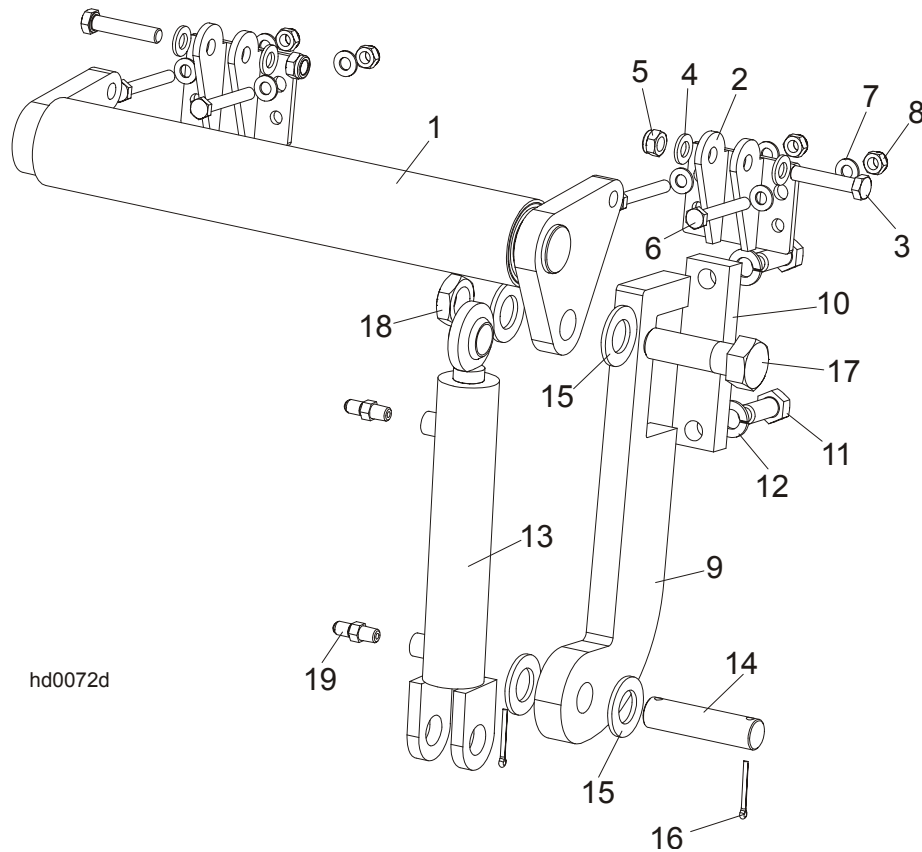
REF	DESCRIPTION (◆ Indicates Parts Available In Assemblies Only)	PART #	QTY.
	LEFT HYDRAULIC LOG CLAMP ASSEMBLY (REAR)	094129	1
1	Block Weldment, Log Clamp Up/Down Painted	090545-1	2
2	Bracket, Log Clamp Mount Painted	094098-1	2
3	Pin, Log Clamp Up/Down	088631	2
4	Bolt, M10x95-8.8-B Hex Head Zinc	F81003-71	4
5	Washer, 10.2 Split Lock Zinc	F81055-2	14
6	Washer, 10.5 Flat Zinc	F81055-1	14
7	Nut, M10-8-B Hex Nylon Zinc Lock	F81033-1	14
8	Beam, Log Clamp Main Zinc-plated	094115-1	1
9	Bolt, M10x35-8.8 Hex Head Full Thread Zinc	F81003-17	4
10	Block, Log Clamp Up/Down Painted	094124-1	2
11	Plug, M33 Thread #12428	089839	2
12	Screw, M16x55-8.8 Hex Socket Head Cap Zinc	F81006-18	2
13	Washer, 16.3 Split Lock Zinc	F81058-2	2
14	Plate Weldment, Hydraulic Cylinder Mounting Painted	094094-1	1

9

Hydraulic System*Hydraulic Pull Down Clamp*

15	Cylinder, CJ7F-16/40/22 + UE2-40W Hydraulic	091346	1	
16	Fitting, 90° Male Elbow	P09142	2	
17	Bolt, M10x75-8.8 Hex Head Zinc	F81003-15	2	
18	Bolt, M10x40-8.8 Hex Head Full Thread Zinc	F81003-16	4	
19	Bracket, Hydraulic Cylinder Mounting Painted	094127-1	2	
20	Washer, 28 Flat Zinc	F81061-1	2	
21	Pin, 25X75 Zinc-plated	088659-1	1	
22	Pin, S-Zn 5x40 Cotter Zinc	F81043-31	4	
23	Screw, M10x35 8.8 Hex Socket Head Cap Zinc	F81003-56	4	
24	Screw, M10x25 8.8 Hex Socket Head Cap Zinc	F81003-32	4	
25	Link, Log Clamp In/Out Side Zinc-plated (1)	094097-1	1	
26	Link, Log Clamp In/Out Side Zinc-plated (2)	094099-1	1	
27	Washer, Zinc-plated Spacer	094128-1	1	
28	Washer, 8.2 Split Lock Zinc	F81054-4	2	
29	Bolt, M8x12-8.8 Hex Head Full Thread Zinc	F81002-6	2	
30	Arm, Log Clamp In/Out Zinc-plated	094092-1	1	
31	Jaw Weldment, Log Clamp Zinc-plated	094120-1	2	
32	Rod, Log Clamp Jaw Guide	094116	2	
33	Plate, Locking Zinc-plated	094117-1	2	
34	Bushing, JFM-2023-21 Flanged	094113	8	
35	Ring, W 31 Inside Retaining	F81090-15	8	
36	Washer, 8.2 Split Lock Zinc	F81054-4	4	
37	Screw, M8x40-8.8 Hex Socket Head Cap Zinc	F81002-29	4	
38	Washer, 21 Flat Zinc	F81059-2	2	
39	Cylinder SJ2F-16-40/22/80 Hydraulic	093880	1	

9.13 Hydraulic Toe Board



REF	DESCRIPTION (◆ Indicates Parts Available In Assemblies Only)	PART #	QTY.
	FRONT HYDRAULIC TOE BOARD	092613	1
	REAR HYDRAULIC TOE BOARD	092634	1
1	Toe Board Weldment, Front Hydraulic Painted	092612-1	1
	Toe Board Weldment, Rear Hydraulic Painted	086253-1	1
2	Bracket, Toe Board Roller Mount	087903-1	2
3	Bolt, M12x60-8.8 Hex Head Zinc	F81004-5	4
4	Washer, 13 Flat Zinc	F81056-1	8
5	Nut, M12-8 Hex Nylon Zinc Lock	F81034-2	4
6	Bolt, M10x75-8.8 Hex Head Zinc	F81003-15	8
7	Washer, 10.5 Flat Zinc	F81055-1	16
8	Nut, M10-8-B Hex Nylon Zinc Lock	F81033-1	8
9	Bracket, Toe Board Cylinder Mount Painted	087729-1	2
10	Plate, Toe Board Cylinder Mount	090086-1	2
11	Bolt, M16x40-8.8 Hex Head Full Thread Zinc	F81006-13	4
12	Washer, 16.3 Split Lock Zinc	F81058-2	4
13	Cylinder, CJ-S170-16-40/25/152 Hydraulic	088681	2
14	Pin, Hydraulic Cylinder Zinc-Plated	086979-1	2
15	Washer, 28 Flat Zinc	F81061-1	8
16	Pin, 3/16x1.5" Cotter Zinc	F05012-23	4

9**Hydraulic System***Hydraulic Toe Board*

17	Bolt, 1"-8 x 3 1/4 Hex Head Grade 5	F05009-51	2	
18	Nut, 1"-14" Hex Jam Unplated	F05010-117	2	
19	Fitting, C5205x4x4 Male	P09143	4	