

Wood-Mizer[®] Sawmill

Parts Manual

LT20 Series AH
LT20 Series DH

rev. A1.02
rev. A1.04



Safety is our #1 concern! Read and understand all safety information and instructions before operating, setting up or maintaining this machine.

April 2003

Form #620

Table of Contents

Section-Page

SECTION 1	GENERAL INFORMATION	1-1
1.1	How To Use The Parts List	1-1
1.2	Sample Assembly	1-1
SECTION 2	BLADE GUIDE ROLLERS & ARM	2-1
2.1	Blade Guide Assembly, Idle Side.....	2-1
2.2	Blade Guide Assembly, Drive Side.....	2-3
2.3	Blade Guide Arm Assembly.....	2-5
SECTION 3	BLADE WHEELS & TENSIONER	3-1
3.1	Blade Wheel Assembly, Drive Side	3-1
3.2	Blade Wheel Assembly, Idle Side.....	3-3
3.3	Blade Tensioner Assembly.....	3-5
SECTION 4	SAW HEAD	4-1
4.1	Middle Throat Screw	4-1
4.2	Drive Belt Tensioner, DC Sawmills.....	4-2
4.3	Water Lube Assembly	4-4
4.4	Saw Head Decals.....	4-6
4.5	Blade Housing Cover	4-8
4.6	Control Box (AC Sawmills)	4-10
4.7	Control Box (DC Sawmills).....	4-12
4.8	Drum Switches	4-14
4.9	Sawdust Chute.....	4-15
SECTION 5	UP/DOWN ASSEMBLY	5-1
5.1	Up/Down Assembly, AC Mills	5-1
5.2	Up/Down Assembly, DC Mills	5-3
5.3	Manual Up/Down System	5-5
5.4	Up/Down Chain Tensioner Assembly.....	5-7
5.5	Battery Box Assembly, DC Mills.....	5-8
SECTION 6	UP/DOWN ROLLERS & BLADE HEIGHT SCALE	6-1
6.1	Up/Down Rollers.....	6-1
6.2	Blade Height Scale	6-3
SECTION 7	POWER FEED & TRACK ROLLERS	7-1
7.1	Power Feed Assembly, AC Mills	7-1
7.2	Power Feed Assembly, DC Mills	7-3
7.3	Upper Track Rollers And Wipers	7-5
7.4	Lower Track Rollers	7-7

Table of Contents

Section-Page

SECTION 8 BED FRAME ASSEMBLY

8-1

8.1	Bed Rail Assembly, Front And Rear (S/M type frame).....	8-1
8.2	Bed Rail Assembly, Front Middle (S/M type frame).....	8-2
8.3	Bed Rail Assembly, Rear Middle (S/M type frame).....	8-3
8.4	Bed Rail Assembly (L type frame).....	8-4
8.5	Bed Rail Assembly (L type frame).....	8-5
8.6	Stationary Leg	8-7
8.7	Pivot Bed Rail Assembly.....	8-9
8.8	Log Side Support Assembly	8-11
8.9	Tie Down Chain Assembly	8-13
8.10	Bed Frame Decals.....	8-14

SECTION 9 HYDRAULIC SYSTEM

9-1

9.1	Hydraulic Hoses, LT20 Series AH	9-1
9.2	Hydraulic Control Box, LT20 Series AH3	9-3
9.3	Hydraulic Control Box, LT20 Series AH5.....	9-5
9.4	Hydraulic Power Supply Strip.....	9-7
9.5	Hydraulic Log Loader	9-9
9.6	Hydraulic Log Turner	9-11
9.7	Hydraulic Log Side Supports	9-13
9.8	Hydraulic Log Clamp, Front	9-15
9.9	Hydraulic Log Clamp, Main.....	9-17
9.10	Hydraulic Log Clamp, Rear	9-19
9.11	Hydraulic Toe Board	9-21

SECTION 1 GENERAL INFORMATION

1.1 How To Use The Parts List

- Use the index above to locate the assembly that contains the part you need.
- Go to the appropriate section and locate the part in the illustration.
- Use the number pointing to the part to locate the correct part number and description in the table.
- Parts shown indented under another part are included with that part.
- Parts marked with a diamond (◆) are only available in the assembly listed above the part.

See the sample table below. Sample Part #A01111 includes part F02222-2 and subassembly A03333. Subassembly A03333 includes part S04444-4 and subassembly K05555. The diamond (◆) indicates that S04444-4 is not available except in subassembly A03333. Subassembly K05555 includes parts M06666 and F07777-77. The diamond (◆) indicates M06666 is not available except in subassembly K05555.

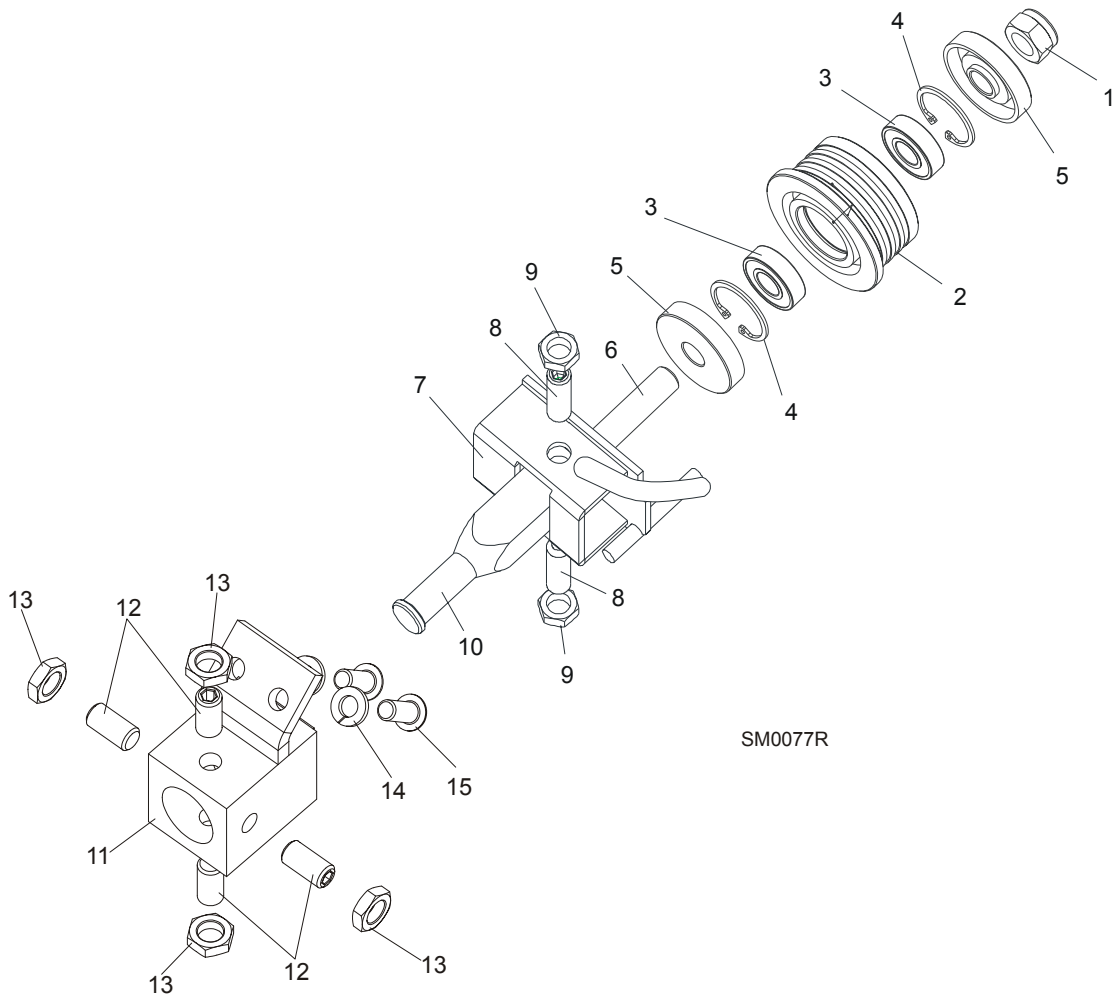
1.2 Sample Assembly				
REF	DESCRIPTION (◆ Indicates Parts Available In Assemblies Only)	PART #	QTY.	
	Sample Assembly, Complete (Includes All Indented Parts Below)	A01111	1	
1	Sample Part	F02222-22	1	
	Sample Subassembly (Includes All Indented Parts Below)	A03333	1	
2	Sample Part (◆ Indicates Part Is Only Available With A03333)	S04444-4	1	◆
	Sample Subassembly (Includes All Indented Parts Below)	K05555	1	
3	Sample Part (◆ Indicates Part Is Only Available With K05555)	M06666	2	◆
4	Sample Part	F07777-77	1	

To Order Parts:

- From Europe call our European Headquarters and Manufacturing Facility in Kolo, Poland at **+48-63-2626000**. From the continental U.S., call our toll-free Parts hotline at **1-800-448-7881**. Have your customer number, vehicle identification number, and part numbers ready when you call.
- From other international locations, contact the Wood-Mizer distributor in your area for parts.

SECTION 2 BLADE GUIDE ROLLERS & ARM

2.1 Blade Guide Assembly, Idle Side

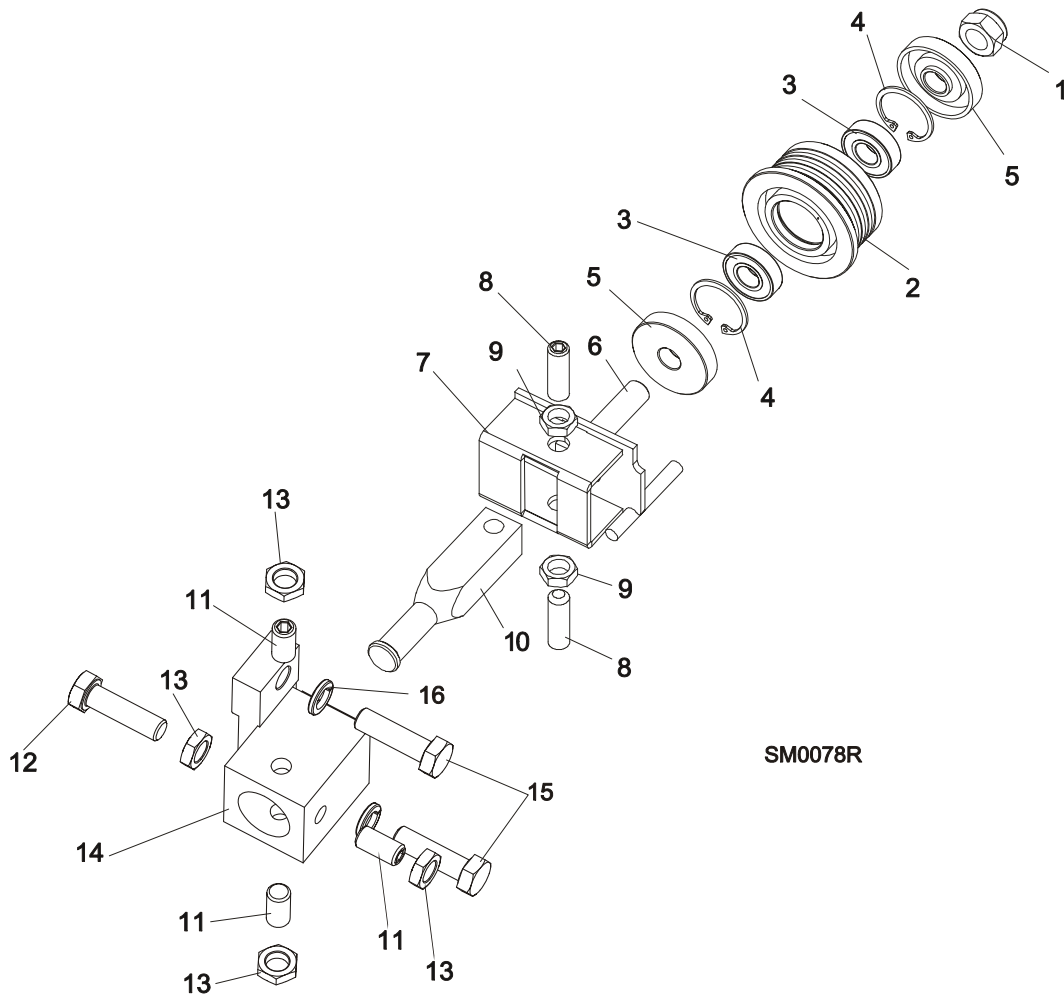


REF	DESCRIPTION (◆ Indicates Parts Available In Assemblies Only)	PART #	QTY.	
	BLADE GUIDE ASSEMBLY, IDLE SIDE	A08197	1	
	Roller Assembly, Standard Blade Guide	087887	1	
1	Nut, M12-8 Hex Nylon Zinc Lock	F81034-2	1	
2	Roller, Narrow Blade Guide	087889	1	◆
3	Bearing, 6001 2RSR NACHI	087893	2	
4	Ring, 62W Interior Retaining	F81090-9	2	
5	Washer, Spacer	087891-1	2	
6	Bolt, Standard Roller Mounting Zinc	087763-1	1	
7	Bracket, Blade Guide Idle Side w/Water Tube	W08495	1	
	Screw Kit, Blade Guide Adjustment w/Nuts (For two blade guide assemblies)	K09942	1	

2**Blade Guide Rollers & Arm***Blade Guide Assembly, Idle Side*

8	Screw, 3/8-24 x 1 1/4" Stainless Steel Socket Head Flat Point	F05007-96	2	
9	Nut, 3/8-24 UNC Hex Zinc Jam	F05010-22	2	
10	Shaft, Blade Guide Adjustment	S08196	1	
11	BLOCK WELDMENT, BLADE GUIDE MOUNT PTD	088292-1	1	
12	SCREW, M10 X 1 X 20 DIN913 STAINLESS STEEL SET	F81015-1	4	
13	NUT, M10x1-04-ST-A2 ISO 8675 THIN	F81033-10	4	
14	WASHER, 8.2 SPLIT LOCK ZINC	F81054-4	2	
15	SCREW, 5/16-18 X 3/4 SOCKET BUTTON HEAD BLACK OXIDE	F05006-7	2	

2.2 Blade Guide Assembly, Drive Side

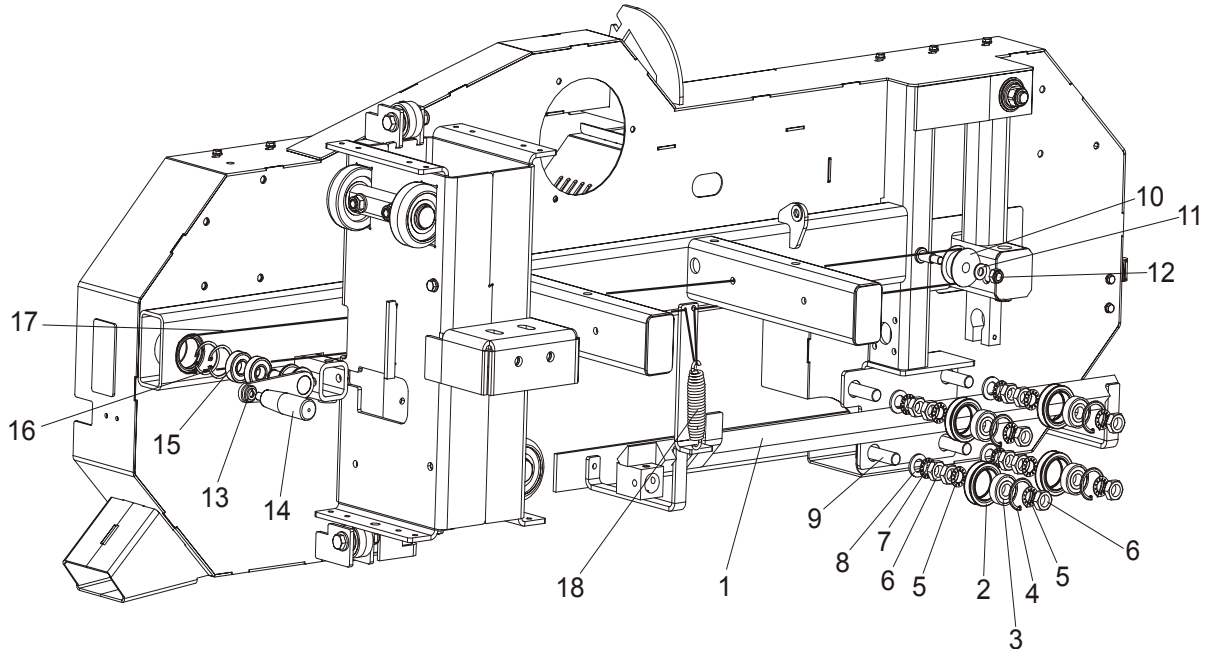


REF	DESCRIPTION (◆ Indicates Parts Available In Assemblies Only)	PART #	QTY.	
	BLADE GUIDE ASSEMBLY, DRIVE SIDE	A08191	1	
	Roller Assembly, Standard Blade Guide	087887	1	
1	Nut, M12-8 Hex Nylon Zinc Lock	F81034-2	1	
2	Roller, Narrow Blade Guide	087889	1	◆
3	Bearing, 6001 2RSR NACHI	087893	2	
4	Ring, 62W Interior Retaining	F81090-9	2	
5	Washer, Spacer	087891-1	2	
6	Bolt, Standard Roller Mounting Zinc	087763-1	1	
7	Bracket Weldment, Blade Guide Drive Side Ptd	W08482	1	
	Screw Kit, Blade Guide Adjustment w/Nuts (For two blade guide assemblies)	K09942	1	
8	Screw, 3/8-24 x 1 1/4" Stainless Steel Socket Head Flat Point	F05007-96	2	
9	Nut, 3/8-24 UNC Hex Zinc Jam	F05010-22	2	
10	Shaft, Blade Guide Adjustment	S08196	1	

2**Blade Guide Rollers & Arm***Blade Guide Assembly, Drive Side*

11	SCREW, M10 X 1 X 20 DIN913 STAINLESS STEEL SET	F81015-1	3	
12	BOLT, M10 X 1 X 25 DIN 933 STAINLESS STEEL	F81003-28	1	
13	NUT, M10x1-04-ST-A2 ISO 8675 THIN	F81033-10	4	
14	BLOCK, BLADE GUIDE MOUNT	087744	1	
15	BOLT, M10 X 35-8.8 HEX HEAD FULL THREAD ZINC	F81003-17	2	
16	WASHER, 10.2 SPLIT LOCK ZINC	F81055-2	2	

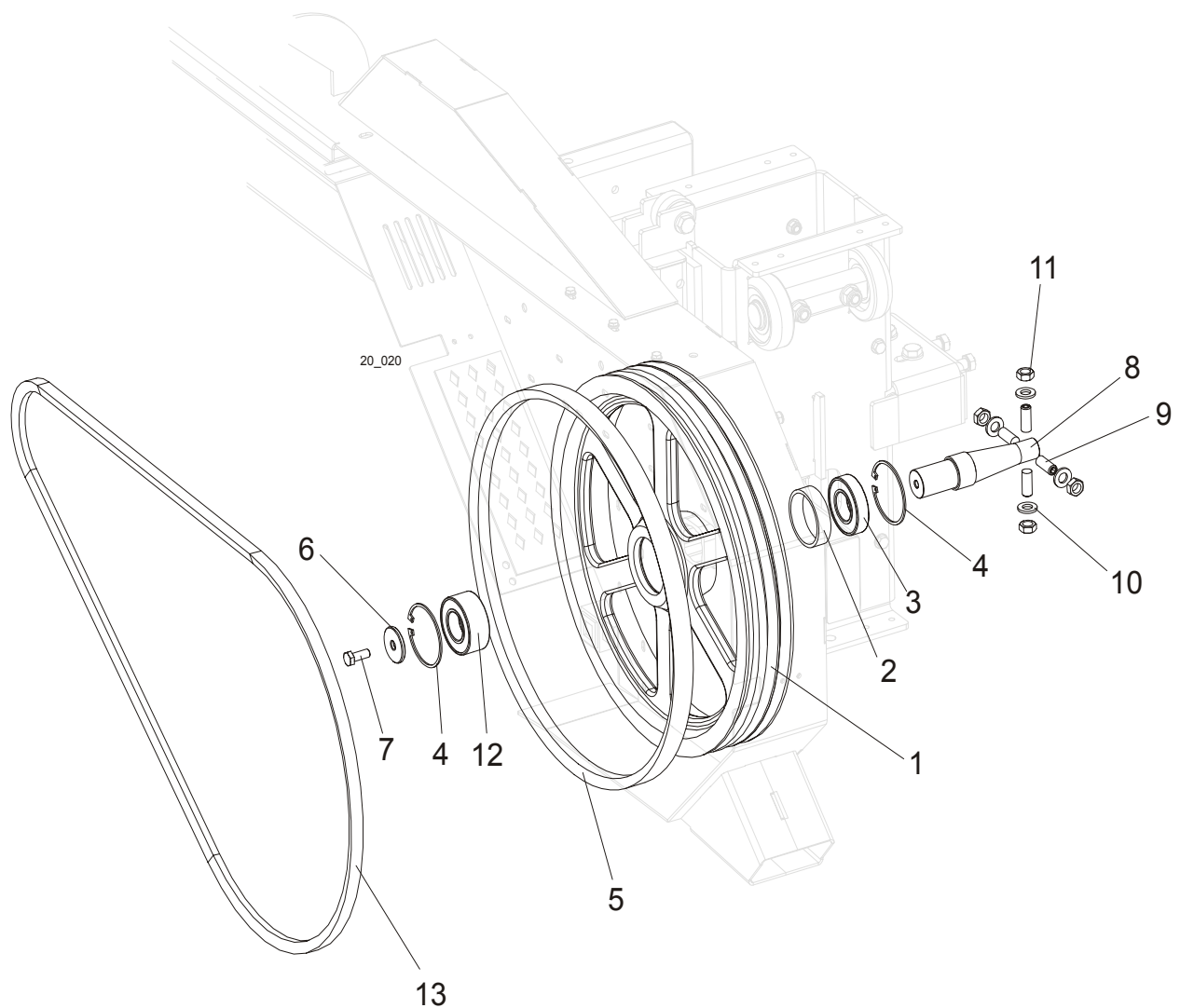
2.3 Blade Guide Arm Assembly



REF	DESCRIPTION (◆ Indicates Parts Available In Assemblies Only)	PART #	QTY.
1	ARM, LT20 BLADE GUIDE	090588-1	1
	ROLLER ASSEMBLY, BLADE GUIDE ARM V-GROOVE	A09059	4
2	Roller	S07989	4
3	Bearing, 6203-2 NSL 5/8	P06030-1	4
4	Ring, Retaining	F04254-8	4
5	WASHER, 5/8" INTERNAL STAR	F05011-25	8
6	NUT, 5/8"-18 HEX ZINC JAM	F05010-11	8
7	WASHER, 5/8" EXTERNAL STAR	F05011-26	4
8	WASHER, 17 ZINC FLAT	F81058-1	4
9	ROD, 5/8-18 THREADED	S12092	4
10	ROLLER, CHAIN GUIDE	014923	1
11	WASHER, 10.5 ZINC FLAT	F81055-1	1
12	NUT, M10-8-B HEX NYLON ZINC LOCK	F81033-1	1
	NUT, M10-8-B HEX NYLON ZINC LOCK	090611	1
13	CRANK WELDMENT, PAINTED	090610-1	1
14	HANDLE, 12992M10 CRANK	086338	1
15	BEARING, 6203-2RS FLT ROLLING	086114	2
16	RING, W40 SPRING RETAINING	F81090-3	2
17	ROPE, 4MM DIAMETER 007054	091613	1
18	SPRING, ROPE TENSION	091615	1

SECTION 3 Blade Wheels & Tensioner

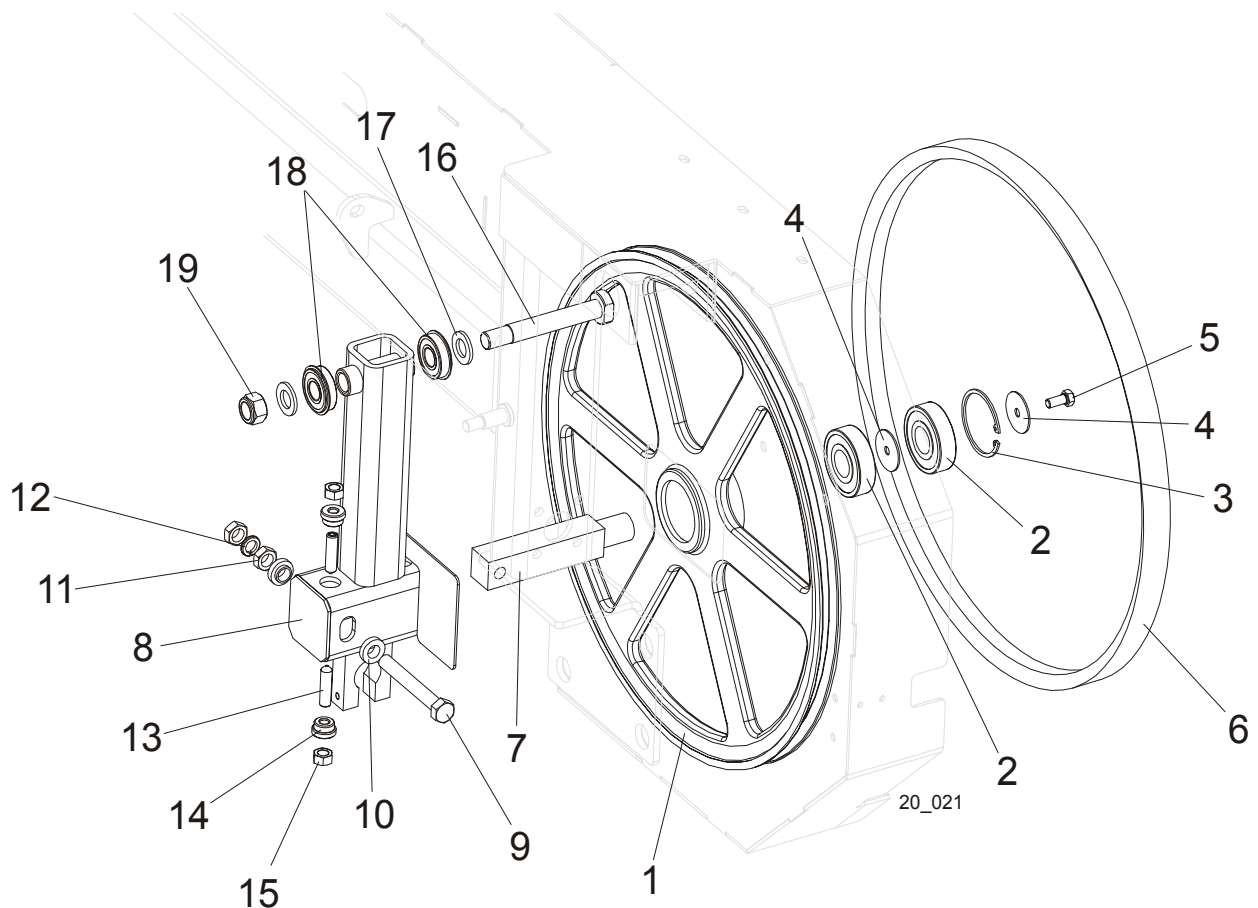
3.1 Blade Wheel Assembly, Drive Side



REF	DESCRIPTION (◆ Indicates Parts Available In Assemblies Only)	PART #	QTY.
	WHEEL ASSEMBLY, DRIVE SIDE BLADE	091612	1
1	Wheel, LT20 Drive Side Blade	090646-1	1
2	Spacer	092007	1
3	Bearing, 6207 2RS 35x72x17 FAG	014811	1
4	Ring, 72mm OD N5002-281 Retaining	F04254-30	2
5	Belt, B57 Blade Wheel	P04185	1
6	Washer, LT15 Drive Side Blade Wheel	086286	1
7	Bolt, M10x25-8.8 Hex Head Full Thread Zinc	F81003-11	1
8	Shaft, LT15 Drive Side Blade Wheel	086690	1
9	Screw, M12x1,25x30 DIN913 Set	F81016-1	4
10	Washer, 13 Flat Zinc	F81056-1	4

11	Nut, 5/16-18 Swaged Hex Zinc	F05010-6	4	
12	Bearing, 3207B, 2RSR. TVH FAQ	092005	1	
13	Drive Belt, BX81, AC Sawmills (E11/E15) Drive Belt, BX83, DC Sawmills (G13 & G15) Drive Belt, 2BX84, DC Sawmills (D17, D22 & G18)	014819 (AC) 088110 (DC) 092697 (DC)	1/2 1 1	

3.2 Blade Wheel Assembly, Idle Side



REF	DESCRIPTION (◆ Indicates Parts Available In Assemblies Only)	PART #	QTY.
	WHEEL ASSEMBLY, IDLE SIDE BLADE	A08218	1
1	Sheave, 18.62" Idler	P08125	1
2	Bearing, 6305 2RS NSK	P08066	2
3	Ring, 2 7/16" Inside Retaining	F04254-21	1
4	WASHER, RETAINING	S08220	2
5	BOLT, 5/16-18 X 3/4" HEX HEAD GRADE 2	F05006-5	1
6	BELT, B57 BLADE WHEEL	P04185	1
7	SHAFT, 1 1/8 SQUARE IDLER	S12565	1
8	HOUSING, IDLER SHAFT	086717	1
9	BOLT, 1/2-20 X 3 3/4 HEX HEAD GRADE 2	F05008-111	1
10	SPACER, FLANGED	086769-1	2
11	NUT, 1/2"-20 HEX JAM	F05010-16	2
12	WASHER, 12.2 SPLIT ZINC LOCK	F81056-2	1
13	SCREW, M10 X 40-45H HEX SOCKET SET CONE POINT ZINC	F81003-61	2
14	BUSHING, M10 IDLER SHAFT HOUSING	086987	2
15	NUT, M10-8-B HEX ZINC	F81033-3	2
16	PIN, IDLER ARM BEARINGS	086404	1
17	WASHER, 17 FLAT ZINC	F81058-1	2

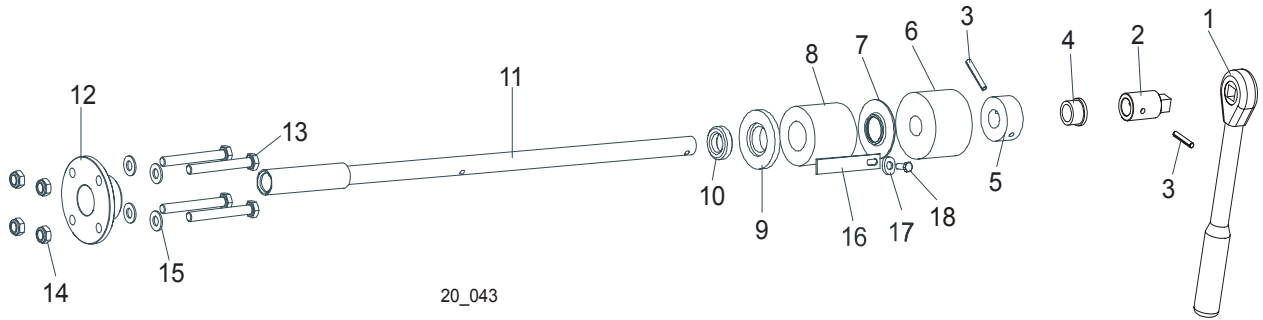
Blade Wheels & Tensioner

Blade Wheel Assembly, Idle Side

3

18	BEARING, 6203-2RS NR NSK W/RING	086395	2	
19	NUT, M16-8 HEX NYLON ZINC LOCK	F81036-2	1	

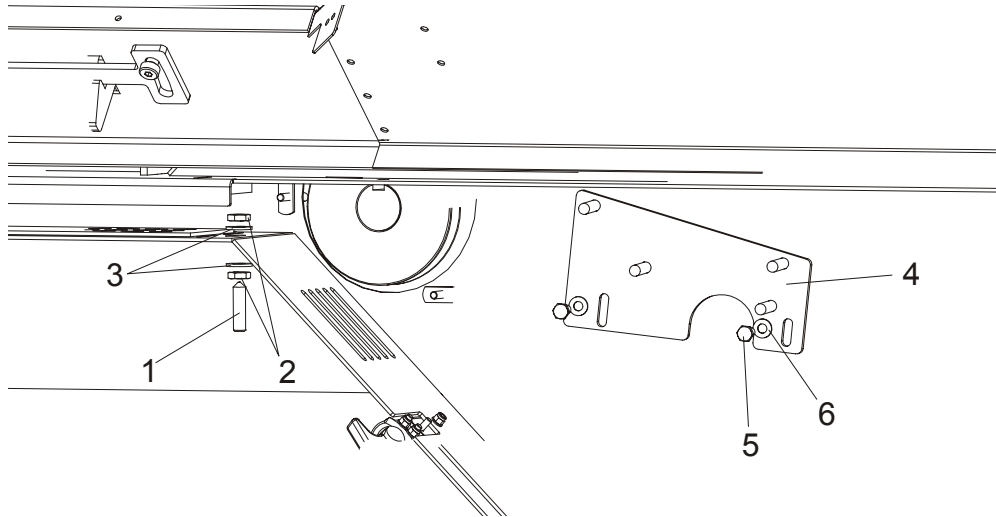
3.3 Blade Tensioner Assembly



REF	DESCRIPTION (◆ Indicates Parts Available In Assemblies Only)	PART#	QTY.
	BLADE TENSIONER ASSEMBLY	086680	1
1	Wrench, LT20 Blade Tension	091620	1
2	End, LT20 Blade Tensioner Shaft	091606-1	1
3	Pin, 5 x 30 Zinc Roll	F81044-21	2
4	Bushing, 5/8 ID Bronze	P05135	1
5	Collar, Blade Tensioner	086712-1	1
6	Bushing, Rubber Stop	P12165	1
7	Guide, LT15 Tension Handle	014925	1
8	Spring, LT15 Rubber Blade Tensioner	014828	1
9	Washer, Rubber Spring Front	086674-1	1
10	Bearing, 51103 FLT Ball Thrust	086675	1
11	Shaft Weldment, Blade Tensioner Zinc-plated	086669-1	1
12	Nut, Blade Tensioner	086672-1	1
13	Bolt, M8x70 8.8 Hex Head Zinc	F81002-71	4
14	Nut, M8-8-B Hex Nylon Zinc Lock	F81032-2	4
15	Washer, 8.4 Zinc Flat	F81054-1	8
16	Indicator, LT15 Blade Tension Zinc-plated	086783-1	1
17	Washer, 6.4 Zinc Flat	F81053-1	1
18	Bolt, M6x16 8.8 Hex Head Full Thread Zinc	F81001-15	1

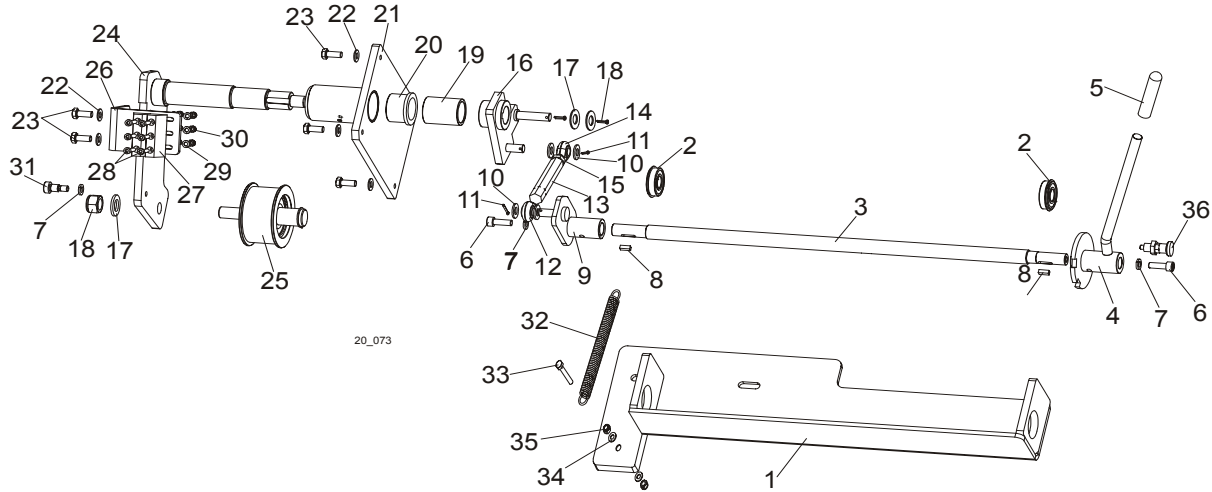
SECTION 4 SAW HEAD

4.1 Middle Throat Screw



REF	DESCRIPTION (◆ Indicates Parts Available In Assemblies Only)	PART #	QTY.	
1	SCREW, M10 X 40-45H HEX SOCKET SET CONE POINT ZINC	F81003-61	1	
2	NUT, M10-8-B ZINC HEX	F81033-6	2	
3	WASHER, 10.5 ZINC FLAT	F81055-1	2	
4	BRACKET, DRIVE BELT SUPPORT, UPPER	092668-1	1	
5	BOLT, M8X20-5.8 HEX HEAD FULL THREAD ZINC	F81002-1	2	
6	WASHER, 8.4 ZINC FLAT	F81054-1	2	

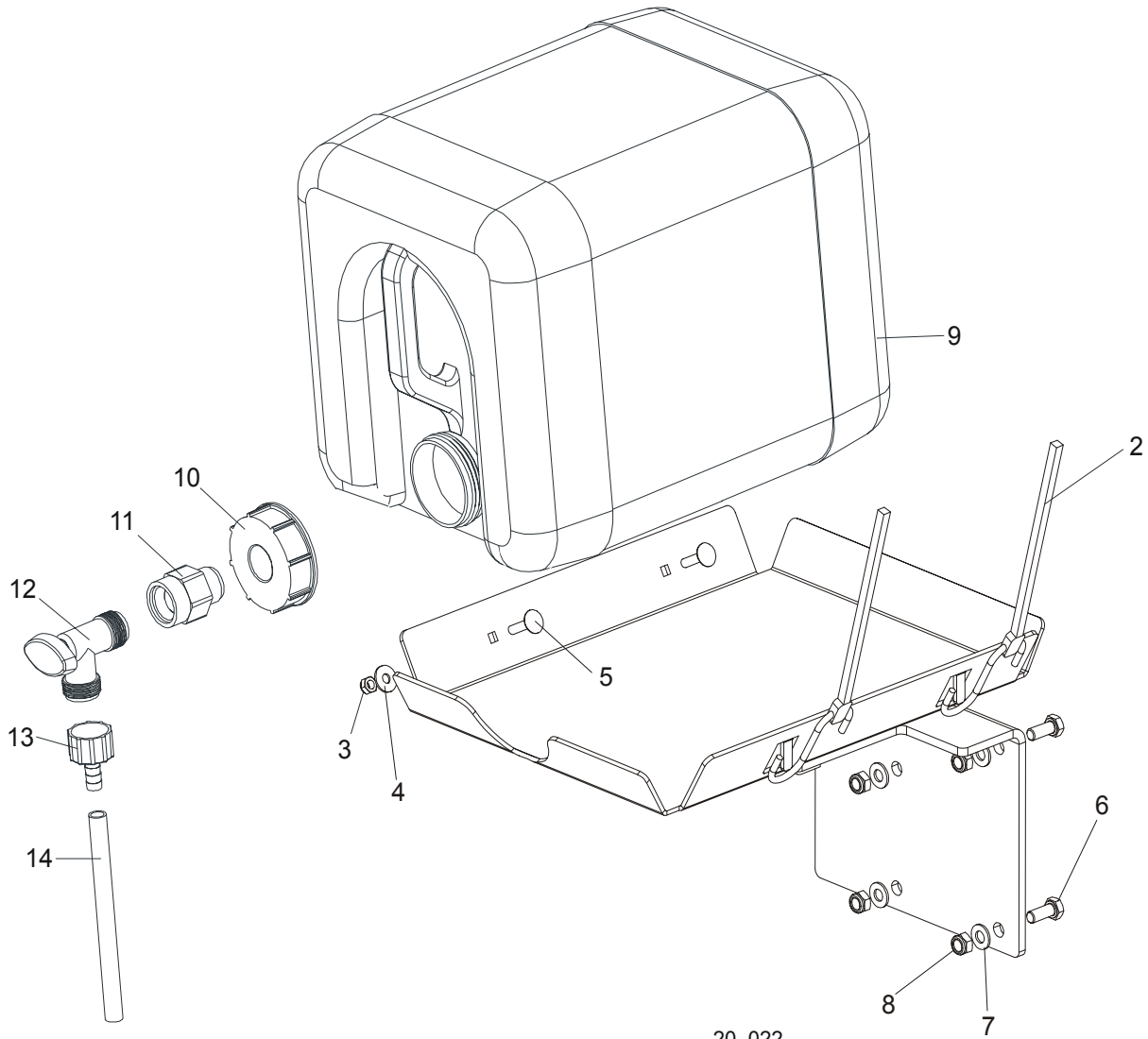
4.2 Drive Belt Tensioner, DC Sawmills



REF	DESCRIPTION (◆ Indicates Parts Available In Assemblies Only)	PART #	QTY.
	BELT TENSIONER, LT20 COMPLETE	091170	1
1	Mount Weldment, Belt Tensioner Ptd	091169-1	1
2	Bearing, 6203-2RS NR NSK w/Ring	086395	2
3	Rod, LT20 Belt Tensioner Ptd	091176-1	1
4	Handle Weldment, Belt Tensioner Ptd	087645-1	1
5	Grip, Handle 1/2" ID x 3" Long	014835	1
6	Screw, M8x25 -8.8 Hex Socket Head Cap Zinc	F81002-21	2
7	Washer, 8.2 Split Lock Zinc	F81054-4	3
8	Key, B 5x5.1x14 Parallel	087365	2
9	Bracket, Belt Tensioner Pivot	091245-1	1
10	Washer, 10.5 Zinc Flat	F81055-1	4
11	Pin, 2.5x20 Zinc Cotter	F81043-1	2
12	Rod End, 7/16-20 Right-Hand Male	P11579	1
13	Tumbuckle, Clutch/Brake	S11577	1
14	Rod End, 7/16-20 Left-Hand Male	P11578	1
15	Nut, 7/16-20 Zinc	F05010-38	1
16	Arm Weldment, Belt Tensioner Ptd	091172-1	1
17	Washer, 17 Zinc Flat	F81058-1	2
18	Nut, M16-8 Hex Nylon Zinc Lock	F81036-2	2
19	Bushing, Spacer Ptd	091351-1	1
20	Bushing, MFM-3240-30 (IGUS)	088461	2
21	Mount Weldment, Tensioner Shaft Ptd	091112-1	1
22	Washer, 8.4 Zinc Flat	F81054-1	7
23	Bolt, M8x20-5.8 Hex Head Full Thread Zinc	F81002-1	6
24	Shaft Weldment, Belt Tensioner Ptd	091110-1	1
25	Wheel, Belt Tension	087673	1
26	Bracket, Brake Block Mount Ptd	091248-1	1

27	Block, F9150 123 Belt Tensioner Brake	087648	2	
28	Screw, M5x25-8.8 Hex Socket Head Cap Zinc	F81000-7	6	
29	Washer, 5.3 Zinc Flat	F81052-1	6	
30	Nut, M5-8 Zinc DIN 985	F81030-2	6	
31	Screw, M8x25-8.8 Hex Socket Head Cap Zinc	F81002-21	2	
32	Spring, Hydraulic Log Turner	P09136	1	
33	Bolt, M8x45-8.8 Hex Head Zinc	F81002-17	1	
34	Washer, 8.4 Zinc Flat	F81054-1	2	
35	Nut, M8-8-B Hex Nylon Zinc Lock	F81032-2	2	
36	Pin, Detent	090197	1	

4.3 Water Lube Assembly



20_022

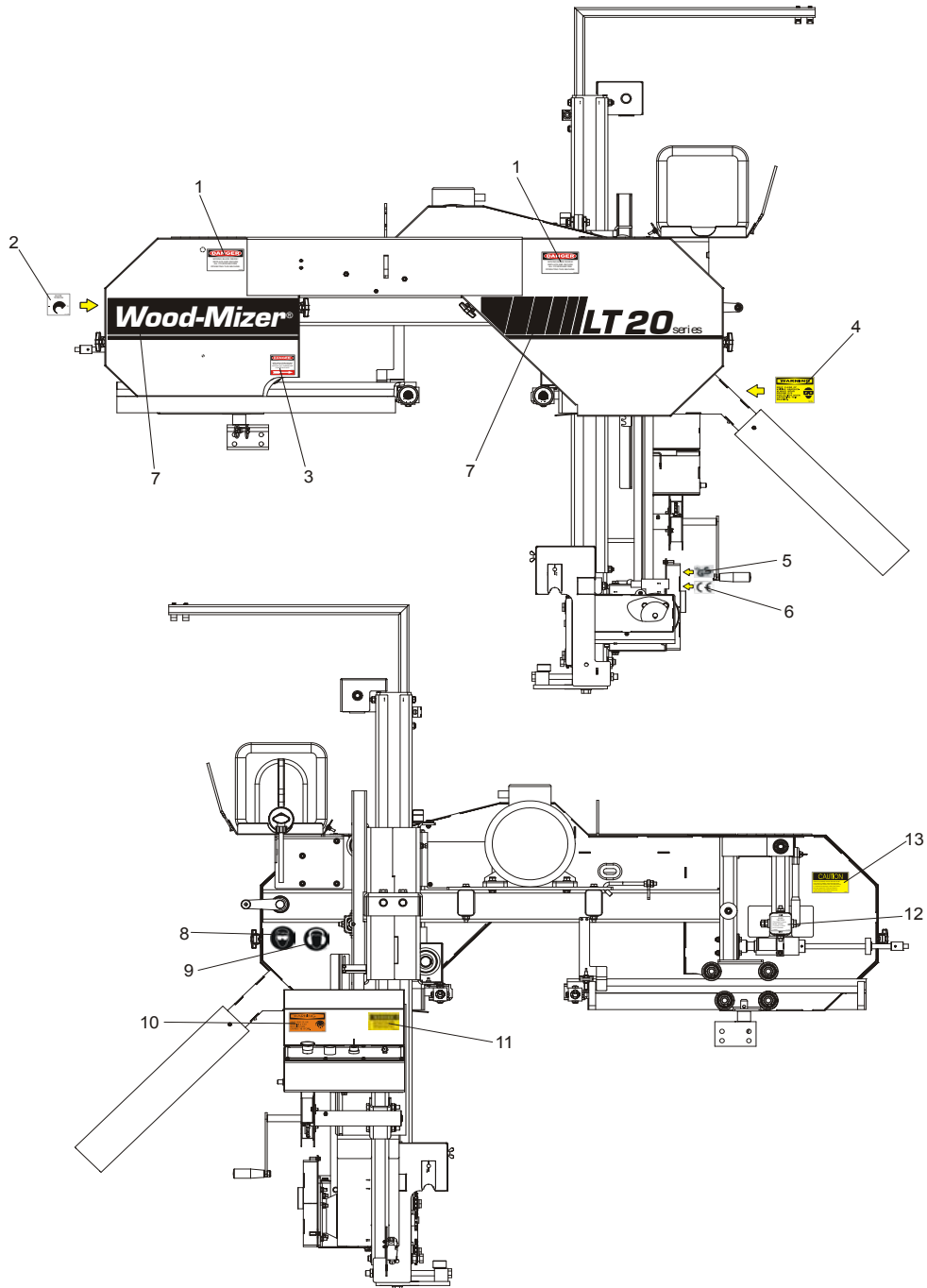
REF	DESCRIPTION (◆ Indicates Parts Available In Assemblies Only)	PART #	QTY.
	BOTTLE KIT, LT20 WATER LUBE	091036	1
1	Tray Weldment, LT20 Water Lube	091033-1	1
2	Strap, 20" Rubber	P11668	2
3	Nut, M6-8-B Hex Nylon Zinc Lock	F81031-2	2
4	Washer, 6.5 Zinc Flat	F81053-11	2
5	Bolt, M6x25-8.8 Carriage Head Zinc	F81001-20	2
6	Bolt, M8x20-8.8 Hex Head Full Thread Zinc	F81002-1	2
7	Washer, 8.4 Zinc Flat	F81054-1	2
8	Nut, M8-8-B Hex Nylon Zinc Lock	F81032-2	2
	Bottle Assembly, Water Lube	014642	1
9	Bottle, 19 l Water Lube	014637	1
10	Cap, Water Lube Bottle Buttruss Thread	014773	1

11	Fitting, 3/4FPT x 3/4MPT	014636	1	
12	Fitting, Water Lube Shutoff Valve	014100	1	
13	Fitting, 5/8" NPT to 3/8" Hose Barb	014113	1	
14	Tubing, Water Lube	R01885	2.1 m	

4 Saw Head

Saw Head Decals

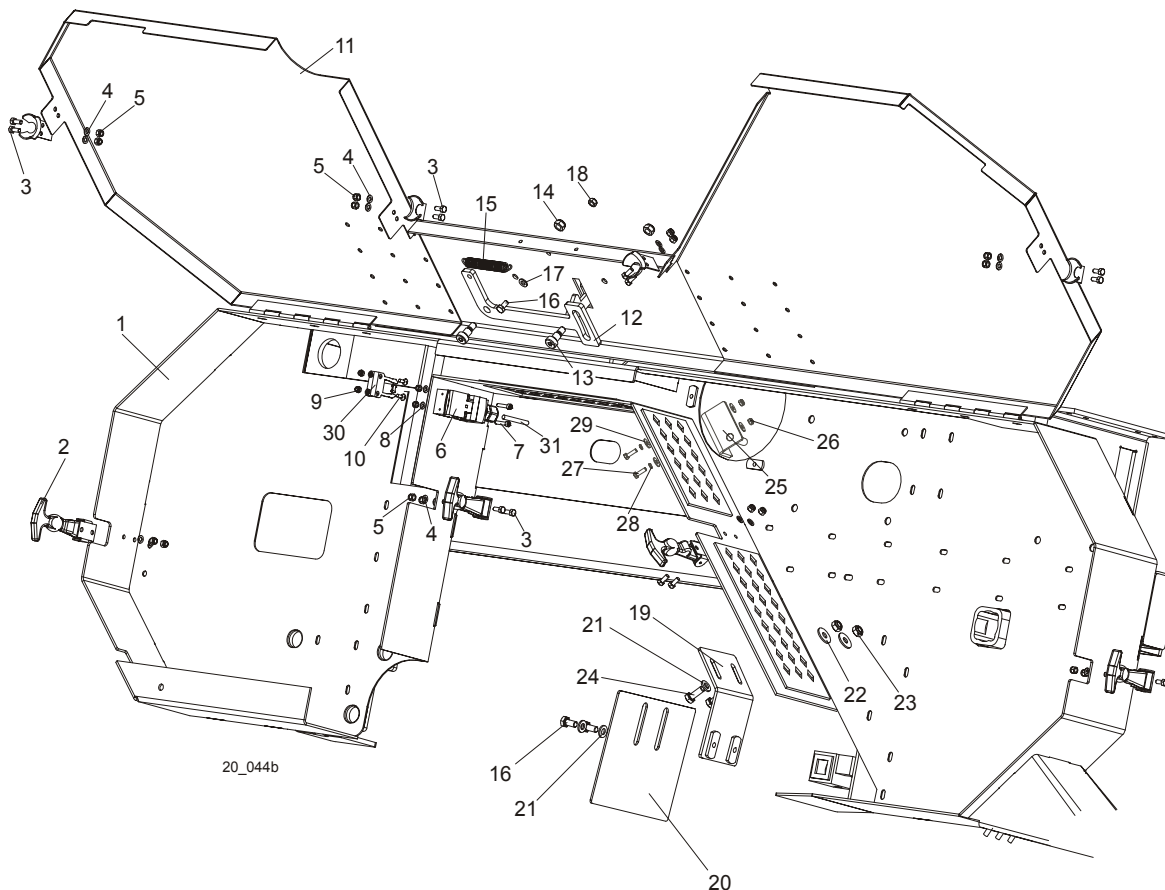
4.4 Saw Head Decals



REF	DESCRIPTION (◆ Indicates Parts Available In Assemblies Only)	PART #	QTY.
1	DECAL, BLADE COVER DANGER	S20039	2
2	DECAL, BLADE TENSION SCREW	P11790	1
3	DECAL, BLADE DANGER (W/RIGHT ARROW)	S11752	1
4	DECAL, SAWDUST CHUTE CAUTION	P11754	1
5	DECAL, CE CERTIFIED SAWMILL	P85071	1
6	DECAL, GS SAFETY CERTIFICATION SMALL	P85072	1

7	DECAL KIT, LT20	091480	1	
8	DECAL, EYE PROTECTION (PICTOGRAM)	S12004	1	
9	DECAL, EAR PROTECTION (PICTOGRAM)	S12005	1	
10	DECAL, EYE/EAR PROTECTION WARNING	S11753	1	
11	DECAL, FRONT OUTRIGGER DANGER	015400	1	
12	DECAL, BLADE ALIGNMENT	P11789	1	
13	DECAL, SAW HEAD REST CAUTION	S12581	1	

4.5 Blade Housing Cover



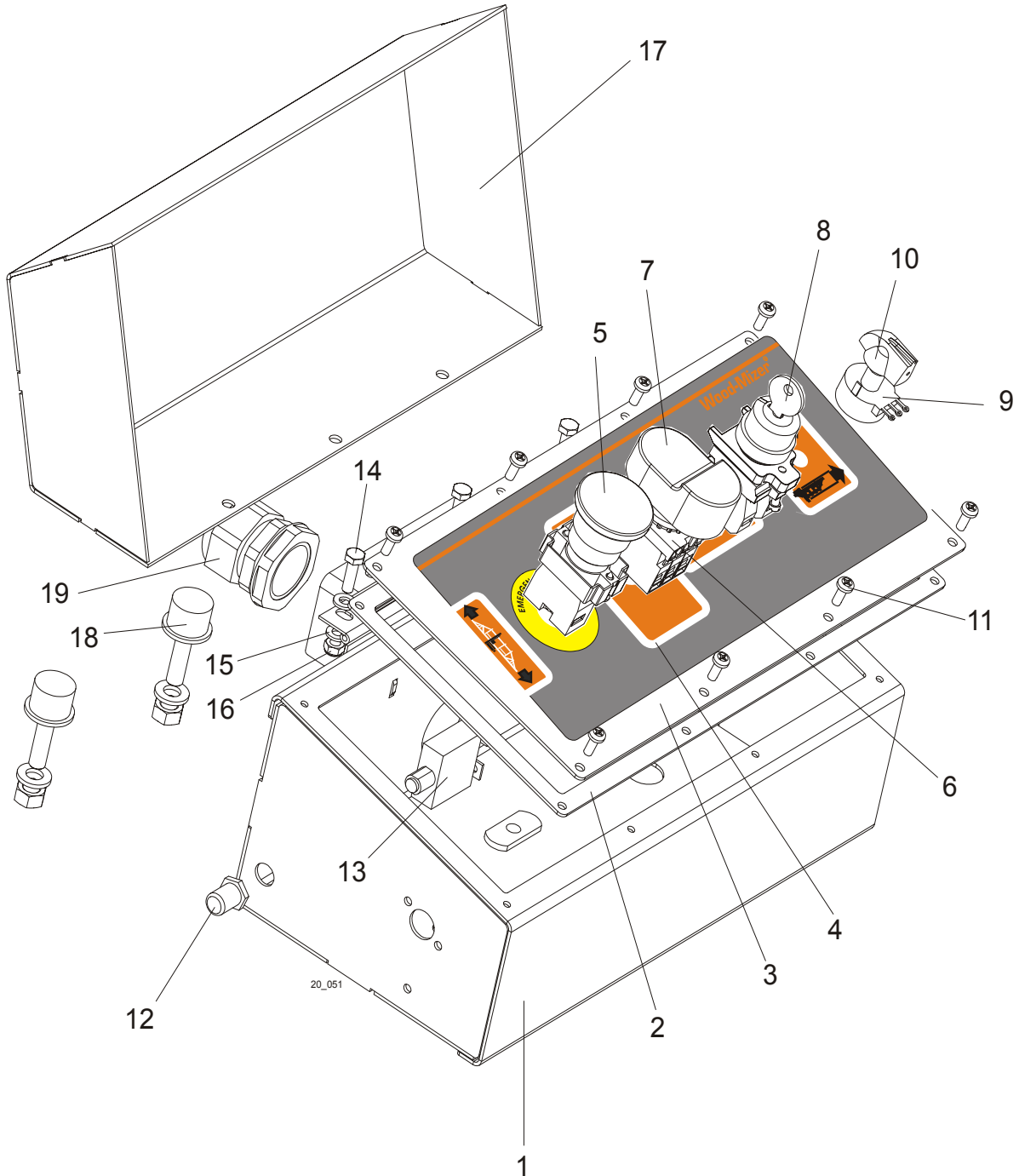
REF	DESCRIPTION (◆ Indicates Parts Available in Assemblies Only)	PART #	QTY.
1	SAW HEAD WELDMENT, LT20	090567	1
2	LATCH, FLEXIBLE DRAW	014829	4
3	BOLT, M5 X 12-5.8 HEX HEAD FULL THREAD ZINC	F81000-5	16
4	WASHER, 5.3 ZINC FLAT	F81052-1	16
5	NUT, M5-8 HEX NYLON ZINC LOCK	F81030-2	16
6	SWITCH, AZ17-11ZRK SAFETY KEY	094232	1
7	SCREW, M4 X 35 8.8 HEX SOCKET HEAD CAP ZINC	F81011-34	2
8	WASHER, 4.3 ZINC FLAT	F81051-2	4
9	NUT, M4-B HEX NYLON ZINC LOCK	F81029-1	4
10	SCREW, M4 X 12 5.8-B SLOTTED COUNTERSUNK HEAD ZINC	F81011-43	2
11	COVER WELDMENT, LT20 BLADE HOUSING PTD	090633-1	1
12	PAWL, LOCKING PTD	090643-1	1
13	SCREW, 10/M8 X 12-12.9 ISO-7379 SOCKET HEAD SHOULDER	F81003-62	2
14	NUT, M8-8-B HEX NYLON ZINC LOCK	F81032-2	2
15	SPRING, 1,6x12x38 EXTENSION	092208	1
16	BOLT, M6 X 12-8.8 HEX HEAD FULL THREAD ZINC	F81001-7	3

17	WASHER, 6.4 ZINC FLAT	F81053-1	1	
18	NUT, M6-8-B HEX NYLON ZINC LOCK	F81031-2	1	
19	BRACKET, BLADE GUIDE ROLLER GUARD PAINTED	092378-1	1	
20	GUARD, BLADE GUIDE ROLLER PAINTED	092379-1	1	
21	WASHER, 6.4 ZINC FLAT	F81053-1	4	
22	WASHER, 6.5 ZINC FLAT	F81053-11	2	
23	NUT, M6-8-B HEX NYLON ZINC LOCK	F81031-2	2	
24	BOLT, M6X16 8.8 HEX HEAD FULL THREAD ZINC	F81001-15	2	
25	BRACKET WLDMT, PTD DRIVE BELT SUPPORT	092636-1	1	
26	NUT, M6-8-B HEX NYLON ZINC LOCK	F81031-2	2	
27	BOLT, M6 X 20-8.8 HEX HEAD FULL THREAD ZINC	F81001-2	2	
28	WASHER 6,1 FE/ZN9 PN/M-82008	F81053-3	2	
29	WASHER, 6.5 ZINC FLAT	F81053-11	4	
30	KEY, AZ17/170-B5 SAFETY SWITCH	094422	1	
31	CABLE, OLFLEX 400P 2X1	R80583-5	3m (DC) 5m (AC)	

4

Saw Head Control Box (AC Sawmills)

4.6 Control Box (AC Sawmills)



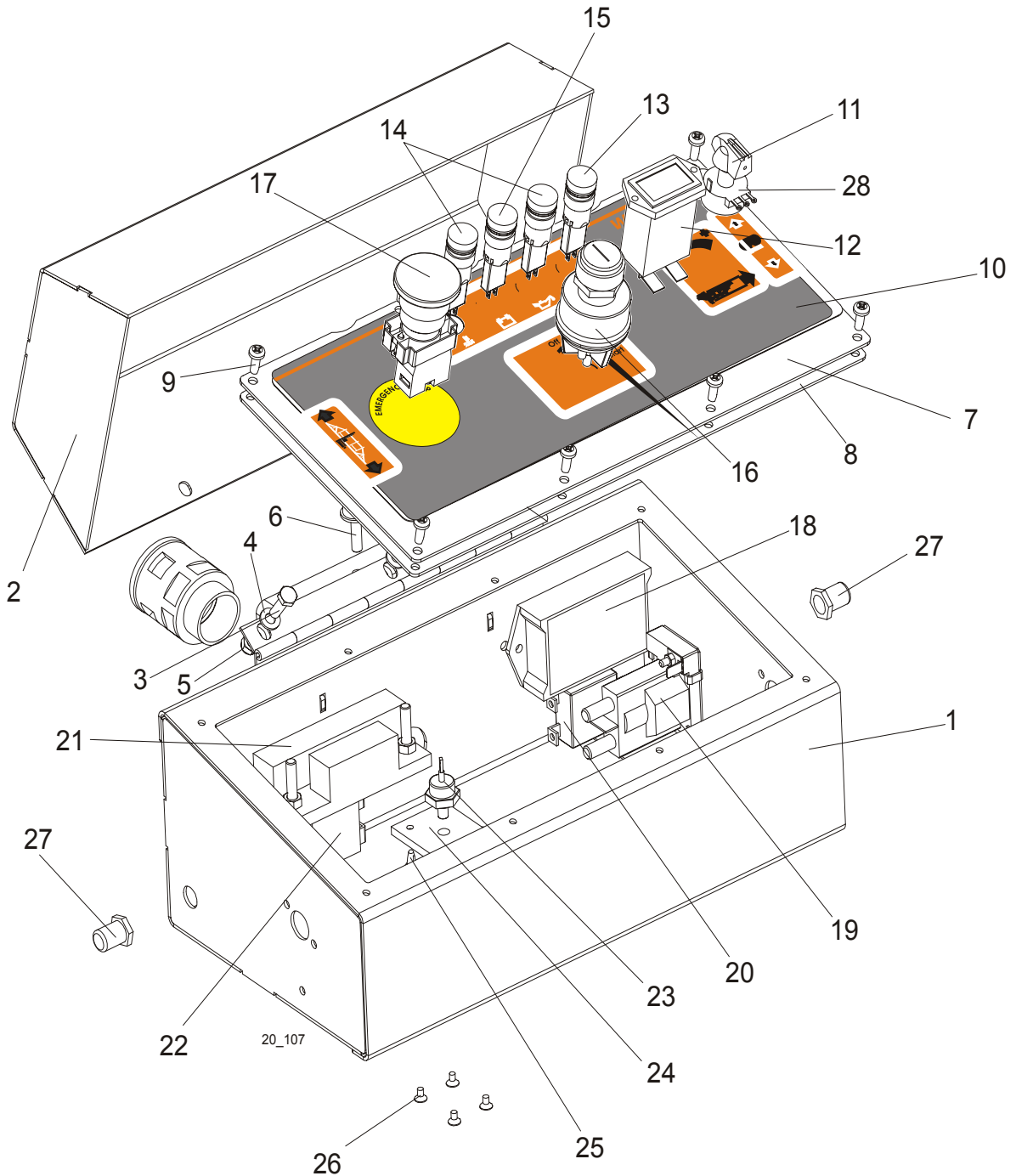
REF	DESCRIPTION (◆ Indicates Parts Available In Assemblies Only)	PART #	QTY.	
	CONTROL BOX ASSEMBLY, LT20 AC	090737	1	
1	Box Weldment, LT20 AC Control	090734-1	1	
2	Gasket, Control Box (9.5m Frame)	089998	1	
3	Panel, LT20 Front Control	090736	1	

4	Decal, LT20 Control Box	090735	1	
5	Button, XB4 BS542 Emergency Stop	086556	1	
6	Button, 24V Start/Stop	090452	1	
7	Membrane M22-T-DD	090462	1	
8	Switch, M22 3-position Key	091361	1	
9	Potentiometer, Feed Control	E20519	1	
10	Dial, Feed Rate	P06257	1	
11	Screw, #10-24 x 1/2 Pan Head	F05015-17	8	
12	Boot, Circuit Breaker	021253	1	
13	Breaker, 30Amp Manual Reset Circuit	024246	1	
14	Bolt, M6x20-8.8 Hex Head Full Thread Zinc	F81001-2	3	
15	Washer, 6.4 Zinc Flat	F81053-1	6	
16	Nut, M6-8-B Hex Nylon Zinc Lock	F81031-2	3	
17	Cover, Control Box	088172-1	1	
18	Bumper, A/022	088376	2	
19	Connector, Klick -GP21 rill 21 Polyamid Conduit	086577	1	

4 Saw Head

Control Box (DC Sawmills)

4.7 Control Box (DC Sawmills)



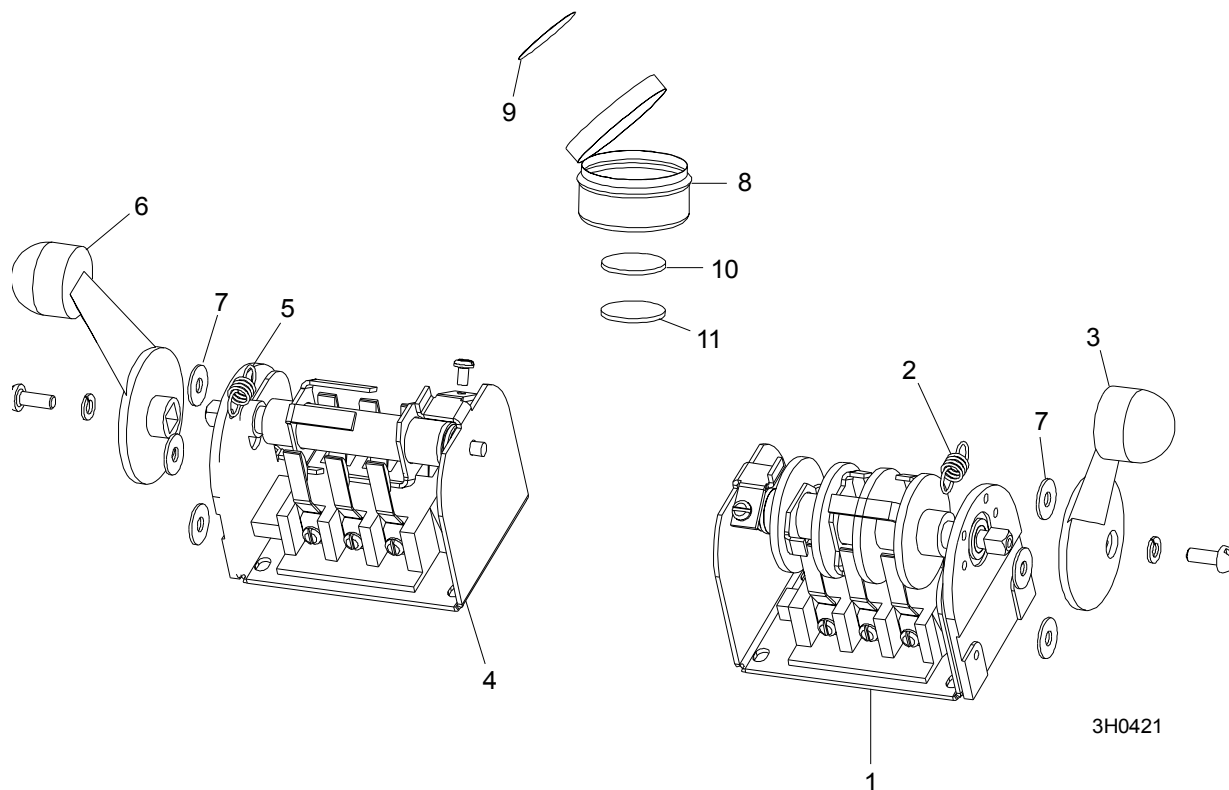
REF	DESCRIPTION (◆ Indicates Parts Available In Assemblies Only)	PART #	QTY.
	CONTROL BOX ASSEMBLY, LT20 DC	090996	1
1	Box Weldment, LT20 DC Painted Control	092947-1	1
2	Cover Weldment, Control Box Painted	092942-1	1

3	Bolt, M6x20-8.8 Hex Head Full Thread Zinc	F81001-2	3	
4	Washer, 6.4 Flat Zinc	F81053-1	6	
5	Nut, M6-8-B Hex Nylon Zinc Lock	F81031-2	3	
6	Bumper, A/022	088376	1	
7	Panel, LT20 DC Front Painted Control	090995-1	1	
8	Gasket, Control Box	089998	1	
9	Screw, #10-24 x 1/2 Pan Head	F05015-17	8	
10	Decal, LT20 DC Control Box	090997	1	
11	Knob, Speed Control	P06257	1	
12	Meter, Hour	093166	1	
13	Light, XB6AV5BB Yellow	089812	1	
14	Light, KLA-RS-10-2	090998	2	
15	Light, XB6 AV 3BB Green	087348	1	
16	Switch, Key	P04350	1	
17	Button, XB4 BS542 Emergency Stop	086556	1	
18	Control Module, Power Feed SMT	024396	1	
19	Solenoid, 120-943 Continuous Duty GND Coil	P10449	1	
20	Breaker, 50A Manual Reset	021256	1	
21	Module, Mosfet Power Feed	024540	1	
22	Breaker, 30A Manual Reset	024246	1	
23	Diode, 1N11184A 40A 110V	E07766	1	
24	Heatsink, Diode	091867	1	
25	Spacer, P3/12	R80671-2	4	
26	Screw, FH ST 3.5x6.5 A4 Cross Recessed Countersunk Head Tapping	F81000-82	4	
27	Boot, Circuit Breaker	021253	1	
28	Potentiometer, 1k	E20519	1	

4 Saw Head

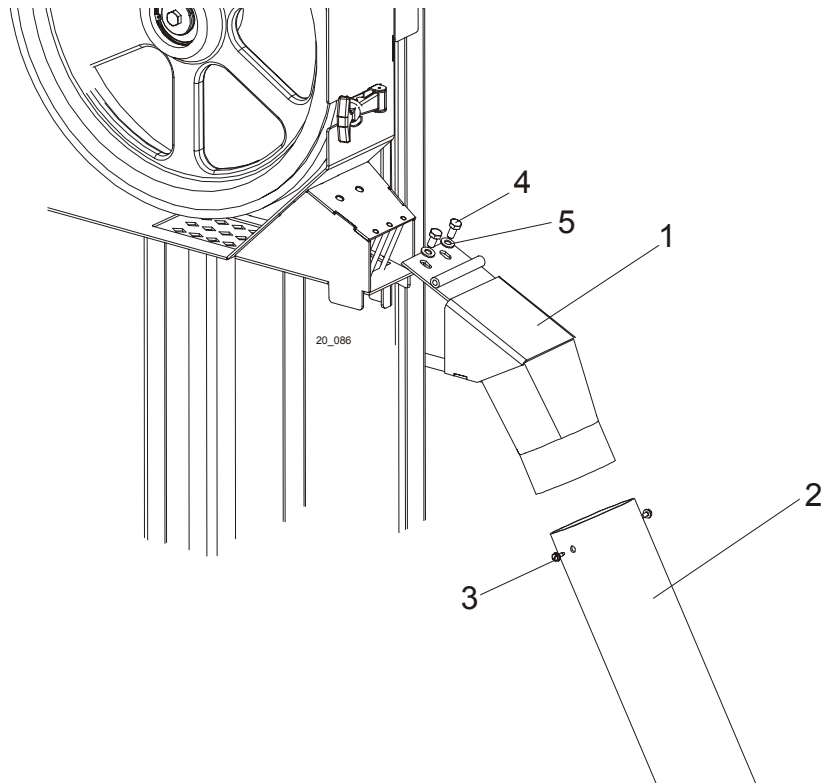
Drum Switches

4.8 Drum Switches



REF	DESCRIPTION (◆ Indicates Parts Available In Assemblies Only)	PART #	QTY.	
	SWITCH ASSEMBLY, UP/DOWN DRUM	E20440	1	
1	Switch, Drum	E20440-B	1	◆
2	Spring, Drum Switch	P12570	1	
3	Handle, Drum Switch w/Screws	P12500	1	
	SWITCH ASSEMBLY, POWER FEED DRUM	E20438	1	
4	Switch, Drum	E20438-B	1	◆
5	Spring, Drum Switch	P12570	1	
6	Handle, Drum Switch w/Screws	P12500	1	
7	WASHER, #8 SAE FLAT	F05011-41	6	
	CUP ASSEMBLY, DRUM SWITCH GREASE	A20463	1	
8	Cup, Plastic Container	P20464	1	◆
9	Label, Grease Cup	P20467	1	
10	Pad, Velcro Loop	P20466	1	◆
11	Pad, Velcro Hook	P20465	1	◆
	Grease, Drum Switch	P20468	.011ml	◆

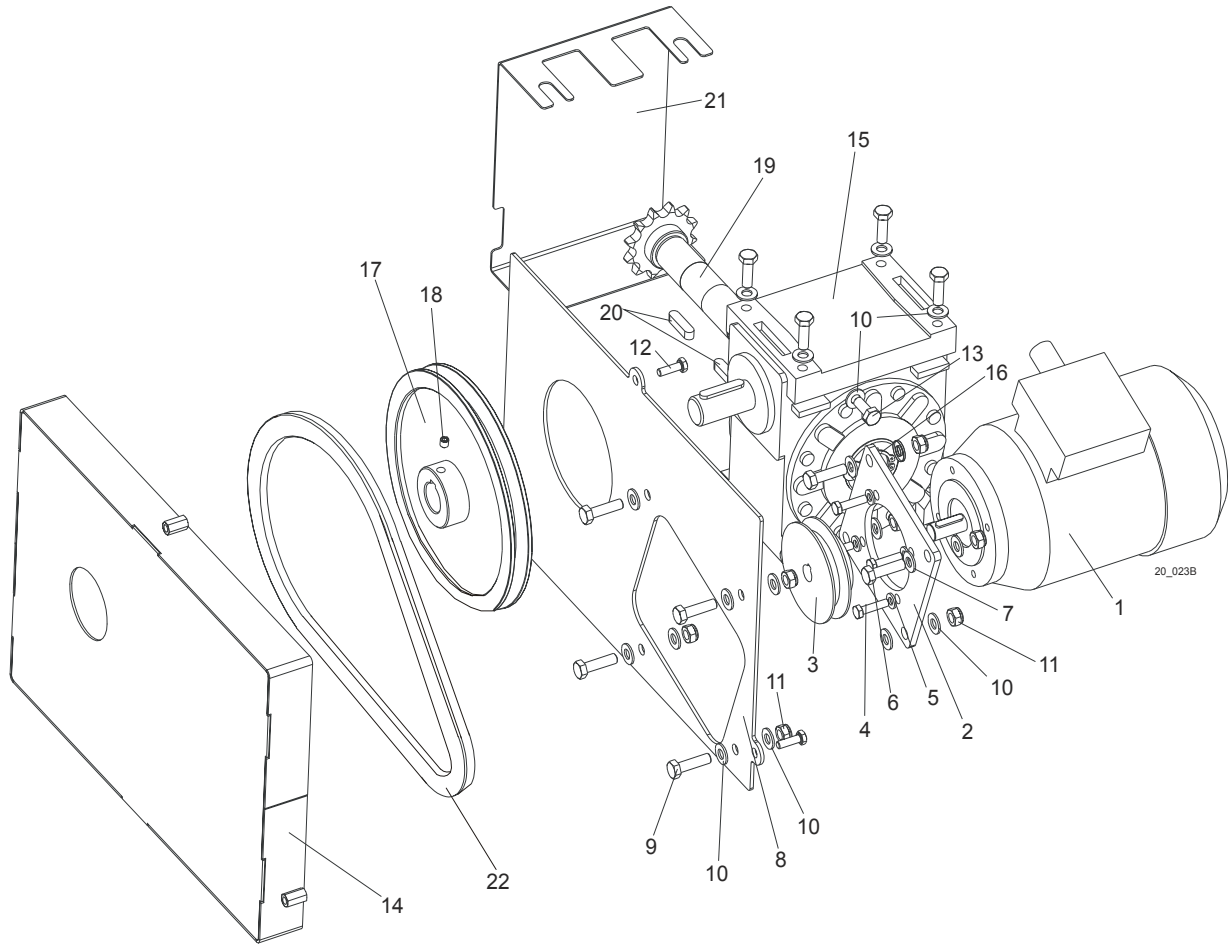
4.9 Sawdust Chute



REF	DESCRIPTION (◆ Indicates Parts Available In Assemblies Only)	PART #	QTY.
1	CHUTE WELDMENT, SAWDUST	092460-1	1
2	TUBE, SAWDUST CHUTE RUBBER	R02336	1
3	SCREW, #10-24 X 1/2 SELF-TAPPING	F05015-7	2
4	BOLT, M8x16	F81002-20	2
5	WASHER, 8.4 ZINC FLAT	F81054-1	2

SECTION 5 UP/DOWN ASSEMBLY

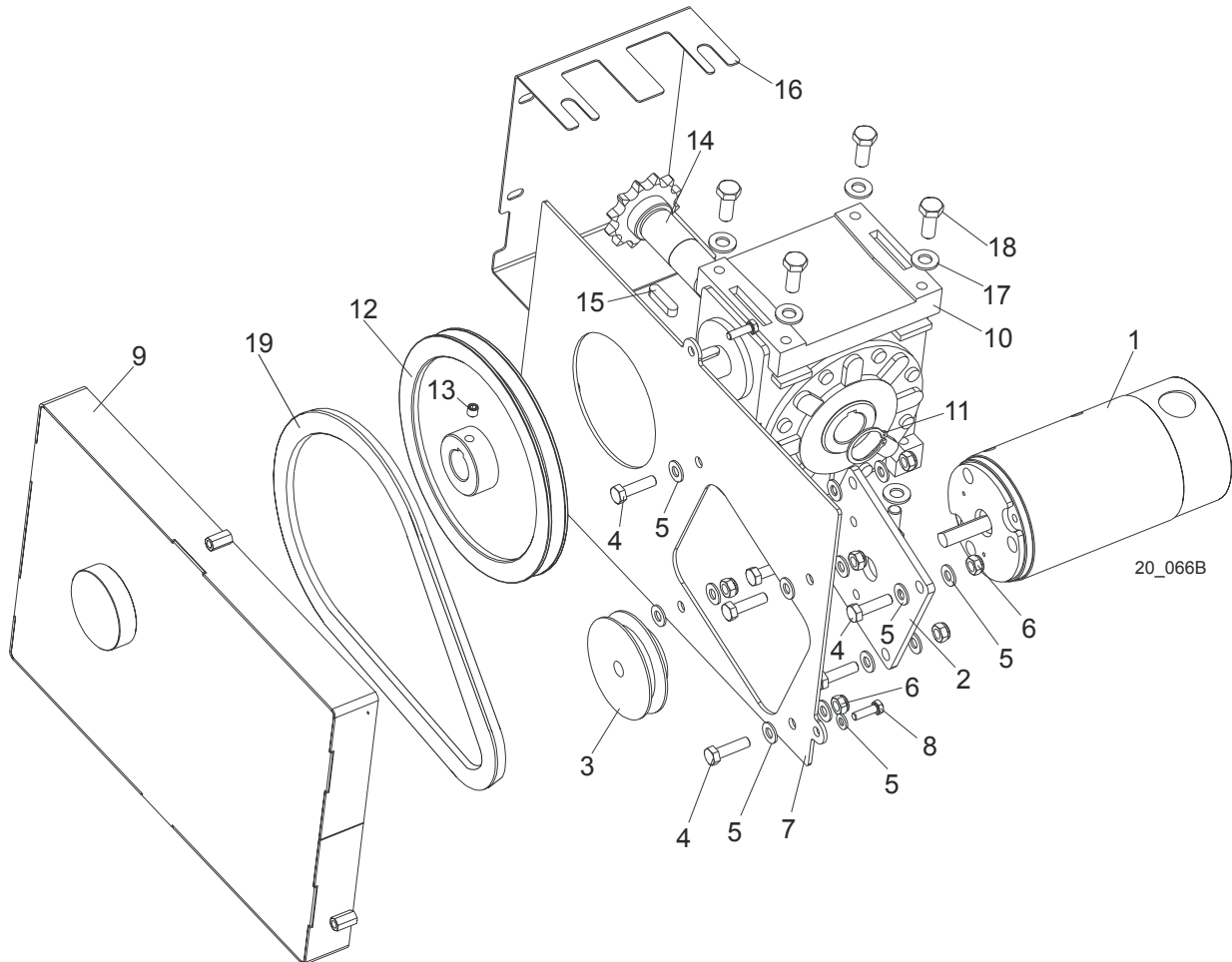
5.1 Up/Down Assembly, AC Mills



REF	DESCRIPTION (◆ Indicates Parts Available In Assemblies Only)	PART #	QTY.	
	MOTOR ASSEMBLY, LT20 AC UP/DOWN	091302	1	◆
1	Motor, SKh 71- 4B2 RAL 9005	091304	1	
2	Plate, LT20 AC Up/Down Motor Mount Ptd	091300-1	1	
3	Pulley, LT20	090699	1	
4	Bolt, M6x25-5.8 Hex Head Full Thread Zinc	F81001-3	4	
5	Washer 6.4 Zinc Flat	F81053-1	4	
6	BOLT, M8X30-5.8 HEX HEAD FULL THREAD ZINC	F81002-2	4	
7	WASHER, 8.4 ZINC FLAT	F81054-1	4	
8	PLATE, LT20 BELT GUARD MOUNT	091079-1	1	
9	BOLT, M8X30-5.8 HEX HEAD FULL THREAD ZINC	F81002-2	4	
10	WASHER, 8.4 ZINC FLAT	F81054-1	12	
11	NUT, M8-8-B HEX NYLON ZINC LOCK	F81032-2	4	

12	BOLT, M6X20-8.8 HEX HEAD FULL THREAD ZINC	F81001-2	4	
13	BOLT, M8X20-5.8 HEX HEAD FULL THREAD ZINC	F81002-1	2	
14	GUARD WELDMENT, LT20 UP/DOWN BELT PTD	091080-1	1	
	BOX ASSEMBLY, LT20 UP/DOWN GEAR	091299	1	
15	Box, RA-06/66/D1/S+N/V5 Gear	088577	1	
16	Ring, Z30 Spring Retaining	F81090-23	1	
17	Pulley, LT20 Up/Down	091078	1	
18	Screw, M8X8-33H Hex Socket Set Flat Point	F81014-1	1	
19	Shaft, LT20 Up/Down w/Sprocket	091298	1	
20	Key, A8x7x32 Parallel	088564	2	
21	GUARD, LT20 UP/DOWN GEAR BOX SPROCKET	091655-1	1	
22	BELT, HA-560 (STOMIL-SANOK)	088562	1	

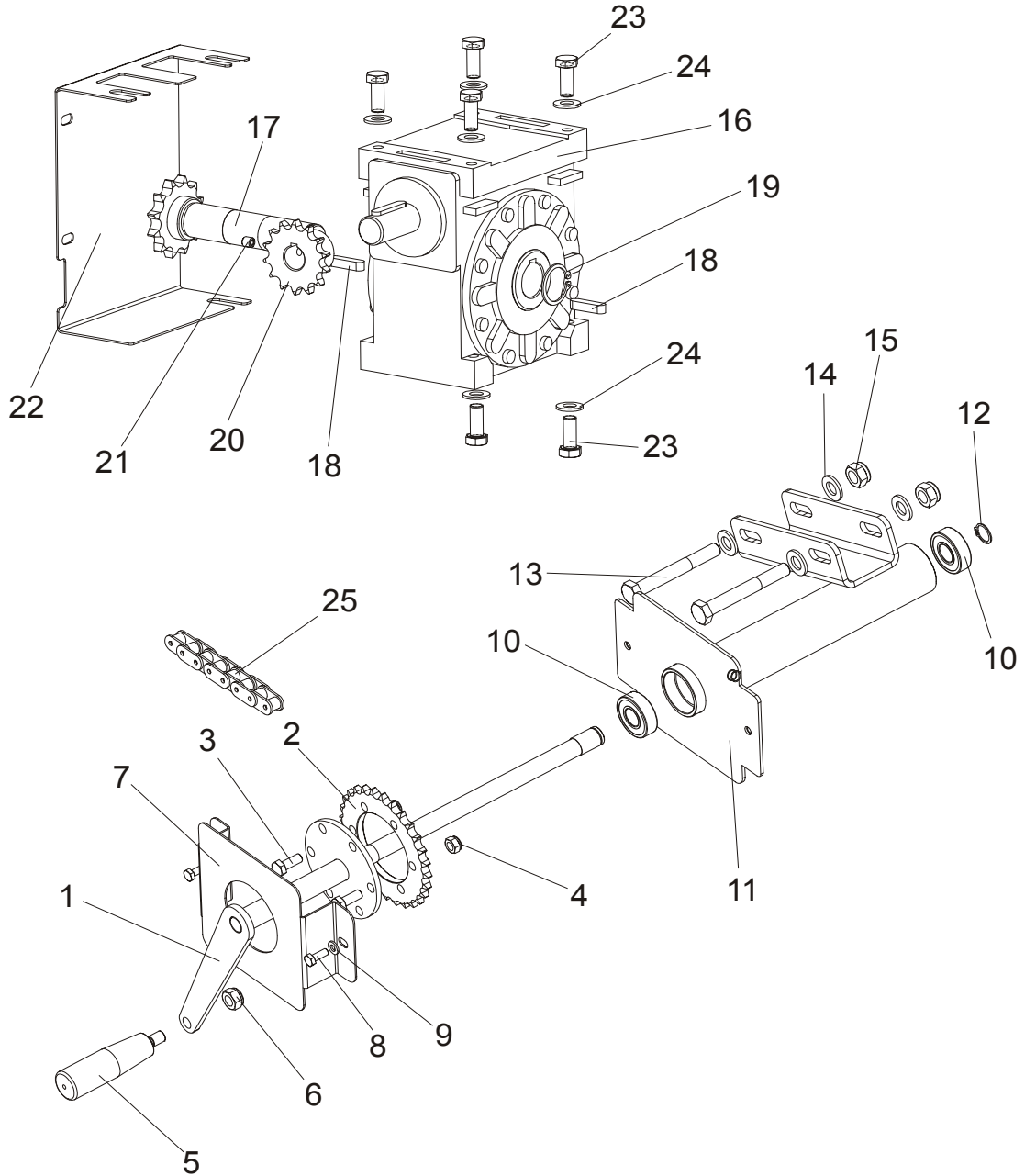
5.2 Up/Down Assembly, DC Mills



REF	DESCRIPTION (◆ Indicates Parts Available In Assemblies Only)	PART #	QTY.	
	MOTOR ASSEMBLY, LT20 DC UP/DOWN	091303	1	◆
1	Motor, Drive 12V 0.5HP	P04140	1	
2	Plate, LT20 DC Up/Down Motor Mount Ptd	091301-1	1	
3	Pulley, LT20 Up/Down	014087	1	
4	BOLT, M8X30-5.8 HEX HEAD FULL THREAD ZINC	F81002-2	8	
5	WASHER, 8.4 ZINC FLAT	F81054-1	19	
6	NUT, M8-8-B HEX NYLON ZINC LOCK	F81032-2	8	
7	PLATE, LT20 BELT GUARD MOUNT	091079-1	1	
8	BOLT, M6X20-8.8 HEX HEAD FULL THREAD ZINC	F81001-2	3	
9	GUARD WELDMENT, LT20 UP/DOWN BELT PTD	091080-1	1	
	BOX ASSEMBLY, LT20 UP/DOWN GEAR	091299	1	
10	Box, RA-06/66/D1/S+N/V5 Gear	088577	1	
11	Ring, Z30 Spring Retaining	F81090-23	1	

12	Pulley, LT20 Up/Down	091078	1	
13	Screw, M8x8-33H Hex Socket Set Flat Point	F81014-1	1	
14	Shaft, LT20 Up/Down w/Sprocket	091298	1	
15	Key, A8x7x32 Parallel	088564	2	
16	GUARD, LT20 UP/DOWN GEAR BOX SPROCKET	091655-1	1	
17	WASHER, FLAT, M10, ZINC	F81055-1	6	
18	BOLT, M10-1.5X25MM HH GR8.8	F81003-11	6	
19	BELT, HA-560 (STOMIL-SANOK)	088562	1	

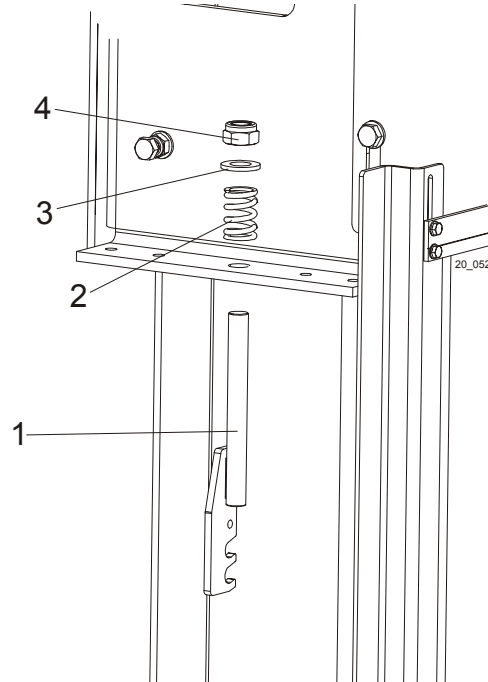
5.3 Manual Up/Down System



REF	DESCRIPTION (◆ Indicates Parts Available In Assemblies Only)	PART #	QTY.
	CRANK ASSEMBLY, LT20 UP/DOWN	090745	1
1	Shaft, Up/Down Sprocket	090748-1	1
2	Sprocket, 08B Z28	090664-1	1
3	Bolt, M8x20-5.8 Hex Head Full Thread Zinc	F81002-1	2
4	Nut, M8-8-B Hex Nylon Zinc Lock	F81032-2	2
5	Knob, 12992M10 Plastic Crank Handle	086338	1
6	Nut, M10-8-B Hex Nylon Zinc Lock	F81033-1	1

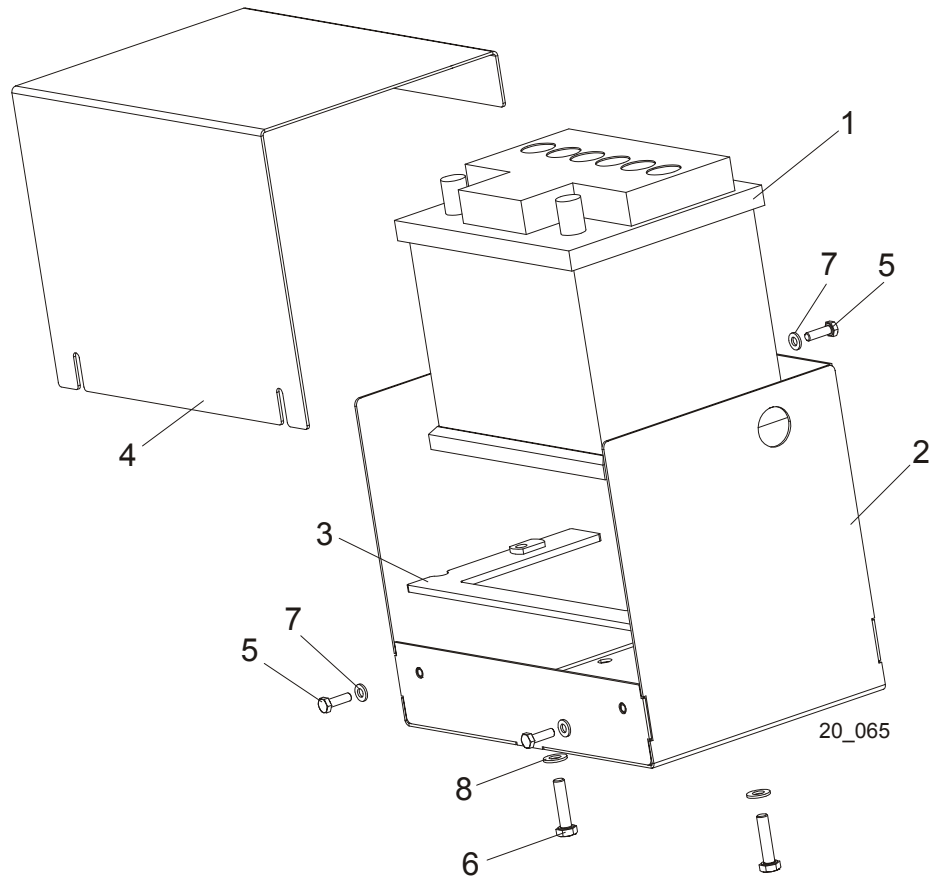
7	Guard, Up/Down Crank Sprocket Ptd	091834-1	1	
8	Bolt, M6x16 8.8 Hex Head Full Thread Zinc	F81001-15	2	
9	Washer, 6.4 Zinc Flat	F81053-1	2	
10	Bearing, 6203-2RS FLT Rolling	086114	2	
11	Guard, LT20 Up/Down Sprocket	090744-1	1	
12	Ring, Z 17 Outside Retaining	F81090-21	1	
13	BOLT, M12 X 90-8.8 HEX HEAD ZINC	F81004-2	2	
14	WASHER, 13 ZINC FLAT	F81056-1	4	
15	NUT, M12-8 HEX NYLON ZINC LOCK	F81034-2	2	
16	BOX, RA-06/66/D1/S+N/V5 GEAR	088577	1	
17	SHAFT, LT20 UP/DOWN W/SPROCKET	091298	1	
18	KEY, A8 X 7 X 32 PARALLEL	088564	2	
19	RING, Z30 OUTSIDE RETAINING	F81090-23	1	
20	SPROCKET, 10B Z14 ZINC-PLATED	090702-1	1	
21	SCREW, M8 X 8-33H HEX SOCKET SET FLAT POINT ZINC	F81014-1	1	
22	GUARD, LT20 UP/DOWN GEAR BOX SPROCKET PTD	091655-1	1	
23	BOLT, M10 X 25-8.8 HEX HEAD FULL THREAD ZINC	F81003-11	6	
24	WASHER, 10.5 ZINC FLAT	F81055-1	6	
25	CHAIN, 08B-1-153 UP/DOWN	091647	1	

5.4 Up/Down Chain Tensioner Assembly



REF	DESCRIPTION (◆ Indicates Parts Available In Assemblies Only)	PART #	QTY.	
1	TENSIONER WELDMENT, LT20 UP/DOWN CHAIN ZINC-PLATED	090730-1	1	
2	SPRING, 14 X 30 X 3.2	090797	1	
3	WASHER, 13 ZINC FLAT	F81056-1	1	
4	NUT, M12-8 HEX NYLON ZINC LOCK	F81034-2	1	

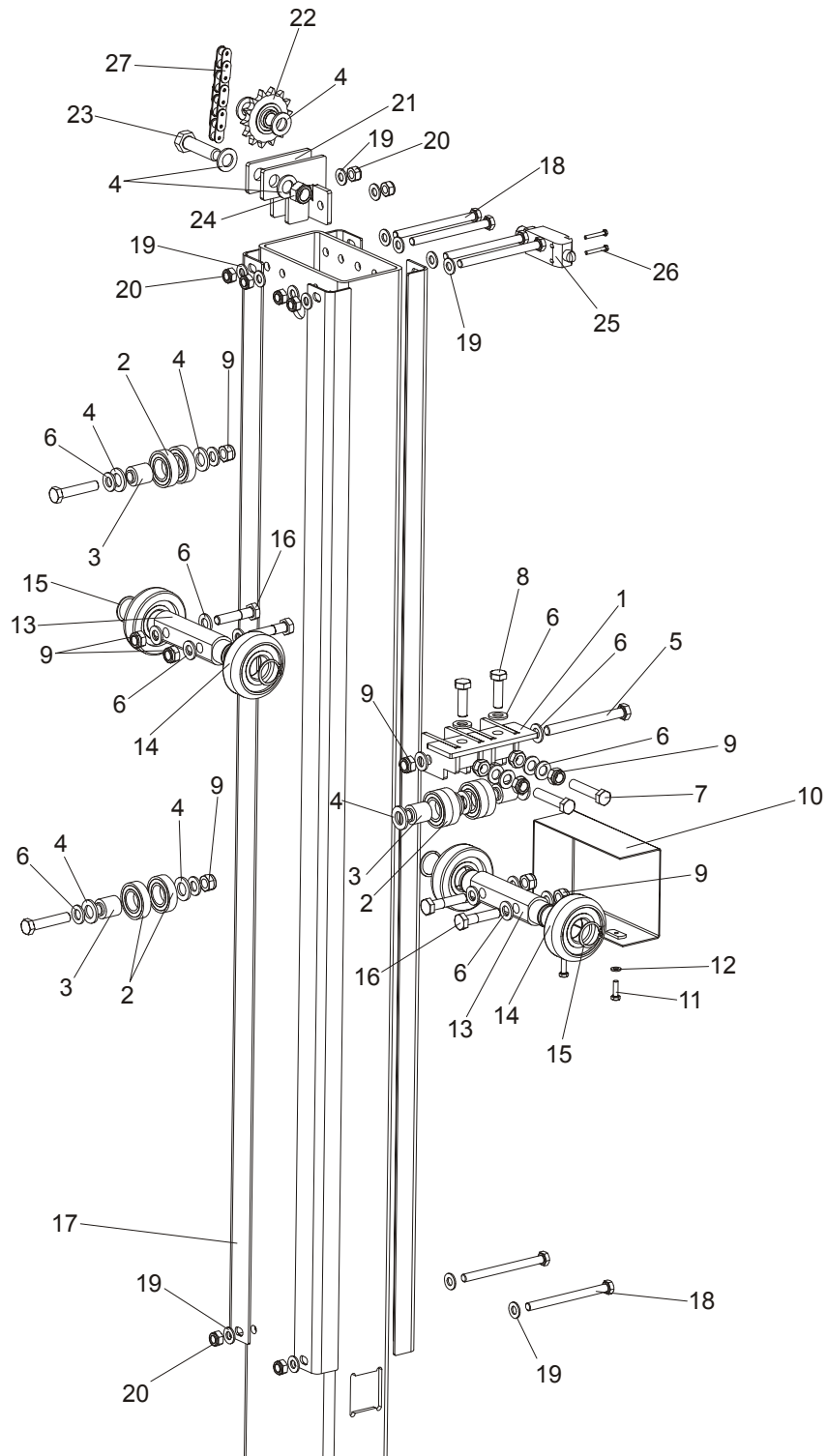
5.5 Battery Box Assembly, DC Mills



REF	DESCRIPTION (◆ Indicates Parts Available In Assemblies Only)	PART #	QTY.
	BATTERY BOX, COMPLETE	091376	1
1	Battery, 12V 50Ah	090999	1
2	Box Weldment, Battery	091377-1	1
3	Bracket, Battery Hold-down Ptd	091381-1	1
4	Lid, Battery Box Ptd	091382-1	1
5	Bolt, M6x20mm Hex Head Full Thread Zinc	F81001-2	3
6	Bolt, 8mm x 1.25 x 35mm HH Zinc	F81002-13	2
7	Washer, M6 Zinc Flat	F81053-1	3
8	Washer, M8 Zinc Flat	F81054-1	2

SECTION 6 UP/DOWN ROLLERS & BLADE HEIGHT SCALE

6.1 Up/Down Rollers



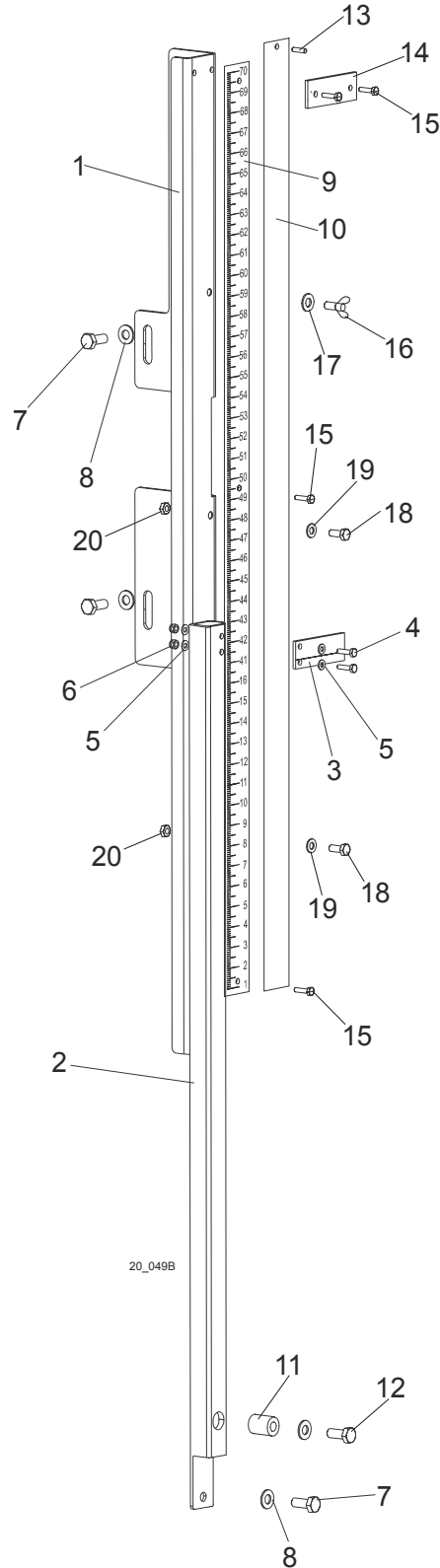
Up/Down Rollers & Blade Height Scale

Up/Down Rollers

6

REF	DESCRIPTION (◆ Indicates Parts Available In Assemblies Only)	PART #	QTY.	
1	BRACKET WELDMENT, LT20 UP/DOWN ROLLER PTD	091095-1	1	
2	BEARING, 6005 2RS CX	089652	8	
3	BUSHING, LT20 UP/DOWN ROLLER	090790	4	
4	WASHER, 17 ZINC FLAT	F81058-1	12	
5	BOLT, M12 X 120 8.8 HEX HEAD ZINC	F81004-38	1	
6	WASHER, 13 ZINC FLAT	F81056-1	20	
7	BOLT, M12 X 60-8.8 HEX HEAD FULL THREAD ZINC	F81004-51	2	
8	BOLT, M12 X 40-8.8 HEX HEAD FULL THREAD ZINC	F81004-4	2	
9	NUT, M12-8 HEX NYLON ZINC LOCK	F81034-2	11	
10	GUARD, LT20 UP/DOWN ROLLERS PTD	091619-1	1	
11	BOLT, M6 X 20-8.8 HEX HEAD FULL THREAD ZINC	F81001-2	2	
12	WASHER, 6.4 ZINC FLAT	F81053-1	2	
13	SHAFT, UP/DOWN ROLLERS ZINC-PLATED	090616-1	2	
14	ROLLER, CBK-468	088433	4	
15	RING, Z30 SPRING RETAINING	F81090-23	4	
16	BOLT, M12 X 55-8.8 HEX HEAD FULL THREAD ZINC	F81004-43	4	
17	ANGLE, LT20 MAST TUBE	091182	4	
18	BOLT, M10 X 125-8.8 HEX HEAD ZINC	F81003-18	6	
19	WASHER, 10.5 ZINC FLAT	F81055-1	14	
20	NUT, M10-8-B HEX NYLON ZINC LOCK	F81033-1	8	
21	BRACKET WELDMENT, LT20 UP/DOWN SPROCKET PTD	091000	1	
22	SPROCKET, KSR 16.L0.10.10.14.08	088867	1	
23	BOLT, M16 X 60 8.8 HEX HEAD FULL THREAD ZINC	F81006-12	1	
24	NUT, M16-8 HEX NYLON ZINC LOCK	F81036-2	1	
25	SWITCH, EVN2000 C LIMIT	089816	1	
26	BOLT, M4 X 30 8.8 HEX HEAD FULL THREAD ZINC	F81011-5	2	
27	CHAIN, LT20 10B-1-197 TYPE UP/DOWN	091626	1	

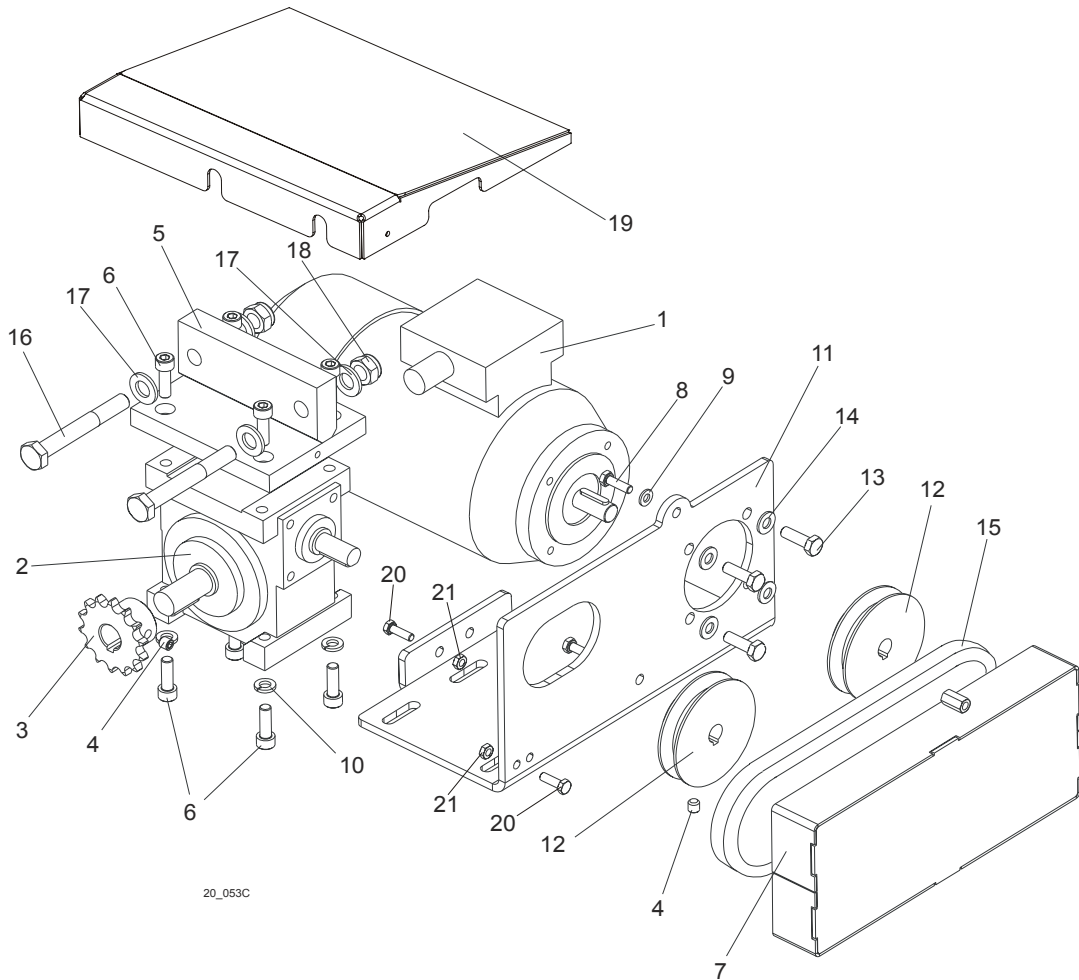
6.2 Blade Height Scale



REF	DESCRIPTION (◆ Indicates Parts Available In Assemblies Only)	PART #	QTY.	
1	BRACKET, SCALE MOUNT PTD	092749-1	1	
2	BRACKET, SCALE INDICATOR MOUNT PTD	092751-1	1	
3	INDICATOR, BLADE HEIGHT SCALE	094821	1	
4	BOLT, M4 X 16 5.8 HEX HEAD FULL THREAD ZINC	F81011-6	2	
5	WASHER, 4.3 ZINC FLAT	F81051-2	4	
6	NUT, M4-B HEX NYLON ZINC LOCK	F81029-1	2	
7	BOLT, M8 X 20-5.8 HEX HEAD FULL THREAD ZINC	F81002-1	4	
8	WASHER, 8.4 ZINC FLAT	F81054-1	4	
9	BAR, SCALE	092750	1	
	DECAL, LT20 0-80CM METRIC SCALE	091239	1	
10	BAR, INCH SCALE	093133	1	
	DECAL, 45-63CM METRIC	P12040-2	1	
	DECAL, METRIC 16-40MM	P12040-1	1	
11	BUSHING, SPACER	092008-1	1	
12	BOLT, M8 X 45 - 8.8 Fe/Zn5, PN-M/82105	F81002-14	1	
13	PIN, 3x20 ROLL ZINC	F81044-5	1	
14	BAR, SCALE MOUNT	093134	1	
15	SCREW, M6x20- 4.8-B Fe/Zn5 PN-85/M-82207	F81001-31	1	
16	BOLT, M6X16 BN276	F81001-16	1	
17	WASHER, FLAT ZINC	F81053-11	1	
18	BOLT, M6X20MM, HH, FULL THREAD, ZINC	F81001-2	2	
19	WASHER, M6, FLAT,ZINC	F81053-1	2	
20	NUT, M6, HEX,NYLON LOCK ZINC	F81031-2	2	

SECTION 7 POWER FEED & TRACK ROLLERS

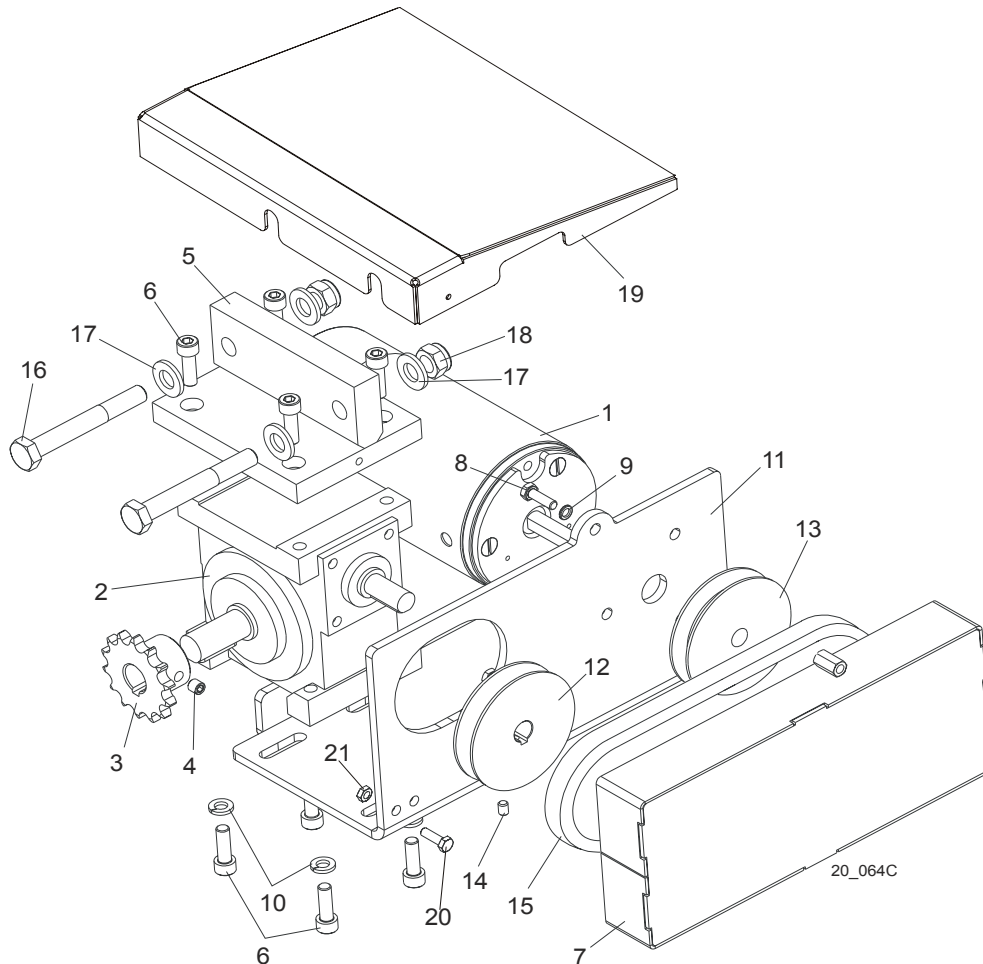
7.1 Power Feed Assembly, AC Mills



REF	DESCRIPTION (◆ Indicates Parts Available In Assemblies Only)	PART #	QTY.
	POWER FEED ASSEMBLY, LT20 AC	091196	1
1	Motor, SKh71X-4C2 RAL 9005	091186	1
2	Gear Box, RA-04/7.5/D1/N+S/B8 w/Output Shaft	090698	1
3	Sprocket, 10B Z14 Zinc-plated	090702-1	1
4	Screw, M8x8-33H Hex Socket Set Flat Point Zinc	F81014-1	1
5	Bracket, Power Feed Gear Box Mount	090715-1	1
6	Screw, M8X25-8.8 Hex Socket Head Cap Zinc	F81002-21	4
7	Guard, Power Feed Drive Belt	091195-1	1
8	Bolt, M6x20-8.8 Hex Head Full Thread Zinc	F81001-2	2
9	Washer, 6.4 Zinc Flat	F81053-1	2
10	Washer, 8.2 Split Lock Zinc	F81054-4	4
11	Bracket, Power Feed Gear Box	091191	1
12	Pulley, LT20 Power Feed Gear Box Ptd	090699-1	2

13	Bolt, M8x25-8.8-B Hex Head Full Thread Zinc	F81002-5	4	
14	Washer, 8.4 Zinc Flat	F81054-1	4	
15	V-Belt, HA-560 (STOMIL-SANOK)	088562	1	
16	BOLT, M12X90-8.8 HEX HEAD ZINC	F81004-2	2	
17	WASHER, 13 ZINC FLAT	F81056-1	4	
18	NUT, M12-8 HEX NYLON ZINC LOCK	F81034-2	2	
19	GUARD, POWER FEED MOTOR	093780-1	1	
20	BOLT, M8 x 25mm HEX HEAD GR 5.8 ZINC	F81002-5	2	
21	NUT, M8 HEXAGON, GRADE 5.8 FREE ZINC	F81032-1	2	

7.2 Power Feed Assembly, DC Mills



REF	DESCRIPTION (◆ Indicates Parts Available In Assemblies Only)	PART #	QTY.
	POWER FEED ASSEMBLY, LT20 DC	090703	1
1	Motor, 12V 0.5HP	P04140	1
2	Gear Box, RA-04/7.5/D1/N+S/B8 w/Output Shaft	090698	1
3	Sprocket, 10B Z14 Zinc-plated	090702-1	1
4	Screw, M8x8-33H Hex Socket Set Flat Point Zinc	F81014-1	1
5	Bracket, Power Feed Gear Box Mount	090715-1	1
6	Screw, M8X25-8.8 Hex Socket Head Cap Zinc	F81002-21	4
7	Guard, Power Feed Drive Belt	091195-1	1
8	Bolt, M6x20-8.8 Hex Head Full Thread Zinc	F81001-2	2
9	Washer, 6.4 Zinc Flat	F81053-1	2
10	Washer, 8.2 Split Lock Zinc	F81054-4	4
11	Bracket, LT20 Power Feed Motor Mount Ptd	090701-1	1
12	Pulley, LT20 Power Feed Gear Box Ptd	090699-1	2
13	Sheave, Up/Down Motor "A" 82/12.7 Ptd	093158-1	1
14	Screw, M6x8 Hex Socket Set Cone Point Zinc	F81013-1	1

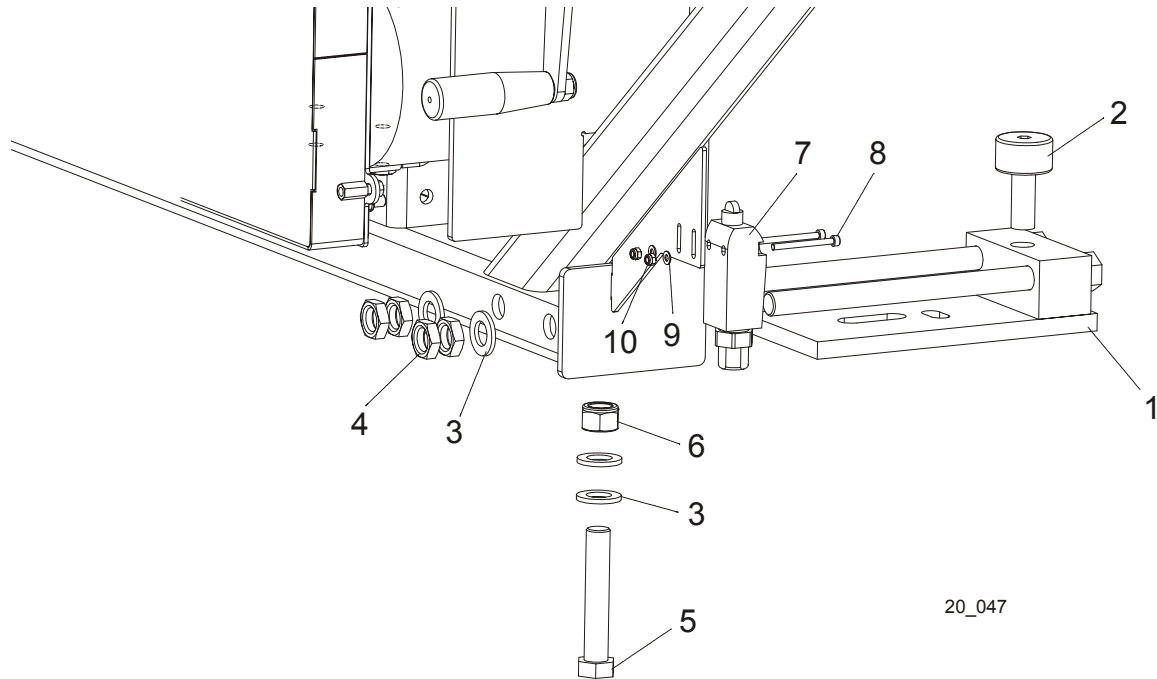
15	V-Belt, HA-560 (STOMIL-SANOK)	088562	1	
16	BOLT, M12X90-8.8 HEX HEAD ZINC	F81004-2	2	
17	WASHER, 13 ZINC FLAT	F81056-1	4	
18	NUT, M12-8 HEX NYLON ZINC LOCK	F81034-2	2	
19	GUARD, POWER FEED MOTOR	093780-1	1	
20	BOLT, M8 x 25mm HEX HEAD GR 5.8 ZINC	F81002-5	2	
21	NUT, M8 HEXAGON, GRADE 5.8 FREE ZINC	F81032-1	2	

18	TENSIONER, POWER FEET SPROCKET	092862-1	1	
19	BOLT, M8 X 65MM,HH,GRADE 5.8, ZINC	F81002-3	1	
20	WASHER, M8, FLAT,ZINC	F81054-1	2	
21	NUT, M8 HEXAGON,GRADE 5.8 FREE ZINC	F81032-1	1	

7 Power Feed & Track Rollers

Lower Track Rollers

7.4 Lower Track Rollers

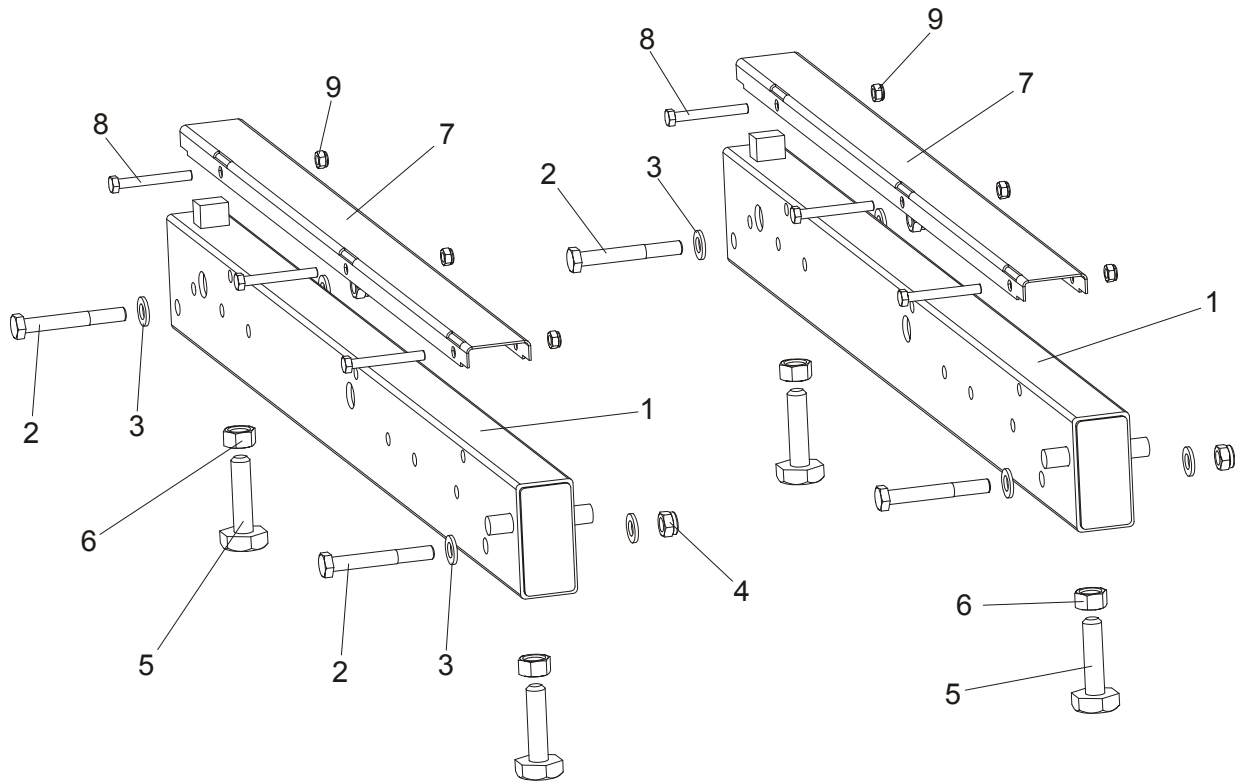


20_047

REF	DESCRIPTION (◆ Indicates Parts Available In Assemblies Only)	PART #	QTY.	
	ROLLER ASSEMBLY, LT20 LOWER TRACK	090670	2	
1	Bracket, LT20 Lower Track Roller	090671-1	1	
2	Bearing, Cam Follower (McGill)	012797	1	
3	WASHER, 17 ZINC FLAT	F81058-1	4	
4	NUT, M16 HEX THIN ZINC	F81036-4	4	
5	BOLT, M16 X 90-8.8 HEX HEAD ZINC	F81006-17	1	
6	NUT, M16-8 HEX NYLON ZINC LOCK	F81036-2	1	
7	SWITCH, EVN2000 A LIMIT	091742	1	
8	SCREW, M4 X 45-8.8 HEX SOCKET HEAD CAP ZINC	F81011-33	2	
9	NUT, M4-B HEX NYLON ZINC LOCK	F81029-1	2	
10	WASHER, 4.3 ZINC FLAT	F81051-2	2	

SECTION 8 BED FRAME ASSEMBLY

8.1 Bed Rail Assembly, Front And Rear (S/M type frame)



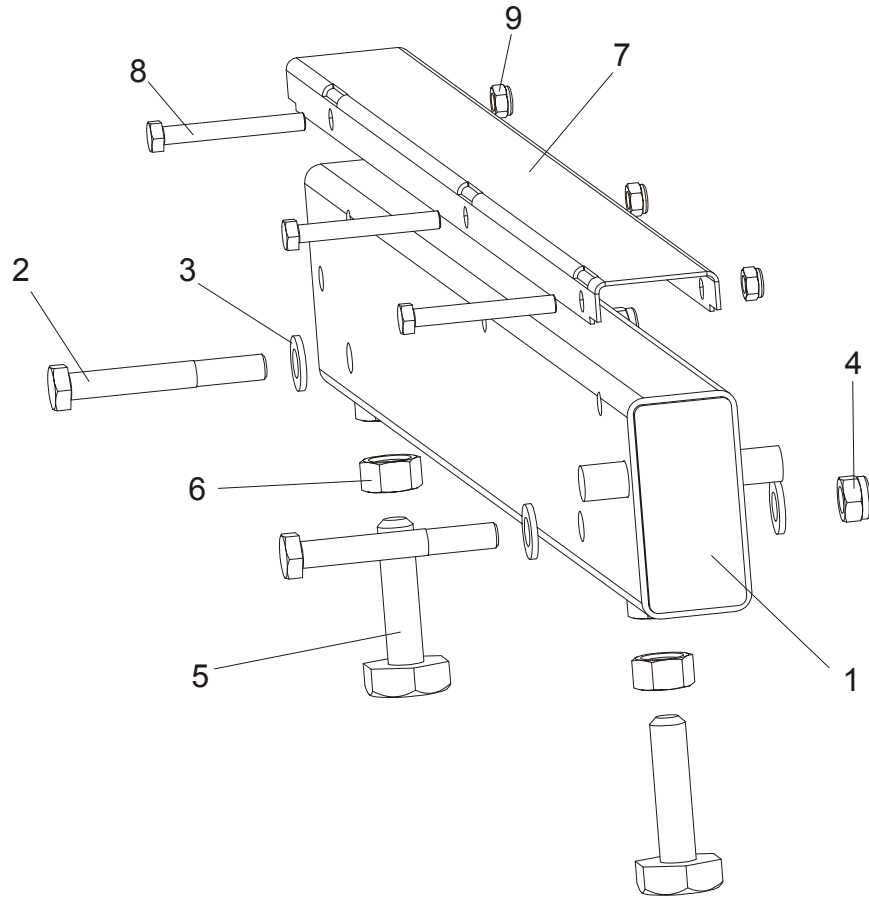
REF	DESCRIPTION (◆ Indicates Parts Available In Assemblies Only)	PART #	QTY.
1	BED RAIL ASSEMBLY, REAR PAINTED	091555	2
2	Bolt, M12 x 90-8.8 Hex Head	F81004-2	4
3	Washer, 13 SAE FLAT	F81056-1	8
4	Nut, m12-8 hex Nylon Lock	F81034-2	4
5	Bolt, M16, Bed Rail Adjustment	086809	4
6	Nut, M16-5-B Zinc Hex Head	F81036-5	4
7	COVER, STAINLESS STEEL BED RAIL	S09944	2
8	BOLT, M8X65-5,8 ZINC HEX HEAD	F81002-3	6
9	NUT, M8-8-B-ZINC HEX NYLON LOCK	F81032-2	6

8

Bed Frame Assembly

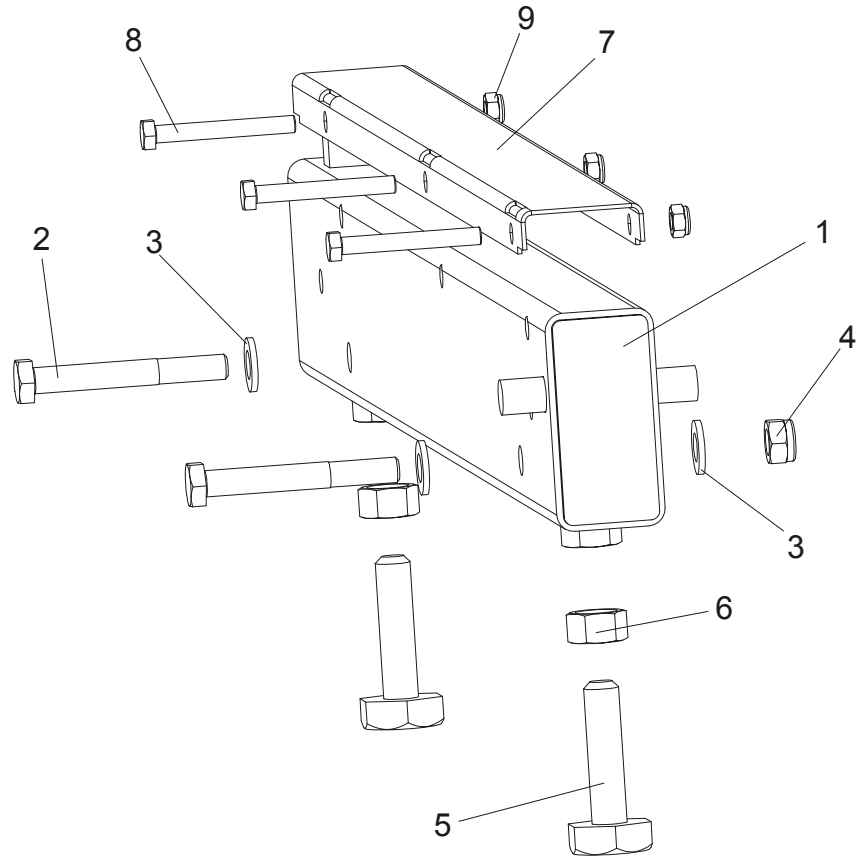
Bed Rail Assembly, Front Middle (S/M type frame)

8.2 Bed Rail Assembly, Front Middle (S/M type frame)



REF	DESCRIPTION (◆ Indicates Parts Available In Assemblies Only)	PART #	QTY.
1	BED RAIL ASSEMBLY, FRONT MIDDLE	091556	1
2	Bolt, M12 x 90-8.8 Hex Head	F81004-2	2
3	Washer, 13 SAE Flat	F81056-1	4
4	Nut, M12-8 hex Nylon Lock	F81034-2	2
5	Bolt, M16, Bed Rail Adjustment	086809	2
6	Nut, M16-5-B Zinc Hex Head	F81036-5	2
7	COVER, STAINLESS STEEL BED RAIL	S09944	2
8	BOLT, M8X65-5,8 ZINC HEX HEAD	F81002-3	3
9	NUT, M8-8-B-ZINC HEX NYLON LOCK	F81032-2	3

8.3 Bed Rail Assembly, Rear Middle (S/M type frame)

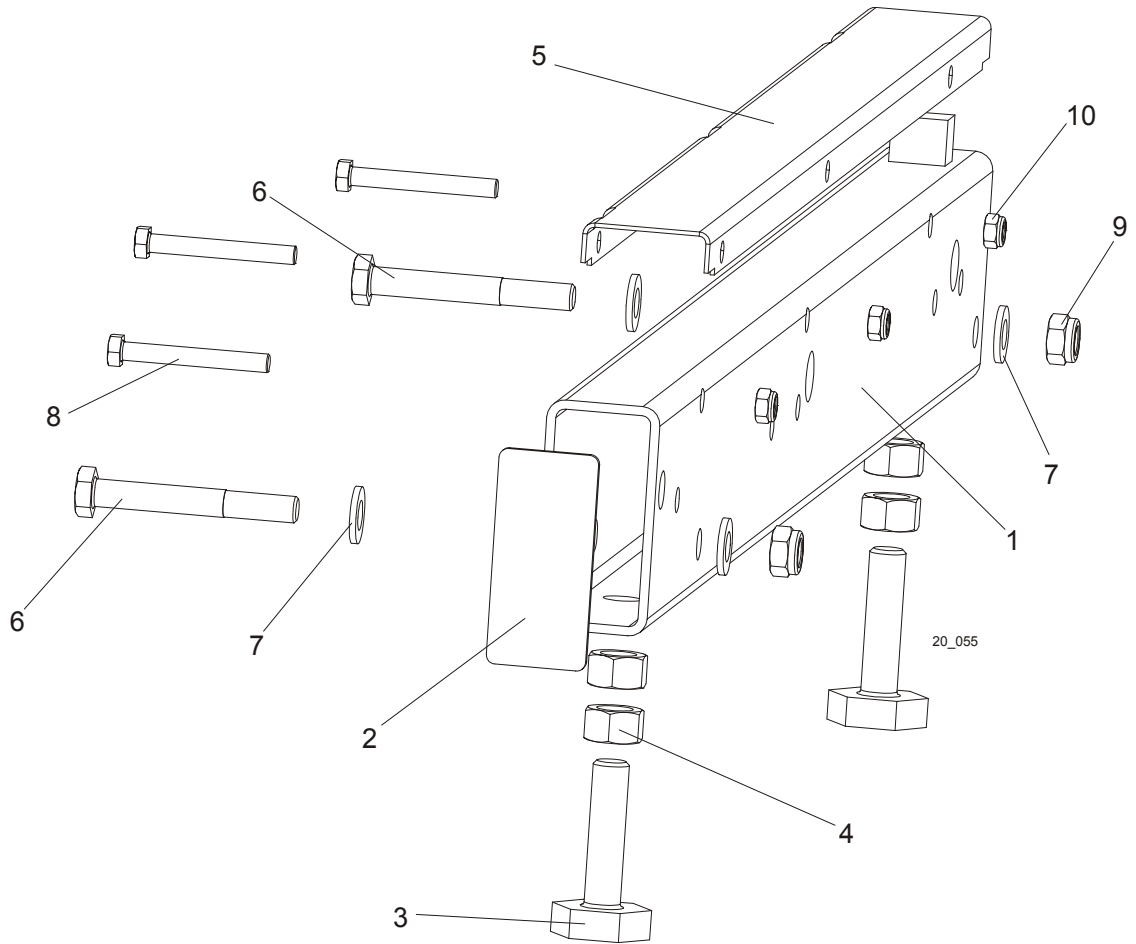


REF	DESCRIPTION (◆ Indicates Parts Available In Assemblies Only)	PART #	QTY.
1	BED RAIL ASSEMBLY, REAR MIDDLE PAINTED	091557	1
2	Bolt, M12 x 90-8.8 Hex Head	F81004-2	2
3	Washer, 13 SAE Flat	F81056-1	4
4	Nut, M12-8 hex Nylon Lock	F81034-2	2
5	Bolt, M16, Bed Rail Adjustment	086809	2
6	Nut, M16-5-B Zinc Hex Head	F81036-5	2
7	COVER, STAINLESS STEEL BED RAIL	S09944	2
8	BOLT, M8X65-5,8 ZINC HEX HEAD	F81002-3	3
9	NUT, M8-8-B-ZINC HEX NYLON LOCK	F81032-2	3

8 Bed Frame Assembly

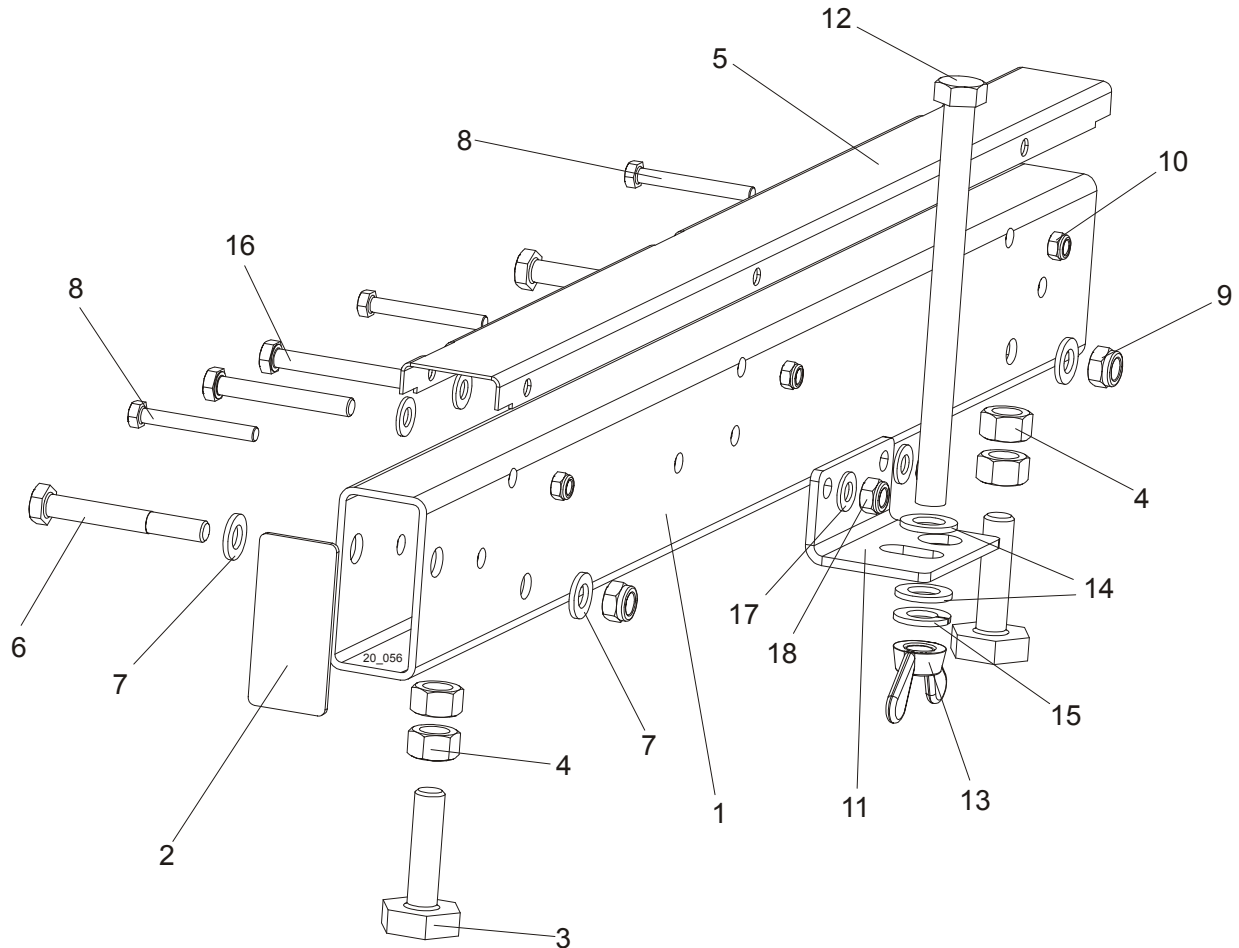
Bed Rail Assembly (L type frame)

8.4 Bed Rail Assembly (L type frame)



REF	DESCRIPTION (◆ Indicates Parts Available In Assemblies Only)	PART #	QTY.
	LONG BED RAIL ASSEMBLY	089385	1
1	Bed Rail Tube, Long	087433	1
2	Plate, Bed Rail End Cap	087853	1
3	Bolt, Bed Rail Adjustment	S13006	2
4	Nut, 5/8-11 Hex	F05010-54	4
5	Cover, Stainless Steel Bed Rail	S09944	1
6	Bolt, M12 x 90-8.8 Hex Head Zinc	F81004-2	2
7	Washer, 13 Zinc Flat	F81056-1	4
8	Bolt, M8x65-5.8 Hex Head Zinc	F81002-3	3
9	Nut, M12-8 Hex Nylon Zinc Lock	F81034-2	2
10	Nut, M8-8-B Hex Nylon Zinc Lock	F81032-2	3

8.5 Bed Rail Assembly (L type frame)

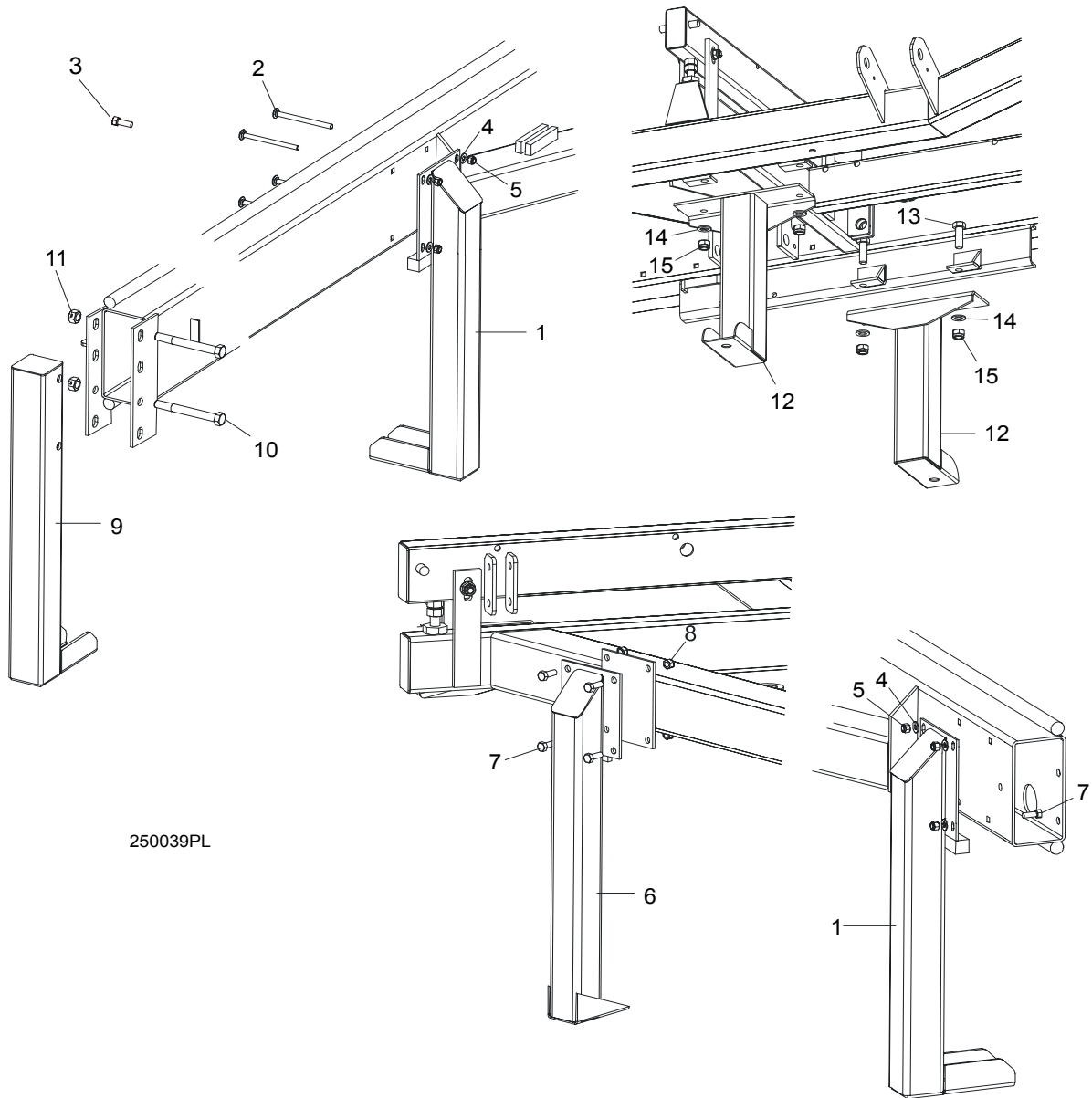


REF	DESCRIPTION (◆ Indicates Parts Available In Assemblies Only)	PART #	QTY.
	BED RAIL ASSEMBLY, SHORT	089386	1
1	Bed Rail Tube, Short	087878	1
2	Plate, Bed Rail End Cap	087853	1
3	Bolt, Bed Rail Adjustment	S13006	2
4	Nut, 5/8-11 Hex	F05010-54	4
5	Cover, Bed Rail Stainless Steel	S09944	1
6	Bolt, M12x90-8.8 Hex Head Zinc	F81004-2	2
7	Washer, 13 Zinc Flat	F81056-1	4
8	Bolt, M8x65-5.8 Hex Head Zinc	F81002-3	3
9	Nut, M12-8 Hex Nylon Zinc Lock	F81034-2	2
10	Nut, M8-8-B Hex Nylon Zinc Lock	F81032-2	3
11	Bracket, Loading Arms Link Storage	090258-1	1
12	Bolt, M16x220-8.8-B Hex Head Zinc	F81006-21	1
13	Nut, M16-8 Hex Nylon Zinc Lock	F81036-2	1
14	Washer, 17 Zinc Flat	F81058-1	2
15	Washer, 16.3 Split Lock Zinc	F81058-2	1

8**Bed Frame Assembly***Bed Rail Assembly (L type frame)*

16	Bolt, M10x75-8.8 Hex Head Zinc	F81003-15	2	
17	Washer, 10.5 Zinc Flat	F81055-1	2	
18	Nut, M10-8-B Hex Nylon Zinc Lock	F81033-1	2	

8.6 Stationary Leg



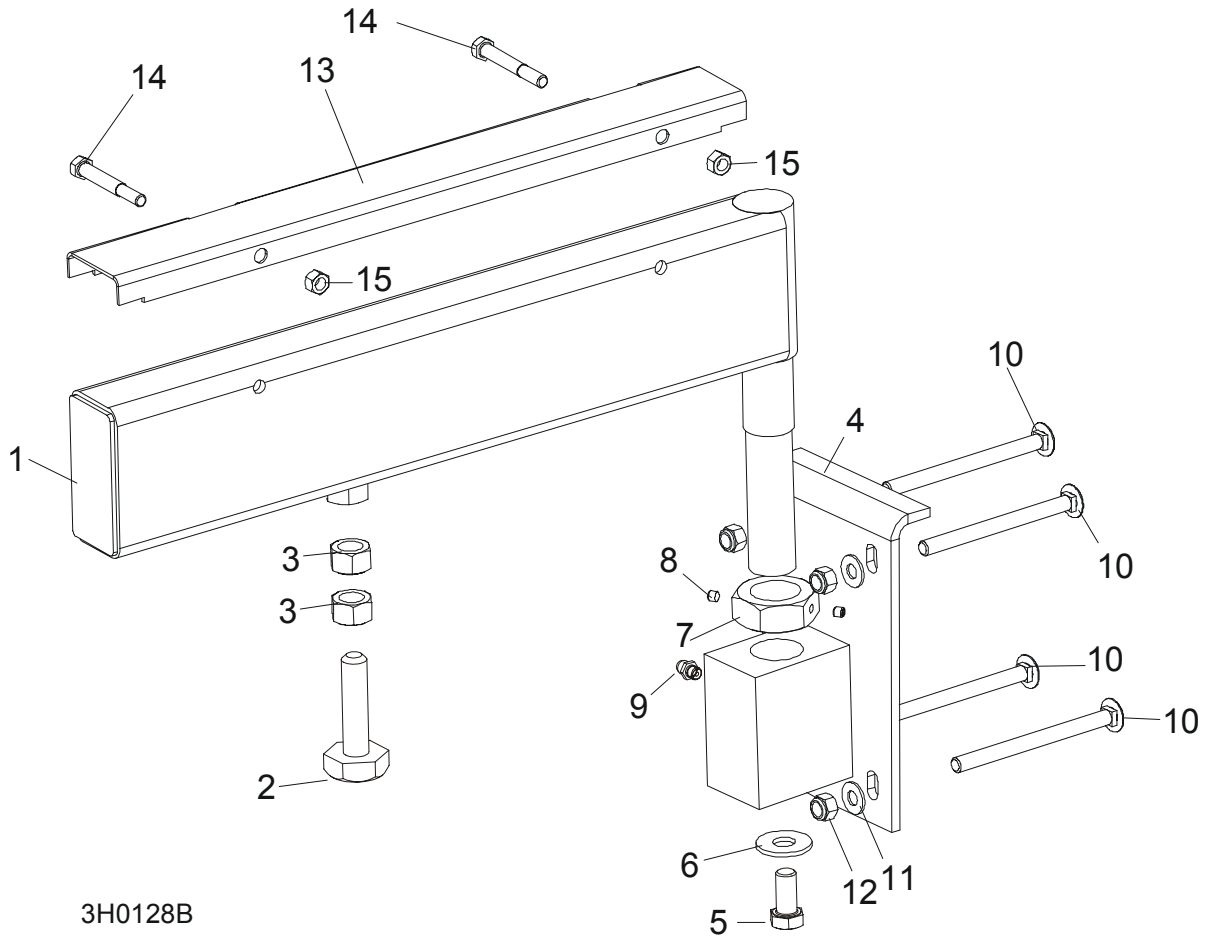
250039PL

REF	DESCRIPTION (◆ Indicates Parts Available In Assemblies Only)	PART #	QTY.
1	LEG, LONG STATIONARY	087451-1	2/3
2	BOLT, M10 X 120 - 8.8 CARRIAGE HEAD ZINC	F81003-33	8
3	BOLT, 3/8-16 X 1" HEX HEAD ZINC GRADE 8	F05007-7	4
4	WASHER, 10.5 ZINC FLAT	F81055-1	16
5	NUT, M10-8-B HEX NYLON ZINC LOCK	F81033-1	8/12
6	LEG, SHORT STATIONARY	087450-1	2
7	BOLT, M10 X 25-8.8 HEX HEAD ZINC	F81003-11	12
8	NUT, M10-8-B HEX NYLON ZINC LOCK	F81033-1	12
9	LEG, FRONT STATIONARY	087452-1	1

8**Bed Frame Assembly***Stationary Leg*

10	BOLT, M16 X 140 - 8.8 HEX HEAD	F81006-4	2	
11	NUT, 5/8-11 HEX ZINC	F05010-4	2	
12	LEG, MIDDLE STATIONARY	087093-1	2	
13	BOLT, M16 X 50-8.8 HEX HEAD FULL THREAD ZINC	F81006-7	4	
14	WASHER, 17 ZINC FLAT	F81058-1	4	
15	NUT, M16-8 HEX NYLON ZINC LOCK	F81036-2	4	

8.7 Pivot Bed Rail Assembly



3H0128B

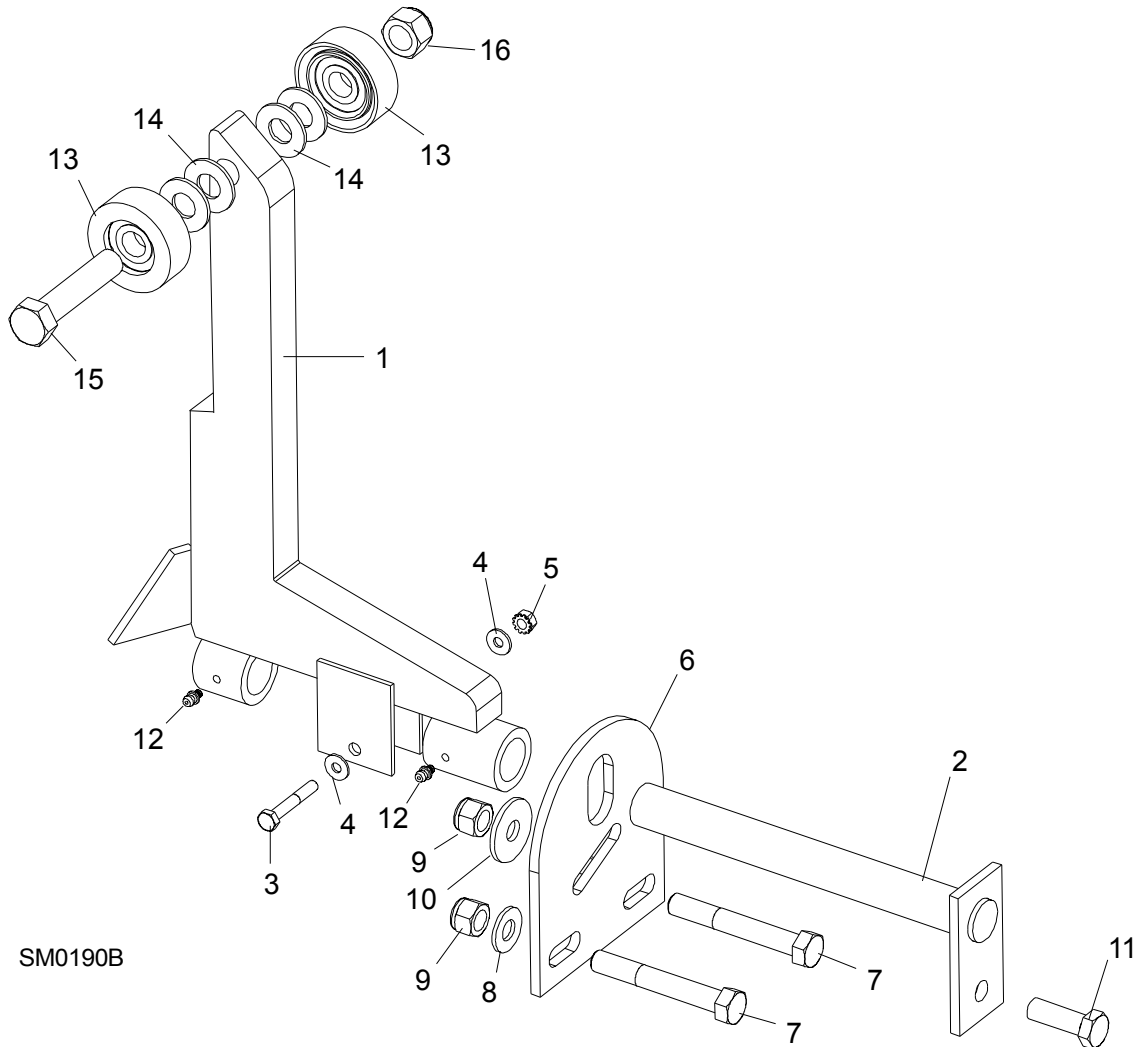
REF	DESCRIPTION (◆ Indicates Parts Available In Assemblies Only)	PART #	QTY.
	PIVOT BED RAIL, COMPLETE	087829	2
	PIVOT BED RAIL, COMPLETE	087855	2
1	Rail Weldment, Pivot Bed	087852-1	1
	Rail, Pivot Bed	087848-1	1
	Bolt Assembly, Bed Rail Adjustment		
2	Bolt, Pivot Bed Rail Adjustment	086809	1
3	Nut, M16-5.8 Zinc Hex	F81036-1	2
4	Bracket, Pivot Bed Rail Mounting	087841-1	1
5	Bolt, M12x25-8.8 Hex Head Full Thread Zinc	F81004-31	1
6	Washer, 9/16" Zinc Flat	F05011-52	1
7	Nut, M16-5.8 Zinc Hex Nut, M32 Zinc Hex Thin	F81036-1 F81039-2	1
8	Screw, 1/4-28 x 1/4 Socket Head Brass Tip Set	F05005-42	2
9	Fitting, M6 Grease	086280	1
10	BOLT, M10 X 120 8.8 CARRIAGE HEAD ZINC	F81003-33	2
11	BOLT, M10 X 120 8.8 CARRIAGE HEAD ZINC	F81003-33	6
12	WASHER, 10.5 ZINC FLAT	F81055-1	8

8

Bed Frame Assembly*Pivot Bed Rail Assembly*

13	NUT, M16-8 HEX NYLON ZINC LOCK	F81036-2	8	
	COVER KIT, PIVOT BED RAIL	015926	2	
	COVER KIT, PIVOT BED RAIL	N/A	2	
14	Cover, Pivot Bed Rail Stainless Steel	012994	1	
	Cover, Pivot Bed Rail	S13012	1	
15	Bolt, M8x65-5.8 Hex Head Zinc	F81002-3	2	
16	Nut, M8-8-B Hex Nylon Zinc Lock	F81032-2	2	
	WRENCH, BED RAIL ADJUSTMENT (Patrz rozdział 8.4)	015970	1	

8.8 Log Side Support Assembly



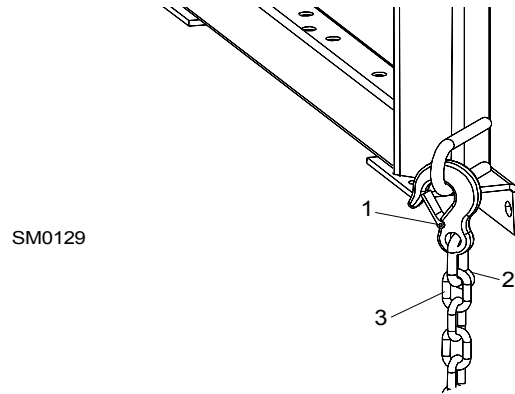
REF	DESCRIPTION (◆ Indicates Parts Available In Assemblies Only)	PART #	QTY.
	SUPPORT, LOG SIDE	092686	1
1	MOUNTING KIT, LOG SIDE SUPPORT	085538-1	3
2	Pin, Log Side Support Pivot	091549-1	1
3	Bolt, M8x45 - 8.8 Hex Head Grade 5	F81002-14	1
4	Washer, 8.4 Flat	F81054-1	2
5	Nut, M8-8-B Self Locking	F81032-2	1
6	Plate, Log Side Support End	091591-1	1
7	Bolt, M12 x 75-8.8 Hex Head	F81004-21	2
8	Washer, 13 Flat	F81056-1	2
9	Nut, M12-8 Hex Nylon Lock	F81034-2	3
10	Washer, 15 Flat Special Zinc-Plated	F81057-3	1
11	Bolt, M12 x 35-8.8 Hex Head	F81004-24	1

8

Bed Frame Assembly*Log Side Support Assembly*

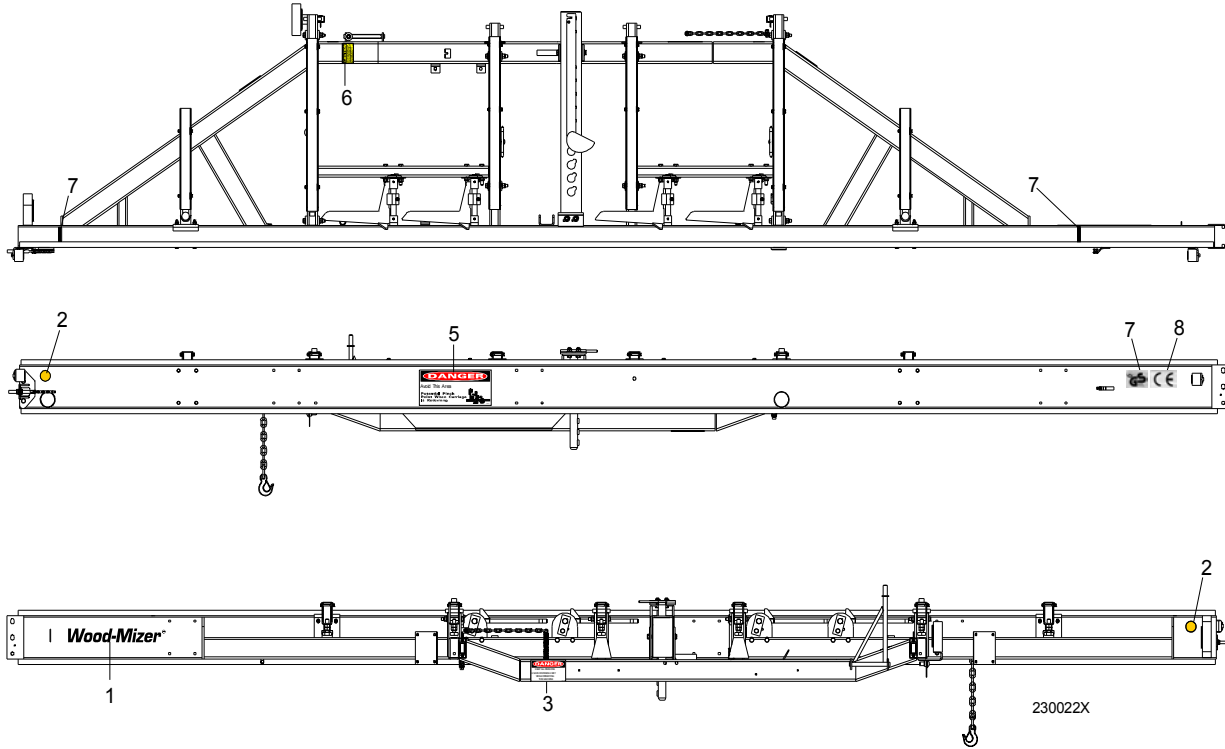
12	FITTING, 3/16" GREASE	P04107	2	
13	Roller Assembly, Side Support	015014-1	2	
14	Washer, 17 Flat	F81058-1	2	
15	Bolt, M16x65-8.8-B Hex Head Grade 5	F81006-1	1	
16	Nut, M16-8 Nylon Lock	F81036-2	1	
	Instruction Sheet, Side Support Roller	015109-526	1	

8.9 Tie Down Chain Assembly



REF	DESCRIPTION (◆ Indicates Parts Available In Assemblies Only)	PART #	QTY.	
	TIE DOWN CHAIN ASSEMBLY	A04376	1	
1	Hook, 5/8" Safety Chain	P12075	1	◆
2	Cold Shut, 3/8" Plain	P04772-2	1	◆
3	Chain, N-10 x 35 Plain Link	R80558	.28 m	◆

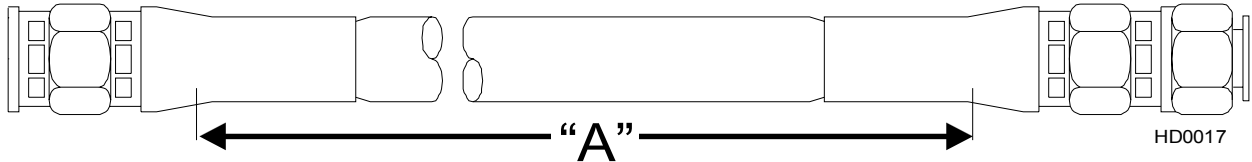
8.10 Bed Frame Decals



REF	DESCRIPTION (◆ Indicates Parts Available In Assemblies Only)	PART #	QTY.
4	DECAL, AMBER REFLECTIVE 2" ROUND	P07453	2
5	DECAL, KEEP AWAY DANGER	S09851	1
6	DECAL, PINCH POINT DANGER	P10287	1
7	DECAL, SAW HEAD REST CAUTION	S12581	1
8	DECAL, LOG LENGTH LIMIT	S12051	2
9	DECAL, GS SAFETY CERTIFICATION SMALL	P85072	1
10	DECAL, CE CERTIFIED SAWMILL SMALL	P85070	1

SECTION 9 HYDRAULIC SYSTEM

9.1 Hydraulic Hoses, LT20 Series AH



COLOR	LENGTH "A"	DESCRIPTION (◆ Indicates Parts Available In Assemblies Only)	PART #	QTY
None	10"	3/8" HYDRAULIC PUMP TO VALVE	087774	1
Plain	27"	3/8" LOG TURNER CYLINDER BASE	014796	1
Orange	22"	3/8" LOG TURNER CYLINDER TOP	087775	1
Yellow	129"	1/4" FRONT TOE BOARD TOP (LT40S)	087790	1
	151"	1/4" FRONT TOE BOARD TOP (LT40M)	087776	1
Gray	129"	1/4" FRONT TOE BOARD BASE (LT40S)	087790	1
	151"	1/4" FRONT TOE BOARD BASE (LT40M)	087776	1
Plain	166"	3/8" SIDE SUPPORT CYLINDER TOP (LT40S)	087791	1
	188"	3/8" SIDE SUPPORT CYLINDER TOP (LT40M)	087777	1
Pink	168"	3/8" SIDE SUPPORT CYLINDER BASE (LT40S)	087791	1
	188"	3/8" SIDE SUPPORT CYLINDER BASE (LT40M)	087777	1
White	145"	3/8" CLAMP CYLINDER TOP (LT40S)	087792	1
	157"	3/8" CLAMP CYLINDER TOP (LT40M)	087778	1
Dark Orange	129"	3/8" CLAMP CYLINDER BASE (LT40S)	087793	1
	151"	3/8" CLAMP CYLINDER BASE (LT40M)	087779	1
Purple	204"	1/4" REAR TOE BOARD TOP (LT40S)	087794	1
	226"	1/4" REAR TOE BOARD TOP (LT40M)	087780	1
Black	204"	1/4" REAR TOE BOARD BASE (LT40S)	087794	1
	226"	1/4" REAR TOE BOARD BASE (LT40M)	087780	1
Green	62"	3/8" LOADING ARM BRANCH TOP	014797	2
Yellow	63"	3/8" LOADING ARM BRANCH BASE	014798	1
Yellow	71"	3/8" LOADING ARM BRANCH BASE	093329	1
Blue	171"	3/8" LOADING ARM CYLINDER TOP (LT40S)	087795	1
	193"	3/8" LOADING ARM CYLINDER TOP (LT40M)	087781	1
Red	171"	3/8" LOADING ARM CYLINDER BOTTOM (LT40S)	087795	1
	193"	3/8" LOADING ARM CYLINDER BOTTOM (LT40M)	087781	1
Green	180"	1/4" CLAMP UP (LT40S)	087796	1
	202"	1/4" CLAMP UP (LT40M)	087789	1
Yellow	180"	1/4" CLAMP DOWN (LT40S)	087796	1
	202"	1/4" CLAMP DOWN (LT40M)	087789	1
White	157"	3/8" FRONT LOG CLAMP, IN/OUT CYLINDER BOTTOM (AH5)	094778	1
Orange	157"	3/8" FRONT LOG CLAMP, IN/OUT CYLINDER TOP (AH5)	094778	1
Red	150"	3/8" FRONT LOG CLAMP, UP/DOWN CYLINDER BOTTOM (AH5)	094779	1

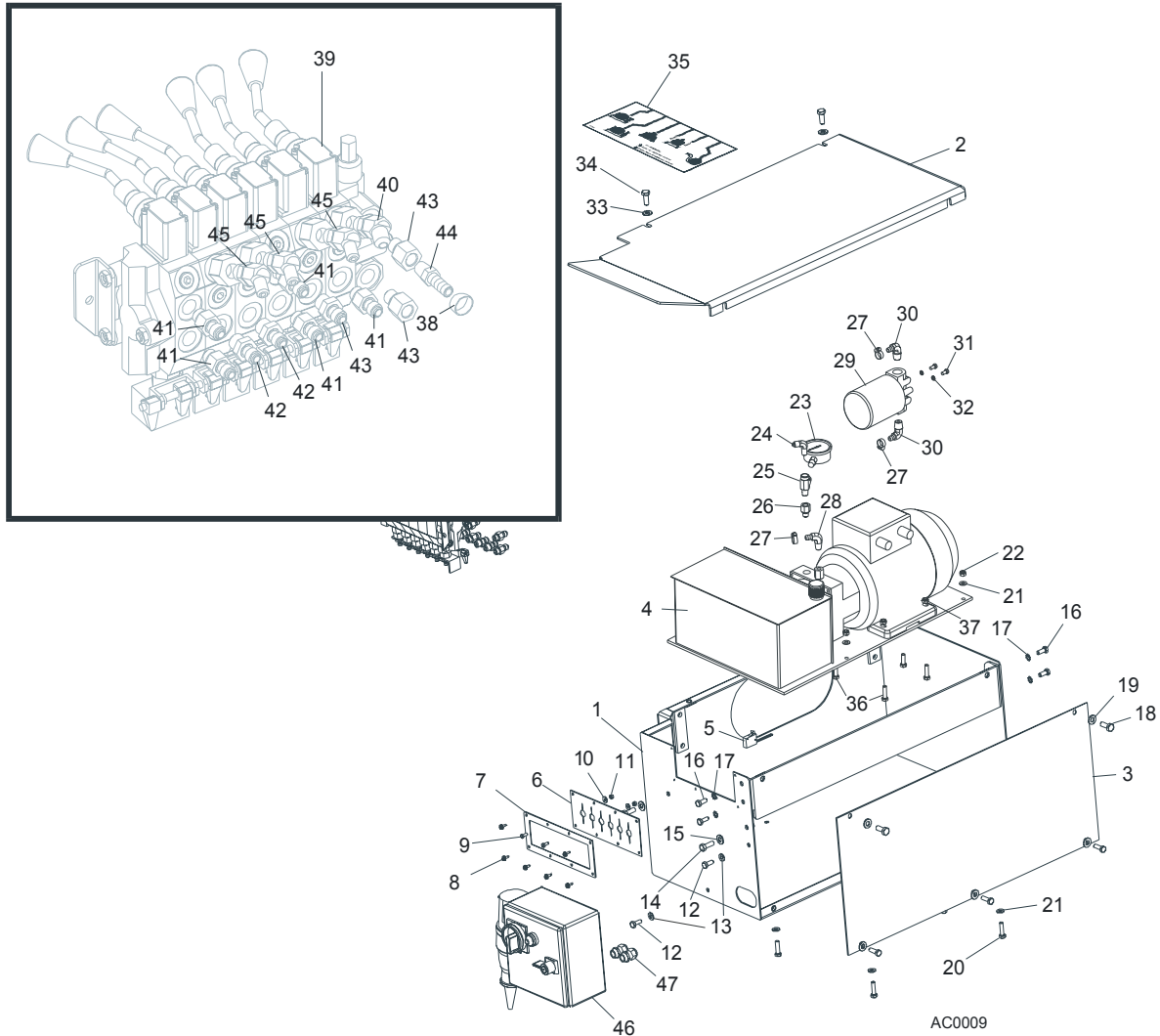
9

Hydraulic System

Hydraulic Hoses, LT20 Series AH

Blue	150"	3/8" FRONT LOG CLAMP, UP/DOWN CYLINDER TOP (AH5)	094779	1	
White	236"	3/8" REAR LOG CLAMP, IN/OUT CYLINDER BOTTOM (AH5)	094780	1	
Orange	236"	3/8" REAR LOG CLAMP, IN/OUT CYLINDER TOP (AH5)	094780	1	
Red	220"	3/8" REAR LOG CLAMP, UP/DOWN CYLINDER BOTTOM (AH5)	094781	1	
Blue	220"	3/8" REAR LOG CLAMP, UP/DOWN CYLINDER TOP (AH5)	094781	1	
Plain	15"	3/8" VALVE TO OIL FLOW CONTROL (AH5)	094782	1	
Plain	21"	3/8" FEEDER TO OIL FLOW CONTROL (AH5)	087775	1	

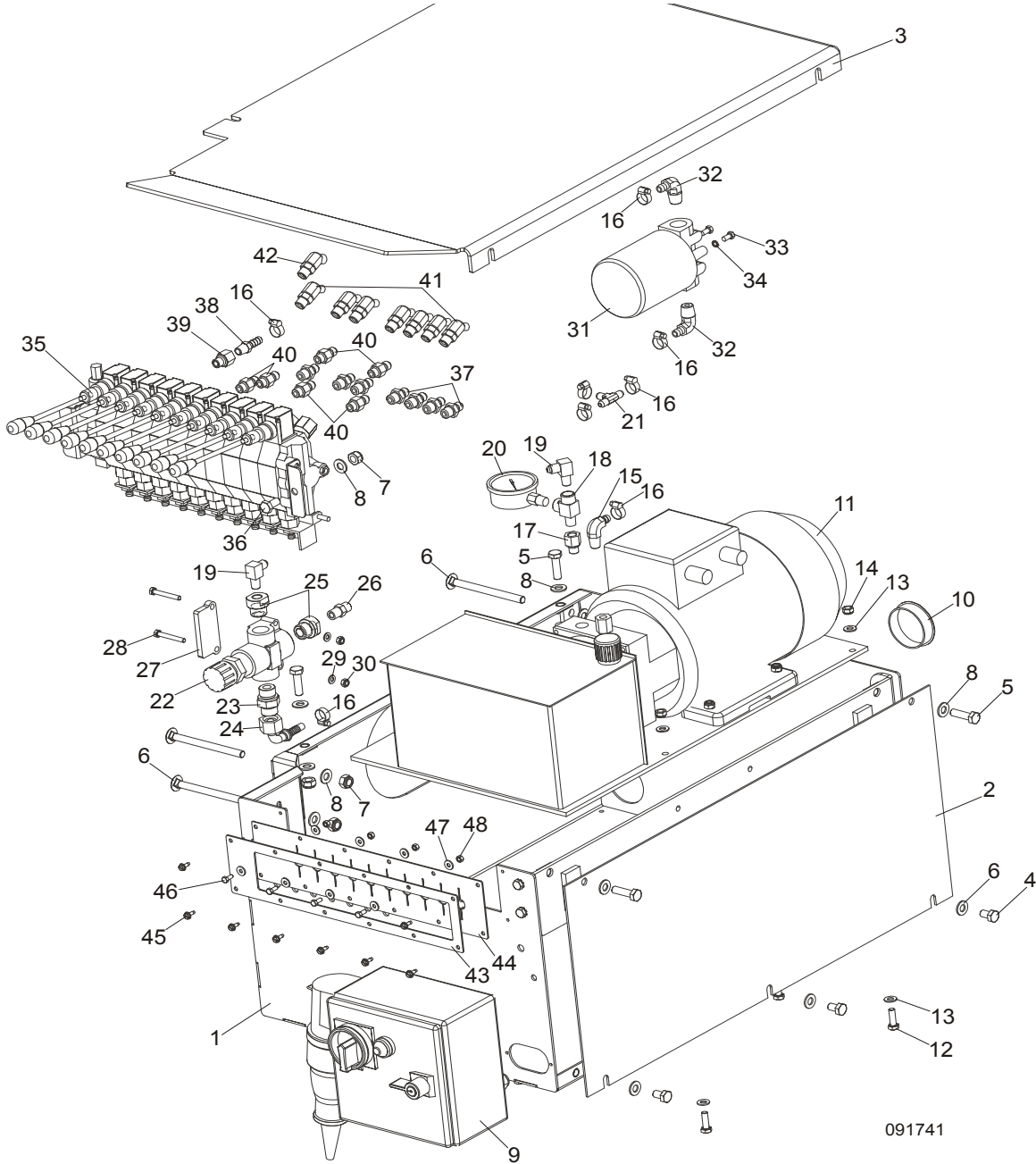
9.2 Hydraulic Control Box, LT20 Series AH3



REF	DESCRIPTION (◆ Indicates Parts Available In Assemblies Only)	PART #	QTY.
	BOX, AC SUPER HYDRAULIC (EA20, EA25)	086791	1
	Cap, SR1086 22.2 Hole	093544	2
1	BOX WELDMENT, HYDRAULIC PUMP HOUSING	092243-1	1
2	COVER, AC HYDRAULIC PUMP HOUSING TOP	086485-1	1
3	COVER, AC HYDRAULIC PUMP HOUSING SIDE	086484-1	1
4	HYDRAULIC PUMP W/MOTOR, 4 KW 14.5 L/MIN AC	093459	1
5	Microswitch, 2A 125V Hydraulic Valve	014765	1
6	GUARD, DOUBLE VALVE RUBBER	015079	1
7	PLATE, AC VALVE PAINTED	086519-1	1
8	SCREW, #10 X 1/2 SLOTTED HEX SELF-TAPPING	F05015-7	6
9	BOLT, M5X12-5.8 HEX HEAD FULL THREAD ZINC	F81000-5	2
10	WASHER, 5.5 SPECIAL FLAT ZINC	F81052-3	2

11	NUT, M5-8 HEX ZINC	F81030-1	2	
12	BOLT, M8 X 20-8.8-B HEX HEAD FULL THREAD ZINC	F81002-4	2	
13	WASHER, 8.4 FLAT ZINC	F81054-1	2	
14	BOLT, 3/8-16X1 HEX HEAD ZINC GRADE 8	F05007-7	2	
15	WASHER, 10.5 FLAT ZINC	F81055-1	2	
16	BOLT, M8 X 20-8.8-B HEX HEAD FULL THREAD ZINC	F81002-4	4	
17	WASHER, 8.4 EXTERNAL STAR LOCK	F81054-3	4	
18	BOLT, M10 X 25-8.8 HEX HEAD FULL THREAD ZINC	F81003-11	4	
19	WASHER, 10.5 FLAT ZINC	F81055-1	4	
20	BOLT, M8 X 25-8.8-B HEX HEAD FULL THREAD ZINC	F81002-5	4	
21	WASHER, 8.4 FLAT ZINC	F81054-1	4	
22	NUT, M8-8-B HEX NYLON ZINC LOCK	F81032-2	4	
23	GAUGE, 3000 PSI OIL PRESSURE	P10052	1	
24	FITTING, 3/8 JIC - 1/4 NPT 90L	015491	1	
25	FITTING, 1/4NPT X 1/4JIC MALE RUN TEE	P09141	1	
26	FITTING, 6SAE MALE - 1/4NPT FEMALE	014686	1	
27	CLAMP, 11/16 HOSE	P12739	3	
28	FITTING, 3/8" NPT - 3/8" BARB ELBOW	P12708	1	
29	MANIFOLD, 1.2" W/FILTER	P22683	1	
30	FITTING, 1/2" NPT - 3/8" BARB ELBOW	P12707	2	
31	BOLT, 1/4-20 X 1/2" HEX HEAD ZINC GRADE 2	F05005-15	2	
32	WASHER, 6.1 SPLIT LOCK ZINC	F81053-3	2	
33	WASHER, 10.5 FLAT ZINC	F81055-1	2	
34	BOLT, M10 X 25-8.8 HEX HEAD FULL THREAD ZINC	F81003-11	2	
35	DECAL, 1997 SUPER HYDRAULIC CONTROL BOX	015364	1	
36	BOLT, M8 X 30-8.8-B HEX HEAD FULL THREAD ZINC	F81002-7	4	
37	NUT, M8-8-B HEX NYLON ZINC LOCK	F81032-2	4	
38	CLAMP, 11/16" HOSE	P12739	10	
39	VALVE, HYDRAULIC 6-SECTION	086589	1	
	MICROSWITCH ASSEMBLY, HYDRAULIC VALVE	024198	1	
40	FITTING, #6 SAE 45° ELBOW	015489	1	
41	FITTING, 3/8" O-RING - 3/8" JIC	014687	5	
42	FITTING, 3/8" O-RING - 1/4" JIC	P26284	3	
43	FITTING, #6 SAE MALE - 1/4" NPT FEMALE	014686	2	
44	FITTING, 1/4" NPT X 3/8" HOSE BARB	014685	1	
45	FITTING, #6 SAE - 1/4" JIC 45° ELBOW	015488	3	
46	ELECTRIC BOX, AC 4KW (SUPER ONLY)	086820	1	
47	GLAND, DP 11/H CABLE (SUPER ONLY)	085388	2	

9.3 Hydraulic Control Box, LT20 Series AH5

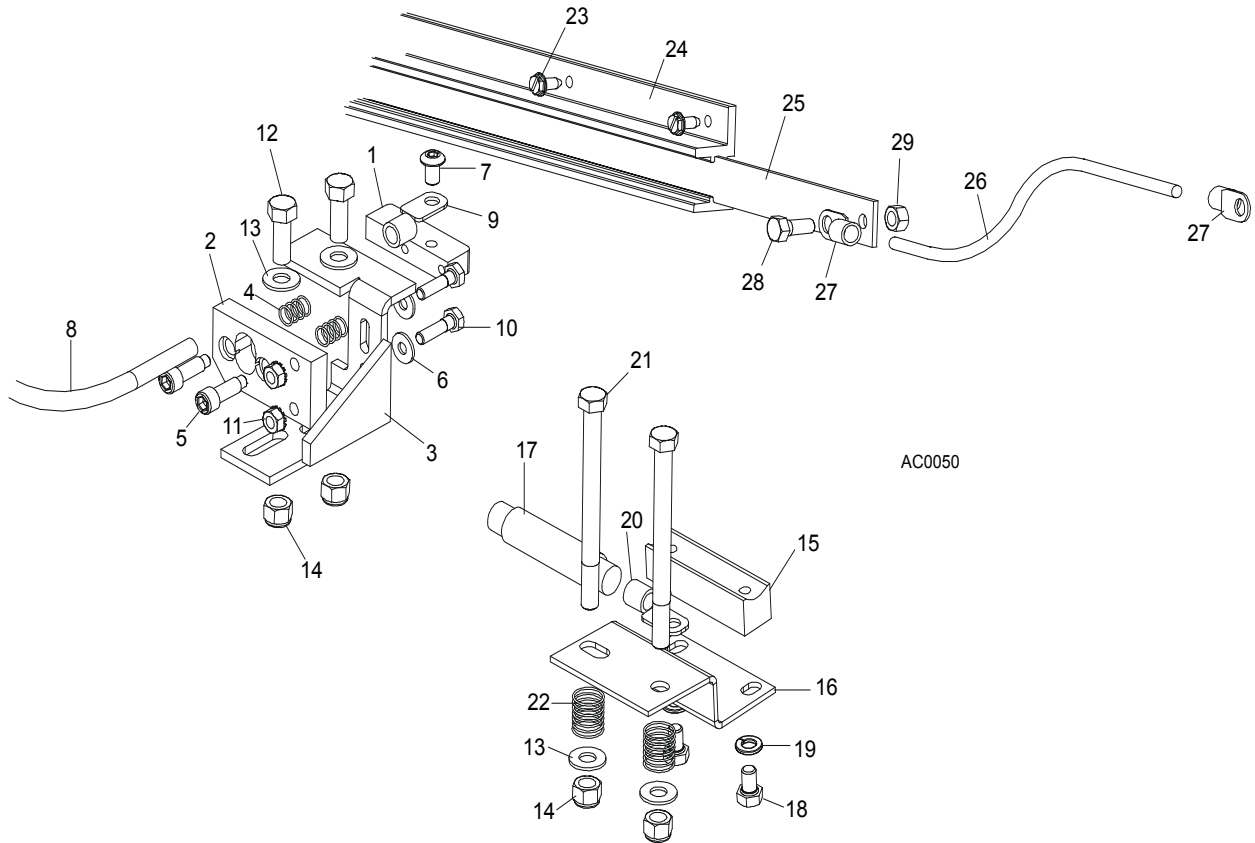


091741

REF	DESCRIPTION (◆ Indicates Parts Available In Assemblies Only)	PART #	QTY.
	BOX ASSEMBLY, LT20 AH5 HYDRAULIC CONTROL	093128	1
1	Box Weldment, Hydraulic Pump Housing	091729-1	1
2	Cover, AC Hydraulic Pump Housing Side	086484-1	1
3	Cover, AC/DC Hydraulic Pump Housing Top	091734-1	1
4	Bolt, M10x16-8.8 Hex Head Full Thread Zinc	F81003-13	3
5	Bolt, M10x35-8.8 Hex Head Full Thread Zinc	F81003-17	4
6	Bolt, M10x125 8.8 Carriage Head Zinc	F81003-34	4

7	Nut, M10-8-B Hex Nylon Zinc Lock	F81033-1	6	
8	Washer, 10.5 Flat Zinc	F81055-1	13	
9	Box, 4kW AC Electric	089799	1	
10	Cap, HSA2790 (63.6 Dia.)	092859	1	
11	Hydraulic Pump W/Motor, 4 kW 14.5 l/min AC	093459	1	
12	Bolt, M8 x 25-8.8-B Hex Head Full Thread Zinc	F81002-5	4	
13	Washer, 8.4 Flat Zinc	F81054-1	8	
14	Nut, M8-8-B Hex Nylon Zinc Lock	F81032-2	4	
15	Fitting, 3/8" NPT - 3/8" Barb Elbow	P12708	1	
16	Clamp, 11/16 Hose	P12739	8	
17	Fitting, 6 SAE Male - 1/4 NPT Female	014686	1	
18	Fitting, 1/4 NPT x 1/4 JIC Male Run Tee	P09141	1	
19	Fitting, 3/8 JIC - 1/4 NPT 90L	015491	2	
20	Gauge, 3000 PSI Oil Pressure	090552	1	
21	Fitting, 3/8" Barb Tee	015485	1	
22	Valve, MTKA.VB Oil Flow Control	093794	1	
23	Fitting, VMNW10HS22	094486	1	
24	Fitting, PN10AOL13-90 Elbow	094485	1	
25	Fitting, M22x1.5 / 1/4 - 18 NPT Zinc	093139-1	2	
26	Fitting, 3/8JIC-1/4 NPT Straight	015560	1	
27	Plate, MTKA Control Valve Spacer Zinc-Plated	094477-1	1	
28	Bolt, M6x45-8.8 Hex Head Zinc	F81001-6	2	
29	Washer, 6.4 Flat Zinc	F81053-1	2	
30	Nut, M6-8-B Hex Nylon Zinc Lock	F81031-2	2	
31	Manifold, 1.2" W/Filter	P22683	1	
32	Fitting, 1/2" NPT - 3/8" Barb Elbow	P12707	2	
33	Bolt, 1/4-20 x 1/2" Hex Head Zinc Grade 2	F05005-15	2	
34	Washer, Z6.1 Split Lock Zinc	F81053-3	2	
35	Valve, HDS11/10 6-Section Hydraulic	091344	1	
36	Bolt, M10x20-5.8 Hex Head Full Thread Zinc	F81003-1	2	
37	Fitting, 3/8" O-Ring - 1/4" JIC	P26284	7	
38	Fitting, 1/4" NPT x 3/8" Hose Barb	014685	1	
39	Fitting, #6 SAE Male - 1/4" NPT Female	014686	1	
40	Fitting, 3/8" O-Ring - 3/8" JIC	014687	6	
41	Fitting, #4 SAE - #6 SAE 45° Elbow	015488	7	
42	Fitting, #6 SAE 45° Elbow	015489	1	
43	Plate, 10-Section Valve Painted	091826-1	1	
44	Guard, 10-Section Valve Rubber	091739	1	
45	Screw, #10-24x1/2 Self-Tapping	F05015-7	8	
46	Bolt, M5x12-5.8 Hex Head Full Thread Zinc	F81000-5	4	
47	Washer, 5.5 Special Flat Zinc-Plated	F81052-3	8	
48	Nut, M5-8 Hex Zinc	F81030-1	4	

9.4 Hydraulic Power Supply Strip



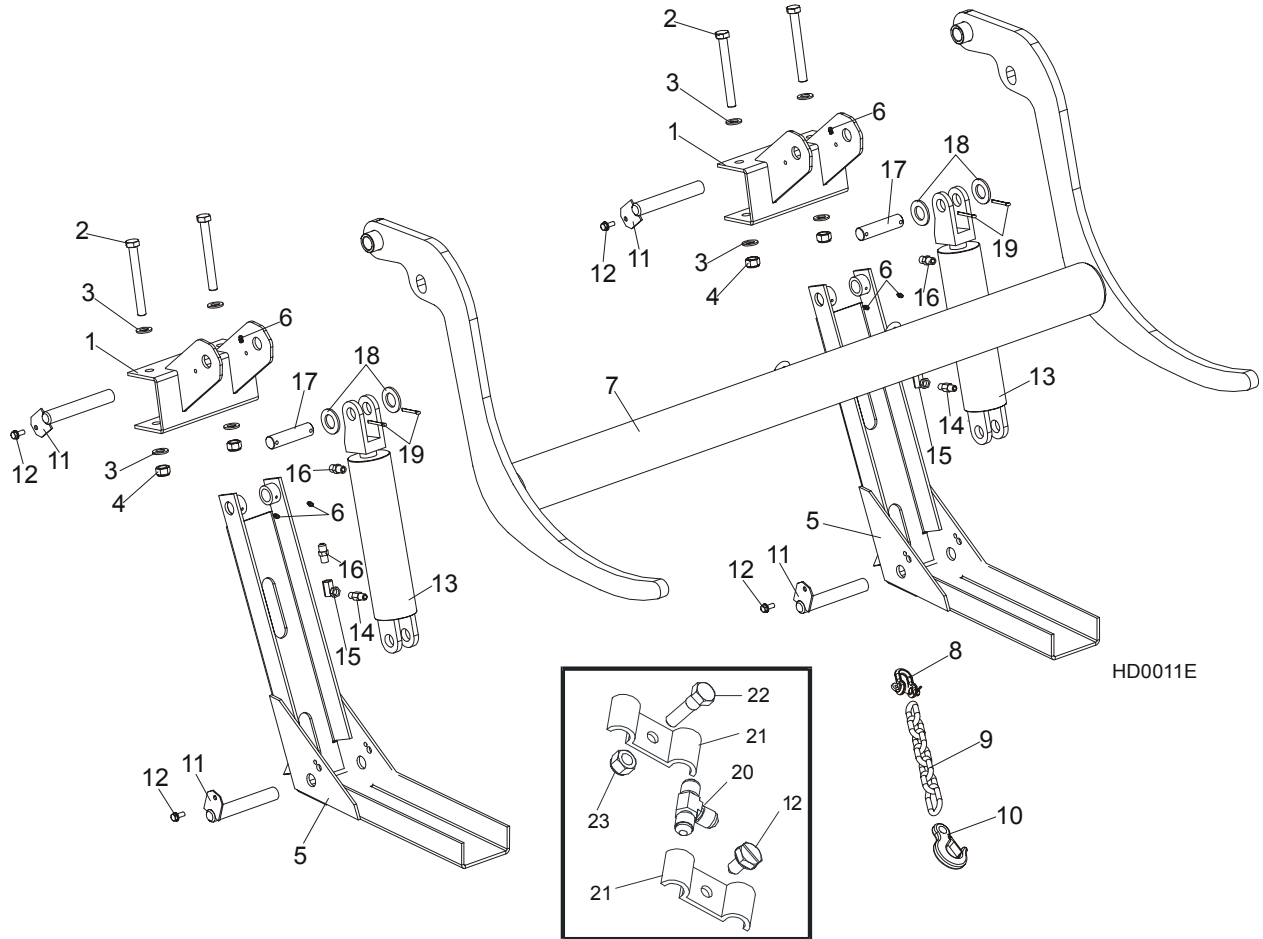
REF	DESCRIPTION (◆ Indicates Parts Available In Assemblies Only)	PART #	QTY.	
	CONTACT ASSEMBLY, HYDRAULIC POWER SUPPLY (POSITIVE)	086625	1	
1	Contact, Hydraulic Power Supply (Positive)	015253	1	
2	Insulator, Positive Contact	S10072	1	
3	Bracket, Positive Contact Mounting	086380-1	1	
4	Spring, Positive Contact	P10077	2	
5	Bolt, 5/16" X 3/4" Shoulder (1/4-20 Thread)	F05006-44	2	
6	Washer, 8.4 Flat Zinc	F81054-1	2	
7	Bolt, 5/16-18 x 1/2" Socket Button Head	F05006-20	1	
8	Cable, LGY 1mm2 Red	R80583-2	1 m	◆
9	Terminal, KO 1/10	F81064-11	2	
10	Bolt, 1/4-20 X 1" Hex Head Zinc Grade 2	F05005-38	2	
11	Nut, 1/4-20 Self-Locking Zinc	F05010-9	2	
12	Bolt, 3/8-16 X 1 Hex Head Zinc Grade 5	F05007-87	2	
13	Washer, 10.5 Flat Zinc	F81055-1	4	
14	Nut, 3/8-16 Hex Nylon Lock	F05010-10	4	
	CONTACT ASSEMBLY, HYDRAULIC POWER SUPPLY (GROUND)	086624	1	
15	Contact, Hydraulic Power Supply (Ground)	015264	1	
16	Bracket, Ground Contact Mounting	090254-1	1	
17	Cable, LGY 1mm2 Black	R80583-21	.21m	◆

9

Hydraulic System*Hydraulic Power Supply Strip*

18	Bolt, 5/16-18 x 1/2 Hex Head Zinc Grade 5	F05006-15	2	
19	Washer, 8.2 Split Lock Zinc	F81054-4	2	
20	Terminal, KO 1/10	F81064-11	1	
21	Bolt, 3/8-16 x 4 1/2 Hex Head Zinc Grade 2	F05007-35	2	
22	Spring, Ground Contact	P04282	2	
23	Screw, 1/4-20 x 1/2" Type "23" Self-Tapping	F05015-1	14	
	STRIP ASSEMBLY, HYDRAULIC POWER SUPPLY	086653	1	
24	Housing, Contact Strip	086685	1	
25	Strip, Contact	086686	1	◆
26	Cable, #2 Weld	R80583-21	19m	◆
27	Terminal, KO 1/10	F81064-11	4	
28	Bolt, 5/16-18 X 3/4" Hex Head Black Nylon	F05006-45	1	
29	Nut, 5/16-18 Hex Self-Locking	F05010-86	1	

9.5 Hydraulic Log Loader



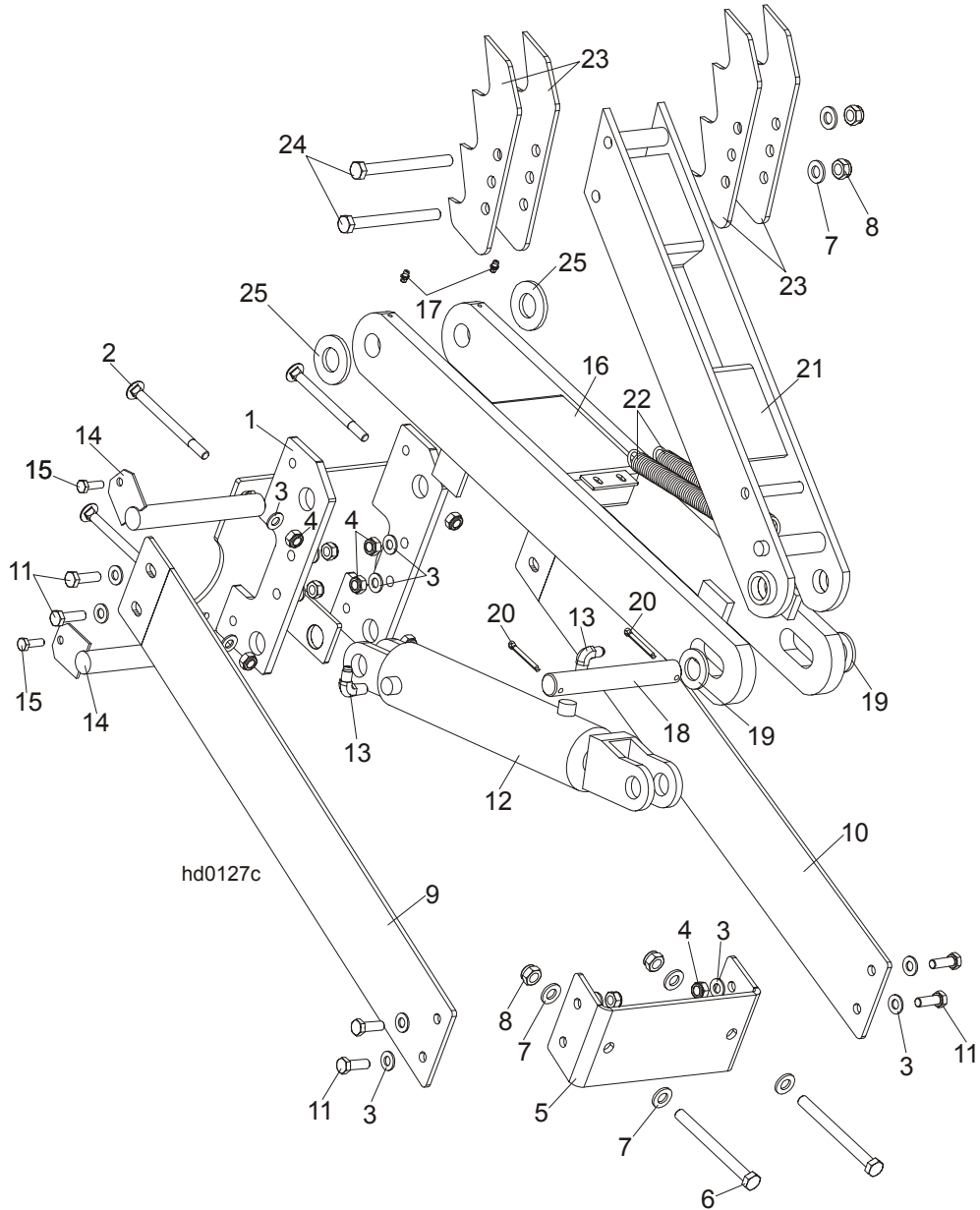
REF	DESCRIPTION (◆ Indicates Parts Available In Assemblies Only)	PART #	QTY.
	HYDRAULIC LOG LOADER - COMPLETE	092863	1
1	Bracket, Log Loader Mount	092865-1	1
2	Bolt, M16x140-8.8 Hex Head Zinc	F81006-4	4
3	Washer, 17 Flat Zinc	F81058-1	8
4	Nut, M16-8 Hex Nylon Zinc Lock	F81036-2	4
5	Channel, Hydraulic Log Loading Foot Complete	090049	2
5	Channel, Hydraulic Log Loading Foot	090048-1	2
6	Fitting, 3/16x3/16 Straight Grease	P04107	6
7	Arm, Hydraulic Log Loading Complete	090044	1
7	Arm, Hydraulic Log Loading	090006-1	1
8	Shackle, M-D .63	086540	1
9	Chain, Hydraulic Log Loader Safety	090007-1	1
10	Hook, 5/8 Safety Chain	P12075	1
11	Pin, Turner Arm	W09446-1	4
12	Screw, 5/16-18x3/4 Self-Tapping	F05015-30	4
13	Cylinder Assy, Log Loading Super	015562	2

9

Hydraulic System
Hydraulic Log Loader

14	Fitting, 1/4NPT Velocity Fuse 5.0GPM	015750	2	
15	Fitting, 1/4NPT-1/4JIC Swivel Elbow	P12199	2	
16	Fitting, 3/8JIC-1/4NPT Straight	015560	4	
17	Washer, 28 Flat Zinc	F81061-1	4	
18	Fitting, 1/4JIC Union Tee	P09145	2	
19	Fitting, 3/8 Barb Tee	015485	1	
20	Plate, 1/4 Hose Clamp Painted	S09245	6	
21	Clamp, 3/8 Hose	016041	2	
22	Bolt, 5/16-18x1 Hex Head Zinc Grade 2	F05006-1	1	
23	Nut, 5/16-18 Self-Locking Nylon Zinc	F05010-58	1	

9.6 Hydraulic Log Turner



REF	DESCRIPTION (◆ Indicates Parts Available In Assemblies Only)	PART #	QTY.
	HYDRAULIC LOG TURNER OPTION (S/M TYPE FRAME)	088711	1
1	Bracket, Hydraulic Log Turner (S/M TYPE FRAME)	088710-1	1
2	Bolt, M10x120 8.8 Carriage Head Zinc	F81003-33	4
3	Washer, 10.5 Flat Zinc	F81055-1	20
4	Nut, M10-8-B Hex Nylon Zinc Lock	F81033-1	12
5	Bracket, Hydraulic Log Turner Front	091046-1	1
6	Bolt, M12x130-8.8 Hex Head Zinc	F81004-36	2
7	Washer, 13 Flat Zinc	F81056-1	6
8	Nut, M12-8 Hex Nylon Zinc Lock	F81034-2	4

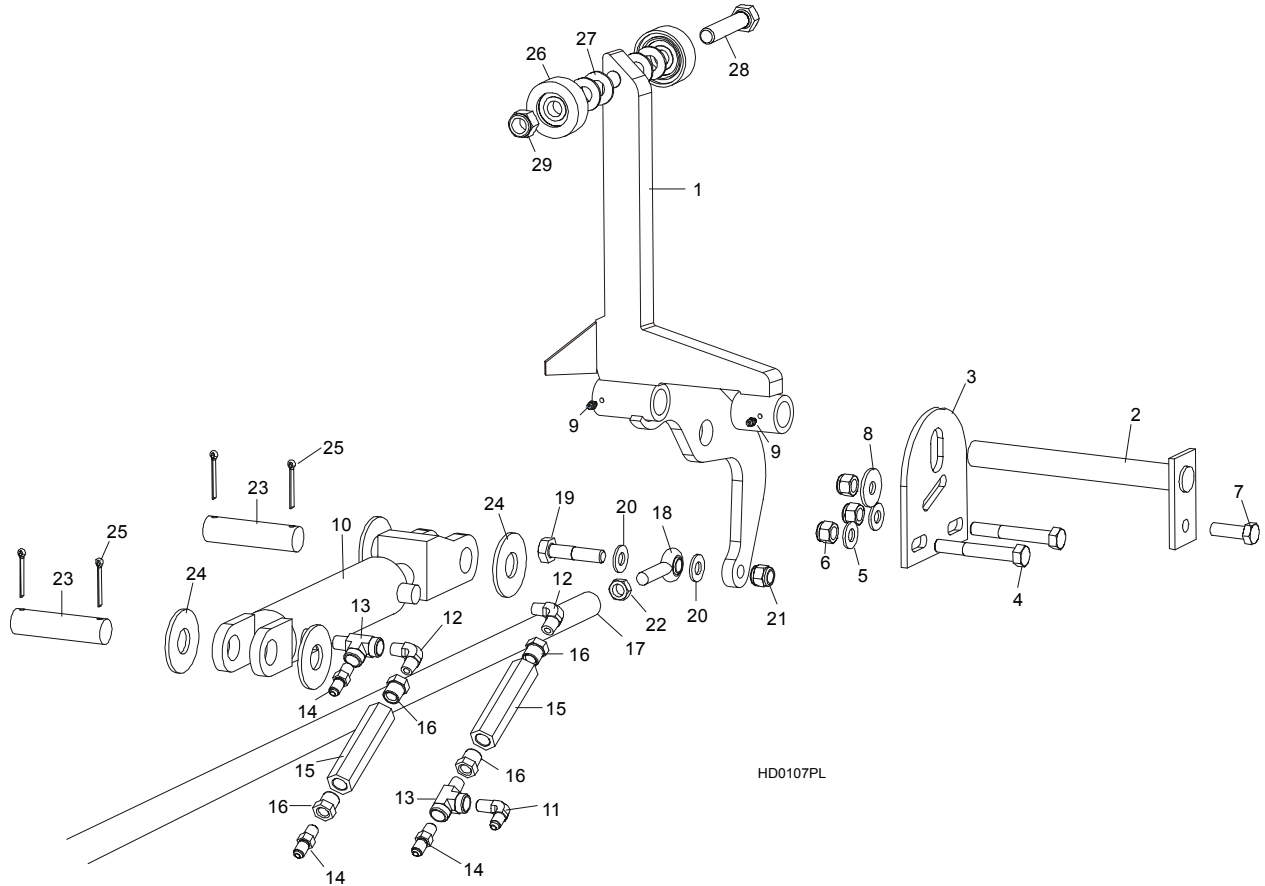
9

Hydraulic System

Hydraulic Log Turner

9	Plate, Hydraulic Log Turner Left	091048-1	1	
10	Plate, Hydraulic Log Turner Right	091049-1	1	
11	Bolt, M10x30-5.8 Hex Head Full Thread Zinc	F81003-2	8	
	Cylinder Assy, Log Turner Super	015563	1	
12	Cylinder, CJ-S305-16-63/28/203 Hydraulic	088679	1	
13	Fitting, 1/4NPTx1/4JIC Male Elbow	P09142	2	
14	Pin, Log Turner Mount	088667-1	2	
15	Bolt, M8x25-8.8-B Hex Head Full Thread Zinc	F81002-5	2	
16	Arm, Hydraulic Log Turner Link	088060-1	1	
17	Fitting, M6 Grease	086280	2	
18	Pin, 25 X 180	088664	1	
19	Washer, 25 Flat Zinc	F81061-3	2	
20	Pin, 5x40 Cotter	F81043-31	2	
21	Arm, Hydraulic Log Turner Painted	088067-1	1	
22	Spring, 7/8x8 1/2x1/8 Extension	P09136	2	
23	Claw, Hydraulic Log Turner	088082-1	4	
24	Bolt, M12x130-8.8 Hex Head Zinc	F81004-36	2	
25	Washer, GTM-2644-015	093359	2	

9.7 Hydraulic Log Side Supports



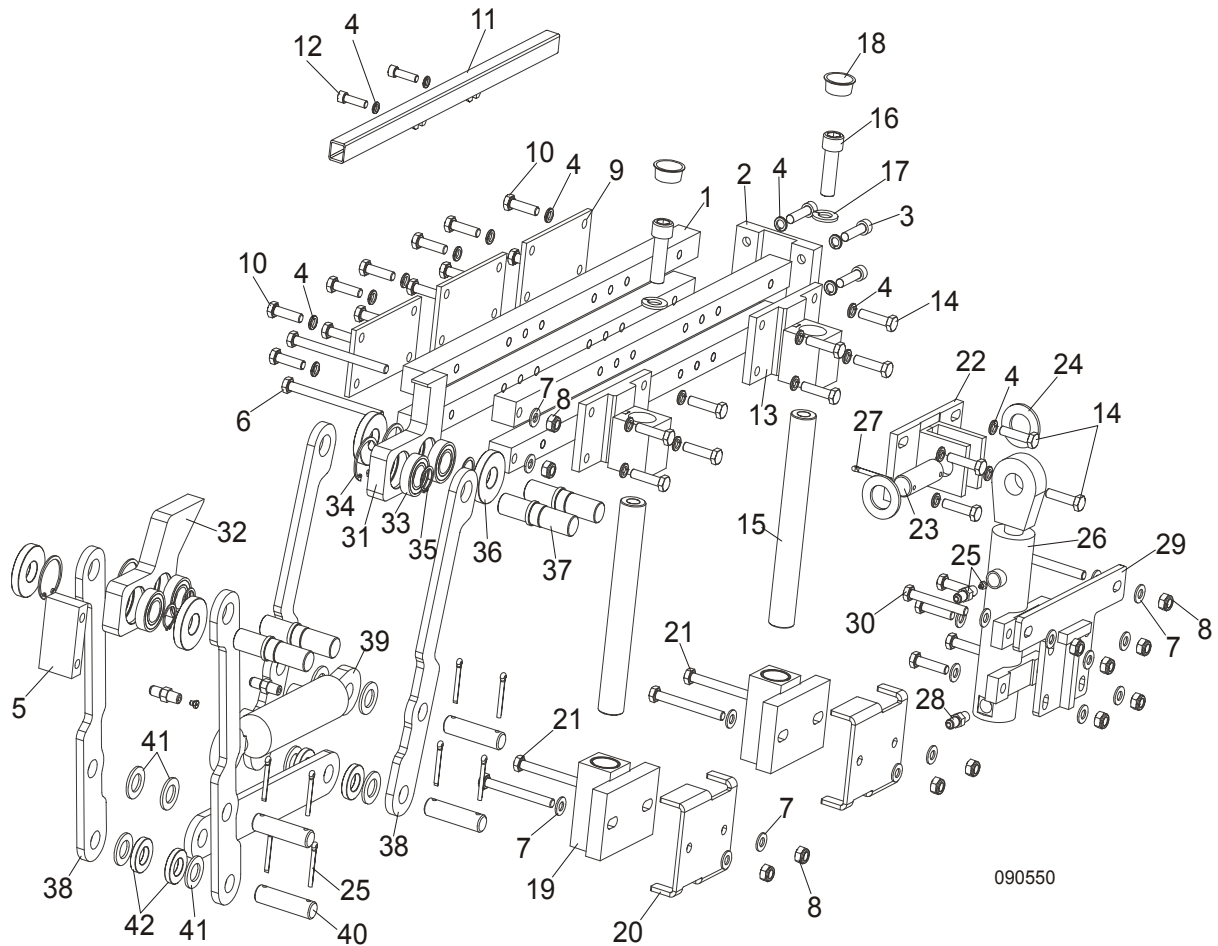
REF	DESCRIPTION (◆ Indicates Parts Available In Assemblies Only)	PART #	QTY.	
	SUPPORT, HYDRAULIC LOG SIDE	092611	1	
1	MOUNTING KIT, HYDRAULIC LOG SIDE SUPPORT	091653-1	2	
2	Pin, Log Side Support Pivot	091549-1	1	
3	Plate, Log Side Support End	091591-1	1	
4	Bolt, M12 x 40-8.8 Hex Head	F81004-4	2	
5	Washer, 13 Flat	F81056-1	2	
6	Nut, M12-8 Hex Nylon Lock	F81034-2	3	
7	Bolt, M12 x 40-8.8 Hex Head Full Thread Zinc	F81004-4	1	
8	Washer, 45/13 Lock	086184	1	
9	FITTING, 3/16" STRAIGHT GREASE	P04107	4	
	CYLINDER ASSEMBLY, SUPER HYDRAULIC LOG SIDE SUPPORT	015561	1	
10	Cylinder, CJ-S270-16-50/28/152 Hydraulic	088678	1	◆
	Seal Kit, 6" x 2" Hydraulic Cylinder	P12954	1	
11	Fitting, 3/8" JIC - 1/4" NPT 90L Elbow	015491	2	
12	Fitting, #C3529X4 90° Elbow	P09140	2	
13	Fitting, C3759X4 Male Tee	P09141	2	
14	Fitting, 3/8" JIC - 1/4" NPT Straight	015560	2	

9

Hydraulic System*Hydraulic Log Side Supports*

15	Valve, Side Support Sequence	015484	2	
16	Fitting, 3/8" NPT - 1/4" NPT Reducer	015490	4	
17	ROD, SIDE SUPPORT LINK ZINC-PLATED	087037-1	1	
18	ROD END (RIGHT THREAD)	087035	1	
	ROD END (LEFT THREAD)	087036	1	
19	BOLT, M12 X 60-8.8 HEX HEAD ZINC	F81004-5	2	
20	WASHER, 13 FLAT ZINC	F81056-1	4	
21	NUT, M12-8 HEX NYLON ZINC LOCK	F81034-2	2	
22	NUT, M12-04-A RIGHT HEX THIN	F81034-6	1	
	NUT, M12-04-A LEFT HEX THIN	F81034-7	1	
23	PIN, HYDRAULIC CYLINDER ZINC-PLATED	086979-1	2	
24	WASHER, 28 FLAT ZINC	F81061-1	4	
25	PIN, 5 X 40 COTTER	F81043-31	4	
	ROLLER KIT, SIDE SUPPORT	015109	2	
26	Roller Assembly, Side Support Painted	015014-1	2	
27	Washer, 17 Flat Zinc	F81058-1	4	
28	Bolt, 5/8-11 x 3" Hex Head Grade 5	F05009-37	1	
29	Nut, 5/8-11 Nylon Lock Zinc	F05010-34	1	
	Instruction Sheet, Side Support Roller	015109-526	1	

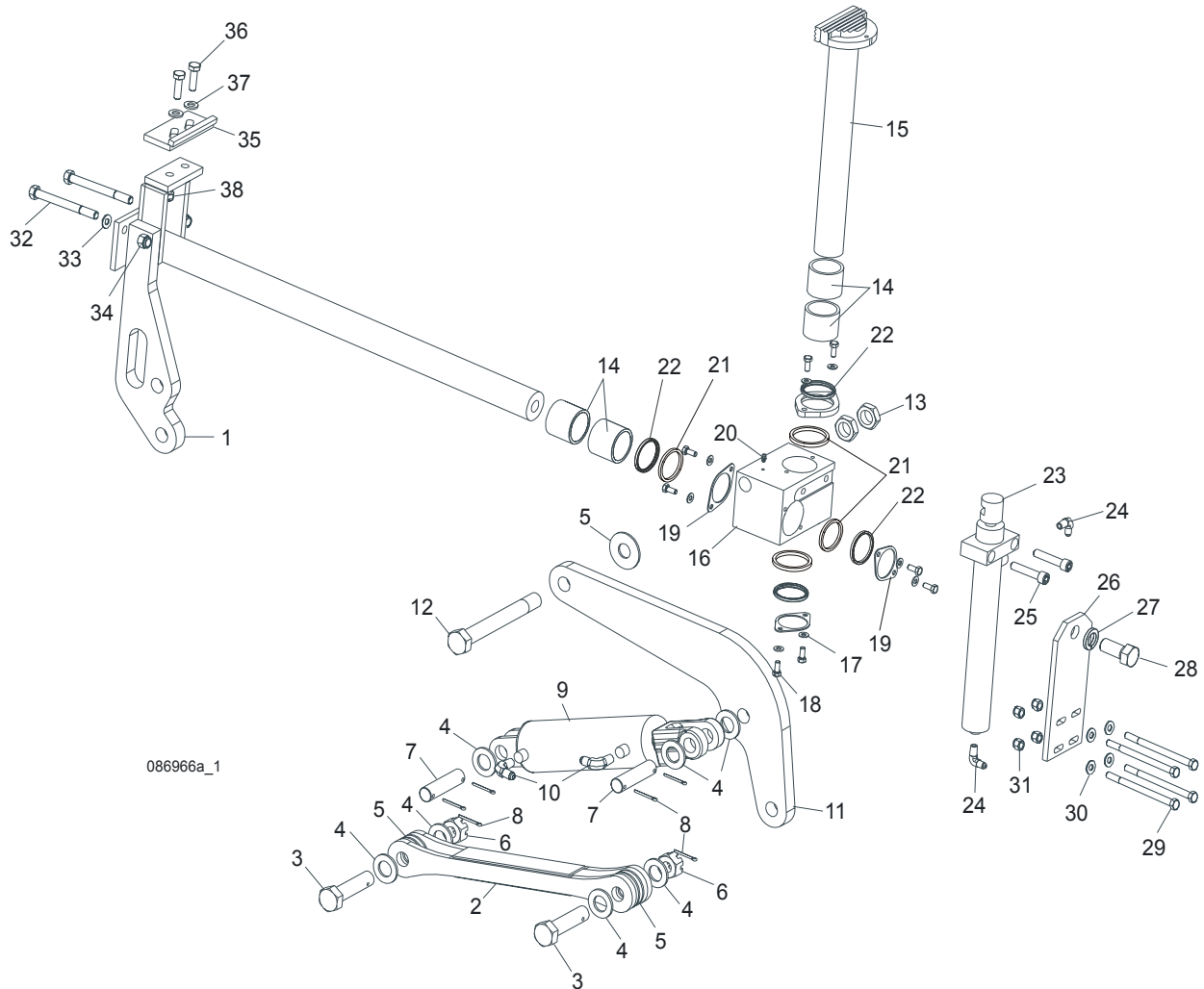
9.8 Hydraulic Log Clamp, Front



REF	DESCRIPTION (◆ Indicates Parts Available In Assemblies Only)	PART #	QTY.
	CLAMP ASSEMBLY, FRONT HYDRAULIC 2-POSITION	090550	1
1	Bar, Log Clamp Main Painted	090542-1	4
2	Plate Weldment, Main Bar Mounting Painted	089533-1	1
3	Bolt, M10x40 Hex Socket Head Cap Zinc	F81003-22	4
4	Washer, M10 Split Lock Zinc	F81055-2	26
5	Block, Main Bar Spacer Painted	088645-1	1
6	Bolt, M10x125-8.8 Hex Head Full Thread Zinc	F81003-18	2
7	Washer, M10 Flat Zinc	F81055-1	22
8	Nut, M10 Hex Nylon Zinc Lock	F81033-1	12
9	Plate, Log Clamp Rear Painted	089538-1	3
10	Bolt, M10x35-8.8 Hex Head Full Thread Zinc	F81003-17	12
11	Tube Weldment, Front 2-Position Clamp Painted	091601-1	1
12	Bolt, M10x35 Hex Socket Head Cap Zinc	F81003-56	2

13	Block Weldment, Log Clamp Up/Down Upper	089536-1	2	
14	Bolt, M10x40-8.8 Hex Head Full Thread Zinc	F81003-16	16	
15	Pin, Log Clamp Up/Down	088631	2	
16	Bolt, M16x55 Hex Socket Head Cap Zinc	F81006-18	2	
17	Washer, M16 Flat Zinc	F81058-1	2	
18	Plug, M33 Thread	089839	2	
19	Block Weldment, Log Clamp Up/Down Lower Painted	090545-1	2	
20	Bracket, Log Clamp Mount Painted	091592-1	2	
21	Bolt, M10x90-8.8 Hex Head Full Thread Zinc	F81003-66	4	
22	Bracket, Vertical Cylinder Mount Upper	089540-1	1	
23	Pin, 25x75 Zinc-Plated	088659-1	1	
24	Washer, 28 Flat Zinc	F81061-1	2	
25	Pin, S-Zn 5x40 Cotter	F81043-31	10	
26	Cylinder, CJ7F-16/40/22 + UE2-40W Hydraulic	091346	1	
27	Fitting, Male W/Gas Nozzle	091031	2	
28	Fitting, 1/4NPTx1/4JIC Male	P09143	2	
29	Plate Weldment, Clamp Cylinder Mount Painted	093690-1	1	
30	Bolt, M10x75-8.8 Hex Head Full Thread Zinc	F81003-15	2	
	Jaw, Log Clamp Left - Complete	094700	1	
	Jaw, Log Clamp Right - Complete	094701	1	
31	Jaw, Log Clamp Left	093464-1	1	
32	Jaw, Log Clamp Right	093465-1	1	
33	Bearing, 6005 2RS CX	089652	4	
34	Ring, W47 Inside Retaining	089653	4	
35	Ring, Z24 Outside Retaining	089654	4	
36	Washer, Clamp Jaw Spacer	089542	4	
37	Shaft, Clamp Jaw Guide	088620-1	4	
38	Bar, Clamp In/Out Lower	091593-1	4	
39	Cylinder, SJ2F-16-40/22/90 X type Hydraulic	091345	1	
40	Pin, 20x75 Zinc-Plated	088657-1	4	
41	Washer, 21 Flat Zinc	F81059-2	8	
42	Spacer, Lower	089541	4	

9.9 Hydraulic Log Clamp, Main



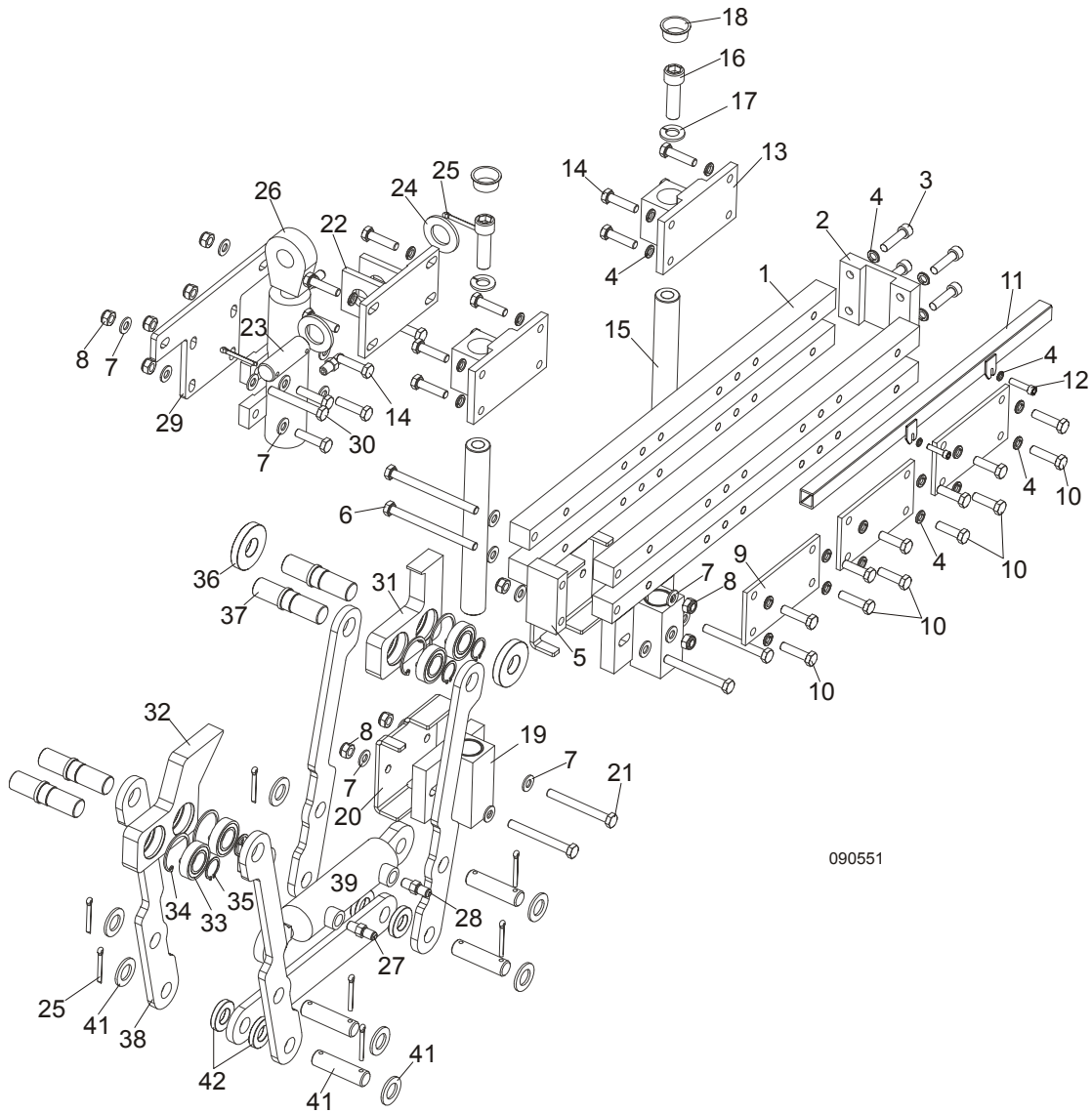
REF	DESCRIPTION (◆ Indicates Parts Available In Assemblies Only)	PART #	QTY.
	LOG CLAMP ASSEMBLY, TWO-PLANE	088658	1
1	Rod Weldment, Log Clamp Slide Painted	086967-1	1
2	Arm Weldment, Hydraulic Clamp Link Painted	086963-1	1
3	Pin, B 24x95/85 Clevis Zinc	F81049-2	1
4	Washer, 25 Flat Zinc	F81061-3	8
5	Washer, 25x63 Zinc-Plated	088585-1	5
6	Nut, Z M20-8-B Hex Slotted Castle Zinc	F81037-3	2
7	Pin, Hydraulic Cylinder Zinc-Plated	086979-1	2
8	Pin, 6.3x45 Cotter Zinc	F81045-2	6
9	Cylinder, CJ-S96-16-70/32/178 Hydraulic	088589	1
10	Fitting, 1/4" NPT - 1/4" JIC Male Elbow	P09142	2
11	Arm, Hydraulic Log Clamp Link Painted	086974-1	1

9

Hydraulic System*Hydraulic Log Clamp, Main*

12	Bolt, M24x217/39 -8.8-B Hex Head Zinc	088586-1	1	
13	Nut, M24 -04-B Hex Thin Zinc	F81039-3	2	
14	Bushing, 5040BS Self-Lubricating	088660	2	
15	Rod Weldment, Log Clamp Vertical Painted	088582-1	1	
16	Block, Log Clamp Painted Steel	088591-1	1	
17	Washer, 8.4 Flat Zinc	F81054-1	8	
18	Bolt, M8x20-8.8-B Hex Head Full Thread Zinc	F81002-4	8	
19	Flange, Clamp Rod Wiper Painted	088887-1	3	
20	Fitting, 3/16" Straight Grease	P04107	1	
21	Spacer, Log Clamp	089324	1	
22	Wiper, ZZ 50x60x7 INCO Log Clamp Rod	088587	1	
23	Cylinder, C-J-S169-16-40/22/254 Hydraulic	088590	1	
24	Fitting, 1/4" NPT - 1/4" JIC Male Elbow	P09142	2	
25	Screw, M12x55 -8.8-B Hex Socket Head Cap Zinc	F81004-23	2	
26	Plate, Log Clamp Mount Painted	086975-1	1	
27	Washer, Z 22.5 Split Lock Zinc	F81059-4	1	
28	Bolt, M22x1.5x40-8.8-B Hex Head Full Thread Zinc	F81009-1	1	
29	Bolt, M10x125-8.8 Hex Head Zinc	F81003-18	4	
30	Washer, 10.5 Flat Zinc	F81055-1	4	
31	Nut, M10-8-B Hex Nylon Zinc Lock	F81033-1	4	
32	Bolt, M12 x 140-8.8 Hex Head Zinc	F81004-37	2	
33	Washer, 13 Flat Zinc	F81056-1	2	
34	Nut, M12-8-B Hex Zinc	F81034-1	2	
	STOP ASSEMBLY, LOG CLAMP	K09485	1	
35	Stop Weldment, Hydraulic Log Clamp Painted	086980-1	1	
36	Bolt, M12 x 40-8.8 Hex Head Full Thread Zinc	F81004-4	2	
37	Washer, 13 Flat Zinc	F81056-1	2	
38	Nut, M12-8 Hex Nylon Zinc Lock	F81034-2	2	

9.10 Hydraulic Log Clamp, Rear



090551

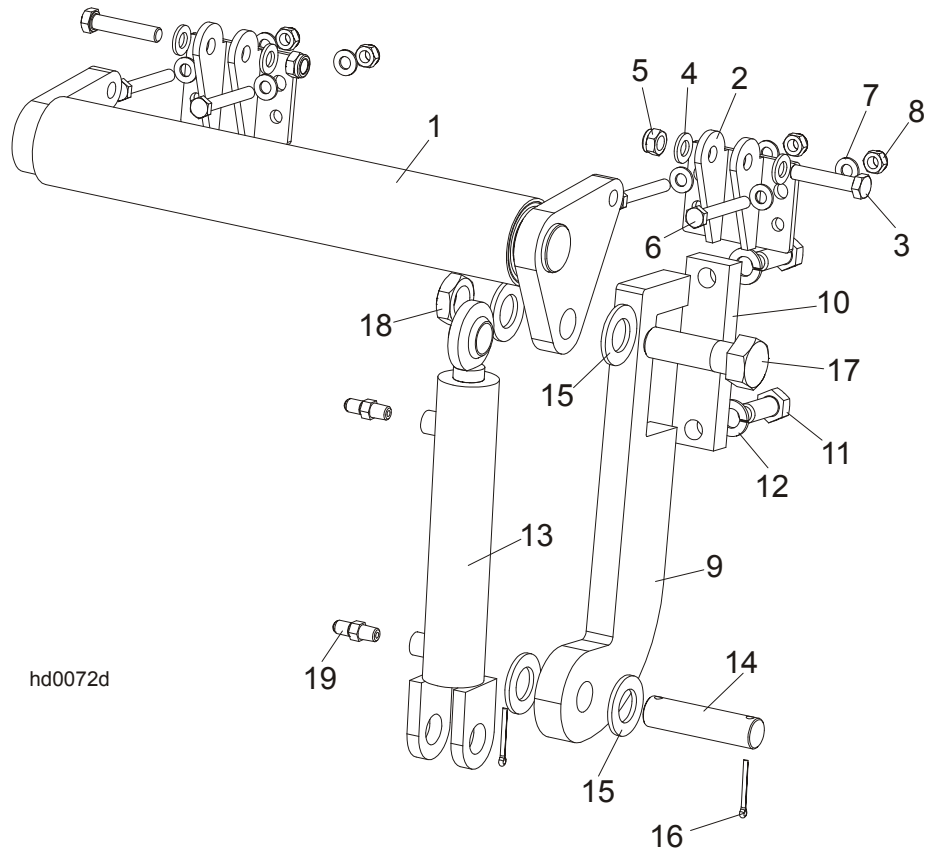
REF	DESCRIPTION (◆ Indicates Parts Available In Assemblies Only)	PART #	QTY.
	CLAMP ASSEMBLY, REAR HYDRAULIC 2-POSITION	090551	1
1	Bar, Log Clamp Main Painted	090542-1	4
2	Plate Weldment, Main Bar Mounting Painted	089533-1	1
3	Bolt, M10x40 Hex Socket Head Cap Zinc	F81003-22	4
4	Washer, M10 Split Lock Zinc	F81055-2	26
5	Block, Main Bar Spacer Painted	088645-1	1
6	Bolt, M10x125-8.8 Hex Head Full Thread Zinc	F81003-18	2
7	Washer, M10 Flat Zinc	F81055-1	22
8	Nut, M10 Hex Nylon Zinc Lock	F81033-1	12

9

Hydraulic System Hydraulic Log Clamp, Rear

9	Plate, Log Clamp Rear Painted	089538-1	3	
10	Bolt, M10x35-8.8 Hex Head Full Thread Zinc	F81003-17	12	
11	Tube Weldment, Rear 2-Position Clamp Painted	091607-1	1	
12	Bolt, M10x35 Hex Socket Head Cap Zinc	F81003-56	2	
13	Block Weldment, Log Clamp Up/Down Upper	089536-1	2	
14	Bolt, M10x40-8.8 Hex Head Full Thread Zinc	F81003-16	16	
15	Pin, Log Clamp Up/Down	088631	2	
16	Bolt, M16x55 Hex Socket Head Cap Zinc	F81006-18	2	
17	Washer, 16.3 Split Lock Zinc	F81058-2	2	
18	Plug, M33 Thread	089839	2	
19	Block Weldment, Log Clamp Up/Down Lower Painted	090545-1	2	
20	Bracket, Log Clamp Mount Painted	091592-1	2	
21	Bolt, M10x90-8.8 Hex Head Full Thread Zinc	F81003-66	4	
22	Bracket, Vertical Cylinder Mount Upper	089540-1	1	
23	Pin, 25x75 Zinc-Plated	088659-1	1	
24	Washer, 28 Flat Zinc	F81061-1	2	
25	Pin, S-Zn 5x40 Cotter	F81043-31	10	
26	Cylinder, CJ7F-16/40/22 + UE2-40W Hydraulic	091346	1	
27	Fitting, Male W/Gas Nozzle	091031	2	
28	Fitting, 1/4NPTx1/4JIC Male	P09143	2	
29	Plate Weldment, Clamp Cylinder Mount Painted	093690-1	1	
30	Bolt, M10x75-8.8 Hex Head Full Thread Zinc	F81003-15	2	
	Jaw, Log Clamp Left - Complete	094700	1	
	Jaw, Log Clamp Right - Complete	094701	1	
31	Jaw, Log Clamp Left	093464-1	1	
32	Jaw, Log Clamp Right	093465-1	1	
33	Bearing, 6005 2RS CX	089652	4	
34	Ring, W47 Inside Retaining	089653	4	
35	Ring, Z24 Outside Retaining	089654	4	
36	Washer, Clamp Jaw Spacer	089542	4	
37	Shaft, Clamp Jaw Guide	088620-1	4	
38	Bar, Clamp In/Out Lower	091593-1	4	
39	Cylinder, SJ2F-16-40/22/90 X Type Hydraulic	091345	1	
40	Pin, 20x75 Zinc-Plated	088657-1	4	
41	Washer, 21 Flat Zinc	F81059-2	8	
42	Spacer, Lower	089541	4	

9.11 Hydraulic Toe Board



hd0072d

REF	DESCRIPTION (◆ Indicates Parts Available In Assemblies Only)	PART #	QTY.
	FRONT HYDRAULIC TOE BOARD	092613	1
	REAR HYDRAULIC TOE BOARD	092634	1
1	Toe Board Weldment, Front Hydraulic Painted	092612-1	1
	Toe Board Weldment, Rear Hydraulic Painted	086253-1	1
2	Bracket, Toe Board Roller Mount	087903-1	2
3	Bolt, M12x60-8.8 Hex Head Zinc	F81004-5	4
4	Washer, 13 Flat Zinc	F81056-1	8
5	Nut, M12-8 Hex Nylon Zinc Lock	F81034-2	4
6	Bolt, M10x75-8.8 Hex Head Zinc	F81003-15	8
7	Washer, 10.5 Flat Zinc	F81055-1	16
8	Nut, M10-8-B Hex Nylon Zinc Lock	F81033-1	8
9	Bracket, Toe Board Cylinder Mount Painted	087729-1	2
10	Plate, Toe Board Cylinder Mount	090086-1	2
11	Bolt, M16x40-8.8 Hex Head Full Thread Zinc	F81006-13	4
12	Washer, 16.3 Split Lock Zinc	F81058-2	4
13	Cylinder, CJ-S170-16-40/25/152 Hydraulic	088681	2
14	Pin, Hydraulic Cylinder Zinc-Plated	086979-1	2
15	Washer, 28 Flat Zinc	F81061-1	8
16	Pin, 3/16x1.5" Cotter Zinc	F05012-23	4

9**Hydraulic System***Hydraulic Toe Board*

17	Bolt, 1"-8 x 3 1/4 Hex Head Grade 5	F05009-51	2	
18	Nut, 1"-14" Hex Jam Unplated	F05010-117	2	
19	Fitting, C5205x4x4 Male	P09143	4	