



## user manual

Instrukcja obsługi | Руководство пользователя  
Manuel de l'Utilisateur | Betriebsanleitung  
Bruksanvisning | Manual del Usuario  
Betjeningsvejledning | Gebruikershandleiding  
Käyttöohjeet | Manual de utilizare | Bruksanvisning  
Manuale d'uso | Příručka uživatele | Navodila  
za uporabo

Retain for future use  
Zachować do przyszłego użytku  
Сохраните для последующего  
использования  
A conserver pour une utilisation future  
Für zukünftige Benutzung aufbewahren  
Behold for senere bruk  
Säilytä nämä käyttöohjeet tulevaa tarvetta marten  
Opbevar manualen til fremtidig brug  
Bewaren voor gebruik in de toekomst  
Conservare il presente manuale a l'uso futuro  
Păstrați acest manual pentru utilizare viitoare  
Conservar para futuras consultas  
Behåll för framtida användning  
Uchovajte pro další použití  
Hranite za prihodnjo uporabo



# **Wood-Mizer®**

## **Sawmill**

### **Safety, Setup, Operation & Maintenance Manual**

---

**LT20 Series AH**

**rev. E1.00**

---



**Safety is our #1 concern!** Read and understand all safety information and instructions before operating, setting up or maintaining this machine.

*April 2003*

**This is the original language  
for the manual.**

Form #619

*General Contact Information  
Branches & Authorized Sales Centers*

**SECTION 1 SAFETY & GENERAL INFORMATION 1-1**

1.1 Blade Handling.....1-1  
 1.2 Sawmill Setup.....1-2  
 1.3 Sawmill Operation.....1-2  
 1.4 Sawmill Maintenance .....1-4  
 1.5 Belt Sizes .....1-10  
 1.6 Blade Sizes .....1-10  
 1.7 Log Dimensions.....1-11  
 1.8 Cutting Capacity .....1-11  
 1.9 Engine/Motor Specifications .....1-12  
 1.10 Noise Level.....1-12  
 1.11 Overall Dimensions .....1-13  
 1.12 Chains .....1-14  
 1.13 Sawdust Extractor Specifications .....1-14  
 1.14 Components .....1-15  
 1.15 LT20 Hydraulic Schematic (sawmills with optional manual hydraulic loader)1-16  
 1.16 Hydraulic Components, LT20 M .....1-17  
 1.17 Hydraulic Hoses, LT20 M.....1-17

**SECTION 2 SETUP & OPERATION 2-1**

2.1 Sawmill Setup.....2-1  
 2.2 Stationary Sawmill Setup .....2-2  
     *Sawmills with cable guide*  
 2.3 Portable Sawmill Setup .....2-10  
 2.4 Middle Track Cover .....2-13  
 2.5 Replacing The Blade .....2-13  
 2.6 Tensioning The Blade.....2-14  
 2.7 Tracking The Blade .....2-15  
 2.8 Starting The Motor .....2-16  
 2.9 Loading, Turning, And Clamping Logs .....2-17  
 2.10 Up/Down Operation .....2-19  
 2.11 Blade Guide Arm Operation.....2-21  
 2.12 Power Feed Operation .....2-22  
 2.13 Cutting The Log .....2-24  
 2.14 Edging.....2-25  
 2.15 Blade Height Scale .....2-26  
 2.16 Water Lube Operation .....2-28  
 2.17 Preparing The Sawmill For Towing .....2-29

# Table of Contents

# Section-Page

## **SECTION 3      MAINTENANCE**

**3-1**

|      |  |      |
|------|--|------|
| 3.1  | Wear Life.....                         | 3-1  |
| 3.2  | Blade Guides .....                     | 3-1  |
| 3.3  | Sawdust Removal .....                  | 3-2  |
| 3.4  | Carriage Track, Wiper & Scrapers ..... | 3-2  |
| 3.5  | Vertical Mast Rails .....              | 3-3  |
| 3.6  | Miscellaneous .....                    | 3-4  |
| 3.7  | Blade Tensioner.....                   | 3-4  |
| 3.8  | Blade Wheel Belts .....                | 3-5  |
| 3.9  | Drive Belt Adjustment .....            | 3-5  |
| 3.10 | Up/Down System.....                    | 3-8  |
| 3.11 | Power Feed System .....                | 3-10 |
| 3.12 | Safety Devices Inspection .....        | 3-13 |

## **SECTION 4      TROUBLESHOOTING GUIDE**

**2-1**

|     |   |     |
|-----|---|-----|
| 4.1 | Sawing Problems.....                          | 2-1 |
| 4.2 | Electrical Problems.....                      | 2-3 |
| 4.3 | Power Feed Problems .....                     | 2-4 |
| 4.4 | Hydraulic Problems .....                      | 2-6 |
| 4.5 | Engine/Motor and Drive Pulleys Alignment..... | 2-9 |

## **SECTION 5      SAWMILL ALIGNMENT**

**3-1**

|      |   |             |
|------|---|-------------|
| 5.1  | Pre-Alignment Procedures.....                       | 3-1         |
| 5.2  | Frame Setup.....                                    | 3-2         |
| 5.3  | Blade Installation And Alignment.....               | 3-2         |
| 5.4  | Blade Wheel Alignment .....                         | 3-5         |
| 5.5  | Adjusting The Lower Track Rollers.....              | 3-10        |
| 5.6  | Adjusting Bed Rails To The Blade.....               | 3-12        |
| 5.7  | Blade Guide Arm Vertical Adjustment .....           | 3-13        |
| 5.8  | Blade Guide Arm Feed Chain Adjustment.....          | 3-14        |
| 5.9  | Saw Head Backlash Removal.....                      | 3-17        |
| 5.10 | Blade Guide Arm Horizontal Adjustment.....          | 3-19        |
| 5.11 | Aligning the Blade Guides .....                     | 3-20        |
| 5.12 | Blade Deflection.....                               | 3-22        |
| 5.13 | Blade Guide Vertical Tilt Adjustment.....           | 3-23        |
| 5.14 | Blade Guide Spacing .....                           | 3-25        |
| 5.15 | Horizontal Tilt Adjustment.....                     | 3-26        |
| 5.16 | <b>Horizontal Adjustment of Side Supports .....</b> | <b>3-27</b> |
| 5.17 | <b>Vertical Adjustment of Side Supports.....</b>    | <b>3-28</b> |
| 5.18 | Saw Head Tilt.....                                  | 3-29        |
| 5.19 | Blade Height Scale Adjustment.....                  | 3-31        |

## Getting Service

Wood-Mizer is committed to providing you with the latest technology, best quality and strongest customer service available on the market today. We continually evaluate our customers' needs to ensure we're meeting current wood-processing demands. Your comments and suggestions are welcome.

### ***General Contact Information***

From Europe call your local distributor or our European Headquarters and Manufacturing Facility in Kolo, Nagórna 114 St, Poland at **+48-63-2626000**. From the continental U.S., call our U.S. Headquarter 8180 West 10th St. Indianapolis, IN 46214, toll-free at **1-800-525-8100**. Ask to speak with a Customer Service Representative. Please have your machine identification number and your customer number ready when you call. The Service Representative can help you with questions about the operation and maintenance of your machine. He also can schedule you for a service call.

### **Office Hours:**

| <b>Country</b> | <b>Monday - Friday</b> | <b>Saturday</b> | <b>Sunday</b> |
|----------------|------------------------|-----------------|---------------|
| Poland         | 7 a.m.- 3 p.m.         | Closed          | Closed        |
| US             | 8 a.m.- 5 p.m.         | 8 a.m.- 12 p.m  | Closed        |

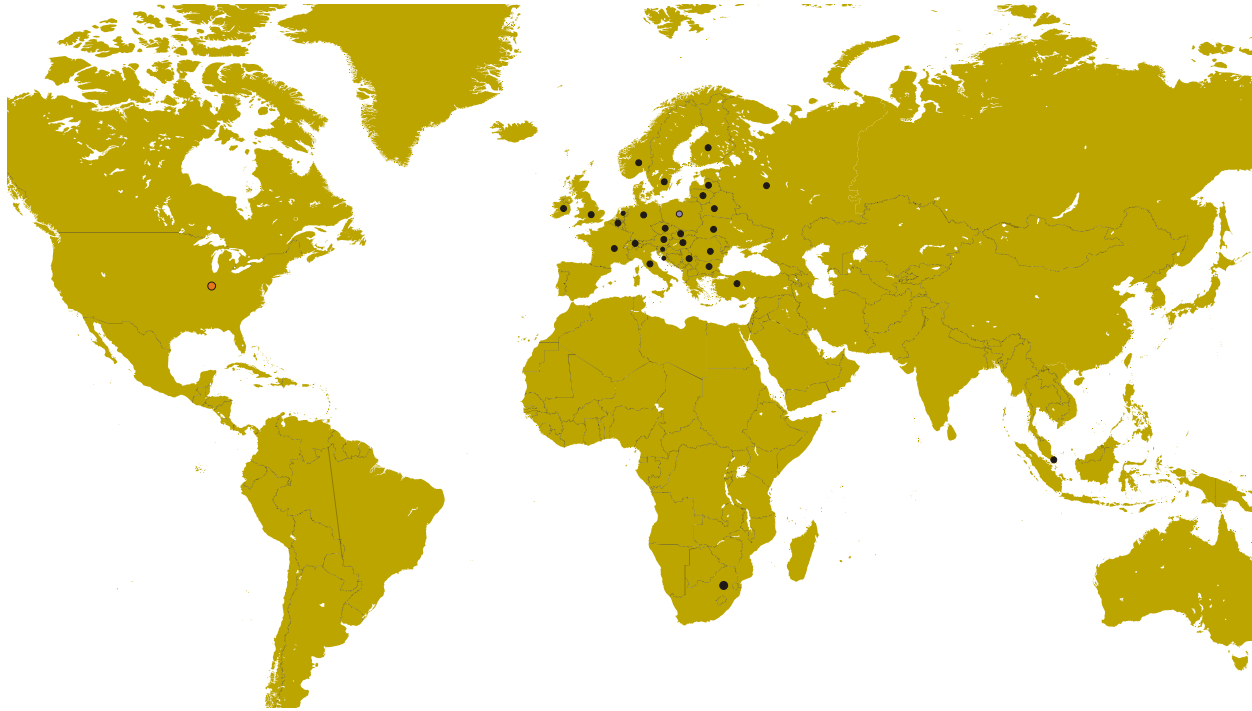
Please have your vehicle identification number and your customer number ready when you call.



Wood-Mizer will accept these methods of payment:

- Visa, Mastercard, or Discover
- COD
- Prepayment
- Net 15 (with approved credit)

Be aware that shipping and handling charges may apply. Handling charges are based on size and quantity of order.

## Branches &amp; Authorized Sales Centers



| EUROPE  |   | UNITED STATES   |
|---|---|---|
| <p> <b>European Headquarters</b><br/> <b>Wood-Mizer Industries Sp. z o.o.</b><br/>           Nagórna 114, 62-600 Kolo, Poland<br/>           Tel.: +48-63-26-26-000<br/>           Fax: +48-63-27-22-327<br/> <a href="http://www.woodmizer.eu">www.woodmizer.eu</a></p> |   | <p> <b>World Headquarters</b><br/> <b>Wood-Mizer LLC</b><br/>           8180 West 10th Street<br/>           Indianapolis, Indiana 46214-2400,<br/>           USA<br/>           Tel.: +1-317-271-1542<br/>           Fax: +1-317-273-1011<br/> <a href="http://www.woodmizer.com">www.woodmizer.com</a></p> |
| <p><b>BELARUS</b><br/> <b>MOST-GRUPP</b><br/>           Siemashko 15, k.3<br/>           Minsk 2200116<br/>           Tel.: +375-17-270-90-08<br/>           Fax: +375-17-270-90-08<br/>           GSM: +375-29-649-90-80<br/>           e-mail: <a href="mailto:most-by@mail.ru">most-by@mail.ru</a></p>   | <p><b>SWITZERLAND Bruno Steiner</b><br/>           Striegelgasse 2<br/>           CH-6214 Schenkon<br/>           Tel.: +41-41-921-13-01<br/>           Fax: +41-41-922-18-87<br/>           e-mail: <a href="mailto:info@mobilsaegen.ch">info@mobilsaegen.ch</a></p> | <p><b>RUSSIA Dariusz Mikołajewski</b><br/> <b>OOO WOOD-MIZER INDUSTRIES</b><br/>           141031, Moscow<br/>           Reg., Mytishenski raj., pos. Veshki,<br/>           Zavodskaja str., 3B<br/>           Tel.Fax: +7(495) 788-72-35<br/>           Tel.Fax: +7(495) 641-51-60<br/>           e-mail: <a href="mailto:dariuszm@woodmizer-moscow.ru">dariuszm@woodmizer-moscow.ru</a></p>    |

|  |   |   |
|--|---|---|
| <p><b>BULGARIA Kalin Simeonov</b><br/> <b>Ecotechproduct</b><br/> 38 Star Lozenski pat str.<br/> Sofia 1186<br/> Tel.: +359-2-462-7035<br/> Tel.: +359-2-963-1656<br/> Tel./Fax<br/> : +359-2-979-1710<br/> <b>Kalin Simeonov</b><br/> GSM: +3592-963-2559<br/> e-mail: <a href="mailto:office@ecotechproduct.com">office@ecotechproduct.com</a></p> | <p><b>HUNGARY Wiktor Turoczy</b><br/> <b>Wood-Mizer Hungary K.F.T.</b><br/> Szonyi Ut 67., 2921 Komárom<br/> Tel./Fax: +36-34-346-255<br/> e-mail: <a href="mailto:woodmizer@woodmizer.hu">woodmizer@woodmizer.hu</a></p>   | <p><b>RUSSIA Far East Wladimir Glazaczew</b><br/> <b>"WM Service"</b><br/> Krasnoretchenskaya Str.111<br/> 680006 Khabarovsk<br/> Tel./Fax: +7-914-541-1183<br/> e-mail: <a href="mailto:wms-khv@mail.ru">wms-khv@mail.ru</a></p>   |
| <p><b>CROATIA Krešimir Pregernik</b><br/> <b>Pregimex d.o.o.</b><br/> S. Batušića 31, 10090 Zagreb<br/> Tel./Fax: +3851-38-94-668<br/> <b>Krešimir Pregernik</b><br/> GSM: +3851-98-207-106<br/> e-mail: <a href="mailto:Kresimir.Pregernik@gmail.com">Kresimir.Pregernik@gmail.com</a></p>  | <p><b>ITALY Pasquale Felice</b><br/> <b>Wood-Mizer Italia Srl</b><br/> <b>Cda. Capoiaccio SN</b><br/> 86012 Cercemaggiore<br/> Campobasso<br/> Tel./Fax: +39-0874-798-357<br/> GSM: +39-333-281-03-79<br/> e-mail: <a href="mailto:wmitaliasrl@gmail.com">wmitaliasrl@gmail.com</a></p>   | <p><b>SERBIA Dragan Markov</b><br/> <b>Wood-Mizer Balkan d.o.o.</b><br/> Svetosavska GA 3/3; P. Fah 25<br/> 23 300 Kikinda<br/> Tel./Fax: +381-230-25-754<br/> Tel./Fax: +381-230-23-567<br/> GSM: +381-63-568-658<br/> e-mail: <a href="mailto:office@woodmizer.co.yu">office@woodmizer.co.yu</a></p>                        |
| <p><b>CZECH REPUBLIC Miroslaw Greill</b><br/> <b>Wood-Mizer CZ s.r.o.</b><br/> Osvaldova 91<br/> 339 01 Klatovy-Luby<br/> Tel./Fax: +420-376-312-220<br/> Fax: +420-376-319-011<br/> <b>Miroslaw Greill</b><br/> GSM: +420-723-580-799<br/> e-mail: <a href="mailto:greill@woodmizer.cz">greill@woodmizer.cz</a></p>                                 |   | <p><b>SLOVAKIA Wiktor Turoczy</b><br/> <b>Wood-Mizer Danubia s.r.o.</b><br/> Hadovce 5, 94501 Komárno<br/> Tel.: +421-35-77-40-316<br/> Fax: +421-35-7740-326<br/> GSM: +421-905-930-972<br/> e-mail: <a href="mailto:woodmizer@woodmizer.sk">woodmizer@woodmizer.sk</a></p>  |
| <p><b>CZECH REPUBLIC Lubomir Kudlik</b><br/> <b>Wood-Mizer Moravia</b><br/> Sovadinova 6<br/> 69002 Breclav<br/> Tel./Fax: +420-519-322-443<br/> <b>Lubomir Kudlik</b><br/> GSM: +420-602-734-792<br/> e-mail: <a href="mailto:info@wood-mizer.net">info@wood-mizer.net</a></p>  | <p><b>LATVIA Vilmars Jansons</b><br/> <b>OBERTS Ltd</b><br/> Gaujas str. 32/2<br/> LV-2167 Marupe, Rigas Raj.<br/> Tel.: +371-7-810-666<br/> Fax: +371-7-810-655<br/> <b>Vilmars Jansons</b><br/> GSM: +371-92-06-966<br/> <b>Andris Orols</b><br/> GSM: +371-28-33-07-90<br/> e-mail: <a href="mailto:andris@oberts.lv">andris@oberts.lv</a></p>   | <p><b>TURKEY</b><br/> <b>Er-Ka Ahsap Profil Kerestecilik San. ve Tic. Ltd. Sti.</b><br/> Adana Keresteciler Sitesi 191 sk No.41<br/> ADANA<br/> Tel.: +90-322-346-15-86<br/> Fax: +90-322-345-17-07<br/> GSM: +90-533-363-18-44<br/> e-mail: <a href="mailto:info@erkaahsap.com.tr">info@erkaahsap.com.tr</a></p>             |
| <p><b>FINLAND Howard Blackburn</b><br/> <b>Oy Falkberg Jordbruk Ab</b><br/> Falkintie 220<br/> 25610 Ylonkyla<br/> Tel.: +358-2732-2253<br/> Fax: +358-2732-2263<br/> <b>Howard Blackburn</b><br/> GSM: +358-440-424-339<br/> e-mail: <a href="mailto:falkberg@woodmizer.fi">falkberg@woodmizer.fi</a></p>   | <p><b>LITHUANIA Andrius Zuzevicius</b><br/> <b>UAB Singlis</b><br/> Savanoriu pr. 187, 2053 Vilnius<br/> Tel.: +370-5-2-32-22-44<br/> Fax: +370-5-2-64-84-15<br/> GSM: +370-620-28-645<br/> e-mail: <a href="mailto:andrius.z@singlis.lt">andrius.z@singlis.lt</a><br/><br/> <b>Dmitrij Gaiduk</b><br/> GSM: +370-69-84-51-91<br/> e-mail: <a href="mailto:dmitrijus.g@singlis.lt">dmitrijus.g@singlis.lt</a></p> | <p><b>UKRAINE Ivan Vinnicki</b><br/> <b>MOST UKRAINA</b><br/> bul. Myru 3, Bajkivtsi Ternoplskyj r-j<br/> Ternopolska oblast<br/> 47711 Ukraine<br/> Tel/Fax: +38 (0352) 52 37 74<br/> GSM: +38 (067) 352 54 34<br/> GSM: +38 (067) 674 50 68<br/> E-mail: <a href="mailto:most-ukraine@ukr.net">most-ukraine@ukr.net</a></p> |



|  |   |   |
|--|---|---|
| <p><b>FRANCE Laurence Serrurier</b><br/>Wood-Mizer France<br/>Zac du Prè Marechal Route de Fruges<br/>62560 Fauquembergues<br/>Tel: +33-321-930-544<br/>Fax: +33-321-930-990<br/>GSM: +33-607-025-282<br/>Mail: <a href="mailto:lserrurier@woodmizer.fr">lserrurier@woodmizer.fr</a></p>   | <p><b>NORWAY Odd Edvoll</b><br/><b>Wood-Mizer Nordic AS</b><br/>Vardelia 17, 2020 Skedsmokorset<br/>Tel.: +47-63-87-49-89<br/>Fax: +47-63-87-37-66<br/>GSM: +47-930-42-335<br/>e-mail: <a href="mailto:odd.edvoll@woodmizer.no">odd.edvoll@woodmizer.no</a><br/><br/>e-mail: <a href="mailto:firmapost@woodmizer.no">firmapost@woodmizer.no</a></p> | <p><b>UNITED KINGDOM &amp; IRELAND</b><br/><b>Wood-Mizer UK</b><br/>Hopfield Barn<br/>Kenward Road, Yalding<br/>Kent ME18 6JP, UK<br/>Tel.: +44-1622-813-201<br/>Fax: +44-1622-815-534<br/>e-mail: <a href="mailto:info@woodmizer.co.uk">info@woodmizer.co.uk</a></p>   |
| <p><b>SLOVENIA Jan Fale</b><br/><b>FAMTEH d.o.o.</b><br/>Gacnikova pot 2,<br/>2390 Ravne na Koroskem<br/>Tel.: +386-2-62-04-232<br/>Fax: +386-2-62-04-231<br/><b>Jan Fale</b><br/>GSM: +386-2-62-04-230<br/>e-mail: <a href="mailto:jan.fale@famteh.si">jan.fale@famteh.si</a></p> <p><b>Matjaz Kolar</b><br/>Tel.: +386-2-62-04-232<br/>GSM: +386-31-775-999<br/>e-mail: <a href="mailto:matjaz.kolar@famteh.si">matjaz.kolar@famteh.si</a></p> |   | <p>David Darnell<br/>10 Tennyson Avenue<br/>Southend on Sea<br/>Essex, SS2 5HD<br/>David Darnell GSM: +44 7799 063 497</p> <p>Stephan Cull<br/>Cembrandy Gardens, Manorwen<br/>Fishguard, Pembrokeshire SA659PT<br/>Tel.: +44-1348-873-179<br/>GSM: +44-7887-544-333</p>  |
| <p><b>GERMANY Klaus Longmuss</b><br/><b>Wood-Mizer Sägewerke GmbH</b><br/>Dorfstraße 5, 29485 Schletau<br/>Tel.: +49-5883-9880-10<br/>Fax: +49-5883-9880-20<br/>e-mail: <a href="mailto:info@woodmizer.de">info@woodmizer.de</a></p> <p><b>Klaus Longmuss</b><br/>Tel.: +49-5883-9880-12<br/>GSM: +49-17-298-55-892<br/>e-mail: <a href="mailto:KLongmuss@woodmizer.de">KLongmuss@woodmizer.de</a></p>   | <p><b>Subagent:</b><br/><b>SWEDEN Kjell Larsson</b><br/><b>Mekwood AB</b><br/>Slingan 14, 812 41 Gästrike-Hammarby<br/>Tel.: +46-290-515-65<br/><b>Kjell Larsson</b><br/>GSM: +46-706-797-965<br/>e-mail: <a href="mailto:kjell.larsson@mekwood.se">kjell.larsson@mekwood.se</a></p>  | <p><b>IRELAND</b><br/><b>Wood-Mizer Ireland</b><br/>Stephen Brennan<br/>Cum Lahardane Ballina County Mayo<br/>Tel:+353 96 51345<br/><br/>E-mail: <a href="mailto:brennanmill@ericom.net">brennanmill@ericom.net</a></p>   |
| <p><b>Subagents:</b><br/><b>DENMARK Brian Jensen</b><br/>Arnborgvej 9, 7330 Brande- Fasterholt<br/>Tel.: +45-971-88-265<br/>Fax: +45-971-88-266<br/><b>Brian Jensen</b><br/>GSM: +45-23-49-5828<br/>e-mail: <a href="mailto:Fasterholt-Savvaerk@Mail.Tele.dk">Fasterholt-Savvaerk@Mail.Tele.dk</a></p>   | <p><b>ROMANIA Adrian Echert</b><br/><b>SC WOOD-MIZER RO SRL</b><br/>TRANSILVANIEI Nr. 5<br/>Sibiu, Cismadie 555300<br/>Tel./Fax: : +40-369-405-433<br/>GSM: +40-745-707-323<br/>e-mail: <a href="mailto:aechert@woodmizer.ro">aechert@woodmizer.ro</a></p>  | <p>Regional Manager - Asia<br/>Wood-Mizer Asia Pte Ltd.<br/>James Wong<br/>Tel: +65 81216910<br/>Fax: +65 6283 8636<br/>WWW: <a href="http://www.woodmizerasia.com">www.woodmizerasia.com</a><br/>E-mail: <a href="mailto:jwong@woodmizerasia.com">jwong@woodmizerasia.com</a></p>  |
| <p><b>Netherlands Chris Dragt</b><br/>Lange Brink 77d,<br/>7317 BD Apeldoorn<br/>Tel.: +31-55312-1833<br/>Fax: +31-55312-2042<br/>e-mail: <a href="mailto:Info@dragtbosbouw.nl">Info@dragtbosbouw.nl</a></p>   | <p><b>Subagent:</b><br/><b>ROMANIA M. Echert</b><br/><b>S.C. Echert Comprod s.r.l</b><br/>Str. Schitului Nr. 6, Apt.7 etajul-1<br/>725 70 Vatra Dornei, Romania<br/>Tel./Fax: +40-230-374-235<br/>Tel. : +40-740-35-35-74</p>   | <p>Regional Manager - Africa<br/>Wood-Mizer Africa<br/>Jean-Jacques Oelofse<br/>UNIT 3, LEADER PARK, NO: 20 CHARIOT ROAD<br/>STORMILL, EXT 5, Roodepoort,<br/>Johannesburg<br/>Tel: +27 011 473 1313<br/>Fax: +27 011 473 2005<br/>Jean-Jacques Oelofse E-mail:<br/><a href="mailto:jjoelofse@woodmizerafrika.com">jjoelofse@woodmizerafrika.com</a><br/>Jean-Jacques Oelofse<br/>Skype: <a href="https://www.skype.com/user/jean.jacques.pierre.oelofse">jean.jacques.pierre.oelofse</a></p> |

## SECTION 1 SAFETY & GENERAL INFORMATION



This symbol calls your attention to instructions concerning your personal safety. Be sure to observe and follow these instructions. This symbol accompanies a signal word. The word **DANGER** indicates an imminently hazardous situation which, if not avoided, will result in death or serious injury. **WARNING** suggests a potentially hazardous situation which, if not avoided, could result in death or serious injury. **CAUTION** refers to potentially hazardous situations which, if not avoided, may result in minor or moderate injury to persons or equipment. Read all safety instructions before operating this equipment and observe all safety warnings!



Warning stripes are placed on areas where a single decal would be insufficient. To avoid serious injury, keep out of the path of any equipment marked with warning stripes.

Read and observe all safety instructions before operating this equipment! Also read any additional manufacturer's manuals and observe any applicable safety instructions including dangers, warnings, and cautions.

Always be sure that all safety decals are clean and readable. Replace all damaged safety decals to prevent personal injury or damage to the equipment. Contact your local distributor, or call your Customer Service Representative to order more decals.

**IMPORTANT!** It is always the owner's responsibility to comply with all applicable federal, state and local laws, rules and regulations regarding the ownership, operation and towing of your Wood-Mizer sawmill. All Wood-Mizer mill owners are encouraged to become thoroughly familiar with these applicable laws and comply with them fully while using or towing the mill.

Always properly dispose of all sawing by-products, including sawdust and other debris, coolant, oil, fuel, oil filters and fuel filters.

Safety instructions are listed in this section by the following operations:

- Blade Handling
- Sawmill Setup
- Sawmill Operation
- Sawmill Maintenance

### 1.1 Blade Handling



**DANGER!** Always disengage the blade and shut off the sawmill engine before changing the blade. Failure to do so will result in serious injury.



**WARNING!** Always wear gloves and eye protection when handling bandsaw blades. Changing blades is safest when done by one person! Keep all other persons away from area when coiling, carrying or changing a blade. Failure to do so may result in serious injury.



**WARNING!** Do not spin the blade wheels by hand. Spinning the blade wheels by hand may result in serious injury.

## 1.2 Sawmill Setup



**WARNING!** Chock the trailer wheels to prevent movement before unhitching it from the towing vehicle. Failure to do so may result in serious injury or death.

**WARNING!** Failure to put front outrigger down before moving cutting head from the rest position may result in serious injury.

**WARNING!** Securely fasten the feet of a stationary sawmill to the floor before operating the sawmill. Failure to do so may result in serious injury or death.

**WARNING!** Always make sure the trailer is supporting the sawmill frame when operating a sawmill with adjustable outriggers. Failure to do so may result in serious injury or death. The adjustable outriggers are intended to support the saw frame with assistance from the trailer.

**WARNING!** Do not set up the mill on ground with more than a 10 degree incline. If setup on an incline is necessary, put blocks under one side of the mill or dig out areas for outrigger legs to keep mill level. Setting up the mill on an incline could cause it to tip over, resulting in serious personal injury.



**CAUTION!** Changes in temperature could cause increased pressure in the blade tensioner and loss of fluid from the gauge. Release the blade tension when the mill is not in use to avoid damage to the tensioner.

## 1.3 Sawmill Operation



**IMPORTANT!** The sawmill is intended for sawing wood only. [See Section 1.7](#) for log size capacities of the machine.

**IMPORTANT!** The operator of the sawmill should get adequate training in the operation and adjustment of the machine.



**DANGER!** Make sure all guards and covers are in place and secured before operating or towing the sawmill. Failure to do so may result in serious injury.

Be sure the blade housing and pulley covers are in place and secure. Use the safety retainer pin and cable to fasten blade housing covers.

**DANGER!** Always keep hands away from moving bandsaw blade. Failure to do so will result in serious injury.

**DANGER!** Stay clear of the area between the trailer axle and saw

carriage. Failure to do so will result in serious injury.

**DANGER!** Keep all persons out of the path of moving equipment and logs when operating sawmill or loading and turning logs. Failure to do so will result in serious injury.

**DANGER!** Maintain a clean and clear path for all necessary movement around the mill and lumber stacking areas. Failure to do so will result in serious injury.

**DANGER!** Always be sure the blade is disengaged and all persons are out of the path of the blade before starting the engine or motor. Failure to do so will result in serious injury.

**DANGER!** Keep all persons out of the path of returning boards. Failure to do so will result in serious injury.



**WARNING!** Always disengage the clutch/brake mechanism whenever the sawmill is not cutting. Failure to do so may result in serious injury.

**WARNING!** Always wear eye, ear, respiration, and foot protection when operating the sawmill. Failure to do so may result in serious injury.



**WARNING!** Secure all loose clothing and jewelry before operating the sawmill. Failure to do so may result in serious injury or death.

**WARNING!** Always make sure log is clamped securely before sawing. Failure to do so may result in serious injury or death.

**WARNING!** Use ONLY water with the water lube accessory. Never use flammable fuels or liquids. If these types of liquids are necessary to clean the blade, remove it and clean with a rag. Failure to do so may result in serious injury or death.



**CAUTION!** Be sure the pivot rails, turning arm, clamp, and toe boards are below bed level before loading a log onto the bed. Failure to do so may result in machine damage or cause misalignment.

**CAUTION!** Before loading a log, be sure the cutting head is moved far enough forward so the log does not hit it. Failure to do so may result in machine damage.

**CAUTION!** Do not try to force the saw head beyond its upper and lower travel limits. Damage to the up/down system may result.

**CAUTION!** Do not use the blade guide arm knob to move the carriage head forward and backward. Damage to the blade guide arm may result.

**CAUTION!** Be sure to stop the blade when returning the carriage.

This will not only prevent the blade from being pulled off and ruined by a wood sliver, but also will increase the life of the blade.

**CAUTION!** The saw head will hit the spring-loaded ramp stops when adjusted for low cuts. Remove the loading ramps before sawing to prevent damage to the saw head and/or blade guide arm.



**CAUTION!** Never clean the blade or the blade wheels with a brush or a scraper during sawmill operation.

**CAUTION!** Before installation of the blade, inspect it for damage and cracks. Use only properly sharpened blades. Always handle the blade with extreme caution. Use suitable carrier equipment for transporting the blades.

**CAUTION!** Always wear gloves when handling the blade. Never grab the blade with bare hands!

**CAUTION!** If the blade breaks during sawmill operation, push the EMERGENCY STOP button to stop the blade motor and wait 10 seconds before you open the blade housing cover.

**CAUTION!** The sawmill's work-stand should be equipped with a 4 kg or bigger dry powder extinguisher.

## 1.4 Sawmill Maintenance



**WARNING!** Always secure the cutting head with a chain or a brace before adjusting the up/down chain. The cutting head may fall, causing severe injury or death.

**WARNING!** Always secure the cutting head with a chain or a brace before adjusting the mast pads. The cutting head may fall, causing severe injury or death.

**CAUTION!** Reinstall the track wiper so that it lightly touches the track rail. If the wiper presses too firmly against the rail, it can cause the power feed to bind.

**CAUTION!** Never use grease on the mast rails as it will collect sawdust.

**CAUTION!** Do not use chain lube. It causes sawdust buildup in chain links.

**CAUTION!** Due to variations in the vertical mast, the pad spacing may vary throughout the travel of the saw head. Check the pad spacing at the top and bottom ends of the mast only. Pads adjusted too tight will cause premature up/down motor failure.

**CAUTION!** It is important that the lower stop bolts are properly adjusted to secure the carriage on the track rail. Failure to properly adjust the stop bolts can cause saw head damage, especially during mill transportation.

See Table 1-1. Pictogram decals used to warn and inform the user about danger in the LT20.

**TABLE 1-1**

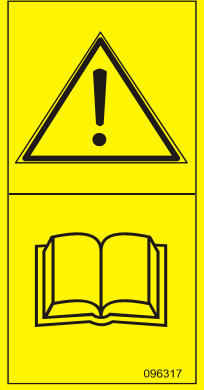

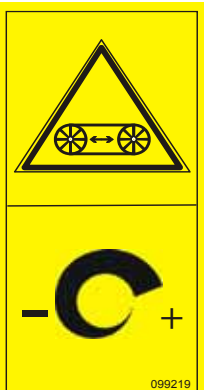


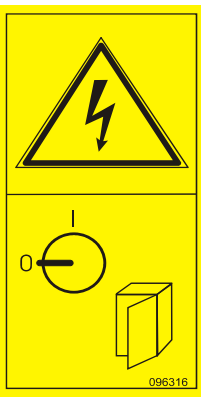
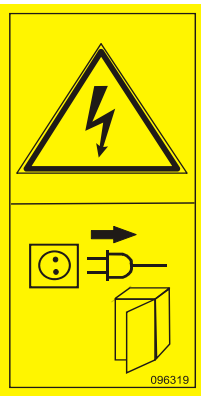
| Decal View  | W-M No. | Description  |
|---|---------|--|
|    | 096317  | CAUTION! Read thoroughly the manual before operating the machine. Observe all safety instructions and rules when operating the sawmill.    |
|   | 099220  | CAUTION! Close all guards and covers before starting the machine.  |
|  | 099219  | Blade tension. Turning the bolt clockwise will increase the blade tension and turning the bolt counterclockwise will decrease the tension. |

TABLE 1-1

|   |        |   |
|---|--------|---|
|  <p>099221</p>   | 099221 | CAUTION! Keep all persons a safe distance away from work area when operating the machine.         |
|  <p>098176</p>  | 098176 | CAUTION! Keep away from debarker blade!   |
|  <p>096316</p> | 096316 | CAUTION! Do not open or close the electric box when the switch <b>is not</b> in the "0" position. |
|  <p>096319</p> | 096319 | CAUTION! Disconnect power supply before opening the box.  |



**TABLE 1-1**

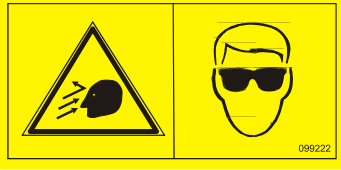







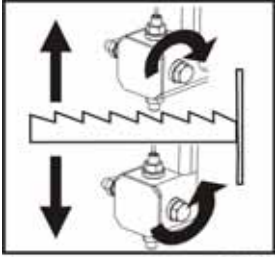
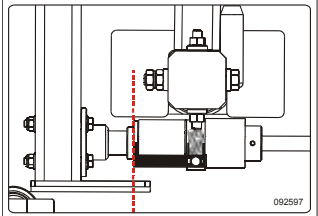



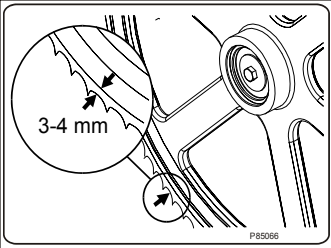
|   |                |  |
|---|----------------|--|
|    | <p>099222</p>  | <p>CAUTION! Sawdust outlet. Protect eyes!</p>                          |
|    | <p>099542</p>  | <p>CAUTION! Trailer</p>  |
|   | <p>086099</p>  | <p>CAUTION! Hot elements, keep your distance!</p>                      |
|  | <p>096321</p>  | <p>Blade movement direction</p>  |
|  | <p>S12004G</p> | <p>CAUTION! Always wear safety goggles when operating the sawmill!</p> |

TABLE 1-1

|  |                |  |
|--|----------------|--|
|                   | <p>S12005G</p> | <p>CAUTION! Always wear protective ear muffs when operating the sawmill!</p> |
|                   | <p>501465</p>  | <p>Caution! Wear foot protection when operating the machine!</p>             |
|                 | <p>501467</p>  | <p>Lubrication point</p>   |
|  <p>P11789b</p> | <p>P11789</p>  | <p>Aligning the blade on the wheels</p>                                      |
|  <p>092597</p>  | <p>092597</p>  | <p>Setting the blade tension indicator</p>                                   |
|                 | <p>P85070</p>  | <p>CE safety certification</p>   |

**TABLE 1-1**

|  |         |                                     |
|--|---------|-------------------------------------|
|   | 099401  | Russian safety certification        |
|   | S20097F | 2925 RPM - Motor rotation direction |
|  | P85066  | Blade positioning                   |

**1.5 Belt Sizes**

See Table 1-2. Belt sizes for the LT20 Series sawmill are shown.

| Description                | Belt Size        | Wood-Mizer Part # |
|----------------------------|------------------|-------------------|
| Motor Drive Belt E11 & E15 | 2BX81            | 014819-2          |
| Engine Drive Belt D22, G25 | 2BX84            | 088110            |
| Blade Pulley Belts         | B57 <sup>1</sup> | P04185            |

**TABLE 1-2**

<sup>1</sup> To insure proper blade tracking, use Goodyear, Dayco Super II, or Browning belts only.

**1.6 Blade Sizes**

See Table 1-3. Wood-Mizer TRU•SHARP™ offers three types of blades to provide efficient sawing for all models of sawmills. The engine/motor size of your sawmill and the type of wood you saw

should determine which blade you choose for optimum performance.

| Engine/Motor Size | Recommended Blade Type     |   |                                 |
|-------------------|----------------------------|---|---------------------------------|
|                   | Softwood                   | Medium Hardwood   | Frozen Timber or Dense Hardwood |
| 5 HP - 15 HP      | B275IH1030<br>B275IH741030 | B375IH929   | B375IH929 <sup>1</sup>          |
| 16 HP or more     | B376IH1030<br>B376IH741030 | B275IH1030<br>B275IH741030<br>B376IH1030<br>B376IH741030 <sup>2</sup> | B375IH929 <sup>1</sup>          |
| Electric Motor    | B376IH1030<br>B376IH741030 | B275IH1030<br>B275IH741030<br>B376IH1030<br>B376IH741030 <sup>2</sup> | B375IH929 <sup>1</sup>          |

<sup>1</sup> TRU•SHARP™“F” 9° blades use a 9/29 profile (9° hook angle and 29° back angle) and are designed to cut frozen and/or extremely dense, hard-to-cut wood. Standard TRU•SHARP™ blades use a 10/30 profile.

<sup>2</sup> Customer may choose preferred blade.

See *The Blade Handbook* for blade hook angle, tooth height, and tooth set specifications.

## 1.7 Log Dimensions

See Table 1-4. The log size capacities of the LT20 series sawmill are listed below.

|        | Max. Diameter <sup>1</sup> | Max. Length <sup>1</sup> |
|--------|----------------------------|--------------------------|
| LT20 S | 71 cm                      | 5.1 m (16' 8")           |
| LT20 M | 71 cm                      | 6.4 m (21')              |
| LT20 L | 71 cm                      | 8,4m                     |

TABLE 1-4

<sup>1</sup> Maximum log capacity for a basic mill is 2000 Kg.

## 1.8 Cutting Capacity

See Table 1-5. The performance capacity of the LT20 series sawmill is listed below. Peak cutting rates are measured in 12” (30 cm) wide red oak and represent the capability of the sawmill only. Rates based on using Tru-Sharp 1 1/4” x .042 blades.

| Model        | Linear Blade Speed | Maximum Cutting Speed |
|--------------|--------------------|-----------------------|
| LT20 S/M G15 | ---                | 5.2 m/min             |

TABLE 1-5

## 1.9 Engine/Motor Specifications

See Table 1-6. The power options available for the LT20 Series sawmill are listed below.

| Engine/Motor Type | Manufacturer        | Model No.      | Power  | Other Specifications                |
|-------------------|---------------------|----------------|--------|-------------------------------------|
| 11HP Electric     | Tamel SA,<br>Poland | Sg 132S-2B HM  | 7.5 kW | 14.5 A, 2925 r.p.m.                 |
| 15HP Electric     | Tamel SA,<br>Poland | Sg 132S-2PC HM | 11 kW  | 22.3 A 2920 r.p.m.                  |
| 22HP Diesel       | Kubota              | D1005          | 22 HP  | 3600 r.p.m.                         |
| 18HP Gasoline     | Kohler              | CH18           | 18HP   | 3750 r.p.m.                         |
| 25HP Gasoline     | Kohler              | CH25           | 25HP   | 3600 r.p.m.,<br>725 cm <sup>3</sup> |

TABLE 1-6

See Table 1-7. See the table below for power supply specifications for the LT20 sawmill.

|               | 3-Phase<br>Volts | Fused<br>Disconnect<br>Switch | Recommended<br>Wire Size                  |
|---------------|------------------|-------------------------------|---|
| Non-Hydraulic | 400 VAC          | 25 Amp                        | 4 mm <sup>2</sup><br>up to 15 m of length |
| Hydraulic     | 400 VAC          | 35 Amp                        | 6 mm <sup>2</sup><br>up to 15 m of length |

TABLE 1-7



**DANGER!** It is recommended that a 30mA Ground Fault Interrupter (GFI) be used.

## 1.10 Noise Level

See Table 1-8. The average noise level is given in the table below<sup>12</sup>.

| Sawmill | Noise Level                                 |
|---------|---|
| LT20E15 | L <sub>EX8</sub> = 79,6 dB (A)              |
| LT20D22 | L <sub>EX8</sub> = 85,6 dB (A)              |
| LT20G25 | L <sub>EX8</sub> = 88,1 dB (A) <sup>1</sup> |

TABLE 1-8

<sup>1</sup> The noise level measurement was taken in accordance with PN-EN ISO 9612 Standard.

## 1.11 Overall Dimensions

See Table 1-9. The overall dimensions of the LT20 series sawmill are listed below.

| Model           | Length <sup>1</sup> | Width <sup>2</sup> | Width Operating Position (Loading Arms Raised) | Height <sup>3</sup> | Weight  | Weight w/Trailer |
|-----------------|---------------------|--------------------|--|---------------------|---------|------------------|
| LT20S w/Trailer | 6.7 m               | 2 m                | 3.5 m  | 2,5 m               | 923 kg  | 1068 kg          |
| LT20M           | 8 m                 | 2 m                | 3.5 m  | 2,5 m               | 1013 kg | 1158 kg          |
| LT20L           | 10,8 m              | 2,3 m              | 3,8 m  | 2,5 m               |         |                  |

TABLE 1-9

<sup>1</sup> Length from hitch to chain bracket.

<sup>2</sup> Width from fender to fender.

<sup>3</sup> Height from ground to mast. Placing head in maximum position will add to total height.

See Figure 1-1. The LT20 S & M type frame sawmill's operator position is shown below.

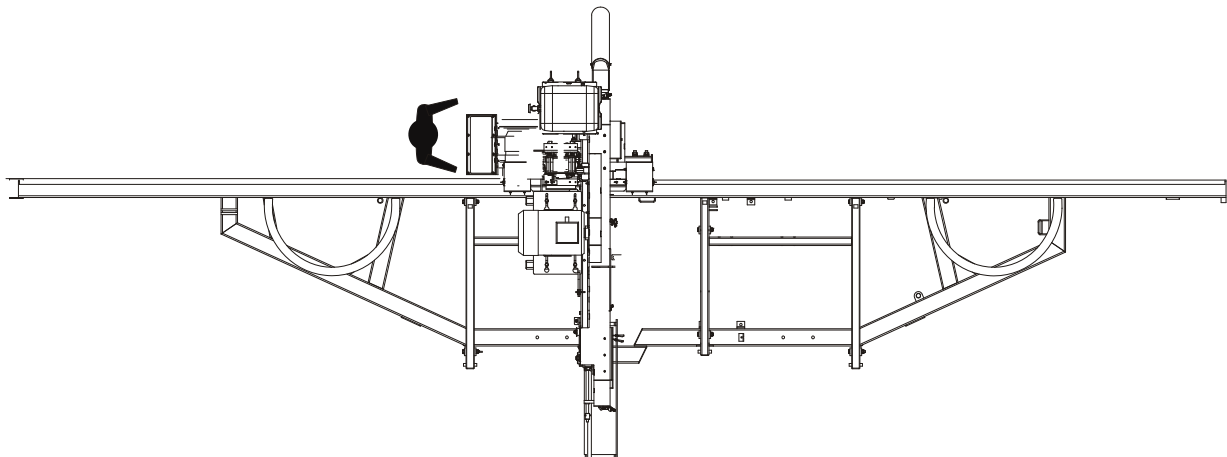


FIG. 1-1

The LT20 L type frame sawmill's operator position is shown below

1. The noise level measurement was taken in accordance with PN-EN ISO 3746 Standard. The noise exposure level given above concerns an 8-hour work day.
2. The measured values refer to emission levels, not necessarily to noise levels in the workplace. Although there is a relation between emission levels and exposure levels, it is not possible to determine with certainty if preventives are needed or are not needed. The factors affecting a current level of noise exposure during work are inter alia room characteristics and characteristics of other noise sources, e.g. number of machines and machining operations nearby. Also, the permissible exposure level value may vary depending on country. This information enables the machine's user to better identify hazards and a risk.

## 1.12 Chains

See Table 1-10. The load capacity of the chains is listed below.

|               | Load Capacity According to ISO No 08A-1 |
|---------------|---|
| Up/Down Chain | 2270KG                                  |

TABLE 1-10

## 1.13 Sawdust Extractor Specifications



**CAUTION!** Always turn on the dust extractor before starting the machine.

See Table 1-11. The dust extractor specifications are given below.

|   |                        |
|---|------------------------|
| Maximum Capacity                            | 1200 m <sup>3</sup> /h |
| Collector Inlet Diameters (in front of fan) | 150 mm                 |
| Motor Power                                 | 1.5 kW                 |
| Number of Sacks for Waste                   | 1 pcs                  |
| Total Capacity of Sacks                     | 0.25 m <sup>3</sup>    |
| Weight                                      | 110 kg                 |
| Conveying Speed When 10 m Long Hose Is Used | 20 m/s                 |

TABLE 1-11

1.14 Components

See Figure 1-2. The major components of the Wood-Mizer LT20 Series are shown below.



FIG. 1-2



1.15 LT20 Hydraulic Schematic (sawmills with optional manual hydraulic loader)

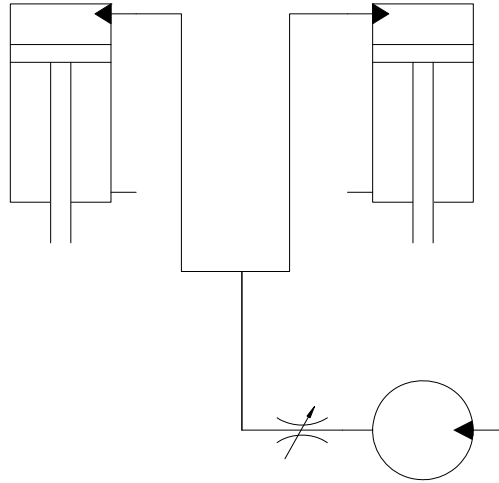


FIG. 1-2 HYDRAULIC SCHEMATIC

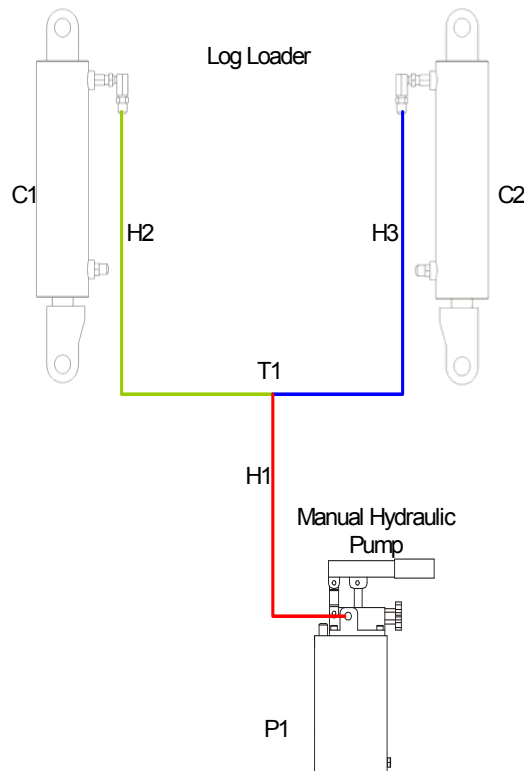


FIG. 1-2 HYDRAULIC LAYOUT DIAGRAM

### 1.16 Hydraulic Components, LT20 M

| ID     | Wood-Mizer Part No. | Description                             |
|--------|---------------------|---|
| C1, C2 | 088680              | Cylinder, CJ-S95-16-70/32/203 Hydraulic |
| P1     | 090309              | Pump, TYP PAM 014 2500, ZB. 3L Manual   |
| T1     | 015487              | T-Connector, 3/8JIC                     |

*TABLE 1-11*

### 1.17 Hydraulic Hoses, LT20 M

| ID | Length"A" | Description                  | Wood-Mizer Part No. |
|----|-----------|------------------------------|---------------------|
| H1 | 4,6m      | Hydraulic Hose 3/8"          | 091843              |
| H2 | 2,2m      | Log Turner Cylinder Top 3/8" | 091844              |
| H3 | 1,2m      | Log Turner Cylinder Top 3/8" | 091845              |

*TABLE 1-11*

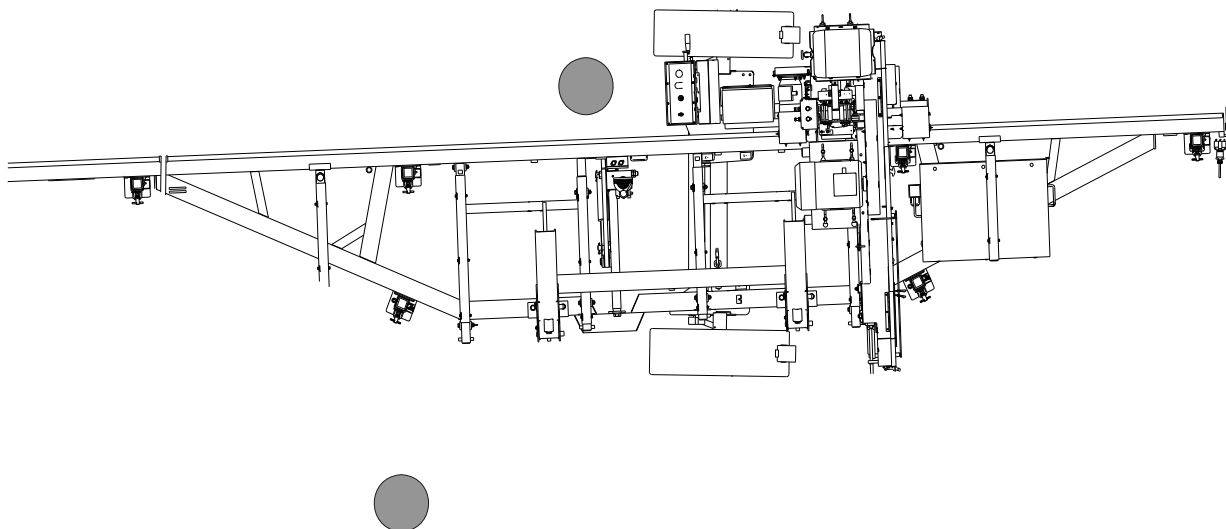
## SECTION 2 SETUP & OPERATION

### 2.1 Sawmill Setup



**IMPORTANT!** Before starting to use the sawmill you have to meet the following conditions:

- Set up the sawmill on firm, level ground and level the sawmill. Secure the sawmill to the ground to prevent moving during operation. A concrete foundation or pads (rated to support 31 T/m<sup>2</sup> at each sawmill foot position) and 16mm anchored bolts are recommended.
- Under roof, the sawmill should always be operated with the sawdust collection system.
- The sawmill can be operated under roof only.
- The sawmill can be operated in temperature range from -15° C to 40° C only.
- The illumination at the operator's position should be at least 300lx.
- The sawmill operator's position is shown below.



- Have a qualified electrician install the power supply (according to EN 60204 Standard). The power supply must meet the specifications given in the table below.

| 3-Phase Volts | Fuse Disconnect | Suggested Wire Size                  |
|---------------|-----------------|--------------------------------------|
| 400 VAC       | 40 A            | 6 mm <sup>2</sup><br>up to 15 m long |


**TABLE 2-0**

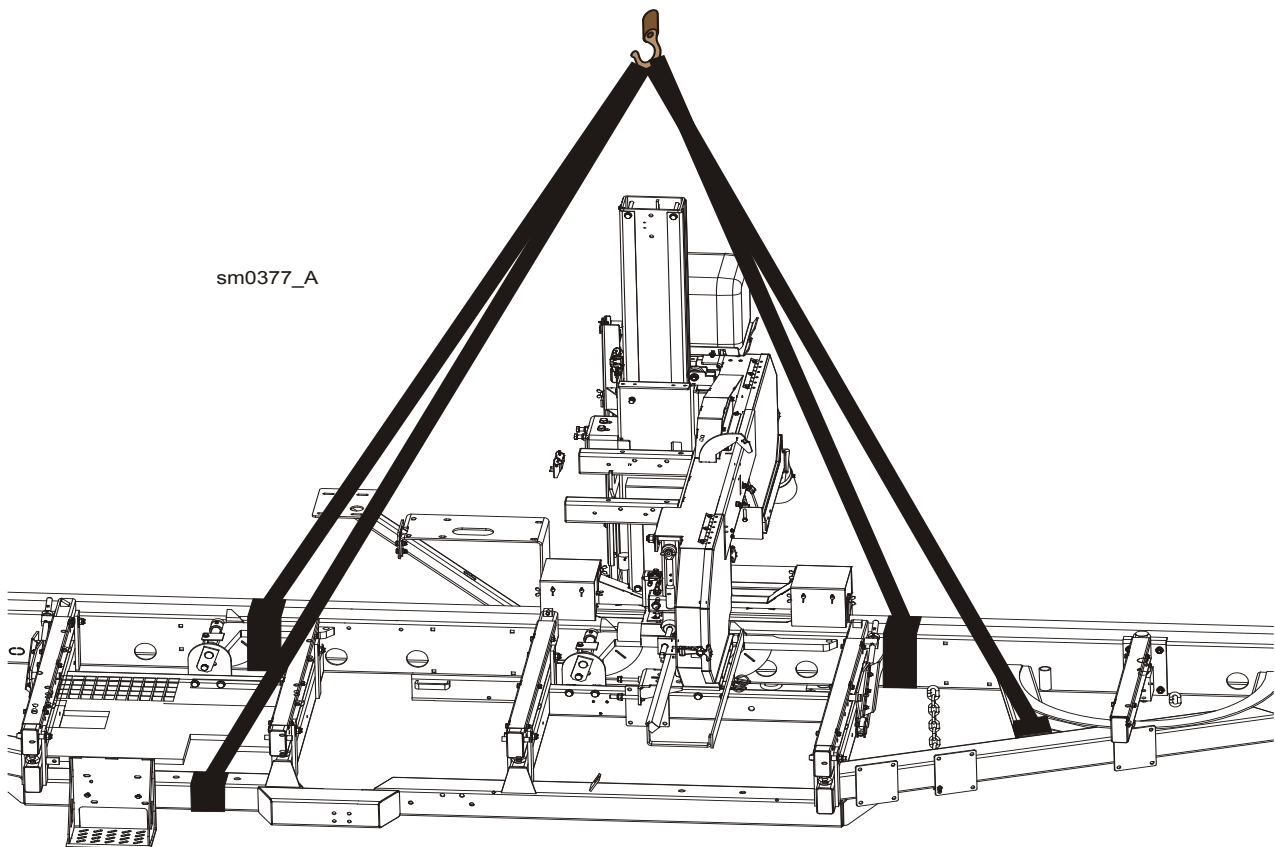


**IMPORTANT!** When starting the machine for the first time, check that main motor rotation direction is as indicated by the arrow located on

the motor body (fan guard). If the rotation direction is incorrect, invert the phases in the phase inverter in the power socket (electric box). Setting the phases in the phase inverter correctly will ensure correct rotation directions of all sawmill motors.

- Tie the belts in the places shown on the picture below. The sawmill can be lifted using a forklift, a winch or a crane. The belts and the lifting equipment must be rated for at least 3000kg (6600 lb).

 **WARNING!** When lifting the sawmill, use extreme caution and keep all persons at a safe distance. Failure to do so may result in serious injury or death.




## 2.2 Stationary Sawmill Setup

Set up the mill on firm footing and level by eye. Fasten the mill to the floor to prevent any creep after prolonged use. A cement pad with 5/8" (16 mm) diameter anchor bolts is recommended. The cement pad should be rated to support 6350 lbs./sq.ft. (31 T/m) at each sawmill foot position.

**NOTE:** Make sure the unit is level before securing. The sawmill mast should not be tilted from the vertical more than 3° towards the log loader. The mast should not be tilted in the opposite direction.

Level the sawmill by adjusting the feet to raise or lower each end of the sawmill. Adjust all feet evenly to avoid twisting the mill frame by jacking one feet higher than the others.

 **WARNING!** Do not operate a stationary sawmill without the feet

## 2 SETUP & OPERATION

### Stationary Sawmill Setup

securely fastened to the floor.

See Figure 2-1.

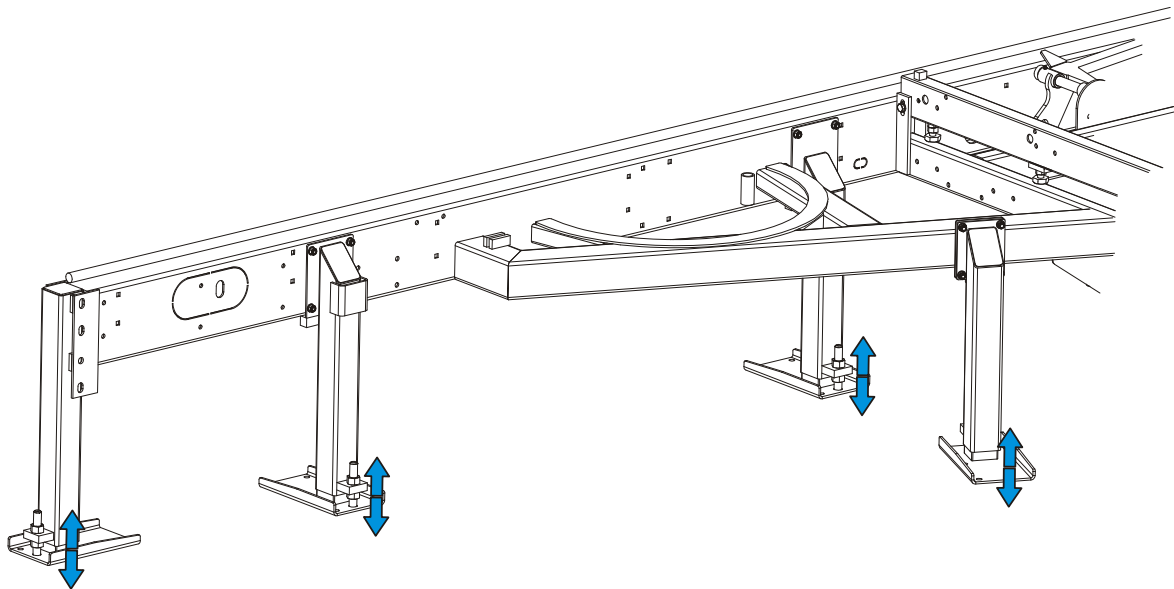


FIG. 2-2

See Figure 2-3. Sawmill Mast Tilt

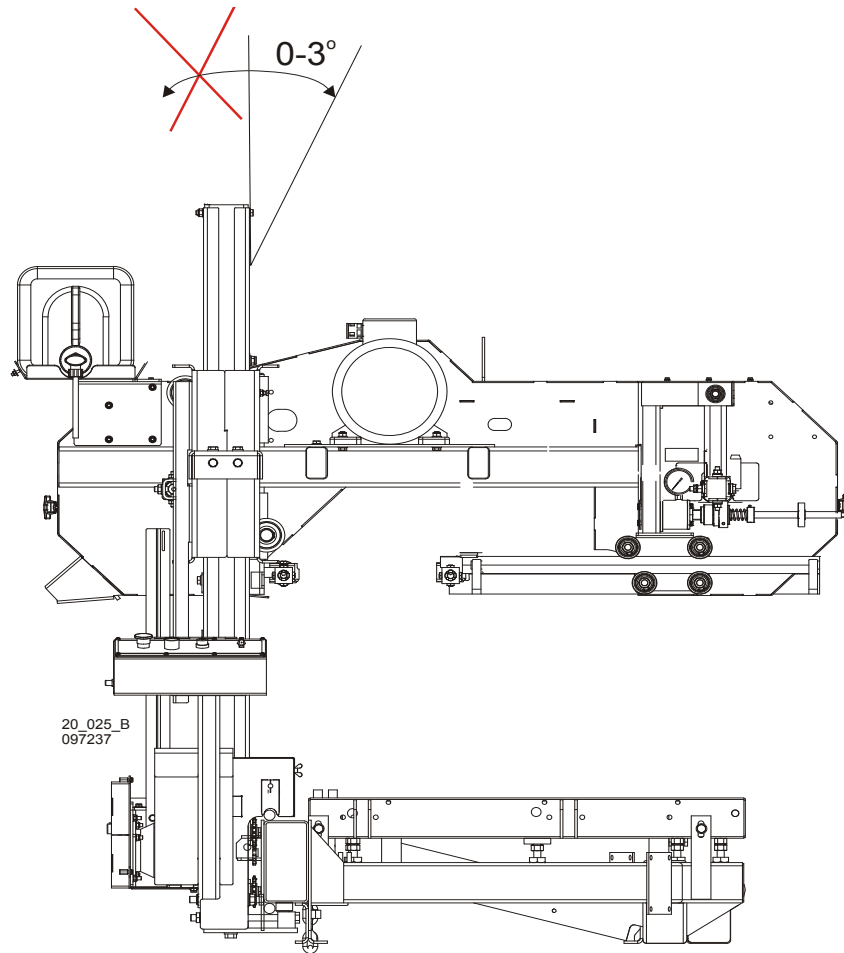
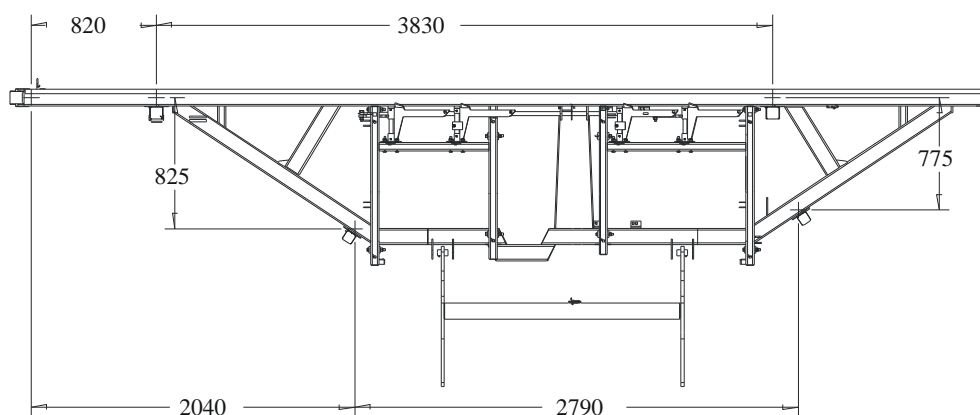


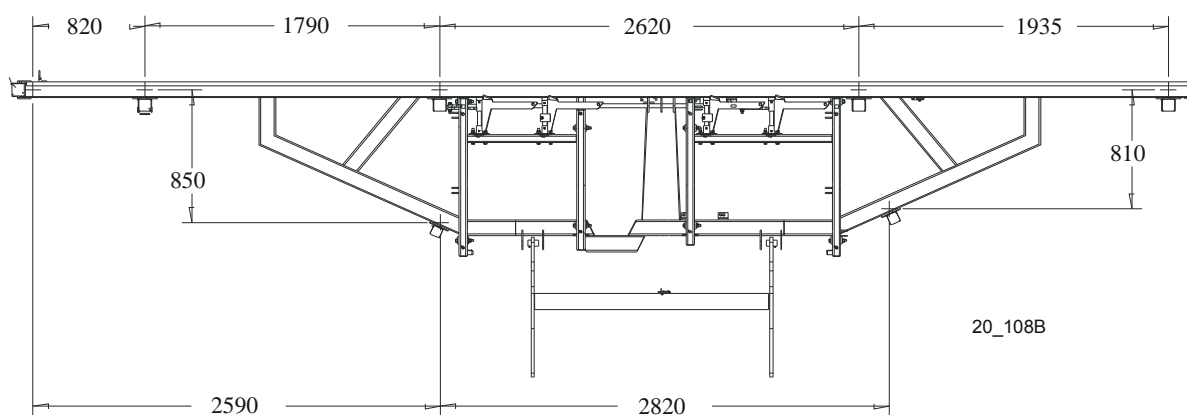
FIG. 2-4

## 2 SETUP & OPERATION

### Stationary Sawmill Setup



**LT20 S Stationary Metric Dimensions\***



**LT20 M Stationary Metric Dimensions\***

\*All dimensions in millimetres

**FIG. 2-5**

1. Unhook the carriage safety chain, located at the bottom of the vertical mast.
2. Use the up/down crank or the up/down switch to raise the cutting head from the carriage rest pin. Swing the rest pin below bed level.
3. Use the power feed switch to move the cutting head toward the front end of the mill. Raise the two side supports that will prevent a log from falling off the side of the mill when loaded.

See Figure 2-6.

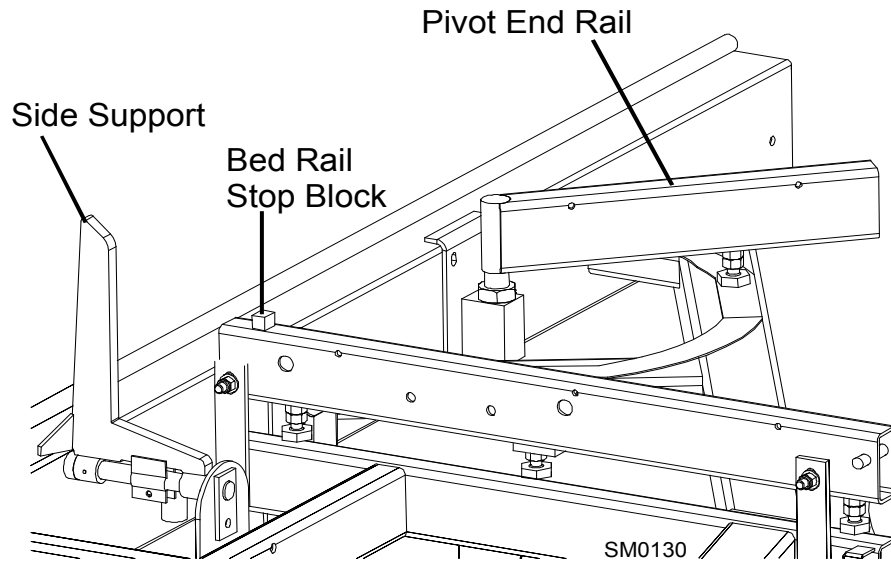
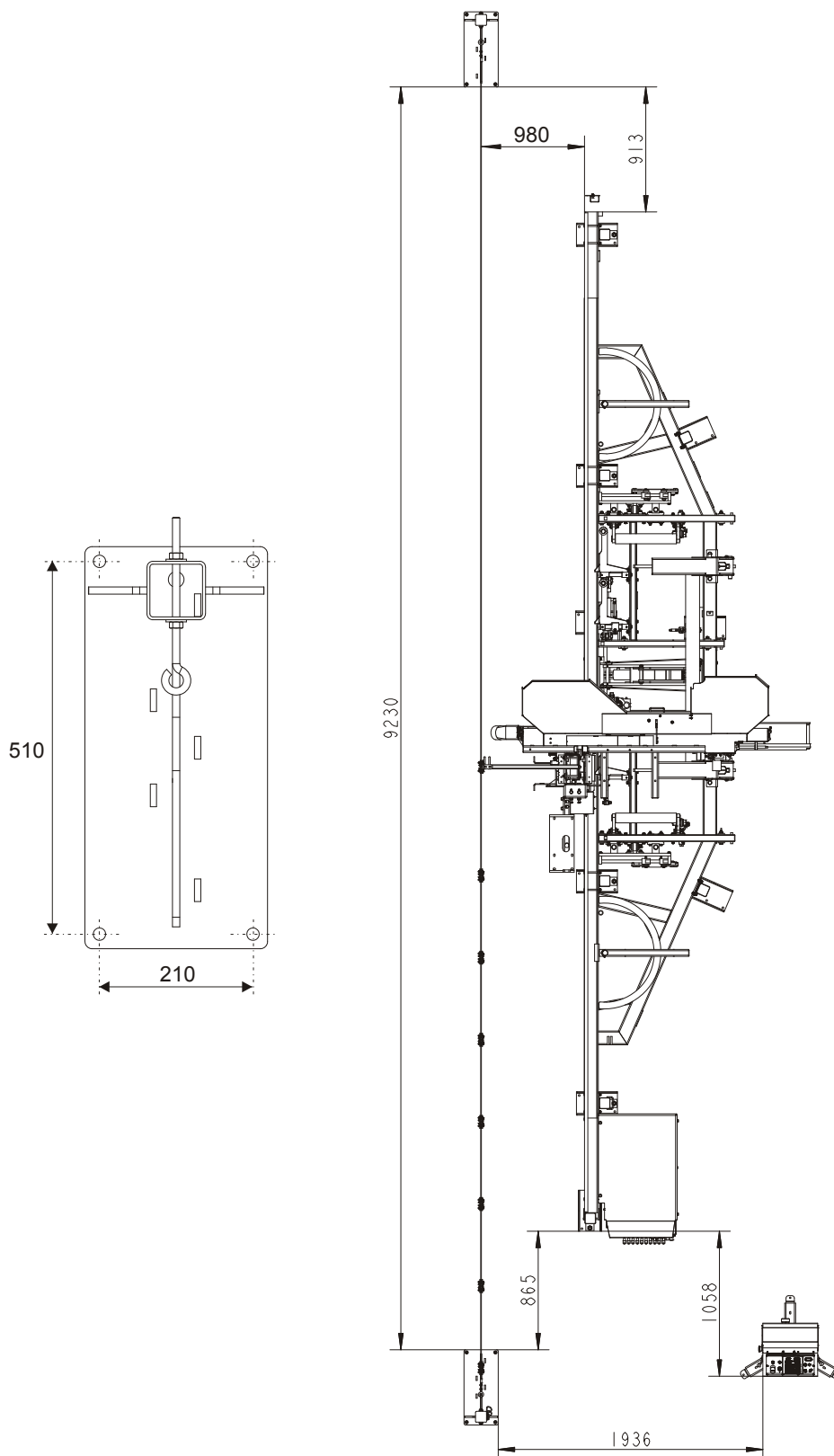


FIG. 2-7

### 2.2.1 Sawmills with cable guide

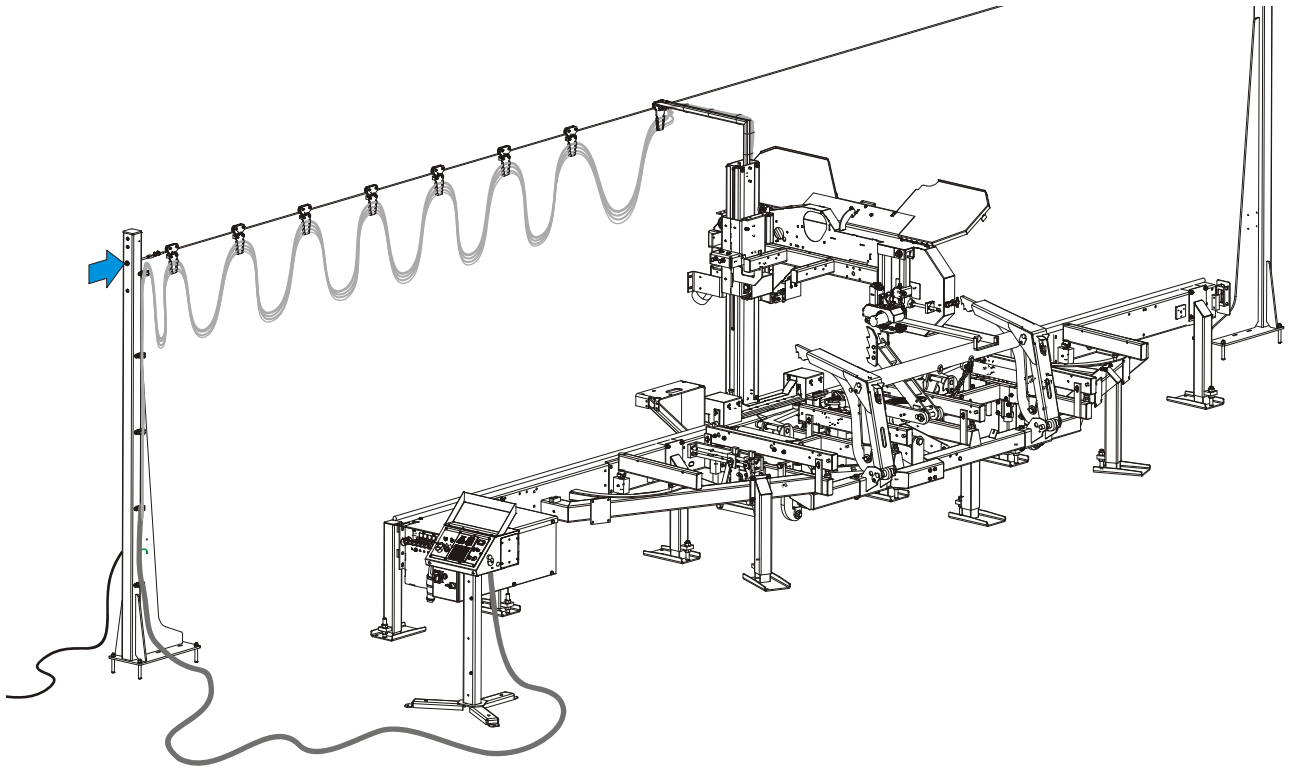
See Figure 2-1. The figure below shows setup of the sawmill, the control box and the cable guide columns.





**FIG. 2-2 LT20MRC**

**See Figure 2-3.** The electrical wires should be installed on the cable guide as shown below.



**FIG. 2-4**

See Figure 2-5. The figure below shows how the electrical wires should be installed on the roller hangers.

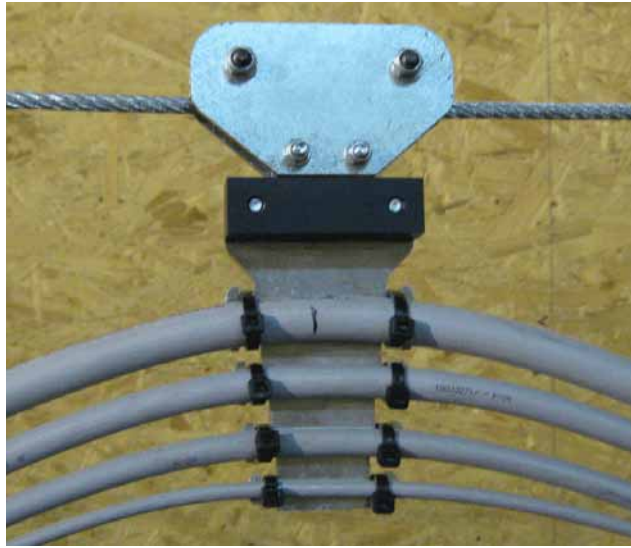


FIG. 2-6




**CAUTION!** Be sure the larger diameter cables are mounted to the upper brackets of the roller hangers, and the smaller diameter cables are mounted to the lower brackets of the hangers.




FIG. 2-7

## 2.3 Portable Sawmill Setup

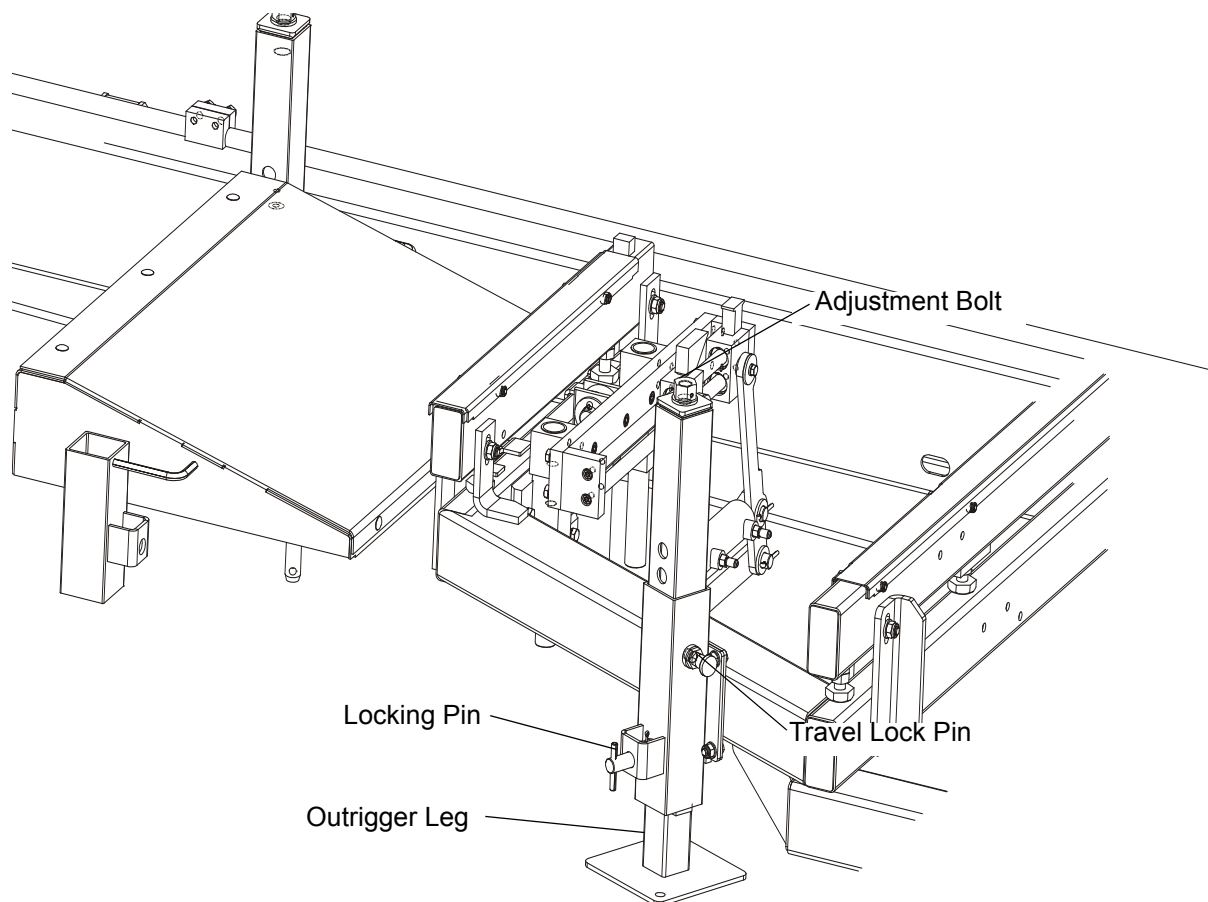
 **WARNING!** If it is necessary to set up the sawmill on ground with more than 3° incline, dig out areas for outrigger legs to prevent the sawmill from tipping over.

**WARNING!** Chock the trailer wheels to prevent movement before unhitching it from the towing vehicle. Failure to do so will result in serious injury or death.

1. Pull the hand brake to prevent the sawmill from moving.
1. Unhitch the mill from the vehicle.
2. Lower and set the front fine adjust outriggers. To do this, first manually pull the locking pin out of the outrigger hole. When the outrigger contacts the ground, release the pin. Then using a 19 wrench, turn the outrigger adjustment bolt until the locking pin enters the nearest outrigger hole.

 **WARNING!** Put front outrigger down before moving cutting head from the rest position. Failure to do so may result in serious injury.

See Figure 2-2.



**FIG. 2-3. OUTRIGGER ADJUSTMENT**

3. Remove the fenders by lifting them out of the slots.



**CAUTION!** When setting up the sawmill on boggy terrain (such as deep mud or sand), place a board or a metal plate under each outrigger leg to prevent the legs from sinking.

4. Unhook the carriage safety chain, located at the bottom of the vertical mast.
5. Use the up/down switch to raise the cutting head from the carriage rest pin. Remove the distance block from the stop bolt.

See Figure 2-4.

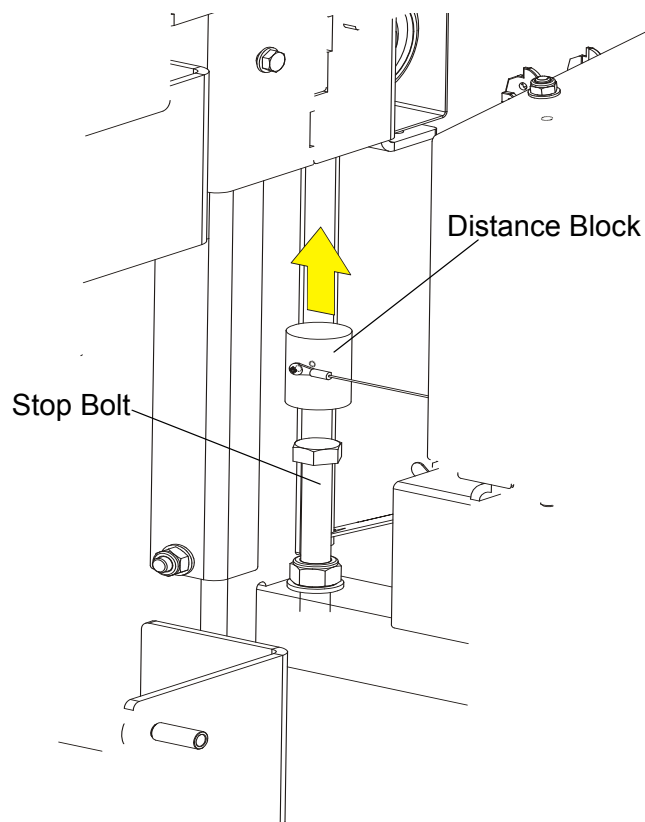


FIG. 2-5



**WARNING!** Put front outrigger down before moving cutting head from the rest position.

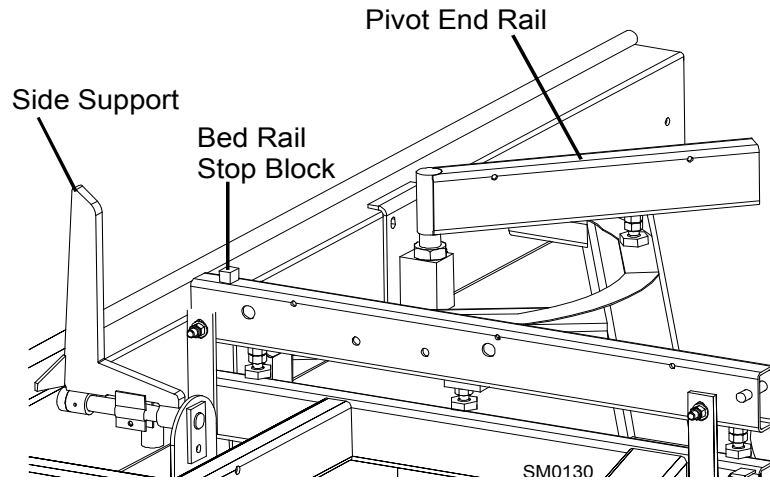


**CAUTION!** To prevent fender damage, remove fenders before operating sawmill or loading logs.

6. Use the power feed switch to move the cutting head toward the front or the rear end of the mill. Lower and set the remaining rear outriggers.
7. Level the sawmill by adjusting the outriggers to raise or lower each end of the sawmill. Adjust all outriggers evenly to avoid twisting the mill frame by jacking one outrigger higher than the others.

Raise the two side supports to prevent the log from falling off the side of the mill when loaded.

**See Figure 2-6.**



**FIG. 2-7**

## 2.4 Middle Track Cover

Before operating the sawmill do as follows:

1. Clean the upper and lower rails to remove any sawdust and rust preventives.
2. Unbolt and remove the middle track cover from its storage position.
3. Soak the felt wiper with Dexron III transmission fluid, 10W30 motor oil or 3-in-1 turbine oil.
4. Install the middle track cover so it fits against the rail and secure with two thumb screws.

See Figure 2-8.

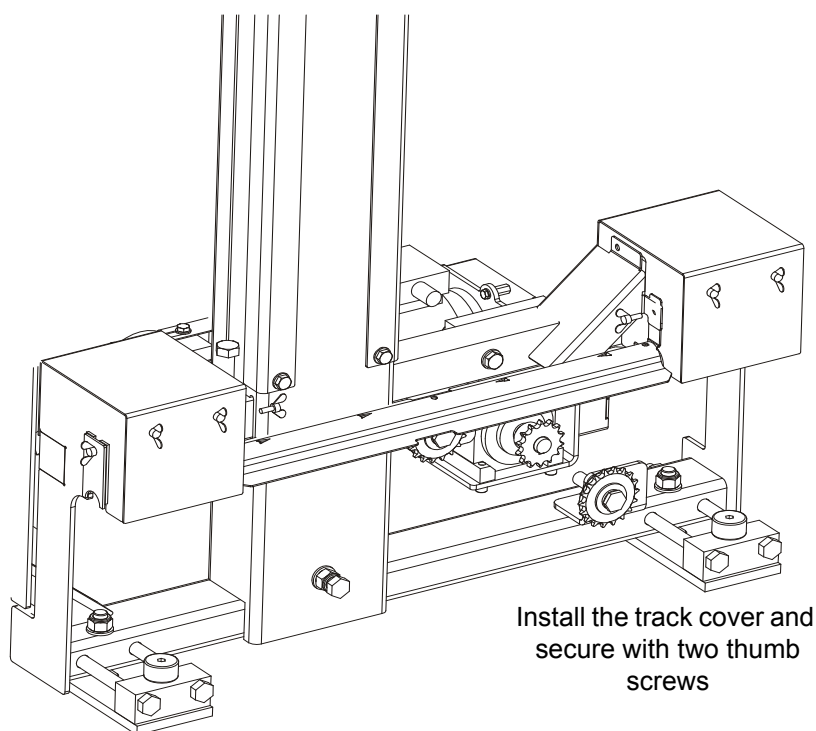





FIG. 2-9

 **CAUTION!** Install the track cover so that it lightly touches the track rail. If the wiper presses too firmly against the rail, it can cause the power feed to bind.

## 2.5 Replacing The Blade

 **DANGER!** Always shut off the sawmill motor before changing the blade. Failure to do so may result in serious injury.

 **WARNING!** Always wear gloves and eye protection whenever handling bandsaw blades. Changing blades is safest when done by one person! Keep all other persons away from work area when

changing blades. Failure to do so may result in serious injury.

Raise the blade housing cover. Turn the blade tension handle to release the blade tension until the wheel is pulled in and the blade is lying loose in the blade housing. Lift the blade out of the blade housing.

When installing a blade, make sure the teeth are pointing the correct direction. The teeth should be pointing toward the operator side of the mill when you are looking at the blade below the blade guides. Install the blade so it is lying around the wheels.

Position 1 1/4" wide blades on the wheels so the gullet is 3.0 mm ( $\pm$  1.0 mm) out from the front edge of the wheel.

Close the blade housing cover.

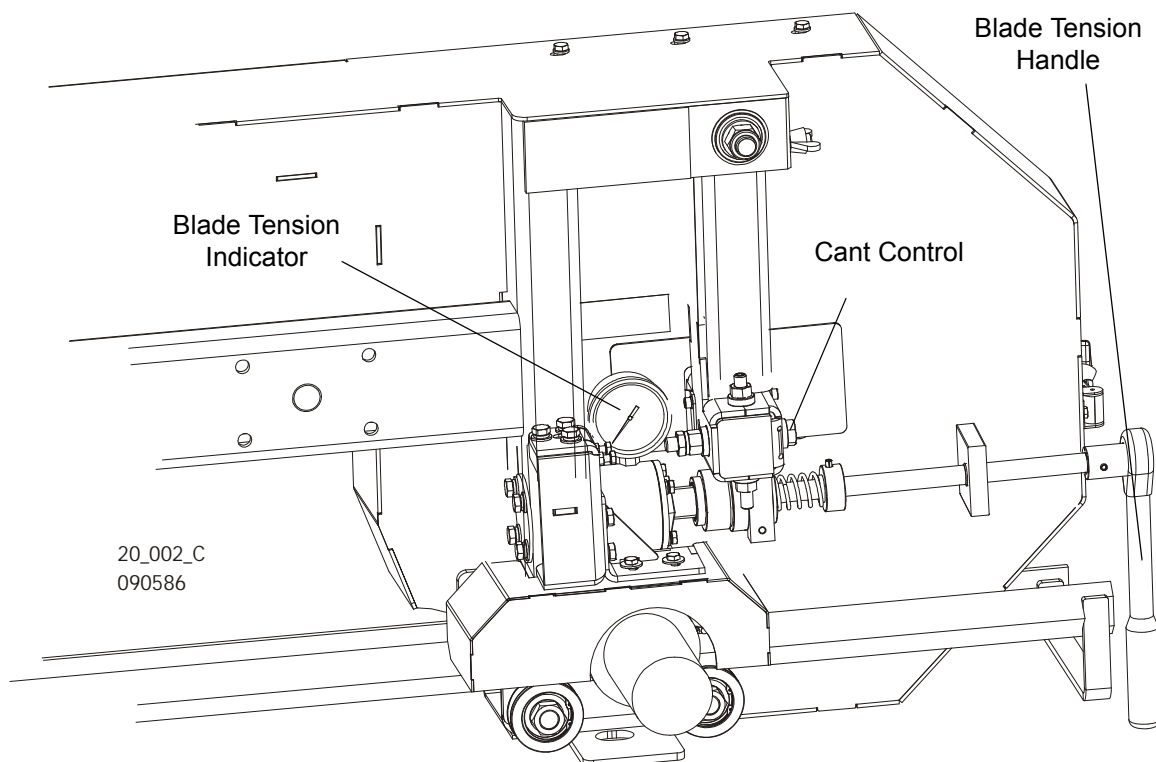
Next, turn the tension handle until the blade is tensioned correctly.



**CAUTION!** Should you need to adjust the blade position, never grab the wheel arms to spin the idle-side blade wheel as your fingers can get pinched.

## 2.6 Tensioning The Blade

See **Figure 2-10**. Turn the blade tension handle clockwise until the tension gauge indicates the recommended tension. Check the blade tension occasionally when adjusting the cant control or while cutting. As the blade and belts heat up and stretch, the blade tension will change. Also, ambient temperature changes can cause tension to change.



**FIG. 2-11**





**CAUTION!** Release the blade tension when the mill is not in use.

See **Table 2-8**. The recommended tension for different blades is shown below.

| Blade Type | Blade Dimensions |             | Tension range |       |
|------------|------------------|-------------|---------------|-------|
|            | Width (mm)       | Height (mm) | PSI           | Bar   |
| 275        | 1.07             | 32          | 1015-1088     | 70-75 |
| 375        | 1.14             | 32          | 1088-1160     | 75-80 |
| 2735       | 1.07             | 35          | 1160-1233     | 80-85 |

**TABLE 2-8**

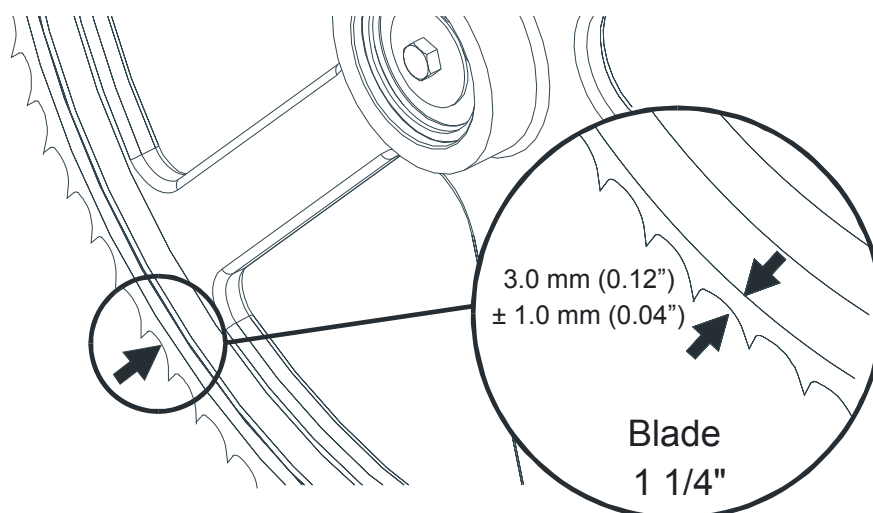
## 2.7 Tracking The Blade

1. Open the blade housing cover.
2. Turn the key switch to the "H" position.



3. Manually spin one of the blade wheels until the blade positions itself on the blade wheels.
4. Check if the blade is properly positioned on the blade wheels.

See **Figure 2-12**. Position 1 1/4" wide blade on the wheels so the gullet is 3.0 mm (0.12") ± 1.0 mm (0.04") out from the front edge of the wheel.




**FIG. 2-13**

5. Use the cant adjustment bolt, shown in **Figure 2-11** to adjust where the blade travels on the blade wheels.

To move the blade out on the blade wheel, turn the cant adjustment bolt clockwise. To move the blade in on the blade wheel, turn the bolt counterclockwise.


6. After adjusting the tilt of the blade wheels with the cant adjustment bolt, tension the blade properly.
7. Close the blade housing cover.


 **DANGER!** Make sure all guards and covers are in place and secured before operating or towing the sawmill. Failure to do so may result in serious injury. Be sure the blade housing cover is in place and secured.


**DANGER!** After aligning the blade on the wheels, always check the blade guide spacing and location. (See Section 5 for more information.)

## 2.8 Starting The Motor


See the appropriate manual supplied with your specific motor configuration for starting and operating instructions.

 **IMPORTANT!** For safe operation of the sawmill, one person is sufficient, however in case of manual collection of sawn material, at least two persons should be assigned to these activities in order not to exceed the manual lifting standard.


 **CAUTION!** Before starting the sawmill, the operator must warn all persons who are nearby of the intention of starting the machine.

 **IMPORTANT!** The sawmill should be operated only by a qualified person of age, being in good state of health confirmed by a medical certificate.

**IMPORTANT!** When starting the machine for the first time, check that main motor rotation direction is as indicated by the arrow located on the motor body (fan guard). If the rotation direction is incorrect, invert the phases in the phase inverter located in the power socket (electric box). Setting the phases in the phase inverter correctly will ensure correct rotation directions of all sawmill motors.

 **WARNING!** Make sure all guards and covers are in place and secured before operating or towing the sawmill. Failure to do so may result in serious injury. Be sure the blade housing cover is in place and secured.

**WARNING!** Do not start the motor when the clutch/brake lever is in the engaged position. Always be sure the blade is disengaged and all persons are out of the path of the blade before starting the motor. Failure to do so will result in serious injury.

 **WARNING!** Always wear eye, ear, respiration and foot protection when operating the machine. Secure all loose clothing and jewelry before operating the sawmill. Failure to do so may result in serious injury.

**WARNING!** Always connect and start the dust extraction system before starting the machine, [See Section 1.13](#).



**CAUTION!** If at any time you need to immediately stop the blade motor, press the emergency stop button located on the control box.

Before starting the sawmill at a new location, at least once a year or after every repair have a qualified electrician (having appropriate measurement qualifications) check the insulation resistance and electric shock protection of the electrical system.

The electric box should be protected against dust and moisture. Regularly disconnect power supply and clean the inside of the electric box of dust, sawdust, etc. Do not operate or leave the sawmill with the electric box door open.



**DANGER!** Hazardous voltage inside the electric box (even if disconnected with the main disconnect switch) and at the motor can cause shock, burns, or death. Always disconnect power supply before servicing!

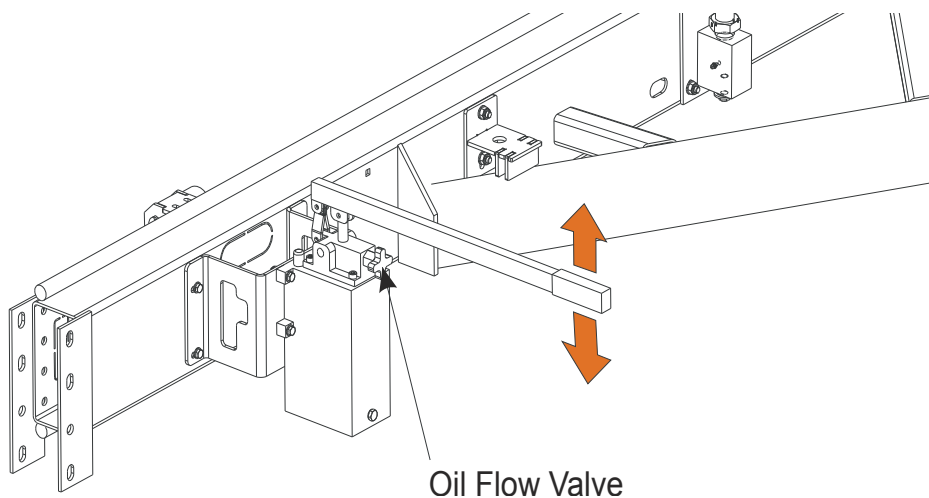
## 2.9 Loading, Turning, And Clamping Logs



**CAUTION!** Make sure the pivot rails, turning arm, clamp, and toe boards are below bed level before loading a log onto the bed. Also, be sure the cutting head is moved far enough forward so the log does not hit it.

### To Load Logs:

1. Place the log on the loading arms. You can use a cant hook to do this. Roll the log onto the loader so that it is approximately centered with the sawmill bed. The log turner will operate much easier if the log is centered on the sawmill bed.
2. Raise the side supports.
3. Make sure the oil flow valve is closed. To close the valve, turn the valve knob clockwise. Moving the loader lever up and down, raise the loading arms until the log rolls onto the bed.



4. Lower the loading arms by opening the oil flow valve. To open the valve, turn the valve knob

counterclockwise. Leave the loading arm halfway down while positioning the log on the bed. This will prevent the log from rolling off the bed.

**NOTE:** Logs also may be loaded onto the mill with a fork lift or other equipment specifically designed for that purpose.

**NOTE:** It is recommended that the log loader be left in the up position when the mill is not in use. This will prevent the hydraulic cylinders from corroding.

**To Turn Logs:**

1. Use the log turner to rotate the log on the sawmill bed.
2. Spin the log against the side supports until it is turned the way you want it for the first cut. If you want to turn the log more, do the following steps.
3. Raise the turner arm to get a new bite on the log.
4. Disengage the clamp.
5. The log can be turned now. Repeat steps 4 through 7 until the log is turned as desired.

**To Clamp Logs:**

1. Position the clamp against the log.
2. Move the clamp down far enough so that it is below your first few cuts. Using the clamp lever, clamp the log against the side supports.

See Figure 2-14.

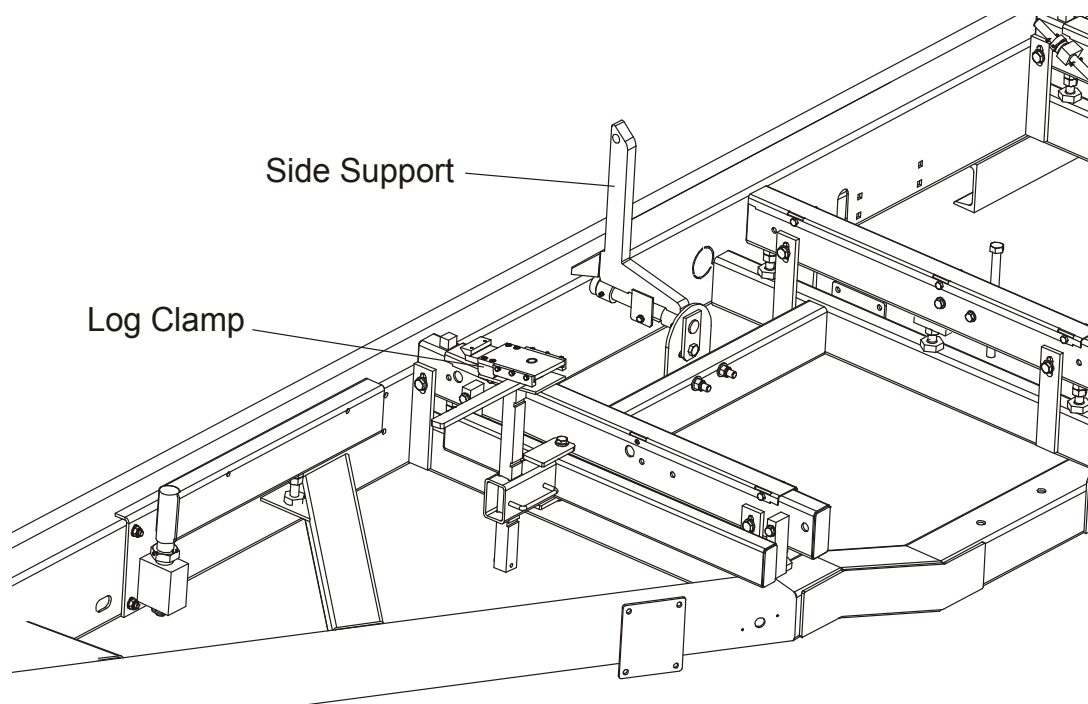


FIG. 2-15

3. Make sure the side supports are positioned low enough for the blade to pass over them. If they are not, back the clamp off slightly and push the side supports down until they are positioned below the level of your first few cuts.
4. Use the toe board levers to level the log if desired.

#### To Level A Tapered Log:

Use the toe board levers to raise either end of a tapered log, if desired.

## 2.10 Up/Down Operation

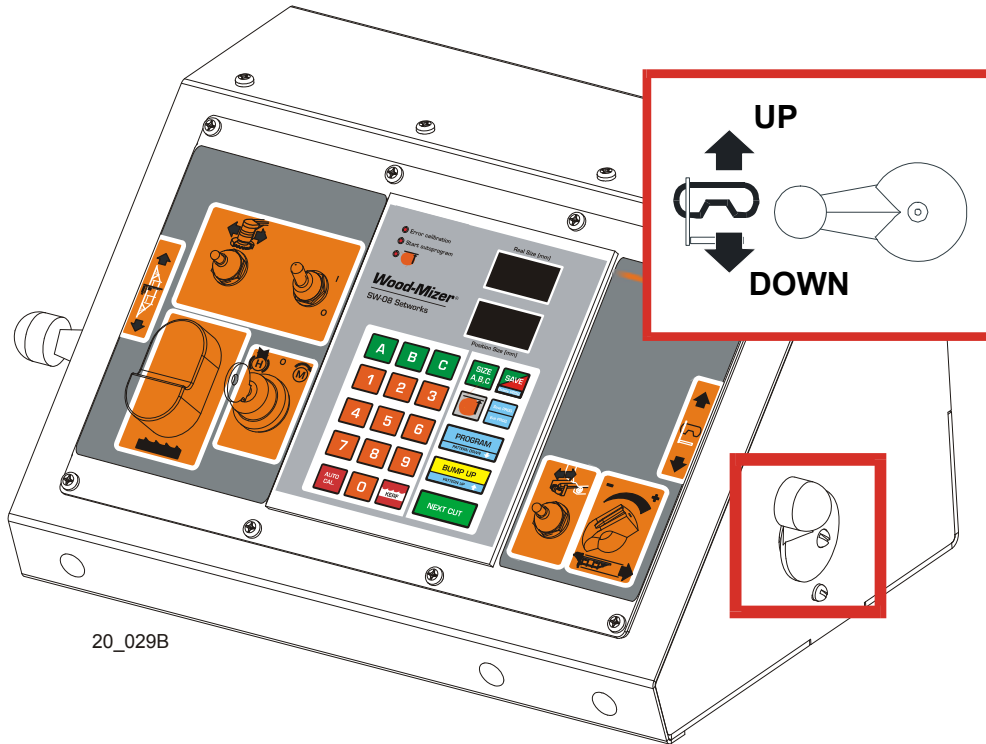
1. Install a blade and check for correct blade tension. ([See Section 2.4.](#))
2. Set the cutting head to the desired height. (The blade height scale shows the height of the blade above the bed rails.)



See Figure 2-16. The up/down switch is located on the right side of the control panel. Push the switch up to raise the cutting head; push the switch down to lower the cutting head. Hold the switch




in position until the cutting head reaches the desired height, then release.



20\_029B

FIG. 2-17

The up/down switch is designed to return to the neutral position when released. If the switch remains engaged, manually move it to the neutral position. Repair the switch.

 **CAUTION!** DO NOT try to force the carriage above the 35" (88 cm) mark or below the 1" (2.54 cm) mark. Damage to the up/down system may result.

### 2.11 Blade Guide Arm Operation

1. Look down the length of the log to see its maximum width. The outer blade guide should be adjusted to clear the widest section of the log by less than about 25 mm.
2. Use the blade guide toggle switch on the control panel to adjust the outer blade guide as necessary. Push the switch to the left to move the arm in. Push the switch to the right to move the arm out.



See Figure 2-18.

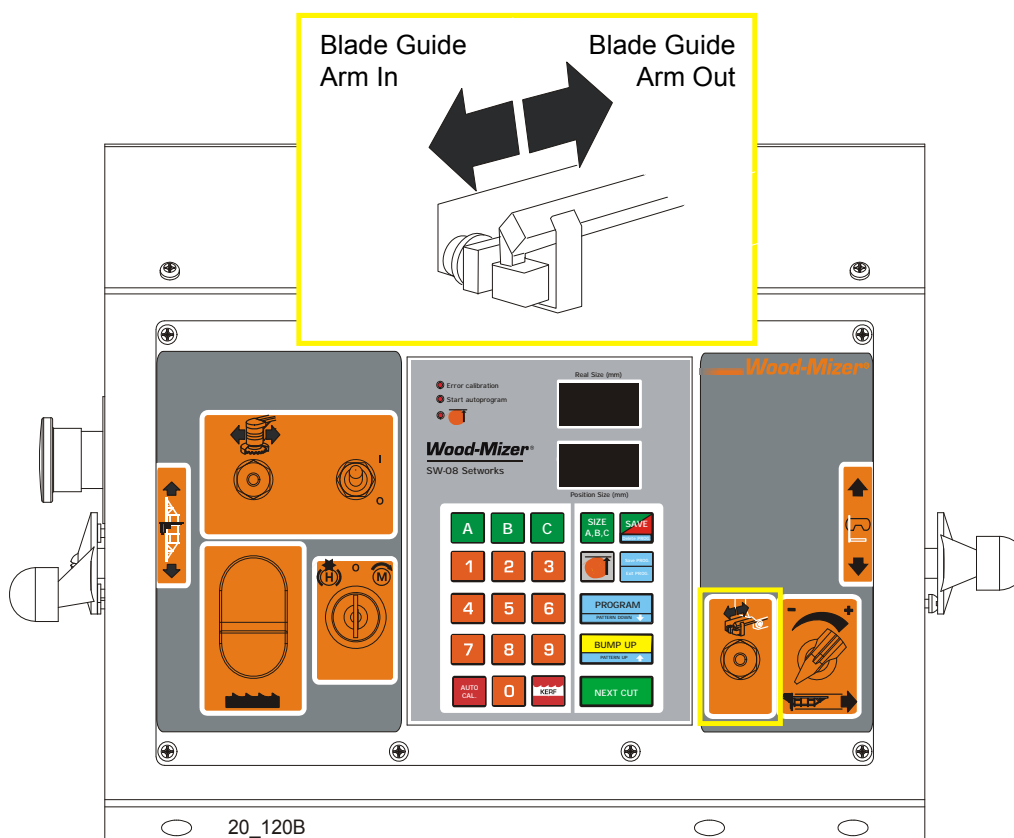


FIG. 2-19

## 2.12 Power Feed Operation

See Figure 2-20. The power feed system moves the carriage forward and backward by using two switches on the control panel.

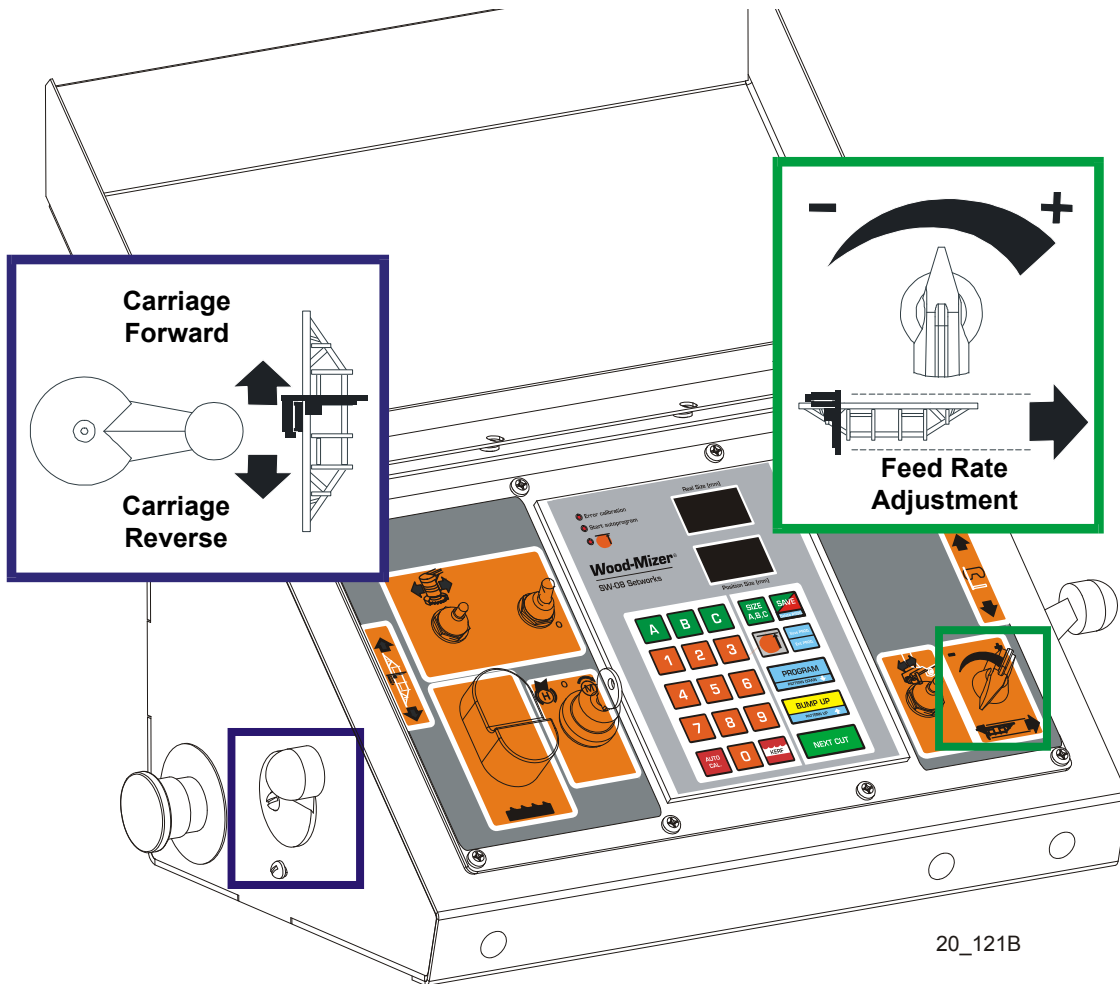


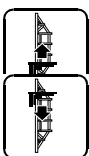
FIG. 2-21

### Carriage Feed Rate



The carriage feed rate switch controls the speed at which the carriage travels forward. Turn the switch clockwise to increase speed. Turn it counterclockwise to reduce speed.

### Carriage Forward and Reverse



The power feed switch controls the direction in which the carriage travels. Turn the switch upward to move the carriage forward. Turn the switch down to move the carriage backward.

**NOTE:** Always disengage the blade before returning the carriage and raise the carriage slightly to make sure the blade clears the log.

The middle position (shown in the figure above) is the neutral position. The power feed switch is designed to return to the neutral position when released. If the switch remains engaged, manually



move it to the neutral position. Repair the switch. ([See Section 4.2.](#))



**WARNING!** Be sure the power feed switch is in the neutral position before turning the key switch to the ON position. This prevents accidental carriage movement which may cause serious injury or death.

### Feed Rate

**HINT:** To get a straight cut in the first part of the log, feed the blade into the log at a slow speed. This stops the blade from flexing and dipping up or down. Turn the carriage feed rate switch to a slow speed until the whole width of the blade has entered the cut. Then use the carriage feed rate switch to increase the feed rate as desired. Maximum feed rate varies with width and hardness of the wood. Over-feeding results in motor and blade wear, and also produces a wavy cut.



1.



Stop the carriage at the end of the cut by turning the carriage feed rate switch counterclockwise until the carriage stops moving.

2. Using the clutch/brake lever, disengage the blade. This will stop the blade and drop the motor to idle. Remove the board from the log. (DC)
3. Using the STOP button, disengage the blade. This will stop the blade. Remove the board from the log.(AC)



**CAUTION!** Be sure to stop the blade when returning the carriage. This will not only prevent the blade from being pulled off and ruined by a wood sliver, but also will increase the life of the blade.

4. Return the carriage to the front of the mill by turning the power feed switch down. The power feed motor will bypass the carriage feed rate switch and the carriage will automatically return at the fastest speed available. **Always disengage the blade before returning the carriage for the next cut.**



**CAUTION!** Do not use the blade guide arm crank to move the carriage forward and backward. Damage to the blade guide arm may result.

5. Make sure that the blade does not catch on the end of the log. Raise the carriage slightly to make sure the blade clears the log when returned. **HINT:** Try to stop the blade while the heel of the blade is still on the log. Then bring the carriage back without adjusting the blade up. This lets you keep the blade at the current height setting so you can make the next blade height adjustment more quickly.



**DANGER!** Stay clear of the area between the trailer axle and saw carriage. Failure to do so will result in serious injury.

## 2.13 Cutting The Log

The following steps guide you through normal operation of the Wood-Mizer sawmill.

1. Once the log is placed where you want it and clamped firmly, position the blade close to the end of the log.
2. Use the blade height scale to determine where to make your first cut. ([See Section 2.15.](#)) Set the blade to the desired height with the up/down switch. Make sure that the blade will clear both side supports and the clamp.
3. Adjust the outer blade guide to clear the widest section of the log using the blade guide toggle switch.



Make sure all guards and covers are in place. Engage the blade. To do this, turn the key switch to the "M" position and press the START button.

5. To prevent sap buildup on the blade, open the water bottle valve so that water flow to the blade. ([See Section 2.19.](#))
6. Feed the blade into the log slowly. ([See Section 2.12.](#)) Once the blade completely enters the log, increase the feed rate as desired. Always try to cut at the fastest speed you can while keeping an accurate cut. Cutting too slowly will waste blade life and lower production!
7. As you get to the end of the log, slow down the feed rate. When the teeth exit the end of the log, turn the power feed switch to the neutral position. Then disengage the blade using the STOP button. Remove the board that you have just cut from the log.
8. Use the power feed switch to move the carriage to the front of the mill. Always disengage the blade before returning the carriage for the next cut.
9. Repeat until the first side of the log is cut as desired. Set aside the usable flitches (boards with bark on one or both sides). You can edge them on the mill later.
10. Lower the toe boards, if they were used. Remove the clamp and turn the log 90 or 180degrees. Make sure the flat on the log is placed flat against the side supports if turned 90degrees. Make sure it is placed on bed rails if turned 180 degrees. If the log was turned 90degrees and you are using toe boards to compensate for taper in the log, raise the front or rear toe board again on the second side of the log until the heart is parallel with the bed.
11. Repeat the steps used to cut the first side of the log until the log is square. Cut boards from the remaining cant by adjusting the blade height for the thickness of boards that you want.

**Example:** Remember that the blade cuts a 1/16 - 1/8" (1.5-3.0 mm) wide kerf. If you want 1" (25.4 mm) thick boards, lower the carriage 1 1/16 - 1 1/8" (27-28.6 mm) for each board.

## **2.14 Edging**

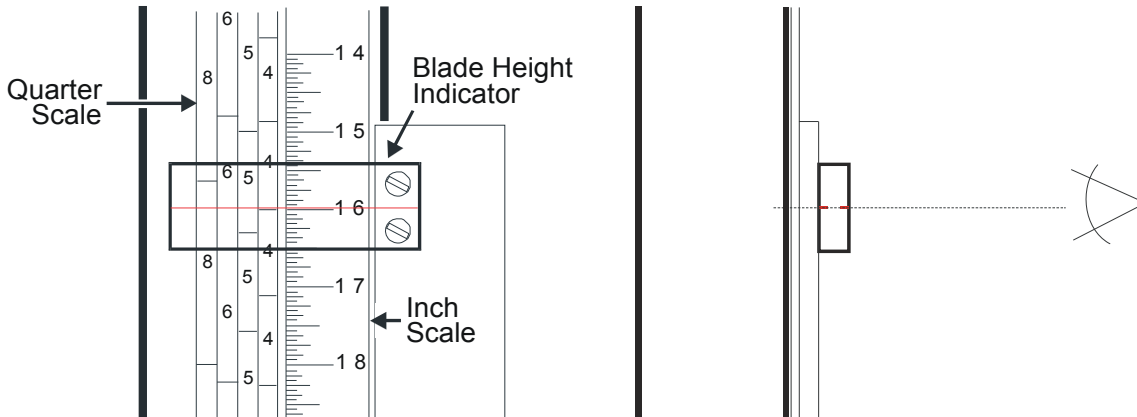
The following steps guide you through edging boards on the Wood-Mizer sawmill.

1. Raise the side supports to the height of the flitches, or the boards that need to be edged.
2. Stack the flitches on edge against the side supports.
3. Clamp the flitches against the side supports. (Wider flitches should be placed to the clamp side. When they are edged, flip them over to edge the second side without disturbing the other flitches or without having to pull them from the middle of the stack.)
4. Adjust the blade height to edge a few of the widest boards.
5. Loosen the clamp and turn the edged boards over to edge the other side.
6. Repeat steps 2-4.
7. Loosen the clamp and remove the boards that have good clean edges on both sides. Clamp the remaining flitches and repeat steps 2-5.

## 2.15 Blade Height Scale

See **Figure 2-22**. The blade height scale is attached to the cutting head frame. It includes:

- a blade height indicator
- an inch scale.



**FIG. 2-23**

### Blade Height Indicator

The blade height indicator has two horizontal, red lines on both sides. Readings should be taken with eyes level with the indicator, when the two red lines are in line. This will allow to avoid the parallax error (different scale readings depending on the angle of vision).

### The Inch Scale

The horizontal red line on the blade height indicator shows how many inches the bottom of the blade is above the bed of the mill. If you know the height of your blade at each cut, you can determine the thickness of lumber you are sawing.

**Example:** You want to cut 1" (25 mm) random width boards from a log. Position the blade for the first cut. Move the carriage to an even measurement on the inch scale. Make a trim cut. Return the carriage for the second cut and lower it 1 1/8" (28 mm) below the original measurement. (The extra 1/8" (3 mm) allows for saw kerf and shrinkage of the lumber.)

The yellow area on the scale identifies where the blade could encounter a side support or log clamp. Check that these items are below the blade level before sawing.

### The Quarter Scale

**See Table 2-9.** The quarter scale has two quarter scales are provided with four sets of marks. Each set represents a specific lumber thickness. Saw kerf and shrinkage allowance are included, but actual board thickness will vary slightly depending on blade thickness and tooth set.

An optional Grade Hardwood Quarter Scale is also available. To choose which scale to use, determine what finished thickness you want to end up with. The Grade Hardwood Quarter Scale provides thicker finished boards usually required by commercial buyers. The Standard Quarter Scale allows for kerf and shrinkage of finished boards suitable for most custom applications. Always check with your customer before you saw to determine what actual finished thickness is required.

| Standard Quarter Scale |                        | Grade Hardwood Quarter Scale |                        |
|------------------------|------------------------|------------------------------|------------------------|
| Scale                  | Actual Board Thickness | Scale                        | Actual Board Thickness |
| 4/4                    | 1" (25 mm)             | 4/4                          | 1 1/8" (29 mm)         |
| 5/4                    | 1 1/4" (32 mm)         | 5/4                          | 1 3/8" (35 mm)         |
| 6/4                    | 1 1/2" (38 mm)         | 6/4                          | 1 5/8" (41 mm)         |
| 8/4                    | 2" (51 mm)             | 8/4                          | 2 1/8" (54 mm)         |

**TABLE 2-9**

To use the quarter scale, look at the upper blade height indicator. It has two red dots. Loosen the wing nut and angle the indicator until one of the red dots is on the nearest mark of the desired lumber thickness scale.

When you return the carriage for a second cut, you can lower the carriage to the next mark on the lumber thickness scale you chose, without having to measure on the inch scale.

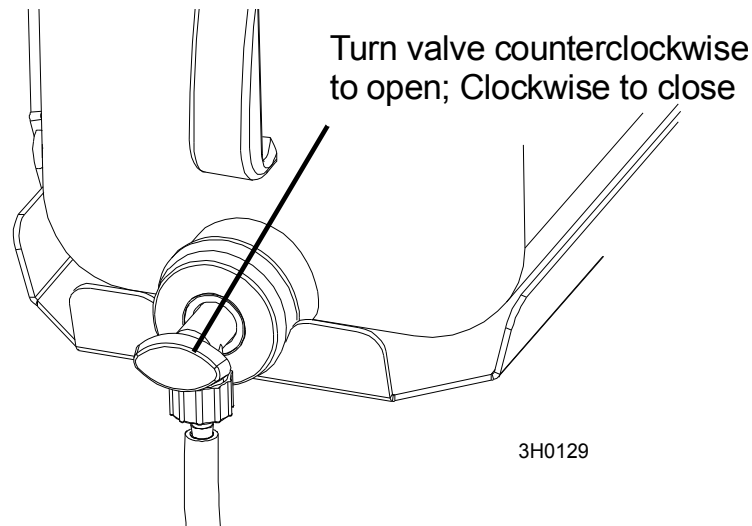
Line up the horizontal red line on the indicator with the nearest mark on the scale you want to use. Make a trim cut. When you return the carriage for a second cut, lower the carriage to the next mark on the scale. This mark shows where the blade should be positioned to cut a certain thickness of lumber, without having to measure on the inch scale.

**Example:** You want to cut 1" (25 mm) (4/4) random width boards from a log. Position the blade for the first cut. Loosen the wing nut on the left end of the indicator. Move the indicator until one of the red dots is on the nearest 4/4 mark. Adjust the quarter scale so a 4/4 mark is aligned with the red line on the indicator. Make a trim cut. Return the carriage for the second cut. Now, instead of having to measure down 1 1/8" (29 mm) on the inch scale, you can simply lower the blade so the indicator is aligned with the next 4/4 mark on the quarter scale. Turn the log 90 degrees and repeat.

## 2.16 Water Lube Operation


The Water Lube System keeps the blade clean. Water flows from a 5-gallon (18.9 liter) bottle through a hose to the blade guide where the blade enters the log. A valve in the bottle cap controls the amount of water flow.

**See Figure 2-24.** Open the valve on the water bottle to start the water flow. A stream of water flows to the blade only when the main motor is turned on.



**FIG. 2-25**

Not all types of wood require the use of the Water Lube System. When it is needed, use just enough water to keep the blade clean. This saves water, and lowers the risk of staining the boards with water. Usual flow will be 1-2 gallons (3.8-7.6 liters) per hour. A squirt of liquid dishwashing detergent in the water bottle will help clean the blade when cutting wood with a high sap content.

 **WARNING!** Use ONLY water with the water lube accessory. Never use flammable fuels or liquids. If these types of liquids are necessary to clean the blade, remove it and clean with a rag. Failure to do so may result in serious injury or death.

Before removing the blade, start the motor with the START button. Let the blade spin with water running on it for about 15 seconds. This will clean the blade of sap buildup. Wipe the blade dry with a rag before storing or sharpening.

If you are sawing in freezing temperatures, remove the water lube bottle from the sawmill when done sawing and store it in a warm place. Blow any remaining water from the water lube hose.

## 2.17 Preparing The Sawmill For Towing

The Wood-Mizer trailer package makes transporting your sawmill easy and convenient. To get your sawmill ready for towing, follow these instructions.

1. Move the cutting head to the front end of the sawmill. Raise the rear outriggers.
2. Move the cutting head to the travel position over the rear bed rail.
3. Put the distance block on the stop bolt.

See Figure 2-26.

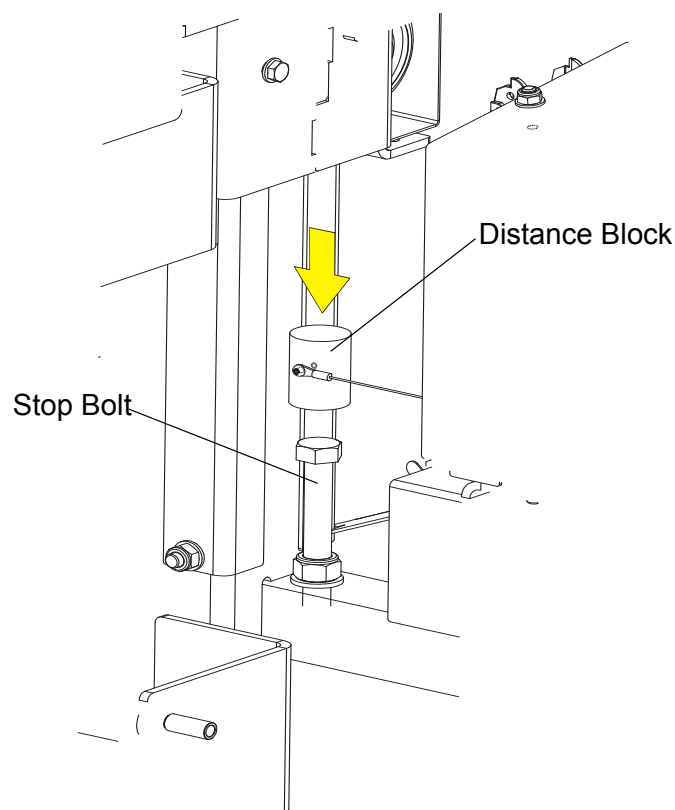


FIG. 2-27

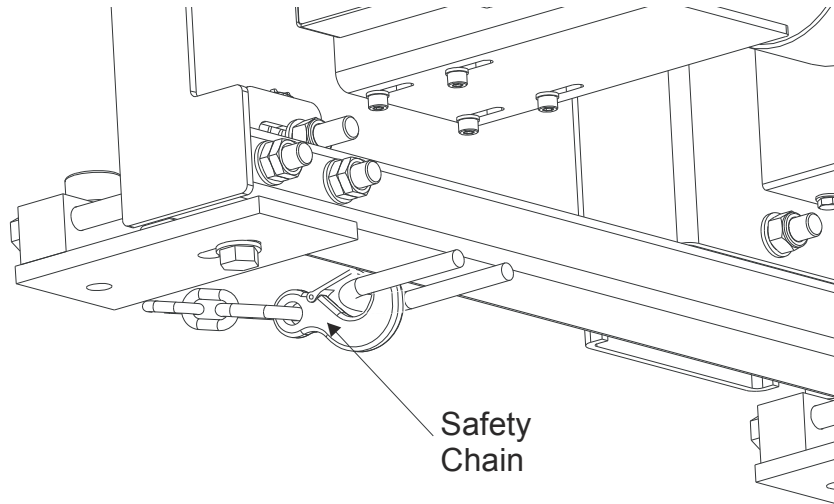
4. Position the hole in the cutting head over the travel rest pin.
5. Lower the cutting head until it is seated firmly on the rest pin.
6. Continue lowering the head 3/4" (19 mm) until it contacts the stop bolt located on the mast.



**CAUTION!** It is important that the stop bolt is properly adjusted to secure the carriage on the track rail. Failure to properly adjust the stop bolt can cause cutting head damage, especially during mill transportation.

7. Hook the carriage safety chain attached to the main bed tube, behind the trailer to the bracket located near the lower track roller.
8. Manually lift the log loader and secure it with the safety chain.

See Figure 2-28.



**FIG. 2-29**



**CAUTION!** Check to be sure that the carriage safety chain is secured before towing the sawmill. Failure to properly secure the cutting head can result in severe machine damage. Be sure the blade housing cover is in place and secured.

9. Remove all loose objects from the bed of the mill. Store the cranks for toe boards in the brackets provided at the rear of the mill. Store the outrigger jack handle in the bracket on the outrigger guide.
10. Place both fenders in the slots located behind the trailer tires. Raise all but the very front outrigger.

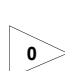
See the trailer operator's manual for specific information regarding hitch operation and towing the sawmill.



## SECTION 3 MAINTENANCE

This section lists the maintenance procedures that need to be performed.

*The Short Interval Maintenance Schedule* lists procedures that need to be performed every 4, 8 or 24 hours. *The Maintenance Log* lists procedures that need to be performed every 50, 100, 200, or 1000 hours. Keep track of machine maintenance by filling in the machine hours and the date you perform each procedure.

 **This symbol** identifies the interval (hours of operation) at which each maintenance procedure should be performed.

Be sure to refer to option and engine manuals for other maintenance procedures.

### 3.1 Wear Life

**See Table 3-1.** This chart lists estimated life expectancy of common replacement parts if proper maintenance and operation procedures are followed. Due to the many variables which exist during sawmill operation, actual part life may vary significantly. This information is provided so that you may plan ahead in ordering replacement parts.

| Part Description      | Estimated Life |
|-----------------------|----------------|
| B57 Blade Wheel Belts | 500 hours      |
| Blade Guide Rollers   | 1000 hours     |
| Drive Belt            | 1250 hours     |

**TABLE 3-1**

### 3.2 Blade Guides

1. Check the rollers for performance and wear every blade change. Make sure the rollers are clean and spinning freely. If not, rebuild them. Replace any rollers which have worn smooth or have become cone shaped. See The LT20 Parts manual for blade guide rebuild kits and complete roller assemblies.

**See Figure 3-1.**

2. Make sure the blade screw in the top center of the C-frame is 1/16" (1.5 mm) below the bottom of the blade. If not, loosen the nut and adjust the screw as necessary. Failing to maintain this adjustment

will lead to early blade breakage.

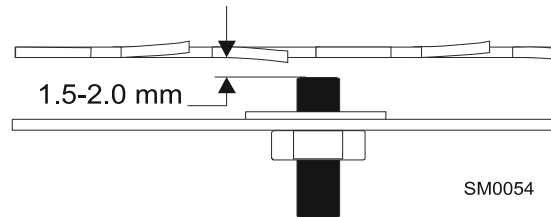


FIG. 3-1

### 3.3 Sawdust Removal

1. Remove the excess sawdust from the blade wheel housing and sawdust chute every blade change.

### 3.4 Carriage Track, Wiper & Scrapers

See Figure 3-2.

1. Clean the upper and lower track rails to remove any sawdust and sap buildup every eight hours of operation. Lubricate the lower track rail by wiping it with Dexron III ATF.
  - 8
2. Remove sawdust from the upper cam housings. Loosen the thumb screws on the upper cam housing covers and open. Brush any sawdust buildup from the housings.
  - 8
3. Check the track scrapers as needed. Make sure the scrapers fit firmly against the rail. If a track scraper needs to be adjusted, loosen the thumb screw, push the scraper downward until it fits firmly against the rail, and retighten the thumb screw.

Clean and lubricate the upper track wiper every twenty-five hours of operation. Unbolt the wiper, remove it from the sawmill, and remove any sawdust buildup. Soak the felt wiper with Dexron III transmission fluid, 10W30 motor oil or 3-in-1 turbine oil.

- 25



**CAUTION!** Reinstall the track wiper so that it lightly touches the track rail. If the wiper presses too firmly against the rail, it can cause the power feed to bind.

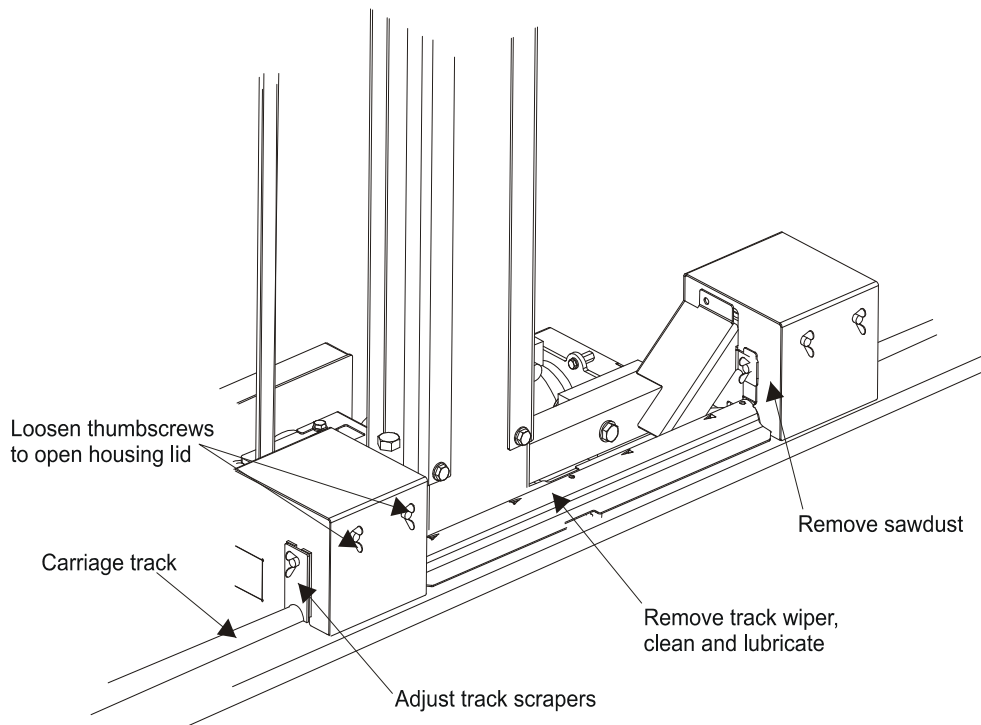


FIG. 3-2

### 3.5 Vertical Mast Rails

Lubricate the vertical mast rails with WD40, clean and wipe them dry every 50 hours of operation.

50



**CAUTION!** Never use grease on the mast rails as it will collect sawdust.

### 3.6 Miscellaneous

1. Apply a thin film of a lithium grease to the blade guide arm to help prevent it from rusting.  
50
2. Lubricate the log turner (if equipped) with a lithium grease every fifty hours of operation. Lubricate the turner pivot points (e.g. with WD-40).  
50
3. Grease the side supports with a lithium grease every 50 hours of operation.  
50
4. Oil all chains with an easily penetrating oil such as WD-40.  
50



**CAUTION!** Do not use chain lube. It causes sawdust buildup in chain links.

5. Check the mill alignment every setup. See Section 5, Alignment.
6. Make sure all safety warning decals are readable. Remove sawdust and dirt. Replace any damaged or unreadable decals immediately. Order decals from your Customer Service Representative.

### 3.7 Blade Tensioner

1. Grease the tensioner handle screw with a lithium grease every fifty hours of operation, but at least once a week.  
50

See Figure 3-3.

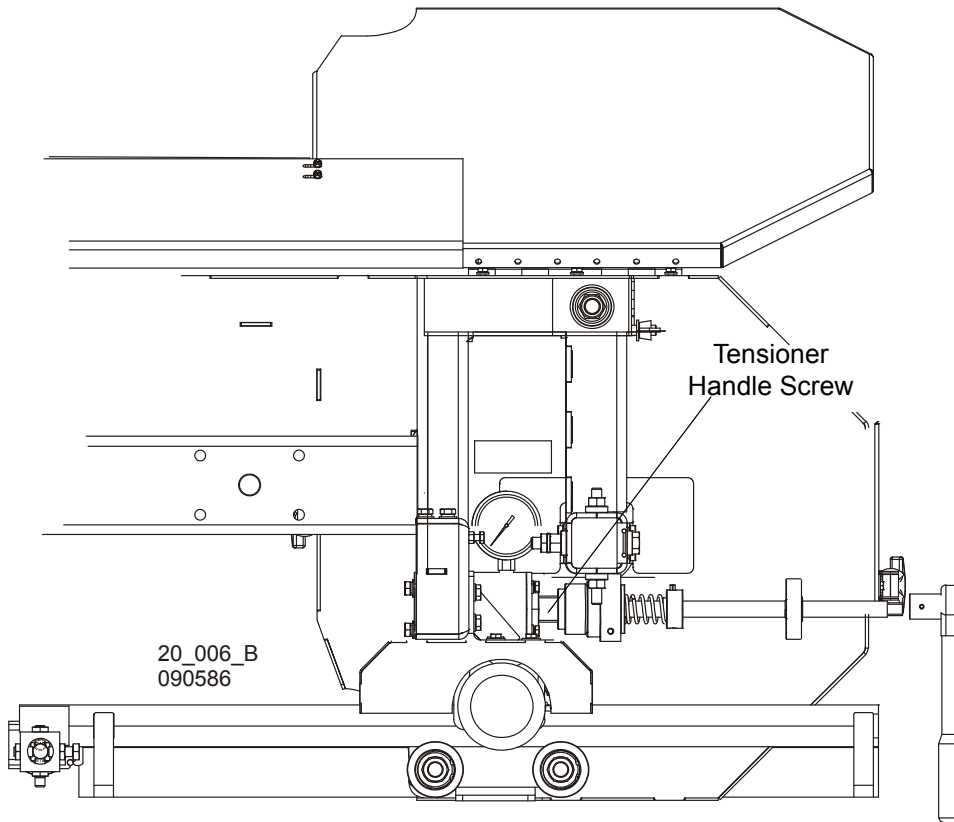


FIG. 3-3

### 3.8 Blade Wheel Belts

1. Check the blade wheel belts for wear every 50 hours of operation. Replace as needed.

50

Periodically check all belts for wear. Replace any damaged or worn belts as needed.

See Figure 3-4.

### 3.9 Drive Belt Adjustment



**WARNING!** Do not for any reason adjust the drive belts with the motor running. Doing so may result in serious injury.

50

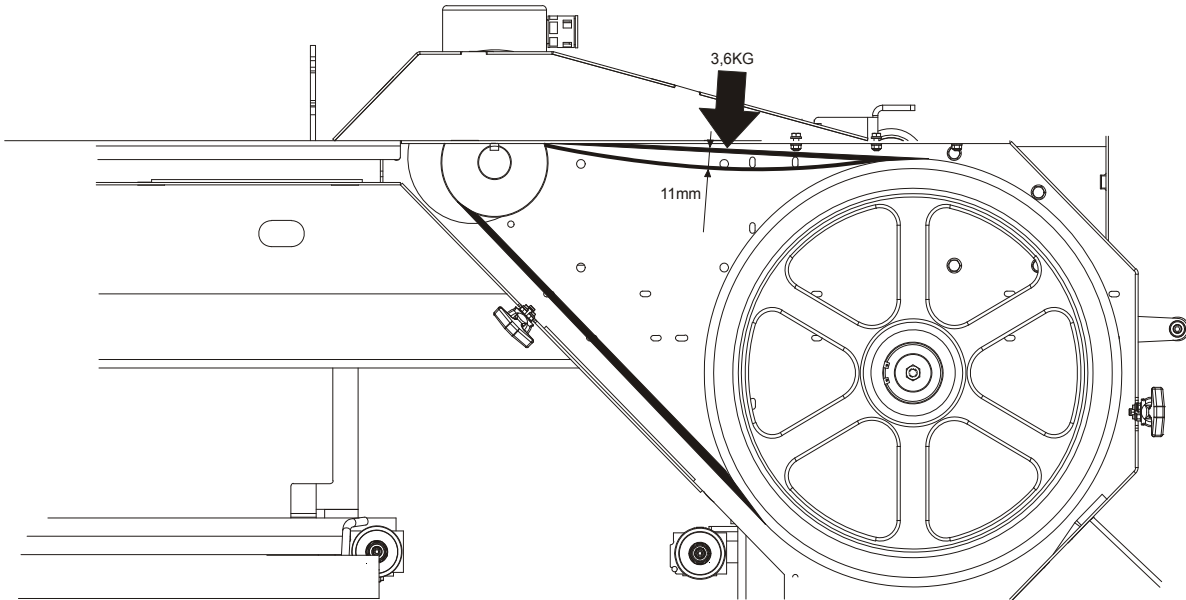
See Table 3-2. Check the drive belt tension after the first 20 hours, and every 50 hours thereafter. See the table below for drive belt tension specifications for your sawmill.

| Motor/Engine | Belt Tension   |
|--------------|--|
| E11          | 7/16" (11mm) deflection with 8 lbs. (3.6 KG) of deflection force |

TABLE 3-2

|                                    |  |
|------------------------------------|--|
| <b>E15, G18, G25,<br/>D17, D22</b> | <b>7/16" (11mm) deflection with 16 lbs. (7,2 KG) of deflection force<br/>(two belts)</b> |
|------------------------------------|--|

**TABLE 3-2**



**FIG. 3-5**

To adjust the drive belt tension:

1. Raise the blade housing cover.

**AC Sawmills**

2. Loosen the four mounting bolts in the motor mount plate (See the figure below).
3. Loosen mounting bolts and using the adjustment nuts adjust the drive belt(s) tension according to the specifications given in Table 3-2.

### 3 MAINTENANCE

#### Drive Belt Adjustment

4. Tighten the four mounting bolts.

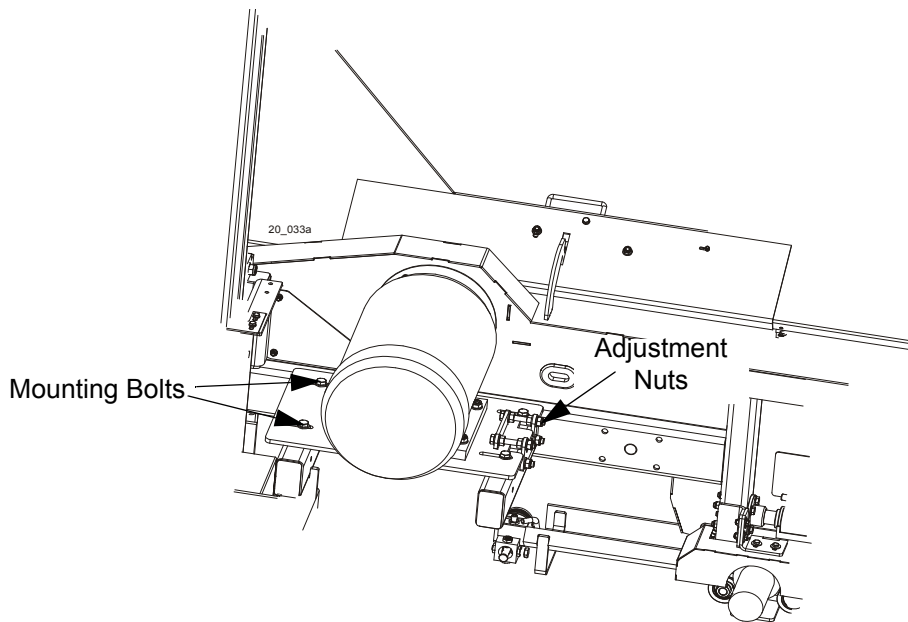
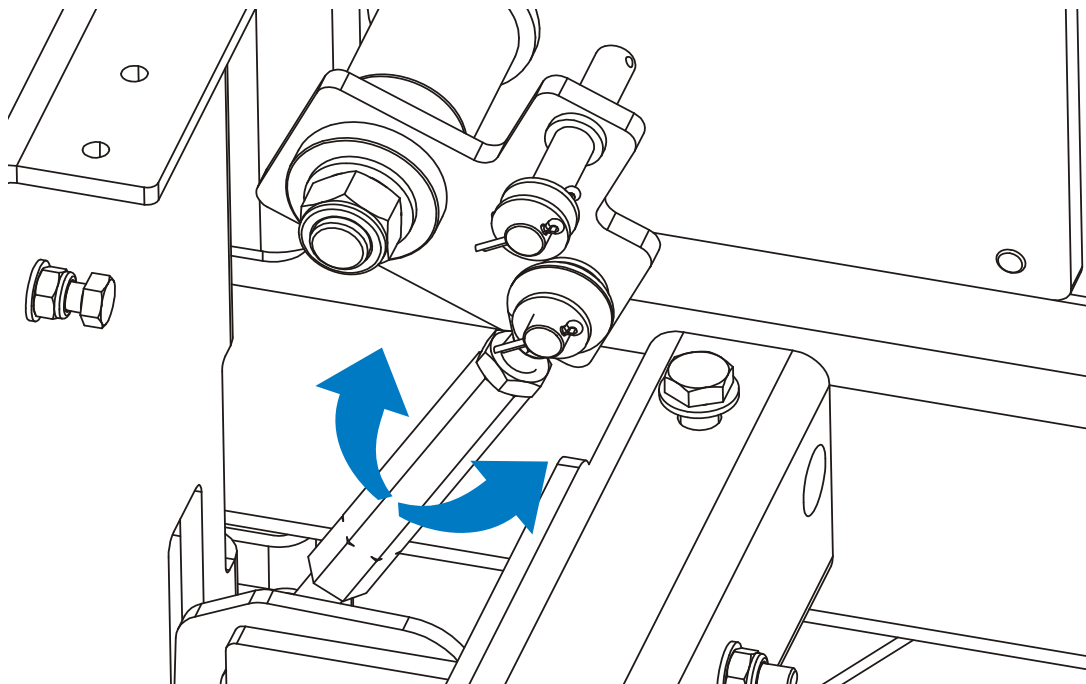


FIG. 3-6

### DC Sawmills




To tighten - turn the bolt clockwise; to loosen - turn it counterclockwise.

Periodically check the belts for wear. Replace if the belt is damaged or worn.



### 3.10 Up/Down System

1. Adjust the up/down chain tension as needed. Measure chain tension with the cutting head all the way to the top of the vertical mast. Secure the carriage with a chain at the top, or shim it underneath. Using the adjustment nut shown in Figure 3-7, adjust the chain tension so that there is 1" (2.5 cm) deflection in the center of the chain with a 5 lbs. (2.3 KG) deflection force.

 **WARNING!** Always secure the cutting head with a chain or a brace before adjusting or inspecting the up/down system. The cutting head may fall, causing severe injury or death.

See Figure 3-7. Use the adjustment nut shown below to tension the chain.

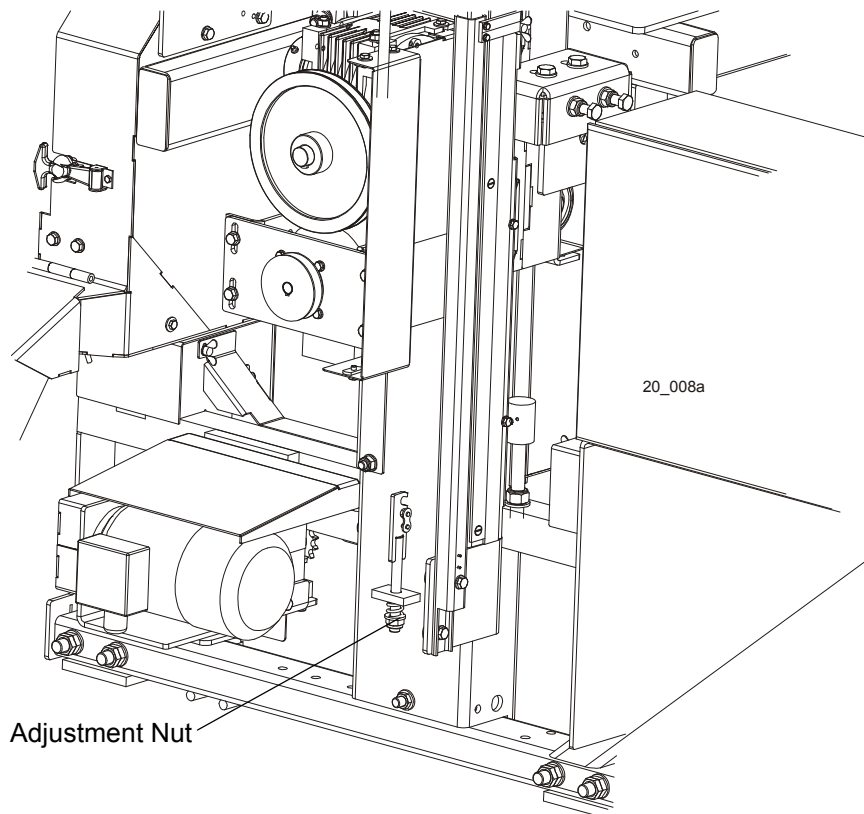




FIG. 3-7

2. Every 500 hours check the up/down chain and chain brackets for wear.

 **WARNING!** If you noticed the up/down chain or chain brackets wear, immediately stop the work and contact Wood-Mizer Customer Service. Failure to do so will result in serious injury or death.

3. Adjust the up/down gear belt tension as needed.

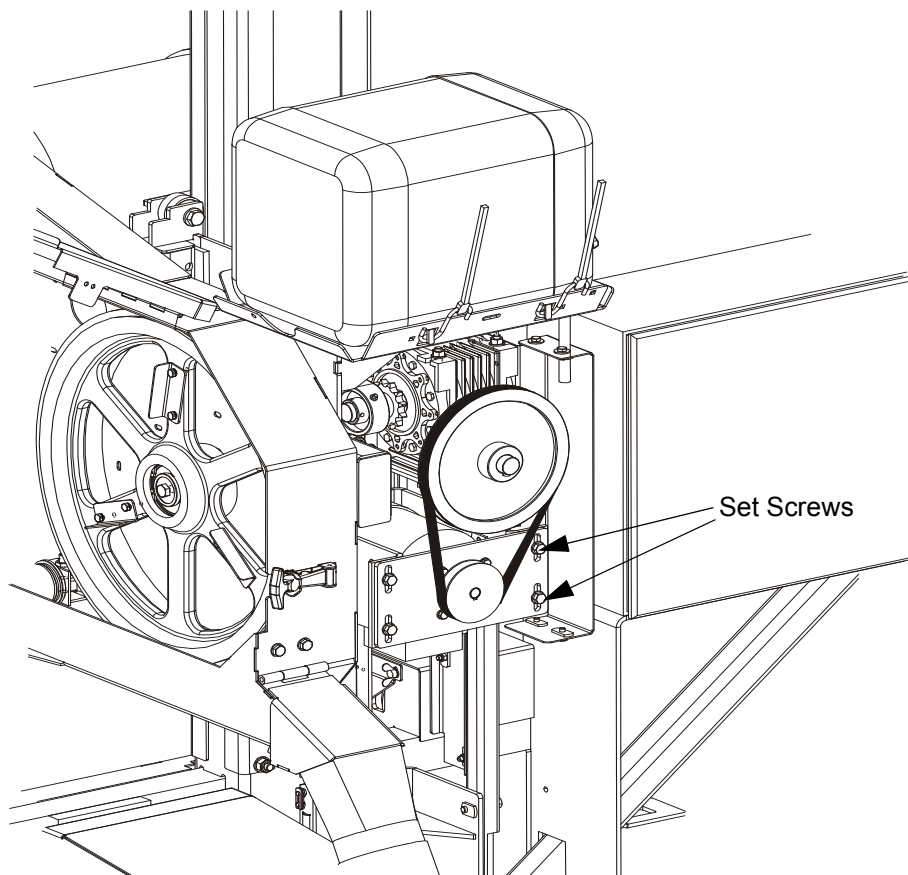
 **WARNING!** Before adjusting, always remove the key from the key switch. Failure to do so may result in serious injury.



### 3 MAINTENANCE

*Up/Down System*


4. Loosen the four set screws shown below. Adjust the belt tension and tighten the set screws.



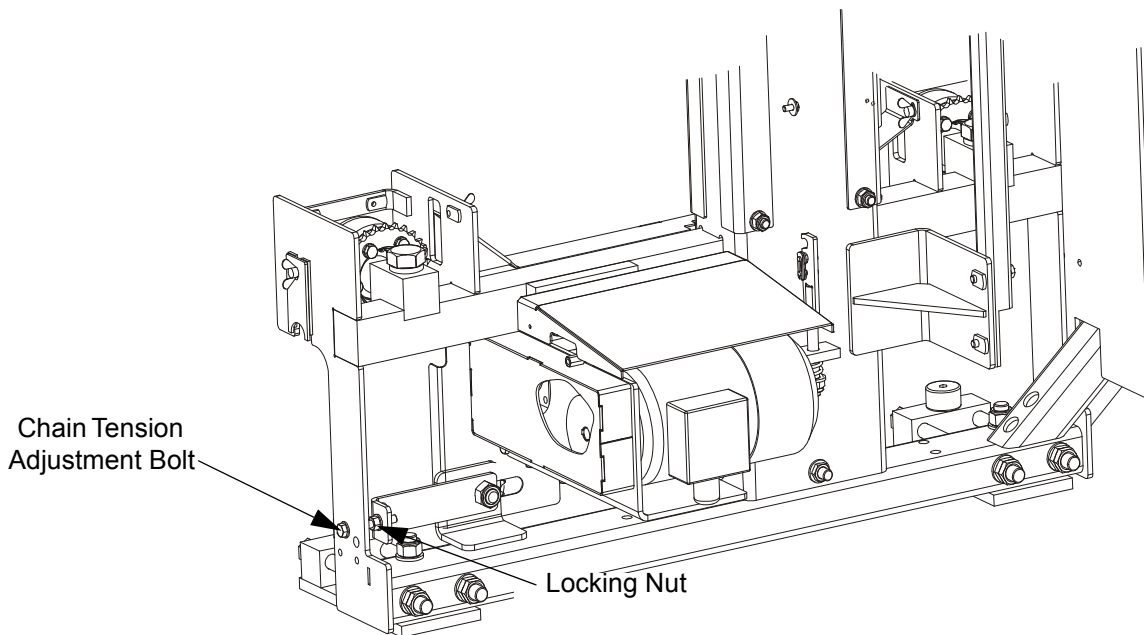
**FIG. 3-8**

### 3.11 Power Feed System

1. Adjust the power feed chain as needed.


 **WARNING!** Always remove the key from the key switch before adjusting the chain. Failure to do so may result in serious injury.

See **Figure 3-9**. Loosen the locking nut. To tighten the chain, turn the adjusting bolt clockwise. To loosen the chain, turn the adjusting bolt counterclockwise. Tighten the locking nut.



**FIG. 3-9**

2. If necessary, align the power feed motor pulley with the gear reducer pulley.

 **WARNING!** Remove the key from the key switch before adjusting the pulleys. Failure to do so may result in serious injury.

See Figure 3-10. Keep the pulleys aligned to avoid premature V-belt and pulleys wear.

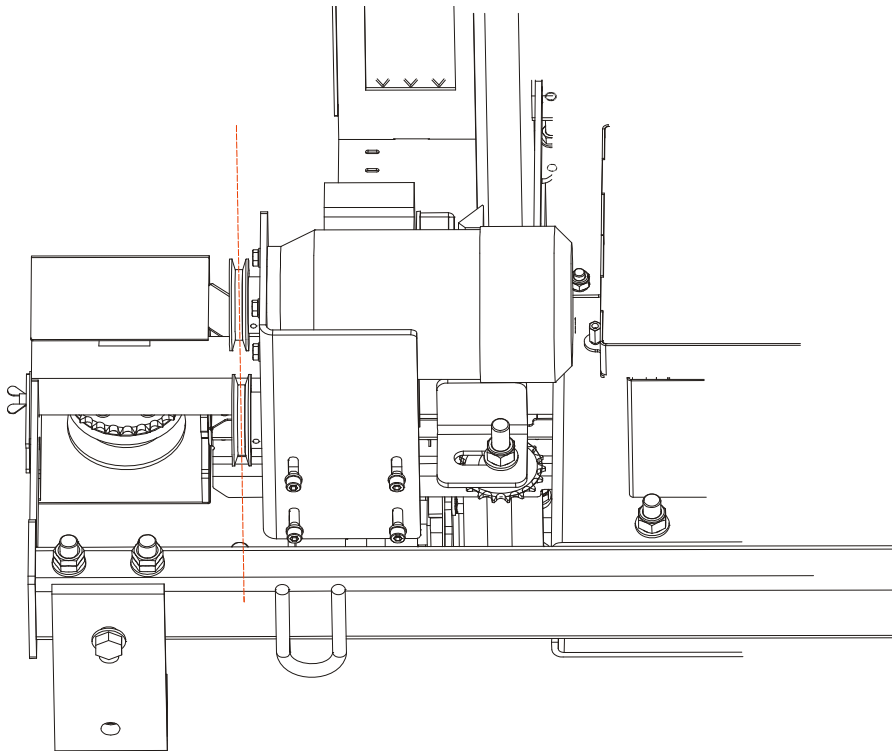


FIG. 3-10

To align the pulleys, slide one of them on the shaft appropriately.

3. Adjust the power feed gear belt tension as needed.



**WARNING!** Remove the key from the key switch before adjusting the belt tension. Failure to do so may result in serious injury.

See Figure 3-11. Loosen the adjustment bolts shown below. Adjust the belt tension and tighten the adjustment bolts.

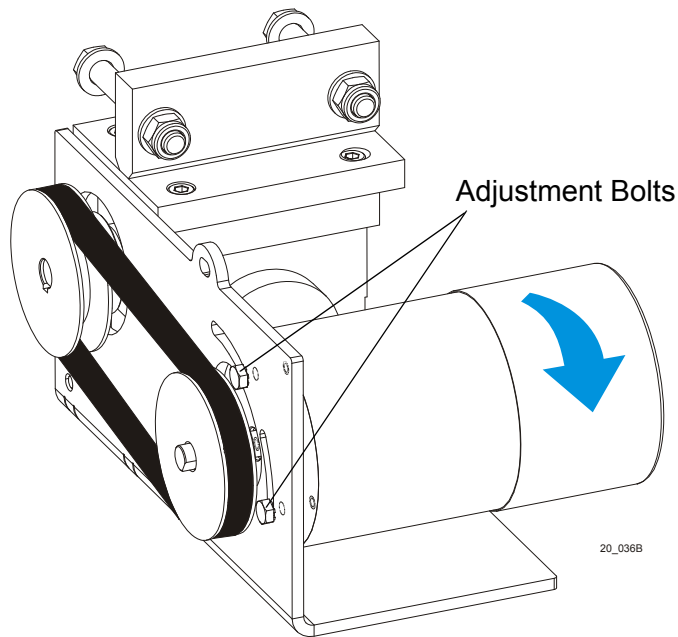


FIG. 3-11

4. If the power feed chain must be replaced, route a new chain as shown on the picture below.

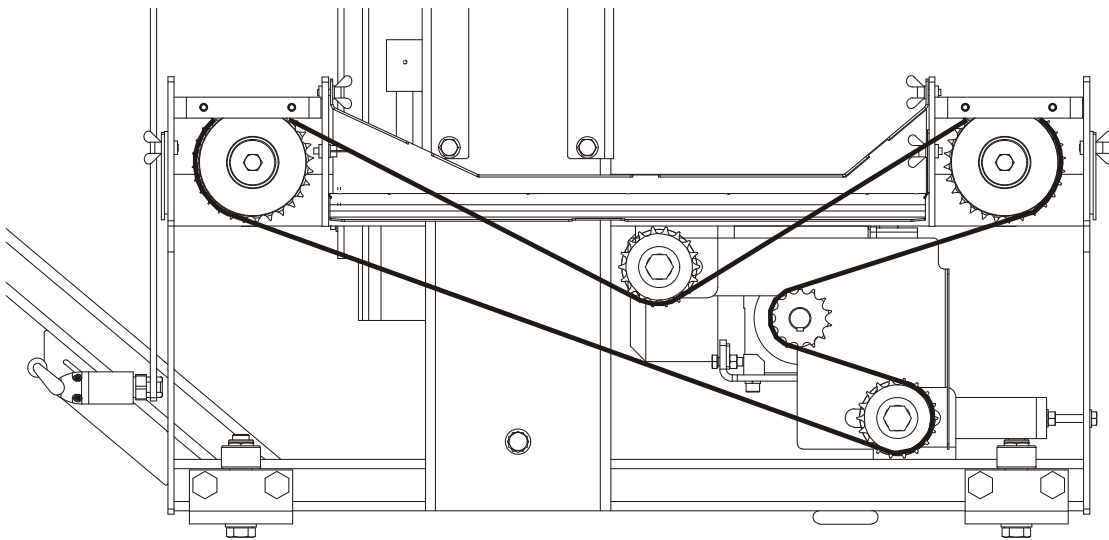


FIG. 3-11

### 3.12 Safety Devices Inspection

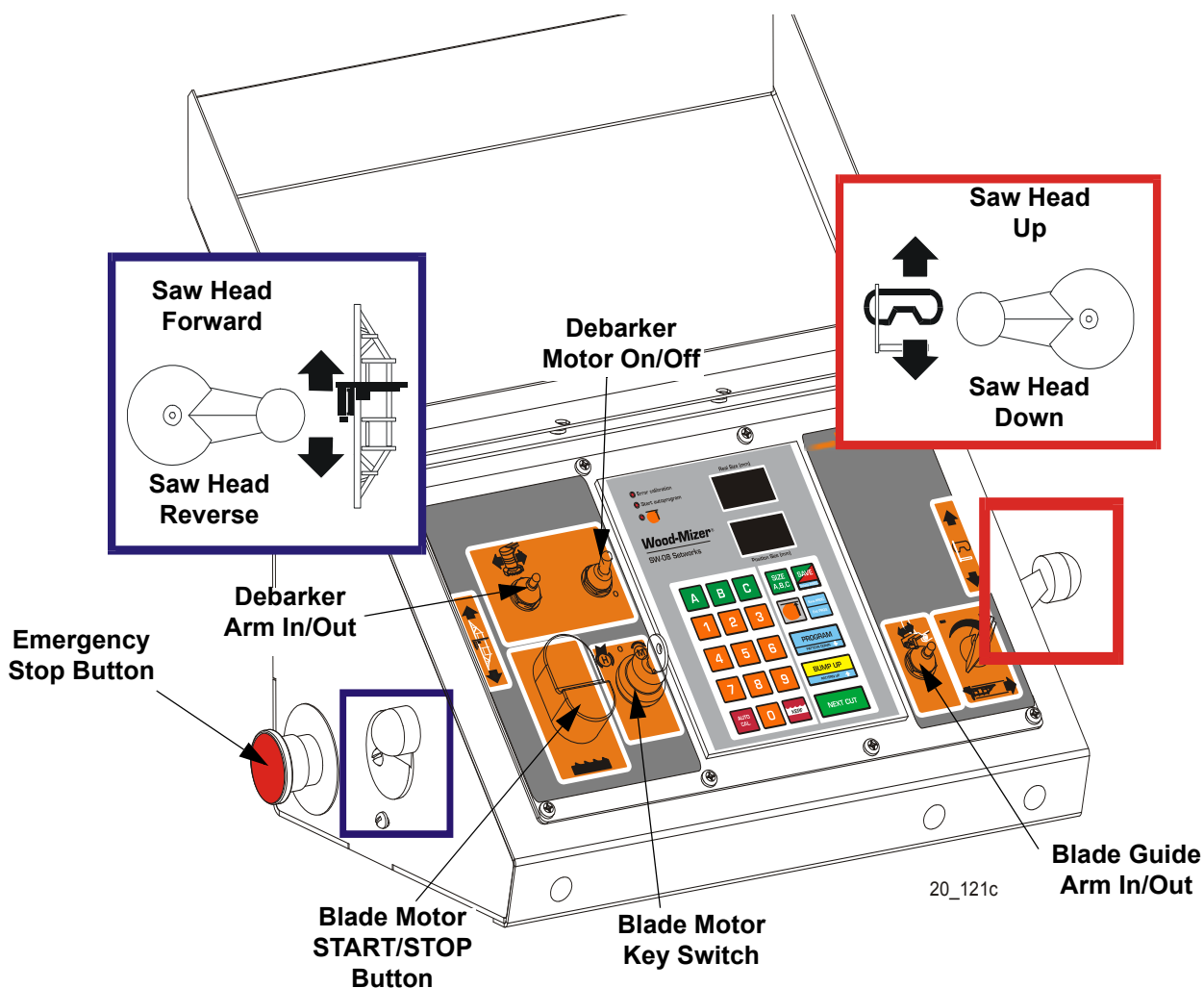
#### *LT20 AC – Safety devices inspection*

Safety devices on the LT20AC machine which must be checked before every shift:

- E-STOP button and its circuit inspection
- Inspection of the control circuits with the E-STOP button pressed
- Blade cover safety switches and its circuit inspection
- Motor brake and its circuit inspection

#### 1. E-STOP button and its circuit inspection

- Turn on the blade motor;
- Press the E-STOP button located on the left side of the control box. Blade motor should be stopped. Pressing the START button shouldn't start the motor until the E-STOP button is released.



## **2. Inspection of the control circuits with the E-STOP button pressed**

- Turn on the blade motor;
- Press the E-STOP button located on the left side of the control box. Blade motor should be stopped.
- With E-STOP button pressed try to move the saw head up and down (using switch and setwork buttons) and forward/backward using power feed switch. Both systems shouldn't start.
- With E-STOP button pressed try to start the debarker blade motor and move the debarker arm in and out. Debarker shouldn't work.
- With E-STOP button pressed try to move the blade guide arm in and out. Blade guide arm shouldn't work.

## **3. Blade cover safety switch and its circuits inspection**

- Turn on the blade motor;
- Open blade housing cover;
- Blade motor should be stopped;
- Try to start the motor. The blade motor should remain stopped;
- Close blade housing cover;
- Blade motor should remain stopped until re-started using START button.

## **4. Motor brake and its circuit inspection**

- Turn on the blade motor. Stop the motor using STOP button. Measure the braking time.
- Turn on the blade motor. Stop the motor by switching the key to "0" position. Measure the braking time.
- Turn on the blade motor. Stop the motor by switching the key to "H" position. Measure the braking time.
- Braking time should always be shorter than 10 seconds. If the braking time is longer it is necessary to adjust or replace motor disc brake. See your motor option manual.



# MAINTENANCE

*Safety Devices Inspection*

---







# MAINTENANCE

*Safety Devices Inspection*

---

# WOOD-MIZER LT20 SERIES SAWMILL SHORT INTERVAL MAINTENANCE SCHEDULE

(Check motor/engine and option manuals for additional maintenance procedures)

| PROCEDURE  | MANUAL REFERENCE  |
|--|---|
| <b>EVERY BLADE CHANGE</b>  |   |
| Check Blade Guide Rollers.   | <b>PATRZ ROZDZIA<sup>3</sup><br/>3.2SEE SECTION 3.3</b> |
| Remove Sawdust From Blade Wheel Housings And Sawdust Chute.  | <b>PATRZ ROZDZIA<sup>3</sup><br/>3.3SEE SECTION 3.3</b> |
| Check Middle Throat Screw.   | <b>PATRZ ROZDZIA<sup>3</sup><br/>3.2SEE SECTION 3.2</b> |
| <b>EVERY 8 HOURS</b>   |   |
| Clean Track Rails. Lubricate Lower Track Rail.   | <b>PATRZ ROZDZIA<sup>3</sup><br/>3.4SEE SECTION 3.4</b> |
| Remove Sawdust From Upper Cam Housings.  | <b>PATRZ ROZDZIA<sup>3</sup><br/>3.4SEE SECTION 3.4</b> |
| Remove Sawdust And Debris From Around Loader Velocity Fuse Valves, From Battery Box Lid And Middle Track Cover (LT20HD). |   |
| <b>EVERY 25 HOURS</b>  |   |

Clean And Lubricate Wiper On Upper Track Rail.

**PATRZ ROZDZIA<sup>3</sup>**  
**3.4SEE SECTION 3.4**



















## WOOD-MIZER LT20 SERIES MAINTENANCE LOG

(Check motor/engine and option manuals for additional maintenance procedures)

| PROCEDURE  | MANUAL<br>REFERENCE                | TOTAL HOURS OF OPERATION  |         |         |         |         |         |         |         |         |         |
|--|------------------------------------|---|---------|---------|---------|---------|---------|---------|---------|---------|---------|
|  |                                    | FILL IN THE DATE AND THE MACHINE HOURS AS YOU PERFORM EACH PROCEDURE.<br>A SHADED BOX INDICATES MAINTENANCE IS NOT NEEDED AT THIS TIME. |         |         |         |         |         |         |         |         |         |
|  |                                    | 50 HRS  | 100 HRS | 150 HRS | 200 HRS | 250 HRS | 300 HRS | 350 HRS | 400 HRS | 450 HRS | 500 HRS |
| Clean And Lubricate Vertical Mast Rails.         | See Section 3.5                    |   |         |         |         |         |         |         |         |         |         |
| Lubricate Pivot Points/Chains.                   | See Section 3.6                    |   |         |         |         |         |         |         |         |         |         |
| Check Tensions Of Belts.                         | See Section 3.10                   |   |         |         |         |         |         |         |         |         |         |
| Check Blade Wheel Belts For Wear.                | See Section 3.8<br>See Section 3.9 |   |         |         |         |         |         |         |         |         |         |
| Check Tensions Of Up/Down And Power Feed Chains. | See Section 3.10                   |   |         |         |         |         |         |         |         |         |         |
| Lubricate Blade Tensioner Handle And Rods.       | See Section 3.7                    |   |         |         |         |         |         |         |         |         |         |

## WOOD-MIZER LT20 SERIES MAINTENANCE LOG

(Check motor/engine and option manuals for additional maintenance procedures)

| PROCEDURE  | MANUAL<br>REFERENCE            | TOTAL HOURS OF OPERATION  |         |         |         |         |         |         |         |         |          |
|--|--------------------------------|---|---------|---------|---------|---------|---------|---------|---------|---------|----------|
|  |                                | FILL IN THE DATE AND THE MACHINE HOURS AS YOU PERFORM EACH PROCEDURE.<br>A SHADED BOX INDICATES MAINTENANCE IS NOT NEEDED AT THIS TIME. |         |         |         |         |         |         |         |         |          |
|  |                                | 550 HRS   | 600 HRS | 650 HRS | 700 HRS | 750 HRS | 800 HRS | 850 HRS | 900 HRS | 950 HRS | 1000 HRS |
| Clean And Lubricate Vertical Mast Rails.         | See Section 3.5                |   |         |         |         |         |         |         |         |         |          |
| Lubricate Pivot Points/Chains.                   | See Section 3.6                |   |         |         |         |         |         |         |         |         |          |
| Check Tensions Of Belts.                         | See Section 3.10               |   |         |         |         |         |         |         |         |         |          |
| Check Blade Wheel Belts For Wear.                | See Section 3.8<br>See Section |   |         |         |         |         |         |         |         |         |          |
| Check Tensions Of Up/Down And Power Feed Chains. | See Section 3.10               |   |         |         |         |         |         |         |         |         |          |
| Lubricate Blade Tensioner Handle And Rods.       | See Section 3.7                |   |         |         |         |         |         |         |         |         |          |

## WOOD-MIZER LT20 SERIES MAINTENANCE LOG

(Check motor/engine and option manuals for additional maintenance procedures)

| PROCEDURE  | MANUAL REFERENCE   | TOTAL HOURS OF OPERATION  |          |          |          |          |          |          |          |          |          |
|--|--|---|----------|----------|----------|----------|----------|----------|----------|----------|----------|
|  |  | FILL IN THE DATE AND THE MACHINE HOURS AS YOU PERFORM EACH PROCEDURE.<br>A SHADED BOX INDICATES MAINTENANCE IS NOT NEEDED AT THIS TIME. |          |          |          |          |          |          |          |          |          |
|  |  | 1050 HRS  | 1100 HRS | 1150 HRS | 1200 HRS | 1250 HRS | 1300 HRS | 1350 HRS | 1400 HRS | 1450 HRS | 1500 HRS |
| Clean And Lubricate Vertical Mast Rails.         | <a href="#">See Section 3.5</a>                                |   |          |          |          |          |          |          |          |          |          |
| Lubricate Pivot Points/Chains.                   | <a href="#">See Section 3.6</a>                                |   |          |          |          |          |          |          |          |          |          |
| Check Tensions Of Belts.                         | <a href="#">See Section 3.10</a>                               |   |          |          |          |          |          |          |          |          |          |
| Check Blade Wheel Belts For Wear.                | <a href="#">See Section 3.8</a><br><a href="#">See Section</a> |   |          |          |          |          |          |          |          |          |          |
| Check Tensions Of Up/Down And Power Feed Chains. | <a href="#">See Section 3.10</a>                               |   |          |          |          |          |          |          |          |          |          |
| Lubricate Blade Tensioner Handle And Rods.       | <a href="#">See Section 3.7</a>                                |   |          |          |          |          |          |          |          |          |          |

## WOOD-MIZER LT20 SERIES MAINTENANCE LOG

(Check motor/engine and option manuals for additional maintenance procedures)

| PROCEDURE  | MANUAL<br>REFERENCE            | TOTAL HOURS OF OPERATION  |          |          |          |          |          |          |          |          |          |
|--|--------------------------------|---|----------|----------|----------|----------|----------|----------|----------|----------|----------|
|  |                                | FILL IN THE DATE AND THE MACHINE HOURS AS YOU PERFORM EACH PROCEDURE.<br>A SHADED BOX INDICATES MAINTENANCE IS NOT NEEDED AT THIS TIME. |          |          |          |          |          |          |          |          |          |
|  |                                | 1550 HRS  | 1600 HRS | 1650 HRS | 1700 HRS | 1750 HRS | 1800 HRS | 1850 HRS | 1900 HRS | 1950 HRS | 2000 HRS |
| Clean And Lubricate Vertical Mast Rails.         | See Section 3.5                |   |          |          |          |          |          |          |          |          |          |
| Lubricate Pivot Points/Chains.                   | See Section 3.6                |   |          |          |          |          |          |          |          |          |          |
| Check Tensions Of Belts.                         | See Section 3.10               |   |          |          |          |          |          |          |          |          |          |
| Check Blade Wheel Belts For Wear.                | See Section 3.8<br>See Section |   |          |          |          |          |          |          |          |          |          |
| Check Tensions Of Up/Down And Power Feed Chains. | See Section 3.10               |   |          |          |          |          |          |          |          |          |          |
| Lubricate Blade Tensioner Handle And Rods.       | See Section 3.7                |   |          |          |          |          |          |          |          |          |          |

## WOOD-MIZER LT20 SERIES MAINTENANCE LOG

(Check motor/engine and option manuals for additional maintenance procedures)

| PROCEDURE  | MANUAL<br>REFERENCE            | TOTAL HOURS OF OPERATION  |          |          |          |          |          |          |          |          |          |
|--|--------------------------------|---|----------|----------|----------|----------|----------|----------|----------|----------|----------|
|  |                                | FILL IN THE DATE AND THE MACHINE HOURS AS YOU PERFORM EACH PROCEDURE.<br>A SHADED BOX INDICATES MAINTENANCE IS NOT NEEDED AT THIS TIME. |          |          |          |          |          |          |          |          |          |
|  |                                | 2050 HRS  | 2100 HRS | 2150 HRS | 2200 HRS | 2250 HRS | 2300 HRS | 2350 HRS | 2400 HRS | 2450 HRS | 2500 HRS |
| Clean And Lubricate Vertical Mast Rails.         | See Section 3.5                |   |          |          |          |          |          |          |          |          |          |
| Lubricate Pivot Points/Chains.                   | See Section 3.6                |   |          |          |          |          |          |          |          |          |          |
| Check Tensions Of Belts.                         | See Section 3.10               |   |          |          |          |          |          |          |          |          |          |
| Check Blade Wheel Belts For Wear.                | See Section 3.8<br>See Section |   |          |          |          |          |          |          |          |          |          |
| Check Tensions Of Up/Down And Power Feed Chains. | See Section 3.10               |   |          |          |          |          |          |          |          |          |          |
| Lubricate Blade Tensioner Handle And Rods.       | See Section 3.7                |   |          |          |          |          |          |          |          |          |          |



## WOOD-MIZER LT20 SERIES MAINTENANCE LOG

(Check motor/engine and option manuals for additional maintenance procedures)

| PROCEDURE  | MANUAL<br>REFERENCE            | TOTAL HOURS OF OPERATION  |          |          |          |          |          |          |          |          |          |
|--|--------------------------------|---|----------|----------|----------|----------|----------|----------|----------|----------|----------|
|  |                                | FILL IN THE DATE AND THE MACHINE HOURS AS YOU PERFORM EACH PROCEDURE.<br>A SHADED BOX INDICATES MAINTENANCE IS NOT NEEDED AT THIS TIME. |          |          |          |          |          |          |          |          |          |
|  |                                | 2550 HRS  | 2600 HRS | 2650 HRS | 2700 HRS | 2750 HRS | 2800 HRS | 2850 HRS | 2900 HRS | 2950 HRS | 3000 HRS |
| Clean And Lubricate Vertical Mast Rails.         | See Section 3.5                |   |          |          |          |          |          |          |          |          |          |
| Lubricate Pivot Points/Chains.                   | See Section 3.6                |   |          |          |          |          |          |          |          |          |          |
| Check Tensions Of Belts.                         | See Section 3.10               |   |          |          |          |          |          |          |          |          |          |
| Check Blade Wheel Belts For Wear.                | See Section 3.8<br>See Section |   |          |          |          |          |          |          |          |          |          |
| Check Tensions Of Up/Down And Power Feed Chains. | See Section 3.10               |   |          |          |          |          |          |          |          |          |          |
| Lubricate Blade Tensioner Handle And Rods.       | See Section 3.7                |   |          |          |          |          |          |          |          |          |          |

## SECTION 4 TROUBLESHOOTING GUIDE

### 4.1 Sawing Problems

| <b>PROBLEM</b>   | <b>CAUSE</b>   | <b>SOLUTION</b>   |
|--|--|---|
| <b>Blades Dull Quickly</b>                                 | Dirty logs   | Clean or debark logs, especially on entry side of the cut   |
|  | When grinding teeth, heating too much and causing teeth to soften  | Grind just enough metal to restore sharpness to the teeth. Use water/coolant while sharpening blade |
|  | Poor sharpening techniques   | Make sure the tip is being sharpened completely (See Sharpener Manual)                              |
| <b>Blades Break Prematurely</b>                            | Rubber belts on blade wheels worn to a point that blade contacts metal pulley - look for shiny spots on edge of wheels | Change blade wheel belts (B-57)   |
|  | Poor sharpening techniques   | See Sharpener Manual  |
|  | Tension too tight  | Tension blade to recommended specifications   |
| <b>Blade Does Not Track Right on Drive Wheel</b>           | Cant adjustment is incorrect   | Readjust  |
|  | Flat/worn belts  | Replace B-57 belts  |
| <b>Blade Guides Do Not Spin While Cutting</b>              | Frozen bearings  | Replace bearings  |
|  | Stiff bearings   | Grease bearings   |
| <b>Blade Does Not Stop Immediately After Disengaging</b>   | Brake strap too loose  | Adjust brake strap  |
| <b>Drive Belts Come Off Pulleys When Disengaging Blade</b> | Brake strap too loose  | Adjust brake strap  |
|  | Brake drum misaligned  | Realign on drive shaft  |
|  | Brake strap tightened with one edge too loose and one edge too tight   | Adjust brake strap  |
| <b>Drive Belts Wear Prematurely or Jump</b>                | Engine/motor and drive pulleys out of alignment  | Align pulleys. <a href="#">See Section 4.5 Engine/Motor and Drive Pulleys Alignment.</a>            |

| <b>PROBLEM</b>   | <b>CAUSE</b>   | <b>SOLUTION</b>   |
|--|--|---|
| <b>Boards Thick Or Thin On Ends Or Middle Of Board.</b>            | Stress in log which causes log to not lay flat on the bed.             | After log has been squared, take equal cuts off opposing sides. Take a board off the top. Turn the log 180 degrees. Make a cut. Repeat, keeping the heart in the middle of the cant, and making it your last cut. |
|  | Set in teeth.  | Resharpener and reset blade.  |
|  | Bed rails misaligned.  | Realign sawmill.  |
| <b>Height Adjustment Jumps or Stutters When Moving Up or Down.</b> | Mast needs lubrication.  | Lubricate mast track surface.   |
|  | Up/down chain improperly adjusted.                                     | Adjust up/down chain.   |
|  | Vertical wear pads are too tight.                                      | Adjust pads.  |
|  | Drive belt(s) loose.   | Adjust belts.   |
| <b>Lumber Is Not Square</b>  | Vertical side supports not square to bed                               | Adjust side supports.   |
|  | Blade not parallel to bed rails  | Adjust bed rails parallel to blade.   |
|  | Sawdust or bark between cant and bed rails                             | Remove particles  |
|  | Tooth set problems   | Resharpener and reset blade   |
| <b>Sawdust Builds Up On Track</b>                                  | Excessive oiling   | Do not oil track  |
|  | Track wipers worn  | Adjust wipers to firmly contact track   |
|  | Track is sticky  | Clean track with solvent and apply silicone spray   |
| <b>Wavy Cuts</b>   | Excessive feed   | Slow feed rate  |
|  | Improperly sharpened blade (This will be the problem 99% of the time!) | Resharpener blade (See Sharpener Manual - read entire manual!)  |
|  | Blade guides improperly adjusted                                       | Adjust blade guides.  |
|  | Sap buildup on blade   | Use Water Lube.   |
|  | Tooth set problem  | Resharpener and reset blade   |

## 4.2 Electrical Problems

| <b>PROBLEM</b>  | <b>CAUSE</b>  | <b>SOLUTION</b>  |
|---|---|--|
| <b>Up/down Excessively Slow.</b>  | Vertical wear pads too tight.   | Adjust pads.   |
|   | Up/down belt loose.   | Adjust belt to be as loose as possible without slipping  |
| <b>Up/down Or Power Feed Motors Do Not Work.</b>                              | Worn/dirty contacts in drum switch.   | Replace switch or remove control panel cover and clean contacts.   |
|   | Bad key switch.   | Replace key switch.  |
|   | Circuit breaker.  |  |
|   | Burned-out motor.   | Replace motor.   |
|   | Bad connection on battery post or loose wire.                                 | Check for loose wire or terminal connections.  |
|   | Up/down motor relay damaged.  | Have a qualified electrician replace the relay.  |
|   | Up/down motor is damaged.   | Have a qualified electrician replace the up/down motor.  |
|   | One phase lacks.  | Check circuit breakers in the connectors.  |
|   | Motor thermal protector started to work.                                      | Let the motor cool abd then reset the thermal protector.   |
|   | Speed switch circuit overloaded.  | Turn off the power bad let the motor cool. Turn the power back on.   |
| <b>Up/Down Or Power Feed Switches Remain Engaged When Switch Is Released.</b> | Power feed is overheated.   | Turn off the power abd let the motor cool. Turn the power back on.   |
|   | Short circuit in speed switch motor system.                                   | Have a qualified electrician remove the short circuit.   |
|   | Worn or dirty contacts in drum switch.  | Manually move the power feed or up/down switch back to neutral or "off" position. Replace drum switch or remove control panel cover and clean and lubricate contacts NOTE: Use only contact grease supplied by Wood-Mizer. |
| <b>Up/Down Or Power Feed Motors Overheat And Lose Power.</b>                  | Drum switch spring broken.  | Manually move the power feed or up/down switch back to neutral or "off" position. Replace drum switch spring.  |
|   | System overload or bind occurred.   | Correct problem. <a href="#">See Section 4.3 Power Feed Problems.</a> Allow motor to cool before restarting.   |
| <b>Everything Works And Then Cuts Out - Works Again.</b>                      | Normal operation factors exceeded (eg: up/down control jockeyed excessively). | Allow motor to cool before restarting.   |
|   | Bad fuse, or ground connection.   | Check and tighten connections.   |
| <b>Nothing Works Electrically.</b>  | Blown fuse.   | Replace.   |

### 4.3 Power Feed Problems

| <b>PROBLEM</b>   | <b>CAUSE</b>                 | <b>SOLUTION</b>   |
|--|------------------------------|---|
| <b>Power Feed Is Jerky At Low Speeds Or Does Not Move Until Speed Is Above Halfway Mark.</b> | Drum switch is dirty.        | Clean drum switch and lubricate with contact grease supplied by Wood-Mizer. |
|  | Drum switch contacts are bad | Check that contacts are in good condition and positively close circuit.     |
|  | Speed switch is worn.        | Replace the speed switch.   |
| <b>Power Feed Is Jerky, But Power Feed Motor Runs Properly At All Speeds.</b>                | Speed switch is blocked.     | Turn off the power for 20 seconds and turn it back on.                      |
|  | Problem is mechanical.       | Refer to the Mechanical Test.   |

| <b>PROBLEM</b>                     | <b>CAUSE</b>                                  | <b>SOLUTION</b>   |
|------------------------------------|---|---|
| <b>Power Feed Motor Overheats.</b> | Middle track oiler is dragging.               | Clean middle track oiler and lubricate with 30-weight oil or ATF (Automatic Transmission Fluid) such as Dexron II. Allow motor to cool before restarting. |
|                                    | Ground is not level.                          | Level mill with carpenter's level. Allow motor to cool before restarting.   |
|                                    | Track roller bearing drag is excessive.       | Lubricate bearings; Replace tight bearings. Allow motor to cool before restarting.  |
|                                    | Lower track rollers are not aligned properly. | Check stop block clearance from lower bed rail. Allow motor to cool before restarting.  |
|                                    | Chain is dragging.                            | Make sure chain is centered on cam follower bearing; Clean and lubricate chain; Adjust chain tension. Allow motor to cool before restarting.              |
|                                    | Chain is improperly tensioned.                | Adjust chain tension. Allow motor to cool before restarting.  |
|                                    | Seat load is excessive.                       | Check seat bearings for freedom of movement; Loosen clamping screw 1/4 turn. Allow motor to cool before restarting.                                       |
|                                    | Power feed is binding.                        | Adjust belt tension; Check condition of belt, pulleys, bearings, and sprocket; Check motor for ground fault. Allow motor to cool before restarting.       |
|                                    | Saw head load is excessive.                   | Avoid unnecessary modifications to saw heads that would give them extra weight. Allow motor to cool before restarting.                                    |
|                                    | Blade is dull or improperly set.              | Use proper blade maintenance procedures (See Sharpener or Toothsetter manual). Allow motor to cool before restarting.                                     |

## 4.4 Hydraulic Problems

| PROBLEM  | CAUSE   | SOLUTION  |
|--|---|---|
| You Can Actuate Any Hydraulic Handle, But Get No Response From The Pump.   | Carriage not positioned properly to provide power to the pump                 | Make sure carriage contact bracket is adjusted far enough forward for battery positive contact to touch 6ft. strip on main tube. Check contact and strip for tarnish or loose wires. Clean as necessary   |
|  | Hydraulic feeder does not work  | Turn on the power switch on the front side of the electric box mounted on the front side of the hydraulic box. Check whether the power is on (in position "1")<br><br>Check whether the key switch is in ACC position   |
|  |   | Disconnect the plug on the left side of the electric box and change the phases using a screwdriver  |
|  |   | Check whether the emergency switch is off   |
|  | One phase lacks power   | Check fuses in the electric connector   |
|  | Pump motor relay damaged  | Have a qualified electrician change it  |
|  | Hydraulic pump motor is overheated  | Let the motor cool. When the motor is off, reset the thermal motor breaker located in the electric box mounted in the hydraulic box   |
|  | The hydraulic feeder works despite the release of the hydraulic control lever | <b>Standard situation.</b> Hydraulic feeder assembly should keep working for 5-8 seconds after the hydraulic lever is released (in the neutral position)  |
|  | Poor ground connection  | Check ground connection between pump and saw frame. Check contact and rail for tarnish or loose wires. Clean as necessary   |
|  | Blown fuse  | Replace   |
|  | Defective pump motor  | Remove motor from pump and inspect. Repair or replace as necessary  |
| You Can Get Response From the Pump By Actuating All But One or Two Handles | Valve assembly switch contacts are not properly adjusted                      | Locate the valve switch at the bottom of the valve assembly. Use a 3MM allen wrench to loosen the set screw on each of the five switch contacts. Press each contact to the valve block and tighten the contact set screw to secure in place. <b>CAUTION!</b> Do not overtighten!<br><br><b>NOTE:</b> Do not adjust the valve switch or switch spring; they have been preset at the factory. |

| <i><b>PROBLEM</b></i>  | <i><b>CAUSE</b></i>                             | <i><b>SOLUTION</b></i>   |
|--|---|--|
| <b>Pump Motor Runs With Little Or No Response From The Cylinders</b> | Low fluid level                                 | Check fluid level. Add an all-season hydraulic fluid such as Amoco Rycon Oil MV or Mobil Multipurpose ATF (automatic transmission fluid) until level is 4 - 4 1/2" from bottom of reservoir with all cylinders retracted   |
|  | Pressure relief valve moved from proper setting | Adjust pressure relief valve.  |
|  | Low air temperature causing fluid to thicken    | Allow fluid to warm up. Synthetic fluids are available that allow for hydraulic operation in cold weather conditions (Mobil SHC 526)   |
| <b>Fluid Leaks From Around Cylinder Piston Ram</b>                   | Worn seals                                      | Replace seals in cylinder. Check piston ram for abrasive weld that may be causing premature seal failure   |
| <b>Fluid Leak Around Pump Box</b>                                    | Loose seal or fitting                           | Wipe pump off completely to locate cause of leak. You may have to unbolt the pump to wipe behind it. <b>NOTE:</b> Movement of the sawmill can cause fluid to slosh up into the foam filter in the reservoir cap, and subsequently spray out, giving the appearance that fluid is leaking from the pump |



| <b>PROBLEM</b>  | <b>CAUSE</b>                                 | <b>SOLUTION</b>   |
|---|--|---|
| <b>Hydraulic Side Supports Go Down Before Or At Same Time As Log Turner</b> | Dirt in sequence valve                       | Remove sequence valves and clean thoroughly with kerosene. <b>NOTE:</b> Be sure to reassemble the valve and install it in its original position on the cylinder |
|   | Retainer in sequence valve worn              | Replace sequence valve  |
|   | Low air temperature causing fluid to thicken | Allow fluid to warm up. Synthetic fluids are available that allow for hydraulic operation in cold weather conditions (Mobil SHC 526)                            |
| <b>Hydraulic Turner Goes Up Before Or At Same Time As Side Supports</b>     | Spring weakening in sequence valve           | Locate sequence valve at top of turner cylinder. Turn heavy spring in about 1/4 turn  |
|   | Dirt in sequence valve                       | Remove sequence valves and clean thoroughly with kerosene. <b>NOTE:</b> Be sure to reassemble the valve and install it in its original position on the cylinder |
|   | Retainer in sequence valve worn              | Replace sequence valve  |
|   | Low air temperature causing fluid to thicken | Allow fluid to warm up. Synthetic fluids are available that allow for hydraulic operation in cold weather conditions. (Mobil SHC 526)                           |
|   | Springs weakening in sequence valve.         | Locate sequence valve at bottom of turner cylinder. Turn heavy spring in about 1/4 turn   |

## **4.5 Engine/Motor and Drive Pulleys Alignment**

1. Install the drive belt.
2. Use a straight edge to align the engine/motor pulley to the drive pulley. Also check that the engine pulley is within 1/8" square with the drive pulley. Loosen the engine mounting bolts and rotate the engine if necessary.
3. Check front-to-back movement of the engine does not exceed 6,5 mm 1/4". Tighten the motor mount U-bolts if necessary.
4. Adjust the drive belt tension to 11mm deflection with 7,2 kg. of force.
5. Recheck the pulley alignment and engine squareness with the clutch handle engaged. Adjust if necessary.
6. Adjust the drive belt support to 6mm from the belt while engaged.

## SECTION 5 SAWMILL ALIGNMENT

### 5.1 Pre-Alignment Procedures

The Wood-Mizer sawmill is factory aligned. This section includes instructions on how to realign the sawmill completely. Be scrupulous when performing all alignment steps, because sawmill alignment determines accuracy of your cuts. The alignment procedure should be performed approximately every 1500 hours of operation (sooner if you regularly transport the sawmill over rough terrain).

#### **Routine Alignment Procedure:**

1. Install and track the blade ([See Section 5.3](#)).
2. Check the angle of the blade in relation to the bed rails and adjust the lower track rollers if necessary ([See Section 5.18](#)).
3. Check and adjust the vertical alignment of the blade guide arm ([See Section 5.7](#)).
4. Check and adjust the horizontal alignment of the blade guide arm ([See Section 5.10](#)).
5. Check and adjust the vertical angle of the blade guides ([See Section 5.13](#)).
6. Check and adjust the horizontal angle of the blade guides ([See Section 5.15](#)).
7. Check and adjust the spacing between the blade guide flange and the back of the blade ([See Section 5.14](#)).
8. Check and adjust the horizontal angle of the side supports ([See Section 5.16](#)).
9. Check and adjust the vertical angle of the side supports ([See Section 5.17](#)).
10. Check that the blade height scale accurately displays the actual distance from the bottom of the blade to the bed rails and adjust if necessary ([See Section 5.19](#)).

#### **Complete Alignment Procedure:**

Perform all steps in this section to completely realign the sawmill.

## 5.2 Frame Setup

Stationary sawmills should be setup on firm, level ground before proceeding with alignment.

Portable sawmills should also be setup on firm, level ground.

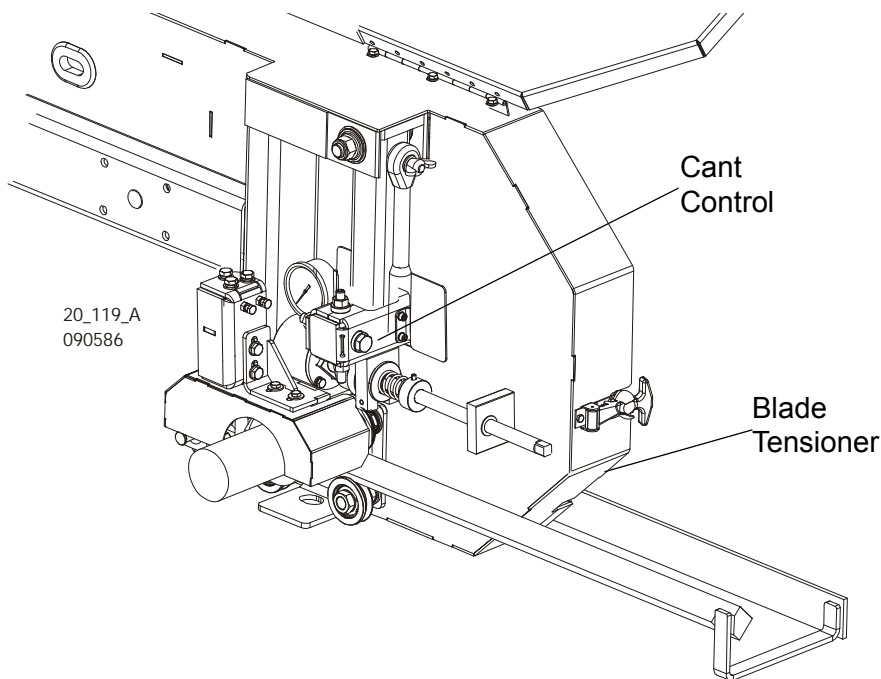
: Adjust the two middle outriggers on the main frame tube down just enough to lift weight from the trailer tire.

: Adjust the two end outriggers on the main frame tube down just enough to lift weight from the trailer tire.

**All Portable Sawmills:** Adjust the two outer outriggers down just so they touch the ground but do not bear weight.

## 5.3 Blade Installation And Alignment

See **Figure 5-1**. Install a blade and apply the appropriate tension. Blade tension is adjusted with the tension handle shown below.



**FIG. 5-1**

### Electric Sawmills:

1. Turn the key switch to the "H" position.

**H**

2. Open the blade housing cover.

3. Manually spin one of the blade wheels until the blade positions itself on the blade wheels.

#### Gas Sawmills:

1. Turn the key switch to the "0" position and remove the key.
2. Open the blade housing cover.
3. Release the locking pin. To do this, pull it outward and rotate.
4. Push the clutch lever up lightly so that the locking pin drops down into the hole. At this position of the lever the blade brake is released and the drive belt is loosened.

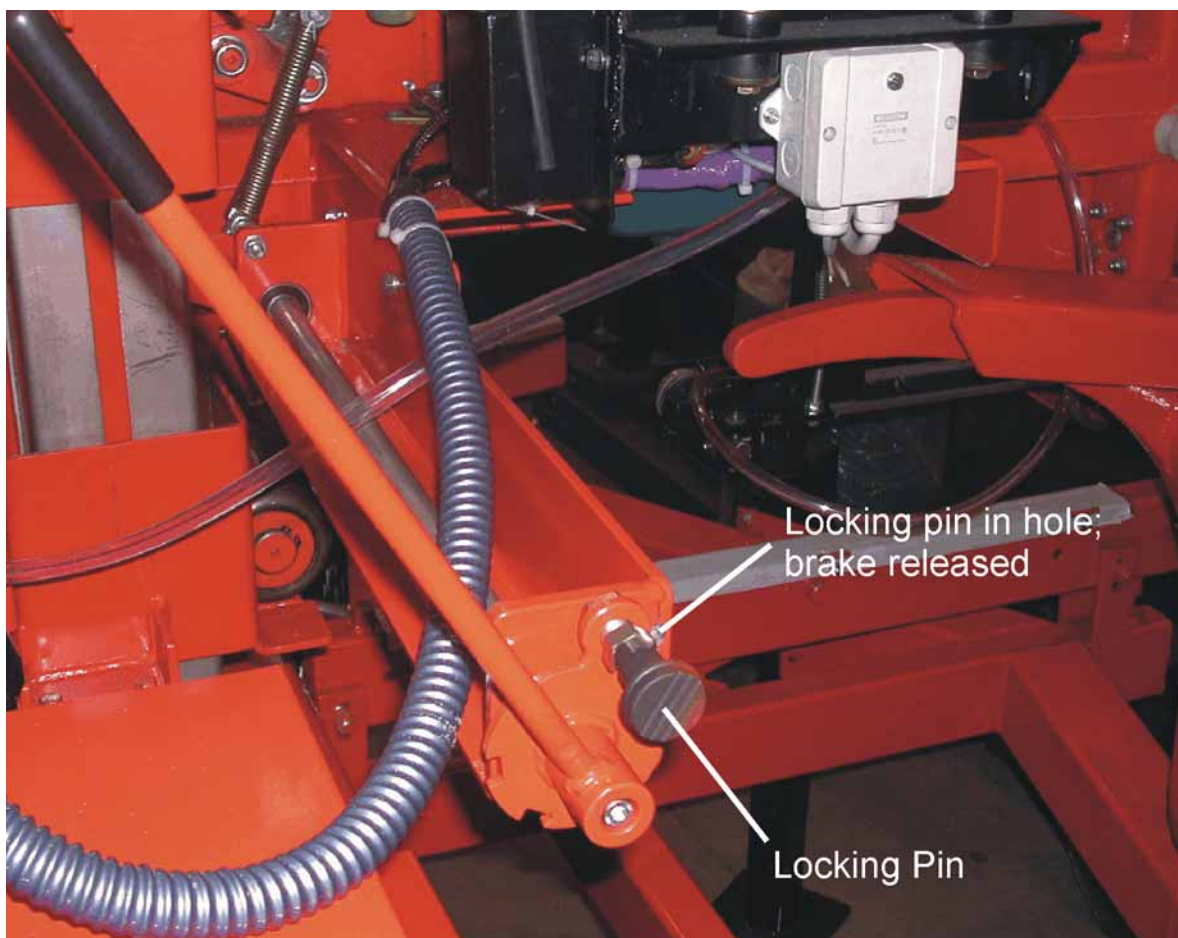


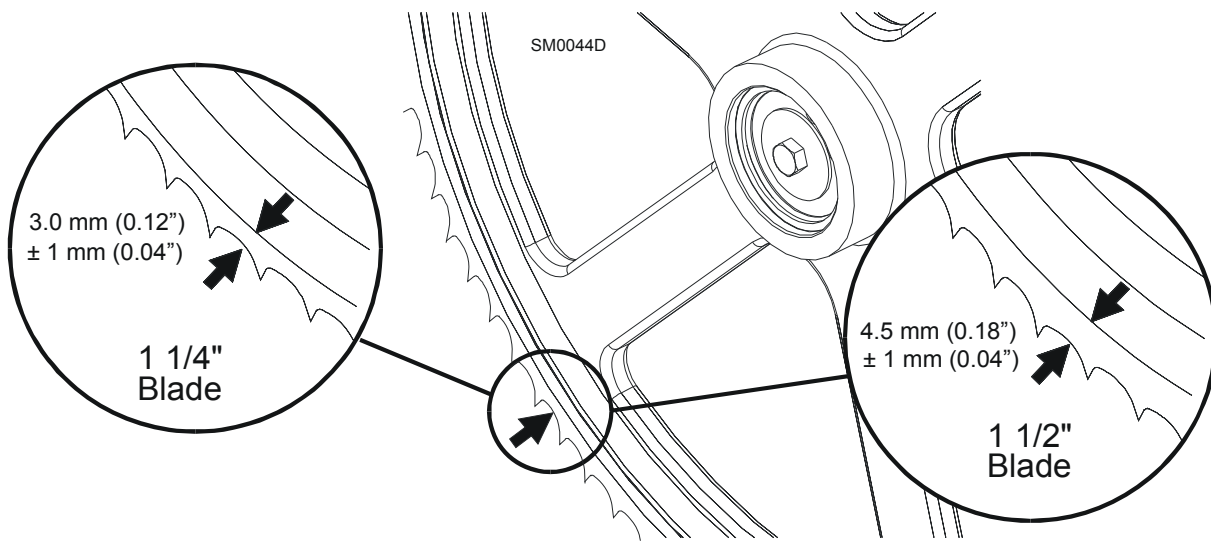
FIG. 5-1

5. Spin one of the blade wheels by hand until the blade positions itself on the blade wheels.

Check the vertical alignment of the idle-side blade wheel. The gullet of the blade should ride the same distance from the front edge of the wheel at the top and bottom of the wheel. If it does not, loosen and tighten the appropriate adjustment screws on the wheel shaft.

**See Figure 5-2.** The blade wheels should be adjusted so that the gullet of 1 1/4" blades rides 3.0 mm (0.12") out from the front edge of the wheels ( $\pm 1.0$  mm [0.04"]). The gullet of 1 1/2" blades should

ride 4.5 mm (0.18") from the front edge of the wheels ( $\pm 1.0$  mm [0.04"]). Do not let the teeth ride on the belt.



**FIG. 5-2**

To adjust where the blade travels on the idle-side blade wheel, use the cant control shown in **Figure 5-1**.

To move the blade out on the blade wheel, turn the cant adjustment screw clockwise. To move the blade in on the blade wheel, turn the screw counterclockwise.

Some adjustment in blade tension may be needed to compensate for adjustments made with the cant control.

Adjustment with the cant control is usually all that is required to track the blade properly on both blade wheels. The drive-side blade wheel will usually not have to be adjusted. If necessary, the drive-side wheel can be adjusted as follows:

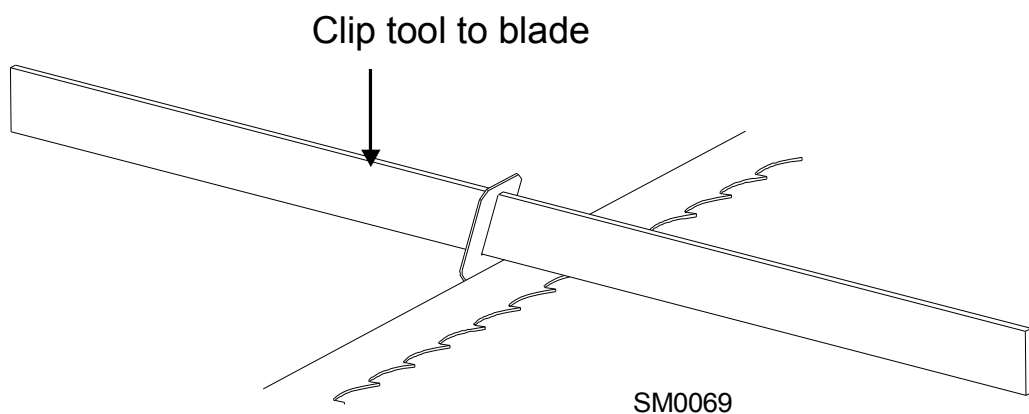
Locate the nuts and the clamping screws located on the drive-side of the cutting head. If the blade is too far forward on the wheel, turn the screw located on the inside of the head counterclockwise and turn the screw located on the outside of the head clockwise. Make sure to tighten the nuts against the shaft housing when adjustment is complete.

## 5.4 Blade Wheel Alignment

The blade wheels should be adjusted so they are level in the vertical and horizontal planes. If the blade wheels are tilted up or down, the blade will want to travel in the tilted direction. If the blade wheels are tilted horizontally, the blade will not track properly on the wheels.

1. Use the blade guide alignment tool to check the vertical alignment of each blade wheel. Attach the tool to the blade near the inner blade guide mount. Be sure the tool does not rest on a tooth or burr, and is lying flat against the bottom of the blade.

See Figure 5-3.

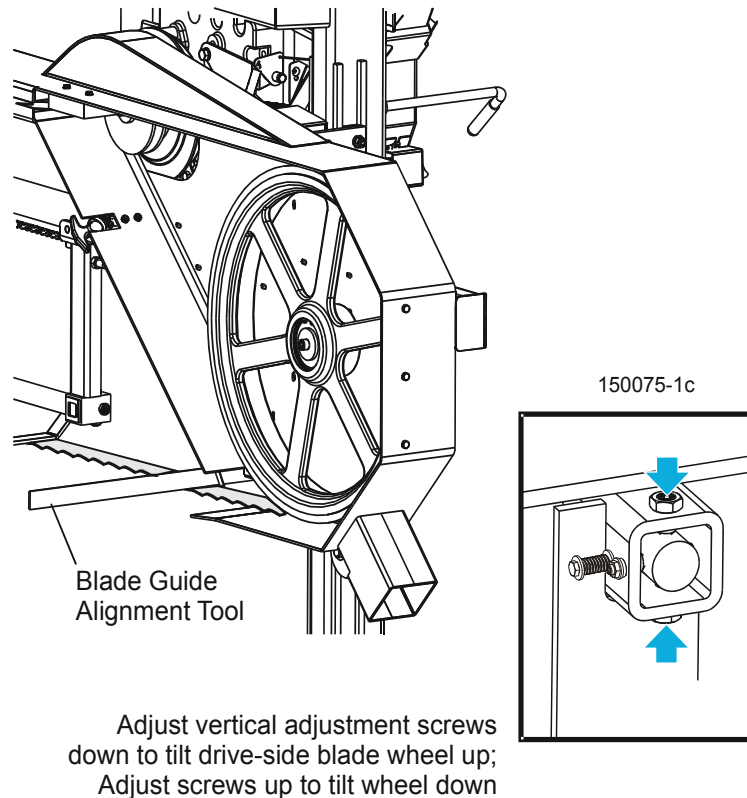


**FIG. 5-3**

2. Move the saw carriage so the front end of the tool is positioned over the first bed rail. Measure from the bottom of the tool to the top surface of the bed rail.
3. Move the saw carriage so the rear of the tool is positioned over the bed rail. Again, measure from the bottom of the tool to the bed rail.
4. If the two measurements differ by more than ( $\pm 1.5$  mm), adjust the vertical tilt of the drive-side blade wheel.

**See Figure 5-4.** Use the vertical adjustment screws to adjust the drive-side blade wheel. To tilt the wheel, loosen the top adjustment screw one quarter turn. Loosen the jam nut on the bottom adjustment screw and tighten the screw. Tighten the top and bottom jam nuts.

To tilt the wheel, loosen the bottom adjustment screw one quarter turn. Loosen the jam nut on the top adjustment screw and tighten the screw. Tighten the top and bottom jam nuts.



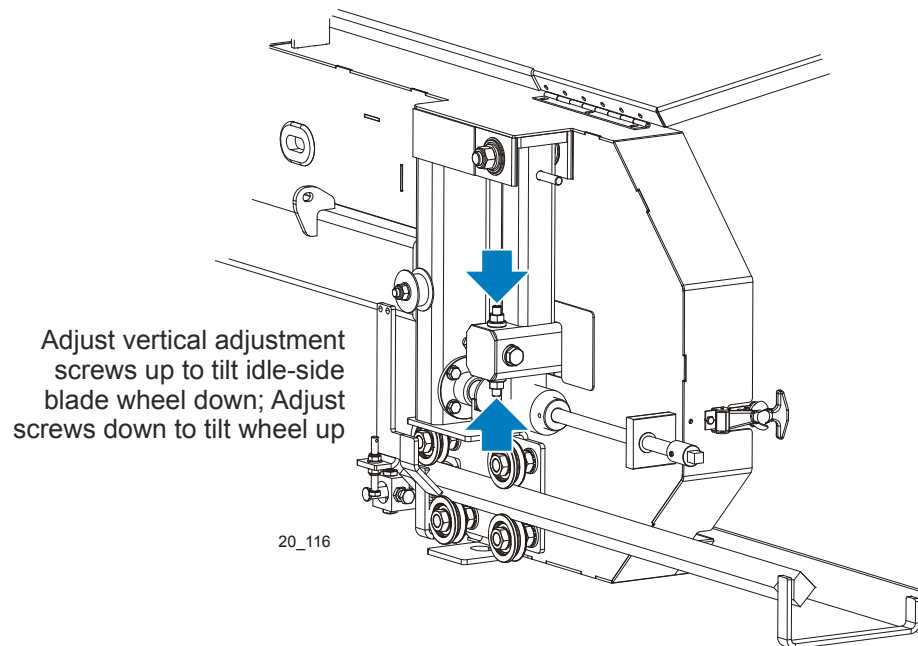
**FIG. 5-4**

5. Recheck the vertical tilt of the drive-side blade wheel with the blade guide alignment tool. Readjust the blade wheel as necessary until the front and rear of the tool are the same distance from the bed rail ( $\pm 1.5$  mm).
6. Remove the tool from the blade and reattach it near the outer blade guide assembly.
7. Measure from the tool to the bed rail at both ends of the tool. If the measurements at the front and rear ends of the tool differ by more than ( $\pm 1.5$  mm), adjust the vertical tilt of the idle-side blade wheel.



**See Figure 5-5.** Use the vertical adjustment screws to adjust the idle-side blade wheel. To tilt the wheel up, loosen the bottom adjustment screw one quarter turn. Loosen the jam nut on the top adjustment screw and tighten the screw. Tighten the top and bottom jam nuts.

To tilt the wheel down, loosen the top adjustment screw one quarter turn. Loosen the jam nut on the bottom adjustment screw and tighten the screw. Tighten the top and bottom jam nuts.



**FIG. 5-5**

8. Recheck the vertical tilt of the idle-side blade wheel with the blade guide alignment tool. Readjust the blade wheel as necessary until the front and rear of the tool are the same distance from the bed rail.
9. Check the position of the blade on the idle-side blade wheel.

**See Figure 5-6.** The horizontal tilt of the blade wheel should be adjusted so that the gullet of an 1-1/4" blade is 3.0 mm out from the front edge of the wheel ( $\pm 1.0$  mm).

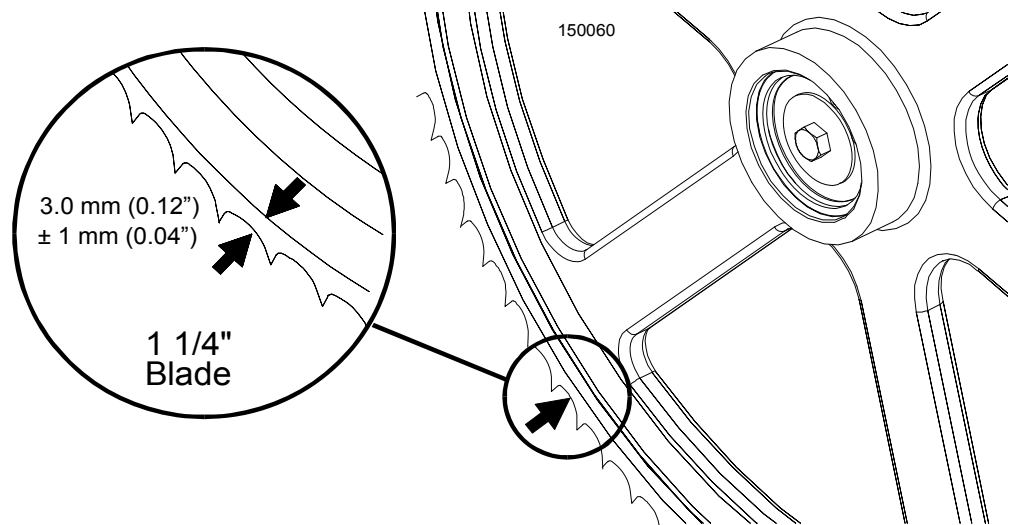


FIG. 5-6

See Figure 5-7. Use the cant control adjustment to adjust the idle-side blade wheel. If the blade is too far forward on the wheel, turn the cant control counterclockwise. If it is too far back on the wheel, turn the cant control clockwise.

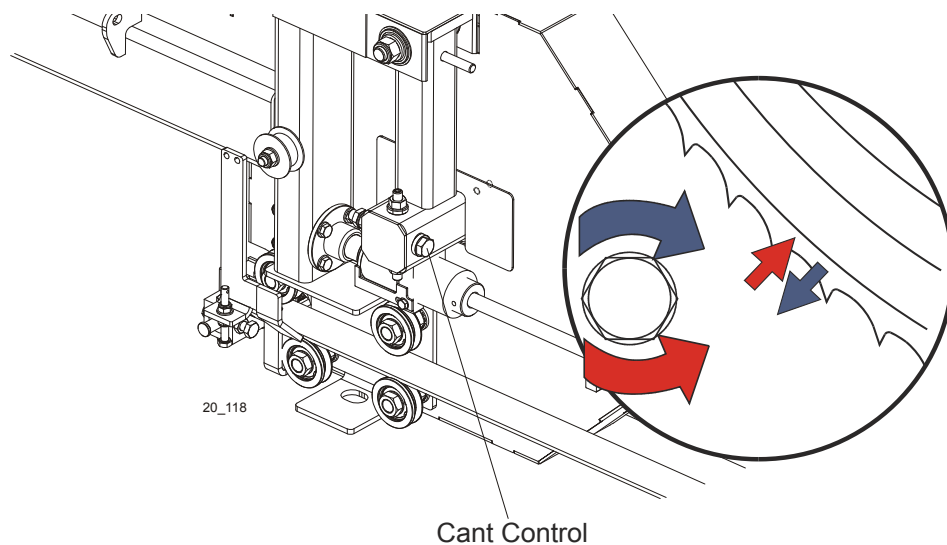


FIG. 5-7

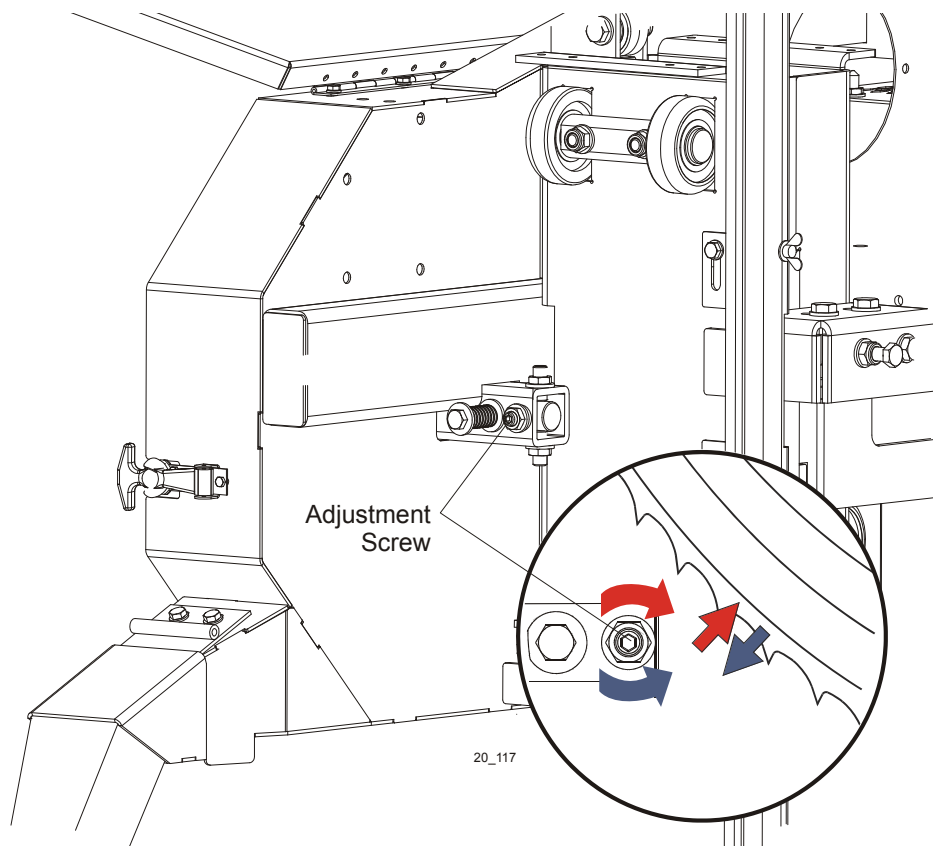
10. Check the position of the blade on the drive-side blade wheel. The blade should be positioned on the wheel as described for the idle-side blade wheel. Adjust the drive-side blade wheel if necessary.

See Figure 5-8. Use the horizontal adjustment screw to adjust the drive-side blade wheel. Loosen the jam nut on the adjustment screw. Loosen adjustment screw to move blade out on wheel. Tighten

# 5 SAWMILL ALIGNMENT

## *Blade Wheel Alignment*

adjustment screw to move blade in on wheel. Tighten the jam nut.

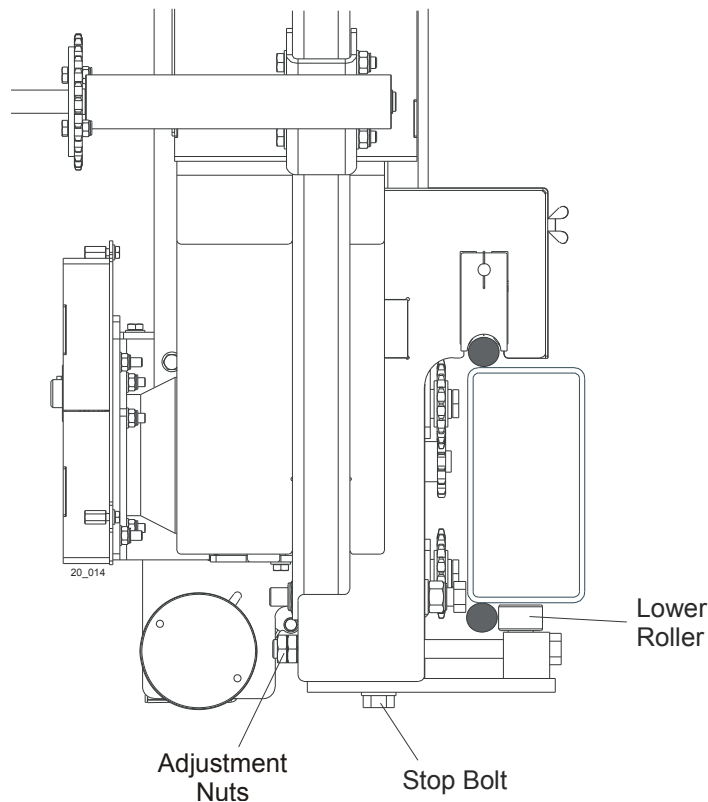


**FIG. 5-8**

## 5.5 Adjusting The Lower Track Rollers

See **Figure 5-9**. Making these adjustments correctly will give you square cuts and accurate dimensions across the width of your boards.

1. Using the power feed switch, move the saw carriage so that the blade is positioned over the front pivot bed rail.
2. Check the lower rollers. Both rollers should touch the rail so that you cannot spin them by hand. If the rollers are not adjusted evenly and you can spin either one, loosen the stop bolt and adjust the adjustment nuts until the roller cannot be spun by hand. Check the other roller and adjust if necessary. Adjust both rollers until each evenly supports the carriage and you cannot spin either by hand.
3. Move the carriage forward until the blade is positioned over the rear pivot bed rail. Repeat the step #2 until the lower rollers are adjusted properly at the front and rear of the sawmill.



**FIG. 5-9**

4. Remove the blade guides, or adjust them so that they do not touch the blade.
5. Open the adjustable blade guide arm to within 1/2" (15 mm) of full open.
6. Move the carriage back to the front pivot bed rail. Raise the cutting head until the bottom of the blade is 17" (400 mm) above the outside of the pivot rail support by actual measurement with a tape or ruler.

See Figure 5-10.

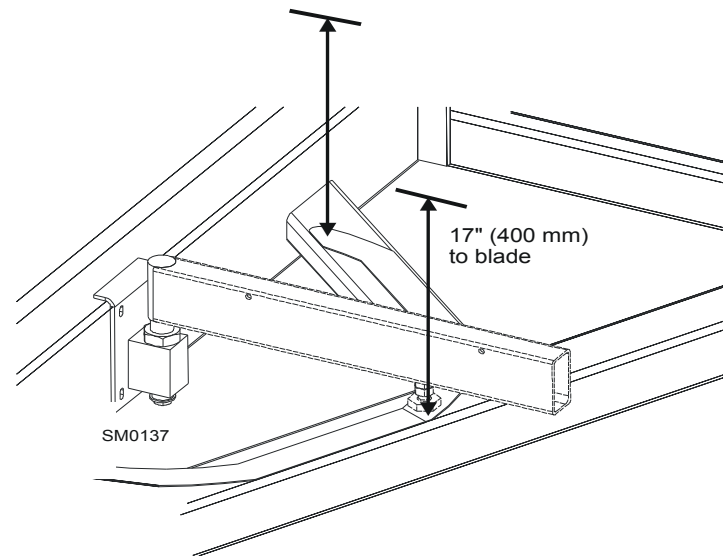


FIG. 5-10

7. Move the carriage forward to check the distance to the blade at the inside of the pivot rail support. Both measurements should be equal within ( $\pm 1.0$  mm [0.04"]).
8. Using the adjustment nuts adjust the lower rollers to tilt the cutting head until the blade is parallel ( $\pm 1.0$  mm [0.04"]) to the pivot rail support.

**NOTE:** Adjustments of the lower track rollers change the angle between the cutting head and sawmill bed rails. Only small adjustments of the lower track rollers should ever be needed.

9. After the lower track rollers are adjusted properly, adjust the stop screw. Tighten the screw until it touches the main bed tube. Then, back the screw off 1/2 turn. The distance from the rail should be 1.0 mm [0.04"].



**CAUTION!** It is important that the stop screw is properly adjusted to secure the carriage on the track rails. Failure to properly adjust the stop screw can cause cutting head damage, especially during mill transportation.

See Figure 5-11.

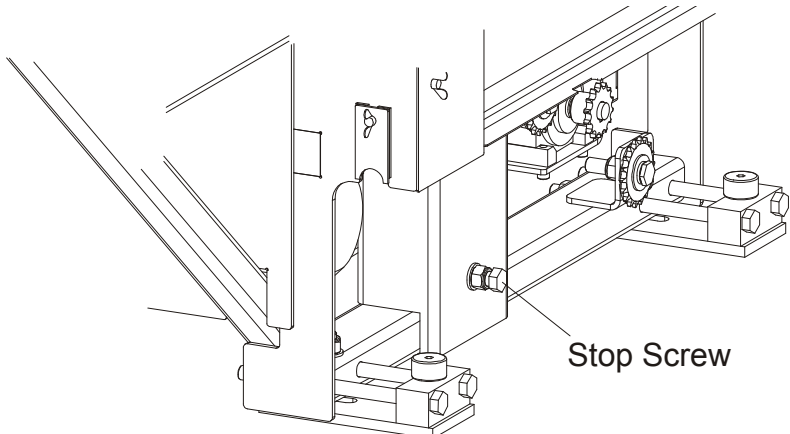


FIG. 5-11

**5.6 Adjusting Bed Rails To The Blade**

- 1. Adjust the front pivot bed rail 90° to the main bed tube.
- 2. Move the cutting head to center the blade over the front pivot bed rail.
- 3. Measure the distance from the top of the pivot rail to the bottom of the blade. Make this measurement at each end of the pivot rail.
- 4. The two measurements should be 15" (375 mm).
- 5. Loosen the locking set screws and turn the inner height adjustment nut to adjust the height of the inner end of the pivot rail.

See Figure 5-12.

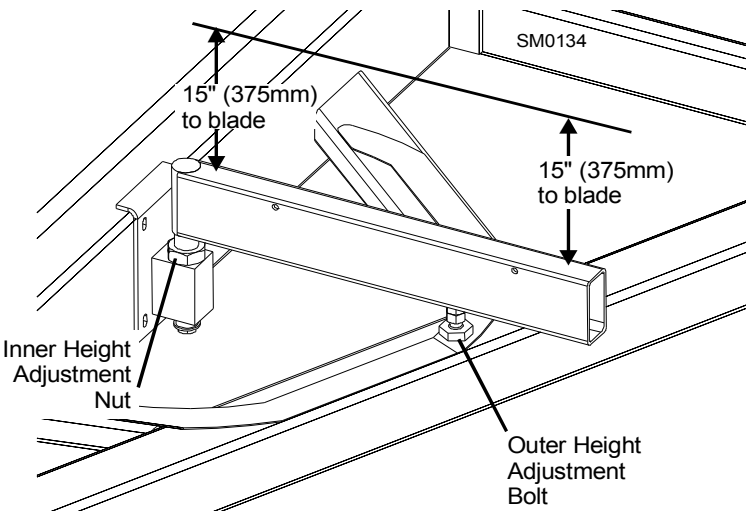


FIG. 5-12

6. Loosen the jam nut and turn the outer height adjustment bolt to adjust the height of the outer end of the pivot rail.
7. Move the cutting head so the blade is positioned over the center of the front main bed rail.
8. Measure the distance between the bottom of the blade and the bed rail at each end of the bed rail. The bed rail should measure 15" (375 mm) (+ 1.0 mm on the outer end) from the blade at each end of the rail.

See Figure 5-13.

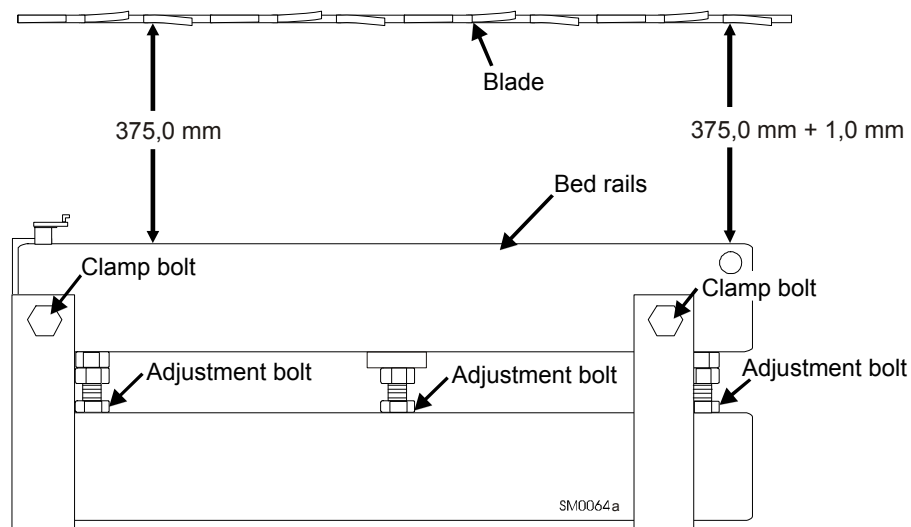


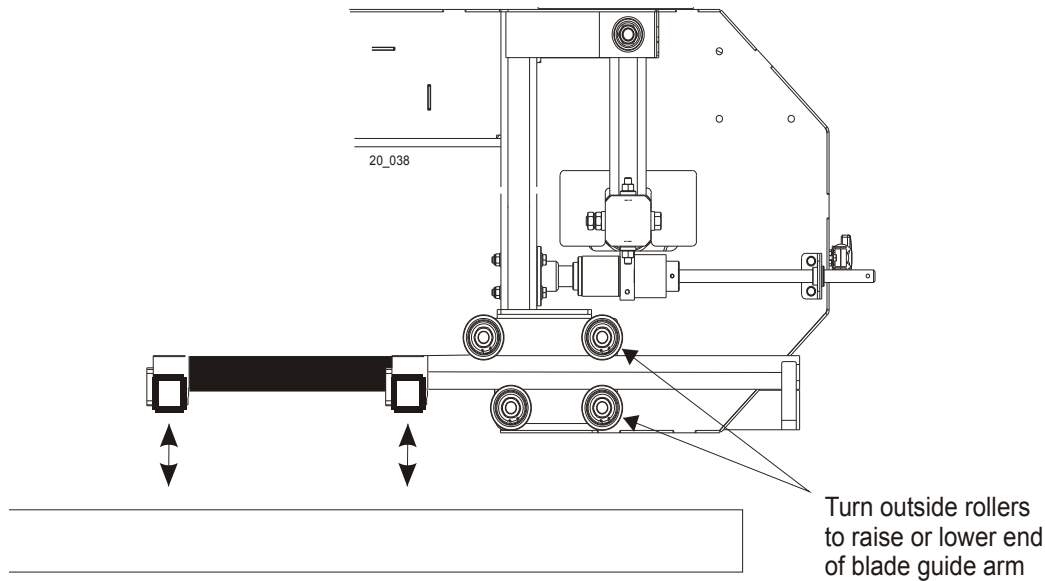
FIG. 5-13

9. Loosen the bed rail clamping bolts and turn the adjustment bolts to move the bed rails to the blade if necessary.
10. Retighten the clamping bolts and adjustment bolts.
11. Without adjusting the cutting head height, check the three remaining main bed rails and the rear pivot rail. Adjust them so that all measure the same distance from the blade at both ends of the bed rail.

## 5.7 Blade Guide Arm Vertical Adjustment

1. Move the cutting head so that the blade guide arm is directly over a bed rail.
2. Adjust the blade guide arm out to within 1/2" (15 mm) of full open.
3. Measure from the top of the bed rail to the arm.

See Figure 5-14.



**FIG. 5-14**

4. Adjust the blade guide arm in to within 1/2" (15 mm) of full closed. Measure again from the top of the bed rail to the arm.
5. Adjust the arm so that the measurement from the top of the bed rail to the arm in the closed position is the same as the measurement from the top of the bed rail to the arm in the open position.

If the arm is too low in the closed position, loosen the lower outside roller and tighten the upper outside roller (See point 6.)

6. The rollers are mounted on cam bolts that raise or lower the arm when turned.

To adjust the rollers, locate the cam bolt inside the housing and turn until the arm is lowered or raised as needed. Recheck the arm in both the open and closed positions. Repeat adjustments until the arm is the same distance from the bed rail in the open and closed position.

7. The blade guide arm should be snug, but not too tight, in the rollers. You should be able to move it in and out with firm hand pressure. There should be no side-to-side play.

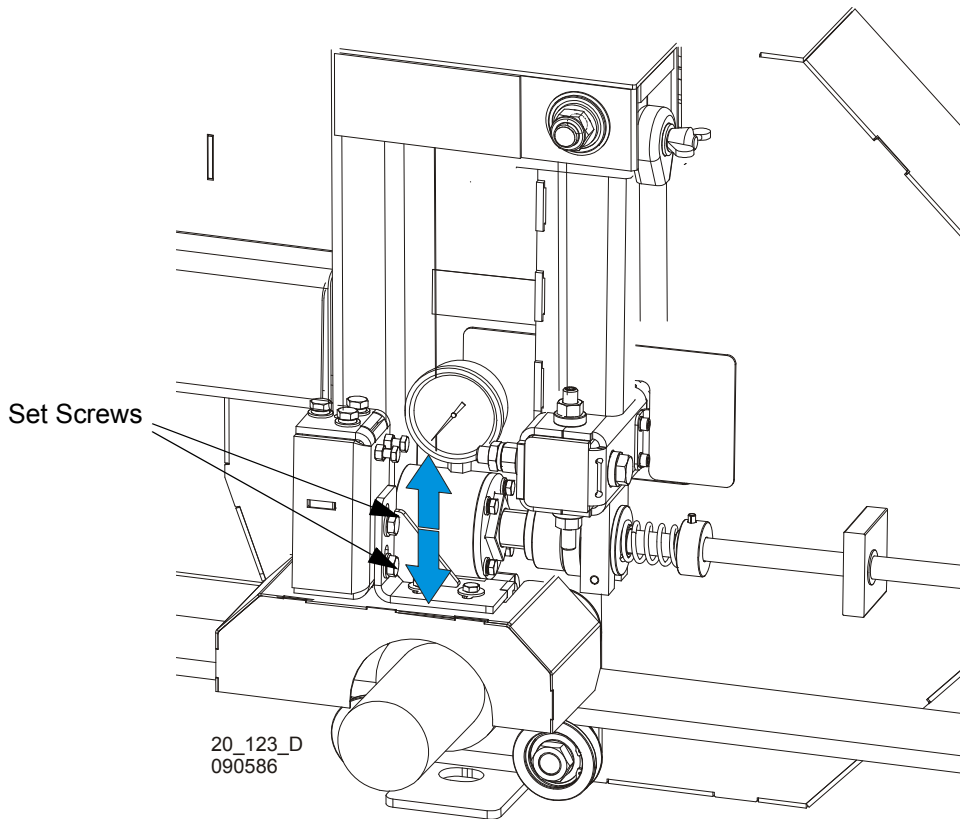
## 5.8 Blade Guide Arm Feed Chain Adjustment

1. Arm and motor sprockets must be in line (see figure below). If not, loosen the set screws and adjust





**See Figure 5-15.** Loosen the two set screws. Move the bracket with motor down to tighten the chain, move it up to loosen. Next tighten the set screws.



**FIG. 5-15**

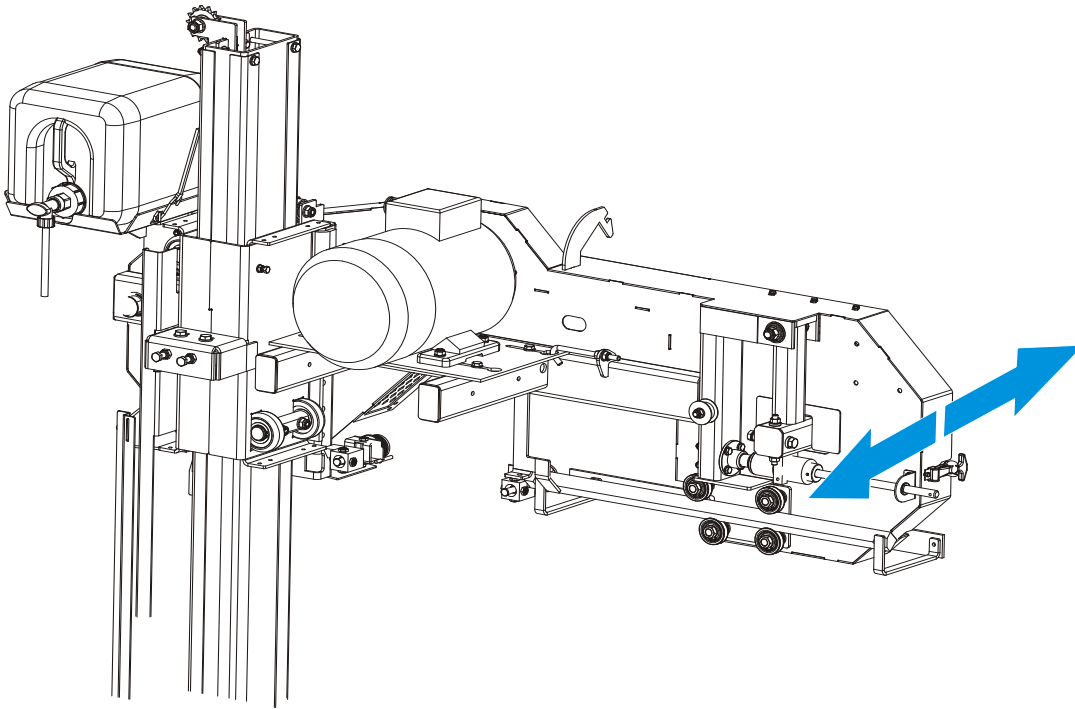


**CAUTION!** Do not overtension the chain. It will caused premature chain and sprockets wear.

## 5.9 Saw Head Backlash Removal

Check the saw head for backlash every 200 hours of operation. If necessary, remove the backlash.

**See Figure 5-16.** To check if the backlash is present, grasp the outside part of the saw head and move it as shown in the figure below. To remove the backlash, perform the following steps:



**FIG. 5-16**

1. Loosen the nuts on the adjustment bolts and the set screws shown in Figure 5-16, adjust the mast guide rollers as shown in Figure 5-16.

2. Tighten the two adjustment bolts evenly to remove the backlash.

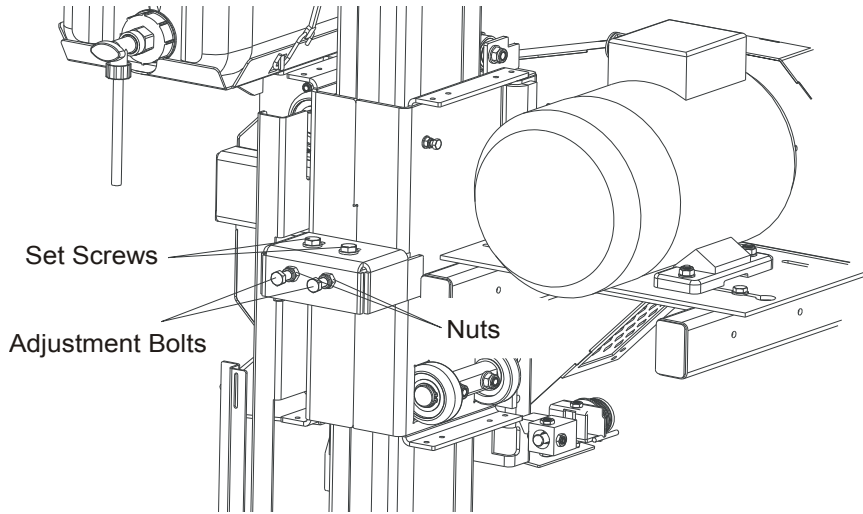


FIG. 5-16

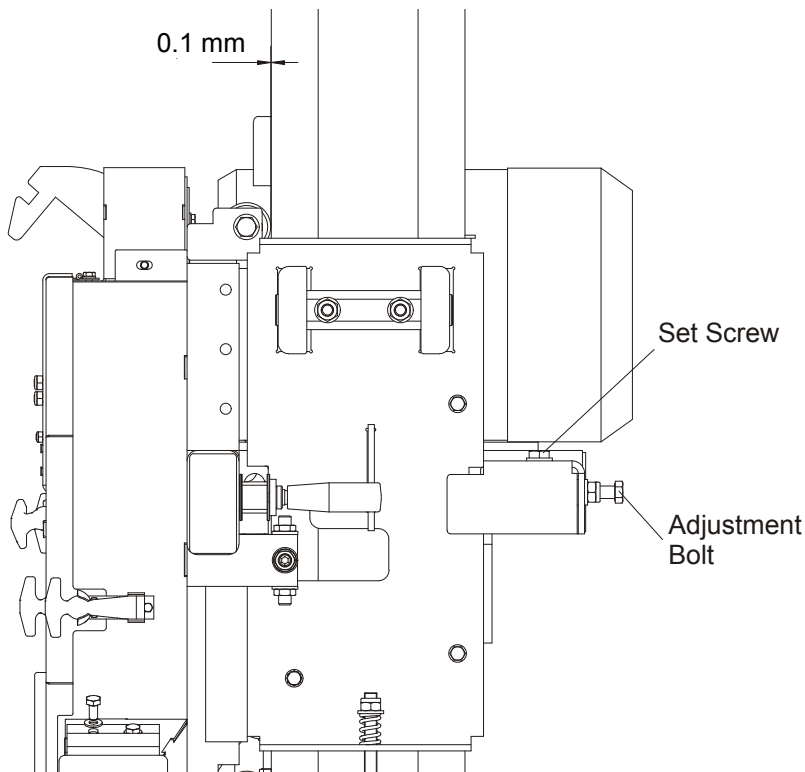


FIG. 5-16

3. Tighten the set screws and the nuts.



**CAUTION!** Do not overtighten the adjustment bolts. Damage to the up/down system may result.

## 5.10 Blade Guide Arm Horizontal Adjustment

1. Put the blade guide assembly back in the arm (if you took it out). Put the assembly back so that the flanged collar on the roller is about 3.0 mm (0.04") from the back of the blade when the arm is 15 mm (0.6") from full open.
2. Close the throat to within 15 mm (0.6") from fully closed. Check to see that the flange is the same distance from the back of the blade.

See Figure 5-17.

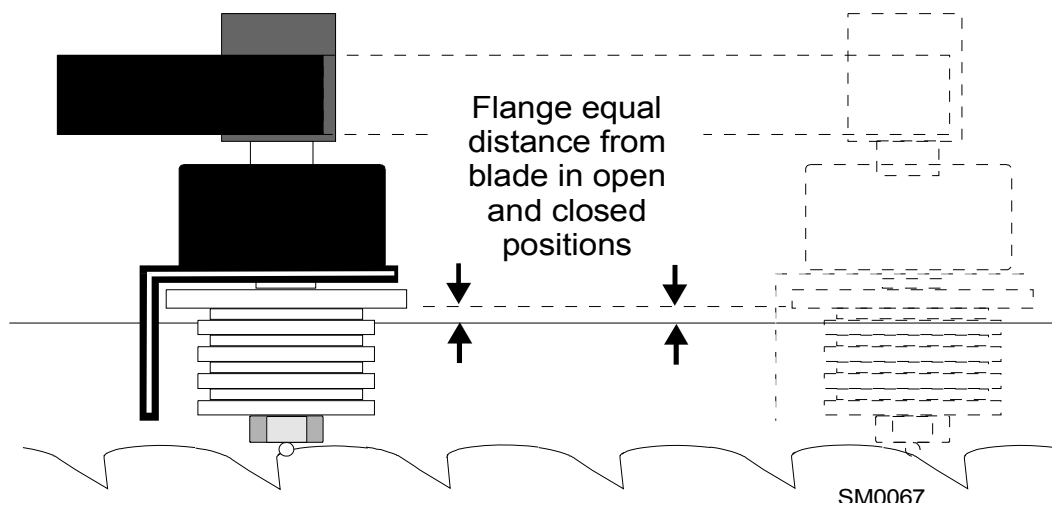


FIG. 5-17

3. If adjustment is needed, the guide rollers can be adjusted in or out on the threaded mounts to open or close the gap.

See Figure 5-18.

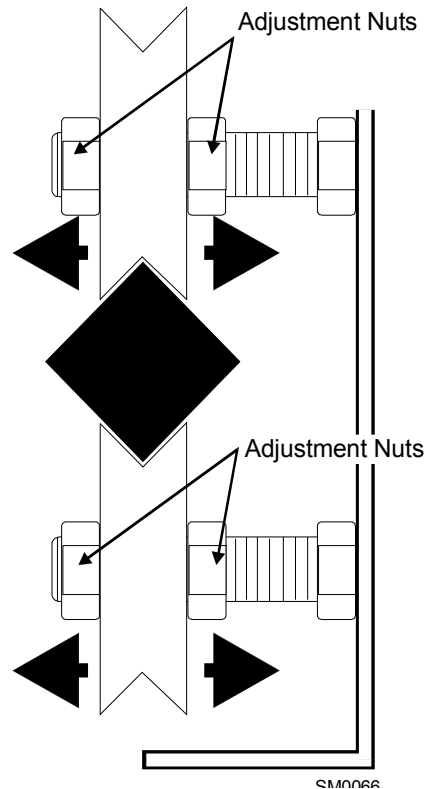


FIG. 5-18

4. Adjusting the outside two rollers (furthest from the arm motor) inward will cause the flange to move away from the blade.
5. Adjusting the two outside rollers outward will cause the flange to move toward the blade.
6. Adjust until the roller flange is the same distance from the back of the blade in the open and closed position.

## 5.11 Aligning the Blade Guides

Each Wood-Mizer sawmill has two blade guide assemblies that help the blade maintain a straight cut. The two blade guide assemblies are positioned on the cutting head to guide the blade on each side of the material being cut.

One blade guide assembly is mounted in a stationary position on the drive side of the cutting head. This assembly is referred to as the "inner" blade guide assembly.

The other blade guide assembly is mounted on the idle side of the cutting head. It is referred to as the "outer" assembly and is adjustable for various widths of materials to be processed.

Blade guide alignment includes four steps:

- Blade Deflection
- Blade Guide Vertical Tilt
- Blade Guide Flange Spacing
- Blade Guide Horizontal Tilt

Perform the blade guide alignment after you have aligned the blade on the wheels and adjusted the blade and blade guide arm parallel to the bed rails. After blade guide alignment, check the scale indicator to make sure it is adjusted properly. ([See Section 5.19.](#))

**NOTE:** During blade guide alignment, remove the blade guide adjusting screws and apply a lubricating oil such as 10W30 or Dexron III to each screw. This will prevent the screws and threaded holes from corroding and make screw adjustments easier.

## 5.12 Blade Deflection

Perform the following steps to achieve proper blade deflection with the blade guides.

1. Raise the carriage until the blade is 375 mm (15") above a bed rail. Measure the actual distance with a tape from the top of the rail to the bottom of the blade.
2. Install the blade guides. Make sure the two set screws shown are threaded into the blade guide shaft until they touch each other.

See Figure 5-19.

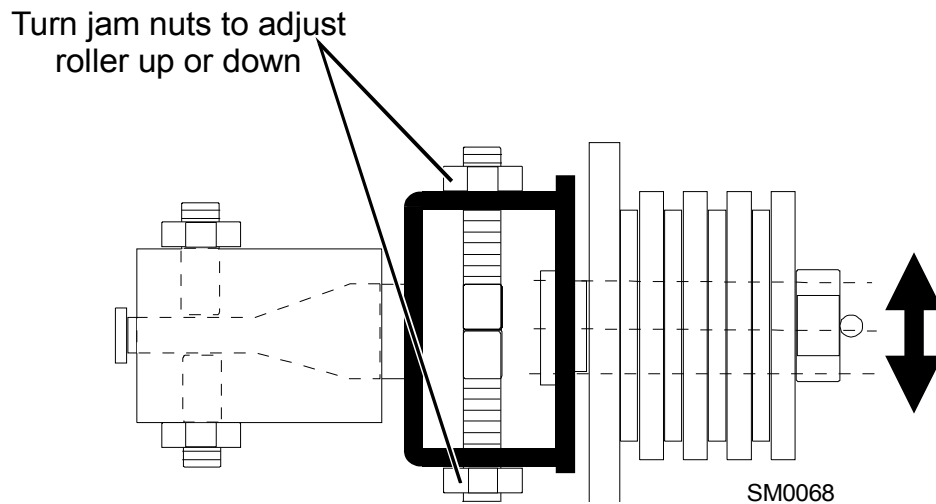


FIG. 5-19

3. Loosen the bottom jam nut and tighten the top jam nut until the blade guide deflects the blade down 6.0 mm (0.24").
4. Repeat for the other blade guide.

**NOTE:** Be sure that the blade guide touches the blade in both guide assemblies. The outer blade guide should be checked with the arm all the way in and all the way out.



### 5.13 Blade Guide Vertical Tilt Adjustment

Check that the blade guide does not tilt the blade up or down. A Blade Guide Alignment Tool (BGAT) is provided to help you measure the vertical tilt of the blade.

1. Open the blade guide arm 15 mm (0.6") from full open.
2. Clamp the alignment tool on the blade. Position the tool close to a blade guide roller. Be sure the tool does not rest on a tooth or burr, and is lying flat on the blade.

See Figure 5-20.

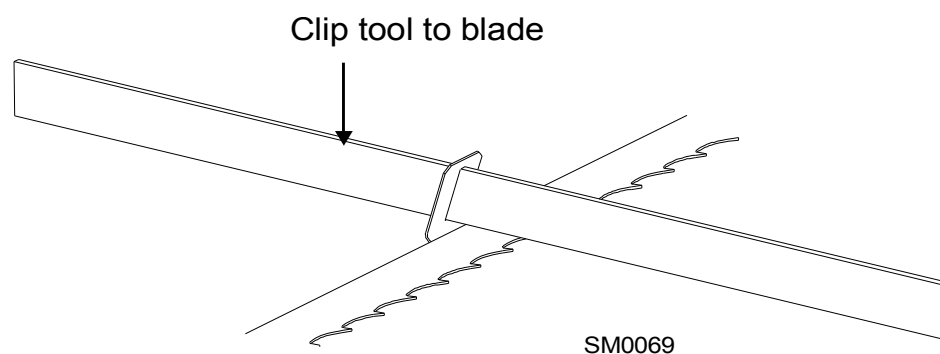


FIG. 5-20

3. Measure the distance from the bed rail to the bottom of the tool.  
**NOTE:** If the sawmill is equipped with stainless steel bed rail covers, be sure to measure from the blade guide alignment tool to the top surface of the cover rather than the bed rail tube.
4. Move the carriage so that the front end of the tool is positioned above the bed rail.
5. Measure the distance from the bed rail to the bottom edge of the tool.
6. Loosen one set screw at the side of the blade guide assembly.
7. Use the set screws shown to tilt the blade guide until the measurement from the bed rail to the tool equals the first measurement taken at the center of the tool.

See Figure 5-21.

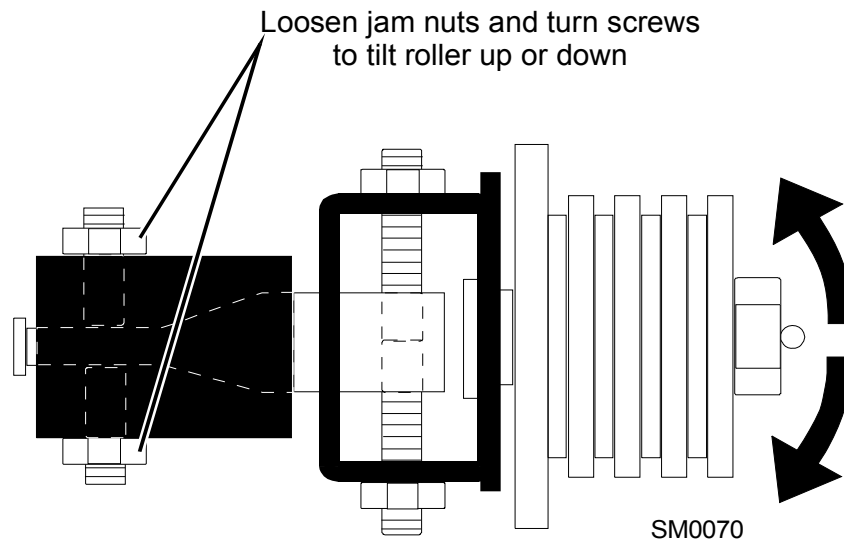


FIG. 5-21

8. Move the carriage forward so the back end of the tool is over the bed rail.
9. Use the set screws shown to adjust the blade guide tilt until the measurement from the bed rail to the tool equals the other two measurements taken.
10. Move the tool close to the other blade guide and repeat the previous steps.

**NOTE:** If major adjustments to blade guide tilt were made, measure the distance between the blade and the bed rails again to ensure the correct 6.0 mm (0.24") blade guide deflection. Adjust if necessary.

## 5.14 Blade Guide Spacing

**HINT:** When adjusting blade guide spacing, loosen the top set screw and one side set screw only. This will ensure horizontal and vertical tilt adjustments are maintained when the set screws are retightened.

1. Adjust the inner blade guide so the blade guide flange is approximately 1.5 – 3.0 mm (0.06 - 0.12") from the back of the blade.
2. Loosen one side and one top set screw shown. Tap the blade guide forward or backward until properly positioned.

See Figure 5-22.

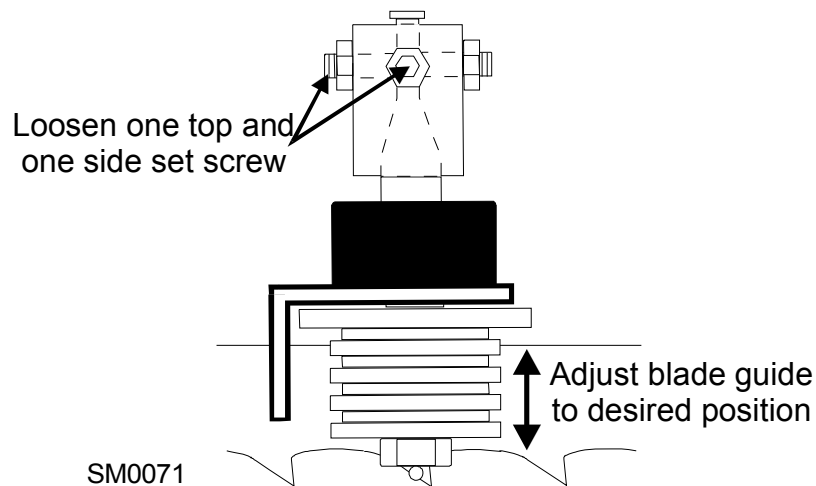


FIG. 5-22

3. Retighten the two set screws.
4. Adjust the outer blade guide in the same way so the blade guide flange is approximately 1.5 – 3.0 mm (0.06 - 0.12") from the back of the blade.

## 5.15 Horizontal Tilt Adjustment

1. Finally, both blade guides must be tilted horizontally. Adjust the blade guide arm halfway in.

See Figure 5-23.

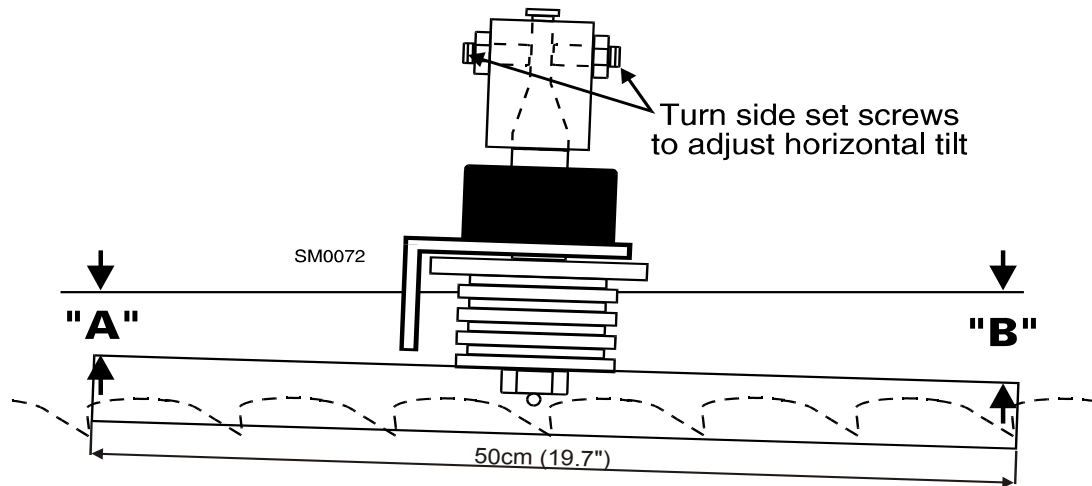


FIG. 5-23

2. Place the Blade Guide Alignment Tool against the face of the outer blade guide roller.
3. Center the tool on the roller and measure between the back edge of the blade and the ruler at the end closest to the inner blade guide ("B").
4. Measure between the back edge of the blade and the other end of the ruler ("A").
5. The roller should be tilted slightly to the left ( $A = B - 6.0 \text{ mm [0.24"]}$ ).
6. Use the side set screws to adjust the horizontal tilt of the roller.
7. Repeat steps 3-7 for the inner blade guide roller.

**NOTE:** Once the blade guides have been adjusted, any cutting variances are most likely caused by the blade. See the **Blade Handbook, Form #600**.

## 5.16 Horizontal Adjustment of Side Supports

Logs and boards are clamped against the side supports when sawing. The sides supports must be square to the bed to ensure square lumber.

1. Swing the side support down.
2. Measure between the face of the support and the main bed tube. Make measurements at both ends of the side support to make sure that it is parallel to the rail.

See Figure 5-24.

3. Use the two lower bolts to adjust the side support so  $B=A$ .
4. Repeat for remaining side supports.

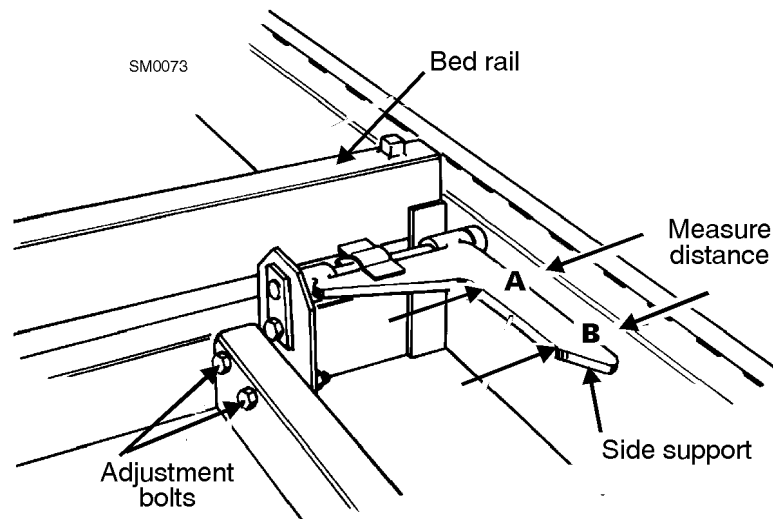
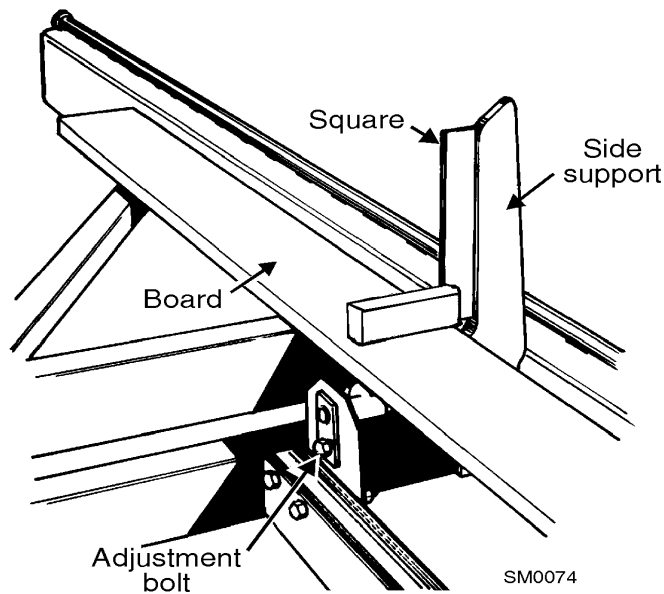


FIG. 5-24

### 5.17 Vertical Adjustment of Side Supports

1. Place a flat board across the bed rails.
2. Swing a side support up so that it is vertical.
3. Pull back at the top of the support to eliminate slack as if a log were being clamped against it.

See Figure 5-25.



**FIG. 5-25**

4. Check the angle of each support with a square on the board.
5. The side support should be 90° to the bed rails or leaning forward 1.0 mm (0.04"). Loosen the top adjustment bolt, adjust the side support, and retighten the bolt.
6. Repeat for the remaining side supports.

## 5.18 Saw Head Tilt

As the blade enters a wide log or cant, the outside of the saw head will drop down slightly. To compensate for the drop, use the lower track roller horizontal nuts to raise the outside of the saw head 1.5 mm (0.06").

1. Move the cutting head so the blade is positioned 375 mm (14.76") above a bed rail.
2. Adjust the lower track roller horizontal nuts until the blade measures 376 mm (14.80") from the bed rail near the outer blade guide.

See Figure 5-26.

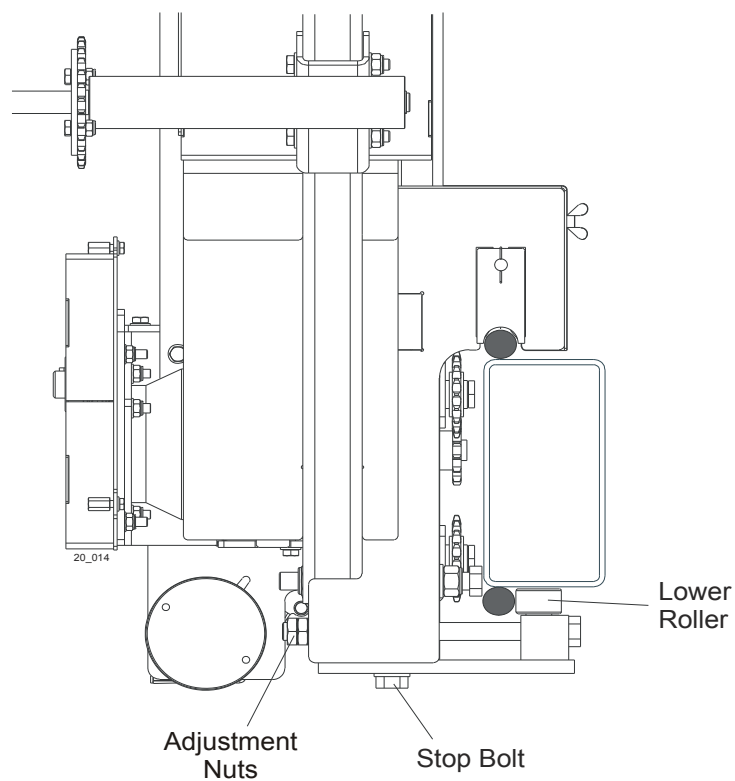


FIG. 5-26

See Figure 5-27.

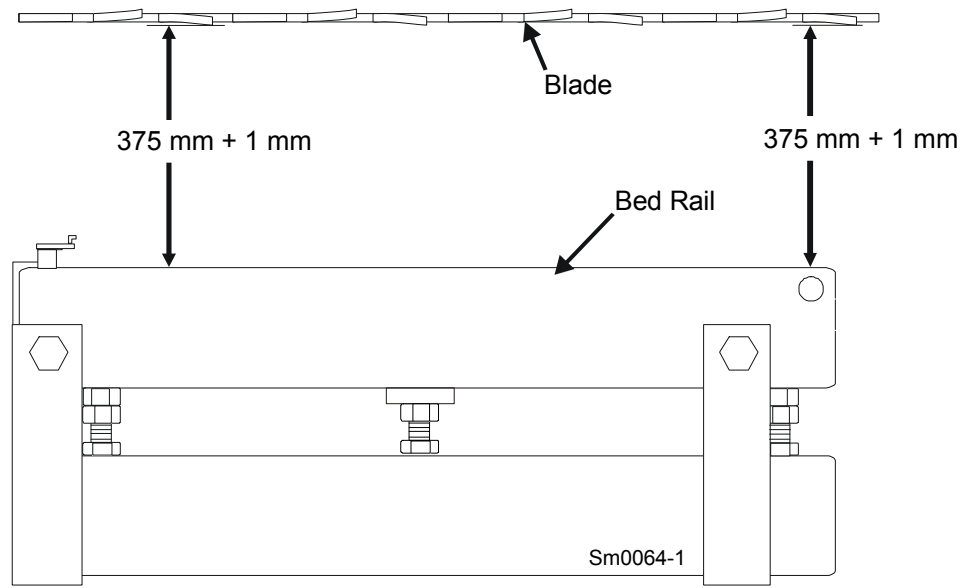


FIG. 5-27



## 5.19 Blade Height Scale Adjustment

After the entire sawmill has been aligned and all adjustments made, check that the blade height scale indicates the true distance from the blade to the bed rails.

1. Move the saw head so the blade is positioned directly above one of the bed rails. Measure from the bottom edge on a down-set tooth of the blade to the top of the bed rail (or stainless steel sleeve if applicable).

See Figure 5-28.

2. View the blade height scale with eyes level with the indicator.

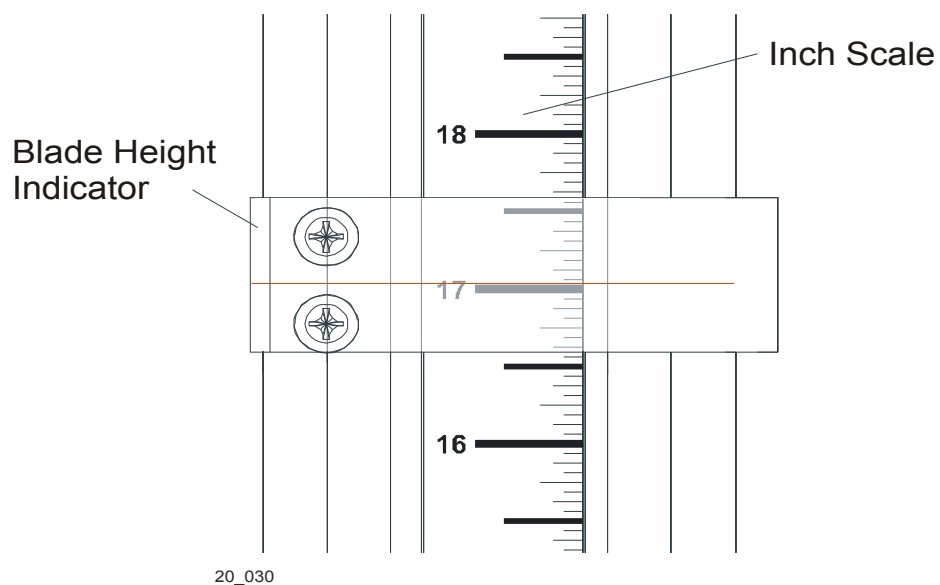


FIG. 5-28

3. Loosen the indicator bracket mounting bolts and adjust the bracket until the indicator is aligned with the correct mark on the scale. Retighten the bracket mounting bolts.

For example, if the measurement from blade to bed rail was 375 mm (14.76"), make sure the indicator reads 375 mm (14.76") on the scale.

## EC declaration of conformity according to EC Machinery Directive 2006/42/EC

We herewith declare,

Wood-Mizer Industries Sp. z o.o.  
114 Nagorna street, 62-600 Kolo; Poland.

That the following described machine in our delivered version complies with the appropriate basic safety and health requirements of the EC Machinery Directive 2006/42/EC based on its design and type, as brought into circulation by us. In case of alteration of the machine, not agreed by us, this declaration is no longer valid.

|  |  |
|--|--|
| Designation of the machine:              | <b>SAWMILL</b>   |
| TYPE:                                    | LT20   |
| Model:                                   | .....  |
| No. of manufacturer:                     | .....  |
| Applicable EC Directives:                | EC Machinery Directive 2006/42/EC<br>EC Electromagnetic Compatibility Directive<br>2004/108/EC                         |
| Applicable Harmonized Standards:         | PN-EN 1807-2:2013<br>PN-EN 60204-1:2010<br>PN-EN 13849-1:2008  |
| Notified Body according to annex IV:     | PZ.LSV; Pruf- und Zertifizierungsstelle des<br>Spitzenverbandes der landwirtschaftlichen<br>Sozialversicherung         |
| Notification No                          | 2157   |
| Responsible for:                         | EC type examination  |
| EC type-examination certificate no.      | LSV-EG-2010/123  |
| Year of CE marked affixed                | 2010   |
| Responsible for Technical Documentation: | Adam Kubiak / R&D Manager<br>Wood-Mizer Industries Sp. z o.o.<br>62-600 Koło, ul. Nagórna 114<br>Tel. +48 63 26 26 000 |
| Date/Authorized Signature:               | 26.01.2010 <b>Adam Kubiak</b>  |
| Title:                                   | R&D Manager  |