

# **Wood-Mizer®**

## **Parts Manual**

---

**LT20 Series AC MH**

**rev. D6.01**

**LT20 Series DC MH**

**rev. D5.01**

---



**Safety is our #1 concern!** Read and understand all safety information and instructions before operating, setting up or maintaining this machine.

*April 2003*

*Form #615*

# Table of Contents

# Section-Page

|                  |  |            |
|------------------|--|------------|
| <b>SECTION 1</b> | <b>GENERAL INFORMATION</b>                                 | <b>1-1</b> |
| 1.1              | How To Use The Parts List .....                            | 1-1        |
| 1.2              | Sample Assembly .....                                      | 1-1        |
| <b>SECTION 2</b> | <b>BLADE GUIDE ROLLERS &amp; ARM</b>                       | <b>2-1</b> |
| 2.1              | Blade Guide Assembly, Idle Side.....                       | 2-1        |
| 2.2              | Blade Guide Assembly, Drive Side.....                      | 2-2        |
| 2.3              | Blade Guide Arm & Rollers .....                            | 2-3        |
| 2.4              | Blade Guide Arm Drive Assembly.....                        | 2-4        |
| <b>SECTION 3</b> | <b>BLADE WHEELS &amp; TENSIONER</b>                        | <b>3-1</b> |
| 3.1              | Blade Wheel Assembly, Drive Side .....                     | 3-1        |
| 3.2              | Blade Wheel Assembly, Idle Side .....                      | 3-2        |
| 3.3              | Blade Tensioner Assembly.....                              | 3-3        |
| <b>SECTION 4</b> | <b>SAW HEAD</b>  | <b>4-1</b> |
| 4.1              | Middle Throat Screw .....                                  | 4-1        |
| 4.2              | Drive Belt Tensioner, DC Sawmills .....                    | 4-1        |
| 4.3              | Water Lube Assembly .....                                  | 4-3        |
| 4.4              | LT20AC Saw Head Decals .....                               | 4-4        |
| 4.5              | LT20DC Saw Head Decals .....                               | 4-6        |
| 4.6              | Blade Housing Cover .....                                  | 4-8        |
| 4.7              | Control Box (AC Sawmills) .....                            | 4-10       |
| 4.8              | Control Box (DC Sawmills) .....                            | 4-12       |
| 4.9              | Drum Switches .....  | 4-14       |
| 4.10             | Sawdust Chute .....  | 4-15       |
| 4.11             | Up/Down Cable Chain Assembly .....                         | 4-16       |
| 4.12             | LT20 Saw Head Rest Pin Assembly .....                      | 4-17       |
| 4.13             | Saw Head Rest Pin Assembly (Electric Mobile Sawmills)..... | 4-18       |
| <b>SECTION 5</b> | <b>UP/DOWN ASSEMBLY</b>                                    | <b>5-1</b> |
| 5.1              | Up/Down Assembly, AC Mills .....                           | 5-1        |
| 5.2              | Up/Down Assembly, DC Mills .....                           | 5-3        |
| 5.3              | Up/Down Chain Tensioner Assembly.....                      | 5-5        |
| 5.4              | Battery Box Assembly, DC Mills.....                        | 5-6        |
| <b>SECTION 6</b> | <b>UP/DOWN ROLLERS &amp; BLADE HEIGHT SCALE</b>            | <b>6-1</b> |
| 6.1              | Up/Down Rollers.....                                       | 6-1        |
| 6.2              | Blade Height Scale .....                                   | 6-3        |
| 6.3              | Limit Switches.....  | 6-5        |

## Table of Contents

## Section-Page

|                  |   |            |
|------------------|---|------------|
| <b>SECTION 7</b> | <b>POWER FEED &amp; TRACK ROLLERS</b>                 | <b>7-1</b> |
| 7.1              | Power Feed Assembly, AC Mills .....                   | 7-1        |
| 7.2              | Power Feed Assembly, DC Mills .....                   | 7-3        |
| 7.3              | Upper Track Rollers And Wipers .....                  | 7-5        |
| 7.4              | Lower Track Rollers .....                             | 7-7        |
| <b>SECTION 8</b> | <b>BED FRAME ASSEMBLY</b>                             | <b>8-1</b> |
| 8.1              | Bed Rail Assembly, Front (S/M type frame).....        | 8-1        |
| 8.2              | Bed Rail Assembly, Rear (S/M type frame).....         | 8-2        |
| 8.3              | Bed Rail Assembly, Front Middle (S/M type frame)..... | 8-3        |
| 8.4              | Bed Rail Assembly, Rear Middle (S/M type frame).....  | 8-4        |
| 8.5              | Bed Rail Assembly (L type frame).....                 | 8-5        |
| 8.6              | Bed Rail Assembly (L type frame).....                 | 8-6        |
| 8.7              | Stationary Leg .....                                  | 8-7        |
| 8.8              | Pivot Bed Rail Assembly.....                          | 8-9        |
| 8.9              | Board Return Table, Log Side Support Assembly .....   | 8-11       |
| 8.10             | Tie Down Chain Assembly .....                         | 8-13       |
| 8.11             | Inspection Platform (DC mills only) .....             | 8-14       |
| 8.12             | Bed Frame Decals.....                                 | 8-15       |
| <b>SECTION 9</b> | <b>LOG CLAMP, TURNER, LOADER &amp; TOE BOARDS</b>     | <b>9-1</b> |
| 9.1              | Manual Log Clamp .....                                | 9-1        |
| 9.2              | Log Clamp Assembly .....                              | 9-2        |
| 9.3              | Manual Log Turner.....                                | 9-4        |
| 9.4              | Manual Toe Board.....                                 | 9-6        |
| 9.5              | Manual Log Loader ( S/M type frame ) .....            | 9-7        |
| 9.6              | Manual Log Loader ( L type frame ).....               | 9-9        |
| 9.7              | Manual Log Loader Pump.....                           | 9-11       |

## SECTION 1 GENERAL INFORMATION

### 1.1 How To Use The Parts List

- Use the index above to locate the assembly that contains the part you need.
- Go to the appropriate section and locate the part in the illustration.
- Use the number pointing to the part to locate the correct part number and description in the table.
- Parts shown indented under another part are included with that part.
- Parts marked with a diamond (◆) are only available in the assembly listed above the part.

See the sample table below. Sample Part #A01111 includes part F02222-2 and subassembly A03333. Subassembly A03333 includes part S04444-4 and subassembly K05555. The diamond (◆) indicates that S04444-4 is not available except in subassembly A03333. Subassembly K05555 includes parts M06666 and F07777-77. The diamond (◆) indicates M06666 is not available except in subassembly K05555.

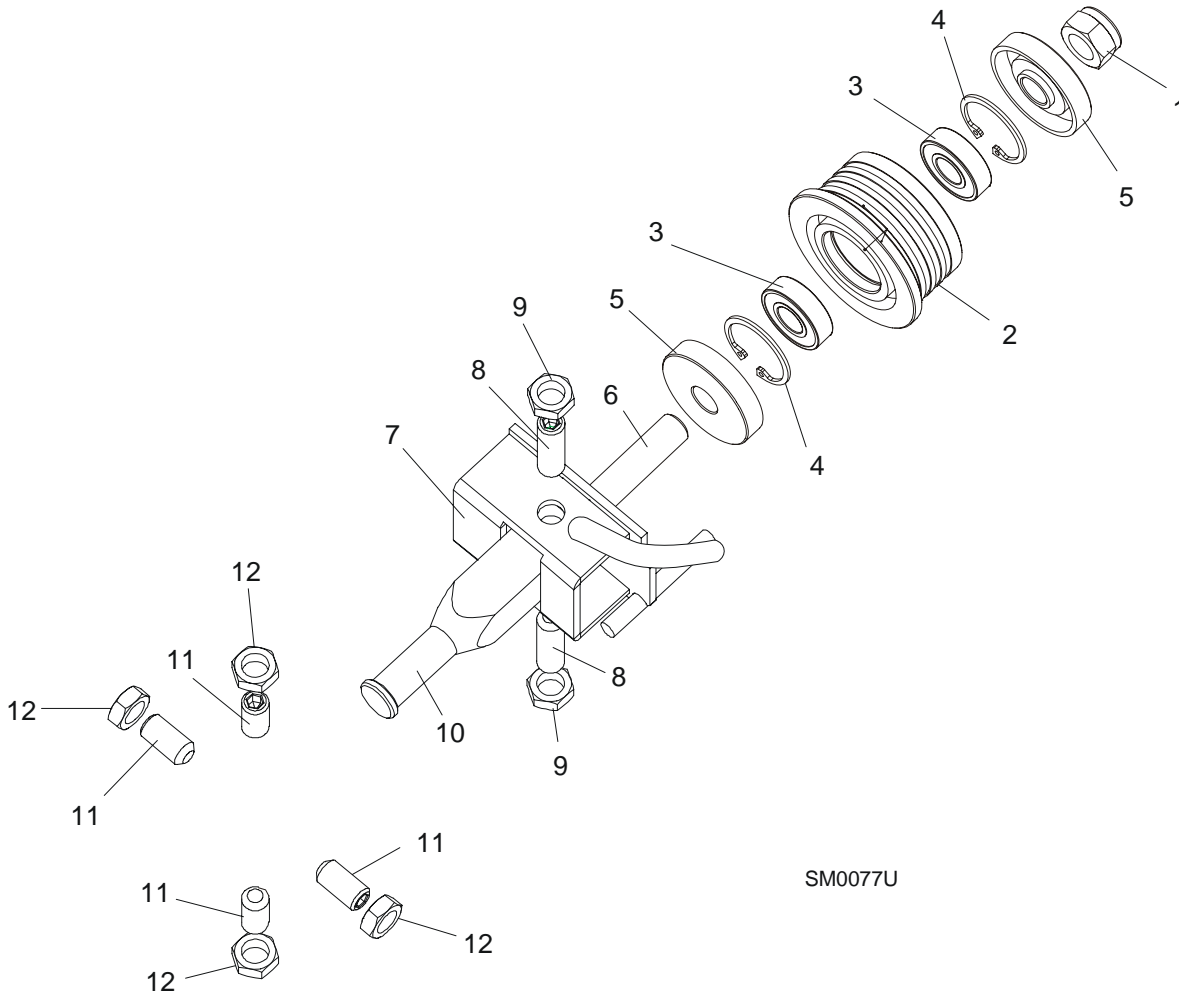
| <b>1.2 Sample Assembly</b> |   |           |      |   |
|----------------------------|---|-----------|------|---|
| REF                        | DESCRIPTION (◆ Indicates Parts Available In Assemblies Only)  | PART #    | QTY. |   |
|                            | Sample Assembly, Complete (Includes All Indented Parts Below) | A01111    | 1    |   |
| 1                          | Sample Part   | F02222-22 | 1    |   |
|                            | Sample Subassembly (Includes All Indented Parts Below)        | A03333    | 1    |   |
| 2                          | Sample Part (◆ Indicates Part Is Only Available With A03333)  | S04444-4  | 1    | ◆ |
|                            | Sample Subassembly (Includes All Indented Parts Below)        | K05555    | 1    |   |
| 3                          | Sample Part (◆ Indicates Part Is Only Available With K05555)  | M06666    | 2    | ◆ |
| 4                          | Sample Part   | F07777-77 | 1    |   |

#### **To Order Parts:**

- From Europe call our European Headquarters and Manufacturing Facility in Kolo, Poland at **+48-63-2626000**. From the continental U.S., call our toll-free Parts hotline at **1-800-448-7881**. Have your customer number, vehicle identification number, and part numbers ready when you call.
- From other international locations, contact the Wood-Mizer distributor in your area for parts.

## SECTION 2 BLADE GUIDE ROLLERS & ARM

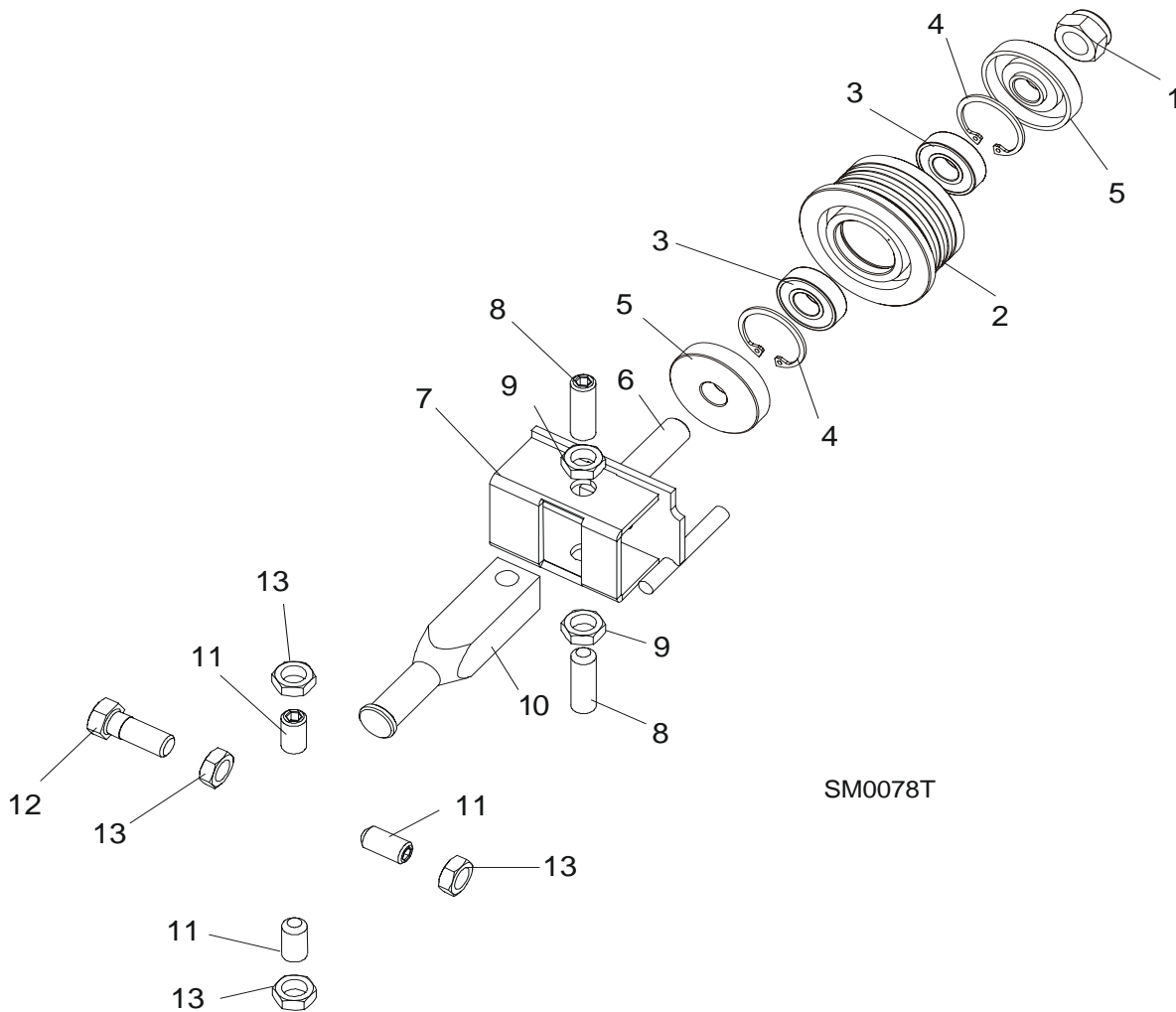
### 2.1 Blade Guide Assembly, Idle Side



SM0077U

| REF | DESCRIPTION (◆ Indicates Parts Available In Assemblies Only) | PART #    | QTY. |   |
|-----|--|-----------|------|---|
|     | <b>BLADE GUIDE ASSEMBLY, IDLE SIDE</b>                       | 094683    | 1    |   |
|     | Roller, Blade Guide Complete Standard                        | 087887    | 1    |   |
| 1   | Nut, M12-8 Hex Nylon Zinc Lock                               | F81034-2  | 1    |   |
| 2   | Roller, Blade Guide Narrow                                   | 087889    | 1    | ◆ |
| 3   | Bearing, 6001 2RSR FAG                                       | 087893    | 2    |   |
| 4   | Ring, W28 Inside Retaining                                   | F81090-9  | 1    |   |
| 5   | Washer, Zinc-plated Spacer                                   | 087891-1  | 2    |   |
| 6   | Shaft, Blade Guide Roller Zinc-plated                        | 087763-1  | 1    |   |
| 7   | Bracket Weldment, Idle Side Blade Guide Painted              | 094681-1  | 1    |   |
| 8   | Screw, M10x1x40 DIN 913 A2-70 Set Stainless Steel            | F81015-2  | 2    |   |
| 9   | Nut, M10x1-04-ST-A2 ISO 8675 Thin                            | F81033-10 | 2    |   |
| 10  | Shaft, Blade Guide Mount Zinc-plated                         | 088255-1  | 1    |   |
| 11  | <b>SCREW, M10X1X20 DIN 913 SET STAINLESS STEEL</b>           | F81015-1  | 4    |   |
| 12  | <b>NUT, M10x1-04-ST-A2 ISO 8675 THIN</b>                     | F81033-10 | 4    |   |

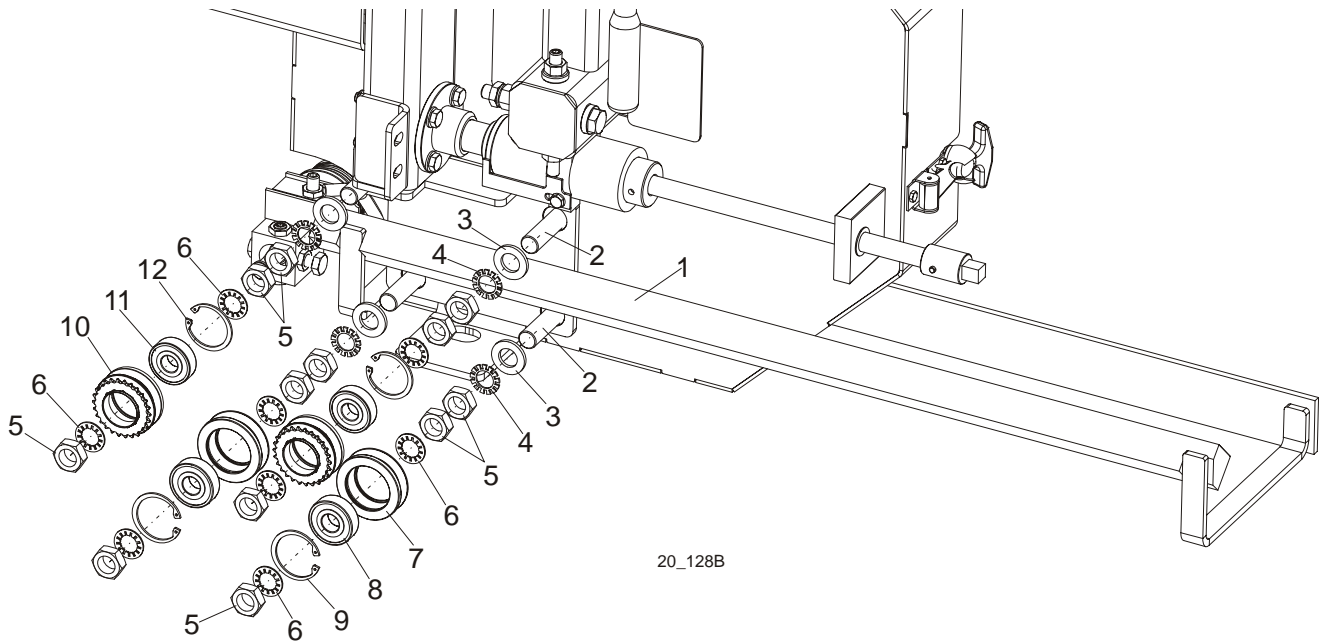
**2.2 Blade Guide Assembly, Drive Side**



| REF | DESCRIPTION (◆ Indicates Parts Available In Assemblies Only)              | PART #    | QTY. |   |
|-----|---|-----------|------|---|
|     | <b>BLADE GUIDE ASSEMBLY, DRIVE SIDE</b>                                   | 094682    | 1    |   |
|     | Roller, Blade Guide Complete Standard                                     | 087887    | 1    |   |
| 1   | Nut, M12-8 Hex Nylon Zinc Lock  | F81034-2  | 1    |   |
| 2   | Roller, Blade Guide Narrow  | 087889    | 1    | ◆ |
| 3   | Bearing, 6001 2RSR FAG  | 087893    | 2    |   |
| 4   | Ring, W28 Inside Retaining  | F81090-9  | 1    |   |
| 5   | Washer, Zinc-plated Spacer  | 087891-1  | 2    |   |
| 6   | Shaft, Blade Guide Roller Zinc-plated                                     | 087763-1  | 1    |   |
| 7   | Bracket Weldment, Blade Guide Painted                                     | 094679-1  | 1    |   |
|     | Screw Kit, Blade Guide Adjustment w/Nuts (for two blade guide assemblies) | K09942    | 1    |   |
| 8   | Screw, M10x1x40 DIN 913 A2-70 Set Stainless Steel                         | F81015-2  | 2    |   |
| 9   | Nut, M10x1-04-ST-A2 ISO 8675 Thin   | F81033-10 | 2    |   |
| 10  | Shaft, Blade Guide Mount Zinc-plated                                      | 088255-1  | 1    |   |
| 11  | <b>SCREW, M10X1X20 DIN 913 SET STAINLESS STEEL</b>                        | F81015-1  | 3    |   |
| 12  | <b>BOLT, M10X1X25 DIN 933 STAINLESS STEEL</b>                             | F81003-28 | 1    |   |

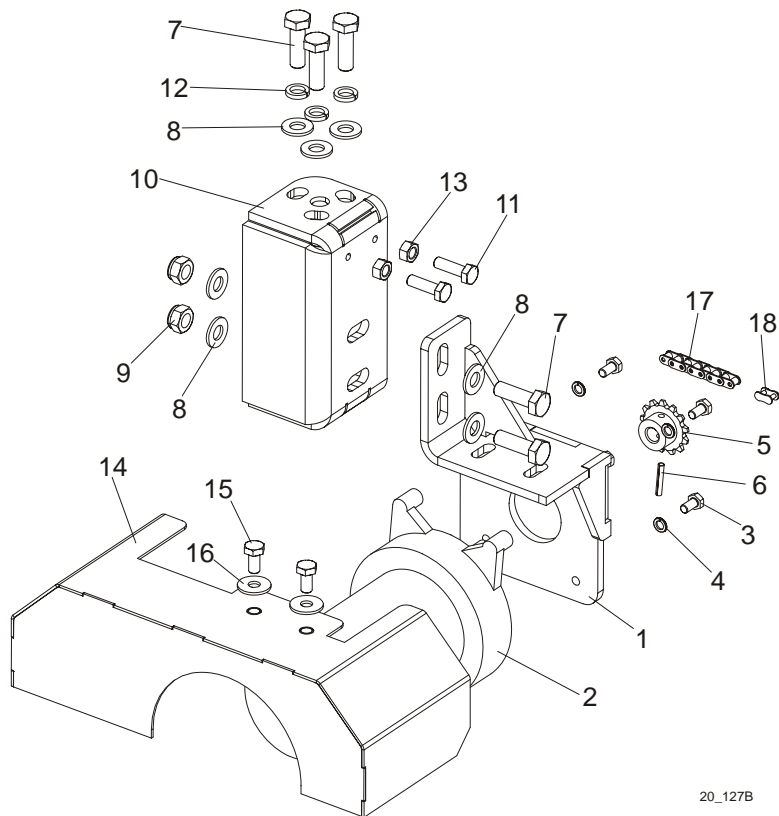
|    |                                   |           |   |  |
|----|-----------------------------------|-----------|---|--|
| 13 | NUT, M10x1-04-ST-A2 ISO 8675 THIN | F81033-10 | 4 |  |
|----|-----------------------------------|-----------|---|--|

## 2.3 Blade Guide Arm & Rollers



| REF | DESCRIPTION (◆ Indicates Parts Available In Assemblies Only)  | PART #    | QTY. |   |
|-----|---|-----------|------|---|
| 1   | BLADE GUIDE ARM WELDMENT                                      | 096397-1  | 1    |   |
| 2   | BOLT, BLADE GUIDE ARM ROLLER CAM                              | 086508-1  | 4    |   |
| 3   | WASHER, M16,FLAT ZINC   | F81058-1  | 4    |   |
| 4   | WASHER, 5/8" EXTERNAL STAR                                    | F05011-26 | 4    |   |
| 5   | NUT, 5/8-18 HEX JAM   | F05010-11 | 12   |   |
| 6   | WASHER, 5/8" INTERNAL STAR                                    | F05011-25 | 8    |   |
|     | <b>ROLLER ASSY, BLADE GUIDE ARM WITH BEARING</b>              | 093855    | 2    |   |
| 7   | Roller, Blade Guide Arm V-Groove                              | 093856-1  | 1    | ◆ |
| 8   | Bearing, 6203 2RSP6-5/8 CX                                    | 095087    | 1    |   |
| 9   | Ring, W40 Retaining   | F81090-3  | 1    |   |
|     | <b>ROLLER ASSY, BLADE GUIDE ARM DRIVE W/SPROCKET COMPLETE</b> | 501496    | 2    |   |
| 10  | Roller, Blade Guide Arm Drive w/Sprocket                      | 501495-1  | 1    | ◆ |
| 11  | Bearing, 6203-2 RSP6-5/8 CX                                   | 095087    | 1    |   |
| 12  | Ring, W40 Spring Retaining                                    | F81090-3  | 1    |   |

## 2.4 Blade Guide Arm Drive Assembly



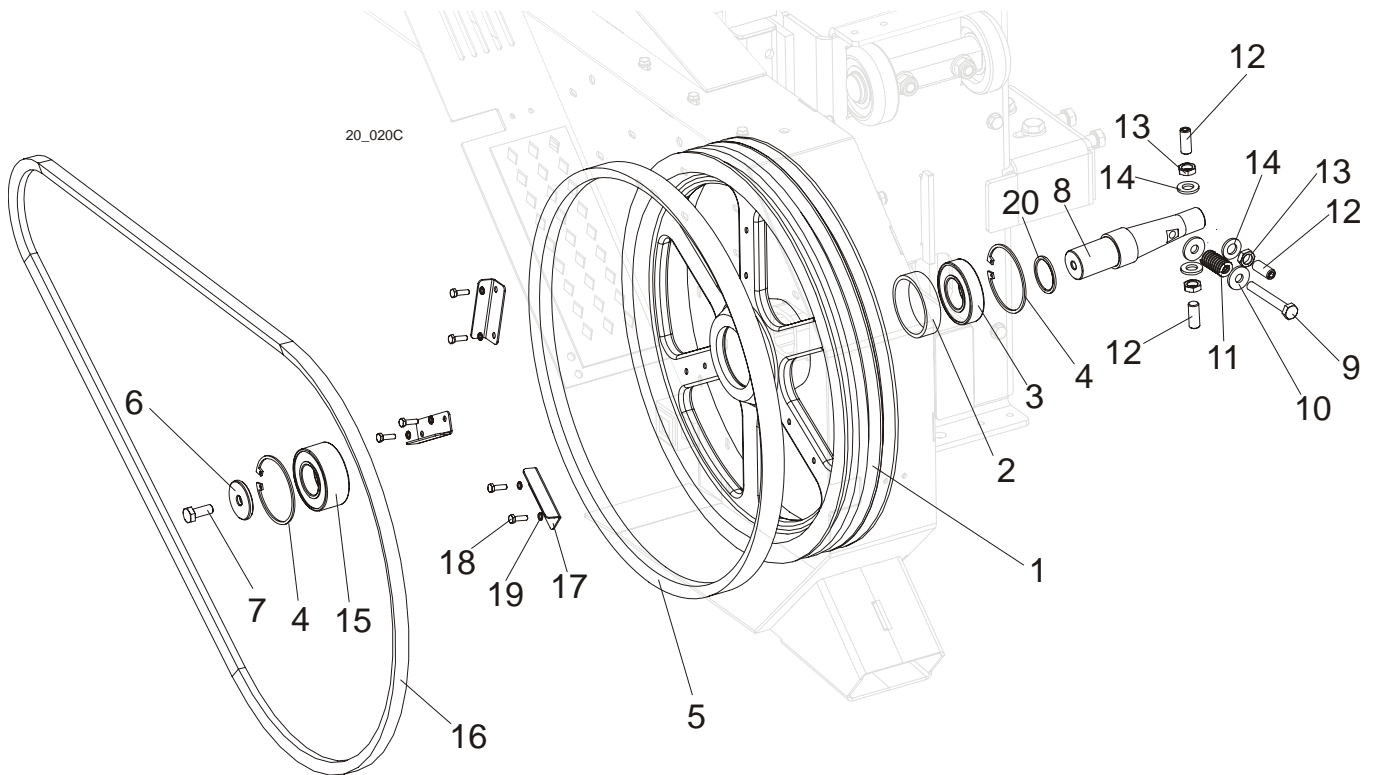
20\_127B

| REF | DESCRIPTION (◆ Indicates Parts Available In Assemblies Only) | PART #    | QTY. |
|-----|--|-----------|------|
|     | <b>DRIVE ASSEMBLY, BLADE GUIDE ARM</b>                       | 096396    | 1    |
| 1   | BRACKET, BLADE GUIDE ARM MOTOR MOUNT                         | 096390-1  | 1    |
| 2   | MOTOR, BLADE GUIDE ARM 53:1 GEAR                             | P09698-1  | 1    |
| 3   | SCREW, 10-32X1/2 HH MACHINE                                  | F05004-60 | 4    |
| 4   | WASHER, 5.1 SPLIT LOCK                                       | F81052-2  | 4    |
| 5   | SPROCKET, 25B13X.3130  | P09970    | 1    |
| 6   | PIN, 1/8X3/4 ROLL  | F05012-6  | 1    |
| 7   | BOLT, M8x25-8.8-B HEX HEAD FULL THREAD ZINC                  | F81002-5  | 5    |
| 8   | WASHER, 8.4 FLAT ZINC  | F81054-1  | 7    |
| 9   | NUT, M8-8-B HEX NYLON ZINC LOCK                              | F81032-2  | 2    |
| 10  | BRACKET, BLADE GUIDE ARM DRIVE                               | 501265-1  | 1    |
| 11  | BOLT, M6x20-8.8 HEX HEAD FULL THREAD ZINC                    | F81001-2  | 2    |
| 12  | WASHER, 8.2 SPLIT LOCK                                       | F81054-4  | 3    |
| 13  | NUT, M6-8.8 HEX GRADE 5 ZINC                                 | F81031-1  | 2    |
| 14  | <b>COVER, LT20 BLADE GUIDE ARM MOTOR</b>                     | 097424-1  | 1    |
| 15  | <b>BOLT, M6X12MM HEX HEAD ZINC</b>                           | F81001-7  | 2    |
| 16  | <b>WASHER, 6.5 FLAT ZINC</b>                                 | F81053-11 | 2    |
| 17  | <b>CHAIN, 20 1/4IN #25</b>                                   | P09984    | 1    |
| 18  | <b>LINK, 25 MASTER</b>                                       | P09983    | 1    |



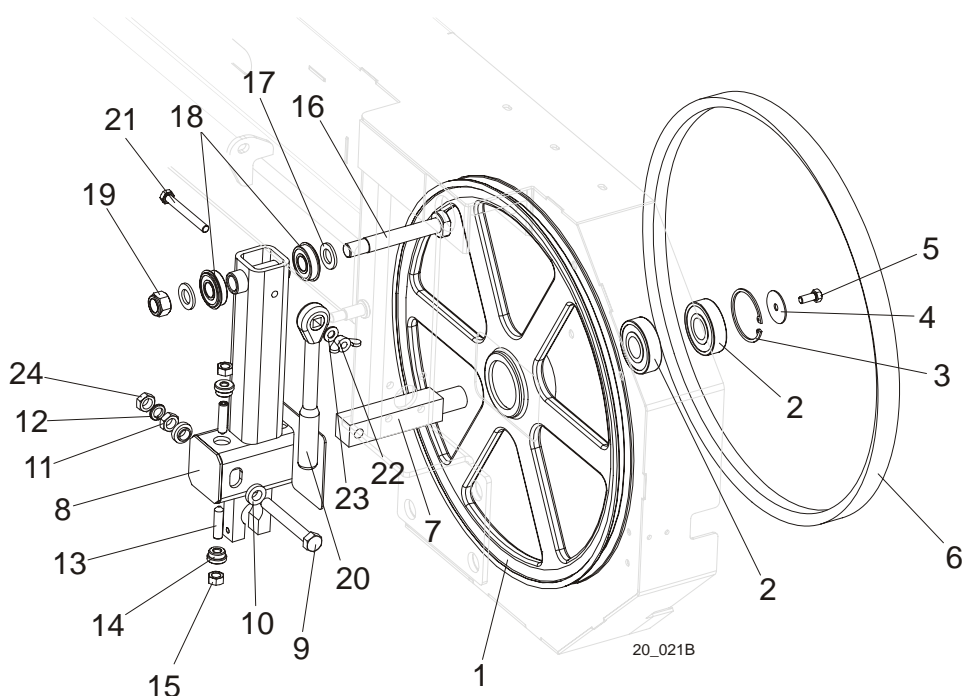
## SECTION 3 BLADE WHEELS & TENSIONER

### 3.1 Blade Wheel Assembly, Drive Side



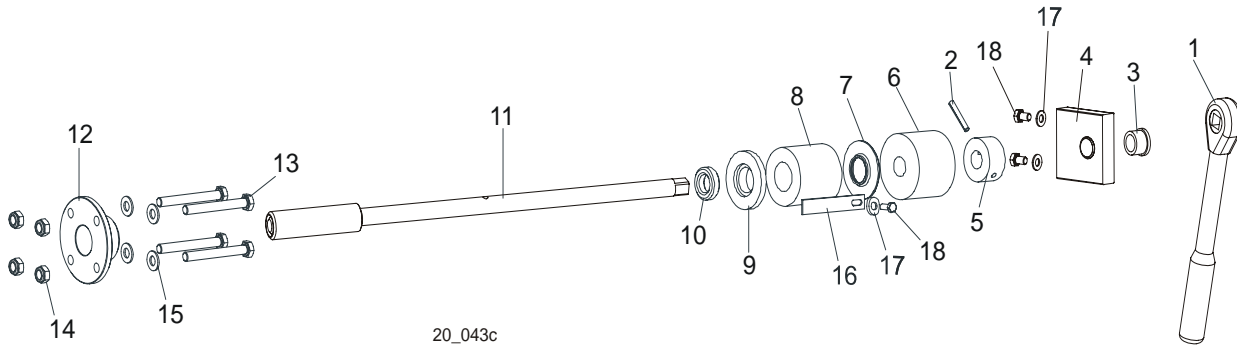
| REF | DESCRIPTION (◆ Indicates Parts Available In Assemblies Only)                                 | PART #                       | QTY.   |
|-----|--|------------------------------|--------|
|     | <b>BLADE WHEEL ASSEMBLY, LT20 DRIVE SIDE</b>   | 091612                       | 1      |
| 1   | Wheel, LT20 Drive Side Blade   | 090646-1                     | 1      |
| 2   | Bushing, Bearing Spacer  | 096778                       | 1      |
| 3   | Bearing, 6207 2RS 35x72x17 FAG   | 014811                       | 1      |
| 4   | Ring, W72 Retaining  | F81090-4                     | 2      |
| 5   | Belt, B57 Blade Wheel  | P04185                       | 1      |
| 6   | Washer, Drive Side Blade Wheel   | 092006                       | 1      |
| 7   | Bolt, M10x25-8.8 Hex Head Full Thread Zinc   | F81003-11                    | 1      |
| 8   | Shaft, LT15/20 Drive Side Blade Wheel  | 093850                       | 1      |
| 9   | Bolt, M10X65-8.8-B Hex Head Zinc   | F81003-67                    | 1      |
| 10  | Washer, Zinc   | 098813-1                     | 2      |
| 11  | Spring, 19x38 Compression  | 034430                       | 1      |
| 12  | Screw, M12x1,25x30 DIN913 Set  | F81016-1                     | 4      |
| 13  | Washer, 13 Flat Zinc   | F81056-1                     | 4      |
| 14  | Nut, M12x1,25 DIN439 Thin Stainless Steel  | F81034-9                     | 4      |
| 15  | Bearing, 3207B, 2RSR. TVH FAQ  | 092005                       | 1      |
| 16  | Drive Belt, 2BX81, AC Sawmills (E11, E15)<br>Drive Belt, 2BX84, DC Sawmills (D17, D22 & G25) | 014819-2 (AC)<br>088110 (DC) | 1<br>2 |
| 17  | Wing   | 097808-1                     | 3      |
| 18  | Bolt, M6x20mm, HH, Full Thread, Zinc   | F81001-2                     | 6      |
| 19  | Washer, M6 Split Lock Zinc   | F81053-3                     | 6      |
| 20  | Washer, φ35 Special  | 091851                       | 1      |

### 3.2 Blade Wheel Assembly, Idle Side



| REF | DESCRIPTION (◆ Indicates Parts Available In Assemblies Only) | PART #    | QTY. |
|-----|--|-----------|------|
|     | <b>WHEEL ASSEMBLY, IDLE SIDE BLADE</b>                       | A08218    | 1    |
| 1   | Sheave, 18.62" Idler   | P08125    | 1    |
| 2   | Bearing, 6305 2RS NSK  | P08066    | 2    |
| 3   | Ring, 2 7/16" Inside Retaining                               | F04254-21 | 1    |
| 4   | <b>WASHER, WHEEL RETAINING ZINC-PLATED</b>                   | 093854-1  | 1    |
| 5   | <b>BOLT, M8 x 25mm HEX HEAD GR 5.8 ZINC</b>                  | F81002-5  | 1    |
| 6   | <b>BELT, B57 BLADE WHEEL</b>                                 | P04185    | 1    |
| 7   | <b>SHAFT, IDLE SIDE WHEEL METRIC</b>                         | 096045    | 1    |
| 8   | <b>HOUSING, IDLER SHAFT</b>                                  | 091595    | 1    |
| 9   | <b>BOLT, M12X1.25X100-8.8 HEX HEAD FULL THREAD ZINC</b>      | F81004-41 | 1    |
| 10  | <b>SPACER, FLANGED ZINC-PLATED</b>                           | 086769-1  | 2    |
| 11  | <b>NUT, M12 X 1.25-8 HEX ZINC</b>                            | F81034-8  | 1    |
| 12  | <b>WASHER, 12.2 SPLIT ZINC LOCK</b>                          | F81056-2  | 1    |
| 13  | <b>SCREW, M10 X 40-45H HEX SOCKET SET CONE POINT ZINC</b>    | F81003-61 | 2    |
| 14  | <b>BUSHING, M10 IDLER SHAFT HOUSING</b>                      | 086987    | 2    |
| 15  | <b>NUT, M10-8-B HEX ZINC</b>                                 | F81033-3  | 2    |
| 16  | <b>PIN, IDLER ARM BEARINGS</b>                               | 086404    | 1    |
| 17  | <b>WASHER, 17 FLAT ZINC</b>                                  | F81058-1  | 2    |
| 18  | <b>BEARING, 6203-2RS NR NSK W/RING</b>                       | 086395    | 2    |
| 19  | <b>NUT, M16-8 HEX NYLON ZINC LOCK</b>                        | F81036-2  | 1    |
| 20  | <b>WRENCH, LT20 BLADE TENSION</b>                            | 091620    | 1    |
| 21  | <b>BOLT, M10x90-8.8-B HEX HEAD ZINC</b>                      | F81003-66 | 1    |
| 22  | <b>STUD, M10x25-8.8 ZINC-PLATED</b>                          | F81003-8  | 1    |
| 23  | <b>WASHER, M10 FLAT ZINC</b>                                 | F81055-1  | 1    |
| 24  | <b>NUT, M12x1.25 DIN439 THIN STAINLES STEEL</b>              | F81034-9  | 1    |

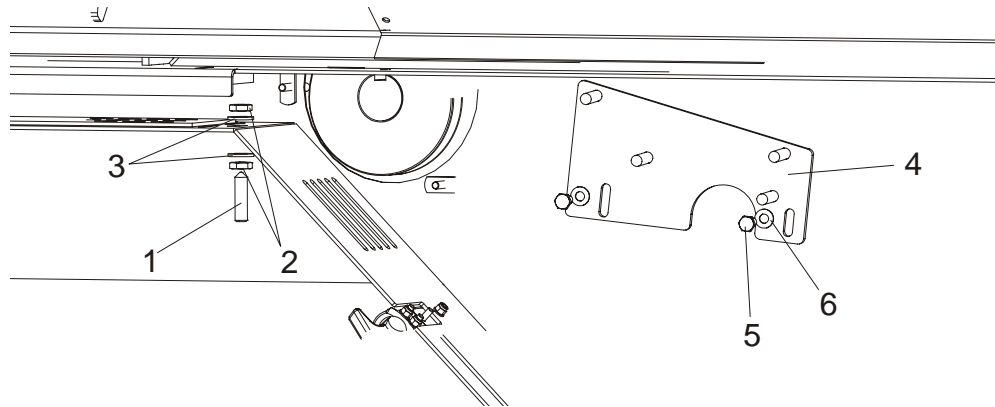
### 3.3 Blade Tensioner Assembly



| REF | DESCRIPTION (◆ Indicates Parts Available In Assemblies Only) | PART#     | QTY. |
|-----|--|-----------|------|
|     | <b>BLADE TENSIONER ASSEMBLY</b>                              | 090587    | 1    |
| 1   | Wrench, LT20 Blade Tension                                   | 091620    | 1    |
| 2   | Pin, 5 x 30 Zinc Roll  | F81044-21 | 1    |
|     | Bracket, Tension Handle Mount w/Bushing                      | 096729    | 1    |
| 3   | Bushing GFM-1618-17(IGUS)                                    | 089589    | 1    |
| 4   | Bracket, Painted   | 096730    | 1    |
| 5   | Collar, Blade Tensioner                                      | 086712-1  | 1    |
| 6   | Bushing, Rubber Stop   | P12165    | 1    |
| 7   | Guide, LT15 Tension Handle                                   | 014925    | 1    |
| 8   | Spring, LT15 Rubber Blade Tensioner                          | 014828    | 1    |
| 9   | Washer, Rubber Spring Front                                  | 086674-1  | 1    |
| 10  | Bearing, 51103 FLT Ball Thrust                               | 086675    | 1    |
| 11  | Shaft Weldment, Blade Tensioner Zinc-plated                  | 101338-1  | 1    |
| 12  | Nut, Blade Tensioner   | 086672-1  | 1    |
| 13  | Bolt, M8x70 8.8 Hex Head Zinc                                | F81002-71 | 4    |
| 14  | Nut, M8-8-B Hex Nylon Zinc Lock                              | F81032-2  | 4    |
| 15  | Washer, 8.4 Zinc Flat  | F81054-1  | 8    |
| 16  | Indicator, LT15 Blade Tension Zinc-plated                    | 092467-1  | 1    |
| 17  | Washer, 6.4 Zinc Flat  | F81053-1  | 1    |
| 18  | Bolt, M6x16 8.8 Hex Head Full Thread Zinc                    | F81001-15 | 1    |

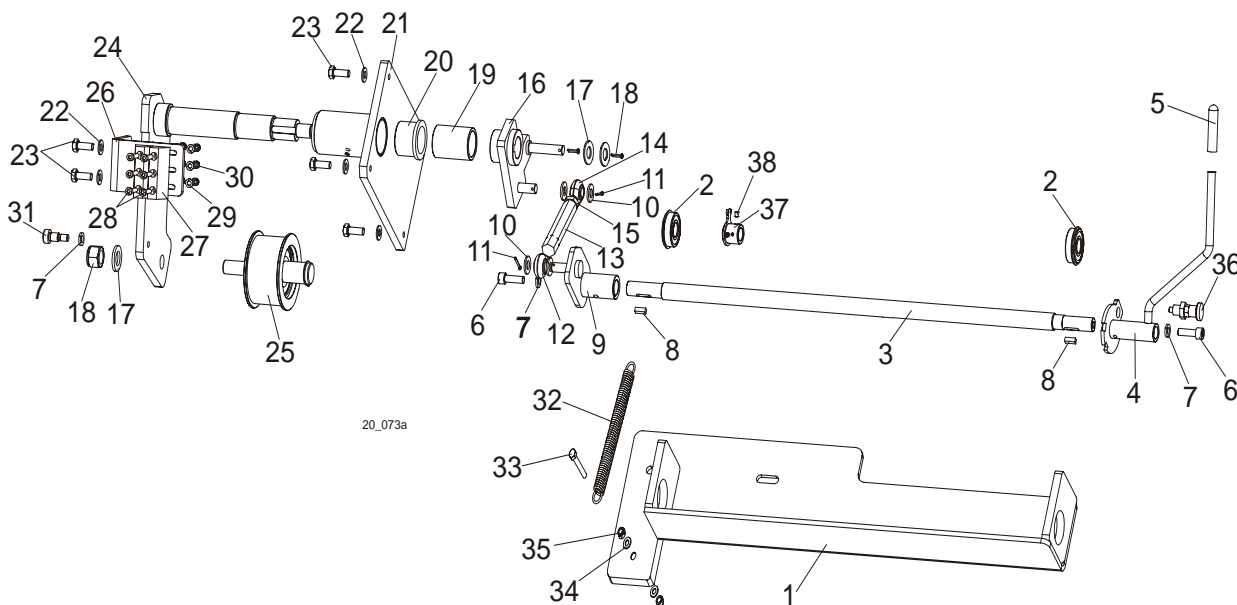
## SECTION 4 SAW HEAD

### 4.1 Middle Throat Screw



| REF | DESCRIPTION (◆ Indicates Parts Available In Assemblies Only) | PART #    | QTY. |
|-----|--|-----------|------|
| 1   | SCREW, M10 X 40-45H HEX SOCKET SET CONE POINT ZINC           | F81003-61 | 1    |
| 2   | NUT, M10-8-B ZINC HEX  | F81033-6  | 2    |
| 3   | WASHER, 10.5 ZINC FLAT                                       | F81055-1  | 2    |
| 4   | BRACKET, DRIVE BELT SUPPORT, UPPER                           | 092668-1  | 1    |
| 5   | BOLT, M8X20-5.8 HEX HEAD FULL THREAD ZINC                    | F81002-1  | 2    |
| 6   | WASHER, 8.4 ZINC FLAT  | F81054-1  | 2    |

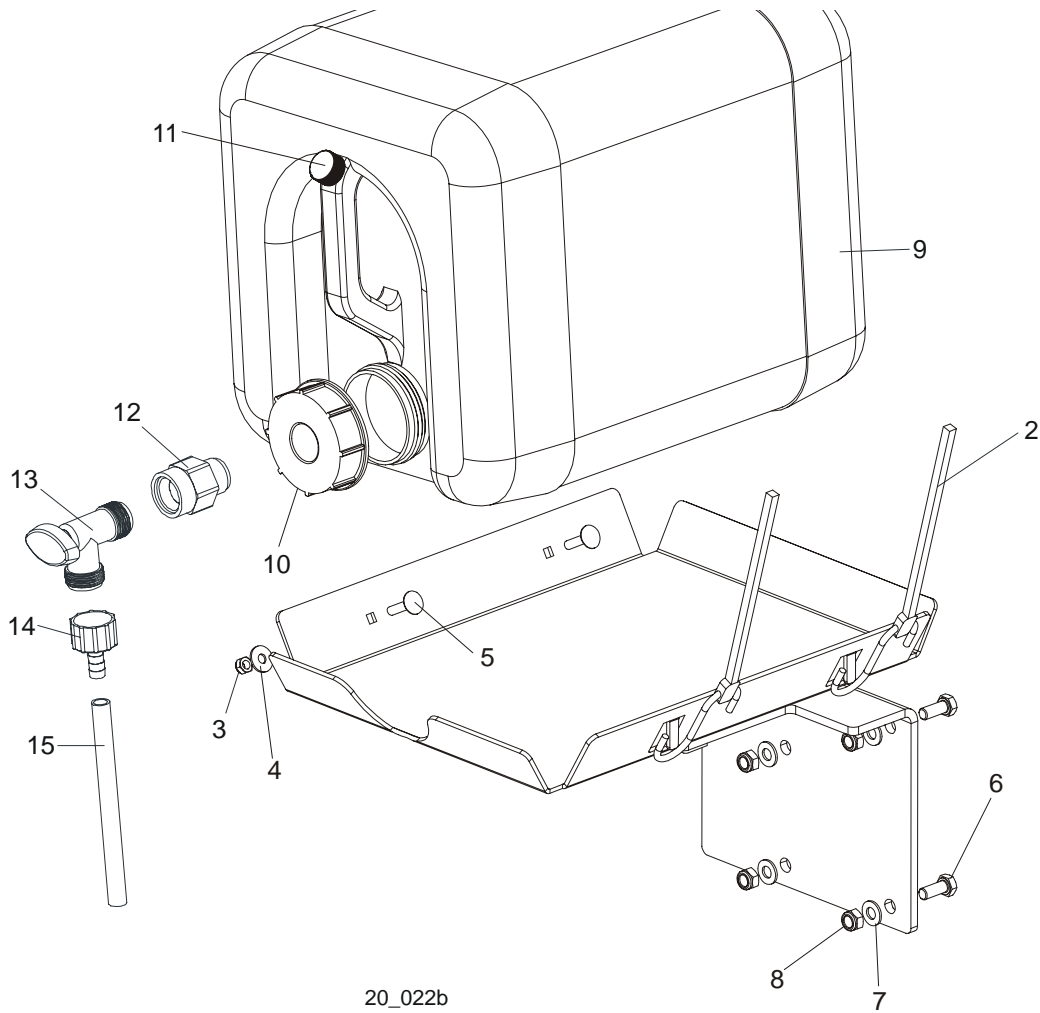
### 4.2 Drive Belt Tensioner, DC Sawmills



| REF | DESCRIPTION (◆ Indicates Parts Available In Assemblies Only) | PART # | QTY. |
|-----|--|--------|------|
|     | BELT TENSIONER, LT20 COMPLETE, D22                           | 098456 | 1    |
|     | BELT TENSIONER, LT20 COMPLETE, G25                           | 097842 | 1    |

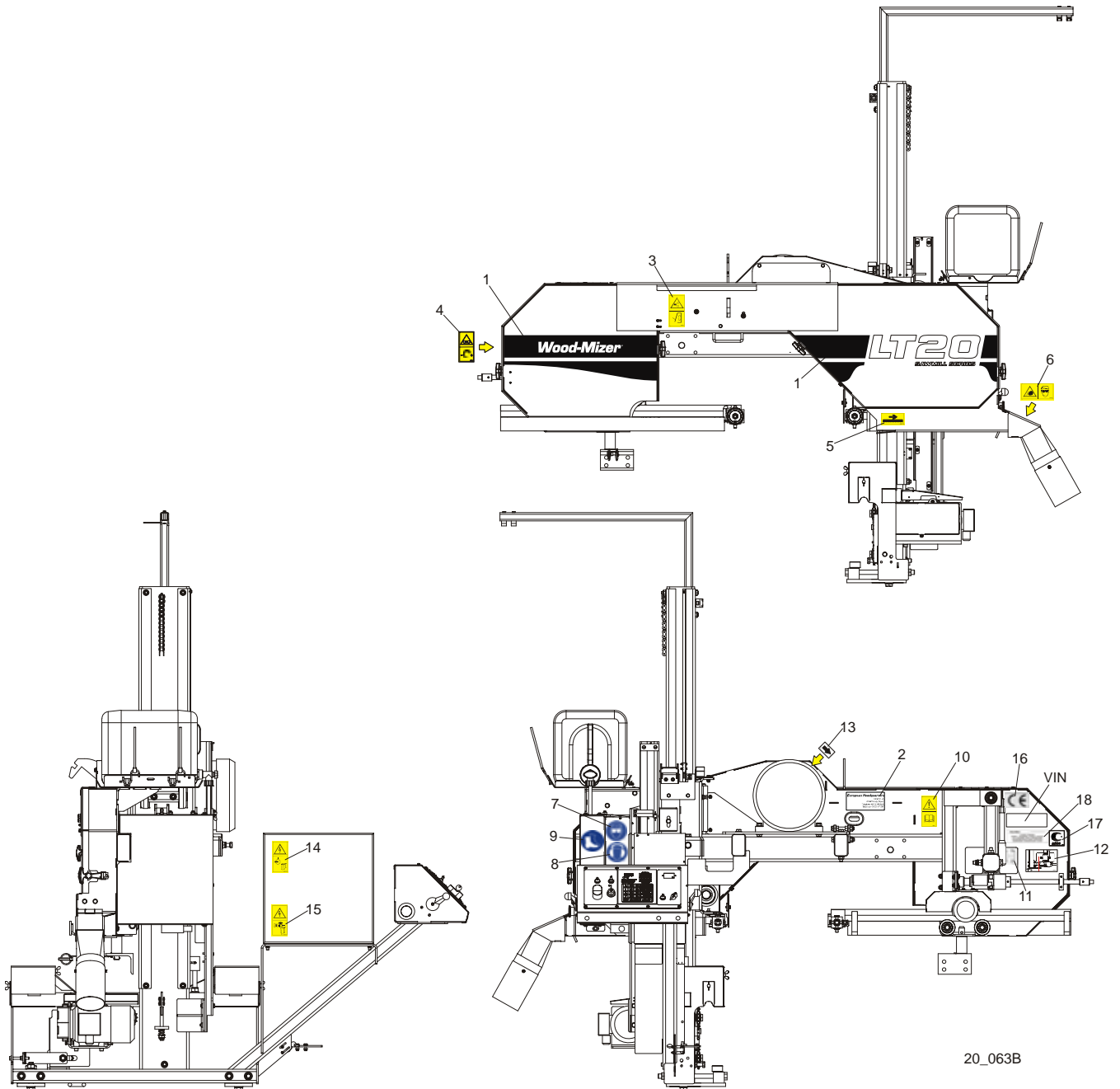
|    |  |           |   |  |
|----|--|-----------|---|--|
| 1  | Mount Weldment, Belt Tensioner Ptd         | 091169-1  | 1 |  |
| 2  | Bearing, 6203-2RS NR NSK w/Ring            | 086395    | 2 |  |
| 3  | Rod, LT20 Belt Tensioner Ptd               | 091176-1  | 1 |  |
| 4  | Handle Weldment, Accelerate/Brake, Ptd     | 097837-1  | 1 |  |
| 5  | Grip, Handle 1/2" ID x 3" Long             | 014835    | 1 |  |
| 6  | Screw, M8x25 -8.8 Hex Socket Head Cap Zinc | F81002-21 | 2 |  |
| 7  | Washer, 8.2 Split Lock Zinc                | F81054-4  | 3 |  |
| 8  | Key, B 5x5.1x14 Parallel                   | 087365    | 2 |  |
| 9  | Bracket, Belt Tensioner Pivot              | 091245-1  | 1 |  |
| 10 | Washer, 10.5 Zinc Flat                     | F81055-1  | 4 |  |
| 11 | Pin, 2.5x20 Zinc Cotter                    | F81043-1  | 2 |  |
| 12 | Rod End, 7/16-20 Right-Hand Male           | P11579    | 1 |  |
| 13 | Turnbuckle, Clutch/Brake                   | S11577    | 1 |  |
| 14 | Rod End, 7/16-20 Left-Hand Male            | P11578    | 1 |  |
| 15 | Nut, 7/16-20 Zinc                          | F05010-38 | 1 |  |
| 16 | Arm Weldment, Belt Tensioner Ptd           | 091172-1  | 1 |  |
| 17 | Washer, 17 Zinc Flat                       | F81058-1  | 2 |  |
| 18 | Nut, M16-8 Hex Nylon Zinc Lock             | F81036-2  | 2 |  |
| 19 | Bushing, Spacer Ptd                        | 091351-1  | 1 |  |
| 20 | Bushing, MFM-3240-30 (IGUS)                | 088461    | 2 |  |
| 21 | Mount Weldment, Tensioner Shaft Ptd        | 091112-1  | 1 |  |
| 22 | Washer, 8.4 Zinc Flat                      | F81054-1  | 7 |  |
| 23 | Bolt, M8x20-5.8 Hex Head Full Thread Zinc  | F81002-1  | 6 |  |
| 24 | Shaft Weldment, Belt Tensioner Ptd         | 097828-1  | 1 |  |
| 25 | Roller, Belt Tension                       | 097832    | 1 |  |
| 26 | Bracket, Brake Block Mount Ptd             | 091248-1  | 1 |  |
| 27 | Block, F9150 123 Belt Tensioner Brake      | 087648    | 2 |  |
| 28 | Screw, M5x25-8.8 Hex Socket Head Cap Zinc  | F81000-7  | 6 |  |
| 29 | Washer, 5.3 Zinc Flat                      | F81052-1  | 6 |  |
| 30 | Nut, M5-8 Zinc DIN 985                     | F81030-2  | 6 |  |
| 31 | Screw, M8x25-8.8 Hex Socket Head Cap Zinc  | F81002-21 | 2 |  |
| 32 | Spring, Hydraulic Log Turner               | P09136    | 1 |  |
| 33 | Bolt, M8x45-8.8 Hex Head Zinc              | F81002-17 | 1 |  |
| 34 | Washer, 8.4 Zinc Flat                      | F81054-1  | 2 |  |
| 35 | Nut, M8-8-B Hex Nylon Zinc Lock            | F81032-2  | 2 |  |
| 36 | Pin, Detent                                | 089939    | 1 |  |
| 37 | Tension Member, (G25 Engine Only) Ptd      | 092535-1  | 1 |  |
| 38 | Set Screw M6x8                             | F81013-1  | 2 |  |

#### 4.3 Water Lube Assembly



| REF | DESCRIPTION (◆ Indicates Parts Available In Assemblies Only) | PART #    | QTY.  |
|-----|--|-----------|-------|
|     | <b>BOTTLE KIT, LT20 WATER LUBE</b>                           | 091036    | 1     |
| 1   | Tray Weldment, LT20 Water Lube                               | 091033-1  | 1     |
| 2   | Strap, 20" Rubber  | P11668    | 2     |
| 3   | Nut, M6-8-B Hex Nylon Zinc Lock                              | F81031-2  | 2     |
| 4   | Washer, 6.5 Zinc Flat  | F81053-11 | 2     |
| 5   | Bolt, M6x25-8.8 Carriage Head Zinc                           | F81001-20 | 2     |
| 6   | Bolt, M8x20-8.8 Hex Head Full Thread Zinc                    | F81002-1  | 2     |
| 7   | Washer, 8.4 Zinc Flat  | F81054-1  | 2     |
| 8   | Nut, M8-8-B Hex Nylon Zinc Lock                              | F81032-2  | 2     |
|     | Bottle, 5-gallon Water Complete                              | 014637-1  | 1     |
| 9   | Bottle, 5-gallon Water                                       | 101295    | 1     |
| 10  | Cap, 5-gallon Water Bottle                                   | 036745    | 1     |
| 11  | Cap, Vent Valve  | 061742    | 1     |
| 12  | Fitting, 3/4FPT x 3/4MPT                                     | 014636    | 1     |
| 13  | Fitting, Water Lube Shutoff Valve                            | 014100    | 1     |
| 14  | Fitting, 5/8" NPT to 3/8" Hose Barb                          | 014113    | 1     |
| 15  | Tubing, Water Lube   | R01885    | 2.1 m |

### 4.4 LT20AC Saw Head Decals



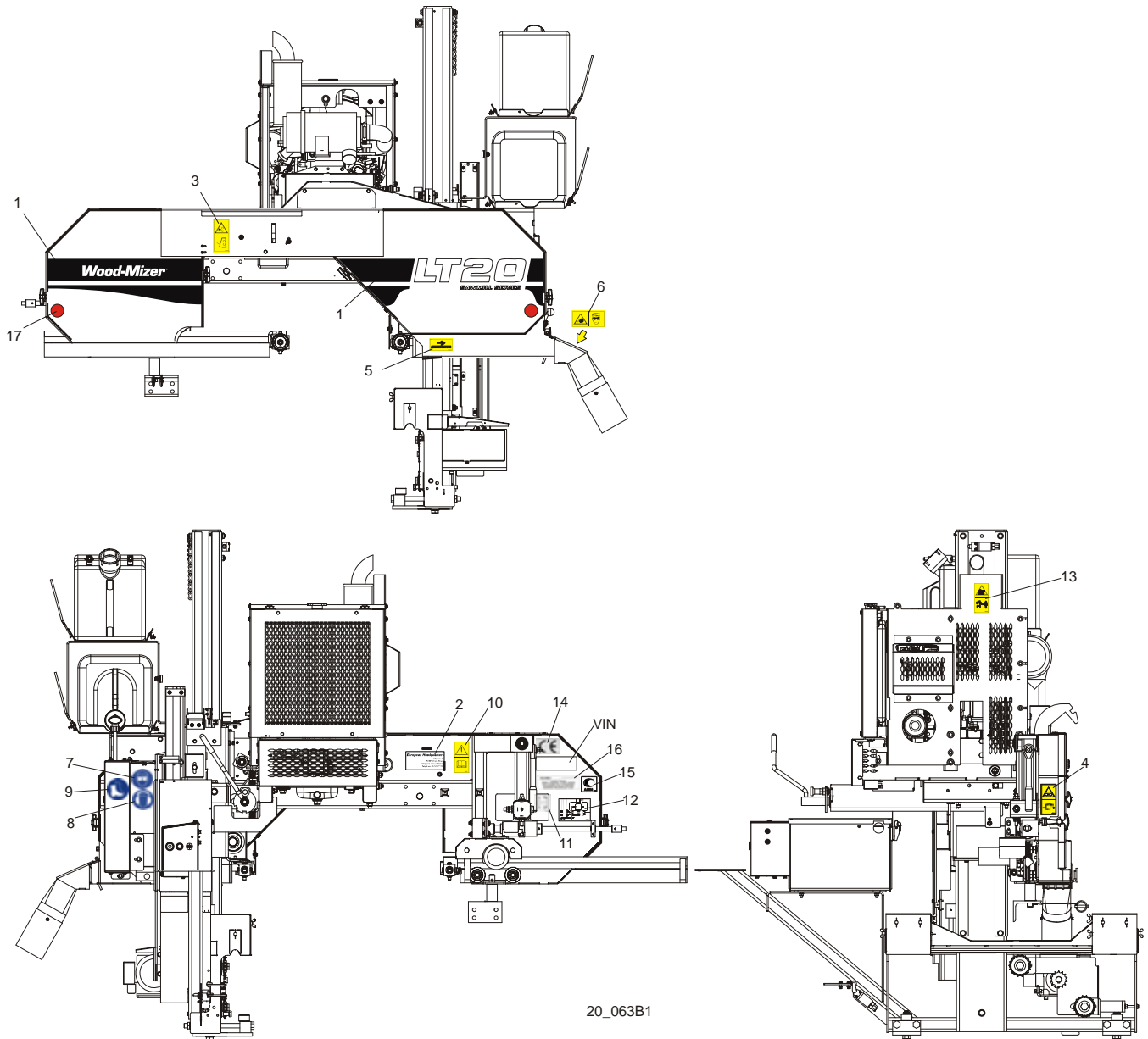
20\_063B

| REF | DESCRIPTION (◆ Indicates Parts Available In Assemblies Only) | PART #  | QTY. |
|-----|--|---------|------|
| 1   | DECAL, LT20 SERIES SAWMILL                                   | 092762  | 1    |
|     | PICTOGRAPHIC DECAL KIT, LT20AC                               | 099509  | 1    |
| 2   | DECAL, EUROPEAN HEADQUARTERS ADDRESS                         | 015841  | 1    |
| 3   | DECAL, SAWMILL COVERS CAUTION                                | 099220  | 1    |
| 4   | DECAL, BLADE TENSION (PICTOGRAM)                             | 099219  | 1    |
| 5   | DECAL, BLADE MOVEMENT DIRECTION (PICTOGRAM)                  | 096321  | 1    |
| 6   | DECAL, SAWDUST CHUTE WARNING (PICTOGRAM)                     | 099222  | 1    |
| 7   | DECAL, EYE PROTECTION WARNING (PICTOGRAM)                    | S12004G | 1    |

|    |   |         |   |  |
|----|---|---------|---|--|
| 8  | DECAL, EAR PROTECTION WARNING (PICTOGRAM)                 | S12005G | 1 |  |
| 9  | DECAL, USE SAFETY BOOTS (PICTOGRAM)                       | 501465  | 1 |  |
| 10 | DECAL, READ OPERATOR'S MANUAL (PICTOGRAM)                 | 096317  | 1 |  |
| 11 | DECAL, BLADE ALIGNMENT                                    | P11789  | 1 |  |
| 12 | DECAL, BLADE TENSION INDICATOR ADJUSTMENT                 | 092597  | 1 |  |
| 13 | DECAL, MOTOR ROTATION DIRECTION                           | S20097  | 1 |  |
| 14 | DECAL, HIGH VOLTAGE INSIDE THE ELECTRIC BOX (PICTOGRAM)   | 096316  | 2 |  |
| 15 | DECAL, REMOVE THE PLUG BEFORE OPENING THE BOX (PICTOGRAM) | 096319  | 2 |  |
| 16 | DECAL, CE CERTIFIED SAWMILL                               | P85070  | 2 |  |
| 17 | DECAL, RUSSIAN SAFETY CERTIFICATION                       | 099401  | 1 |  |
| 18 | DECAL, INTERNATIONAL SAWMILL NAME                         | 501466  | 1 |  |
|    | DECAL, BLADE SETTING                                      | P85066  | 1 |  |
|    | DECAL, KEEP AWAY DANGER, PICTOGRAM                        | 099221  | 1 |  |
|    | DECAL, MAX. OIL PRESSURE, PICTOGRAM                       | 099524  | 1 |  |



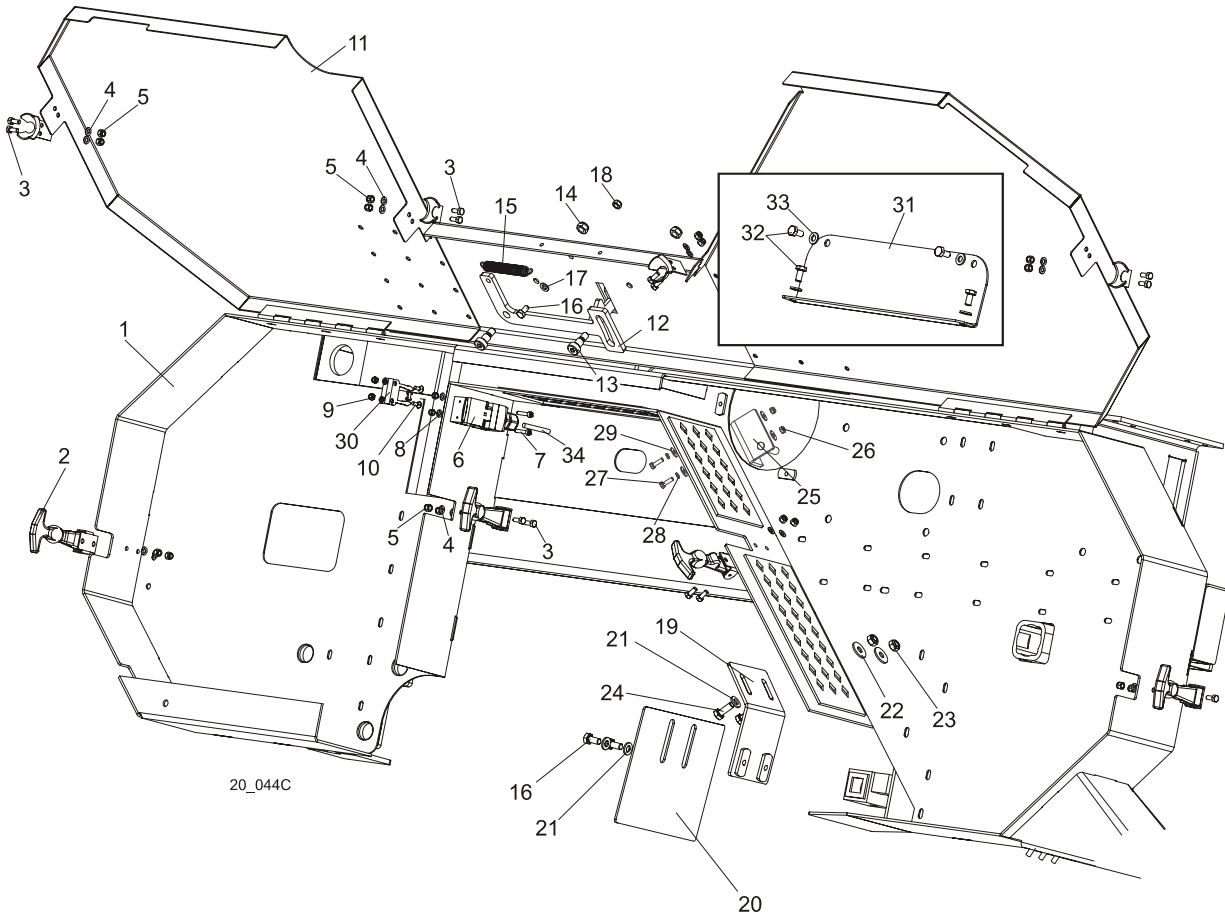
### 4.5 LT20DC Saw Head Decals



| REF | DESCRIPTION (◆ Indicates Parts Available In Assemblies Only) | PART #  | QTY. |
|-----|--|---------|------|
| 1   | DECAL, LT20 SERIES SAWMILL                                   | 092762  | 1    |
|     | <b>PICTOGRAPHIC DECAL KIT, LT20DC</b>                        | 099510  | 1    |
| 2   | DECAL, EUROPEAN HEADQUARTERS ADDRESS                         | 015841  | 1    |
| 3   | DECAL, SAWMILL COVERS CAUTION                                | 099220  | 1    |
| 4   | DECAL, BLADE TENSION (PICTOGRAM)                             | 099219  | 1    |
| 5   | DECAL, BLADE MOVEMENT DIRECTION (PICTOGRAM)                  | 096321  | 1    |
| 6   | DECAL, SAWDUST CHUTE WARNING (PICTOGRAM)                     | 099222  | 1    |
| 7   | DECAL, EYE PROTECTION WARNING (PICTOGRAM)                    | S12004G | 1    |
| 8   | DECAL, EAR PROTECTION WARNING (PICTOGRAM)                    | S12005G | 1    |
| 9   | DECAL, USE SAFETY BOOTS (PICTOGRAM)                          | 501465  | 1    |

|    |  |        |   |  |
|----|--|--------|---|--|
| 10 | DECAL, READ OPERATOR'S MANUAL (PICTOGRAM)          | 096317 | 1 |  |
| 11 | DECAL, BLADE ALIGNMENT                             | P11789 | 1 |  |
| 12 | DECAL, BLADE TENSION INDICATOR ADJUSTMENT          | 092597 | 1 |  |
| 13 | DECAL, KEEP AWAY - HOT PARTS (PICTOGRAM)           | 086099 | 1 |  |
| 14 | DECAL, CE CERTIFIED SAWMILL                        | P85070 | 2 |  |
| 15 | DECAL, RUSSIAN SAFETY CERTIFICATION                | 099401 | 1 |  |
| 16 | DECAL, INTERNATIONAL SAWMILL NAME                  | 501466 | 1 |  |
|    | DECAL, BLADE SETTING                               | P85066 | 1 |  |
|    | DECAL, KEEP AWAY DANGER, PICTOGRAM                 | 099221 | 1 |  |
|    | DECAL, MAX. OIL PRESSURE, PICTOGRAM                | 099524 | 1 |  |
| 17 | <b>REFLECTOR, 2 DIA RED (MOBILE SAWMILLS ONLY)</b> | P07452 | 1 |  |

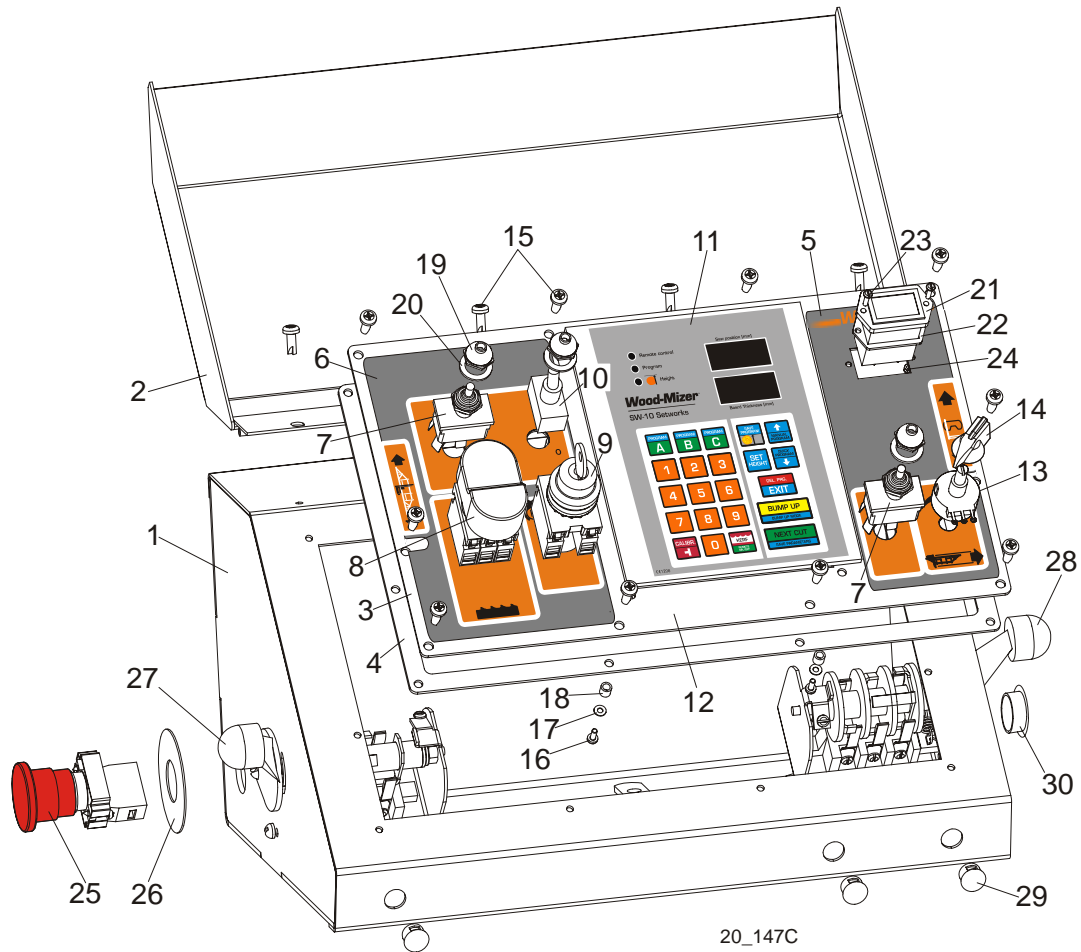
## 4.6 Blade Housing Cover



| REF | DESCRIPTION (◆ Indicates Parts Available In Assemblies Only) | PART #    | QTY. |
|-----|--|-----------|------|
| 1   | SAW HEAD WELDMENT, LT20                                      | 090567    | 1    |
| 2   | LATCH, FLEXIBLE DRAW   | 014829    | 4    |
| 3   | BOLT, M5 X 12-5.8 HEX HEAD FULL THREAD ZINC                  | F81000-5  | 16   |
| 4   | WASHER, 5.3 ZINC FLAT  | F81052-1  | 16   |
| 5   | NUT, M5-8 HEX NYLON ZINC LOCK                                | F81030-2  | 16   |
| 6   | SWITCH, AZ17-11ZRK SAFETY KEY                                | 094232    | 1    |
| 7   | SCREW, M4 X 35 8.8 HEX SOCKET HEAD CAP ZINC                  | F81011-34 | 2    |
| 8   | WASHER, 4.3 ZINC FLAT  | F81051-2  | 4    |
| 9   | NUT, M4-B HEX NYLON ZINC LOCK                                | F81029-1  | 4    |
| 10  | SCREW, M4 X 12 5.8-B SLOTTED COUNTERSUNK HEAD ZINC           | F81011-43 | 2    |
| 11  | COVER WELDMENT, LT20 BLADE HOUSING PTD                       | 096776-1  | 1    |
| 12  | PAWL, LOCKING PTD  | 090643-1  | 1    |
| 13  | SCREW, 10/M8 X 12-12.9 ISO-7379 SOCKET HEAD SHOULDER         | F81003-62 | 2    |
| 14  | NUT, M8-8-B HEX NYLON ZINC LOCK                              | F81032-2  | 2    |
| 15  | SPRING, 1,6x12x38 EXTENSION                                  | 092208    | 1    |
| 16  | BOLT, M6 X 12-8.8 HEX HEAD FULL THREAD ZINC                  | F81001-7  | 3    |
| 17  | WASHER, 6.4 ZINC FLAT  | F81053-1  | 1    |

|    |   |           |                    |  |
|----|---|-----------|--------------------|--|
| 18 | NUT, M6-8-B HEX NYLON ZINC LOCK             | F81031-2  | 1                  |  |
| 19 | BRACKET, BLADE GUIDE ROLLER GUARD PAINTED   | 092378-1  | 1                  |  |
| 20 | GUARD, BLADE GUIDE ROLLER PAINTED           | 092379-1  | 1                  |  |
| 21 | WASHER, 6.4 ZINC FLAT                       | F81053-1  | 4                  |  |
| 22 | WASHER, 6.5 ZINC FLAT                       | F81053-11 | 2                  |  |
| 23 | NUT, M6-8-B HEX NYLON ZINC LOCK             | F81031-2  | 2                  |  |
| 24 | BOLT, M6X16 8.8 HEX HEAD FULL THREAD ZINC   | F81001-15 | 2                  |  |
| 25 | BRACKET WLDMT, PTD DRIVE BELT SUPPORT       | 092636-1  | 1                  |  |
| 26 | NUT, M6-8-B HEX NYLON ZINC LOCK             | F81031-2  | 2                  |  |
| 27 | BOLT, M6 X 20-8.8 HEX HEAD FULL THREAD ZINC | F81001-2  | 2                  |  |
| 28 | WASHER 6,1 FE/ZN9 PN/M-82008                | F81053-3  | 2                  |  |
| 29 | WASHER, 6.5 ZINC FLAT                       | F81053-11 | 4                  |  |
| 30 | KEY, AZ17/170-B5 SAFETY SWITCH              | 094422    | 1                  |  |
| 31 | COVER, SAW HEAD MOUNT                       | 096788-1  | 1                  |  |
| 32 | BOLT, M6X12MM HEX HEAD ZINC                 | F81001-7  | 4                  |  |
| 33 | WASHER, M6 FLAT ZINC                        | F81053-1  | 4                  |  |
| 34 | CABLE, OLFLEX 400P 2X1                      | R80583-5  | 3m (DC)<br>5m (AC) |  |

### 4.7 Control Box (AC Sawmills)

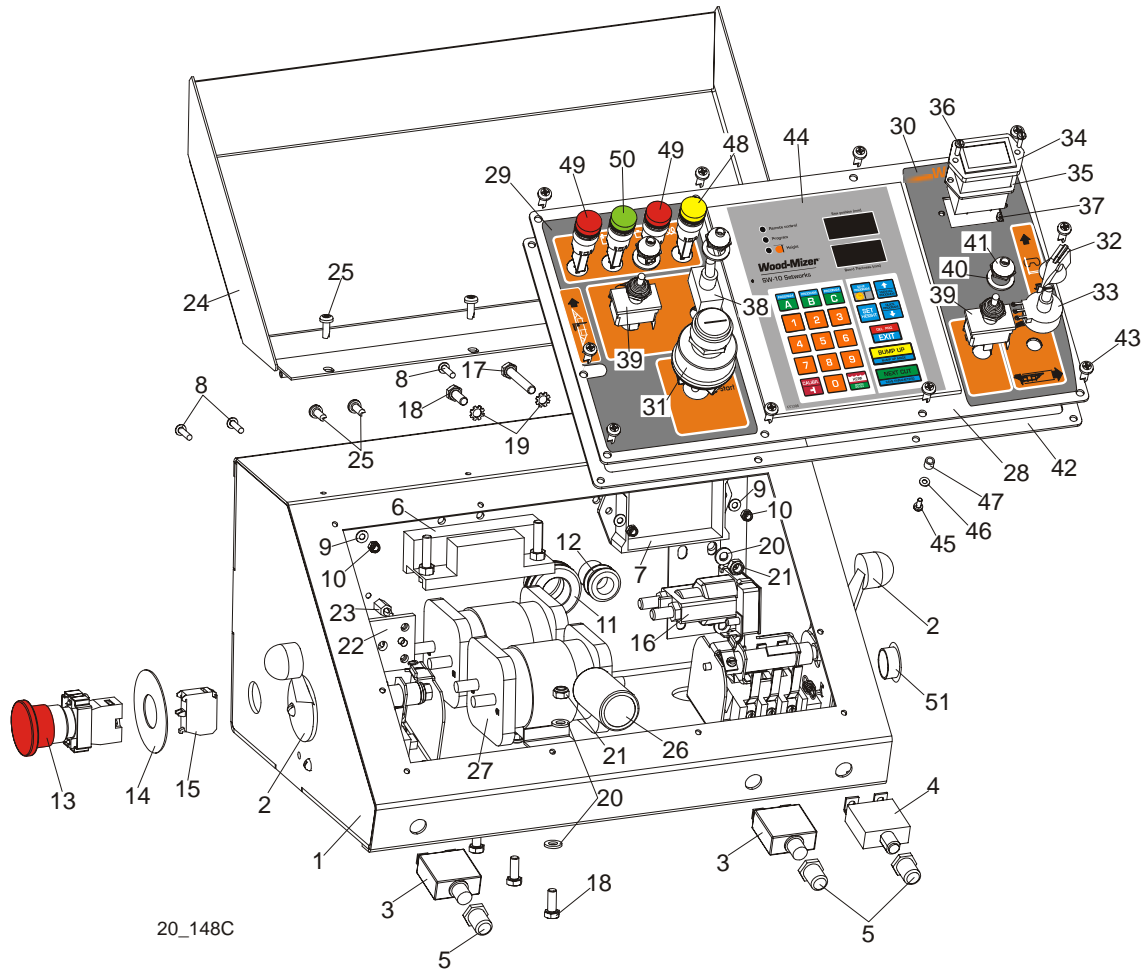


20\_147C

| REF | DESCRIPTION (◆ Indicates Parts Available In Assemblies Only) | PART #    | QTY. |
|-----|--|-----------|------|
|     | <b>CONTROL BOX ASSEMBLY, LT20 AC COMPLETE</b>                | 097136    | 1    |
| 1   | Box Weldment, LT20 AC Control                                | 097134-1  | 1    |
| 2   | Cover Control Box, LT20                                      | 097135-1  | 1    |
| 3   | Panel, LT20AC Front Control Complete                         | 097131    | 1    |
| 4   | Gasket, LT20 Control Box                                     | 097132    | 1    |
| 5   | Decal, LT20AC/DC Control Box Right                           | 099593    | 1    |
| 6   | Decal, LT20AC Control Box Left                               | 099594    | 1    |
| 7   | Switch, DPDT Toggle 21A Rev Mom Spade                        | 024200    | 2    |
| 8   | Button, 24V Start/Stop                                       | 090452    | 1    |
|     | Membrane M22-T-DD  | 090462    | 1    |
| 9   | Switch, M22 3-position Key                                   | 091361    | 1    |
|     | Contact, M22 - K10   | 091362    | 2    |
| 10  | Switch, SPST ON/OFF 15A .25 Tabs Toggle                      | P03027    | 1    |
| 11  | Controller, SW-10 Setworks                                   | 500628    | 1    |
| 12  | Panel, LT20/40AC Front Control                               | 100572-1  | 1    |
| 13  | Potentiometer, 1K Feed Rate                                  | E20519    | 1    |
| 14  | Knob, Speed Control  | P06257    | 1    |
| 15  | Bolt, #10-24x1/2 Ph Pan Hd, Type 23                          | F05015-17 | 14   |

|    |   |           |   |  |
|----|---|-----------|---|--|
| 16 | Screw, M3x8 -4.8- Fe/Zn5 PN-M/82202       | F81000-83 | 6 |  |
| 17 | Washer, 3.2 Fe/Zn5 PN-M/82005             | F81050-2  | 6 |  |
| 18 | Tube, 6mm 4.2 long                        | R80671-4  | 6 |  |
| 19 | Boot, Toggle Switch                       | P02575    | 3 |  |
| 20 | Washer, 1/2x3/4x1/16 Nylon                | P05251-1  | 3 |  |
| 21 | Meter, Hour                               | 093166    | 1 |  |
| 22 | Gasket, Hour Meter                        | 093346    | 1 |  |
| 23 | Bolt, M3x12-8.8 Zinc                      | F81000-12 | 2 |  |
| 24 | Nut, M3-6 Hex Nylon Zinc Lock             | F81028-2  | 2 |  |
| 25 | Button, XB4 BS542 Emergency Stop          | 086556    | 1 |  |
| 26 | Washer, Emergency Stop Switch             | 086561    | 1 |  |
| 27 | Switch, 1992GS Pwr/Feed (Service Package) | E20438    | 1 |  |
| 28 | Switch, 1992 Up/Down (Service Package)    | E20440    | 1 |  |
| 29 | Cap, DP 812 Heyman 12.7 Dia. Hole         | 086773    | 3 |  |
| 30 | Cap, SR1086 22.2 Dia. Hole                | 093544    | 1 |  |

### 4.8 Control Box (DC Sawmills)



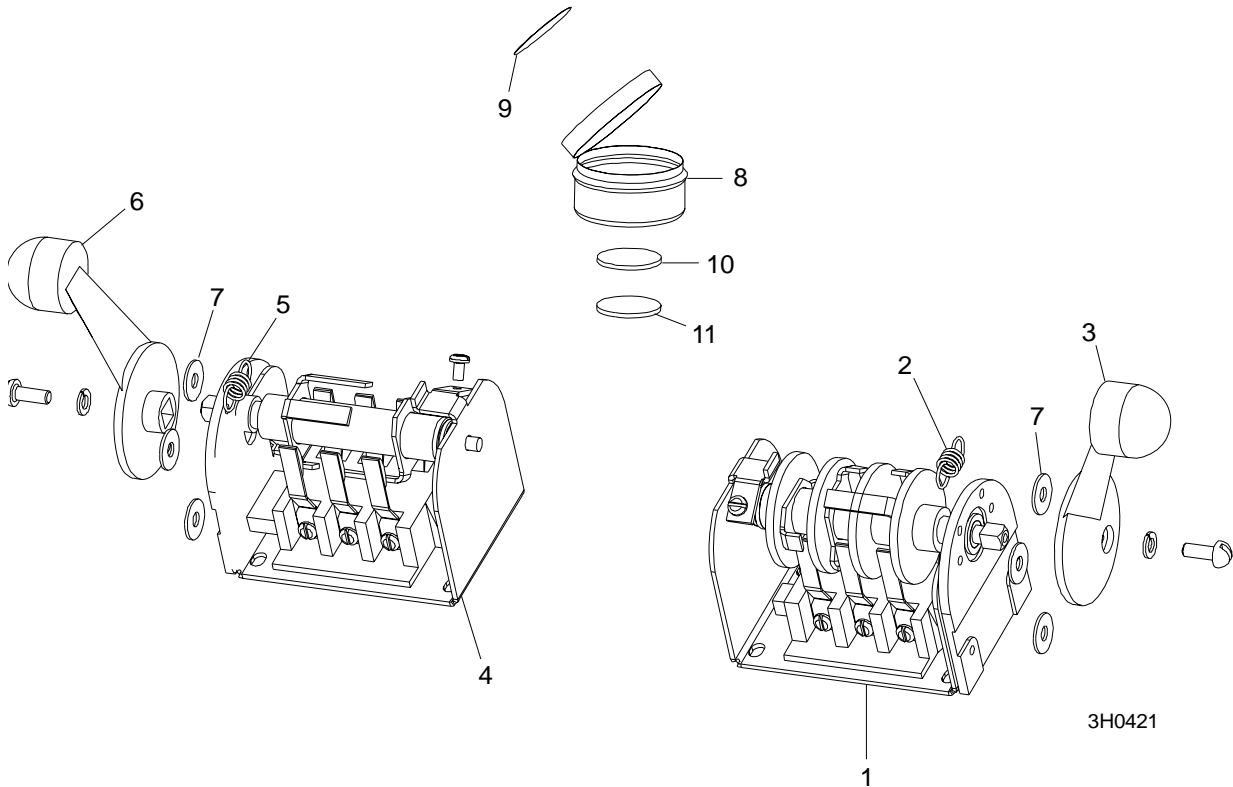
20\_148C

| REF | DESCRIPTION (◆ Indicates Parts Available In Assemblies Only) | PART #    | QTY. |
|-----|--|-----------|------|
|     | <b>CONTROL BOX ASSEMBLY, LT20 DC DIESEL COMPLETE</b>         | 097167    | 1    |
| 1   | Box Weldment, LT20 DC  | 097165-1  | 1    |
| 2   | Switch, 1992GS Pwr/Feed (Service Package)                    | E20438    | 2    |
| 3   | Breaker, 50A Manual Reset Panel Mount                        | 021256    | 2    |
| 4   | Breaker, 30A Manual Reset Panel Mount                        | 024246    | 1    |
| 5   | Boot, Circuit Breaker  | 021253    | 3    |
| 6   | Module Assy, Mosfet 4x 92-96 P/F                             | 024540    | 1    |
| 7   | Control Module Assy, P/F SMT Service '97                     | 024396    | 1    |
| 8   | Screw M4x16 5,8-B Zinc Lock                                  | F81011-42 | 4    |
| 9   | Washer, 4.3 Flat Zinc  | F81051-2  | 4    |
| 10  | Nut, M4-B Hex Nylon Zinc Lock                                | F81029-1  | 4    |
| 11  | Grommet, 22mm Rubber   | 087400    | 1    |
| 12  | Grommet, 20/13 Rubber  | 086188    | 1    |
| 13  | Button, XB4 BS542 Emergency Stop                             | 086556    | 1    |
| 14  | Washer, ZBY9330 Emergency Stop Button                        | 086561    | 1    |
| 15  | Contact, ZBE102  | 086810    | 1    |
| 16  | Solenoid, 120-943 Hyd Shut-Off                               | P10449    | 1    |
| 17  | Bolt, M6x40mm, Hex Head, Full Thrd, Zinc                     | F81001-5  | 1    |

|    |  |           |    |  |
|----|--|-----------|----|--|
| 18 | Bolt, M6x16mm, Hex Head, Full Thrd, Zinc | F81001-15 | 6  |  |
| 19 | Washer, M6 Star Lock Zinc                | F81053-2  | 2  |  |
| 20 | Washer, M6 Flat Zinc                     | F81053-1  | 8  |  |
| 21 | Nut, M6 Hex Nylon Lock Zinc              | F81031-2  | 5  |  |
| 22 | Radiator, Diode                          | 091867    | 1  |  |
| 23 | Spacer, P3/12                            | R80671-2  | 4  |  |
| 24 | Cover Weldment, LT20 Complete            | 097135-1  | 1  |  |
| 25 | Bolt, #10-24x1/2 Ph Pan Hd, Type 23      | F05015-17 | 6  |  |
| 26 | Capacitor, 10000/63V Elektrolytic        | 091166    | 1  |  |
| 27 | Solenoid, 200A 12V DPST                  | 015417    | 2  |  |
|    | Panel, LT20DC Front Complete             | 097163    | 1  |  |
| 28 | Panel, LT20/40DC Front                   | 100573-1  | 1  |  |
| 29 | Decal, LT20DC Control Box Left           | 099592    | 1  |  |
| 30 | Decal, LT20AC/DC Control Box Right       | 099593    | 1  |  |
| 31 | Switch, Key                              | P04350    | 1  |  |
| 32 | Knob, Speed Control                      | P06257    | 1  |  |
| 33 | Potentiometer, 1k                        | E20519    | 1  |  |
| 34 | Meter, Hour                              | 093166    | 1  |  |
| 35 | Gasket, Hour Meter                       | 093346    | 1  |  |
| 36 | Bolt, M3x12-8.8 Zinc                     | F81000-12 | 2  |  |
| 37 | Nut, M3-6 Hex Nylon Zinc Lock            | F81028-2  | 2  |  |
| 38 | Switch, SPST On/Off 15A .25 Tabs Toggle  | P03027    | 1  |  |
| 39 | Switch, DPDT Toggle 21A Rev Mom Spade    | 024200    | 2  |  |
| 40 | Washer, 1/2x3/4x1/16 Nylon               | P05251-1  | 3  |  |
| 41 | Boot, Toggle Switch                      | P02575    | 3  |  |
| 42 | Gasket, LT20 Control Box                 | 097132    | 1  |  |
| 43 | Bolt, #10-24x1/2 Ph Pan Hd, Type 23      | F05015-17 | 10 |  |
| 44 | Controller, SW-10 Setworks               | 500628    | 1  |  |
| 45 | Screw, FH ST 3,5x6,5 A4                  | F81000-82 | 6  |  |
| 46 | Washer, 3.2 Flat Zinc                    | F81050-2  | 6  |  |
| 47 | Spacer, 4.2x6mm Idler                    | R80671-4  | 6  |  |
| 48 | Light, XB6AV5BB Yellow                   | 089812    | 1  |  |
| 49 | Light, XB6AV4BB Red                      | 091099    | 2  |  |
| 50 | Light, XB6AV3BB Green                    | 087348    | 1  |  |
| 51 | Cap, SR1086 22.2 Dia. Hole               | 093544    | 1  |  |

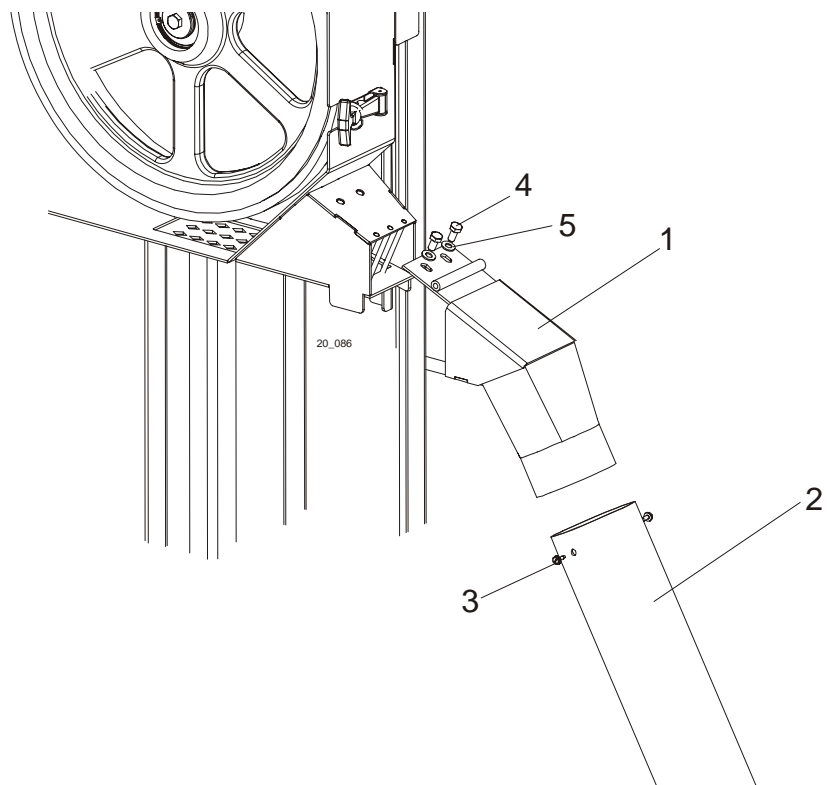


## 4.9 Drum Switches



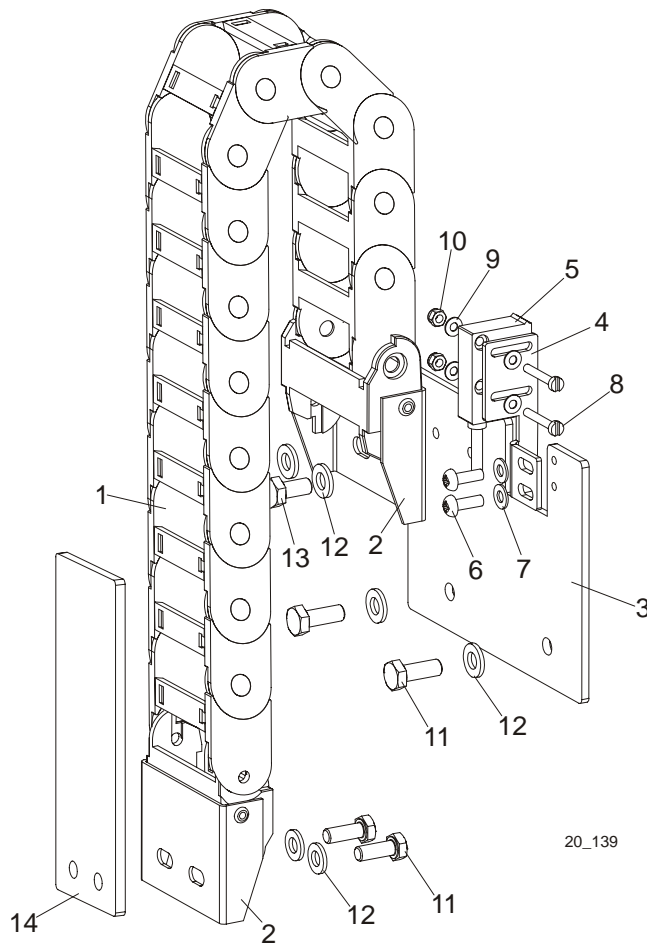
| REF | DESCRIPTION (◆ Indicates Parts Available In Assemblies Only) | PART #    | QTY.   |   |
|-----|--|-----------|--------|---|
|     | <b>SWITCH ASSEMBLY, UP/DOWN DRUM</b>                         | E20440    | 1      |   |
| 1   | Switch, Drum   | E20440-B  | 1      | ◆ |
| 2   | Spring, Drum Switch  | P12570    | 1      |   |
| 3   | Handle, Drum Switch w/Screws                                 | P12500    | 1      |   |
|     | <b>SWITCH ASSEMBLY, POWER FEED DRUM</b>                      | E20438    | 1      |   |
| 4   | Switch, Drum   | E20438-B  | 1      | ◆ |
| 5   | Spring, Drum Switch  | P12570    | 1      |   |
| 6   | Handle, Drum Switch w/Screws                                 | P12500    | 1      |   |
| 7   | <b>WASHER, #8 SAE FLAT</b>                                   | F05011-41 | 6      |   |
|     | <b>CUP ASSEMBLY, DRUM SWITCH GREASE</b>                      | A20463    | 1      |   |
| 8   | Cup, Plastic Container                                       | P20464    | 1      | ◆ |
| 9   | Label, Grease Cup  | P20467    | 1      |   |
| 10  | Pad, Velcro Loop   | P20466    | 1      | ◆ |
| 11  | Pad, Velcro Hook   | P20465    | 1      | ◆ |
|     | Grease, Drum Switch  | P20468    | .011ml | ◆ |

### 4.10 Sawdust Chute



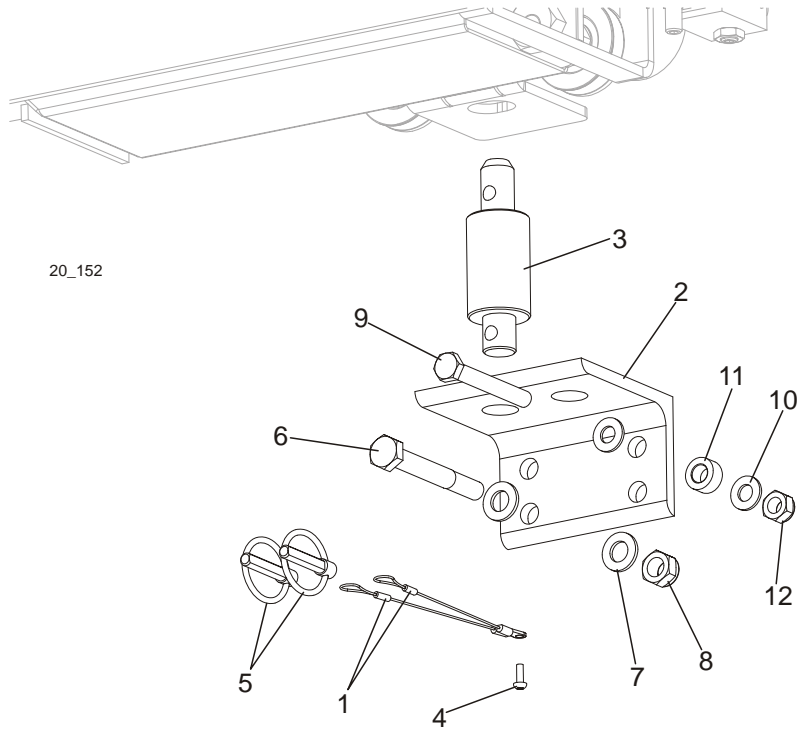
| REF | DESCRIPTION (◆ Indicates Parts Available In Assemblies Only) | PART #    | QTY. |  |
|-----|--|-----------|------|--|
| 1   | CHUTE WELDMENT, SAWDUST                                      | 100903-1  | 1    |  |
| 2   | TUBE, SAWDUST CHUTE RUBBER                                   | R02336    | 1    |  |
| 3   | SCREW, #10-24 X 1/2 SELF-TAPPING                             | F05015-7  | 2    |  |
| 4   | BOLT, M8x16  | F81002-20 | 2    |  |
| 5   | WASHER, 8.4 ZINC FLAT  | F81054-1  | 2    |  |

### 4.11 Up/Down Cable Chain Assembly



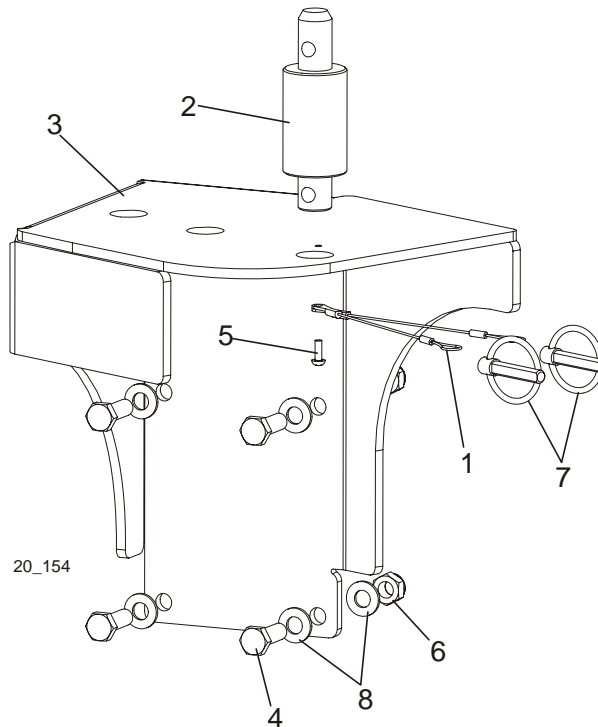
| REF | DESCRIPTION (◆ Indicates Parts Available In Assemblies Only) | PART #    | QTY. |
|-----|--|-----------|------|
|     | <b>HARNESS GUIDE AND SENSOR ASSEMBLY</b>                     | 098052    | 1    |
| 1   | Harness Guide, SR300A 050 080                                | 097924    | 1    |
| 2   | Bracket, AN300A 050K Mount                                   | 097925    | 1    |
| 3   | Mounting Plate, Harness and Sensor Assy.                     | 096067-1  | 1    |
| 4   | Bracket, Sensor Mount  | 096068-1  | 1    |
| 5   | Sensor, MSK-320  | 096014    | 1    |
| 6   | Screw, M4x12-5,8-B Zinc                                      | F81011-43 | 2    |
| 7   | Washer, 4.3 Zinc   | F81051-2  | 2    |
| 8   | Screw, M3x20-5.8-A Zinc                                      | F81000-8  | 2    |
| 9   | Washer, 3.2 Zinc   | F81050-2  | 4    |
| 10  | Nut, M3-6 Zinc   | F81028-2  | 2    |
| 11  | Bolt, M6x20-8.8 Hex Head Zinc                                | F81001-2  | 4    |
| 12  | Washer, 6.4 Zinc   | F81053-1  | 6    |
| 13  | Bolt, M6x12-8.8 Hex Head Zinc                                | F81001-7  | 2    |
| 14  | Plate, Guide Mount   | 098662-1  | 1    |

**4.12 LT20 Saw Head Rest Pin Assembly**



| REF | DESCRIPTION (◆ Indicates Parts Available In Assemblies Only) | PART #    | QTY. |
|-----|--|-----------|------|
|     | <b>BRACKET, LT20 SAW HEAD REST PIN COMPLETE</b>              | 097936    | 1    |
| 1   | LANYARD, 3/64 X 6  | 016030    | 2    |
| 2   | BRACKET, LT20 SAW HEAD REST PIN                              | 091837-1  | 1    |
| 3   | PIN, LT20 SAW HEAD REST                                      | 097935-1  | 1    |
| 4   | SCREW, M4x12 5,8-B CROSS RECESSED PAN HEAD                   | F81011-43 | 1    |
| 5   | PIN, 8 BN914 (BOSSARD 134650) LOCK                           | F81046-2  | 2    |
| 6   | <b>BOLT, M12x95 -8.8- HEX HEAD ZINC-PLATED</b>               | F81004-29 | 1    |
| 7   | <b>WASHER, 13 FLAT ZINC</b>                                  | F81056-1  | 2    |
| 8   | <b>NUT, M12-8 HEX NYLON ZINC LOCK</b>                        | F81034-2  | 1    |
| 9   | <b>BOLT, M10 X 80 -8.8- FE/ZN5 HEX HEAD</b>                  | F81003-50 | 1    |
| 10  | <b>WASHER, 10.5 FLAT ZINC</b>                                | F81055-1  | 2    |
| 11  | <b>BUSHING, ZINC-PLATED SPACER</b>                           | 090936-1  | 1    |
| 12  | <b>NUT, M10-8-B HEX NYLON ZINC LOCK</b>                      | F81033-1  | 1    |

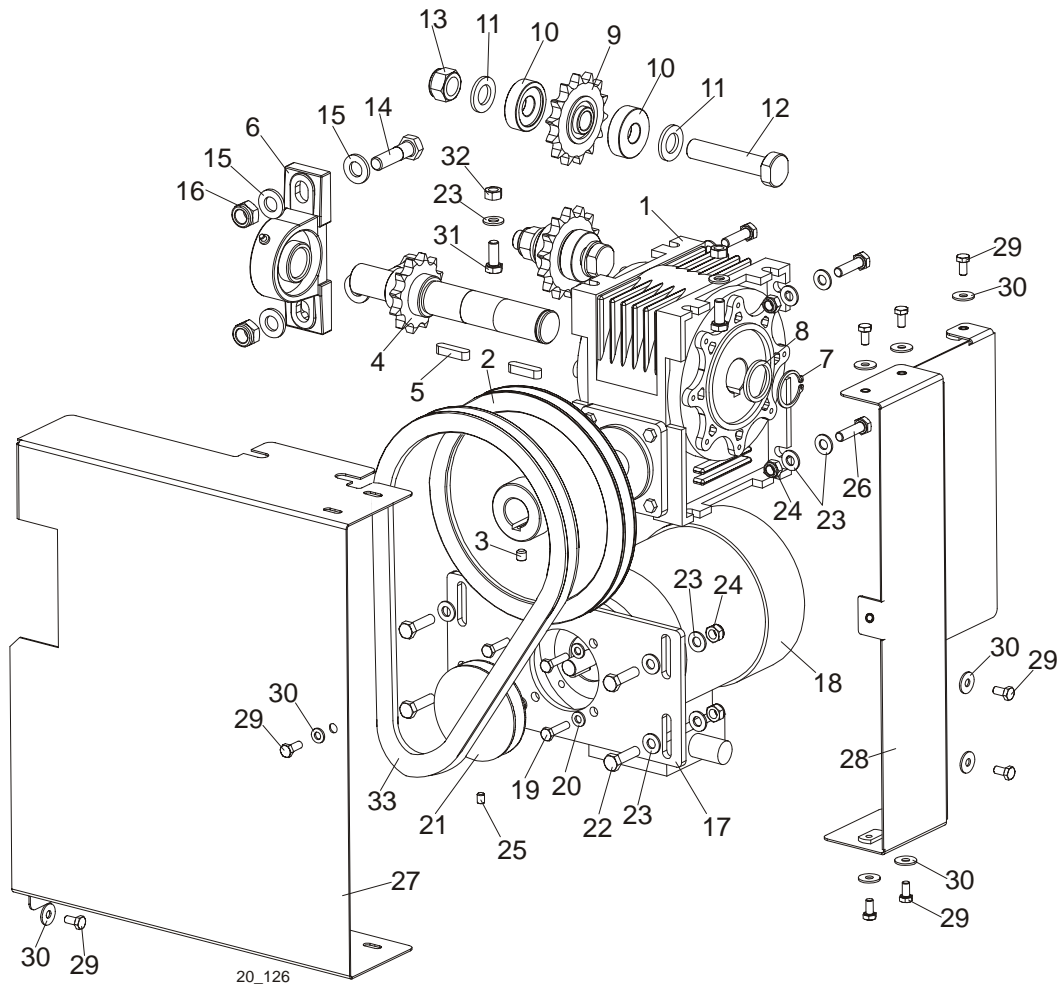
## 4.13 Saw Head Rest Pin Assembly (Electric Mobile Sawmills)



| REF | DESCRIPTION (◆ Indicates Parts Available In Assemblies Only) | PART #    | QTY. |
|-----|--|-----------|------|
|     | <b>KIT, LT20ME15SAH3-1.8 SAW HEAD REST PIN COMPLETE</b>      | 501670    | 1    |
| 1   | LANYARD, 3/64 X 6  | 016030    | 2    |
| 2   | PIN, LT20 SAW HEAD REST                                      | 097935-1  | 1    |
| 3   | PLATE, LT20ME15SAH3-1.8 SAW HEAD REST PIN                    | 501671-1  | 1    |
| 4   | BOLT, M10X30-5.8 HEX HEAD FULL THREAD ZINC                   | F81003-2  | 4    |
| 5   | SCREW, M4x12 5,8-B CROSS RECESSED PAN HEAD                   | F81011-43 | 1    |
| 6   | NUT, M10-8-B HEX NYLON ZINC LOCK                             | F81033-1  | 4    |
| 7   | PIN, 8 BN914 (BOSSARD 134650) LOCK                           | F81046-2  | 2    |
| 8   | WASHER, 10.5 FLAT ZINC                                       | F81055-1  | 8    |

**SECTION 5 UP/DOWN ASSEMBLY**

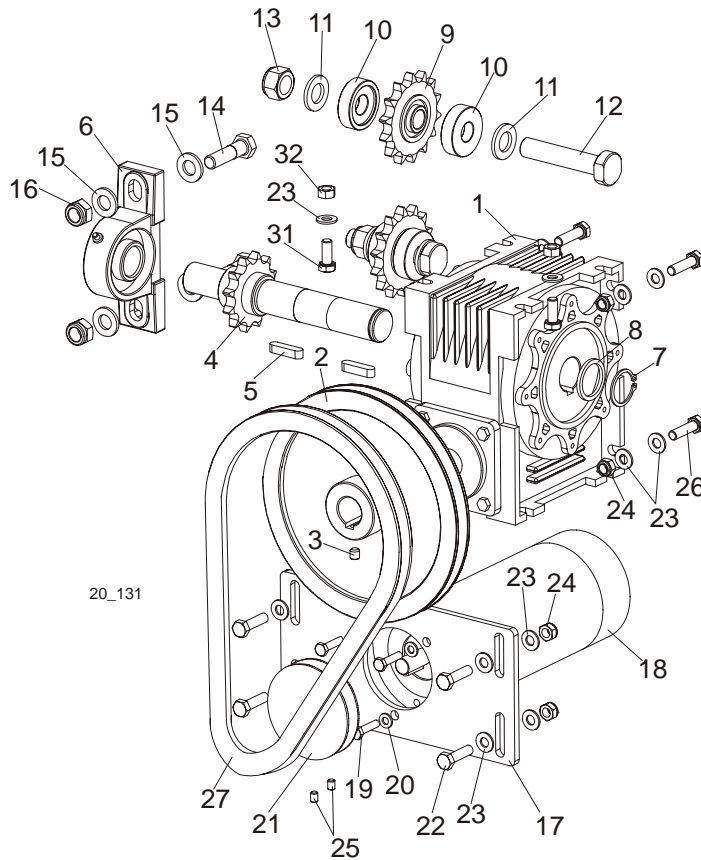
**5.1 Up/Down Assembly, AC Mills**



| REF | DESCRIPTION (◆ Indicates Parts Available In Assemblies Only) | PART #    | QTY. |   |
|-----|--|-----------|------|---|
|     | <b>MOTOR ASSEMBLY, LT20 AC UP/DOWN</b>                       | 098300    | 1    | ◆ |
|     | Motor Assembly, LT20 Up/Down                                 | 098299    | 1    |   |
| 1   | Box, R-63/66/F1/B3 Gear                                      | 097786    | 1    |   |
| 2   | Pulley, LT20   | 091078-1  | 1    |   |
| 3   | Screw, M8x8-33H Hex Socket Set Flat Point                    | F81014-1  | 1    |   |
| 4   | Shaft, LT20 Up/Down w/Sprocket                               | 098298    | 1    |   |
| 5   | Key, A8x7x32 Parallel  | 088564    | 2    |   |
| 6   | Bearing Assembly, UCP 205CX                                  | 088468    | 1    |   |
| 7   | Ring, Z28 Spring Retaining                                   | F81090-12 | 1    |   |
| 8   | Washer   | 098351    | 1    |   |
|     | Shaft Assembly   | 098353    | 2    |   |
| 9   | Sprocket, KSR 16.LO.10.10.14.08 w/Bearing                    | 088867    | 1    |   |
| 10  | Spacer, Drive Bearing  | 098166    | 2    |   |
| 11  | Washer, M16, Flat Zinc                                       | F81058-1  | 2    |   |
| 12  | Pin, Up/Down Drive Shaft                                     | 098289-1  | 1    |   |
| 13  | Nut, M16, Hex, Nylon Zinc Lock                               | F81036-2  | 1    |   |

|    |   |           |    |  |
|----|---|-----------|----|--|
| 14 | Bolt, M12x45-8.8 Zinc Lock                | F81004-32 | 2  |  |
| 15 | Washer, M12, Flat Zinc                    | F81056-1  | 4  |  |
| 16 | Nut, M12 ,Hexagon, Nylon, Zinc, Lock      | F81034-2  | 2  |  |
|    | Motor Assembly, LT20 AC Up/Down           | 091302    | 1  |  |
| 17 | Plate, LT20 AC Up/Down Motor Mount Ptd    | 098355-1  | 1  |  |
| 18 | Motor, SKh 71- 4B2 RAL 9005               | 091304    | 1  |  |
| 19 | Bolt, M6x25mm, Hex Head, Gr 8.8, Zinc     | F81001-3  | 4  |  |
| 20 | Washer, M6, Flat Zinc                     | F81053-1  | 4  |  |
| 21 | Pulley, LT20 Gear Box                     | 090699-1  | 1  |  |
| 22 | Bolt, M8x30mm,HH,Gr 5.8, Full Thrd, Zinc  | F81002-2  | 4  |  |
| 23 | Washer, M8, Flat Zinc                     | F81054-1  | 18 |  |
| 24 | Nut, M8, Hexagon, Nylon Lock Zinc         | F81032-2  | 8  |  |
| 25 | Screw, M6x8-33H Hex Socket Set Flat Point | F81013-1  | 1  |  |
| 26 | Bolt, M8x30-8.8-B-Fe/Zn5 PN-M82105        | F81002-7  | 4  |  |
| 27 | Guard, Up/Down System Front               | 098393-1  | 1  |  |
| 28 | Guard, Up/Down System Side Complete       | 098395-1  | 1  |  |
| 29 | Bolt, M6x12mm Hex Head Zinc               | F81001-7  | 9  |  |
| 30 | Washer, 6.5 Flat Special Zinc-Plated      | F81053-11 | 9  |  |
| 31 | Bolt, M8x20mm,HH,GR 8.8, Full Thrd, Zinc  | F81002-1  | 2  |  |
| 32 | Nut, M8 Hexagon, Grade 5.8 Free Zinc      | F81032-1  | 2  |  |
| 33 | Belt, HA-800 (Kleberg)                    | 091086    | 1  |  |

**5.2 Up/Down Assembly, DC Mills**

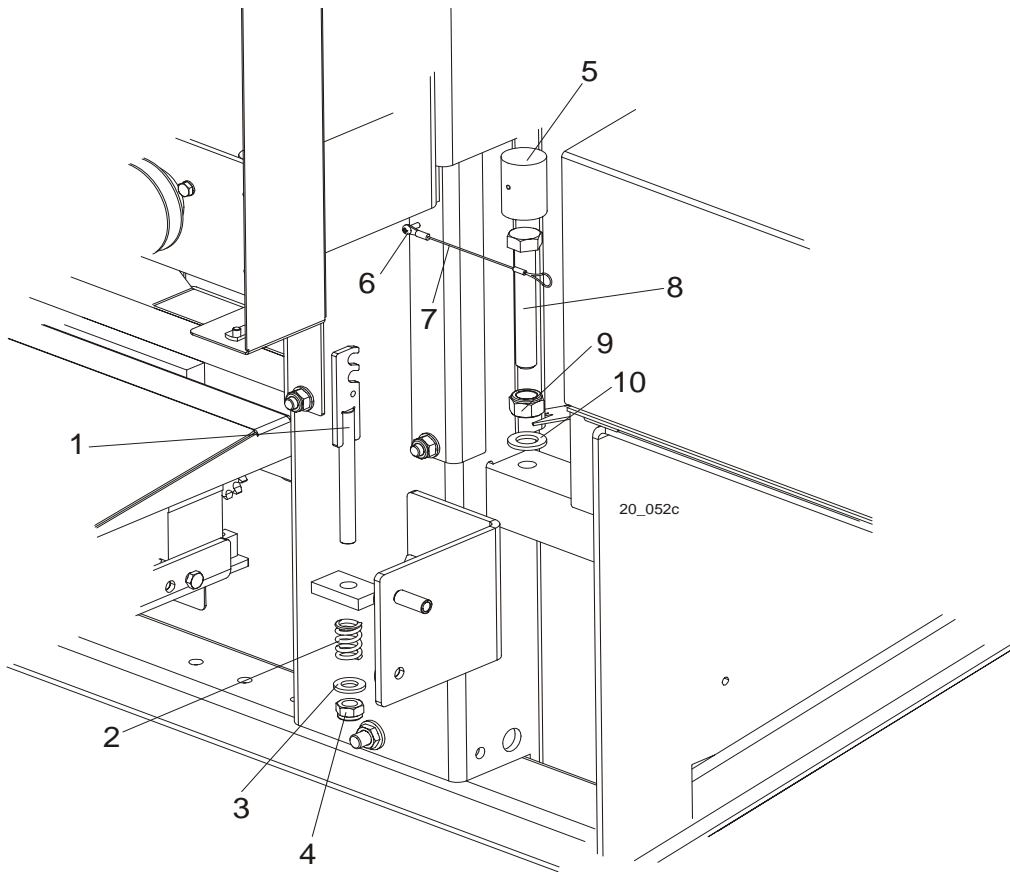


| REF | DESCRIPTION (◆ Indicates Parts Available In Assemblies Only) | PART #    | QTY. |   |
|-----|--|-----------|------|---|
|     | <b>MOTOR ASSEMBLY, LT20 DC UP/DOWN</b>                       | 098346    | 1    | ◆ |
|     | Motor Assembly, LT20 Up/Down                                 | 098299    | 1    |   |
| 1   | Box, R-63/66/F1/B3 Gear                                      | 097786    | 1    |   |
| 2   | Pulley, LT20   | 091078-1  | 1    |   |
| 3   | Screw, M8x8-33H Hex Socket Set Flat Point                    | F81014-1  | 1    |   |
| 4   | Shaft, LT20 Up/Down w/Sprocket                               | 098298    | 1    |   |
| 5   | Key, A8x7x32 Parallel  | 088564    | 2    |   |
| 6   | Bearing Assembly, UCP 205CX                                  | 088468    | 1    |   |
| 7   | Ring, Z28 Spring Retaining                                   | F81090-12 | 1    |   |
| 8   | Washer   | 098351    | 1    |   |
|     | Shaft Assembly   | 098353    | 2    |   |
| 9   | Sprocket, KSR 16.LO.10.10.14.08 w/Bearing                    | 088867    | 1    |   |
| 10  | Spacer, Drive Bearing  | 098166    | 2    |   |
| 11  | Washer, M16, Flat Zinc                                       | F81058-1  | 2    |   |
| 12  | Pin, Up/Down Drive Shaft                                     | 098289-1  | 1    |   |
| 13  | Nut, M16, Hex, Nylon Zinc Lock                               | F81036-2  | 1    |   |
| 14  | Bolt, M12x45-8.8 Zinc Lock                                   | F81004-32 | 2    |   |
| 15  | Washer, M12, Flat Zinc                                       | F81056-1  | 4    |   |
| 16  | Nut, M12 ,Hexagon, Nylon, Zinc, Lock                         | F81034-2  | 2    |   |
|     | Motor Assembly, LT20 AC Up/Down                              | 091303    | 1    |   |



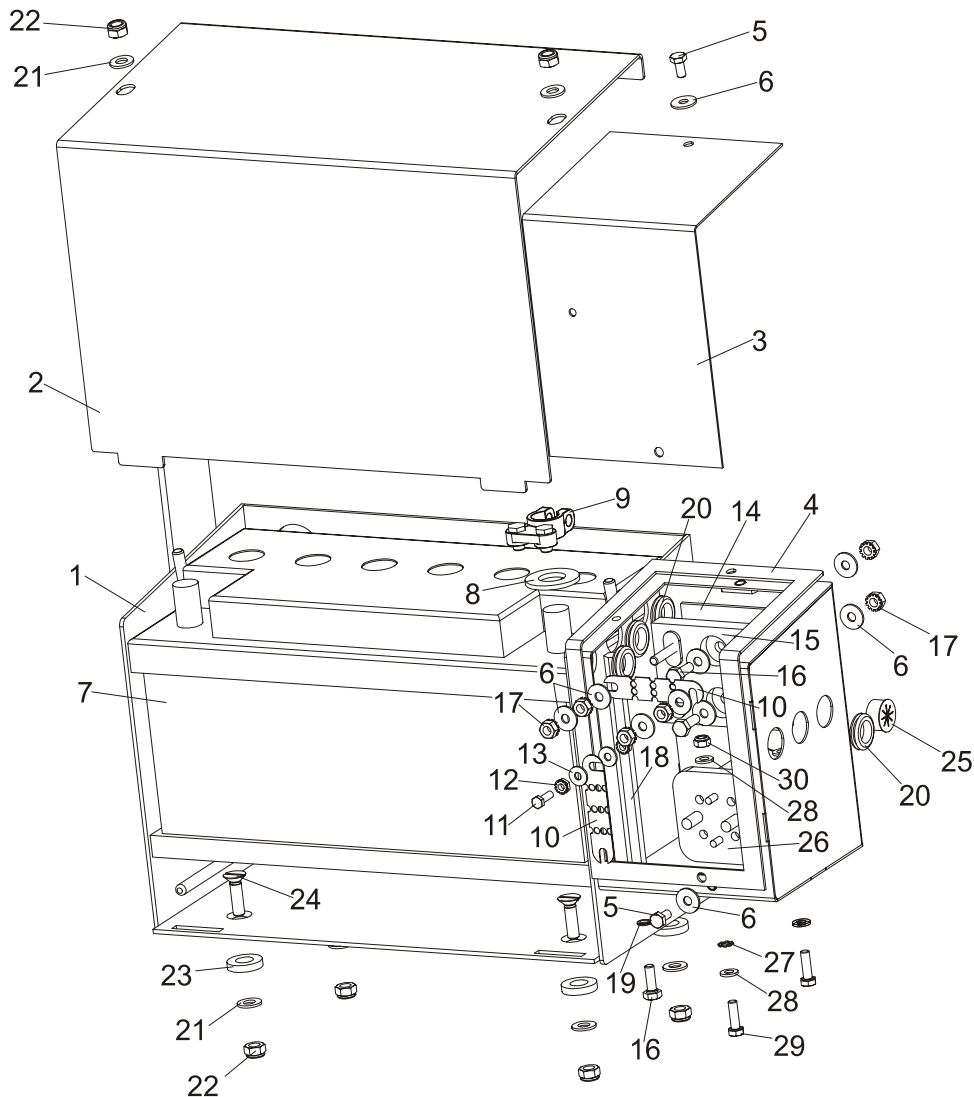
|    |   |          |    |  |
|----|---|----------|----|--|
| 17 | Plate, LT20 DC Up/Down Motor Mount Ptd    | 098363-1 | 1  |  |
| 18 | Motor, 12V 0.5HP Drive                    | 006747   | 1  |  |
| 19 | Bolt, 1/4-20x3/4 FT HHC                   | F05005-1 | 3  |  |
| 20 | Washer, M6, Flat Zinc                     | F81053-1 | 3  |  |
| 21 | Pulley, "A" 82/12,7 Gear Box              | 093158-1 | 1  |  |
| 22 | Bolt, M8x30mm,HH,Gr 5.8, Full Thrd, Zinc  | F81002-2 | 4  |  |
| 23 | Washer, M8, Flat Zinc                     | F81054-1 | 18 |  |
| 24 | Nut, M8, Hexagon, Nylon Lock Zinc         | F81032-2 | 8  |  |
| 25 | Screw, M6x8-33H Hex Socket Set Flat Point | F81013-1 | 2  |  |
| 26 | Bolt, M8x30-8.8-B-Fe/Zn5 PN-M82105        | F81002-7 | 4  |  |
| 27 | Belt, HA-800 (Kleberg)                    | 091086   | 1  |  |

**5.3 Up/Down Chain Tensioner Assembly**



| REF | DESCRIPTION (◆ Indicates Parts Available In Assemblies Only) | PART #    | QTY. |
|-----|--|-----------|------|
| 1   | <b>TENSIONER WELDMENT, LT20 UP/DOWN CHAIN ZINC-PLATED</b>    | 090730-1  | 1    |
| 2   | <b>SPRING, 14 X 30 X 3.2</b>                                 | 090797    | 1    |
| 3   | <b>WASHER, 13 ZINC FLAT</b>                                  | F81056-1  | 1    |
| 4   | <b>NUT, M12-8 HEX NYLON ZINC LOCK</b>                        | F81034-2  | 1    |
|     | <b>BLOCK, HEAD SUPPORTING, COMPLETE</b>                      | 097775    | 1    |
| 5   | Block, Head Support, ptd                                     | 097771-1  | 1    |
| 6   | Screw M4x12 -5,8-B- Fe/Zn5 PN-M/82202                        | F81011-43 | 1    |
| 7   | Lanyard, 3/64 x 6  | 016030    | 1    |
| 8   | <b>BOLT M16X110-8.8</b>                                      | F81006-24 | 1    |
| 9   | <b>NUT, M16,HEX, NYLON ZINC LOCK</b>                         | F81036-2  | 1    |
| 10  | <b>WASHER, M16,FLAT ZINC</b>                                 | F81058-1  | 1    |
|     | <b>UP/DOWN CHAIN, LT20 TYPE 10B-1-111</b>                    | 098451    | 1    |

## 5.4 Battery Box Assembly, DC Mills

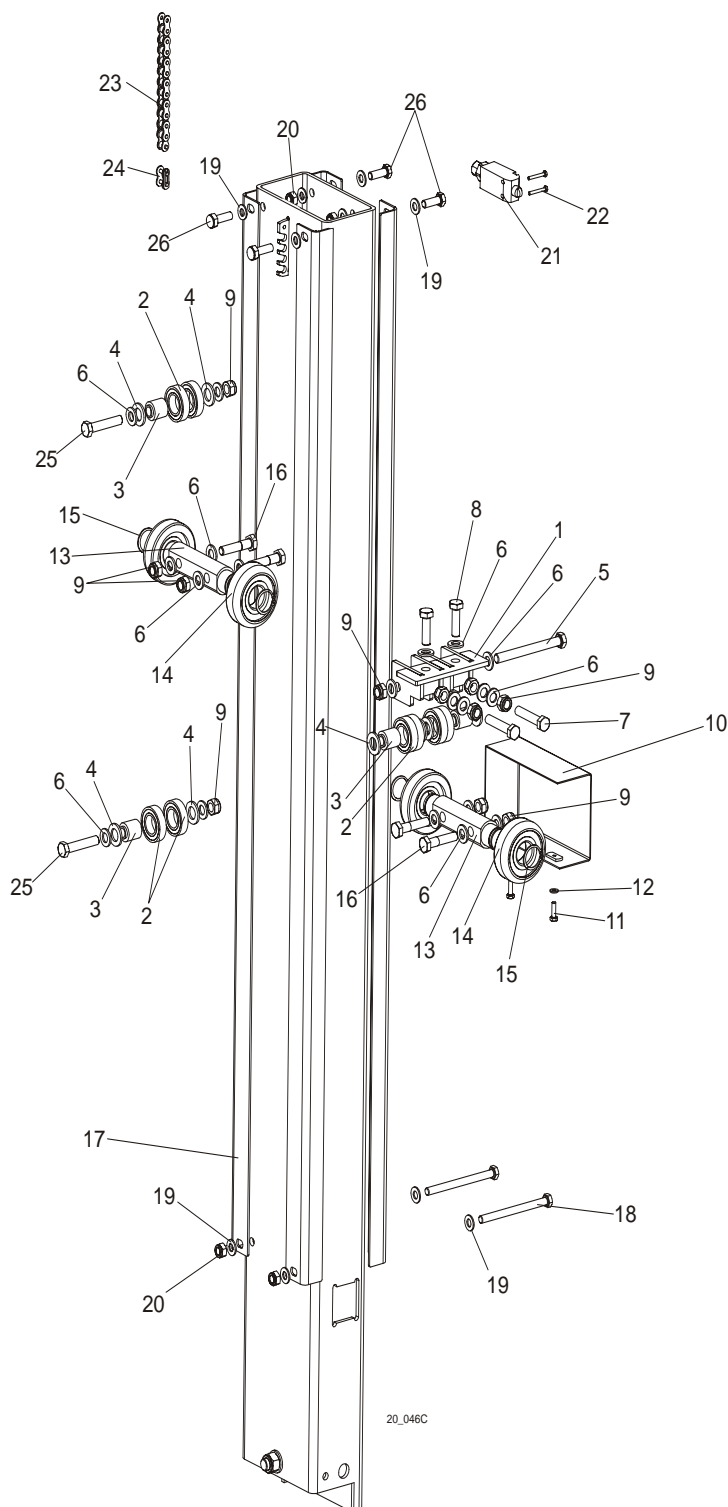


| REF | DESCRIPTION (◆ Indicates Parts Available In Assemblies Only) | PART #        | QTY.     |  |
|-----|--|---------------|----------|--|
|     | <b>BATTERY BOX, LT20 COMPLETE</b>                            | <b>097490</b> | <b>1</b> |  |
| 1   | Battery Box, LT20  | 097486-1      | 1        |  |
| 2   | Lid, Battery Box   | 097489-1      | 1        |  |
| 3   | Lid, Fuse Box  | 092222-1      | 1        |  |
| 4   | Gasket, Fuse Box   | 092226        | 1        |  |
| 5   | Bolt, M6x12mm Hex Head Zinc                                  | F81001-7      | 2        |  |
| 6   | Washer, 6.5 Split Lock Zinc                                  | F81053-11     | 10       |  |
| 7   | Battery, "Banner" 12V 100Ah #95751                           | 088323        | 1        |  |
| 8   | Washer, Battery Terminal                                     | P12161        | 1        |  |
| 9   | Terminal, Battery  | P05085        | 1        |  |
| 10  | Fuse, 150A 12V Link  | 023361        | 2        |  |
| 11  | Screw, 10-24x5/8 Unsl Indent HH Machine                      | F05004-18     | 1        |  |
| 12  | Nut, #10-24 Keps   | F05010-14     | 2        |  |
| 13  | Washer, 5.5 Split Lock Zinc                                  | F81052-3      | 2        |  |
| 14  | Plate, 1/8 Plasic Fuse Box                                   | 015287        | 1        |  |

|    |  |           |   |  |
|----|--|-----------|---|--|
| 15 | Block Assy, Fuse, High Amp             | 017665    | 1 |  |
| 16 | Bolt, 1/4-20x3/4 FT HHC                | F05005-1  | 3 |  |
| 17 | Nut, 1/4-20 Self Locking Zinc          | F05010-9  | 6 |  |
| 18 | Nut, Fuse Stud Extended                | 015517    | 1 |  |
| 19 | Washer, M6 Split Lock Zinc             | F81053-3  | 1 |  |
| 20 | Grommet, 5/8 ID Rubber                 | P11764    | 3 |  |
|    | Grommet, SR170P No.462041              | 098816    | 1 |  |
| 21 | Washer, M8 Flat Zinc                   | F81054-1  | 6 |  |
| 22 | Nut, M8 Hexagon Nylon Lock Zinc        | F81032-2  | 6 |  |
| 23 | Spacer, SR 1941 Idler                  | R80671-5  | 4 |  |
| 24 | Bolt, M8x30-5.8-B Zinc                 | F81002-37 | 4 |  |
| 25 | Grommet, Heyco Wire                    | P04137    | 1 |  |
| 26 | Solenoid, 200A 12V SPST Hyd. Pump 1997 | 015470    | 1 |  |
| 27 | Washer, M6 Star Lock Zinc              | F81053-2  | 1 |  |
| 28 | Washer, M6 Flat Zinc                   | F81053-1  | 4 |  |
| 29 | Bolt, M6x20mm, HH, Full Thread, Zinc   | F81001-2  | 2 |  |
| 30 | Nut, M6 Hex Nylon Lock Zinc            | F81031-2  | 2 |  |

# SECTION 6 UP/DOWN ROLLERS & BLADE HEIGHT SCALE

## 6.1 Up/Down Rollers

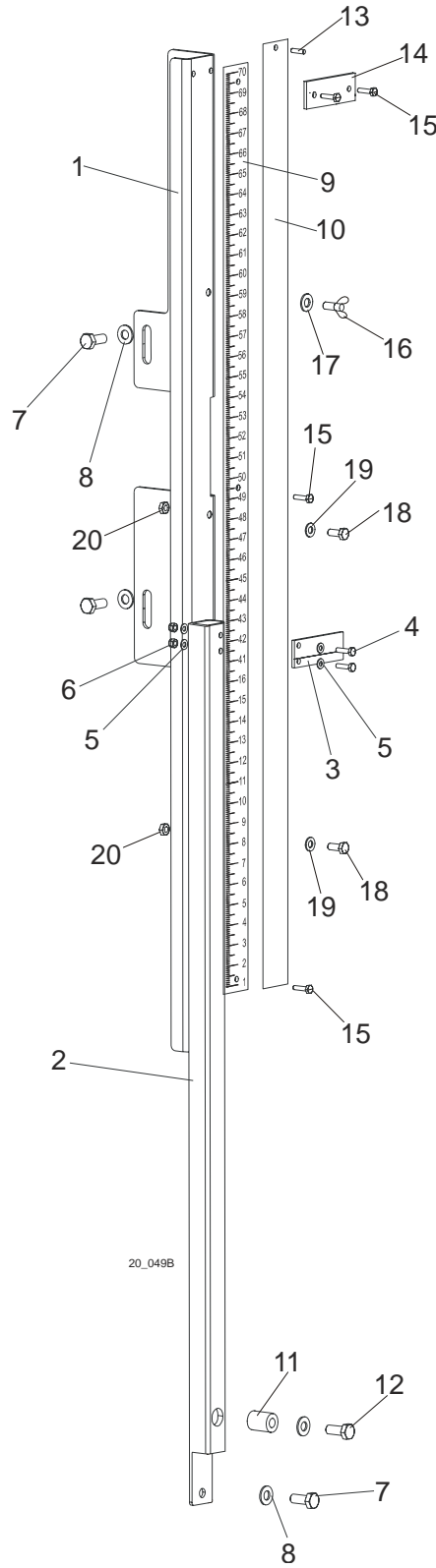


20\_046C

| REF | DESCRIPTION (◆ Indicates Parts Available In Assemblies Only) | PART #   | QTY. |
|-----|--|----------|------|
| 1   | BRACKET WELDMENT, LT20 UP/DOWN ROLLER PTD                    | 091095-1 | 1    |
| 2   | BEARING, 6005 2RS CX   | 089652   | 8    |

|    |  |           |    |  |
|----|--|-----------|----|--|
| 3  | BUSHING, LT20 UP/DOWN ROLLER                 | 090790    | 4  |  |
| 4  | WASHER, 17 ZINC FLAT                         | F81058-1  | 10 |  |
| 5  | BOLT, M12 X 120 8.8 HEX HEAD ZINC            | F81004-38 | 1  |  |
| 6  | WASHER, 13 ZINC FLAT                         | F81056-1  | 20 |  |
| 7  | BOLT, M12 X 60-8.8 HEX HEAD FULL THREAD ZINC | F81004-51 | 2  |  |
| 8  | BOLT, M12 X 40-8.8 HEX HEAD FULL THREAD ZINC | F81004-4  | 2  |  |
| 9  | NUT, M12-8 HEX NYLON ZINC LOCK               | F81034-2  | 11 |  |
| 10 | GUARD, LT20 UP/DOWN ROLLERS PTD              | 091619-1  | 1  |  |
| 11 | BOLT, M6 X 20-8.8 HEX HEAD FULL THREAD ZINC  | F81001-2  | 2  |  |
| 12 | WASHER, 6.4 ZINC FLAT                        | F81053-1  | 2  |  |
| 13 | SHAFT, UP/DOWN ROLLERS ZINC-PLATED           | 090616-1  | 2  |  |
| 14 | ROLLER, CBK-468                              | 088433    | 4  |  |
| 15 | RING, Z30 SPRING RETAINING                   | F81090-23 | 4  |  |
| 16 | BOLT, M12 X 55-8.8 HEX HEAD FULL THREAD ZINC | F81004-43 | 4  |  |
| 17 | ANGLE, LT20 MAST TUBE                        | 091182    | 4  |  |
| 18 | BOLT, M10 X 125-8.8 HEX HEAD ZINC            | F81003-18 | 2  |  |
| 19 | WASHER, 10.5 ZINC FLAT                       | F81055-1  | 22 |  |
| 20 | NUT, M10-8-B HEX NYLON ZINC LOCK             | F81033-1  | 10 |  |
| 21 | SWITCH, GLCB01C LIMIT                        | 100910    | 1  |  |
| 22 | BOLT, M4 X 30 8.8 HEX HEAD FULL THREAD ZINC  | F81011-5  | 2  |  |
| 23 | CHAIN, LT20 10B-1-111 TYPE UP/DOWN           | 098451    | 1  |  |
| 24 | LINK, 10B-1PZ MASTER                         | 088671    | 1  |  |
| 25 | BOLT, M12X60MM, HEX HEAD GR 8.8              | F81004-5  | 2  |  |
| 26 | BOLT, M10X25-8.8-FE/ZN5                      | F81003-11 | 4  |  |

6.2 Blade Height Scale



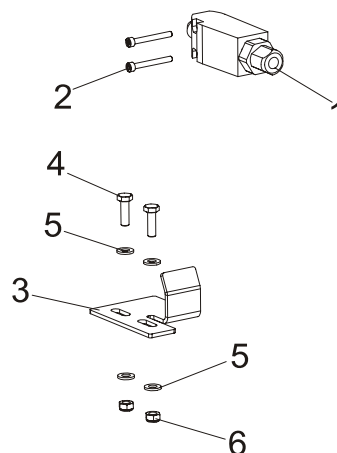
20\_049B

| REF | DESCRIPTION (◆ Indicates Parts Available In Assemblies Only) | PART #   | QTY. |  |
|-----|--|----------|------|--|
| 1   | BRACKET, SCALE MOUNT PTD                                     | 092749-1 | 1    |  |
| 2   | BRACKET, SCALE INDICATOR MOUNT PTD                           | 092751-1 | 1    |  |

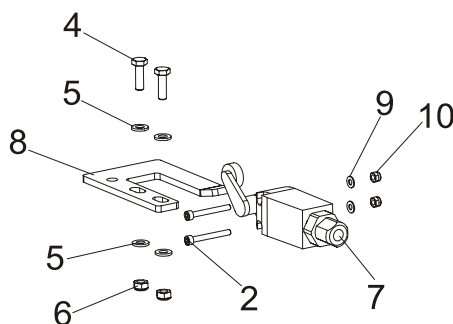
|    |   |           |   |  |
|----|---|-----------|---|--|
| 3  | INDICATOR, BLADE HEIGHT SCALE               | 094821    | 1 |  |
| 4  | BOLT, M4 X 16 5.8 HEX HEAD FULL THREAD ZINC | F81011-6  | 2 |  |
| 5  | WASHER, 4.3 ZINC FLAT                       | F81051-2  | 4 |  |
| 6  | NUT, M4-B HEX NYLON ZINC LOCK               | F81029-1  | 2 |  |
| 7  | BOLT, M8 X 20-5.8 HEX HEAD FULL THREAD ZINC | F81002-1  | 4 |  |
| 8  | WASHER, 8.4 ZINC FLAT                       | F81054-1  | 4 |  |
| 9  | BAR, SCALE                                  | 092750    | 1 |  |
|    | DECAL, LT20 0-80CM METRIC SCALE             | 091239    | 1 |  |
| 10 | BAR, INCH SCALE                             | 093133    | 1 |  |
|    | DECAL, 45-63CM METRIC                       | P12040-2  | 1 |  |
|    | DECAL, METRIC 16-40MM                       | P12040-1  | 1 |  |
| 11 | BUSHING, SPACER                             | 092008-1  | 1 |  |
| 12 | BOLT, M8 X 45 - 8.8 Fe/Zn5, PN-M/82105      | F81002-14 | 1 |  |
| 13 | PIN, 3x20 ROLL ZINC                         | F81044-5  | 1 |  |
| 14 | BAR, SCALE MOUNT                            | 093134    | 1 |  |
| 15 | SCREW, M6x20- 4.8-B Fe/Zn5 PN-85/M-82207    | F81001-31 | 1 |  |
| 16 | BOLT, M6X16 BN276                           | F81001-16 | 1 |  |
| 17 | WASHER, FLAT ZINC                           | F81053-11 | 1 |  |
| 18 | BOLT, M6X20MM, HH, FULL THREAD, ZINC        | F81001-2  | 2 |  |
| 19 | WASHER, M6, FLAT,ZINC                       | F81053-1  | 2 |  |
| 20 | NUT, M6, HEX,NYLON LOCK ZINC                | F81031-2  | 2 |  |



## 6.3 Limit Switches



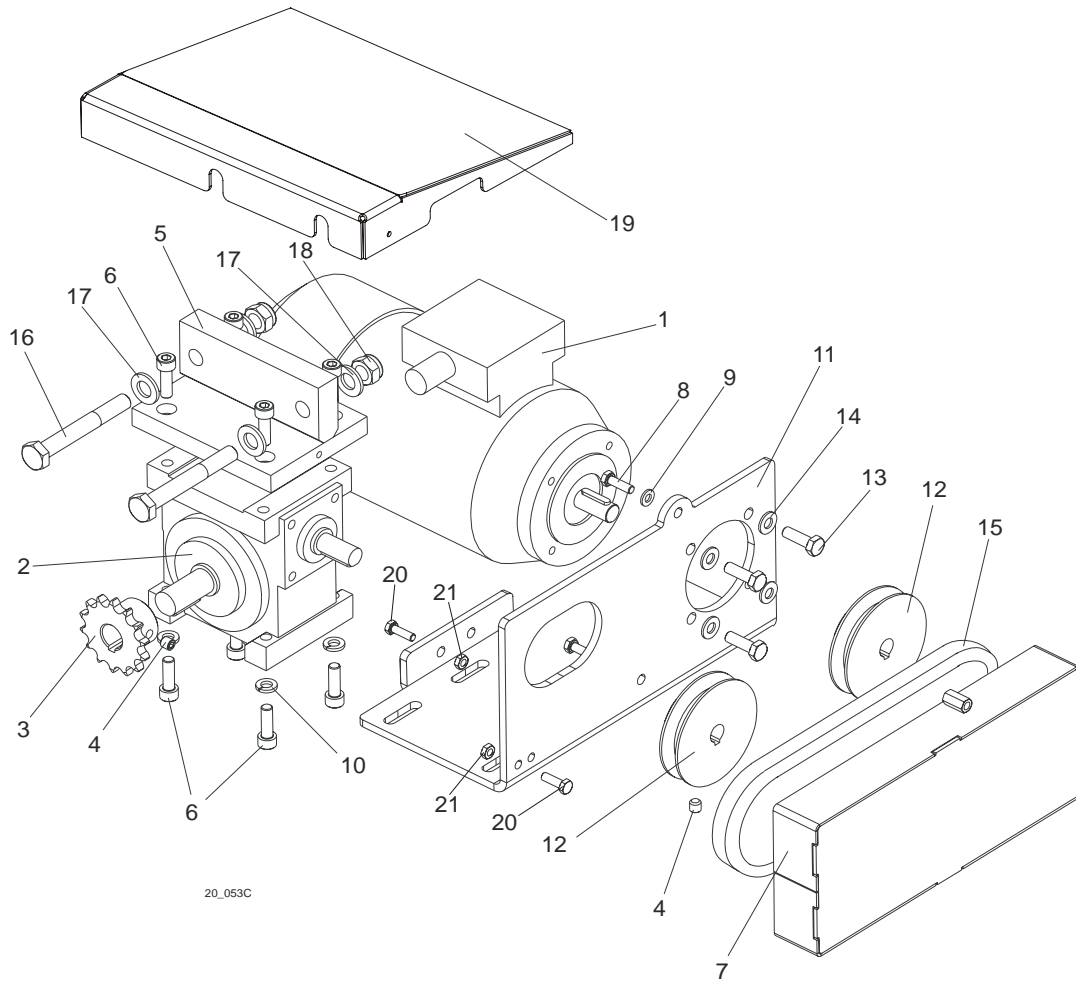
20\_133



| REF | DESCRIPTION (◆ Indicates Parts Available In Assemblies Only) | PART #    | QTY. |  |
|-----|--|-----------|------|--|
| 1   | SWITCH, GLCB01C LIMIT  | 100910    | 1    |  |
| 2   | SCREW, M4x35-8.8 HEX SOCKET HEAD CAP ZINC                    | F81011-34 | 4    |  |
| 3   | BRACKET, LIMIT SWITCH  | 091682-1  | 1    |  |
| 4   | BOLT, M6X20MM, HH, FULL THREAD, ZINC                         | F81001-2  | 4    |  |
| 5   | WASHER, M6 FLAT ZINC   | F81053-1  | 8    |  |
| 6   | NUT, M6 HEX NYLON LOCK ZINC                                  | F81031-2  | 4    |  |
| 7   | SWITCH, GLCB01A1B LIMIT                                      | 100931    | 1    |  |
| 8   | BRACKET, LIMIT SWITCH  | 091852-1  | 1    |  |
| 9   | WASHER, M4 FLAT ZINC   | F81051-2  | 2    |  |
| 10  | NUT, M4 HEX NYLON LOCK ZINC                                  | F81029-1  | 2    |  |

## SECTION 7 POWER FEED & TRACK ROLLERS

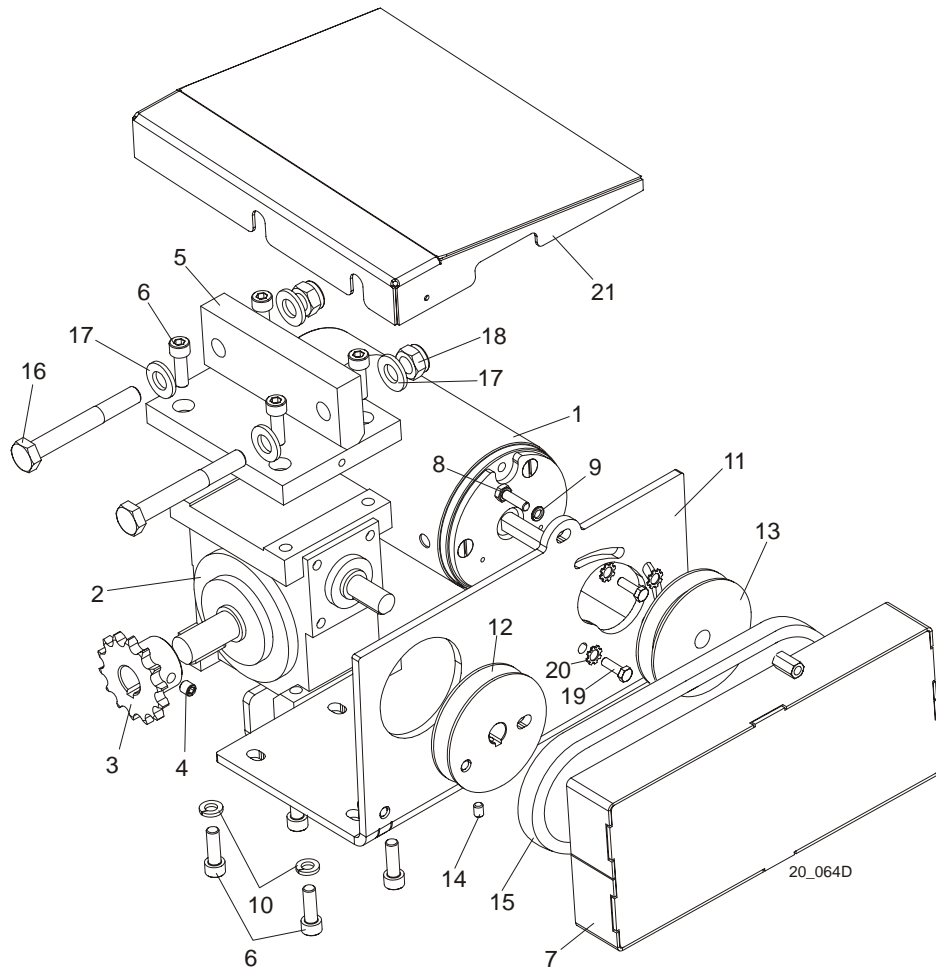
### 7.1 Power Feed Assembly, AC Mills



| REF | DESCRIPTION (◆ Indicates Parts Available In Assemblies Only) | PART #    | QTY. |
|-----|--|-----------|------|
|     | <b>POWER FEED ASSEMBLY, LT20 AC</b>                          | 091196    | 1    |
| 1   | Motor, Kh71X-2C2, RAL 9005                                   | 097313    | 1    |
| 2   | Gear Box, RA-04/7.5/D1/N+S/B8 w/Output Shaft                 | 090698    | 1    |
| 3   | Sprocket, 08B Z14 Zinc-plated                                | 090702-1  | 1    |
| 4   | Screw, M8x8-33H Hex Socket Set Flat Point Zinc               | F81014-1  | 1    |
| 5   | Bracket, Power Feed Gear Box Mount                           | 090715-1  | 1    |
| 6   | Screw, M8X25-8.8 Hex Socket Head Cap Zinc                    | F81002-21 | 4    |
| 7   | Guard, Power Feed Drive Belt                                 | 091195-1  | 1    |
| 8   | Bolt, M6x20-8.8 Hex Head Full Thread Zinc                    | F81001-2  | 2    |
| 9   | Washer, 6.4 Zinc Flat  | F81053-1  | 2    |
| 10  | Washer, 8.2 Split Lock Zinc                                  | F81054-4  | 4    |
| 11  | Bracket, Power Feed Gear Box                                 | 091191    | 1    |
| 12  | Pulley, LT20 Power Feed Gear Box Ptd                         | 090699-1  | 2    |
| 13  | Bolt, M6x20-8.8-B Hex Head Full Thread Zinc                  | F81001-2  | 4    |
| 14  | Washer, 6.1 Split Lock Zinc                                  | F81053-3  | 4    |
| 15  | V-Belt, HA-560 (STOMIL-SANOK)                                | 088562    | 1    |

|    |                                      |          |   |  |
|----|--------------------------------------|----------|---|--|
| 16 | BOLT, M12X90-8.8 HEX HEAD ZINC       | F81004-2 | 2 |  |
| 17 | WASHER, 13 ZINC FLAT                 | F81056-1 | 4 |  |
| 18 | NUT, M12-8 HEX NYLON ZINC LOCK       | F81034-2 | 2 |  |
| 19 | GUARD, POWER FEED MOTOR              | 093780-1 | 1 |  |
| 20 | BOLT, M8 x 25mm HEX HEAD GR 5.8 ZINC | F81002-5 | 2 |  |
| 21 | NUT, M8 HEXAGON, GRADE 5.8 FREE ZINC | F81032-1 | 2 |  |

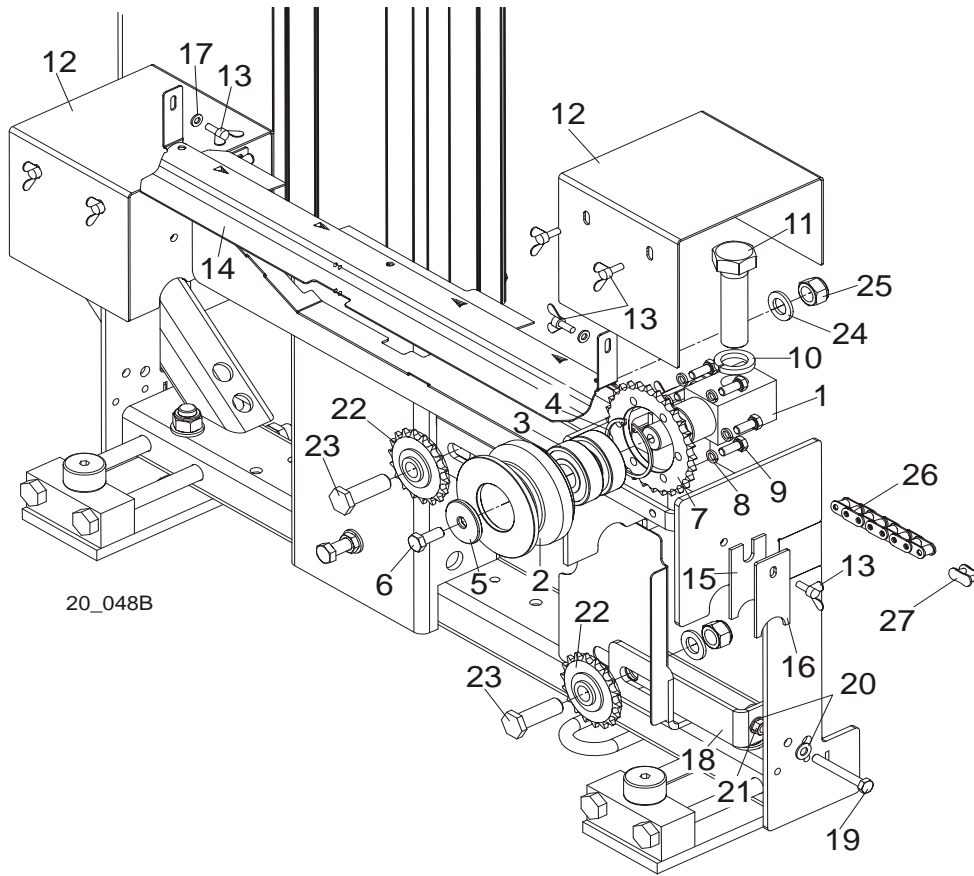
## 7.2 Power Feed Assembly, DC Mills



| REF | DESCRIPTION (◆ Indicates Parts Available In Assemblies Only) | PART #    | QTY. |
|-----|--|-----------|------|
|     | <b>POWER FEED ASSEMBLY, LT20 DC</b>                          | 090703    | 1    |
| 1   | Motor, 12V 0.5HP   | 006747    | 1    |
| 2   | Gear Box, RA-04/7.5/WBS/i1/N+S/B8 w/Output Shaft             | 090698    | 1    |
| 3   | Sprocket, 10B Z14 Zinc-plated                                | 090702-1  | 1    |
| 4   | Screw, M8x8-33H Hex Socket Set Flat Point Zinc               | F81014-1  | 1    |
| 5   | Bracket, Power Feed Gear Box Mount                           | 090715-1  | 1    |
| 6   | Screw, M8X25-8.8 Hex Socket Head Cap Zinc                    | F81002-21 | 4    |
| 7   | Guard, Power Feed Drive Belt                                 | 091195-1  | 1    |
| 8   | Bolt, M6x20-8.8 Hex Head Full Thread Zinc                    | F81001-2  | 2    |
| 9   | Washer, M6 Split Lock Zinc                                   | F81053-3  | 2    |
| 10  | Washer, 8.2 Split Lock Zinc                                  | F81054-4  | 4    |
| 11  | Plate, LT20 Power Feed Motor Mount Ptd                       | 502550-1  | 1    |
| 12  | Pulley, LT20 Power Feed Gear Box Ptd                         | 090699-1  | 2    |
| 13  | Sheave, Up/Down Motor "A" 82/12.7 Ptd                        | 093158-1  | 1    |
| 14  | Screw, M6x8 Hex Socket Set Cone Point Zinc                   | F81013-1  | 3    |
| 15  | V-Belt, HA-560 (STOMIL-SANOK)                                | 088562    | 1    |
| 16  | Bolt, M12x90-8.8 Hex Head Zinc                               | F81004-2  | 2    |
| 17  | Washer, 13 Zinc Flat   | F81056-1  | 4    |
| 18  | Nut, M12-8 Hex Nylon Zinc Lock                               | F81034-2  | 2    |

|           |                                |          |   |  |
|-----------|--------------------------------|----------|---|--|
| <b>19</b> | Bolt, 1/4-20x3/4 FT HHC        | F05005-1 | 3 |  |
| <b>20</b> | Washer, M6 Star Lock Zinc      | F81053-2 | 3 |  |
| <b>21</b> | <b>GUARD, POWER FEED MOTOR</b> | 093780-1 | 1 |  |

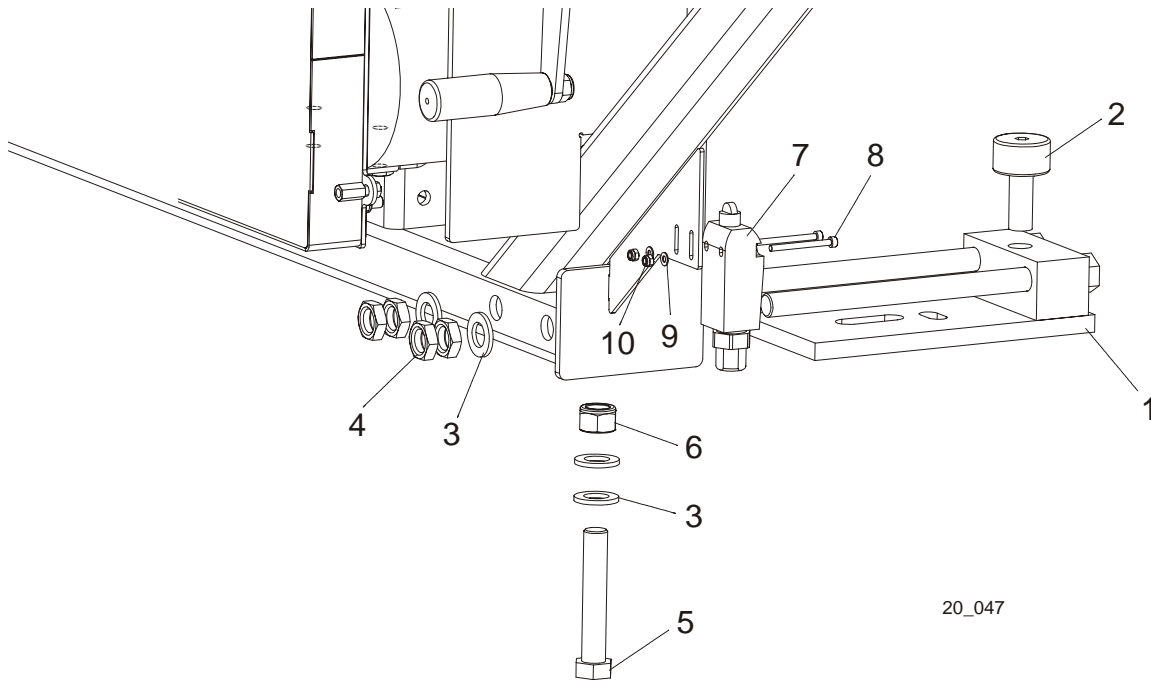
### 7.3 Upper Track Rollers And Wipers



| REF | DESCRIPTION (◆ Indicates Parts Available In Assemblies Only) | PART #    | QTY. |
|-----|--|-----------|------|
|     | <b>ROLLER ASSEMBLY, LT20 UPPER TRACK</b>                     | 090662    | 2    |
| 1   | Block, Upper Track Roller Mount                              | 090665    | 1    |
| 2   | Roller, Upper Track  | 090663    | 1    |
| 3   | Bearing, 6305 2RS NSK  | P08066    | 2    |
| 4   | Ring, 2 7/16" Bevelled Snap                                  | F04254-21 | 1    |
| 5   | Washer, Drive Wheel  | 086286    | 1    |
| 6   | Bolt, M10x25-8.8 Hex Head Full Thread Zinc                   | F81003-11 | 1    |
| 7   | Sprocket, O8B Z28  | 090664    | 2    |
| 8   | Washer, 8.2 Split Lock Zinc                                  | F81054-4  | 6    |
| 9   | Bolt, M8x20-5.8 Hex Head Full Thread Zinc                    | F81002-1  | 6    |
| 10  | <b>WASHER, Z 24.5 SPLIT LOCK ZINC</b>                        | F81061-4  | 2    |
| 11  | <b>BOLT, M24X2X90-8.8 HEX HEAD FULL THREAD ZINC</b>          | F81009-2  | 2    |
| 12  | <b>GUARD, UPPER TRACK ROLLER</b>                             | 090749-1  | 2    |
| 13  | <b>SCREW, M6 X 16 BN276 DIN 316 THUMB</b>                    | F81001-16 | 8    |
| 14  | <b>COVER, LT20 MIDDLE TRACK W/FELT - SERVICE</b>             | 091656-S  | 1    |
|     | Cover, LT20 Middle Track Ptd                                 | 091656-1  | 1    |
|     | Strip, 3/16 X 2 X 23 Felt                                    | S09915    | 1    |
| 15  | <b>WIPER, TOP RAIL</b>                                       | M04113    | 2    |
| 16  | <b>PLATE, TRACK WIPER PTD</b>                                | 088559-1  | 2    |
| 17  | <b>WASHER, 6.4 ZINC FLAT</b>                                 | F81053-1  | 2    |

|    |  |          |   |  |
|----|--|----------|---|--|
| 18 | TENSIONER, POWER FEET SPROCKET           | 092862-1 | 1 |  |
| 19 | BOLT, M8 X 65MM,HH,GRADE 5.8, ZINC       | F81002-3 | 1 |  |
| 20 | WASHER, M8, FLAT, ZINC                   | F81054-1 | 2 |  |
| 21 | NUT, M8 HEXAGON,GRADE 5.8 FREE ZINC      | F81032-1 | 1 |  |
| 22 | SPROCKET, IDLER Z=18 KSR16.L0.08.10.18.0 | 088700   | 2 |  |
| 23 | BOLT, SPROCKET MOUNT                     | 091744-1 | 2 |  |
| 24 | WASHER, 17 FLAT ZINC                     | F81058-1 | 2 |  |
| 25 | NUT, M16,HEX, NYLON ZINC LOCK            | F81036-2 | 2 |  |
| 26 | CHAIN, LT20 08B-185 TYPE POWER FEED      | 091624   | 1 |  |
| 27 | LINK, 08B-1PZ MASTER                     | 091625   | 1 |  |

**7.4 Lower Track Rollers**



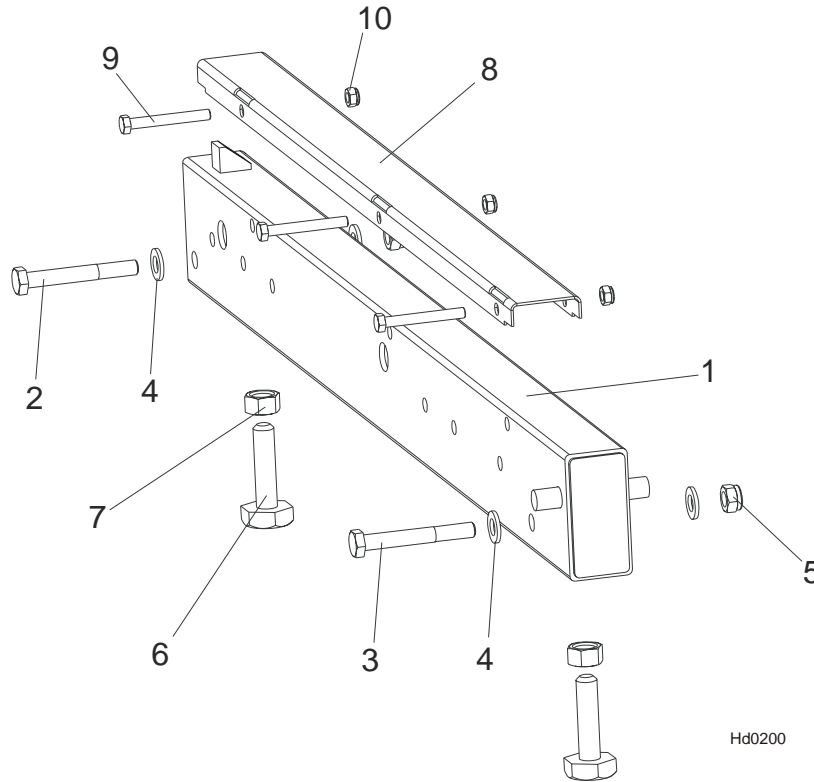
20\_047

| REF | DESCRIPTION (◆ Indicates Parts Available In Assemblies Only) | PART #    | QTY. |
|-----|--|-----------|------|
|     | <b>ROLLER ASSEMBLY, LT20 LOWER TRACK</b>                     | 090670    | 2    |
| 1   | Bracket, LT20 Lower Track Roller                             | 090671-1  | 1    |
| 2   | Bearing, Cam Follower (McGill)                               | 012797    | 1    |
| 3   | <b>WASHER, 17 ZINC FLAT</b>                                  | F81058-1  | 4    |
| 4   | <b>NUT, M16 HEX THIN ZINC</b>                                | F81036-4  | 4    |
| 5   | <b>BOLT, M16 X 90-8.8 HEX HEAD ZINC</b>                      | F81006-17 | 1    |
| 6   | <b>NUT, M16-8 HEX NYLON ZINC LOCK</b>                        | F81036-2  | 1    |
| 7   | <b>SWITCH, GLCB01A1B LIMIT</b>                               | 100931    | 1    |
| 8   | <b>SCREW, M4 X 45-8.8 HEX SOCKET HEAD CAP ZINC</b>           | F81011-33 | 2    |
| 9   | <b>NUT, M4-B HEX NYLON ZINC LOCK</b>                         | F81029-1  | 2    |
| 10  | <b>WASHER, 4.3 ZINC FLAT</b>                                 | F81051-2  | 2    |



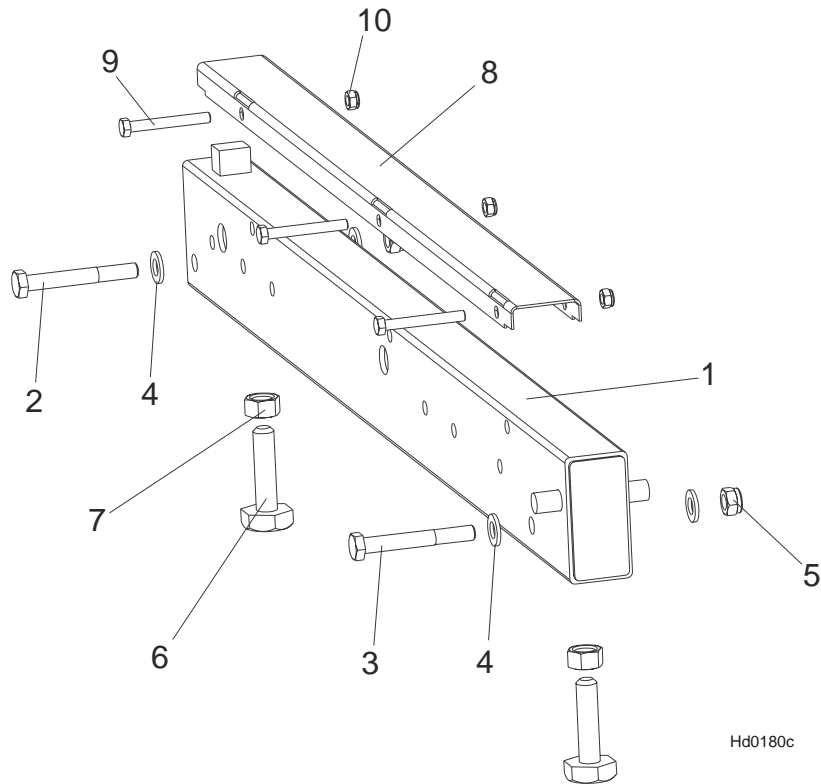
## SECTION 8 BED FRAME ASSEMBLY

### 8.1 Bed Rail Assembly, Front (S/M type frame)



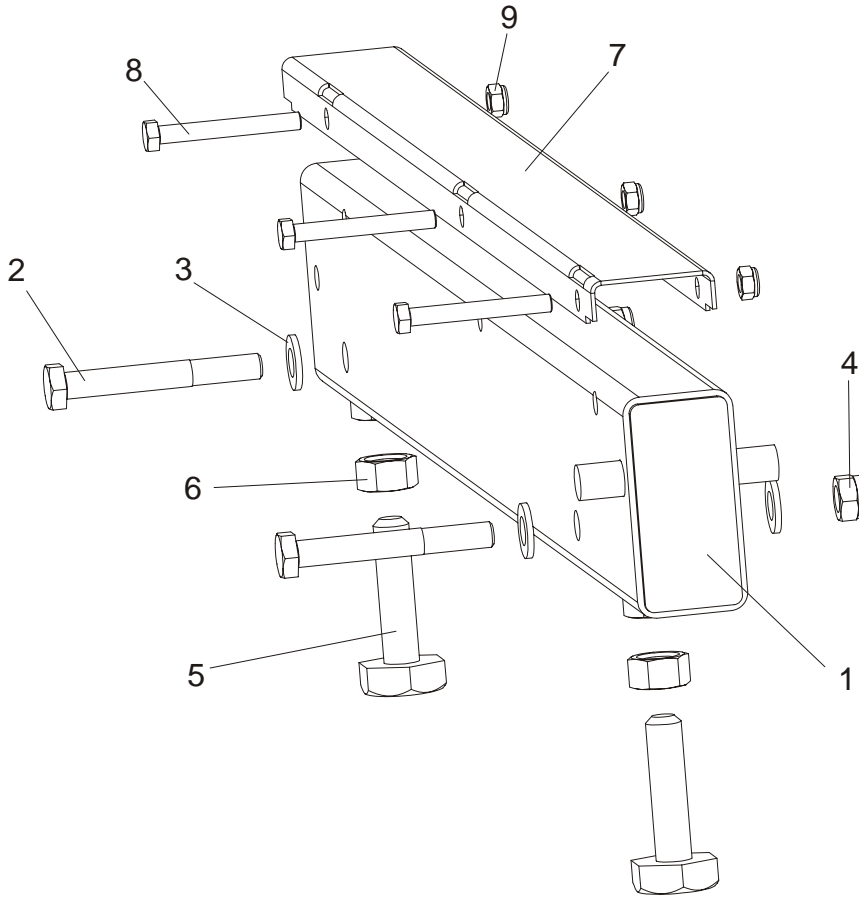
| REF | DESCRIPTION (◆ Indicates Parts Available In Assemblies Only) | PART #    | QTY. |
|-----|--|-----------|------|
| 1   | <b>BED RAIL ASSEMBLY, FRONT (S&amp;M FRAME)</b>              | 099955    | 1    |
| 2   | Bolt, M12 x 90-8.8 Hex Head                                  | F81004-2  | 1    |
| 3   | Bolt, M12 x 95-8.8 Hex Head                                  | F81004-29 | 1    |
| 4   | Washer, 13 SAE Flat  | F81056-1  | 4    |
| 5   | Nut, M12-8 Hex Nylon Lock                                    | F81034-2  | 2    |
|     | Bed Rail Bolt, Complete (M16 Bolt + 2xNut)                   | 093710    | 2    |
| 6   | Bolt, M16, Bed Rail Adjustment                               | 086809    | 1    |
| 7   | Nut, M16-5-B Zinc Hex Head                                   | F81036-5  | 2    |
| 8   | <b>COVER, STAINLESS STEEL BED RAIL</b>                       | 099124    | 1    |
| 9   | <b>BOLT, M8X65-5,8 ZINC HEX HEAD</b>                         | F81002-3  | 3    |
| 10  | <b>NUT, M8-8-B-ZINC HEX NYLON LOCK</b>                       | F81032-2  | 3    |

**8.2 Bed Rail Assembly, Rear (S/M type frame)**



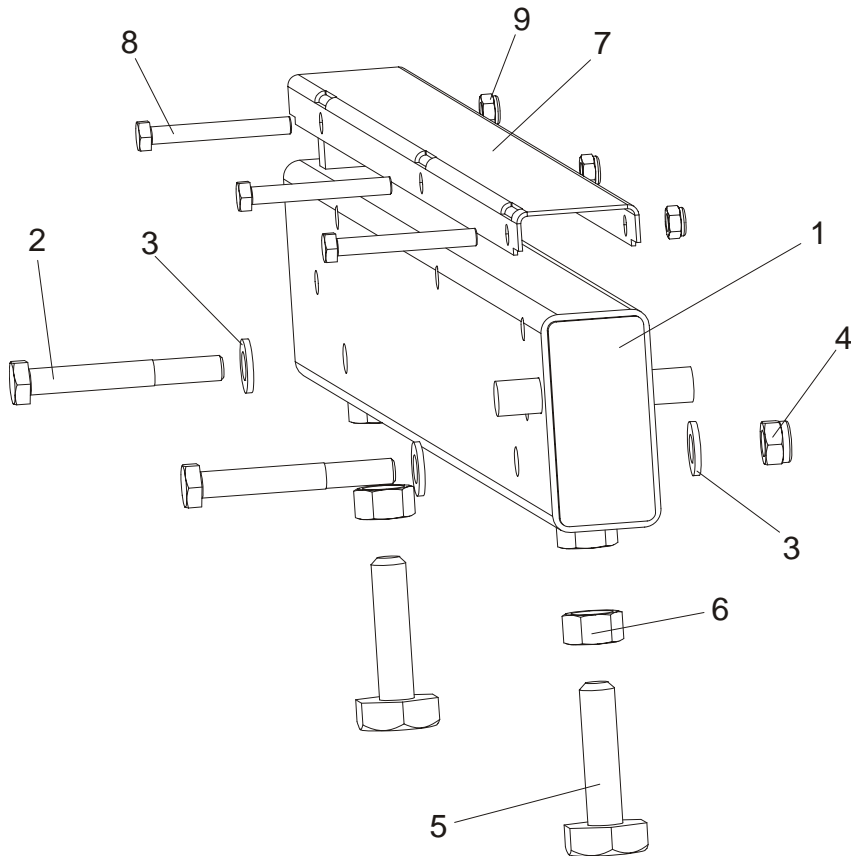
| REF | DESCRIPTION (◆ Indicates Parts Available In Assemblies Only) | PART #    | QTY. |
|-----|--|-----------|------|
| 1   | <b>BED RAIL ASSEMBLY, REAR PAINTED</b>                       | 091555    | 1    |
| 2   | Bolt, M12 x 90-8.8 Hex Head                                  | F81004-2  | 1    |
| 3   | Bolt, M12 x 95-8.8 Hex Head                                  | F81004-29 | 1    |
| 4   | Washer, 13 SAE FLAT  | F81056-1  | 4    |
| 5   | Nut, m12-8 Hex Nylon Lock                                    | F81034-2  | 2    |
|     | Bed Rail Bolt, Complete (M16 Bolt + 2xNut)                   | 093710    | 1    |
| 6   | Bolt, M16, Bed Rail Adjustment                               | 086809    | 1    |
| 7   | Nut, M16-5-B Zinc Hex Head                                   | F81036-5  | 2    |
| 8   | <b>COVER, STAINLESS STEEL BED RAIL</b>                       | 099124    | 1    |
| 9   | <b>BOLT, M8X65-5,8 ZINC HEX HEAD</b>                         | F81002-3  | 3    |
| 10  | <b>NUT, M8-8-B-ZINC HEX NYLON LOCK</b>                       | F81032-2  | 3    |

### 8.3 Bed Rail Assembly, Front Middle (S/M type frame)



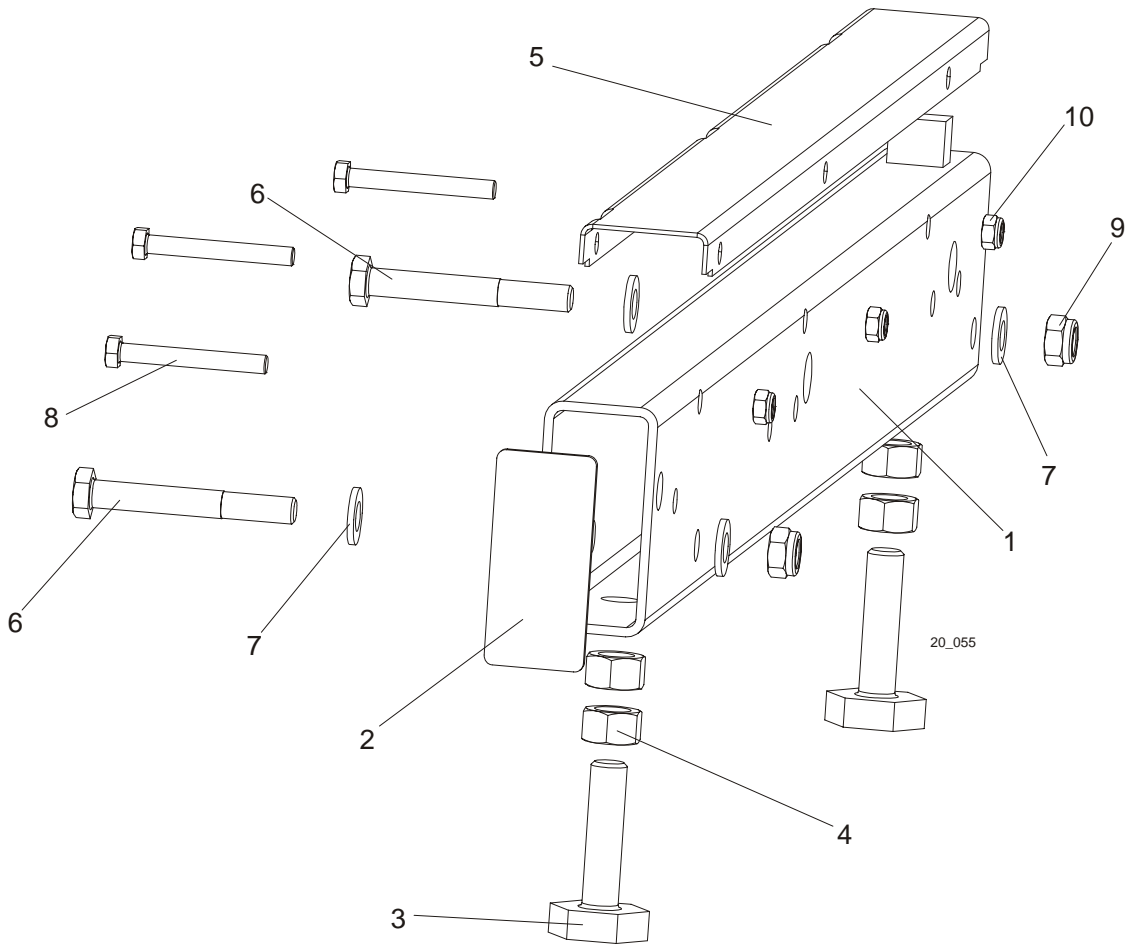
| REF | DESCRIPTION (◆ Indicates Parts Available In Assemblies Only) | PART #   | QTY. |
|-----|--|----------|------|
| 1   | <b>BED RAIL ASSEMBLY, FRONT MIDDLE</b>                       | 091556   | 1    |
| 2   | Bolt, M12 x 90-8.8 Hex Head                                  | F81004-2 | 2    |
| 3   | Washer, 13 SAE Flat  | F81056-1 | 4    |
| 4   | Nut, M12-8 hex Nylon Lock                                    | F81034-2 | 2    |
|     | Bed Rail Bolt, Complete (M16 Bolt + 2xNut)                   | 093710   | 2    |
| 5   | Bolt, M16, Bed Rail Adjustment                               | 086809   | 1    |
| 6   | Nut, M16-5-B Zinc Hex Head                                   | F81036-5 | 2    |
| 7   | <b>COVER, STAINLESS STEEL BED RAIL</b>                       | 099124   | 2    |
| 8   | <b>BOLT, M8X65-5,8 ZINC HEX HEAD</b>                         | F81002-3 | 3    |
| 9   | <b>NUT, M8-8-B-ZINC HEX NYLON LOCK</b>                       | F81032-2 | 3    |

**8.4 Bed Rail Assembly, Rear Middle (S/M type frame)**



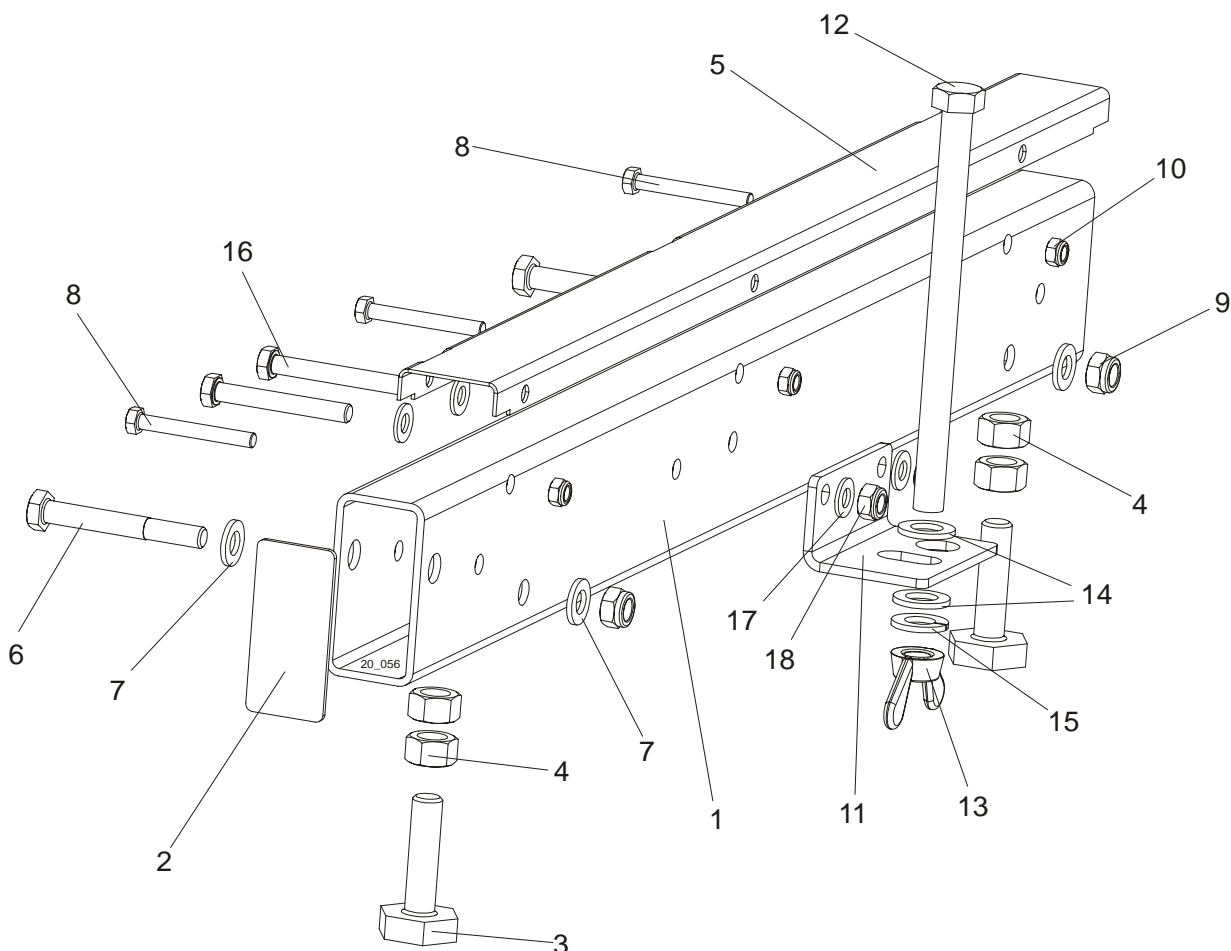
| REF | DESCRIPTION (◆ Indicates Parts Available In Assemblies Only) | PART #   | QTY. |
|-----|--|----------|------|
| 1   | <b>BED RAIL ASSEMBLY, REAR MIDDLE PAINTED</b>                | 091557   | 1    |
| 2   | Bolt, M12 x 90-8.8 Hex Head                                  | F81004-2 | 2    |
| 3   | Washer, 13 SAE Flat  | F81056-1 | 4    |
| 4   | Nut, M12-8 hex Nylon Lock                                    | F81034-2 | 2    |
|     | Bed Rail Bolt, Complete (M16 Bolt + 2xNut)                   | 093710   | 2    |
| 5   | Bolt, M16, Bed Rail Adjustment                               | 086809   | 1    |
| 6   | Nut, M16-5-B Zinc Hex Head                                   | F81036-5 | 2    |
| 7   | <b>COVER, STAINLESS STEEL BED RAIL</b>                       | 099124   | 1    |
| 8   | <b>BOLT, M8X65-5,8 ZINC HEX HEAD</b>                         | F81002-3 | 3    |
| 9   | <b>NUT, M8-8-B-ZINC HEX NYLON LOCK</b>                       | F81032-2 | 3    |

## 8.5 Bed Rail Assembly (L type frame)



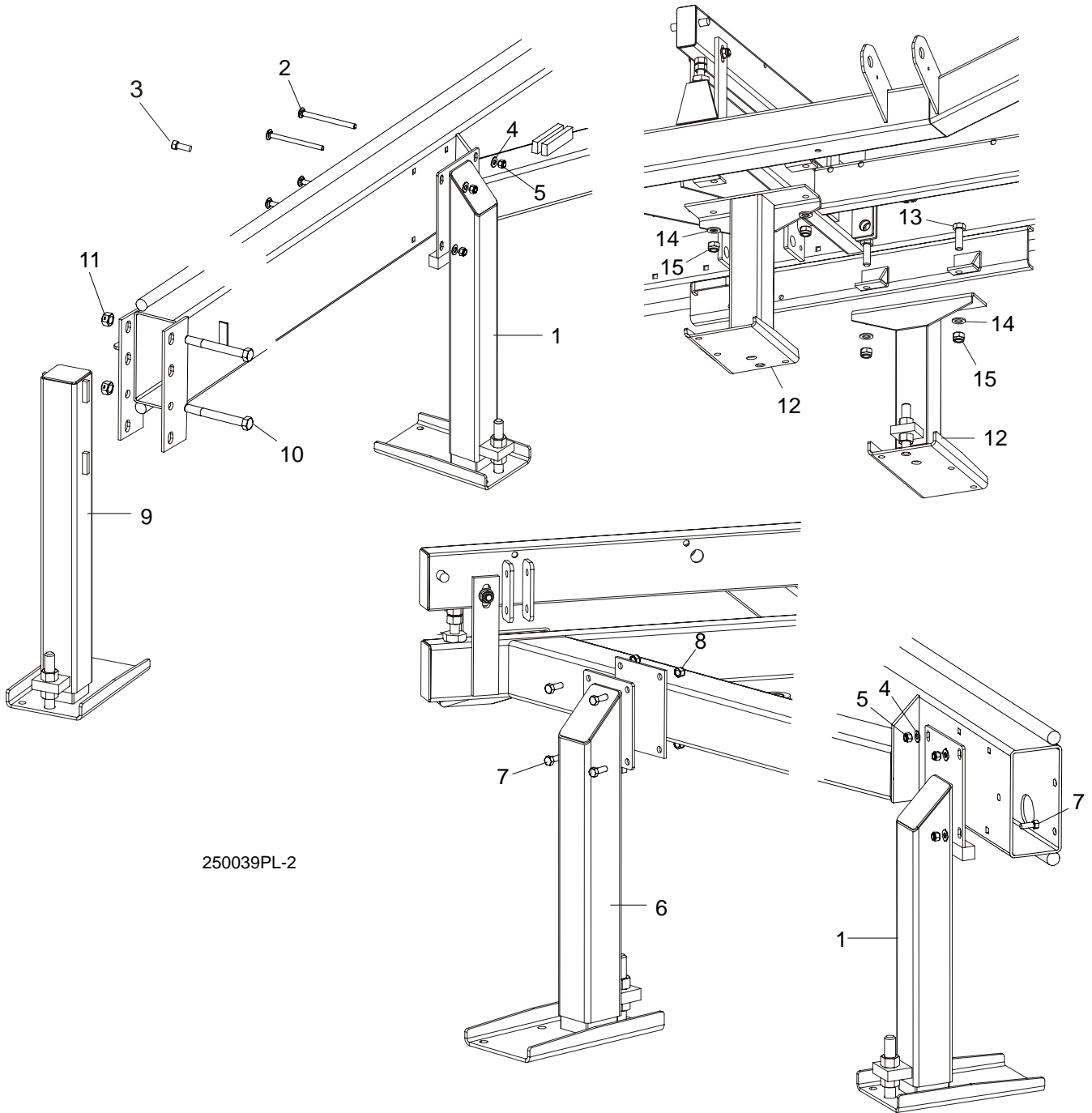
| REF | DESCRIPTION (◆ Indicates Parts Available In Assemblies Only) | PART #    | QTY. |
|-----|--|-----------|------|
|     | <b>LONG BED RAIL ASSEMBLY</b>                                | 089385    | 1    |
| 1   | Bed Rail Tube, Long  | 087433    | 1    |
| 2   | Plate, Bed Rail End Cap                                      | 087853    | 1    |
| 3   | Bolt, Bed Rail Adjustment                                    | S13006    | 2    |
| 4   | Nut, 5/8-11 Hex  | F05010-54 | 4    |
| 5   | Cover, Stainless Steel Bed Rail                              | 099124    | 1    |
| 6   | Bolt, M12 x 90-8.8 Hex Head Zinc                             | F81004-2  | 2    |
| 7   | Washer, 13 Zinc Flat   | F81056-1  | 4    |
| 8   | <b>Bolt, M8x65-5.8 Hex Head Zinc</b>                         | F81002-3  | 3    |
| 9   | Nut, M12-8 Hex Nylon Zinc Lock                               | F81034-2  | 2    |
| 10  | Nut, M8-8-B Hex Nylon Zinc Lock                              | F81032-2  | 3    |

## 8.6 Bed Rail Assembly (L type frame)



| REF | DESCRIPTION (◆ Indicates Parts Available In Assemblies Only) | PART #    | QTY. |
|-----|--|-----------|------|
|     | <b>BED RAIL ASSEMBLY, SHORT</b>                              | 089386    | 1    |
| 1   | Bed Rail Tube, Short   | 087878    | 1    |
| 2   | Plate, Bed Rail End Cap                                      | 087853    | 1    |
| 3   | Bolt, Bed Rail Adjustment                                    | S13006    | 2    |
| 4   | Nut, 5/8-11 Hex  | F05010-54 | 4    |
| 5   | Cover, Bed Rail Stainless Steel                              | 099124    | 1    |
| 6   | Bolt, M12x90-8.8 Hex Head Zinc                               | F81004-2  | 2    |
| 7   | Washer, 13 Zinc Flat   | F81056-1  | 4    |
| 8   | <b>Bolt, M8x65-5.8 Hex Head Zinc</b>                         | F81002-3  | 3    |
| 9   | Nut, M12-8 Hex Nylon Zinc Lock                               | F81034-2  | 2    |
| 10  | Nut, M8-8-B Hex Nylon Zinc Lock                              | F81032-2  | 3    |
| 11  | Bracket, Loading Arms Link Storage                           | 090258-1  | 1    |
| 12  | Bolt, M16x220-8.8-B Hex Head Zinc                            | F81006-21 | 1    |
| 13  | Nut, M16-8 Hex Nylon Zinc Lock                               | F81036-2  | 1    |
| 14  | Washer, 17 Zinc Flat   | F81058-1  | 2    |
| 15  | Washer, 16.3 Split Lock Zinc                                 | F81058-2  | 1    |
| 16  | Bolt, M10x75-8.8 Hex Head Zinc                               | F81003-15 | 2    |
| 17  | <b>Washer, 10.5 Zinc Flat</b>                                | F81055-1  | 2    |
| 18  | Nut, M10-8-B Hex Nylon Zinc Lock                             | F81033-1  | 2    |

### 8.7 Stationary Leg



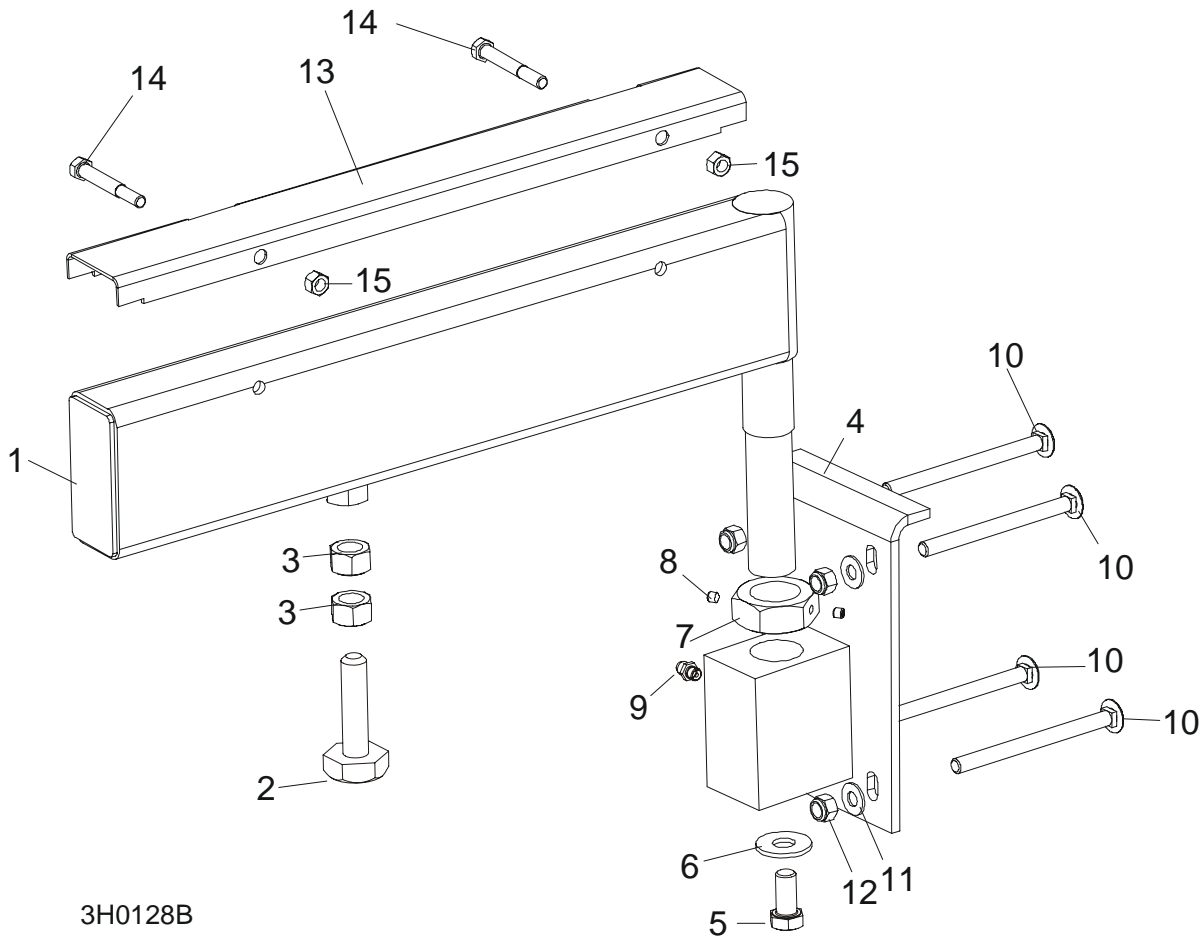
250039PL-2

| REF | DESCRIPTION (◆ Indicates Parts Available In Assemblies Only) | PART #    | QTY. |
|-----|--|-----------|------|
| 1   | LEG, OUTRIGGER STATIONARY RIGHT                              | 501640    | 2/3  |
| 2   | BOLT, M10 X 120 - 8.8 CARRIAGE HEAD ZINC                     | F81003-33 | 8    |
| 3   | BOLT, 3/8-16 X 1" HEX HEAD ZINC GRADE 8                      | F05007-7  | 4    |
| 4   | WASHER, 10.5 ZINC FLAT                                       | F81055-1  | 16   |
| 5   | NUT, M10-8-B HEX NYLON ZINC LOCK                             | F81033-1  | 8/12 |
| 6   | LEG, OUTRIGGER STATIONARY LEFT                               | 501639    | 2    |
| 7   | BOLT, M10 X 25-8.8 HEX HEAD ZINC                             | F81003-11 | 12   |

|    |  |          |    |  |
|----|--|----------|----|--|
| 8  | NUT, M10-8-B HEX NYLON ZINC LOCK             | F81033-1 | 12 |  |
| 9  | LEG, OUTRIGGER STATIONARY FRONT              | 501641   | 1  |  |
| 10 | BOLT, M16 X 140 - 8.8 HEX HEAD               | F81006-4 | 2  |  |
| 11 | NUT, 5/8-11 HEX ZINC                         | F05010-4 | 2  |  |
| 12 | LEG, OUTRIGGER STATIONARY MIDDLE             | 501637   | 2  |  |
| 13 | BOLT, M16 X 50-8.8 HEX HEAD FULL THREAD ZINC | F81006-7 | 4  |  |
| 14 | WASHER, 17 ZINC FLAT                         | F81058-1 | 4  |  |
| 15 | NUT, M16-8 HEX NYLON ZINC LOCK               | F81036-2 | 4  |  |



### 8.8 Pivot Bed Rail Assembly



3H0128B

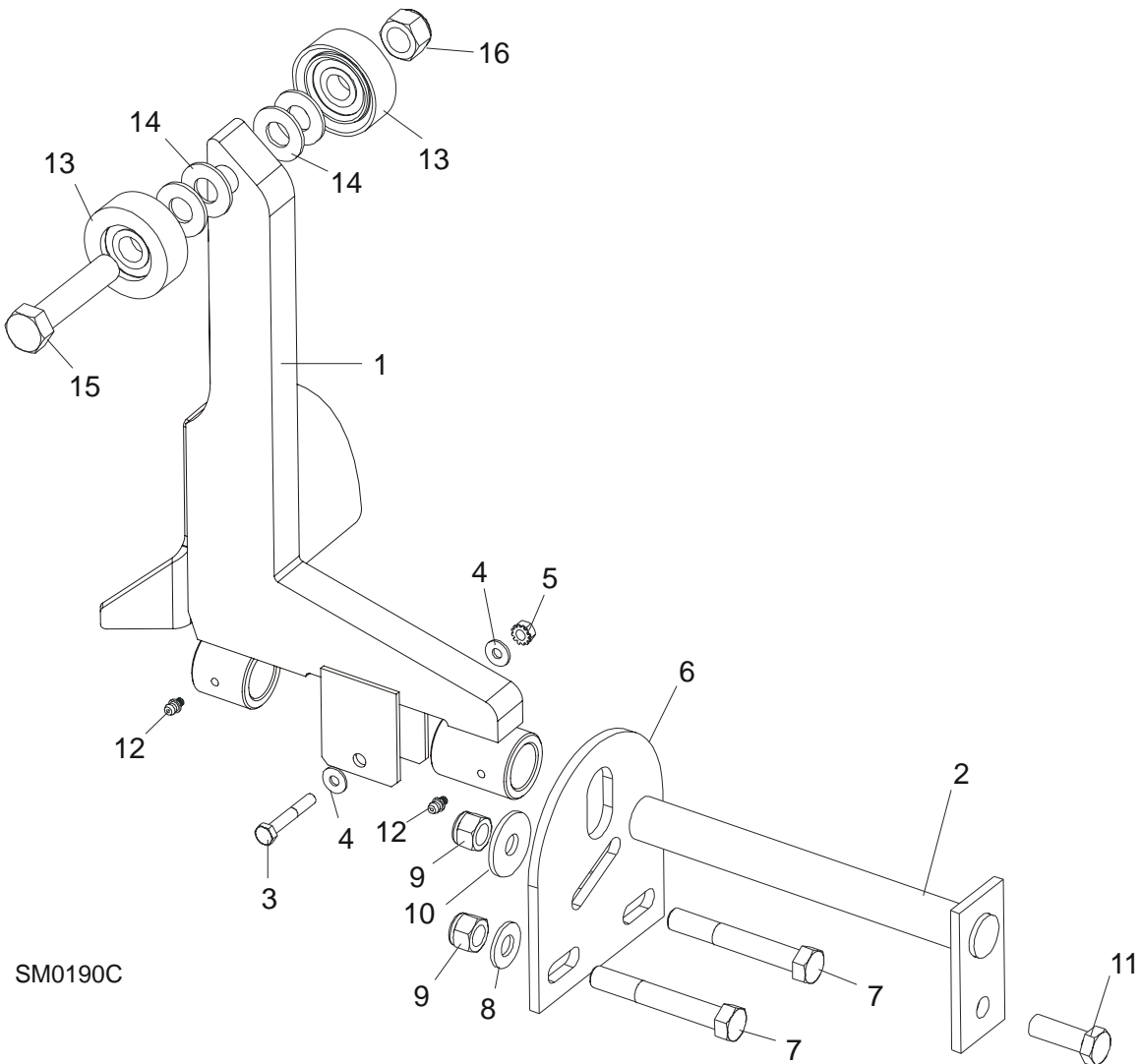
| REF | DESCRIPTION (◆ Indicates Parts Available In Assemblies Only) | PART #               | QTY. |
|-----|--|----------------------|------|
|     | <b>PIVOT BED RAIL, COMPLETE</b>                              | 087829               | 2    |
|     | <b>PIVOT BED RAIL, COMPLETE</b>                              | 087855               | 2    |
| 1   | Rail Weldment, Pivot Bed                                     | 087852-1             | 1    |
|     | Rail, Pivot Bed  | 087848-1             | 1    |
|     | Bolt Assembly, Bed Rail Adjustment                           |                      |      |
| 2   | Bolt, Pivot Bed Rail Adjustment                              | 086809               | 1    |
| 3   | Nut, M16-5.8 Zinc Hex  | F81036-1             | 2    |
| 4   | Bracket, Pivot Bed Rail Mounting                             | 087841-1             | 1    |
| 5   | Bolt, M12x25-8.8 Hex Head Full Thread Zinc                   | F81004-31            | 1    |
| 6   | Washer, 9/16" Zinc Flat                                      | F05011-52            | 1    |
| 7   | Nut, M16-5.8 Zinc Hex<br>Nut, M32 Zinc Hex Thin              | F81036-1<br>F81039-2 | 1    |
| 8   | Screw, 1/4-28 x 1/4 Socket Head Brass Tip Set                | F05005-42            | 2    |
| 9   | Fitting, M6 Grease   | 086280               | 1    |
| 10  | <b>BOLT, M10 X 120 8.8 CARRIAGE HEAD ZINC</b>                | F81003-33            | 2    |
| 11  | <b>BOLT, M10 X 120 8.8 CARRIAGE HEAD ZINC</b>                | F81003-33            | 6    |
| 12  | <b>WASHER, 10.5 ZINC FLAT</b>                                | F81055-1             | 8    |
| 13  | <b>NUT, M16-8 HEX NYLON ZINC LOCK</b>                        | F81036-2             | 8    |
|     | <b>COVER KIT, PIVOT BED RAIL</b>                             | 015926               | 2    |
|     | <b>COVER KIT, PIVOT BED RAIL</b>                             | N/A                  | 2    |

## 8

**Bed Frame Assembly***Pivot Bed Rail Assembly*

|    |   |          |   |  |
|----|---|----------|---|--|
| 14 | Cover, Pivot Bed Rail Stainless Steel                                     | 012994   | 1 |  |
|    | Cover, Pivot Bed Rail   | 099123   | 1 |  |
| 15 | Bolt, M8x65-5.8 Hex Head Zinc   | F81002-3 | 2 |  |
| 16 | Nut, M8-8-B Hex Nylon Zinc Lock   | F81032-2 | 2 |  |
|    | <b>WRENCH, BED RAIL ADJUSTMENT</b> ( <a href="#">Patrz rozdział 8.4</a> ) | 015970   | 1 |  |

### 8.9 Board Return Table, Log Side Support Assembly



SM0190C

| REF | DESCRIPTION (◆ Indicates Parts Available In Assemblies Only) | PART #    | QTY. |
|-----|--|-----------|------|
| 1   | SUPPORT, LOG SIDE W/GUARD                                    | 099785-1  | 1    |
| 2   | PIN, LOG SIDE SUPPORT PIVOT                                  | 091549-1  | 1    |
| 3   | BOLT, M8X45 - 8.8 HEX HEAD GRADE 5                           | F81002-14 | 1    |
| 4   | WASHER, 8.4 FLAT   | F81054-1  | 2    |
| 5   | NUT, M8-8-B SELF LOCKING                                     | F81032-2  | 1    |
| 6   | PLATE, LOG SIDE SUPPORT END                                  | 091591-1  | 1    |
| 7   | BOLT, M12 X 75-8.8 HEX HEAD                                  | F81004-21 | 2    |
| 8   | WASHER, 13 FLAT  | F81056-1  | 2    |
| 9   | NUT, M12-8 HEX NYLON LOCK                                    | F81034-2  | 3    |
| 10  | WASHER, 15 FLAT SPECIAL ZINC-PLATED                          | F81057-3  | 1    |
| 11  | BOLT, M12 X 35-8.8 HEX HEAD                                  | F81004-24 | 1    |
| 12  | FITTING, 3/16" GREASE  | P04107    | 2    |
| 13  | ROLLER ASSEMBLY, SIDE SUPPORT                                | 015014-1  | 2    |
| 14  | WASHER, 17 FLAT  | F81058-1  | 2    |
| 15  | BOLT, M16X65-8.8-B HEX HEAD GRADE 5                          | F81006-1  | 1    |

# 8

## Bed Frame Assembly

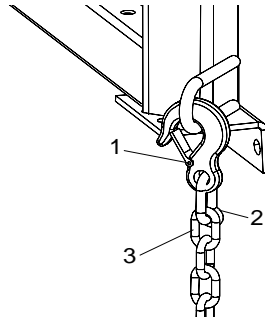
*Board Return Table, Log Side Support Assembly*

---

|    |  |            |   |  |
|----|--|------------|---|--|
| 16 | NUT, M16-8 NYLON LOCK                  | F81036-2   | 1 |  |
|    | INSTRUCTION SHEET, SIDE SUPPORT ROLLER | 015109-526 | 1 |  |

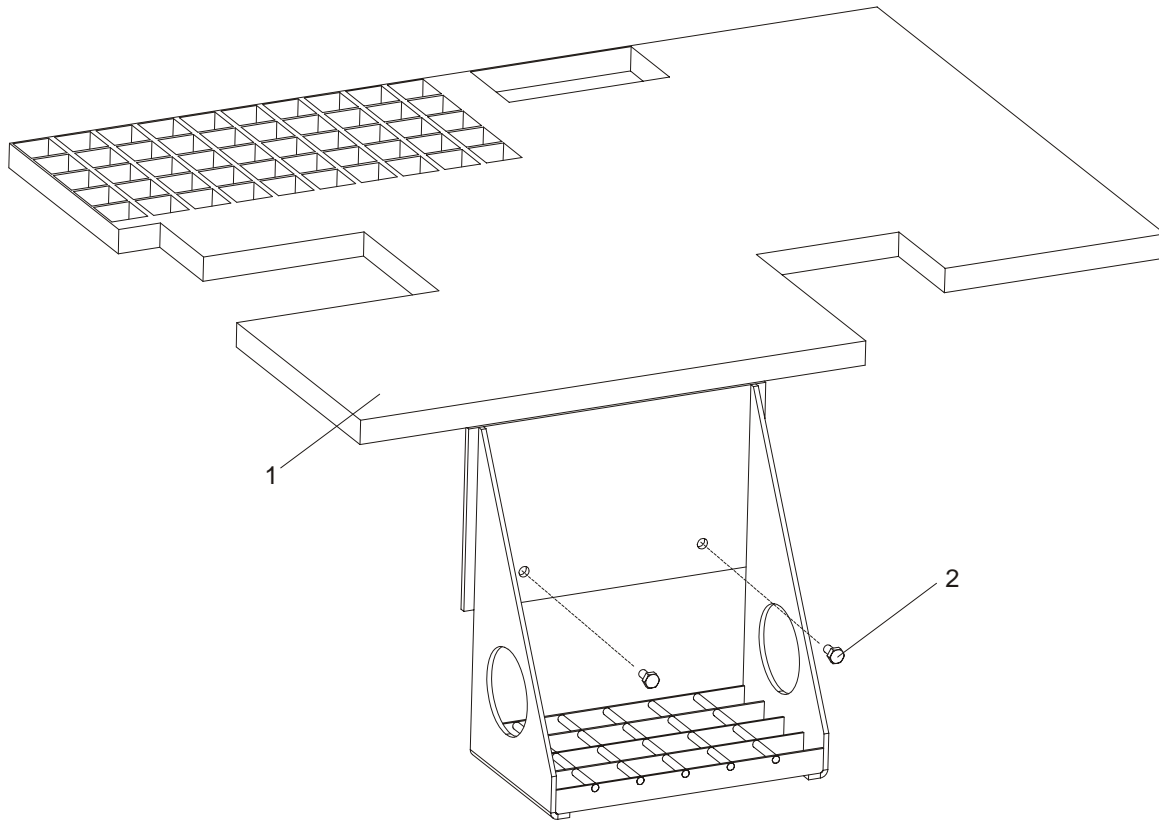
### 8.10 Tie Down Chain Assembly

SM0129



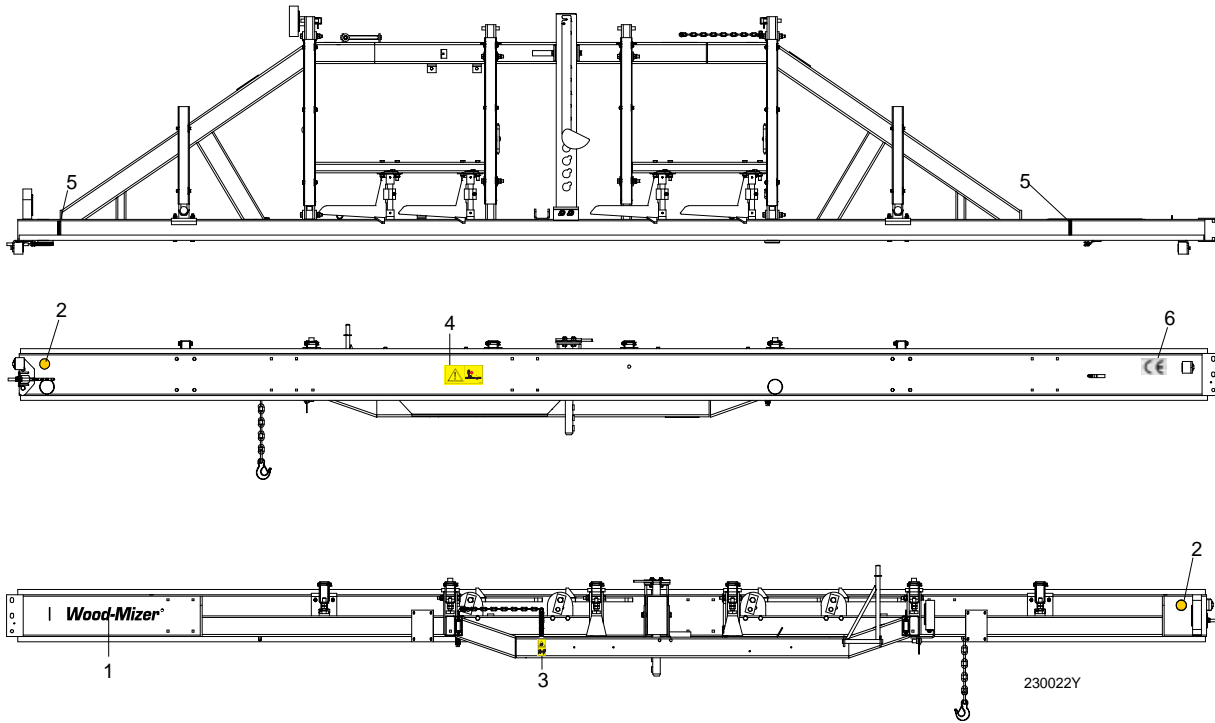
| REF | DESCRIPTION (◆ Indicates Parts Available In Assemblies Only) | PART #   | QTY. |   |
|-----|--|----------|------|---|
|     | <b>TIE DOWN CHAIN ASSEMBLY</b>                               | A04376-1 | 1    |   |
| 1   | Hook, 5/8" Safety Chain                                      | P12075   | 1    | ◆ |
| 2   | Screw Closed Chain Link, 10                                  | 100767   | 1    | ◆ |
| 3   | Chain, N-10 x 35, 6 Links                                    | 100951   | 1    | ◆ |

**8.11 Inspection Platform (DC mills only)**



| REF      | DESCRIPTION (◆ Indicates Parts Available In Assemblies Only) | PART #    | QTY. |
|----------|--|-----------|------|
|          | <b>PLATFORM, INSPECTION COMPLETE</b>                         | 093062    | 1    |
| <b>1</b> | PLATFORM, INSPECTION PTD                                     | 093061-1  | 1    |
| <b>2</b> | BOLT, 1/4-20 X 1/2 HEX HEAD                                  | F05005-15 | 2    |

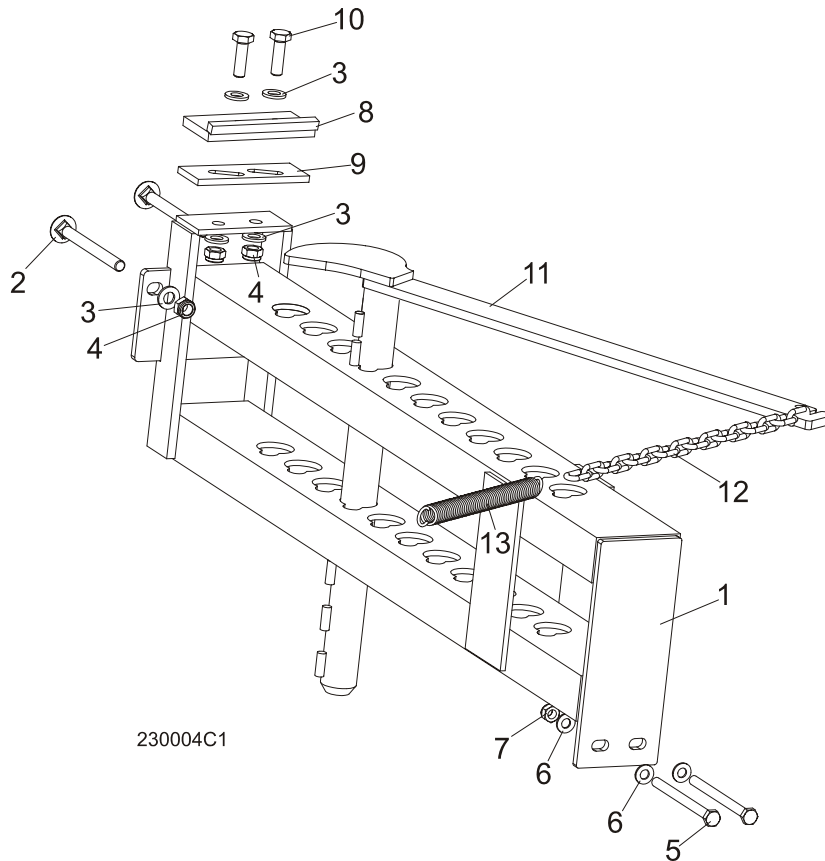
## 8.12 Bed Frame Decals



| REF | DESCRIPTION (◆ Indicates Parts Available In Assemblies Only) | PART # | QTY. |
|-----|--|--------|------|
| 1   | DECAL, WOOD-MIZER LOGO                                       | 014751 | 1    |
| 2   | DECAL, AMBER REFLECTIVE 2" ROUND                             | P07453 | 2    |
| 3   | DECAL, KEEP AWAY DANGER, PICTOGRAM                           | 099221 | 1    |
| 4   | DECAL, SAWMILL TRAILER CAUTION, PICTOGRAM                    | 099542 | 1    |
| 5   | DECAL, LOG LENGTH LIMIT                                      | S12051 | 2    |
| 6   | DECAL, CE CERTIFIED SAWMILL SMALL                            | P85070 | 1    |

**SECTION 9 LOG CLAMP, TURNER, LOADER & TOE BOARDS**

**9.1 Manual Log Clamp**

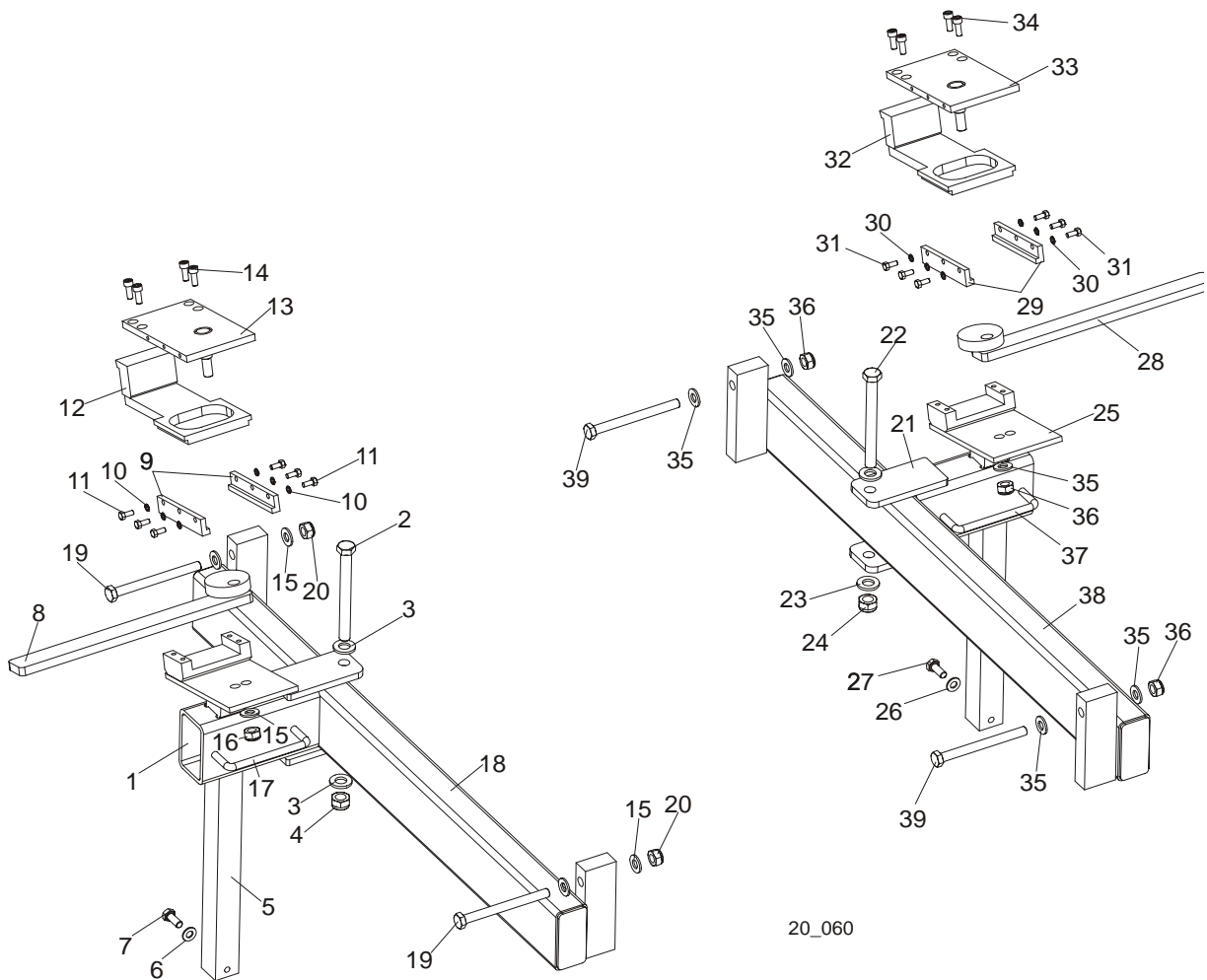


230004C1

| REF | DESCRIPTION (◆ Indicates Parts Available In Assemblies Only) | PART #    | QTY. |
|-----|--|-----------|------|
|     | <b>MANUAL LOG CLAMP</b>                                      | 092683    | 1    |
| 1   | Bracket, Manual Log Clamp                                    | 092677-1  | 1    |
| 2   | Bolt, M12x130-8.8 Carriage Head Zinc                         | F81004-26 | 2    |
| 3   | Washer, 13 Flat Zinc   | F81056-1  | 6    |
| 4   | Nut, M12-8 Hex Nylon Zinc Lock                               | F81034-2  | 4    |
| 5   | Bolt, M10x125-8.8 Hex Head Zinc                              | F81003-18 | 2    |
| 6   | Washer, 10.5 Flat Zinc                                       | F81055-1  | 4    |
| 7   | Nut, M10-8-B Hex Nylon Zinc Lock                             | F81033-1  | 2    |
| 8   | Stop Weldment, Log Clamp Painted                             | 086980-1  | 1    |
| 9   | Plate, Log Clamp Stop  | 086981    | 1    |
| 10  | Bolt, M12 x 40-8.8 Hex Head Full Thread Zinc                 | F81004-4  | 2    |
| 11  | Log Clamp Weldment, Manual Painted                           | 100725-1  | 1    |
| 12  | Chain, Log Clamp   | M04311    | 1    |
| 13  | Spring, FI 2.8 X FI 22.2 X 183                               | 091864    | 1    |



## 9.2 Log Clamp Assembly



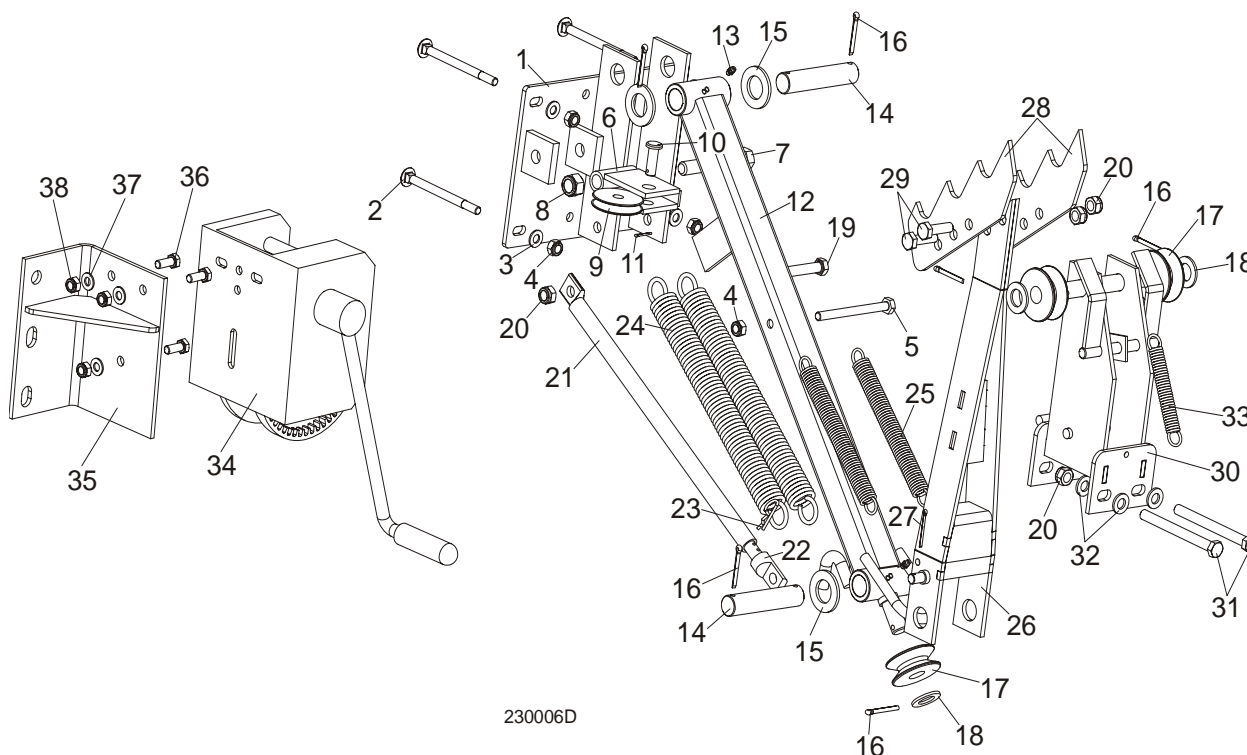
20\_060

| REF | DESCRIPTION (◆ Indicates Parts Available In Assemblies Only) | PART #              | QTY. |
|-----|--|---------------------|------|
|     | <b>LOG CLAMP ASSEMBLY, LEFT (LT50/80 NON-HYDRAULIC)</b>      | 089631 <sup>1</sup> | 1    |
| 1   | Arm Weldment, Log Clamp Zinc-plated                          | 089624-1            | 1    |
| 2   | Bolt, M12x120 8.8 Hex Head Zinc                              | F81004-38           | 1    |
| 3   | Washer, 13 Zinc Flat   | F81056-1            | 2    |
| 4   | Nut, M12-8 Hex Nylon Zinc Lock                               | F81034-2            | 1    |
| 5   | Mount Weldment, Log Clamp Zinc-plated                        | 090174-1            | 1    |
| 6   | Washer, 8.4 Zinc Flat  | F81054-1            | 4    |
| 7   | Bolt, M8x20-8.8-B Hex Head Full Thread Zinc                  | F81002-4            | 2    |
| 8   | Lever, Log Clamp Zinc-plated                                 | 089611-1            | 1    |
| 9   | Plate, Log Clamp Side Zinc-plated                            | 089615-1            | 2    |
| 10  | Washer, 5.1 Split Lock Zinc                                  | F81052-2            | 6    |
| 11  | Bolt, M5x12-5.8 Hex Head Full Thread Zinc                    | F81000-5            | 6    |
| 12  | Plate, Clamping Zinc-plated                                  | 090202-1            | 1    |
| 13  | Plate, Log Clamp Upper Zinc-plated                           | 089614-1            | 1    |
| 14  | Screw, M6x16-8.8 Hex Socket Set Cap Zinc                     | F81001-21           | 4    |
| 15  | Washer, 10.5 Zinc Flat                                       | F81055-1            | 5    |
| 16  | Nut, M8-8-B Hex Nylon Zinc Lock                              | F81032-2            | 1    |
| 17  | Handle, 4" w/Bolts   | P08065              | 1    |

|    |  |           |   |  |
|----|--|-----------|---|--|
| 18 | Bar Weldment, Log Clamp Guide Ptd                | 089628-1  | 1 |  |
| 19 | Bolt, M10x110 8.8 Hex Head Zinc                  | F81003-43 | 2 |  |
| 20 | Nut, M10-8-B Hex Nylon Zinc Lock                 | F81033-1  | 2 |  |
|    | <b>LOG CLAMP ASSEMBLY, RIGHT (NON-HYDRAULIC)</b> | 090349    | 1 |  |
| 21 | Arm Weldment, Log Clamp Zinc-plated              | 089624-1  | 1 |  |
| 22 | Bolt, M12x120 8.8 Hex Head Zinc                  | F81004-38 | 1 |  |
| 23 | Washer, 13 Zinc Flat                             | F81056-1  | 2 |  |
| 24 | Nut, M12-8 Hex Nylon Zinc Lock                   | F81034-2  | 1 |  |
| 25 | Mount Weldment, Log Clamp Zinc-plated            | 090174-1  | 1 |  |
| 26 | Washer, 8.4 Zinc Flat                            | F81054-1  | 2 |  |
| 27 | Bolt, M8x20-8.8-B Hex Head Full Thread Zinc      | F81002-4  | 2 |  |
| 28 | Lever, Log Clamp Zinc-plated                     | 090348-1  | 1 |  |
| 29 | Plate, Log Clamp Side Zinc-plated                | 089615-1  | 2 |  |
| 30 | Washer, 5.1 Split Lock Zinc                      | F81052-2  | 6 |  |
| 31 | Bolt, M5x12-5.8 Hex Head Full Thread Zinc        | F81000-5  | 6 |  |
| 32 | Plate, Clamping Zinc-plated                      | 090202-1  | 1 |  |
| 33 | Plate, Log Clamp Upper Zinc-plated               | 090347-1  | 1 |  |
| 34 | Screw, M6x16-8.8 Hex Socket Head Cap Zinc        | F81001-21 | 4 |  |
| 35 | Washer, 10.5 Zinc Flat                           | F81055-1  | 5 |  |
| 36 | Nut, M10-8-B Hex Nylon Zinc Lock                 | F81033-1  | 3 |  |
| 37 | Handle, 4" w/Bolts                               | P08065    | 1 |  |
| 38 | Bar Weldment, Log Clamp Guide Ptd                | 089628-1  | 1 |  |
| 39 | Bolt, M10x110 8.8 Hex Head Zinc                  | F81003-43 | 2 |  |

<sup>1</sup> The number of clamps depends on the frame length.

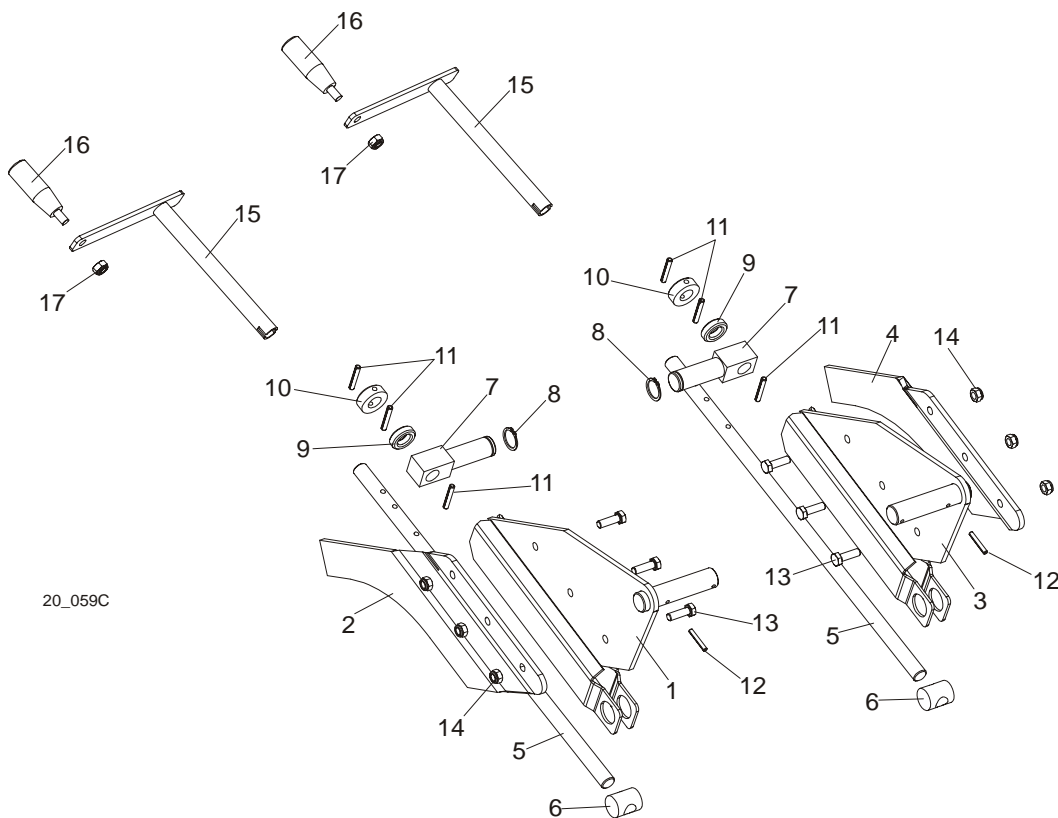
### 9.3 Manual Log Turner



| REF | DESCRIPTION (◆ Indicates Parts Available In Assemblies Only) | PART #    | QTY. |
|-----|--|-----------|------|
|     | <b>MANUAL LOG TURNER OPTION (S/M TYPE FRAME)</b>             | 091291    | 1    |
|     | <b>MANUAL LOG TURNER OPTION (L TYPE FRAME)</b>               | 091562    | 1    |
| 1   | Bracket Weldment, Manual Log Turner Painted (S/M Type Frame) | 091269-1  | 1    |
|     | Bracket Weldment, Manual Log Turner Painted (L Type Frame)   | 090271-1  | 1    |
| 2   | Bolt, M10x120 8.8 Carriage Head Zinc                         | F81003-33 | 4    |
| 3   | Washer, 10.5 Flat Zinc                                       | F81055-1  | 4    |
| 4   | Nut, M10-8-B Hex Nylon Zinc Lock                             | F81033-1  | 5    |
| 5   | Bolt, M10x115-8.8 Hex Head Zinc                              | F81003-19 | 1    |
| 6   | Bracket Weldment, Cable Guide Pulley Painted                 | 091295-1  | 1    |
| 7   | Bolt, M16x100-8.8 Hex Head Full Thread Zinc                  | F81006-2  | 1    |
| 8   | Nut, M16-8 Hex Nylon Zinc Lock                               | F81036-2  | 1    |
| 9   | Pulley, Zinc-Plated Cable Guide                              | 091273-1  | 1    |
| 10  | Pin, 12x35 B Clevis Zinc                                     | F81049-1  | 1    |
| 11  | Pin, 2.5x20 Cotter Zinc                                      | F81043-1  | 1    |
| 12  | Arm Weldment, Manual Turner Lower Painted                    | 091256-1  | 1    |
| 13  | Fitting, M6 Grease   | 086280    | 2    |
| 14  | Pin, Manual Turner Arm Pivot Zinc-Plated                     | 091275-1  | 2    |
| 15  | Washer, 28 Flat Zinc   | F81061-1  | 4    |
| 16  | Pin, 5x40 Cotter Zinc  | F81043-31 | 7    |
| 17  | Pulley, Manual Turner Zinc-Plated                            | 091280-1  | 3    |
| 18  | Washer, 20.5 Split Lock Zinc                                 | F81059-1  | 5    |
| 19  | Bolt, M12x120 8.8 Hex Head Zinc                              | F81004-38 | 1    |

|    |   |           |   |   |
|----|---|-----------|---|---|
| 20 | Nut, M12-8 Hex Nylon Zinc Lock                    | F81034-2  | 5 |   |
| 21 | Tube, Manual Turner Painted                       | 091537-1  | 1 |   |
| 22 | Rod Weldment, Manual Turner Painted               | 091540-1  | 1 |   |
| 23 | Pin, 1/8x1 13/16 Safety                           | P05059    | 1 |   |
| 24 | Spring, FI 4.5 x FI 35 x 303                      | 091863    | 2 | ◆ |
| 25 | Spring, FI 2.8 x FI 22.2 x183                     | 091864    | 2 |   |
| 26 | Arm Weldment, Manual Turner Upper Painted         | 091263-1  | 1 |   |
| 27 | Pin, 4x25 Cotter Zinc                             | F81043-2  | 1 |   |
| 28 | Claw, Log Turner Painted                          | 088082-1  | 2 |   |
| 29 | Bolt, M12x40-8.8 Hex Head Full Thread Zinc        | F81004-4  | 2 |   |
| 30 | Bracket Weldment, Manual Turner Pulley Painted    | 091281-1  | 1 |   |
| 31 | Bolt, M12x130-8.8 Hex Head Zinc                   | F81004-36 | 2 |   |
| 32 | Washer, 13 Flat Zinc                              | F81056-1  | 4 |   |
| 33 | Spring, FI 1.9 X FI 14.2 X 104                    | 091865    | 1 |   |
| 34 | <b>WINCH, AL-KO TYPE 901</b>                      | 096453    | 1 |   |
| 35 | <b>BRACKET, WINCH MOUNT (COMP. NON-HYD FRAME)</b> | 085841-1  | 1 |   |
| 36 | <b>BOLT, M10-1.5X25MM HH GR8.8</b>                | F81003-11 | 3 |   |
| 37 | <b>WASHER, FLAT, M10, ZINC</b>                    | F81055-1  | 3 |   |
| 38 | <b>NUT, M10, NYLON HEX ZINC LOCK</b>              | F81033-1  | 3 |   |

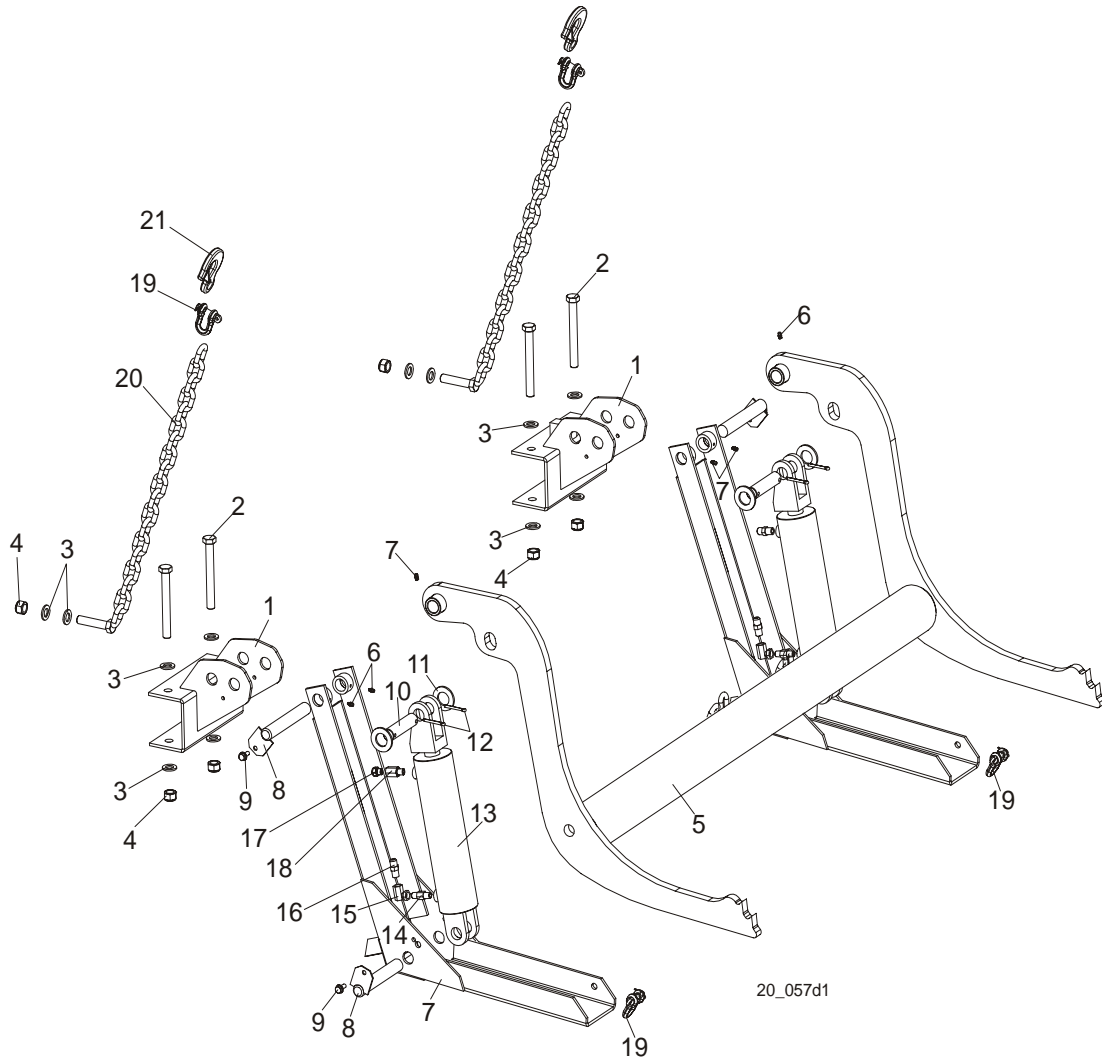
9.4 Manual Toe Board



20\_059C

| REF | DESCRIPTION (◆ Indicates Parts Available In Assemblies Only) | PART #    | QTY. |
|-----|--|-----------|------|
|     | <b>TOE BOARD KIT, MANUAL FRONT</b>                           | 094929    | 1    |
| 1   | Plate Weldment, Manual Toe Board Front                       | 094927-1  | 1    |
| 2   | Extension, Manual Toe Board Plate (I)                        | 095203-1  | 1    |
|     | <b>TOE BOARD KIT, MANUAL REAR</b>                            | 094928    | 1    |
| 3   | Plate Weldment, Manual Toe Board Rear                        | 094926-1  | 1    |
| 4   | Extension, Manual Toe Board Plate (II)                       | 095202-1  | 1    |
| 5   | Shaft, Manual Toe Board                                      | 090344-1  | 2    |
| 6   | Nut, Special Threaded  | 090017    | 2    |
| 7   | Pivot, Manual Toe Board Shaft (I)                            | 094931-1  | 2    |
| 8   | Ring, Z 22 Outside Retaining                                 | F81090-24 | 2    |
| 9   | Bearing, 5/8" Thrust   | P04214    | 2    |
| 10  | Collar, 16   | F81039-6  | 2    |
| 11  | Pin, 5x35-N-C PN-EN ISO 8752 Roll                            | F81044-9  | 6    |
| 12  | Pin, 4x30 Zinc Roll  | F81044-7  | 2    |
| 13  | Bolt, M8 x 25-8.8-B Hex Head Full Thread Zinc                | F81002-5  | 6    |
| 14  | Nut, M8-8-B Hex Nylon Zinc Lock                              | F81032-2  | 6    |
|     | <b>CRANK ASSEMBLY, MANUAL TOE BOARD</b>                      | 500600    | 2    |
| 15  | Crank, Manual Toe Board                                      | 500599-1  | 1    |
| 16  | Knob, Plastic Crank Handle                                   | 086338    | 1    |
| 17  | Nut, M10-8-B Nylon Hex Zinc Lock                             | F81033-1  | 1    |

9.5 Manual Log Loader ( S/M Type Frame )

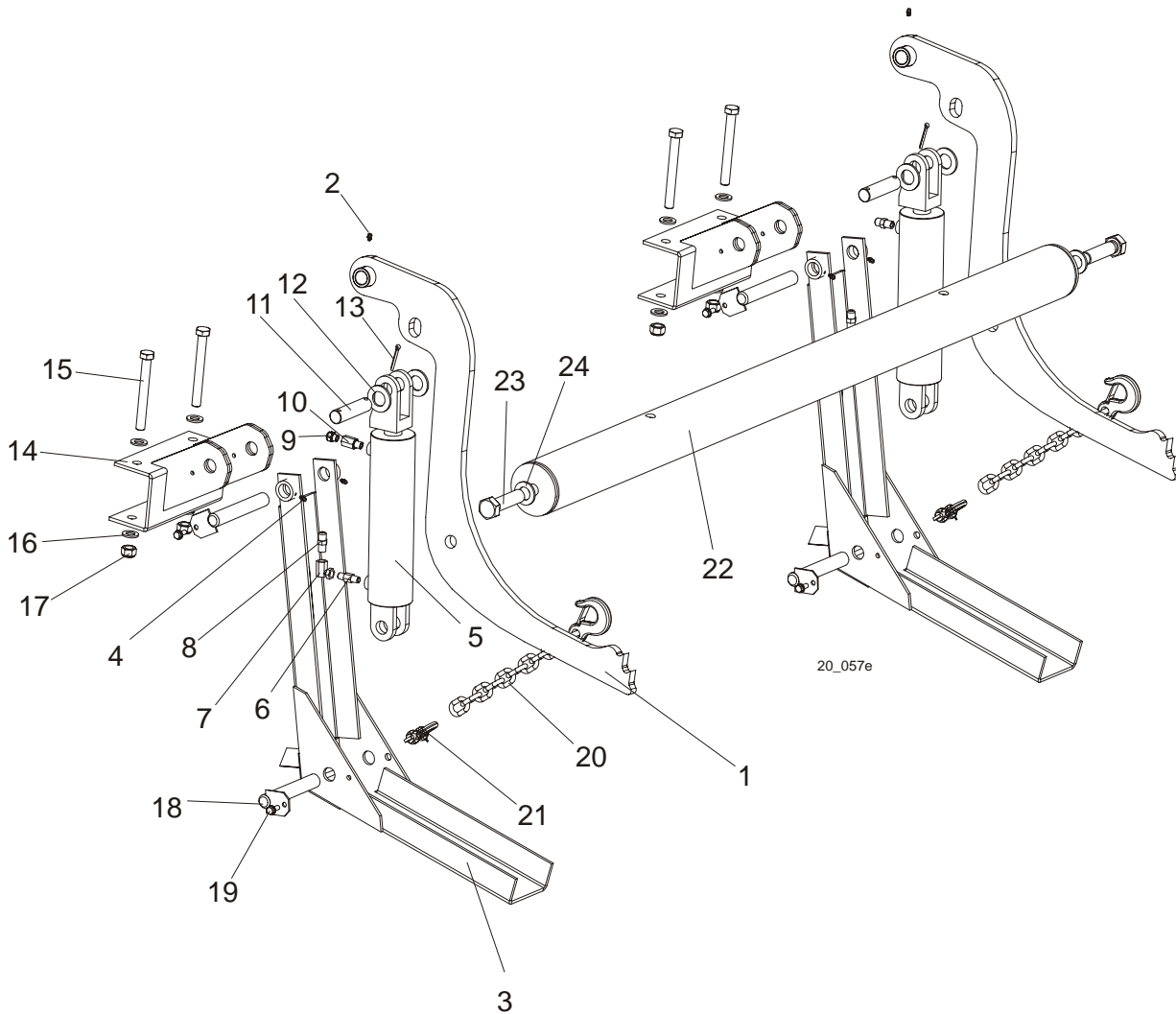


20\_057d1

| REF | DESCRIPTION (◆ Indicates Parts Available In Assemblies Only) | PART #    | QTY. |
|-----|--|-----------|------|
|     | <b>LOG LOADER, LT20 COMPLETE</b>                             | 091952    | 1    |
| 1   | Bracket , Log Loader Mount Painted (S/M Type Frame)          | 092865-1  | 2    |
| 2   | Bolt, M16x140-8.8 Hex Head Zinc                              | F81006-4  | 4    |
| 3   | Washer, 17 Zinc Flat   | F81058-1  | 12   |
| 4   | Nut, M16-8 Hex Nylon Zinc Lock                               | F81036-2  | 6    |
|     | Log Loader W/Chain, LT20                                     | 091954    | 1    |
| 5   | Loader Weldment, Log Painted                                 | 090006-1  | 1    |
| 6   | Fitting, 3/16" Straight Grease                               | P04107    | 6    |
| 7   | Foot, Log Loader Painted                                     | 090048-1  | 2    |
| 8   | Pin Weldment, Log Loader Painted                             | W09446-1  | 4    |
| 9   | Screw, 5/16-18 x 3/4 Self-Tapping                            | F05015-30 | 4    |
| 10  | Pin, Hydraulic Cylinder Zinc-Plated                          | 086979-1  | 2    |
| 11  | Washer, 28 Zinc Flat   | F81061-1  | 4    |
| 12  | Pin, 5x40 Cotter   | F81043-31 | 4    |
|     | Cylinder Assembly, LT20 Log Loader                           | 094333    | 2    |
| 13  | Cylinder, CJ-S95-16-70/32/203 Hydraulic                      | 088680    | 1    |

|           |   |          |   |  |
|-----------|---|----------|---|--|
| <b>14</b> | Fitting, 1/4 NPT 4.0 GPM Velocity Fuse                                    | 015750   | 1 |  |
| <b>15</b> | Fitting, #9455X4X4 90 Deg. Swivel Elbow                                   | P12199   | 1 |  |
| <b>16</b> | Fitting, 3/8JIC-1/4 NPT Straight  | 015560   | 1 |  |
| <b>17</b> | Air Vent Valve 2901-14-17   | 090794   | 1 |  |
| <b>18</b> | Fitting, $\frac{1}{4}$ " F. Thread/ $\frac{1}{4}$ " NPT M. Thread Reducer | 090795   | 1 |  |
| <b>19</b> | Shackle, M-WL. .63  | 099525   | 4 |  |
| <b>20</b> | Chain, LT20 Log Loader Painted  | 099218-1 | 2 |  |
| <b>21</b> | Hook, 5/8 Safety Chain  | P12075   | 2 |  |

9.6 Manual Log Loader ( L Type Frame )

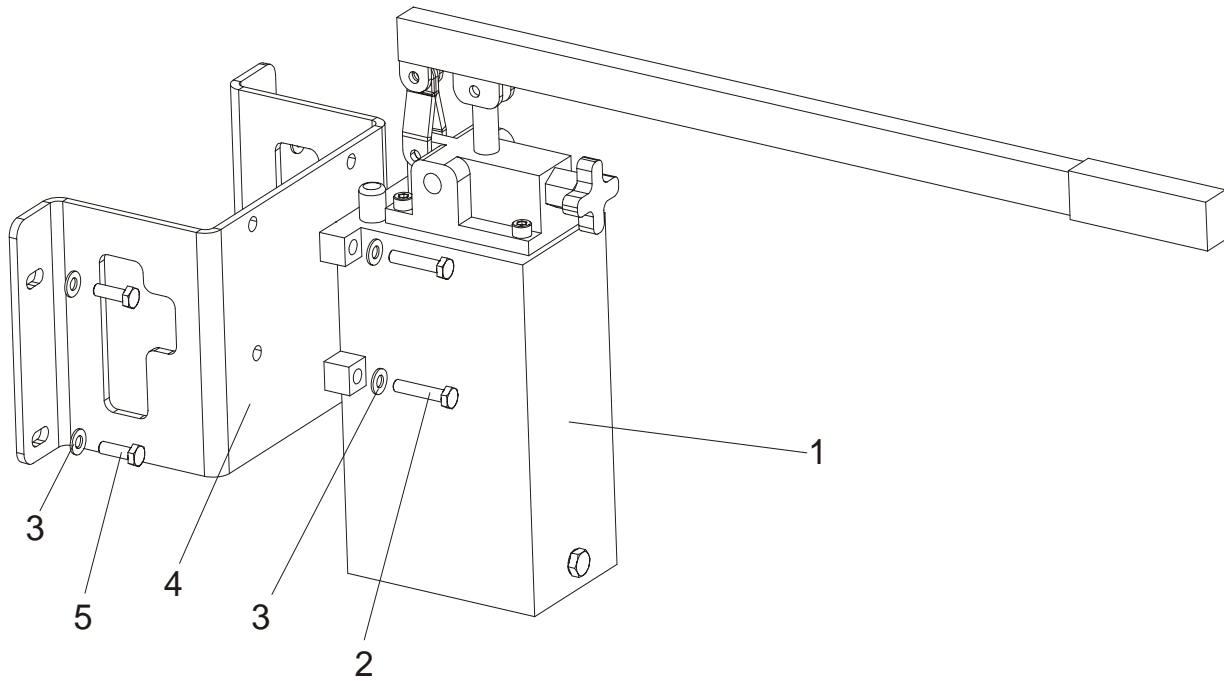


| REF | DESCRIPTION (◆ Indicates Parts Available In Assemblies Only) | PART #   | QTY. |
|-----|--|----------|------|
|     | <b>LOG LOADER, SINGLE ARM, MH SAWMILLS</b>                   | 095390   | 2    |
|     | Arm, Log Loader Single (9.5 m Frame)                         | 090051   | 1    |
| 1   | Arm Weldment, Log Loader Painted                             | 089657-1 | 1    |
| 2   | Fitting, 3/16" Straight Grease                               | P04107   | 1    |
|     | Foot Assembly, Log Loader                                    | 090049   | 1    |
| 3   | Foot, Log Loader Painted                                     | 090048-1 | 1    |
| 4   | Fitting, 3/16" Straight Grease                               | P04107   | 2    |
|     | Cylinder Assembly, LT20 Log Loader                           | 094333   | 1    |
| 5   | Cylinder, CJ-S95-16-70/32/203 Hydraulic                      | 088680   | 1    |
| 6   | Fitting, 1/4 NPT 4.0 GPM Velocity Fuse                       | 015750   | 1    |
| 7   | Fitting, #9455X4X4 90 deg. Swivel Elbow                      | P12199   | 1    |
| 8   | Fitting, 3/8JIC-1/4 NPT Straight                             | 015560   | 1    |
| 9   | Air Vent Valve 2901-14-17                                    | 090794   | 1    |
| 10  | Fitting, 1/4" F. Thread/ 1/4" NPT M. Thread Reducer          | 090795   | 1    |
| 11  | Pin, Hydraulic Cylinder Zinc-Plated                          | 086979-1 | 1    |
| 12  | Washer, 28 Flat Zinc   | F81061-1 | 2    |



|    |  |           |   |  |
|----|--|-----------|---|--|
| 13 | Pin, 5x40 Cotter                             | F81043-31 | 2 |  |
| 14 | Bracket Weldment, Log Loader Mount Painted   | 089841-1  | 1 |  |
| 15 | Bolt, M16x140-8.8 Hex Head Zinc              | F81006-4  | 2 |  |
| 16 | Washer, 17 Flat Zinc                         | F81058-1  | 4 |  |
| 17 | Nut, M16-8 Hex Nylon Zinc Lock               | F81036-2  | 2 |  |
| 18 | Pin Weldment, Log Loader Painted             | W09446-1  | 2 |  |
| 19 | Screw, 5/16-18 x 3/4 Self-Tapping            | F05015-30 | 2 |  |
| 20 | Chain, Log Loader Safety                     | 090090-1  | 1 |  |
| 21 | Shackle, M-WL. .63                           | 086540    | 1 |  |
| 22 | Link, Log Loader Arms                        | 090315    | 1 |  |
| 23 | Bolt, M24x2x90-8.8 Hex Head Full Thread Zinc | F81009-2  | 2 |  |
| 24 | Washer, 25 Flat Zinc                         | F81061-3  | 2 |  |

9.7 Manual Log Loader Pump



| REF | DESCRIPTION (◆ Indicates Parts Available In Assemblies Only) | PART #    | QTY. |  |
|-----|--|-----------|------|--|
| 1   | PUMP, PAM 014 2500 3L MANUAL                                 | 090309    | 1    |  |
| 2   | BOLT, M8X80-8.8 HEX HEAD ZINC                                | F81002-18 | 4    |  |
| 3   | WASHER, 8.4 ZINC FLAT  | F81054-1  | 8    |  |
| 4   | BRACKET, LOG LOADER PUMP MOUNT                               | 090377-1  | 1    |  |
| 5   | BOLT, M8X25-8.8-B HEX HEAD FULL THREAD ZINC                  | F81002-5  | 4    |  |