

Wood-Mizer[®] Sawmill

Parts Manual

LT20 Series AC MH
LT20 Series DC MH

rev. A1.02
rev. A1.03



Safety is our #1 concern! Read and understand all safety information and instructions before operating, setting up or maintaining this machine.

April 2003

Form #615

Table of Contents

Section-Page

| | | |
|------------------|---|------------|
| SECTION 1 | GENERAL INFORMATION | 1-1 |
| 1.1 | How To Use The Parts List | 1-1 |
| 1.2 | Sample Assembly | 1-1 |
| SECTION 2 | BLADE GUIDE ROLLERS & ARM | 2-1 |
| 2.1 | Blade Guide Assembly, Idle Side..... | 2-1 |
| 2.2 | Blade Guide Assembly, Drive Side..... | 2-3 |
| 2.3 | Blade Guide Arm Assembly..... | 2-5 |
| SECTION 3 | BLADE WHEELS & TENSIONER | 3-1 |
| 3.1 | Blade Wheel Assembly, Drive Side | 3-1 |
| 3.2 | Blade Wheel Assembly, Idle Side..... | 3-3 |
| 3.3 | Blade Tensioner Assembly..... | 3-5 |
| SECTION 4 | SAW HEAD | 4-1 |
| 4.1 | Middle Throat Screw | 4-1 |
| 4.2 | Drive Belt Tensioner, DC Sawmills..... | 4-2 |
| 4.3 | Water Lube Assembly | 4-4 |
| 4.4 | Saw Head Decals..... | 4-6 |
| 4.5 | Blade Housing Cover | 4-8 |
| 4.6 | Control Box (AC Sawmills) | 4-10 |
| 4.7 | Control Box (DC Sawmills)..... | 4-12 |
| 4.8 | Drum Switches | 4-14 |
| 4.9 | Sawdust Chute..... | 4-15 |
| SECTION 5 | UP/DOWN ASSEMBLY | 5-1 |
| 5.1 | Up/Down Assembly, AC Mills | 5-1 |
| 5.2 | Up/Down Assembly, DC Mills | 5-3 |
| 5.3 | Manual Up/Down System | 5-5 |
| 5.4 | Up/Down Chain Tensioner Assembly..... | 5-7 |
| 5.5 | Battery Box Assembly, DC Mills..... | 5-8 |
| SECTION 6 | UP/DOWN ROLLERS & BLADE HEIGHT SCALE | 6-1 |
| 6.1 | Up/Down Rollers..... | 6-1 |
| 6.2 | Blade Height Scale | 6-3 |
| SECTION 7 | POWER FEED & TRACK ROLLERS | 7-1 |
| 7.1 | Power Feed Assembly, AC Mills | 7-1 |
| 7.2 | Power Feed Assembly, DC Mills | 7-3 |
| 7.3 | Upper Track Rollers And Wipers | 7-5 |
| 7.4 | Lower Track Rollers | 7-7 |

Table of Contents

Section-Page

SECTION 8 BED FRAME ASSEMBLY

8-1

| | | |
|------|---|------|
| 8.1 | Bed Rail Assembly, Front And Rear (S/M type frame)..... | 8-1 |
| 8.2 | Bed Rail Assembly, Front Middle (S/M type frame)..... | 8-2 |
| 8.3 | Bed Rail Assembly, Rear Middle (S/M type frame)..... | 8-3 |
| 8.4 | Bed Rail Assembly (L type frame)..... | 8-4 |
| 8.5 | Bed Rail Assembly (L type frame)..... | 8-5 |
| 8.6 | Stationary Leg | 8-7 |
| 8.7 | Pivot Bed Rail Assembly..... | 8-9 |
| 8.8 | Log Side Support Assembly | 8-11 |
| 8.9 | Tie Down Chain Assembly | 8-13 |
| 8.10 | Bed Frame Decals..... | 8-14 |

SECTION 9 LOG CLAMP, TURNER, LOADER & TOE BOARDS

9-1

| | | |
|-----|--|------|
| 9.1 | Manual Log Clamp | 9-1 |
| 9.2 | Log Clamp Assembly..... | 9-2 |
| 9.3 | Manual Log Turner..... | 9-4 |
| 9.4 | Manual Toe Board..... | 9-6 |
| 9.5 | Manual Log Loader (S/M type frame) | 9-8 |
| 9.6 | Manual Log Loader (L type frame)..... | 9-10 |
| 9.7 | Manual Log Loader Pump..... | 9-12 |

SECTION 1 GENERAL INFORMATION

1.1 How To Use The Parts List

- Use the index above to locate the assembly that contains the part you need.
- Go to the appropriate section and locate the part in the illustration.
- Use the number pointing to the part to locate the correct part number and description in the table.
- Parts shown indented under another part are included with that part.
- Parts marked with a diamond (◆) are only available in the assembly listed above the part.

See the sample table below. Sample Part #A01111 includes part F02222-2 and subassembly A03333. Subassembly A03333 includes part S04444-4 and subassembly K05555. The diamond (◆) indicates that S04444-4 is not available except in subassembly A03333. Subassembly K05555 includes parts M06666 and F07777-77. The diamond (◆) indicates M06666 is not available except in subassembly K05555.

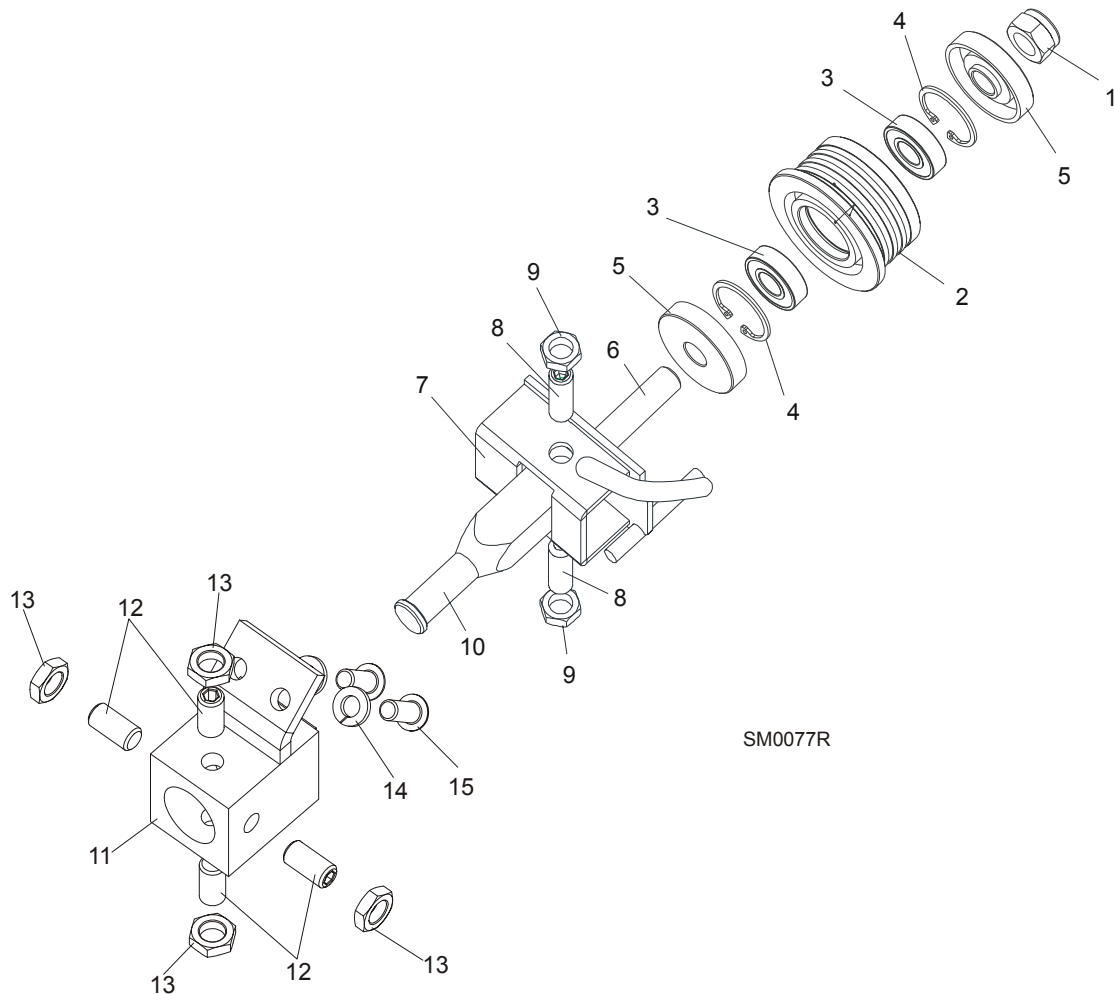
| 1.2 Sample Assembly | | | | |
|----------------------------|---|-----------|------|---|
| REF | DESCRIPTION (◆ Indicates Parts Available In Assemblies Only) | PART # | QTY. | |
| | Sample Assembly, Complete (Includes All Indented Parts Below) | A01111 | 1 | |
| 1 | Sample Part | F02222-22 | 1 | |
| | Sample Subassembly (Includes All Indented Parts Below) | A03333 | 1 | |
| 2 | Sample Part (◆ Indicates Part Is Only Available With A03333) | S04444-4 | 1 | ◆ |
| | Sample Subassembly (Includes All Indented Parts Below) | K05555 | 1 | |
| 3 | Sample Part (◆ Indicates Part Is Only Available With K05555) | M06666 | 2 | ◆ |
| 4 | Sample Part | F07777-77 | 1 | |

To Order Parts:

- From Europe call our European Headquarters and Manufacturing Facility in Kolo, Poland at **+48-63-2626000**. From the continental U.S., call our toll-free Parts hotline at **1-800-448-7881**. Have your customer number, vehicle identification number, and part numbers ready when you call.
- From other international locations, contact the Wood-Mizer distributor in your area for parts.

SECTION 2 BLADE GUIDE ROLLERS & ARM

2.1 Blade Guide Assembly, Idle Side

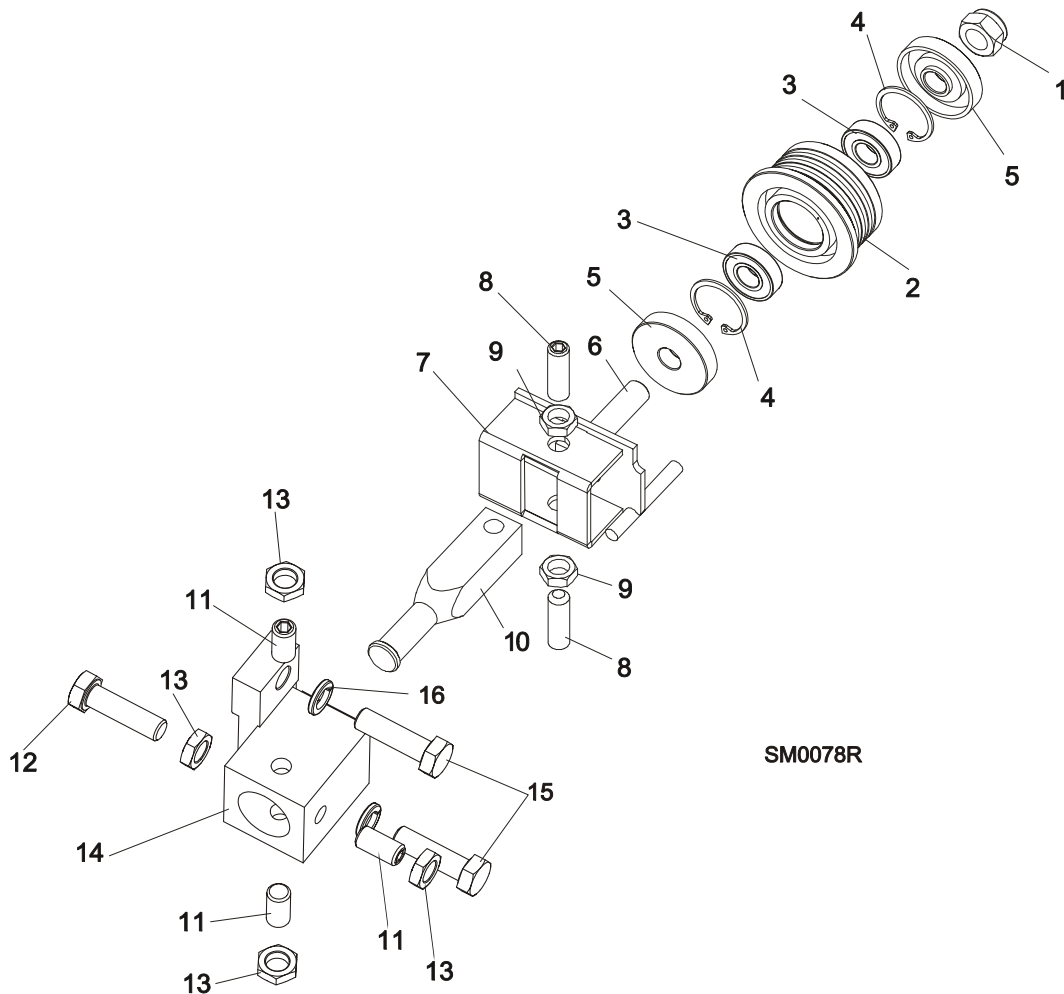


| REF | DESCRIPTION (◆ Indicates Parts Available In Assemblies Only) | PART # | QTY. | |
|-----|---|----------|------|---|
| | BLADE GUIDE ASSEMBLY, IDLE SIDE | A08197 | 1 | |
| | Roller Assembly, Standard Blade Guide | 087887 | 1 | |
| 1 | Nut, M12-8 Hex Nylon Zinc Lock | F81034-2 | 1 | |
| 2 | Roller, Narrow Blade Guide | 087889 | 1 | ◆ |
| 3 | Bearing, 6001 2RSR NACHI | 087893 | 2 | |
| 4 | Ring, 62W Interior Retaining | F81090-9 | 2 | |
| 5 | Washer, Spacer | 087891-1 | 2 | |
| 6 | Bolt, Standard Roller Mounting Zinc | 087763-1 | 1 | |
| 7 | Bracket, Blade Guide Idle Side w/Water Tube | W08495 | 1 | |
| | Screw Kit, Blade Guide Adjustment w/Nuts (For two blade guide assemblies) | K09942 | 1 | |

2**Blade Guide Rollers & Arm***Blade Guide Assembly, Idle Side*

| | | | | |
|----|---|-----------|---|--|
| 8 | Screw, 3/8-24 x 1 1/4" Stainless Steel Socket Head Flat Point | F05007-96 | 2 | |
| 9 | Nut, 3/8-24 UNC Hex Zinc Jam | F05010-22 | 2 | |
| 10 | Shaft, Blade Guide Adjustment | S08196 | 1 | |
| 11 | BLOCK WELDMENT, BLADE GUIDE MOUNT PTD | 088292-1 | 1 | |
| 12 | SCREW, M10 X 1 X 20 DIN913 STAINLESS STEEL SET | F81015-1 | 4 | |
| 13 | NUT, M10x1-04-ST-A2 ISO 8675 THIN | F81033-10 | 4 | |
| 14 | WASHER, 8.2 SPLIT LOCK ZINC | F81054-4 | 2 | |
| 15 | SCREW, 5/16-18 X 3/4 SOCKET BUTTON HEAD BLACK OXIDE | F05006-7 | 2 | |

2.2 Blade Guide Assembly, Drive Side

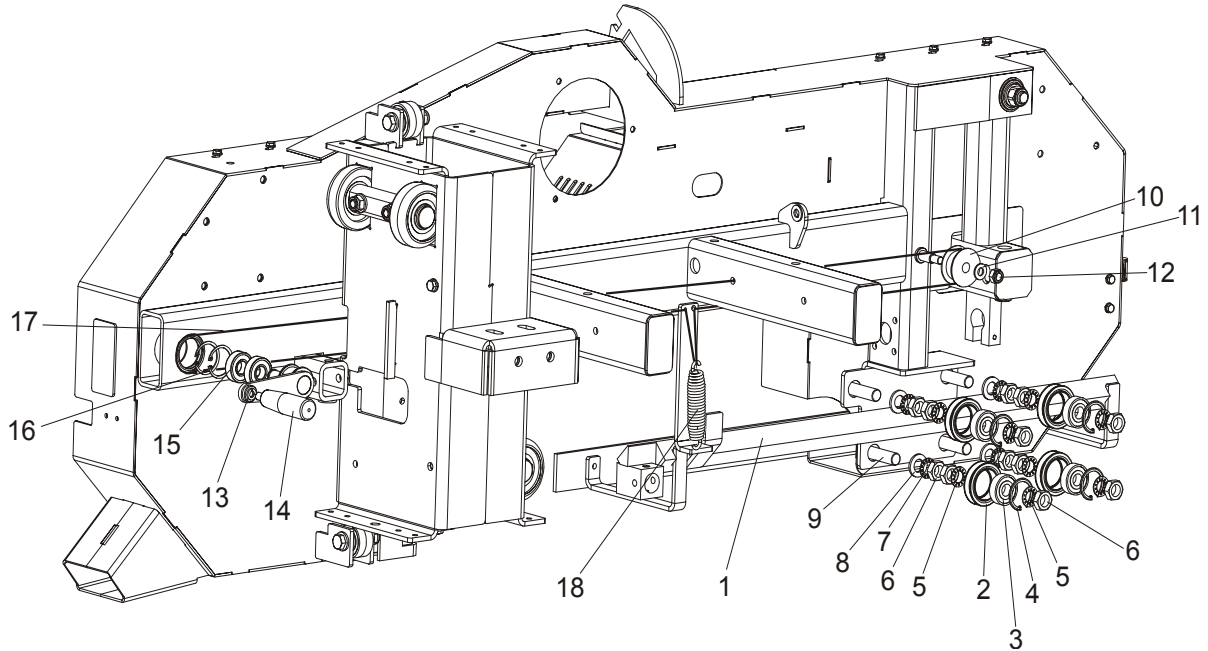


| REF | DESCRIPTION (◆ Indicates Parts Available In Assemblies Only) | PART # | QTY. | |
|-----|---|-----------|------|---|
| | BLADE GUIDE ASSEMBLY, DRIVE SIDE | A08191 | 1 | |
| | Roller Assembly, Standard Blade Guide | 087887 | 1 | |
| 1 | Nut, M12-8 Hex Nylon Zinc Lock | F81034-2 | 1 | |
| 2 | Roller, Narrow Blade Guide | 087889 | 1 | ◆ |
| 3 | Bearing, 6001 2RSR NACHI | 087893 | 2 | |
| 4 | Ring, 62W Interior Retaining | F81090-9 | 2 | |
| 5 | Washer, Spacer | 087891-1 | 2 | |
| 6 | Bolt, Standard Roller Mounting Zinc | 087763-1 | 1 | |
| 7 | Bracket Weldment, Blade Guide Drive Side Ptd | W08482 | 1 | |
| | Screw Kit, Blade Guide Adjustment w/Nuts (For two blade guide assemblies) | K09942 | 1 | |
| 8 | Screw, 3/8-24 x 1 1/4" Stainless Steel Socket Head Flat Point | F05007-96 | 2 | |
| 9 | Nut, 3/8-24 UNC Hex Zinc Jam | F05010-22 | 2 | |
| 10 | Shaft, Blade Guide Adjustment | S08196 | 1 | |

2**Blade Guide Rollers & Arm***Blade Guide Assembly, Drive Side*

| | | | | |
|----|--|-----------|---|--|
| 11 | SCREW, M10 X 1 X 20 DIN913 STAINLESS STEEL SET | F81015-1 | 3 | |
| 12 | BOLT, M10 X 1 X 25 DIN 933 STAINLESS STEEL | F81003-28 | 1 | |
| 13 | NUT, M10x1-04-ST-A2 ISO 8675 THIN | F81033-10 | 4 | |
| 14 | BLOCK, BLADE GUIDE MOUNT | 087744 | 1 | |
| 15 | BOLT, M10 X 35-8.8 HEX HEAD FULL THREAD ZINC | F81003-17 | 2 | |
| 16 | WASHER, 10.2 SPLIT LOCK ZINC | F81055-2 | 2 | |

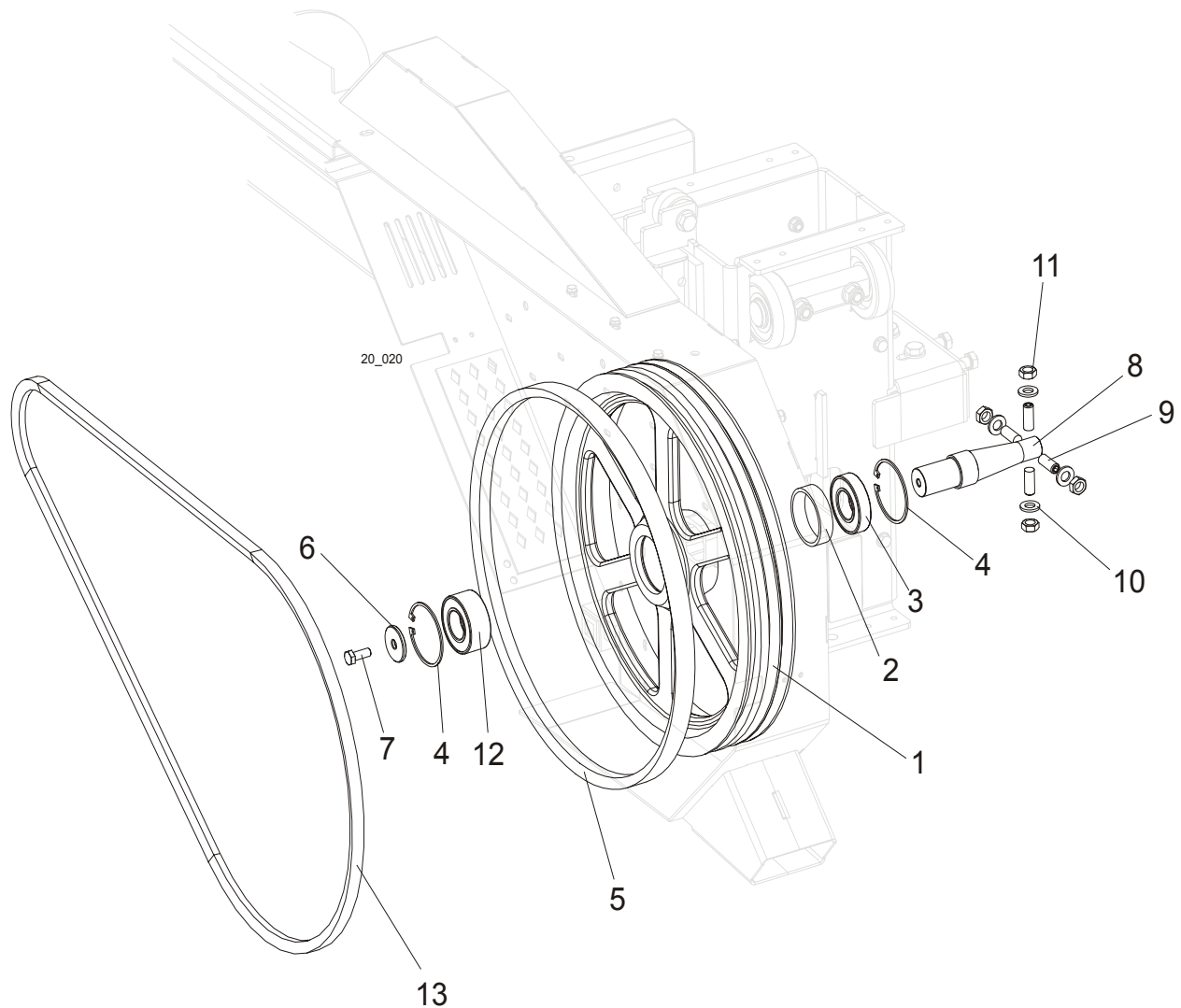
2.3 Blade Guide Arm Assembly



| REF | DESCRIPTION (◆ Indicates Parts Available In Assemblies Only) | PART # | QTY. |
|-----|--|-----------|------|
| 1 | ARM, LT20 BLADE GUIDE | 090588-1 | 1 |
| | ROLLER ASSEMBLY, BLADE GUIDE ARM V-GROOVE | A09059 | 4 |
| 2 | Roller | S07989 | 4 |
| 3 | Bearing, 6203-2 NSL 5/8 | P06030-1 | 4 |
| 4 | Ring, Retaining | F04254-8 | 4 |
| 5 | WASHER, 5/8" INTERNAL STAR | F05011-25 | 8 |
| 6 | NUT, 5/8"-18 HEX ZINC JAM | F05010-11 | 8 |
| 7 | WASHER, 5/8" EXTERNAL STAR | F05011-26 | 4 |
| 8 | WASHER, 17 ZINC FLAT | F81058-1 | 4 |
| 9 | ROD, 5/8-18 THREADED | S12092 | 4 |
| 10 | ROLLER, CHAIN GUIDE | 014923 | 1 |
| 11 | WASHER, 10.5 ZINC FLAT | F81055-1 | 1 |
| 12 | NUT, M10-8-B HEX NYLON ZINC LOCK | F81033-1 | 1 |
| | NUT, M10-8-B HEX NYLON ZINC LOCK | 090611 | 1 |
| 13 | CRANK WELDMENT, PAINTED | 090610-1 | 1 |
| 14 | HANDLE, 12992M10 CRANK | 086338 | 1 |
| 15 | BEARING, 6203-2RS FLT ROLLING | 086114 | 2 |
| 16 | RING, W40 SPRING RETAINING | F81090-3 | 2 |
| 17 | ROPE, 4MM DIAMETER 007054 | 091613 | 1 |
| 18 | SPRING, ROPE TENSION | 091615 | 1 |

SECTION 3 Blade Wheels & Tensioner

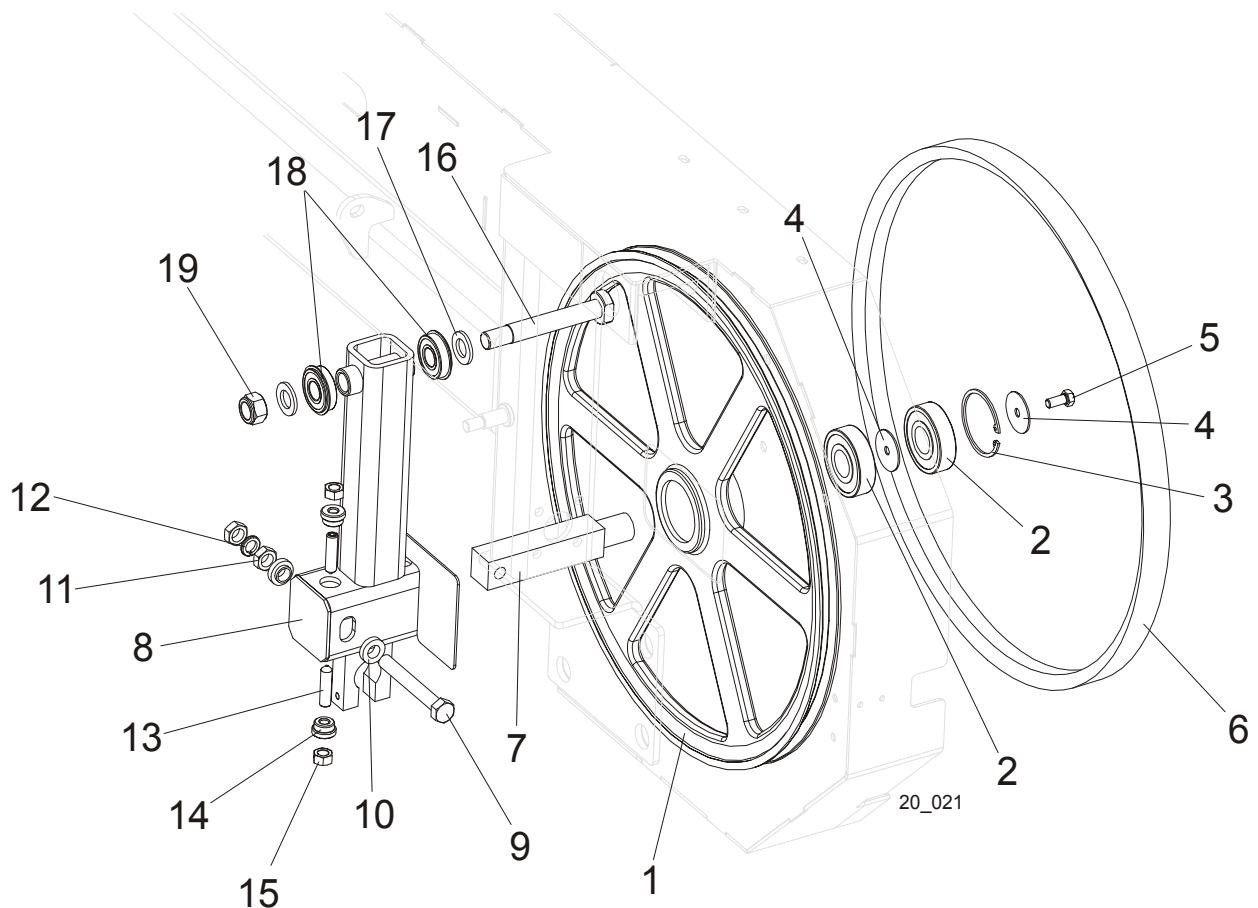
3.1 Blade Wheel Assembly, Drive Side



| REF | DESCRIPTION (◆ Indicates Parts Available In Assemblies Only) | PART # | QTY. |
|-----|--|-----------|------|
| | WHEEL ASSEMBLY, DRIVE SIDE BLADE | 091612 | 1 |
| 1 | Wheel, LT20 Drive Side Blade | 090646-1 | 1 |
| 2 | Spacer | 092007 | 1 |
| 3 | Bearing, 6207 2RS 35x72x17 FAG | 014811 | 1 |
| 4 | Ring, 72mm OD N5002-281 Retaining | F04254-30 | 2 |
| 5 | Belt, B57 Blade Wheel | P04185 | 1 |
| 6 | Washer, LT15 Drive Side Blade Wheel | 086286 | 1 |
| 7 | Bolt, M10x25-8.8 Hex Head Full Thread Zinc | F81003-11 | 1 |
| 8 | Shaft, LT15 Drive Side Blade Wheel | 086690 | 1 |
| 9 | Screw, M12x1,25x30 DIN913 Set | F81016-1 | 4 |
| 10 | Washer, 13 Flat Zinc | F81056-1 | 4 |

| | | | | |
|-----------|---|---|---------------|--|
| 11 | Nut, 5/16-18 Swaged Hex Zinc | F05010-6 | 4 | |
| 12 | Bearing, 3207B, 2RSR. TVH FAQ | 092005 | 1 | |
| 13 | Drive Belt, BX81, AC Sawmills (E11/E15) Drive Belt, BX83, DC Sawmills (G13 & G15) Drive Belt, 2BX84, DC Sawmills (D17, D22 & G18) | 014819 (AC) 088110 (DC) 092697 (DC) | 1/2 1 1 | |

3.2 Blade Wheel Assembly, Idle Side



| REF | DESCRIPTION (◆ Indicates Parts Available In Assemblies Only) | PART # | QTY. |
|-----|--|------------|------|
| | WHEEL ASSEMBLY, IDLE SIDE BLADE | A08218 | 1 |
| 1 | Sheave, 18.62" Idler | P08125 | 1 |
| 2 | Bearing, 6305 2RS NSK | P08066 | 2 |
| 3 | Ring, 2 7/16" Inside Retaining | F04254-21 | 1 |
| 4 | WASHER, RETAINING | S08220 | 2 |
| 5 | BOLT, 5/16-18 X 3/4" HEX HEAD GRADE 2 | F05006-5 | 1 |
| 6 | BELT, B57 BLADE WHEEL | P04185 | 1 |
| 7 | SHAFT, 1 1/8 SQUARE IDLER | S12565 | 1 |
| 8 | HOUSING, IDLER SHAFT | 086717 | 1 |
| 9 | BOLT, 1/2-20 X 3 3/4 HEX HEAD GRADE 2 | F05008-111 | 1 |
| 10 | SPACER, FLANGED | 086769-1 | 2 |
| 11 | NUT, 1/2"-20 HEX JAM | F05010-16 | 2 |
| 12 | WASHER, 12.2 SPLIT ZINC LOCK | F81056-2 | 1 |
| 13 | SCREW, M10 X 40-45H HEX SOCKET SET CONE POINT ZINC | F81003-61 | 2 |
| 14 | BUSHING, M10 IDLER SHAFT HOUSING | 086987 | 2 |
| 15 | NUT, M10-8-B HEX ZINC | F81033-3 | 2 |
| 16 | PIN, IDLER ARM BEARINGS | 086404 | 1 |
| 17 | WASHER, 17 FLAT ZINC | F81058-1 | 2 |

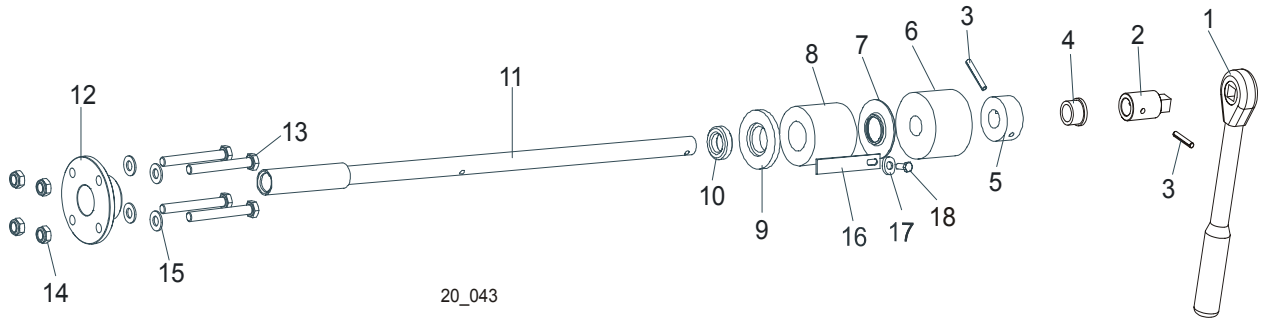
Blade Wheels & Tensioner

Blade Wheel Assembly, Idle Side

3

| | | | | |
|----|---------------------------------|----------|---|--|
| 18 | BEARING, 6203-2RS NR NSK W/RING | 086395 | 2 | |
| 19 | NUT, M16-8 HEX NYLON ZINC LOCK | F81036-2 | 1 | |

3.3 Blade Tensioner Assembly

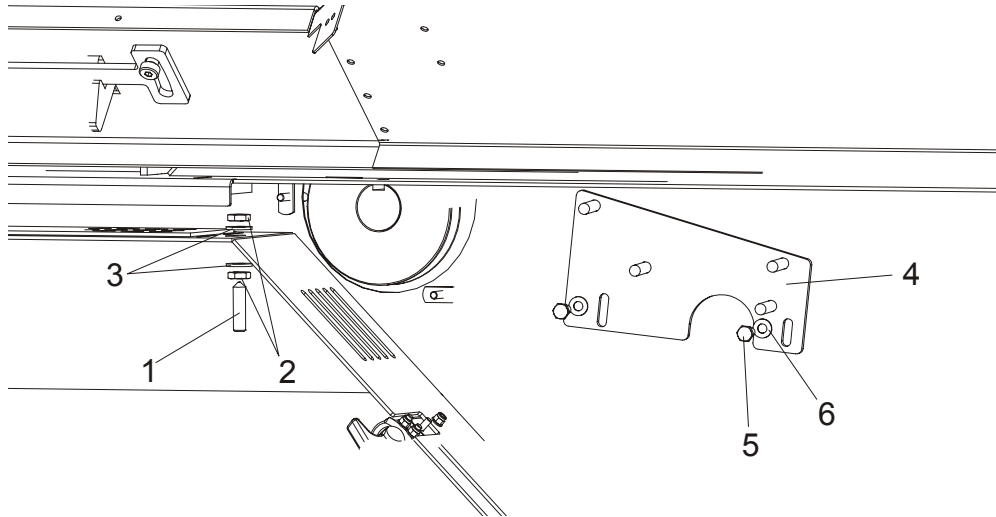


20_043

| REF | DESCRIPTION (◆ Indicates Parts Available In Assemblies Only) | PART# | QTY. |
|-----|--|-----------|------|
| | BLADE TENSIONER ASSEMBLY | 086680 | 1 |
| 1 | Wrench, LT20 Blade Tension | 091620 | 1 |
| 2 | End, LT20 Blade Tensioner Shaft | 091606-1 | 1 |
| 3 | Pin, 5 x 30 Zinc Roll | F81044-21 | 2 |
| 4 | Bushing, 5/8 ID Bronze | P05135 | 1 |
| 5 | Collar, Blade Tensioner | 086712-1 | 1 |
| 6 | Bushing, Rubber Stop | P12165 | 1 |
| 7 | Guide, LT15 Tension Handle | 014925 | 1 |
| 8 | Spring, LT15 Rubber Blade Tensioner | 014828 | 1 |
| 9 | Washer, Rubber Spring Front | 086674-1 | 1 |
| 10 | Bearing, 51103 FLT Ball Thrust | 086675 | 1 |
| 11 | Shaft Weldment, Blade Tensioner Zinc-plated | 086669-1 | 1 |
| 12 | Nut, Blade Tensioner | 086672-1 | 1 |
| 13 | Bolt, M8x70 8.8 Hex Head Zinc | F81002-71 | 4 |
| 14 | Nut, M8-8-B Hex Nylon Zinc Lock | F81032-2 | 4 |
| 15 | Washer, 8.4 Zinc Flat | F81054-1 | 8 |
| 16 | Indicator, LT15 Blade Tension Zinc-plated | 086783-1 | 1 |
| 17 | Washer, 6.4 Zinc Flat | F81053-1 | 1 |
| 18 | Bolt, M6x16 8.8 Hex Head Full Thread Zinc | F81001-15 | 1 |

SECTION 4 SAW HEAD

4.1 Middle Throat Screw



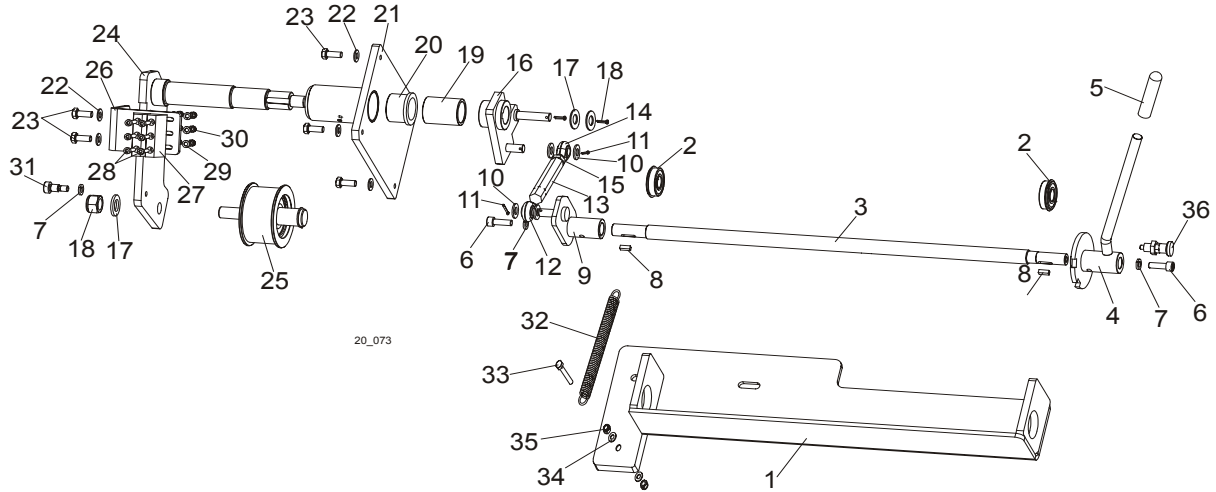
| REF | DESCRIPTION (◆ Indicates Parts Available In Assemblies Only) | PART # | QTY. | |
|-----|--|-----------|------|--|
| 1 | SCREW, M10 X 40-45H HEX SOCKET SET CONE POINT ZINC | F81003-61 | 1 | |
| 2 | NUT, M10-8-B ZINC HEX | F81033-6 | 2 | |
| 3 | WASHER, 10.5 ZINC FLAT | F81055-1 | 2 | |
| 4 | BRACKET, DRIVE BELT SUPPORT, UPPER | 092668-1 | 1 | |
| 5 | BOLT, M8X20-5.8 HEX HEAD FULL THREAD ZINC | F81002-1 | 2 | |
| 6 | WASHER, 8.4 ZINC FLAT | F81054-1 | 2 | |

4

Saw Head

Drive Belt Tensioner, DC Sawmills

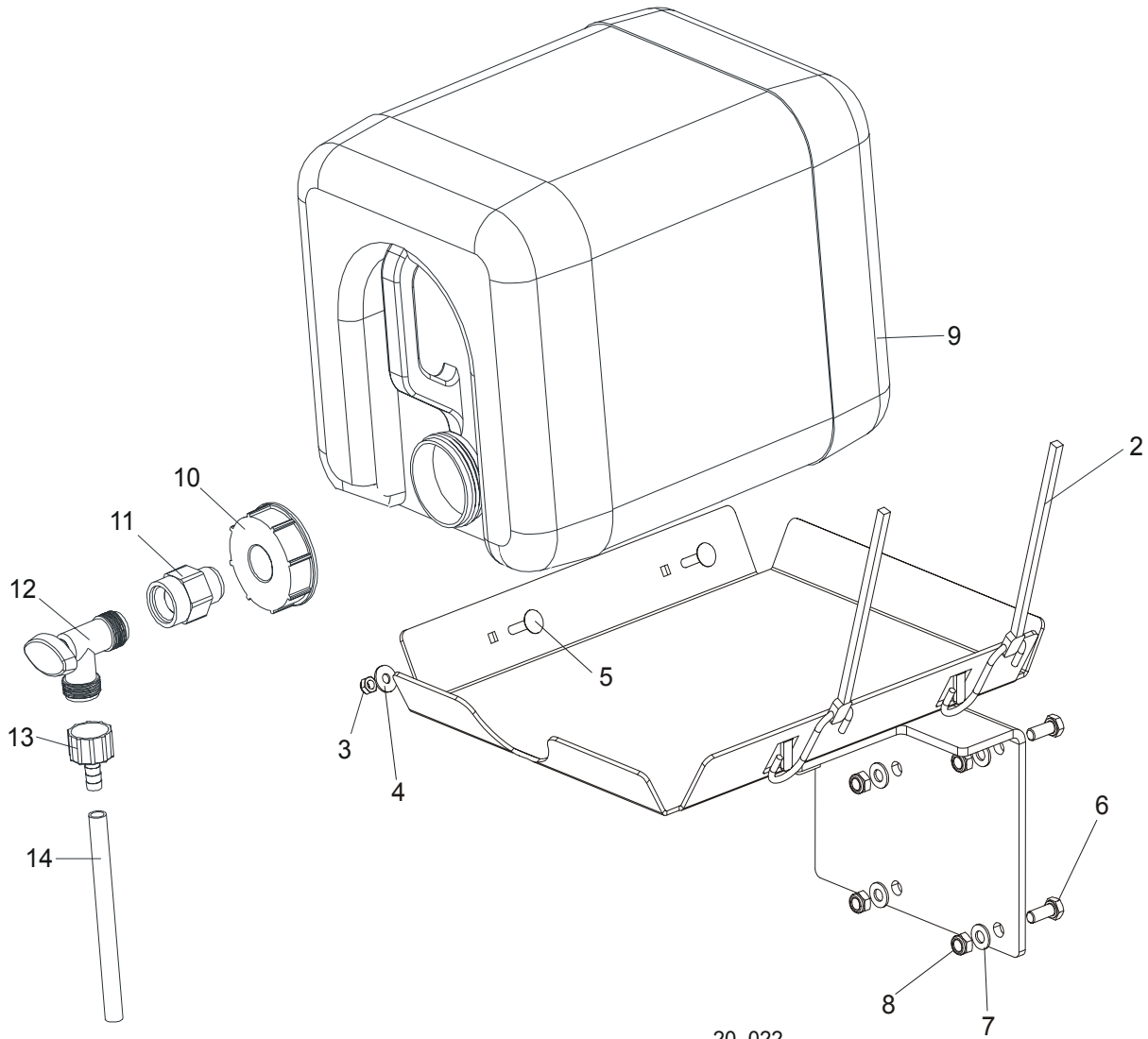
4.2 Drive Belt Tensioner, DC Sawmills



| REF | DESCRIPTION (◆ Indicates Parts Available In Assemblies Only) | PART # | QTY. |
|-----|--|-----------|------|
| | BELT TENSIONER, LT20 COMPLETE | 091170 | 1 |
| 1 | Mount Weldment, Belt Tensioner Ptd | 091169-1 | 1 |
| 2 | Bearing, 6203-2RS NR NSK w/Ring | 086395 | 2 |
| 3 | Rod, LT20 Belt Tensioner Ptd | 091176-1 | 1 |
| 4 | Handle Weldment, Belt Tensioner Ptd | 087645-1 | 1 |
| 5 | Grip, Handle 1/2" ID x 3" Long | 014835 | 1 |
| 6 | Screw, M8x25 -8.8 Hex Socket Head Cap Zinc | F81002-21 | 2 |
| 7 | Washer, 8.2 Split Lock Zinc | F81054-4 | 3 |
| 8 | Key, B 5x5.1x14 Parallel | 087365 | 2 |
| 9 | Bracket, Belt Tensioner Pivot | 091245-1 | 1 |
| 10 | Washer, 10.5 Zinc Flat | F81055-1 | 4 |
| 11 | Pin, 2.5x20 Zinc Cotter | F81043-1 | 2 |
| 12 | Rod End, 7/16-20 Right-Hand Male | P11579 | 1 |
| 13 | Tumbuckle, Clutch/Brake | S11577 | 1 |
| 14 | Rod End, 7/16-20 Left-Hand Male | P11578 | 1 |
| 15 | Nut, 7/16-20 Zinc | F05010-38 | 1 |
| 16 | Arm Weldment, Belt Tensioner Ptd | 091172-1 | 1 |
| 17 | Washer, 17 Zinc Flat | F81058-1 | 2 |
| 18 | Nut, M16-8 Hex Nylon Zinc Lock | F81036-2 | 2 |
| 19 | Bushing, Spacer Ptd | 091351-1 | 1 |
| 20 | Bushing, MFM-3240-30 (IGUS) | 088461 | 2 |
| 21 | Mount Weldment, Tensioner Shaft Ptd | 091112-1 | 1 |
| 22 | Washer, 8.4 Zinc Flat | F81054-1 | 7 |
| 23 | Bolt, M8x20-5.8 Hex Head Full Thread Zinc | F81002-1 | 6 |
| 24 | Shaft Weldment, Belt Tensioner Ptd | 091110-1 | 1 |
| 25 | Wheel, Belt Tension | 087673 | 1 |
| 26 | Bracket, Brake Block Mount Ptd | 091248-1 | 1 |

| | | | | |
|-----------|---|-----------|---|--|
| 27 | Block, F9150 123 Belt Tensioner Brake | 087648 | 2 | |
| 28 | Screw, M5x25-8.8 Hex Socket Head Cap Zinc | F81000-7 | 6 | |
| 29 | Washer, 5.3 Zinc Flat | F81052-1 | 6 | |
| 30 | Nut, M5-8 Zinc DIN 985 | F81030-2 | 6 | |
| 31 | Screw, M8x25-8.8 Hex Socket Head Cap Zinc | F81002-21 | 2 | |
| 32 | Spring, Hydraulic Log Turner | P09136 | 1 | |
| 33 | Bolt, M8x45-8.8 Hex Head Zinc | F81002-17 | 1 | |
| 34 | Washer, 8.4 Zinc Flat | F81054-1 | 2 | |
| 35 | Nut, M8-8-B Hex Nylon Zinc Lock | F81032-2 | 2 | |
| 36 | Pin, Detent | 090197 | 1 | |

4.3 Water Lube Assembly



20_022

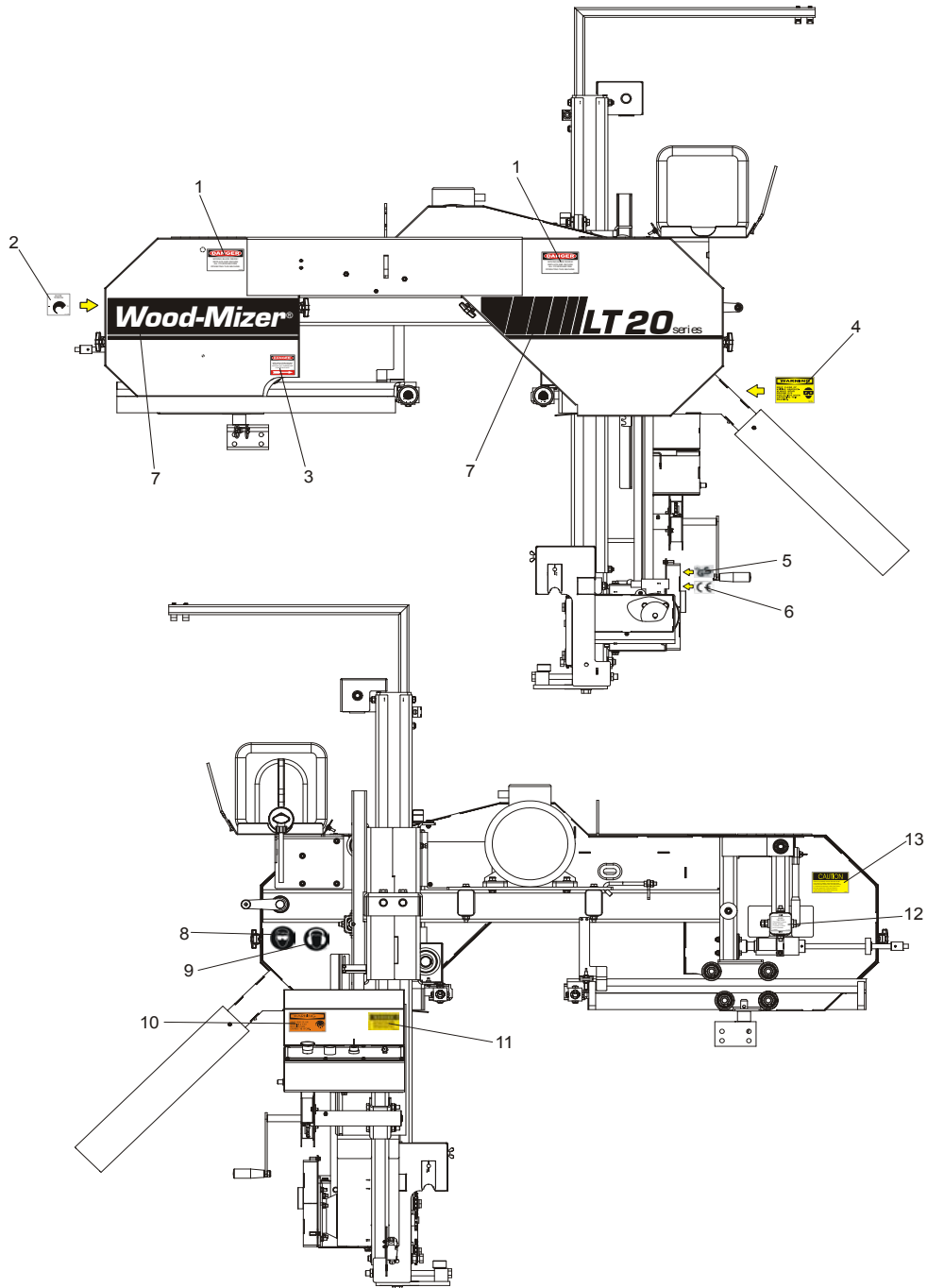
| REF | DESCRIPTION (◆ Indicates Parts Available In Assemblies Only) | PART # | QTY. |
|-----|--|-----------|------|
| | BOTTLE KIT, LT20 WATER LUBE | 091036 | 1 |
| 1 | Tray Weldment, LT20 Water Lube | 091033-1 | 1 |
| 2 | Strap, 20" Rubber | P11668 | 2 |
| 3 | Nut, M6-8-B Hex Nylon Zinc Lock | F81031-2 | 2 |
| 4 | Washer, 6.5 Zinc Flat | F81053-11 | 2 |
| 5 | Bolt, M6x25-8.8 Carriage Head Zinc | F81001-20 | 2 |
| 6 | Bolt, M8x20-8.8 Hex Head Full Thread Zinc | F81002-1 | 2 |
| 7 | Washer, 8.4 Zinc Flat | F81054-1 | 2 |
| 8 | Nut, M8-8-B Hex Nylon Zinc Lock | F81032-2 | 2 |
| | Bottle Assembly, Water Lube | 014642 | 1 |
| 9 | Bottle, 19 l Water Lube | 014637 | 1 |
| 10 | Cap, Water Lube Bottle Buttress Thread | 014773 | 1 |

| | | | | |
|----|-------------------------------------|--------|-------|--|
| 11 | Fitting, 3/4FPT x 3/4MPT | 014636 | 1 | |
| 12 | Fitting, Water Lube Shutoff Valve | 014100 | 1 | |
| 13 | Fitting, 5/8" NPT to 3/8" Hose Barb | 014113 | 1 | |
| 14 | Tubing, Water Lube | R01885 | 2.1 m | |

4 Saw Head

Saw Head Decals

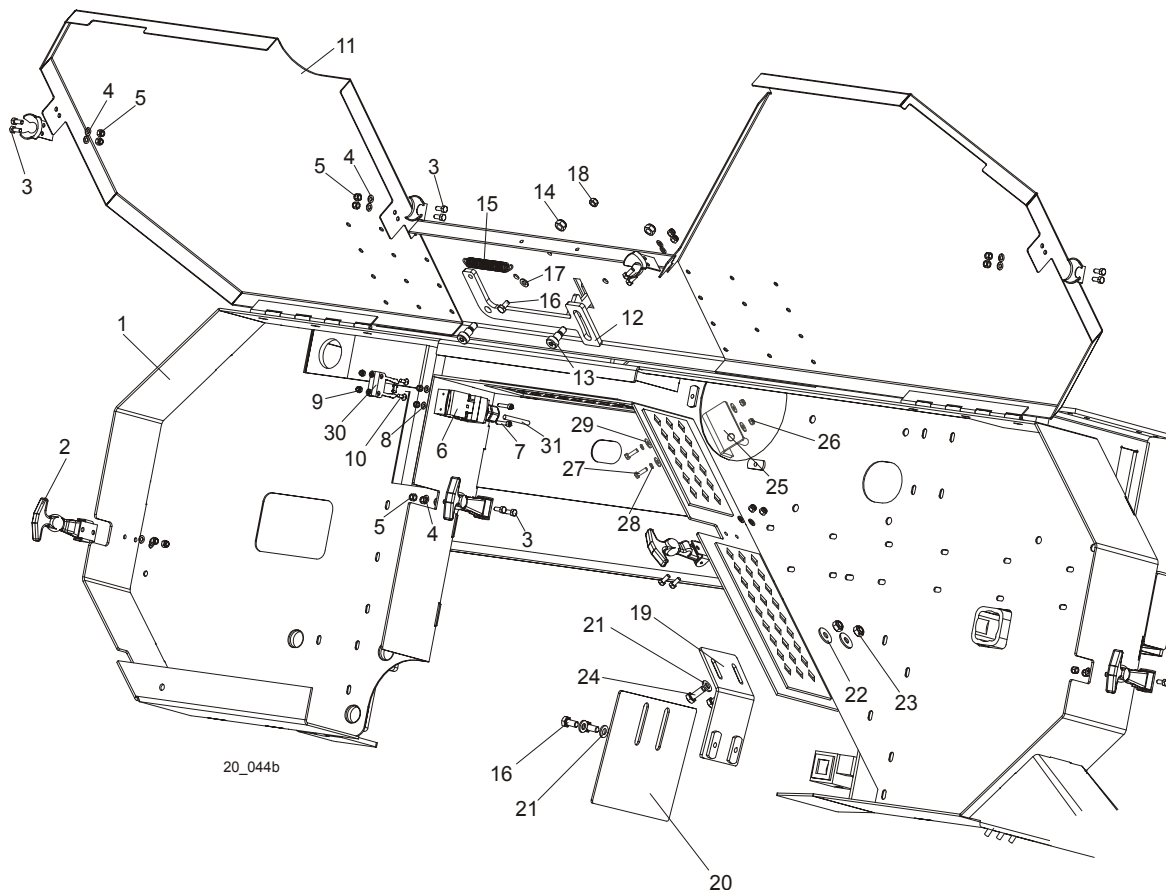
4.4 Saw Head Decals



| REF | DESCRIPTION (◆ Indicates Parts Available In Assemblies Only) | PART # | QTY. |
|-----|--|--------|------|
| 1 | DECAL, BLADE COVER DANGER | S20039 | 2 |
| 2 | DECAL, BLADE TENSION SCREW | P11790 | 1 |
| 3 | DECAL, BLADE DANGER (W/RIGHT ARROW) | S11752 | 1 |
| 4 | DECAL, SAWDUST CHUTE CAUTION | P11754 | 1 |
| 5 | DECAL, CE CERTIFIED SAWMILL | P85071 | 1 |
| 6 | DECAL, GS SAFETY CERTIFICATION SMALL | P85072 | 1 |

| | | | | |
|----|-----------------------------------|--------|---|--|
| 7 | DECAL KIT, LT20 | 091480 | 1 | |
| 8 | DECAL, EYE PROTECTION (PICTOGRAM) | S12004 | 1 | |
| 9 | DECAL, EAR PROTECTION (PICTOGRAM) | S12005 | 1 | |
| 10 | DECAL, EYE/EAR PROTECTION WARNING | S11753 | 1 | |
| 11 | DECAL, FRONT OUTRIGGER DANGER | 015400 | 1 | |
| 12 | DECAL, BLADE ALIGNMENT | P11789 | 1 | |
| 13 | DECAL, SAW HEAD REST CAUTION | S12581 | 1 | |

4.5 Blade Housing Cover



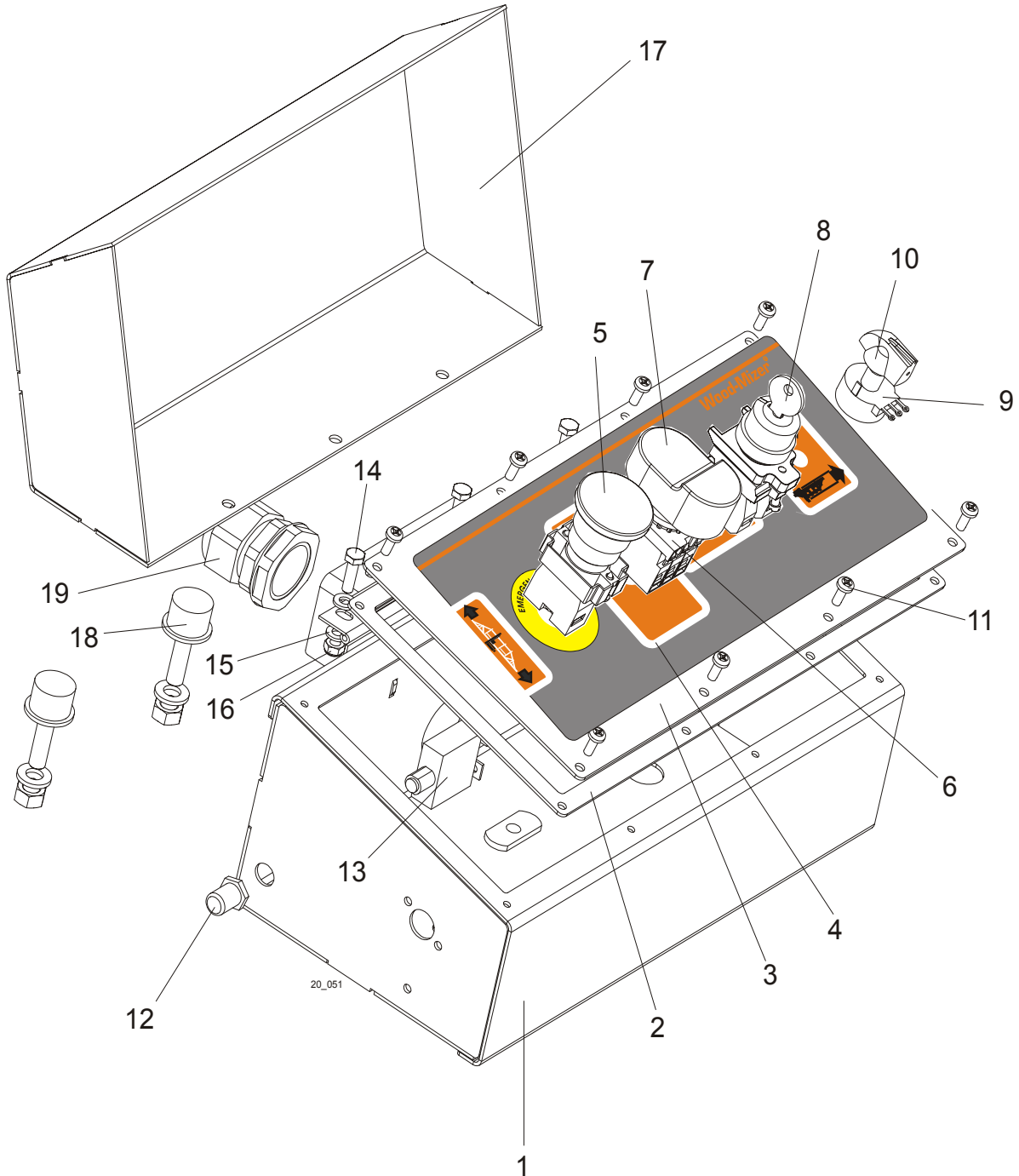
| REF | DESCRIPTION (◆ Indicates Parts Available in Assemblies Only) | PART # | QTY. |
|-----|--|-----------|------|
| 1 | SAW HEAD WELDMENT, LT20 | 090567 | 1 |
| 2 | LATCH, FLEXIBLE DRAW | 014829 | 4 |
| 3 | BOLT, M5 X 12-5.8 HEX HEAD FULL THREAD ZINC | F81000-5 | 16 |
| 4 | WASHER, 5.3 ZINC FLAT | F81052-1 | 16 |
| 5 | NUT, M5-8 HEX NYLON ZINC LOCK | F81030-2 | 16 |
| 6 | SWITCH, AZ17-11ZRK SAFETY KEY | 094232 | 1 |
| 7 | SCREW, M4 X 35 8.8 HEX SOCKET HEAD CAP ZINC | F81011-34 | 2 |
| 8 | WASHER, 4.3 ZINC FLAT | F81051-2 | 4 |
| 9 | NUT, M4-B HEX NYLON ZINC LOCK | F81029-1 | 4 |
| 10 | SCREW, M4 X 12 5.8-B SLOTTED COUNTERSUNK HEAD ZINC | F81011-43 | 2 |
| 11 | COVER WELDMENT, LT20 BLADE HOUSING PTD | 090633-1 | 1 |
| 12 | PAWL, LOCKING PTD | 090643-1 | 1 |
| 13 | SCREW, 10/M8 X 12-12.9 ISO-7379 SOCKET HEAD SHOULDER | F81003-62 | 2 |
| 14 | NUT, M8-8-B HEX NYLON ZINC LOCK | F81032-2 | 2 |
| 15 | SPRING, 1,6x12x38 EXTENSION | 092208 | 1 |
| 16 | BOLT, M6 X 12-8.8 HEX HEAD FULL THREAD ZINC | F81001-7 | 3 |

| | | | | |
|----|---|-----------|--------------------|--|
| 17 | WASHER, 6.4 ZINC FLAT | F81053-1 | 1 | |
| 18 | NUT, M6-8-B HEX NYLON ZINC LOCK | F81031-2 | 1 | |
| 19 | BRACKET, BLADE GUIDE ROLLER GUARD PAINTED | 092378-1 | 1 | |
| 20 | GUARD, BLADE GUIDE ROLLER PAINTED | 092379-1 | 1 | |
| 21 | WASHER, 6.4 ZINC FLAT | F81053-1 | 4 | |
| 22 | WASHER, 6.5 ZINC FLAT | F81053-11 | 2 | |
| 23 | NUT, M6-8-B HEX NYLON ZINC LOCK | F81031-2 | 2 | |
| 24 | BOLT, M6X16 8.8 HEX HEAD FULL THREAD ZINC | F81001-15 | 2 | |
| 25 | BRACKET WLDMT, PTD DRIVE BELT SUPPORT | 092636-1 | 1 | |
| 26 | NUT, M6-8-B HEX NYLON ZINC LOCK | F81031-2 | 2 | |
| 27 | BOLT, M6 X 20-8.8 HEX HEAD FULL THREAD ZINC | F81001-2 | 2 | |
| 28 | WASHER 6,1 FE/ZN9 PN/M-82008 | F81053-3 | 2 | |
| 29 | WASHER, 6.5 ZINC FLAT | F81053-11 | 4 | |
| 30 | KEY, AZ17/170-B5 SAFETY SWITCH | 094422 | 1 | |
| 31 | CABLE, OLFLEX 400P 2X1 | R80583-5 | 3m (DC) 5m (AC) | |

4

Saw Head Control Box (AC Sawmills)

4.6 Control Box (AC Sawmills)



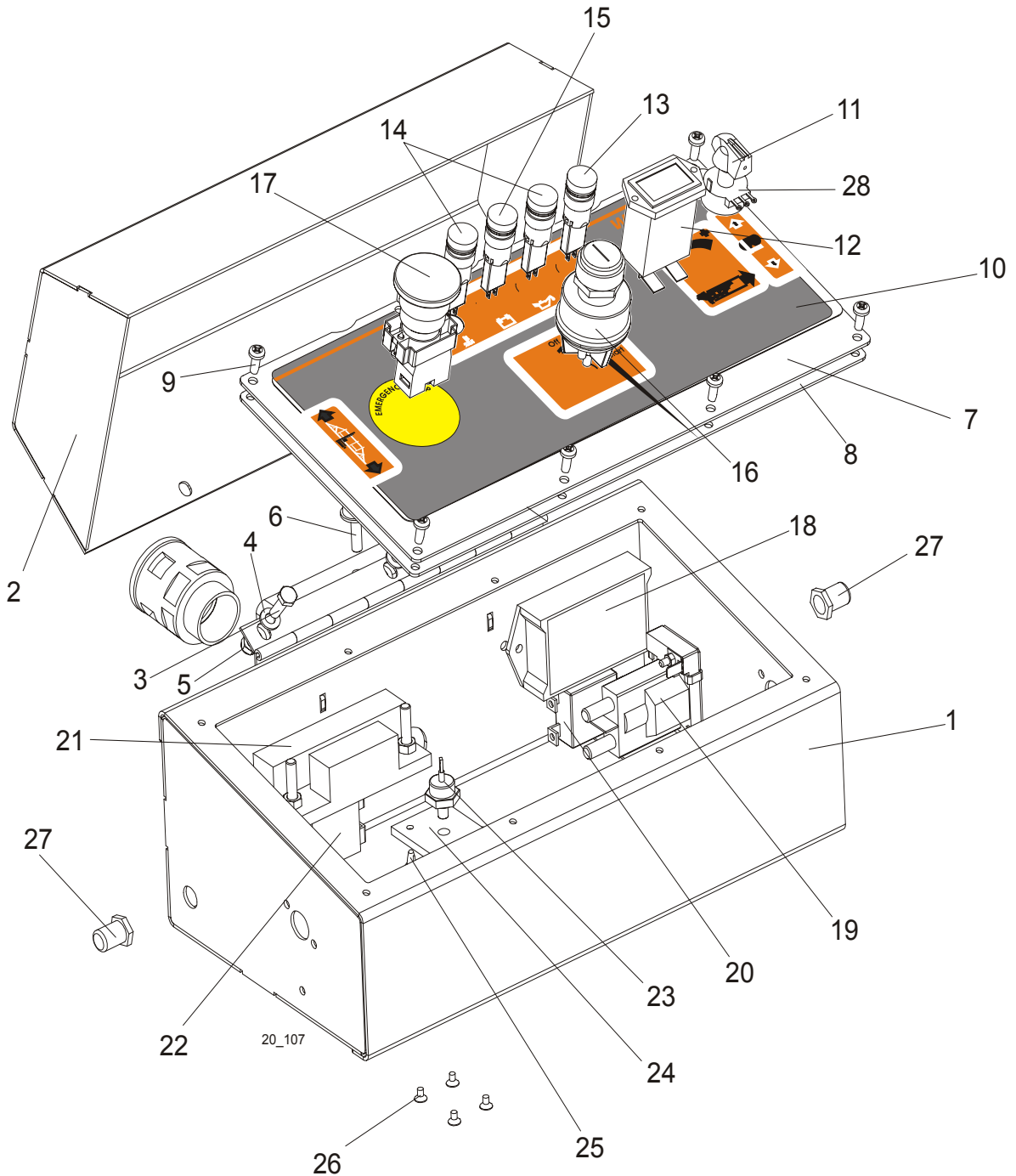
| REF | DESCRIPTION (◆ Indicates Parts Available In Assemblies Only) | PART # | QTY. | |
|-----|--|---------------|------|--|
| | CONTROL BOX ASSEMBLY, LT20 AC | 090737 | 1 | |
| 1 | Box Weldment, LT20 AC Control | 090734-1 | 1 | |
| 2 | Gasket, Control Box (9.5m Frame) | 089998 | 1 | |
| 3 | Panel, LT20 Front Control | 090736 | 1 | |

| | | | | |
|----|---|-----------|---|--|
| 4 | Decal, LT20 Control Box | 090735 | 1 | |
| 5 | Button, XB4 BS542 Emergency Stop | 086556 | 1 | |
| 6 | Button, 24V Start/Stop | 090452 | 1 | |
| 7 | Membrane M22-T-DD | 090462 | 1 | |
| 8 | Switch, M22 3-position Key | 091361 | 1 | |
| 9 | Potentiometer, Feed Control | E20519 | 1 | |
| 10 | Dial, Feed Rate | P06257 | 1 | |
| 11 | Screw, #10-24 x 1/2 Pan Head | F05015-17 | 8 | |
| 12 | Boot, Circuit Breaker | 021253 | 1 | |
| 13 | Breaker, 30Amp Manual Reset Circuit | 024246 | 1 | |
| 14 | Bolt, M6x20-8.8 Hex Head Full Thread Zinc | F81001-2 | 3 | |
| 15 | Washer, 6.4 Zinc Flat | F81053-1 | 6 | |
| 16 | Nut, M6-8-B Hex Nylon Zinc Lock | F81031-2 | 3 | |
| 17 | Cover, Control Box | 088172-1 | 1 | |
| 18 | Bumper, A/022 | 088376 | 2 | |
| 19 | Connector, Klick -GP21 rill 21 Polyamid Conduit | 086577 | 1 | |

4 Saw Head

Control Box (DC Sawmills)

4.7 Control Box (DC Sawmills)



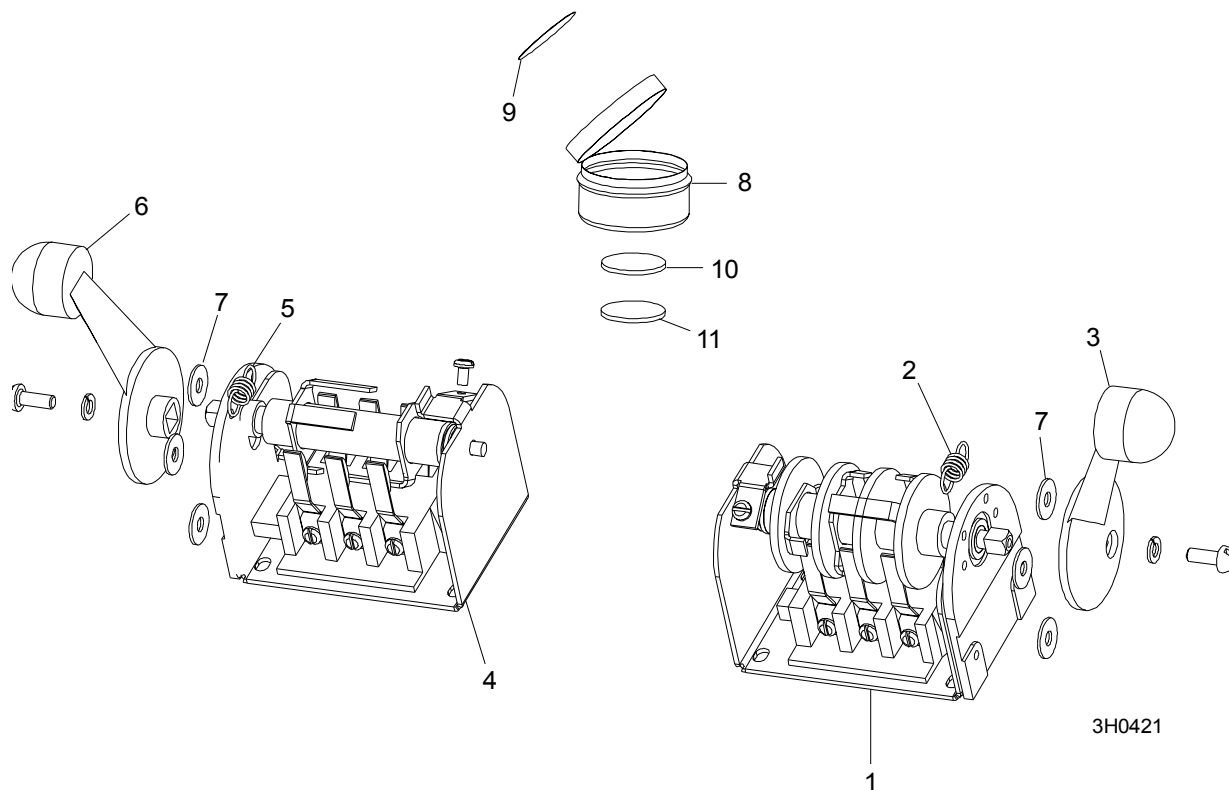
| REF | DESCRIPTION (◆ Indicates Parts Available In Assemblies Only) | PART # | QTY. |
|-----|--|---------------|----------|
| | CONTROL BOX ASSEMBLY, LT20 DC | 090996 | 1 |
| 1 | Box Weldment, LT20 DC Painted Control | 092947-1 | 1 |
| 2 | Cover Weldment, Control Box Painted | 092942-1 | 1 |

| | | | | |
|----|---|-----------|---|--|
| 3 | Bolt, M6x20-8.8 Hex Head Full Thread Zinc | F81001-2 | 3 | |
| 4 | Washer, 6.4 Flat Zinc | F81053-1 | 6 | |
| 5 | Nut, M6-8-B Hex Nylon Zinc Lock | F81031-2 | 3 | |
| 6 | Bumper, A/022 | 088376 | 1 | |
| 7 | Panel, LT20 DC Front Painted Control | 090995-1 | 1 | |
| 8 | Gasket, Control Box | 089998 | 1 | |
| 9 | Screw, #10-24 x 1/2 Pan Head | F05015-17 | 8 | |
| 10 | Decal, LT20 DC Control Box | 090997 | 1 | |
| 11 | Knob, Speed Control | P06257 | 1 | |
| 12 | Meter, Hour | 093166 | 1 | |
| 13 | Light, XB6AV5BB Yellow | 089812 | 1 | |
| 14 | Light, KLA-RS-10-2 | 090998 | 2 | |
| 15 | Light, XB6 AV 3BB Green | 087348 | 1 | |
| 16 | Switch, Key | P04350 | 1 | |
| 17 | Button, XB4 BS542 Emergency Stop | 086556 | 1 | |
| 18 | Control Module, Power Feed SMT | 024396 | 1 | |
| 19 | Solenoid, 120-943 Continuous Duty GND Coil | P10449 | 1 | |
| 20 | Breaker, 50A Manual Reset | 021256 | 1 | |
| 21 | Module, Mosfet Power Feed | 024540 | 1 | |
| 22 | Breaker, 30A Manual Reset | 024246 | 1 | |
| 23 | Diode, 1N11184A 40A 110V | E07766 | 1 | |
| 24 | Heatsink, Diode | 091867 | 1 | |
| 25 | Spacer, P3/12 | R80671-2 | 4 | |
| 26 | Screw, FH ST 3.5x6.5 A4 Cross Recessed Countersunk Head Tapping | F81000-82 | 4 | |
| 27 | Boot, Circuit Breaker | 021253 | 1 | |
| 28 | Potentiometer, 1k | E20519 | 1 | |

4 Saw Head

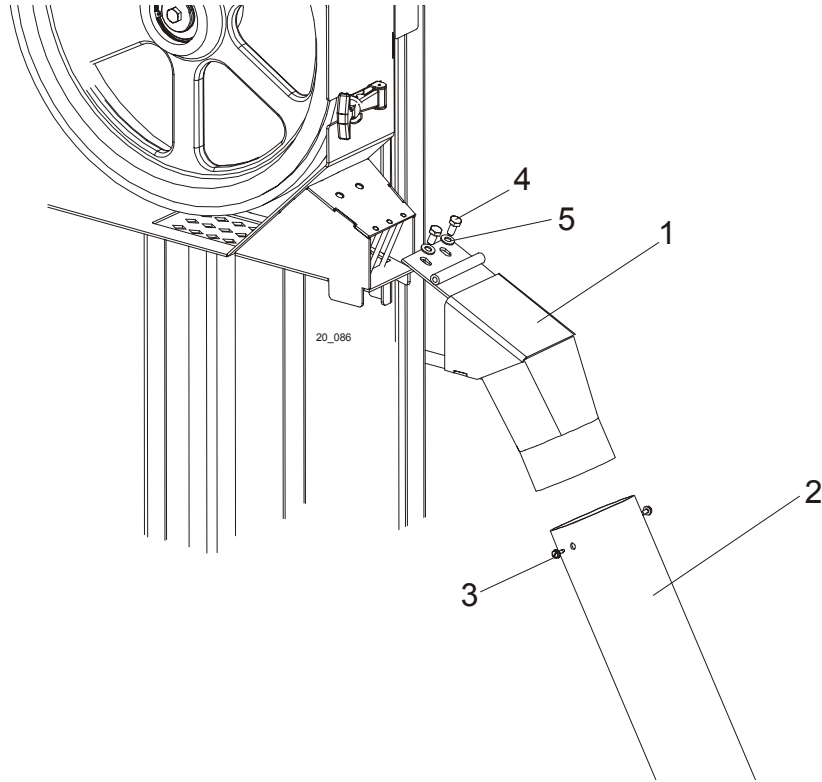
Drum Switches

4.8 Drum Switches



| REF | DESCRIPTION (◆ Indicates Parts Available In Assemblies Only) | PART # | QTY. | |
|-----|--|-----------|--------|---|
| | SWITCH ASSEMBLY, UP/DOWN DRUM | E20440 | 1 | |
| 1 | Switch, Drum | E20440-B | 1 | ◆ |
| 2 | Spring, Drum Switch | P12570 | 1 | |
| 3 | Handle, Drum Switch w/Screws | P12500 | 1 | |
| | SWITCH ASSEMBLY, POWER FEED DRUM | E20438 | 1 | |
| 4 | Switch, Drum | E20438-B | 1 | ◆ |
| 5 | Spring, Drum Switch | P12570 | 1 | |
| 6 | Handle, Drum Switch w/Screws | P12500 | 1 | |
| 7 | WASHER, #8 SAE FLAT | F05011-41 | 6 | |
| | CUP ASSEMBLY, DRUM SWITCH GREASE | A20463 | 1 | |
| 8 | Cup, Plastic Container | P20464 | 1 | ◆ |
| 9 | Label, Grease Cup | P20467 | 1 | |
| 10 | Pad, Velcro Loop | P20466 | 1 | ◆ |
| 11 | Pad, Velcro Hook | P20465 | 1 | ◆ |
| | Grease, Drum Switch | P20468 | .011ml | ◆ |

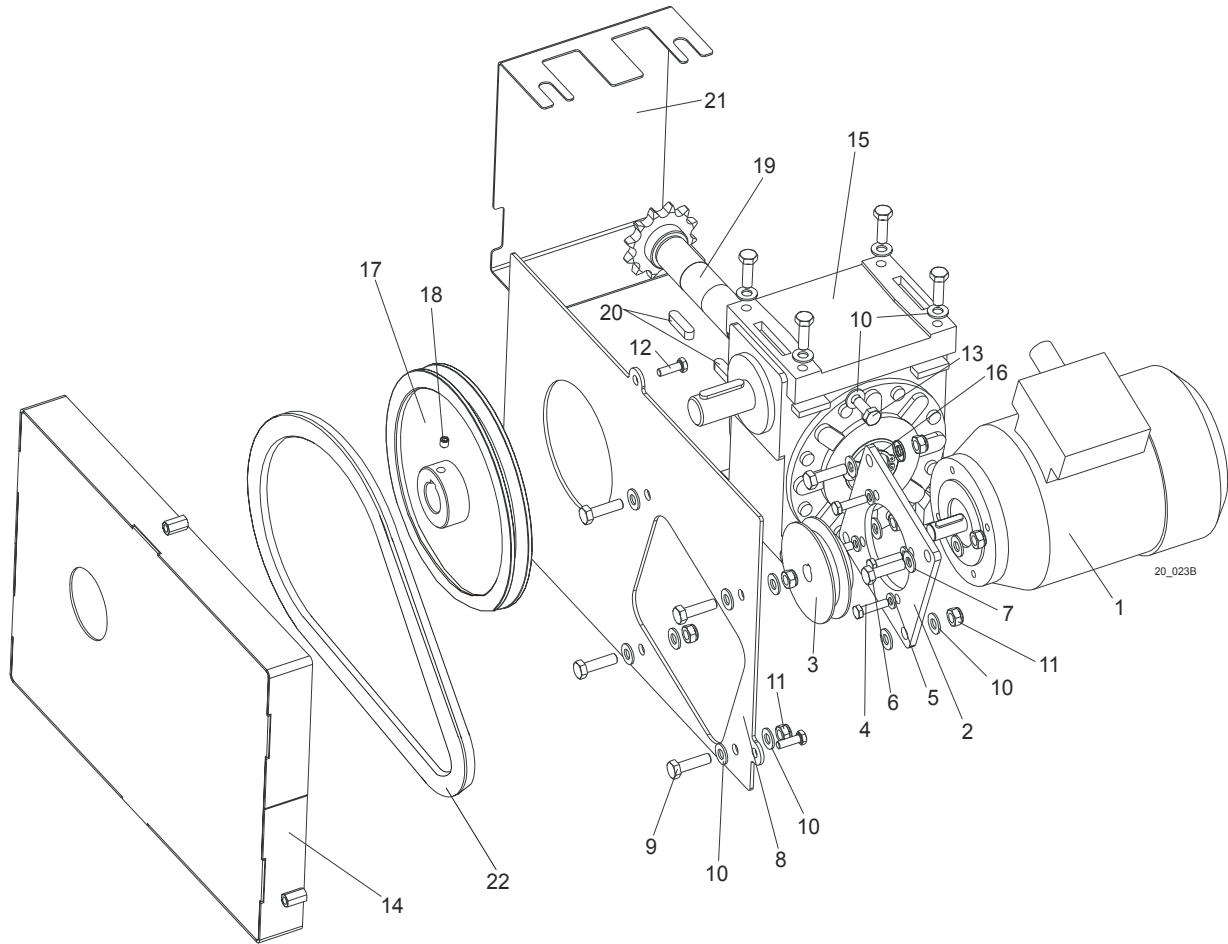
4.9 Sawdust Chute



| REF | DESCRIPTION (◆ Indicates Parts Available In Assemblies Only) | PART # | QTY. |
|-----|--|-----------|------|
| 1 | CHUTE WELDMENT, SAWDUST | 092460-1 | 1 |
| 2 | TUBE, SAWDUST CHUTE RUBBER | R02336 | 1 |
| 3 | SCREW, #10-24 X 1/2 SELF-TAPPING | F05015-7 | 2 |
| 4 | BOLT, M8x16 | F81002-20 | 2 |
| 5 | WASHER, 8.4 ZINC FLAT | F81054-1 | 2 |

SECTION 5 UP/DOWN ASSEMBLY

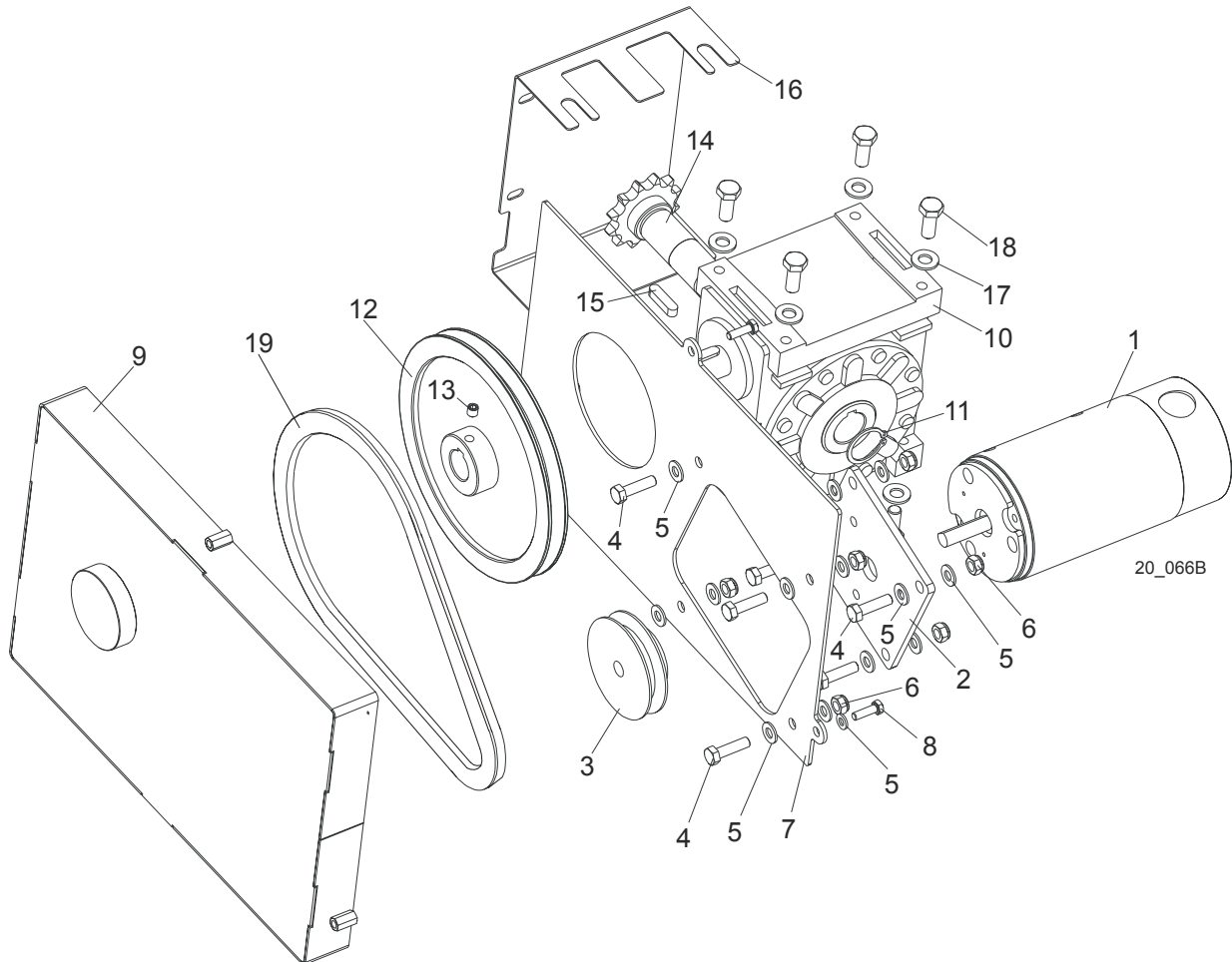
5.1 Up/Down Assembly, AC Mills



| REF | DESCRIPTION (◆ Indicates Parts Available In Assemblies Only) | PART # | QTY. | |
|-----|--|----------|------|---|
| | MOTOR ASSEMBLY, LT20 AC UP/DOWN | 091302 | 1 | ◆ |
| 1 | Motor, SKh 71- 4B2 RAL 9005 | 091304 | 1 | |
| 2 | Plate, LT20 AC Up/Down Motor Mount Ptd | 091300-1 | 1 | |
| 3 | Pulley, LT20 | 090699 | 1 | |
| 4 | Bolt, M6x25-5.8 Hex Head Full Thread Zinc | F81001-3 | 4 | |
| 5 | Washer 6.4 Zinc Flat | F81053-1 | 4 | |
| 6 | BOLT, M8X30-5.8 HEX HEAD FULL THREAD ZINC | F81002-2 | 4 | |
| 7 | WASHER, 8.4 ZINC FLAT | F81054-1 | 4 | |
| 8 | PLATE, LT20 BELT GUARD MOUNT | 091079-1 | 1 | |
| 9 | BOLT, M8X30-5.8 HEX HEAD FULL THREAD ZINC | F81002-2 | 4 | |
| 10 | WASHER, 8.4 ZINC FLAT | F81054-1 | 12 | |
| 11 | NUT, M8-8-B HEX NYLON ZINC LOCK | F81032-2 | 4 | |

| | | | | |
|-----------|--|-----------|---|--|
| 12 | BOLT, M6X20-8.8 HEX HEAD FULL THREAD ZINC | F81001-2 | 4 | |
| 13 | BOLT, M8X20-5.8 HEX HEAD FULL THREAD ZINC | F81002-1 | 2 | |
| 14 | GUARD WELDMENT, LT20 UP/DOWN BELT PTD | 091080-1 | 1 | |
| | BOX ASSEMBLY, LT20 UP/DOWN GEAR | 091299 | 1 | |
| 15 | Box, RA-06/66/D1/S+N/V5 Gear | 088577 | 1 | |
| 16 | Ring, Z30 Spring Retaining | F81090-23 | 1 | |
| 17 | Pulley, LT20 Up/Down | 091078 | 1 | |
| 18 | Screw, M8X8-33H Hex Socket Set Flat Point | F81014-1 | 1 | |
| 19 | Shaft, LT20 Up/Down w/Sprocket | 091298 | 1 | |
| 20 | Key, A8x7x32 Parallel | 088564 | 2 | |
| 21 | GUARD, LT20 UP/DOWN GEAR BOX SPROCKET | 091655-1 | 1 | |
| 22 | BELT, HA-560 (STOMIL-SANOK) | 088562 | 1 | |

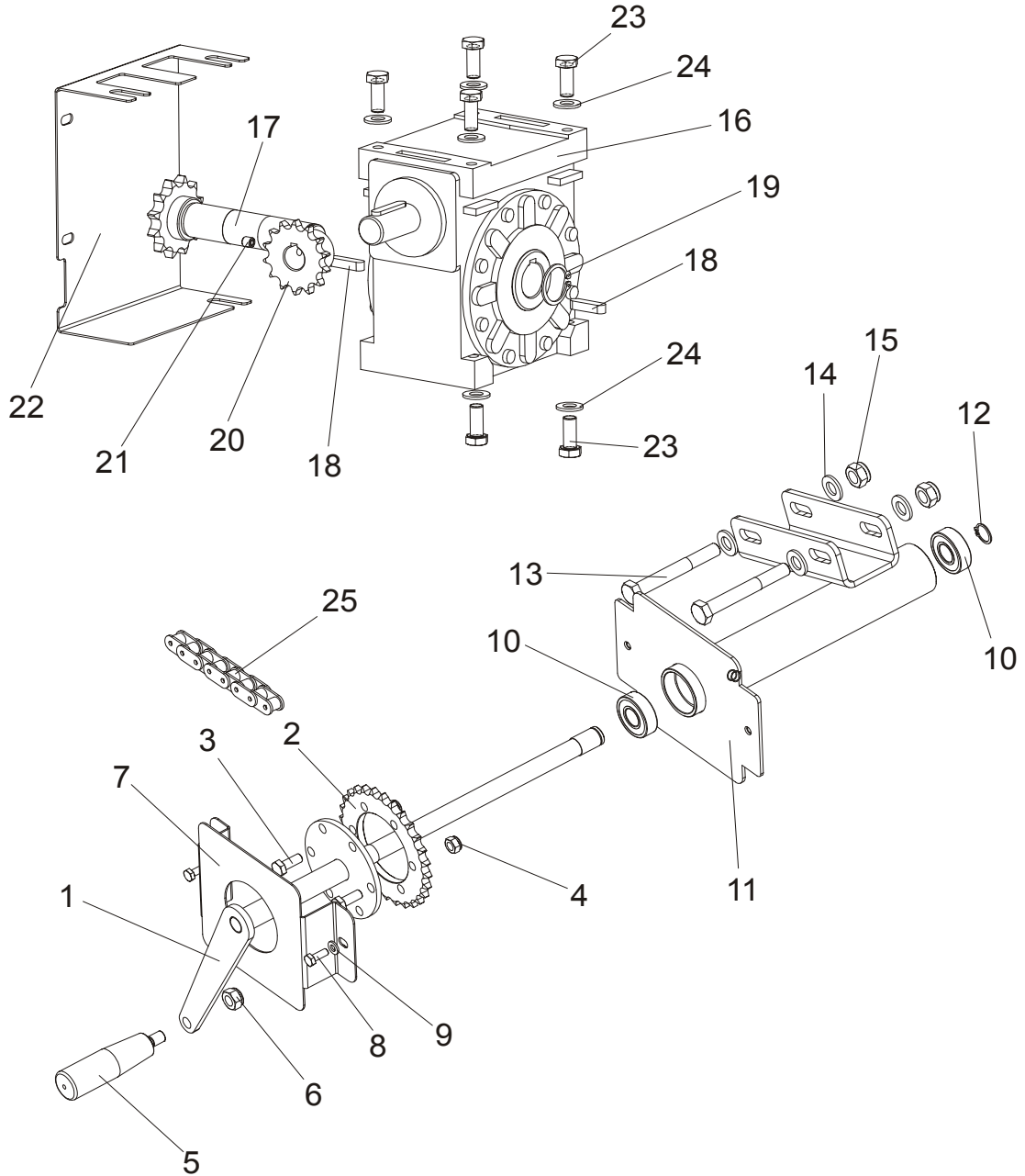
5.2 Up/Down Assembly, DC Mills



| REF | DESCRIPTION (◆ Indicates Parts Available In Assemblies Only) | PART # | QTY. | |
|-----|--|-----------|------|---|
| | MOTOR ASSEMBLY, LT20 DC UP/DOWN | 091303 | 1 | ◆ |
| 1 | Motor, Drive 12V 0.5HP | P04140 | 1 | |
| 2 | Plate, LT20 DC Up/Down Motor Mount Ptd | 091301-1 | 1 | |
| 3 | Pulley, LT20 Up/Down | 014087 | 1 | |
| 4 | BOLT, M8X30-5.8 HEX HEAD FULL THREAD ZINC | F81002-2 | 8 | |
| 5 | WASHER, 8.4 ZINC FLAT | F81054-1 | 19 | |
| 6 | NUT, M8-8-B HEX NYLON ZINC LOCK | F81032-2 | 8 | |
| 7 | PLATE, LT20 BELT GUARD MOUNT | 091079-1 | 1 | |
| 8 | BOLT, M6X20-8.8 HEX HEAD FULL THREAD ZINC | F81001-2 | 3 | |
| 9 | GUARD WELDMENT, LT20 UP/DOWN BELT PTD | 091080-1 | 1 | |
| | BOX ASSEMBLY, LT20 UP/DOWN GEAR | 091299 | 1 | |
| 10 | Box, RA-06/66/D1/S+N/V5 Gear | 088577 | 1 | |
| 11 | Ring, Z30 Spring Retaining | F81090-23 | 1 | |

| | | | | |
|-----------|--|-----------|---|--|
| 12 | Pulley, LT20 Up/Down | 091078 | 1 | |
| 13 | Screw, M8x8-33H Hex Socket Set Flat Point | F81014-1 | 1 | |
| 14 | Shaft, LT20 Up/Down w/Sprocket | 091298 | 1 | |
| 15 | Key, A8x7x32 Parallel | 088564 | 2 | |
| 16 | GUARD, LT20 UP/DOWN GEAR BOX SPROCKET | 091655-1 | 1 | |
| 17 | WASHER, FLAT, M10, ZINC | F81055-1 | 6 | |
| 18 | BOLT, M10-1.5X25MM HH GR8.8 | F81003-11 | 6 | |
| 19 | BELT, HA-560 (STOMIL-SANOK) | 088562 | 1 | |

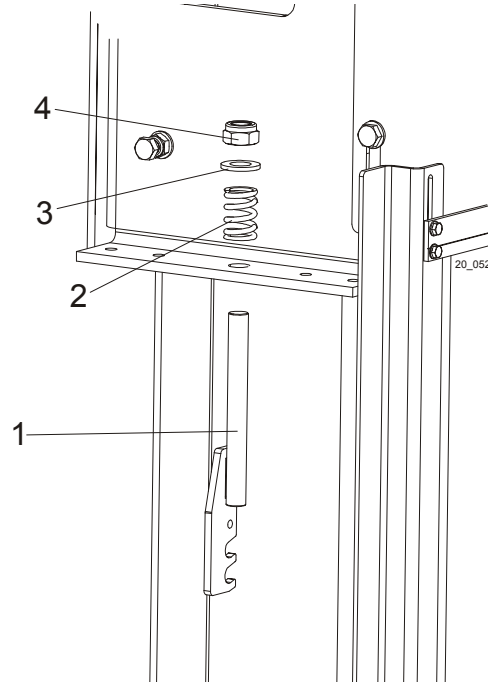
5.3 Manual Up/Down System



| REF | DESCRIPTION (◆ Indicates Parts Available In Assemblies Only) | PART # | QTY. |
|-----|--|----------|------|
| | CRANK ASSEMBLY, LT20 UP/DOWN | 090745 | 1 |
| 1 | Shaft, Up/Down Sprocket | 090748-1 | 1 |
| 2 | Sprocket, 08B Z28 | 090664-1 | 1 |
| 3 | Bolt, M8x20-5.8 Hex Head Full Thread Zinc | F81002-1 | 2 |
| 4 | Nut, M8-8-B Hex Nylon Zinc Lock | F81032-2 | 2 |
| 5 | Knob, 12992M10 Plastic Crank Handle | 086338 | 1 |
| 6 | Nut, M10-8-B Hex Nylon Zinc Lock | F81033-1 | 1 |

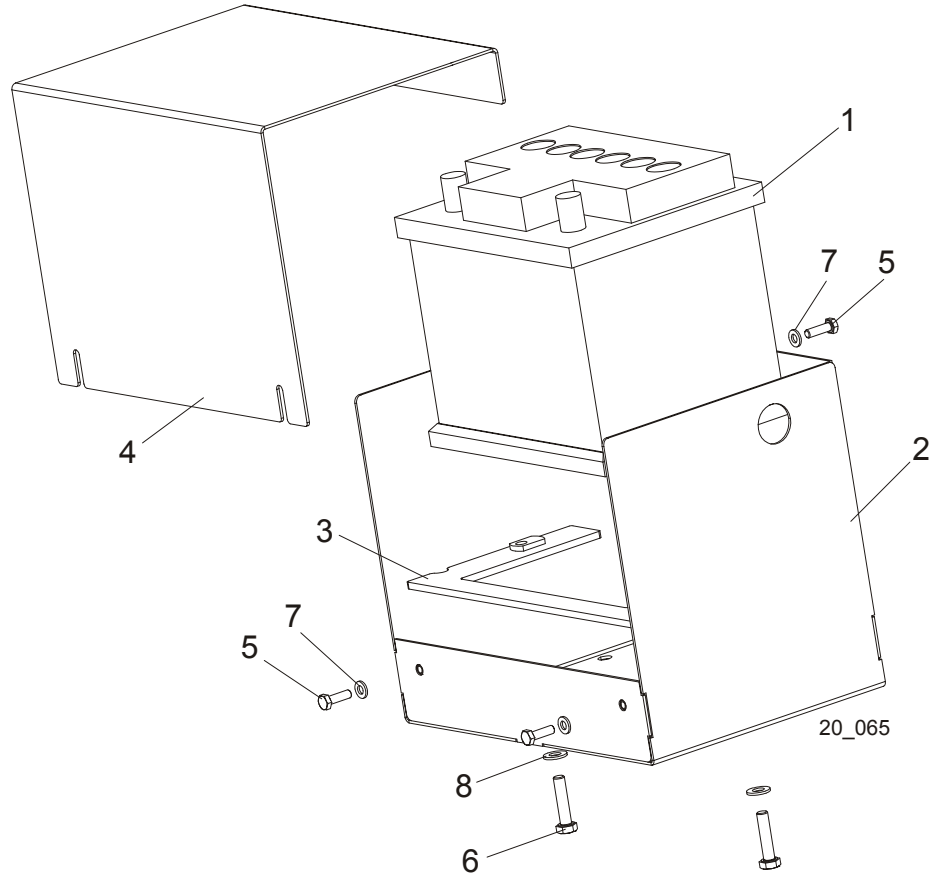
| | | | | |
|----|---|-----------|---|--|
| 7 | Guard, Up/Down Crank Sprocket Ptd | 091834-1 | 1 | |
| 8 | Bolt, M6x16 8.8 Hex Head Full Thread Zinc | F81001-15 | 2 | |
| 9 | Washer, 6.4 Zinc Flat | F81053-1 | 2 | |
| 10 | Bearing, 6203-2RS FLT Rolling | 086114 | 2 | |
| 11 | Guard, LT20 Up/Down Sprocket | 090744-1 | 1 | |
| 12 | Ring, Z 17 Outside Retaining | F81090-21 | 1 | |
| 13 | BOLT, M12 X 90-8.8 HEX HEAD ZINC | F81004-2 | 2 | |
| 14 | WASHER, 13 ZINC FLAT | F81056-1 | 4 | |
| 15 | NUT, M12-8 HEX NYLON ZINC LOCK | F81034-2 | 2 | |
| 16 | BOX, RA-06/66/D1/S+N/V5 GEAR | 088577 | 1 | |
| 17 | SHAFT, LT20 UP/DOWN W/SPROCKET | 091298 | 1 | |
| 18 | KEY, A8 X 7 X 32 PARALLEL | 088564 | 2 | |
| 19 | RING, Z30 OUTSIDE RETAINING | F81090-23 | 1 | |
| 20 | SPROCKET, 10B Z14 ZINC-PLATED | 090702-1 | 1 | |
| 21 | SCREW, M8 X 8-33H HEX SOCKET SET FLAT POINT ZINC | F81014-1 | 1 | |
| 22 | GUARD, LT20 UP/DOWN GEAR BOX SPROCKET PTD | 091655-1 | 1 | |
| 23 | BOLT, M10 X 25-8.8 HEX HEAD FULL THREAD ZINC | F81003-11 | 6 | |
| 24 | WASHER, 10.5 ZINC FLAT | F81055-1 | 6 | |
| 25 | CHAIN, 08B-1-153 UP/DOWN | 091647 | 1 | |

5.4 Up/Down Chain Tensioner Assembly



| REF | DESCRIPTION (◆ Indicates Parts Available In Assemblies Only) | PART # | QTY. | |
|-----|--|----------|------|--|
| 1 | TENSIONER WELDMENT, LT20 UP/DOWN CHAIN ZINC-PLATED | 090730-1 | 1 | |
| 2 | SPRING, 14 X 30 X 3.2 | 090797 | 1 | |
| 3 | WASHER, 13 ZINC FLAT | F81056-1 | 1 | |
| 4 | NUT, M12-8 HEX NYLON ZINC LOCK | F81034-2 | 1 | |

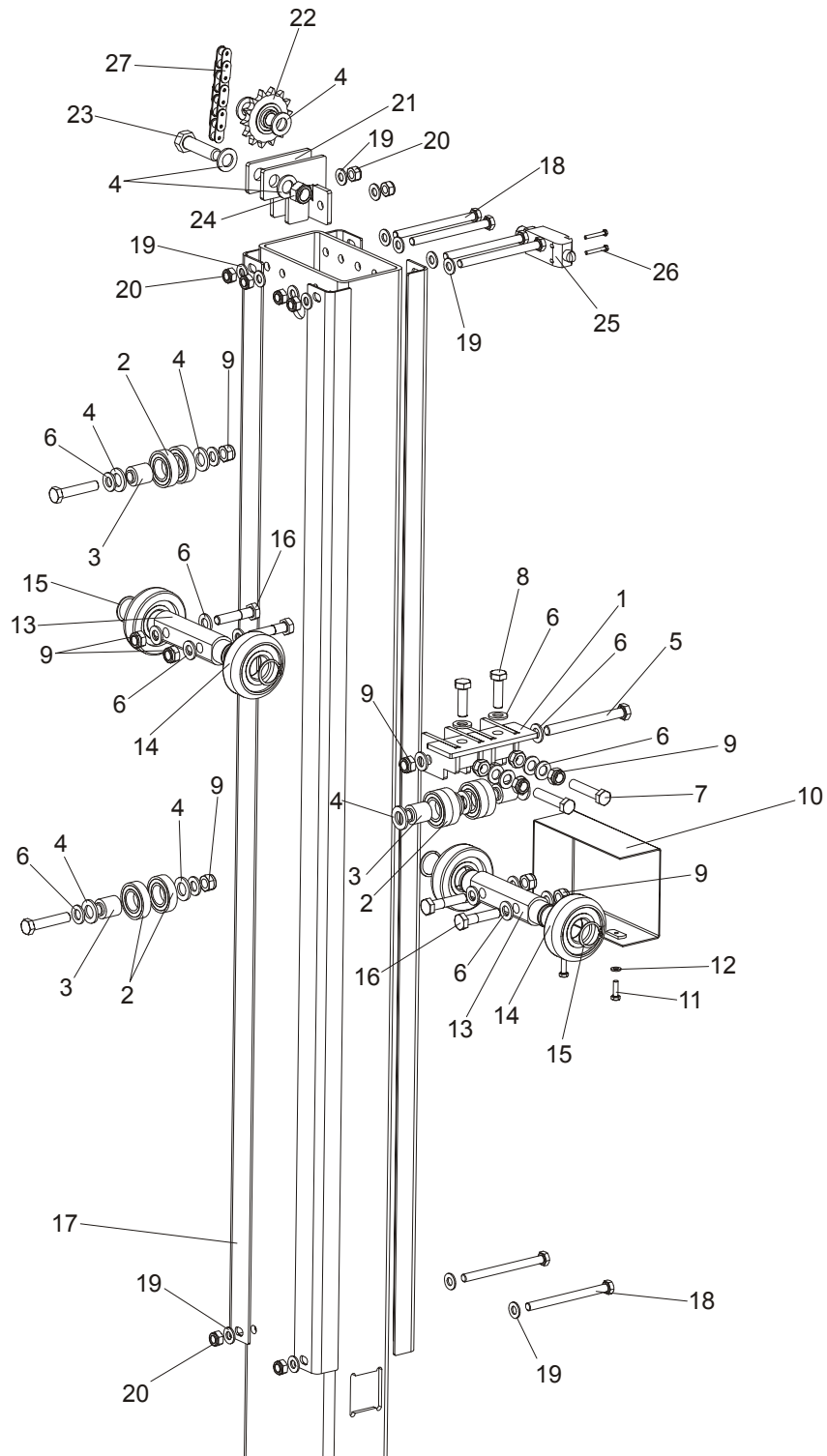
5.5 Battery Box Assembly, DC Mills



| REF | DESCRIPTION (◆ Indicates Parts Available In Assemblies Only) | PART # | QTY. |
|-----|--|---------------|----------|
| | BATTERY BOX, COMPLETE | 091376 | 1 |
| 1 | Battery, 12V 50Ah | 090999 | 1 |
| 2 | Box Weldment, Battery | 091377-1 | 1 |
| 3 | Bracket, Battery Hold-down Ptd | 091381-1 | 1 |
| 4 | Lid, Battery Box Ptd | 091382-1 | 1 |
| 5 | Bolt, M6x20mm Hex Head Full Thread Zinc | F81001-2 | 3 |
| 6 | Bolt, 8mm x 1.25 x 35mm HH Zinc | F81002-13 | 2 |
| 7 | Washer, M6 Zinc Flat | F81053-1 | 3 |
| 8 | Washer, M8 Zinc Flat | F81054-1 | 2 |

SECTION 6 UP/DOWN ROLLERS & BLADE HEIGHT SCALE

6.1 Up/Down Rollers



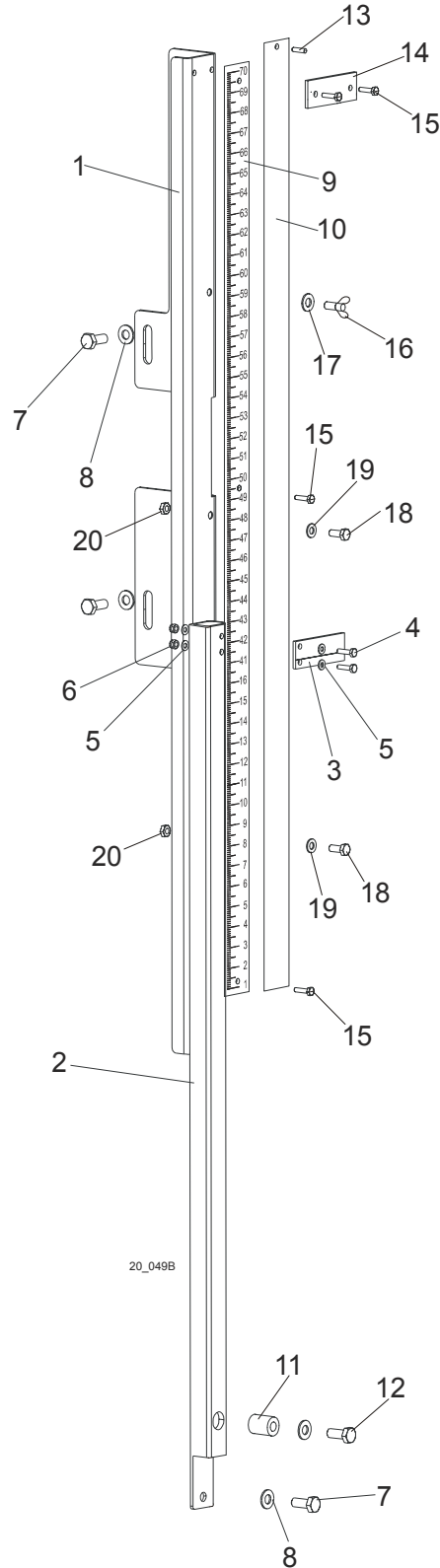
Up/Down Rollers & Blade Height Scale

Up/Down Rollers

6

| REF | DESCRIPTION (◆ Indicates Parts Available In Assemblies Only) | PART # | QTY. | |
|-----|--|-----------|------|--|
| 1 | BRACKET WELDMENT, LT20 UP/DOWN ROLLER PTD | 091095-1 | 1 | |
| 2 | BEARING, 6005 2RS CX | 089652 | 8 | |
| 3 | BUSHING, LT20 UP/DOWN ROLLER | 090790 | 4 | |
| 4 | WASHER, 17 ZINC FLAT | F81058-1 | 12 | |
| 5 | BOLT, M12 X 120 8.8 HEX HEAD ZINC | F81004-38 | 1 | |
| 6 | WASHER, 13 ZINC FLAT | F81056-1 | 20 | |
| 7 | BOLT, M12 X 60-8.8 HEX HEAD FULL THREAD ZINC | F81004-51 | 2 | |
| 8 | BOLT, M12 X 40-8.8 HEX HEAD FULL THREAD ZINC | F81004-4 | 2 | |
| 9 | NUT, M12-8 HEX NYLON ZINC LOCK | F81034-2 | 11 | |
| 10 | GUARD, LT20 UP/DOWN ROLLERS PTD | 091619-1 | 1 | |
| 11 | BOLT, M6 X 20-8.8 HEX HEAD FULL THREAD ZINC | F81001-2 | 2 | |
| 12 | WASHER, 6.4 ZINC FLAT | F81053-1 | 2 | |
| 13 | SHAFT, UP/DOWN ROLLERS ZINC-PLATED | 090616-1 | 2 | |
| 14 | ROLLER, CBK-468 | 088433 | 4 | |
| 15 | RING, Z30 SPRING RETAINING | F81090-23 | 4 | |
| 16 | BOLT, M12 X 55-8.8 HEX HEAD FULL THREAD ZINC | F81004-43 | 4 | |
| 17 | ANGLE, LT20 MAST TUBE | 091182 | 4 | |
| 18 | BOLT, M10 X 125-8.8 HEX HEAD ZINC | F81003-18 | 6 | |
| 19 | WASHER, 10.5 ZINC FLAT | F81055-1 | 14 | |
| 20 | NUT, M10-8-B HEX NYLON ZINC LOCK | F81033-1 | 8 | |
| 21 | BRACKET WELDMENT, LT20 UP/DOWN SPROCKET PTD | 091000 | 1 | |
| 22 | SPROCKET, KSR 16.L0.10.10.14.08 | 088867 | 1 | |
| 23 | BOLT, M16 X 60 8.8 HEX HEAD FULL THREAD ZINC | F81006-12 | 1 | |
| 24 | NUT, M16-8 HEX NYLON ZINC LOCK | F81036-2 | 1 | |
| 25 | SWITCH, EVN2000 C LIMIT | 089816 | 1 | |
| 26 | BOLT, M4 X 30 8.8 HEX HEAD FULL THREAD ZINC | F81011-5 | 2 | |
| 27 | CHAIN, LT20 10B-1-197 TYPE UP/DOWN | 091626 | 1 | |

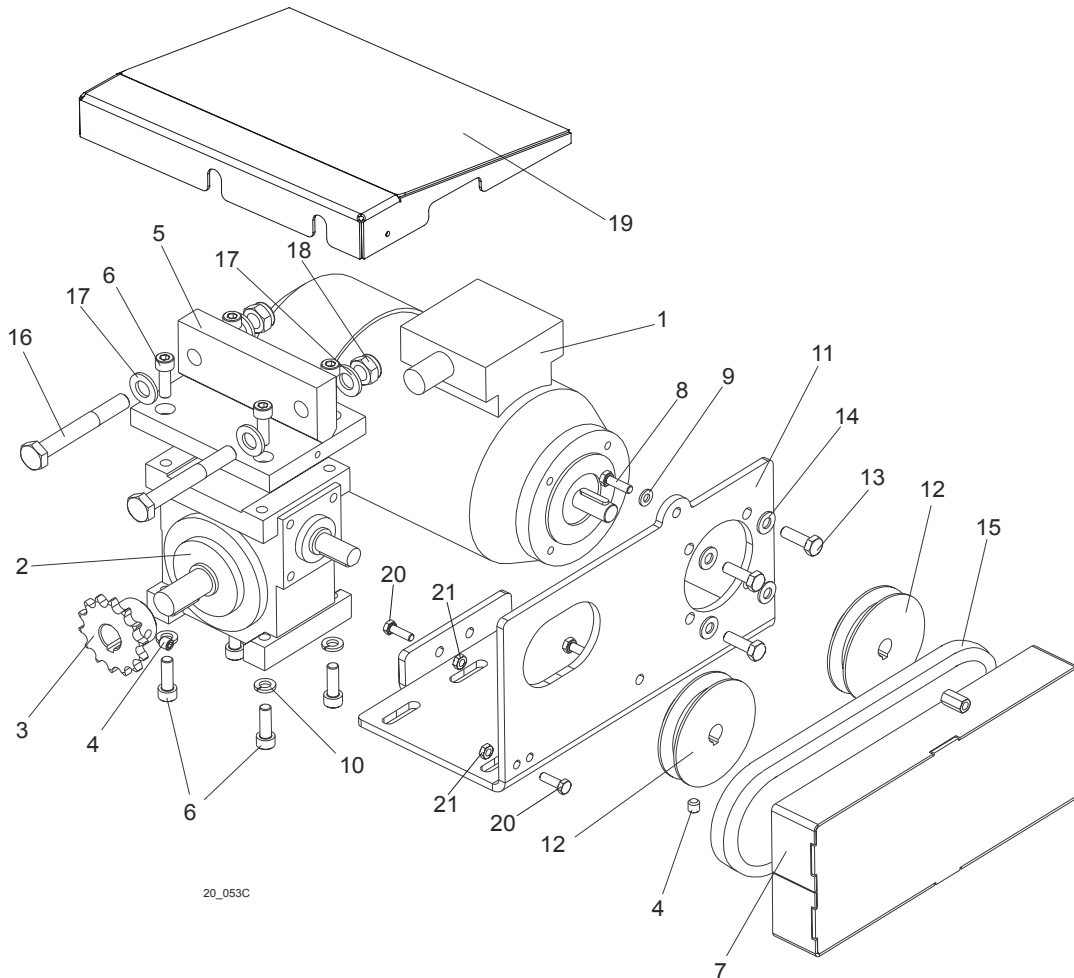
6.2 Blade Height Scale



| REF | DESCRIPTION (◆ Indicates Parts Available In Assemblies Only) | PART # | QTY. | |
|-----|--|-----------|------|--|
| 1 | BRACKET, SCALE MOUNT PTD | 092749-1 | 1 | |
| 2 | BRACKET, SCALE INDICATOR MOUNT PTD | 092751-1 | 1 | |
| 3 | INDICATOR, BLADE HEIGHT SCALE | 094821 | 1 | |
| 4 | BOLT, M4 X 16 5.8 HEX HEAD FULL THREAD ZINC | F81011-6 | 2 | |
| 5 | WASHER, 4.3 ZINC FLAT | F81051-2 | 4 | |
| 6 | NUT, M4-B HEX NYLON ZINC LOCK | F81029-1 | 2 | |
| 7 | BOLT, M8 X 20-5.8 HEX HEAD FULL THREAD ZINC | F81002-1 | 4 | |
| 8 | WASHER, 8.4 ZINC FLAT | F81054-1 | 4 | |
| 9 | BAR, SCALE | 092750 | 1 | |
| | DECAL, LT20 0-80CM METRIC SCALE | 091239 | 1 | |
| 10 | BAR, INCH SCALE | 093133 | 1 | |
| | DECAL, 45-63CM METRIC | P12040-2 | 1 | |
| | DECAL, METRIC 16-40MM | P12040-1 | 1 | |
| 11 | BUSHING, SPACER | 092008-1 | 1 | |
| 12 | BOLT, M8 X 45 - 8.8 Fe/Zn5, PN-M/82105 | F81002-14 | 1 | |
| 13 | PIN, 3x20 ROLL ZINC | F81044-5 | 1 | |
| 14 | BAR, SCALE MOUNT | 093134 | 1 | |
| 15 | SCREW, M6x20- 4.8-B Fe/Zn5 PN-85/M-82207 | F81001-31 | 1 | |
| 16 | BOLT, M6X16 BN276 | F81001-16 | 1 | |
| 17 | WASHER, FLAT ZINC | F81053-11 | 1 | |
| 18 | BOLT, M6X20MM, HH, FULL THREAD, ZINC | F81001-2 | 2 | |
| 19 | WASHER, M6, FLAT,ZINC | F81053-1 | 2 | |
| 20 | NUT, M6, HEX,NYLON LOCK ZINC | F81031-2 | 2 | |

SECTION 7 POWER FEED & TRACK ROLLERS

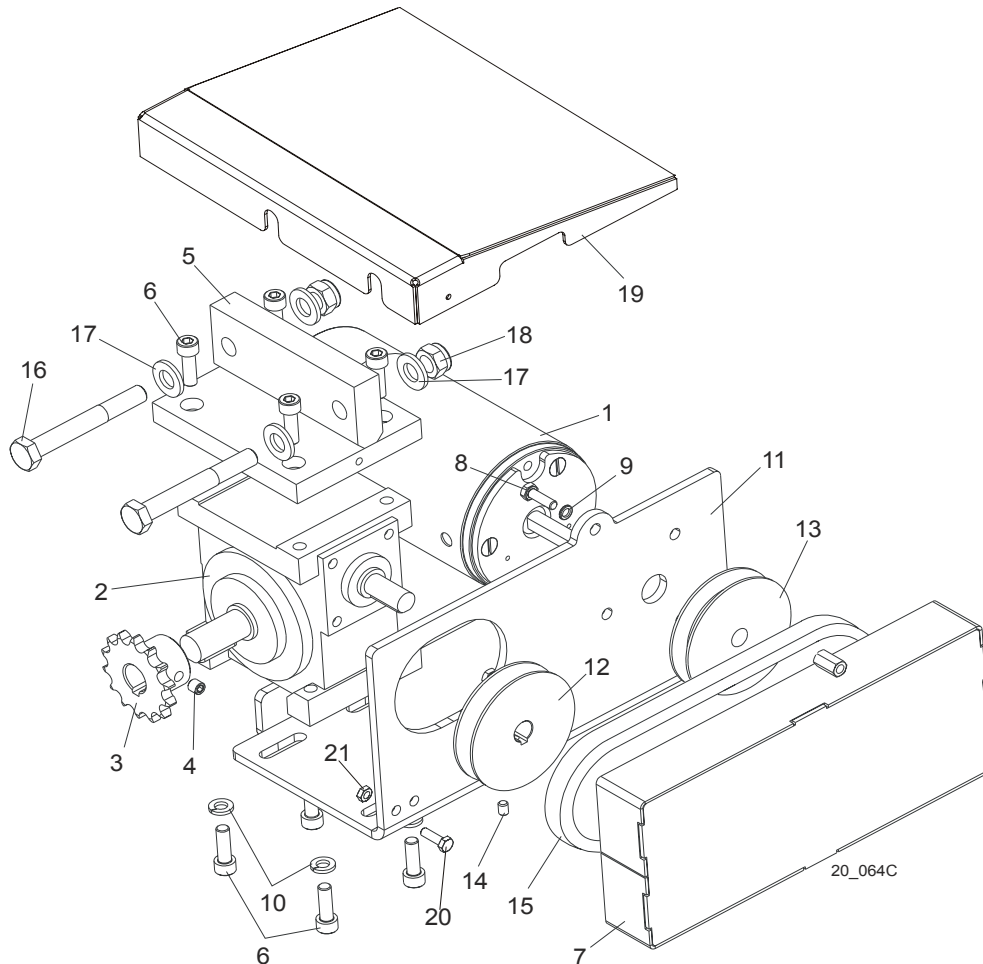
7.1 Power Feed Assembly, AC Mills



| REF | DESCRIPTION (◆ Indicates Parts Available In Assemblies Only) | PART # | QTY. |
|-----|--|-----------|------|
| | POWER FEED ASSEMBLY, LT20 AC | 091196 | 1 |
| 1 | Motor, SKh71X-4C2 RAL 9005 | 091186 | 1 |
| 2 | Gear Box, RA-04/7.5/D1/N+S/B8 w/Output Shaft | 090698 | 1 |
| 3 | Sprocket, 10B Z14 Zinc-plated | 090702-1 | 1 |
| 4 | Screw, M8x8-33H Hex Socket Set Flat Point Zinc | F81014-1 | 1 |
| 5 | Bracket, Power Feed Gear Box Mount | 090715-1 | 1 |
| 6 | Screw, M8X25-8.8 Hex Socket Head Cap Zinc | F81002-21 | 4 |
| 7 | Guard, Power Feed Drive Belt | 091195-1 | 1 |
| 8 | Bolt, M6x20-8.8 Hex Head Full Thread Zinc | F81001-2 | 2 |
| 9 | Washer, 6.4 Zinc Flat | F81053-1 | 2 |
| 10 | Washer, 8.2 Split Lock Zinc | F81054-4 | 4 |
| 11 | Bracket, Power Feed Gear Box | 091191 | 1 |
| 12 | Pulley, LT20 Power Feed Gear Box Ptd | 090699-1 | 2 |

| | | | | |
|----|---|----------|---|--|
| 13 | Bolt, M8x25-8.8-B Hex Head Full Thread Zinc | F81002-5 | 4 | |
| 14 | Washer, 8.4 Zinc Flat | F81054-1 | 4 | |
| 15 | V-Belt, HA-560 (STOMIL-SANOK) | 088562 | 1 | |
| 16 | BOLT, M12X90-8.8 HEX HEAD ZINC | F81004-2 | 2 | |
| 17 | WASHER, 13 ZINC FLAT | F81056-1 | 4 | |
| 18 | NUT, M12-8 HEX NYLON ZINC LOCK | F81034-2 | 2 | |
| 19 | GUARD, POWER FEED MOTOR | 093780-1 | 1 | |
| 20 | BOLT, M8 x 25mm HEX HEAD GR 5.8 ZINC | F81002-5 | 2 | |
| 21 | NUT, M8 HEXAGON, GRADE 5.8 FREE ZINC | F81032-1 | 2 | |

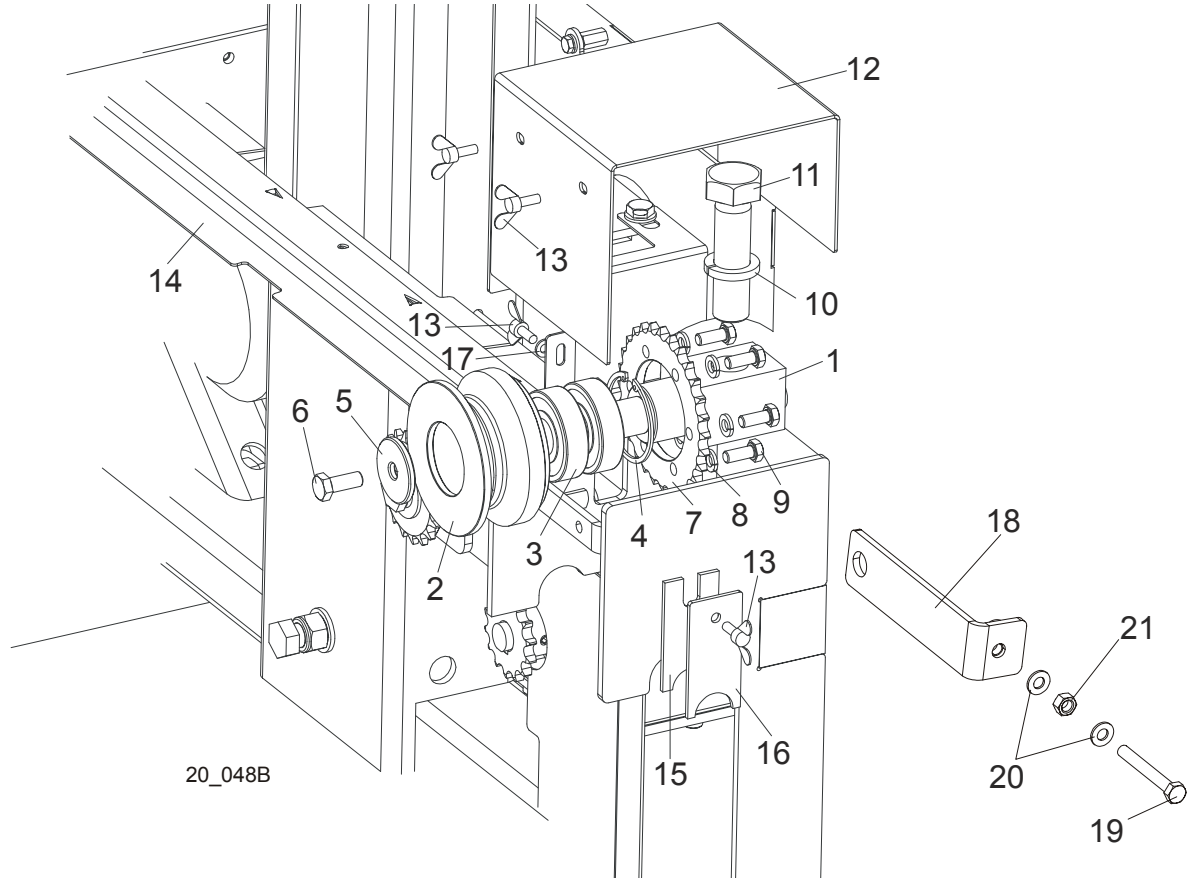
7.2 Power Feed Assembly, DC Mills



| REF | DESCRIPTION (◆ Indicates Parts Available In Assemblies Only) | PART # | QTY. |
|-----|--|-----------|------|
| | POWER FEED ASSEMBLY, LT20 DC | 090703 | 1 |
| 1 | Motor, 12V 0.5HP | P04140 | 1 |
| 2 | Gear Box, RA-04/7.5/D1/N+S/B8 w/Output Shaft | 090698 | 1 |
| 3 | Sprocket, 10B Z14 Zinc-plated | 090702-1 | 1 |
| 4 | Screw, M8x8-33H Hex Socket Set Flat Point Zinc | F81014-1 | 1 |
| 5 | Bracket, Power Feed Gear Box Mount | 090715-1 | 1 |
| 6 | Screw, M8X25-8.8 Hex Socket Head Cap Zinc | F81002-21 | 4 |
| 7 | Guard, Power Feed Drive Belt | 091195-1 | 1 |
| 8 | Bolt, M6x20-8.8 Hex Head Full Thread Zinc | F81001-2 | 2 |
| 9 | Washer, 6.4 Zinc Flat | F81053-1 | 2 |
| 10 | Washer, 8.2 Split Lock Zinc | F81054-4 | 4 |
| 11 | Bracket, LT20 Power Feed Motor Mount Ptd | 090701-1 | 1 |
| 12 | Pulley, LT20 Power Feed Gear Box Ptd | 090699-1 | 2 |
| 13 | Sheave, Up/Down Motor "A" 82/12.7 Ptd | 093158-1 | 1 |
| 14 | Screw, M6x8 Hex Socket Set Cone Point Zinc | F81013-1 | 1 |

| | | | | |
|----|---|----------|---|--|
| 15 | V-Belt, HA-560 (STOMIL-SANOK) | 088562 | 1 | |
| 16 | BOLT, M12X90-8.8 HEX HEAD ZINC | F81004-2 | 2 | |
| 17 | WASHER, 13 ZINC FLAT | F81056-1 | 4 | |
| 18 | NUT, M12-8 HEX NYLON ZINC LOCK | F81034-2 | 2 | |
| 19 | GUARD, POWER FEED MOTOR | 093780-1 | 1 | |
| 20 | BOLT, M8 x 25mm HEX HEAD GR 5.8 ZINC | F81002-5 | 2 | |
| 21 | NUT, M8 HEXAGON, GRADE 5.8 FREE ZINC | F81032-1 | 2 | |

7.3 Upper Track Rollers And Wipers



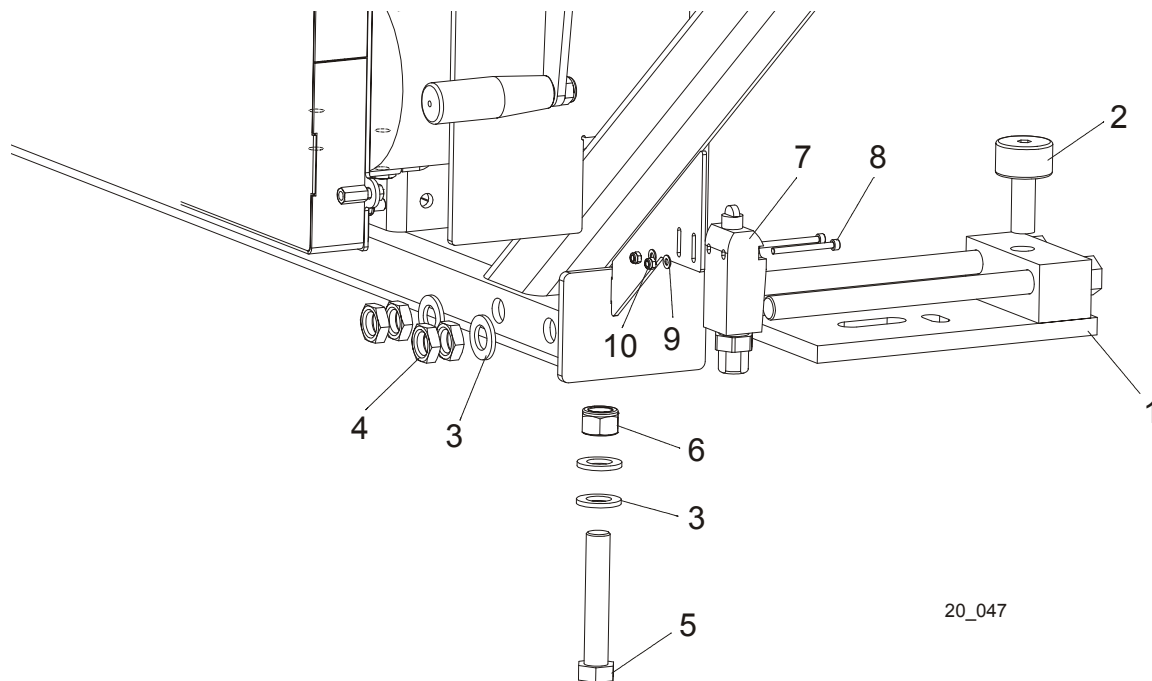
| REF | DESCRIPTION (◆ Indicates Parts Available In Assemblies Only) | PART # | QTY. |
|-----|--|-----------|------|
| | ROLLER ASSEMBLY, LT20 UPPER TRACK | 090662 | 2 |
| 1 | Block, Upper Track Roller Mount | 090665 | 1 |
| 2 | Roller, Upper Track | 090663 | 1 |
| 3 | Bearing, 6305 2RS NSK | P08066 | 2 |
| 4 | Ring, 2 7/16" Bevelled Snap | F04254-21 | 1 |
| 5 | Washer, Drive Wheel | 086286 | 1 |
| 6 | Bolt, M10x25-8.8 Hex Head Full Thread Zinc | F81003-11 | 1 |
| 7 | Sprocket, O8B Z28 | 090664 | 2 |
| 8 | Washer, 8.2 Split Lock Zinc | F81054-4 | 6 |
| 9 | Bolt, M8x20-5.8 Hex Head Full Thread Zinc | F81002-1 | 6 |
| 10 | WASHER, Z 24.5 SPLIT LOCK ZINC | F81061-4 | 2 |
| 11 | BOLT, M24X2X90-8.8 HEX HEAD FULL THREAD ZINC | F81009-2 | 2 |
| 12 | GUARD, UPPER TRACK ROLLER | 090749-1 | 2 |
| 13 | SCREW, M6 X 16 BN276 DIN 316 THUMB | F81001-16 | 8 |
| 14 | COVER, MIDDLE TRACK | 091656 | 1 |
| 15 | WIPER, TOP RAIL | M04113 | 2 |
| 16 | PLATE, TRACK WIPER PTD | 088559-1 | 2 |
| 17 | WASHER, 6.4 ZINC FLAT | F81053-1 | 2 |

| | | | | |
|----|-------------------------------------|----------|---|--|
| 18 | TENSIONER, POWER FEET SPROCKET | 092862-1 | 1 | |
| 19 | BOLT, M8 X 65MM,HH,GRADE 5.8, ZINC | F81002-3 | 1 | |
| 20 | WASHER, M8, FLAT,ZINC | F81054-1 | 2 | |
| 21 | NUT, M8 HEXAGON,GRADE 5.8 FREE ZINC | F81032-1 | 1 | |

7 Power Feed & Track Rollers

Lower Track Rollers

7.4 Lower Track Rollers

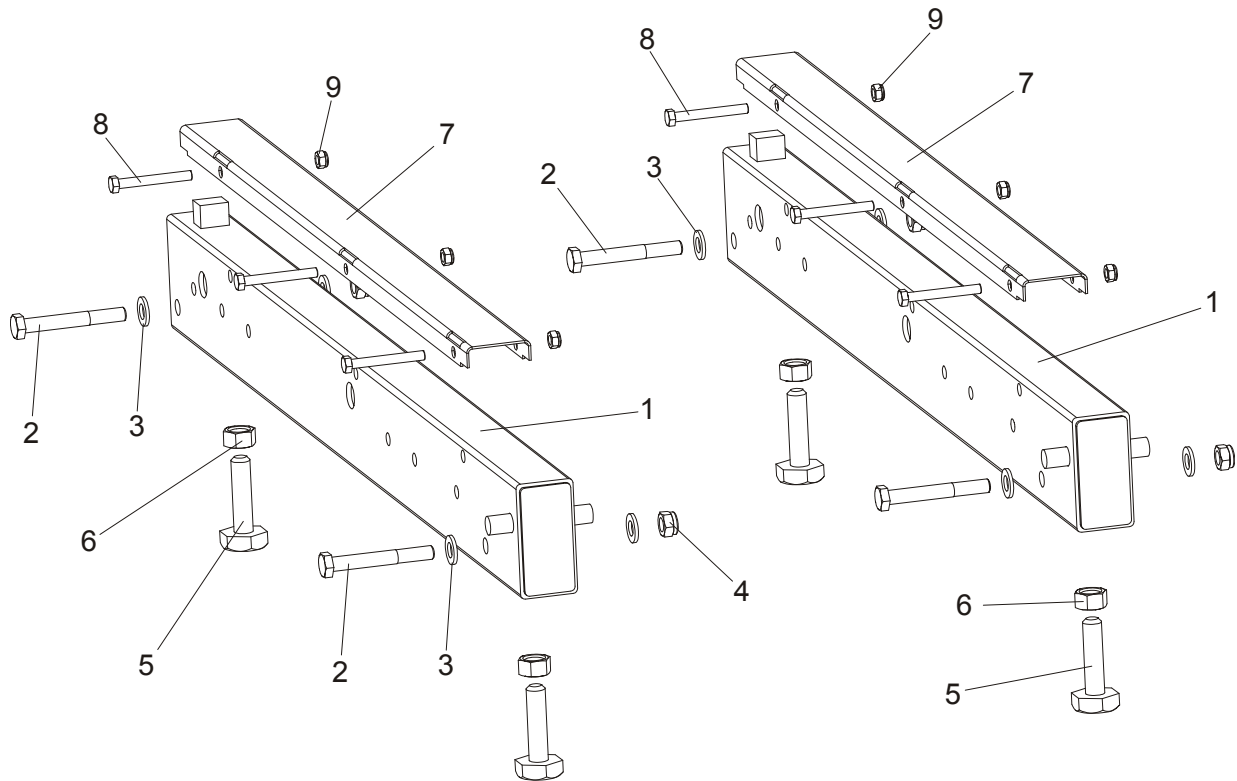


20_047

| REF | DESCRIPTION (◆ Indicates Parts Available In Assemblies Only) | PART # | QTY. | |
|-----|--|-----------|------|--|
| | ROLLER ASSEMBLY, LT20 LOWER TRACK | 090670 | 2 | |
| 1 | Bracket, LT20 Lower Track Roller | 090671-1 | 1 | |
| 2 | Bearing, Cam Follower (McGill) | 012797 | 1 | |
| 3 | WASHER, 17 ZINC FLAT | F81058-1 | 4 | |
| 4 | NUT, M16 HEX THIN ZINC | F81036-4 | 4 | |
| 5 | BOLT, M16 X 90-8.8 HEX HEAD ZINC | F81006-17 | 1 | |
| 6 | NUT, M16-8 HEX NYLON ZINC LOCK | F81036-2 | 1 | |
| 7 | SWITCH, EVN2000 A LIMIT | 091742 | 1 | |
| 8 | SCREW, M4 X 45-8.8 HEX SOCKET HEAD CAP ZINC | F81011-33 | 2 | |
| 9 | NUT, M4-B HEX NYLON ZINC LOCK | F81029-1 | 2 | |
| 10 | WASHER, 4.3 ZINC FLAT | F81051-2 | 2 | |

SECTION 8 BED FRAME ASSEMBLY

8.1 Bed Rail Assembly, Front And Rear (S/M type frame)



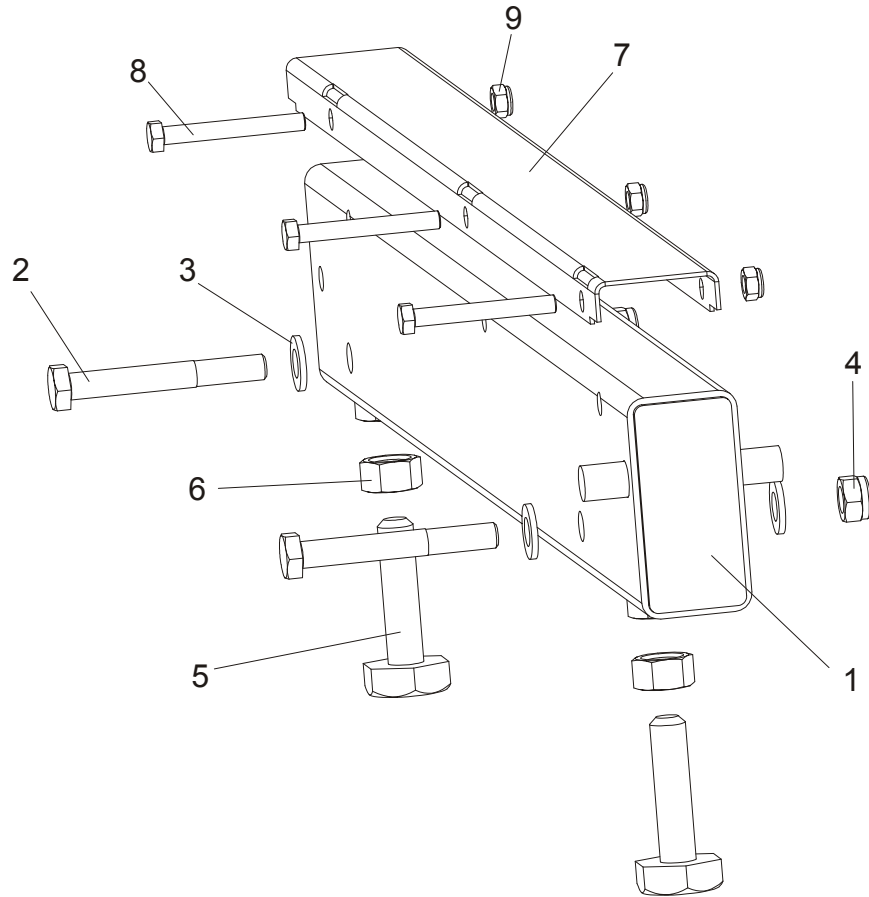
| REF | DESCRIPTION (◆ Indicates Parts Available In Assemblies Only) | PART # | QTY. |
|-----|--|----------|------|
| 1 | BED RAIL ASSEMBLY, REAR PAINTED | 091555 | 2 |
| 2 | Bolt, M12 x 90-8.8 Hex Head | F81004-2 | 4 |
| 3 | Washer, 13 SAE FLAT | F81056-1 | 8 |
| 4 | Nut, m12-8 hex Nylon Lock | F81034-2 | 4 |
| 5 | Bolt, M16, Bed Rail Adjustment | 086809 | 4 |
| 6 | Nut, M16-5-B Zinc Hex Head | F81036-5 | 4 |
| 7 | COVER, STAINLESS STEEL BED RAIL | S09944 | 2 |
| 8 | BOLT, M8X65-5,8 ZINC HEX HEAD | F81002-3 | 6 |
| 9 | NUT, M8-8-B-ZINC HEX NYLON LOCK | F81032-2 | 6 |

8

Bed Frame Assembly

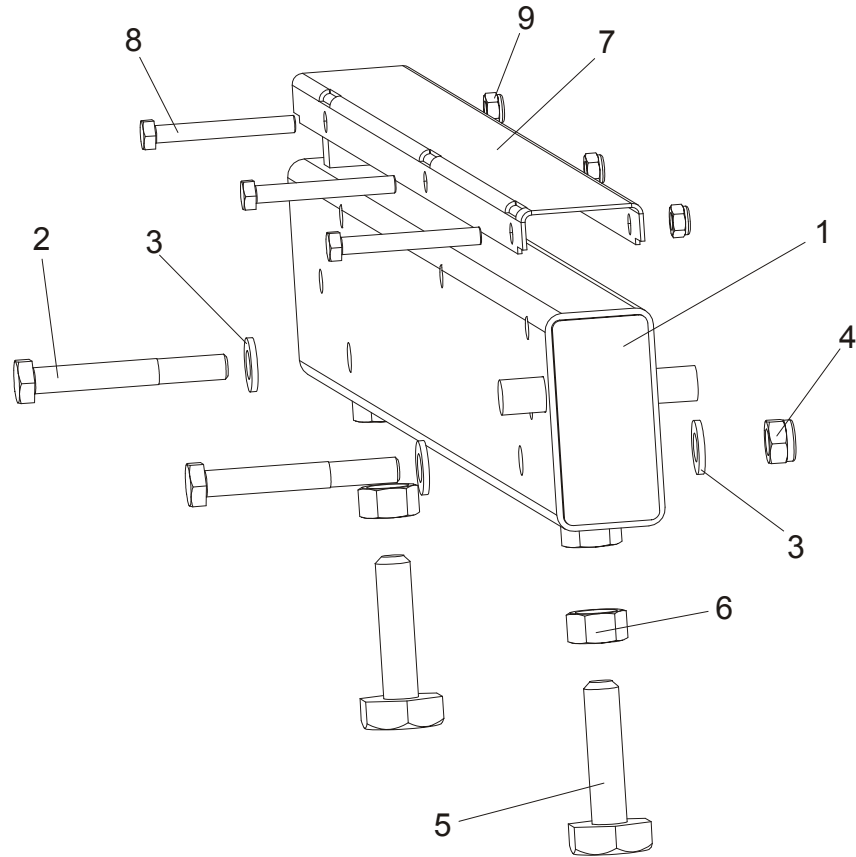
Bed Rail Assembly, Front Middle (S/M type frame)

8.2 Bed Rail Assembly, Front Middle (S/M type frame)



| REF | DESCRIPTION (◆ Indicates Parts Available In Assemblies Only) | PART # | QTY. |
|-----|--|----------|------|
| 1 | BED RAIL ASSEMBLY, FRONT MIDDLE | 091556 | 1 |
| 2 | Bolt, M12 x 90-8.8 Hex Head | F81004-2 | 2 |
| 3 | Washer, 13 SAE Flat | F81056-1 | 4 |
| 4 | Nut, M12-8 hex Nylon Lock | F81034-2 | 2 |
| 5 | Bolt, M16, Bed Rail Adjustment | 086809 | 2 |
| 6 | Nut, M16-5-B Zinc Hex Head | F81036-5 | 2 |
| 7 | COVER, STAINLESS STEEL BED RAIL | S09944 | 2 |
| 8 | BOLT, M8X65-5,8 ZINC HEX HEAD | F81002-3 | 3 |
| 9 | NUT, M8-8-B-ZINC HEX NYLON LOCK | F81032-2 | 3 |

8.3 Bed Rail Assembly, Rear Middle (S/M type frame)

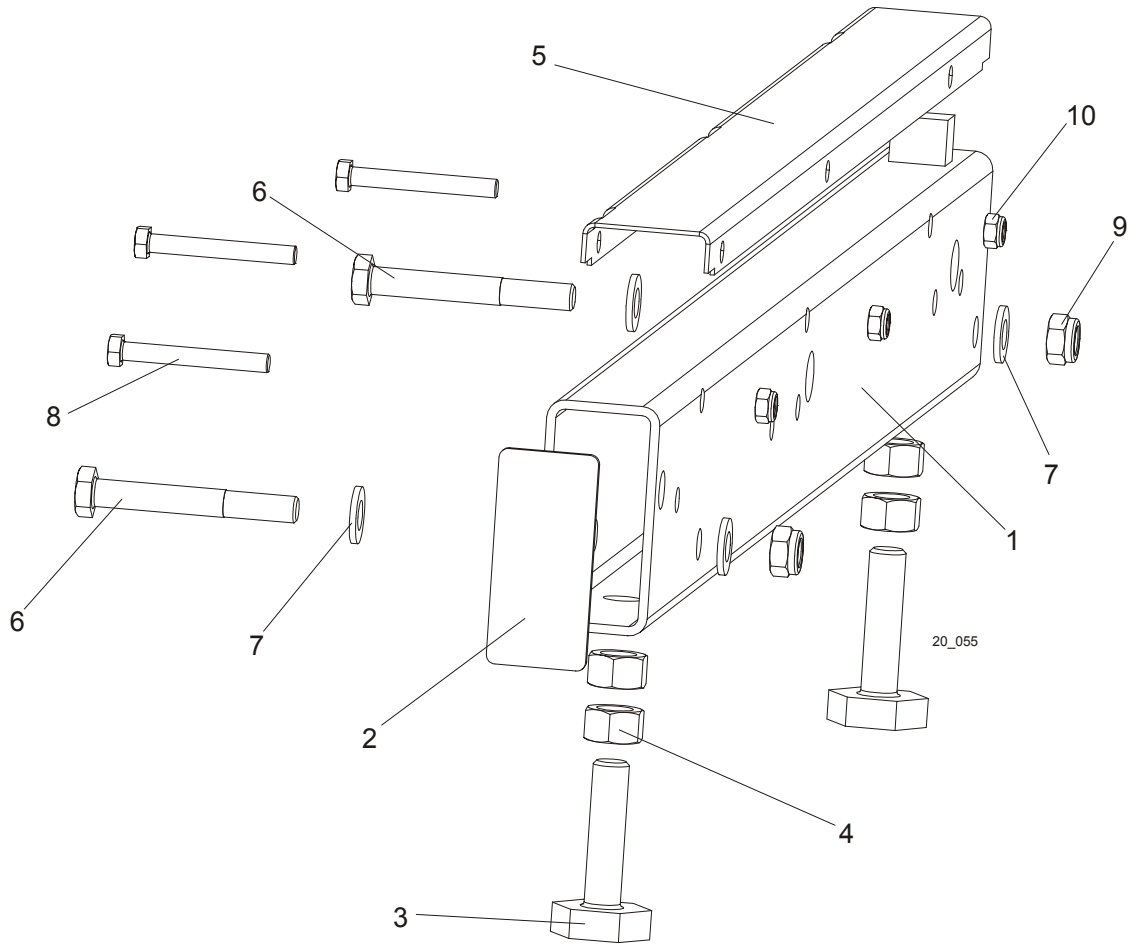


| REF | DESCRIPTION (◆ Indicates Parts Available In Assemblies Only) | PART # | QTY. |
|-----|--|----------|------|
| 1 | BED RAIL ASSEMBLY, REAR MIDDLE PAINTED | 091557 | 1 |
| 2 | Bolt, M12 x 90-8.8 Hex Head | F81004-2 | 2 |
| 3 | Washer, 13 SAE Flat | F81056-1 | 4 |
| 4 | Nut, M12-8 hex Nylon Lock | F81034-2 | 2 |
| 5 | Bolt, M16, Bed Rail Adjustment | 086809 | 2 |
| 6 | Nut, M16-5-B Zinc Hex Head | F81036-5 | 2 |
| 7 | COVER, STAINLESS STEEL BED RAIL | S09944 | 2 |
| 8 | BOLT, M8X65-5,8 ZINC HEX HEAD | F81002-3 | 3 |
| 9 | NUT, M8-8-B-ZINC HEX NYLON LOCK | F81032-2 | 3 |

8 Bed Frame Assembly

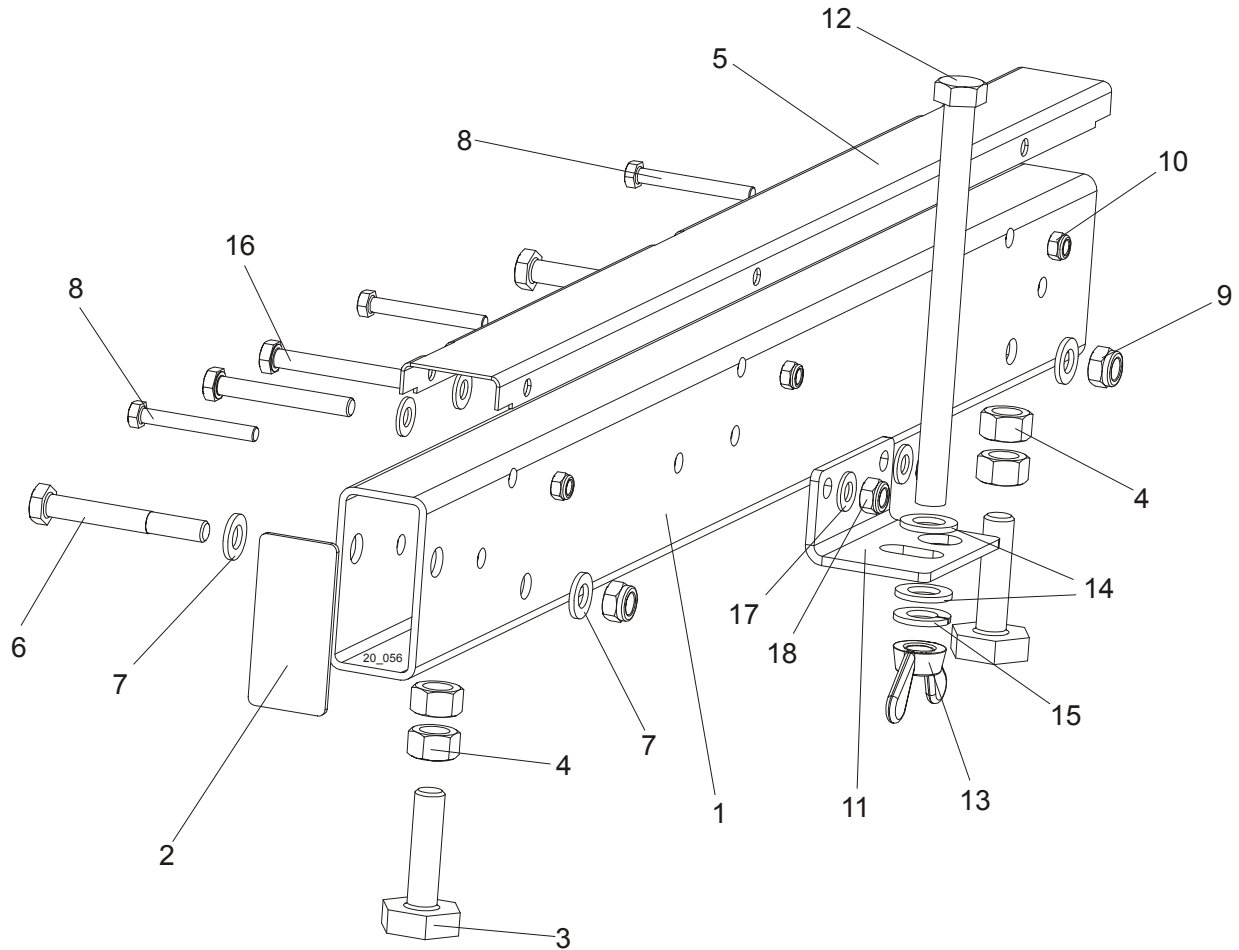
Bed Rail Assembly (L type frame)

8.4 Bed Rail Assembly (L type frame)



| REF | DESCRIPTION (◆ Indicates Parts Available In Assemblies Only) | PART # | QTY. |
|-----|--|-----------|------|
| | LONG BED RAIL ASSEMBLY | 089385 | 1 |
| 1 | Bed Rail Tube, Long | 087433 | 1 |
| 2 | Plate, Bed Rail End Cap | 087853 | 1 |
| 3 | Bolt, Bed Rail Adjustment | S13006 | 2 |
| 4 | Nut, 5/8-11 Hex | F05010-54 | 4 |
| 5 | Cover, Stainless Steel Bed Rail | S09944 | 1 |
| 6 | Bolt, M12 x 90-8.8 Hex Head Zinc | F81004-2 | 2 |
| 7 | Washer, 13 Zinc Flat | F81056-1 | 4 |
| 8 | Bolt, M8x65-5.8 Hex Head Zinc | F81002-3 | 3 |
| 9 | Nut, M12-8 Hex Nylon Zinc Lock | F81034-2 | 2 |
| 10 | Nut, M8-8-B Hex Nylon Zinc Lock | F81032-2 | 3 |

8.5 Bed Rail Assembly (L type frame)

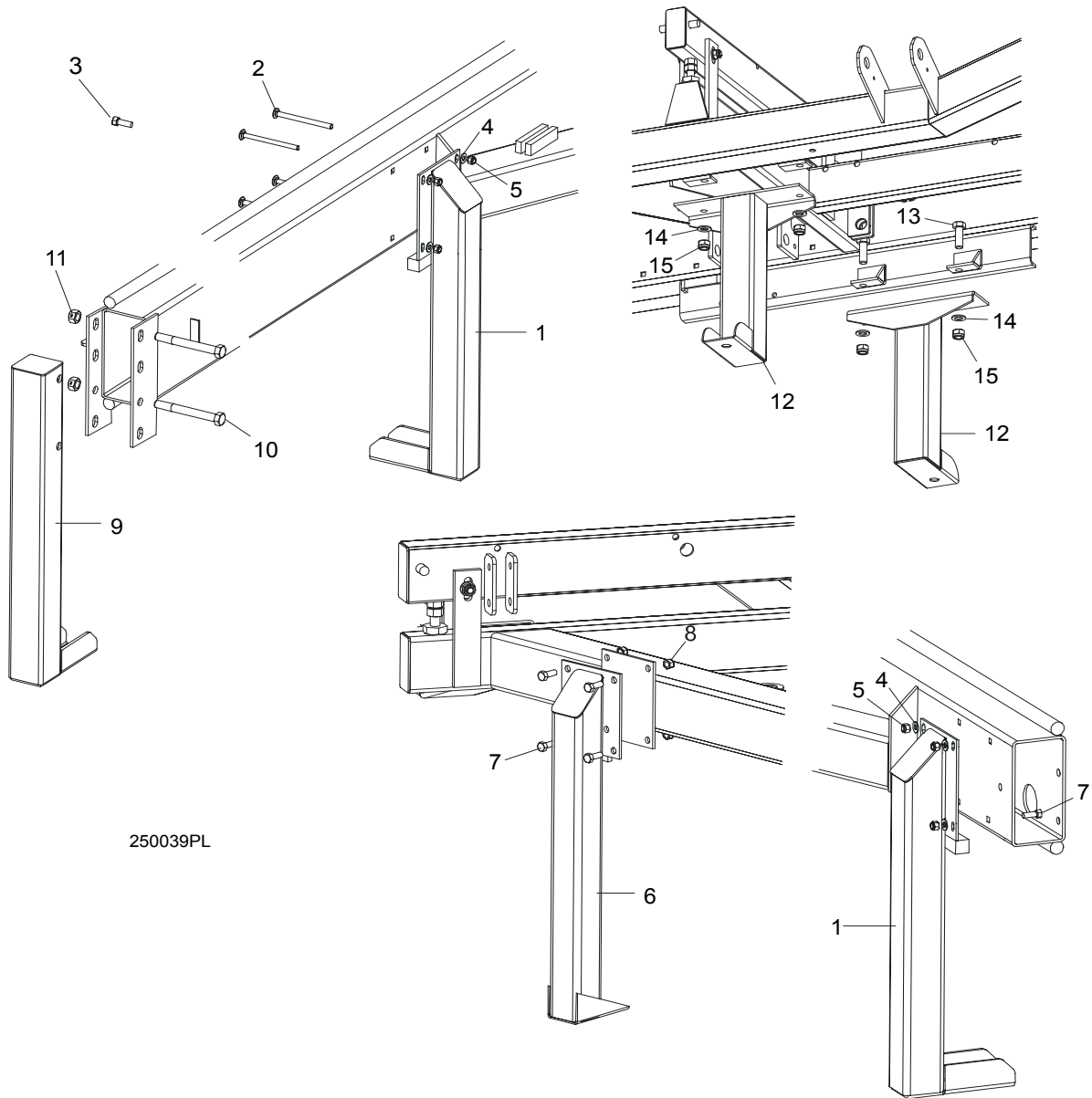


| REF | DESCRIPTION (◆ Indicates Parts Available In Assemblies Only) | PART # | QTY. |
|-----|--|-----------|------|
| | BED RAIL ASSEMBLY, SHORT | 089386 | 1 |
| 1 | Bed Rail Tube, Short | 087878 | 1 |
| 2 | Plate, Bed Rail End Cap | 087853 | 1 |
| 3 | Bolt, Bed Rail Adjustment | S13006 | 2 |
| 4 | Nut, 5/8-11 Hex | F05010-54 | 4 |
| 5 | Cover, Bed Rail Stainless Steel | S09944 | 1 |
| 6 | Bolt, M12x90-8.8 Hex Head Zinc | F81004-2 | 2 |
| 7 | Washer, 13 Zinc Flat | F81056-1 | 4 |
| 8 | Bolt, M8x65-5.8 Hex Head Zinc | F81002-3 | 3 |
| 9 | Nut, M12-8 Hex Nylon Zinc Lock | F81034-2 | 2 |
| 10 | Nut, M8-8-B Hex Nylon Zinc Lock | F81032-2 | 3 |
| 11 | Bracket, Loading Arms Link Storage | 090258-1 | 1 |
| 12 | Bolt, M16x220-8.8-B Hex Head Zinc | F81006-21 | 1 |
| 13 | Nut, M16-8 Hex Nylon Zinc Lock | F81036-2 | 1 |
| 14 | Washer, 17 Zinc Flat | F81058-1 | 2 |
| 15 | Washer, 16.3 Split Lock Zinc | F81058-2 | 1 |

8**Bed Frame Assembly***Bed Rail Assembly (L type frame)*

| | | | | |
|-----------|----------------------------------|-----------|---|--|
| 16 | Bolt, M10x75-8.8 Hex Head Zinc | F81003-15 | 2 | |
| 17 | Washer, 10.5 Zinc Flat | F81055-1 | 2 | |
| 18 | Nut, M10-8-B Hex Nylon Zinc Lock | F81033-1 | 2 | |

8.6 Stationary Leg



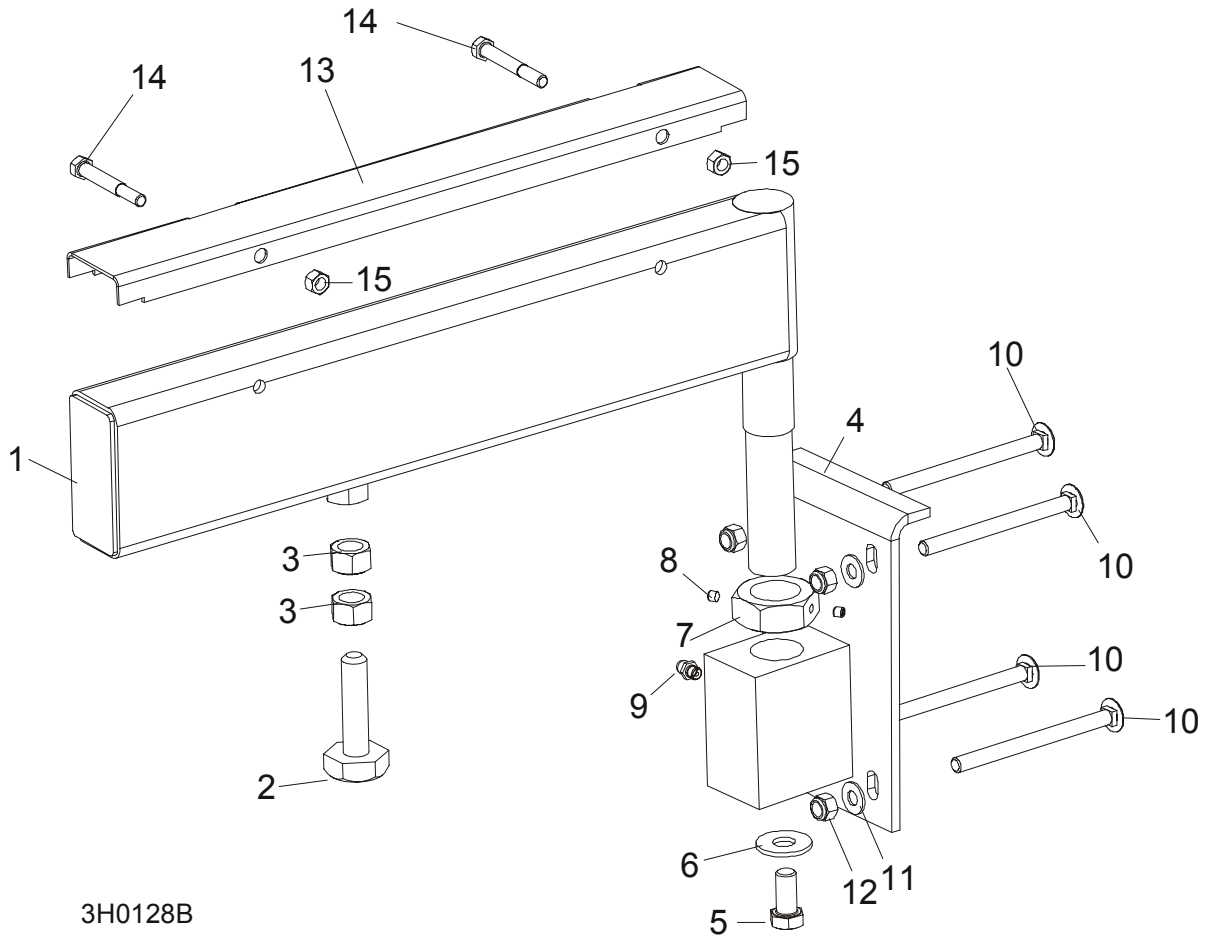
250039PL

| REF | DESCRIPTION (◆ Indicates Parts Available In Assemblies Only) | PART # | QTY. |
|-----|--|-----------|------|
| 1 | LEG, LONG STATIONARY | 087451-1 | 2/3 |
| 2 | BOLT, M10 X 120 - 8.8 CARRIAGE HEAD ZINC | F81003-33 | 8 |
| 3 | BOLT, 3/8-16 X 1" HEX HEAD ZINC GRADE 8 | F05007-7 | 4 |
| 4 | WASHER, 10.5 ZINC FLAT | F81055-1 | 16 |
| 5 | NUT, M10-8-B HEX NYLON ZINC LOCK | F81033-1 | 8/12 |
| 6 | LEG, SHORT STATIONARY | 087450-1 | 2 |
| 7 | BOLT, M10 X 25-8.8 HEX HEAD ZINC | F81003-11 | 12 |
| 8 | NUT, M10-8-B HEX NYLON ZINC LOCK | F81033-1 | 12 |
| 9 | LEG, FRONT STATIONARY | 087452-1 | 1 |

8**Bed Frame Assembly***Stationary Leg*

| | | | | |
|----|--|----------|---|--|
| 10 | BOLT, M16 X 140 - 8.8 HEX HEAD | F81006-4 | 2 | |
| 11 | NUT, 5/8-11 HEX ZINC | F05010-4 | 2 | |
| 12 | LEG, MIDDLE STATIONARY | 087093-1 | 2 | |
| 13 | BOLT, M16 X 50-8.8 HEX HEAD FULL THREAD ZINC | F81006-7 | 4 | |
| 14 | WASHER, 17 ZINC FLAT | F81058-1 | 4 | |
| 15 | NUT, M16-8 HEX NYLON ZINC LOCK | F81036-2 | 4 | |

8.7 Pivot Bed Rail Assembly



3H0128B

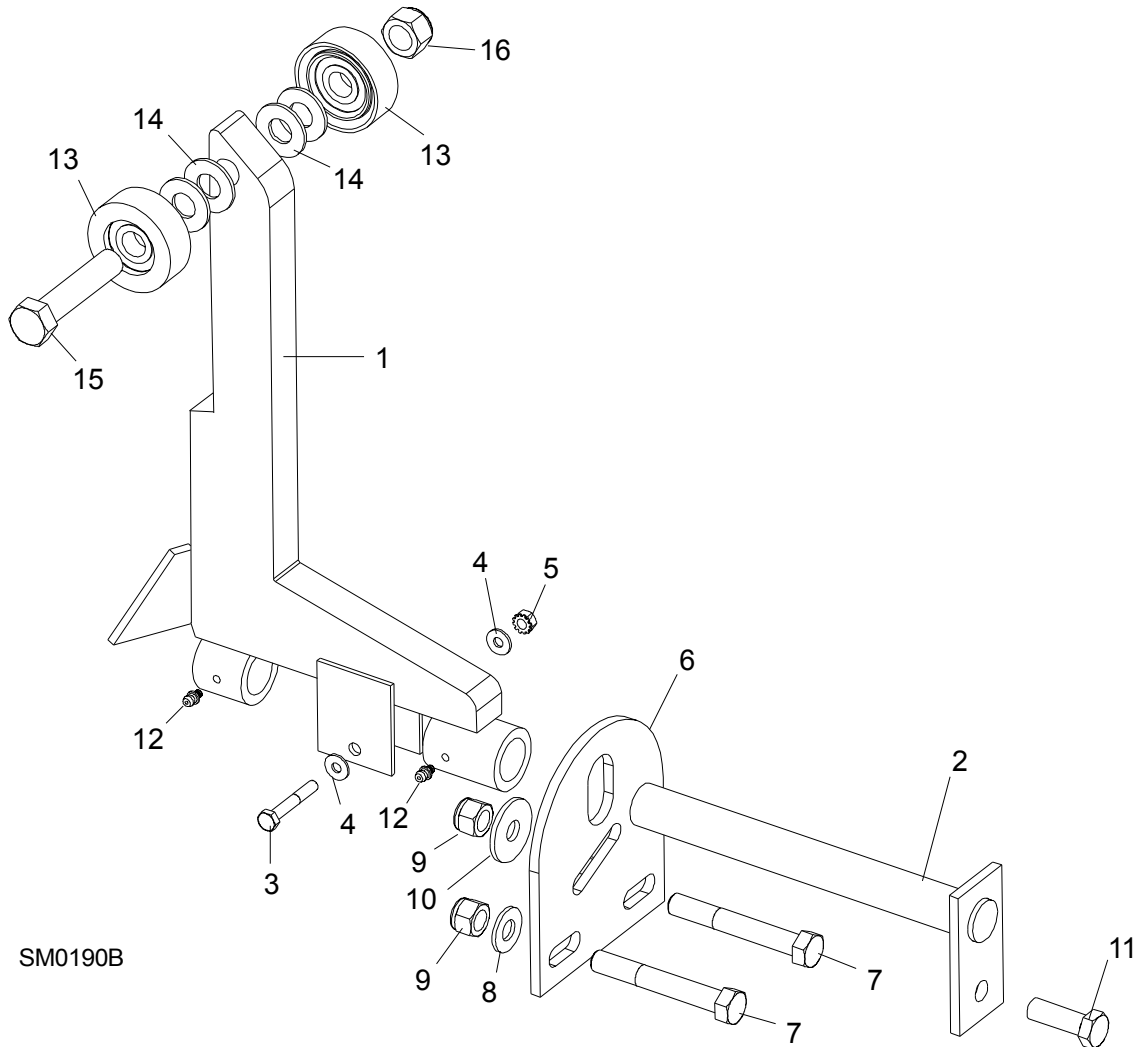
| REF | DESCRIPTION (◆ Indicates Parts Available In Assemblies Only) | PART # | QTY. |
|-----|--|----------------------|------|
| | PIVOT BED RAIL, COMPLETE | 087829 | 2 |
| | PIVOT BED RAIL, COMPLETE | 087855 | 2 |
| 1 | Rail Weldment, Pivot Bed | 087852-1 | 1 |
| | Rail, Pivot Bed | 087848-1 | 1 |
| | Bolt Assembly, Bed Rail Adjustment | | |
| 2 | Bolt, Pivot Bed Rail Adjustment | 086809 | 1 |
| 3 | Nut, M16-5.8 Zinc Hex | F81036-1 | 2 |
| 4 | Bracket, Pivot Bed Rail Mounting | 087841-1 | 1 |
| 5 | Bolt, M12x25-8.8 Hex Head Full Thread Zinc | F81004-31 | 1 |
| 6 | Washer, 9/16" Zinc Flat | F05011-52 | 1 |
| 7 | Nut, M16-5.8 Zinc Hex Nut, M32 Zinc Hex Thin | F81036-1 F81039-2 | 1 |
| 8 | Screw, 1/4-28 x 1/4 Socket Head Brass Tip Set | F05005-42 | 2 |
| 9 | Fitting, M6 Grease | 086280 | 1 |
| 10 | BOLT, M10 X 120 8.8 CARRIAGE HEAD ZINC | F81003-33 | 2 |
| 11 | BOLT, M10 X 120 8.8 CARRIAGE HEAD ZINC | F81003-33 | 6 |
| 12 | WASHER, 10.5 ZINC FLAT | F81055-1 | 8 |

8

Bed Frame Assembly*Pivot Bed Rail Assembly*

| | | | | |
|-----------|---|----------|---|--|
| 13 | NUT, M16-8 HEX NYLON ZINC LOCK | F81036-2 | 8 | |
| | COVER KIT, PIVOT BED RAIL | 015926 | 2 | |
| | COVER KIT, PIVOT BED RAIL | N/A | 2 | |
| 14 | Cover, Pivot Bed Rail Stainless Steel | 012994 | 1 | |
| | Cover, Pivot Bed Rail | S13012 | 1 | |
| 15 | Bolt, M8x65-5.8 Hex Head Zinc | F81002-3 | 2 | |
| 16 | Nut, M8-8-B Hex Nylon Zinc Lock | F81032-2 | 2 | |
| | WRENCH, BED RAIL ADJUSTMENT (Patrz rozdział 8.4) | 015970 | 1 | |

8.8 Log Side Support Assembly



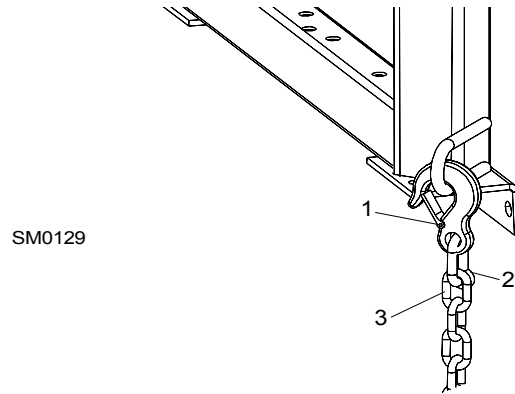
SM0190B

| REF | DESCRIPTION (◆ Indicates Parts Available In Assemblies Only) | PART # | QTY. |
|-----------|--|-----------|------|
| | SUPPORT, LOG SIDE | 092686 | 1 |
| 1 | MOUNTING KIT, LOG SIDE SUPPORT | 085538-1 | 3 |
| 2 | Pin, Log Side Support Pivot | 091549-1 | 1 |
| 3 | Bolt, M8x45 - 8.8 Hex Head Grade 5 | F81002-14 | 1 |
| 4 | Washer, 8.4 Flat | F81054-1 | 2 |
| 5 | Nut, M8-8-B Self Locking | F81032-2 | 1 |
| 6 | Plate, Log Side Support End | 091591-1 | 1 |
| 7 | Bolt, M12 x 75-8.8 Hex Head | F81004-21 | 2 |
| 8 | Washer, 13 Flat | F81056-1 | 2 |
| 9 | Nut, M12-8 Hex Nylon Lock | F81034-2 | 3 |
| 10 | Washer, 15 Flat Special Zinc-Plated | F81057-3 | 1 |
| 11 | Bolt, M12 x 35-8.8 Hex Head | F81004-24 | 1 |

8**Bed Frame Assembly***Log Side Support Assembly*

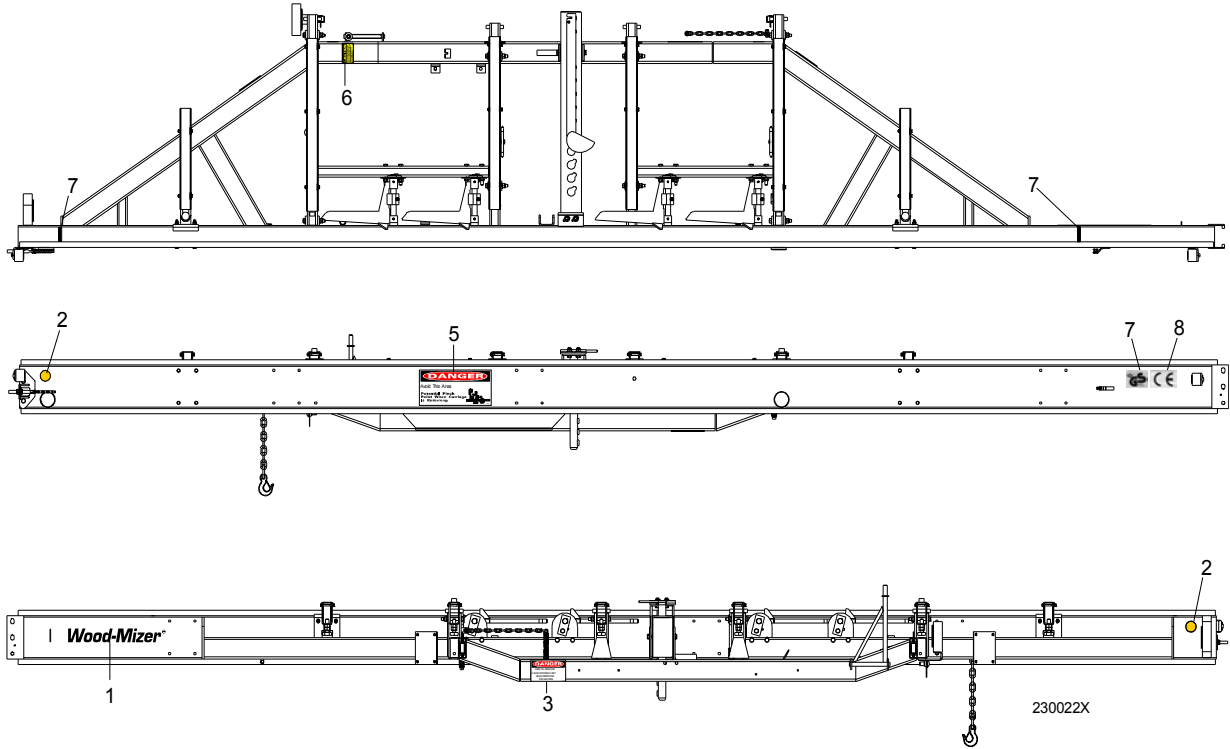
| | | | | |
|-----------|--|------------|---|--|
| 12 | FITTING, 3/16" GREASE | P04107 | 2 | |
| 13 | Roller Assembly, Side Support | 015014-1 | 2 | |
| 14 | Washer, 17 Flat | F81058-1 | 2 | |
| 15 | Bolt, M16x65-8.8-B Hex Head Grade 5 | F81006-1 | 1 | |
| 16 | Nut, M16-8 Nylon Lock | F81036-2 | 1 | |
| | Instruction Sheet, Side Support Roller | 015109-526 | 1 | |

8.9 Tie Down Chain Assembly



| REF | DESCRIPTION (◆ Indicates Parts Available In Assemblies Only) | PART # | QTY. | |
|-----|--|----------|-------|---|
| | TIE DOWN CHAIN ASSEMBLY | A04376 | 1 | |
| 1 | Hook, 5/8" Safety Chain | P12075 | 1 | ◆ |
| 2 | Cold Shut, 3/8" Plain | P04772-2 | 1 | ◆ |
| 3 | Chain, N-10 x 35 Plain Link | R80558 | .28 m | ◆ |

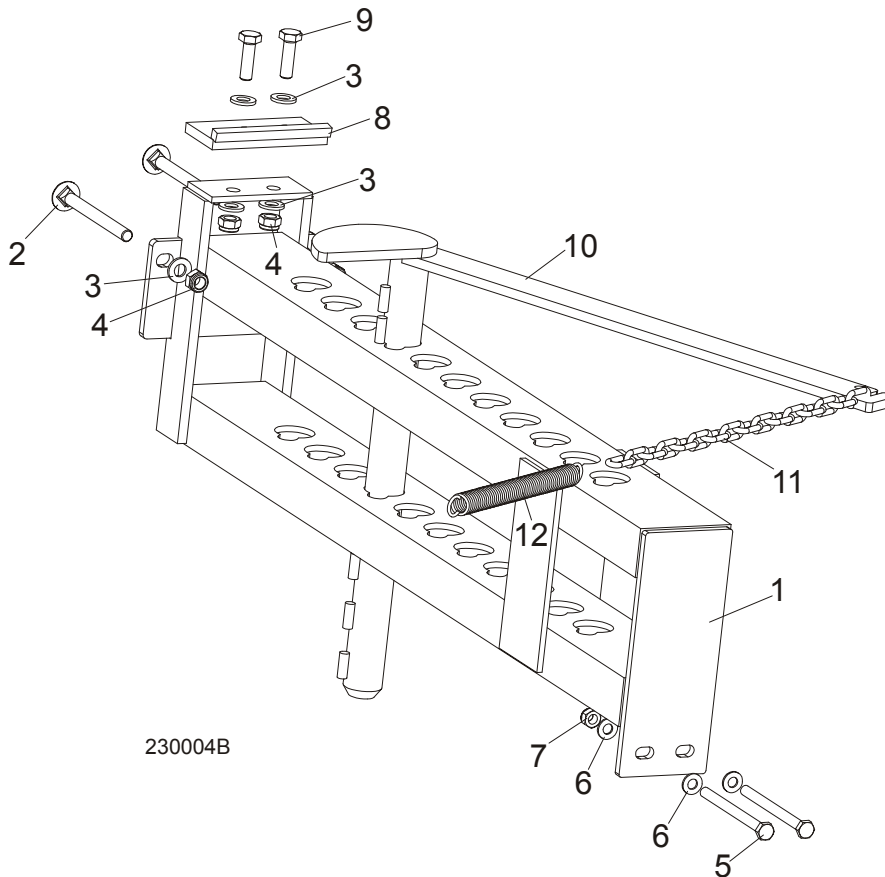
8.10 Bed Frame Decals



| REF | DESCRIPTION (◆ Indicates Parts Available In Assemblies Only) | PART # | QTY. |
|-----|--|--------|------|
| 4 | DECAL, AMBER REFLECTIVE 2" ROUND | P07453 | 2 |
| 5 | DECAL, KEEP AWAY DANGER | S09851 | 1 |
| 6 | DECAL, PINCH POINT DANGER | P10287 | 1 |
| 7 | DECAL, SAW HEAD REST CAUTION | S12581 | 1 |
| 8 | DECAL, LOG LENGTH LIMIT | S12051 | 2 |
| 9 | DECAL, GS SAFETY CERTIFICATION SMALL | P85072 | 1 |
| 10 | DECAL, CE CERTIFIED SAWMILL SMALL | P85070 | 1 |

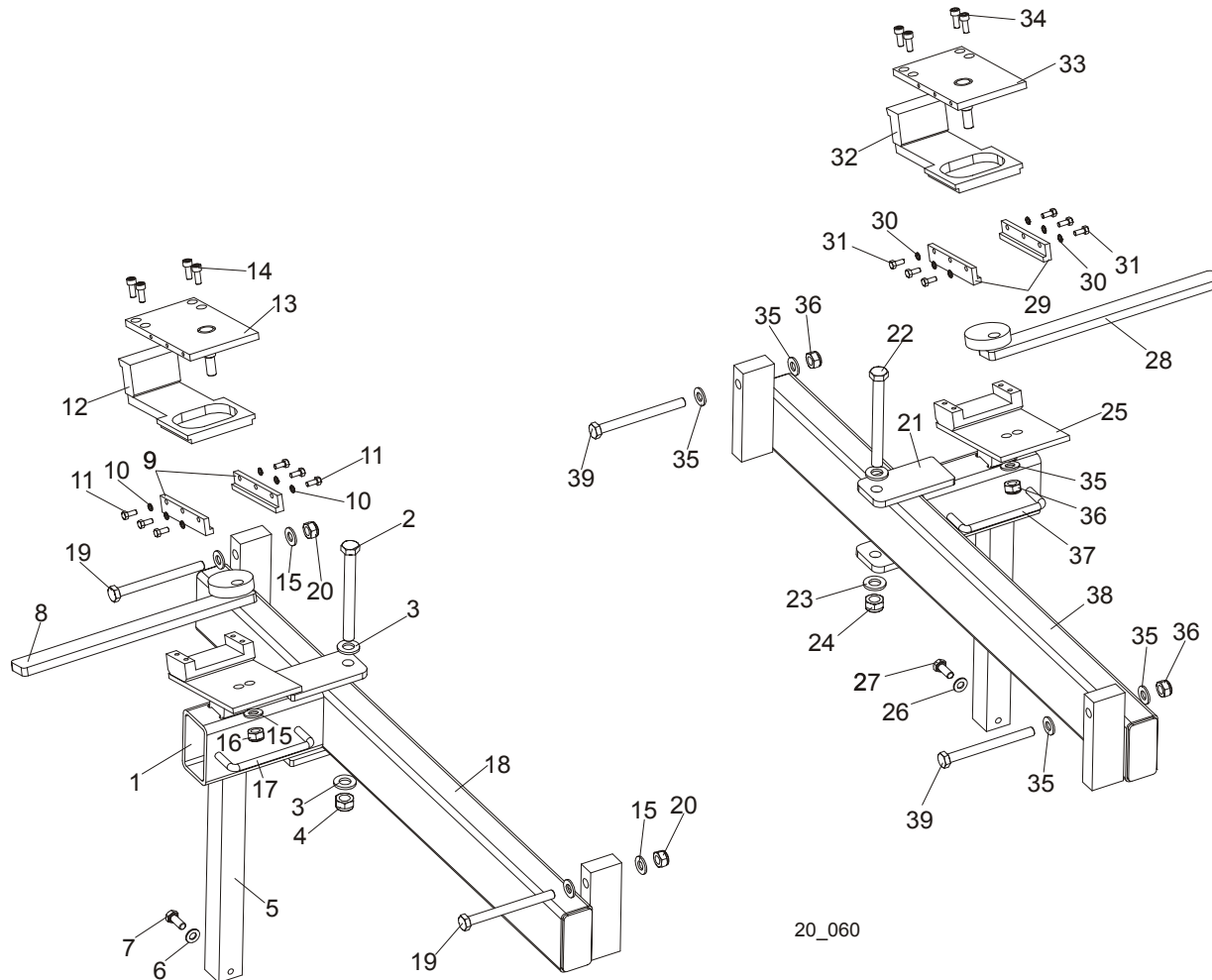
SECTION 9 LOG CLAMP, TURNER, LOADER & TOE BOARDS

9.1 Manual Log Clamp



| REF | DESCRIPTION (◆ Indicates Parts Available In Assemblies Only) | PART # | QTY. |
|-----|--|-----------|------|
| | MANUAL LOG CLAMP | 092683 | 1 |
| 1 | Bracket, Manual Log Clamp | 092677-1 | 1 |
| 2 | Bolt, M12x130-8.8 Carriage Head Zinc | F81004-26 | 2 |
| 3 | Washer, 13 Flat Zinc | F81056-1 | 6 |
| 4 | Nut, M12-8 Hex Nylon Zinc Lock | F81034-2 | 4 |
| 5 | Bolt, M10x125-8.8 Hex Head Zinc | F81003-18 | 2 |
| 6 | Washer, 10.5 Flat Zinc | F81055-1 | 4 |
| 7 | Nut, M10-8-B Hex Nylon Zinc Lock | F81033-1 | 2 |
| 8 | Stop Weldment, Log Clamp Painted | 086980-1 | 1 |
| 9 | Bolt, M12 x 40-8.8 Hex Head Full Thread Zinc | F81004-4 | 2 |
| 10 | Log Clamp Weldment, Manual Painted | W09412 | 1 |
| 11 | Chain, Log Clamp | M04311 | 1 |
| 12 | Spring, FI 2.8 X FI 22.2 X 183 | 091864 | 1 |

9.2 Log Clamp Assembly



| REF | DESCRIPTION (◆ Indicates Parts Available In Assemblies Only) | PART # | QTY. |
|-----|--|---------------------|------|
| | LOG CLAMP ASSEMBLY, LEFT (LT50/80 NON-HYDRAULIC) | 089631 ¹ | 1 |
| 1 | Arm Weldment, Log Clamp Zinc-plated | 089624-1 | 1 |
| 2 | Bolt, M12x120 8.8 Hex Head Zinc | F81004-38 | 1 |
| 3 | Washer, 13 Zinc Flat | F81056-1 | 2 |
| 4 | Nut, M12-8 Hex Nylon Zinc Lock | F81034-2 | 1 |
| 5 | Mount Weldment, Log Clamp Zinc-plated | 090174-1 | 1 |
| 6 | Washer, 8.4 Zinc Flat | F81054-1 | 4 |
| 7 | Bolt, M8x20-8.8-B Hex Head Full Thread Zinc | F81002-4 | 2 |
| 8 | Lever, Log Clamp Zinc-plated | 089611-1 | 1 |
| 9 | Plate, Log Clamp Side Zinc-plated | 089615-1 | 2 |
| 10 | Washer, 5.1 Split Lock Zinc | F81052-2 | 6 |
| 11 | Bolt, M5x12-5.8 Hex Head Full Thread Zinc | F81000-5 | 6 |
| 12 | Plate, Clamping Zinc-plated | 090202-1 | 1 |
| 13 | Plate, Log Clamp Upper Zinc-plated | 089614-1 | 1 |

Log Clamp, Turner, Loader & Toe Boards

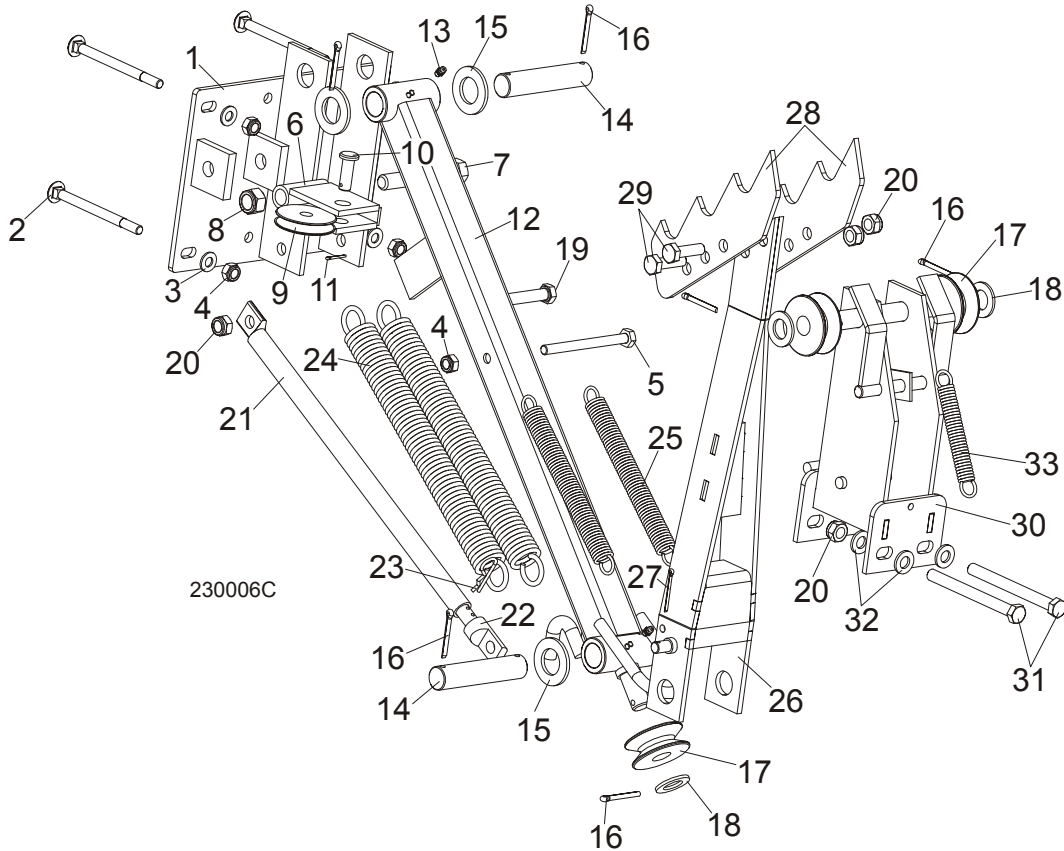
Log Clamp Assembly

9

| | | | | |
|----|--|-----------|---|--|
| 14 | Screw, M6x16-8.8 Hex Socket Set Cap Zinc | F81001-21 | 4 | |
| 15 | Washer, 10.5 Zinc Flat | F81055-1 | 5 | |
| 16 | Nut, M8-8-B Hex Nylon Zinc Lock | F81032-2 | 1 | |
| 17 | Handle, 4" w/Bolts | P08065 | 1 | |
| 18 | Bar Weldment, Log Clamp Guide Ptd | 089628-1 | 1 | |
| 19 | Bolt, M10x110 8.8 Hex Head Zinc | F81003-43 | 2 | |
| 20 | Nut, M10-8-B Hex Nylon Zinc Lock | F81033-1 | 2 | |
| | LOG CLAMP ASSEMBLY, RIGHT (NON-HYDRAULIC) | 090349 | 1 | |
| 21 | Arm Weldment, Log Clamp Zinc-plated | 089624-1 | 1 | |
| 22 | Bolt, M12x120 8.8 Hex Head Zinc | F81004-38 | 1 | |
| 23 | Washer, 13 Zinc Flat | F81056-1 | 2 | |
| 24 | Nut, M12-8 Hex Nylon Zinc Lock | F81034-2 | 1 | |
| 25 | Mount Weldment, Log Clamp Zinc-plated | 090174-1 | 1 | |
| 26 | Washer, 8.4 Zinc Flat | F81054-1 | 2 | |
| 27 | Bolt, M8x20-8.8-B Hex Head Full Thread Zinc | F81002-4 | 2 | |
| 28 | Lever, Log Clamp Zinc-plated | 090348-1 | 1 | |
| 29 | Plate, Log Clamp Side Zinc-plated | 089615-1 | 2 | |
| 30 | Washer, 5.1 Split Lock Zinc | F81052-2 | 6 | |
| 31 | Bolt, M5x12-5.8 Hex Head Full Thread Zinc | F81000-5 | 6 | |
| 32 | Plate, Clamping Zinc-plated | 090202-1 | 1 | |
| 33 | Plate, Log Clamp Upper Zinc-plated | 090347-1 | 1 | |
| 34 | Screw, M6x16-8.8 Hex Socket Head Cap Zinc | F81001-21 | 4 | |
| 35 | Washer, 10.5 Zinc Flat | F81055-1 | 5 | |
| 36 | Nut, M10-8-B Hex Nylon Zinc Lock | F81033-1 | 3 | |
| 37 | Handle, 4" w/Bolts | P08065 | 1 | |
| 38 | Bar Weldment, Log Clamp Guide Ptd | 089628-1 | 1 | |
| 39 | Bolt, M10x110 8.8 Hex Head Zinc | F81003-43 | 2 | |

¹ The number of clamps depends on the frame length.

9.3 Manual Log Turner



| REF | DESCRIPTION (◆ Indicates Parts Available In Assemblies Only) | PART # | QTY. |
|-----|--|-----------|------|
| | MANUAL LOG TURNER OPTION (S/M TYPE FRAME) | 091291 | 1 |
| | MANUAL LOG TURNER OPTION (L TYPE FRAME) | 091562 | 1 |
| 1 | Bracket Weldment, Manual Log Turner Painted (S/M Type Frame) | 091269-1 | 1 |
| | Bracket Weldment, Manual Log Turner Painted (L Type Frame) | 090271-1 | 1 |
| 2 | Bolt, M10x120 8.8 Carriage Head Zinc | F81003-33 | 4 |
| 3 | Washer, 10.5 Flat Zinc | F81055-1 | 4 |
| 4 | Nut, M10-8-B Hex Nylon Zinc Lock | F81033-1 | 5 |
| 5 | Bolt, M10x115-8.8 Hex Head Zinc | F81003-19 | 1 |
| 6 | Bracket Weldment, Cable Guide Pulley Painted | 091295-1 | 1 |
| 7 | Bolt, M16x100-8.8 Hex Head Full Thread Zinc | F81006-2 | 1 |
| 8 | Nut, M16-8 Hex Nylon Zinc Lock | F81036-2 | 1 |
| 9 | Pulley, Zinc-Plated Cable Guide | 091273-1 | 1 |
| 10 | Pin, 12x35 B Clevis Zinc | F81049-1 | 1 |
| 11 | Pin, 2.5x20 Cotter Zinc | F81043-1 | 1 |
| 12 | Arm Weldment, Manual Turner Lower Painted | 091256-1 | 1 |
| 13 | Fitting, M6 Grease | 086280 | 2 |
| 14 | Pin, Manual Turner Arm Pivot Zinc-Plated | 091275-1 | 2 |
| 15 | Washer, 28 Flat Zinc | F81061-1 | 4 |
| 16 | Pin, 5x40 Cotter Zinc | F81043-31 | 7 |

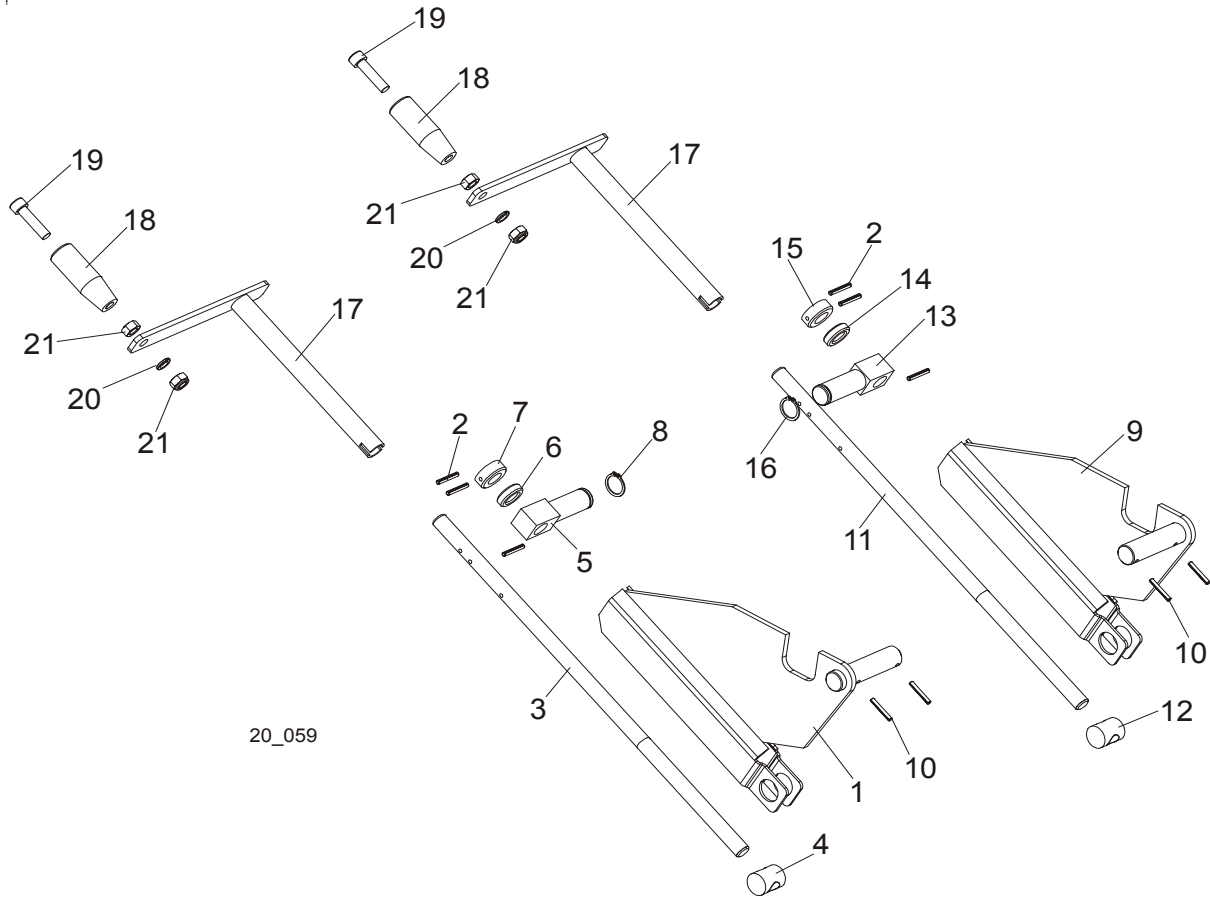
Log Clamp, Turner, Loader & Toe Boards

Manual Log Turner

9

| | | | | |
|----|--|-----------|---|---|
| 17 | Pulley, Manual Turner Zinc-Plated | 091280-1 | 3 | |
| 18 | Washer, 20.5 Split Lock Zinc | F81059-1 | 5 | |
| 19 | Bolt, M12x120 8.8 Hex Head Zinc | F81004-38 | 1 | |
| 20 | Nut, M12-8 Hex Nylon Zinc Lock | F81034-2 | 5 | |
| 21 | Tube, Manual Turner Painted | 091537-1 | 1 | |
| 22 | Rod Weldment, Manual Turner Painted | 091540-1 | 1 | |
| 23 | Pin, 1/8x1 13/16 Safety | P05059 | 1 | |
| 24 | Spring, FI 4.5 x FI 35 x 303 | 091863 | 2 | ◆ |
| 25 | Spring, FI 2.8 x FI 22.2 x183 | 091864 | 2 | |
| 26 | Arm Weldment, Manual Turner Upper Painted | 091263-1 | 1 | |
| 27 | Pin, 4x25 Cotter Zinc | F81043-2 | 1 | |
| 28 | Claw, Log Turner Painted | 088082-1 | 2 | |
| 29 | Bolt, M12x40-8.8 Hex Head Full Thread Zinc | F81004-4 | 2 | |
| 30 | Bracket Weldment, Manual Turner Pulley Painted | 091281-1 | 1 | |
| 31 | Bolt, M12x130-8.8 Hex Head Zinc | F81004-36 | 2 | |
| 32 | Washer, 13 Flat Zinc | F81056-1 | 4 | |
| 33 | Spring, FI 1.9 X FI 14.2 X 104 | 091865 | 1 | |

9.4 Manual Toe Board



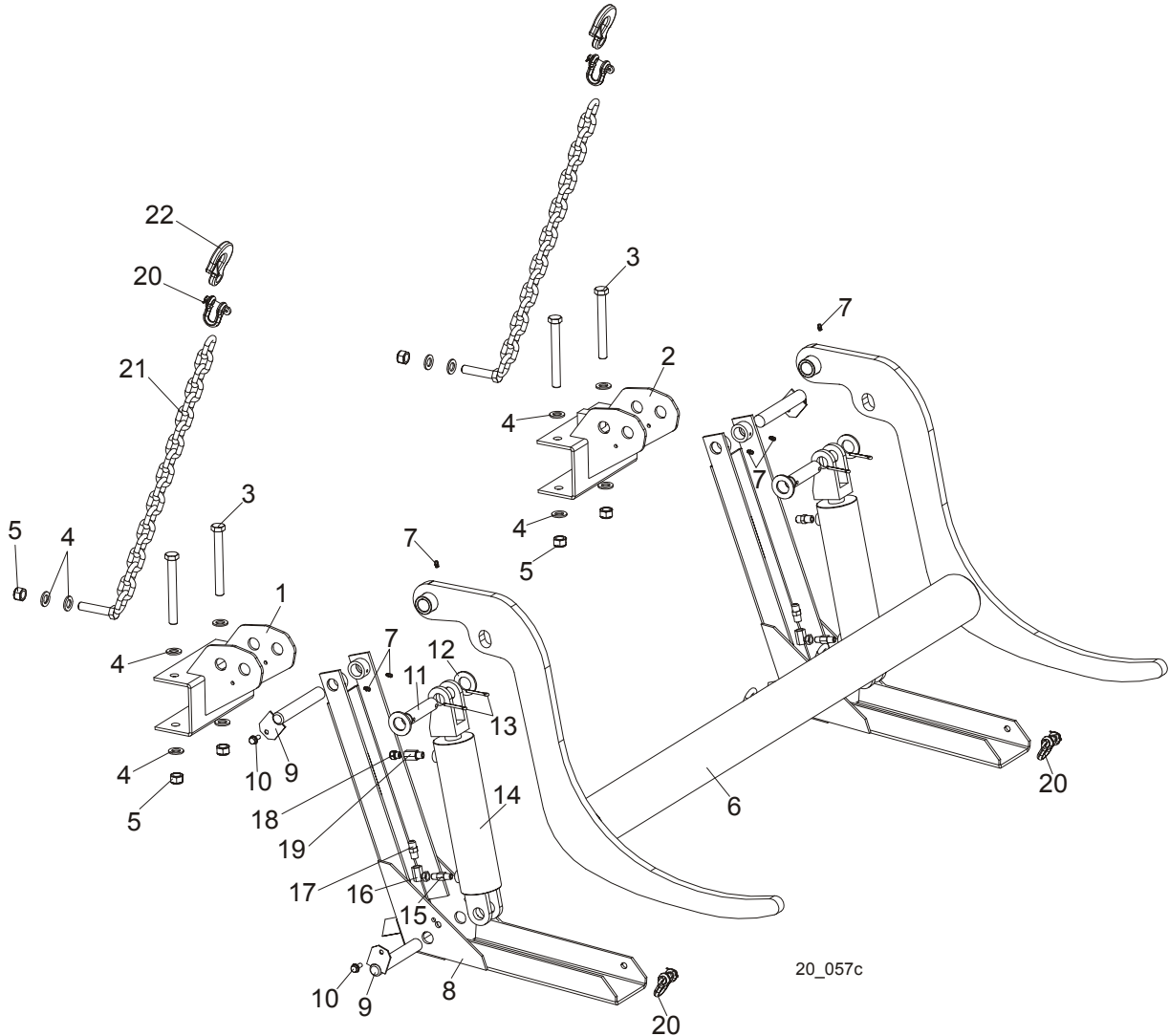
20_059

| REF | DESCRIPTION (◆ Indicates Parts Available In Assemblies Only) | PART # | QTY. |
|-----|--|---------------------|------|
| | TOE BOARD KIT, MANUAL FRONT | 090026 | 1 |
| 1 | Plate Weldment, Manual Toe Board Front | 090025-1 | 1 |
| 2 | Pin, Zinc Roll PN-EN ISO 8752-5X35-N-C | F81044-9 | 3 |
| 3 | Shaft, Manual Toe Board | 090344-1 | 1 |
| 4 | Nut, Special Threaded | 090017 | 1 |
| 5 | Pivot, Manual Toe Board Shaft | 090013-1 | 1 |
| 6 | Bearing, 5/8" Thrust | P04214 | 1 |
| 7 | Collar, 16 | F81039-6 | 1 |
| 8 | Ring, Z 22 Outside Retaining | F81090-24 | 1 |
| 10 | Pin, 4x30 Zinc Roll | F81044-7 | 2 |
| | TOE BOARD KIT, MANUAL REAR | 090024 ¹ | 1 |
| 2 | Pin, 4x30 Zinc Roll PN-EN ISO 8752-5X35-N-C | F81044-9 | 3 |
| 9 | Plate Weldment, Manual Toe Board Rear | 090023-1 | 1 |
| 10 | Pin, 4x30 Zinc Roll | F81044-7 | 2 |
| 11 | Shaft, Manual Toe Board | 090016-1 | 1 |
| 12 | Nut, Special Threaded | 090017 | 1 |
| 13 | Pivot, Manual Toe Board Shaft | 090013-1 | 1 |

| | | | | |
|----|---|-----------|---|--|
| 14 | Bearing, 5/8" Thrust | P04214 | 1 | |
| 15 | Collar, 16 | F81039-6 | 1 | |
| 16 | Ring, Z 22 Outside Retaining | F81090-24 | 1 | |
| | Crank Assembly, Manual Toe Board | A09432 | 2 | |
| 17 | Crank, Manual Toe Board | W09431 | 1 | |
| 18 | Handle, Crank | S08291-W | 1 | |
| 19 | Screw, 3/8-16 x 2 1/2" Socket Head Cap | F05007-24 | 1 | |
| 20 | Washer, 3/8" Split Lock | F81055-2 | 1 | |
| 21 | Nut, 3/8-16 Hex | F05010-1 | 2 | |

¹ The number of kits depends on the frame length.

9.5 Manual Log Loader (S/M Type Frame)



| REF | DESCRIPTION (◆ Indicates Parts Available In Assemblies Only) | PART # | QTY. |
|-----|--|-----------|------|
| | LOG LOADER, LT20 COMPLETE | 091952 | 1 |
| 1 | Bracket , Log Loader Mount Painted (S/M Type Frame) | 092865-1 | 1 |
| 2 | Bracket, LT20 Log Loader Mount | 091938-1 | 1 |
| 3 | Bolt, M16x140-8.8 Hex Head Zinc | F81006-4 | 4 |
| 4 | Washer, 17 Zinc Flat | F81058-1 | 12 |
| 5 | Nut, M16-8 Hex Nylon Zinc Lock | F81036-2 | 6 |
| | Log Loader W/Chain, LT20 | 091954 | 1 |
| 6 | Loader Weldment, Log Painted | 090006-1 | 1 |
| 7 | Fitting, 3/16" Straight Grease | P04107 | 6 |
| 8 | Foot, Log Loader Painted | 090048-1 | 2 |
| 9 | Pin Weldment, Log Loader Painted | W09446-1 | 4 |
| 10 | Screw, 5/16-18 x 3/4 Self-Tapping | F05015-30 | 4 |
| 11 | Pin, Hydraulic Cylinder Zinc-Plated | 086979-1 | 2 |

Log Clamp, Turner, Loader & Toe Boards

Manual Log Loader (S/M type frame)

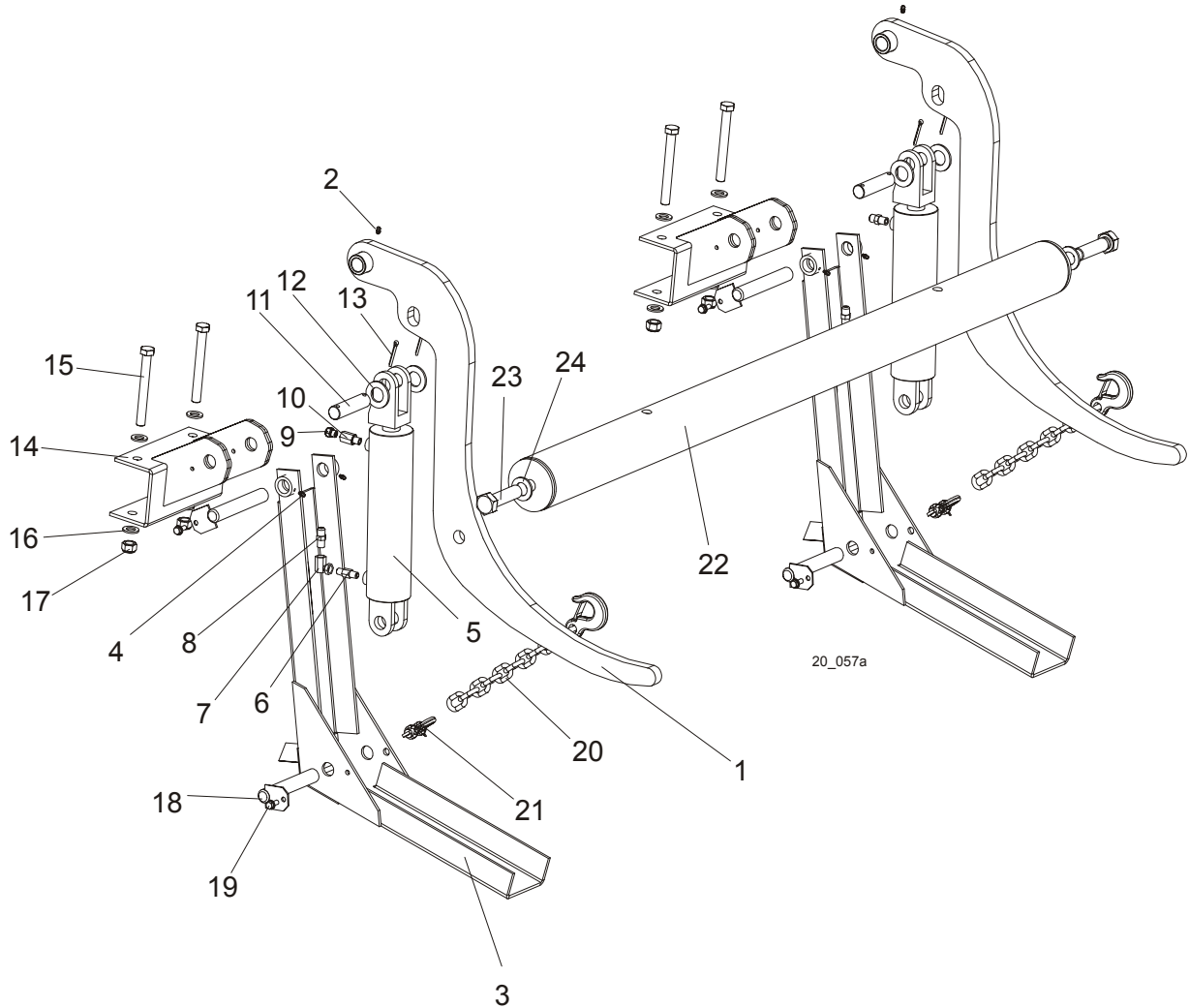
9

| | | | | |
|----|---|-----------|---|--|
| 12 | Washer, 28 Zinc Flat | F81061-1 | 4 | |
| 13 | Pin, 5x40 Cotter | F81043-31 | 4 | |
| | Cylinder Assembly, LT20 Log Loader | 094333 | 2 | |
| 14 | Cylinder, CJ-S95-16-70/32/203 Hydraulic | 088680 | 1 | |
| 15 | Fitting, 1/4 NPT 4.0 GPM Velocity Fuse | 015750 | 1 | |
| 16 | Fitting, #9455X4X4 90 Deg. Swivel Elbow | P12199 | 1 | |
| 17 | Fitting, 3/8JIC-1/4 NPT Straight | 015560 | 1 | |
| 18 | Air Vent Valve 2901-14-17 | 090794 | 1 | |
| 19 | Fitting, $\frac{1}{4}$ " F. Thread/ $\frac{1}{4}$ " NPT M. Thread Reducer | 090795 | 1 | |
| 20 | Shackle, M-WL. .63 | 086540 | 4 | |
| 21 | Chain, LT20 Log Loader Painted | 091953-1 | 2 | |
| 22 | Hook, 5/8 Safety Chain | P12075 | 2 | |

9 Log Clamp, Turner, Loader & Toe Boards

Manual Log Loader (L type frame)

9.6 Manual Log Loader (L Type Frame)



| REF | DESCRIPTION (◆ Indicates Parts Available In Assemblies Only) | PART # | QTY. |
|-----|--|----------|------|
| | LOG LOADER, SINGLE ARM, MH SAWMILLS | 094877 | 2 |
| | Arm, Log Loader Single (9.5 m Frame) | 090051 | 1 |
| 1 | Arm Weldment, Log Loader Painted | 089657-1 | 1 |
| 2 | Fitting, 3/16" Straight Grease | P04107 | 1 |
| | Foot Assembly, Log Loader | 090049 | 1 |
| 3 | Foot, Log Loader Painted | 090048-1 | 1 |
| 4 | Fitting, 3/16" Straight Grease | P04107 | 2 |
| | Cylinder Assembly, LT20 Log Loader | 094333 | 1 |
| 5 | Cylinder, CJ-S95-16-70/32/203 Hydraulic | 088680 | 1 |
| 6 | Fitting, 1/4 NPT 4.0 GPM Velocity Fuse | 015750 | 1 |
| 7 | Fitting, #9455X4X4 90 deg. Swivel Elbow | P12199 | 1 |
| 8 | Fitting, 3/8JIC-1/4 NPT Straight | 015560 | 1 |
| 9 | Air Vent Valve 2901-14-17 | 090794 | 1 |

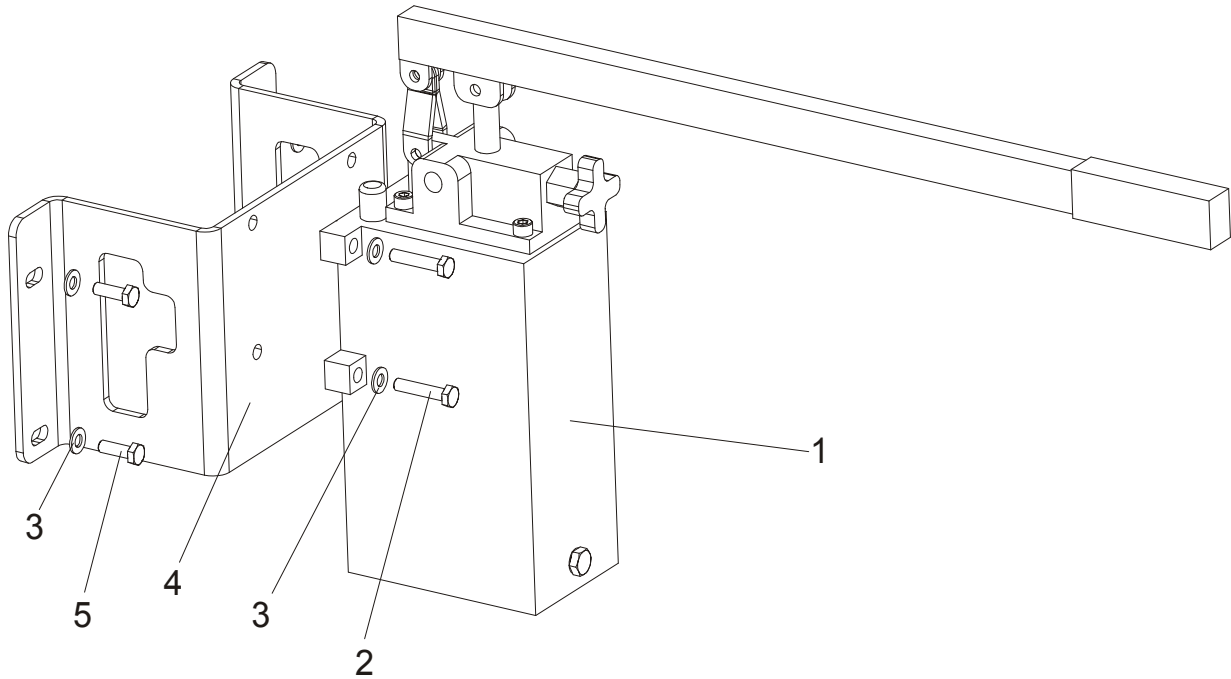
Log Clamp, Turner, Loader & Toe Boards

Manual Log Loader (L type frame)

9

| | | | | |
|-----------|---|-----------|---|--|
| 10 | Fitting, $\frac{1}{4}$ " F. Thread/ $\frac{1}{4}$ " NPT M. Thread Reducer | 090795 | 1 | |
| 11 | Pin, Hydraulic Cylinder Zinc-Plated | 086979-1 | 1 | |
| 12 | Washer, 28 Flat Zinc | F81061-1 | 2 | |
| 13 | Pin, 5x40 Cotter | F81043-31 | 2 | |
| 14 | Bracket Weldment, Log Loader Mount Painted | 089841-1 | 1 | |
| 15 | Bolt, M16x140-8.8 Hex Head Zinc | F81006-4 | 2 | |
| 16 | Washer, 17 Flat Zinc | F81058-1 | 4 | |
| 17 | Nut, M16-8 Hex Nylon Zinc Lock | F81036-2 | 2 | |
| 18 | Pin Weldment, Log Loader Painted | W09446-1 | 2 | |
| 19 | Screw, 5/16-18 x 3/4 Self-Tapping | F05015-30 | 2 | |
| 20 | Chain, Log Loader Safety | 090090-1 | 1 | |
| 21 | Shackle, M-WL. .63 | 086540 | 1 | |
| 22 | Link, Log Loader Arms | 090315 | 1 | |
| 23 | Bolt, M24x2x90-8.8 Hex Head Full Thread Zinc | F81009-2 | 2 | |
| 24 | Washer, 25 Flat Zinc | F81061-3 | 2 | |

9.7 Manual Log Loader Pump



| REF | DESCRIPTION (◆ Indicates Parts Available In Assemblies Only) | PART # | QTY. | |
|-----|--|-----------|------|--|
| 1 | PUMP, PAM 014 2500 3L MANUAL | 090309 | 1 | |
| 2 | BOLT, M8X80-8.8 HEX HEAD ZINC | F81002-18 | 4 | |
| 3 | WASHER, 8.4 ZINC FLAT | F81054-1 | 8 | |
| 4 | BRACKET, LOG LOADER PUMP MOUNT | 090377-1 | 1 | |
| 5 | BOLT, M8X25-8.8-B HEX HEAD FULL THREAD ZINC | F81002-5 | 4 | |