

Wood-Mizer[®] Sawmill

Parts Manual

LT20AC
LT20DC

rev. A1.01
rev. A1.01



Safety is our #1 concern! Read and understand all safety information and instructions before operating, setting up or maintaining this machine.

April 2003

Form #615

Table of Contents

Section-Page

SECTION 1	GENERAL INFORMATION	1-1
1.1	How To Use The Parts List	1-1
1.2	Sample Assembly	1-1
SECTION 2	BLADE GUIDE ROLLERS & ARM	2-1
2.1	Blade Guide Assembly, Idle Side.....	2-1
2.2	Blade Guide Assembly, Drive Side.....	2-3
2.3	Blade Guide Arm Assembly.....	2-5
SECTION 3	BLADE WHEELS & TENSIONER	3-1
3.1	Blade Wheel Assembly, Drive Side	3-1
3.2	Blade Wheel Assembly, Idle Side.....	3-3
3.3	Blade Tensioner Assembly.....	3-5
SECTION 4	SAW HEAD	4-1
4.1	Middle Throat Screw	4-1
4.2	Drive Belt Tensioner, DC Sawmills.....	4-2
4.3	Water Lube Assembly	4-4
4.4	Saw Head Decals.....	4-6
4.5	Blade Housing Cover	4-8
4.6	Control Box (AC Sawmills).....	4-10
4.7	Drum Switches	4-12
4.8	Sawdust Chute.....	4-13
SECTION 5	UP/DOWN ASSEMBLY	5-1
5.1	Up/Down Assembly, AC Mills	5-1
5.2	Up/Down Assembly, DC Mills	5-3
5.3	Manual Up/Down System	5-5
5.4	Up/Down Chain Tensioner Assembly.....	5-7
5.5	Battery Box Assembly, DC Mills.....	5-8
SECTION 6	UP/DOWN ROLLERS & BLADE HEIGHT SCALE	6-1
6.1	Up/Down Rollers.....	6-1
6.2	Blade Height Scale	6-3
SECTION 7	POWER FEED & TRACK ROLLERS	7-1
7.1	Power Feed Assembly, AC Mills	7-1
7.2	Power Feed Assembly, DC Mills	7-3
7.3	Upper Track Rollers And Wipers	7-5
7.4	Lower Track Rollers	7-6

Table of Contents

Section-Page

SECTION 8 BED FRAME ASSEMBLY

8-1

8.1	Bed Rail Assembly	8-1
8.2	Bed Rail Assembly	8-2
8.3	Stationary Leg	8-4
8.4	Pivot Bed Rail Assembly.....	8-6
8.5	Log Side Support Assembly	8-8
8.6	Tie Down Chain Assembly	8-10
8.7	Bed Frame Decals.....	8-11

SECTION 9 LOG CLAMP, TURNER, LOADER & TOE BOARDS

9-1

9.1	Log Clamp Assembly	9-1
9.2	Manual Log Turner.....	9-3
9.3	Manual Toe Board	9-5
9.4	Log Loading Ramp.....	9-7
9.5	Manual Log Loader	9-8
9.6	Manual Log Loader Pump.....	9-10

SECTION 1 GENERAL INFORMATION

1.1 How To Use The Parts List

- Use the index above to locate the assembly that contains the part you need.
- Go to the appropriate section and locate the part in the illustration.
- Use the number pointing to the part to locate the correct part number and description in the table.
- Parts shown indented under another part are included with that part.
- Parts marked with a diamond (◆) are only available in the assembly listed above the part.

See the sample table below. Sample Part #A01111 includes part F02222-2 and subassembly A03333. Subassembly A03333 includes part S04444-4 and subassembly K05555. The diamond (◆) indicates that S04444-4 is not available except in subassembly A03333. Subassembly K05555 includes parts M06666 and F07777-77. The diamond (◆) indicates M06666 is not available except in subassembly K05555.

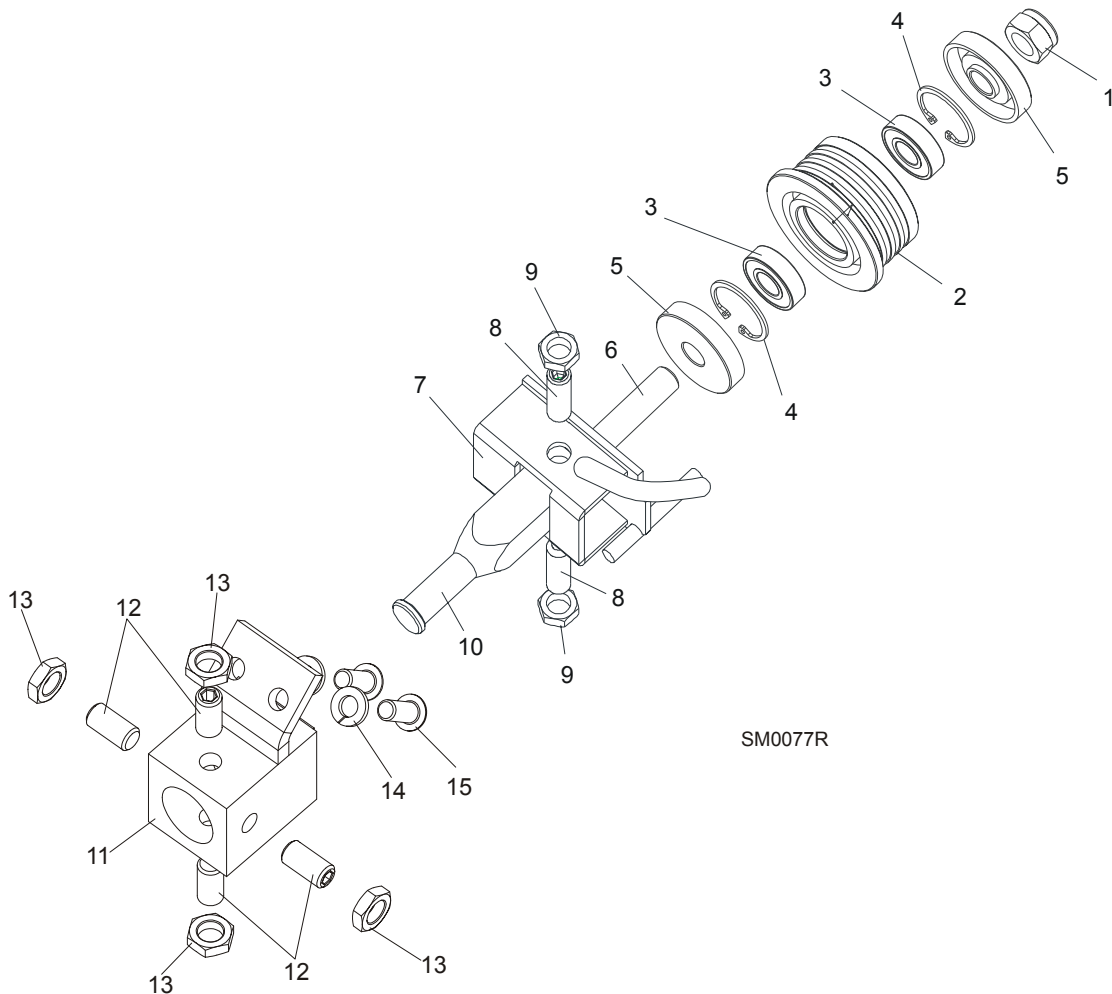
1.2 Sample Assembly				
REF	DESCRIPTION (◆ Indicates Parts Available In Assemblies Only)	PART #	QTY.	
	Sample Assembly, Complete (Includes All Indented Parts Below)	A01111	1	
1	Sample Part	F02222-22	1	
	Sample Subassembly (Includes All Indented Parts Below)	A03333	1	
2	Sample Part (◆ Indicates Part Is Only Available With A03333)	S04444-4	1	◆
	Sample Subassembly (Includes All Indented Parts Below)	K05555	1	
3	Sample Part (◆ Indicates Part Is Only Available With K05555)	M06666	2	◆
4	Sample Part	F07777-77	1	

To Order Parts:

- From Europe call our European Headquarters and Manufacturing Facility in Kolo, Poland at **+48-63-2626000**. From the continental U.S., call our toll-free Parts hotline at **1-800-448-7881**. Have your customer number, vehicle identification number, and part numbers ready when you call.
- From other international locations, contact the Wood-Mizer distributor in your area for parts.

SECTION 2 BLADE GUIDE ROLLERS & ARM

2.1 Blade Guide Assembly, Idle Side



REF	DESCRIPTION (◆ Indicates Parts Available In Assemblies Only)	PART #	QTY.	
	BLADE GUIDE ASSEMBLY, IDLE SIDE	A08197	1	
	Roller Assembly, Standard Blade Guide	087887	1	
1	Nut, M12-8 Hex Nylon Zinc Lock	F81034-2	1	
2	Roller, Narrow Blade Guide	087889	1	◆
				◆
3	Bearing, 6001 2RSR NACHI	087893	2	
4	Ring, 62W Interior Retaining	F81090-9	2	
5	Washer, Spacer	087891-1	2	
6	Bolt, Standard Roller Mounting Zinc	087763-1	1	

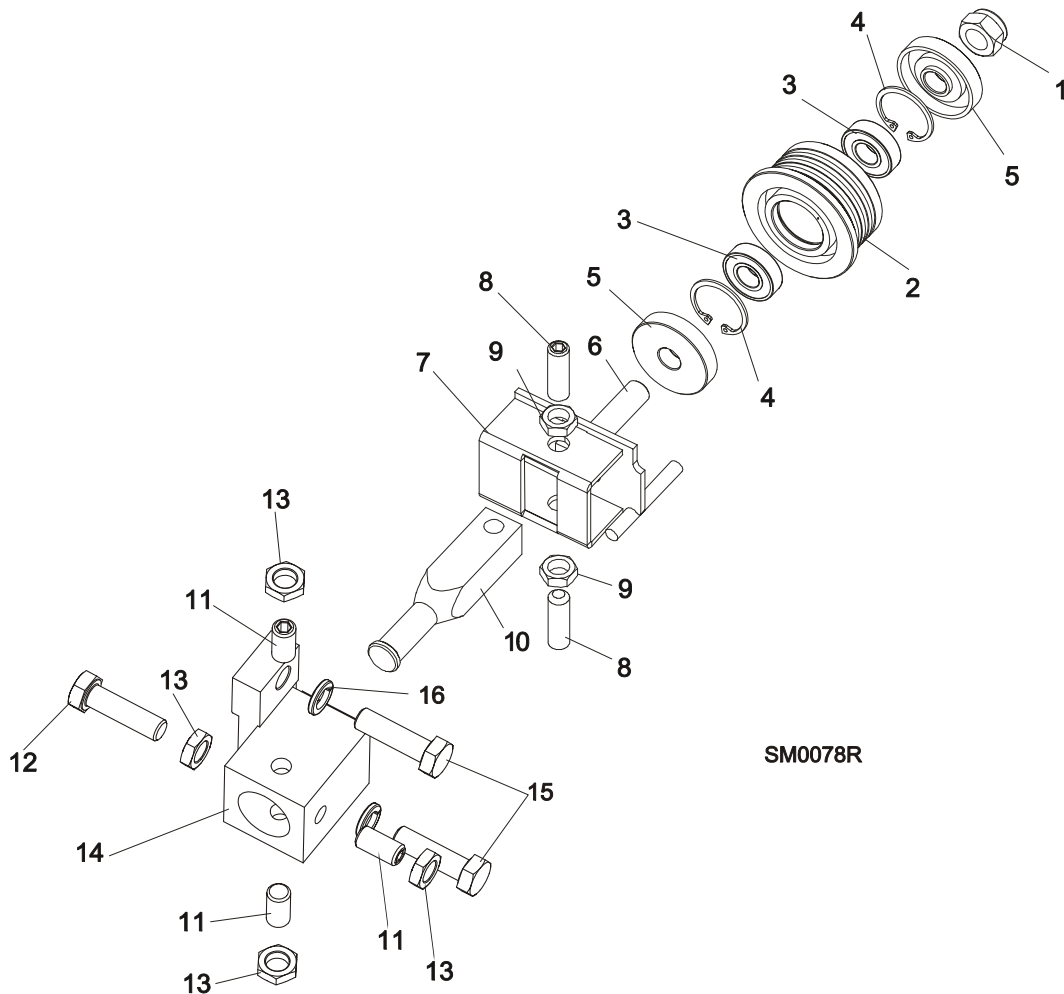
2

Blade Guide Rollers & Arm

Blade Guide Assembly, Idle Side

7	Bracket, Blade Guide Idle Side w/Water Tube	W08495	1	
	Screw Kit, Blade Guide Adjustment w/Nuts (For two blade guide assemblies)	K09942	1	
8	Screw, 3/8-24 x 1 1/4" Stainless Steel Socket Head Flat Point	F05007-96	2	
9	Nut, 3/8-24 UNC Hex Zinc Jam	F05010-22	2	
10	Shaft, Blade Guide Adjustment	S08196	1	
11	BLOCK WELDMENT, BLADE GUIDE MOUNT PTD	088292-1	1	
12	SCREW, M10 X 1 X 20 DIN913 STAINLESS STEEL SET	F81015-1	4	
13	NUT, M10 X 1 DIN439 THIN STAINLESS STEEL	F81033-7	4	
14	WASHER, 8.2 SPLIT LOCK ZINC	F81054-4	2	
15	SCREW, 5/16-18 X 3/4 SOCKET BUTTON HEAD BLACK OXIDE	F05006-7	2	

2.2 Blade Guide Assembly, Drive Side



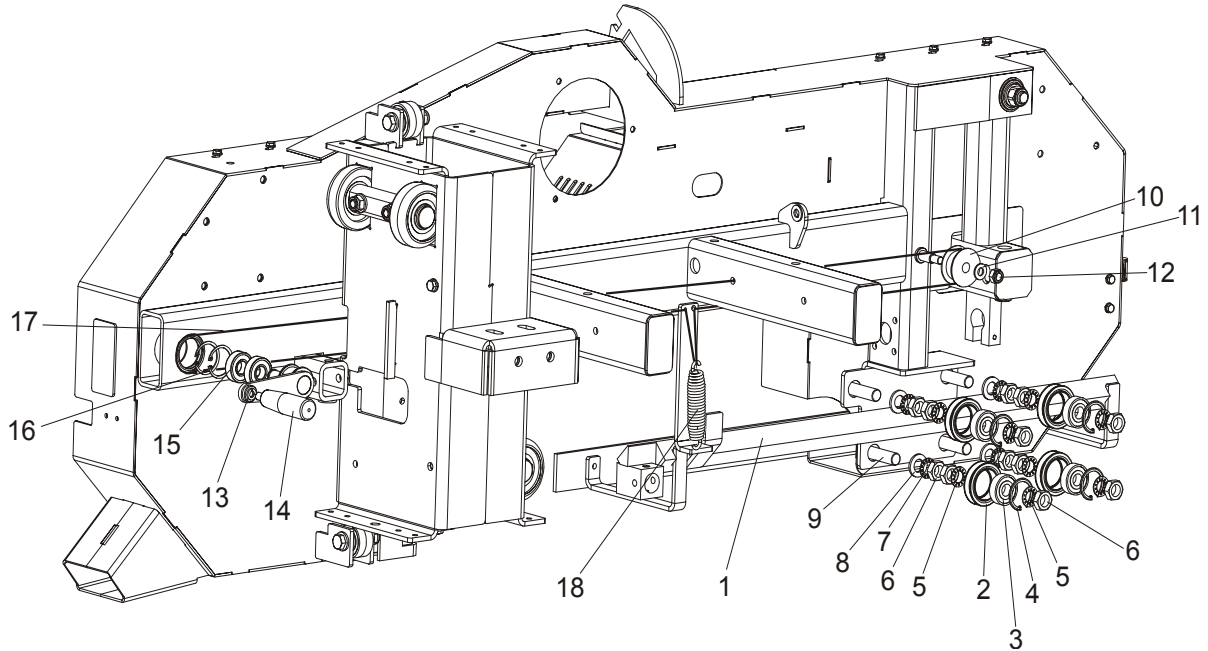
REF	DESCRIPTION (◆ Indicates Parts Available In Assemblies Only)	PART #	QTY.	
	BLADE GUIDE ASSEMBLY, DRIVE SIDE	A08191	1	
	Roller Assembly, Standard Blade Guide	087887	1	
1	Nut, M12-8 Hex Nylon Zinc Lock	F81034-2	1	
2	Roller, Narrow Blade Guide	087889	1	◆
				◆
3	Bearing, 6001 2RSR NACHI	087893	2	
4	Ring, 62W Interior Retaining	F81090-9	2	
5	Washer, Spacer	087891-1	2	
6	Bolt, Standard Roller Mounting Zinc	087763-1	1	
7	Bracket Weldment, Blade Guide Drive Side Ptd	W08482	1	
	Screw Kit, Blade Guide Adjustment w/Nuts (For two blade guide assemblies)	K09942	1	
8	Screw, 3/8-24 x 1 1/4" Stainless Steel Socket Head Flat Point	F05007-96	2	

2

Blade Guide Rollers & Arm*Blade Guide Assembly, Drive Side*

9	Nut, 3/8-24 UNC Hex Zinc Jam	F05010-22	2	
10	Shaft, Blade Guide Adjustment	S08196	1	
11	SCREW, M10 X 1 X 20 DIN913 STAINLESS STEEL SET	F81015-1	3	
12	BOLT, M10 X 1 X 25 DIN 933 STAINLESS STEEL	F81003-28	1	
13	NUT, M10 X 1 DIN439 THIN STAINLESS STEEL	F81033-7	4	
14	BLOCK, BLADE GUIDE MOUNT	087744	1	
15	BOLT, M10 X 35-8.8 HEX HEAD FULL THREAD ZINC	F81003-17	2	
16	WASHER, 10.2 SPLIT LOCK ZINC	F81055-2	2	

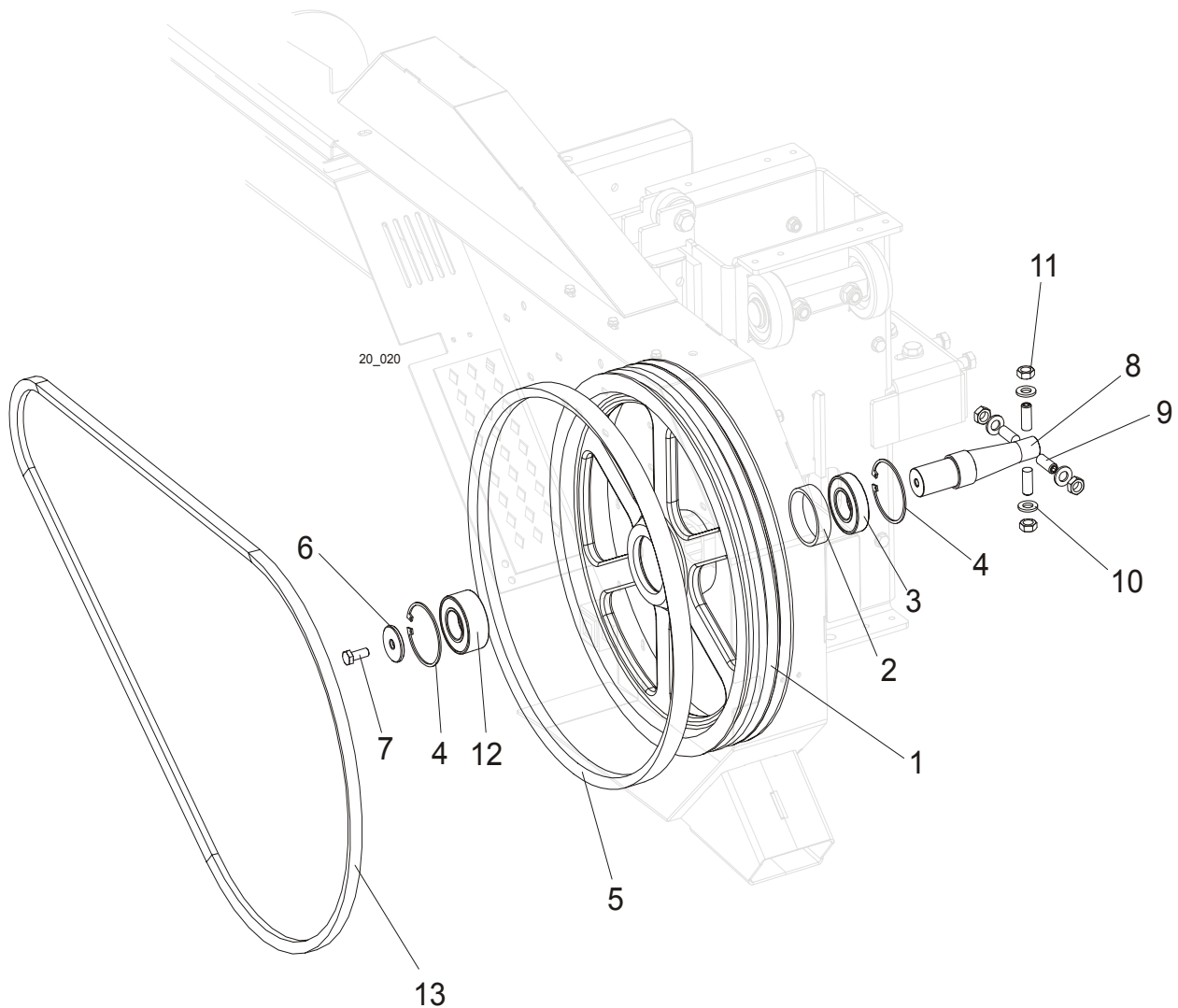
2.3 Blade Guide Arm Assembly



REF	DESCRIPTION (◆ Indicates Parts Available In Assemblies Only)	PART #	QTY.
1	ARM, LT20 BLADE GUIDE	090588-1	1
	ROLLER ASSEMBLY, BLADE GUIDE ARM V-GROOVE	A09059	4
2	Roller	S07989	4
3	Bearing, 6203-2 NSL 5/8	P06030-1	4
4	Ring, Retaining	F04254-8	4
5	WASHER, 5/8" INTERNAL STAR	F05011-25	8
6	NUT, 5/8"-18 HEX ZINC JAM	F05010-11	8
7	WASHER, 5/8" EXTERNAL STAR	F05011-26	4
8	WASHER, 17 ZINC FLAT	F81058-1	4
9	ROD, 5/8-18 THREADED	S12092	4
10	ROLLER, CHAIN GUIDE	014923	1
11	WASHER, 10.5 ZINC FLAT	F81055-1	1
12	NUT, M10-8-B HEX NYLON ZINC LOCK	F81033-1	1
	NUT, M10-8-B HEX NYLON ZINC LOCK	090611	1
13	CRANK WELDMENT, PAINTED	090610-1	1
14	HANDLE, 12992M10 CRANK	086338	1
15	BEARING, 6203-2RS FLT ROLLING	086114	2
16	RING, W40 SPRING RETAINING	F81090-3	2
17	ROPE, 4MM DIAMETER 007054	091613	1
18	SPRING, ROPE TENSION	091615	1

SECTION 3 Blade Wheels & Tensioner

3.1 Blade Wheel Assembly, Drive Side

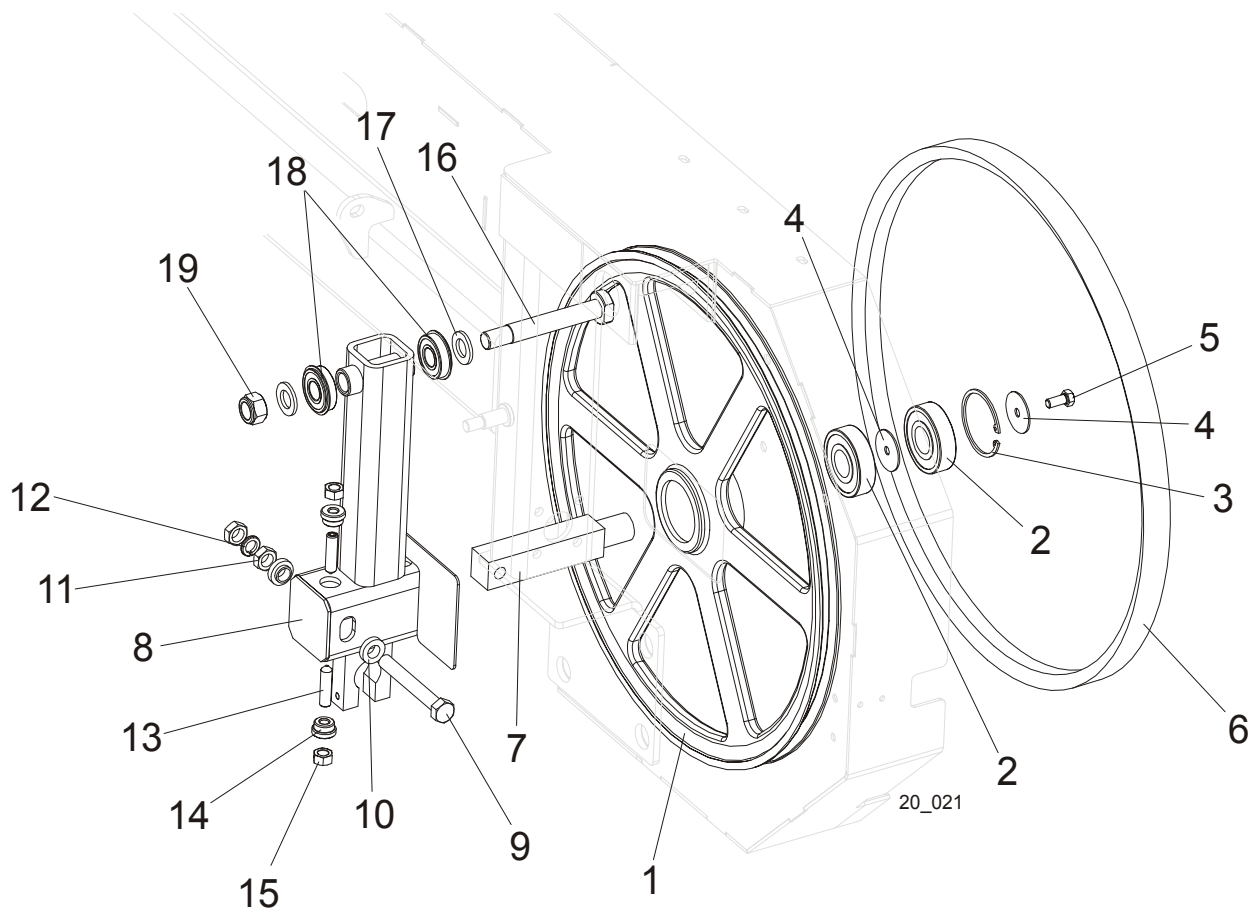


REF	DESCRIPTION (◆ Indicates Parts Available In Assemblies Only)	PART #	QTY.
	WHEEL ASSEMBLY, DRIVE SIDE BLADE	091612	1
1	Wheel, LT20 Drive Side Blade	090646-1	1
2	Spacer	092007	1
3	Bearing, 6207 2RS 35x72x17 FAG	014811	1
4	Ring, 72mm OD N5002-281 Retaining	F04254-30	2
5	Belt, B57 Blade Wheel	P04185	1
6	Washer, LT15 Drive Side Blade Wheel	086286	1
7	Bolt, M10x25-8.8 Hex Head Full Thread Zinc	F81003-11	1
8	Shaft, LT15 Drive Side Blade Wheel	086690	1
9	Screw, 1/2-20 x 1 1/4 Set	F05008-109	4
10	Washer, 13 Flat Zinc	F81056-1	4

3**Blade Wheels & Tensioner***Blade Wheel Assembly, Drive Side*

11	Nut, 5/16-18 Swaged Hex Zinc	F05010-6	4	
12	Bearing, 3207B, 2RSR. TVH FAQ	092005	1	
13	Drive Belt, BX81, AC Sawmills Drive Belt, BX831/2 DC Sawmills	014819 (AC) 088110(DC)	1	

3.2 Blade Wheel Assembly, Idle Side

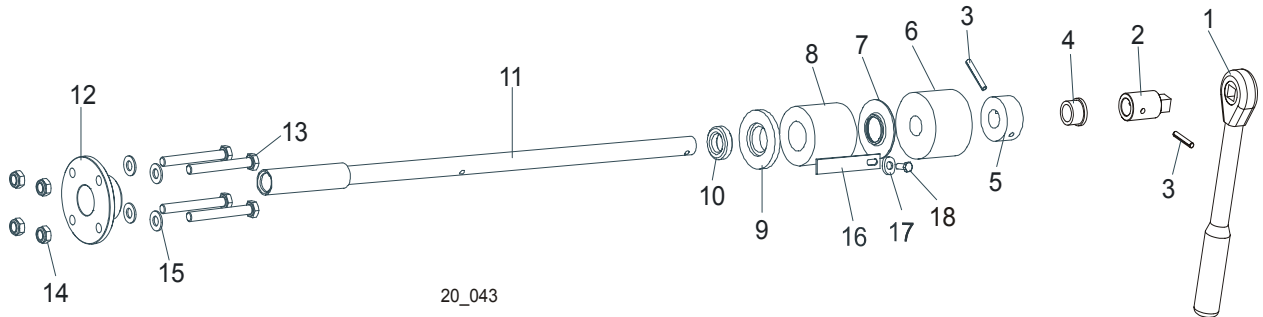


REF	DESCRIPTION (◆ Indicates Parts Available In Assemblies Only)	PART #	QTY.
	WHEEL ASSEMBLY, IDLE SIDE BLADE	A08218	1
1	Sheave, 18.62" Idler	P08125	1
2	Bearing, 6305 2RS NSK	P08066	2
3	Ring, 2 7/16" Inside Retaining	F04254-21	1
4	WASHER, RETAINING	S08220	2
5	BOLT, 5/16-18 X 3/4" HEX HEAD GRADE 2	F05006-5	1
6	BELT, B57 BLADE WHEEL	P04185	1
7	SHAFT, 1 1/8 SQUARE IDLER	S12565	1
8	HOUSING, IDLER SHAFT	086717	1
9	BOLT, 1/2-20 X 3 3/4 HEX HEAD GRADE 2	F05008-111	1
10	SPACER, FLANGED	086769-1	2
11	NUT, 1/2"-20 HEX JAM	F05010-16	2
12	WASHER, 12.2 SPLIT ZINC LOCK	F81056-2	1
13	SCREW, M10 X 40-45H HEX SOCKET SET CONE POINT ZINC	F81003-61	2
14	BUSHING, M10 IDLER SHAFT HOUSING	086987	2
15	NUT, M10-8-B HEX ZINC	F81033-3	2
16	PIN, IDLER ARM BEARINGS	086404	1
17	WASHER, 17 FLAT ZINC	F81058-1	2

3**Blade Wheels & Tensioner***Blade Wheel Assembly, Idle Side*

18	BEARING, 6203-2RS NR NSK W/RING	086395	2	
19	NUT, M16-8 HEX NYLON ZINC LOCK	F81036-2	1	

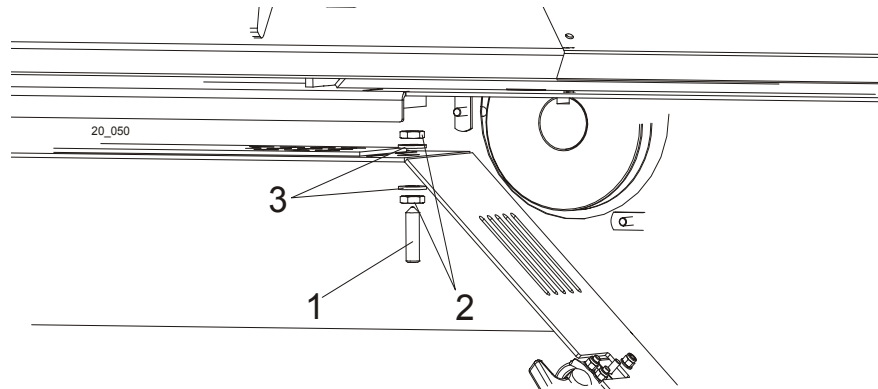
3.3 Blade Tensioner Assembly



REF	DESCRIPTION (◆ Indicates Parts Available In Assemblies Only)	PART#	QTY.
	BLADE TENSIONER ASSEMBLY	086680	1
1	Wrench, LT20 Blade Tension	091620	1
2	End, LT20 Blade Tensioner Shaft	091606-1	1
3	Pin, 5 x 30 Zinc Roll	F81044-21	2
4	Bushing, 5/8 ID Bronze	P05135	1
5	Collar, Blade Tensioner	086712-1	1
6	Bushing, Rubber Stop	P12165	1
7	Guide, LT15 Tension Handle	014925	1
8	Spring, LT15 Rubber Blade Tensioner	014828	1
9	Washer, Rubber Spring Front	086674-1	1
10	Bearing, 51103 FLT Ball Thrust	086675	1
11	Shaft Weldment, Blade Tensioner Zinc-plated	086669-1	1
12	Nut, Blade Tensioner	086672-1	1
13	Bolt, M8x70 8.8 Hex Head Zinc	F81002-71	4
14	Nut, M8-8-B Hex Nylon Zinc Lock	F81032-2	4
15	Washer, 8.4 Zinc Flat	F81054-1	8
16	Indicator, LT15 Blade Tension Zinc-plated	086783-1	1
17	Washer, 6.4 Zinc Flat	F81053-1	1
18	Bolt, M6x16 8.8 Hex Head Full Thread Zinc	F81001-15	1

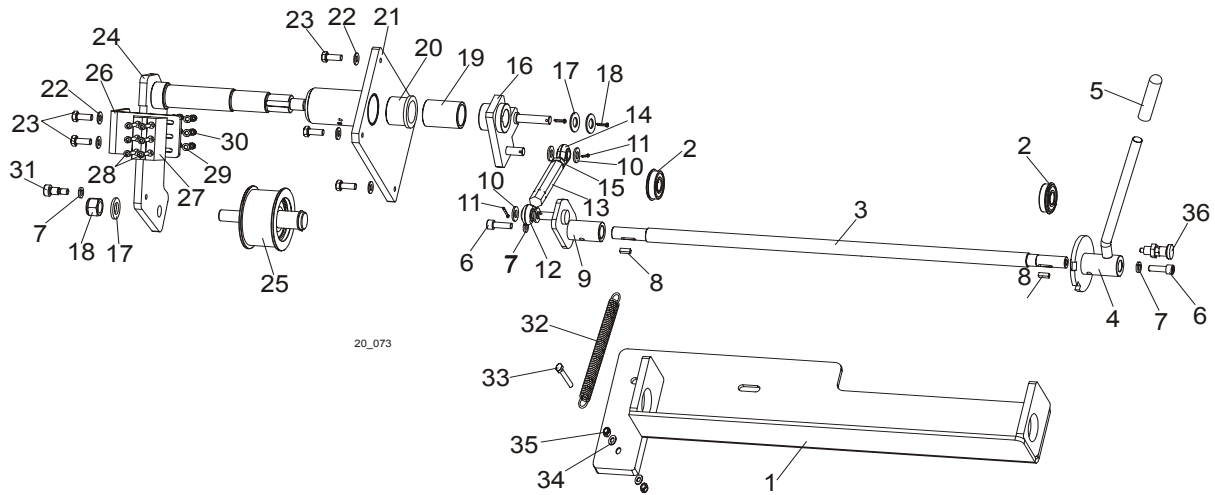
SECTION 4 SAW HEAD

4.1 Middle Throat Screw



REF	DESCRIPTION (◆ Indicates Parts Available In Assemblies Only)	PART #	QTY.	
1	SCREW, M10 X 40-45H HEX SOCKET SET CONE POINT ZINC	F81003-61	1	
2	NUT, M10-8-B ZINC HEX	F81033-6	2	
3	WASHER, 10.5 ZINC FLAT	F81055-1	2	

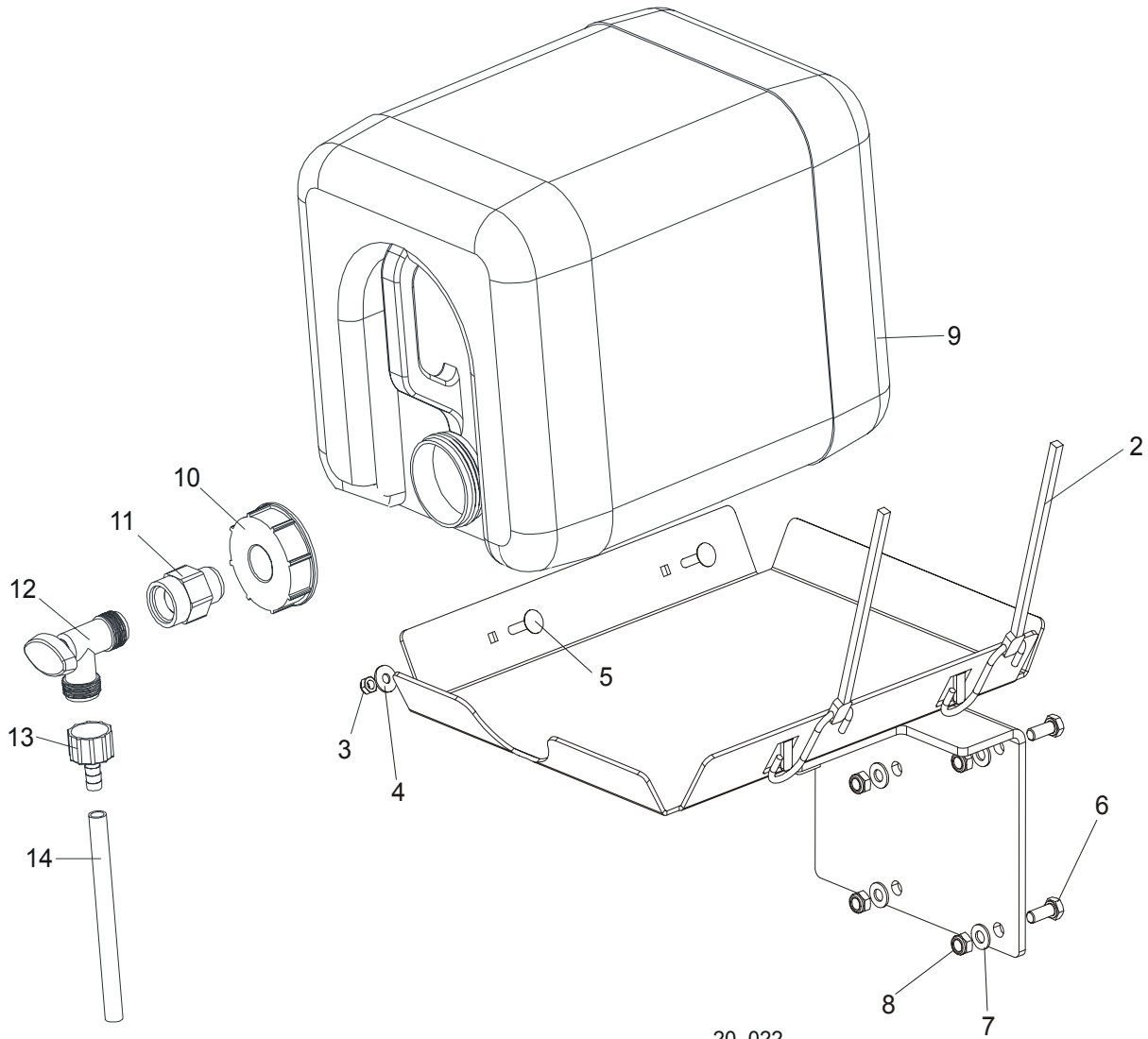
4.2 Drive Belt Tensioner, DC Sawmills



REF	DESCRIPTION (◆ Indicates Parts Available In Assemblies Only)	PART #	QTY.
	BELT TENSIONER, LT20 COMPLETE	091170	1
1	Mount Weldment, Belt Tensioner Ptd	091169-1	1
2	Bearing, 6203-2RS NR NSK w/Ring	086395	2
3	Rod, LT20 Belt Tensioner Ptd	091176-1	1
4	Handle Weldment, Belt Tensioner Ptd	087645-1	1
5	Grip, Handle 1/2" ID x 3" Long	014835	1
6	Screw, M8x25 -8.8 Hex Socket Head Cap Zinc	F81002-21	2
7	Washer, 8.2 Split Lock Zinc	F81054-4	3
8	Key, B 5x5.1x14 Parallel	087365	2
9	Bracket, Belt Tensioner Pivot	091245-1	1
10	Washer, 10.5 Zinc Flat	F81055-1	4
11	Pin, 2.5x20 Zinc Cotter	F81043-1	2
12	Rod End, 7/16-20 Right-Hand Male	P11579	1
13	Turnbuckle, Clutch/Brake	S11577	1
14	Rod End, 7/16-20 Left-Hand Male	P11578	1
15	Nut, 7/16-20 Zinc	F05010-38	1
16	Arm Weldment, Belt Tensioner Ptd	091172-1	1
17	Washer, 17 Zinc Flat	F81058-1	2
18	Nut, M16-8 Hex Nylon Zinc Lock	F81036-2	2
19	Bushing, Spacer Ptd	091351-1	1
20	Bushing, MFM-3240-30 (IGUS)	088461	2
21	Mount Weldment, Tensioner Shaft Ptd	091112-1	1
22	Washer, 8.4 Zinc Flat	F81054-1	7
23	Bolt, M8x20-5.8 Hex Head Full Thread Zinc	F81002-1	6
24	Shaft Weldment, Belt Tensioner Ptd	091110-1	1
25	Wheel, Belt Tension	087673	1
26	Bracket, Brake Block Mount Ptd	091248-1	1

27	Block, F9150 123 Belt Tensioner Brake	087648	2	
28	Screw, M5x25-8.8 Hex Socket Head Cap Zinc	F81000-7	6	
29	Washer, 5.3 Zinc Flat	F81052-1	6	
30	Nut, M5-8 Zinc DIN 985	F81030-2	6	
31	Screw, M8x25-8.8 Hex Socket Head Cap Zinc	F81002-21	2	
32	Spring, Hydraulic Log Turner	P09136	1	
33	Bolt, M8x45-8.8 Hex Head Zinc	F81002-17	1	
34	Washer, 8.4 Zinc Flat	F81054-1	2	
35	Nut, M8-8-B Hex Nylon Zinc Lock	F81032-2	2	
36	Pin, Detent	090197	1	

4.3 Water Lube Assembly



20_022

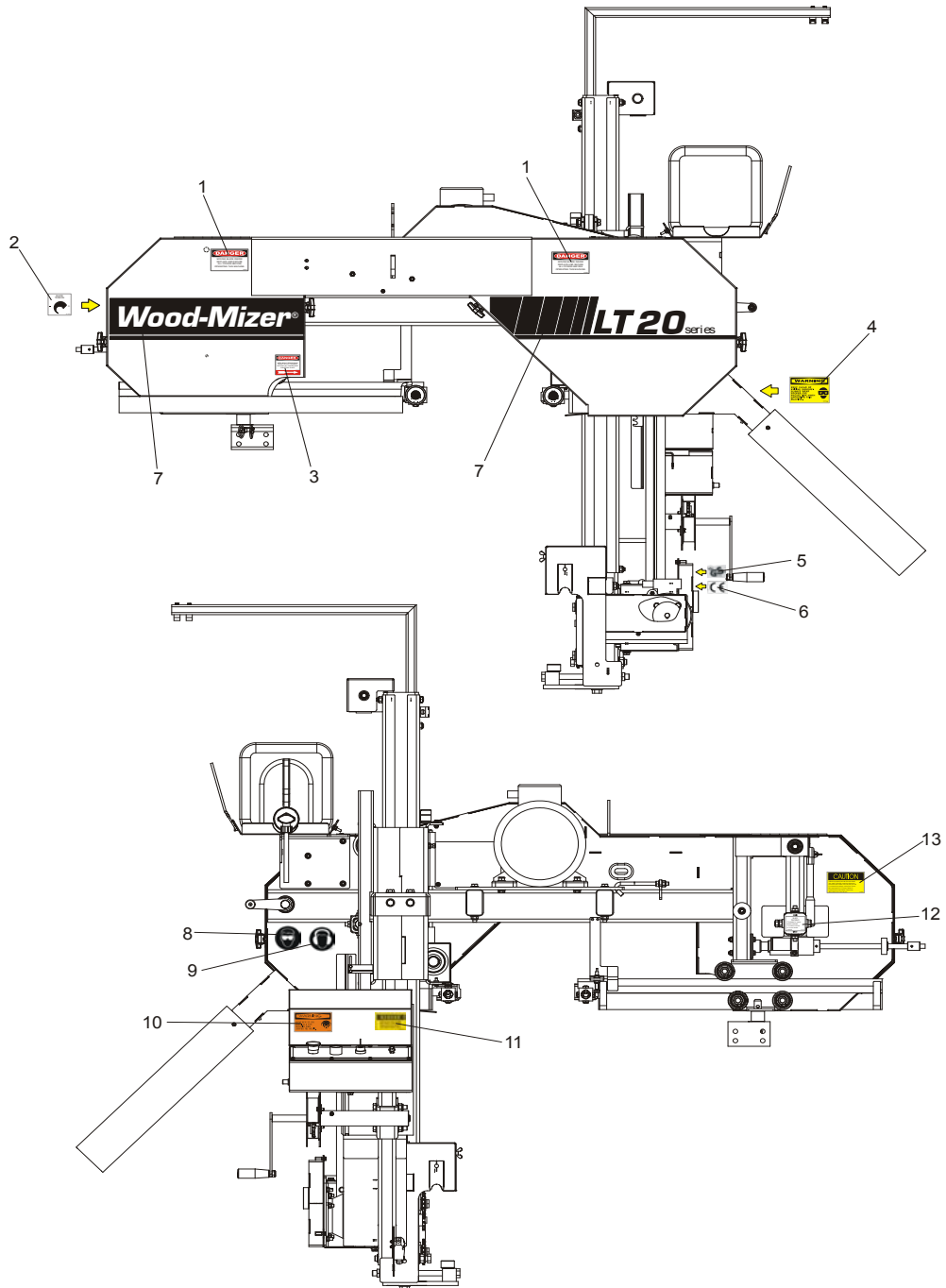
REF	DESCRIPTION (◆ Indicates Parts Available In Assemblies Only)	PART #	QTY.
	BOTTLE KIT, LT20 WATER LUBE	091036	1
1	Tray Weldment, LT20 Water Lube	091033-1	1
2	Strap, 20" Rubber	P11668	2
3	Nut, M6-8-B Hex Nylon Zinc Lock	F81031-2	2
4	Washer, 6.5 Zinc Flat	F81053-11	2
5	Bolt, M6x25-8.8 Carriage Head Zinc	F81001-20	2
6	Bolt, M8x20-8.8 Hex Head Full Thread Zinc	F81002-1	2
7	Washer, 8.4 Zinc Flat	F81054-1	2
8	Nut, M8-8-B Hex Nylon Zinc Lock	F81032-2	2
	Bottle Assembly, Water Lube	014642	1
9	Bottle, 19 l Water Lube	014637	1
10	Cap, Water Lube Bottle Buttress Thread	014773	1

11	Fitting, 3/4FPT x 3/4MPT	014636	1	
12	Fitting, Water Lube Shutoff Valve	014100	1	
13	Fitting, 5/8" NPT to 3/8" Hose Barb	014113	1	
14	Tubing, Water Lube	R01885	2.1 m	

4 Saw Head

Saw Head Decals

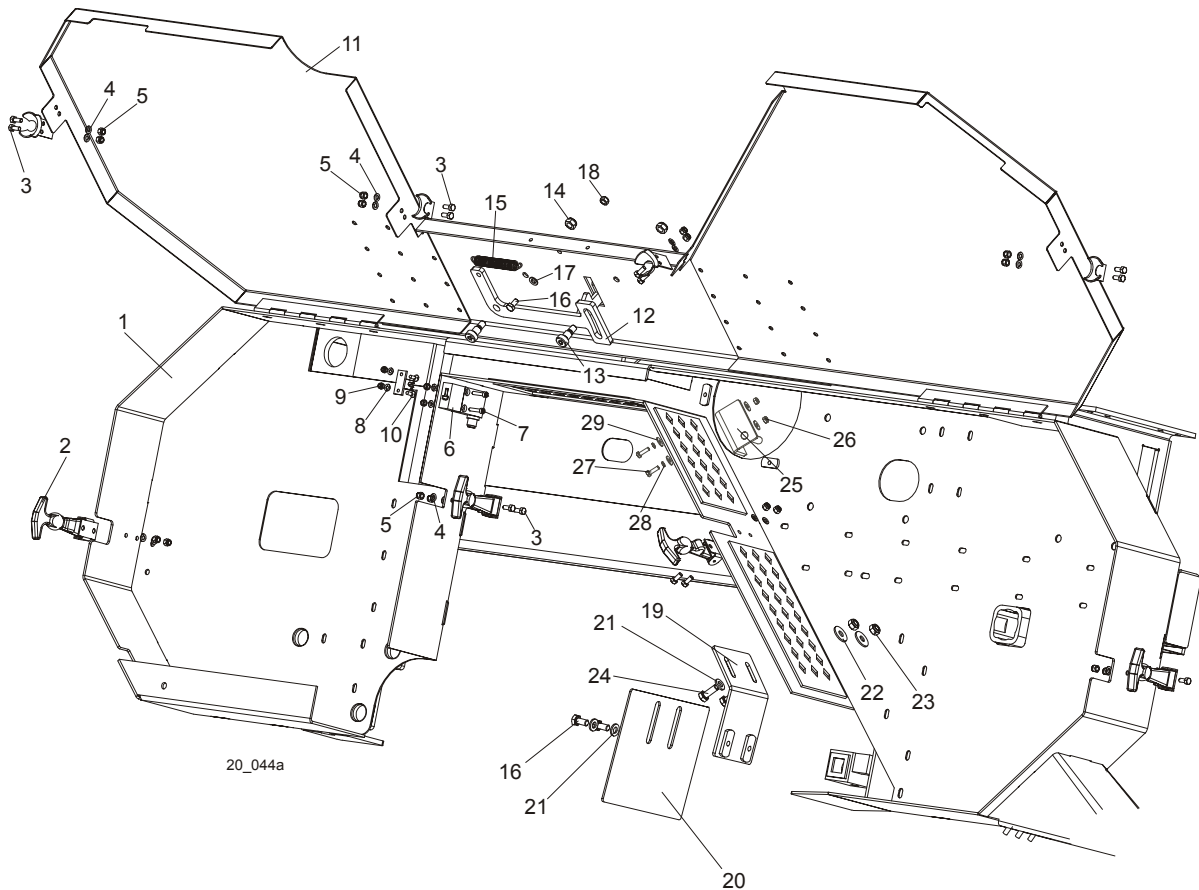
4.4 Saw Head Decals



REF	DESCRIPTION (◆ Indicates Parts Available In Assemblies Only)	PART #	QTY.	
1	DECAL, BLADE COVER DANGER	S20039	2	
2	DECAL, BLADE TENSION SCREW	P11790	1	
3	DECAL, BLADE DANGER (W/RIGHT ARROW)	S11752	1	
4	DECAL, SAWDUST CHUTE CAUTION	P11754	1	
5	DECAL, CE CERTIFIED SAWMILL	P85071	1	
6	DECAL, GS SAFETY CERTIFICATION SMALL	P85072	1	

7	DECAL KIT, LT20	091480	1	
8	DECAL, EYE PROTECTION (PICTOGRAM)	S12004	1	
9	DECAL, EAR PROTECTION (PICTOGRAM)	S12005	1	
10	DECAL, EYE/EAR PROTECTION WARNING	S11753	1	
11	DECAL, FRONT OUTRIGGER DANGER	015400	1	
12	DECAL, BLADE ALIGNMENT	P11789	1	
13	DECAL, SAW HEAD REST CAUTION	S12581	1	

4.5 Blade Housing Cover



REF	DESCRIPTION (◆ Indicates Parts Available In Assemblies Only)	PART #	QTY.	
1	SAW HEAD WELDMENT, LT20	090567	1	
2	LATCH, FLEXIBLE DRAW	014829	4	
3	BOLT, M5 X 12-5.8 HEX HEAD FULL THREAD ZINC	F81000-5	16	
4	WASHER, 5.3 ZINC FLAT	F81052-1	16	
5	NUT, M5-8 HEX NYLON ZINC LOCK	F81030-2	16	
6	SWITCH, HONEYWELL GKMC03W2 SAFETY KEY	087650	1	
7	SCREW, M4 X 20 8.8 HEX SOCKET HEAD CAP ZINC	F81011-31	2	
8	WASHER, 4.3 ZINC FLAT	F81051-2	4	
9	NUT, M4-B HEX NYLON ZINC LOCK	F81029-1	4	
10	SCREW, M4 X 12 5.8-B SLOTTED COUNTERSUNK HEAD ZINC	F81011-41	2	
11	COVER WELDMENT, LT20 BLADE HOUSING PTD	090633-1	1	
12	PAWL, LOCKING PTD	090643-1	1	
13	SCREW, 10/M8 X 12-12.9 ISO-7379 SOCKET HEAD SHOULDER	F81003-62	2	
14	NUT, M8-8-B HEX NYLON ZINC LOCK	F81032-2	2	
15	SPRING, 1,6x12x38 EXTENSION	092208	1	
16	BOLT, M6 X 12-8.8 HEX HEAD FULL THREAD ZINC	F81001-7	3	

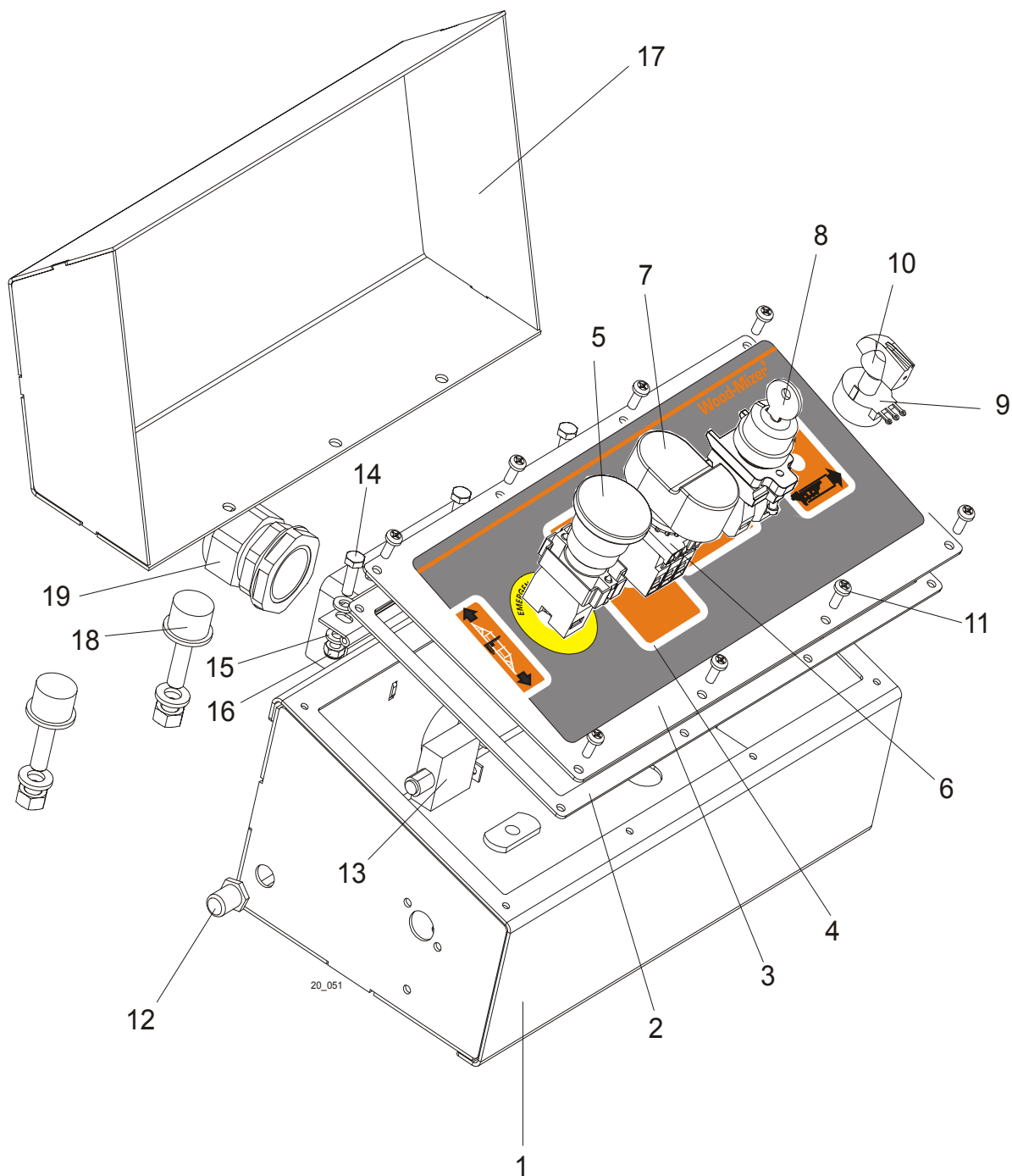
17	WASHER, 6.4 ZINC FLAT	F81053-1	1	
18	NUT, M6-8-B HEX NYLON ZINC LOCK	F81031-2	1	
19	BRACKET, BLADE GUIDE ROLLER GUARD, PAINTED	092378-1	1	
20	GUARD, BLADE GUIDE ROLLER, PAINTED	092379-1	1	
21	WASHER, 6.4 ZINC FLAT	F81053-1	4	
22	WASHER, 6.5 ZINC FLAT	F81053-11	2	
23	NUT, M6-8-B HEX NYLON ZINC LOCK	F81031-2	2	
24	BOLT, M6X16 8.8 HEX HEAD FULL THREAD ZINC	F81001-15	2	
25	DRIVE BELT BRACKET	092636-1	1	
26	NUT, M6-8-B HEX NYLON ZINC LOCK	F81031-2	2	
27	BOLT, M6x20-8.8 Hex Head Full Thread Zinc	F81001-2	2	
28	WASHER 6,1 FE/ZN9 PN/M-82008	F81053-3	2	
29	WASHER, 6.5 ZINC FLAT	F81053-11	4	

4

Saw Head

Control Box (AC Sawmills)

4.6 Control Box (AC Sawmills)



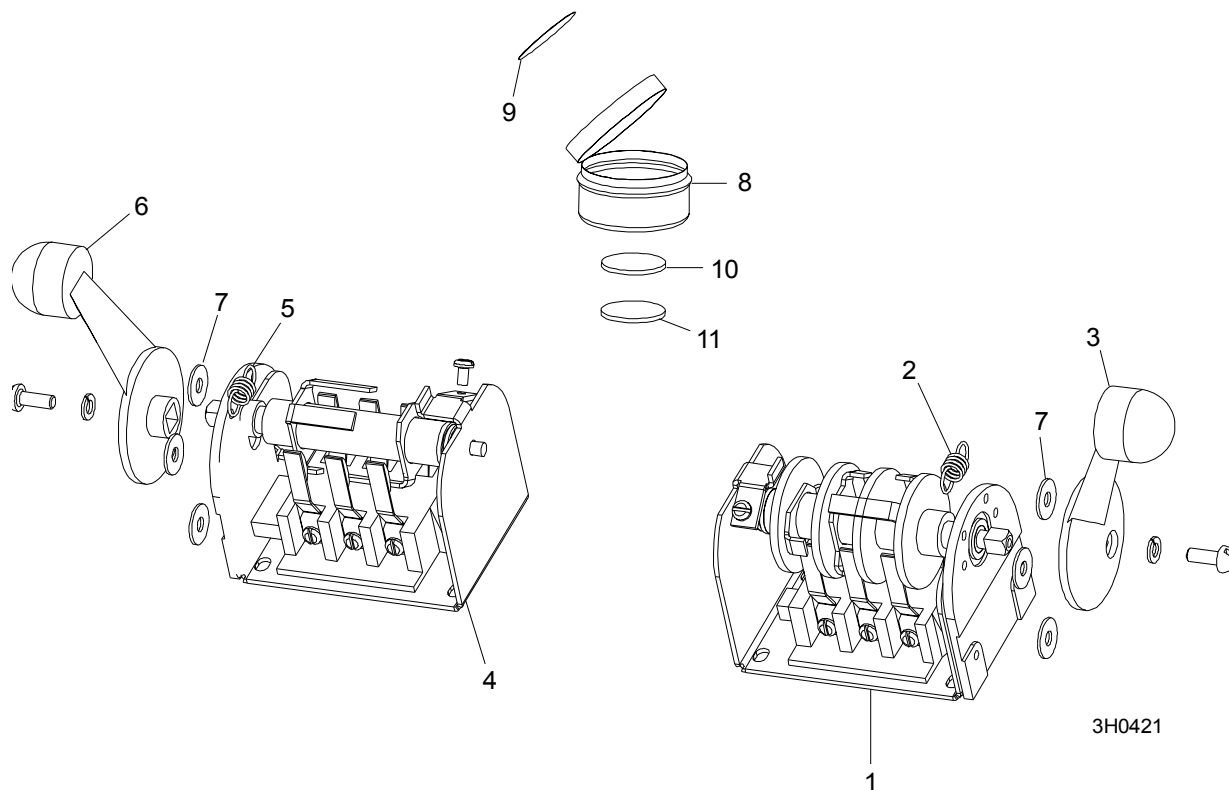
REF	DESCRIPTION (◆ Indicates Parts Available In Assemblies Only)	PART #	QTY.	
	CONTROL BOX ASSEMBLY, LT20 AC	090737	1	
1	Box Weldment, LT20 AC Control	090734-1	1	
2	Gasket, Control Box (9.5m Frame)	089998	1	
3	Panel, LT20 Front Control	090736	1	

4	Decal, LT20 Control Box	090735	1	
5	Button, XB4 BS542 Emergency Stop	086556	1	
6	Button, 24V Start/Stop	090452	1	
7	Membrane M22-T-DD	090462		
8	Switch, M22 3-position Key	091361	1	
9	Potentiometer, Feed Control	E20519	1	
10	Dial, Feed Rate	P06257	1	
11	Screw, #10-24 x 1/2 Pan Head	F05015-17	8	
12	Boot, Circuit Breaker	021253	1	
13	Breaker, 30Amp Manual Reset Circuit	024246	1	
14	Bolt, M6x20-8.8 Hex Head Full Thread Zinc	F81001-2	3	
15	Washer, 6.4 Zinc Flat	F81053-1	6	
16	Nut, M6-8-B Hex Nylon Zinc Lock	F81031-2	3	
17	Cover, Control Box	088172-1	1	
18	Bumper, A/022 Rubber	088376	2	
19	Connector, Klick -GP21 rill 21 Polyamid Conduit	086577	1	

4 Saw Head

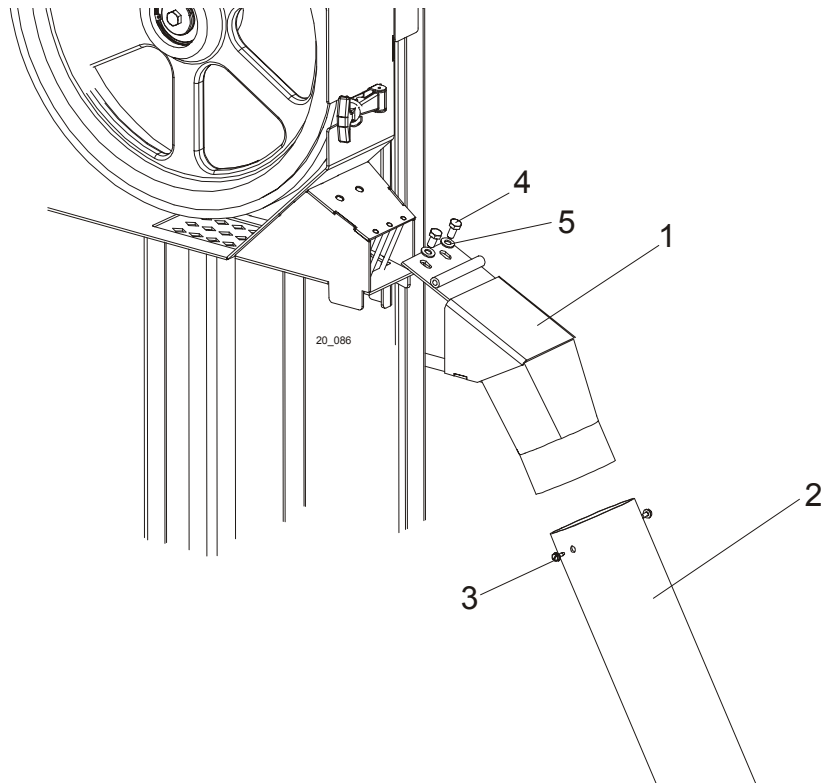
Drum Switches

4.7 Drum Switches



REF	DESCRIPTION (◆ Indicates Parts Available In Assemblies Only)	PART #	QTY.	
	SWITCH ASSEMBLY, UP/DOWN DRUM	E20440	1	
1	Switch, Drum	E20440-B	1	◆
2	Spring, Drum Switch	P12570	1	
3	Handle, Drum Switch w/Screws	P12500	1	
	SWITCH ASSEMBLY, POWER FEED DRUM	E20438	1	
4	Switch, Drum	E20438-B	1	◆
5	Spring, Drum Switch	P12570	1	
6	Handle, Drum Switch w/Screws	P12500	1	
7	WASHER, #8 SAE FLAT	F05011-41	6	
	CUP ASSEMBLY, DRUM SWITCH GREASE	A20463	1	
8	Cup, Plastic Container	P20464	1	◆
9	Label, Grease Cup	P20467	1	
10	Pad, Velcro Loop	P20466	1	◆
11	Pad, Velcro Hook	P20465	1	◆
	Grease, Drum Switch	P20468	.011ml	◆

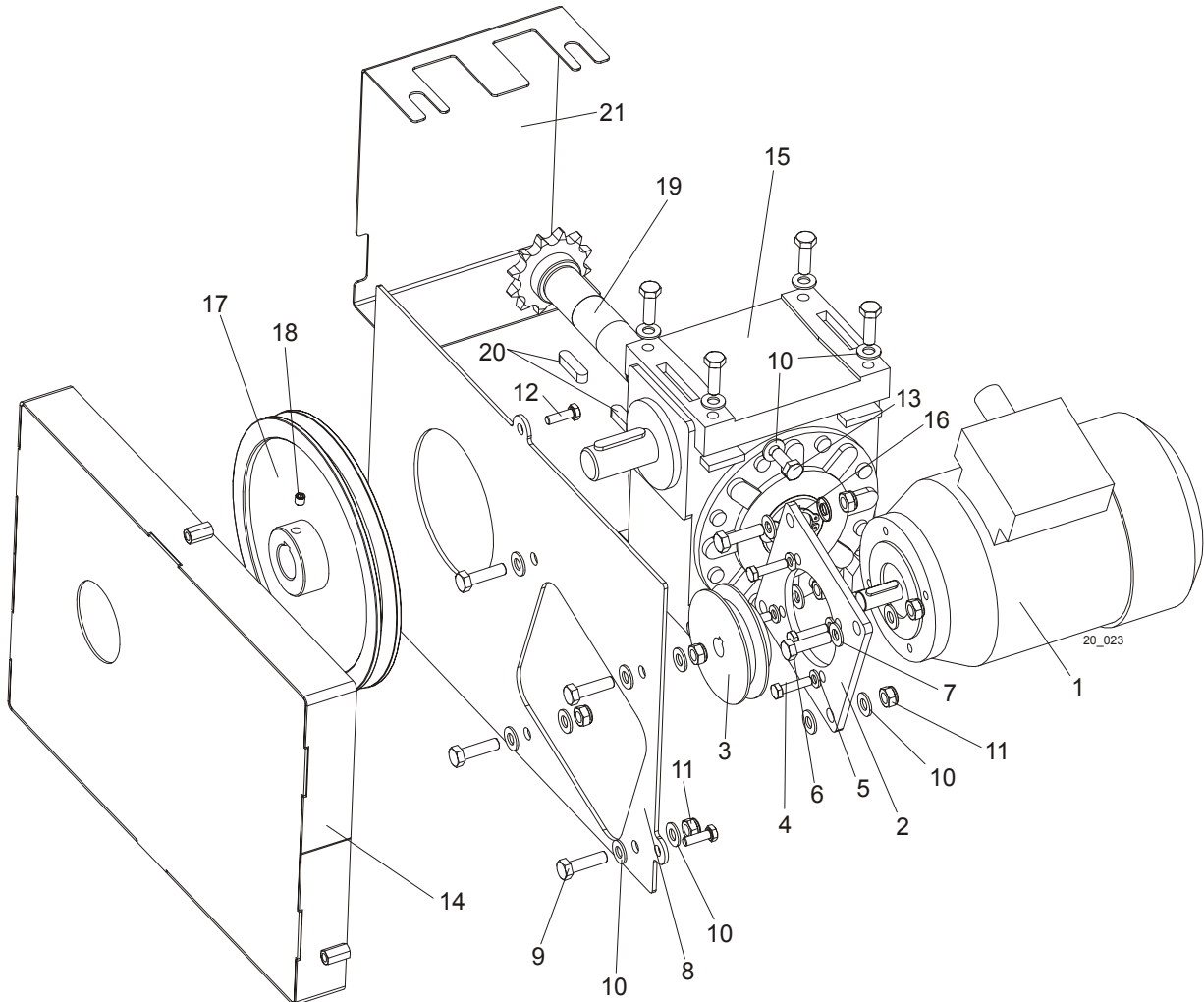
4.8 Sawdust Chute



REF	DESCRIPTION (◆ Indicates Parts Available In Assemblies Only)	PART #	QTY.
1	CHUTE WELDMENT, SAWDUST	092460-1	1
2	TUBE, SAWDUST CHUTE RUBBER	R02336	1
3	SCREW, #10-24 X 1/2 SELF-TAPPING	F05015-7	2
4	BOLT, M8x16	F81002-20	2
5	WASHER, 8.4 ZINC FLAT	F81054-1	2

SECTION 5 UP/DOWN ASSEMBLY

5.1 Up/Down Assembly, AC Mills



REF	DESCRIPTION (◆ Indicates Parts Available In Assemblies Only)	PART #	QTY.	
	MOTOR ASSEMBLY, LT20 AC UP/DOWN	091302	1	◆
1	Motor, SKh 71- 4B2 RAL 9005	091304	1	
2	Plate, LT20 AC Up/Down Motor Mount Ptd	091300-1	1	
3	Pulley, LT20	090699	1	
4	Bolt, M6x25-5.8 Hex Head Full Thread Zinc	F81001-3	4	
5	Washer 6.4 Zinc Flat	F81053-1	4	
6	BOLT, M8X30-5.8 HEX HEAD FULL THREAD ZINC	F81002-2	4	
7	WASHER, 8.4 ZINC FLAT	F81054-1	4	
8	PLATE, LT20 BELT GUARD MOUNT	091079-1	1	
9	BOLT, M8X30-5.8 HEX HEAD FULL THREAD ZINC	F81002-2	4	
10	WASHER, 8.4 ZINC FLAT	F81054-1	12	
11	NUT, M8-8-B HEX NYLON ZINC LOCK	F81032-2	4	

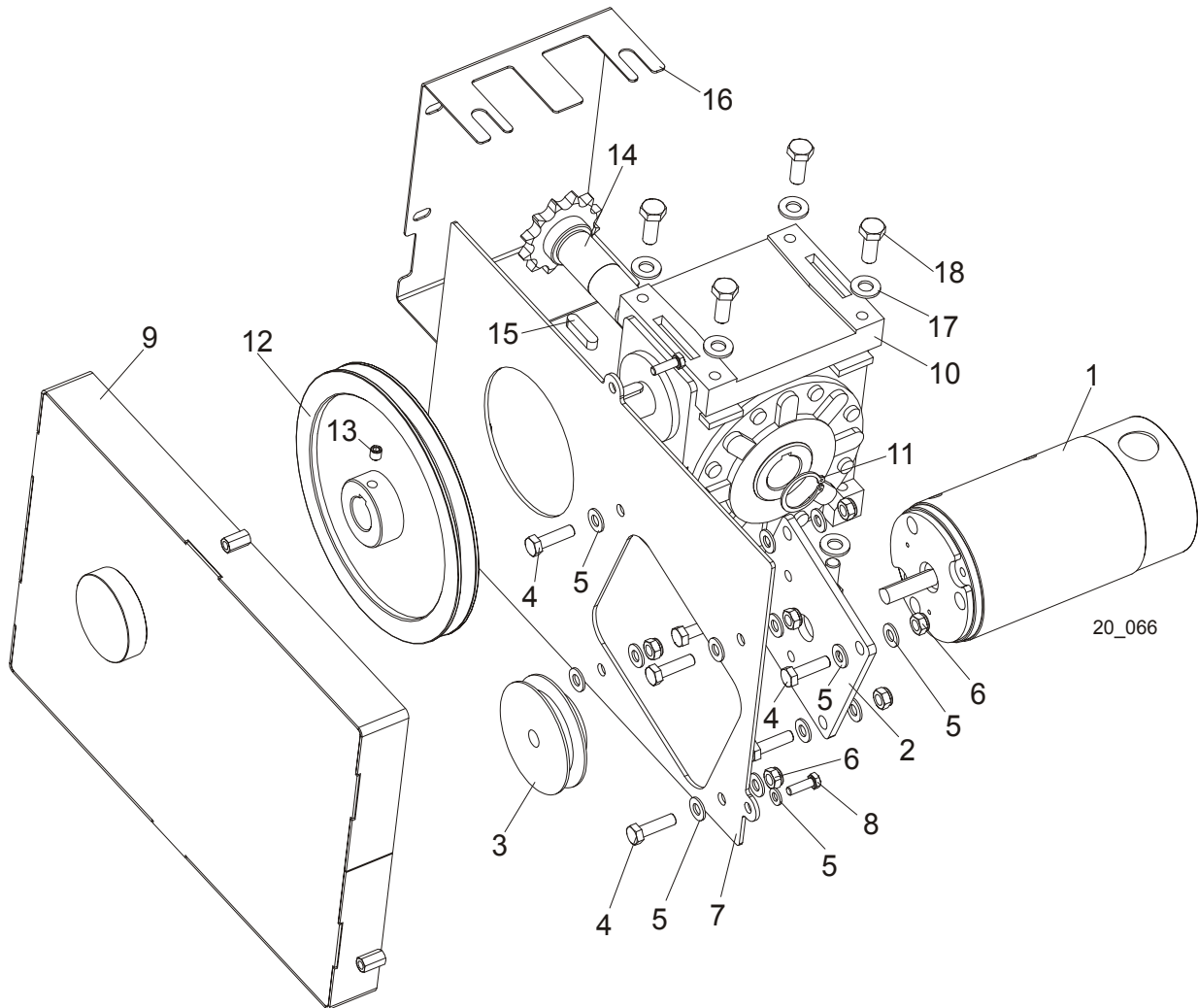
5

Up/Down Assembly

Up/Down Assembly, AC Mills

12	BOLT, M6X20-8.8 HEX HEAD FULL THREAD ZINC	F81001-2	4	
13	BOLT, M8X20-5.8 HEX HEAD FULL THREAD ZINC	F81002-1	2	
14	GUARD WELDMENT, LT20 UP/DOWN BELT PTD	091080-1	1	
	BOX ASSEMBLY, LT20 UP/DOWN GEAR	091299	1	
15	Box, RA-06/66/D1/S+N/V5 Gear	088577	1	
16	Ring, Z30 Spring Retaining	F81090-23	1	
17	Pulley, LT20 Up/Down	091078	1	
18	Shaft, LT20 Up/Down w/Sprocket	091298	1	
19	Key, A8x7x32 Parallel	088564	2	
20	GUARD, LT20 UP/DOWN GEAR BOX SPROCKET	091655-1	1	

5.2 Up/Down Assembly, DC Mills



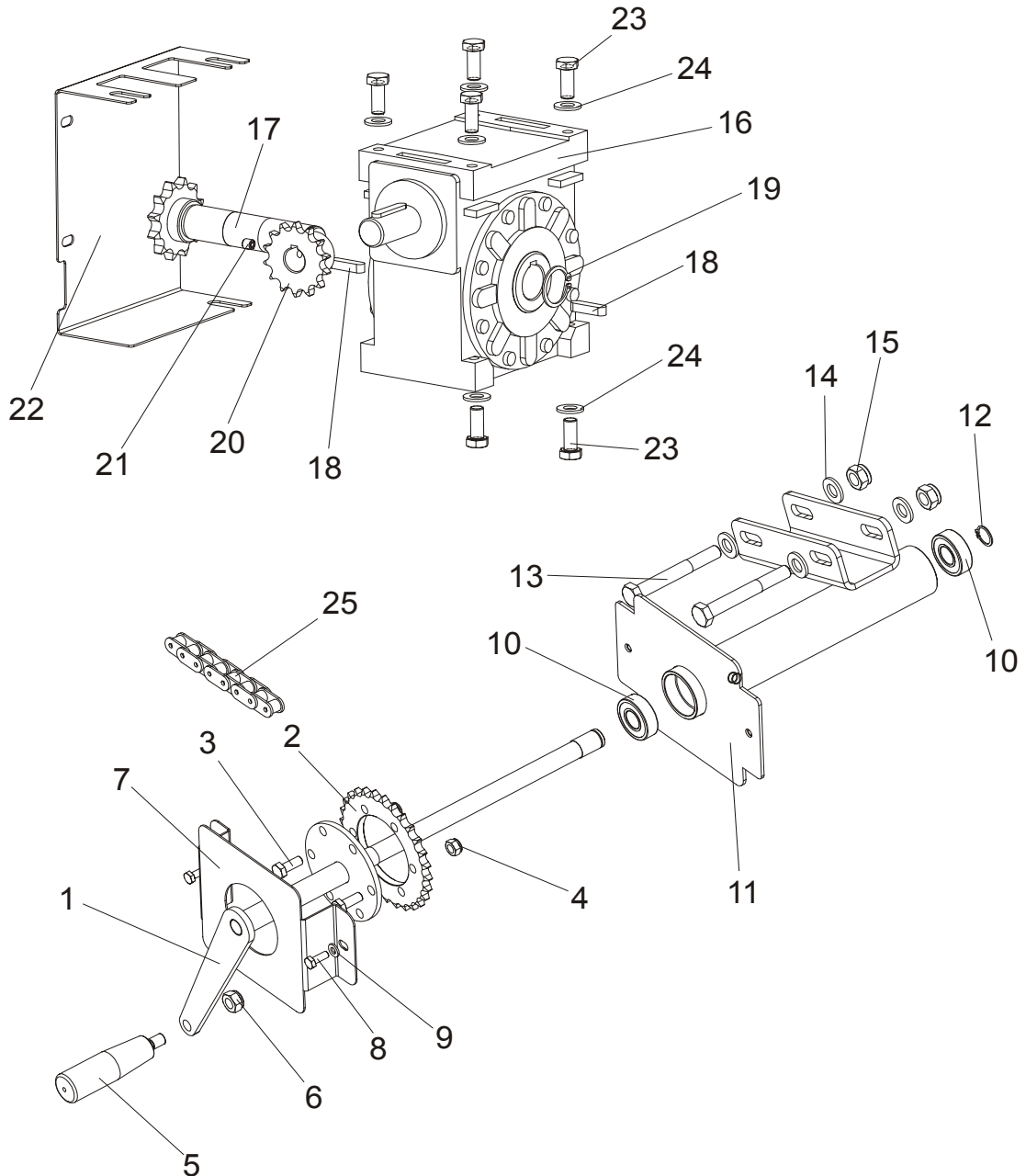
REF	DESCRIPTION (◆ Indicates Parts Available In Assemblies Only)	PART #	QTY.	
	MOTOR ASSEMBLY, LT20 DC UP/DOWN	091303	1	◆
1	Motor, Drive 12V 0.5HP	P04140	1	
2	Plate, LT20 DC Up/Down Motor Mount Ptd	091301-1	1	
3	Pulley, LT20 Up/Down	014087	1	
4	BOLT, M8X30-5.8 HEX HEAD FULL THREAD ZINC	F81002-2	8	
5	WASHER, 8.4 ZINC FLAT	F81054-1	19	
6	NUT, M8-8-B HEX NYLON ZINC LOCK	F81032-2	8	
7	PLATE, LT20 BELT GUARD MOUNT	091079-1	1	
8	BOLT, M6X20-8.8 HEX HEAD FULL THREAD ZINC	F81001-2	3	
9	GUARD WELDMENT, LT20 UP/DOWN BELT PTD	091080-1	1	
	BOX ASSEMBLY, LT20 UP/DOWN GEAR	091299	1	
10	Box, RA-06/66/D1/S+N/V5 Gear	088577	1	
11	Ring, Z30 Spring Retaining	F81090-23	1	

5

Up/Down Assembly*Up/Down Assembly, DC Mills*

12	Pulley, LT20 Up/Down	091078	1	
13	Screw, M8x8-33H Hex Socket Set Flat Point	F81014-1	1	
14	Shaft, LT20 Up/Down w/Sprocket	091298	1	
15	Key, A8x7x32 Parallel	088564	2	
16	GUARD, LT20 UP/DOWN GEAR BOX SPROCKET	091655-1	1	
17	WASHER, FLAT, M10, ZINC	F81055-1	6	
18	BOLT, M10-1.5X25MM HH GR8.8	F81003-11	6	
	BELT, HA-560 (STOMIL-SANOK)	088562	1	

5.3 Manual Up/Down System



REF	DESCRIPTION (◆ Indicates Parts Available In Assemblies Only)	PART #	QTY.
	CRANK ASSEMBLY, LT20 UP/DOWN	090745	1
1	Shaft, Up/Down Sprocket	090748-1	1
2	Sprocket, 08B Z28	090664-1	1
3	Bolt, M8x20-5.8 Hex Head Full Thread Zinc	F81002-1	2
4	Nut, M8-8-B Hex Nylon Zinc Lock	F81032-2	2
5	Knob, 12992M10 Plastic Crank Handle	086338	1
6	Nut, M10-8-B Hex Nylon Zinc Lock	F81033-1	1

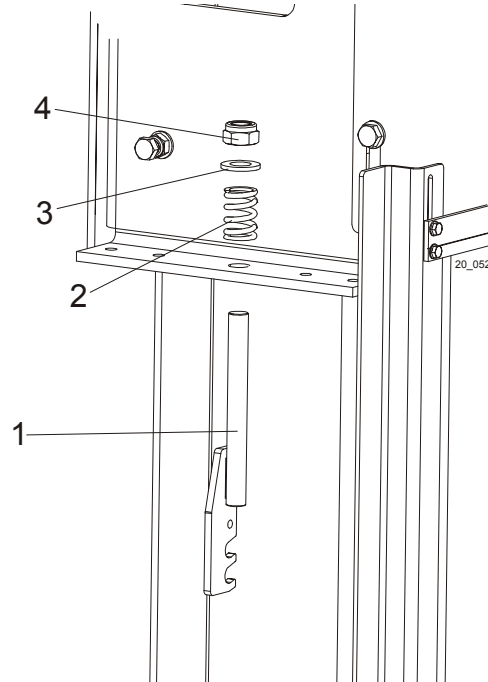
5

Up/Down Assembly

Manual Up/Down System

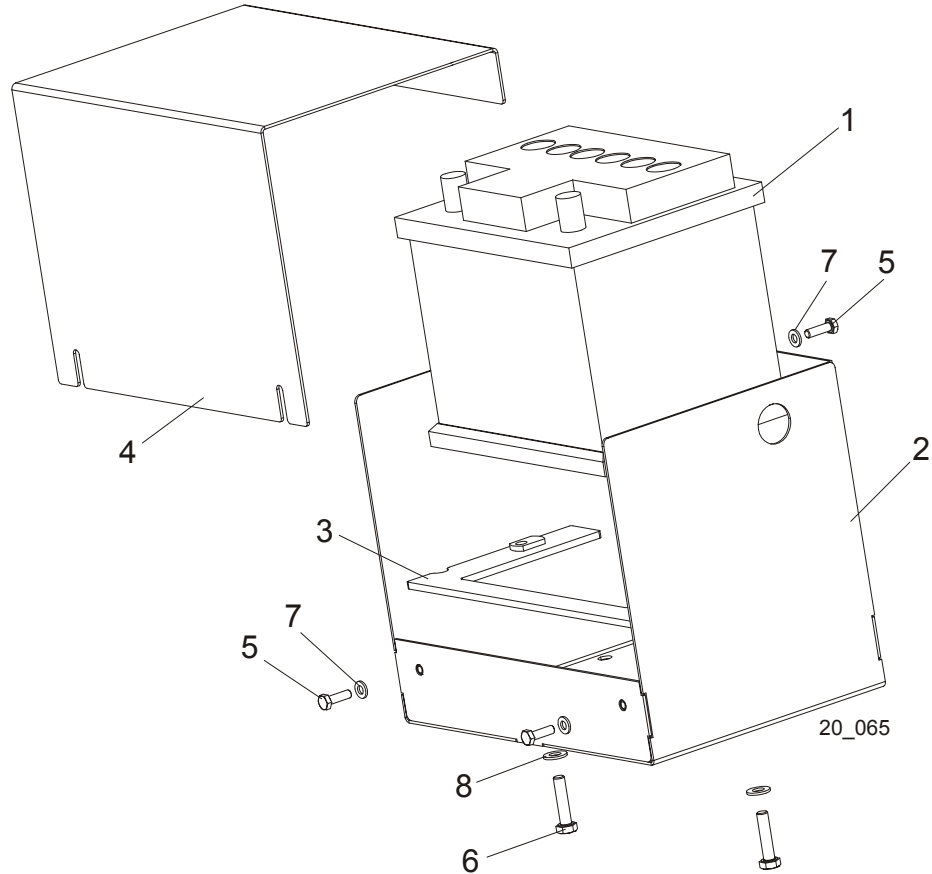
7	Guard, Up/Down Crank Sprocket Ptd	091834-1	1	
8	Bolt, M6x16 8.8 Hex Head Full Thread Zinc	F81001-15	2	
9	Washer, 6.4 Zinc Flat	F81053-1	2	
10	Bearing, 6203-2RS FLT Rolling	086114	2	
11	Guard, LT20 Up/Down Sprocket	090744-1	1	
12	Ring, Z 17 Outside Retaining	F81090-21	1	
13	BOLT, M12 X 90-8.8 HEX HEAD ZINC	F81004-2	2	
14	WASHER, 13 ZINC FLAT	F81056-1	4	
15	NUT, M12-8 HEX NYLON ZINC LOCK	F81034-2	2	
16	BOX, RA-06/66/D1/S+N/V5 GEAR	088577	1	
17	SHAFT, LT20 UP/DOWN W/SPROCKET	091298	1	
18	KEY, A8 X 7 X 32 PARALLEL	088564	2	
19	RING, Z30 OUTSIDE RETAINING	F81090-23	1	
20	SPROCKET, 10B Z14 ZINC-PLATED	090702-1	1	
21	SCREW, M8 X 8-33H HEX SOCKET SET FLAT POINT ZINC	F81014-1	1	
22	GUARD, LT20 UP/DOWN GEAR BOX SPROCKET PTD	091655-1	1	
23	BOLT, M10 X 25-8.8 HEX HEAD FULL THREAD ZINC	F81003-11	6	
24	WASHER, 10.5 ZINC FLAT	F81055-1	6	
25	CHAIN, 08B-1-153 UP/DOWN	091647	1	

5.4 Up/Down Chain Tensioner Assembly



REF	DESCRIPTION (◆ Indicates Parts Available In Assemblies Only)	PART #	QTY.
1	TENSIONER WELDMENT, LT20 UP/DOWN CHAIN ZINC-PLATED	090730-1	1
2	SPRING, 14 X 30 X 3.2	090797	1
3	WASHER, 13 ZINC FLAT	F81056-1	1
4	NUT, M12-8 HEX NYLON ZINC LOCK	F81034-2	1

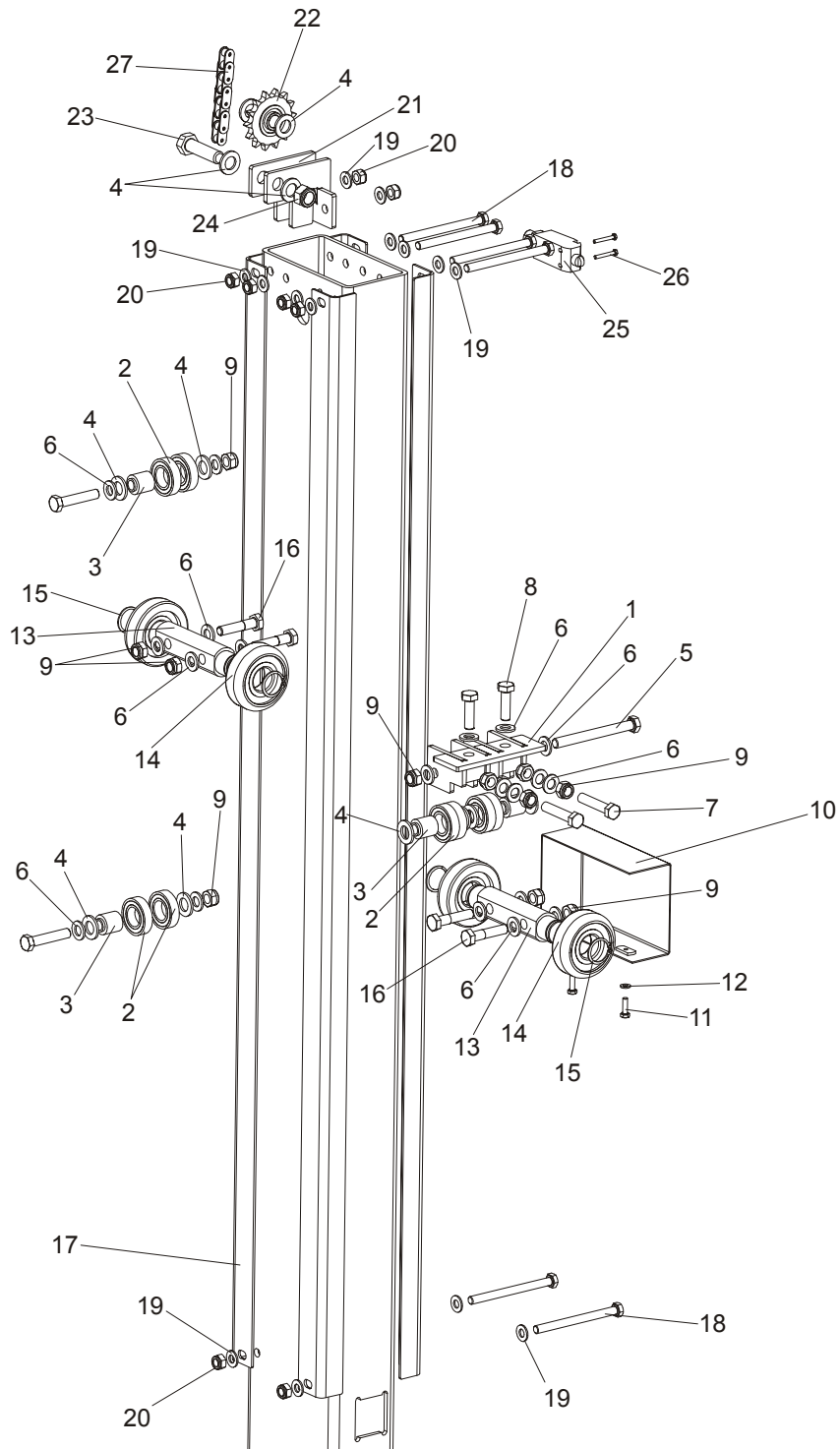
5.5 Battery Box Assembly, DC Mills



REF	DESCRIPTION (◆ Indicates Parts Available In Assemblies Only)	PART #	QTY.
	BATTERY BOX, COMPLETE	091376	1
1	Battery, 12V 50Ah	090999	1
2	Box Weldment, Battery	091377-1	1
3	Bracket, Battery Hold-down Ptd	091381-1	1
4	Lid, Battery Box Ptd	091382-1	1
5	Bolt, M6x20mm Hex Head Full Thread Zinc	F81001-2	3
6	Bolt, 8mm x 1.25 x 35mm HH Zinc	F81002-13	2
7	Washer, M6 Zinc Flat	F81053-1	3
8	Washer, M8 Zinc Flat	F81054-1	2

SECTION 6 UP/DOWN ROLLERS & BLADE HEIGHT SCALE

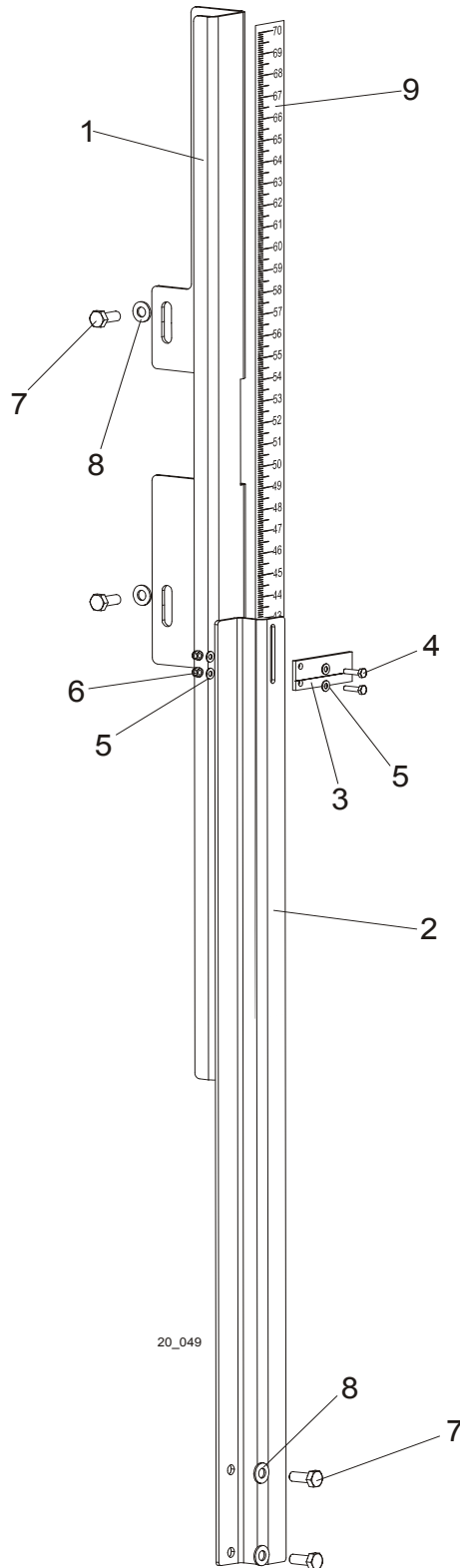
6.1 Up/Down Rollers



REF	DESCRIPTION (◆ Indicates Parts Available In Assemblies Only)	PART #	QTY.
-----	--	--------	------

1	BRACKET WELDMENT, LT20 UP/DOWN ROLLER PTD	091095-1	1	
2	BEARING, 6005 2RS CX	089652	8	
3	BUSHING, LT20 UP/DOWN ROLLER	090790	4	
4	WASHER, 17 ZINC FLAT	F81058-1	12	
5	BOLT, M12 X 120 8.8 HEX HEAD ZINC	F81004-38	1	
6	WASHER, 13 ZINC FLAT	F81056-1	20	
7	BOLT, M12 X 60-8.8 HEX HEAD FULL THREAD ZINC	F81004-51	2	
8	BOLT, M12 X 40-8.8 HEX HEAD FULL THREAD ZINC	F81004-4	2	
9	NUT, M12-8 HEX NYLON ZINC LOCK	F81034-2	11	
10	GUARD, LT20 UP/DOWN ROLLERS PTD	091619-1	1	
11	BOLT, M6 X 20-8.8 HEX HEAD FULL THREAD ZINC	F81001-2	2	
12	WASHER, 6.4 ZINC FLAT	F81053-1	2	
13	SHAFT, UP/DOWN ROLLERS ZINC-PLATED	090616-1	2	
14	ROLLER, CBK-468	088433	4	
15	RING, Z30 SPRING RETAINING	F81090-23	4	
16	BOLT, M12 X 55-8.8 HEX HEAD FULL THREAD ZINC	F81004-43	4	
17	ANGLE, LT20 MAST TUBE	091182	4	
18	BOLT, M10 X 125-8.8 HEX HEAD ZINC	F81003-18	6	
19	WASHER, 10.5 ZINC FLAT	F81055-1	14	
20	NUT, M10-8-B HEX NYLON ZINC LOCK	F81033-1	8	
21	BRACKET WELDMENT, LT20 UP/DOWN SPROCKET PTD	091000	1	
22	SPROCKET, KSR 16.L0.10.10.14.08	088867	1	
23	BOLT, M16 X 60 8.8 HEX HEAD FULL THREAD ZINC	F81006-12	1	
24	NUT, M16-8 HEX NYLON ZINC LOCK	F81036-2	1	
25	SWITCH, EVN2000 C LIMIT	089816	1	
26	BOLT, M4 X 30 8.8 HEX HEAD FULL THREAD ZINC	F81011-5	2	
27	CHAIN, LT20 10B-1-197 TYPE UP/DOWN	091626	1	

6.2 Blade Height Scale



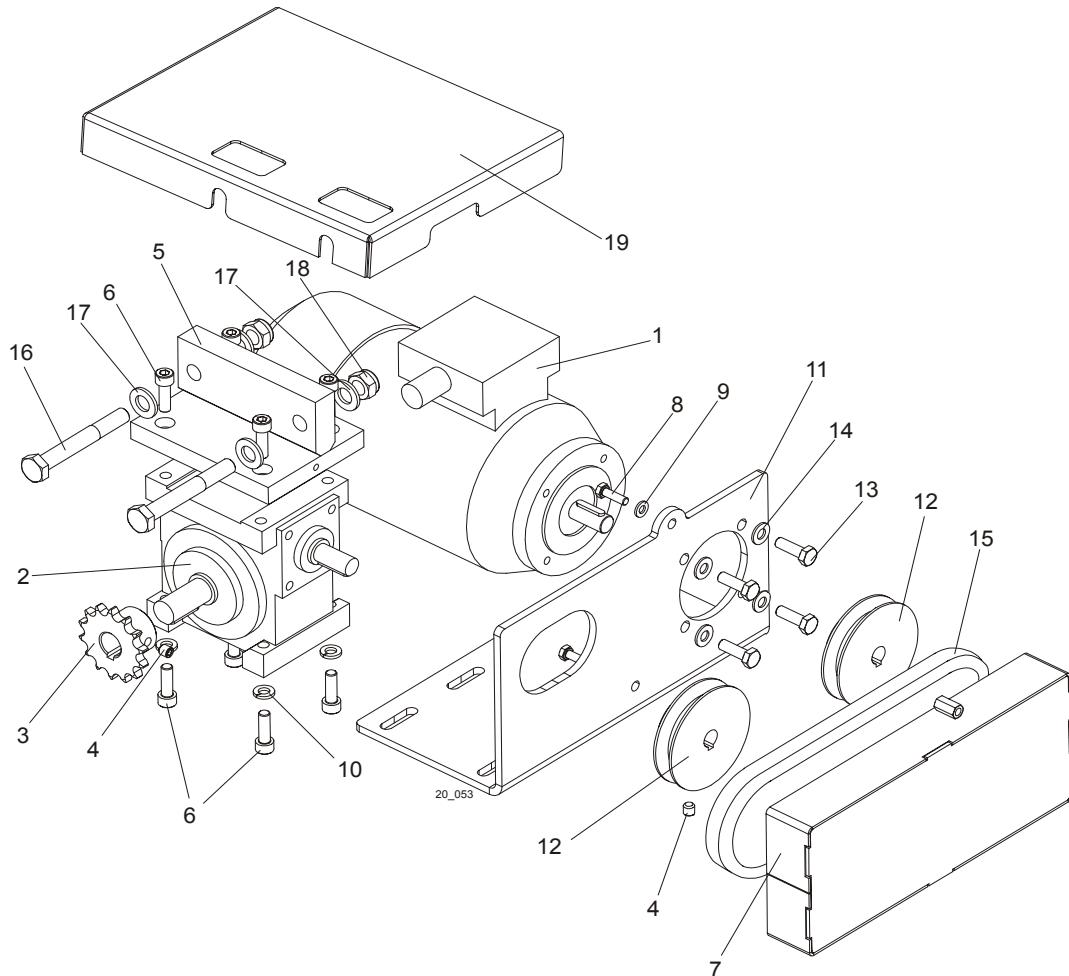
6

Up/Down Rollers & Blade Height Scale*Blade Height Scale*

REF	DESCRIPTION (◆ Indicates Parts Available In Assemblies Only)	PART #	QTY.	
1	BRACKET, SCALE MOUNT PTD	091237-1	1	
2	BRACKET, SCALE INDICATOR MOUNT PTD	091238-1	1	
3	INDICATOR, BLADE HEIGHT SCALE	086691	1	
4	BOLT, M4 X 16 5.8 HEX HEAD FULL THREAD ZINC	F81011-6	2	
5	WASHER, 4.3 ZINC FLAT	F81051-2	4	
6	NUT, M4-B HEX NYLON ZINC LOCK	F81029-1	2	
7	BOLT, M8 X 20-5.8 HEX HEAD FULL THREAD ZINC	F81002-1	4	
8	WASHER, 8.4 ZINC FLAT	F81054-1	4	
9	SCALE, LT20 0-70CM	091239	1	

SECTION 7 POWER FEED & TRACK ROLLERS

7.1 Power Feed Assembly, AC Mills



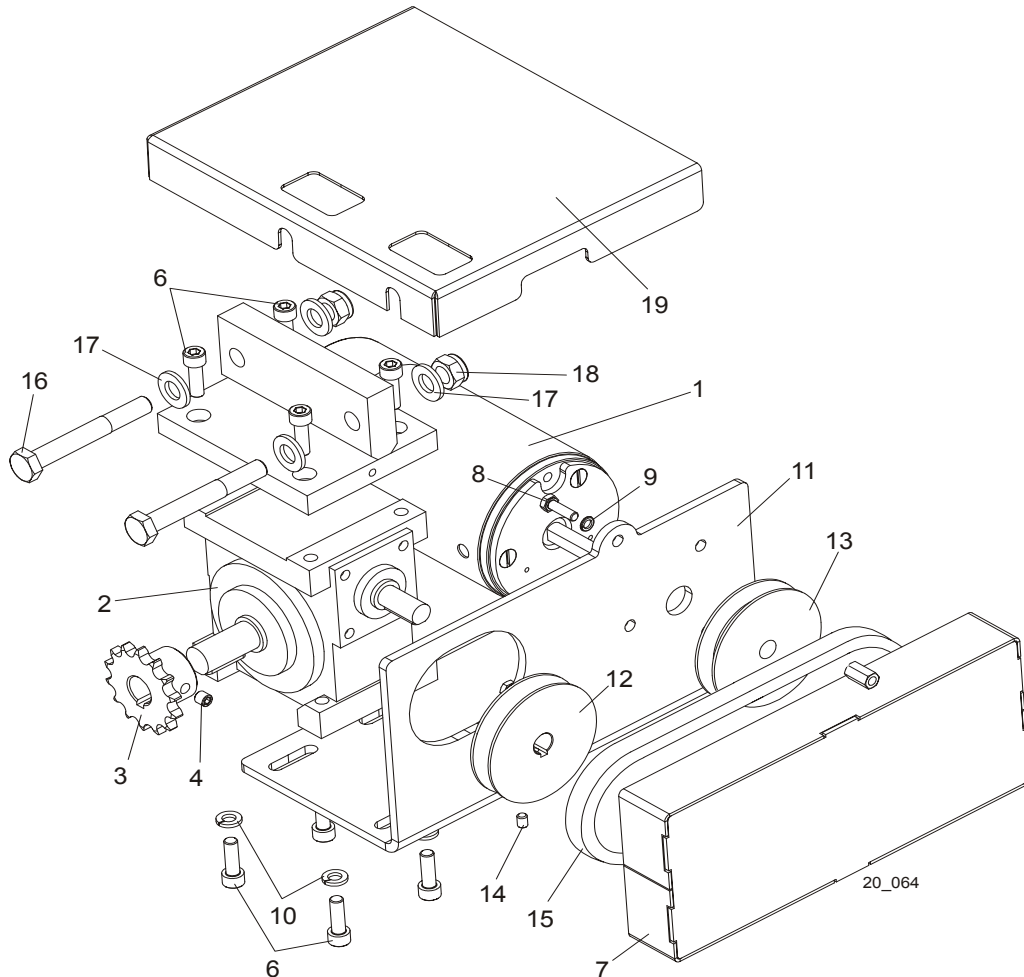
REF	DESCRIPTION (◆ Indicates Parts Available In Assemblies Only)	PART #	QTY.
	POWER FEED ASSEMBLY, LT20 AC	091196	1
1	Motor, SKh71X-4C2 RAL 9005	091186	1
2	Gear Box, RA-04/7.5/D1/N+S/B8 w/Output Shaft	090698	1
3	Sprocket, 10B Z14 Zinc-plated	090702-1	1
4	Screw, M8x8-33H Hex Socket Set Flat Point Zinc	F81014-1	1
5	Bracket, Power Feed Gear Box Mount	090715-1	1
6	Screw, M8X25-8.8 Hex Socket Head Cap Zinc	F81002-21	4
7	Guard, Power Feed Drive Belt	091195-1	1
8	Bolt, M6x20-8.8 Hex Head Full Thread Zinc	F81001-2	2
9	Washer, 6.4 Zinc Flat	F81053-1	2
10	Washer, 8.2 Split Lock Zinc	F81054-4	4
11	Bracket, Power Feed Gear Box	091191	1
12	Pulley, LT20 Power Feed Gear Box Ptd	090699-1	2

7

Power Feed & Track Rollers*Power Feed Assembly, AC Mills*

13	Bolt, M8x25-8.8-B Hex Head Full Thread Zinc	F81002-5	4	
14	Washer, 8.4 Zinc Flat	F81054-1	4	
15	V-Belt, HA-560 (STOMIL-SANOK)	088562	1	
16	BOLT, M12X90-8.8 HEX HEAD ZINC	F81004-2	2	
17	WASHER, 13 ZINC FLAT	F81056-1	4	
18	NUT, M12-8 HEX NYLON ZINC LOCK	F81034-2	2	
19	GUARD, POWER FEED MOTOR	092377	1	

7.2 Power Feed Assembly, DC Mills

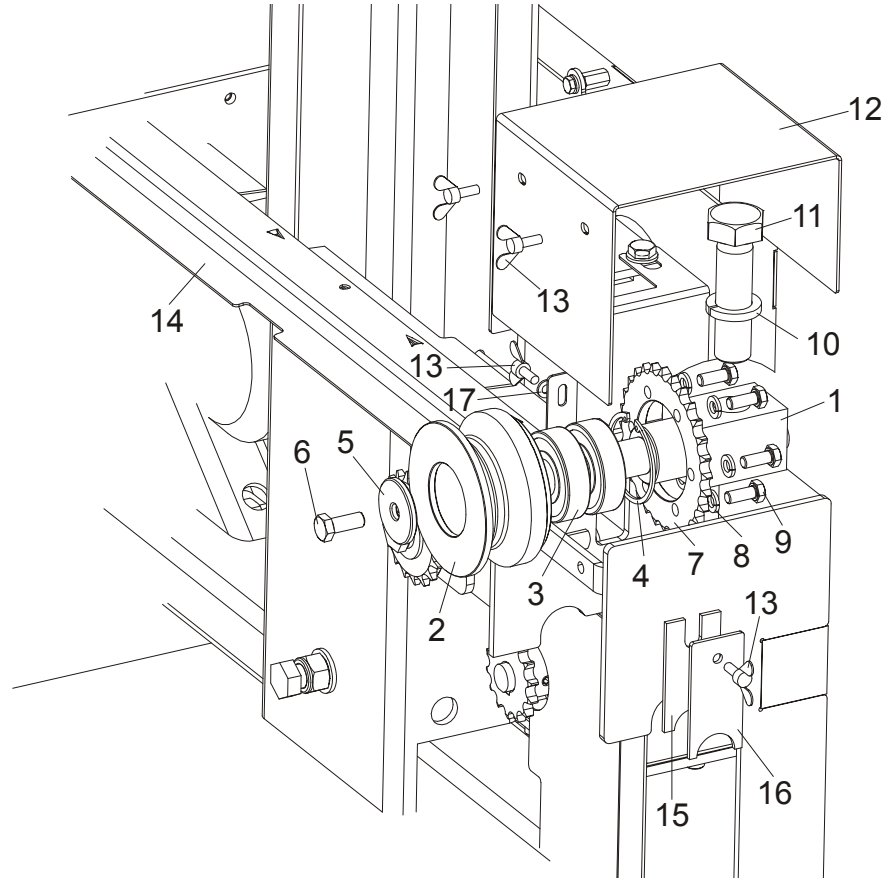


REF	DESCRIPTION (◆ Indicates Parts Available In Assemblies Only)	PART #	QTY.
	POWER FEED ASSEMBLY, LT20 DC	090703	1
1	Motor, 12V 0.5HP	P04140	1
2	Gear Box, RA-04/7.5/D1/N+S/B8 w/Output Shaft	090698	1
3	Sprocket, 10B Z14 Zinc-plated	090702-1	1
4	Screw, M8x8-33H Hex Socket Set Flat Point Zinc	F81014-1	1
5	Bracket, Power Feed Gear Box Mount	090715-1	1
6	Screw, M8X25-8.8 Hex Socket Head Cap Zinc	F81002-21	4
7	Guard, Power Feed Drive Belt	091195-1	1
8	Bolt, M6x20-8.8 Hex Head Full Thread Zinc	F81001-2	2
9	Washer, 6.4 Zinc Flat	F81053-1	2
10	Washer, 8.2 Split Lock Zinc	F81054-4	4
11	Bracket, LT20 Power Feed Motor Mount Ptd	090701-1	1
12	Pulley, LT20 Power Feed Gear Box Ptd	090699-1	2
13	Sheave, Up/Down Motor	014087	1
14	Screw, M6x8 Hex Socket Set Cone Point Zinc	F81013-1	1

7**Power Feed & Track Rollers***Power Feed Assembly, DC Mills*

15	V-Belt, HA-560 (STOMIL-SANOK)	088562	1	
16	BOLT, M12X90-8.8 HEX HEAD ZINC	F81004-2	2	
17	WASHER, 13 ZINC FLAT	F81056-1	4	
18	NUT, M12-8 HEX NYLON ZINC LOCK	F81034-2	2	
19	GUARD, POWER FEED MOTOR	092377	1	

7.3 Upper Track Rollers And Wipers

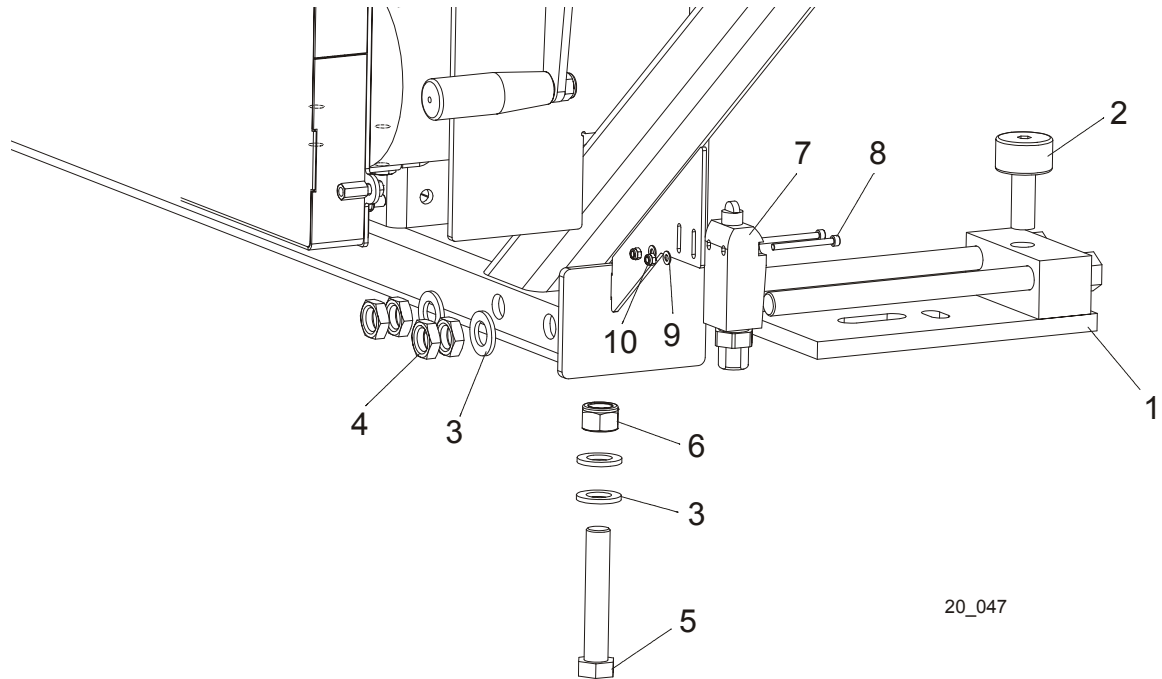


REF	DESCRIPTION (◆ Indicates Parts Available In Assemblies Only)	PART #	QTY.
	ROLLER ASSEMBLY, LT20 UPPER TRACK	090662	2
1	Block, Upper Track Roller Mount	090665	1
2	Roller, Upper Track	090663	1
3	Bearing, 6305 2RS NSK	P08066	2
4	Ring, 2 7/16" Bevelled Snap	F04254-21	1
5	Washer, Drive Wheel	086286	1
6	Bolt, M10x25-8.8 Hex Head Full Thread Zinc	F81003-11	1
7	Sprocket, O8B Z28	090664	2
8	Washer, 8.2 Split Lock Zinc	F81054-4	6
9	Bolt, M8x20-5.8 Hex Head Full Thread Zinc	F81002-1	6
10	WASHER, Z 24.5 SPLIT LOCK ZINC	F81061-4	2
11	BOLT, M24X2X90-8.8 HEX HEAD FULL THREAD ZINC	F81009-2	2
12	GUARD, UPPER TRACK ROLLER	090749-1	2
13	SCREW, M6 X 16 BN276 DIN 316 THUMB	F81001-16	8
14	COVER, MIDDLE TRACK	091656	1
15	WIPER, TOP RAIL	M04113	2
16	PLATE, TRACK WIPER PTD	088559-1	2
17	WASHER, 6.4 ZINC FLAT	F81053-1	2

7 Power Feed & Track Rollers

Lower Track Rollers

7.4 Lower Track Rollers

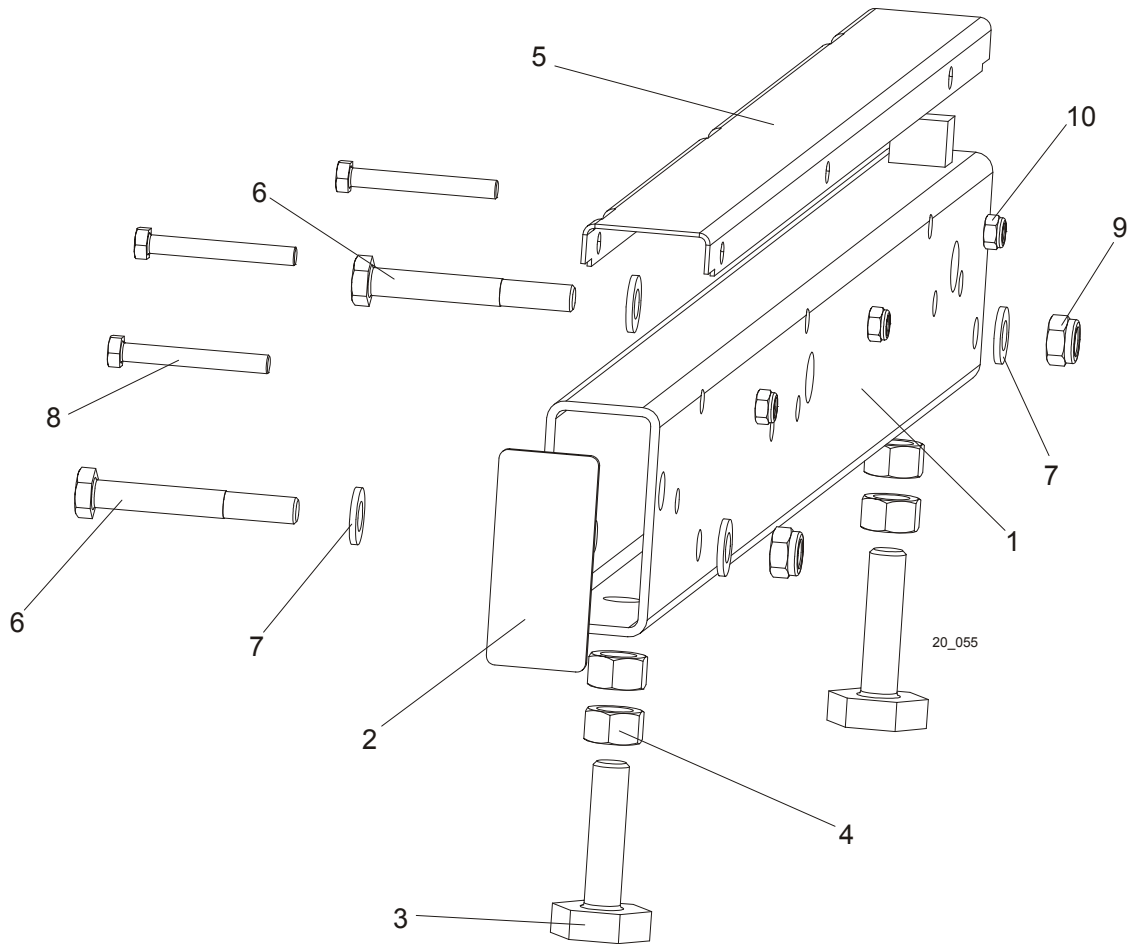


20_047

REF	DESCRIPTION (◆ Indicates Parts Available In Assemblies Only)	PART #	QTY.	
	ROLLER ASSEMBLY, LT20 LOWER TRACK	090670	2	
1	Bracket, LT20 Lower Track Roller	090671-1	1	
2	Bearing, Cam Follower (McGill)	012797	1	
3	WASHER, 17 ZINC FLAT	F81058-1	4	
4	NUT, M16 HEX THIN ZINC	F81036-4	4	
5	BOLT, M16 X 90-8.8 HEX HEAD ZINC	F81006-17	1	
6	NUT, M16-8 HEX NYLON ZINC LOCK	F81036-2	1	
7	SWITCH, EVN2000 A LIMIT	091742	1	
8	SCREW, M4 X 45-8.8 HEX SOCKET HEAD CAP ZINC	F81011-33	2	
9	NUT, M4-B HEX NYLON ZINC LOCK	F81029-1	2	
10	WASHER, 4.3 ZINC FLAT	F81051-2	2	

SECTION 8 BED FRAME ASSEMBLY

8.1 Bed Rail Assembly

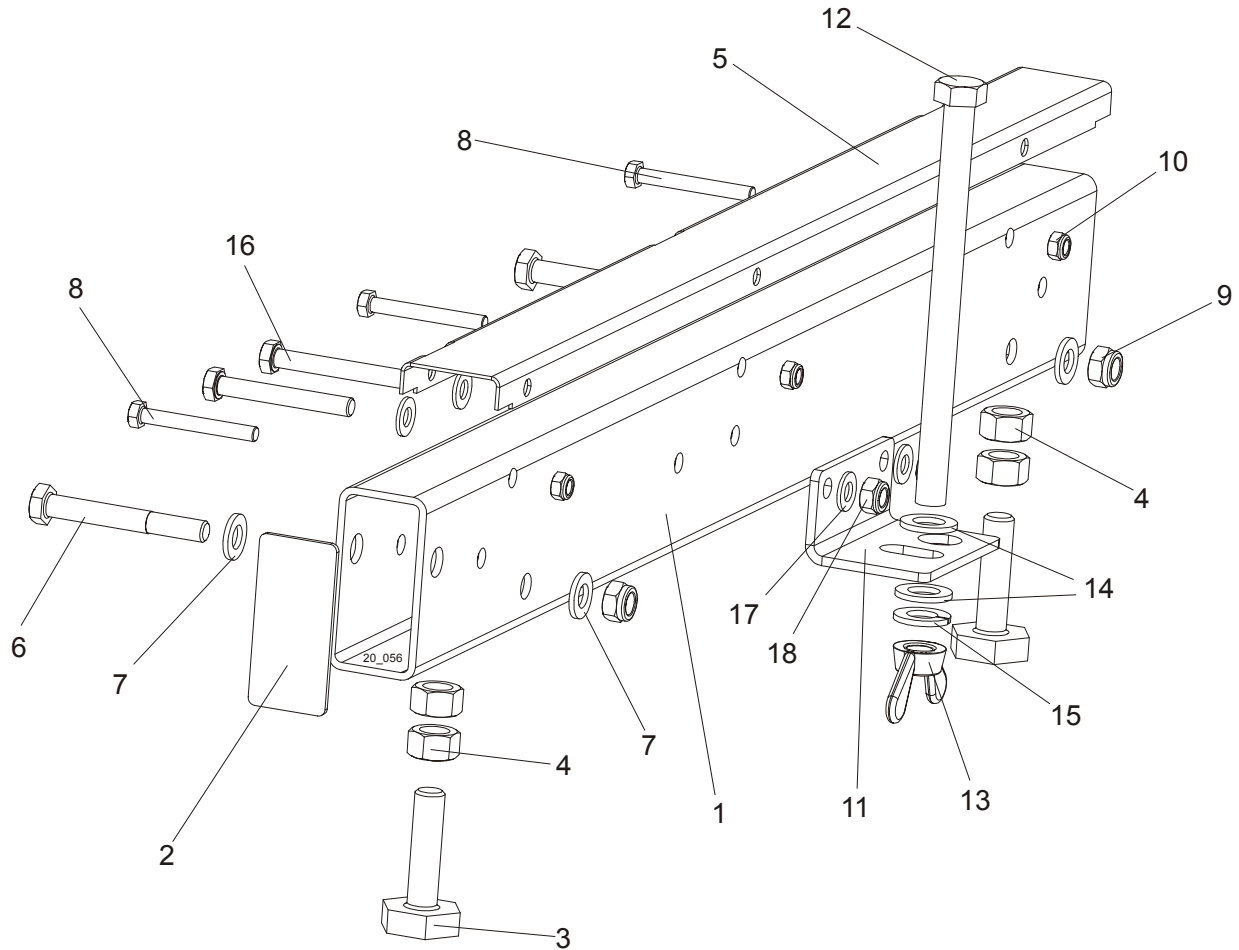


REF	DESCRIPTION (◆ Indicates Parts Available In Assemblies Only)	PART #	QTY.
	LONG BED RAIL ASSEMBLY	089385	1
1	Bed Rail Tube, Long	087433	1
2	Plate, Bed Rail End Cap	087853	1
3	Bolt, Bed Rail Adjustment	S13006	2
4	Nut, 5/8-11 Hex	F05010-54	4
5	Cover, Stainless Steel Bed Rail	S09944	1
6	Bolt, M12 x 90-8.8 Hex Head Zinc	F81004-2	2
7	Washer, 13 Zinc Flat	F81056-1	4
8	Bolt, M8x65-5.8 Hex Head Zinc	F81002-3	3
9	Nut, M12-8 Hex Nylon Zinc Lock	F81034-2	2
10	Nut, M8-8-B Hex Nylon Zinc Lock	F81032-2	3

8 Bed Frame Assembly

Bed Rail Assembly

8.2 Bed Rail Assembly



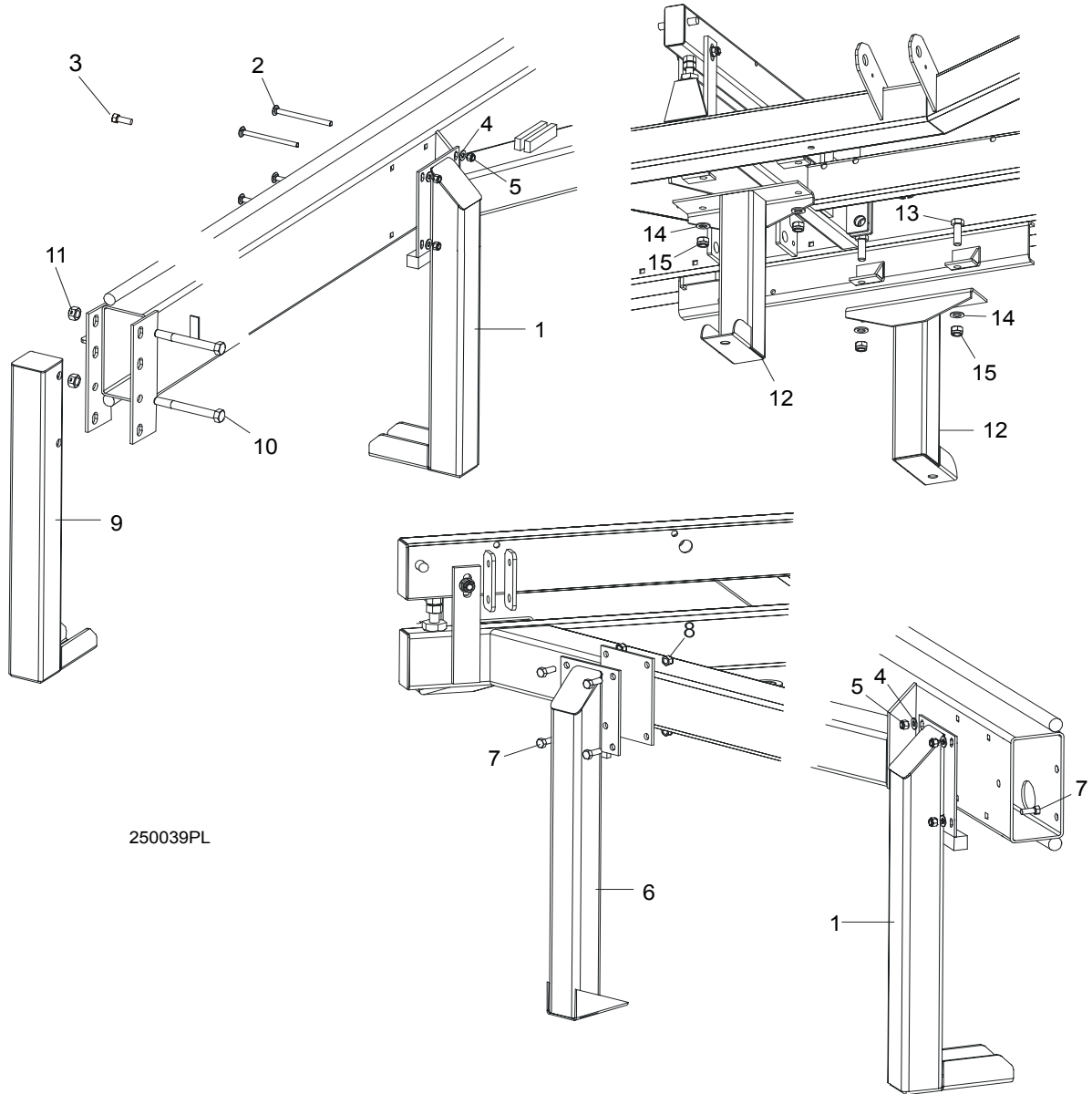
REF	DESCRIPTION (◆ Indicates Parts Available In Assemblies Only)	PART #	QTY.
	BED RAIL ASSEMBLY, SHORT	089386	1
1	Bed Rail Tube, Short	087878	1
2	Plate, Bed Rail End Cap	087853	1
3	Bolt, Bed Rail Adjustment	S13006	2
4	Nut, 5/8-11 Hex	F05010-54	4
5	Cover, Bed Rail Stainless Steel	S09944	1
6	Bolt, M12x90-8.8 Hex Head Zinc	F81004-2	2
7	Washer, 13 Zinc Flat	F81056-1	4
8	Bolt, M8x65-5.8 Hex Head Zinc	F81002-3	3
9	Nut, M12-8 Hex Nylon Zinc Lock	F81034-2	2
10	Nut, M8-8-B Hex Nylon Zinc Lock	F81032-2	3
11	Bracket, Loading Arms Link Storage	090258-1	1
12	Bolt, M16x220-8.8-B Hex Head Zinc	F81006-21	1
13	Nut, M16-8 Hex Nylon Zinc Lock	F81036-2	1
14	Washer, 17 Zinc Flat	F81058-1	2
15	Washer, 16.3 Split Lock Zinc	F81058-2	1

16	Bolt, M10x75-8.8 Hex Head Zinc	F81003-15	2	
17	Washer, 10.5 Zinc Flat	F81055-1	2	
18	Nut, M10-8-B Hex Nylon Zinc Lock	F81033-1	2	

8 Bed Frame Assembly

Stationary Leg

8.3 Stationary Leg



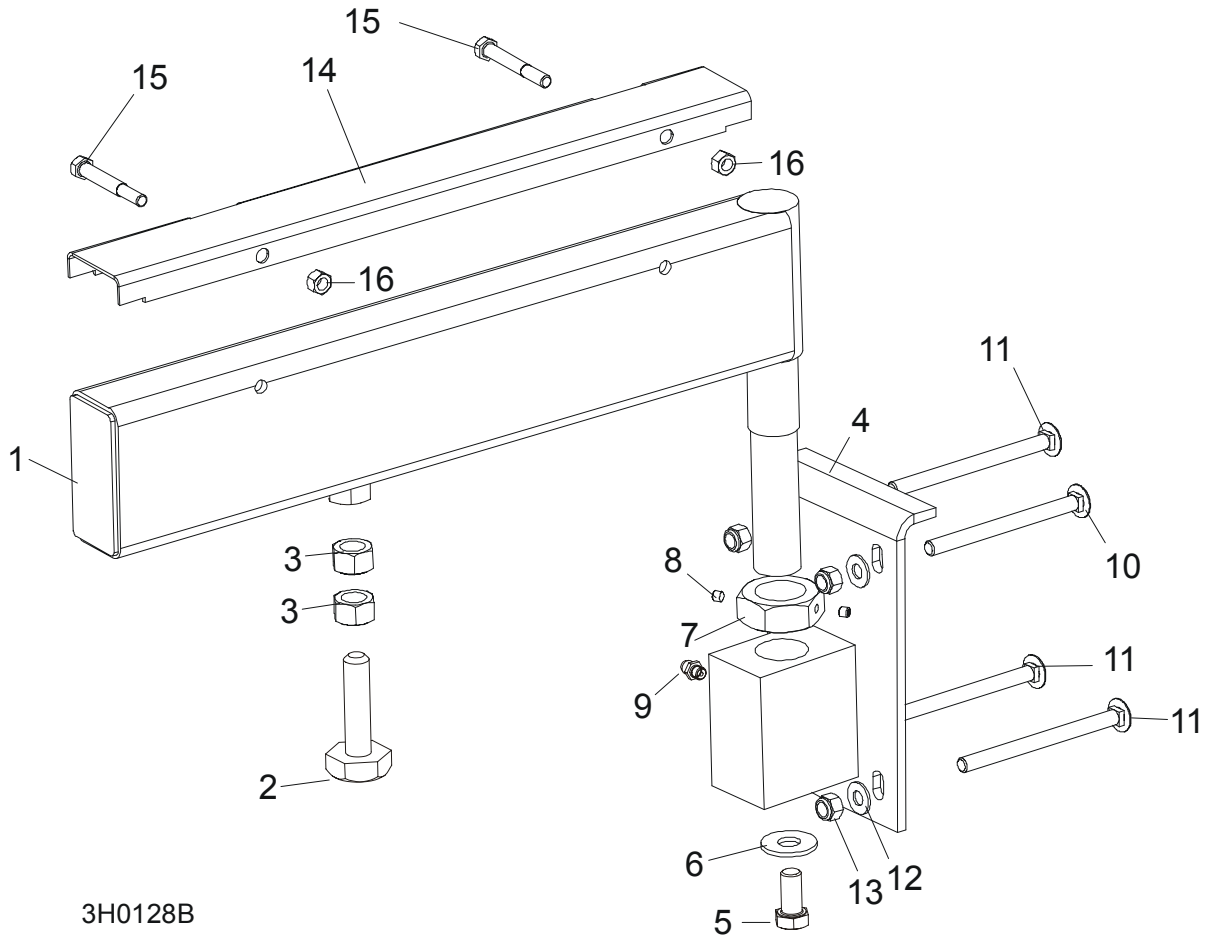
REF	DESCRIPTION (◆ Indicates Parts Available In Assemblies Only)	PART #	QTY.
1	LEG, LONG STATIONARY	087451-1	2/3
2	BOLT, M10 X 120 - 8.8 CARRIAGE HEAD ZINC	F81003-33	8
3	BOLT, 3/8-16 X 1" HEX HEAD ZINC GRADE 8	F05007-7	4
4	WASHER, 10.5 ZINC FLAT	F81055-1	16
5	NUT, M10-8-B HEX NYLON ZINC LOCK	F81033-1	8/12
6	LEG, SHORT STATIONARY	087450-1	2
7	BOLT, M10 X 25-8.8 HEX HEAD ZINC	F81003-11	12
8	NUT, M10-8-B HEX NYLON ZINC LOCK	F81033-1	12
9	LEG, FRONT STATIONARY	087452-1	1

10	BOLT, M16 X 140 - 8.8 HEX HEAD	F81006-4	2	
11	NUT, 5/8-11 HEX ZINC	F05010-4	2	
12	LEG, MIDDLE STATIONARY	087093-1	2	
13	BOLT, M16 X 50-8.8 HEX HEAD FULL THREAD ZINC	F81006-7	4	
14	WASHER, 17 ZINC FLAT	F81058-1	4	
15	NUT, M16-8 HEX NYLON ZINC LOCK	F81036-2	4	

8 Bed Frame Assembly

Pivot Bed Rail Assembly

8.4 Pivot Bed Rail Assembly



3H0128B

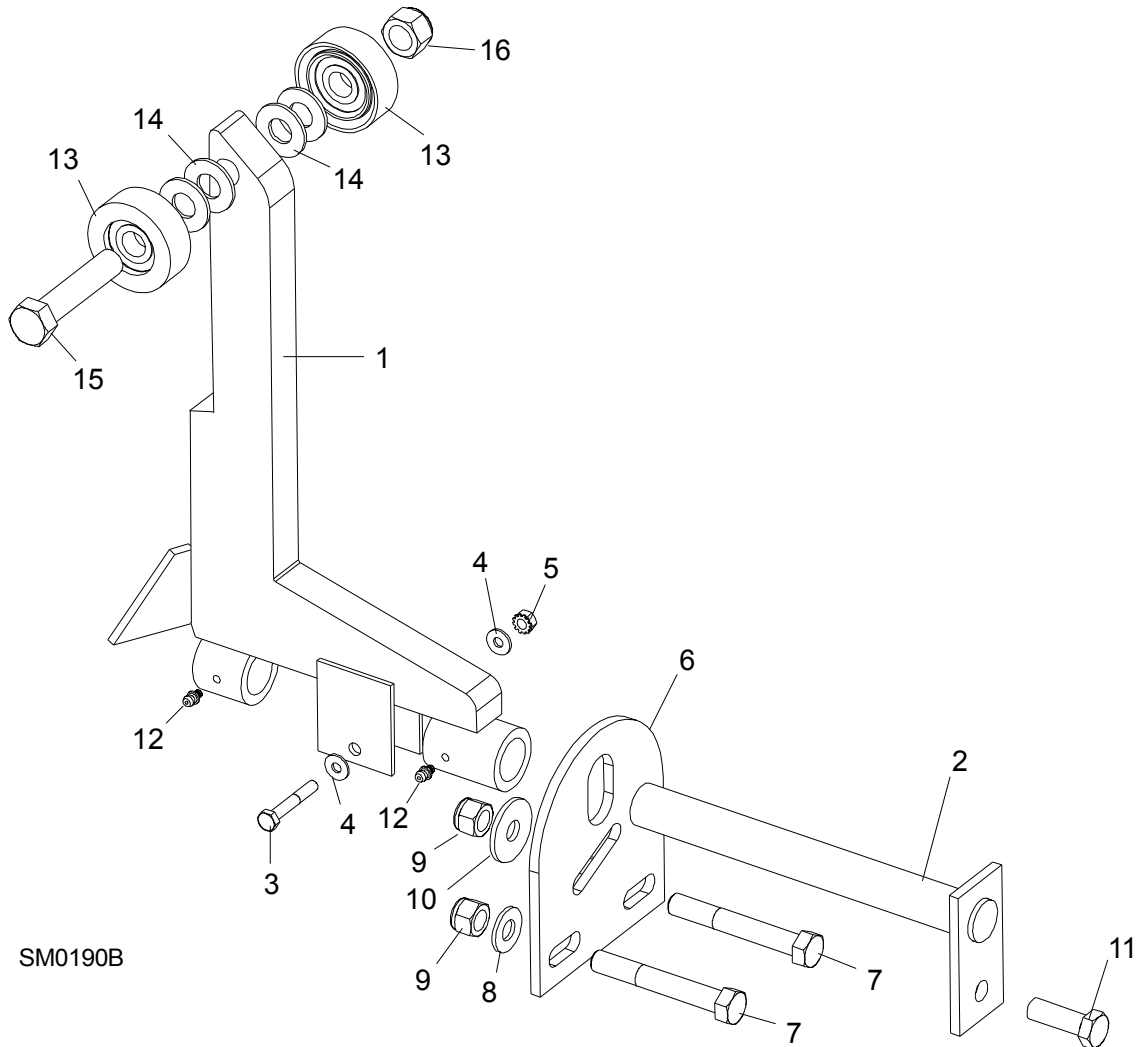
REF	DESCRIPTION (◆ Indicates Parts Available In Assemblies Only)	PART #	QTY.
	PIVOT BED RAIL, COMPLETE	087829	2
	PIVOT BED RAIL, COMPLETE	087855	2
1	Rail Weldment, Pivot Bed	087852-1	1
	Rail, Pivot Bed	087848-1	1
	Bolt Assembly, Bed Rail Adjustment		
2	Bolt, Pivot Bed Rail Adjustment	086809	1
3	Nut, M16-5.8 Zinc Hex	F81036-1	2
4	Bracket, Pivot Bed Rail Mounting	087841-1	1
5	Bolt, M12x25-8.8 Hex Head Full Thread Zinc	F81004-31	1
6	Washer, 9/16" Zinc Flat	F05011-52	1
7	Nut, M16-5.8 Zinc Hex Nut, M32 Zinc Hex Thin	F81036-1 F81039-2	1
8	Screw, 1/4-28 x 1/4 Socket Head Brass Tip Set	F05005-42	2
9	Fitting, M6 Grease	086280	1
10	BOLT, M10 X 120 8.8 CARRIAGE HEAD ZINC	F81003-33	2
11	BOLT, M10 X 120 8.8 CARRIAGE HEAD ZINC	F81003-33	6
12	WASHER, 10.5 ZINC FLAT	F81055-1	8

13	NUT, M16-8 HEX NYLON ZINC LOCK	F81036-2	8	
	COVER KIT, PIVOT BED RAIL	015926	2	
	COVER KIT, PIVOT BED RAIL	N/A	2	
14	Cover, Pivot Bed Rail Stainless Steel	012994	1	
	Cover, Pivot Bed Rail	S13012	1	
15	Bolt, M8x65-5.8 Hex Head Zinc	F81002-3	2	
16	Nut, M8-8-B Hex Nylon Zinc Lock	F81032-2	2	
	WRENCH, BED RAIL ADJUSTMENT (Patrz rozdział 8.4)	015970	1	

8 Bed Frame Assembly

Log Side Support Assembly

8.5 Log Side Support Assembly



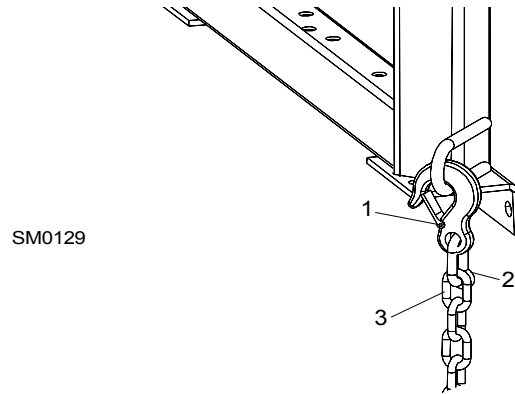
REF	DESCRIPTION (◆ Indicates Parts Available In Assemblies Only)	PART #	QTY.
1	SUPPORT, LOG SIDE	085538	
	MOUNT KIT, LOG SIDE SUPPORT	K09440	
2	Pin, Log Side Support Ptd	W09238-1	1
3	Bolt, 1/4-20 x 1 3/4 Hex Head Zinc Grade 2	F05005-4	1
4	Washer, 7.4 Zinc Flat	F81056-11	2
5	Nut, 1/4-20 Zinc Self-Locking	F05010-9	1
6	Plate, Log Side Support End	S09148	1
7	Bolt, M12 x 90 8.8 Hex Head Zinc	F81004-2	2
8	Washer, 13 Zinc Flat	F81056-1	2
9	Nut, M12-8 Hex Nylon Zinc Lock	F81034-2	3
10	Washer, 45/13 Special	086184	1
11	Bolt, M12 x 35 - 8.8 Hex Head Full Thread Zinc	F81004-11	1

12	FITTING, 3/16" STRAIGHT GREASE	P04107	2	
	ROLLER KIT, LOG SIDE SUPPORT	015109	4	
13	Roller, Complete Log Side Support	015014-1	2	
14	Washer, 17 Zinc Flat	F81058-1	4	
15	Bolt, 5/8-11 x 3" Hex Head Grade 5	F05009-37	1	
16	Nut, 5/8-11 Hex Nylon Zinc Lock	F05010-34	1	
	Instruction Sheet, Side Support Roller	015109-526	1	

8 Bed Frame Assembly

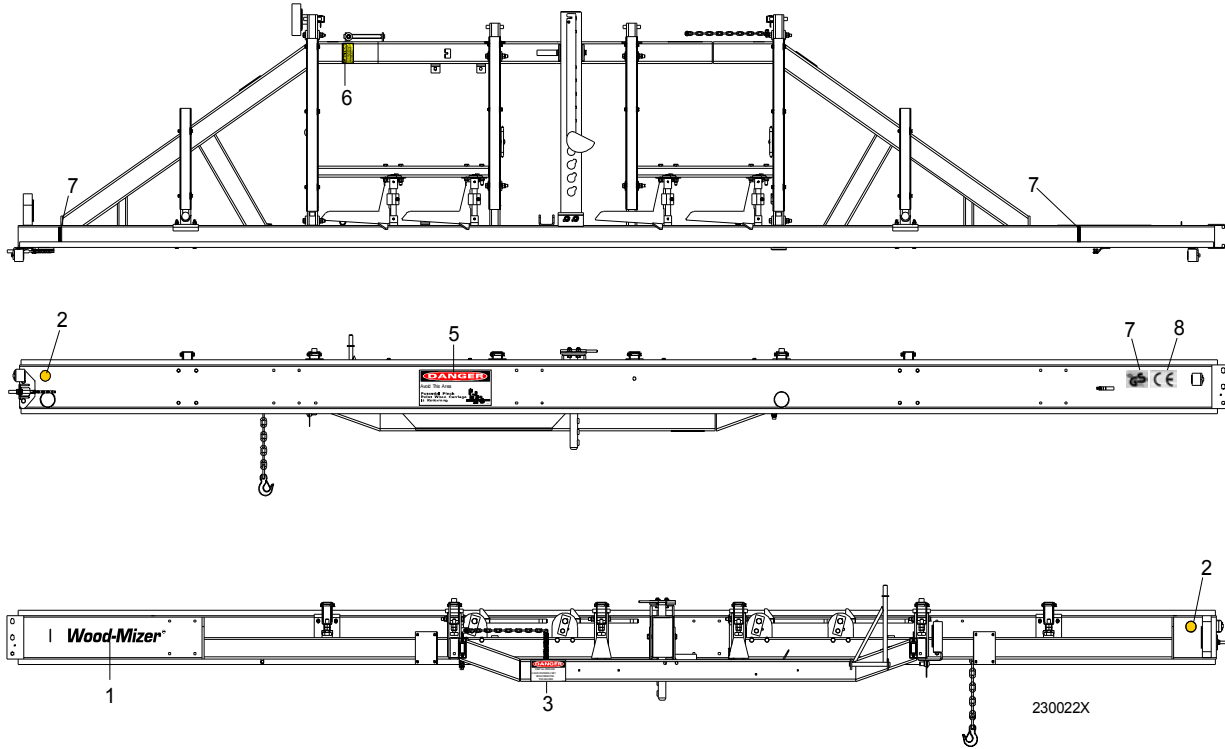
Tie Down Chain Assembly

8.6 Tie Down Chain Assembly



REF	DESCRIPTION (◆ Indicates Parts Available In Assemblies Only)	PART #	QTY.	
	TIE DOWN CHAIN ASSEMBLY	A04376	1	
1	Hook, 5/8" Safety Chain	P12075	1	◆
2	Cold Shut, 3/8" Plain	P04772-2	1	◆
3	Chain, N-10 x 35 Plain Link	R80558	.28 m	◆

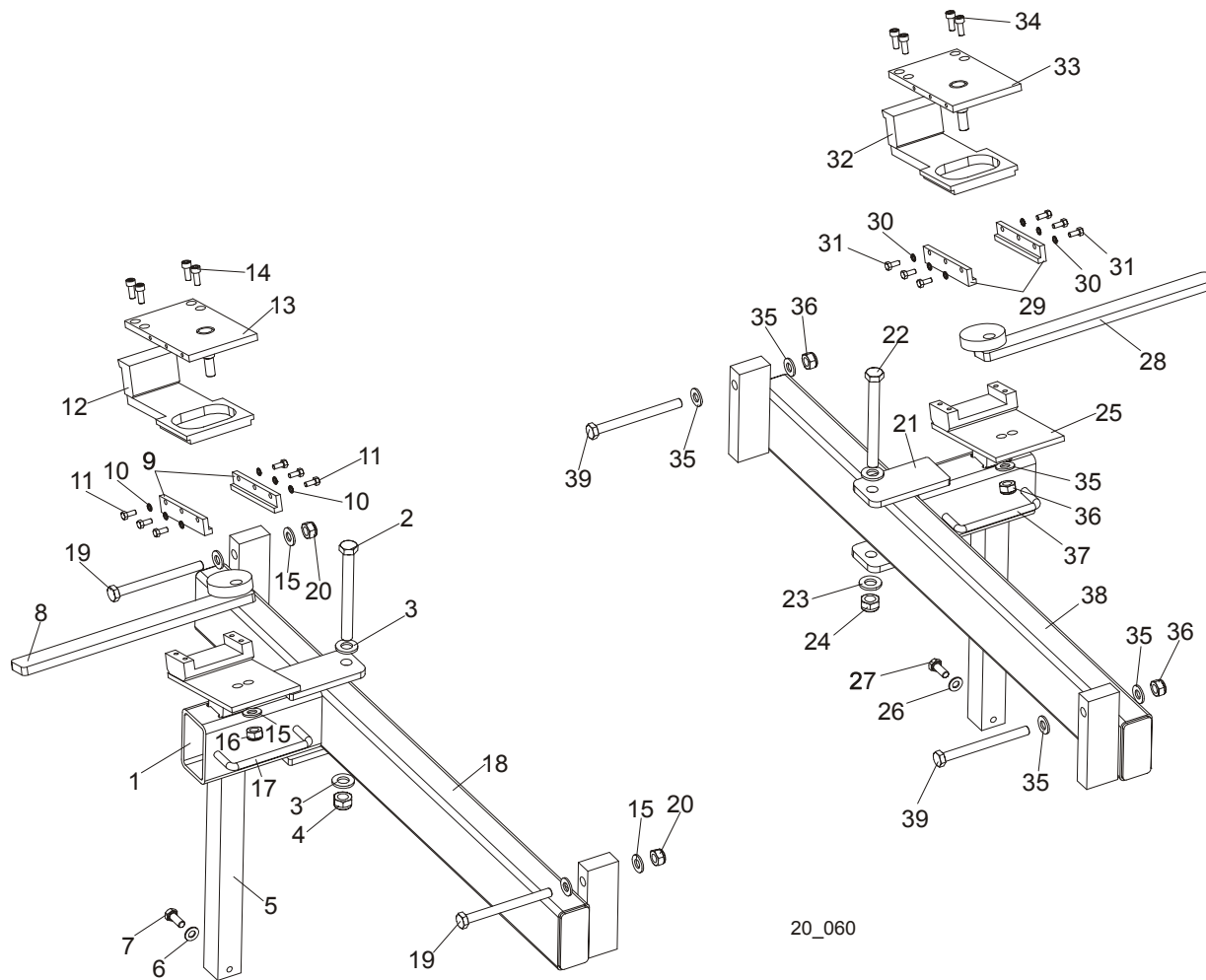
8.7 Bed Frame Decals



REF	DESCRIPTION (◆ Indicates Parts Available In Assemblies Only)	PART #	QTY.
4	DECAL, AMBER REFLECTIVE 2" ROUND	P07453	2
5	DECAL, KEEP AWAY DANGER	S09851	1
6	DECAL, PINCH POINT DANGER	P10287	1
7	DECAL, SAW HEAD REST CAUTION	S12581	1
8	DECAL, LOG LENGTH LIMIT	S12051	2
9	DECAL, GS SAFETY CERTIFICATION SMALL	P85072	1
10	DECAL, CE CERTIFIED SAWMILL SMALL	P85070	1

SECTION 9 LOG CLAMP, TURNER, LOADER & TOE BOARDS

9.1 Log Clamp Assembly



REF	DESCRIPTION (◆ Indicates Parts Available In Assemblies Only)	PART #	QTY.
	LOG CLAMP ASSEMBLY, LEFT (LT50/80 NON-HYDRAULIC)	089631 ¹	1
1	Arm Weldment, Log Clamp Zinc-plated	089624-1	1
2	Bolt, M12x120 8.8 Hex Head Zinc	F81004-38	1
3	Washer, 13 Zinc Flat	F81056-1	2
4	Nut, M12-8 Hex Nylon Zinc Lock	F81034-2	1
5	Mount Weldment, Log Clamp Zinc-plated	090174-1	1
6	Washer, 8.4 Zinc Flat	F81054-1	4
7	Bolt, M8x20-8.8-B Hex Head Full Thread Zinc	F81002-4	2
8	Lever, Log Clamp Zinc-plated	089611-1	1
9	Plate, Log Clamp Side Zinc-plated	089615-1	2
10	Washer, 5.1 Split Lock Zinc	F81052-2	6



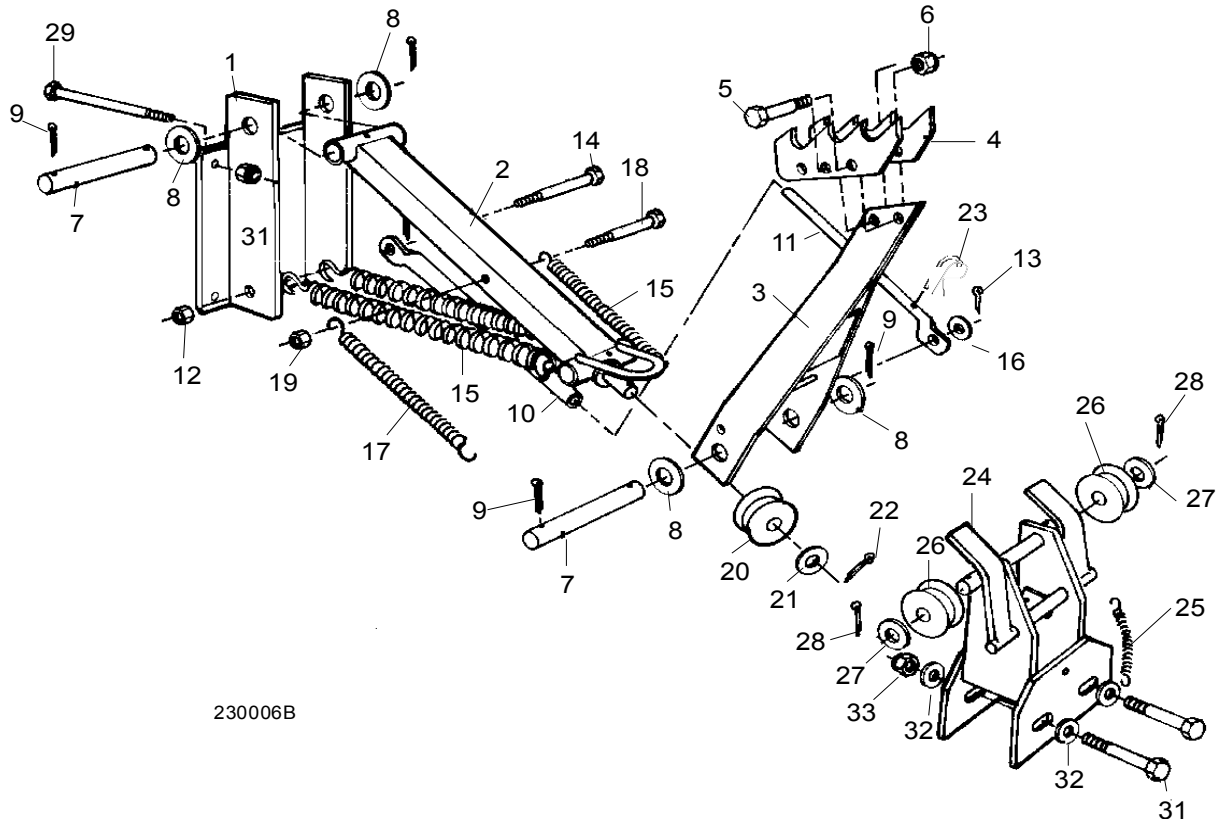
Log Clamp, Turner, Loader & Toe Boards

Log Clamp Assembly

11	Bolt, M5x12-5.8 Hex Head Full Thread Zinc	F81000-5	6	
12	Plate, Clamping Zinc-plated	090202-1	1	
13	Plate, Log Clamp Upper Zinc-plated	089614-1	1	
14	Screw, M6x16-8.8 Hex Socket Set Cap Zinc	F81001-21	4	
15	Washer, 10.5 Zinc Flat	F81055-1	5	
16	Nut, M8-8-B Hex Nylon Zinc Lock	F81032-2	1	
17	Handle, 4" w/Bolts	P08065	1	
18	Bar Weldment, Log Clamp Guide Ptd	089628-1	1	
19	Bolt, M10x110 8.8 Hex Head Zinc	F81003-43	2	
20	Nut, M10-8-B Hex Nylon Zinc Lock	F81033-1	2	
	LOG CLAMP ASSEMBLY, RIGHT (NON-HYDRAULIC)	090349	1	
21	Arm Weldment, Log Clamp Zinc-plated	089624-1	1	
22	Bolt, M12x120 8.8 Hex Head Zinc	F81004-38	1	
23	Washer, 13 Zinc Flat	F81056-1	2	
24	Nut, M12-8 Hex Nylon Zinc Lock	F81034-2	1	
25	Mount Weldment, Log Clamp Zinc-plated	090174-1	1	
26	Washer, 8.4 Zinc Flat	F81054-1	2	
27	Bolt, M8x20-8.8-B Hex Head Full Thread Zinc	F81002-4	2	
28	Lever, Log Clamp Zinc-plated	090348-1	1	
29	Plate, Log Clamp Side Zinc-plated	089615-1	2	
30	Washer, 5.1 Split Lock Zinc	F81052-2	6	
31	Bolt, M5x12-5.8 Hex Head Full Thread Zinc	F81000-5	6	
32	Plate, Clamping Zinc-plated	090202-1	1	
33	Plate, Log Clamp Upper Zinc-plated	090347-1	1	
34	Screw, M6x16-8.8 Hex Socket Head Cap Zinc	F81001-21	4	
35	Washer, 10.5 Zinc Flat	F81055-1	5	
36	Nut, M10-8-B Hex Nylon Zinc Lock	F81033-1	3	
37	Handle, 4" w/Bolts	P08065	1	
38	Bar Weldment, Log Clamp Guide Ptd	089628-1	1	
39	Bolt, M10x110 8.8 Hex Head Zinc	F81003-43	2	

¹ The number of clamps depends on the frame length.

9.2 Manual Log Turner



REF	DESCRIPTION (◆ Indicates Parts Available In Assemblies Only)	PART #	QTY.
	LOG TURNER, MANUAL	LT-A	1
	Arm Assembly, Manual Log Turner	A09365	1
1	Mount Weldment, Manual Log Turner Ptd	W09424	1
2	Arm, Manual Log Turner Lower Ptd	W09425	1
3	Arm, Manual Log Turner Upper Ptd	W09368-1	1
4	Claw, Log Turner Ptd	088082-1	2
5	Bolt, M12x60-8.8 Hex Head Zinc	F81004-5	2
6	Nut, M12-8 Hex Nylon Zinc Lock	F81034-2	2
7	Pin, Manual Log Turner Pivot	S09392	2
8	Washer, 28 Zinc Flat	F81061-1	4
9	Pin, 3/16" x 1 1/2" Zinc Cotter	F05012-23	4
10	Tube, Manual Log Turner Stop Ptd	S09447	1
11	Rod, Manual Log Turner Stop	S09545	1
12	Nut, M12-8 Hex Nylon Zinc Lock	F81034-2	1
13	Pin, 1/8" x 1" Zinc Cotter	F05012-1	1
14	Bolt, M12x115-8.8 Hex Head Zinc	F81004-33	1
15	Spring, Manual Log Turner	P09426	2
16	Washer, 10.5 Zinc Flat	F81055-1	1

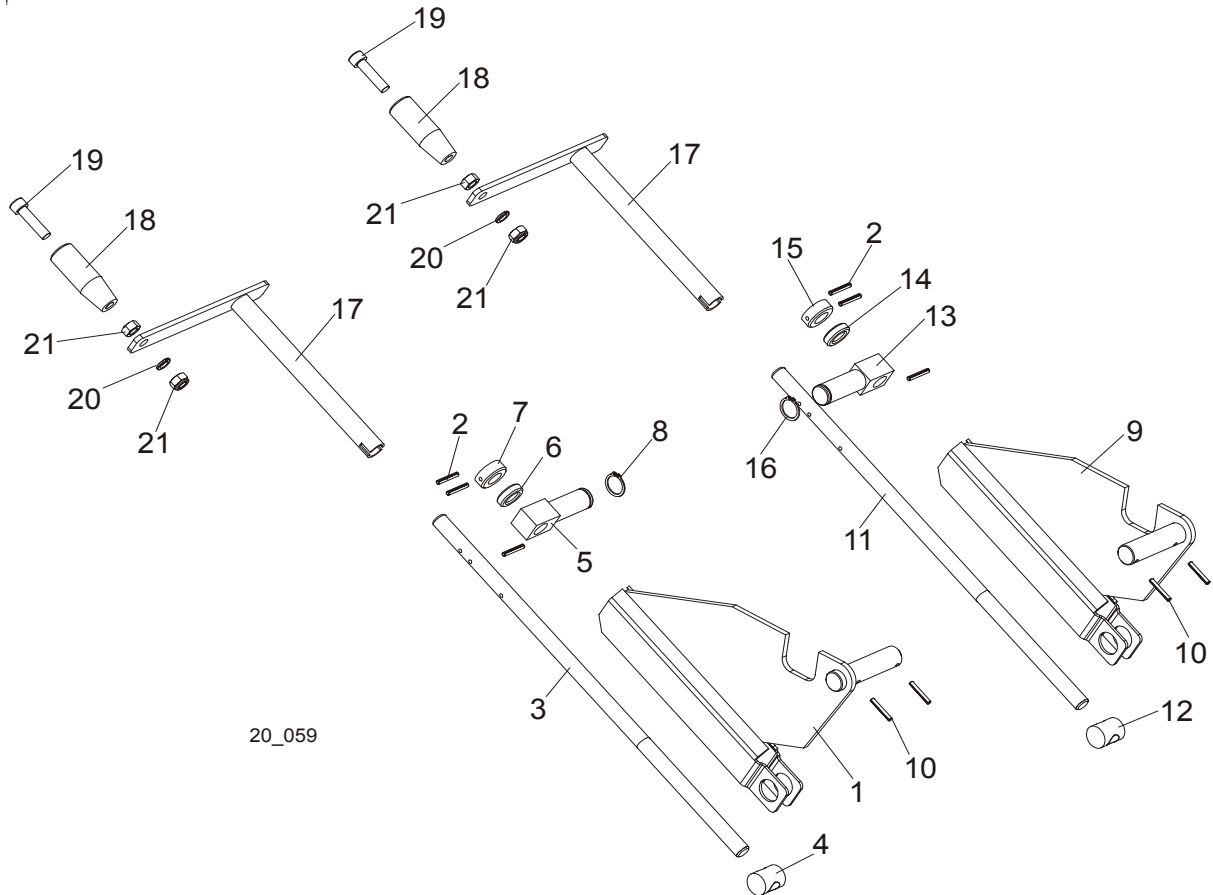
9

Log Clamp, Turner, Loader & Toe Boards

Manual Log Turner

17	Spring, Log Turner	P09136	2	
18	Bolt, 3/8-16 x 4 Hex Head Zinc Grade 2	F05007-4	1	
19	Nut, 3/8-16 Hex Nylon Lock	F05010-10	1	
20	Pulley, Manual Log Turner	S09394	1	
21	Washer, 19 Zinc Flat	F81060-1	1	
22	Pin, 3/16" x 1 1/2" Zinc Cotter	F05012-23	1	
23	Pin, Retaining	P05059	1	
	Anchor Assembly, Manual Log Turner Cable	A09371	1	
24	Anchor, Manual Turner Cable Ptd	W09428	1	
25	Spring, 5/8 x 4.25 Turner Cable Anchor	P04060	1	
26	Pulley, Manual Log Turner	S09394	2	
27	Washer, 19 Zinc Flat	F81060-1	2	
28	Pin, 3/16" x 1 1/2" Zinc Cotter	F05012-23	2	
29	Bolt, M10 x 125-8.8 Hex Head Zinc	F81003-18	4	
30	Nut, M10-8-B Hex Nylon Zinc Lock	F81033-1	4	
31	Bolt, M12 x 140-8.8 Hex Head Zinc	F81004-37	2	
32	Washer, 13 Flat	F81056-1	2	
33	Nut, M12-8 Hex Nylon Zinc Lock	F81034-2	2	

9.3 Manual Toe Board



20_059

REF	DESCRIPTION (◆ Indicates Parts Available In Assemblies Only)	PART #	QTY.
	TOE BOARD KIT, MANUAL FRONT	090026	1
1	Plate Weldment, Manual Toe Board Front	090025-1	1
2	Pin, Zinc Roll PN-EN ISO 8752-5X35-N-C	F81044-9	3
3	Shaft, Manual Toe Board	090344-1	1
4	Nut, Special Threaded	090017	1
5	Pivot, Manual Toe Board Shaft	090013-1	1
6	Bearing, 5/8" Thrust	P04214	1
7	Collar, 16	F81039-6	1
8	Ring, Z 22 Outside Retaining	F81090-24	1
10	Pin, 4x30 Zinc Roll	F81044-7	2
	TOE BOARD KIT, MANUAL REAR	090024 ¹	1
2	Pin, 4x30 Zinc Roll PN-EN ISO 8752-5X35-N-C	F81044-9	3
9	Plate Weldment, Manual Toe Board Rear	090023-1	1
10	Pin, 4x30 Zinc Roll	F81044-7	2
11	Shaft, Manual Toe Board	090016-1	1
12	Nut, Special Threaded	090017	1
13	Pivot, Manual Toe Board Shaft	090013-1	1

9

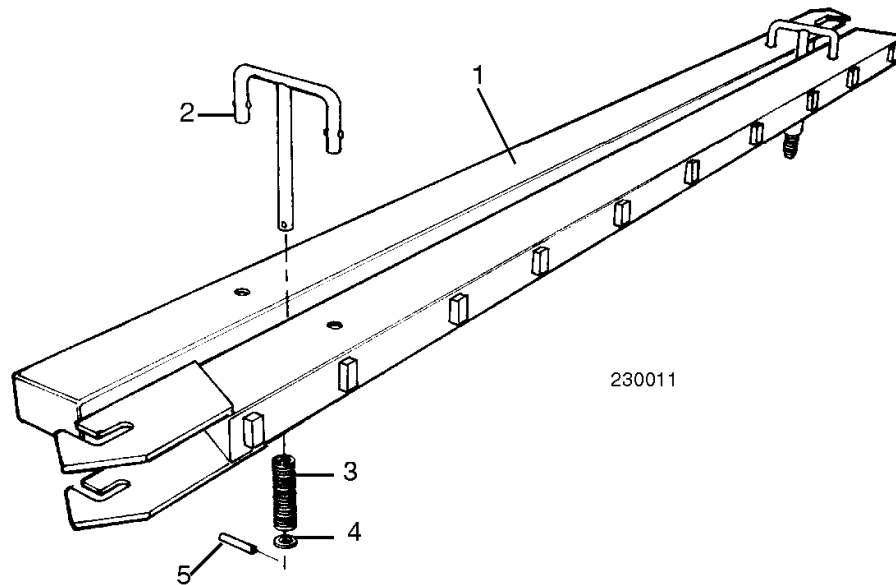
Log Clamp, Turner, Loader & Toe Boards

Manual Toe Board

14	Bearing, 5/8" Thrust	P04214	1	
15	Collar, 16	F81039-6	1	
16	Ring, Z 22 Outside Retaining	F81090-24	1	
	Crank Assembly, Manual Toe Board	A09432	2	
17	Crank, Manual Toe Board	W09431	1	
18	Handle, Crank	S08291-W	1	
19	Screw, 3/8-16 x 2 1/2" Socket Head Cap	F05007-24	1	
20	Washer, 3/8" Split Lock	F81055-2	1	
21	Nut, 3/8-16 Hex	F05010-1	2	

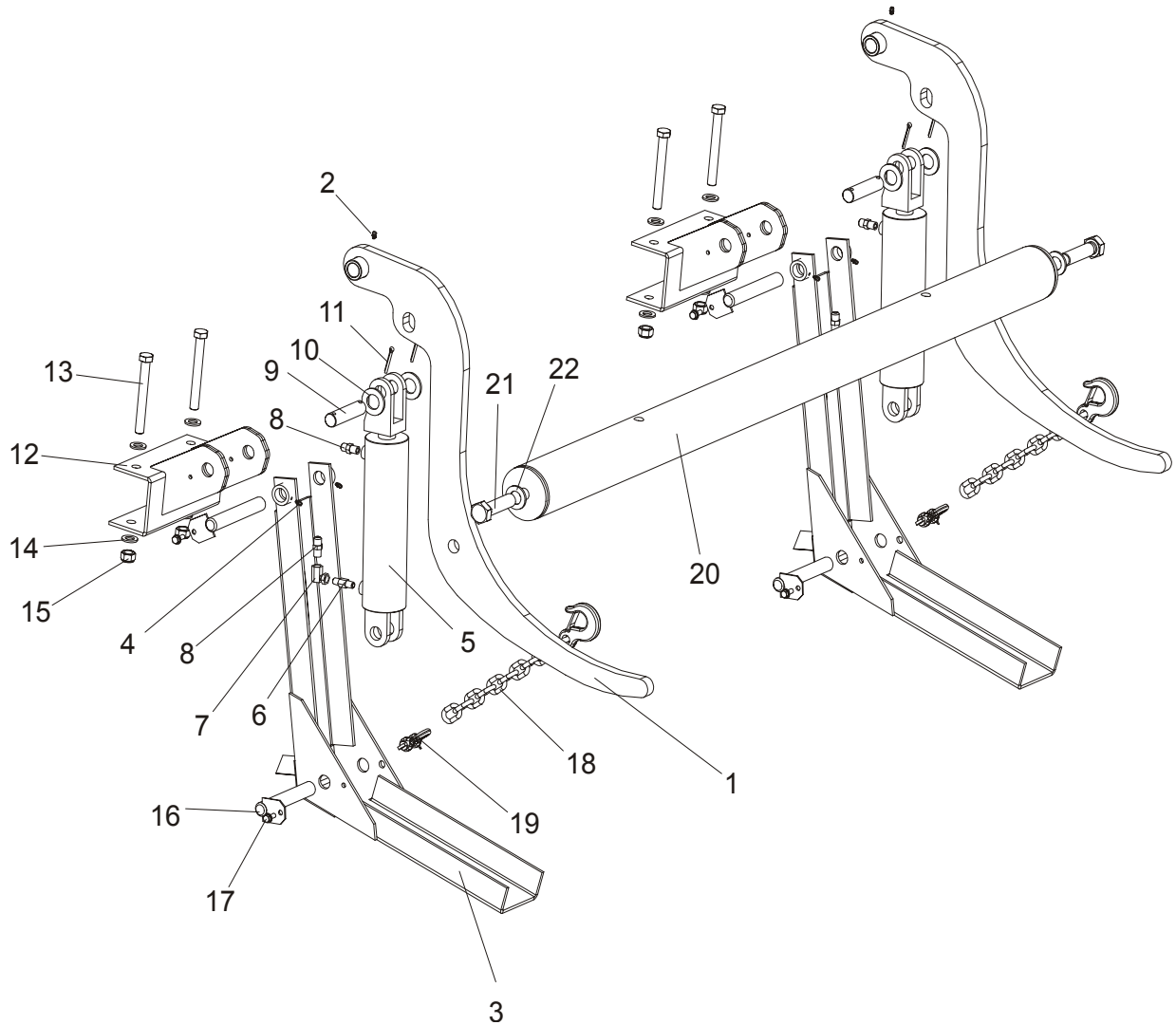
¹ The number of kits depends on the frame length.

9.4 Log Loading Ramp



REF	DESCRIPTION (◆ Indicates Parts Available In Assemblies Only)	PART #	QTY.
	RAMP KIT, LOG LOADING W/RETAINERS	K09466	1
1	Ramp, Log Loading	W09014	2
	Retainer Kit, Log Loading Ramp	K09810	2
2	Retainer, Log Loading Ramp Ptd Zinc-plated	W09413	1
3	Spring, Log Loading Ramp Retainer	P09335	1
4	Washer, 5/8" Thick Nylon	F05011-19	1
5	Pin, 3/16" x 1" Zinc Roll	F05012-11	1

9.5 Manual Log Loader



REF	DESCRIPTION (◆ Indicates Parts Available In Assemblies Only)	PART #	QTY.
	LOG LOADER, SINGLE ARM	090204	2
	Arm, Log Loader Single (9.5 m Frame)	090051	1
1	Arm Weldment, Log Loader Ptd	089657-1	1
2	Fitting, 3/16" Straight Grease	P04107	1
	Foot Assembly, Log Loader	090049	1
3	Foot, Log Loader Ptd	090048-1	1
4	Fitting, 3/16" Straight Grease	P04107	2
	Cylinder Assembly, Log Loader	015562	1
5	Cylinder, CJ-S95-16-70/32/203 Hydraulic	088680	1
6	Fitting, 1/4 NPT 4.0 GPM Velocity Fuse	015750	1
7	Fitting, #9455X4X4 90 deg. Swivel Elbow	P12199	1
8	Fitting, 3/8JIC-1/4 NPT Straight	015560	2
9	Pin, Hydraulic Cylinder Mount Zinc-plated	086979-1	1

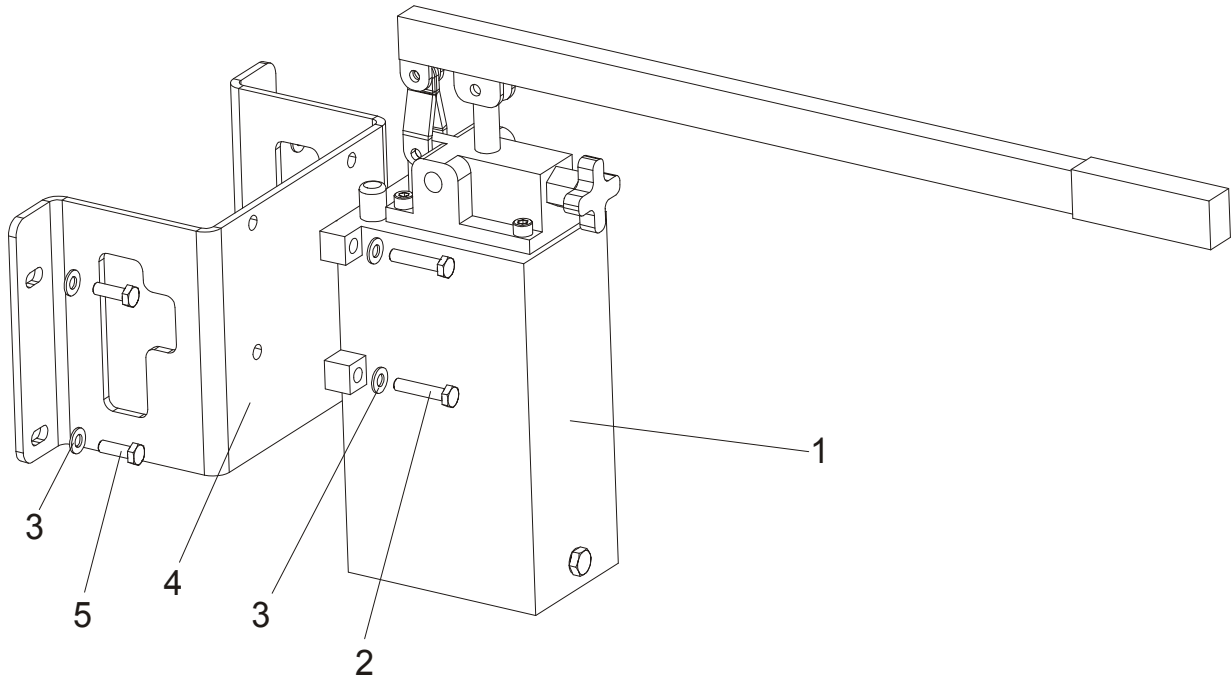
Log Clamp, Turner, Loader & Toe Boards

Manual Log Loader

9

10	Washer, 28 Zinc Flat	F81061-1	2	
11	Pin, 5x40 Zinc Cotter	F81043-31	2	
12	Bracket Weldment, Log Loader Mount Ptd	089841-1	1	
13	Bolt, M16x140-8.8 Hex Head Zinc	F81006-4	2	
14	Washer, 17 Zinc Flat	F81058-1	4	
15	Nut, M16-8 Hex Nylon Zinc Lock	F81036-2	2	
16	Pin Weldment, Log Loader Ptd	W09446-1	2	
17	Screw, 5/16-18 x 3/4 Self-tapping	F05015-30	2	
18	Chain, Log Loader Safety	090090-1	1	
19	Shackle, M-WL. .63	086540	1	
20	Link, Log Loader Arms	090315	1	
21	Bolt, M24x2x90-8.8 Hex Head Full Thread Zinc	F81009-2	2	
22	Washer, 25 Zinc Flat	F81061-3	2	

9.6 Manual Log Loader Pump



REF	DESCRIPTION (◆ Indicates Parts Available In Assemblies Only)	PART #	QTY.	
1	PUMP, PAM 014 2500 3L MANUAL	090309	1	
2	BOLT, M8X80-8.8 HEX HEAD ZINC	F81002-18	4	
3	WASHER, 8.4 ZINC FLAT	F81054-1	8	
4	BRACKET, LOG LOADER PUMP MOUNT	090377-1	1	
5	BOLT, M8X25-8.8-B HEX HEAD FULL THREAD ZINC	F81002-5	4	