

# Wood-Mizer<sup>®</sup> Sawmill

## Parts Manual

---

**LT40 Series MH**

**rev. E1.00**

---



**Safety is our #1 concern!** Read and understand all safety information and instructions before operating, setting up or maintaining this machine.

*February 1998*

*Form #606*

# Table of Contents

# Section-Page

<b>SECTION 1</b>	<b>GENERAL INFORMATION</b>	<b>1-1</b>
1.1	How To Use The Parts List .....	1-1
1.2	Sample Assembly .....	1-1
<b>SECTION 2</b>	<b>BLADE GUIDE ROLLERS &amp; ARM</b>	<b>2-1</b>
2.1	Blade Guide Assembly, Idle Side (Standard).....	2-1
2.2	Idle Side Blade Guide Assembly, Optional (LMS).....	2-3
2.3	Blade Guide Assembly, Drive Side.....	2-5
2.4	Blade Guide Arm & Rollers .....	2-7
2.5	Blade Guide Arm Drive Assembly.....	2-8
<b>SECTION 3</b>	<b>BLADE WHEELS &amp; TENSIONER</b>	<b>3-1</b>
3.1	Blade Drive Assembly.....	3-1
3.2	Idle Blade Wheel Assembly .....	3-3
3.3	Hydraulic Blade Tensioner Assembly.....	3-4
<b>SECTION 4</b>	<b>SAW HEAD</b>	<b>4-1</b>
4.1	Middle Throat Screw .....	4-1
4.2	Water Lube Solenoid Valve .....	4-2
4.3	Clutch Lever Assembly .....	4-3
4.4	Brake Assembly.....	4-5
4.5	Board Return Assembly .....	4-7
4.6	Water Lube Assembly .....	4-9
4.7	Saw Head Decals.....	4-11
4.8	Blade Housing Covers.....	4-13
4.9	Drive Belt Covers .....	4-15
4.10	Sawdust Chute.....	4-17
<b>SECTION 5</b>	<b>CONTROL &amp; BATTERY BOXES</b>	<b>5-1</b>
5.1	Control Assembly, LT40 Series .....	5-1
5.2	Drum Switches .....	5-4
5.3	Circuit Breakers.....	5-5
5.4	Solenoid Assemblies .....	5-6
5.5	Battery Box Assembly, LT40DC Series MH .....	5-7
<b>SECTION 6</b>	<b>UP/DOWN SYSTEM</b>	<b>6-1</b>
6.1	Saw Head V-Brace Mount .....	6-1
6.2	Blade Height Scale .....	6-2
6.3	Up/Down Chain & Sprockets.....	6-4
6.4	Up/Down Motor Assembly, LT40 Series .....	6-6
6.5	Up/Down Drive Assembly, LT40 Series .....	6-7

# Table of Contents

# Section-Page

<b>SECTION 7</b>	<b>POWER FEED &amp; TRACK ROLLERS</b>	<b>7-1</b>
7.1	Upper Track Rollers And Wipers.....	7-1
7.2	Power Feed Assembly, LT40 Series .....	7-2
7.3	Feed Chain/Stop, LT40 Series .....	7-4
7.4	Lower Track Rollers .....	7-6
<b>SECTION 8</b>	<b>BED FRAME ASSEMBLY</b>	<b>8-1</b>
8.1	Bed Rail Assembly, Front And Rear .....	8-1
8.2	Bed Rail Assembly, Front Middle .....	8-2
8.3	Bed Rail Assembly, Rear Middle .....	8-3
8.4	Leg, Stationary .....	8-4
8.5	Board Return Table Assembly .....	8-6
8.6	Board Return Table, Pivot Bed Rail Assembly.....	8-8
8.7	Bed Rail Assembly, Optional End.....	8-10
8.8	Log Side Support Assembly .....	8-11
8.9	Tie Down Chain Assembly .....	8-13
8.10	Saw Head Rest Pin Assembly .....	8-14
8.11	Bed Frame Decals .....	8-15
<b>SECTION 9</b>	<b>LOG CLAMP, TURNER, LOADER &amp; TOE BOARDS</b>	<b>9-1</b>
9.1	Manual Log Clamp .....	9-1
9.2	Log Clamp Assembly.....	9-2
9.3	Manual Log Turner.....	9-4
9.4	Manual Toe Board.....	9-6
9.5	Manual Log Loader ( S/M type frame ) .....	9-8
9.6	Manual Log Loader Pump.....	9-10

## SECTION 1 GENERAL INFORMATION

### 1.1 How To Use The Parts List

- Use the index above to locate the assembly that contains the part you need.
- Go to the appropriate section and locate the part in the illustration.
- Use the number pointing to the part to locate the correct part number and description in the table.
- Parts shown indented under another part are included with that part.
- Parts marked with a diamond (◆) are only available in the assembly listed above the part.

See the sample table below. Sample Part #A01111 includes part F02222-2 and subassembly A03333. Subassembly A03333 includes part S04444-4 and subassembly K05555. The diamond (◆) indicates that S04444-4 is not available except in subassembly A03333. Subassembly K05555 includes parts M06666 and F07777-77. The diamond (◆) indicates M06666 is not available except in subassembly K05555.

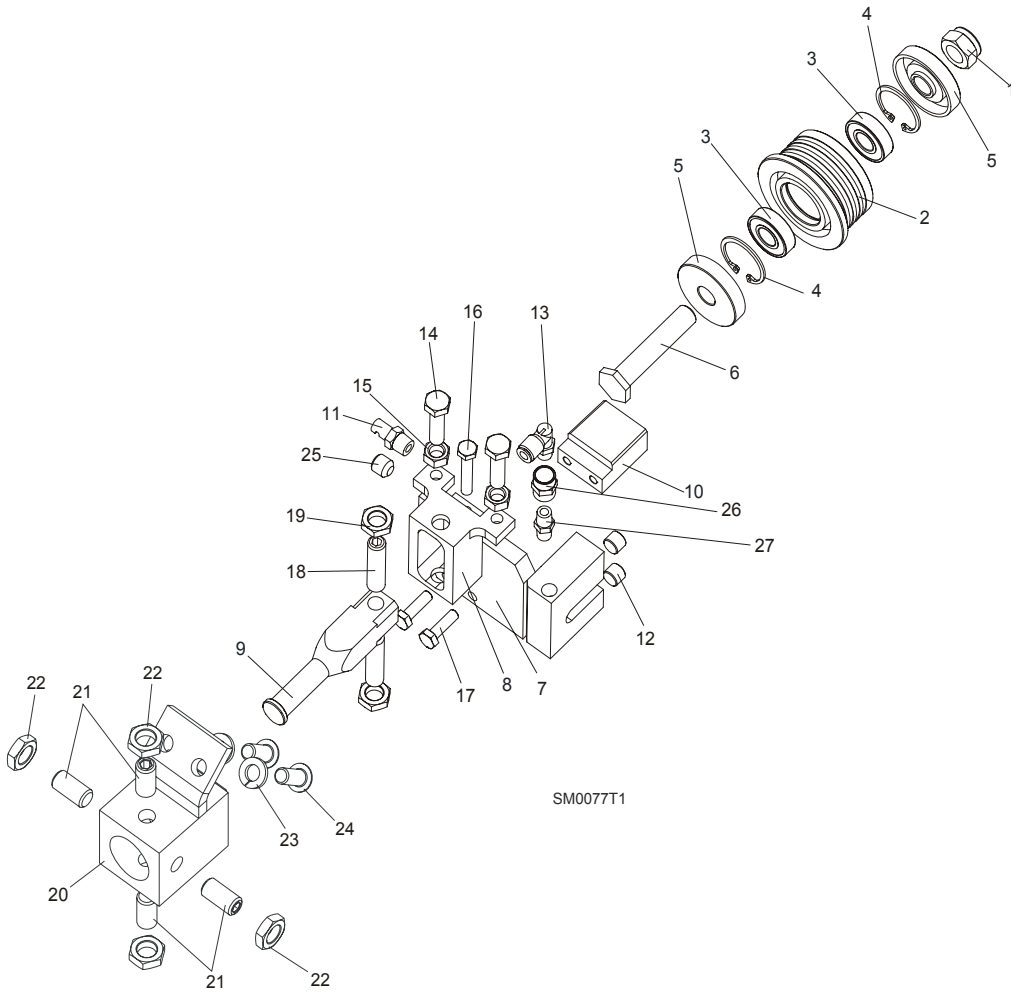
<b>1.2 Sample Assembly</b>				
REF	DESCRIPTION (◆ Indicates Parts Available In Assemblies Only)	PART #	QTY.	
	Sample Assembly, Complete (Includes All Indented Parts Below)	A01111	1	
1	Sample Part	F02222-22	1	
	Sample Subassembly (Includes All Indented Parts Below)	A03333	1	
2	Sample Part (◆ Indicates Part Is Only Available With A03333)	S04444-4	1	◆
	Sample Subassembly (Includes All Indented Parts Below)	K05555	1	
3	Sample Part (◆ Indicates Part Is Only Available With K05555)	M06666	2	◆
4	Sample Part	F07777-77	1	

#### **To Order Parts:**

- From Europe call our European Headquarters and Manufacturing Facility in Kolo, Poland at **+48-63-2626000**. From the continental U.S., call our toll-free Parts hotline at **1-800-448-7881**. Have your customer number, vehicle identification number, and part numbers ready when you call.
- From other international locations, contact the Wood-Mizer distributor in your area for parts.

## SECTION 2 BLADE GUIDE ROLLERS & ARM

### 2.1 Blade Guide Assembly, Idle Side (Standard)



REF	DESCRIPTION (◆ Indicates Parts Available In Assemblies Only)	PART#	QTY.
	<b>BLADE GUIDE ASSEMBLY, IDLE SIDE</b>	092523	1
	<b>BLADE GUIDE ASSEMBLY, IDLE SIDE, EXTENDED</b> (for optional use with 1 1/2" blades)	092994	1
	Roller, Blade Guide Narrow W/Bearings	088261	1
	Roller, Blade Guide W/Bearings Extended (for optional use with 1 1/2" blades)	092939	1
1	Nut, M12-8 Hex Nylon Zinc Lock	F81034-2	1
2	Roller, Blade Guide Narrow	087889	1
	Roller, Blade Guide Extended (for optional use with 1 1/2" blades)	087890	1
3	Bearing, 6001 2RSR NACHI	087893	2
4	Ring, W28 Inside Retaining	F81090-9	2
5	Washer, Spacer	087891-1	2 (1)
	Washer, Spacer (used with the Extended Roller only) <sup>1</sup>	087892-1	1
6	Bolt, Blade Guide Roller Zinc Plated	087761-1	1

# 2

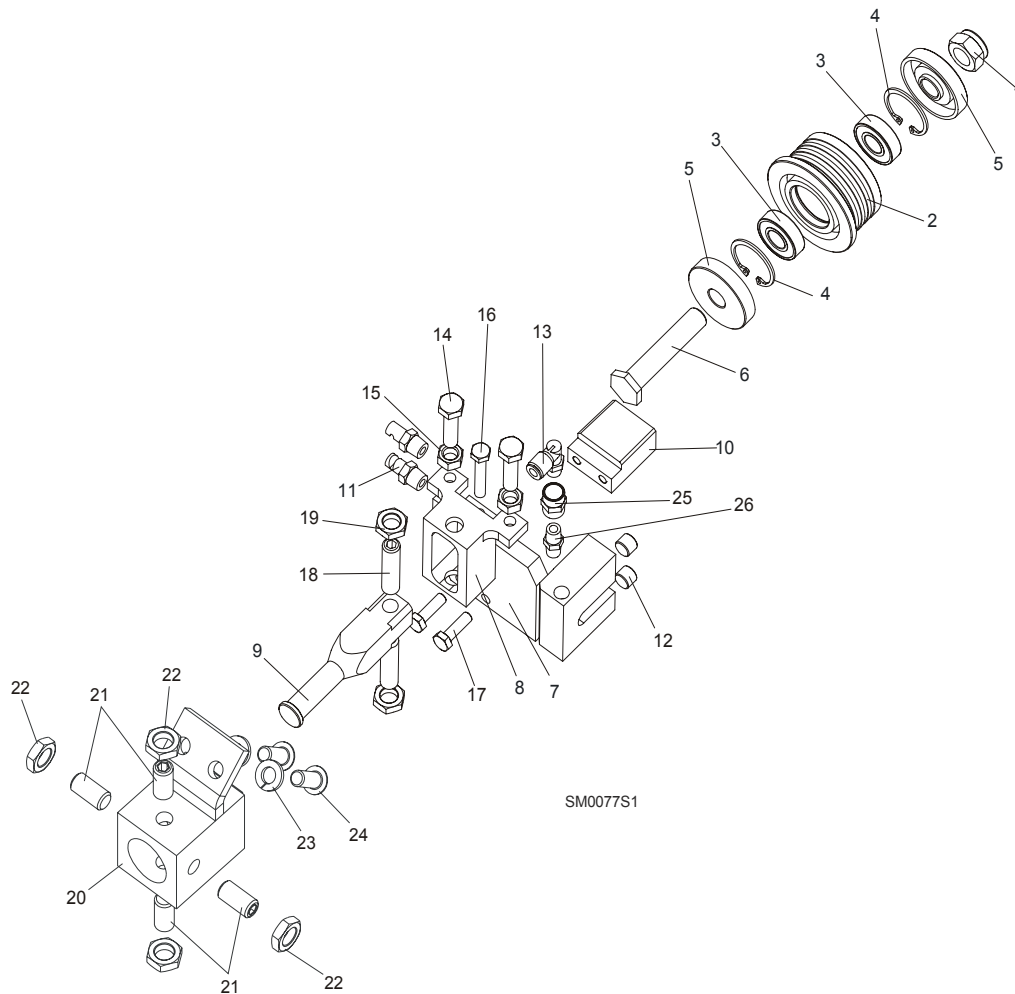
## Blade Guide Rollers & Arm

### Blade Guide Assembly, Idle Side (Standard)

	Bolt, Blade Guide Roller Zinc Plated (used with the Extended Roller only)	092940-1	1	
7	Block Weldment, Nozzle Zinc Plated	087750-1	1	
8	Block, Zinc Plated Roller Guide Adjuster	087756-1	1	
9	Shaft, Zinc Plated Blade Guide Mount	088255-1	1	
10	Block, Blade Guide Zinc	096956-1	1	
11	Nozzle, Blade Water Lube Spray	016637	1	
12	Plug, M10x1 DIN 906 BN40 "BOSSARD"	F81015-3	2	
13	Fitting, 90° Elbow 1/8NPT-1/4 Tube Swivel	P09736	1	
14	Bolt, M8x30 DIN933 A2-70 Stainless Steel	F81002-27	2	
15	Nut, M8 DIN934 A2-70 Stainless Steel	F81032-7	2	
16	Bolt, M6x30 DIN933 A2-70 Stainless Steel	F81001-37	1	
17	Bolt, M6x20-8.8 Hex Head Full Thread Zinc	F81001-2	2	
18	Screw, M10x1x40 DIN913 Stainless Steel Set	F81015-2	2	
19	Nut, M10x1-04-ST-A2 ISO 8675 Thin	F81033-10	2	
20	<b>BLOCK WELDMENT, PAINTED BLADE GUIDE MOUNT</b>	088292-1	1	
21	<b>SCREW, M10X1X20 DIN913 STAINLESS STEEL SET</b>	F81015-1	4	
22	<b>NUT, M10x1-04-ST-A2 ISO 8675 THIN</b>	F81033-10	4	
23	<b>WASHER, 8.2 SPLIT LOCK ZINC</b>	F81054-4	2	
24	<b>BOLT, 5/16-18X3/4 SOCKET HEAD</b>	F05006-102	2	
25	<b>FITTING, 1/8 NPT SOCKET PIPE PLUG</b>	P30127	1	
26	<b>FITTING, 1/8FPT COUPLING</b>	P05748	1	
27	<b>NIPPLE, 1/8 DRY SEAL</b>	P02764	1	

<sup>1</sup> Used only from the flanged side of the roller

## 2.2 Idle Side Blade Guide Assembly, Optional (LMS)



REF	DESCRIPTION (◆ Indicates Parts Available In Assemblies Only)	PART#	QTY.
	<b>BLADE GUIDE ASSEMBLY, IDLE SIDE</b>	087749	1
	<b>BLADE GUIDE ASSEMBLY, IDLE SIDE. EXTENDED</b> (for optional use with 1 1/2" blades)	092996	1
	Roller, Blade Guide Narrow W/Bearings	088261	1
	Roller, Blade Guide W/Bearings Extended (for optional use with 1 1/2" blades)	092939	1
1	Nut, M12-8 Hex Nylon Zinc Lock	F81034-2	1
2	Roller, Blade Guide Narrow	087889	1
	Roller, Blade Guide Extended (for optional use with 1 1/2" blades)	087890	1
3	Bearing, 6001 2RSR NACHI	087893	2
4	Ring, W28 Inside Retaining	F81090-9	2
5	Washer, Spacer	087891	2 (1)
	Washer, Spacer (used with the Extended Roller only) <sup>1</sup>	087892-1	1
6	Bolt, Blade Guide Roller Zinc-Plated	087761-1	1
	Bolt, Blade Guide Roller Zinc Plated (used with the Extended Roller only)	092940-1	1

# 2

## Blade Guide Rollers & Arm

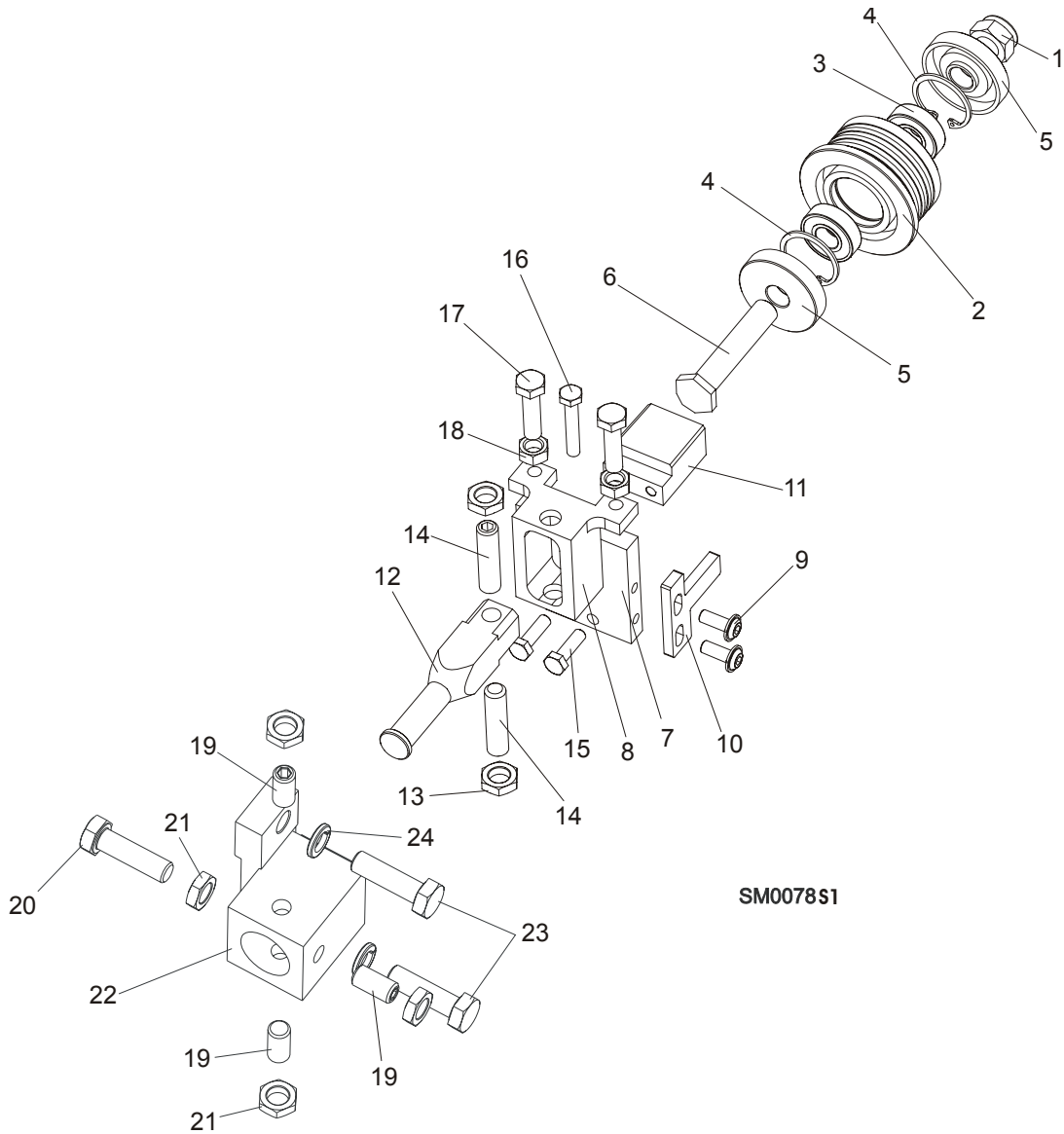
Idle Side Blade Guide Assembly, Optional (LMS)

7	Block Weldment, Nozzle Zinc-Plated	087750-1	1	
8	Block, Zinc-Plated Roller Guide Adjuster	087756-1	1	
9	Shaft, Zinc-Plated Blade Guide Mount	088255-1	1	
10	Block, Blade Guide Zinc	096956-1	1	
11	Nozzle, Blade Lube Spray	033479	2	
12	Plug, M10x1 DIN 906 BN40 "BOSSARD"	F81015-3	2	
13	Fitting, 90° Elbow 1/8NPT-1/4 Tube Swivel	P09736	1	
14	Bolt, M8x30 DIN933 A2-70 Stainless Steel	F81002-27	2	
15	Nut, M8 DIN934 A2-70 Stainless Steel	F81032-7	2	
16	Bolt, M6x30 DIN933 A2-70 Stainless Steel	F81001-37	1	
17	Bolt, M6x20-8.8 Hex Head Full Thread Zinc	F81001-2	2	
18	Screw, M10x1x40 DIN913 Stainless Steel Set	F81015-2	2	
19	Nut, M10x1-04-ST-A2 ISO 8675 Thin	F81033-10	2	
20	<b>BLOCK WELDMENT, PAINTED BLADE GUIDE MOUNT</b>	088292-1	1	
21	<b>SCREW, M10X1X20 DIN913 STAINLESS STEEL SET</b>	F81015-1	4	
22	<b>NUT, M10x1-04-ST-A2 ISO 8675 THIN</b>	F81033-10	4	
23	<b>WASHER, 8.2 SPLIT LOCK ZINC</b>	F81054-4	2	
24	<b>BOLT, 5/16-18X3/4 SOCKET HEAD</b>	F05006-102	2	
25	<b>FITTING, 1/8FPT COUPLING</b>	P05748	1	
26	<b>NIPPLE, 1/8 DRY SEAL</b>	P02764	1	

<sup>1</sup> Used only from the flanged side of the roller



### 2.3 Blade Guide Assembly, Drive Side



REF	DESCRIPTION (◆ Indicates Parts Available In Assemblies Only)	PART#	QTY.
	<b>BLADE GUIDE ASSEMBLY, DRIVE SIDE</b>	087748	1
	<b>BLADE GUIDE ASSEMBLY, DRIVE SIDE, Extended</b> (for optional use with 1 1/2" blades)	092995	1
	Roller, Blade Guide Narrow W/Bearings	088261	1
	Roller, Blade Guide W/Bearings Extended (for optional use with 1 1/2" blades)	092939	1
<b>1</b>	Nut, M12-8 Hex Nylon Zinc Lock	F81034-2	1
<b>2</b>	Roller, Blade Guide Narrow	087889	1
	Roller, Blade Guide Extended (for optional use with 1 1/2" blades)	087890	1
<b>3</b>	Bearing, 6001 2RSR NACHI	087893	2

# 2

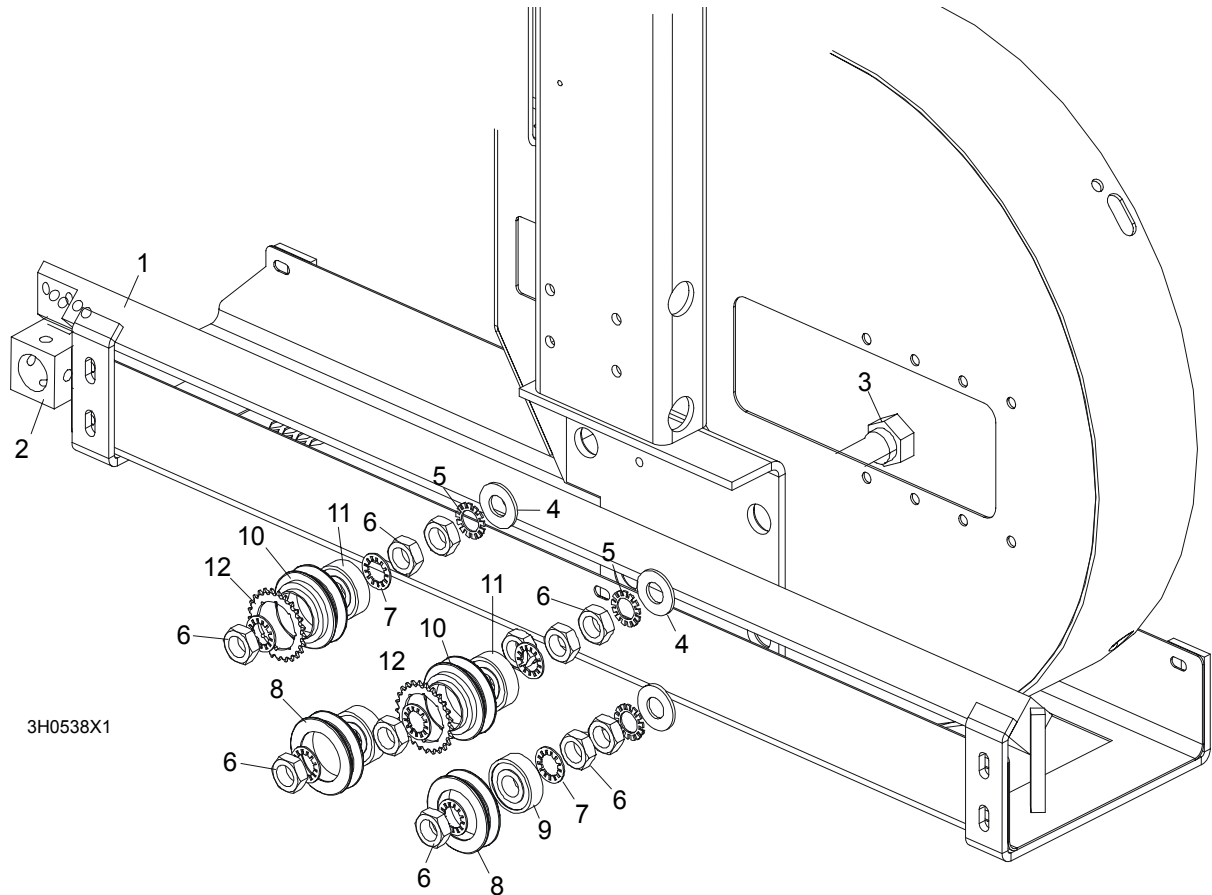
## Blade Guide Rollers & Arm

### Blade Guide Assembly, Drive Side

4	Ring, W28 Inside Retaining	F81090-9	1	
5	Washer, Spacer	087891	2 (1)	
	Washer, Spacer (used with the Extended Roller only) <sup>1</sup>	087892-1	1	
6	Bolt, Blade Guide Roller Zinc-Plated	087761-1	1	
	Bolt, Blade Guide Roller Zinc Plated (used with the Extended Roller only)	092940-1	1	
7	Plate, Zinc-Plated Blade Guide Mounting	087753-1	1	
8	Block, Zinc-Plated Roller Guide Adjuster	087756-1	1	
9	Screw, M6x16 BN 11252 "BOSSARD"	F81001-24	2	
10	Wiper, Blade Zinc-Plated	087757-1	1	
11	Block, Blade Guide Zinc	096956-1	1	
12	Shaft, Zinc-Plated Blade Guide Mount	088255-1	1	
13	Nut, M10x1-04-ST-A2 ISO 8675 Thin	F81033-10	2	
14	Screw, M10x1x40 DIN913 Stainless Steel Set	F81015-2	2	
15	Bolt, M6x20-8.8 Hex Head Full Thread Zinc	F81001-2	2	
16	Bolt, M6x30 DIN933 A2-70 Stainless Steel	F81001-37	1	
17	Bolt, M8x30 DIN933 A2-70 Stainless Steel	F81002-27	2	
18	Nut, M8 DIN934 A2-70 Stainless Steel	F81032-7	2	
19	Screw, M10X1X20 DIN913 Stainless Steel Set	F81015-1	3	
20	<b>BOLT, M10X1X25 DIN 933 STAINLESS STEEL</b>	F81003-28	1	
21	<b>NUT, M10x1-04-ST-A2 ISO 8675 THIN</b>	F81033-10	4	
22	<b>BLOCK WELDMENT, BLADE GUIDE MOUNT</b>	087744	1	
23	<b>BOLT, M10X35-8.8 HEX HEAD FULL THREAD ZINC</b>	F81003-17	2	
24	<b>WASHER, 10.2 SPLIT LOCK ZINC</b>	F81055-2	2	

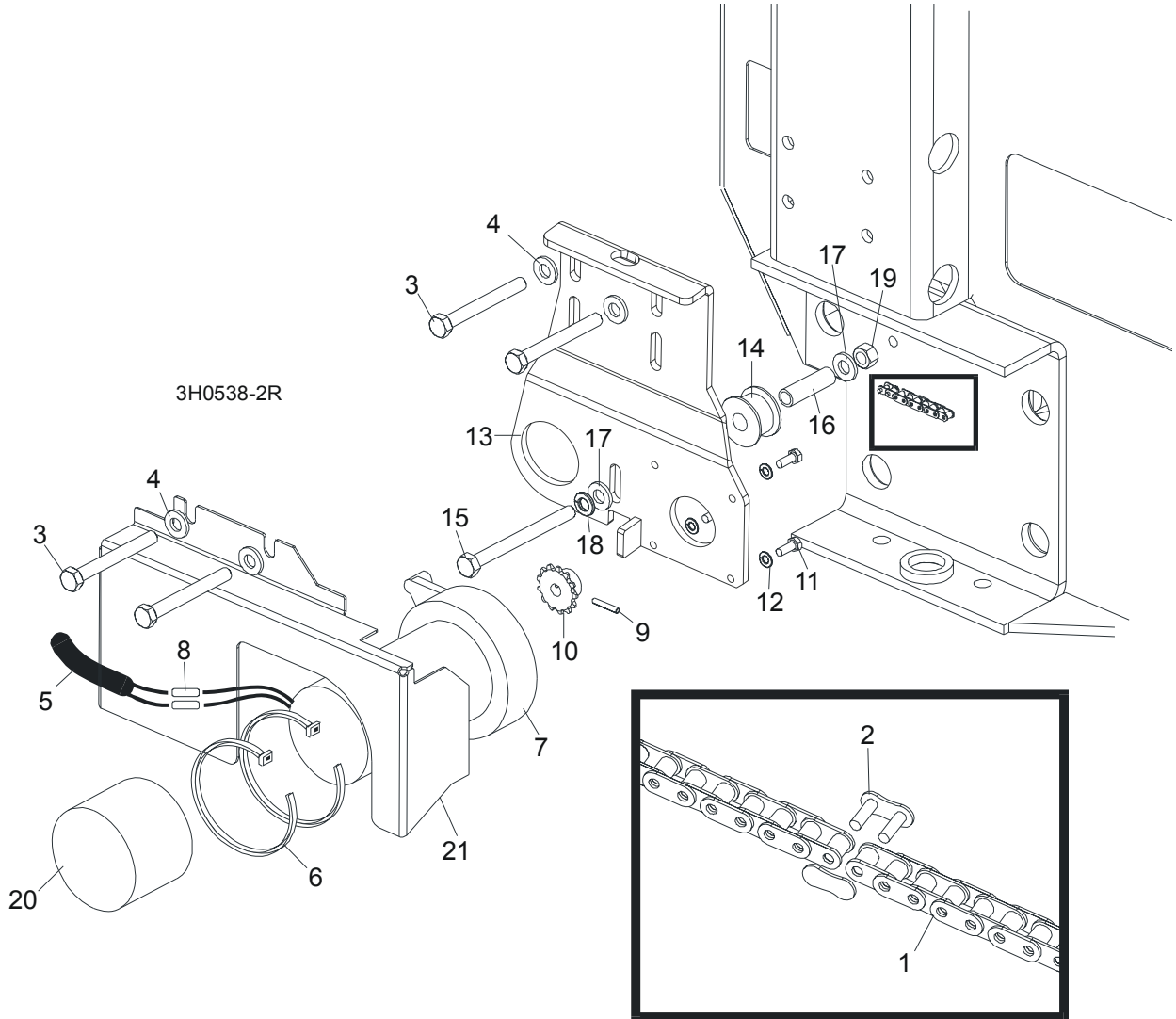
<sup>1</sup> Used only from the flanged side of the roller

## 2.4 Blade Guide Arm & Rollers



REF	DESCRIPTION (◆ Indicates Parts Available In Assemblies Only)	PART #	QTY.	
1	BLADE GUIDE ARM WELDMENT	087018-1	1	
2	BLOCK WELDMENT, PAINTED BLADE GUIDE MOUNT	088292-1	1	
3	BOLT, BLADE GUIDE ARM ROLLER CAM	086508-1	4	
4	WASHER, 17 FLAT	F81058-1	4	
5	WASHER, 5/8" EXTERNAL STAR	F05011-26	4	
6	NUT, 5/8-18 HEX JAM	F05010-11	12	
7	WASHER, 5/8" INTERNAL STAR	F05011-25	8	
	ROLLER ASSEMBLY, BLADE GUIDE ARM WITH BEARING	A09059	2	
8	Roller, Blade Guide Arm V-Groove	S07989-W	1	◆
9	Bearing, 6203-2NSL 5/8" I.D.	P06030-1	1	
	ROLLER ASSEMBLY, BLADE GUIDE ARM WITH BEARING AND SPROCKET	A09932	2	
10	Roller, Blade Guide Arm Drive	S09930-W	1	◆
11	Bearing, 6203-2NSL 5/8" I.D.	P06030-1	1	
12	Sprocket, #25 26-Tooth	015939	1	◆

**2.5 Blade Guide Arm Drive Assembly**



REF	DESCRIPTION (◆ Indicates Parts Available In Assemblies Only)	PART #	QTY.
1	CHAIN, #25 X 20 1/4"	P09984	1
2	LINK, #25 MASTER	P09983	1
3	BOLT, 5/16-18 X 2 3/4" HEX HEAD GRADE 5	F05006-28	4
4	WASHER, 8.4 FLAT	F81054-1	4
5	TUBE, 3/8" X 1/2" NEOPRENE	R01897	0,75 m
6	WRAP, 1/4" X 6" TIE	F05089-1	2
	<b>DRIVE ASSEMBLY, BLADE GUIDE ARM</b>	091005	1
	Motor Assembly, Blade Guide Arm Replacement	A10365	1
7	Motor, Blade Guide Arm 53:1 Gear	P09698-1	1
	Housing, Klauber Motor End	P12756	1
	Gear Kit, Klauber Motor Replacement	P12569	1

## Blade Guide Rollers & Arm

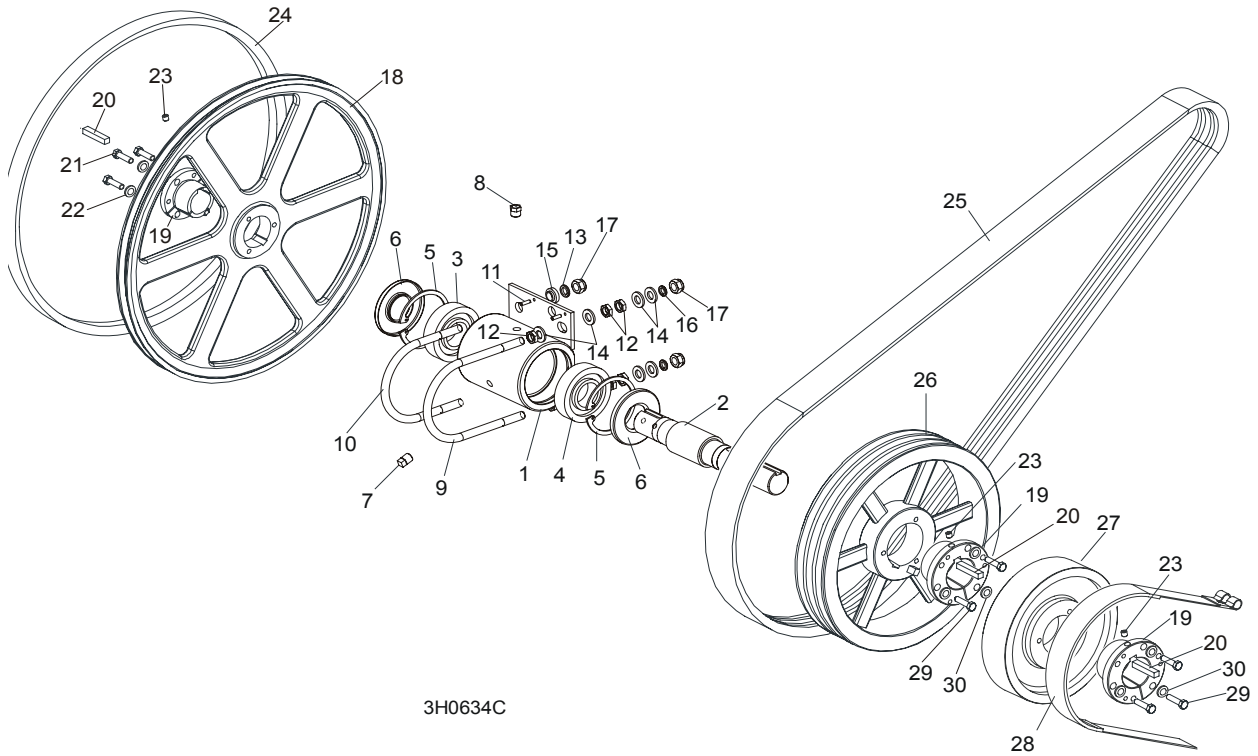
*Blade Guide Arm Drive Assembly*

2

	Brush Kit, Gear Motor Replacement	P12800	1	
	Shaft Kit, Klauber Gear Motor Replacement	009695	1	
<b>8</b>	Connector, 14 Gauge Butt	F04875-1	2	
<b>9</b>	Pin, 1/8" X 3/4" Roll	F05012-6	1	
<b>10</b>	Sprocket, Gear Motor #25 14-Tooth	P09970	1	
<b>11</b>	Screw, #10-32 x 1/2" Hex Head	F05004-60	4	
<b>12</b>	Washer, 5.1 Split Lock	F81052-2	4	
	Instruction Sheet, Blade Guide Arm Motor	A10353-296	1	
<b>13</b>	Bracket, Blade Guide Arm Motor Mount	087994-1	1	
<b>14</b>	Roller, Blade Guide Arm Chain Idler	S09999	1	
<b>15</b>	Bolt, M8x90-8.8 Hex Head Full Thread	F81002-16	1	
<b>16</b>	Spacer, 5/16" I.D. X 1 1/2"	S09996	1	
<b>17</b>	Washer, 5/16" SAE Flat	F81054-1	3	
<b>18</b>	Washer, 8.2 Split Lock	F05011-13	1	
<b>19</b>	Nut, M8-8-B Hex Lock	F81032-1	1	
<b>20</b>	Boot, Gear Motor Weather	023720	1	
<b>21</b>	<b>COVER, BLADE GUIDE ARM MOTOR</b>	093460-1	1	

SECTION 3 BLADE WHEELS & TENSIONER

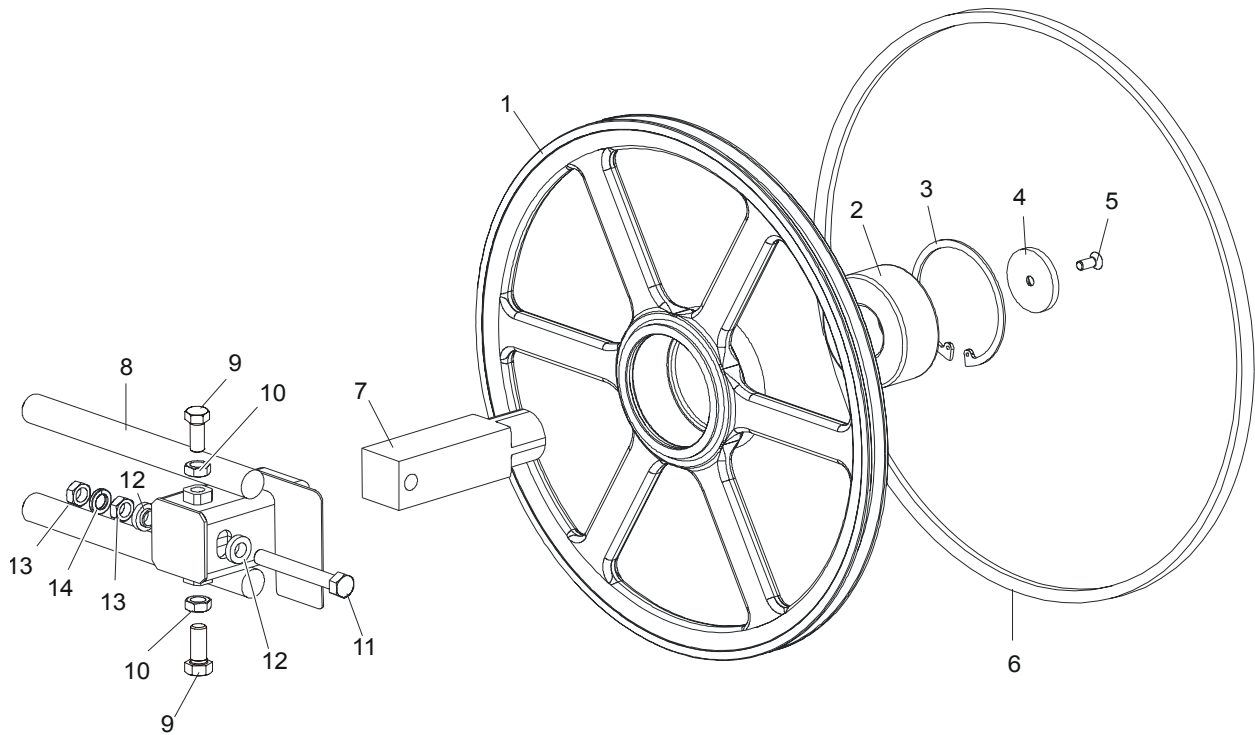
3.1 Blade Drive Assembly



REF	DESCRIPTION (◆ Indicates Parts Available In Assemblies Only)	PART #	QTY.
	<b>BEARING ASSEMBLY, DRIVE</b>	086291	1
1	Housing, Blade Wheel Drive Bearing	086293	1
2	Shaft, Blade Wheel Drive	086292	1
3	Bearing, Blade Wheel Drive NJ308	085939	1
4	Bearing, Blade Wheel Drive #6308	085940	1
5	Ring, 90mm Interior Retaining #17	F04254-17	2
6	Seal, Drive Bearing #CR15890	P10206	2
7	Plug, 1/4" NPT Square Head	P05498	1
8	Plug, 1/4" NPT Vented	P12868	1
9	Bolt, 1/2-13 Long U	S10207-1P	1
10	Bolt, 1/2-13 Short U	S10207-2P	1
11	Pin, 3/16" X 5/8" Roll	F05012-22	2
12	Nut, M12-04-A Hex Jam	F81034-6	6
13	Washer, 12.2 Split Lock	F81056-2	2
14	Washer, 13 SAE Flat	F81056-1	8
15	Spacer, Zinc	086769-1	2
16	Washer, 10.2 Split Lock Zinc	F81055-2	2

17	Nut, M12-8 Hex Nylon Lock	F81034-2	4	
	<b>WHEEL KIT, DRIVE SIDE BLADE</b>	014562	1	
18	Wheel, Drive Side Blade	016284	1	
19	Bushing, Modified 1 9/16" P1	087214	1	
20	<b>KEY, 9.5h7x9.5x3.8</b>	087384	3	
21	<b>BOLT, UNC 1/4"x1 1/2"-8.8 ZINC DIN933 HEX HEAD</b>	F05005-31	3	
22	<b>WASHER, 1/4" UNC ZINC SPLIT LOCK</b>	F81052-21	3	
23	<b>SCREW, M8x8-33H ZINC HEX SOCKET SET FLAT POINT</b>	F81014-1	3	
24	<b>BELT, BLADE WHEEL B57</b>	P04185	1	
25	<b>BELT, 2BX72 DRIVE (G25)</b>	P09555-2	1	
	<b>BELT, 3BX72 DRIVE (D33)</b>	014085	1	
26	<b>PULLEY, 2B5V124 SPECIAL (G25)</b>	087205-1	1	
	<b>PULLEY, 3B5V124 SPECIAL DRIVE (D33)</b>	087203-1	1	
27	<b>WHEEL, BRAKE</b>	087204-1	1	
28	<b>STRAP, METAL-BACKED BRAKE</b>	014391	1	
29	<b>BOLT, M8X35-8.8 ZINC HEX HEAD FULL THREAD</b>	F81002-13	6	
30	<b>WASHER, 8.2 ZINC SPLIT LOCK</b>	F81054-4	6	

## 3.2 Idle Blade Wheel Assembly

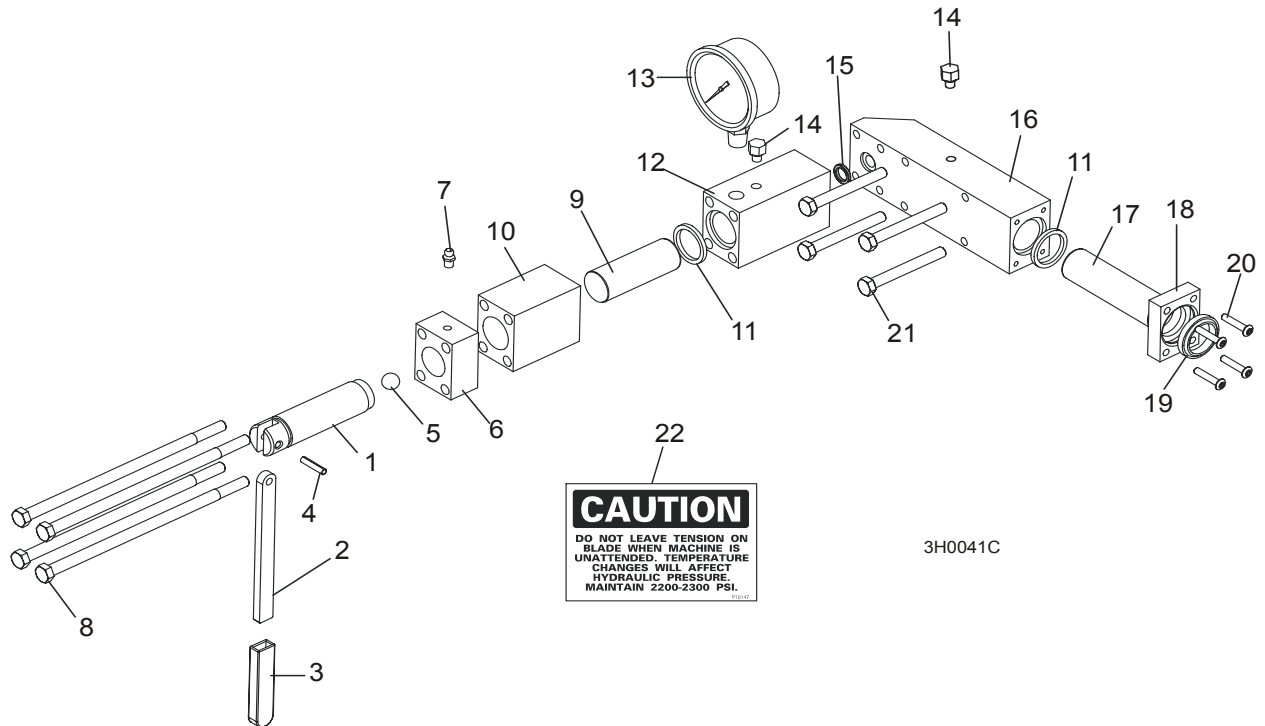


SM0241C

REF	DESCRIPTION (◆ Indicates Parts Available In Assemblies Only)	PART #	QTY.	
	<b>WHEEL ASSEMBLY, IDLE SIDE BLADE</b>	016120	1	
1	Wheel, Idle Side Blade	016013	1	◆
2	Bearing, Idle Side Blade Wheel 3309 B.2RSR TVH FAQ	086428	1	
3	Ring, 100mm Internal Retaining Beveled	F04254-28	1	
4	<b>RETAINER, ZINC</b>	095929-1	1	
5	<b>BOLT, M10x25 -10.9- Fe/Zn5 DIN 7991</b>	F81003-82	1	
6	<b>BELT, BLADE WHEEL B57</b>	P04185	1	
7	<b>SHAFT, IDLE BLADE WHEEL</b>	095732	1	
8	<b>HOUSING, IDLE BLADE WHEEL SHAFT</b>	087665	1	
9	<b>SCREW, 1/2-20 X 1 1/4" FLAT POINT SET</b>	F05008-108	2	
10	<b>NUT, 1/2-20 HEX JAM</b>	F05010-16	2	
11	<b>BOLT, M12x1,25x100-8.8 HEX HEAD FULL THREAD GRADE 2</b>	F81004-41	1	
12	<b>SPACER, 1/2" I.D. FLANGED</b>	086769-1	2	
13	<b>NUT, M12x1,25 8.8 HEX JAM</b>	F81034-5	2	
14	<b>WASHER, 12.2 SPLIT LOCK</b>	F81056-2	1	



### 3.3 Hydraulic Blade Tensioner Assembly



**CAUTION**  
DO NOT LEAVE TENSION ON  
BLADE WHEN MACHINE IS  
UNATTENDED. TEMPERATURE  
CHANGES WILL AFFECT  
HYDRAULIC PRESSURE.  
MAINTAIN 2200-2300 PSI.

3H0041C

REF	DESCRIPTION (◆ Indicates Parts Available In Assemblies Only)	PART #	QTY.
	<b>HYDRAULIC BLADE TENSIONER ASSEMBLY</b>	A10054	1
	Handle Assembly, Hydraulic Blade Tensioner Screw	A12294	1
1	Screw, Hydraulic Blade Tensioner	S10056	1
2	Handle, Hydraulic Tensioner Screw	095930	1
3	Sleeve, Plastic Handle	P08072	1
4	Pin, 3/16" x 7/8" Roll	F05012-11	1
5	Ball, 1/2" Steel	P02720	1
6	Block, Threaded Tensioner End	S10062	1
7	Fitting, 1/4-28 Grease	P05060	1
	Instruction Sheet, Tensioner Screw	A12294-518	1
8	Bolt, 5/16-18 X 7 1/2" Hex Head Grade 5	F05006-43	4
9	Piston, Hydraulic Tensioner Front 2 3/4" Long	S10060	1
10	Block, Piston Guide	S10061	1
11	Seal, 1" Diameter	P10051	2
12	Block, Hydraulic Tensioner Gauge Mounting	S10140	1
13	Gauge, 3000 PSI	090552	1
14	Plug, Hydraulic Tensioner Fill	P10065	2
15	Ring, 5/8" X 3/32" Square "O"	P10377	1
16	Block, Rear Tensioner Piston	S10142	1
17	Piston, Hydraulic Tensioner Rear 3 5/8" Long	S10059	1
18	Block, Rear Piston End	S10089	1
19	Wiper, 1" Diameter	P10053	1
20	Bolt, #10-24 X 1" Socket Button Head	F05004-43	4

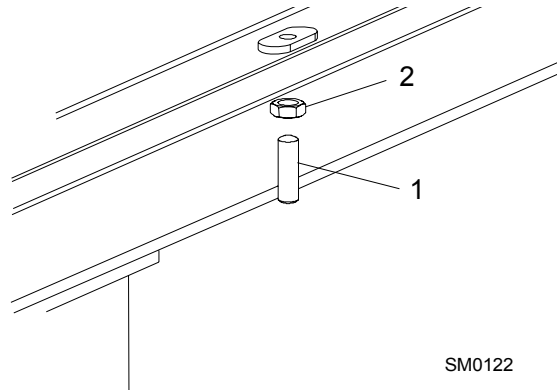
**3****Blade Wheels & Tensioner***Hydraulic Blade Tensioner Assembly*

---

<b>21</b>	Bolt, 5/16-18 X 2 3/4" Hex Head Grade 5	F05006-28	4	
<b>22</b>	Decal, Hydraulic Tension Caution	P10147	1	
	Instruction Sheet, Hydraulic Tensioner Installation	A10136-272	1	

## SECTION 4 SAW HEAD

### 4.1 Middle Throat Screw



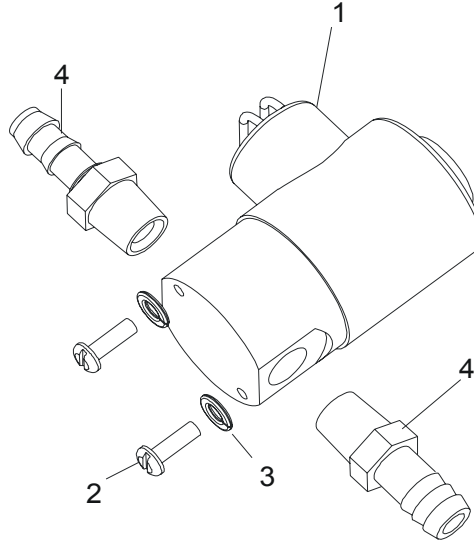
REF	DESCRIPTION (◆ Indicates Parts Available In Assemblies Only)	PART #	QTY.	
1	SCREW, M10X40-45H OVAL POINT SOCKET SET, ZINC	F81003-61	1	
2	NUT, M10-8-B HEX JAM, ZINC	F81033-3	1	

# 4

## Saw Head

### Water Lube Solenoid Valve

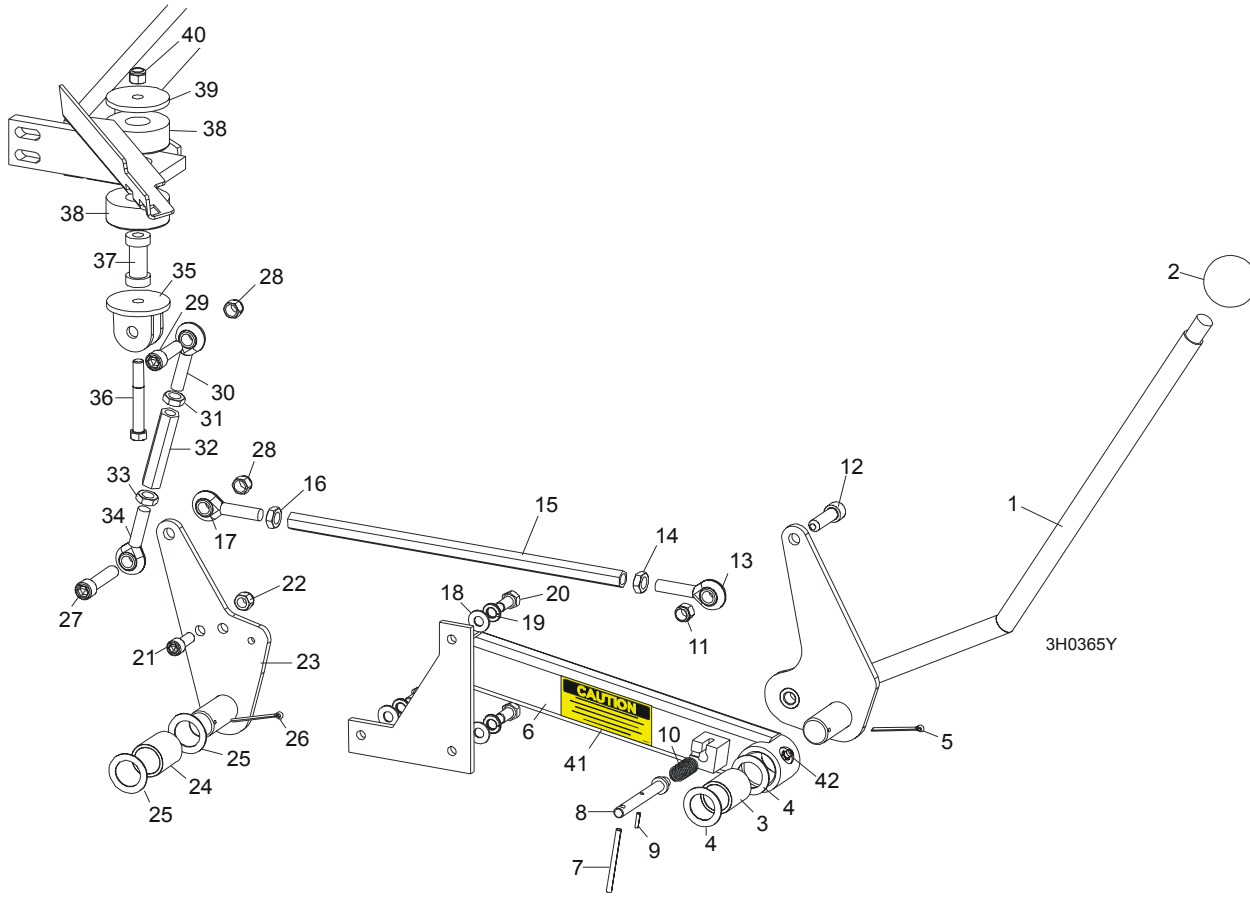
#### 4.2 Water Lube Solenoid Valve



3H0310B

REF	DESCRIPTION (◆ Indicates Parts Available In Assemblies Only)	PART #	QTY.	
1	VALVE, WATER LUBE SOLENOID	016140	1	
2	SCREW, #10-32X1/2" CROSS SLOT ROUND HEAD	F05004-60	2	
3	WASHER, 5.1 SPLIT LOCK	F81052-2	2	
4	FITTING, 1/4" MALE NPT 3/8" HOSE BARB	P04682	2	

4.3 Clutch Lever Assembly



REF	DESCRIPTION (◆ Indicates Parts Available In Assemblies Only)	PART #	QTY.	
	<b>HANDLE ASSEMBLY, EXTENDED CLUTCH/BRAKE</b>	086242	1	
1	Lever, Clutch/Brake	086339-1	1	◆
2	Knob, Plastic Round	086337	1	
3	Bushing, Clutch/Brake Pivot	P05041	1	
4	Washer, Clutch/Brake Pivot	087051-1	2	
5	Pin, 1/8" X 1 3/4" Cotter	F05012-43	1	
6	Extension Weldment, Clutch Handle	086244-1	1	
7	Pin, 3/16 x 2 1/2" Roll	F05012-27	1	
8	Pin, Clutch Detent	086243 <sup>1</sup>	1	◆
9	Pin, 1/8" x 9/16" Roll	F05012-30	1	
10	Spring, .58" OD x 1 1/8"	021243	1	
11	Nut, 7/16-20 Nylon Lock	F05010-83	1	
12	Screw, 7/16-20 x 1 1/2" Socket Head	F05007-55	1	
13	Rod End, 7/16-20 Left Hand Thread	P11578	1	
14	Nut, 7/16-20 Hex Jam Left Hand Thread	F05010-87	1	
15	Rod, Clutch Extension	015073	1	
16	Nut, 7/16-20 Hex Jam	F05010-38	1	

## 4

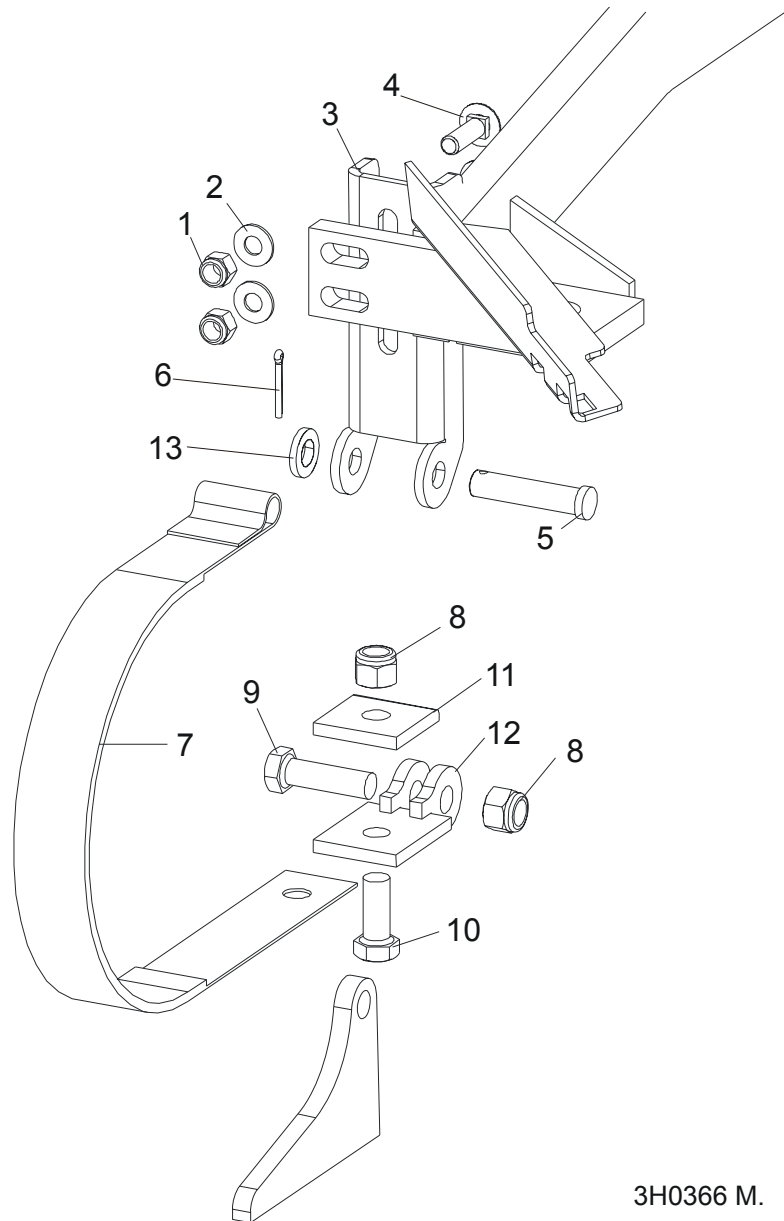
## Saw Head

## Clutch Lever Assembly

17	Rod End, 7/16-20 Right Hand Thread	P11579	1	
18	<b>WASHER, 8.4 SAE FLAT</b>	F81054-1	3	
19	<b>WASHER, 8.2 SPLIT LOCK</b>	F81054-4	3	
20	<b>BOLT, M8X20-8.8-B HEX HEAD</b>	F81002-4	3	
21	<b>BOLT ,M10 X 25 SOCKET HEAD</b>	F81003-32	1	
22	<b>NUT, M10-8-B HEX NYLON LOCK</b>	F81033-1	1	
23	<b>PLATE WELDMENT, CLUTCH PIVOT</b>	087086-1	1	
24	<b>BUSHING, CLUTCH/BRAKE PIVOT</b>	P05041	1	
25	<b>WASHER, CLUTCH/BRAKE PIVOT</b>	087051-1	2	
26	<b>PIN, 1/8" X 1 3/4" COTTER</b>	F05012-43	1	
27	<b>SCREW, 7/16-20 X 2" SOCKET HEAD</b>	F05007-120	1	
28	<b>NUT, 7/16-20 HEX NYLON LOCK</b>	F05010-83	2	
29	<b>SCREW, 7/16-20 X 2" SOCKET HEAD</b>	F05007-120	1	
	<b>TURNBUCKLE ASSEMBLY, CLUTCH/BRAKE LEVER</b>	A12304	1	
30	Rod End, 7/16-20 Right Hand Thread	P11579	1	
31	Nut, 7/16-20 Hex Jam	F05010-38	1	
32	Turnbuckle, 3" Clutch/Brake Lever	S11577	1	
33	Nut, 7/16-20 Hex Jam Left Hand Thread	F05010-87	1	
34	Rod End, 7/16-20 Left Hand Thread	P11578	1	
35	<b>BRACKET, CLUTCH MOUNT</b>	W12411-1	1	
36	<b>BOLT, M10X70-8.8 HEX HEAD, ZINC</b>	F81003-20	1	
37	<b>SPACER, MOTOR MOUNT VIBRATION BUSHING</b>	095928	1	
38	<b>BUSHING, MOTOR MOUNT VIBRATION</b>	P05032	2	
39	<b>WASHER, 3/8" I.D. X 2 1/4" O.D. X 3/16" THICK</b>	S12412-0	1	
40	<b>NUT, 3/8-16 NYLON LOCK</b>	F05010-10	1	
41	<b>DECAL, PLACE PIN IN DETENT POSITION</b>	085089	1	
42	<b>FITTING, M6 GREASE</b>	086280	1	

<sup>1</sup> Detent pin removed . Detent pin should be removed from previous revision mills to prevent possible injury caused by unintended use of the detent pin (such as using the pin to enable the blade to be spun by hand during blade tracking). See bulletin #970053LR for pin removal instructions.

## 4.4 Brake Assembly



3H0366 M.

REF	DESCRIPTION (◆ Indicates Parts Available In Assemblies Only)	PART #	QTY.
	<b>STRAP RETROFIT, SUPER BRAKE</b>	014441	1
1	Nut, 3/8-16 Nylon Lock	F05010-10	2
2	Washer, 10.5 Flat	F81055-1	2
3	Bracket, Upper Super Brake Strap Mount	014395	1
4	Bolt, 3/8-16 x 1 1/4" Carriage Head Grade 5	F05007-127	2
5	Pin, 1/2" x 2 1/4" Clevis	F05012-81	1
6	Pin, 1/8" x 1" Cotter	F05012-1	1
7	Strap, Upper Pivot Metal Brake	014391	1
8	Nut, M12-8-B Nylon Lock	F81034-2	2

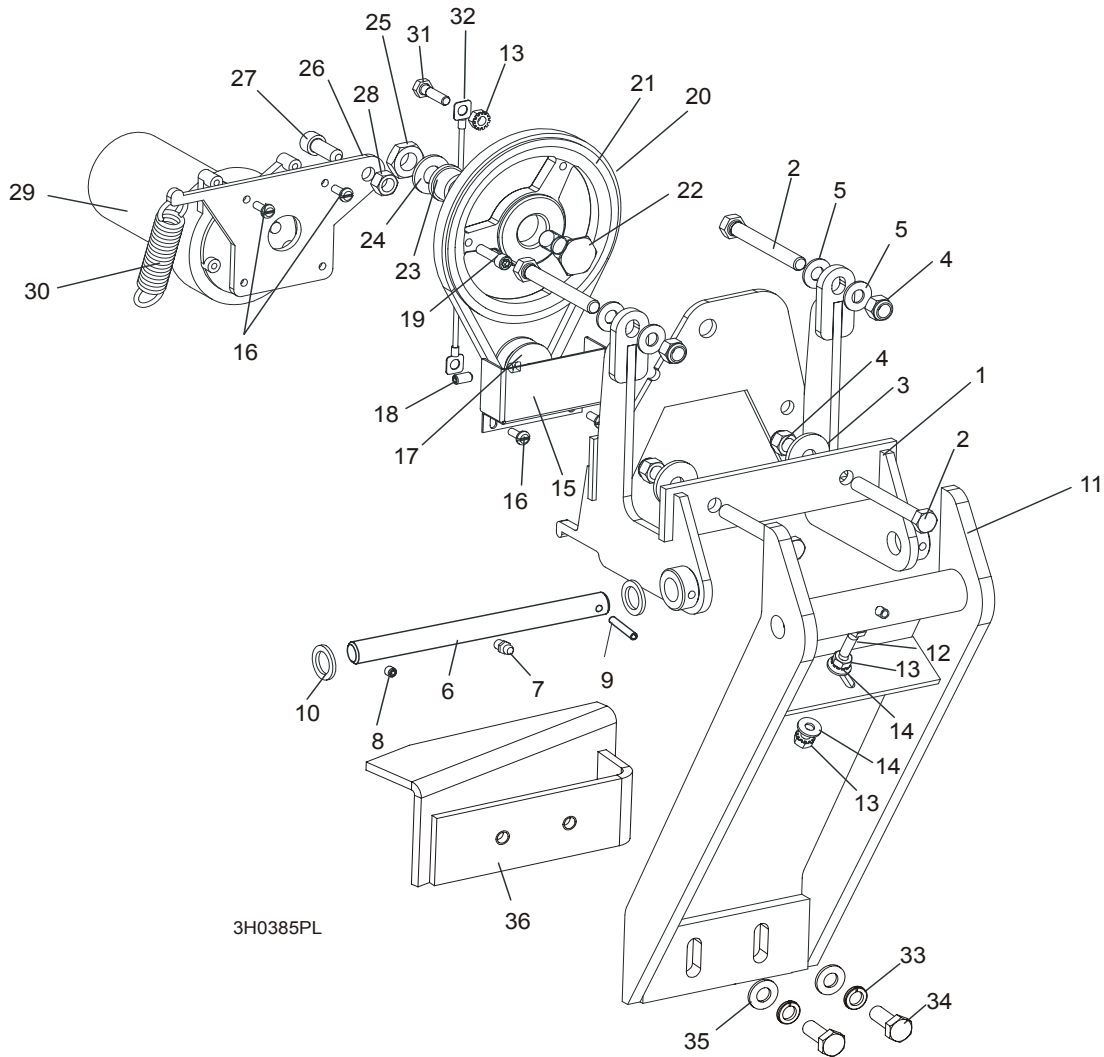
**4****Saw Head***Brake Assembly*

---

<b>9</b>	Bolt, M12 x 40-8.8 Hex Head	F81004-4	1	
<b>10</b>	Bolt, M12 x 30-8.8 Hex Head	F81004-22	1	
<b>11</b>	Washer, Brake Strap Clamp	090063-1	1	
<b>12</b>	Bracket Weldment, Brake Lower Pivot Painted	092200-1	1	
<b>13</b>	Washer, 13 Flat Zinc	F81056-1	1	



## 4.5 Board Return Assembly



REF	DESCRIPTION (◆ Indicates Parts Available In Assemblies Only)	PART #	QTY.
	<b>RETURN ASSEMBLY, BOARD</b>	087839-1	1
1	Mount Weldment, Board Return	087788-1	1
2	Bolt, 3/8-16 x 3" Full Thread Hex Head	F05007-1	4
3	Washer, 1/8" x 1 1/4"	F81055-1	2
4	Nut, 3/8-16 Hex Nylon Lock	F05010-10	4
5	Washer, 10.5 Flat	F81055-1	4
6	Pin Kit, Board Return Replacement Pivot	087837	1
7	Fitting, M6 Grease	086280	1
8	Screw, M6 X 8 Black Oxide Socket Head Set Cup Point	F81013-1	1
9	Pin, 5 X 30 Roll	F81044-21	1
10	Washer, 5/8" x 15/16" x .094 Nylon	F05011-19	2
11	Arm Weldment, Board Return	087838-1	1

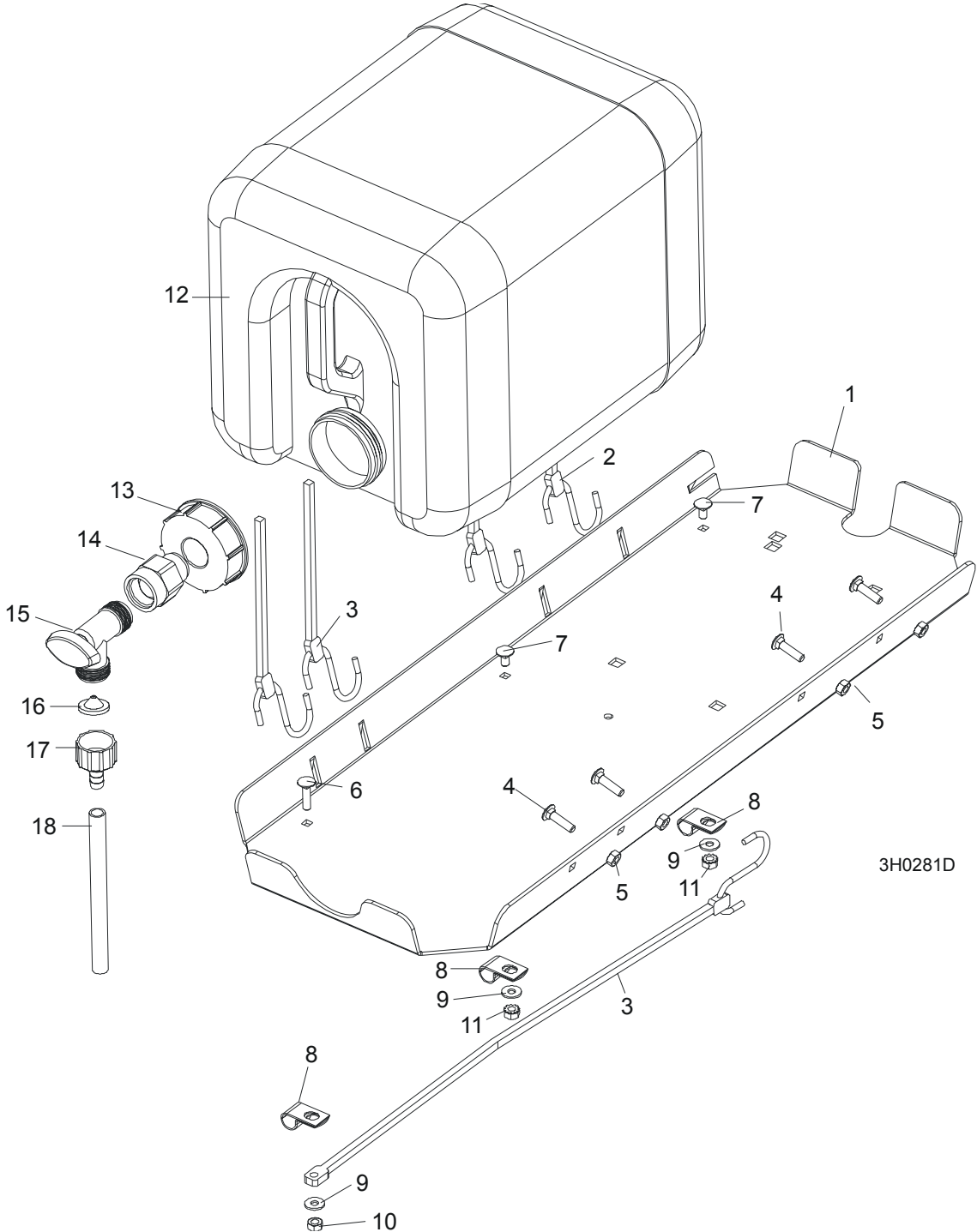
# 4

## Saw Head

### Board Return Assembly

12	Screw, 1/4-20 x 1" Full Thread Hex Head Cap	F05005-101	1	
13	Nut, 1/4-20 Self Locking	F05010-9	3	
14	Washer, 6.5 Flat	F81053-11	2	
15	Guard, Board Return Belt	087985-1	1	
16	Screw, 10-32 x 1/2" Hex Head Machine	F05004-60	4	
17	Sheave, 1.42 x .32	015074	1	
18	Screw, 1/4-20 Socket Head Set Cup Point Nylon	F05005-105	1	
19	Screw, 1/4-28 x 1/4" Socket Head Cap	F05005-1	1	
20	Belt, 3L190	015477	1	
21	Sheave, OK50 x 1/2" Modified	015224	1	
22	Bolt, Idler Pulley Pivot	015221	1	
23	Bushing, 5/8" x 7/8" x 1/2" Bronze	P05135	1	
24	Washer, 13 Flat	F81056-1	1	
25	Nut, 1/2-20 Jam Nylon Lock	F05010-79	1	
26	Plate, Motor Pivot	087871-1	1	
27	Screw, M10 x 25-8.8 Black Oxide Socket Head Cap	F81003-32	1	
28	Nut, 3/8-16 Self Locking	F05010-25	1	
29	Motor, 53:1 ASA Gear	P09698-1	1	
30	Spring, 3/4" x 2 7/8" x 12 Gauge	015479	1	
31	Bolt, 1/4-20 x 1" Hex Head Grade 5	F05005-101	1	
32	Cable, Board Return	016090	1	
33	Washer, 10.2 Split	F81055-2	2	
34	Bolt, M10-1.5x25mm HH Gr8.8	F81003-11	2	
35	Washer, 10.5 Flat	F81055-1	2	
36	Angle, Board Return	087835-1	1	

**4.6 Water Lube Assembly**



REF	DESCRIPTION (◆ Indicates Parts Available In Assemblies Only)	PART #	QTY.	
	<b>TRAY ASSEMBLY, FUEL TANK/WATER BOTTLE</b>	A11685	1	
<b>1</b>	Tray, Fuel Tank/Water Bottle	090376-1	1	◆

# 4

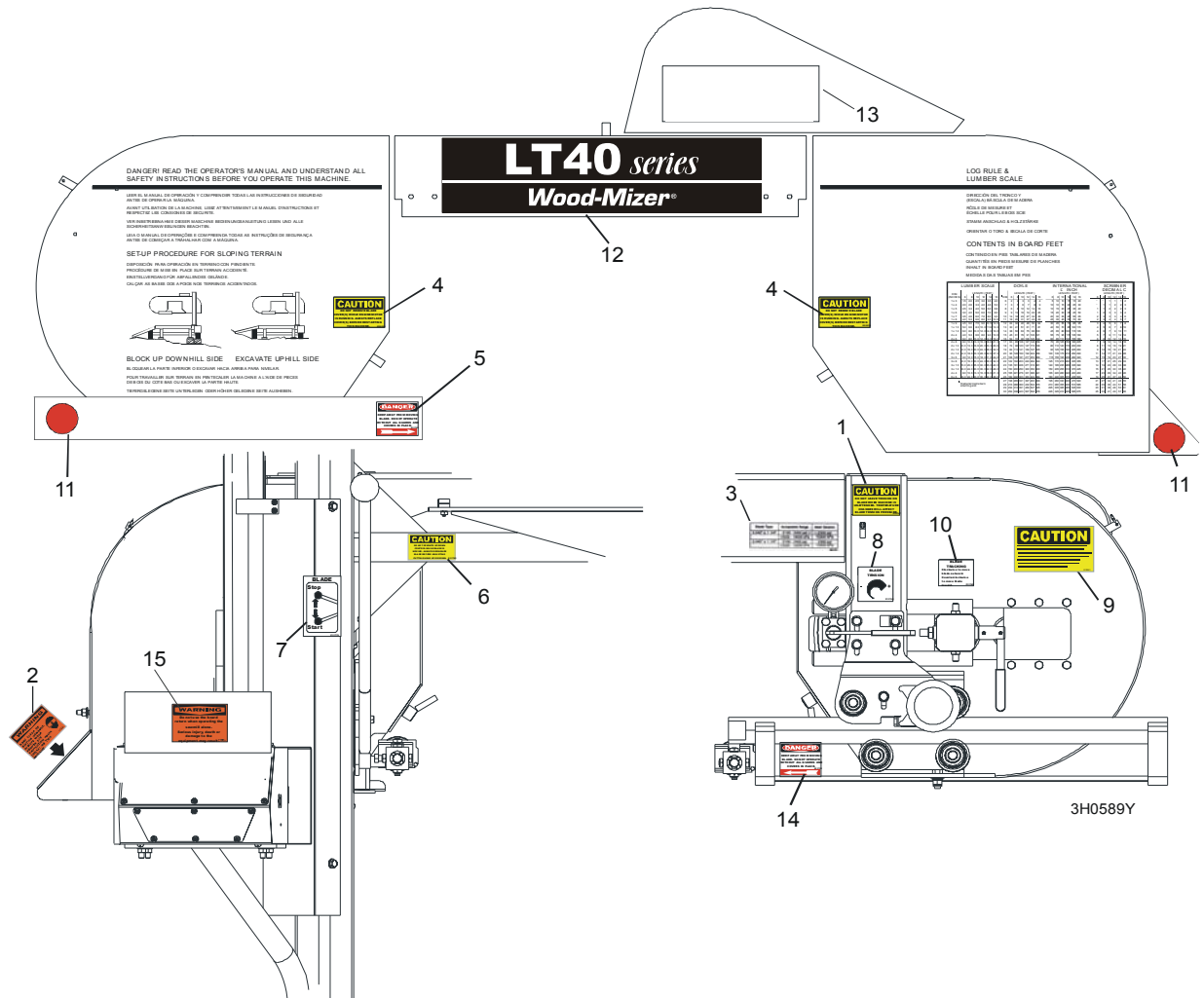
## Saw Head

### Water Lube Assembly

2	Strap, 24" Rubber (For Fuel Tank - See Engine Manual)	P11258	2	
3	Strap, 20" Rubber	P11668	3	
4	Bolt, 1/4-20 X 1" Carriage Head	F05005-34	4	
5	Nut, 1/4-20 Hex Lock	F05010-21	4	
6	<b>BOLT, 1/4-20 X 1" CARRIAGE HEAD</b>	F05005-34	1	
7	<b>BOLT, 1/4-20 X 1/2" CARRIAGE HEAD</b>	F05005-33	2	
8	<b>CLAMP, 1/2" EMT HOSE</b>	P07584	3	
9	<b>WASHER, 6.5 FLAT ZINC</b>	F81053-11	3	
10	<b>NUT, 1/4-20 HEX LOCK</b>	F05010-21	1	
11	<b>STRAP, 15" RUBBER</b>	P07461	1	
12	<b>NUT, 1/4-20 SELF-LOCKING</b>	F05010-21	2	
	<b>BOTTLE ASSY, WATER LUBE</b>	014642	1	
13	Bottle, 5-Gallon Water Lube	014637	1	
14	Cap, Water Lube Bottle Buttress Thread	014773	1	
15	<b>FITTING, 3/4FPT X 3/4MPT</b>	014636	1	
16	<b>FITTING, WATER LUBE SHUTOFF VALVE</b>	014100	1	
17	<b>FILTER, WATER LUBE</b>	016086 <sup>1</sup>	1	
18	<b>FITTING, 5/8" NPT TO 3/8" HOSE BARB</b>	014113	1	
19	<b>TUBING, WATER LUBE 3/8" I.D.</b>	R01885	2,1 m	

<sup>1</sup> Filter recommended for Super models to prevent debris from entering water lube solenoid valve.

### 4.7 Saw Head Decals



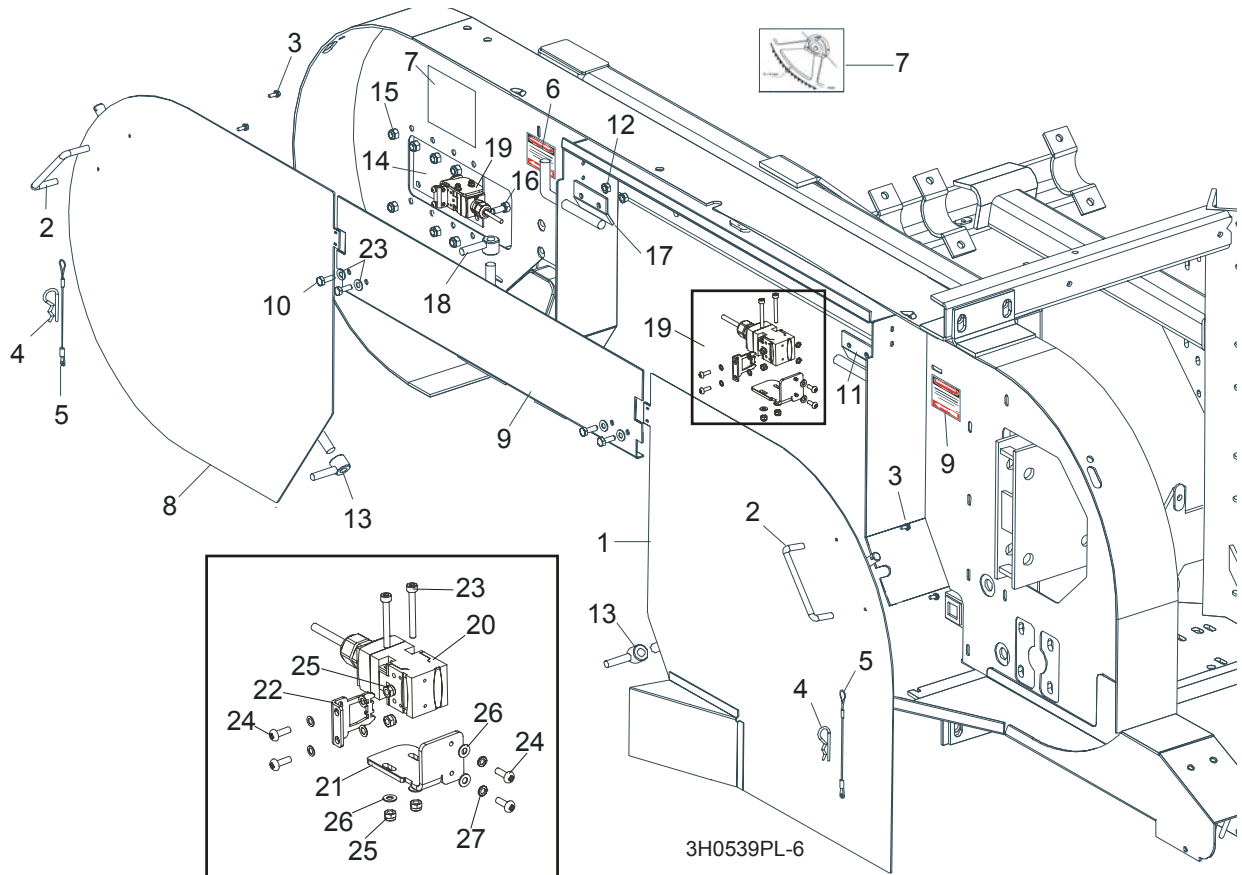
REF	DESCRIPTION (◆ Indicates Parts Available In Assemblies Only)	PART #	QTY.
1	DECAL, BLADE TENSION CAUTION	P10147	1
2	DECAL, SAWDUST CHUTE WARNING	P11754	1
3	DECAL, BLADE TENSION RANGES	085080	1
4	DECAL, BLADE COVERS CAUTION	S20039	2
5	DECAL, BLADE DANGER ARROW RIGHT	S11752	1
6	DECAL, UP/DOWN CAUTION	S11762	1
7	DECAL, BLADE START/STOP	P11779	1
8	DECAL, BLADE TENSION INFO	P11790	1
9	DECAL, SECURE THE SAW HEAD (PORTABLE SAWMILL ONLY)	S12581	1
10	DECAL, BLADE ALIGNMENT INFO	P11789	1
11	DECAL, RED REFLECTIVE 2" ROUND (PORTABLE SAWMILL ONLY)	P07452	2
12	DECAL, SAWMILL TYPE	092763	
13	DECAL, WOOD-MIZER WHAT'S IN A NAME	S12528	1
14	DECAL, BLADE DANGER ARROW LEFT	S11751	1
15	DECAL, EYE/EAR PROTECTION WARNING	S11753	1

**4****Saw Head***Saw Head Decals*

---

	<b>DECAL, BLADE DANGER W/ARROW</b>	S11751	1	
	<b>DECAL, BLADE DANGER W/ARROW</b>	S11751	1	

## 4.8 Blade Housing Covers



REF	DESCRIPTION (◆ Indicates Parts Available In Assemblies Only)	PART #	QTY.	
	<b>COVER ASSEMBLY, DRIVE SIDE BLADE HOUSING WITH HANDLE</b>	087165	1	
1	Cover Weldment, Drive Side Blade Housing	087159-1	1	◆
2	Handle, Blade Housing Cover	P08065	1	
3	Screw, #8-32 x 3/8"	F05015-8	2	
	Pin Assembly, Cover Retainer	A11881	1	
4	Pin, Safety Retainer	N/A	1	
5	Cable, 3/64" x 6" Lanyard	N/A	1	
6	<b>DECAL, BLADE DANGER W/ARROW</b>	S11751	2	
7	<b>DECAL, BLADE SETTING</b>	P85066	1	
	<b>COVER, IDLE SIDE BLADE HOUSING WITH HANDLE</b>	086431	1	
8	Cover, Idle Side Blade Housing	086430-1	1	◆
2	Handle, Blade Housing Cover	P08065	1	
3	Screw, #8-32 X 3/8" Self-Tap	F05015-8	2	
	Pin Assembly, Cover Retainer	A11881	1	
4	Pin, Safety Retainer	N/A	1	
5	Cable, 3/64" x 6" Lanyard	N/A	1	

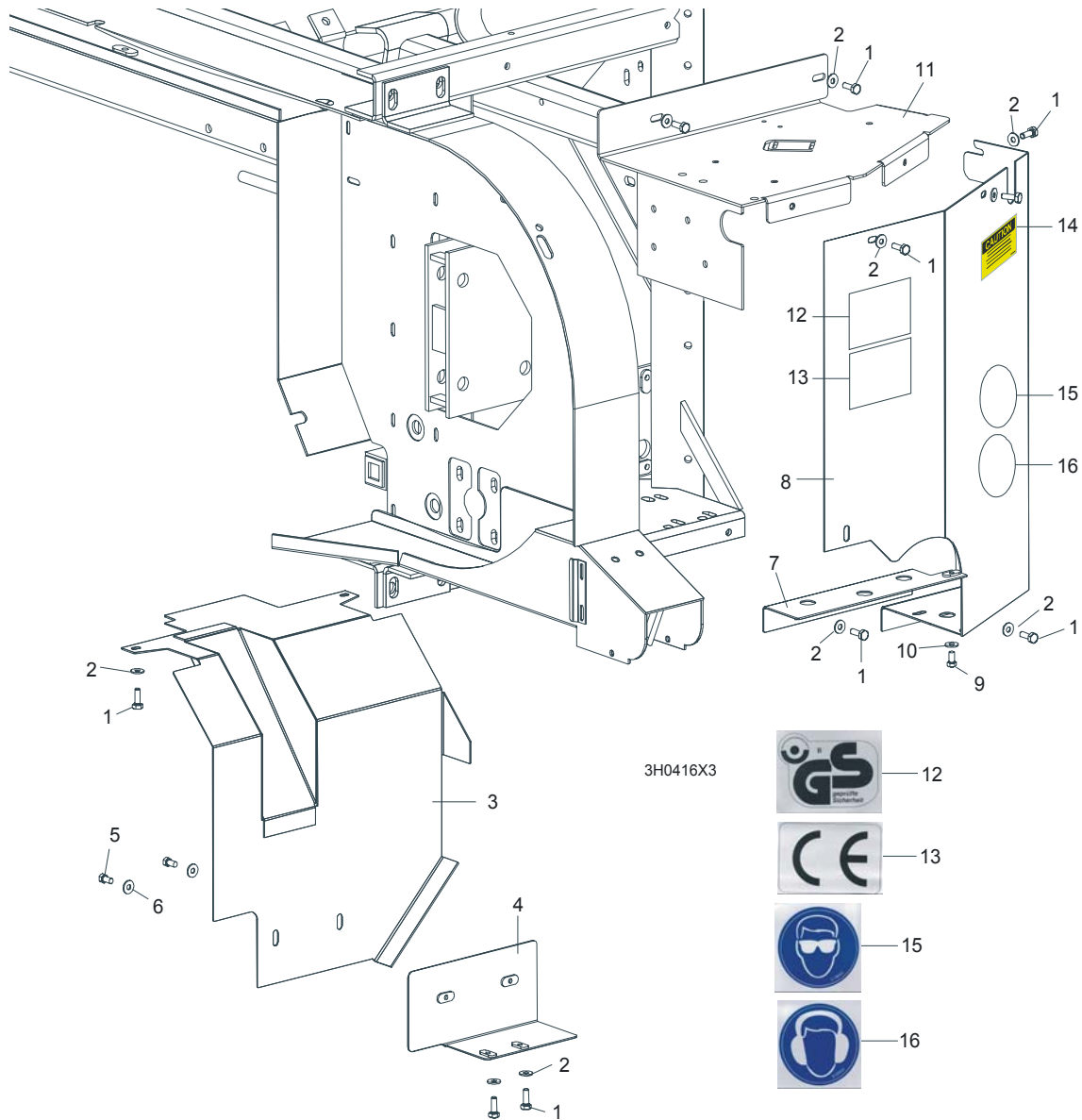
## 4

**Saw Head***Blade Housing Covers*

9	<b>COVER, MIDDLE BLADE HOUSING</b>	087326-1	1	
10	<b>BOLT, 1/4-20 X 3/4" HEX HEAD</b>	F05005-1	4	
11	<b>HINGE, MIDDLE BLADE HOUSING COVER</b>	S07522	1	
12	<b>NUT, 1/4-20 SELF-LOCKING HEX</b>	F05010-9	4	
13	<b>NUT, COVER TURN</b>	086365-1	2	
14	<b>PLATE, IDLE BLADE WHEEL GUARD</b>	086230	1	
15	<b>NUT, 5/16-18 HEX NYLON LOCK</b>	F05010-58	6	
16	<b>BOLT, 5/16-18 X 3/4" HEX HEAD GRADE 2</b>	F05006-5	6	
17	<b>HINGE, MIDDLE BLADE HOUSING COVER</b>	085336-1	1	
18	<b>WASHER 6.4 ZINC</b>	F81053-1	4	
19	<b>SWITCH ASSEMBLY, SAFETY SHUT-OFF</b>	094301	2	
20	Safety Switch, AZ17-11ZRK	094232	2	
21	Holder, Safety Switch	094300-1	2	
22	Key, AZ17/170-B5 Safety Switch	094422	2	
23	Bolt, M4 x 35-8.8 Socket Head	F81011-34	4	
24	Screw, M4 x 12-5.8	F81011-43	8	
25	Nut, M4 Hex	F81029-1	8	
26	Washer, M4 Split Lock Zinc	F81051-1	4	
27	Washer, 4.3	F81051-2	8	



### 4.9 Drive Belt Covers



REF	DESCRIPTION (◆ Indicates Parts Available In Assemblies Only)	PART #	QTY.
1	<b>BOLT, M6X12-8.8-ZINC</b>	F81001-7	11
2	<b>WASHER 6,5 ZINC</b>	F81053-11	11
	<b>GUARD ASSEMBLY, CLUTCH LEVER</b>	086290 <sup>1</sup>	1
3	Guard Weldment, Manual Clutch	093398-1	1
4	Mount Weldment, Clutch Guard	086275-1	1
5	Bolt, <b>M6X12-8.8</b> Hex Head Zinc	F81001-7	2
6	Washer, 6.5 Flat Zinc	F81053-11	2
	<b>GUARD ASSEMBLY, DRIVE PULLEY SIDE</b>	093396	1
7	Guard Weldment, Lower Up/Down	093395-1	1
8	Guard Weldment, C-Frame Enclosure	092572-1	1

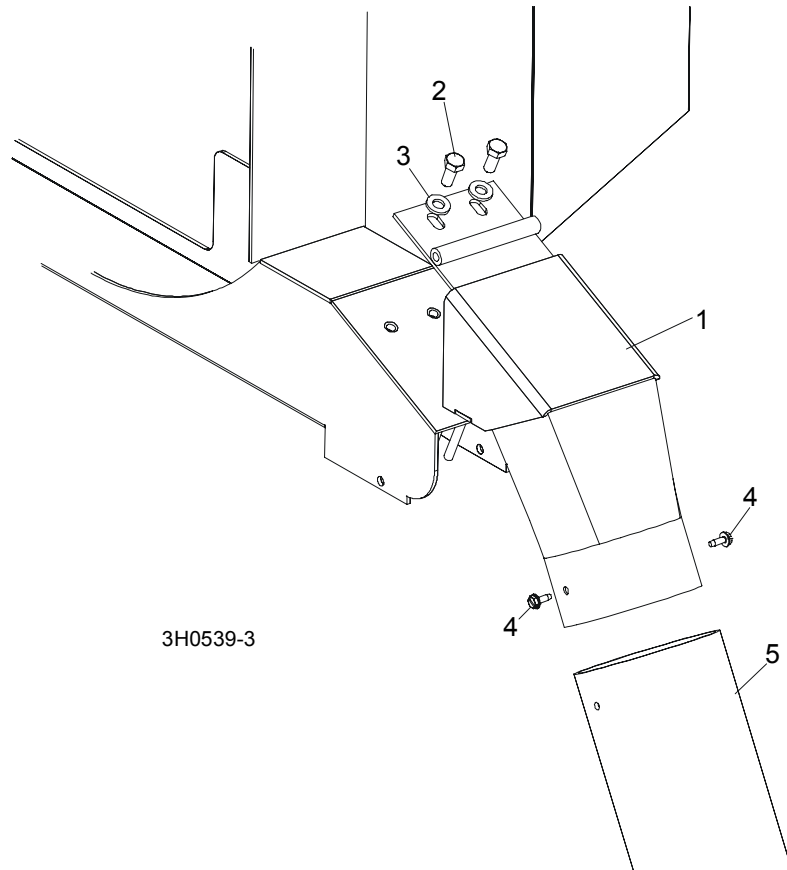
## 4

**Saw Head***Drive Belt Covers*

9	Bolt, <b>M6X12-8.8</b> Hex Head Zinc	F81001-7	1	
10	Washer, 6.5 Flat Zinc	F81053-11	1	
11	<b>GUARD, DRIVE PULLEY TOP</b>	087033-1	1	
12	<b>DECAL, GS SAFETY CERTIFICATION</b>	P85073	1	
13	<b>DECAL, CE CRTIFIED SAWMILL</b>	P85071	1	
14	<b>DECAL, UP/DOWN MOVEMENT DANGER</b>	A11762	1	
15	<b>DECAL, EYE PROTECTION WARNING</b>	S12004G	1	
16	<b>DECAL, EAR PROTECTION WARNING</b>	S12005G	1	

<sup>1</sup> Different belt guards required if sawmill is equipped with autoclutch option. See Section 5.3 of the Autoclutch Option manual.

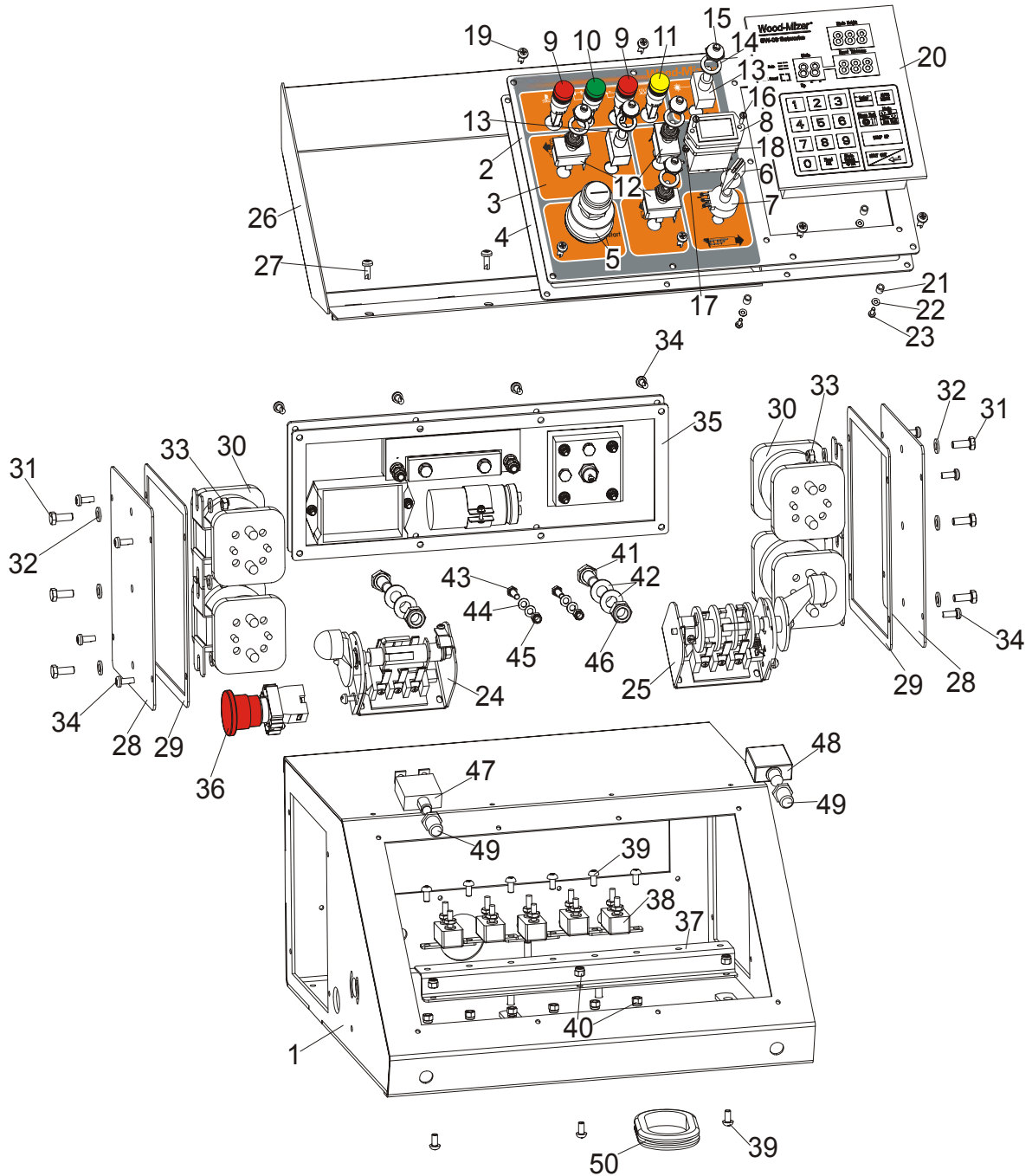
## 4.10 Sawdust Chute



REF	DESCRIPTION (◆ Indicates Parts Available In Assemblies Only)	PART #	QTY.	
1	CHUTE WELDMENT, SAWDUST	092460-1	1	
2	BOLT, M8X20-8.8-B-ZINC HEX HEAD	F81002-20	2	
3	WASHER 8,4-ZINC ROUND	F81054-1	2	
4	BOLT, #10-24 X 1/2" SELF-TAPPING	F05015-7	2	
5	TUBING, 4" I.D. RUBBER	086364	0.6 m	
	STRAP, 20" RUBBER W/HOOK	P11668	1	
	BOLT, 1/4-20 X 1 1/4" HEX HEAD FULL THREAD	F05005-3	1	
	WASHER, 7.4 FLAT	F81056-11	1	
	NUT, 1/4-20 LOCK	F05010-21	1	

## SECTION 5 CONTROL & BATTERY BOXES

### 5.1 Control Assembly, LT40 Series



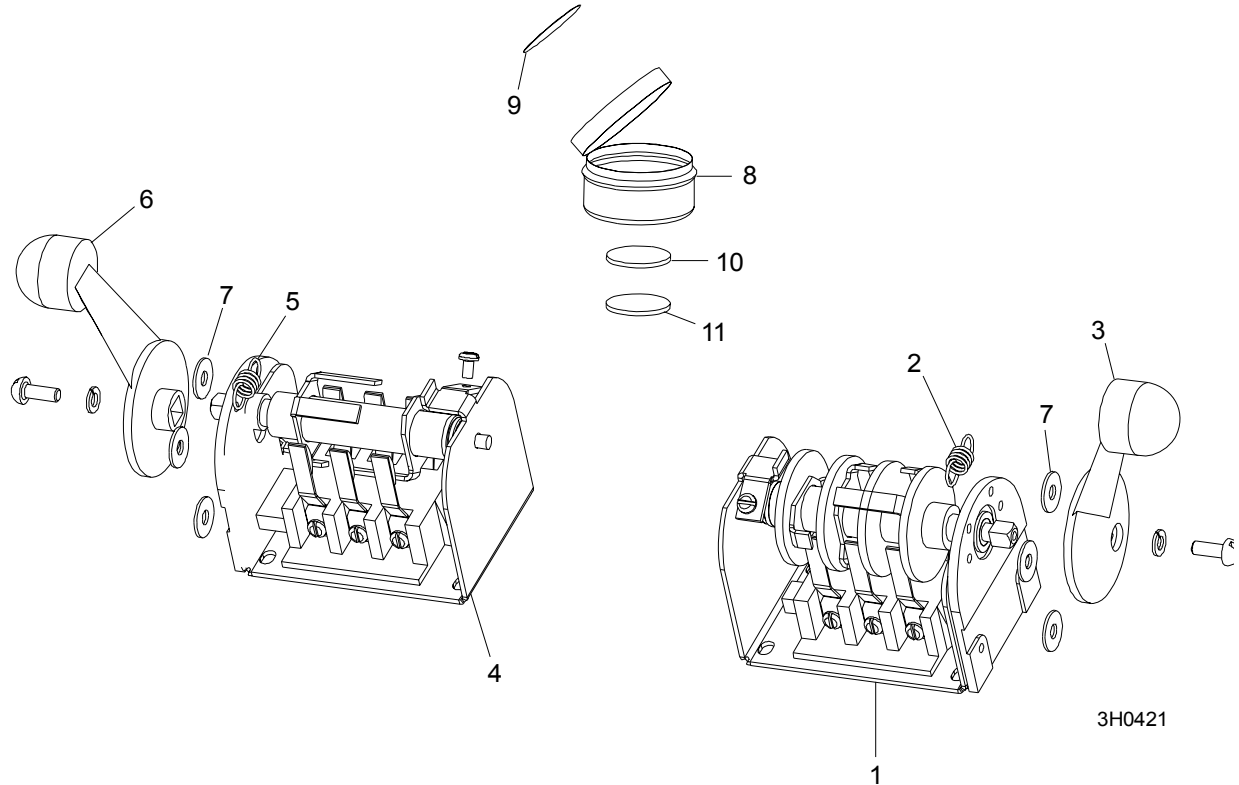
REF	DESCRIPTION (◆ Indicates Parts Available In Assemblies Only)	PART #	QTY.	
	<b>CONTROL BOX ASSEMBLY, LT40 DC</b>	098375	1	
1	Control Box, LT40	098373-1	1	
	Panel, LT40 DC Front Control Complete	098691	1	
2	Panel, LT40 DC Front Control	098376-1	1	
3	Decal, LT40 DC Control Box	098684	1	
4	Gasket, LT20/40 Control Box	097132	1	
5	Switch, Key	P04350	1	
6	Knob, Speed Control	P06257	1	
7	Potentiometer, 1k Feed Rate	E20519	1	
8	Meter, Hour	093166	1	
9	Light, XB6AV4BB Red	091099	2	
10	Light, XB6AV3BB Green	087348	1	
11	Light, XB6AV5BB Yellow	089812	1	
12	Switch, Toggle	024000	3	
13	Switch, SPST On/Off 15A .25 TABS Toggle	P03027	2	
14	Washer, 1/2x3/4x1/16 Nylon	P05251-1	5	
15	Boot, Toggle Switch	P02575	5	
16	Bolt, M3x12-8.8 Zinc	F81000-12	2	
17	Nut, M3-6 Nylon Zinc Lock	F81028-2	2	
18	Gasket, Hour Meter	093346	1	
19	Bolt, #10-24x1/2 Ph Pan Hd, Type 23	F05015-17	8	
20	SW-07 Setworks w/Encoder	098454	1	
21	Spacer, 4.2x6mm Idler	R80671-4	6	
22	Washer, 3.2 Flat Zinc	F81050-2	6	
23	Screw, M3x8-4.8 Zinc	F81000-83	6	
24	Switch, 1992GS Pwr/Feed (Service Package)	E20438	1	
25	Switch, 1992 Up/Down (Service Package)	E20440	1	
26	Cover Weldment, LT20/40 Complete	097135-1	1	
27	Bolt, #10-24x1/2 Ph Pan Hd, Type 23	F05015-17	4	
	Solenoid Assembly, DC Up/Down	086747	1	
	Solenoid Assembly, DC Power Feed	086749	1	
	Cover, Control Box Side Complete	086700	1	
28	Cover, Control Box Side	086699-1	1	
29	Gasket, Control Box Side	015274	1	
30	Solenoid, 200A 12V DPST	015417	2	
31	Bolt, M6x16-5.8-Fe/Zn5 PN-M/82105	F81001-14	3	
32	Washer, M6 Flat Zinc	F81053-1	6	
33	Nut, M6, Hex, Nylon Lock Zinc	F81031-2	3	
34	Bolt, #10-24x1/2 Ph Pan Hd, Type 23	F05015-17	12	
	Panel Assy, Power Feed Control SMT 97+	024412	1	
35	Gasket, Power Feed Control	015278	1	
36	Switch, XB2 BS542 Emergency	086556	1	
	Breaker Assembly, Sawmill Control Circuit	086746	1	
37	Rail, Circuit Breaker	015310	1	◆
38	Breaker, 15A Manual Reset	E20430	5	◆

**5****Control & Battery Boxes***Control Assembly, LT40 Series*

---

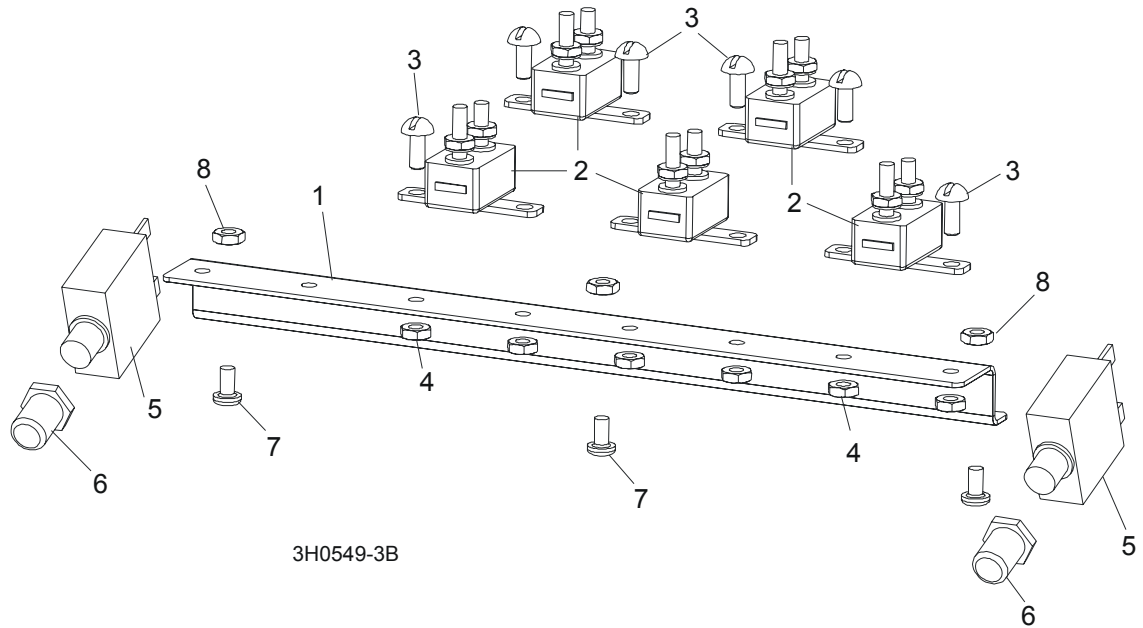
39	Screw, H M5x10 8.8 Zinc	F81000-13	9	
40	Nut, M5-8 Zinc	F81030-2	9	
41	Bolt, M10x20mm, Hex Head, Gr 5.8 Zinc	F81003-1	2	
42	Washer, M10 Flat Zinc	F81055-1	4	
43	Nut, M10 Nylon Hex Zinc Lock	F81033-1	2	
44	Bolt, M5x16-8.8 Zinc	F81000-20	2	
45	Washer, M5 Flat Zinc	F81052-1	4	
46	Nut, M5-8 Zinc	F81030-2	2	
47	Breaker, 70A Manual Reset Panel Mount	015527	1	
48	Breaker, 50A Manual Reset Panel Mount	021256	1	
49	Boot, Circuit Breaker	021253	2	
50	Grommet, Rubber	087065	1	

## 5.2 Drum Switches



REF	DESCRIPTION (◆ Indicates Parts Available In Assemblies Only)	PART #	QTY.	
	<b>SWITCH ASSEMBLY, UP/DOWN DRUM</b>	E20440	1	
1	Switch, S12 Bulk Drum	E20440-B	1	◆
2	Spring, Drum Switch	P12570	1	
3	Handle, Drum Switch Replacement	P12500	1	
	<b>SWITCH ASSEMBLY, POWER FEED DRUM</b>	E20438	1	
4	Switch, S10 Bulk Drum	E20438-B	1	◆
5	Spring, Drum Switch	P12570	1	
6	Handle, Drum Switch Replacement	P12500	1	
7	<b>WASHER, #8 SAE FLAT</b>	F05011-41	6	
	<b>CUP ASSEMBLY, DRUM SWITCH GREASE</b>	A20463	1	
8	Cup, Plastic Container	P20464	1	◆
9	Decal, Grease Cup Label	P20467	1	
10	Pad, Velcro Loop	P20466	1	◆
11	Pad, Velcro Hook	P20465	1	◆
	Grease, High Temp Drum Switch	P20468	.011m	◆

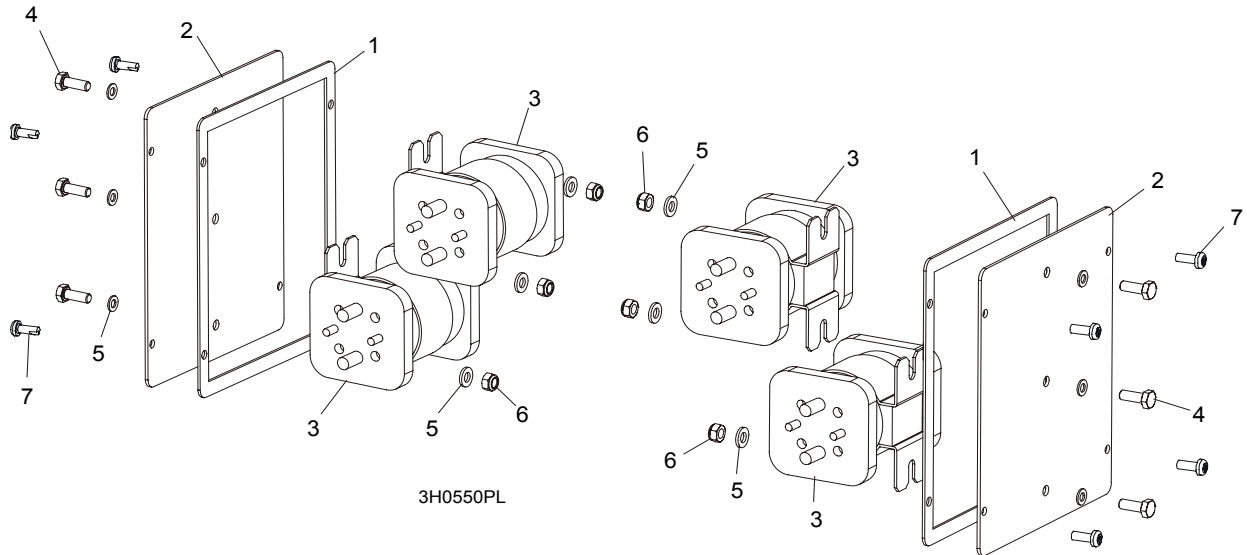
### 5.3 Circuit Breakers



REF	DESCRIPTION (◆ Indicates Parts Available In Assemblies Only)	PART #	QTY.
	<b>BREAKER ASSEMBLY, SAWMILL CONTROL CIRCUIT</b>	015621	1
1	Rail, Circuit Breaker	015310	1
2	Breaker, 15 Amp Manual Reset	E20430	5
3	Screw, H M5x10 8.8 Slotted Head Zinc	F81000-13	6
4	Nut, M5-8 Hex Self-Locking Zinc	F81030-2	6
5	<b>BREAKER, 70 AMP MANUAL RESET PANEL MOUNT</b>	015527	2
6	<b>BOOT, CIRCUIT BREAKER</b>	021253	2
7	<b>BOLT, M5X12-5.8 ZINC</b>	F81000-5	3
8	<b>NUT, M5-8 SELF LOCKING ZINC</b>	F81030-2	3

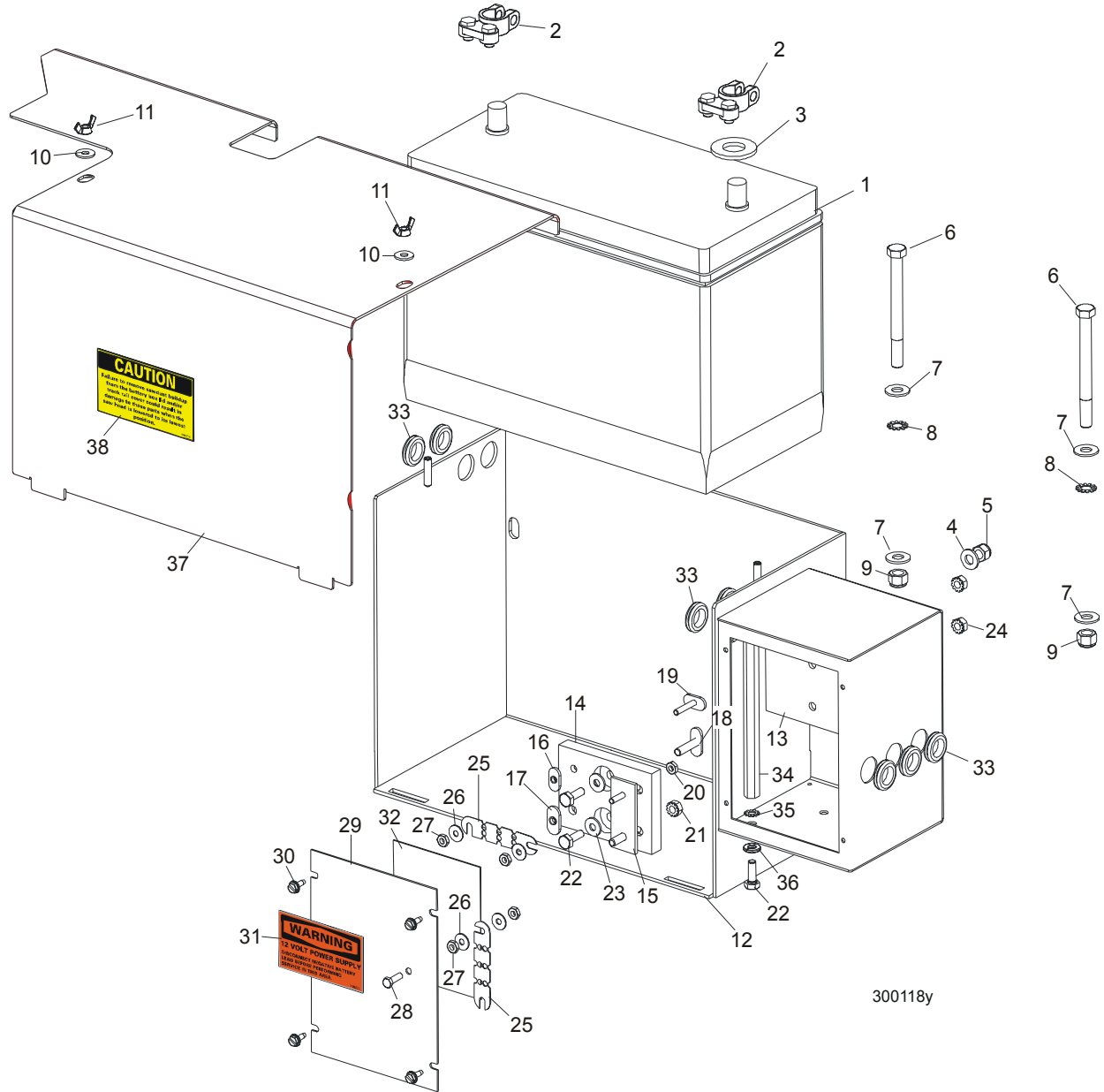


## 5.4 Solenoid Assemblies



REF	DESCRIPTION (◆ Indicates Parts Available In Assemblies Only)	PART #	QTY.
1	GASKET, SIDE PANEL CONTROL	015274	2
2	PANEL WELDMENT, SIDE	086699-1	2
3	SOLENOID, 200A 12V DPST	015417	4
4	BOLT, M6 X 16-5.8 HEX HEAD	F81001-14	6
5	WASHER, 6.4 FLAT	F81053-1	12
6	NUT, M6-8 HEX	F81031-2	6
	DIODE ASSEMBLY, SOLENOID COIL CHASSIS GND	087496	4
7	SCREW, #10-24 X 1/2" PAN HEAD	F05015-17	8

**5.5 Battery Box Assembly, LT40DC Series MH**

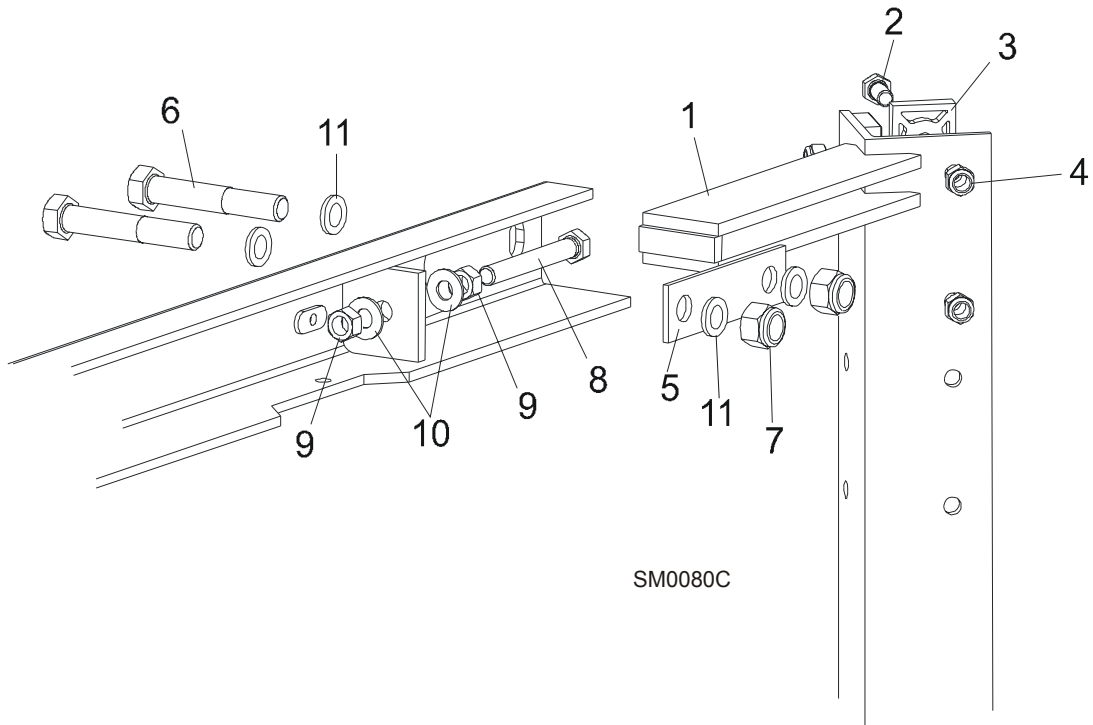


REF	DESCRIPTION (◆ Indicates Parts Available In Assemblies Only)	PART NUMBER	QTY.	
1	BATTERY, "BANNER" 12V100AH #95751	088323	1	◆
	BOX ASSEMBLY, LT30/LT40 SUPER BATTERY	086509	1	
2	Terminal, Battery	P05085	2	
3	Washer, Battery Terminal	P12161	1	
4	Washer, 5/16" SAE Flat	F05011-17	2	
5	Nut, 5/16-18 Hex Nylon Lock	F05010-58	2	
6	Bolt, 3/8-16 X 4" Hex Head Grade 2	F05007-4	2	
7	Washer, 3/8" SAE Flat	F05011-3	2	
8	Washer, 3/8" External Star	F05011-36	2	

9	Nut, 3/8" Hex Nylon Lock	F05010-10	2	
10	Washer, 1/4" SAE Flat	F05011-11	2	
11	Nut, 1/4-20 Wing	F05010-13	2	
12	Box Weldment, Battery	086265-1	1	
13	Pad, Fuse Box Insulator	015287	1	
	Fuse Block Assembly	017665	1	
14	Block, Fuse Mount	015286	1	◆
15	Buss Weldment, Fuse Mount	015289	1	
16	Nut, #10-24 Cadmium Plated Weld	S12391	1	
17	Nut, 1/4-20 Cadmium Plated Weld	S12392	1	
18	Stud Weldment, 1/4-20 Fuse	W12389	1	
19	Stud Weldment, #10-24 Fuse	W12390	1	
20	Nut, #10-24 Self-Locking Hex	F05010-14	1	
21	Nut, 1/4-20 Self-Locking Hex	F05010-9	1	
22	Bolt, 1/4-20 X 3/4" Hex Head Full Thread	F05005-1	3	
23	Washer, 1/4" SAE Flat	F05011-11	2	
24	Nut, 1/4-20 Hex Self-Locking	F05010-9	2	
25	Fuse Link, 12 Volt 150 Amp	023361	2	
26	Washer, #10 SAE Flat	F05011-18	4	
27	Nut, #10-24 Hex Self-Locking	F05010-14	4	
28	Screw, #10-24 x 5/8" Hex Head	F05004-18	1	
29	Cover, Fuse Box	086272-1	1	
30	Screw, #10-24 X 1/2" Self-Tapping	F05015-7	4	
31	Decal, 12 Volt Warning	P10364	1	
32	Decal, Fuse Link 150A I.D.	015369	1	
33	Grommet, 5/8" Rubber Wire	P11764	5	
34	Terminal, Extended Hex Stud	015517	1	
35	Washer, 1/4" Exterior Star	F05011-37	1	
36	Washer, 1/4" Split Lock	F05011-14	1	
37	<b>LID WELDMENT, BATTERY BOX SUPER</b>	086277-1	1	
38	<b>DECAL, BATTERY BOX LID CAUTION</b>	014774	1	

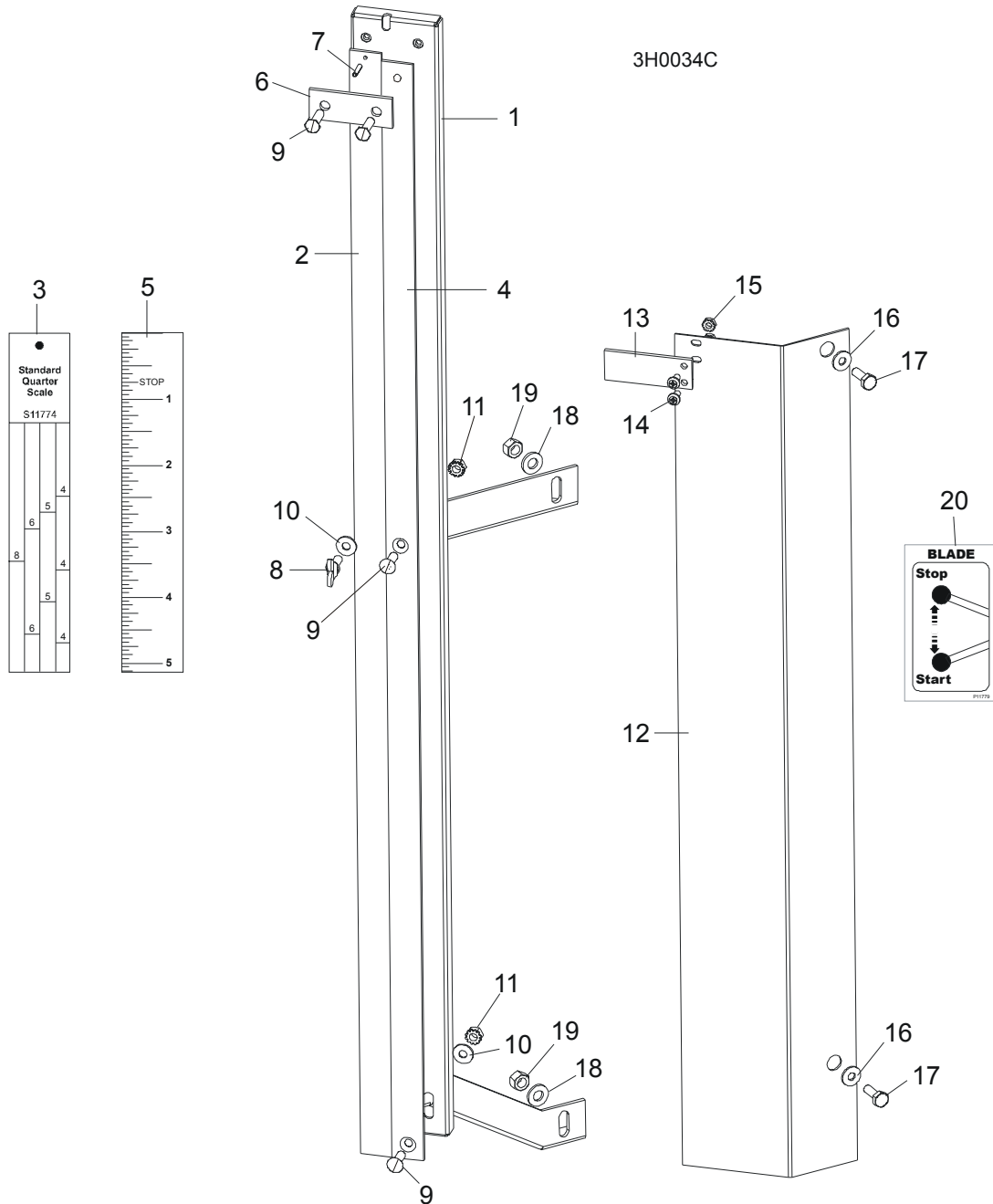
## SECTION 6 UP/DOWN SYSTEM

### 6.1 Saw Head V-Brace Mount



REF	DESCRIPTION (◆ Indicates Parts Available In Assemblies Only)	PART #	QTY.
1	V-BRACE, SAW HEAD MOUNT	087125	1
2	BOLT, M8X20-5.8-ZINC HEX HEAD	F81002-4	10
	BOLT, M8X25-8.8-B-ZINC HEX HEAD	F81002-5	2
3	PAD, PLASTIC SLIDE	M04096	6
4	NUT, M8-8-B-ZINC HEX NYLON LOCK	F81032-2	12
5	PLATE, V-BRACE WASHER	091247	2
6	BOLT, M12X75-8.8-ZINC	F81004-21	4
7	NUT, M12 - 8 NYLON LOCK	F81034-2	4
8	BOLT, M10X70-8.8-ZINC HEX HEAD	F81003-20	2
9	NUT, M10-8-B-ZINC HEX	F81033-3	4
10	WASHER, 10.5 FLAT	F81055-1	4
11	WASHER, 13 SPLIT LOCK ZINC	F81056-1	8

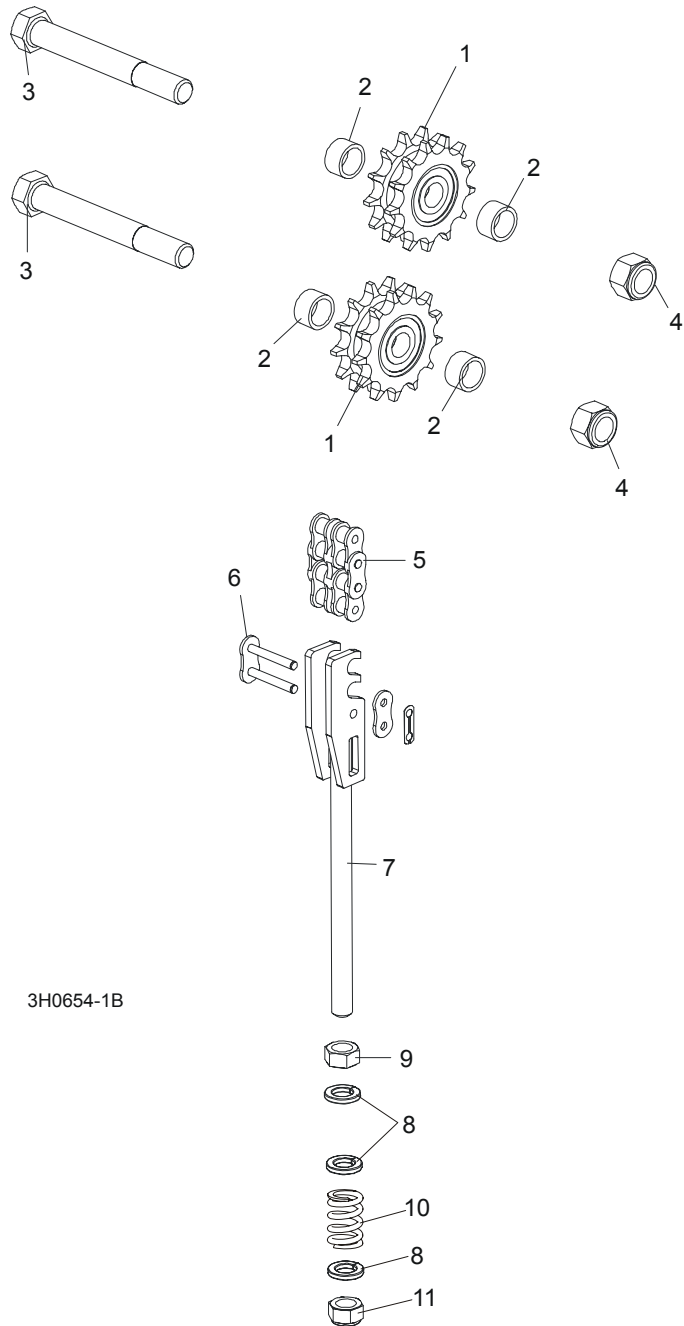
## 6.2 Blade Height Scale



REF	DESCRIPTION (◆ Indicates Parts Available In Assemblies Only)	PART #	QTY.
	<b>SCALE, BLADE HEIGHT</b>	093366	1
	<b>SCALE, BLADE HEIGHT INCH</b>	093361	1
1	Bracket, Scale Mounting	093365-1	1
2	Scale, 35" Quarter	093342	1
3	Decal, 35" Standard Quarter Scale	090716	1
	Decal, 35" Grade Hardwood Quarter Scale	090717	1

4	Scale, 35" Inch	093341	1	
5	Decal, 35" Inch	090709	1	
6	Strap, Scale Hold-Down	093134	1	
7	Pin, 3x20 Roll	F81044-5	1	
8	Screw, M6x16 Wing	F81001-16	1	
9	Screw, M6x20- 4.8-B	F81001-31	4	
10	Washer, 6.5 Flat	F81053-11	2	
11	Nut, M6, Hex, Nylon Lock Zinc	F81031-2	4	
	Pointer Assembly, Fixed Scale	A12023	1	
12	Bracket, Fixed Scale Pointer Mount	087044-1	1	◆
13	Indicator, Blade Height Scale	094821	1	
14	Screw, M4x12 -5,8-B- Fe/Zn5	F81011-43	2	
15	Nut, M4-B Fe/Zn5	F81029-1	2	
16	Washer, 6.5 Flat	F81053-11	2	
17	Bolt, M6x12-8.8-Zinc	F81001-7	2	
18	Washer, 8.4 Flat	F81054-1	2	
19	Nut, M8-8-B Hex Lock	F81032-2	2	
	Bolt, 1/4-20 X 1/2" Hex Head Grade 2	F05005-15	1	
	Instruction Sheet, Fixed Scale Retrofit	A12030-370	1	
	<b>DECAL KIT, METRIC SCALE</b>	K12064	1	
	Decal, Metric	S11711	1	
	Decal, Metric 16-40mm	P12040-1	1	
	Decal, Metric 45-63mm	P12040-2	1	
20	<b>DECAL, CLUTCH HANDLE OPERATION</b>	P11779	1	

### 6.3 Up/Down Chain & Sprockets



3H0654-1B

REF	DESCRIPTION (◆ Indicates Parts Available In Assemblies Only)	PART #	QTY.
	<b>SPROCKET KIT, UP/DOWN IDLER #50-2</b>	016020	1
1	Sprocket, Up/Down Idler '98	016019	2
2	Washer, Sprocket Spacer	095927-1	4
	Instruction Sheet, Up/Down Idler Retrofit	016020-541	1
3	<b>BOLT, 5/8-11 X 5" HEX HEAD GRADE 2</b>	F05009-6	2

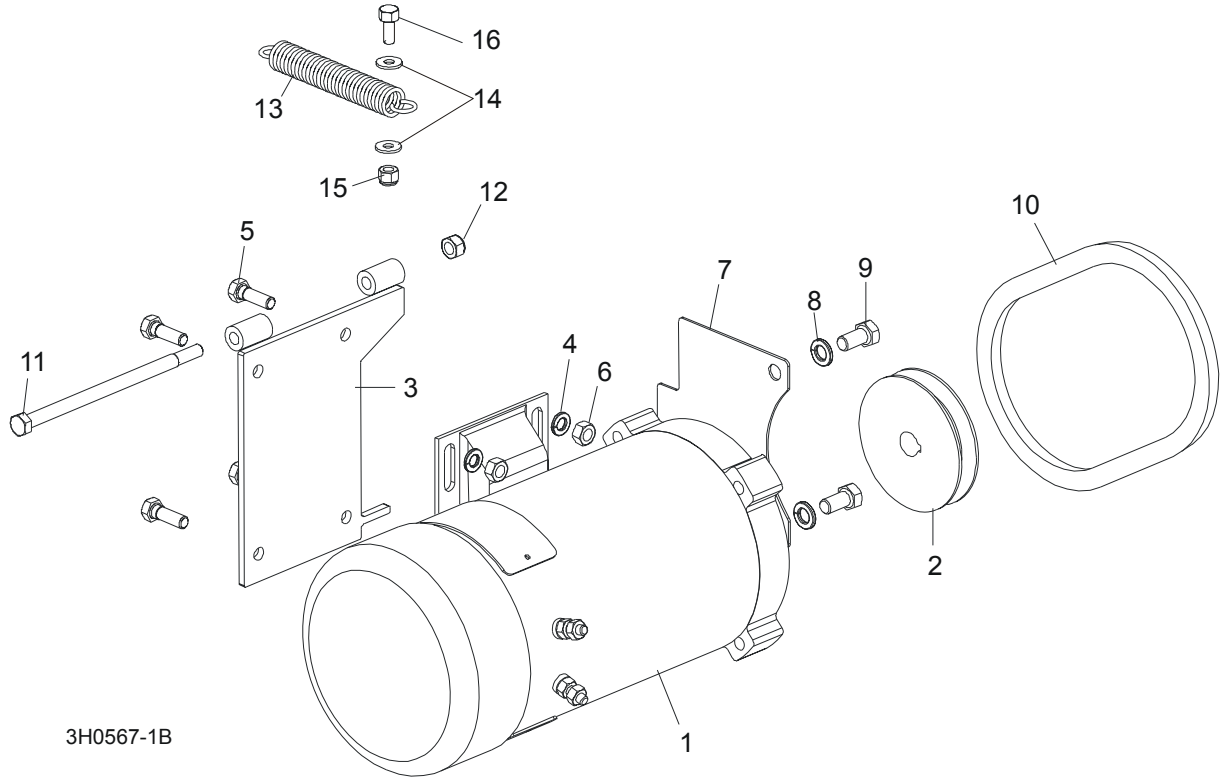
## 6

**Up/Down System***Up/Down Chain & Sprockets*

4	<b>NUT, 5/8-11 HEX NYLON LOCK</b>	F05010-34	2	
5	<b>CHAIN, #50-2 X 75.625" UP/DOWN</b>	015259	1	
6	<b>LINK, #50-2 MASTER</b>	015258	2	
	<b>TENSIONER ASSEMBLY, UP/DOWN CHAIN</b>	094283	1	
7	Bracket, Up/Down Chain Tensioner	094281-1	1	◆
8	Washer, M12, Flat, Zinc	F81056-1	3	
9	Nut, M12-8-B Hex	F81034-1	1	
10	Spring, 14x30x3.2	090797	1	
11	Nut, M12, Hexagon, Nylon, Zinc, Lock	F81034-2	1	

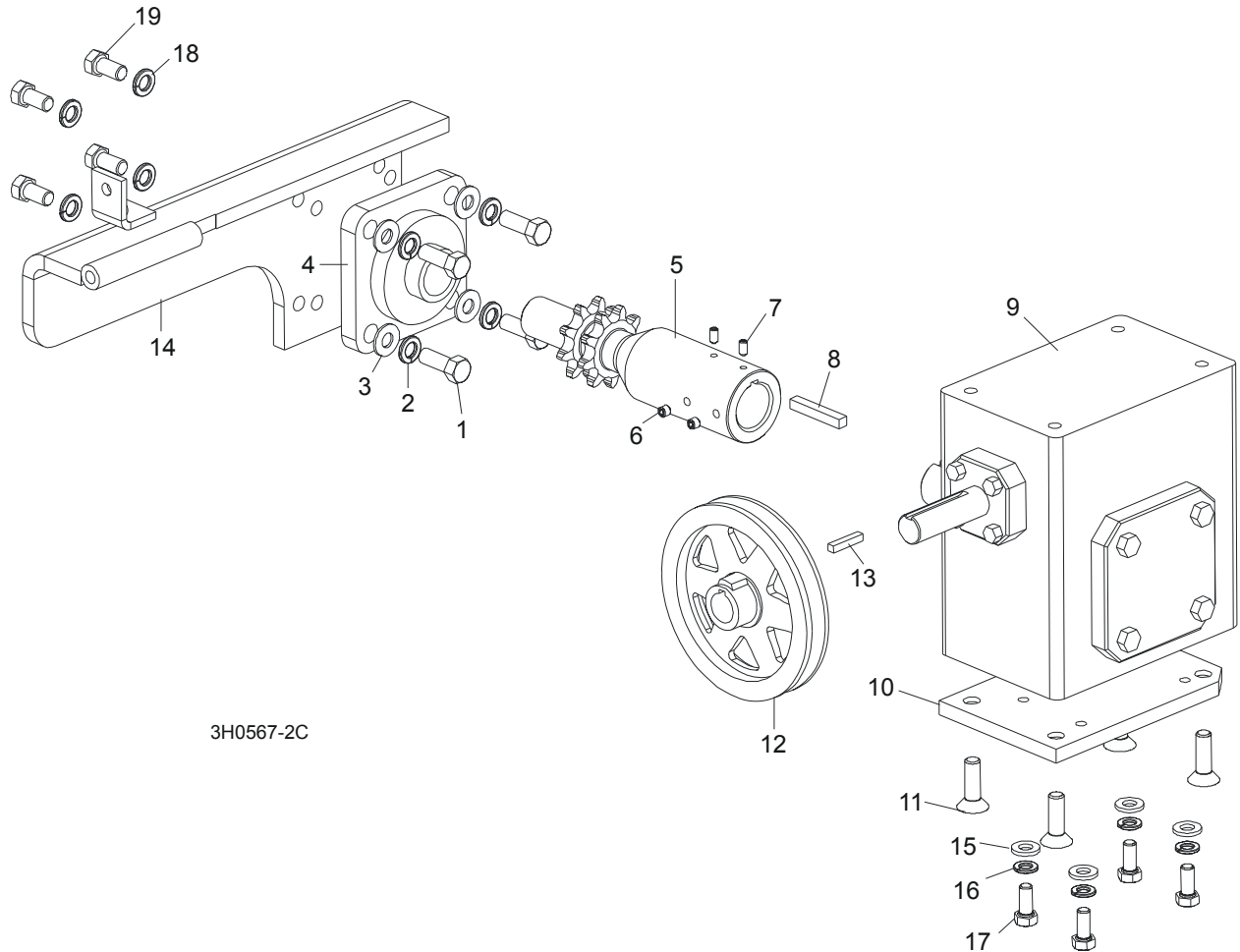


6.4 Up/Down Motor Assembly, LT40 Series



REF	DESCRIPTION (◆ Indicates Parts Available In Assemblies Only)	PART #	QTY.
	<b>UP/DOWN MOTOR ASSEMBLY</b>	092818	1
1	Motor, 3/4 HP Electric	015174	1
	Brush Kit, Power Feed Motor (Includes 2 Brushes and 2 Springs)	024167	1
	Fan, 3/4 HP Leeson Motor Replacement	016087	1
2	Pulley, AK51 x 3/4"	015256	1
3	Bracket Wldmt, Up/Down Motor	095738-1	1
4	Washer, M8, Flat, Zinc	F81054-1	4
5	Bolt, M8x20mm, Hex Head, Gr 5.8 Zinc	F81002-4	4
6	Nut, M8, Hexagon, Nylon Lock Zinc	F81032-2	4
7	Guard, Up/Down Sprocket	095739-1	1
8	Washer, 10.2 Split Lock	F81055-2	2
9	Bolt, 3/8-16 x 3/4" Hex Head	F05007-27	2
10	<b>BELT, 4L245</b>	038459	1
11	<b>BOLT, M8X160-8.8-B ZINC</b>	F81002-22	1
12	<b>NUT, M8-8-B NYLON LOCK HEX ZINC</b>	F81032-2	1
13	<b>SPRING, .75" X 5" X .095" EXTENSION</b>	015569	1
14	<b>WASHER, 6.5 FLAT ZINC</b>	F81053-11	2
15	<b>NUT, M6-8-B NYLON LOCK HEX ZINC</b>	F81031-2	2
16	<b>BOLT, M6x25-8.8 ZINC</b>	F81001-20	1

### 6.5 Up/Down Drive Assembly, LT40 Series

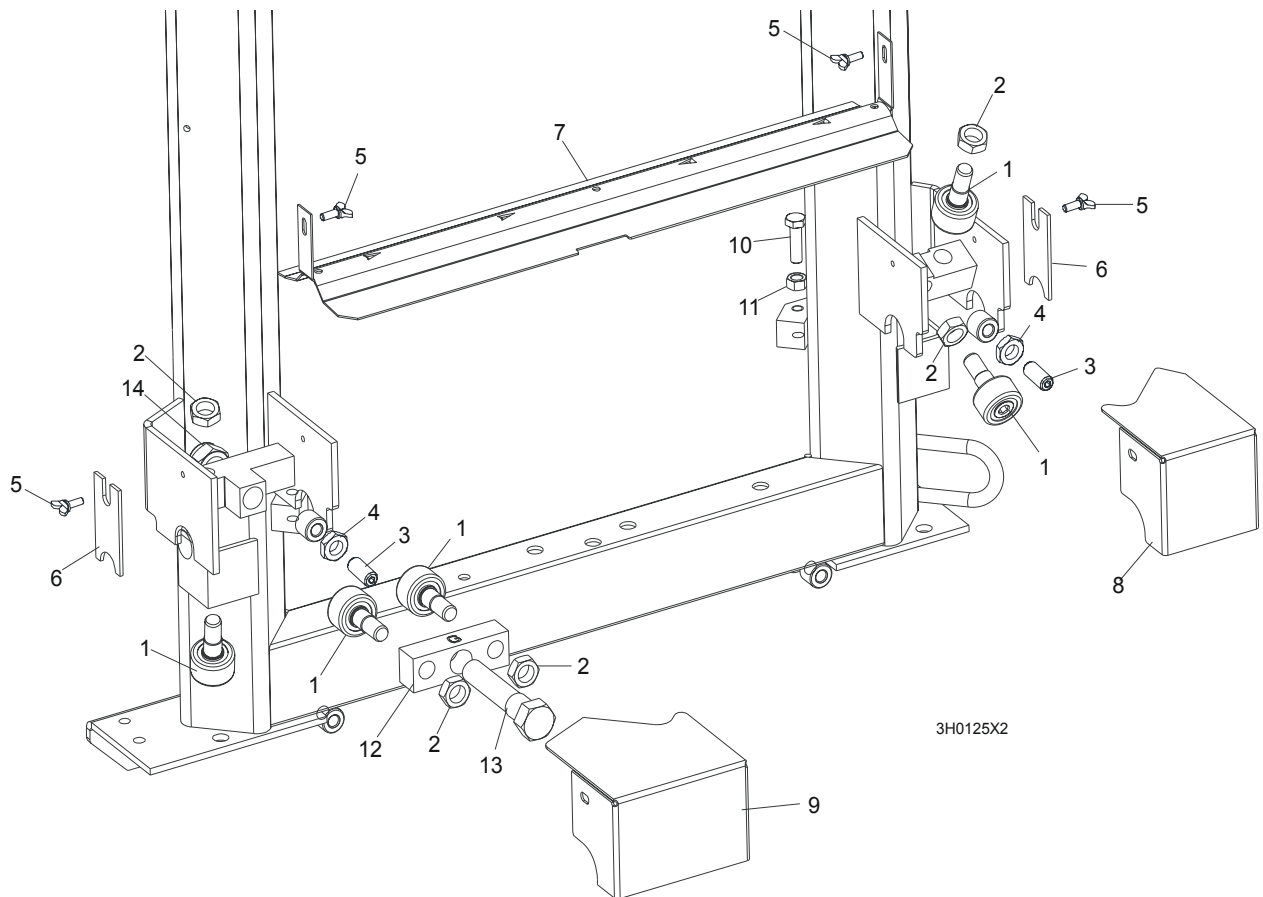


REF	DESCRIPTION (◆ Indicates Parts Available In Assemblies Only)	PART #	QTY.	
	<b>UP/DOWN DRIVE ASSEMBLY</b>	092817	1	
1	Bolt, 3/8-16 x 1" Hex Head	F05007-7	4	
2	Washer, 10.2 Split Lock	F81055-2	4	
3	Washer, 10.5 Flat	F81055-1	4	
4	Bearing, Flanged Up/Down	014090	1	
5	Shaft, Up/Down Sprocket	092816-1	1	
6	Screw, M8 x 8-33H	F81014-1	2	
7	Screw, M8 x 8-33H	F81014-1	2	
8	Key, 1/4" Square x 1 11/16" Long	S04124	1	
9	Reducer, Gear Box	014074	1	
10	Plate, Gear Box Spacer	095894-1	1	
11	Bolt, 3/8-16 x 1" Flat Socket Head	F05007-110	4	
12	Pulley, Up/Down	015256	1	
13	Key, 3/16" Square x 1" Long	S31027	1	
14	Bracket Wldmt, Up/Down Bearing	095893-1	1	

15	WASHER, 8.4 FLAT	F81054-1	8	
16	WASHER, 8.2 SPLIT LOCK	F81054-4	4	
17	BOLT, 5/16-18 X 1" HEX HEAD	F05006-5	4	
18	WASHER, 10.5 SPLIT LOCK	F81055-1	4	
19	BOLT, 3/8-16 X 3/4" HEX HEAD	F05007-27	4	
	OIL, 8 OZ. MOBIL SHC634 BOTTLED SYNTHETIC GEAR	L04869-4	1	

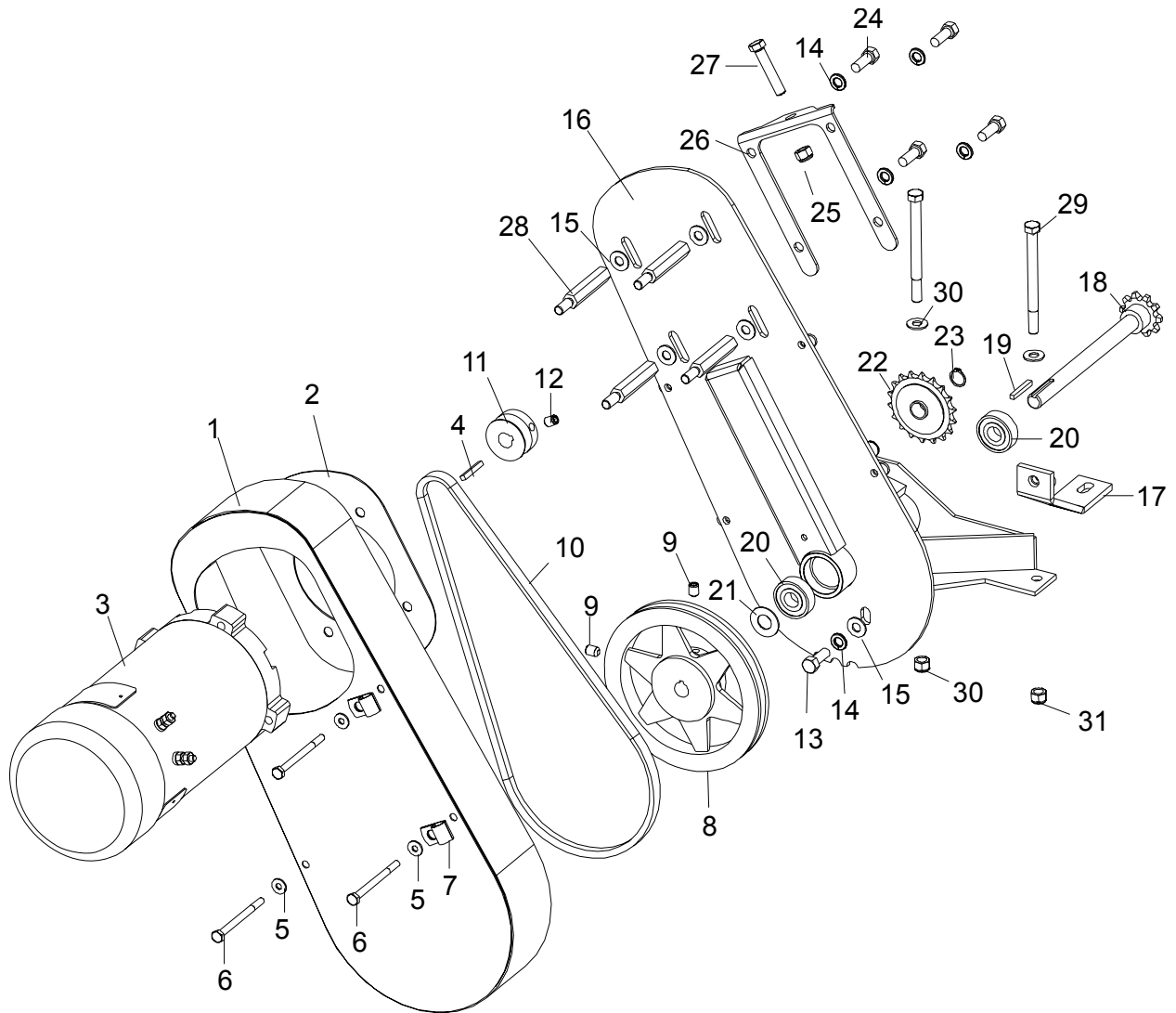
## SECTION 7 POWER FEED & TRACK ROLLERS

### 7.1 Upper Track Rollers And Wipers



REF	DESCRIPTION (◆ Indicates Parts Available In Assemblies Only)	PART #	QTY.
1	ROLLER, TRACK CAM BEARING (MCGILL)	012797	5
2	NUT, 5/8-18 HEX JAM	F05010-11	5
3	SCREW, M12 X 30 OVAL POINT SET	F81004-14	2
4	NUT, M12-8-B HEX JAM	F81034-1	2
5	SCREW, M6 X 16 THUMB	F81001-16	4
6	WIPER, PLASTIC TRACK	M04113	2
7	COVER, MIDDLE TRACK OILER	S09917	1
	Wiper, Middle Track Felt	S09915	1
8	HOUSING, UPPER TRACK ROLLER REAR	086913-1	1
9	HOUSING, UPPER TRACK ROLLER FRONT	086914-1	1
10	BOLT, M10 X 35-8.8 HEX HEAD	F81003-17	2
11	NUT, M10-8 HEX JAM	F81033-3	2
12	BRACKET, UPPER TRACK ROLLER	086859-1	1
13	BOLT, HEX HEAD	086911	1
14	NUT, M20-8 HEX	F81037-2	1

## 7.2 Power Feed Assembly, LT40 Series



3H0619-2

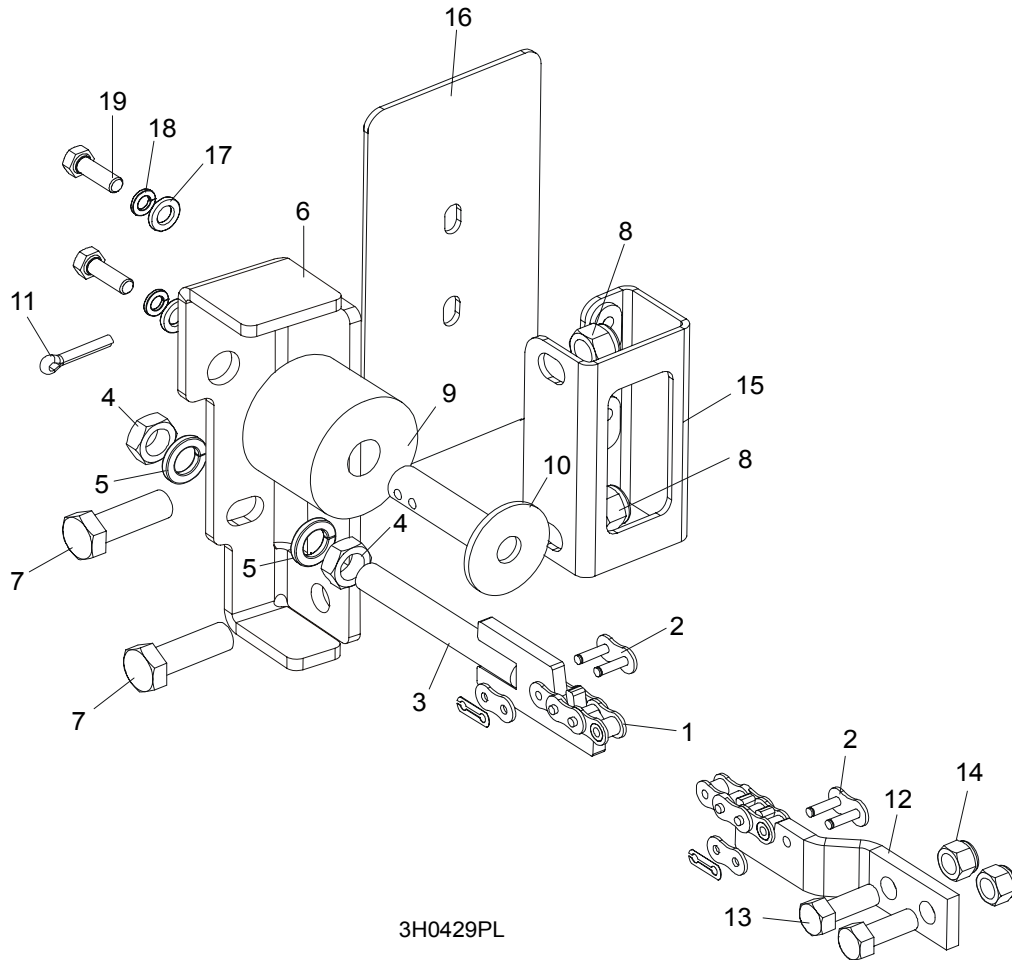
REF	DESCRIPTION (◆ Indicates Parts Available In Assemblies Only)	PART #	QTY.
	<b>POWER FEED ASSEMBLY</b>	015125	1
1	Cover Weldment, Top Power Feed	015126	1
2	Plate, Power Feed Motor	015133	1
3	Motor, 3/4HP Power Feed Painted	024169	1
	Brush Kit, Leeson 3/4HP Motor (Includes 2 Brushes and 2 Springs)	024167	1
	Fan, 3/4 HP Leeson Motor Replacement	016087	1
4	Key, 3/16" Square x 1 3/8" Long	016109	1
5	Washer, 6.5 Flat	F81053-11	4
6	Bolt, M6x80 Hex Head Zinc	F81001-61	4

## 7

**Power Feed & Track Rollers***Power Feed Assembly, LT40 Series*

7	Clamp, 1/2" EMT Coated	P07584	2	
8	Sheave, AK71 x 5/8" Power Feed (200ft./min.)	016088	1	
9	Screw, 5/16-18 x 3/4" Cup Point Set	F05006-32	2	
10	Belt, AX36 (200ft./min.)	016083	1	
11	Sheave, 1 3/4" Feed Motor	015135	1	
12	Screw, 3/8"-16 x 1/2" Cup Point Set	F05007-12	1	
13	Bolt, M10x25-8.8 Hex Head Zinc	F81003-11	1	
14	Washer, 10.2 Split Lock	F81055-2	5	
15	Washer, 10.5 Flat	F81055-1	5	
16	Bracket, Power Feed Mount	015162-1	1	
17	Brace Weldment, Power Feed Mounting	086554-1	1	
	Shaft Assembly, Power Feed with Key	016066	1	
18	Shaft Weldment, Power Feed	015129	1	◆
19	Key, 3/16" Square x 1 3/8" Long	016108	1	
20	Bearing, 5/8" 6203-2NSL	P06030-1	2	
21	Washer, 5/8" x 15/16" x .094" Nylon	F05011-19	1	
22	Sprocket, 40 Idler 18T 5/8" ID	P04333	1	
23	Ring, Z15 Outer Retaining	F81090-2	1	
24	Bolt, 3/8-16 x 3/4" Hex Head	F05007-27	4	
25	Nut, 3/8-16 Hex Nylon Lock	F05010-10	1	
26	Plate, Belt Tensioner	015134	1	
27	Bolt, 3/8-16 x 2" Full Thread Hex Head	F05007-16	1	
28	Spacer, Power Feed Motor	015136	4	
29	<b>BOLT, 3/8-16 X 4 1/2" HEX HEAD</b>	F05007-35	2	
30	<b>WASHER, 10.5 FLAT</b>	F81055-1	4	
31	<b>NUT, 3/8-16 HEX NYLON LOCK</b>	F05010-10	2	

### 7.3 Feed Chain/Stop, LT40 Series



REF	DESCRIPTION (◆ Indicates Parts Available In Assemblies Only)	PART #	QTY.
	<b>CHAIN KIT, LT40 S FEED</b>	K10408	1
	<b>CHAIN KIT, LT40 M FEED</b>	K10410	1
1	Chain, #40 X 215" LT40S Feed	014744	1
	Chain, #40 X 267.5" LT40M Feed	014475	1
2	Link, #40 Master	P04200	2
3	Tensioner Weldment, Power Feed Chain	086818-1	1
4	Nut, M12-5 Hex Jam	F81034-4	2
5	Washer, 12.2 Split Lock	F81056-2	2
6	<b>BRACKET, FEED CHAIN REAR MOUNT</b>	087628-1	1
7	<b>BOLT, M12 X 40 8.8 HEX HEAD GRADE 5</b>	F81004-4	2
8	<b>NUT, M12-8 HEX NYLON LOCK</b>	F81034-2	2
	<b>STOP KIT, RUBBER CARRIAGE</b>	K09630	2
9	Stop, Rubber Carriage	P12165	1
10	Pin, Rubber Carriage Stop	W09293	1
11	Pin, 3/16" X 1" Cotter	F05012-21	1
12	<b>BRACKET, FRONT FEED CHAIN MOUNT</b>	095733-1	1

## **7** Power Feed & Track Rollers

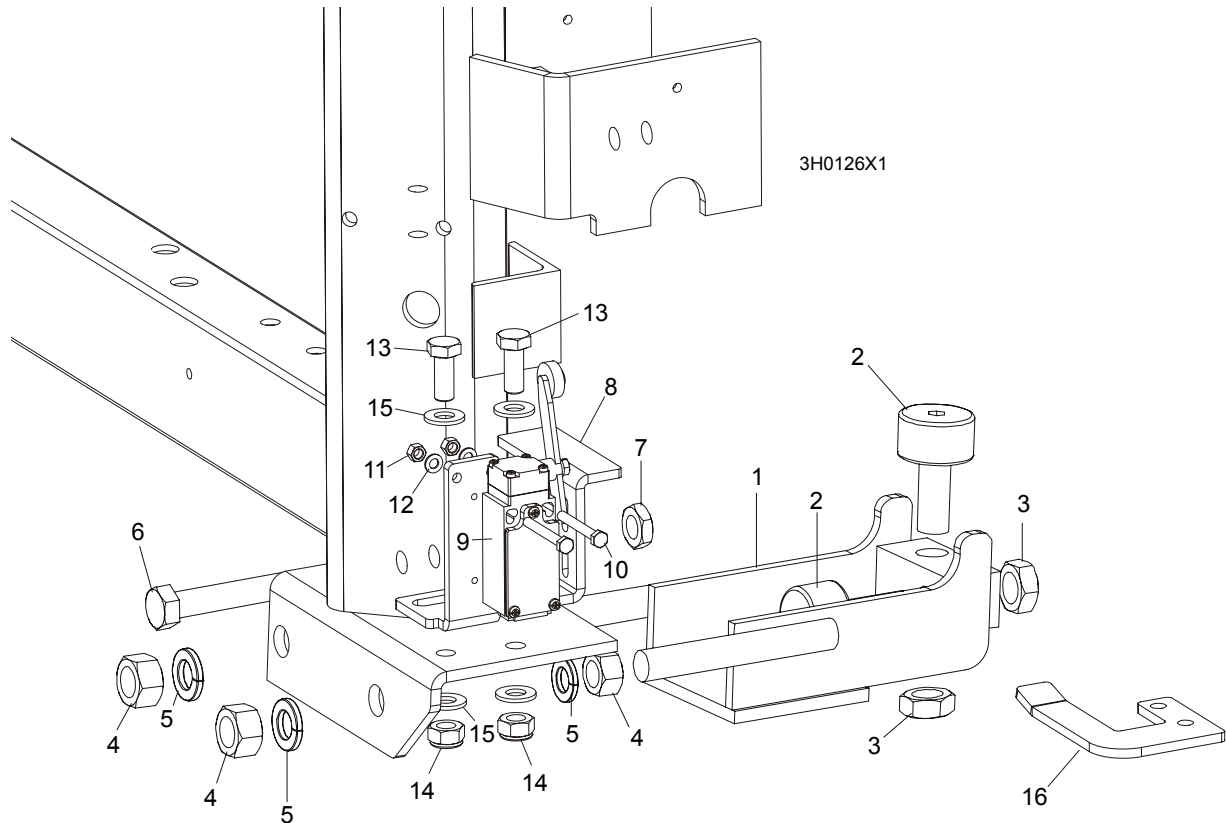
*Feed Chain/Stop, LT40 Series*

---

13	BOLT, M10x25 8.8 HEX HEAD	F81003-31	2	
14	NUT, M10-8-B HEX NYLON LOCK	F81033-1	2	
15	BRACKET WELDMENT, REAR MAIN TUBE COVER MOUNT	087105-1	1	
16	COVER, REAR MAIN TUBE	015023	1	
17	WASHER, 8.4 FLAT	F81054-1	2	
18	WASHER, 8.2 SPLIT LOCK	F81054-4	2	
19	BOLT, M8x25-8.8 HEX HEAD	F81002-5	2	



## 7.4 Lower Track Rollers



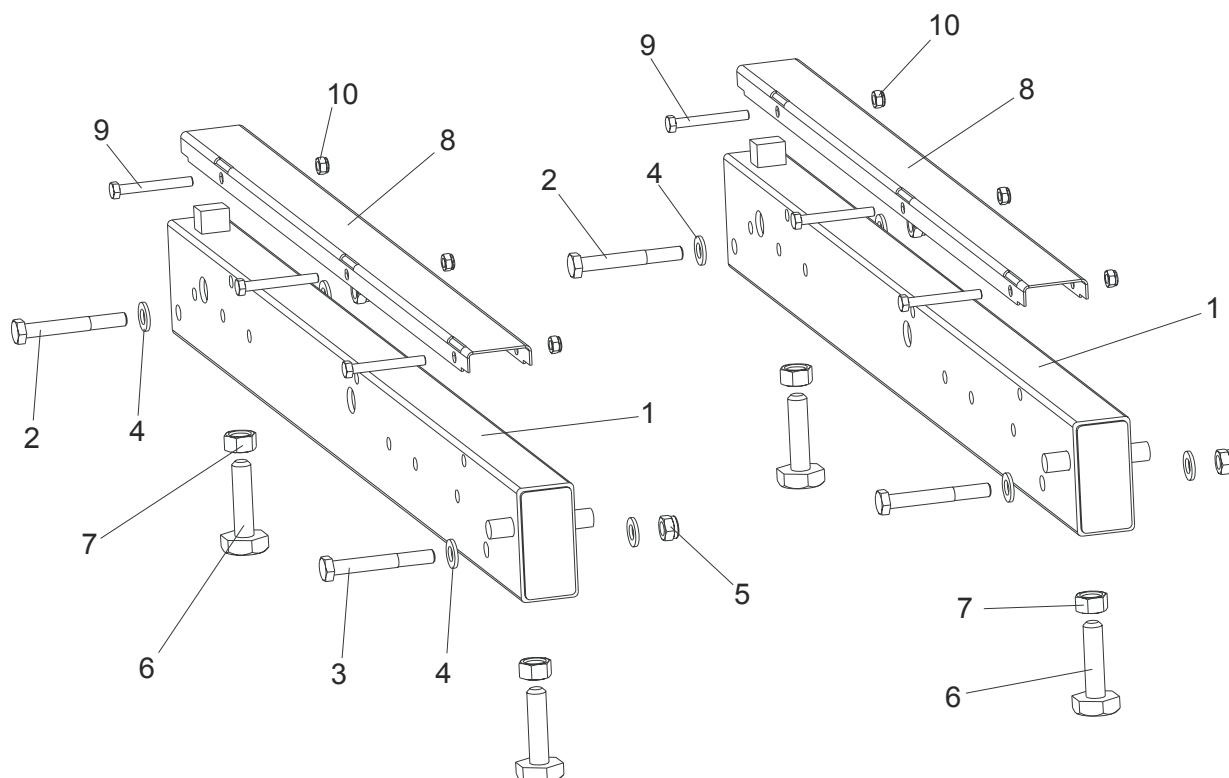
REF	DESCRIPTION (◆ Indicates Parts Available In Assemblies Only)	PART #	QTY.	
	<b>ROLLER ASSEMBLY, LOWER TRACK</b>	012995	2	
1	Bracket, Lower Track Roller Mounting	012982	1	◆
2	Roller, Track Cam Bearing (McGill)	012797	2	
3	Nut, 5/8-18 Hex Jam	F05010-11	2	
4	Nut, 5/8-11 Hex	F05010-5	4	
5	Washer, 16.3 Split Lock	F81058-2	4	
6	<b>BOLT, M12 X 55-8.8 HEX HEAD FULL THREAD</b>	F81004-12	2	
7	<b>NUT, M12-8-B HEX JAM</b>	F81034-1	2	
8	<b>BRACKET, POWER SUPPLY STRIP AND LIMIT SWITCH</b>	086380-1	1	
9	<b>SWITCH, GLCB01A2B LIMIT</b>	086469	1	
10	<b>BOLT, M5 X 40 8.8 HEX HEAD</b>	F81000-11	2	
11	<b>NUT, M5-8</b>	F81030-1	2	
12	<b>WASHER, 5.3 FLAT</b>	F81052-1	2	
13	<b>BOLT, M10 X 25 8.8</b>	F81003-11	2	
14	<b>NUT, M10 NYLON</b>	F81033-1	2	
15	<b>WASHER, 10.5 FLAT</b>	F81055-1	2	
16	<b>BRACKET, LIMIT SWITCH</b>	086473-1	1	

# 8 Bed Frame Assembly

## Bed Rail Assembly, Front And Rear

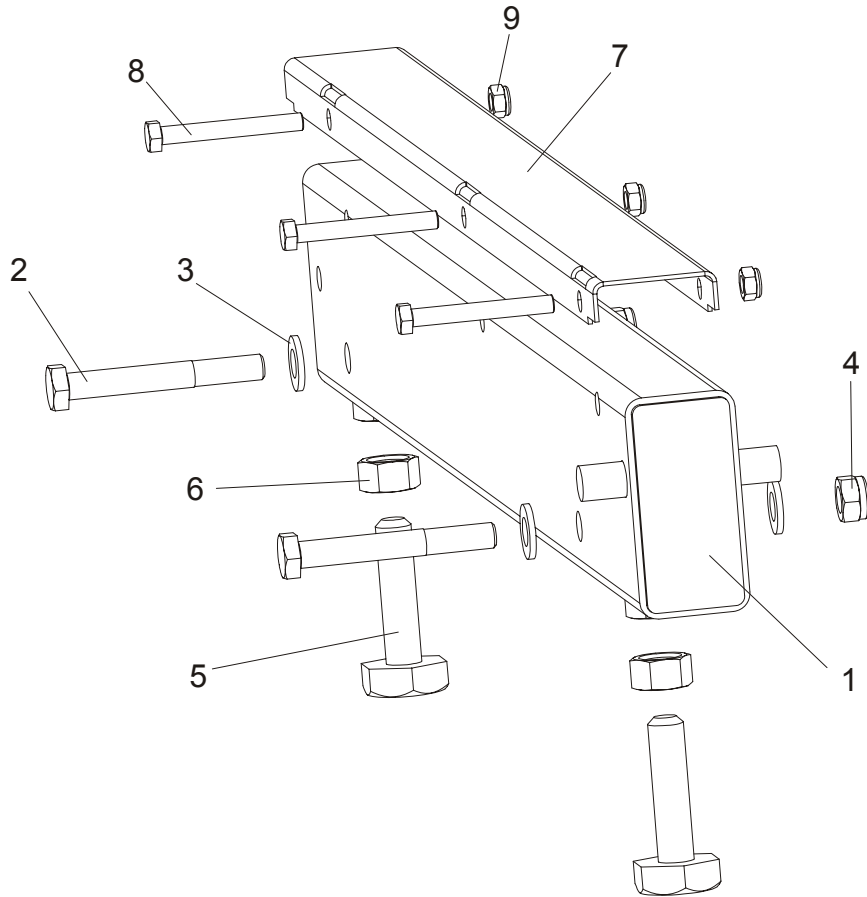
### SECTION 8 BED FRAME ASSEMBLY

#### 8.1 Bed Rail Assembly, Front And Rear



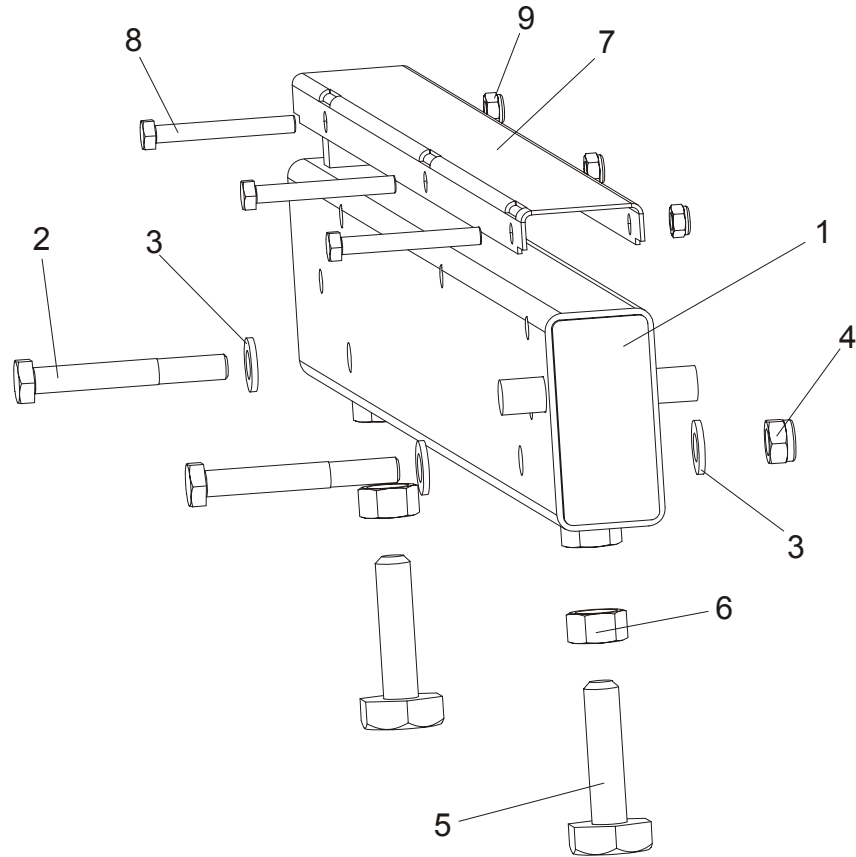
REF	DESCRIPTION (◆ Indicates Parts Available In Assemblies Only)	PART #	QTY.
1	<b>BED RAIL ASSEMBLY, REAR PAINTED</b>	091555	2
2	Bolt, M12 x 90-8.8 Hex Head	F81004-2	2
3	Bolt, M12 x 95-8.8 Hex Head	F81004-29	2
4	Washer, 13 SAE Flat	F81056-1	8
5	Nut, M12-8 Hex Nylon Lock	F81034-2	4
6	Bolt, M16, Bed Rail Adjustment	086809	4
7	Nut, M16-5-B Zinc Hex Head	F81036-5	4
8	<b>COVER, STAINLESS STEEL BED RAIL</b>	S09944	2
9	<b>BOLT, M8X65-5,8 ZINC HEX HEAD</b>	F81002-3	6
10	<b>NUT, M8-8-B-ZINC HEX NYLON LOCK</b>	F81032-2	6

## 8.2 Bed Rail Assembly, Front Middle



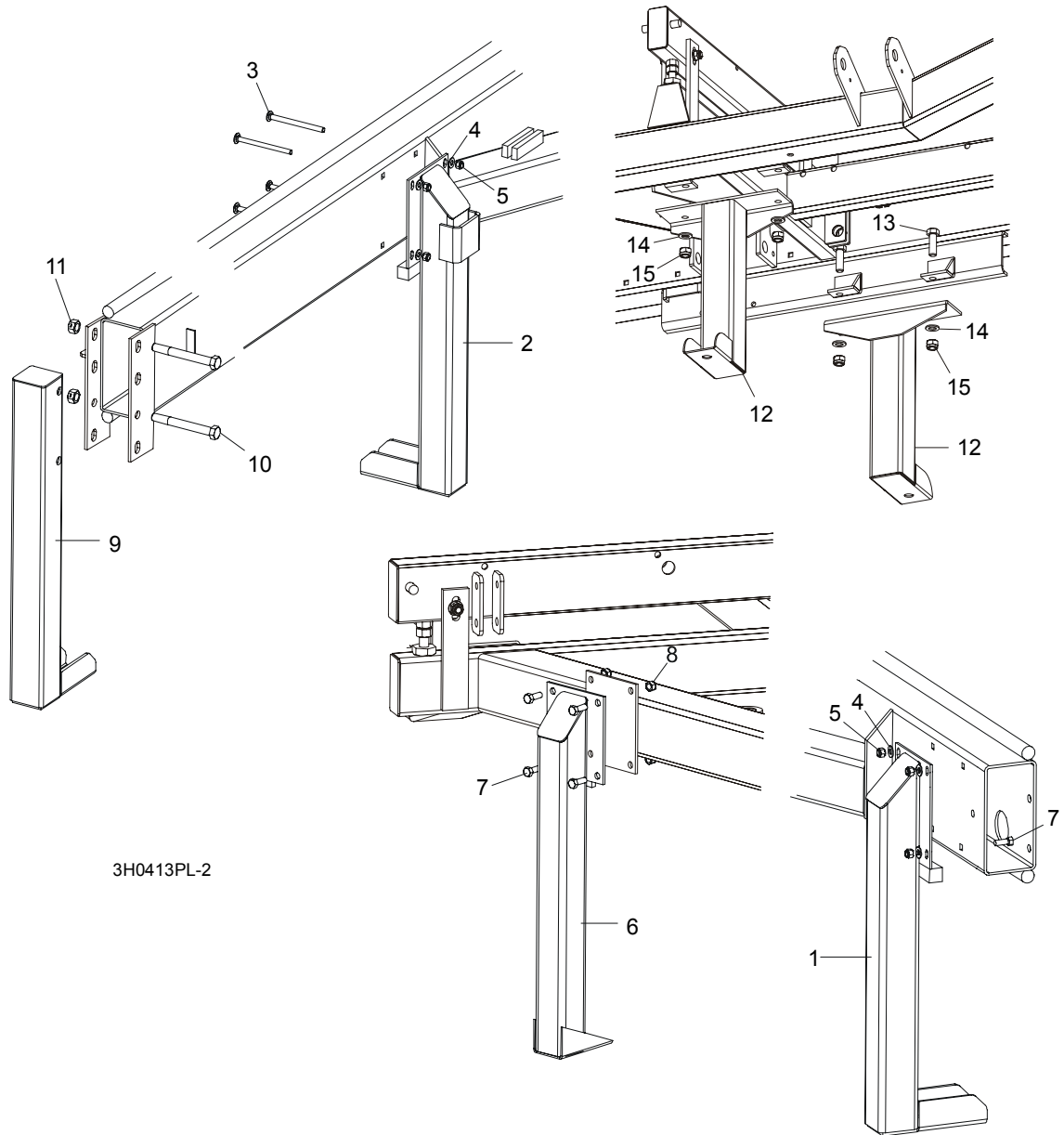
REF	DESCRIPTION (◆ Indicates Parts Available In Assemblies Only)	PART #	QTY.
1	<b>BED RAIL ASSEMBLY, FRONT MIDDLE</b>	091556	1
2	Bolt, M12 x 90-8.8 Hex Head	F81004-2	2
3	Washer, 13 SAE Flat	F81056-1	4
4	Nut, M12-8 hex Nylon Lock	F81034-2	2
5	Bolt, M16, Bed Rail Adjustment	086809	2
6	Nut, M16-5-B Zinc Hex Head	F81036-5	2
7	<b>COVER, STAINLESS STEEL BED RAIL</b>	S09944	2
8	<b>BOLT, M8X65-5,8 ZINC HEX HEAD</b>	F81002-3	3
9	<b>NUT, M8-8-B-ZINC HEX NYLON LOCK</b>	F81032-2	3

### 8.3 Bed Rail Assembly, Rear Middle



REF	DESCRIPTION (◆ Indicates Parts Available In Assemblies Only)	PART #	QTY.
1	<b>BED RAIL ASSEMBLY, REAR MIDDLE PAINTED</b>	091557	1
2	Bolt, M12 x 90-8.8 Hex Head	F81004-2	2
3	Washer, 13 SAE Flat	F81056-1	4
4	Nut, M12-8 hex Nylon Lock	F81034-2	2
5	Bolt, M16, Bed Rail Adjustment	086809	2
6	Nut, M16-5-B Zinc Hex Head	F81036-5	2
7	<b>COVER, STAINLESS STEEL BED RAIL</b>	S09944	2
8	<b>BOLT, M8X65-5,8 ZINC HEX HEAD</b>	F81002-3	3
9	<b>NUT, M8-8-B-ZINC HEX NYLON LOCK</b>	F81032-2	3

8.4 Leg, Stationary



3H0413PL-2

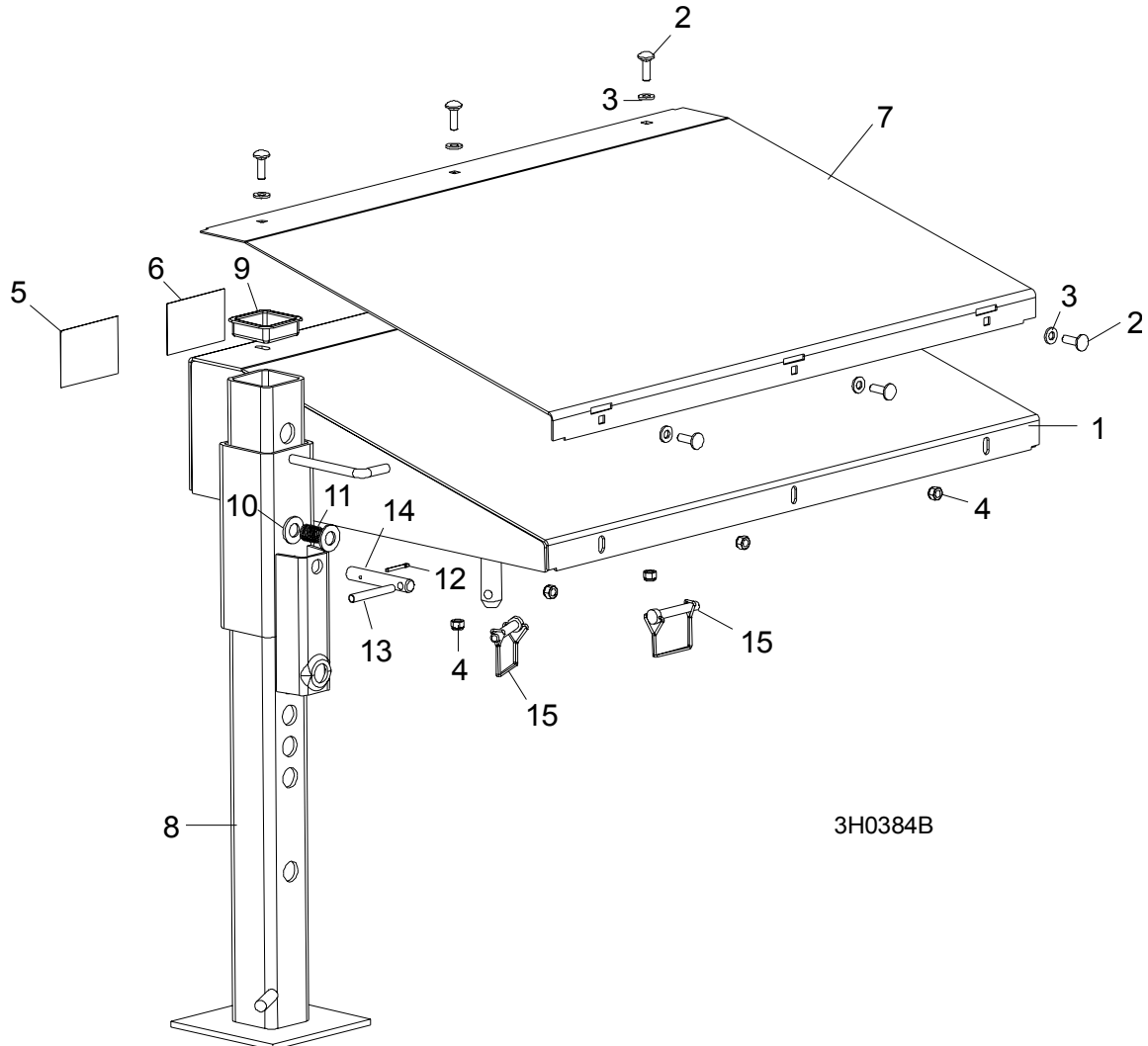
REF	DESCRIPTION (◆ Indicates Parts Available In Assemblies Only)	PART #	QTY.
1	LEG, LONG RIGHT STATIONARY (1 REQ'D FOR LT40S; 3 REQ'D FOR LT40)	087451-1	1/3
2	LEG, LONG STATIONARY W/BOARD RETURN TABLE BRACKET	087449-1	1
3	BOLT, M10 X 120-8.8 CARRIAGE HEAD	F81003-33	8/12
4	WASHER, 10.5 FLAT	F81055-1	8/16
5	NUT, M10-8-B HEX NYLON LOCK	F81033-1	8/16
6	LEG, SHORT LEFT STATIONARY	087450-1	2
7	BOLT, M10 X 25-8.8 HEX HEAD	F81003-11	12
8	NUT, M10-8-B HEX NYLON LOCK	F81033-1	12
9	LEG, FRONT STATIONARY	087452-1	1

**8****Bed Frame Assembly***Leg, Stationary*

---

10	BOLT, M16 X 140-8.8 HEX HEAD GRADE 5	F81006-4	2	
11	NUT, M16-8 HEX LOCK	F81036-2	2	
12	LEG, MIDDLE STATIONARY	087093-1	2	
13	BOLT, M16 X 50-8.8 HEX HEAD	F81006-7	4	
14	WASHER, 17 FLAT	F81058-1	4	
15	NUT, M16 NYLON LOCK	F81036-2	4	

### 8.5 Board Return Table Assembly



3H0384B

REF	DESCRIPTION (◆ Indicates Parts Available In Assemblies Only)	PART #	QTY.	
	<b>TABLE ASSEMBLY, BOARD RETURN</b>	091397	1	
1	Table Weldment, Board Return	091225-1	1	◆
2	Bolt, 5/16-18 x 1" Carriage Head	F81002-1	6	
3	Washer, 5/16" SAE Flat	F81032-2	6	
4	Nut, 5/16-18 Nylon Lock	F81054-1	6	
5	Decal, Board Return Danger	015365	1	
6	Decal, Board Return Table Warning	016077	1	
7	Plate, Return Table Stainless Steel	091396	1	
8	Leg Weldment, Painted Outrigger	089691-1	1	
9	Cap, Outrigger Leg	089710	1	
10	Washer, M20 Flat Zinc	F81059-2	2	
11	Spring, 21x38x2 Diameter Stainless Steel Compression	087040	1	
12	Pin, 4x25 Cotter	F81043-2	1	

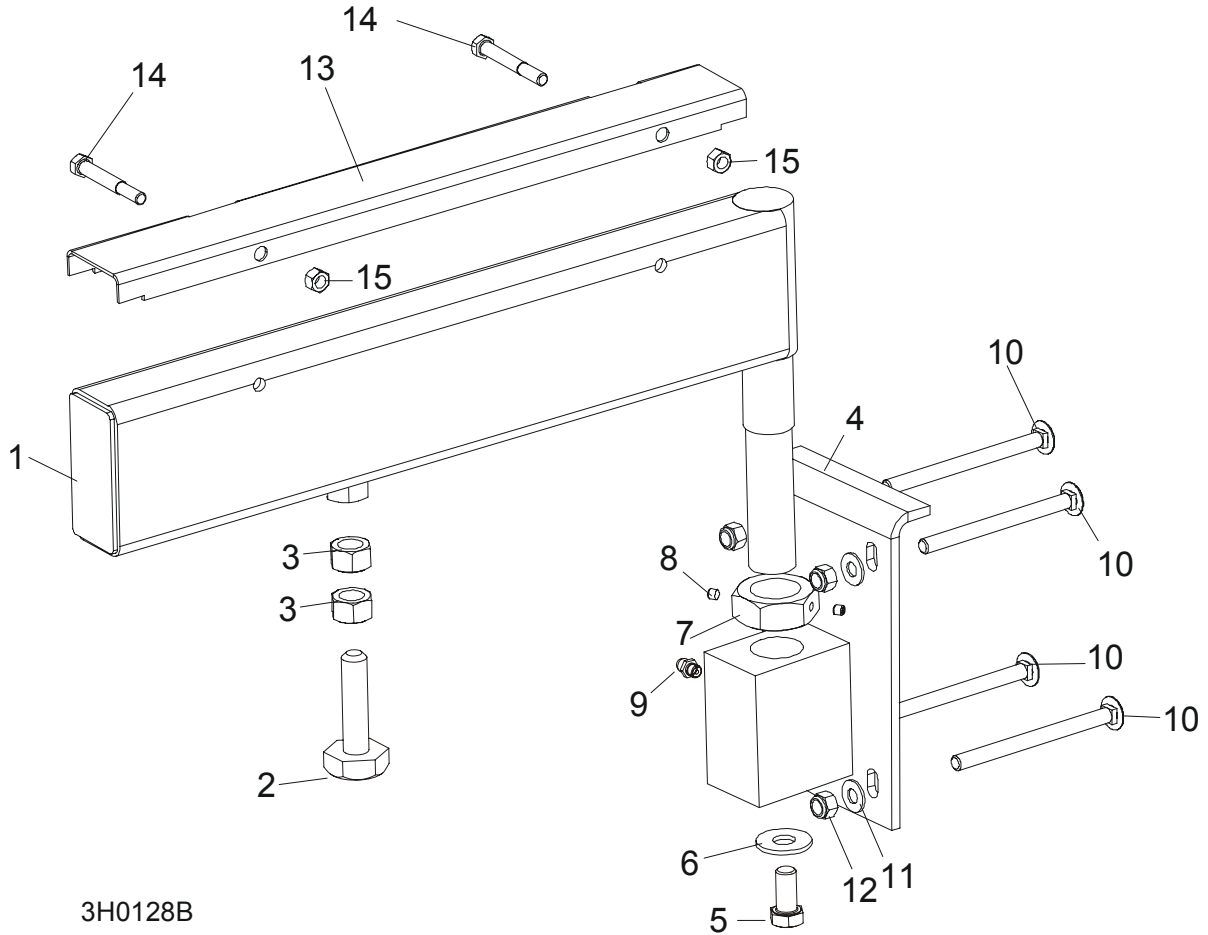
**8****Bed Frame Assembly***Board Return Table Assembly*

---

<b>13</b>	Pin, 8x65 Roll	F81046-1	1	
<b>14</b>	Pin, Outrigger Pull	087012-1	1	
<b>15</b>	Pin, 3/8 X 2 1/4" Square Wire Lock	014151	2	



## 8.6 Board Return Table, Pivot Bed Rail Assembly



3H0128B

REF	DESCRIPTION (◆ Indicates Parts Available In Assemblies Only)	PART #	QTY.
	<b>PIVOT BED RAIL ASSEMBLY (LT40S)</b>	087829	2
	<b>PIVOT BED RAIL ASSEMBLY (LT40M)</b>	087855	2
1	Pivot Bed Rail Weldment (LT40S)	087852	1
	Pivot Bed Rail Weldment (LT40M)	087848	1
	Bolt Assembly, Bed Rail Adjustment		1
2	Bolt, Bed Rail Adjustment	086809	1
3	Nut, 5/8-11 Hex	F81036-1	2
4	Bracket, Pivot Rail Mounting	087841-1	1
5	Bolt, 1/2-13 x 1" Hex Head Grade 2	F81004-31	1
6	Washer, 15 Flat	F05011-52	1
7	Nut, Pivot Rail Adjustment (LT40S) Nut, Pivot Rail Adjustment (LT40M)	F81036-1 F81039-2	1
8	Screw, 1/4-28 x 1/4" Brass Tip Set	F05005-42	2
9	Fitting, 3/16" Grease	086280	1
10	<b>BOLT, 3M10 X 120-8.8 CARRIAGE HEAD</b>	F81003-33	8
11	<b>WASHER, 10.5 FLAT</b>	F81055-1	8

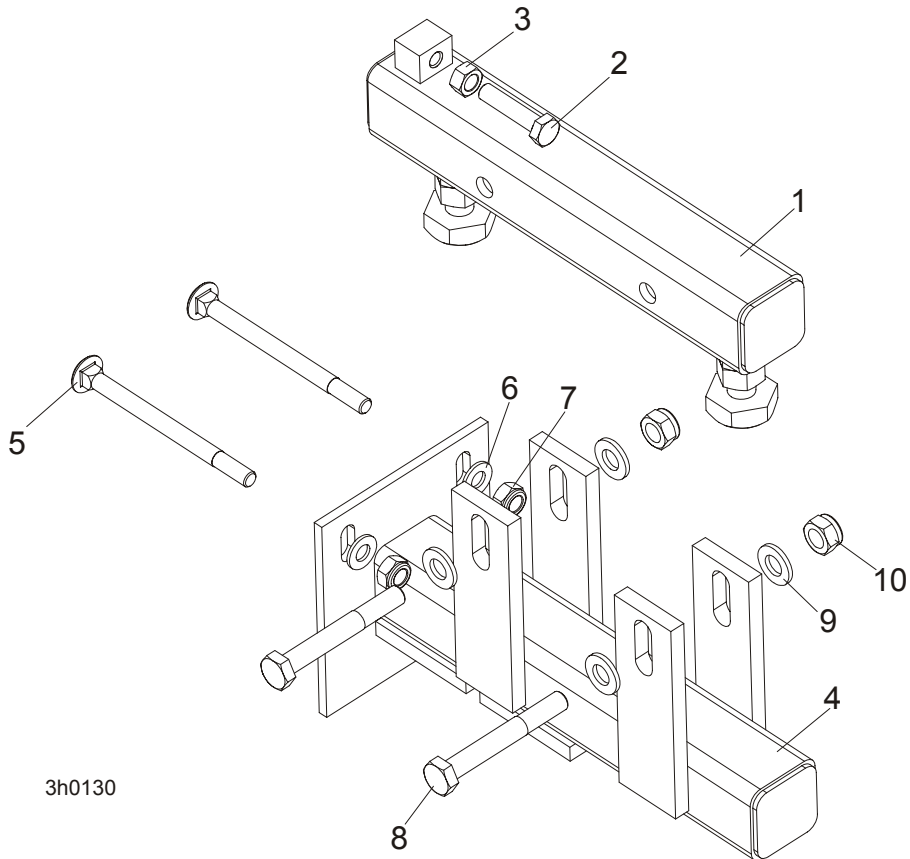
# 8

## Bed Frame Assembly

### Board Return Table, Pivot Bed Rail Assembly

12	<b>NUT, M16-8 NYLON LOCK</b>	F81036-2	8	
	<b>COVER KIT, PIVOT RAIL STAINLESS STEEL (LT40S)</b>	015926	2	
	<b>COVER KIT, PIVOT RAIL STAINLESS STEEL (LT40)</b>	N/A	2	
13	Cover, Stainless Steel Pivot Bed Rail (LT40S)	012994	1	
	Cover, Stainless Steel Pivot Bed Rail (LT40M)	S13012	1	
14	Bolt, M8x65-5,8 Zinc Hex Head	F81002-3	4	
15	Nut, M8-8-B-Zinc Hex Nylon Lock	F81032-2	4	
	<b>WRENCH, BED RAIL ADJUSTMENT (<a href="#">See Section 8.3</a>)</b>	015970	1	

### 8.7 Bed Rail Assembly, Optional End



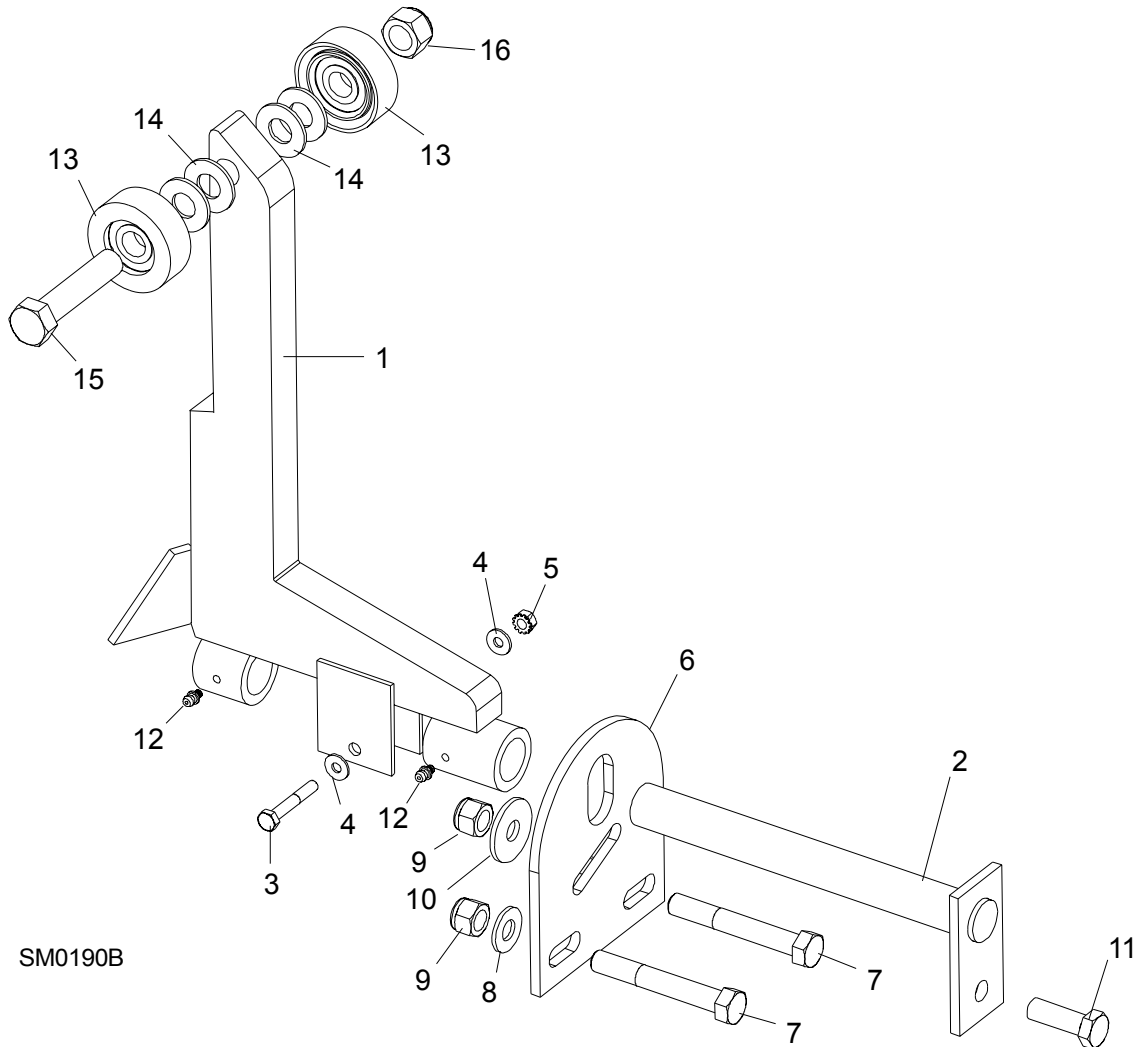
3h0130

REF	DESCRIPTION (◆ Indicates Parts Available In Assemblies Only)	PART #	QTY.
	<b>BED RAIL ASSY, OPTIONAL END</b>	094102	1
1	Bed Rail Assy - Zinc	094103-1	1
2	Bolt, M8X45mm, Hex Head, Full Thrd, Zinc	F81002-14	1
3	Nut, M8-8-B-Fe	F81032-1	1
4	Bed Rail Weldment, End Painted	094104-1	1
5	Bolt, M10X120 8.8 Fe/Zn5	F81003-33	2
6	Washer, 10.5 Zinc Flat	F81055-1	2
7	Nut, M10, Nylon Hex Zinc Lock	F81033-1	2
8	Bolt, M12X 90mm, HH, Grade 5.8, Zinc	F81004-2	2
9	Washer, 13 Zinc Flat	F81056-1	4
10	Nut, M12, Hexagon, Nylon, Zinc, Lock	F81034-2	2

# 8 Bed Frame Assembly

## Log Side Support Assembly

### 8.8 Log Side Support Assembly

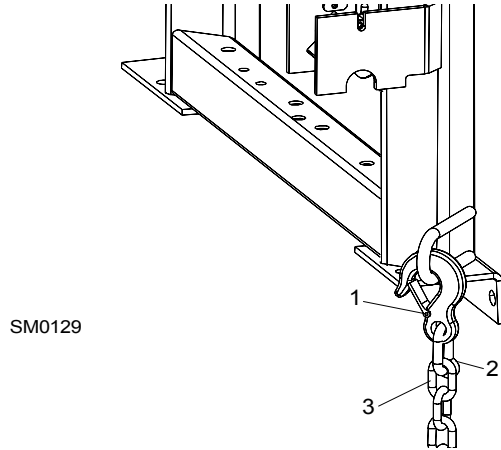


REF	DESCRIPTION (◆ Indicates Parts Available In Assemblies Only)	PART #	QTY.
	<b>SUPPORT, LOG SIDE</b>	092686	1
<b>1</b>	<b>MOUNTING KIT, LOG SIDE SUPPORT</b>	085538-1	3
<b>2</b>	Pin, Log Side Support Pivot	091549-1	1
<b>3</b>	Bolt, M8x45 - 8.8 Hex Head Grade 5	F81002-14	1
<b>4</b>	Washer, 8.4 Flat	F81054-1	2
<b>5</b>	Nut, M8-8-B Self Locking	F81032-2	1
<b>6</b>	Plate, Log Side Support End	091591-1	1
<b>7</b>	Bolt, M12 x 75-8.8 Hex Head	F81004-21	2
<b>8</b>	Washer, 13 Flat	F81056-1	2
<b>9</b>	Nut, M12-8 Hex Nylon Lock	F81034-2	3
<b>10</b>	Washer, 15 Flat Special Zinc-Plated	F81057-3	1
<b>11</b>	Bolt, M12 x 35-8.8 Hex Head	F81004-24	1

<b>12</b>	<b>FITTING, 3/16" GREASE</b>	P04107	2	
<b>13</b>	Roller Assembly, Side Support	015014-1	2	
<b>14</b>	Washer, 17 Flat	F81058-1	2	
<b>15</b>	Bolt, M16x65-8.8-B Hex Head Grade 5	F81006-1	1	
<b>16</b>	Nut, M16-8 Nylon Lock	F81036-2	1	
	Instruction Sheet, Side Support Roller	015109-526	1	

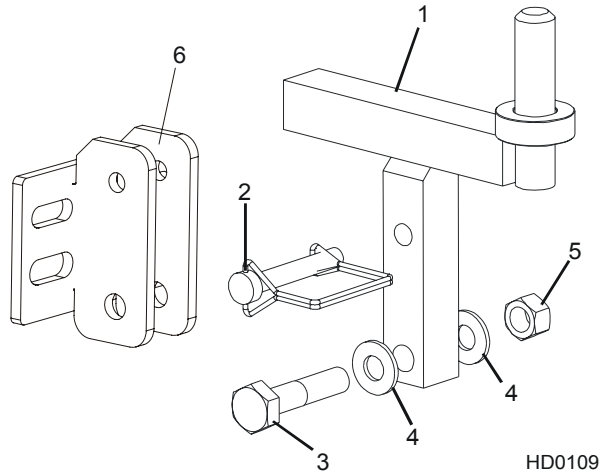
**8** **Bed Frame Assembly**  
*Tie Down Chain Assembly*

**8.9 Tie Down Chain Assembly**



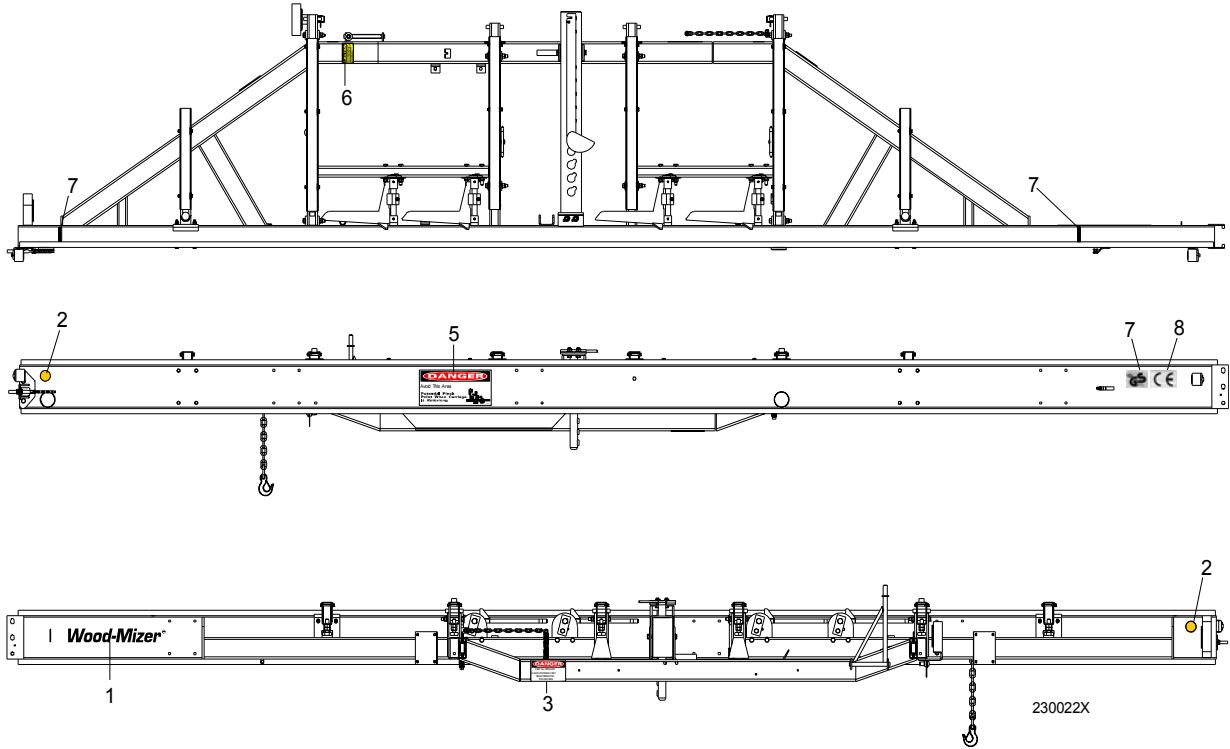
REF	DESCRIPTION (◆ Indicates Parts Available In Assemblies Only)	PART #	QTY.	
	<b>CHAIN ASSEMBLY, TIE DOWN</b>	A04376	1	
1	Hook, 5/8" Safety Chain	P12075	1	◆
2	Cold Shut, 3/8" Plain	P04772-2	1	◆
3	Chain, N-10 x 35 Unplated	R80558	.28 m	◆

### 8.10 Saw Head Rest Pin Assembly



REF	DESCRIPTION (◆ Indicates Parts Available In Assemblies Only)	PART #	QTY.
1	PIN, SAW HEAD REST	085949	1
2	PIN, 3/8" X 2 1/4" SNAP RETAINER	014151	1
3	BOLT, M12 X 60-8.8 HEX HEAD GRADE 5	F81004-5	1
4	WASHER, 13 SAE FLAT	F81056-1	2
5	NUT, M12-8 HEX LOCK	F81034-2	1
6	BRECKET, SAW HEAD REST PIN MOUNT	092765-1	1

### 8.11 Bed Frame Decals

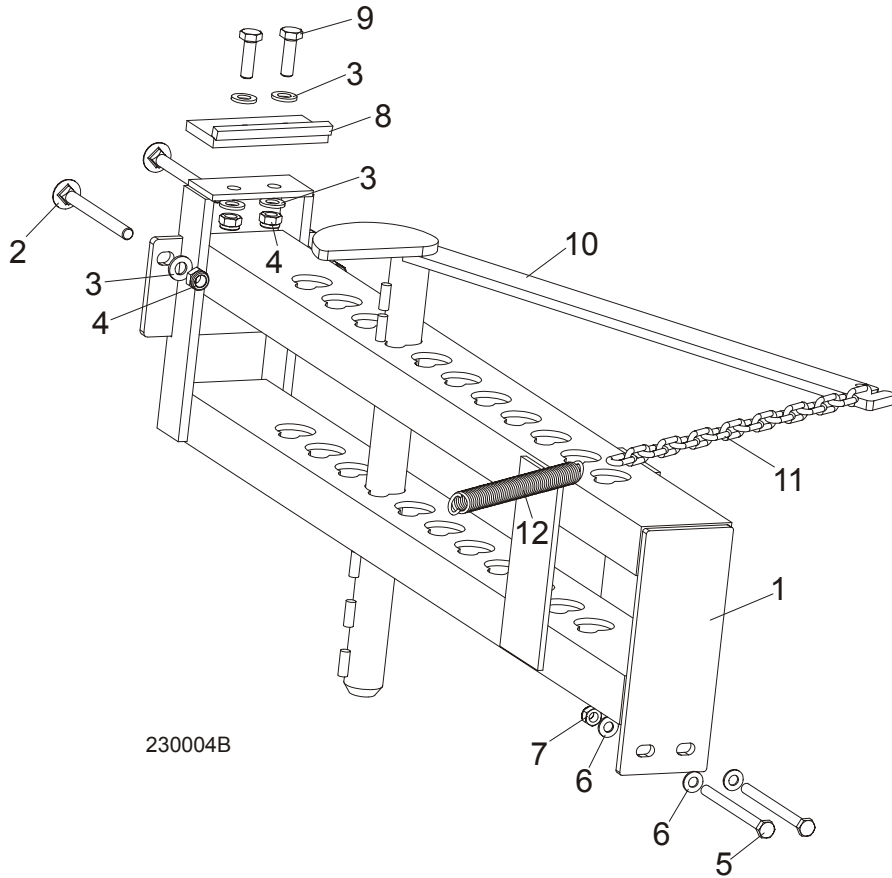


REF	DESCRIPTION (◆ Indicates Parts Available In Assemblies Only)	PART #	QTY.
1	DECAL, WOOD-MIZER LOGO	S12281	1
2	DECAL, AMBER REFLECTIVE 2" ROUND	P07453	2
3	DECAL, KEEP AWAY DANGER	S09851	1
4	DECAL, PINCH POINT DANGER	P10287	1
5	DECAL, SAW HEAD REST CAUTION	S12581	1
6	DECAL, LOG LIMIT STRIPE	S12051	2
7	DECAL, GS SAFETY CERTIFICATION, SMALL	P85072	1
8	DECAL, CE CERTIFIED SAWMILL, SMALL	P85070	1



**SECTION 9 LOG CLAMP, TURNER, LOADER & TOE BOARDS**

**9.1 Manual Log Clamp**



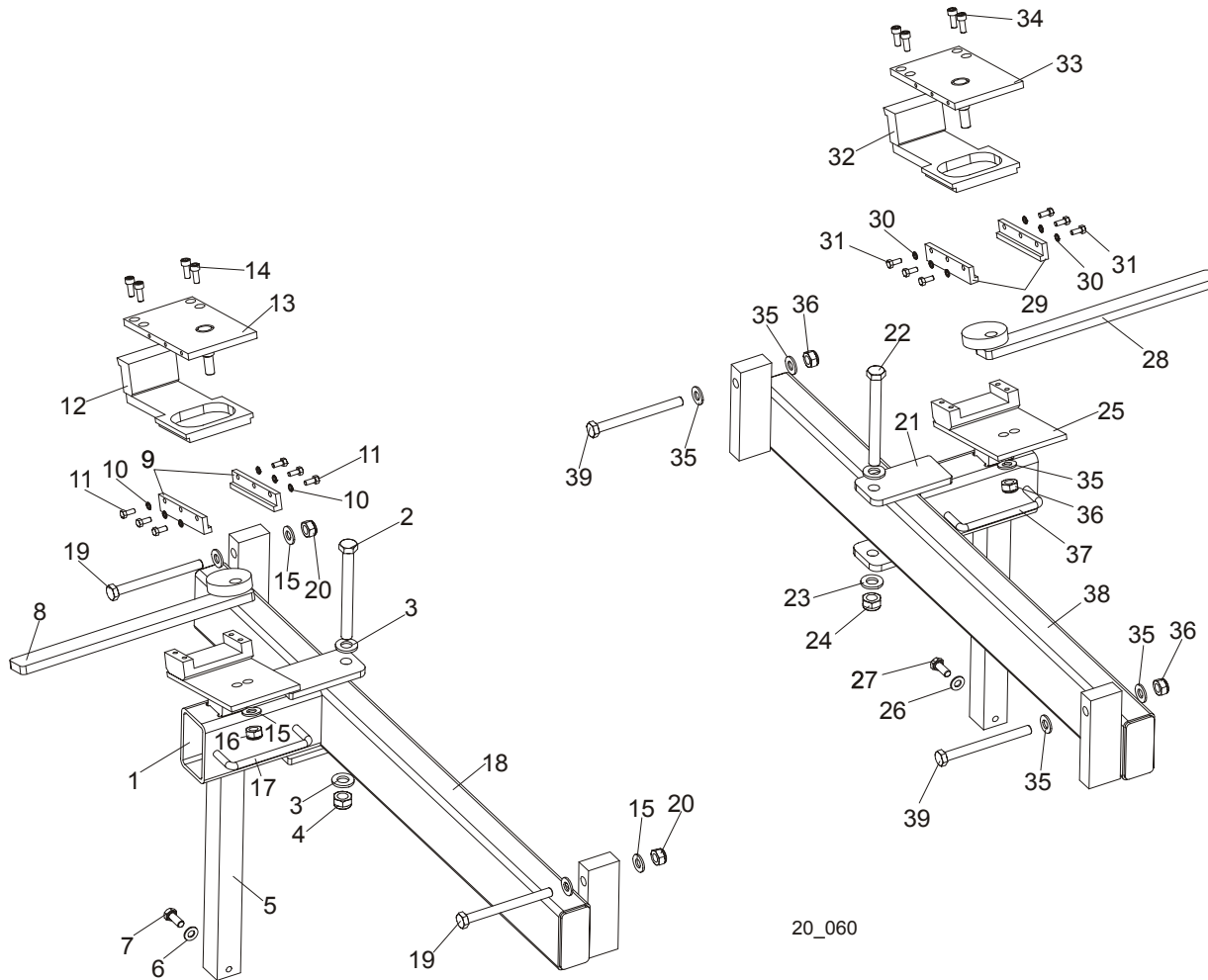
REF	DESCRIPTION (◆ Indicates Parts Available In Assemblies Only)	PART #	QTY.
	<b>MANUAL LOG CLAMP</b>	092683	1
1	Bracket, Manual Log Clamp	092677-1	1
2	Bolt, M12x130-8.8 Carriage Head Zinc	F81004-26	2
3	Washer, 13 Flat Zinc	F81056-1	6
4	Nut, M12-8 Hex Nylon Zinc Lock	F81034-2	4
5	Bolt, M10x125-8.8 Hex Head Zinc	F81003-18	2
6	Washer, 10.5 Flat Zinc	F81055-1	4
7	Nut, M10-8-B Hex Nylon Zinc Lock	F81033-1	2
8	Stop Weldment, Log Clamp Painted	086980-1	1
9	Bolt, M12 x 40-8.8 Hex Head Full Thread Zinc	F81004-4	2
10	Log Clamp Weldment, Manual Painted	W09412	1
11	Chain, Log Clamp	M04311	1
12	Spring, FI 2.8 X FI 22.2 X 183	091864	1



# Log Clamp, Turner, Loader & Toe Boards

## Log Clamp Assembly

### 9.2 Log Clamp Assembly



20\_060

REF	DESCRIPTION (◆ Indicates Parts Available In Assemblies Only)	PART #	QTY.
	<b>LOG CLAMP ASSEMBLY, LEFT (NON-HYDRAULIC)</b>	089631 <sup>1</sup>	1
1	Arm Weldment, Log Clamp Zinc-Plated	089624-1	1
2	Bolt, M12x120 8.8 Hex Head Zinc	F81004-38	1
3	Washer, 13 Zinc Flat	F81056-1	2
4	Nut, M12-8 Hex Nylon Zinc Lock	F81034-2	1
5	Mount Weldment, Log Clamp Zinc-Plated	090174-1	1
6	Washer, 8.4 Zinc Flat	F81054-1	4
7	Bolt, M8x20-8.8-B Hex Head Full Thread Zinc	F81002-4	2
8	Lever, Log Clamp Zinc-Plated	089611-1	1
9	Plate, Log Clamp Side Zinc-Plated	089615-1	2
10	Washer, 5.1 Split Lock Zinc	F81052-2	6
11	Bolt, M5x12-5.8 Hex Head Full Thread Zinc	F81000-5	6

# Log Clamp, Turner, Loader & Toe Boards

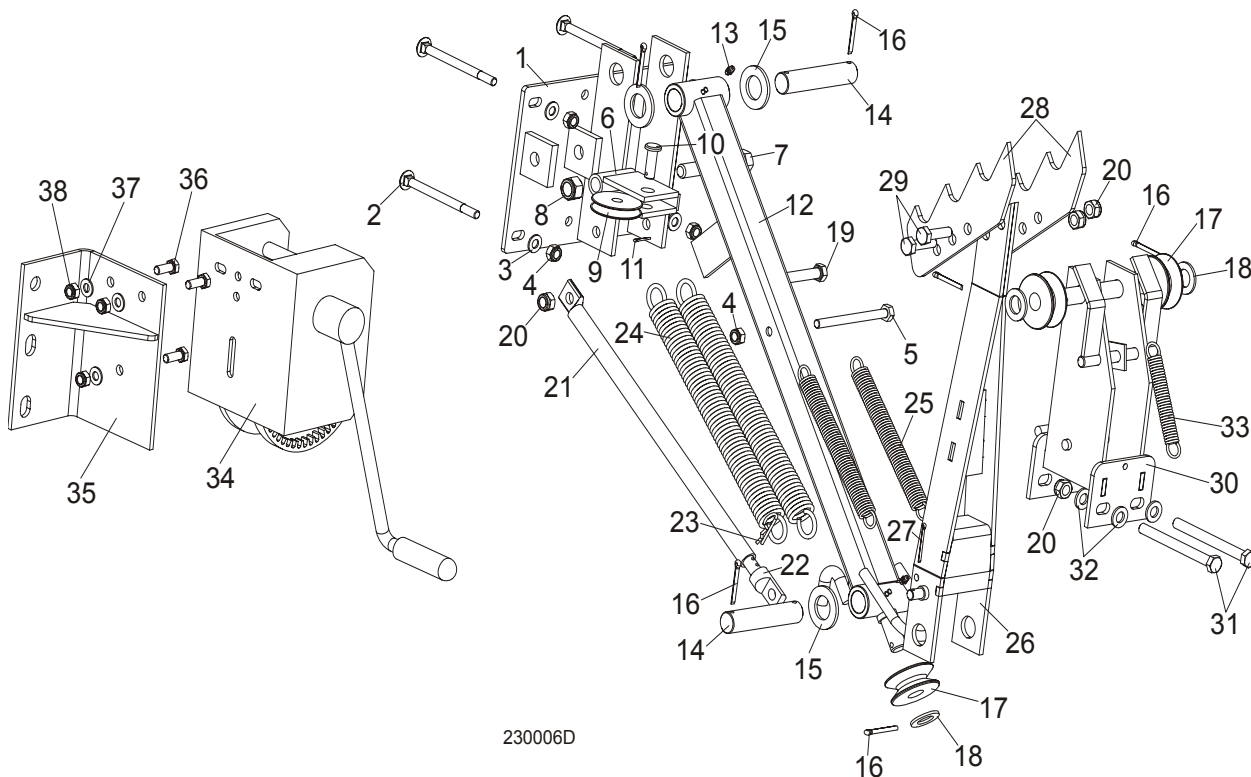
## Log Clamp Assembly

9

12	Plate, Clamping Zinc-Plated	090202-1	1	
13	Plate, Log Clamp Upper Zinc-Plated	089614-1	1	
14	Screw, M6x16-8.8 Hex Socket Set Cap Zinc	F81001-21	4	
15	Washer, 10.5 Zinc Flat	F81055-1	5	
16	Nut, M8-8-B Hex Nylon Zinc Lock	F81032-2	1	
17	Handle, 4" w/Bolts	P08065	1	
18	Bar Weldment, Log Clamp Guide Ptd	089628-1	1	
19	Bolt, M10x110 8.8 Hex Head Zinc	F81003-43	2	
20	Nut, M10-8-B Hex Nylon Zinc Lock	F81033-1	2	
	<b>LOG CLAMP ASSEMBLY, RIGHT (NON-HYDRAULIC)</b>	090349	1	
21	Arm Weldment, Log Clamp Zinc-Plated	089624-1	1	
22	Bolt, M12x120 8.8 Hex Head Zinc	F81004-38	1	
23	Washer, 13 Zinc Flat	F81056-1	2	
24	Nut, M12-8 Hex Nylon Zinc Lock	F81034-2	1	
25	Mount Weldment, Log Clamp Zinc-Plated	090174-1	1	
26	Washer, 8.4 Zinc Flat	F81054-1	2	
27	Bolt, M8x20-8.8-B Hex Head Full Thread Zinc	F81002-4	2	
28	Lever, Log Clamp Zinc-Plated	090348-1	1	
29	Plate, Log Clamp Side Zinc-Plated	089615-1	2	
30	Washer, 5.1 Split Lock Zinc	F81052-2	6	
31	Bolt, M5x12-5.8 Hex Head Full Thread Zinc	F81000-5	6	
32	Plate, Clamping Zinc-Plated	090202-1	1	
33	Plate, Log Clamp Upper Zinc-Plated	090347-1	1	
34	Screw, M6x16-8.8 Hex Socket Head Cap Zinc	F81001-21	4	
35	Washer, 10.5 Zinc Flat	F81055-1	5	
36	Nut, M10-8-B Hex Nylon Zinc Lock	F81033-1	3	
37	Handle, 4" w/Bolts	P08065	1	
38	Bar Weldment, Log Clamp Guide Ptd	089628-1	1	
39	Bolt, M10x110 8.8 Hex Head Zinc	F81003-43	2	

<sup>1</sup> The number of clamps depends on the frame length.

### 9.3 Manual Log Turner



REF	DESCRIPTION (◆ Indicates Parts Available In Assemblies Only)	PART #	QTY.
	<b>MANUAL LOG TURNER OPTION (S/M TYPE FRAME)</b>	091291	1
	<b>MANUAL LOG TURNER OPTION (L TYPE FRAME)</b>	091562	1
<b>1</b>	Bracket Weldment, Manual Log Turner Painted (S/M Type Frame)	091269-1	1
	Bracket Weldment, Manual Log Turner Painted (L Type Frame)	090271-1	1
<b>2</b>	Bolt, M10x120 8.8 Carriage Head Zinc	F81003-33	4
<b>3</b>	Washer, 10.5 Flat Zinc	F81055-1	4
<b>4</b>	Nut, M10-8-B Hex Nylon Zinc Lock	F81033-1	5
<b>5</b>	Bolt, M10x115-8.8 Hex Head Zinc	F81003-19	1
<b>6</b>	Bracket Weldment, Cable Guide Pulley Painted	091295-1	1
<b>7</b>	Bolt, M16x100-8.8 Hex Head Full Thread Zinc	F81006-2	1
<b>8</b>	Nut, M16-8 Hex Nylon Zinc Lock	F81036-2	1
<b>9</b>	Pulley, Zinc-Plated Cable Guide	091273-1	1
<b>10</b>	Pin, 12x35 B Clevis Zinc	F81049-1	1
<b>11</b>	Pin, 2.5x20 Cotter Zinc	F81043-1	1
<b>12</b>	Arm Weldment, Manual Turner Lower Painted	091256-1	1
<b>13</b>	Fitting, M6 Grease	086280	2

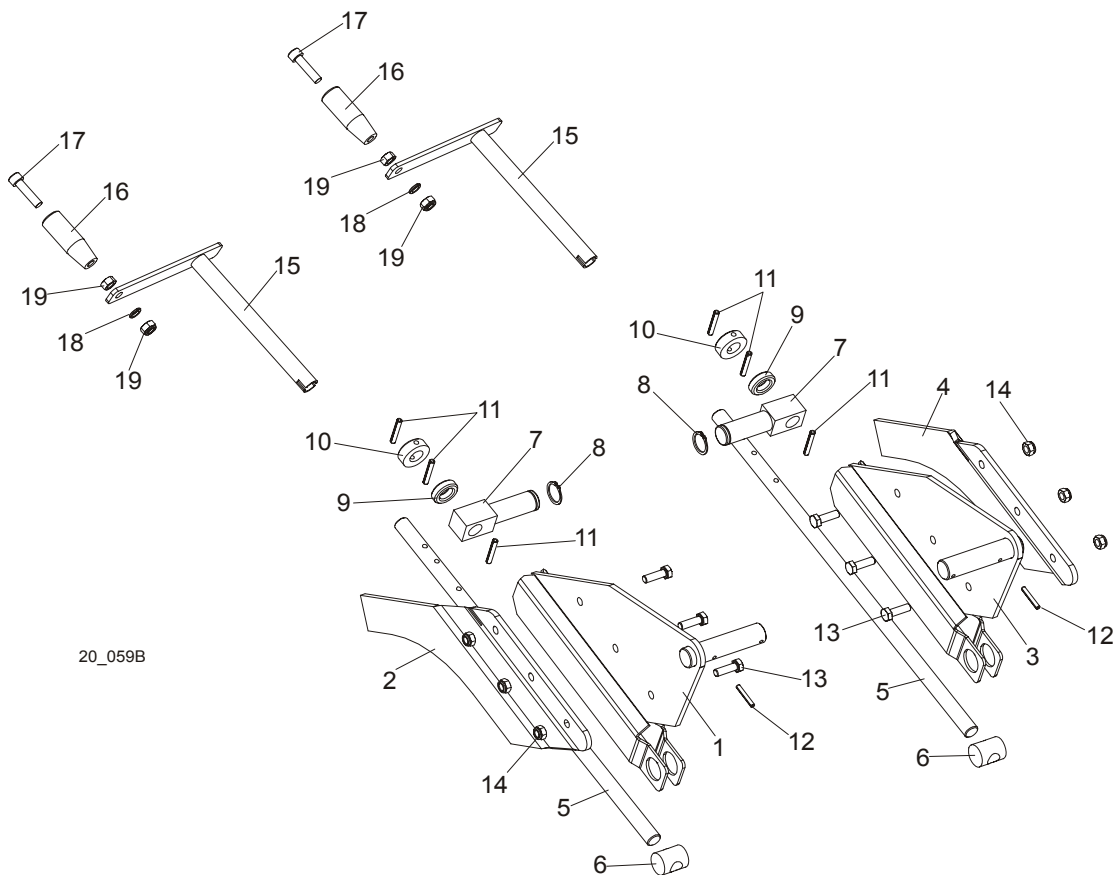
# Log Clamp, Turner, Loader & Toe Boards

Manual Log Turner

9

14	Pin, Manual Turner Arm Pivot Zinc-Plated	091275-1	2	
15	Washer, 28 Flat Zinc	F81061-1	4	
16	Pin, 5x40 Cotter Zinc	F81043-31	7	
17	Pulley, Manual Turner Zinc-Plated	091280-1	3	
18	Washer, 20.5 Split Lock Zinc	F81059-1	5	
19	Bolt, M12x120 8.8 Hex Head Zinc	F81004-38	1	
20	Nut, M12-8 Hex Nylon Zinc Lock	F81034-2	5	
21	Tube, Manual Turner Painted	091537-1	1	
22	Rod Weldment, Manual Turner Painted	091540-1	1	
23	Pin, 1/8x1 13/16 Safety	P05059	1	
24	Spring, FI 4.5 x FI 35 x 303	091863	2	◆
25	Spring, FI 2.8 x FI 22.2 x183	091864	2	
26	Arm Weldment, Manual Turner Upper Painted	091263-1	1	
27	Pin, 4x25 Cotter Zinc	F81043-2	1	
28	Claw, Log Turner Painted	088082-1	2	
29	Bolt, M12x40-8.8 Hex Head Full Thread Zinc	F81004-4	2	
30	Bracket Weldment, Manual Turner Pulley Painted	091281-1	1	
31	Bolt, M12x130-8.8 Hex Head Zinc	F81004-36	2	
32	Washer, 13 Flat Zinc	F81056-1	4	
33	Spring, FI 1.9 X FI 14.2 X 104	091865	1	
34	<b>WINCH, AL-KO TYPE 901</b>	096453	1	
35	<b>BRACKET, WINCH MOUNT (COMP. NON-HYD FRAME)</b>	085841-1	1	
36	<b>BOLT, M10-1.5X25MM HH GR8.8</b>	F81003-11	3	
37	<b>WASHER, FLAT, M10, ZINC</b>	F81055-1	3	
38	<b>NUT, M10, NYLON HEX ZINC LOCK</b>	F81033-1	3	

### 9.4 Manual Toe Board



20\_059B

REF	DESCRIPTION (◆ Indicates Parts Available In Assemblies Only)	PART #	QTY.
	<b>TOE BOARD KIT, MANUAL FRONT</b>	094929	1
1	Plate Weldment, Manual Toe Board Front	094927-1	1
2	Extension, Manual Toe Board Plate (I)	095203-1	1
	<b>TOE BOARD KIT, MANUAL REAR</b>	094928	1
3	Plate Weldment, Manual Toe Board Rear	094926-1	1
4	Extension, Manual Toe Board Plate (II)	095202-1	1
5	Shaft, Manual Toe Board	090344-1	2
6	Nut, Special Threaded	090017	2
7	Pivot, Manual Toe Board Shaft (I)	094931-1	2
8	Ring, Z 22 Outside Retaining	F81090-24	2
9	Bearing, 5/8" Thrust	P04214	2
10	Collar, 16	F81039-6	2
11	Pin, 5x35-N-C PN-EN ISO 8752 Roll	F81044-9	6
12	Pin, 4x30 Zinc Roll	F81044-7	2
13	Bolt, M8 x 25-8.8-B Hex Head Full Thread Zinc	F81002-5	6
14	Nut, M8-8-B Hex Nylon Zinc Lock	F81032-2	6

# Log Clamp, Turner, Loader & Toe Boards

*Manual Toe Board*

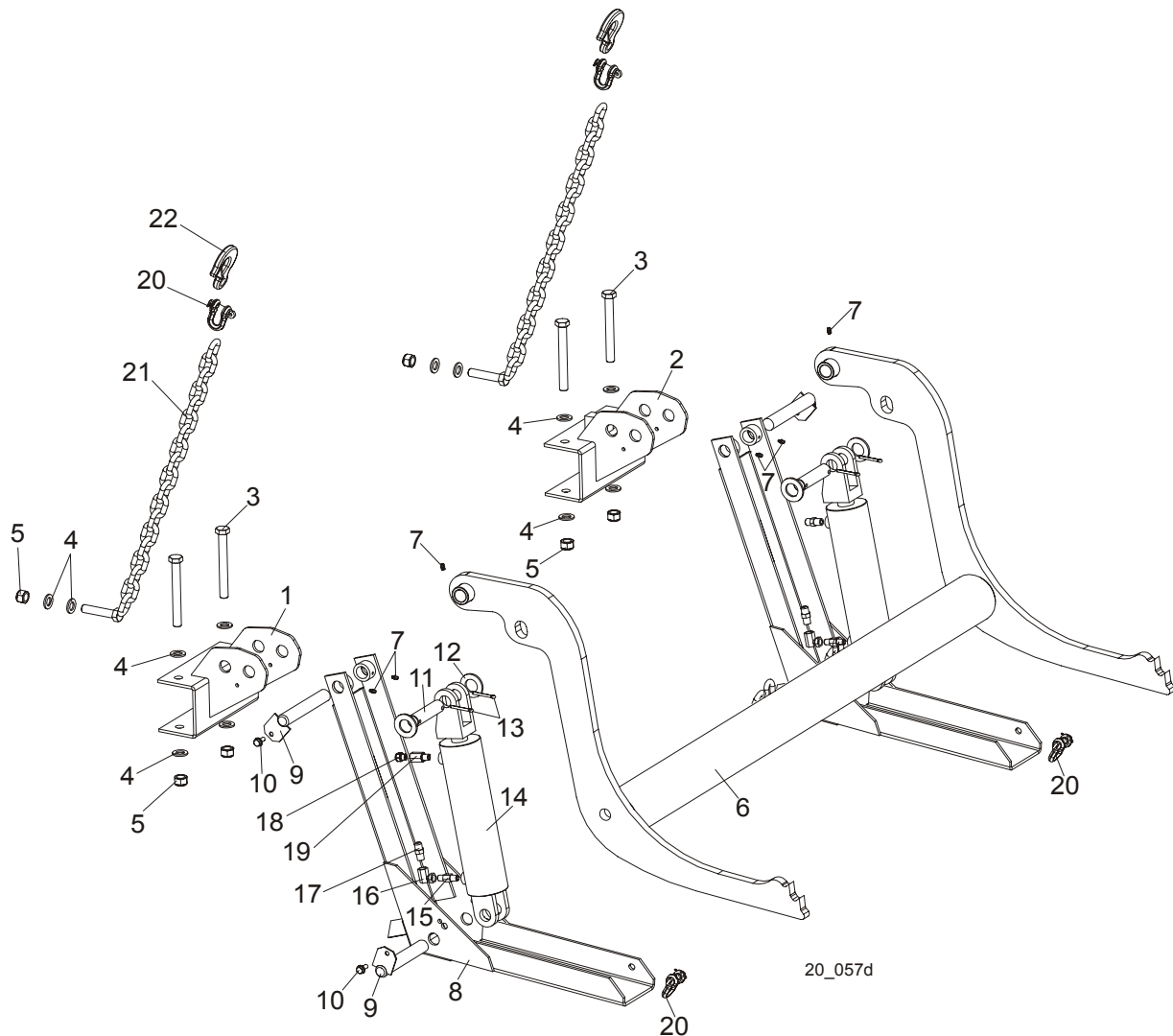
9

	<b>CRANK ASSEMBLY, MANUAL TOE BOARD</b>	A09432	2	
<b>15</b>	Crank, Manual Toe Board	W09431	1	
<b>16</b>	Handle, Crank	S08291-W	1	
<b>17</b>	Screw, 3/8-16 x 2 1/2" Socket Head Cap	F05007-24	1	
<b>18</b>	Washer, 10.2 Split Lock Zinc	F81055-2	1	
<b>19</b>	Nut, 3/8-16 Hex Zinc	F05010-1	2	

# 9 Log Clamp, Turner, Loader & Toe Boards

## Manual Log Loader ( S/M type frame )

### 9.5 Manual Log Loader ( S/M Type Frame )



REF	DESCRIPTION (◆ Indicates Parts Available In Assemblies Only)	PART #	QTY.
	<b>LOG LOADER, COMPLETE</b>	091952	1
1	Bracket , Log Loader Mount Painted (S/M Type Frame)	092865-1	1
2	Bracket, Log Loader Mount	091938-1	1
3	Bolt, M16x140-8.8 Hex Head Zinc	F81006-4	4
4	Washer, 17 Zinc Flat	F81058-1	12
5	Nut, M16-8 Hex Nylon Zinc Lock	F81036-2	6
	Log Loader W/Chain	091954	1
6	Loader Weldment, Log Painted	090006-1	1
7	Fitting, 3/16" Straight Grease	P04107	6
8	Foot, Log Loader Painted	090048-1	2



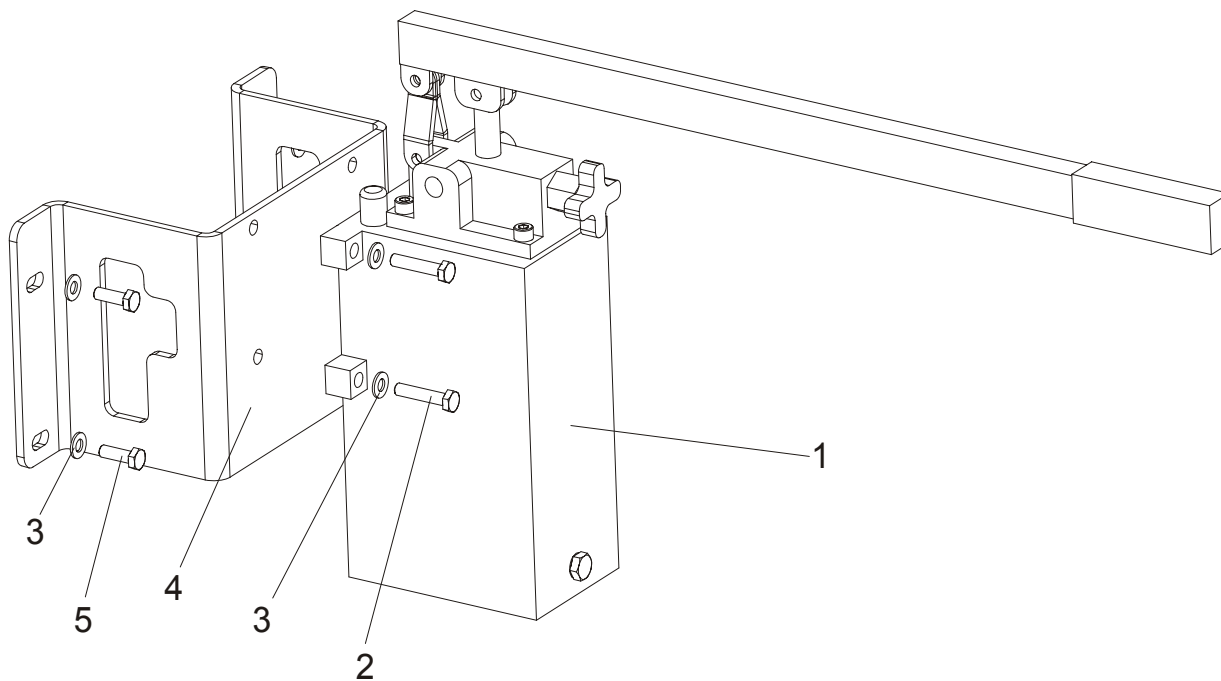
# Log Clamp, Turner, Loader & Toe Boards

*Manual Log Loader ( S/M type frame )*

9

<b>9</b>	Pin Weldment, Log Loader Painted	W09446-1	4	
<b>10</b>	Screw, 5/16-18 x 3/4 Self-Tapping	F05015-30	4	
<b>11</b>	Pin, Hydraulic Cylinder Zinc-Plated	086979-1	2	
<b>12</b>	Washer, 28 Zinc Flat	F81061-1	4	
<b>13</b>	Pin, 5x40 Cotter	F81043-31	4	
	Cylinder Assembly, Log Loader	094333	2	
<b>14</b>	Cylinder, CJ-S95-16-70/32/203 Hydraulic	088680	1	
<b>15</b>	Fitting, 1/4 NPT 4.0 GPM Velocity Fuse	015750	1	
<b>16</b>	Fitting, #9455X4X4 90 Deg. Swivel Elbow	P12199	1	
<b>17</b>	Fitting, 3/8JIC-1/4 NPT Straight	015560	1	
<b>18</b>	Air Vent Valve 2901-14-17	090794	1	
<b>19</b>	Fitting, $\frac{1}{4}$ " F. Thread/ $\frac{1}{4}$ " NPT M. Thread Reducer	090795	1	
<b>20</b>	Shackle, M-WL. .63	086540	4	
<b>21</b>	Chain, Log Loader Painted	091953-1	2	
<b>22</b>	Hook, 5/8 Safety Chain	P12075	2	

**9.6 Manual Log Loader Pump**



REF	DESCRIPTION (◆ Indicates Parts Available In Assemblies Only)	PART #	QTY.	
1	PUMP, PAM 014 2500 3L MANUAL	090309	1	
2	BOLT, M8X80-8.8 HEX HEAD ZINC	F81002-18	4	
3	WASHER, 8.4 ZINC FLAT	F81054-1	8	
4	BRACKET, LOG LOADER PUMP MOUNT	090377-1	1	
5	BOLT, M8X25-8.8-B HEX HEAD FULL THREAD ZINC	F81002-5	4	