

Wood-Mizer[®] Sawmill

Parts Manual

LT40 Series MH

rev. C7.01



Safety is our #1 concern! Read and understand all safety information and instructions before operating, setting up or maintaining this machine.

February 1998

Form #606

Table of Contents

Section-Page

| | | |
|------------------|---|------------|
| SECTION 1 | GENERAL INFORMATION | 1-1 |
| 1.1 | How To Use The Parts List | 1-1 |
| 1.2 | Sample Assembly | 1-1 |
| SECTION 2 | BLADE GUIDE ROLLERS & ARM | 2-1 |
| 2.1 | Blade Guide Assembly, Idle Side (Standard)..... | 2-1 |
| 2.2 | Idle Side Blade Guide Assembly, Optional (LMS)..... | 2-3 |
| 2.3 | Blade Guide Assembly, Drive Side..... | 2-5 |
| 2.4 | Blade Guide Arm & Rollers | 2-7 |
| 2.5 | Blade Guide Arm Drive Assembly..... | 2-8 |
| SECTION 3 | BLADE WHEELS & TENSIONER | 3-1 |
| 3.1 | Blade Drive Assembly..... | 3-1 |
| 3.2 | Idle Blade Wheel Assembly | 3-3 |
| 3.3 | Hydraulic Blade Tensioner Assembly..... | 3-4 |
| SECTION 4 | SAW HEAD | 4-1 |
| 4.1 | Middle Throat Screw | 4-1 |
| 4.2 | Water Lube Solenoid Valve | 4-2 |
| 4.3 | Clutch Lever Assembly | 4-3 |
| 4.4 | Brake Assembly..... | 4-5 |
| 4.5 | Board Return Assembly | 4-7 |
| 4.6 | Water Lube Assembly | 4-9 |
| 4.7 | Saw Head Decals..... | 4-11 |
| 4.8 | Blade Housing Covers..... | 4-13 |
| 4.9 | Drive Belt Covers | 4-15 |
| 4.10 | Sawdust Chute..... | 4-17 |
| SECTION 5 | CONTROL & BATTERY BOXES | 5-1 |
| 5.1 | Control Assembly, LT40 Series | 5-1 |
| 5.2 | Drum Switches | 5-3 |
| 5.3 | Circuit Breakers..... | 5-4 |
| 5.4 | Solenoid Assemblies | 5-5 |
| 5.5 | Front Panel Assembly & Harnesses | 5-6 |
| 5.6 | Battery Box Assembly, LT40DC Series MH | 5-7 |
| SECTION 6 | UP/DOWN SYSTEM | 6-1 |
| 6.1 | Saw Head V-Brace Mount | 6-1 |
| 6.2 | Blade Height Scale | 6-2 |
| 6.3 | Up/Down Chain & Sprockets..... | 6-4 |
| 6.4 | Up/Down Motor Assembly, LT40 Series | 6-6 |

Table of Contents

Section-Page

| | | | |
|------------------|---|------|------------|
| 6.5 | Up/Down Drive Assembly, LT40 Series | 6-7 | |
| SECTION 7 | POWER FEED & TRACK ROLLERS | | 7-1 |
| 7.1 | Upper Track Rollers And Wipers..... | 7-1 | |
| 7.2 | Power Feed Assembly, LT40 Series | 7-2 | |
| 7.3 | Feed Chain/Stop, LT40 Series | 7-4 | |
| 7.4 | Lower Track Rollers | 7-6 | |
| SECTION 8 | BED FRAME ASSEMBLY | | 8-1 |
| 8.1 | Bed Rail Assembly, Front And Rear | 8-1 | |
| 8.2 | Bed Rail Assembly, Front Middle | 8-2 | |
| 8.3 | Bed Rail Assembly, Rear Middle | 8-3 | |
| 8.4 | Leg, Stationary | 8-4 | |
| 8.5 | Board Return Table Assembly | 8-6 | |
| 8.6 | Pivot Bed Rail Assembly..... | 8-8 | |
| 8.7 | Bed Rail Assembly, Optional End..... | 8-10 | |
| 8.8 | Log Side Support Assembly | 8-11 | |
| 8.9 | Tie Down Chain Assembly | 8-13 | |
| 8.10 | Saw Head Rest Pin Assembly | 8-14 | |
| 8.11 | Bed Frame Decals | 8-15 | |
| SECTION 9 | LOG CLAMP, TURNER, LOADER & TOE BOARDS | | 9-1 |
| 9.1 | Manual Log Clamp | 9-1 | |
| 9.2 | Log Clamp Assembly | 9-2 | |
| 9.3 | Manual Log Turner..... | 9-4 | |
| 9.4 | Manual Toe Board..... | 9-6 | |
| 9.5 | Manual Log Loader (S/M type frame) | 9-8 | |
| 9.6 | Manual Log Loader Pump..... | 9-10 | |

SECTION 1 GENERAL INFORMATION

1.1 How To Use The Parts List

- Use the index above to locate the assembly that contains the part you need.
- Go to the appropriate section and locate the part in the illustration.
- Use the number pointing to the part to locate the correct part number and description in the table.
- Parts shown indented under another part are included with that part.
- Parts marked with a diamond (◆) are only available in the assembly listed above the part.

See the sample table below. Sample Part #A01111 includes part F02222-2 and subassembly A03333. Subassembly A03333 includes part S04444-4 and subassembly K05555. The diamond (◆) indicates that S04444-4 is not available except in subassembly A03333. Subassembly K05555 includes parts M06666 and F07777-77. The diamond (◆) indicates M06666 is not available except in subassembly K05555.

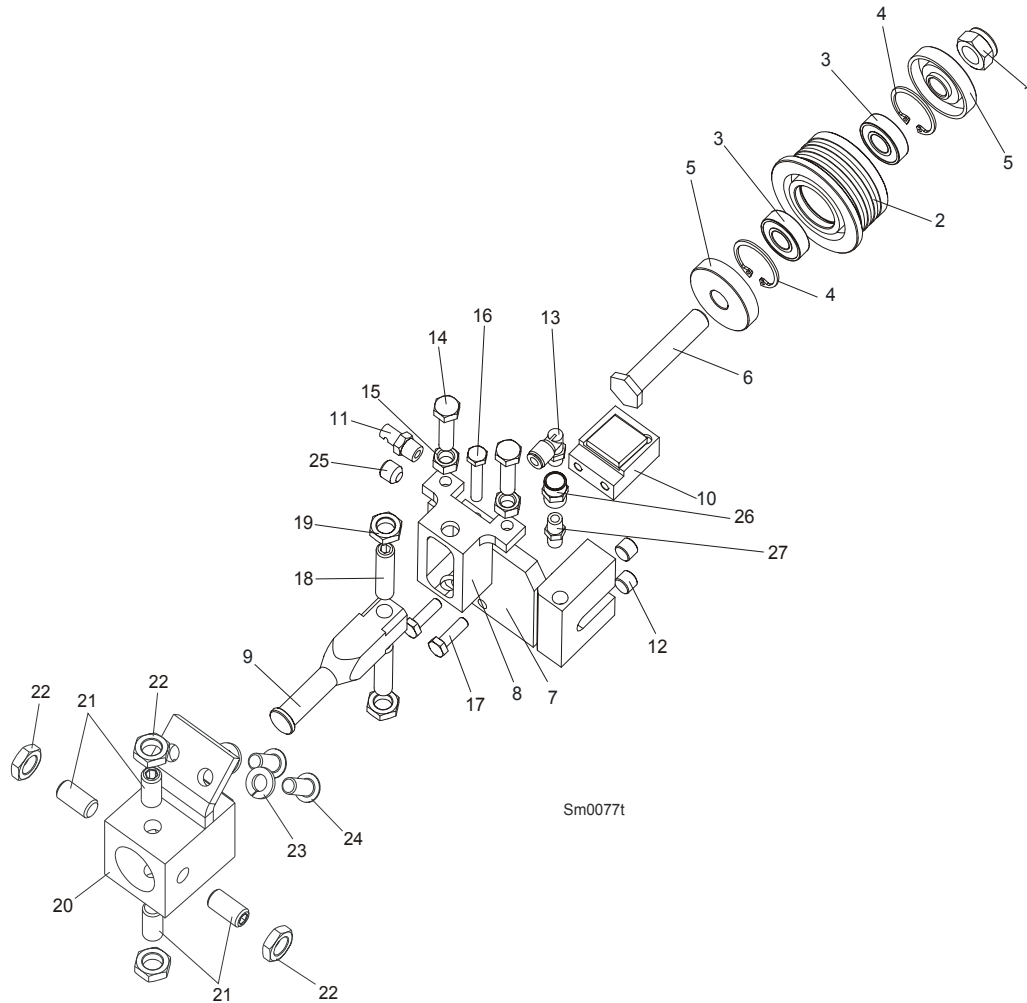
| 1.2 Sample Assembly | | | | |
|----------------------------|---|-----------|------|---|
| REF | DESCRIPTION (◆ Indicates Parts Available In Assemblies Only) | PART # | QTY. | |
| | Sample Assembly, Complete (Includes All Indented Parts Below) | A01111 | 1 | |
| 1 | Sample Part | F02222-22 | 1 | |
| | Sample Subassembly (Includes All Indented Parts Below) | A03333 | 1 | |
| 2 | Sample Part (◆ Indicates Part Is Only Available With A03333) | S04444-4 | 1 | ◆ |
| | Sample Subassembly (Includes All Indented Parts Below) | K05555 | 1 | |
| 3 | Sample Part (◆ Indicates Part Is Only Available With K05555) | M06666 | 2 | ◆ |
| 4 | Sample Part | F07777-77 | 1 | |

To Order Parts:

- From Europe call our European Headquarters and Manufacturing Facility in Kolo, Poland at **+48-63-2626000**. From the continental U.S., call our toll-free Parts hotline at **1-800-448-7881**. Have your customer number, vehicle identification number, and part numbers ready when you call.
- From other international locations, contact the Wood-Mizer distributor in your area for parts.

SECTION 2 BLADE GUIDE ROLLERS & ARM

2.1 Blade Guide Assembly, Idle Side (Standard)



| REF | DESCRIPTION (◆ Indicates Parts Available In Assemblies Only) | PART# | QTY. |
|-----|--|----------|-------|
| | BLADE GUIDE ASSEMBLY, IDLE SIDE | 092523 | 1 |
| | BLADE GUIDE ASSEMBLY, IDLE SIDE, EXTENDED (for optional use with 1 1/2" blades) | 092994 | 1 |
| | Roller, Blade Guide Narrow W/Bearings | 088261 | 1 |
| | Roller, Blade Guide W/Bearings Extended (for optional use with 1 1/2" blades) | 092939 | 1 |
| 1 | Nut, M12-8 Hex Nylon Zinc Lock | F81034-2 | 1 |
| 2 | Roller, Blade Guide Narrow | 087889 | 1 |
| | Roller, Blade Guide Extended (for optional use with 1 1/2" blades) | 087890 | 1 |
| 3 | Bearing, 6001 2RSR NACHI | 087893 | 2 |
| 4 | Ring, W28 Inside Retaining | F81090-9 | 2 |
| 5 | Washer, Spacer | 087891-1 | 2 (1) |
| | Washer, Spacer (used with the Extended Roller only) ¹ | 087892-1 | 1 |
| 6 | Bolt, Blade Guide Roller Zinc Plated | 087761-1 | 1 |

2

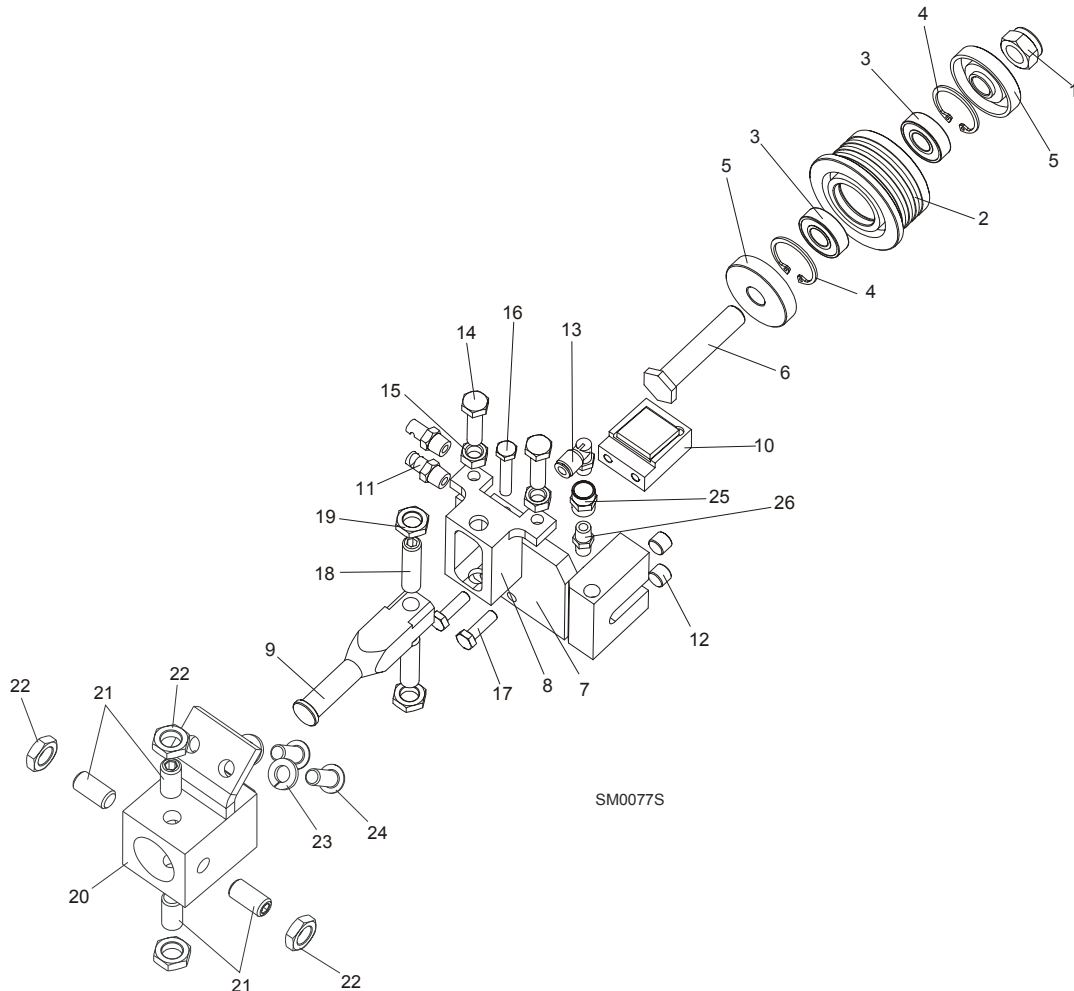
Blade Guide Rollers & Arm

Blade Guide Assembly, Idle Side (Standard)

| | | | | |
|----|---|------------|---|--|
| | Bolt, Blade Guide Roller Zinc Plated (used with the Extended Roller only) | 092940-1 | 1 | |
| 7 | Block Weldment, Nozzle Zinc Plated | 087750-1 | 1 | |
| 8 | Block, Zinc Plated Roller Guide Adjuster | 087756-1 | 1 | |
| 9 | Shaft, Zinc Plated Blade Guide Mount | 088255-1 | 1 | |
| 10 | Disc Assembly, EZ-Glide Blade Guide Wear | 087760 | 1 | |
| 11 | Nozzle, Blade Water Lube Spray | 016637 | 1 | |
| 12 | Plug, M10x1 DIN 906 BN40 "BOSSARD" | F81015-3 | 2 | |
| 13 | Fitting, 90° Elbow 1/8NPT-1/4 Tube Swivel | P09736 | 1 | |
| 14 | Bolt, M8x30 DIN933 A2-70 Stainless Steel | F81002-27 | 2 | |
| 15 | Nut, M8 DIN934 A2-70 Stainless Steel | F81032-7 | 2 | |
| 16 | Bolt, M6x30 DIN933 A2-70 Stainless Steel | F81001-37 | 1 | |
| 17 | Bolt, M6x20-8.8 Hex Head Full Thread Zinc | F81001-2 | 2 | |
| 18 | Screw, M10x1x40 DIN913 Stainless Steel Set | F81015-2 | 2 | |
| 19 | Nut, M10x1-04-ST-A2 ISO 8675 Thin | F81033-10 | 2 | |
| 20 | BLOCK WELDMENT, PAINTED BLADE GUIDE MOUNT | 088292-1 | 1 | |
| 21 | SCREW, M10X1X20 DIN913 STAINLESS STEEL SET | F81015-1 | 4 | |
| 22 | NUT, M10x1-04-ST-A2 ISO 8675 THIN | F81033-10 | 4 | |
| 23 | WASHER, 8.2 SPLIT LOCK ZINC | F81054-4 | 2 | |
| 24 | BOLT, 5/16-18X3/4 SOCKET HEAD | F05006-102 | 2 | |
| 25 | FITTING, 1/8 NPT SOCKET PIPE PLUG | P30127 | 1 | |
| 26 | FITTING, 1/8FPT COUPLING | P05748 | 1 | |
| 27 | NIPPLE, 1/8 DRY SEAL | P02764 | 1 | |

¹ Used only from the flanged side of the roller

2.2 Idle Side Blade Guide Assembly, Optional (LMS)



| REF | DESCRIPTION (◆ Indicates Parts Available In Assemblies Only) | PART# | QTY. |
|-----|--|----------|-------|
| | BLADE GUIDE ASSEMBLY, IDLE SIDE | 087749 | 1 |
| | BLADE GUIDE ASSEMBLY, IDLE SIDE. EXTENDED (for optional use with 1 1/2" blades) | 092996 | 1 |
| | Roller, Blade Guide Narrow W/Bearings | 088261 | 1 |
| | Roller, Blade Guide W/Bearings Extended (for optional use with 1 1/2" blades) | 092939 | 1 |
| 1 | Nut, M12-8 Hex Nylon Zinc Lock | F81034-2 | 1 |
| 2 | Roller, Blade Guide Narrow | 087889 | 1 |
| | Roller, Blade Guide Extended (for optional use with 1 1/2" blades) | 087890 | 1 |
| 3 | Bearing, 6001 2RSR NACHI | 087893 | 2 |
| 4 | Ring, W28 Inside Retaining | F81090-9 | 2 |
| 5 | Washer, Spacer | 087891 | 2 (1) |
| | Washer, Spacer (used with the Extended Roller only) ¹ | 087892-1 | 1 |
| 6 | Bolt, Blade Guide Roller Zinc-Plated | 087761-1 | 1 |
| | Bolt, Blade Guide Roller Zinc Plated (used with the Extended Roller only) | 092940-1 | 1 |

2

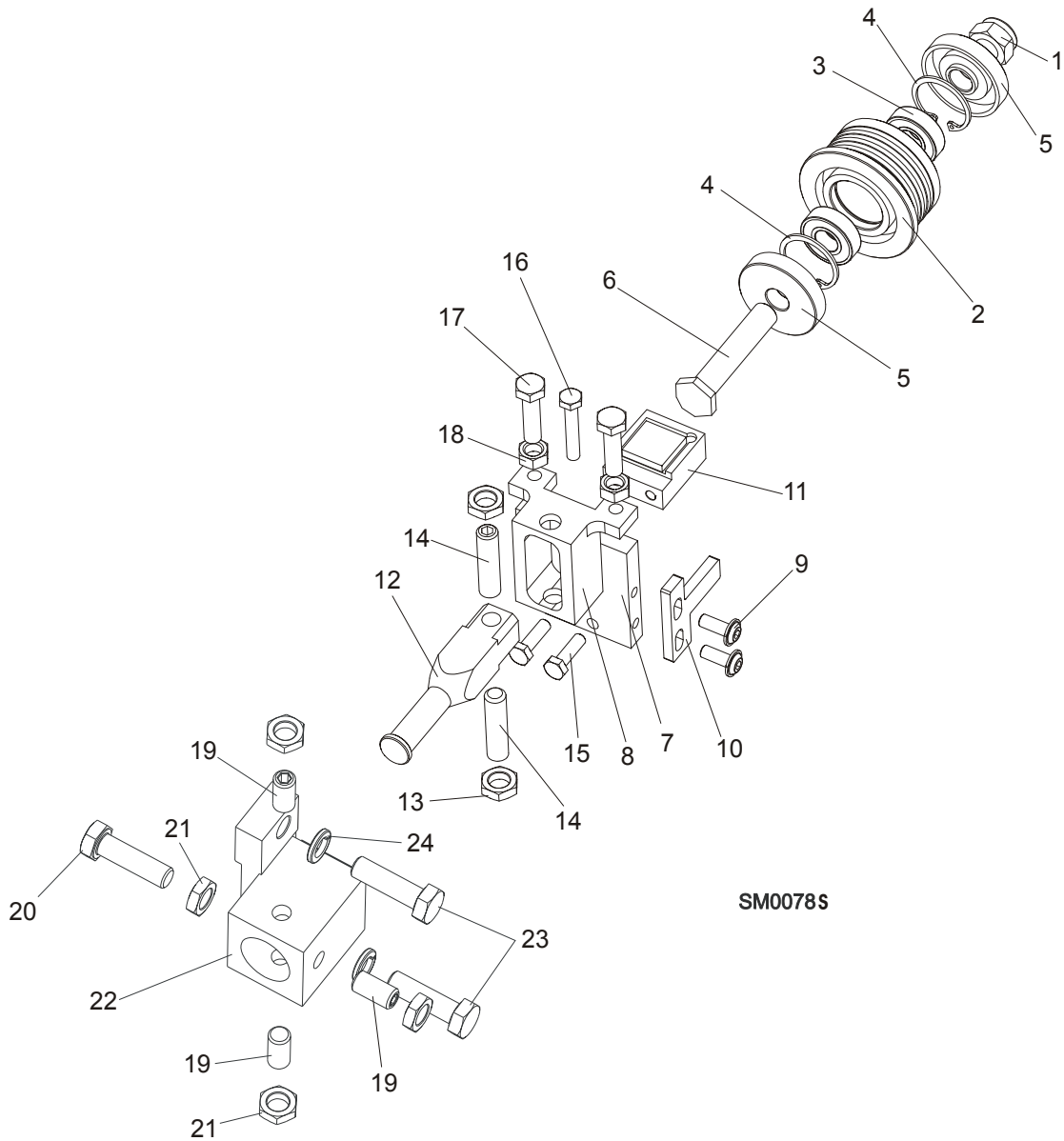
Blade Guide Rollers & Arm

Idle Side Blade Guide Assembly, Optional (LMS)

| | | | | |
|----|---|------------|---|--|
| 7 | Block Weldment, Nozzle Zinc-Plated | 087750-1 | 1 | |
| 8 | Block, Zinc-Plated Roller Guide Adjuster | 087756-1 | 1 | |
| 9 | Shaft, Zinc-Plated Blade Guide Mount | 088255-1 | 1 | |
| 10 | Disc Assembly, EZ-Glide Blade Guide Wear | 087760 | 1 | |
| 11 | Nozzle, Blade Lube Spray | 033479 | 2 | |
| 12 | Plug, M10x1 DIN 906 BN40 "BOSSARD" | F81015-3 | 2 | |
| 13 | Fitting, 90° Elbow 1/8NPT-1/4 Tube Swivel | P09736 | 1 | |
| 14 | Bolt, M8x30 DIN933 A2-70 Stainless Steel | F81002-27 | 2 | |
| 15 | Nut, M8 DIN934 A2-70 Stainless Steel | F81032-7 | 2 | |
| 16 | Bolt, M6x30 DIN933 A2-70 Stainless Steel | F81001-37 | 1 | |
| 17 | Bolt, M6x20-8.8 Hex Head Full Thread Zinc | F81001-2 | 2 | |
| 18 | Screw, M10x1x40 DIN913 Stainless Steel Set | F81015-2 | 2 | |
| 19 | Nut, M10x1-04-ST-A2 ISO 8675 Thin | F81033-10 | 2 | |
| 20 | BLOCK WELDMENT, PAINTED BLADE GUIDE MOUNT | 088292-1 | 1 | |
| 21 | SCREW, M10X1X20 DIN913 STAINLESS STEEL SET | F81015-1 | 4 | |
| 22 | NUT, M10x1-04-ST-A2 ISO 8675 THIN | F81033-10 | 4 | |
| 23 | WASHER, 8.2 SPLIT LOCK ZINC | F81054-4 | 2 | |
| 24 | BOLT, 5/16-18X3/4 SOCKET HEAD | F05006-102 | 2 | |
| 25 | FITTING, 1/8FPT COUPLING | P05748 | 1 | |
| 26 | NIPPLE, 1/8 DRY SEAL | P02764 | 1 | |

¹ Used only from the flanged side of the roller

2.3 Blade Guide Assembly, Drive Side



SM0078S

| REF | DESCRIPTION (◆ Indicates Parts Available In Assemblies Only) | PART# | QTY. |
|----------|---|----------|------|
| | BLADE GUIDE ASSEMBLY, DRIVE SIDE | 087748 | 1 |
| | BLADE GUIDE ASSEMBLY, DRIVE SIDE, Extended (for optional use with 1 1/2" blades) | 092995 | 1 |
| | Roller, Blade Guide Narrow W/Bearings | 088261 | 1 |
| | Roller, Blade Guide W/Bearings Extended (for optional use with 1 1/2" blades) | 092939 | 1 |
| 1 | Nut, M12-8 Hex Nylon Zinc Lock | F81034-2 | 1 |
| 2 | Roller, Blade Guide Narrow | 087889 | 1 |
| | Roller, Blade Guide Extended (for optional use with 1 1/2" blades) | 087890 | 1 |
| 3 | Bearing, 6001 2RSR NACHI | 087893 | 2 |

2

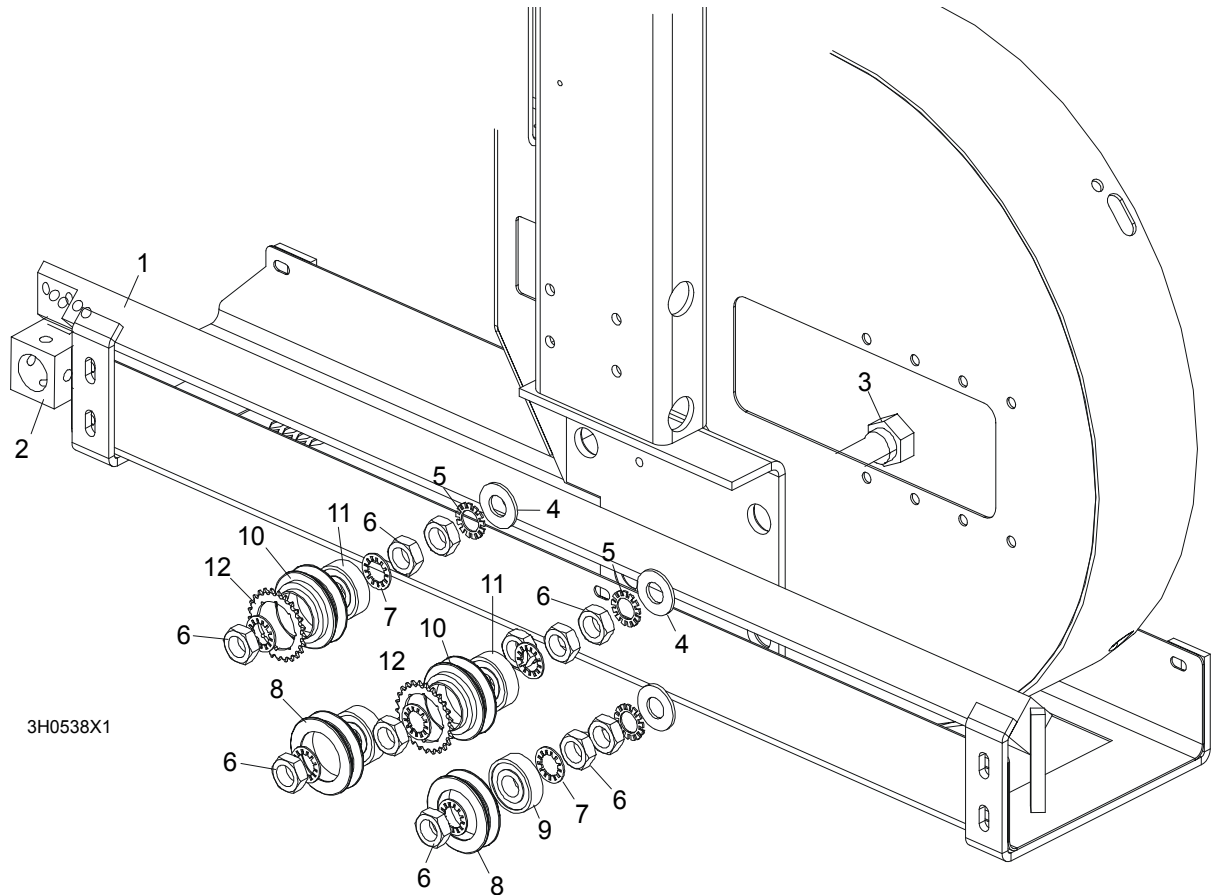
Blade Guide Rollers & Arm

Blade Guide Assembly, Drive Side

| | | | | |
|----|---|-----------|-------|--|
| 4 | Ring, W28 Inside Retaining | F81090-9 | 1 | |
| 5 | Washer, Spacer | 087891 | 2 (1) | |
| | Washer, Spacer (used with the Extended Roller only) ¹ | 087892-1 | 1 | |
| 6 | Bolt, Blade Guide Roller Zinc-Plated | 087761-1 | 1 | |
| | Bolt, Blade Guide Roller Zinc Plated (used with the Extended Roller only) | 092940-1 | 1 | |
| 7 | Plate, Zinc-Plated Blade Guide Mounting | 087753-1 | 1 | |
| 8 | Block, Zinc-Plated Roller Guide Adjuster | 087756-1 | 1 | |
| 9 | Screw, M6x16 BN 11252 "BOSSARD" | F81001-24 | 2 | |
| 10 | Wiper, Blade Zinc-Plated | 087757-1 | 1 | |
| 11 | Disc Assembly, EZ-Glide Blade Guide Wear | 087760 | 1 | |
| 12 | Shaft, Zinc-Plated Blade Guide Mount | 088255-1 | 1 | |
| 13 | Nut, M10x1-04-ST-A2 ISO 8675 Thin | F81033-10 | 2 | |
| 14 | Screw, M10x1x40 DIN913 Stainless Steel Set | F81015-2 | 2 | |
| 15 | Bolt, M6x20-8.8 Hex Head Full Thread Zinc | F81001-2 | 2 | |
| 16 | Bolt, M6x30 DIN933 A2-70 Stainless Steel | F81001-37 | 1 | |
| 17 | Bolt, M8x30 DIN933 A2-70 Stainless Steel | F81002-27 | 2 | |
| 18 | Nut, M8 DIN934 A2-70 Stainless Steel | F81032-7 | 2 | |
| 19 | Screw, M10X1X20 DIN913 Stainless Steel Set | F81015-1 | 3 | |
| 20 | BOLT, M10X1X25 DIN 933 STAINLESS STEEL | F81003-28 | 1 | |
| 21 | NUT, M10x1-04-ST-A2 ISO 8675 THIN | F81033-10 | 4 | |
| 22 | BLOCK WELDMENT, BLADE GUIDE MOUNT | 087744 | 1 | |
| 23 | BOLT, M10X35-8.8 HEX HEAD FULL THREAD ZINC | F81003-17 | 2 | |
| 24 | WASHER, 10.2 SPLIT LOCK ZINC | F81055-2 | 2 | |

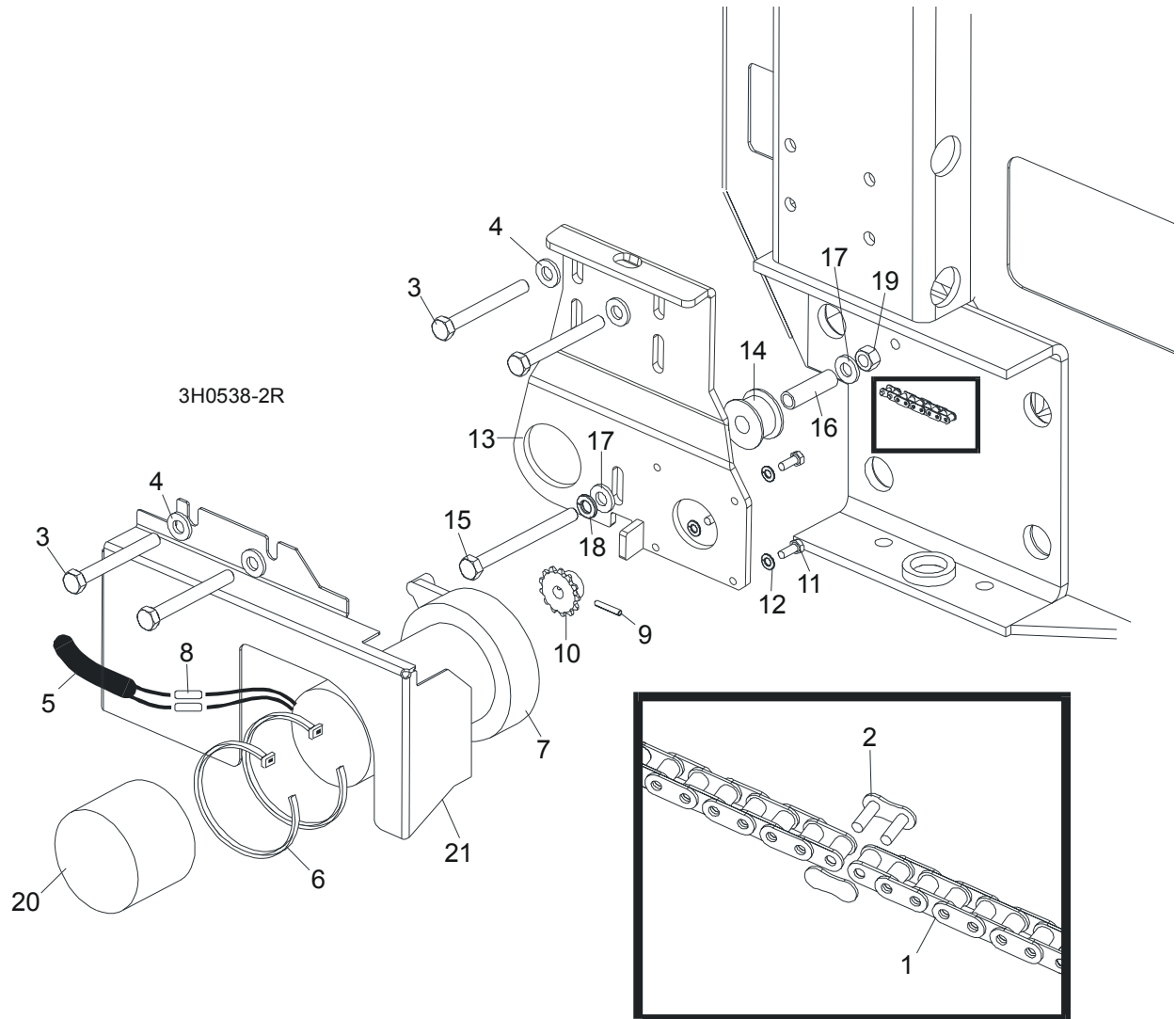
¹ Used only from the flanged side of the roller

2.4 Blade Guide Arm & Rollers



| REF | DESCRIPTION (◆ Indicates Parts Available In Assemblies Only) | PART # | QTY. | |
|-----|---|-----------|------|---|
| 1 | BLADE GUIDE ARM WELDMENT | 087018-1 | 1 | |
| 2 | Tube, Blade Guide Mount (G.S. - Bolted to Blade Guide Arm) | W10426 | 1 | |
| 3 | BOLT, BLADE GUIDE ARM ROLLER CAM | 086508-1 | 4 | |
| 4 | WASHER, 17 FLAT | F81058-1 | 4 | |
| 5 | WASHER, 5/8" EXTERNAL STAR | F05011-26 | 4 | |
| 6 | NUT, 5/8-18 HEX JAM | F05010-11 | 12 | |
| 7 | WASHER, 5/8" INTERNAL STAR | F05011-25 | 8 | |
| | ROLLER ASSEMBLY, BLADE GUIDE ARM WITH BEARING | A09059 | 2 | |
| 8 | Roller, Blade Guide Arm V-Groove | S07989-W | 1 | ◆ |
| 9 | Bearing, 6203-2NSL 5/8" I.D. | P06030-1 | 1 | |
| | ROLLER ASSEMBLY, BLADE GUIDE ARM WITH BEARING AND SPROCKET | A09932 | 2 | |
| 10 | Roller, Blade Guide Arm Drive | S09930-W | 1 | ◆ |
| 11 | Bearing, 6203-2NSL 5/8" I.D. | P06030-1 | 1 | |
| 12 | Sprocket, #25 26-Tooth | 015939 | 1 | ◆ |

2.5 Blade Guide Arm Drive Assembly

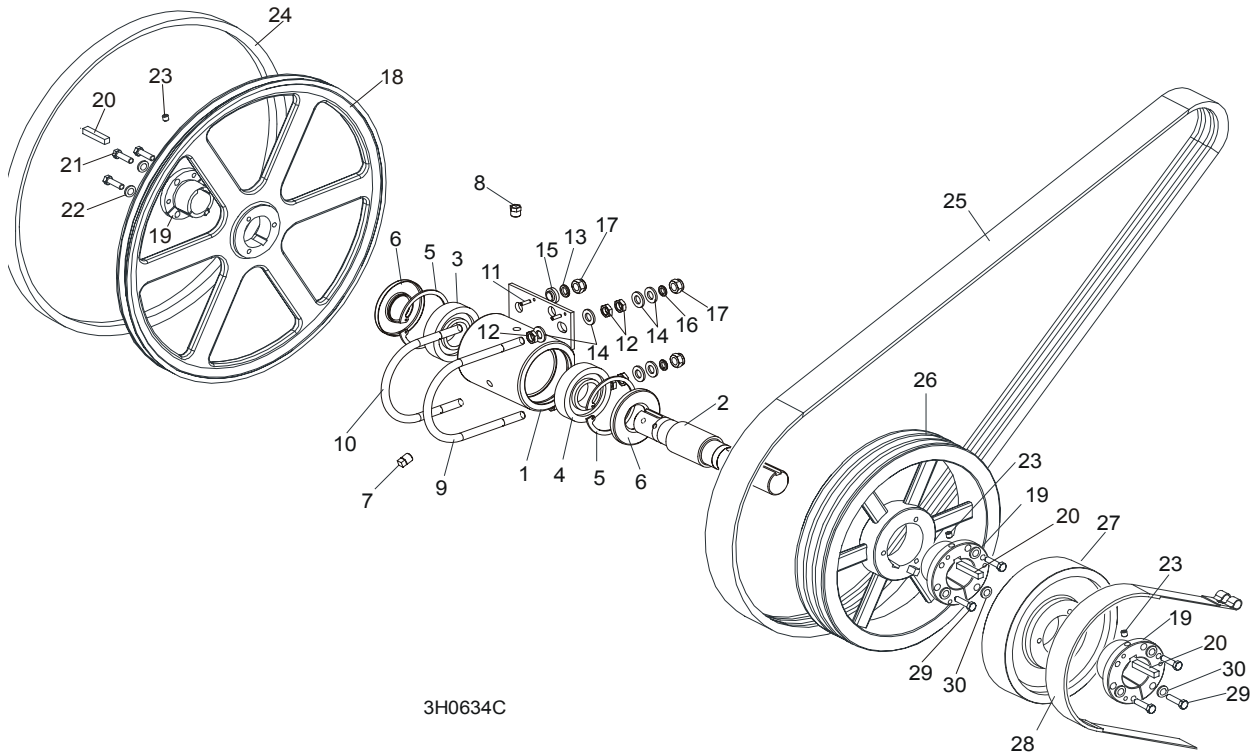


| REF | DESCRIPTION (◆ Indicates Parts Available In Assemblies Only) | PART # | QTY. |
|-----|--|-----------|--------|
| 1 | CHAIN, #25 X 20 1/4" | P09984 | 1 |
| 2 | LINK, #25 MASTER | P09983 | 1 |
| 3 | BOLT, 5/16-18 X 2 3/4" HEX HEAD GRADE 5 | F05006-28 | 4 |
| 4 | WASHER, 8.4 FLAT | F81054-1 | 4 |
| 5 | TUBE, 3/8" X 1/2" NEOPRENE | R01897 | 0,75 m |
| 6 | WRAP, 1/4" X 6" TIE | F05089-1 | 2 |
| | DRIVE ASSEMBLY, BLADE GUIDE ARM | 091005 | 1 |
| | Motor Assembly, Blade Guide Arm Replacement | A10365 | 1 |
| 7 | Motor, Blade Guide Arm 53:1 Gear | P09698-1 | 1 |
| | Housing, Klauber Motor End | P12756 | 1 |
| | Gear Kit, Klauber Motor Replacement | P12569 | 1 |

| | | | | |
|-----------|---|------------|---|--|
| | Brush Kit, Gear Motor Replacement | P12800 | 1 | |
| | Shaft Kit, Klauber Gear Motor Replacement | 009695 | 1 | |
| 8 | Connector, 14 Gauge Butt | F04875-1 | 2 | |
| 9 | Pin, 1/8" X 3/4" Roll | F05012-6 | 1 | |
| 10 | Sprocket, Gear Motor #25 14-Tooth | P09970 | 1 | |
| 11 | Screw, #10-32 x 1/2" Hex Head | F05004-60 | 4 | |
| 12 | Washer, 5.1 Split Lock | F81052-2 | 4 | |
| | Instruction Sheet, Blade Guide Arm Motor | A10353-296 | 1 | |
| 13 | Bracket, Blade Guide Arm Motor Mount | 087994-1 | 1 | |
| 14 | Roller, Blade Guide Arm Chain Idler | S09999 | 1 | |
| 15 | Bolt, M8x90-8.8 Hex Head Full Thread | F81002-16 | 1 | |
| 16 | Spacer, 5/16" I.D. X 1 1/2" | S09996 | 1 | |
| 17 | Washer, 5/16" SAE Flat | F81054-1 | 3 | |
| 18 | Washer, 8.2 Split Lock | F05011-13 | 1 | |
| 19 | Nut, M8-8-B Hex Lock | F81032-1 | 1 | |
| 20 | Boot, Gear Motor Weather | 023720 | 1 | |
| 21 | COVER, BLADE GUIDE ARM MOTOR | 093460-1 | 1 | |

SECTION 3 BLADE WHEELS & TENSIONER

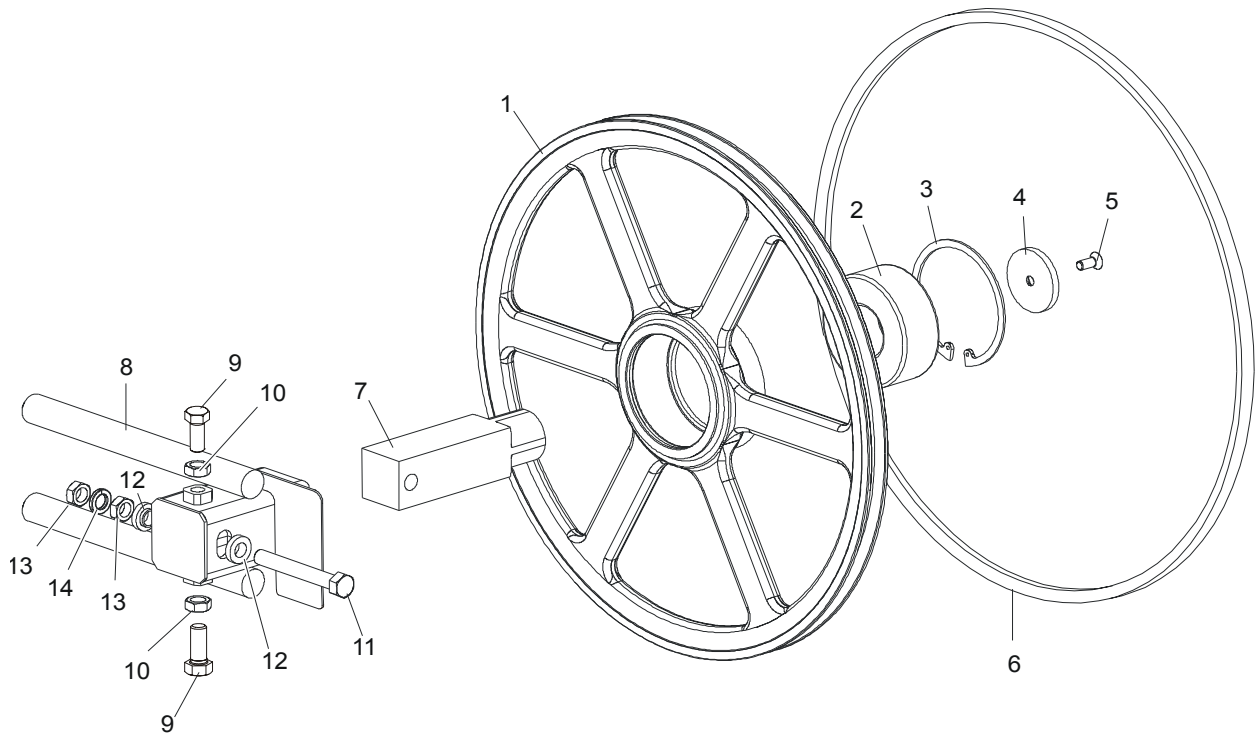
3.1 Blade Drive Assembly



| REF | DESCRIPTION (◆ Indicates Parts Available In Assemblies Only) | PART # | QTY. |
|-----|--|-----------|------|
| | BEARING ASSEMBLY, DRIVE | 086291 | 1 |
| 1 | Housing, Blade Wheel Drive Bearing | 086293 | 1 |
| 2 | Shaft, Blade Wheel Drive | 086292 | 1 |
| 3 | Bearing, Blade Wheel Drive NJ308 | 085939 | 1 |
| 4 | Bearing, Blade Wheel Drive #6308 | 085940 | 1 |
| 5 | Ring, 90mm Interior Retaining #17 | F04254-17 | 2 |
| 6 | Seal, Drive Bearing #CR15890 | P10206 | 2 |
| 7 | Plug, 1/4" NPT Square Head | P05498 | 1 |
| 8 | Plug, 1/4" NPT Vented | P12868 | 1 |
| 9 | Bolt, 1/2-13 Long U | S10207-1P | 1 |
| 10 | Bolt, 1/2-13 Short U | S10207-2P | 1 |
| 11 | Pin, 3/16" X 5/8" Roll | F05012-22 | 2 |
| 12 | Nut, M12-04-A Hex Jam | F81034-6 | 6 |
| 13 | Washer, 12.2 Split Lock | F81056-2 | 2 |
| 14 | Washer, 13 SAE Flat | F81056-1 | 8 |
| 15 | Spacer, Zinc | 086769-1 | 2 |
| 16 | Washer, 10.2 Split Lock Zinc | F81055-2 | 2 |

| | | | | |
|----|---|-----------|---|--|
| 17 | Nut, M12-8 Hex Nylon Lock | F81034-2 | 4 | |
| | WHEEL KIT, DRIVE SIDE BLADE | 014562 | 1 | |
| 18 | Wheel, Drive Side Blade | 016284 | 1 | |
| 19 | Bushing, Modified 1 9/16" P1 | 087214 | 1 | |
| 20 | KEY, 9.5h7x9.5x3.8 | 087384 | 3 | |
| 21 | BOLT, UNC 1/4"x1 1/2"-8.8 ZINC DIN933 HEX HEAD | F05005-31 | 3 | |
| 22 | WASHER, 1/4" UNC ZINC SPLIT LOCK | F81052-21 | 3 | |
| 23 | SCREW, M8x8-33H ZINC HEX SOCKET SET FLAT POINT | F81014-1 | 3 | |
| 24 | BELT, BLADE WHEEL B57 | P04185 | 1 | |
| 25 | BELT, 2BX72 DRIVE (G25) | P09555-2 | 1 | |
| | BELT, 3BX72 DRIVE (D33) | 014085 | 1 | |
| 26 | PULLEY, 2B5V124 SPECIAL (G25) | 087205-1 | 1 | |
| | PULLEY, 3B5V124 SPECIAL DRIVE (D33) | 087203-1 | 1 | |
| 27 | WHEEL, BRAKE | 087204-1 | 1 | |
| 28 | STRAP, METAL-BACKED BRAKE | 014391 | 1 | |
| 29 | BOLT, M8X35-8.8 ZINC HEX HEAD FULL THREAD | F81002-13 | 6 | |
| 30 | WASHER, 8.2 ZINC SPLIT LOCK | F81054-4 | 6 | |

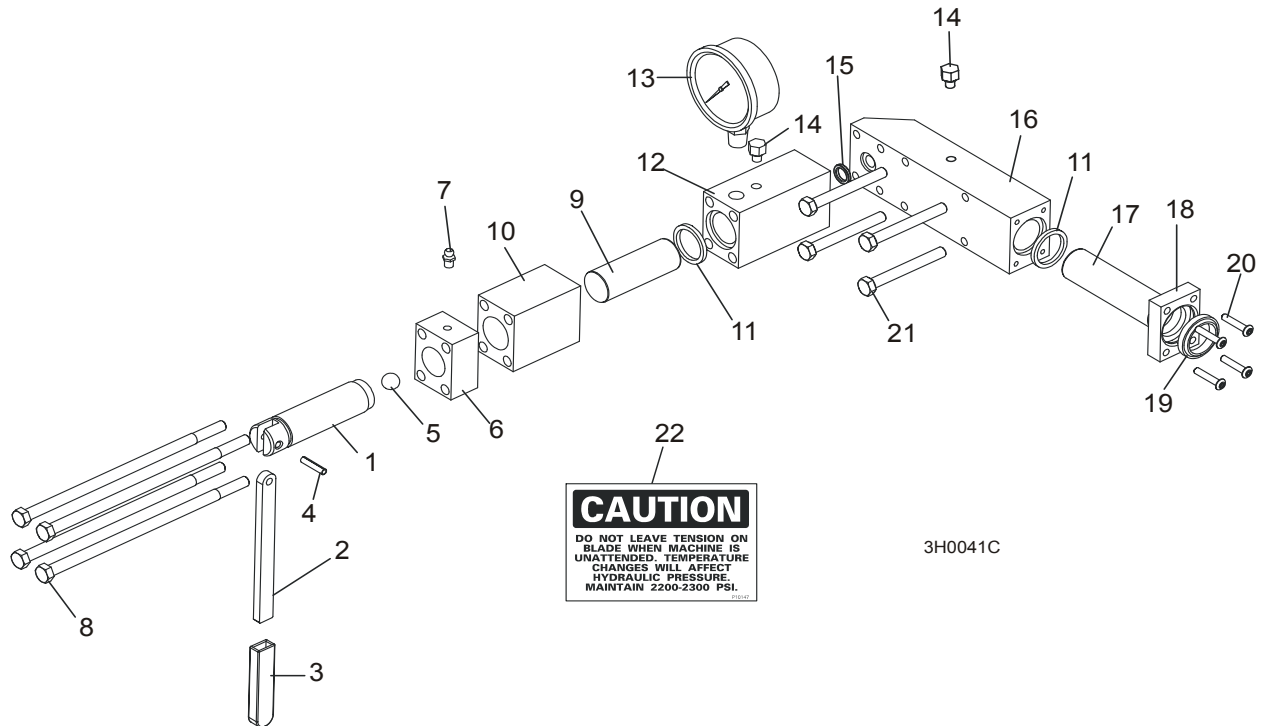
3.2 Idle Blade Wheel Assembly



SM0241C

| REF | DESCRIPTION (◆ Indicates Parts Available In Assemblies Only) | PART # | QTY. | |
|-----|--|------------|------|---|
| | WHEEL ASSEMBLY, IDLE SIDE BLADE | 016120 | 1 | |
| 1 | Wheel, Idle Side Blade | 016013 | 1 | ◆ |
| 2 | Bearing, Idle Side Blade Wheel #5309-2RS, C3, SRI-2 Grease | 086428 | 1 | |
| 3 | Ring, 100mm Internal Retaining Beveled | F04254-28 | 1 | |
| 4 | RETAINER, 2 3/16 X 1/4" | 016397 | 1 | |
| 5 | SCREW, 3/8-16X1 | F05007-64 | 1 | |
| 6 | BELT, BLADE WHEEL B57 | P04185 | 1 | |
| 7 | SHAFT, IDLE BLADE WHEEL | 016398 | 1 | |
| 8 | HOUSING, IDLE BLADE WHEEL SHAFT | 087665 | 1 | |
| 9 | SCREW, 1/2-20 X 1 1/4" FLAT POINT SET | F05008-108 | 2 | |
| 10 | NUT, 1/2-20 HEX JAM | F05010-16 | 2 | |
| 11 | BOLT, 1/2-20 X 3 3/4" HEX HEAD FULL THREAD GRADE 2 | F05008-111 | 1 | |
| 12 | SPACER, 1/2" I.D. FLANGED | 086769-1 | 2 | |
| 13 | NUT, 1/2-20 HEX JAM | F05010-16 | 2 | |
| 14 | WASHER, 12.2 SPLIT LOCK | F81056-2 | 1 | |

3.3 Hydraulic Blade Tensioner Assembly



CAUTION
DO NOT LEAVE TENSION ON
BLADE WHEN MACHINE IS
UNATTENDED. TEMPERATURE
CHANGES WILL AFFECT
HYDRAULIC PRESSURE.
MAINTAIN 2200-2300 PSI.

3H0041C

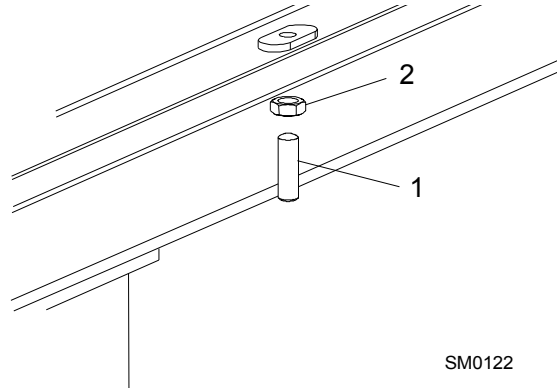
| REF | DESCRIPTION (◆ Indicates Parts Available In Assemblies Only) | PART # | QTY. |
|-----|--|------------|------|
| | HYDRAULIC BLADE TENSIONER ASSEMBLY | A10054 | 1 |
| | Handle Assembly, Hydraulic Blade Tensioner Screw | A12294 | 1 |
| 1 | Screw, Hydraulic Blade Tensioner | S10056 | 1 |
| 2 | Handle, Hydraulic Tensioner Screw | S08174 | 1 |
| 3 | Sleeve, Plastic Handle | P08072 | 1 |
| 4 | Pin, 3/16" x 7/8" Roll | F05012-11 | 1 |
| 5 | Ball, 1/2" Steel | P02720 | 1 |
| 6 | Block, Threaded Tensioner End | S10062 | 1 |
| 7 | Fitting, 1/4-28 Grease | P05060 | 1 |
| | Instruction Sheet, Tensioner Screw | A12294-518 | 1 |
| 8 | Bolt, 5/16-18 X 7 1/2" Hex Head Grade 5 | F05006-43 | 4 |
| 9 | Piston, Hydraulic Tensioner Front 2 3/4" Long | S10060 | 1 |
| 10 | Block, Piston Guide | S10061 | 1 |
| 11 | Seal, 1" Diameter | P10051 | 2 |
| 12 | Block, Hydraulic Tensioner Gauge Mounting | S10140 | 1 |
| 13 | Gauge, 3000 PSI | 090552 | 1 |
| 14 | Plug, Hydraulic Tensioner Fill | P10065 | 2 |
| 15 | Ring, 5/8" X 3/32" Square "O" | P10377 | 1 |
| 16 | Block, Rear Tensioner Piston | S10142 | 1 |
| 17 | Piston, Hydraulic Tensioner Rear 3 5/8" Long | S10059 | 1 |
| 18 | Block, Rear Piston End | S10089 | 1 |
| 19 | Wiper, 1" Diameter | P10053 | 1 |
| 20 | Bolt, #10-24 X 1" Socket Button Head | F05004-43 | 4 |

3**Blade Wheels & Tensioner***Hydraulic Blade Tensioner Assembly*

| | | | | |
|-----------|---|------------|---|--|
| 21 | Bolt, 5/16-18 X 2 3/4" Hex Head Grade 5 | F05006-28 | 4 | |
| 22 | Decal, Hydraulic Tension Caution | P10147 | 1 | |
| | Instruction Sheet, Hydraulic Tensioner Installation | A10136-272 | 1 | |

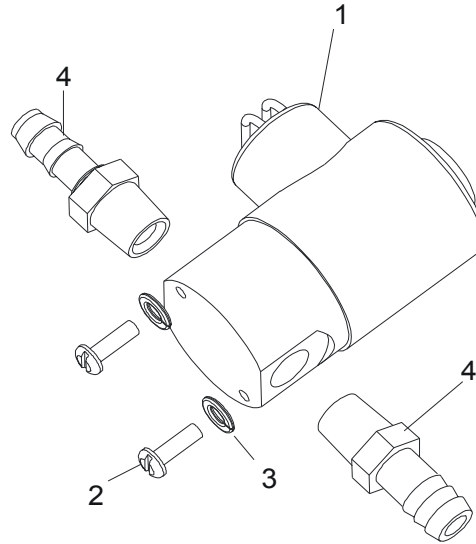
SECTION 4 SAW HEAD

4.1 Middle Throat Screw



| REF | DESCRIPTION (◆ Indicates Parts Available In Assemblies Only) | PART # | QTY. | |
|-----|--|-----------|------|--|
| 1 | SCREW, M10X40-45H OVAL POINT SOCKET SET, ZINC | F81003-61 | 1 | |
| 2 | NUT, M10-8-B HEX JAM, ZINC | F81033-3 | 1 | |

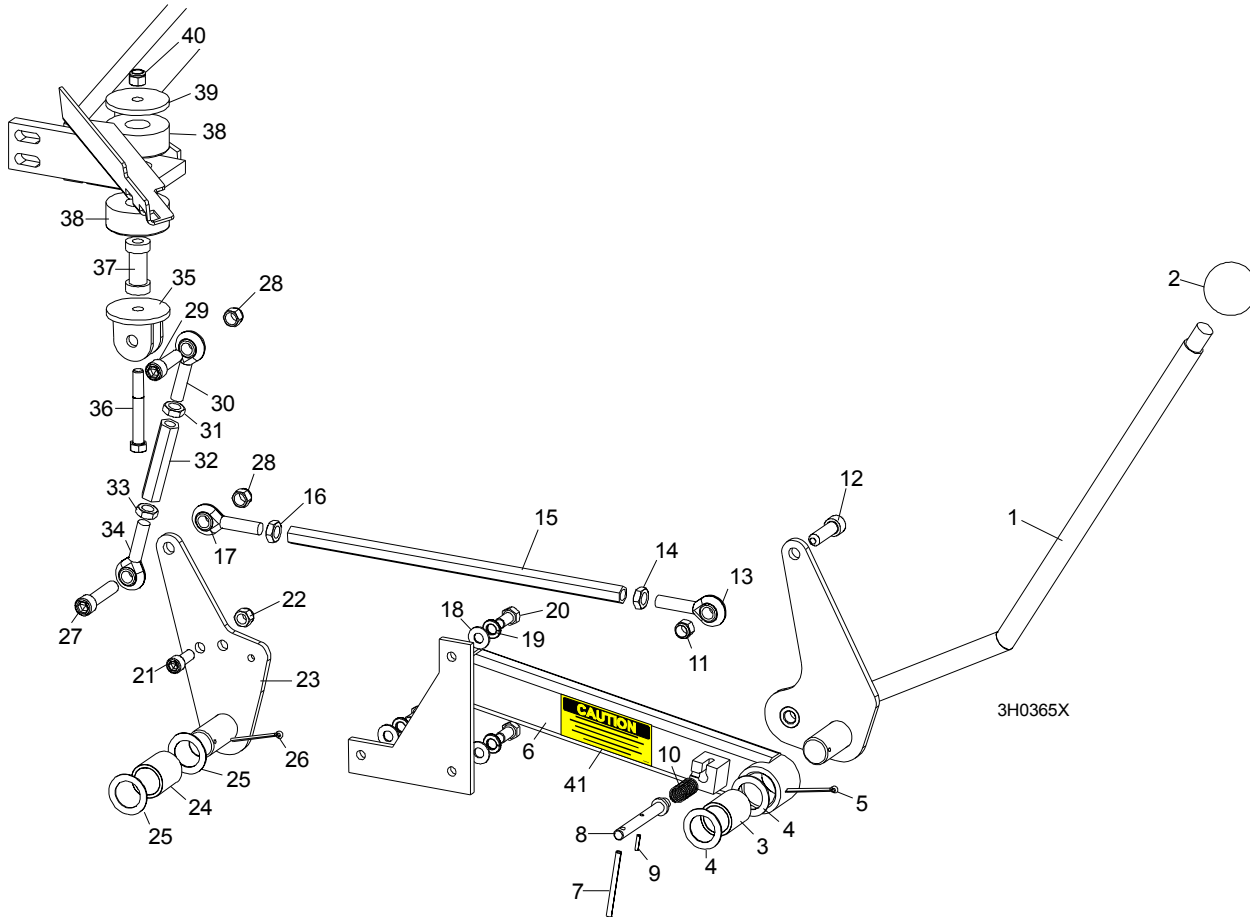
4.2 Water Lube Solenoid Valve



3H0310B

| REF | DESCRIPTION (◆ Indicates Parts Available In Assemblies Only) | PART # | QTY. | |
|-----|--|-----------|------|--|
| 1 | VALVE, WATER LUBE SOLENOID | 016140 | 1 | |
| 2 | SCREW, #10-32X1/2" CROSS SLOT ROUND HEAD | F05004-60 | 2 | |
| 3 | WASHER, 5.1 SPLIT LOCK | F81052-2 | 2 | |
| 4 | FITTING, 1/4" MALE NPT 3/8" HOSE BARB | P04682 | 2 | |

4.3 Clutch Lever Assembly



| REF | DESCRIPTION (◆ Indicates Parts Available In Assemblies Only) | PART # | QTY. | |
|-----|--|---------------------|------|---|
| | HANDLE ASSEMBLY, EXTENDED CLUTCH/BRAKE | 086242 | 1 | |
| 1 | Lever, Clutch/Brake | 086339-1 | 1 | ◆ |
| 2 | Knob, Plastic Round | 086337 | 1 | |
| 3 | Bushing, Clutch/Brake Pivot | P05041 | 1 | |
| 4 | Washer, Clutch/Brake Pivot | 087051-1 | 2 | |
| 5 | Pin, 1/8" X 1 3/4" Cotter | F05012-43 | 1 | |
| 6 | Extension Weldment, Clutch Handle | 086244-1 | 1 | |
| 7 | Pin, 3/16 x 2 1/2" Roll | F05012-27 | 1 | |
| 8 | Pin, Clutch Detent | 086243 ¹ | 1 | ◆ |
| 9 | Pin, 1/8" x 9/16" Roll | F05012-30 | 1 | |
| 10 | Spring, .58" OD x 1 1/8" | 021243 | 1 | |
| 11 | Nut, 7/16-20 Nylon Lock | F05010-83 | 1 | |
| 12 | Screw, 7/16-20 x 1 1/2" Socket Head | F05007-55 | 1 | |
| 13 | Rod End, 7/16-20 Left Hand Thread | P11578 | 1 | |
| 14 | Nut, 7/16-20 Hex Jam Left Hand Thread | F05010-87 | 1 | |
| 15 | Rod, Clutch Extension | 015073 | 1 | |
| 16 | Nut, 7/16-20 Hex Jam | F05010-38 | 1 | |

4

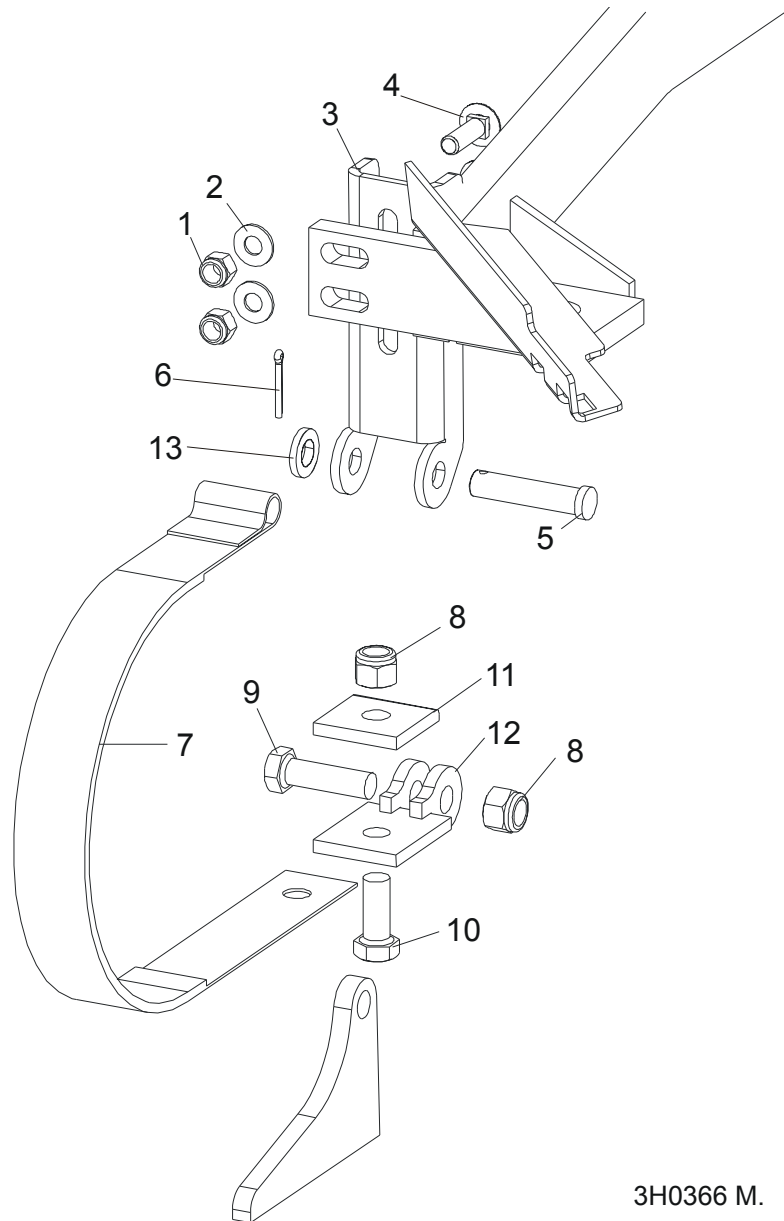
Saw Head

Clutch Lever Assembly

| | | | | |
|----|--|------------|---|--|
| 17 | Rod End, 7/16-20 Right Hand Thread | P11579 | 1 | |
| 18 | WASHER, 8.4 SAE FLAT | F81054-1 | 3 | |
| 19 | WASHER, 8.2 SPLIT LOCK | F81054-4 | 3 | |
| 20 | BOLT, M8X20-8.8-B HEX HEAD | F81002-4 | 3 | |
| 21 | BOLT, M10 X 25 SOCKET HEAD | F81003-32 | 1 | |
| 22 | NUT, M10-8-B HEX NYLON LOCK | F81033-1 | 1 | |
| 23 | PLATE WELDMENT, CLUTCH PIVOT | 087086-1 | 1 | |
| 24 | BUSHING, CLUTCH/BRAKE PIVOT | P05041 | 1 | |
| 25 | WASHER, CLUTCH/BRAKE PIVOT | 087051-1 | 2 | |
| 26 | PIN, 1/8" X 1 3/4" COTTER | F05012-43 | 1 | |
| 27 | SCREW, 7/16-20 X 2" SOCKET HEAD | F05007-120 | 1 | |
| 28 | NUT, 7/16-20 HEX NYLON LOCK | F05010-83 | 2 | |
| 29 | SCREW, 7/16-20 X 2" SOCKET HEAD | F05007-120 | 1 | |
| | TURNBUCKLE ASSEMBLY, CLUTCH/BRAKE LEVER | A12304 | 1 | |
| 30 | Rod End, 7/16-20 Right Hand Thread | P11579 | 1 | |
| 31 | Nut, 7/16-20 Hex Jam | F05010-38 | 1 | |
| 32 | Turnbuckle, 3" Clutch/Brake Lever | S11577 | 1 | |
| 33 | Nut, 7/16-20 Hex Jam Left Hand Thread | F05010-87 | 1 | |
| 34 | Rod End, 7/16-20 Left Hand Thread | P11578 | 1 | |
| 35 | BRACKET, CLUTCH MOUNT | W12411-1 | 1 | |
| 36 | BOLT, M10X70-8.8 HEX HEAD, ZINC | F81003-20 | 1 | |
| 37 | SPACER, MOTOR MOUNT VIBRATION BUSHING | S12410 | 1 | |
| 38 | BUSHING, MOTOR MOUNT VIBRATION | P05032 | 2 | |
| 39 | WASHER, 3/8" I.D. X 2 1/4" O.D. X 3/16" THICK | S12412-0 | 1 | |
| 40 | NUT, 3/8-16 NYLON LOCK | F05010-10 | 1 | |
| 41 | DECAL, PLACE PIN IN DETENT POSITION | 085089 | 1 | |

¹ Detent pin removed . Detent pin should be removed from previous revision mills to prevent possible injury caused by unintended use of the detent pin (such as using the pin to enable the blade to be spun by hand during blade tracking). See bulletin #970053LR for pin removal instructions.

4.4 Brake Assembly



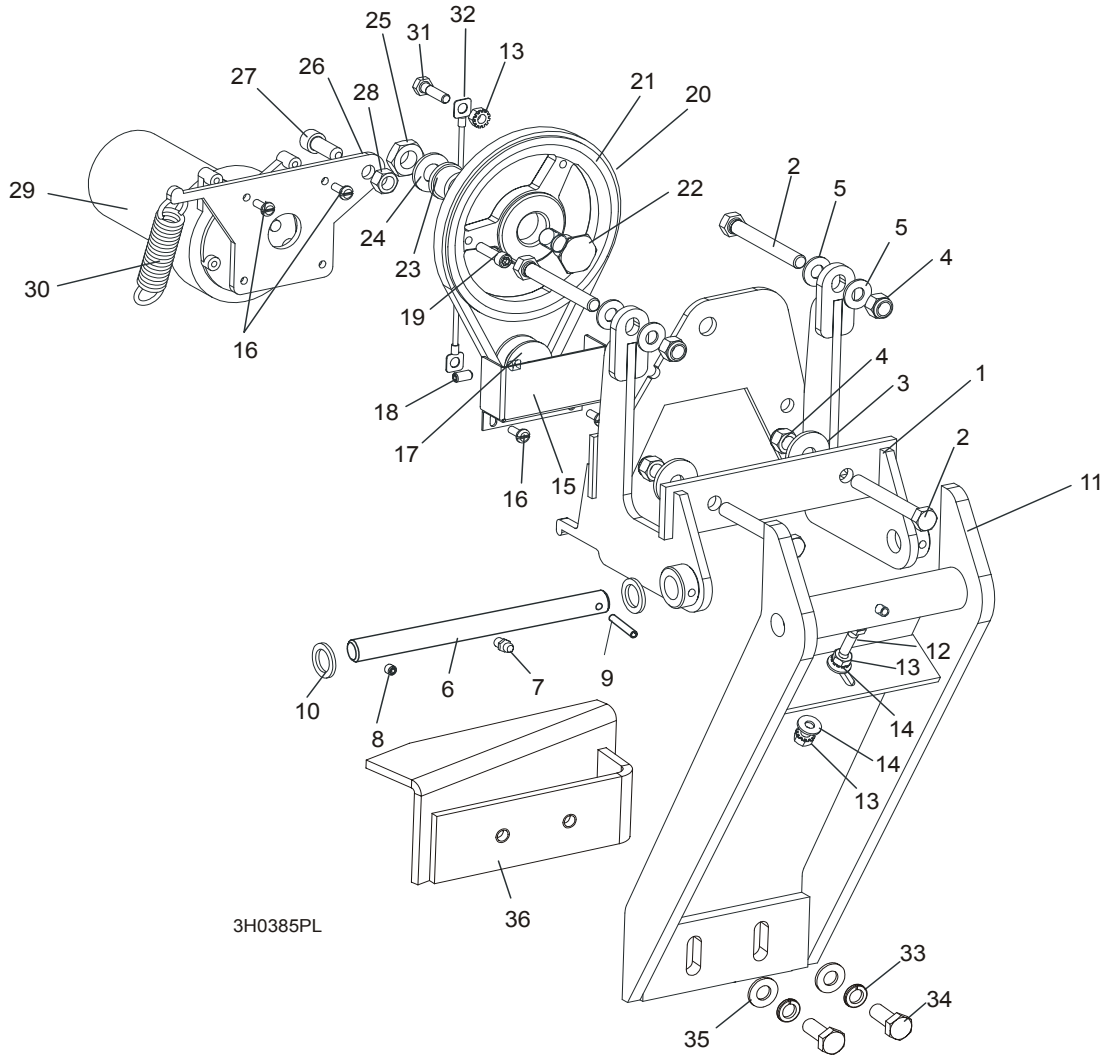
3H0366 M.

| REF | DESCRIPTION (◆ Indicates Parts Available In Assemblies Only) | PART # | QTY. |
|-----|--|------------|------|
| | STRAP RETROFIT, SUPER BRAKE | 014441 | 1 |
| 1 | Nut, 3/8-16 Nylon Lock | F05010-10 | 2 |
| 2 | Washer, 10.5 Flat | F81055-1 | 2 |
| 3 | Bracket, Upper Super Brake Strap Mount | 014395 | 1 |
| 4 | Bolt, 3/8-16 x 1 1/4" Carriage Head Grade 5 | F05007-127 | 2 |
| 5 | Pin, 1/2" x 2 1/4" Clevis | F05012-81 | 1 |
| 6 | Pin, 1/8" x 1" Cotter | F05012-1 | 1 |
| 7 | Strap, Upper Pivot Metal Brake | 014391 | 1 |
| 8 | Nut, M12-8-B Nylon Lock | F81034-2 | 2 |

4**Saw Head***Brake Assembly*

| | | | | |
|-----------|--|-----------|---|--|
| 9 | Bolt, M12 x 40-8.8 Hex Head | F81004-4 | 1 | |
| 10 | Bolt, M12 x 30-8.8 Hex Head | F81004-22 | 1 | |
| 11 | Plate, Brake Strap Clamp | S04195-1 | 1 | |
| 12 | Bracket, Lower Super Brake Strap Mount | 014392 | 1 | |
| 13 | Washer, 13 Flat Zinc | F81056-1 | 1 | |

4.5 Board Return Assembly



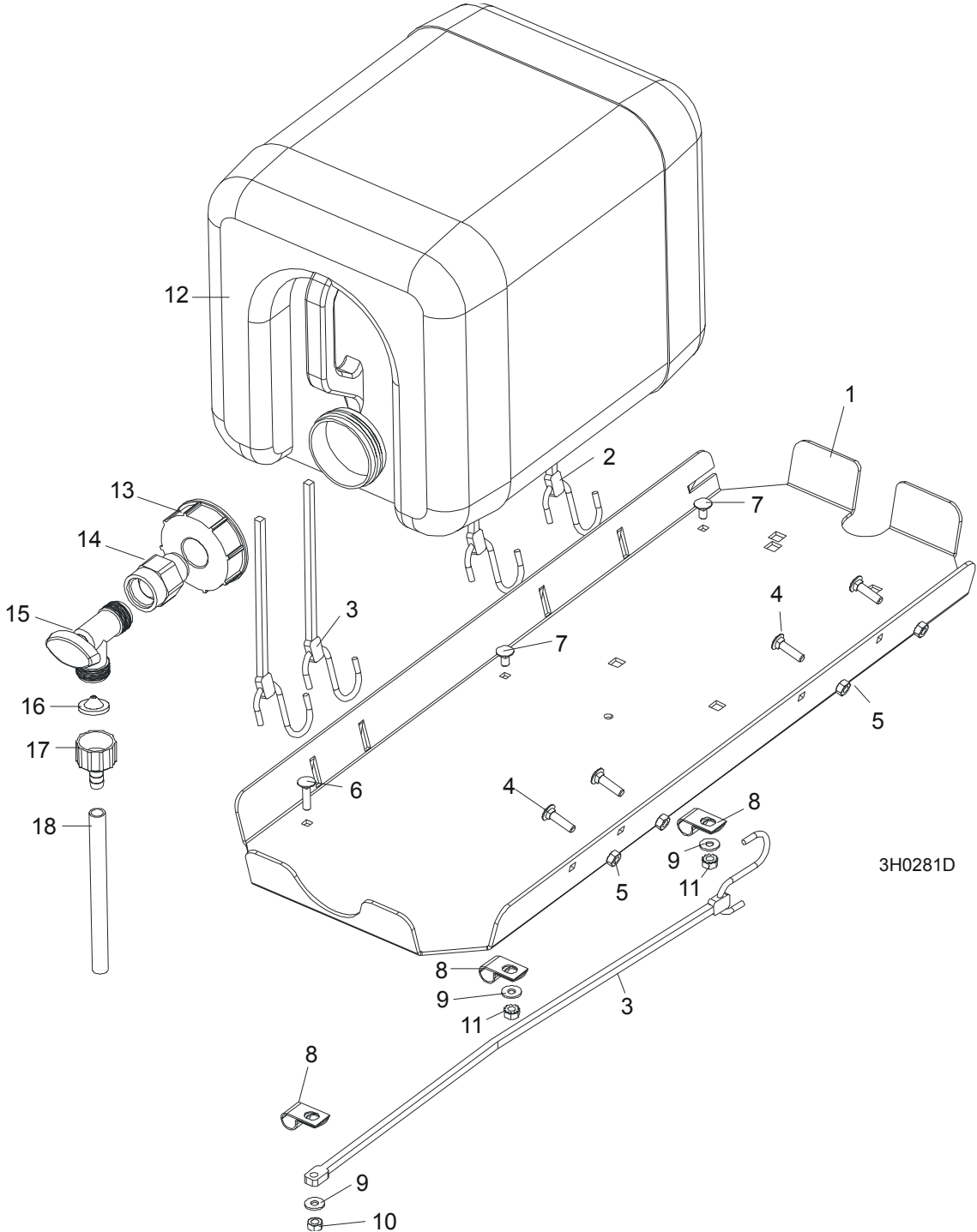
| REF | DESCRIPTION (◆ Indicates Parts Available In Assemblies Only) | PART # | QTY. |
|-----|--|-----------|------|
| | RETURN ASSEMBLY, BOARD | 087839-1 | 1 |
| 1 | Mount Weldment, Board Return | 087788-1 | 1 |
| 2 | Bolt, 3/8-16 x 3" Full Thread Hex Head | F05007-1 | 4 |
| 3 | Washer, 1/8" x 1 1/4" | F81055-1 | 2 |
| 4 | Nut, 3/8-16 Hex Nylon Lock | F05010-10 | 4 |
| 5 | Washer, 10.5 Flat | F81055-1 | 4 |
| 6 | Pin Kit, Board Return Replacement Pivot | 087837 | 1 |
| 7 | Fitting, M6 Grease | 086280 | 1 |
| 8 | Screw, M6 X 8 Black Oxide Socket Head Set Cup Point | F81013-1 | 1 |
| 9 | Pin, 5 X 30 Roll | F81044-21 | 1 |
| 10 | Washer, 5/8" x 15/16" x .094 Nylon | F05011-19 | 2 |
| 11 | Arm Weldment, Board Return | 087838-1 | 1 |

4

Saw Head*Board Return Assembly*

| | | | | |
|----|---|------------|---|--|
| 12 | Screw, 1/4-20 x 1" Full Thread Hex Head Cap | F05005-101 | 1 | |
| 13 | Nut, 1/4-20 Self Locking | F05010-9 | 3 | |
| 14 | Washer, 6.5 Flat | F81053-11 | 2 | |
| 15 | Guard, Board Return Belt | 087985-1 | 1 | |
| 16 | Screw, 10-32 x 1/2" Hex Head Machine | F05004-60 | 4 | |
| 17 | Sheave, 1.42 x .32 | 015074 | 1 | |
| 18 | Screw, 1/4-20 Socket Head Set Cup Point Nylon | F05005-105 | 1 | |
| 19 | Screw, 1/4-28 x 1/4" Socket Head Cap | F05005-1 | 1 | |
| 20 | Belt, 3L190 | 015477 | 1 | |
| 21 | Sheave, OK50 x 1/2" Modified | 015224 | 1 | |
| 22 | Bolt, Idler Pulley Pivot | 015221 | 1 | |
| 23 | Bushing, 5/8" x 7/8" x 1/2" Bronze | P05135 | 1 | |
| 24 | Washer, 13 Flat | F81056-1 | 1 | |
| 25 | Nut, 1/2-20 Jam Nylon Lock | F05010-79 | 1 | |
| 26 | Plate, Motor Pivot | 087871-1 | 1 | |
| 27 | Screw, M10 x 25-8.8 Black Oxide Socket Head Cap | F81003-32 | 1 | |
| 28 | Nut, 3/8-16 Self Locking | F05010-25 | 1 | |
| 29 | Motor, 53:1 ASA Gear | P09698-1 | 1 | |
| 30 | Spring, 3/4" x 2 7/8" x 12 Gauge | 015479 | 1 | |
| 31 | Bolt, 1/4-20 x 1" Hex Head Grade 5 | F05005-101 | 1 | |
| 32 | Cable, Board Return | 016090 | 1 | |
| 33 | Washer, 10.2 Split | F81055-2 | 2 | |
| 34 | Bolt, M10-1.5x25mm HH Gr8.8 | F81003-11 | 2 | |
| 35 | Washer, 10.5 Flat | F81055-1 | 2 | |
| 36 | Angle, Board Return | 087835-1 | 1 | |

4.6 Water Lube Assembly



| REF | DESCRIPTION (◆ Indicates Parts Available In Assemblies Only) | PART # | QTY. | |
|----------|--|----------|------|---|
| | TRAY ASSEMBLY, FUEL TANK/WATER BOTTLE | A11685 | 1 | |
| 1 | Tray, Fuel Tank/Water Bottle | 090376-1 | 1 | ◆ |

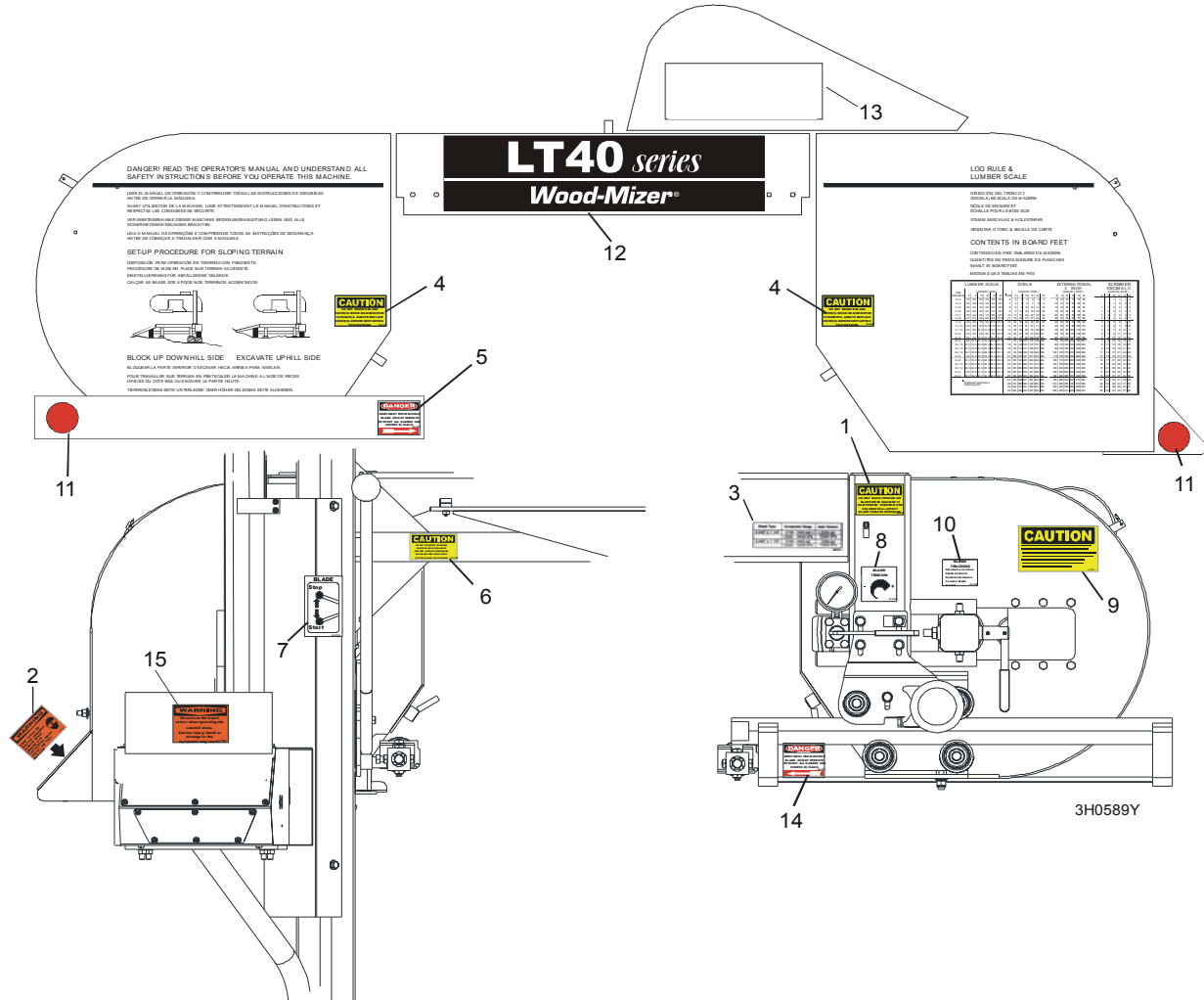
4

Saw Head*Water Lube Assembly*

| | | | | |
|----|---|---------------------|-------|--|
| 2 | Strap, 24" Rubber (For Fuel Tank - See Engine Manual) | P11258 | 2 | |
| 3 | Strap, 20" Rubber | P11668 | 3 | |
| 4 | Bolt, 1/4-20 X 1" Carriage Head | F05005-34 | 4 | |
| 5 | Nut, 1/4-20 Hex Lock | F05010-21 | 4 | |
| 6 | BOLT, 1/4-20 X 1" CARRIAGE HEAD | F05005-34 | 1 | |
| 7 | BOLT, 1/4-20 X 1/2" CARRIAGE HEAD | F05005-33 | 2 | |
| 8 | CLAMP, 1/2" EMT HOSE | P07584 | 3 | |
| 9 | WASHER, 6.5 FLAT ZINC | F81053-11 | 3 | |
| 10 | NUT, 1/4-20 HEX LOCK | F05010-21 | 1 | |
| 11 | STRAP, 15" RUBBER | P07461 | 1 | |
| 12 | NUT, 1/4-20 SELF-LOCKING | F05010-21 | 2 | |
| | BOTTLE ASSY, WATER LUBE | 014642 | 1 | |
| 13 | Bottle, 5-Gallon Water Lube | 014637 | 1 | |
| 14 | Cap, Water Lube Bottle Buttress Thread | 014773 | 1 | |
| 15 | FITTING, 3/4FPT X 3/4MPT | 014636 | 1 | |
| 16 | FITTING, WATER LUBE SHUTOFF VALVE | 014100 | 1 | |
| 17 | FILTER, WATER LUBE | 016086 ¹ | 1 | |
| 18 | FITTING, 5/8" NPT TO 3/8" HOSE BARB | 014113 | 1 | |
| 19 | TUBING, WATER LUBE 3/8" I.D. | R01885 | 2,1 m | |

¹ Filter recommended for Super models to prevent debris from entering water lube solenoid valve.

4.7 Saw Head Decals

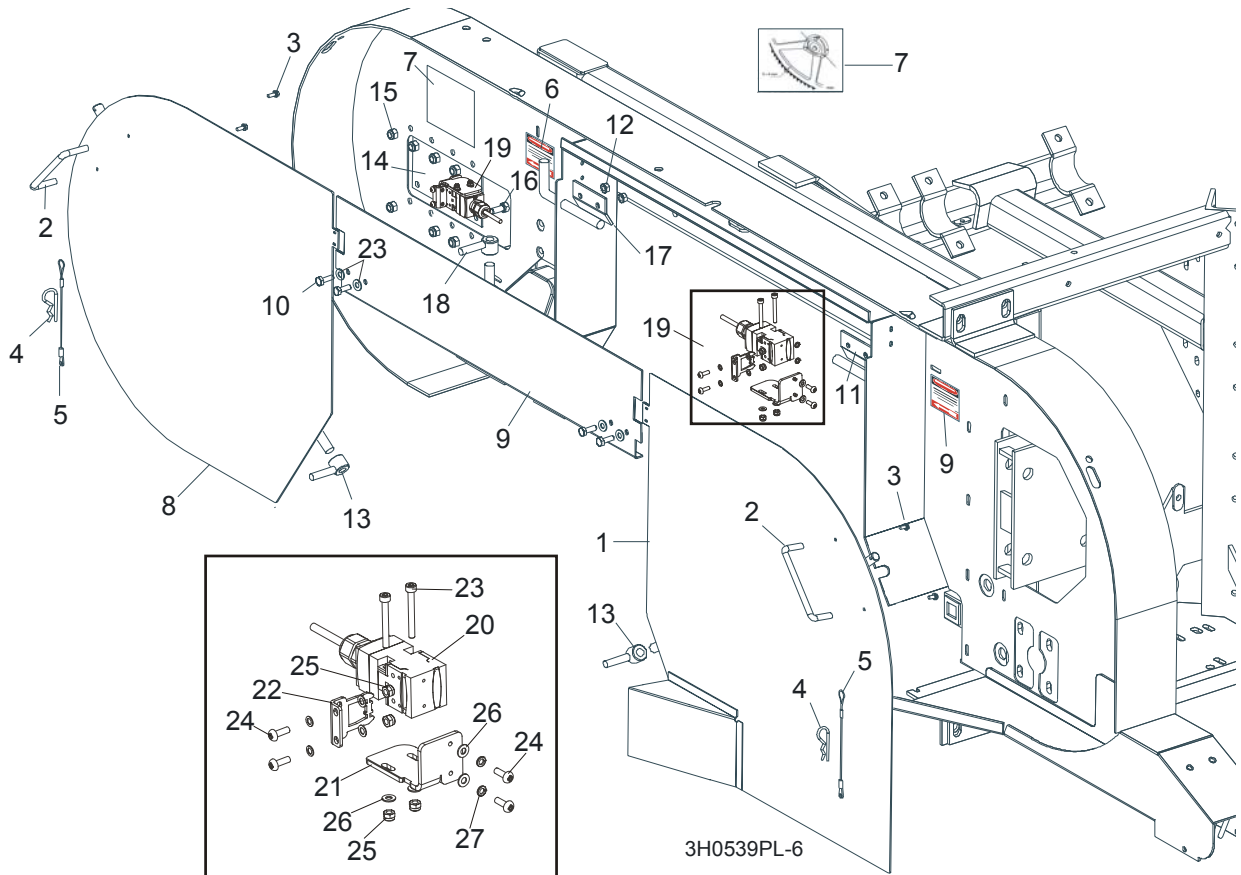


| REF | DESCRIPTION (◆ Indicates Parts Available In Assemblies Only) | PART # | QTY. |
|-----|--|--------|------|
| 1 | DECAL, BLADE TENSION CAUTION | P10147 | 1 |
| 2 | DECAL, SAWDUST CHUTE WARNING | P11754 | 1 |
| 3 | DECAL, BLADE TENSION RANGES | 085080 | 1 |
| 4 | DECAL, BLADE COVERS CAUTION | S20039 | 2 |
| 5 | DECAL, BLADE DANGER ARROW RIGHT | S11752 | 1 |
| 6 | DECAL, UP/DOWN CAUTION | S11762 | 1 |
| 7 | DECAL, BLADE START/STOP | P11779 | 1 |
| 8 | DECAL, BLADE TENSION INFO | P11790 | 1 |
| 9 | DECAL, SECURE THE SAW HEAD (PORTABLE SAWMILL ONLY) | S12581 | 1 |
| 10 | DECAL, BLADE ALIGNMENT INFO | P11789 | 1 |
| 11 | DECAL, RED REFLECTIVE 2" ROUND (PORTABLE SAWMILL ONLY) | P07452 | 2 |
| 12 | DECAL, SAWMILL TYPE | 092763 | |
| 13 | DECAL, WOOD-MIZER WHAT'S IN A NAME | S12528 | 1 |
| 14 | DECAL, BLADE DANGER ARROW LEFT | S11751 | 1 |
| 15 | DECAL, EYE/EAR PROTECTION WARNING | S11753 | 1 |

4**Saw Head***Saw Head Decals*

| | | | | |
|--|------------------------------------|--------|---|--|
| | DECAL, BLADE DANGER W/ARROW | S11751 | 1 | |
| | DECAL, BLADE DANGER W/ARROW | S11751 | 1 | |

4.8 Blade Housing Covers



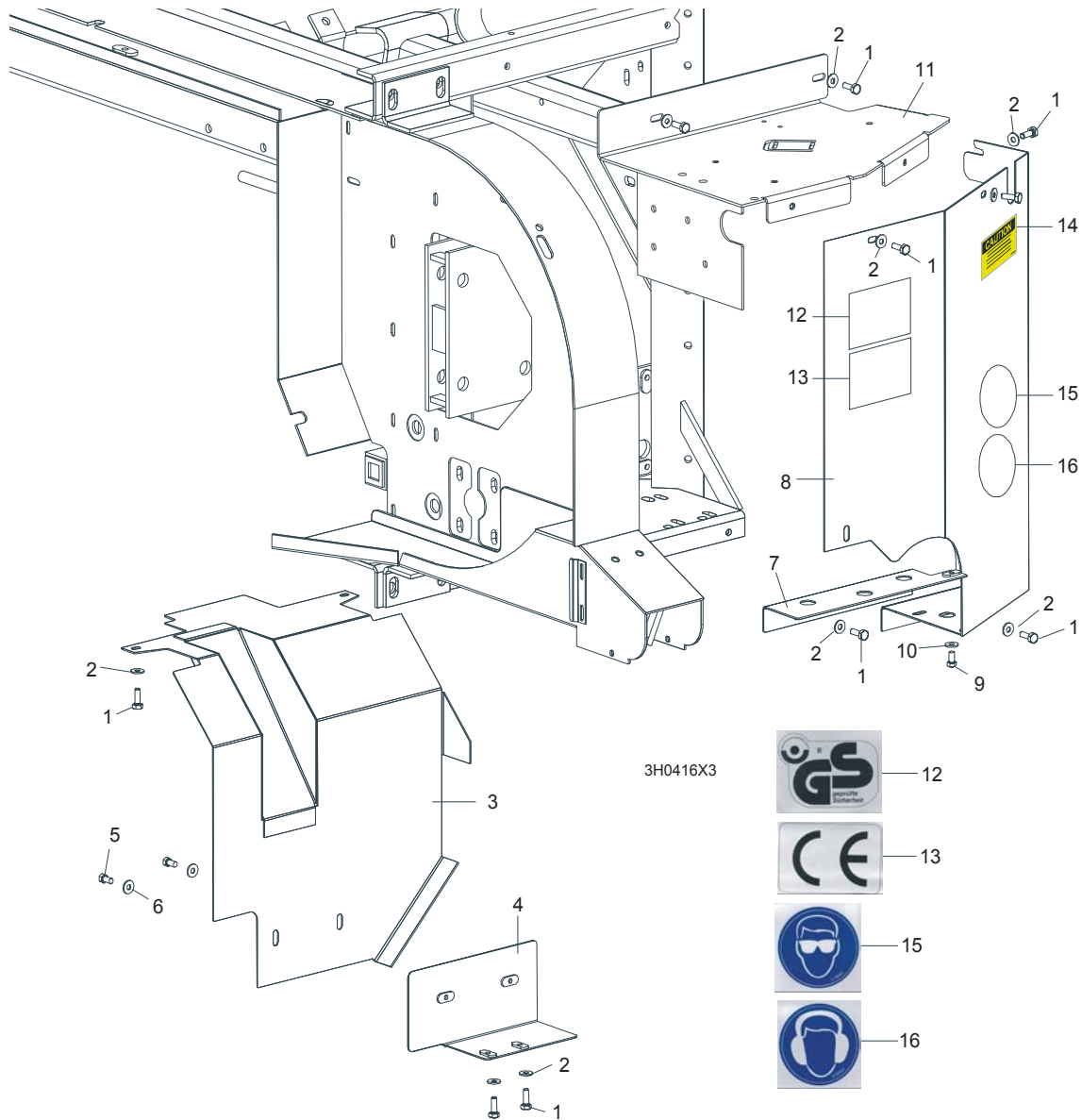
| REF | DESCRIPTION (◆ Indicates Parts Available In Assemblies Only) | PART # | QTY. | |
|-----|--|----------|------|---|
| | COVER ASSEMBLY, DRIVE SIDE BLADE HOUSING WITH HANDLE | 087165 | 1 | |
| 1 | Cover Weldment, Drive Side Blade Housing | 087159-1 | 1 | ◆ |
| 2 | Handle, Blade Housing Cover | P08065 | 1 | |
| 3 | Screw, #8-32 x 3/8" | F05015-8 | 2 | |
| | Pin Assembly, Cover Retainer | A11881 | 1 | |
| 4 | Pin, Safety Retainer | N/A | 1 | |
| 5 | Cable, 3/64" x 6" Lanyard | N/A | 1 | |
| 6 | DECAL, BLADE DANGER W/ARROW | S11751 | 2 | |
| 7 | DECAL, BLADE SETTING | P85066 | 1 | |
| | COVER, IDLE SIDE BLADE HOUSING WITH HANDLE | 086431 | 1 | |
| 8 | Cover, Idle Side Blade Housing | 086430-1 | 1 | ◆ |
| 2 | Handle, Blade Housing Cover | P08065 | 1 | |
| 3 | Screw, #8-32 X 3/8" Self-Tap | F05015-8 | 2 | |
| | Pin Assembly, Cover Retainer | A11881 | 1 | |
| 4 | Pin, Safety Retainer | N/A | 1 | |
| 5 | Cable, 3/64" x 6" Lanyard | N/A | 1 | |

4

Saw Head*Blade Housing Covers*

| | | | | |
|----|--|-----------|---|--|
| 9 | COVER, MIDDLE BLADE HOUSING | 087326-1 | 1 | |
| 10 | BOLT, 1/4-20 X 3/4" HEX HEAD | F05005-1 | 4 | |
| 11 | HINGE, MIDDLE BLADE HOUSING COVER | S07522 | 1 | |
| 12 | NUT, 1/4-20 SELF-LOCKING HEX | F05010-9 | 4 | |
| 13 | NUT, COVER TURN | 086365-1 | 2 | |
| 14 | PLATE, IDLE BLADE WHEEL GUARD | 086230 | 1 | |
| 15 | NUT, 5/16-18 HEX NYLON LOCK | F05010-58 | 6 | |
| 16 | BOLT, 5/16-18 X 3/4" HEX HEAD GRADE 2 | F05006-5 | 6 | |
| 17 | HINGE, MIDDLE BLADE HOUSING COVER | 085336-1 | 1 | |
| 18 | WASHER 6.4 ZINC | F81053-1 | 4 | |
| 19 | SWITCH ASSEMBLY, SAFETY SHUT-OFF | 094301 | 2 | |
| 20 | Safety Switch, AZ17-11ZRK | 094232 | 2 | |
| 21 | Holder, Safety Switch | 094300-1 | 2 | |
| 22 | Key, AZ17/170-B5 Safety Switch | 094422 | 2 | |
| 23 | Bolt, M4 x 35-8.8 Socket Head | F81011-34 | 4 | |
| 24 | Screw, M4 x 12-5.8 | F81011-43 | 8 | |
| 25 | Nut, M4 Hex | F81029-1 | 8 | |
| 26 | Washer, M4 Split Lock Zinc | F81051-1 | 4 | |
| 27 | Washer, 4.3 | F81051-2 | 8 | |

4.9 Drive Belt Covers



| REF | DESCRIPTION (◆ Indicates Parts Available In Assemblies Only) | PART # | QTY. |
|-----|--|---------------------|------|
| 1 | BOLT, M6X12-8.8-ZINC | F81001-7 | 11 |
| 2 | WASHER 6,5 ZINC | F81053-11 | 11 |
| | GUARD ASSEMBLY, CLUTCH LEVER | 086290 ¹ | 1 |
| 3 | Guard Weldment, Manual Clutch | 093398-1 | 1 |
| 4 | Mount Weldment, Clutch Guard | 086275-1 | 1 |
| 5 | Bolt, M6X12-8.8 Hex Head Zinc | F81001-7 | 2 |
| 6 | Washer, 6.5 Flat Zinc | F81053-11 | 2 |
| | GUARD ASSEMBLY, DRIVE PULLEY SIDE | 093396 | 1 |
| 7 | Guard Weldment, Lower Up/Down | 093395-1 | 1 |
| 8 | Guard Weldment, C-Frame Enclosure | 092572-1 | 1 |

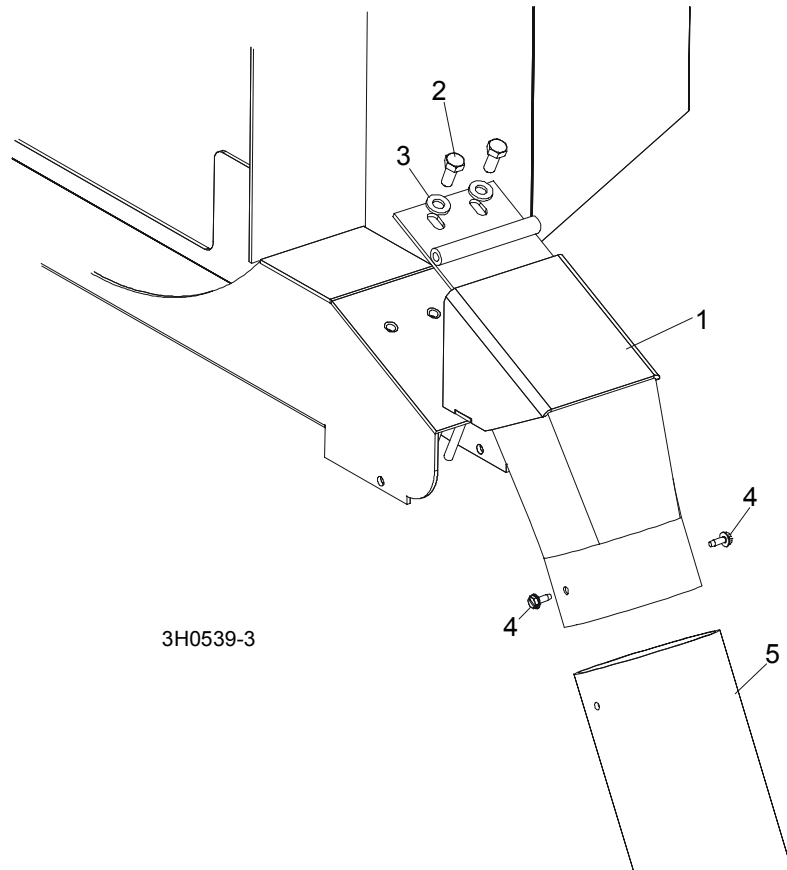
4 Saw Head

Drive Belt Covers

| | | | | |
|----|---------------------------------------|-----------|---|--|
| 9 | Bolt, M6X12-8.8 Hex Head Zinc | F81001-7 | 1 | |
| 10 | Washer, 6.5 Flat Zinc | F81053-11 | 1 | |
| 11 | GUARD, DRIVE PULLEY TOP | 087033-1 | 1 | |
| 12 | DECAL, GS SAFETY CERTIFICATION | P85073 | 1 | |
| 13 | DECAL, CE CRTIFIED SAWMILL | P85071 | 1 | |
| 14 | DECAL, UP/DOWN MOVEMENT DANGER | A11762 | 1 | |
| 15 | DECAL, EYE PROTECTION WARNING | S12004G | 1 | |
| 16 | DECAL, EAR PROTECTION WARNING | S12005G | 1 | |

¹ Different belt guards required if sawmill is equipped with autoclutch option. See Section 5.3 of the Autoclutch Option manual.

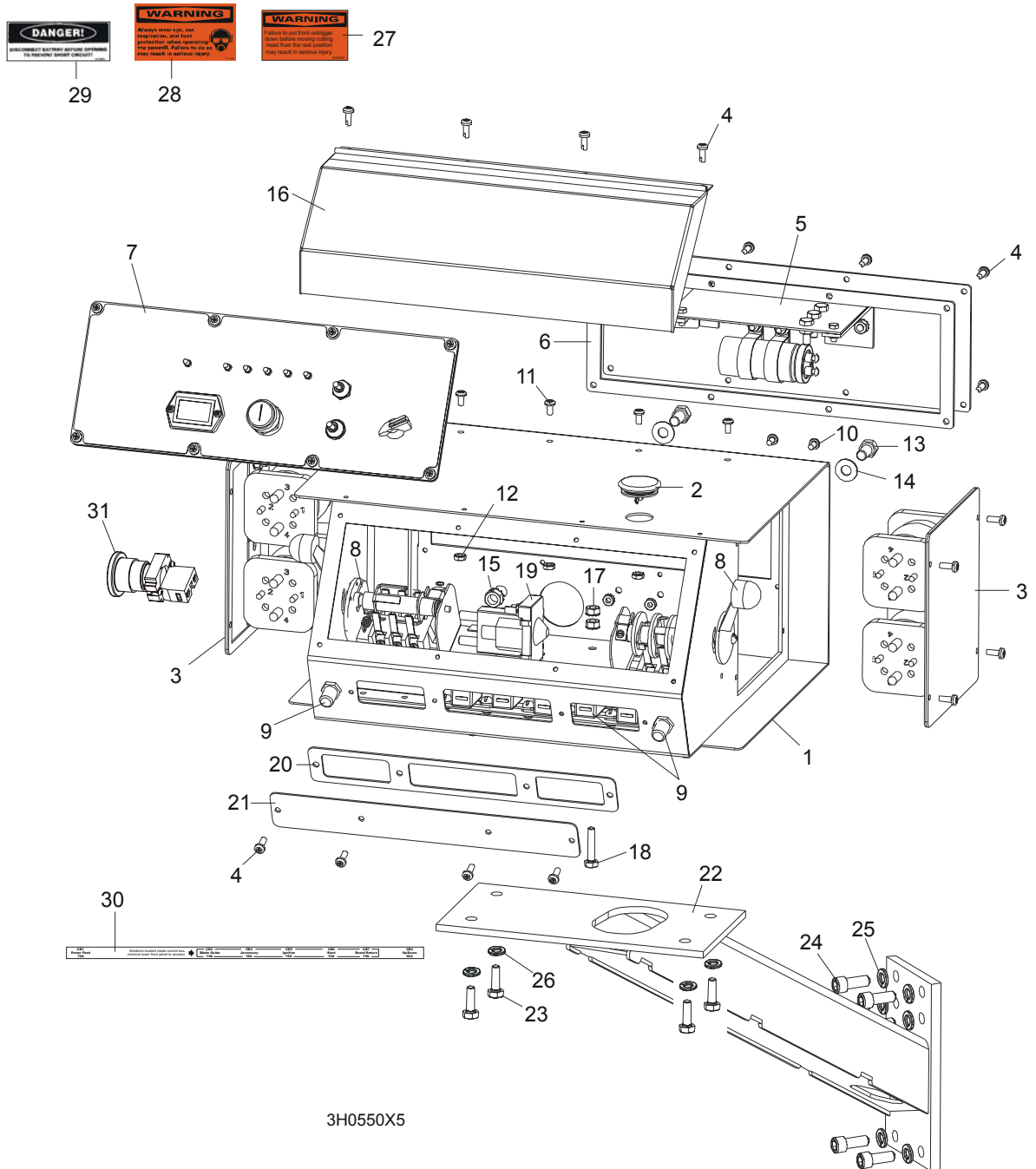
4.10 Sawdust Chute



| REF | DESCRIPTION (◆ Indicates Parts Available In Assemblies Only) | PART # | QTY. | |
|-----|--|-----------|-------|--|
| 1 | CHUTE WELDMENT, SAWDUST | 092460-1 | 1 | |
| 2 | BOLT, M8X20-8.8-B-ZINC HEX HEAD | F81002-20 | 2 | |
| 3 | WASHER 8,4-ZINC ROUND | F81054-1 | 2 | |
| 4 | BOLT, #10-24 X 1/2" SELF-TAPPING | F05015-7 | 2 | |
| 5 | TUBING, 4" I.D. RUBBER | 086364 | 0.6 m | |
| | STRAP, 20" RUBBER W/HOOK | P11668 | 1 | |
| | BOLT, 1/4-20 X 1 1/4" HEX HEAD FULL THREAD | F05005-3 | 1 | |
| | WASHER, 7.4 FLAT | F81056-11 | 1 | |
| | NUT, 1/4-20 LOCK | F05010-21 | 1 | |

SECTION 5 CONTROL & BATTERY BOXES

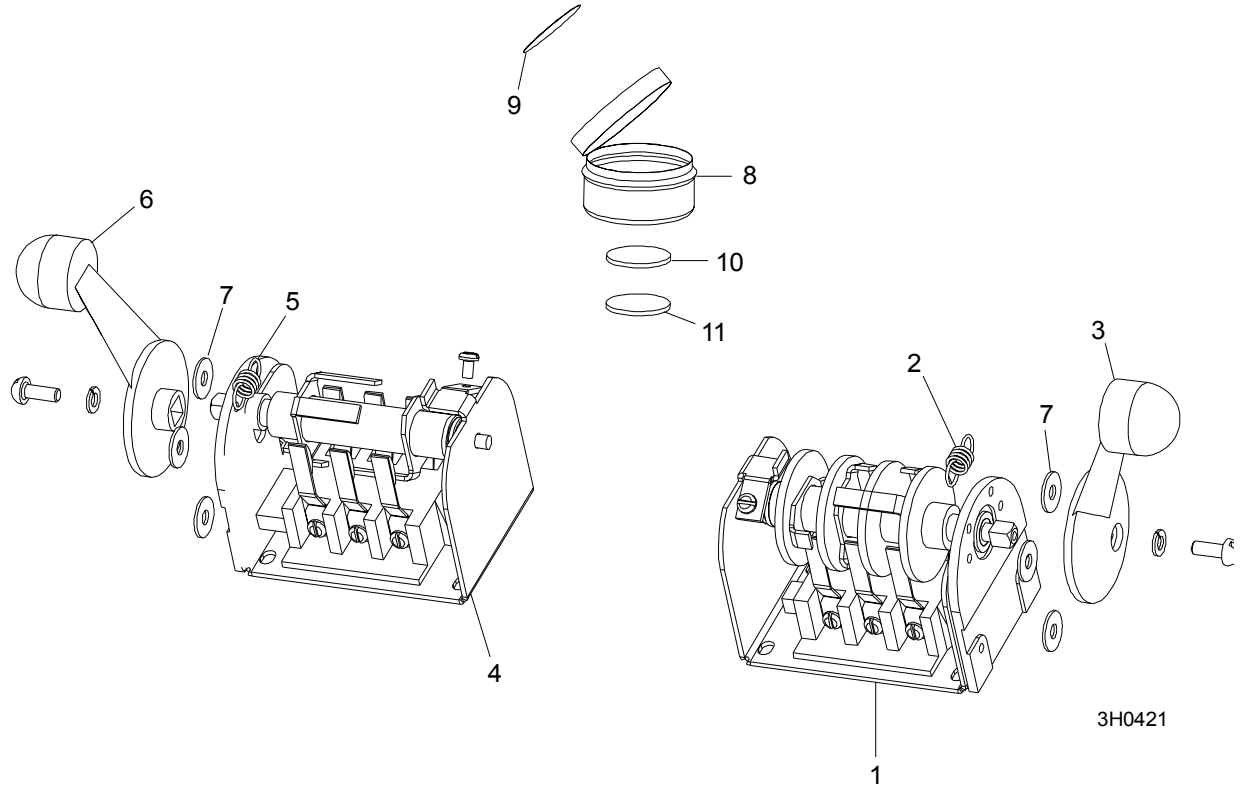
5.1 Control Assembly, LT40 Series



| REF | DESCRIPTION (◆ Indicates Parts Available In Assemblies Only) | PART # | QTY. |
|-----|--|--------|------|
| | CONTROL BOX ASSEMBLY | 086572 | 1 |

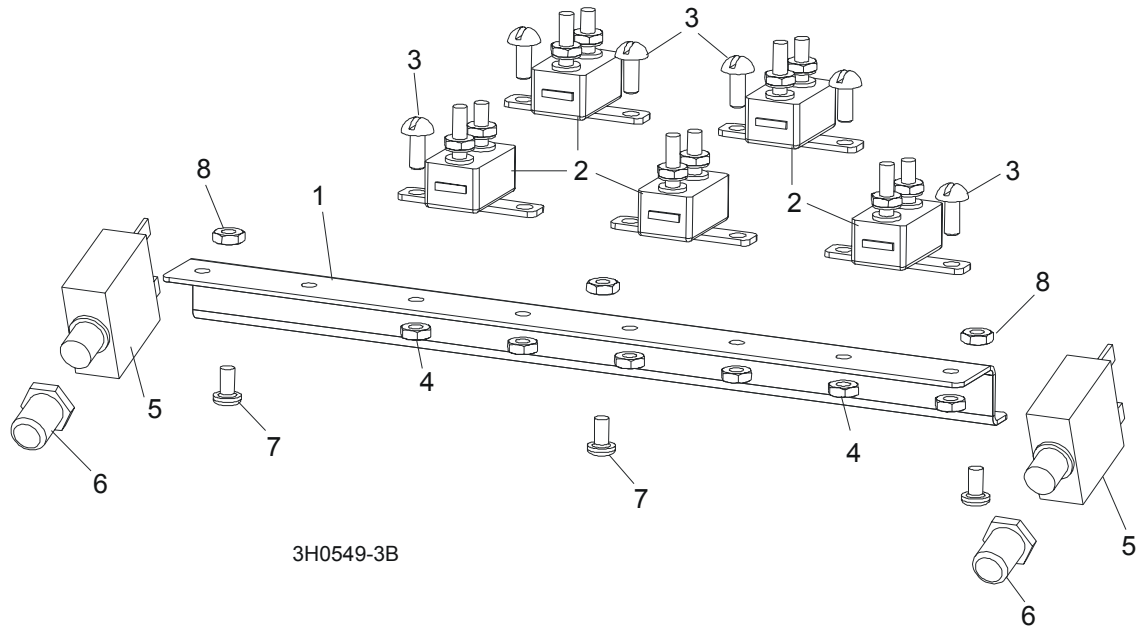
| | | | | |
|----|--|------------|----|---|
| 1 | Box Weldment, Sawmill Control | 086694-1 | 1 | ◆ |
| 2 | Plug, AS075 Oiltite | E20570 | 1 | |
| 3 | Solenoid Parts (See Section 5.4) | | | |
| 4 | Screw, #10-24 x 1/2" Pan Head | F05015-17 | 16 | |
| 5 | Panel Assembly, Power Feed Control | 024412 | 1 | |
| 6 | Gasket, Rear Access Panel | 015278 | 1 | |
| | Control module assy, P/F SMT Service'97 | 024396-1 | 1 | |
| | Module assy, mosfet 6X SMT Networks | 024503 | 1 | |
| 7 | Front Control Panel & Wiring Harnesses (Section 5.5) | | | |
| 8 | Drum Switches (Section 5.2) | | | |
| 9 | Circuit Breakers (Section 5.3) | | | |
| 10 | Screw, #10-24 x 3/8" Phillips Pan Head | F05004-3 | 2 | |
| 11 | Screw, #10-24 x 3/8" Phillips Pan Head Machine with Neo Washer | F05004-148 | 4 | |
| 12 | Nut, #10-24 Self Locking | F05010-14 | 6 | |
| 13 | Bolt, 3/8-16 x 3/4" Hex Head | F05007-27 | 2 | |
| 14 | Washer, 10.5 Flat | F81055-1 | 2 | |
| 15 | Nut, 3/8" Lock Nut | F05010-19 | 2 | |
| 16 | Cover, Control Box Hinged | 015304 | 1 | |
| 17 | Nut, 1/4-20 Self Locking | F05010-9 | 2 | |
| 18 | Bolt, 1/4-20 x 1 1/4" Hex Head Tap | F05005-3 | 1 | |
| 19 | Solenoid, Accessory | P10449 | 1 | |
| 20 | Gasket, Front Access Panel | 015266 | 1 | |
| 21 | Panel, Control Box Front Access | 086704-1 | 1 | |
| 22 | MOUNT WELDMENT, STANDARD CONTROL BOX | 086732-1 | 1 | |
| 23 | BOLT, M8X20-8.8-B HEAD HEX ZINC | F81002-4 | 4 | |
| 24 | BOLT, M10 X 25-8.8 SOCKET HEAD | F81003-32 | 6 | |
| 25 | WASHER, 10.2 SPLIT LOCK | F81055-2 | 6 | |
| 26 | WASHER, 8.4 FLAT | F81054-1 | 4 | |
| 27 | DECAL, FRONT OUTRIGGER WARNING | 015400 | 1 | |
| 28 | DECAL, EAR/EYE PROTECTION WARNING | S11753 | 1 | |
| 29 | DECAL, DISCONNECT BATTERY DANGER | S12002 | 1 | |
| 30 | DECAL, CIRCUIT BREAKER ID ('98 SUPER) | 024362 | 1 | |
| 31 | SWITCH, RED EMERGENCY STOP XB4 BS542 | 086556 | 1 | |

5.2 Drum Switches



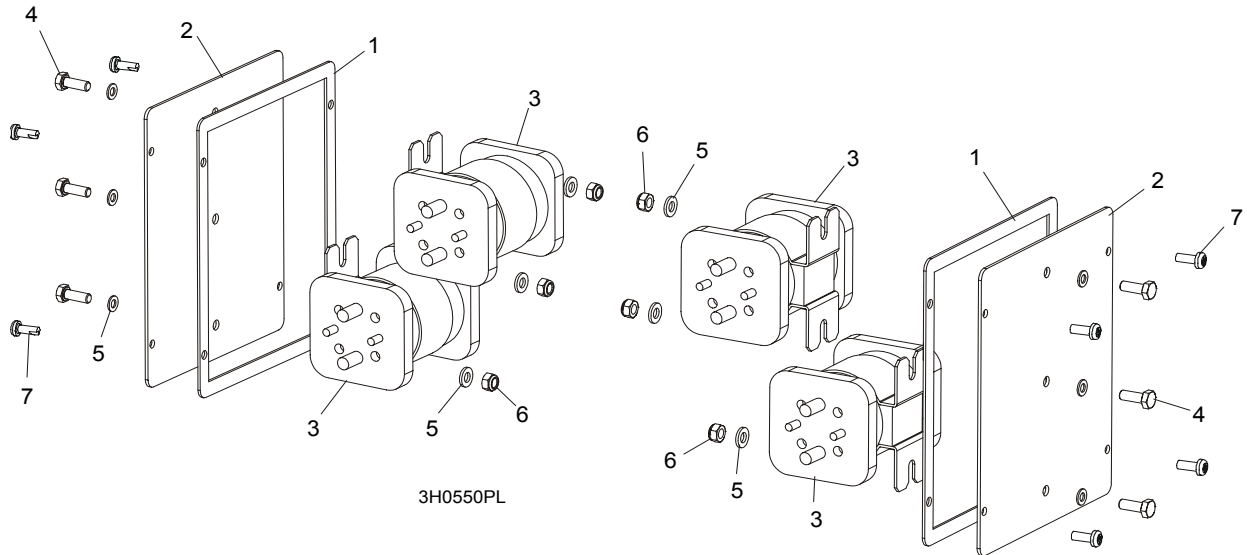
| REF | DESCRIPTION (◆ Indicates Parts Available In Assemblies Only) | PART # | QTY. | |
|-----|--|-----------|-------|---|
| | SWITCH ASSEMBLY, UP/DOWN DRUM | E20440 | 1 | |
| 1 | Switch, S12 Bulk Drum | E20440-B | 1 | ◆ |
| 2 | Spring, Drum Switch | P12570 | 1 | |
| 3 | Handle, Drum Switch Replacement | P12500 | 1 | |
| | SWITCH ASSEMBLY, POWER FEED DRUM | E20438 | 1 | |
| 4 | Switch, S10 Bulk Drum | E20438-B | 1 | ◆ |
| 5 | Spring, Drum Switch | P12570 | 1 | |
| 6 | Handle, Drum Switch Replacement | P12500 | 1 | |
| 7 | WASHER, #8 SAE FLAT | F05011-41 | 6 | |
| | CUP ASSEMBLY, DRUM SWITCH GREASE | A20463 | 1 | |
| 8 | Cup, Plastic Container | P20464 | 1 | ◆ |
| 9 | Decal, Grease Cup Label | P20467 | 1 | |
| 10 | Pad, Velcro Loop | P20466 | 1 | ◆ |
| 11 | Pad, Velcro Hook | P20465 | 1 | ◆ |
| | Grease, High Temp Drum Switch | P20468 | .011m | ◆ |

5.3 Circuit Breakers



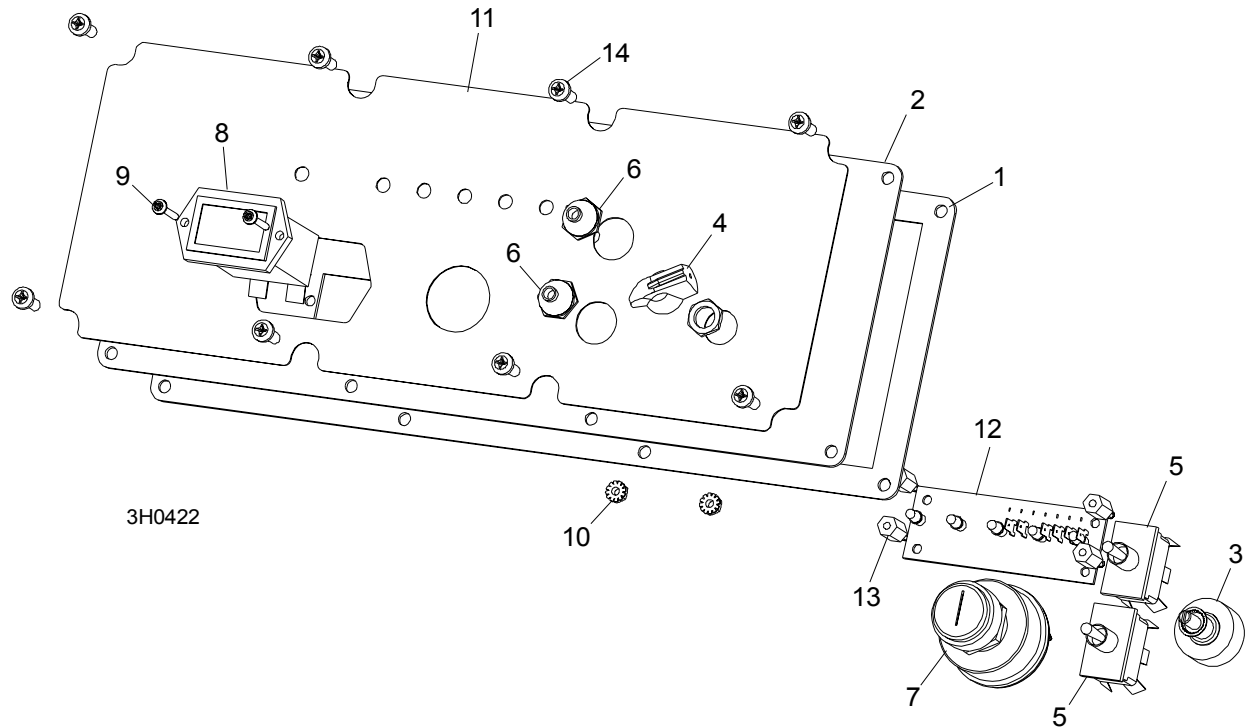
| REF | DESCRIPTION (◆ Indicates Parts Available In Assemblies Only) | PART # | QTY. |
|-----|--|-----------|------|
| | BREAKER ASSEMBLY, SAWMILL CONTROL CIRCUIT | 015621 | 1 |
| 1 | Rail, Circuit Breaker | 015310 | 1 |
| 2 | Breaker, 15 Amp Manual Reset | E20430 | 5 |
| 3 | Screw, H M5x10 8.8 Slotted Head Zinc | F81000-13 | 6 |
| 4 | Nut, M5-8 Hex Self-Locking Zinc | F81030-2 | 6 |
| 5 | BREAKER, 70 AMP MANUAL RESET PANEL MOUNT | 015527 | 2 |
| 6 | BOOT, CIRCUIT BREAKER | 021253 | 2 |
| 7 | BOLT, M5X12-5.8 ZINC | F81000-5 | 3 |
| 8 | NUT, M5-8 SELF LOCKING ZINC | F81030-2 | 3 |

5.4 Solenoid Assemblies



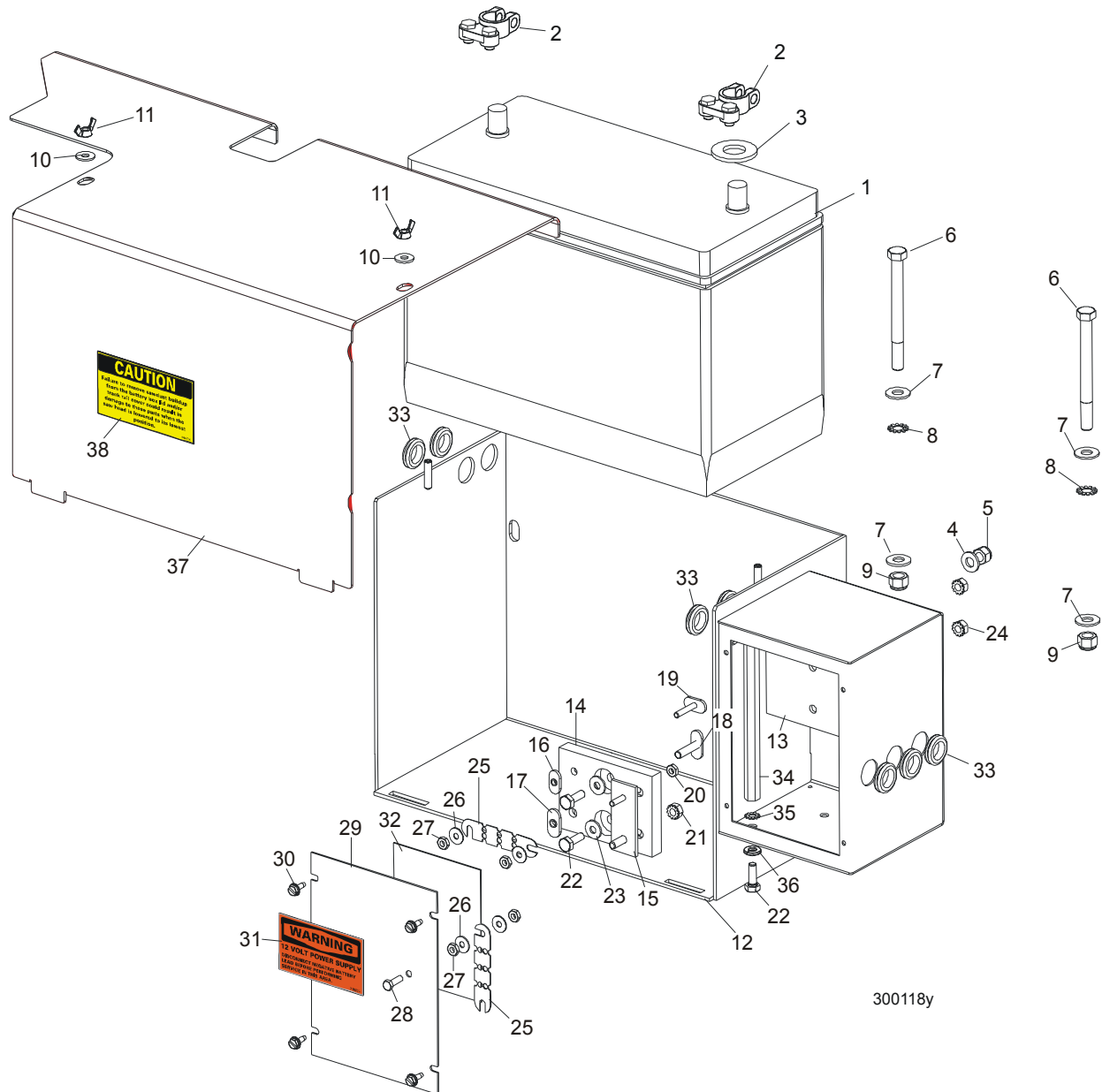
| REF | DESCRIPTION (◆ Indicates Parts Available In Assemblies Only) | PART # | QTY. |
|-----|--|-----------|------|
| 1 | GASKET, SIDE PANEL CONTROL | 015274 | 2 |
| 2 | PANEL WELDMENT, SIDE | 086699-1 | 2 |
| 3 | SOLENOID, 200A 12V DPST | 015417 | 4 |
| 4 | BOLT, M6 X 16-5.8 HEX HEAD | F81001-14 | 6 |
| 5 | WASHER, 6.4 FLAT | F81053-1 | 12 |
| 6 | NUT, M6-8 HEX | F81031-2 | 6 |
| | DIODE ASSEMBLY, SOLENOID COIL CHASSIS GND | 087496 | 4 |
| 7 | SCREW, #10-24 X 1/2" PAN HEAD | F05015-17 | 8 |

5.5 Front Panel Assembly & Harnesses



| REF | DESCRIPTION (◆ Indicates Parts Available In Assemblies Only) | PART # | QTY. |
|-----|--|-----------|------|
| | PANEL ASSEMBLY, CONTROL FRONT | 087401 | 1 |
| 1 | Gasket, Front Panel | 088387 | 1 |
| 2 | Panel Weldment, Control | 015302 | 1 |
| 3 | Switch Assembly, Feed Rate | E20519 | 1 |
| 4 | Knob, Feed Rate With Set Screw | P06257 | 1 |
| 5 | Switch, Toggle | 024200 | 2 |
| 6 | Boot, Toggle Switch Rubber | P02575 | 2 |
| 7 | Switch, Key | P04350 | 1 |
| 8 | Meter, Hour | 015401 | 1 |
| 9 | Bolt, M3x12 -8.8 Zinc | F81000-12 | 2 |
| 10 | Nut, M3-6 Self Locking Zinc | F81028-2 | 2 |
| 11 | Decal, Control Panel | 015269 | 1 |
| 12 | Board, LED Circuit | 089694 | 1 |
| 13 | Spacer, 1/2" -#6 Threaded | 023147 | 4 |
| | HARNESS ASSEMBLY, UPPER WIRING | 087107 | 1 |
| | HARNESS ASSEMBLY, LOWER WIRING | 087108 | 1 |
| 14 | Screw, #10-24 x 1/2" Pan Head | F05015-17 | 8 |

5.6 Battery Box Assembly, LT40DC Series MH

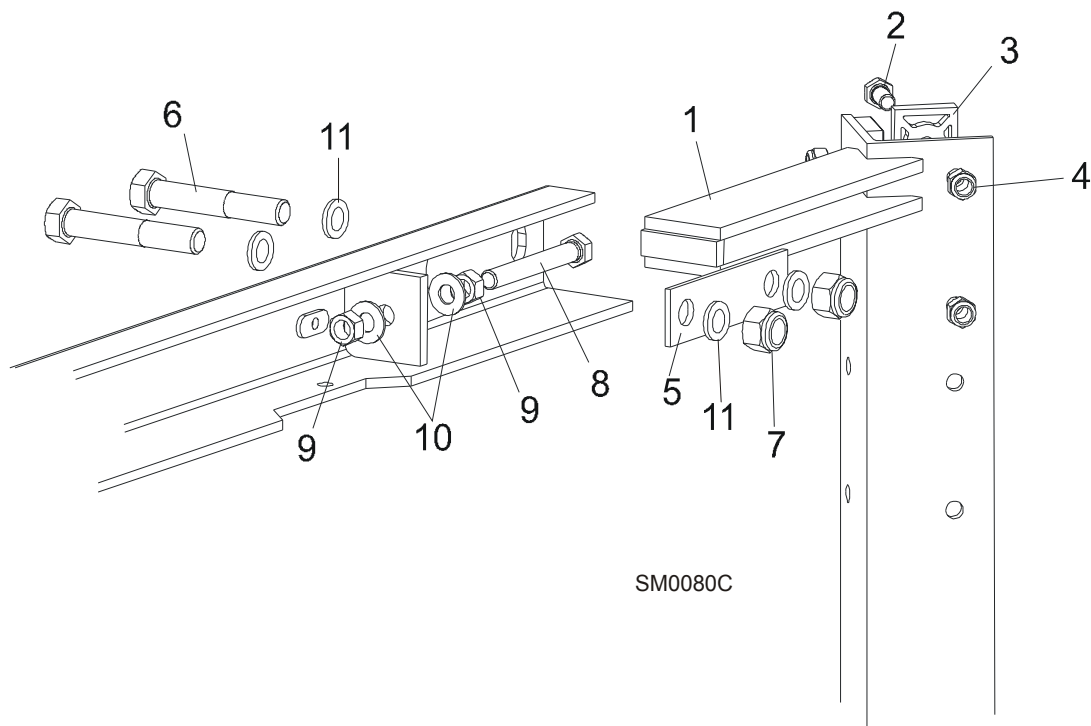


| REF | DESCRIPTION (◆ Indicates Parts Available In Assemblies Only) | PART NUMBER | QTY. | |
|-----|--|-------------|------|---|
| 1 | BATTERY, "BANNER" 12V100AH #95751 | 088323 | 1 | ◆ |
| | BOX ASSEMBLY, LT30/LT40 SUPER BATTERY | 086509 | 1 | |
| 2 | Terminal, Battery | P05085 | 2 | |
| 3 | Washer, Battery Terminal | P12161 | 1 | |
| 4 | Washer, 5/16" SAE Flat | F05011-17 | 2 | |
| 5 | Nut, 5/16-18 Hex Nylon Lock | F05010-58 | 2 | |
| 6 | Bolt, 3/8-16 X 4" Hex Head Grade 2 | F05007-4 | 2 | |
| 7 | Washer, 3/8" SAE Flat | F05011-3 | 2 | |
| 8 | Washer, 3/8" External Star | F05011-36 | 2 | |

| | | | | |
|----|--|-----------|---|---|
| 9 | Nut, 3/8" Hex Nylon Lock | F05010-10 | 2 | |
| 10 | Washer, 1/4" SAE Flat | F05011-11 | 2 | |
| 11 | Nut, 1/4-20 Wing | F05010-13 | 2 | |
| 12 | Box Weldment, Battery | 086265-1 | 1 | |
| 13 | Pad, Fuse Box Insulator | 015287 | 1 | |
| | Fuse Block Assembly | 017665 | 1 | |
| 14 | Block, Fuse Mount | 015286 | 1 | ◆ |
| 15 | Buss Weldment, Fuse Mount | 015289 | 1 | |
| 16 | Nut, #10-24 Cadmium Plated Weld | S12391 | 1 | |
| 17 | Nut, 1/4-20 Cadmium Plated Weld | S12392 | 1 | |
| 18 | Stud Weldment, 1/4-20 Fuse | W12389 | 1 | |
| 19 | Stud Weldment, #10-24 Fuse | W12390 | 1 | |
| 20 | Nut, #10-24 Self-Locking Hex | F05010-14 | 1 | |
| 21 | Nut, 1/4-20 Self-Locking Hex | F05010-9 | 1 | |
| 22 | Bolt, 1/4-20 X 3/4" Hex Head Full Thread | F05005-1 | 3 | |
| 23 | Washer, 1/4" SAE Flat | F05011-11 | 2 | |
| 24 | Nut, 1/4-20 Hex Self-Locking | F05010-9 | 2 | |
| 25 | Fuse Link, 12 Volt 150 Amp | 023361 | 2 | |
| 26 | Washer, #10 SAE Flat | F05011-18 | 4 | |
| 27 | Nut, #10-24 Hex Self-Locking | F05010-14 | 4 | |
| 28 | Screw, #10-24 x 5/8" Hex Head | F05004-18 | 1 | |
| 29 | Cover, Fuse Box | 086272-1 | 1 | |
| 30 | Screw, #10-24 X 1/2" Self-Tapping | F05015-7 | 4 | |
| 31 | Decal, 12 Volt Warning | P10364 | 1 | |
| 32 | Decal, Fuse Link 150A I.D. | 015369 | 1 | |
| 33 | Grommet, 5/8" Rubber Wire | P11764 | 5 | |
| 34 | Terminal, Extended Hex Stud | 015517 | 1 | |
| 35 | Washer, 1/4" Exterior Star | F05011-37 | 1 | |
| 36 | Washer, 1/4" Split Lock | F05011-14 | 1 | |
| 37 | LID WELDMENT, BATTERY BOX SUPER | 086277-1 | 1 | |
| 38 | DECAL, BATTERY BOX LID CAUTION | 014774 | 1 | |

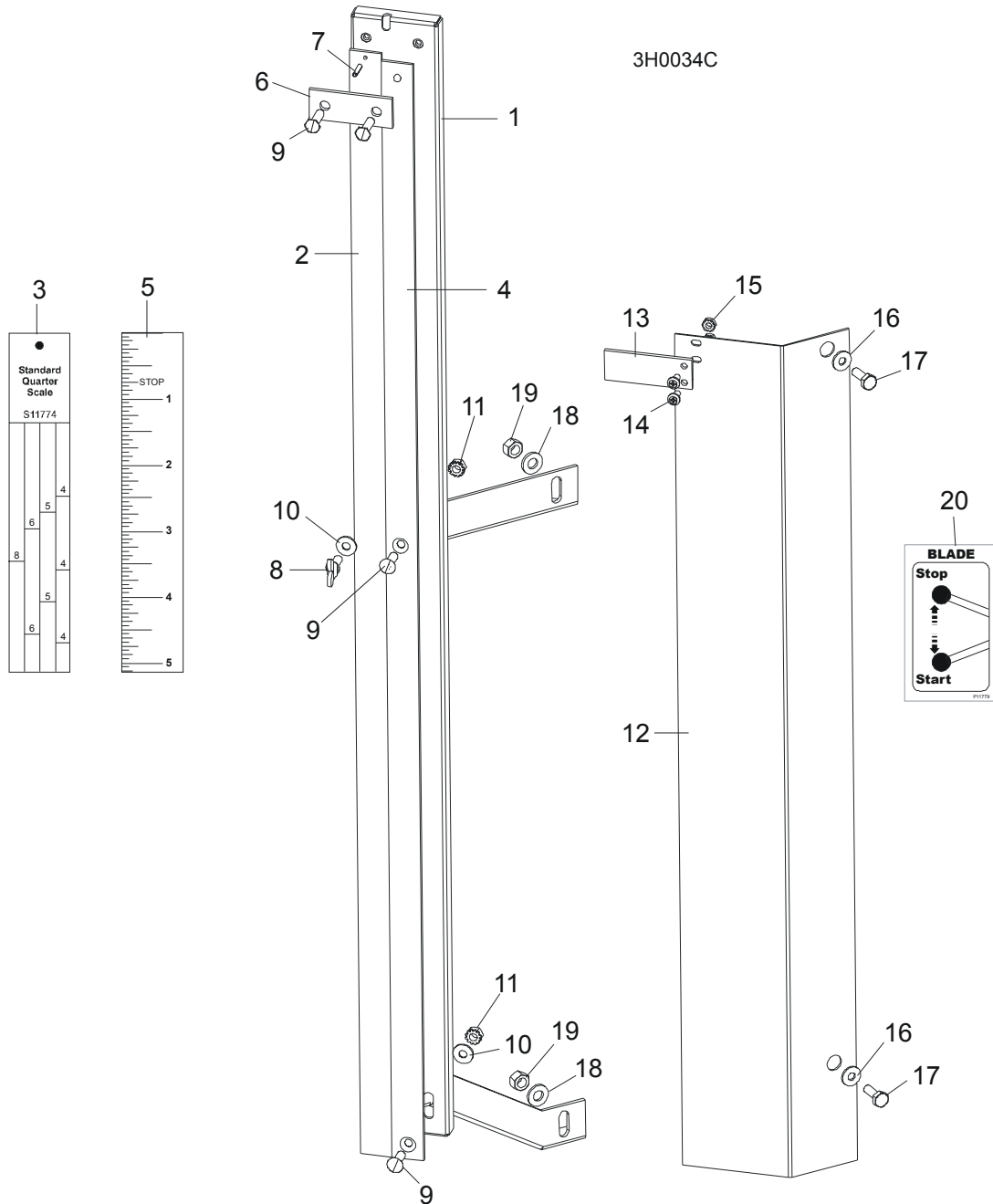
SECTION 6 UP/DOWN SYSTEM

6.1 Saw Head V-Brace Mount



| REF | DESCRIPTION (◆ Indicates Parts Available In Assemblies Only) | PART # | QTY. |
|-----|--|-----------|------|
| 1 | V-BRACE, SAW HEAD MOUNT | 087125 | 1 |
| 2 | BOLT, M8X20-5.8-ZINC HEX HEAD | F81002-4 | 10 |
| | BOLT, M8X25-8.8-B-ZINC HEX HEAD | F81002-5 | 2 |
| 3 | PAD, PLASTIC SLIDE | M04096 | 6 |
| 4 | NUT, M8-8-B-ZINC HEX NYLON LOCK | F81032-2 | 12 |
| 5 | PLATE, V-BRACE WASHER | 091247 | 2 |
| 6 | BOLT, M12X75-8.8-ZINC | F81004-21 | 4 |
| 7 | NUT, M12 - 8 NYLON LOCK | F81034-2 | 4 |
| 8 | BOLT, M10X70-8.8-ZINC HEX HEAD | F81003-20 | 2 |
| 9 | NUT, M10-8-B-ZINC HEX | F81033-3 | 4 |
| 10 | WASHER, 10.5 FLAT | F81055-1 | 4 |
| 11 | WASHER, 13 SPLIT LOCK ZINC | F81056-1 | 8 |

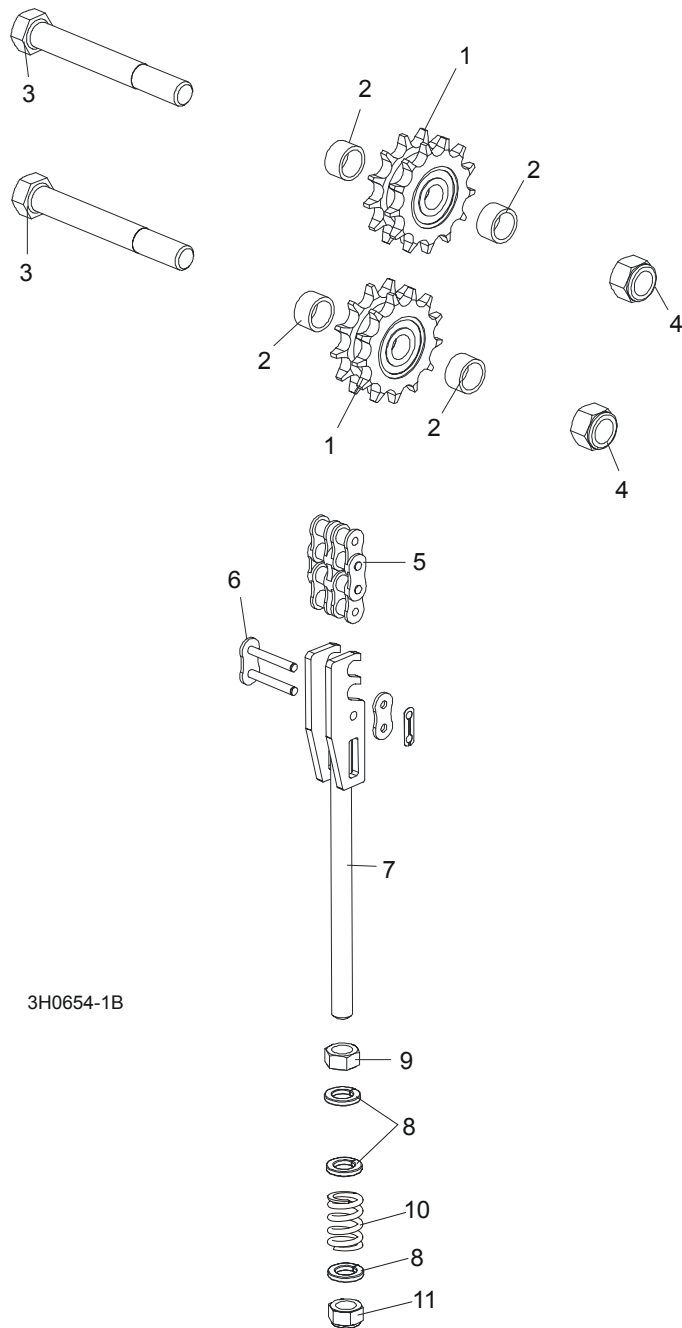
6.2 Blade Height Scale



| REF | DESCRIPTION (◆ Indicates Parts Available In Assemblies Only) | PART # | QTY. |
|-----|--|----------|------|
| | SCALE, BLADE HEIGHT | 093366 | 1 |
| | SCALE, BLADE HEIGHT INCH | 093361 | 1 |
| 1 | Bracket, Scale Mounting | 093365-1 | 1 |
| 2 | Scale, 35" Quarter | 093342 | 1 |
| 3 | Decal, 35" Standard Quarter Scale | 090716 | 1 |
| | Decal, 35" Grade Hardwood Quarter Scale | 090717 | 1 |

| | | | | |
|----|---|------------|---|---|
| 4 | Scale, 35" Inch | 093341 | 1 | |
| 5 | Decal, 35" Inch | 090709 | 1 | |
| 6 | Strap, Scale Hold-Down | 093134 | 1 | |
| 7 | Pin, 3x20 Roll | F81044-5 | 1 | |
| 8 | Screw, M6x16 Wing | F81001-16 | 1 | |
| 9 | Screw, M6x20- 4.8-B | F81001-31 | 4 | |
| 10 | Washer, 6.5 Flat | F81053-11 | 2 | |
| 11 | Nut, M6, Hex, Nylon Lock Zinc | F81031-2 | 4 | |
| | Pointer Assembly, Fixed Scale | A12023 | 1 | |
| 12 | Bracket, Fixed Scale Pointer Mount | 087044-1 | 1 | ◆ |
| 13 | Indicator, Blade Height Scale | 094821 | 1 | |
| 14 | Screw, M4x12 -5,8-B- Fe/Zn5 | F81011-43 | 2 | |
| 15 | Nut, M4-B Fe/Zn5 | F81029-1 | 2 | |
| 16 | Washer, 6.5 Flat | F81053-11 | 2 | |
| 17 | Bolt, M6x12-8.8-Zinc | F81001-7 | 2 | |
| 18 | Washer, 8.4 Flat | F81054-1 | 2 | |
| 19 | Nut, M8-8-B Hex Lock | F81032-2 | 2 | |
| | Bolt, 1/4-20 X 1/2" Hex Head Grade 2 | F05005-15 | 1 | |
| | Instruction Sheet, Fixed Scale Retrofit | A12030-370 | 1 | |
| | DECAL KIT, METRIC SCALE | K12064 | 1 | |
| | Decal, Metric | S11711 | 1 | |
| | Decal, Metric 16-40mm | P12040-1 | 1 | |
| | Decal, Metric 45-63mm | P12040-2 | 1 | |
| 20 | DECAL, CLUTCH HANDLE OPERATION | P11779 | 1 | |

6.3 Up/Down Chain & Sprockets



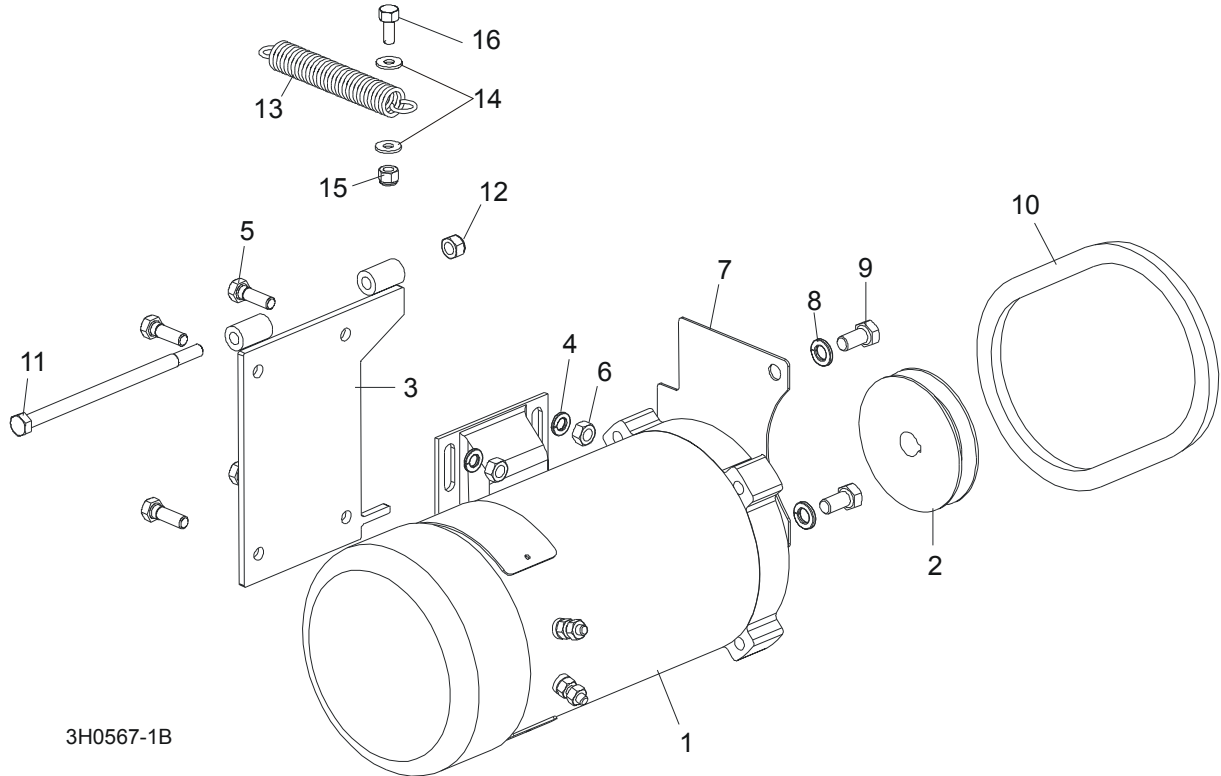
| REF | DESCRIPTION (◆ Indicates Parts Available In Assemblies Only) | PART # | QTY. |
|-----|--|------------|------|
| | SPROCKET KIT, UP/DOWN IDLER #50-2 | 016020 | 1 |
| 1 | Sprocket, Up/Down Idler '98 | 016019 | 2 |
| 2 | Spacer, 50-2 Idler '98 | 016018 | 4 |
| | Instruction Sheet, Up/Down Idler Retrofit | 016020-541 | 1 |
| 3 | BOLT, 5/8-11 X 5" HEX HEAD GRADE 2 | F05009-6 | 2 |

6

Up/Down System*Up/Down Chain & Sprockets*

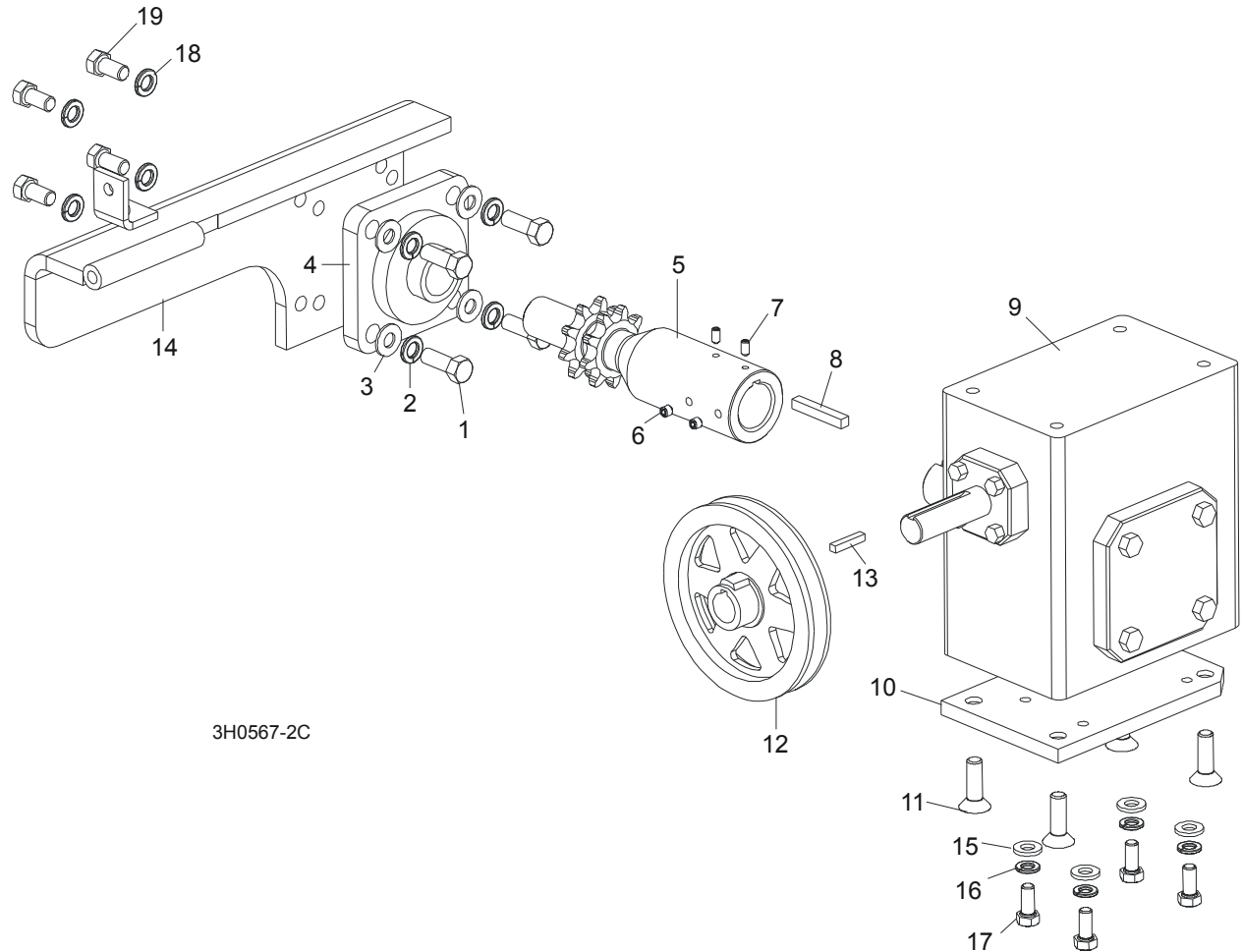
| | | | | |
|----|--|-----------|---|---|
| 4 | NUT, 5/8-11 HEX NYLON LOCK | F05010-34 | 2 | |
| 5 | CHAIN, #50-2 X 75.625" UP/DOWN | 015259 | 1 | |
| 6 | LINK, #50-2 MASTER | 015258 | 2 | |
| | TENSIONER ASSEMBLY, UP/DOWN CHAIN | 094283 | 1 | |
| 7 | Bracket, Up/Down Chain Tensioner | 094281-1 | 1 | ◆ |
| 8 | Washer, M12, Flat, Zinc | F81056-1 | 3 | |
| 9 | Nut, M12-8-B Hex | F81034-1 | 1 | |
| 10 | Spring, 14x30x3.2 | 090797 | 1 | |
| 11 | Nut, M12, Hexagon, Nylon, Zinc, Lock | F81034-2 | 1 | |

6.4 Up/Down Motor Assembly, LT40 Series



| REF | DESCRIPTION (◆ Indicates Parts Available In Assemblies Only) | PART # | QTY. |
|-----|--|-----------|------|
| | UP/DOWN MOTOR ASSEMBLY | 092818 | 1 |
| 1 | Motor, 3/4 HP Electric | 015174 | 1 |
| | Brush Kit, Power Feed Motor (Includes 2 Brushes and 2 Springs) | 024167 | 1 |
| | Fan, 3/4 HP Leeson Motor Replacement | 016087 | 1 |
| 2 | Pulley, AK20X5/8" BORE | 036179 | 1 |
| 3 | Bracket, Up/Down Motor Mount | 015198 | 1 |
| 4 | Washer, M8, Flat, Zinc | F81054-1 | 4 |
| 5 | Bolt, M8x20mm, Hex Head, Gr 5.8 Zinc | F81002-4 | 4 |
| 6 | Nut, M8, Hexagon, Nylon Lock Zinc | F81032-2 | 4 |
| 7 | Guard, Up/Down Sprocket | 015016 | 1 |
| 8 | Washer, 10.2 Split Lock | F81055-2 | 2 |
| 9 | Bolt, 3/8-16 x 3/4" Hex Head | F05007-27 | 2 |
| 10 | BELT, 4L230 (GOOD-YEAR) | 036205 | 1 |
| 11 | BOLT, 5/16-18 X 6" HEX HEAD GRADE 5 | F05006-73 | 1 |
| 12 | NUT, 5/16-18 NYLON LOCK | F05010-58 | 1 |
| 13 | SPRING, .75" X 5" X .095" EXTENSION | 015569 | 1 |
| 14 | WASHER, 6.5 FLAT ZINC | F81053-11 | 2 |
| 15 | NUT, M6-8-B NYLON LOCK HEX ZINC | F81031-2 | 2 |
| 16 | BOLT, M6x25-8.8 ZINC | F81001-20 | 1 |

6.5 Up/Down Drive Assembly, LT40 Series



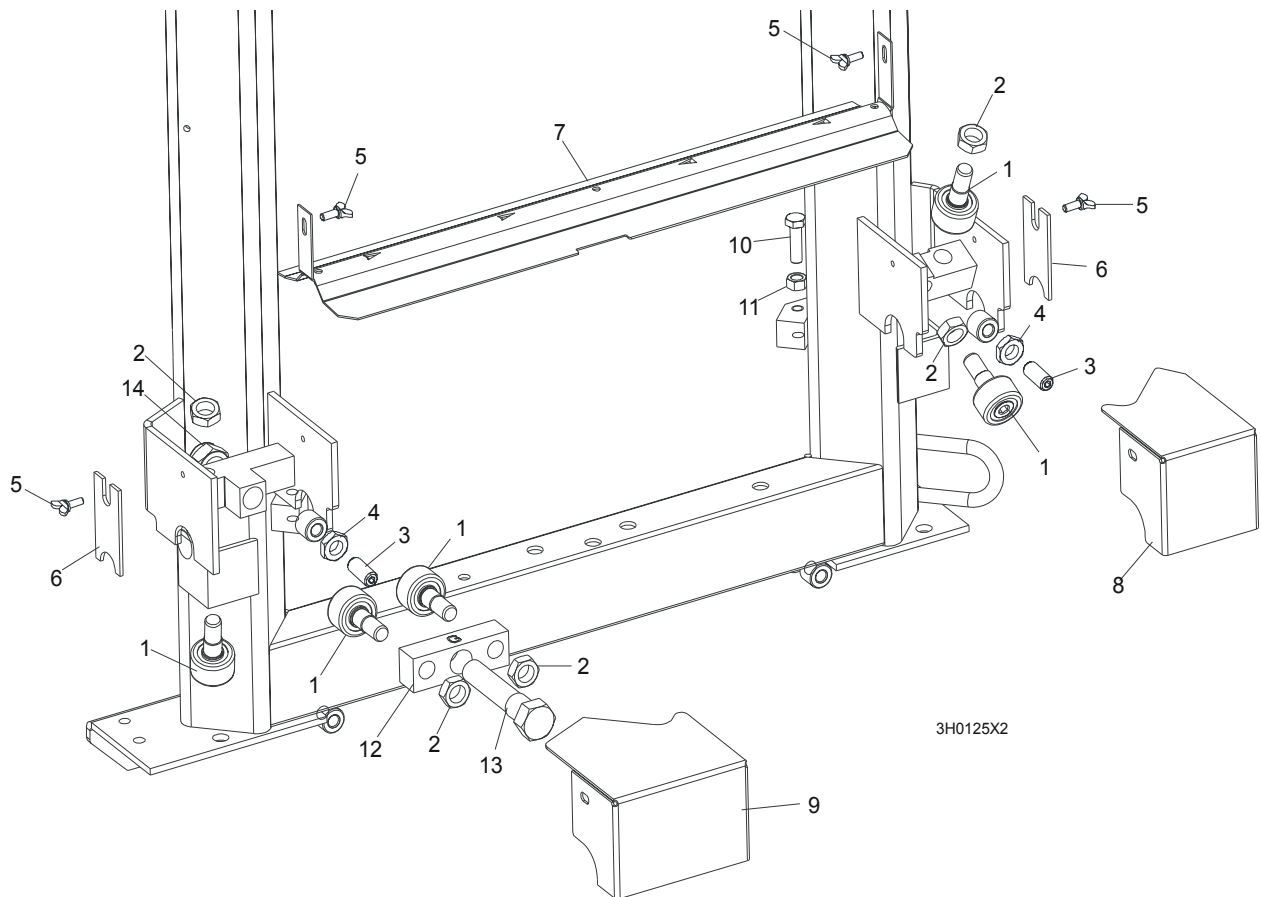
3H0567-2C

| REF | DESCRIPTION (◆ Indicates Parts Available In Assemblies Only) | PART # | QTY. | |
|-----|--|------------|------|--|
| | UP/DOWN DRIVE ASSEMBLY | 092817 | 1 | |
| 1 | Bolt, 3/8-16 x 1" Hex Head | F05007-7 | 4 | |
| 2 | Washer, 10.2 Split Lock | F81055-2 | 4 | |
| 3 | Washer, 10.5 Flat | F81055-1 | 4 | |
| 4 | Bearing, Flanged Up/Down | 014090 | 1 | |
| 5 | Shaft, Up/Down Sprocket | 092816-1 | 1 | |
| 6 | Screw, M8 x 8-33H | F81014-1 | 2 | |
| 7 | Screw, M8 x 8-33H | F81014-1 | 2 | |
| 8 | Key, 1/4" Square x 1 11/16" Long | S04124 | 1 | |
| 9 | Reducer, Gear Box | 014074 | 1 | |
| 10 | Plate, Gear Box Spacer | 014158-1 | 1 | |
| 11 | Bolt, 3/8-16 x 1" Flat Socket Head | F05007-110 | 4 | |
| 12 | Pulley, Up/Down | 015256 | 1 | |
| 13 | Key, 3/16" Square x 1" Long | S31027 | 1 | |
| 14 | Bracket, Up/Down Motor Mount | 015195-1 | 1 | |

| | | | | |
|----|---|-----------|---|--|
| 15 | WASHER, 8.4 FLAT | F81054-1 | 8 | |
| 16 | WASHER, 8.2 SPLIT LOCK | F81054-4 | 4 | |
| 17 | BOLT, 5/16-18 X 1" HEX HEAD | F05006-5 | 4 | |
| 18 | WASHER, 10.5 SPLIT LOCK | F81055-1 | 4 | |
| 19 | BOLT, 3/8-16 X 3/4" HEX HEAD | F05007-27 | 4 | |
| | OIL, 8 OZ. MOBIL SHC634 BOTTLED SYNTHETIC GEAR | L04869-4 | 1 | |

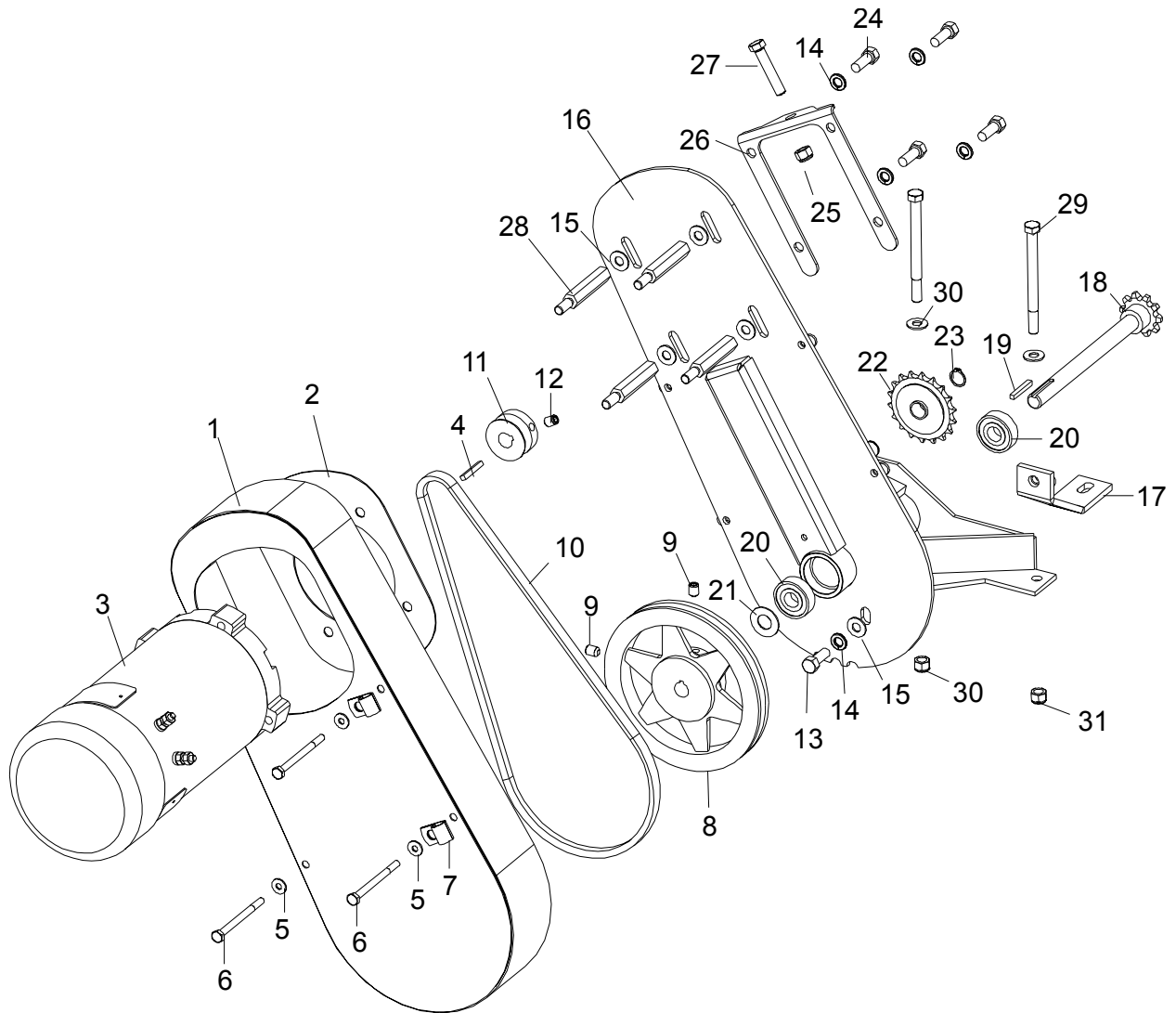
SECTION 7 POWER FEED & TRACK ROLLERS

7.1 Upper Track Rollers And Wipers



| REF | DESCRIPTION (◆ Indicates Parts Available In Assemblies Only) | PART # | QTY. |
|-----|--|-----------|------|
| 1 | ROLLER, TRACK CAM BEARING (MCGILL) | 012797 | 5 |
| 2 | NUT, 5/8-18 HEX JAM | F05010-11 | 5 |
| 3 | SCREW, M12 X 30 OVAL POINT SET | F81004-14 | 2 |
| 4 | NUT, M12-8-B HEX JAM | F81034-1 | 2 |
| 5 | SCREW, M6 X 16 THUMB | F81001-16 | 4 |
| 6 | WIPER, PLASTIC TRACK | M04113 | 2 |
| 7 | COVER, MIDDLE TRACK OILER | S09917 | 1 |
| | Wiper, Middle Track Felt | S09915 | 1 |
| 8 | HOUSING, UPPER TRACK ROLLER REAR | 086913-1 | 1 |
| 9 | HOUSING, UPPER TRACK ROLLER FRONT | 086914-1 | 1 |
| 10 | BOLT, M10 X 35-8.8 HEX HEAD | F81003-17 | 2 |
| 11 | NUT, M10-8 HEX JAM | F81033-3 | 2 |
| 12 | BRACKET, UPPER TRACK ROLLER | 086859-1 | 1 |
| 13 | BOLT, HEX HEAD | 086911 | 1 |
| 14 | NUT, M20-8 HEX | F81037-2 | 1 |

7.2 Power Feed Assembly, LT40 Series



3H0619-2

| REF | DESCRIPTION (◆ Indicates Parts Available In Assemblies Only) | PART # | QTY. |
|-----|--|-----------|------|
| | POWER FEED ASSEMBLY | 015125 | 1 |
| 1 | Cover Weldment, Top Power Feed | 015126 | 1 |
| 2 | Plate, Power Feed Motor | 015133 | 1 |
| 3 | Motor, 3/4HP Power Feed Painted | 024169 | 1 |
| | Brush Kit, Leeson 3/4HP Motor (Includes 2 Brushes and 2 Springs) | 024167 | 1 |
| | Fan, 3/4 HP Leeson Motor Replacement | 016087 | 1 |
| 4 | Key, 3/16" Square x 1 3/8" Long | 016109 | 1 |
| 5 | Washer, 6.5 Flat | F81053-11 | 4 |
| 6 | Bolt, M6x80 Hex Head Zinc | F81001-61 | 4 |

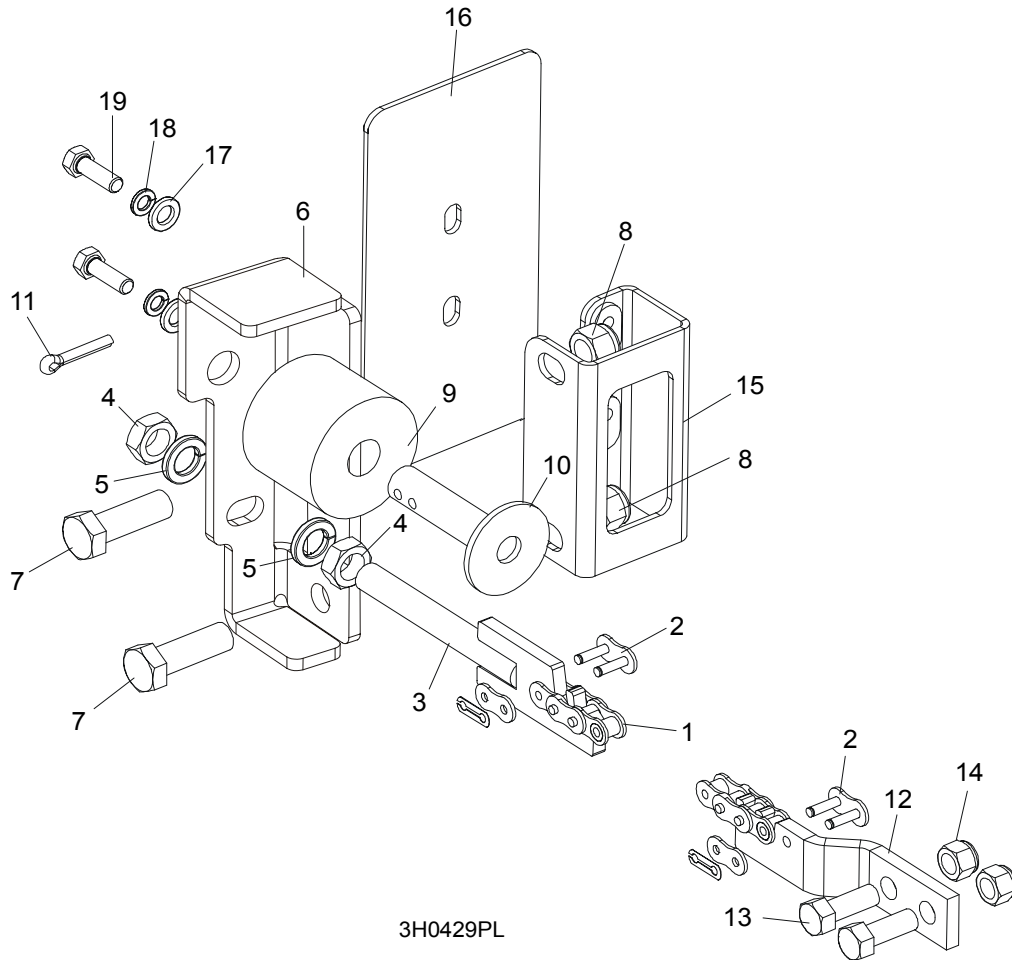
7 Power Feed & Track Rollers

Power Feed Assembly, LT40 Series

| | | | | |
|----|--|---------------------|---|---|
| 7 | Clamp, 1/2" EMT Coated | P07584 | 2 | |
| 8 | Sheave, AK71 x 5/8" Power Feed (200ft./min.) | 016088 ¹ | 1 | |
| 9 | Screw, 5/16-18 x 3/4" Cup Point Set | F05006-32 | 2 | |
| 10 | Belt, AX36 (200ft./min.) | 016083 ¹ | 1 | |
| 11 | Sheave, 1 3/4" Feed Motor | 015135 | 1 | |
| 12 | Screw, 3/8"-16 x 1/2" Cup Point Set | F05007-12 | 1 | |
| 13 | Bolt, M10x25-8.8 Hex Head Zinc | F81003-11 | 1 | |
| 14 | Washer, 10.2 Split Lock | F81055-2 | 5 | |
| 15 | Washer, 10.5 Flat | F81055-1 | 5 | |
| 16 | Bracket, Power Feed Mount | 015162-1 | 1 | |
| 17 | Brace Weldment, Power Feed Mounting | 086554-1 | 1 | |
| | Shaft Assembly, Power Feed with Key | 016066 | 1 | |
| 18 | Shaft Weldment, Power Feed | 015129 | 1 | ◆ |
| 19 | Key, 3/16" Square x 1 3/8" Long | 016108 | 1 | |
| 20 | Bearing, 5/8" 6203-2NSL | P06030-1 | 2 | |
| 21 | Washer, 5/8" x 15/16" x .094" Nylon | F05011-19 | 1 | |
| 22 | Sprocket, 40 Idler 18T 5/8" ID | P04333 | 1 | |
| 23 | Ring, Z15 Outer Retaining | F81090-2 | 1 | |
| 24 | Bolt, 3/8-16 x 3/4" Hex Head | F05007-27 | 4 | |
| 25 | Nut, 3/8-16 Hex Nylon Lock | F05010-10 | 1 | |
| 26 | Plate, Belt Tensioner | 015134 | 1 | |
| 27 | Bolt, 3/8-16 x 2" Full Thread Hex Head | F05007-16 | 1 | |
| 28 | Spacer, Power Feed Motor | 015136 | 4 | |
| 29 | BOLT, 3/8-16 X 4 1/2" HEX HEAD | F05007-35 | 2 | |
| 30 | WASHER, 10.5 FLAT | F81055-1 | 4 | |
| 31 | NUT, 3/8-16 HEX NYLON LOCK | F05010-10 | 2 | |

¹ Use kit 016085 to increase feed return rate to 220 ft./min. Kit includes AK64 sheave 016114, AX35 belt 015175, and instructions. Use kit 016070 to reduce feed return rate to 183 ft./min. Kit includes AL84 sheave 016115, AX38 belt 016068, and instructions.

7.3 Feed Chain/Stop, LT40 Series



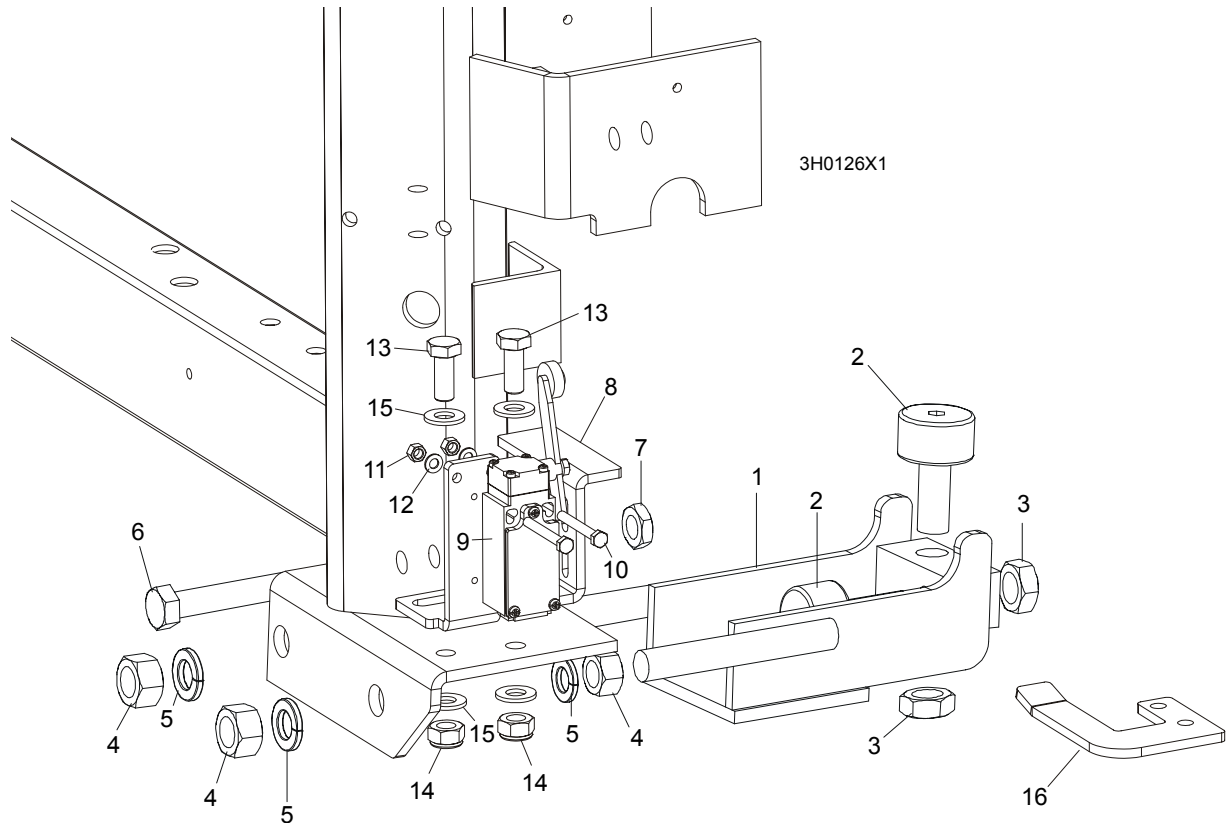
| REF | DESCRIPTION (◆ Indicates Parts Available In Assemblies Only) | PART # | QTY. |
|-----|--|-----------|------|
| | CHAIN KIT, LT40 S FEED | K10408 | 1 |
| | CHAIN KIT, LT40 M FEED | K10410 | 1 |
| 1 | Chain, #40 X 215" LT40S Feed | 014744 | 1 |
| | Chain, #40 X 267.5" LT40M Feed | 014475 | 1 |
| 2 | Link, #40 Master | P04200 | 2 |
| 3 | Tensioner Weldment, Power Feed Chain | 086818-1 | 1 |
| 4 | Nut, M12-5 Hex Jam | F81034-4 | 2 |
| 5 | Washer, 12.2 Split Lock | F81056-2 | 2 |
| 6 | BRACKET, FEED CHAIN REAR MOUNT | 087628-1 | 1 |
| 7 | BOLT, M12 X 40 8.8 HEX HEAD GRADE 5 | F81004-4 | 2 |
| 8 | NUT, M12-8 HEX NYLON LOCK | F81034-2 | 2 |
| | STOP KIT, RUBBER CARRIAGE | K09630 | 2 |
| 9 | Stop, Rubber Carriage | P12165 | 1 |
| 10 | Pin, Rubber Carriage Stop | W09293 | 1 |
| 11 | Pin, 3/16" X 1" Cotter | F05012-21 | 1 |
| 12 | BRACKET, FRONT FEED CHAIN MOUNT | 015008 | 1 |

7 Power Feed & Track Rollers

Feed Chain/Stop, LT40 Series

| | | | | |
|----|--|-----------|---|--|
| 13 | BOLT, 3/8-16 X 1" HEX HEAD | F81003-31 | 2 | |
| 14 | NUT, 3/8-16 HEX NYLON LOCK | F81033-1 | 2 | |
| 15 | BRACKET WELDMENT, REAR MAIN TUBE COVER MOUNT | 087105-1 | 1 | |
| 16 | COVER, REAR MAIN TUBE | 015023 | 1 | |
| 17 | WASHER, 8.4 FLAT | F81054-1 | 2 | |
| 18 | WASHER, 8.2 SPLIT LOCK | F81054-4 | 2 | |
| 19 | BOLT, M8x25-8.8 HEX HEAD | F81002-5 | 2 | |

7.4 Lower Track Rollers



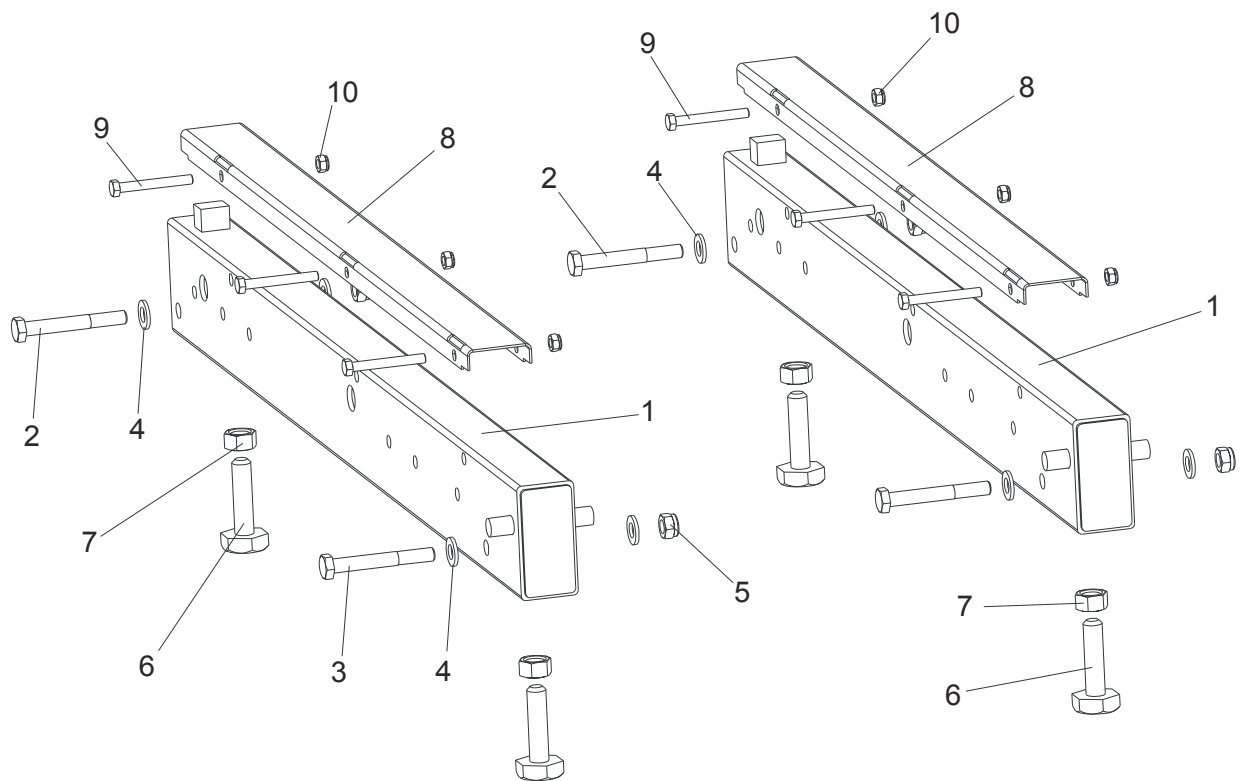
| REF | DESCRIPTION (◆ Indicates Parts Available In Assemblies Only) | PART # | QTY. | |
|-----|--|-----------|------|---|
| | ROLLER ASSEMBLY, LOWER TRACK | 012995 | 2 | |
| 1 | Bracket, Lower Track Roller Mounting | 012982 | 1 | ◆ |
| 2 | Roller, Track Cam Bearing (McGill) | 012797 | 2 | |
| 3 | Nut, 5/8-18 Hex Jam | F05010-11 | 2 | |
| 4 | Nut, 5/8-11 Hex | F05010-5 | 4 | |
| 5 | Washer, 16.3 Split Lock | F81058-2 | 4 | |
| 6 | BOLT, M12 X 55-8.8 HEX HEAD FULL THREAD | F81004-12 | 2 | |
| 7 | NUT, M12-8-B HEX JAM | F81034-1 | 2 | |
| 8 | BRACKET, POWER SUPPLY STRIP AND LIMIT SWITCH | 086380-1 | 1 | |
| 9 | SWITCH, GLCB01A2B LIMIT | 086469 | 1 | |
| 10 | BOLT, M5 X 40 8.8 HEX HEAD | F81000-11 | 2 | |
| 11 | NUT, M5-8 | F81030-1 | 2 | |
| 12 | WASHER, 5.3 FLAT | F81052-1 | 2 | |
| 13 | BOLT, M10 X 25 8.8 | F81003-11 | 2 | |
| 14 | NUT, M10 NYLON | F81033-1 | 2 | |
| 15 | WASHER, 10.5 FLAT | F81055-1 | 2 | |
| 16 | BRACKET, LIMIT SWITCH | 086473-1 | 1 | |

8 Bed Frame Assembly

Bed Rail Assembly, Front And Rear

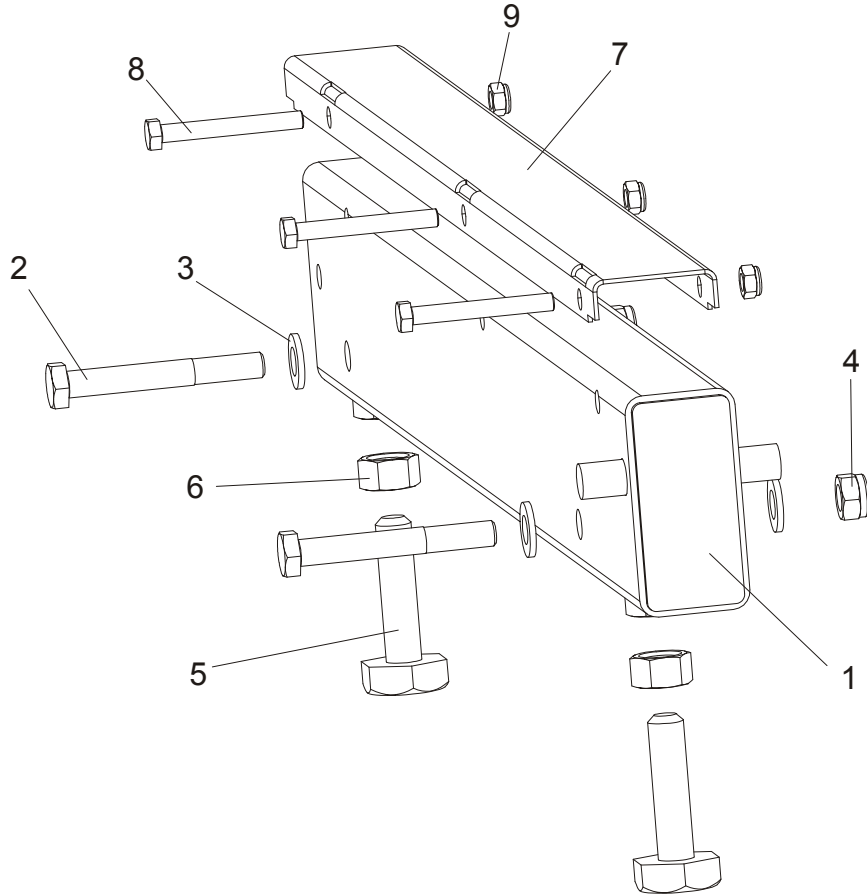
SECTION 8 BED FRAME ASSEMBLY

8.1 Bed Rail Assembly, Front And Rear

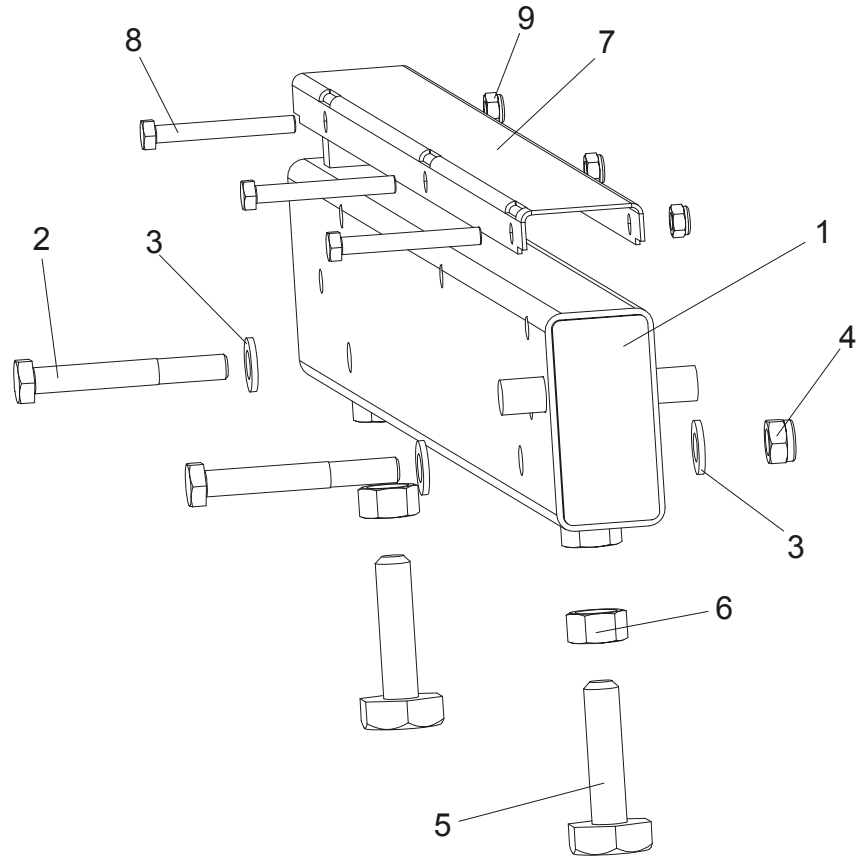


| REF | DESCRIPTION (◆ Indicates Parts Available In Assemblies Only) | PART # | QTY. |
|-----|--|-----------|------|
| 1 | BED RAIL ASSEMBLY, REAR PAINTED | 091555 | 2 |
| 2 | Bolt, M12 x 90-8.8 Hex Head | F81004-2 | 2 |
| 3 | Bolt, M12 x 95-8.8 Hex Head | F81004-29 | 2 |
| 4 | Washer, 13 SAE Flat | F81056-1 | 8 |
| 5 | Nut, M12-8 Hex Nylon Lock | F81034-2 | 4 |
| 6 | Bolt, M16, Bed Rail Adjustment | 086809 | 4 |
| 7 | Nut, M16-5-B Zinc Hex Head | F81036-5 | 4 |
| 8 | COVER, STAINLESS STEEL BED RAIL | S09944 | 2 |
| 9 | BOLT, M8X65-5,8 ZINC HEX HEAD | F81002-3 | 6 |
| 10 | NUT, M8-8-B-ZINC HEX NYLON LOCK | F81032-2 | 6 |

8.2 Bed Rail Assembly, Front Middle

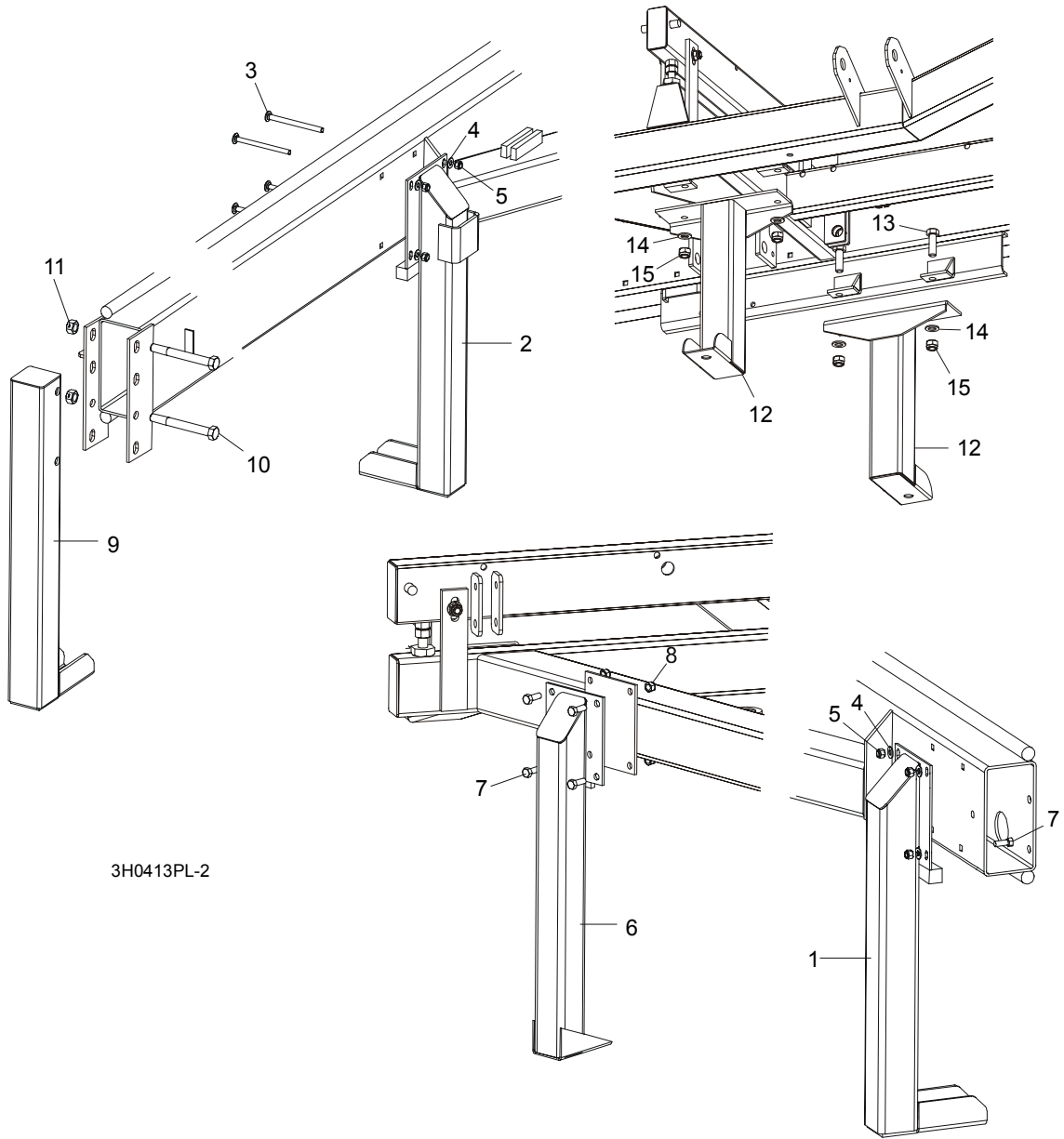


| REF | DESCRIPTION (◆ Indicates Parts Available In Assemblies Only) | PART # | QTY. |
|-----|--|----------|------|
| 1 | BED RAIL ASSEMBLY, FRONT MIDDLE | 091556 | 1 |
| 2 | Bolt, M12 x 90-8.8 Hex Head | F81004-2 | 2 |
| 3 | Washer, 13 SAE Flat | F81056-1 | 4 |
| 4 | Nut, M12-8 hex Nylon Lock | F81034-2 | 2 |
| 5 | Bolt, M16, Bed Rail Adjustment | 086809 | 2 |
| 6 | Nut, M16-5-B Zinc Hex Head | F81036-5 | 2 |
| 7 | COVER, STAINLESS STEEL BED RAIL | S09944 | 2 |
| 8 | BOLT, M8X65-5,8 ZINC HEX HEAD | F81002-3 | 3 |
| 9 | NUT, M8-8-B-ZINC HEX NYLON LOCK | F81032-2 | 3 |

8.3 Bed Rail Assembly, Rear Middle

| REF | DESCRIPTION (◆ Indicates Parts Available In Assemblies Only) | PART # | QTY. |
|-----|--|----------|------|
| 1 | BED RAIL ASSEMBLY, REAR MIDDLE PAINTED | 091557 | 1 |
| 2 | Bolt, M12 x 90-8.8 Hex Head | F81004-2 | 2 |
| 3 | Washer, 13 SAE Flat | F81056-1 | 4 |
| 4 | Nut, M12-8 hex Nylon Lock | F81034-2 | 2 |
| 5 | Bolt, M16, Bed Rail Adjustment | 086809 | 2 |
| 6 | Nut, M16-5-B Zinc Hex Head | F81036-5 | 2 |
| 7 | COVER, STAINLESS STEEL BED RAIL | S09944 | 2 |
| 8 | BOLT, M8X65-5,8 ZINC HEX HEAD | F81002-3 | 3 |
| 9 | NUT, M8-8-B-ZINC HEX NYLON LOCK | F81032-2 | 3 |

8.4 Leg, Stationary



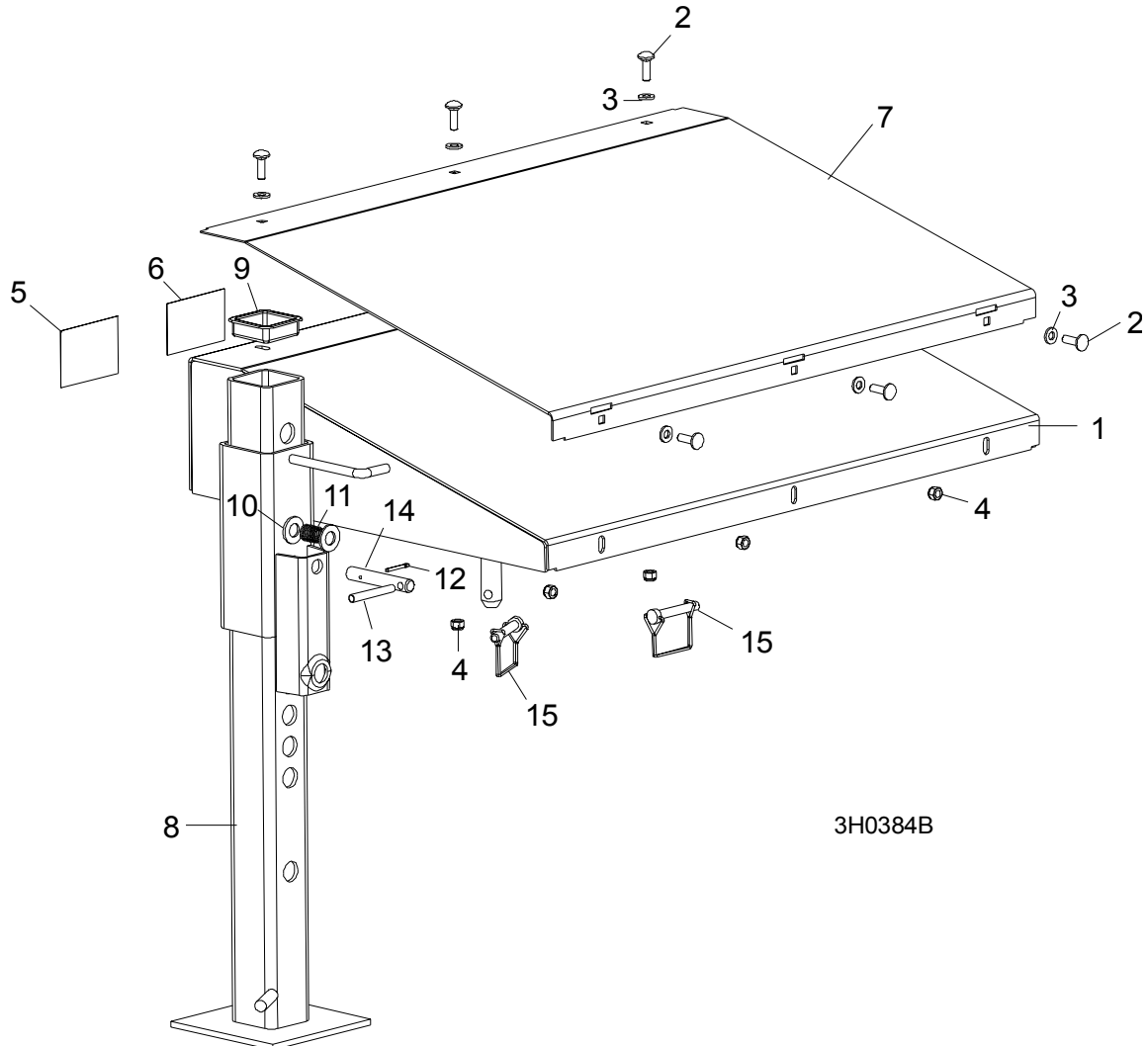
3H0413PL-2

| REF | DESCRIPTION (◆ Indicates Parts Available In Assemblies Only) | PART # | QTY. |
|-----|--|-----------|------|
| 1 | LEG, LONG RIGHT STATIONARY (1 REQ'D FOR LT40S; 3 REQ'D FOR LT40) | 087451-1 | 1/3 |
| 2 | LEG, LONG STATIONARY W/BOARD RETURN TABLE BRACKET | 087449-1 | 1 |
| 3 | BOLT, M10 X 120-8.8 CARRIAGE HEAD | F81003-33 | 8/12 |
| 4 | WASHER, 10.5 FLAT | F81055-1 | 8/16 |
| 5 | NUT, M10-8-B HEX NYLON LOCK | F81033-1 | 8/16 |
| 6 | LEG, SHORT LEFT STATIONARY | 087450-1 | 2 |
| 7 | BOLT, M10 X 25-8.8 HEX HEAD | F81003-11 | 12 |
| 8 | NUT, M10-8-B HEX NYLON LOCK | F81033-1 | 12 |
| 9 | LEG, FRONT STATIONARY | 087452-1 | 1 |

8**Bed Frame Assembly***Leg, Stationary*

| | | | | |
|----|---|----------|---|--|
| 10 | BOLT, M16 X 140-8.8 HEX HEAD GRADE 5 | F81006-4 | 2 | |
| 11 | NUT, M16-8 HEX LOCK | F81036-2 | 2 | |
| 12 | LEG, MIDDLE STATIONARY | 087093-1 | 2 | |
| 13 | BOLT, M16 X 50-8.8 HEX HEAD | F81006-7 | 4 | |
| 14 | WASHER, 17 FLAT | F81058-1 | 4 | |
| 15 | NUT, M16 NYLON LOCK | F81036-2 | 4 | |

8.5 Board Return Table Assembly



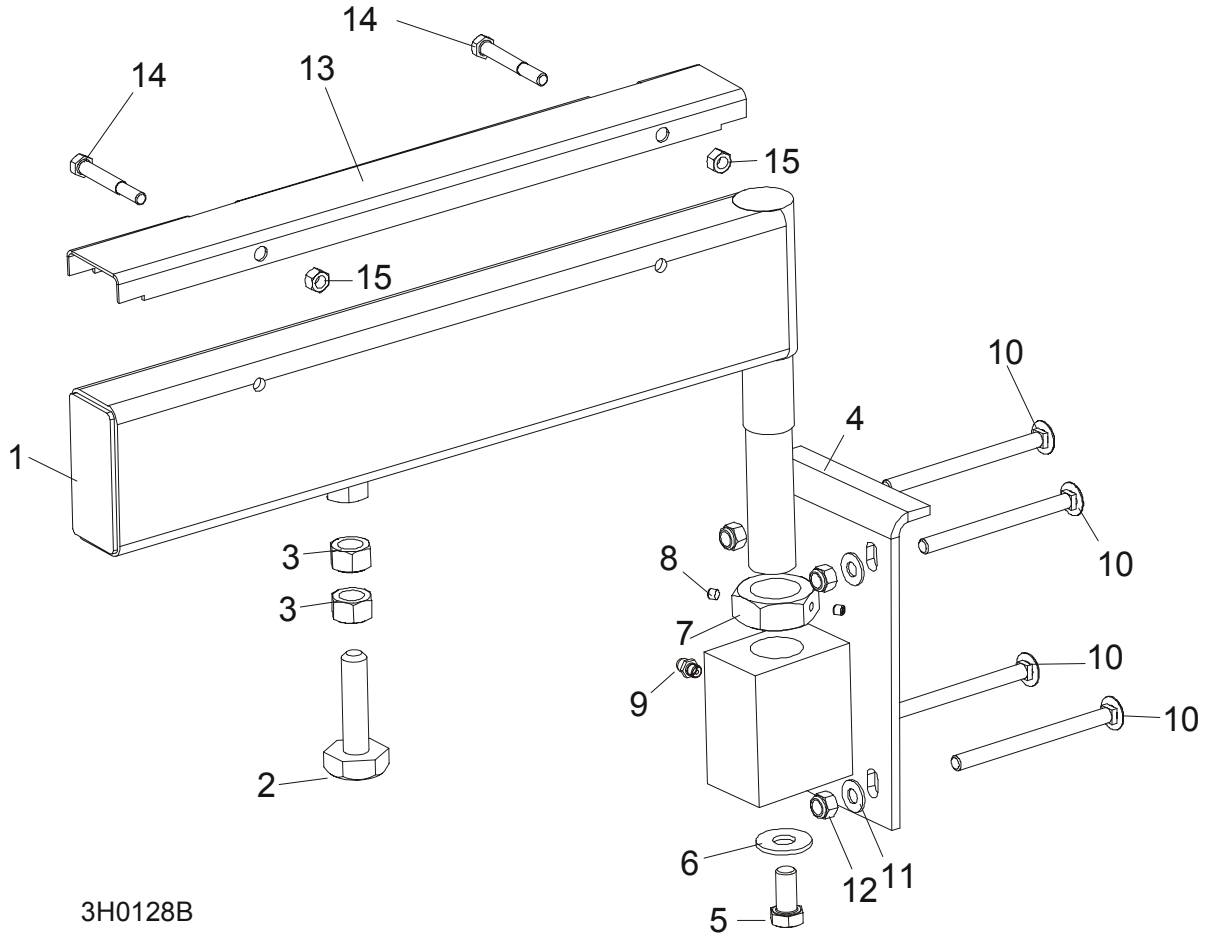
3H0384B

| | DESCRIPTION (◆ Indicates Parts Available In Assemblies Only) | PART # | QTY. | |
|----|--|----------|------|---|
| | TABLE ASSEMBLY, BOARD RETURN | 091397 | 1 | |
| 1 | Table Weldment, Board Return | 091225-1 | 1 | ◆ |
| 2 | Bolt, 5/16-18 x 1" Carriage Head | F81002-1 | 6 | |
| 3 | Washer, 5/16" SAE Flat | F81032-2 | 6 | |
| 4 | Nut, 5/16-18 Nylon Lock | F81054-1 | 6 | |
| 5 | Decal, Board Return Danger | 015365 | 1 | |
| 6 | Decal, Board Return Table Warning | 016077 | 1 | |
| 7 | Plate, Return Table Stainless Steel | 091396 | 1 | |
| 8 | Leg Weldment, Painted Outrigger | 089691-1 | 1 | |
| 9 | Cap, Outrigger Leg | 089710 | 1 | |
| 10 | Washer, M20 Flat Zinc | F81059-2 | 2 | |
| 11 | Spring, 21x38x2 Diameter Stainless Steel Compression | 087040 | 1 | |
| 12 | Pin, 4x25 Cotter | F81043-2 | 1 | |

8**Bed Frame Assembly***Board Return Table Assembly*

| | | | | |
|-----------|------------------------------------|----------|---|--|
| 13 | Pin, 8x65 Roll | F81046-1 | 1 | |
| 14 | Pin, Outrigger Pull | 087012-1 | 1 | |
| 15 | Pin, 3/8 X 2 1/4" Square Wire Lock | 014151 | 2 | |

8.6 Pivot Bed Rail Assembly



3H0128B

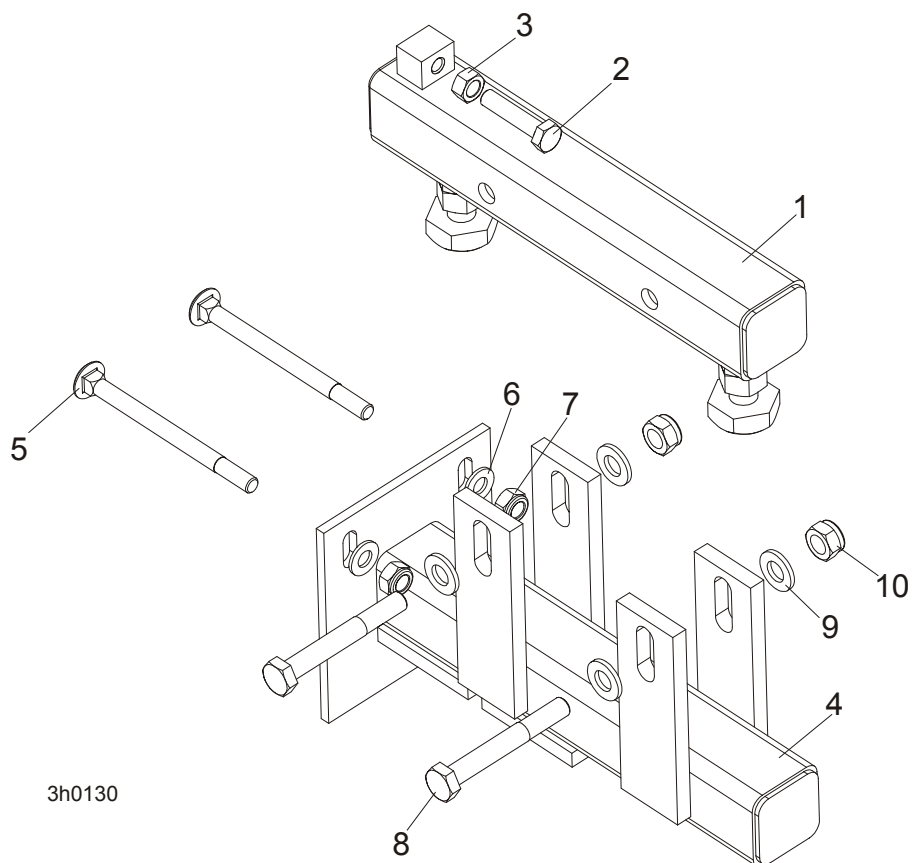
| REF | DESCRIPTION (◆ Indicates Parts Available In Assemblies Only) | PART # | QTY. |
|-----|--|----------------------|------|
| | PIVOT BED RAIL ASSEMBLY (LT40S) | 087829 | 2 |
| | PIVOT BED RAIL ASSEMBLY (LT40M) | 087855 | 2 |
| 1 | Pivot Bed Rail Weldment (LT40S) | 087852 | 1 |
| | Pivot Bed Rail Weldment (LT40M) | 087848 | 1 |
| | Bolt Assembly, Bed Rail Adjustment | | 1 |
| 2 | Bolt, Bed Rail Adjustment | 086809 | 1 |
| 3 | Nut, 5/8-11 Hex | F81036-1 | 2 |
| 4 | Bracket, Pivot Rail Mounting | 087841-1 | 1 |
| 5 | Bolt, 1/2-13 x 1" Hex Head Grade 2 | F81004-31 | 1 |
| 6 | Washer, 15 Flat | F05011-52 | 1 |
| 7 | Nut, Pivot Rail Adjustment (LT40S) Nut, Pivot Rail Adjustment (LT40M) | F81036-1 F81039-2 | 1 |
| 8 | Screw, 1/4-28 x 1/4" Brass Tip Set | F05005-42 | 2 |
| 9 | Fitting, 3/16" Grease | 086280 | 1 |
| 10 | BOLT, 3M10 X 120-8.8 CARRIAGE HEAD | F81003-33 | 8 |
| 11 | WASHER,10.5 FLAT | F81055-1 | 8 |

8

Bed Frame Assembly*Pivot Bed Rail Assembly*

| | | | | |
|-----------|--|----------|---|--|
| 12 | NUT, M16-8 NYLON LOCK | F81036-2 | 8 | |
| | COVER KIT, PIVOT RAIL STAINLESS STEEL (LT40S) | 015926 | 2 | |
| | COVER KIT, PIVOT RAIL STAINLESS STEEL (LT40) | N/A | 2 | |
| 13 | Cover, Stainless Steel Pivot Bed Rail (LT40S) | 012994 | 1 | |
| | Cover, Stainless Steel Pivot Bed Rail (LT40M) | S13012 | 1 | |
| 14 | Bolt, M8x65-5,8 Zinc Hex Head | F81002-3 | 4 | |
| 15 | Nut, M8-8-B-Zinc Hex Nylon Lock | F81032-2 | 4 | |
| | WRENCH, BED RAIL ADJUSTMENT (See Section 8.3) | 015970 | 1 | |

8.7 Bed Rail Assembly, Optional End

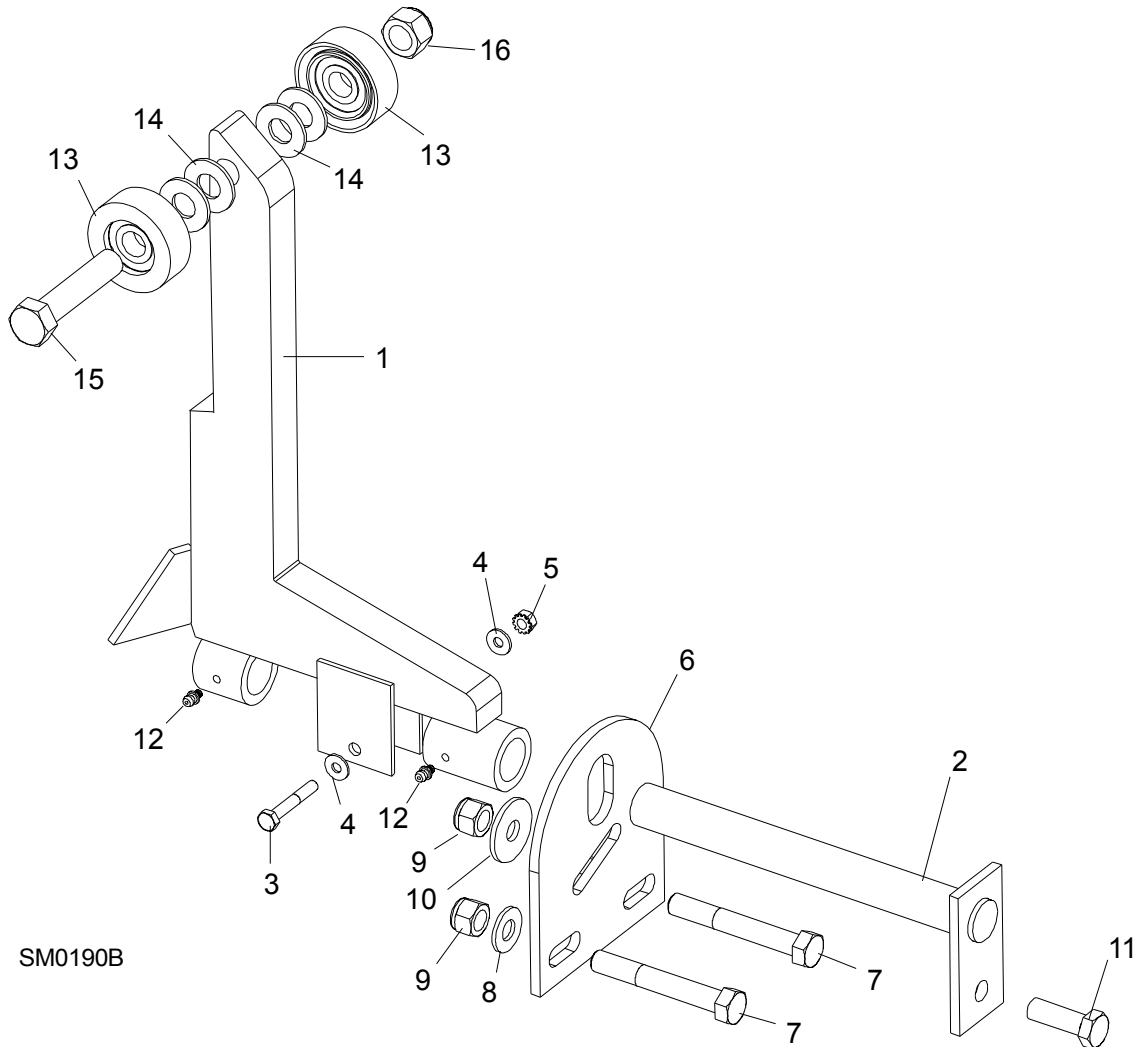


| L.P. | OPIS (♦ wskazuje części dostępne jedynie w zespołach) | NUMER KAT. | SZT. |
|------|---|------------|------|
| | BED RAIL ASSY, OPTIONAL END | 094102 | 1 |
| 1 | Bed Rail Assy - Zinc | 094103-1 | 1 |
| 2 | Bolt, M8X45mm, Hex Head, Full Thrd, Zinc | F81002-14 | 1 |
| 3 | Nut, M8-8-B-Fe | F81032-1 | 1 |
| 4 | Bed Rail Wdmt, End Bed Rail | 094104-1 | 1 |
| 5 | Bolt, M10X120 8.8 Fe/Zn5 | F81003-33 | 2 |
| 6 | Washer, 10.5 Zinc Flat | F81055-1 | 2 |
| 7 | Nut, M10, Nylon Hex Zinc Lock | F81033-1 | 2 |
| 8 | Bolt, M12X 90mm, HH, Grade 5.8, Zinc | F81004-2 | 2 |
| 9 | Washer, 13 Zinc Flat | F81056-1 | 4 |
| 10 | Nut, M12, Hexagon, Nylon, Zinc, Lock | F81034-2 | 2 |

8 Bed Frame Assembly

Log Side Support Assembly

8.8 Log Side Support Assembly

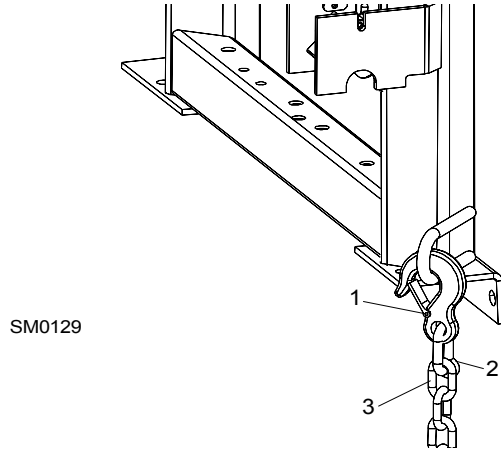


| REF | DESCRIPTION (◆ Indicates Parts Available In Assemblies Only) | PART # | QTY. |
|-----------|--|-----------|------|
| | SUPPORT, LOG SIDE | 092686 | 1 |
| 1 | MOUNTING KIT, LOG SIDE SUPPORT | 085538-1 | 3 |
| 2 | Pin, Log Side Support Pivot | 091549-1 | 1 |
| 3 | Bolt, M8x45 - 8.8 Hex Head Grade 5 | F81002-14 | 1 |
| 4 | Washer, 8.4 Flat | F81054-1 | 2 |
| 5 | Nut, M8-8-B Self Locking | F81032-2 | 1 |
| 6 | Plate, Log Side Support End | 091591-1 | 1 |
| 7 | Bolt, M12 x 75-8.8 Hex Head | F81004-21 | 2 |
| 8 | Washer, 13 Flat | F81056-1 | 2 |
| 9 | Nut, M12-8 Hex Nylon Lock | F81034-2 | 3 |
| 10 | Washer, 15 Flat Special Zinc-Plated | F81057-3 | 1 |
| 11 | Bolt, M12 x 35-8.8 Hex Head | F81004-24 | 1 |

| | | | | |
|-----------|--|------------|---|--|
| 12 | FITTING, 3/16" GREASE | P04107 | 2 | |
| 13 | Roller Assembly, Side Support | 015014-1 | 2 | |
| 14 | Washer, 17 Flat | F81058-1 | 2 | |
| 15 | Bolt, M16x65-8.8-B Hex Head Grade 5 | F81006-1 | 1 | |
| 16 | Nut, M16-8 Nylon Lock | F81036-2 | 1 | |
| | Instruction Sheet, Side Support Roller | 015109-526 | 1 | |

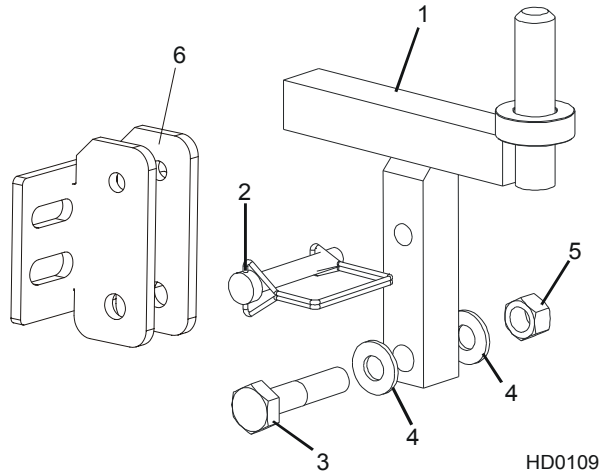
8 **Bed Frame Assembly**
Tie Down Chain Assembly

8.9 Tie Down Chain Assembly



| REF | DESCRIPTION (◆ Indicates Parts Available In Assemblies Only) | PART # | QTY. | |
|-----|--|----------|-------|---|
| | CHAIN ASSEMBLY, TIE DOWN | A04376 | 1 | |
| 1 | Hook, 5/8" Safety Chain | P12075 | 1 | ◆ |
| 2 | Cold Shut, 3/8" Plain | P04772-2 | 1 | ◆ |
| 3 | Chain, N-10 x 35 Unplated | R80558 | .28 m | ◆ |

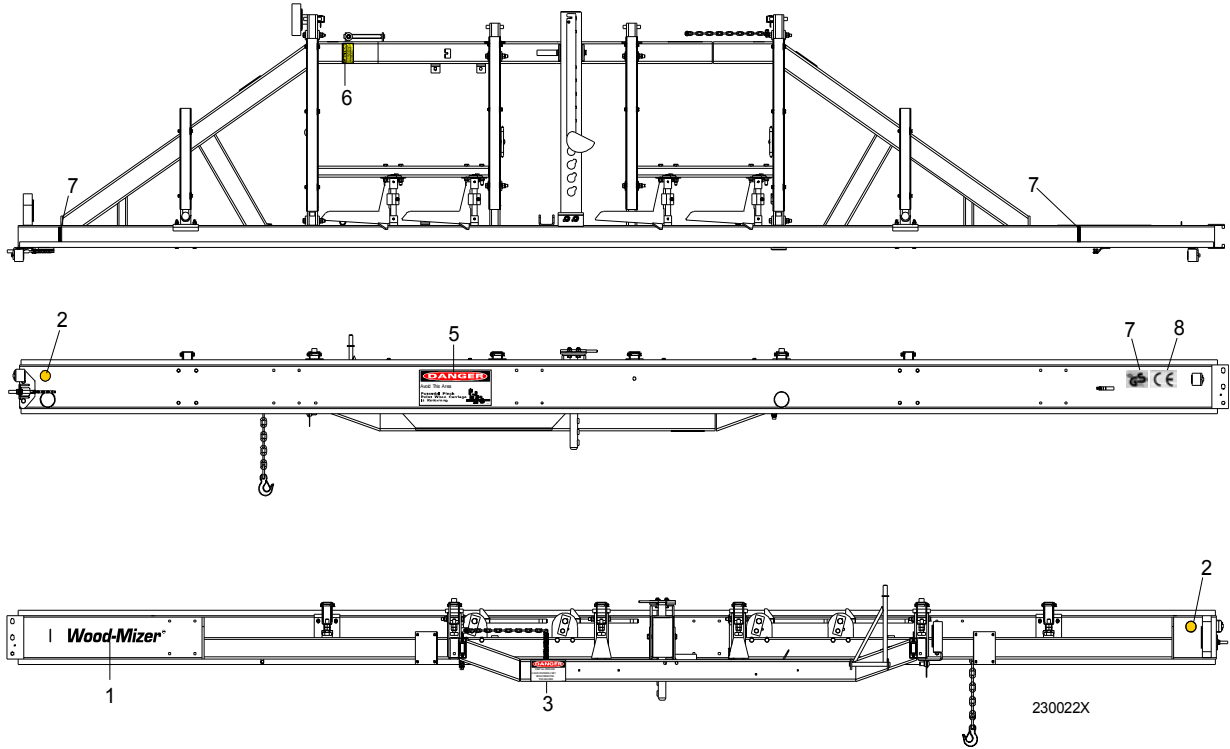
8.10 Saw Head Rest Pin Assembly



HD0109

| REF | DESCRIPTION (◆ Indicates Parts Available In Assemblies Only) | PART # | QTY. |
|-----|--|----------|------|
| 1 | PIN, SAW HEAD REST | 085949 | 1 |
| 2 | PIN, 3/8" X 2 1/4" SNAP RETAINER | 014151 | 1 |
| 3 | BOLT, M12 X 60-8.8 HEX HEAD GRADE 5 | F81004-5 | 1 |
| 4 | WASHER, 13 SAE FLAT | F81056-1 | 2 |
| 5 | NUT, M12-8 HEX LOCK | F81034-2 | 1 |
| 6 | BRECKET, SAW HEAD REST PIN MOUNT | 092765-1 | 1 |

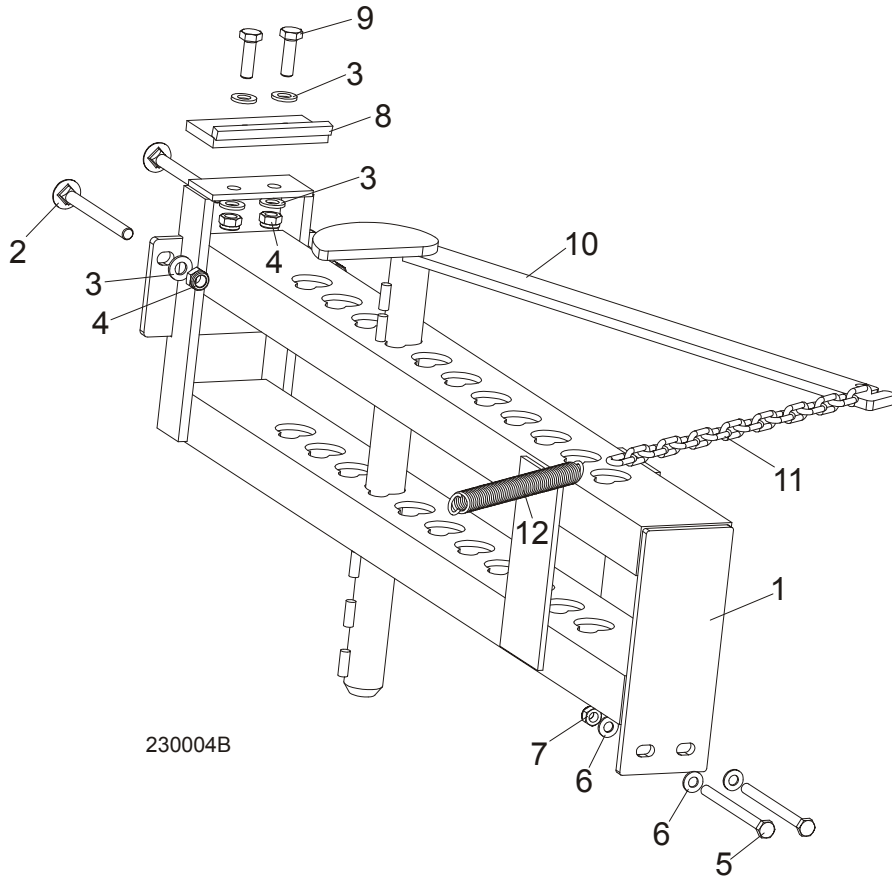
8.11 Bed Frame Decals



| REF | DESCRIPTION (◆ Indicates Parts Available In Assemblies Only) | PART # | QTY. |
|-----|--|--------|------|
| 1 | DECAL, WOOD-MIZER LOGO | S12281 | 1 |
| 2 | DECAL, AMBER REFLECTIVE 2" ROUND | P07453 | 2 |
| 3 | DECAL, KEEP AWAY DANGER | S09851 | 1 |
| 4 | DECAL, PINCH POINT DANGER | P10287 | 1 |
| 5 | DECAL, SAW HEAD REST CAUTION | S12581 | 1 |
| 6 | DECAL, LOG LIMIT STRIPE | S12051 | 2 |
| 7 | DECAL, GS SAFETY CERTIFICATION, SMALL | P85072 | 1 |
| 8 | DECAL, CE CERTIFIED SAWMILL, SMALL | P85070 | 1 |

SECTION 9 LOG CLAMP, TURNER, LOADER & TOE BOARDS

9.1 Manual Log Clamp



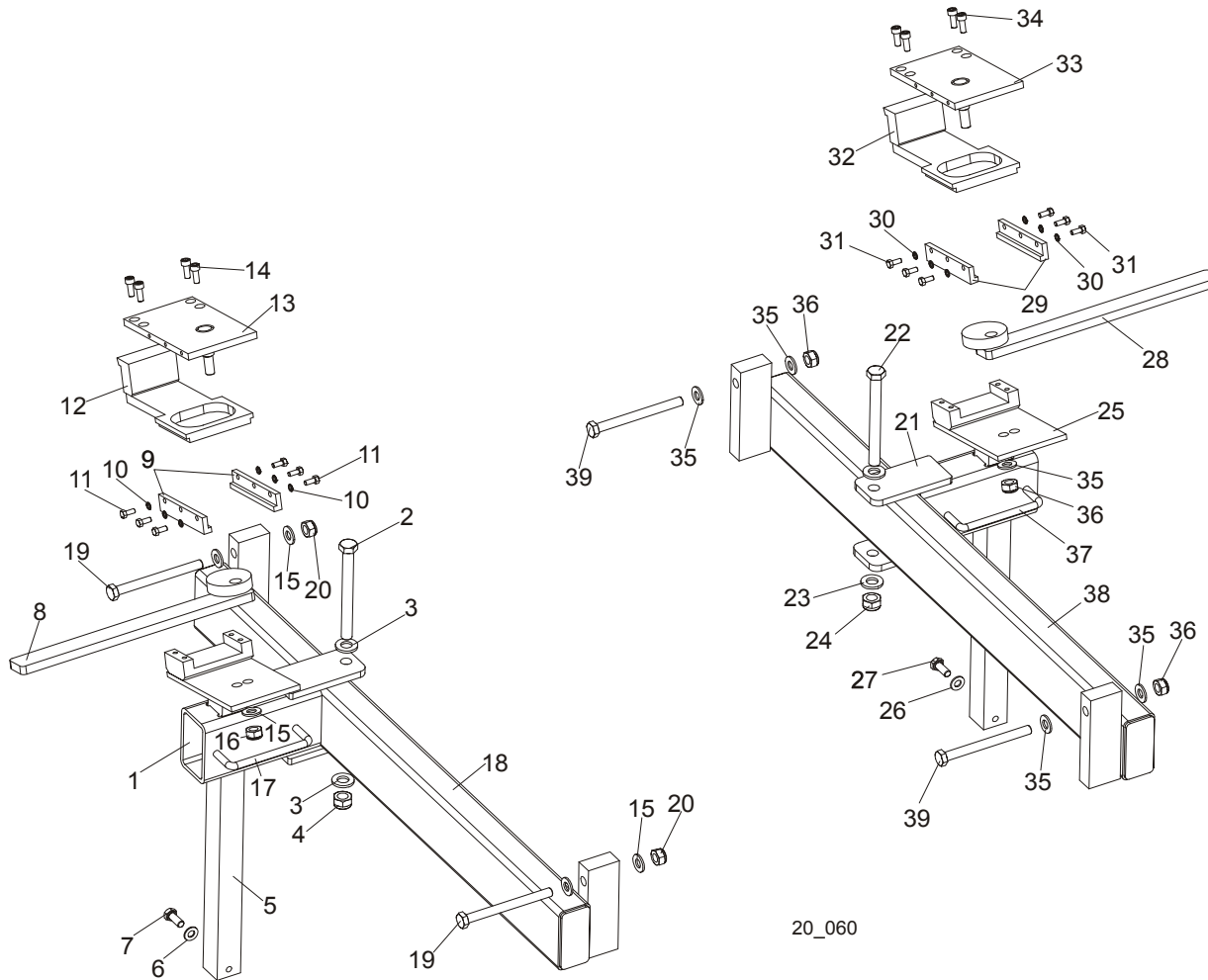
| REF | DESCRIPTION (◆ Indicates Parts Available In Assemblies Only) | PART # | QTY. |
|-----|--|-----------|------|
| | MANUAL LOG CLAMP | 092683 | 1 |
| 1 | Bracket, Manual Log Clamp | 092677-1 | 1 |
| 2 | Bolt, M12x130-8.8 Carriage Head Zinc | F81004-26 | 2 |
| 3 | Washer, 13 Flat Zinc | F81056-1 | 6 |
| 4 | Nut, M12-8 Hex Nylon Zinc Lock | F81034-2 | 4 |
| 5 | Bolt, M10x125-8.8 Hex Head Zinc | F81003-18 | 2 |
| 6 | Washer, 10.5 Flat Zinc | F81055-1 | 4 |
| 7 | Nut, M10-8-B Hex Nylon Zinc Lock | F81033-1 | 2 |
| 8 | Stop Weldment, Log Clamp Painted | 086980-1 | 1 |
| 9 | Bolt, M12 x 40-8.8 Hex Head Full Thread Zinc | F81004-4 | 2 |
| 10 | Log Clamp Weldment, Manual Painted | W09412 | 1 |
| 11 | Chain, Log Clamp | M04311 | 1 |
| 12 | Spring, FI 2.8 X FI 22.2 X 183 | 091864 | 1 |



Log Clamp, Turner, Loader & Toe Boards

Log Clamp Assembly

9.2 Log Clamp Assembly



20_060

| REF | DESCRIPTION (◆ Indicates Parts Available In Assemblies Only) | PART # | QTY. |
|-----|--|---------------------|------|
| | LOG CLAMP ASSEMBLY, LEFT (NON-HYDRAULIC) | 089631 ¹ | 1 |
| 1 | Arm Weldment, Log Clamp Zinc-Plated | 089624-1 | 1 |
| 2 | Bolt, M12x120 8.8 Hex Head Zinc | F81004-38 | 1 |
| 3 | Washer, 13 Zinc Flat | F81056-1 | 2 |
| 4 | Nut, M12-8 Hex Nylon Zinc Lock | F81034-2 | 1 |
| 5 | Mount Weldment, Log Clamp Zinc-Plated | 090174-1 | 1 |
| 6 | Washer, 8.4 Zinc Flat | F81054-1 | 4 |
| 7 | Bolt, M8x20-8.8-B Hex Head Full Thread Zinc | F81002-4 | 2 |
| 8 | Lever, Log Clamp Zinc-Plated | 089611-1 | 1 |
| 9 | Plate, Log Clamp Side Zinc-Plated | 089615-1 | 2 |
| 10 | Washer, 5.1 Split Lock Zinc | F81052-2 | 6 |
| 11 | Bolt, M5x12-5.8 Hex Head Full Thread Zinc | F81000-5 | 6 |

Log Clamp, Turner, Loader & Toe Boards

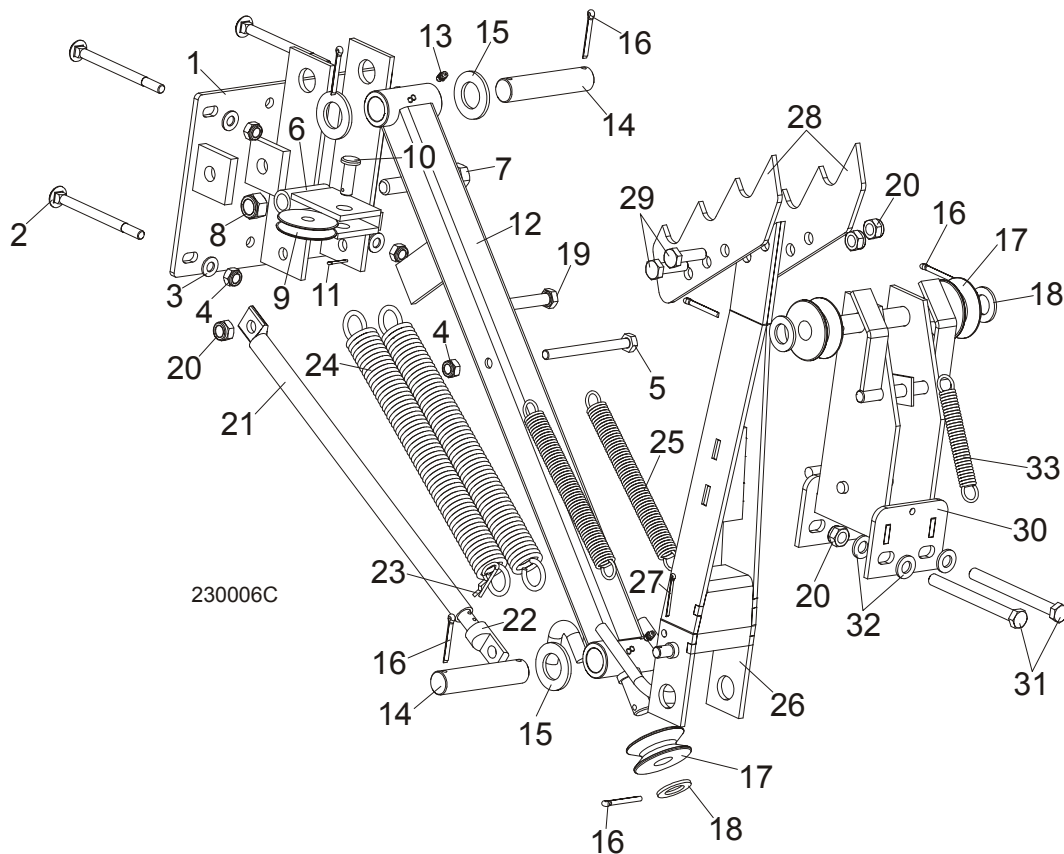
Log Clamp Assembly

9

| | | | | |
|----|--|-----------|---|--|
| 12 | Plate, Clamping Zinc-Plated | 090202-1 | 1 | |
| 13 | Plate, Log Clamp Upper Zinc-Plated | 089614-1 | 1 | |
| 14 | Screw, M6x16-8.8 Hex Socket Set Cap Zinc | F81001-21 | 4 | |
| 15 | Washer, 10.5 Zinc Flat | F81055-1 | 5 | |
| 16 | Nut, M8-8-B Hex Nylon Zinc Lock | F81032-2 | 1 | |
| 17 | Handle, 4" w/Bolts | P08065 | 1 | |
| 18 | Bar Weldment, Log Clamp Guide Ptd | 089628-1 | 1 | |
| 19 | Bolt, M10x110 8.8 Hex Head Zinc | F81003-43 | 2 | |
| 20 | Nut, M10-8-B Hex Nylon Zinc Lock | F81033-1 | 2 | |
| | LOG CLAMP ASSEMBLY, RIGHT (NON-HYDRAULIC) | 090349 | 1 | |
| 21 | Arm Weldment, Log Clamp Zinc-Plated | 089624-1 | 1 | |
| 22 | Bolt, M12x120 8.8 Hex Head Zinc | F81004-38 | 1 | |
| 23 | Washer, 13 Zinc Flat | F81056-1 | 2 | |
| 24 | Nut, M12-8 Hex Nylon Zinc Lock | F81034-2 | 1 | |
| 25 | Mount Weldment, Log Clamp Zinc-Plated | 090174-1 | 1 | |
| 26 | Washer, 8.4 Zinc Flat | F81054-1 | 2 | |
| 27 | Bolt, M8x20-8.8-B Hex Head Full Thread Zinc | F81002-4 | 2 | |
| 28 | Lever, Log Clamp Zinc-Plated | 090348-1 | 1 | |
| 29 | Plate, Log Clamp Side Zinc-Plated | 089615-1 | 2 | |
| 30 | Washer, 5.1 Split Lock Zinc | F81052-2 | 6 | |
| 31 | Bolt, M5x12-5.8 Hex Head Full Thread Zinc | F81000-5 | 6 | |
| 32 | Plate, Clamping Zinc-Plated | 090202-1 | 1 | |
| 33 | Plate, Log Clamp Upper Zinc-Plated | 090347-1 | 1 | |
| 34 | Screw, M6x16-8.8 Hex Socket Head Cap Zinc | F81001-21 | 4 | |
| 35 | Washer, 10.5 Zinc Flat | F81055-1 | 5 | |
| 36 | Nut, M10-8-B Hex Nylon Zinc Lock | F81033-1 | 3 | |
| 37 | Handle, 4" w/Bolts | P08065 | 1 | |
| 38 | Bar Weldment, Log Clamp Guide Ptd | 089628-1 | 1 | |
| 39 | Bolt, M10x110 8.8 Hex Head Zinc | F81003-43 | 2 | |

¹ The number of clamps depends on the frame length.

9.3 Manual Log Turner



| REF | DESCRIPTION (◆ Indicates Parts Available In Assemblies Only) | PART # | QTY. |
|-----|--|-----------|------|
| | MANUAL LOG TURNER OPTION (S/M TYPE FRAME) | 091291 | 1 |
| | MANUAL LOG TURNER OPTION (L TYPE FRAME) | 091562 | 1 |
| 1 | Bracket Weldment, Manual Log Turner Painted (S/M Type Frame) | 091269-1 | 1 |
| | Bracket Weldment, Manual Log Turner Painted (L Type Frame) | 090271-1 | 1 |
| 2 | Bolt, M10x120 8.8 Carriage Head Zinc | F81003-33 | 4 |
| 3 | Washer, 10.5 Flat Zinc | F81055-1 | 4 |
| 4 | Nut, M10-8-B Hex Nylon Zinc Lock | F81033-1 | 5 |
| 5 | Bolt, M10x115-8.8 Hex Head Zinc | F81003-19 | 1 |
| 6 | Bracket Weldment, Cable Guide Pulley Painted | 091295-1 | 1 |
| 7 | Bolt, M16x100-8.8 Hex Head Full Thread Zinc | F81006-2 | 1 |
| 8 | Nut, M16-8 Hex Nylon Zinc Lock | F81036-2 | 1 |
| 9 | Pulley, Zinc-Plated Cable Guide | 091273-1 | 1 |
| 10 | Pin, 12x35 B Clevis Zinc | F81049-1 | 1 |
| 11 | Pin, 2.5x20 Cotter Zinc | F81043-1 | 1 |
| 12 | Arm Weldment, Manual Turner Lower Painted | 091256-1 | 1 |
| 13 | Fitting, M6 Grease | 086280 | 2 |

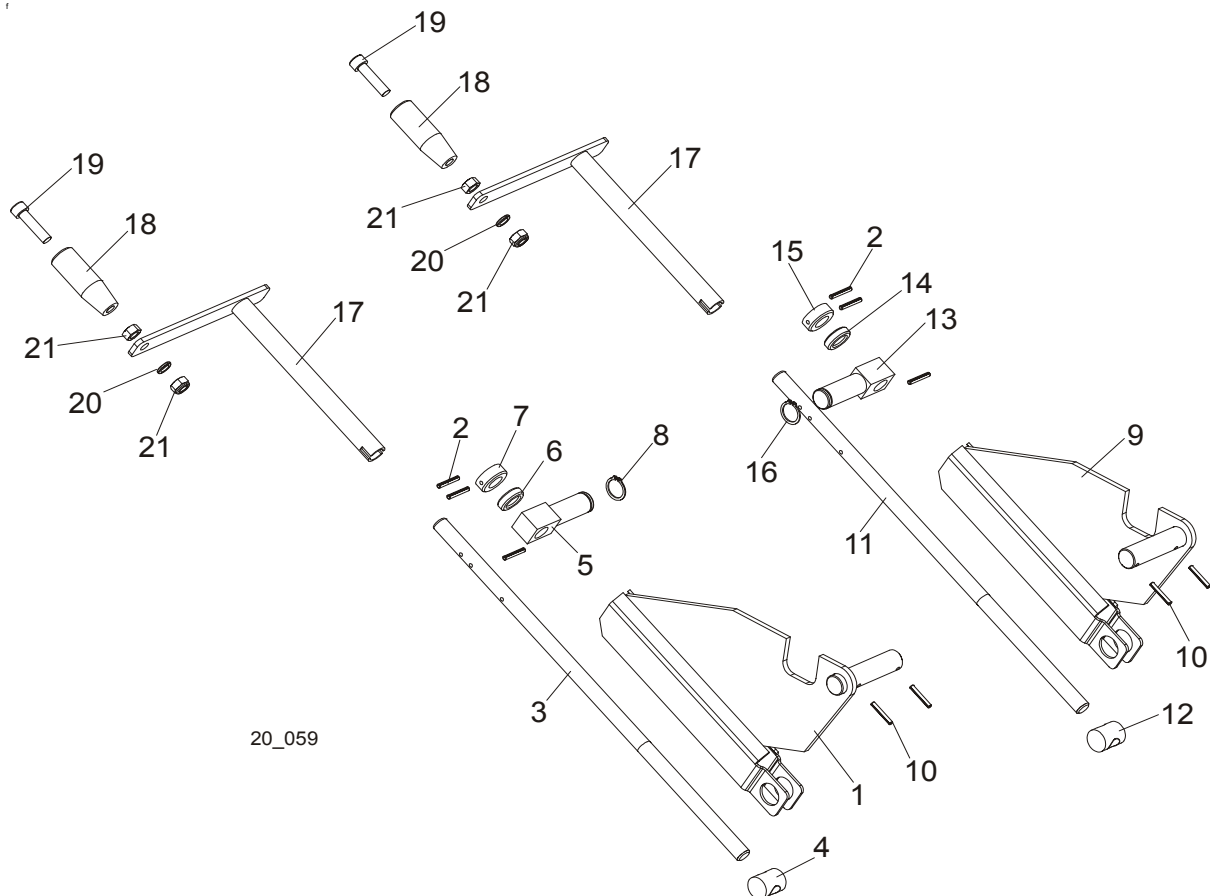
Log Clamp, Turner, Loader & Toe Boards

Manual Log Turner

9

| | | | | |
|----|--|-----------|---|---|
| 14 | Pin, Manual Turner Arm Pivot Zinc-Plated | 091275-1 | 2 | |
| 15 | Washer, 28 Flat Zinc | F81061-1 | 4 | |
| 16 | Pin, 5x40 Cotter Zinc | F81043-31 | 7 | |
| 17 | Pulley, Manual Turner Zinc-Plated | 091280-1 | 3 | |
| 18 | Washer, 20.5 Split Lock Zinc | F81059-1 | 5 | |
| 19 | Bolt, M12x120 8.8 Hex Head Zinc | F81004-38 | 1 | |
| 20 | Nut, M12-8 Hex Nylon Zinc Lock | F81034-2 | 5 | |
| 21 | Tube, Manual Turner Painted | 091537-1 | 1 | |
| 22 | Rod Weldment, Manual Turner Painted | 091540-1 | 1 | |
| 23 | Pin, 1/8x1 13/16 Safety | P05059 | 1 | |
| 24 | Spring, FI 4.5 x FI 35 x 303 | 091863 | 2 | ◆ |
| 25 | Spring, FI 2.8 x FI 22.2 x183 | 091864 | 2 | |
| 26 | Arm Weldment, Manual Turner Upper Painted | 091263-1 | 1 | |
| 27 | Pin, 4x25 Cotter Zinc | F81043-2 | 1 | |
| 28 | Claw, Log Turner Painted | 088082-1 | 2 | |
| 29 | Bolt, M12x40-8.8 Hex Head Full Thread Zinc | F81004-4 | 2 | |
| 30 | Bracket Weldment, Manual Turner Pulley Painted | 091281-1 | 1 | |
| 31 | Bolt, M12x130-8.8 Hex Head Zinc | F81004-36 | 2 | |
| 32 | Washer, 13 Flat Zinc | F81056-1 | 4 | |
| 33 | Spring, FI 1.9 X FI 14.2 X 104 | 091865 | 1 | |

9.4 Manual Toe Board



| REF | DESCRIPTION (◆ Indicates Parts Available In Assemblies Only) | PART # | QTY. |
|-----|--|---------------------|------|
| | TOE BOARD KIT, MANUAL FRONT | 090026 | 1 |
| 1 | Plate Weldment, Manual Toe Board Front | 090025-1 | 1 |
| 2 | Pin, Zinc Roll PN-EN ISO 8752-5X35-N-C | F81044-9 | 3 |
| 3 | Shaft, Manual Toe Board | 090344-1 | 1 |
| 4 | Nut, Special Threaded | 090017 | 1 |
| 5 | Pivot, Manual Toe Board Shaft | 090013-1 | 1 |
| 6 | Bearing, 5/8" Thrust | P04214 | 1 |
| 7 | Collar, 16 | F81039-6 | 1 |
| 8 | Ring, Z 22 Outside Retaining | F81090-24 | 1 |
| 10 | Pin, 4x30 Zinc Roll | F81044-7 | 2 |
| | TOE BOARD KIT, MANUAL REAR | 090024 ¹ | 1 |
| 2 | Pin, 4x30 Zinc Roll PN-EN ISO 8752-5X35-N-C | F81044-9 | 3 |
| 9 | Plate Weldment, Manual Toe Board Rear | 090023-1 | 1 |
| 10 | Pin, 4x30 Zinc Roll | F81044-7 | 2 |
| 11 | Shaft, Manual Toe Board | 090016-1 | 1 |

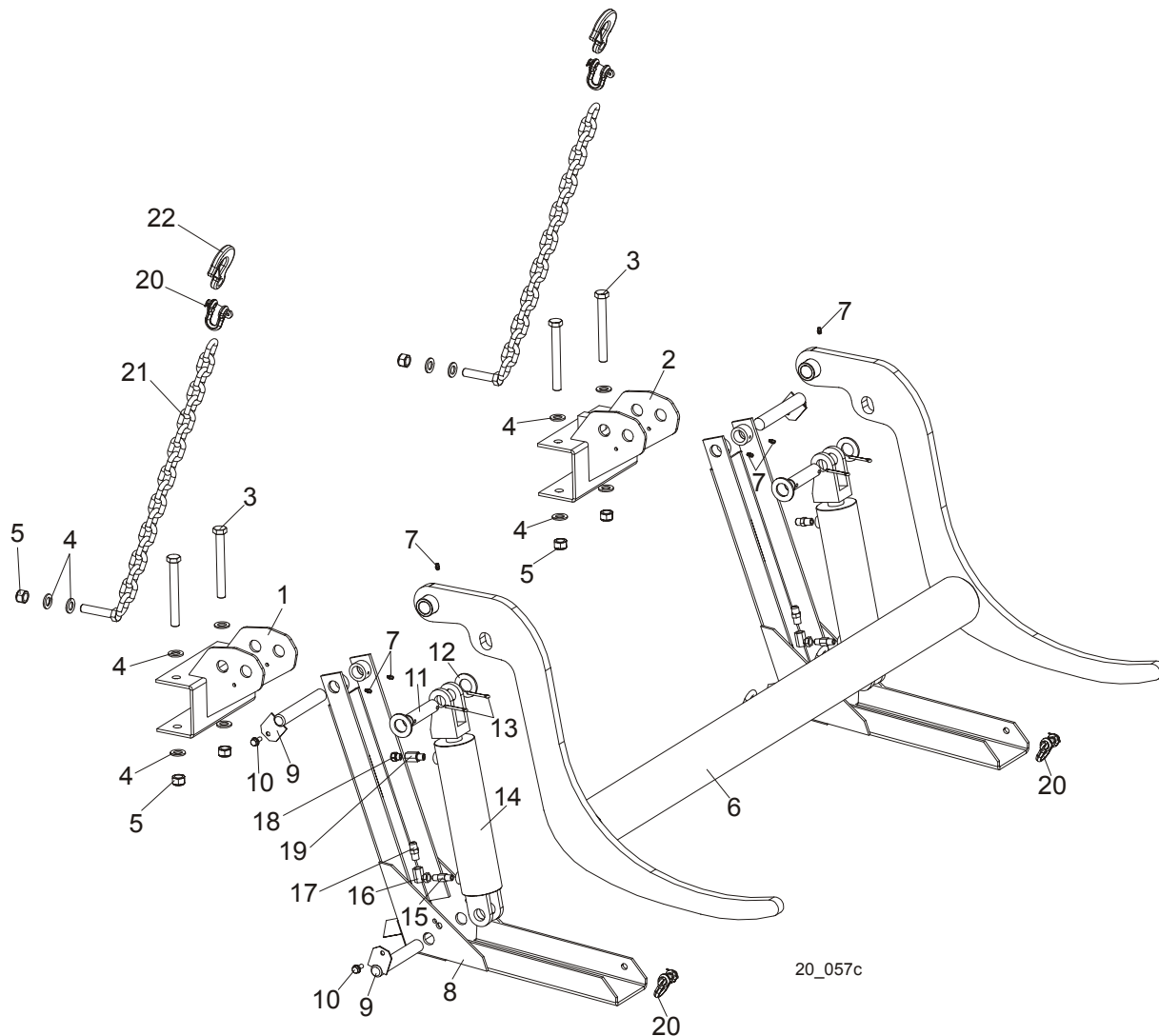
| | | | | |
|----|---|-----------|---|--|
| 12 | Nut, Special Threaded | 090017 | 1 | |
| 13 | Pivot, Manual Toe Board Shaft | 090013-1 | 1 | |
| 14 | Bearing, 5/8" Thrust | P04214 | 1 | |
| 15 | Collar, 16 | F81039-6 | 1 | |
| 16 | Ring, Z 22 Outside Retaining | F81090-24 | 1 | |
| | Crank Assembly, Manual Toe Board | A09432 | 2 | |
| 17 | Crank, Manual Toe Board | W09431 | 1 | |
| 18 | Handle, Crank | S08291-W | 1 | |
| 19 | Screw, 3/8-16 x 2 1/2" Socket Head Cap | F05007-24 | 1 | |
| 20 | Washer, 3/8" Split Lock | F81055-2 | 1 | |
| 21 | Nut, 3/8-16 Hex | F05010-1 | 2 | |

¹ The number of kits depends on the frame length.

9 Log Clamp, Turner, Loader & Toe Boards

Manual Log Loader (S/M type frame)

9.5 Manual Log Loader (S/M Type Frame)



| REF | DESCRIPTION (◆ Indicates Parts Available In Assemblies Only) | PART # | QTY. |
|-----|--|----------|------|
| | LOG LOADER, COMPLETE | 091952 | 1 |
| 1 | Bracket , Log Loader Mount Painted (S/M Type Frame) | 092865-1 | 1 |
| 2 | Bracket, Log Loader Mount | 091938-1 | 1 |
| 3 | Bolt, M16x140-8.8 Hex Head Zinc | F81006-4 | 4 |
| 4 | Washer, 17 Zinc Flat | F81058-1 | 12 |
| 5 | Nut, M16-8 Hex Nylon Zinc Lock | F81036-2 | 6 |
| | Log Loader W/Chain | 091954 | 1 |
| 6 | Loader Weldment, Log Painted | 090006-1 | 1 |
| 7 | Fitting, 3/16" Straight Grease | P04107 | 6 |
| 8 | Foot, Log Loader Painted | 090048-1 | 2 |

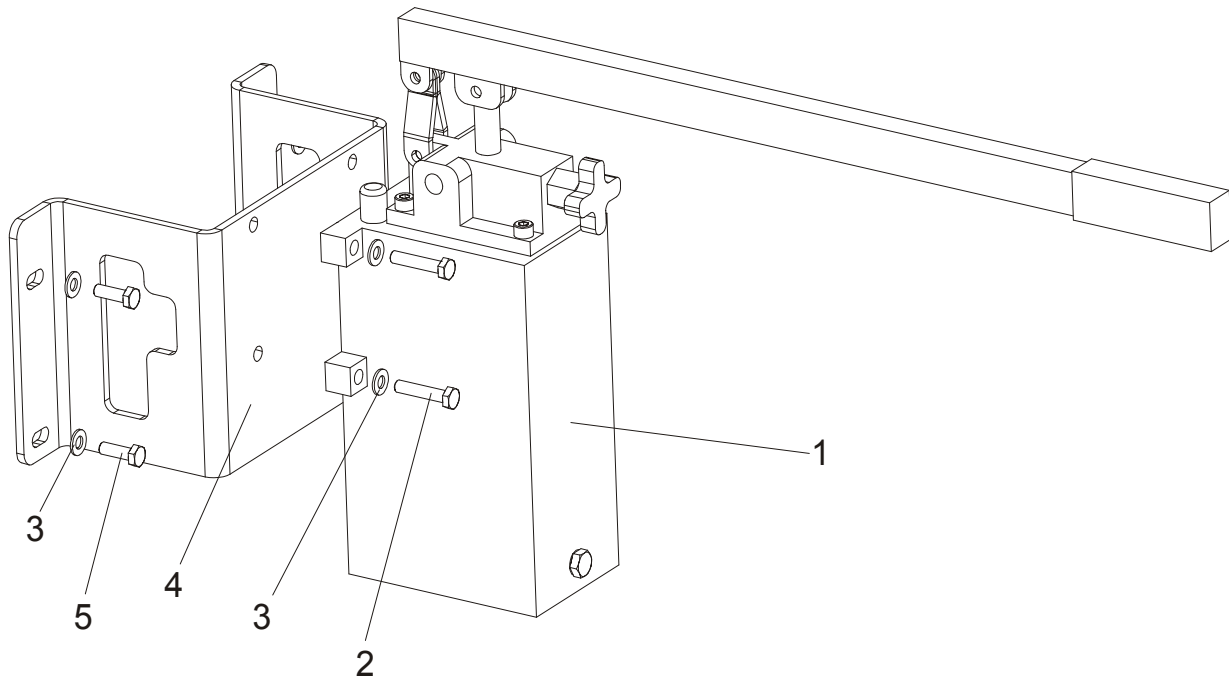
Log Clamp, Turner, Loader & Toe Boards

Manual Log Loader (S/M type frame)

9

| | | | | |
|-----------|---|-----------|---|--|
| 9 | Pin Weldment, Log Loader Painted | W09446-1 | 4 | |
| 10 | Screw, 5/16-18 x 3/4 Self-Tapping | F05015-30 | 4 | |
| 11 | Pin, Hydraulic Cylinder Zinc-Plated | 086979-1 | 2 | |
| 12 | Washer, 28 Zinc Flat | F81061-1 | 4 | |
| 13 | Pin, 5x40 Cotter | F81043-31 | 4 | |
| | Cylinder Assembly, Log Loader | 094333 | 2 | |
| 14 | Cylinder, C/J-S95-16-70/32/203 Hydraulic | 088680 | 1 | |
| 15 | Fitting, 1/4 NPT 4.0 GPM Velocity Fuse | 015750 | 1 | |
| 16 | Fitting, #9455X4X4 90 Deg. Swivel Elbow | P12199 | 1 | |
| 17 | Fitting, 3/8JIC-1/4 NPT Straight | 015560 | 1 | |
| 18 | Air Vent Valve 2901-14-17 | 090794 | 1 | |
| 19 | Fitting, $\frac{1}{4}$ " F. Thread/ $\frac{1}{4}$ " NPT M. Thread Reducer | 090795 | 1 | |
| 20 | Shackle, M-WL. .63 | 086540 | 4 | |
| 21 | Chain, Log Loader Painted | 091953-1 | 2 | |
| 22 | Hook, 5/8 Safety Chain | P12075 | 2 | |

9.6 Manual Log Loader Pump



| REF | DESCRIPTION (◆ Indicates Parts Available In Assemblies Only) | PART # | QTY. | |
|-----|--|-----------|------|--|
| 1 | PUMP, PAM 014 2500 3L MANUAL | 090309 | 1 | |
| 2 | BOLT, M8X80-8.8 HEX HEAD ZINC | F81002-18 | 4 | |
| 3 | WASHER, 8.4 ZINC FLAT | F81054-1 | 8 | |
| 4 | BRACKET, LOG LOADER PUMP MOUNT | 090377-1 | 1 | |
| 5 | BOLT, M8X25-8.8-B HEX HEAD FULL THREAD ZINC | F81002-5 | 4 | |