

Debarker Option

Safety, Installation, Operation, Maintenance & Parts Manual

LT20 Debarker

rev. A.1



Safety is our #1 concern! Read and understand all safety information and instructions before operating, setting up or maintaining this machine.

Form #556

Table of Contents

Section-Page

SECTION 1	SAFETY & GENERAL INFORMATION	1-1
1.1	Installation and Maintenance.....	1-1
1.2	Operation and Towing.....	1-2
SECTION 2	DEBARKER INSTALLATION	2-1
2.1	Debarker Frame Mounting Holes.....	2-2
2.2	Debarker Installation.....	2-3
2.3	Wiring Instructions.....	2-6
2.4	Control Component Installation.....	2-8
2.5	Alignment.....	2-11
SECTION 3	OPERATION AND MAINTENANCE	3-1
3.1	Locking Pin Operation.....	3-1
3.2	Operation.....	3-2
3.3	Maintenance.....	3-3
SECTION 4	DEBARKER PARTS	4-1
4.1	How To Use The Parts List.....	4-1
4.2	Sample Assembly.....	4-1
4.3	Debarker, LT20 Wide AC.....	4-2
4.4	Debarker Blade Drive Assembly, LT20 Wide AC.....	4-5
4.5	Debarker, LT20 Wide DC.....	4-7
4.6	Debarker Blade Drive Assembly, LT20 Wide DC.....	4-10
4.7	Debarker LT20 AC. 098699.....	4-12
4.8	Korowarka LT20 DC. 098700.....	4-15
4.9	AC Debarker Blade Drive (096239).....	4-18
4.10	Debarker Blade Drive Assembly (No. 097497).....	4-20
4.11	Debarker Decal Kit. 098699_538001.....	4-22
4.12	Wide Debarker Decal Kit. 580555_538001.....	4-23

SECTION 1 SAFETY & GENERAL INFORMATION



This symbol calls your attention to instructions concerning your personal safety. Be sure to observe and follow these instructions. This symbol accompanies a signal word. The word **DANGER** indicates an imminently hazardous situation which, if not avoided, will result in death or serious injury. **WARNING** suggests a potentially hazardous situation which, if not avoided, could result in death or serious injury. **CAUTION** refers to potentially hazardous situations which, if not avoided, may result in minor or moderate injury to persons or equipment. Read all safety instructions before operating this equipment and observe all safety warnings!

1.1 Installation and Maintenance



DANGER! On electric mills, hazardous voltage inside the disconnect box, starter box, and at the electric motor can cause shock, burns, or death. Disconnect and lock out power supply before performing debarker installation! Follow all applicable electrical codes.

DANGER! On gas/diesel mills, before performing any service to this equipment, turn the key to the OFF position, remove the key, and disconnect the sawmill battery ground terminal. Failure to do so will result in serious injury or death.

DANGER! Make sure all electrical installation, service and/or maintenance work is performed by a qualified electrician and is in accordance with applicable electrical codes. Failure to do so will result in serious injury or death.



WARNING! Before replacing the debarker blade, move the sawmill blade guide arm in front of the sawmill blade to cover the blade teeth. Failure to do so may result in serious injury or death.

1.2 Operation and Towing



DANGER! Make sure all guards and covers are in place and secured before operating the debarker option. Failure to do so may result in serious injury.

DANGER! Keep all persons out of the path of moving equipment when operating the debarker. Failure to do so will result in serious injury.

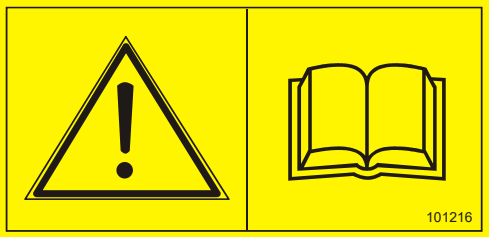
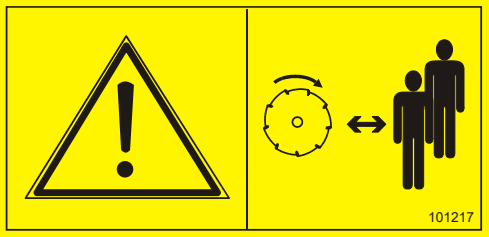
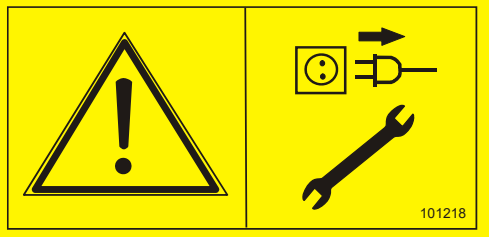

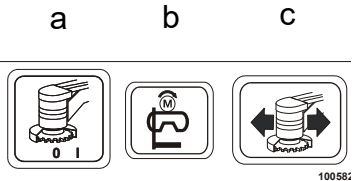
DANGER! Always remove the key from the control panel before preparing the debarker for towing. Failure to do so may result in serious injury.

WARNING! If the debarker continues to run with the key switch in the OFF position, remove the negative battery terminal from the battery post.

DO NOT continue to operate the mill if the main key switch does not control debarker operation. Doing so could result in serious injury. Call Wood-Mizer customer service for more information.

See Table 1-1. Pictogram decals used to warn and inform the user about danger in the LT15/20 Debarker.

TABLE 1-1

Decal View	W-M No.	Description
	101216	CAUTION! Read thoroughly the manual before operating the machine. Observe all safety instructions and rules when operating the sawmill.
	101217	CAUTION! Keep away from debarker blade!
	101218	CAUTION! Disconnect power supply before servicing the debarker.
	S20097	Debarker Motor Rotation Direction
	100582	a. Debarker On/Off (option) b. Starting motor c. Debarker In/Out (option)

2 Debarker Installation

SECTION 2 DEBARKER INSTALLATION



DANGER! On electric mills, hazardous voltage inside the disconnect box, starter box, and at the electric motor can cause shock, burns, or death. Disconnect and lock out power supply before performing debarker installation! Follow all applicable electrical codes.

DANGER! Before performing any service to this equipment, turn the key to the OFF (0) position, remove the key, and disconnect the sawmill battery ground terminal. Failure to do so will result in serious injury or death.

The Debarker Option may be installed to the LT20 sawmills with production date 21.06.2007 and later.

2.1 Debarker Frame Mounting Holes

IMPORTANT! Sawmills are equipped with pre-drilled Debarker mounting holes. **Verify hole locations before beginning Debarker installation. Proper hole location is imperative for safe and effective Debarker operation.**

2 Debarker Installation

Debarker Installation

2.2 Debarker Installation

1. Open the blade housing cover. Dismount the debarker cable box. Remove the hole plugs from sawmills saw head (2).

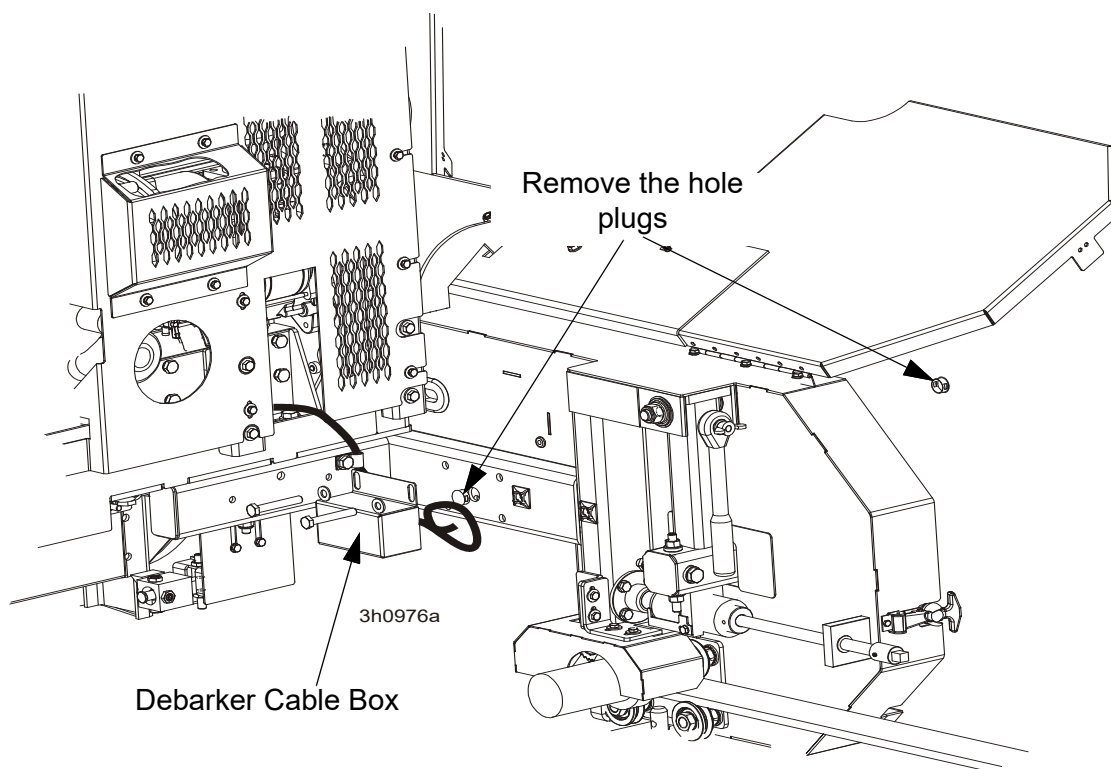
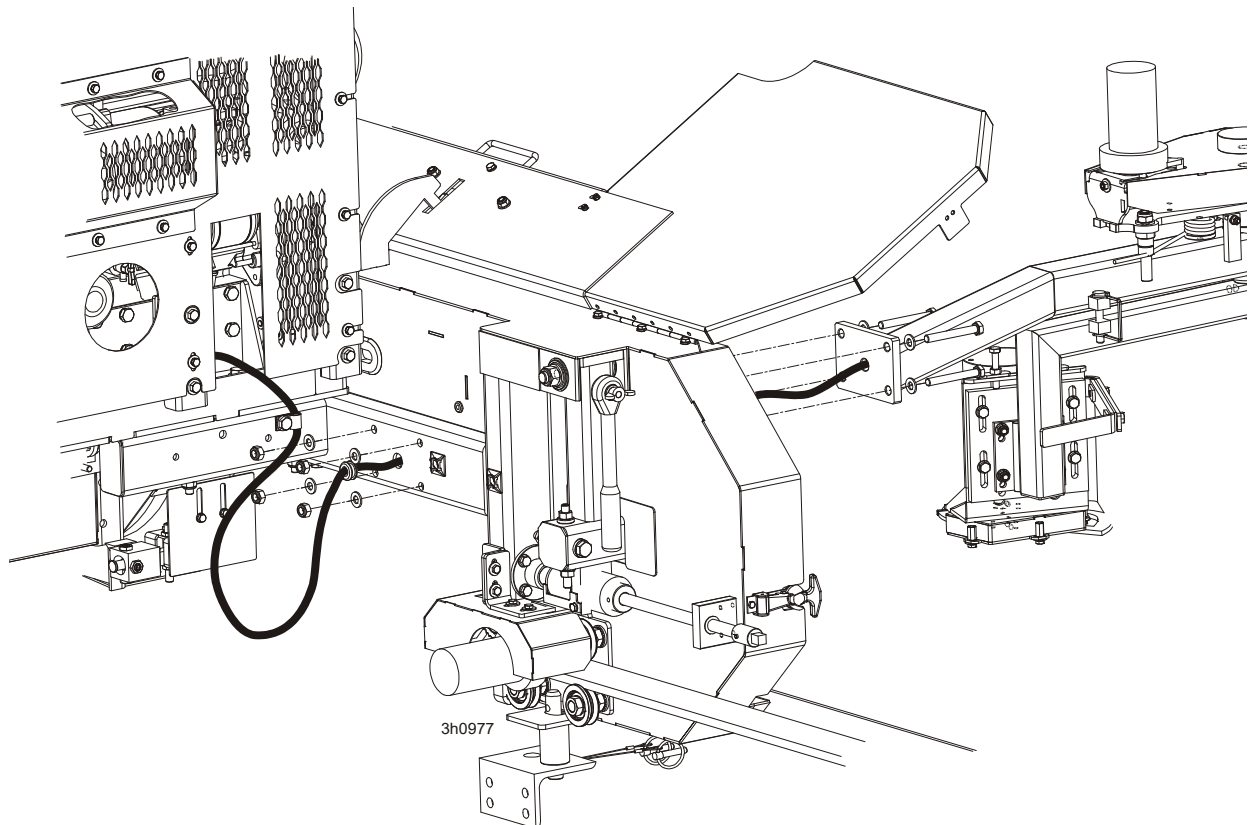


FIG. 2-1

2. Assemble the debarker to the sawmill saw head. Align the debarker arm holes and the holes in the saw head. Insert the bolts through the debarker mounting plate holes. Use the lock nuts to secure in place. Route the debarker wire harness through the protective conduit and next through the saw head hole and debarker arm.

**FIG. 2-2**

2 Debarker Installation

Debarker Installation

3. Take out the wire harness from the debarker arm. Slide the debarker motor harness through one of the supplied harness clamps.

See Figure 2-3.

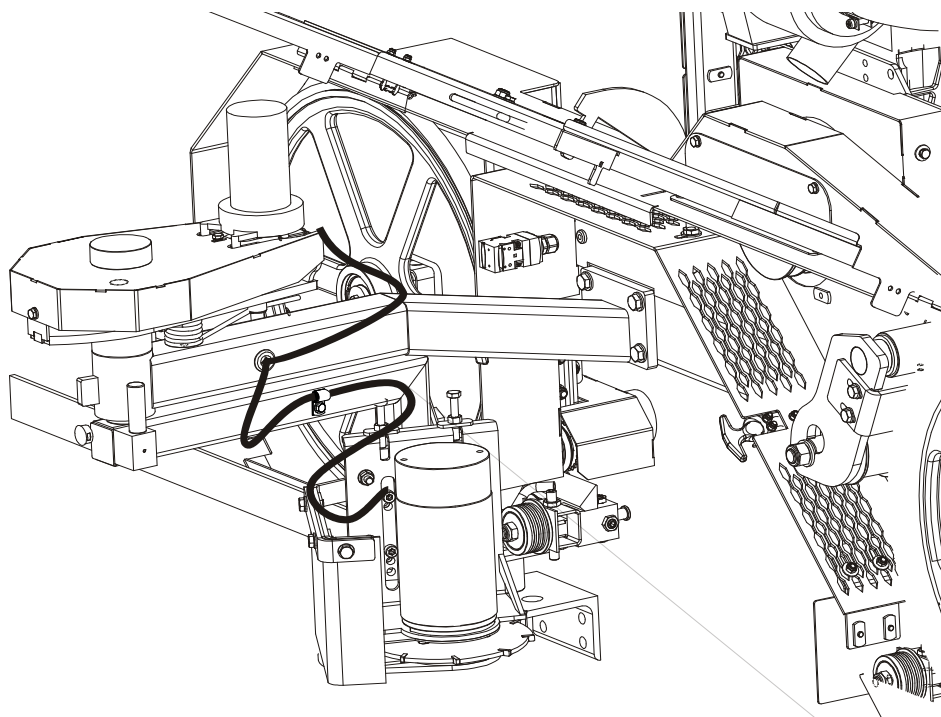


FIG. 2-3

2.3 Wiring Instructions



DANGER! On electric mills, hazardous voltage inside the disconnect box, starter box, and at the electric motor can cause shock, burns, or death. Disconnect and lock out power! Follow all applicable electrical codes.

DANGER! On diesel/gas sawmill, before performing any service to this equipment, turn the key to the OFF (0) position, remove the key, and disconnect the sawmill battery ground terminal. Failure to do so will result in serious injury or death.



IMPORTANT! Avoid pinch and pivot points, unnecessary wire bending and open spaces where the wire could get caught by a log, etc. If you have any questions, call Wood-Mizer customer service.

2

Debarker Installation


Wiring Instructions

1. The debarker wires are pre-wired for the debarker option. The debarker wires are pre-routed and stored under a guard which is removed before debarker installation ([See Section 2.2](#)).



IMPORTANT! Make sure that the ring terminals do not touch the motor body.

2.4 Control Component Installation

 **DANGER!** On electric mills, hazardous voltage inside the disconnect box, starter box, and at the electric motor can cause shock, burns, or death. Disconnect and lock out power! Follow all applicable electrical codes.

DANGER! On gas/diesel mills, before performing any service to this equipment, turn the key to the OFF (0) position, remove the key, and disconnect the sawmill battery ground terminal. Failure to do so will result in serious injury or death.

1. Remove the front panel (leave wire connections) from the control box.
2. Using the back side of the front panel for a guideline, cut out holes in the front panel lexan decal for the debarker switches. Install the provided toggle switches, on/off switch, nylon washer, and rubber boot in place as shown.

See Figure 2-4.

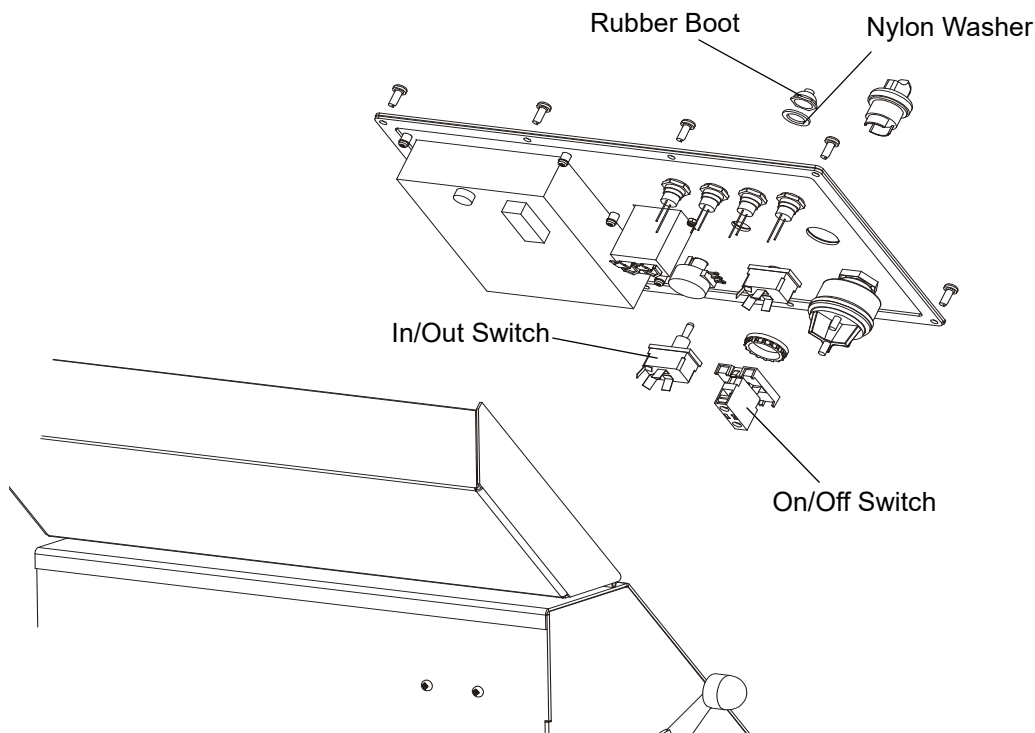


FIG. 2-4

2

Debarker Installation

Control Component Installation

3. Locate the two wire harnesses on the floor of the sawmill control box (one has two red wires, the second has two red and two black wires).
4. Connect the two red wires from the first harness to the debarker on/off switch. Connect the two black and the two red wires from the second harness to the debarker in/out toggle switch as shown on the picture below.

NOTE: If the debarker arm movement direction is not appropriate (for e.g. the arm moves out when the switch is switched left), interchange the 21 and 22 wires connection.

See Figure 2-5. AC Control Panel Debarker Wires Connection.

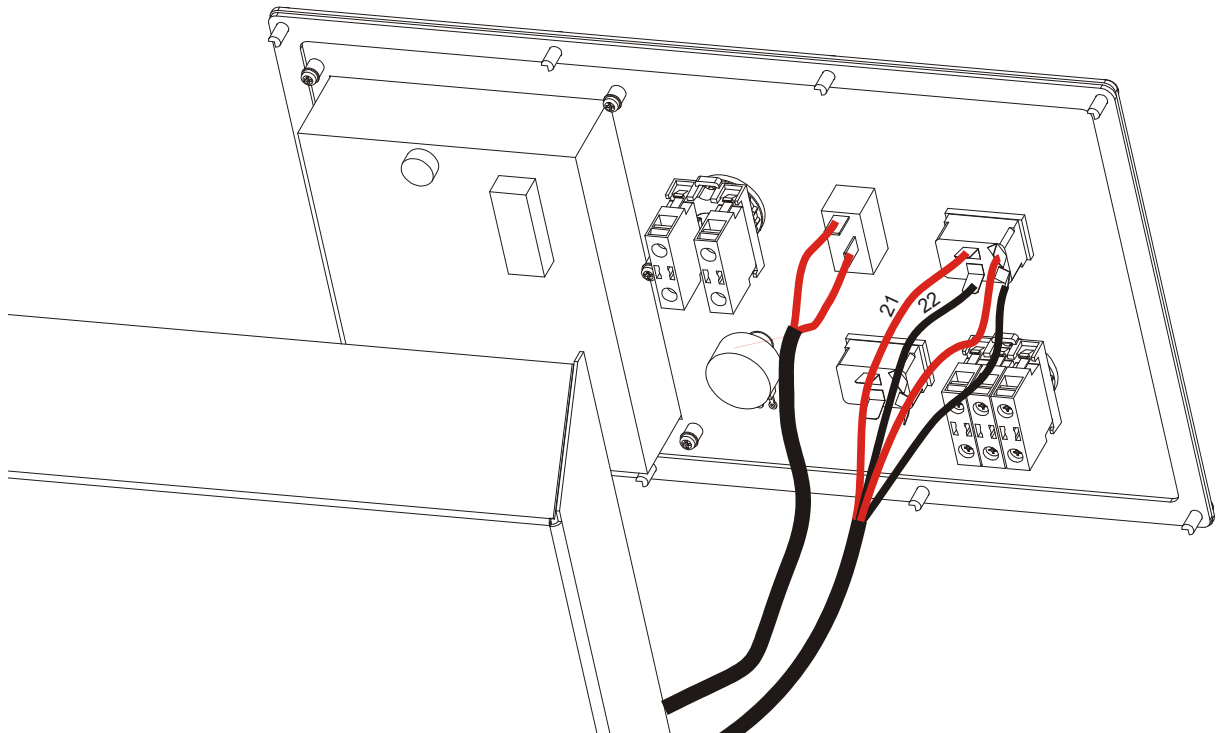


FIG. 2-5

See Figure 2-6. DC Control Panel Debarker Wires Connection.

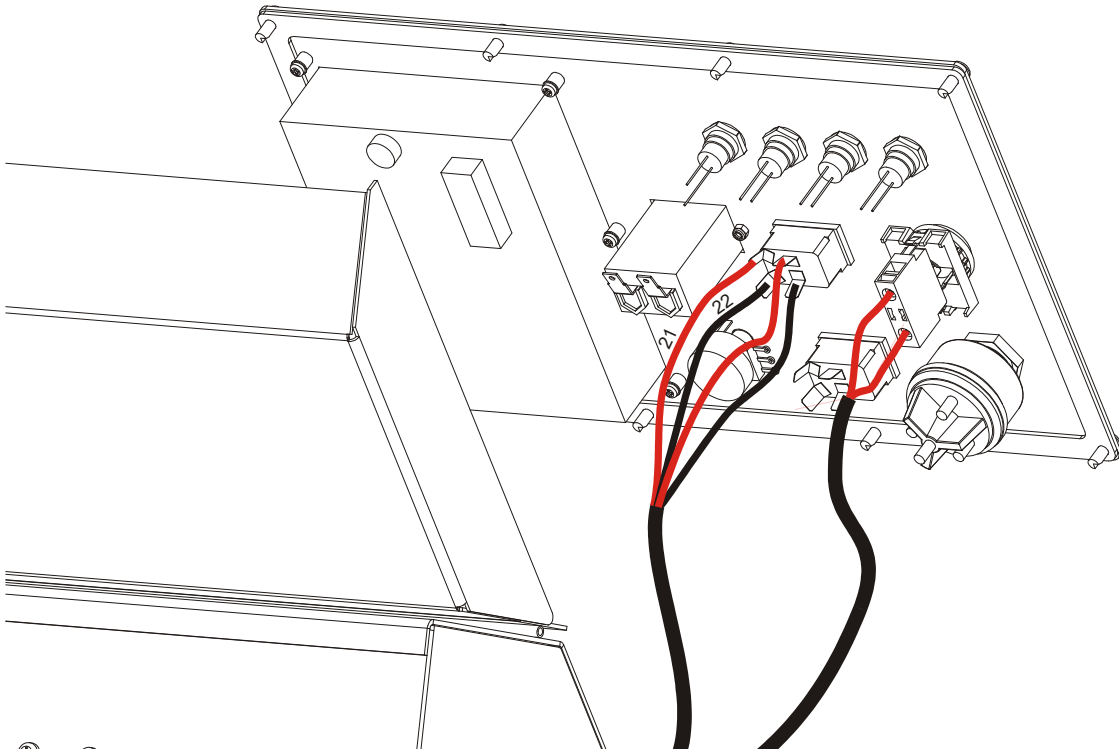


FIG. 2-6

5. Reinstall the front panel.

2.5 Alignment



DANGER! Before performing any service to this equipment, turn the key to the OFF (0) position and remove the key. Failure to do so will result in serious injury or death.

Following adjustments are required for proper debarker operation:

- The debarker blade should be centered with the sawmill blade.
 - The debarker blade should remain parallel to the sawmill blade throughout the debarker's range of motion.
1. Turn the key to ON and use the debarker in/out switch to move the debarker all the way in. Turn the key to OFF (0) and remove the key. This will prevent the debarker from being turned on while performing alignment procedures.
 2. Clip the blade guide alignment tool to the sawmill blade. Make sure the tool lies flat on the blade and does not contact a tooth that could cause it to angle.

See Figure 2-7.

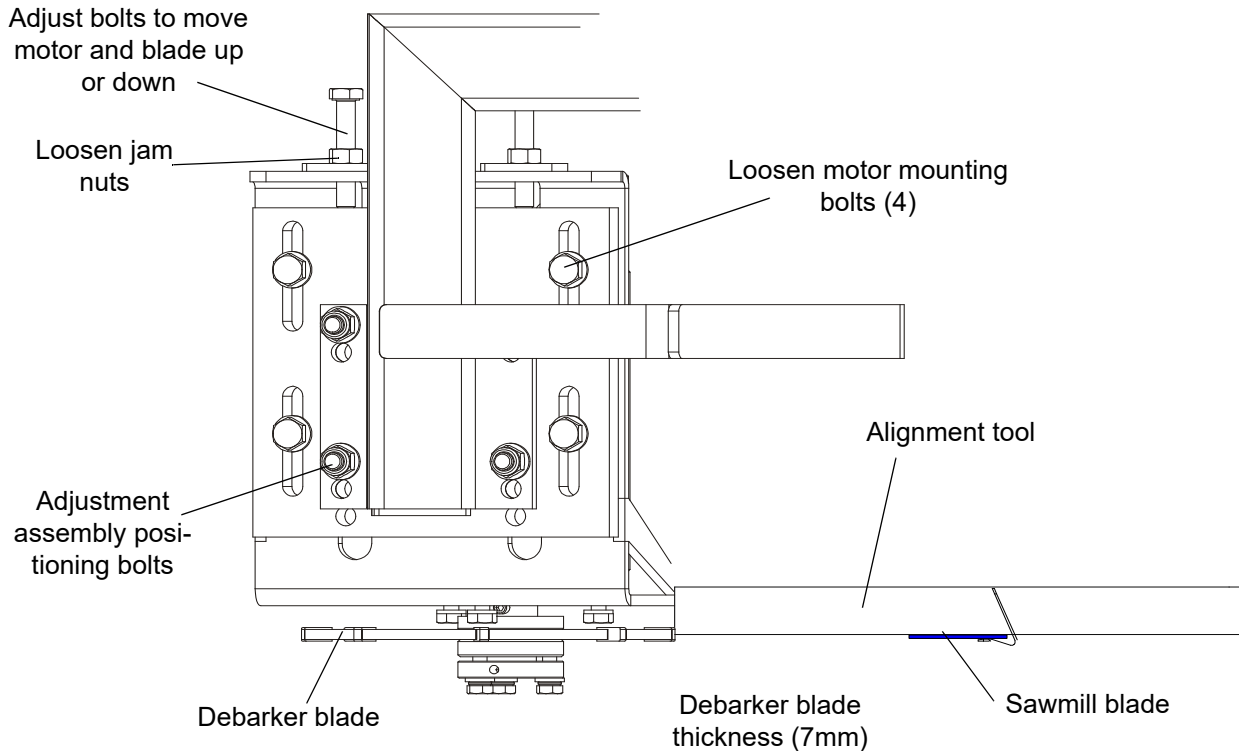


FIG. 2-7

3. Check the height of the debarker blade against the alignment tool. The bottom edge of the tool should align with the center of the debarker blade.

To adjust the blade up or down, loosen the four blade motor mount bolts. Loosen the jam nuts on the adjustment bolts. Turn the adjustment bolts clockwise to push the motor and blade down. Turn the adjustment bolts counterclockwise and slide the motor up to raise the motor and blade. Retighten the jam nuts on the adjustment bolt and four motor mount bolts.

NOTE: If the adjusting range is insufficient, unscrew the positioning bolts and change the adjustment assembly position.

4. Insert the key and use the debarker in/out switch to move the debarker all the way out. Turn the key to OFF (0) and remove the key.

2

Debarker Installation

Alignment

5. Move the blade guide alignment tool on the sawmill blade and check the position of the debarker blade against the tool. If the debarker blade is not centered with the tool, you will need to adjust the debarker mount.

Loosen the four debarker mounting bolts and use a mallet to adjust the debarker arm position. The mounting holes are oversized to allow small adjustments of the debarker. Tilt the debarker mount until the debarker blade is centered on the tool. Recheck the debarker blade with the debarker all the way in and all the way out.

When the debarker blade is centered on the tool in both positions, tighten the debarker mounting bolts.

See Figure 2-8.

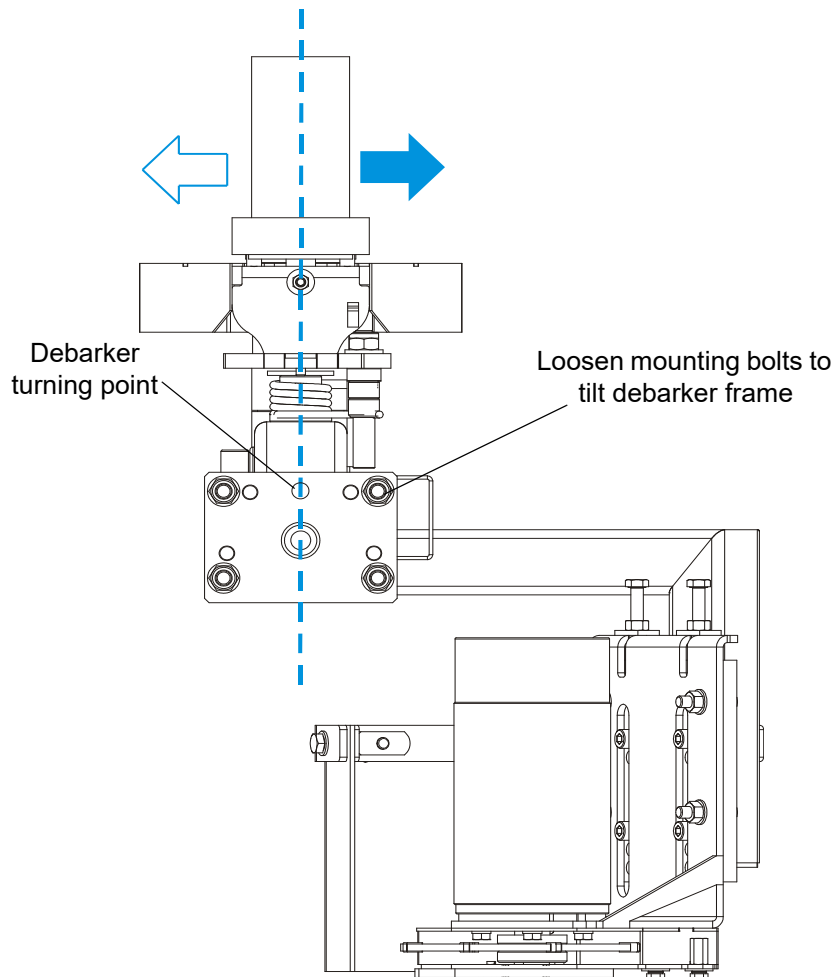


FIG. 2-8

SECTION 3 OPERATION AND MAINTENANCE

3.1 Locking Pin Operation

See Figure 3-1. The debarker is equipped with a locking pin located on the debarker arm. Two hole locations are provided for the locking pin.

Before operating the debarker, make sure the locking pin is removed. Turn the key switch to OFF (0) and remove the key. Pull the debarker out to relieve pressure on the locking pin. Pull down split cotter. Remove the locking pin.

Before towing the sawmill, lock the debarker in the travel position. Turn the key switch to OFF (0) and remove the key. Manually move the debarker arm to align the holes. Insert the locking pin and secure with the split cotter.

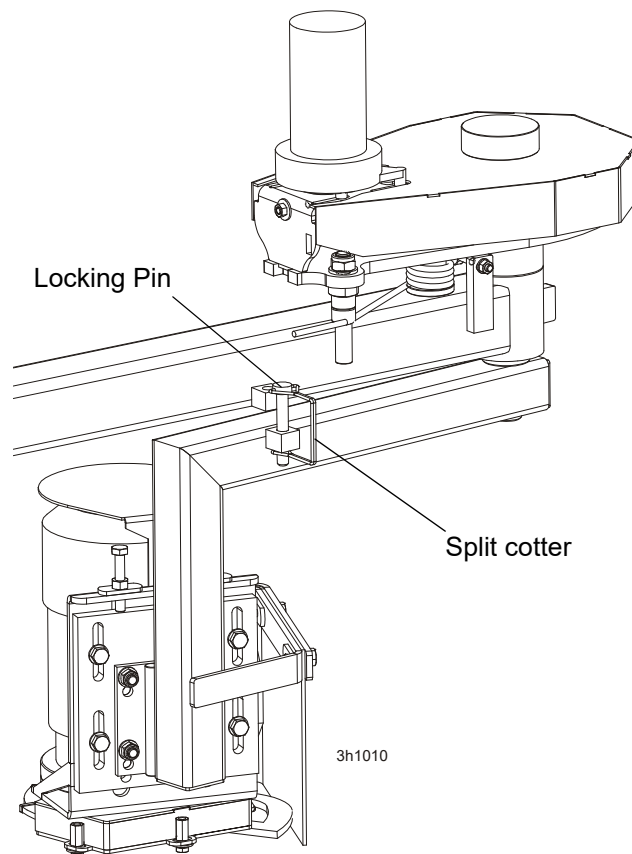


FIG. 3-1

3.2 Operation

The Debarker Option allows you to remove bark from logs before cutting.



DANGER! Make sure all guards and covers are in place and secured before operating the debarker option. Failure to do so may result in serious injury.

DANGER! Keep all persons out of the path of moving equipment when operating the debarker. Failure to do so will result in serious injury.

1. Use the in/out switch on the control box to pivot the debarker all the way out.
2. Move the sawmill saw head forward and pivot the debarker in until the front fence engages with the end/side of the log. Continue to pivot the debarker in until the spring arm is half loaded.
3. Turn the debarker on/off switch to ON (1).
4. Proceed with cutting. The spring will keep the debarker against the side of the log.



NOTE: The debarker can continuously remove up to approximately 2cm of material from the log; no motor cool down time is required. Slower feed rates may be required for optimal debarker operation.

5. Once the saw head is past the end of the log, pivot the debarker away from the log. Return the saw head.
6. When done sawing and ready to store or transport the sawmill, place the debarker in its travel position before towing the sawmill ([See Section 3.1](#)).

3.3 Maintenance



DANGER! Before performing any service to this equipment, turn the key to the OFF (0) position and remove the key. Failure to do so will result in serious injury or death.

1. Periodically check the flexible guard. Adjust the guard up or down so the bottom is even with the bottom of the debarker blade. Replace the guard as needed.
2. Periodically check the debarker blade. Align or replace as needed.



WARNING! Before replacing the debarker blade, move the sawmill blade guide arm in front of the sawmill blade to cover the blade teeth. Failure to do so may result in serious injury or death.


To replace the debarker blade, remove the lower blade guard plate.

Place one wrench on the blade arbor, above the blade bearing. Place the other wrench on the lower bolt and rotate counter-clockwise. Remove the bolt and washer. Remove the blade and spacer. Reinstall the spacer with the new blade. Reinstall the bolt and washer and turn clockwise to tighten. Reinstall the blade guard plate.

Unscrew the three mounting bolts. Remove the bushing and the blade. Reinstall the bushing with the new blade. Reinstall the bolt and washer. Reinstall the blade guard plate.

3 Operation and Maintenance

Maintenance

 **WARNING!** Adjusting the belt and spring tension (described below) is very important. Failure to do it properly will result in damage to the debarker blade motor.

3. Once a week check belt for tension and wear. Adjust or replace as necessary. To tighten the belt, turn the key switch to OFF (0) and remove the key. Remove the belt guard and loosen the four motor mount screws. Turn the adjustment nut clockwise to move the motor out and tighten the belt. The belt should be tensioned to allow 6-7mm deflection measured halfway between the pulleys with 2 kg force. Retighten the motor mount screws and replace the belt guard.

See Figure 3-2.

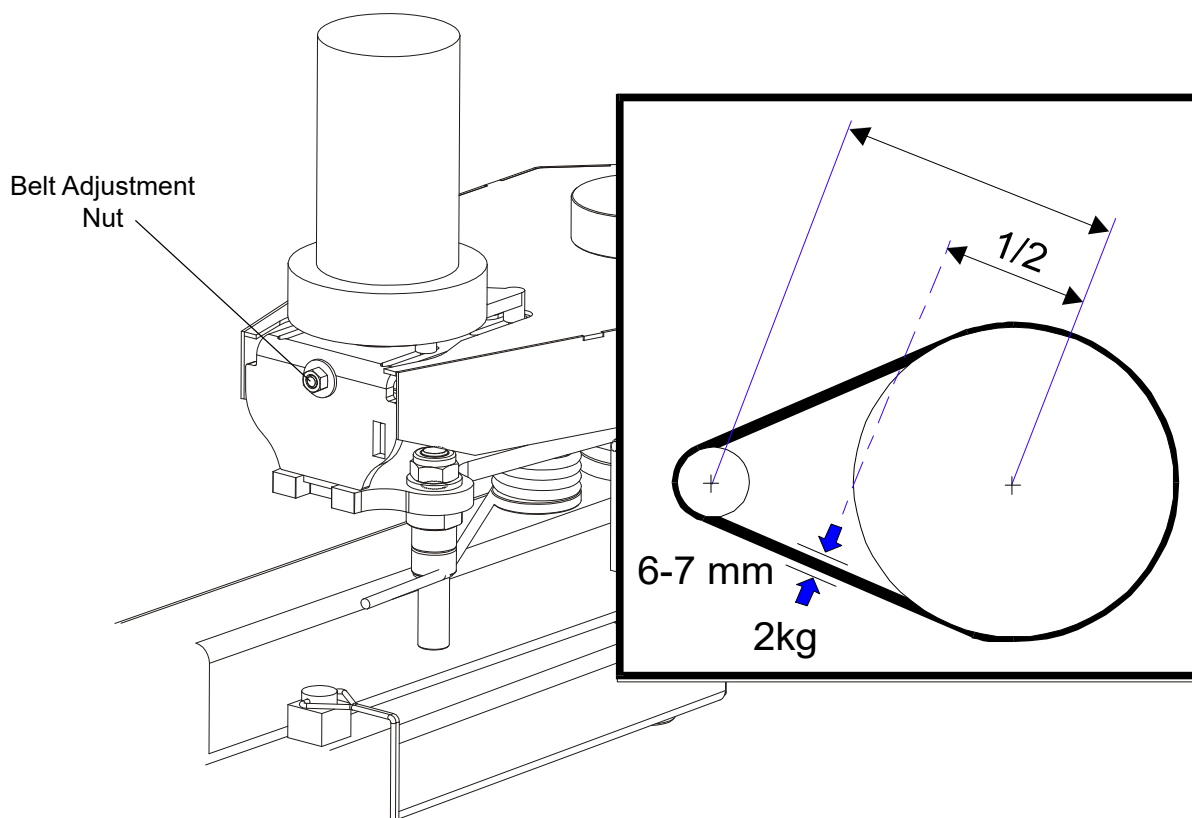


FIG. 3-2

4. Once a week and after each spring replacing, check the spring tension. Use the in/out switch to pivot the debarker all the way in. Turn the key switch to OFF (0) and remove the key. Pull the debarker arm. The spring should be tensioned to allow to move the debarker arm halfway with 4,5 kg force. Adjust the spring tension if necessary.

See Figure 3-3.

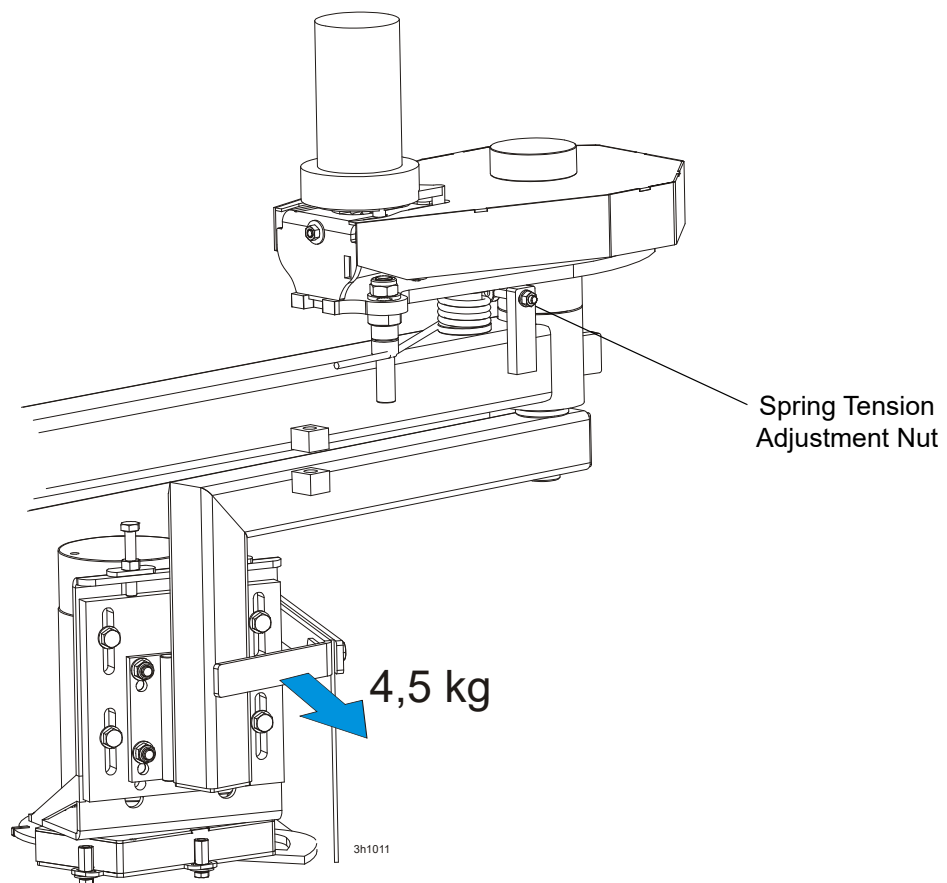


FIG. 3-3

3

Operation and Maintenance

Maintenance

5. Once a week check the braking time. The time from switching off the debarker blade till the moment when the blade is completely stopped should be no longer than 10 seconds.

If this time is longer than 10 seconds, loosen the locking nut and turn right the braking pin adjustment screw by 360°. Tighten the locking nut. Recheck the braking time.

See Figure 3-4.

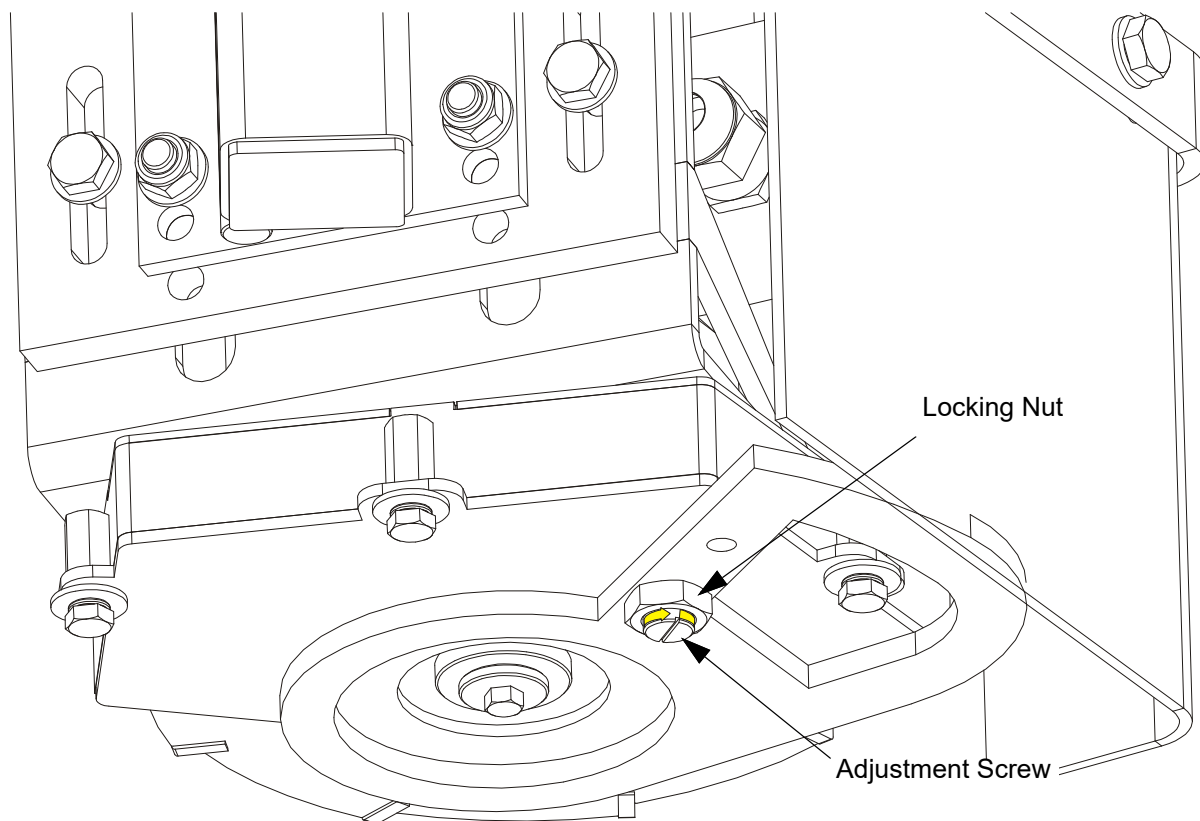


FIG. 3-4



WARNING! The braking pin must be adjusted as described. Failure to do so may result in serious injury.

If the braking pin is worn or the spring is damaged, it is necessary to replace it ([See Section 4.3](#) for part numbers).

To replace the braking pin and/or spring with a new one, dismount the blade guard. Replace the safety pin and/or spring with a new one. Loosen the locking nut and turn the adjustment screw left or right so that the braking pin protrudes about 8mm - see the figure below.

SECTION 4 DEBARKER PARTS

4.1 How To Use The Parts List

- Use the table of contents or index to locate the assembly that contains the part you need.
- Go to the appropriate section and locate the part in the illustration.
- Use the number pointing to the part to locate the correct part number and description in the table.
- Parts shown indented under another part are included with that part.
- Parts marked with a diamond (◆) are only available in the assembly listed above the part.

See the sample table below. Sample Part #A01111 includes part F02222-2 and subassembly A03333. Subassembly A03333 includes part S04444-4 and subassembly K05555. The diamond (◆) indicates that S04444-4 is not available except in subassembly A03333. Subassembly K05555 includes parts M06666 and F07777-77. The diamond (◆) indicates M06666 is not available except in subassembly K05555.

4.2 Sample Assembly				
REF	DESCRIPTION (◆ Indicates Parts Available In Assemblies Only)	PART #	QTY.	
	SAMPLE ASSEMBLY, COMPLETE (INCLUDES ALL INDENTED PARTS BELOW)	A01111	1	
1	Sample Part	F02222-22	1	
	Sample Subassembly (Includes All Indented Parts Below)	A03333	1	
2	Sample Part (◆ Indicates Part Is Only Available With A03333)	S04444-4	1	◆
	Sample Subassembly (Includes All Indented Parts Below)	K05555	1	
3	Sample Part (◆ Indicates Part Is Only Available With K05555)	M06666	2	◆
4	Sample Part	F07777-77	1	

To Order Parts:

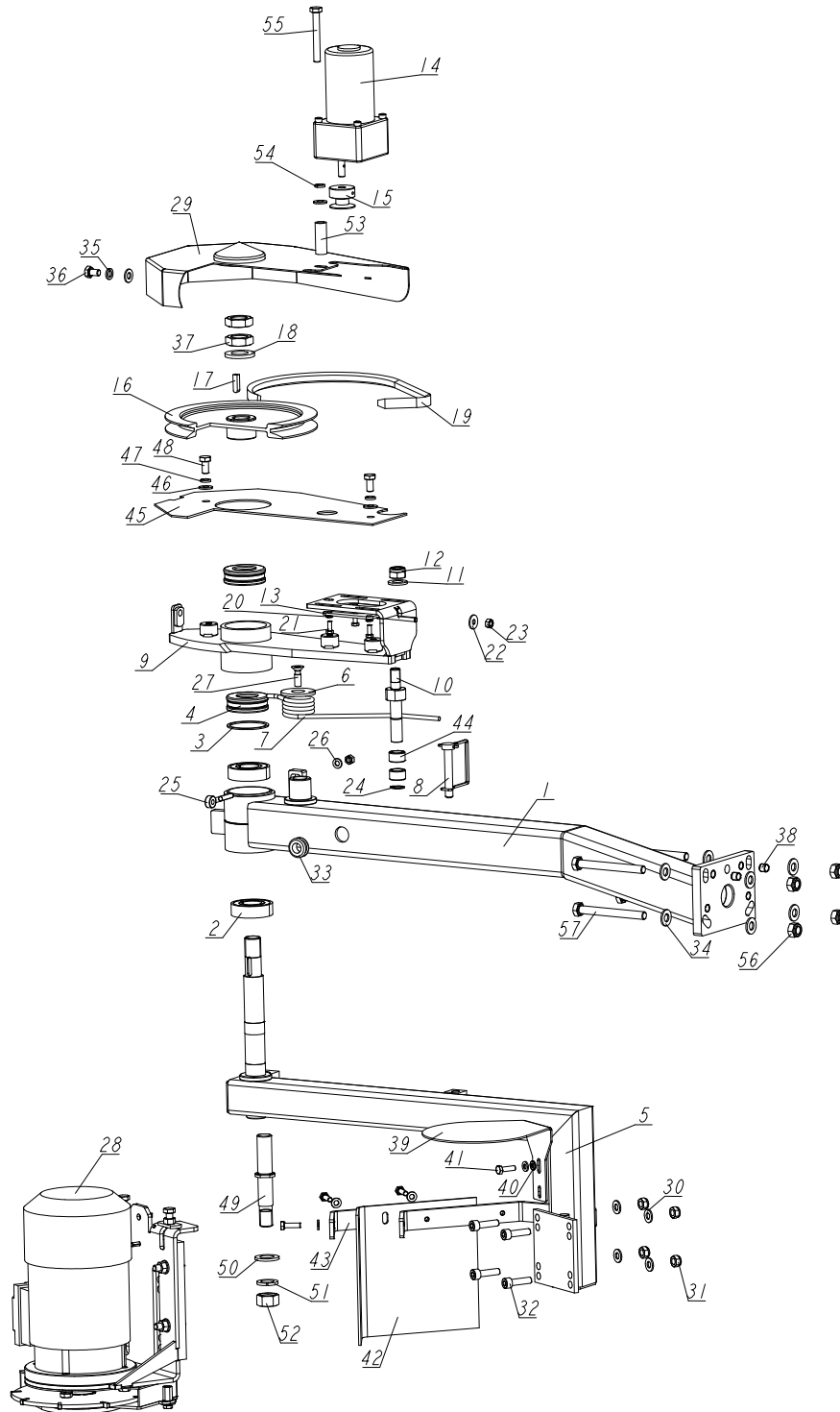
- From Europe call our European Headquarters and Manufacturing Facility in Kolo, Poland at **+48-63-2626000** or **+48-3912-1319**. From the continental U.S., call **1-800-448-7881** to order parts. Have your customer number, vehicle identification number, and part numbers ready when you call.
- From other international locations, contact the Wood-Mizer distributor in your area for parts.

4 Debarker Parts

Debarker, LT20 Wide AC

4.3 Debarker, LT20 Wide AC

580563_001
580563_MANUAL



REF.	DESCRIPTION (* indicates parts available in assemblies only)	PART #	QTY	
-	DEBARKER, LT20 WIDE AC	580563	1	
1	ARM, DEBARKER SHORT	534514-1	1	
2	BEARING, 6205 2RS BALL	091804	2	
3	RING, SPACER	098491	1	
4	BEARING, 51305 AXIAL	098597	2	
5	ARM, DEBARKER PIVOT	534516-1	1	
6	PLATE, SPRING BUSHING	098592-1	1	
7	SPRING, DEBARKER RETAINING	098605	1	
8	PIN, 3/8X2 1/4 SNAP	014151	1	
9	ARM, DEBARKER	098626-1	1	
10	PIN, DEBARKER	098593-1	1	
11	WASHER, 13 FLAT ZINC	F81056-1	1	
12	NUT, M12 8 HEX NYLON ZINC LOCK	F81034-2	1	
13	TENSIONER WELDMENT, DEBARKER IN/OUT MOTOR	089969-1	1	
14	GEAR BOX, COMPACT PIVEXIN	557161	1	
15	SHEAVE, DEBARKER MOTOR ZINC-PLATED	089954-1	1	
16	PULLEY, DEBARKER MOTOR	098594-1	1	
17	KEY, 6X6X23	089191	1	
18	WASHER, 21 FLAT ZINC	F81059-2	1	
19	BELT, 4L280V	P04031	1	
20	WASHER, M5 SPLIT LOCK	F81052-2	4	
21	SCREW, 10-32X1/2 HH MACHINE	F05004-60	4	
22	WASHER, 6.5 SPECIAL FLAT ZINC	F81053-11	1	
23	NUT, M6 8 HEX ZINC	F81031-1	2	
24	RING, Z14 OUTSIDE RETAINING	F81090-31	1	
25	BOLT, M6 TURNED EYE	098596	1	
26	WASHER, 6.4 FLAT ZINC	F81053-1	5	
27	SCREW, M8X25-5.8 CROSS RECESSED COUNTERS	F81002-51	1	
28	DEBARKER BLADE DRIVE ASSEMBLY, LT20 WIDE AC See Section 4.4	096239-20 WIDE	1	
29	GUARD, DEBARKER BELT	557350	1	
30	WASHER, 8.4 FLAT ZINC	F81054-1	6	
31	NUT, M8-8-B HEX NYLON ZINC LOCK	F81032-2	4	
32	BOLT, M8 X 30-8.8 SOCKET HEAD	F81002-31	4	
33	GROMMET, 20/13 RUBBER	086188	1	
34	WASHER, 10.5 FLAT ZINC	F81055-1	8	
35	SPLIT WASHER, 8,2 A2; DIN 127	F81053-17	1	
36	BOLT, M8X12-8.8 HEX HEAD FULL THREAD ZINC	F81002-6	1	
37	NUT, M20X1,5 THIN	F81037-7	2	
38	PLUG, M10X1 DIN906 BN40 ZINC	F81015-3	2	
39	GUARD, DEBARKER MOTOR	101332-1	1	
40	WASHER, 6.1 DIN 127 (A2-304) STAINLESS S	F81053-4	1	
41	BOLT, M6X20 8.8 HEX HEAD FULL THREAD ZINC	F81001-2	4	
42	GUARD, DEBARKER FLEXIBLE DEBRIS	531692	1	
43	BAR, WRAP-AROUND	531691-1	1	
44	BEARING, HK 1412 NEEDLE	098595	2	

4

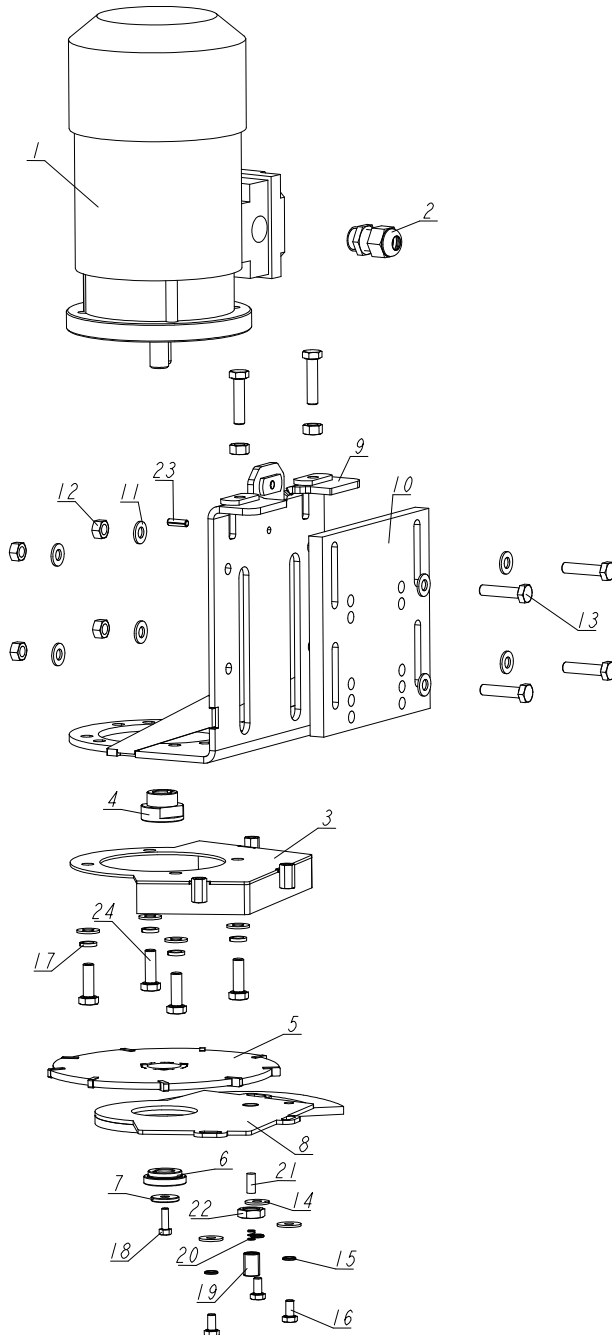
Debarker Parts

Debarker, LT20 Wide AC

REF.	DESCRIPTION (* indicates parts available in assemblies only)	PART #	QTY	
-	COVER ASSEMBLY	519064	1	
45	PLATE, GUARD	557349-1	1	
46	WASHER, 8.4 FLAT ZINC	F81054-1	2	
47	WASHER 8,2 SPLIT LOCK ZINC	F81054-4	2	
48	BOLT, M8X16 -8.8-B HEX HEAD FULL THREAD	F81002-20	2	
-	PIN, COMPLETE	519066	1	
49	PIN, LOC,KING	519065-1	1	
50	WASHER, 17 SPLIT LOCK ZINC	F81058-1	1	
51	WASHER, 16.3 SPLIT LOCK ZINC	F81058-2	1	
52	NUT, M16-5.8 HEX ZINC	F81036-1	1	
53	BUSHING, 9/13-40.5	519067-1	1	
54	WASHER 8,2 SPLIT LOCK ZINC	F81054-4	1	
55	BOLT, M8X65 8.8 HEX HEAD FULL THREAD ZIN	F81002-9	1	
56	NUT, M10-8-B HEX NYLON ZINC LOCK	F81033-1	4	
57	BOLT, M10X95-8.8-B HEX HEAD ZINC	F81003-71	4	

4.4 Debarker Blade Drive Assembly, LT20 Wide AC

096239-20WIDE_001
 096239-20WIDE_MANUAL



REF.	DESCRIPTION (* indicates parts available in assemblies only)	PART #	QTY	
-	DEBARKER BLADE DRIVE ASSEMBLY, LT20 WIDE AC	096239-20 WIDE	1	
1	MOTOR, AC DEBARKER ELECTRIC	096777	1	

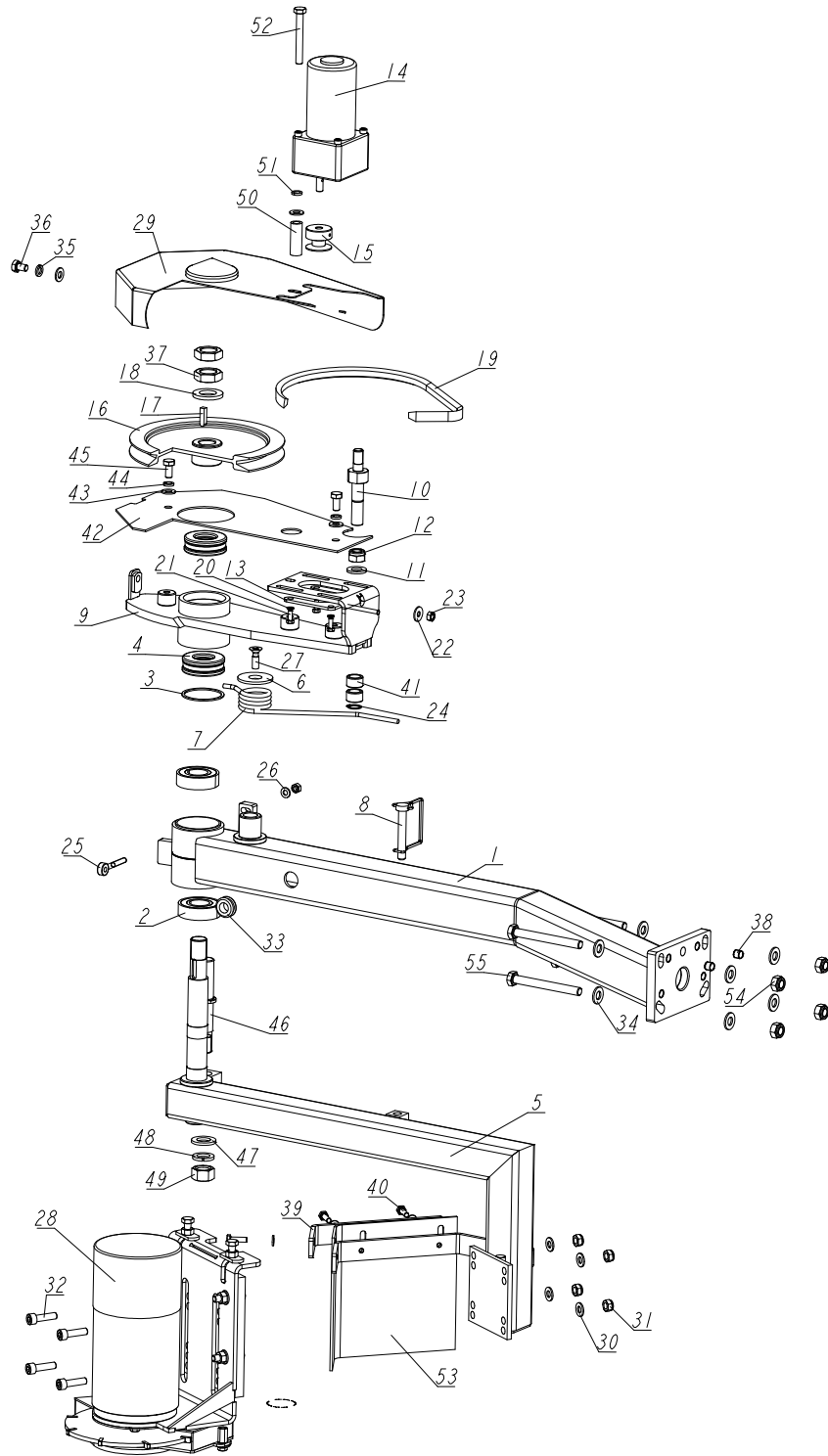
4

Debarker Parts*Debarker Blade Drive Assembly, LT20 Wide AC*

REF.	DESCRIPTION (* indicates parts available in assemblies only)	PART #	QTY	
2	GLAND, DP 11/H CABLE	085388	1	
3	GUARD, BLADE DEBARKER UPPER	096244-1	1	
4	BUSHING, AC DEBARKER CLAMP	096088	1	
5	BLADE, LT20DC COMPLETE	083848-1	1	
6	BUSHING, AC DEBARKER CLAMP	096087	1	
7	WASHER, DEBARKER ZINC	096238-1	1	
8	GUARD, BLADE DEBARKER LOWER	096245-1	1	
9	BRACKET, AC DEBARKER MOTOR MOUNT PAINTED	096780-1	1	
10	PLATE, DEBARKER MOTOR MOUNTING	089551	1	
11	WASHER, 8.4 FLAT ZINC	F81054-1	12	
12	NUT, M8-8-B HEX ZINC	F81032-1	6	
13	BOLT, M8X35-8.8 HEX HEAD FULL THREAD ZINC	F81002-13	6	
14	WASHER, 6.5 SPECIAL FLAT ZINC	F81053-11	3	
15	WASHER, Z 6.1 SPLIT LOCK	F81053-3	3	
16	BOLT, M6X12-8.8 HEX HEAD FULL THREAD ZINC	F81001-7	3	
17	WASHER 8,2 SPLIT LOCK ZINC	F81054-4	4	
18	BOLT, M5X16-8.8 HEX HEAD FULL THREAD ZINC	F81000-20	1	
-	BRAKING PIN ASSEMBLY, DEBARKER	501464	1	
19	PIN, BEBARKER BLADE BRAKE CLAMPING M12X1	501462	1	
20	SPRING, 0.5X5.5-7	501463	1	
21	PIN, DEBARKER BLADE BRAKING	501461	1	
22	NUT, M12-04-A THIN ZINC	F81034-6	1	
23	PIN, 5X16 ROLL ZINC	F81044-3	1	
24	BOLT, M8X25-8.8-B HEX HEAD FULL THREAD ZINC	F81002-5	4	

4.5 Debarker, LT20 Wide DC

580555_PARTS_001
 580555_MANUAL



4

Debarker Parts*Debarker, LT20 Wide DC*

REF.	DESCRIPTION (* indicates parts available in assemblies only)	PART #	QTY	
-	DEBARKER, LT20 WIDE DC	580555	1	
1	ARM, DEBARKER SHORT	534514-1	1	
2	BEARING, 6205 2RS BALL	091804	2	
3	RING, SPACER	098491	1	
4	BEARING, 51305 AXIAL	098597	2	
5	ARM, DEBARKER PIVOT	534516-1	1	
6	PLATE, SPRING BUSHING	098592-1	1	
7	SPRING, DEBARKER RETAINING	098605	1	
8	PIN, 3/8X2 1/4 SNAP	014151	1	
9	ARM, DEBARKER	098626-1	1	
10	PIN, DEBARKER	098593-1	1	
11	WASHER, 13 FLAT ZINC	F81056-1	1	
12	NUT, M12 8 HEX NYLON ZINC LOCK	F81034-2	1	
13	TENSIONER WELDMENT, DEBARKER IN/OUT MOTO	089969-1	1	
14	GEAR BOX, COMPACT PIVEXIN	557161	1	
15	SHEAVE, DEBARKER MOTOR ZINC-PLATED	089954-1	1	
16	PULLEY, DEBARKER MOTOR	098594-1	1	
17	KEY, 6X6X23	089191	1	
18	WASHER, 21 FLAT ZINC	F81059-2	1	
19	BELT, 4L280V	P04031	1	
20	WASHER, M5 SPLIT LOCK	F81052-2	4	
21	SCREW, 10-32X1/2 HH MACHINE	F05004-60	4	
22	WASHER, 6.5 SPECIAL FLAT ZINC	F81053-11	1	
23	NUT, M6 8 HEX ZINC	F81031-1	2	
24	RING, Z14 OUTSIDE RETAINING	F81090-31	1	
25	BOLT, M6 TURNED EYE	098596	1	
26	WASHER, 6.4 FLAT ZINC	F81053-1	4	
27	SCREW, M8X25-5.8 CROSS RECESSED COUNTERS	F81002-51	1	
28	BLADE DRIVE ASSEMBLY, LT20 WIDE DC DEBARKER See Section 4.6	100922-20 WIDE	1	
29	GUARD, DEBARKER BELT	557350	1	
30	WASHER, 8.4 FLAT ZINC	F81054-1	6	
31	NUT, M8-8-B HEX NYLON ZINC LOCK	F81032-2	4	
32	BOLT, M8 X 30-8.8 SOCKET HEAD	F81002-31	4	
33	GROMMET, 20/13 RUBBER	086188	1	
34	WASHER, 10.5 FLAT ZINC	F81055-1	8	
35	SPLIT WASHER, 8,2 A2; DIN 127	F81053-17	1	
36	BOLT, M8X12-8.8 HEX HEAD FULL THREAD ZIN	F81002-6	1	
37	NUT, M20X1,5 THIN	F81037-7	2	
38	PLUG, M10X1 DIN906 BN40 ZINC	F81015-3	2	
39	BAR, WRAP-AROUND	531691-1	1	
40	BOLT, M6X20 8.8 HEX HEAD FULL THREAD ZINC	F81001-2	3	
41	BEARING, HK 1412 NEEDLE	098595	2	
-	COVER ASSEMBLY	519064	1	
42	PLATE, GUARD	557349-1	1	
43	WASHER, 8.4 FLAT ZINC	F81054-1	2	

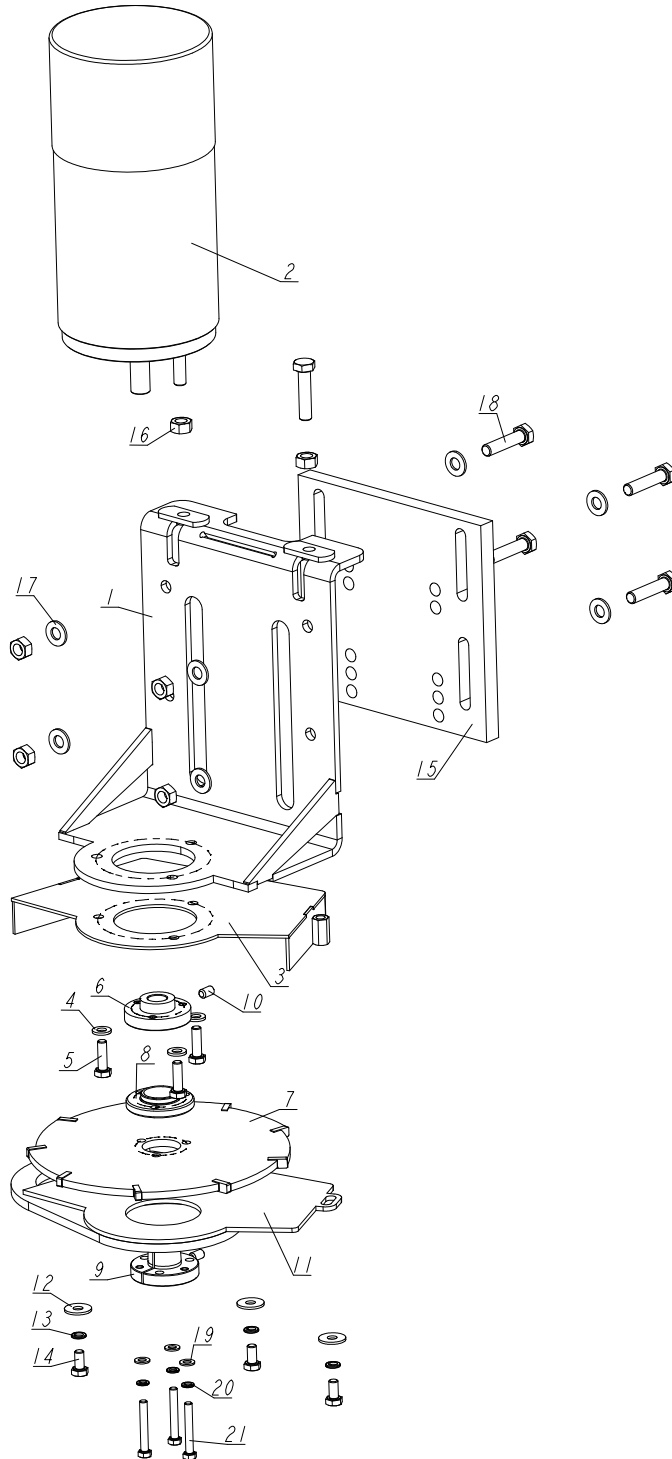
REF.	DESCRIPTION (* indicates parts available in assemblies only)	PART #	QTY	
44	WASHER 8,2 SPLIT LOCK ZINC	F81054-4	2	
45	BOLT, M8X16 -8.8-B HEX HEAD FULL THREAD	F81002-20	2	
-	PIN, COMPLETE	519066	1	
46	PIN, LOC,KING	519065-1	1	
47	WASHER, 17 SPLIT LOCK ZINC	F81058-1	1	
48	WASHER, 16.3 SPLIT LOCK ZINC	F81058-2	1	
49	NUT, M16-5.8 HEX ZINC	F81036-1	1	
50	BUSHING, 9/13-40.5	519067-1	1	
51	WASHER 8,2 SPLIT LOCK ZINC	F81054-4	1	
52	BOLT, M8X65 8.8 HEX HEAD FULL THREAD ZIN	F81002-9	1	
53	GUARD, DEBARKER FLEXIBLE DEBRIS	531692	1	
54	NUT, M10-8-B HEX NYLON ZINC LOCK	F81033-1	4	
55	BOLT, M10X95-8.8-B HEX HEAD ZINC	F81003-71	4	

4 Debarker Parts

Debarker Blade Drive Assembly, LT20 Wide DC

4.6 Debarker Blade Drive Assembly, LT20 Wide DC

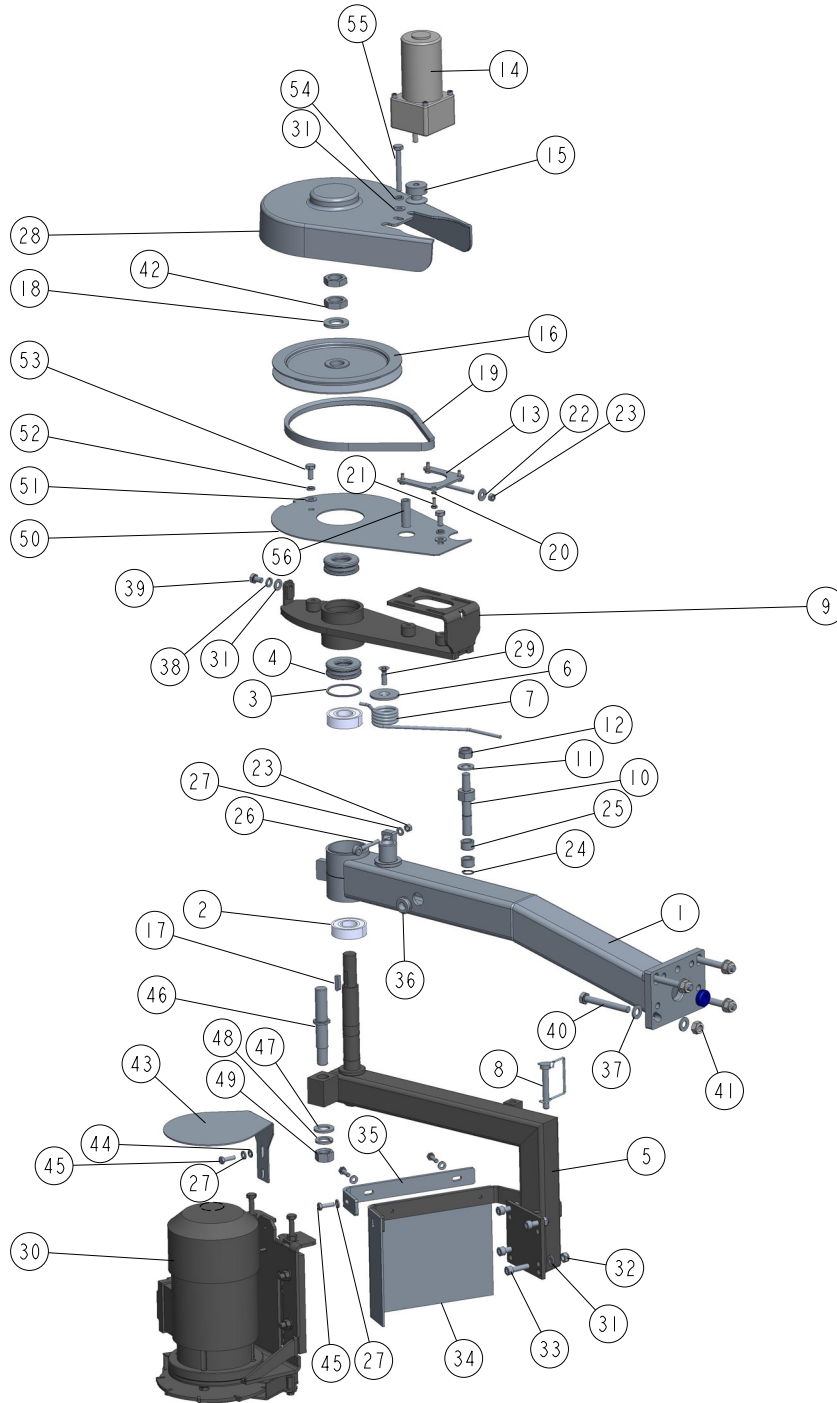
100922-001_PARTS
100922-20WIDE_MANUAL



REF.	DESCRIPTION (* indicates parts available in assemblies only)	PART #	QTY	
-	BLADE DRIVE ASSEMBLY, LT20 WIDE DC DEBARKER	100922-20WIDE	1	
1	BRACKET, DC DEBARKER MOTOR	097493-1	1	
2	MOTOR, 0.75HP/1550 R.P.M. 12V DC	100918	1	
3	GUARD, BLADE DEBARKER UPPER	097499-1	1	
4	WASHER, 6.4 FLAT ZINC	F81053-1	3	
5	BOLT, M6X20 8.8 HEX HEAD FULL THREAD ZINC	F81001-2	3	
6	BUSHING, DEBARKER CLAMP	097496	1	
7	BLADE, LT20DC COMPLETE	083848-1	1	
8	BUSHING, BLADE MOUNTING	097495	1	
9	BUSHING, SPLIT TAPER	097494	1	
10	SCREW, M6X10-45H HEX SOCKET SET W/FLAT P	F81001-26	2	
11	GUARD, BLADE DEBARKER LOWER	096245-1	1	
12	WASHER, 6.5 SPECIAL FLAT ZINC	F81053-11	3	
13	WASHER, Z 6.1 SPLIT LOCK	F81053-3	3	
14	BOLT, M6X12-8.8 HEX HEAD FULL THREAD ZINC	F81001-7	3	
15	PLATE, DEBARKER MOTOR MOUNTING	089551	1	
16	NUT, M8-8-B HEX ZINC	F81032-1	6	
17	WASHER, 8.4 FLAT ZINC	F81054-1	8	
18	BOLT, M8X35-8.8 HEX HEAD FULL THREAD ZINC	F81002-13	6	
19	WASHER, 5.3 FLAT ZINC	F81052-1	3	
20	WASHER, M5 SPLIT LOCK	F81052-2	3	
21	BOLT, M5X35 8.8 HEX HEAD FULL THREAD ZINC	F81000-10	3	

4.7 Debarker LT20 AC. 098699

098699_001
098699



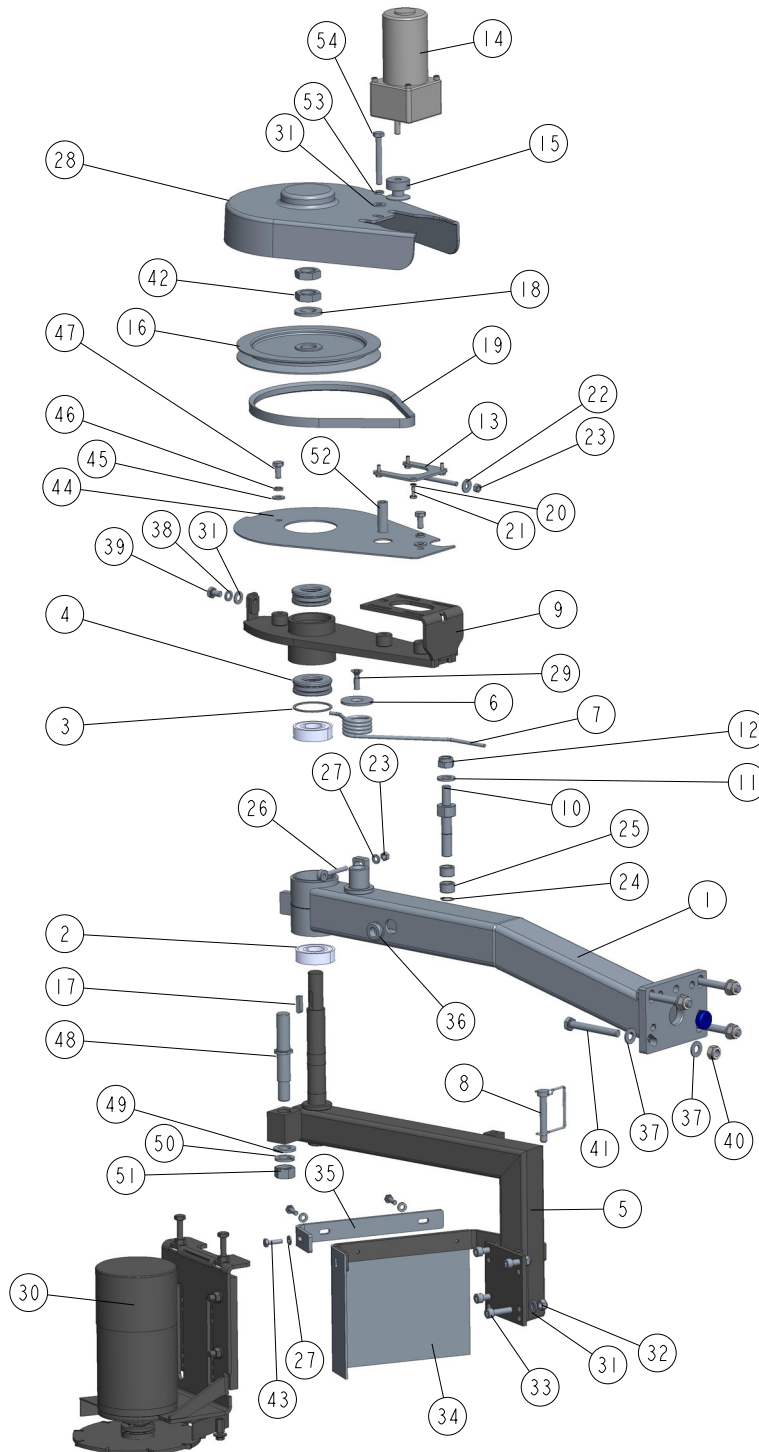
REF	DESCRIPTION (◆ indicates parts available in assemblies only)	PART #	QTY
-	DEBARKER LT20 AC	098699	1
1	ARM WELDMENT, DEBARKER LONG (LT20AC & DC)	098588-1	1
2	BEARING, 6205 2RS BALL	091804	2
3	RING, SPACER	098491	1
4	BEARING, 51305 AXIAL	098597	2
5	ARM, DEBARKER	098645-1	1

REF	DESCRIPTION (◆ indicates parts available in assemblies only)	PART #	QTY
6	PLATE, SPRING BUSHING	098592-1	1
7	SPRING, DEBARKER RETAINING	098605	1
8	PIN, 3/8 X 2 1/4 SQ WIRE LOCK	014151	1
9	ARM, DEBARKER	098626-1	1
10	PIN, DEBARKER	098593-1	1
11	WASHER, 13 FLAT ZINC	F81056-1	1
12	NUT, M12 8 HEX NYLON ZINC LOCK	F81034-2	1
13	TENSIONER WELDMENT, DEBARKER IN/OUT MOTO	089969-1	1
14	MOTOREDUCER COMPACT	557161	1
15	SHEAVE, DEBARKER MOTOR ZINC-PLATED	089954-1	1
16	PULLEY, DEBARKER MOTOR	098594-1	1
17	KEY, 6X6X23	089191	1
18	WASHER, 21 FLAT ZINC	F81059-2	1
19	BELT, 4L280V	P04031	1
20	WASHER, 5.1 SPLIT LOCK	F81052-2	4
21	BOLT, #10-32X1/2 HH	F05004-60	4
22	WASHER, 6.5 SPECIAL FLAT ZINC	F81053-11	1
23	NUT, M6-8 HEX ZINC	F81031-1	2
24	RING, Z14 OUTSIDE RETAINING	F81090-31	1
25	BEARING, HK 1412 NEEDLE	098595	2
26	BOLT, M6 TURNED EYE	098596	1
27	WASHER, 6.4 FLAT ZINC	F81053-1	5
28	GUARD, DEBARKER BELT	557350	1
29	BOLT, M8X25 PAN HEAD ZINC	F81002-51	1
30	DRIVE ASSEMBLY, AC DEBARKER BLADE See Section 4.9	096239	1
31	WASHER, 8.4 FLAT ZINC	F81054-1	6
32	NUT, M8 8 HEX NYLON ZINC LOCK	F81032-2	4
33	SCREW, M8X30-8.8 HEX SOCKET HEAD CAP ZIN	F81002-31	4
34	GUARD, DEBARKER FLEXIBLE DEBRIS	097020	1
35	GUARD, DEBARKER WRAP-AROUND PAINTED	098695-1	1
36	GROMMET, 20/13 RUBBER	086188	2
37	WASHER, 10.5 FLAT ZINC	F81055-1	8
38	WASHER 8,2 SPLIT LOCK	F81053-17	1
39	BOLT, M8X12-8.8 HEX HEAD FULL THREAD ZIN	F81002-6	1
40	BOLT, M10 X 80 -8.8- FE/ZN5 HEX HEAD	F81003-50	4
41	NUT, M10-8-B HEX NYLON ZINC LOCK	F81033-1	4
42	NUT, M20X1,5 THIN	F81037-7	2
43	GUARD, DEBARKER MOTOR	101332-1	1
44	WASHER, 6.1 DIN 127 (A2-304) STAINLESS S	F81053-4	1
45	BOLT, M6X20 8.8 HEX HEAD FULL THREAD ZIN	F81001-2	4
-	PIN, COMPLETE	519066	1
46	PIN, LOC,KING	519065-1	1
47	WASHER, 17 FLAT ZINC	F81058-1	1
48	WASHER, 16.3 SPLIT LOCK ZINC	F81058-2	1
49	NUT, M16-5.8 HEX ZINC	F81036-1	1
-	COVER ASSEMBLY	519064	1
50	PLATE, GUARD	557349-1	1

REF	DESCRIPTION (◆ indicates parts available in assemblies only)	PART #	QTY	
51	WASHER, 8.4 FLAT ZINC	F81054-1	2	
52	WASHER, 8.2 SPLIT LOCK ZINC	F81054-4	2	
53	BOLT, M8X16-8.8-B HEX HEAD FULL THREAD Z	F81002-20	2	
54	WASHER, 8.2 SPLIT LOCK ZINC	F81054-4	1	
55	BOLT, M8X65 8.8 HEX HEAD FULL THREAD ZIN	F81002-9	1	
56	BUSHING, 9/13-40.5	519067-1	1	

4.8 Debarker LT20 DC. 098700

098700_001
098700



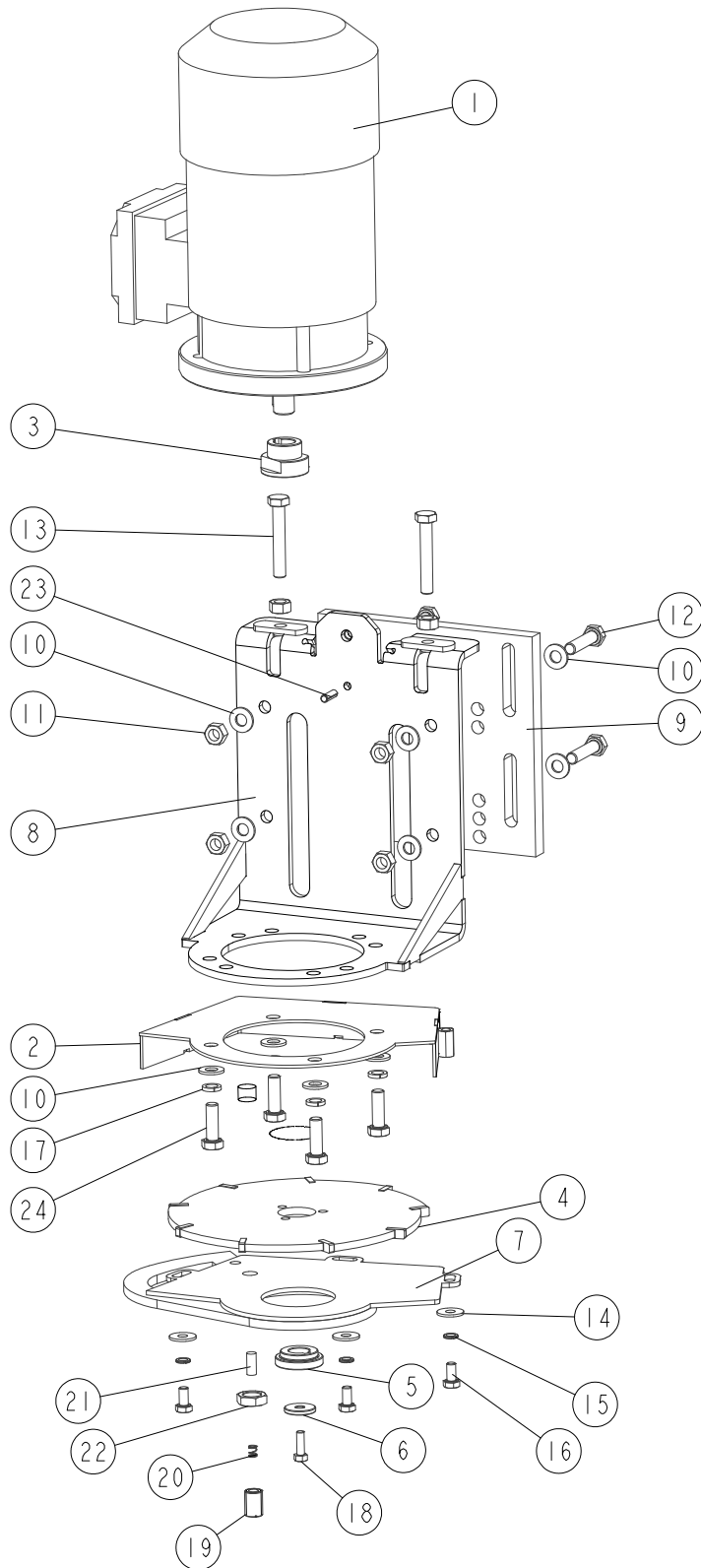
REF	DESCRIPTION (◆ indicates parts available in assemblies only)	PART #	QTY
-	DEBARKER LT20 DC	098700	1
1	ARM WELDMENT, DEBARKER LONG (LT20AC & DC)	098588-1	1
2	BEARING, 6205 2RS BALL	091804	2
3	RING, SPACER	098491	1
4	BEARING, 51305 AXIAL	098597	2

REF	DESCRIPTION (◆ indicates parts available in assemblies only)	PART #	QTY	
5	ARM, DEBARKER	098645-1	1	
6	PLATE, SPRING BUSHING	098592-1	1	
7	SPRING, DEBARKER RETAINING	098605	1	
8	PIN, 3/8 X 2 1/4 SQ WIRE LOCK	014151	1	
9	ARM, DEBARKER	098626-1	1	
10	PIN, DEBARKER	098593-1	1	
11	WASHER, 13 FLAT ZINC	F81056-1	1	
12	NUT, M12 8 HEX NYLON ZINC LOCK	F81034-2	1	
13	TENSIONER WELDMENT, DEBARKER IN/OUT MOTO	089969-1	1	
14	MOTOREDUCTER COMPACT	557161	1	
15	SHEAVE, DEBARKER MOTOR ZINC-PLATED	089954-1	1	
16	PULLEY, DEBARKER MOTOR	098594-1	1	
17	KEY, 6X6X23	089191	1	
18	WASHER, 21 FLAT ZINC	F81059-2	1	
19	BELT, 4L280V	P04031	1	
20	WASHER, 5.1 SPLIT LOCK	F81052-2	4	
21	BOLT, #10-32X1/2 HH	F05004-60	4	
22	WASHER, 6.5 SPECIAL FLAT ZINC	F81053-11	1	
23	NUT, M6-8 HEX ZINC	F81031-1	2	
24	RING, Z14 OUTSIDE RETAINING	F81090-31	1	
25	BEARING, HK 1412 NEEDLE	098595	2	
26	BOLT, M6 TURNED EYE	098596	1	
27	WASHER, 6.4 FLAT ZINC	F81053-1	4	
28	GUARD, DEBARKER BELT	557350	1	
29	BOLT, M8X25 PAN HEAD ZINC	F81002-51	1	
30	DC DEBARKER BLADE DRIVE ASSEMBLY See Section 4.10	097497	1	
31	WASHER, 8.4 FLAT ZINC	F81054-1	6	
32	NUT, M8 8 HEX NYLON ZINC LOCK	F81032-2	4	
33	SCREW, M8X30-8.8 HEX SOCKET HEAD CAP ZIN	F81002-31	4	
34	GUARD, DEBARKER FLEXIBLE DEBRIS	097020	1	
35	GUARD, DEBARKER WRAP-AROUND PAINTED	098695-1	1	
36	GROMMET, 20/13 RUBBER	086188	2	
37	WASHER, 10.5 FLAT ZINC	F81055-1	8	
38	WASHER 8,2 SPLIT LOCK	F81053-17	1	
39	BOLT, M8X12-8.8 HEX HEAD FULL THREAD ZIN	F81002-6	1	
40	NUT, M10-8-B HEX NYLON ZINC LOCK	F81033-1	4	
41	BOLT, M10 X 80 -8.8- FE/ZN5 HEX HEAD	F81003-50	4	
42	NUT, M20X1,5 THIN	F81037-7	2	
43	BOLT, M6X20 8.8 HEX HEAD FULL THREAD ZIN	F81001-2	3	
-	COVER ASSEMBLY	519064	1	
44	PLATE, GUARD	557349-1	1	
45	WASHER, 8.4 FLAT ZINC	F81054-1	2	
46	WASHER, 8.2 SPLIT LOCK ZINC	F81054-4	2	
47	BOLT, M8X16-8.8-B HEX HEAD FULL THREAD Z	F81002-20	2	
-	PIN, COMPLETE	519066	1	
48	PIN, LOC,KING	519065-1	1	
49	WASHER, 17 FLAT ZINC	F81058-1	1	

REF	DESCRIPTION (◆ indicates parts available in assemblies only)	PART #	QTY	
50	WASHER, 16.3 SPLIT LOCK ZINC	F81058-2	1	
51	NUT, M16-5.8 HEX ZINC	F81036-1	1	
52	BUSHING, 9/13-40.5	519067-1	1	
53	WASHER, 8.2 SPLIT LOCK ZINC	F81054-4	1	
54	BOLT, M8X65 8.8 HEX HEAD FULL THREAD ZIN	F81002-9	1	

4.9 AC Debarker Blade Drive (096239)

096239_001
096239_MANUAL

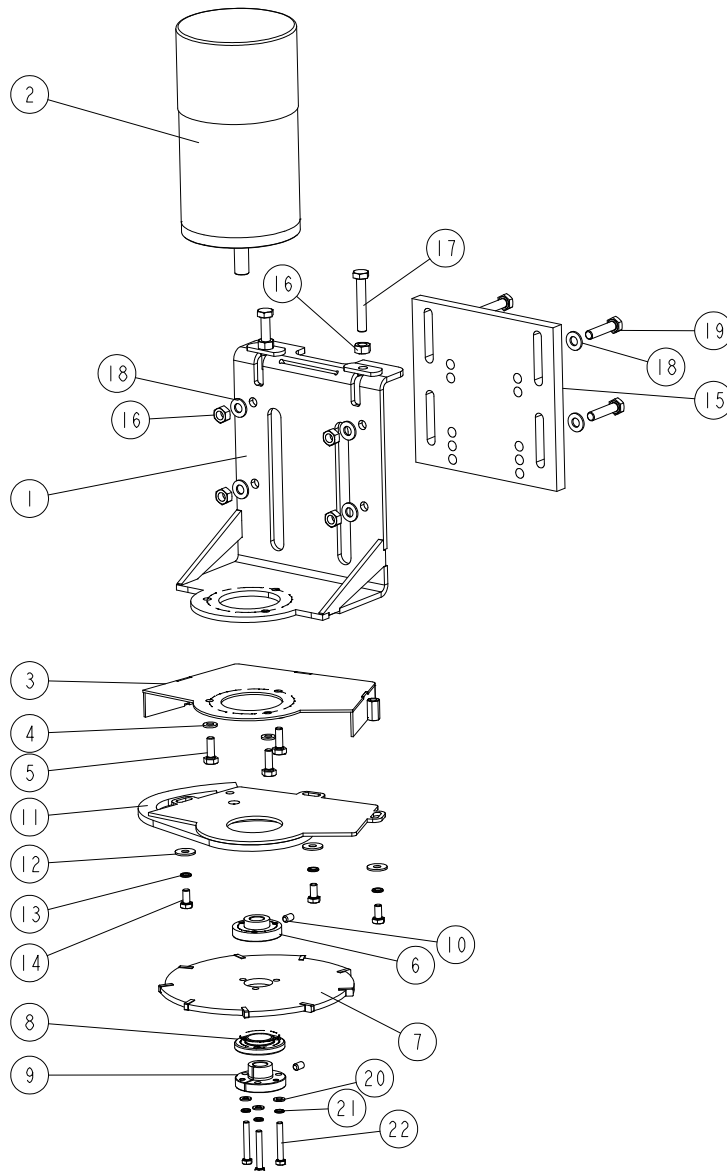


REF.	DESCRIPTION (* indicates parts available in assemblies only)	PART #	QTY
-	DRIVE ASSEMBLY, AC DEBARKER BLADE	096239	1

REF.	DESCRIPTION (* indicates parts available in assemblies only)	PART #	QTY	
-	DRIVE ASSEMBLY, AC DEBARKER BLADE	096239-UL	1	
1	MOTOR, STKG71X-2C IMB5 AC DEBARKER	096777	1	
	MOTOR, STKG71X-2C IMB5 AC DEBARKER	096777-UL	1	
2	GUARD, DEBARKER BLADE UPPER	096244-1	1	
3	BUSHING, CLAMPING	096088	1	
4	BLADE, 180 B-06.5/5.0 D-25.5 - COMPLETE	083848-1	1	
5	BUSHING, RETAINING	096087	1	
6	WASHER	096238-1	1	
7	GUARD, DEBARKER BLADE LOWER	096245-1	1	
8	BRACKET, DEBARKER MOTOR MOUNT	096780-1	1	
9	PLATE, DEBARKER MOTOR MOUNT	089551	1	
10	WASHER, 8.4 FLAT ZINC	F81054-1	12	
11	NUT, M8-8-B HEX ZINC	F81032-1	6	
12	BOLT, M8X35-8.8 HEX HEAD FULL THREAD ZINC	F81002-13	4	
13	BOLT, M8X50-8.8 HEX HEAD FULL THREAD ZINC	F81002-19	2	
14	WASHER, 6.5 SPECIAL FLAT ZINC	F81053-11	3	
15	WASHER, Z 6.1 SPLIT LOCK ZINC	F81053-3	3	
16	BOLT, M6X12 8.8 HEX HEAD FULL THREAD ZINC	F81001-7	3	
17	WASHER, 8.2 SPLIT LOCK ZINC	F81054-4	4	
18	BOLT, M5X16 8.8 HEX HEAD FULL THREAD ZINC	F81000-20	1	
-	PIN ASSEMBLY, DEBARKER BLADE BRAKING	501464	1	
19	SCREW, M12X17 SET	501462	1	
20	SPRING, 0.5X5.5-7	501463	1	
21	PIN, DEBARKER BLADE BRAKING	501461	1	
22	NUT, M12-04-A THIN	F81034-6	1	
23	PIN, 5X16 ROLL ZINC	F81044-3	1	
24	BOLT, M8X25-8.8-B HEX HEAD FULL THREAD ZINC	F81002-5	4	

4.10 Debarker Blade Drive Assembly (No. 097497)

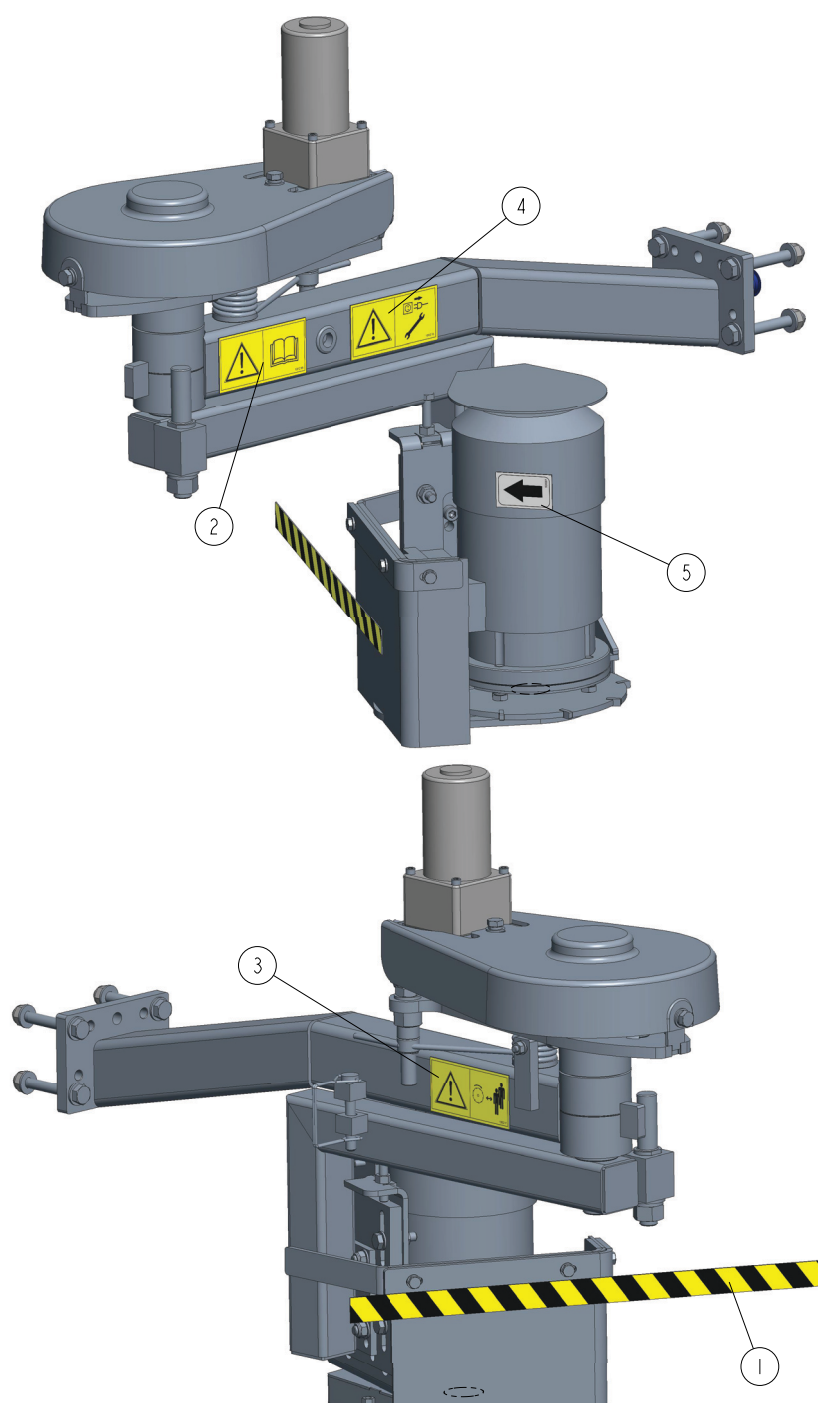
097497_001
097497_MANUAL



REF.	DESCRIPTION (* indicates parts available in assemblies only)	PART #	QTY
-	MOTOR ASSEMBLY, DEBARKER BLADE	097497	1
1	BRACKET, DC DEBARKER MOTOR	097493-1	1
2	MOTOR, 0.5HP/1550 R.P.M. 12V DC	006747	1
3	GUARD, DEBARKER BLADE UPPER	097499-1	1
4	WASHER, 6.4 FLAT ZINC	F81053-1	3
5	BOLT, 1/4-20X3/4 FULL THREAD HEX HEAD CAP	F05005-1	3
6	BUSHING, CLAMPING	097496	1
7	BLADE, 180 B-06.5/5.0 D-25.5 - COMPLETE	083848-1	1
8	BUSHING, MOUNTING	097495	1
9	BUSHING, TAPER	097494	1

REF.	DESCRIPTION (* indicates parts available in assemblies only)	PART #	QTY	
10	SCREW, M6X10-45H HEX SOCKET SET FLAT POINT ZINC	F81001-26	2	
11	GUARD, DEBARKER BLADE LOWER	096245-1	1	
12	WASHER, 6.5 SPECIAL FLAT ZINC	F81053-11	3	
13	WASHER, Z 6.1 SPLIT LOCK ZINC	F81053-3	3	
14	BOLT, M6X12 8.8 HEX HEAD FULL THREAD ZINC	F81001-7	3	
15	PLATE, DEBARKER MOTOR MOUNT	089551	1	
16	NUT, M8-8-B HEX ZINC	F81032-1	6	
17	BOLT, M8X50 -8.8 HEX HEAD FULL THREAD ZINC	F81002-19	2	
18	WASHER, 8.4 FLAT ZINC	F81054-1	8	
19	BOLT, M8X35-8.8 HEX HEAD FULL THREAD ZINC	F81002-13	4	
20	WASHER, 5.3 FLAT ZINC	F81052-1	3	
21	WASHER, 5.1 SPLIT LOCK	F81052-2	3	
22	BOLT, M5X35 8.8 HEX HEAD FULL THREAD ZINC	F81000-10	3	

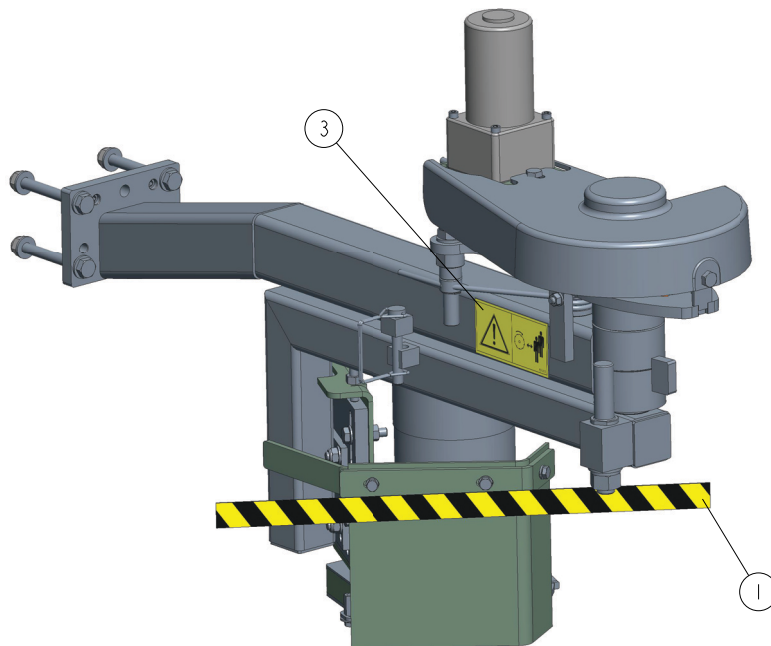
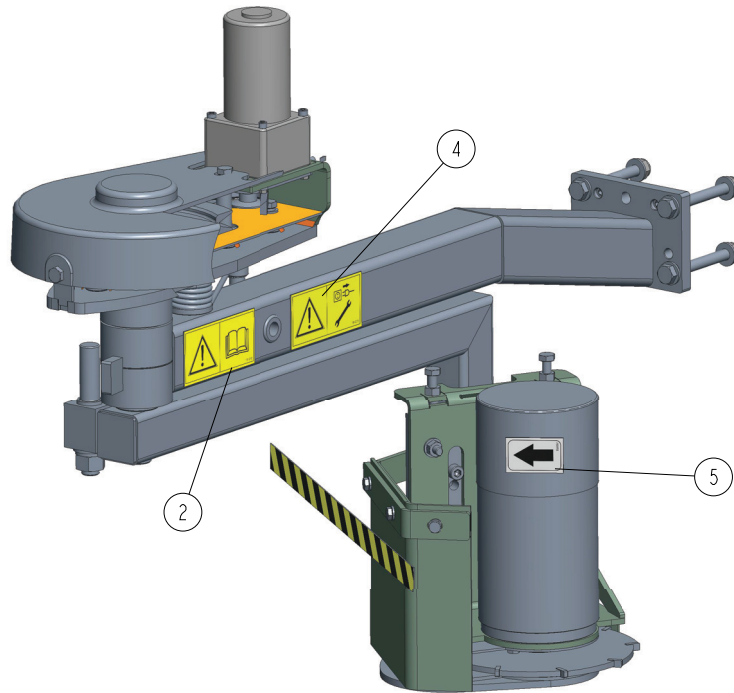
4.11 Debarker Decal Kit. 098699_538001

098699_002
098699

REF	DESCRIPTION (◆ indicates parts available in assemblies only)	PART #	QTY
-	DEBARKER DECAL KIT	538001	1
1	DECAL, LT15 DEBARKER WARNING STRIPE	098175	1
2	DECAL, READ OPERATOR'S MANUAL - HORIZONTAL	101216	1
3	DECAL, KEEP AWAY FROM DEBARKER BLADE - HORIZONTAL	101217	1
4	DECAL, DISCONNECT POWER SUPPLY BEFORE SERVICING - HORIZONTAL	101218	1
5	DECAL, MOTOR ROTATION DIRECTION	S20097	1

4.12 Wide Debarker Decal Kit. 580555_538001

580555_002
580555_MANUAL



REF	DESCRIPTION (◆ indicates parts available in assemblies only)	PART #	QTY
-	DEBARKER DECAL KIT	538001	1
1	DECAL, LT15 DEBARKER WARNING STRIPE	098175	1
2	DECAL, READ OPERATOR'S MANUAL - HORIZONTAL	101216	1
3	DECAL, KEEP AWAY FROM DEBARKER BLADE - HORIZONTAL	101217	1
4	DECAL, DISCONNECT POWER SUPPLY BEFORE SERVICING - HORIZONTAL	101218	1
5	DECAL, MOTOR ROTATION DIRECTION	S20097	1