

# **Bed Extension**

## **Safety, Operation, Maintenance & Parts Manual**

---

<b>BX6 for 2004+ Sawmills</b>	<b>Rev. A1.04</b>
<b>BX12 for 2004+ Sawmills</b>	<b>Rev. A1.06</b>
<b>BX24 for 2004+ Sawmills</b>	<b>Rev. A1.06</b>

---



**Safety is our #1 concern!** Read and understand all safety information and instructions before operating, setting up or maintaining this machine.

*April 2004*

*Form #295*

# Table of Contents

# Section-Page

<b>SECTION 1</b>	<b>SAFETY &amp; GENERAL INFORMATION</b>	<b>1-1</b>
1.1	Safety Symbols.....	1-1
1.2	Bed Extension Setup.....	1-2
1.3	Bed Extension Operation.....	1-2
1.4	Bed Extension Maintenance.....	1-3
<b>SECTION 2</b>	<b>INSTALLATION</b>	<b>1-1</b>
2.1	Alignment Box Installation .....	1-1
2.2	Leg Installation.....	1-3
2.3	Extension Frame Attachment .....	1-5
2.4	Support Brace Installation .....	1-8
2.5	Extra Leg and Bed Rail Installation (24-foot Bed Extensions Only).....	1-10
2.6	Hydraulic Log Handling Equipment Kits for MBX24 Bed Extensions.....	1-12
2.7	Hydraulic Log Handling Equipment Kits for MBX12 Bed Extensions.....	1-12
2.8	Hydraulic Log Handling Equipment Kits for BX12 Bed Extensions For S, M Super, L Frames .....	1-12
2.9	Mounting the BX12 Bed Extension to Sawmills with "M" Frame and AH4-7 Hy- draulics .....	1-13
2.10	Foot Dimensions : Sawmills with M Frame and BX12 i BX24 Bed Extensions....	1-14
<b>SECTION 3</b>	<b>BED EXTENSION ALIGNMENT</b>	<b>2-1</b>
<b>SECTION 4</b>	<b>LOG CLAMP OPERATION</b>	<b>3-1</b>
<b>SECTION 5</b>	<b>STORAGE PROTECTION</b>	<b>4-1</b>

# Table of Contents

# Section-Page

## **SECTION 6      BED EXTENSION PARTS      5-1**

6.1	BX12 Bed Extensions.....	5-1
6.2	BX24 Bed Extensions.....	5-3
6.3	Front & Rear Bed Rail Assembly (BX6 Only) .....	5-5
6.4	Front & Rear Bed Rail assembly (BX12 & BX24 Only).....	5-6
6.5	Front Middle Bed Rail Assembly (BX12 & BX24 Only) .....	5-7
6.6	Rear Middle Bed Rail Assembly (BX12 Only) .....	5-8
6.7	Pivot Bed Rail Assembly (BX24 Only) .....	5-9
6.8	Pivot Bed Rail Assembly (BX12 Only) .....	5-10
6.9	Accessory Bed Rail Assembly (BX24 Only) .....	5-11
6.10	Log Clamp Mount Assembly (BX24) .....	5-12
6.11	Manual Log Side Support.....	5-14
6.12	Mast Track Extension & Chain .....	5-16
6.13	Bed Extension Stationary Legs .....	5-18
6.14	Middle Stationary Legs (BX24 Only) .....	5-19
6.15	Fine Adjust Outrigger Leg.....	5-20
6.16	Side Fine Adjust Outrigger Leg .....	5-21
6.17	Manual Log Clamp (manual bed extension equipment: 12/24M) .....	5-22
6.18	Manual Log Clamp BX6 .....	5-23
6.19	Brace Assembly, SBX6.....	5-24
6.20	Brace Assembly, MBX6.....	5-25
6.21	LBX6 Connection Bracket .....	5-26
6.22	Brace Assembly, SBX12 .....	5-27
6.23	MBX12 Connection Brace .....	5-28
6.24	Brace Assembly, LBX12.....	5-30
6.25	Brace Assembly, SBX24 .....	5-31
6.26	Brace Assembly, MBX24.....	5-32
6.27	Brace Assembly, LBX24.....	5-33
6.28	Brace Assembly, MBX24 Super .....	5-34
6.29	Bed Extension, MBX6 Super .....	5-35
6.30	BX12 Super Connection Brace .....	5-36
6.31	Oil Flow Divider w/Hydraulic Hoses (BX12/24 & "M" Frame).....	5-37
6.32	Log Loader (Single Arm).....	5-38
6.33	MBX12 Connection Brace .....	5-40

# Table of Contents

# Section-Page

<b>SECTION 7</b>	<b>HYDRAULIC SYSTEM</b>	<b>6-1</b>
7.1	Hydraulic Hose Hanger Kit, MBX12/24 Bed Extension (AH1-3) .....	6-1
7.2	Hydraulic Hose Hanger Kit, MBX12/24 Bed Extension (AH4-7).....	6-2
7.3	Hydraulic Log Side Support, BX12 "M" Frame .....	6-3
7.4	Hydraulic Log Side Supports, MBX12 .....	6-5
7.5	Hydraulic Log Side Supports, MBX24 .....	6-7
7.6	BX12 Hydraulic Hose Kit .....	6-9
7.7	Hydraulic Hose Kit, BX24 Bed Extension .....	6-12
7.8	Hydraulic Control Box, 16-Section LT20/40/70 AC .....	6-15
7.9	Hydraulic Control Box, LT20/40/70 AC 10-Section .....	6-18

## SECTION 1 SAFETY & GENERAL INFORMATION

### 1.1 Safety Symbols

The following symbols and signal words call your attention to instructions concerning your personal safety. Be sure to observe and follow these instructions.



The word **DANGER** indicates an imminently hazardous situation which, if not avoided, will result in death or serious injury.



**WARNING** suggests a potentially hazardous situation which, if not avoided, could result in death or serious injury.



**CAUTION** refers to potentially hazardous situations which, if not avoided, may result in minor or moderate injury to persons or equipment.



Warning stripes are placed on areas where a single decal would be insufficient. To avoid serious injury, keep out of the path of any equipment marked with warning stripes.

Read and observe all safety instructions before operating this equipment! Also read any additional manufacturer's manuals and observe any applicable safety instructions including dangers, warnings, and cautions.

Always be sure that all safety decals are clean and readable. Replace all damaged safety decals to prevent personal injury or damage to the equipment. Contact your local distributor, or call your Customer Service Representative to order more decals.

**IMPORTANT!** It is always the owner's responsibility to comply with all applicable federal, state and local laws, rules and regulations regarding the ownership, operation and towing of your Wood-Mizer sawmill. All Wood-Mizer mill owners are encouraged to become thoroughly familiar with these applicable laws and comply with them fully while using or towing the mill.

Always properly dispose of all sawing by-products, including sawdust and other debris, coolant, oil, fuel, oil filters and fuel filters.

## 1.2 Bed Extension Setup

**WARNING!** Securely fasten the legs of the bed extension to the ground before using the bed extension. Failure to do so will result in serious injury or death.

**WARNING!** Do not set up the mill on ground with more than a 10 degree incline. If setup on an incline is necessary, put blocks under one side of the mill or dig out areas for outrigger legs to keep mill level. Setting up the mill on an incline could cause it to tip over, resulting in serious personal injury.

## 1.3 Bed Extension Operation



**IMPORTANT!** This bed extension is designed and intended to work with the LT20, LT40 and LT70 series Wood-Mizer sawmills.

**IMPORTANT!** The operator should get adequate training in operation and adjustment of the sawmill.



**DANGER!** Make sure all guards and covers are in place and secured before operating or transporting the bed extension. Failure to do so may result in serious injury.

Be sure the blade housing and pulley covers are closed (i.e. the safety switches placed on these covers are engaged).

**DANGER!** Keep all persons out of the path of moving equipment and logs when operating the bed extension or loading and turning logs. Failure to do so may result in serious injury.

**DANGER!** Maintain a clean and clear path for all necessary movement around the mill and lumber stacking areas. Failure to do so may result in serious injury.

**DANGER!** Keep all persons out of the path of returning boards. Failure to do so may result in serious injury.



**WARNING!** Secure all loose clothing and jewellery before operating the sawmill. Failure to do so will result in serious injury or death.

**WARNING!** Always make sure log is clamped securely before sawing. Failure to do so will result in serious injury or death.

**WARNING!** Always leave loading arm halfway up while log is on sawmill bed. Failure to do so will result in serious injury or death.

**WARNING!** The automatic board return is intended to assist a second operator in removing boards quickly. Do not use the board return when operating the sawmill alone. Failure to do so will result in serious injury, death or damage to the equipment.

**WARNING!** Never use the board return table as a platform to stand on. This table is designed and intended to assist in the removal of boards only. Standing on the table may result in serious injury.



**CAUTION!** Be sure the pivot rails, turning arm, clamp, and toe boards are below bed level before loading a log onto the bed. Failure to do so may result in machine damage or cause misalignment.

**CAUTION!** Before loading a log, be sure the cutting head is moved far enough forward so the log does not hit it. Damage to the sawmill may result.

**CAUTION!** Be careful when manually lowering the log loader. Do not drop the loader onto the ground or perform any action which might break the velocity fuse valves on the loader cylinders. These valves control hydraulic flow and are necessary to prevent the loading arm from collapsing during use.

**CAUTION!** Do not try to force the saw head beyond its upper and lower travel limits. Damage to the up/down system may result.

**CAUTION!** Always make sure the up/down switch moves to the neutral or off position when released to ensure that the saw head stops moving. Damage to the sawmill may result.

**CAUTION!** Move the hydraulic clamp and turner to provide maximum ground clearance before transporting. Failure to do so may result in damage to the sawmill.

**CAUTION!** Be sure to stop the blade when returning the carriage. This will not only prevent the blade from being pulled off and ruined by a wood sliver, but also will increase the life of the blade.

## 1.4 Bed Extension Maintenance



**CAUTION!** Reinstall the track wiper so that it lightly touches the track rail. If the wiper presses too firmly against the rail, it can cause the power feed to bind.

**CAUTION!** Never use grease on the mast rails as it will collect sawdust.

**CAUTION!** Do not use chain lube. It causes sawdust buildup in chain links.

**CAUTION!** Do not overtension the chain. Damage to the feed motor may result.



**CAUTION!** Do not overtighten the set screws on the hydraulic valve assembly. Overtightening may cause the threads in the screw holes to strip.

**CAUTION!** Pressure should not exceed 2000 psi. Pressure above 2000 p.s.i. may damage the hydraulic hoses.




## SECTION 2 INSTALLATION

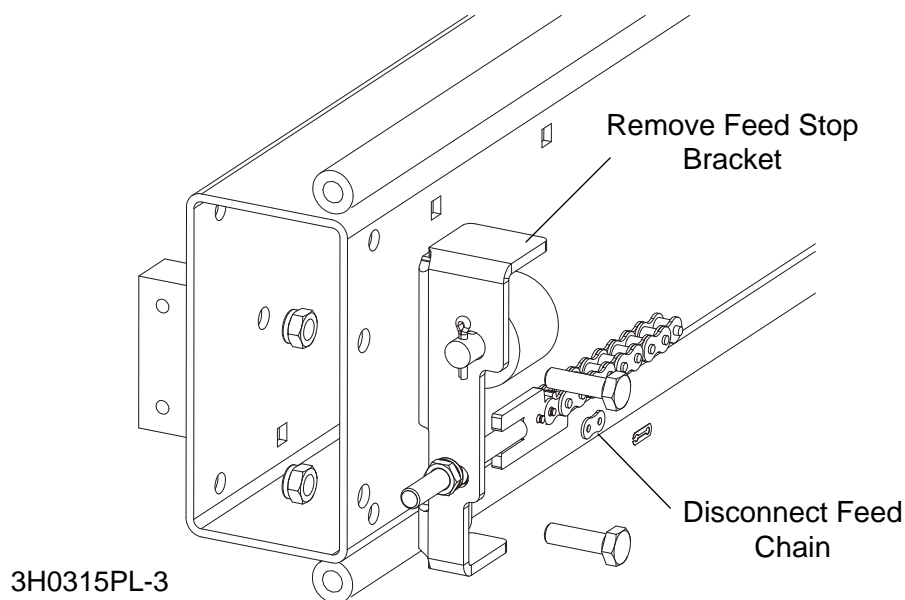
The bed extension option includes a 6, 12 or 24-foot frame and the necessary hardware to attach it to your sawmill. After installation, the extension will allow you to cut longer logs than is possible with the standard sawmill. The bed extension is designed for operation with a stationary sawmill. A portable mill can be connected to the extension but will require 2 to 4 hours for each setup. The extension should be mounted to a firm, level footing. See [2.10](#) located in the back of this manual for foot dimensions for each sawmill model and bed extension combination. Note the positions labeled A through E on each drawing. These positions will be referred to later for mounting the legs to the extension frame. Positions F, G, H and I apply to 24-foot extensions only.

### 2.1 Alignment Box Installation

1. Remove the feed chain from the tensioner bolt at the back end of the sawmill frame. Break apart the master link to disconnect the chain from the bolt.

 **CAUTION!** When removing or replacing the feed chain on sawmills with hydraulic log handling, disconnect the negative battery lead. This will ensure the chain does not short the system if it contacts the power supply.

See Figure 2-1.



**FIG. 2-1**

2. Remove the bolts and lock nuts holding the feed chain tensioner to the sawmill frame. Remove the entire assembly from the sawmill frame. Use the same bolts and nuts to remount the tensioner assembly to the end of the extension frame.

# 2

## Installation

### Alignment Box Installation

3. Install the alignment link inside the end of the bed extension frame using the appropriate holes. Use four M10x115 hex head bolts and 10.5 flat washers to secure the box.

See Figure 2-2.

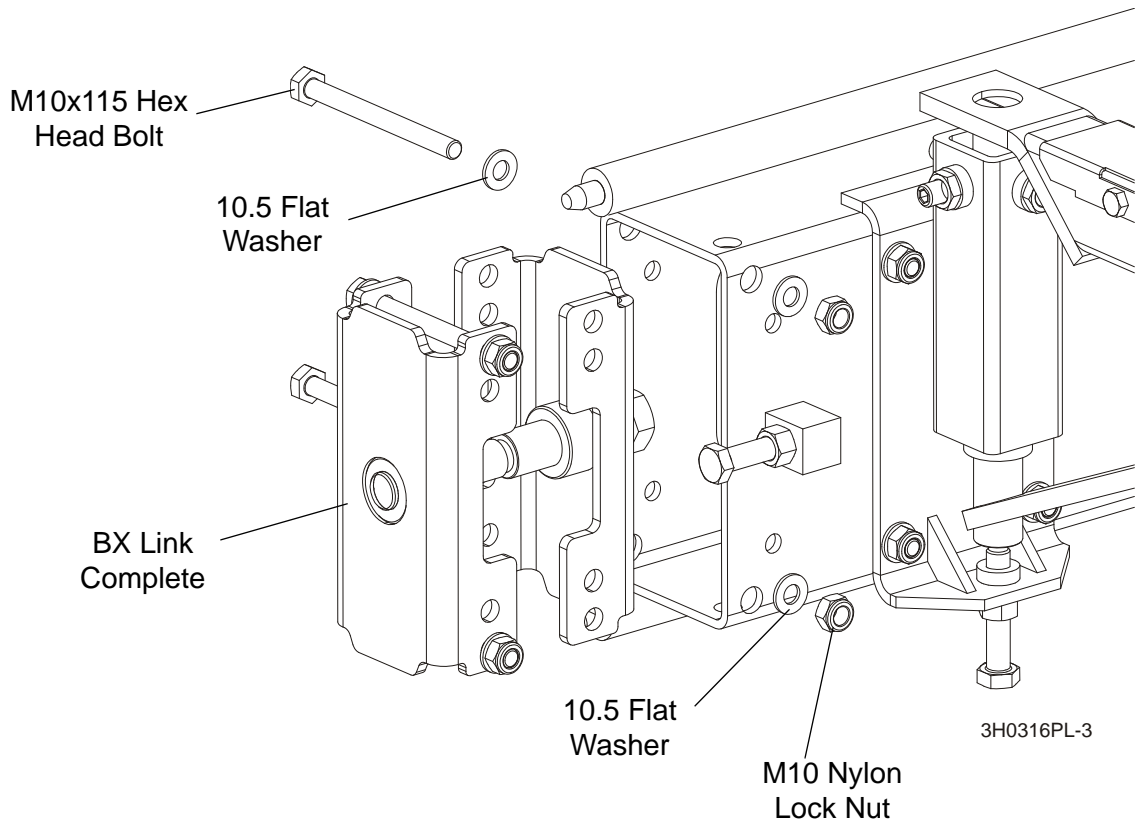


FIG. 2-2

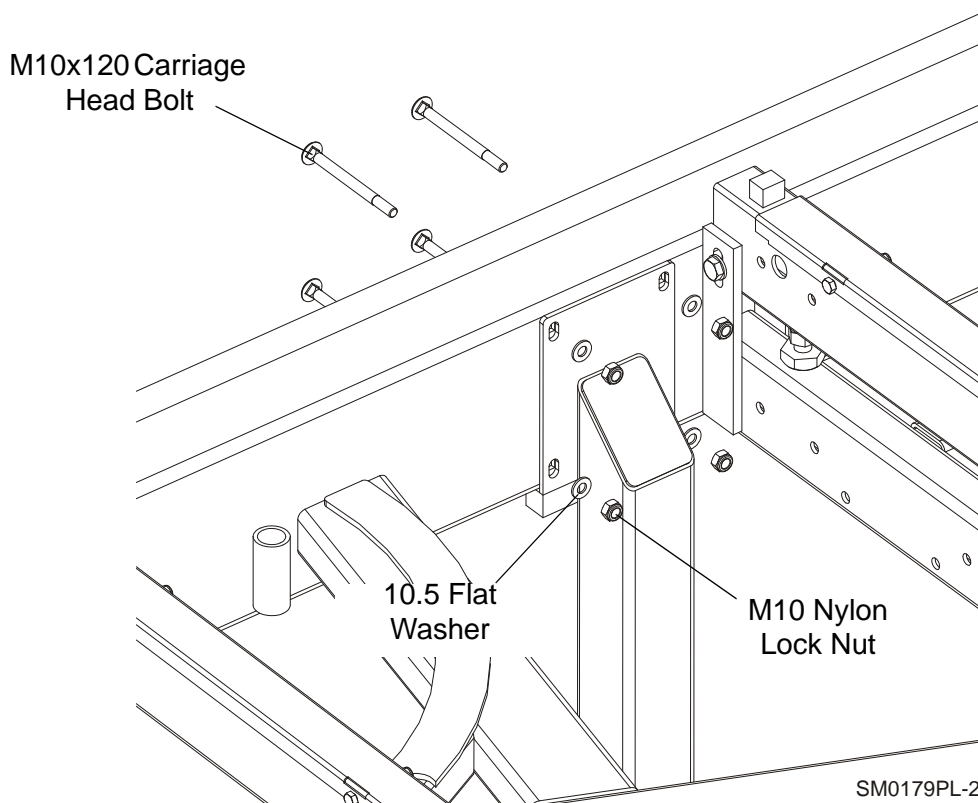
## 2.2 Leg Installation

REMINDER: This section refers to positions A through E as labeled in subsection [2.10](#) located in the back of this manual.

1. Remove the rear leg (or outrigger) from position E on the sawmill frame. A support brace will be installed later that connects the extension frame to the sawmill frame. The removed sawmill leg will be repositioned on the support brace.

See Figure 2-3.

2. Use four M10 x 120 bolts and nylon lock nuts to secure a long leg at each position A and B on the extension frame. Insert the bolts from the outside of the frame tube and attach the nuts on the leg side of the tube.
3. **BX24 only:** Install a long leg at position H using four M10 x 25 bolts and nylon lock nuts.



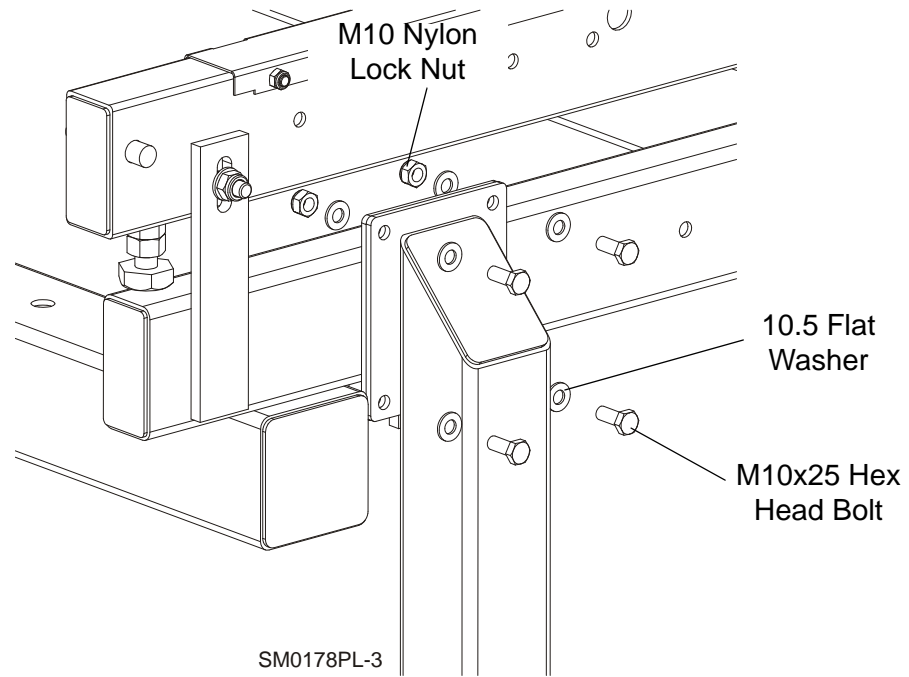
**FIG. 2-3**

4. Use four M10 x 25 bolts and nylon lock nuts to mount a short leg at position C on the extension frame.

## 2 Installation

*Leg Installation*

See Figure 2-4.

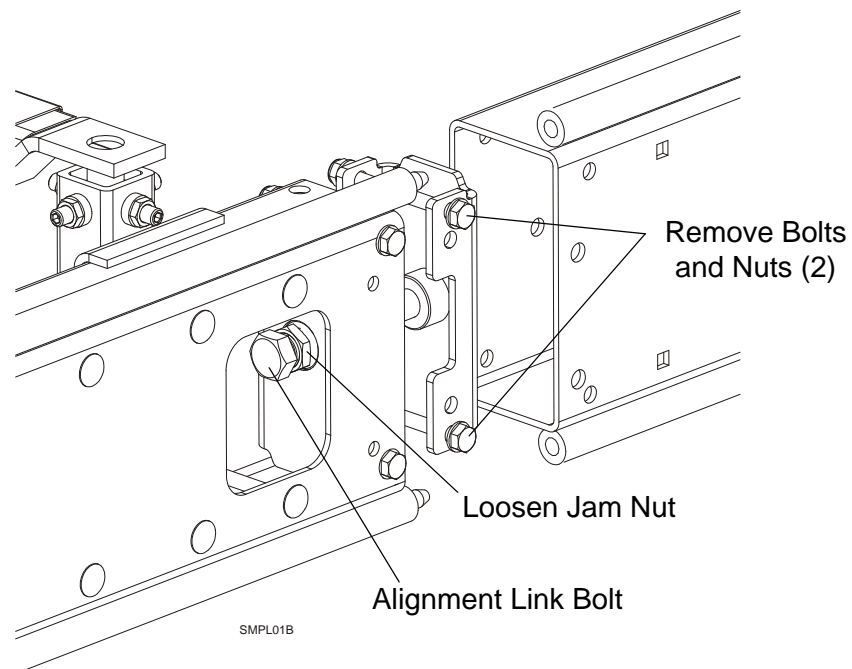


**FIG. 2-4**

## 2.3 Extension Frame Attachment

1. Position the extension frame at the end of the sawmill frame. Remove two bolts and nuts from the alignment link and loosen the jam nut. Turn the alignment link bolt counterclockwise to move the front plate towards as much as possible. Slide the extension frame over the alignment link on the sawmill frame. Sight down the length of the frames to see that they are lined up as close as possible.

See Figure 2-5.



**FIG. 2-5**

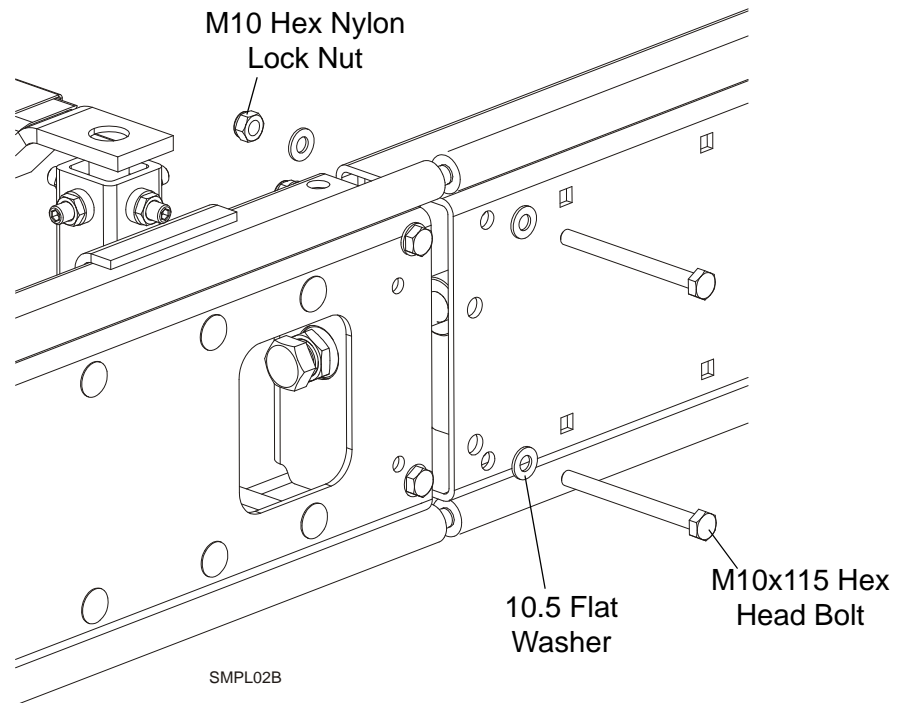
2. Install two M10 X 115 hex head bolts in the holes together with four 10.5 flat washers. Secure the bolts with two M10-8 nylon lock hex nuts.

# 2

## Installation

### Extension Frame Attachment

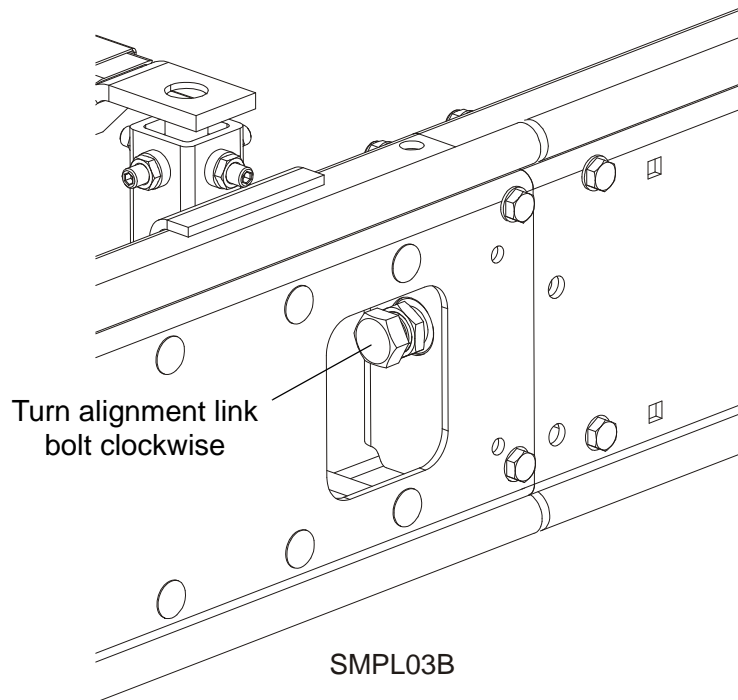
See Figure 2-6.



**FIG. 2-6**

3. Turn the alignment link bolt clockwise to tighten the bed extension and sawmill frame tubes.

See Figure 2-7.



**FIG. 2-7**

4. Be sure to tighten the alignment link jam nut against the box when the attachment procedure is complete.

## 2.4 Support Brace Installation

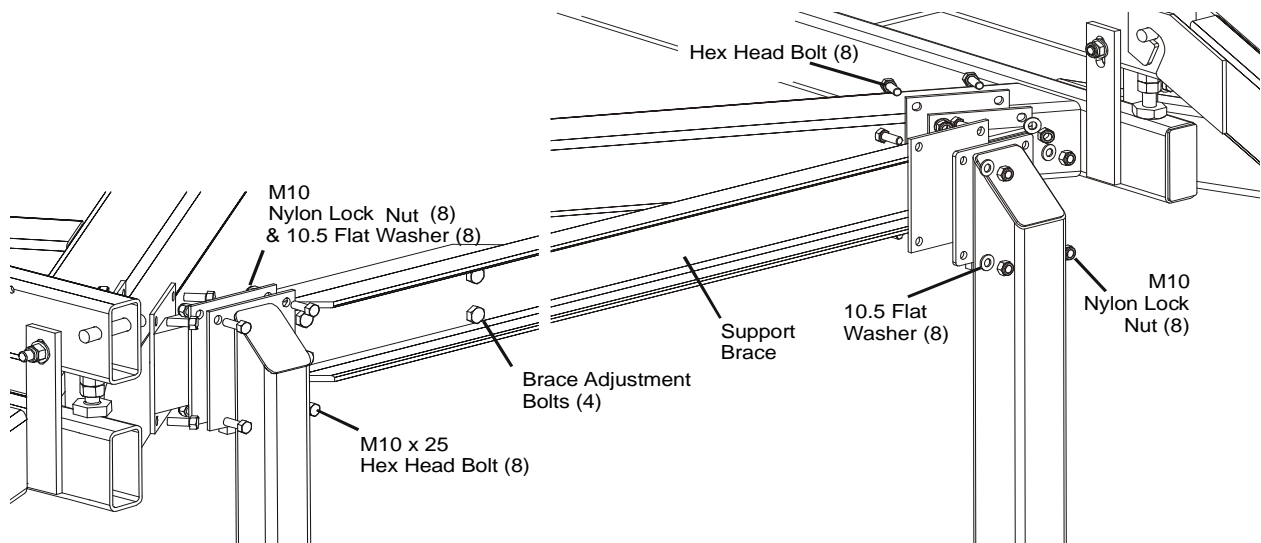
See **Table. 2-1**. A support brace is available to connect the bed extension and the sawmill. See the chart below to determine which brace you need for your configuration.

Bed Extension Support Brace Reference Table		
Sawmill Model	Bed-X	Brace Kit
1996+ LT30 or LT30HD	1996+ BX6	085651-1, 085653-1
	1996+ BX12	014271
	1996+ BX24	014273
1996+ LT40 or LT40HD	1996+ BX6	085651-1, 085656-1
	1996+ BX12	014270
	1996+ BX24	014272

**TABLE. 2-1**

1. Mount the support brace tube between the sawmill and extension frames at positions D and E. Use four M10 x 25 bolts and lock nuts to secure the brace at position D and E.

See **Figure 2-8**.



**FIG. 2-8**

2. Bolt the leg previously removed from the sawmill and a supplied short leg to the support brace tube with four M10 x 25 bolts and nylon lock nuts each.
3. Attach the supplied length of feed chain to the existing feed chain with the master link provided. Connect the feed chain to the tensioner bolt at the end of the extension frame. Adjust the tensioner so that the chain is positioned as indicated below. Make sure the feed chain is not twisted or kinked



See Table 2-2.

<b>BX Model</b>	<b>Distance from top of top track rail to top of feed chain (measure at middle of chain span)</b>
<b>BX6</b>	7 - 8 inches
<b>BX12</b>	8 - 9 inches
<b>BX24</b>	10 - 11 inches

**TABLE 2-2**

## 2.5 Extra Leg and Bed Rail Installation (24-foot Bed Extensions Only)

1. The additional long leg should be mounted at position F shown in subsection [2.10](#). Use M10 x 120 bolts and lock nuts to secure the long leg to the main frame tube.

**NOTE:** When bolting near the end of the main tube, the tube can collapse or "mushroom" as the bolts are tightened. Do not overtighten the bolts to avoid deforming the main tube. If you find it difficult to align the tracks with the alignment set screws, check that neither frame tube is deformed. The tube can be pulled back into shape using the alignment set screws.

See Figure 2-9.

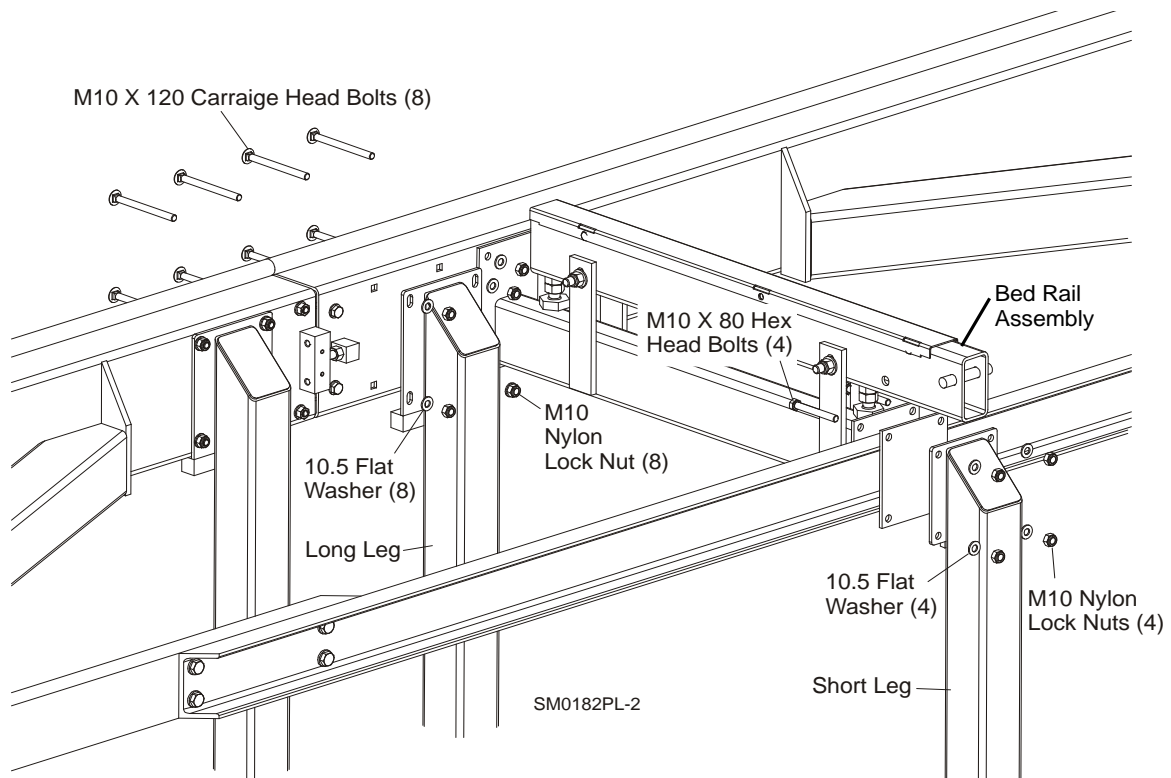


FIG. 2-9

2. Mount the additional bed rail assembly and short leg at position G on the support brace tube. Use bolts and lock nuts to mount the short leg and bed rail to the support brace tube. Use M10 x 120 bolts and lock nuts to mount the other end of the bed rail to the main tube.

3. Mount two middle short legs at position I shown in subsection [2.10](#). Use four M12 X 30 hex head bolts.

See Figure 2-10.

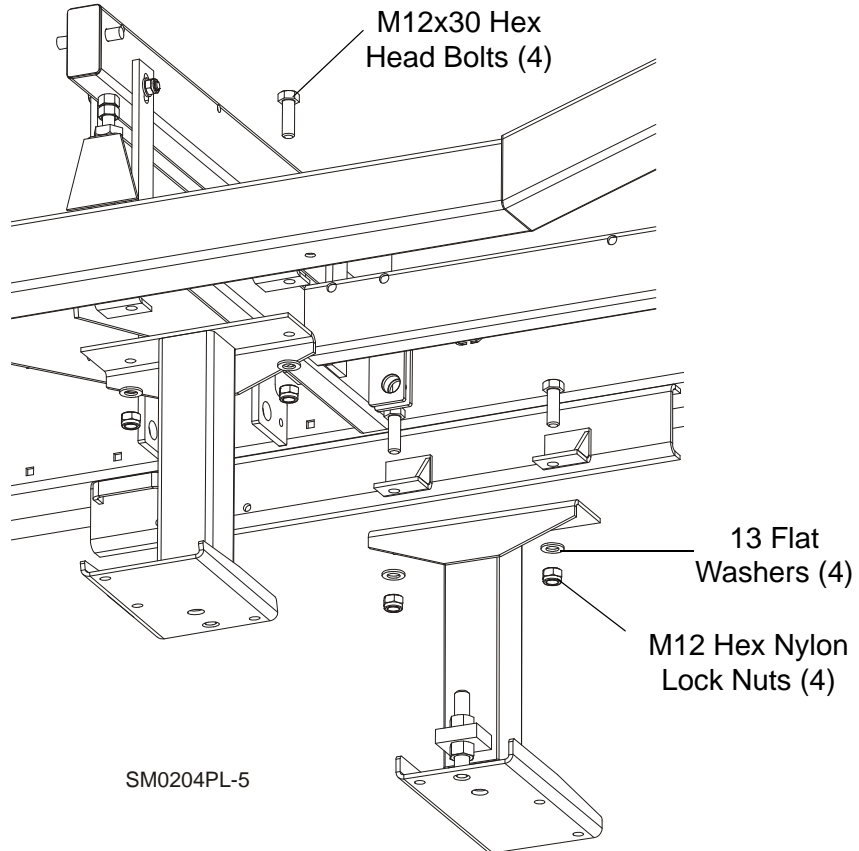


FIG. 2-10

# 2

## Installation

### Hydraulic Log Handling Equipment Kits for MBX24 Bed Extensions

#### 2.6 Hydraulic Log Handling Equipment Kits for MBX24 Bed Extensions

See Table 2-3.

Log Handling Function/Kit Symbol	24M	24H1	24H2	24H3	24H4	24H5	24H6
Manual Side Supports	◆ (3)						
Manual Clamp	◆						
Hydraulic Side Supports		◆ (3)	◆ (3)	◆ (3)	◆ (3)	◆ (3)	◆ (3)
Toe Board Roller			◆	◆	◆	◆	◆ (2)
Middle Clamp				◆	◆	◆	◆
Log Turner					◆	◆	◆
Pull-Down Clamp						◆	◆
Log Deck	◆						

TABLE 2-3

#### 2.7 Hydraulic Log Handling Equipment Kits for MBX12 Bed Extensions

See Table 2-4.

Log Handling Function/Kit Symbol	12M	12H1	12H2	12H3	12H4	12H5	12H6
Manual Side Supports	◆ (2)						
Manual Clamp	◆						
Hydr. Side Supp. on M frame	◆	◆	◆	◆			
Hydraulic Side Supports		◆ (2)	◆ (2)	◆ (2)	◆ (2)	◆ (2)	◆ (2)
Toe Board Roller			◆	◆	◆	◆	◆ (2)
Middle Clamp				◆	◆	◆	◆
Log Turner					◆	◆	◆
Pull-Down Clamp						◆	◆
Log Deck	◆						

TABLE 2-4

#### 2.8 Hydraulic Log Handling Equipment Kits for BX12 Bed Extensions For S, M Super, L Frames

See Table 2-5.

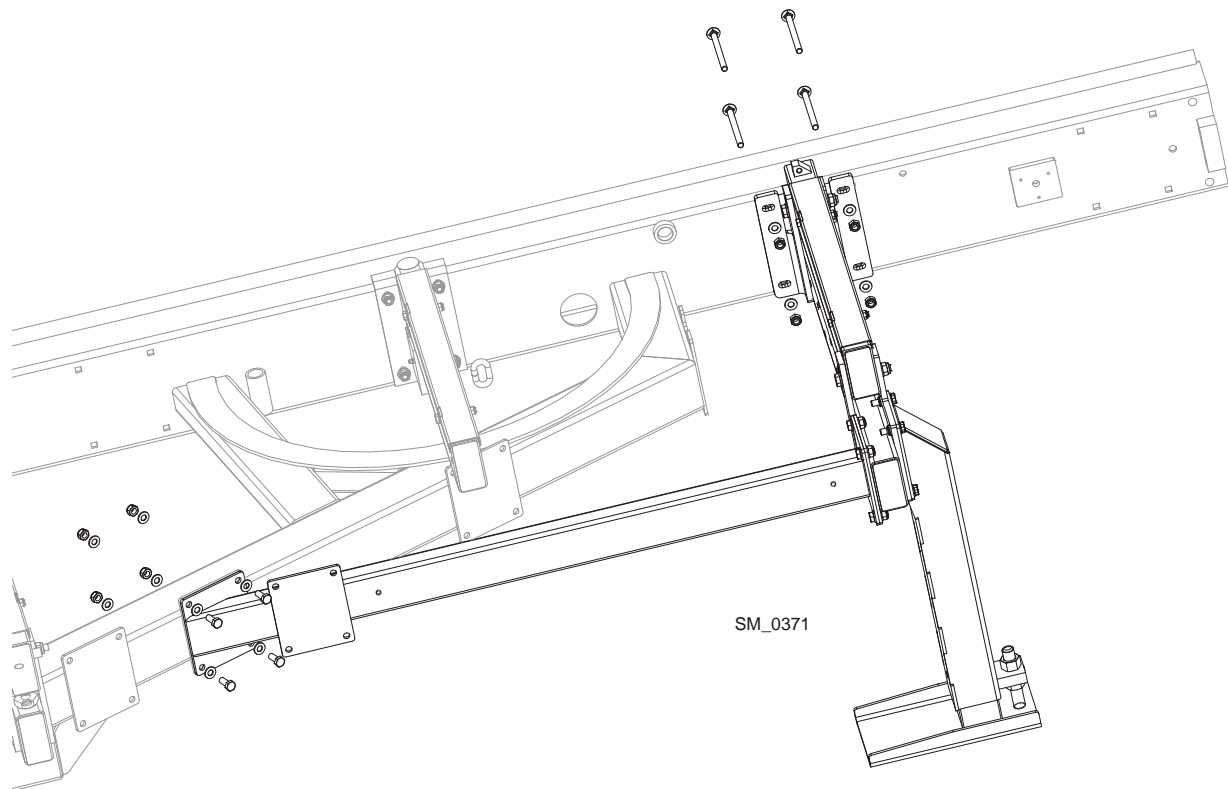
Log Handling Function/Kit Symbol	12M-1
Manual Side Supports	◆
Manual Clamp	◆
Log Deck	◆

TABLE 2-5

## 2.9 Mounting the BX12 Bed Extension to Sawmills with "M" Frame and AH4-7 Hydraulics

When mounting the BX12 bed extension to any sawmill equipped with the AH4-7 "M" frame, you need to dismount the rear clamp mount assembly. To do this: unscrew 8 bolts (shown in the figure below).

See Figure 2-11.



**FIG. 2-11**

2.10 Foot Dimensions : Sawmills with M Frame and BX12 i BX24 Bed Extensions.

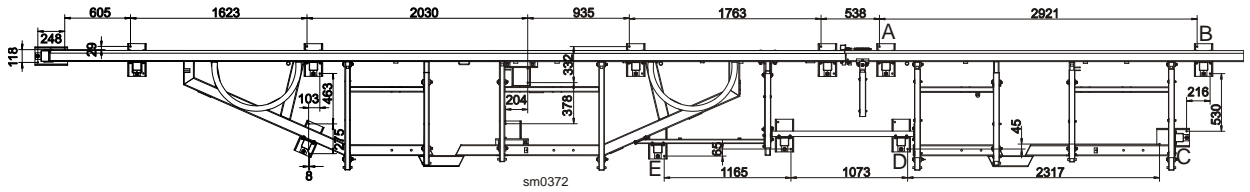


FIG. 2-12 MAH1-3+BX12

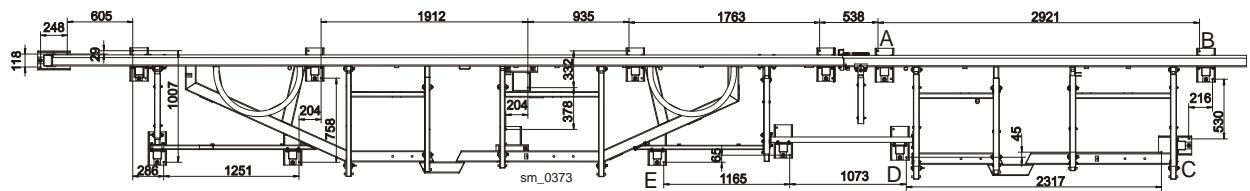


FIG. 2-13 MAH4-7+BX12

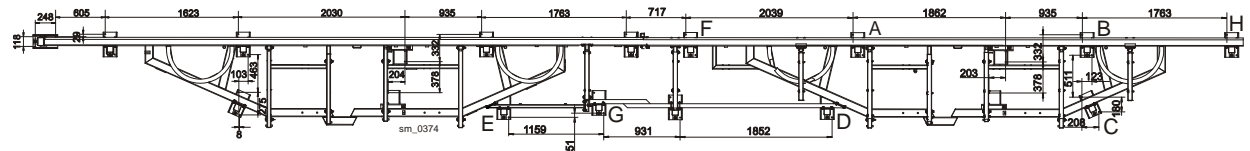


FIG. 2-14 MAH1-3+BX24

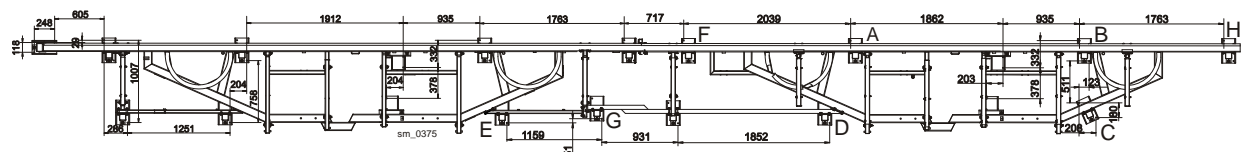


FIG. 2-15 MAH4-7+BX24

---

## SECTION 3 BED EXTENSION ALIGNMENT

1. Use the six set screws around the extension frame tube to align the upper and lower tracks on the sawmill to the tracks on the extension. You should not be able to detect any variance where one track ends and the other starts.
2. Move the cutting head across the area where the sawmill frame and extension meet. If the tracks are properly aligned, you should not be able to tell when the track bearings cross from the sawmill to the extension. Any variance will cause inaccurately sawn boards! Fine tune the set screws until the sawmill and extension tracks are perfectly matched.

**NOTE:** Bolting through the main tube can cause the tube to collapse or "mushroom". If you find it difficult to align the tracks with the alignment set screws, check that neither frame tube is deformed. The tube can be pulled back into shape using the alignment set screws.

3. Place two equal height objects on top of the track rail (wrench sockets work well). Pull a string tight over the objects and clamp so there is no sag in the string. Measure from the string to the track at one end, the middle, and the other end of the track. The track should be 1/16 to 1/8" (1.5 to 3.0 mm) higher in the middle than at the ends. This will compensate for any sag that occurs as the cutting head reaches the middle of the track. If more bow in the middle is needed, shim the middle track-mounted legs. If the middle is bowed up too much, shim the track-mounted legs at each end of the frame. Shim under any feet that do not touch the ground.
4. Align the sawmill and extension as instructed in your sawmill manual.

# 4 Log Clamp Operation

## SECTION 4 LOG CLAMP OPERATION

A manual log clamp is supplied with the bed extension to help clamp long logs against the side supports.

### To Clamp Logs

1. Position the clamps against the log, far enough down so they are below your first few cuts. Turn the clamp screws in so they move the log firmly against the side supports.

See Figure 4-1.

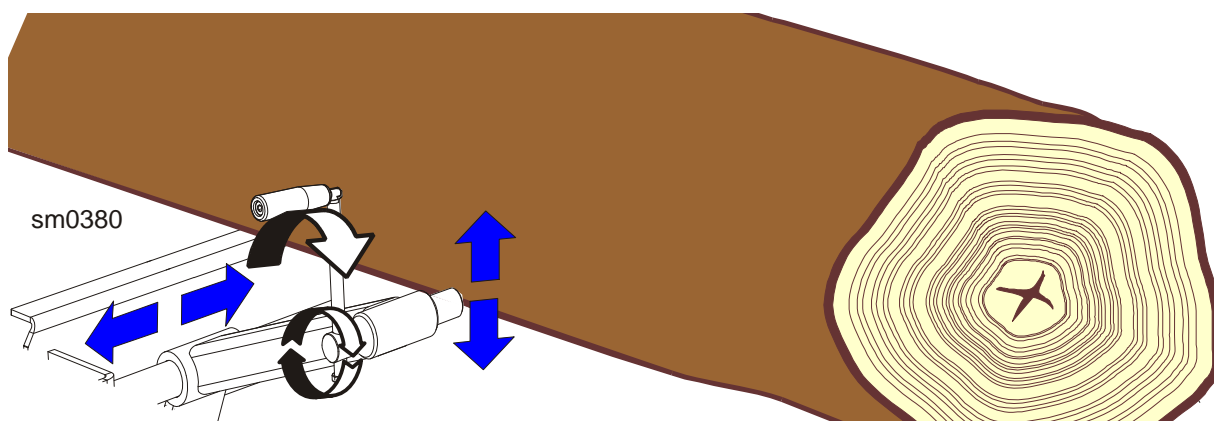


FIG. 4-1

2. Be sure to leave crank in the bottom position to avoid damage to the blade.

See Figure 4-2.

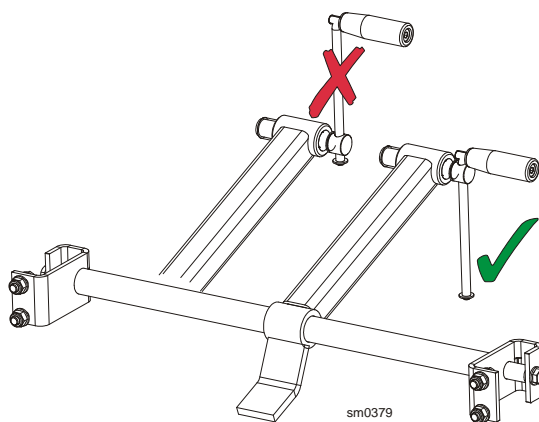


FIG. 4-2



## SECTION 5 STORAGE PROTECTION

When not using the bed extension, follow the recommendations below to prevent rust and/or corrosion.

1. Coat the top and bottom bed extension rails with a rust inhibitor such as Sherwin-Williams P.D.R.P. #710.
2. Coat the power feed chain with a light film of a light-weight lubricant such as Dexron III ATF. Make sure the connecting link is attached to the chain to prevent chain loss.
3. Coat the threads of the bed rail leveling bolts with a dry lube such as Gunk L-508.
4. Lubricate the pivot block/shaft on the pivot bed rails with NLGI No. 2 grade lithium grease such as Amoco Rycon #2 Synthetic Grease.

### Preparation For Use

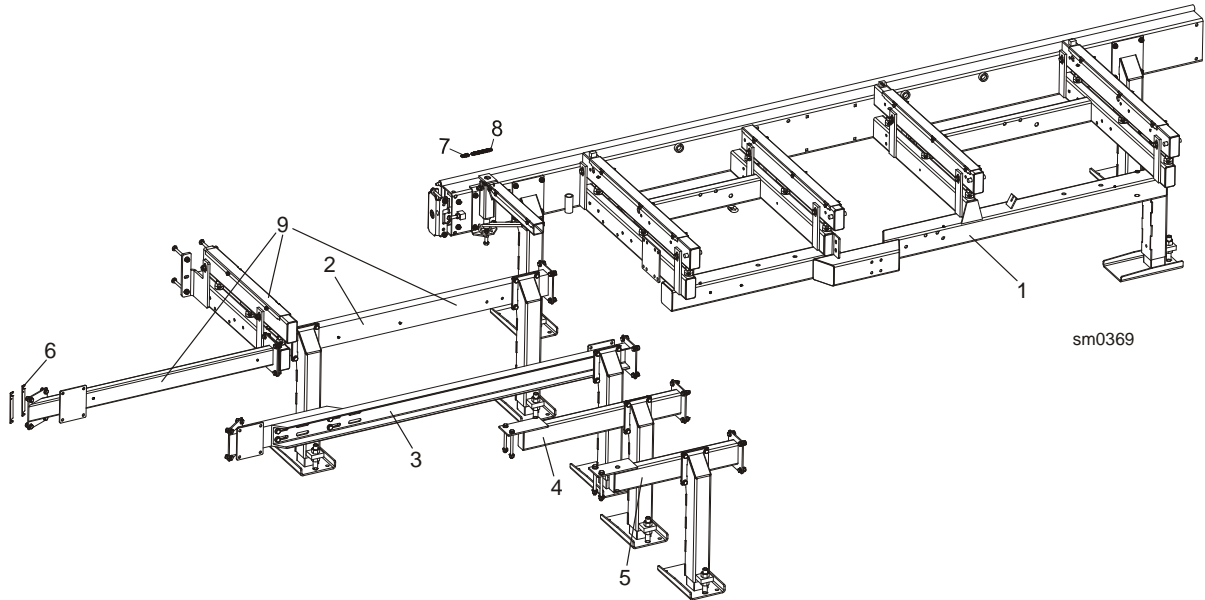
Before using a bed extension that has been stored in the above manner, remove the rust inhibitor protection coat from the bed extension rails. Use a clean, dry cloth and a light lubricant such as WD-40 to remove the protection coat.

# 6 BED EXTENSION PARTS

## BX12 Bed Extensions

### SECTION 6 BED EXTENSION PARTS

#### 6.1 BX12 Bed Extensions



REF.	DESCRIPTION (◆ Indicates Parts Available In Assemblies Only)	PART #	QTY.
<b>LT20</b>			
<b>BED EXTENSION FOR LT20S SAWMILLS</b>		<b>507838</b>	1
1	FRAME, BX12 COMPLETE	507860	1
3	BRACE ASSEMBLY, SBX12 <a href="#">See Section 6.1</a>	092888	1
<b>BX12 BED EXTENSION FOR LT20H4-7 SAWMILLS WITH "M/OL" FRAME</b>		<b>507839<sup>1</sup></b>	1
1	FRAME, BX12 COMPLETE	507860	1
2	BRACE ASSEMBLY, MBX12 H4-7 <a href="#">See Section 6.23</a>	501660	1
<b>BX12 BED EXTENSION FOR LT20M SAWMILLS</b>		<b>507840</b>	1
1	FRAME, BX12 COMPLETE	507860	1
9	BRACE, MBX12H CONNECTION <a href="#">See Section 6.23</a>	507206	1
<b>BX12 BED EXTENSION FOR LT20L SAWMILLS</b>		<b>507842</b>	1
1	FRAME, BX12 COMPLETE	507860	1
5	BRACE ASSEMBLY, 20/40/70LBX12 <a href="#">See Section 6.24</a>	094834	1
<b>LT40</b>			
<b>BX12 BED EXTENSION FOR LT40S SAWMILLS</b>		<b>507843</b>	1
1	FRAME, BX12 COMPLETE	507860	1
3	BRACE ASSEMBLY, SBX12 <a href="#">See Section 6.22</a>	092888	1
6	SHIM, BX6 PTD	086649-1	4
7	LINK, #40 MASTER	P04200	1
8	CHAIN, BED EXTENSION (3.6 M)	P07355	1
<b>BX12 BED EXTENSION FOR LT40H4-7 SAWMILLS WITH "M/OL" FRAME</b>		<b>507844<sup>1</sup></b>	1
1	FRAME, BX12 COMPLETE	507860	1
2	BRACE ASSEMBLY, MBX12 H4-7 <a href="#">See Section 6.23</a>	501660	1

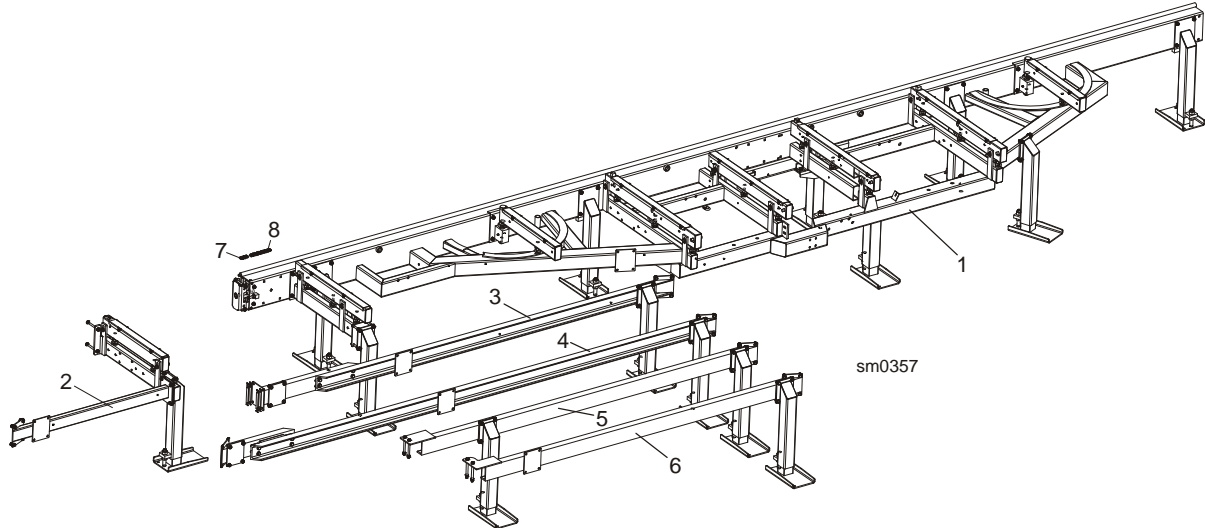
7	LINK, #40 MASTER	P04200	1	
8	CHAIN, BED EXTENSION (3.6 M)	P07355	1	
	<b>BX12 BED EXTENSION FOR LT40M SAWMILLS</b>	<b>507845</b>	1	
1	FRAME, BX12 COMPLETE	507860	1	
7	LINK, #40 MASTER	P04200	1	
8	CHAIN, BED EXTENSION (3.6 M)	P07355	1	
9	BRACE, MBX12H CONNECTION <a href="#">See Section 6.23</a>	507206	1	
	<b>BX12 BED EXTENSION FOR LT40 SAWMILLS WITH "M-SUPER" FRAME</b>	<b>507846</b>	1	
1	FRAME, BX12 COMPLETE	507860	1	
4	BRACE, BX12 SUPER CONNECTION - COMPLETE <a href="#">See Section 6.30</a>	099630	1	
7	LINK, #40 MASTER	P04200	1	
8	CHAIN, BED EXTENSION (3.6 M)	P07355	1	
	<b>BX12 BED EXTENSION FOR LT40L SAWMILLS</b>	<b>507847</b>	1	
1	FRAME, BX12 COMPLETE	507860	1	
5	BRACE ASSEMBLY, 20/40/70LBX12 <a href="#">See Section 6.24</a>	094834	1	
7	LINK, #40 MASTER	P04200	1	
8	CHAIN, BED EXTENSION (3.6 M)	P07355	1	
	<b>LT70</b>			
	<b>BX12 BED EXTENSION FOR LT40S SAWMILLS</b>	<b>507848</b>	1	
1	FRAME, BX12 COMPLETE	507860	1	
3	BRACE ASSEMBLY, SBX12 <a href="#">See Section 6.22</a>	092888	1	
6	SHIM, BX6 PTD	086649-1	4	
7	LINK, 10B-1Pz MASTER	088671	1	
8	CHAIN, 10B-1-230PZ BX12	090651	1	
	<b>BX12 BED EXTENSION FOR LT70H4-7 SAWMILLS WITH "M/OL" FRAME</b>	<b>507849<sup>1</sup></b>	1	
1	FRAME, BX12 COMPLETE	507860	1	
2	BRACE ASSEMBLY, MBX12 H4-7 <a href="#">See Section 6.23</a>	501660	1	
7	LINK, 10B-1Pz MASTER	088671	1	
8	CHAIN, 10B-1-230PZ BX12	090651	1	
	<b>BX12 BED EXTENSION FOR LT70H1-7 SAWMILLS WITH "M" FRAME</b>	<b>507850</b>	1	
1	FRAME, BX12 COMPLETE	507860	1	
7	LINK, 10B-1Pz MASTER	088671	1	
8	CHAIN, 10B-1-230PZ BX12	090651	1	
9	BRACE, MBX12H CONNECTION <a href="#">See Section 6.23</a>	507206	1	
	<b>BX12 BED EXTENSION FOR LT70 SAWMILLS WITH "M SUPER" FRAME</b>	<b>507851</b>	1	
1	FRAME, BX12 COMPLETE	507860	1	
4	BRACE, BX12 SUPER CONNECTION - COMPLETE <a href="#">See Section 6.30</a>	099630	1	
7	LINK, 10B-1Pz MASTER	088671	1	
8	CHAIN, 10B-1-230PZ BX12	090651	1	
	<b>BX12 BED EXTENSION FOR LT70L SAWMILLS</b>	<b>507852</b>	1	
1	FRAME, BX12 COMPLETE	507860	1	
5	BRACE ASSEMBLY, 20/40/70LBX12 <a href="#">See Section 6.24</a>	094834	1	
7	LINK, 10B-1Pz MASTER	088671	1	
8	CHAIN, 10B-1-230PZ BX12	090651	1	

<sup>1</sup> For sawmills with "M" frame manufactured before 17 September 2012. This bed extension has 12M-1 manual equipment.

# 6 BED EXTENSION PARTS

## BX24 Bed Extensions

### 6.2 BX24 Bed Extensions



REF.	DESCRIPTION (◆ Indicates Parts Available In Assemblies Only)	PART #	QTY.
<b>LT20</b>			
<b>BX24 BED EXTENSION FOR LT20S SAWMILLS</b>		<b>505816</b>	1
1	FRAME, BX24 COMPLETE	505716	1
4	BRACE ASSEMBLY, SBX24 <a href="#">See Section 6.25</a>	093931	1
<b>BX24 BED EXTENSIONS FOR LT20 M AH1-3 SAWMILLS</b>		<b>505817</b>	1
1	FRAME, BX24 COMPLETE	505716	1
2	REAR COMPLETE LOG CLAMP MOUNT (STATIONARY SAWMILLS) <a href="#">See Section 6.10</a>	092938	1
3	BRACE ASSEMBLY, MBX24-AH5/7 DH5/7 <a href="#">See Section 6.26</a>	095632	1
<b>BX24 BED EXTENSION FOR LT20 M AH4-7 SAWMILLS</b>		<b>505818</b>	1
1	FRAME, BX24 COMPLETE	505716	1
3	BRACE ASSEMBLY, MBX24-AH5/7 DH5/7 <a href="#">See Section 6.26</a>	095632	1
<b>BX24 BED EXTENSION FOR LT20 L SAWMILLS</b>		<b>505820</b>	1
1	FRAME, BX24 COMPLETE	505716	1
6	BRACE ASSEMBLY, LBX24 <a href="#">See Section 6.27</a>	501661	1
<b>LT40</b>			
<b>BX24 BED EXTENSION FOR LT40 S SAWMILLS</b>		<b>505821</b>	1
1	FRAME, BX24 COMPLETE	505716	1
4	BRACE ASSEMBLY, SBX24 <a href="#">See Section 6.25</a>	093931	1
7	LINK, #40 MASTER	P04200	1
8	CHAIN, #40 286 1/2	P11909	1
<b>BX24 BED EXTENSION FOR LT40 M AH1-3 SAWMILLS</b>		<b>505822</b>	1
1	FRAME, BX24 COMPLETE	505716	1
2	REAR COMPLETE LOG CLAMP MOUNT (STATIONARY SAWMILLS) <a href="#">See Section 6.10</a>	092938	1
3	BRACE ASSEMBLY, MBX24-AH5/7 DH5/7 <a href="#">See Section 6.26</a>	095632	1
7	LINK, #40 MASTER	P04200	1

# BED EXTENSION PARTS

## BX24 Bed Extensions

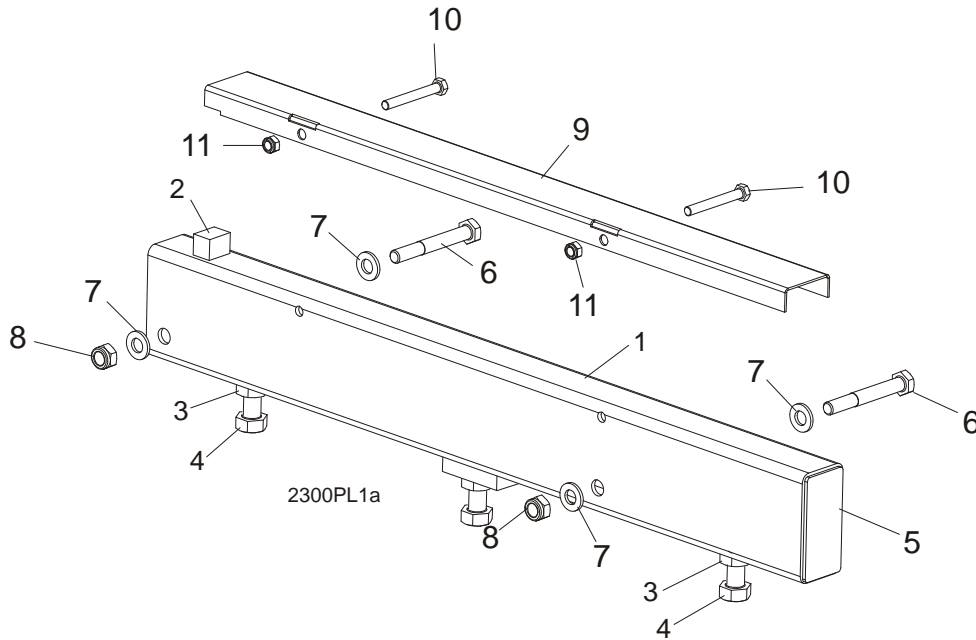
6

8	CHAIN, #40 286 1/2	P11909	1	
	<b>BX24 BED EXTENSION FOR LT40 M AH4-7 SAWMILLS</b>	<b>505823</b>	1	
1	FRAME, BX24 COMPLETE	505716	1	
3	BRACE ASSEMBLY, MBX24-AH5/7 DH5/7 <a href="#">See Section 6.26</a>	095632	1	
7	LINK, #40 MASTER	P04200	1	
8	CHAIN, #40 286 1/2	P11909	1	
	<b>BX24 BED EXTENSION FOR LT40 M SUPER SAWMILLS</b>	<b>505824</b>	1	
1	FRAME, BX24 COMPLETE	505716	1	
5	BRACE ASSEMBLY, MBX24 SUPER <a href="#">See Section 6.28</a>	099197	1	
7	LINK, #40 MASTER	P04200	1	
8	CHAIN, #40 286 1/2	P11909	1	
	<b>BX24 BED EXTENSION FOR LT40 L SAWMILLS</b>	<b>505825</b>	1	
1	FRAME, BX24 COMPLETE	505716	1	
6	BRACE ASSEMBLY, LBX24 <a href="#">See Section 6.27</a>	501661	1	
7	LINK, #40 MASTER	P04200	1	
8	CHAIN, #40 286 1/2	P11909	1	
	<b>LT70</b>			
	<b>BX24 BED EXTENSION FOR LT70 S SAWMILLS</b>	<b>505826</b>	1	
1	FRAME, BX24 COMPLETE	505716	1	
4	BRACE ASSEMBLY, SBX24 <a href="#">See Section 6.25</a>	093931	1	
7	LINK, #40 MASTER	P04200	1	
8	CHAIN, #40 286 1/2	P11909	1	
	<b>BX24 BED EXTENSION FOR LT70 M AH1-3 SAWMILLS</b>	<b>505827</b>	1	
1	FRAME, BX24 COMPLETE	505716	1	
2	REAR COMPLETE LOG CLAMP MOUNT (STATIONARY SAWMILLS) <a href="#">See Section 6.10</a>	092938	1	
3	BRACE ASSEMBLY, MBX24-AH5/7 DH5/7 <a href="#">See Section 6.26</a>	095632	1	
7	LINK, #40 MASTER	P04200	1	
8	CHAIN, #40 286 1/2	P11909	1	
	<b>BX24 BED EXTENSION FOR LT70 M AH4-7 SAWMILLS</b>	<b>505828</b>	1	
1	FRAME, BX24 COMPLETE	505716	1	
3	BRACE ASSEMBLY, MBX24-AH5/7 DH5/7 <a href="#">See Section 6.26</a>	095632	1	
7	LINK, #40 MASTER	P04200	1	
8	CHAIN, #40 286 1/2	P11909	1	
	<b>BX24 BED EXTENSION FOR LT70 M SUPER SAWMILLS</b>	<b>505829</b>	1	
1	FRAME, BX24 COMPLETE	505716	1	
5	BRACE ASSEMBLY, MBX24 SUPER <a href="#">See Section 6.28</a>	099197	1	
7	LINK, #40 MASTER	P04200	1	
8	CHAIN, #40 286 1/2	P11909	1	
	<b>BX24 BED EXTENSION FOR LT70 L SAWMILLS</b>	<b>505830</b>	1	
1	FRAME, BX24 COMPLETE	505716	1	
6	BRACE ASSEMBLY, LBX24 <a href="#">See Section 6.27</a>	501661	1	
7	LINK, #40 MASTER	P04200	1	
8	CHAIN, #40 286 1/2	P11909	1	

# 6 BED EXTENSION PARTS

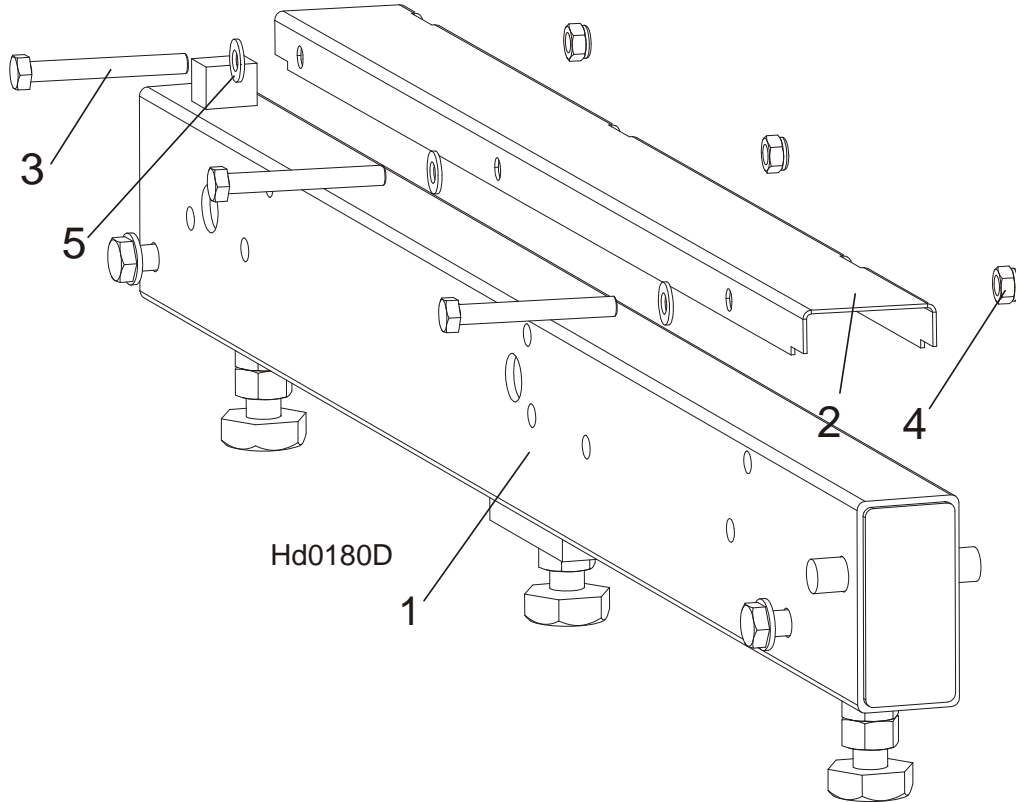
Front & Rear Bed Rail Assembly (BX6 Only)

## 6.3 Front & Rear Bed Rail Assembly (BX6 Only)

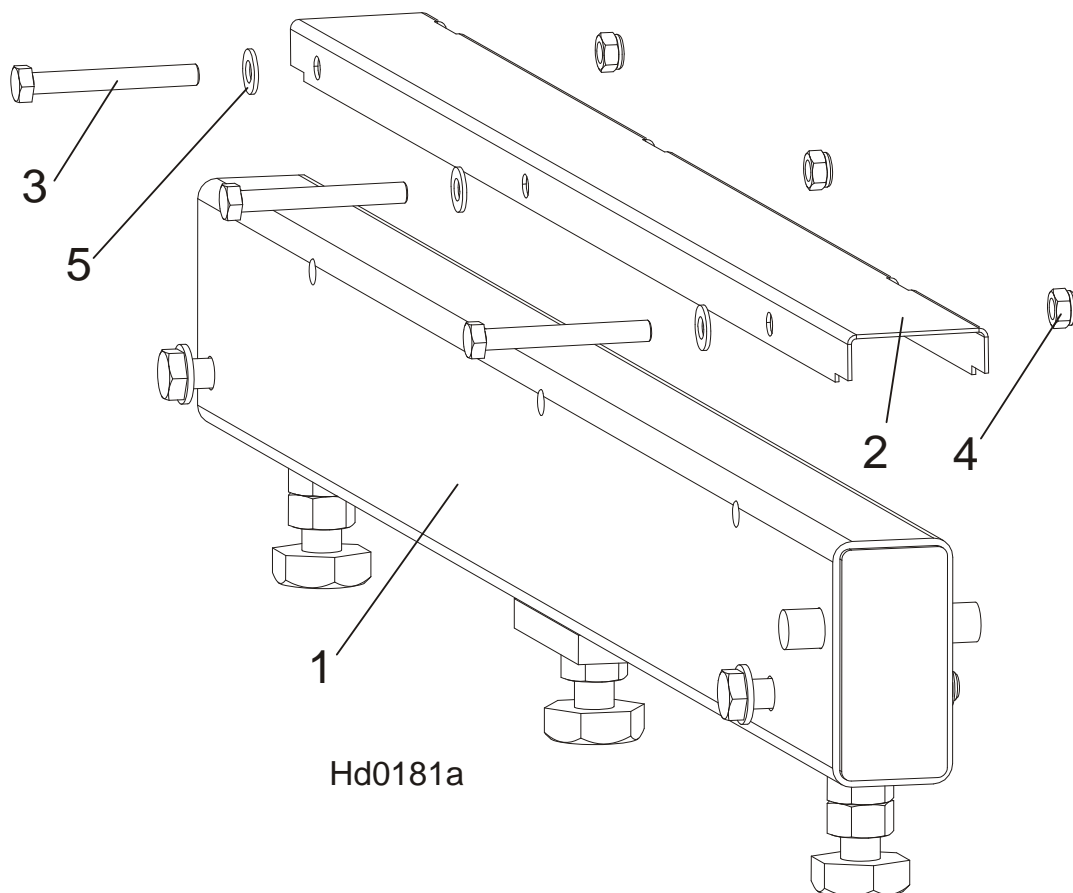


REF.	DESCRIPTION (◆ Indicates Parts Available In Assemblies Only)	PART #	QTY.	
	<b>REAR BED RAIL ASSEMBLY</b>	A09774	2	
1	Tube, BX6/24 Bed Rail	085469	1	◆
2	Block, 3/4 X 3/4 X 1	S09034	1	
	Bolt Assembly, Bed Rail Adjustment	A09775	2	◆
3	Nut, M16-5.8 Hex Zinc	F81036-1	4	
4	Bolt, M16x65-8.8 Hex Head Full Thread Zinc	F81006-1	2	
5	Plate, Bed Rail Cap	S04058	1	
6	<b>BOLT, M12 X 90-8.8 HEX HEAD ZINC</b>	F81004-2	4	
7	<b>WASHER, 13 FLAT ZINC</b>	F81056-1	8	
8	<b>NUT, M12-8 HEX NYLON ZINC LOCK</b>	F81034-2	4	
	<b>COVER ASSEMBLY, BED RAIL STAINLESS STEEL (LONG)</b>	A09956	2	
9	Cover, BX6 Stainless Steel Bed Rail	085464	1	
10	Bolt, M8 x 65-5.8 Hex Head Zinc	F81002-3	2	
11	Nut, M8-8-B Hex Nylon Zinc Lock	F81032-2	2	

**6.4 Front & Rear Bed Rail Assembly (BX12 & BX24 Only)**



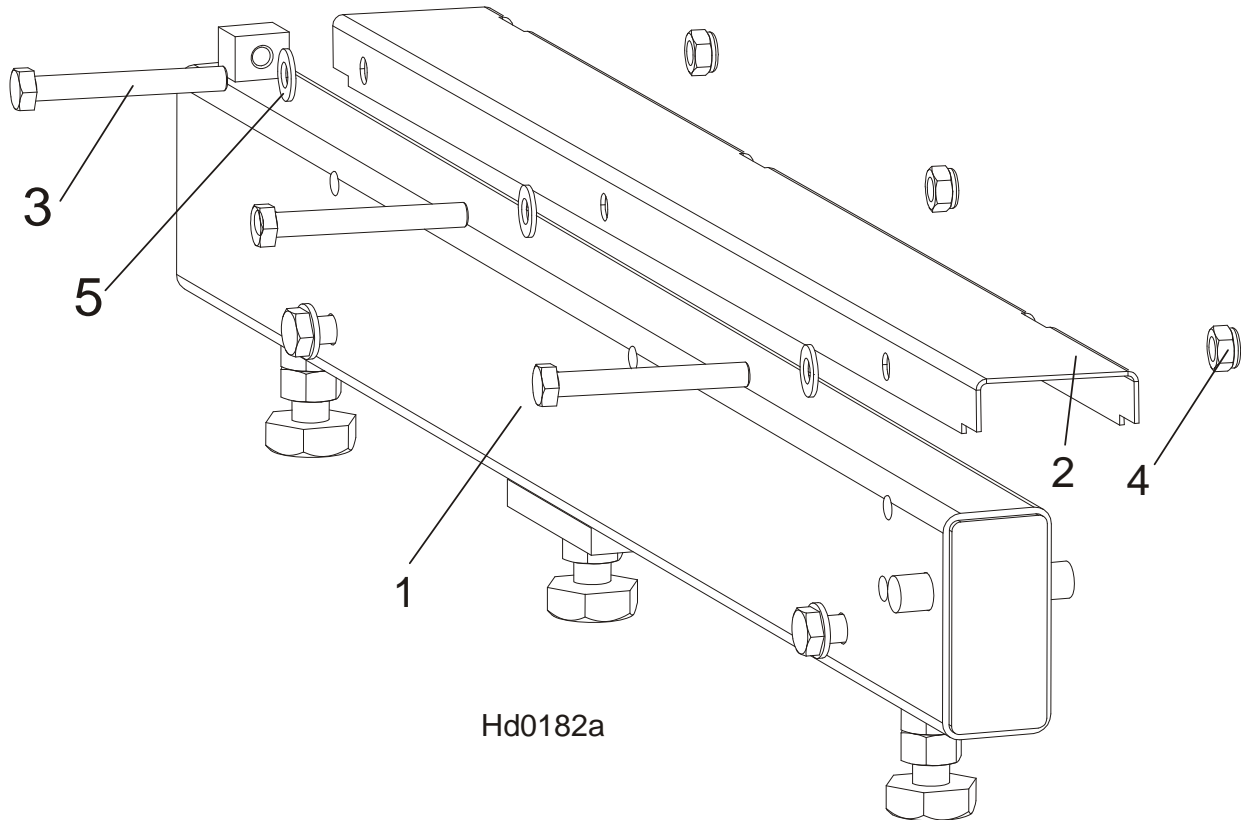
REF.	DESCRIPTION (◆ Indicates Parts Available In Assemblies Only)	PART #	QTY.
1	FRONT & REAR BED RAIL ASSEMBLY	091555	2
2	COVER, STAINLESS STEEL BED RAIL	099124	2
3	BOLT, M8X65-5.8 HEX HEAD ZINC	F81002-3	6
4	NUT, M8-8-B HEX NYLON ZINC LOCK	F81032-2	6
5	WASHER, 8.4 FLAT ZINC	F81054-1	6

**6.5 Front Middle Bed Rail Assembly (BX12 & BX24 Only)**

REF.	DESCRIPTION (◆ Indicates Parts Available In Assemblies Only)	PART #	QTY.
1	TUBE, BED RAIL	091556	1
2	COVER, STAINLESS STEEL BED RAIL	099124	1
3	BOLT, M8X65-5.8 HEX HEAD ZINC	F81002-3	3
4	NUT, M8-8-B HEX NYLON ZINC LOCK	F81032-2	3
5	WASHER, 8.4 FLAT ZINC	F81054-1	3



**6.6 Rear Middle Bed Rail Assembly (BX12 Only)**

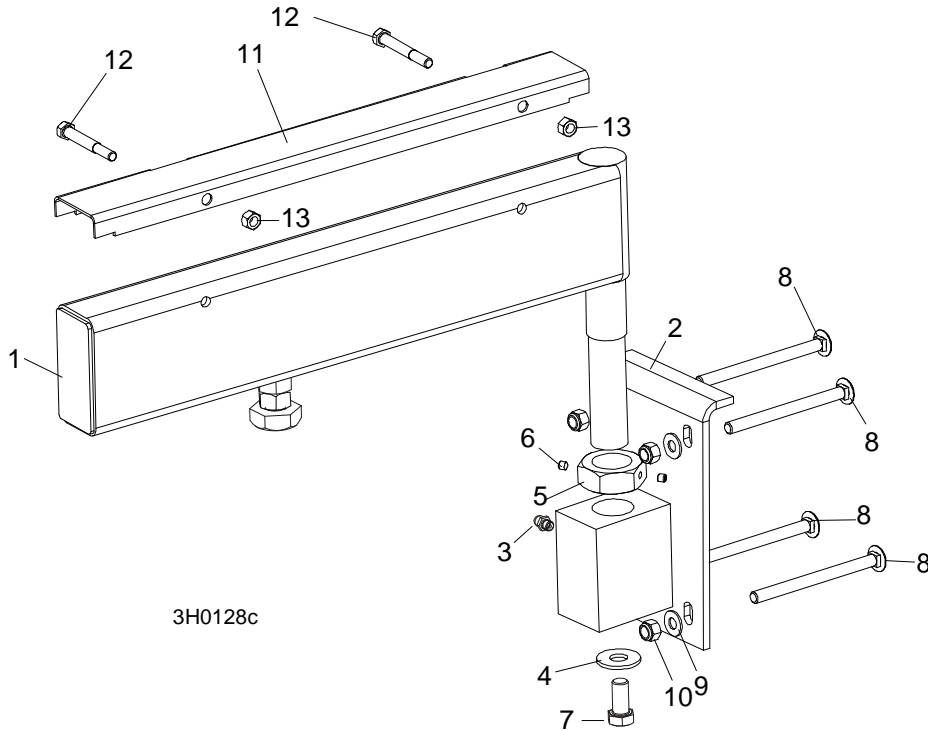


REF.	DESCRIPTION (◆ Indicates Parts Available In Assemblies Only)	PART #	QTY.
1	TUBE, BED RAIL	091557	1
2	COVER, STAINLESS STEEL BED RAIL	099124	1
3	BOLT, M8X65-5.8 HEX HEAD ZINC	F81002-3	3
4	NUT, M8-8-B HEX NYLON ZINC LOCK	F81032-2	3
5	WASHER, 8.4 FLAT ZINC	F81054-1	3

# 6 BED EXTENSION PARTS

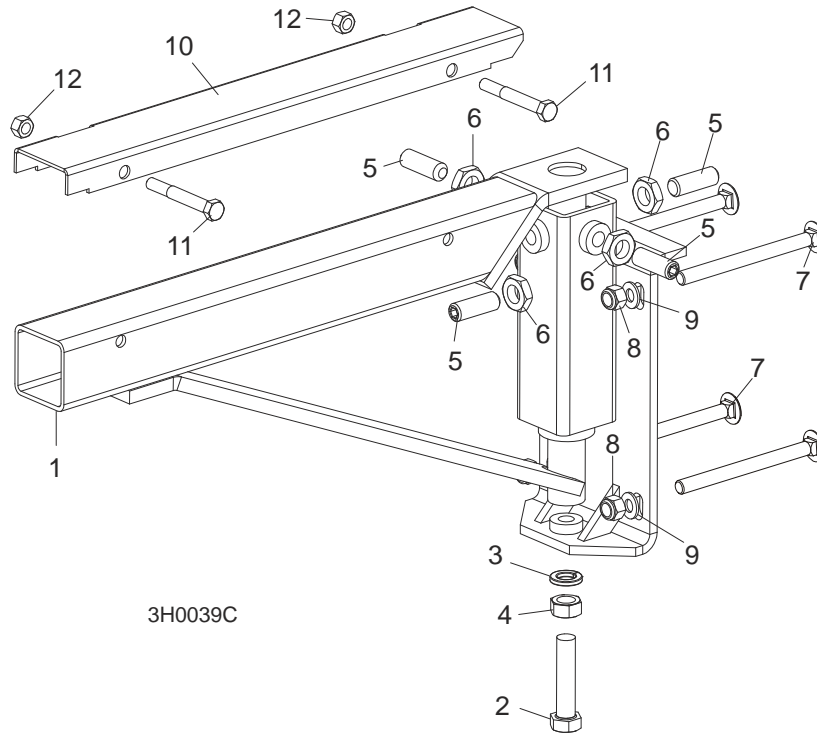
Pivot Bed Rail Assembly (BX24 Only)

## 6.7 Pivot Bed Rail Assembly (BX24 Only)



REF.	DESCRIPTION (◆ Indicates Parts Available In Assemblies Only)	PART #	QTY.	
	<b>PIVOT BED RAIL ASSEMBLY</b>	<b>087855</b>	2	
1	Pivot Bed Rail	087848-1	1	◆
2	Bracket Weldment, Pivot Rail Mount	087841-1	1	
3	Fitting, M6 Type A Straight Grease	086280	1	
4	Washer, 9/16" Flat Zinc	F05011-52	1	
5	Nut, M32 Pivot Rail Adjustment	F81039-2	1	
6	Screw, 1/4-28x1/4 SH Brass Tip Set	F05005-42	2	
7	Bolt, M12x25-8.8 Hex Head Full Thread Zinc	F81004-31	1	
8	<b>BOLT, M10 X 120 8.8 CARRIAGE HEAD ZINC</b>	<b>F81003-33</b>	8	
9	<b>WASHER, 10.5 FLAT ZINC</b>	<b>F81055-1</b>	8	
10	<b>NUT, M10-8-B HEX NYLON ZINC LOCK</b>	<b>F81033-1</b>	8	
11	<b>COVER, STAINLESS STEEL</b>	<b>099123</b>	2	
12	<b>BOLT, M8 X 65-5.8 HEX HEAD ZINC</b>	<b>F81002-3</b>	4	
13	<b>NUT, M8-8-B HEX NYLON ZINC LOCK</b>	<b>F81032-2</b>	4	

**6.8 Pivot Bed Rail Assembly (BX12 Only)**

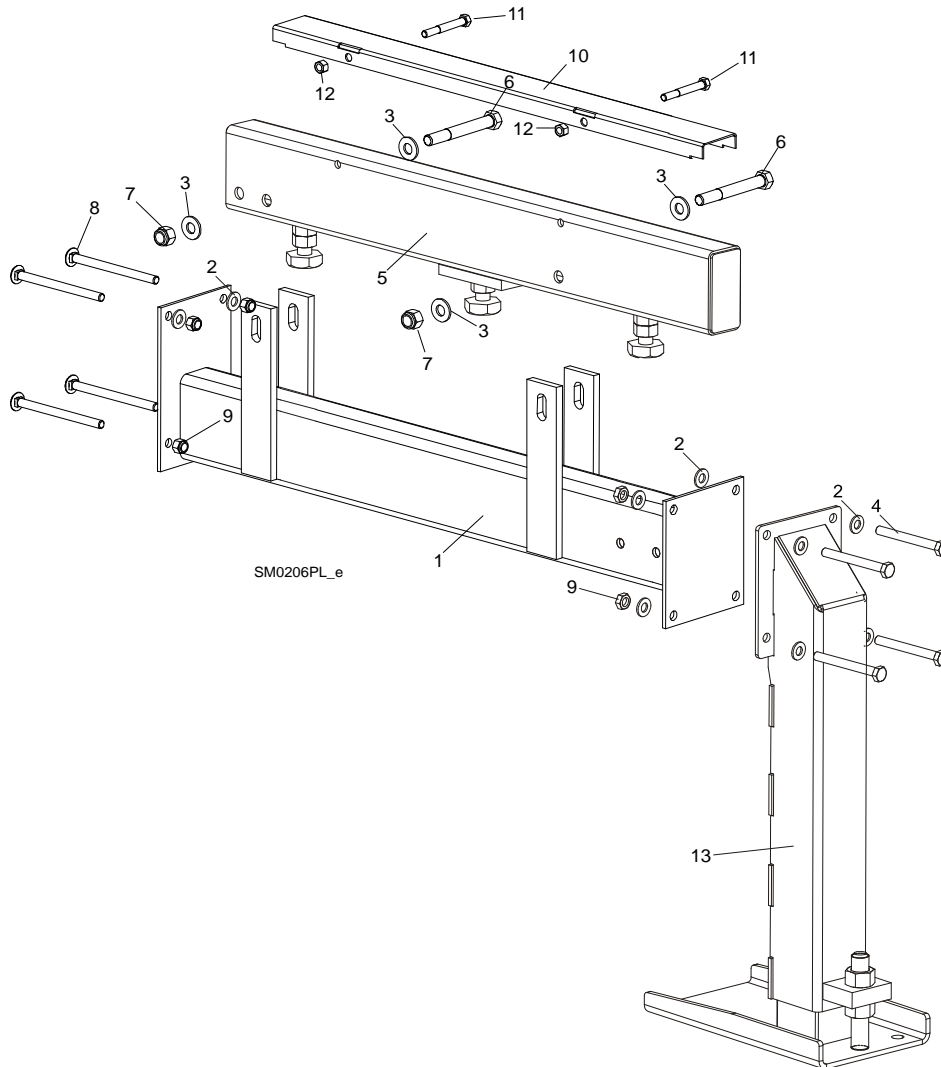


REF.	DESCRIPTION (◆ Indicates Parts Available In Assemblies Only)	PART #	QTY.
	<b>PIVOT BED RAIL ASSEMBLY</b>	<b>093906</b>	1
1	Rail Weldment, Pivot	093907-1	1
2	Bolt, M12x1.25x65-8.8 Hex Head Full Thread Zinc	F81004-40	1
3	Washer, Z12.2 Split Lock Zinc	F81056-2	1
4	Nut, M12x1.25-8 Hex Zinc	F81034-8	1
5	Screw, M12x1.25x30 DIN913 Set Stainless Steel	F81016-1	4
6	Nut, M12x1,25 DIN439 Thin Stainless Steel	F81034-9	4
7	Bolt, M10x120 8.8 Carriage Head Zinc	F81003-33	4
8	Nut, M10-8-B Hex Nylon Zinc Lock	F81033-1	4
9	Washer, 10.5 Flat Zinc	F81055-1	4
10	Cover, Pivot Bed Rail	093962	1
11	Bolt, M8x65-5.8 Hex Head Zinc	F81002-3	2
12	Nut, M8-8-B Hex Nylon Zinc Lock	F81032-2	2

# 6 BED EXTENSION PARTS

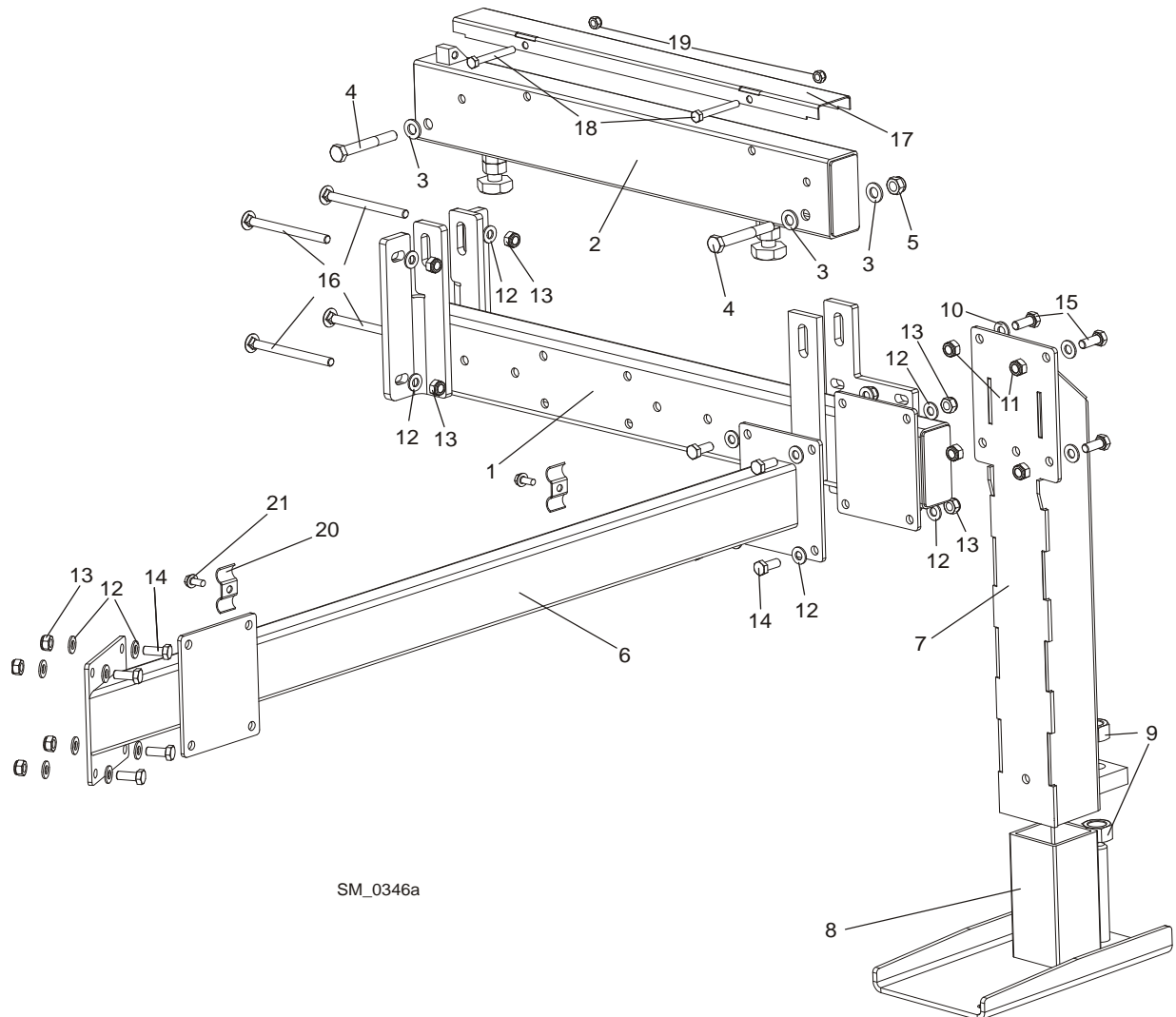
Accessory Bed Rail Assembly (BX24 Only)

## 6.9 Accessory Bed Rail Assembly (BX24 Only)



REF.	DESCRIPTION (◆ Indicates Parts Available In Assemblies Only)	PART #	QTY.
	<b>RAIL ASSEMBLY, BX24</b>	<b>093175</b>	<b>1</b>
1	Mount Weldment, BX24 Rail Ptd	093176-1	1
2	Washer, 10.5 Flat Zinc	F81055-1	12
3	Washer, 13 Flat Zinc	F81056-1	4
4	Bolt, M10X80-8.8 Hex Head Zinc	F81003-51	4
5	Rail Weldment, BX24 Ptd	093180-1	1
6	Bolt, M12x90-8.8 Hex Head Zinc	F81004-2	2
7	Nut, M12-8 Hex Nylon Zinc Lock	F81034-2	2
8	Bolt, M10x120 8.8 Carriage Head Zinc	F81003-33	4
9	Nut, M10-8-B Hex Nylon Zinc Lock	F81033-1	8
10	Cover, BX6 Rail Short	085464	1
11	Bolt, M8x65-5.8 Hex Head Zinc	F81002-3	2
12	Nut, M8-8-B Hex Nylon Zinc Lock	F81032-2	2
13	<b>LEG, LEFT ADJUSTABLE STATIONARY</b>	<b>501639</b>	<b>1</b>

**6.10 Log Clamp Mount Assembly (BX24)**



SM\_0346a

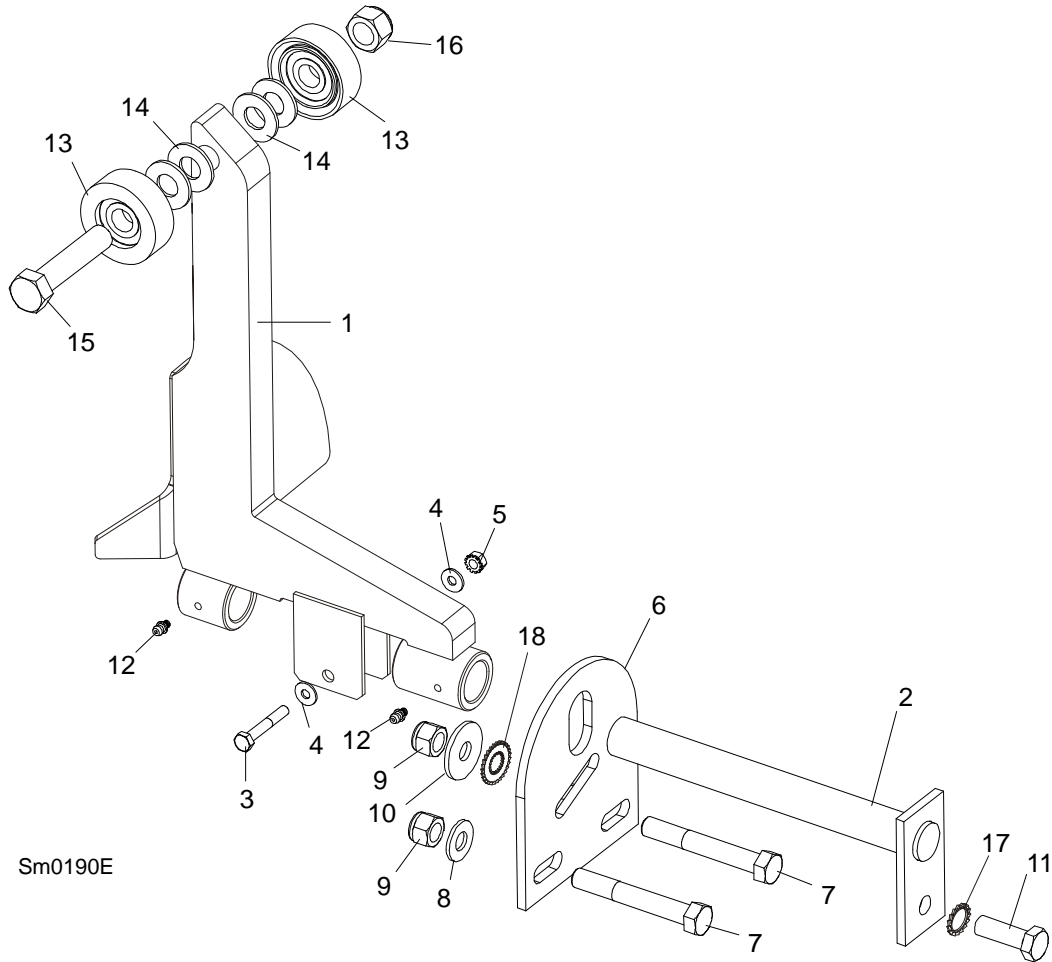
REF.	DESCRIPTION (◆ Indicates Parts Available In Assemblies Only)	PART #	QTY.
	<b>REAR COMPLETE LOG CLAMP MOUNT (STATIONARY SAWMILLS)</b>	<b>092938</b>	<b>1</b>
1	TUBE WELDMENT, REAR CLAMP MOUNT	092902-1	1
2	TUBE, AH/DH4-7 BED RAIL	095131-1	1
3	WASHER, 13 FLAT ZINC	F81056-1	4
4	BOLT, M12x90-8.8 HEX HEAD ZINC	F81004-2	2
5	NUT, M12-8 HEX NYLON ZINC LOCK	F81034-2	2
6	BRACE, REAR	092907-1	1
	<b>LEG, LEFT ADJUSTABLE STATIONARY</b>	<b>501639</b>	<b>1</b>
7	LEG WELDMENT - UPPER PART	507715-1	1
8	WIDE FOOT - ADJUSTABLE LEG	501084-1	1
9	NUT, M20-8 HEX ZINC	F81037-1	2
10	WASHER, 10.5 FLAT ZINC	F81055-1	4
11	NUT, M10-8-B HEX NYLON ZINC LOCK	F81033-1	4
12	WASHER, 10.5 FLAT ZINC	F81055-1	24

**6****BED EXTENSION PARTS***Log Clamp Mount Assembly (BX24)*

---

<b>13</b>	NUT, M10-8-B HEX NYLON ZINC LOCK	F81033-1	12	
<b>14</b>	BOLT, M10x25-8.8 HEX HEAD FULL THREAD ZINC	F81003-11	8	
<b>15</b>	BOLT, M10x35-8.8 HEX HEAD FULL THREAD ZINC	F81003-17	4	
<b>16</b>	BOLT, M10x125 8.8 CARRIAGE HEAD ZINC	F81003-34	4	
<b>17</b>	COVER, PIVOT BED RAIL	099123	1	
<b>18</b>	BOLT, M8x65-5.8 HEX HEAD ZINC	F81002-3	2	
<b>19</b>	NUT, M8-8-B HEX NYLON ZINC LOCK	F81032-2	2	
<b>20</b>	PLATE, 1/4" HOSE CLAMP	S09245	2	
<b>21</b>	SCREW, 5/16-18 x 3/4 SELF-TAPPING	F05015-30	2	

**6.11 Manual Log Side Support**



Sm0190E

REF.	DESCRIPTION (◆ Indicates Parts Available In Assemblies Only)	PART #	QTY.
	<b>MANUAL LOG SIDE SUPPORT ASSEMBLY (FOR BX6)</b>	<b>500960</b>	1
<b>1</b>	<b>Support, Log Side w/Guard Ptd</b>	099785-1	1
	<b>Mount Kit, Side Support</b>	<b>K09440</b>	1
<b>2</b>	Pin, Log Side Support Zinc-plated	091549-1	1
<b>3</b>	Bolt, M8x45- 8.8 Hex Head Full Thread Zinc	F81002-14	1
<b>4</b>	Washer, 13 Flat Zinc	F81056-1	2
<b>5</b>	Nut, M8-8-B Hex Nylon Zinc Lock	F81032-2	1
<b>6</b>	Plate, Log Side Support Mount Ptd	091591-1	1
<b>7</b>	Bolt, M12 x 75-8.8 Hex Head Zinc	F81004-21	2
<b>8</b>	Washer, 13 Flat Zinc	F81056-1	2
<b>9</b>	Nut, M12-8 Hex Nylon Zinc Lock	F81034-2	3
<b>10</b>	Washer, 15 Special Flat Zinc	F81057-3	1
<b>11</b>	Bolt, M12 x 35-8.8 Hex Head Full Thread Zinc	F81004-24	1
<b>12</b>	Fitting, 3/16" Straight Grease	P04107	2
	<b>ROLLER KIT, SIDE SUPPORT</b>	<b>015109</b>	1
<b>13</b>	Roller Assembly, Side Support	015014	2

# 6

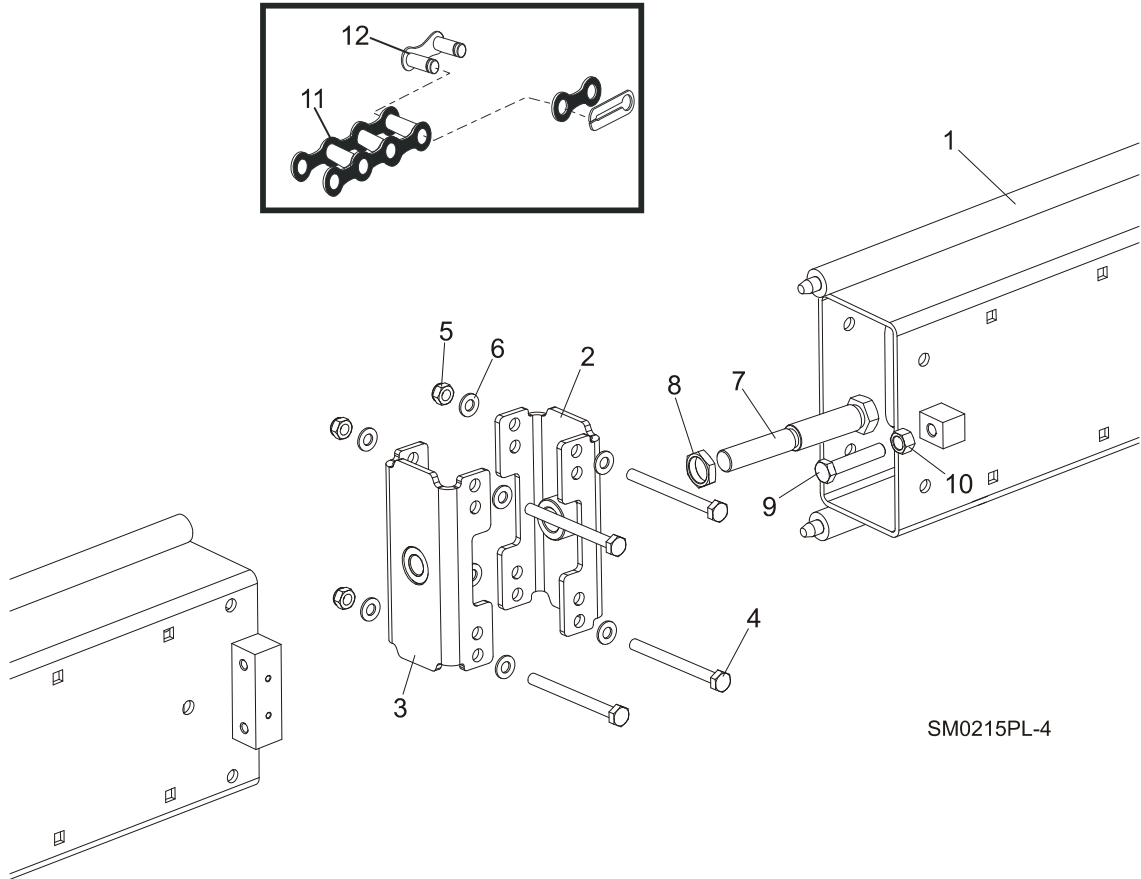
## BED EXTENSION PARTS

### *Manual Log Side Support*

14	Washer, 5/8" Zinc-plated	<b>F05011-5</b>	4	
15	Bolt, 5/8-11 x 3" Hex Head Grade 5	<b>F05009-37</b>	1	
16	Nut, 5/8-11 Nylon Lock Zinc	<b>F05010-34</b>	1	
17	<b>WASHER, SPECIAL BOSART/2S, BN781 M12/13</b>	F81056-16	1	
18	<b>WASHER, SPECIAL BOSART/2S M12/12,3/30,3</b>	F81056-17	1	
	Instruction Sheet, Side Support Roller	<b>015109-526</b>	1	



**6.12 Mast Track Extension & Chain**



REF.	DESCRIPTION (◆ Indicates Parts Available In Assemblies Only)	PART #	QTY.
1	<b>EXTENSION, 20" MAST TRACK - COMPLETE (LT20)</b>	<b>093775</b>	1
	<b>EXTENSION, 20" MAST TRACK - COMPLETE (LT40)</b>	<b>093775-40</b>	1
	<b>EXTENSION, 20" MAST TRACK - COMPLETE (LT70)</b>	<b>093775-70</b>	1
	<b>CONNECTOR, BX COMPLETE</b>	<b>501340</b>	1
2	Connector, BX (M24)	<b>500989-1</b>	1
3	Connector, BX (M20)	<b>501339-1</b>	1
4	Bolt, M10 x 115-8.8 Hex Head Zinc	<b>F81003-19</b>	4
5	Nut, M10-8-B Hex Nylon Zinc Lock	<b>F81033-1</b>	4
6	Washer, 10.5 Flat Zinc	<b>F81055-1</b>	8
7	Bolt, Special Zinc-plated	<b>087188-1</b>	1
8	Nut, M24x2 LH Special Zinc-plated	<b>087626-1</b>	1
9	<b>BOLT, M12 X 60-8.8 HEX HEAD FULL THREAD ZINC</b>	<b>F81004-51</b>	1
10	<b>NUT, M12-8-B HEX ZINC</b>	<b>F81034-1</b>	1

## 6

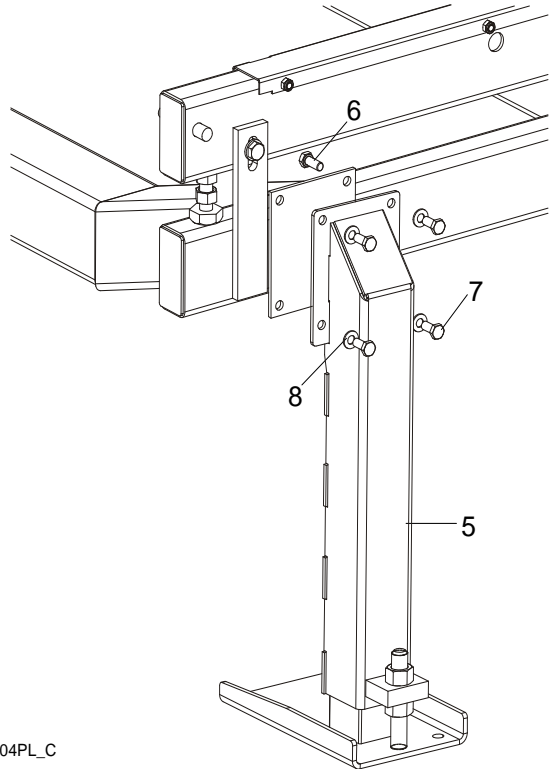
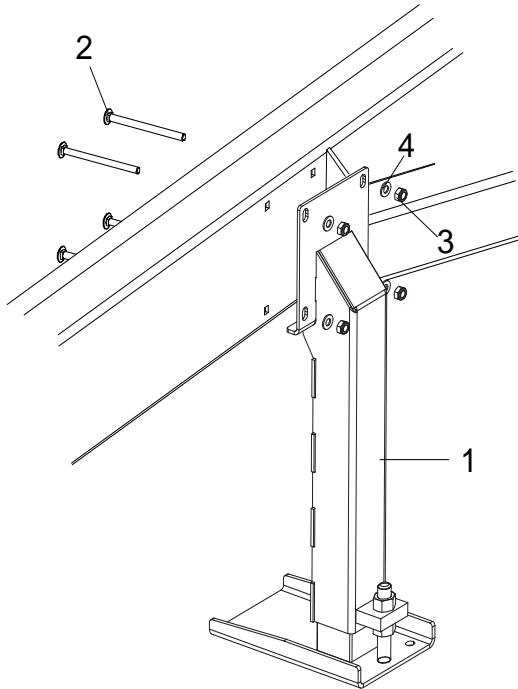
**BED EXTENSION PARTS***Mast Track Extension & Chain*

11	<b>CHAIN ASSEMBLY, EXTENSION (LT40)</b>	<b>094263</b>	1	
	Chain, #40, 20.5" (41 Links)	<b>094261</b>	1	
	<b>CHAIN ASSEMBLY, EXTENSION (LT70)</b>	<b>094264</b>	1	
	Chain, Type 10B-1 20 5/8" (33 Links)	<b>094262</b>	1	
	<b>CHAIN #40 X 75 1/2" (BX6)</b>	<b>P11602</b>	1	
	<b>CHAIN #40 X 143 1/2" (BX12)</b>	<b>P07355</b>	1	
	<b>CHAIN #40 X 286 1/2" (BX24)</b>	<b>P11909</b>	1	
12	<b>LINK, #40 MASTER</b>	<b>P04200</b> <sup>1</sup>	1	
	<b>LINK, 10B-1Pz MASTER</b>	<b>088671</b> <sup>2</sup>	1	

<sup>1</sup> Included also in assembly # 094263.

<sup>2</sup> Included in assembly #094264.

**6.13 Bed Extension Stationary Legs**

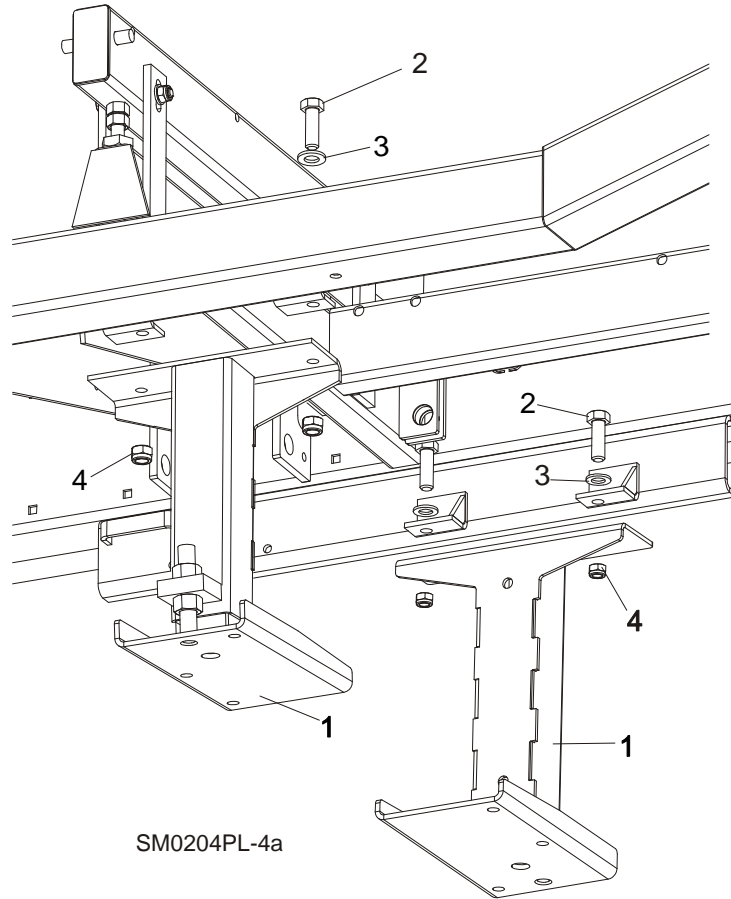


SM0204PL\_C

REF.	DESCRIPTION (◆ Indicates Parts Available In Assemblies Only)	PART #	QTY.
1	LEG, RIGHT ADJUSTABLE STATIONARY (2 REQUIRED FOR BX6 & BX12; 4 FOR BX24)	501640	2/4
2	BOLT, M10 X 120 8.8 CARRIAGE HEAD ZINC	F81003-33	8/12
3	NUT, M10-8-B HEX NYLON ZINC LOCK	F81033-1	8/12
4	WASHER, 10.5 FLAT ZINC	F81055-1	8/12
5	LEG, LEFT ADJUSTABLE STATIONARY (2 REQUIRED FOR BX6 & BX12; 3 FOR BX24)	501639	2/3
6	BOLT, M10 X 25-8.8 HEX HEAD FULL THREAD ZINC	F81003-11	8/12
7	NUT, M10-8-B HEX NYLON ZINC LOCK	F81033-1	8/12
8	WASHER, 10.5 FLAT ZINC	F81055-1	8/12

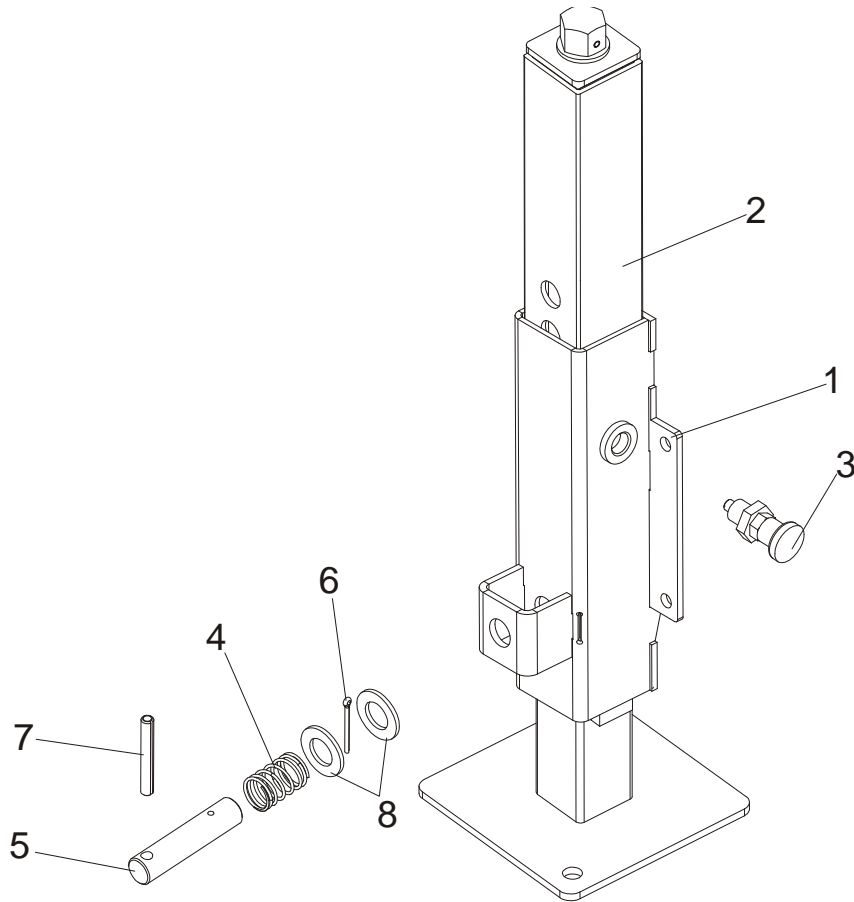
**6** **BED EXTENSION PARTS**  
*Middle Stationary Legs (BX24 Only)*

**6.14 Middle Stationary Legs (BX24 Only)**



REF.	DESCRIPTION (◆ Indicates Parts Available In Assemblies Only)	PART #	QTY.
1	LEG, MIDDLE ADJUSTABLE STATIONARY	501637	2
2	BOLT, M12 X 30-8.8 HEX HEAD FULL THREAD ZINC	F81004-22	4
3	WASHER, 13 FLAT ZINC	F81056-1	4
4	NUT, M12-8 HEX NYLON ZINC LOCK	F81034-2	4

**6.15 Fine Adjust Outrigger Leg**



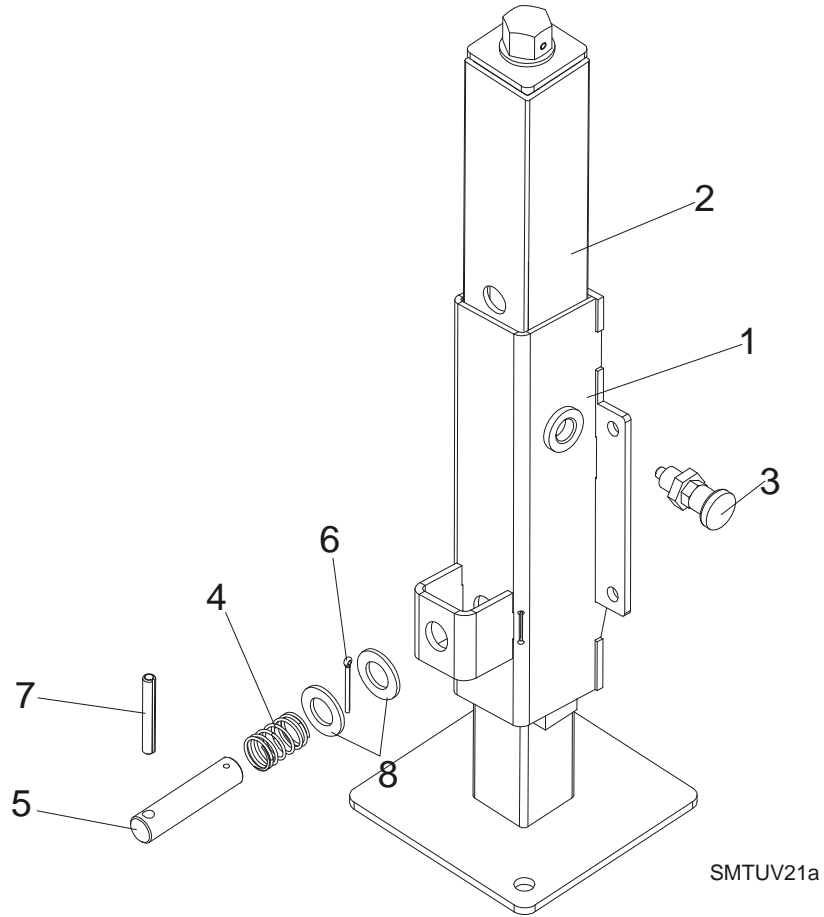
SMTUV22a

REF.	DESCRIPTION (◆ Indicates Parts Available In Assemblies Only)	PART #	QTY.
	<b>LEG, COMPLETE FINE ADJUST OUTRIGGER (MAIN BED TUBE)</b>	<b>094584</b>	<b>1</b>
1	Guide, Fine Adjust Outrigger Leg	506114-1	1
2	Leg, Fine Adjust Outrigger	093589	1
3	Pin, Detent	090197	1
4	Spring, 21 Dia. x 38 x 2 Zinc-plated	087040	1
5	Pin, Outrigger Leg Zinc-plated	087012-1	1
6	Pin, S-Zn 4x25 Cotter	F81043-2	1
7	Pin, 8x65 Roll Zinc	F81046-1	1
8	Washer, 21 Flat Zinc	F81059-2	2

# 6 BED EXTENSION PARTS

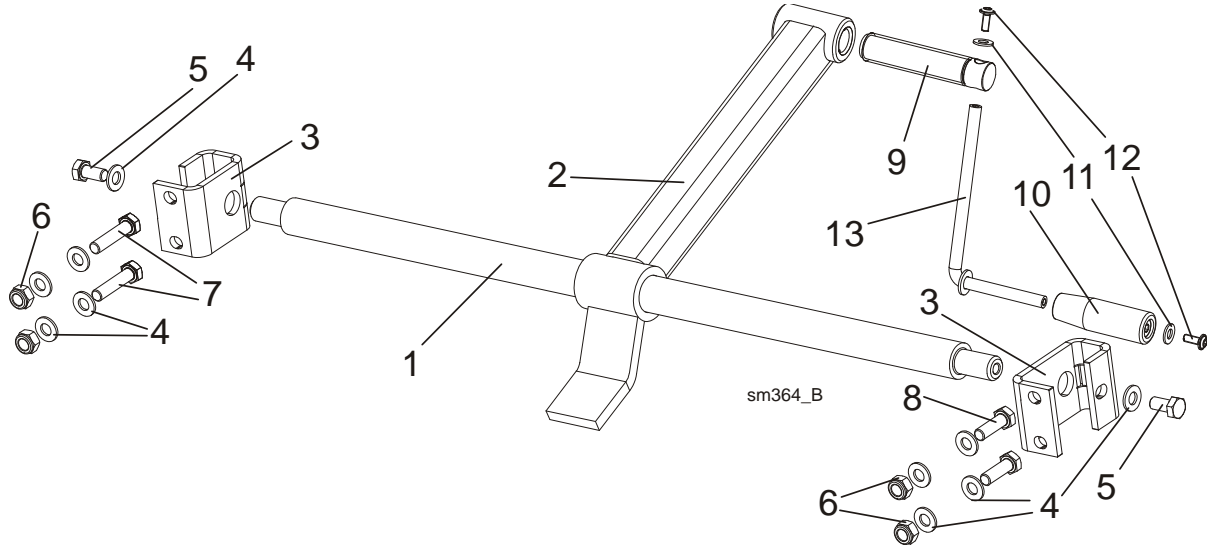
## Side Fine Adjust Outrigger Leg

### 6.16 Side Fine Adjust Outrigger Leg



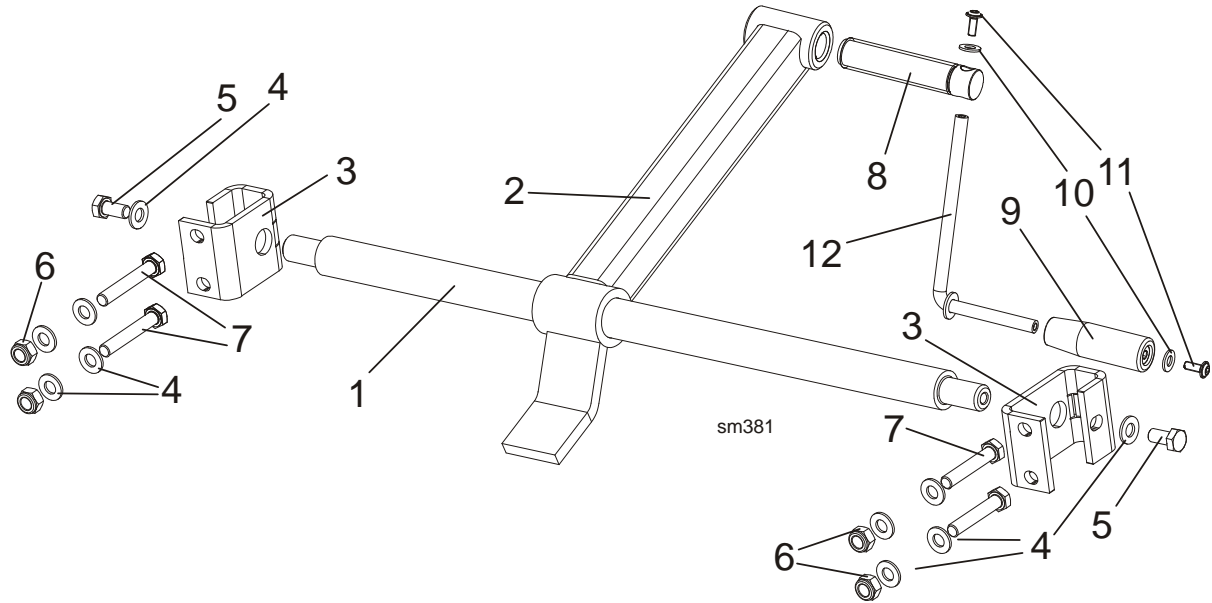
REF.	DESCRIPTION (◆ Indicates Parts Available In Assemblies Only)	PART #	QTY.
	<b>LEG, COMPLETE SIDE FINE ADJUST OUTRIGGER</b>	<b>094583</b>	<b>1</b>
1	Guide, Fine Adjust Outrigger Leg	504243-1	1
2	Leg, Fine Adjust Outrigger	093589	1
3	Din, Detent	090197	1
4	Spring, 21 Dia. x 38 x 2 Zinc-plated	087040	1
5	Pin, Outrigger Leg Zinc-plated	087012-1	1
6	Pin, S-Zn 4x25 Cotter	F81043-2	1
7	Pin, 8x65 Roll Zinc	F81046-1	1
8	Washer, 21 Flat Zinc	F81059-2	2

**6.17 Manual Log Clamp (manual bed extension equipment: 12/24M)**



REF	DESCRIPTION (◆ Indicates Parts Available In Assemblies Only)	PART #	QTY.
	<b>BED EXTENSION LOG CLAMP</b>	<b>505726</b>	<b>1</b>
1	ROD MAIN CLAMP	100643	1
2	CLAMP ARM	507566-1	1
3	BRACKET, LOG CLAMP MOUNT ZINC	500338-1	2
4	WASHER, 10.5 FLAT ZINC	F81055-1	10
5	BOLT, M10x20MM,HEX HEAD,GR 5.8 ZINC	F81003-1	2
6	NUT,M10-8-B NYLON HEX ZINC LOCK	F81033-1	4
7	BOLT, M10X90-8.8 HEX HEAD FULL THREAD	F81003-66	2
8	BOLT,M10X35-8.8 HEX HEAD FULL THREAD	F81003-17	2
	<b>CLAMP BOLT COMPLETE</b>	<b>507563</b>	<b>1</b>
9	CLAMP BOLT	507463	1
10	KNOB, PLASTIC CRANK HANDLE	086338	1
11	WASHER, 8.4 FLAT ZINC	F81054-1	2
12	BOLT, M6x16 BN 11252 "BOSSARD"	F81001-24	2
13	CRANK CLAMP BOLT WELDED/PAINTED	510210-1	1

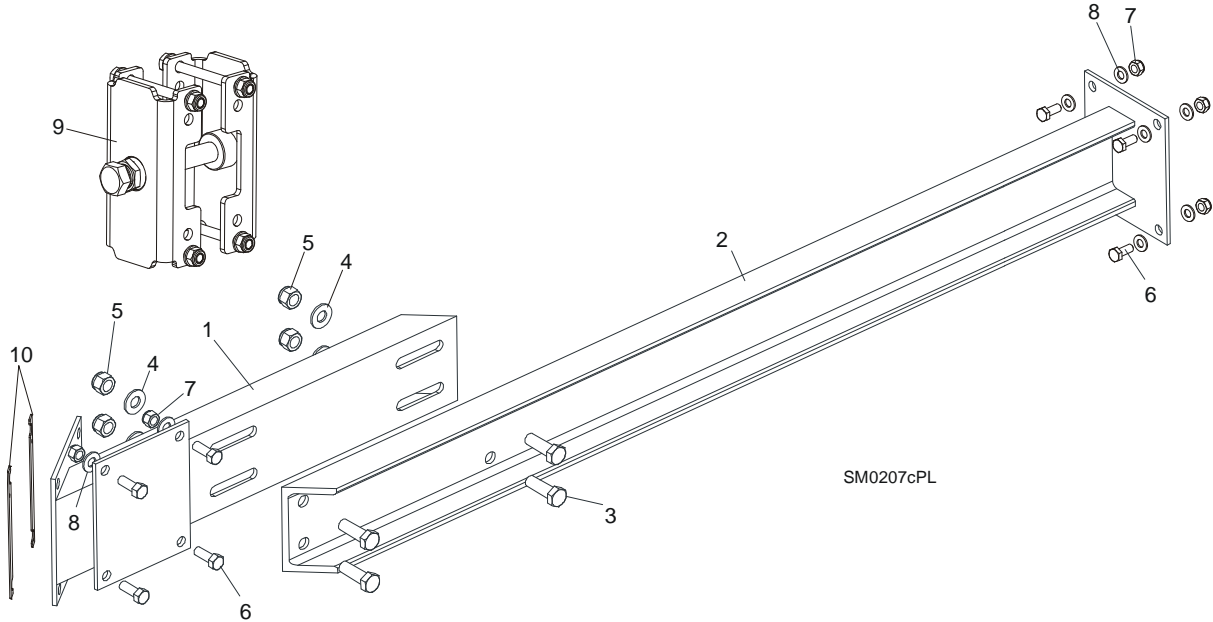
**6.18 Manual Log Clamp BX6**



REF	DESCRIPTION (◆ Indicates Parts Available In Assemblies Only)	PART #	QTY.
	<b>BED EXTENSION LOG CLAMP</b>	<b>508805</b>	<b>1</b>
1	ROD MAIN CLAMP	500343-1	1
2	CLAMP ARM	507566-1	1
3	BRACKET, LOG CLAMP MOUNT ZINC	500338-1	2
4	WASHER, 10.5 FLAT ZINC	F81055-1	10
5	BOLT, M10x20MM,HEX HEAD,GR 5.8 ZINC	F81003-1	2
6	NUT,M10-8-B NYLON HEX ZINC LOCK	F81033-1	4
7	BOLT, M10x75-8.8-Fe/Zn5 PN-M/82101	F81003-15	4
	<b>CLAMP BOLT COMPLETE</b>	<b>507563</b>	<b>1</b>
8	CLAMP BOLT	507463	1
9	KNOB, PLASTIC CRANK HANDLE	086338	1
10	WASHER, 8.4 FLAT ZINC	F81054-1	2
11	BOLT, M6x16 BN 11252 "BOSSARD"	F81001-24	2
12	CRANK CLAMP BOLT WELDED/PAINTED	510210-1	1



**6.19 Brace Assembly, SBX6**

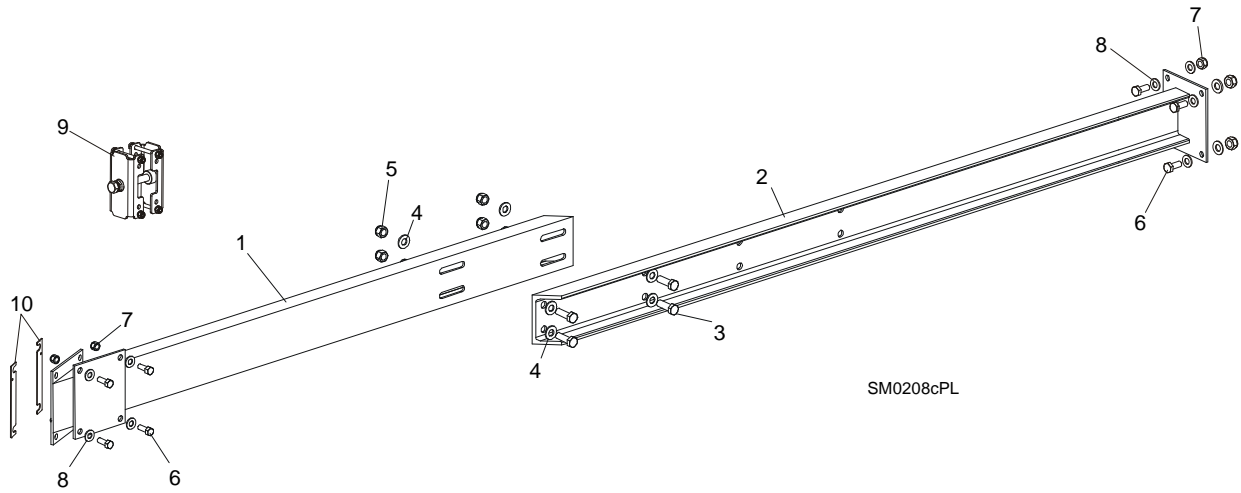


REF.	DESCRIPTION (◆ Indicates Parts Available In Assemblies Only)	PART #	QTY.
	<b>BRACE ASSEMBLY, SBX6</b>	<b>092987</b>	1
1	Channel, LT30 BX Brace - Short	085653-1	1
2	Channel, BX6 Brace - Long	092986-1	1
3	Bolt, M12 x 35 8.8 Hex Head Full Thread Zinc	F81004-24	4
4	Washer, 13 Flat Zinc	F81056-1	4
5	Nut, M12-8 Hex Nylon Zinc Lock	F81034-2	4
6	Bolt, M10 x 25-8.8 Hex Head Full Thread Zinc	F81003-11	4
7	Nut, M10-8-B Hex Nylon Zinc Lock	F81033-1	4
8	Washer, 10.5 Flat Zinc	F81055-1	4
9	Connector, BX Complete	501340	1
10	<b>WASHER, SPECIAL</b>	<b>086649-1</b>	2

# 6 BED EXTENSION PARTS

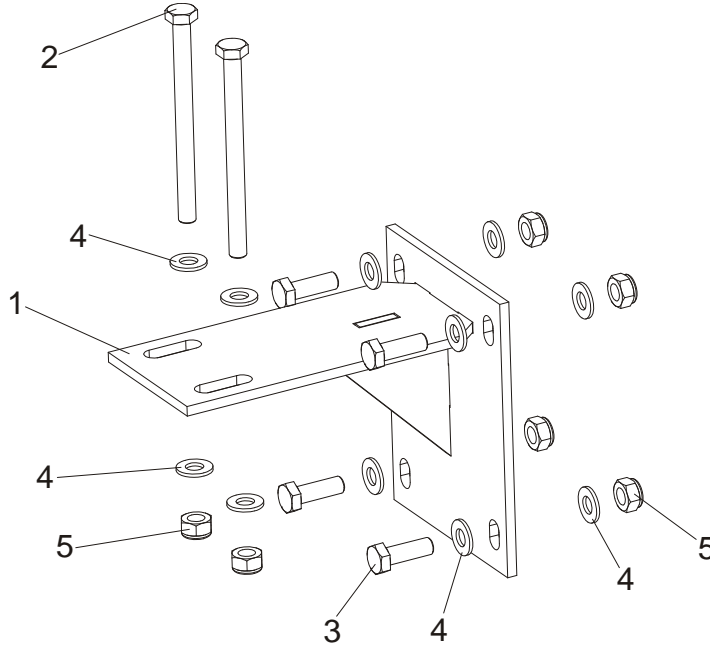
## Brace Assembly, MBX6

### 6.20 Brace Assembly, MBX6



REF.	DESCRIPTION (◆ Indicates Parts Available In Assemblies Only)	PART #	QTY.
	<b>BRACE ASSEMBLY, MBX6</b>	<b>092988</b>	1
1	Channel, LT40 BX Brace	092824-1	1
2	Channel, BX6/BX12 Brace	085651-1	1
3	Bolt, M12 x 40-8.8 Hex Head Full Thread Zinc	F81004-4	4
4	Washer, 13 Flat Zinc	F81056-1	8
5	Nut, M12-8 Hex Nylon Zinc Lock	F81034-2	4
6	Bolt, M10 x 25-8.8 Hex Head Full Thread Zinc	F81003-11	4
7	Nut, M10-8-B Hex Nylon Zinc Lock	F81033-1	4
8	Washer, 10.5 Flat Zinc	F81055-1	4
9	Connector, BX Complete	501340	1
10	<b>WASHER, SPECIAL</b>	<b>086649-1</b>	2

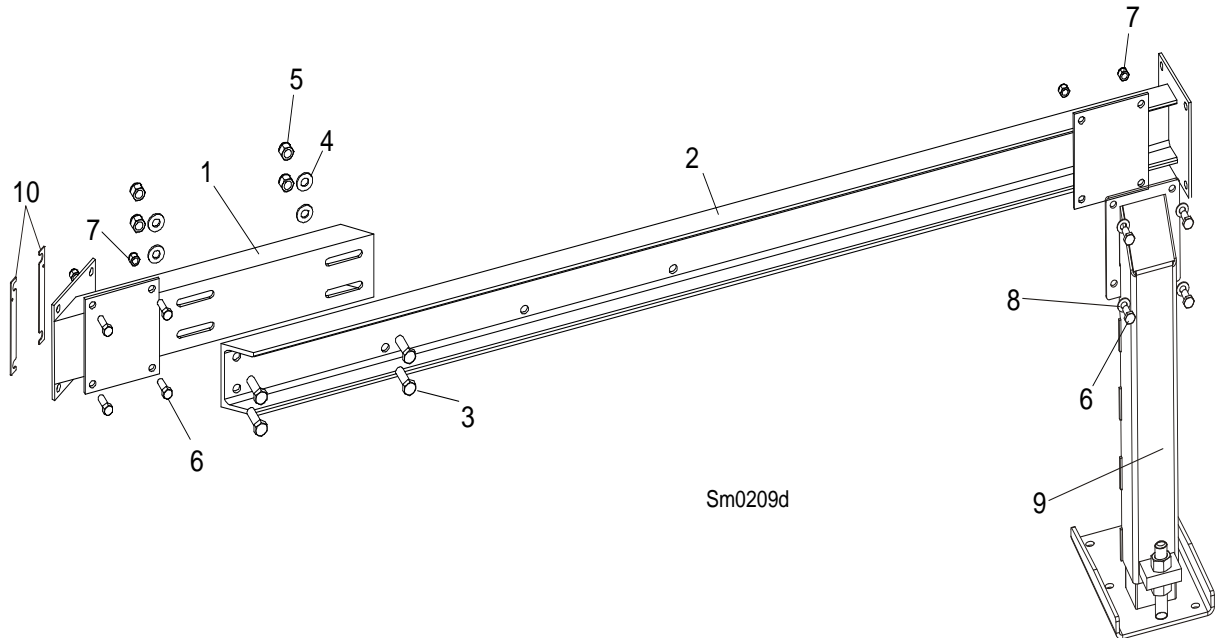
**6.21 LBX6 Connection Bracket**



REF.	DESCRIPTION (◆ Indicates Parts Available In Assemblies Only)	PART #	QTY.
1	Bracket, BX Connection (9.5m Frame)	090034-1	1
2	Bolt, M10x125-8.8 Hex Head Zinc	F81003-18	2
3	Bolt, M10x30-5.8 Hex Head Full Thread Zinc	F81003-2	4
4	Washer, 10.5 Flat Zinc	F81055-1	12
5	Nut, M10-8-B Hex Nylon Zinc Lock	F81033-1	6

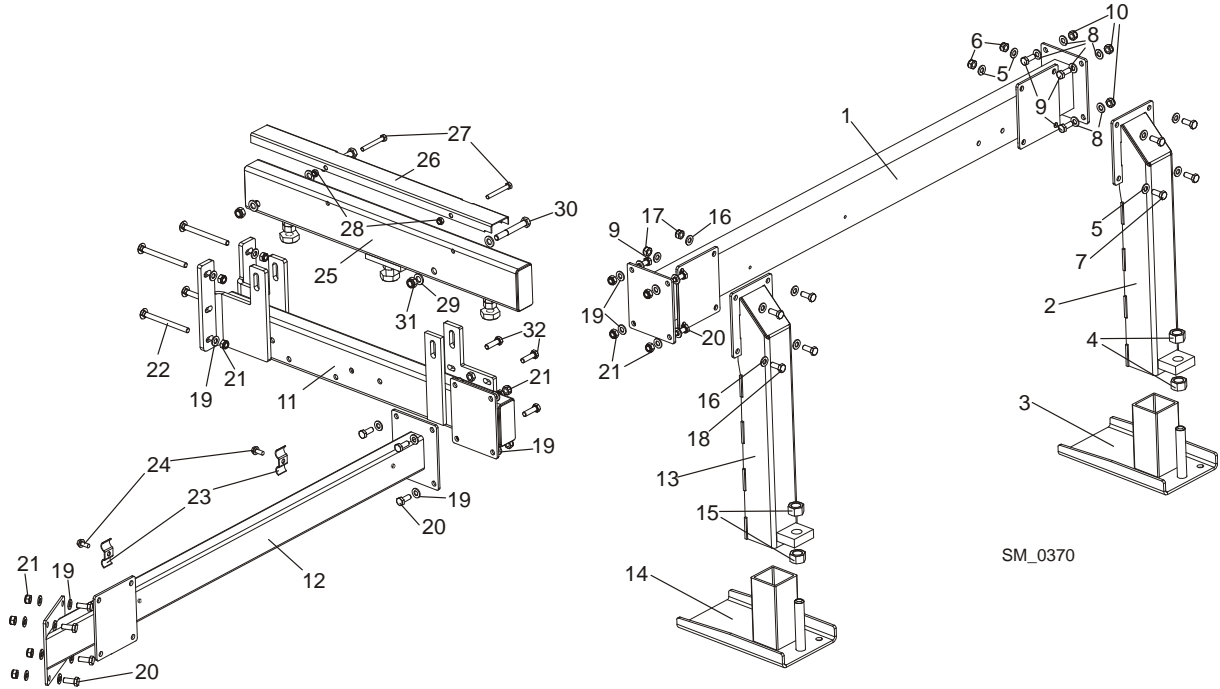
**6** **BED EXTENSION PARTS**  
*Brace Assembly, SBX12*

**6.22 Brace Assembly, SBX12**



REF.	DESCRIPTION (◆ Indicates Parts Available In Assemblies Only)	PART #	QTY.
	<b>BRACE ASSEMBLY, SBX12</b>	<b>092888</b>	1
1	Channel, LT40S BX Brace - Short	<b>085653-1</b>	1
2	Channel, BX12 Brace - Long	<b>092825-1</b>	1
3	Bolt, M12 x 35-8.8 Hex Head Full Thread Zinc	<b>F81004-24</b>	4
4	Washer, 13 Flat Zinc	<b>F81056-1</b>	8
5	Nut, M12-8 Hex Nylon Zinc Lock	<b>F81034-2</b>	4
6	Bolt, M10 x 25-8.8 Hex Head Full Thread Zinc	<b>F81003-11</b>	12
7	Nut, M10-8-B Hex Nylon Zinc Lock	<b>F81033-1</b>	12
8	Washer, 10.5 Flat Zinc	<b>F81055-1</b>	24
9	Leg, Left Stationary Adjustable	<b>501639</b>	1
10	<b>WASHER, SPECIAL</b>	<b>086649-1</b>	2

**6.23 MBX12 Connection Brace**

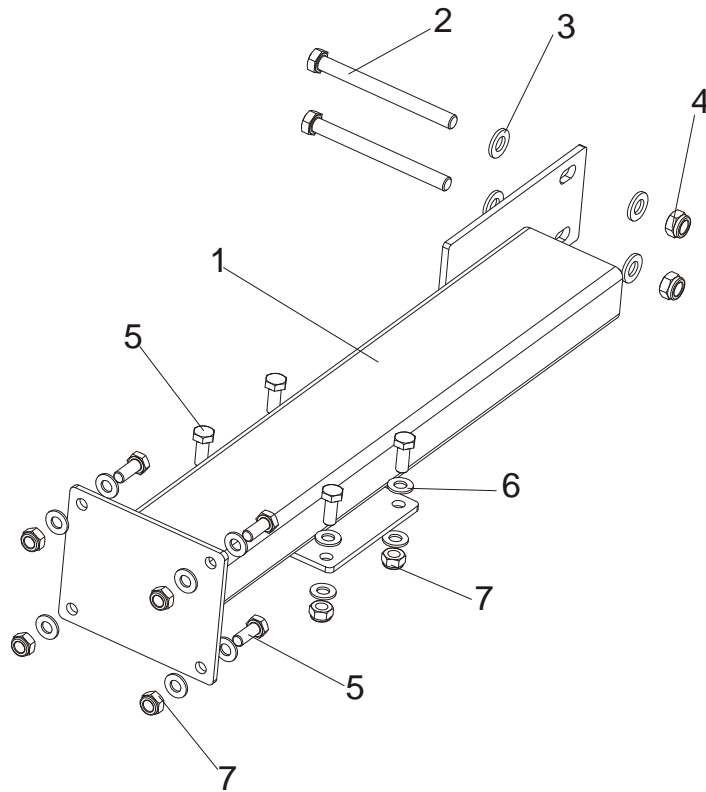


REF.	DESCRIPTION (◆ Indicates Parts Available In Assemblies Only)	PART #	QTY.
	<b>BRACE, MBX12H CONNECTION</b>	<b>507206</b>	<b>1</b>
	<b>BRACE ASSEMBLY, MBX12 H4-7</b>	<b>501660</b>	<b>1</b>
<b>1</b>	<b>CHANNEL WELDMENT, MBX12 AH5/DH5 CONNECTION BRACE</b>	094934-1	1
	<b>LEG, LEFT STATIONARY ADJUSTABLE</b>	<b>501639</b>	<b>1</b>
<b>2</b>	LEG WELDMENT - UPPER PART	507715-1	1
<b>3</b>	WIDE FOOT - ADJUSTABLE LEGS	501084-1	1
<b>4</b>	NUT, M20-8 HEX ZINC	F81037-1	2
<b>5</b>	WASHER, 10.5 FLAT ZINC	F81055-1	8
<b>6</b>	NUT, M10-8-B HEX NYLON ZINC LOCK	F81033-1	4
<b>7</b>	BOLT, M10x25-8.8 HEX HEAD FULL THREAD ZINC	F81003-11	4
<b>8</b>	WASHER, 10.5 FLAT ZINC	F81055-1	16
<b>9</b>	BOLT, M10x25-8.8 HEX HEAD FULL THREAD ZINC	F81003-11	8
<b>10</b>	NUT, M10-8-B HEX NYLON ZINC LOCK	F81033-1	8
	<b>MOUNT, BX12AH LOG CLAMP (REAR)</b>	<b>507200</b>	<b>1</b>
<b>11</b>	TUBE WELDMENT, LOG CLAMP MOUNT	507189-1	1
<b>12</b>	TUBE WELDMENT, LOG CLAMP CONNECTION	092907-1	1
	<b>LEG, LEFT STATIONARY ADJUSTABLE</b>	<b>501639</b>	<b>1</b>
<b>13</b>	LEG WELDMENT - UPPER PART	507715-1	1
<b>14</b>	WIDE FOOT - ADJUSTABLE LEG	501084-1	1
<b>15</b>	NUT, M20-8 HEX ZINC	F81037-1	2
<b>16</b>	WASHER, 10.5 FLAT ZINC	F81055-1	8
<b>17</b>	NUT, M10-8-B HEX NYLON ZINC LOCK	F81033-1	4
<b>18</b>	BOLT, M10x25-8.8 HEX HEAD FULL THREAD ZINC	F81003-11	4
<b>19</b>	WASHER, 10.5 FLAT ZINC	F81055-1	20

**6****BED EXTENSION PARTS***MBX12 Connection Brace*

<b>20</b>	BOLT, M10x25-8.8 HEX HEAD FULL THREAD ZINC	F81003-11	8	
<b>21</b>	NUT, M10-8-B HEX NYLON ZINC LOCK	F81033-1	12	
<b>22</b>	BOLT, M10x125 8.8 CARRIAGE HEAD ZINC	F81003-34	4	
<b>23</b>	PLATE, 1/4" HOSE CLAMP	S09245	2	
<b>24</b>	SCREW, 5/16-18 x 3/4 SELF-TAPPING	F05015-30	2	
<b>25</b>	TUBE, BX24H LOG CLAMP SUPPORT	507201-1	1	
<b>26</b>	COVER, BX6 STAINLESS STEEL	085464	1	
<b>27</b>	BOLT, M8x65-5.8 HEX HEAD ZINC	F81002-3	2	
<b>28</b>	NUT, M8-8-B HEX NYLON ZINC LOCK	F81032-2	2	
<b>29</b>	WASHER, 13 FLAT ZINC	F81056-1	4	
<b>30</b>	BOLT, M12x90-8.8 HEX HEAD ZINC	F81004-2	2	
<b>31</b>	NUT, M12-8 HEX NYLON ZINC LOCK	F81034-2	2	
<b>32</b>	BOLT, M10x35-8.8 HEX HEAD FULL THREAD ZINC	F81003-17	4	

**6.24 Brace Assembly, LBX12**

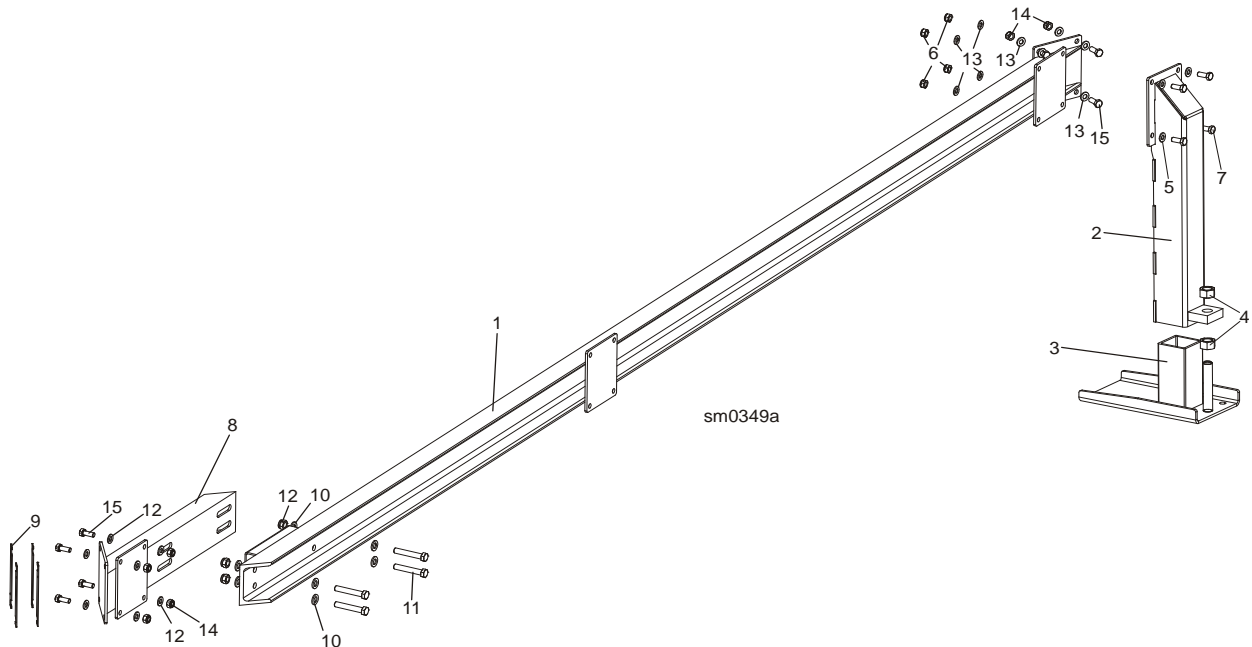


REF.	DESCRIPTION (◆ Indicates Parts Available In Assemblies Only)	PART #	QTY.
	<b>BRACE ASSEMBLY, 40LBX12</b>	<b>094834</b>	1
1	Tube, 40LBX12 Brace Ptd	091177-1	1
2	Bolt, M12x130-8.8 Hex Head Zinc	F81004-36	2
3	Washer, 13 Flat Zinc	F81056-1	4
4	Nut, M12-8 Hex Nylon Zinc Lock	F81034-2	2
5	Bolt, M10x25-8.8 Hex Head Full Thread Zinc	F81003-11	8
6	Washer, 10.5 Flat Zinc	F81055-1	16
7	Nut, M10-8-B Hex Nylon Zinc Lock	F81033-1	8

# 6 BED EXTENSION PARTS

Brace Assembly, SBX24

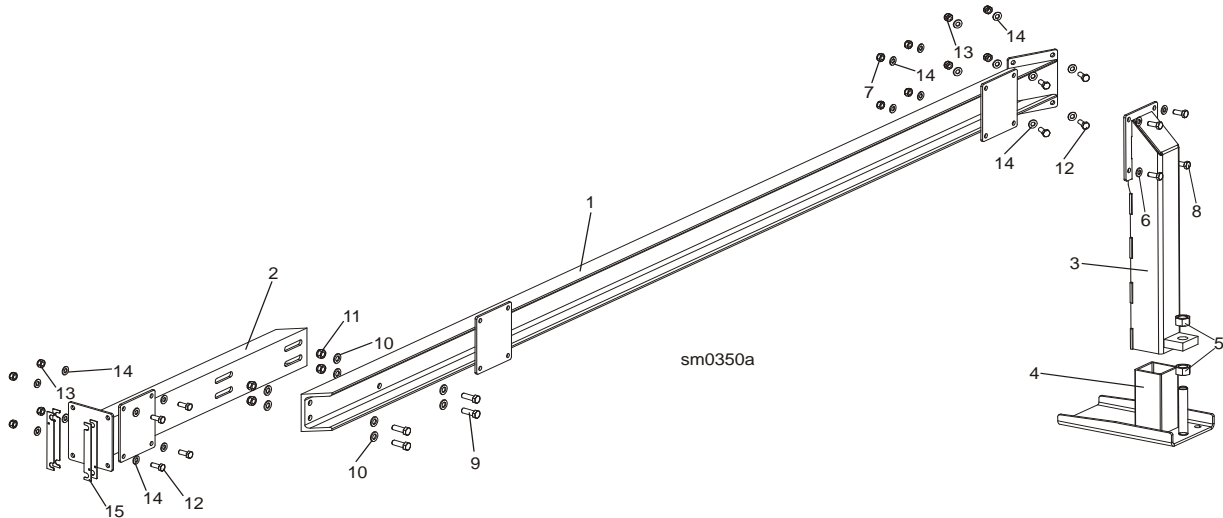
## 6.25 Brace Assembly, SBX24



REF.	DESCRIPTION (◆ Indicates Parts Available In Assemblies Only)	PART #	QTY.
	<b>BRACE ASSEMBLY, SBX24</b>	<b>093931</b>	<b>1</b>
1	CHANNEL, SBX24 W/MOUNT PLATE - LONG	093143-1	1
	<b>LEG, LEFT STATIONARY ADJUSTABLE</b>	<b>501639</b>	<b>1</b>
2	LEG WELDMENT - UPPER PART	507715-1	1
3	WIDE FOOT - ADJUSTABLE LEG	501084-1	1
4	NUT, M20-8 HEX ZINC	F81037-1	2
5	WASHER, 10.5 FLAT ZINC	F81055-1	4
6	NUT, M10-8-B HEX NYLON ZINC LOCK	F81033-1	4
7	BOLT, M10x25-8.8 HEX HEAD FULL THREAD ZINC	F81003-11	4
8	CHANNEL, BX BRACE - SHORT	085653-1	1
9	SHIM, BX6 PTD	086649-1	4
10	WASHER, 13 FLAT ZINC	F81056-1	8
11	BOLT, M12x70 8.8 HEX HEAD ZINC	F81004-39	4
12	NUT, M12-8 HEX NYLON ZINC LOCK	F81034-2	4
13	WASHER, 10.5 FLAT ZINC	F81055-1	20
14	NUT, M10-8-B HEX NYLON ZINC LOCK	F81033-1	8
15	BOLT, M10x25-8.8 HEX HEAD FULL THREAD ZINC	F81003-11	8



**6.26 Brace Assembly, MBX24**

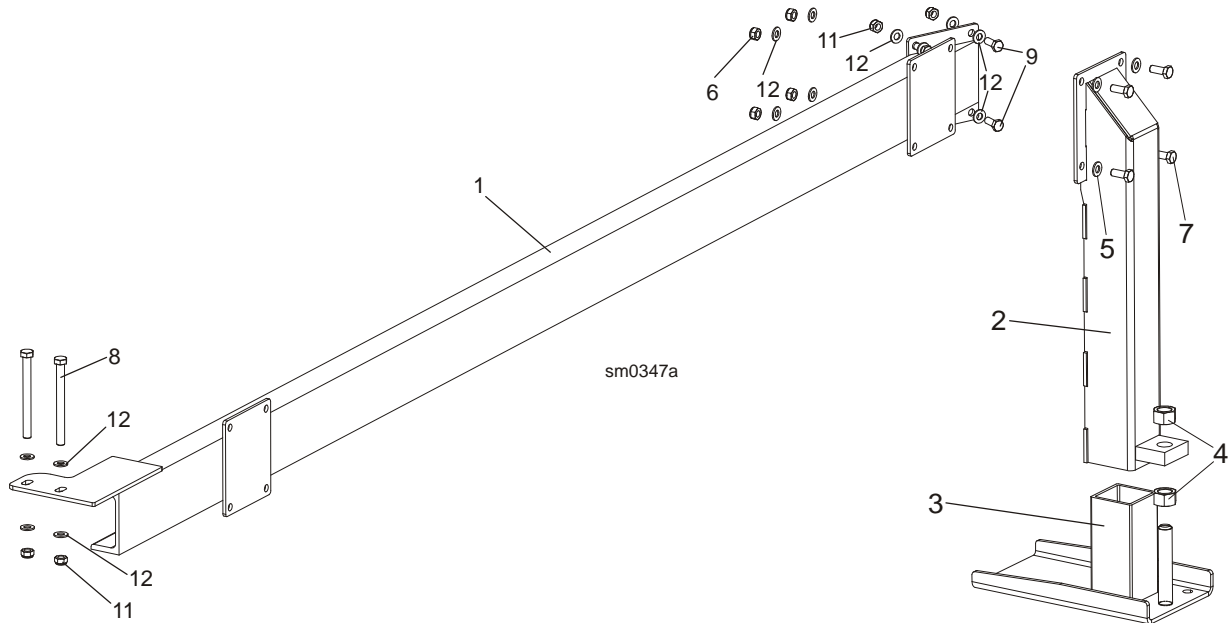


REF.	DESCRIPTION (◆ Indicates Parts Available In Assemblies Only)	PART #	QTY.
	<b>BRACE ASSEMBLY, MBX24-AH5/7, DH5/7</b>	<b>095632</b>	<b>1</b>
1	CHANNEL, MBX24 W/MOUNT PLATE - LONG	095629-1	1
2	CHANNEL, MBX24 BRACE - SHORT	095631-1	1
	<b>LEG, LEFT STATIONARY ADJUSTABLE</b>	<b>501639</b>	<b>1</b>
3	LEG WELDMENT - UPPER PART	507715-1	1
4	WIDE FOOT - ADJUSTABLE LEG	501084-1	1
5	NUT, M20-8 HEX ZINC	F81037-1	2
6	WASHER, 10.5 FLAT ZINC	F81055-1	4
7	NUT, M10-8-B HEX NYLON ZINC LOCK	F81033-1	4
8	BOLT, M10x25-8.8 HEX HEAD FULL THREAD ZINC	F81003-11	4
9	BOLT, M12 x 35-8.8 HEX HEAD FULL THREAD ZINC	F81004-24	4
10	WASHER, 13 FLAT ZINC	F81056-1	8
11	NUT, M12-8 HEX NYLON ZINC LOCK	F81034-2	4
12	BOLT, M10 x 25-8.8 HEX HEAD FULL THREAD ZINC	F81003-11	8
13	NUT, M10-8-B HEX NYLON ZINC LOCK	F81033-1	8
14	WASHER, 10.5 FLAT ZINC	F81055-1	20
15	SHIM, BX6 PTD	086649-1	4

# 6 BED EXTENSION PARTS

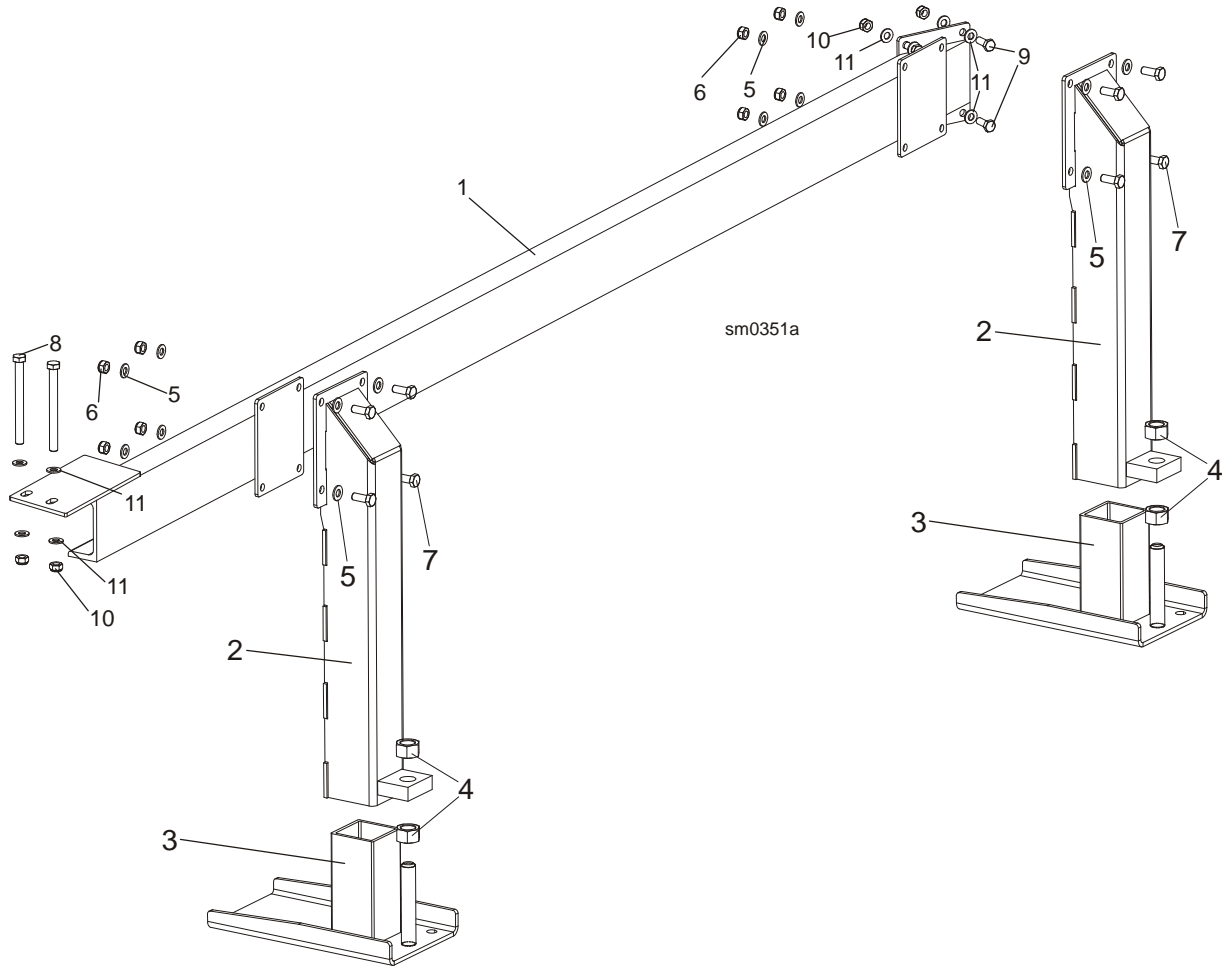
## Brace Assembly, LBX24

### 6.27 Brace Assembly, LBX24



REF.	DESCRIPTION (◆ Indicates Parts Available In Assemblies Only)	PART #	QTY.
	<b>BRACE ASSEMBLY, LBX24</b>	<b>501661</b>	<b>1</b>
1	CHANNEL, LBX24 W/MOUNT PLATE	501662-1	1
	<b>LEG, LEFT STATIONARY ADJUSTABLE</b>	<b>501639</b>	<b>1</b>
2	LEG WELDMENT - UPPER PART	507715-1	1
3	WIDE FOOT - ADJUSTABLE LEG	501084-1	1
4	NUT, M20-8 HEX ZINC	F81037-1	2
5	WASHER, 10.5 FLAT ZINC	F81055-1	4
6	NUT, M10-8-B HEX NYLON ZINC LOCK	F81033-1	4
7	BOLT, M10x25-8.8 HEX HEAD FULL THREAD ZINC	F81003-11	4
8	BOLT, M12x130-8.8 HEX HEAD ZINC	F81004-36	2
9	BOLT, M10x25-8.8 HEX HEAD FULL THREAD ZINC	F81003-11	4
10	NUT, M12-8-B HEX ZINC	F81034-1	4
11	NUT, M10-8-B HEX NYLON ZINC LOCK	F81033-1	6
12	WASHER, 10.5 FLAT ZINC	F81055-1	16

**6.28 Brace Assembly, MBX24 Super**

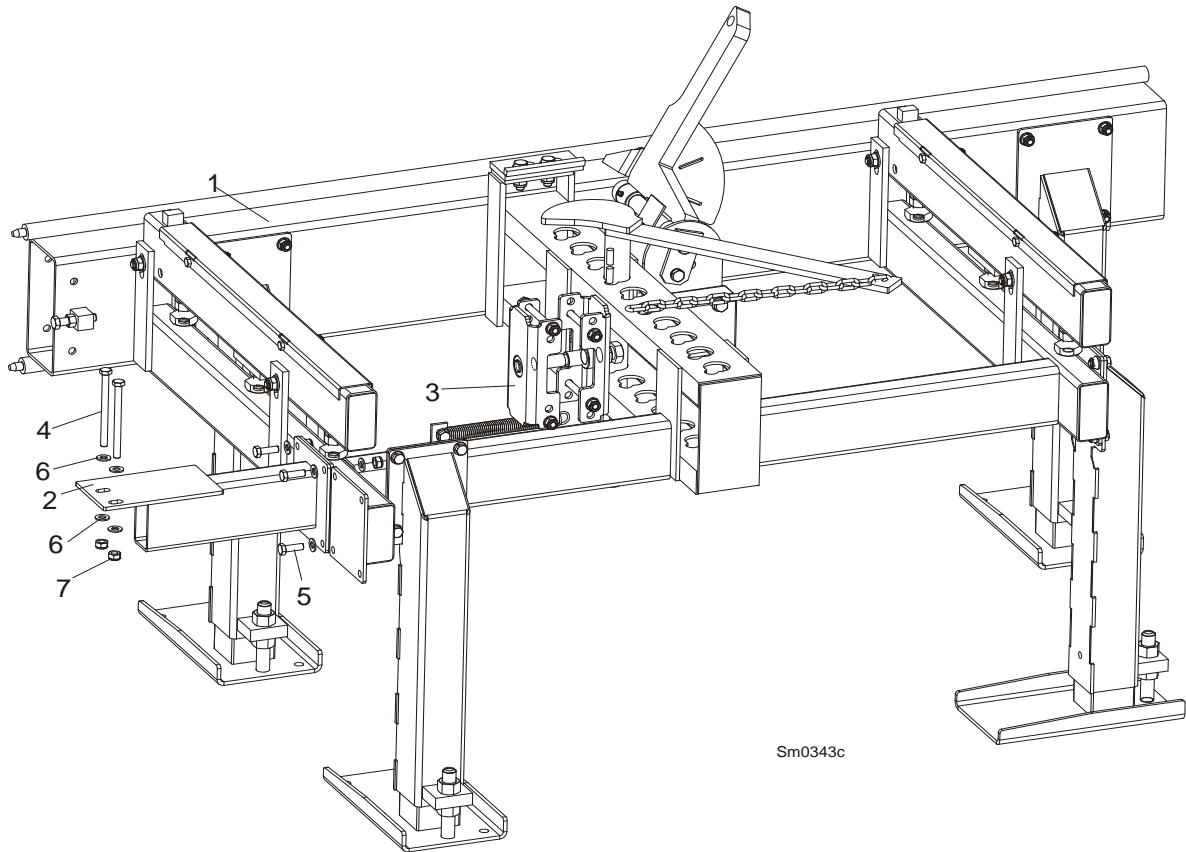


REF.	DESCRIPTION (◆ Indicates Parts Available In Assemblies Only)	PART #	QTY.
	<b>BRACE ASSEMBLY, MBX24 SUPER</b>	<b>099197</b>	<b>1</b>
1	CHANNEL, MBX24 W/MOUNT PLATE PTD	099201-1	1
	<b>LEG, LEFT STATIONARY ADJUSTABLE</b>	<b>501639</b>	<b>2</b>
2	LEG WELDMENT - UPPER PART	507715-1	1
3	WIDE FOOT - ADJUSTABLE LEG	501084-1	1
4	NUT, M20-8 HEX ZINC	F81037-1	2
5	WASHER, 10.5 FLAT ZINC	F81055-1	4
6	NUT, M10-8-B HEX NYLON ZINC LOCK	F81033-1	4
7	BOLT, M10x25-8.8 HEX HEAD FULL THREAD ZINC	F81003-11	4
8	BOLT, M10x125-8.8 HEX HEAD ZINC	F81003-18	2
9	BOLT, M10x30-5.8 HEX HEAD FULL THREAD ZINC	F81003-2	4
10	NUT, M10-8-B HEX NYLON ZINC LOCK	F81033-1	6
11	WASHER, 10.5 FLAT ZINC	F81055-1	16

# 6 BED EXTENSION PARTS

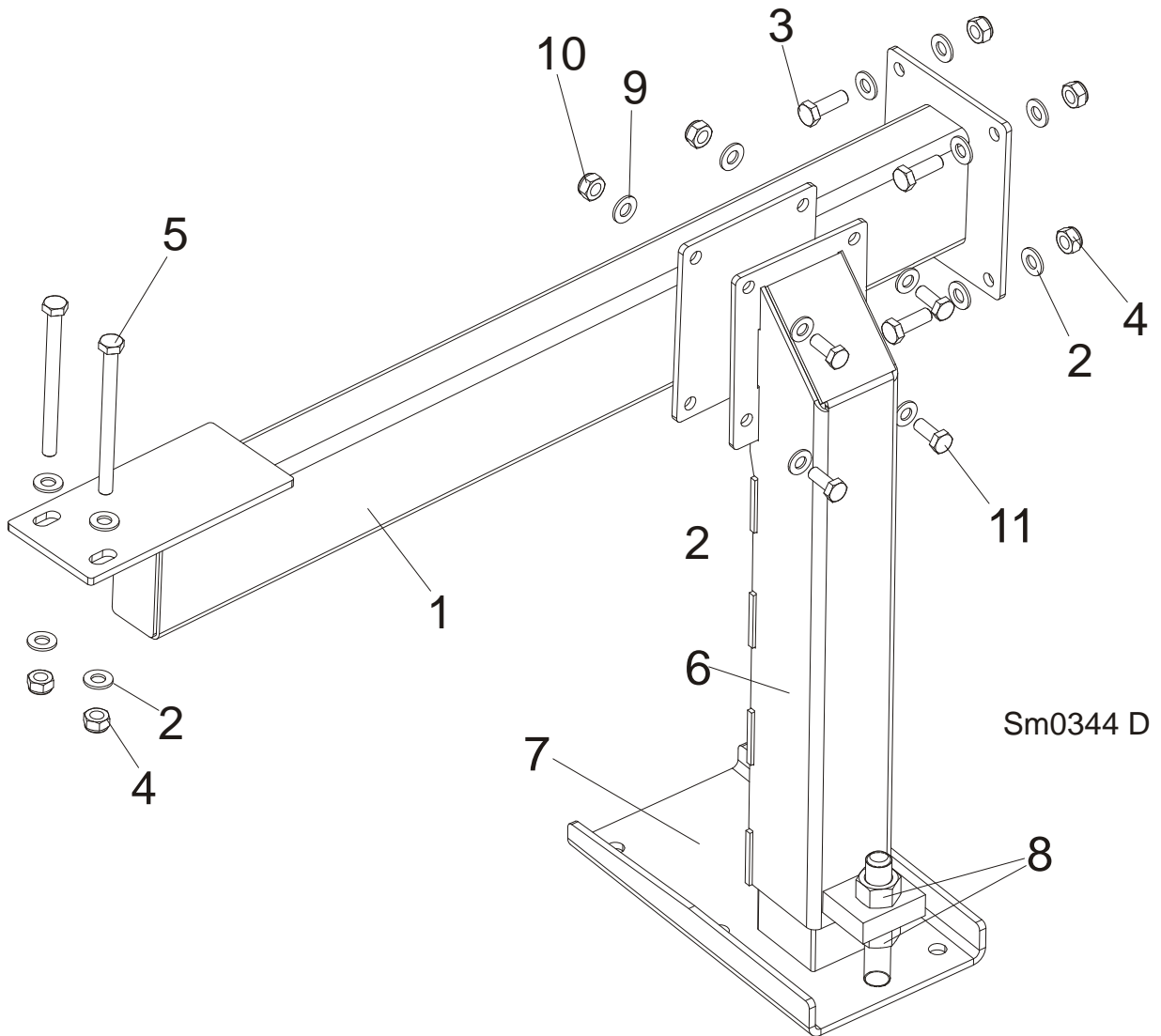
*Bed Extension, MBX6 Super*

## 6.29 Bed Extension, MBX6 Super



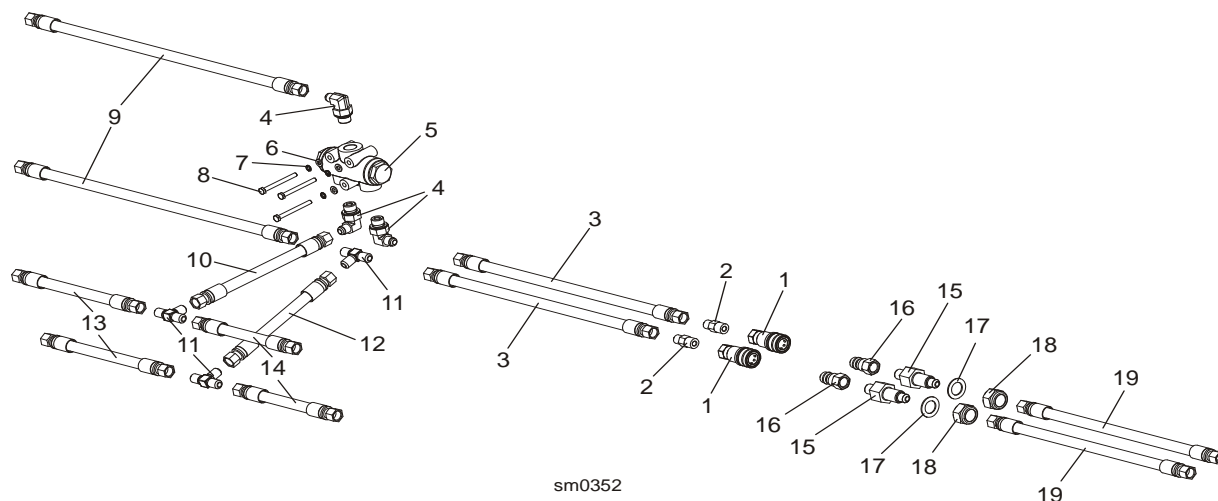
REF.	DESCRIPTION (◆ Indicates Parts Available In Assemblies Only)	PART #	QTY.
	<b>EXTENSION, MBX6 SUPER BED</b>	40MBX6S	1
	<b>EXTENSION, MBX6 SUPER BED</b>	70MBX6S	1
1	EXTENSION, BX6 1.8m (6') BED - COMPLETE	BX6	1
	BRACE, MBX6 SUPER COMPLETE	099198	1
2	BRACE, MBX6 SUPER	099199-1	1
3	CONNECTOR, BX COMPLETE	501340	1
4	BOLT, M10x125-8.8 HEX HEAD ZINC	F81003-18	2
5	BOLT, M10x30-5.8 HEX HEAD FULL THREAD ZINC	F81003-2	4
6	WASHER, 10.5 FLAT ZINC	F81055-1	12
7	NUT, M10-8-B HEX NYLON ZINC LOCK	F81033-1	6

**6.30 BX12 Super Connection Brace**



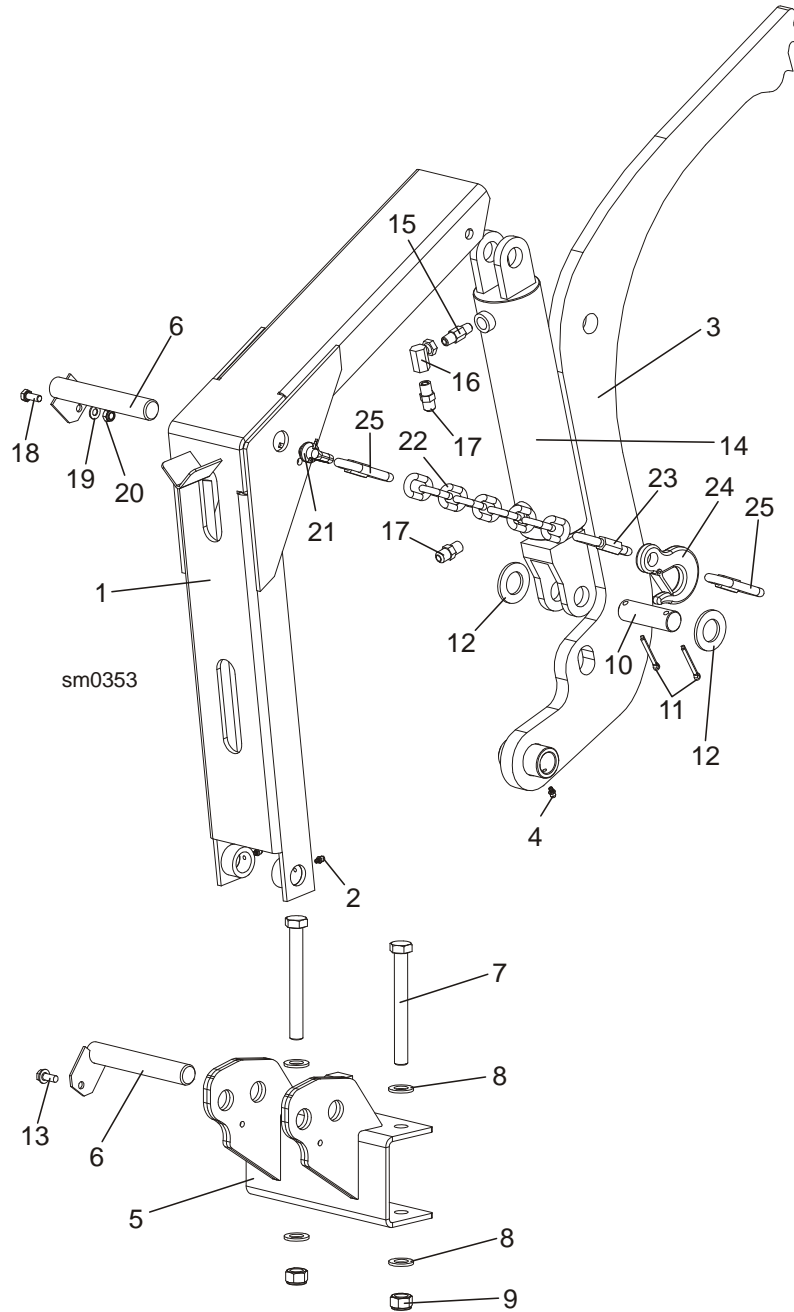
REF.	DESCRIPTION (◆ Indicates Parts Available In Assemblies Only)	PART #	QTY.
	<b>BRACE, BX12 SUPER CONNECTION - COMPLETE</b>	<b>099630</b>	<b>1</b>
1	TUBE WELDMENT, BX12 CONNECTION BRACE	098733-1	1
2	WASHER, 10.5 FLAT ZINC	F81055-1	12
3	BOLT, M10x30-5.8 HEX HEAD FULL THREAD ZINC	F81003-2	4
4	NUT, M10-8-B HEX NYLON ZINC LOCK	F81033-1	6
5	BOLT, M10x125-8.8 HEX HEAD ZINC	F81003-18	2
	<b>LEG, LEFT ADJUSTABLE STATIONARY</b>	<b>501639</b>	<b>1</b>
6	UPPER PART - SIDE ADJUSTABLE LEG	507715-1	1
7	WIDE FOOT - ADJUSTABLE LEG	501084-1	1
8	NUT, M20-8 HEX ZINC	F81037-1	2
9	WASHER, 10.5 FLAT ZINC	F81055-1	4
10	NUT, M10-8-B HEX NYLON ZINC LOCK	F81033-1	4
11	BOLT, M10x25-8.8 HEX HEAD FULL THREAD ZINC	F81003-11	4

## 6.31 Oil Flow Divider w/Hydraulic Hoses (BX12/24 &amp; "M" Frame)



REF.	DESCRIPTION (◆ Indicates Parts Available In Assemblies Only)	PART #	QTY.
	<b>OIL FLOW DIVIDER W/HYDRAULIC HOSES ("M" FRAME/BX12/24)</b>	<b>505838</b>	<b>1</b>
1	FITTING, 3/8" INT.THREAD BSP FEMALE QUICK DISCONNECT	504965	2
2	FITTING, G3/8-9/16-18JIC HAND PUMP	091842	2
3	HOSE, 2T3/8X3.950 W9/16UNF-W9/16 UNF HYDRAULIC	505847	2
4	FITTING, 90 18x1,5 9/16-18 JIC ELBOW	089992	3
5	DIVIDER, MTD A 08-016M1/3 / 2/3 OIL FLOW	088190	1
6	WASHER, 6.4 FLAT ZINC	F81053-1	3
7	WASHER, Z 6.1 SPLIT LOCK ZINC	F81053-3	3
8	BOLT, M6x65-8.8 HEX HEAD ZINC	F81001-81	3
9	HOSE, PHD 2T3/8X4.950 W9/16UNF-W9/16 UNF HYDRAULIC	505848	2
10	HOSE, PHD 2T3/8X2.000 W9/16UNF-W9/16UNF HYDRAULIC	089853	1
11	FITTING, 3/8JIC TEE	015487	3
12	HOSE, PHD 2T3/8X1.533 W9/16UNF-W9/16UNF HYDRAULIC	099383	1
13	HOSE, PHD 2T3/8X1.900 W9/16UNF-W9/16UNF HYDRAULIC	089856	2
14	HOSE, PHD 2T3/8X1.200 W9/16UNF-W9/16UNF HYDRAULIC	089852	2
15	FITTING, Z3/8"BSP-Z9/16 UNF JIC REDUCER	504987-1	2
16	FITTING, 3/8" INT. THREAD BSP MALE QUICK DISCONNECT	504966	2
17	WASHER, 1940 DIA. (34/21.2/1.5)	506105	2
18	NUT, M20-8-A HEX NYLON ZINC LOCK	F81037-2	2
19	HOSE, PHD 2T3/8X3.800 W9/16UNF-W9/16 UNF HYDRAULIC	505846	2
20	LOG LOADER, SINGLE ARM <a href="#">See Section 6.32</a>	090204	1
21	CHAIN, 9.5m SINGLE LOADING ARM <a href="#">See Section 6.32</a>	090090	1

**6.32 Log Loader (Single Arm)**



REF.	DESCRIPTION (◆ Indicates Parts Available In Assemblies Only)	PART #	QTY.
	<b>LOG LOADER - SINGLE ARM</b>	<b>090204</b>	<b>1</b>
	<b>CHANNEL, LOG LOADER FOOT COMPLETE</b>	<b>090049</b>	<b>1</b>
1	CHANNEL WELDMENT, LOG LOADER FOOT PTD	090048-1	1
2	FITTING, 3/16" STRAIGHT GREASE	P04107	2
	<b>LOG LOADER SINGLE ARM (9.5M FRAME)</b>	<b>090051</b>	<b>1</b>
3	ARM WELDMENT, LOG LOADER PTD	089657-1	1
4	FITTING, 3/16" STRAIGHT GREASE	P04107	1

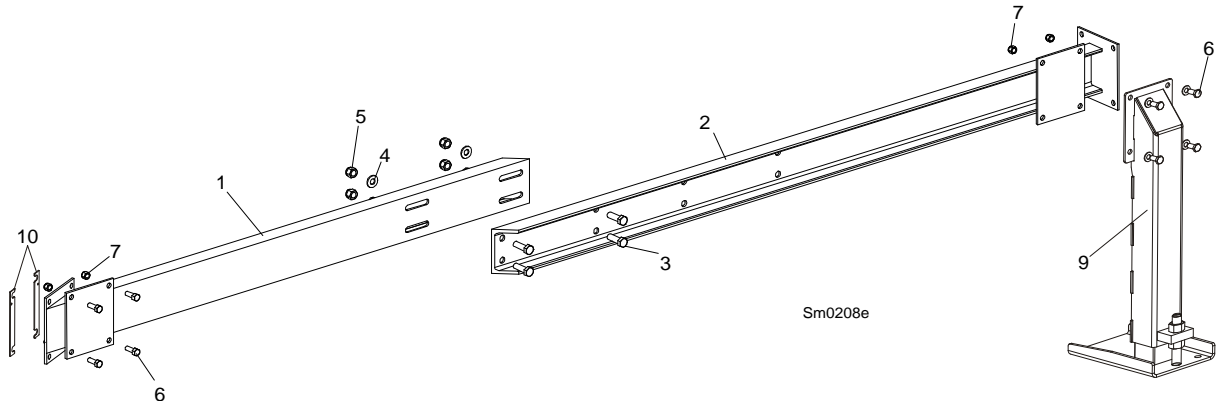
## 6

**BED EXTENSION PARTS***Log Loader (Single Arm)*

5	BRACKET WELDMENT, SINGLE LOADING ARM PTD	089841-1	1	
6	PIN WELDMENT, LOG LOADER ZINC-PLATED	099127-1	2	
7	BOLT, M16x140-8.8 HEX HEAD ZINC	F81006-4	2	
8	WASHER, 17 FLAT ZINC	F81058-1	4	
9	NUT, M16-8 HEX NYLON ZINC LOCK	F81036-2	2	
10	PIN, HYDRAULIC CYLINDER ZINC-PLATED	086979-1	1	
11	FITTING, 3/8JIC TEE	F81043-31	2	
12	WASHER, 28 FLAT ZINC	F81061-1	2	
13	SCREW, 5/16-18 x 3/4 SELF-TAPPING	F05015-30	1	
	<b>CYLINDER ASSEMBLY, LOG LOADING</b>	<b>015562</b>	<b>1</b>	
14	CYLINDER, CJ-S95-16-70/32/203 HYDRAULIC	088680	1	
15	FITTING, 1/4NPT VELOCITY FUSE 5.0GPM	015750	1	
16	FITTING, 1/4NPT-1/4JIC SWIVEL ELBOW	P12199	1	
17	FITTING, 3/8JIC-1/4NPT STRAIGHT	015560	2	
18	BOLT, M8x20-8.8-B HEX HEAD FULL THREAD ZINC	F81002-4	1	
19	WASHER, 8.4 FLAT ZINC	F81054-1	1	
20	NUT, M8-8-B HEX NYLON ZINC LOCK	F81032-2	1	
21	SHACKLE, M12 TYPE C DIN 82101	086540	1	
	<b>CHAIN, SINGLE LOADING ARM (9.5M FRAME)</b>	<b>090090-1</b>	<b>1</b>	
22	CHAIN, 9.5M SINGLE LOADING ARM	090090	1	
23	LINK "10"	100767	1	
24	HOOK, 5/8 SAFETY CHAIN	P12075	1	
25	LINK "10"	100767	2	



**6.33 MBX12 Connection Brace**

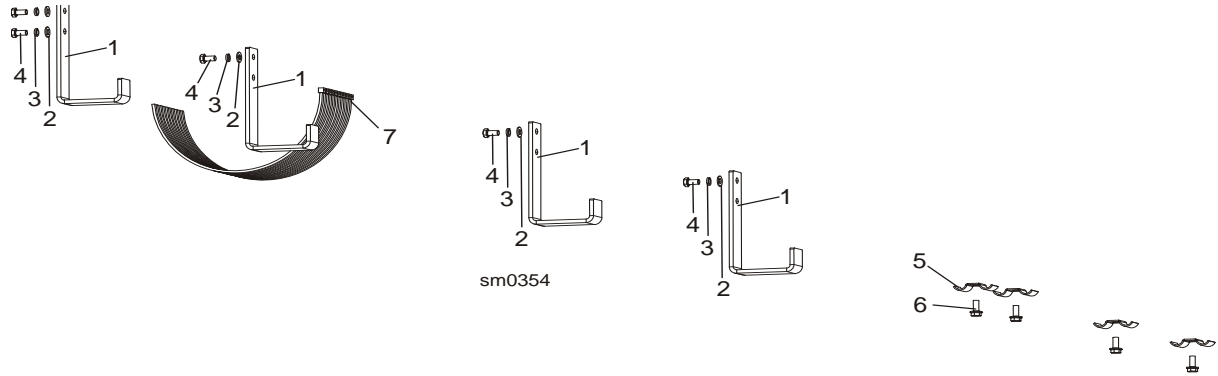


REF.	DESCRIPTION (◆ Indicates Parts Available In Assemblies Only)	PART #	QTY.
	<b>BRACE, MBX12 CONNECTION</b>	<b>092887</b>	1
1	Channel Wldmt, MBX12 Connection Brace (1)	092824-1	1
2	Channel Wldmt, MBX12 Connection Brace (2)	092823-1	1
3	Bolt, M12 x 35-8.8 Hex Head Full Thread Zinc	F81004-24	4
4	Washer, 13 Flat Zinc	F81056-1	8
5	Nut, M12-8 Hex Nylon Zinc Lock	F81034-2	4
6	Bolt, M10 x 25 8.8 Hex Head Full Thread Zinc	F81003-11	12
7	Nut, M10-8-B Hex Nylon Zinc Lock	F81033-1	12
8	Washer, 10.5 Flat Zinc	F81055-1	24
9	Leg, Left Adjustable Stationary	501639	1
10	<b>SHIM, BX6 PTD</b>	<b>086649-1</b>	2

**7 Hydraulic System**  
*Hydraulic Hose Hanger Kit, MBX12/24 Bed Extension (AH1-3)*

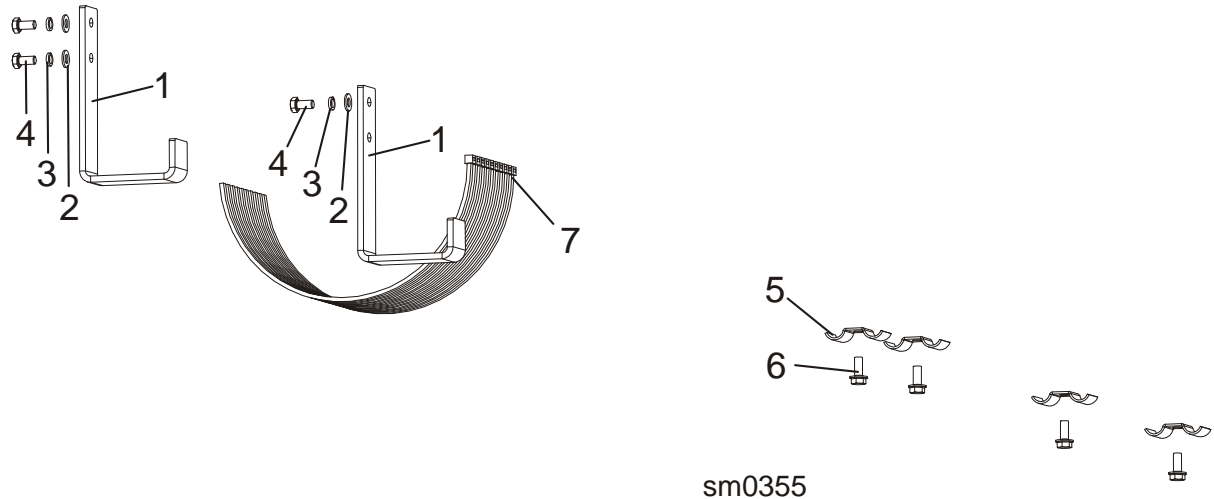
**SECTION 7 HYDRAULIC SYSTEM**

**7.1 Hydraulic Hose Hanger Kit, MBX12/24 Bed Extension (AH1-3)**



REF.	DESCRIPTION (◆ Indicates Parts Available In Assemblies Only)	PART #	QTY.	
	<b>HANGER KIT, MBX12/24 (AH1-3) HYDRAULIC HOSE</b>	<b>506100</b>	<b>1</b>	
1	HANGER, HYDRAULIC HOSE	505745	4	
2	WASHER, 8.4 FLAT ZINC	F81054-1	5	
3	WASHER, 8.2 SPLIT LOCK ZINC	F81054-4	5	
4	BOLT, M8x16 -8.8-B HEX HEAD FULL THREAD ZINC	F81002-20	5	
5	PLATE, 1/4" HOSE CLAMP	S09245	4	
6	SCREW, 5/16-18 x 3/4 SELF-TAPPING	F05015-30	4	
7	WRAP, TKUV 50/8 TIE	F81082-3	10	

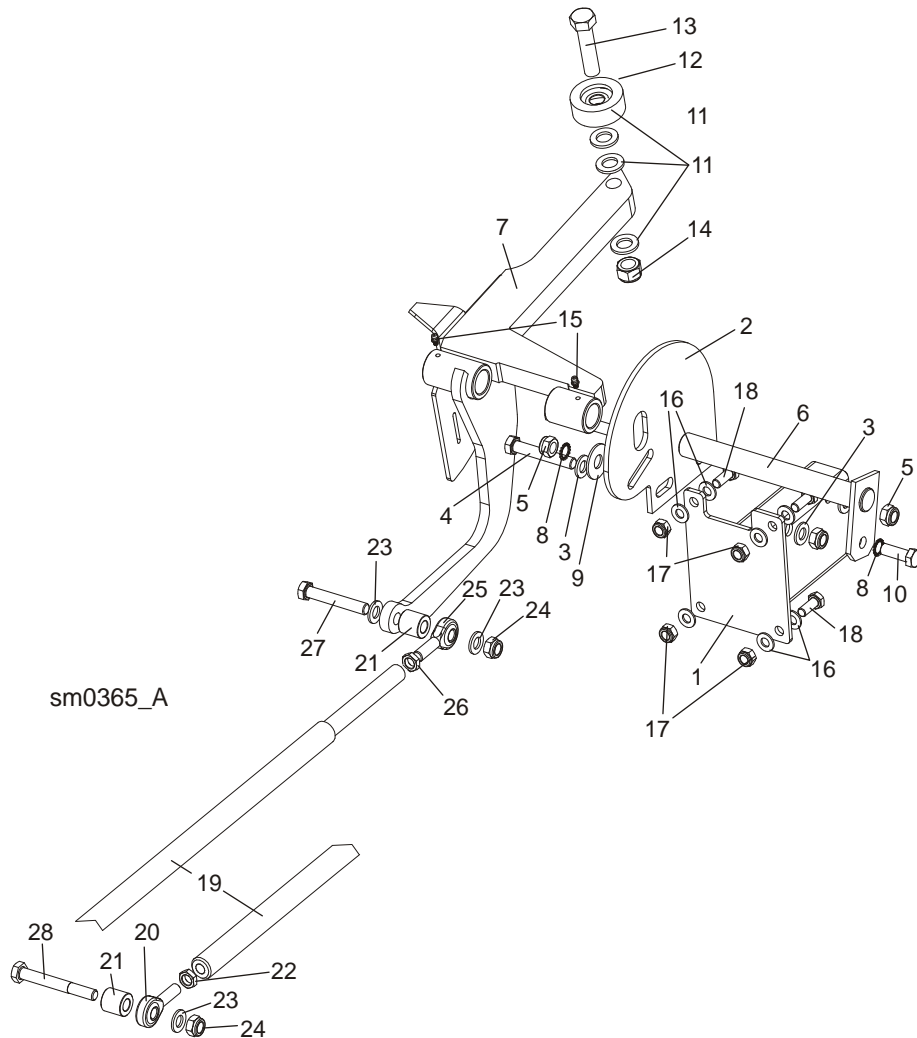
7.2 Hydraulic Hose Hanger Kit, MBX12/24 Bed Extension (AH4-7)



sm0355

REF.	DESCRIPTION (◆ Indicates Parts Available In Assemblies Only)	PART #	QTY.
	<b>HANGER KIT, MBX12/24 (AH4-7) HYDRAULIC HOSE</b>	<b>505653</b>	<b>1</b>
1	HANGER, HYDRAULIC HOSE	505745	2
2	WASHER, 8.4 FLAT ZINC	F81054-1	2
3	WASHER, 8.2 SPLIT LOCK ZINC	F81054-4	2
4	BOLT, M8x16 -8.8-B HEX HEAD FULL THREAD ZINC	F81002-20	2
5	PLATE, 1/4" HOSE CLAMP	S09245	4
6	SCREW, 5/16-18 x 3/4 SELF-TAPPING	F05015-30	4
7	WRAP, TKUV 50/8 TIE	F81082-3	10

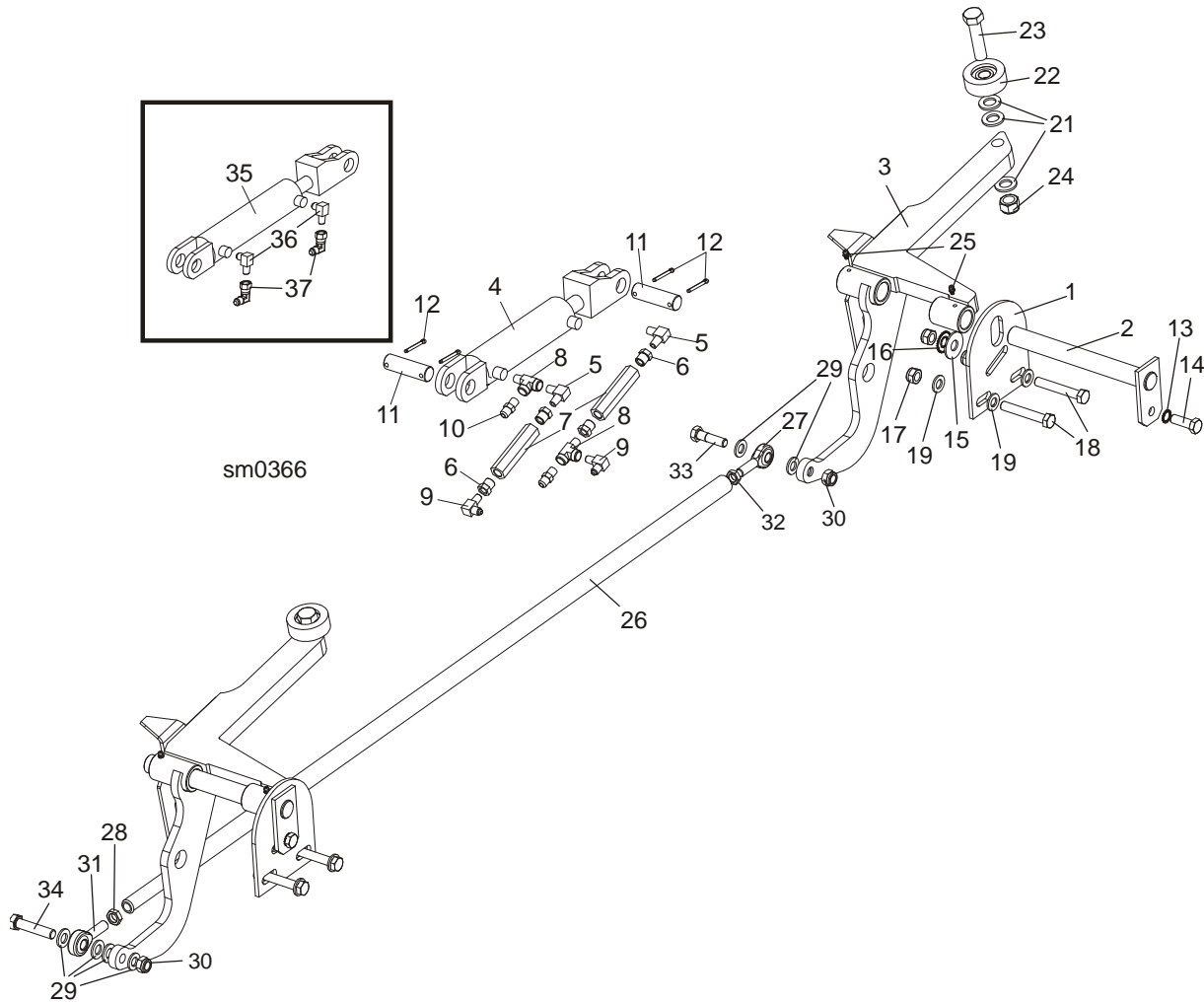
**7.3 Hydraulic Log Side Support, BX12 "M" Frame**



REF.	DESCRIPTION (◆ Indicates Parts Available In Assemblies Only)	PART #	QTY.
	<b>HYDRAULIC SIDE SUPPORT, BX12 "M" FRAME</b>	<b>507197</b>	<b>1</b>
1	MOUNT WELDMENT, HYDRAULIC SIDE SUPPORT	507196-1	1
2	PLATE, MOUNTING	507192-1	1
3	WASHER, 13 FLAT ZINC	F81056-1	4
4	BOLT, M12x75-8.8 HEX HEAD ZINC	F81004-21	2
5	NUT, M12-8 HEX NYLON ZINC LOCK	F81034-2	3
6	PIN, LOG SIDE SUPPORT ZINC-PLATED	091549-1	1
7	SIDE SUPPORT, "M" FRAME BX12H SPECIAL	507195-1	1
8	WASHER, BN781 M12/13 EXTERNALLY SERRATED	F81056-16	2
9	WASHER, 15 SPECIAL FLAT ZINC	F81057-3	1
10	BOLT, M12x35-8.8 HEX HEAD FULL THREAD ZINC	F81004-24	1
11	WASHER, 17 FLAT ZINC	F81058-1	3
12	ROLLER ASSY, SIDE SUPPORT	015014	1
13	BOLT, M16x65-8.8-B HEX HEAD FULL THREAD ZINC	F81006-1	1

14	NUT, M16-8 HEX NYLON ZINC LOCK	F81036-2	1	
15	FITTING, 3/16" STRAIGHT GREASE	P04107	2	
16	WASHER, 10.5 FLAT ZINC	F81055-1	8	
17	NUT, M10-8-B HEX NYLON ZINC LOCK	F81033-1	4	
18	BOLT, M10x25-8.8 HEX HEAD FULL THREAD ZINC	F81003-11	4	
	<b>PUSHER, L=1691 MBX12 HYDRAULIC SIDE SUPPORT</b>	<b>507187</b>	<b>1</b>	
19	ROD, SIDE SUPPORT PUSHER ZINC-PLATED (L-1623)	509594-1	1	
20	END, SAL12 CX ROD LEFT-HAND	087036	1	
21	BUSHING, ZINC-PLATED SPACER	505895-1	2	
22	NUT, M12LH-04-A LEFT THIN	F81034-7	1	
23	WASHER, 13 FLAT ZINC	F81056-1	3	
24	NUT, M12-8 HEX NYLON ZINC LOCK	F81034-2	2	
25	END, SA12 CX ROD RIGHT-HAND	087035	1	
26	NUT, M12 THIN ZINC-PLATED	F81034-6	1	
27	BOLT, M12x75-8.8 HEX HEAD ZINC	F81004-21	1	
28	BOLT, M12x95 -8.8 HEX HEAD ZINC	F81004-29	1	

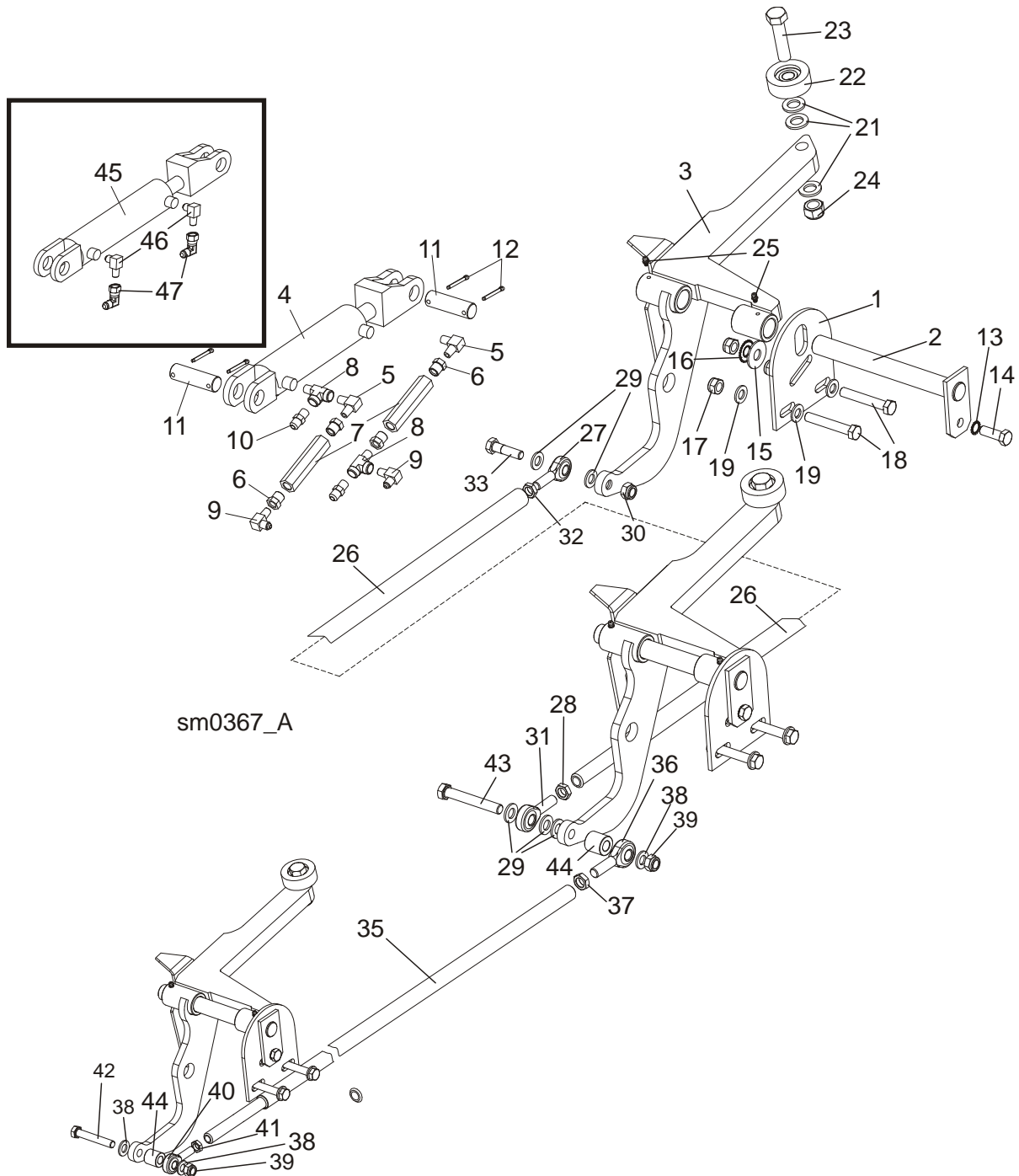
### 7.4 Hydraulic Log Side Supports, MBX12



REF.	DESCRIPTION (◆ Indicates Parts Available In Assemblies Only)	PART #	QTY.
	<b>HYDRAULIC SIDE SUPPORT KIT, MBX12 (12H1-3)</b>	<b>507186</b>	<b>1</b>
	<b>HYDRAULIC SIDE SUPPORT KIT, MBX12 (12H4)</b>	<b>507859</b>	<b>1</b>
1	PLATE, SIDE SUPPORT MOUNT PTD	091591-1	2
2	PIN, SIDE SUPPORT ZINC-PLATED	091549-1	2
3	SUPPORT, LOG SIDE W/GUARD PTD	099788-1	2
	<b>CYLINDER ASSEMBLY, SIDE SUPPORT SUPER (507859 ONLY)</b>	<b>015561</b>	<b>1</b>
4	CYLINDER, CJ-S270-16-50/28/152 HYDRAULIC	088678	1
	SEAL KIT, 6" X 2" HYDRAULIC CYLINDER	P12954	1
5	FITTING, C3529 X 4 ELBOW	P09140	2
6	FITTING, 3/8" NPT-1/4" NPT REDUCER	015490	4
7	VALVE, SIDE SUPPORT SEQUENCE	015484	2
8	FITTING, 1/4NPT MALE RUN TEE	P09141	2
9	FITTING, 3/8" JIC - 1/4" NPT ELBOW	015491	2
10	FITTING, 3/8" JIC - 1/4" NPT STRAIGHT	015560	2
11	PIN, HYDRAULIC CYLINDER MOUNTING	086979-1	2

12	PIN, 3/16" X 1 1/2" COTTER	F81043-31	4	
13	WASHER, BN781 M12/13 EXTERNALLY SERRATED	F81056-16	2	
14	BOLT, M12x35-8.8 HEX HEAD FULL THREAD ZINC	F81004-24	2	
15	WASHER, 15 SPECIAL FLAT ZINC	F81057-3	2	
16	WASHER, BN783 M12/12.3/30.3 SERRATED	F81056-17	2	
17	NUT, M12-8 HEX NYLON ZINC LOCK	F81034-2	6	
18	BOLT, M12x75-8.8 HEX HEAD ZINC	F81004-21	4	
19	WASHER, 13 FLAT ZINC	F81056-1	4	
20	SUPPORT, "M" FRAME BX12H LOG SIDE SPECIAL	507195-1	1	
21	WASHER, 17 FLAT ZINC	F81058-1	6	
22	ROLLER ASSY, SIDE SUPPORT	015014	2	
23	BOLT, M16x65-8.8-B HEX HEAD FULL THREAD ZINC	F81006-1	2	
24	NUT, M16-8 HEX NYLON ZINC LOCK	F81036-2	2	
25	FITTING, 3/16" STRAIGHT GREASE	P04107	4	
	<b>PUSHER ASSEMBLY, SIDE SUPPORT (L=1480)</b>	<b>091640</b>	<b>1</b>	
26	ROD, SIDE SUPPORT PUSHER ZINC-PLATED (L-1420)	089374-1	1	
27	END, SAL12 CX ROD LEFT-HAND	087036	1	
28	NUT, M12LH-04-A LEFT THIN	F81034-7	1	
29	WASHER, 13 FLAT ZINC	F81056-1	7	
30	NUT, M12-8 HEX NYLON ZINC LOCK	F81034-2	2	
31	END, SA12 CX ROD RIGHT-HAND	087035	1	
32	NUT, M12 THIN ZINC-PLATED	F81034-6	1	
33	BOLT, M12x45-8.8 HEX HEAD ZINC	F81004-32	1	
34	BOLT, M12x55-8.8 HEX HEAD ZINC	F81004-12	1	
	<b>CYLINDER, 24H1-3 HYDRAULIC (507186 ONLY)</b>	<b>505727</b>	<b>1</b>	
35	CYLINDER, CJ-S270-16-50/28/152 HYDRAULIC	088678	1	
36	FITTING, 3/8" JIC - 1/4" NPT ELBOW	015491	2	
37	FITTING, M/F-90-9/16 JIC ELBOW	500597	2	

**7.5 Hydraulic Log Side Supports, MBX24**



REF.	DESCRIPTION (◆ Indicates Parts Available In Assemblies Only)	PART #	QTY.
	<b>HYDRAULIC SIDE SUPPORT KIT, MBX24 (24H1-3)</b>	<b>505719</b>	<b>1</b>
	<b>HYDRAULIC SIDE SUPPORT KIT, MBX24 (24H4)</b>	<b>505720</b>	<b>1</b>
1	PLATE, SIDE SUPPORT MOUNT PTD	091591-1	3
2	PIN, SIDE SUPPORT ZINC-PLATED	091549-1	3
3	SUPPORT, LOG SIDE W/GUARD PTD	099788-1	3
	<b>CYLINDER ASSEMBLY, SIDE SUPPORT SUPER (TYLKO ONLY)</b>	<b>015561</b>	<b>1</b>



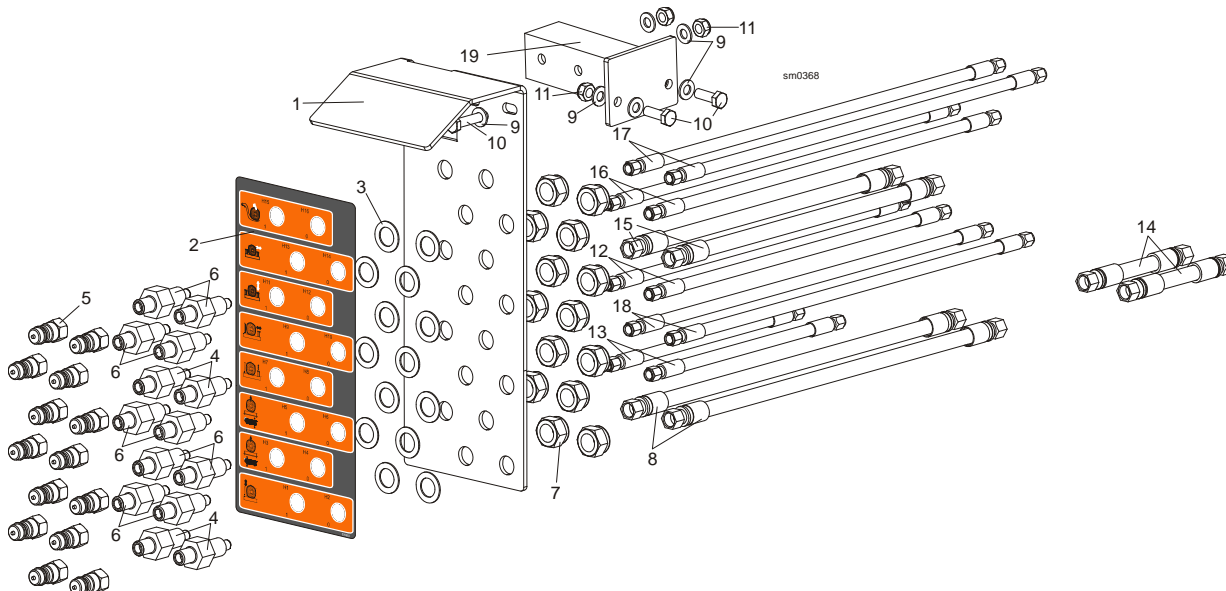
4	CYLINDER, CJ-S270-16-50/28/152 HYDRAULIC	088678	1	
	SEAL KIT, 6" X 2" HYDRAULIC CYLINDER	P12954	1	
5	FITTING, C3529 X 4 ELBOW	P09140	2	
6	FITTING, 3/8" NPT-1/4" NPT REDUCER	015490	4	
7	VALVE, SIDE SUPPORT SEQUENCE	015484	2	
8	FITTING, 1/4NPT MALE RUN TEE	P09141	2	
9	FITTING, 3/8" JIC - 1/4" NPT ELBOW	015491	2	
10	FITTING, 3/8" JIC - 1/4" NPT STRAIGHT	015560	2	
11	PIN, HYDRAULIC CYLINDER MOUNTING	086979-1	2	
12	PIN, 3/16" X 1 1/2" COTTER	F81043-31	4	
13	WASHER, BN781 M12/13 EXTERNALLY SERRATED	F81056-16	2	
14	BOLT, M12x35-8.8 HEX HEAD FULL THREAD ZINC	F81004-24	2	
15	WASHER, 15 SPECIAL FLAT ZINC	F81057-3	2	
16	WASHER, BN783 M12/12.3/30.3 SERRATED	F81056-17	2	
17	NUT, M12-8 HEX NYLON ZINC LOCK	F81034-2	6	
18	BOLT, M12x75-8.8 HEX HEAD ZINC	F81004-21	4	
19	WASHER, 13 FLAT ZINC	F81056-1	4	
20	SUPPORT, "M" FRAME BX12H LOG SIDE SPECIAL	507195-1	1	
21	WASHER, 17 FLAT ZINC	F81058-1	6	
22	ROLLER ASSY, SIDE SUPPORT	015014	2	
23	BOLT, M16x65-8.8-B HEX HEAD FULL THREAD ZINC	F81006-1	2	
24	NUT, M16-8 HEX NYLON ZINC LOCK	F81036-2	2	
25	FITTING, 3/16" STRAIGHT GREASE	P04107	4	
	<b>PUSHER ASSEMBLY, SIDE SUPPORT (L=1480)</b>	<b>091640</b>	<b>1</b>	
26	ROD, SIDE SUPPORT PUSHER ZINC-PLATED (L=1420)	089374-1	1	
27	END, SAL12 CX ROD LEFT-HAND	087036	1	
28	NUT, M12LH-04-A LEFT THIN	F81034-7	1	
29	WASHER, 13 FLAT ZINC	F81056-1	6	
30	NUT, M12-8 HEX NYLON ZINC LOCK	F81034-2	2	
31	END, SA12 CX ROD RIGHT-HAND	087035	1	
32	NUT, M12 THIN ZINC-PLATED	F81034-6	1	
33	BOLT, M12x45-8.8 HEX HEAD ZINC	F81004-32	1	
34	BOLT, M12x55-8.8 HEX HEAD ZINC	F81004-12	1	
	<b>PUSHER ASSEMBLY, MBX24 L=2200 SIDE SUPPORT</b>	<b>505723</b>	<b>1</b>	
35	ROD, SIDE SUPPORT PUSHER ZINC-PLATED (L=2132)	509593-1	1	
36	END, SAL12 CX ROD LEFT-HAND	087036	1	
37	NUT, M12LH-04-A LEFT THIN	F81034-7	1	
38	WASHER, 13 FLAT ZINC	F81056-1	3	
39	NUT, M12-8 HEX NYLON ZINC LOCK	F81034-2	2	
40	END, SA12 CX ROD RIGHT-HAND	087035	1	
41	NUT, M12 THIN ZINC-PLATED	F81034-6	1	
42	BOLT, M12x75-8.8 HEX HEAD ZINC	F81004-21	1	
43	BOLT, M12x95 -8.8 HEX HEAD ZINC	F81004-29	1	
44	BUSHING, ZINC-PLATED SPACER	505895-1	2	
	<b>CYLINDER, 24H1-3 HYDRAULIC (505719 ONLY)</b>	<b>505727</b>	<b>1</b>	
45	CYLINDER, CJ-S270-16-50/28/152 HYDRAULIC	088678	1	

# 7 Hydraulic System

## BX12 Hydraulic Hose Kit

46	FITTING, 3/8" JIC - 1/4" NPT ELBOW	015491	2	
47	FITTING, M/F-90-9/16 JIC ELBOW	500597	2	

### 7.6 BX12 Hydraulic Hose Kit



REF.	DESCRIPTION (◆ Indicates Parts Available In Assemblies Only)	PART #	QTY.	
	<b>HYDRAULIC HOSE KIT, BX12 12 H1</b>	<b>507853</b>	<b>1</b>	
1	PLATE, QUICK DISCONNECT FITTING MOUNTING PTD	505887-1	1	
2	DECAL, BX24 HYDRAULIC HOSE CONNECTION	505903	1	
3	WASHER, 1940 DIA. (34/21.2/1.5)	506105	2	
4	FITTING, Z3/8"BSP-Z9/16 UNF JIC REDUCER	504987-1	2	
5	FITTING, 3/8" BSP MALE QUICK DISCONNECT	504966	2	
7	NUT, M20-8-A HEX NYLON ZINC LOCK	F81037-2	2	
8	HOSE, 2T3/8X2.700 W9/16UNF-W9/16UNF HYDRAULIC	097624	2	
9	WASHER, 10.5 FLAT ZINC	F81055-1	8	
10	BOLT, M10x30-5.8 HEX HEAD FULL THREAD ZINC	F81003-2	4	
11	NUT, M10-8-B HEX NYLON ZINC LOCK	F81033-1	4	
19	BRACKET, FITTING MOUNTING PLATE	507204-1	1	
	<b>HYDRAULIC HOSE KIT, BX12 12H2</b>	<b>507854</b>	<b>1</b>	
1	PLATE, QUICK DISCONNECT FITTING MOUNTING PTD	505887-1	1	
2	DECAL, BX24 HYDRAULIC HOSE CONNECTION	505903	1	
3	WASHER, 1940 DIA. (34/21.2/1.5)	506105	4	
4	FITTING, Z3/8"BSP-Z9/16 UNF JIC REDUCER	504987-1	2	
5	FITTING, 3/8" BSP MALE QUICK DISCONNECT	504966	4	
6	FITTING, 3/8" 7/16" UNF JIC REDUCER	504995-1	2	
7	NUT, M20-8-A HEX NYLON ZINC LOCK	F81037-2	4	
8	HOSE, 2T3/8X2.700 W9/16UNF-W9/16UNF HYDRAULIC	097624	2	
9	WASHER, 10.5 FLAT ZINC	F81055-1	8	
10	BOLT, M10x75-8.8 HEX HEAD ZINC	F81003-2	4	

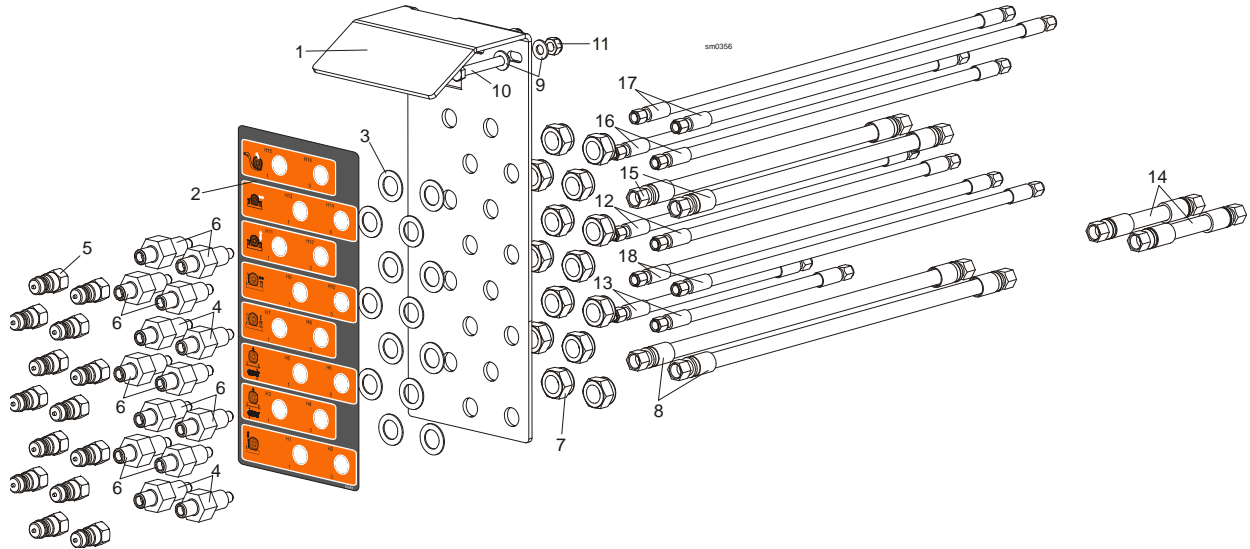
11	NUT, M10-8-B HEX NYLON ZINC LOCK	F81033-1	4	
18	HOSE, 2T1/4X2.800 W7/16UNF-W7/16UNF HYDRAULIC	094606	2	
19	BRACKET, BX12 HYDRAULIC HOSE MOUNTING PLATE	507204-1	1	
	<b>HYDRAULIC HOSE KIT, BX12 12H3</b>	<b>507855</b>	<b>1</b>	
1	PLATE, QUICK DISCONNECT FITTING MOUNTING PTD	505887-1	1	
2	DECAL, BX24 HYDRAULIC HOSE CONNECTION	505903	1	
3	WASHER, 1940 DIA. (34/21.2/1.5)	506105	8	
4	FITTING, Z3/8"BSP-Z9/16 UNF JIC REDUCER	504987-1	4	
5	FITTING, 3/8" BSP MALE QUICK DISCONNECT	504966	8	
6	FITTING, 3/8" 7/16" UNF JIC REDUCER	504995-1	4	
7	NUT, M20-8-A HEX NYLON ZINC LOCK	F81037-2	8	
8	HOSE, 2T3/8X2.700 W9/16UNF-W9/16UNF HYDRAULIC	097624	2	
9	WASHER, 10.5 FLAT ZINC	F81055-1	8	
10	BOLT, M10x75-8.8 HEX HEAD ZINC	F81003-2	4	
11	NUT, M10-8-B HEX NYLON ZINC LOCK	F81033-1	4	
12	HOSE, 2T1/4x3.300 W7/16UNF-W7/16UNF HYDRAULIC	507865	2	
15	HOSE, 2T3/8X1.900 W9/16UNF-W9/16UNF HYDRAULIC	089856	2	
18	HOSE, 2T1/4X2.800 W7/16UNF-W7/16UNF HYDRAULIC	094606	2	
19	BRACKET, BX12 HYDRAULIC HOSE MOUNTING PLATE	507204-1	1	
	<b>HYDRAULIC HOSE KIT, BX12 12H4</b>	<b>507856</b>	<b>1</b>	
1	PLATE, QUICK DISCONNECT FITTING MOUNTING PTD	505887-1	1	
2	DECAL, BX24 HYDRAULIC HOSE CONNECTION	505903	1	
3	WASHER, 1940 DIA. (34/21.2/1.5)	506105	8	
4	FITTING, Z3/8"BSP-Z9/16 UNF JIC REDUCER	504987-1	4	
5	FITTING, 3/8" BSP MALE QUICK DISCONNECT	504966	8	
6	FITTING, 3/8" 7/16" UNF JIC REDUCER	504995-1	4	
7	NUT, M20-8-A HEX NYLON ZINC LOCK	F81037-2	8	
8	HOSE, 2T3/8X2.700 W9/16UNF-W9/16UNF HYDRAULIC	097624	2	
9	WASHER, 10.5 FLAT ZINC	F81055-1	8	
10	BOLT, M10x75-8.8 HEX HEAD ZINC	F81003-2	4	
11	NUT, M10-8-B HEX NYLON ZINC LOCK	F81033-1	4	
12	HOSE, 2T1/4x3.300 W7/16UNF-W7/16UNF HYDRAULIC	507865	2	
14	HOSE, 2G3/8X0.690 W9/16UNF-W9/16UNF HYDRAULIC	014796	2	
15	HOSE, 2T3/8X1.900 W9/16UNF-W9/16UNF HYDRAULIC	089856	2	
18	HOSE, 2T1/4X2.800 W7/16UNF-W7/16UNF HYDRAULIC	094606	2	
19	BRACKET, BX12 HYDRAULIC HOSE MOUNTING PLATE	507204-1	1	
	<b>HYDRAULIC HOSE KIT, BX12 12H5</b>	<b>507857</b>	<b>1</b>	
1	PLATE, QUICK DISCONNECT FITTING MOUNTING PTD	505887-1	1	
2	DECAL, BX24 HYDRAULIC HOSE CONNECTION	505903	1	
3	WASHER, 1940 DIA. (34/21.2/1.5)	506105	12	
4	FITTING, Z3/8"BSP-Z9/16 UNF JIC REDUCER	504987-1	4	
5	FITTING, 3/8" BSP MALE QUICK DISCONNECT	504966	12	
6	FITTING, 3/8" 7/16" UNF JIC REDUCER	504995-1	8	
7	NUT, M20-8-A HEX NYLON ZINC LOCK	F81037-2	12	
8	HOSE, 2T3/8X2.700 W9/16UNF-W9/16UNF HYDRAULIC	097624	2	
9	WASHER, 10.5 FLAT ZINC	F81055-1	8	

## 7

**Hydraulic System***BX12 Hydraulic Hose Kit*

10	BOLT, M10x75-8.8 HEX HEAD ZINC	F81003-2	4	
11	NUT, M10-8-B HEX NYLON ZINC LOCK	F81033-1	4	
12	HOSE, 2T1/4x3.300 W7/16UNF-W7/16UNF HYDRAULIC	507865	2	
14	HOSE, 2G3/8X0.690 W9/16UNF-W9/16UNF HYDRAULIC	014796	2	
15	HOSE, 2T3/8X1.900 W9/16UNF-W9/16UNF HYDRAULIC	089856	2	
16	HOSE, 2T1/4x3.400 W7/16UNF-W7/16UNF HYDRAULIC	507863	2	
17	HOSE, 2T1/4x3.800 W7/16UNF-W7/16UNF HYDRAULIC	507862	2	
18	HOSE, 2T1/4X2.800 W7/16UNF-W7/16UNF HYDRAULIC	094606	2	
19	BRACKET, BX12 HYDRAULIC HOSE MOUNTING PLATE	507204-1	1	
	<b>HYDRAULIC HOSE KIT, BX12 12H6</b>	<b>507858</b>	<b>1</b>	
1	PLATE, QUICK DISCONNECT FITTING MOUNTING PTD	505887-1	1	
2	DECAL, BX24 HYDRAULIC HOSE CONNECTION	505903	1	
3	WASHER, 1940 DIA. (34/21.2/1.5)	506105	14	
4	FITTING, Z3/8"BSP-Z9/16 UNF JIC REDUCER	504987-1	4	
5	FITTING, 3/8" BSP MALE QUICK DISCONNECT	504966	14	
6	FITTING, 3/8" 7/16" UNF JIC REDUCER	504995-1	10	
7	NUT, M20-8-A HEX NYLON ZINC LOCK	F81037-2	14	
8	HOSE, 2T3/8X2.700 W9/16UNF-W9/16UNF HYDRAULIC	097624	2	
9	WASHER, 10.5 FLAT ZINC	F81055-1	8	
10	BOLT, M10x75-8.8 HEX HEAD ZINC	F81003-2	4	
11	NUT, M10-8-B HEX NYLON ZINC LOCK	F81033-1	4	
12	HOSE, 2T1/4x3.300 W7/16UNF-W7/16UNF HYDRAULIC	507865	2	
13	HOSE, 2T1/4x1.000 W7/16UNF-W7/16UNF HYDRAULIC	507866	2	
14	HOSE, 2G3/8X0.690 W9/16UNF-W9/16UNF HYDRAULIC	014796	2	
15	HOSE, 2T3/8X1.900 W9/16UNF-W9/16UNF HYDRAULIC	089856	2	
16	HOSE, 2T1/4x3.400 W7/16UNF-W7/16UNF HYDRAULIC	507863	2	
17	HOSE, 2T1/4x3.800 W7/16UNF-W7/16UNF HYDRAULIC	507862	2	
18	HOSE, 2T1/4X2.800 W7/16UNF-W7/16UNF HYDRAULIC	094606	2	
19	BRACKET, BX12 HYDRAULIC HOSE MOUNTING PLATE	507204-1	1	

### 7.7 Hydraulic Hose Kit, BX24 Bed Extension



REF.	DESCRIPTION (◆ Indicates Parts Available In Assemblies Only)	PART #	QTY.
<b>HYDRAULIC HOSE KIT, BX24 24H1</b>		<b>505835</b>	<b>1</b>
1	PLATE, QUICK DISCONNECT FITTING MOUNTING PTD	505887-1	1
2	DECAL, BX24 HYDRAULIC HOSE CONNECTION	505903	1
3	WASHER, 1940 DIA. (34/21.2/1.5)	506105	2
4	FITTING, Z3/8"BSP-Z9/16 UNF JIC REDUCER	504987-1	2
5	FITTING, 3/8" BSP MALE QUICK DISCONNECT	504966	2
7	NUT, M20-8-A HEX NYLON ZINC LOCK	F81037-2	2
8	HOSE, 2T3/8X4.80 W9/16UNF-W9/16UNF HYDRAULIC	505842	2
9	WASHER, 10.5 FLAT ZINC	F81055-1	4
10	BOLT, M10x75-8.8 HEX HEAD ZINC	F81003-15	2
11	NUT, M10-8-B HEX NYLON ZINC LOCK	F81033-1	2
<b>HYDRAULIC HOSE KIT, BX24 24H2</b>		<b>505837</b>	<b>1</b>
1	PLATE, QUICK DISCONNECT FITTING MOUNTING PTD	505887-1	1
2	DECAL, BX24 HYDRAULIC HOSE CONNECTION	505903	1
3	WASHER, 1940 DIA. (34/21.2/1.5)	506105	4
4	FITTING, Z3/8"BSP-Z9/16 UNF JIC REDUCER	504987-1	2
5	FITTING, 3/8" BSP MALE QUICK DISCONNECT	504966	4
6	FITTING, 3/8" 7/16" UNF JIC REDUCER	504995-1	2
7	NUT, M20-8-A HEX NYLON ZINC LOCK	F81037-2	4
8	HOSE, 2T3/8X4.80 W9/16UNF-W9/16UNF HYDRAULIC	505842	2
9	WASHER, 10.5 FLAT ZINC	F81055-1	4
10	BOLT, M10x75-8.8 HEX HEAD ZINC	F81003-15	2
11	NUT, M10-8-B HEX NYLON ZINC LOCK	F81033-1	2
18	HOSE, 2T1/4X4.900 W7/16UNF-W7/16 UNF HYDRAULIC	097620	2
<b>HYDRAULIC HOSE KIT, BX24 24H3</b>		<b>505839</b>	<b>1</b>
1	PLATE, QUICK DISCONNECT FITTING MOUNTING PTD	505887-1	1
2	DECAL, BX24 HYDRAULIC HOSE CONNECTION	505903	1

# 7

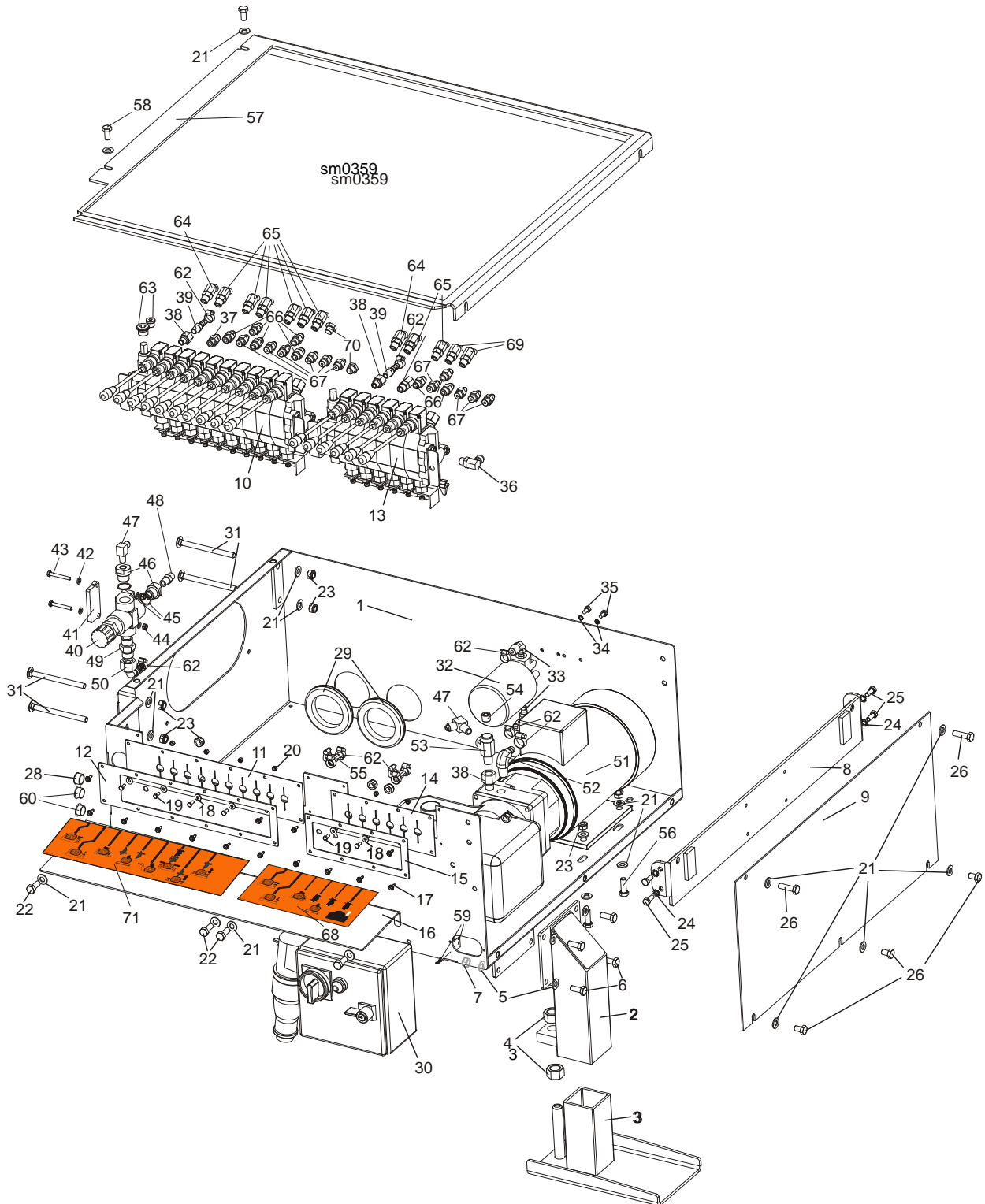
## Hydraulic System

### Hydraulic Hose Kit, BX24 Bed Extension

3	WASHER, 1940 DIA. (34/21.2/1.5)	506105	8	
4	FITTING, Z3/8"BSP-Z9/16 UNF JIC REDUCER	504987-1	4	
5	FITTING, 3/8" BSP MALE QUICK DISCONNECT	504966	8	
6	FITTING, 3/8" 7/16" UNF JIC REDUCER	504995-1	4	
7	NUT, M20-8-A HEX NYLON ZINC LOCK	F81037-2	8	
8	HOSE, 2T3/8X4,80 W9/16UNF-W9/16UNF HYDRAULIC	505842	2	
9	WASHER, 10.5 FLAT ZINC	F81055-1	4	
10	BOLT, M10x75-8.8 HEX HEAD ZINC	F81003-15	2	
11	NUT, M10-8-B HEX NYLON ZINC LOCK	F81033-1	2	
12	HOSE, 2T1/4X4.8500 W7/16UNF-W7/16UNF HYDRAULIC	505844	2	
15	HOSE, 2T3/8X3.750 W9/16UNF-W9/16UNF HYDRAULIC	505845	2	
18	HOSE, 2T1/4X4.900 W7/16UNF-W7/16 UNF HYDRAULIC	097620	2	
	<b>HYDRAULIC HOSE KIT, BX24 24H4</b>	<b>505841</b>	<b>1</b>	
1	PLATE, QUICK DISCONNECT FITTING MOUNTING PTD	505887-1	1	
2	DECAL, BX24 HYDRAULIC HOSE CONNECTION	505903	1	
3	WASHER, 1940 DIA. (34/21.2/1.5)	506105	8	
4	FITTING, Z3/8"BSP-Z9/16 UNF JIC REDUCER	504987-1	4	
5	FITTING, 3/8" BSP MALE QUICK DISCONNECT	504966	8	
6	FITTING, 3/8" 7/16" UNF JIC REDUCER	504995-1	4	
7	NUT, M20-8-A HEX NYLON ZINC LOCK	F81037-2	8	
8	HOSE, 2T3/8X4,80 W9/16UNF-W9/16UNF HYDRAULIC	505842	2	
9	WASHER, 10.5 FLAT ZINC	F81055-1	4	
10	BOLT, M10x75-8.8 HEX HEAD ZINC	F81003-15	2	
11	NUT, M10-8-B HEX NYLON ZINC LOCK	F81033-1	2	
12	HOSE, 2T1/4X4.8500 W7/16UNF-W7/16UNF HYDRAULIC	505844	2	
14	HOSE, 2G3/8X0.690 W9/16UNF-W9/16UNF HYDRAULIC	014796	2	
15	HOSE, 2T3/8X3.750 W9/16UNF-W9/16UNF HYDRAULIC	505845	2	
18	HOSE, 2T1/4X4.900 W7/16UNF-W7/16 UNF HYDRAULIC	097620	2	
	<b>HYDRAULIC HOSE KIT, BX24 24H5</b>	<b>506091</b>	<b>1</b>	
1	PLATE, QUICK DISCONNECT FITTING MOUNTING PTD	505887-1	1	
2	DECAL, BX24 HYDRAULIC HOSE CONNECTION	505903	1	
3	WASHER, 1940 DIA. (34/21.2/1.5)	506105	12	
4	FITTING, Z3/8"BSP-Z9/16 UNF JIC REDUCER	504987-1	4	
5	FITTING, 3/8" BSP MALE QUICK DISCONNECT	504966	12	
6	FITTING, 3/8" 7/16" UNF JIC REDUCER	504995-1	8	
7	NUT, M20-8-A HEX NYLON ZINC LOCK	F81037-2	12	
8	HOSE, 2T3/8X4,80 W9/16UNF-W9/16UNF HYDRAULIC	505842	2	
9	WASHER, 10.5 FLAT ZINC	F81055-1	4	
10	BOLT, M10x75-8.8 HEX HEAD ZINC	F81003-15	2	
11	NUT, M10-8-B HEX NYLON ZINC LOCK	F81033-1	2	
12	HOSE, 2T1/4X4.8500 W7/16UNF-W7/16UNF HYDRAULIC	505844	2	
14	HOSE, 2G3/8X0.690 W9/16UNF-W9/16UNF HYDRAULIC	014796	2	
15	HOSE, 2T3/8X3.750 W9/16UNF-W9/16UNF HYDRAULIC	505845	2	
16	HOSE, 2T1/4X5.500 W7/16UNF-W7/16UNF HYDRAULIC	506094	2	
17	HOSE, 2T1/4X5.900 W7/16UNF-W7/16UNF HYDRAULIC	506999	2	
18	HOSE, 2T1/4X4.900 W7/16UNF-W7/16 UNF HYDRAULIC	097620	2	

	<b>HYDRAULIC HOSE KIT, BX24 24H6</b>	<b>506093</b>	<b>1</b>	
<b>1</b>	PLATE, QUICK DISCONNECT FITTING MOUNTING PTD	505887-1	1	
<b>2</b>	DECAL, BX24 HYDRAULIC HOSE CONNECTION	505903	1	
<b>3</b>	WASHER, 1940 DIA. (34/21.2/1.5)	506105	14	
<b>4</b>	FITTING, Z3/8"BSP-Z9/16 UNF JIC REDUCER	504987-1	4	
<b>5</b>	FITTING, 3/8" BSP MALE QUICK DISCONNECT	504966	14	
<b>6</b>	FITTING, 3/8" 7/16" UNF JIC REDUCER	504995-1	10	
<b>7</b>	NUT, M20-8-A HEX NYLON ZINC LOCK	F81037-2	14	
<b>8</b>	HOSE, 2T3/8X4.80 W9/16UNF-W9/16UNF HYDRAULIC	505842	2	
<b>9</b>	WASHER, 10.5 FLAT ZINC	F81055-1	4	
<b>10</b>	BOLT, M10x75-8.8 HEX HEAD ZINC	F81003-15	2	
<b>11</b>	NUT, M10-8-B HEX NYLON ZINC LOCK	F81033-1	2	
<b>12</b>	HOSE, 2T1/4X4.8500 W7/16UNF-W7/16UNF HYDRAULIC	505844	2	
<b>13</b>	HOSE, 2T1/4X2.900 W7/16UNF-W7/16UNF HYDRAULIC	505843	2	
<b>14</b>	HOSE, 2G3/8X0.690 W9/16UNF-W9/16UNF HYDRAULIC	014796	2	
<b>15</b>	HOSE, 2T3/8X3.750 W9/16UNF-W9/16UNF HYDRAULIC	505845	2	
<b>16</b>	HOSE, 2T1/4X5.500 W7/16UNF-W7/16UNF HYDRAULIC	506094	2	
<b>17</b>	HOSE, 2T1/4X5.900 W7/16UNF-W7/16UNF HYDRAULIC	506999	2	
<b>18</b>	HOSE, 2T1/4X4.900 W7/16UNF-W7/16 UNF HYDRAULIC	097620	2	

7.8 Hydraulic Control Box, 16-Section LT20/40/70 AC





REF.	DESCRIPTION (◆ Indicates Parts Available In Assemblies Only)	PART #	QTY.
	<b>BOX, LT40/70 AC 16-SECTION HYDRAULIC CONTROL - COMPLETE</b>	<b>505945</b>	1
	<b>BOX, LT20 AC 16-SECTION HYDRAULIC CONTROL - COMPLETE</b>	<b>505950</b>	1
1	<b>BOX WELDMENT, HYDRAULIC CONTROL PTD</b>	<b>505946-1</b>	1
	<b>LEG, HYDRAULIC CONTROL BOX</b>	<b>505741</b>	1
2	LEG, HYDRAULIC CONTROL BOX - UPPER PART	505742-1	1
3	WIDE FOOT - ADJUSTABLE LEGS	501084-1	1
4	NUT, M20-8 HEX ZINC	F81037-1	2
5	WASHER, 10.5 FLAT ZINC	F81055-1	8
6	BOLT, M10x25-8.8 HEX HEAD FULL THREAD ZINC	F81003-11	4
7	NUT, M10-8-B HEX NYLON ZINC LOCK	F81033-1	4
8	BRACKET, AC HYDRAULIC CONTROL BOX - COMPLETE	086518-1	1
9	COVER, AC HYDRAULIC PUMP HOUSING SIDE	086484-1	1
10	VALVE, HDS11/10 8-SECTION HYDRAULIC	091344	1
11	GUARD, 10-SECTION HYDRAULIC VALVE RUBBER	091739	1
12	COVER, 10-SECTION VALVE GUARD PTD	091826-1	1
13	VALVE, 6-SPOOL FOR SERIES CONNECTION	501104	1
14	GUARD, RUBBER DOUBLE VALVE	015079	1
15	COVER, VALVE GUARD PTD	086519-1	1
16	PLATE FOR DECALS	505949-1	1
17	SCREW, #10-24x1/2 SELF-TAPPING	F05015-7	14
18	WASHER, 5.5 SPECIAL FLAT ZINC-PL.	F81052-3	6
19	BOLT, M5x12-5.8 HEX HEAD FULL THREAD ZINC	F81000-5	6
20	NUT, M5-8 HEX ZINC	F81030-1	6
21	WASHER, 10.5 FLAT ZINC	F81055-1	23
22	BOLT, M10x25-8.8 HEX HEAD FULL THREAD ZINC	F81003-11	4
23	NUT, M10-8-B HEX NYLON ZINC LOCK	F81033-1	12
24	WASHER, 8.4 EXTERIOR STAR LOCK	F81054-3	4
25	BOLT, M8x20-8.8-B HEX HEAD FULL THREAD ZINC	F81002-4	4
26	BOLT, M10x16-8.8 HEX HEAD FULL THREAD ZINC	F81003-13	3
27	BOLT, M10x35-8.8 HEX HEAD FULL THREAD ZINC	F81003-17	2
28	GROMMET, HEYCO WIRE	P04137	1
29	GROMMET, 80MM DIA. RUBBER	089293	2
30	BOX, AC 4kW STARTER	089799 <sup>1</sup>	1
	BOX, LT20 STARTER	093088 <sup>2</sup>	1
	BOX, LT20 STARTER - NORWAY	093088-2 <sup>3</sup>	1
31	BOLT, M10x125 8.8 CARRIAGE HEAD ZINC	F81003-34	4
32	MANIFOLD W/FILTER	P22683	1
33	FITTING, (1/2"NPT)-3/8" ELBOW	P12707	2
34	WASHER, Z 6.1 SPLIT LOCK ZINC	F81053-3	2
35	BOLT, 1/4-20x1/2" HEX HEAD ZINC GRADE 2	F05005-15	2
36	FITTING, #6 SAE 3/8"JIC ELBOW	P12704	1
37	FITTING, 3/8JIC -3/8 O-RING	014687	1
38	FITTING, 6SAE MALE-1/4NPT FEMALE	014686	3
39	FITTING, 1/4NPT-3/8 BARB	014685	2
40	VALVE, MTKA.VB OIL FLOW CONTROL	093794	1

# 7

## Hydraulic System

### Hydraulic Control Box, 16-Section LT20/40/70 AC

41	PLATE, MTKA VALVE ZINC-PL. SPACER	094477-1	1	
42	WASHER, 6.4 FLAT ZINC	F81053-1	4	
43	BOLT, M6x45-8.8 HEX HEAD ZINC	F81001-6	2	
44	NUT, M6-8-B HEX NYLON ZINC LOCK	F81031-2	2	
45	WASHER, 22 COPPER	F81061-5	2	
46	FITTING, M22x1.5 / 1/4 -18 NPT ZINC-PL. REDUCER	093139-1	2	
47	FITTING, 3/8JIC-1/4NPT 90L	015491	2	
48	FITTING, 3/8JIC-1/4NPT STRAIGHT	015560	1	
49	FITTING, VMNW10HS22	094486	1	
50	FITTING, PN10AFL 13-90 ELBOW	094485	1	
51	HYDRAULIC PUMP, AC.4KW 14.5L/MIN W/MOTOR	500958	1	
52	FITTING, #6-6(3/8"NPT)-3/8" ELBOW	P12708	1	
53	FITTING, 1/4NPT MALE RUN TEE	P09141	1	
54	PLUG, TN 192-1/4NPT	096221	1	
55	FITTING, 3/8 BARB TEE	015485	2	
56	BOLT, M10x30-5.8 HEX HEAD FULL THREAD ZINC	F81003-2	4	
57	COVER, HYDRAULIC CONTROL BOX	505948-1	1	
58	BOLT, M10x20-5.8 HEX HEAD FULL THREAD ZINC	F81003-1	2	
59	SWITCH, 2A 125V R-LEVER NO/NC/COM	014765	1	
60	CAP, 1086 DIA. 22.2 DIA. HOLE	093544	2	
61	FITTING, 45 DEG. #6SAE ELBOW	015489	1	
62	CLAMP, 11/16 HOSE	061807	12	
63	PLUG KIT FOR BOX #500508	505060	1	
64	<b>FITTING, 45 DEG. #6SAE ELBOW</b>	015489	*	
65	<b>FITTING, #4SAE-#6SAE 45 DEG. ELBOW</b>	015488	*	
66	<b>FITTING, 3/8JIC -3/8 O-RING</b>	014687	*	
67	<b>FITTING, 1/4JIC-3/8 O-RING</b>	P26284	*	
68	<b>DECAL, 24H1-6 FOR 16-SECTION BOX</b>	505961	1	
69	<b>FITTING, #4SAE-#6SAE 45 DEG. ELBOW</b>	015488	*	
70	<b>PLUG, 9/16-18 JIC HYDRAULIC VALVE</b>	089647	*	
71	<b>DECAL FOR AH5/16-SECTION BOX</b>	506099	1	

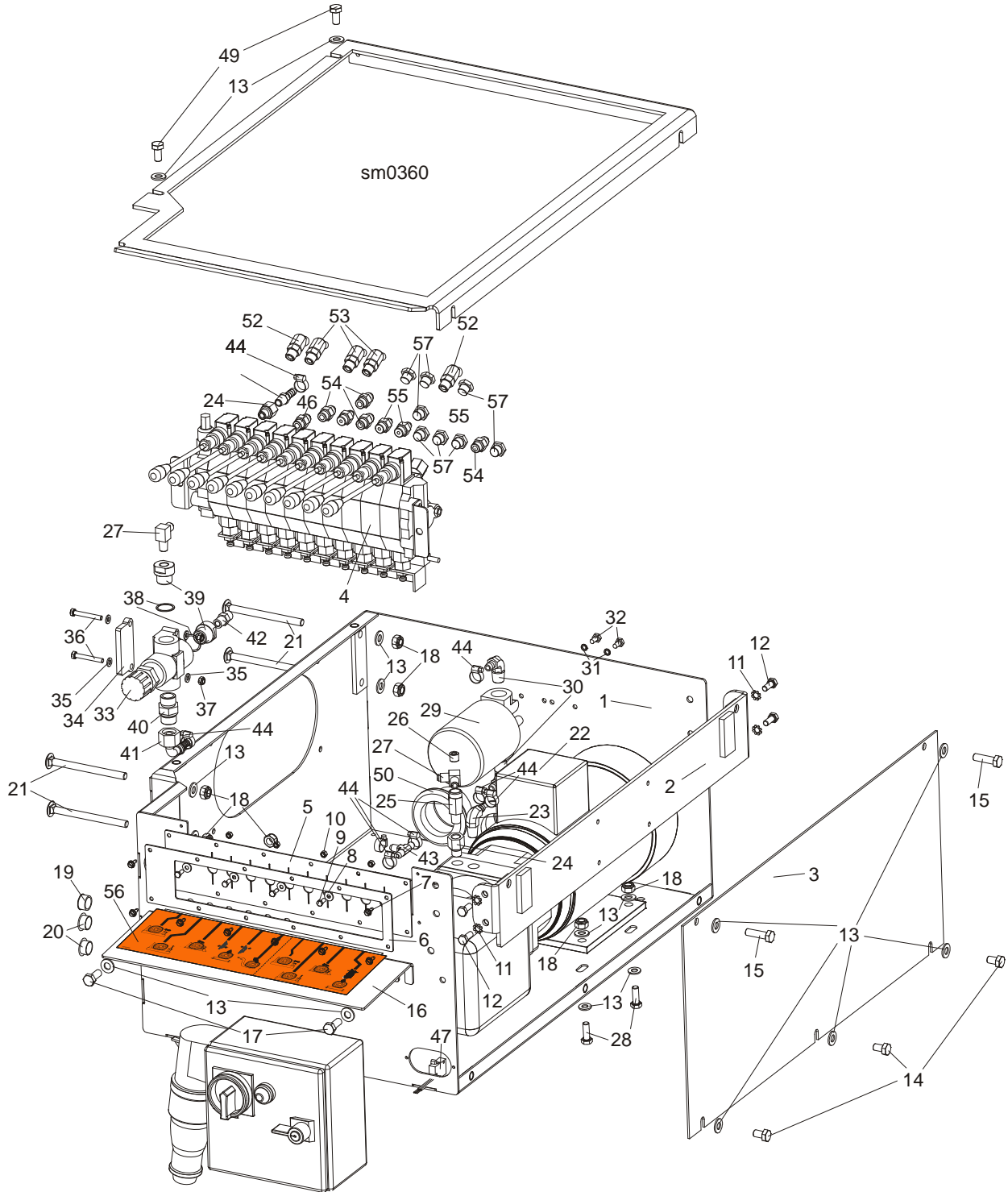
<sup>1</sup> Included in assembly #505945 ( LT40/70)

<sup>2</sup> Included in assembly #505950 ( LT20)

<sup>3</sup> Included in assembly #505950 ( LT20)

\* Depends on hydraulic equipment configuration.

### 7.9 Hydraulic Control Box, LT20/40/70 AC 10-Section



REF.	DESCRIPTION (◆ Indicates Parts Available In Assemblies Only)	PART #	QTY.
	HYDRAULIC CONTROL BOX, LT40/70AC BX24 10-SECTION - COMPLETE	506446	1
	HYDRAULIC CONTROL BOX, LT20 AC BX24 10-SECTION	506555	1

## 7

**Hydraulic System***Hydraulic Control Box, LT20/40/70 AC 10-Section*

1	BOX WELDMENT, HYDRAULIC CONTROL PTD	091729-1	1	
2	BRACKET, AC HYDRAULIC CONTROL BOX - COMPLETE	086518-1	1	
3	COVER, AC HYDRAULIC PUMP HOUSING SIDE	086484-1	1	
4	VALVE, HDS11/10 8-SECTION HYDRAULIC	091344	1	
5	GUARD, 10-SECTION HYDRAULIC VALVE RUBBER	091739	1	
6	COVER, 10-SECTION VALVE GUARD PTD	091826-1	1	
7	SCREW, #10-24x1/2 SELF-TAPPING	F05015-7	8	
8	WASHER, 5.5 SPECIAL FLAT ZINC-PL.	F81052-3	4	
9	BOLT, M5x12-5.8 HEX HEAD FULL THREAD ZINC	F81000-5	4	
10	NUT, M5-8 HEX ZINC	F81030-1	4	
11	WASHER, 8.4 EXTERIOR STAR LOCK	F81054-3	4	
12	BOLT, M8x20-8.8-B HEX HEAD FULL THREAD ZINC	F81002-4	4	
13	WASHER, 10.5 FLAT ZINC	F81055-1	21	
14	BOLT, M10x16-8.8 HEX HEAD FULL THREAD ZINC	F81003-13	3	
15	BOLT, M10x35-8.8 HEX HEAD FULL THREAD ZINC	F81003-17	2	
16	PLATE, DECAL PTD	506588-1	1	
17	BOLT, M10x25-8.8 HEX HEAD FULL THREAD ZINC	F81003-11	2	
18	NUT, M10-8-B HEX NYLON ZINC LOCK	F81033-1	10	
19	GROMMET, HEYCO WIRE	P04137	1	
20	CAP, 1086 DIA. 22.2 DIA. HOLE	093544	2	
21	BOLT, M10x125 8.8 CARRIAGE HEAD ZINC	F81003-34	4	
22	HYDRAULIC PUMP W/MOTOR, AC.4KW 14.5L/MIN	500958	1	
23	FITTING, #6-6(3/8"NPT)-3/8" ELBOW	P12708	1	
24	FITTING, 6SAE MALE-1/4NPT FEMALE	014686	2	
25	FITTING, 1/4NPT MALE RUN TEE	P09141	1	
26	PLUG, TN 192-1/4NPT	096221	1	
27	FITTING, 3/8JIC-1/4NPT 90L	015491	2	
28	BOLT, M10x30-5.8 HEX HEAD FULL THREAD ZINC	F81003-2	4	
29	MANIFOLD W/FILTER	P22683	1	
30	FITTING, (1/2"NPT)-3/8" ELBOW	P12707	2	
31	WASHER, Z 6.1 SPLIT LOCK ZINC	F81053-3	2	
32	BOLT, 1/4-20x1/2" HEX HEAD ZINC GRADE 2	F05005-15	2	
33	VALVE, MTKA.VB OIL FLOW CONTROL	093794	1	
34	PLATE, MTKA VALVE ZINC-PL. SPACER	094477-1	1	
35	WASHER, 6.4 FLAT ZINC	F81053-1	4	
36	BOLT, M6x45-8.8 HEX HEAD ZINC	F81001-6	2	
37	NUT, M6-8-B HEX NYLON ZINC LOCK	F81031-2	2	
38	WASHER, 22 COPPER	F81061-5	2	
39	FITTING, M22x1.5 / 1/4 -18 NPT ZINC-PL. REDUCER	093139-1	2	
40	FITTING, VMNW10HS22	094486	1	
41	FITTING, PN10AFL 13-90 ELBOW	094485	1	
42	FITTING, 3/8JIC-1/4 NPT STRAIGHT	015560	1	
43	FITTING, 3/8 BARB TEE	015485	2	
44	CLAMP, 11/16 HOSE	061807	8	
45	FITTING, 1/4NPT-3/8 BARB	014685	1	
46	FITTING, 3/8JIC -3/8 O-RING	014687	1	

<b>47</b>	SWITCH, 2A 125V R-LEVER NO/NC/COM	014765	1	
<b>48</b>	COVER, HYDRAULIC CONTROL BOX	506587-1	1	
<b>49</b>	BOLT, M10x20-5.8 HEX HEAD FULL THREAD ZINC	F81003-1	2	
<b>50</b>	GROMMET, 55mm DIA. RUBBER	085614	2	
<b>51</b>	BOX, AC 4kW STARTER	089799 <sup>1</sup>	1	
	BOX, LT20 STARTER	093088 <sup>2</sup>	1	
	BOX, LT20 STARTER - NORWAY	093088-2 <sup>3</sup>	1	
<b>52</b>	<b>FITTING, 45 DEG. #6SAE ELBOW</b>	015489	*	
<b>53</b>	<b>FITTING, #4SAE-#6SAE 45 DEG. ELBOW</b>	015488	*	
<b>54</b>	<b>FITTING, 3/8JIC -3/8 O-RING</b>	014687	*	
<b>55</b>	<b>FITTING, 1/4JIC-3/8 O-RING</b>	P26284	*	
<b>56</b>	<b>DECAL, 24H1-6 FOR 16-SECTION BOX</b>	506589	1	
<b>57</b>	<b>PLUG, 9/16-18 JIC HYDRAULIC VALVE</b>	089647	*	

<sup>1</sup> Included in assembly #506446 ( LT40/70)

<sup>2</sup> Included in assembly #506555 ( LT20)

<sup>3</sup> Included in assembly 506555 ( LT20)

\* Depends on hydraulic equipment configuration.