

Bed Extension

Safety, Operation, Maintenance & Parts Manual

BX6 for 2004+ Sawmills	Rev. A1.07
BX12 for 2004+ Sawmills	Rev. A2.02
BX24 for 2004+ Sawmills	Rev. A2.01



Safety is our #1 concern! Read and understand all safety information and instructions before operating, setting up or maintaining this machine.

Form #295

Table of Contents

Section-Page

SECTION 1	SAFETY & GENERAL INFORMATION	1-1
1.1	Safety Symbols.....	1-1
1.2	Bed Extension Setup.....	1-2
1.3	Bed Extension Operation.....	1-2
1.4	Bed Extension Maintenance	1-3
SECTION 2	INSTALLATION	2-1
2.1	Alignment Box Installation	2-1
2.2	Leg Installation.....	2-3
2.3	Extension Frame Attachment	2-5
2.4	Support Brace Installation	2-8
2.5	Extra Leg and Bed Rail Installation (24-foot Bed Extensions Only).....	2-10
2.6	Hydraulic Log Handling Equipment Kits for MBX24 Bed Extensions.....	2-12
2.7	Hydraulic Log Handling Equipment Kits for MBX12 Bed Extensions.....	2-12
2.8	Hydraulic Log Handling Equipment Kits for BX12 Bed Extensions For S, M Super, L Frames	2-12
2.9	Mounting the BX12 Bed Extension to Sawmills with "M" Frame and AH4-7 Hy- draulics	2-13
2.10	Mounting the BX12 Bed Extension to mobile LT40 sawmills with "M" Frame...	2-14
2.11	Foot Dimensions : Sawmills with M Frame and BX12 i BX24 Bed Extensions....	2-15
SECTION 3	BED EXTENSION ALIGNMENT	3-1
SECTION 4	LOG CLAMP OPERATION	4-1
SECTION 5	STORAGE PROTECTION	5-1

Table of Contents

Section-Page

SECTION 6	BED EXTENSION PARTS	6-1
6.1	BX12 Bed Extensions.....	6-1
6.2	BX24 Bed Extensions.....	6-3
6.3	70BX24HS5M	6-6
6.4	Bed Rail	6-7
6.5	Short Cross Rail	6-8
6.6	Bed Extension w/Flat Bed Rails, BX24 LT70M	6-9
6.7	Complete Bed Extension Frame, BX24M	6-10
6.8	Bed Extension, MR 70BX6MR	6-12
6.9	Bed Extension, 70BX6MH4-7	6-13
6.10	Bed Extension (Part No. 539091)	6-14
6.11	MBX6 Connector (Part No. 532255)	6-15
6.12	Bed Rail (No. 536180)	6-16
6.13	Angled Bed Rail, BX for "L" Frame (No. 539371)	6-17
6.14	BX6 Bed Extension (Part No. 521880)	6-18
6.15	Connection Bracket Assembly, MBX6	6-19
6.16	BX Connector (Part No. 501340)	6-20
6.17	Connection Bracket, BX6-S/M	6-21
6.18	Connection Bracket, BX12-S/M (Part No. 526180)	6-22
6.19	Connection Bracket (New "M" Frame & Old BX12)	6-23
6.20	Connection Bracket Assembly, MBX6-AH5/DH5	6-24
6.21	Adjustable Leg Set, BX6 (Part No. 093579)	6-25
6.22	Adjustable Leg Set, BX12 (Part No. 528381)	6-26
6.23	Adjustable Leg Set, BX12 (Part No. 507861)	6-27
6.24	Adjustable Leg Set, BX24M (Part No. 528372)	6-28
6.25	70BX12H3MR	6-29
6.26	70BX12H4MR	6-30
6.27	Bed Extension, BX12 (Part No. 526550)	6-31
6.28	70BX6LR	6-33
6.29	Connection Bracket Assembly, SBX6	6-34
6.30	Connection Bracket Assembly - Part No. 096878	6-35
6.31	40BX6M	6-36
6.32	BX6	6-37
6.33	40BX12H4M	6-38
6.34	BX12 - Part No. 526554	6-39
6.35	40BX12MR	6-40
6.36	BX12 LT40 L AH	6-41
6.37	BX12 LT20 L AH	6-42
6.38	Additional Log Side Support - Part No. 525098	6-45
6.39	Connection Beam, LT40BX12	6-47
6.40	Connection Bracket Assembly, MBX6	6-48
6.41	Log Clamp Mount Assembly, BX12	6-49
6.42	Connection Bracket Assembly, M-BX24 (Old)	6-50
6.43	Connection Bracket, BX6-Log Clamp Mount	6-52

Table of Contents

Section-Page

6.44	Front & Rear Bed Rail Assembly (BX6 Only)	6-53
6.45	Front & Rear Bed Rail assembly (BX12 & BX24 Only).....	6-54
6.46	Front Middle Bed Rail Assembly (BX12 & BX24 Only)	6-55
6.47	Rear Middle Bed Rail Assembly (BX12 Only)	6-56
6.48	Angled Bed Rails for "M" Frame	6-57
6.49	Pivot Bed Rail Assembly (BX24 Only)	6-59
6.50	Pivot Bed Rail Assembly (BX12 Only)	6-60
6.51	Accessory Bed Rail Assembly (BX24 Only)	6-61
6.52	Log Clamp Mount Assembly (BX24)	6-62
6.53	Manual Log Side Support.....	6-63
6.54	Mast Track Extension & Chain	6-65
6.55	Middle Stationary Legs (BX24 Only)	6-67
6.56	Fine Adjust Outrigger Leg.....	6-68
6.57	Side Fine Adjust Outrigger Leg	6-69
6.58	Fine Adjust Turned Outrigger Leg	6-70
6.59	Leg, Side Fine Adjust Outrigger - Complete.....	6-71
6.60	Leg, Side Fine Adjust Outrigger - Complete.....	6-72
6.61	Fine Adjust Outrigger Leg	6-73
6.62	Manual Log Clamp (manual bed extension equipment: 12/24M)	6-74
6.63	Manual Log Clamp, BX6	6-75
6.64	Main Log Clamp (540970)	6-76
6.65	Brace Assembly, SBX6.....	6-78
6.66	Brace Assembly, MBX6.....	6-79
6.67	LBX6 Connection Bracket	6-80
6.68	Brace Assembly, SBX12	6-81
6.69	MBX12 Connection Brace	6-82
6.70	Brace Assembly, LBX12.....	6-84
6.71	Brace Assembly, SBX24	6-85
6.72	Brace Assembly, MBX24.....	6-86
6.73	Brace Assembly, LBX24	6-87
6.74	Brace Assembly, MBX24 Super	6-88
6.75	Brace Assembly, MBX24S AH4/7 DH4/7.....	6-89
6.76	Connection Brace, BX24S-Super	6-90
6.77	BX24 M-Super Frame	6-92
6.78	Leg, Log Turner Support (Part No. 540958)	6-93
6.79	Middle Stationary Leg	6-94
6.80	Left Stationary Leg	6-95
6.81	Right Stationary Leg.....	6-96
6.82	Stationary Leg	6-97
6.83	Bed Extension, MBX6 Super	6-98
6.84	BX12 Super Connection Brace	6-99
6.85	Oil Flow Divider w/Hydraulic Hoses (BX12/24 & "M" Frame).....	6-101

Table of Contents

Section-Page

6.86	MBX12 Connection Brace	6-102
6.87	Log Ramp	6-103
6.88	BX24 Log Loader Assembly with Hydraulic Hoses (M-type) - optional equipment ..	
6-104		
6.89	Log Loader. 090204 (Single Arm)	6-107

SECTION 7 HYDRAULIC SYSTEM

7-1

7.1	Hydraulic Hose Hanger Kit, MBX12/24 Bed Extension (AH1-3)	7-1
7.2	Hydraulic Hose Hanger Kit, MBX12/24 Bed Extension (AH4-7).....	7-2
7.3	Hydraulic Log Side Support, BX12 "M" Frame	7-3
7.4	Hydraulic Log Side Supports, MBX12	7-5
7.5	Hydraulic Log Side Supports, MBX24	7-7
7.6	Vertical Side Supports for M Super Frame	7-10
7.7	Hydraulic Log Side Support Assembly, MBX24 (525071)	7-11
7.8	Hydraulic Log Side Support Assembly, MBX24M-Super (541902)	7-12
7.9	Hydraulic Cylinder 24H1-3 (505727)	7-13
7.10	Log Side Support Rod (089842)	7-14
7.11	Log Side Support Rod, MBX24 (505723)	7-15
7.12	BX12 Hydraulic Hose Kit	7-16
7.13	Hydraulic Hose Kit, BX24 Bed Extension	7-19
7.14	Hydraulic Control Box, LT40/70AC 10-Section	7-22

SECTION 1 SAFETY & GENERAL INFORMATION

1.1 Safety Symbols

The following symbols and signal words call your attention to instructions concerning your personal safety. Be sure to observe and follow these instructions.



The word **DANGER** indicates an imminently hazardous situation which, if not avoided, will result in death or serious injury.



WARNING suggests a potentially hazardous situation which, if not avoided, could result in death or serious injury.



CAUTION refers to potentially hazardous situations which, if not avoided, may result in minor or moderate injury to persons or equipment.



Warning stripes are placed on areas where a single decal would be insufficient. To avoid serious injury, keep out of the path of any equipment marked with warning stripes.

Read and observe all safety instructions before operating this equipment! Also read any additional manufacturer's manuals and observe any applicable safety instructions including dangers, warnings, and cautions.

Always be sure that all safety decals are clean and readable. Replace all damaged safety decals to prevent personal injury or damage to the equipment. Contact your local distributor, or call your Customer Service Representative to order more decals.

IMPORTANT! It is always the owner's responsibility to comply with all applicable federal, state and local laws, rules and regulations regarding the ownership, operation and towing of your Wood-Mizer sawmill. All Wood-Mizer mill owners are encouraged to become thoroughly familiar with these applicable laws and comply with them fully while using or towing the mill.

Always properly dispose of all sawing by-products, including sawdust and other debris, coolant, oil, fuel, oil filters and fuel filters.

1.2 Bed Extension Setup

WARNING! Securely fasten the legs of the bed extension to the ground before using the bed extension. Failure to do so will result in serious injury or death.

WARNING! Do not set up the mill on ground with more than a 10 degree incline. If setup on an incline is necessary, put blocks under one side of the mill or dig out areas for outrigger legs to keep mill level. Setting up the mill on an incline could cause it to tip over, resulting in serious personal injury.

1.3 Bed Extension Operation



IMPORTANT! This bed extension is designed and intended to work with the LT20, LT40 and LT70 series Wood-Mizer sawmills.

IMPORTANT! The operator should get adequate training in operation and adjustment of the sawmill.



DANGER! Make sure all guards and covers are in place and secured before operating or transporting the bed extension. Failure to do so may result in serious injury.

Be sure the blade housing and pulley covers are closed (i.e. the safety switches placed on these covers are engaged).

DANGER! Keep all persons out of the path of moving equipment and logs when operating the bed extension or loading and turning logs. Failure to do so may result in serious injury.

DANGER! Maintain a clean and clear path for all necessary movement around the mill and lumber stacking areas. Failure to do so may result in serious injury.

DANGER! Keep all persons out of the path of returning boards. Failure to do so may result in serious injury.



WARNING! Secure all loose clothing and jewellery before operating the sawmill. Failure to do so will result in serious injury or death.

WARNING! Always make sure log is clamped securely before sawing. Failure to do so will result in serious injury or death.

WARNING! Always leave loading arm halfway up while log is on sawmill bed. Failure to do so will result in serious injury or death.

WARNING! The automatic board return is intended to assist a second operator in removing boards quickly. Do not use the board return when operating the sawmill alone. Failure to do so will result in serious injury, death or damage to the equipment.

WARNING! Never use the board return table as a platform to stand on. This table is designed and intended to assist in the removal of boards only. Standing on the table may result in serious injury.



CAUTION! Be sure the pivot rails, turning arm, clamp, and toe boards are below bed level before loading a log onto the bed. Failure to do so may result in machine damage or cause misalignment.

CAUTION! Before loading a log, be sure the cutting head is moved far enough forward so the log does not hit it. Damage to the sawmill may result.

CAUTION! Be careful when manually lowering the log loader. Do not drop the loader onto the ground or perform any action which might break the velocity fuse valves on the loader cylinders. These valves control hydraulic flow and are necessary to prevent the loading arm from collapsing during use.

CAUTION! Do not try to force the saw head beyond its upper and lower travel limits. Damage to the up/down system may result.

CAUTION! Always make sure the up/down switch moves to the neutral or off position when released to ensure that the saw head stops moving. Damage to the sawmill may result.

CAUTION! Move the hydraulic clamp and turner to provide maximum ground clearance before transporting. Failure to do so may result in damage to the sawmill.

CAUTION! Be sure to stop the blade when returning the carriage. This will not only prevent the blade from being pulled off and ruined by a wood sliver, but also will increase the life of the blade.

1.4 Bed Extension Maintenance



CAUTION! Reinstall the track wiper so that it lightly touches the track rail. If the wiper presses too firmly against the rail, it can cause the power feed to bind.

CAUTION! Never use grease on the mast rails as it will collect sawdust.

CAUTION! Do not use chain lube. It causes sawdust buildup in chain links.

CAUTION! Do not overtension the chain. Damage to the feed motor may result.



CAUTION! Do not overtighten the set screws on the hydraulic valve assembly. Overtightening may cause the threads in the screw holes to strip.

CAUTION! Pressure should not exceed 2000 psi. Pressure above 2000 p.s.i. may damage the hydraulic hoses.

SECTION 2 INSTALLATION

The bed extension option includes a 6, 12 or 24-foot frame and the necessary hardware to attach it to your sawmill. After installation, the extension will allow you to cut longer logs than is possible with the standard sawmill. The bed extension is designed for operation with a stationary sawmill. A portable mill can be connected to the extension but will require 2 to 4 hours for each setup. The extension should be mounted to a firm, level footing. See Section [2.11](#) located in the back of this manual for foot dimensions for each sawmill model and bed extension combination. Note the positions labeled A through E on each drawing. These positions will be referred to later for mounting the legs to the extension frame. Positions F, G, H and I apply to 24-foot extensions only.

2.1 Alignment Box Installation

1. Remove the feed chain from the tensioner bolt at the back end of the sawmill frame. Break apart the master link to disconnect the chain from the bolt.



CAUTION! When removing or replacing the feed chain on sawmills with hydraulic log handling, disconnect the negative battery lead. This will ensure the chain does not short the system if it contacts the power supply.

See Figure 2-1.

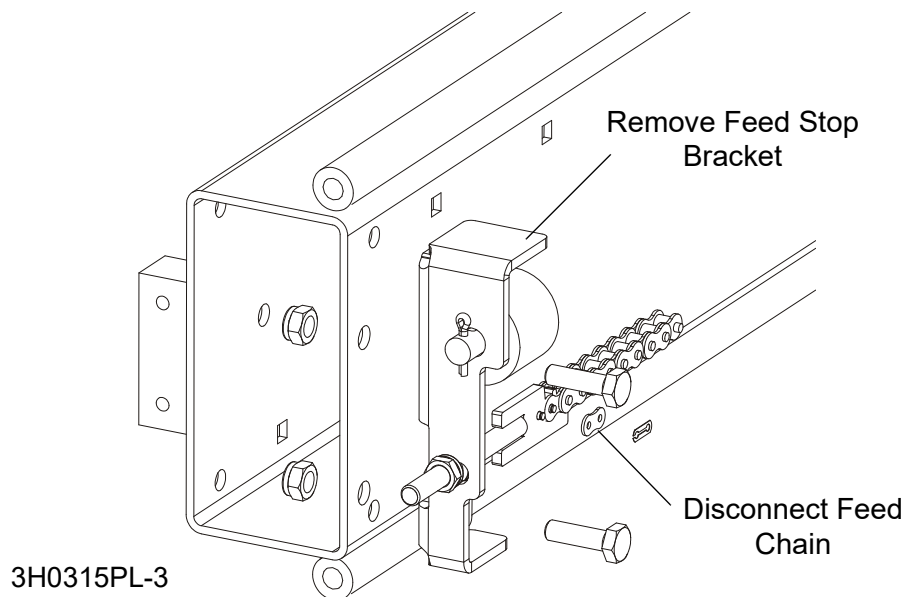


FIG. 2-1

2. Remove the bolts and lock nuts holding the feed chain tensioner to the sawmill frame. Remove the entire assembly from the sawmill frame. Use the same bolts and nuts to remount the tensioner assembly to the end of the extension frame.

3. Install the alignment link inside the end of the bed extension frame using the appropriate holes. Use four M10x115 hex head bolts and 10.5 flat washers to secure the box.

See Figure 2-2.

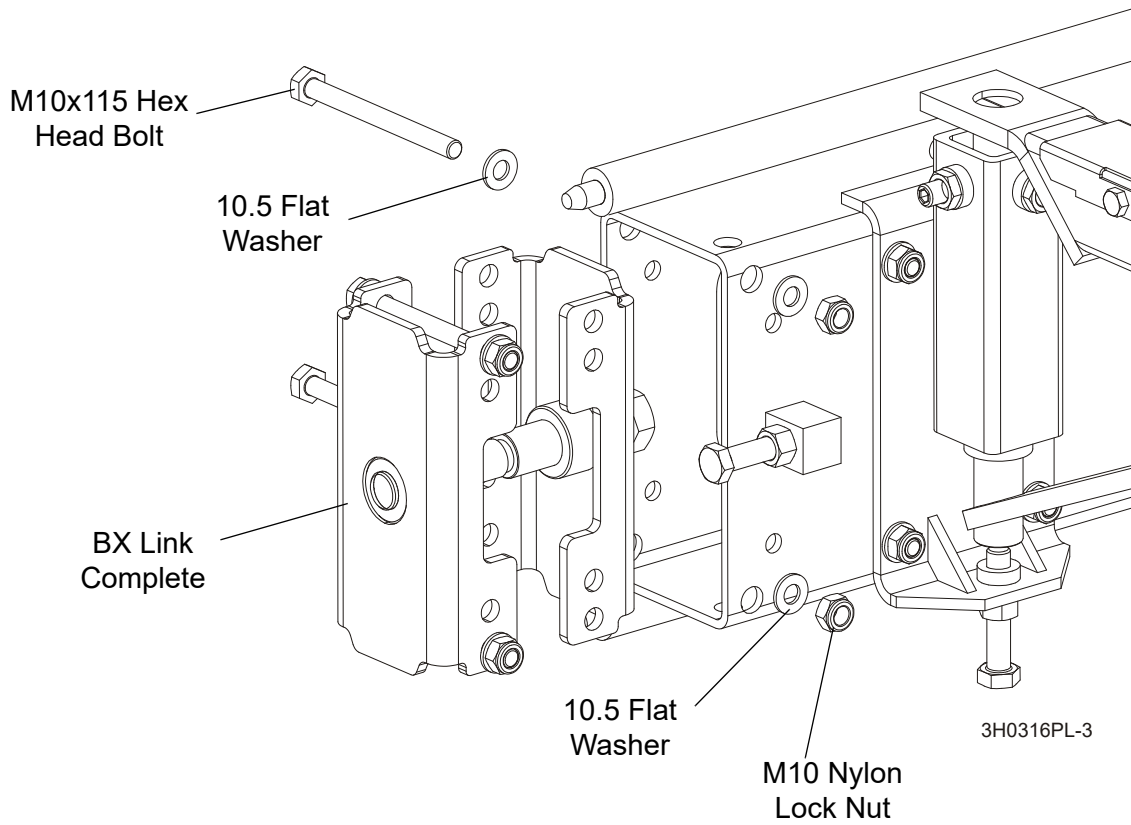


FIG. 2-2

2.2 Leg Installation

REMINDER: This section refers to positions A through E as labeled in subsection [2.11](#) located in the back of this manual.

1. Remove the rear leg (or outrigger) from position E on the sawmill frame. A support brace will be installed later that connects the extension frame to the sawmill frame. The removed sawmill leg will be repositioned on the support brace.

See Figure 2-3.

2. Use four M10 x 120 bolts and nylon lock nuts to secure a long leg at each position A and B on the extension frame. Insert the bolts from the outside of the frame tube and attach the nuts on the leg side of the tube.
3. **BX24 only:** Install a long leg at position H using four M10 x 25 bolts and nylon lock nuts.

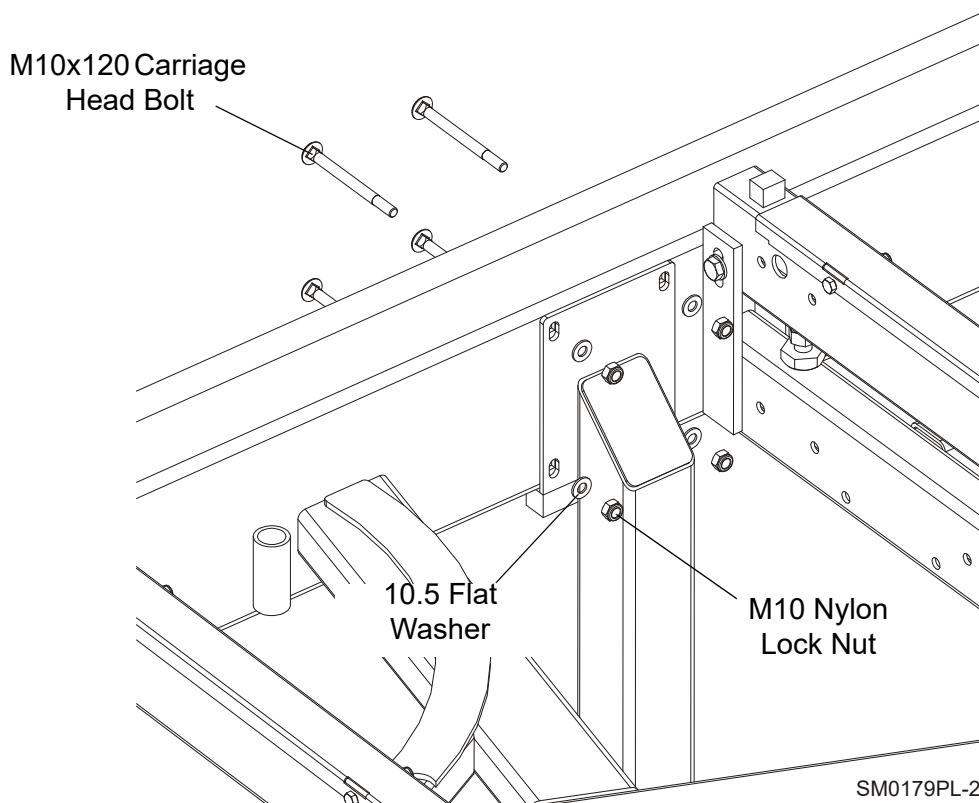


FIG. 2-3

4. Use four M10 x 25 bolts and nylon lock nuts to mount a short leg at position C on the extension frame.

See Figure 2-4.

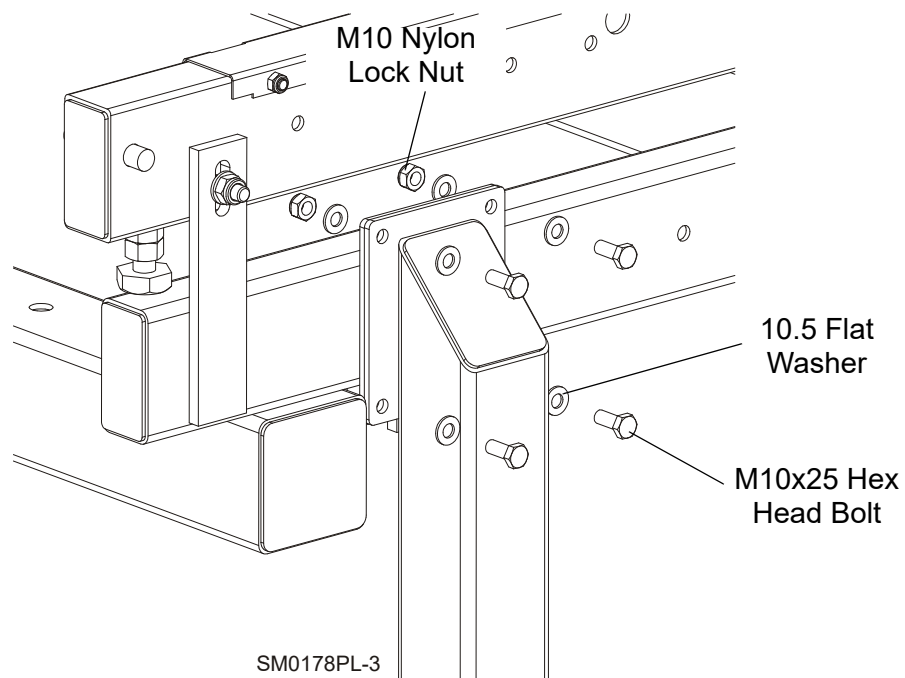


FIG. 2-4

2.3 Extension Frame Attachment

1. Position the extension frame at the end of the sawmill frame. Remove two bolts and nuts from the alignment link and loosen the jam nut. Turn the alignment link bolt counterclockwise to move the front plate towards as much as possible. Slide the extension frame over the alignment link on the sawmill frame. Sight down the length of the frames to see that they are lined up as close as possible.

See Figure 2-5.

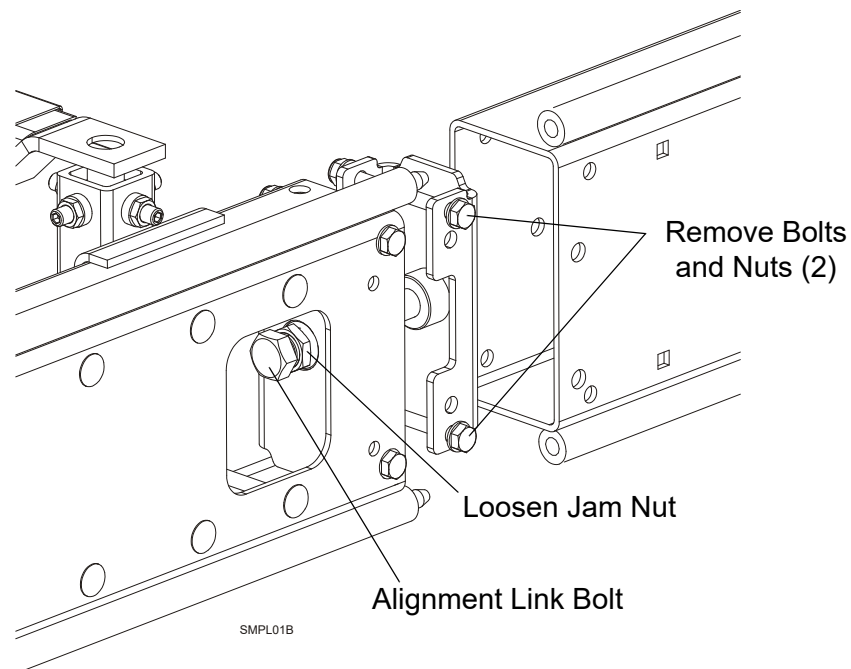


FIG. 2-5

2. Install two M10 X 115 hex head bolts in the holes together with four 10.5 flat washers. Secure the bolts with two M10-8 nylon lock hex nuts.

See Figure 2-6.

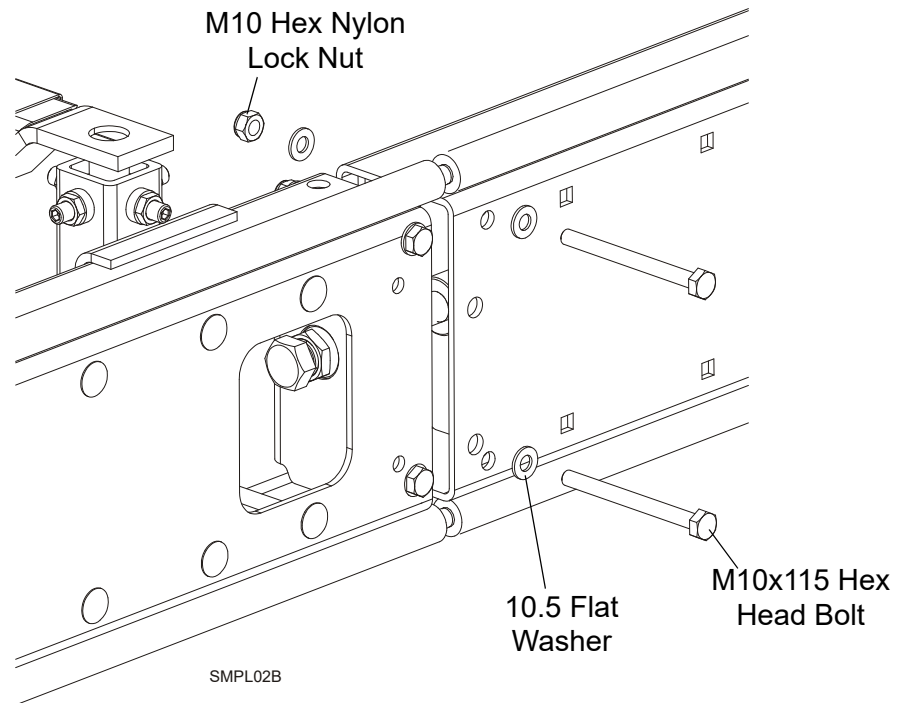


FIG. 2-6

3. Turn the alignment link bolt clockwise to tighten the bed extension and sawmill frame tubes.

2

Installation

Extension Frame Attachment

See Figure 2-7.

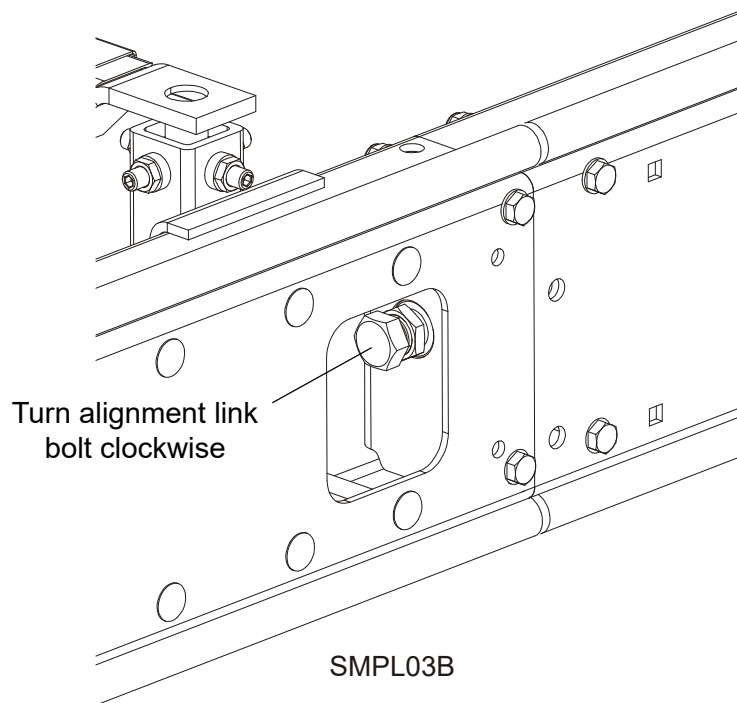


FIG. 2-7

4. Be sure to tighten the alignment link jam nut against the box when the attachment procedure is complete.

2.4 Support Brace Installation

See **Table. 2-1**. A support brace is available to connect the bed extension and the sawmill. See the chart below to determine which brace you need for your configuration.

Bed Extension Support Brace Reference Table		
Sawmill Model	Bed-X	Brace Kit
1996+ LT30 or LT30HD	1996+ BX6	085651-1, 085653-1
	1996+ BX12	014271
	1996+ BX24	014273
1996+ LT40 or LT40HD	1996+ BX6	085651-1, 085656-1
	1996+ BX12	014270
	1996+ BX24	014272

TABLE. 2-1

1. Mount the support brace tube between the sawmill and extension frames at positions D and E. Use four M10 x 25 bolts and lock nuts to secure the brace at position D and E.

See **Figure 2-8**.

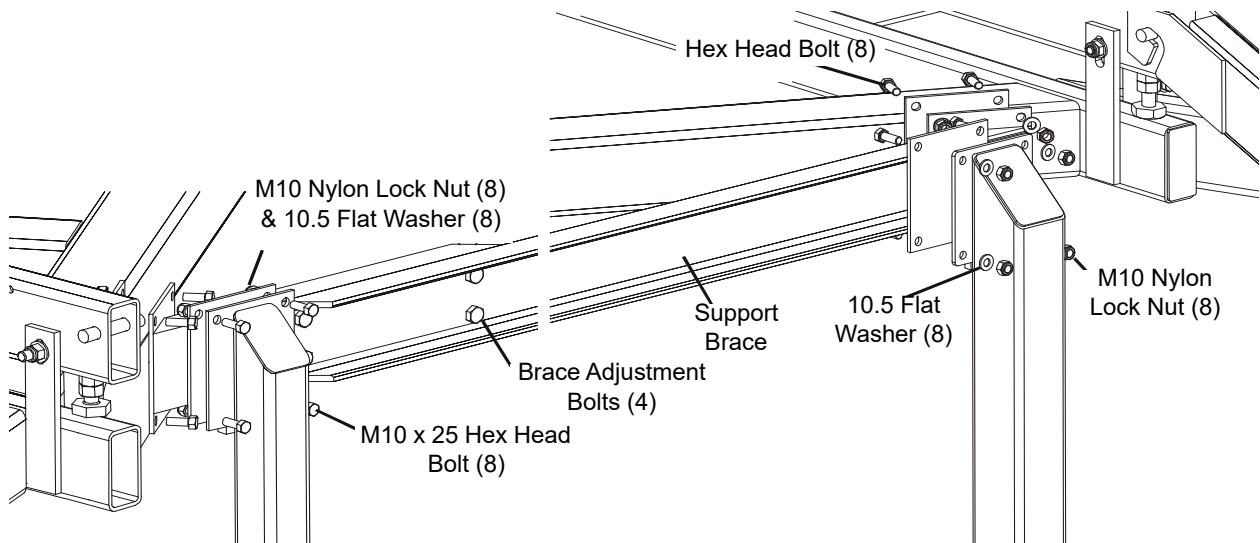


FIG. 2-8

2. Bolt the leg previously removed from the sawmill and a supplied short leg to the support brace tube with four M10 x 25 bolts and nylon lock nuts each.
3. Attach the supplied length of feed chain to the existing feed chain with the master link provided. Connect the feed chain to the tensioner bolt at the end of the extension frame. Adjust the tensioner so that the chain is positioned as indicated below. Make sure the feed chain is not twisted or kinked

2**Installation***Support Brace Installation*

See Table 2-2.

BX Model	Distance from top of top track rail to top of feed chain (measure at middle of chain span)
BX6	7 - 8 inches
BX12	8 - 9 inches
BX24	10 - 11 inches

TABLE 2-2

2.5 Extra Leg and Bed Rail Installation (24-foot Bed Extensions Only)

1. The additional long leg should be mounted at position F shown in subsection [2.11](#). Use M10 x 120 bolts and lock nuts to secure the long leg to the main frame tube.

NOTE: When bolting near the end of the main tube, the tube can collapse or "mushroom" as the bolts are tightened. Do not overtighten the bolts to avoid deforming the main tube. If you find it difficult to align the tracks with the alignment set screws, check that neither frame tube is deformed. The tube can be pulled back into shape using the alignment set screws.

See Figure 2-9.

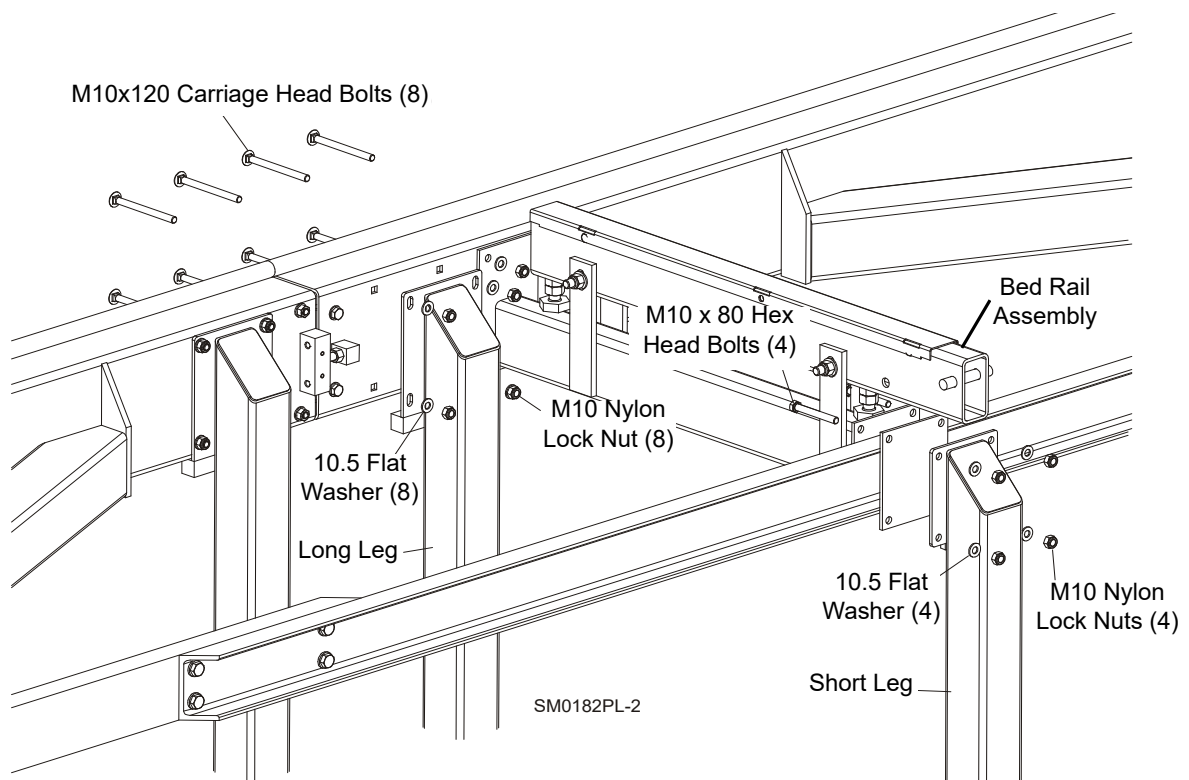


FIG. 2-9

2. Mount the additional bed rail assembly and short leg at position G on the support brace tube. Use bolts and lock nuts to mount the short leg and bed rail to the support brace tube. Use M10 x 120 bolts and lock nuts to mount the other end of the bed rail to the main tube.

2

Installation

Extra Leg and Bed Rail Installation (24-foot Bed Extensions Only)

3. Mount two middle short legs at position I shown in subsection [2.11](#). Use four M12 X 30 hex head bolts.

See Figure 2-10.

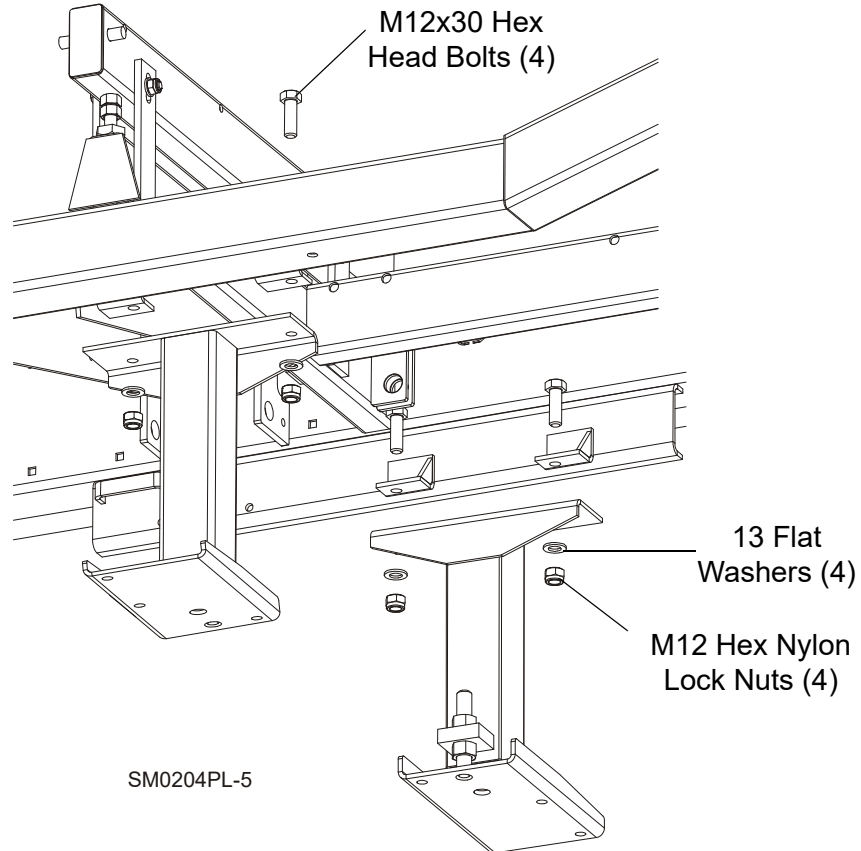


FIG. 2-10

2.6 Hydraulic Log Handling Equipment Kits for MBX24 Bed Extensions

See Table 2-3.

Log Handling Function/Kit Symbol	24M	24H1	24H2	24H3	24H4	24H5	24H6
Manual Side Supports	◆ (3)						
Manual Clamp	◆						
Hydraulic Side Supports		◆ (3)	◆ (3)	◆ (3)	◆ (3)	◆ (3)	◆ (3)
Toe Board Roller			◆	◆	◆	◆	◆ (2)
Middle Clamp				◆	◆	◆	◆
Log Turner					◆	◆	◆
Pull-Down Clamp						◆	◆
Log Deck	◆						

TABLE 2-3

2.7 Hydraulic Log Handling Equipment Kits for MBX12 Bed Extensions

See Table 2-4.

Log Handling Function/Kit Symbol	12M	12H1	12H2	12H3	12H4	12H5	12H6
Manual Side Supports	◆ (2)						
Manual Clamp	◆						
Hydr. Side Supp. on M frame	◆	◆	◆	◆			
Hydraulic Side Supports		◆ (2)	◆ (2)	◆ (2)	◆ (2)	◆ (2)	◆ (2)
Toe Board Roller			◆	◆	◆	◆	◆ (2)
Middle Clamp				◆	◆	◆	◆
Log Turner					◆	◆	◆
Pull-Down Clamp						◆	◆
Log Deck	◆						

TABLE 2-4

2.8 Hydraulic Log Handling Equipment Kits for BX12 Bed Extensions For S, M Super, L Frames

See Table 2-5.

Log Handling Function/Kit Symbol	12M-1
Manual Side Supports	◆
Manual Clamp	◆
Log Deck	◆

TABLE 2-5

2

Installation

Mounting the BX12 Bed Extension to Sawmills with "M" Frame and AH4-7 Hydraulics

2.9 Mounting the BX12 Bed Extension to Sawmills with "M" Frame and AH4-7 Hydraulics

When mounting the BX12 bed extension to any sawmill equipped with the AH4-7 "M" frame, you need to dismantle the rear clamp mount assembly. To do this: unscrew 8 bolts (shown in the figure below).

See Figure 2-11.

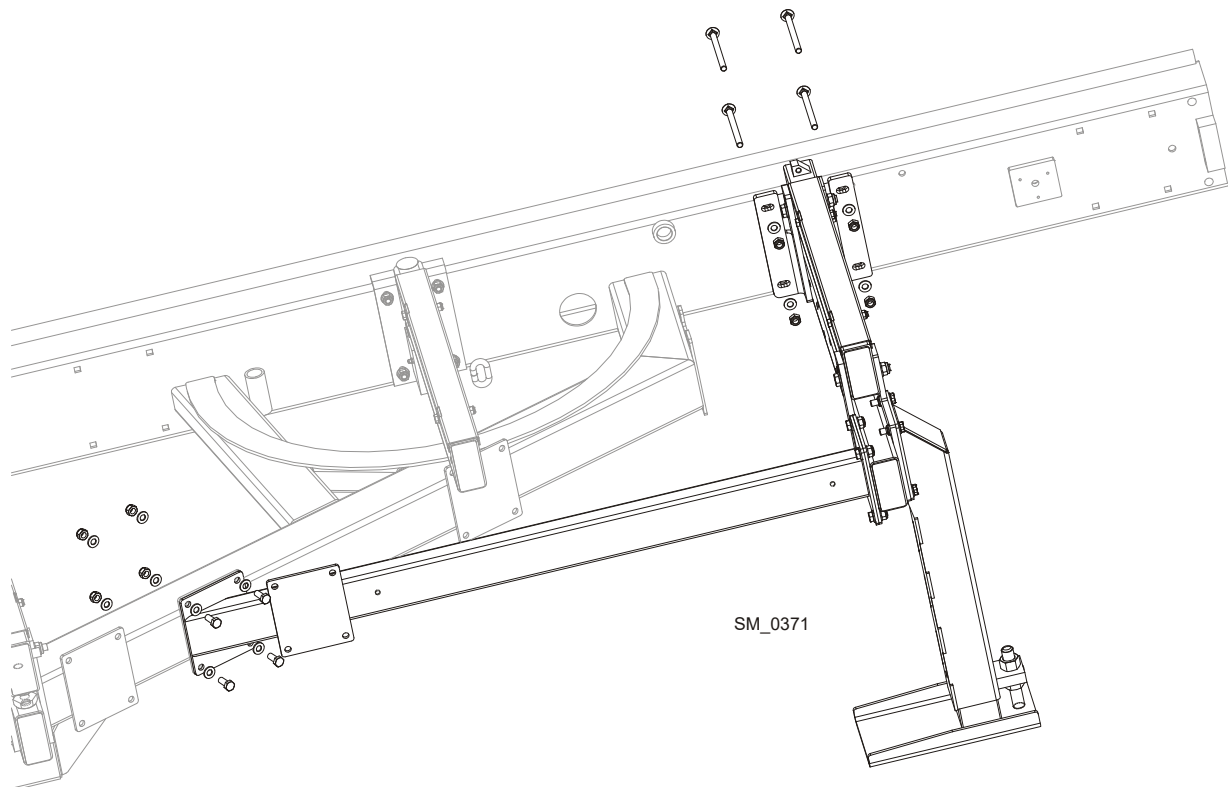


FIG. 2-11

2.10 Mounting the BX12 Bed Extension to mobile LT40 sawmills with "M" Frame

When mounting the BX12 bed extension to mobile LT40 sawmill with "M" frame, you need to replace the rear leg with the leg from bed extension leg kit (see below).

See Figure 2-12.

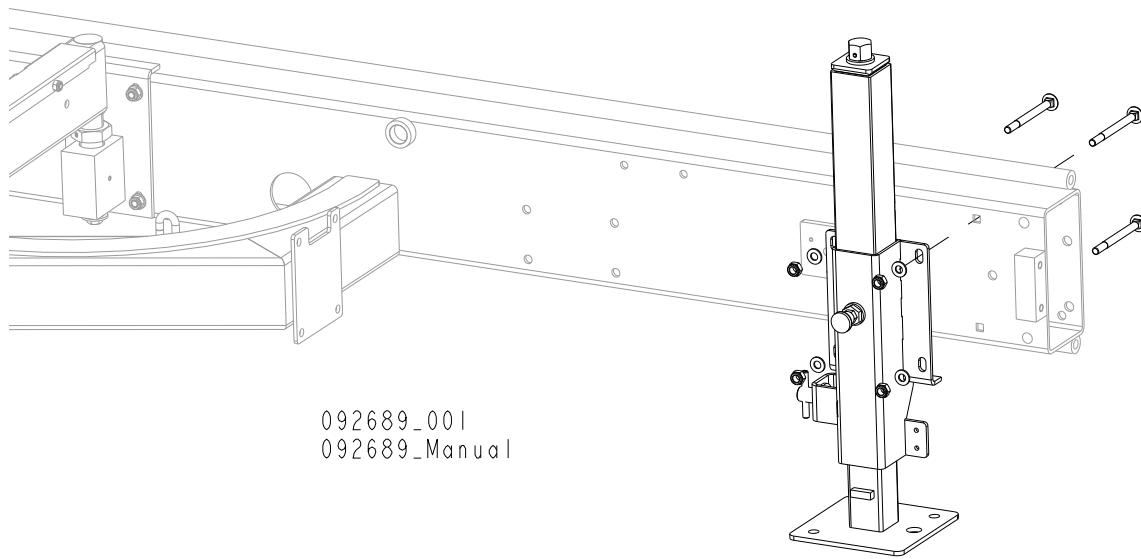


FIG. 2-12

2.11 Foot Dimensions : Sawmills with M Frame and BX12 i BX24 Bed Extensions

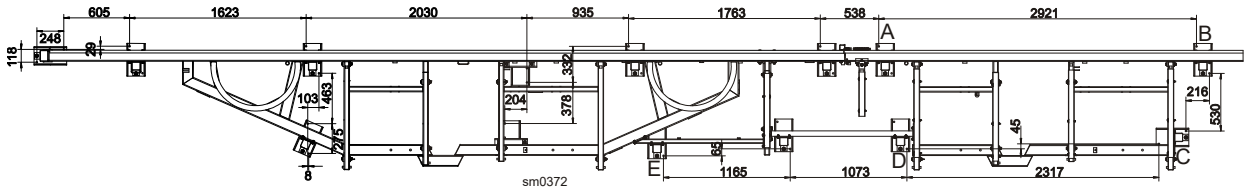


FIG. 2-13 MAH1-3+BX12

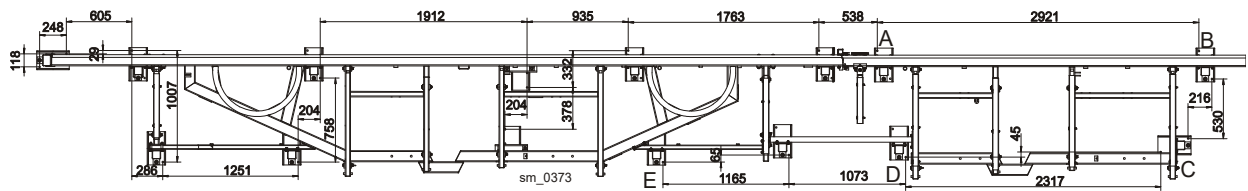


FIG. 2-14 MAH4-7+BX12

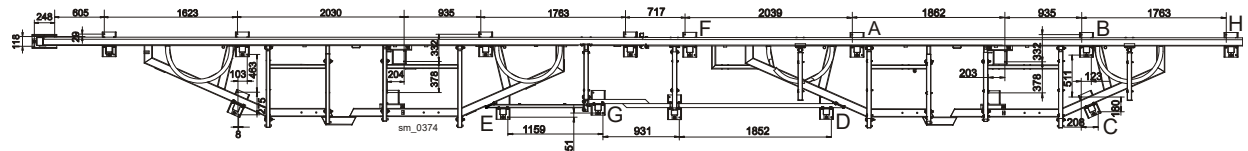


FIG. 2-15 MAH1-3+BX24

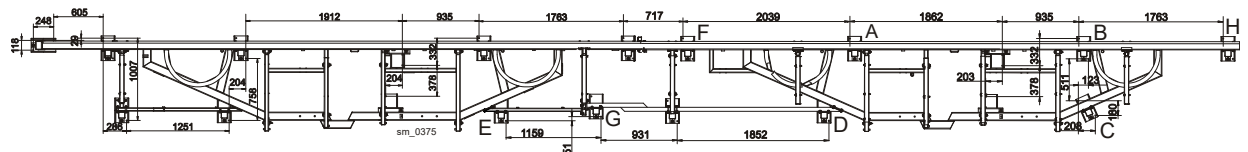


FIG. 2-16 MAH4-7+BX24

SECTION 3 BED EXTENSION ALIGNMENT

1. Use the six set screws around the extension frame tube to align the upper and lower tracks on the sawmill to the tracks on the extension. You should not be able to detect any variance where one track ends and the other starts.
2. Move the cutting head across the area where the sawmill frame and extension meet. If the tracks are properly aligned, you should not be able to tell when the track bearings cross from the sawmill to the extension. Any variance will cause inaccurately sawn boards! Fine tune the set screws until the sawmill and extension tracks are perfectly matched.

NOTE: Bolting through the main tube can cause the tube to collapse or "mushroom". If you find it difficult to align the tracks with the alignment set screws, check that neither frame tube is deformed. The tube can be pulled back into shape using the alignment set screws.

3. Place two equal height objects on top of the track rail (wrench sockets work well). Pull a string tight over the objects and clamp so there is no sag in the string. Measure from the string to the track at one end, the middle, and the other end of the track. The track should be 1/16 to 1/8" (1.5 to 3.0 mm) higher in the middle than at the ends. This will compensate for any sag that occurs as the cutting head reaches the middle of the track. If more bow in the middle is needed, shim the middle track-mounted legs. If the middle is bowed up too much, shim the track-mounted legs at each end of the frame. Shim under any feet that do not touch the ground.
4. Align the sawmill and extension as instructed in your sawmill manual.

SECTION 4 LOG CLAMP OPERATION

A manual log clamp is supplied with the bed extension to help clamp long logs against the side supports.

To Clamp Logs

1. Position the clamps against the log, far enough down so they are below your first few cuts. Turn the clamp screws in so they move the log firmly against the side supports.

See Figure 4-1.

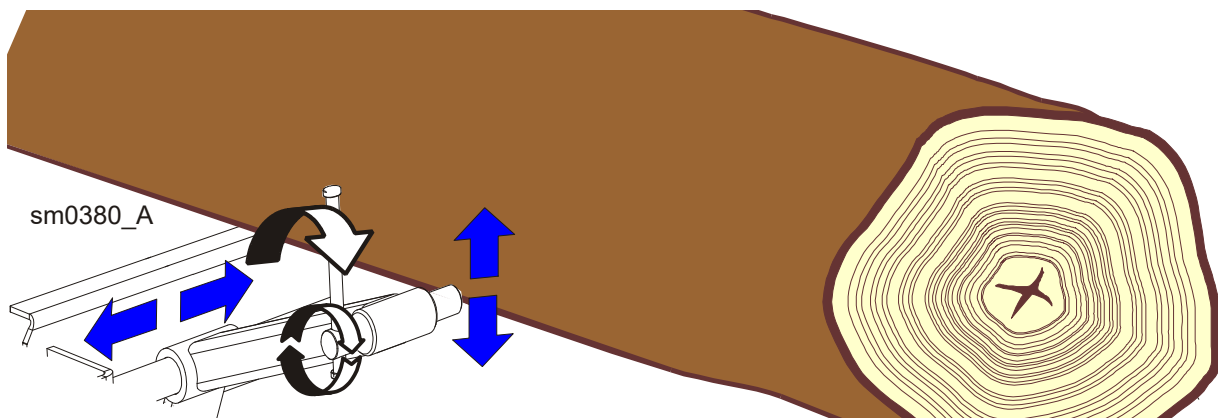


FIG. 4-1

2. Be sure to leave crank in the bottom position to avoid damage to the blade.

See Figure 4-2.

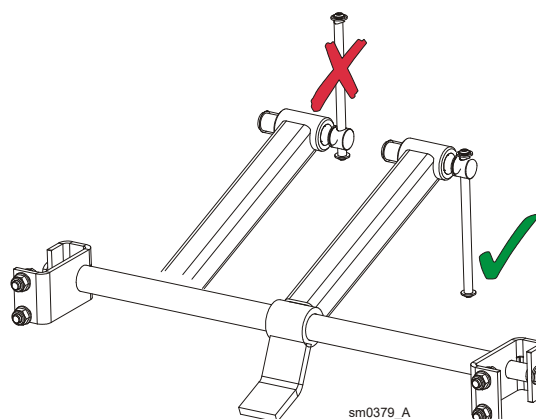


FIG. 4-2

SECTION 5 STORAGE PROTECTION

When not using the bed extension, follow the recommendations below to prevent rust and/or corrosion.

1. Coat the top and bottom bed extension rails with a rust inhibitor such as Sherwin-Williams P.D.R.P. #710.
2. Coat the power feed chain with a light film of a light-weight lubricant such as Dexron III ATF. Make sure the connecting link is attached to the chain to prevent chain loss.
3. Coat the threads of the bed rail leveling bolts with a dry lube such as Gunk L-508.
4. Lubricate the pivot block/shaft on the pivot bed rails with NLGI No. 2 grade lithium grease such as Amoco Rycon #2 Synthetic Grease.

Preparation For Use

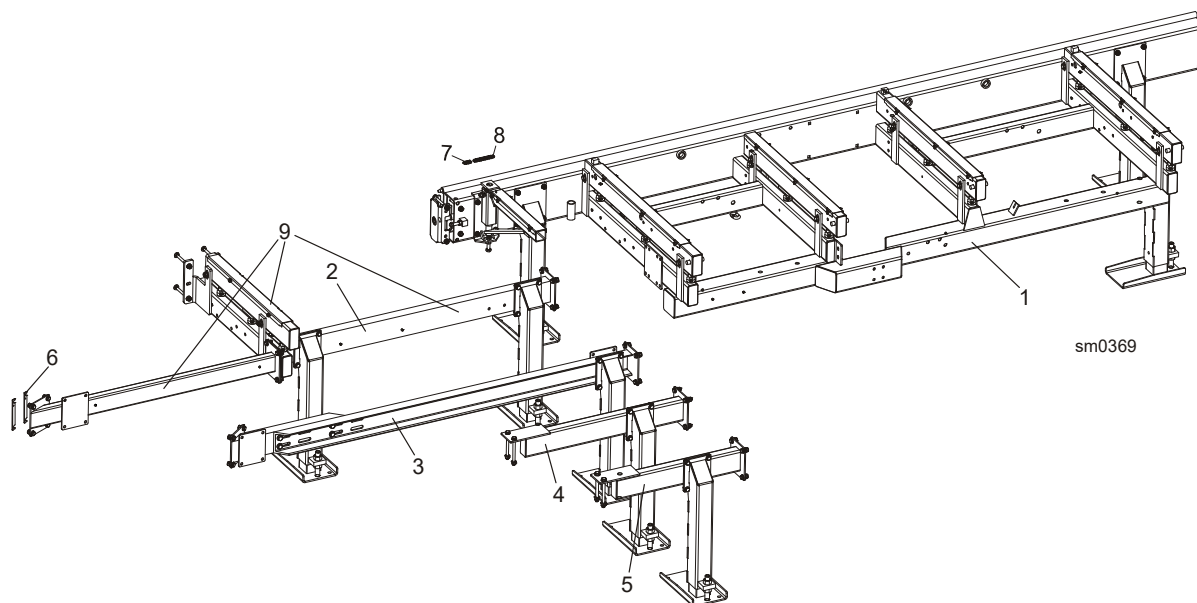
Before using a bed extension that has been stored in the above manner, remove the rust inhibitor protection coat from the bed extension rails. Use a clean, dry cloth and a light lubricant such as WD-40 to remove the protection coat.

6 BED EXTENSION PARTS

BX12 Bed Extensions

SECTION 6 BED EXTENSION PARTS

6.1 BX12 Bed Extensions



REF.	DESCRIPTION (◆ Indicates Parts Available In Assemblies Only)	PART #	QTY
LT20			
BED EXTENSION FOR LT20S SAWMILLS		518112	1
1	FRAME, BX12 COMPLETE	507860	1
3	BRACE ASSEMBLY, SBX12 See Section 6.1	092888	1
BX12 BED EXTENSION FOR LT20H4-7 SAWMILLS WITH "M/OL" FRAME		507839¹	1
1	FRAME, BX12 COMPLETE	507860	1
2	BRACE ASSEMBLY, MBX12 H4-7 See Section 6.69	501660	1
BX12 BED EXTENSION FOR LT20M SAWMILLS		507840	1
1	FRAME, BX12 COMPLETE	507860	1
9	BRACE, MBX12H CONNECTION See Section 6.69	507206	1
BX12 BED EXTENSION FOR LT20L SAWMILLS See Section 6.36		555186	1
LT40			
BX12 BED EXTENSION FOR LT40S SAWMILLS		507843	1
1	FRAME, BX12 COMPLETE	507860	1
3	BRACE ASSEMBLY, SBX12 See Section 6.68	092888	1
6	SHIM, BX6 PTD	086649-1	4
7	LINK, #40 MASTER	P04200	1
8	CHAIN, BED EXTENSION (3 6 M)	P07355	1
BX12 BED EXTENSION FOR LT40H4-7 SAWMILLS WITH "M/OL" FRAME		507844¹	1
1	FRAME, BX12 COMPLETE	507860	1
2	BRACE ASSEMBLY, MBX12 H4-7 See Section 6.69	501660	1
7	LINK, #40 MASTER	P04200	1
8	CHAIN, BED EXTENSION (3 6 M)	P07355	1

BED EXTENSION PARTS

BX12 Bed Extensions

6

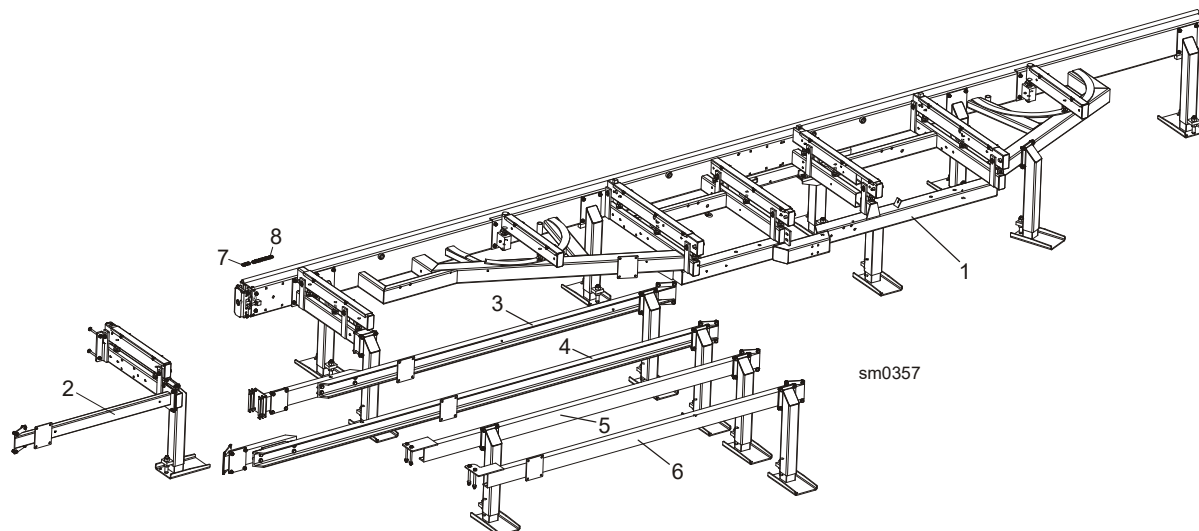
	BX12 BED EXTENSION FOR LT40M SAWMILLS	507845	1	
1	FRAME, BX12 COMPLETE	507860	1	
7	LINK, #40 MASTER	P04200	1	
8	CHAIN, BED EXTENSION (3 6 M)	P07355	1	
9	BRACE, MBX12H CONNECTION See Section 6.69	507206	1	
	BX12 BED EXTENSION FOR LT40 SAWMILLS WITH "M-SUPER" FRAME	507846	1	
1	FRAME, BX12 COMPLETE	507860	1	
4	BRACE, BX12 SUPER CONNECTION - COMPLETE See Section 6.84	099630	1	
7	LINK, #40 MASTER	P04200	1	
8	CHAIN, BED EXTENSION (3 6 M)	P07355	1	
	BX12 BED EXTENSION FOR LT40L SAWMILLS See Section 6.36	555187	1	
	LT70			
	BX12 BED EXTENSION FOR LT40S SAWMILLS	507848	1	
1	FRAME, BX12 COMPLETE	507860	1	
3	BRACE ASSEMBLY, SBX12 See Section 6.68	092888	1	
6	SHIM, BX6 PTD	086649-1	4	
7	LINK, 10B-1Pz MASTER	088671	1	
8	CHAIN, 10B-1-230PZ BX12	090651	1	
	BX12 BED EXTENSION FOR LT70H4-7 SAWMILLS WITH "M/OL" FRAME	507849¹	1	
1	FRAME, BX12 COMPLETE	507860	1	
2	BRACE ASSEMBLY, MBX12 H4-7 See Section 6.69	501660	1	
7	LINK, 10B-1Pz MASTER	088671	1	
8	CHAIN, 10B-1-230PZ BX12	090651	1	
	BX12 BED EXTENSION FOR LT70H1-7 SAWMILLS WITH "M" FRAME	507850	1	
1	FRAME, BX12 COMPLETE	507860	1	
7	LINK, 10B-1Pz MASTER	088671	1	
8	CHAIN, 10B-1-230PZ BX12	090651	1	
9	BRACE, MBX12H CONNECTION See Section 6.69	507206	1	
	BX12 BED EXTENSION FOR LT70 SAWMILLS WITH "M SUPER" FRAME	507851	1	
1	FRAME, BX12 COMPLETE	507860	1	
4	BRACE, BX12 SUPER CONNECTION - COMPLETE See Section 6.84	099630	1	
7	LINK, 10B-1Pz MASTER	088671	1	
8	CHAIN, 10B-1-230PZ BX12	090651	1	
	BX12 BED EXTENSION FOR LT70L SAWMILLS	507852	1	
1	FRAME, BX12 COMPLETE	507860	1	
5	BRACE ASSEMBLY, 20/40/70LBX12 See Section 6.70	094834	1	
7	LINK, 10B-1Pz MASTER	088671	1	
8	CHAIN, 10B-1-230PZ BX12	090651	1	

¹ For sawmills with "M" frame manufactured before 17 September 2012 This bed extension has **12M-1** manual equipment

6 BED EXTENSION PARTS

BX24 Bed Extensions

6.2 BX24 Bed Extensions



REF.	DESCRIPTION (◆ Indicates Parts Available In Assemblies Only)	PART #	QTY
LT20			
BX24 BED EXTENSION FOR LT20S SAWMILLS		505816	1
1	FRAME, BX24 COMPLETE	505716	1
4	BRACE ASSEMBLY, SBX24 See Section 6.71	093931	1
BX24 BED EXTENSIONS FOR LT20 M AH1-3 SAWMILLS		505817	1
1	FRAME, BX24 COMPLETE	505716	1
2	REAR COMPLETE LOG CLAMP MOUNT (STATIONARY SAWMILLS) See Section 6.52	092938	1
3	BRACE ASSEMBLY, MBX24-AH5/7 DH5/7 See Section 6.72	095632	1
BX24 BED EXTENSION FOR LT20 M AH4-7 SAWMILLS		505818	1
1	FRAME, BX24 COMPLETE	505716	1
3	BRACE ASSEMBLY, MBX24-AH5/7 DH5/7 See Section 6.72	095632	1
BX24 BED EXTENSION FOR LT20 L SAWMILLS		505820	1
1	FRAME, BX24 COMPLETE	505716	1
6	BRACE ASSEMBLY, LBX24 See Section 6.73	501661	1
LT40			
BX24 BED EXTENSION FOR LT40 S SAWMILLS		505821	1
1	FRAME, BX24 COMPLETE	505716	1
4	BRACE ASSEMBLY, SBX24 See Section 6.71	093931	1
7	LINK, #40 MASTER	P04200	1
8	CHAIN, #40 286 1/2	P11909	1
BX24 BED EXTENSION FOR LT40 M AH1-3 SAWMILLS		505822	1
1	FRAME, BX24 COMPLETE	505716	1
2	REAR COMPLETE LOG CLAMP MOUNT (STATIONARY SAWMILLS) See Section 6.52	092938	1
3	BRACE ASSEMBLY, MBX24-AH5/7 DH5/7 See Section 6.72	095632	1
7	LINK, #40 MASTER	P04200	1

BED EXTENSION PARTS

BX24 Bed Extensions

6

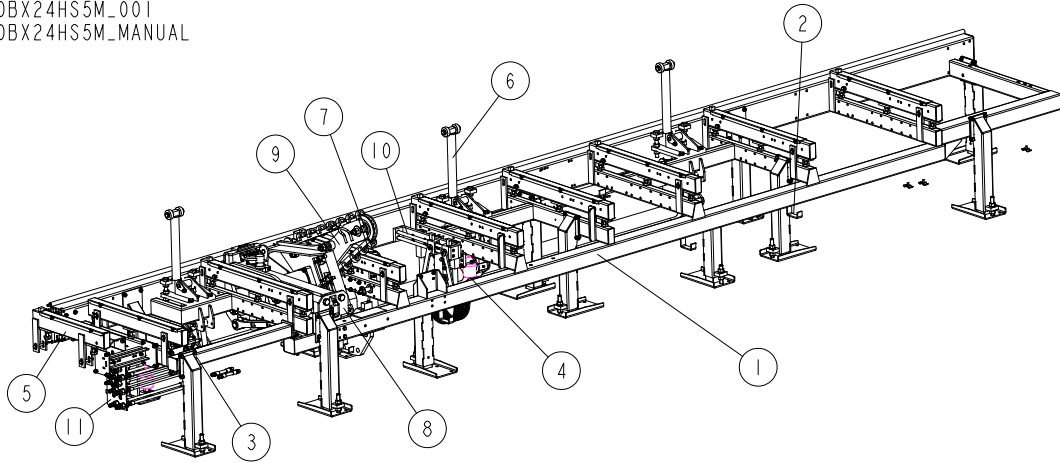
8	CHAIN, #40 286 1/2	P11909	1	
	BX24 BED EXTENSION FOR LT40 M AH4-7 SAWMILLS	505823	1	
1	FRAME, BX24 COMPLETE	505716	1	
3	BRACE ASSEMBLY, MBX24-AH5/7 DH5/7 See Section 6.72	095632	1	
7	LINK, #40 MASTER	P04200	1	
8	CHAIN, #40 286 1/2	P11909	1	
	BX24 BED EXTENSION FOR LT40 M SUPER SAWMILLS	505824	1	
1	FRAME, BX24 COMPLETE	505716	1	
5	BRACE ASSEMBLY, MBX24 SUPER See Section 6.74	099197	1	
7	LINK, #40 MASTER	P04200	1	
8	CHAIN, #40 286 1/2	P11909	1	
	BX24 BED EXTENSION FOR LT40 M SUPER SAWMILLS	524338	1	
1	FRAME, BX24 M-SUPER COMPLETE	517442	1	
5	BRACE ASSEMBLY, MBX24 SUPER See Section 6.75	524340	1	
7	LINK, #40 MASTER	P04200	1	
8	CHAIN, #40 286 1/2	P11909	1	
	BX24 BED EXTENSION FOR LT40 L SAWMILLS	505825	1	
1	FRAME, BX24 COMPLETE	505716	1	
6	BRACE ASSEMBLY, LBX24 See Section 6.73	501661	1	
7	LINK, #40 MASTER	P04200	1	
8	CHAIN, #40 286 1/2	P11909	1	
	LT70			
	BX24 BED EXTENSION FOR LT70 S SAWMILLS	505826	1	
1	FRAME, BX24 COMPLETE	505716	1	
4	BRACE ASSEMBLY, SBX24 See Section 6.71	093931	1	
7	LINK, 10B-1PZ MASTER	088671	1	
8	CHAIN, 10B-1-457 (7,25 M)	090370	1	
	BX24 BED EXTENSION FOR LT70 M AH1-3 SAWMILLS	505827	1	
1	FRAME, BX24 COMPLETE	505716	1	
2	REAR COMPLETE LOG CLAMP MOUNT (STATIONARY SAWMILLS) See Section 6.52	092938	1	
3	BRACE ASSEMBLY, MBX24-AH5/7 DH5/7 See Section 6.72	095632	1	
7	LINK, 10B-1PZ MASTER	088671	1	
8	CHAIN, 10B-1-457 (7,25 M)	090370	1	
	BX24 BED EXTENSION FOR LT70 M AH4-7 SAWMILLS	505828	1	
1	FRAME, BX24 COMPLETE	505716	1	
3	BRACE ASSEMBLY, MBX24-AH5/7 DH5/7 See Section 6.72	095632	1	
7	LINK, 10B-1PZ MASTER	088671	1	
8	CHAIN, 10B-1-457 (7,25 M)	090370	1	
	BX24 BED EXTENSION FOR LT70 M SUPER SAWMILLS	505829	1	
1	FRAME, BX24 COMPLETE	505716	1	
5	BRACE ASSEMBLY, MBX24 SUPER See Section 6.74	099197	1	
7	LINK, 10B-1PZ MASTER	088671	1	
8	CHAIN, 10B-1-457 (7,25 M)	090370	1	
	BX24 BED EXTENSION FOR LT70 L SAWMILLS	505830	1	
1	FRAME, BX24 COMPLETE	505716	1	
6	BRACE ASSEMBLY, LBX24 See Section 6.73	501661	1	

6**BED EXTENSION PARTS***BX24 Bed Extensions*

7	LINK, 10B-1PZ MASTER	088671	1	
8	CHAIN, 10B-1-457 (7,25 M)	090370	1	

6.3 70BX24HS5M

70BX24HS5M_001
70BX24HS5M_MANUAL



REF.	DESCRIPTION (◆ Indicates Parts Available In Assemblies Only)	PART #	QTY
-	BX24S BED EXTENSION W/24HS5 HYDRAULICS FOR "M" FRAME	70BX24HS5M	1
-	BX24S BED EXTENSION W/24HS4 HYDRAULICS FOR "M" FRAME	70BX24HS4M	1
1	BED EXTENSION, BX24 LT70M See Section 6.7	526576	1
2	HANGER KIT, MBX12/24 (AH1-3) HYDRAULIC HOSE See Section 7.1	506100	1
3	WRAP, TKUV 50/8 TIE	F81082-3	10
4	FLUID, MOBIL DTE 10 EXCEL HYDRAULIC	P12825	2
5	RAIL, FLAT BED See Section 6.5	528390	1
-	HYDRAULIC EQUIPMENT, 24HS5	24HS5	1
-	HYDRAULIC EQUIPMENT, 24HS4	24HS4	1
-	HYDRAULIC EQUIPMENT, 24HS3	24HS3	1
-	HYDRAULIC EQUIPMENT, 24HS2	24HS2	4
-	HYDRAULIC EQUIPMENT, 24HS1	24HS1	1
6	SUPPORT SET, VERTICAL SIDE (M FRAME) See Section 7.6	520323	1
7	TOE BOARD, FRONT RIGHT (LOWER RAIL)	511127 ¹	1
8	CLAMP, MAIN HYDRAULIC LOG (2 RODS)	527257 ¹	1
9	TURNER, CHAIN W/MOUNT BRACKET	526954 ¹	1
10	CLAMP, LEFT HYDRAULIC LOG	094129 ¹	1
11	HYDRAULIC HOSE KIT, BX24 24H5 See Section 7.13	506091 ²	1
	HYDRAULIC HOSE KIT, BX24 24H4 See Section 7.13	505841 ³	1

¹ See the Parts List of Super series machines.

² Used in 70BX24HS5M

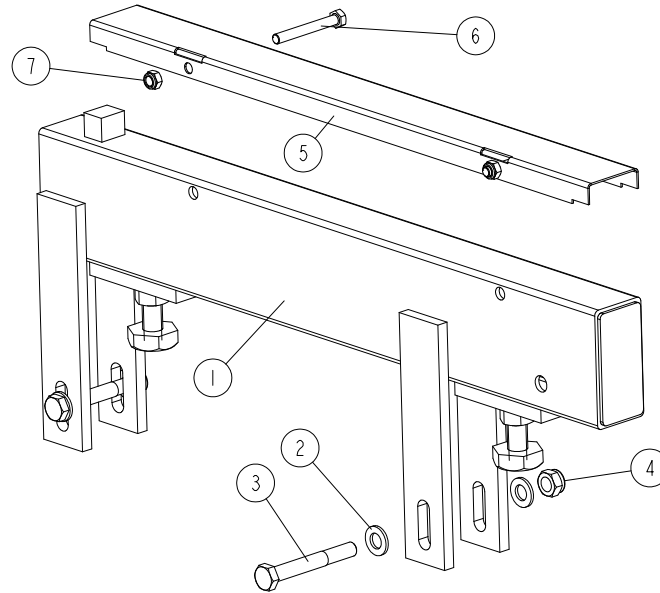
³ Used in 70BX24HS4M

6 BED EXTENSION PARTS

Bed Rail

6.4 Bed Rail

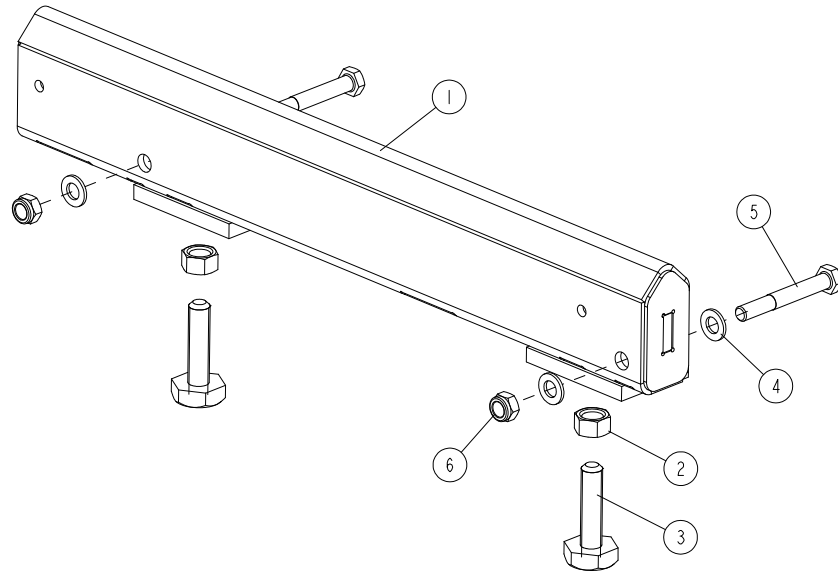
528390_001
528390_MANUAL



REF.	DESCRIPTION (◆ Indicates Parts Available In Assemblies Only)	PART #	QTY
-	COMPLETE BED RAIL FOR OPTION W/BX	528390	1
1	RAIL, BED	528389-1	1
2	WASHER, 13 FLAT ZINC	F81056-1	4
3	BOLT, M12X90 8 8 HEX HEAD ZINC	F81004-2	2
4	NUT, M12 8 HEX NYLON ZINC LOCK	F81034-2	2
5	COVER, BED RAIL	099123	1
6	BOLT, M8X65 5 8 HEX HEAD ZINC	F81002-3	2
7	NUT, M8-8-B HEX NYLON ZINC LOCK	F81032-2	2

6.5 Short Cross Rail

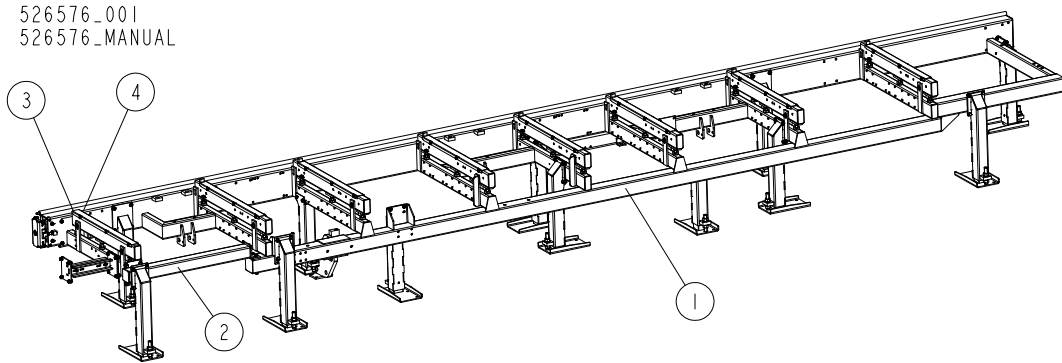
540119_001
540119_MANUAL



REF.	DESCRIPTION (◆ Indicates Parts Available In Assemblies Only)	PART #	QTY
1	RAIL, SHORT CROSS	540119	1
-	BOLT, M16 W/NUT	516629	2
2	NUT, M16 5.8 HEX	F81036-5	1
3	BOLT, M16	505006	1
4	WASHER, 13 FLAT ZINC	F81056-1	4
5	BOLT, M12X90 8.8 HEX HEAD ZINC	F81004-2	2
6	NUT, M12-8 FE/ZN5 DIN 982 HEX NYLON ZINC LOCK	F81034-2	2

6 **BED EXTENSION PARTS**
Bed Extension w/Flat Bed Rails, BX24 LT70M

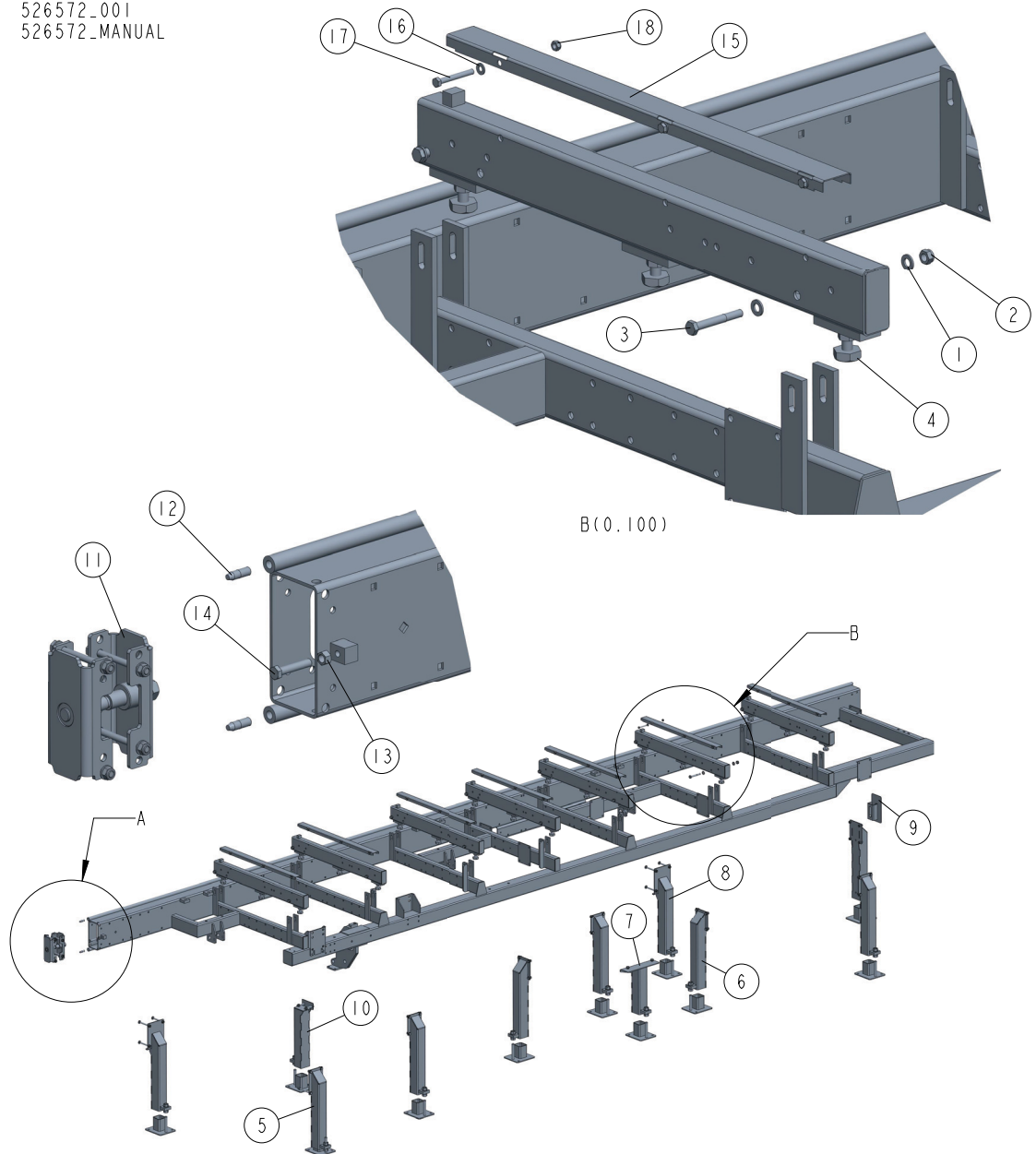
6.6 Bed Extension w/Flat Bed Rails, BX24 LT70M



REF.	DESCRIPTION (◆ Indicates Parts Available In Assemblies Only)	PART #	QTY
-	EXTENSION, BX24 LT70M BED W/FLAT BED RAILS	526576	1
-	FRAME, BX24M-HYDRAULIC SUPER - COMPLETE See Section 6.7	526572	1
1	BRACE, BX24S-SUPER CONNECTION See Section 6.76	526575	1
2	CHAIN, 10B-1-457 (7,25m)	090370	1
3	LINK, 10B-1PZ MASTER	088671	1

6.7 Complete Bed Extension Frame, BX24M

526572_001
 526572_MANUAL



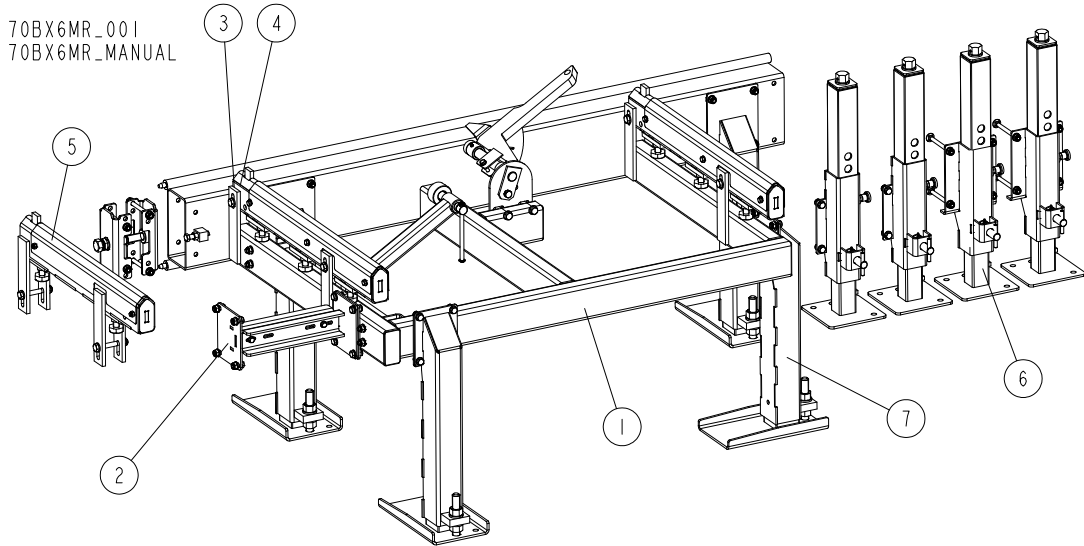
REF	DESCRIPTION (u indicates parts available in assemblies only)	PART #	QTY
-	FRAME, BX24M-HYDRAULIC SUPER - COMPLETE	526572	1
-	BED RAIL ASSEMBLY	096993	7
1	WASHER, 13 FLAT ZINC	F81056-1	4
2	NUT, M12-8 HEX NYLON ZINC LOCK	F81034-2	2
3	BOLT, M12X90 8.8 HEX HEAD ZINC	F81004-2	2
4	M16 BOLT W/NUT	516629	3
-	LEGS, BX24M SUPER STATIONARY	513920	1
5	LEG, LEFT STATIONARY ADJUSTABLE	551810	1

6

BED EXTENSION PARTS*Complete Bed Extension Frame, BX24M*

REF	DESCRIPTION (u indicates parts available in assemblies only)	PART #	QTY	
6	LEG, LEFT STATIONARY ADJUSTABLE	501639	6	
7	LEG, MIDDLE ADJUSTABLE STATIONARY	501637	1	
8	LEG, RIGHT ADJUSTABLE STATIONARY	501640	2	
9	COVER ASSEMBLY, MAIN TUBE	093052	1	
10	LEG, ADJUSTABLE STATIONARY	525780	1	
11	BRACE KIT BX	501340	1	
12	PIN, SPECIAL	090675	2	
13	NUT M12 ZC 8 DIN 934	F81034-1	1	
14	BOLT M12X60-8 HEX HEAD FULL THREAD ZINC	F81004-51	1	
15	COVER, BED RAIL	099124	7	
16	WASHER, 8.4 FLAT ZINC	F81054-1	21	
17	BOLT, M8X65 5.8-HEX HEAD ZINC	F81002-3	21	
18	NUT, M8 8 HEX NYLON ZINC LOCK	F81032-2	21	

6.8 Bed Extension, MR 70BX6MR

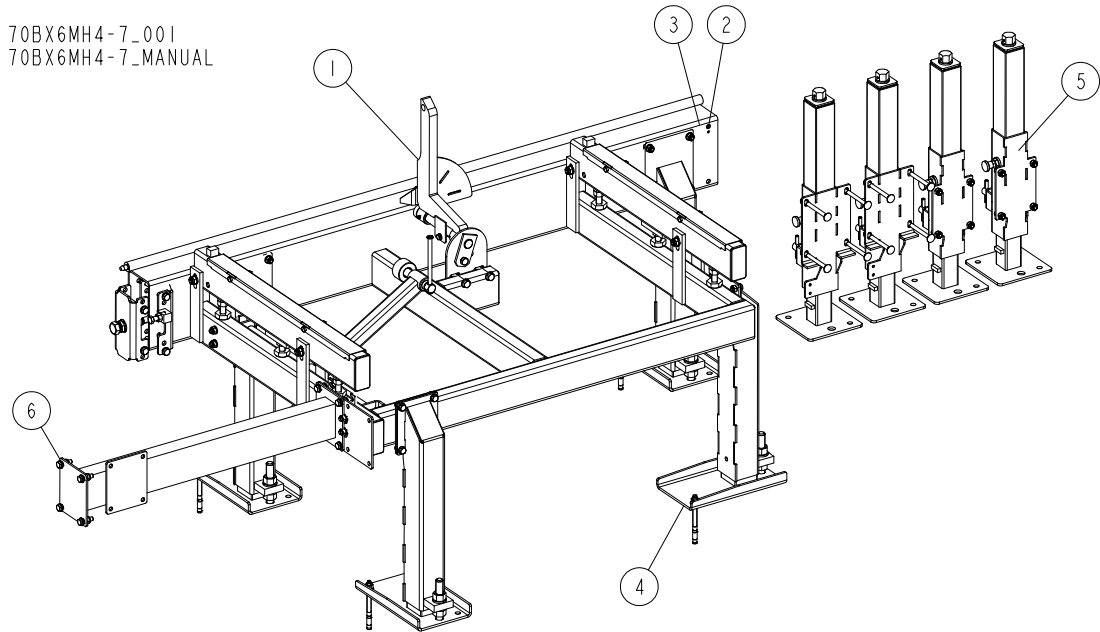


REF.	DESCRIPTION (◆ Indicates Parts Available In Assemblies Only)	PART #	QTY
-	EXTENSION, LT70M BED	70BX6MR	1
1	EXTENSION, BX6 BED See Section 6.9	521880	1
2	BRACKET, MBX6-AH5/DH5 CONNECTION - COMPLETE See Section 6.15	527039	1
3	CHAIN, 10B-1-118PZ	600239	1
4	LINK, 10B-1PZ MASTER	088671	1
5	RAIL, ANGLED BED - COMPLETE See Section 6.12	536180	1
6	LEG SET, BX6 ADJUSTABLE See Section 6.20	093579	1
7	LEG SET, BX12 ADJUSTABLE See Section 6.22	528381	1

6 BED EXTENSION PARTS

Bed Extension, 70BX6MH4-7

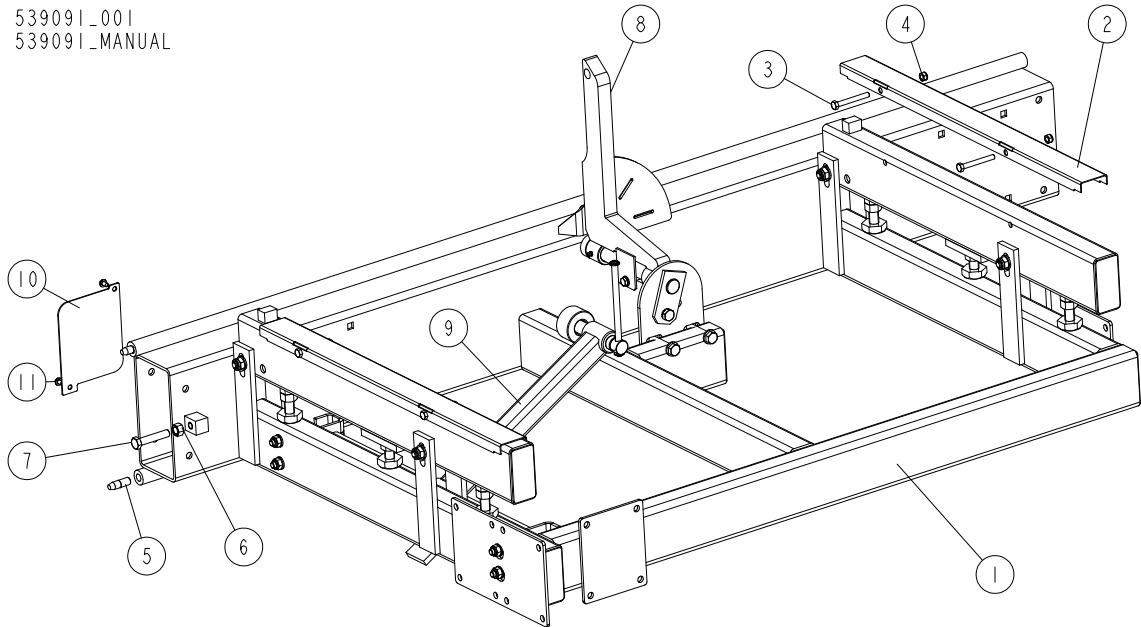
6.9 Bed Extension, 70BX6MH4-7



REF	DESCRIPTION (◆ Indicates Parts Available In Assemblies Only)	PART #	QTY
-	EXTENSION, MBX6- FOR OLD MH4-7	70BX6MH4-7	1
1	EXTENSION, BX6 BED See Section 6.10	539091	1
2	CHAIN 10B-1-118PZ	600239	1
3	LINK, 10B-1PZ	088671	2
4	LEG SET, BX12 ADJUSTABLE See Section 6.22	528381	1
5	LEG SET, BX6 ADJUSTABLE See Section 6.20	093579	1
6	CONNECTION, MBX6-AH5/DH5 See Section 6.11	532255	1

6.10 Bed Extension (Part No. 539091)

539091_001
 539091_MANUAL



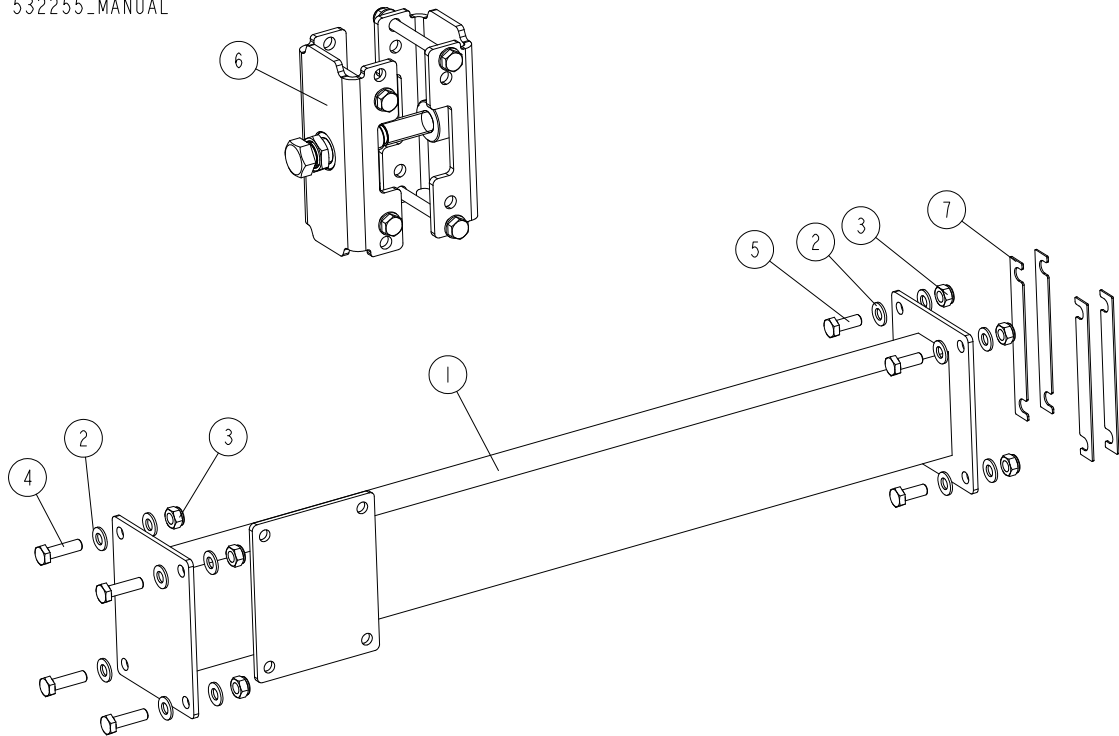
REF.	DESCRIPTION (◆ Indicates Parts Available In Assemblies Only)	PART #	QTY
-	EXTENSION, BX6 BED	539091	1
1	FRAME, BX6 - WELDED - FOR OLD M	539092-1	1
2	COVER, BX6 STAINLESS STEEL BED RAIL - SHORT	085464	2
3	BOLT, M8X65 5.8 HEX HEAD ZINC	F81002-3	4
4	NUT ,M8-8-B HEX NYLON ZINC LOCK	F81032-2	4
5	PIN, SPECIAL	090675	2
6	NUT, M12-8 HEX ZINC	F81034-1	1
7	BOLT, M12X60-8 8 HEX HEAD FULL THREAD ZINC	F81004-51	1
8	SUPPORT, LT20B LOG SIDE See Section 6.53	500960	1
9	CLAMP, BX6 LOG - COMPLETE See Section 6.63	508805	1
10	PLATE, BX6 FRAME COVER	512245-1	1
11	BOLT, 1/4-20X1/2 SELF TAP HH	F05015-1	2

6 BED EXTENSION PARTS

MBX6 Connector (Part No. 532255)

6.11 MBX6 Connector (Part No. 532255)

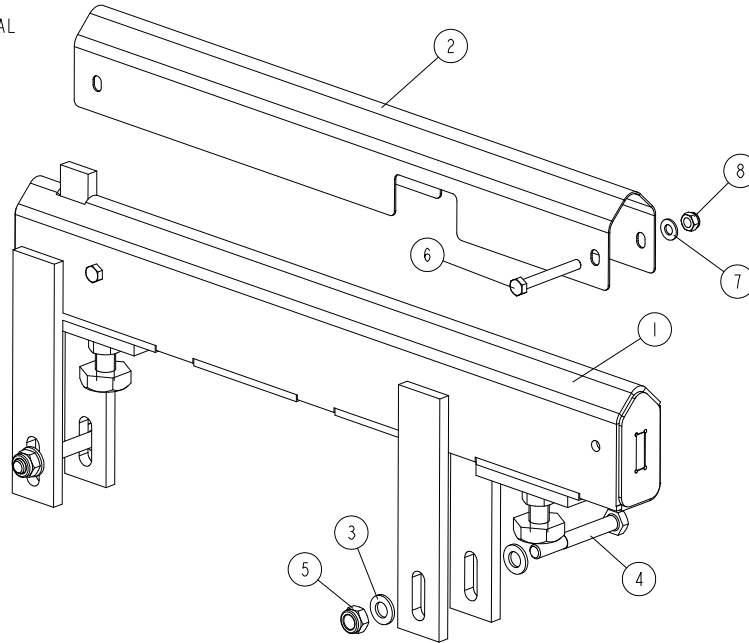
532255_001
532255_MANUAL



REF.	DESCRIPTION (◆ Indicates Parts Available In Assemblies Only)	PART #	QTY
-	CONNECTOR, MBX6-AH5/DH5 - COMPLETE	532255	1
1	CHANNEL WELDMENT, MBX6 AH5/DH5 CONNECTION BRACE	094341-1	1
2	WASHER, 10.5 FLAT ZINC	F81055-1	16
3	NUT, M10-8-B NYLON HEX ZINC LOCK	F81033-1	8
4	BOLT, M10X35-8.8 HEX HEAD FULL THREAD ZIN	F81003-17	4
5	BOLT, M10X25-8.8 HEX HEAD FULL THREAD ZINC	F81003-11	4
6	CONNECTOR, BX - COMPLETE See Section 6.16	501340	1
7	WASHER, BX6 CORRECTION	086649	4

6.12 Bed Rail (No. 536180)

536180_001
536180_MANUAL



REF.	DESCRIPTION (◆ Indicates Parts Available In Assemblies Only)	PART #	QTY
-	RAIL, ANGLED BED - COMPLETE	536180	1
1	RAIL, BED - SHORT	536179-1	1
2	COVER, BED RAIL ("M" & "S" FRAMES)	525095	1
3	WASHER, 13 FLAT ZINC	F81056-1	4
4	BOLT, M12X90 8 8 HEX HEAD ZINC	F81004-2	2
5	NUT, M12- 8- FE/ZN5 DIN 982 NYLON ZINC	F81034-2	2
6	BOLT, M8X65 5.8 HEX HEAD ZINC	F81002-3	2
7	WASHER, 8.4 FLAT ZINC	F81054-1	2
8	NUT, M8-8-B HEX NYLON ZINC LOCK	F81032-2	2

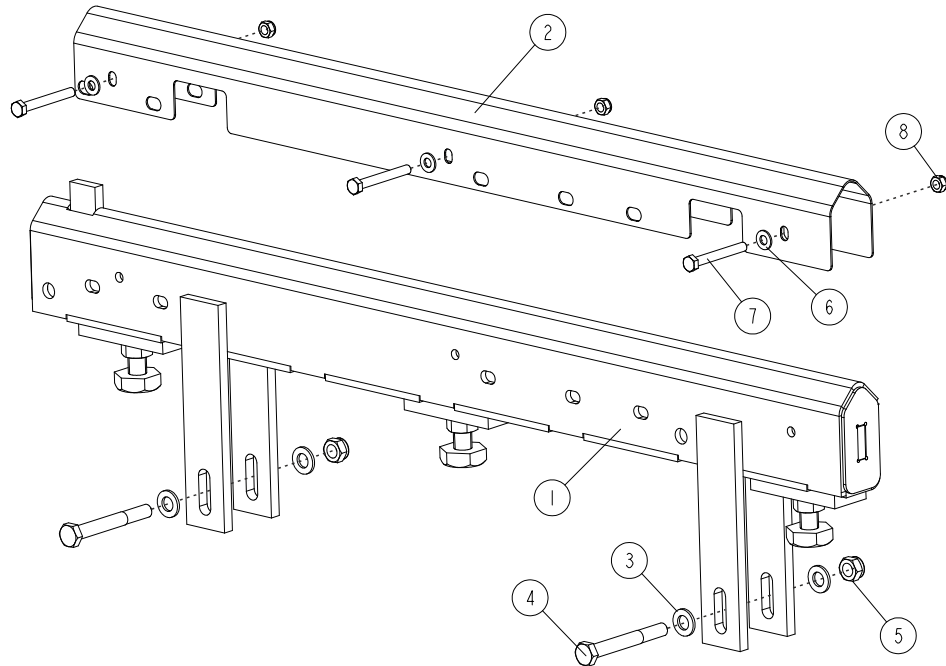
6

BED EXTENSION PARTS

Angled Bed Rail, BX for "L" Frame (No. 539371)

6.13 Angled Bed Rail, BX for "L" Frame (No. 539371)

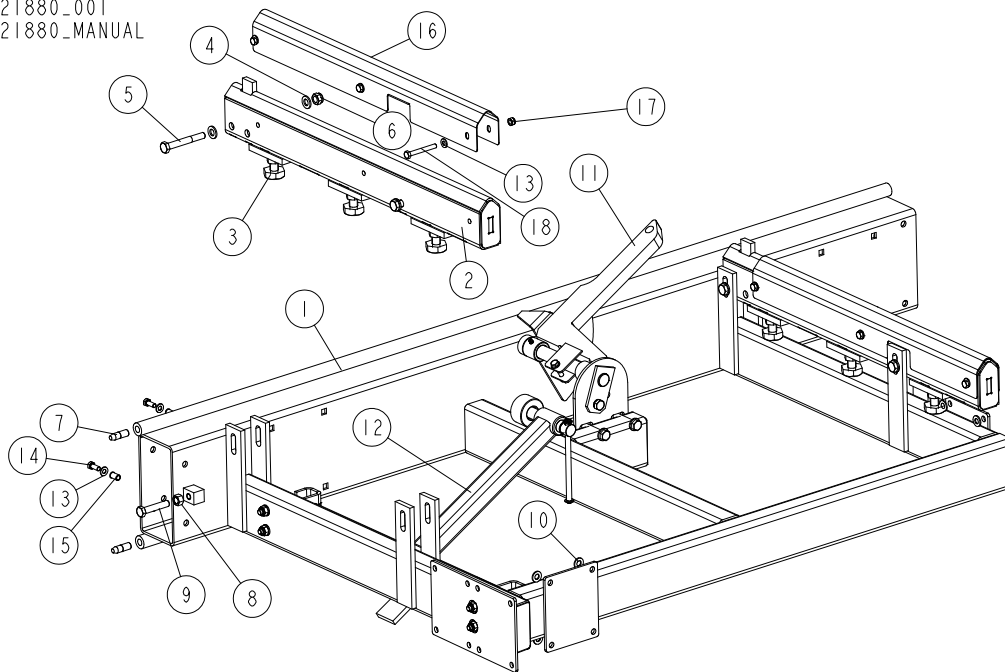
539371_001
539371_MANUAL



REF.	DESCRIPTION (◆ Indicates Parts Available In Assemblies Only)	PART #	QTY
-	RAIL, ANGLED BED - COMPLETE (BX FOR "L" FRAME)	539371	1
1	RAIL, ADJUSTABLE BED	539370-1	1
2	COVER, BED RAIL	539372	1
3	WASHER, 13 FLAT ZINC	F81056-1	4
4	BOLT, M12X95 8.8 HEX HEAD ZINC	F81004-29	2
5	NUT, M12- 8 DIN 982 HEX NYLON ZINC LOCK	F81034-2	2
6	WASHER, 8.4 FLAT ZINC	F81054-1	3
7	BOLT, M8X65 5.8 HEX HEAD ZINC	F81002-3	3
8	NUT, M8-8-B HEX NYLON ZINC LOCK	F81032-2	3

6.14 BX6 Bed Extension (Part No. 521880)

521880_001
 521880_MANUAL

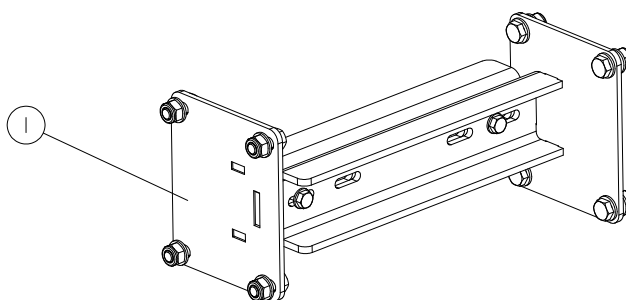
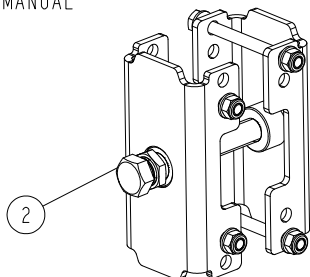


REF.	DESCRIPTION (◆ Indicates Parts Available In Assemblies Only)	PART #	QTY
-	EXTENSION, BX6 BED	521880	1
-	FRAME, BX6 BED EXTENSION	521881-1	1
1	FRAME WELDMENT, BX6	521881	1
2	BED, BX6 RAIL	523752	2
3	BOLT, M16 W/NUT	516629	3
4	WASHER, 13 FLAT ZINC	F81056-1	4
5	BOLT, M12X90 8 8 HEX HEAD ZINC	F81004-2	2
6	NUT, M12 8 HEX NYLON ZINC LOCK	F81034-2	2
7	PIN, SPECIAL	090675	2
8	NUT, M12-8 HEX ZINC	F81034-1	1
9	BOLT, M12X60-8 8 HEX HEAD FULL THREAD ZINC	F81004-51	1
10	WASHER, 10.5 FLAT ZINC	F81055-1	8
11	SUPPORT, LT20B LOG SIDE See Section 6.53	500960	1
12	CLAMP, BX6 LOG - COMPLETE See Section 6.63	508805	1
13	WASHER, 8.4 FLAT ZINC	F81054-1	8
14	BOLT, M8X20 8 8 HEX HEAD FULL THREAD ZINC	F81002-4	2
15	NUT, M8 4 5-6 3436 708 0060 RIVET	F81032-13	2
16	COVER, WM3500 BED RAIL	521613	2
17	NUT, M8-8-B HEX NYLON ZINC LOCK	F81032-2	6
18	BOLT, M8X65 5.8 HEX HEAD ZINC	F81002-3	6

6 **BED EXTENSION PARTS**
Connection Bracket Assembly, MBX6

6.15 Connection Bracket Assembly, MBX6

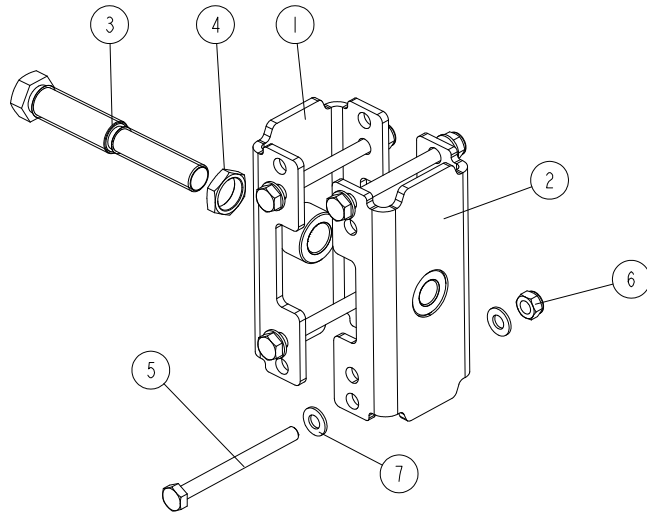
527039_001
 527039_MANUAL



REF.	DESCRIPTION (◆ Indicates Parts Available In Assemblies Only)	PART #	QTY	
-	BRACKET ASSEMBLY, MBX6-AH5/DH5 CONNECTION	527039	1	
1	BRACKET, BX6-S/M CONNECTION - COMPLETE See Section 6.17	526201	1	
2	CONNECTOR, BX - COMPLETE See Section 6.16	501340	1	

6.16 BX Connector (Part No. 501340)

501340_001
 501340_MANUAL



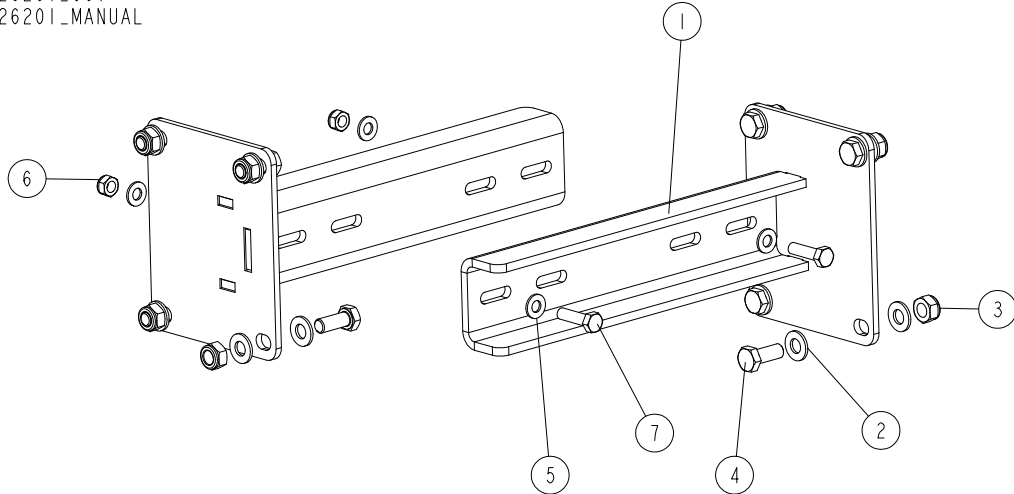
REF.	DESCRIPTION (◆ Indicates Parts Available In Assemblies Only)	PART #	QTY	
-	CONNECTOR, BX - COMPLETE	501340	1	
1	CONNECTOR WELDMENT, BX (M24)	500989-1	1	
2	CONNECTOR WELDMENT, BX (M20)	501339-1	1	
3	BOLT, ZINC-PLATED SPECIAL	087188-1	1	
4	NUT, M24X2 LH ZINC-PLATED SPECIAL	087626-1	1	
5	BOLT, M10X115-8 8 HEX HEAD	F81003-19	4	
6	NUT, M10-8-B HEX NYLON ZINC LOCK	F81033-1	4	
7	WASHER, 10.5 FLAT ZINC	F81055-1	8	

6 BED EXTENSION PARTS

Connection Bracket, BX6-S/M

6.17 Connection Bracket, BX6-S/M

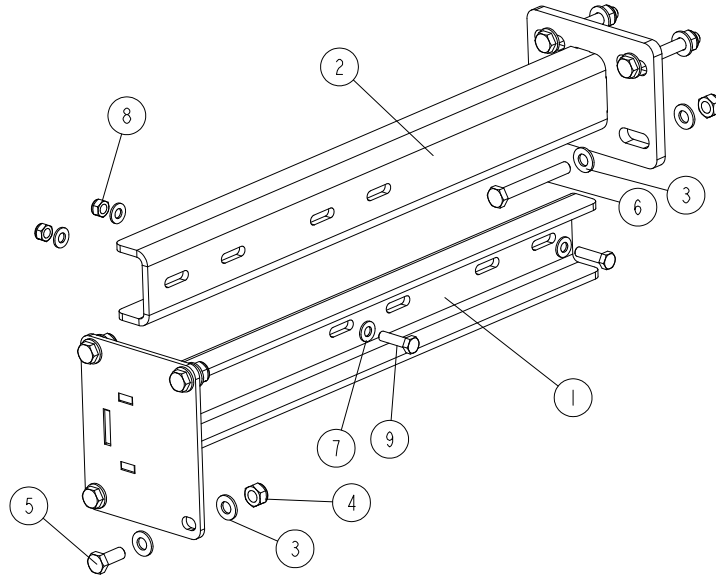
526201_001
526201_MANUAL



REF.	DESCRIPTION (◆ Indicates Parts Available In Assemblies Only)	PART #	QTY
-	BRACKET, BX6-S/M CONNECTION - COMPLETE	526201	1
1	BRACKET ASSEMBLY, BX6-S&M CONNECTION	526202-1	2
2	WASHER, 10.5 FLAT ZINC	F81055-1	16
3	NUT, M10-8-B HEX NYLON ZINC LOCK	F81033-1	8
4	BOLT, M10X25 8 8 HEX HEAD FULL THREAD ZINC	F81003-11	8
5	WASHER, 8.4 FLAT ZINC	F81054-1	4
6	NUT ,M8-8-B HEX NYLON ZINC LOCK	F81032-2	2
7	BOLT, M8X30-8 8-B HEX HEAD FULL THREAD ZINC	F81002-2	2

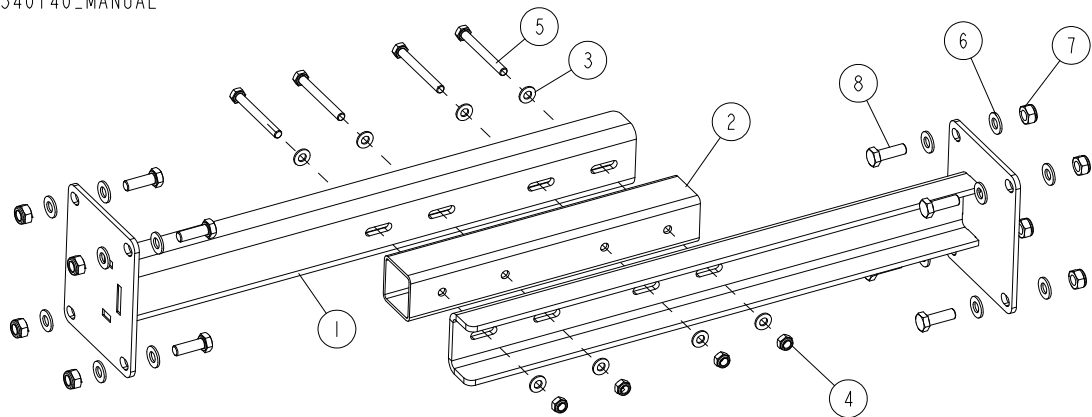
6.18 Connection Bracket, BX12-S/M (Part No. 526180)

526180_001
526180_MANUAL



REF.	DESCRIPTION (◆ Indicates Parts Available In Assemblies Only)	PART #	QTY
-	BRACKET, BX12-S/M CONNECTION - COMPLETE	526180	1
1	BRACKET, BX12-S & BX12-M CONNECTION - LEFT SIDE	526182-1	1
2	BRACKET, BX12-S/M CONNECTION - RIGHT SIDE	526181-1	1
3	WASHER, 10.5 FLAT ZINC	F81055-1	16
4	NUT, M10-8-B HEX NYLON ZINC LOCK	F81033-1	8
5	BOLT, M10X25 8 8 HEX HEAD FULL THREAD ZINC	F81003-11	4
6	BOLT, M10X80-8 8 HEX HEAD ZINC	F81003-50	4
7	WASHER, 8.4 FLAT ZINC	F81054-1	4
8	NUT ,M8-8-B HEX NYLON ZINC LOCK	F81032-2	2
9	BOLT, M8X30-8 8-B HEX HEAD FULL THREAD ZINC	F81002-2	2

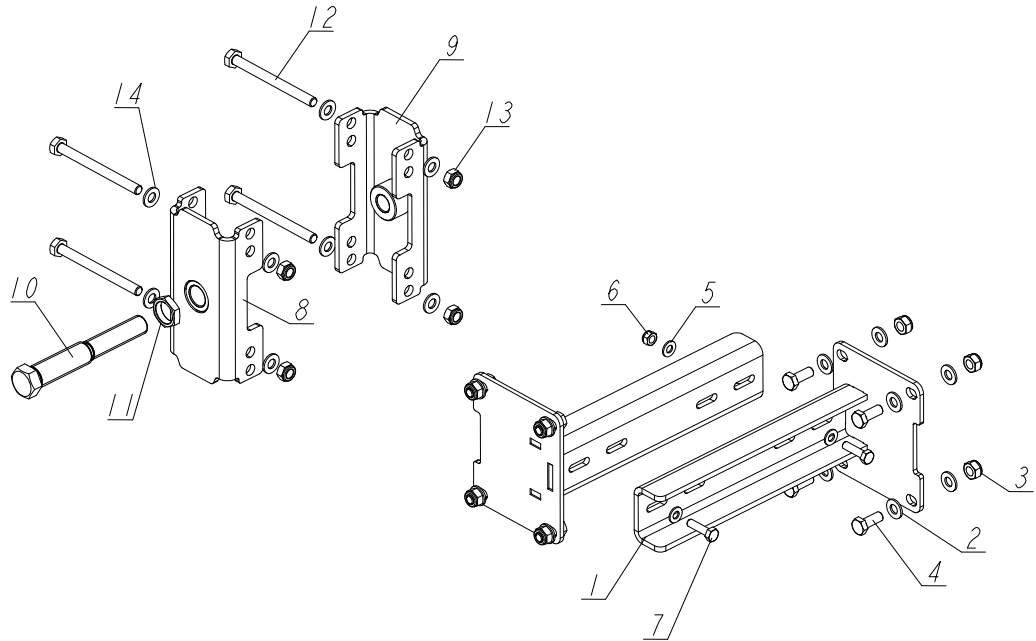
6.19 Connection Bracket (New "M" Frame & Old BX12)

540140_001
540140_MANUAL

REF.	DESCRIPTION (◆ Indicates Parts Available In Assemblies Only)	PART #	QTY
-	CONNECTION BRACKET - NEW "M" FRAME & OLD BX12	540140	1
1	BRACKET, BX12-S & BX12-M CONNECTION - LEFT SIDE	526182-1	2
2	TUBE, 50X50X315 SPACER	540134-1	1
3	WASHER, 8.4 FLAT ZINC	F81054-1	8
4	NUT, M8-8-B HEX NYLON ZINC LOCK	F81032-2	4
5	BOLT, M8X75-8.8 HEX HEAD ZINC	F81002-91	4
6	WASHER, 10.5 FLAT ZINC	F81055-1	16
7	NUT, M10-8-B HEX NYLON ZINC LOCK	F81033-1	8
8	SCREW, DIN933-M10X30-8.8-A2E HEX HEAD	F81003-111	8

6.20 Connection Bracket Assembly, MBX6-AH5/DH5

550070_002
550070_MANUAL

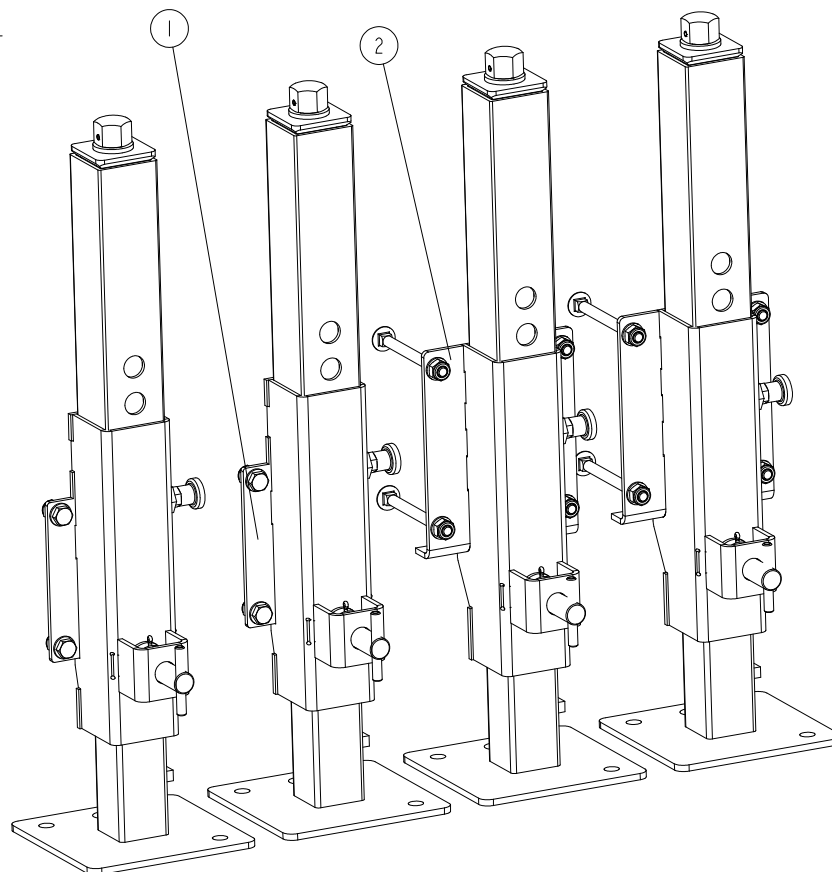


REF.	DESCRIPTION (◆ Indicates Parts Available In Assemblies Only)	PART #	QTY
-	BRACKET ASSEMBLY, MBX6-AH5/DH5 CONNECTION	550070	1
-	BRACKET, BX6-S I M CONNECTION - COMPLETE	550069	1
1	CHANNEL WELDMENT, BX6-S I M	550068-1	2
2	WASHER, 10.5 FLAT ZINC	F81055-1	16
3	NUT, M10-8-B HEX NYLON ZINC LOCK	F81033-1	8
4	BOLT, M10X25 8.8 HEX HEAD FULL THREAD ZINC	F81003-11	8
5	WASHER, 8.4 FLAT ZINC	F81054-1	4
6	NUT, M8-8-B HEX NYLON ZINC LOCK	F81032-2	2
7	BOLT, M8X30-8.8-B HEX HEAD FULL THREAD ZINC	F81002-2	2
-	CONNECTOR, BX COMPLETE	501340	1
8	CONNECTOR WELDMENT, BX (M24)	500989-1	1
9	CONNECTOR WELDMENT, BX (M20)	501339-1	1
10	BOLT, ZINC-PLATED SPECIAL	087188-1	1
11	NUT, M24X2 LH ZINC-PLATED SPECIAL	087626-1	1
12	BOLT, M10X115-8.8 HEX HEAD	F81003-19	4
13	NUT, M10-8-B HEX NYLON ZINC LOCK	F81033-1	4
14	WASHER, 10.5 FLAT ZINC	F81055-1	8

6 **BED EXTENSION PARTS**
Adjustable Leg Set, BX6 (Part No. 093579)

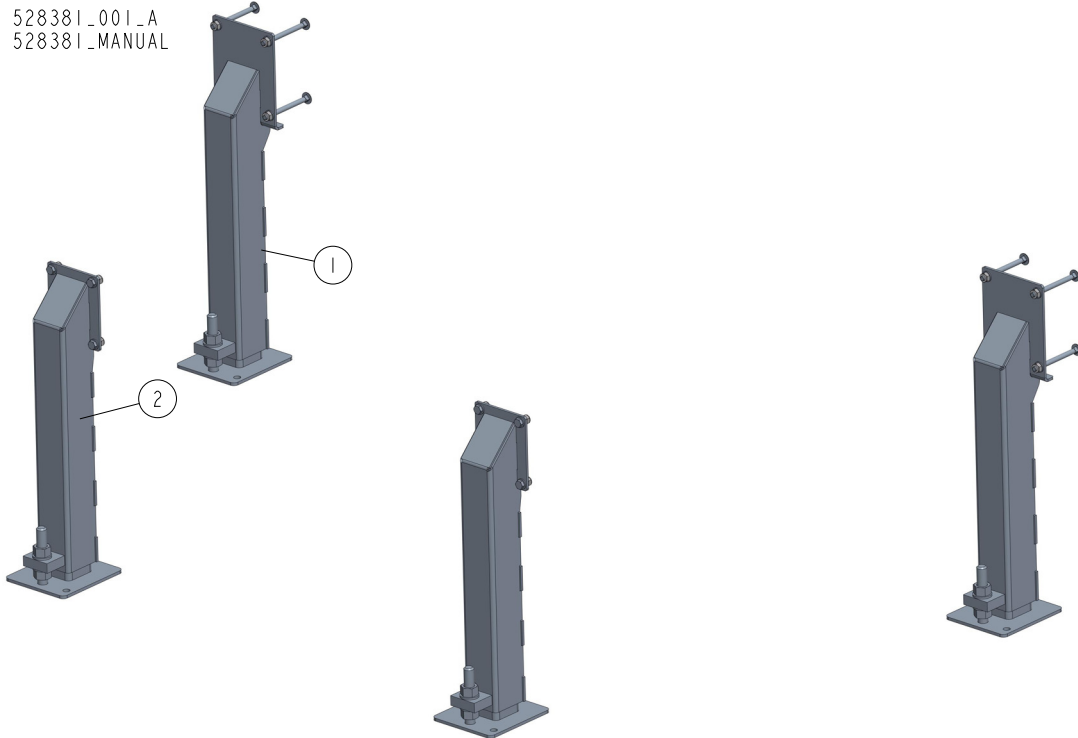
6.21 Adjustable Leg Set, BX6 (Part No. 093579)

093579_001
 093579_MANUAL



REF.	DESCRIPTION (◆ Indicates Parts Available In Assemblies Only)	PART #	QTY
-	LEG SET, BX6 ADJUSTABLE	093579	1
1	LEG, COMPLETE SIDE See Section 6.57	094583	2
2	LEG, MAIN TUBE - COMPLETE See Section 6.56	094584	2

6.22 Adjustable Leg Set, BX12 (Part No. 528381)



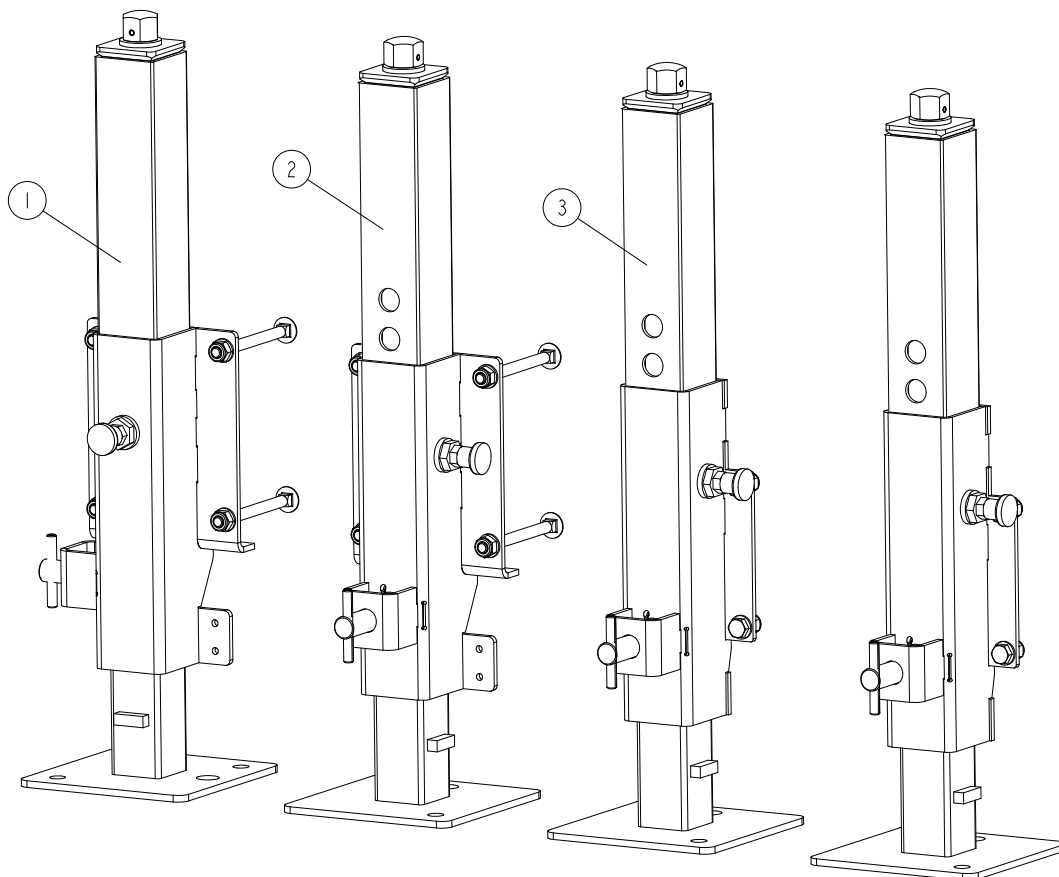
REF.	DESCRIPTION (◆ Indicates Parts Available In Assemblies Only)	PART #	QTY	
-	LEG SET, BX12 ADJUSTABLE	528381	1	
1	LEG, RIGHT ADJUSTABLE STATIONARY See Section 6.81	501640	2	
2	LEG, LEFT ADJUSTABLE STATIONARY See Section 6.80	501639	2	

6 BED EXTENSION PARTS

Adjustable Leg Set, BX12 (Part No. 507861)

6.23 Adjustable Leg Set, BX12 (Part No. 507861)

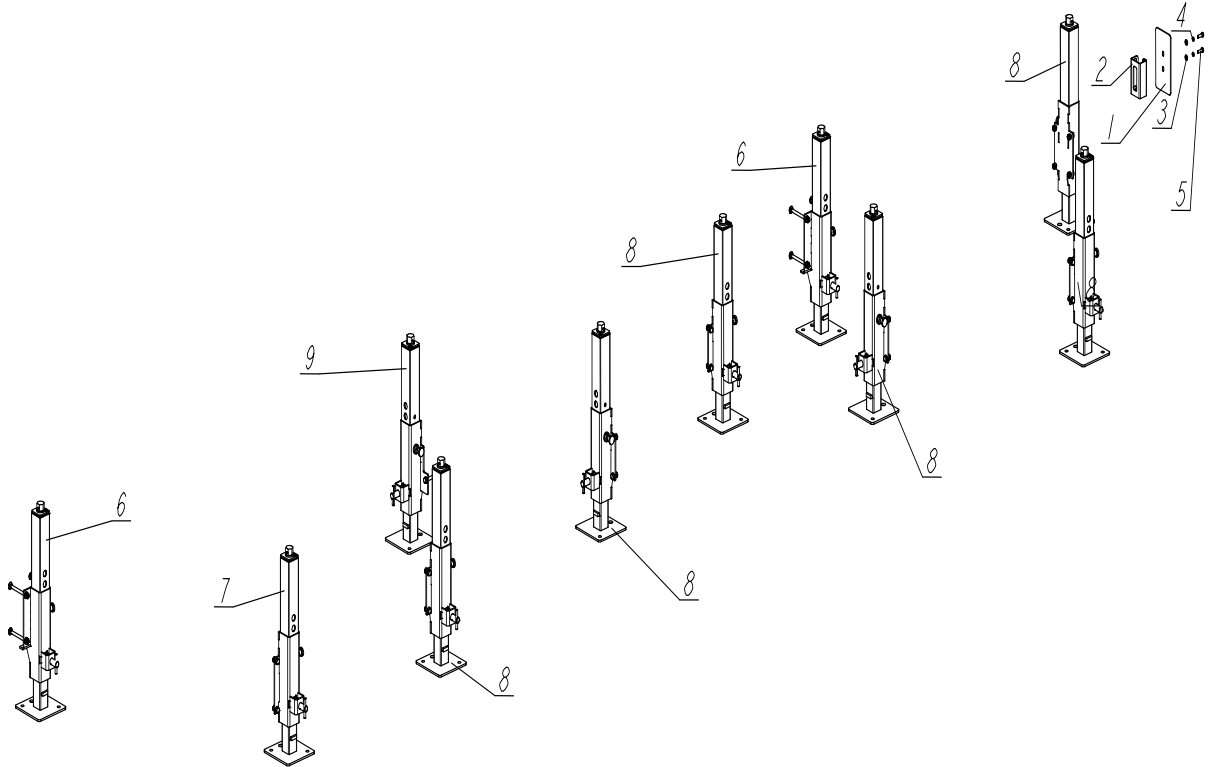
507861_001
507861_MANUAL



REF.	DESCRIPTION (◆ Indicates Parts Available In Assemblies Only)	PART #	QTY
-	LEG SET, BX12 ADJUSTABLE	507861	1
1	LEG, TURNED MAIN TUBE - COMPLETE See Section 6.58	510801	1
2	LEG, MAIN TUBE - COMPLETE See Section 6.56	094584	1
3	LEG, COMPLETE SIDE See Section 6.57	094583	2

6.24 Adjustable Leg Set, BX24M (Part No. 528372)

528372_001
528372_MANUAL



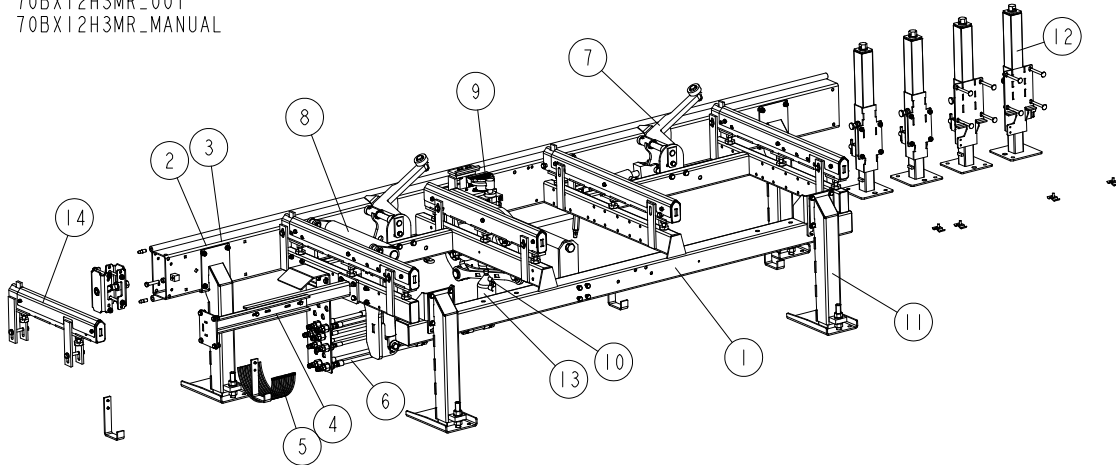
REF	DESCRIPTION (◆ indicates parts available in assemblies only)	PART #	QTY
-	LEG SET, BX24M ADJUSTABLE	528372	1
	COVER ASSEMBLY, MAIN TUBE (STATIONARY MACHINES)	093052	1
1	PLATE, 201X101 6X3 COVER	015023-1	1
2	BRACKET WELDMENT, REAR TUBE COVER	087105-1	1
3	WASHER, 8.4 FLAT ZINC	F81054-1	2
4	WASHER, 8.2 SPLIT LOCK ZINC	F81054-4	2
5	BOLT, M8X25-8 8-B HEX HEAD FULL THREAD ZINC	F81002-5	2
6	LEG, COMPLETE FINE ADJUST OUTRIGGER (MAIN BED TUBE) See Section 6.56	094584	2
7	LEG, COMPLETE SIDE FINE ADJUST OUTRIGGER See Section 6.59	555206	1
8	LEG, COMPLETE SIDE FINE ADJUST OUTRIGGER See Section 6.57	094583	6
9	LEG, COMPLETE SIDE FINE ADJUST OUTRIGGER See Section 6.60	528377	1

6 BED EXTENSION PARTS

70BX12H3MR

6.25 70BX12H3MR

70BX12H3MR_001
70BX12H3MR_MANUAL



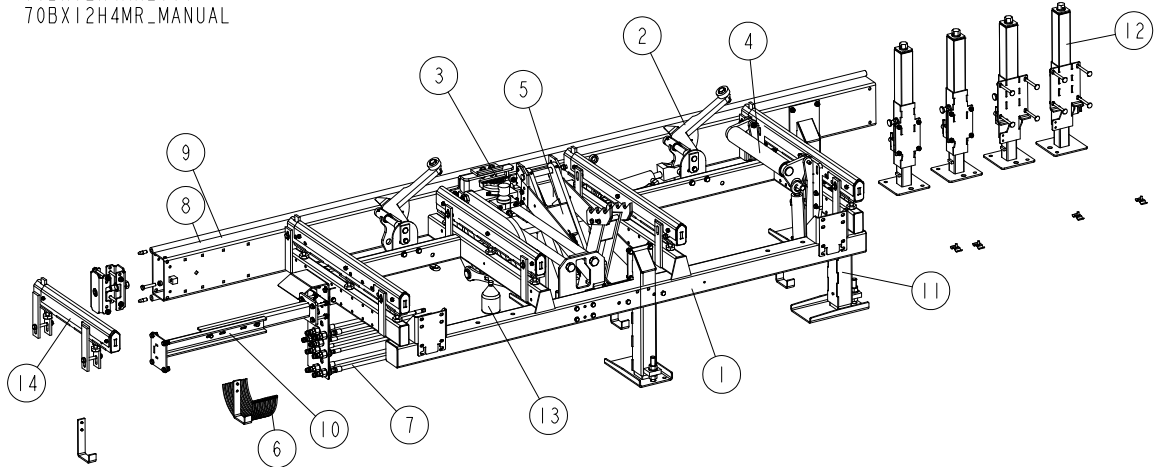
REF.	DESCRIPTION (◆ Indicates Parts Available In Assemblies Only)	PART #	QTY
-	BX12 BED EXTENSION W/12H3 HYDRAULICS FOR LT70M	70BX12H3MR	1
1	BX12 - BED FRAME EXTENSION See Section 6.27	526550	1
2	CHAIN, 10B-1-230PZ BX12	090651	1
3	LINK, 10B-1PZ MASTER	088671	1
4	BRACKET, BX12-S/M CONNECTION - COMPLETE See Section 6.18	526180	1
5	HANGER KIT, MBX12/24 (AH1-3) HYDRAULIC HOSE See Section 7.1	506100	1
6	HYDRAULIC HOSE KIT, BX12 12H4 See Section 7.12	507856	1
-	HYDRAULIC EQUIPMENT, 12H3	12H3	1
-	HYDRAULIC EQUIPMENT, 14H2	12H2	1
-	HYDRAULIC EQUIPMENT, 12H1	12H1	1
7	HYDRAULIC SIDE SUPPORT KIT, MBX12 See Section 7.4	507859	1
8	ROLLER, RIGHT TOE BOARD (FRONT)	511127 ¹	1
9	CLAMP, TWO-PLANE LOG (METRIC)	088658 ²	1
10	PLATE, 1/4" HOSE CLAMP	S09245	1
11	LEG SET, BX12 ADJUSTABLE See Section 6.22	528381_	1
12	LEG SET, BX12 ADJUSTABLE See Section 6.23	507861	1
13	FLUID, MOBIL DTE 10 EXCEL 32 HYDRAULIC	P12825	1
14	RAIL, ANGLED BED - COMPLETE See Section 6.12	536180	1

¹ See the Parts List (LT Super).

² See the Parts List (LT).

6.26 70BX12H4MR

70BX12H4MR_001
70BX12H4MR_MANUAL



REF.	DESCRIPTION (◆ Indicates Parts Available In Assemblies Only)	PART #	QTY
-	BX12 BED EXTENSION W/12H4 HYDRAULICS FOR LT70M	70BX12H4MR	1
1	BX12 - BED FRAME EXTENSION See Section 6.27	526550	1
-	HYDRAULIC EQUIPMENT, 12H4	12H4	1
2	HYDRAULIC SIDE SUPPORT KIT, MBX12 See Section 7.4	507859	1
3	CLAMP, TWO-PLANE W/2 RODS	527257 ¹	1
4	ROLLER, LEFT TOE BOARD (MOUNTED ON LOWER BED RAIL)	519735 ²	1
5	TURNER, HYDRAULIC LOG (9.5M FRAME)	088073 ³	1
6	HANGER KIT, MBX12/24 (AH1-3) HYDRAULIC HOSE See Section 7.1	506100	1
7	HYDRAULIC HOSE KIT, BX12 12H4 See Section 7.12	507856	1
8	CHAIN, 10B-1-230PZ BX12	090651	1
9	LINK, 10B-1PZ MASTER	088671	1
10	BRACKET, BX12-S/M CONNECTION - COMPLETE See Section 6.18	526180	1
11	LEG SET, BX12 ADJUSTABLE See Section 6.22	528381	1
12	LEG SET, BX12 ADJUSTABLE See Section 6.23	507861	1
13	FLUID, MOBIL DTE 10 EXCEL 32 HYDRAULIC	P12825	1
14	RAIL, ANGLED BED - COMPLETE See Section 6.12	536180	1

¹ See the Parts List (LT Super).

² See the Parts List (LT).

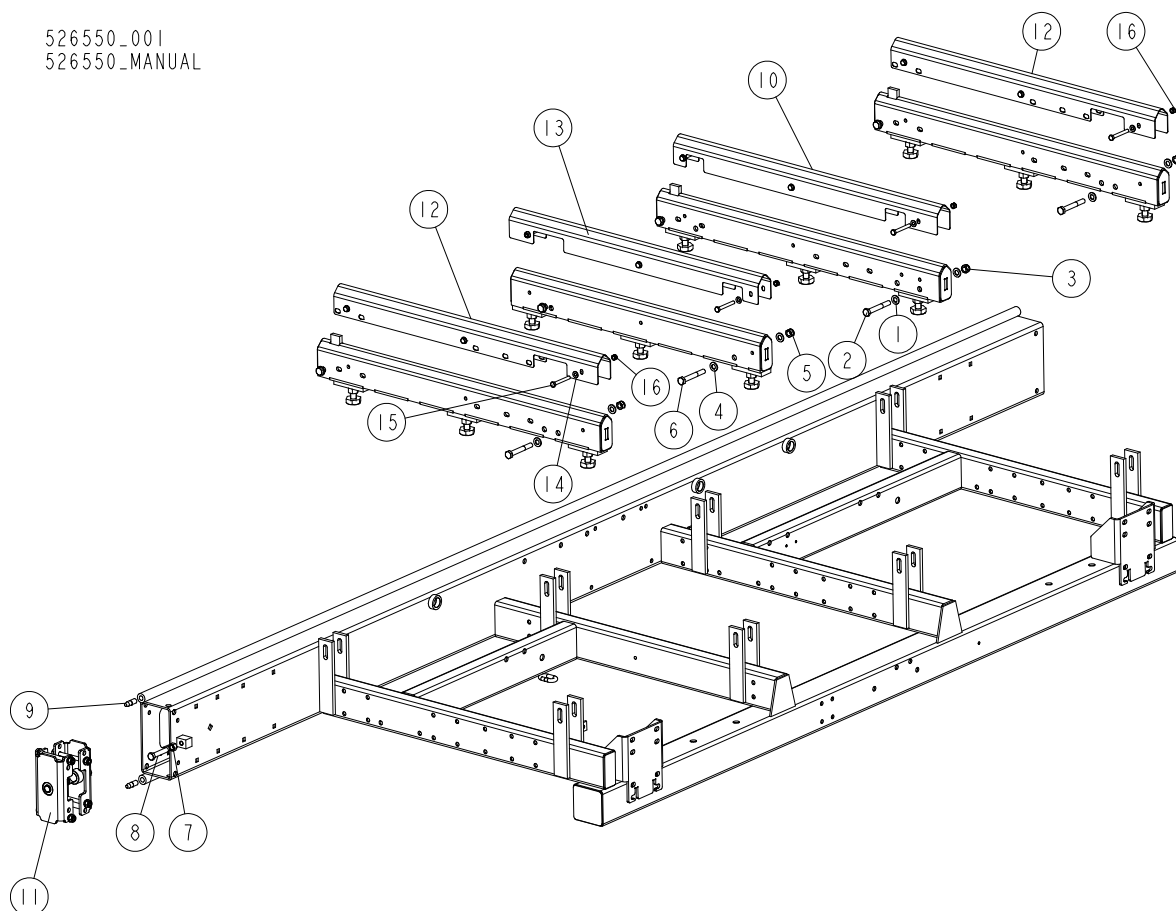
³ See the Parts List (LT - L).

6 BED EXTENSION PARTS

Bed Extension, BX12 (Part No. 526550)

6.27 Bed Extension, BX12 (Part No. 526550)

526550_001
526550_MANUAL



REF.	DESCRIPTION (◆ Indicates Parts Available In Assemblies Only)	PART #	QTY
-	BX12 - BED FRAME EXTENSION	526550	1
-	FRAME, BX12 - PAINTED	526551-1	1
-	FRAME, BX6 - WELDED	526551	1
-	RAIL, BED (1 & 4)	520978	1
1	WASHER, 13 FLAT ZINC	F81056-1	4
2	BOLT, M12X90 8 8 HEX HEAD ZINC	F81004-2	2
3	NUT, M12 8 HEX NYLON ZINC LOCK	F81034-2	2
4	WASHER, 13 FLAT ZINC	F81056-1	12
5	NUT, M12 8 HEX NYLON ZINC LOCK	F81034-2	6
6	BOLT, M12X90 8 8 HEX HEAD ZINC	F81004-2	6
7	NUT, M12-8 HEX ZINC	F81034-1	1
8	BOLT, M12X60-8 8 HEX HEAD FULL THREAD ZINC	F81004-51	1
9	PIN, SPECIAL	090675	2
10	COVER, MIDDLE DED RAIL - RIGHT	525048	1
11	CONNECTOR, BX - COMPLETE See Section 6.16	501340	1
12	COVER, BED RAIL ("M-SUPER" & "L" FRAMES)	522979	2
13	COVER, MIDDLE DED RAIL - LEFT	521598	1
14	WASHER, 8.4 FLAT ZINC	F81054-1	12
15	BOLT, M8X65 5.8 HEX HEAD ZINC	F81002-3	12

BED EXTENSION PARTS
Bed Extension, BX12 (Part No. 526550)

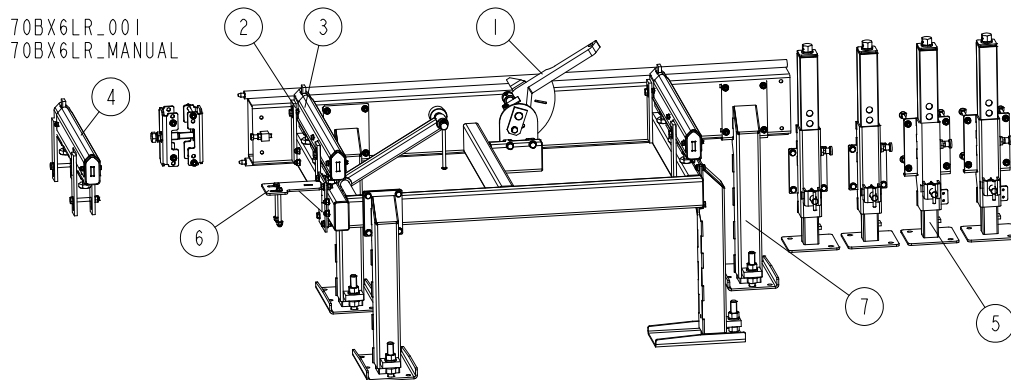
6

REF.	DESCRIPTION (◆ Indicates Parts Available In Assemblies Only)	PART #	QTY	
16	NUT, M8-8-B HEX NYLON ZINC LOCK	F81032-2	12	

6 BED EXTENSION PARTS

70BX6LR

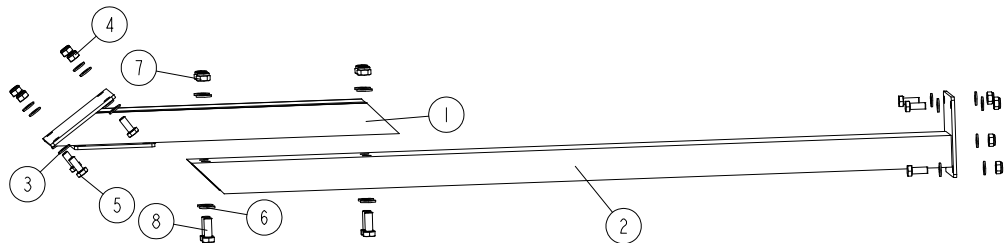
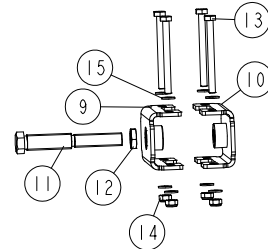
6.28 70BX6LR



REF.	DESCRIPTION (◆ Indicates Parts Available In Assemblies Only)	PART #	QTY
-	EXTENSION, LT70M BED	70BX6LR	1
1	EXTENSION, BX6 BED See Section 6.9	521880	1
2	CHAIN, 10B-1-118PZ	600239	1
3	LINK, 10B-1PZ MASTER	088671	1
4	RAIL, ANGLED BED - COMPLETE See Section 6.12	536180	1
5	LEG SET, BX6 ADJUSTABLE See Section 6.20	093579	1
6	BRACKET, LBX6 CONNECTION - COMPLETE See Section 6.30	096878	1
7	LEG SET, BX12 ADJUSTABLE See Section 6.22	528381	1

6.29 Connection Bracket Assembly, SBX6

544224_001
 544224_MANUAL



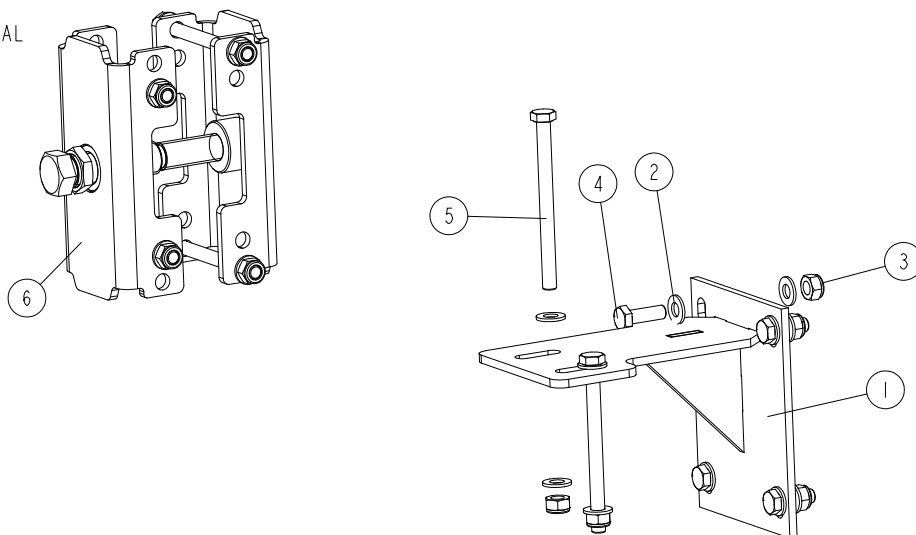
REF.	DESCRIPTION (◆ Indicates Parts Available In Assemblies Only)	PART #	QTY
-	CONNECTION BRACKET ASSEMBLY, SBX6	544224	1
1	CHANNEL, BX BRACE - SHORT	085653-1	1
2	CHANNEL, BX6 BRACE - LONG	092986-1	1
3	WASHER, 10.5 FLAT ZINC	F81055-1	16
4	NUT, M10-8-B HEX NYLON ZINC LOCK	F81033-1	8
5	BOLT, M10x25-8.8 HEX HEAD FULL THREAD ZINC	F81003-11	8
6	WASHER, 13 FLAT ZINC	F81056-1	8
7	NUT, M12-8 HEX NYLON ZINC LOCK	F81034-2	4
8	BOLT, M12X30 8.8 HEX HEAD FULL THREAD ZINC	F81004-22	4
-	CONNECTOR, BX COMPLETE	501340	1
9	CONNECTOR WELDMENT, BX (M24)	500989-1	1
10	CONNECTOR WELDMENT, BX (M20)	501339-1	1
11	BOLT, ZINC-PLATED SPECIAL	087188-1	1
12	NUT, M24X2 LH ZINC-PLATED SPECIAL	087626-1	1
13	BOLT, M10X115-8 8 HEX HEAD	F81003-19	4
14	NUT, M10-8-B HEX NYLON ZINC LOCK	F81033-1	4
15	WASHER, 10.5 FLAT ZINC	F81055-1	8

6 BED EXTENSION PARTS

Connection Bracket Assembly - Part No. 096878

6.30 Connection Bracket Assembly - Part No. 096878

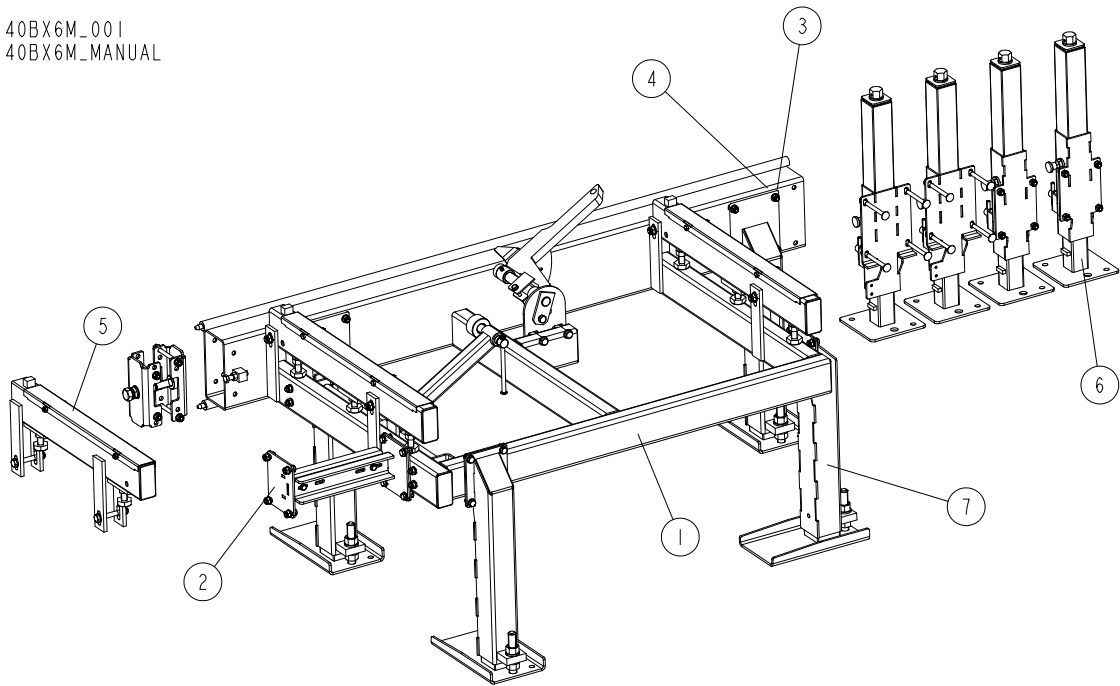
096878_001
096878_MANUAL



REF.	DESCRIPTION (◆ Indicates Parts Available In Assemblies Only)	PART #	QTY
-	BRACKET ASSEMBLY, LBX6 CONNECTION	096878	1
1	BRACKET, BX (9.5 M FRAME)	090034-1	1
2	WASHER, 10.5 FLAT ZINC	F81055-1	12
3	NUT, M10-8-B HEX NYLON ZINC LOCK	F81033-1	6
4	BOLT, M10X30-8.8 HEX HEAD FULL THREAD ZINC	F81003-2	4
5	BOLT, M10X125 8 8 HEX HEAD ZINC	F81003-18	2
6	CONNECTOR, BX - COMPLETE See Section 6.16	501340	1

6.31 40BX6M

40BX6M_001
40BX6M_MANUAL



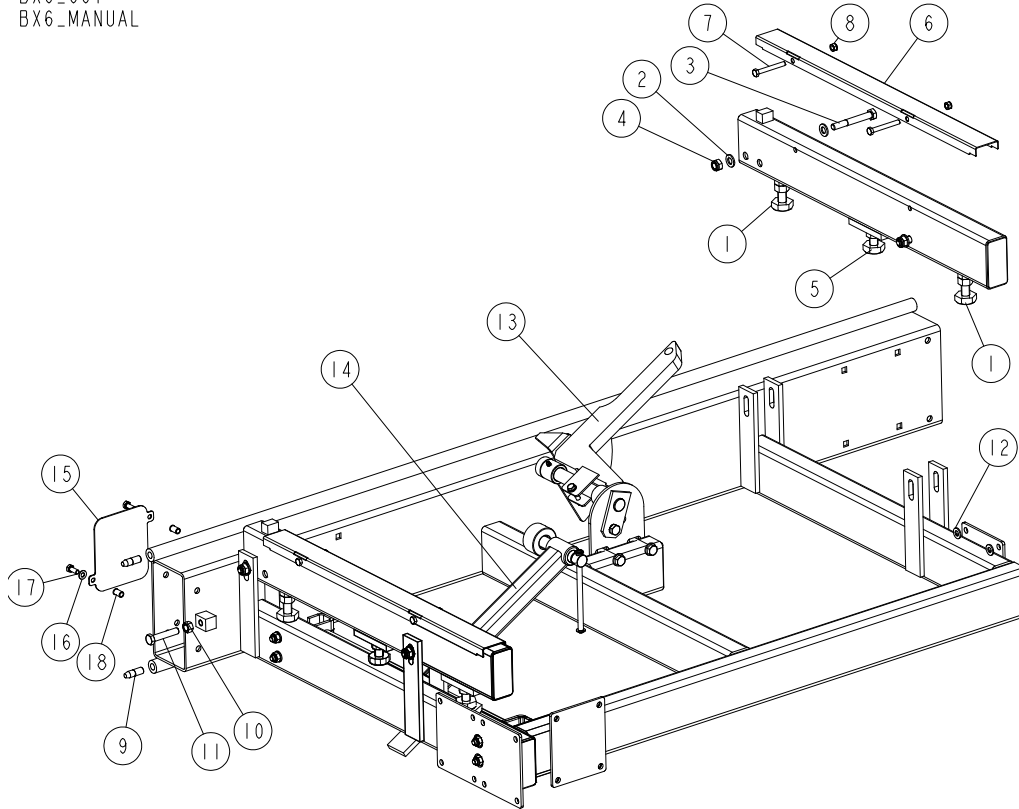
REF.	DESCRIPTION (◆ Indicates Parts Available In Assemblies Only)	PART #	QTY
-	EXTENSION, LT70M BED	40BX6M	1
1	EXTENSION, BX6 BED See Section 6.32	BX6	1
2	BRACKET ASSEMBLY, MBX6-AH5/DH5 CONNECTION See Section 6.15	527039	1
3	LINK, MASTER	P11602	1
4	LINK, #40 MASTER	P04200	1
5	RAIL, BED - COMPLETE See Section 6.4	528390	1
6	LEG SET, BX6 ADJUSTABLE See Section 6.20	093579	1
7	LEG SET, BX12 ADJUSTABLE See Section 6.22	528381	1

6 BED EXTENSION PARTS

BX6

6.32 BX6

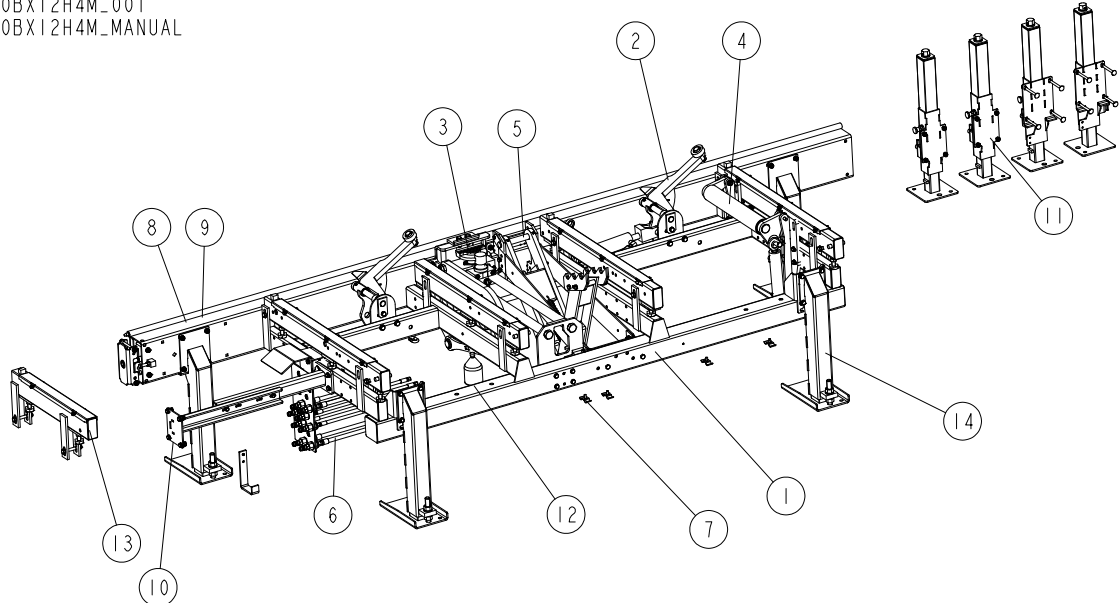
BX6_001
BX6_MANUAL



REF.	DESCRIPTION (◆ Indicates Parts Available In Assemblies Only)	PART #	QTY
-	EXTENSION, BX6 BED	BX6	1
-	FRAME, BX6 - PAINTED	085414-1	1
-	FRAME, BX6 - WELDED	085414	1
1	BOLT, M16 W/2 NUTS	093710	4
2	WASHER, 13 FLAT ZINC	F81056-1	8
3	BOLT, M12X90 8 8 HEX HEAD ZINC	F81004-2	4
4	NUT, M12 8 HEX NYLON ZINC LOCK	F81034-2	4
5	BOLT, M16 W/NUT	516629	2
6	COVER, BX6 STAINLESS STEEL BED RAIL - SHORT	085464	2
7	BOLT, M8X65 5.8 HEX HEAD ZINC	F81002-3	4
8	NUT ,M8-8-B HEX NYLON ZINC LOCK	F81032-2	4
9	PIN, SPECIAL	090675	2
10	NUT, M12-8 HEX ZINC	F81034-1	1
11	BOLT, M12X60-8 8 HEX HEAD FULL THREAD ZINC	F81004-51	1
12	WASHER, 10.5 FLAT ZINC	F81055-1	8
13	SUPPORT, LT20B LOG SIDE See Section 6.53	500960	1
14	CLAMP, BX6 LOG - COMPLETE See Section 6.63	508805	1
15	PLATE, BX6 FRAME COVER	512245-1	1
16	WASHER, 8.4 FLAT ZINC	F81054-1	2
17	BOLT, M8X20 8 8 HEX HEAD FULL THREAD ZINC	F81002-4	2
18	NUT, M8 4 5-6 3436 708 0060 RIVET	F81032-13	2

6.33 40BX12H4M

40BX12H4M_001
40BX12H4M_MANUAL



REF.	DESCRIPTION (◆ Indicates Parts Available In Assemblies Only)	PART #	QTY
-	BX12 BED EXTENSION W/12H4 HYDRAULICS FOR LT40M	40BX12H4M	1
1	BX12 - BED FRAME EXTENSION See Section 6.34	526554	1
-	HYDRAULIC EQUIPMENT, 12H4	12H4	1
2	SUPPORT KIT, MBX12 HYDRAULIC SIDE See Section 7.4	507859	1
3	CLAMP, TWO-PLANE W/2 RODS	527257 ¹	1
4	ROLLER, LEFT TOE BOARD (MOUNTED ON LOWER BED RAIL)	519735 ²	1
5	TURNER, HYDRAULIC LOG (9.5M FRAME)	088073 ³	1
6	HYDRAULIC HOSE KIT, BX12 12H4 See Section 7.12	507856	1
7	HANGER KIT, MBX24 (AH1-3) HYDRAULIC HOSE See Section 7.1	506100	1
8	CHAIN, 3.6M BED EXTENSION	P07355	1
9	LINK, #40 MASTER	P04200	1
10	BRACKET, BX12-S/M CONNECTION - COMPLETE See Section 6.18	526180	1
11	LEG SET, BX12 ADJUSTABLE See Section 6.23	507861	1
12	FLUID, MOBIL DTE 10 EXCEL 32 HYDRAULIC	P12825	1
13	RAIL, BED - COMPLETE See Section 6.4	528390	1
14	LEG SET, BX12 ADJUSTABLE See Section 6.22	528381_	1

¹ See the Parts List (LT Super).

² See the Parts List (LT).

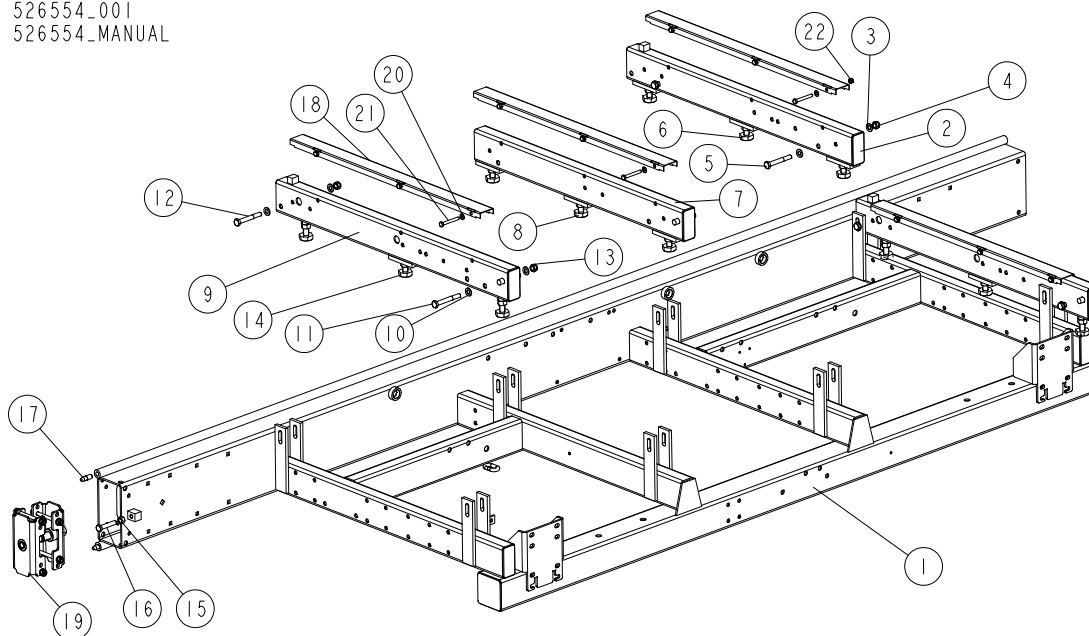
³ See the Parts List (LT - L).

6 BED EXTENSION PARTS

BX12 - Part No. 526554

6.34 BX12 - Part No. 526554

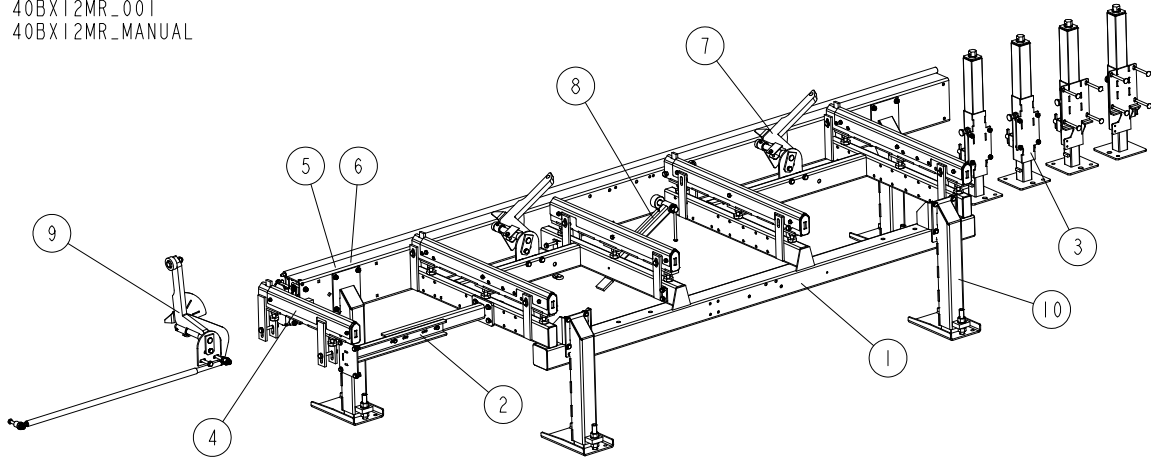
526554_001
526554_MANUAL



REF.	DESCRIPTION (◆ Indicates Parts Available In Assemblies Only)	PART #	QTY
-	BX12 - BED FRAME EXTENSION	526554	1
-	FRAME, BX12 - PAINTED	526553-1	1
1	FRAME, BX12 - WELDED	526553	1
2	RAIL, "M" BED FRAME	096993	1
3	WASHER, 13 FLAT ZINC	F81056-1	4
4	NUT, M12 8 HEX NYLON ZINC LOCK	F81034-2	2
5	BOLT, M12X90 8 8 HEX HEAD ZINC	F81004-2	2
6	BOLT, M16 W/NUT	516629	3
7	RAIL WELDMENT, BED - SHORT	089386	1
8	BOLT, M16 W/NUT	516629	3
9	RAIL, BED - 1	091555	2
10	WASHER, 13 FLAT ZINC	F81056-1	4
11	BOLT, M12X95 8 8 HEX HEAD ZINC	F81004-29	1
12	BOLT, M12X90 8 8 HEX HEAD ZINC	F81004-2	1
13	NUT, M12 8 HEX NYLON ZINC LOCK	F81034-2	2
14	BOLT, M16 W/NUT	516629	1
15	NUT, M12-8 HEX ZINC	F81034-1	1
16	BOLT, M12X60-8 8 HEX HEAD FULL THREAD ZINC	F81004-51	1
17	PIN, SPECIAL	090675	2
18	COVER, BED RAIL	099124	4
19	CONNECTOR, BX - COMPLETE	501340	1
20	WASHER, 8.4 FLAT ZINC	F81054-1	12
21	BOLT, M8X65 5.8 HEX HEAD ZINC	F81002-3	12
22	NUT, M8-8-B HEX NYLON ZINC LOCK	F81032-2	12

6.35 40BX12MR

40BX12MR_001
40BX12MR_MANUAL



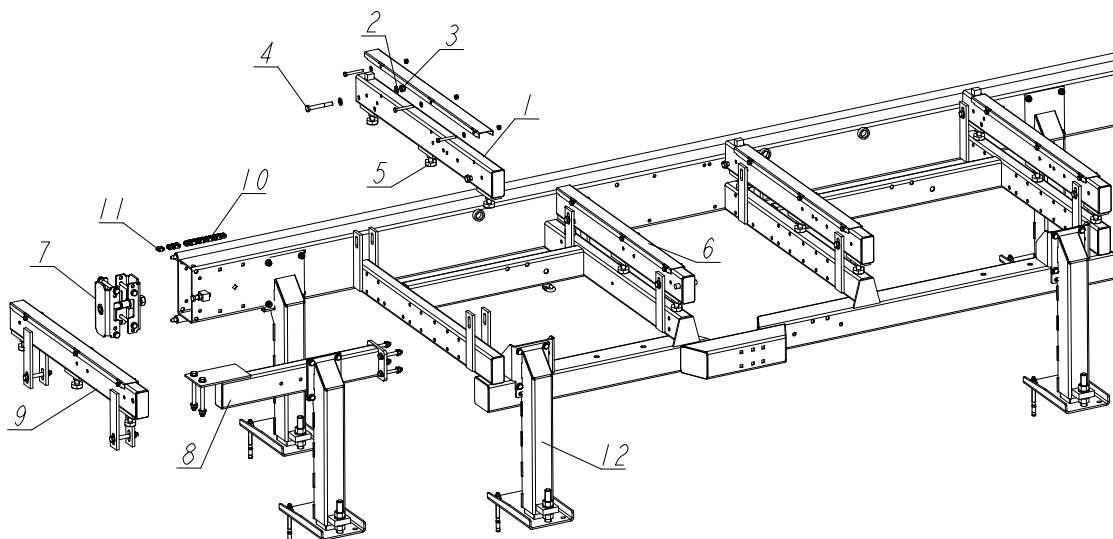
REF.	DESCRIPTION (◆ Indicates Parts Available In Assemblies Only)	PART #	QTY
-	BX12 BED EXTENSION W/MANUAL EQUIPMENT FOR LT70M	40BX12MR	1
1	BX12 - BED FRAME EXTENSION See Section 6.27	526550	1
2	BRACKET, BX12-S/M CONNECTION - COMPLETE See Section 6.18	526180	1
3	LEG SET, BX12 ADJUSTABLE See Section 6.23	507861	1
4	RAIL, ANGLED BED - COMPLETE See Section 6.12	536180	1
5	CHAIN, 3.6M BED EXTENSION	P07355	1
6	LINK, #40 MASTER	P04200	1
-	MANUAL EQUIPMENT, 12M BED EXTENSION	12M-N	1
7	SUPPORT, LT20B LOG SIDE See Section 6.53	500960	2
8	CLAMP, BX12/BX24 LOG - COMPLETE See Section 6.62	505726	1
9	SUPPORT KIT, LOG SIDE - ADDITIONAL See Section 6.36	525098	1
10	LEG SET, BX12 ADJUSTABLE See Section 6.22	528381_	1

6 BED EXTENSION PARTS

BX12 LT40 L AH

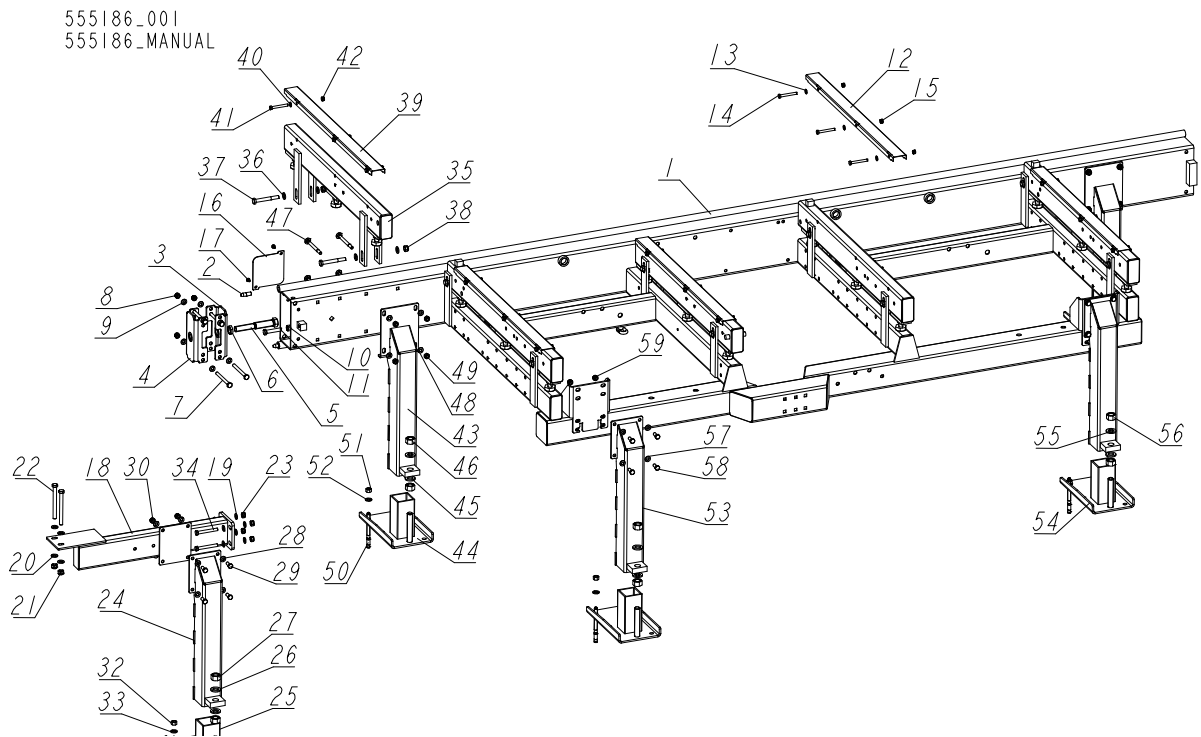
6.36 BX12 LT40 L AH

555187_001
555187_MANUAL



REF.	DESCRIPTION (◆ Indicates Parts Available In Assemblies Only)	PART #	QTY
-	BX12 BED EXTENSION FOR LT40L/AH SAWMILLS - COMPLETE	555187	1
-	BED RAIL - 2/5	551120	3
1	RAIL, BED	551121	1
2	WASHER, 13-FLAT ZINC	F81056-1	4
3	NUT, M12- 8- DIN 982 HEX NYLON ZINC LOCK	F81034-2	2
4	BOLT, M12X90 8.8 HEX HEAD ZINC	F81004-2	2
5	BOLT W/NUT, M16	516629	3
6	BED, ADJUSTABLE, SHORT RAILWLDMT/PTD	089386	1
7	CONNECTOR, BX - COMPLETE	501340	1
8	BRACE ASSEMBLY, 40LBX12	094834	1
9	TUBE, BED RAIL BX12/24 W/L-FRAME	555200	1
10	CHAIN, BED EXTENSION (3,6M)	P07355	1
11	LINK, #40 MASTER	P04200	1
12	LEG KIT, BX12 ADJUSTABLE	528381	1

6.37 BX12 LT20 L AH



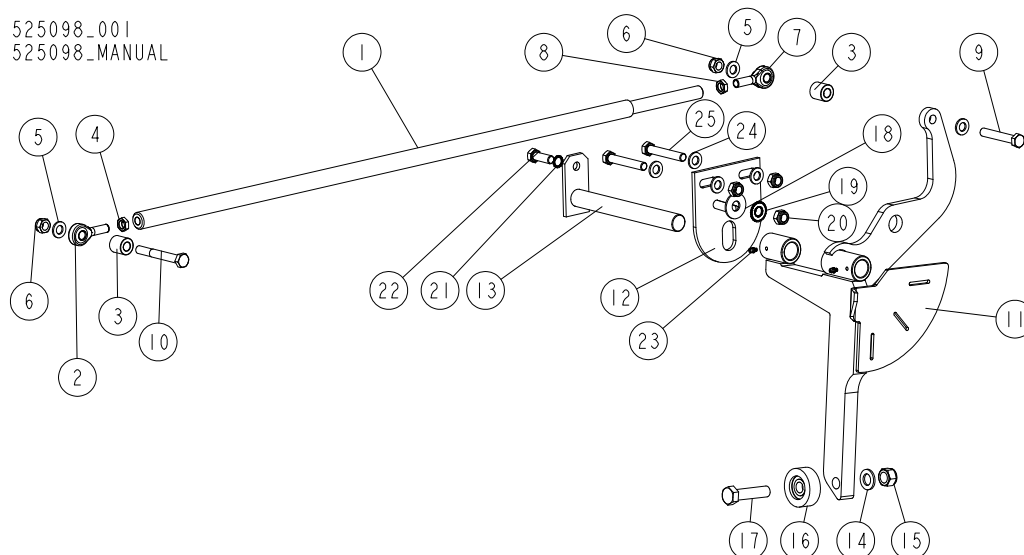
REF.	DESCRIPTION (◆ Indicates Parts Available In Assemblies Only)	PART #	QTY
-	BX12 BED EXTENSION FOR LT20 L/AH SAWMILLS (FLAT BED RAIL)-COMPLETE	555186	1
1	BED EXTENSION BX12 FOR SAWMILLS AH/FLAT BED RAIL	551816-1	1
2	PIN, SPECIAL	090675	2
-	CONNECTOR, BX - COMPLETE	501340	1
3	CONNECTOR, BX (M24) - WLDMT/PTD	500989-1	1
4	CONNECTOR, BX (M20) - WLDMT/PTD.	501339-1	1
5	BOLT, SPECIAL ZINC	087188-1	1
6	NUT, SPECIAL M24X2 LH ZINC	087626-1	1
7	BOLT, M10X115-8.8 HEX HEAD ZINC	F81003-19	4
8	NUT, M10 HEX NYLON ZINC LOCK	F81033-1	4
9	WASHER, 10,5 FLAT ZINC	F81055-1	8
10	NUT, M12-8 ZINC	F81034-1	1
11	BOLT, M12X60-8.8 HEX HEAD FULL THREAD ZINC	F81004-51	1
12	COVER, BED RAIL	099124	4
13	WASHER, 8.4 FLAT ZINC	F81054-1	12
14	BOLT, M8X65 5.8 HEX HEAD ZINC	F81002-3	12
15	NUT, M8-8-B-HEX NYLON ZINC LOCK	F81032-2	12
16	CAP, BX12/BX24	555198-1	1
17	BOLT, 1/4-20X1/2 SELF TAP HEX HEAD	F05015-1	2
-	BRACE ASSEMBLY, 40LBX12	094834	1
18	BRACE ASSEMBLY, 40LBX12 - WLDMT/PTD.	091177-1	1

REF.	DESCRIPTION (◆ Indicates Parts Available In Assemblies Only)	PART #	QTY	
19	WASHER, 10,5 FLAT ZINC	F81055-1	12	
20	WASHER, 13-FLAT ZINC	F81056-1	4	
21	NUT, M12- 8- DIN 982 HEX NYLON ZINC LOCK	F81034-2	2	
22	BOLT, M12X130-8.8 FHEX HEAD ZINC	F81004-36	2	
23	NUT, M10 HEX NYLON ZINC LOCK	F81033-1	4	
-	LEG, LEFT ADJUSTABLE STATIONARY	501639	1	
24	LEG, SIDE ADJUSTABLE	507715-1	1	
25	FOOT	586948-1	1	
26	WASHER, 21 FLAT ZINC	F81059-2	2	
27	NUT, M20-8- HEX ZINC	F81037-1	2	
28	WASHER, 10,5 FLAT ZINC	F81055-1	4	
29	BOLT, M10X25 8.8 HEX HEAD FULL THREAD ZINC	F81003-11	4	
30	NUT, M10 HEX NYLON ZINC LOCK	F81033-1	4	
-	ANCHOR, M12X140MM KMC EXPRES	084529	1	
31	ANCHOR, M12 140MM	084529	1	
32	NAKRETKA M12-8 FE/ZN5	F81034-1	1	
33	WASHER, 13-FLAT ZINC	F81056-1	1	
34	BOLT, M10X80-8.8-HEX HEAD ZINC	F81003-50	4	
-	BED RAIL, BX12/24 W/L-FRAME - COMPLETE	555200	1	
35	BED RAIL, BX W/L-FRAME WLDMT/PTD	555199-1	1	
36	WASHER, 13-FLAT ZINC	F81056-1	4	
37	BOLT, M12X95 8.8 HEX HEAD ZINC	F81004-29	2	
38	NUT, M12- 8 DIN 982 HEX NYLON ZINC LOCK	F81034-2	2	
39	COVER, BED	099124	1	
40	WASHER, 8.4 FLAT ZINC	F81054-1	3	
41	BOLT, M8X65 5.8 HEX HEAD ZINC	F81002-3	3	
42	NUT, M8-8-B-HEX NYLON ZINC LOCK	F81032-2	3	
-	ADJUSTABLE LEG KIT, BX12	528381	1	
-	LEG, RIGHT ADJUSTABLE STATIONARY	501640	2	
43	LEG, HEIGH MAIN TUBE	507620-1	1	
44	FOOT	586948-1	1	
45	WASHER, 21 FLAT ZINC	F81059-2	2	
46	NUT, M20-8- HEX ZINC	F81037-1	2	
47	BOLT, M10X120 8.8 CARRIAGE ZINC	F81003-33	4	
48	WASHER, 10,5 FE/ZN5 PN-78/M-82005	F81055-1	4	
49	NAKRETKA M10 HEX NYLON ZINC LOCK	F81033-1	4	
-	ANCHOR, M12X140MM KMC EXPRES	084529	1	
50	ANCHOR, M12 140MM	084529	1	
51	NUT, M12-8 ZINC	F81034-1	1	
52	WASHER, 13-FLAT ZINC	F81056-1	1	
-	LEG, LEFT ADJUSTABLE STATIONARY	501639	2	
53	LEG, SIDE ADJUSTABLE	507715-1	1	
54	FOOT	586948-1	1	
55	WASHER, 21 FLAT ZINC	F81059-2	2	
56	NUT, M20-8- HEX ZINC	F81037-1	2	

BED EXTENSION PARTS*BX12 LT20 L AH***6**

REF.	DESCRIPTION (◆ Indicates Parts Available In Assemblies Only)	PART #	QTY	
57	WASHER, 10,5 FLAT ZINC	F81055-1	4	
58	BOLT, M10X25 8.8 HEX HEAD FULL THREAD ZINC	F81003-11	4	
59	NUT, M10 HEX NYLON ZINC LOCK	F81033-1	4	

6.38 Additional Log Side Support - Part No. 525098



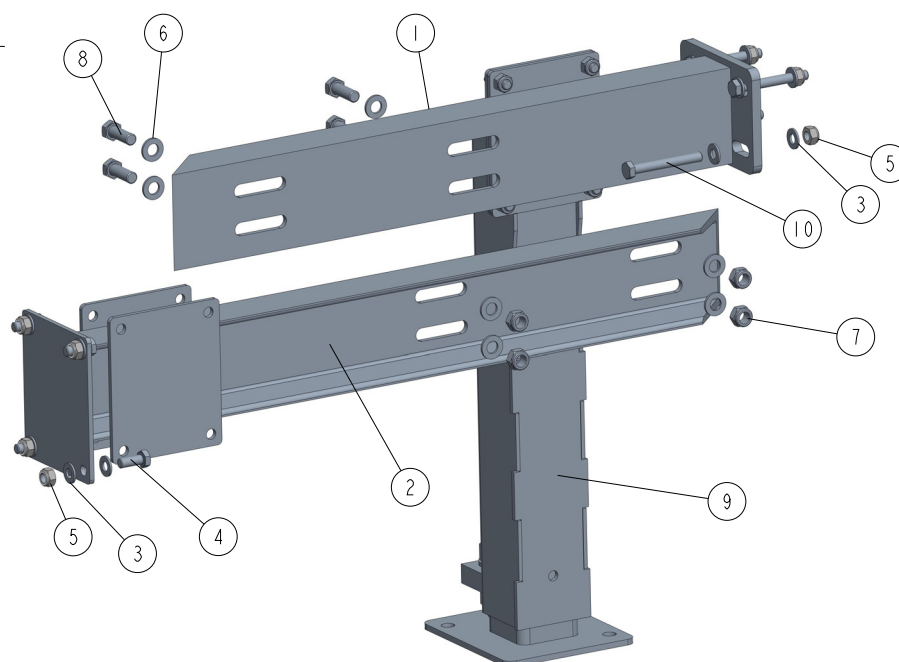
REF.	DESCRIPTION (◆ Indicates Parts Available In Assemblies Only)	PART #	QTY
-	SUPPORT KIT, LOG SIDE - ADDITIONAL	525098	1
-	ROD, SIDE SUPPORT PUSHER - COMPLETE (L=1161)	525096	1
1	ROD, SIDE SUPPORT PUSHER (L=1093)	525097-1	1
2	END, ROD LEFT THREAD	087036	1
3	BUSHING, 13/25-25 ZINC-PLATED	505895-1	2
4	NUT, M12LH-04-A LEFT THIN	F81034-7	1
5	WASHER, 13 FLAT ZINC	F81056-1	3
6	NUT, M12 8 HEX NYLON ZINC LOCK	F81034-2	2
7	END, ROD RIGHT-HAND	087035	1
8	NUT, M12-04-A THIN ZINC	F81034-6	1
9	BOLT, M12X75-8 8 HEX HEAD ZINC	F81004-21	1
10	BOLT, M12X95 8 8 HEX HEAD ZINC	F81004-29	1
11	SUPPORT, LOG SIDE W/GUARD (2)	099788-1	1
12	PLATE, SIDE SUPPORT MOUNT	091591-1	1
13	PIN, SIDE SUPPORT ZINC-PLATED	091549-1	1
14	WASHER, 17 SPLIT LOCK ZINC	F81058-1	1
15	NUT, M16-8 HEX NYLON ZINC LOCK	F81036-2	1
16	ROLLER, SIDE SUPPORT	015014-1	1
17	BOLT, M16X65-8.8-B HEX HEAD FULL THREAD ZINC	F81006-1	1
18	WASHER, 15 SPECIAL FLAT ZINC	F81057-3	1
19	WASHER, BN781 M12/13 SERRATED	F81056-17	1
20	NUT, M12 8 HEX NYLON ZINC LOCK	F81034-2	3
21	WASHER, BN781 M12/13 SERRATED	F81056-16	1
22	BOLT, M12X35 8 8 HEX HEAD FULL THREAD ZINC	F81004-24	1
23	FITTING, 3/16X3/16 STRAIGHT GREASE	P04107	2
24	WASHER, 13 FLAT ZINC	F81056-1	4

BED EXTENSION PARTS*Additional Log Side Support - Part No. 525098***6**

REF.	DESCRIPTION (◆ Indicates Parts Available In Assemblies Only)	PART #	QTY	
25	BOLT, M12X75-8 8 HEX HEAD ZINC	F81004-21	2	

6.39 Connection Beam, LT40BX12

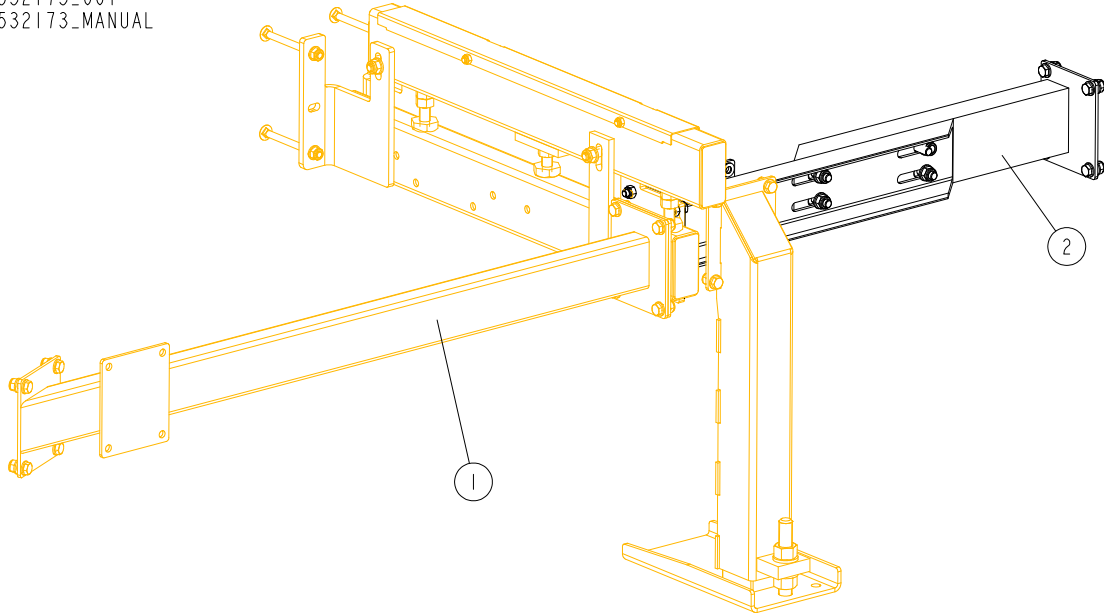
532179_001_A
 532179_MANUAL



REF.	DESCRIPTION (◆ Indicates Parts Available In Assemblies Only)	PART #	QTY	
-	BEAM, LT40BX12 CONNECTION	532179	1	
1	SPACER, BX6-BX12	532180-1	1	
2	SPACER, BX6-BX12	503395-1	1	
3	WASHER, 10.5 FLAT ZINC	F81055-1	16	
4	BOLT, M10X25 8 8 HEX HEAD FULL THREAD ZINC	F81003-11	4	
5	NUT, M10-8-B HEX NYLON ZINC LOCK	F81033-1	8	
6	WASHER, 13 FLAT ZINC	F81056-1	8	
7	NUT, M12 8 HEX NYLON ZINC LOCK	F81034-2	4	
8	BOLT, M12X35 8 8 HEX HEAD FULL THREAD ZINC	F81004-24	4	
9	LEG, LEFT ADJUSTABLE STATIONARY See Section 6.80	501639	1	
10	BOLT, M10X80-8 8 HEX HEAD ZINC	F81003-50	4	

6.40 Connection Bracket Assembly, MBX6

532173_001
 532173_MANUAL



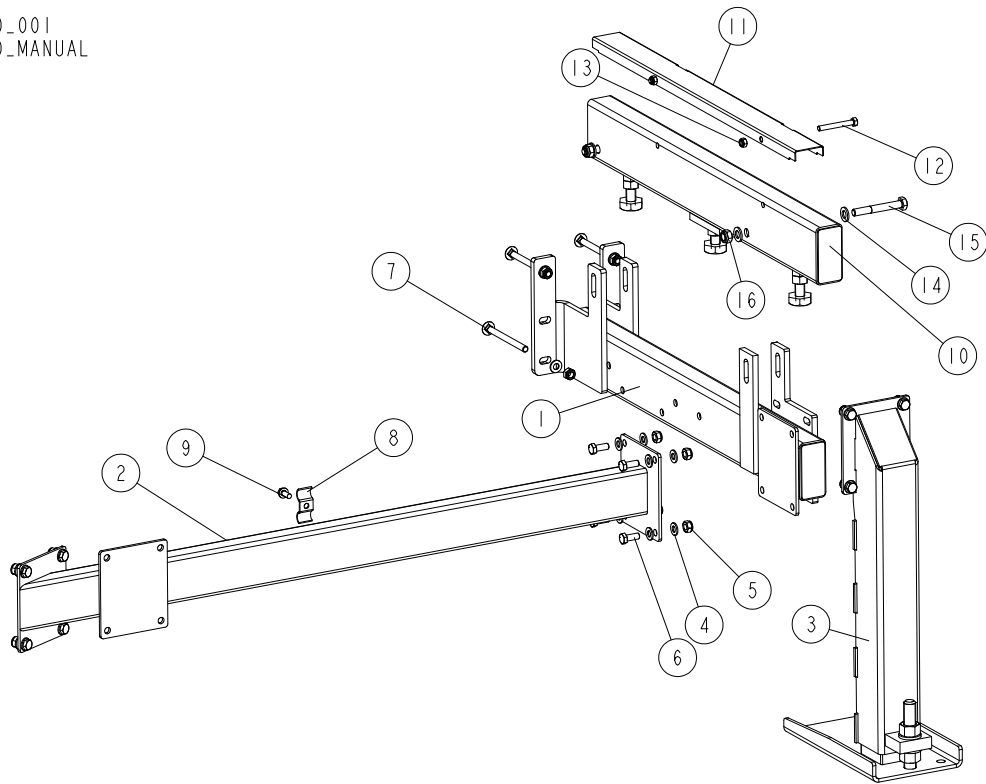
REF.	DESCRIPTION (◆ Indicates Parts Available In Assemblies Only)	PART #	QTY	
-	BRACKET ASSEMBLY, M (OLD)-MBX6 CONNECTION	532173	1	
1	MOUNT WELDMENT, BX12 LOG CLAMP (REAR) See Section 6.41	507200	1	
2	CONNECTION BRACKET, BX6-LOG CLAMP MOUNT See Section 6.43	532174	1	

6 BED EXTENSION PARTS

Log Clamp Mount Assembly, BX12

6.41 Log Clamp Mount Assembly, BX12

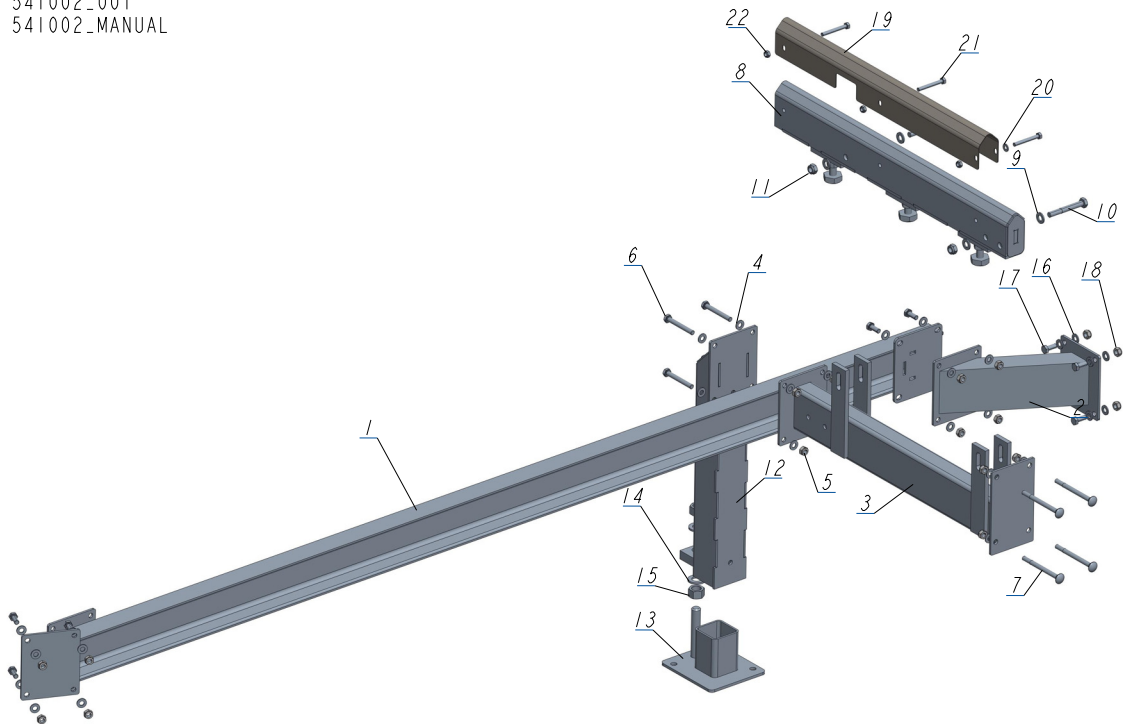
507200_001
507200_MANUAL



REF.	DESCRIPTION (◆ Indicates Parts Available In Assemblies Only)	PART #	QTY
-	MOUNT WELDMENT, BX12 LOG CLAMP (REAR)	507200	1
1	TUBE WELDMENT, LOG CLAMP MOUNT	507189-1	1
2	TUBE WELDMENT, LOG CLAMP CONNECTION	092907-1	1
3	LEG, LEFT ADJUSTABLE STATIONARY See Section 6.80	501639	1
4	WASHER, 10.5 FLAT ZINC	F81055-1	20
5	NUT, M10-8-B HEX NYLON ZINC LOCK	F81033-1	12
6	BOLT, M10X25 8 8 HEX HEAD FULL THREAD ZINC	F81003-11	8
7	BOLT, M10X125 8 8 CARRIAGE ZINC	F81003-34	4
8	PLATE, 1/4" HOSE CLAMP	S09245	2
9	BOLT, 5/16-18 X 3/4 SELF-TAPPING	F05015-30	2
10	RAIL, BX12 CROSS	507201-1	1
11	COVER, BX6 STAINLESS STEEL BED RAIL - SHORT	085464	1
12	BOLT, M8X65 5.8 HEX HEAD ZINC	F81002-3	2
13	NUT, M8-8-B HEX NYLON ZINC LOCK	F81032-2	2
14	WASHER, 13 FLAT ZINC	F81056-1	4
15	BOLT, M12X90 8 8 HEX HEAD ZINC	F81004-2	2
16	NUT, M12 8 HEX NYLON ZINC LOCK	F81034-2	2

6.42 Connection Bracket Assembly, M-BX24 (Old)

541002_001
 541002_MANUAL



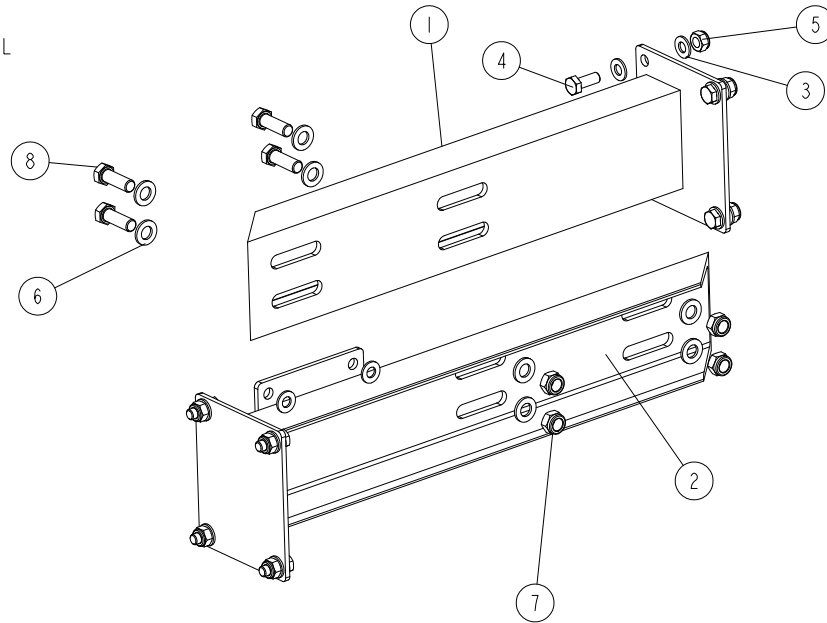
REF	DESCRIPTION (u indicates parts available in assemblies only)	PART #	QTY
-	BRACKET ASSEMBLY, M-BX24 CONNECTION (OLD)	541002	1
1	CHANNEL, MBX24 W/BRACKET - LONG	541000-1	1
2	CHANNEL, MBX24 W/BRACKET - SHORT	540998-1	1
-	RAIL, BX24 W/MOUNT & LEG	520937	1
3	MOUNT WELDMENT, BX24 RAIL PTD	093176-1	1
4	WASHER, 10.5 FLAT ZINC	F81055-1	12
5	NUT, M10-8-B HEX NYLON ZINC LOCK	F81033-1	8
6	BOLT, M10X80-8 8 HEX HEAD ZINC	F81003-51	4
7	BOLT, M10X120 8.8 CARRIAGE ZINC	F81003-33	4
8	RAIL, BX CROSS ADJUSTABLE	520958	1
9	WASHER, 13 FLAT ZINC	F81056-1	4
10	BOLT, M12X90-8.8 HEX HEAD ZINC	F81004-2	2
11	NUT, M12-8 HEX NYLON ZINC LOCK	F81034-2	2
-	LEG, LEFT STATIONARY ADJUSTABLE	501639	1
12	TUBE WELDMENT, ADJUSTABLE LEG	507715-1	1
13	FOOT	586948-1	1
14	WASHER, 21 FLAT ZINC	F81059-2	2
15	NUT, M20-8 HEX ZINC	F81037-1	2
16	WASHER, 10.5 FLAT ZINC	F81055-1	24
17	BOLT, M10X25 8.8 HEX HEAD FULL THREAD ZI	F81003-11	12
18	NUT, M10-8-B HEX NYLON ZINC LOCK	F81033-1	12

6**BED EXTENSION PARTS***Connection Bracket Assembly, M-BX24 (Old)*

REF	DESCRIPTION (u indicates parts available in assemblies only)	PART #	QTY	
19	COVER, WM3500 BED RAIL	521613	1	
20	WASHER, 8.4 FLAT ZINC	F81054-1	3	
21	BOLT, M8X65 5.8 HEX HEAD ZINC	F81002-3	3	
22	NUT, M8-8-B HEX NYLON ZINC LOCK	F81032-2	3	

6.43 Connection Bracket, BX6-Log Clamp Mount

532174_001
532174_MANUAL

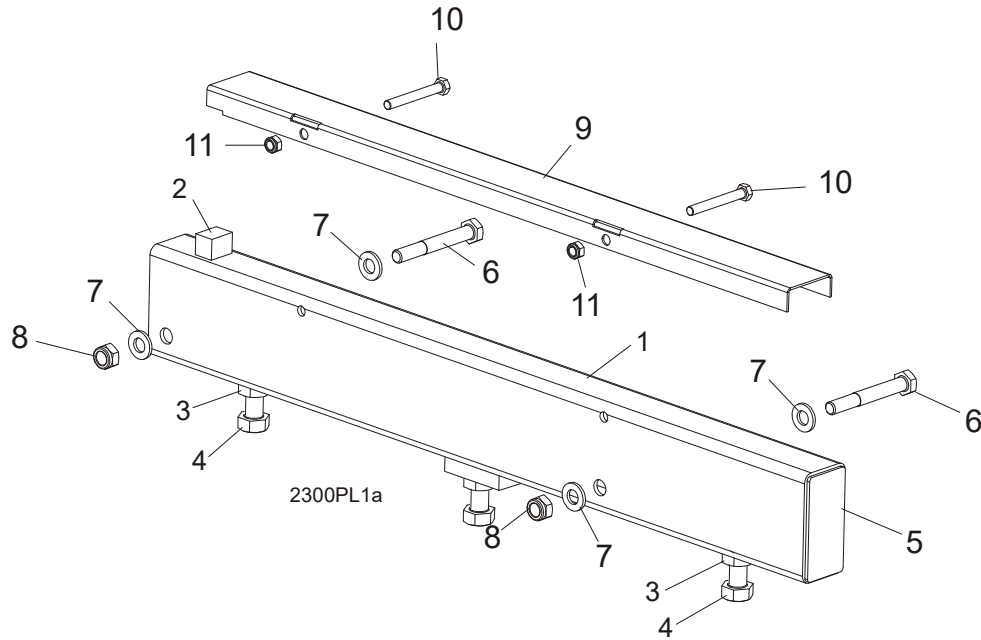


REF.	DESCRIPTION (◆ Indicates Parts Available In Assemblies Only)	PART #	QTY
-	BRACKET ASSEMBLY, BX6-LOG CLAMP MOUNT CONNECTION	532174	1
1	SPACER, BX6-CONNECTION BRACKET	532175-1	1
2	SPACER, BX6 & "M" FRAME (OLD)	532177-1	1
3	WASHER, 10.5 FLAT ZINC	F81055-1	20
4	BOLT, M10X25 8 8 HEX HEAD FULL THREAD ZINC	F81003-11	8
5	NUT, M10-8-B HEX NYLON ZINC LOCK	F81033-1	8
6	WASHER, 13 FLAT ZINC	F81056-1	8
7	NUT, M12 8 HEX NYLON ZINC LOCK	F81034-2	4
8	BOLT, M12X35 8 8 HEX HEAD FULL THREAD ZINC	F81004-24	4

6 BED EXTENSION PARTS

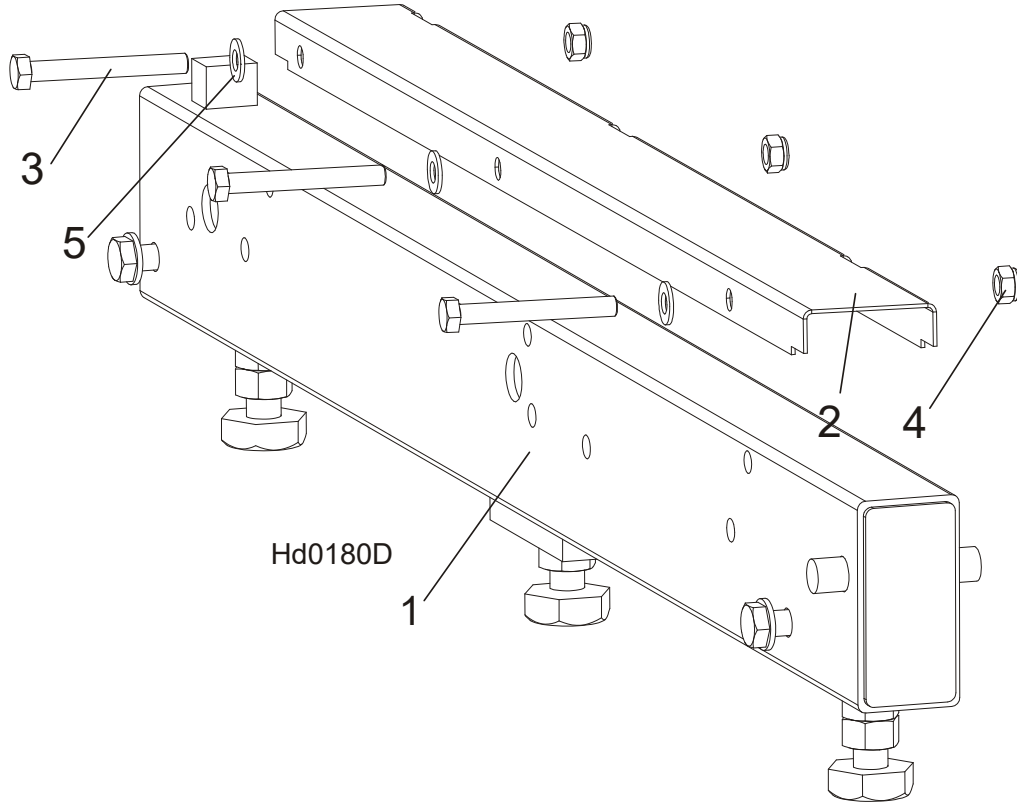
Front & Rear Bed Rail Assembly (BX6 Only)

6.44 Front & Rear Bed Rail Assembly (BX6 Only)



REF.	DESCRIPTION (◆ Indicates Parts Available In Assemblies Only)	PART #	QTY	
	REAR BED RAIL ASSEMBLY	A09774	2	
1	Tube, BX6/24 Bed Rail	085469	1	◆
2	Block, 3/4 X 3/4 X 1	S09034	1	
	Bolt Assembly, Bed Rail Adjustment	A09775	2	◆
3	Nut, M16-5 8 Hex Zinc	F81036-1	4	
4	Bolt, M16x65-8 8 Hex Head Full Thread Zinc	F81006-1	2	
5	Plate, Bed Rail Cap	S04058	1	
6	BOLT, M12 X 90-8 8 HEX HEAD ZINC	F81004-2	4	
7	WASHER, 13 FLAT ZINC	F81056-1	8	
8	NUT, M12-8 HEX NYLON ZINC LOCK	F81034-2	4	
	COVER ASSEMBLY, BED RAIL STAINLESS STEEL (LONG)	A09956	2	
9	Cover, BX6 Stainless Steel Bed Rail	085464	1	
10	Bolt, M8 x 65-5 8 Hex Head Zinc	F81002-3	2	
11	Nut, M8-8-B Hex Nylon Zinc Lock	F81032-2	2	

6.45 Front & Rear Bed Rail Assembly (BX12 & BX24 Only)



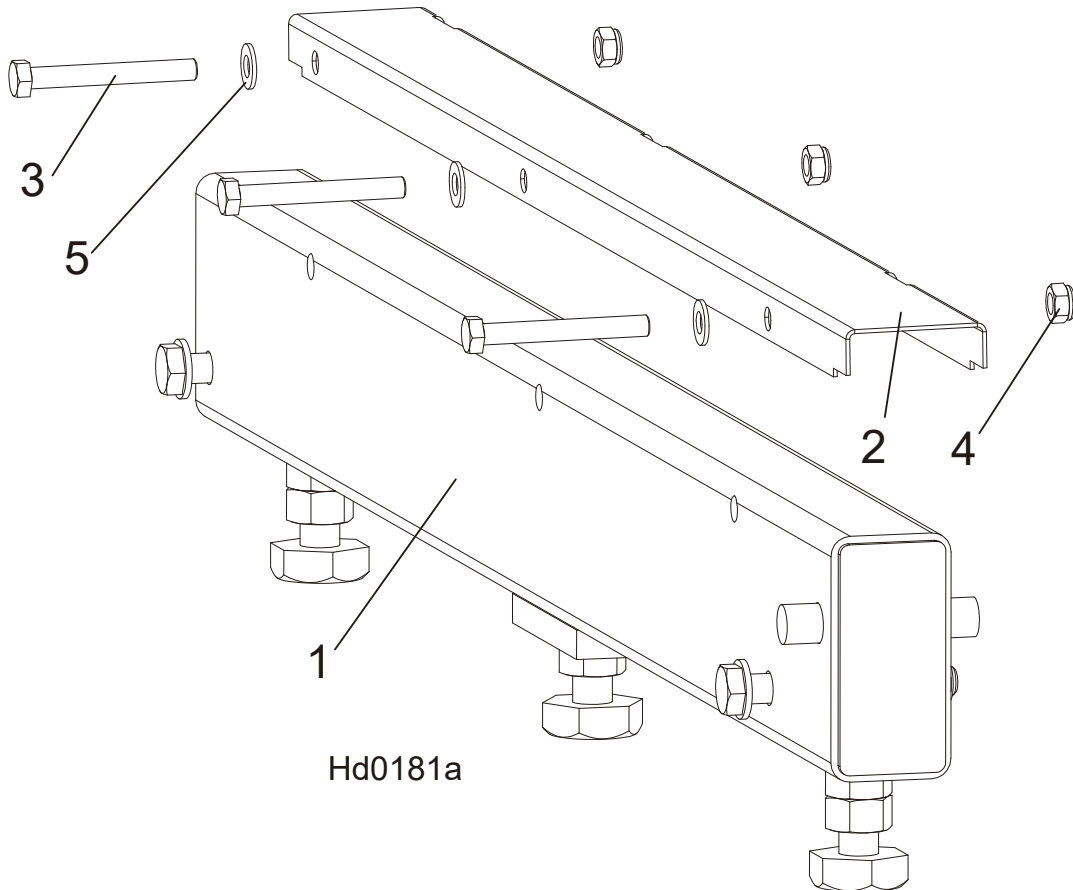
REF.	DESCRIPTION (◆ Indicates Parts Available In Assemblies Only)	PART #	QTY
1	FRONT & REAR BED RAIL ASSEMBLY	091555	2
2	COVER, STAINLESS STEEL BED RAIL	099124	2
3	BOLT, M8X65-5 8 HEX HEAD ZINC	F81002-3	6
4	NUT, M8-8-B HEX NYLON ZINC LOCK	F81032-2	6
5	WASHER, 8 4 FLAT ZINC	F81054-1	6

6

BED EXTENSION PARTS

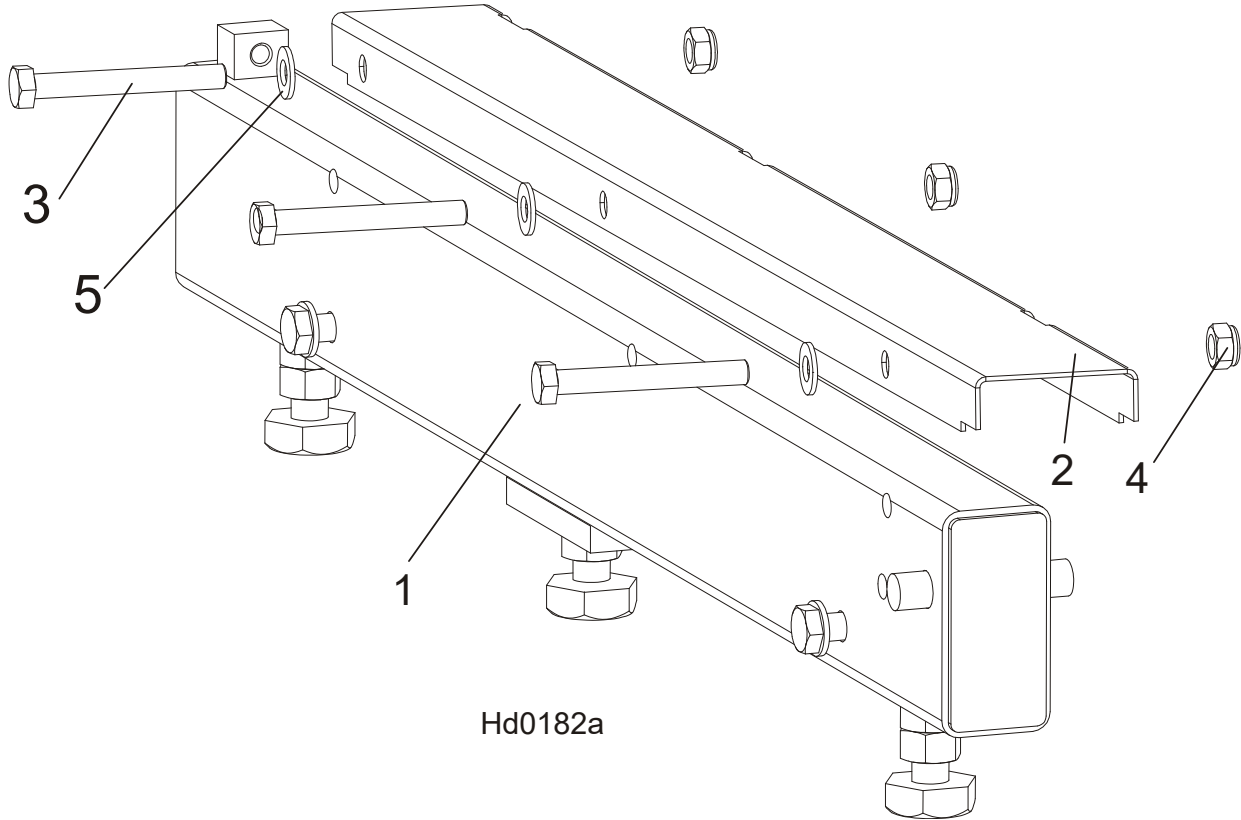
Front Middle Bed Rail Assembly (BX12 & BX24 Only)

6.46 Front Middle Bed Rail Assembly (BX12 & BX24 Only)



REF.	DESCRIPTION (◆ Indicates Parts Available In Assemblies Only)	PART #	QTY
1	TUBE, BED RAIL	091556	1
2	COVER, STAINLESS STEEL BED RAIL	099124	1
3	BOLT, M8X65-5 8 HEX HEAD ZINC	F81002-3	3
4	NUT, M8-8-B HEX NYLON ZINC LOCK	F81032-2	3
5	WASHER, 8 4 FLAT ZINC	F81054-1	3

6.47 Rear Middle Bed Rail Assembly (BX12 Only)



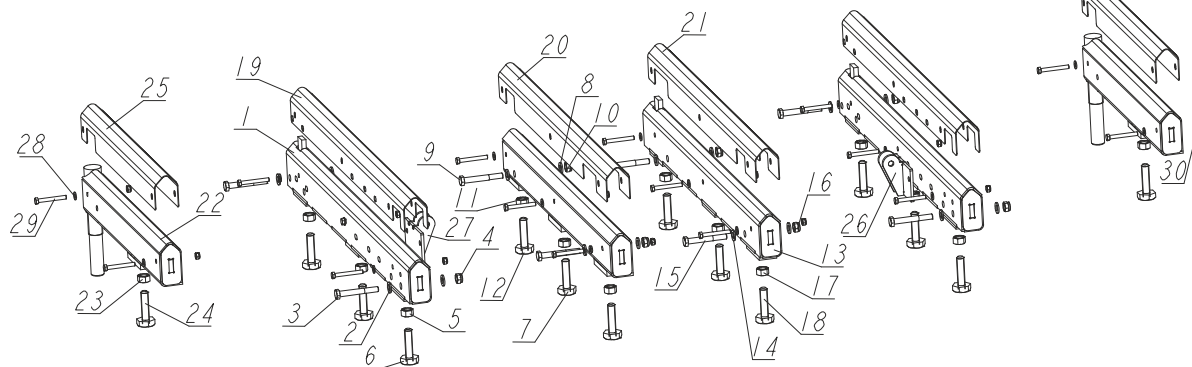
REF.	DESCRIPTION (◆ Indicates Parts Available In Assemblies Only)	PART #	QTY
1	TUBE, BED RAIL	091557	1
2	COVER, STAINLESS STEEL BED RAIL	099124	1
3	BOLT, M8X65-5 8 HEX HEAD ZINC	F81002-3	3
4	NUT, M8-8-B HEX NYLON ZINC LOCK	F81032-2	3
5	WASHER, 8 4 FLAT ZINC	F81054-1	3

6 BED EXTENSION PARTS

Angled Bed Rails for "M" Frame

6.48 Angled Bed Rails for "M" Frame

524332_001
524332_MANUAL



REF.	DESCRIPTION (◆ Indicates Parts Available In Assemblies Only)	PART #	QTY
-	RAIL SET, M FRAME BED	524332	1
1	RAIL, BED ADJUSTABLE (1 & 4)	520978	2
2	WASHER, 13 FLAT ZINC	F81056-1	4
3	BOLT, M12X90 8 8 HEX HEAD ZINC	F81004-2	2
4	NUT, M12 8 HEX NYLON ZINC LOCK	F81034-2	2
-	BOLT, M16 W/NUT	516629	3
5	NUT, M16 5 8 HEX	F81036-5	1
6	BOLT, M16 BED RAIL ADJUSTMENT	505006	1
7	RAIL, BED ADJUSTABLE L=849	520970	1
8	WASHER, 13 FLAT ZINC	F81056-1	4
9	BOLT, M12X90 8 8 HEX HEAD ZINC	F81004-2	2
10	NUT, M12 8 HEX NYLON ZINC LOCK	F81034-2	2
-	BOLT, M16 W/NUT	516629	3
11	NUT, M16 5 8 HEX	F81036-5	1
12	BOLT, M16 BED RAIL ADJUSTMENT	505006	1
13	RAIL, BED ADJUSTABLE (3)	520974	1
14	WASHER, 13 FLAT ZINC	F81056-1	4
15	BOLT, M12X90 8 8 HEX HEAD ZINC	F81004-2	2
16	NUT, M12 8 HEX NYLON ZINC LOCK	F81034-2	2
-	BOLT, M16 W/NUT	516629	3
17	NUT, M16 5 8 HEX	F81036-5	1
18	BOLT, M16 BED RAIL ADJUSTMENT	505006	1
19	COVER, BED RAIL	520903	2
20	COVER, MIDDLE BED RAIL - LEFT	521598	1
21	COVER, MIDDLE BED RAIL - RIGHT	521597	1
22	RAIL, BED PIVOT	521595-1	2
-	BOLT, M16 W/2 NUTS	093710	1
23	NUT, M16 5 8 HEX	F81036-5	2

BED EXTENSION PARTS
Angled Bed Rails for "M" Frame

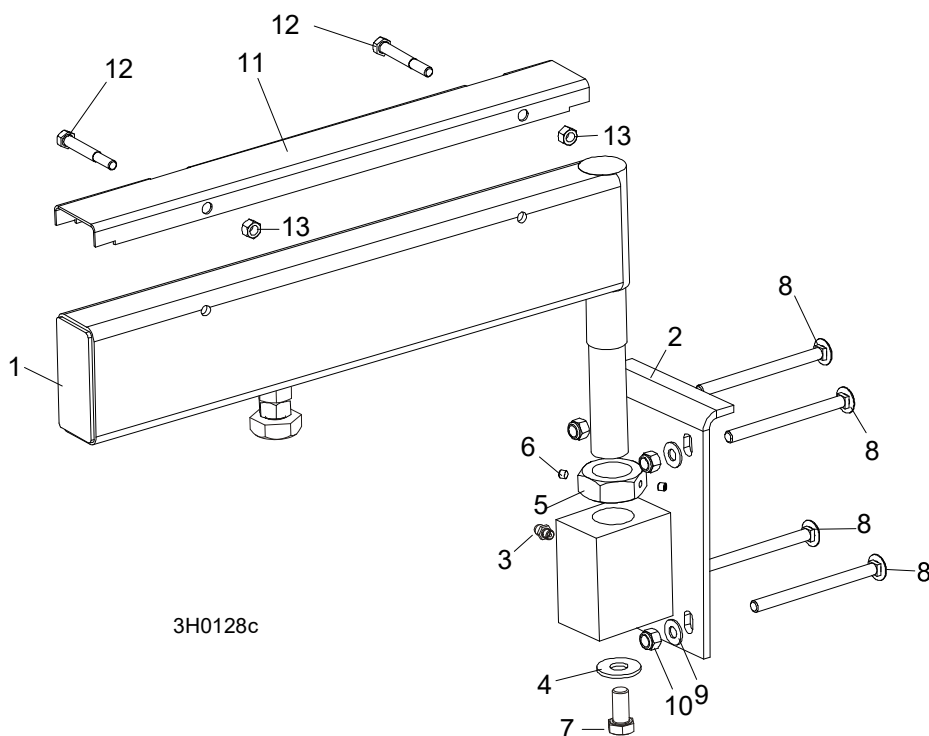
6

REF.	DESCRIPTION (◆ Indicates Parts Available In Assemblies Only)	PART #	QTY	
24	BOLT, M16 BED RAIL ADJUSTMENT	505006	1	
25	COVER, M & S FRAME BED RAIL	520355	2	
26	BRACKET, ROLLER MOUNT - LEFT	524350-1	1	
27	BRACKET, ROLLER MOUNT - RIGHT	524348-1	1	
28	WASHER, 8 4 FLAT ZINC	F81054-1	16	
29	BOLT, M8X65 5 8 HEX HEAD ZINC	F81002-3	16	
30	NUT, M8-8-B HEX NYLON ZINC LOCK	F81032-2	16	

6 BED EXTENSION PARTS

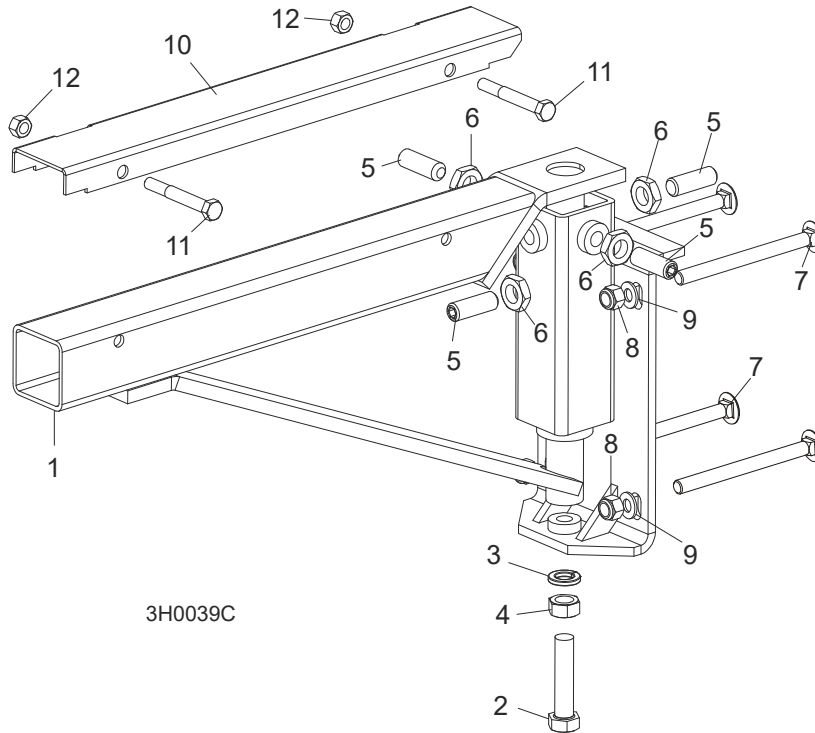
Pivot Bed Rail Assembly (BX24 Only)

6.49 Pivot Bed Rail Assembly (BX24 Only)



REF.	DESCRIPTION (◆ Indicates Parts Available In Assemblies Only)	PART #	QTY	
	PIVOT BED RAIL ASSEMBLY	087855	2	
1	Pivot Bed Rail	087848-1	1	◆
2	Bracket Weldment, Pivot Rail Mount	087841-1	1	
3	Fitting, M6 Type A Straight Grease	086280	1	
4	Washer, 9/16" Flat Zinc	F05011-52	1	
5	Nut, M32 Pivot Rail Adjustment	F81039-2	1	
6	Screw, 1/4-28x1/4 SH Brass Tip Set	F05005-42	2	
7	Bolt, M12x25-8 8 Hex Head Full Thread Zinc	F81004-31	1	
8	BOLT, M10 X 120 8 8 CARRIAGE HEAD ZINC	F81003-33	8	
9	WASHER, 10 5 FLAT ZINC	F81055-1	8	
10	NUT, M10-8-B HEX NYLON ZINC LOCK	F81033-1	8	
11	COVER, STAINLESS STEEL	099123	2	
12	BOLT, M8 X 65-5 8 HEX HEAD ZINC	F81002-3	4	
13	NUT, M8-8-B HEX NYLON ZINC LOCK	F81032-2	4	

6.50 Pivot Bed Rail Assembly (BX12 Only)

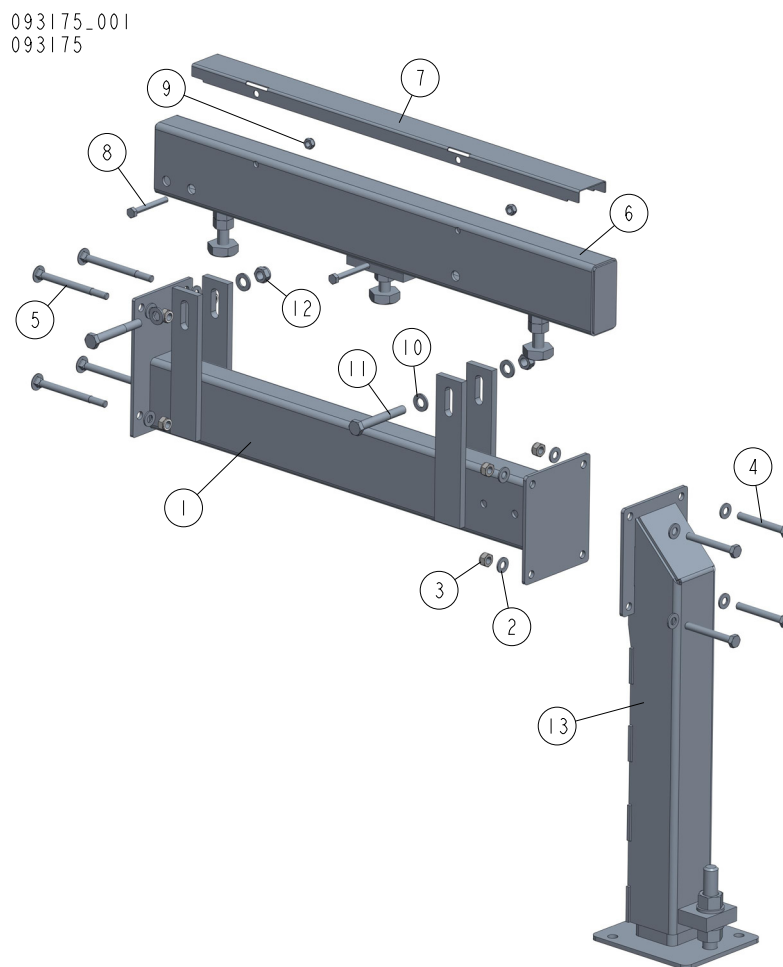


REF.	DESCRIPTION (◆ Indicates Parts Available In Assemblies Only)	PART #	QTY
	PIVOT BED RAIL ASSEMBLY	093906	1
1	Rail Weldment, Pivot	093907-1	1
2	Bolt, M12x1 25x65-8 8 Hex Head Full Thread Zinc	F81004-40	1
3	Washer, Z12 2 Split Lock Zinc	F81056-2	1
4	Nut, M12x1 25-8 Hex Zinc	F81034-8	1
5	Screw, M12x1 25x30 DIN913 Set Stainless Steel	F81016-1	4
6	Nut, M12x1,25 DIN439 Thin Stainless Steel	F81034-9	4
7	Bolt, M10x120 8 8 Carriage Head Zinc	F81003-33	4
8	Nut, M10-8-B Hex Nylon Zinc Lock	F81033-1	4
9	Washer, 10 5 Flat Zinc	F81055-1	4
10	Cover, Pivot Bed Rail	093962	1
11	Bolt, M8x65-5 8 Hex Head Zinc	F81002-3	2
12	Nut, M8-8-B Hex Nylon Zinc Lock	F81032-2	2

6 BED EXTENSION PARTS

Accessory Bed Rail Assembly (BX24 Only)

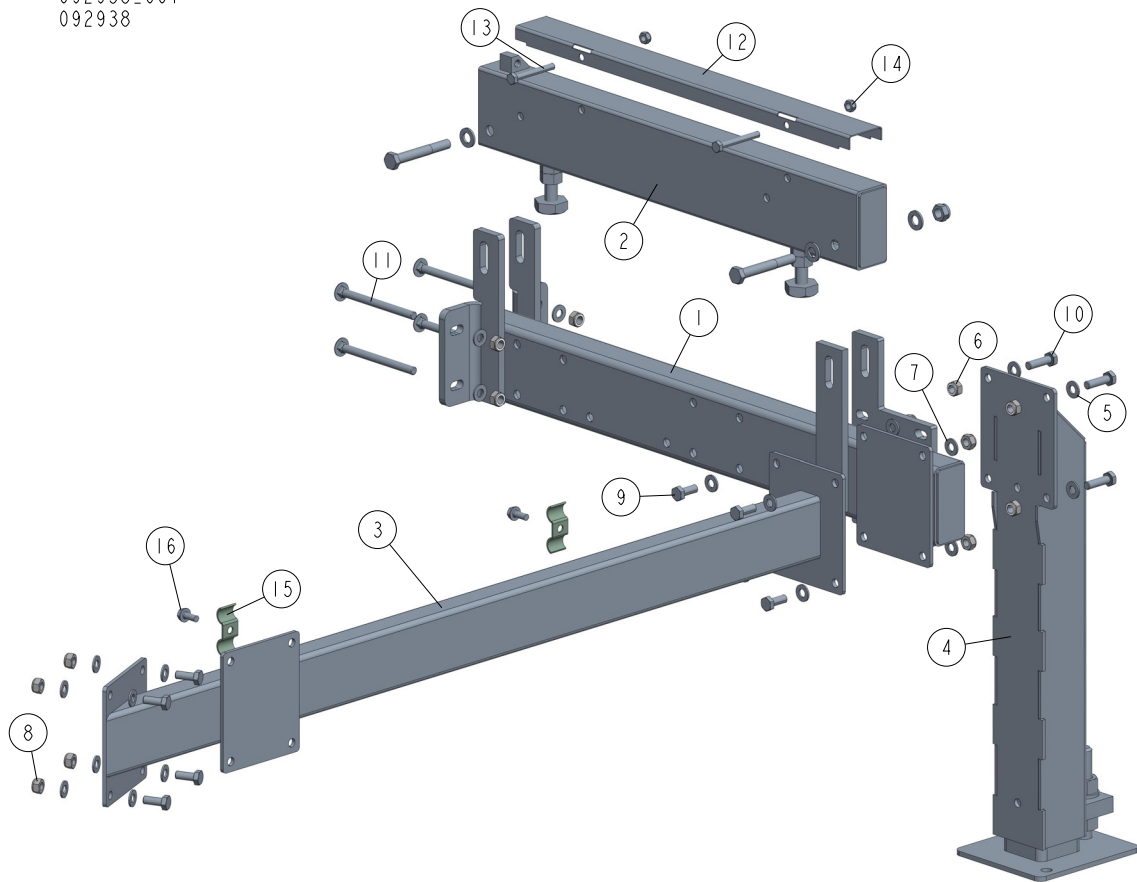
6.51 Accessory Bed Rail Assembly (BX24 Only)



REF	DESCRIPTION (u indicates parts available in assemblies only)	PART #	QTY
-	RAIL ASSEMBLY, BX24	093175	1
1	MOUNT WELDMENT, BX24 RAIL PTD	093176-1	1
2	WASHER, 10.5 FLAT ZINC	F81055-1	12
3	NUT, M10-8-B HEX NYLON ZINC LOCK	F81033-1	8
4	BOLT, M10X80-8 8 HEX HEAD ZINC	F81003-51	4
5	BOLT, M10X120 8.8 CARRIAGE ZINC	F81003-33	4
6	RAIL WELDMENT, BX24 PTD	093180-1	1
7	COVER, BX6 STAINLESS STEEL	085464	1
8	BOLT, M8X65 5.8 HEX HEAD ZINC	F81002-3	2
9	NUT, M8-8-B HEX NYLON ZINC LOCK	F81032-2	2
10	WASHER, 13 FLAT ZINC	F81056-1	4
11	BOLT, M12X90-8.8 HEX HEAD ZINC	F81004-2	2
12	NUT, M12-8 HEX NYLON ZINC LOCK	F81034-2	2
13	LEG, LEFT STATIONARY ADJUSTABLE	501639	1

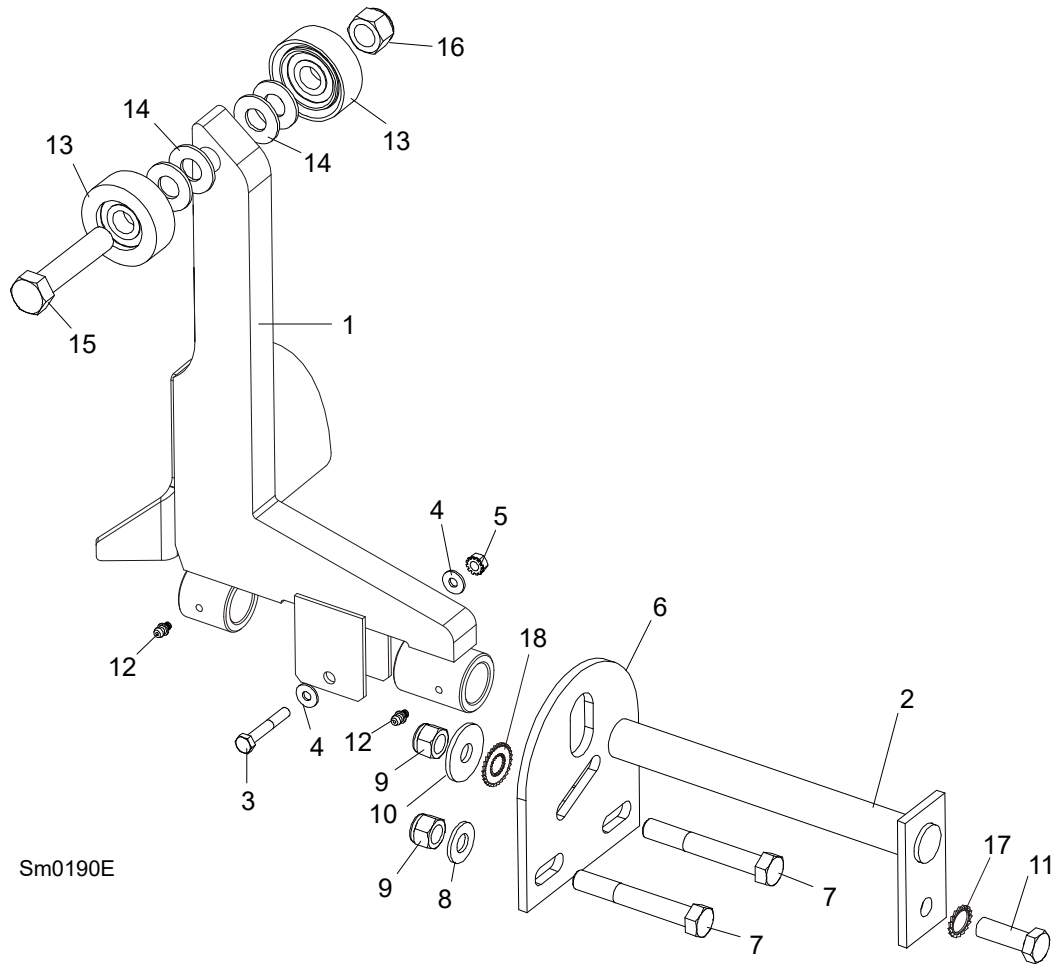
6.52 Log Clamp Mount Assembly (BX24)

092938_001
 092938



REF	DESCRIPTION (u indicates parts available in assemblies only)	PART #	QTY
-	CLAMP MOUNT ASSEMBLY - REAR	092938	1
1	BED RAIL ASSEMBLY, REAR	092902-1	1
2	RAIL, AH5/DH5 BED	095131-1	1
3	TUBE WELDMENT, BED REAR	092907-1	1
-	LEG, LEFT STATIONARY ADJUSTABLE	501639	1
4	TUBE WELDMENT, ADJUSTABLE LEG	507715-1	1
5	WASHER, 10.5 FLAT ZINC	F81055-1	4
6	NUT, M10-8-B HEX NYLON ZINC LOCK	F81033-1	4
7	WASHER, 10.5 FLAT ZINC	F81055-1	20
8	NUT, M10-8-B HEX NYLON ZINC LOCK	F81033-1	12
9	BOLT, M10X25 8.8 HEX HEAD FULL THREAD ZI	F81003-11	8
10	BOLT, M10X35-8.8 HEX HEAD FULL THREAD ZIN	F81003-17	4
11	BOLT, M10X125 8.8 CARRIAGE ZINC	F81003-34	4
12	COVER, STAINLESS STEEL PIVOT BED RAIL ()	099123	1
13	BOLT, M8X65 5.8 HEX HEAD ZINC	F81002-3	2
14	NUT, M8-8-B HEX NYLON ZINC LOCK	F81032-2	2
15	PLATE, 1/4 HOSE CLAMP PTD	S09245	2
16	BOLT, 5/16-18 X 3/4 SELF-TAPPING	F05015-30	2

6.53 Manual Log Side Support

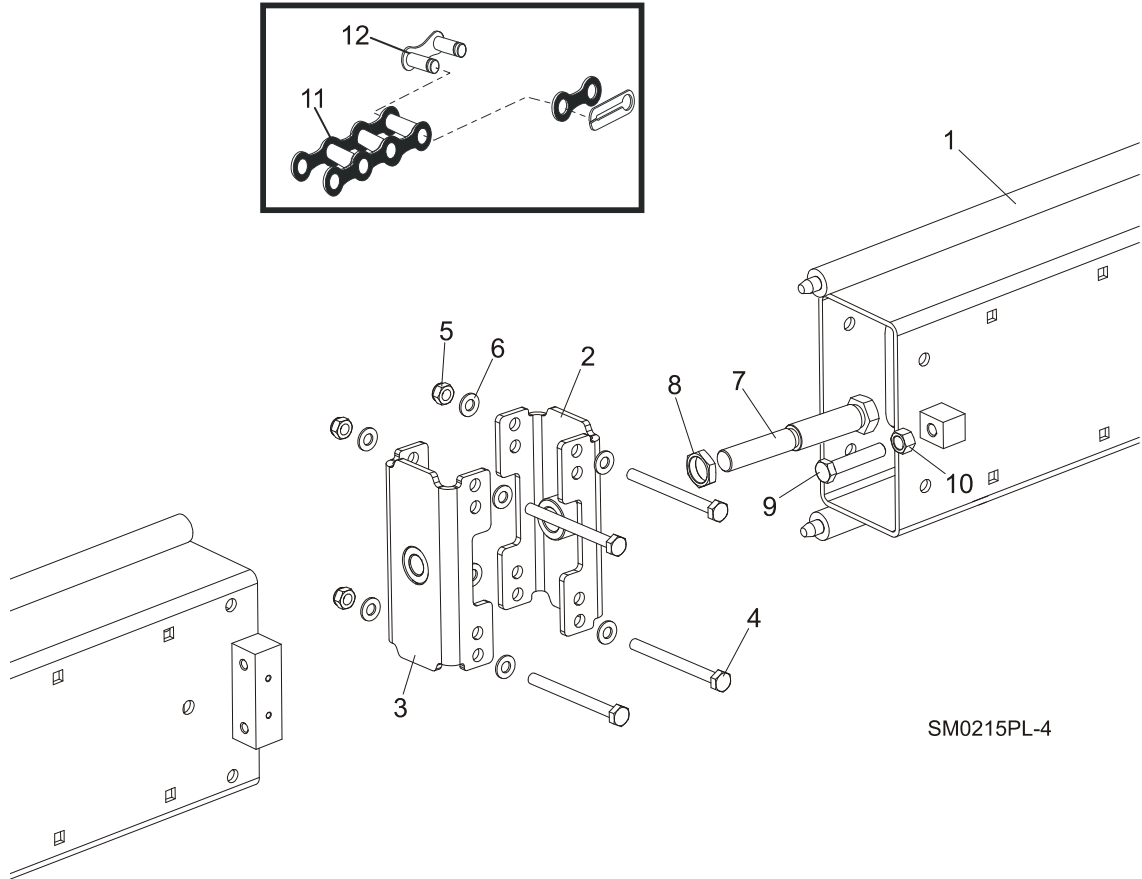


REF.	DESCRIPTION (◆ Indicates Parts Available In Assemblies Only)	PART #	QTY
	MANUAL LOG SIDE SUPPORT ASSEMBLY (FOR BX6)	500960	1
1	Support, Log Side w/Guard Ptd	099785-1	1
	Mount Kit, Side Support	K09440	1
2	Pin, Log Side Support Zinc-Plated	091549-1	1
3	Bolt, M8x45- 8 8 Hex Head Full Thread Zinc	F81002-14	1
4	Washer, 13 Flat Zinc	F81056-1	2
5	Nut, M8-8-B Hex Nylon Zinc Lock	F81032-2	1
6	Plate, Log Side Support Mount	091591-1	1
7	Bolt, M12 x 75-8 8 Hex Head Zinc	F81004-21	2
8	Washer, 13 Flat Zinc	F81056-1	2
9	Nut, M12-8 Hex Nylon Zinc Lock	F81034-2	3
10	Washer, 15 Special Flat Zinc	F81057-3	1
11	Bolt, M12 x 35-8 8 Hex Head Full Thread Zinc	F81004-24	1
12	Fitting, 3/16" Straight Grease	P04107	2
	ROLLER KIT, SIDE SUPPORT	015109	1
13	Roller Assembly, Side Support	015014	2

BED EXTENSION PARTS*Manual Log Side Support***6**

14	Washer, 5/8" Zinc-plated	F05011-5	4	
15	Bolt, 5/8-11 x 3" Hex Head Grade 5	F05009-37	1	
16	Nut, 5/8-11 Nylon Lock Zinc	F05010-34	1	
17	WASHER, SPECIAL BOSART/2S, BN781 M12/13	F81056-16	1	
18	WASHER, SPECIAL BOSART/2S M12/12 3/30 3	F81056-17	1	
	Instruction Sheet, Side Support Roller	015109-526	1	

6.54 Mast Track Extension & Chain



REF.	DESCRIPTION (◆ Indicates Parts Available In Assemblies Only)	PART #	QTY
1	EXTENSION, 20" MAST TRACK - COMPLETE (LT20)	093775	1
	EXTENSION, 20" MAST TRACK - COMPLETE (LT40)	093775-40	1
	EXTENSION, 20" MAST TRACK - COMPLETE (LT70)	093775-70	1
	CONNECTOR, BX COMPLETE	501340	1
2	Connector, BX (M24)	500989-1	1
3	Connector, BX (M20)	501339-1	1
4	Bolt, M10 x 115-8 8 Hex Head Zinc	F81003-19	4
5	Nut, M10-8-B Hex Nylon Zinc Lock	F81033-1	4
6	Washer, 10 5 Flat Zinc	F81055-1	8
7	Bolt, Special Zinc-Plated	087188-1	1
8	Nut, M24x2 LH Special Zinc-Plated	087626-1	1
9	BOLT, M12 X 60-8 8 HEX HEAD FULL THREAD ZINC	F81004-51	1
10	NUT, M12-8-B HEX ZINC	F81034-1	1

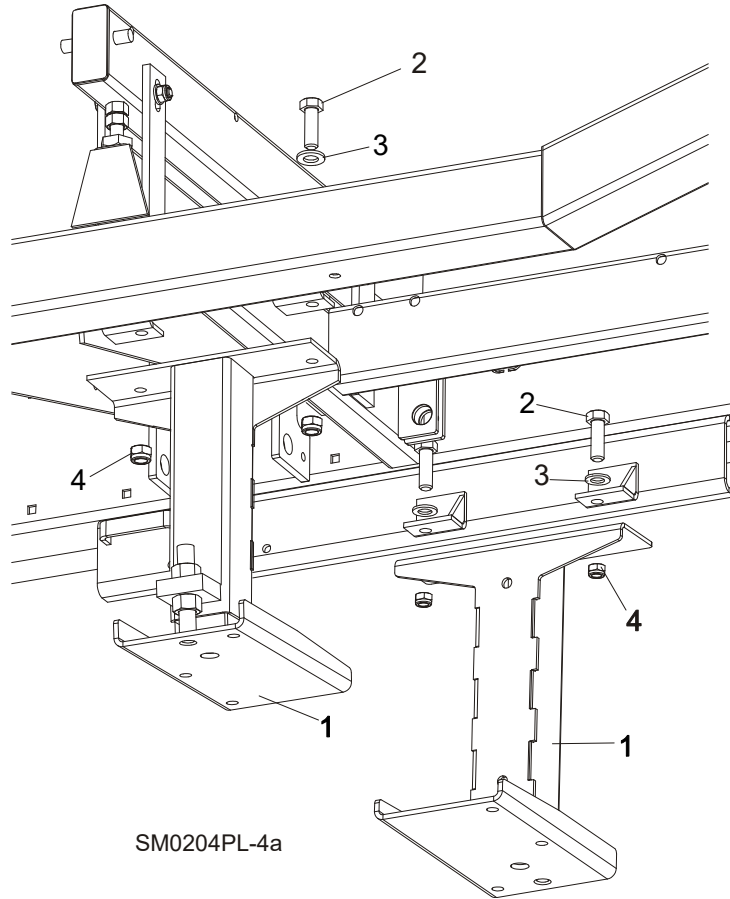
BED EXTENSION PARTS*Mast Track Extension & Chain***6**

11	CHAIN ASSEMBLY, EXTENSION (LT40)	094263	1	
	Chain, #40, 20 5" (41 Links)	094261	1	
	CHAIN ASSEMBLY, EXTENSION (LT70)	094264	1	
	Chain, Type 10B-1 20 5/8" (33 Links)	094262	1	
	CHAIN #40 X 75 1/2" (BX6)	P11602	1	
	CHAIN #40 X 143 1/2" (BX12)	P07355	1	
	CHAIN #40 X 286 1/2" (BX24)	P11909	1	
12	LINK, #40 MASTER	P04200 ¹	1	
	LINK, 10B-1Pz MASTER	088671 ²	1	

¹ Included also in assembly # 094263² Included in assembly #094264

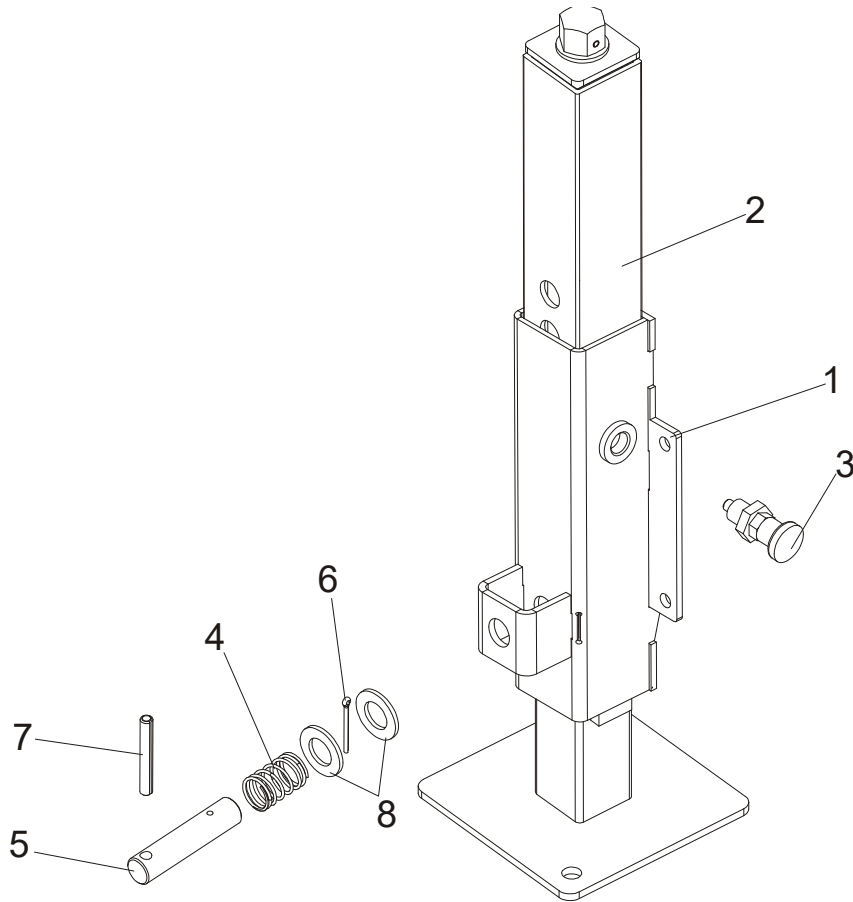
6 **BED EXTENSION PARTS**
Middle Stationary Legs (BX24 Only)

6.55 Middle Stationary Legs (BX24 Only)



REF.	DESCRIPTION (◆ Indicates Parts Available In Assemblies Only)	PART #	QTY
1	LEG, MIDDLE ADJUSTABLE STATIONARY	501637	2
2	BOLT, M12 X 30-8 8 HEX HEAD FULL THREAD ZINC	F81004-22	4
3	WASHER, 13 FLAT ZINC	F81056-1	4
4	NUT, M12-8 HEX NYLON ZINC LOCK	F81034-2	4

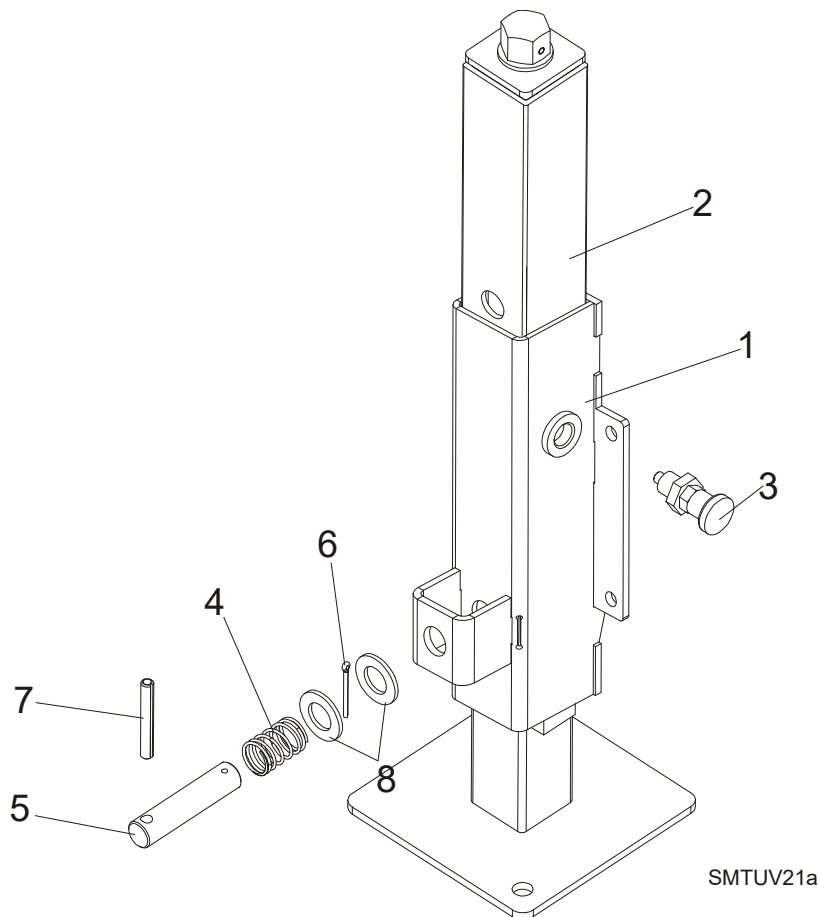
6.56 Fine Adjust Outrigger Leg



SMTUV22a

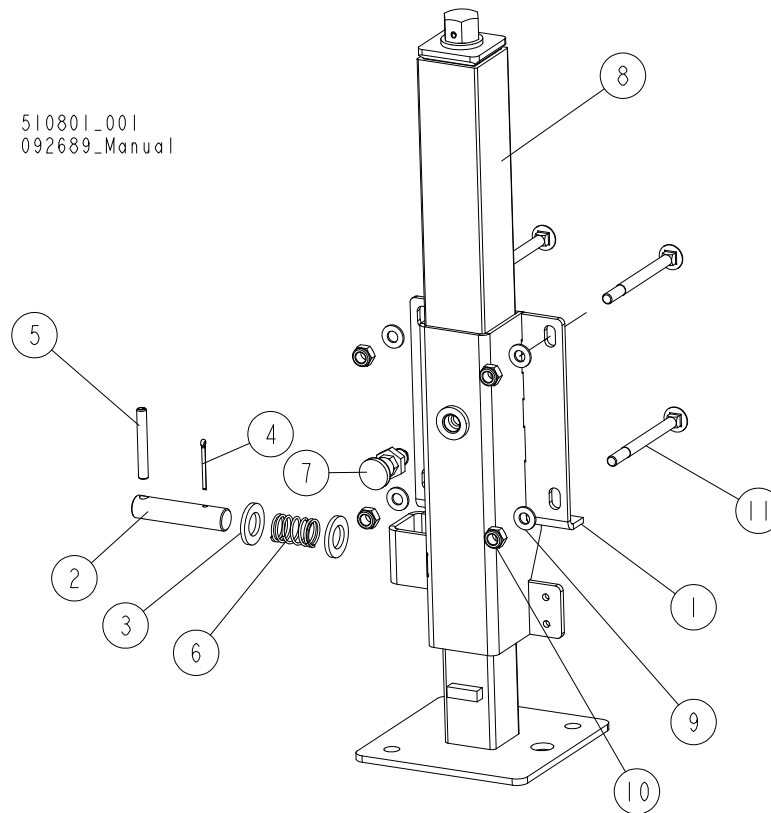
REF.	DESCRIPTION (◆ Indicates Parts Available In Assemblies Only)	PART #	QTY
	LEG, COMPLETE FINE ADJUST OUTRIGGER (MAIN BED TUBE)	094584	1
1	Guide, Fine Adjust Outrigger Leg	506114-1	1
2	Leg, Fine Adjust Outrigger See Section 6.61	093589	1
3	Pin, Detent	090197	1
4	Spring, 21 Dia x 38 x 2 Zinc-Plated	087040	1
5	Pin, Outrigger Leg Zinc-Plated	087012-1	1
6	Pin, S-Zn 4x25 Cotter	F81043-2	1
7	Pin, 8x65 Roll Zinc	F81046-1	1
8	Washer, 21 Flat Zinc	F81059-2	2

6.57 Side Fine Adjust Outrigger Leg



REF.	DESCRIPTION (◆ Indicates Parts Available In Assemblies Only)	PART #	QTY
	LEG, COMPLETE SIDE FINE ADJUST OUTRIGGER	094583	1
1	Guide, Fine Adjust Outrigger Leg	504243-1	1
2	Leg, Fine Adjust Outrigger See Section 6.61	093589	1
3	Din, Detent	090197	1
4	Spring, 21 Dia x 38 x 2 Zinc-plated	087040	1
5	Pin, Outrigger Leg Zinc-plated	087012-1	1
6	Pin, S-Zn 4x25 Cotter	F81043-2	1
7	Pin, 8x65 Roll Zinc	F81046-1	1
8	Washer, 21 Flat Zinc	F81059-2	2

6.58 Fine Adjust Turned Outrigger Leg



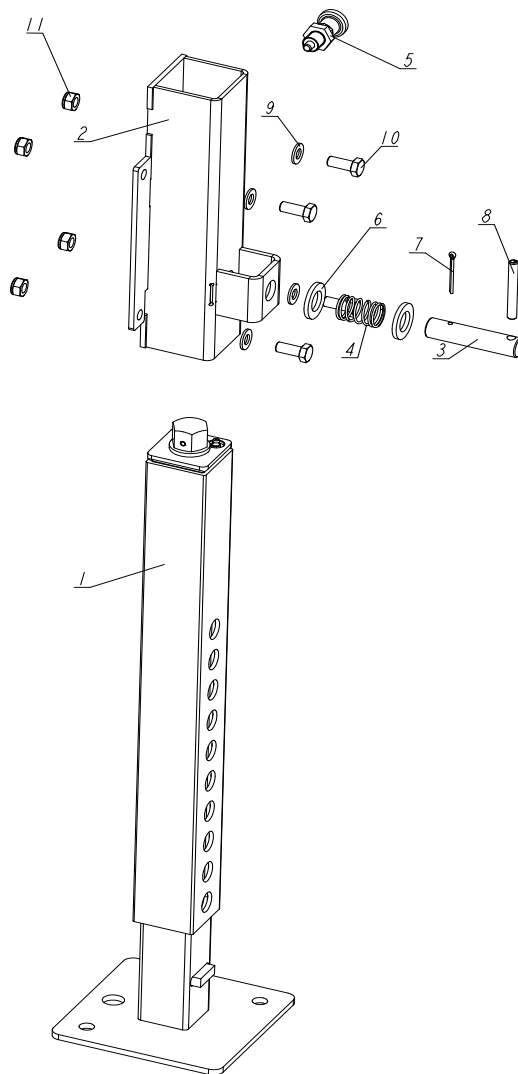
REF.	DESCRIPTION (* Indicates Parts Available In Assemblies Only)	PART #	QTY
	LEG, TURNED COMPLETE FINE ADJUST OUTRIGGER (MAIN BED TUBE)	510801	1
1	GUIDE, TURNED FINE ADJUST OUTRIGGER LEG	510804-1	1
2	PIN, OUTRIGGER PULL	087012-1	1
3	WASHER, M21 FLAT ZINC	F81059-2	2
4	PIN, S-ZN, 4 X 25 COTTER	F81043-2	1
5	PIN 8X65 ROLL	F81046-1	1
6	SPRING, ZINC	087040	1
7	PIN, DETENT	090197	1
8	BASE WLDMT, FINE ADJUST OUTRIGGER LEG See Section 6.61	093589	1
9	WASHER, 10 5 FLAT ZINC	F81055-1	4
10	NUT, M10-8-B HEX NYLON ZINC LOCK	F81033-1	4
11	BOLT, M10X120 8 8 FE/ZN5	F81003-33	4

6 BED EXTENSION PARTS

Leg, Side Fine Adjust Outrigger - Complete

6.59 Leg, Side Fine Adjust Outrigger - Complete

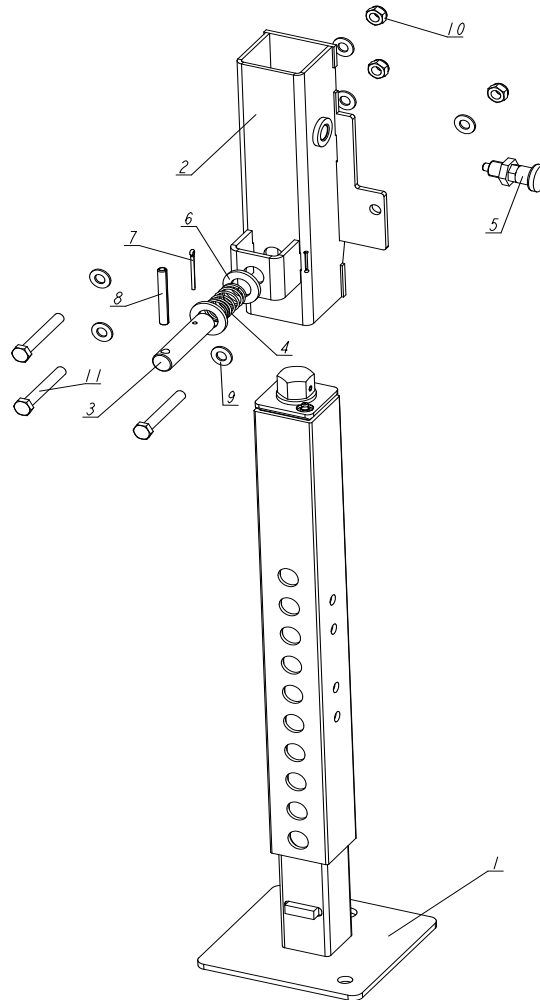
555206_001
555206_MANUAL



REF	DESCRIPTION (◆ indicates parts available in assemblies only)	PART #	QTY
-	LEG, SIDE FINE ADJUST OUTRIGGER - COMPLETE	555206	1
1	FINE ADJUST OUTRIGGER LEG See Section 6.61	093589	1
2	GUIDE, FINE ADJUST OUTRIGGER LEG	555205-1	1
3	PIN, OUTRIGGER PULL	087012-1	1
4	SPRING, ZINC	087040	1
5	PIN, DETENT	090197	1
6	WASHER, 21 FLAT ZINC	F81059-2	2
7	PIN, S-ZN, 4 X 25 COTTER	F81043-2	1
8	PIN 8X65 ROLL	F81046-1	1
9	WASHER, 10.5 FLAT ZINC	F81055-1	4
10	BOLT, M10X25-8.8 HEX HEAD FULL THREAD ZI	F81003-11	4
11	NUT, M10-8-B HEX NYLON ZINC LOCK	F81033-1	4

6.60 Leg, Side Fine Adjust Outrigger - Complete

528377_001
 528377_MANUAL



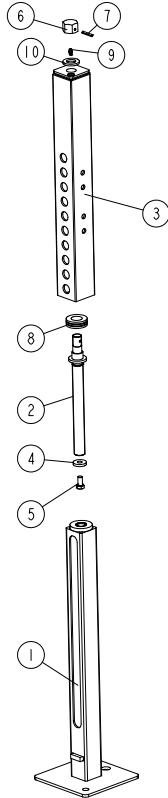
REF	DESCRIPTION (◆ indicates parts available in assemblies only)	PART #	QTY
-	LEG, SIDE FINE ADJUST OUTRIGGER - COMPLETE	528377	1
1	FINE ADJUST OUTRIGGER LEG See Section 6.61	093589	1
2	GUIDE, FINE ADJUST OUTRIGGER LEG	528378-1	1
3	PIN, OUTRIGGER PULL	087012-1	1
4	SPRING, ZINC	087040	1
5	PIN, DETENT	090197	1
6	WASHER, 21 FLAT ZINC	F81059-2	2
7	PIN, S-ZN, 4 X 25 COTTER	F81043-2	1
8	PIN 8X65 ROLL	F81046-1	1
9	WASHER, 10.5 FLAT ZINC	F81055-1	6
10	NUT, M10-8-B HEX NYLON ZINC LOCK	F81033-1	3
11	BOLT, M10X75-8.8 HEX HEAD ZINC	F81003-15	3

6 BED EXTENSION PARTS

Fine Adjust Outrigger Leg

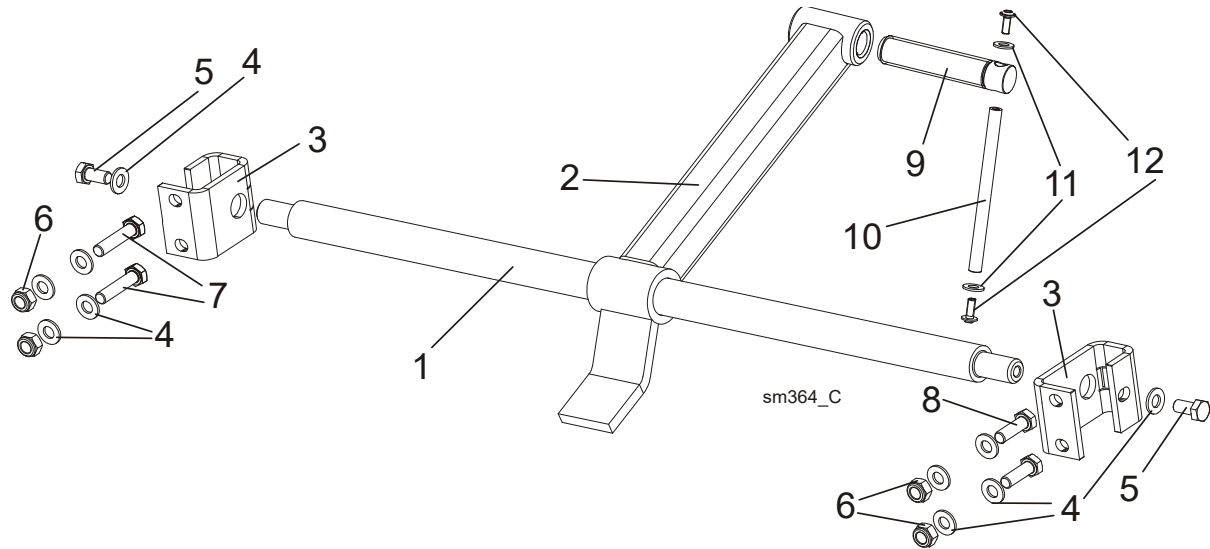
6.61 Fine Adjust Outrigger Leg

093589_001_A
093589_MANUAL



REF.	DESCRIPTION (* Indicates Parts Available In Assemblies Only)	PART #	QTY
-	FINE ADJUST OUTRIGGER LEG	093589	1
1	MIDDLE PART, FINE ADJUST OUTRIGGER LEG	093596-1	1
2	BOLT, OUTRIGGER LEG	093590-1	1
3	UPPER PART, FINE ADJUST OUTRIGGER LEG	093593-1	1
4	WASHER 10.5/30-5	505156-1	1
5	BOLT, M10x20-5 8 HEX HEAD FULL THREAD ZINC	F81003-1	1
6	FITTING, M20 X 2,5	094408	1
7	PIN 5X30 ROLL	F81044-21	1
8	BEARING, 51205 THRUST	516599	1
9	FITTING, M6 TYPE A STRAIGHT GREASE	086280	1
10	WASHER, M21 FLAT ZINC	F81059-2	1

6.62 Manual Log Clamp (manual bed extension equipment: 12/24M)

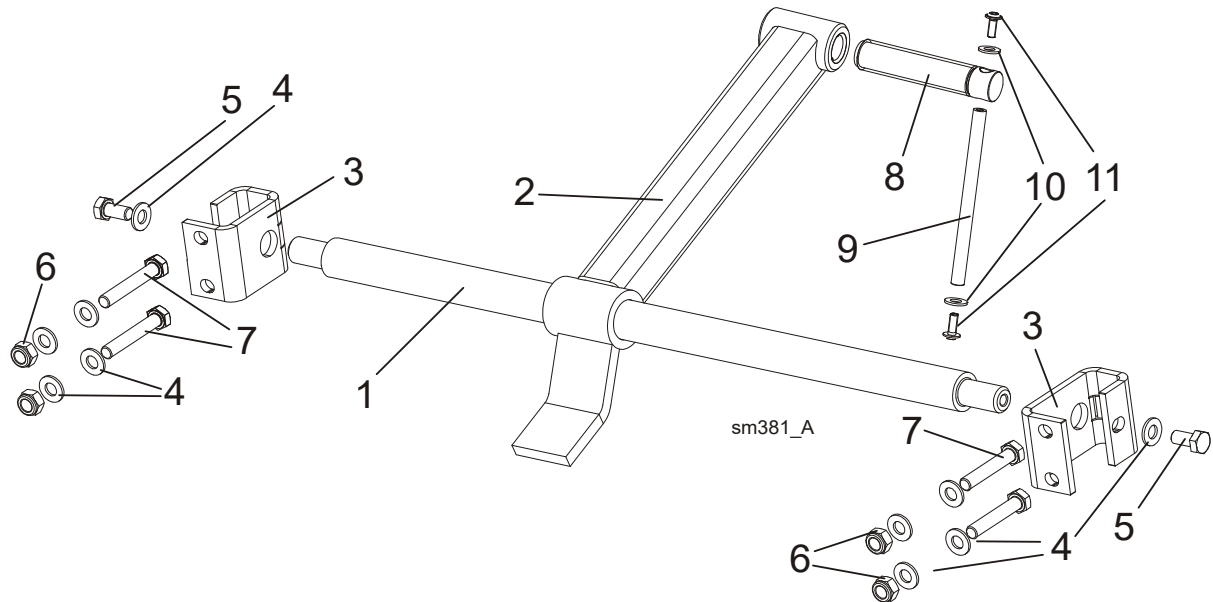


REF.	DESCRIPTION (◆ Indicates Parts Available In Assemblies Only)	PART #	QTY
	BED EXTENSION LOG CLAMP	505726	1
1	ROD, MAIN CLAMP	100643	1
2	ARM, LOG CLAMP	521465-1	1
3	BRACKET, LOG CLAMP MOUNT ZINC	500338-1	2
4	WASHER, 10 5 FLAT ZINC	F81055-1	10
5	BOLT, M10x20-5 8 HEX HEAD FULL THREAD ZINC	F81003-1	2
6	NUT, M10-8-B NYLON HEX ZINC LOCK	F81033-1	4
7	BOLT, M10X80-8 8 HEX HEAD FULL THREAD	F81003-50	2
8	BOLT, M10X35-8 8 HEX HEAD FULL THREAD	F81003-17	2
	CLAMP BOLT - COMPLETE	507563	1
9	BOLT, CLAMP	507463	1
	ROD - COMPLETE	511924	1
10	ROD, ZINC	511923-1	1
11	WASHER, 8 4 FLAT ZINC	F81054-1	2
12	BOLT, M6x16 BN 11252 "BOSSARD"	F81001-24	2

6 BED EXTENSION PARTS

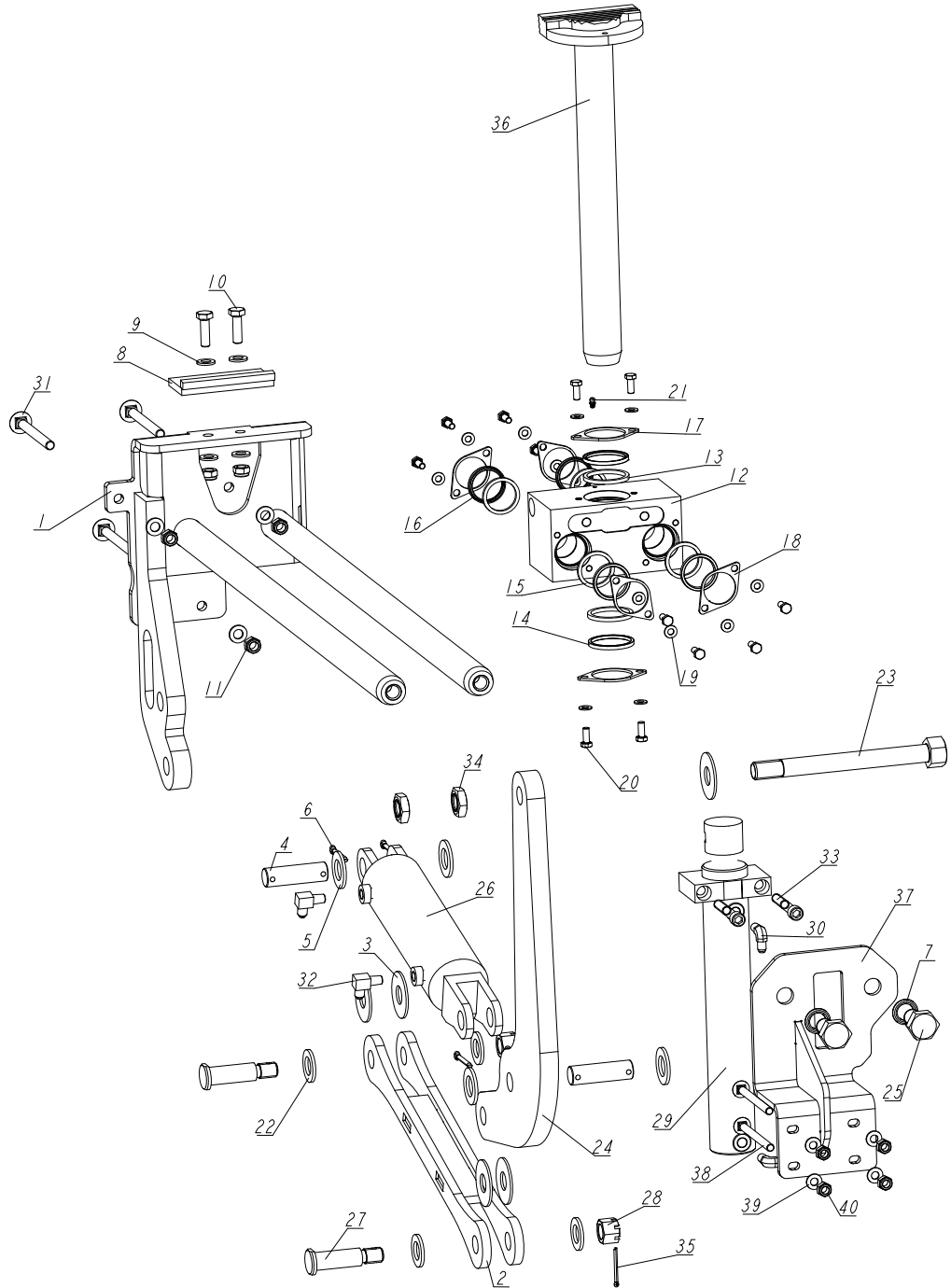
Manual Log Clamp, BX6

6.63 Manual Log Clamp, BX6



REF.	DESCRIPTION (◆ Indicates Parts Available In Assemblies Only)	PART #	QTY
	BED EXTENSION LOG CLAMP	508805	1
1	ROD, MAIN CLAMP	500343-1	1
2	ARM, LOG CLAMP	521465-1	1
3	BRACKET, LOG CLAMP MOUNT ZINC	500338-1	2
4	WASHER, 10 5 FLAT ZINC	F81055-1	10
5	BOLT, M10x20-5 8 HEX HEAD FULL THREAD ZINC	F81003-1	2
6	NUT, M10-8-B HEX NYLON ZINC LOCK	F81033-1	4
7	BOLT, M10x75-8 8 HEX HEAD ZINC	F81003-15	4
	CLAMP BOLT - COMPLETE	507563	1
8	BOLT, CLAMP	507463	1
	ROD, COMPLETE	511924	1
9	ROD, ZINC	511923-1	1
10	WASHER, 8 4 FLAT ZINC	F81054-1	2
11	BOLT, M6x16 BN 11252 "BOSSARD"	F81001-24	2

6.64 Main Log Clamp (540970)



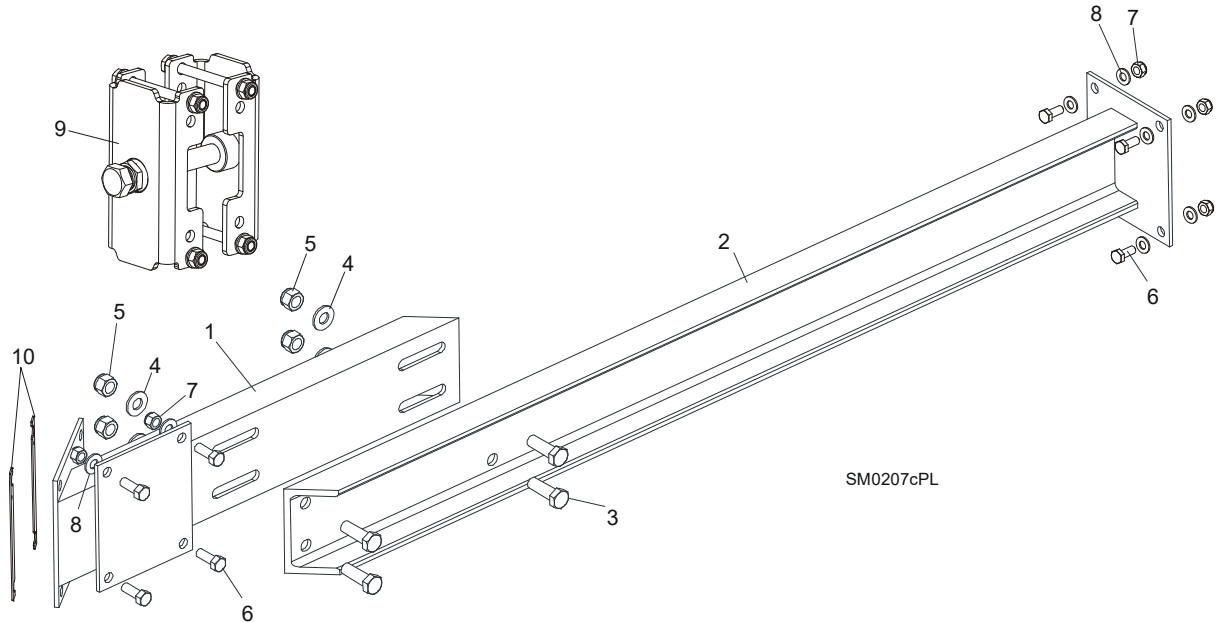
REF.	DESCRIPTION (◆ indicates parts available in assemblies only)	PART #	QTY
-	MAIN LOG CLAMP	540970	1
1	ROD ASSEMBLY, MAIN LOG CLAMP	540969-1	1
2	ARM WELDMENT, HYDRAULIC CLAMP LINK PTD	086963-1	1
3	WASHER, 25 X 63 ZINC-PLATED	088585-1	5
4	PIN, HYDRAULIC CYLINDER ZINC-PLATED	086979-1	2
5	WASHER 28 FE/ZN5	F81061-1	4

6

BED EXTENSION PARTS*Main Log Clamp (540970)*

REF.	DESCRIPTION (◆ indicates parts available in assemblies only)	PART #	QTY	
6	PIN, S-ZN 6,3X45 PN-76/M-82001	F81045-2	4	
7	WASHER, Z 22.5 SPLIT LOCK ZINC	F81059-4	2	
8	STOP WLDMT, HYDRAULIC LOG CLAMP PAINTED	086980-1	1	
9	WASHER, 13 FLAT ZINC	F81056-1	7	
10	BOLT, M12X40 8.8 HEX HEAD FULL THR.ZINC	F81004-4	2	
11	NUT, M12-8 HEX NYLON ZINC LOCK	F81034-2	5	
-	BLOCK, STEEL W/BUSHINGS - COMPLETE	521951	1	
12	BLOCK, STEEL W/BUSHINGS	521950-1	1	
13	SPACER, HYDRAULIC LOG CLAMP	089324	2	
14	WIPER, ZZ 50X60X7 INCO LOG CLAMP ROD	088587	2	
15	WASHER, WIPER - WIDE	525080	4	
16	WIPER, ZZ-40X50X5/7	525079	4	
17	FLANGE, CLAMP ROD WIPER PAINTED	088887-1	2	
18	FLANGE, WIPER	525081-1	4	
19	WASHER, 8.4 FLAT ZINC	F81054-1	12	
20	BOLT, M8X20-8.8-B HEX HEAD FULL THREAD Z	F81002-4	12	
21	FITTING, 3/16X3/16 STRAIGHT GREASE	P04107	1	
22	WASHER, 25 FLAT ZINC	F81061-3	4	
23	BOLT M24X240-8.8-B HEX HEAD ZINC	F81009-17	1	
24	ARM, LOG CLAMP	547699-1	1	
25	BOLT,M22X1,5X40-8.8-B HEX HEAD FULL ZINC	F81009-1	2	
26	CYLINDER, CJ-596-16-70/32/78 HYDRAULIC	088589	1	
27	PIN, B 24X95/85 CLEVIS ZINC	F81049-2	2	
28	NUT, Z M20-8-B SLOTTED CASTLE ZINC	F81037-3	2	
29	CYLINDER, CJ-S582-16-50/35/300	711617	1	
30	FITTING, 1/4NPTX1/4JIC MALE ELBOW	P09142	2	
31	BOLT, M12X130-8.8 CARRIAGE HEAD ZINC	F81004-26	3	
32	FITTING, 3/8JIC-1/4NPT 90L	015491	2	
33	SCREW, M12X80-8.8 HEX SOCKET HEAD CAP ZI	F81004-20	2	
34	NUT, M24-04-B HEX THIN ZINC	F81039-3	2	
35	PIN, 4X30 COTTER ZINC-PLATED	F81043-22	2	
36	ROD ASSEMBLY, VERTICAL	710735-1	1	
37	BRACKET, COMPLETE	547682-1	1	
38	BOLT, M10X125 CARRIAGE	F81003-34	4	
39	WASHER, 10.5 FLAT ZINC	F81055-1	4	
40	NUT, M10-8-B HEX NYLON ZINC LOCK	F81033-1	4	

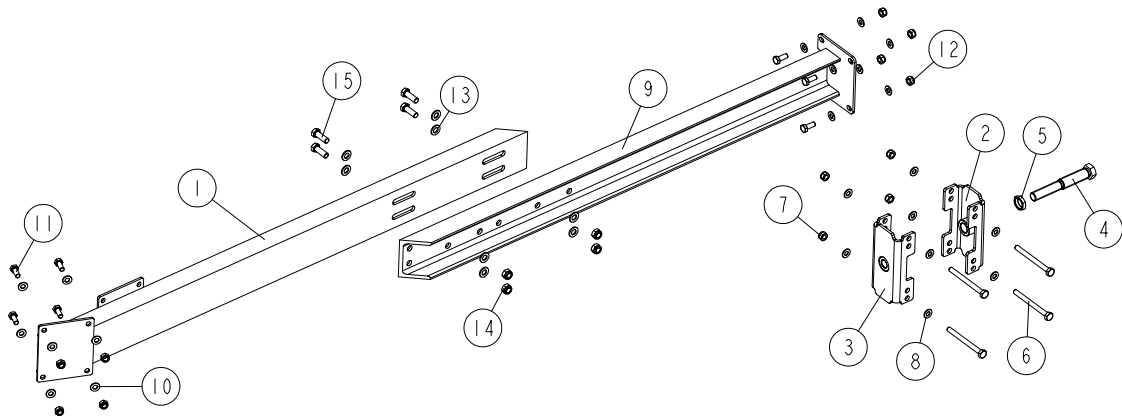
6.65 Brace Assembly, SBX6



REF.	DESCRIPTION (◆ Indicates Parts Available In Assemblies Only)	PART #	QTY
	BRACE ASSEMBLY, SBX6	092987	1
1	Channel, LT30 BX Brace - Short	085653-1	1
2	Channel, BX6 Brace - Long	092986-1	1
3	Bolt, M12 x 35 8 8 Hex Head Full Thread Zinc	F81004-24	4
4	Washer, 13 Flat Zinc	F81056-1	4
5	Nut, M12-8 Hex Nylon Zinc Lock	F81034-2	4
6	Bolt, M10 x 25-8 8 Hex Head Full Thread Zinc	F81003-11	4
7	Nut, M10-8-B Hex Nylon Zinc Lock	F81033-1	4
8	Washer, 10 5 Flat Zinc	F81055-1	4
9	Connector, BX Complete	501340	1
10	WASHER, SPECIAL	086649-1	2

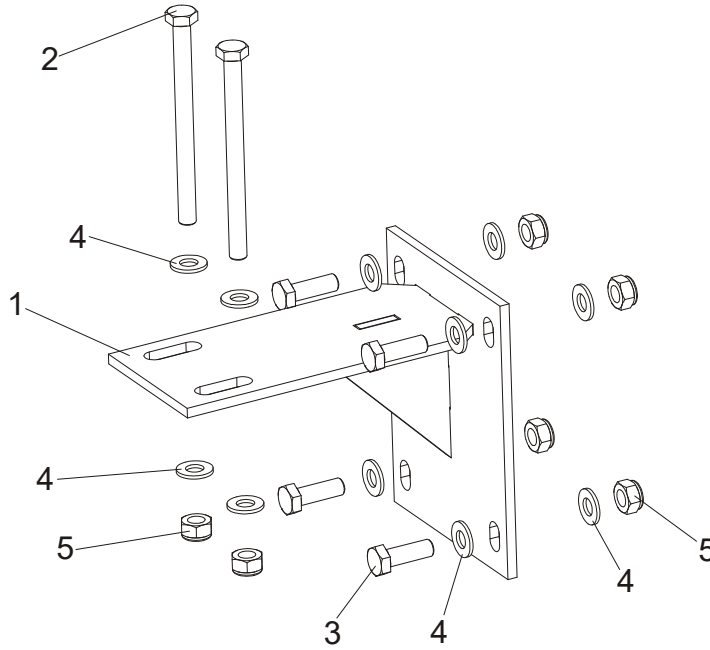
6.66 Brace Assembly, MBX6

092988_001
 092988



REF	DESCRIPTION (u indicates parts available in assemblies only)	PART #	QTY
-	BRACE ASSEMBLY, MBX6	092988	1
1	CHANNEL WLDMT, MBX12 CONNECTION BRACE (1	092824-1	1
-	BRACE KIT BX	501340	1
2	CONNECTOR, BX (M24)	500989-1	1
3	CONNECTOR, BX (M20)	501339-1	1
4	BOLT, ZINC SPECIAL	087188-1	1
5	NUT, M24X2 ZINC SPECIAL	087626-1	1
6	BOLT, M10 X 115-8.8 HEX HEAD ZINC	F81003-19	4
7	NUT M10 ZC 8 NYLOCK DIN 982 ISO 7040	F81033-1	4
8	WASHER, 10.5 FLAT ZINC	F81055-1	8
9	CHANNEL, BX6 BRACE	580581-1	1
10	WASHER, 10.5 FLAT ZINC	F81055-1	16
11	BOLT, M10X25 8.8 HEX HEAD FULL THREAD ZI	F81003-11	8
12	NUT M10 ZC 8 NYLOCK DIN 982 ISO 7040	F81033-1	8
13	WASHER, 13 FLAT ZINC	F81056-1	8
14	NUT, M12-8 DIN 982 HEX NYLON ZINC LOCK	F81034-2	4
15	BOLT, M12 X 35-8.8 HEX HEAD FULL THREAD	F81004-24	4

6.67 LBX6 Connection Bracket



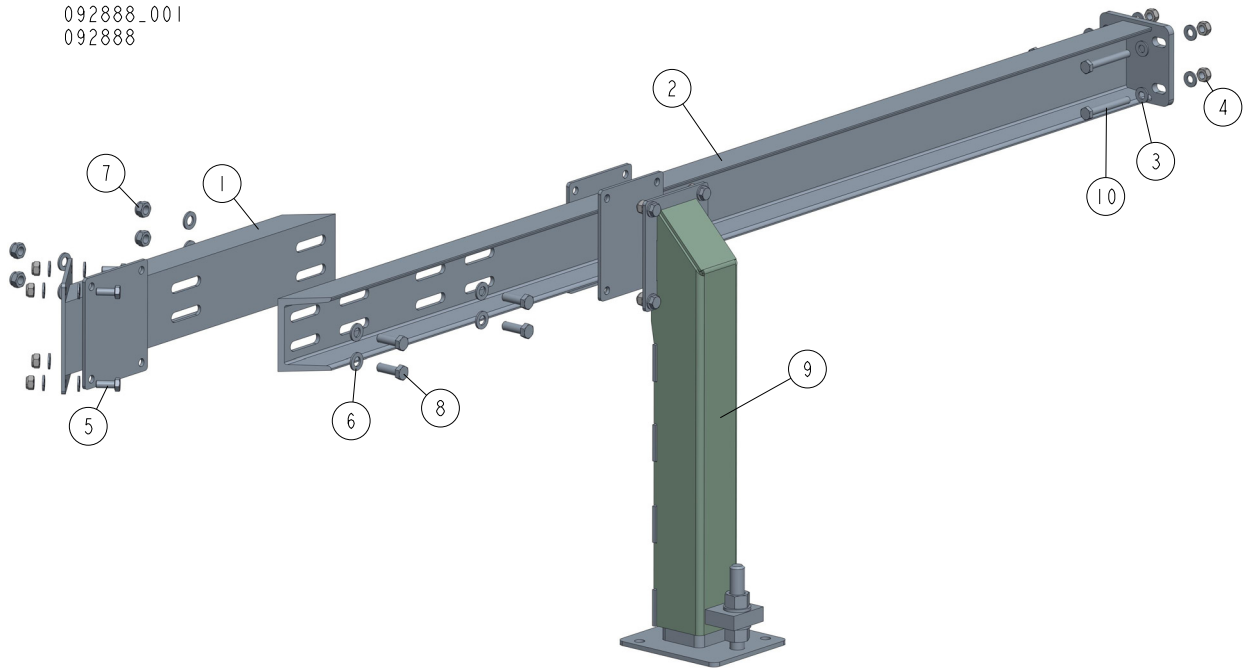
REF.	DESCRIPTION (◆ Indicates Parts Available In Assemblies Only)	PART #	QTY
1	Bracket, BX Connection (9.5m Frame)	090034-1	1
2	Bolt, M10x125-8 8 Hex Head Zinc	F81003-18	2
3	Bolt, M10x30-5 8 Hex Head Full Thread Zinc	F81003-2	4
4	Washer, 10 5 Flat Zinc	F81055-1	12
5	Nut, M10-8-B Hex Nylon Zinc Lock	F81033-1	6

6 BED EXTENSION PARTS

Brace Assembly, SBX12

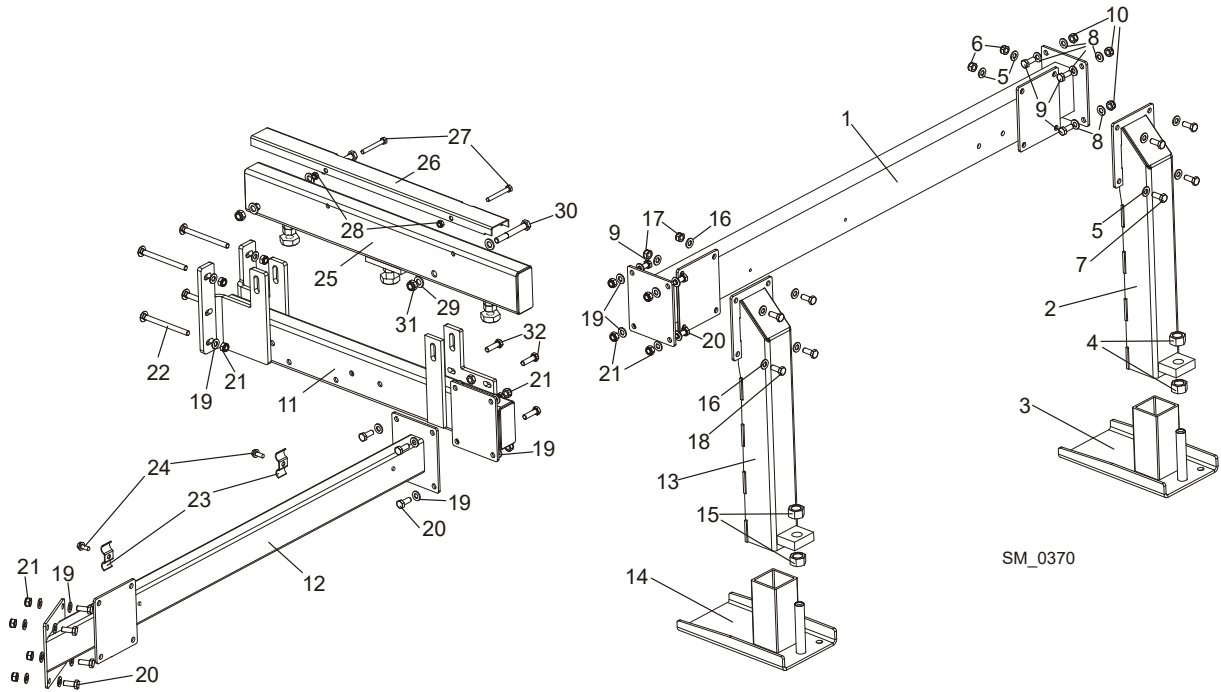
6.68 Brace Assembly, SBX12

092888_001
092888



REF	DESCRIPTION (u indicates parts available in assemblies only)	PART #	QTY
-	BRACE ASSEMBLY, SBX12	092888	1
1	CHANNEL, BX BRACE - SHORT	085653-1	1
2	CHANNEL, BX12 BRACE - LONG	092825-1	1
3	WASHER, 10.5 FLAT ZINC	F81055-1	20
4	NUT, M10-8-B HEX NYLON ZINC LOCK	F81033-1	8
5	BOLT, M10X25 8.8 HEX HEAD FULL THREAD ZI	F81003-11	4
6	WASHER, 13 FLAT ZINC	F81056-1	8
7	NUT, M12-8 HEX NYLON ZINC LOCK	F81034-2	4
8	BOLT, M12 X 35-8.8-FE/ZN5 HEX HEAD FULL	F81004-24	4
9	LEG, LEFT STATIONARY ADJUSTABLE	501639	1
10	BOLT, M10X80-8.8 HEX HEAD ZINC	F81003-50	4

6.69 MBX12 Connection Brace



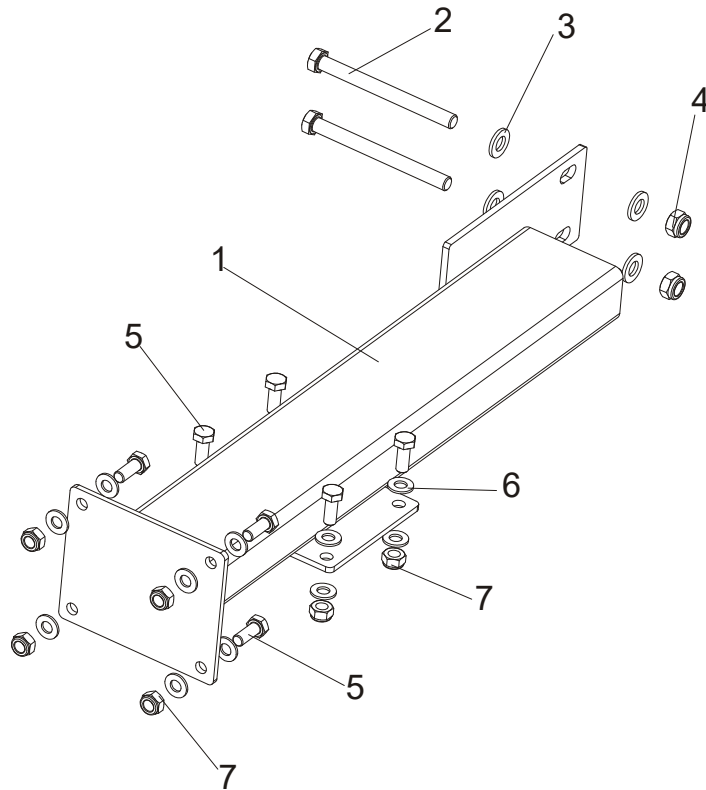
REF.	DESCRIPTION (◆ Indicates Parts Available In Assemblies Only)	PART #	QTY
	BRACE, MBX12H CONNECTION	507206	1
	BRACE ASSEMBLY, MBX12 H4-7	501660	1
1	CHANNEL WELDMENT, MBX12 AH5/DH5 CONNECTION BRACE	094934-1	1
	LEG, LEFT STATIONARY ADJUSTABLE	501639	1
2	LEG WELDMENT - UPPER PART	507715-1	1
3	WIDE - ADJUSTABLE LEGS	586948-1	1
4	NUT, M20-8 HEX ZINC	F81037-1	2
5	WASHER, 10 5 FLAT ZINC	F81055-1	8
6	NUT, M10-8-B HEX NYLON ZINC LOCK	F81033-1	4
7	BOLT, M10x25-8 8 HEX HEAD FULL THREAD ZINC	F81003-11	4
8	WASHER, 10 5 FLAT ZINC	F81055-1	16
9	BOLT, M10x25-8 8 HEX HEAD FULL THREAD ZINC	F81003-11	8
10	NUT, M10-8-B HEX NYLON ZINC LOCK	F81033-1	8
	MOUNT, BX12AH LOG CLAMP (REAR)	507200	1
11	TUBE WELDMENT, LOG CLAMP MOUNT	507189-1	1
12	TUBE WELDMENT, LOG CLAMP CONNECTION	092907-1	1
	LEG, LEFT STATIONARY ADJUSTABLE	501639	1
13	LEG WELDMENT - UPPER PART	507715-1	1
14	WIDE - ADJUSTABLE LEG	586948-1	1
15	NUT, M20-8 HEX ZINC	F81037-1	2
16	WASHER, 10 5 FLAT ZINC	F81055-1	8
17	NUT, M10-8-B HEX NYLON ZINC LOCK	F81033-1	4
18	BOLT, M10x25-8 8 HEX HEAD FULL THREAD ZINC	F81003-11	4
19	WASHER, 10 5 FLAT ZINC	F81055-1	20

6

BED EXTENSION PARTS*MBX12 Connection Brace*

20	BOLT, M10x25-8 8 HEX HEAD FULL THREAD ZINC	F81003-11	8	
21	NUT, M10-8-B HEX NYLON ZINC LOCK	F81033-1	12	
22	BOLT, M10x125 8 8 CARRIAGE HEAD ZINC	F81003-34	4	
23	PLATE, 1/4" HOSE CLAMP	S09245	2	
24	SCREW, 5/16-18 x 3/4 SELF-TAPPING	F05015-30	2	
25	TUBE, BX24H LOG CLAMP SUPPORT	507201-1	1	
26	COVER, BX6 STAINLESS STEEL	085464	1	
27	BOLT, M8x65-5 8 HEX HEAD ZINC	F81002-3	2	
28	NUT, M8-8-B HEX NYLON ZINC LOCK	F81032-2	2	
29	WASHER, 13 FLAT ZINC	F81056-1	4	
30	BOLT, M12x90-8 8 HEX HEAD ZINC	F81004-2	2	
31	NUT, M12-8 HEX NYLON ZINC LOCK	F81034-2	2	
32	BOLT, M10x35-8 8 HEX HEAD FULL THREAD ZINC	F81003-17	4	

6.70 Brace Assembly, LBX12



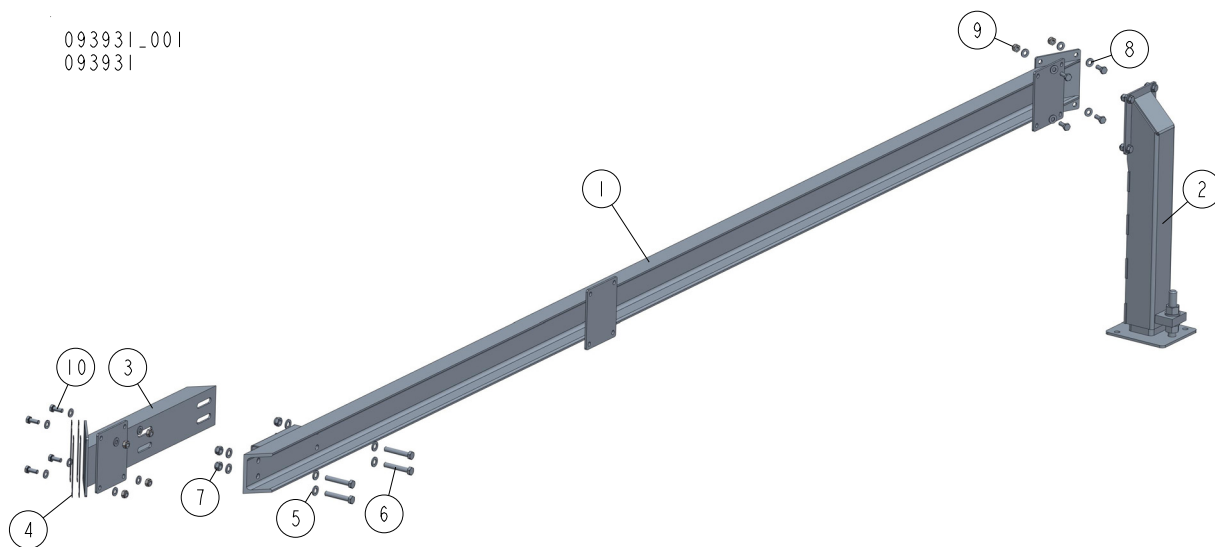
REF.	DESCRIPTION (◆ Indicates Parts Available In Assemblies Only)	PART #	QTY
	BRACE ASSEMBLY, 40LBX12	094834	1
1	Tube, 40LBX12 Brace	091177-1	1
2	Bolt, M12x130-8 8 Hex Head Zinc	F81004-36	2
3	Washer, 13 Flat Zinc	F81056-1	4
4	Nut, M12-8 Hex Nylon Zinc Lock	F81034-2	2
5	Bolt, M10x25-8 8 Hex Head Full Thread Zinc	F81003-11	8
6	Washer, 10 5 Flat Zinc	F81055-1	16
7	Nut, M10-8-B Hex Nylon Zinc Lock	F81033-1	8

6 BED EXTENSION PARTS

Brace Assembly, SBX24

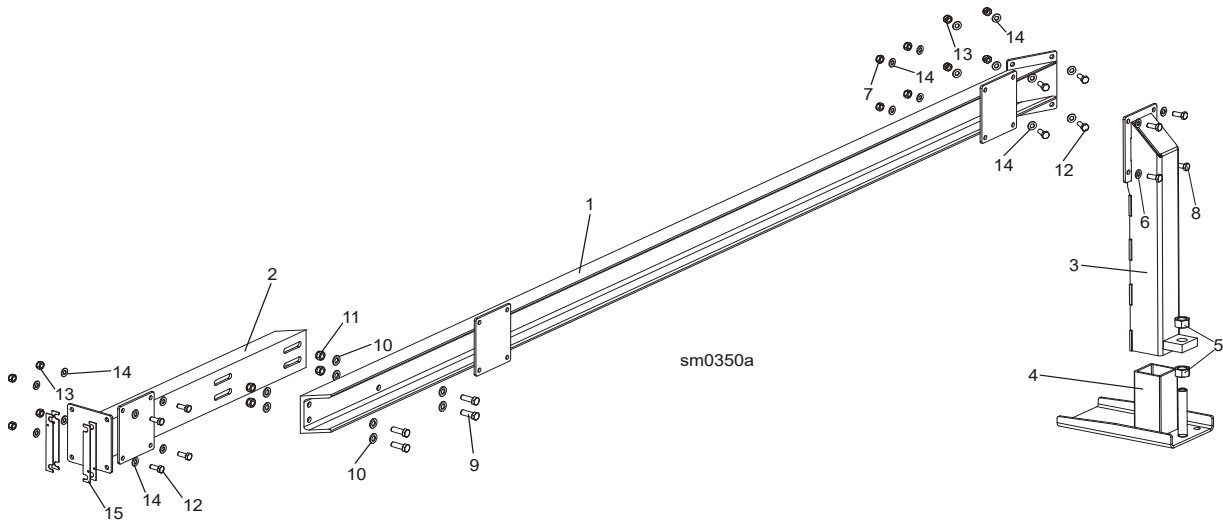
6.71 Brace Assembly, SBX24

093931_001
093931



REF	DESCRIPTION (u indicates parts available in assemblies only)	PART #	QTY
-	BRACE ASSEMBLY, SBX24	093931	1
1	CHANNEL, SBX24 W/MOUNT PLATE - LONG	093143-1	1
2	LEG, LEFT STATIONARY ADJUSTABLE	501639	1
3	CHANNEL, BX BRACE - SHORT	085653-1	1
4	SHIM, BX6	086649-1	4
5	WASHER, 13 FLAT ZINC	F81056-1	8
6	BOLT, M12X70-8.8 HEX HEAD ZINC	F81004-39	4
7	NUT, M12-8 HEX NYLON ZINC LOCK	F81034-2	4
8	WASHER, 10.5 FLAT ZINC	F81055-1	16
9	NUT, M10-8-B HEX NYLON ZINC LOCK	F81033-1	8
10	BOLT, M10X25 8.8 HEX HEAD FULL THREAD ZI	F81003-11	8

6.72 Brace Assembly, MBX24

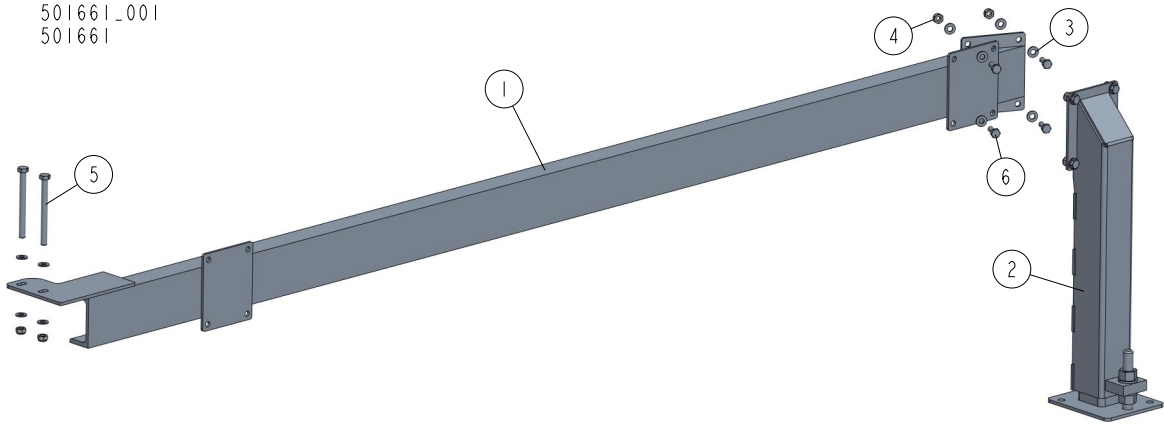


REF.	DESCRIPTION (◆ Indicates Parts Available In Assemblies Only)	PART #	QTY
	BRACE ASSEMBLY, MBX24-AH5/7, DH5/7	095632	1
1	CHANNEL, MBX24 W/MOUNT PLATE - LONG	095629-1	1
2	CHANNEL, MBX24 BRACE - SHORT	095631-1	1
	LEG, LEFT STATIONARY ADJUSTABLE	501639	1
3	LEG WELDMENT - UPPER PART	507715-1	1
4	FOOT - ADJUSTABLE LEG	586948-1	1
5	NUT, M20-8 HEX ZINC	F81037-1	2
6	WASHER, 10 5 FLAT ZINC	F81055-1	4
7	NUT, M10-8-B HEX NYLON ZINC LOCK	F81033-1	4
8	BOLT, M10x25-8 8 HEX HEAD FULL THREAD ZINC	F81003-11	4
9	BOLT, M12 x 35-8 8 HEX HEAD FULL THREAD ZINC	F81004-24	4
10	WASHER, 13 FLAT ZINC	F81056-1	8
11	NUT, M12-8 HEX NYLON ZINC LOCK	F81034-2	4
12	BOLT, M10 x 25-8 8 HEX HEAD FULL THREAD ZINC	F81003-11	8
13	NUT, M10-8-B HEX NYLON ZINC LOCK	F81033-1	8
14	WASHER, 10 5 FLAT ZINC	F81055-1	20
15	SHIM, BX6	086649-1	4

6 **BED EXTENSION PARTS**
Brace Assembly, LBX24

6.73 Brace Assembly, LBX24

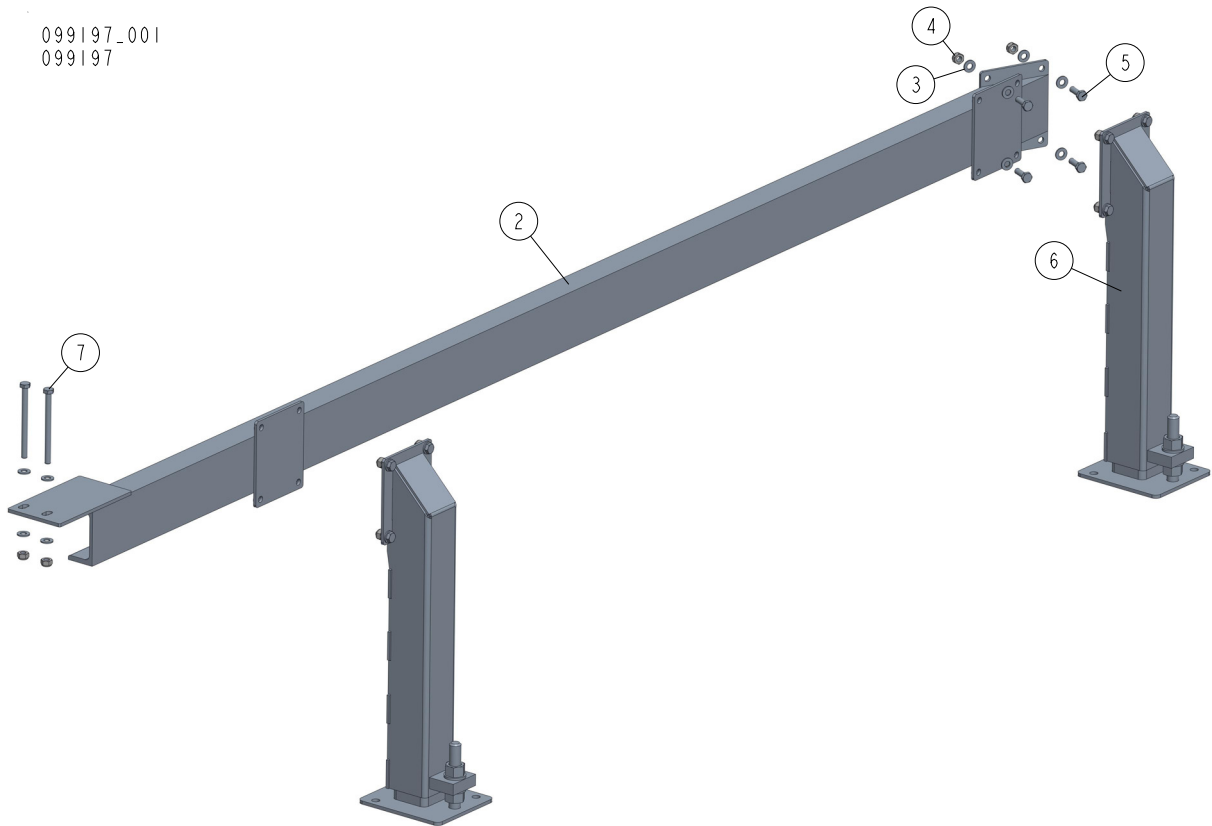
501661_001
 501661



REF	DESCRIPTION (u indicates parts available in assemblies only)	PART #	QTY	
-	BRACE ASSEMBLY, LBX24	501661	1	
1	CHANNEL, LBX24 W/MOUNT PLATE	501662-1	1	
2	LEG, LEFT ADJUSTABLE STATIONARY	501639	1	
3	WASHER, 10.5 FLAT ZINC	F81055-1	12	
4	NUT, M10-8-B HEX NYLON ZINC LOCK	F81033-1	6	
5	BOLT, M12X130-8.8-HEX HEAD ZINC	F81004-36	2	
6	BOLT, M10X25 8.8 HEX HEAD FULL THREAD ZI	F81003-11	4	

6.74 Brace Assembly, MBX24 Super

099197_001
 099197

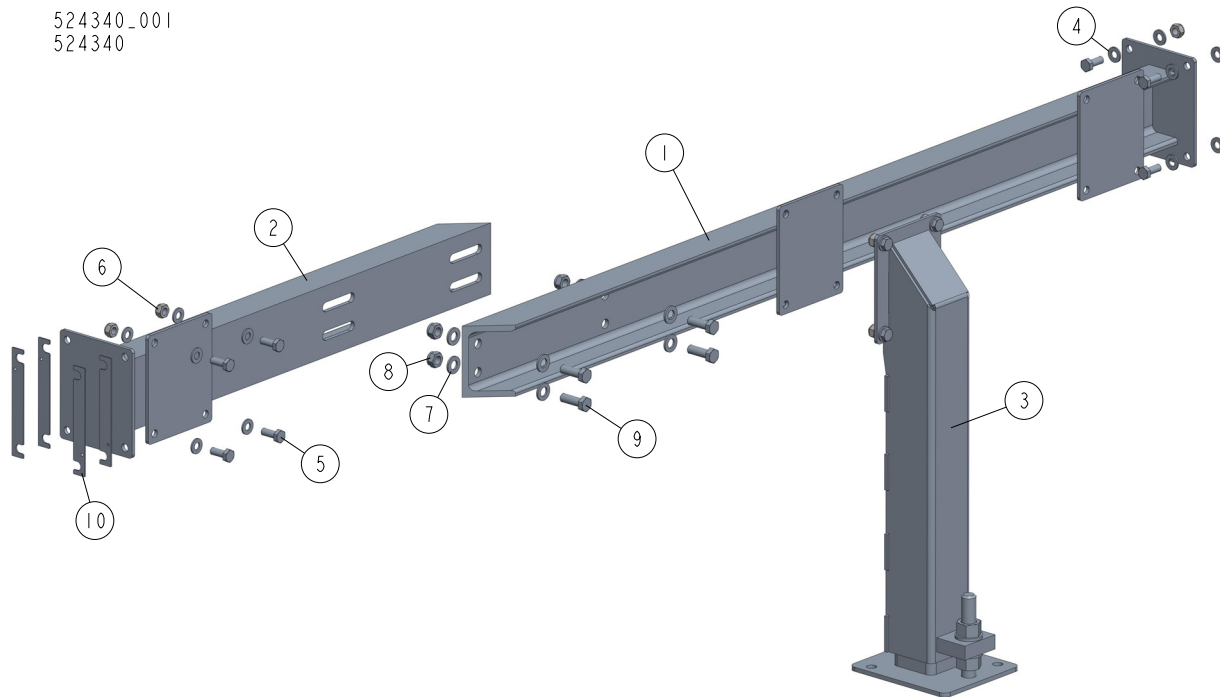


REF	DESCRIPTION (u indicates parts available in assemblies only)	PART #	QTY	
1	BRACE ASSEMBLY, MBX24 SUPER	099197	1	
2	CHANNEL, MBX24 W/MOUNT PLATE	099201-1	1	
3	WASHER, 10.5 FLAT ZINC	F81055-1	20	
4	NUT, M10-8-B HEX NYLON ZINC LOCK	F81033-1	6	
5	BOLT, M10X30-5.8 HEX HEAD FULL THREAD ZI	F81003-2	4	
6	LEG, LEFT ADJUSTABLE STATIONARY	501639	2	
7	BOLT, M10 X 125-8.8 HEX HEAD ZINC	F81003-18	2	

6 **BED EXTENSION PARTS**
Brace Assembly, MBX24S AH4/7 DH4/7

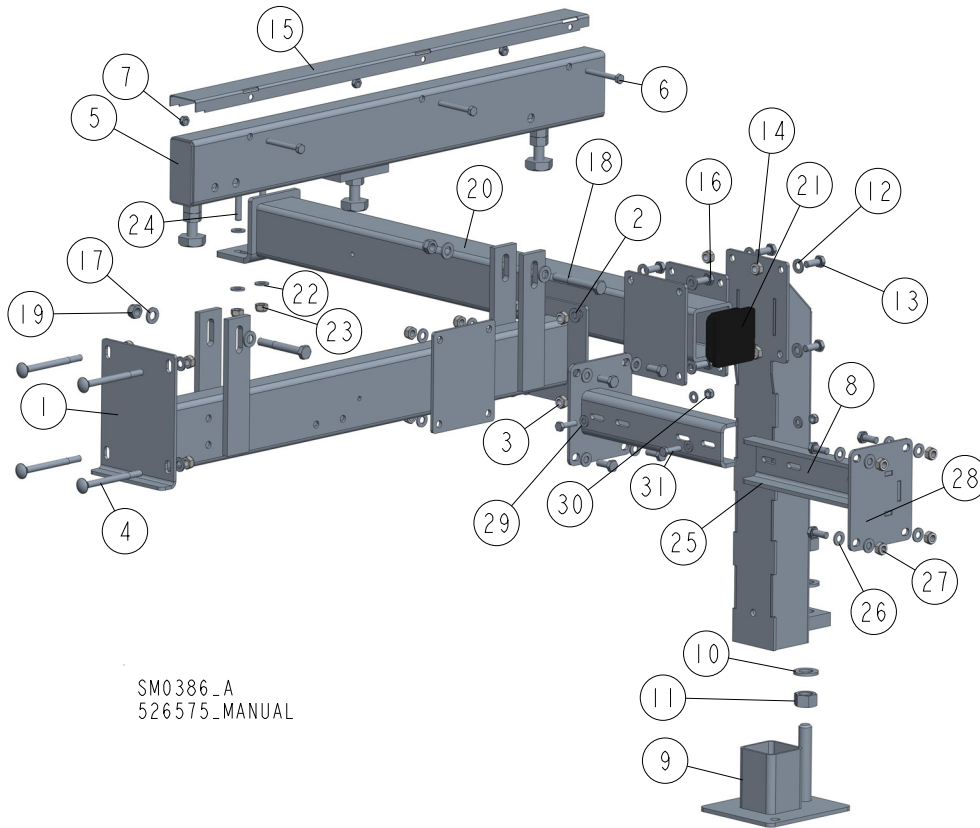
6.75 Brace Assembly, MBX24S AH4/7 DH4/7

524340_001
 524340



REF	DESCRIPTION (u indicates parts available in assemblies only)	PART #	QTY
-	BRACE ASSEMBLY, MBX24S - AH4/7, DH4/7	524340	1
1	CHANNEL, MBX24S W/MOUNT PLATE - LONG	524341-1	1
2	CHANNEL, MBX24 BRACE - SHORT	095631-1	1
3	LEG, LEFT ADJUSTABLE STATIONARY	501639	1
4	WASHER, 10.5 FLAT ZINC	F81055-1	20
5	BOLT, M10X25 8.8 HEX HEAD FULL THREAD ZI	F81003-11	8
6	NUT, M10-8-B HEX NYLON ZINC LOCK	F81033-1	8
7	WASHER, 13 FLAT ZINC	F81056-1	8
8	NUT, M12-8 HEX NYLON ZINC LOCK	F81034-2	4
9	BOLT, M12X35 8.8 HEX HEAD FULL THREAD ZI	F81004-24	4
10	SHIM, BX6	086649-1	4

6.76 Connection Brace, BX24S-Super

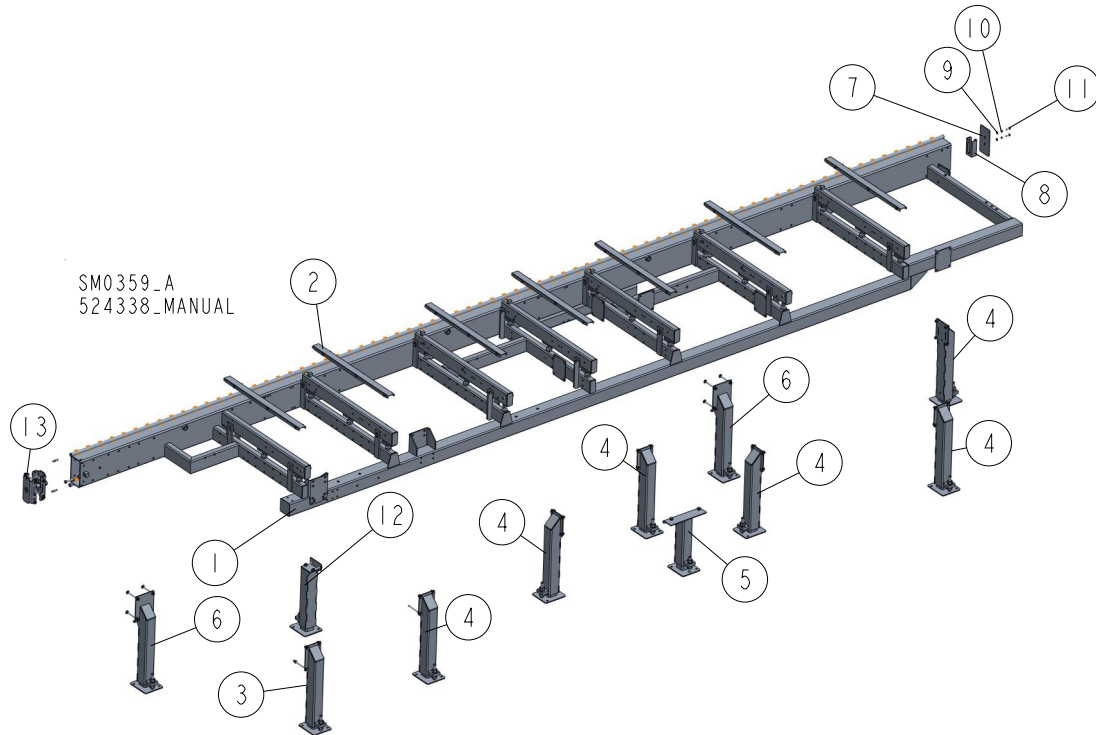


SM0386_A
 526575_MANUAL

REF	DESCRIPTION (u indicates parts available in assemblies only)	PART #	QTY
-	BRACE, BX24S-SUPER CONNECTION	526575	1
-	BEAM ASSEMBLY, BX24 MAIN	513904	1
1	SUPPORT WELDMENT, BX24 BEAM	513901-1	1
2	WASHER, 10.5 FLAT ZINC	F81055-1	12
3	NUT, M10-8-B HEX NYLON ZINC LOCK	F81033-1	8
4	BOLT, M10X120 8.8 CARRIAGE ZINC	F81003-33	4
5	BEAM, BX24M-SUPER MAIN	513917-1	1
6	BOLT, M8X65-5.8 HEX HEAD ZINC	F81002-3	3
7	NUT, M8-8-B HEX NYLON ZINC LOCK	F81032-2	3
-	LEG, LEFT ADJUSTABLE STATIONARY	501639	1
8	LEG, ADJUSTABLE	507715-1	1
9	STOPA KPL	586948-1	1
10	WASHER, 21 FLAT ZINC	F81059-2	2
11	NAKRETKA M20-8- FE/ZN5 PN-86/M-82144	F81037-1	2
12	WASHER, 10.5 FLAT ZINC	F81055-1	4
13	BOLT, M10X25 8.8 HEX HEAD FULL THREAD ZI	F81003-11	4
14	NUT, M10-8-B HEX NYLON ZINC LOCK	F81033-1	4
15	COVER, STAINLESS STEEL BED RAIL	099124	1
16	BOLT, M10X25 8.8 HEX HEAD FULL THREAD ZI	F81003-11	4
17	WASHER, 13 FLAT ZINC	F81056-1	4
18	BOLT, M12X90 8.8 HEX HEAD ZINC	F81004-2	2

REF	DESCRIPTION (u indicates parts available in assemblies only)	PART #	QTY	
19	NUT, M12-8 HEX NYLON ZINC LOCK	F81034-2	2	
20	TUBE WELDMENT, M/BX24M-SUPER CONNECTION	526523-1	1	
21	CAP, 80X80 GR 2-4 #111227 TUBE END	089644	1	
22	WASHER, 10.5 FLAT ZINC	F81055-1	4	
23	NUT, M10-8-B HEX NYLON ZINC LOCK	F81033-1	2	
24	BOLT, M10 X 125-8.8 HEX HEAD ZINC	F81003-18	2	
-	BRACKET, BX6-S & M CONNECTION - COMPLETE	526201	1	
25	BRACKET ASSEMBLY, BX6-S&M CONNECTION	526202-1	2	
26	WASHER, 10.5 FLAT ZINC	F81055-1	16	
27	NUT, M10-8-B HEX NYLON ZINC LOCK	F81033-1	8	
28	BOLT, M10X25 8.8 HEX HEAD FULL THREAD ZI	F81003-11	8	
29	WASHER, 8.4 FLAT,ZINC	F81054-1	4	
30	NUT, M8-8-B HEX NYLON ZINC LOCK	F81032-2	2	
31	BOLT, M8X30-5.8-B HEX HEAD FULL THREAD Z	F81002-2	2	

6.77 BX24 M-Super Frame

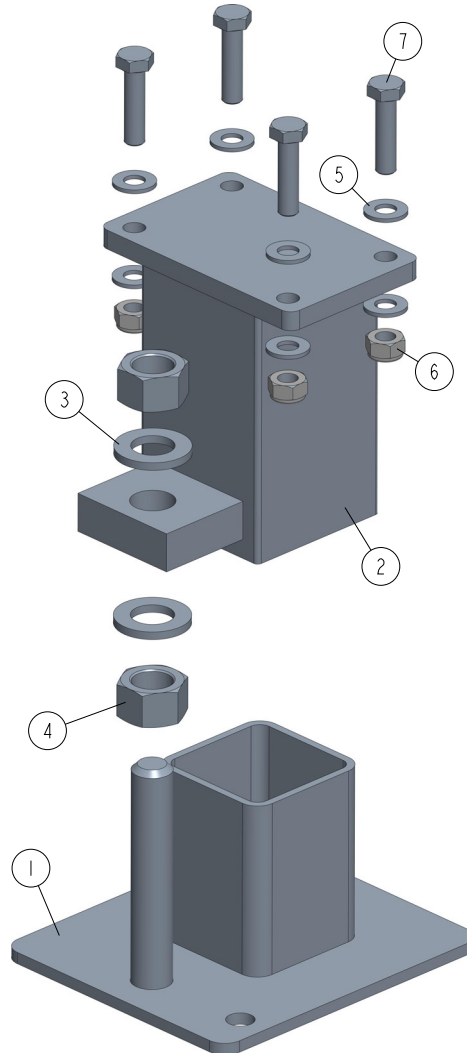


REF	DESCRIPTION (u indicates parts available in assemblies only)	PART #	QTY
-	FRAME, BX24M-SUPER COMPLETE	517442	1
1	FRAME WELDMENT, BX24 M SUPER	513899-1	1
2	COVER KIT, BX24S	513922	1
-	LEGS, BX24M SUPER STATIONARY	513920	1
3	LEG, LEFT STATIONARY ADJUSTABLE	551810	1
4	LEG, LEFT STATIONARY ADJUSTABLE See Section 6.80	501639	6
5	LEG, MIDDLE ADJUSTABLE STATIONARY See Section 6.34	501637	1
6	LEG, RIGHT ADJUSTABLE STATIONARY See Section 6.81	501640	2
-	COVER ASSEMBLY, MAIN TUBE	093052	1
7	COVER, 201X101.6X3 TUBE	015023-1	1
8	BRACKET WELDMENT, REAR MAIN TUBE COVER	087105-1	1
9	WASHER, 8.4 FLAT ZINC	F81054-1	2
10	WASHER, 8.2 SPLIT LOCK ZINC	F81054-4	2
11	BOLT,M8X25-8.8-B HEX HEAD FULL THREAD ZI	F81002-5	2
12	LEG, ADJUSTABLE STATIONARY See Section 6.82	525780	1
13	BRACE KIT BX See Section 6.54	501340	1

6 **BED EXTENSION PARTS**
Leg, Log Turner Support (Part No. 540958)

6.78 Leg, Log Turner Support (Part No. 540958)

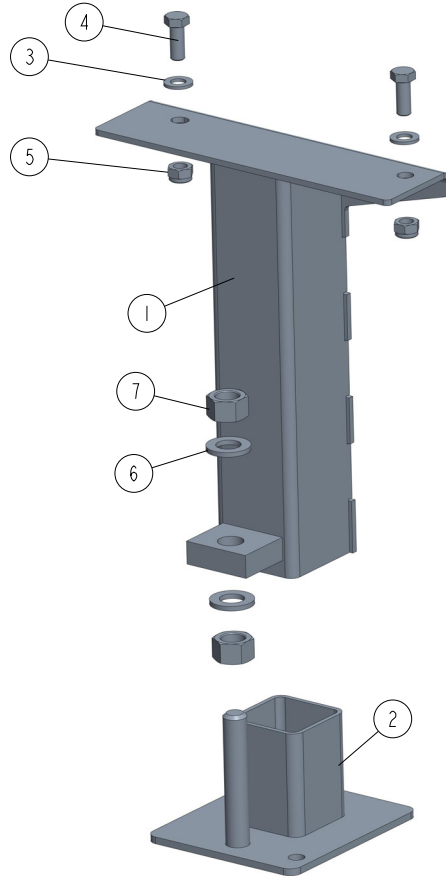
540958_001_A
 540958_MANUAL



REF.	DESCRIPTION (◆ Indicates Parts Available In Assemblies Only)	PART #	QTY	
-	LEG, LOG TURNER SUPPORT - COMPLETE	540958	1	
1	FOOT	586948-1	1	
2	LEG - UPPER PART	523003-1	1	
3	WASHER, 21 FLAT ZINC	F81059-2	2	
4	NUT, M20-8 HEX ZINC	F81037-1	2	
5	WASHER, 10.5 FLAT ZINC	F81055-1	8	
6	NUT, M10-8-B HEX NYLON ZINC LOCK	F81033-1	4	
7	BOLT, M10X40-8.8 HEX HEAD FULL THREAD ZINC	F81003-16	4	

6.79 Middle Stationary Leg

501637_001_A
501637_MANUAL



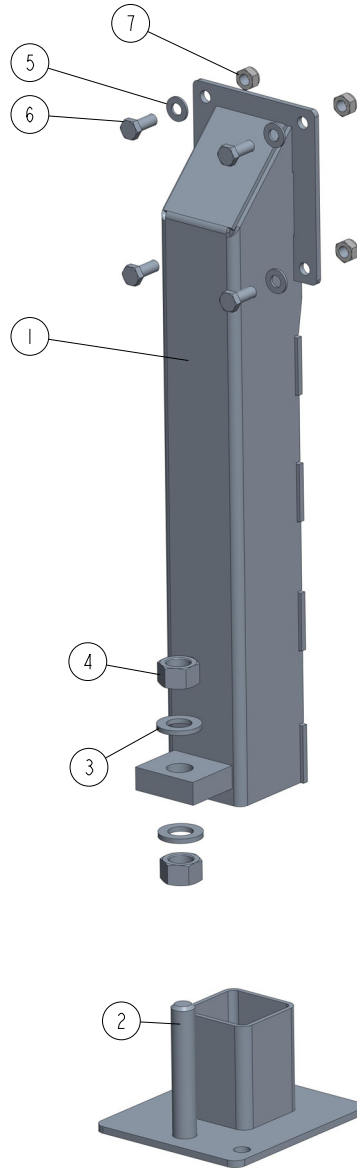
REF.	DESCRIPTION (◆ Indicates Parts Available In Assemblies Only)	PART #	QTY
-	LEG, MIDDLE ADJUSTABLE STATIONARY	501637	1
1	LEG, MIDDLE	507720-1	1
2	FOOT	586948-1	1
3	WASHER, 13 FLAT ZINC	F81056-1	2
4	BOLT, M12X30 8 8 HEX HEAD FULL THREAD ZINC	F81004-22	2
5	NUT, M12 8 HEX NYLON ZINC LOCK	F81034-2	2
6	WASHER, 21 FLAT ZINC	F81059-2	2
7	NUT, M20-8 HEX ZINC	F81037-1	2

6 BED EXTENSION PARTS

Left Stationary Leg

6.80 Left Stationary Leg

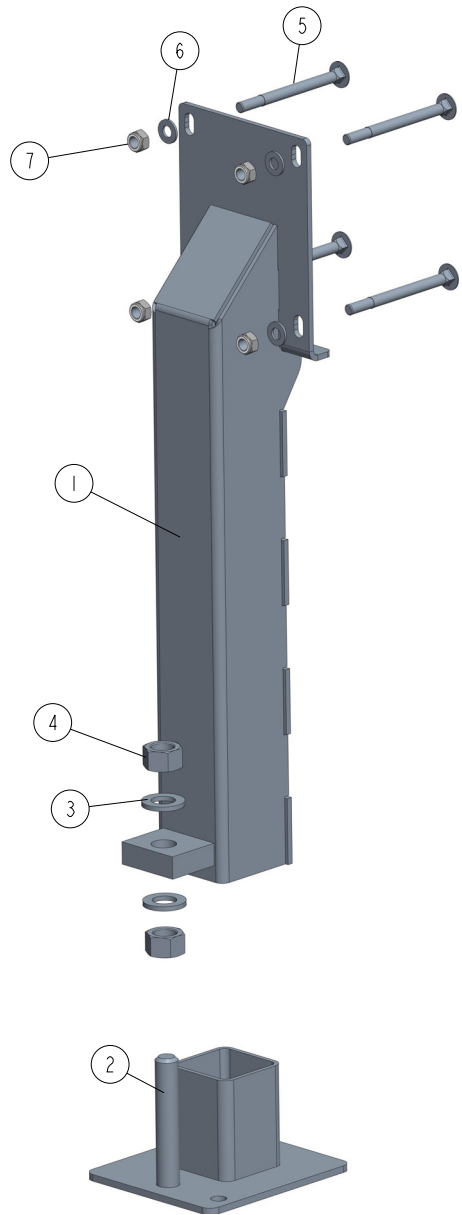
501639_001
501639_MANUAL



REF.	DESCRIPTION (◆ Indicates Parts Available In Assemblies Only)	PART #	QTY
-	LEG, LEFT ADJUSTABLE STATIONARY	501639	1
1	LEG, ADJUSTABLE	507715-1	1
2	FOOT	586948-1	1
3	WASHER, 21 FLAT ZINC	F81059-2	2
4	NUT, M20-8 HEX ZINC	F81037-1	2
5	WASHER, 10 5 FLAT ZINC	F81055-1	4
6	BOLT, M10X25 8 8 HEX HEAD FULL THREAD ZINC	F81003-11	4
7	NUT, M10-8-B HEX NYLON ZINC LOCK	F81033-1	4

6.81 Right Stationary Leg

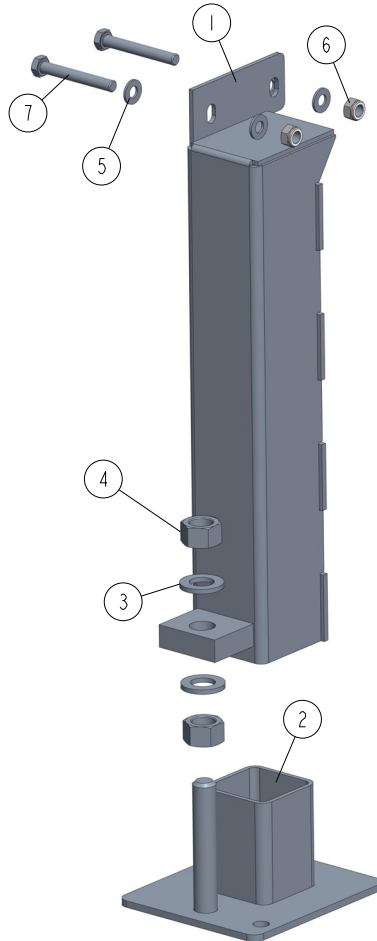
501640_001_A
501640_MANUAL



REF.	DESCRIPTION (◆ Indicates Parts Available In Assemblies Only)	PART #	QTY
-	LEG, RIGHT ADJUSTABLE STATIONARY	501640	1
1	LEG, MAIN TUBE HIGH	507620-1	1
2	FOOT	586948-1	1
3	WASHER, 21 FLAT ZINC	F81059-2	2
4	NUT, M20-8 HEX ZINC	F81037-1	2
5	BOLT, M10X120 8 8 CARRIAGE ZINC	F81003-33	4
6	WASHER, 10 5 FLAT ZINC	F81055-1	4
7	NUT, M10-8-B HEX NYLON ZINC LOCK	F81033-1	4

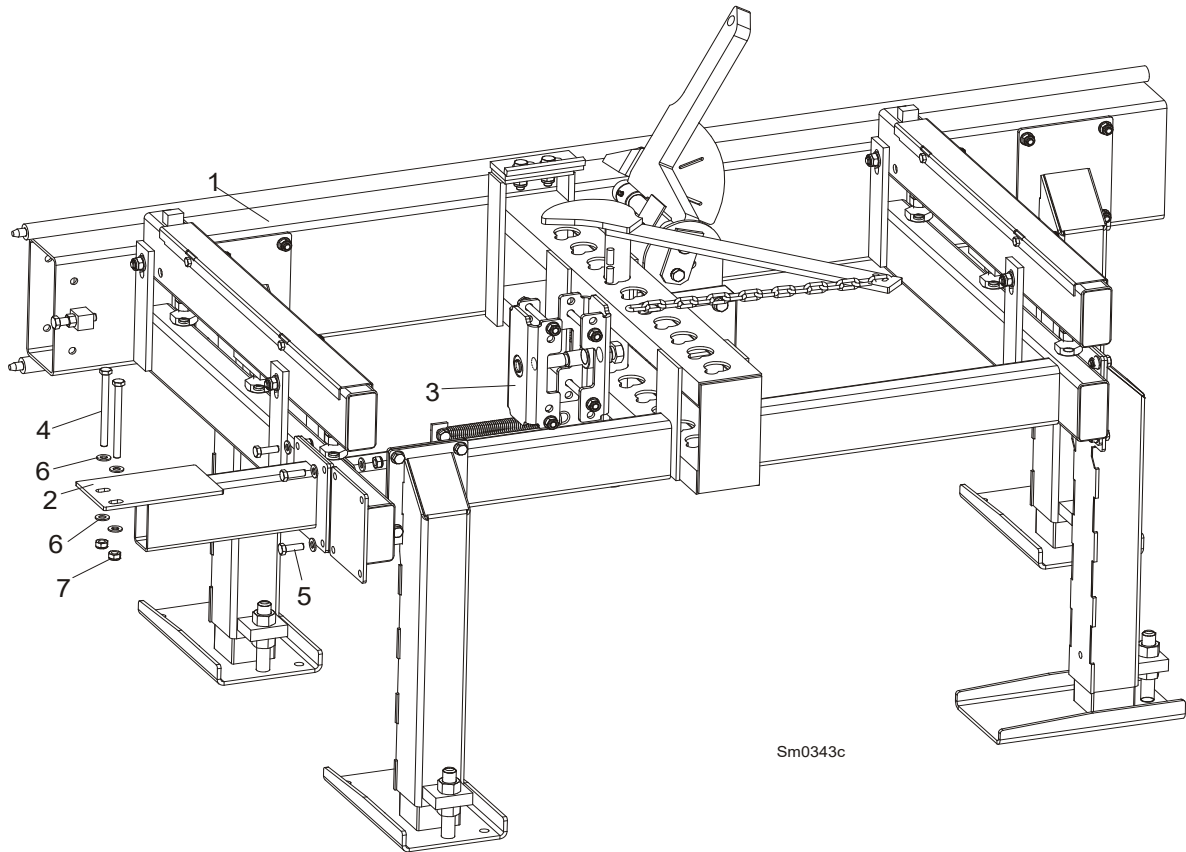
6.82 Stationary Leg

525780_001_A
 525780_MANUAL



REF.	DESCRIPTION (◆ Indicates Parts Available In Assemblies Only)	PART #	QTY
-	LEG, ADJUSTABLE STATIONARY	525780	1
1	LEG, CROSS BEAM	525782	1
2	FOOT	586948-1	1
3	WASHER, 21 FLAT ZINC	F81059-2	2
4	NUT, M20-8 HEX ZINC	F81037-1	2
5	WASHER, 10 5 FLAT ZINC	F81055-1	4
6	NUT, M10-8-B HEX NYLON ZINC LOCK	F81033-1	2
7	BOLT, M10X75-8 8 HEX HEAD ZINC	F81003-15	2

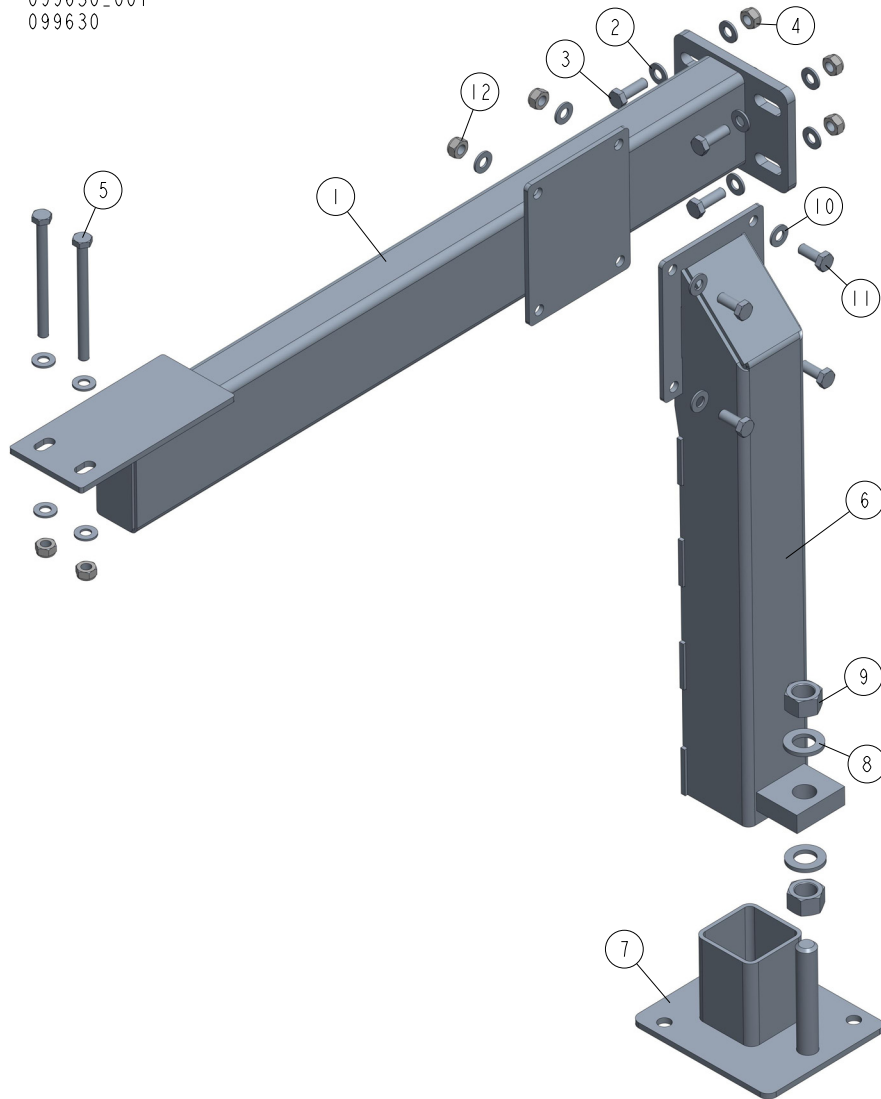
6.83 Bed Extension, MBX6 Super



REF.	DESCRIPTION (◆ Indicates Parts Available In Assemblies Only)	PART #	QTY
	EXTENSION, MBX6 SUPER BED	40MBX6S	1
	EXTENSION, MBX6 SUPER BED	70MBX6S	1
1	EXTENSION, BX6 1 8m (6') BED - COMPLETE	BX6	1
	BRACE, MBX6 SUPER COMPLETE	099198	1
2	BRACE, MBX6 SUPER	099199-1	1
3	CONNECTOR, BX COMPLETE	501340	1
4	BOLT, M10x125-8 8 HEX HEAD ZINC	F81003-18	2
5	BOLT, M10x30-5 8 HEX HEAD FULL THREAD ZINC	F81003-2	4
6	WASHER, 10 5 FLAT ZINC	F81055-1	12
7	NUT, M10-8-B HEX NYLON ZINC LOCK	F81033-1	6

6.84 BX12 Super Connection Brace

099630_001
 099630

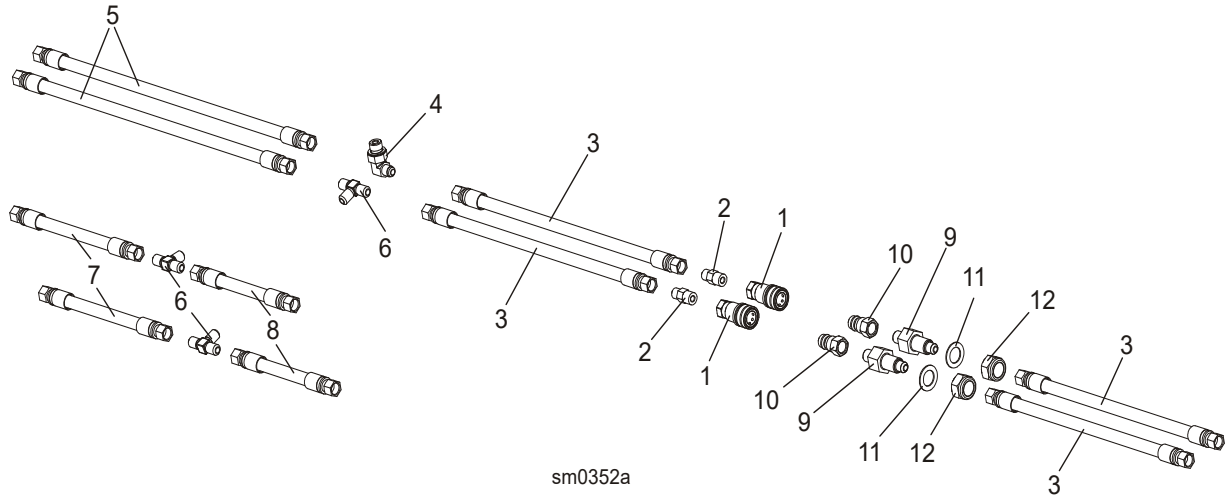


REF	DESCRIPTION (u indicates parts available in assemblies only)	PART #	QTY
-	BRACE, BX12 SUPER CONNECTION - COMPLETE	099630	1
1	TUBE WELDMENT, BX12 CONNECTION BRACE	098733-1	1
2	WASHER, 10.5 FLAT ZINC	F81055-1	16
3	BOLT, M10X30-8.8 HEX HEAD FULL THREAD ZI	F81003-2	4
4	NUT, M10-8-B HEX NYLON ZINC LOCK	F81033-1	6
5	BOLT, M10X125 8.8 HEX HEAD ZINC	F81003-18	2
-	LEG, LEFT ADJUSTABLE STATIONARY	501639	1
6	LEG, SIDE ADJUSTABLE	507715-1	1
7	FOOT	586948-1	1
8	WASHER, 21 FLAT ZINC	F81059-2	2
9	NUT, M20-8- HEX ZINC	F81037-1	2
10	WASHER, 10.5 FLAT ZINC	F81055-1	4
11	BOLT, M10X25 8.8 HEX HEAD FULL THREAD ZI	F81003-11	4

BED EXTENSION PARTS*BX12 Super Connection Brace***6**

REF	DESCRIPTION (u indicates parts available in assemblies only)	PART #	QTY	
12	NUT, M10-8-B HEX NYLON ZINC LOCK	F81033-1	4	

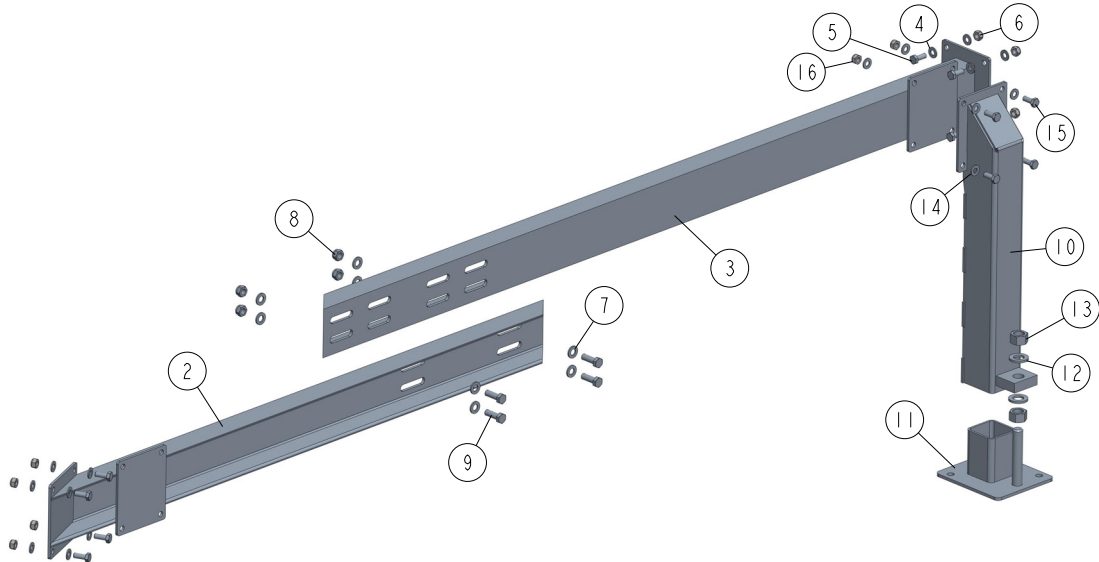
6.85 Oil Flow Divider w/Hydraulic Hoses (BX12/24 & "M" Frame)



REF.	DESCRIPTION (◆ Indicates Parts Available In Assemblies Only)	PART #	QTY
	OIL FLOW DIVIDER W/HYDRAULIC HOSES ("M" FRAME/BX12/24)	505838	1
1	FITTING, 3/8" INT THREAD BSP FEMALE QUICK DISCONNECT	504965	2
2	FITTING, G3/8-9/16-18JIC HAND PUMP	091842	2
3	HOSE, PHD 2T3/8X3 800 W9/16UNF-W9/16 UNF HYDRAULIC	505846	4
4	FITTING, 90 18x1,5 9/16-18 JIC ELBOW	089992	3
5	HOSE, PHD 2T3/8X4 950 W9/16UNF-W9/16 UNF HYDRAULIC	505848	2
6	FITTING, 3/8JIC TEE	015487	3
7	HOSE, PHD 2T3/8X1 900 W9/16UNF-W9/16UNF HYDRAULIC	089856	2
8	HOSE, PHD 2T3/8X1 200 W9/16UNF-W9/16UNF HYDRAULIC	089852	2
9	FITTING, Z3/8"BSP-Z9/16 UNF JIC REDUCER	504987-1	2
10	FITTING, 3/8" INT THREAD BSP MALE QUICK DISCONNECT	504966	2
11	WASHER, 1940 DIA (34/21 2/1 5)	506105	2
12	NUT, M20-8-A HEX NYLON ZINC LOCK	F81037-2	2
	LOG LOADER, SINGLE ARM See Section 6.89	090204	1
	CHAIN, 9.5m SINGLE LOADING ARM See Section 6.87	090090	1

6.86 MBX12 Connection Brace

092887_001
 092887



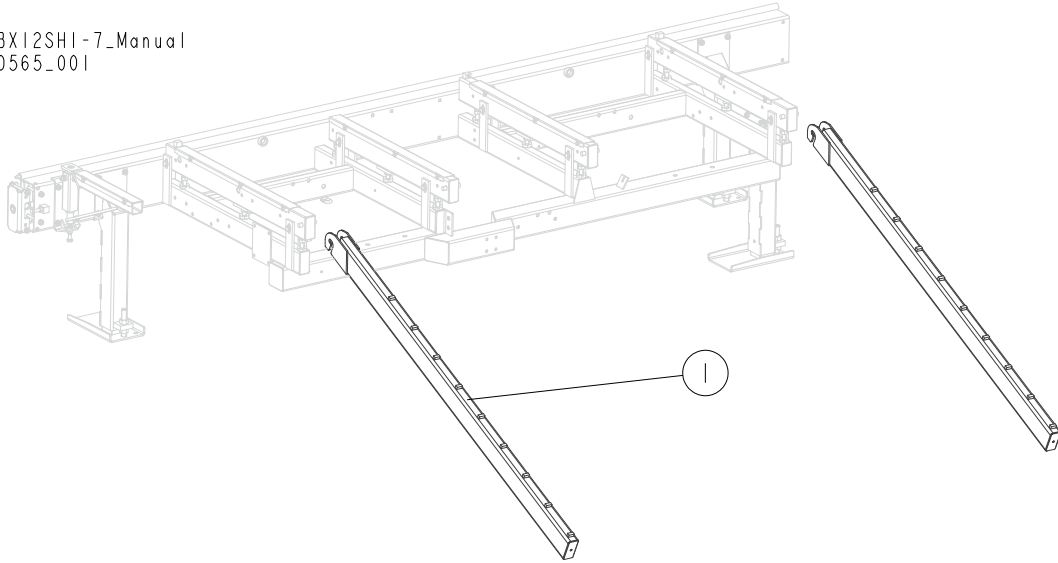
REF	DESCRIPTION (u indicates parts available in assemblies only)	PART #	QTY
1	BRACE, MBX12 CONNECTION	092887	1
2	CHANNEL WLDMT, MBX12 CONNECTION BRACE (1)	092824-1	1
3	CHANNEL WLDMT, MBX12 CONNECTION BRACE (2)	092823-1	1
4	WASHER, 10.5 FLAT ZINC	F81055-1	20
5	BOLT, M10X25 8.8 HEX HEAD FULL THREAD ZI	F81003-11	8
6	NUT, M10-8-B HEX NYLON ZINC LOCK	F81033-1	8
7	WASHER, 13-FLAT ZINC	F81056-1	8
8	NUT, M12 8 HEX NYLON ZINC LOCK	F81034-2	4
9	BOLT, M12 X 35-8.8-FE/ZN5 HEX HEAD FULL	F81004-24	4
-	LEG, LEFT ADJUSTABLE STATIONARY	501639	1
10	LEG, SIDE ADJUSTABLE	507715-1	1
11	FOOT	586948-1	1
12	WASHER, 21 FLAT ZINC	F81059-2	2
13	NUT, M20-8- HEX ZINC	F81037-1	2
14	WASHER, 10.5 FLAT ZINC	F81055-1	4
15	BOLT, M10X25 8.8 HEX HEAD FULL THREAD ZI	F81003-11	4
16	NUT, M10-8-B HEX NYLON ZINC LOCK	F81033-1	4

6 BED EXTENSION PARTS

Log Ramp

6.87 Log Ramp

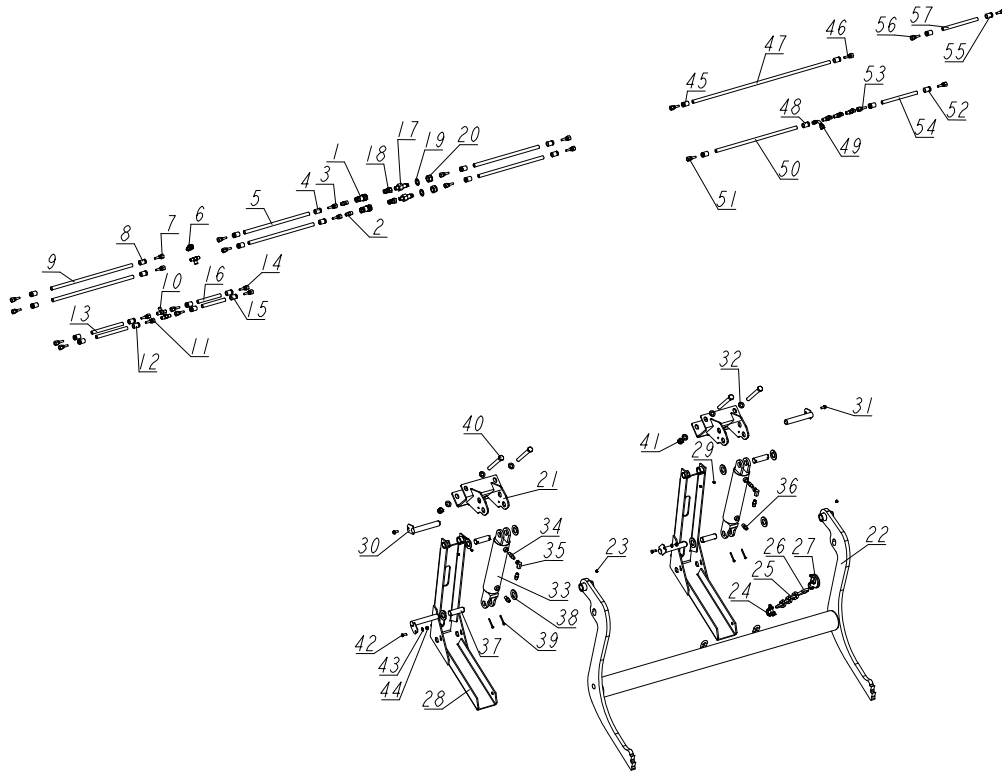
20BX12SH1-7_Manual
500565_001



REF.	DESCRIPTION (◆ Indicates Parts Available In Assemblies Only)	PART #	QTY	
1	RAMP, LOG	500565-1	2	

6.88 BX24 Log Loader Assembly with Hydraulic Hoses (M-type) - optional equipment

584700_001
584700_MANUAL



REF.	DESCRIPTION (* indicates parts available in assemblies only)	PART #	QTY
-	BX24 LOG LOADER ASSEMBLY WITH HYDRAULIC HOSES (M-TYPE)	584700	1
1	FITTING, 3/8" INT. THREAD BSP FEMALE QUI	504965	2
2	FITTING, G3/8-9/16-18JIC HAND PUMP	091842	2
-	HOSE, PHD 2T3/8X3 800 W9/16UNF-W9/16 UNF	505846	4
3	FITTING, JIC 9/16-18 HYDRAULIC	085900	2
4	CRIMPSOCKET 3/8" HYDRAULIC HOSE	085901	2
5	HOSE, HYDRAULIC 3/8" (C/S-20MPA)	R02132_505846	1
6	FITTING, 90 18X1.5 9/16-18 JIC ELBOW	089992	1
-	HOSE, PHD 2T3/8X4 950 W9/16UNF-W9/16 UNF	505848	2
7	FITTING, JIC 9/16-18 HYDRAULIC	085900	2
8	CRIMPSOCKET 3/8" HYDRAULIC HOSE	085901	2
9	HOSE, HYDRAULIC 3/8" (C/S-20MPA)	R02136_505848	1
10	FITTING, 3/8JIC TEE	015487	6
-	HOSE, 2T3/8X1.900 W9/16UNF-W9/16UNF HYDR	089856	2
11	FITTING, JIC 9/16-18 HYDRAULIC	085900	2
12	CRIMPSOCKET 3/8" HYDRAULIC HOSE	085901	2
13	HOSE, HYDRAULIC 3/8" (C/S-20MPA)	R02132_089856	1
-	HOSE, PHD 2T3/8X1.200 W9/16UNF-W9/16UNF	089852	2
14	FITTING, JIC 9/16-18 HYDRAULIC	085900	2
15	CRIMPSOCKET 3/8" HYDRAULIC HOSE	085901	2

6

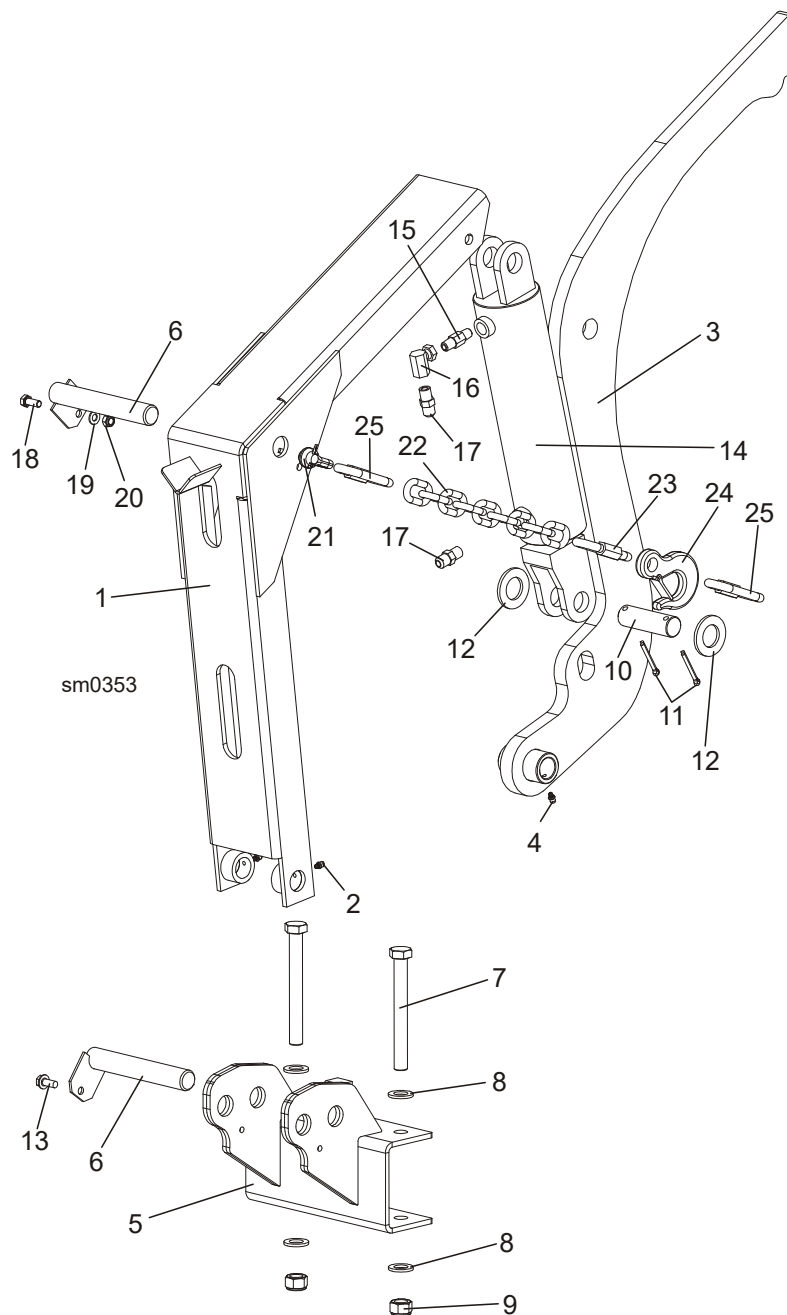
BED EXTENSION PARTS*BX24 Log Loader Assembly with Hydraulic Hoses (M-type) - optional equipment*

REF.	DESCRIPTION (* indicates parts available in assemblies only)	PART #	QTY	
16	HOSE, HYDRAULIC 3/8" (C/S-20MPA)	R02136_089852	1	
17	FITTING, Z3/8"BSP-Z9/16 UNF JIC REDUCER	504987-1	2	
18	FITTING, 3/8" INT. THREAD BSP MALE QUICK	504966	2	
19	WASHER, 1940 DIA. (34/21.2/1.5)	506105	2	
20	NUT, M20-8-A NYLON HEX ZINC LOCK	F81037-2	2	
-	LOADER KIT, HYDRAULIC LOG, S/M FRAME	092863	1	
21	BRACKET, LOG LOADER (M-TYPE SUPER FRAME)	500747-1	2	
-	ARM, HYDRAULIC LOG LOADING COMPLETE	090044	1	
22	LOG LOADER WELDMENT, 9.5 M-TYPE FRAME	090006-1	1	
23	FITTING, 3/16X3/16 STRAIGHT GREASE	P04107	2	
24	SHACKLE, M-D .63	086540	1	
-	CHAIN, HYDRAULIC LOG LOADER SAFETY	A04376	1	
25	CHAIN, N-10X35 - 6-LINK	100951-1	1	
26	CARABINER 10	100767	1	
27	HOOK, 5/8 SAFTEY CHAIN	P12075	1	
-	COMPLETE LOG LOADER FOOT, 9.5 M-TYPE FRAME	090049	2	
28	FOOT WELDMENT, LOG LOADER (9.5 M-TYPE FRAME)	090048-1	1	
29	FITTING, 3/16X3/16 STRAIGHT GREASE	P04107	2	
30	PIN WELDMENT, LOADER	099127-1	4	
31	BOLT, 5/16-18 X 3/4 SELF-TAPPING	F05015-30	2	
32	WASHER, 17 SPLIT LOCK ZINC	F81058-1	8	
-	CYLINDER ASSY, LOG LOADING SUPER	015562	2	
33	CYLINDER 70-32H203L457 B	586988	1	
34	FITTING, 1/4NPT VELOCITY FUSE 5.0GPM	015750	1	
35	FITTING, 1/4NPT-1/4JIC SWIVEL ELBOW	P12199	1	
36	FITTING, 3/8JIC-1/4NPT STRAIGHT	015560	2	
37	PIN, HYDRAULIC CYLINDER ZINC-PLATED	086979-1	4	
38	WASHER, 28 FLAT ZINC	F81061-1	8	
39	PIN, S-ZN 5X40 COTTER	F81043-31	5	
40	BOLT, M16X140-8.8 HEX HEAD ZINC	F81006-4	4	
41	NUT, M16-8-HEX NYLON ZINC LOCK	F81036-2	4	
42	BOLT, M8X20 8.8 HEX HEAD FULL THREAD ZINC	F81002-4	2	
43	WASHER, 8.4 FLAT ZINC	F81054-1	2	
44	NUT, M8-8-B HEX NYLON ZINC LOCK	F81032-2	2	
-	HOSE, PHD2T 3/8X0,905 W9/16UNF-W9/16UNF	507004	1	
45	CRIMPSOCKET 3/8" HYDRAULIC HOSE	085901	2	
46	FITTING, JIC 9/16-18 HYDRAULIC	085900	2	
47	HOSE, HYDRAULIC 3/8" (C/S-20MPA)P/N8106-6-06	R02132_0_9	1	
-	HOSE, 2T3/8X1.100 W9/16UNF-W9/16UNF HYDR	093153	1	
48	CRIMPSOCKET 3/8" HYDRAULIC HOSE	085901	2	
49	FITTING, DKJ 90 DN10 9/16 UNF	505308	1	
50	HOSE, HYDRAULIC 3/8" (C/S-20MPA)	R02132_505338	1	
51	FITTING, JIC 9/16-18 HYDRAULIC	085900	1	
-	HYDRAULIC HOSE, 3/8" (2,1M) 2T3/8X2.100 W9/16UNF-W9/16UNF	092359	1	
52	CRIMPSOCKET 3/8" HYDRAULIC HOSE	085901	2	

BED EXTENSION PARTS**6***BX24 Log Loader Assembly with Hydraulic Hoses (M-type) - optional equipment*

REF.	DESCRIPTION (* indicates parts available in assemblies only)	PART #	QTY	
53	FITTING, JIC 9/16-18 HYDRAULIC	085900	2	
54	HOSE, HYDRAULIC 3/8" (C/S-20MPA)P/N8106-6-06	R02132_2_100	1	
-	HOSE, PHD2T 3/8X2,155 W9/16UNF-W9/16UNF	091844	1	
55	CRIMPSOCKET 3/8" HYDRAULIC HOSE	085901	2	
56	FITTING, JIC 9/16-18 HYDRAULIC	085900	2	
57	HOSE, HYDRAULIC 3/8" (C/S-20MPA)P/N8106-6-06	R02132_2_15	1	

6.89 Log Loader. 090204 (Single Arm)



REF.	DESCRIPTION (◆ Indicates Parts Available In Assemblies Only)	PART #	QTY
	LOG LOADER - SINGLE ARM	090204	1
	CHANNEL, LOG LOADER FOOT COMPLETE	090049	1
1	CHANNEL WELDMENT, LOG LOADER FOOT	090048-1	1
2	FITTING, 3/16" STRAIGHT GREASE	P04107	2
	LOG LOADER SINGLE ARM (9 5M FRAME)	090051	1
3	ARM WELDMENT, LOG LOADER	089657-1	1
4	FITTING, 3/16" STRAIGHT GREASE	P04107	1
5	BRACKET WELDMENT, SINGLE LOADING ARM	089841-1	1
6	PIN WELDMENT, LOG LOADER ZINC-PLATED	099127-1	2
7	BOLT, M16x140-8 8 HEX HEAD ZINC	F81006-4	2

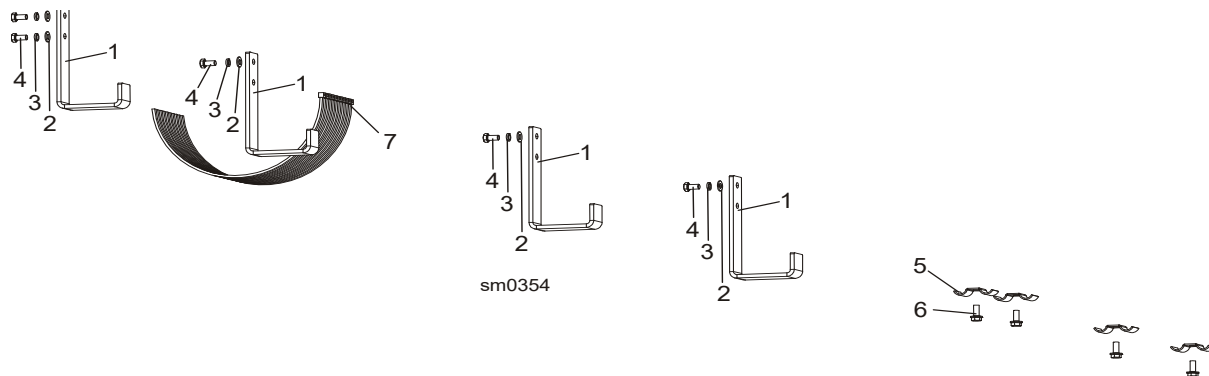
8	WASHER, 17 FLAT ZINC	F81058-1	4	
9	NUT, M16-8 HEX NYLON ZINC LOCK	F81036-2	2	
10	PIN, HYDRAULIC CYLINDER ZINC-PLATED	086979-1	1	
11	FITTING, 3/8JIC TEE	F81043-31	2	
12	WASHER, 28 FLAT ZINC	F81061-1	2	
13	SCREW, 5/16-18 x 3/4 SELF-TAPPING	F05015-30	1	
	CYLINDER ASSEMBLY, LOG LOADING	015562	1	
14	CYLINDER 70-32H203L457 B	586988	1	
14	FITTING, 1/4NPT VELOCITY FUSE 5 0GPM	015750	1	
15	FITTING, 1/4NPT-1/4JIC SWIVEL ELBOW	P12199	1	
16	FITTING, 3/8JIC-1/4NPT STRAIGHT	015560	2	
17	BOLT, M8x20-8 8-B HEX HEAD FULL THREAD ZINC	F81002-4	1	
18	WASHER, 8 4 FLAT ZINC	F81054-1	1	
19	NUT, M8-8-B HEX NYLON ZINC LOCK	F81032-2	1	
20	SHACKLE, M12 TYPE C DIN 82101	086540	1	
	CHAIN, SINGLE LOADING ARM (9.5M FRAME)	090090-1	1	
21	CHAIN, 9.5M SINGLE LOADING ARM	090090	1	
22	LINK "10"	100767	1	
23	HOOK, 5/8 SAFETY CHAIN	P12075	1	
24	LINK "10"	100767	2	

7 Hydraulic System

Hydraulic Hose Hanger Kit, MBX12/24 Bed Extension (AH1-3)

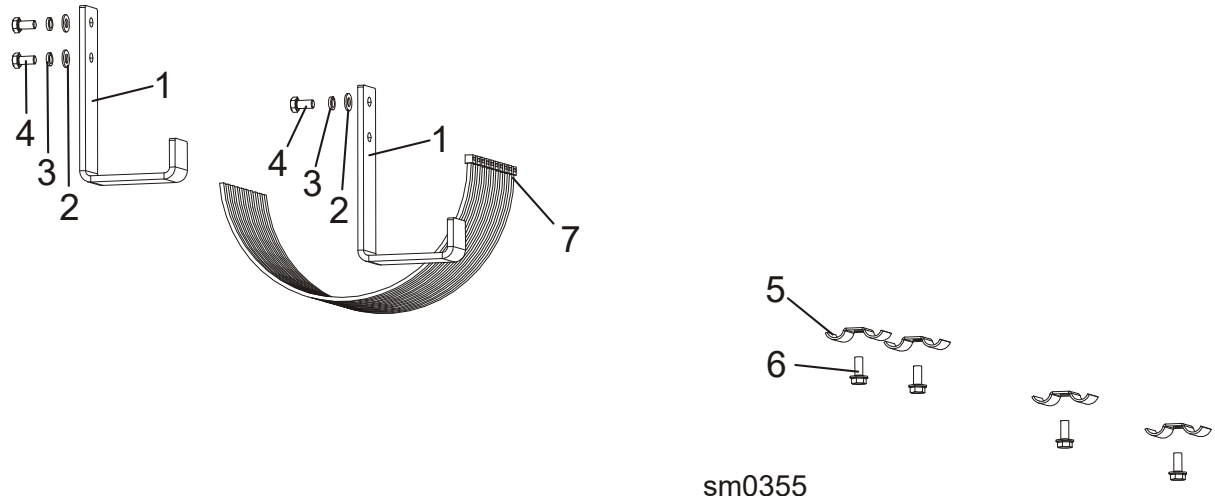
SECTION 7 HYDRAULIC SYSTEM

7.1 Hydraulic Hose Hanger Kit, MBX12/24 Bed Extension (AH1-3)



REF.	DESCRIPTION (◆ indicates parts available in assemblies only)	PART #	QTY	
	HANGER KIT, MBX12/24 (AH1-3) HYDRAULIC HOSE	506100	1	
1	HANGER, HYDRAULIC HOSE	505745	4	
2	WASHER, 8.4 FLAT ZINC	F81054-1	5	
3	WASHER 8,2 FE/ZN9	F81054-4	5	
4	BOLT, M8x16 -8.8-B HEX HEAD FULL THREAD ZINC	F81002-20	5	
5	PLATE, 1/4 HOSE CLAMP	S09245	4	
6	BOLT, 5/16-18 X 3/4 SELF-TAPPING	F05015-30	4	
7	WRAP, TKUV 50/8 TIE	F81082-3	10	

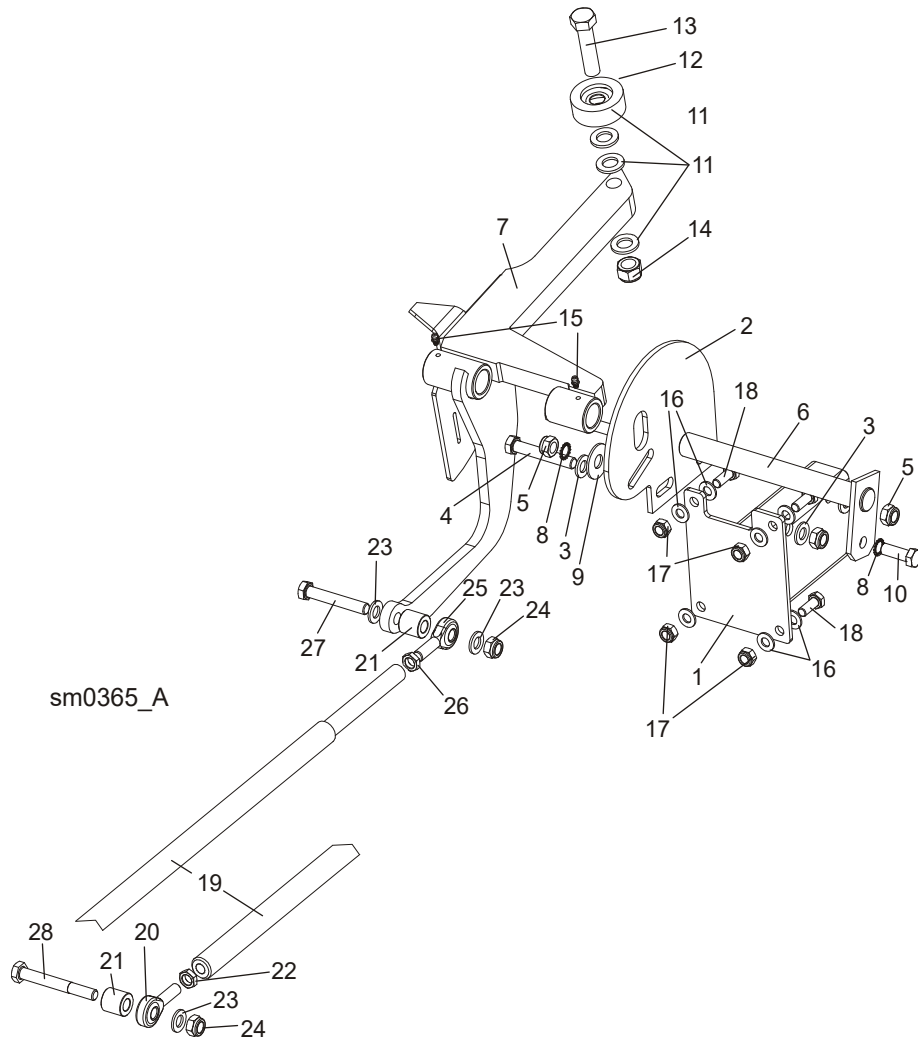
7.2 Hydraulic Hose Hanger Kit, MBX12/24 Bed Extension (AH4-7)



sm0355

REF	DESCRIPTION (◆ indicates parts available in assemblies only)	PART #	QTY
	HANGER KIT, MBX12/24 (AH4-7) HYDRAULIC H	505653	1
1	HANGER, HYDRAULIC HOSE	505745	2
2	WASHER, 8.4 FLAT ZINC	F81054-1	2
3	WASHER 8,2 FE/ZN9	F81054-4	2
4	BOLT, M8x16 -8.8-B HEX HEAD FULL THREAD ZINC	F81002-20	2
5	PLATE, 1/4 HOSE CLAMP	S09245	4
6	BOLT, 5/16-18 X 3/4 SELF-TAPPING	F05015-30	4
7	WRAP, TKUV 50/8 TIE	F81082-3	10

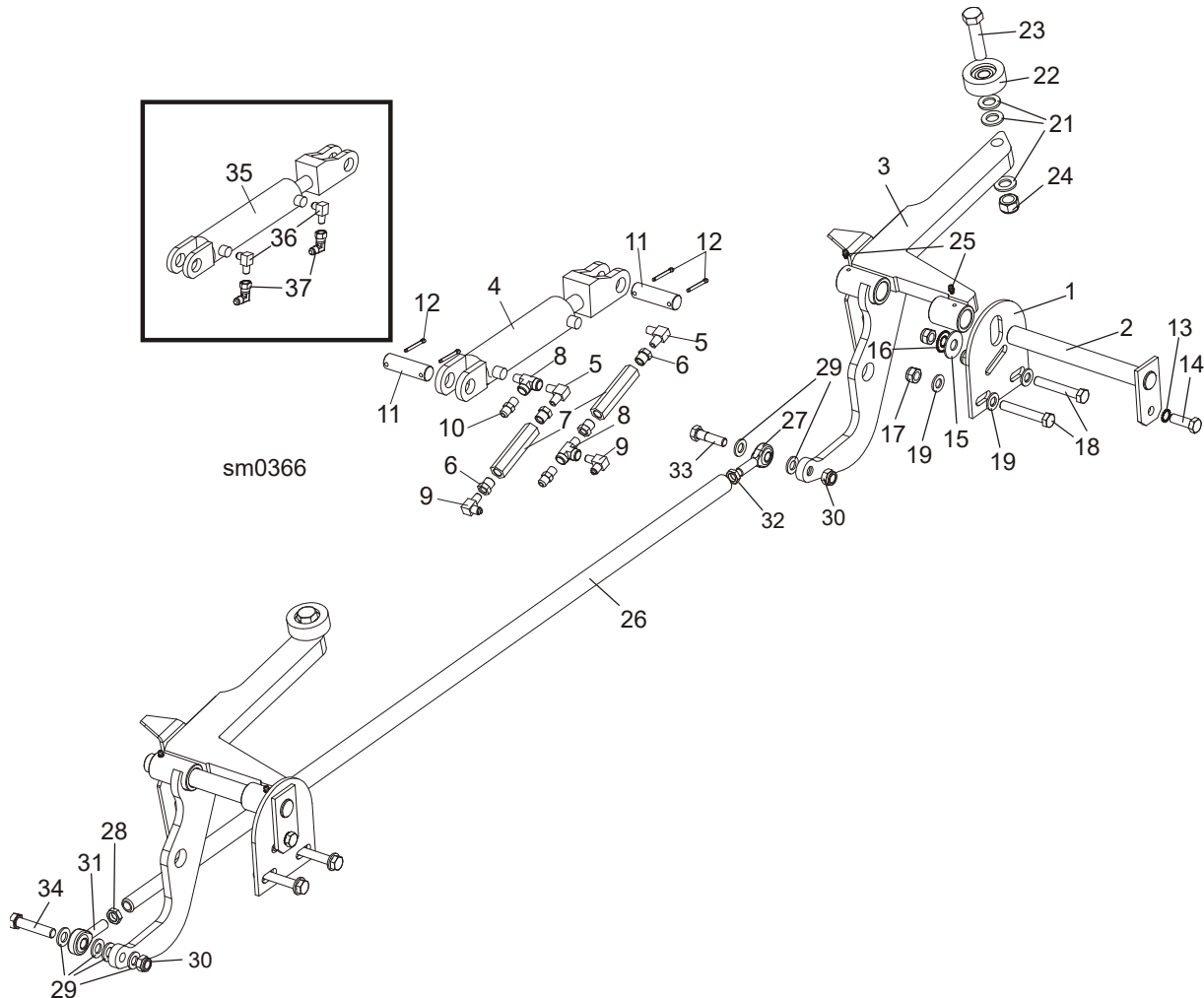
7.3 Hydraulic Log Side Support, BX12 "M" Frame



REF	DESCRIPTION (◆ indicates parts available in assemblies only)	PART #	QTY
	HYDRAULIC SIDE SUPPORT, BX12 "M" FRAME	507197	1
1	MOUNT WELDMENT, HYDRAULIC SIDE SUPPORT	507196-1	1
2	PLATE, MOUNTING	507192-1	1
3	WASHER, 13 FLAT ZINC	F81056-1	4
4	BOLT, M12x75-8.8 HEX HEAD ZINC	F81004-21	2
5	NUT, M12-8 HEX NYLON ZINC LOCK	F81034-2	3
6	PIN, LOG SIDE SUPPORT ZINC-PLATED	091549-1	1
7	SUPPORT, "M" FRAME BX12H LOG SIDE SPECIA	507195-1	1
8	WASHER, BN781 M12/13 EXTERNALLY SERRATED	F81056-16	2
9	WASHER, 15 SPECIAL FLAT ZINC	F81057-3	1
10	BOLT, M12x35-8.8 HEX HEAD FULL THREAD ZINC	F81004-24	1
11	WASHER, 17 FLAT ZINC	F81058-1	3
12	ROLLER ASSY, SIDE SUPPORT	015014	1
13	BOLT, M16x65-8.8-B HEX HEAD FULL THREAD ZINC	F81006-1	1

14	NUT, M16-8 HEX NYLON ZINC LOCK	F81036-2	1	
15	FITTING, 3/16" STRAIGHT GREASE	P04107	2	
16	WASHER, 10.5 FLAT ZINC	F81055-1	8	
17	NUT, M10-8-B HEX NYLON ZINC LOCK	F81033-1	4	
18	BOLT, M10x25-8.8 HEX HEAD FULL THREAD ZINC	F81003-11	4	
	PUSHER, L=1691 MBX12 HYDRAULIC SIDE SUPP	507187	1	
19	ROD, SIDE SUPPORT PUSHER ZINC-PLATED (L-1623)	509594-1	1	
20	END, SAL12 ROD LEFT THREAD	087036	1	
21	BUSHING, 13/25-25 ZINC-PLATED	505895-1	2	
22	NUT, M12LH-04-A LEFT THIN	F81034-7	1	
23	WASHER, 13 FLAT ZINC	F81056-1	3	
24	NUT, M12-8 HEX NYLON ZINC LOCK	F81034-2	2	
25	ROD END (RIGHT THREAD)	087035	1	
26	NUT, M12 THIN ZINC-PLATED	F81034-6	1	
27	BOLT, M12x75-8.8 HEX HEAD ZINC	F81004-21	1	
28	BOLT, M12x95 -8.8 HEX HEAD ZINC	F81004-29	1	

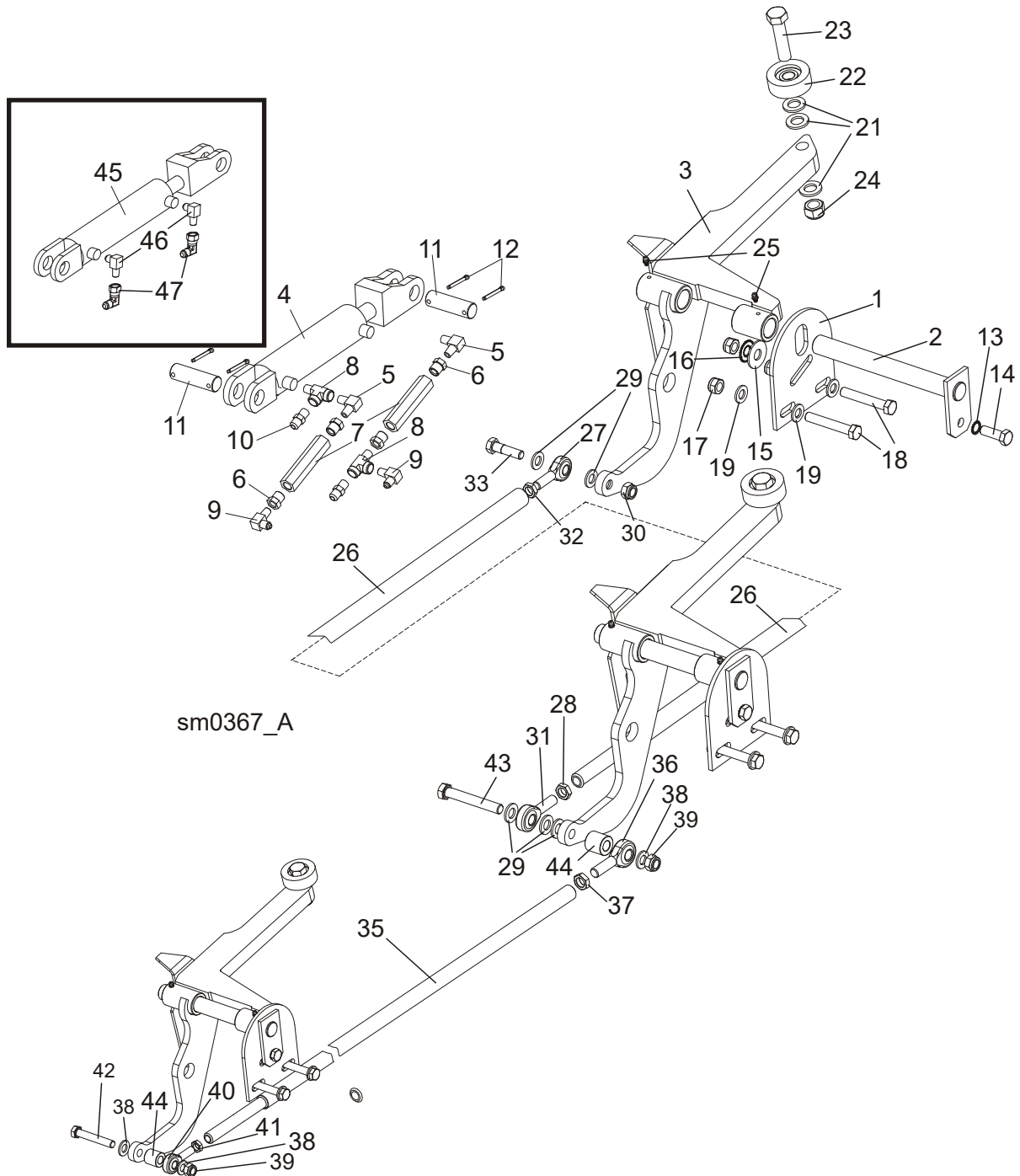
7.4 Hydraulic Log Side Supports, MBX12



REF	DESCRIPTION (◆ indicates parts available in assemblies only)	PART #	QTY
	HYDRAULIC SIDE SUPPORT KIT, MBX12 (12H1-	507186	1
	HYDRAULIC SIDE SUPPORT KIT, MBX12 (12H4)	507859	1
1	PLATE, LOG SIDE SUPPORT END	091591-1	2
2	PIN, LOG SIDE SUPPORT ZINC-PLATED	091549-1	2
3	SUPPORT, HYDRAULIC LOG SIDE W/GUARD	099788-1	2
	CYLINDER ASSEMBLY, 2X6 SIDE SUPPORT SUPE	015561	1
4	CYLINDER, CJ-S270-16-50/28/152 HYDRAULIC	088678	1
	SEAL KIT, 2X6 HYDRAULIC SEAL	P12954	1
5	FITTING, 1/4NPT MALE PIPE ELBOW	P09140	2
6	FITTING, 3/8" NPT X 1/4" NPT REDUCER	015490	4
7	VALVE, SIDE SUPPORT SEQUENCE	015484	2
8	FITTING, 1/4NPT MALE RUN TEE	P09141	2
9	FITTING, 3/8JIC-1/4NPT 90L	015491	2
10	FITTING, 3/8JIC-1/4NPT STRAIGHT	015560	2
11	PIN, HYDRAULIC CYLINDER ZINC-PLATED	086979-1	2

12	PIN, S-ZN 5X40 COTTER	F81043-31	4	
13	WASHER, BN781 M12/13 EXTERNALLY SERRATED	F81056-16	2	
14	BOLT, M12x35-8.8 HEX HEAD FULL THREAD ZINC	F81004-24	2	
15	WASHER, 15 SPECIAL FLAT ZINC	F81057-3	2	
16	WASHER, BN783 M12/12.3/30.3 SERRATED	F81056-17	2	
17	NUT, M12-8 HEX NYLON ZINC LOCK	F81034-2	6	
18	BOLT, M12x75-8.8 HEX HEAD ZINC	F81004-21	4	
19	WASHER, 13 FLAT ZINC	F81056-1	4	
20	SUPPORT, "M" FRAME BX12H LOG SIDE SPECIA	507195-1	1	
21	WASHER, 17 FLAT ZINC	F81058-1	6	
22	ROLLER ASSY, SIDE SUPPORT	015014	2	
23	BOLT, M16x65-8.8-B HEX HEAD FULL THREAD ZINC	F81006-1	2	
24	NUT, M16-8 HEX NYLON ZINC LOCK	F81036-2	2	
25	FITTING, 3/16" STRAIGHT GREASE	P04107	4	
	ROD, SIDE SUPPORT LINK COMPLETE (L=1480)	091640	1	
26	ROD, SIDE SUPPORT LINK ZINC-PLATED (L-14	089374-1	1	
27	END, SAL12 ROD LEFT THREAD	087036	1	
28	NUT, M12LH-04-A LEFT THIN	F81034-7	1	
29	WASHER, 13 FLAT ZINC	F81056-1	7	
30	NUT, M12-8 HEX NYLON ZINC LOCK	F81034-2	2	
31	ROD END (RIGHT THREAD)	087035	1	
32	NUT, M12 THIN ZINC-PLATED	F81034-6	1	
33	BOLT, M12x45-8.8 HEX HEAD ZINC	F81004-32	1	
34	BOLT, M12x55-8.8 HEX HEAD ZINC	F81004-12	1	
	HYDRAULIC CYLINDER, 24H1-3	505727	1	
35	CYLINDER, CJ-S270-16-50/28/152 HYDRAULIC	088678	1	
36	FITTING, 3/8JIC-1/4NPT 90L	015491	2	
37	FITTING, M/F-90-9/16 JIC ELBOW	500597	2	

7.5 Hydraulic Log Side Supports, MBX24



sm0367_A

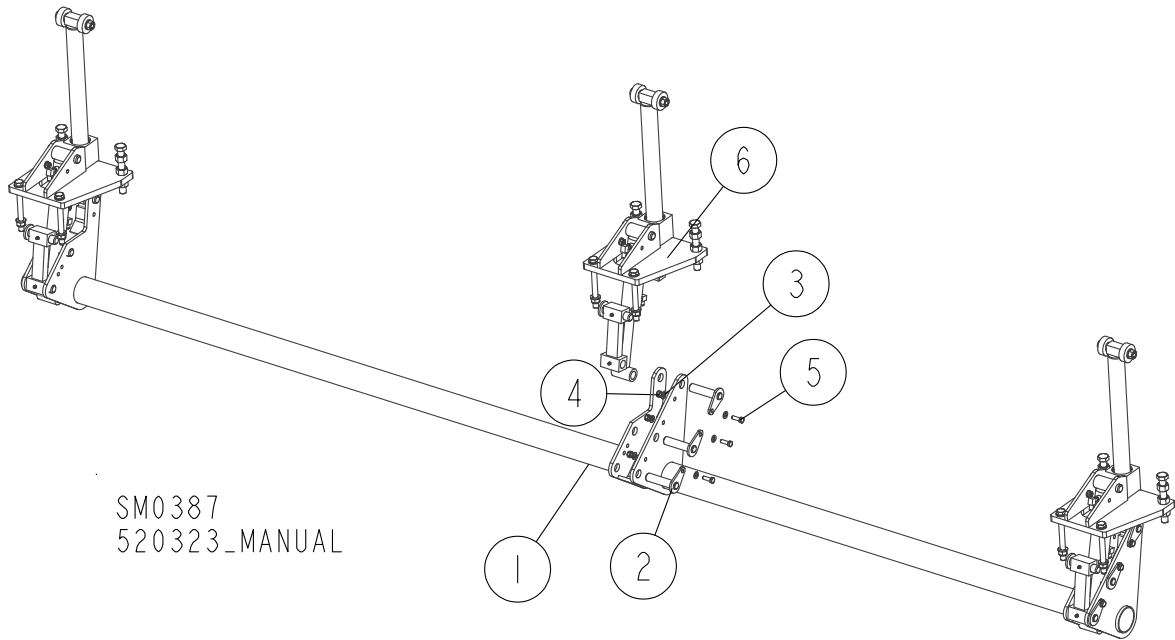
REF	DESCRIPTION (◆ indicates parts available in assemblies only)	PART #	QTY
	HYDRAULIC SIDE SUPPORT KIT, MBX24 (24H1-3)	505719	1
	HYDRAULIC SIDE SUPPORT KIT, MBX24 (24H4)	505720	1
1	PLATE, LOG SIDE SUPPORT END	091591-1	3
2	PIN, LOG SIDE SUPPORT ZINC-PLATED	091549-1	3
3	SUPPORT, HYDRAULIC LOG SIDE W/GUARD	099788-1	3
	CYLINDER ASSEMBLY, 2X6 SIDE SUPPORT SUPE	015561	1

4	CYLINDER, CJ-S270-16-50/28/152 HYDRAULIC	088678	1	
	SEAL KIT, 2X6 HYDRAULIC SEAL	P12954	1	
5	FITTING, 1/4NPT MALE PIPE ELBOW	P09140	2	
6	FITTING, 3/8" NPT X 1/4" NPT REDUCER	015490	4	
7	VALVE, SIDE SUPPORT SEQUENCE	015484	2	
8	FITTING, 1/4NPT MALE RUN TEE	P09141	2	
9	FITTING, 3/8JIC-1/4NPT 90L	015491	2	
10	FITTING, 3/8JIC-1/4NPT STRAIGHT	015560	2	
11	PIN, HYDRAULIC CYLINDER ZINC-PLATED	086979-1	2	
12	PIN, S-ZN 5X40 COTTER	F81043-31	4	
13	WASHER, BN781 M12/13 EXTERNALLY SERRATED	F81056-16	2	
14	BOLT, M12x35-8.8 HEX HEAD FULL THREAD ZINC	F81004-24	2	
15	WASHER, 15 SPECIAL FLAT ZINC	F81057-3	2	
16	WASHER, BN783 M12/12.3/30.3 SERRATED	F81056-17	2	
17	NUT, M12-8 HEX NYLON ZINC LOCK	F81034-2	6	
18	BOLT, M12x75-8.8 HEX HEAD ZINC	F81004-21	4	
19	WASHER, 13 FLAT ZINC	F81056-1	4	
20	SUPPORT, 'M' FRAME BX12H LOG SIDE SPECIA	507195-1	1	
21	WASHER, 17 FLAT ZINC	F81058-1	6	
22	ROLLER ASSY, SIDE SUPPORT	015014	2	
23	BOLT, M16x65-8.8-B HEX HEAD FULL THREAD ZINC	F81006-1	2	
24	NUT, M16-8 HEX NYLON ZINC LOCK	F81036-2	2	
25	FITTING, 3/16" STRAIGHT GREASE	P04107	4	
	ROD, SIDE SUPPORT LINK COMPLETE (L=1480)	091640	1	
26	ROD, SIDE SUPPORT LINK ZINC-PLATED (L-14	089374-1	1	
27	END, SAL12 ROD LEFT THREAD	087036	1	
28	NUT, M12LH-04-A LEFT THIN	F81034-7	1	
29	WASHER, 13 FLAT ZINC	F81056-1	6	
30	NUT, M12-8 HEX NYLON ZINC LOCK	F81034-2	2	
31	ROD END (RIGHT THREAD)	087035	1	
32	NUT, M12 THIN ZINC-PLATED	F81034-6	1	
33	BOLT, M12x45-8.8 HEX HEAD ZINC	F81004-32	1	
34	BOLT, M12x55-8.8 HEX HEAD ZINC	F81004-12	1	
	LOG SIDE SUPPORT ROD, L=2200 MBX24	505723	1	
35	ROD, LOG SIDE SUPPORT, L=2132	509593-1	1	
36	END, SAL12 ROD LEFT THREAD	087036	1	
37	NUT, M12LH-04-A LEFT THIN	F81034-7	1	
38	WASHER, 13 FLAT ZINC	F81056-1	3	
39	NUT, M12-8 HEX NYLON ZINC LOCK	F81034-2	2	
40	ROD END (RIGHT THREAD)	087035	1	
41	NUT, M12 THIN ZINC-PLATED	F81034-6	1	
42	BOLT, M12x75-8.8 HEX HEAD ZINC	F81004-21	1	
43	BOLT, M12x95 -8.8 HEX HEAD ZINC	F81004-29	1	
44	BUSHING, 13/25-25 ZINC-PLATED	505895-1	2	
	HYDRAULIC CYLINDER, 24H1-3	505727	1	
45	CYLINDER, CJ-S270-16-50/28/152 HYDRAULIC	088678	1	

7**Hydraulic System***Hydraulic Log Side Supports, MBX24*

46	FITTING, 3/8JIC-1/4NPT 90L	015491	2	
47	FITTING, M/F-90-9/16 JIC ELBOW	500597	2	

7.6 Vertical Side Supports for M Super Frame

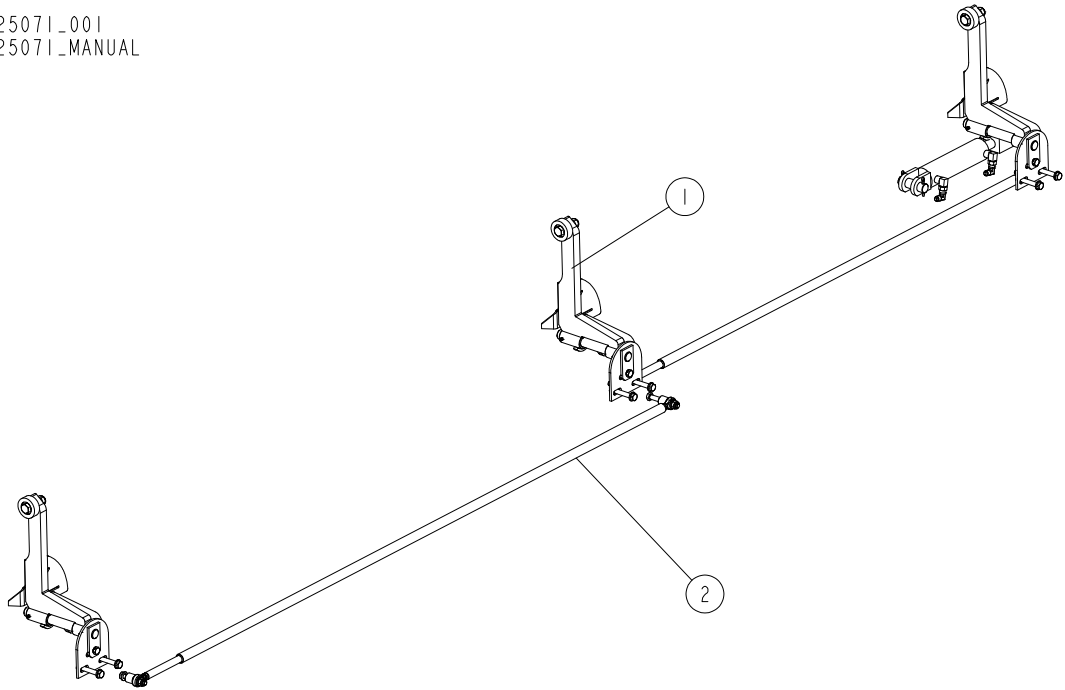


REF	DESCRIPTION (◆ indicates parts available in assemblies only)	PART #	QTY	
-	SUPPORT SET, VERTICAL SIDE (M FRAME)	520323	1	
1	ROD WELDMENT, VERTICAL SUPPORT CONNECTION	520324-1	1	
2	PIN WELDMENT, VERTICAL SIDE SUPPORT ZINC	091197-1	9	
3	WASHER, 10.5 FLAT ZINC	F81055-1	18	
4	NUT, M10-8-B HEX NYLON ZINC LOCK	F81033-1	9	
5	BOLT, M10X30-5.8 HEX HEAD FULL THREAD ZI	F81003-2	9	
6	VERTICAL SIDE SUPPORT FOR STATIONARY FRA	508957	3	

7 Hydraulic System
 Hydraulic Log Side Support Assembly, MBX24 (525071)

7.7 Hydraulic Log Side Support Assembly, MBX24 (525071)

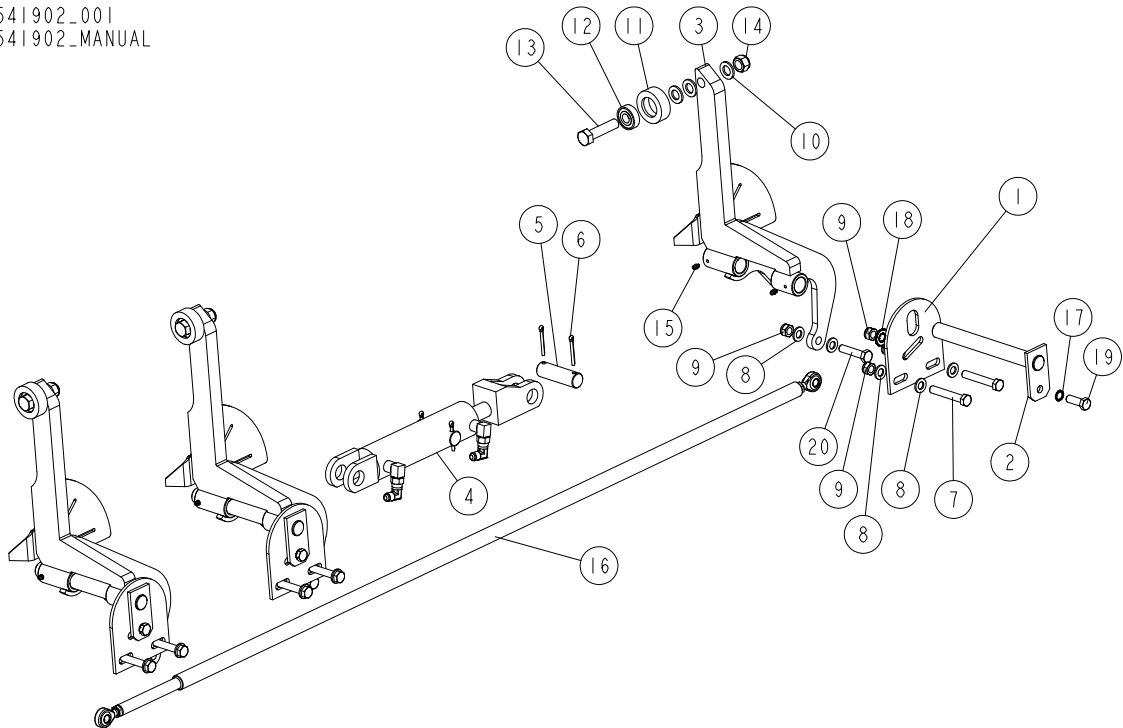
525071_001
 525071_MANUAL



REF	DESCRIPTION (◆ indicates parts available in assemblies only)	PART #	QTY	
-	HYDRAULIC LOG SIDE SUPPORTS ASSEMBLY, MBX24	525071	1	
1	HYDRAULIC LOG SIDE SUPPORT ASSEMBLY, MBX See Section 7.8	541902	1	
2	LOG SIDE SUPPORT ROD, L=2200 MBX24 See Section 7.11	505723	1	

7.8 Hydraulic Log Side Support Assembly, MBX24M-Super (541902)

541902_001
541902_MANUAL

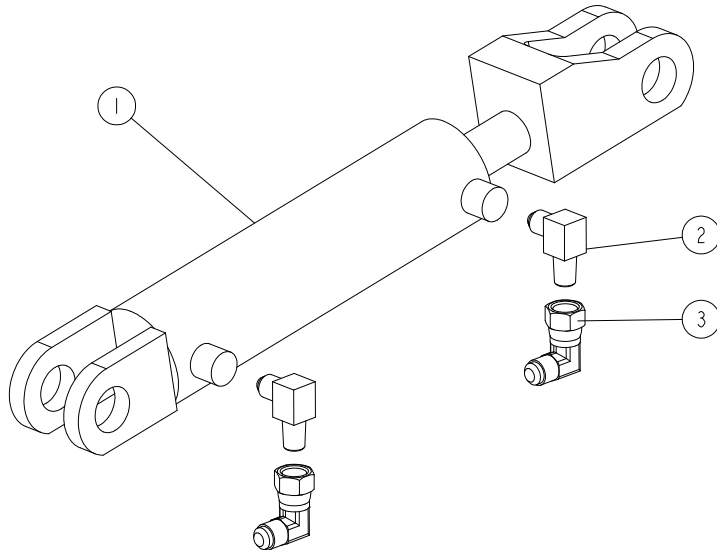


REF	DESCRIPTION (◆ indicates parts available in assemblies only)	PART #	QTY
-	HYDRAULIC LOG SIDE SUPPORT ASSEMBLY, MBX24M-SUPER	541902	1
1	PLATE, LOG SIDE SUPPORT END	091591-1	3
2	PIN, LOG SIDE SUPPORT ZINC-PLATED	091549-1	3
3	SUPPORT, HYDRAULIC LOG SIDE W/GUARD 2	099788-1	3
4	HYDRAULIC CYLINDER, 24H1-3 See Section 7.9	505727	1
5	PIN, HYDRAULIC CYLINDER ZINC-PLATED	086979-1	2
6	PIN, S-ZN 5X40 COTTER	F81043-31	4
7	BOLT, M12X75-8.8 HEX HEAD ZINC	F81004-21	6
8	WASHER, 13 FLAT ZINC	F81056-1	18
9	NUT, M12- 8- FE/ZN5 DIN 982 HEX NYLON ZINC LOCK	F81034-2	11
10	WASHER, 17 FLAT ZINC	F81058-1	9
-	ROLLER, SIDE SUPPORT	015014-1	3
11	ROLLER, FLIP DOG	015015	1
12	BEARING, 5/8X1.7548X.4724	P06030-1	1
13	BOLT, M16X65-8.8-B HEX HEAD FULL THREAD	F81006-1	3
14	NUT, M16-8 HEX NYLON ZINC LOCK	F81036-2	3
15	FITTING, 3/16X3/16 STRAIGHT GREASE	P04107	6
16	LOG SIDE SUPPORT ROD - COMPLETE L=1675, See Section 7.10	089842	1
17	WASHER, BN781 M12/13 EXTERNALLY SERRATED	F81056-16	3
18	WASHER, BN783 M12/12.3/30.3 SERRATED	F81056-17	3
19	BOLT, M12X35 8.8 HEX HEAD FULL THREAD ZINC	F81004-24	3
20	BOLT, M12X55-8.8 HEX HEAD ZINC	F81004-12	2

7 Hydraulic System
Hydraulic Cylinder 24H1-3 (505727)

7.9 Hydraulic Cylinder 24H1-3 (505727)

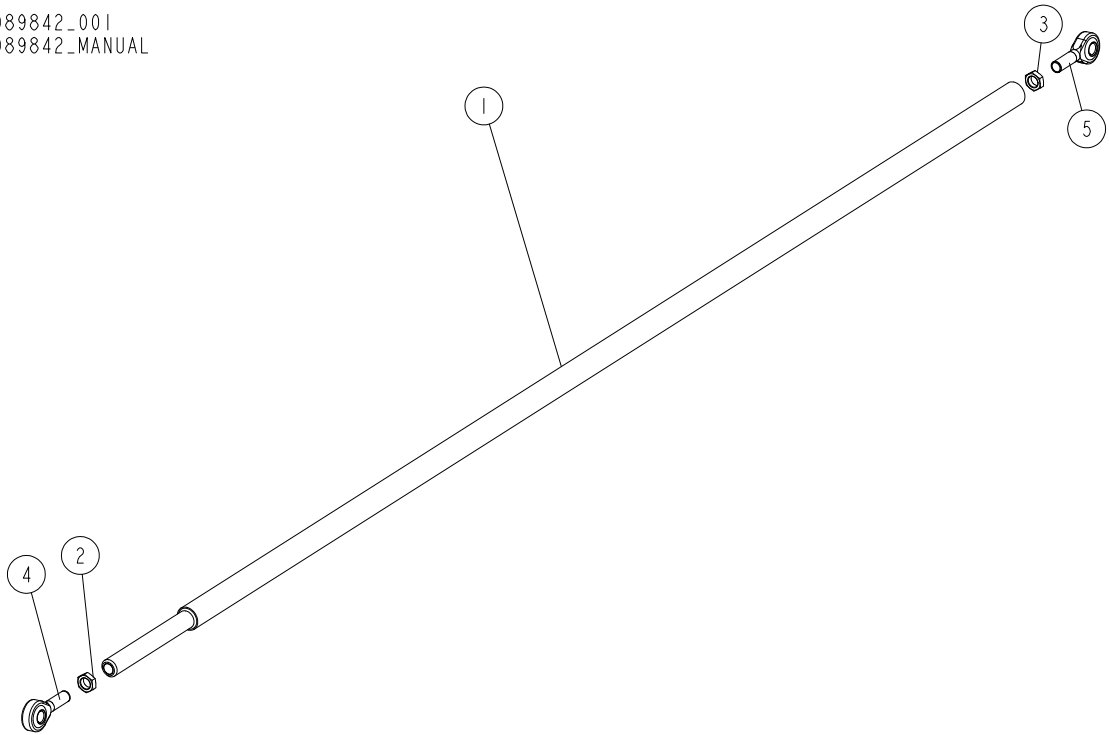
505727_001
 505727_MANUAL



REF	DESCRIPTION (◆ indicates parts available in assemblies only)	PART #	QTY
-	HYDRAULIC CYLINDER, 24H1-3	505727	1
1	CYLINDER, CJ-S270-16-50/28/152 HYDRAULIC	088678	1
2	FITTING, 3/8JIC-1/4NPT 90L	015491	2
3	FITTING, M/F-90-9/16 JIC ELBOW	500597	2

7.10 Log Side Support Rod (089842)

089842_001
 089842_MANUAL



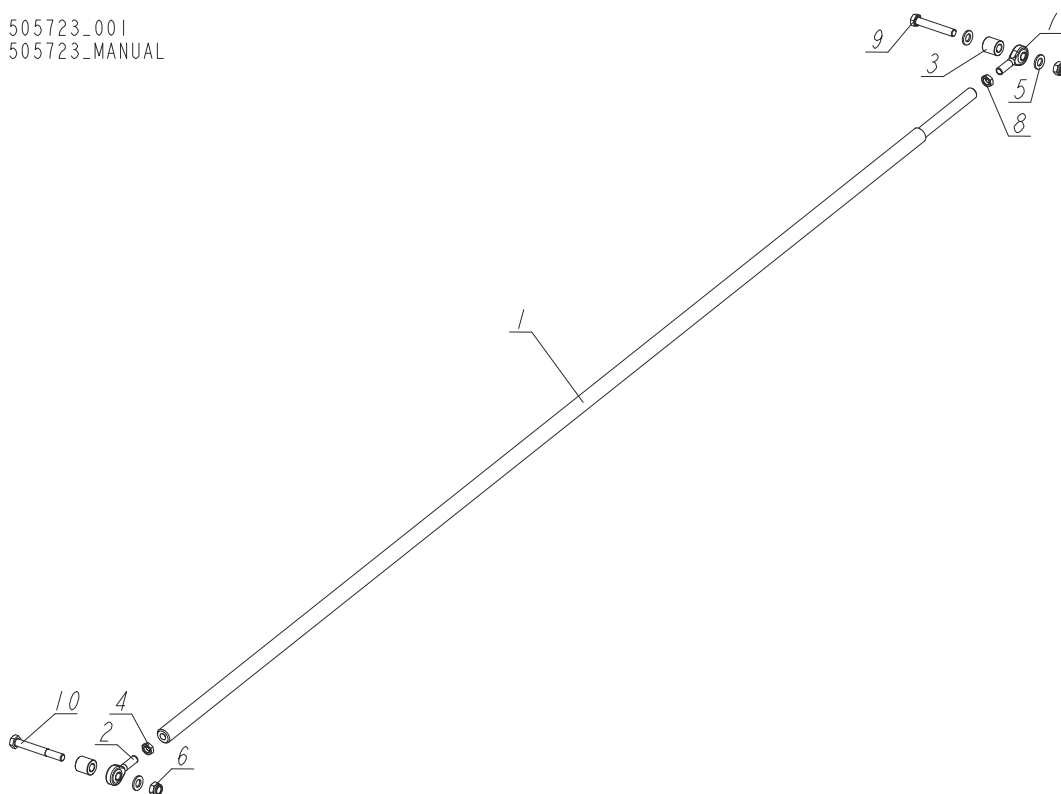
REF	DESCRIPTION (◆ indicates parts available in assemblies only)	PART #	QTY	
-	LOG SIDE SUPPORT ROD - COMPLETE L=1675, FRAME 9.5m	089842	1	
1	ROD, LOG SIDE SUPPORT - ZINC=PLATED L=1605, FRAME 9.5 M	089530-1	1	
2	NUT, M12-04-A THIN ZINC	F81034-6	1	
3	NUT, M12-04-A LEFT HEX THIN	F81034-7	1	
4	END, SAL12 ROD LEFT THREAD	087036	1	
5	ROD END (RIGHT THREAD)	087035	1	

7 Hydraulic System

Log Side Support Rod, MBX24 (505723)

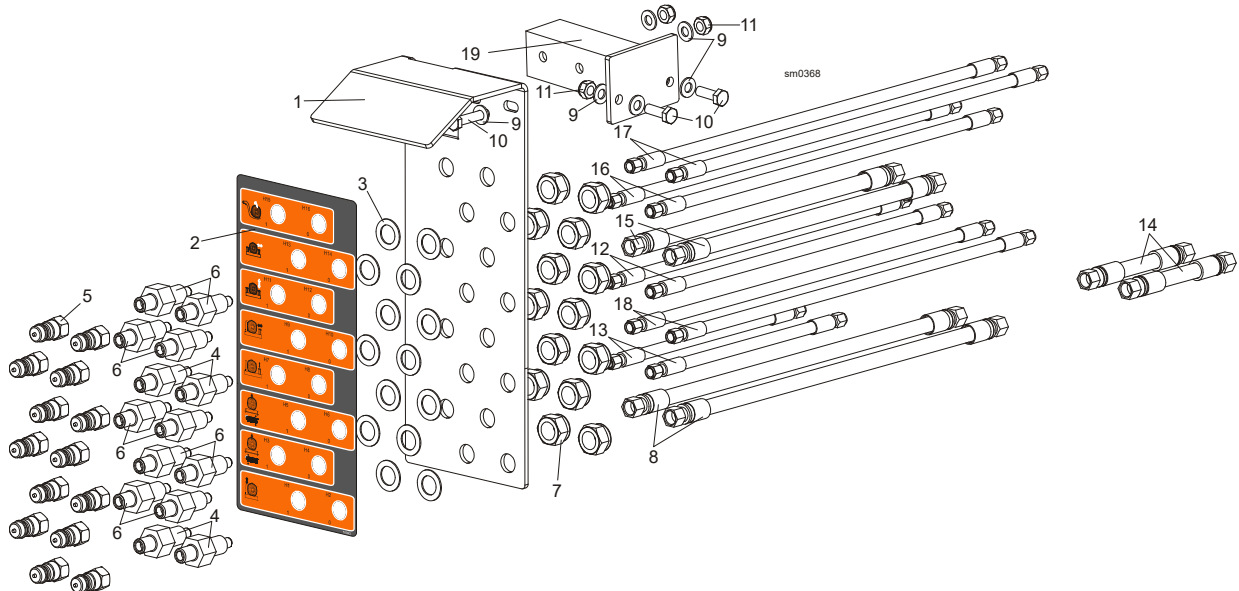
7.11 Log Side Support Rod, MBX24 (505723)

505723_001
505723_MANUAL



REF	DESCRIPTION (◆ indicates parts available in assemblies only)	PART #	QTY	
-	LOG SIDE SUPPORT ROD, L=2200 MBX24	505723	1	
1	ROD, LOG SIDE SUPPORT, L=2132	509593-1	1	
2	END, SAL12 ROD LEFT THREAD	087036	1	
3	BUSHING, 13/25-25 ZINC-PLATED	505895-1	2	
4	NUT, M12-04-A LEFT HEX THIN	F81034-7	1	
5	WASHER, 13 FLAT ZINC	F81056-1	3	
6	NUT, M12 8 HEX NYLON ZINC LOCK	F81034-2	2	
7	ROD END (RIGHT THREAD)	087035	1	
8	NUT, M12-04-A THIN ZINC	F81034-6	1	
9	BOLT, M12X75-8.8 HEX HEAD ZINC	F81004-21	1	
10	BOLT, M12X95-8.8 HEX HEAD ZINC	F81004-29	1	

7.12 BX12 Hydraulic Hose Kit



REF	DESCRIPTION (◆ indicates parts available in assemblies only)	PART #	QTY
	HYDRAULIC HOSE KIT, BX12 12H1	507853	1
1	PLATE, QUICK DISCONNECT FITTING MOUNTING PTD	505887-1	1
2	DECAL, BX24 HYDRAULIC HOSE CONNECTION	505903	1
3	WASHER, 1940 DIA. (34/21.2/1.5)	506105	2
4	FITTING, Z3/8"BSP-Z9/16 UNF JIC REDUCER	504987-1	2
5	FITTING, 3/8" INT. THREAD BSP MALE QUICK	504966	2
7	NUT, M20-8-A NYLON HEX ZINC LOCK	F81037-2	2
8	HOSE, 2T3/8X2.700 W9/16UNF-W9/16UNF HYDR	097624	2
9	WASHER, 10.5 FLAT ZINC	F81055-1	8
10	BOLT, M10x30-5.8 HEX HEAD FULL THREAD ZINC	F81003-2	4
11	NUT, M10-8-B HEX NYLON ZINC LOCK	F81033-1	4
19	BRACKET, BX12 HYDRAULIC HOSE MOUNTING PL	507204-1	1
	HYDRAULIC HOSE KIT, BX12 12H2	507854	1
1	PLATE, QUICK DISCONNECT FITTING MOUNTING PTD	505887-1	1
2	DECAL, BX24 HYDRAULIC HOSE CONNECTION	505903	1
3	WASHER, 1940 DIA. (34/21.2/1.5)	506105	4
4	FITTING, Z3/8"BSP-Z9/16 UNF JIC REDUCER	504987-1	2
5	FITTING, 3/8" INT. THREAD BSP MALE QUICK	504966	4
6	FITTING, 3/8" 7/16" UNF JIC REDUCER	504995-1	2
7	NUT, M20-8-A NYLON HEX ZINC LOCK	F81037-2	4
8	HOSE, 2T3/8X2.700 W9/16UNF-W9/16UNF HYDR	097624	2
9	WASHER, 10.5 FLAT ZINC	F81055-1	8
10	BOLT, M10X30-5.8 HEX HEAD FULL THREAD ZI	F81003-2	4
11	NUT, M10-8-B HEX NYLON ZINC LOCK	F81033-1	4
18	HOSE, 2T1/4X2.800 W7/16UNF-W7/16UNF HYDRAULIC	094606	2
19	BRACKET, BX12 HYDRAULIC HOSE MOUNTING PLATE	507204-1	1

7

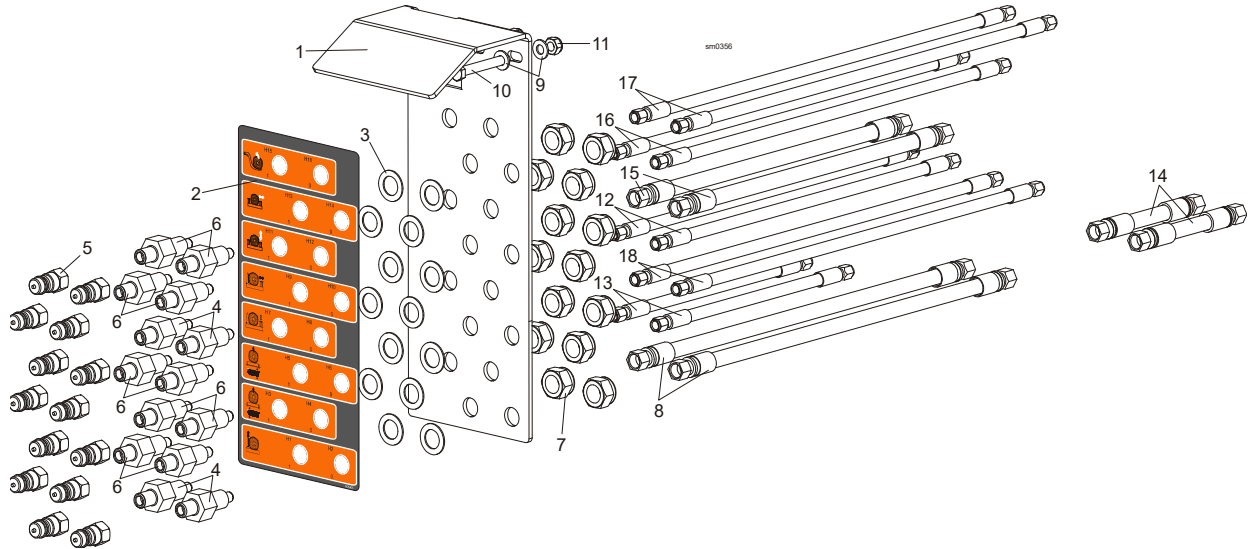
Hydraulic System

BX12 Hydraulic Hose Kit

HYDRAULIC HOSE KIT, BX12 12H3		507855	1	
1	PLATE, QUICK DISCONNECT FITTING MOUNTING PTD	505887-1	1	
2	DECAL, BX24 HYDRAULIC HOSE CONNECTION	505903	1	
3	WASHER, 1940 DIA. (34/21.2/1.5)	506105	8	
4	FITTING, Z3/8"BSP-Z9/16 UNF JIC REDUCER	504987-1	4	
5	FITTING, 3/8" INT. THREAD BSP MALE QUICK	504966	8	
6	FITTING, 3/8" 7/16" UNF JIC REDUCER	504995-1	4	
7	NUT, M20-8-A NYLON HEX ZINC LOCK	F81037-2	8	
8	HOSE, 2T3/8X2.700 W9/16UNF-W9/16UNF HYDR	097624	2	
9	WASHER, 10.5 FLAT ZINC	F81055-1	8	
10	BOLT, M10X30-5.8 HEX HEAD FULL THREAD ZI	F81003-2	4	
11	NUT, M10-8-B HEX NYLON ZINC LOCK	F81033-1	4	
12	HOSE, 2T1/4X3.300 W7/16UNF-W7/16UNF HYDR	507865	2	
15	HOSE, 2T3/8X1.900 W9/16UNF-W9/16UNF HYDR	089856	2	
18	HOSE, 2T1/4X2.800 W7/16UNF-W7/16UNF HYDRAULIC	094606	2	
19	BRACKET, BX12 HYDRAULIC HOSE MOUNTING PLATE	507204-1	1	
HYDRAULIC HOSE KIT, BX12 12H4		507856	1	
1	PLATE, QUICK DISCONNECT FITTING MOUNTING PTD	505887-1	1	
2	DECAL, BX24 HYDRAULIC HOSE CONNECTION	505903	1	
3	WASHER, 1940 DIA. (34/21.2/1.5)	506105	8	
4	FITTING, Z3/8"BSP-Z9/16 UNF JIC REDUCER	504987-1	4	
5	FITTING, 3/8" INT. THREAD BSP MALE QUICK	504966	8	
6	FITTING, 3/8" 7/16" UNF JIC REDUCER	504995-1	4	
7	NUT, M20-8-A NYLON HEX ZINC LOCK	F81037-2	8	
8	HOSE, 2T3/8X2.700 W9/16UNF-W9/16UNF HYDR	097624	2	
9	WASHER, 10.5 FLAT ZINC	F81055-1	8	
10	BOLT, M10X30-5.8 HEX HEAD FULL THREAD ZI	F81003-2	4	
11	NUT, M10-8-B HEX NYLON ZINC LOCK	F81033-1	4	
12	HOSE, 2T1/4x3.300 W7/16UNF-W7/16UNF HYDRAULIC	507865	2	
14	3/8" LOG TURNER CYLINDER BASE	014796	2	
15	HOSE, 2T3/8X1.900 W9/16UNF-W9/16UNF HYDR	089856	2	
18	HOSE, 2T1/4X2.800 W7/16UNF-W7/16UNF HYDR	094606	2	
19	BRACKET, BX12 HYDRAULIC HOSE MOUNTING PLATE	507204-1	1	
HYDRAULIC HOSE KIT, BX12 12H5		507857	1	
1	PLATE, QUICK DISCONNECT FITTING MOUNTING PTD	505887-1	1	
2	DECAL, BX24 HYDRAULIC HOSE CONNECTION	505903	1	
3	WASHER, 1940 DIA. (34/21.2/1.5)	506105	12	
4	FITTING, Z3/8"BSP-Z9/16 UNF JIC REDUCER	504987-1	4	
5	FITTING, 3/8" INT. THREAD BSP MALE QUICK	504966	12	
6	FITTING, 3/8" 7/16" UNF JIC REDUCER	504995-1	8	
7	NUT, M20-8-A NYLON HEX ZINC LOCK	F81037-2	12	
8	HOSE, 2T3/8X2.700 W9/16UNF-W9/16UNF HYDR	097624	2	
9	WASHER, 10.5 FLAT ZINC	F81055-1	8	
10	BOLT, M10X30-5.8 HEX HEAD FULL THREAD ZI	F81003-2	4	
11	NUT, M10-8-B HEX NYLON ZINC LOCK	F81033-1	4	
12	HOSE, 2T1/4X3.300 W7/16UNF-W7/16UNF HYDR	507865	2	

14	3/8" LOG TURNER CYLINDER BASE	014796	2	
15	HOSE, 2T3/8X1.900 W9/16UNF-W9/16UNF HYDR	089856	2	
16	HOSE, 2T1/4x3.400 W7/16UNF-W7/16UNF HYDRAULIC	507863	2	
17	HOSE, 2T1/4X3.800 W7/16UNF-W7/16UNF HYDR	507862	2	
18	HOSE, 2T1/4X2.800 W7/16UNF-W7/16UNF HYDRAULIC	094606	2	
19	BRACKET, BX12 HYDRAULIC HOSE MOUNTING PLATE	507204-1	1	
	HYDRAULIC HOSE KIT, BX12 12H6	507858	1	
1	PLATE, QUICK DISCONNECT FITTING MOUNTING PTD	505887-1	1	
2	DECAL, BX24 HYDRAULIC HOSE CONNECTION	505903	1	
3	WASHER, 1940 DIA. (34/21.2/1.5)	506105	14	
4	FITTING, Z3/8"BSP-Z9/16 UNF JIC REDUCER	504987-1	4	
5	FITTING, 3/8" INT. THREAD BSP MALE QUICK	504966	14	
6	FITTING, 3/8" 7/16" UNF JIC REDUCER	504995-1	10	
7	NUT, M20-8-A NYLON HEX ZINC LOCK	F81037-2	14	
8	HOSE, 2T3/8X2.700 W9/16UNF-W9/16UNF HYDR	097624	2	
9	WASHER, 10.5 FLAT ZINC	F81055-1	8	
10	BOLT, M10X30-5.8 HEX HEAD FULL THREAD ZI	F81003-2	4	
11	NUT, M10-8-B HEX NYLON ZINC LOCK	F81033-1	4	
12	HOSE, 2T1/4X3.300 W7/16UNF-W7/16UNF HYDR	507865	2	
13	HOSE, 2T1/4X1.000 W7/16UNF-W7/16UNF HYDR	507866	2	
14	3/8" LOG TURNER CYLINDER BASE	014796	2	
15	HOSE, 2T3/8X1.900 W9/16UNF-W9/16UNF HYDR	089856	2	
16	HOSE, 2T1/4x3.400 W7/16UNF-W7/16UNF HYDRAULIC	507863	2	
17	HOSE, 2T1/4X3.800 W7/16UNF-W7/16UNF HYDR	507862	2	
18	HOSE, 2T1/4X2.800 W7/16UNF-W7/16UNF HYDRAULIC	094606	2	
19	BRACKET, BX12 HYDRAULIC HOSE MOUNTING PLATE	507204-1	1	

7.13 Hydraulic Hose Kit, BX24 Bed Extension



REF	DESCRIPTION (◆ indicates parts available in assemblies only)	PART #	QTY
	HYDRAULIC HOSE KIT, BX24 24H1	505835	1
1	PLATE, QUICK DISCONNECT FITTING MOUNTING	505887-1	1
2	DECAL, BX24 HYDRAULIC HOSE CONNECTION	505903	1
3	WASHER, 1940 DIA. (34/21.2/1.5)	506105	2
4	FITTING, Z3/8"BSP-Z9/16 UNF JIC REDUCER	504987-1	2
5	FITTING, 3/8" INT. THREAD BSP MALE QUICK	504966	2
7	NUT, M20-8-A NYLON HEX ZINC LOCK	F81037-2	2
8	HOSE, 2T3/8X4.80 W9/16UNF-W9/16UNF HYDRA	505842	2
9	WASHER, 10.5 FLAT ZINC	F81055-1	4
10	BOLT, M10x75-8.8 HEX HEAD ZINC	F81003-15	2
11	NUT, M10-8-B HEX NYLON ZINC LOCK	F81033-1	2
	HYDRAULIC HOSE KIT, BX24 24H2	505837	1
1	PLATE, QUICK DISCONNECT FITTING MOUNTING PTD	505887-1	1
2	DECAL, BX24 HYDRAULIC HOSE CONNECTION	505903	1
3	WASHER, 1940 DIA. (34/21.2/1.5)	506105	4
4	FITTING, Z3/8"BSP-Z9/16 UNF JIC REDUCER	504987-1	2
5	FITTING, 3/8" INT. THREAD BSP MALE QUICK	504966	4
6	FITTING, 3/8" 7/16" UNF JIC REDUCER	504995-1	2
7	NUT, M20-8-A NYLON HEX ZINC LOCK	F81037-2	4
8	HOSE, 2T3/8X4.80 W9/16UNF-W9/16UNF HYDRA	505842	2
9	WASHER, 10.5 FLAT ZINC	F81055-1	4
10	BOLT, M10x75-8.8 HEX HEAD ZINC	F81003-15	2
11	NUT, M10-8-B HEX NYLON ZINC LOCK	F81033-1	2
18	HOSE, 2T1/4X4.900 W7/16UNF-W7/16 UNF HYD	097620	2
	HYDRAULIC HOSE KIT, BX24 24H3	505839	1
1	PLATE, QUICK DISCONNECT FITTING MOUNTING PTD	505887-1	1
2	DECAL, BX24 HYDRAULIC HOSE CONNECTION	505903	1

3	WASHER, 1940 DIA. (34/21.2/1.5)	506105	8
4	FITTING, Z3/8"BSP-Z9/16 UNF JIC REDUCER	504987-1	4
5	FITTING, 3/8" INT. THREAD BSP MALE QUICK	504966	8
6	FITTING, 3/8" 7/16" UNF JIC REDUCER	504995-1	4
7	NUT, M20-8-A NYLON HEX ZINC LOCK	F81037-2	8
8	HOSE, 2T3/8X4.80 W9/16UNF-W9/16UNF HYDRA	505842	2
9	WASHER, 10.5 FLAT ZINC	F81055-1	4
10	BOLT, M10x75-8.8 HEX HEAD ZINC	F81003-15	2
11	NUT, M10-8-B HEX NYLON ZINC LOCK	F81033-1	2
12	HOSE, 2T1/4X4.8500 W7/16UNF-W7/16UNF HYD	505844	2
15	HOSE, 2T3/8X3.750 W9/16UNF-W9/16UNF HYDR	505845	2
18	HOSE, 2T1/4X4.900 W7/16UNF-W7/16 UNF HYD	097620	2
	HYDRAULIC HOSE KIT, BX24 24H4	505841	1
1	PLATE, QUICK DISCONNECT FITTING MOUNTING PTD	505887-1	1
2	DECAL, BX24 HYDRAULIC HOSE CONNECTION	505903	1
3	WASHER, 1940 DIA. (34/21.2/1.5)	506105	8
4	FITTING, Z3/8"BSP-Z9/16 UNF JIC REDUCER	504987-1	4
5	FITTING, 3/8" INT. THREAD BSP MALE QUICK	504966	8
6	FITTING, 3/8" 7/16" UNF JIC REDUCER	504995-1	4
7	NUT, M20-8-A NYLON HEX ZINC LOCK	F81037-2	8
8	HOSE, 2T3/8X4.80 W9/16UNF-W9/16UNF HYDRA	505842	2
9	WASHER, 10.5 FLAT ZINC	F81055-1	4
10	BOLT, M10x75-8.8 HEX HEAD ZINC	F81003-15	2
11	NUT, M10-8-B HEX NYLON ZINC LOCK	F81033-1	2
12	HOSE, 2T1/4X4.8500 W7/16UNF-W7/16UNF HYD	505844	2
14	3/8" LOG TURNER CYLINDER BASE	014796	2
15	HOSE, 2T3/8X3.750 W9/16UNF-W9/16UNF HYDR	505845	2
18	HOSE, 2T1/4X4.900 W7/16UNF-W7/16 UNF HYD	097620	2
	HYDRAULIC HOSE KIT, BX24 24H5	506091	1
1	PLATE, QUICK DISCONNECT FITTING MOUNTING PTD	505887-1	1
2	DECAL, BX24 HYDRAULIC HOSE CONNECTION	505903	1
3	WASHER, 1940 DIA. (34/21.2/1.5)	506105	12
4	FITTING, Z3/8"BSP-Z9/16 UNF JIC REDUCER	504987-1	4
5	FITTING, 3/8" INT. THREAD BSP MALE QUICK	504966	12
6	FITTING, 3/8" 7/16" UNF JIC REDUCER	504995-1	8
7	NUT, M20-8-A NYLON HEX ZINC LOCK	F81037-2	12
8	HOSE, 2T3/8X4.80 W9/16UNF-W9/16UNF HYDRA	505842	2
9	WASHER, 10.5 FLAT ZINC	F81055-1	4
10	BOLT, M10x75-8.8 HEX HEAD ZINC	F81003-15	2
11	NUT, M10-8-B HEX NYLON ZINC LOCK	F81033-1	2
12	HOSE, 2T1/4X4.8500 W7/16UNF-W7/16UNF HYD	505844	2
14	3/8" LOG TURNER CYLINDER BASE	014796	2
15	HOSE, 2T3/8X3.750 W9/16UNF-W9/16UNF HYDR	505845	2
16	HOSE, 2T1/4X5.500 W7/16UNF-W7/16UNF HYDR	506094	2
17	HOSE, 2T1/4X5.900 W7/16UNF-W7/16UNF HYDR	506999	2
18	HOSE, 2T1/4X4.900 W7/16UNF-W7/16 UNF HYD	097620	2

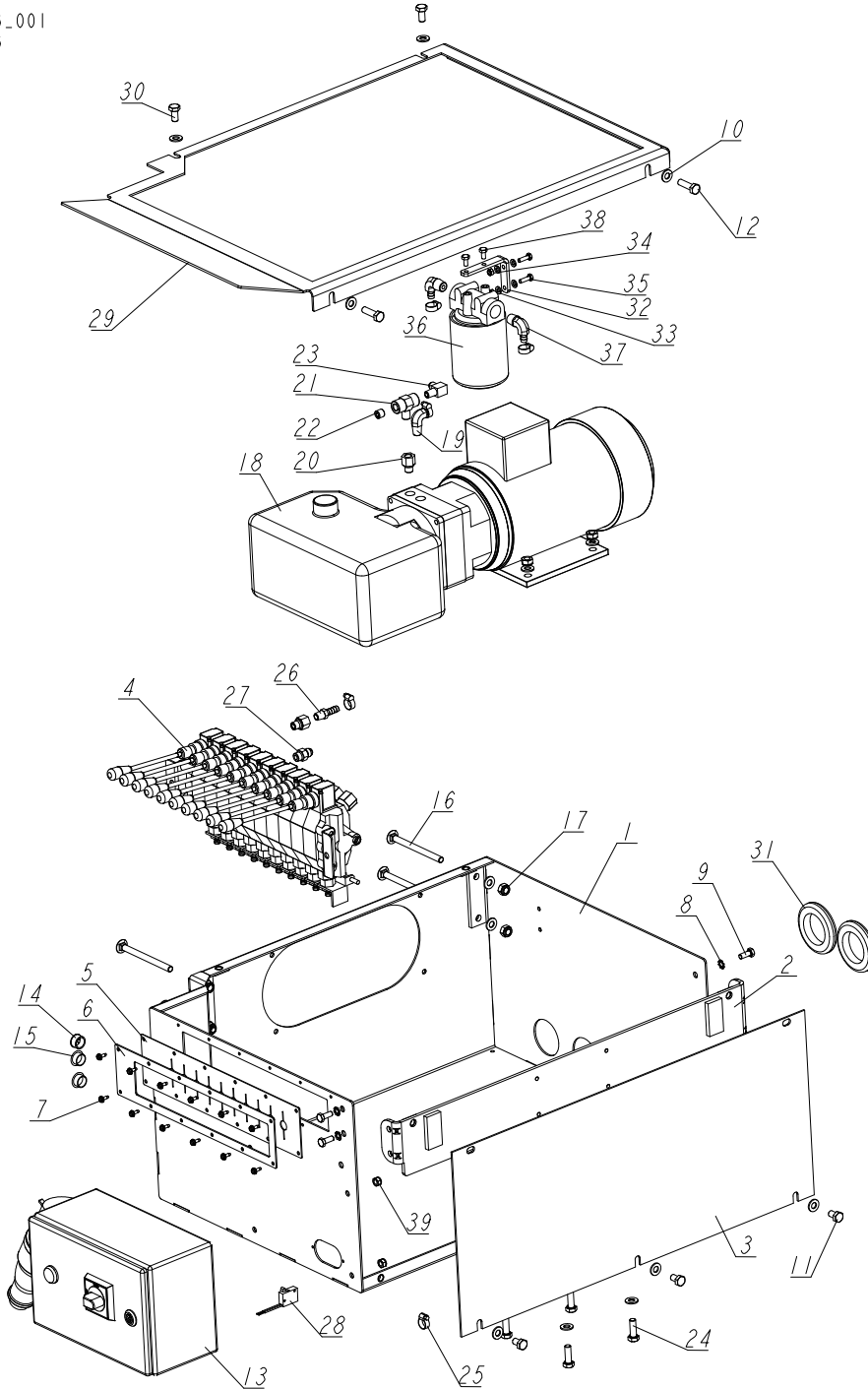
7

Hydraulic System*Hydraulic Hose Kit, BX24 Bed Extension*

	HYDRAULIC HOSE KIT, BX24 24H6	506093	1	
1	PLATE, QUICK DISCONNECT FITTING MOUNTING PTD	505887-1	1	
2	DECAL, BX24 HYDRAULIC HOSE CONNECTION	505903	1	
3	WASHER, 1940 DIA. (34/21.2/1.5)	506105	14	
4	FITTING, Z3/8"BSP-Z9/16 UNF JIC REDUCER	504987-1	4	
5	FITTING, 3/8" INT. THREAD BSP MALE QUICK	504966	14	
6	FITTING, 3/8" 7/16" UNF JIC REDUCER	504995-1	10	
7	NUT, M20-8-A NYLON HEX ZINC LOCK	F81037-2	14	
8	HOSE, 2T3/8X4.80 W9/16UNF-W9/16UNF HYDRA	505842	2	
9	WASHER, 10.5 FLAT ZINC	F81055-1	4	
10	BOLT, M10x75-8.8 HEX HEAD ZINC	F81003-15	2	
11	NUT, M10-8-B HEX NYLON ZINC LOCK	F81033-1	2	
12	HOSE, 2T1/4X4.8500 W7/16UNF-W7/16UNF HYD	505844	2	
13	HOSE, 2T1/4X2.900 W7/16UNF-W7/16UNF HYDR	505843	2	
14	3/8" LOG TURNER CYLINDER BASE	014796	2	
15	HOSE, 2T3/8X3.750 W9/16UNF-W9/16UNF HYDR	505845	2	
16	HOSE, 2T1/4X5.500 W7/16UNF-W7/16UNF HYDR	506094	2	
17	HOSE, 2T1/4X5.900 W7/16UNF-W7/16UNF HYDR	506999	2	
18	HOSE, 2T1/4X4.900 W7/16UNF-W7/16 UNF HYD	097620	2	

7.14 Hydraulic Control Box, LT40/70AC 10-Section

506446_001
506446



REF.	DESCRIPTION (◆ indicates parts available in assemblies only)	PART #	QTY
-	BOX, 10-SECTION LT40/70AC BX24 HYDRAULIC - COMPLETE	506446	1
1	BOX WELDMENT, HYDRAULIC	545691-1	1

7

Hydraulic System*Hydraulic Control Box, LT40/70AC 10-Section*

REF.	DESCRIPTION (◆ indicates parts available in assemblies only)	PART #	QTY	
2	BRACKET, AC HYDRAULIC BOX - COMPLETE	086518-1	1	
3	PANEL, AC HYDRAULIC BOX FRONT	086484-1	1	
4	VALVE, HDS11/10-6 10-SECTION	091344SUB	1	
5	GUARD, 10-SECTION RUBBER HYDRAULIC VALVE	091739	1	
6	PLATE, 10-SECTION VALVE	091826-1	1	
7	#10-24X1/2 SLF TP SC	F05015-7	12	
8	WASHER, 8.4 EXTERIOR STAR LOCK ZINC	F81054-3	4	
9	BOLT, M8X20 8.8 HEX HEAD FULL THREAD ZINC	F81002-4	4	
10	WASHER, 10.5 FLAT ZINC	F81055-1	19	
11	BOLT, M10X16-8.8 HEX HEAD FULL THREAD ZINC	F81003-13	3	
12	BOLT, M10X35 8.8 HEX HEAD FULL THREAD ZINC	F81003-17	2	
13	BOX, LT40/70 ELECTRICAL	566251-M	1	
14	GROMMET, WIRE	P04137	1	
15	CAP, SR1086 22.2 HOLE	093544	2	
16	BOLT, M10X125 8.8 CARRIAGE ZINC	F81003-34	4	
17	NUT, M10-8-B HEX NYLON ZINC LOCK	F81033-1	8	
18	PUMP, AC-4KW (Q=14,5 L/MIN) HYDRAULIC W/MOTOR	500958	1	
19	FITTING, 3/8NPT-3/8 BARB ELBOW	P12708	1	
20	FITTING, 6SAE MALE-1/4NPT FEMALE	014686	2	
21	FITTING, 1/4 BRANCH TEE	015486	1	
22	PLUG, 1/4-18 NPT BLANK	096221	1	
23	FITTING, 3/8JIC-1/4NPT 90L	015491	1	
24	BOLT, M10X30-8.8 HEX HEAD FULL THREAD ZINC	F81003-2	4	
25	CLAMP, 11/16 WORM	061807	7	
26	FITTING, 1/4NPT-3/8 BARB	014685	1	
27	FITTING, 3/8 O-RING-3/8JIC	014687	1	
28	SWITCH, 2A 125V R-LEVER NO/NC/COM	014765	1	
29	COVER, AC/DC HYDRAULIC CONTROL BOX	091734-1	1	
30	BOLT, ISO 4017-M10X20-8.8-A2E HEX HEAD	F81003-53	2	
31	GROMMET, 55MM DIA. RUBBER	085614	2	
32	BRACKET, OIL FILTER	550029-1	1	
33	WASHER, 6.4 FLAT ZINC	F81053-1	4	
34	NUT, M6-8-B HEX NYLON ZINC LOCK	F81031-2	2	
35	BOLT, M6X20 8.8 HEX HEAD FULL THREAD ZINC	F81001-2	2	
36	MANIFOLD, W/FILTER	P22683	1	
37	FITTING, 1/2NPT-3/8 BARB ELBOW	P12707	2	
38	BOLT, 1/4-20X1/2 HH	F05005-15	2	
39	NUT, M8-8-B HEX NYLON ZINC LOCK	F81032-2	4	