

Wood-Mizer®

Replacement Parts

LD2 12/20-2/3S **rev. B1.05**
LD2 12/20-2/3SR
LD2 12/20-2/3-70W
LD2 12/20-2/3-WB
LD2-12H-2S-70-H
LD2-12H-2S-70W-HD
LD2-12H-3S-70-WIDE-HD



Safety is our #1 concern! Read and understand all safety information and instructions before operating, setting up or maintaining this machine.

Form #2596

Table of Contents

Section-Page

SECTION 1 GENERAL INFORMATION

1-1

1.1	How To Use the Parts List.....	1-1
1.2	Sample Assembly	1-1
1.3	LD2 Log Infeed Decks	1-1
1.4	LD2 Log Infeed Decks (Right-Hand Log Loading).....	1-5
1.5	LD2-20H-3SR-70-WIDE Log Infeed Deck (Right-Hand Log Loading).....	1-6
1.6	LD2 12/20-2S Log Infeed Deck	1-7
1.7	LD12-2S "Wide" Log Infeed Deck	1-10
1.8	Middle Segment	1-13
1.9	LD12 Log Deck Side Segment	1-15
1.10	LD12-2C Log Infeed Deck	1-16
1.11	LD20 Log Deck Side Segment	1-18
1.12	Log Deck Stop & Loader Bracket	1-20
1.13	Hydraulic Hoses, LD2 6H-2S-WB	1-21
1.14	LD2 Log Deck Loaders.....	1-22
1.15	LD2 Log Deck Loaders (Right-Hand Log Loading). 505896.505754.....	1-23
1.16	LD2-70W Log Deck Loader	1-24
1.17	LD2-WB Log Deck Loader	1-25
1.18	LD12 Log Infeed Deck Legs	1-26
1.19	LD12/20 (2S) Log Loader	1-27
1.20	Box, Electrical (Log Infeed Deck w/Light Curtain)	1-28
1.21	Log Infeed Deck LD2-20H-2SR-70	1-29
1.22	Log Deck Loader 508615	1-30
1.23	Log Deck Bumper (No. 716014)	1-31
1.24	LD2-20C-3S-WB-WIDE-HDU	1-32
1.25	Log Deck. 549601	1-33
1.26	Log Deck. 536316	1-34
1.27	Leg Set (No. 549602)	1-35
1.28	LD12/20 Log Loader w/Drive. 549603	1-36
1.29	LD12/20 Log Loader with Drive. 549604	1-38
1.30	Tensioner Assembly	1-40
1.31	Loader Arm Drive Assembly	1-41
1.32	Log Deck Bumper 540865	1-42

SECTION 2 CRD2H-LT-H

2-1

2.1	LD2-20H-3S-300-WIDE-H	2-2
2.2	Loader connection. 525039	2-3
2.3	Connection Tube. 556302	2-4
2.4	LD20-H Log Infeed Deck, Side. 568304	2-5
2.5	Log Deck. 568302	2-6
2.6	Log Deck Segment. 568303	2-7
2.7	Log Infeed Deck. Segment. 568301	2-8
2.8	Cover. 578341	2-11

Table of Contents

Section-Page

SECTION 3 LD2-12H-2S-70-H 3-1

3.1	LD2-12H-2S-70-H	3-1
3.2	LD12-2S Log Deck Loader	3-2
3.3	LD12-2S Log Deck Segment	3-3
3.4	SLPLD3.6 Frame Tube	3-4
3.5	SLPLD3.6 Frame Tube	3-5
3.6	LD2-12H-2S-70-H Log Infeed Deck Drive	3-6
3.7	Electric Box & Hydraulic Hoses	3-7

SECTION 4 LD2-12H-2S-70W-HD 4-1

4.1	LD2-12H-2S-70W-HD	4-2
4.2	Ramp-LD12-2S-70W-HD 593993	4-3
4.3	Log Loader 594000	4-4
4.4	Chain Drive Guard	4-5
4.5	Log Infeed Deck 593994	4-6
4.6	Log Infeed Deck Drive	4-7
4.7	Log Deck Segment	4-8
4.8	Electric Box	4-9

SECTION 5 LD2-12H-3S-70-WIDE-HD 5-1

5.1	LD2-12H-3S-70-WIDE-HD	5-2
5.2	Log Infeed Deck 593998	5-3
5.3	Log Deck Side Segment 593997	5-5
5.4	Log Infeed Deck 594062	5-6
5.5	Sprocket 507234	5-7
5.6	Chain Coupling 536327	5-8
5.7	Log Loader LD12/20 WIDE. 594007	5-9
5.8	Log Loader, LD12/20 W/Drive. 594006	5-11
5.9	Log Loader Connection Tube. 536335	5-13

SECTION 1 GENERAL INFORMATION

1.1 How To Use the Parts List

- Use the index above to locate the assembly that contains the part you need.
- Go to the appropriate section and locate the part in the illustration.
- Use the number pointing to the part to locate the correct part number and description in the table.
- Parts shown indented under another part are included with that part.
- Parts marked with a diamond (◆) are only available in the assembly listed above the part.

See the sample table below. Sample Part #A01111 includes part F02222-2 and subassembly A03333. Subassembly A03333 includes part S04444-4 and subassembly K05555. The diamond (◆) indicates that S04444-4 is not available except in subassembly A03333. Subassembly K05555 includes parts M06666 and F07777-77. The diamond (◆) indicates M06666 is not available except in subassembly K05555.

1.2 Sample Assembly				
REF.	DESCRIPTION (◆ Indicates Parts Available In Assemblies Only)	PART #	QTY	
	Sample Assembly, Complete (Includes All Indented Parts Below)	A01111	1	
1	Sample Part	F02222-22	1	
	Sample Subassembly (Includes All Indented Parts Below)	A03333	1	
2	Sample Part (◆ Indicates Part Is Only Available With A03333)	S04444-4	1	◆
	Sample Subassembly (Includes All Indented Parts Below)	K05555	1	
3	Sample Part (◆ Indicates Part Is Only Available With K05555)	M06666	2	◆
4	Sample Part	F07777-77	1	

To Order Parts:

- From Europe call our European Headquarters and Manufacturing Facility in Kolo, Poland at **+48-63-2626000**. From the continental U.S., call our toll-free Parts hotline at **1-800-525-8100**. Have your customer number, vehicle identification number, and part numbers ready when you call. From other international locations, contact the Wood-Mizer distributor in your area for parts.

Office Hours:

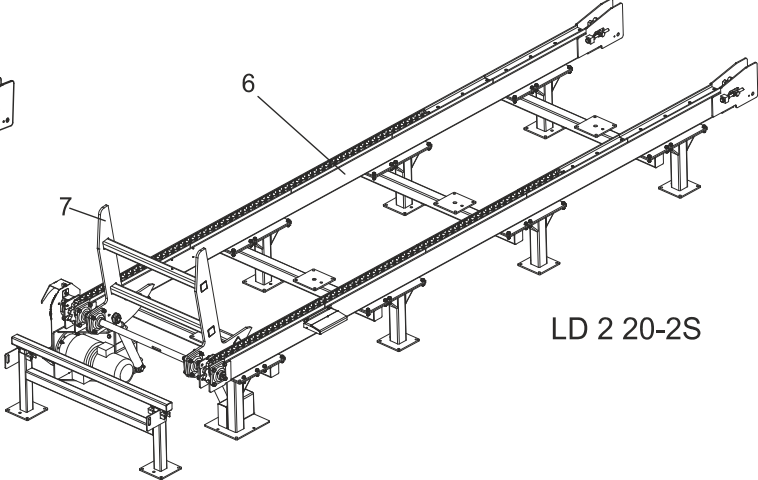
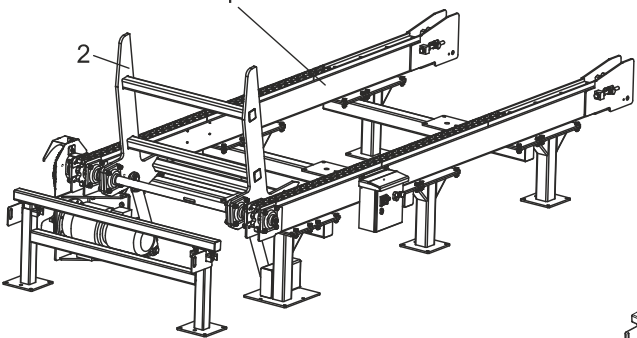
Country	Monday - Friday	Saturday	Sunday
Poland	7-15	Closed	Closed
US	8 a.m.- 5 p.m.	8 a.m.- 12 p.m.	Closed



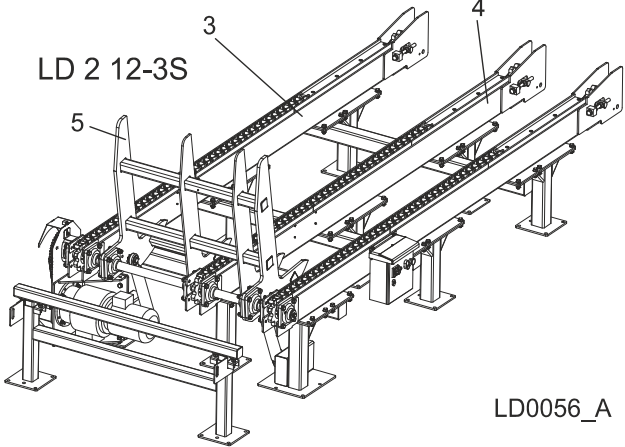
CAUTION! It is strongly recommended that only original spare parts be used.

1.3 LD2 Log Infeed Decks

LD 2 12-2S

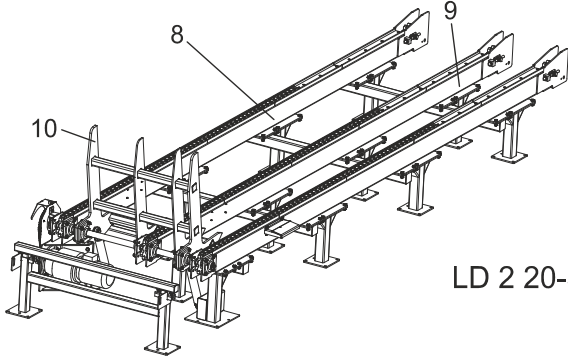


LD 2 20-2S

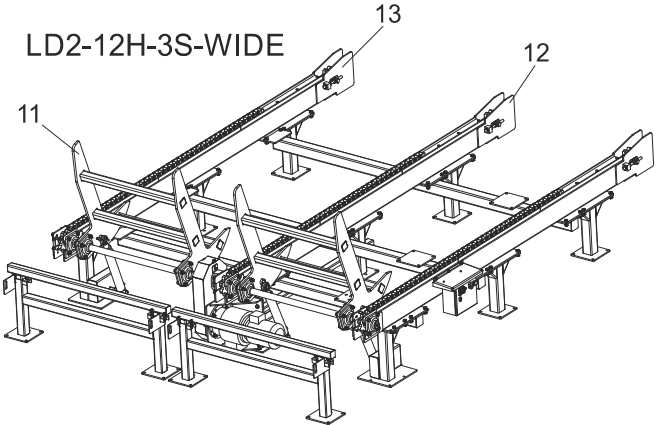


LD 2 12-3S

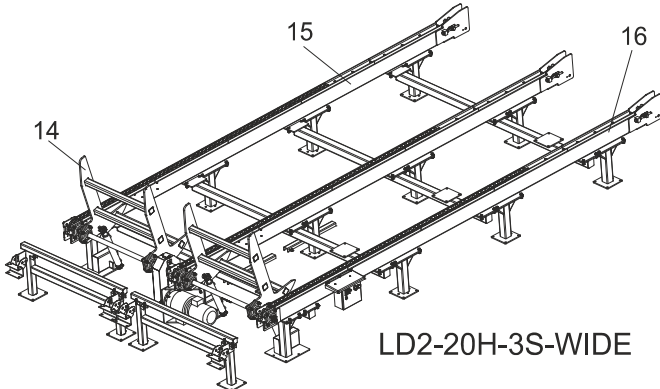
LD0056_A



LD 2 20-3S



LD2-12H-3S-WIDE



LD2-20H-3S-WIDE

REF	DESCRIPTION (◆ indicates parts available in assemblies only)	PART #	QTY
LD2-12			
LD2-12-2S			
	DECK, LOG INFEED	LD2-12-2S-70	1
	DECK, LOG INFEED	LD2-12-2S-300	1
	LD2 12-2S LOG INFEED DECK - COMPLETE	505900	1
1	DECK, LD2 12-2S LOG INFEED	098940	1
2	LOADER, LD2 12/20 (2S) LOG DECK - COMPLETE	505896	1
3	BRACKET, LOG LOADER ("M" FRAME SUPER)	500747-1	2
	DECK, LOG INFEED	LD2-12-2S-70W	1
	DECK-LD12-2S-70W LOG INFEED DECK - COMPLETE	532236	1
1	DECK, LD2 12-2S LOG INFEED	098940	1
2	LOADER, LD12/20 LT70WIDE (2S)-COMPLETE	532235	1
3	BRACKET, LOG LOADER ("M" FRAME SUPER)	500747-1	2
	DECK, LOG INFEED	LD2-12-2S-WB	1
1	DECK, LD2 12-2S LOG INFEED	098940	1
2	LOADER, LD12/20 (2S), LOG DECK - COMPLETE	713625	1
	ADAPTER ASSEMBLY, LD WB2000	516383	6
LD2-12-3S			
	DECK, LOG INFEED W/MIDDLE SEGMENT	LD2-12-3S-70	1
	DECK, LOG INFEED W/MIDDLE SEGMENT	LD2-12-3S-300	1
	DECK, LD12-3C LOG INFEED	098941	1
4	DECK, LD2 12-2S LOG INFEED	098940	1
5	SEGMENT, LD12 MIDDLE COMPLETE	099244	1
6	LOADER, LD2 12/20 (3S) LOG DECK - COMPLETE	505754	2
	DECK, LOG INFEED W/MIDDLE SEGMENT	LD2-12-3S-WB	1
4	DECK, LD12-2S LOG INFEED	098940	1
5	SEGMENT, LD12 MIDDLE - COMPLETE	099244	1
6	LOADER, LD12/20 (3S), LOG DECK - COMPLETE	713628	1
	ADAPTER ASSEMBLY, LD WB2000	516383	9
LD2-12-3S-WIDE			
	DECK, LOG INFEED W/MIDDLE SEGMENT - WIDE	LD2-12-3S-70-WIDE	1
14	DECK, LD2 12-2C-WIDE LOG INFEED	521919	1
13	SEGMENT, LD12 LOG DECK SIDE	517516	1
12	LOADER, LD2 12/20 (3S) LOG DECK - COMPLETE	505754	2
	STOP WELDMENT, LOG INFEED DECK - COMPLETE	089930	2
	DECK, LOG INFEED W/MIDDLE SEGMENT - WIDE	LD2-12-3S-300-WIDE	1
14	DECK, LD2 12-2C-WIDE LOG INFEED	521919	1
13	SEGMENT, LD12 LOG DECK SIDE	517516	1
12	LOADER, LD2 12/20 (3S) LOG DECK - COMPLETE	505896	2
	STOP WELDMENT, LOG INFEED DECK - COMPLETE	089930	2
	TUBE, LD2-WIDE LOADER CONNECTION - COMPLETE	525039	2
	DECK, LOG INFEED W/MIDDLE SEGMENT - WIDE	LD2-12-3S-WB-WIDE	1
14	DECK, LD12-2S LOG INFEED - COMPLETE	521920	1
	DECK, LD2 12-2C-WIDE LOG INFEED	521919	1
	LOADER, LD12/20 (2S), LOG DECK - COMPLET	713625	1
13	SEGMENT, LD12 LOG DECK SIDE	517516	1
	TUBE, LD2-WIDE LOADER CONNECTION - COMPLETE	525039	1

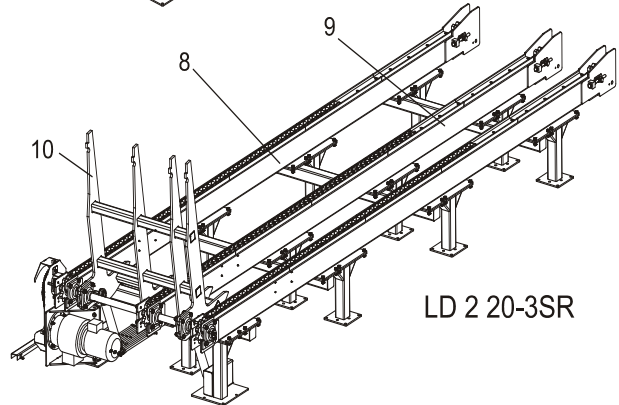
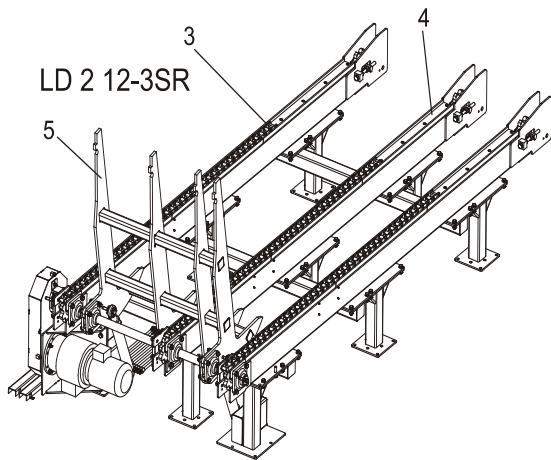
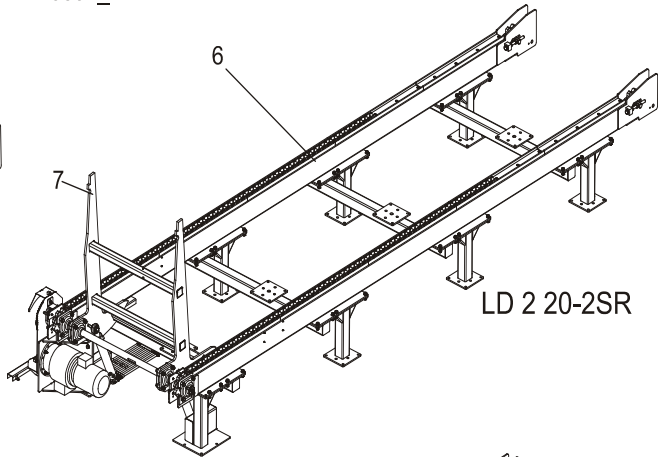
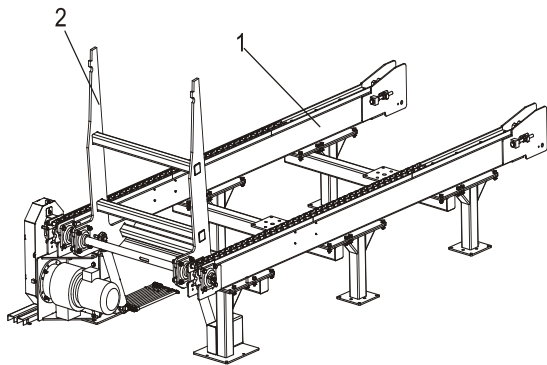
	ADAPTER ASSEMBLY, LD WB2000	516383	9
12	LOADER, LD12/20 (2S), LOG DECK - COMPLET	713625	2

REF	DESCRIPTION (◆ indicates parts available in assemblies only)	PART #	QTY
LD2-20			
LD2-20-2S			
	DECK, LOG INFEED	LD2-20-2S-70	1
	DECK, LOG INFEED	LD2-20-2S-300	1
	DECK, LD20-2S LOG INFEED - COMPLETE	505897	1
7	DECK, LD2 20-2S LOG INFEED	100417	1
8	LOADER, LD2 12/20 (2S) LOG DECK - COMPLETE	505896	1
3	BRACKET, LOG LOADER ("M" FRAME SUPER)	500747-1	2
	DECK, LOG INFEED	LD2-20-2S-WB	1
7	DECK, LD2 20-2S LOG INFEED	100417	1
8	LOADER, LD12/20 (2S), LOG DECK - COMPLET	713625	1
	ADAPTER ASSEMBLY, LD WB2000	516383	10
LD2-20-3S			
	DECK, LOG INFEED W/MIDDLE SEGMENT	LD2-20-3S-70	1
	DECK, LOG INFEED W/MIDDLE SEGMENT	LD2-20-3S-300	1
	DECK, LD12-3C LOG INFEED	100418	1
9	DECK, LD2 20-2S LOG INFEED	100417	1
10	SEGMENT, LD2 20 MIDDLE - COMPLETE	100416	1
11	LOADER, LD2 12/20 (3S) LOG DECK - COMPLETE	505754	1
3	BRACKET, LOG LOADER ("M" FRAME SUPER)	500747-1	2
	DECK, LOG INFEED W/MIDDLE SEGMENT	LD2-20-3S-WB	1
9	DECK, LD2 20-2S LOG INFEED	100417	1
10	SEGMENT, LD2 20 MIDDLE - COMPLETE	100416	1
11	LOADER, LD12/20 (3S), LOG DECK - COMPLET	713628	1
	ADAPTER ASSEMBLY, LD WB2000	516383	14
LD2-20-3S-WIDE			
	DECK, LOG INFEED W/MIDDLE SEGMENT - WIDE	LD2-20-3S-70-WIDE	1
	DECK, LOG INFEED W/MIDDLE SEGMENT - WIDE	LD2-20-3S-300-WIDE	1
16	DECK, LOG INFEED	521921	1
	DECK, LD2 20-2C-WIDE LOG INFEED	521922	1
3	BRACKET, LOG LOADER ("M" FRAME SUPER)	500747-1	2
17	SEGMENT, LD20 LOG DECK SIDE	519687	1
15	LOADER, LD12/20 (2S) LOG DECK - COMPLETE	505896	2
	STOP WELDMENT, LOG INFEED DECK - COMPLETE	089930	2
	TUBE, LD2-WIDE LOADER CONNECTION - COMPLETE	525039	2
3	BRACKET, LOG LOADER ("M" FRAME SUPER)	500747-1	2
	DECK, LOG INFEED W/MIDDLE SEGMENT - WIDE	LD2-20-3S-WB-WIDE	1
16	DECK, LOG INFEED	521921	1
	DECK, LD2 20-2C-WIDE LOG INFEED	521922	1
	BRACKET, LOG LOADER ("M" FRAME SUPER)	500747-1	2
17	SEGMENT, LD20 LOG DECK SIDE	519687	1
15	LOADER, LD12/20 (2S), LOG DECK - COMPLET	713625	2
	STOP WELDMENT, LOG INFEED DECK - COMPLETE	089930	2
	TUBE, LD2-WIDE LOADER CONNECTION - COMPLETE	525039	2
3	BRACKET, LOG LOADER ("M" FRAME SUPER)	500747-1	2
	ADAPTER ASSEMBLY, LD WB2000	516383	16

1.4 LD2 Log Infeed Decks (Right-Hand Log Loading)

LD 2 12-2SR

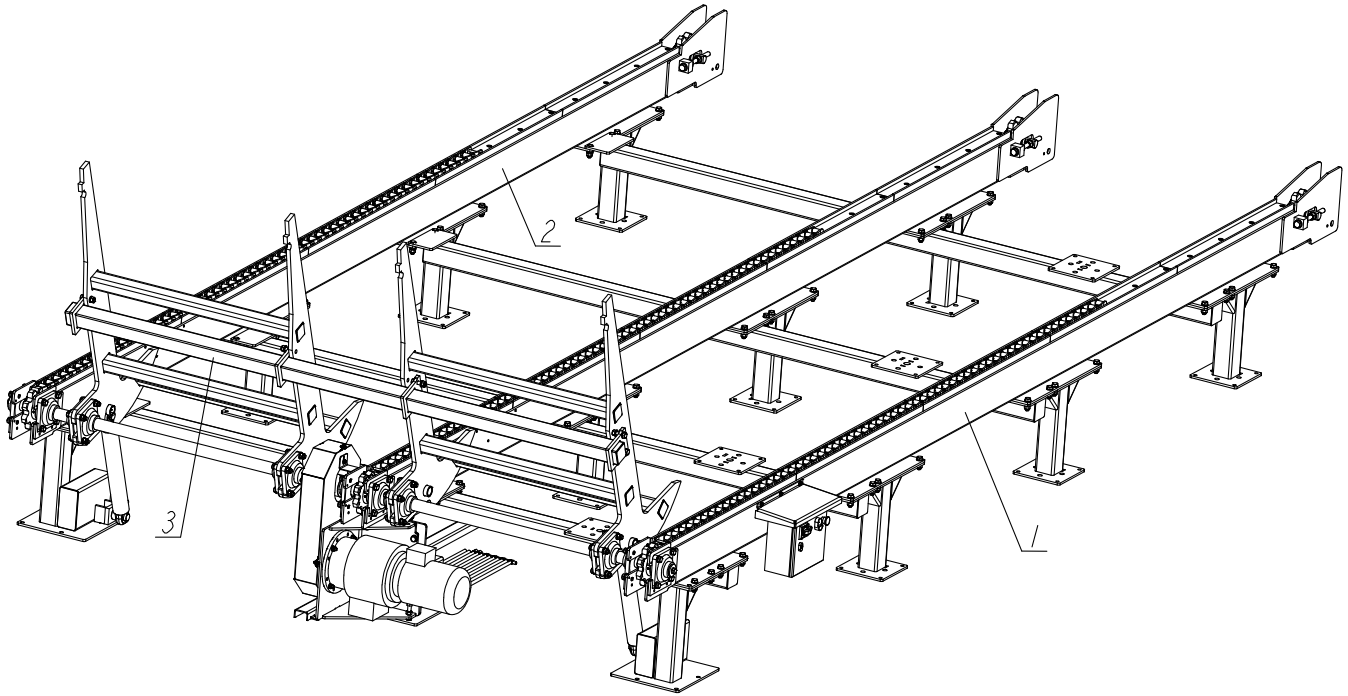
LD0052_A



REF	DESCRIPTION (◆ indicates parts available in assemblies only)	PART #	QTY
	LD2 12-2SR LOG INFEEDECK - COMPLETE	508610	1
1	DECK, LD2 12-2SR LOG INFEEDECK	508616	1
2	LOADER, LD2 12/20 (2SR) LOG DECK - COMPLETE	508615	1
	LD2 12-3SR LOG INFEEDECK	508613	1
3	DECK, LD2 12-2SR LOG INFEEDECK	508616	1
4	SEGMENT, LD2 12 MIDDLE COMPLETE	099244	1
5	LOADER, LD2 12/20 (3SR) LOG DECK - COMPLETE	508608	1
	LD2 20-2SR LOG INFEEDECK - COMPLETE	508611	1
6	DECK, LD2 20-2SR LOG INFEEDECK	508617	1
7	LOADER, LD2 12/20 (2SR) LOG DECK - COMPLETE	508615	1
	LD2 20-3SR LOG INFEEDECK	508612	1
8	DECK, LD2 20-2SR LOG INFEEDECK	508617	1
9	SEGMENT, LD2 20 MIDDLE COMPLETE	100416	1
10	LOADER, LD2 12/20 (3SR) LOG DECK - COMPLETE	508608	1

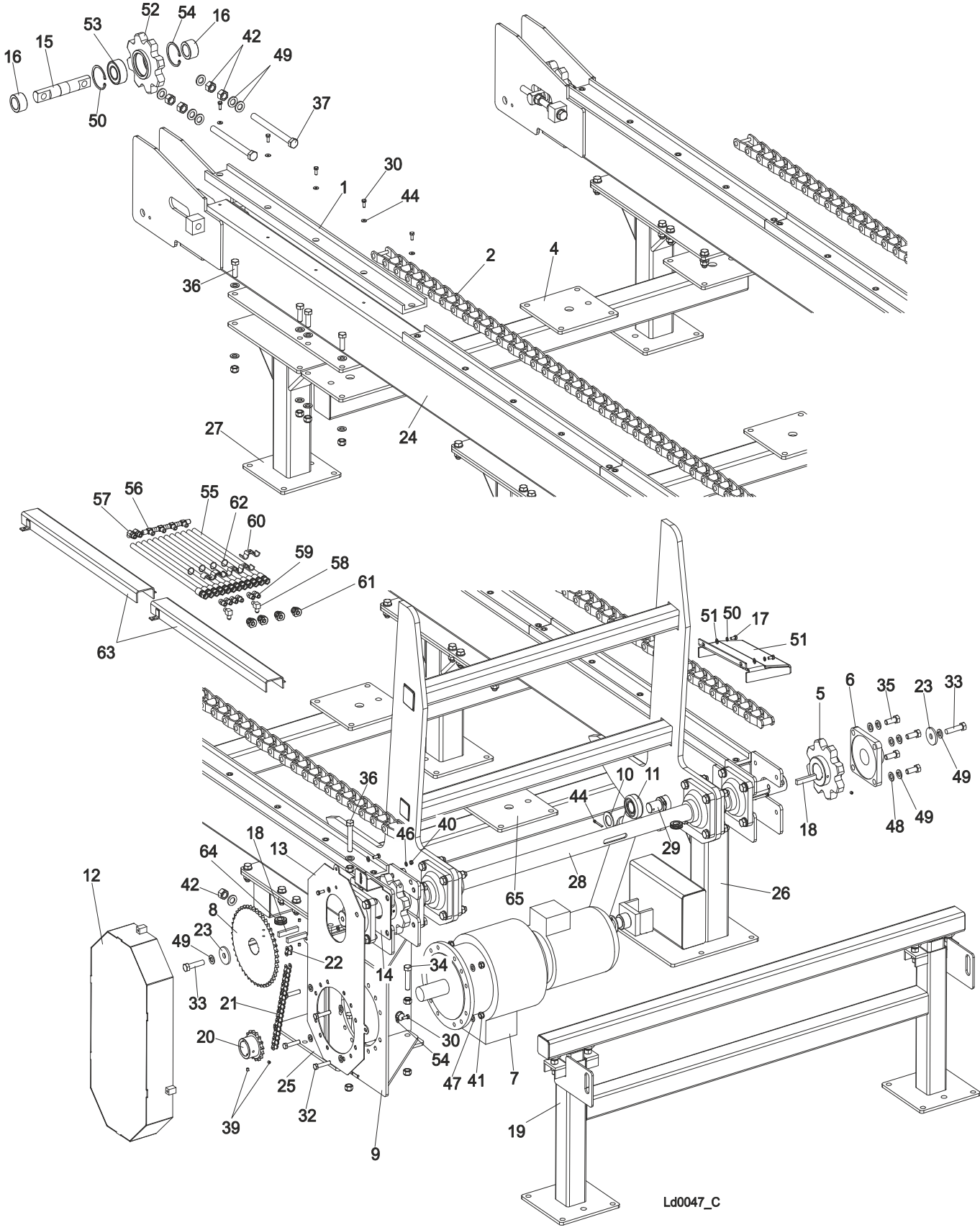
1.5 LD2-20H-3SR-70-WIDE Log Infeed Deck (Right-Hand Log Loading)

LD2-20H-3SR-70-WIDE_001_A
 LD2-20H-3SR-70-WIDE_MANUAL



REF	DESCRIPTION (◆ indicates parts available in assemblies only)	PART #	QTY
-	LD2-20-3S-WIDE	LD2-20H-3S R-70-WIDE	1
1	DECK, LD2 20-SR-WIDE LOG INFEEED	550107	1
2	SEGMENT, LD20 LOG DECK SIDE See Section 1.11	519687	1
3	TUBE, LD2-WIDE LOADER CONNECTION - COMPL See Section 2.2	525039	1

1.6 LD2 12/20-2S Log Infeed Deck



REF	DESCRIPTION (◆ indicates parts available in assemblies only)	PART #	QTY	
	DECK, LD2 12-2S LOG INFEED	098940	1	
	DECK, LD2 12-2C-WIDE LOG INFEED	521919	1	
	DECK, LD2 20-2S LOG INFEED	100417	1	
	DECK, LD2 20-2C-WIDE LOG INFEED	521922	1	
	DECK, LD2 20-SR-WIDE LOG INFEED	550107	1	
1	CHANNEL, UHMW CONVEYOR (LD2 12/20)	033722	6/8	
	TUBE, 4 ODX42 1/2 (LD2 20)	033755	2	
2	CHAIN, 8290MM 125-LINK (LD2 12)	504581	2	
	CHAIN, 12930MM 195-LINK (LD2 20)	504583	2	
3	COVER, LD12/20 ELECTRICAL BOX	505811-1	1	
4	TUBE WELDMENT, CROSS STIFFENER	089880-1	2/3	
5	SPROCKET, Z8 OXIDIZED	089888-1	2	
6	BEARING, UCF211 W/HOUSING	089889	4	
7	MOTOREDUCER, SBCM 180/112M-4/32	089892	1	
	MOTOR SKg 112M-4- IE1 (S3-75%)	084143	1	
	REDUCER SXHC502FB 42,75-250/28	084553	1	
8	SPROCKET, 12B Z45 OXIDIZED	089894-1	1	
9	BRACKET WELDMENT, DECK MOTOR MOUNT	089897-1	1	
10	WASHER, N36 ZINC-PLATED	089903-1	4	
11	CYLINDER, CJ2E-16-63/36/320Z UE2-63W HYD	089904	2	
12	GUARD WELDMENT, LOG DECK DRIVE	089905-1 ¹	1	
	GUARD WELDMENT, LOG DECK DRIVE	521917-1 ²	1	
13	PLATE, DRIVE GUARD REAR	089909-1	2	
14	BRACKET, DRIVE GUARD MOUNT	089910-1	1	
15	SHAFT, IDLER SPROCKET ZINC-PLATED	089915-1	2	
16	BUSHING, 40.5/59.9-33 ZINC-PLATED	089916-1	4	
17	BOLT, M8X16-8.8-B-FE/ZN5	F81002-20	2	
18	KEY, 16X10X50	089921	5	
19	STOP WELDMENT, LOG INFEED DECK - COMPLETE	089930	1	
20	SPROCKET, 12B Z16 OXIDIZED	090303-1	1	
21	CHAIN, 12B-1-69 (1.31 RM)	090711	1	
22	LINK, 12B-1PZ MASTER	090713	1	
23	WASHER, 17.5/60-6 ZINC-PLATED	098012-1	4	
24	TUBE, LD1 3.6 FRAME	098925-1	2	
	TUBE, LD1 6.0 FRAME	099766-1	2	
25	LEG W/DRIVE MOUNT PLATE	098927-1	1	
26	LEG, LD12/20 FRONT	098928-1	1	
27	LEG, LD12/20 H=500MM	098929-1	4/6	
28	SHAFT, LT70/300 LOG DECK MAIN	099243 ³	1	
	SHAFT, LOG DECK MAIN SPECIAL	517513 ⁴	1	
29	PIN, LD CYLINDER MOUNTING ZINC-PLATED	099482-1	1	
30	BOLT, M8X20-8.8 HEX HEAD FULL THREAD ZIN	F81002-1	34/52	
31	BOLT, M12x55-8.8 HEX HEAD ZINC	F81004-12	4	
32	BOLT, M16X65-8.8 HEX HEAD FULL THREAD	F81006-1	2	
33	BOLT, M1 6X75-8.8-B-B HEX HEAD FULL THREAD	F81006-10	2	
34	BOLT, M16x40-8.8 HEX HEAD FULL THREAD ZINC	F81006-13	16	
35	BOLT, M16x100-8.8 HEX HEAD FULL THREAD ZINC	F81006-2	1	

36	BOLT, M16x50-8.8 HEX HEAD FULL THREAD ZINC	F81006-7	54/70	
37	BOLT, M20x240-8.8 HEX HEAD FULL THREAD ZINC	F81007-1	4	
38	SCREW, M8X8-33H HEX SOCKET SET FLAT POIN	F81014-1	8	
39	NUT, M8-8-B HEX NYLON ZINC LOCK	F81032-2	1/4	
40	NUT M12 ZC 8 NYLOCK DIN 982 ISO 7040	F81034-2	4	
41	NUT, M16-8 HEX NYLON ZINC LOCK	F81036-2	57/73	
42	NUT, M20-8 HEX ZINC	F81037-1	8	
43	PIN, 5X40 COTTER	F81043-31	4/2	
44	WASHER, 6.5 ZINC SPECIAL FLAT	F81053-11	30/48	
45	WASHER, 8.4 FLAT ZINC	F81054-1	5/11	
46	WASHER, 13 FLAT ZINC	F81056-1	8	
47	WASHER, 17 ZINC FLAT	F81058-1	121/153	
48	WASHER, 16.3 SPLIT ZINC LOCK	F81058-2	20	
49	WASHER, 21 FLAT ZINC	F81059-2	12	
50	WASHER 8,2 ZC SPRING LOCK DIN 127	F81054-4	2/3	
51	WASHER, 8.4 FLAT ZINC	F81054-1	7/11	
	SPROCKET, Z8 COMPLETE	507234	1	
52	SPROCKET, Z8 REAR OXIDIZED	089919-1	1	
53	BEARING, 3208.2RSR.TVH (FAG) ROLLING	088449	1	
54	RING, W80 INSIDE RETAINING	F81090-25	2	
55	HYDRAULIC HOSE KIT, LT300 LOG DECK	097064	1	
	HYDRAULIC HOSE KIT WB	512908	1	
56	FITTING, 3/8JIC TEE	015487	4	
57	FITTING, #6SAE 45 DEG ELBOW	015489	2	
58	FITTING, 3/8JIC-1/4NPT 90L	015491	2	
59	FITTING, 3/8JIC-1/4 NPT STRAIGHT	015560	6	
60	CLAMP, 3/8 HOSE	016041	5	
61	FITTING, M22X1.5 / 1/4 -18 NPT ZINC-PL.	093139-1	4	
62	O-RING, 20X2	093483	4	
63	COVER, CABLE	514985-1	2	
64	GROMMET, 22mm I.D. RUBBER	087400	2	
65	TUBE WELDMENT, CROSS STIFFENER	514851-1	1	

¹ Included in assy No. 098940, 100417

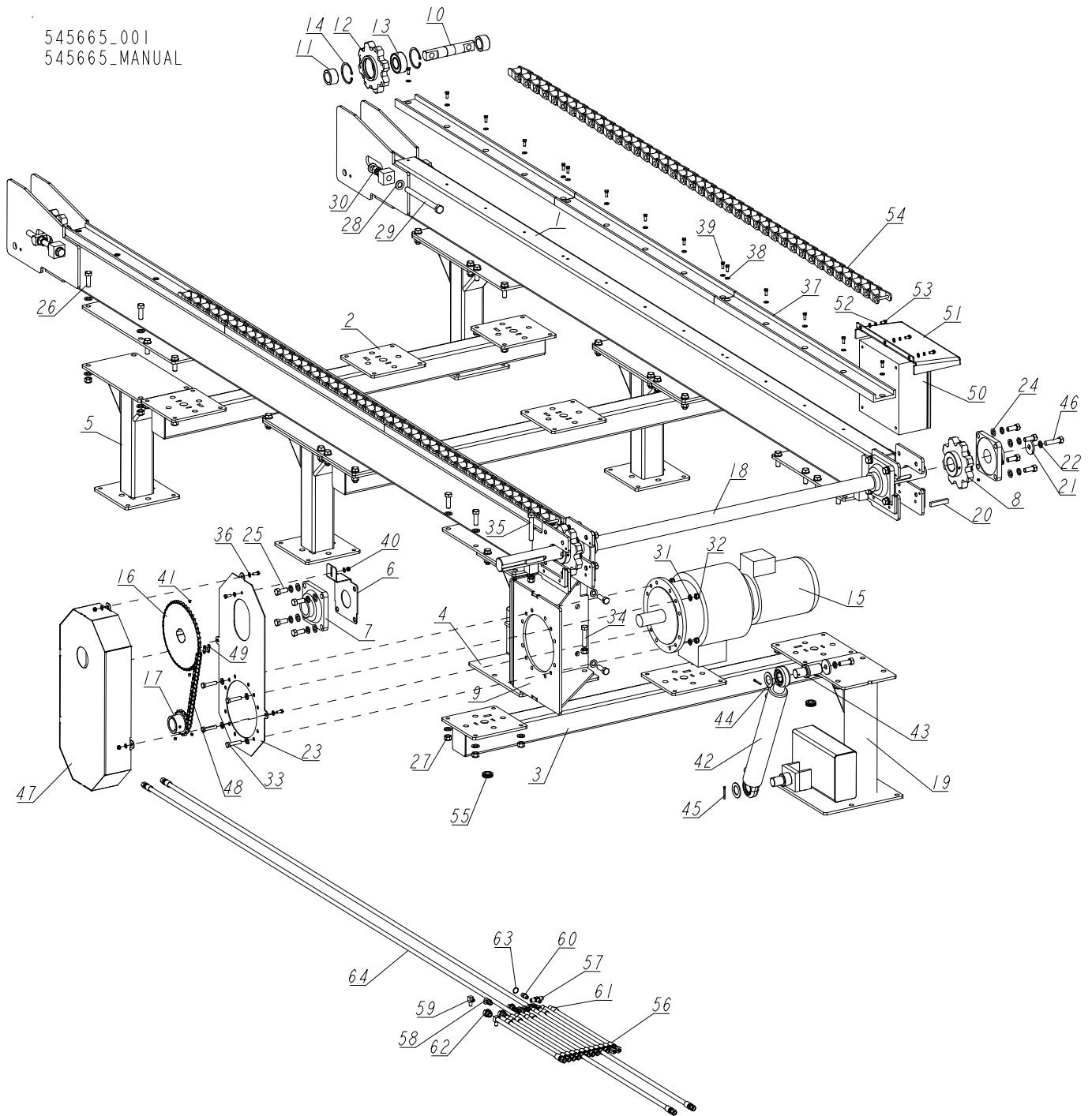
² Included in assy No. 521919, 521922, 550107

³ Included in assy No. 098940, 100417

⁴ Included in assy No. 521919, 521922, 550107

1.7 LD12-2S "Wide" Log Infeed Deck

545665_001
545665_MANUAL

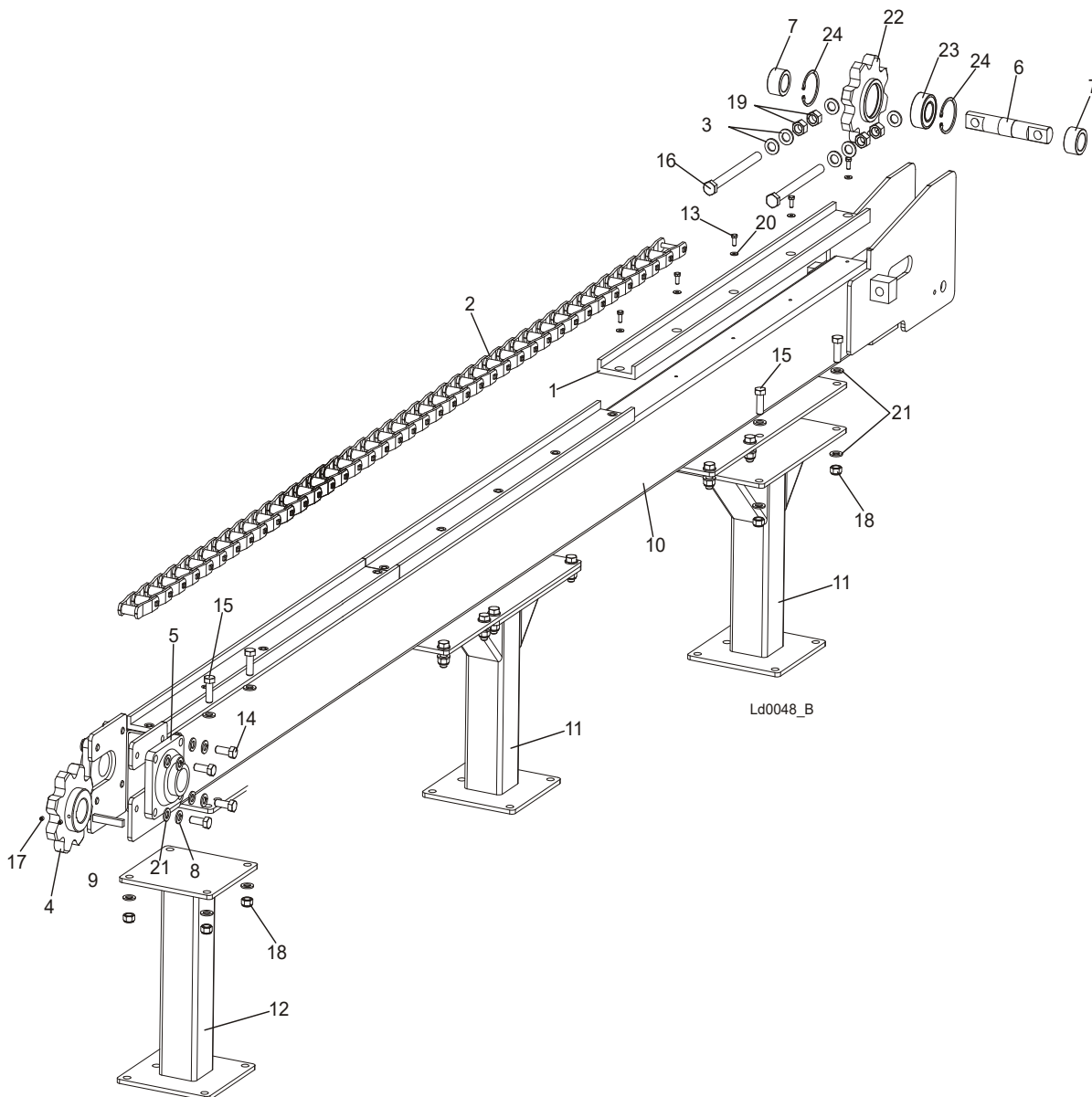


REF	DESCRIPTION (◆ indicates parts available in assemblies only)	PART #	QTY
-	DECK, LD12-2S "WIDE" LOG INFEED	545665	1
1	TUBE, SPLD3.6 FRAME	098925-1	2
2	TUBE WELDMENT, CROSS STIFFENER	089880-1	2
3	TUBE WELDMENT, CROSS STIFFENER	514851-1	1
4	LEG W/DRIVE MOUNT PLATE	098927-1	1
5	LEG, LD12/20 H=500MM LOG INFEED DECK	098929-1	4
6	BRACKET, DRIVE GUARD MOUNT	089910-1	1
7	BEARING, UCF211 W/HOUSING	089889	4

REF	DESCRIPTION (◆ indicates parts available in assemblies only)	PART #	QTY
8	SPROCKET, Z8 OXIDIZED	089888-1	2
9	BRACKET WELDMENT, DECK MOTOR MOUNT	089897-1	1
10	SHAFT, IDLER SPROCKET ZINC-PLATED	089915-1	2
11	BUSHING, 40.5/59.9-33 ZINC-PLATED	089916-1	4
-	SPROCKET, Z8 COMPLETE	507234	2
12	SPROCKET, Z8 REAR OXIDIZED	089919-1	1
13	BEARING, 3208.2RSR.TVH (FAG) ROLLING	088449	1
14	RING, W80 INSIDE RETAINING	F81090-25	2
15	MOTOREDUCER, SBCM 180/112M-4/32	089892	1
16	SPROCKET, 12B Z45 OXIDIZED	089894-1	1
17	SPROCKET, 12B Z16 OXIDIZED	090303-1	1
18	SHAFT, "WIDE" LOG INFEED DECK MAIN	517513	1
19	LEG, LD12/20 FRONT	098928-1	1
20	KEY, 16X10X50	089921	5
21	WASHER, 17.5/60-6 ZINC-PLATED	098012-1	2
22	WASHER, 16.3 SPLIT ZINC LOCK	F81058-2	18
23	PLATE, DRIVE GUARD REAR	089909-1	1
24	WASHER, 17 ZINC FLAT	F81058-1	121
25	BOLT, M16X40-8.8 HEX HEAD FULL THREAD ZINC	F81006-13	16
26	BOLT, M16X50-8.8 HEX HEAD FULL THREAD ZI	F81006-7	53
27	NUT, M16-8 HEX NYLON ZINC LOCK	F81036-2	57
28	WASHER, 21 FLAT ZINC	F81059-2	12
29	BOLT, M20X240-8.8 HEX HEAD FULL THREAD ZINC	F81007-1	4
30	NUT, M20-8 HEX ZINC	F81037-1	8
31	WASHER, 13 FLAT ZINC	F81056-1	8
32	NUT M12 ZC 8 NYLOCK DIN 982 ISO 7040	F81034-2	4
33	BOLT, M12X55-8.8 HEX HEAD ZINC	F81004-12	4
34	BOLT, M1 6X75-8.B-B HEX HEAD FULL THREAD	F81006-10	2
35	BOLT, M16X100-8.8 HEX HEAD FULL THREAD ZINC	F81006-2	1
36	WASHER, 8.4 FLAT ZINC	F81054-1	11
37	CHANNEL, UHMW CONVEYOR	033722	6
38	WASHER, 6.5 ZINC SPECIAL FLAT	F81053-11	30
39	BOLT, M8X20-8.8 HEX HEAD FULL THREAD ZINC	F81002-1	34
40	NUT, M8-8-B HEX NYLON ZINC LOCK	F81032-2	4
41	SCREW, M8X8-33H HEX SOCKET SET FLAT POIN	F81014-1	8
42	CYLINDER, CJ2E-16-63/36/320Z UE2-63W HYDRAULIC	089904	1
43	PIN, LD CYLINDER MOUNTING ZINC-PLATED	099482-1	1
44	WASHER, N36	089903	2
45	PIN, 5X40 COTTER	F81043-31	2
46	BOLT, M16X65-8.8 HEX HEAD FULL THREAD	F81006-1	1
47	GUARD WELDMENT, LOG INFEED DECK DRIVE	521917-1	1
48	CHAIN, 12B-1-69 (1.31 RM)	090711	1
49	LINK, 12B-1PZ MASTER	090713	1
50	BOX, ELECTRICAL (LOG INFEED DECK W/LIGHT See Section 1.20)	093174	1
51	COVER, LD12/20 ELECTRICAL BOX	505811-1	1
52	WASHER 8,2 ZC SPRING LOCK DIN 127	F81054-4	3
53	BOLT, M8X16-8.8-B-FE/ZN5	F81002-20	3
54	CHAIN, 8290MM 125-LINK (LD2 12)	504581	2

REF	DESCRIPTION (◆ indicates parts available in assemblies only)	PART #	QTY	
55	GROMMET, 22MM I.D. RUBBER	087400	2	
-	HYDRAULIC HOSE KIT, LT300 LOG DECK	097064	1	
56	FERRULE, 10-2SN HOSE	096910	12	
57	FITTING, 3/8JIC TEE	015487	4	
58	FITTING, #6SAE 45 DEG ELBOW	015489	2	
59	FITTING, 3/8JIC-1/4NPT 90L	015491	2	
60	FITTING, 3/8JIC-1/4 NPT STRAIGHT	015560	6	
61	CLAMP, 3/8 HOSE	016041	5	
62	FITTING, M22X1.5 / 1/4 -18 NPT ZINC-PL.	093139-1	4	
63	O-RING, 20X2	093483	4	
64	HOSE, 3/8"X4.0M LT70AC R. HYDRO-MOTOR	094592	2	

1.8 Middle Segment

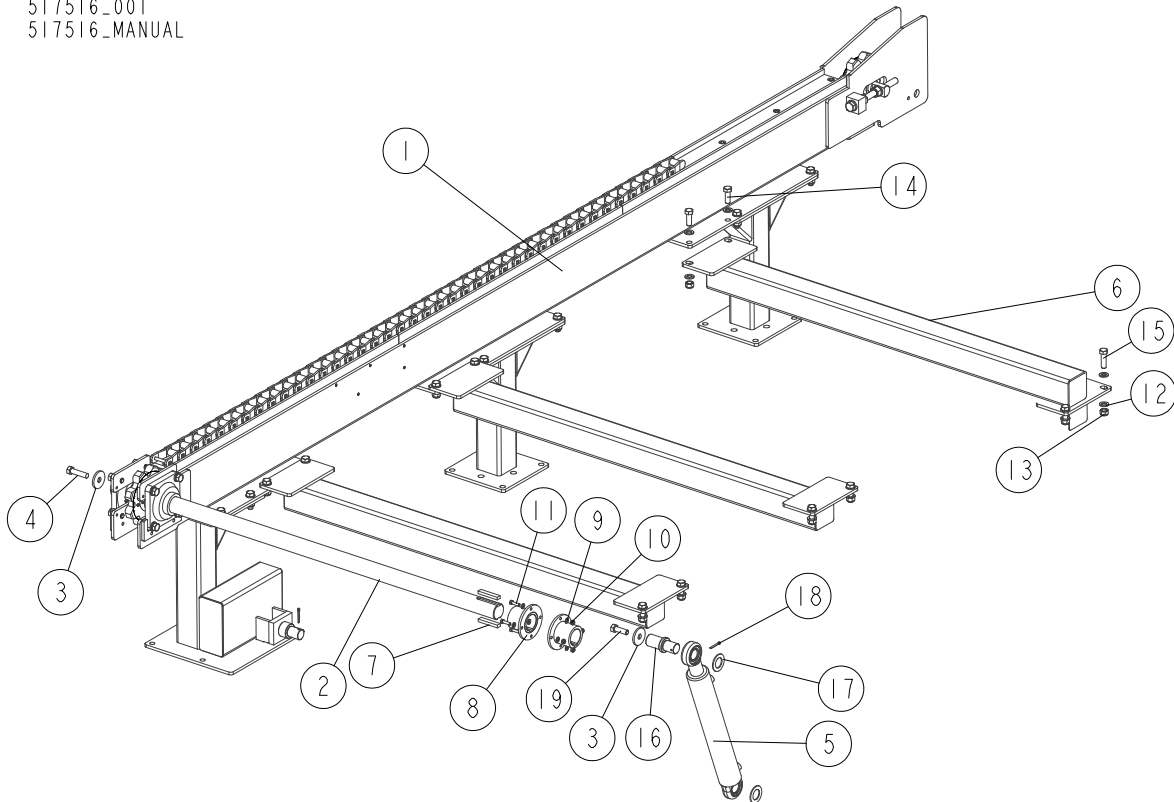


REF	DESCRIPTION (◆ indicates parts available in assemblies only)	PART #	QTY	
	SEGMENT, LD2 12 MIDDLE - COMPLETE	099244	1	
	SEGMENT, LD2 20 MIDDLE - COMPLETE	100416	1	
1	CHANNEL, UHMW CONVEYOR (LD2 12/20)	033722	3/4	
	TUBE, 4 ODX42 1/2 (LD2 20)	033755	1	
2	CHAIN, 12FT INFEEDECK (LD2 12)	033760	1	
	CHAIN, 20FT INFEEDECK (LD2 20)	035762	1	
3	WASHER, 21 FLAT ZINC	F81059-2	6	
4	SPROCKET, Z8 OXIDIZED	089888-1	1	
5	BEARING, UCF211 W/HOUSING	089889	2	
6	SHAFT, IDLER SPROCKET ZINC-PLATED	089915-1	1	
7	BUSHING, 40.5/59.9-33 ZINC-PLATED	089916-1	2	
8	WASHER, 16.3 SPLIT ZINC LOCK	F81058-2	8	
9	KEY, 16X10X50	089921	1	
10	TUBE, LD1 3.6 FRAME	098925-1	1	
	TUBE, LD1 6.0 FRAME	099766-1	1	

11	LEG, LD12/20 H=500MM	098929-1	2/3	
12	LEG, MIDDLE SEGMENT FRONT	099247-1	1	
13	BOLT, M8X20-8.8 HEX HEAD FULL THREAD ZIN	F81002-1	15/24	
14	BOLT, M16x40-8.8 HEX HEAD FULL THREAD ZINC	F81006-13	8	
15	BOLT, M16x50-8.8 HEX HEAD FULL THREAD ZINC	F81006-7	24/28	
16	BOLT, M20x240-8.8 HEX HEAD FULL THREAD ZINC	F81007-1	2	
17	SCREW, M8X8-33H HEX SOCKET SET FLAT POIN	F81014-1	2	
18	NUT, M16-8 HEX NYLON ZINC LOCK	F81036-2	24/28	
19	NUT, M20-8 HEX ZINC	F81037-1	4	
20	WASHER, 6.5 ZINC SPECIAL FLAT	F81053-11	15/24	
21	WASHER, 17 ZINC FLAT	F81058-1	56/64	
	SPROCKET, Z8 COMPLETE	507234	1	
22	SPROCKET, Z8 REAR OXIDIZED	089919-1	1	
23	BEARING, 3208.2RSR.TVH (FAG) ROLLING	088449	1	
24	RING, W80 INSIDE RETAINING	F81090-25	2	

1.9 LD12 Log Deck Side Segment

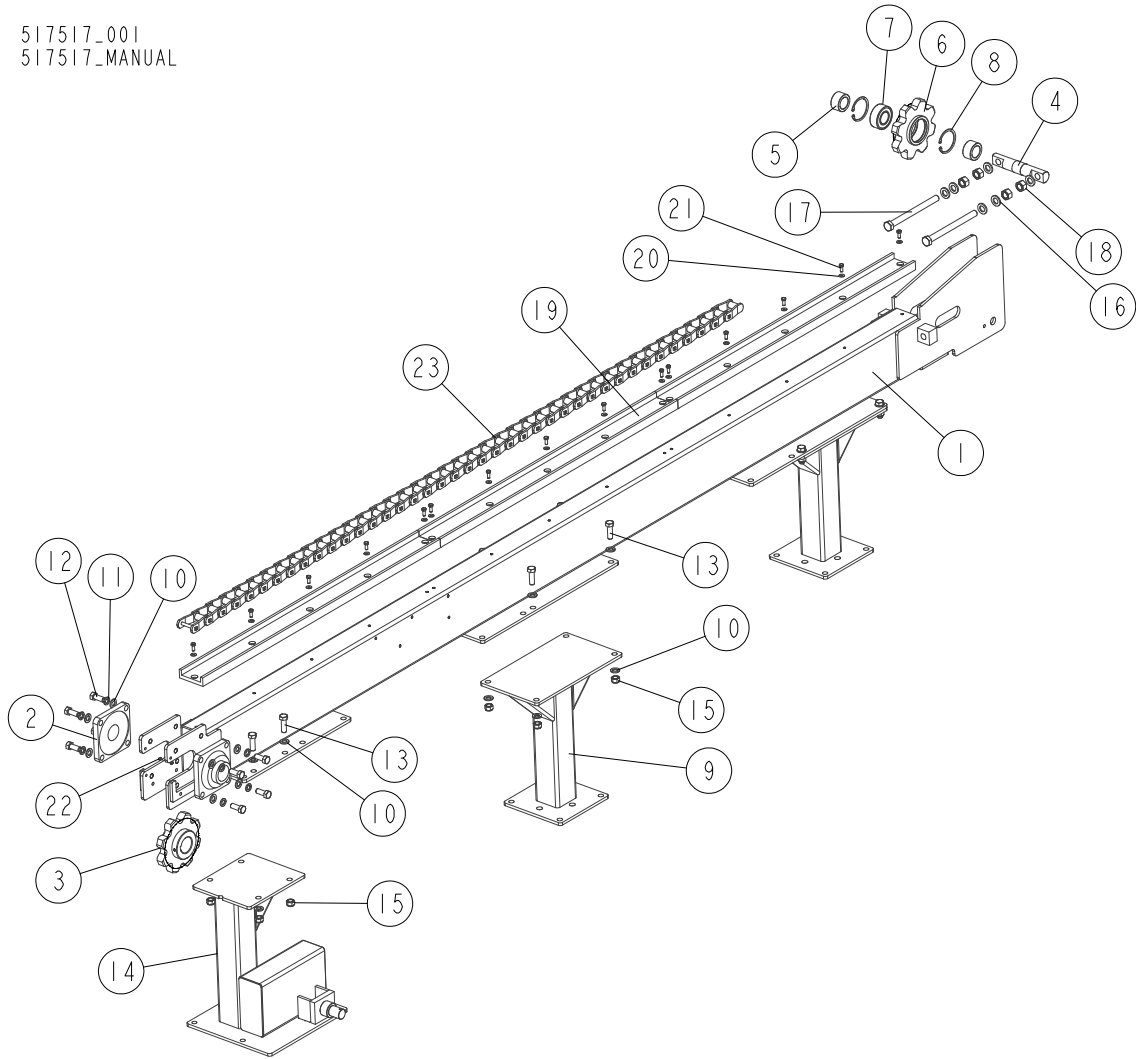
517516_001
517516_MANUAL



REF	DESCRIPTION (◆ indicates parts available in assemblies only)	PART #	QTY	
-	SEGMENT, LD12 LOG DECK SIDE	517516	1	
1	DECK, LD12-2C LOG INFEED See Section 1.10	517517	1	
2	SHAFT, LOG DECK MAIN - SIDE PART	517512	1	
3	WASHER, 17.5/60-6 ZINC-PLATED	098012-1	2	
4	BOLT, M16X65-8.8 HEX HEAD FULL THREAD	F81006-1	1	
5	CYLINDER, CJ2E-16-63/36/320Z UE2-63W HYD	089904	1	
6	CROSS TUBE, LOG INFEED DECK	517518-1	3	
7	KEY, 16X10X50	089921	2	
8	CLUTCH, LD2	517529-1	2	
9	WASHER, 8.4 FLAT ZINC	F81054-1	9	
10	NUT, M8-8-B HEX NYLON ZINC LOCK	F81032-2	4	
11	BOLT, M8X30-8.8-B HEX HEAD FULL THREAD Z	F81002-2	4	
12	WASHER, 17 ZINC FLAT	F81058-1	24	
13	NUT, M16-8 HEX NYLON ZINC LOCK	F81036-2	12	
14	BOLT, M16X45-8.8 HEX HEAD FULL THREAD ZINC	F81006-46	6	
15	BOLT, M16X55-8.8 HEX HEAD FULL THREAD ZINC	F81006-61	6	
16	PIN, LD CYLINDER MOUNTING ZINC-PLATED	099482-1	1	
17	WASHER, N36	089903	2	
18	PIN, 5X40 COTTER	F81043-31	2	
19	BOLT, M16X50-8.8 HEX HEAD FULL THREAD ZINC	F81006-7	1	

1.10 LD12-2C Log Infeed Deck

517517_001
517517_MANUAL

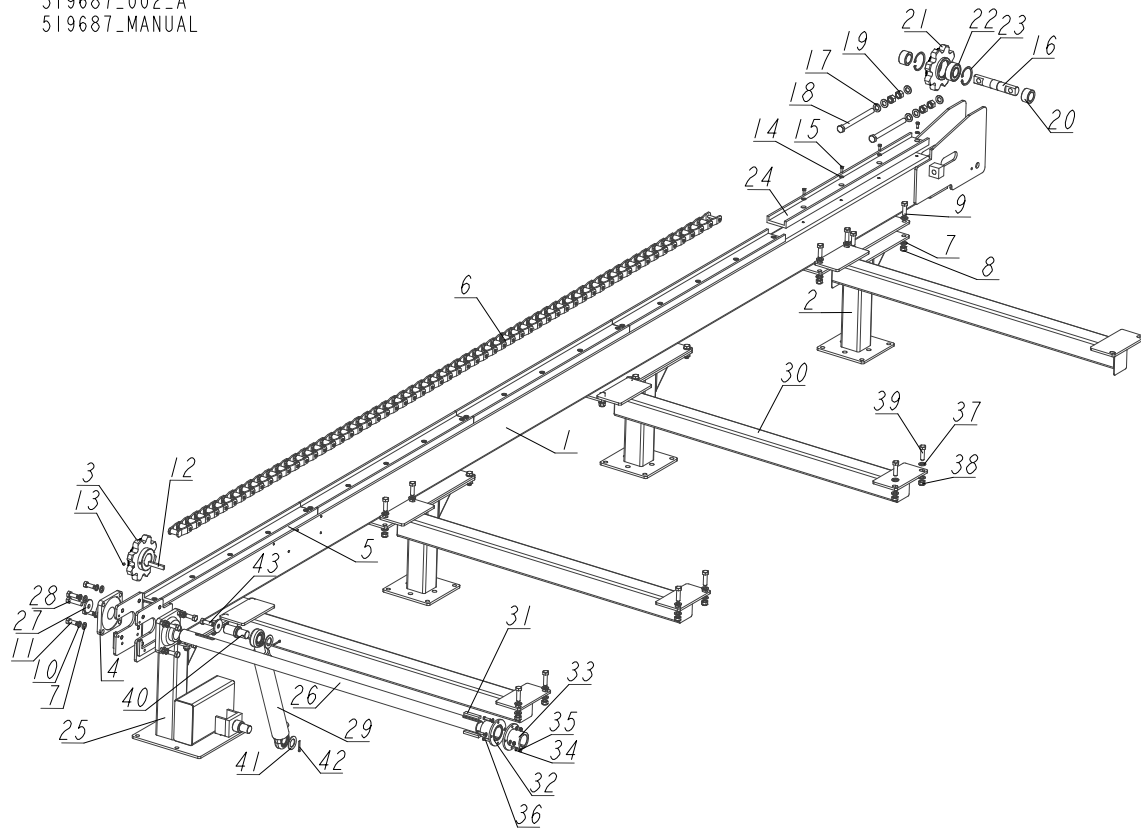


REF	DESCRIPTION (◆ indicates parts available in assemblies only)	PART #	QTY
-	DECK, LD12-2C LOG INFEED	517517	1
1	TUBE, SLPLD3.6 FRAME	098925-1	1
2	BEARING, UCF211 W/HOUSING	089889	2
3	SPROCKET, Z8 OXIDIZED	089888-1	1
4	SHAFT, IDLER SPROCKET ZINC-PLATED	089915-1	1
5	BUSHING, 40.5/59.9-33 ZINC-PLATED	089916-1	2
-	SPROCKET, Z8 COMPLETE	507234	1
6	SPROCKET, Z8 REAR OXIDIZED	089919-1	1
7	BEARING, 3208.2RSR.TVH (FAG) ROLLING	088449	1
8	RING, W80 INSIDE RETAINING	F81090-25	2
9	LEG, LD12/20 H=500MM	098929-1	2
10	WASHER, 17 ZINC FLAT	F81058-1	30
11	WASHER, 16.3 SPLIT ZINC LOCK	F81058-2	8
12	BOLT, M16X40-8.8 HEX HEAD FULL THREAD ZINC	F81006-13	8
13	BOLT, M16X50-8.8 HEX HEAD FULL THREAD ZINC	F81006-7	12
14	LEG, LD12/20 LOG DECK FRONT	517524-1	1
15	NUT, M16-8 HEX NYLON ZINC LOCK	F81036-2	12
16	WASHER, 21 FLAT ZINC	F81059-2	6

REF	DESCRIPTION (◆ indicates parts available in assemblies only)	PART #	QTY	
17	BOLT, M20X240-8.8 HEX HEAD FULL THREAD ZINC	F81007-1	2	
18	NUT, M20-8 HEX ZINC	F81037-1	4	
19	CHANNEL, UHMW CONVEYOR (LD2 12/20)	033722	3	
20	WASHER, 6.5 ZINC SPECIAL FLAT	F81053-11	15	
21	BOLT, M8X20-8.8 HEX HEAD FULL THREAD ZIN	F81002-1	15	
22	SCREW, M8X8-33H HEX SOCKET SET FLAT POIN	F81014-1	2	
23	CHAIN, 8290MM 125-LINK (LD2 12)	504581	1	

1.11 LD20 Log Deck Side Segment

519687_002-A
519687_MANUAL

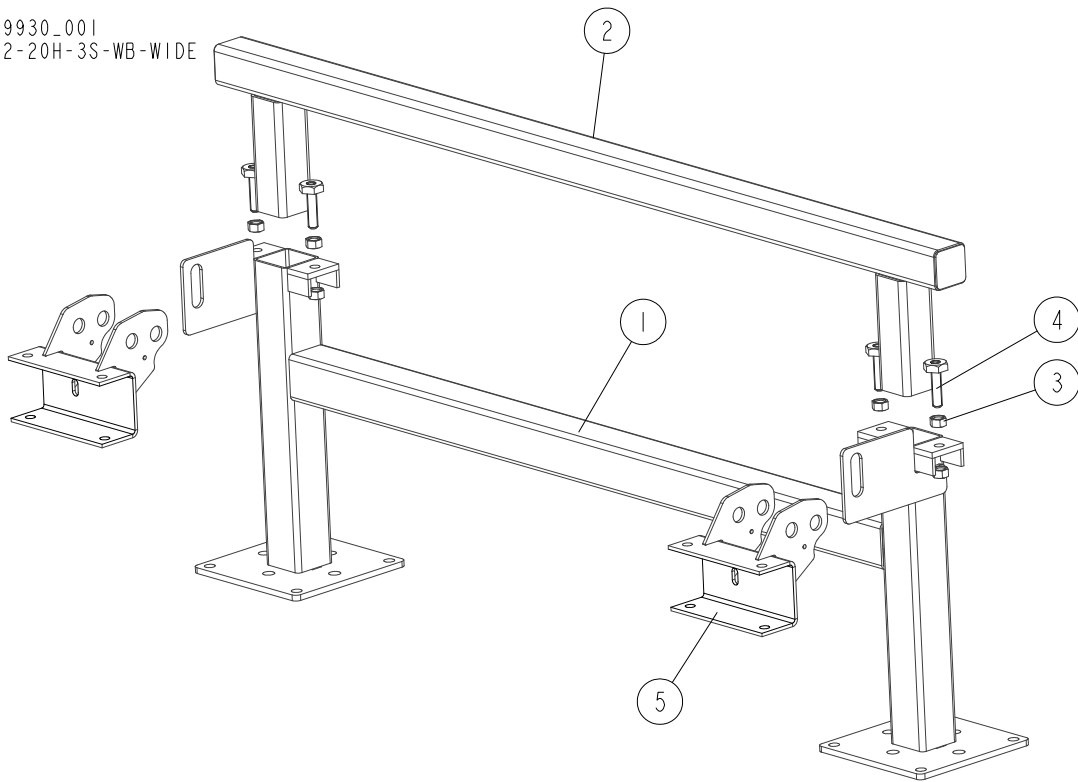


REF	DESCRIPTION (◆ indicates parts available in assemblies only)	PART #	QTY
-	SEGMENT, LD20 LOG DECK SIDE	519687	1
-	SEGMENT, LD20 WIDE LOG DECK - COMPLETE	521932	1
1	TUBE, SLPLD6.0 FRAME	099766-1	1
2	LEG, LD12/20 H=500MM	098929-1	3
3	SPROCKET, Z8	089888	1
4	BEARING, UCF211 W/HOUSING	089889	2
5	CHANNEL, UHMW CONVEYOR	033722	4
6	CHAIN, 20FT INFEED DECK	035762	1
7	WASHER, 17 ZINC FLAT	F81058-1	72
8	NUT, M16-8 HEX NYLON ZINC LOCK	F81036-2	32
9	BOLT, M16X50-8.8 HEX HEAD FULL THREAD ZINC	F81006-7	32
10	WASHER, 16.3 SPLIT ZINC LOCK	F81058-2	8
11	BOLT, M16X40-8.8 HEX HEAD FULL THREAD ZINC	F81006-13	8
12	KEY, 16X10X50	089921	1
13	SCREW, M8X8-33H HEX SOCKET SET FLAT POIN	F81014-1	2
14	WASHER, 6.5 ZINC SPECIAL FLAT	F81053-11	24
15	BOLT, M8X20-8.8 HEX HEAD FULL THREAD ZIN	F81002-1	24
16	SHAFT, IDLER SPROCKET ZINC-PLATED	089915-1	1
17	WASHER, 21 FLAT ZINC	F81059-2	6
18	BOLT, M20X240-8.8 HEX HEAD FULL THREAD ZINC	F81007-1	2
19	NUT, M20-8 HEX ZINC	F81037-1	4
20	BUSHING, 40.5/59.9-33 ZINC-PLATED	089916-1	2
-	SPROCKET, Z8 COMPLETE	507234	1

REF	DESCRIPTION (◆ indicates parts available in assemblies only)	PART #	QTY	
21	SPROCKET, Z8 REAR OXIDIZED	089919-1	1	
22	BEARING, 3208.2RSR.TVH (FAG) ROLLING	088449	1	
23	RING, W80 INSIDE RETAINING	F81090-25	2	
24	CHANNEL, UHMW CONVEYOR DRIVE END	035755	1	
25	LEG, LD12/20 LOG DECK FRONT	517524-1	1	
26	SHAFT, LOG DECK MAIN - SIDE PART	517512	1	
27	WASHER, 17.5/60-6 ZINC-PLATED	098012-1	3	
28	BOLT, M16X65-8.8 HEX HEAD FULL THREAD	F81006-1	1	
29	CYLINDER, CJ2E-16-63/36/320Z UE2-63W HYD	089904	2	
30	CROSS TUBE, LOG INFEED DECK	517518-1	4	
31	KEY, 16X10X50	089921	2	
-	CLUTCH, LD2	517529-1	2	
32	BUSHING	517520	1	
33	PLATE, CLUTCH	517528	1	
34	WASHER, N36	089903	4	
35	PIN, LD CYLINDER MOUNTING ZINC-PLATED	099482-1	2	
36	BOLT, M16X50-8.8 HEX HEAD FULL THREAD ZINC	F81006-7	2	
37	WASHER, 8.4 FLAT ZINC	F81054-1	9	
38	NUT, M8-8-B HEX NYLON ZINC LOCK	F81032-2	4	
39	BOLT, M8X30-8.8-B HEX HEAD FULL THREAD Z	F81002-2	4	
40	WASHER, 17 ZINC FLAT	F81058-1	12	
41	NUT, M16-8 HEX NYLON ZINC LOCK	F81036-2	6	
42	BOLT, M16X55-8.8 HEX HEAD FULL THREAD ZINC	F81006-61	6	
43	PIN, 5X40 COTTER	F81043-31	3	

1.12 Log Deck Stop & Loader Bracket

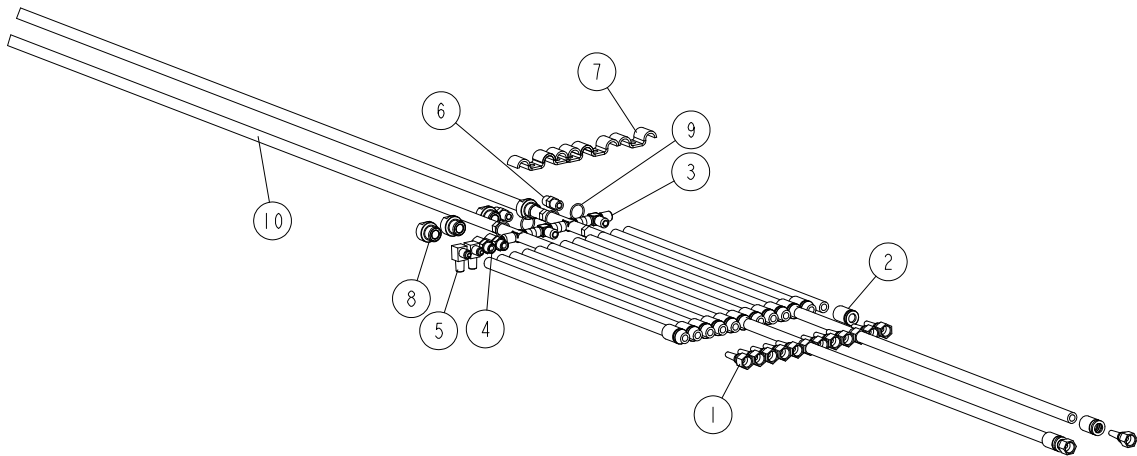
089930_001
LD2-20H-3S-WB-WIDE



REF	DESCRIPTION (◆ indicates parts available in assemblies only)	PART #	QTY
-	STOP WELDMENT, LOG INFEEDECK - COMPLETE	089930	1
1	STOP WELDMENT - LOWER PART	089926-1	1
2	STOP WELDMENT - UPPER PART	089922-1	1
3	NUT, M16 5.8 HEX ZINC	F81036-5	8
4	BOLT, M16 BED RAIL ADJUSTMENT	505006	4
5	BRACKET, LOG LOADER ("M" FRAME SUPER)	500747-1	2

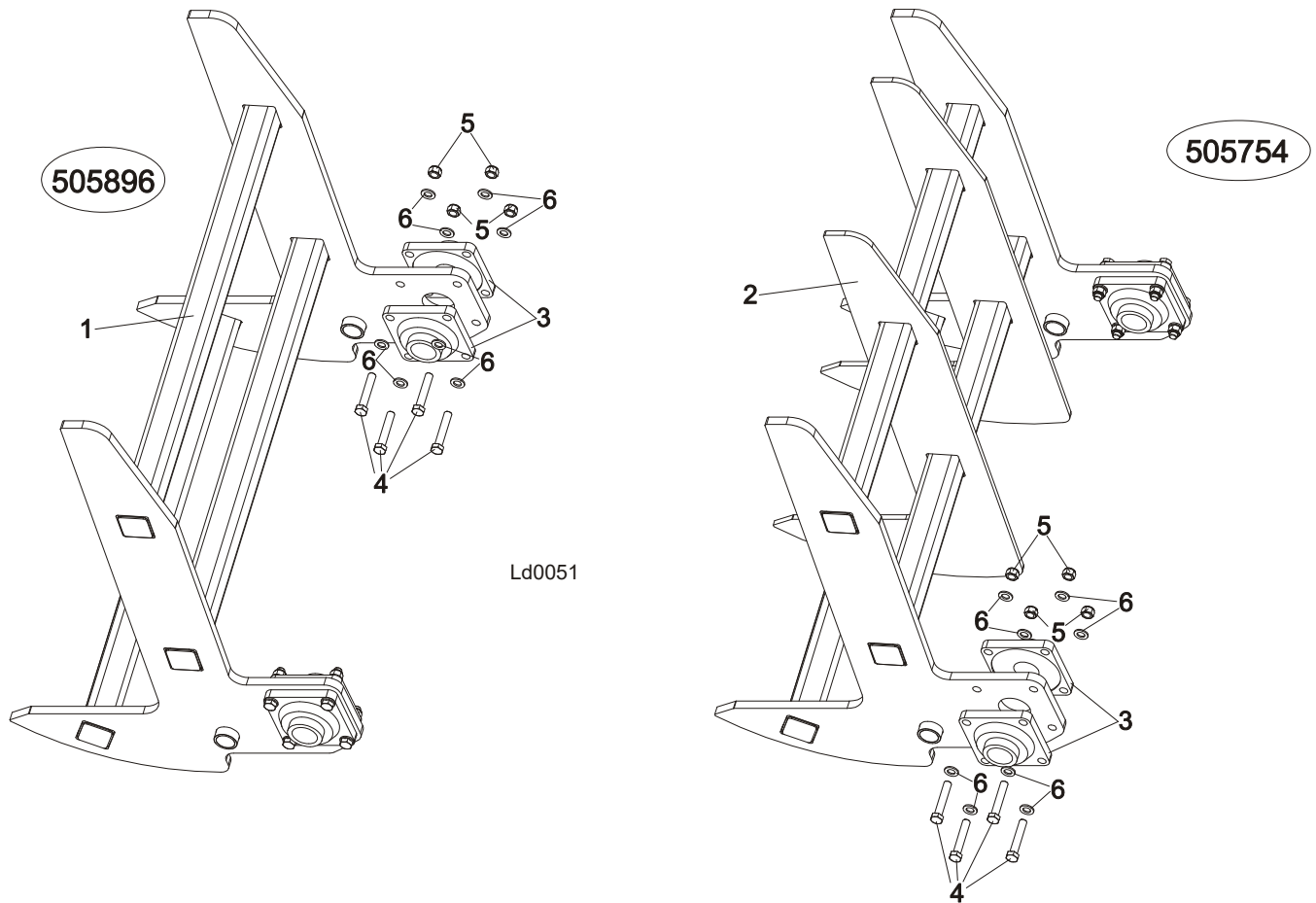
1.13 Hydraulic Hoses, LD2 6H-2S-WB

718508_002
718508_MANUAL



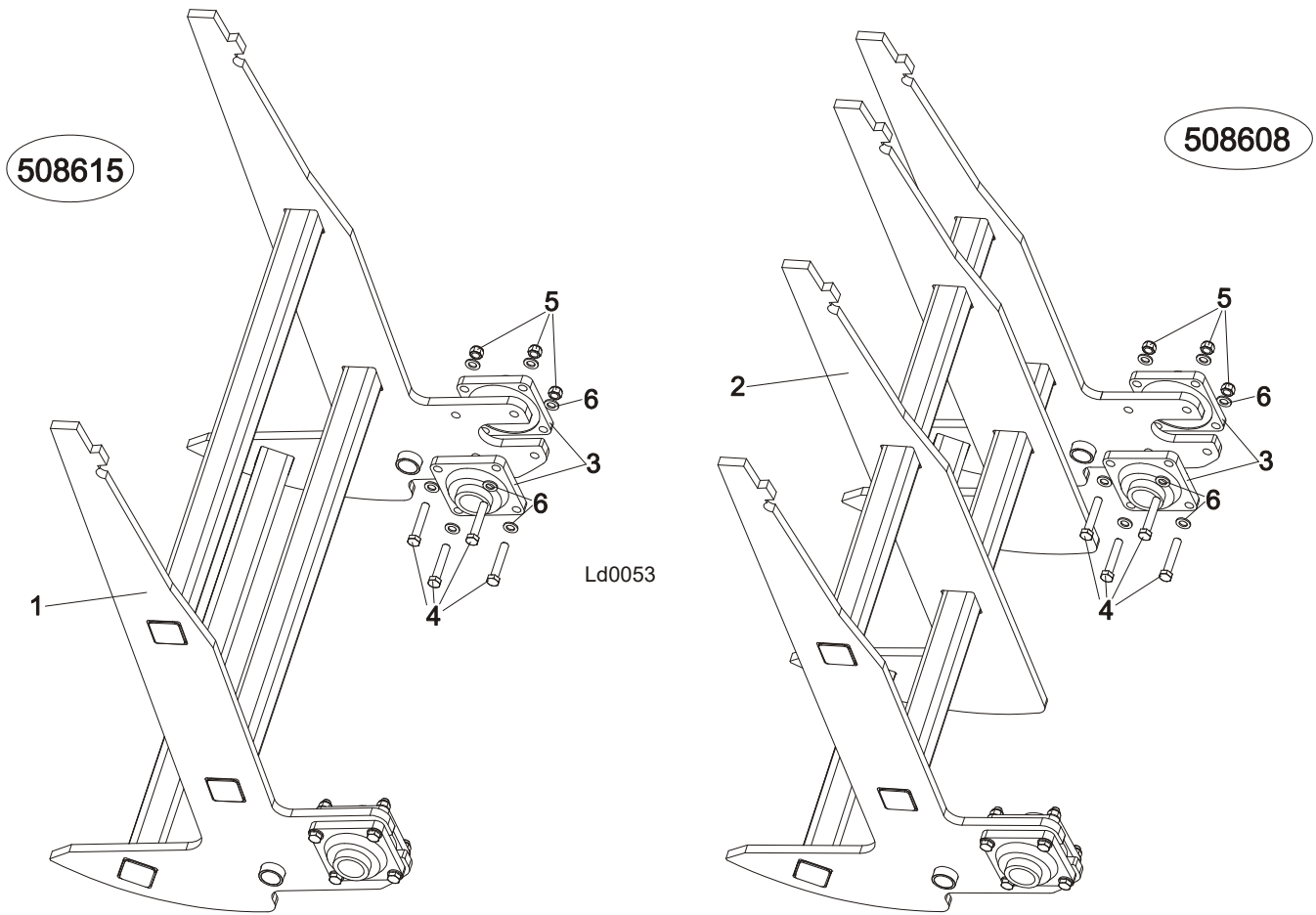
REF	DESCRIPTION (◆ indicates parts available in assemblies only)	PART #	QTY
-	HOSE KIT, WB2000 LOG DECK HYDRAULIC	521908	1
1	FITTING, JIC 9/16-18 HYDRAULIC	085900	12
2	FERRULE, 10-2SN HOSE	096910	12
3	FITTING, 3/8JIC TEE	015487	4
4	FITTING, #6SAE 45 DEG ELBOW	015489	2
5	FITTING, 3/8JIC-1/4NPT 90L	015491	2
6	FITTING, 3/8JIC-1/4 NPT STRAIGHT	015560	6
7	CLAMP, 3/8 HOSE	016041	5
8	FITTING, M22X1.5 / 1/4 -18 NPT ZINC-PL.	093139-1	4
9	O-RING, 20X2	093483	4
10	HOSE, 3/8"X4.0M LT70AC R. HYDRO-MOTOR	094592	2
11	CHAIN, 4250MM 64-LINK LOG INFEED DECK	718511	2
12	GROMMET, 22MM I.D. RUBBER	087400	2
13	COVER, CABLE	514985-1	2

1.14 LD2 Log Deck Loaders



REF	DESCRIPTION (◆ indicates parts available in assemblies only)	PART #	QTY
	LOADER, LD2 12/20 (2S) LOG DECK - COMPLETE	505896	1
	LOADER, LD2 12/20 (3S) LOG DECK - COMPLETE	505754	1
1	LOADER, LD2 12/20 (2S) LOG DECK	505812-1	1
2	LOADER, LD2 12/20 (3S) LOG DECK	505752-1	1
3	BEARING, UCF211 W/HOUSING	089889	4
4	BOLT, M16 X 90-8.8 HEX HEAD ZINC	F81006-17	8
5	NUT, M16-8 HEX NYLON ZINC LOCK	F81036-2	8
6	SPROCKET, Z8 REAR OXIDIZED	089919-1	16

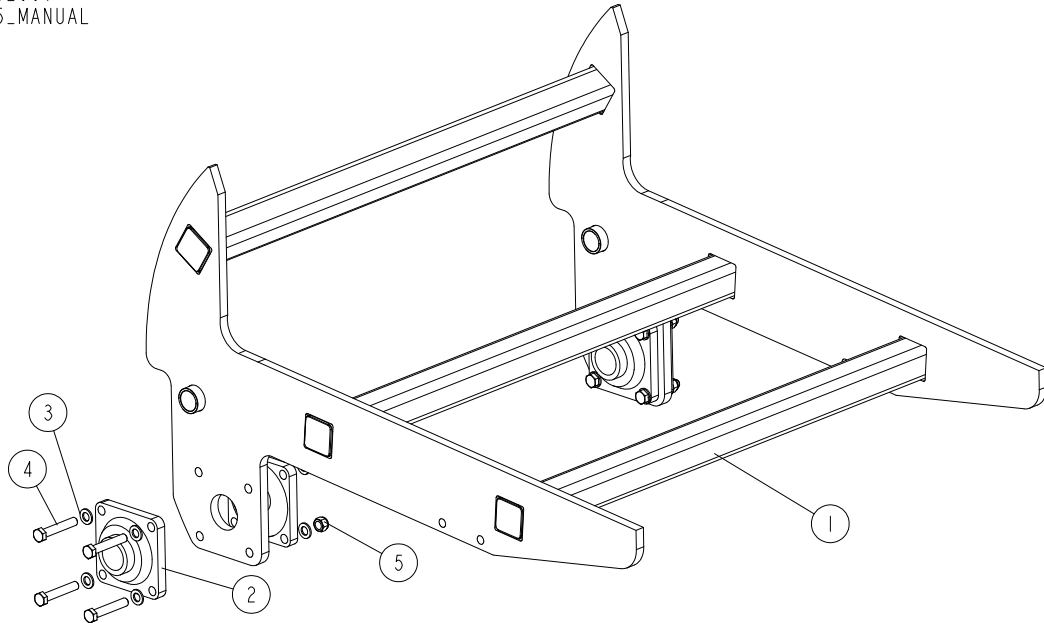
1.15 LD2 Log Deck Loaders (Right-Hand Log Loading). 505896.505754



REF	DESCRIPTION (◆ indicates parts available in assemblies only)	PART #	QTY
	LOADER, LD2 12/20 (2S) LOG DECK - COMPLETE	505896	1
	LOADER, LD2 12/20 (3S) LOG DECK - COMPLETE	505754	1
1	LOADER, LD2 12/20 (2S) LOG DECK	506247-1	1
2	LOADER, LD2 12/20 (3S) LOG DECK	508609-1	1
3	BEARING, UCF211 W/HOUSING	089889	4
4	BOLT, M16 X 90-8.8 HEX HEAD ZINC	F81006-17	8
5	NUT, M16-8 HEX NYLON ZINC LOCK	F81036-2	8
6	WASHER, 17 ZINC FLAT	F81058-1	16

1.16 LD2-70W Log Deck Loader

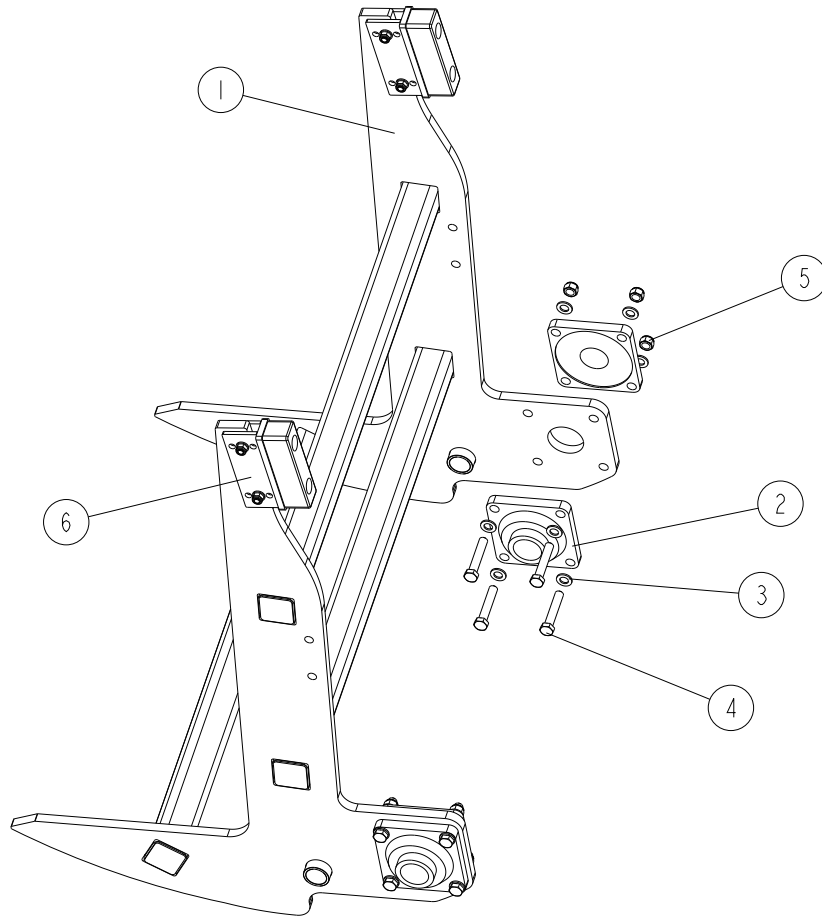
532235_001
532235_MANUAL



REF	DESCRIPTION (◆ indicates parts available in assemblies only)	PART #	QTY
-	LOADER, LD12/20 LT70WIDE (2S)-COMPLETE	532235	1
1	LOADER, LD12/20 (2S) LT70 WIDE	532234-1	1
2	BEARING, UCF211 W/HOUSING	089889	4
3	WASHER, 17 ZINC FLAT	F81058-1	16
4	BOLT, M16 X 90-8.8 HEX HEAD ZINC	F81006-17	8
5	NUT, M16-8 HEX NYLON ZINC LOCK	F81036-2	8

1.17 LD2-WB Log Deck Loader

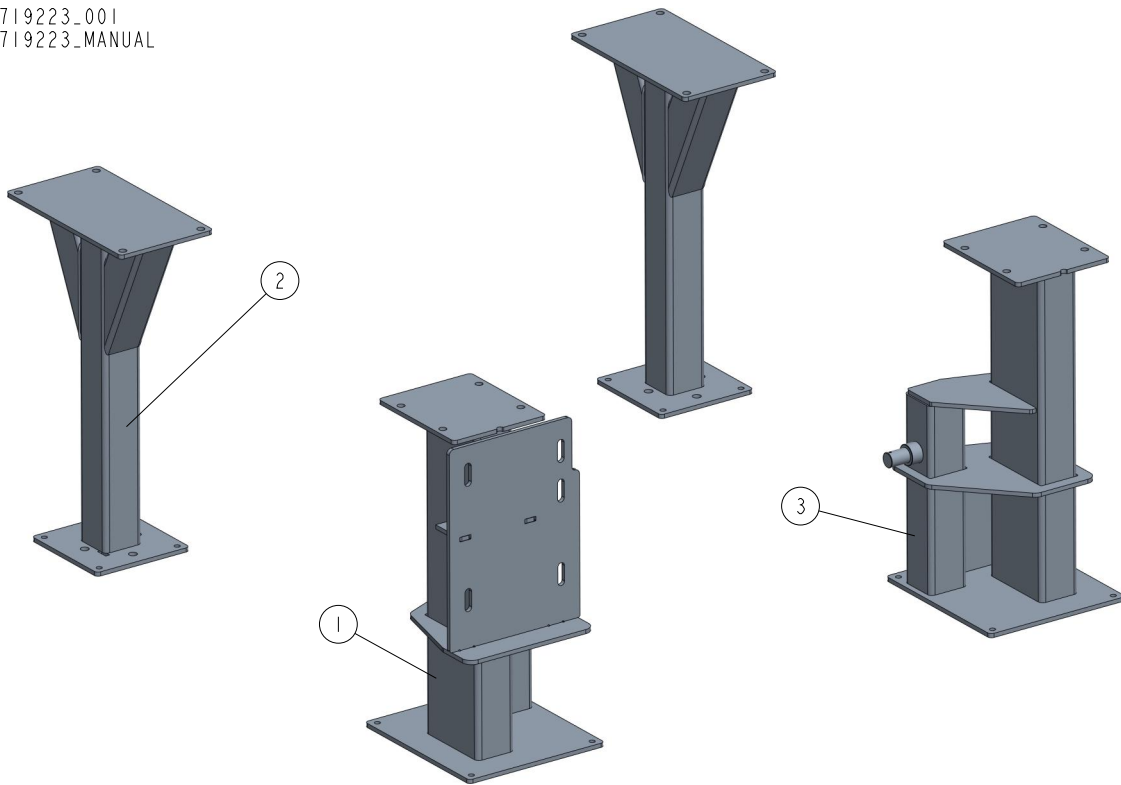
LD2_001_A
713625_Manual



REF	DESCRIPTION (◆ indicates parts available in assemblies only)	PART #	QTY
-	LOADER, LD12/20 (2S), LOG DECK - COMPLETE	713625	1
1	LOADER, LD12/20 (2S), LOG DECK	713626-1	1
2	BEARING, UCF211 W/HOUSING	089889	4
3	WASHER, 17 ZINC FLAT	F81058-1	16
4	BOLT, M16 X 90-8.8 HEX HEAD ZINC	F81006-17	8
5	NUT, M16-8 HEX NYLON ZINC LOCK	F81036-2	8
6	BUMPER, LOG DECK COMPLETE See Section 1.23	716014	2

1.18 LD12 Log Infeed Deck Legs

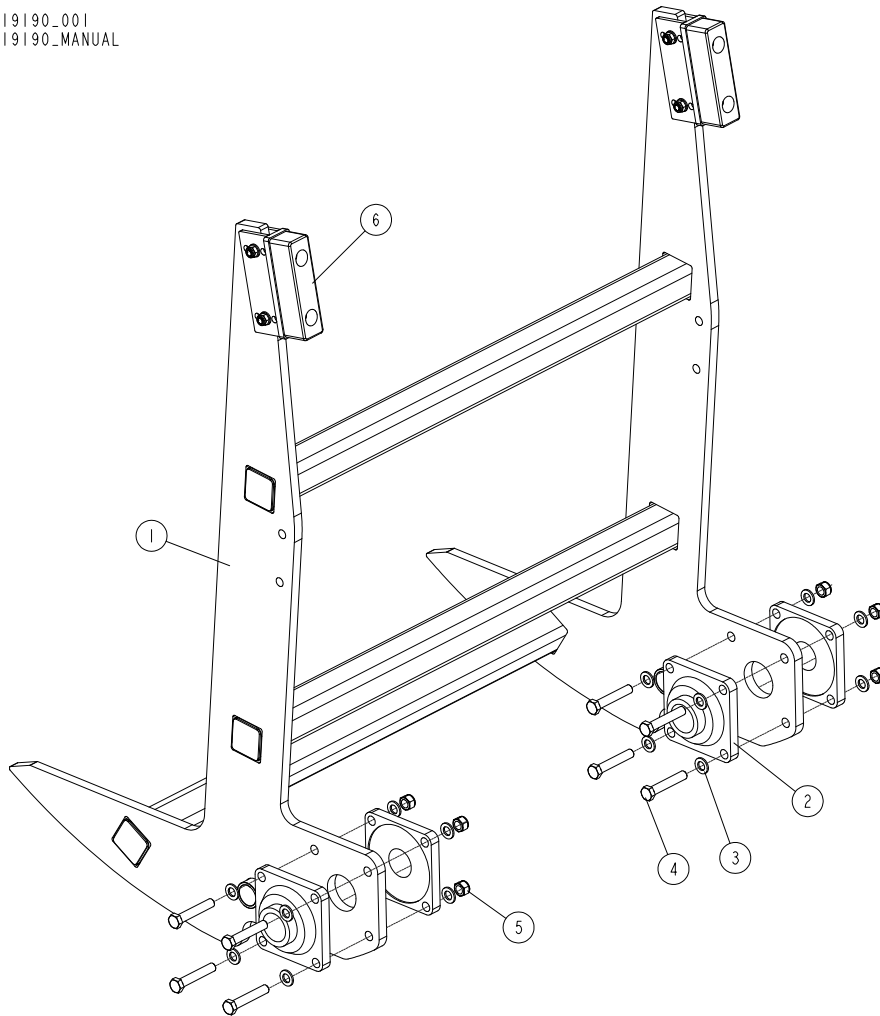
719223_001
719223_MANUAL



REF	DESCRIPTION (◆ indicates parts available in assemblies only)	PART #	QTY
1	LEG W/DRIVE MOUNT PLATE	719200-1	1
2	LEG, LD12/20 H=927MM LOG INFEED DECK	719197-1	2
3	LEG, FRONT	719199-1	1

1.19 LD12/20 (2S) Log Loader

719190_001
719190_MANUAL

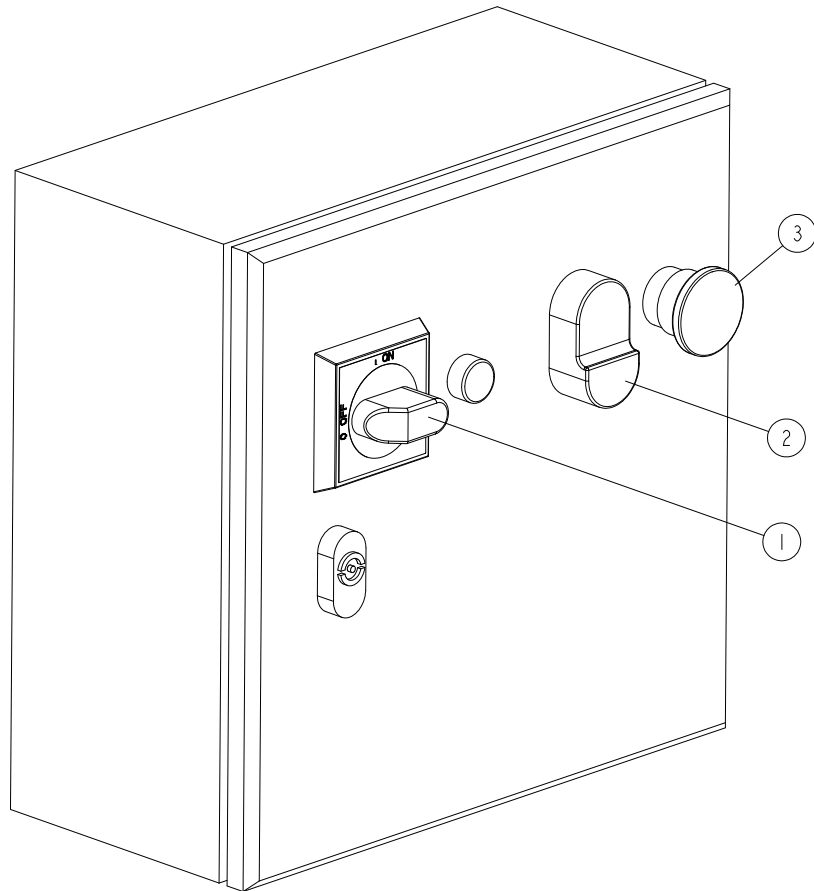


REF	DESCRIPTION (◆ indicates parts available in assemblies only)	PART #	QTY
-	LOG LOADER, LD12/20 (2S) COMPLETE	719190	1
1	LOG LOADER, LD12/20 (2S)	719191-1	1
2	BEARING, UCF211 W/HOUSING	089889	4
3	WASHER, 17 ZINC FLAT	F81058-1	16
4	BOLT, M16 X 90-8.8 HEX HEAD ZINC	F81006-17	8
5	NUT, M16-8 HEX NYLON ZINC LOCK	F81036-2	8
6	BUMPER, LOG DECK COMPLETE See Section 1.32	540865	2

1 *Box, Electrical (Log Infeed Deck w/Light Curtain)*

1.20 Box, Electrical (Log Infeed Deck w/Light Curtain)

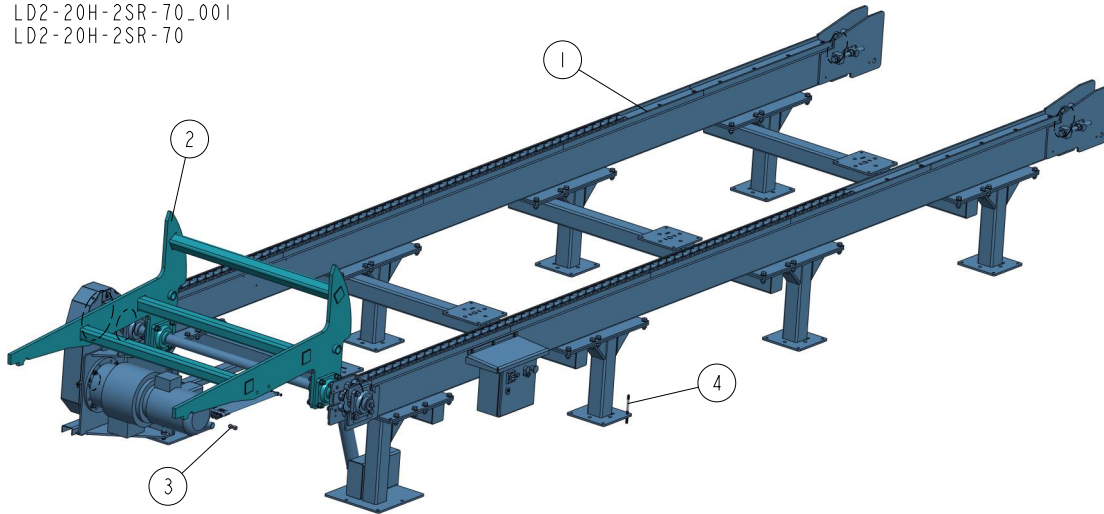
093174_001
093174_MANUAL



REF	DESCRIPTION (◆ indicates parts available in assemblies only)	PART #	QTY	
-	BOX, ELECTRICAL (LOG INFEEED DECK W/LIGHT CURTAIN)	093174	1	
1	HANDLE, ABB SWITCH	088265-1	1	
2	BUTTON, 24V START/STOP	090452	1	
3	SWITCH, XB4 BS542 EMERGENCY STOP	086556	1	

1.21 Log Infeed Deck LD2-20H-2SR-70

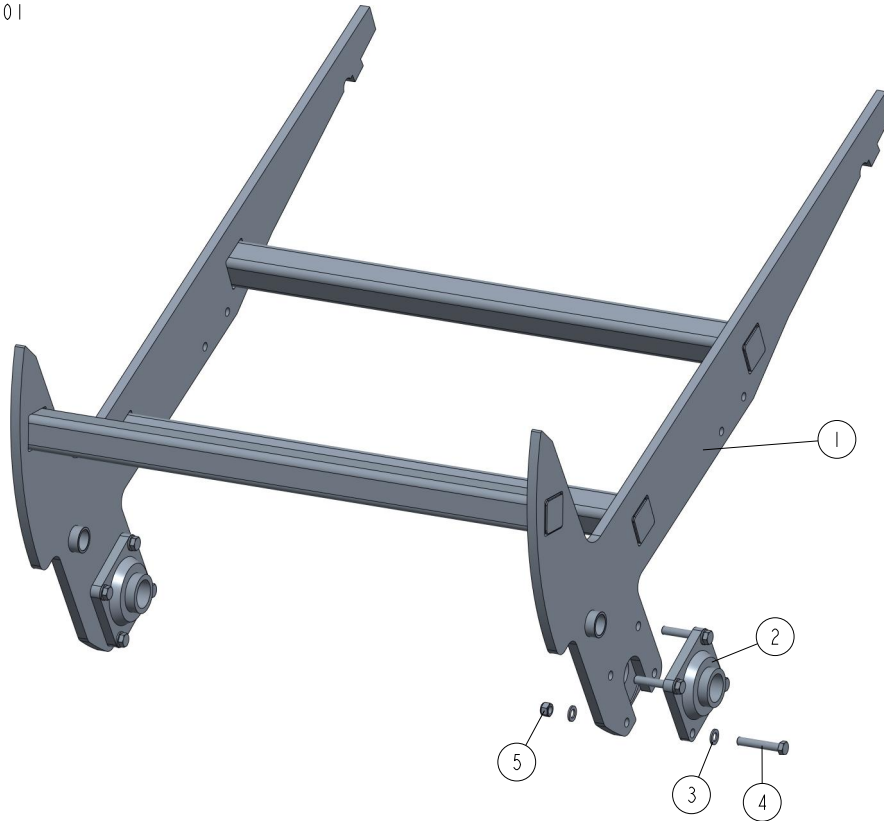
LD2-20H-2SR-70_001
LD2-20H-2SR-70



REF	DESCRIPTION (◆ indicates parts available in assemblies only)	PART #	QTY
-	LOG INFEEDECK - COMPLETE	LD2-20H-2SR-70	1
1	DECK, LD2 20-SR-WIDE LOG INFEEDECK See Section 1.6	550107	1
2	LOADER, LD2 12/20 (2SR) LOG DECK - COMPL See Section 1.22	508615	1
3	FITTING, 3/8JIC CAP	016816	2
4	ANCHOR, M12 140MM	084529	10

1.22 Log Deck Loader 508615

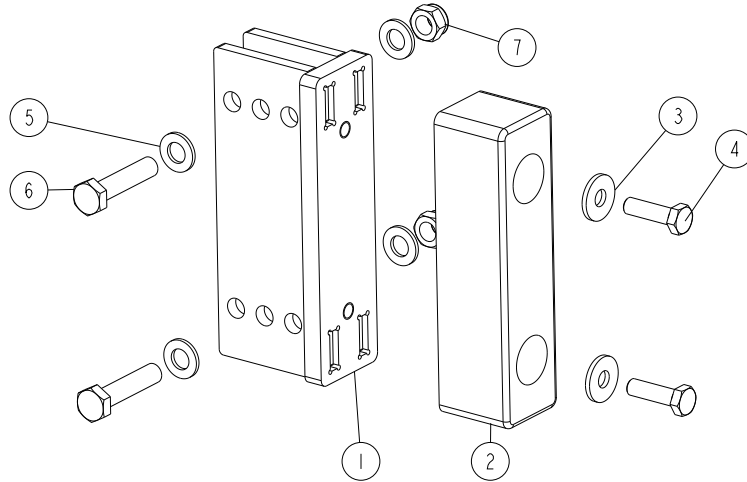
508615_001
508615



REF	DESCRIPTION (◆ indicates parts available in assemblies only)	PART #	QTY	
-	LOADER, LD2 12/20 (2SR) LOG DECK - COMPL	508615	1	
1	LOADER, LD2 12/20 (2S) LOG DECK	506247-1	1	
2	BEARING, UCF 211 W/HOUSING	089889	4	
3	WASHER, 17 SPLIT LOCK ZINC	F81058-1	16	
4	BOLT M16X90-8.8-HEX HEAD ZINC	F81006-17	8	
5	NUT, M16-8 HEX NYLON ZINC LOCK	F81036-2	8	

1.23 Log Deck Bumper (No. 716014)

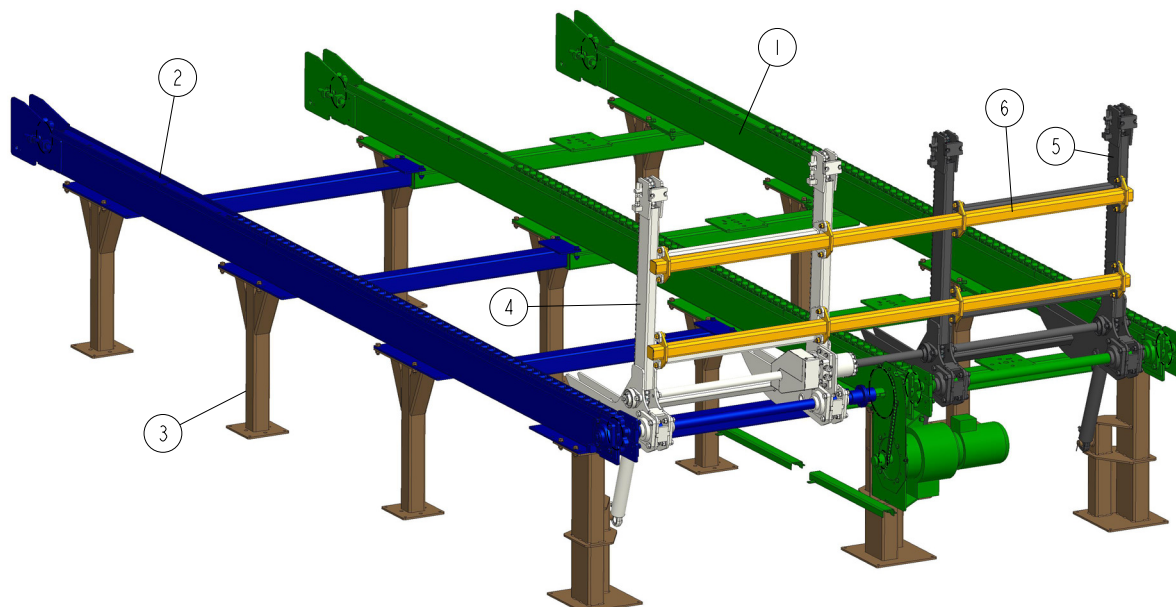
716014_001
716014_MANUAL



REF	DESCRIPTION (◆ indicates parts available in assemblies only)	PART #	QTY
-	BUMPER, LOG DECK COMPLETE	716014	1
1	BRACKET, BUMPER	716013-1	1
2	BLOCK, RUBBER BUMPER	089717	1
3	WASHER, 10.5 ZINC FLAT SPECIAL	F81055-6	2
4	BOLT, M10X35-8.8 HEX HEAD FULL THREAD ZIN	F81003-17	2
5	WASHER, 13 FLAT ZINC, WASHER, M12 , FLAT	F81056-1	4
6	BOLT, M12X55-8.8 HEX HEAD ZINC	F81004-12	2
7	NUT, M12-8 , HEX, NYLON, ZINC, LOCK	F81034-2	2

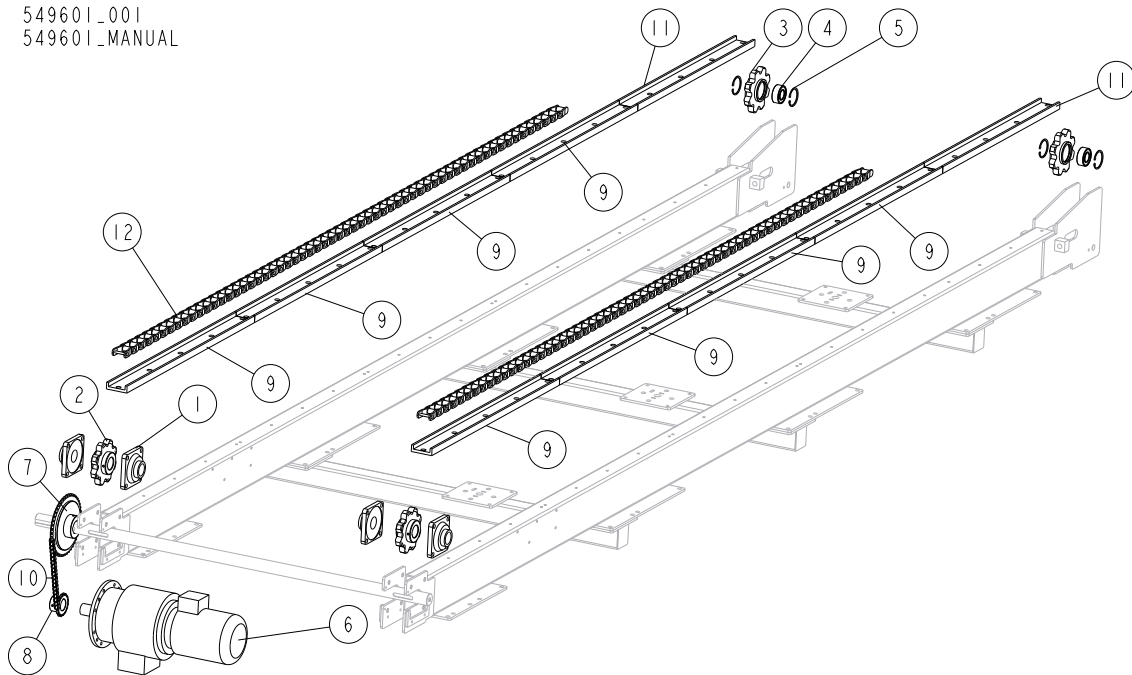
1.24 LD2-20C-3S-WB-WIDE-HDU

LD2-20C-3S-WB-WIDE-HDU_001
LD2-20C-3S-WB-WIDE-HDU



REF	DESCRIPTION (◆ indicates parts available in assemblies only)	PART #	QTY
-	LD2-20C-3S-WB-WIDE-HDU	LD2-20C-3S-WB-WIDE-HDU	1
1	LOG DECK- LD20-2C-WB-UL See Section 1.25	549601-U	1
2	LOG DECK SIDE SEGMENT-LD20 See Section 1.26	536316	1
3	LEG, SET LD2-WB-HD See Section 1.27	549602	1
4	LOG LOADER, LD12/20 W/DRIVE - COMPLETE See Section 1.28	549603	1
5	LOG LOADER, LD12/20 W/DRIVE - COMPLETE See Section 1.29	549604	1
6	LOG LOADER CONNECTION TUBE KPL See Section 5.9	536335	2

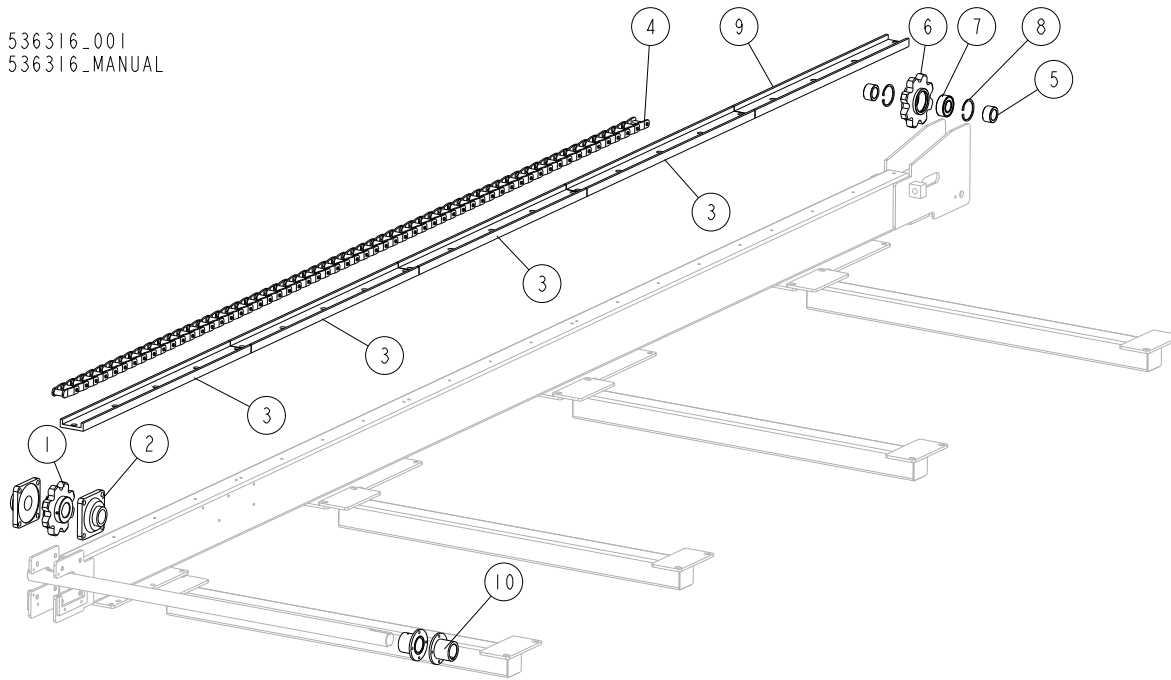
1.25 Log Deck. 549601

549601_001
549601_MANUAL

REF	DESCRIPTION (◆ indicates parts available in assemblies only)	PART #	QTY	
-	LOG DECK- LD20-2C-WB	549601	1	
-	LOG DECK- LD20-2C-WB-UL	549601-U	1	
1	BEARING,UCF 211 W/HOUSING(55 DIA. SHAFT)	089889	4	
2	SPROCKET Z8 - PTD, SPROCKET, Z8 OXIDIZED	089888-1	2	
-	SPROCKET ASSEMBLY, Z8 - COMPLETE	507234	2	
3	SPROCKET, Z8 IDLER PTD.	089919-1	1	
4	BEARING, 3208.2RSR.TVH (FAG) ROLLING	088449	1	
5	RING, W80 OUTSIDE RETAINING	F81090-25	2	
6	GEAR MOTOR, SBCM 180/112M-4/32 W/SMALL FLANGE	089892	1	
	MOTOREDUCER SXHCM502F/112M-4/34D.300. UL	089892-UL	1	
7	SPROCKET, 12B Z45-ZINC-PLATED	089894-1	1	
8	SPROCKET, 12B Z16-PTD, SPROCKET, 12B Z16	090303-1	1	
9	CHANNEL, UHMW CONVEYOR	033722	8	
10	CHAIN, 12B-1-69 (1,31RM)	090711	1	
11	CHANNEL, UHMW CONVEYOR DRIVE END	035755	2	
12	CHAIN,TVS INCLINE LOG DECK 12930MM 195LINK	504583	2	

1.26 Log Deck. 536316

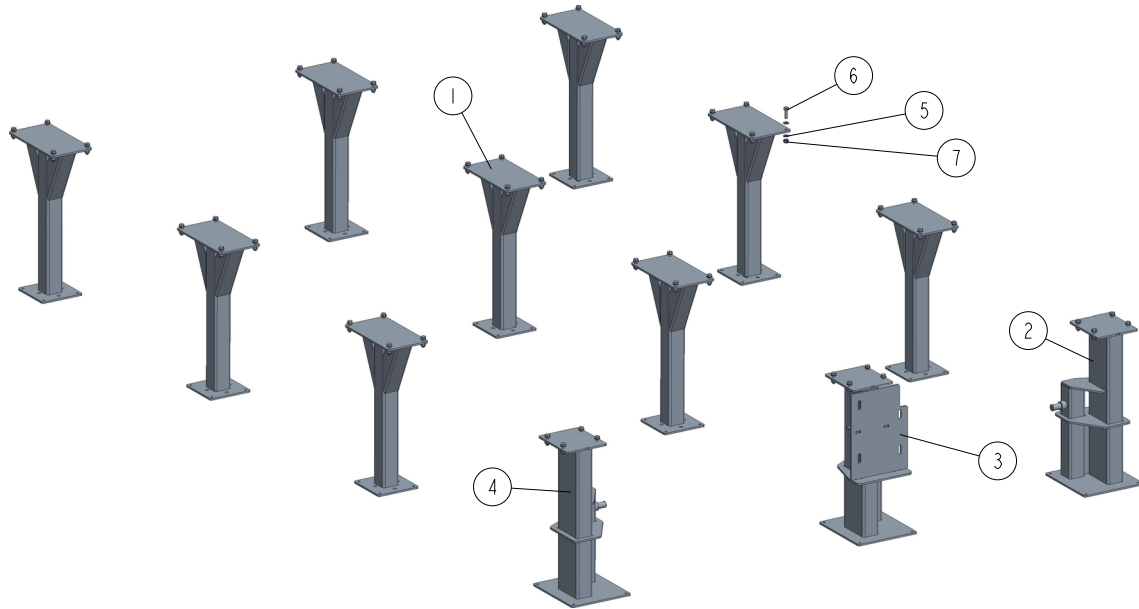
536316_001
536316_MANUAL



REF	DESCRIPTION (◆ indicates parts available in assemblies only)	PART #	QTY
-	LOG DECK SIDE SEGMENT-LD20	536316	1
-	SEGMENT, LOG DECK SIDE LD20 - COMPLETE	536319	1
1	SPROCKET, Z8	089888	1
2	BEARING,UCF 211 W/HOUSING(55 DIA. SHAFT)	089889	2
3	CHANNEL, UHMW CONVEYOR	033722	4
4	CHAIN,TVS INCLINE LOG DECK 12930MM 195LINK	504583	1
5	BUSHING, 40.5/59.9-33 ZINC-PLATED	089916-1	2
-	SPROCKET, Z8 - COMPLETE	507234	1
6	SPROCKET, Z8 IDLER, PTD.	089919-1	1
7	BEARING, 3208.2RSR.TVH (FAG) ROLLING	088449	1
8	RING, W80 PN-81/M-8511 OUTSIDE RETAINING	F81090-25	2
9	CHANNEL, UHMW CONVEYOR DRIVE END	035755	1
10	CLUTCH, LD2	517529-1	2

1.27 Leg Set (No. 549602)

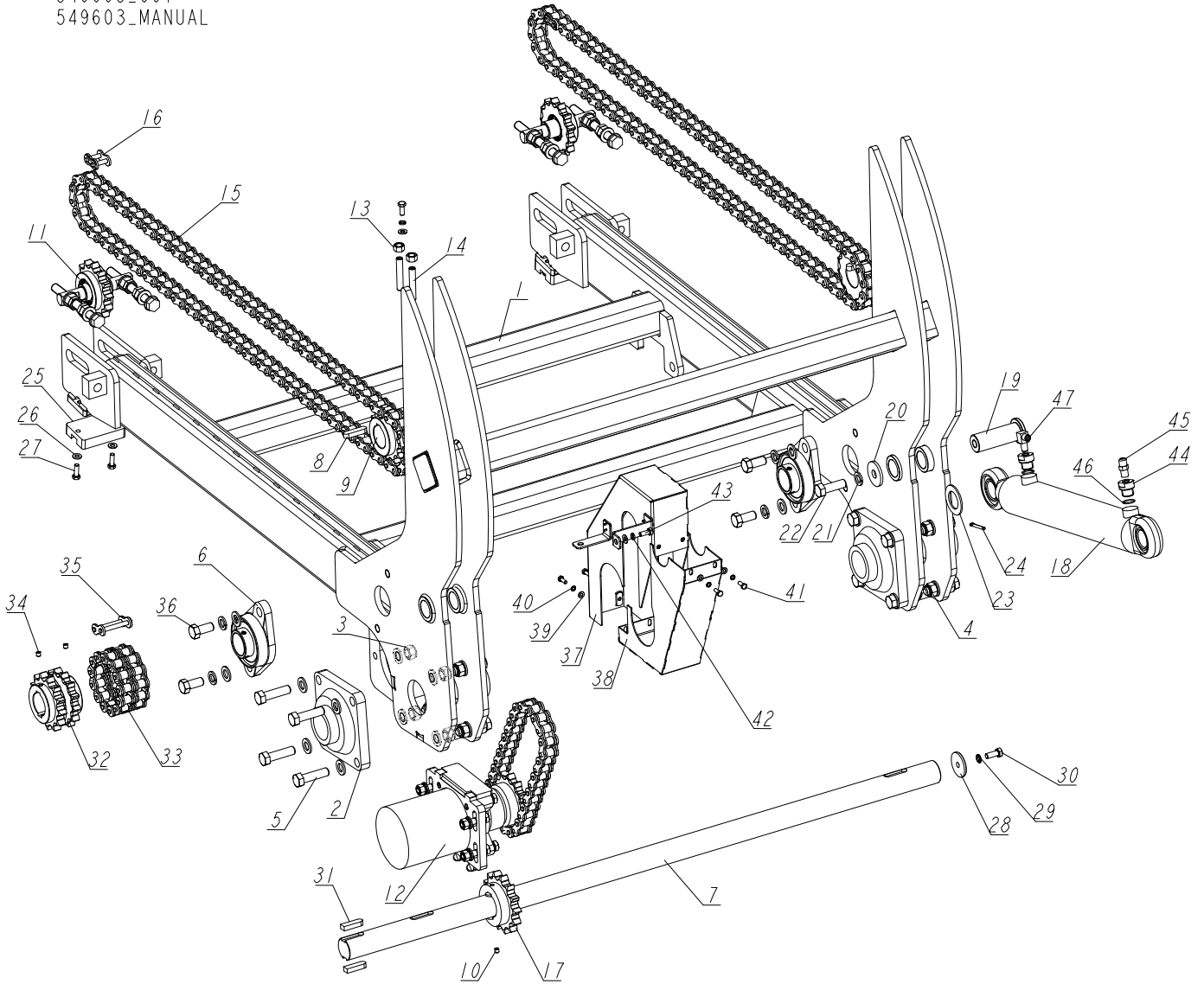
549602_001
549602



REF	DESCRIPTION (◆ indicates parts available in assemblies only)	PART #	QTY
-	LEG, SET LD2-WB-HD	549602	1
1	LEG RAMP LD12/20 H=862MM	549632-1	9
2	LOG FRONT RAMP	549611-1	1
3	LEG BRACKET DRIVE	549610-1	1
4	LEG FRONT RAMP	549609-1	1
5	WASHER, 17 FLAT ZINC	F81058-1	96
6	BOLT, M16 X 50-8.8 HEX HEAD	F81006-7	48
7	NUT, M16-8 HEX NYLON ZINC LOCK	F81036-2	48

1.28 LD12/20 Log Loader w/Drive. 549603

549603_001
549603_MANUAL

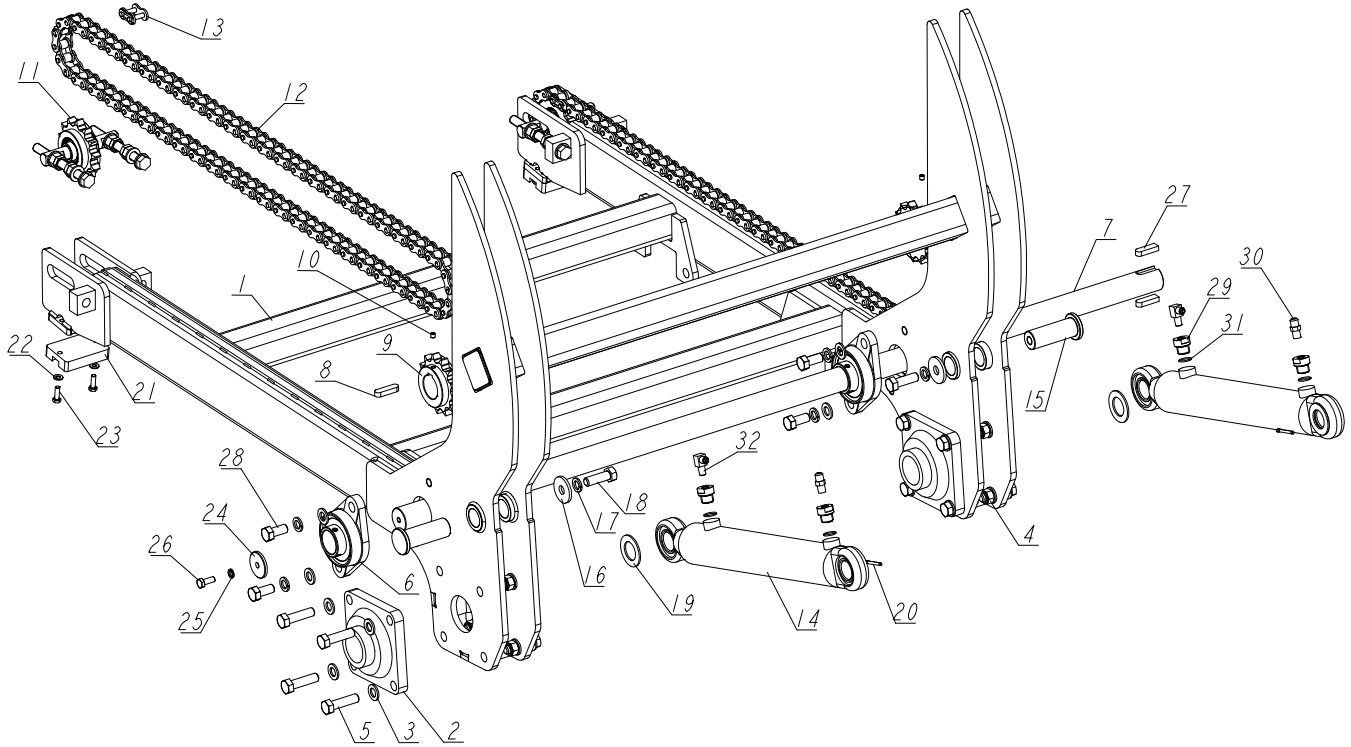


REF	DESCRIPTION (◆ indicates parts available in assemblies only)	PART #	QTY
-	LOG LOADER, LD12/20 W/DRIVE - COMPLETE	549603	1
1	LOG LOADER, LD HD12/20 (2S)	549605-1	1
2	BEARING, UCF211 W/HOUSING	089889	4
3	WASHER, 17 ZINC FLAT	F81058-1	40
4	NUT, M16-8 HEX NYLON ZINC LOCK	F81036-2	16
5	BOLT, M16X60-8.8-HEX HEAD FULL THREAD ZI	F81006-12	16
6	UNIT, UCFL 209 BEARING	536341	4
7	SHAFT, LOADER ARM DRIVE	536323	1
8	KEY, A14X9X50 PARALLEL	536339	4
9	SPROCKET, 13Z 16B-1	533838-1	2
10	SCREW, M8X8-33H HEX SOCKET SET FLAT POIN	F81014-1	4
11	TENSIONER ASSEMBLY See Section 1.30	533841	2
12	DRIVE ASSEMBLY, LOADER ARM See Section 1.31	534102	1
13	NUT M12 ZC 8 DIN 934	F81034-1	2

REF	DESCRIPTION (◆ indicates parts available in assemblies only)	PART #	QTY	
14	SCREW, M12X70-33H HEX SOCKET SET W/FLAT POINT	F81004-125	2	
-	CHAIN, 16B DRIVE	549616	2	
15	CHAIN, 16B-1, L=2640 MM	549615	1	
16	LINK, 16B MASTER	511686	1	
17	SPROCKET, 16B Z14	536342	1	
18	CYLINDER, CJ2E-16-63/36/320Z UE2-63W HYDRAULIC	089904	1	
19	PIN, CYLINDER MOUNT	534117-1	1	
20	WASHER, 16.5/50-5	534118-1	1	
21	WASHER, 16.3 SPLIT ZINC LOCK	F81058-2	9	
22	BOLT, M16X50-8.8 HEX HEAD FULL THREAD ZI	F81006-7	1	
23	WASHER, N36 ZINC-PLATED	089903-1	1	
24	PIN, 5X40 COTTER	F81043-31	1	
25	BUMPER, GRENE 70 3201 0010 RUBBER	094969	2	
26	WASHER, 8.4 FLAT ZINC	F81054-1	6	
27	BOLT, M8X25-8.8-B HEX HEAD FULL THREAD ZINC	F81002-5	4	
28	WASHER, 50X10.5-5	524023-1	1	
29	WASHER, Z 10.2 SPLIT LOCK ZINC	F81055-2	1	
30	BOLT, M10X25 8.8 HEX HEAD FULL THREAD ZINC	F81003-11	1	
31	KEY, AB 14X9X45 PARALLEL	536340	2	
-	COUPLING, CHAIN	536327	1	
32	SPROCKET, 13Z 16B-1	536329-1	2	
33	CHAIN, 16B2 L=330.2 COUPLING	536328	1	
34	SCREW, M8X8-33H HEX SOCKET SET FLAT POIN	F81014-1	4	
35	LINK, 16B-2 (T36073 ULMER) MASTER	506635	1	
36	BOLT, M16X35-8.8 HEX HEAD FULL THREAD ZINC	F81006-74	8	
37	GUARD, CHAIN	549618-1	1	
38	GUARD, WHEEL - COMPLETE	549621-1	1	
39	WASHER 6,4 ZC DIN 126 ISO 7091	F81053-1	4	
40	WASHER 6.1 ZC SPRING LOCK DIN 127	F81053-3	4	
41	BOLT M6X16 HH ZC FT 8.8 DIN 933	F81001-15	4	
42	WASHER 8,2 ZC SPRING LOCK DIN 127	F81054-4	2	
43	BOLT, M8X20MM, HEX HEAD,GR 5.8 ZINC,	F81002-4	2	
44	FITTING, M22X1.5 / 1/4 -18 NPT ZINC-PL.	093139-1	2	
45	FITTING, 3/8JIC-1/4 NPT STRAIGHT	015560	1	
46	O-RING, 20X2	093483	2	
47	FITTING, 3/8JIC-1/4NPT 90L	015491	1	

1.29 LD12/20 Log Loader with Drive. 549604

549604_001
549604_MANUAL

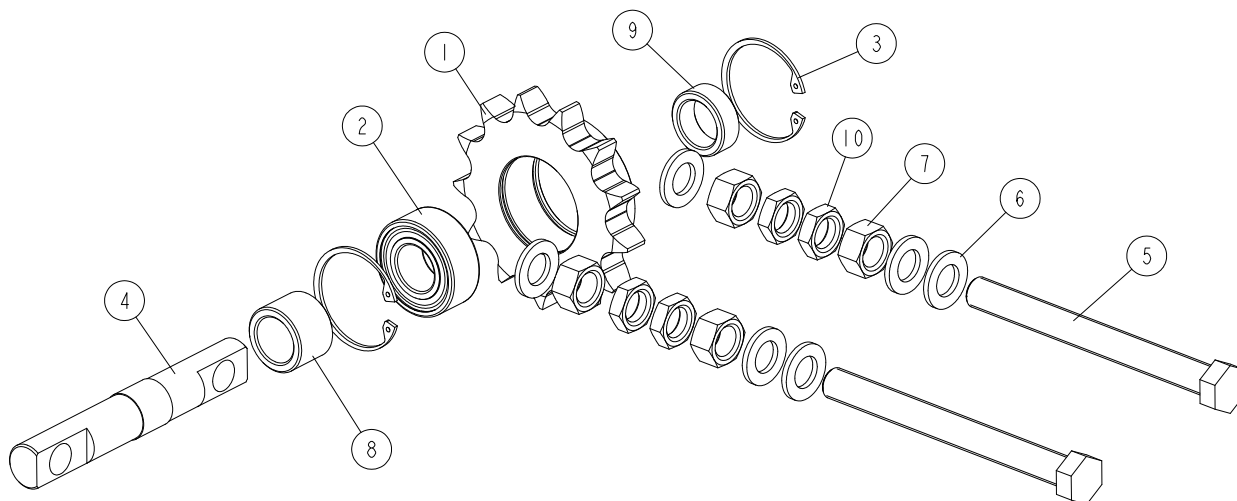


REF	DESCRIPTION (◆ indicates parts available in assemblies only)	PART #	QTY
-	LOG LOADER, LD12/20 W/DRIVE - COMPLETE	549604	1
1	LOG LOADER, LD HD12/20 (2S)	549606-1	1
2	BEARING, UCF211 W/HOUSING	089889	4
3	WASHER, 17 ZINC FLAT	F81058-1	40
4	NUT, M16-8 HEX NYLON ZINC LOCK	F81036-2	16
5	BOLT, M16X60-8.8-HEX HEAD FULL THREAD ZI	F81006-12	16
6	UNIT, UCFL 209 BEARING	536341	4
7	SHAFT, LOADER ARM DRIVE	536326	1
8	KEY, A14X9X50 PARALLEL	536339	2
9	SPROCKET, 13Z 16B-1	533838-1	2
10	SCREW, M8X8-33H HEX SOCKET SET FLAT POIN	F81014-1	2
11	TENSIONER ASSEMBLY See Section 1.30	533841	2
-	CHAIN, 16B DRIVE	549616	2
12	CHAIN, 16B-1, L=2640 MM	549615	1
13	LINK, 16B MASTER	511686	1
14	CYLINDER, CJ2E-16-63/36/320Z UE2-63W HYDRAULIC	089904	2
15	PIN, CYLINDER MOUNT	534117-1	2
16	WASHER, 16.5/50-5	534118-1	2
17	WASHER, 16.3 SPLIT ZINC LOCK	F81058-2	10
18	BOLT, M16X50-8.8 HEX HEAD FULL THREAD ZI	F81006-7	2
19	WASHER, N36 ZINC-PLATED	089903-1	2

REF	DESCRIPTION (◆ indicates parts available in assemblies only)	PART #	QTY	
20	PIN, 5X40 COTTER	F81043-31	2	
21	BUMPER, GRENE 70 3201 0010 RUBBER	094969	2	
22	WASHER, 8.4 FLAT ZINC	F81054-1	4	
23	BOLT, M8X25-8.8-B HEX HEAD FULL THREAD ZINC	F81002-5	4	
24	WASHER, 50X10.5-5	524023-1	1	
25	WASHER, Z 10.2 SPLIT LOCK ZINC	F81055-2	1	
26	BOLT, M10X25 8.8 HEX HEAD FULL THREAD ZINC	F81003-11	1	
27	KEY, AB 14X9X45 PARALLEL	536340	2	
28	BOLT, M16X35-8.8 HEX HEAD FULL THREAD ZINC	F81006-74	8	
29	FITTING, M22X1.5 / 1/4 -18 NPT ZINC-PL.	093139-1	4	
30	FITTING, 3/8JIC-1/4 NPT STRAIGHT	015560	2	
31	O-RING, 20X2	093483	4	
32	FITTING, 3/8JIC-1/4NPT 90L	015491	2	

1.30 Tensioner Assembly

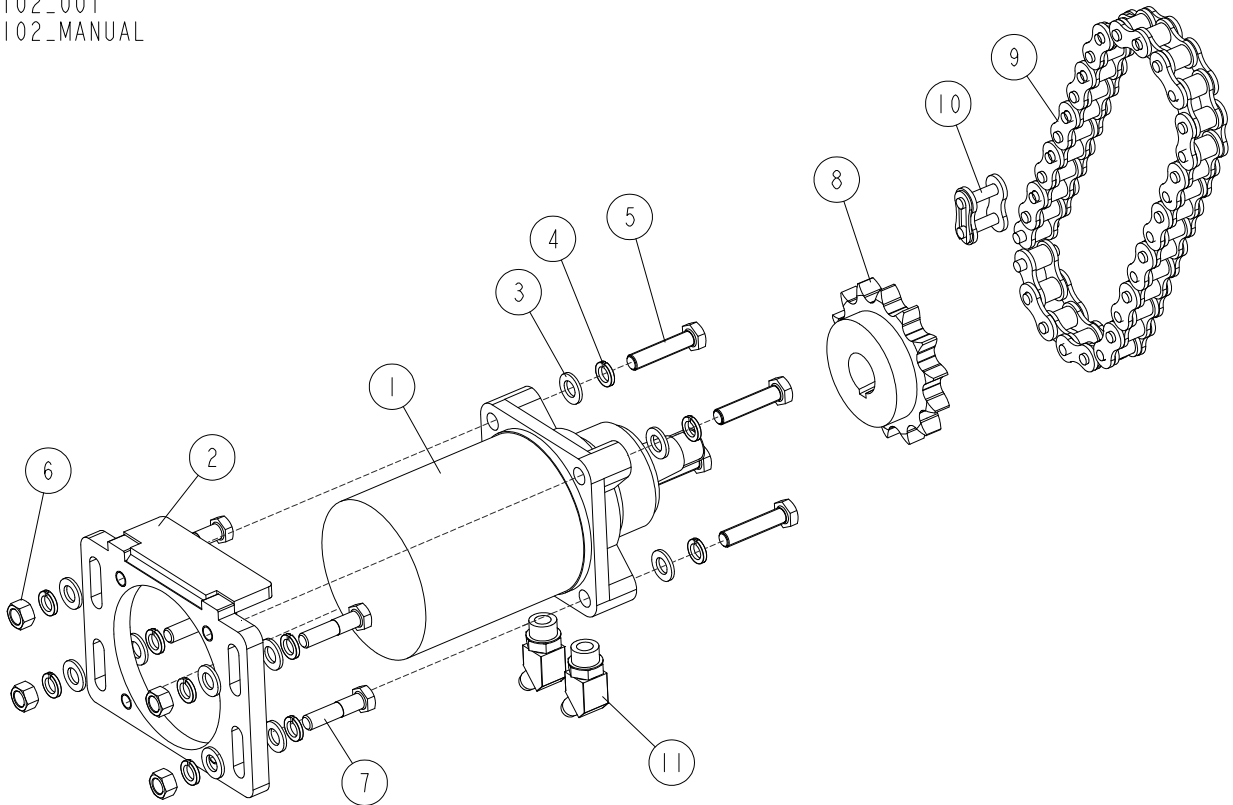
533841_001
533841_MANUAL



REF	DESCRIPTION (◆ indicates parts available in assemblies only)	PART #	QTY	
-	TENSIONER ASSEMBLY	533841	1	
1	SPROCKET, 13Z 16B-1	533840-1	1	
2	BEARING, 3205 A-2RS1/ SKF	533842	1	
3	RING, W52 INSIDE RETAINING	F81090-6	2	
4	SHAFT, TENSIONER SPROCKET	533843-1	1	
5	BOLT, M16X160 8.8 HEX HEAD FULL THREAD ZINC	F81006-23	2	
6	WASHER, 17 ZINC FLAT	F81058-1	6	
7	NUT, M16-5.8 HEX ZINC	F81036-1	4	
8	BUSHING, SPACER (1)	533845-1	1	
9	BUSHING, SPACER (2)	534101-1	1	
10	NUT, M16 HEX THIN ZINC	F81036-4	4	

1.31 Loader Arm Drive Assembly

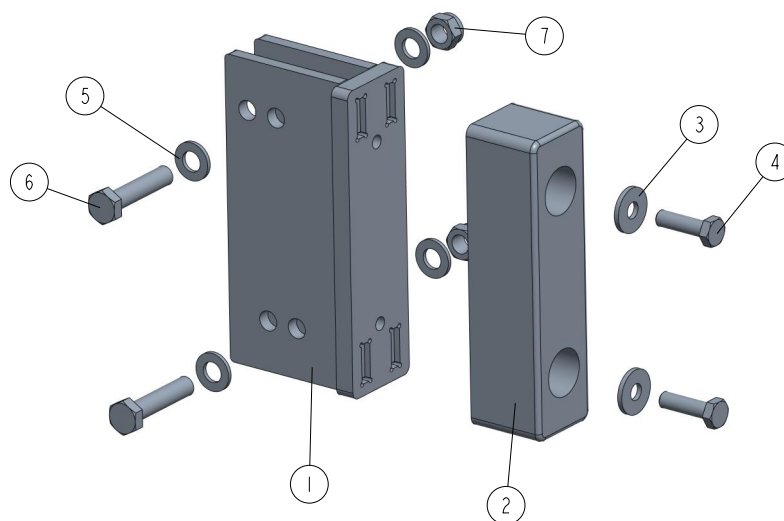
534102_001
534102_MANUAL



REF	DESCRIPTION (◆ indicates parts available in assemblies only)	PART #	QTY
-	DRIVE ASSEMBLY, LOADER ARM	534102	1
1	MOTOR, TG0475US080AABP HYDRAULIC	007331-2	1
2	TENSIONER	536651-1	1
3	WASHER, 13 FLAT ZINC	F81056-1	12
4	WASHER, Z12.2 SPLIT LOCK ZINC	F81056-2	12
5	BOLT M12X55 HH ZC FT 8.8 DIN 933	F81004-43	4
6	NUT M12 ZC 8 DIN 934	F81034-1	4
7	BOLT, M12X50 8.8 HEX HEAD ZINC	F81004-74	4
8	SPROCKET, 16B Z14 HYDRAULIC MOTOR	534266	1
-	CHAIN, 16B DRIVE	534109	1
9	CHAIN, 16B-1, L=768 MM	534108	1
10	LINK, 16B MASTER	511686	1
11	FITTING, #10SAE-3/8JIC 45 ELBOW	034538	2

1.32 Log Deck Bumper 540865

540865_001
540865_MANUAL

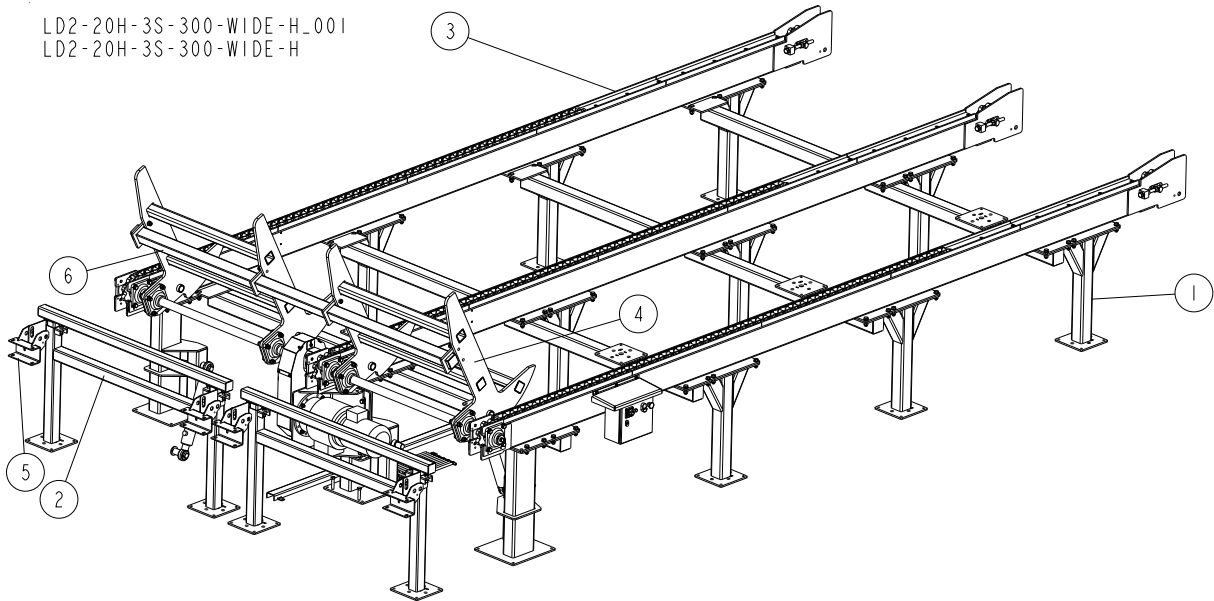


REF	DESCRIPTION (◆ indicates parts available in assemblies only)	PART #	QTY	
-	BUMPER, LOG DECK COMPLETE	540865	1	
1	BRACKET, BUMPER	540866-1	1	
2	BUMPER, RUBBER	089717	1	
3	WASHER, 10.5 ZINC FLAT SPECIAL	F81055-6	2	
4	BOLT, M10X35 - 8.8 HEX HEAD FULL THREAD	F81003-17	2	
5	WASHER, 13 FLAT ZINC	F81056-1	4	
6	BOLT, M12 X 55-8.8 HEX HEAD ZINC	F81004-12	2	
7	NUT, M12-8 HEX NYLON ZINC LOCK	F81034-2	2	

SECTION 2 CRD2H-LT-H

2.1 LD2-20H-3S-300-WIDE-H

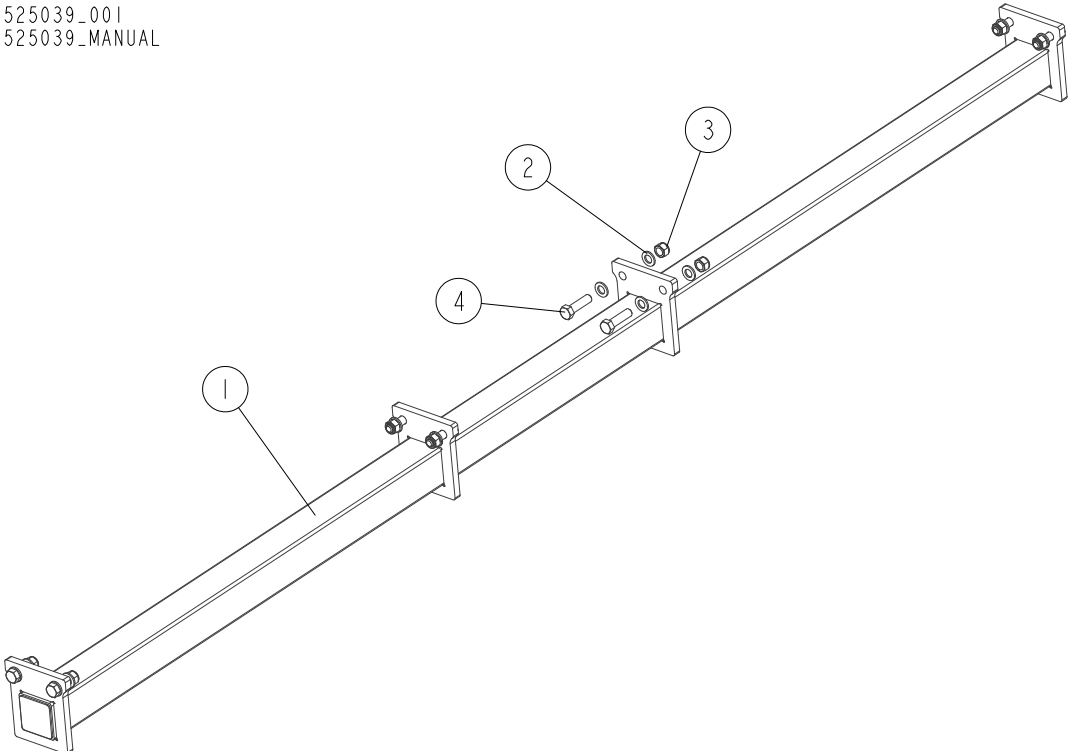
LD2-20H-3S-300-WIDE-H.001
LD2-20H-3S-300-WIDE-H



REF	DESCRIPTION (◆ indicates parts available in assemblies only)	PART #	QTY
-	LD2-20H-3S -WIDE ELEVATED	LD2-20H-3S-300-WIDE-H	1
1	SEGMENT, LOG INFEED DECK-SEGMENT LD20-H. See Section 2.7	568301	1
2	CONNECTION TUBE See Section 2.5	556302	1
3	LOG INFEED DECK, SIDE-LD20-H See Section 2.4	568304	1
4	LOADER LD12/20 (2S)- LOG DECK COMPLETE See Section 1.15	505896	2
5	BRACKET, LOG LOADER (M SUPER FRAME)	500747-1	4
6	TUBE, LD2-WIDE LOADER CONNECTION - COMPL See Section 2.2	525039	1

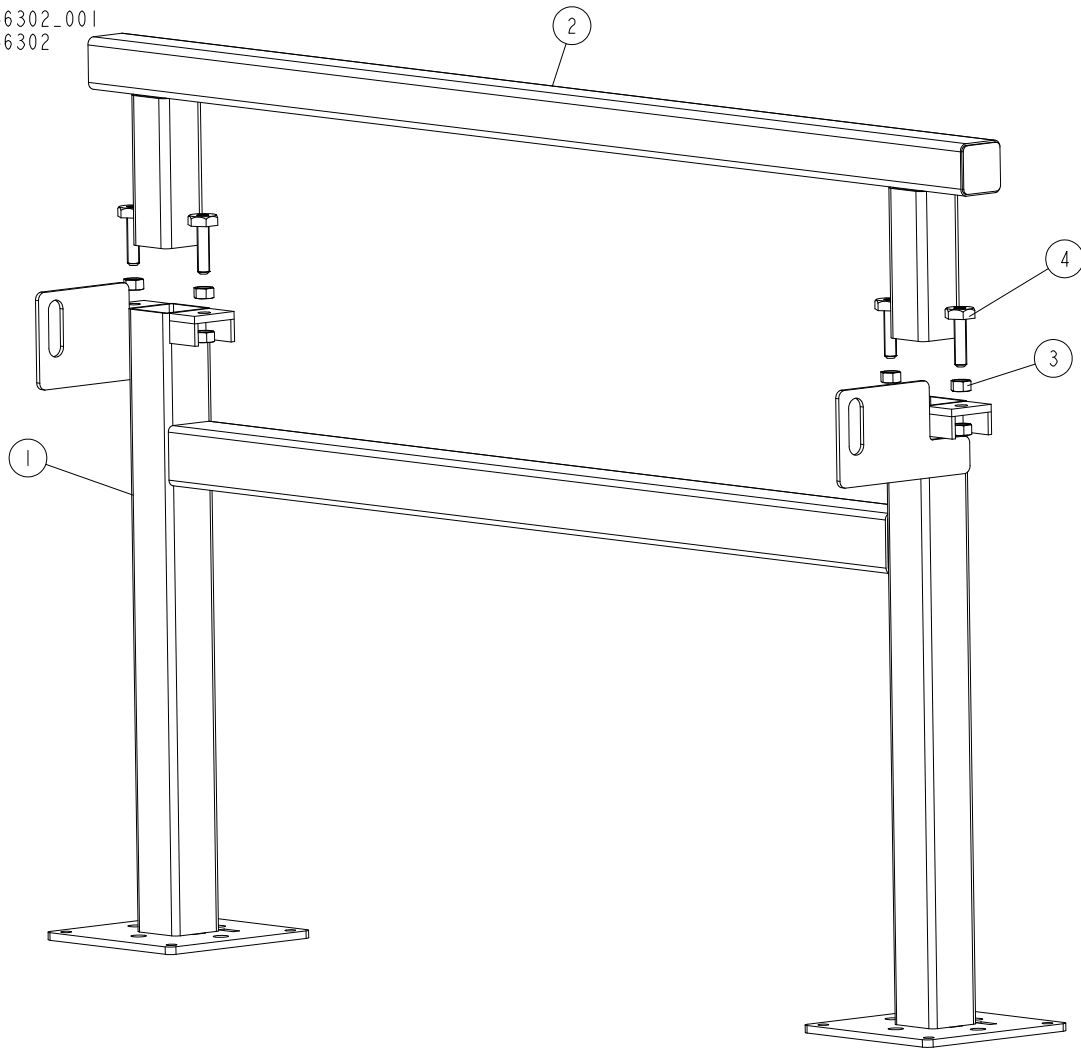
2.2 Loader connection. 525039

525039_001
525039_MANUAL



REF	DESCRIPTION (◆ indicates parts available in assemblies only)	PART #	QTY	
-	TUBE, LD2-WIDE LOADER CONNECTION - COMPL	525039	1	
1	TUBE, LD2-WIDE LOADER CONNECTION	525037-1	1	
2	WASHER, 17 ZINC FLAT	F81058-1	16	
3	NUT, M16-8 HEX NYLON ZINC LOCK	F81036-2	8	
4	BOLT, M16X60-8.8-HEX HEAD FULL THREAD ZI	F81006-12	8	

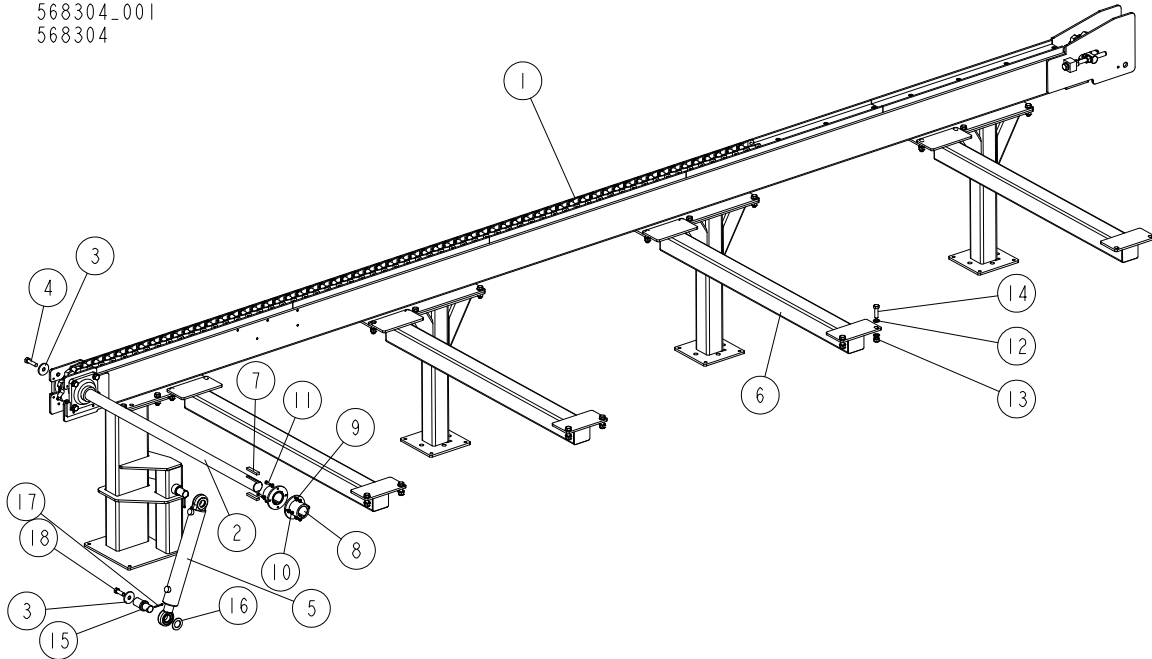
2.3 Connection Tube. 556302

556302_001
556302

REF	DESCRIPTION (◆ indicates parts available in assemblies only)	PART #	QTY
-	TUBE CONNECTION COMPLETE	556302	1
1	BOTTOM, CONNECTION TUBE	556303-1	1
2	STOP WELDMENT - UPPER PART	089922-1	1
3	NUT, M16 5.8 HEX ZINC	F81036-5	8
4	BOLT, M16 BED RAIL ADJUSTMENT	505006-1	4

2.4 LD20-H Log Infeed Deck, Side. 568304

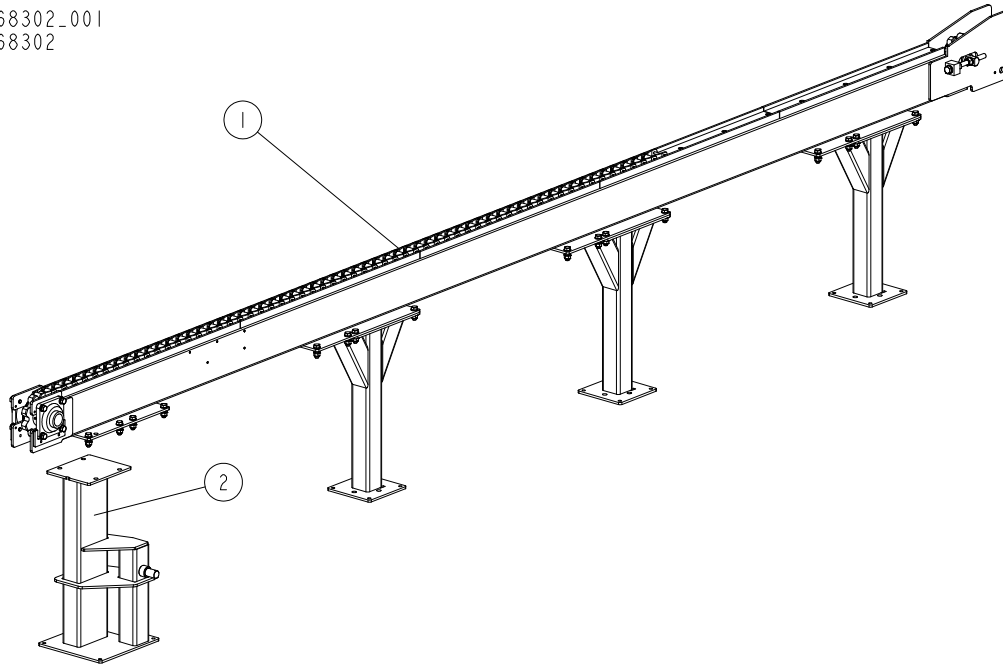
568304_001
568304



REF	DESCRIPTION (◆ indicates parts available in assemblies only)	PART #	QTY
-	LOG INFEED DECK, SIDE-LD20-H	568304	1
1	SIDE, LOG INFEED DECK See Section 2.5	568302	1
2	SHAFT, LOG DECK MAIN - SIDE PART	517512	1
3	WASHER, 17.5/60-6 ZINC-PLATED	098012-1	2
4	BOLT, M16X65-8.8 HEX HEAD FULL THREAD	F81006-1	1
5	CYLINDER, CJ2E-16-63/36/320Z UE2-63W HYD	089904	1
6	CROSS TUBE, LOG INFEED DECK	517518-1	4
7	KEY, 16X10X50	089921	2
8	CLUTCH, LD2	517529-1	2
9	WASHER, 8.4 FLAT ZINC	F81054-1	9
10	NUT, M8-8-B HEX NYLON ZINC LOCK	F81032-2	4
11	BOLT M8X30 HH ZC FT 8.8 DIN 933	F81002-7	4
12	WASHER, 17 ZINC FLAT	F81058-1	12
13	NUT, M16-8 HEX NYLON ZINC LOCK	F81036-2	6
14	BOLT, M16X55-8.8 HEX HEAD FULL THREAD ZI	F81006-61	6
15	PIN, LD CYLINDER MOUNTING ZINC-PLATED	099482-1	1
16	WASHER, N36 ZINC-PLATED	089903-1	2
17	PIN, 5X40 COTTER	F81043-31	2
18	BOLT, M16X50-8.8 HEX HEAD FULL THREAD ZI	F81006-7	1

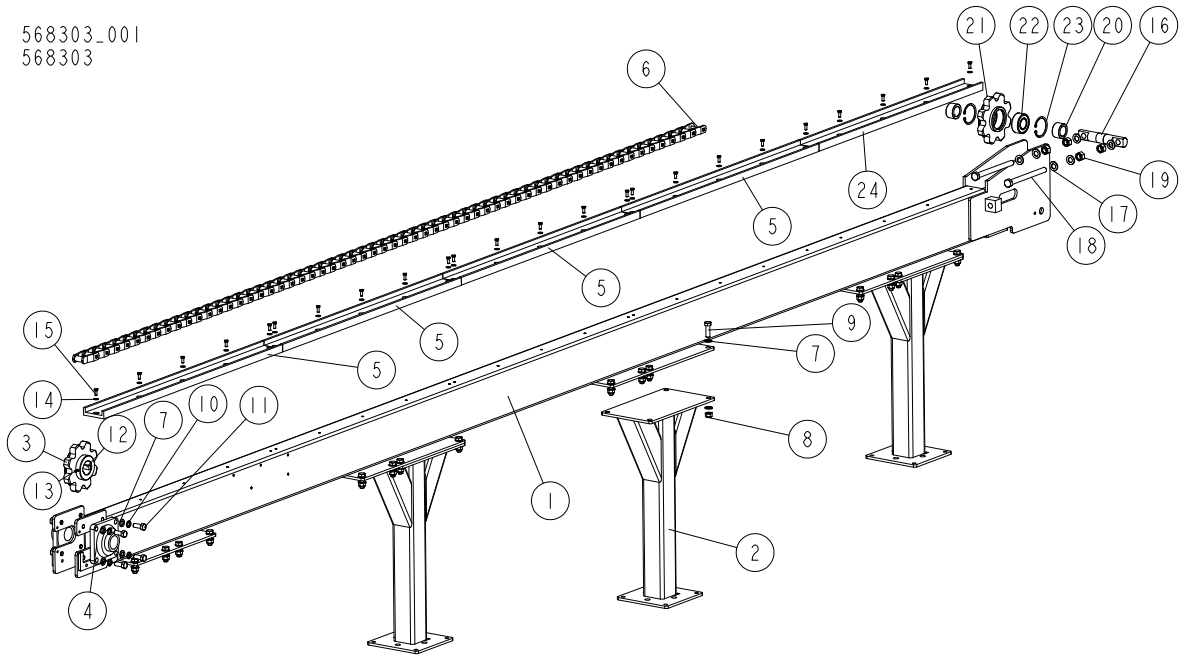
2.5 Log Deck. 568302

568302_001
568302



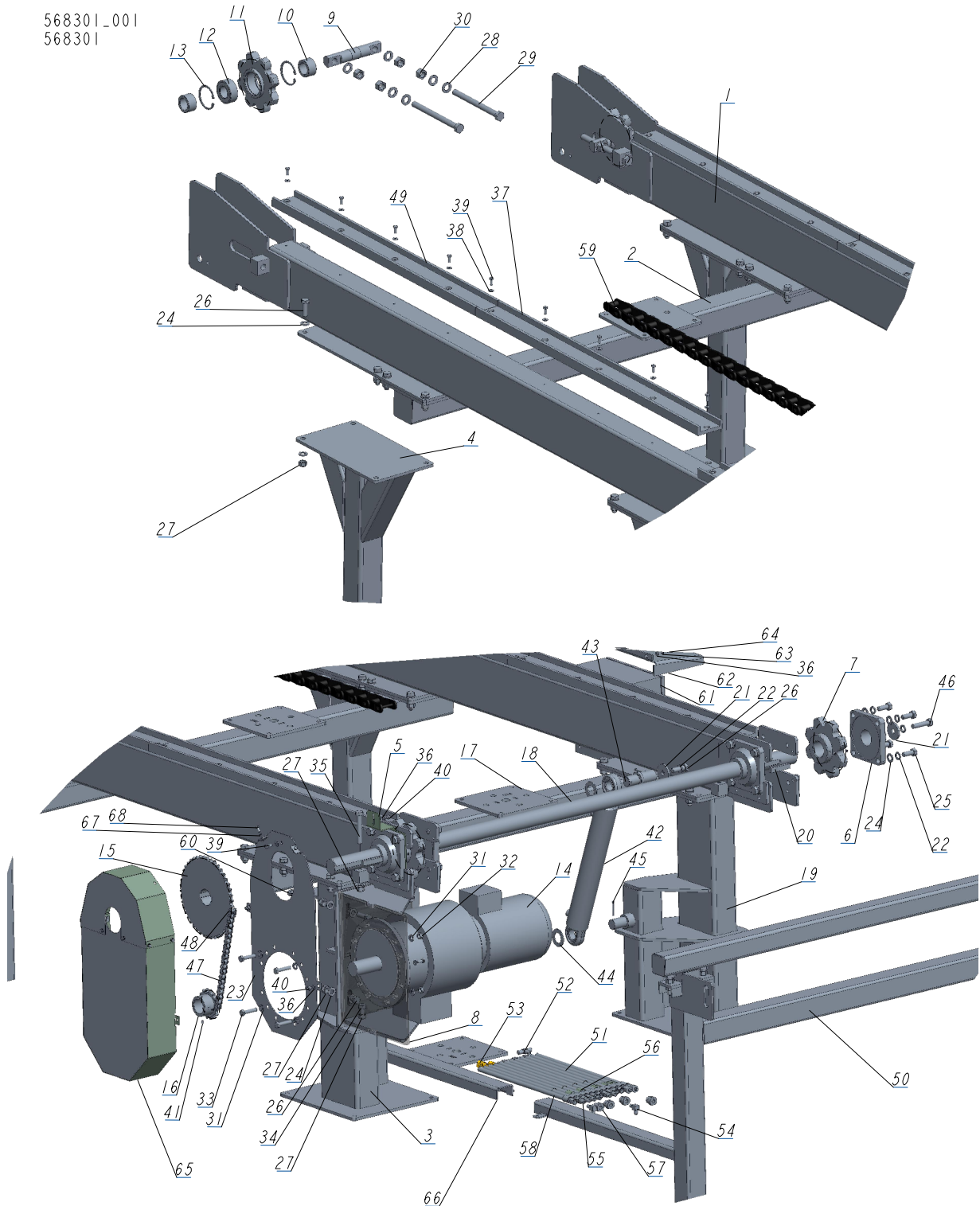
REF	DESCRIPTION (◆ indicates parts available in assemblies only)	PART #	QTY	
-	LOG DECK, SIDE	568302	1	
1	SEGMENT, LOG DECK, WIDE LD20. See Section 2.6	568303	1	
2	LEG, FRONT, LOG DECK	552911-1	1	

2.6 Log Deck Segment. 568303

568303_001
568303

REF	DESCRIPTION (◆ indicates parts available in assemblies only)	PART #	QTY
-	SEGMENT, LOG DECK, WIDE, LD20 COMPLETE	568303	1
1	TUBE, SLPLD6.0 FRAME	099766-1	1
2	LOG DECK LD12/20 H=800MM	552905-1	3
3	SPROCKET, Z8	089888	1
4	BEARING, UCF211 W/HOUSING	089889	2
5	CHANNEL, UHMW CONVEYOR	033722	4
6	CHAIN, 12930MM 195-LINK (LD2 20)	504583	1
7	WASHER, 17 ZINC FLAT	F81058-1	72
8	NUT, M16-8 HEX NYLON ZINC LOCK	F81036-2	32
9	BOLT, M16X50-8.8 HEX HEAD FULL THREAD ZI	F81006-7	32
10	WASHER, 16.3 SPLIT ZINC LOCK	F81058-2	8
11	BOLT, M16X40-8.8 HEX HEAD FULL THREAD ZI	F81006-13	8
12	KEY, 16X10X50	089921	1
13	SCREW, M8X8-33H HEX SOCKET SET FLAT POIN	F81014-1	2
14	WASHER, 6.5 ZINC SPECIAL FLAT	F81053-11	24
15	BOLT, M8X20MM, HEX HEAD,GR 5.8 ZINC,	F81002-4	24
16	SHAFT, IDLER SPROCKET ZINC-PLATED	089915-1	1
17	WASHER, 21 FLAT ZINC	F81059-2	6
18	BOLT, M20X240-8.8 HEX HEAD FULL THREAD Z	F81007-1	2
19	NUT, M20-8 HEX ZINC	F81037-1	4
20	BUSHING, 40.5/59.9-33 ZINC-PLATED	089916-1	2
-	SPROCKET, Z8 COMPLETE	507234	1
21	SPROCKET, Z8 REAR OXIDIZED	089919-1	1
22	BEARING, 3208.2RSR.TVH (FAG) ROLLING	088449	1
23	RING, W80 INSIDE RETAINING	F81090-25	2
24	CHANNEL, UHMW CONVEYOR DRIVE END	035755	1

2.7 Log Infeed Deck. Segment. 568301

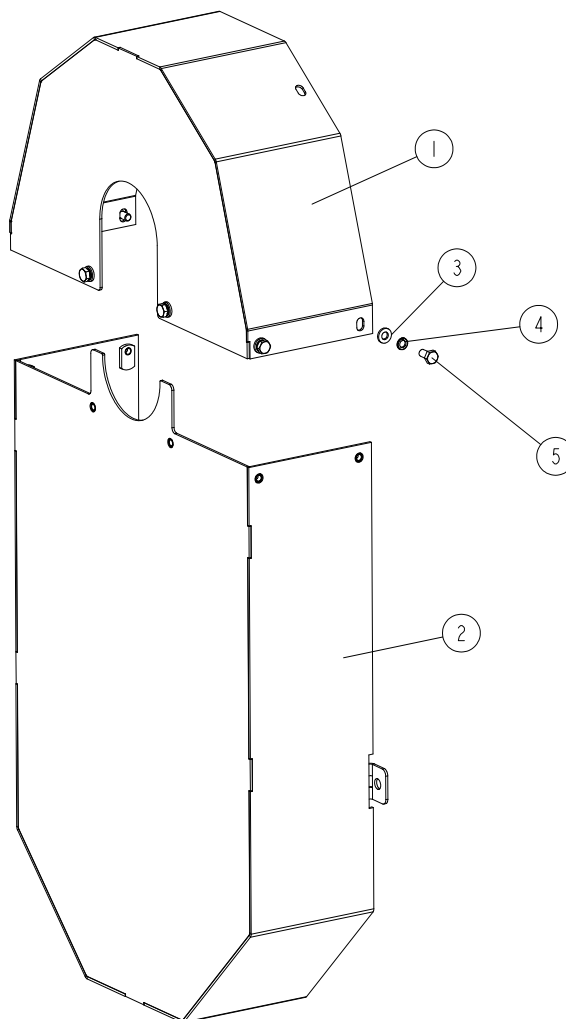


REF	DESCRIPTION (◆ indicates parts available in assemblies only)	PART #	QTY
-	SEGMENT, LOG INFEED DECK-SEGMENT LD20-H.	568301	1
1	TUBE, SLPLD6.0 FRAME	099766-1	2
2	TUBE WELDMENT, CROSS STIFFENER	089880-1	3
3	LEG, MOUNTING PLATE, DRIVE	552910-1	1

REF	DESCRIPTION (◆ indicates parts available in assemblies only)	PART #	QTY
4	LEG. LOG LD12/20 H=800MM	552905-1	6
5	BRACKET, DRIVE GUARD MOUNT	089910-1	1
6	BEARING, UCF211 W/HOUSING	089889	4
7	SPROCKET, Z8 OXIDIZED	089888-1	2
8	BRACKET WELDMENT, DECK MOTOR MOUNT	089897-1	1
9	SHAFT, IDLER SPROCKET ZINC-PLATED	089915-1	2
10	BUSHING, 40.5/59.9-33 ZINC-PLATED	089916-1	4
-	SPROCKET, Z8 COMPLETE	507234	2
11	SPROCKET, Z8 REAR OXIDIZED	089919-1	1
12	BEARING, 3208.2RSR.TVH (FAG) ROLLING	088449	1
13	RING, W80 INSIDE RETAINING	F81090-25	2
14	MOTOREDUCER, SBCM 180/112M-4/32	089892	1
15	SPROCKET, 12B Z45 OXIDIZED	089894-1	1
16	SPROCKET, 12B Z16 OXIDIZED	090303-1	1
17	TUBE WELDMENT, CROSS STIFFENER	514851-1	1
18	SHAFT, "WIDE" LOG INFEED DECK MAIN	517513	1
19	LEG, FRONT, LOG DECK	552907-1	1
20	KEY, 16X10X50	089921	4
21	WASHER, 17.5/60-6 ZINC-PLATED	098012-1	2
22	WASHER, 16.3 SPLIT ZINC LOCK	F81058-2	18
23	COVER	549629-1	1
24	WASHER, 17 ZINC FLAT	F81058-1	153
25	BOLT, M16X40-8.8 HEX HEAD FULL THREAD ZI	F81006-13	16
26	BOLT, M16X50-8.8 HEX HEAD FULL THREAD ZI	F81006-7	69
27	NUT, M16-8 HEX NYLON ZINC LOCK	F81036-2	73
28	WASHER, 21 FLAT ZINC	F81059-2	12
29	BOLT, M20X240-8.8 HEX HEAD FULL THREAD Z	F81007-1	4
30	NUT, M20-8 HEX ZINC	F81037-1	8
31	WASHER, 13 FLAT ZINC	F81056-1	8
32	NUT M12 ZC 8 NYLOCK DIN 982 ISO 7040	F81034-2	4
33	BOLT, M12X55-8.8 HEX HEAD ZINC	F81004-12	4
34	BOLT, M1 6X75-8.8-B-B HEX HEAD FULL THREAD	F81006-10	2
35	BOLT, M16X100-8.8 HEX HEAD FULL THREAD Z	F81006-2	1
36	WASHER, 8.4 FLAT ZINC	F81054-1	9
37	Channel, UHMW Conveyor	033722	8
38	WASHER, 6.5 ZINC SPECIAL FLAT	F81053-11	48
39	BOLT, M8X20MM, HEX HEAD,GR 5.8 ZINC,	F81002-4	51
40	NUT, M8-8-B HEX NYLON ZINC LOCK	F81032-2	3
41	SCREW, M8X8-33H HEX SOCKET SET FLAT POIN	F81014-1	8
42	CYLINDER, CJ2E-16-63/36/320Z UE2-63W HYD	089904	1
43	PIN, LD CYLINDER MOUNTING ZINC-PLATED	099482-1	1
44	WASHER, N36 ZINC-PLATED	089903-1	2
45	PIN, 5X40 COTTER	F81043-31	2
46	BOLT, M16X65-8.8 HEX HEAD FULL THREAD	F81006-1	1
47	CHAIN, 12B-1-69 (1.31 RM)	090711	1
48	LINK, 12B-1PZ MASTER	090713	1
49	Channel, UHMW Conveyor Drive End	035755	2

REF	DESCRIPTION (◆ indicates parts available in assemblies only)	PART #	QTY	
50	CONNECTION TUBE See Section 2.5	556302	1	
51	HYDRAULIC HOSE KIT, LT300 LOG DECK	097064	1	
52	Fitting, 3/8JIC Tee	015487	4	
53	Fitting, #6SAE 45 Deg Elbow	015489	2	
54	Fitting, 3/8JIC-1/4NPT 90L	015491	2	
55	FITTING, 3/8JIC-1/4 NPT STRAIGHT	015560	6	
56	Clamp, 3/8 Hose	016041	5	
57	FITTING, M22X1.5 / 1/4 -18 NPT ZINC-PL.	093139-1	4	
58	O-RING, 20X2	093483	4	
59	CHAIN, 12930MM 195-LINK (LD2 20)	504583	2	
60	GROMMET, 22MM I.D. RUBBER	087400	2	
61	BOX, ELECTRICAL (LOG INFEED DECK W/LIGHT	093174	1	
62	COVER, LD12/20 ELECTRICAL BOX	505811-1	1	
63	WASHER 8,2 ZC SPRING LOCK DIN 127	F81054-4	3	
64	BOLT, M8X16-8.8-B-FE/ZN5	F81002-20	3	
65	COVER See Section 2.8	578341	1	
66	COVER, CABLE	514985-1	2	
67	WASHER 6.1 ZC SPRING LOCK DIN 127	F81053-3	2	
68	BOLT M6X16 HH ZC FT 8.8 DIN 933	F81001-15	2	

2.8 Cover. 578341

578341_001
578341

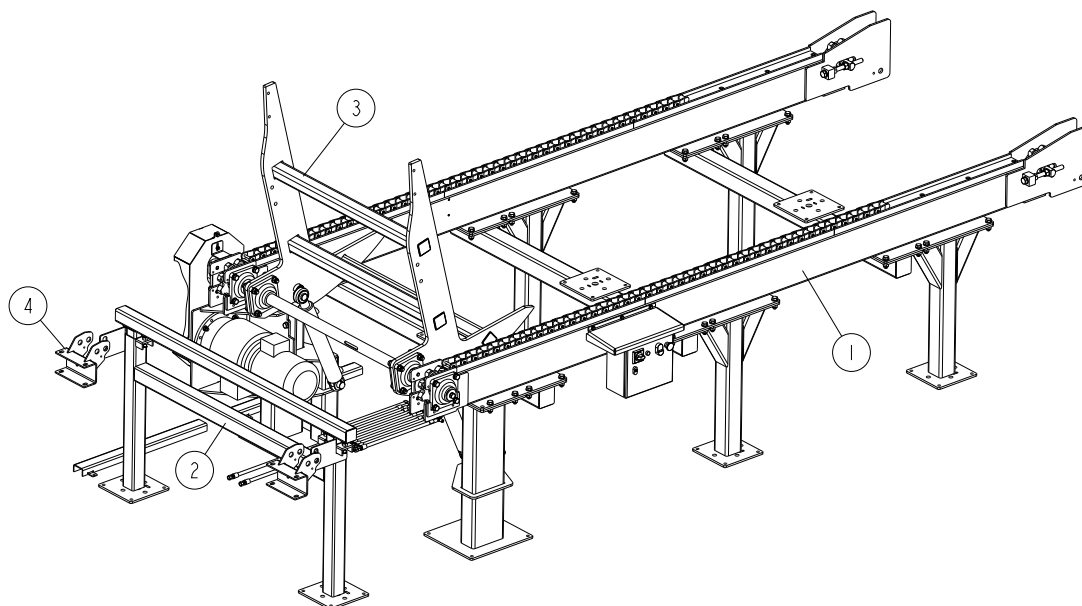
REF	DESCRIPTION (◆ indicates parts available in assemblies only)	PART #	QTY
-	COVER, COMPLETE	578341	1
1	COVER, UPPER	578337-1	1
2	COVER, LOWER	578340-1	1
3	WASHER 6,4 ZC DIN 126 ISO 7091	F81053-1	6
4	WASHER 6.1 ZC SPRING LOCK DIN 127	F81053-3	6
5	BOLT, M6X12 8.8 HEX HEAD FULL THREAD ZIN	F81001-7	6



SECTION 3 LD2-12H-2S-70-H

3.1 LD2-12H-2S-70-H

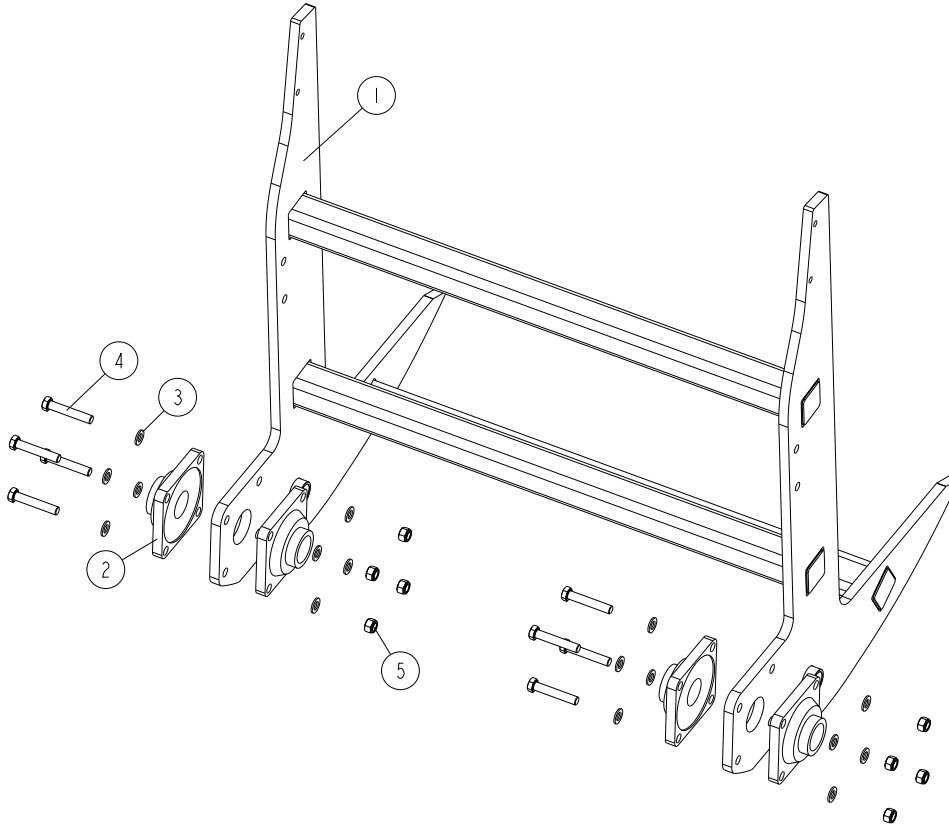
LD2-12H-2S-70-H_001
LD2-12H-2S-70-H



REF	DESCRIPTION (◆ indicates parts available in assemblies only)	PART #	QTY
-	LOG INFEED DECK-COMPLETE	LD2-12H-2S-70-H	1
1	LOG DECK, LD12-2S See Section 3.3	569034	1
2	CONNECTION TUBE See Section 2.3	556302	1
3	LOADER, LD20 LOG DECK See Section 3.2	541023	1
4	BRACKET, LOG LOADER (M SUPER FRAME)	500747-1	2

3.2 LD12-2S Log Deck Loader

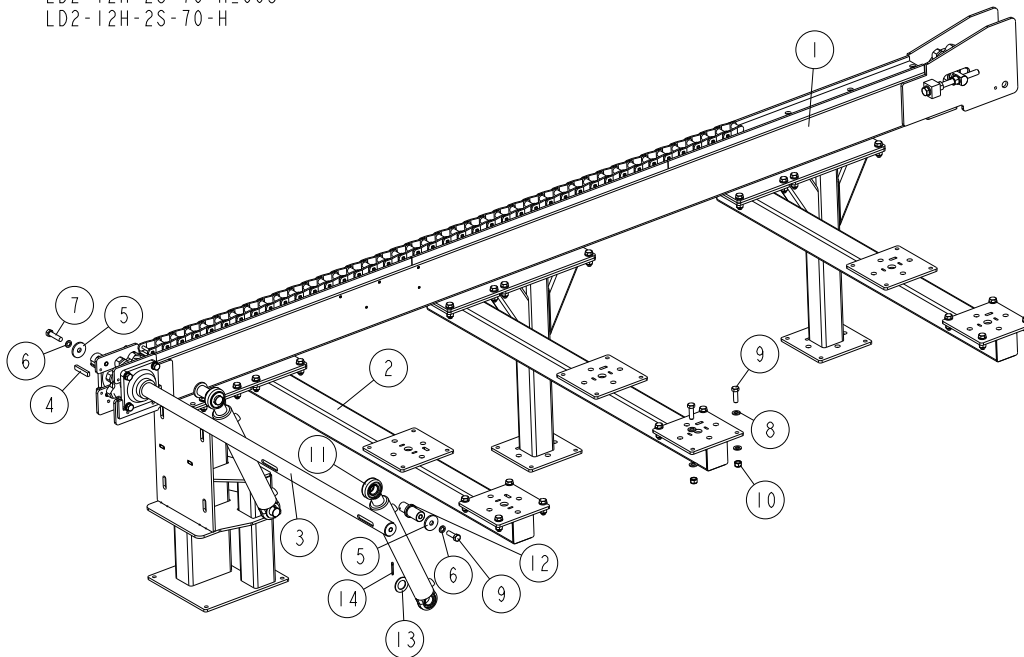
LD2-12H-2S-70-H-002
LD2-12H-2S-70-H



REF	DESCRIPTION (◆ indicates parts available in assemblies only)	PART #	QTY	
-	LOG DECK, LD12-2S	569034	1	
-	LOADER, LD20 LOG DECK	541023	1	
1	LOADER, LD12/20 (2S), LOG DECK	713626-1	1	
2	BEARING, UCF 211 W/HOUSING	089889	4	
3	WASHER, 17 SPLIT LOCK ZINC	F81058-1	16	
4	BOLT, M16 X 90-8.8 HEX HEAD ZINC	F81006-17	8	
5	NUT, M16-8 HEX NYLON ZINC LOCK	F81036-2	8	

3.3 LD12-2S Log Deck Segment

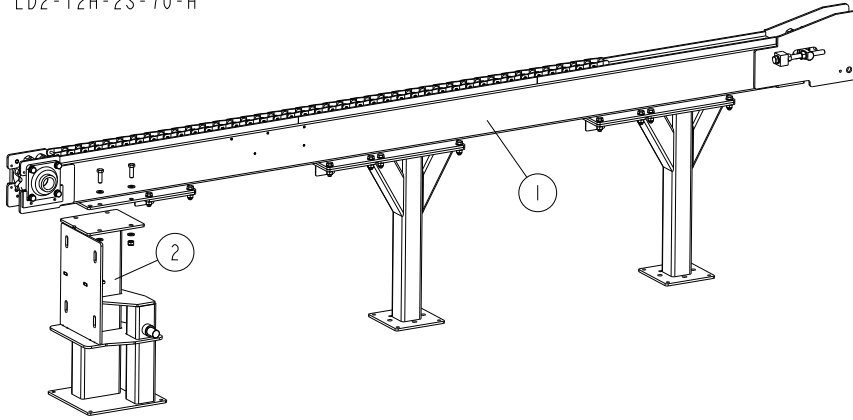
LD2-12H-2S-70-H-003
LD2-12H-2S-70-H



REF	DESCRIPTION (◆ indicates parts available in assemblies only)	PART #	QTY
-	LOG DECK, LD12-2S	569034	1
1	SEGMENT, LD12-2S LOG DECK See Section 3.4	569035	1
2	TUBE WELDMENT, CROSS STIFFENER	514851-1	1
3	SHAFT, LT70/300 LOG INFEED DECK MAIN	099243	1
4	KEY, 16X10X50	089921	2
5	WASHER, 17.5/60-6 ZINC-PLATED	098012-1	3
6	WASHER, 16.3 SPLIT LOCK ZINC	F81058-2	11
7	BOLT, M16X65-8.8-B HEX HEAD FULL THREAD	F81006-1	1
8	WASHER, 17 SPLIT LOCK ZINC	F81058-1	80
9	BOLT, M16 X 50-8.8 HEX HEAD	F81006-7	37
10	NUT, M16-8 HEX NYLON ZINC LOCK	F81036-2	35
11	CYLINDER, CJ2E-16-63/36/320Z UE2-63W HYD	089904	2
12	PIN, LD CYLINDER MOUNTING ZINC-PLATED	099482-1	2
13	WASHER, N36	089903	4
14	PIN, S-FE 5X40 COTTER	F81043-31	4

3.4 SLPLD3.6 Frame Tube

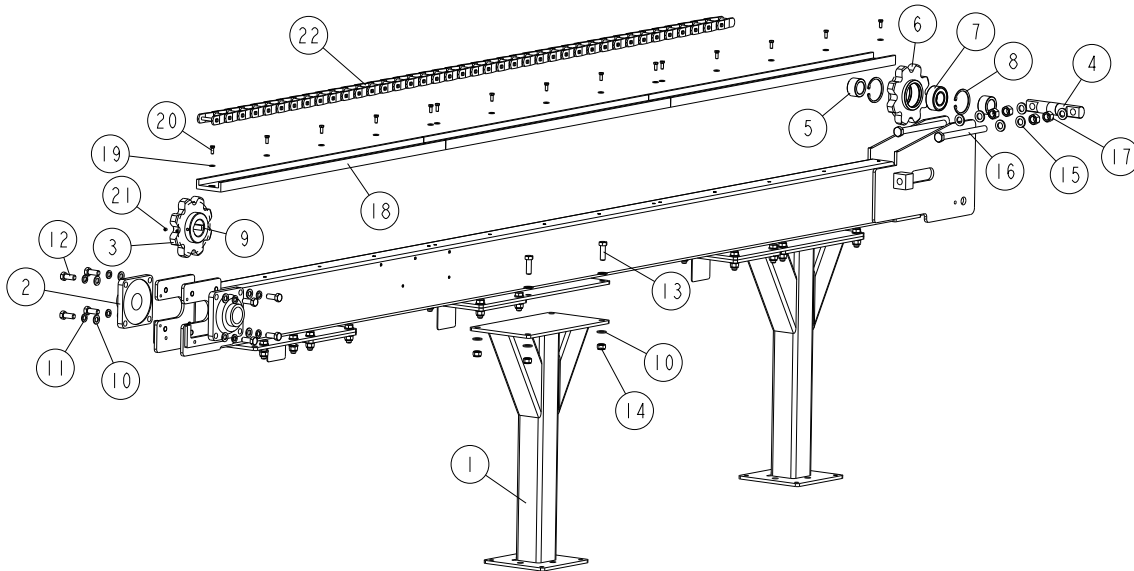
LD2-12H-2S-70-H_004
LD2-12H-2S-70-H



REF	DESCRIPTION (◆ indicates parts available in assemblies only)	PART #	QTY	
1	TUBE, SLPLD3.6 FRAME See Section 3.5	098925-1	1	
2	LEG, MOUNTING PLATE, DRIVE	552910-1	1	

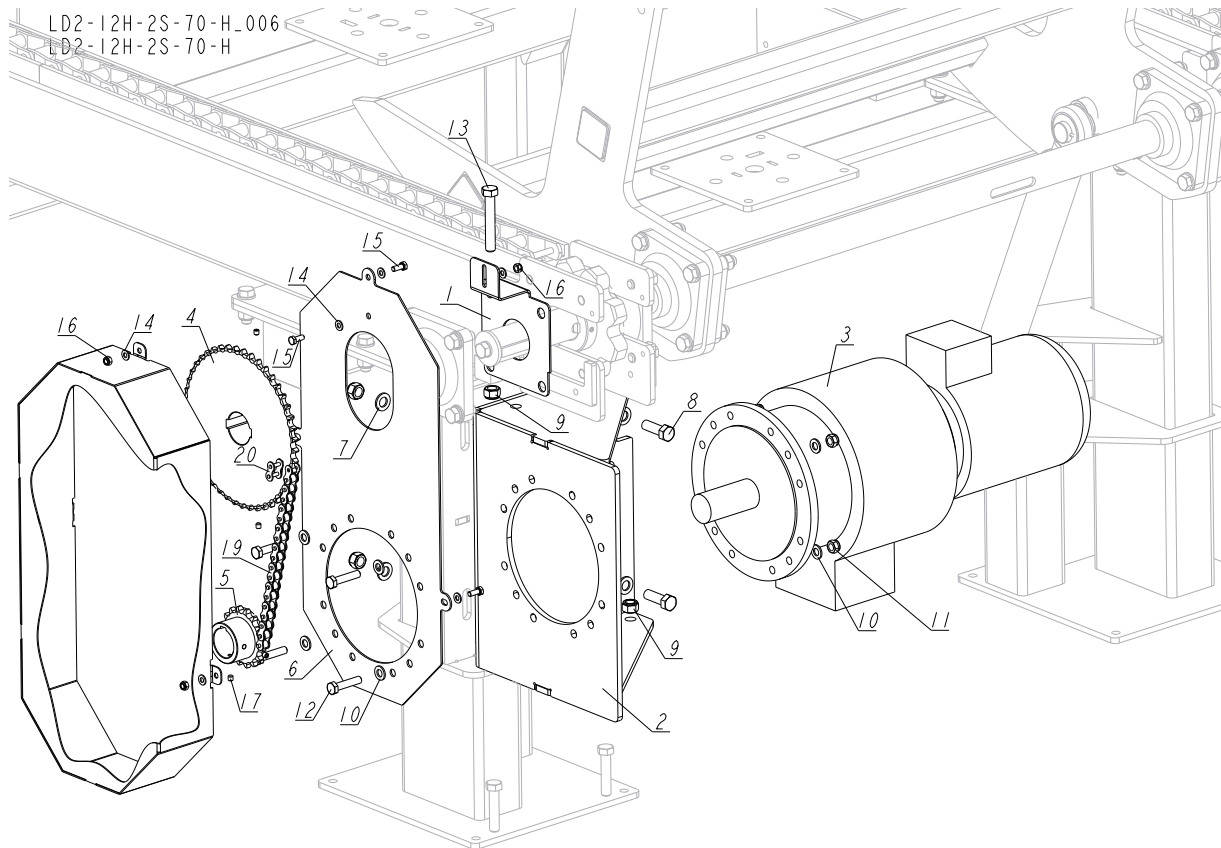
3.5 SLPLD3.6 Frame Tube

LD2-12H-2S-70-H_005_A
LD2-12H-2S-70-H



REF	DESCRIPTION (◆ indicates parts available in assemblies only)	PART #	QTY
1	LEG. LOG LD12/20 H=800MM	552905-1	2
2	BEARING, UCF 211 W/HOUSING	089889	2
3	SPROCKET Z8 - PTD, SPROCKET, Z8 OXIDIZED	089888-1	1
4	SHAFT, IDLER SPROCKET ZINC-PLATED	089915-1	1
5	BUSHING, 40.5/59.9-33 ZINC-PLATED	089916-1	2
6	SPROCKET, Z8 - COMPLETE	507234	1
7	BEARING, 3208.2RSR.TVH (FAG) ROLLING	088449	1
8	RING, W80 INSIDE RETAINING	F81090-25	2
9	KEY, 16X10X50	089921	1
10	WASHER, 17 SPLIT LOCK ZINC	F81058-1	56
11	WASHER, 16.3 SPLIT LOCK ZINC	F81058-2	8
12	BOLT, M16X40-8.8 HEX HEAD FULL THREAD ZI	F81006-13	8
13	BOLT, M16 X 50-8.8 HEX HEAD	F81006-7	23
14	NUT, M16-8 HEX NYLON ZINC LOCK	F81036-2	23
15	WASHER, 21 FLAT ZINC	F81059-2	6
16	BOLT, M20X240-8.8 HEX HEAD FULL THREAD Z	F81007-1	2
17	NUT, M20-8- HEX ZINC	F81037-1	4
18	CHANNEL, UHMW CONVEYOR	033722	3
19	WASHER, 6.5 SPECIAL FLAT ZINC-PL.	F81053-11	15
20	BOLT, M8X20-5.8-HEX HEAD FULL THREAD ZIN	F81002-1	15
21	SCREW, M8X8 45H GEOMET HEX SOCKET SET W/	F81014-1	2
22	CHAIN, 8290MM 125-LINK (LD2 12)	504581	1

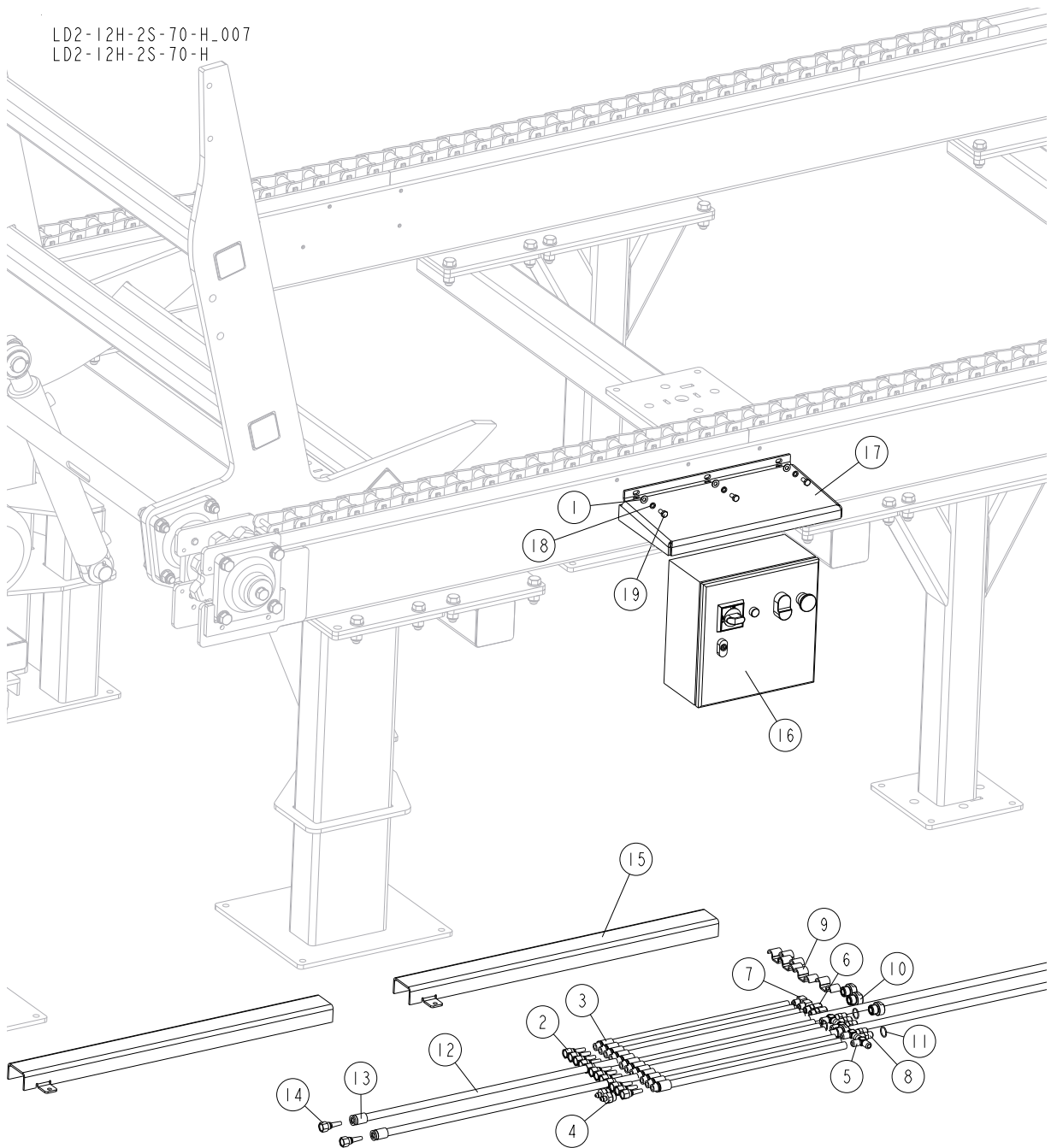
3.6 LD2-12H-2S-70-H Log Infeed Deck Drive



REF	DESCRIPTION (◆ indicates parts available in assemblies only)	PART #	QTY
1	BRACKET, DRIVE GUARD MOUNT	089910-1	1
2	BRACKET WELDMENT, DECK MOTOR MOUNT	089897-1	1
3	GEAR MOTOR, SBCM 180/112M-4/32 W/SMALL F	089892	1
4	SPROCKET, 12B Z45-ZINC-PLATED	089894-1	1
5	SPROCKET, 12B Z16	090303-1	1
6	PLATE, DRIVE GUARD REAR	089909-1	1
7	WASHER, 17 SPLIT LOCK ZINC	F81058-1	121
8	BOLT, M16 X 50-8.8 HEX HEAD	F81006-7	54
9	NUT, M16-8 HEX NYLON ZINC LOCK	F81036-2	57
10	WASHER, 13 FLAT ZINC	F81056-1	8
11	NUT, M12-8 HEX NYLON ZINC LOCK	F81034-2	4
12	BOLT, M12X55-8.8 HEX HEAD ZINC	F81004-12	4
13	BOLT, M16X100-8.8 HEX HEAD FULL THREAD Z	F81006-2	1
14	WASHER, 8,4-FLAT ZINC	F81054-1	11
15	BOLT, M8X20-5.8-HEX HEAD FULL THREAD ZIN	F81002-1	34
16	NUT, M8-8-B HEX NYLON ZINC LOCK	F81032-2	4
17	SCREW, M8X8 45H GEOMET HEX SOCKET SET W/	F81014-1	8
18	GUARD WELDMENT, LOG INFEED DECK DRIVE	089905-1	1
19	CHAIN, 12B-1-69 (1,31RM)	090711	1
20	LINK, 12B-1PZ MASTER	090713	1

3.7 Electric Box & Hydraulic Hoses

LD2-12H-2S-70-H-007
LD2-12H-2S-70-H



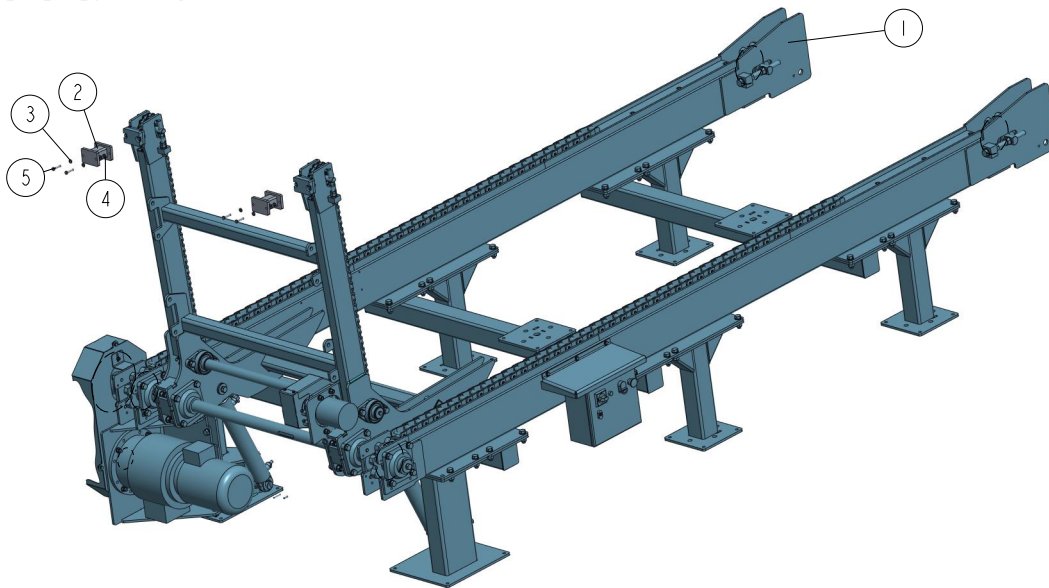
REF	DESCRIPTION (◆ indicates parts available in assemblies only)	PART #	QTY
1	WASHER, 8,4-FLAT ZINC	F81054-1	11
-	HYDRAULIC HOSE KIT, LT300 LOG DECK	097064	1
2	FITTING, JIC 9/16-18	085900	12
3	FERRULE, 10-2SN HOSE	096910	12
4	FITTING, 8 SAE-3/8 JIC	036759	2
5	FITTING, 3/8JIC TEE	015487	4
6	FITTING, #6SAE 45 DEG ELBOW	015489	2
7	FITTING, 3/8JIC-1/4NPT 90L	015491	2
8	FITTING, 3/8JIC-1/4 NPT STRAIGHT	015560	6

REF	DESCRIPTION (◆ indicates parts available in assemblies only)	PART #	QTY	
9	CLAMP, 3/8 HOSE	016041	5	
10	FITTING, M22X1.5 / 1/4 - 18 NPT ZINC-PL.	093139-1	4	
11	O-RING 20X2	093483	4	
12	HOSE, 3/8"X4.0M LT70AC R. HYDRO-MOTOR	094592	2	
13	CRIMPSOCKET 3/8" HYDRAULIC HOSE	085901	2	
14	FITTING, JIC 9/16-18	085900	2	
15	COVER, CABLE	514985-1	2	
16	BOX, ELECTRICAL (LOG INFEED DECK W/LIGHT See Section 1.19)	093174	1	
17	COVER, LD12/20 ELECTRICAL BOX	505811-1	1	
18	WASHER, 8,2 SPLIT LOCK ZINC	F81054-4	3	
19	BOLT, M8X16 -8.8-B HEX HEAD FULL THREAD	F81002-20	3	

SECTION 4 LD2-12H-2S-70W-HD

4.1 LD2-12H-2S-70W-HD

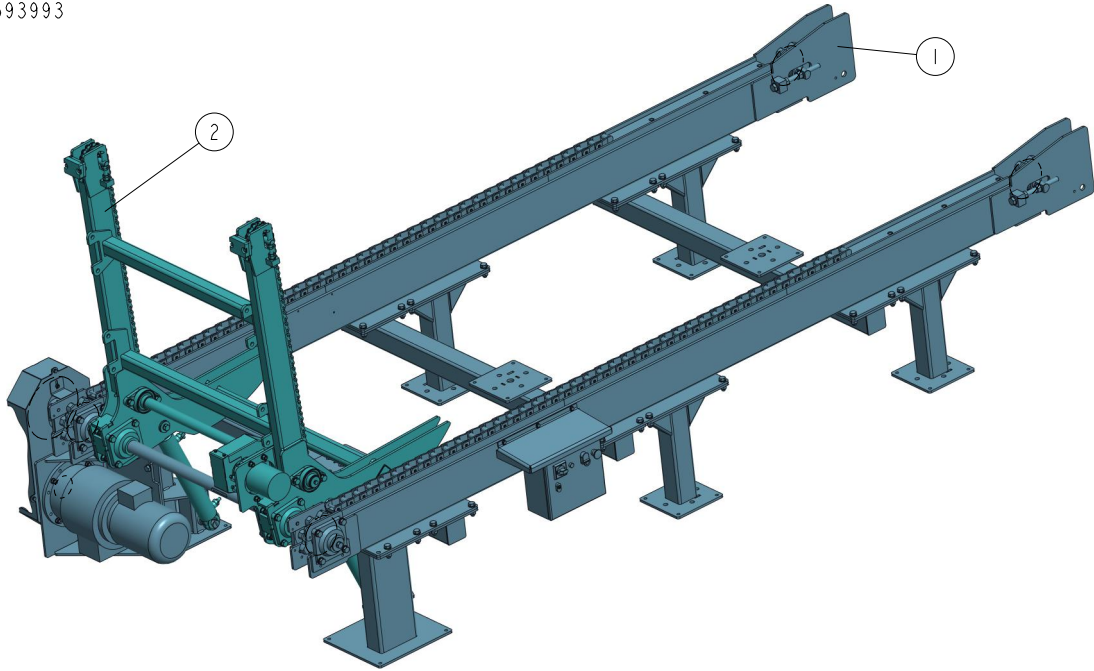
LD2-12H-2S-70W-HD_001A
LD2-12H-2S-70W-HD



REF	DESCRIPTION (◆ indicates parts available in assemblies only)	PART #	QTY
-	LOG INFEED DECK - COMPLETE	LD2-12H-2S-70W-HD	1
1	RAMP-LD12-2S-70W COMPLETE. See Section 4.2	593993	1
2	BUMPER BASE LD2	593951-1	2
3	WASHER, 8,4-FLAT ZINC	F81054-1	8
4	NUT, M8-8-B HEX NYLON ZINC LOCK	F81032-2	4
5	BOLT, M8X40-8.8 HEX HEAD FULL THREAD ZIN	F81002-15	4

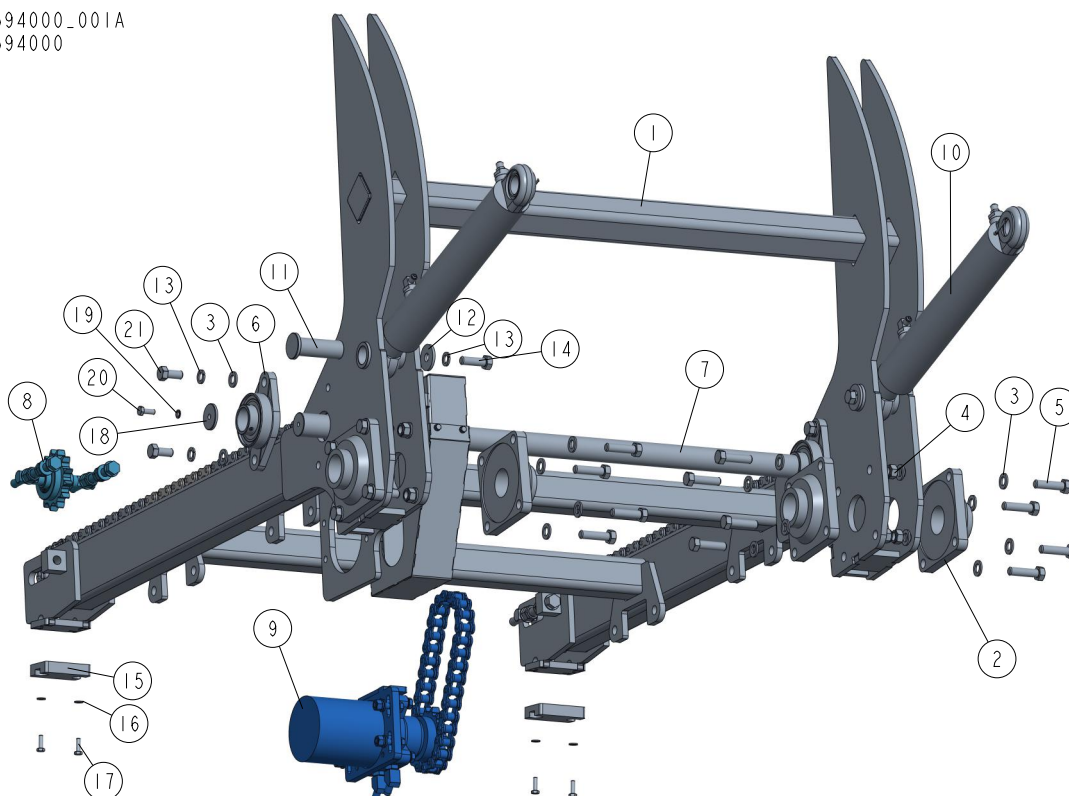
4.2 Ramp-LD12-2S-70W-HD 593993

593993_001A
593993



REF	DESCRIPTION (◆ indicates parts available in assemblies only)	PART #	QTY	
-	RAMP-LD12-2S-70W COMPLETE.	593993	1	
1	LOG DECK- LD12-2S See Section 4.5	593994	1	
2	LOADER LD12/20 - COMPLETE. See Section 4.3	594000	1	

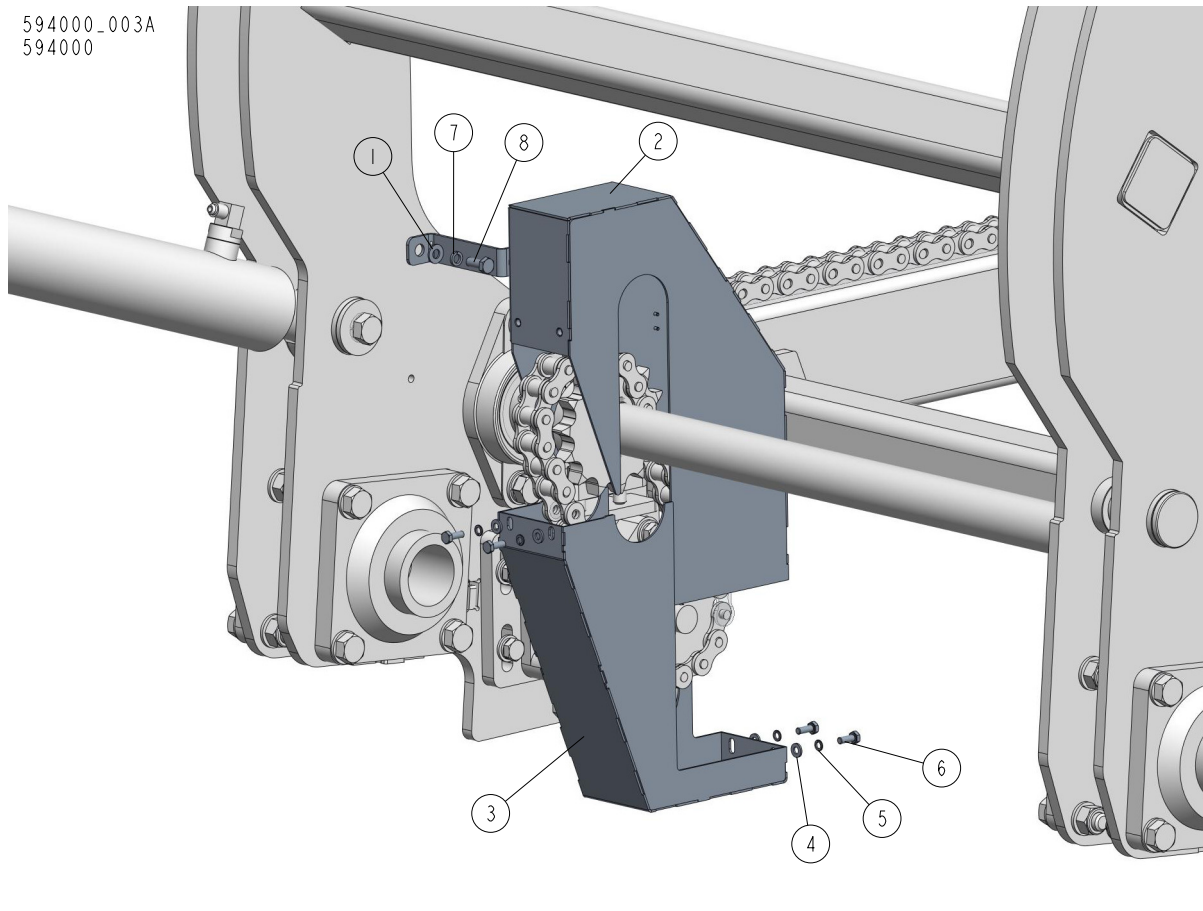
4.3 Log Loader 594000

594000_001A
594000

REF	DESCRIPTION (◆ indicates parts available in assemblies only)	PART #	QTY
-	LOG LOADERLD 12/20 - COMPLETE	594000	1
1	LOADER LD HD12/20 (2S)	593999-1	1
2	BEARING, UCF 211 W/HOUSING	089889	4
3	WASHER, 17 SPLIT LOCK ZINC	F81058-1	36
4	NUT, M16-8 HEX NYLON ZINC LOCK	F81036-2	12
5	BOLT, M16X60-8.8 HEX HEAD FULL THREAD ZI	F81006-12	16
6	UNIT, UCFL 209 BEARING	536341	4
7	DRIVE SHAFT	554399	1
8	TENSIONER ASSEMBLY See Section 1.30	533841	2
9	DRIVE ASSEMBLY, LOADER ARM See Section 1.31	534102	1
10	CYLINDER, CJ2E-16-63/36/320Z UE2-63W HYD	089904	2
11	PIN, CYLINDER MOUNT	534117-1	2
12	WASHER, 16.5/50-5	534118-1	2
13	WASHER, 16.3 SPLIT LOCK ZINC	F81058-2	10
14	BOLT, M16 X 50-8.8 HEX HEAD	F81006-7	2
15	BUMPER, GRENE 70 3201 0010 RUBBER	094969	2
16	WASHER, 8,4-FLAT ZINC	F81054-1	6
17	BOLT, M8X25-8.8-B HEX HEAD FULL THREAD Z	F81002-5	4
18	WASHER, 50X10.5-5	524023-1	2
19	WASHER, Z 10.2 SPLIT LOCK ZINC	F81055-2	2
20	BOLT, M10X25 8.8 HEX HEAD FULL THREAD ZI	F81003-11	2
21	BOLT, M16X35 -8.8 HEX HEAD FULL THREAD Z	F81006-74	8

4.4 Chain Drive Guard

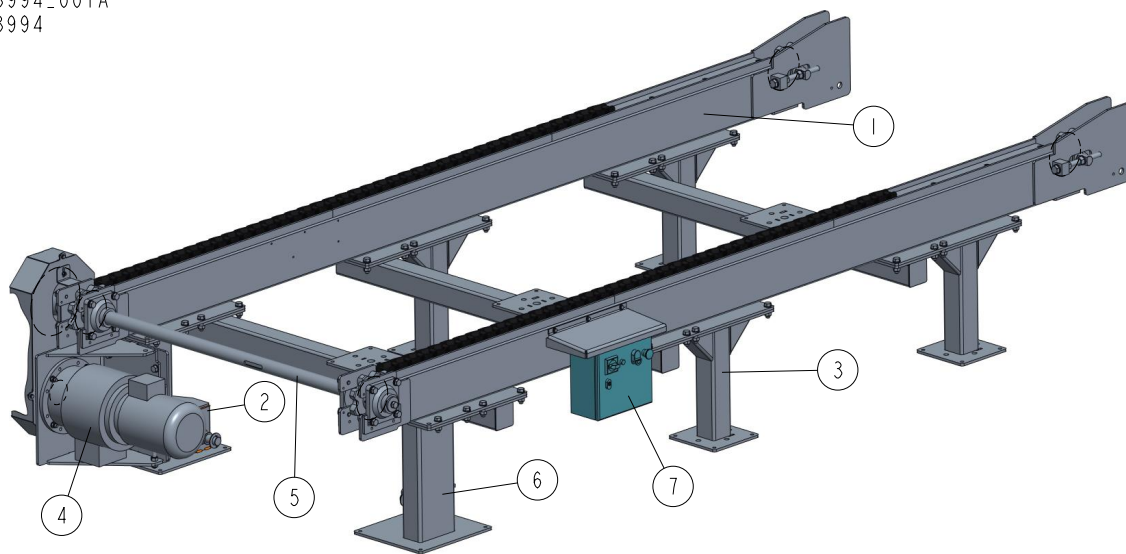
594000_003A
594000



REF	DESCRIPTION (◆ indicates parts available in assemblies only)	PART #	QTY
1	WASHER, 8,4-FLAT ZINC	F81054-1	6
2	GUARD, CHAIN	549618-1	1
3	GUARD, WHEEL - COMPLETE	549621-1	1
4	WASHER, 6,4 FLAT ZINC	F81053-1	4
5	WASHER, Z 6.1 SPLIT LOCK ZINC	F81053-3	4
6	BOLT, M6X16-8.8 HEX HEAD FULL THREAD ZIN	F81001-15	4
7	WASHER, 8,2 SPLIT LOCK ZINC	F81054-4	2
8	BOLT, M8X20-8.8-B-HEX HEAD FULL THREAD Z	F81002-4	2

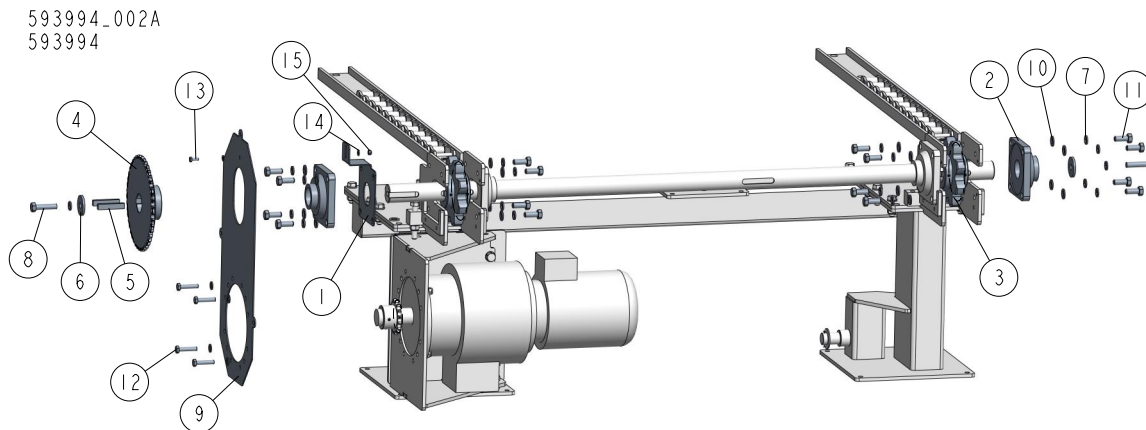
4.5 Log Infeed Deck 593994

593994_001A
593994



REF	DESCRIPTION (◆ indicates parts available in assemblies only)	PART #	QTY	
-	LOG INFEED DECK - LD12-2S	593994	1	
1	TUBE, SLPLD3.6 FRAME	098925-1	2	
2	LEG W/DRIVE MOUNT PLATE	594061-1	1	
3	LEG, LD12/20 H=500MM	098929-1	4	
4	GEAR MOTOR, SBCM 180/112M-4/32 W/SMALL F	089892	1	
5	SHAFT, LT70/300 LOG INFEED DECK MAIN	099243	1	
6	LEG, LD12/20 FRONT	594060-1	1	
7	BOX, ELECTRICAL (LOG INFEED DECK W/LIGHT See Section 1.20)	093174	1	

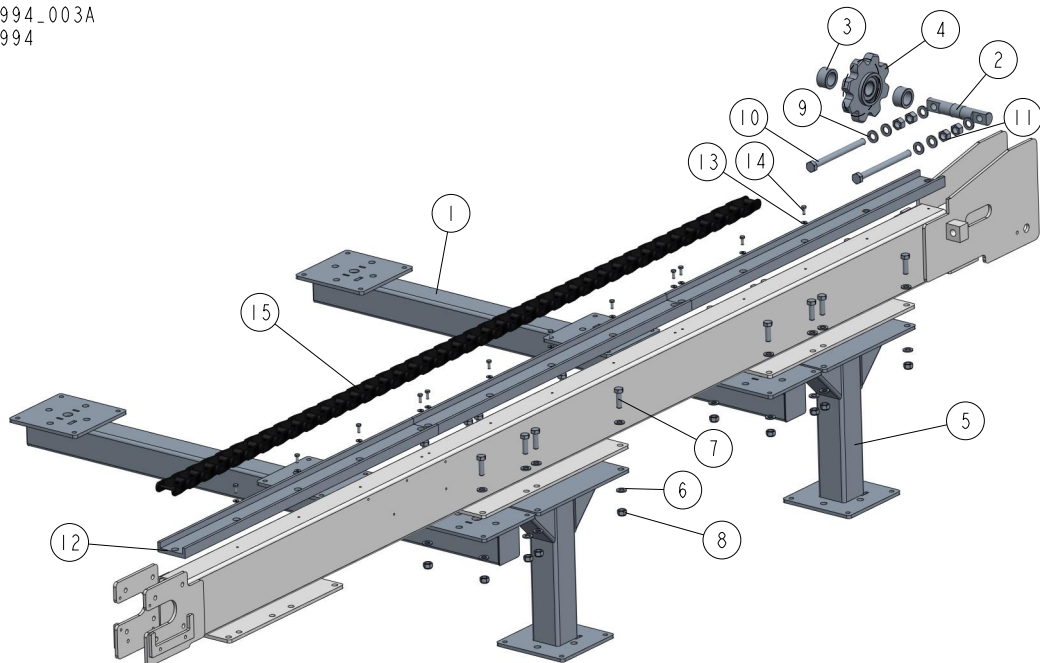
4.6 Log Infeed Deck Drive



REF	DESCRIPTION (◆ indicates parts available in assemblies only)	PART #	QTY
1	BRACKET, DRIVE GUARD MOUNT	089910-1	1
2	BEARING, UCF 211 W/HOUSING	089889	4
3	SPROCKET Z8 - PTD, SPROCKET, Z8 OXIDIZED	089888-1	2
4	SPROCKET, 12B Z45-ZINC-PLATED	089894-1	1
5	KEY, 16X10X50	089921	5
6	WASHER, 17.5/60-6 ZINC-PLATED	098012-1	2
7	WASHER, 16.3 SPLIT LOCK ZINC	F81058-2	18
8	BOLT, M16X65-8.8-B HEX HEAD FULL THREAD	F81006-1	2
9	PLATE, DRIVE GUARD REAR	089909-1	1
10	WASHER, 17 SPLIT LOCK ZINC	F81058-1	121
11	BOLT, M16X40-8.8 HEX HEAD FULL THREAD ZI	F81006-13	16
12	BOLT, M12X55-8.8 HEX HEAD ZINC	F81004-12	4
13	BOLT, M8X20-5.8-HEX HEAD FULL THREAD ZIN	F81002-1	31
14	WASHER, 8,4-FLAT ZINC	F81054-1	5
15	NUT, M8-8-B HEX NYLON ZINC LOCK	F81032-2	1

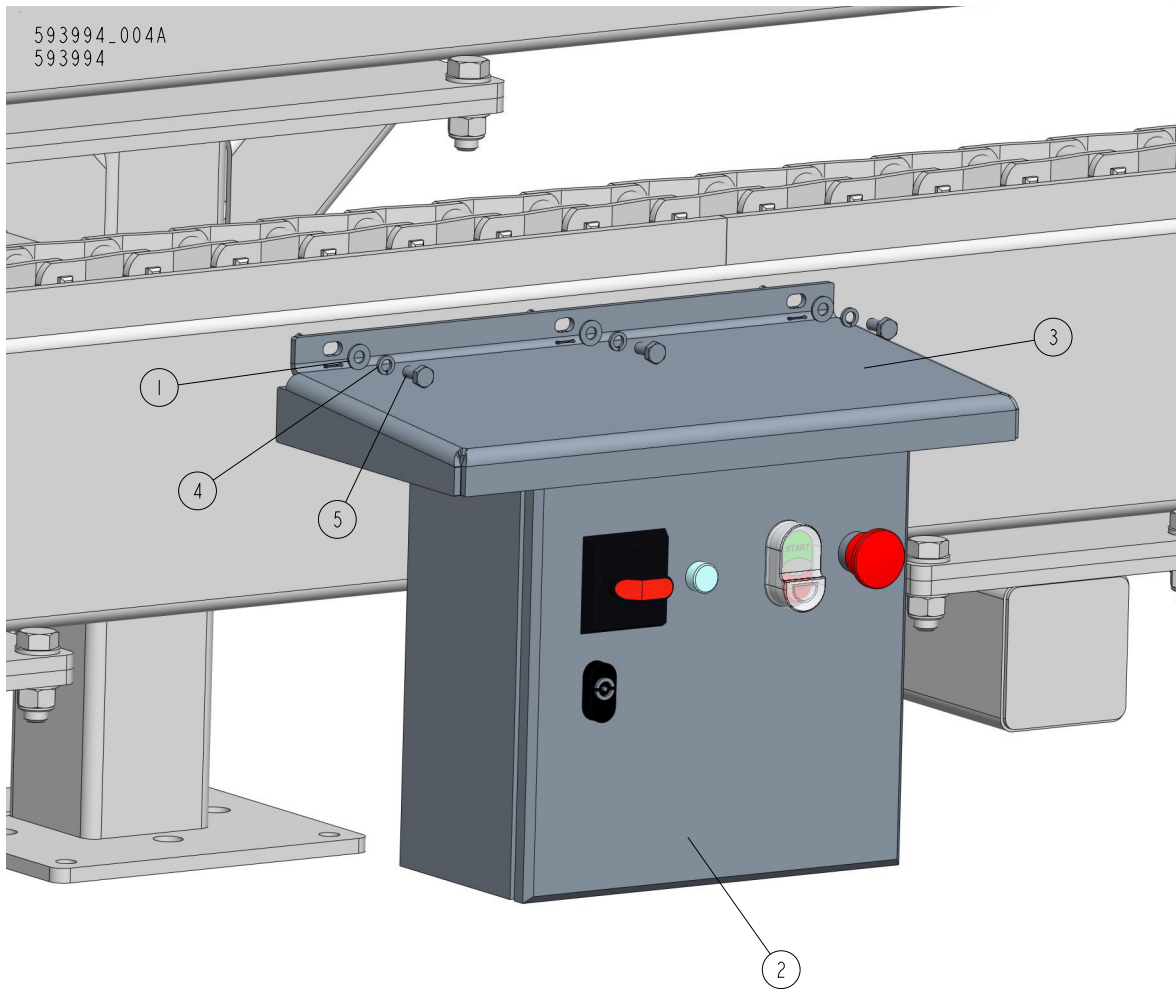
4.7 Log Deck Segment

593994_003A
593994



REF	DESCRIPTION (◆ indicates parts available in assemblies only)	PART #	QTY
-	LOG DECK - LD12-2S	593994	1
1	TUBE WELDMENT, CROSS STIFFENER	089880-1	2
2	SHAFT, IDLER SPROCKET ZINC-PLATED	089915-1	1
3	BUSHING, 40.5/59.9-33 ZINC-PLATED	089916-1	2
4	SPROCKET, Z8 - COMPLETE See Section 5.5	507234	1
5	LEG, LD12/20 H=500MM	098929-1	2
6	WASHER, 17 SPLIT LOCK ZINC	F81058-1	32
7	BOLT, M16 X 50-8.8 HEX HEAD	F81006-7	16
8	NUT, M16-8 HEX NYLON ZINC LOCK	F81036-2	16
9	WASHER, 21 FLAT ZINC	F81059-2	6
10	BOLT, M20X240-8.8 HEX HEAD FULL THREAD Z	F81007-1	2
11	NUT, M20-8- HEX ZINC	F81037-1	4
12	CHANNEL, UHMW CONVEYOR	033722	3
13	WASHER, 6.5 SPECIAL FLAT ZINC-PL.	F81053-11	14
14	BOLT, M8X20-5.8-HEX HEAD FULL THREAD ZIN	F81002-1	14
15	CHAIN, 8290MM 125-LINK (LD2 12)	504581	1

4.8 Electric Box

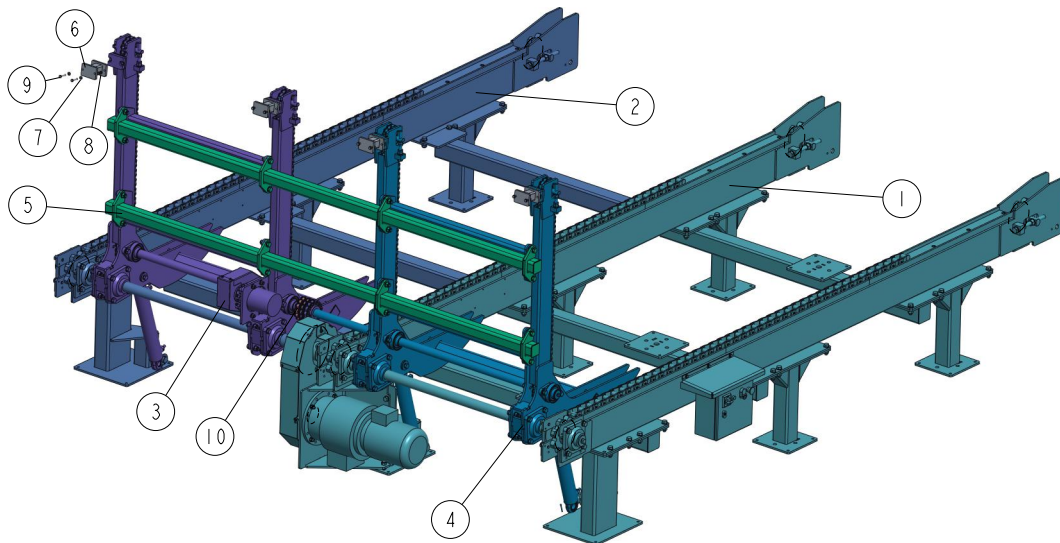


REF	DESCRIPTION (◆ indicates parts available in assemblies only)	PART #	QTY	
1	WASHER, 8,4-FLAT ZINC	F81054-1	11	
2	BOX, ELECTRICAL (LOG INFEED DECK W/LIGHT See Section 1.20)	093174	1	
3	COVER, LD12/20 ELECTRICAL BOX	505811-1	1	
4	WASHER, 8,2 SPLIT LOCK ZINC	F81054-4	3	
5	BOLT, M8X16 -8.8-B HEX HEAD FULL THREAD	F81002-20	3	

SECTION 5 LD2-12H-3S-70-WIDE-HD

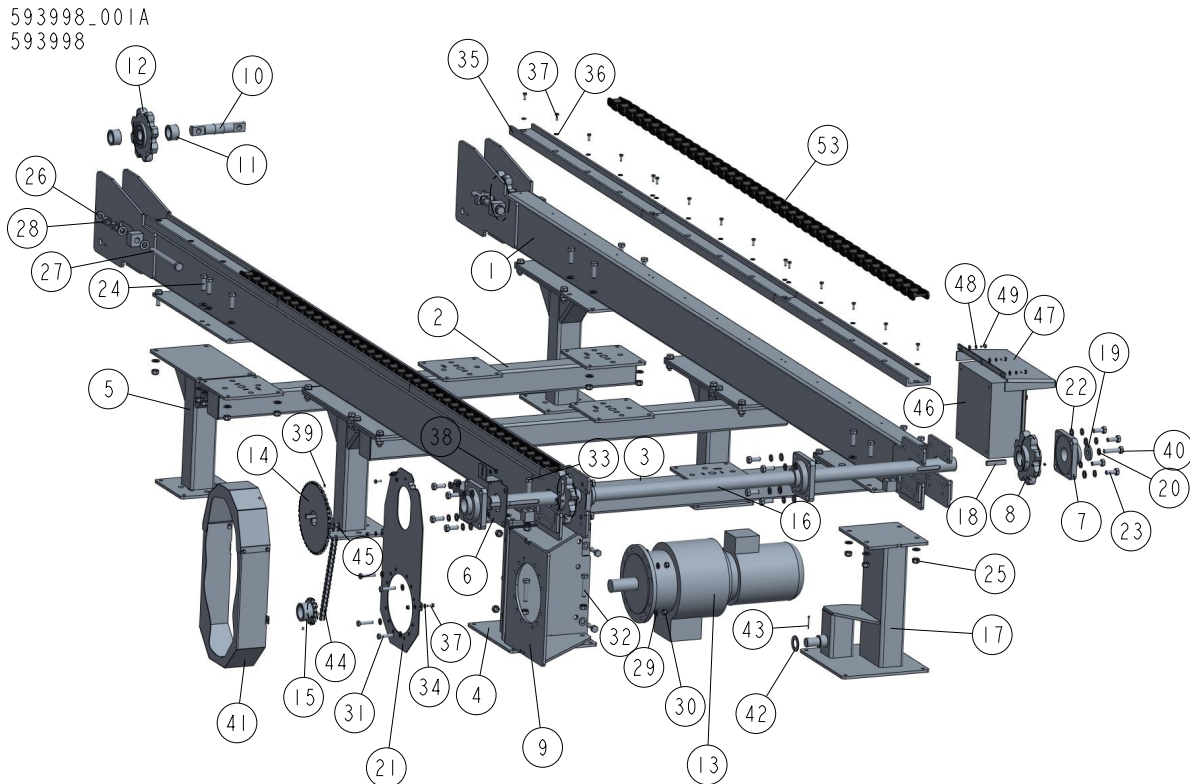
5.1 LD2-12H-3S-70-WIDE-HD

LD2-12H-3S-70-WIDE-HD_001A
LD2-12H-3S-70-WIDE-HD



REF	DESCRIPTION (◆ indicates parts available in assemblies only)	PART #	QTY	
-	LD2-12-3S -70-WIDE-HD	LD2-12H-3S-70-WID E-HD	1	
1	LOG INFEED DECK- LD12-2S WIDE HD See Section 5.2	593998	1	
2	LOG DECK SIDE SEGMENT - LD12 HD See Section 5.3	593997	1	
3	LOG LOADER LD12/20 - COMPLETE WIDE See Section 5.7	594007	1	
4	LOG LOADER, LD12/20 W/DRIVE - COMPLETE See Section 5.8	594006	1	
5	LOG LOADER CONNECTION TUBE COMPLETE See Section 5.9	536335	2	
6	BUMPER BASE LD2	593951-1	4	
7	WASHER, 8,4-FLAT ZINC	F81054-1	16	
8	NUT, M8-8-B HEX NYLON ZINC LOCK	F81032-2	8	
9	BOLT, M8X40-8.8 HEX HEAD FULL THREAD ZIN	F81002-15	8	
10	COUPLING, CHAIN See Section 5.6	536327	1	

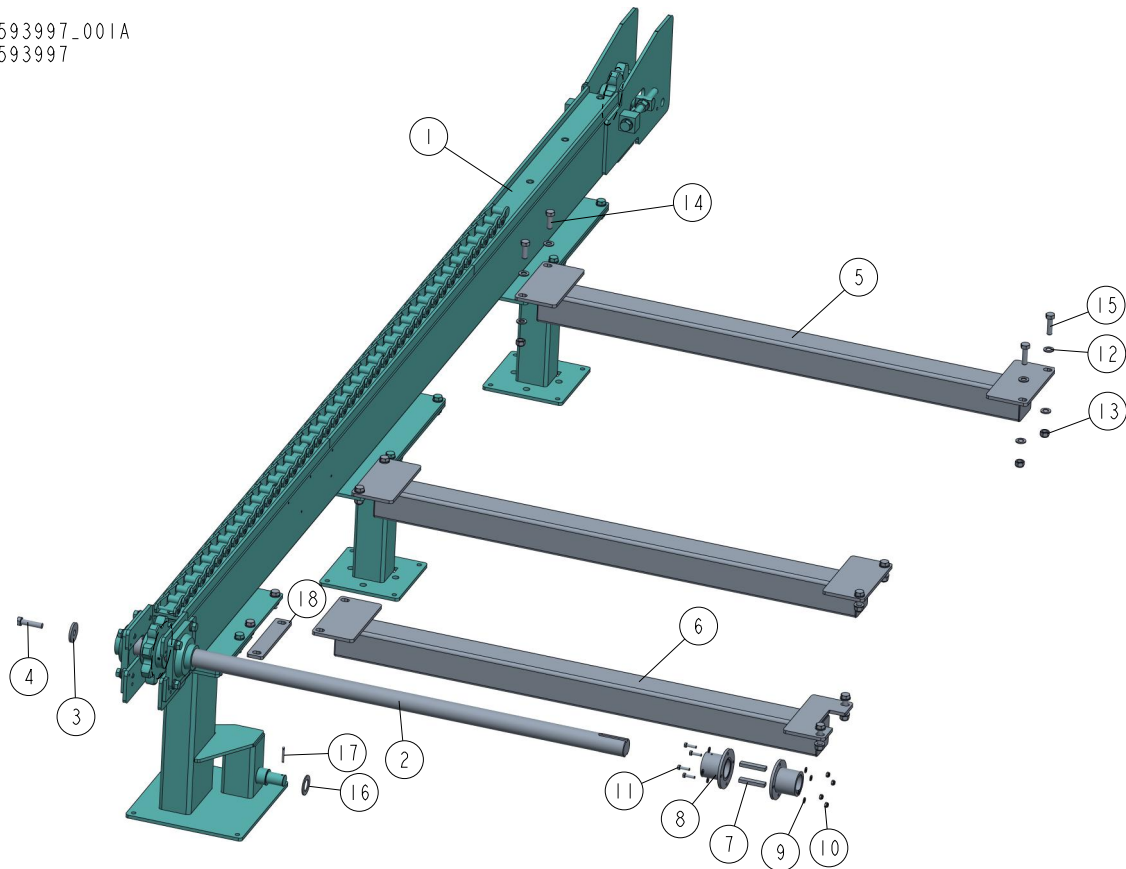
5.2 Log Infeed Deck 593998



REF	DESCRIPTION (◆ indicates parts available in assemblies only)	PART #	QTY
-	LOG INFEED DECK - LD12-2S WIDE HD	593998	1
1	TUBE, SLPLD3.6 FRAME	098925-1	2
2	TUBE WELDMENT, CROSS STIFFENER	089880-1	2
3	TUBE WELDMENT, CROSS STIFFENER	514851-1	1
4	LEG W/DRIVE MOUNT PLATE	594061-1	1
5	LEG, LD12/20 H=500MM	098929-1	4
6	BRACKET, DRIVE GUARD MOUNT	089910-1	1
7	BEARING, UCF 211 W/HOUSING	089889	4
8	SPROCKET Z8 - PTD, SPROCKET, Z8 OXIDIZED	089888-1	2
9	BRACKET WELDMENT, DECK MOTOR MOUNT	089897-1	1
10	SHAFT, IDLER SPROCKET ZINC-PLATED	089915-1	2
11	BUSHING, 40.5/59.9-33 ZINC-PLATED	089916-1	4
12	SPROCKET, Z8 - COMPLETE See Section 5.5	507234	2
13	GEAR MOTOR, SBCM 180/112M-4/32 W/SMALL F	089892	1
14	SPROCKET, 12B Z45-ZINC-PLATED	089894-1	1
15	SPROCKET, 12B Z16	090303-1	1
16	SHAFT, LT70/300 LOG INFEED DECK MAIN	517513	1
17	LEG, LD12/20 FRONT	594060-1	1
18	KEY, 16X10X50	089921	5
19	WASHER, 17.5/60-6 ZINC-PLATED	098012-1	2
20	WASHER, 16.3 SPLIT LOCK ZINC	F81058-2	18
21	COVER	549629-1	1
22	WASHER, 17 SPLIT LOCK ZINC	F81058-1	121

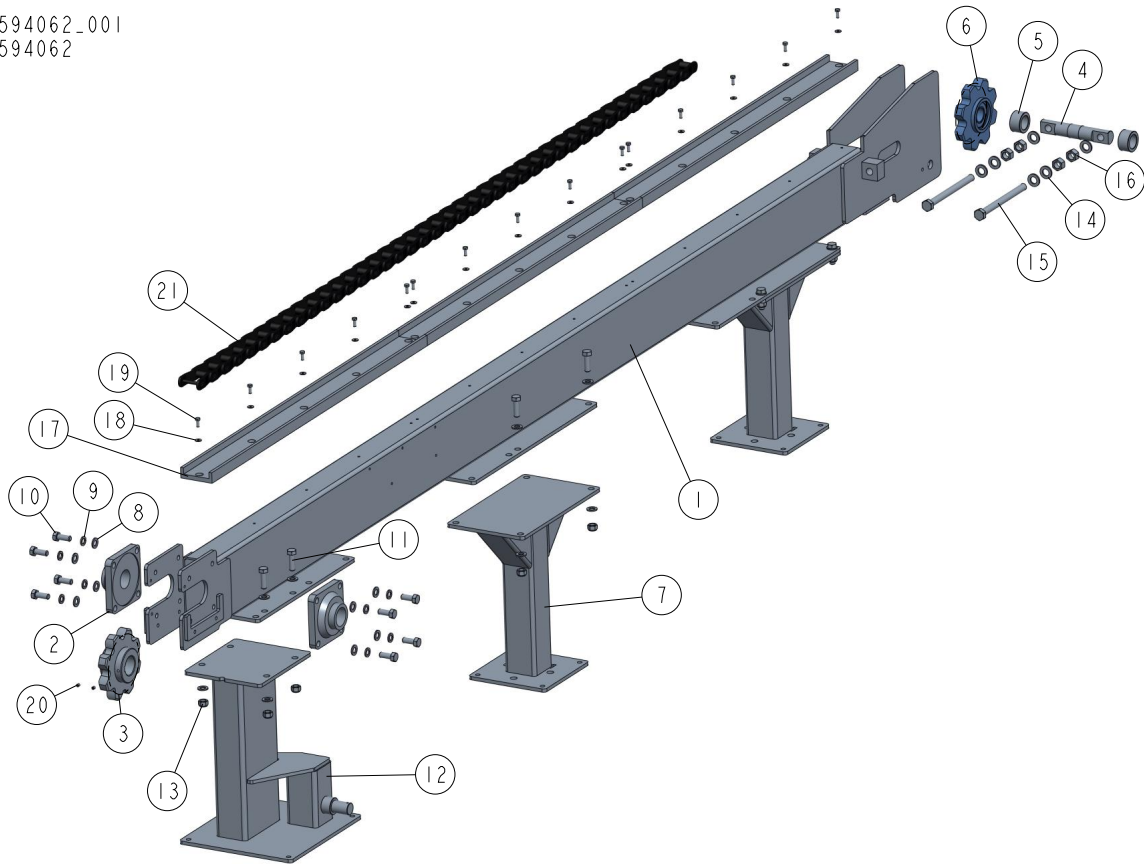
REF	DESCRIPTION (◆ indicates parts available in assemblies only)	PART #	QTY
23	BOLT, M16X40-8.8 HEX HEAD FULL THREAD ZI	F81006-13	16
24	BOLT, M16 X 50-8.8 HEX HEAD	F81006-7	52
25	NUT, M16-8 HEX NYLON ZINC LOCK	F81036-2	57
26	WASHER, 21 FLAT ZINC	F81059-2	12
27	BOLT, M20X240-8.8 HEX HEAD FULL THREAD Z	F81007-1	4
28	NUT, M20-8- HEX ZINC	F81037-1	8
29	WASHER, 13 FLAT ZINC	F81056-1	8
30	NUT, M12-8 HEX NYLON ZINC LOCK	F81034-2	4
31	BOLT, M12X55-8.8 HEX HEAD ZINC	F81004-12	4
32	BOLT, M1 6X75-8.8-B-B HEX HEAD FULL THREAD	F81006-10	2
33	BOLT, M16X100-8.8 HEX HEAD FULL THREAD Z	F81006-2	1
34	WASHER, 8,4-FLAT ZINC	F81054-1	9
35	CHANNEL, UHMW CONVEYOR	033722	6
36	WASHER, 6.5 SPECIAL FLAT ZINC-PL.	F81053-11	30
37	BOLT, M8X20-5.8-HEX HEAD FULL THREAD ZIN	F81002-1	33
38	NUT, M8-8-B HEX NYLON ZINC LOCK	F81032-2	3
39	SCREW, M8X8 45H GEOMET HEX SOCKET SET W/	F81014-1	8
40	BOLT, M16X65-8.8-B HEX HEAD FULL THREAD	f81006-1	2
41	COVER, COMPLETE See Section 2.8	578341	1
42	WASHER, N36	089903	2
43	PIN, S-FE 5X40 COTTER	F81043-31	2
44	CHAIN, 12B-1-69 (1,31RM)	090711	1
45	LINK, 12B-1PZ MASTER	090713	1
46	BOX, ELECTRICAL (LOG INFEED DECK W/LIGHT	093174	1
47	COVER, LD12/20 ELECTRICAL BOX	505811-1	1
48	WASHER, 8,2 SPLIT LOCK ZINC	F81054-4	3
49	BOLT, M8X16 -8.8-B HEX HEAD FULL THREAD	F81002-20	3
50	HYDRAULIC HOSE KIT, LT300 LOG DECK	097064	1
51	FITTING, M22X1.5 / 1/4 - 18 NPT ZINC-PL.	093139-1	4
52	HOSE, 3/8"X4.0M LT70AC R. HYDRO-MOTOR	094592	2
53	CHAIN, 8290MM 125-LINK (LD2 12)	504581	2

5.3 Log Deck Side Segment 593997

593997_001A
593997

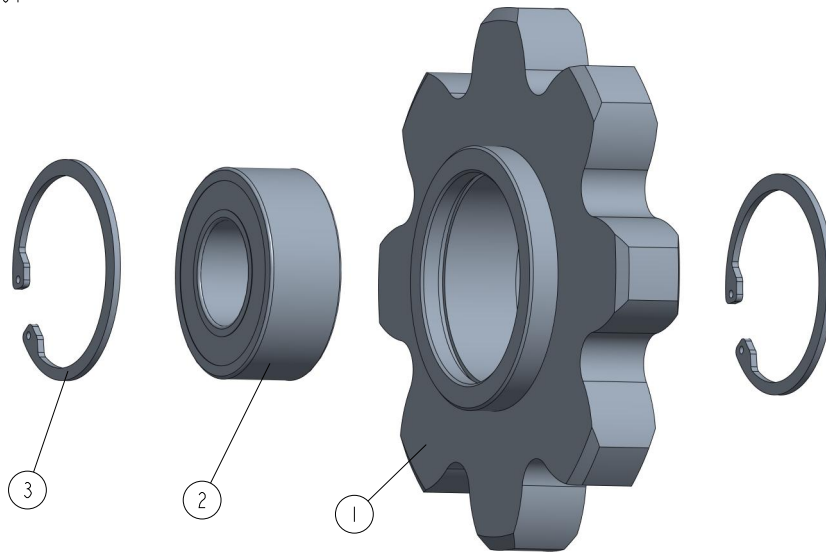
REF	DESCRIPTION (◆ indicates parts available in assemblies only)	PART #	QTY	
-	LOG DECK SIDE SEGMENT-LD12 DO HD	593997	1	
1	LOG INFEED DECK - LD12-2C DO HD See Section 5.4	594062	1	
2	SHAFT, LOG DECK MAIN - SIDE PART	517512	1	
3	WASHER, 17.5/60-6 ZINC-PLATED	098012-1	1	
4	BOLT M16X65, 8.8 GWINT PELNY, OCYNK.	F81006-1	1	
5	CROSS TUBE, LOG INFEED DECK	517518-1	2	
6	CROSS TUBE, LOG INFEED DECK.	594064-1	1	
7	KEY, 16X10X50	089921	2	
8	CLUTCH, LD2	517529-1	2	
9	WASHER 8.4 FE/ZN5 PN-78/M-82005	F81054-1	9	
10	NUT, M8-8-B HEX NYLON ZINC LOCK	F81032-2	4	
11	BOLT M8X30-8.8-B-FE/ZN5-PN/M82105.	F81002-2	4	
12	WASHER 17 FE/ZN5 PN-78/M-82005	F81058-1	24	
13	NUT, M16-8 HEX NYLON ZINC LOCK	F81036-2	12	
14	BOLT M16X45-8.8-FE/ZN5 PN-M/82105.	F81006-46	6	
15	BOLT M16X55-8.8-FE/ZN5 PN/M-82105.	F81006-61	6	
16	WASHER, N36	089903	1	
17	PIN S-FE 5X40 PN-M/82001	F81043-31	1	
18	SPACER PLATE	549649-1	1	

5.4 Log Infeed Deck 594062

594062_001
594062

REF	DESCRIPTION (◆ indicates parts available in assemblies only)	PART #	QTY
-	LOG INFEED DECK - LD12-2C DO HD	594062	1
1	TUBE, SLPLD3.6 FRAME	098925-1	1
2	BEARING, UCF 211 W/HOUSING	089889	2
3	SPROCKET Z8 - PTD, SPROCKET, Z8 OXIDIZED	089888-1	1
4	SHAFT, IDLER SPROCKET ZINC-PLATED	089915-1	1
5	BUSHING, 40.5/59.9-33 ZINC-PLATED	089916-1	2
6	SPROCKET, Z8 - COMPLETE See Section 5.5	507234	1
7	LEG, LD12/20 H=500MM	098929-1	2
8	WASHER, 17 SPLIT LOCK ZINC	F81058-1	30
9	WASHER, 16.3 SPLIT LOCK ZINC	F81058-2	8
10	BOLT, M16X40-8.8 HEX HEAD FULL THREAD ZI	F81006-13	8
11	BOLT, M16X50-8.8 HEX HEAD FULL THREAD ZI	F81006-7	12
12	LEG, LD12/20 H=500MM	594063-1	1
13	NUT, M16-8 HEX NYLON ZINC LOCK	F81036-2	12
14	WASHER, 21 FLAT ZINC	F81059-2	6
15	BOLT, M20X240-8.8 HEX HEAD FULL THREAD Z	F81007-1	2
16	NUT, M20-8 HEX ZINC	F81037-1	4
17	CHANNEL, UHMW CONVEYOR	033722	3
18	WASHER, 6.5 SPECIAL FLAT ZINC	F81053-11	15
19	BOLT, M8X20-5.8 HEX HEAD FULL THREAD ZIN	F81002-1	15
20	SCREW, M8X8-33H HEX SOCKET SET FLAT POIN	F81014-1	2
21	CHAIN, 8290MM 125-LINK (LD2 12)	504581	1

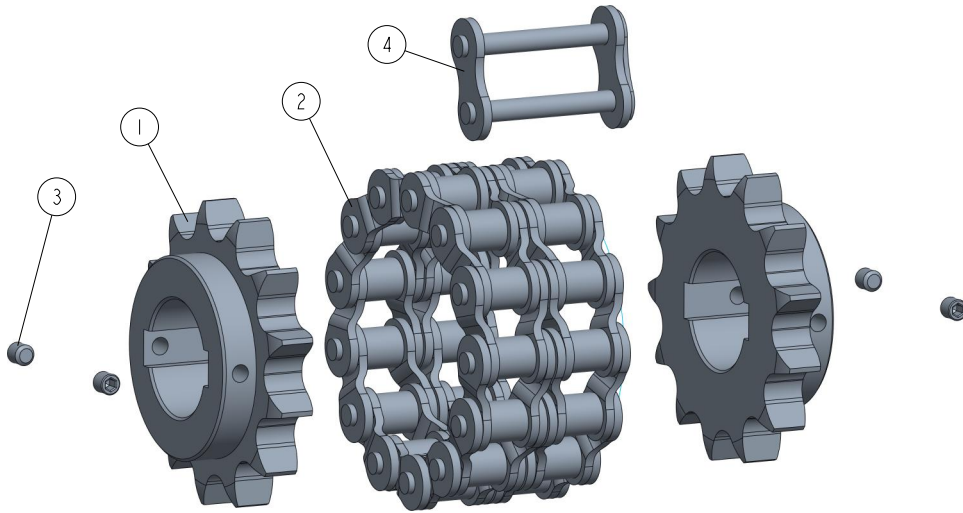
5.5 Sprocket 507234

507234_001
507234

REF	DESCRIPTION (◆ indicates parts available in assemblies only)	PART #	QTY	
-	SPROCKET, Z8 - COMPLETE	507234	1	
1	SPROCKET, Z8 IDLER, PTD.	089919-1	1	
2	BEARING, 3208.2RSR.TVH (FAG) ROLLING	088449	1	
3	RING, W80 INSIDE RETAINING	F81090-25	2	

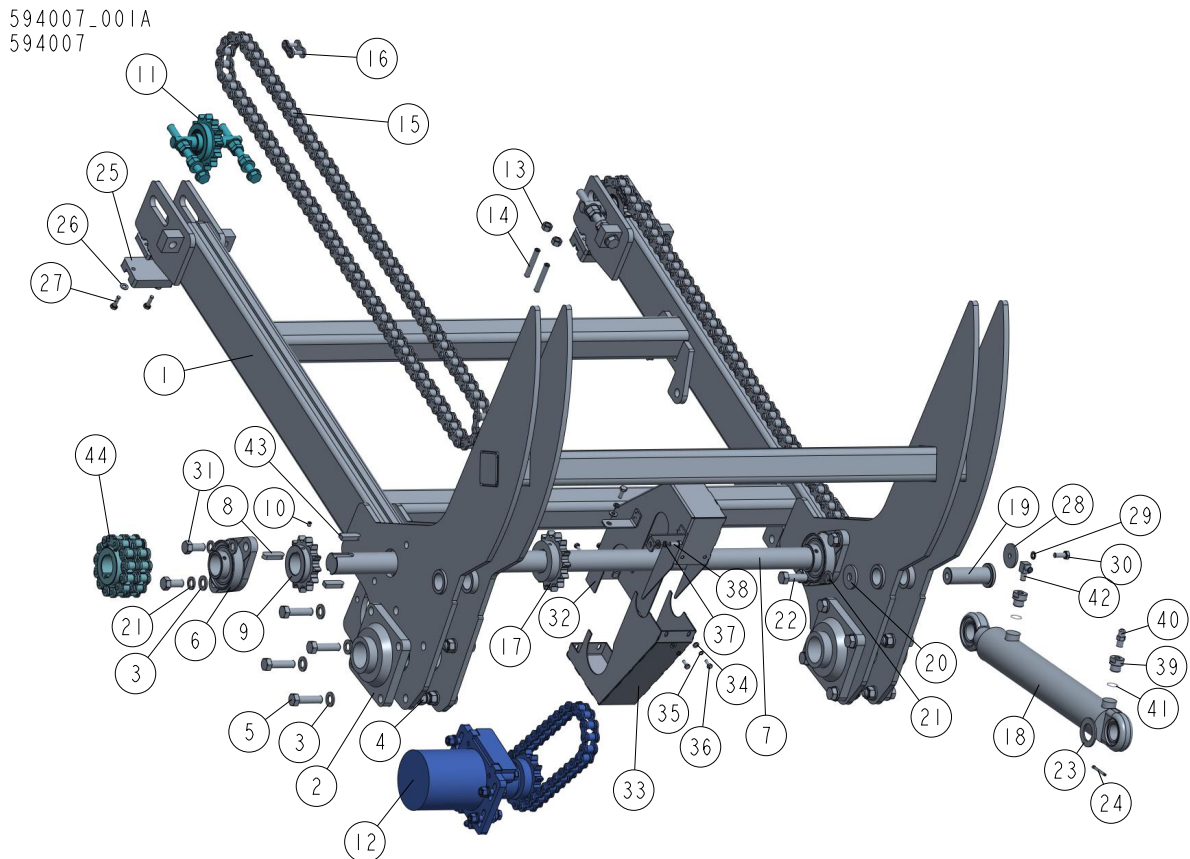
5.6 Chain Coupling 536327

536327_001
536327



REF	DESCRIPTION (◆ indicates parts available in assemblies only)	PART #	QTY
-	COUPLING, CHAIN	536327	1
1	SPROCKET, 13Z 16B-1	536329-1	2
2	CHAIN, 16B2 L=330.2 COUPLING	536328	1
3	SCREW, M8X8-33H HEX SOCKET SET FLAT POIN	F81014-1	4
4	LINK, 16B-2 T36073 ULMER 2-ROW	506635	1

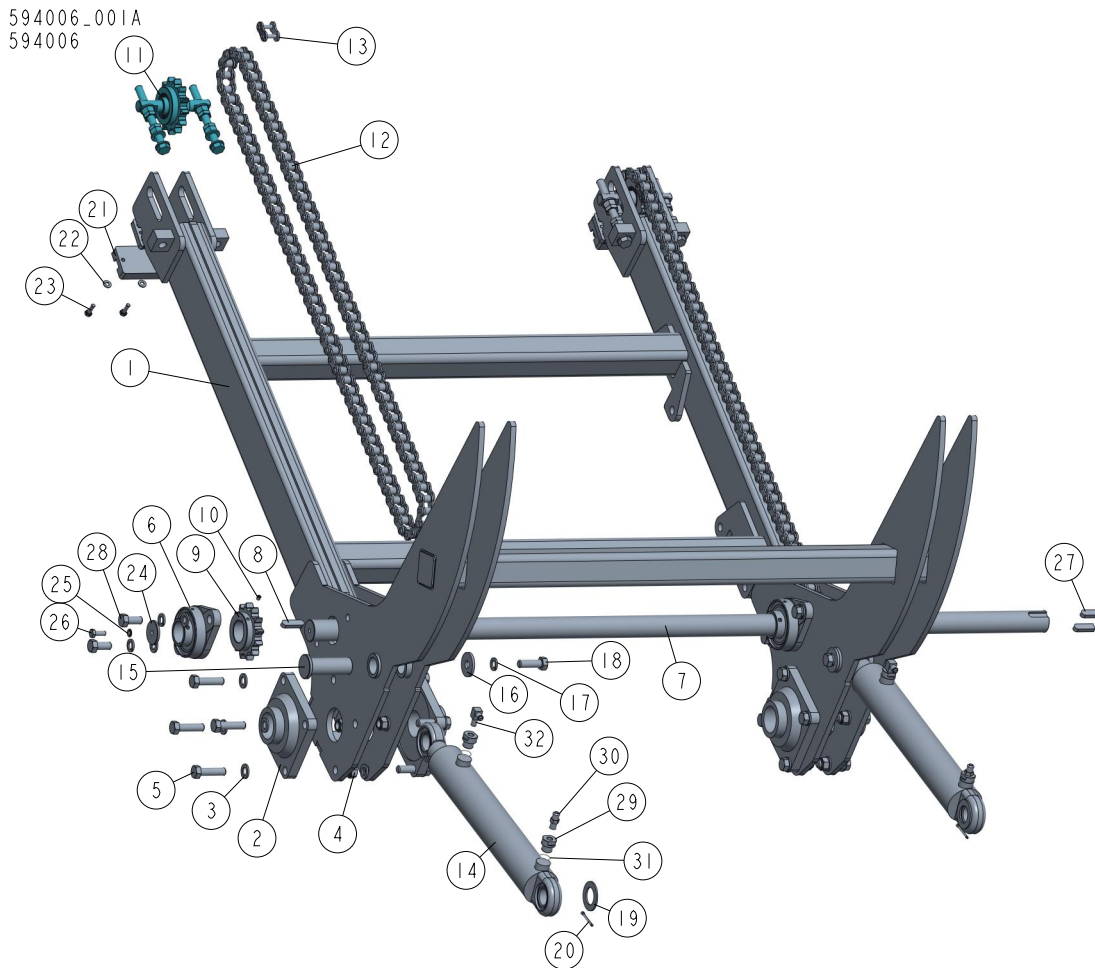
5.7 Log Loader LD12/20 WIDE. 594007



REF	DESCRIPTION (◆ indicates parts available in assemblies only)	PART #	QTY
-	LOG LOADER LD12/20 - COMPLETE WIDE	594007	1
1	LOG LOADER LD HD12/20 (2S) LT	593999-1	1
2	BEARING, UCF 211 W/HOUSING	089889	4
3	WASHER, 17 SPLIT LOCK ZINC	F81058-1	40
4	NUT, M16-8 HEX NYLON ZINC LOCK	F81036-2	16
5	BOLT, M16X60 8.8 HEX HEAD FULL THREAD ZI	F81006-12	16
6	UNIT, UCFL 209 BEARING	536341	4
7	SHAFT, LOADER ARM DRIVE	536323	1
8	KEY, A14X9X50 PARALLEL	536339	4
9	SPROCKET, 13Z 16B-1	533838-1	2
10	SCREW, M8X8-33H HEX SOCKET SET FLAT POIN	F81014-1	4
11	TENSIONER ASSEMBLY See Section 1.30	533841	2
12	DRIVE ASSEMBLY, LOADER ARM See Section 1.31	534102	1
13	NUT M12 ZC 8 DIN 934	F81034-1	2
14	SCREW, M12X70-33H HEX SOCKET SET W/FLAT	F81004-125	2
-	CHAIN, 16B DRIVE	549616	2
15	CHAIN, 16B-1, L=2640 MM	549615	1
16	LINK, 16B MASTER	511686	1
17	SPROCKET, 16B Z14	536342	1
18	CYLINDER, CJ2E-16-63/36/320Z UE2-63W HYD	089904	1

REF	DESCRIPTION (◆ indicates parts available in assemblies only)	PART #	QTY	
19	PIN, CYLINDER MOUNT	534117-1	1	
20	WASHER, 16.5/50-5	534118-1	1	
21	WASHER, 16.3 SPLIT LOCK ZINC	F81058-2	9	
22	BOLT, M16X50-8.8 HEX HEAD FULL THREAD ZI	F81006-7	1	
23	WASHER, N36 ZINC-PLATED	089903-1	1	
24	PIN, S-FE 5X40 COTTER	F81043-31	1	
25	BUMPER, GRENE 70 3201 0010 RUBBER	094969	2	
26	WASHER, 8.4 FLAT ZINC	F81054-1	6	
27	BOLT, M8X25-8.8-B HEX HEAD FULL THREAD Z	F81002-5	4	
28	WASHER, 50X10.5-5	524023-1	1	
29	WASHER, Z 10.2 SPLIT LOCK ZINC	F81055-2	1	
30	BOLT, M10X25 8.8 HEX HEAD FULL THREAD ZI	F81003-11	1	
31	BOLT, M16X35 -8.8 HEX HEAD FULL THREAD Z	F81006-74	8	
32	GUARD, CHAIN	549618-1	1	
33	GUARD, WHEEL - COMPLETE	549621-1	1	
34	WASHER, 6.4 FLAT ZINC	F81053-1	4	
35	WASHER 6.1 ZC SPRING LOCK DIN 127	F81053-3	4	
36	BOLT, M6X16-8.8 HEX HEAD FULL THREAD ZIN	F81001-15	4	
37	WASHER 8,2 SPLIT LOCK ZINC	F81054-4	2	
38	BOLT, M8X20MM, HEX HEAD,GR 5.8 ZINC,	F81002-4	2	
39	FITTING, M22X1.5 / 1/4 - 18 NPT ZINC-PL.	093139-1	2	
40	FITTING, 3/8JIC-1/4NPT STRAIGHT	015560	1	
41	O-RING 20X2	093483	2	
42	FITTING, 3/8JIC-1/4NPT 90L	015491	1	
43	KEY, AB 14X9X45 PARALLEL	536340	2	
44	COUPLING, CHAIN See Section 5.6	536327	1	

5.8 Log Loader, LD12/20 W/Drive. 594006

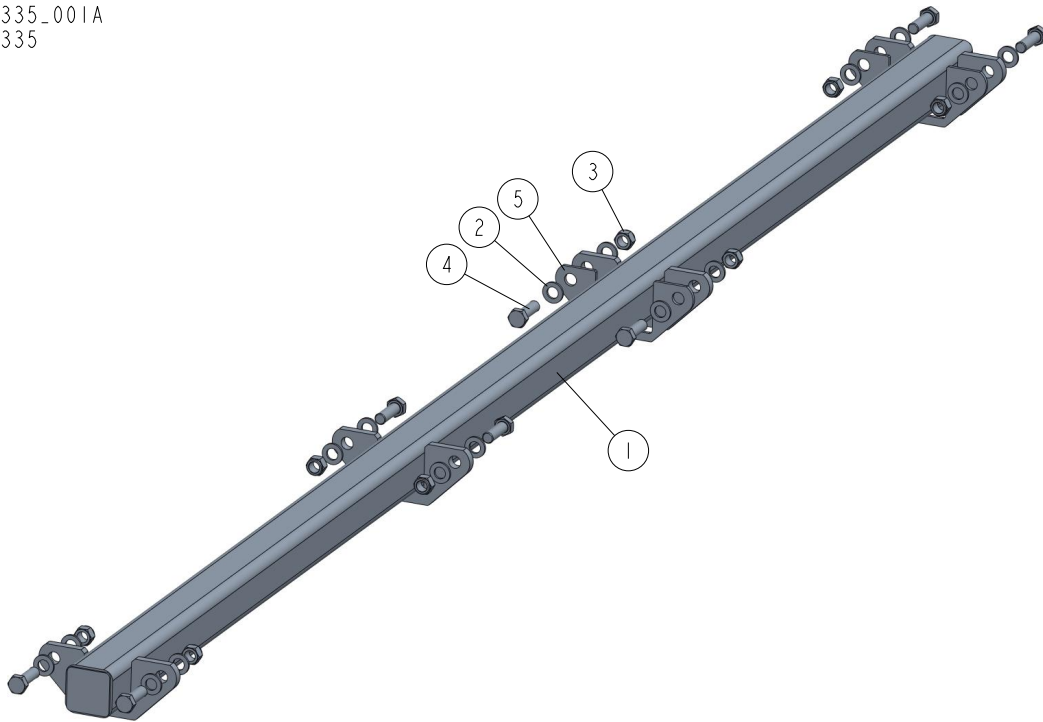


REF	DESCRIPTION (◆ indicates parts available in assemblies only)	PART #	QTY
-	LOG LOADER, LD12/20 W/DRIVE - KPL.	594006	1
1	LOG LOADER HD12/20 (2S) LT	594005-1	1
2	BEARING, UCF 211 W/HOUSING	089889	4
3	WASHER, 17 SPLIT LOCK ZINC	F81058-1	40
4	NUT, M16-8 HEX NYLON ZINC LOCK	F81036-2	16
5	BOLT, M16X60-8.8 HEX HEAD FULL THREAD ZI	F81006-12	16
6	UNIT, UCFL 209 BEARING	536341	4
7	SHAFT, LOADER ARM DRIVE	536326	1
8	KEY, A14X9X50 PARALLEL	536339	2
9	SPROCKET, 13Z 16B-1	533838-1	2
10	SCREW, M8X8 45H GEOMET HEX SOCKET SET W/	F81014-1	2
11	TENSIONER ASSEMBLY See Section 1.30	533841	2
-	CHAIN, 16B DRIVE	549616	2
12	CHAIN, 16B-1, L=2640 MM	549615	1
13	LINK, 16B MASTER	511686	1
14	CYLINDER, CJ2E-16-63/36/320Z UE2-63W HYD	089904	2
15	PIN, CYLINDER MOUNT	534117-1	2
16	WASHER, 16.5/50-5	534118-1	2

REF	DESCRIPTION (◆ indicates parts available in assemblies only)	PART #	QTY	
17	WASHER, 16.3 SPLIT LOCK ZINC	F81058-2	10	
18	BOLT, M16 X 50-8.8 HEX HEAD	F81006-7	2	
19	WASHER, N36 ZINC-PLATED	089903-1	2	
20	PIN, S-FE 5X40 COTTER	F81043-31	2	
21	BUMPER, GRENE 70 3201 0010 RUBBER	094969	2	
22	WASHER, 8,4-FLAT ZINC	F81054-1	4	
23	BOLT, M8X25-8.8-B HEX HEAD FULL THREAD Z	F81002-5	4	
24	WASHER, 50X10.5-5	524023-1	1	
25	WASHER, Z 10.2 SPLIT LOCK ZINC	F81055-2	1	
26	BOLT, M10X25 8.8 HEX HEAD FULL THREAD ZI	F81003-11	1	
27	KEY, AB 14X9X45 PARALLEL	536340	2	
28	BOLT, M16X35 -8.8 HEX HEAD FULL THREAD Z	F81006-74	8	
29	FITTING, M22X1.5 / 1/4 - 18 NPT ZINC-PL.	093139-1	4	
30	FITTING, 3/8JIC-1/4 NPT STRAIGHT	015560	2	
31	O-RING 20X2	093483	4	
32	FITTING, 3/8JIC-1/4NPT 90L	015491	2	

5.9 Log Loader Connection Tube. 536335

536335_001A
536335



REF	DESCRIPTION (◆ indicates parts available in assemblies only)	PART #	QTY	
-	LOG LOADER CONNECTION TUBE KPL	536335	1	
1	LINK, LOG LOADER ARM	536333-1	1	
2	WASHER, 17 SPLIT LOCK ZINC	F81058-1	16	
3	NUT, M16-8 HEX NYLON ZINC LOCK	F81036-2	8	
4	BOLT, M16X50-8.8 HEX HEAD FULL THREAD ZI	F81006-38	8	
5	PLATE 1	536689-1	2	