

Wood-Mizer®

Parts Manual

LT20 START

rev. A1.04



Safety is our #1 concern! Read and understand all safety information and instructions before operating, setting up or maintaining this machine.

Form #2584

Table of Contents

Section-Page

SECTION 1	GENERAL INFORMATION	1-1
1.1	How To Use the Parts List.....	1-1
1.2	Sample Assembly	1-1
SECTION 2	BLADE GUIDE ASSEMBLIES	2-1
2.1	Blade Guide Arm Assembly.....	2-1
2.2	Blade Guide Arm w/Guard	2-2
2.3	Blade Guide Arm Drive.....	2-3
2.4	Blade Guide Mount Block	2-4
2.5	Blade Guide Mount Block	2-5
2.6	Blade Guide Roller Assembly, Idle Side (094683)	2-6
2.7	Blade Guide Roller Assembly, Drive Side. (094682)	2-7
SECTION 3	BLADE WHEELS & TENSIONER	3-1
3.1	Blade Wheel Assembly, Drive Side	3-1
3.2	Blade Wheel Assembly, Idle Side	3-2
3.3	Blade Tensioner (510640)	3-4
SECTION 4	SAW HEAD	4-1
4.1	Water Lube Assembly	4-1
4.2	Blade Lube System.....	4-3
4.3	LT20AC Saw Head Decals	4-4
4.4	Blade Housing Cover	4-6
4.5	Up/Down Cable Chain Assembly	4-8
4.6	LT20 START Sawhead Bracket (587013)	4-9
4.7	LT20 START Control Panel (587003)	4-10
SECTION 5	UP/DOWN ASSEMBLY	5-1
5.1	Up/Down Assembly, AC Mills	5-1
5.2	Up/Down Chain Tensioner Assembly.....	5-3
SECTION 6	UP/DOWN ROLLERS & BLADE HEIGHT SCALE	6-1
6.1	Up/Down Rollers.....	6-1
6.2	Magnetic Strip Assembly	6-3
6.3	Blade Height Scale Assembly (No. 586998)	6-4
SECTION 7	POWER FEED & TRACK ROLLERS	7-1
7.1	Power Feed Assembly, AC Mills	7-1
7.2	Upper Track Rollers And Wipers	7-3
7.3	Lower Track Rollers	7-5

Table of Contents

Section-Page

SECTION 8 BED FRAME ASSEMBLY

8-1

8.1	Octagonal Profile Sawing Tool (Option)	8-1
8.2	Sawmill Transport Bracket Assembly (Option).....	8-2
8.3	Tie Down Chain Assembly (A04376-1)	8-3
8.4	Side Support Rollers - Service Kit (LT20 Start, No. 587025)	8-4
8.5	Stationary "M" Frame w/ Angled Bed Rails (586977)	8-5
8.6	Main Tube Cover Assembly (Part No. 093052)	8-6
8.7	Bed Rail Cover Kit (LT20 START, No. 587024)	8-7
8.8	Bed Rail Assembly - Short (586944)	8-8
8.9	Bed Rail Assembly - Long (586932)	8-9
8.10	Bed Rail Assembly - Long (586958)	8-10
8.11	Stationary Legs for LT20SA "M" Frame (586916)	8-11

SECTION 9 HYDRAULIC SYSTEM

9-1

9.1	Hydraulic System, LT20 Series A/DH	9-1
9.2	Hydraulic Hose Kit for MBX12/24H Bed Extensions, "M" Frame AH Sawmills ...	9-3
9.3	Hydraulic System Switch (AC).....	9-5
9.4	Right Hydraulic Toe Board	9-6
9.5	Left Hydraulic Toe Board (mounted on lower bed rail)	9-7
9.6	Hydraulic Control Box, LT20 Series AH3	9-8
9.7	Log Loader (092863)	9-11
9.8	Hydraulic Log Turner (088073)	9-13
9.9	Hydraulic Log Side Support (587010)	9-15
9.10	Two-Plane Log Clamp - M-type Frame (544213)	9-17

Getting Service

Wood-Mizer is committed to providing you with the latest technology, best quality and strongest customer service available on the market today. We continually evaluate our customers' needs to ensure we're meeting current wood-processing demands. Your comments and suggestions are welcome.

General Contact Information

From Europe call your local distributor or our European Headquarters and Manufacturing Facility in Koło, Nagórna 114 St, Poland at **+48-63-2626000**. From the continental U.S., call our U.S. Headquarter 8180 West 10th St. Indianapolis, IN 46214, toll-free at **1-800-525-8100**. Ask to speak with a Customer Service Representative. Please have your machine identification number and your customer number ready when you call. The Service Representative can help you with questions about the operation and maintenance of your machine. He also can schedule you for a service call.

Office Hours:

Country	Monday - Friday	Saturday	Sunday
Poland	7 a.m.- 3 p.m.	Closed	Closed
US	8 a.m.- 5 p.m.	8 a.m.- 12 p.m	Closed

Please have your vehicle identification number and your customer number ready when you call.

Wood-Mizer will accept these methods of payment:

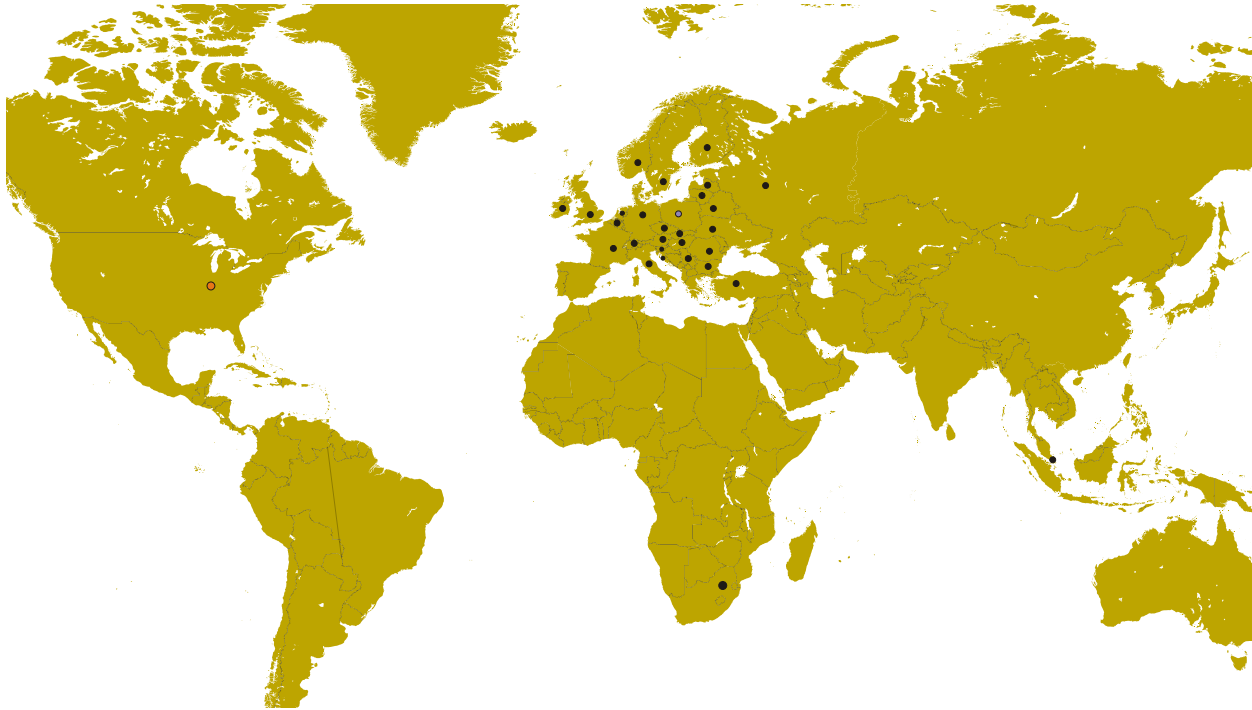
- Visa, Mastercard, or Discover
- COD
- Prepayment
- Net 15 (with approved credit)



Be aware that shipping and handling charges may apply. Handling charges are based on size and quantity of order.

Technical data are subject to change without prior notice.

Actual product may differ from product images. Some illustrations show machines with optional equipment.

Branches & Authorized Sales Centers Wood-Mizer Locations (North and South America)



EUROPE		UNITED STATES
<p> European Headquarters Wood-Mizer Industries Sp. z o.o. Nagórna 114, 62-600 Ko?o, Poland Tel.: +48-63-26-26-000 Fax: +48-63-27-22-327 www.woodmizer.eu</p>		<p> World Headquarters Wood-Mizer LLC 8180 West 10th Street Indianapolis, Indiana 46214-2400, USA Tel.: +1-317-271-1542 Fax: +1-317-273-1011 www.woodmizer.com</p>
<p>BELARUS MOST-GRUPP Siemashko 15, k.3 Minsk 2200116 Tel.: +375-17-270-90-08 Fax: +375-17-270-90-08 GSM: +375-29-649-90-80 e-mail: most-by@mail.ru</p>	<p>SWITZERLAND Stefan Wespi Maschinen u. Geräte Spezialarbeiten GmbH Eichstraße 4 6353 Weggis Tel.: +41-413-900-312 GSM: +41-799-643-594 info@woodmizer.ch www.woodmizer.ch</p>	<p>RUSSIA Dariusz Miko?ajewski OOO WOOD-MIZER INDUSTRIES 141031, Moscow Reg., Mytishenski raj., pos. Veshki, Zavodskaja str., 3B Tel.Fax: +7(495) 788-72-35 Tel.Fax: +7(495) 641-51-60 e-mail: dariuszm@woodmizer-moscow.ru</p>
<p>BULGARIA Kalin Simeonov Ecotechproduct 38 Star Lozenski pat str. Sofia 1186 Tel.: +359-2-462-7035 Tel.: +359-2-963-1656 Tel./Fax : +359-2-979-1710 Kalin Simeonov GSM: +3592-963-2559 e-mail: office@ecotechproduct.com</p>	<p>HUNGARY Wiktor Turoczy Wood-Mizer Hungary K.F.T. Szonyi Ut 67., 2921 Komárom Tel./Fax: +36-34-346-255 e-mail: woodmizer@woodmizer.hu</p>	<p>RUSSIA Far East Wladimir G?azaczew "WM Service" Krasnoretchenskaya Str.111 680006 Khabarovsk Tel./Fax: +7-914-541-1183 e-mail: wms-khv@mail.ru</p>

<p>CROATIA Krešimir Pregernik Pregimex d.o.o. S. Batušića 31, 10090 Zagreb Tel./Fax: +3851-38-94-668 Krešimir Pregernik GSM: +3851-98-207-106 e-mail: Kresimir.Pregernik@gmail.com</p>	<p>ITALY Pasquale Felice Wood-Mizer Italia Srl Cda. Capoiaccio SN 86012 Cercemaggiore Campobasso Tel./Fax: +39-0874-798-357 GSM: +39-333-281-03-79 e-mail: wmitaliasrl@gmail.com</p>	<p>SERBIA Dragan Markov Wood-Mizer Balkan d.o.o. Svetosavska GA 3/3; P. Fah 25 23 300 Kikinda Tel./Fax: +381-230-25-754 Tel./Fax: +381-230-23-567 GSM: +381-63-568-658 e-mail: office@woodmizer.co.yu</p>
<p>CZECH REPUBLIC Miroslav Greill Wood-Mizer CZ s.r.o. Za Kasárny 946 339 01 Klatovy Tel: +420-376-312-220 GMS: +420-608-111-104 Miroslav Greill GMS: + 420-602-439-799 E-mail: woodmizer@woodmizer.cz</p>		<p>SLOVAKIA Wiktor Turoczy Wood-Mizer Danubia s.r.o. Hadovce 5, 94501 Komárno Tel.: +421-35-77-40-316 Fax: +421-35-7740-326 GSM: +421-905-930-972 e-mail: woodmizer@woodmizer.sk</p>
<p>CZECH REPUBLIC Lubomir Kudlik Wood-Mizer Moravia Sovadinova 6 69002 Breclav Tel./Fax: +420-519-322-443 Lubomir Kudlik GSM: +420-602-734-792 e-mail: info@wood-mizer.net</p>	<p>LATVIA Vilmars Jansons OBERTS Ltd Gaujas str. 32/2 LV-2167 Marupe, Rigas Raj. Tel.: +371-7-810-666 Fax: +371-7-810-655 Vilmars Jansons GSM: +371-92-06-966 Andris Orols GSM: +371-28-33-07-90 e-mail: andris@oberts.lv</p>	<p>TURKEY Er-Ka Ahsap Profil Kerestecilik San. ve Tic. Ltd. Sti. Adana Keresteciler Sitesi 191 sk No.41 ADANA Tel.: +90-322-346-15-86 Fax: +90-322-345-17-07 GSM: +90-533-363-18-44 e-mail: info@erkaahsap.com.tr</p>
<p>FINLAND Howard Blackbourn Oy Falkberg Jordbruk Ab Falkintie 220 25610 Ylonkyla Tel.: +358-2732-2253 Fax: +358-2732-2263 Howard Blackbourn GSM: +358-440-424-339 e-mail: falkberg@woodmizer.fi</p>	<p>LITHUANIA Andrius Zuzevicius UAB Singlis Savanoriu pr. 187, 2053 Vilnius Tel.: +370-5-2-32-22-44 Fax: +370-5-2-64-84-15 GSM: +370-620-28-645 e-mail: andrius.z@singlis.lt Dmitrij Gaiduk GSM: +370-69-84-51-91 e-mail: dmitrijus.g@singlis.lt</p>	<p>UKRAINE Ivan Vinnicki MOST UKRAINA bul. Myru 3, Bajkivtsi Ternoplskij r-j Ternopolska oblast 47711 Ukraine Tel/Fax: +38 (0352) 52 37 74 GSM: +38 (067) 352 54 34 GSM: +38 (067) 674 50 68 E-mail: most-ukraina@ukr.net</p>
<p>FRANCE Tizoc Chavez Wood-Mizer France 556 chemin des Embouffus, ZAC des Basses Echarrieres 38440 SAINT JEAN DE BOURNAY Tel: +33-4 74 84 84 44 GSM: +33-607 52 02 82 Mail: tchavez@woodmizer.fr</p>	<p>NORWAY Tor Bakken Flaathe Bakken Flaathe A/S Løkenvegen 5, 2034 Holter Tel: + 47-638 74 989 Sales: + 47- 412 80 076 Service: +47- 975 87 588 post@woodmizer.no www.woodmizer.no</p>	<p>UNITED KINGDOM & IRELAND Wood-Mizer UK Hopfield Barn Kenward Road, Yalding Kent ME18 6JP, UK Tel.: +44-1622-813-201 Fax: +44-1622-815-534 e-mail: info@woodmizer.co.uk</p>
<p>SLOVENIA Jan Fale FAMTEH d.o.o. Gacnikova pot 2, 2390 Ravne na Koroskem Tel.: +386-2-62-04-232 Fax: +386-2-62-04-231 Jan Fale GSM: +386-2-62-04-230 e-mail: jan.fale@famteh.si Matjaz Kolar Tel.: +386-2-62-04-232 GSM: +386-31-775-999 e-mail: matjaz.kolar@famteh.si</p>		

<p>GERMANY/AUSTRIA Klaus Longmuss Wood-Mizer GmbH Dorfstraße 5, 29485 Schletau Büro Tel: +49-5883 988 010 Werkstatt Tel: +49-5883 988 220 Ersatzteilservice Tel: +49-58 83 - 98 80 250 Schärfservice Tel: +49-58 83 - 98 80 270 E-mail: info@woodmizer.de www.woodmizer.de Klaus Longmuss Tel.: +49-5883-9880-12 GSM: +49-17-298-55-892 e-mail: KLongmuss@woodmizer.de</p>	<p>Subagent: SWEDEN Kjell Larsson Mekwood AB Slingan 14, 812 41 Gästrike-Hammarby Tel.: +46-290-515-65 Kjell Larsson GSM: +46-706-797-965 e-mail: kjell.larsson@mekwood.se</p>	<p>IRELAND Wood-Mizer Ireland Stephen Brennan Cum Lahardane Ballina County Mayo Tel: +353 96 51345 E-mail: brennanmill@ericom.net</p>
<p>Subagents: DENMARK Kevin Christiansen Kevin Christiansen's savværker PMV Arnborgvej 40, 7330 Brande- Fasterholt Mobile: +45 61468763 Mobile: +45-23495828 Info@woodmizer.dk www.woodmizer.dk</p>	<p>ROMANIA Adrian Echert SC WOOD-MIZER RO SRL TRANSILVANIEI Nr. 5 Sibiu, Cisnadia 555300 Tel./Fax: : +40-369-405-433 GSM: +40-745-707-323 e-mail: aechert@woodmizer.ro</p>	<p>Regional Manager - Asia Robert Moxham Regional Direction - Asia Wood-Mizer Asia Manufacturing Co., Ltd. No.2, Gongyequ 40th Rd. Xitun District, Taichung City, 40768, Taiwan, R.O.C. TEL: +886-4-2359 3022 FAX: +886-4-2359 3205 CELL: +886-9-0568 7708 EMAIL: RMoxham@woodmizer.com www.woodmizerasia.com Skype: r.g.moxham</p>
<p>NETHERLANDS Gerlo Breukers Breukers Houtzagerij en Bosbouwmachines Hazenweg 5, 7481 PC Haaksbergen Tel: +31-535741326 Mobile: +31-620419412 info@woodmizer.nl www.woodmizer.nl</p>	<p>Subagent: ROMANIA M. Echert S.C. Echert Comprod s.r.l Str. Schitului Nr. 6, Apt.7 etajul-1 725 70 Vatra Dornei, Romania Tel./Fax: +40-230-374-235 Tel. : +40-740-35-35-74</p>	<p>Regional Manager - Africa Gavin Prowse Regional Sales Director - Africa Wood-Mizer Africa (Pty) Ltd. Unit 1, Leader Park 20 Chariot Street Stormill Ext.5 Maraisburg, Johannesburg South Africa TEL: +27 11 473 1313 FAX: +27 11 473 2005 CELL: +27 71 398 8010 EMAIL: growse@woodmizer.com www.woodmizerafrika.com Skype: gavin.prowse</p>

USA World Headquarters

Serving North & South America, Oceania, East Asia

Wood-Mizer LLC
8180 West 10th Street
Indianapolis, IN 46214

Phone: 317.271.1542 or 800.553.0182
Customer Service: 800.525.8100
Fax: 317.273.1011
Email: infocenter@woodmizer.com

Brazil Headquarters

Serving Brazil

Wood-Mizer do Brasil
Rua Dom Pedro 1, No: 205 Bairro: Sao Jose
Ivoti/RS CEP:93.900-000

Tel: [+55 51 9894-6461](tel:+55-51-9894-6461)/ [+55 21 8030-3338](tel:+55-21-8030-3338)/ [+55 51 3563-4784](tel:+55-51-3563-4784)
Email: info@woodmizer.com.br

Canadian Headquarters

Serving Canada

Wood-Mizer Canada
396 County Road 36, Unit B
Lindsay, ON K9V 4R3

Phone: 705.878.5255 or 877.357.3373
Fax: 705.878.5355
Email: ContactCanada@woodmizer.com

Europe Headquarters

Serving Europe, Africa, West Asia

Wood-Mizer Industries Sp z o.o.
Nagorna 114
62-600 Kolo, Poland

Phone: [+48.63.26.26.000](tel:+48-63-26-26-000)
Fax: [+48.63.27.22.327](tel:+48-63-27-22-327)

Branches & Authorized Sales Centers

For a complete list of dealers, visit www.woodmizer.com

SECTION 1 GENERAL INFORMATION

1.1 How To Use the Parts List

- Use the index above to locate the assembly that contains the part you need.
- Go to the appropriate section and locate the part in the illustration.
- Use the number pointing to the part to locate the correct part number and description in the table.
- Parts shown indented under another part are included with that part.
- Parts marked with a diamond (◆) are only available in the assembly listed above the part.

See the sample table below. Sample Part #A01111 includes part F02222-2 and subassembly A03333. Subassembly A03333 includes part S04444-4 and subassembly K05555. The diamond (◆) indicates that S04444-4 is not available except in subassembly A03333. Subassembly K05555 includes parts M06666 and F07777-77. The diamond (◆) indicates M06666 is not available except in subassembly K05555.

1.2 Sample Assembly				
REF.	DESCRIPTION (◆ Indicates Parts Available In Assemblies Only)	PART #	QTY	
	Sample Assembly, Complete (Includes All Indented Parts Below)	A01111	1	
1	Sample Part	F02222-22	1	
	Sample Subassembly (Includes All Indented Parts Below)	A03333	1	
2	Sample Part (◆ Indicates Part Is Only Available With A03333)	S04444-4	1	◆
	Sample Subassembly (Includes All Indented Parts Below)	K05555	1	
3	Sample Part (◆ Indicates Part Is Only Available With K05555)	M06666	2	◆
4	Sample Part	F07777-77	1	

To Order Parts:

- From Europe call our European Headquarters and Manufacturing Facility in Kolo, Poland at **+48-63-2626000**. From the continental U.S., call our toll-free Parts hotline at **1-800-525-8100**. Have your customer number, vehicle identification number, and part numbers ready when you call. From other international locations, contact the Wood-Mizer distributor in your area for parts.

Office Hours:

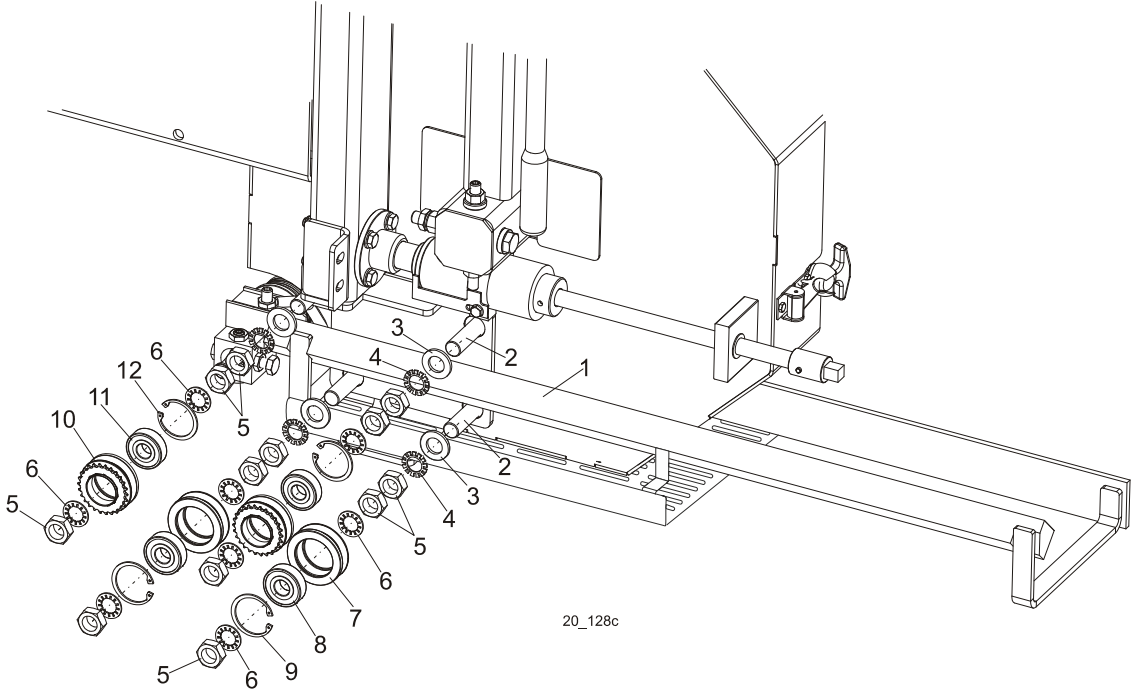
Country	Monday - Friday	Saturday	Sunday
Poland	7-15	Closed	Closed
US	8 a.m.- 5 p.m.	8 a.m.- 12 p.m.	Closed



CAUTION! It is strongly recommended that only original spare parts be used.

SECTION 2 BLADE GUIDE ASSEMBLIES

2.1 Blade Guide Arm Assembly



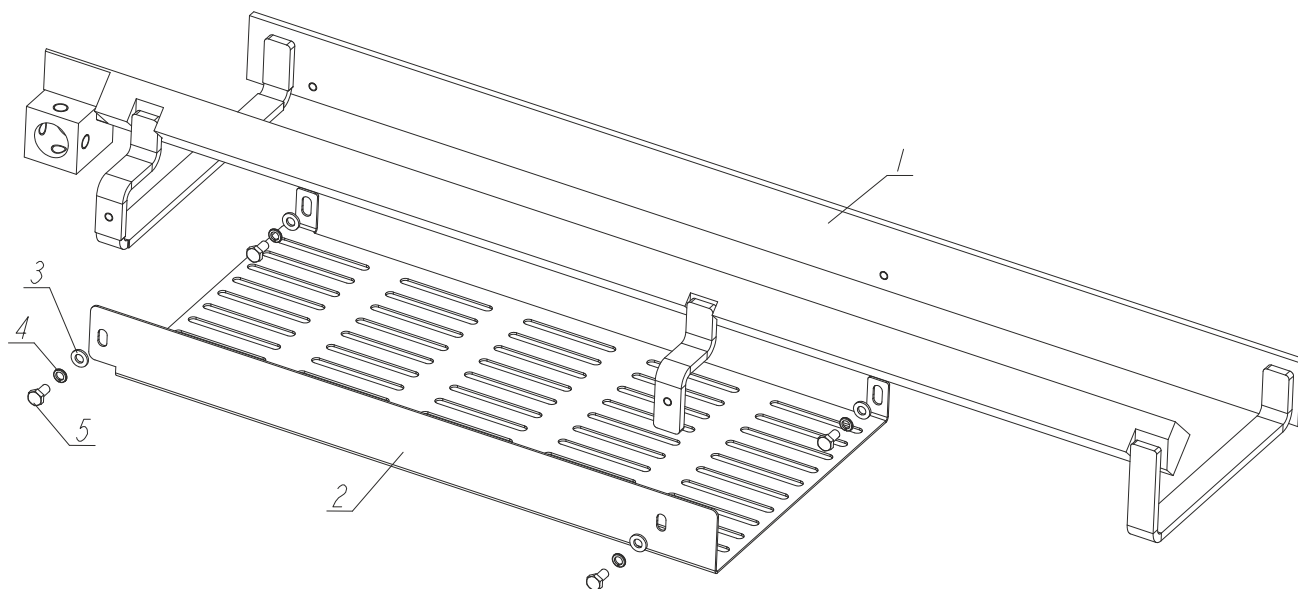
REF	DESCRIPTION (◆ indicates parts available in assemblies only)	PART #	QTY	
1	ARM, LT20 BLADE GUIDE W/GUARD	525591	1	
2	BOLT, BLADE GUIDE ARM ROLLER CAM	086508-1	4	
3	WASHER, 17 FLAT ZINC	F81058-1	4	
4	WASHER, 5/8" EXTERNAL STAR	F05011-26	4	
5	NUT, 5/8-18 HEX JAM	F05010-11	12	
6	WASHER, 5/8" INTERNAL STAR	F05011-25	8	
	ROLLER ASSEMBLY, BLADE GUIDE ARM WITH BE	093855	2	
7	Roller, Blade Guide Arm V-Groove	093856-1	1	◆
8	BEARING, 6203-2RSP6-5/8 CX	095087	1	
9	Ring, W40 Inside Retaining	F81090-3	1	
	ROLLER ASSEMBLY, BLADE GUIDE ARM WITH BE	501496	2	
10	ROLLER, BLADE GUIDE ARM W/SPROCKET	501495-1	1	◆
11	BEARING, 6203-2RSP6-5/8 CX	095087	1	
12	Ring, W40 Inside Retaining	F81090-3	1	

2 Blade Guide Assemblies

Blade Guide Arm w/Guard

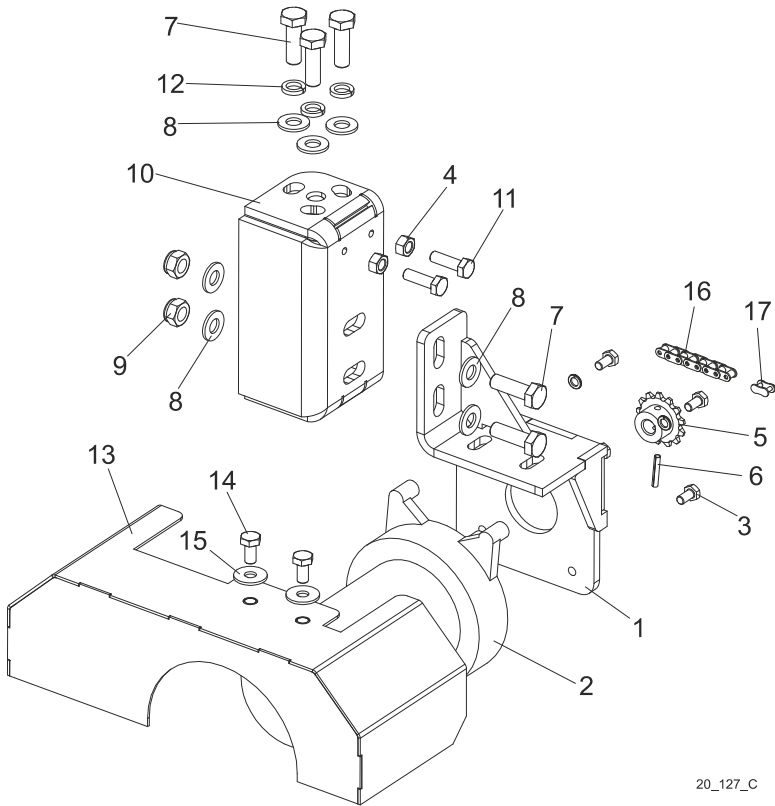
2.2 Blade Guide Arm w/Guard

525591_001
525591_MANUAL



REF	DESCRIPTION (◆ indicates parts available in assemblies only)	PART #	QTY
-	ARM, LT20 BLADE GUIDE W/GUARD	525591	1
1	ARM, LT20 BLADE GUIDE	524302-1	1
2	GUARD, BOTTOM	524305-1	1
3	WASHER, 6.4 FLAT ZINC	F81053-1	4
4	WASHER 6.1 ZC SPRING LOCK DIN 127	F81053-3	4
5	BOLT M6X12 HH ZC FT 8.8 DIN 933	F81001-7	4

2.3 Blade Guide Arm Drive

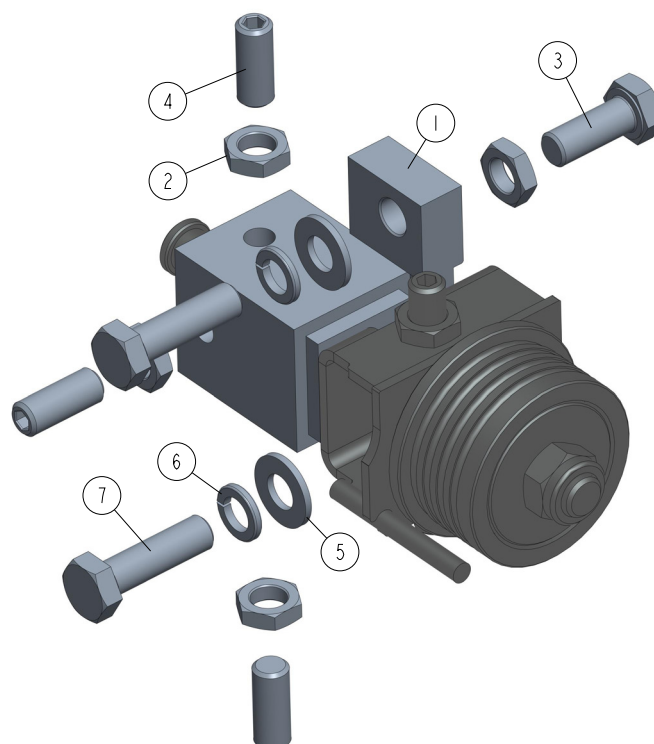


20_127_C

REF	DESCRIPTION (◆ indicates parts available in assemblies only)	PART #	QTY
	DRIVE ASSEMBLY, BLADE GUIDE ARM	096396	1
1	BRACKET, BLADE GUIDE ARM MOTOR MOUNT	096390-1	1
2	MOTOREDUCTOR COMPACT	557161	1
3	SCREW, 10-32 X 1/2" HEX HEAD MACHINE	F05004-60	4
4	NUT, M6-8 HEX ZINC	F81031-1	2
5	SPROCKET, 25B13X.3130	P09970	1
6	PIN, 1/8" X 3/4" ROLL	F05012-6	1
7	BOLT, M8x25-8.8-B HEX HEAD FULL THREAD ZINC	F81002-5	5
8	WASHER, 8.4 FLAT ZINC	F81054-1	7
9	NUT, M8-8-B HEX NYLON ZINC LOCK	F81032-2	2
10	BRACKET, BLADE GUIDE ARM DRIVE	501265-1	1
11	BOLT, M6X20-8.8 HEX HEAD FULL THREAD ZIN	F81001-2	2
12	WASHER 8,2 SPLIT LOCK ZINC	F81054-4	3
13	COVER, LT20 BLADE GUIDE ARM MOTOR	097424-1	1
14	BOLT M6X12 HH ZC FT 8.8 DIN 933	F81001-7	2
15	WASHER, 6.5 SPECIAL FLAT ZINC	F81053-11	2
16	CHAIN, #25 X 20 1/4"	P09984	1
17	LINK, 25 MASTER	P09983	1

2.4 Blade Guide Mount Block

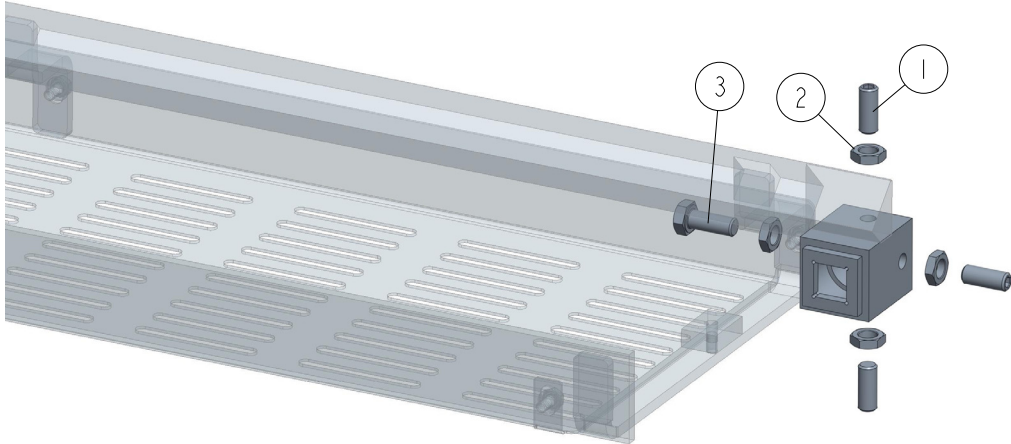
LT20SAMEH15SAH3-SWR_006
LT20SAMEH15SAH3-SWR



REF	DESCRIPTION (◆ indicates parts available in assemblies only)	PART #	QTY	
-	BLOCK, BLADE GUIDE MOUNT - COMPLETE	544238	1	
1	BLOCK WELDMENT, BLADE GUIDE MOUNT	087744-1	1	
2	NUT, M10X1-04-ST-A2E ISO8675 THIN	F81033-10	4	
3	BOLT, M10X1X25 DIN 933 STAINLESS STEEL	F81003-28	1	
4	SCREW, M10X1X25 DIN 913 STAINLESS STEEL	F81015-4	3	
5	WASHER, 10.5 FLAT ZINC	F81055-1	2	
6	WASHER, Z 10.2 SPLIT LOCK ZINC	F81055-2	2	
7	BOLT,M10X35-8.8 HEX HEAD FULL THREAD ZIN	F81003-17	2	

2.5 Blade Guide Mount Block

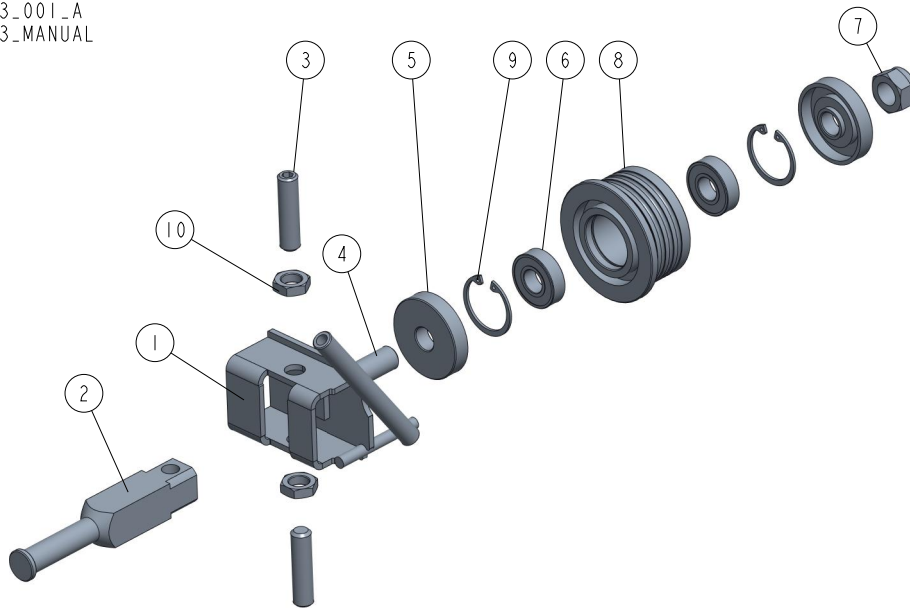
LT20SAMEHI5SAH3-SWR_007
LT20SAMEHI5SAH3-SWR



REF	DESCRIPTION (◆ indicates parts available in assemblies only)	PART #	QTY	
1	SCREW, M10X1X25 DIN 913 STAINLESS STEEL	F81015-4	3	
2	NUT, M10X1-04-ST-A2E ISO8675 THIN	F81033-10	4	
3	BOLT, M10X1X25 DIN 933 STAINLESS STEEL	F81003-28	1	

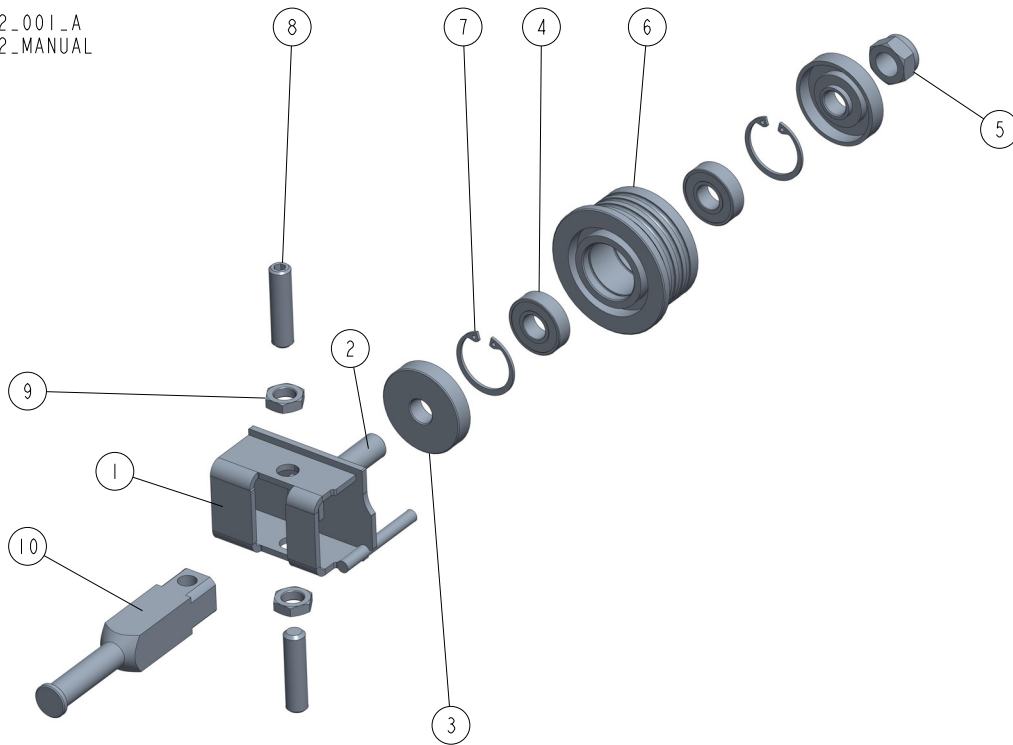
2.6 Blade Guide Roller Assembly, Idle Side (094683)

094683_001_A
094683_MANUAL



REF.	DESCRIPTION (* indicates parts available in assemblies only)	PART #	QTY
-	BLADE GUIDE ROLLER ASSEMBLY, IDLE SIDE	094683	1
1	BRACKET WELDMENT, BLADE GUIDE ROLLER ZINC-PLATED MOUNT	094681-1	1
2	SHAFT, ZINC-PLATED BLADE GUIDE MOUNT	503588-1	1
3	SCREW, M10X1X40 DIN913 A2-70 STAINLESS STEEL SET	F81015-2	2
-	ROLLER, BLADE GUIDE NARROW W/BEARINGS	087887	1
4	SHAFT, BLADE GUIDE ROLLER ZINC-PLATED	087763-1	1
5	RING, ZINC-PLATED SPACER	087891-1	2
6	BEARING, 6001 2RSR (FAG, SKF)	087893	2
7	NUT, M12 8 HEX NYLON ZINC LOCK	F81034-2	1
8	ROLLER, BLADE GUIDE NARROW	087889	1
9	RING, W28 INSIDE RETAINING	F81090-9	2
10	NUT, M10X1-04-ST-A2E ISO8675 THIN	F81033-10	2

2.7 Blade Guide Roller Assembly, Drive Side. (094682)

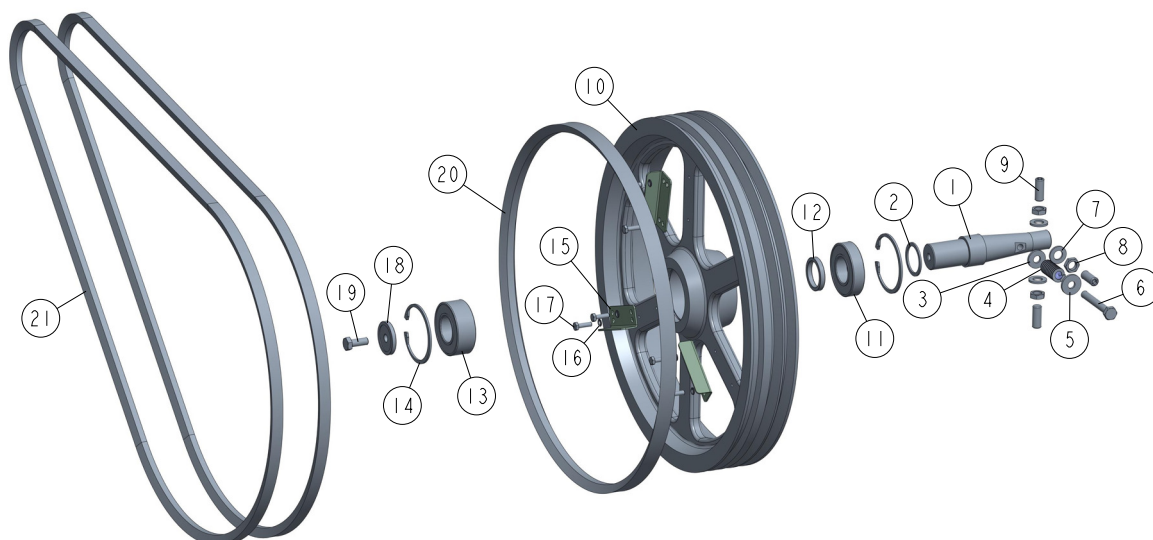
094682_001_A
094682_MANUAL

REF.	DESCRIPTION (* indicates parts available in assemblies only)	PART #	QTY
-	BLADE GUIDE ROLLER ASSEMBLY, DRIVE SIDE	094682	1
1	BRACKET WELDMENT, BLADE GUIDE ROLLER ZINC-PLATED	094679-1	1
-	ROLLER, BLADE GUIDE NARROW W/BEARINGS	087887	1
2	SHAFT, BLADE GUIDE ROLLER ZINC-PLATED	087763-1	1
3	RING, ZINC-PLATED SPACER	087891-1	2
4	BEARING, 6001 2RSR (FAG, SKF)	087893	2
5	NUT, M12 8 HEX NYLON ZINC LOCK	F81034-2	1
6	ROLLER, BLADE GUIDE NARROW	087889	1
7	RING, W28 INSIDE RETAINING	F81090-9	2
8	SCREW, M10X1X40 DIN913 A2-70 STAINLESS STEEL SET	F81015-2	2
9	NUT, M10X1-04-ST-A2E ISO8675 THIN	F81033-10	2
10	SHAFT, ZINC-PLATED BLADE GUIDE MOUNT	503588-1	1

SECTION 3 BLADE WHEELS & TENSIONER

3.1 Blade Wheel Assembly, Drive Side

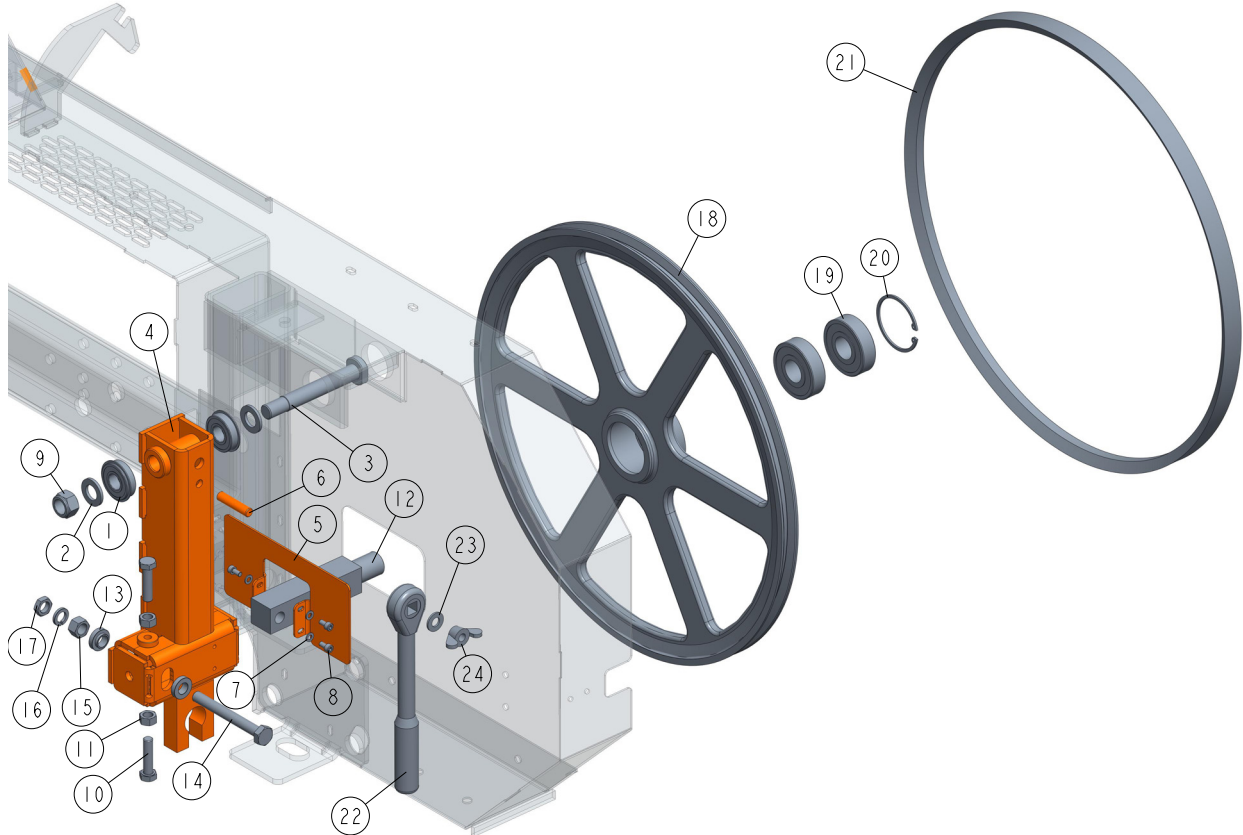
LT20SAMEHI5SAH3-SWR_001
LT20SAMEHI5SAH3-SWR



REF	DESCRIPTION (◆ indicates parts available in assemblies only)	PART #	QTY
1	SHAFT, DRIVE SIDE BLADE WHEEL	093850	1
2	WASHER, 36/45-2	091851	1
3	WASHER, ZINC	098813-1	1
4	SPRING, 3/4 O.D.X 1 1/2 DIE	034430	1
5	WASHER, 10.5 SPECIAL FLAT ZINC	F81055-6	1
6	BOLT, M10X75-8.8 HEX HEAD ZINC	F81003-15	1
7	WASHER 13 ZC DIN 126 ISO 7091	F81056-1	3
8	NUT, M12X1.25 DIN439 STAINLESS STEEL THI	F81034-9	3
9	SCREW, M12X1.25X30 DIN913 STAINLESS STEE	F81016-1	3
-	BLADE WHEEL, DRIVE SIDE - COMPLETE	550620	1
10	WHEEL, LT20 DRIVE SIDE	090646-1	1
11	BEARING, 6207-2RS, C3, 35X72X17	014811	1
12	BUSHING, SPACER	096778	1
13	BEARING, 3207B, 2RSR. TVH FAQ	092005	1
14	RING, W72 INSIDE RETAINING	F81090-4	2
15	WING	097808-1	3
16	WASHER 6.1 ZC SPRING LOCK DIN 127	F81053-3	6
17	BOLT, M6X20-8.8 HEX HEAD FULL THREAD ZIN	F81001-2	6
18	WASHER, CLAMPING	092006	1
19	BOLT, M10X25-8.8 HEX HEAD FULL THREAD ZI	F81003-11	1
20	V-BELT, B57	P04185-3	1
-	MOTOR DRIVE BELT E15	014819-2	1
21	BELT, BX81 DRIVE	014819	2

3.2 Blade Wheel Assembly, Idle Side

LT20SAMEH15SAH3-SWR_002
 LT20SAMEH15SAH3-SWR



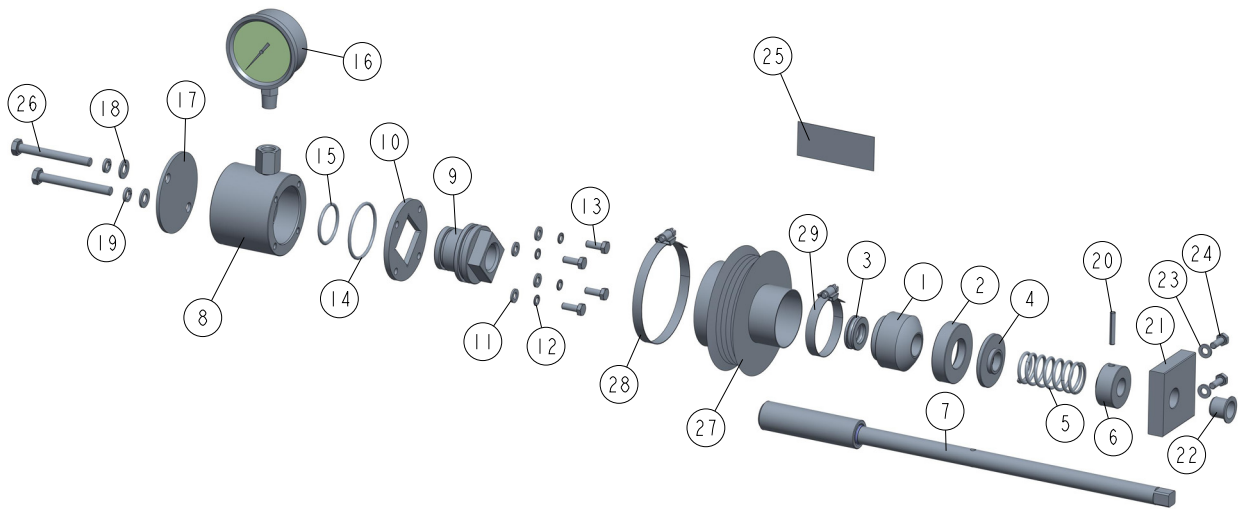
REF	DESCRIPTION (◆ indicates parts available in assemblies only)	PART #	QTY
1	BEARING W/SNAP RING 6203-2RS	086395	2
2	WASHER, 17 FLAT ZINC	F81058-1	2
3	PIN, IDLER ARM MOUNT	086404	1
-	HOUSING, IDLER SHAFT COMPLETE	508145	1
4	HOUSING, IDLER SHAFT WELDED/PAINTED	508144-1	1
5	COVER, HOUSING, IDLER SHAFT COMPLETE PAI	508128-1	1
6	BOLT M10X35-8.8	F81003-9	1
7	WASHER, M5, FLAT ZINC	F81052-1	3
8	SCREW, M5X10 DIN912 A2-70 HEX SOCKET HEA	F81000-23	3
9	NUT, M16-8 HEX NYLON ZINC LOCK	F81036-2	1
10	BOLT, M10X40-8.8 HEX HEAD FULL THREAD ZI	F81003-16	2
11	NUT M10 ZC 8 DIN 934	F81033-3	2
12	SHAFT, IDLE SIDE BLADE WHEEL (METRIC)	096045	1
13	BUSHING, 12.8/23.8-8.6 16-3.3 ZINC-PLAT	086769-1	2
14	BOLT, M12X1.25X100-8.8 HEX HEAD FULL THR	F81004-41	1
15	NUT, M12X1.25 - 8 - B HEX ZINC	F81034-8	1
16	WASHER, Z12.2 SPLIT LOCK ZINC	F81056-2	1
17	NUT, M12X1.25 DIN439 STAINLESS STEEL THI	F81034-9	1
-	WHEEL ASSEMBLY, IDLE SIDE BLADE	A08218	1
18	WHEEL ASSEMBLY, 18.62" BLADE IDLE SIDE	P08125	1
19	BEARING, 6305 2RS NSK	P08066	2

3**Blade Wheels & Tensioner***Blade Wheel Assembly, Idle Side*

REF	DESCRIPTION (◆ indicates parts available in assemblies only)	PART #	QTY	
20	RING, 2 7/16" BEVELLED SNAP	F04254-21	1	
21	V-BELT, B57	P04185-3	1	
22	WRENCH, LT20 BLADE TENSION	091620	1	
23	WASHER, 10.5 FLAT ZINC	F81055-1	1	
24	NUT, M10 WING	F81033-8	1	

3.3 Blade Tensioner (510640)

510640_001
510640_MANUAL



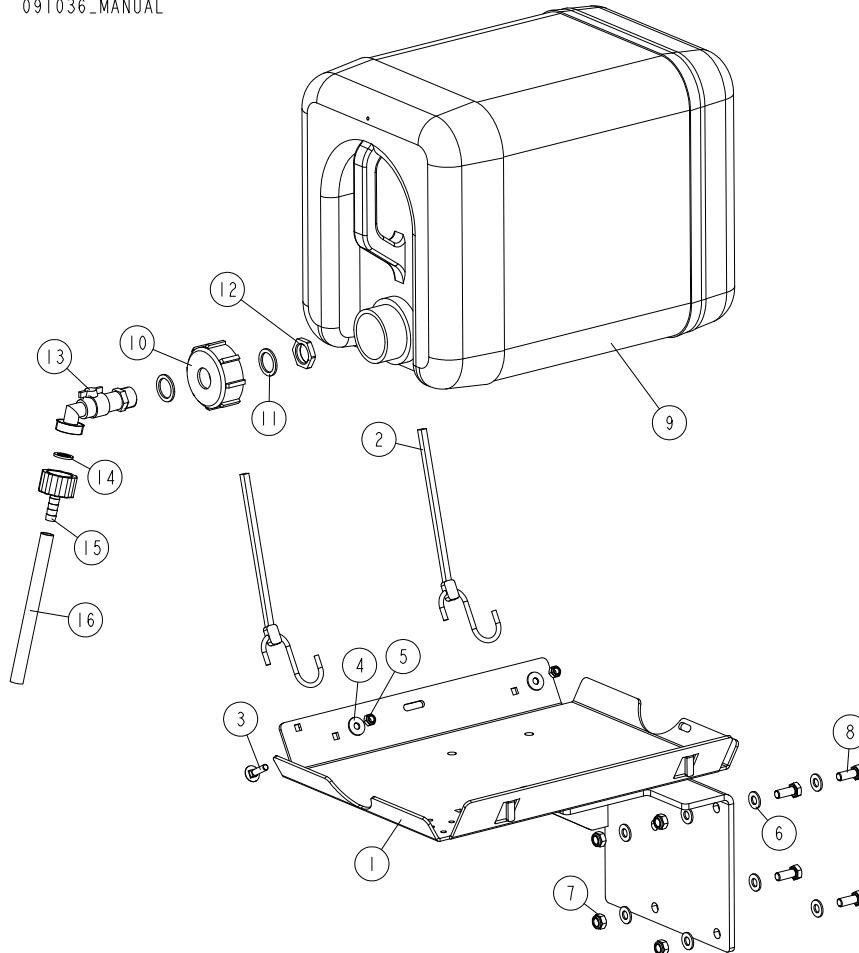
REF	DESCRIPTION (u indicates parts available in assemblies only)	PART #	QTY
-	COMPLETE BLADE TENSIONER	510640	1
1	HOUSING, BALL THRUST BEARING	510635	1
2	SOCKET, BEARING HOUSING	510634-1	1
3	BEARING, 51103. BALL THRUST	086675	1
4	WASHER	510633-1	1
5	SPRING, 60X23X3	088992	1
6	BUSHING, BLADE TENSIONER SCREW	510636-1	1
7	SCREW, BLADE TENSIONER ZINC-PLATED	510650-1	1
-	CYLINDER ASSEMBLY	510641	1
8	CYLINDER ASSEMBLY WITH REDUCTION	550762-1	1
9	PISTON	510638	1
10	PLATE, CYLINDER	510490-1	1
11	WASHER, 6.4 FLAT ZINC	F81053-1	4
12	WASHER, Z 6.1 SPLIT LOCK	F81053-3	4
13	BOLT, M6X16-5.8 HEX HEAD FULL THREAD ZIN	F81001-15	4
14	O-RING, 46.2X3	510646	1
15	O-RING, 32.2X3	510647	1
16	GAUGE, 3000PSI/200 BAR OIL PRESSURE	505176	1
17	COVER, TENSIONER	550761-1	1
18	WASHER, 8.4 FLAT ZINC	F81054-1	2
19	WASHER 8,2 SPLIT LOCK ZINC	F81054-4	2
20	PIN 5X30 ROLL	F81044-21	1
21	BLOCK, TENSIONER HANDLE MOUNT	096730	1
22	BUSHING, GFM-1618-17	089589	1
23	WASHER, 6.4 FLAT ZINC	F81053-1	2
24	BOLT, M6X16-5.8 HEX HEAD FULL THREAD ZIN	F81001-15	2
25	DECAL, BLADE TENSION INDICATOR ADJUSTMEN	510643	1
26	BOLT, M8X70-8.8 HEX HEAD ZINC	F81002-71	2
-	BELLOWS, COMPLETE	515050	1
27	BELLOWS	515051	1

REF	DESCRIPTION (u indicates parts available in assemblies only)	PART #	QTY	
28	CLAMP, 70-80MM DIA.	F81095-5	1	
29	CLAMP, 40-60MM DIA.	F81095-4	1	

SECTION 4 SAW HEAD

4.1 Water Lube Assembly

091036_001_A
091036_MANUAL

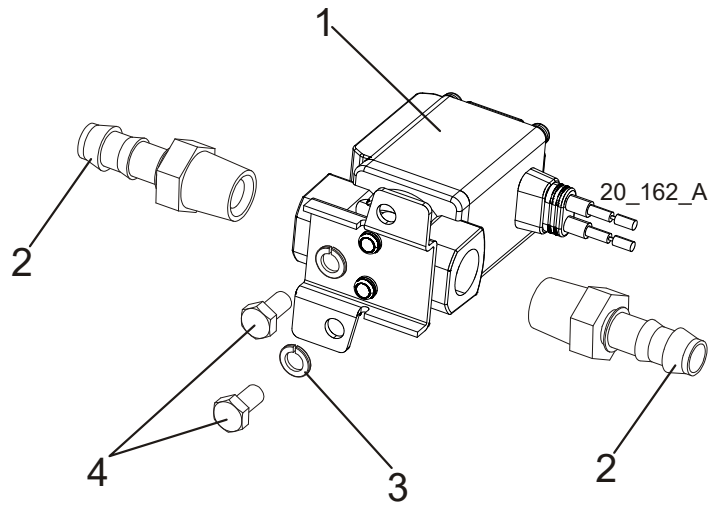


REF	DESCRIPTION (u indicates parts available in assemblies only)	PART #	QTY	
-	BOTTLE KIT, LT20 WATER LUBE	091036	1	
1	TRAY WELDMENT, LT20 WATER LUBE	091033-1	1	
2	STRAP, 20" RUBBER W/HOOK	P11668	2	
3	BOLT, M6X25-8.8 ZINC	F81001-20	2	
4	WASHER, FLAT ZINC	F81053-11	2	
5	NUT, M6-8-B HEX NYLON ZINC LOCK	F81031-2	2	
6	WASHER, 8.4 FLAT ZINC	F81054-1	8	
7	NUT, M8-8-B HEX NYLON ZINC LOCK	F81032-2	4	
8	BOLT, M8X20-8.8-B HEX HEAD FULL THREAD Z	F81002-4	4	
-	TANK, OIL	550787	1	
9	BOTTLE, WATER	513866	1	
10	NUT, BOTTLE	550785	1	
11	SEAL, 27X20X1.5 ESSENTRA 467673 RUBBER	550780	2	
12	NUT, 1/2 ESSENTRA 467615 GLAND	550779	1	
13	FITTING, WATER LUBE SHUTOFF VALVE	550776	1	
14	FILTER, WATER LUBE	550778	1	

4**Saw Head***Water Lube Assembly*

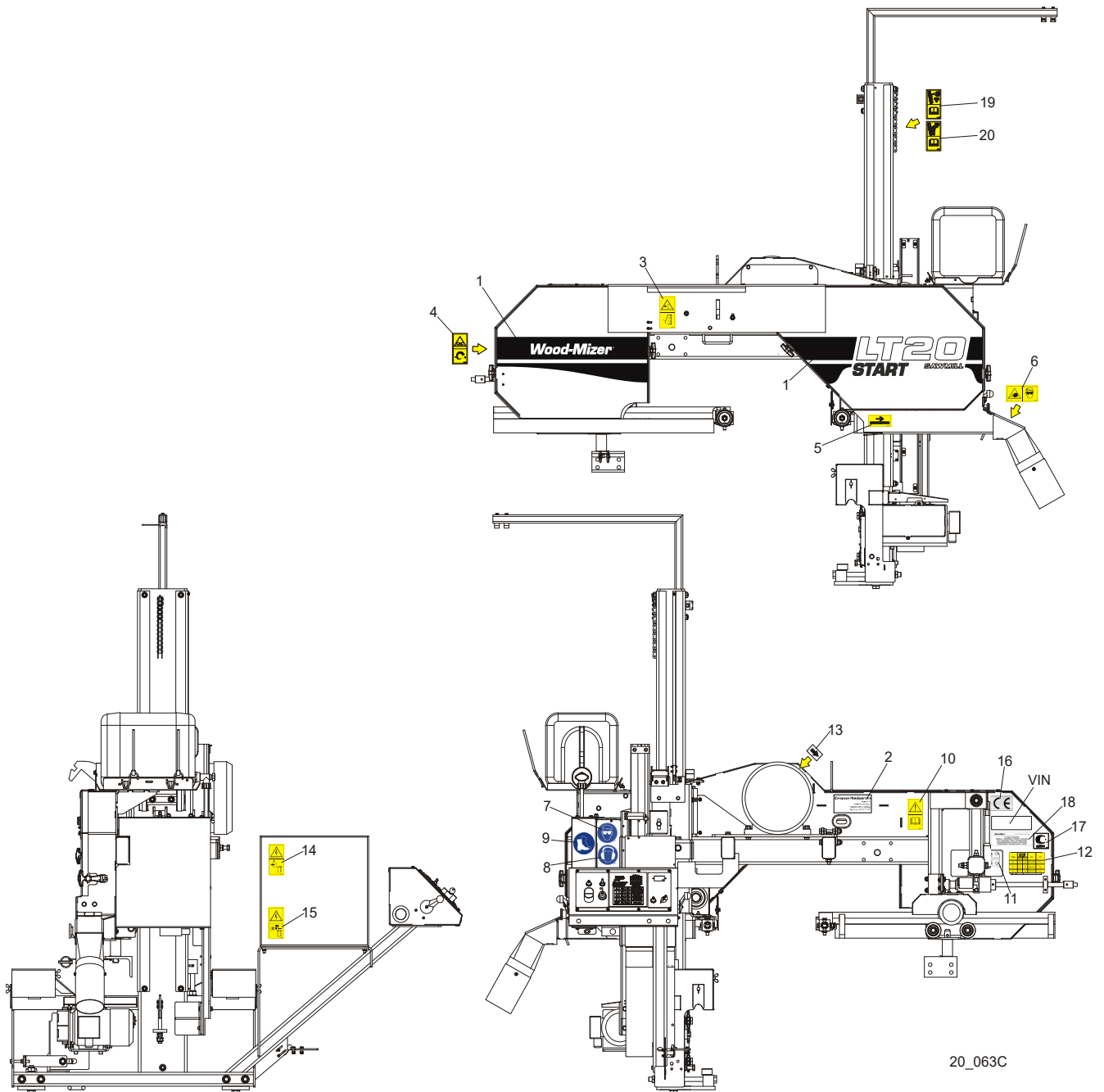
REF	DESCRIPTION (u indicates parts available in assemblies only)	PART #	QTY	
15	FITTING, G3/4" X 10MM HOSE BARB	550777	1	
16	TUBING, WATER LUBE 3/8" I.D.	R01885	1	

4.2 Blade Lube System



REF.	DESCRIPTION (◆ Indicates Parts Available In Assemblies Only)	PART #	QTY
	KIT, LT20AC BLADE LUBE SYSTEM	503517	1
1	SOLENOID, WATER LUBE	514046	1
2	FITTING, 3/8 BARB 1/4NPT MALE NYLON	P04682	2
3	WASHER, M5 SPLIT LOCK	F81052-2	2
4	SCREW, 10-32X1/2 HH MACHINE	F05004-60	2
	CONNECTOR, 16-14GA FI BUTT	F04875-1	2
	CONDUIT, 1/2IN EXPANDABLE BLACK	R02374	1m

4.3 LT20AC Saw Head Decals

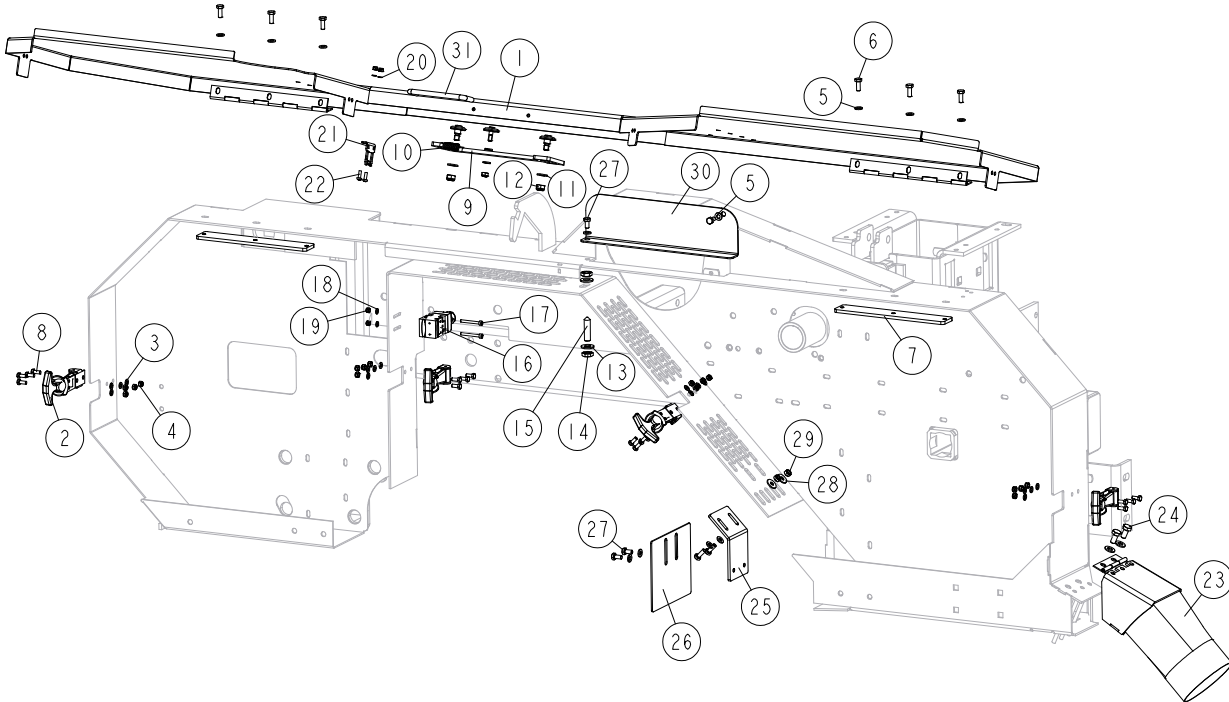


REF.	DESCRIPTION (◆ Indicates Parts Available In Assemblies Only)	PART #	QTY
1	DECAL, LT20 START SAWMILL	603713	1
	PICTOGRAPHIC DECAL KIT, LT20AC	099509	1
2	DECAL, EUROPEAN HEADQUARTERS ADDRESS	015841	1
3	DECAL, SAWMILL COVERS CAUTION	099220	1
4	DECAL, BLADE TENSION (PICTOGRAM)	099219	1
5	DECAL, BLADE MOVEMENT DIRECTION (PICTOGRAM)	096321	1
6	DECAL, SAWDUST CHUTE WARNING (PICTOGRAM)	099222	1
7	DECAL, EYE PROTECTION WARNING (PICTOGRAM)	S12004G	1

8	DECAL, EAR PROTECTION WARNING (PICTOGRAM)	S12005G	1	
9	DECAL, USE SAFETY BOOTS (PICTOGRAM)	501465	1	
10	DECAL, READ OPERATOR'S MANUAL (PICTOGRAM)	096317	1	
11	DECAL, BLADE ALIGNMENT	P11789	1	
12	DECAL, BLADE TENSION INDICATOR ADJUSTMENT	510643	1	
13	DECAL, MOTOR ROTATION DIRECTION	S20097	1	
14	DECAL, HIGH VOLTAGE INSIDE THE ELECTRIC BOX (PICTOGRAM)	096316	2	
15	DECAL, REMOVE THE PLUG BEFORE OPENING THE BOX (PICTOGRAM)	096319	2	
16	DECAL, CE CERTIFIED SAWMILL	P85070	2	
17	DECAL, RUSSIAN SAFETY CERTIFICATION	099401	1	
18	DECAL, INTERNATIONAL SAWMILL NAME	501466	1	
	DECAL, BLADE SETTING	P85066	1	
	DECAL, KEEP AWAY DANGER, PICTOGRAM	099221	1	
	DECAL, MAX. OIL PRESSURE, PICTOGRAM	099524	1	
19	DECAL, LUBRICATE THE CHAIN	512158	1	
20	DECAL, CLEAN THE CHAIN	512240	1	

4.4 Blade Housing Cover

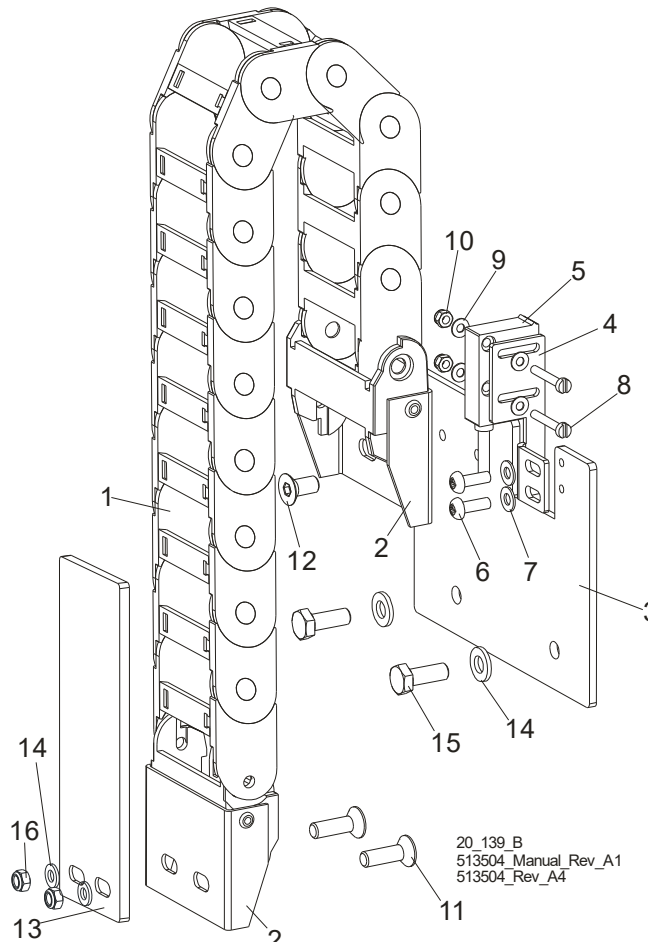
090586_001
090586



REF	DESCRIPTION (u indicates parts available in assemblies only)	PART #	QTY
1	COVER WELDMENT, LT20 BLADE HOUSING	096776-1	1
2	LATCH, FLEXIBLE DRAW	014829	4
3	WASHER, 5.3 FLAT ZINC	F81052-1	16
4	NUT, M5-8 DIN985 ZINC-PLATED	F81030-2	16
5	WASHER, 6.4 FLAT ZINC	F81053-1	14
6	BOLT, M6X16-5.8 HEX HEAD FULL THREAD ZIN	F81001-15	8
7	PLATE WELDMENT, COVER MOUNT	086701-1	1
8	BOLT, M5X12 8.8 HEX HEAD FULL THREAD ZIN	F81000-5	16
9	PAWL, LOCKING	090643-1	1
10	SPRING, 1.6X12X38 EXTENSION	092208	1
11	WASHER, 8.4 FLAT ZINC	F81054-1	4
12	NUT, M8-8-B HEX NYLON ZINC LOCK	F81032-2	2
13	WASHER, 10.5 FLAT ZINC	F81055-1	2
14	NUT, M10-8-B ZINC HEX	F81033-6	2
15	SCREW, M10 X 40-45H HEX SOCKET SET CONE	F81003-61	1
16	SWITCH, AZ17-11ZRK SAFETY 1	094232	1
17	SCREW, M4X35 8.8 HEX SOCKET HEAD CAP ZIN	F81011-34	2
18	WASHER, 4.3 FLAT ZINC	F81051-2	2
19	NUT, M4-8 HEX NYLON ZINC LOCK	F81029-1	4
20	KEY, AZ17/170-B5 SAFETY SWITCH 2	094422	1
21	KEY, AZ17/170-B5 SAFETY SWITCH 2	094422	1
22	SCREW, M4X12 5,8-B CROSS RECESSED PAN HE	F81011-43	2

REF	DESCRIPTION (u indicates parts available in assemblies only)	PART #	QTY	
23	CHUTE WELDMENT, SAWDUST	100903-1	1	
24	BOLT, M8X16 -8.8-B HEX HEAD FULL THREAD	F81002-20	2	
25	BRACKET, BLADE GUIDE ROLLER GUARD	092378-1	1	
26	GUARD, BLADE GUIDE ROLLER	092379-1	1	
27	BOLT, M6X12-8.8 HEX HEAD FULL THREAD ZIN	F81001-7	4	
28	WASHER, 6.5 SPECIAL FLAT ZINC	F81053-11	2	
29	NUT, M6-8-B HEX NYLON ZINC LOCK	F81031-2	3	
30	COVER, SAW HEAD MOUNT	096788-1	1	
31	HANDLE, BLADE HOUSING COVER	P08065	1	

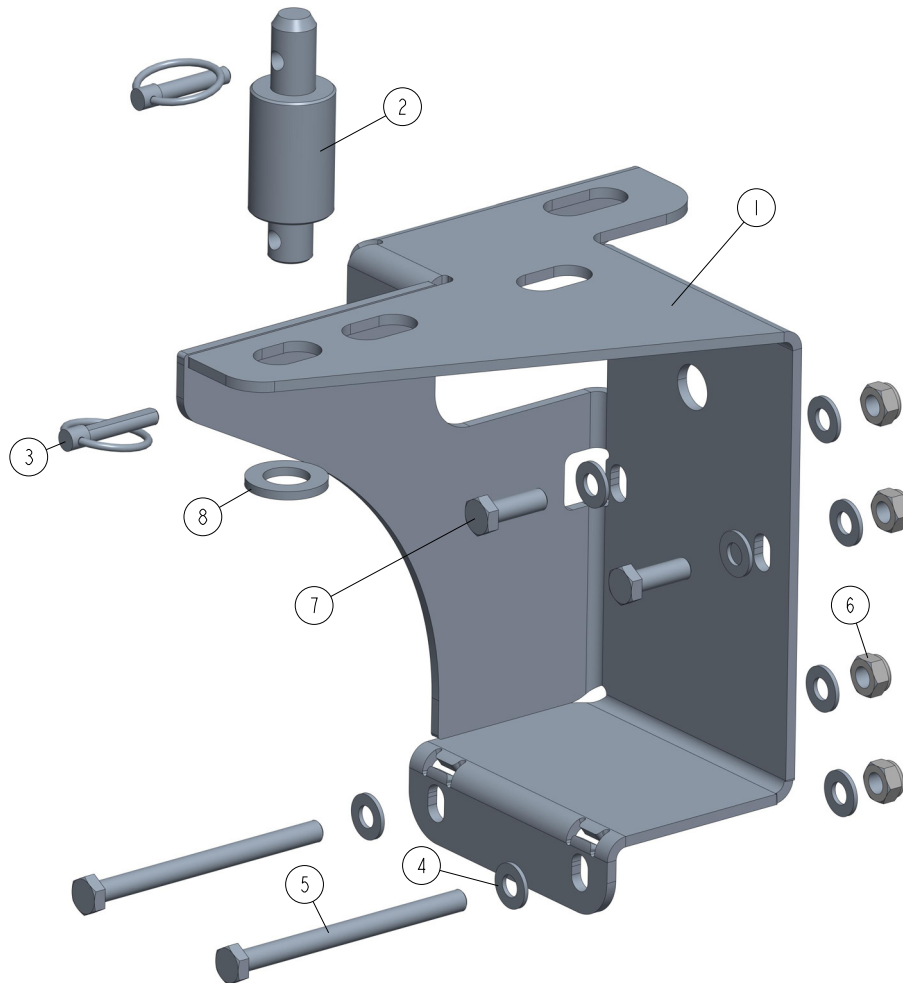
4.5 Up/Down Cable Chain Assembly



REF.	DESCRIPTION (◆ Indicates Parts Available In Assemblies Only)	PART #	QTY
1	Harness Guide, 1450.050.075.0	512944	1
	HARNESS GUIDE AND SENSOR ASSEMBLY	098052	1
2	Bracket, 14050, 12PZ Mount	512945	1
3	Mounting Plate, Harness and Sensor Assy.	096067-1	1
4	Bracket, Sensor Mount	096068-1	1
5	Sensor, MSK-320	096014	1
6	Screw, M4x12-5.8-B Zinc	F81011-43	2
7	Washer, 4.3 Zinc	F81051-2	2
8	Screw, M3x20-5.8-A Zinc	F81000-8	2
9	Washer, 3.2 Zinc	F81050-2	4
10	Nut, M3-6 Zinc	F81028-2	2
11	Screw, M6x20-10.9 Fe/Zn5 DIN-7991 Flat Socket Head Cap Zinc	F81001-17	2
12	Screw, M6x12-10.9 DIN7991 Flat Socket Head Cap Zinc	F81001-54	2
13	Plate, Guide Mount	098662-1	1
14	Washer, 6.4 Flat Zinc	F81053-1	2
15	Bolt, M6 x 16 8.8 Hex Head Full Thread Zinc	F81001-15	2

4.6 LT20 START Sawhead Bracket (587013)

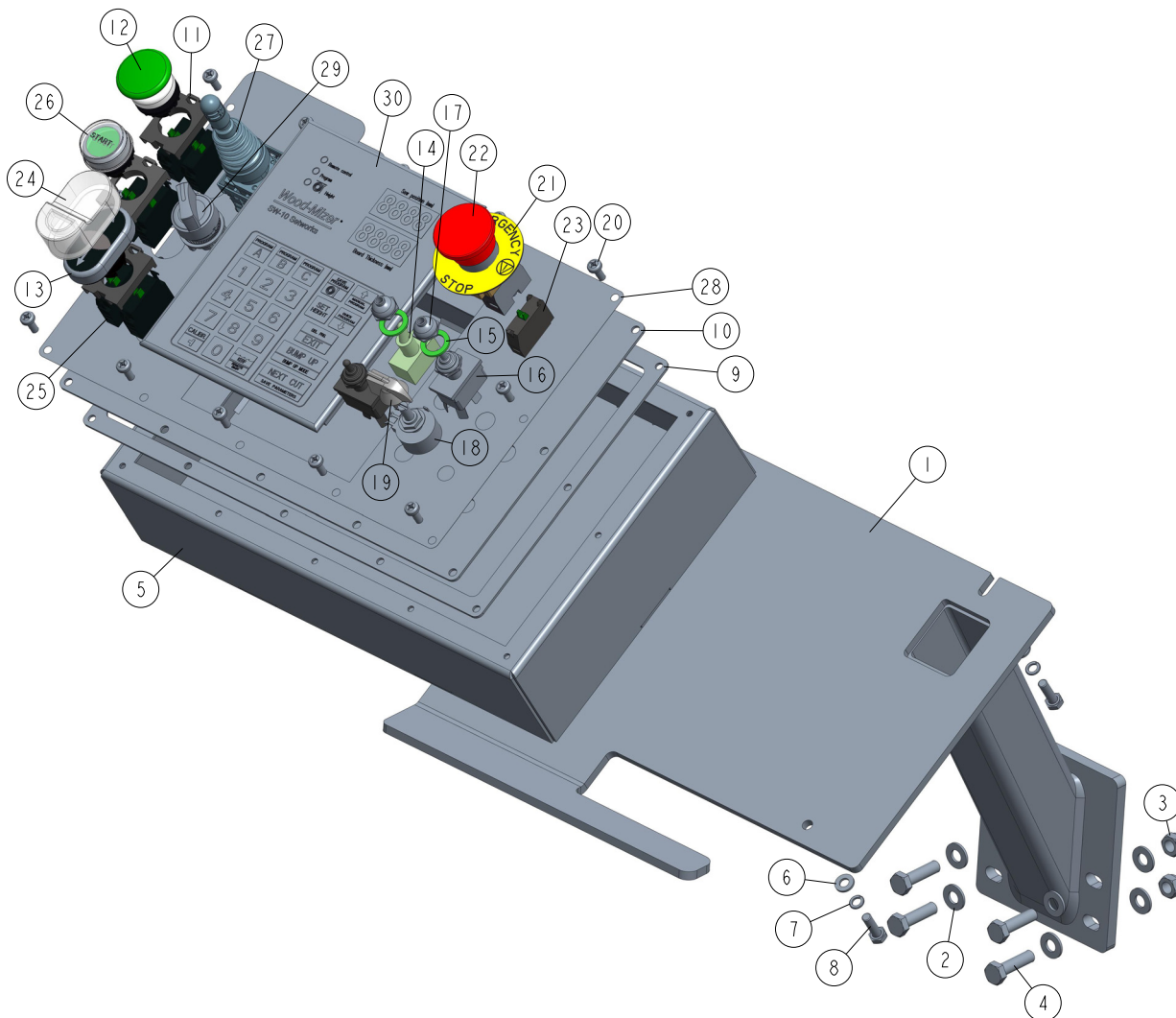
587013_001
587013



REF	DESCRIPTION (◆ indicates parts available in assemblies only)	PART #	QTY
-	BRACKET, LT20START HEAD	587013	1
1	PLATE, SAW HEAD REST BRACKET	546307-1	1
2	PIN	587004-1	1
3	PIN, 8 BN914 (BOSSARD 134650) LOCK	F81046-2	2
4	WASHER, 10.5 FLAT ZINC	F81055-1	8
5	BOLT, M10X125-8.8 HEX HEAD ZINC	F81003-18	2
6	NUT, M10-8-B NYLON HEX ZINC LOCK	F81033-1	4
7	BOLT, DIN933-M10X30-8.8-A2E HEX HEAD FUL	F81003-111	2
8	WASHER, 21 FLAT ZINC	F81059-2	1

4.7 LT20 START Control Panel (587003)

LT20SAMEH15SAH3-SWR_004
 LT20SAMEH15SAH3-SWR

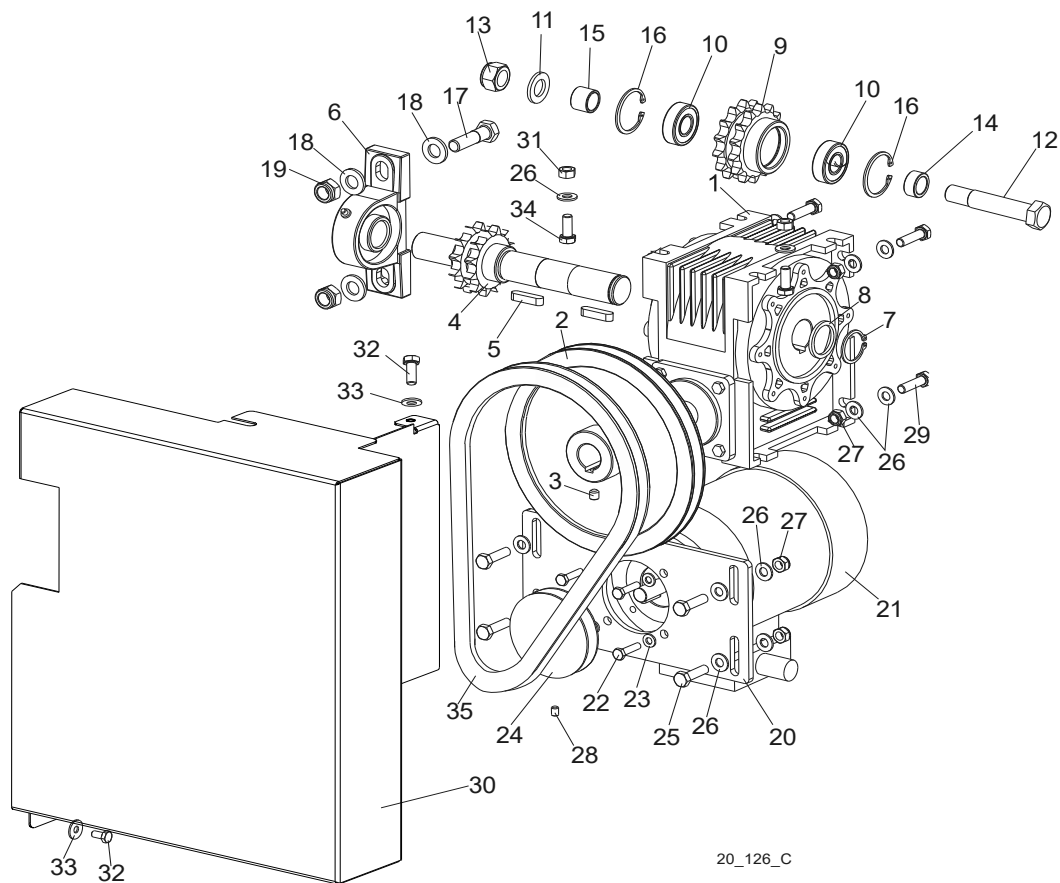


REF	DESCRIPTION (◆ indicates parts available in assemblies only)	PART #	QTY
1	BRACKET, LT20 CONTROL PANEL	586915-1	1
2	WASHER, 8.4 FLAT ZINC	F81054-1	8
3	NUT, M8-8-B HEX NYLON ZINC LOCK	F81032-2	4
4	BOLT, M8X30-8.8-B HEX HEAD FULL THREAD Z	F81002-7	4
-	CONTROL PANEL LT20 START	587003	1
5	BOX WELDMENT, LT15 CONTROL	538729-1	1
6	WASHER, 6.4 FLAT ZINC	F81053-1	4
7	WASHER, 6.1 SPLIT LOCK ZINC	F81053-3	4
8	BOLT, M6X20-8.8 HEX HEAD FULL THREAD ZIN	F81001-2	4
9	GASKET, LT15 CONTROL BOX	538732	1
10	PLATE, LT20 START CONTROL PANEL FRONT	600111-1	1
11	ADAPTER, LPXAU120 MOUNTING	535438	3
12	BUTTON, LPCB6143	536909	1
13	SWITCH, LPCBL7191	536908	1

REF	DESCRIPTION (◆ indicates parts available in assemblies only)	PART #	QTY	
14	SWITCH, SPST ON/OFF 15A .25 TABS TOGGLE	P03027	1	
15	WASHER, 1/2X3/4X1/16 NYLON	P05251-1	2	
16	SWITCH, DPDT TOGGLE 21A REV MOM SPADE	024200	2	
17	BOOT, TOGGLE SWITCH	P02575	2	
18	SWITCH ASSEMBLY, FEED RATE	E20519	1	
19	KNOB, SPEED CONTROL	P06257	1	
20	BOLT, #10-24X1/2 PH	F05015-17	12	
21	WASHER, LPX AU115 E-STOP BUTTON	536912	1	
22	BUTTON, LPCB6644 EMERGENCY STOP	535445-K	1	
23	CONTACT, 1NCLPXC01	535440	1	
24	BOOT, LPXAU157 BUTTON	536926	1	
25	CONTACT, 1NOLPXC10	535439	6	
26	BUTTON, LPCBL1163	536921	1	
27	JOYSTICK LPSJ200	568413	1	
28	STICKER, CONTROL PANEL	587002	1	
29	SWITCH, LPCS130 3-POSITION	566172	1	
30	CONTROLLER, SW-10 SETWORKS	500628	1	

SECTION 5 UP/DOWN ASSEMBLY

5.1 Up/Down Assembly, AC Mills

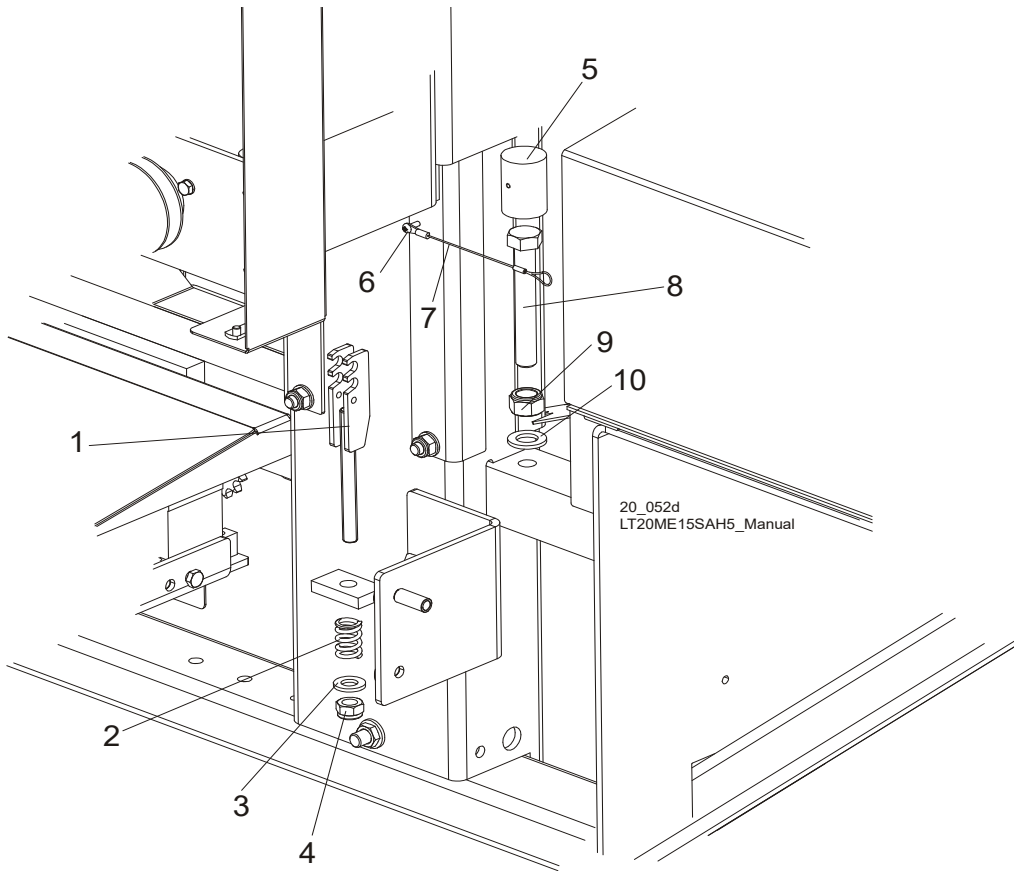


20_126_C

REF.	DESCRIPTION (◆ Indicates Parts Available In Assemblies Only)	PART #	QTY	
	MOTOR ASSEMBLY, LT20 AC UP/DOWN	098300	1	◆
	Motor Assembly, LT20 Up/Down	098299	1	
1	Box, R-63/66/F1/B3 Gear	097786	1	
2	Pulley, LT20	091078-1	1	
3	Screw, M8x8-33H Hex Socket Set Flat Point	F81014-1	1	
4	Shaft, LT20 Up/Down w/Sprocket	512249-1	1	
5	Key, A8x7x32 Parallel	088564	2	
6	Bearing Assembly, UCP 205CX	088468	1	
7	Ring, Z28 Outside Retaining	F81090-12	1	
8	Washer	098351	1	
	Sprocket Assembly	512276	2	
9	Sprocket, ULMER T08260	512247-1	1	
10	Spacer, Drive Bearing	098166	2	
11	Washer, M16 Flat Zinc	F81058-1	2	
12	Pin, Up/Down Drive Shaft	098289-1	1	

13	Nut, M16-8 Hex Nylon Zinc Lock	F81036-2	1	
14	BUSHING, D42 BELT TENSIONER SPACER ZINC-PL.	087965-1	1	
15	BUSHING, UP/DOWN SPROCKET SPACER ZINC-PL.	088792-1	1	
16	RING, W40 INSIDE RETAINING	F81090-3	2	
17	Bolt, M12x45-8.8 Hex Head Zinc	F81004-32	2	
18	Washer, 13 Flat Zinc	F81056-1	4	
19	Nut, M12-8 Hex Nylon Zinc Lock	F81034-2	2	
	Motor Assembly, LT20 AC Up/Down	091302	1	
20	Plate, LT20AC Up/Down Motor Mount	098355-1	1	
21	Motor, SKh 71- 4B2 RAL 9005	091304	1	
22	Bolt, M6x25-5.8 Hex Head Full Thread Zinc	F81001-3	4	
23	Washer, 6.4 Flat Zinc	F81053-1	4	
24	Pulley, LT20 Power Feed Gear Box	090699-1	1	
25	Bolt, M8x30-5.8 Hex Head Full Thread Zinc	F81002-2	4	
26	Washer, 8.4 Flat Zinc	F81054-1	18	
27	Nut, M8-8-B Hex Nylon Zinc Lock	F81032-2	8	
28	Screw, M6x8 Hex Socket Set Flat Point Zinc	F81013-1	1	
29	Bolt, M8x30-8.8-B Hex Head Full Thread Zinc	F81002-7	4	
30	Guard, Up/Down Front	517500-1	1	
31	Nut, M8-8-B Hex Zinc	F81032-1	2	
32	Bolt, M6x12-8.8 Hex Head Full Thread Zinc	F81001-7	2	
33	Washer, 6.5 Special Flat Zinc	F81053-11	2	
34	Bolt, M8x20-5.8 Hex Head Full Thread Zinc	F81002-1	2	
35	V-Belt, HA-800 (Kleberg)	091086	1	

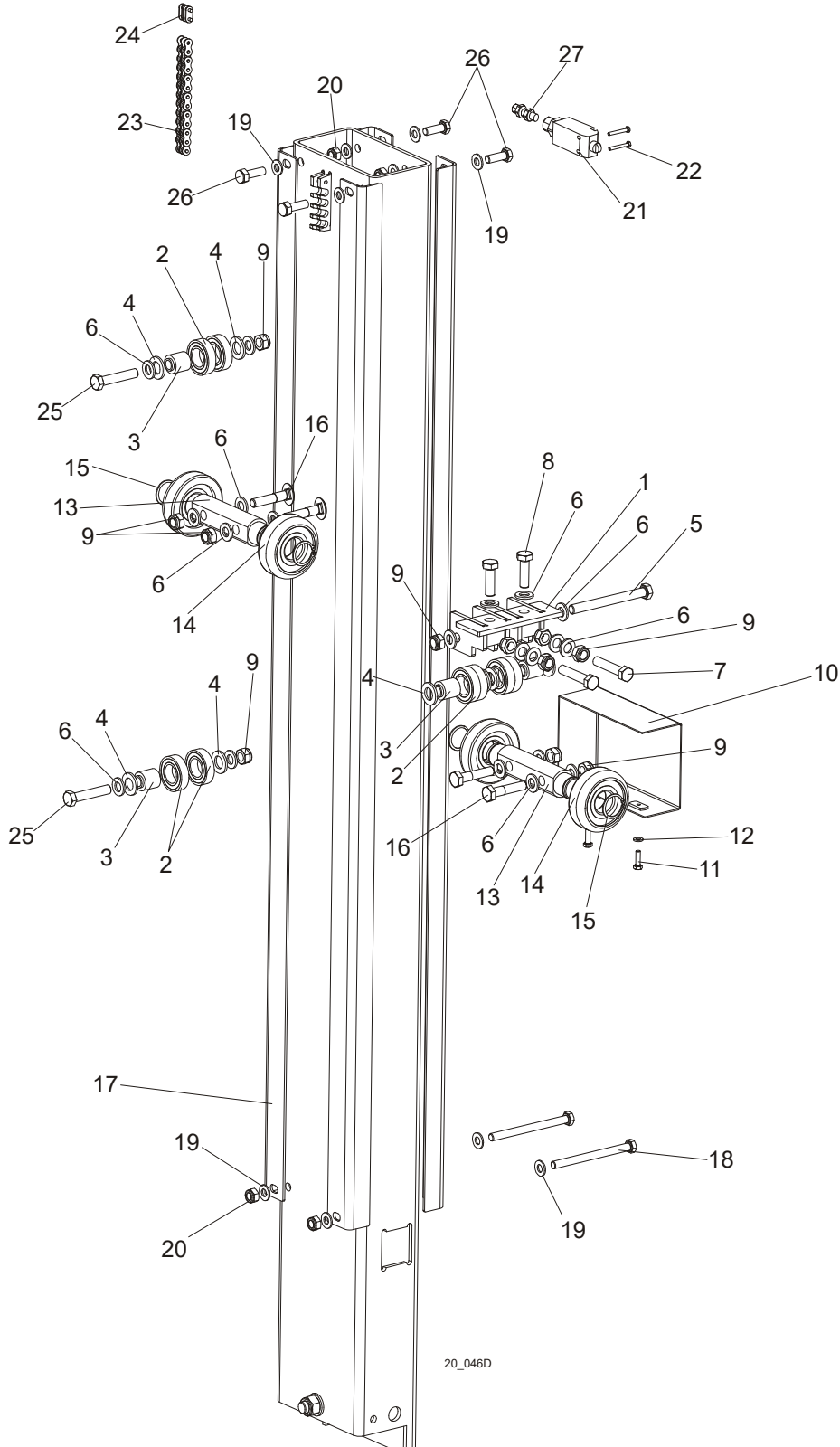
5.2 Up/Down Chain Tensioner Assembly



REF.	DESCRIPTION (◆ Indicates Parts Available In Assemblies Only)	PART #	QTY
1	TENSIONER WELDMENT, LT20 UP/DOWN CHAIN ZINC-PLATED	512259-1	1
2	SPRING, 14 X 30 X 3.2	090797	1
3	WASHER, 13 ZINC FLAT	F81056-1	1
4	NUT, M12-8 HEX NYLON ZINC LOCK	F81034-2	1
	BLOCK, HEAD SUPPORTING, COMPLETE	097775	1
5	Block, Head Support	097771-1	1
6	Screw, M4x12-5.8-B Cross Recessed Pan Head Zinc	F81011-43	1
7	Lanyard, 3/64 x 6	016030	1
8	BOLT, M16X110-8.8 HEX HEAD ZINC	F81006-24	1
9	NUT, M16-8 HEX NYLON ZINC LOCK	F81036-2	1
10	WASHER, 17 FLAT ZINC	F81058-1	1
	CHAIN, LT20 UP/DOWN TYPE 10B-2-111 LINKS	512641	1

SECTION 6 UP/DOWN ROLLERS & BLADE HEIGHT SCALE

6.1 Up/Down Rollers



20_046D

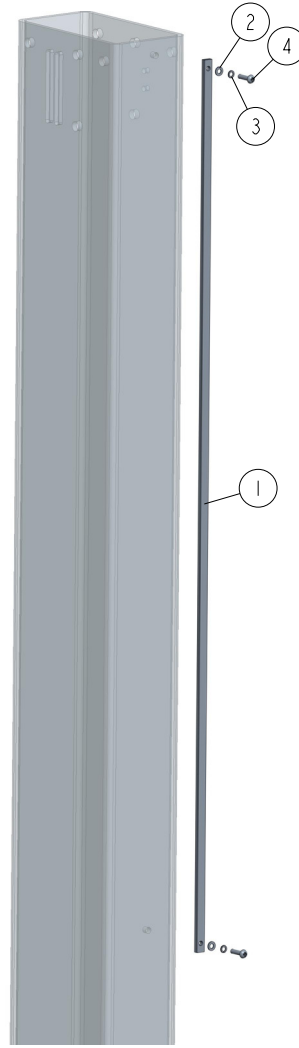
6 Up/Down Rollers & Blade Height Scale

Up/Down Rollers

REF	DESCRIPTION (◆ indicates parts available in assemblies only)	PART #	QTY
1	BRACKET WELDMENT, LT20 UP/DOWN ROLLER PT	091095-1	1
2	BEARING, 6005 2RSH SKF	550540	8
3	BUSHING, LT20 UP/DOWN ROLLER	090790	4
4	WASHER, 17 FLAT ZINC	F81058-1	10
5	BOLT, M12X120 8.8 HEX HEAD ZINC	F81004-38	1
6	WASHER 13 ZC DIN 126 ISO 7091	F81056-1	20
7	BOLT M12X60-8 HEX HEAD FULL THREAD ZINC	F81004-51	2
8	BOLT, M12X40-8.8 HEX HEAD FULL THREAD ZI	F81004-4	2
9	NUT M12 ZC 8 NYLOCK DIN 982 ISO 7040	F81034-2	11
10	GUARD, LT20 UP/DOWN ROLLERS PTD	091619-1	1
11	BOLT, M6X20-8.8 HEX HEAD FULL THREAD ZIN	F81001-2	2
12	WASHER, 6.4 FLAT ZINC	F81053-1	2
13	SHAFT, UP/DOWN ROLLER ZINC-PLATED	090616-1	2
14	ROLLER, CBK-468	088433	4
15	RING, Z30 SPRING RETAINING	F81090-23	4
16	BOLT, M12X55 8.8 HEX HEAD ZINC	F81004-43	4
17	ANGLE, LT20 MAST TUBE	091182	4
18	BOLT, M10X125-8.8 HEX HEAD ZINC	F81003-18	2
19	WASHER, 10.5 FLAT ZINC	F81055-1	22
20	NUT M10 ZC 8 NYLOCK DIN 982 ISO 7040	F81033-1	10
21	SWITCH, KMB2S11 SAFETY	100910	1
22	LIMIT SWITCH	089816	1
23	BOLT, M4 X 30 8.8 HEX HEAD FULL THREAD ZINC	F81011-5	2
24	CHAIN, LT20 UP/DOWN TYPE 10B-2-111 LINKS	512641	1
25	LINK, 10B-2Pz	088673	1
26	BOLT, M12X60-8.8 HEX HEAD ZINC	F81004-5	2
27	BOLT, M10X25-8.8 HEX HEAD FULL THREAD ZINC	F81003-11	4
28	GLAND, DP9/H CABLE	F81096-2	1

6.2 Magnetic Strip Assembly

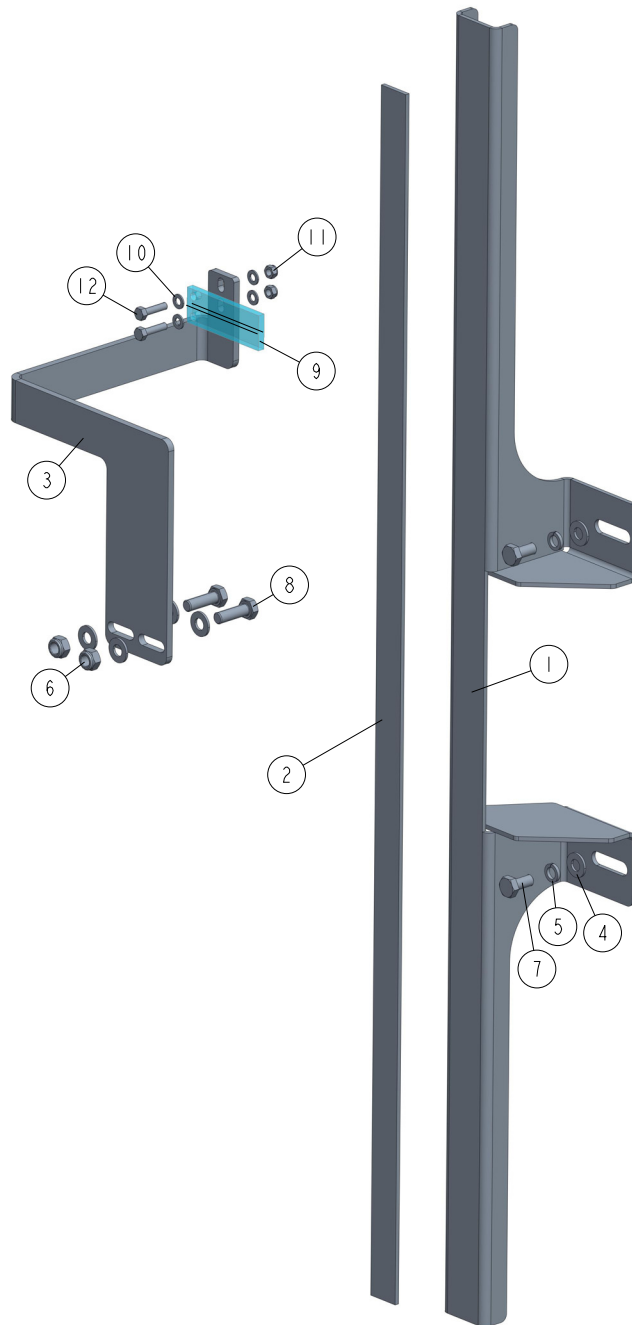
LT20SAMEHI5SAH3-SWR_005
 LT20SAMEHI5SAH3-SWR



REF	DESCRIPTION (◆ indicates parts available in assemblies only)	PART #	QTY	
-	MAGNETIC STRIP ASSY	097774	1	
1	BAR WITH MAGNETIC STRIP	098173-1	1	
2	WASHER, M5, FLAT ZINC	F81052-1	2	
3	WASHER, 5.1 SPLIT LOCK ZINC	F81052-2	2	
4	SCREW, M5X20 8.8 CROSS RECESSED PAN HEAD	F81000-34	2	

6.3 Blade Height Scale Assembly (No. 586998)

586998_001
586998



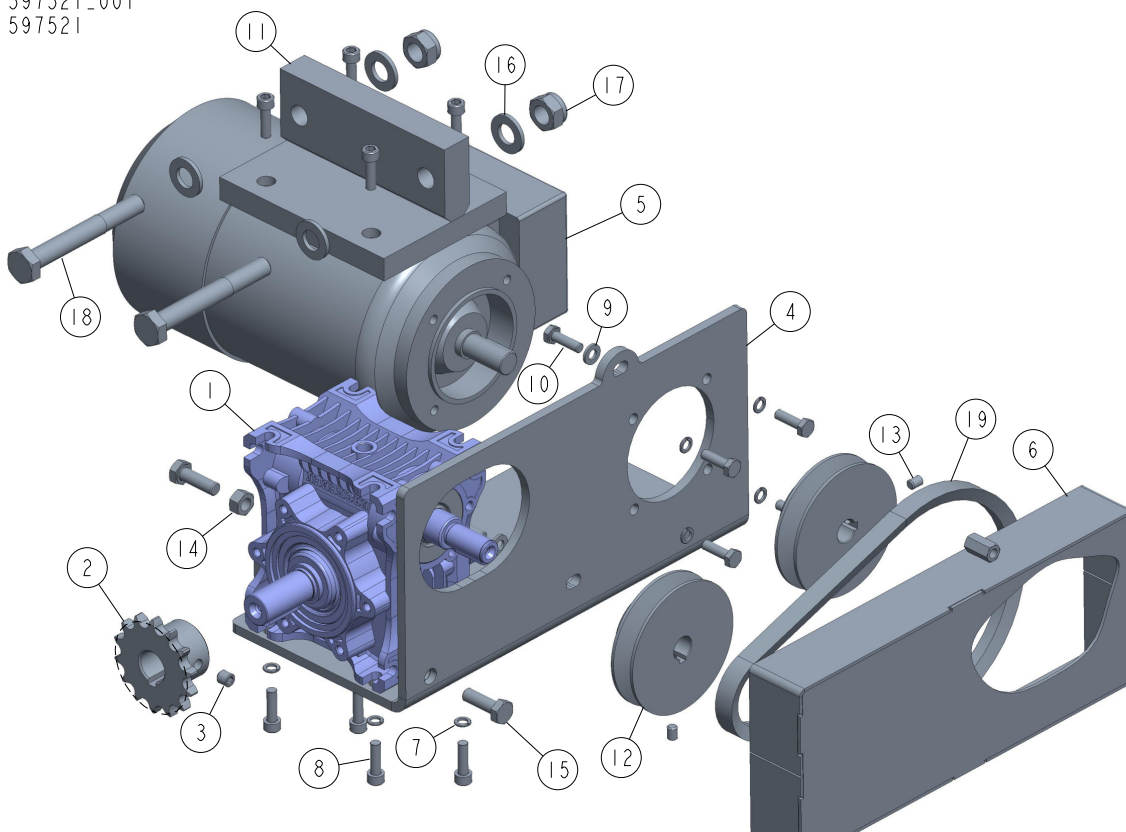
REF.	DESCRIPTION (◆ indicates parts available in assemblies only)	PART #	QTY
-	SCALE ASSEMBLY, BLADE HEIGHT	586998	1
1	BRACKET, LT20 BLADE HEIGHT SCALE	586954-1	1
2	SCALE, LT20 MAGNETIC	586997	1
3	PLATE, LT20 SCALE INDICATOR GUIDE	586953-1	1
4	WASHER, 8.4 FLAT ZINC	F81054-1	6
5	WASHER, 8.2 SPLIT LOCK ZINC	F81054-4	2
6	NUT, M8-8-B HEX NYLON ZINC LOCK	F81032-2	2
7	BOLT, M8X16-8.8-B HEX HEAD FULL THREAD ZINC	F81002-20	2

REF.	DESCRIPTION (◆ indicates parts available in assemblies only)	PART #	QTY	
8	BOLT, M8X25-8.8-B HEX HEAD FULL THREAD ZINC	F81002-5	2	
9	INDICATOR, BLADE HEIGHT SCALE	094821	1	
10	WASHER, 5.3 FLAT ZINC	F81052-1	4	
11	NUT, M5-8 DIN985 ZINC-PLATED	F81030-2	2	
12	BOLT, M5X20 8.8 ZINC-PLATED	F81000-35	2	

SECTION 7 POWER FEED & TRACK ROLLERS

7.1 Power Feed Assembly, AC Mills

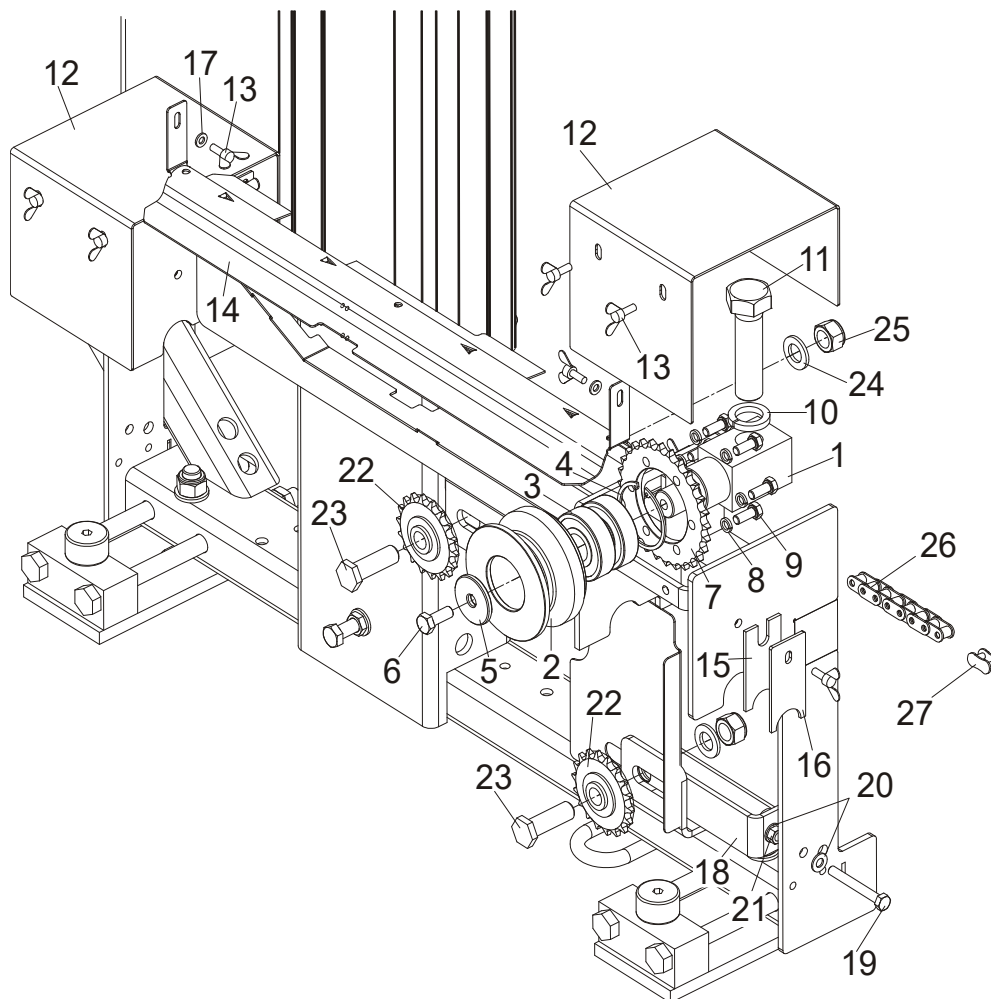
597521_001
 597521



REF	DESCRIPTION (◆ indicates parts available in assemblies only)	PART #	QTY
-	POWER FEED DRIVE, LT20 AC	597521	1
1	MRA-04/7,5-WBS-WJ/1-N/S-B8	597515	1
2	SPROCKET, 08B Z14 ZINC-PLATED	090702-1	1
3	SCREW, M8 X 8-33H HEX SOCKET SET FLAT PO	F81014-1	1
4	PLATE, POWER FEED REDUCER MOUNTING LT20 AC PTD.	597520-1	1
5	MOTOR, KH71X-2C2, RAL 9005	097313	1
6	GUARD, POWER FEED DRIVE BELT	091195-1	1
7	WASHER, Z6.1 SPLIT LOCK ZINC	F81053-3	8
8	SCREW, M6X20 8.8 HEX SOCKET HEAD CAP ZINC	F81001-22	8
9	WASHER, 6.4 FLAT	F81053-1	2
10	BOLT, M6X20-8.8 HEX HEAD FULL THREAD ZINC	F81001-2	6
11	BRACKET, POWER FEED REDUCER LT20	597518-1	1
12	PULLEY, LT20 POWER FEED GEAR BOX	090699-1	2
13	SCREW, M6 X 8 BLACK OXIDE SOCKET HEAD SET	F81013-1	2
14	NUT, M8-8-B HEX ZINC	F81032-1	2
15	BOLT, M8 X 25-8.8-B HEX HEAD FULL THREAD	F81002-5	2
16	WASHER, 13 FLAT ZINC	F81056-1	4
17	NUT, M12-8 HEX NYLON ZINC LOCK	F81034-2	2

REF	DESCRIPTION (◆ indicates parts available in assemblies only)	PART #	QTY	
18	BOLT, M12X90 8.8 HEX HEAD ZINC	F81004-2	2	
19	V-BELT, HA-560 (STOMIL-SANOK)	088562	1	

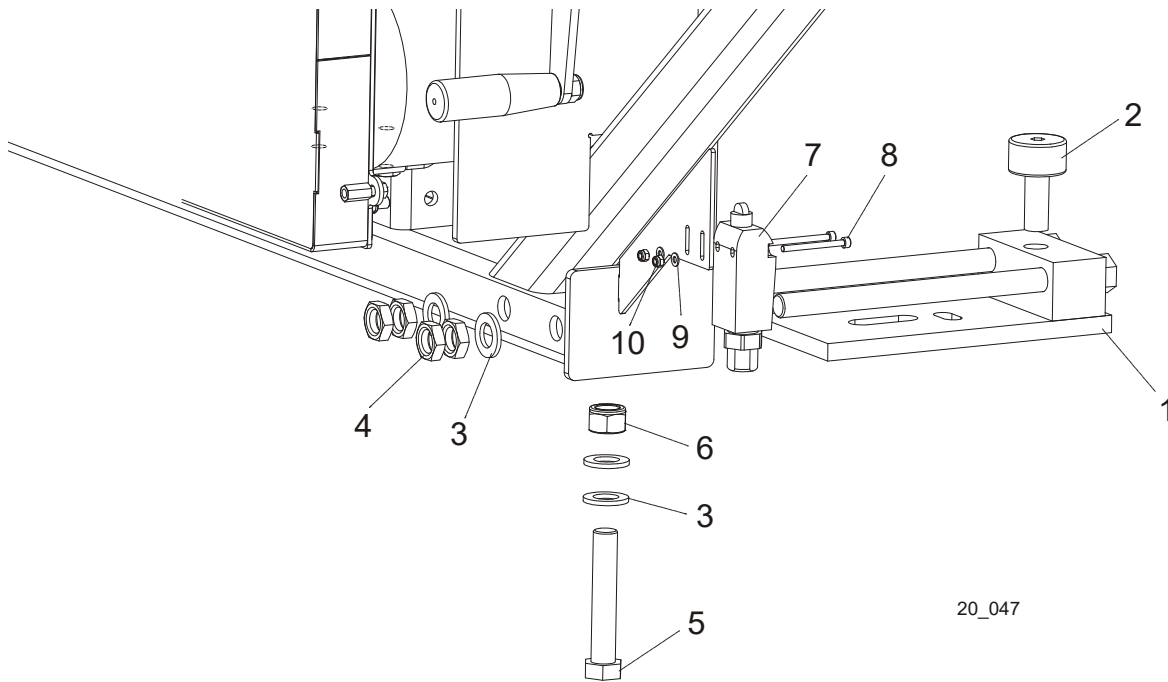
7.2 Upper Track Rollers And Wipers



REF.	DESCRIPTION (◆ Indicates Parts Available In Assemblies Only)	PART #	QTY
	ROLLER ASSEMBLY, LT20 UPPER TRACK	090662-1	2
1	Block, Upper Track Roller Mount	090665	1
2	Roller, Upper Track	090663	1
3	Bearing, 6305 2RS NSK	P08066	2
4	Ring, 2 7/16" Bevelled Snap	F04254-21	1
5	Washer, Drive Wheel	086286	1
6	Bolt, M10x25-8.8 Hex Head Full Thread Zinc	F81003-11	1
7	Sprocket, O8B Z28	090664	2
8	Washer, 8.2 Split Lock Zinc	F81054-4	6
9	Bolt, M8x20-5.8 Hex Head Full Thread Zinc	F81002-1	6
10	WASHER, Z 24.5 SPLIT LOCK ZINC	F81061-4	2
11	BOLT, M24X2X90-8.8 HEX HEAD FULL THREAD ZINC	F81009-2	2
12	GUARD, UPPER TRACK ROLLER	090749-1	2
13	SCREW, M6 X 20 BN276 DIN 316 THUMB	F81001-58	10
14	COVER, LT20 MIDDLE TRACK	522292-1	1
15	WIPER, TOP RAIL	M04113	2
16	PLATE, TRACK WIPER	088559-1	2

17	WASHER, 6.4 ZINC FLAT	F81053-1	4	
18	TENSIONER, POWER FEED SPROCKET	092862-1	1	
19	BOLT, M8 X 65-5.8 HEX HEAD ZINC	F81002-3	1	
20	WASHER, 8.4 FLAT ZINC	F81054-1	2	
21	NUT, M8-8-B HEX ZINC	F81032-1	1	
22	SPROCKET, IDLER Z=18 KSR16.L0.08.10.18.0	088700	2	
23	BOLT, SPROCKET MOUNT	091744	2	
24	WASHER, 17 FLAT ZINC	F81058-1	2	
25	NUT, M16-8 HEX NYLON ZINC LOCK	F81036-2	2	
26	CHAIN, LT20 08B-185 TYPE POWER FEED	091624	1	
27	LINK, 08B-1PZ MASTER	091625	1	

7.3 Lower Track Rollers

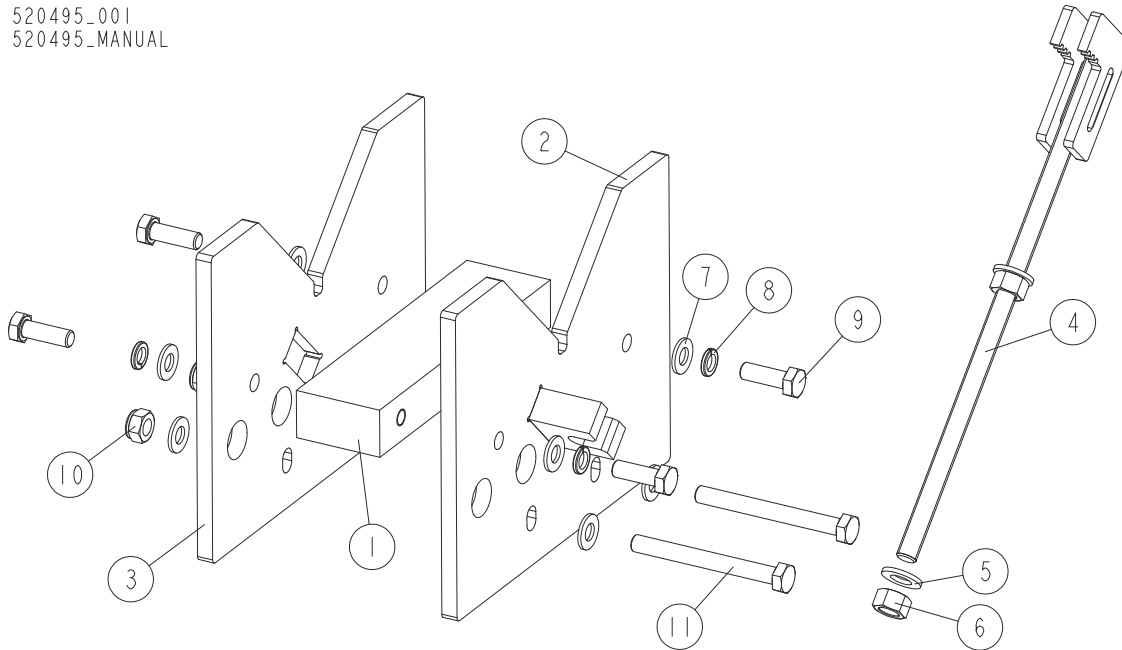


REF.	DESCRIPTION (◆ Indicates Parts Available In Assemblies Only)	PART #	QTY
1	BRACKET, LT20 LOWER TRACK ROLLER	090671-1	1
2	BEARING, CAM FOLLOWER (MCGILL)	012797	1
3	WASHER, 17 ZINC FLAT	F81058-1	4
4	NUT, M16 HEX THIN ZINC	F81036-4	4
5	BOLT, M16 X 90-8.8 HEX HEAD ZINC	F81006-17	1
6	NUT, M16-8 HEX NYLON ZINC LOCK	F81036-2	1
7	SWITCH, GLCB01A1B LIMIT	100931	1
8	SWITCH, EVN2000 A LIMIT	091742	1
9	SCREW, M4 X 45-8.8 HEX SOCKET HEAD CAP ZINC	F81011-33	2
10	NUT, M4-B HEX NYLON ZINC LOCK	F81029-1	2

SECTION 8 BED FRAME ASSEMBLY

8.1 Octagonal Profile Sawing Tool (Option)

520495_001
 520495_MANUAL

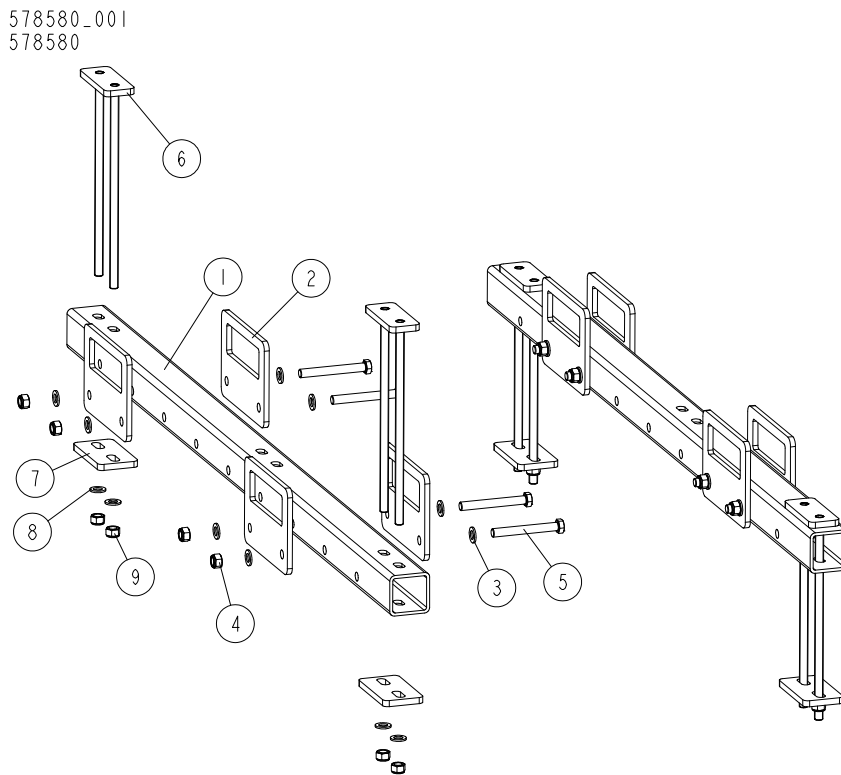


REF.	DESCRIPTION (◆ Indicates Parts Available In Assemblies Only)	PART #	QTY
-	TOOL, OCTAGONAL PROFILE SAWING	520495	1
1	BAR, INSIDE	520490-1	1
2	PLATE, FRONT	520492-1	1
3	PLATE, MAIN	520489-1	1
4	ARM, CLAMP	520496-1	1
5	WASHER, 13 FLAT ZINC	F81056-1	2
6	NUT, M12-8-B HEX ZINC	F81034-1	2
7	WASHER, 10.5 FLAT ZINC	F81055-1	8
8	WASHER, Z 10.2 SPLIT LOCK ZINC	F81055-2	4
9	BOLT, M10X30 5.8 HEX HEAD FULL THREAD ZINC	F81003-2	4
10	NUT, M10-8-B HEX NYLON ZINC LOCK	F81033-1	2
11	BOLT, M10X95-8.8-B HEX HEAD ZINC	F81003-71	2

8 Bed Frame Assembly

Sawmill Transport Bracket Assembly (Option)

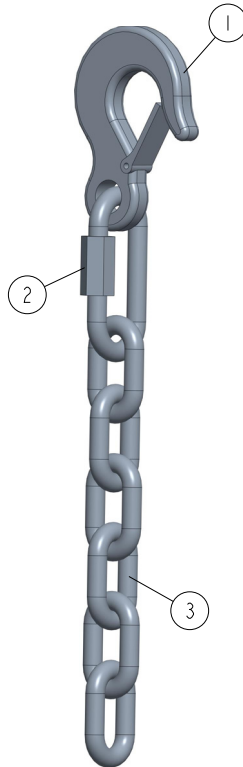
8.2 Sawmill Transport Bracket Assembly (Option)



REF	DESCRIPTION (u indicates parts available in assemblies only)	PART #	QTY
-	TRANSPORT BRACKET ASSEMBLY, SAWMILLS	578580	1
-	BRACKET, TRANSPORT	578566	2
1	TUBE, TRANSPORT	578567-1	1
2	PLATE, TRANSPORT BRACKET	578569-1	4
3	WASHER, 17 FLAT ZINC	F81058-1	8
4	NUT, M16-8 HEX NYLON ZINC LOCK	F81036-2	4
5	BOLT, M16X130-8.8 HEX HEAD ZINC	F81006-35	4
-	CLAMP, FRAME	578572	2
6	PLATE	578577-1	1
7	PLATE, TRANSPORT BRACKET	578568-1	1
8	WASHER, 17 FLAT ZINC	F81058-1	2
9	NUT, M16-8 HEX NYLON ZINC LOCK	F81036-2	2

8.3 Tie Down Chain Assembly (A04376-1)

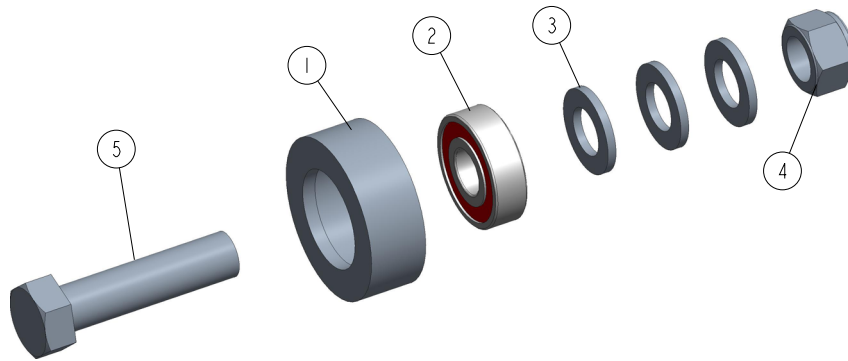
A04376-1
A04376-1



REF	DESCRIPTION (◆ indicates parts available in assemblies only)	PART #	QTY	
-	CHAIN, TIE DOWN ASSEMBLY	A04376-1	1	
1	HOOK, 5/8 SAFETY CHAIN	P12075	1	
2	SCREW CLOSED CHAIN LINK, 10	100767	1	
3	CHAIN, N-10X35 - 6-LINK	100951-1	1	

8.4 Side Support Rollers - Service Kit (LT20 Start, No. 587025)

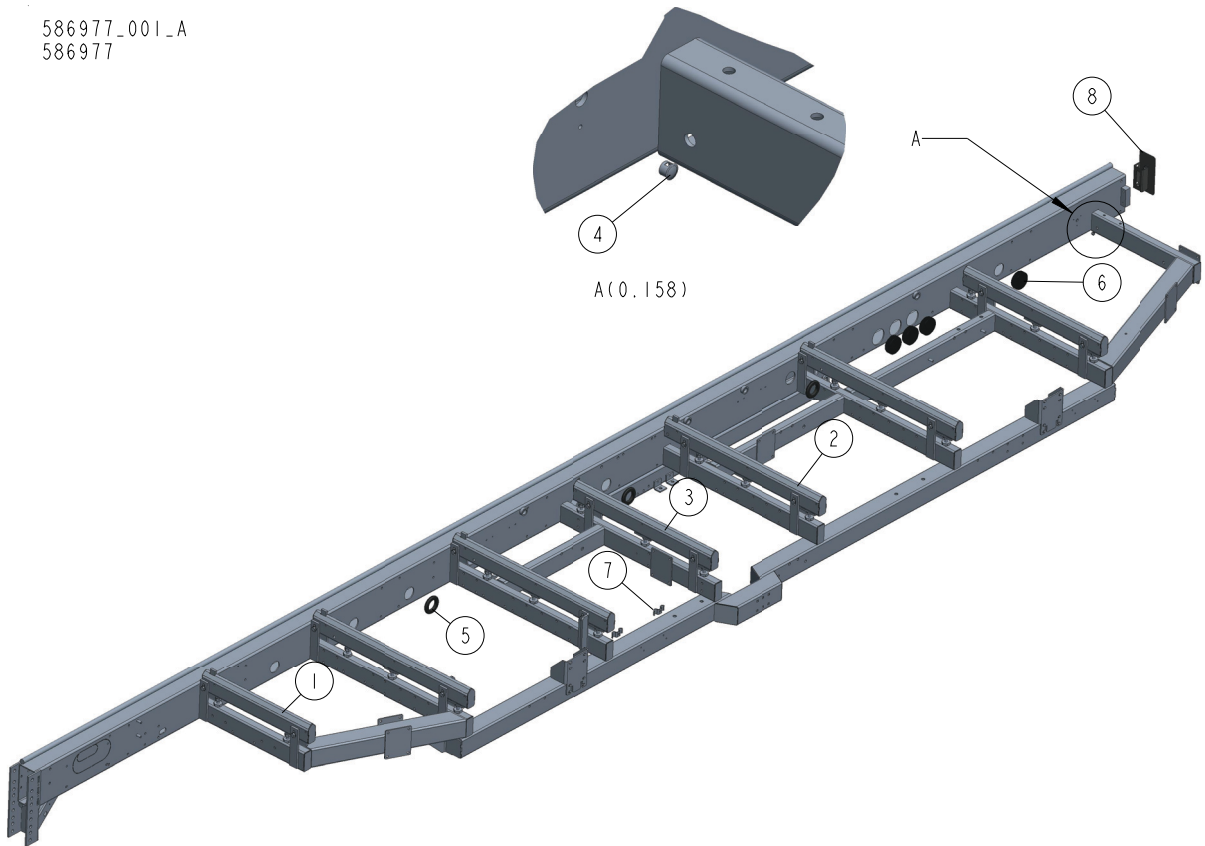
518181_001
518181



REF.	DESCRIPTION (* indicates parts available in assemblies only)	PART NO.	QTY
	SERVICE KIT, LT20 START SIDE SUPPORT ROLLER	587025-S	1
	ROLLER KIT, LT20 START SIDE SUPPORT	587025	1
-	ROLLER ASSEMBLY	518181	3
-	ROLLER, SIDE SUPPORT	015014-1	3
1	ROLLER, SIDE SUPPORT	015015	3
2	BEARING, 5/8X1.7548X.4724	P06030-1	3
3	WASHER, 17 FLAT ZINC	F81058-1	9
4	NUT, M16-8 HEX NYLON ZINC LOCK	F81036-2	3
5	BOLT, M16x65-8.8-B HEX HEAD FULL THREAD ZINC	F81006-1	3

8.5 Stationary "M" Frame w/ Angled Bed Rails (586977)

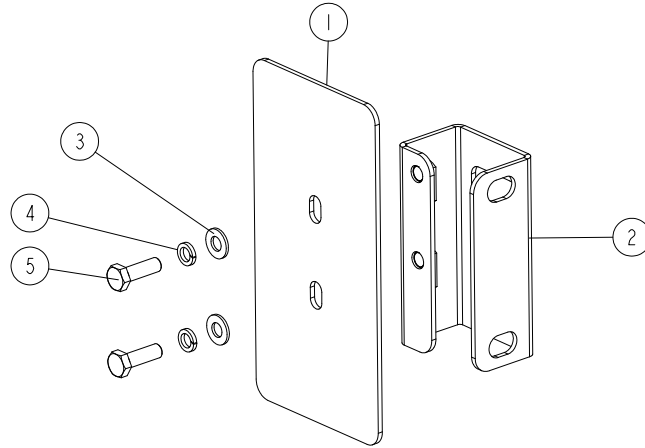
586977-001-A
586977



REF	DESCRIPTION (◆ indicates parts available in assemblies only)	PART #	QTY
-	FRAME (ANGLED BED RAILS), STATIONARY "M"	586977	1
-	FRAME (ANGLED BEDS), STATIONARY "M"	586978-1	1
1	BED RAIL ASSEMBLY - SHORT	586944	1
2	BED RAIL ASSEMBLY - LONG	586932	4
3	BED RAIL ASSEMBLY - LONG	586958	2
4	SWITCH, SPEED CONTROL	086773	2
5	GROMMET, 55MM DIA. RUBBER	085614	5
6	CAP, 80MM	505784	4
7	CLAMP, 3/8 HOSE	016041	2
8	COVER ASSEMBLY, MAIN TUBE See Section 8.6	093052	1

8.6 Main Tube Cover Assembly (Part No. 093052)

093052_001
093052_MANUAL



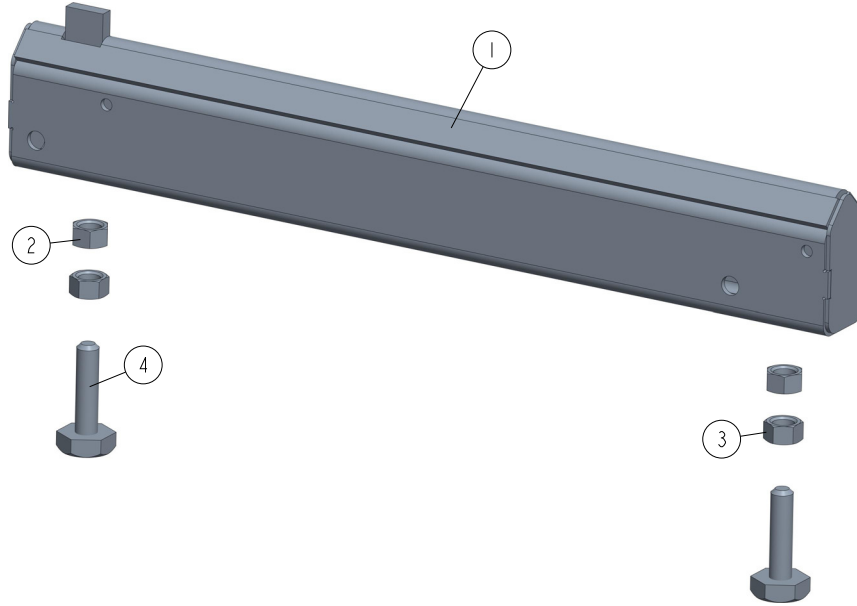
REF	DESCRIPTION (◆ indicates parts available in assemblies only)	PART #	QTY
-	COVER ASSEMBLY, MAIN TUBE	093052	1
1	PLATE, 201X101.6X3 COVER	015023-1	1
2	BRACKET WELDMENT, REAR TUBE COVER	087105-1	1
3	WASHER, 8.4 FLAT ZINC	F81054-1	2
4	WASHER 8,2 SPLIT LOCK ZINC	F81054-4	2
5	BOLT, M8X25-8.8-B HEX HEAD FULL THREAD ZINC	F81002-5	2

8.7 Bed Rail Cover Kit (LT20 START, No. 587024)

REF.	DESCRIPTION (* indicates parts available in assemblies only)	PART NO.	QTY
	SERVICE KIT, LT20 START BED RAIL COVER	587024-S	1
	COVER KIT, LT20 START BED RAIL	587024	1
-	COVER, LT20 BED RAIL	586981	1
-	COVER, LT20 BED RAIL	586980	4
1	COVER, LT20 BED RAIL	586979	2
2	WASHER, 8.4 FLAT ZINC	F81054-1	36
3	BOLT, M8x65-5.8 HEX HEAD ZINC	F81002-3	18
4	NUT, M8-8-B HEX NYLON ZINC LOCK	F81032-2	18

8.8 Bed Rail Assembly - Short (586944)

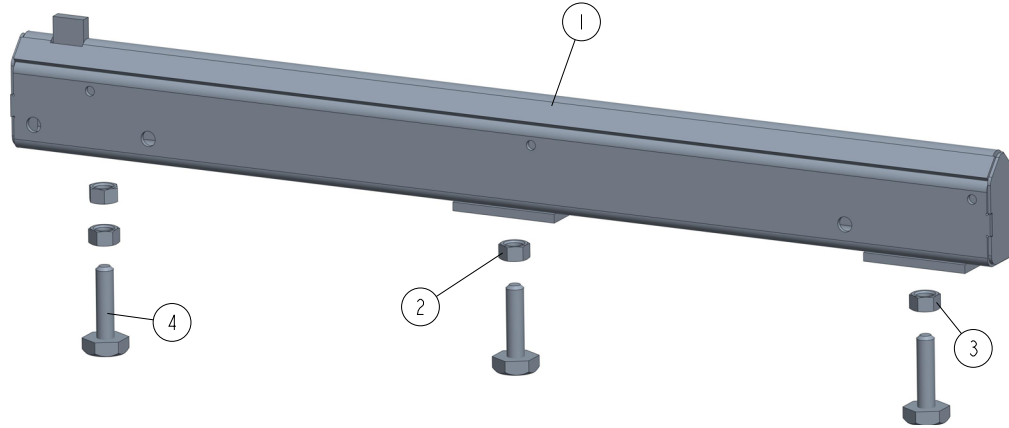
586944_001
586944



REF	DESCRIPTION (◆ indicates parts available in assemblies only)	PART #	QTY
-	BED RAIL ASSEMBLY - SHORT	586944	1
1	CROSS BED	586943	1
2	NUT, M16-5-B HEX	F81036-5	2
3	NUT, M16-5.8 HEX ZINC	F81036-1	2
4	BOLT, BED RAIL ADJUSTMENT	505006	2

8.9 Bed Rail Assembly - Long (586932)

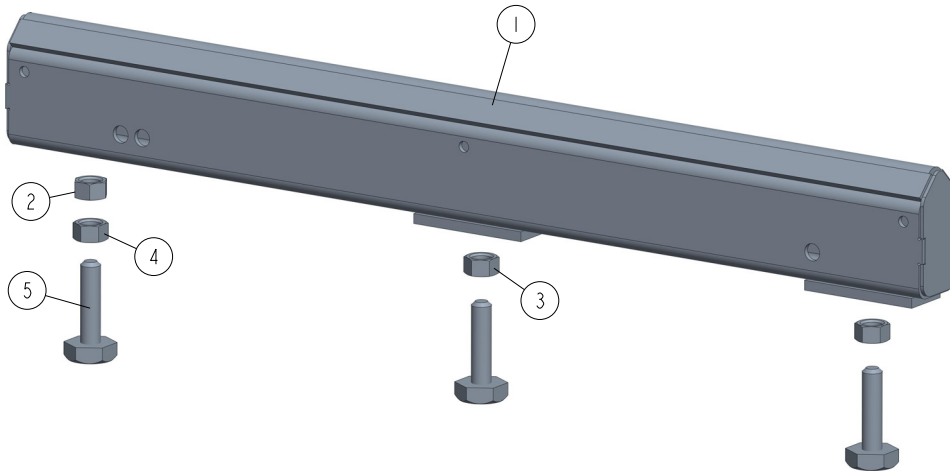
586932_001
586932



REF	DESCRIPTION (◆ indicates parts available in assemblies only)	PART #	QTY
-	BED RAIL ASSEMBLY - LONG	586932	1
1	CROSS BED	586927	1
2	NUT, M16-5-B HEX	F81036-5	1
3	NUT, M16-5.8 HEX ZINC	F81036-1	2
4	BOLT, BAD RAIL ADJUSTMENT	505006	3

8.10 Bed Rail Assembly - Long (586958)

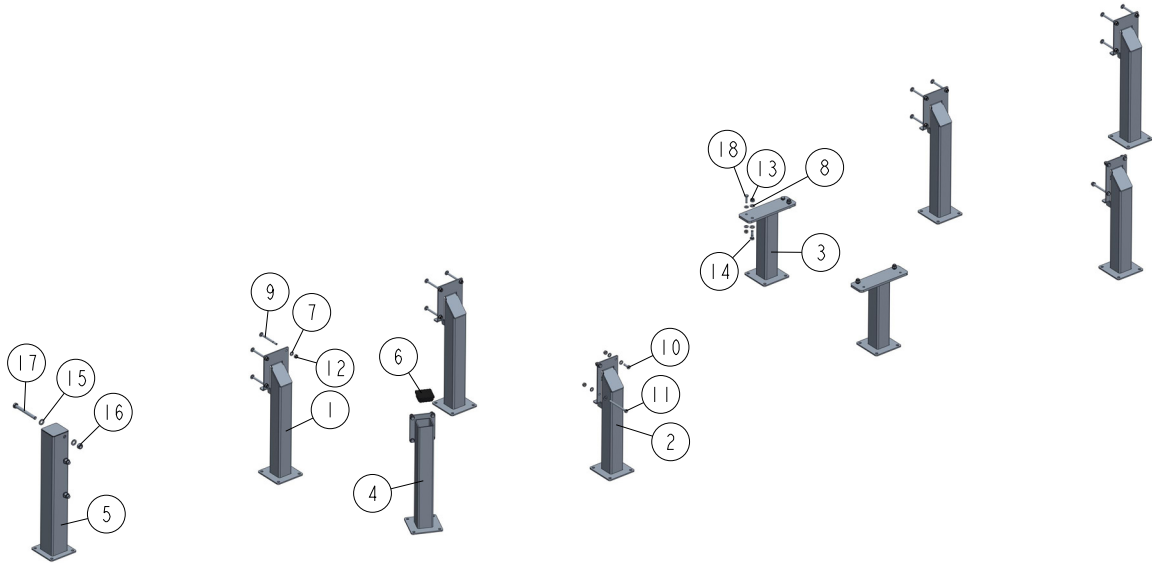
586958_001
586958



REF	DESCRIPTION (◆ indicates parts available in assemblies only)	PART #	QTY
-	BED RAIL ASSEMBLY - LONG	586958	1
1	CROSS BED	586957	1
2	NUT, M16-5-B HEX	F81036-5	1
3	NUT, M16-5-B HEX	F81036-5	2
4	NUT, M16-5.8 HEX ZINC	F81036-1	1
5	BOLT, BAD RAIL ADJUSTMENT	505006	3

8.11 Stationary Legs for LT20SA "M" Frame (586916)

586916_001
586916



REF	DESCRIPTION (◆ indicates parts available in assemblies only)	PART #	QTY
-	STATIONARY LEG KIT, LT20SA "M" FRAME	586916	1
1	LEG, WELDED	586920-1	4
2	LEG, WELDED	586924-1	2
3	LEG, WELDED	586935-1	2
4	LEG, WELDED	586936-1	1
5	LEG, WELDED	586940-1	1
6	CAP, HR FRAME	089644	1
7	WASHER, 10.5 FLAT ZINC	F81055-1	44
8	WASHER, 13 FLAT ZINC	F81056-1	8
9	BOLT, M10X120 8.8 MUSHROOM HEAD SQUARE N	F81003-33	16
10	BOLT, DIN933-M10X30-8.8-A2E HEX HEAD FUL	F81003-111	8
11	BOLT, M10X125-8.8 HEX HEAD ZINC	F81003-18	4
12	NUT, M10-8-B NYLON HEX ZINC LOCK	F81033-1	30
13	NUT, M12-8 HEX NYLON ZINC LOCK	F81034-2	4
14	BOLT, M12X40-8.8 HEX HEAD ZINC	F81004-1	4
15	WASHER, 17 FLAT ZINC	F81058-1	6
16	NUT, M16-8 HEX NYLON ZINC LOCK	F81036-2	3
17	BOLT, M16X150 HEX HEAD ZINC	F81006-9	3
18	BOLT, M10X35-8.8 HEX HEAD FULL THREAD ZIN	F81003-17	2

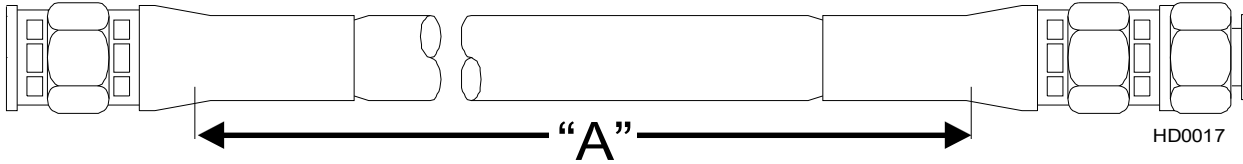


HYDRAULIC SYSTEM

Hydraulic System, LT20 Series A/DH

SECTION 9 HYDRAULIC SYSTEM

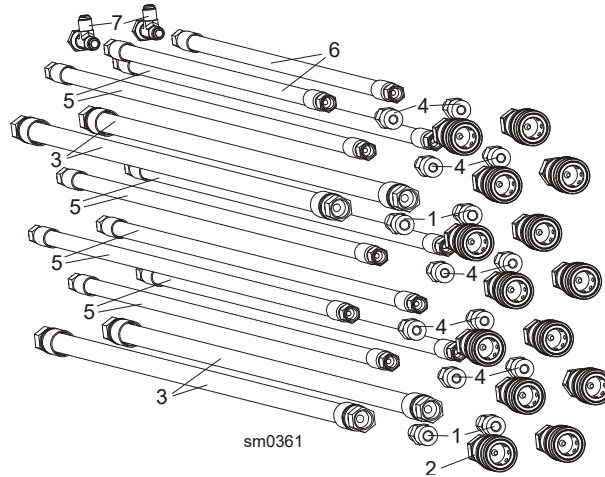
9.1 Hydraulic System, LT20 Series A/DH



REF	DESCRIPTION (♦ indicates parts available in assemblies only)	PART #	QTY		
None	10"	3/8" HYDRAULIC PUMP TO VALVE (A/DH3)	087774	1	H1
None	0.46	1/4" HYDRAULIC PUMP TO VALVE (DH5/7)	015704	1	
None	27"	3/8" LOG TURNER CYLINDER BASE	014796	1	H3
Orange	22"	3/8" LOG TURNER CYLINDER TOP	087775	1	H4
Yellow	129"	1/4" FRONT TOE BOARD BASE (LT40S)	087790	1	H5
	151"	1/4" FRONT TOE BOARD BASE (LT40M)	087776	1	H5
Grey	129"	1/4" FRONT TOE BOARD TOP (LT40S)	087790	1	H6
	151"	1/4" FRONT TOE BOARD TOP (LT40M)	087776	1	H6
None	166"	3/8" SIDE SUPPORT TOP (LT40S)	087791	1	H7
	188"	3/8" SIDE SUPPORT TOP (LT40M)	087777	1	H7
Pink	168"	3/8" SIDE SUPPORT BASE (LT40S)	087791	1	H8
	188"	3/8" SIDE SUPPORT BASE (LT40M)	087777	1	H8
White	145"	3/8" LOG CLAMP CYLINDER TOP (LT40S)	087792	1	H9
	157"	3/8" LOG CLAMP CYLINDER TOP (LT40M)	087778	1	H9
Dark Orange	129"	3/8" LOG CLAMP CYLINDER BASE (LT40S)	087793	1	H10
	151"	3/8" LOG CLAMP CYLINDER BASE (LT40M)	087779	1	H10
Purple	204"	1/4" REAR TOE BOARD TOP (LT40S)	087794	1	H11
	226"	1/4" REAR TOE BOARD TOP (LT40M)	087780	1	H11
Black	204"	1/4" REAR TOE BOARD BASE (LT40S)	087794	1	H12
	226"	1/4" REAR TOE BOARD BASE (LT40M)	087780	1	H12
Green	62"	3/8" LOADING ARM BRANCH	014797	2	H13
Yellow	63"	3/8" LOADING ARM BRANCH	014798	1	H14
Yellow	71"	3/8" LOADING ARM BRANCH	093329	1	H14
Blue	171"	3/8" LOADING ARM CYLINDER TOP (LT40S)	087795	1	H15
	193"	3/8" LOADING ARM CYLINDER TOP (LT40M)	087781	1	H15
Red	171"	3/8" LOADING ARM CYLINDER BOTTOM (LT40S)	087795	1	H16
	193"	3/8" LOADING ARM CYLINDER BOTTOM (LT40M)	087781	1	H16
Green	180"	1/4" LOG CLAMP UP (LT40S)	087796	1	H17
	202"	1/4" LOG CLAMP UP (LT40M)	087789	1	H17

Yellow	180"	1/4" LOG CLAMP DOWN (LT40S)	087796	1	H18
	202"	1/4" LOG CLAMP DOWN (LT40M)	087789	1	H18
White	157"	1/4" FRONT CLAMP IN/OUT CYLINDER BOTTOM (A/DH5)	094778	1	H19
Orange	157"	1/4" FRONT CLAMP IN/OUT CYLINDER TOP (A/DH5)	094778	1	H20
Red	150"	1/4" FRONT CLAMP UP/DOWN CYLINDER BOTTOM (A/DH5)	094779	1	H21
blue	150"	1/4" FRONT CLAMP UP/DOWN CYLINDER TOP (A/DH5)	094779	1	H22
White	236"	1/4" REAR CLAMP IN/OUT CYLINDER BOTTOM (A/DH5)	094780	1	H23
Orange	236"	1/4" REAR CLAMP IN/OUT CYLINDER TOP (A/DH5)	094780	1	H24
Red	220"	1/4" REAR CLAMP UP/DOWN CYLINDER BOTTOM (A/DH5)	094781	1	H25
blue	220"	1/4" REAR CLAMP UP/DOWN CYLINDER TOP (A/DH5)	094781	1	H26
None	15"	3/8" HYDRAULIC VALVE TO OIL FLOW CONTROL VALVE (A/DH5)	094782	1	H27
None	21"	3/8" HYDRAULIC PUMP W/MOTOR TO OIL FLOW CONTROL VALVE (A/DH5) PRZEPL YWU (A/DH5)	087775	1	H28
Red	1.50	1/4" FIRST CLAMP UP/DOWN CYLINDER BOTTOM (AH7)	095211	1	H29
blue	1.50	1/4" FIRST CLAMP UP/DOWN CYLINDER TOP (AH7)	095211	1	H30
Red	4.00	1/4" SECOND CLAMP UP/DOWN CYLINDER BOTTOM (AH7)	095212	1	H31
Blue	4.00	1/4" SECOND CLAMP UP/DOWN CYLINDER TOP (AH7)	095212	1	H32
Red	7.70	1/4" THIRD CLAMP UP/DOWN CYLINDER BOTTOM (AH7)	095213	1	H33
Blue	7.70	1/4" THIRD CLAMP UP/DOWN CYLINDER TOP (AH7)	095213	1	H34
Orange	0.40	1/4" HYDRAULIC VALVE POWER CORD - FIRST/SECOND/THIRD CLAMP, IN/OUT CYLINDER BASE T-FITTING (AH7)	095214	1	H35
White	0.40	1/4" HYDRAULIC VALVE POWER CORD - FIRST/SECOND/THIRD CLAMP IN/OUT CYLINDER TOP T-FITTING (AH7)	095214	1	H36
Orange	7.00	1/4" THIRD CLAMP IN/OUT CYLINDER BOTTOM (AH7)	095215	1	H37
White	7.00	1/4" THIRD CLAMP IN/OUT CYLINDER TOP (AH7)	095215	1	H38
Orange	2.50	1/4" FIRST/SECOND CLAMP IN/OUT CYLINDER BOTTOM (AH7)	095216	1	H39
White	2.50	1/4" FIRST/SECOND CLAMP IN/OUT CYLINDER TOP (AH7)	095216	1	H40
Orange	1.20	1/4" FIRST/SECOND CLAMP IN/OUT CYLINDER BOTTOM (AH7)	095217	1	H41
White	1.20	1/4" FIRST/SECOND CLAMP IN/OUT CYLINDER TOP (AH7)	095217	1	H42

9.2 Hydraulic Hose Kit for MBX12/24H Bed Extensions, "M" Frame AH Sawmills



REF	DESCRIPTION (◆ indicates parts available in assemblies only)	PART #	QTY
	HYDRAULIC HOSE KIT, "M" FRAME 24H21	505834	1
1	FITTING, G3/8-9/16-18JIC HAND PUMP	091842	2
2	FITTING, 3/8" INT. THREAD BSP FEMALE QUICK DISCONNECT	504965	2
3	HOSE, 2T3/8X7.900 W9/16UNF-W9/16UNF HYDRAULIC	505849	2
	HYDRAULIC HOSE KIT, "M" FRAME 24H2	505836	1
1	FITTING, G3/8-9/16-18JIC HAND PUMP	091842	2
2	FITTING, 3/8" INT. THREAD BSP FEMALE QUICK DISCONNECT	504965	4
3	HOSE, 2T3/8X7.900 W9/16UNF-W9/16UNF HYDR	505849	2
4	FITTING, 7/16" JC/3/8" BSP STRAIGHT	505747	2
5	HOSE, 2T1/4X7.850 W7/16UNF-W7/16UNF HYDR	505850	2
	HYDRAULIC HOSE KIT, "M" FRAME (AH1-7) 24	505840	1
1	FITTING, G3/8-9/16-18JIC HAND PUMP	091842	4
2	FITTING, 3/8" INT. THREAD BSP FEMALE QUICK DISCONNECT	504965	8
3	HOSE, 2T3/8X7.900 W9/16UNF-W9/16UNF HYDR	505849	4
4	FITTING, 7/16" JC/3/8" BSP STRAIGHT	505747	4
5	HOSE, 2T1/4X7.850 W7/16UNF-W7/16UNF HYDR	505850	4
	HYDRAULIC HOSE KIT, "M" FRAME (AH1-7) 24	506090	1
1	FITTING, G3/8-9/16-18JIC HAND PUMP	091842	4
2	FITTING, 3/8" INT. THREAD BSP FEMALE QUICK DISCONNECT	504965	12
3	HOSE, 2T3/8X7.900 W9/16UNF-W9/16UNF HYDR	505849	4
4	FITTING, 7/16" JC/3/8" BSP STRAIGHT	505747	8
5	HOSE, 2T1/4X7.850 W7/16UNF-W7/16UNF HYDR	505850	6
6	HOSE, 2T1/4X6.100 W7/16UNF-W7/16UNF HYDRAULIC	506096	2
7	FITTING, W7/16" UNF JIC-2XZ7/16" UNF JIC TEE	506098	2
	HYDRAULIC HOSE KIT, "M" FRAME (AH1-7) 24	506092	1
1	FITTING, G3/8-9/16-18JIC HAND PUMP	091842	4
2	FITTING, 3/8" INT. THREAD BSP FEMALE QUICK DISCONNECT	504965	14
3	HOSE, 2T3/8X7.900 W9/16UNF-W9/16UNF HYDR	505849	4
4	FITTING, 7/16" JC/3/8" BSP STRAIGHT	505747	10
5	HOSE, 2T1/4X7.850 W7/16UNF-W7/16UNF HYDR	505850	8

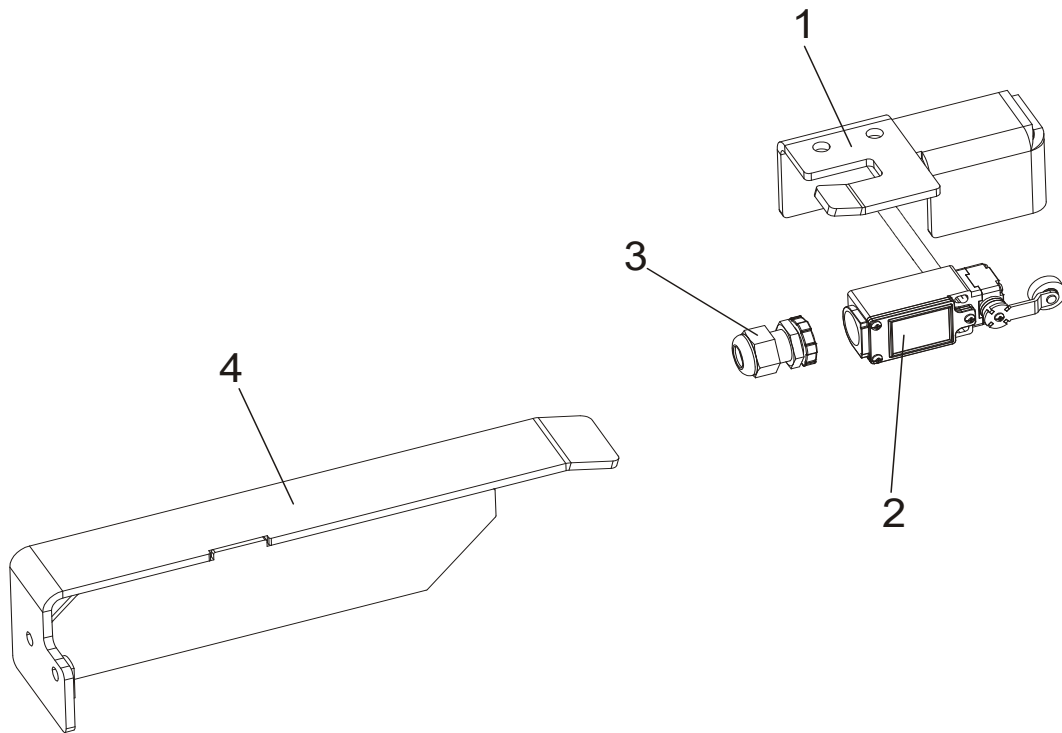
HYDRAULIC SYSTEM

Hydraulic Hose Kit for MBX12/24H Bed Extensions, "M" Frame AH Sawmills

9

6	HOSE, 2T1/4X6.100 W7/16UNF-W7/16UNF HYDRAULIC	506096	2	
7	FITTING, W7/16" UNF JIC-2XZ7/16"UNF JIC TEE	506098	2	

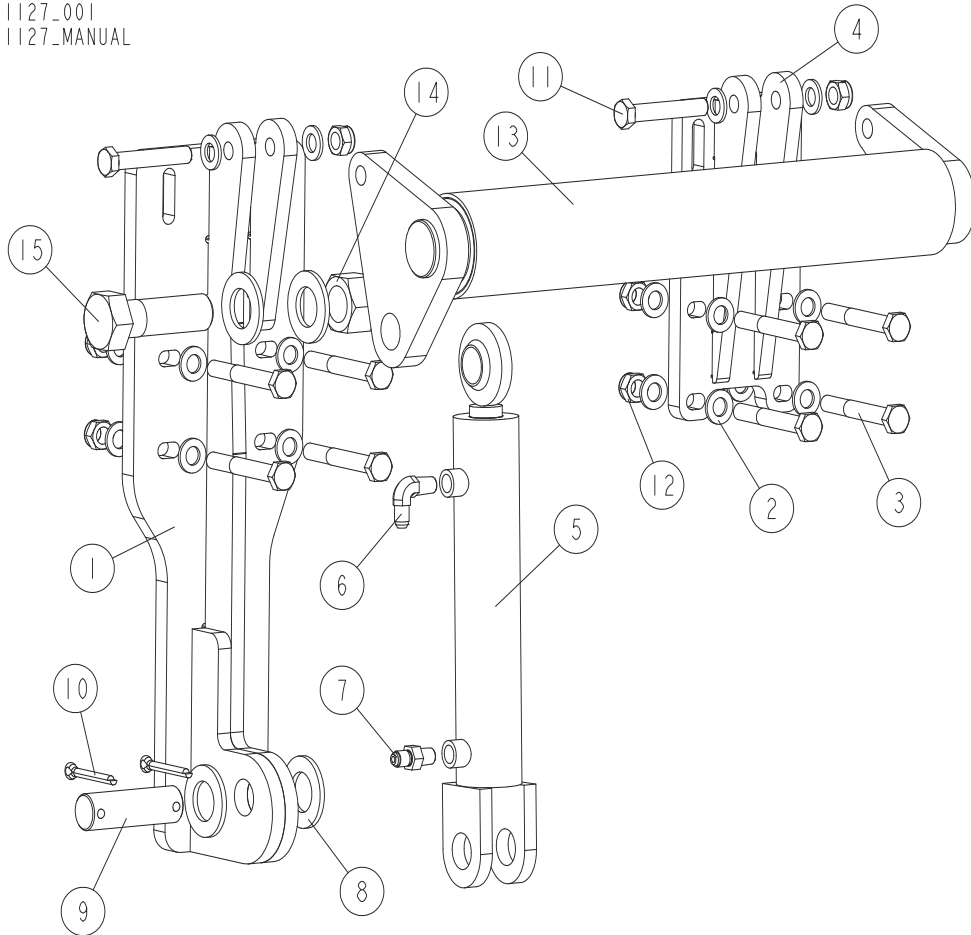
9.3 Hydraulic System Switch (AC)



REF	DESCRIPTION (◆ indicates parts available in assemblies only)	PART #	QTY
1	BRACKET, LOADING POSITION LIMIT SWITCH	092723-1	1
2	SWITCH, FA138 Z11LIMIT	100931	1
3	GLAND, ST PG 13.5 GREY CABLE	086524	1
4	PLATE, LIMIT SWITCH ACTIVATOR	092738-1	1

9.4 Right Hydraulic Toe Board

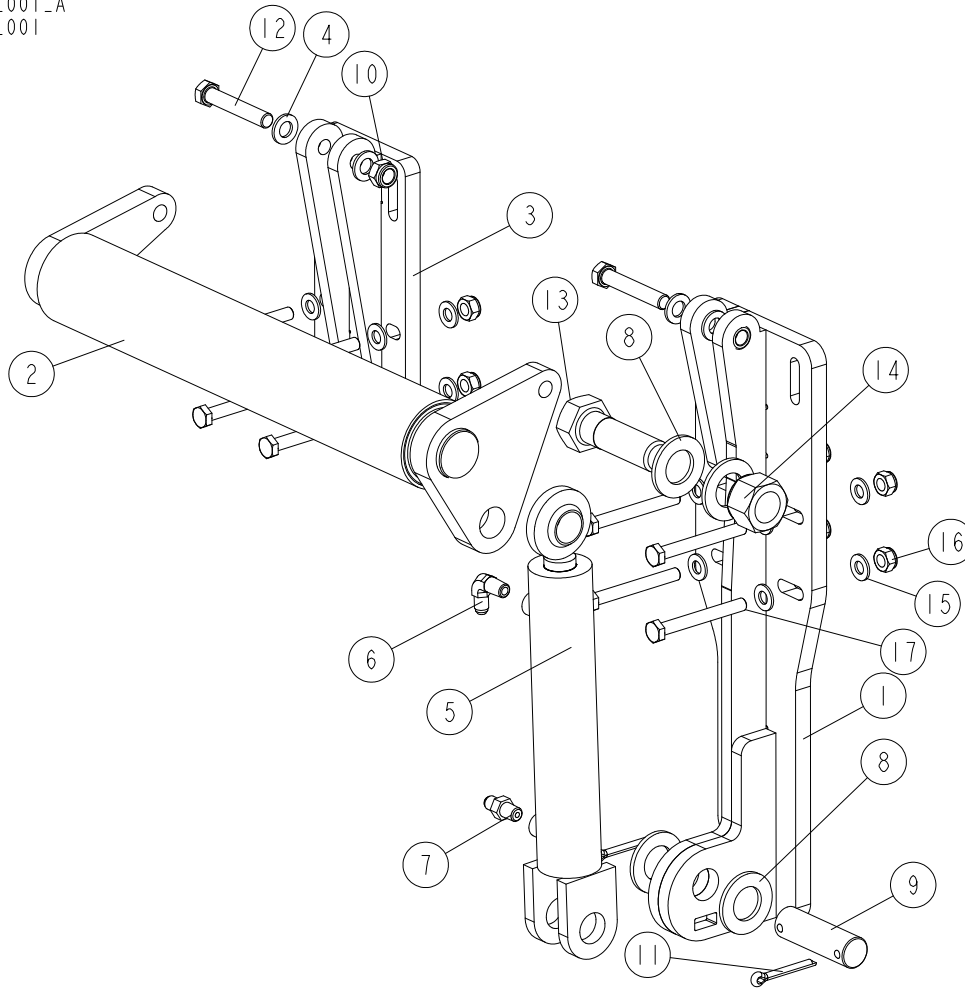
511127_001
 511127_MANUAL



REF	DESCRIPTION (◆ indicates parts available in assemblies only)	PART #	QTY
-	TOE BOARD, RIGHT	511127	2
1	BRACKET WELDMENT, POWER ROLLER	510605-1	1
2	washer, 13 flat zinc	F81056-1	20
3	bolt, M12X90 8.8 Hex Head Zinc	F81004-2	8
4	BRACKET WELDMENT, HYDRAULIC TOE BOARD	520099-1	1
-	cylinder, hydraulic toe board	085937	1
5	CYLINDER, CJ-S170-16-40/25/152 HYDRAULIC	088681	1
6	Fitting, 1/4NPTx1/4JIC Male Elbow	P09142	1
7	FITTING, 1/4NPTX1/4JIC MALE	P09143	1
8	washer, 28 flat zinc	F81061-1	4
9	pin, hydraulic cylinder zinc-plated	086979-1	1
10	PIN, S-Zn-6.3x45 COTTER	F81045-2	2
11	BOLT, M12X70-8.8-HEX HEAD ZINC	F81004-39	2
12	NUT, M12 8 HEX NYLON ZINC LOCK	F81034-2	10
13	TOE BOARD WELDMENT, FRONT HYDRAULIC	092612-1	1
14	NUT, 1-8 HEX NYLON LOCK ZINC	F05010-109	1
15	BOLT, 1-8x3 1/4 Hex Head GRade 5	F05009-51	1

9.5 Left Hydraulic Toe Board (mounted on lower bed rail)

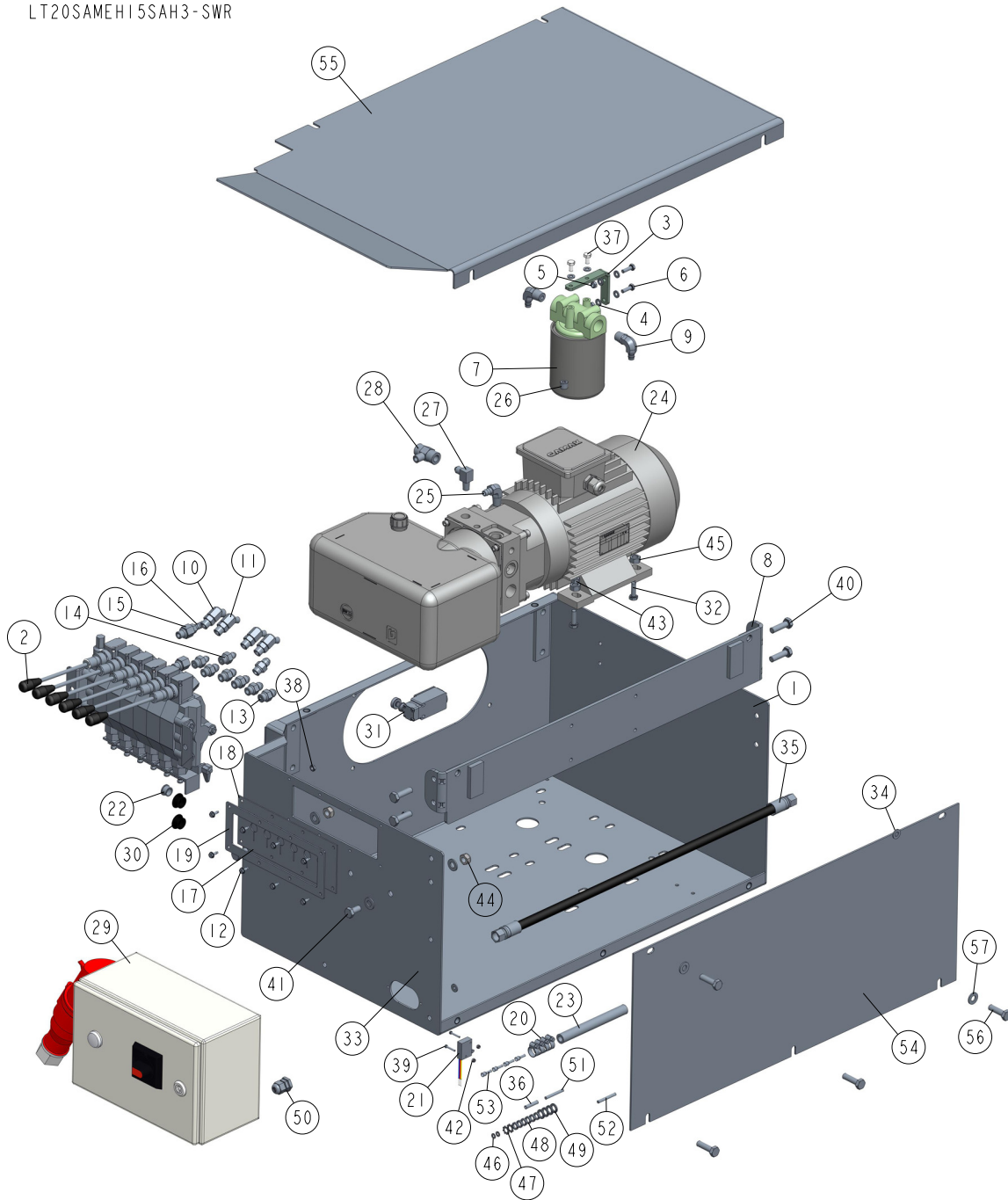
519735_001_A
519735_001



REF	DESCRIPTION (◆ indicates parts available in assemblies only)	PART #	QTY
-	ROLLER, LEFT HYDRAULIC TOE BOARD (MOUNTED ON LOWER BED RAIL)	519735	1
1	BRACKET WELDMENT, HYDRAULIC CYLINDER MOUNT (LEFT)	521586-1	1
2	ROLLER WELDMENT, HYDRAULIC TOE BOARD	086253-1	1
3	BRACKET WELDMENT, HYDRAULIC TOE BOARD	520099-1	1
4	washer, 13 flat zinc	F81056-1	28
-	CYLINDER, HYDRAULIC TOE BOARD	085937	1
5	CYLINDER, CJ-S170-16-40/25/152 hydraulic	088681	1
6	FITTING, 1/4NPTX1/4JIC MALE ELBOW	P09142	1
7	FITTING, 1/4NPTX1/4JIC MALE	P09143	1
8	WASHER, 28 FLAT ZINC	F81061-1	4
9	PIN, HYDRAULIC CYLINDER ZINC-PLATED	086979-1	1
10	nut, M12 8 hex nylon zinc lock	F81034-2	14
11	pin, S-Zn-6.3x45 cotter	F81045-2	2
12	BOLT, M12X70-8.8-HEX HEAD ZINC	F81004-39	2
13	bolt, M12X90 8.8 hex head zinc	F81004-2	12
14	BOLT, 1-8X3 1/4 HEX HEAD GRADE 5	F05009-51	1
15	NUT, 1-8 HEX NYLoN LOCK ZINC	F05010-109	1

9.6 Hydraulic Control Box, LT20 Series AH3

LT20SAMEH15SAH3-SWR_003
 LT20SAMEH15SAH3-SWR



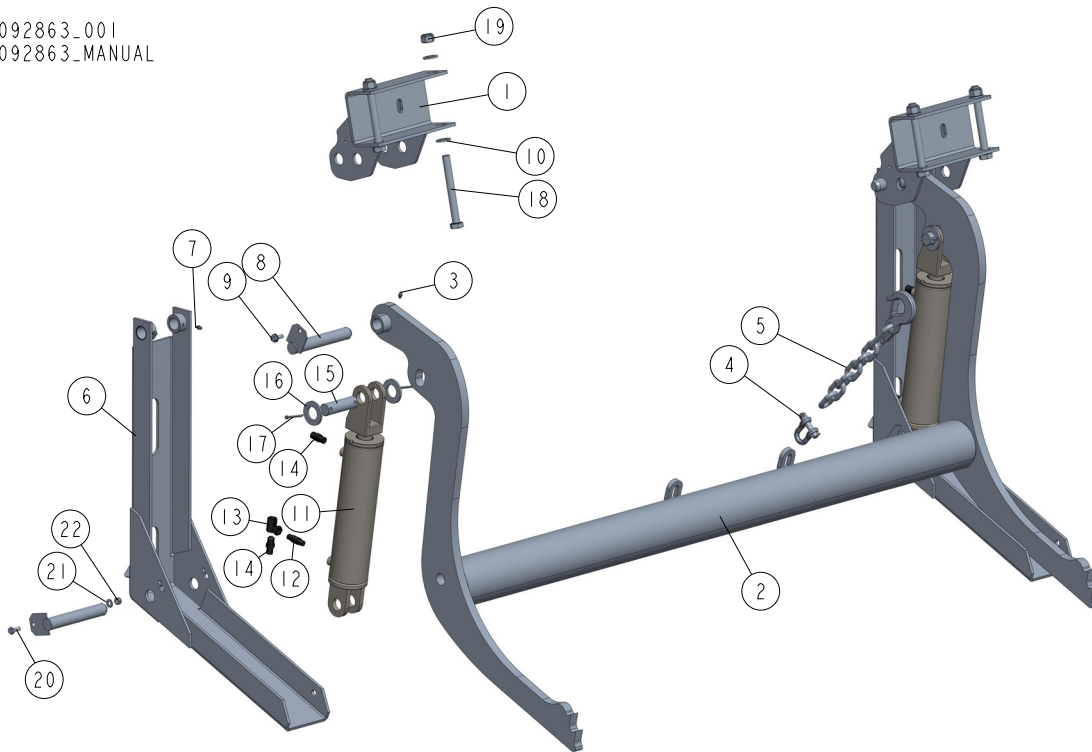
REF	DESCRIPTION (◆ indicates parts available in assemblies only)	PART #	QTY
-	CONTROL BOX, LT20 SERIES HYDRAULIC	587014	1
1	BOX WELDMENT, LT20 AC HYDRAULICS	545690-1	1
2	VALVE, 6-SECTION HYDRAULIC	086589	1
3	BRACKET, OIL FILTER	550029-1	1
4	WASHER, 6.4 FLAT ZINC	F81053-1	6
5	NUT, M6-8-B HEX NYLON ZINC LOCK	F81031-2	2

REF	DESCRIPTION (◆ indicates parts available in assemblies only)	PART #	QTY
6	BOLT, M6X20-8.8 HEX HEAD FULL THREAD ZIN	F81001-2	2
7	MANIFOLD, W/FILTER	P22683	1
8	BRACKET, AC HYDRAULIC BOX - COMPLETE	086518-1	1
9	FITTING, 1/2NPT-3/8 BARB ELBOW	P12707	2
10	FITTING, #6SAE 45 DEG ELBOW	015489	1
11	FITTING, #4 SAE - #6 SAE 45° ELBOW	015488	3
12	BOLT, #10-24 X 1/2" SELF-TAPPING	F05015-7	8
13	FITTING, 3/8" O-RING X 3/8" JIC	014687	6
14	FITTING, 1/4JIC-3/8 O-RING	P26284	3
15	FITTING, 6SAE MALE-1/4NPT FEMALE	014686	2
16	FITTING, 1/4NPT-3/8 BARB	014685	1
17	WASHER, 10.5 FLAT ZINC	F81055-1	4
18	GUARD, RUBBER VALVE DOUBLE	015079	1
19	COVER, VALVE GUARD PTD	086519-1	1
20	CLAMP, 11/16 WORM	061807	4
21	MICROSWITCH, HYDRAULIC VALVE	014765	1
22	GROMMET, 15,9 UB625 RUBBER	086816	1
23	HOSE, 3/8" LOW PRESSURE HYDRAULIC	R01892-1	1
24	PUMP, 3KW 11,2L/MIN 400V 50/60HZ HYDRAULIC	597508	1
25	FITTING, 3/8NPT-3/8 BARB ELBOW	P12708	1
26	PLUG, 1/4-18 NPT BLANK	096221	1
27	FITTING, 3/8JIC-1/4NPT 90L	015491	1
28	FITTING, 1/4NPT BRANCH TEE	015486	1
29	ELECTRIC BOX, LT20 5,5 KW	597505	1
30	CAP, SR1086 22.2 DIA. HOLE	093544	2
31	SWITCH, GLCB01A1B LIMIT	100931	1
32	BOLT, M8X25-8.8-B HEX HEAD FULL THREAD Z	F81002-5	4
33	WASHER, 5.5 SPECIAL FLAT ZINC	F81052-3	2
34	WASHER, 8.4 FLAT ZINC	F81054-1	6
35	HOSE, 2T3/8X0.254 W9/16UNF-WP/16UNF HYDR	087774	1
36	CONNECTOR, 14 GAUGE BUTT	F04875-1	1
37	BOLT, 1/4-20X1/2 HEX HEAD	F05005-15	2
38	NUT, #10-24 SELF-LOCKING	F05010-14	2
39	SCREW, M3 X 20-5.8-A	F81000-8	2
40	BOLT,M10X35-8.8 HEX HEAD FULL THREAD ZIN	F81003-17	4
41	BOLT, ISO 4017-M10X20-8.8-A2E HEX HEAD	F81003-53	2
42	NUT, M3-6 HEX NYLON ZINC LOCK	F81028-2	2
43	NUT M8 ZC 8 DIN 934	F81032-1	2
44	NUT M10 ZC 8 NYLOCK DIN 982 ISO 7040	F81033-1	2
45	NUT M10 ZC 8 DIN 934	F81033-3	4
46	WASHER, 4.3 FLAT ZINC	F81051-2	2
47	WASHER, 8.4 EXTERIOR STAR LOCK ZINC	F81054-3	2
48	WASHER 8,2 SPLIT LOCK ZINC	F81054-4	6
49	WASHER, Z 10.2 SPLIT LOCK ZINC	F81055-2	4
50	GLAND, DP9/H CABLE	F81096-2	1
51	CABLE, OLFLEX 400P 2X1 1312902	R80583-5	1
52	CABLE, OLFLEX CLASIC 400P 4G2,5	R80585-6	1

REF	DESCRIPTION (◆ indicates parts available in assemblies only)	PART #	QTY	
53	CONDUCTOR END, HI 2,5/8	F81083-8	4	
54	PANEL, AC HYDRAULIC BOX FRONT	086484-1	1	
55	COVER, AC HYDRAULIC BOX TOP	545693-1	1	
56	BOLT,M10X35-8.8 HEX HEAD FULL THREAD ZIN	F81003-17	4	
57	WASHER, 10.5 FLAT ZINC	F81055-1	2	

9.7 Log Loader (092863)

092863_001
092863_MANUAL

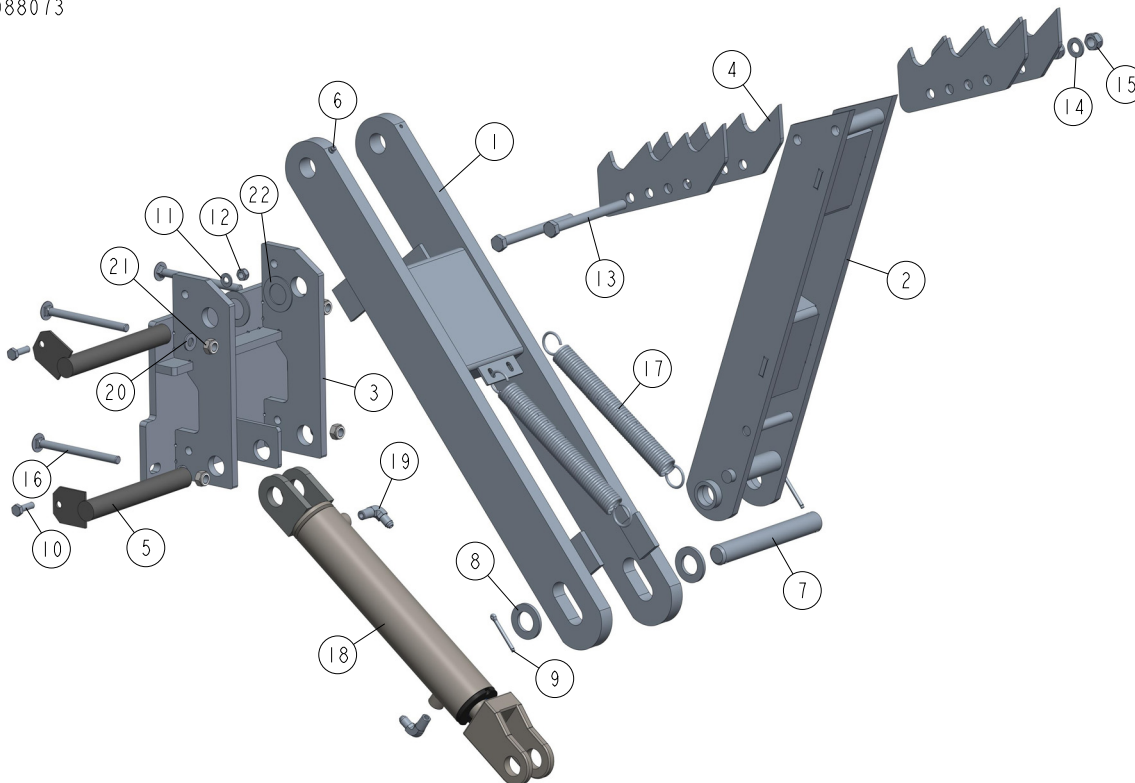


REF	DESCRIPTION (◆ indicates parts available in assemblies only)	PART #	QTY
-	LOADER KIT, HYDRAULIC LOG, S/M FRAME	092863	1
1	BRACKET, LOG LOADER (M SUPER FRAME)	500747-1	2
-	ARM, HYDRAULIC LOG LOADING COMPLETE	090044	1
2	LOADER WELDMENT, LOG PAINTED	090006-1	1
3	FITTING, 3/16" STRAIGHT GREASE	P04107	2
4	SHACKLE, M-D .63	086540	1
5	CHAIN, TIE DOWN ASSEMBLY	A04376	1
-	COMPLETE LOG LOADER FOOT, 9.5 M FRAME	090049	2
6	FOOT, LOG LOADER PAINTED	090048-1	1
7	FITTING, 3/16" STRAIGHT GREASE	P04107	2
8	PIN WELDMENT, LOADER	099127-1	4
9	SCREW, 5/16-18 X 3/4 SELF-TAPPING	F05015-30	2
10	WASHER, 17 FLAT ZINC	F81058-1	8
-	CYLINDER ASSY, LOG LOADING SUPER	015562	2
11	CYLINDER 70-32H203L457 B	586988	1
12	FITTING, 1/4 NPT 4.0 GPM VELOCITY FUSE	015750	1
13	FITTING, #9455X4X4 90 DEG. SWIVEL ELBOW	P12199	1
14	FITTING, 3/8JIC-1/4 NPT STRAIGHT	015560	2
15	PIN, HYDRAULIC CYLINDER ZINC-PLATED	086979-1	2
16	WASHER, 28 ZINC FLAT	F81061-1	4
17	PIN, S-ZN 5X40 COTTER	F81043-31	4
18	BOLT, M16X140-8.8 HEX HEAD ZINC	F81006-4	4

REF	DESCRIPTION (◆ indicates parts available in assemblies only)	PART #	QTY	
19	NUT, M16-8 HEX NYLON ZINC LOCK	F81036-2	4	
20	BOLT, M8X20 8.8 HEX HEAD FULL THREAD ZIN	F81002-4	2	
21	WASHER, 8.4 ZINC FLAT	F81054-1	2	
22	NUT, M8-8-B HEX NYLON ZINC LOCK	F81032-2	2	

9.8 Hydraulic Log Turner (088073)

088073_001
088073

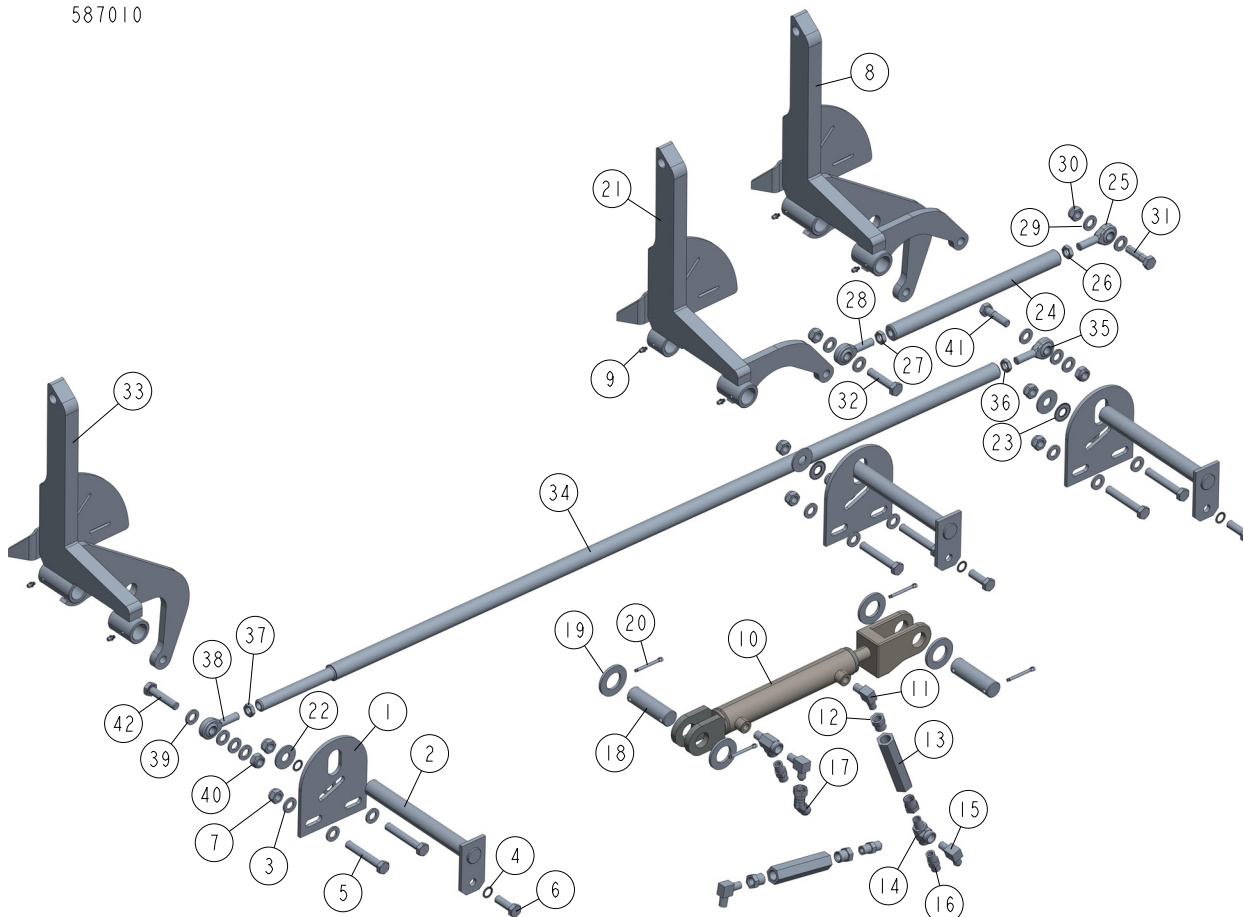


REF	DESCRIPTION (◆ indicates parts available in assemblies only)	PART #	QTY
-	HYDRAULIC LOG TURNER, 9.5 M - COMPLETE	088073	1
1	ARM, HYDRAULIC LOG TURNER LINK	088060-1	1
2	ARM, HYDRAULIC LOG TURNER PAINTED	088067-1	1
3	BRACKET, HYDRAULIC LOG TURNER (S/M TYPE	526960-1	1
4	CLAW, LOG TURNER	088082-1	4
5	PIN, LOG TURNER MOUNT	088667-1	2
6	FITTING, 3/16" STRAIGHT GREASE	P04107	1
-	PIN, 25 X 180	088664-1	1
7	PIN, 25 X 180	088664-1	1
8	WASHER, 25 FLAT ZINC	F81061-3	2
9	PIN, S-ZN 5X40 COTTER	F81043-31	2
10	BOLT, M8X25-8.8-B HEX HEAD FULL THREAD Z	F81002-5	2
11	WASHER, 8.4 ZINC FLAT	F81054-1	2
12	NUT, M8-8-B HEX NYLON ZINC LOCK	F81032-2	2
13	BOLT, M12X130-8.8 HEX HEAD ZINC	F81004-36	2
14	WASHER, 13 FLAT ZINC	F81056-1	2
15	NUT, M12-8 HEX NYLON ZINC LOCK	F81034-2	2
16	BOLT, M10X125 8.8 CARRIAGE ZINC	F81003-34	4
17	SPRING, 1 1/16X8X.135 DIA.	015718	2
-	CYLINDER ASSY, LOG TURNER SUPER	015563	1

REF	DESCRIPTION (◆ indicates parts available in assemblies only)	PART #	QTY	
18	CYLINDER 50-28H203L457	586986	1	
19	FITTING, 1/4NPTX1/4JIC MALE ELBOW	P09142	2	
20	WASHER, 10.5 ZINC FLAT	F81055-1	4	
21	NUT, M10-8-B HEX NYLON ZINC LOCK	F81033-1	4	
22	WASHER, GTM-2644-015	093359	2	

9.9 Hydraulic Log Side Support (587010)

587010-001
587010

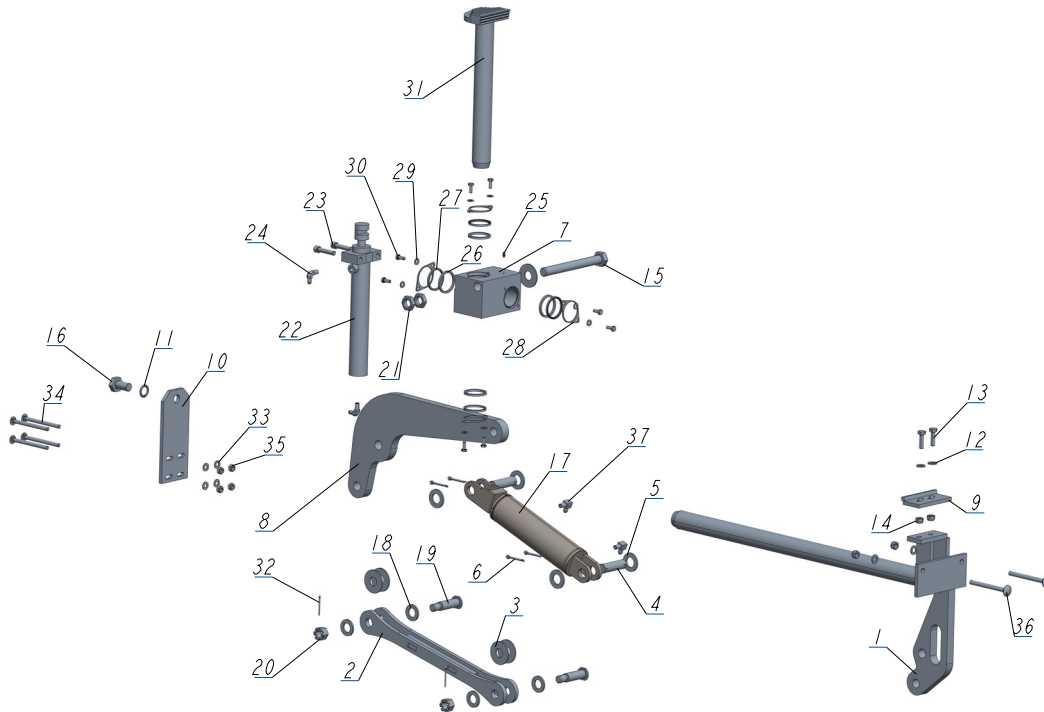


REF	DESCRIPTION (◆ indicates parts available in assemblies only)	PART #	QTY
-	ZESTAW-OPCJA OPOREK LT20START	587010	1
1	PLATE, LOG SIDE SUPPORT MOUNT	091591-1	3
2	PIN, SIDE SUPPORT ZINC-PLATED	091549-1	3
3	WASHER 13 ZC DIN 126 ISO 7091	F81056-1	12
4	WASHER, SPECIAL BOSART/2S, BN781 M12/13	F81056-16	4
5	BOLT, M12 X 75-8.8 HEX HEAD ZINC	F81004-21	6
6	BOLT M12X35 HH ZC FT 8.8 DIN 933	F81004-24	3
7	NUT M12 ZC 8 NYLOCK DIN 982 ISO 7040	F81034-2	9
8	SUPPORT, LOG SIDE W/GUARD 2	507645-1	1
9	FITTING, 3/16" STRAIGHT GREASE	P04107	6
-	SIŁOWNIK HYDRAUL OPORKI LT20START	587009	1
10	SIŁOWNIK 32-20H152L413	586985	1
11	FITTING, 1/4NPT MALE PIPE ELBOW	P09140	2
12	FITTING, 3/8" NPT X 1/4" NPT REDUCER	015490	4
13	VALVE, SIDE SUPPORT SEQUENCE	015484	2
14	FITTING, 1/4NPT MALE RUN TEE	P09141	2
15	FITTING, 3/8JIC-1/4NPT 90L	015491	2
16	FITTING, 3/8JIC-1/4 NPT STRAIGHT	015560	3

REF	DESCRIPTION (◆ indicates parts available in assemblies only)	PART #	QTY
17	FITTING, M/F-90-9/16 JIC ELBOW	509418	1
18	PIN, HYDRAULIC CYLINDER ZINC-PLATED	086979-1	2
19	WASHER, 28 ZINC FLAT	F81061-1	4
20	PIN, S-ZN 5X40 COTTER	F81043-31	4
21	SUPPORT, LOG SIDE W/GUARD	507646-1	1
22	WASHER, 15 SPECIAL FLAT ZINC	F81057-3	3
23	WASHER, SPECIAL BOSART/2S M12/12, 3/30,3	F81056-17	2
-	PUSHER, SIDE SUPPORT - SHORT (L-380)	507647	1
24	PUSHER, SIDE SUPPORT (L-320)	505439-1	1
25	END, SAL12 ROD LEFT THREAD	087036	1
26	NUT, M12-04-A THIN ZINC	F81034-6	1
27	NUT, M12-04-A LEFT HEX THIN	F81034-7	1
28	ROD END (RIGHT THREAD)	087035	1
29	WASHER 13 ZC DIN 126 ISO 7091	F81056-1	4
30	NUT M12 ZC 8 NYLOCK DIN 982 ISO 7040	F81034-2	2
31	BOLT, M12X45 8.8 HEX HEAD ZINC	F81004-32	1
32	BOLT, M12 X 55-8.8 HEX HEAD ZINC	F81004-12	1
33	SUPPORT, HYDRAULIC LOG SIDE W/GUARD	099788-1	1
-	ROD, SIDE SUPPORT LINK COMPLETE (L=1480)	091640	1
34	ROD, SIDE SUPPORT LINK ZINC-PLATED (L-14	089374-1	1
35	END, SAL12 ROD LEFT THREAD	087036	1
36	NUT, M12-04-A THIN ZINC	F81034-6	1
37	NUT, M12-04-A LEFT HEX THIN	F81034-7	1
38	ROD END (RIGHT THREAD)	087035	1
39	WASHER 13 ZC DIN 126 ISO 7091	F81056-1	7
40	NUT M12 ZC 8 NYLOCK DIN 982 ISO 7040	F81034-2	2
41	BOLT, M12X45 8.8 HEX HEAD ZINC	F81004-32	1
42	BOLT, M12 X 55-8.8 HEX HEAD ZINC	F81004-12	1

9.10 Two-Plane Log Clamp - M-type Frame (544213)

544213_001
544213_MANUAL



REF	DESCRIPTION (◆ indicates parts available in assemblies only)	PART #	QTY
-	TWO-PLANE LOG CLAMP (M-TYPE FRAME)	544213	1
1	ROD ASSEMBLY, TWO-PLANE LOG CLAMP	544212-1	1
2	ARM WELDMENT, HYDRAULIC CLAMP LINK PTD	086963-1	1
3	WASHER, 25 X 63	088585	5
4	PIN, HYDRAULIC CYLINDER ZINC-PLATED	086979-1	2
5	WASHER, 28 ZINC FLAT	F81061-1	4
6	PIN, S-ZN-6.3X45 COTTER	F81045-2	4
7	BLOCK, LOG CLAMP PAINTED STEEL	088591-1	1
8	ARM, LX450 HYDRAULIC CLAMP LINK	518923-1	1
9	STOP WLDMT, HYDRAULIC LOG CLAMP PAINTED	086980-1	1
10	MOUNTING PLATE, PAINTED	551125-1	1
11	WASHER, Z 22.5 SPLIT LOCK ZINC	F81059-4	1
12	WASHER 13 ZC DIN 126 ISO 7091	F81056-1	4
13	BOLT, M12X40-8.8 HEX HEAD FULL THREAD ZI	F81004-4	2
14	NUT M12 ZC 8 NYLOCK DIN 982 ISO 7040	F81034-2	4
15	BOLT, M24X217/39-8.8-B HEX HEAD ZINC	088586-1	1
16	BOLT, M22X1,5X40-8.8-B HEX HEAD FULL ZINC	F81009-1	1
17	CYLINDER, D70-32H178L432 B	586987	1
18	WASHER, 25 FLAT ZINC	F81061-3	4
19	PIN, B 24X95/85 CLEVIS ZINC	F81049-2	2
20	NUT, Z M20-8-B SLOTTED CASTLE ZINC	F81037-3	2
21	NUT, M24-04-B HEX THIN ZINC	F81039-3	2
22	CYLINDER, CJ-S169-16-40/22/254 HYDRAULIC	088590	1

REF	DESCRIPTION (◆ indicates parts available in assemblies only)	PART #	QTY	
23	SCREW, M12X55-8.8-B HEX SOCKET HEAD CAP	F81004-23	2	
24	FITTING, 1/4NPTX1/4JIC MALE ELBOW	P09142	2	
25	FITTING, 3/16" STRAIGHT GREASE	P04107	1	
26	SPACER, HYDRAULIC LOG CLAMP	089324	4	
27	WIPER, ZZ 50X60X7 INCO LOG CLAMP ROD	088587	4	
28	FLANGE, CLAMP ROD WIPER PAINTED	088887-1	4	
29	WASHER, 8.4 FLAT ZINC	F81054-1	8	
30	BOLT, M8X20MM, HEX HEAD, GR 5.8 ZINC,	F81002-4	8	
31	ROD WELDMENT, LOG CLAMP VERTICAL PAINTED	088582-1	1	
32	PIN, S-ZN 4 X 45 COTTER	F81043-21	2	
33	WASHER, 10.5 FLAT ZINC	F81055-1	4	
34	BOLT, M10X125 8.8 CARRIAGE ZINC	F81003-34	4	
35	NUT M10 ZC 8 NYLOCK DIN 982 ISO 7040	F81033-1	4	
36	BOLT, M12X130-8.8 CARRIAGE HEAD ZINC	F81004-26	2	
37	FITTING, 3/8JIC-1/4NPT 90L	015491	2	