

Wood-Mizer®

Replacement Parts

Cookie-Mizer

rev. A1.00



Safety is our #1 concern! Read and understand all safety information and instructions before operating, setting up or maintaining this machine.

Form #2511

Table of Contents

Section-Page

SECTION 1	GENERAL INFORMATION	1-1
1.1	How To Use the Parts List.....	1-1
1.2	Sample Assembly	1-1
SECTION 2	LX100 INSTALLATION KIT	2-1
2.1	LX100 Installation Kit	2-1
2.2	LT15 Installation Kit	2-2
2.3	LT20/40/70 Installation Kit	2-3
2.4	LT20B Installation Kit	2-4
2.5	Cookie-Mizer. 547300	2-5
2.6	Jaw Clamp Kit. 547289	2-7
2.7	Bracket 547518	2-8
2.8	Spacers. 553543	2-9
2.9	LX100 Mounting Kit. 556911	2-10
2.10	LT20/40/70 Mounting Kit. 556910	2-11
2.11	LT20B Mounting Kit. 553536	2-13
2.12	Mounting Bracket. 547298	2-14
2.13	LT15 Mounting Kit. 553532	2-15

SECTION 1 GENERAL INFORMATION

1.1 How To Use the Parts List

- Use the index above to locate the assembly that contains the part you need.
- Go to the appropriate section and locate the part in the illustration.
- Use the number pointing to the part to locate the correct part number and description in the table.
- Parts shown indented under another part are included with that part.
- Parts marked with a diamond (◆) are only available in the assembly listed above the part.

See the sample table below. Sample Part #A01111 includes part F02222-2 and subassembly A03333. Subassembly A03333 includes part S04444-4 and subassembly K05555. The diamond (◆) indicates that S04444-4 is not available except in subassembly A03333. Subassembly K05555 includes parts M06666 and F07777-77. The diamond (◆) indicates M06666 is not available except in subassembly K05555.

1.2 Sample Assembly				
REF.	DESCRIPTION (◆ Indicates Parts Available In Assemblies Only)	PART #	QTY	
	Sample Assembly, Complete (Includes All Indented Parts Below)	A01111	1	
1	Sample Part	F02222-22	1	
	Sample Subassembly (Includes All Indented Parts Below)	A03333	1	
2	Sample Part (◆ Indicates Part Is Only Available With A03333)	S04444-4	1	◆
	Sample Subassembly (Includes All Indented Parts Below)	K05555	1	
3	Sample Part (◆ Indicates Part Is Only Available With K05555)	M06666	2	◆
4	Sample Part	F07777-77	1	

To Order Parts:

- From Europe call our European Headquarters and Manufacturing Facility in Kolo, Poland at **+48-63-2626000**. From the continental U.S., call our toll-free Parts hotline at **1-800-525-8100**. Have your customer number, vehicle identification number, and part numbers ready when you call. From other international locations, contact the Wood-Mizer distributor in your area for parts.

Office Hours:

Country	Monday - Friday	Saturday	Sunday
Poland	7-15	Closed	Closed
US	8 a.m.- 5 p.m.	8 a.m.- 12 p.m.	Closed

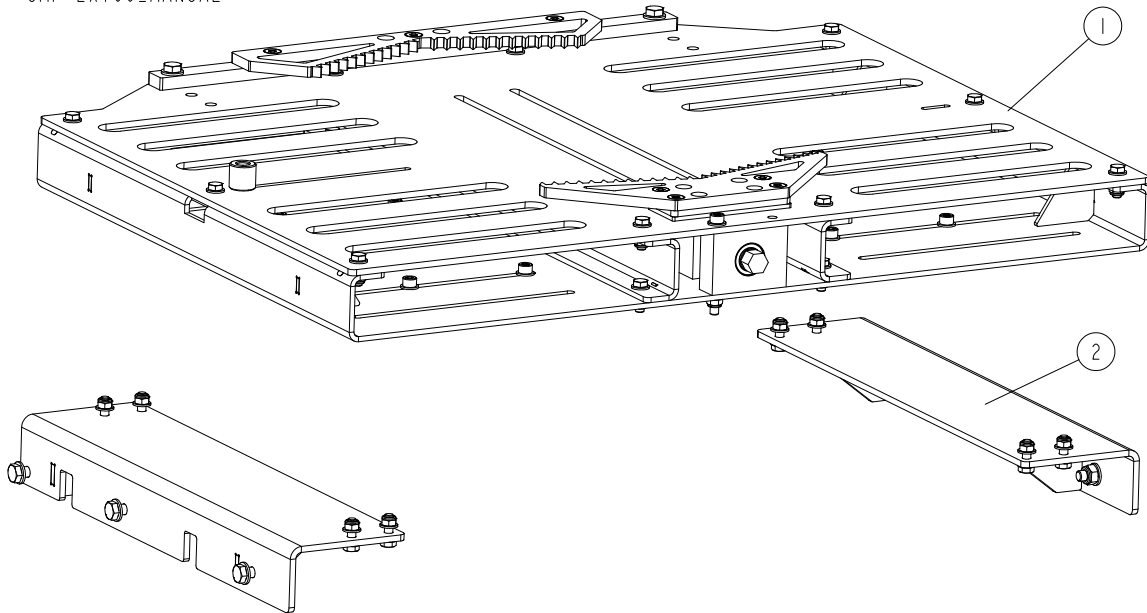


CAUTION! It is strongly recommended that only original spare parts be used.

SECTION 2 LX100 INSTALLATION KIT

2.1 LX100 Installation Kit

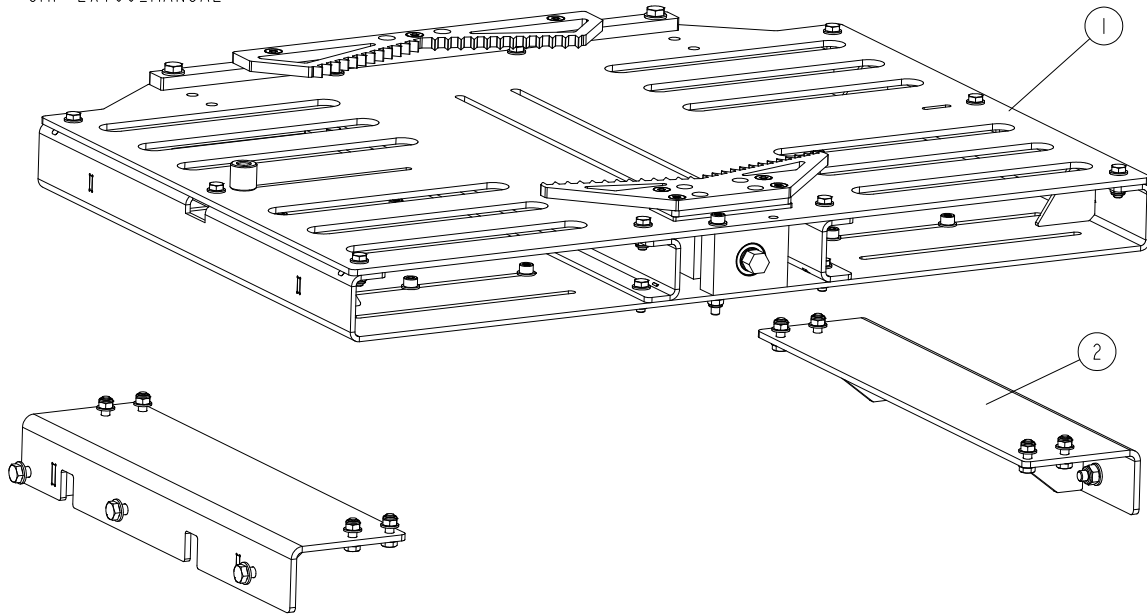
CMP-LX100_001
 CMP-LX100_MANUAL



REF	DESCRIPTION (u indicates parts available in assemblies only)	PART #	QTY	
1	COOKIE-MIZER See Section 2.5	547300	1	
2	KIT MOUNTING CM LX100 See Section 2.9	556911	1	

2.2 LT15 Installation Kit

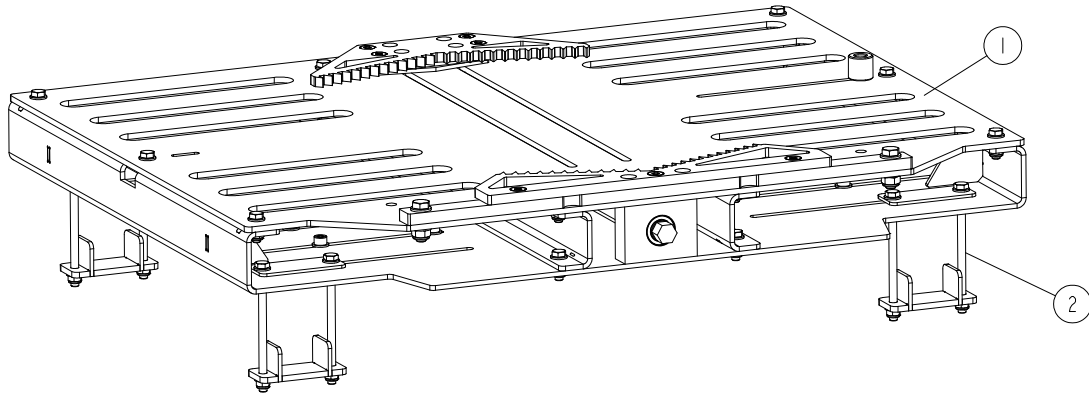
CMP-LX100_001
 CMP-LX100_MANUAL



REF	DESCRIPTION (u indicates parts available in assemblies only)	PART #	QTY
1	COOKIE-MIZER See Section 2.5	547300	1
2	KIT MOUNTING CM LT15 See Section 2.13	553532	1

2.3 LT20/40/70 Installation Kit

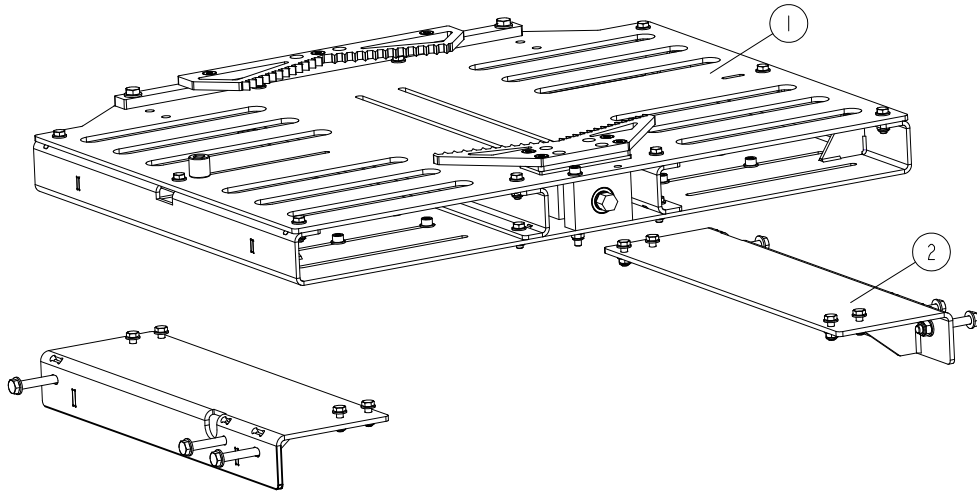
CMP-LT247_001
 CMP-LT247_MANUAL



REF	DESCRIPTION (u indicates parts available in assemblies only)	PART #	QTY
1	COOKIE-MIZER See Section 2.5	547300	1
2	KIT MOUNTING CM LT See Section 2.10	556910	1

2.4 LT20B Installation Kit

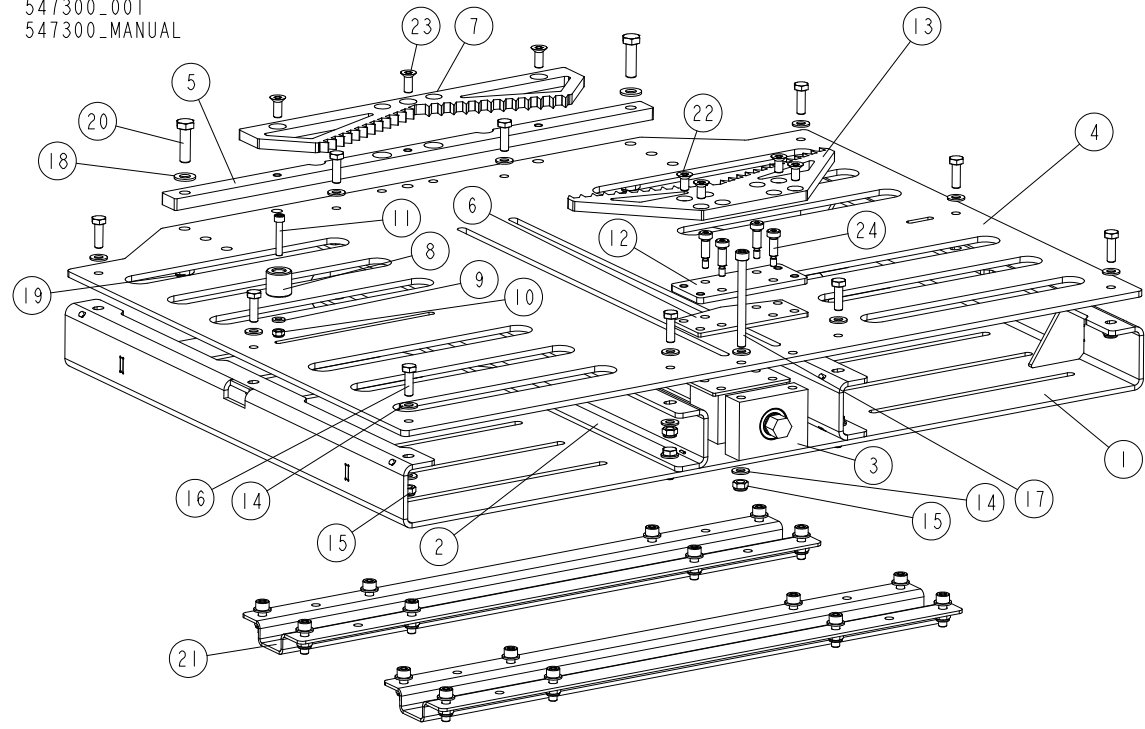
CMP-LT20B_001
 CMP-LT20B_MANUAL



REF	DESCRIPTION (u indicates parts available in assemblies only)	PART #	QTY
1	COOKIE-MIZER See Section 2.5	547300	1
2	KIT MOUNTING CM LT20B See Section 2.11	553536	1

2.5 Cookie-Mizer. 547300

547300_001
547300_MANUAL

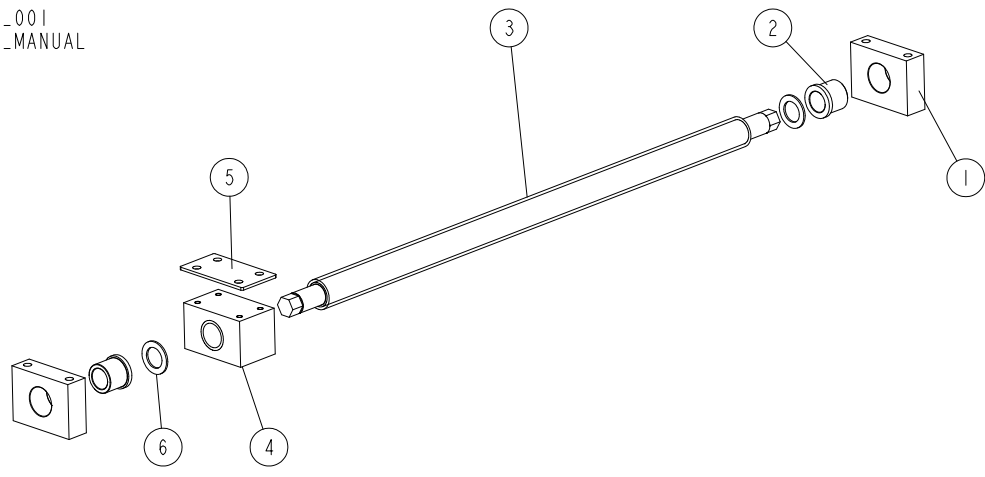


REF	DESCRIPTION (u indicates parts available in assemblies only)	PART #	QTY
-	COOKIE-MIZER	547300	1
1	BASE WLDMT	547286-1	1
2	CHANNEL 35X60X673	547273-1	2
3	KIT JAW CLAMP See Section 2.6	547289	1
4	BOARD MAIN	547272-1	1
5	RAIL CLAMP	547276-1	1
6	PLATE SLIDING	547519	1
7	JAW LOG CLAMP FIXED	547278-1	1
-	MINIMUM CUT HEIGHT COMPLETE	547290	1
8	MINIMUM CUT HEIGHT HEIGHT	547287	1
9	WASHER, 6.4 FLAT ZINC	F81053-1	1
10	NUT, M6-8-B HEX NYLON ZINC LOCK	F81031-2	1
11	BOLT, M6 X 35 8.8 FE/ZN5, PN-M/82302	F81001-23	1
12	PLATE SLIDE MOUNTING	547284-1	1
13	JAW CLAMP LOG	547285-1	1
14	WASHER, 8.4 FLAT ZINC	F81054-1	30
15	NUT, M8-8-B HEX NYLON ZINC LOCK	F81032-2	15
16	BOLT, M8X25-8.8-B HEX HEAD FULL THREAD Z	F81002-5	14
17	SCREW M8X90 SHCS ZC 8.8 DIN 912 ISO 4762	F81002-44	1
18	WASHER, 10.5 FLAT ZINC	F81055-1	4
19	NUT, M10-8-B HEX NYLON ZINC LOCK	F81033-1	2
20	BOLT, M10X35-8.8 HEX HEAD FULL THREAD ZIN	F81003-17	2
21	BRACKET COMPLETE See Section 2.7	547518	2
22	SCREW M8X16 HSFHS ZC 10.9 DIN7991 ISO 10	F81002-82	4

REF	DESCRIPTION (u indicates parts available in assemblies only)	PART #	QTY	
23	BOLT, M8X20-10.9 DIN7991 ZINC-PLATED	F81002-113	3	
24	BOLT, 8/MX20 12.9	F81001-25	4	

2.6 Jaw Clamp Kit. 547289

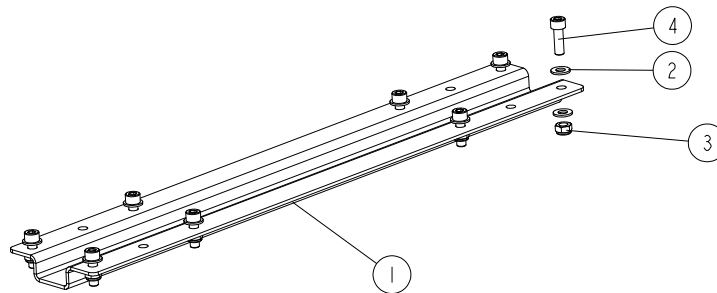
547289_001
547289_MANUAL



REF	DESCRIPTION (u indicates parts available in assemblies only)	PART #	QTY
-	KIT JAW CLAMP	547289	1
-	BRACKET BUSHING	547281	2
1	BRACKET ROD	547279-1	1
2	BUSHING 24/31-29 KOLN 35-4.5	547520	1
3	SCREW TRAPEZ	547280-1	1
4	BLOCK THREAD TRAPEZ	547282-1	1
5	PLATE SLIDING	547283	1
6	WASHER 22.2/35-2	557028	2

2.7 Bracket 547518

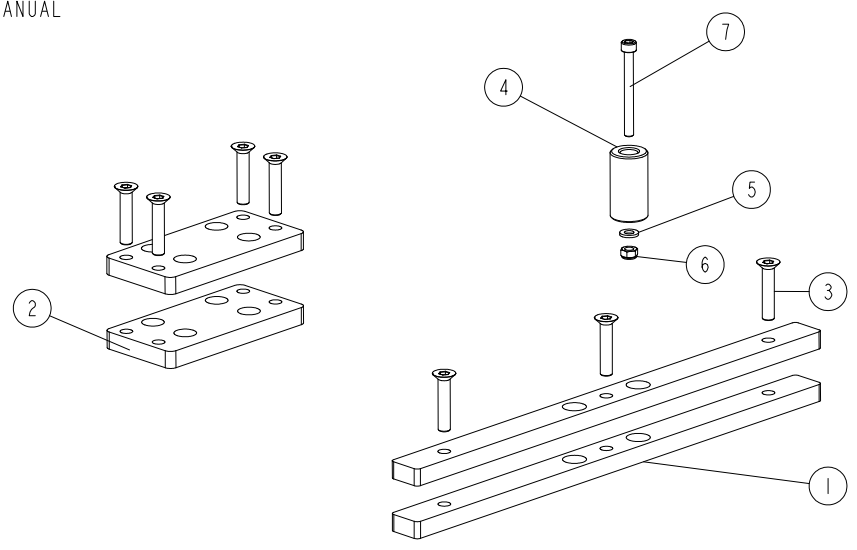
547518_001
547518_MANUAL



REF	DESCRIPTION (u indicates parts available in assemblies only)	PART #	QTY	
-	BRACKET COMPLETE	547518	1	
1	BRACKET	547299-1	1	
2	WASHER, 8.4 FLAT ZINC	F81054-1	16	
3	NUT, M8-8-B HEX NYLON ZINC LOCK	F81032-2	8	
4	BOLT M8X25 HEX HEAD	F81002-21	8	

2.8 Spacers. 553543

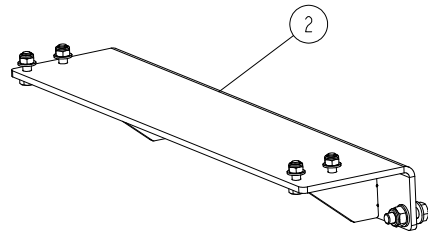
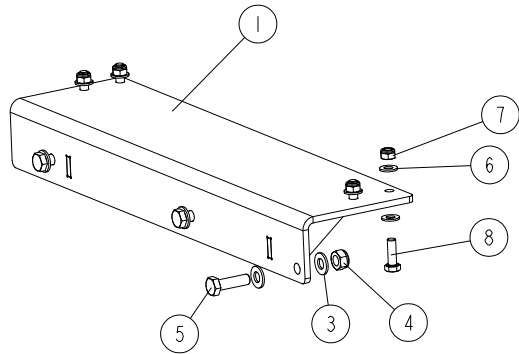
553543_001
553543_MANUAL



REF	DESCRIPTION (u indicates parts available in assemblies only)	PART #	QTY	
-	SPACERS COMPLETE	553543	1	
1	SPACER 1	553541-1	2	
2	SPACER 2	553542-1	2	
3	BOLT M8X40-10.9 HEX	F81002-142	7	
-	STOP CUTTING HEIGHT COMPLETE	557024	1	
4	STOP CUTTING HEIGHT	557025	1	
5	WASHER, 6.4 FLAT ZINC	F81053-1	1	
6	NUT, M6-8-B HEX NYLON ZINC LOCK	F81031-2	1	
7	SCREW, M6X60-8.8 HEX SOCKET HEAD CAP ZIN	F81001-44	1	

2.9 LX100 Mounting Kit. 556911

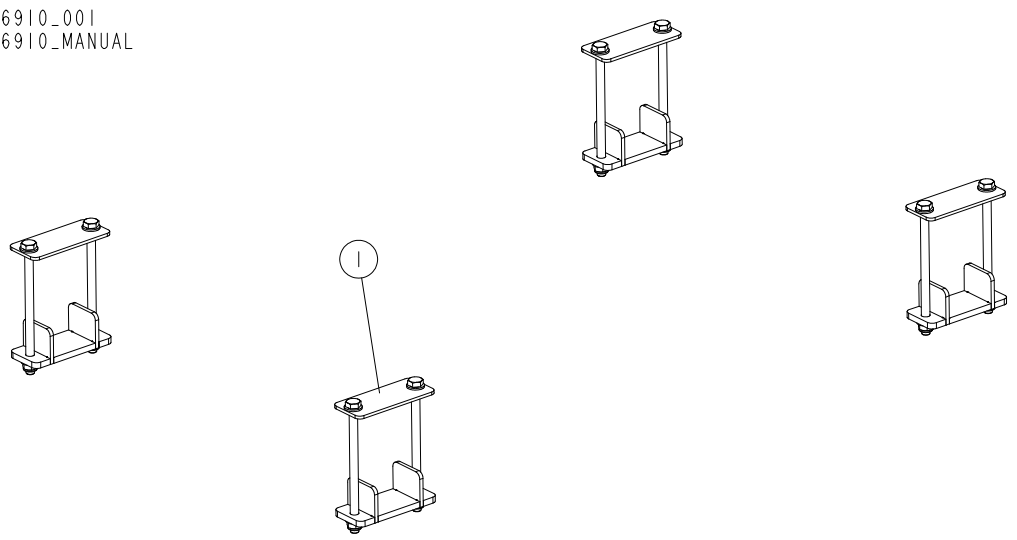
556911_001
556911_MANUAL



REF	DESCRIPTION (u indicates parts available in assemblies only)	PART #	QTY
-	KIT MOUNTING CM LX100	556911	1
1	BRACKET LEFT	547292-1	1
2	BRACKET RIGHT	547294-1	1
3	WASHER, 10.5 FLAT ZINC	F81055-1	12
4	NUT, M10-8-B HEX NYLON ZINC LOCK	F81033-1	6
5	BOLT, M10X35-8.8 HEX HEAD FULL THREAD ZIN	F81003-17	6
6	WASHER, 8.4 FLAT ZINC	F81054-1	16
7	NUT, M8-8-B HEX NYLON ZINC LOCK	F81032-2	8
8	BOLT, M8X25-8.8-B HEX HEAD FULL THREAD Z	F81002-5	8

2.10 LT20/40/70 Mounting Kit. 556910

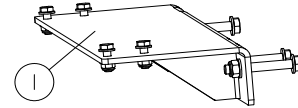
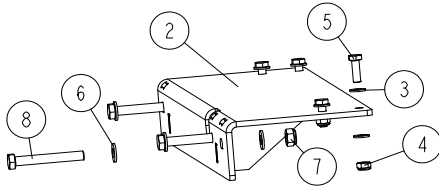
556910_001
556910_MANUAL



REF	DESCRIPTION (u indicates parts available in assemblies only)	PART #	QTY	
-	KIT MOUNTING CM LT	556910	1	
1	BRACKET MOUNTING Patrz rozdział 2.12	547298	4	

2.11 LT20B Mounting Kit. 553536

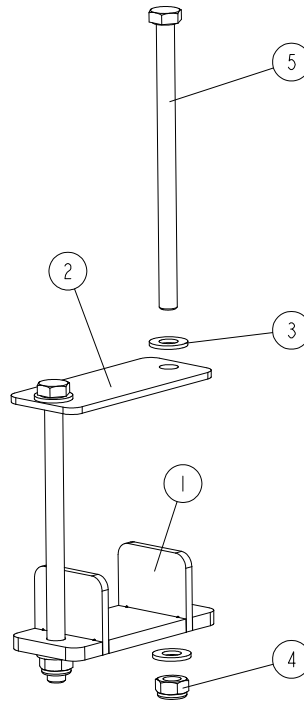
553536_001
553536_MANUAL



REF	DESCRIPTION (◆ indicates parts available in assemblies only)	PART #	QTY
-	KIT MOUNTING CM LT20B	553536	1
1	BRACKET, LT20B COOKIE MIZER	553537-1	1
2	BRACKET, LT20B COOKIE MIZER	553539-1	1
3	WASHER, 8.4 FLAT ZINC	F81054-1	16
4	NUT, M8-8-B HEX NYLON ZINC LOCK	F81032-2	8
5	BOLT, M8X25-8.8-B HEX HEAD FULL THREAD ZINC	F81002-5	8
6	WASHER, 10.5 FLAT ZINC	F81055-1	12
7	NUT, M10-8-B HEX NYLON ZINC LOCK	F81033-1	6
8	BOLT, M10X75-8.8 HEX HEAD ZINC	F81003-15	6

2.12 Mounting Bracket. 547298

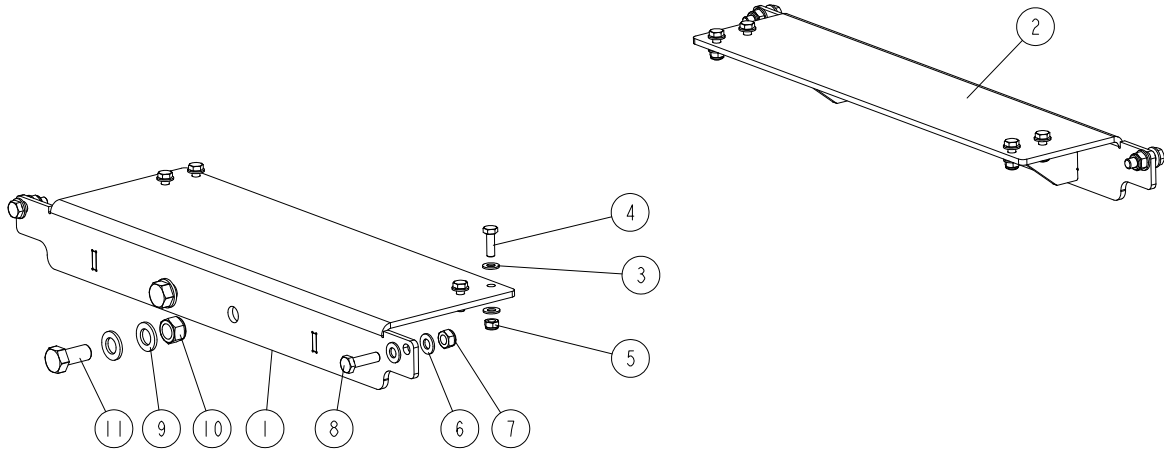
547298_001
547298_MANUAL



REF	DESCRIPTION (u indicates parts available in assemblies only)	PART #	QTY	
-	BRACKET MOUNTING	547298	1	
1	MOUNTING LOWER	547297-1	1	
2	PLATE BRACKET	547516-1	1	
3	WASHER, 8.4 FLAT ZINC	F81054-1	4	
4	NUT, M8-8-B HEX NYLON ZINC LOCK	F81032-2	2	
5	BOLT, M8X130-8.8-FE/ZN5 PN-85/M-82101	F81002-50	2	

2.13 LT15 Mounting Kit. 553532

553532_001
553532_MANUAL



REF	DESCRIPTION (u indicates parts available in assemblies only)	PART #	QTY
-	KIT MOUNTING CM LT15	553532	1
1	BRACKET LEFT	553529-1	1
2	BRACKET RIGHT	553528-1	1
3	WASHER, 8.4 FLAT ZINC	F81054-1	16
4	BOLT, M8X25-8.8-B HEX HEAD FULL THREAD Z	F81002-5	8
5	NUT, M8-8-B HEX NYLON ZINC LOCK	F81032-2	8
6	WASHER, 10.5 FLAT ZINC	F81055-1	8
7	NUT, M10-8-B HEX NYLON ZINC LOCK	F81033-1	4
8	BOLT, M10X35-8.8 HEX HEAD FULL THREAD ZIN	F81003-17	4
9	WASHER, 17 FLAT ZINC	F81058-1	8
10	NUT, M16, HEX, NYLON ZINC LOCK	F81036-2	4
11	BOLT, M16X35 -8.8 HEX HEAD FULL THREAD Z	F81006-74	4