

Wood-Mizer®

Safety, Operation and Maintenance Manual

AL-KO O1, O2 Trailer for LT15

rev. A1.02

AL-KO Trailer for LT15 Wide

rev. A1.00



Safety is our #1 concern! Read and understand all safety information and instructions before operating, setting up or maintaining this machine

Form #2460

Table of Contents

Section-Page

SECTION 1	GENERAL INFORMATION	1-1
1.1	Safety.....	1-1
SECTION 2	ASSEMBLY - LT15 O1 TRAILER	2-1
2.1	Mounting Parts of LT15 trailer.....	2-1
2.2	LT15 O1 Trailer Assembly	2-8
SECTION 3	ASSEMBLY - LT15 O2 TRAILER	3-1
3.1	Mounting Parts of LT15 Trailer	3-1
3.2	LT15 O2 Trailer Assembly	3-11
SECTION 4	ASSEMBLY - LT15 WIDE O2 TRAILER	4-1
4.1	Mounting Parts of LT15 WIDE Trailer.....	4-1
4.2	LT15 Wide O2 Trailer Assembly	4-11
SECTION 5	OPERATION - LT15 O1 TRAILER	5-1
5.1	Procedures that need to be performed before towing the sawmill	5-1
5.2	Procedures that need to be performed before starting the work.....	5-7
SECTION 6	OPERATION - LT15 O2 TRAILER	6-1
6.1	Procedures that need to be performed before towing the sawmill	6-1
6.2	Procedures that need to be performed before starting the work.....	6-11
SECTION 7	OPERATION - LT15 WIDE O2 TRAILER	7-1
7.1	Procedures that need to be performed before towing the sawmill	7-1
7.2	Procedures that need to be performed before starting the work.....	7-9

SECTION 1 GENERAL INFORMATION



CAUTION! This manual is provided as a supplement to the equipment manufacturer's manual. Refer to the manufacturer's manual before attempting to operate this equipment.



This symbol calls your attention to instructions concerning your personal safety. Be sure to observe and follow these instructions. This symbol accompanies a signal word. The word **DANGER** refers to hazards that can cause death or serious, irreversible personal injury. **WARNING** suggests a potentially hazardous situation which, if not avoided, could result in death or serious injury. **CAUTION** refers to potentially hazardous situations which, if not avoided, may result in minor or moderate injury to persons or equipment.

1.1 Safety



CAUTION! If the sawmill with the trailer is unhitched from a towing vehicle, then the sawmill should be secured through placing wedge blocks under the wheels.



CAUTION! Chock the trailer wheels to prevent movement before unhitching it from the towing vehicle.

CAUTION! Be sure that the hitch and safety chains are secure before towing the sawmill. Check all lights and signals for correct operation.

CAUTION! Always check trailer tires for proper inflation before towing sawmill.

CAUTION! Always keep away from trailer axle to avoid being caught between the axle and moving saw carriage.

CAUTION! Drain the fuel tank and remove the water tank before towing the sawmill.

CAUTION! Before towing the sawmill, remove the sawdust outlet, secure the log clamps with rubber bands, remove the winch and other elements that could fall out while driving, e.g. a leveling wedge.

CAUTION! It is not allowed to transport any additional elements on the sawmill bed, e.g. boards or logs.

See table 1-1. See the table below for descriptions of the safety labels placed on the machine.

TABLE 1-1

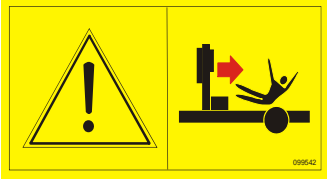
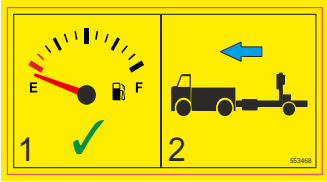
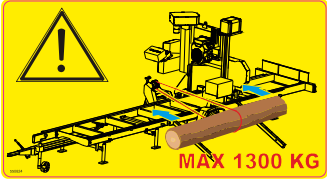
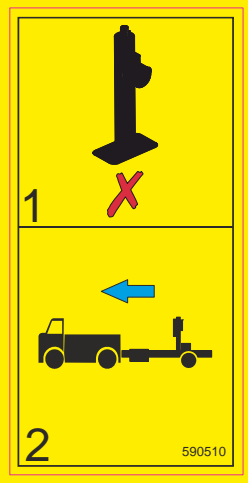

Decal View	Decal No.	Description
	099542	CAUTION! Tripping hazard over a sticking out axle.
	553468	The fuel tank needs to be drained before towing the sawmill.
	550824	CAUTION! The maximum weight of the processed material is 1300 kg.
	590510	Remove the support legs before towing the sawmill.

TABLE 1-1


	<p>553469</p>	<p>CAUTION! Do not lower the support legs with a pneumatic wrench. There is a risk of damage to the support legs.</p>
---	---------------	---

See table 1-2. LT15 tyres pressure values are shown below.

TABLE 1-2

	Tyre pressure MPa / bar
O1 trailer	0,2 - 0,35 MPa / 2 - 3,5 bar
O2 trailer	0,3 - 0,65 MPa / 3 - 6,5 bar
Trailer for LT15 Wide	0,3 - 0,65 MPa / 3 - 6,5 bar

SECTION 2 ASSEMBLY - LT15 O1 TRAILER

 **IMPORTANT!** With all screw joints without split lock washer or lock nylon nut, use the “LOCTITE 243” (blue), of average durability, for screw joints.

2.1 Mounting Parts of LT15 trailer

2.1.1 Specifications of Fasteners

Table 1: LT15 TRS Trailer

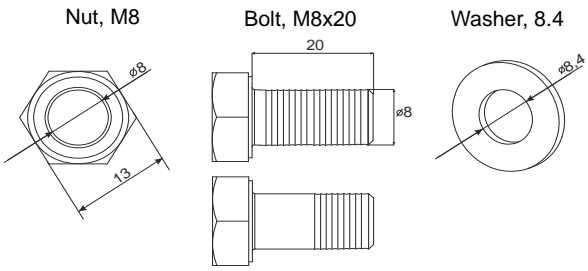
Wood-Mizer No.	Description	QTY
Designations of fasteners:		
		
	DRAWBAR,LT1501W/OHOMOLOGATION 538884	
F81003-132	BOLT, ISO4014 M10X130-8.8-A2E HEX HEAD	4
F81004-12	BOLT, M12x55-8.8 HEX HEAD ZINC	2
F81004-2	BOLT, M12x90-8.8 HEX HEAD ZINC	4
F81006-13	BOLT, M16x40-8.8 HEX HEAD FULL THREAD ZINC	2
F81007-18	BOLT, M20X120 -8.8 HEX HEAD FULL THREAD ZINC	1
F81008-4	BOLT, M18X100 -8.8 HEX HEAD ZINC (INCLUDED IN DRAWBAR W/ HOMOLOGATION)	1
F81033-1	NUT, M10-8-B HEX NYLON ZINC LOCK	4
F81034-2	NUT, M12-8 HEX NYLON ZINC LOCK	6
F81036-2	NUT, M16-8 HEX NYLON ZINC LOCK	2
F81037-2	NUT, M20-8-A HEX NYLON ZINC LOCK	1
F81039-15	NUT, M18 HEX NYLON LOCK (INCLUDED IN DRAWBAR W/ HOMOLOGATION)	1
F81055-1	WASHER, 10.5 ZINC FLAT	8

Table 1: LT15 TRS Trailer

F81056-1	WASHER, 13 ZINC FLAT	12
F81058-1	WASHER, 17 ZINC FLAT	4
F81059-1	WASHER, 21 FLAT ZINC	1
F81060-1	WASHER, 19 FLAT ZINC (INCLUDED IN DRAWBAR W/ HOMOLOGATION)	1
	AXLE, LT15O1 TRAILER COMPLETE 538506	
F81011-43	SCREW, M4x12 -5.8-B- CROSS RECESSED PAN HEAD ZINC	6
F81011-46	SCREW, ISO 7045-M4X20-4.8-H-A2 PAN HEAD	4
F81001-2	BOLT, M6X20 -8.8 HEX HEAD FULL THREAD ZINC	8
F81002-5	BOLT, M8x25-8.8-B HEX HEAD FULL THREAD ZINC	14
F81004-2	BOLT, M12x90-8.8 HEX HEAD ZINC	4
F81004-61	BOLT, M12x30-8.8 DIN603 CARRIAGE ZINC	4
F81029-1	NUT, M4-B HEX NYLON ZINC LOCK	8
F81031-2	NUT, M6-8-B HEX NYLON ZINC LOCK	8
F81032-2	NUT, M8-8-B HEX NYLON ZINC LOCK	14
F81034-2	NUT, M12-8 HEX NYLON ZINC LOCK	8
F81051-2	WASHER, 4.3 FLAT ZINC	8
F81053-1	WASHER, 6.4 FLAT ZINC	16
F81054-1	WASHER, 8.4 ZINC FLAT	27
F81056-1	WASHER, 13 ZINC FLAT	12
	LAMP, MARKER - COMPLETE	
F81003-15	BOLT, M10X75-8.8 HEX HEAD ZINC	10
F81033-1	NUT, M10-8-B HEX NYLON ZINC LOCK	10
F81055-1	WASHER, 10.5 ZINC FLAT	20
	BRACKET, SAW HEAD SUPPORT - COM- PLETE	
F81011-43	SCREW, M4x25 8.8 HEX SOCKET HEAD CAP ZINC	1
F81004-32	BOLT, M12x45-8.8 HEX HEAD ZINC	1
F81034-2	NUT, M12-8 HEX NYLON ZINC LOCK	1

Table 1: LT15 TRS Trailer

F81056-1	WASHER, 13 ZINC FLAT	2
	SUPPORT, SAW HEAD	
F81003-50	BOLT, M10X80-8.8 HEX HEAD ZINC	2
F81033-1	NUT, M10-8-B HEX NYLON ZINC LOCK	2
F81055-1	WASHER, 10.5 ZINC FLAT	4
	STRAP, CLAMP TRANSPORT LOCK	
F81001-68	BOLT, M6x25-8.8 DIN 7991 FLAT SOCKET HEAD CAP ZINC	2
F81031-2	NUT, M6-8-B HEX NYLON ZINC LOCK	2
F81053-11	WASHER, 10.5 ZINC FLAT	4
	EQUIPMENT KIT, LT1501	
F81002-5	BOLT, M8x25-8.8-B HEX HEAD FULL THREAD ZINC	4
F81003-125	BOLT, M10x85-8.8 HEX HEAD ZINC	2
F81003-15	BOLT, M10X75-8.8 HEX HEAD ZINC	9
F81004-38	BOLT, M12x120 8.8 HEX HEAD ZINC	2
F81032-2	NUT, M8-8-B HEX NYLON ZINC LOCK	4
F81033-1	NUT, M10-8-B HEX NYLON ZINC LOCK	11
F81034-2	NUT, M12-8 HEX NYLON ZINC LOCK	2
F81054-1	WASHER, 8.4 ZINC FLAT	8
F81055-1	WASHER, 10.5 ZINC FLAT	22
F81056-1	WASHER, 10.5 ZINC FLAT	4

2.1.2 Parts specifications

Table 2: PACKING LIST – LT15SA TRAILER

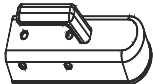
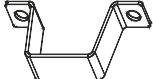
Fig.	Wood-Mizer No.	Description	QTY O1
	538520	HEAD, AK7 KW 60 COUPLING	1
	538522	BRACKET, AL-KO CLAMPING	1

Table 2: PACKING LIST – LT15SA TRAILER

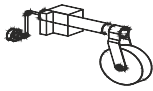
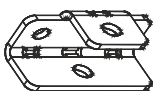
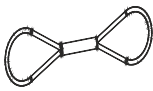


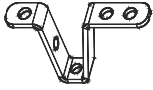

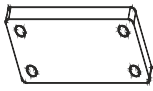
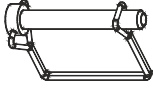


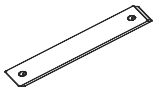
	538523	WHEEL, fi48 JOCKEY (TO 150KG)	1
	538816-1	PLATE, DRAWBAR MOUNT	1
	538825	CABLE, EMER- GENCY	1
	538885-1	TUBE WELD- MENT, DRAWBAR	1
	538889	HOLDER, AL-KO PLUG	1
	538890	BRACKET, AL-KO SKID	1
	538862-1	BRACKET, O1 DRAW- BAR MOUNT	1
	538898-1	PLATE, BRACKET CLAMPING	1
	014151	PIN, 3/8 x 2 1/4" SQUARE WIRE LOCK	3
	016030	LANYARD, 3/64 x 6	4
	501134	WHEEL, 155/80 R13 4X100 ET30 COMPLETE	2
	501165-1	PLATE, FENDER BRACKET	1

Table 2: PACKING LIST – LT15SA TRAILER

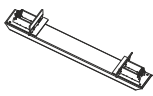



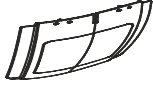

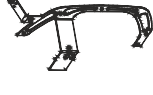

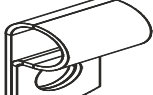
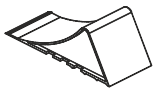
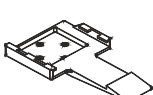
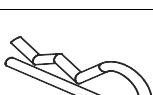
	538501-1	MOUNT ASSEMBLY, AXLE	1
	538549	AXLE, 750KG A=1300 C=1730 UNBRAKED	1
	538891-1	PLATE	1
	538892-1	PLATE	1
	538824	SPLASH GUARD/MUD FLAP	2
	538909	FENDER, AL-KO EA200	2
	538910-1	MOUNT WELDMENT, FENDER - LEFT	1
	538912-1	MOUNT WELDMENT, FENDER - RIGHT	1
	P07584	CLAMP, 1/2 EMT COATED	4
	P85105	CHOCK, UK10K2 WHEEL	1
	P85106	CHOCK, HA10K2 WHEEL	1
	P05059	PIN, 1/8X1 13/16 SAFETY	1

Table 2: PACKING LIST – LT15SA TRAILER

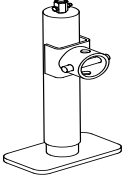
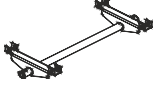
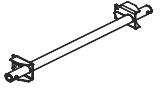
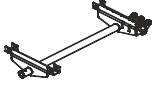

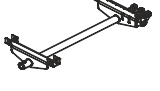
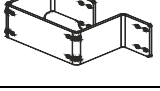


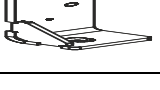
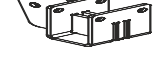
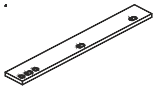


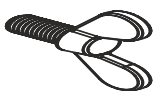
	550455	LEG, SUP- PORT	8
	538753-1	MOUNT WELDMENT, 01 TRAILER LEG	1
	538756-1	MOUNT WELDMENT, REAR LEG	2
	538820-1	MOUNT WELDMENT, 01 TRAILER LEG	1
	084536	CRANK, 140x665x12 SW19 HAND COMPLETE	1
	538759-1	EXTENSION, MAST TRACK	1
	538770-1	PLATE	1
	538789-1	PLATE 3	3
	538792-1	PLATE 5	2
	538813-1	BRACKET, SAW HEAD SUPPORT	1
	538804-1	BRACKET, SAW HEAD SUPPORT MOUNT	1

Table 2: PACKING LIST – LT15SA TRAILER

	538823-1	BAR, EXTENSION TRACK	1
	012965	STRAP, 9" RUBBER WITH HOOKS	3
	538838-1	PLATE 4	3
	F05021-32	SCREW, M8-1.25x16 WING ZINC	2
	SCREW KIT, TRAILER LT15 TRS		1

2.2 LT15 O1 Trailer Assembly

1. Assemble the LT15SA bed frame in accordance with LT15 operator's manual ([See Section 2.3](#)), skipping point 6 (do not install the stationary sawmill bed extension).
2. Unpack the LT15 O1 trailer components.

See figure 2-1.



FIG. 2-1

3. Remove the end part of the track rail from the rear of the machine. Replace it with supplied shorter track rail (538823-1).

See figure 2-2.

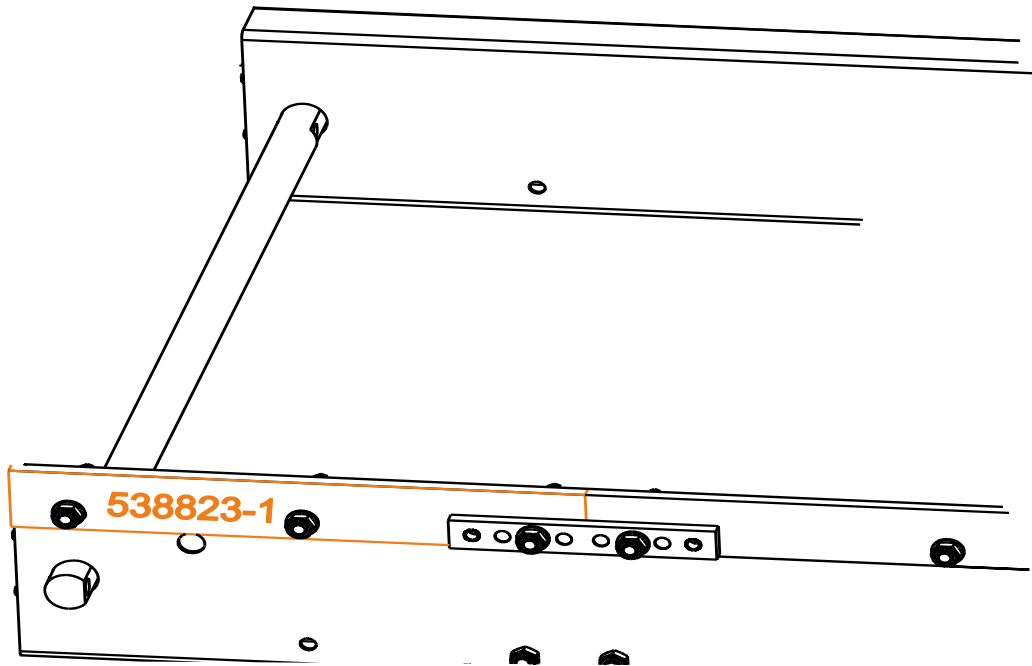


FIG. 2-2

4. Mount sawmill short bed extension (538823-1).

See figure 2-3. LT15 short bed extension assembly.

LT15SASEH7SP-TRS_005
LT15SASEH7SP-TRS_OPER

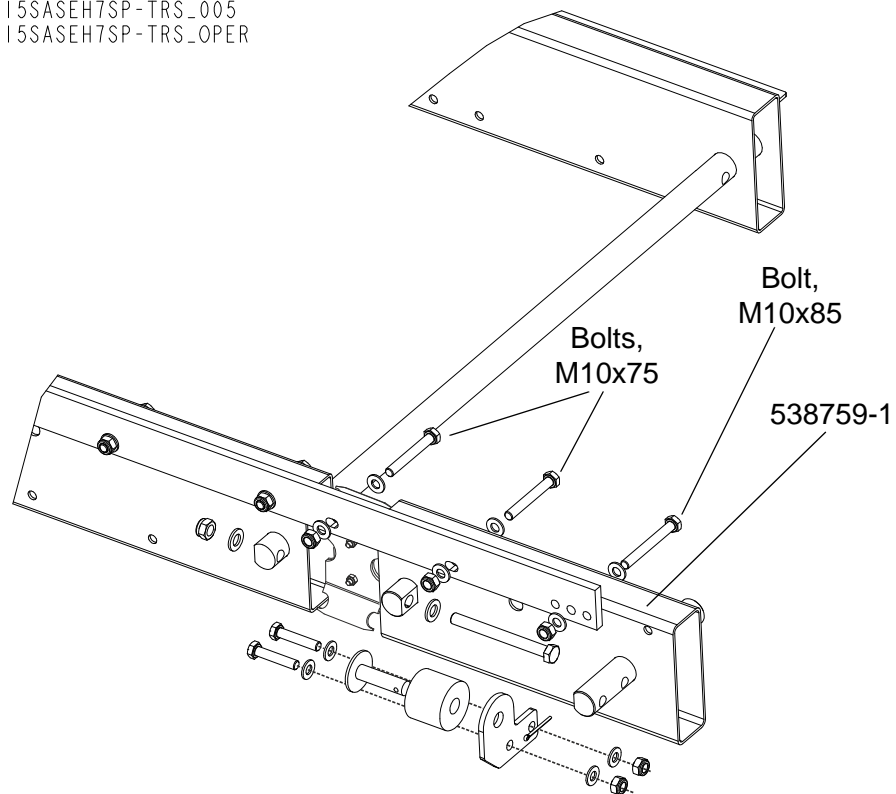


FIG. 2-3

5. To mount the O1 trailer on the LT15 sawmill, raise the assembled bed to a height of 50cm. Make sure the sawmill bed is level and rests on stable legs. Use M10x85 bolts to mount rear leg mount weldment (A) (Part No. 538756-1) - 2 pcs and O1 trailer leg mount weldment (B) (Part No 538820-1) and (C) (Part No. 538753-1) to the sawmill frame as shown on the figure below (proper mounting holes are marked with blue).

See figure 2-4.

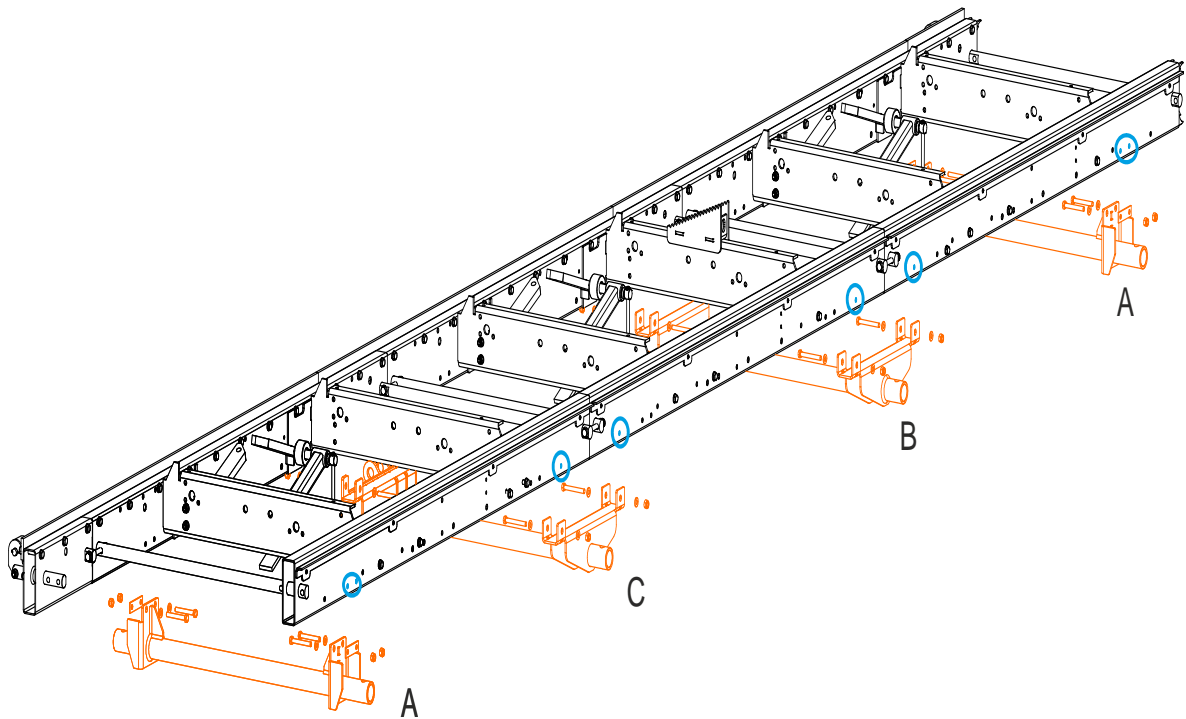


FIG. 2-4

6. Install support legs (Part No. 550455) - 8 pcs to the A, B, C mount brackets as shown below. Lock support legs in vertical position with a pin and use supplied crank handle to put the leg down. Lower the sawmill on the support legs and level the sawmill bed.



IMPORTANT! Adjust the support legs evenly when leveling the bed. Excessive load on a single support leg may damage it.

See figure 2-5. Leg supports

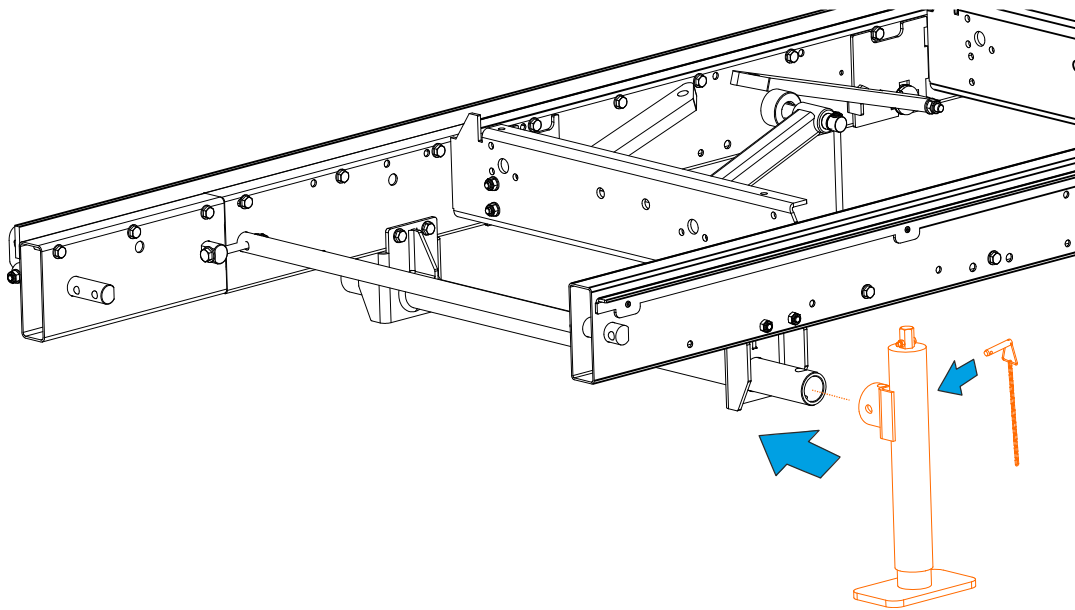


FIG. 2-5

7. Mount the axle mount assembly to the sawmill bed in place shown below.

See figure 2-6. Place the axle mount assembly under the bed in its middle section (A). Align axle mount assembly holes with bed section holes. Use four M12x90 bolts (B), washers and hex nylon lock nuts (C) to bolt the axle mount assembly. Recommended torque used to tighten the bolts is 58 ft.-lbs (79 Nm). The nuts should be on the inner side.



WARNING! For all bolted connections of the running elements (coupling head, drawbar, unbraked axle and its bracket) use nylon lock nuts. This type of nut is disposable. If it is necessary to unbolt and tighten them, use a new nylon lock nut!

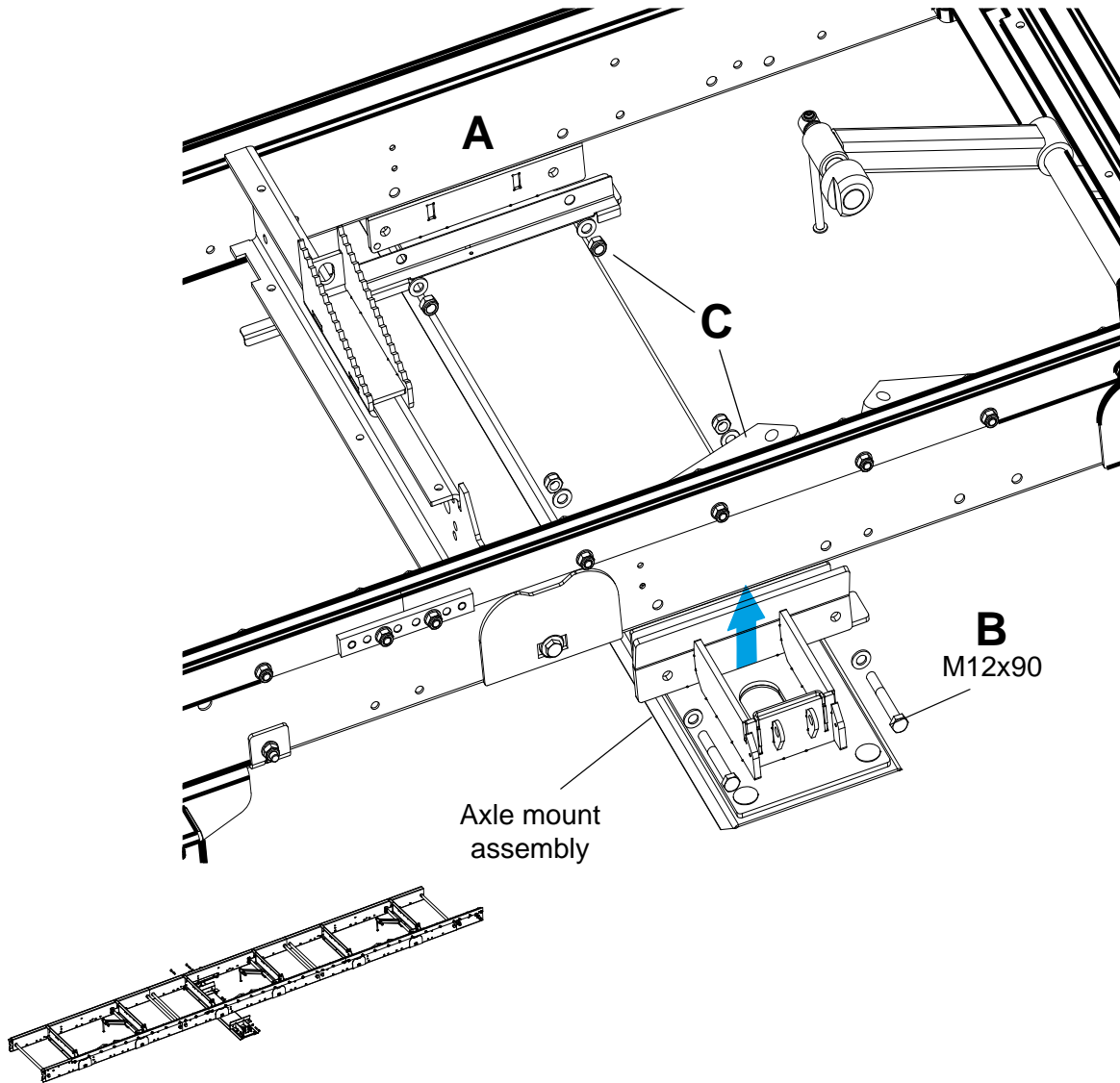


FIG. 2-6

See figure 2-7.

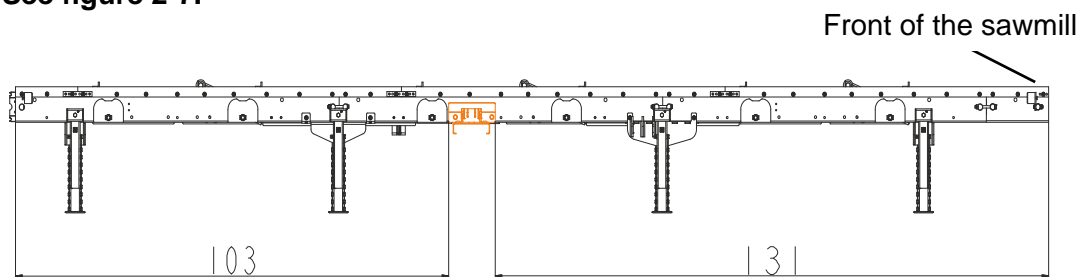


FIG. 2-7

2

Assembly - LT15 O1 Trailer

LT15 O1 Trailer Assembly

8. Mount the axle to the previous mounted axle mount assembly, using M12x30 carriage bolts (recommended torque to tighten the bolts is 58 ft.-lbs (79 Nm), nylon lock nuts and washers. Use M12x25 bolts to install the wheels (torque recommended by manufacturer to tighten the wheels is 81ft.-lbs (110 Nm)).



WARNING! For all bolted connections of the running elements (coupling head, drawbar, axle and its bracket) use nylon lock nuts. This type of nut is disposable. If it is necessary to unbolt and tighten them, use a new nylon lock nut!

See figure 2-8. Axle assembly

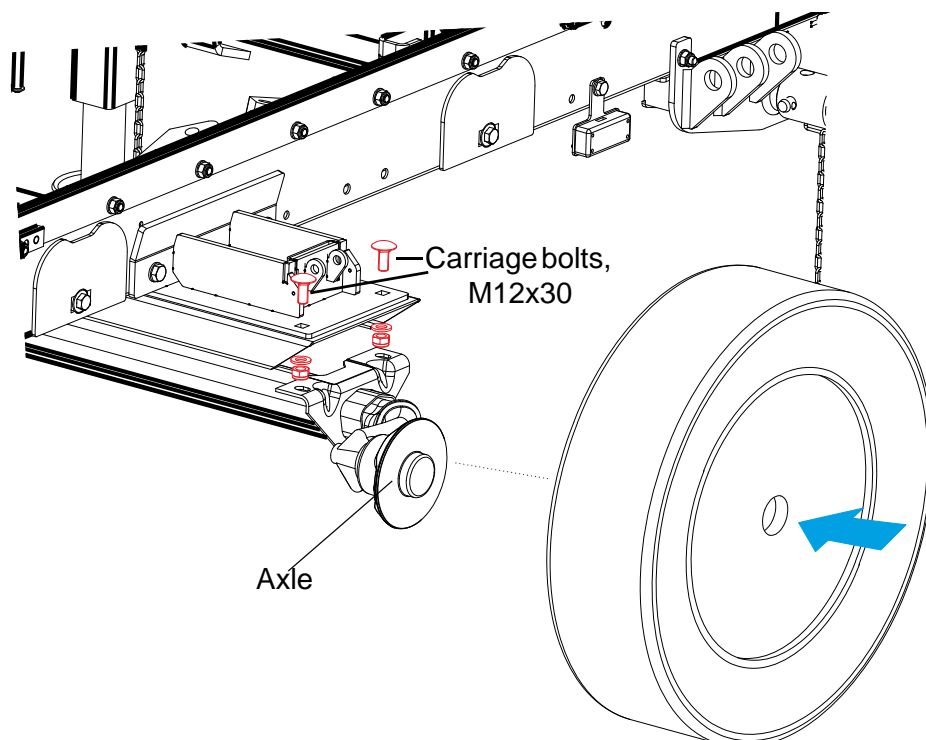


FIG. 2-8

See figure 2-9.

I5SA_MOBILE_OPER_003
I5SAS3EH7SP-0_75_MANUAL_NOWY

Front of the
sawmill

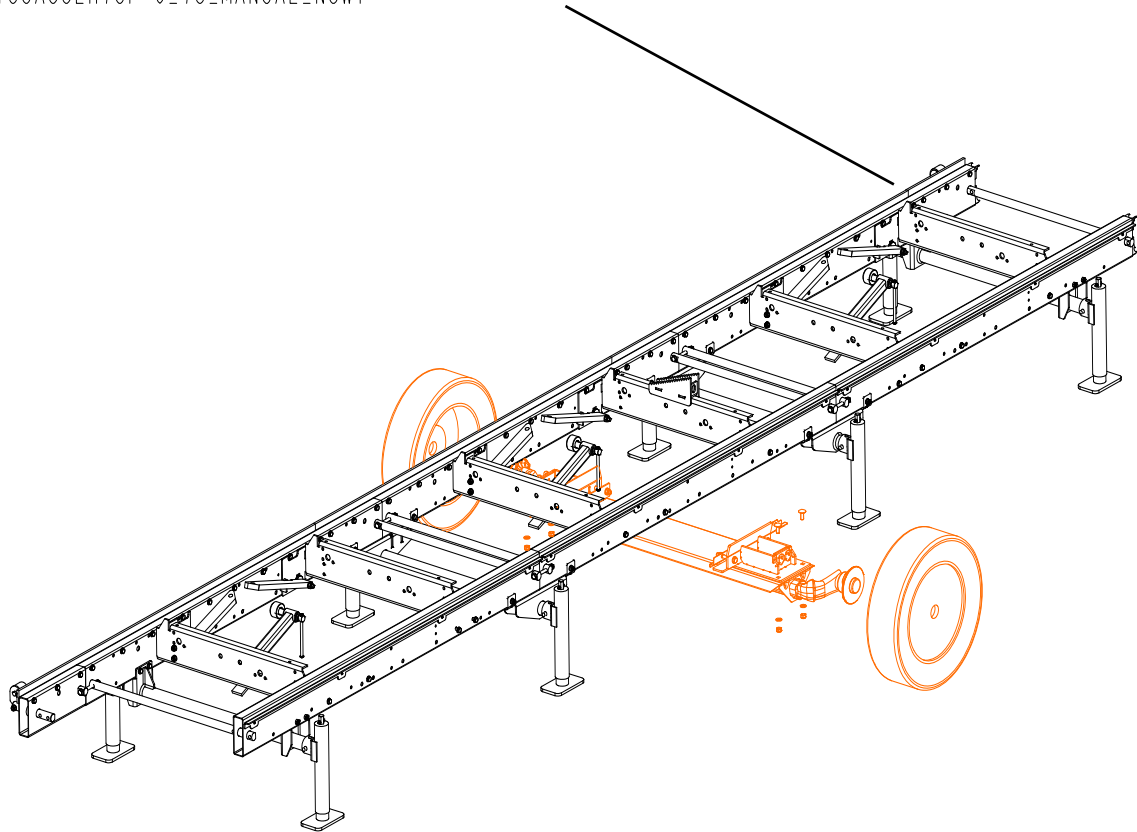


FIG. 2-9

See figure 2-10. Install the fender mount bracket to the fender using fasteners. Bolt brackets to the fender mount weldments. At the top of the fender install the holder. Install the mud flap to the fender.

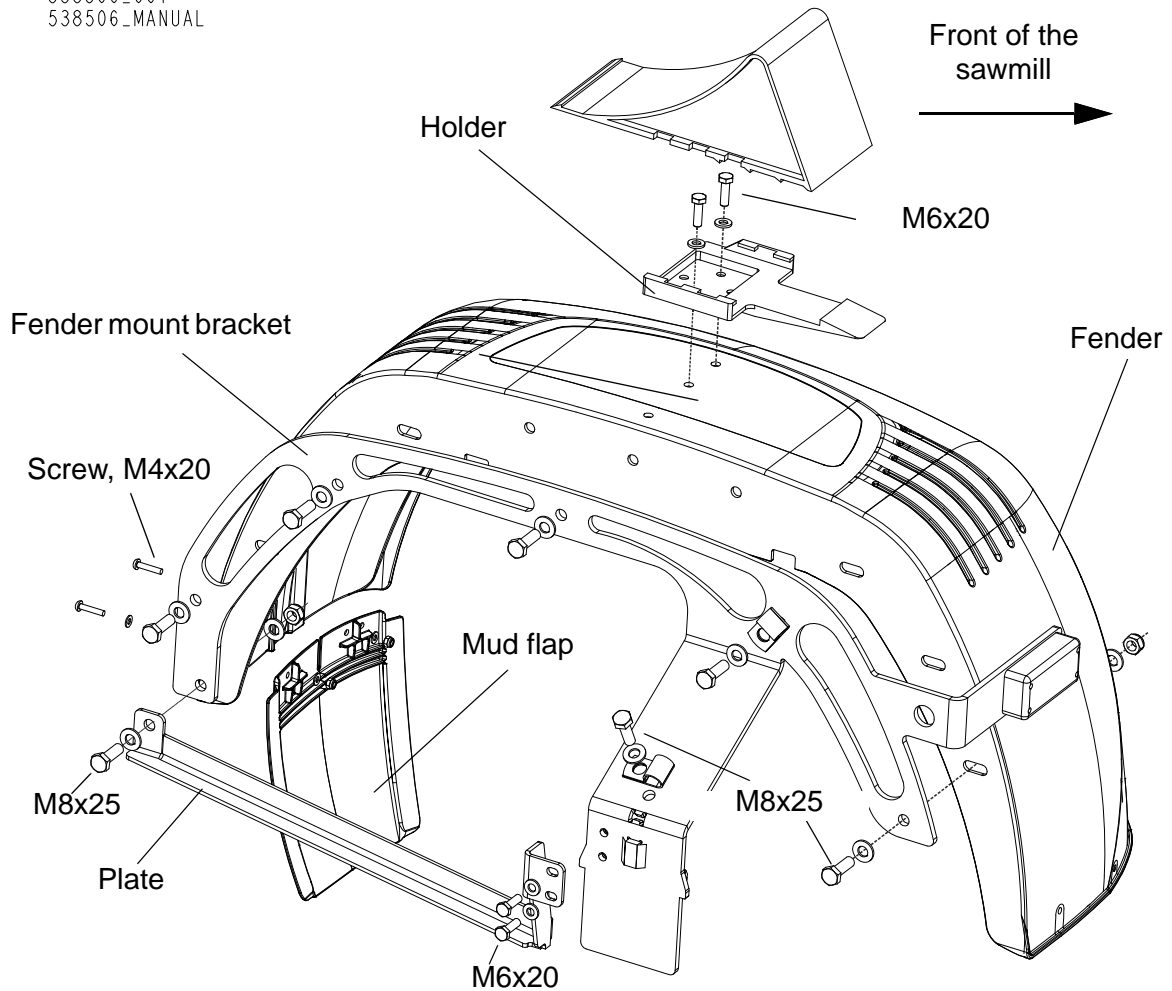
538506_001
538506_MANUAL

FIG. 2-10

See figure 2-11. The assembled axle place in axle mount slot and secure with a pin. Secure the pin with steel cable, as shown on the figure below.

538506_003
538506_MANUAL

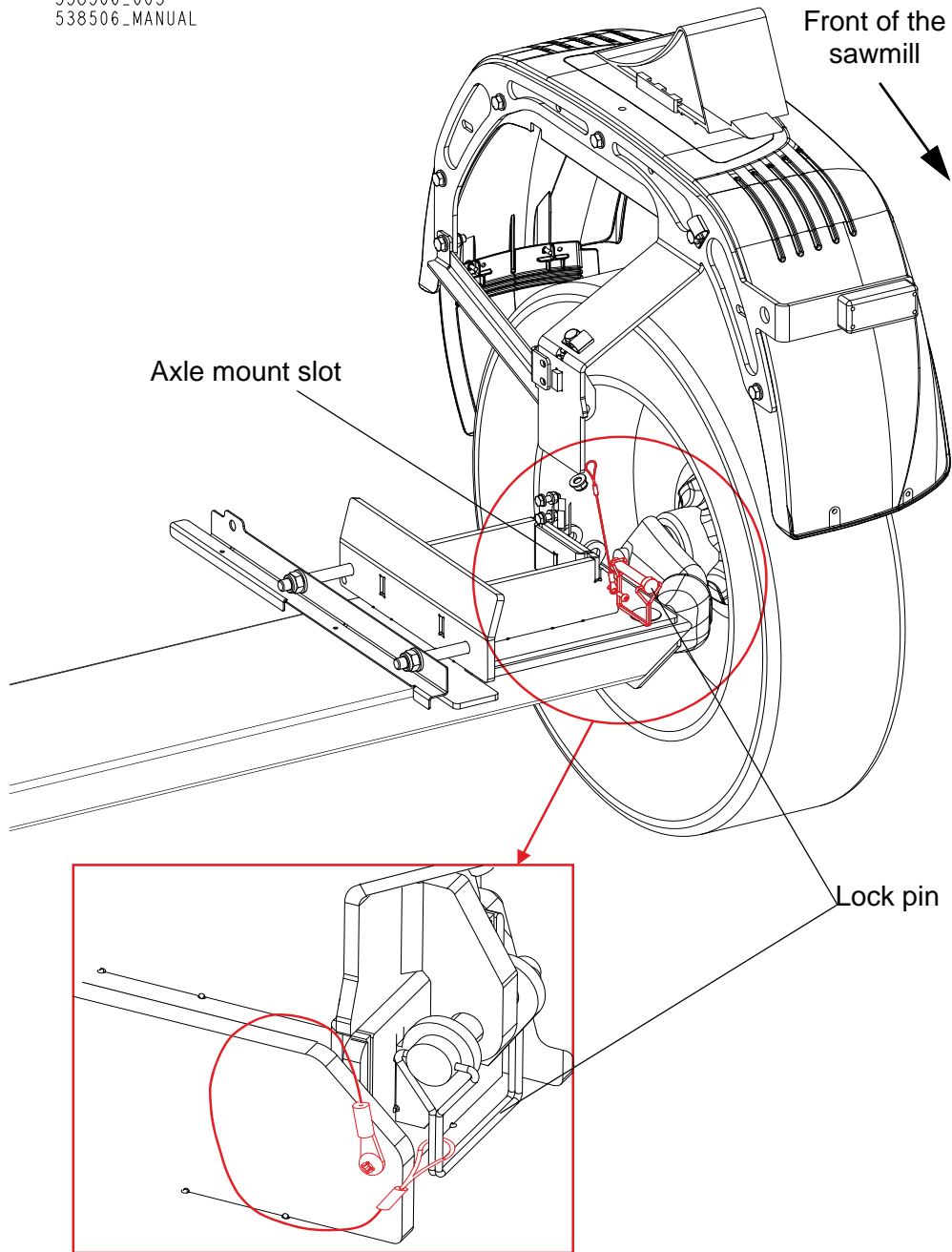


FIG. 2-11

9. Coupling head

See figure 2-12. Use M16x40 bolts (F81006-13) (recommended torque to tighten the bolts is 125 ft.-lbs (170 Nm) to mount the drawbar mount plate (538816-1) to the first bed rail.

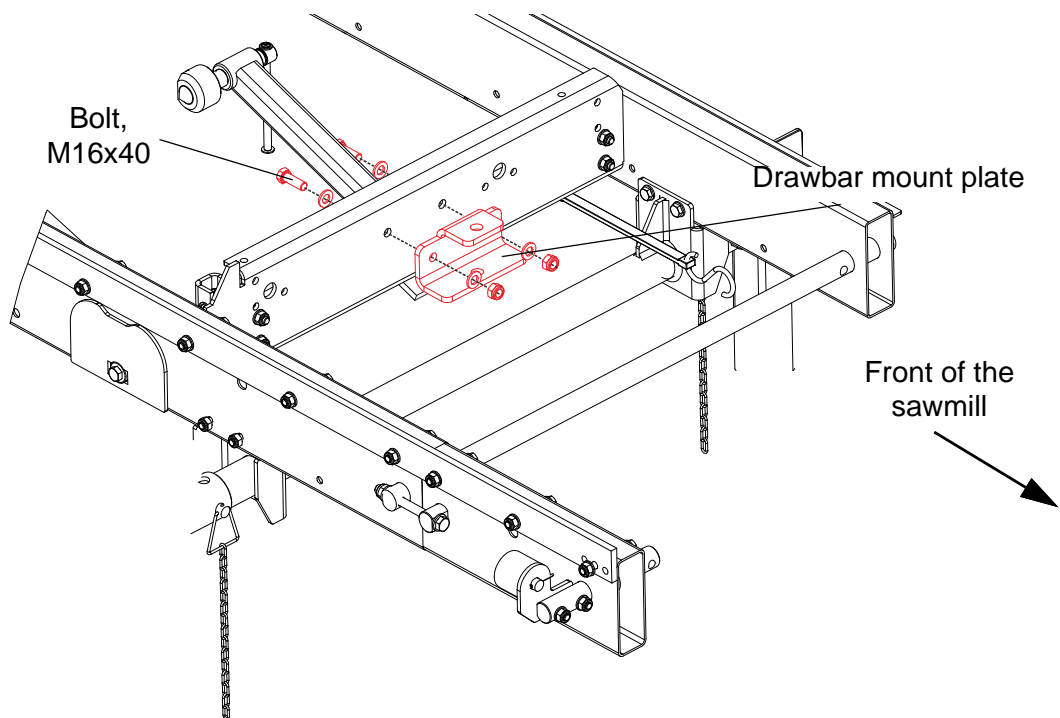


FIG. 2-12

10. Use M12x90 bolts (recommended torque to tighten the bolts is 58 ft.-lbs (79 Nm)) to mount coupling head with safety cable to the drawbar.

See figure 2-13.

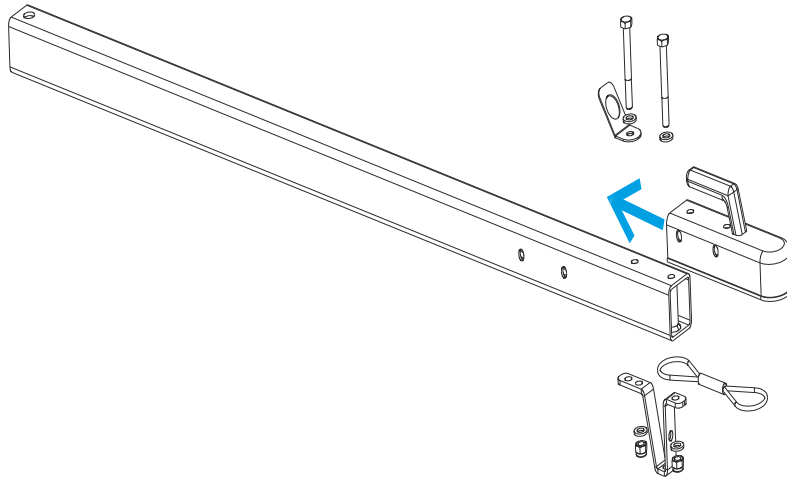


FIG. 2-13

See figure 2-14. Mount drawbar into the mount plate with M18x100 bolt (F81008-4) (for mounting drawbar without homologation, use M20-120 bolt). Recommended torque to tighten the bolt is 244.58 ft.-lbs (331.6 Nm)

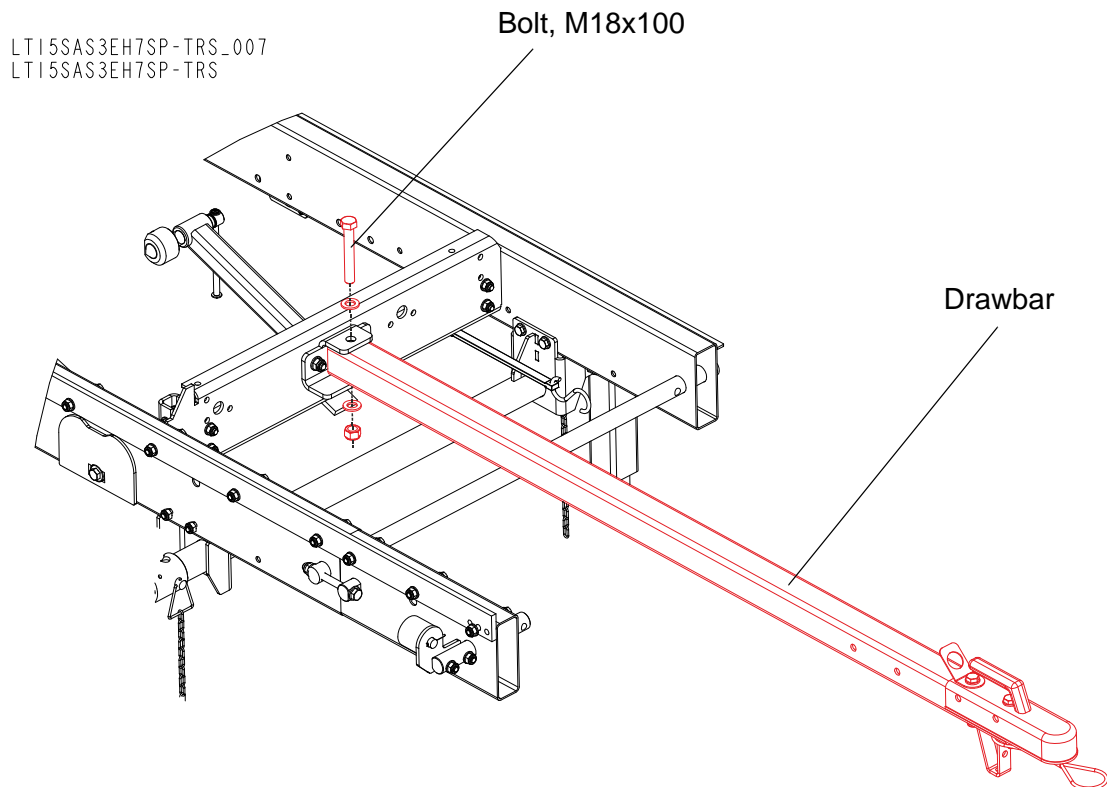


FIG. 2-14

See figure 2-15. Mount the mount bracket and clamping plate to the drawbar with M10x130 bolts (F81003-132). Recommended torque to tighten the bolt is 34.1 ft.-lbs (46,3 Nm). Attach the clamping plate to the drawbar mount bracket using the M12x45

bolts (F81004-76). Recommended torque to tighten the bolt is 58.27 ft.-lbs (79 Nm).

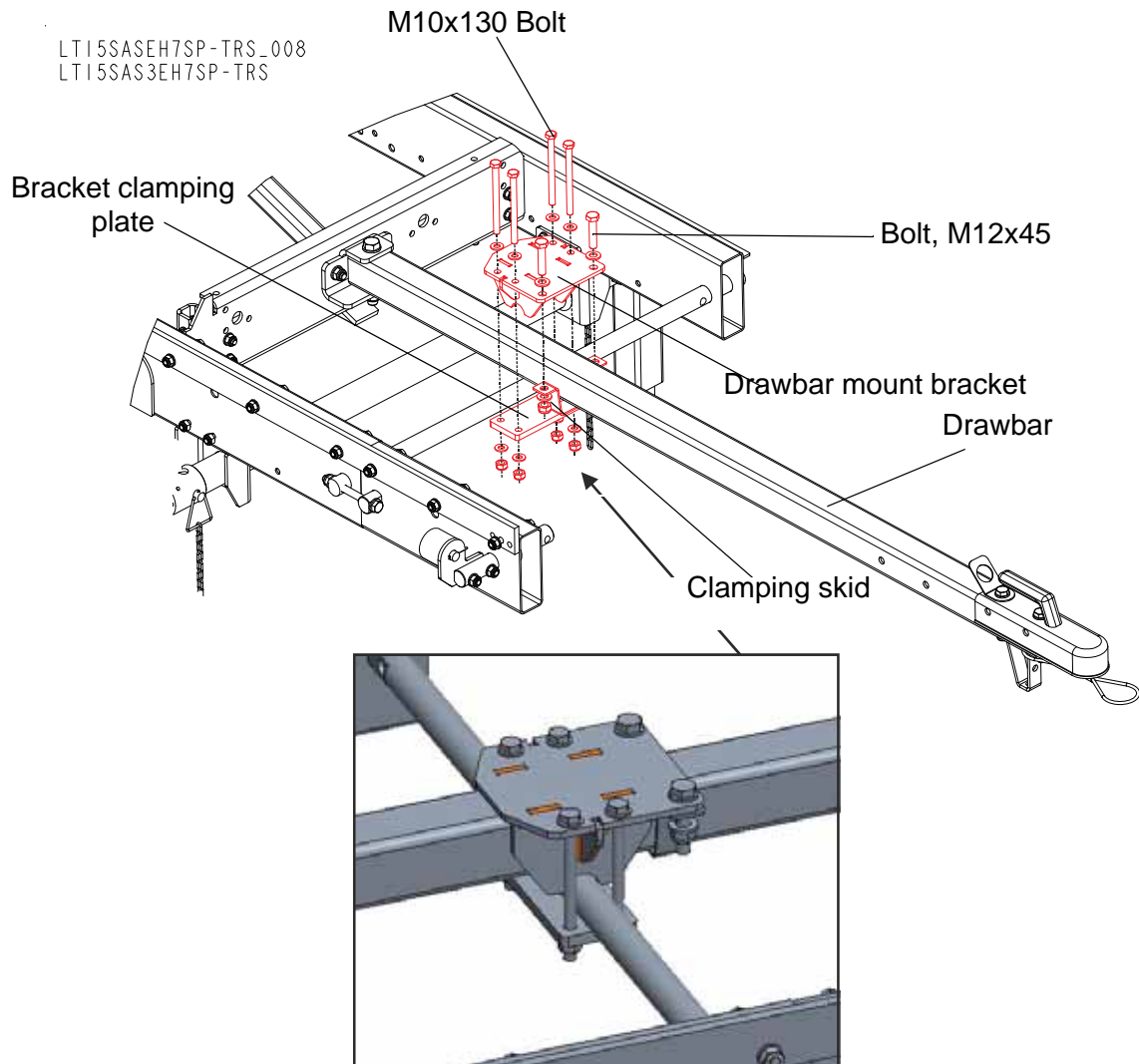


FIG. 2-15



WARNING! For all bolted connections of the running elements (coupling head, drawbar, axle and its bracket) use nylon lock nuts. This type of nut is disposable. If it is necessary to unbolt and tighten them, use a new nylon lock nut!

2

Assembly - LT15 O1 Trailer

LT15 O1 Trailer Assembly

See figure 2-16. Use M10x85 bolts (F81003-125) to tighten the jockey wheel.

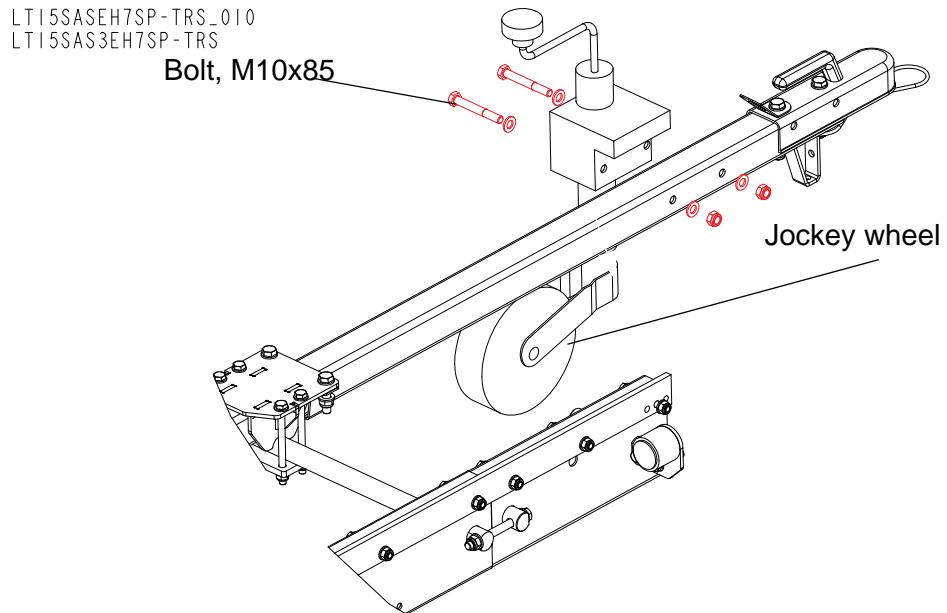


FIG. 2-16

11. Install the lighting cable plates to the sawmill frame with M10x75 bolts, as shown in the figure below.

See figure 2-17.

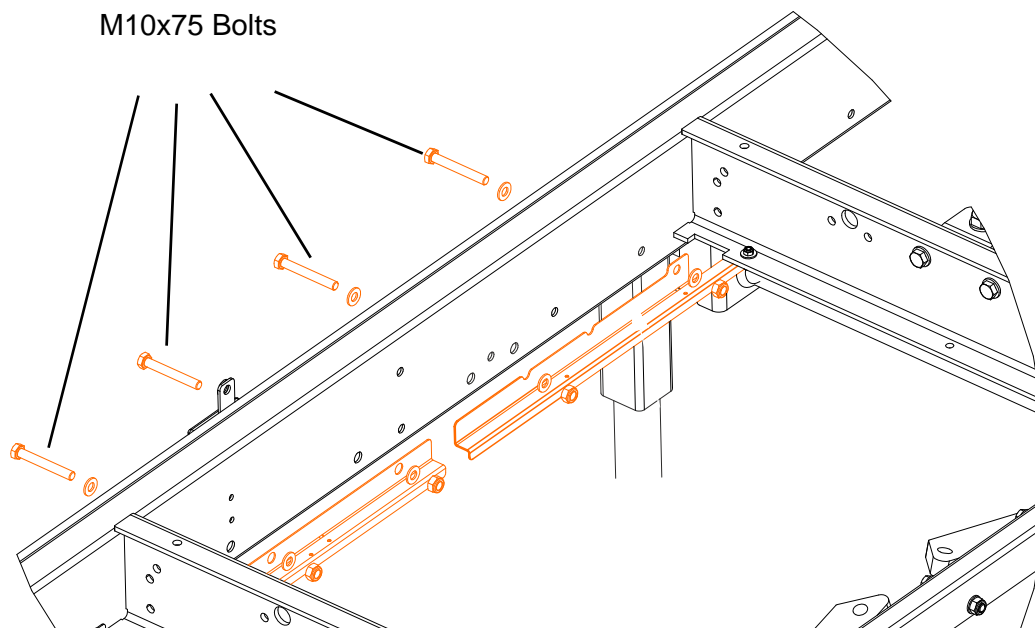
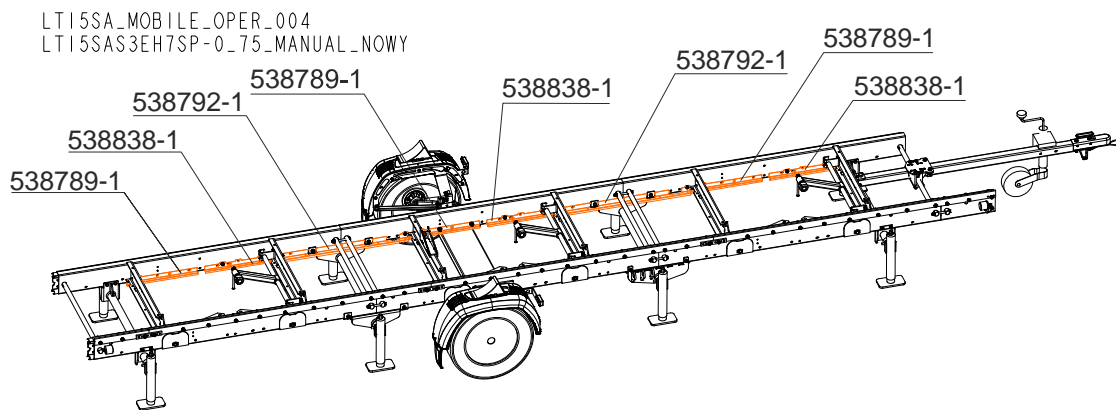


FIG. 2-17

12. Place the winch bracket in the place shown below, and secure with pins. Use M10x30 bolts to tighten the winch to the bracket, next install the winch crank.

See figure 2-18.

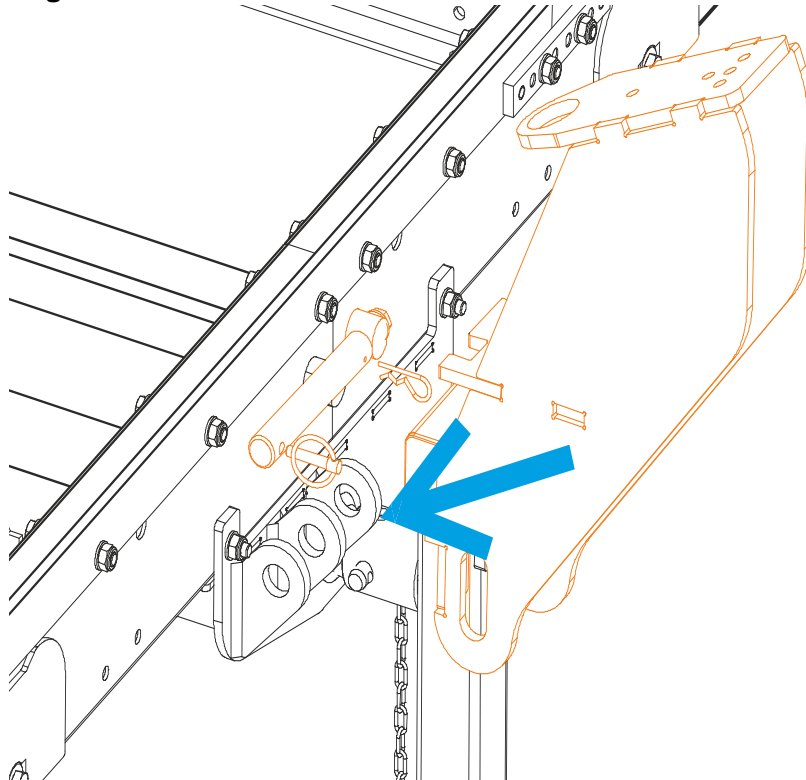


FIG. 2-18

See figure 2-19.

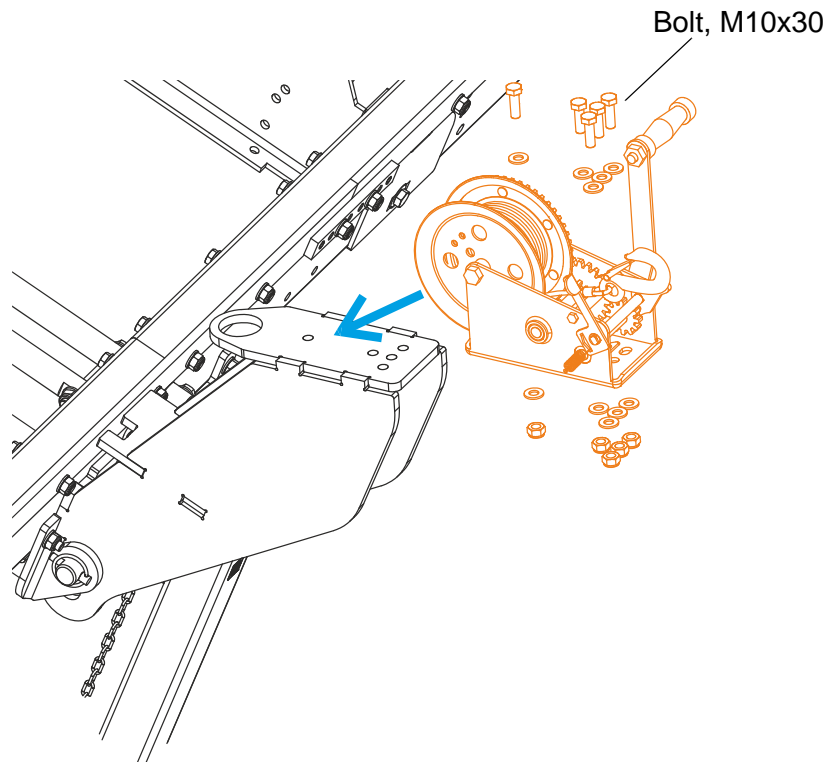


FIG. 2-19

See figure 2-20.

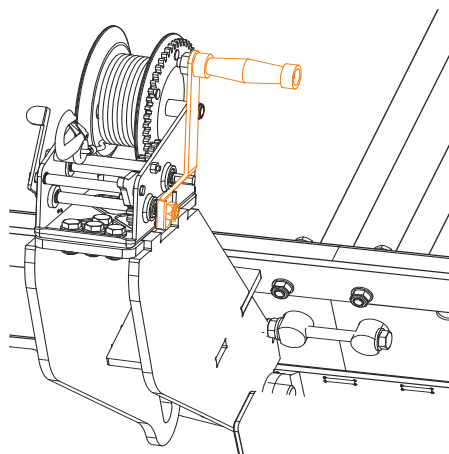


FIG. 2-20

13. Light beam

See figure 2-21. Mount the light beam to the rear bed frame section, using M12x100 bolts (F81004-3) and bushing (538901-1).

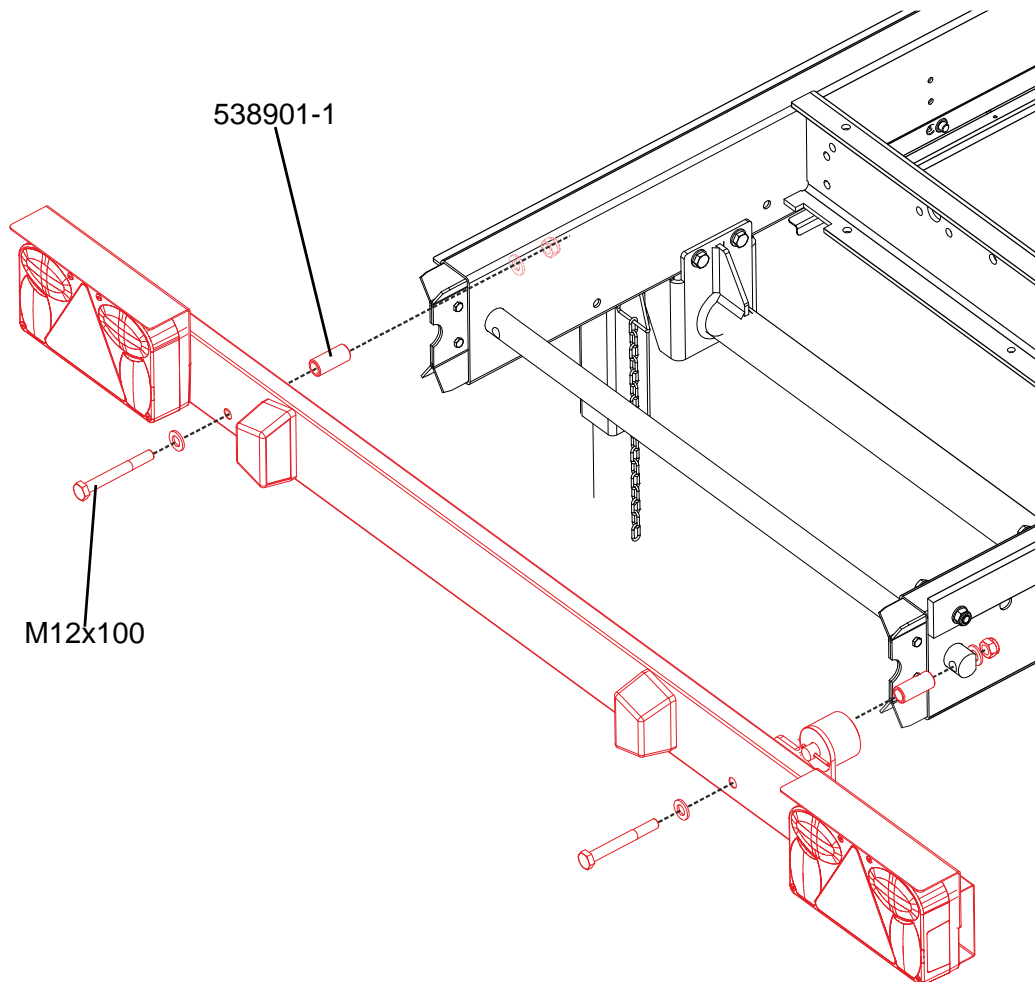


FIG. 2-21

14. Sawmill lightning electric wires.

See figure 2-22. Route the sawmill lighting cables under the cover strips as shown in the figure below. Connect to factory mounted plugs. Use M10x75 bolts to install marker lights in places shown on the figure.

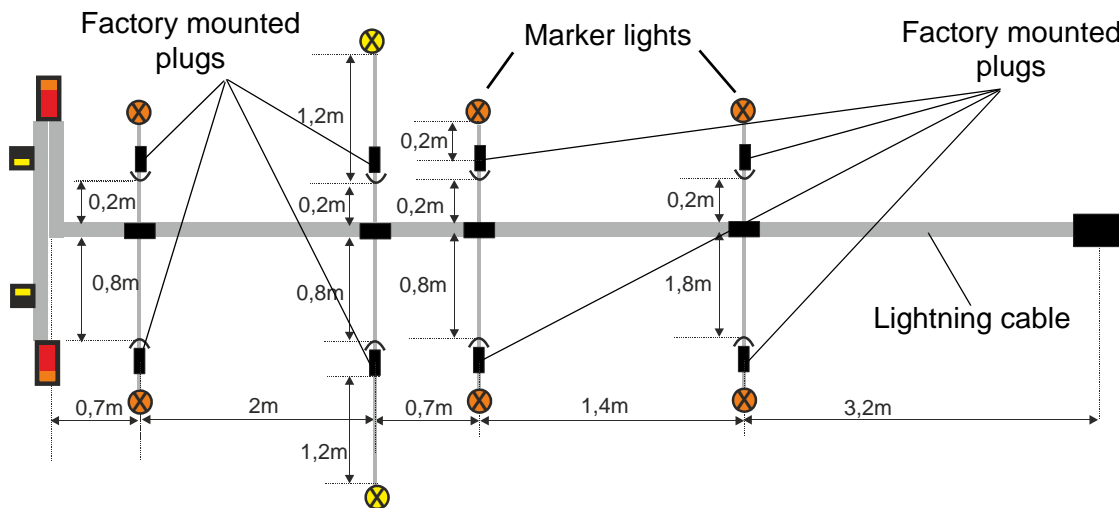


FIG. 2-22

Marker lights mounting is shown on the figure below.

See figure 2-23.

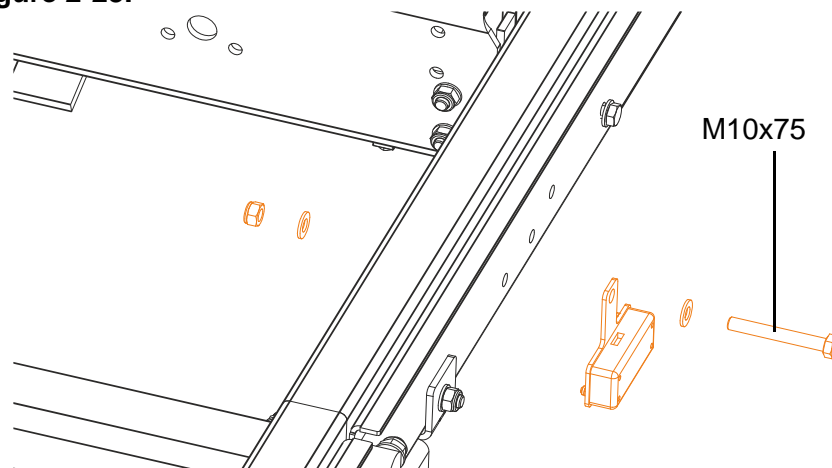


FIG. 2-23

CAUTION! Use tie wraps to fasten sawmill lighting cable to the sawmill frame. Lightning cables should not contact with the ground.

15. Rubber strap with hooks.

Use M6x30 bolt to install the rubber strap with hooks. Next, use this rubber strap to secure the log clamp.

See figure 2-24.

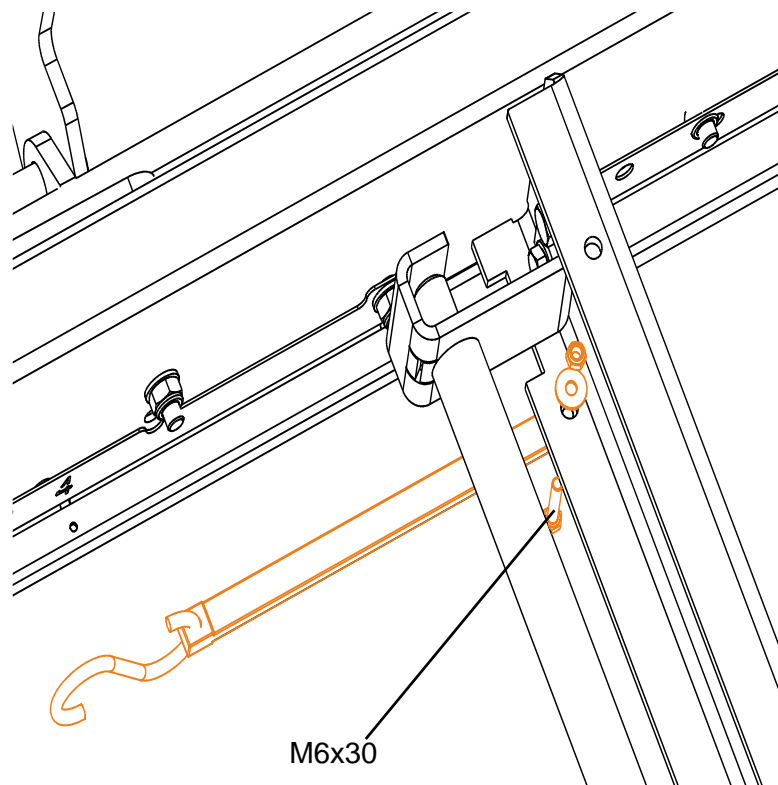


FIG. 2-24

See figure 2-25.

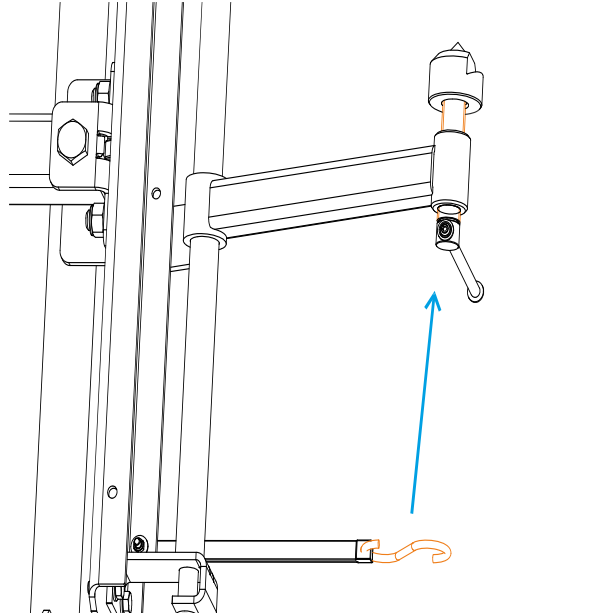


FIG. 2-25

16. Saw head support.

Mount the saw head support mount bracket using M10x80 bolts. Next, use M12x45 bolt to mount the saw head support and secure it with the pin.

See figure 2-26.

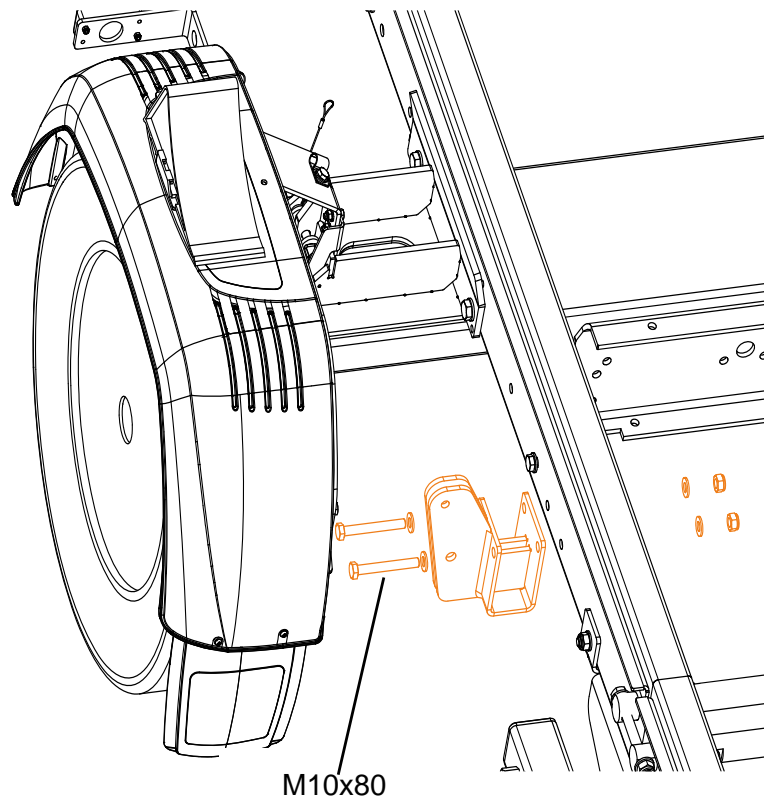


FIG. 2-26

See figure 2-27.

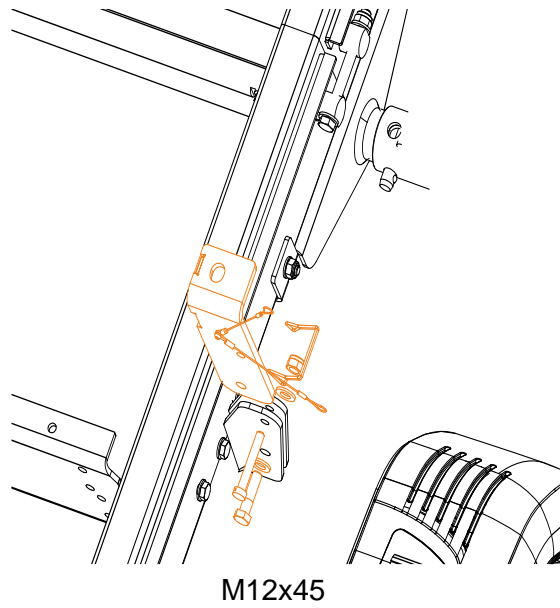


FIG. 2-27

17. Control panel

See figure 2-28. Unbolt four nuts and remove control panel bracket. Mount the control panel bracket mounting plate and tighten it using the same nuts. Bolt the previously removed control panel bracket to the mounting plate as shown on the figure below.

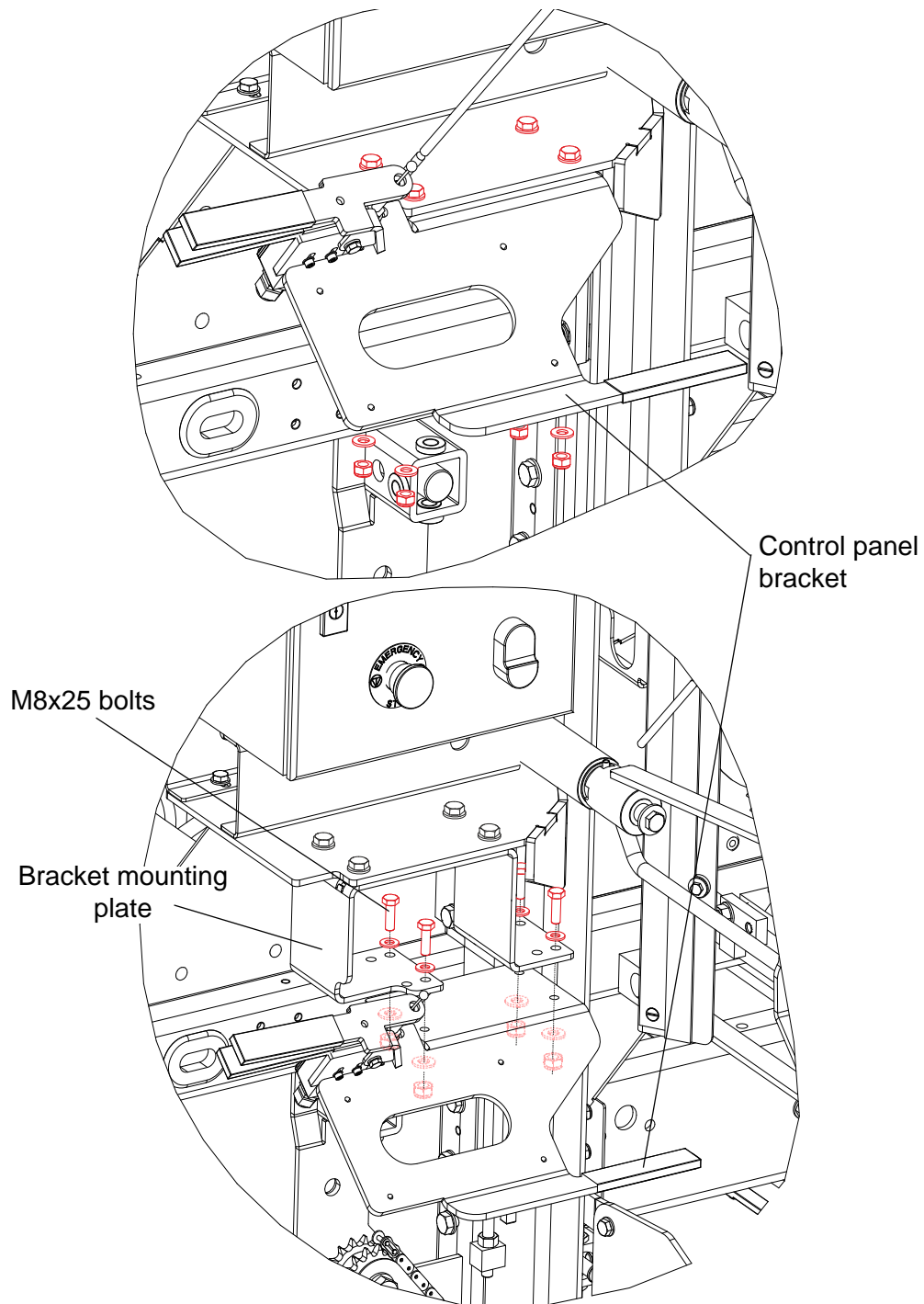


FIG. 2-28

18. Blade height indicator

See **figure 2-29**. Mount the blade height scale bracket with two nuts as shown below. Blade height scale adjustment is described in the sawmill manual - [See Section 6.12](#) "Blade height scale adjustment".

LT15SASEH7SP-TRS_014
LT15SAS3EH7SP-TRS

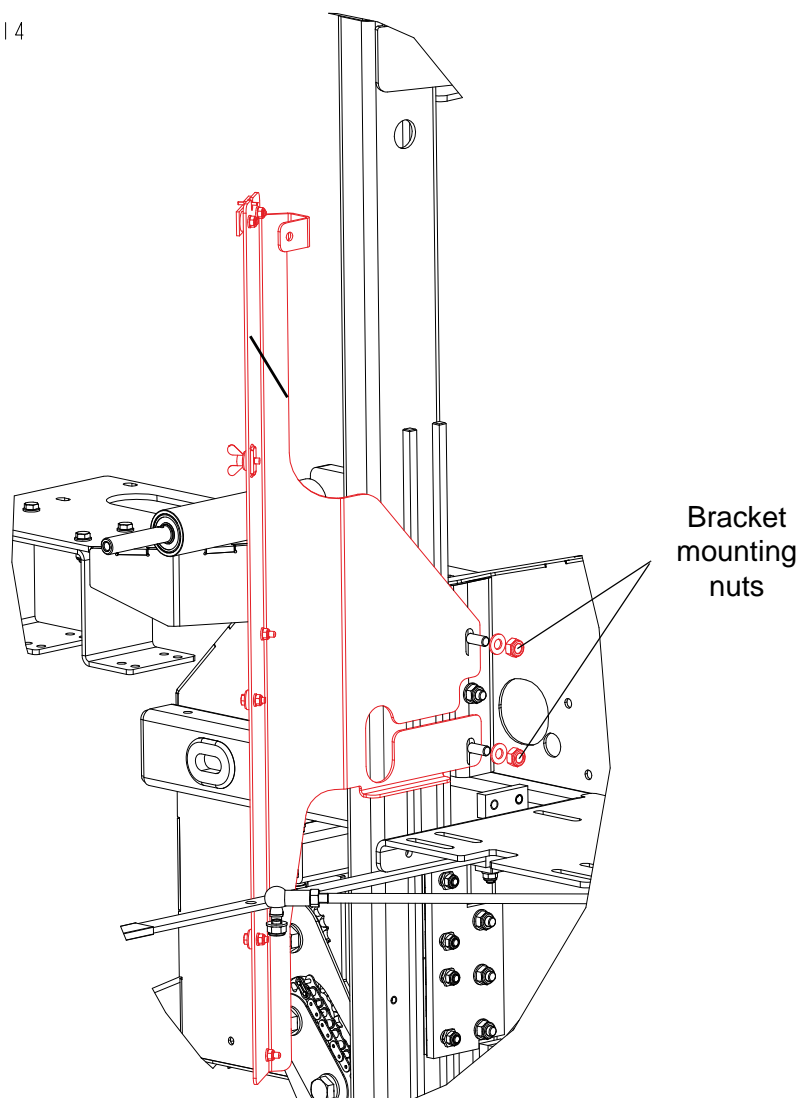


FIG. 2-29

See **figure 2-30**. Bolt the blade height indicator to the sawmill mast. If it is necessary,

loosen the scale mounting nuts and move height indicator up or down.

LT15SASEH7SP-TRS_013
LT15SAS3EH7SP-TRS

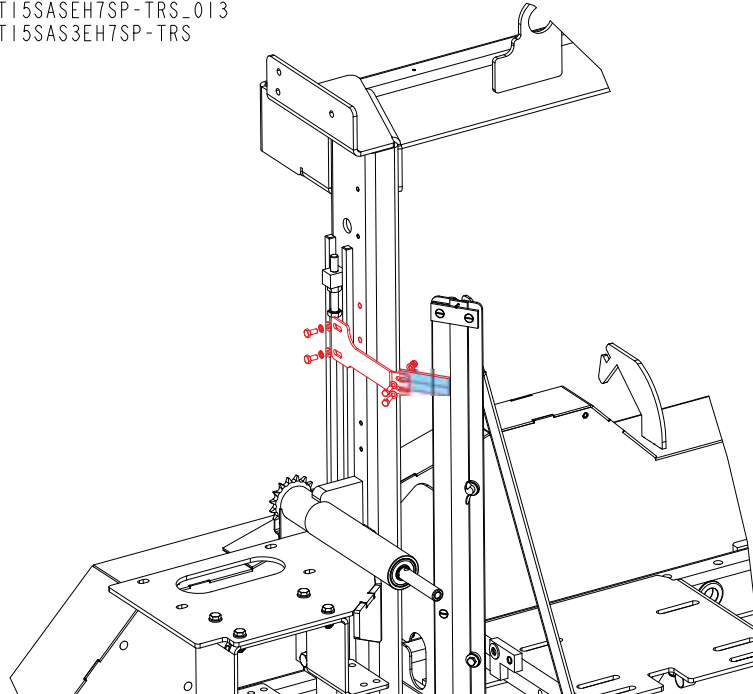


FIG. 2-30

19. Log ramp

Install the log ramp brackets using M10x85 bolts. The proper mounting holes are marked in blue on the figure below.

See figure 2-31.

LT15SA_MOBILE_OPER_005
LT15SAS3EH7SP-0_75_MANUAL_NOWY

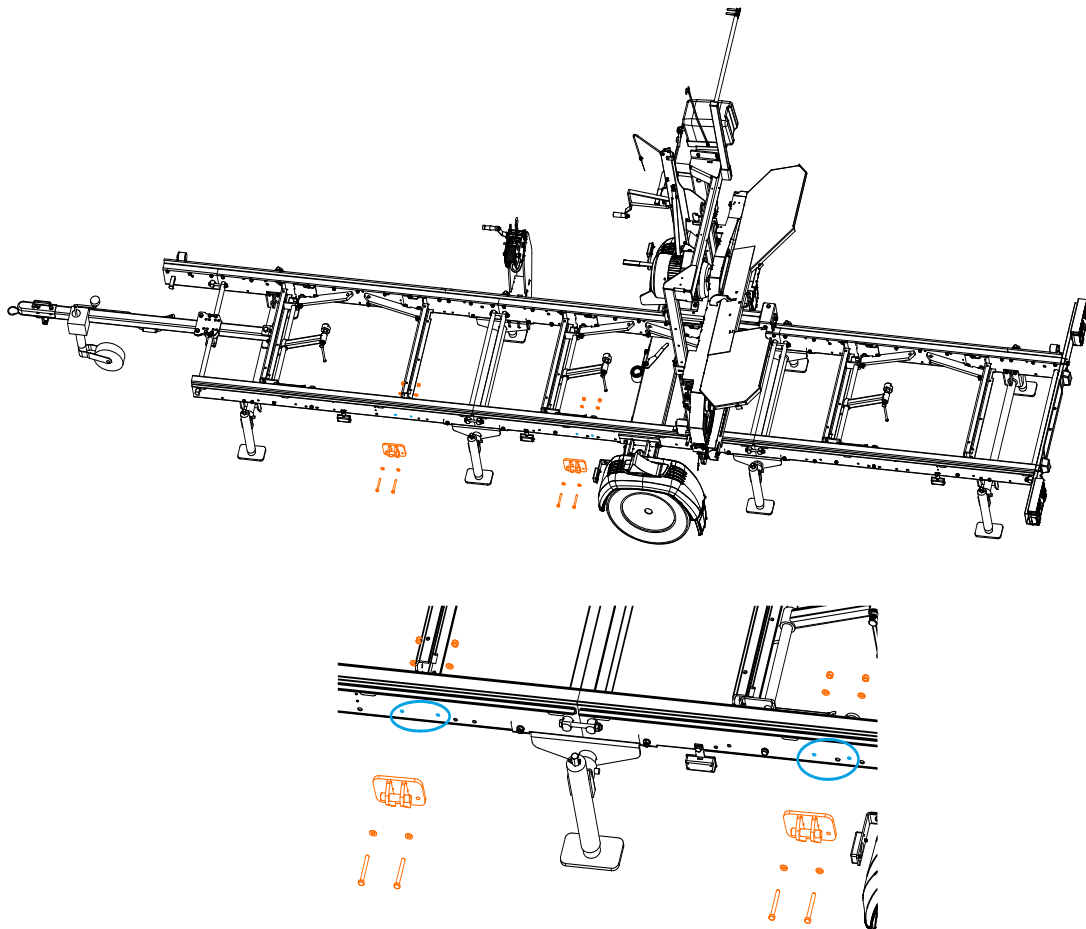


FIG. 2-31

See figure 2-32. Next, install log ramp arms.

LT15SA_MOBILE_OPER_006
LT15SAS3EH7SP-0.75_MANUAL_NOWY

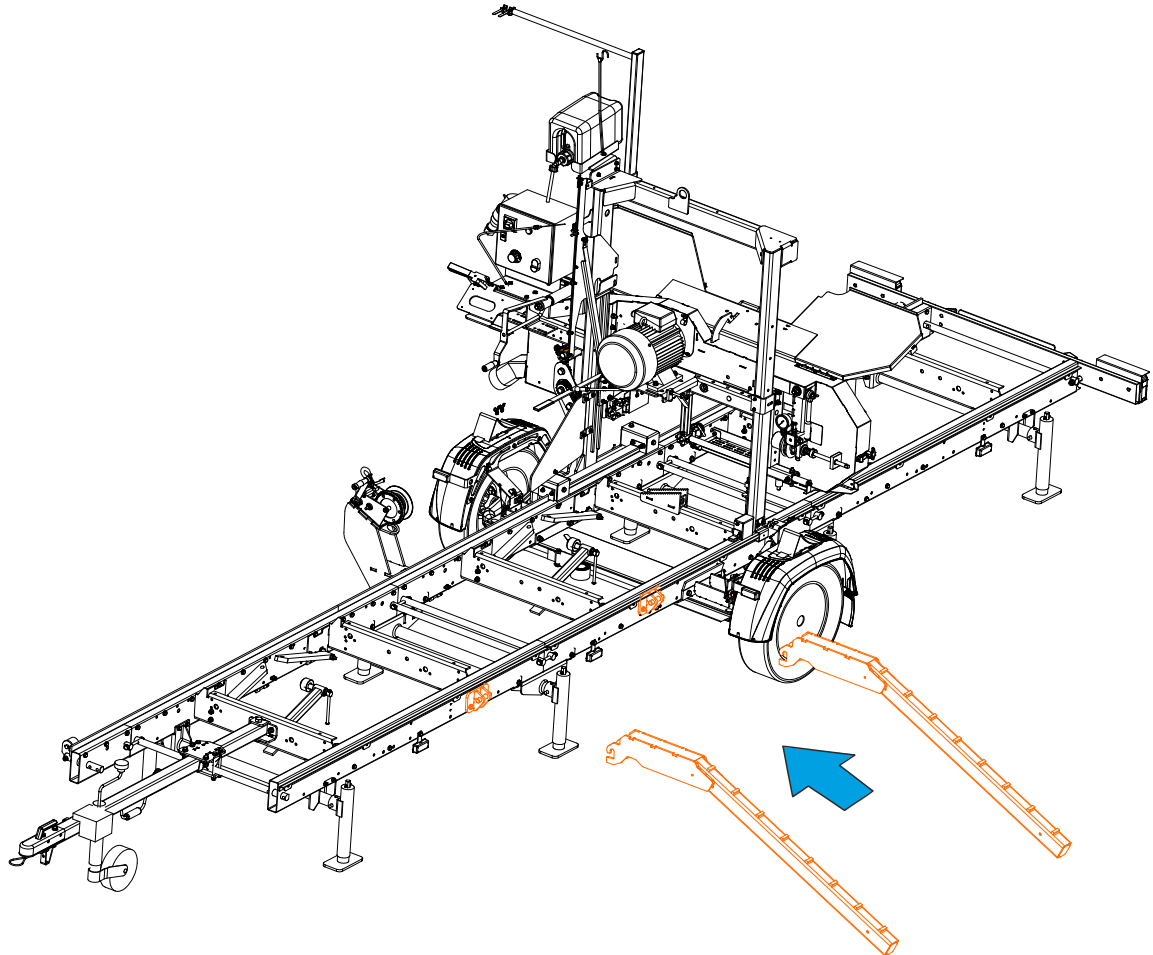


FIG. 2-32



CAUTION! Do not adjust the log position on the ramp. To do this, the log must be completely lowered on the ground, properly positioned and pulled back onto the sawmill bed using the loading ramp and the winch.

SECTION 3 ASSEMBLY - LT15 O2 TRAILER



IMPORTANT! With all screw joints without split lock washer or lock nylon nut, use the “LOCTITE 243” (blue), of average durability, for screw joints.

3.1 Mounting Parts of LT15 Trailer

3.1.1 Specifications of Fasteners

Table 1: LT15SC TRC Trailer

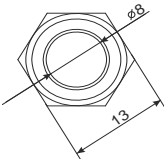
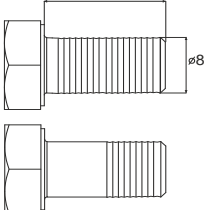
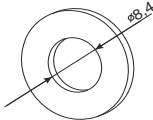
Wood-Mizer No.	Description	QTY
Designations of fasteners:		
M8 Nut	Bolt, M8x20 20	8.4 Washer
		
	FENDER W/MOUNT BRACKET 538831 534664	
F81011-43	SCREW, M4x12 -5,8-B- CROSS RECESSED PAN HEAD ZINC	2
F81001-3	BOLT, M12x55-8.8 HEX HEAD ZINC	8
F81003-111	BOLT, M12x90-8.8 HEX HEAD ZINC	4
F81031-2	BOLT, M16x40-8.8 HEX HEAD FULL THREAD ZINC	8
F81033-1	BOLT, M20x120 -8.8 HEX HEAD FULL THREAD ZINC	4
F81053-1	WASHER, 6.4 FLAT ZINC	16
F81055-1	WASHER, 10.5 ZINC FLAT	8
	BEAM, LT15 O2 REAR - COMPLETE 538740	
F81000-20	BOLT, M5x16-8.8 HEX HEAD FULL THREAD ZINC	6
F81001-15	BOLT, M6x16 8.8 HEX HEAD FULL THREAD ZINC	2

Table 1: LT15SC TRC Trailer

F81003-15	BOLT, M10X75-8.8 HEX HEAD ZINC	4
F81004-55	BOLT, M12x130-8.8-B HEX HEAD FULL THREAD ZINC	2
F81030-2	NUT, M5-8 DIN 985 ZINC-PLATED	6
F81031-2	NUT, M6-8-B HEX NYLON ZINC LOCK	2
F81033-1	NUT, M10-8-B HEX NYLON ZINC LOCK	4
F81034-2	NUT, M10-8-B HEX NYLON ZINC LOCK M12-8 Hex Nylon Zinc Lock	2
F81034-1	NUT, M12-8-B HEX ZINC	4
F81052-1	WASHER, 5.3 FLAT ZINC	12
F81055-1	WASHER, 10.5 ZINC FLAT	8
F81056-1	WASHER, 13 ZINC FLAT	8
	SAW HEAD SUPPORT BRACKET - COMPLETE 538706	
F81011-43	SCREW,M4x12 5,8-B-CROSS RECESSED PAN HEAD ZINC	1
F81004-32	BOLT, M12x45-8.8 HEX HEAD ZINC	1
F81034-2	NUT, M12-8 HEX NYLON ZINC LOCK	1
F81056-1	WASHER, 13 ZINC FLAT	2
	AXLE, LT15 O2 - COMPLETE 538828	
F81003-50	BOLT, M10X80-8.8 HEX HEAD ZINC	8
F81004-24	Bolt, M12x35-8.8 Hex Head Full Thread Zinc	6
F81006-11	BOLT, M16x80 8.8-B HEX HEAD FULL THREAD ZINC	1
F81011-43	SCREW,M4x12 5,8-B-CROSS RECESSED PAN HEAD ZINC	2
F81033-1	NUT, M10-8-B HEX NYLON ZINC LOCK	8
F81034-2	NUT, M12-8 HEX NYLON ZINC LOCK	6
F81036-2	NUT, M16-8 HEX NYLON ZINC LOCK	1

Table 1: LT15SC TRC Trailer

F81055-1	WASHER, 10.5 ZINC FLAT	16
F81056-1	WASHER, 13 ZINC FLAT	12
F81058-1	WASHER, 17 ZINC FLAT	2
	LEG SET, LT15 MOBILE O2	
F81003-15	BOLT, M10X75-8.8 HEX HEAD ZINC	8
F81003-50	BOLT, M10X80-8.8 HEX HEAD ZINC	4
F81033-1	NUT, M10-8-B HEX NYLON ZINC LOCK	12
F81055-1	WASHER, 10.5 ZINC FLAT	24
	DRAWBAR, LT15 O2 W/OVER- RUN DEVICE	
F81000-20	BOLT, M5x16-8.8 HEX HEAD FULL THREAD ZINC	4
F81003-111	BOLT, ISO 933-M10x30 8.8-A2E HEX HEAD	4
F81003-125	BOLT, M10x85-8.8 HEX HEAD ZINC	2
F81003-15	BOLT, M10X75-8.8 HEX HEAD ZINC	1
F81004-12	BOLT, M12x55-8.8 HEX HEAD ZINC	2
F81004-46	BOLT, M12X80 -8.8 HEX HEAD ZINC	6
F81006-4	BOLT, M16x140-8.8 HEX HEAD ZINC	1
F81030-2	NUT, M5-8 DIN 985 ZINC-PLATED	4
F81033-1	NUT, M10-8-B HEX NYLON ZINC LOCK	1
F81033-3	NUT, M10-8-B HEX ZINC	4
F81033-19	NUT, M10 DIN6334 LONG COU- PLING	1
F81034-2	NUT, M12-8 HEX NYLON ZINC LOCK	8
F81036-2	NUT, M16-8 HEX NYLON ZINC LOCK	1
F81052-1	WASHER, 5.3 FLAT ZINC	4
F81055-1	WASHER, 10.5 ZINC FLAT	10
F81056-1	WASHER, 13 ZINC FLAT	16

Table 1: LT15SC TRC Trailer

F81058-1	WASHER, 17 ZINC FLAT	2
086540	SHACKLE, M12 TYPE C DIN 82101	1
	STRAP, CLAMP TRANSPORT LOCK 538835	
F81001-59	BOLT, M6x30-8.8 HEX HEAD ZINC	3
F81031-2	NUT, M6-8-B HEX NYLON ZINC LOCK	3
F81053-11	WASHER, 6.5 SPECIAL FLAT ZINC	3
	CABLE DUCT - COMPLETE 543908	
F81003-20	BOLT, M10x70-8.8 HEX HEAD FULL THREAD ZINC	12
F81004-10	BOLT, M12x75-8.8 HEX HEAD FULL THREAD ZINC	2
F81033-1	NUT, M10-8-B HEX NYLON ZINC LOCK	12
F81034-2	NUT, M12-8 HEX NYLON ZINC LOCK	2
F81055-1	WASHER, 10.5 ZINC FLAT	24
F81056-1	WASHER, 13 ZINC FLAT	4
	LOADING RAMP WITH WINCH 534630	
F81003-2	BOLT, DIN 933-M10x30 8.8-A2E HEX HEAD	4
F81003-15	BOLT, M10X75-8.8 HEX HEAD ZINC	8
F81033-1	NUT, M10-8-B HEX NYLON ZINC LOCK	12
F81034-2	NUT, M12-8 HEX NYLON ZINC LOCK	4
F81055-1	WASHER, 10.5 ZINC FLAT	24
F81056-1	WASHER, 13 ZINC FLAT	2
F81046-2	PIN, 8 BN914 LINCH	2
F81044-2	PIN, 5x26 ZINC-PLATED ROLL	2

3.1.2 Parts specifications

Table 2: Sawmill LT15SC mounting parts

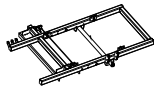
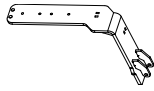
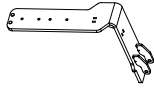
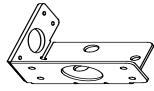
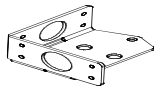
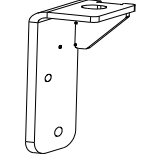
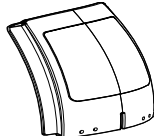
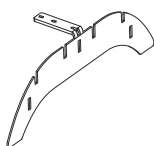
Fig.	Wood-Mi zer No.	Description	QTY O1
	534600	FRAME, LT15GO AXLE MOUNT	1
	534666-1	BRACKET WELD- MENT, FENDER MOUNT	1
	538900-1	BRACKET WELD- MENT, FENDER MOUNT	1
	538865-1	PLATE, MARKER & FRONT LEFT LIGHT MOUNT	1
	538866-1	PLATE, MARKER & FRONT RIGHT LIGHT MOUNT	1
	538813-1	BRACKET, SAW HEAD SUPPORT	1
	538824	SPLASH GUARD/M UD FLAP	2
	550614-1	FENDER BRACE	2

Table 2: Sawmill LT15SC mounting parts


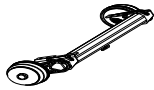
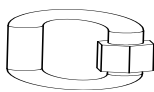


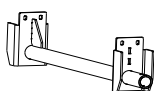
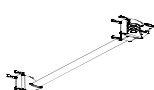
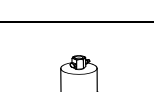
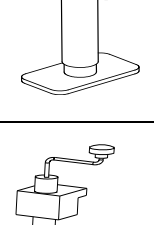
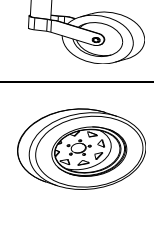
	538909	FENDER, AL-KO EA200	2
	538644	AXLE, DMC 1500, A=1000, C=1450	1
	100767	SCREW CLOSED CHAIN LINK, 10	1
	100951-1	CHAIN, N - 10x35 - 6-LINKS- PTD.	1
	P12075	HOOK, 5/8" SAFETY CHAIN	1
	538633-1	TUBE WELD- MENT, LEG MOUNT	2
	538820-1	MOUNT WELD- MENT, 01 TRAILER LEG	1
	550455	LEG, SUP- PORT	8
	085862	WHEEL, AL-KO, 500 KG JOCKEY HEAVY	1
	534597	WHEEL, JOCKEY 155/70 R12, ET30 112X5 NOS.94 + BOLTS	2

Table 2: Sawmill LT15SC mounting parts

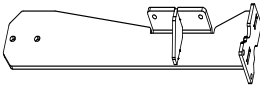
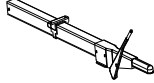

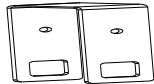
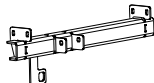
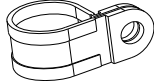

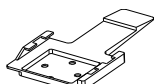
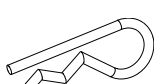

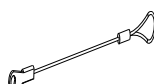
	534610-1	BRACKET, DRAWBAR	1
	534685	DRAW- BAR, 20062206	1
	538656-1	BRAKE ROD, M10 L-1250MM	2
	538830-1	BRACKET, BRAKE ROD	1
	538916-1	BRACKET WELD- MENT, DRAWBAR MOUNT	1
	086861	CLIP, RSGU 1.10/12 W1 RETAIN- ING	4
	P85105	CHOCK, UK10K2 WHEEL	2
	P85106	HOLDER, WHEEL CHOCK HA10K2	2
	P05059	PIN, 1/8X1 13/16 SAFETY	3
	014151	PIN, 3/8 x 2 1/4 SQ WIRE LOCK	3
	016030	LANYARD, 3/64 x 6	6

Table 2: Sawmill LT15SC mounting parts

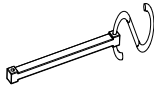
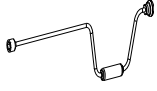
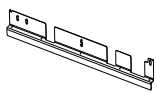
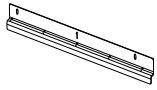
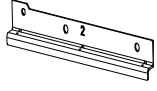
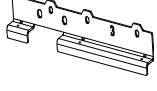
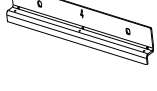
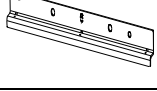

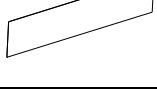

	012965	STRAP, 9" RUBBER WITH HOOKS	3
	084536	HANDLE, 140x665x1 2 SW19 CRANK - COMPLETE	1
	538792-1	PLATE 5	1
	538923-1	PLATE 1	1
	543902-1	DUCT, CABLE (2)	2
	543903-1	DUCT, CABLE (3)	2
	543904-1	DUCT, CABLE (4)	1
	543905-1	DUCT, CABLE (6)	1
	543907-1	DUCT, CABLE (1)	1
	538846	STICKER, 1200X200 mm LONG VEHICLE	1
	538844-1	PLATE, LONG & HEAVY VEHICLE	1

Table 2: Sawmill LT15SC mounting parts

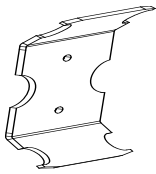
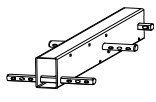
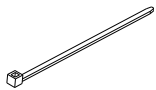
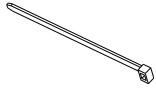
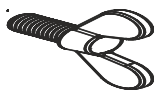

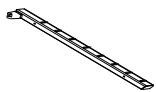


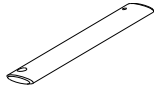
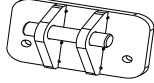

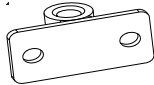
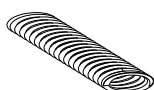
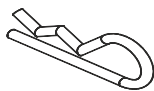
	506287-1	PLATE, BED SEC- TION CON- NECTOR	2
	538809-1	BED EXTEN- SION TUBE, PAINTED	1
	F81082-4	WRAP, TKUV 9/3 WIRE TIE	50
	F81089-1	WRAP, TKUV 20/5 WIRE TIE	12
	F05021-32	SCREW, M8-1.25x16 THUMB	2
	550414	CONTROL BOX COVER	1
	TRAILER, LT15 TRC BOLTS KIT		1
LOADING RAMP WITH WINCH 534630			
	534624-1	LEG, LOADING RAMP WELD- MENT	2
	534651	WINCH, DWK 35V HAND	1
	550626-1	MOUNT WELD- MENT, WINCH	1

Table 2: Sawmill LT15SC mounting parts

	534657-1	PIN, LOCK	1
	534674-1	BRACKET, RAMP MOUNT	2
	538784-1	CRANK HANDLE GRIP	2
	538786-1	CRANK HANDLE, MOUNT BRACKET	2
	538788	SPRING, COM- PRESSION	2
	P05059	PIN, 1/8X1 13/16 SAFETY	1

3.2 LT15 O2 Trailer Assembly

1. Assemble the LT15SC bed frame in accordance with LT15 operator's manual ([See Section 2.3](#)).
2. Unpack the LT15 O2 trailer components.

See figure 3-1.



FIG. 3-1

3. Mount additional mast track extension (538809-1) at the rear of the sawmill using the M12x120 bolts.

See figure 3-2.



FIG. 3-2

See figure 3-3.



FIG. 3-3

3

Assembly - LT15 O2 Trailer

LT15 O2 Trailer Assembly

- To mount the O2 trailer on the LT15 sawmill, raise the assembled bed to a height of 50cm. Make sure the sawmill bed is level and rests on stable legs. Use M10x75 bolts to install leg mount tube (A) (Part No. 538633-1) - 2 pcs and trailer leg mount weldment (B) (Part No 538820-1) to the sawmill frame as shown on the figure below (proper mounting holes are marked with blue).

See figure 3-4.

LT15SCTRC_001

LT15SCS3EH1OSP-1_3ESWPD_MANUAL

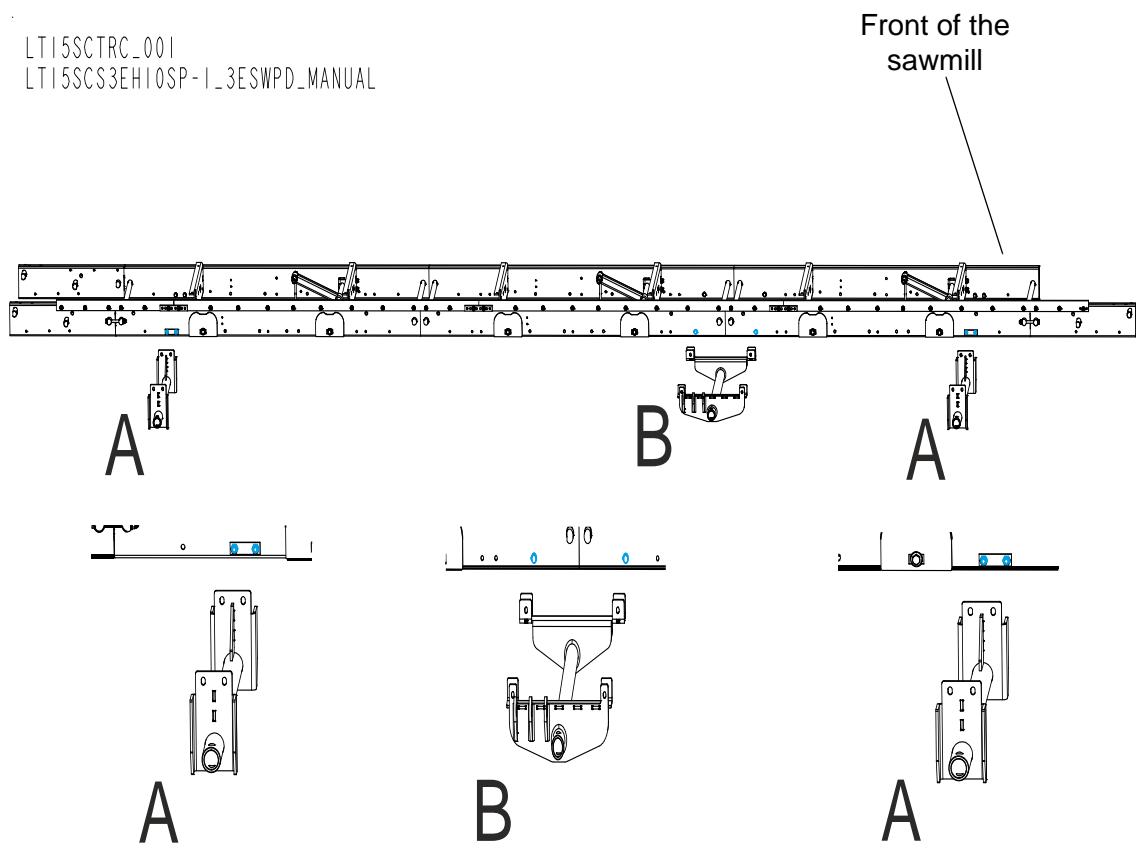


FIG. 3-4

5. Use M10x75 threaded rods,nuts and washers to mount the rear light bolt.

See figure 3-5.



FIG. 3-5

See figure 3-6.

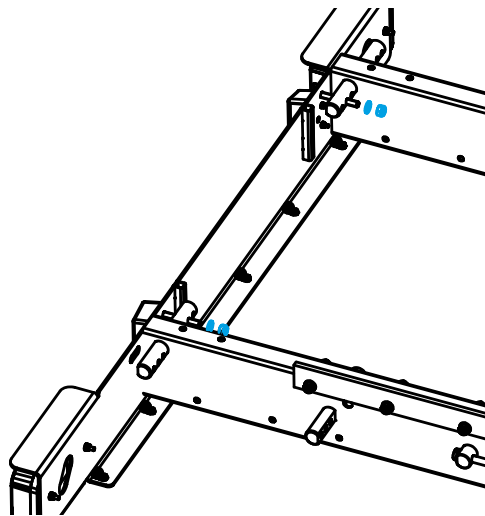


FIG. 3-6



CAUTION! Now route the lightning cables. When the axle bracket will be mounted, it will not be possible to do this.

3

Assembly - LT15 O2 Trailer

LT15 O2 Trailer Assembly

Use M10x75 bolts to install marker lights in places shown on the figure (B). Two additional lights will be mounted on fenders. Next, insert the reflective plate (A) into slots shown on the figure below.

See figure 3-7.

LT15SCTRC_002
LT15SCS3EH1OSP-I_3ESWPD_MANUAL

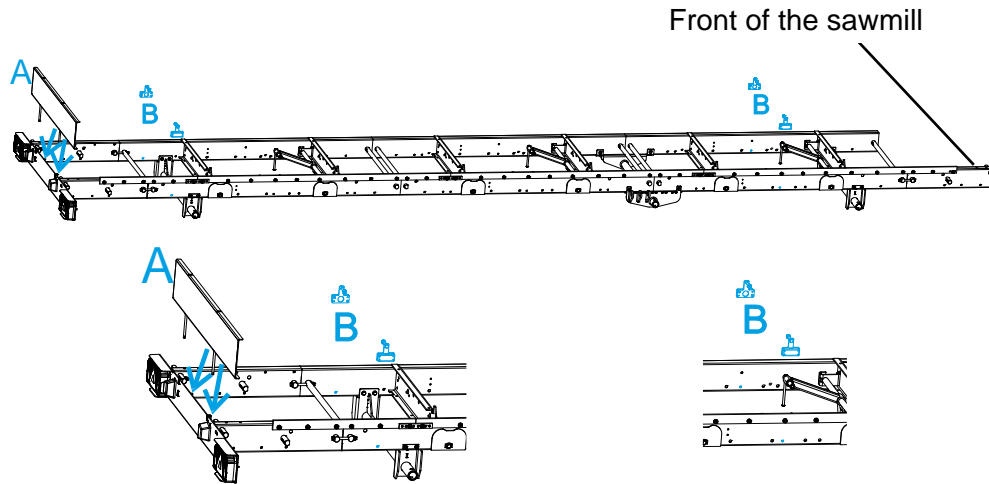


FIG. 3-7

Use M5x16 (A) bolts to secure lightning cables on the rear light beam. Use cotter pins (B) and (C) to secure rear light beam.

See figure 3-8.

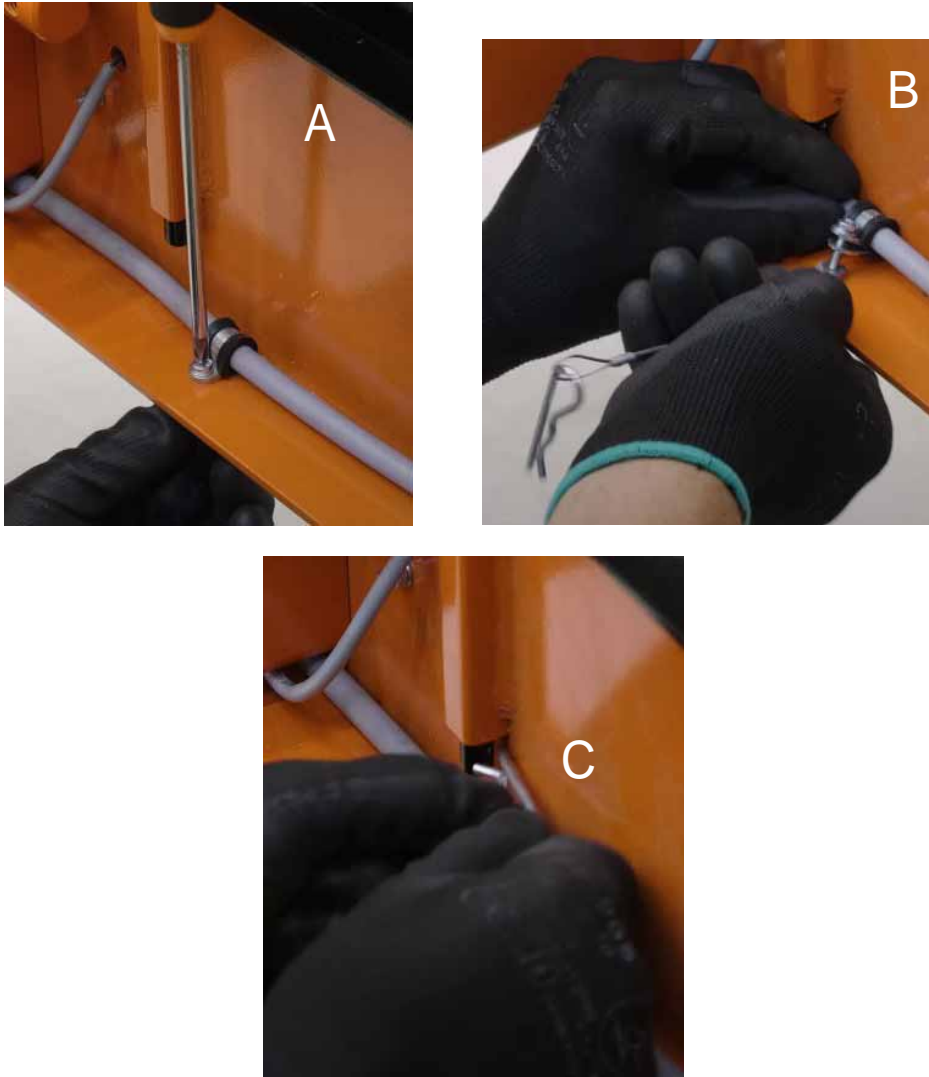


FIG. 3-8



CAUTION! Use tie wraps to fasten sawmill lighting cable to the sawmill frame. Lightning cables should not contact with the ground.

3

Assembly - LT15 O2 Trailer

LT15 O2 Trailer Assembly

Marker lights mounting method is shown on the figure below.

See figure 3-9.

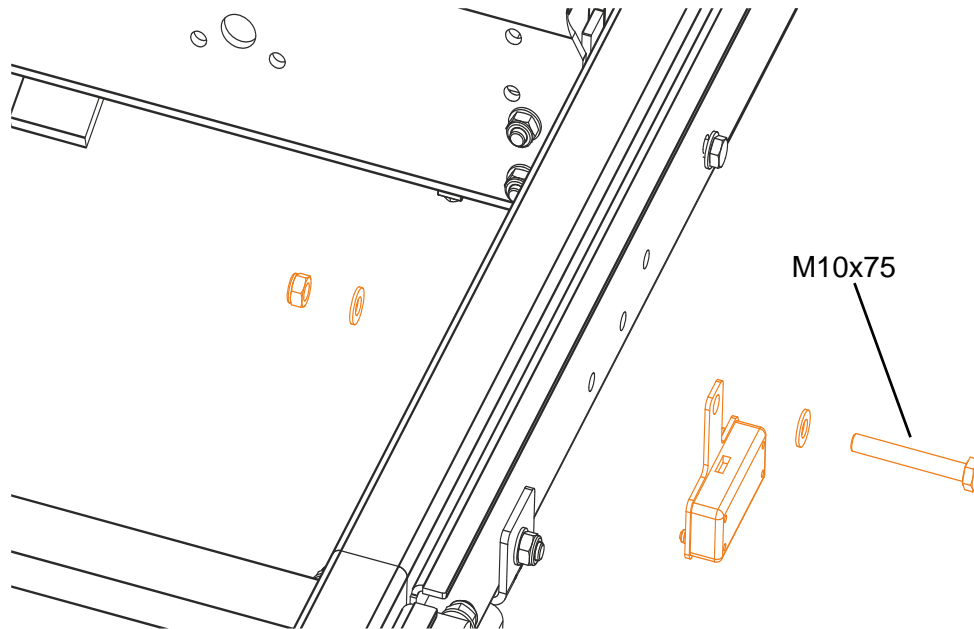


FIG. 3-9

- Install the lighting cable plates to the sawmill frame with M10x75 and M12x75 bolts, as shown in the figure below.

See figure 3-10.

LT15SCTRC_003
 LT15SCS3EH1OSP-1_3ESWPD_MANUAL

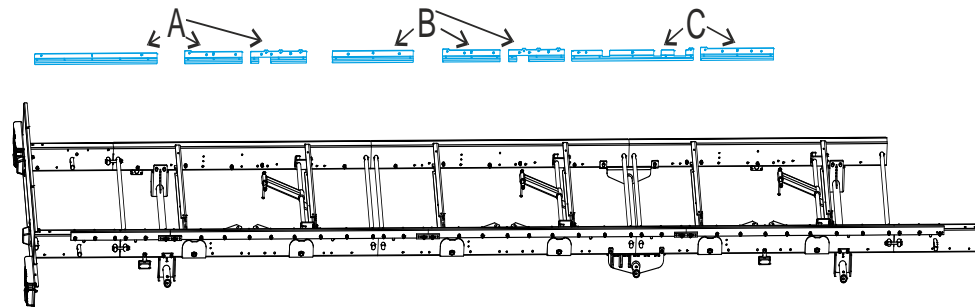


FIG. 3-10

See figure 3-11.

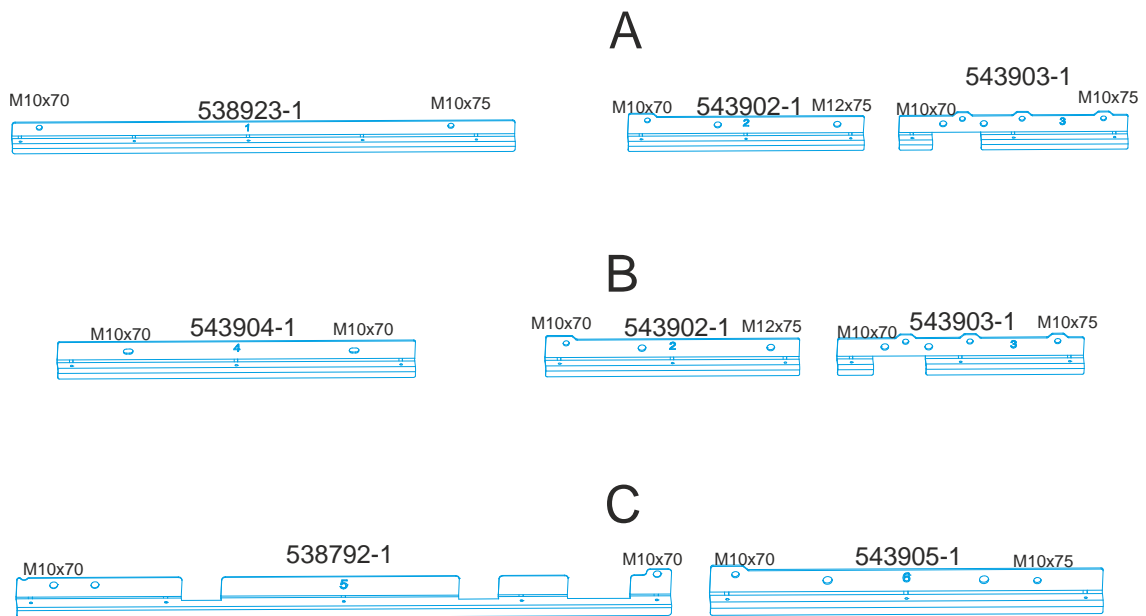


FIG. 3-11

3 Assembly - LT15 O2 Trailer
LT15 O2 Trailer Assembly

See figure 3-12.

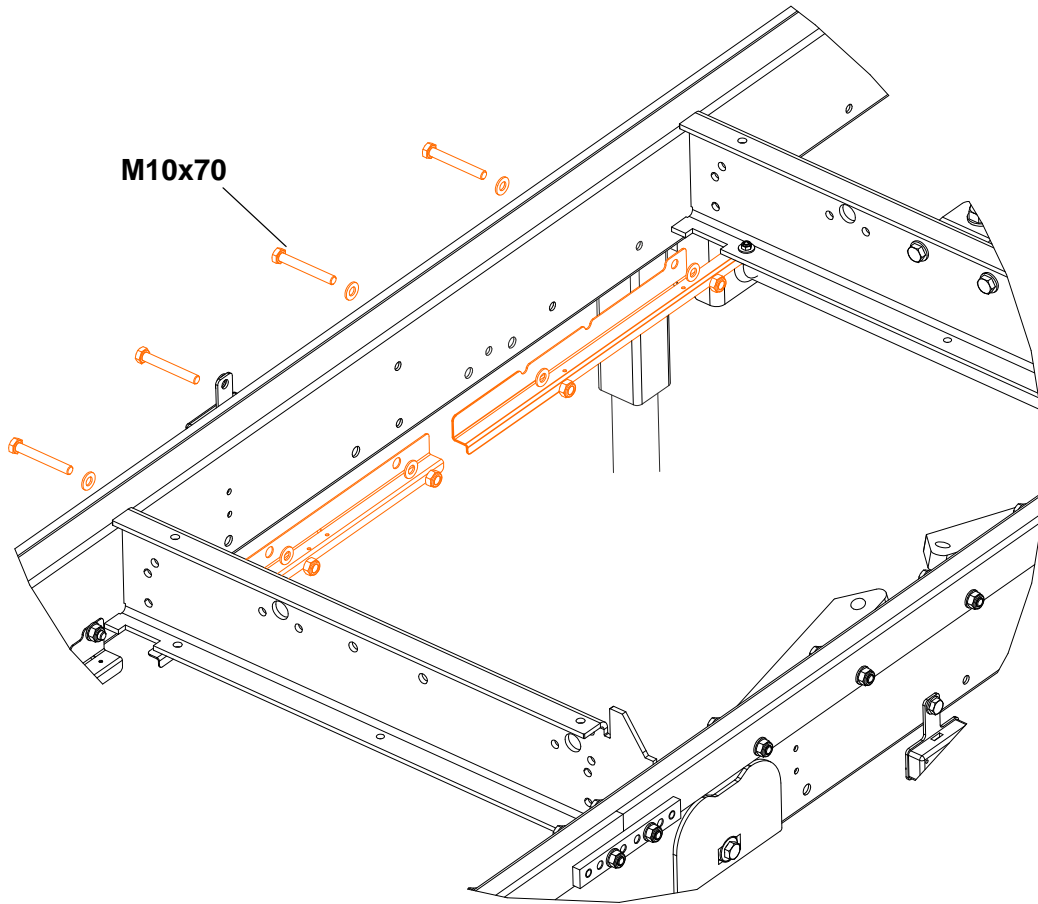



FIG. 3-12

7. Mount the axle mount assembly in place shown below.

See figure 3-13. Place the axle mount assembly under the bed in its middle section. Align axle mount assembly holes with bed section holes. Use eight M10x80 bolts, washers and hex nylon lock nuts to bolt the axle mount assembly. Recommended torque used to tighten the bolts is 34 ft.-lbs (46,3 Nm). The nuts should be on the inner side.

 **WARNING!** For all bolted connections of the running elements (coupling head, drawbar, axle and its bracket) use nylon lock nuts. This type of nut is disposable. If it is necessary to unbolt and tighten them, use a new nylon lock nut!

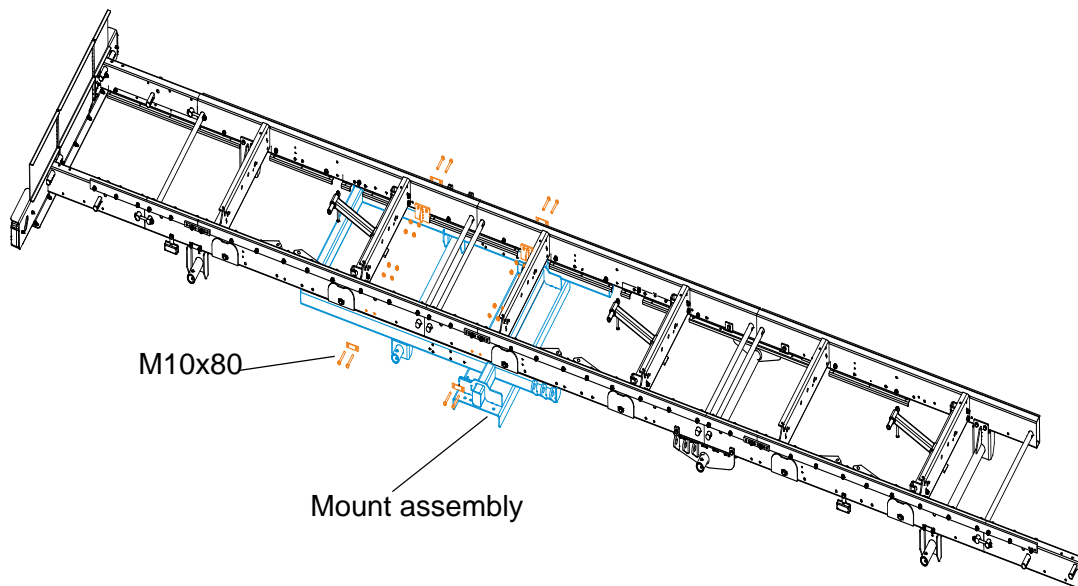


FIG. 3-13

See figure 3-14.

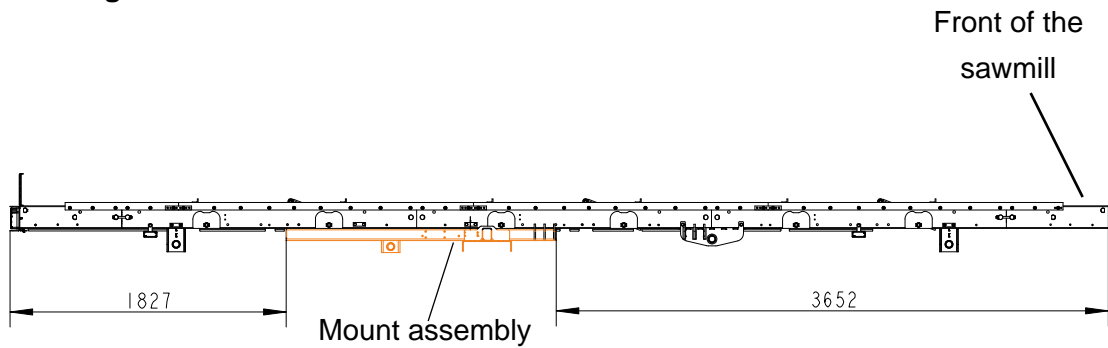


FIG. 3-14

8. Install support legs (Part No. 550455) - 8 pcs to the A, B, C mount brackets as shown below. Lock support legs in vertical position with pins and use supplied crank handle to put the leg down. Lower the sawmill on the support legs and level the sawmill bed.



IMPORTANT! Adjust the support legs evenly when leveling the bed. Excessive load on a single support leg may damage it.

See figure 3-15.

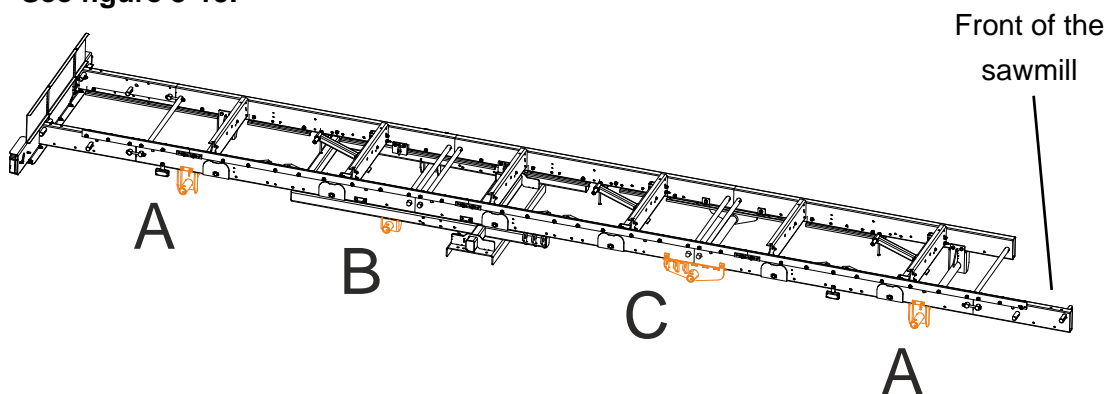


FIG. 3-15

See figure 3-16.

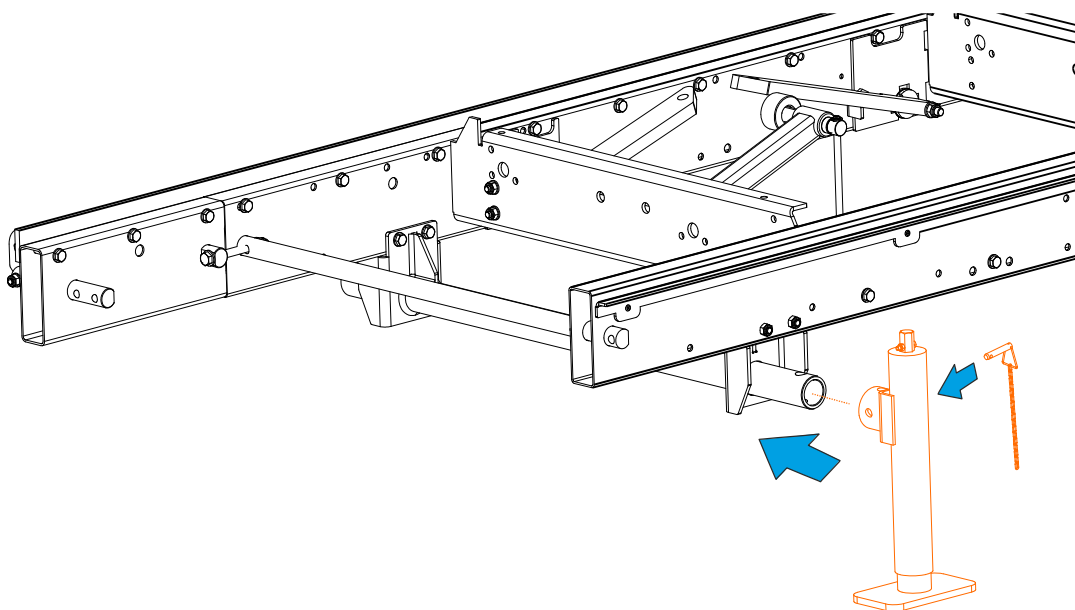


FIG. 3-16

See figure 3-17.

LT15SCS3EH10SP-I_3ESWPD_TRC_001
LT15SCS3EH10SP-I_3ESWPD_MANUAL_

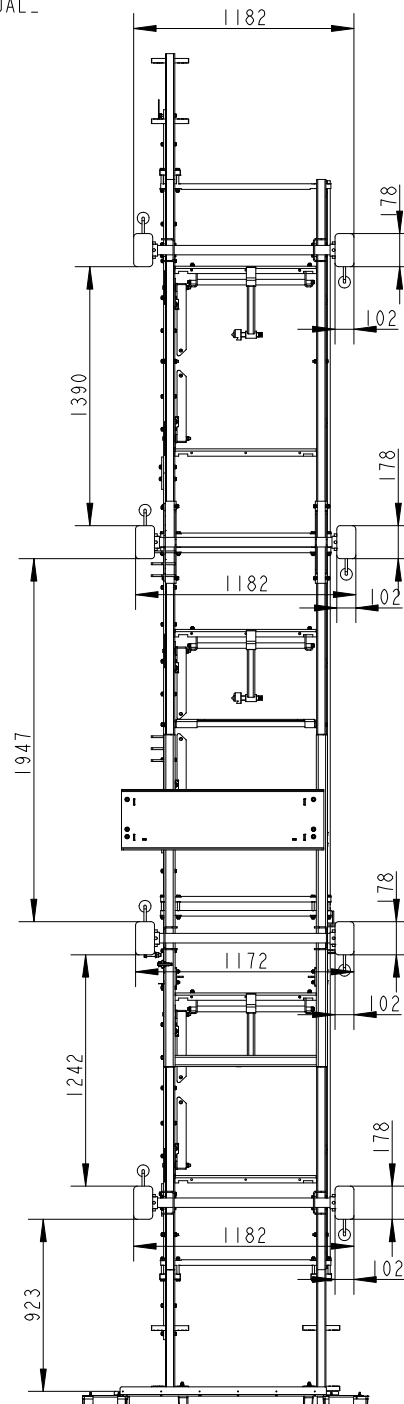


FIG. 3-17

9. Brake cable (Bowden cable) installation.

Remove the cover cup (A) and top part (B).

See figure 3-18.



FIG. 3-18

3**Assembly - LT15 O2 Trailer***LT15 O2 Trailer Assembly*

Attach the brake cable to the bracket located inside the brake drum, as shown below.

See figure 3-19.



FIG. 3-19

Insert the top part (A), next slide the protective bushing (B).

See figure 3-20.



FIG. 3-20

Attach the other end of the brake cable to the bracket and secure it with a nut.

See figure 3-21.



FIG. 3-21

10. Installation and Setting Instructions on the AL-KO automatic reverse mechanical brake system.¹

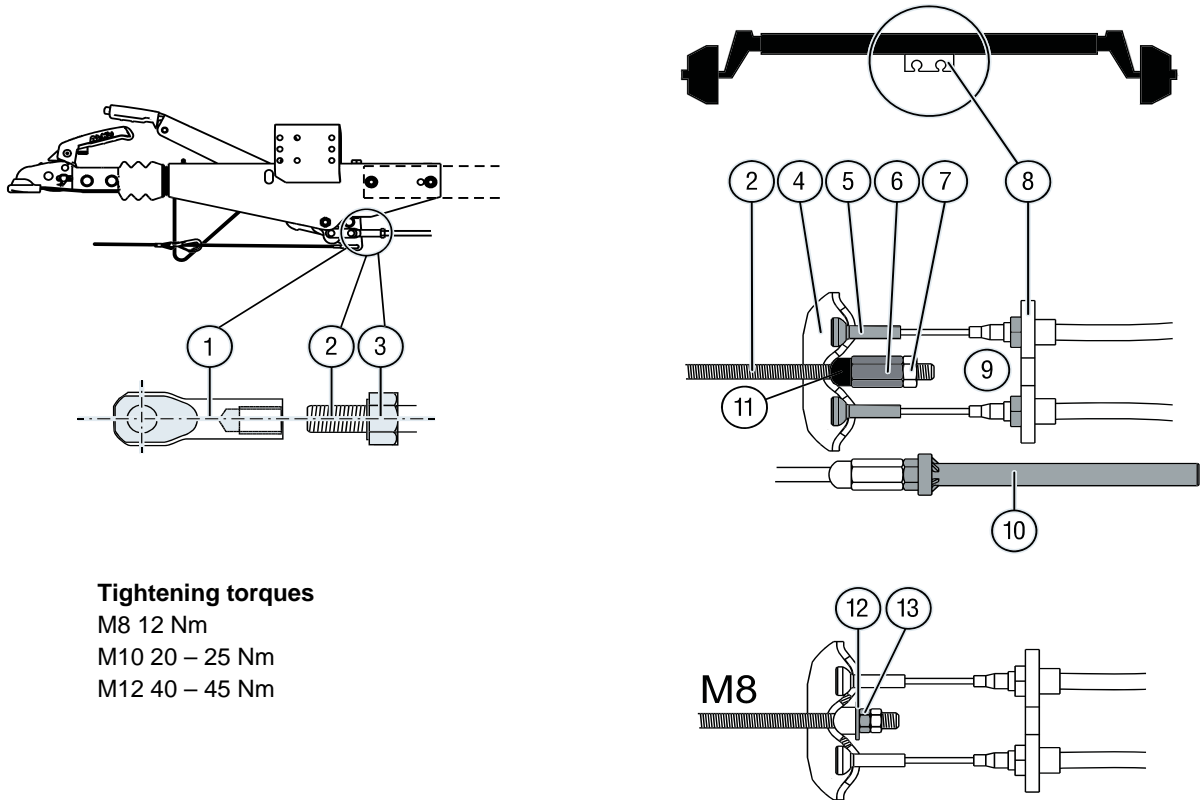
Version without spring accumulator

Type RB 1637, RB 2051, RB 2361

1. Mount overrun device and axle on chassis.
2. Release handbrake lever completely.
3. Pull out the overrun device's drawbar tube fully towards the front.
4. Screw brake rod (2) at least 15 mm into the articulated head (1) of the overrun device and lock with hex nut (3).
5. Hook the Bowden cable (brake cable) into the wheel brake.
6. Connect Bowden cables (5) with adapter bracket (8) and lock with hex nut M12x1.5 (9).
7. Pass Bowden cables (8) into the compensation profile (7).
8. Insert brake rod (2) into compensation profile (4).
9. Put on the spacer (11).
10. Secure adapter bracket.
 - For brake rod M10 - Screw long nut (6) onto brake rod (2) and tighten by hand.
 - For brake rod M8 - Put washer (12) on brake rod (2). Screw nut (13) onto brake rod (2) and tighten by hand.
11. Firmly apply and release the handbrake lever 3 times.
12. Turn the wheel forwards, tightening the long nut (6) or nut (13) until brake resistance can be felt. **The wheel needs to be turnable by hand in the driving direction.**
13. Lock long nut (6) or nut (13) with hex nut (7) or alternatively use brake rod holder (10).

1. According to AL-KO: Comprehensive Catalogue Trailer Components

See figure 3-22.



Tightening torques

M8 12 Nm

M10 20 – 25 Nm

M12 40 – 45 Nm

FIG. 3-22

3

Assembly - LT15 O2 Trailer

LT15 O2 Trailer Assembly

11. Mount the axle to the previous mounted axle mount assembly, using M12x35 carriage bolts (recommended torque to tighten the bolts is 58 ft.-lbs (79 Nm), nylon lock nuts and washers. Use M12x25 bolts to install the wheels (torque recommended by manufacturer to tighten the wheels is 81ft.-lbs (110 Nm)



WARNING! For all bolted connections of the running elements (coupling head, drawbar, axle and its bracket) use nylon lock nuts. This type of nut is disposable. If it is necessary to unbolt and tighten them, use a new nylon lock nut!

See figure 3-23. Axle assembly

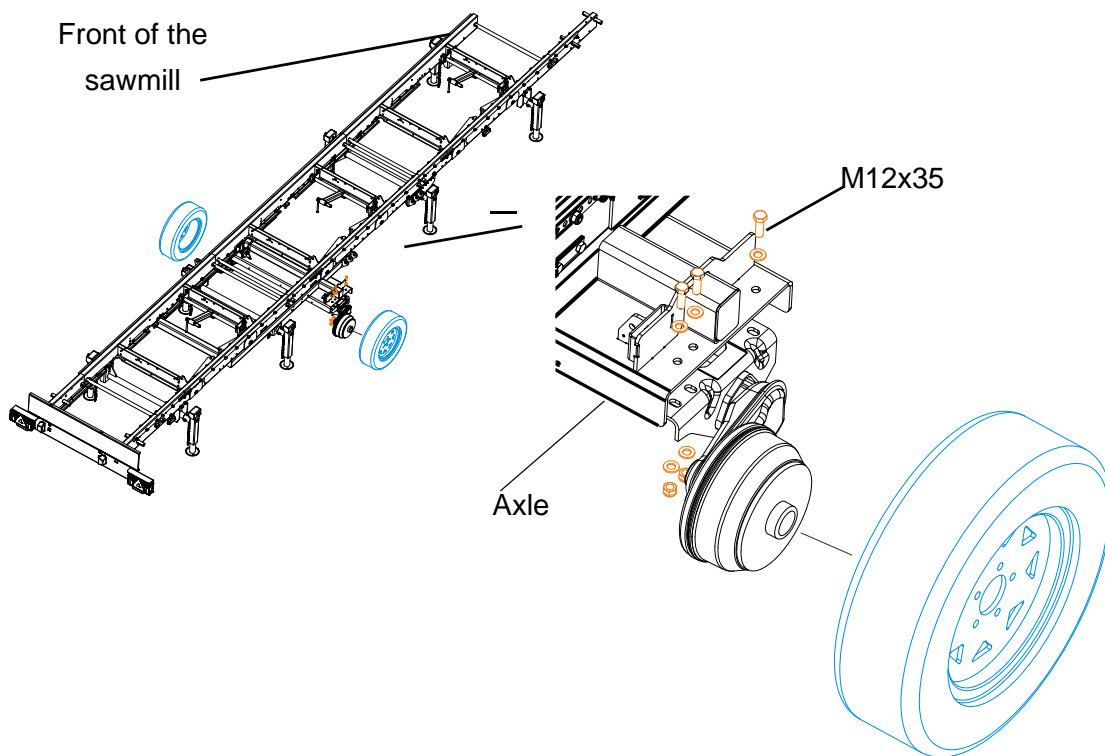


FIG. 3-23

See figure 3-24.



FIG. 3-24

3

Assembly - LT15 O2 Trailer

LT15 O2 Trailer Assembly

12. Install the fender mount bracket to the fender using M6x30 bolt, next mount the holder (M6x30 bolt) and the fender brace (with M6x30 bolts - **A** and M8x25 carriage bolts - **B**). Bolt the marker light and headlight mounting plate (bolts: M10x30 2 pcs, M6x25). Mount the wheel chock.

See figure 3-25.

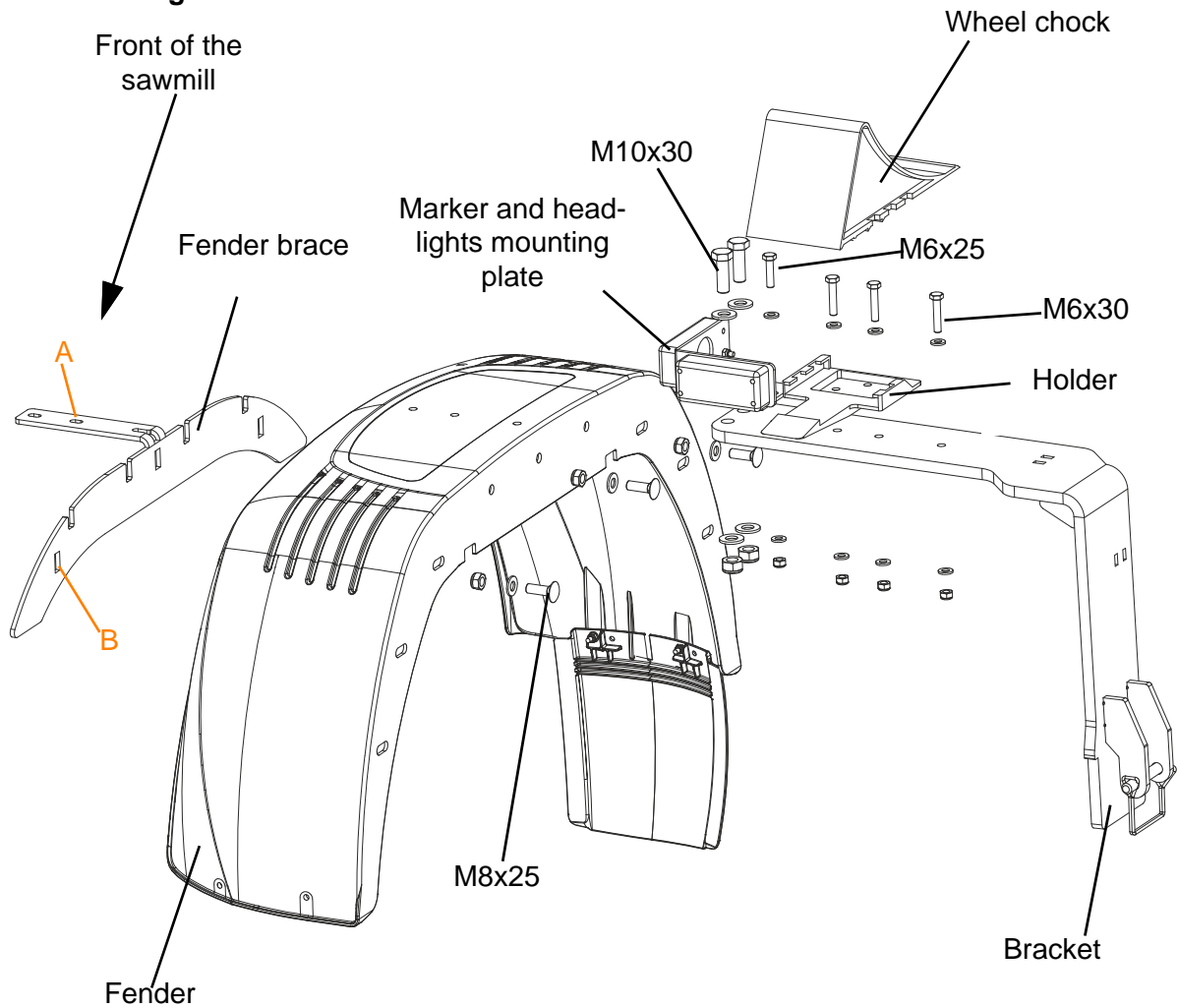


FIG. 3-25

See figure 3-26. The assembled axle place in the axle mount slot (A) and secure with a pin (B). Secure the pin with steel cable, as shown on the figure below. .

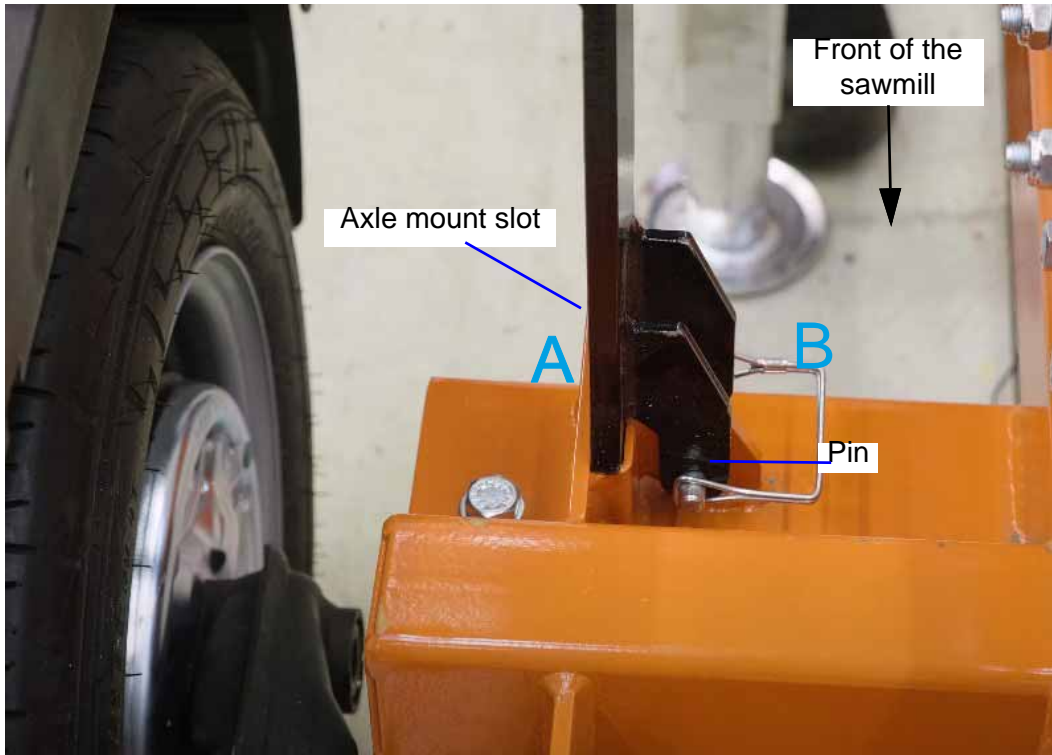


FIG. 3-26

13. Coupling head assembly

Unbolt the M12x120 bolt. Install the drawbar mount plate (534610-1) with M12x120 bolt (1pc) and M12x80 bolts (2-pcs) as shown below.

See figure 3-27.

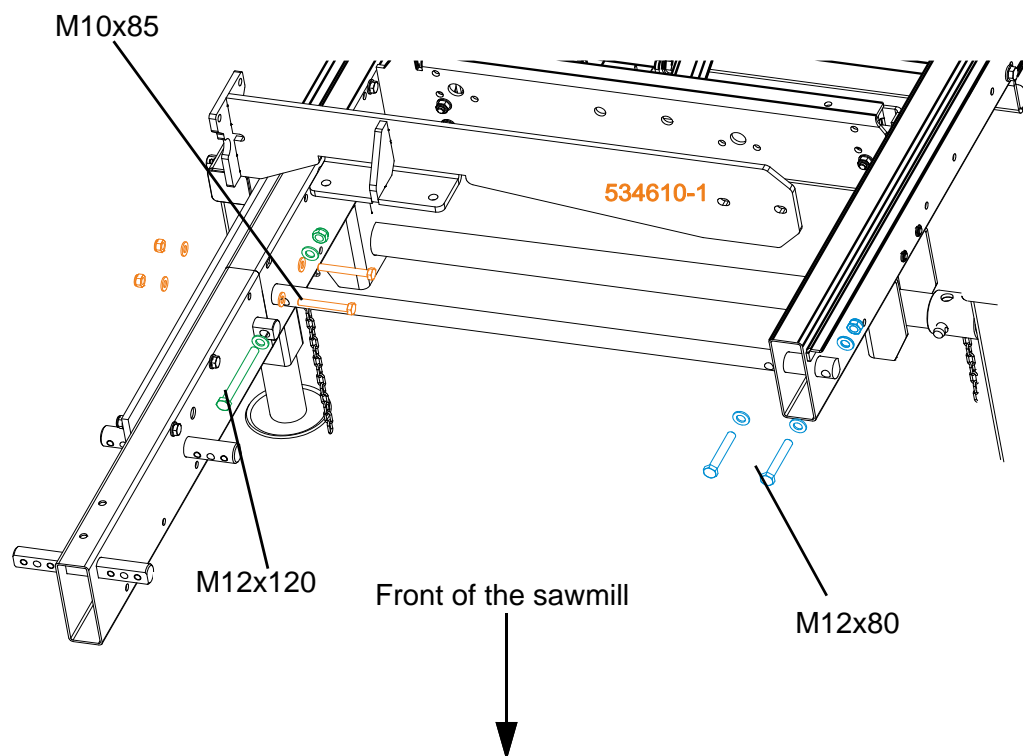


FIG. 3-27

Mount the clamp (A) to the drawbar mount plate using M12x55 bolts (recommended torque to tighten the bolts is 58 ft.-lbs (79 Nm)). Next bolt the drawbar mount plate (B) M12x80 bolts (recommended torque to tighten the bolts is 58 ft.-lbs (79 Nm)).

See figure 3-28.

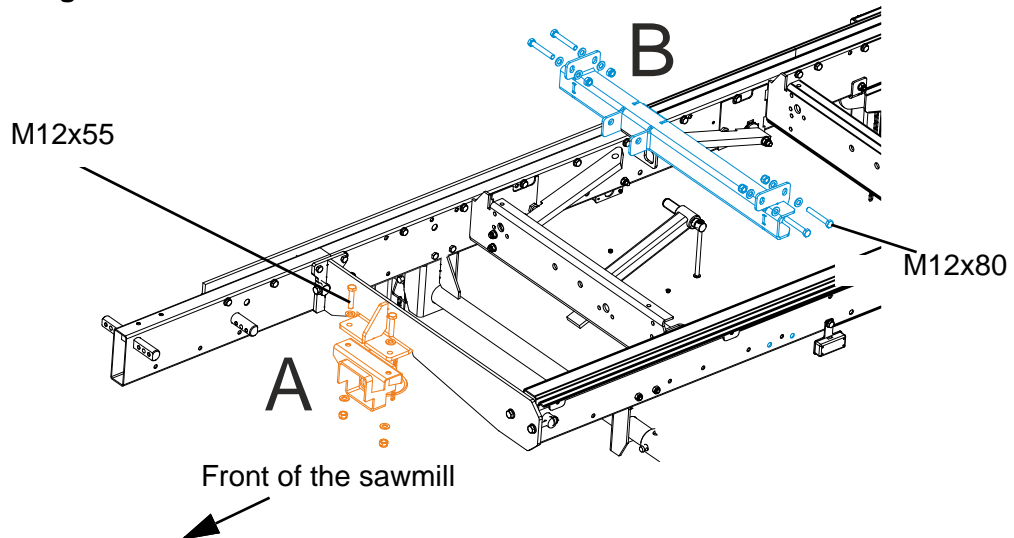


FIG. 3-28

3

Assembly - LT15 O2 Trailer

LT15 O2 Trailer Assembly

14. Loosen the M12x55 bolts (A), mount the drawbar in the mount plate (B) using M16x140 bolts (recommended torque to tighten the bolts is 125.4 ft.-lbs (170 Nm)). Retighten M12x55 bolts.

See figure 3-29.

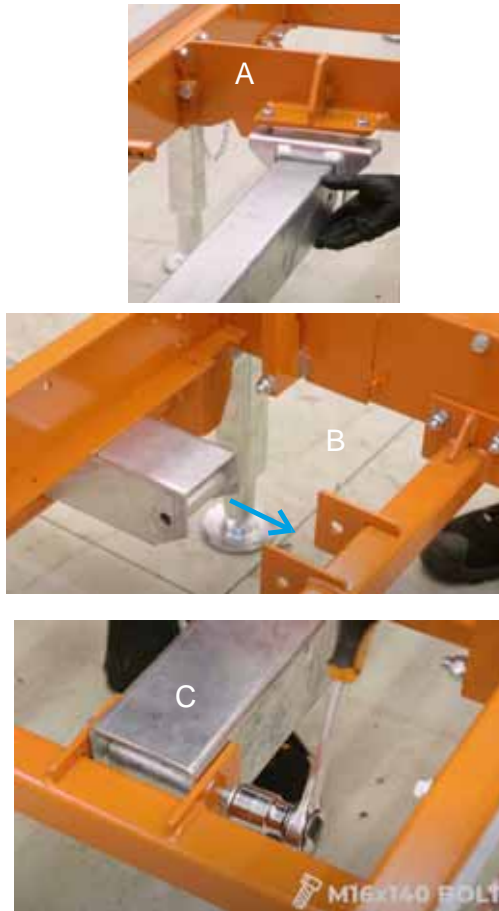


FIG. 3-29

See figure 3-30. Use M10x75 bolt to mount coupling head (A) to the drawbar. Bolt the cable duct to the drawbar with M10x75 bolt (D). Lighting cables should be route under the cable duct (B). Bolt the cable duct to the drawbar mount plate with M16x140 bolt (recommended torque to tighten the bolt is 125.4 ft-lbs. (170 Nm)) (C).

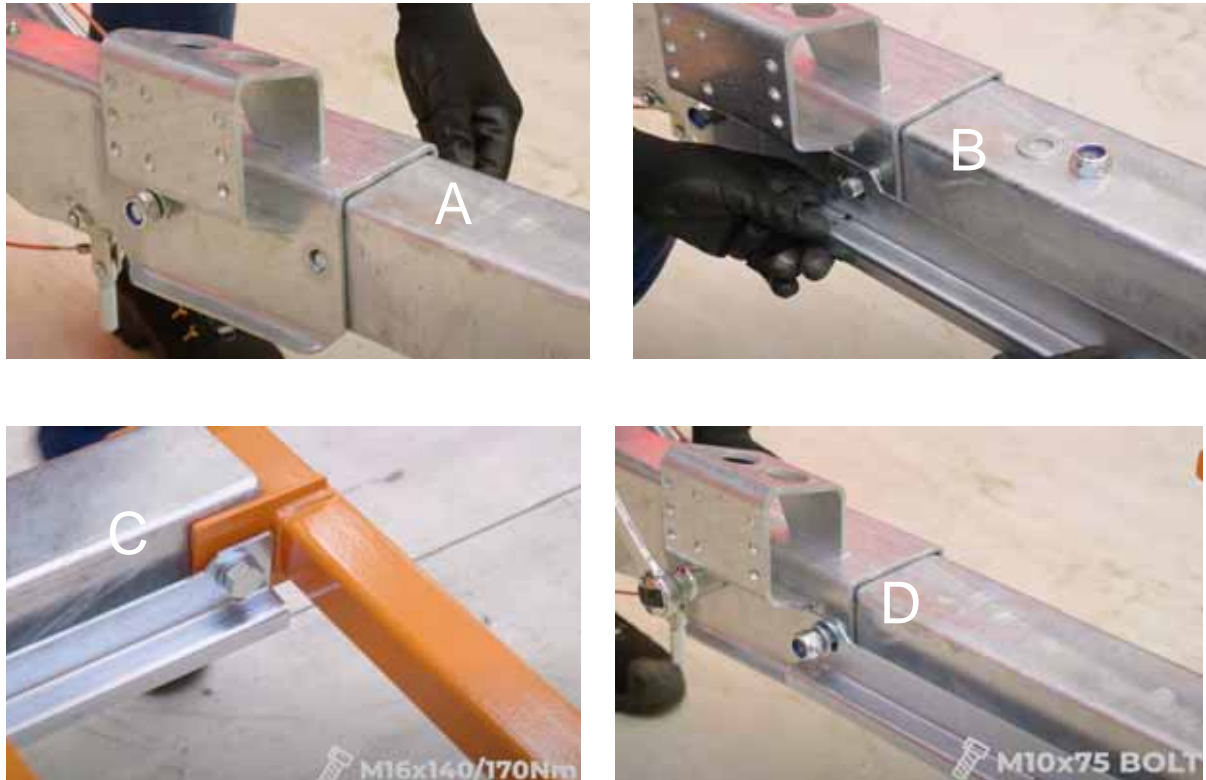


FIG. 3-30

3

Assembly - LT15 O2 Trailer

LT15 O2 Trailer Assembly

See figure 3-31. Install the jockey wheel with M10x30 bolts as shown below.

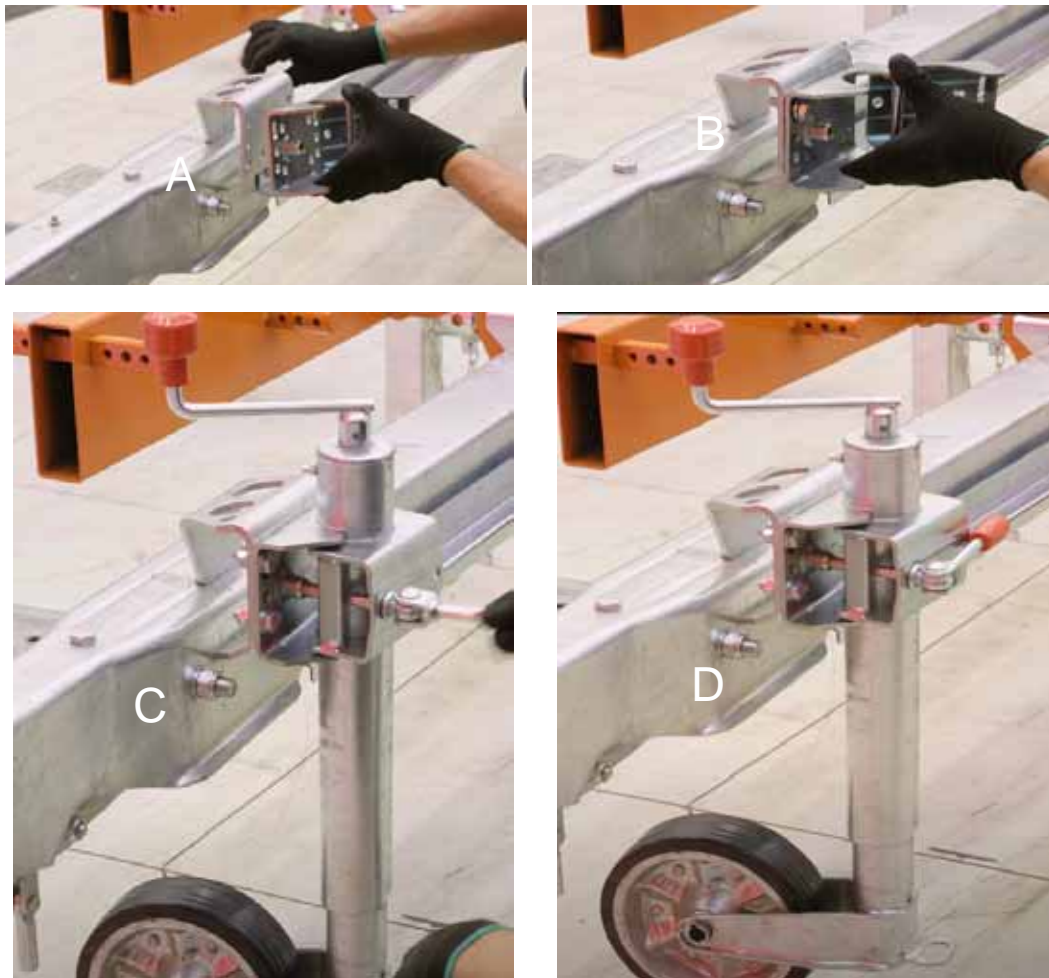


FIG. 3-31



WARNING! For all bolted connections of the running elements (coupling head, drawbar, unbraked axle and its bracket) use nylon lock nuts. This type of nut is disposable. If it is necessary to unbolt and tighten them, use a new nylon lock nut!

15. Loading ramp

Install the loading ramp brackets using M10x75 bolts. The proper mounting holes are marked in blue on the figure below.

See figure 3-32.

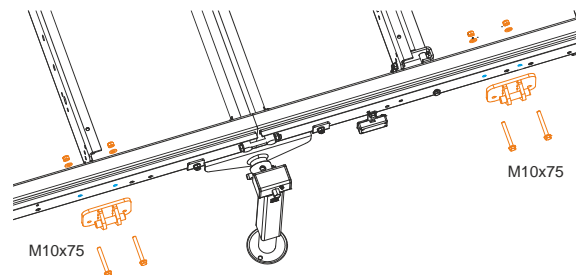


FIG. 3-32

See figure 3-33. Next, install loading ramp arms.

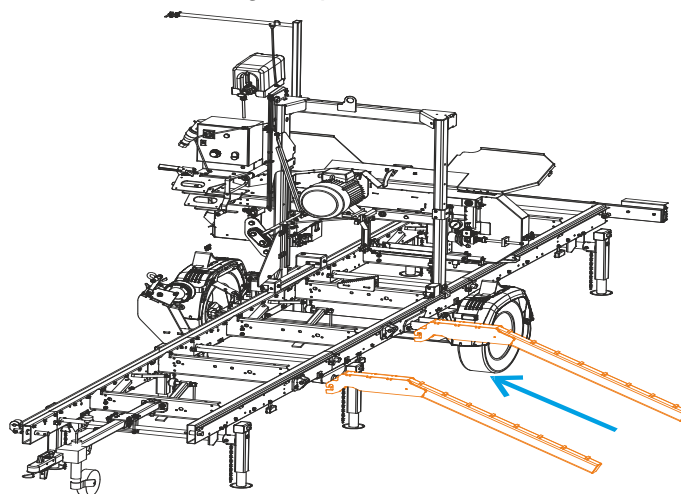


FIG. 3-33

3

Assembly - LT15 O2 Trailer

LT15 O2 Trailer Assembly



CAUTION! Do not adjust the log position on the ramp. To do this, the log must be completely lowered on the ground, properly positioned and pulled back onto the sawmill bed using the loading ramp and the winch

16. Rubber strap with hooks

Use M6x30 bolt to install the rubber strap with hooks. Next, use this rubber strap to secure the log clamp.

See figure 3-34.

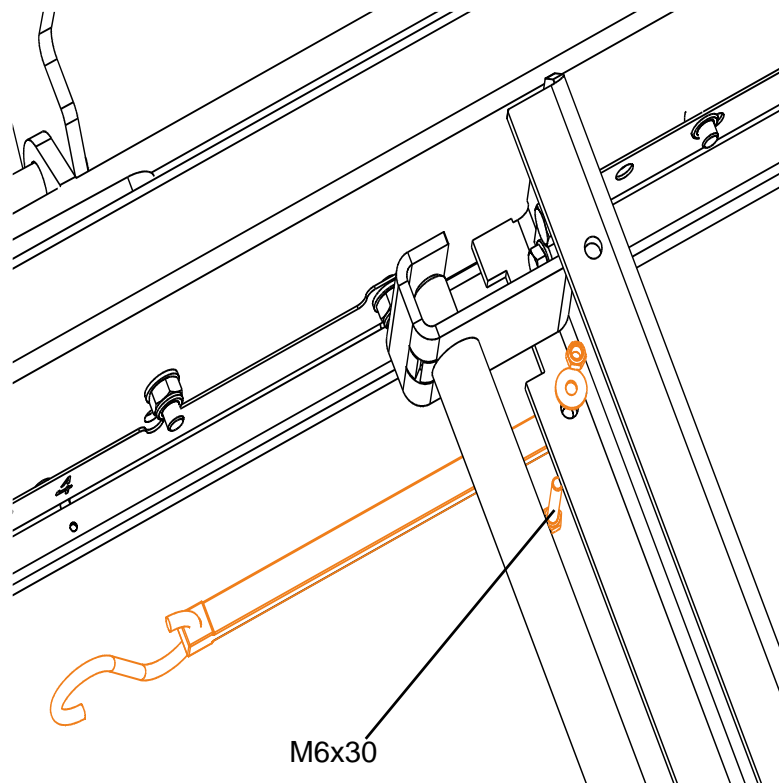


FIG. 3-34

See figure 3-35.

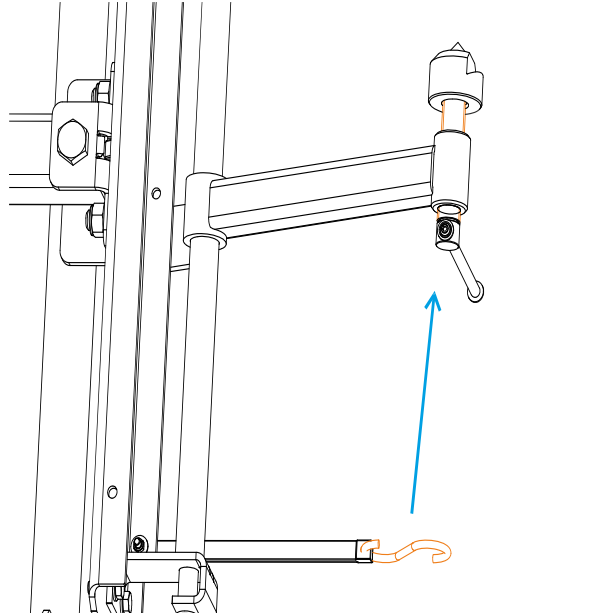


FIG. 3-35

3

Assembly - LT15 O2 Trailer

LT15 O2 Trailer Assembly

17. Winch

Use M10x30 bolts to mount the winch to its mount weldment (A, B), next install the winch crank (C). Use the lock pin and safety pins (D) to secure the winch into the bracket.

See figure 3-36.

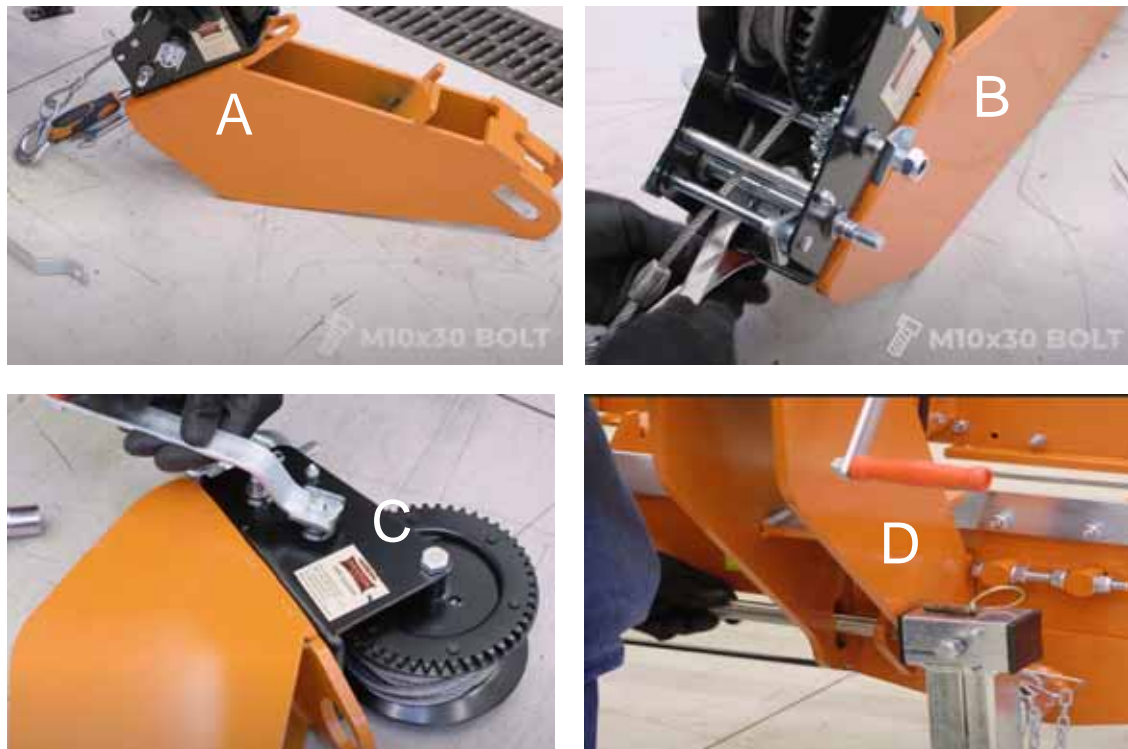


FIG. 3-36

18. Mount the saw head support in the bracket with M12x45 bolt and secure with the lock pin.

See figure 3-37.

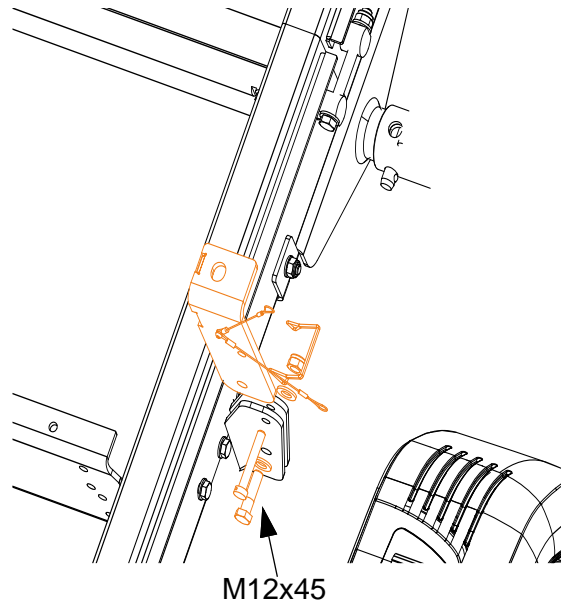


FIG. 3-37

See figure 3-38.



FIG. 3-38

19. Log ramp

Install the log ramp mount assembly in places shown below and secure with the roll pin.

See figure 3-39.

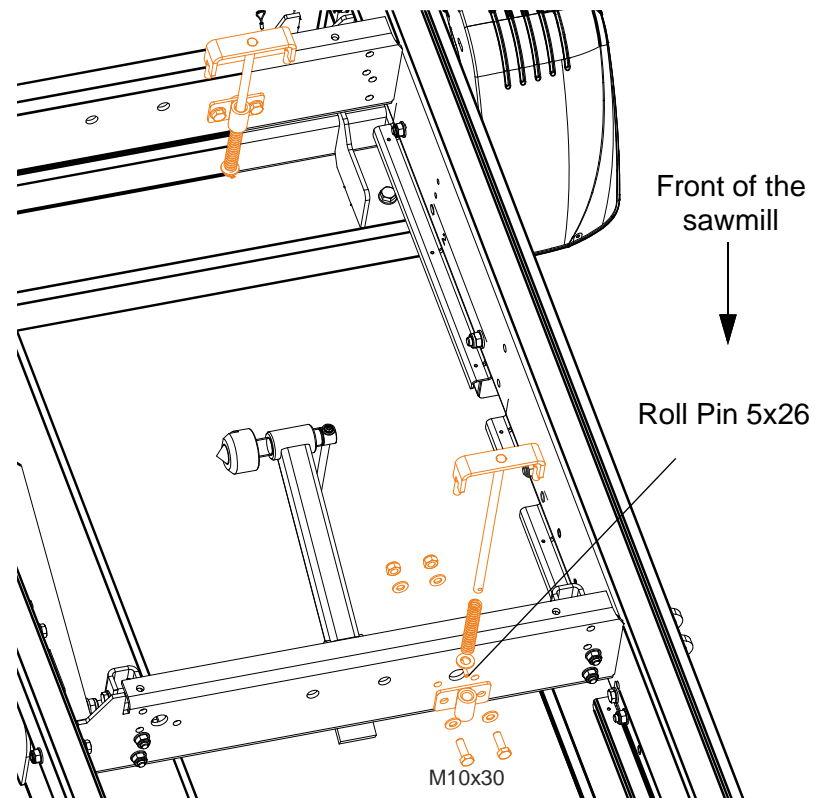


FIG. 3-39

20. Control box installation

See figure 3-40. Unbolt the M8x25 control box mounting bolts (A) and install the control box in the place shown in the figure below (B) using the same M8x25 bolts (C). Bolt the control box cover (No. 550414) to the control box base as shown in the figure below (D).

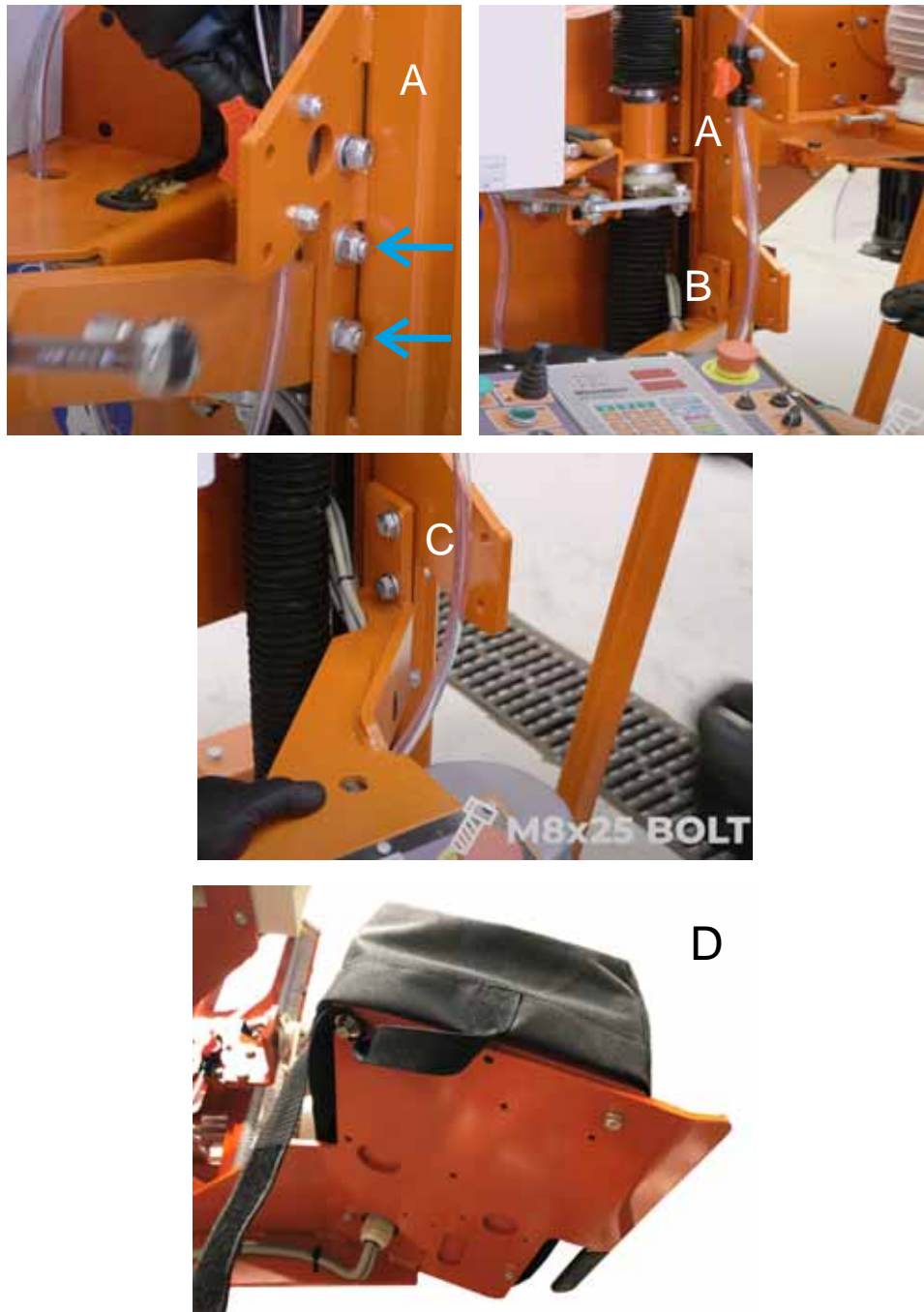


FIG. 3-40

21. Blade height indicator

See figure 3-41. Install the blade height scale bracket with two nuts as shown below. Blade height scale adjustment is described in the sawmill manual - [See Section 6.12](#) "Blade height scale adjustment"

LT15SASEH7SP-TRS_014
LT15SAS3EH7SP-TRS

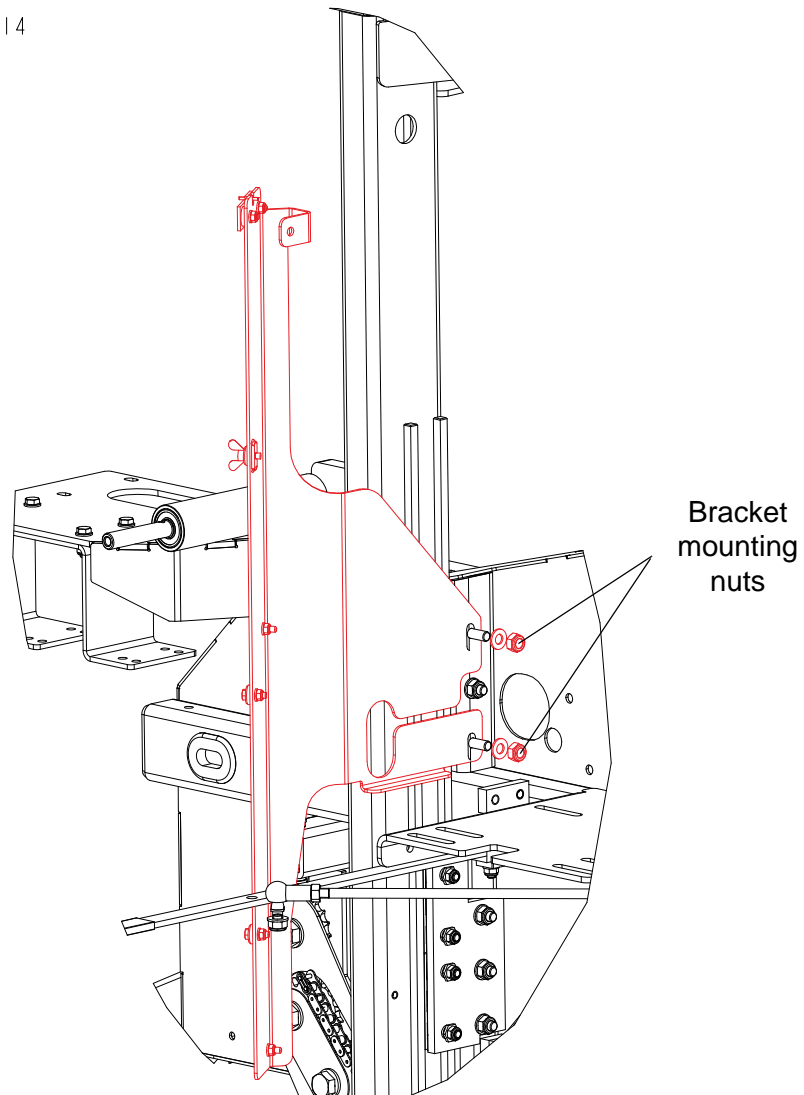


FIG. 3-41

See figure 3-42. Bolt the blade height indicator to the sawmill mast. If it is necessary loosen the scale mounting nuts and move the blade height indicator up or down.

LT15SASEH7SP-TRS_013
LT15SAS3EH7SP-TRS

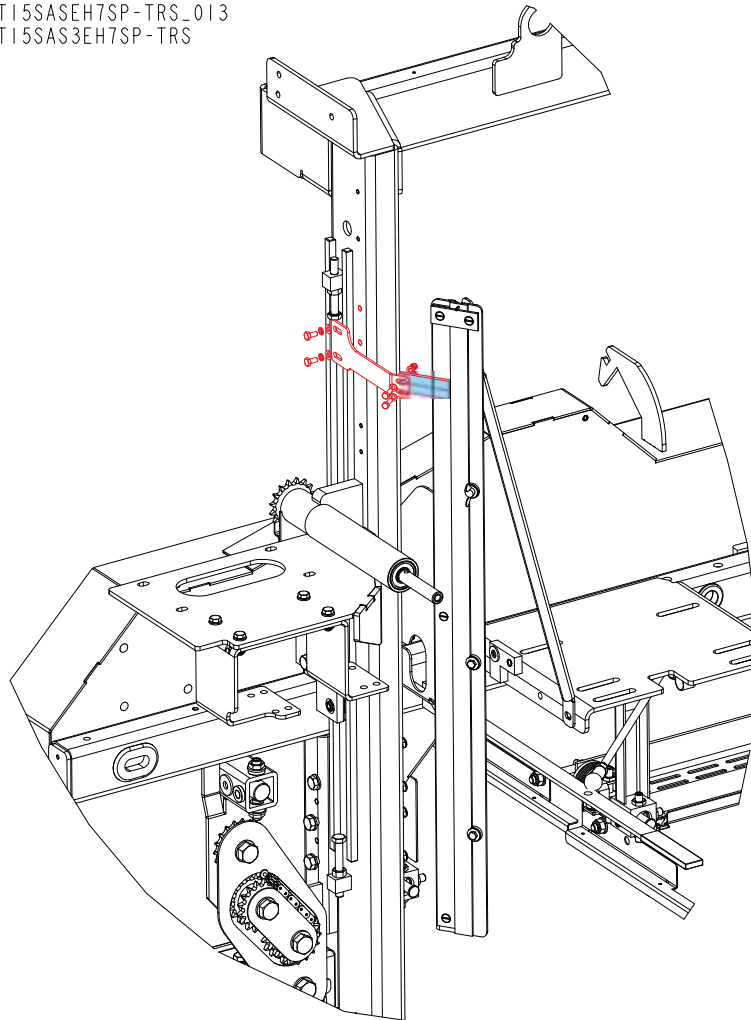


FIG. 3-42

3**Assembly - LT15 O2 Trailer***LT15 O2 Trailer Assembly*

22. Mount the sawdust chute with M8x16 wing screws.

See figure 3-43.



FIG. 3-43

23. Saw head safety chain

Mount the safety chain in the place shown below and secure it with the lock pin (A). Install the M16x80 bolt show below, and secure the saw head with the chain in the place shown below.

See figure 3-44.



FIG. 3-44

See figure 3-45.

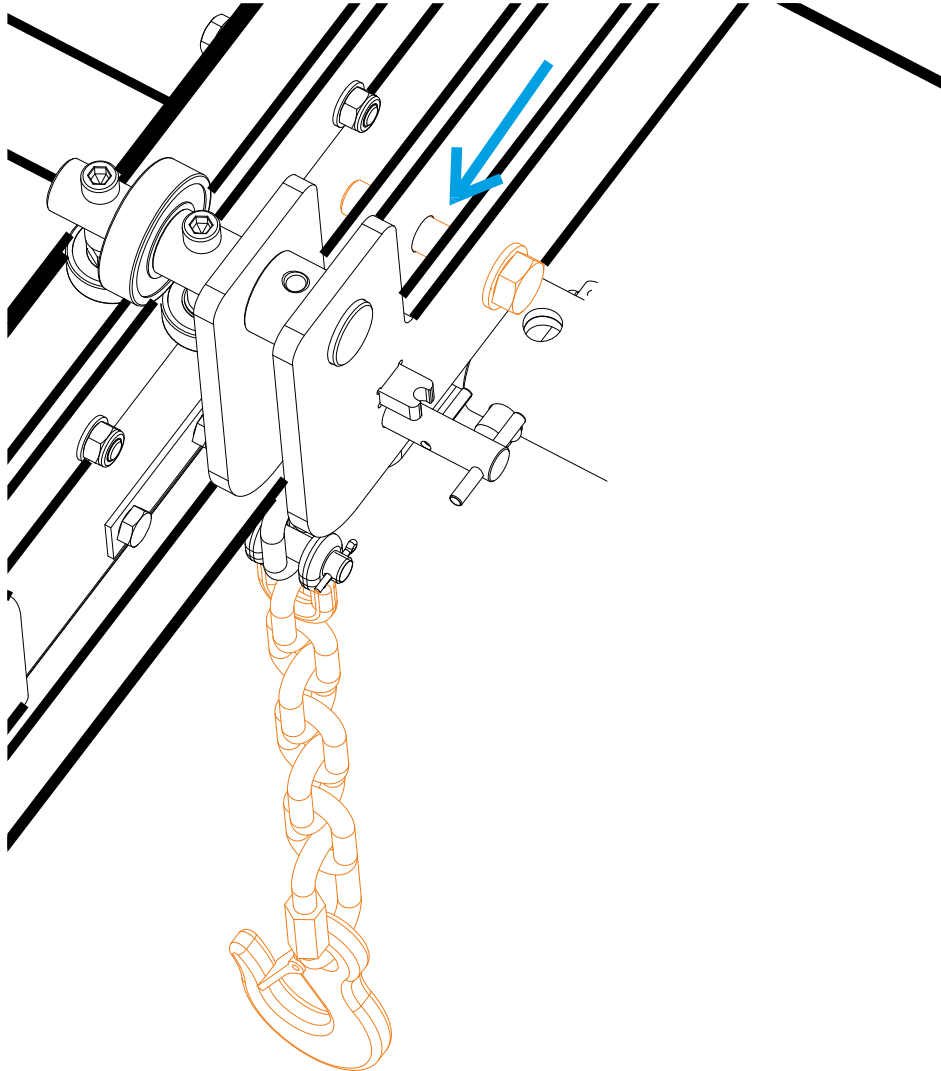


FIG. 3-45

24. Mount the manual log turner with 5 screws (M10x90) as shown below.

See figure 3-46.

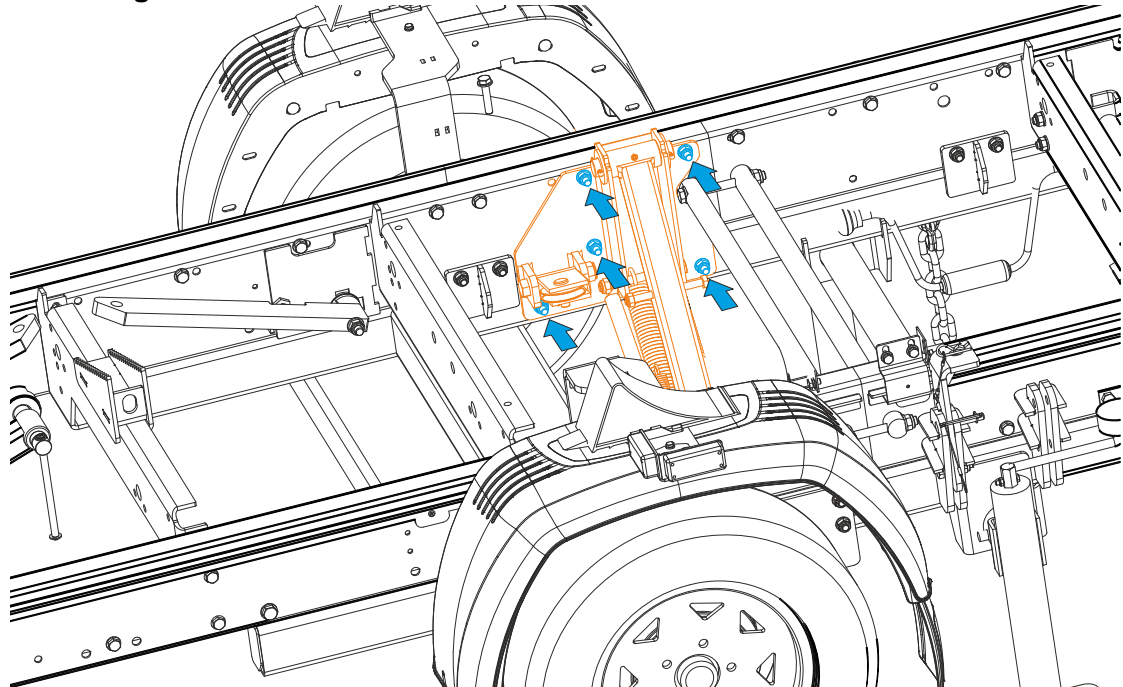


FIG. 3-46

25. Remove the cable duct by unscrewing the nuts (M10-8).

See figure 3-47.

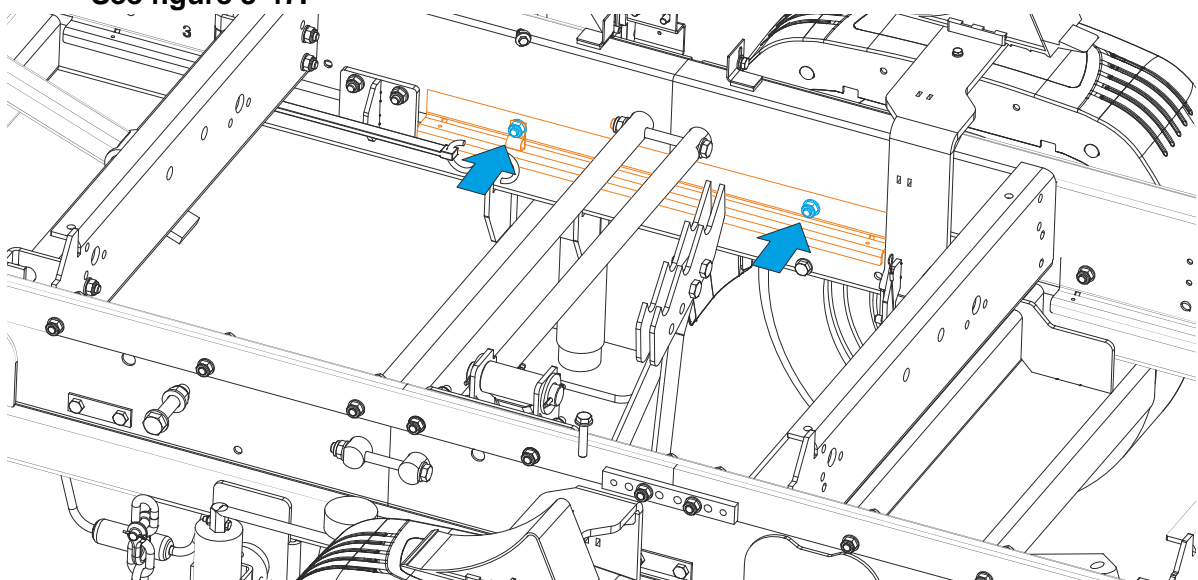


FIG. 3-47

26. Mount the manual log turner cable bracket.

See figure 3-48.

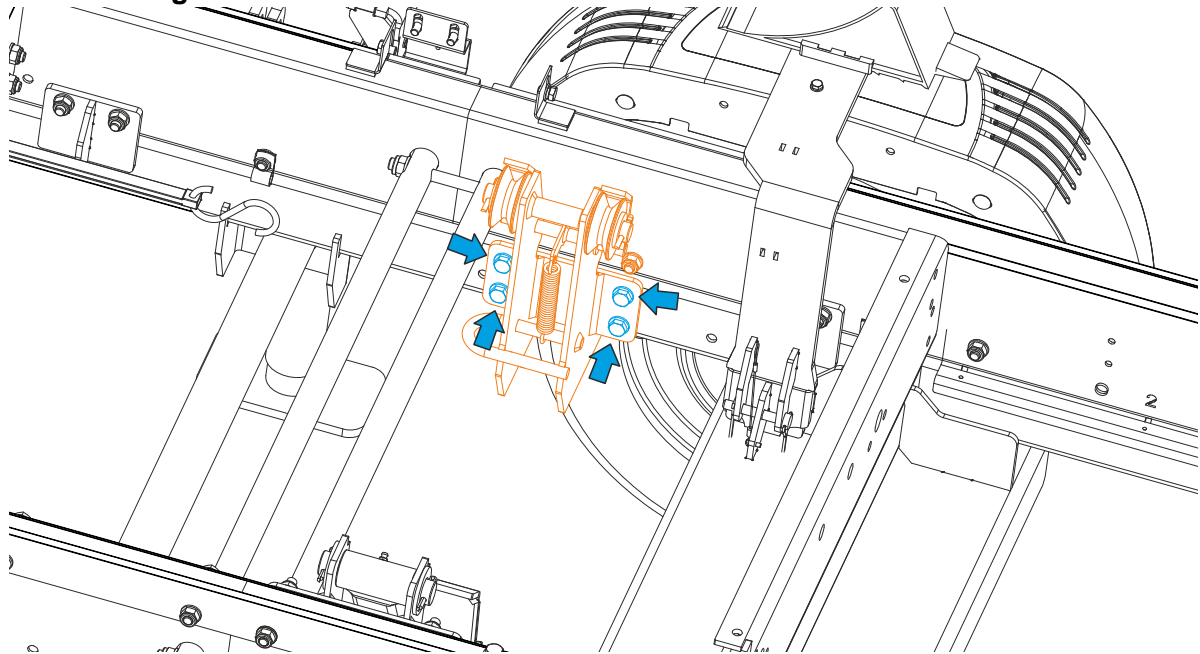


FIG. 3-48

27. Mount the cable guide pulley as shown below.

See figure 3-49.

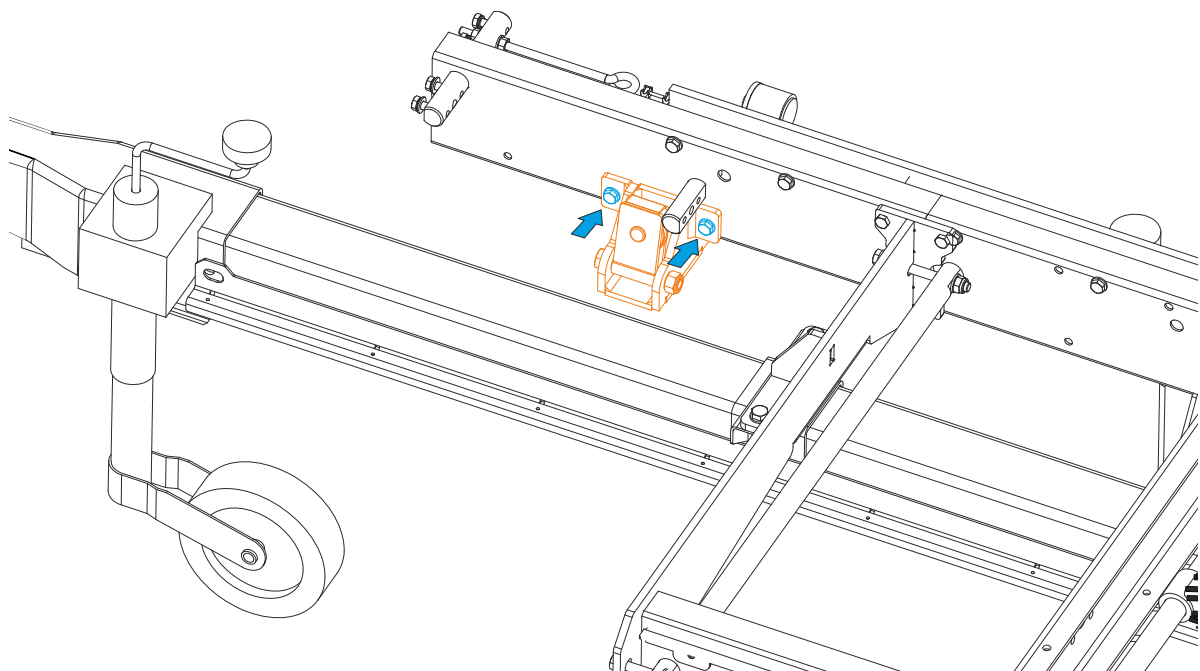


FIG. 3-49

28. Bolt the winch to the frame.

See figure 3-50.

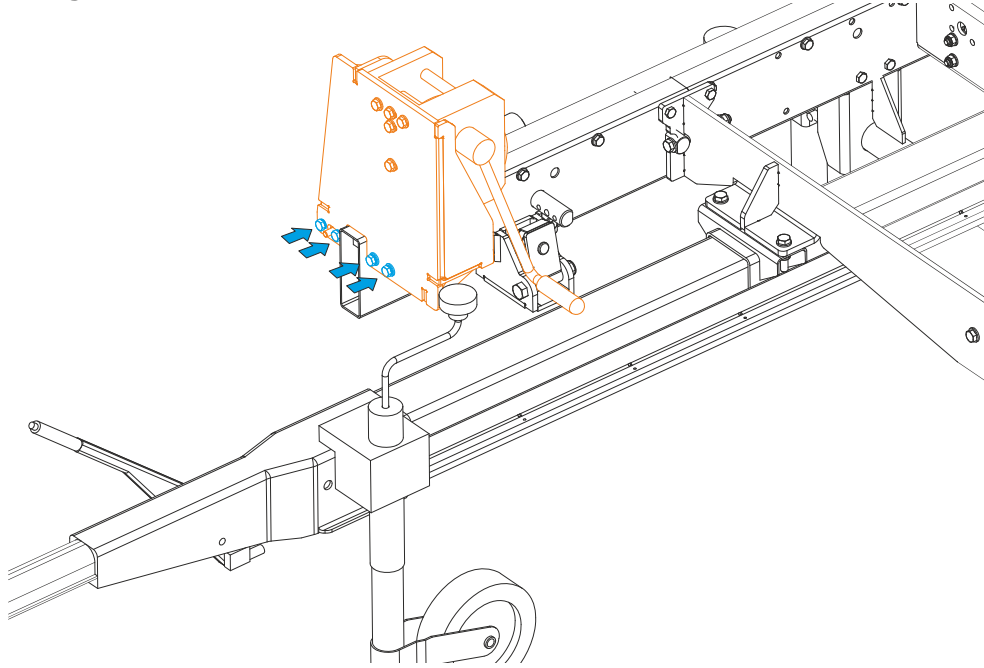


FIG. 3-50

4

Assembly - LT15 Wide O2 Trailer

Mounting Parts of LT15 WIDE Trailer

SECTION 4 ASSEMBLY - LT15 WIDE O2 TRAILER



IMPORTANT! With all screw joints without split lock washer or lock nylon nut, use the “LOCTITE 243” (blue), of average durability, for screw joints.

4.1 Mounting Parts of LT15 WIDE Trailer

4.1.1 Specifications of Fasteners

Table 1: LT15WC TRC Trailer

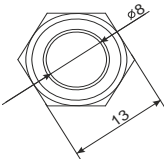
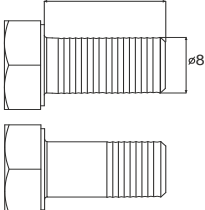
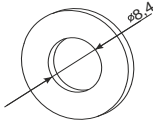
Wood-Mizer No.	Description	QTY
Designations of fasteners:		
M8 Nut	Bolt, M8x20 20	8.4 Washer
		
	FENDER W/MOUNT BRACKET 550595, 550596	
F81011-46	SCREW, ISO 7045-M4X20-4.8-H-A2 CROSS REC	12
F81051-2	WASHER 4,3 FE/ZN5 PN-M/82005	8
F81029-1	NUT, M4-B HEX NYLON ZINC LOCK	12
F81053-1	WASHER, 6.4 FLAT ZINC	12
F81033-1	NUT, M10-8-B HEX NYLON ZINC LOCK	8
F81001-3	BOLT, M6x25-5.8 HEX HEAD FULL THREAD ZINC	8
F81054-1	WASHER, 8.4 FLAT ZINC	24
F81002-7	BOLT M8x30 HH ZC FT 8.8 DIN 933	12
F81032-2	NUT, M8-8-B HEX NYLON ZINC LOCK	12
	BEAM, LT15 WC O2 REAR - COMPLETE 550597	

Table 1: LT15WC TRC Trailer

F81011-46	SCREW, ISO 7045-M4X20-4.8-H-A2 CROSS REC	8
F81029-1	NUT M4 ZC 8 NYLOCK DIN 982 ISO 7040	10
F81055-1	WASHER, 10.5 FLAT ZINC	10
F81033-1	NUT, M10-8-B HEX NYLON ZINC LOCK	6
F81053-1	WASHER, 6.4 FLAT ZINC	4
F81031-2	NUT, M6-8-B HEX NYLON ZINC LOCK	4
F81001-71	BOLT M6x35 HH ZC 8.8 PT DIN	4
F81052-1	WASHER, 5.3 FLAT ZINC	4
F81030-2	NUT, M5-8 DIN 985 ZINC-PLATED	4
F81003-15	BOLT, M10x75-8.8-Fe/Zn5 PN-M/82101	4
F81011-43	SCREW M4X12 PHILLIPS ZC 5.8 DIN 7985	2
	AXLE, LT15 WC O2 - COMPLETE 550501	
F81056-1	WASHER, 13 FLAT ZINC	12
F81004-24	BOLT M12x35 HH ZC FT 8.8 DIN 933	6
F81034-2	NUT, M12-8 HEX NYLON ZINC LOCK	6
F81055-1	WASHER, 10.5 FLAT ZINC	16
F81003-50	BOLT, M10 X 80-8.8 HEX HEAD ZINC	8
F81033-1	NUT, M10-8-B HEX NYLON ZINC LOCK	8
F81058-1	WASHER, 17 FLAT ZINC	2
F81006-11	BOLT, M16x80 8.8-B- Fe/Zn5 HEX HEAD FULL	1
F81051-2	WASHER 4,3 ZC DIN 126 ISO 7091	2
F81029-1	NUT M4 ZC 8 NYLOCK DIN 982 ISO 7040	2
F81011-42	SCREW, M4x16 5,8-B CROSS RECESSED PAN HEAD	2
F81036-2	NUT, M16-8 HEX NYLON ZINC LOCK	1

Table 1: LT15WC TRC Trailer

	LEG SET, LT15 WC MOBILE O2 550522	
F81055-1	WASHER, 10.5 ZINC FLAT	16
F81003-50	BOLT, M10X80-8.8 HEX HEAD ZINC	8
F81033-1	NUT, M10-8-B HEX NYLON ZINC LOCK	8
	DRAWBAR, LT15 WC O2 W/OVERRUN DEVICE 550499	
F81033-3	NUT, M10-8-B-FE/Zn5 PN-M/82144	13
F81058-1	WASHER, 17 FLAT ZINC	2
F81006-4	BOLT, M16X140MM, HEX HEAD, GRADE 8.8 ZINC	1
F81036-2	NUT, M16-8 HEX NYLON ZINC LOCK	1
F81055-1	WASHER, 10.5 FLAT ZINC	34
F81055-2	WASHER, 10.2 SPLIT LOCK ZINC	8
F81003-20	BOLT, M10X70 8.8 HEX HEAD FULL THREAD ZINC	8
F81056-1	WASHER, 13 FLAT ZINC	4
F81034-2	NUT, M12-8 HEX NYLON ZINC LOCK	2
F81004-12	BOLT, M12X55-8.8 HEX HEAD ZINC	2
F81033-1	NUT, M10-8-B HEX NYLON ZINC LOCK	9
F81003-111	BOLT, M10X30-8.8 FE/Zn5 PN-M/82105	4
F81003-15	BOLT, M10x75-8.8-Fe/Zn5 PN-M/82101	5
F81033-19	NUT, M10 DIN6334/BN1933 LONG COUPLING	2
	STRAP, CLAMP TRANSPORT LOCK 012965	
F81001-8	BOLT, M6X30-8.8 HEX HEAD FULL THREAD ZINC	3
F81031-2	NUT, M6-8-B HEX NYLON ZINC LOCK	3

Table 1: LT15WC TRC Trailer

F81053-11	WASHER, 6.5 SPECIAL FLAT ZINC	3
	CABLE DUCT - COMPLETE 550608	
F81003-20	BOLT, M10x70-8.8 HEX HEAD FULL THREAD ZINC	12
F81004-10	BOLT, M12x75-8.8 HEX HEAD FULL THREAD ZINC	2
F81033-1	NUT, M10-8-B HEX NYLON ZINC LOCK	12
F81034-2	NUT, M12-8 HEX NYLON ZINC LOCK	2
F81055-1	WASHER, 10.5 ZINC FLAT	24
F81056-1	WASHER, 13 ZINC FLAT	4
	LOADING RAMP WITH WINCH 550562	
F81003-2	BOLT, DIN 933-M10x30 8.8-A2E HEX HEAD	8
F81003-50	BOLT, M10 X 80-8.8 HEX HEAD ZINC	4
F81033-1	NUT, M10-8-B HEX NYLON ZINC LOCK	12
F81055-1	WASHER, 10.5 ZINC FLAT	24
F81046-2	PIN, 8 BN914 LINCH	2
086540	SHACKLE, M12 TYPE C DIN 82101	1

4.1.2 Parts specifications

Table 2: LT15 Wide sawmill mounting parts

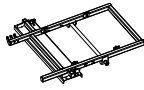
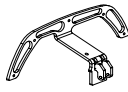
Fig.	Wood-Mi zer No.	Descrip- tion	QTY O1
	550450-1	FRAME, LT15GO AXLE MOUNT	1
	550504-1	BRACKET WELD- MENT, FENDER MOUNT	1

Table 2: LT15 Wide sawmill mounting parts


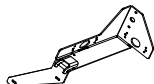
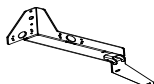
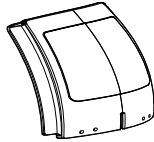


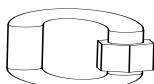


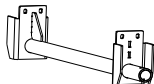
	550509-1	BRACKET WELDMENT, FENDER MOUNT	1
	550521-1	PLATE, MARKER & FRONT LEFT LIGHT MOUNT	1
	550520-1	PLATE, MARKER & FRONT RIGHT LIGHT MOUNT	1
	538824	SPLASH GUARD/MUD FLAP	2
	538909	FENDER, AL-KO EA200	2
	550805	AXLE, DMC 1500	1
	100767	SCREW CLOSED CHAIN LINK, 10	1
	100951-1	CHAIN, N - 10x35 - 6-LINKS-PTD.	1
	P12075	HOOK, 5/8" SAFETY CHAIN	1
	550495-1	TUBE WELDMENT, LEG MOUNT	1

Table 2: LT15 Wide sawmill mounting parts

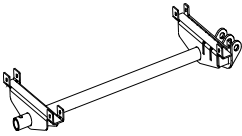
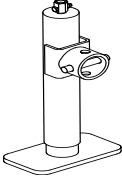
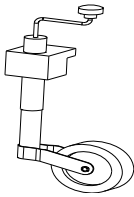

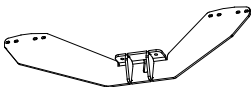
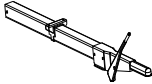
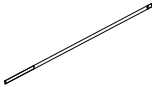
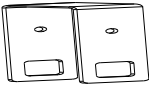
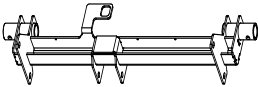
	550494-1	MOUNT WELD-MENT, LT15 WIDE TRAILER LEG	1
	550455	LEG, SUPPORT	8
	085862	WHEEL, AL-KO, 500 KG JOCKEY HEAVY	1
	534597	WHEEL, JOCKEY 155/70 R12, ET30 112X5 NOS.94 + BOLTS	2
	550498-1	SUPPORT BRACKET, DRAWBAR FOR LT15 WIDE TRAILER	1
	550490	DRAW-BAR, 20062202	1
	550613-1	BRAKE ROD, M10 L-1580MM	2
	538830-1	BRACKET, BRAKE ROD	1
	550488-1	BRACKET WELD-MENT, DRAWBAR MOUNT	1

Table 2: LT15 Wide sawmill mounting parts

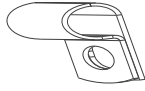

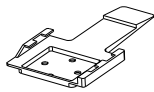
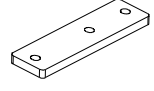
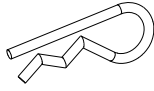
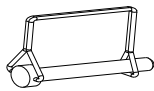
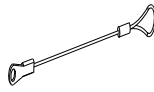
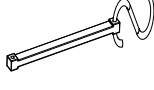
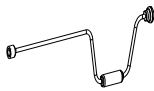
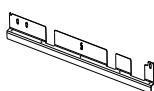
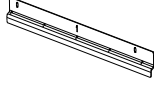
	P07584	CLAMP, 1/2" EMT COATED	6
	P85105	CHOCK, UK10K2 WHEEL	2
	P85106	HOLDER, WHEEL CHOCK HA10K2	2
	550413-1	PLATE	2
	P05059	PIN, 1/8X1 13/16 SAFETY	3
	014151	PIN, 3/8 x 2 1/4 SQ WIRE LOCK	2
	016030	LANYARD, 3/64 x 6	2
	012965	STRAP, 9" RUBBER WITH HOOKS	3
	084536	HANDLE, 140x665x1 2 SW19 CRANK - COM- PLETE	1
	538792-1	DUCT CABLE (5)	1
	538923-1	DUCT CABLE (1)	1

Table 2: LT15 Wide sawmill mounting parts

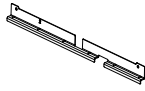
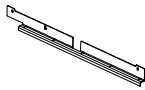
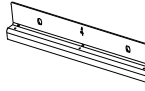
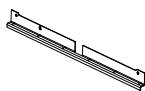
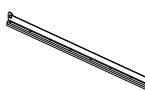


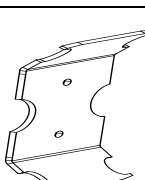
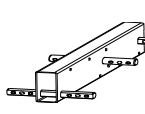


	550609-1	DUCT, CABLE (2)	1
	550610-1	DUCT, CABLE (3)	1
	543904-1	DUCT, CABLE (4)	1
	550611-1	DUCT, CABLE (6)	1
	550809-1	DUCT, CABLE	1
	550518	STICKER, 1200X200 mm LONG VEHICLE	1
	550517-1	PLATE, LONG & HEAVY VEHICLE	1
	506287-1	PLATE, BED SEC- TION CON- NECTOR	8
	538809-1	BED EXTEN- SION TUBE, PAINTED	4
	F81082-4	WRAP, TKUV 9/3 WIRE TIE	60
	F81089-1	WRAP, TKUV 20/5 WIRE TIE	12

Table 2: LT15 Wide sawmill mounting parts

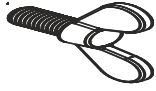

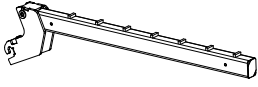

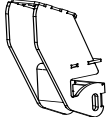
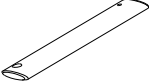
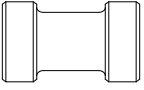
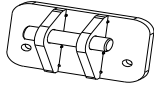



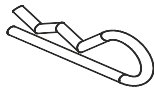
	F05021-32	SCREW, M8-1.25x16 THUMB	2
	550414	CONTROL BOX COVER	1
	TRAILER, LT15 WIDE TRC SCREW SET		1
LOADING RAMP WITH WINCH 550562			
	550553-1	LEG, LOADING RAMP WELD- MENT	2
	534651	WINCH, DWK 35V HAND	1
	550626-1	MOUNT WELD- MENT, WINCH	1
	534657-1	PIN, LOCK	1
	586734	PAD, SLIDE	1
	550550-1	BRACKET, RAMP MOUNT	2
	538784-1	CRANK HANDLE GRIP	2
	538786-1	CRANK HANDLE, MOUNT BRACKET	2

Table 2: LT15 Wide sawmill mounting parts

	538788	SPRING, COM- PRESSION	2
	P05059	PIN, 1/8X1 13/16 SAFETY	2

4

Assembly - LT15 Wide O2 Trailer

LT15 Wide O2 Trailer Assembly

4.2 LT15 Wide O2 Trailer Assembly

Dimensions of the LT15 Wide sawmill equipped with O2 Trailer (all dimensions are in millimetres).

See figure 4-1.

LT15WC_MOBILE_OPER_DIM
LT15WCS3G25SP-1_5ESWP_MANUAL

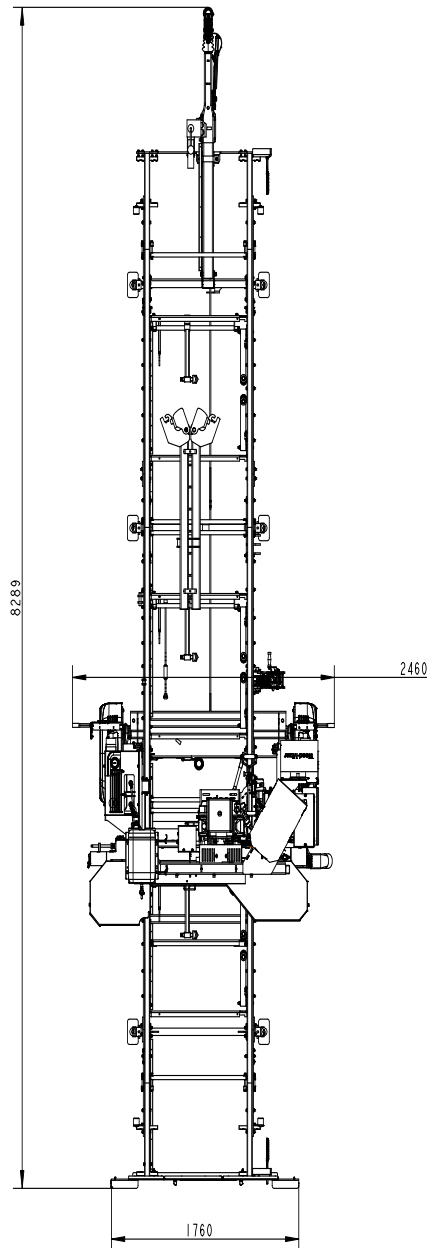


FIG. 4-1

See figure 4-2.

LT15WC_MOBILE_OPER_DIM_A
LT15WCS3G25SP-I_5ESWP_MANUAL

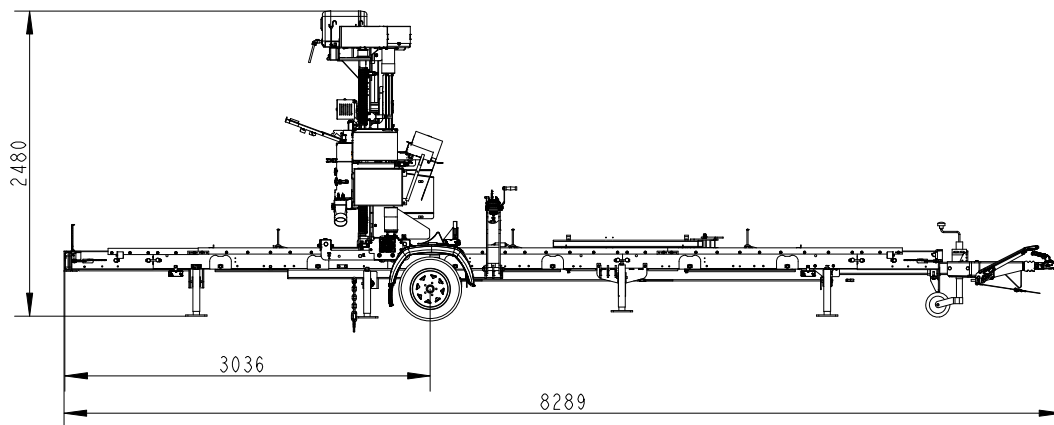


FIG. 4-2

1. Assemble the LT15 WC bed frame in accordance with LT15 operator's manual ([See Section 2.3](#)).
2. Unpack the LT15 WC O2 trailer components.

See figure 4-1.



FIG. 4-1

4 Assembly - LT15 Wide O2 Trailer

LT15 Wide O2 Trailer Assembly

3. Mount additional mast track extensions (4 pieces, **538809-1**) at the ends of the machine using M12x120 bolts.

See figure 4-2.



FIG. 4-2

See figure 4-3.



FIG. 4-3

- To mount the O2 trailer on the LT15 sawmill, raise the assembled bed to a height of 50cm. Make sure the sawmill bed is level and rests on stable legs. Use M10x80 bolts to install leg mount tube (A) (Part No. 550495-1) and trailer leg mount weldment (B) (Part No. 550494-1). Use M10x75 bolts to install drawbar mount bracket weldment (C) (Part No. 550488-1) to the sawmill frame as shown in the figure below (proper mounting holes are marked with blue).

See figure 4-4.

Front of the sawmill

LT15WC_MOBILE_OPER_004
 LT15WCS3G25SP-1_5ESWP_MANUAL

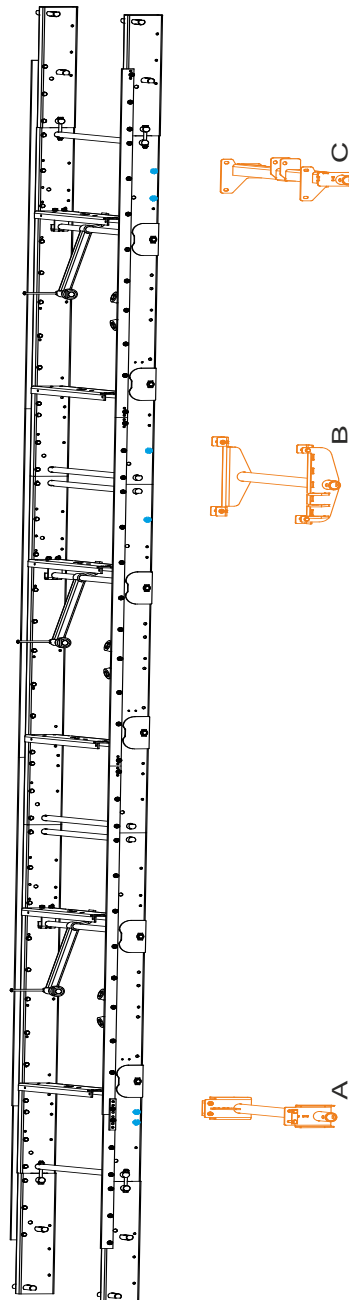


FIG. 4-4

4 Assembly - LT15 Wide O2 Trailer

LT15 Wide O2 Trailer Assembly

5. Use M10x75 threaded rods, nuts and washers to mount the rear light beam.

See figure 4-5.



FIG. 4-5

See figure 4-6.

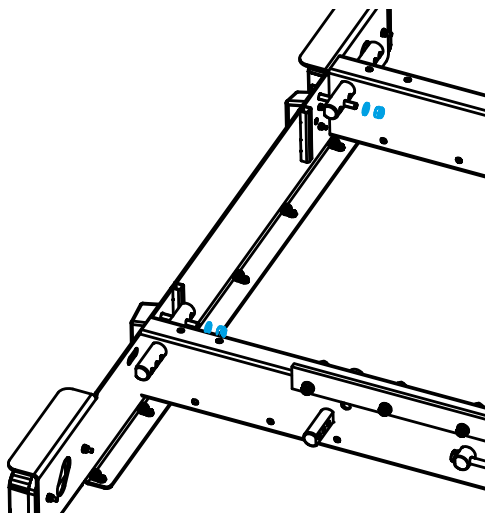


FIG. 4-6

Use M5x16 (A) bolts to secure lightning cables on the rear light beam. Use cotter pins (B)

and (C) to secure the rear light beam.

See figure 4-7.

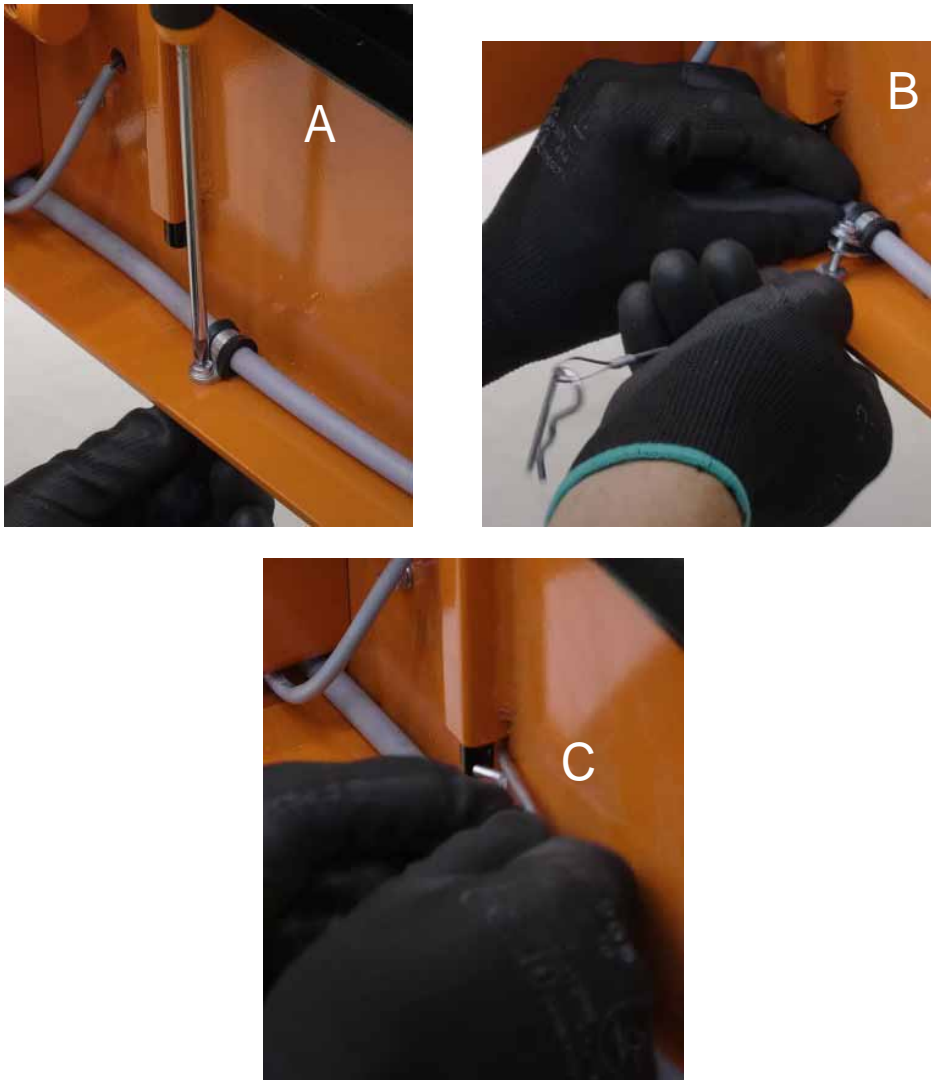


FIG. 4-7

4

Assembly - LT15 Wide O2 Trailer

LT15 Wide O2 Trailer Assembly

Use M10x75 bolts to install marker lights in places shown in the figure (B). Two additional lights will be mounted on fenders. Next, insert the reflective plate (A) into slots shown on the figure below and apply the long vehicle sticker on the reflective plate.

See figure 4-8.

LT15SCIRC_002
LT15SCS3EH10SP-1_3ESWPD_MANUAL

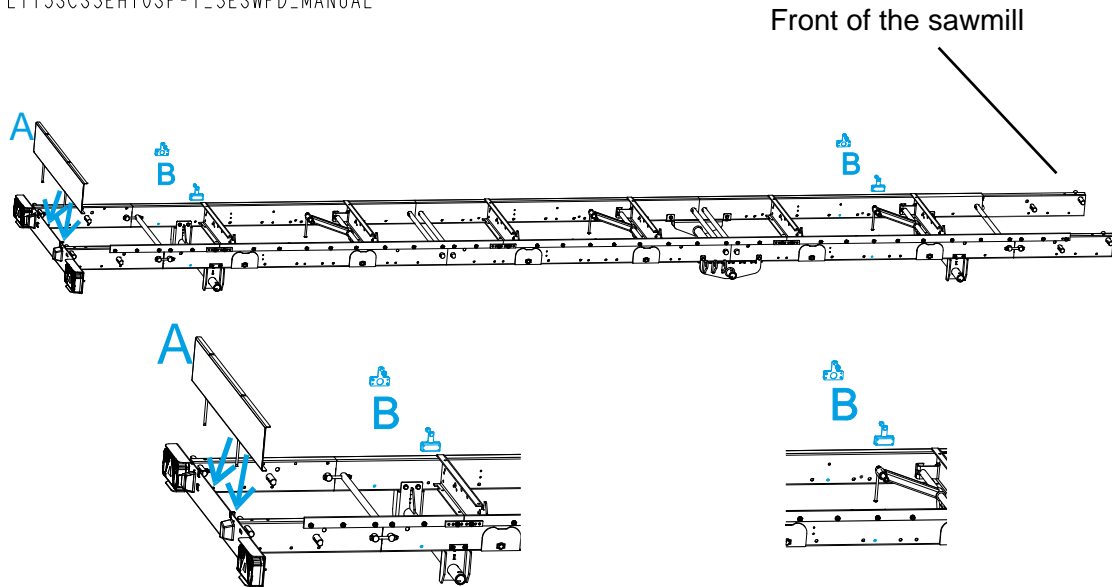


FIG. 4-8

Marker lights mounting method is shown in the figure below.

See figure 4-9.

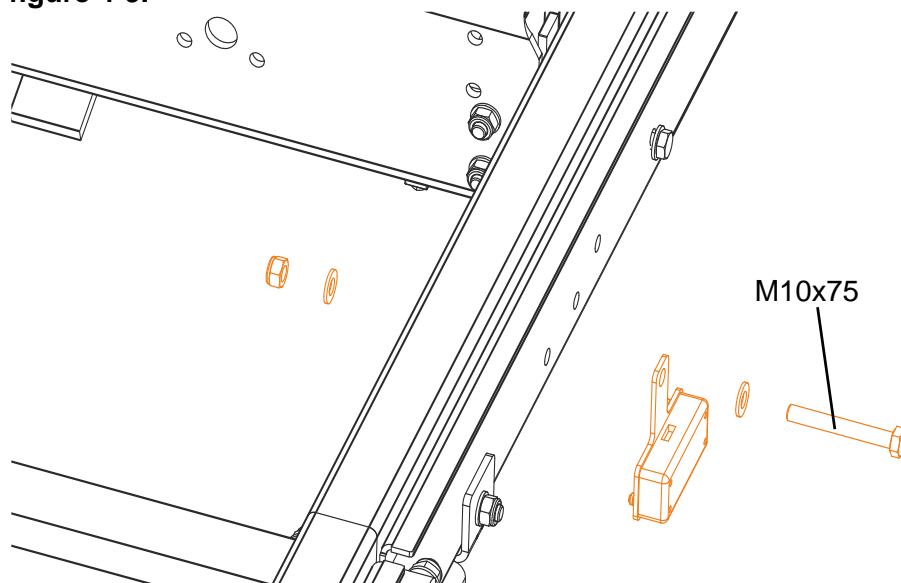


FIG. 4-9



IMPORTANT! Spraying the surface of the reflective plate and the bottom layer of the long vehicle sticker with water will make the applying process significantly easier. After applying the sticker, make sure it is even and remove the excessive water with a squeegee.

See figure 4-10.



FIG. 4-10

4

Assembly - LT15 Wide O2 Trailer

LT15 Wide O2 Trailer Assembly

6. Install the lighting cable ducts to the sawmill frame with M10x75 bolts, as shown in the figure below.

See figure 4-11.

LT15WC_MOBILE_OPER_005
LT15WCS3G25SP-1_5ESWP_MANUAL

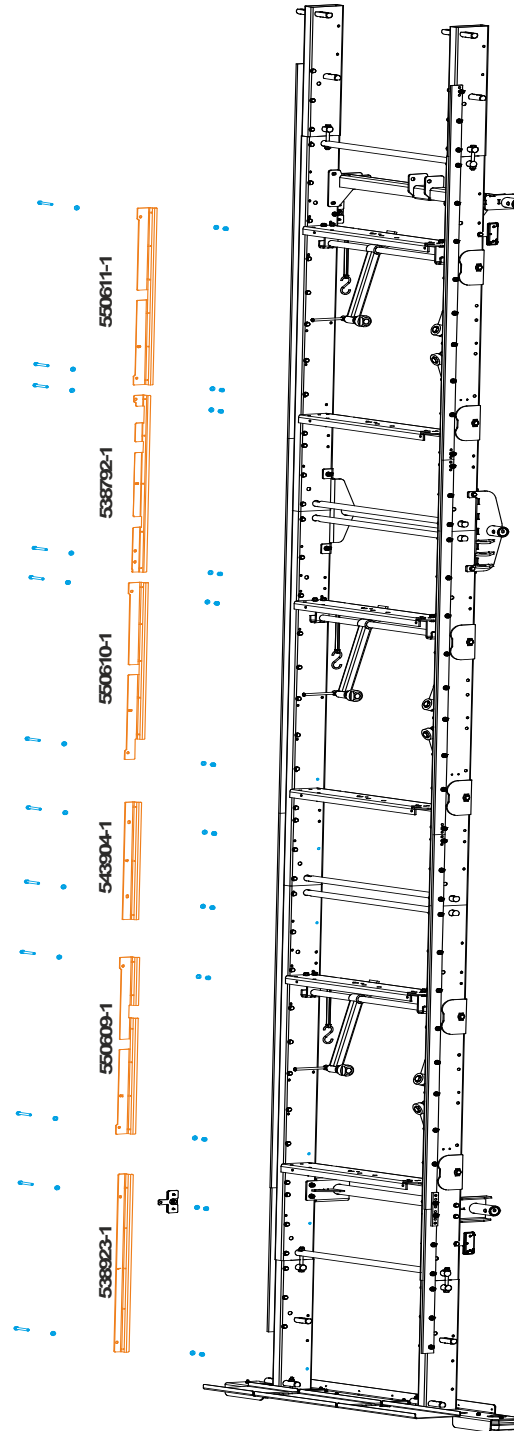


FIG. 4-11

See figure 4-12.

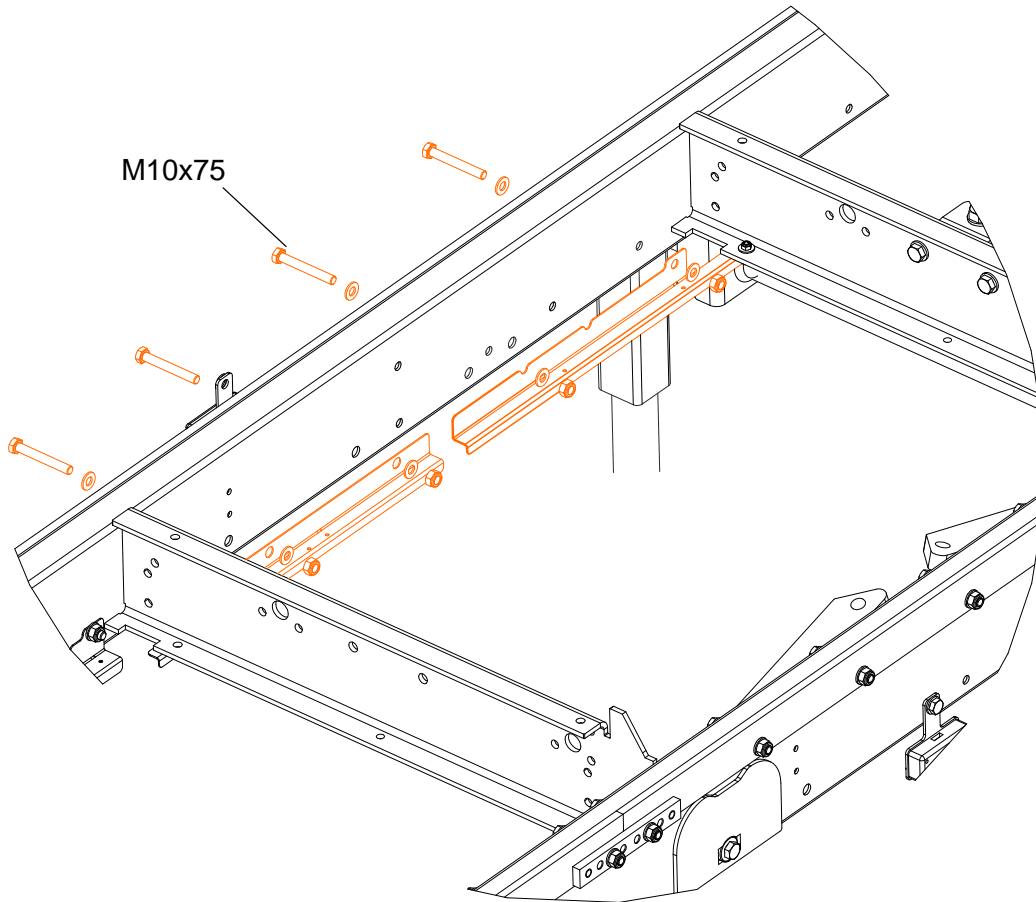


FIG. 4-12



IMPORTANT! The lightning cables should be routed, once this step has been completed.




CAUTION! Use tie wraps to fasten sawmill lighting cable to the sawmill frame. Lightning cables should not contact with the ground.

4 Assembly - LT15 Wide O2 Trailer

LT15 Wide O2 Trailer Assembly

7. Mount the axle mount assembly in place shown below.

See figure 4-13. Place the axle mount assembly under the bed in its middle section. Align axle mount assembly holes with bed section holes. Use eight M10x80 bolts, washers and hex nylon lock nuts to bolt the axle mount assembly. Recommended torque used to tighten the bolts is 34 ft.-lbs (46,3 Nm). The nuts should be on the inner side.

 **WARNING!** For all bolted connections of the running elements (coupling head, drawbar, axle and its bracket) use nylon lock nuts. This type of nut is disposable. If it is necessary to unbolt and tighten them, use new nylon lock nuts!

LT15WC_MOBILE_OPER_006
LT15WCS3G25SP-1_5ESWP_MANUAL

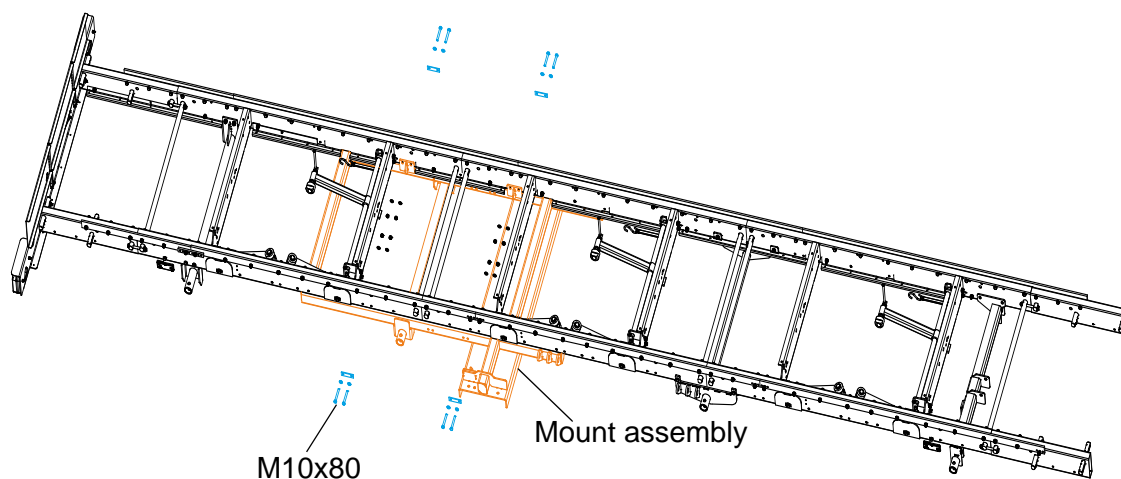


FIG. 4-13

See figure 4-14.

LT15WC_MOBILE_OPER_006_DIM
LT15WCS3G25SP-1_5ESWP_MANUAL

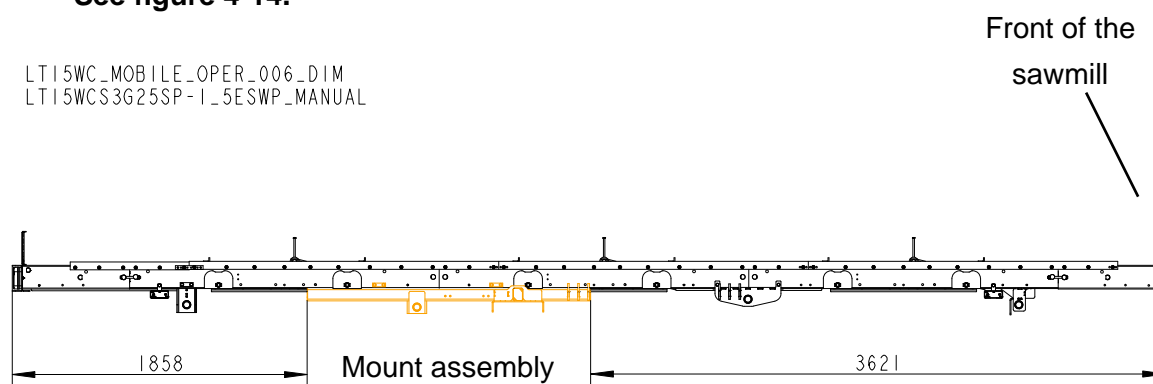


FIG. 4-14

8. Install support legs (Part No. 550455) - 8 pcs to the A, B, C, D mount brackets as shown below. Lock support legs in vertical position with pins and use supplied crank handle to put the legs down. Lower the sawmill on the support legs and level the sawmill bed.



IMPORTANT! Adjust the support legs evenly when leveling the bed. Excessive load on a single support leg may damage it.

See figure 4-15.

LT15WC_MOBILE_OPER_007
LT15WCS3G25SP-1_5ESWP_MANUAL

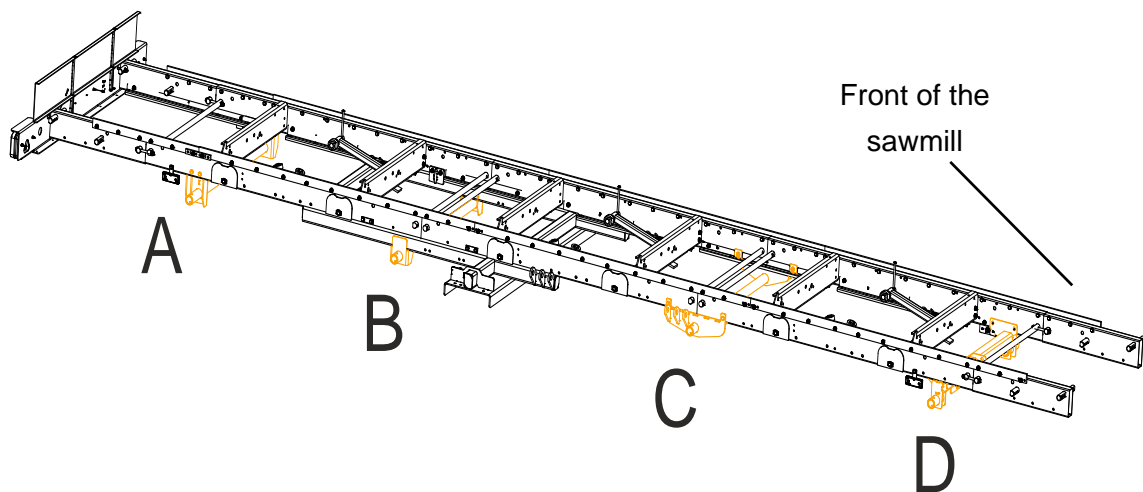


FIG. 4-15

4

Assembly - LT15 Wide O2 Trailer

LT15 Wide O2 Trailer Assembly

See figure 4-16.

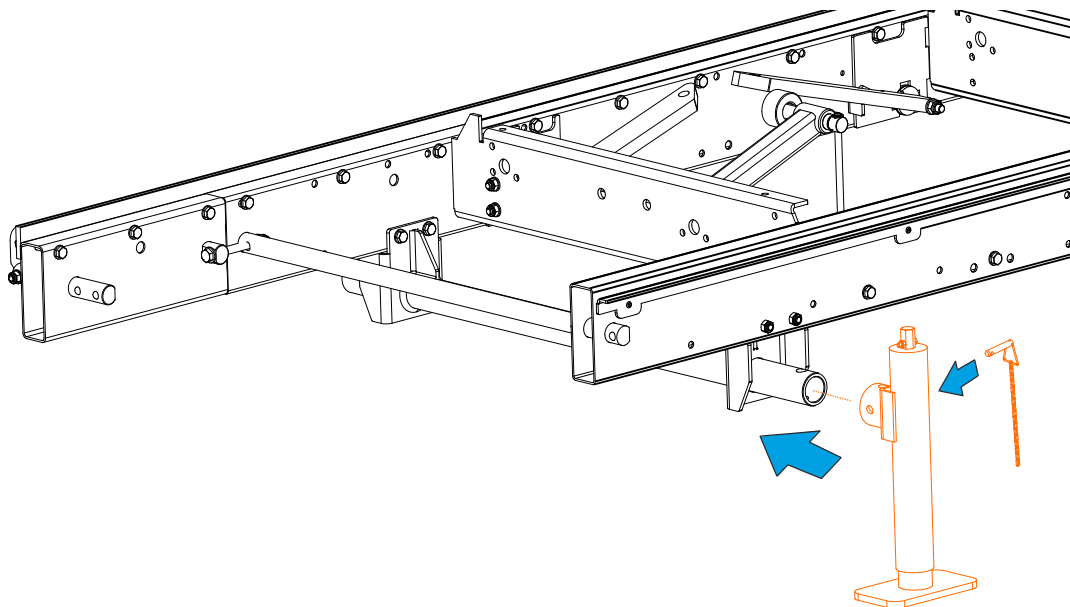


FIG. 4-16

See figure 4-17. Use supplied crank handle to put the legs down.

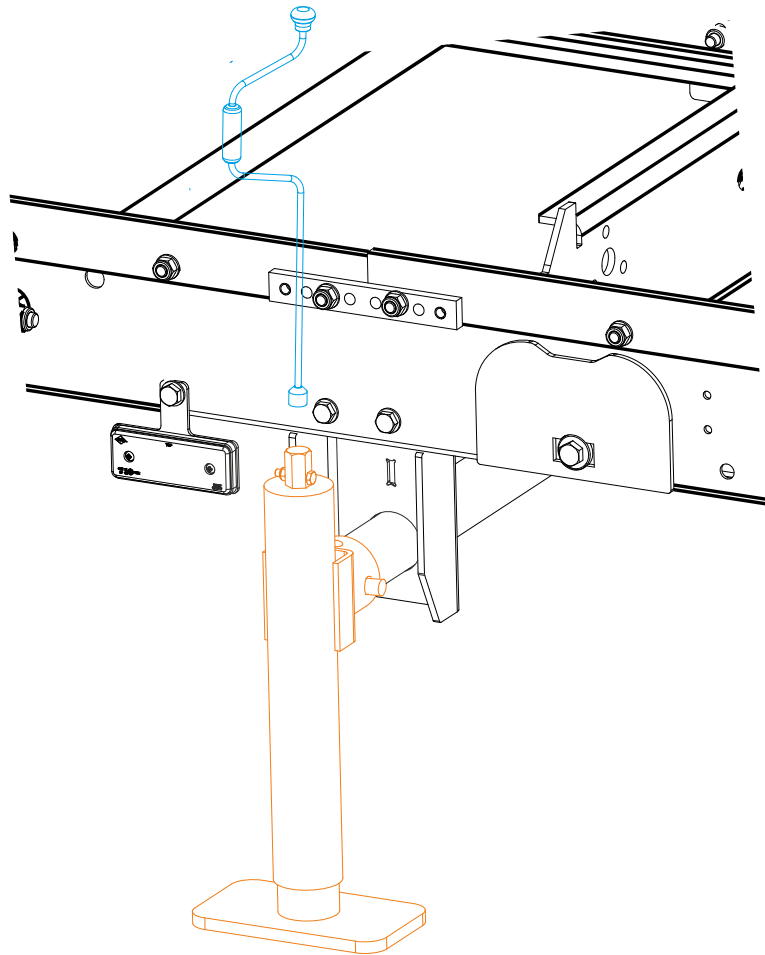


FIG. 4-17

4

Assembly - LT15 Wide O2 Trailer

LT15 Wide O2 Trailer Assembly

See figure 4-18.

LT15WC_MOBILE_OPER_007_DIM
LT15WCS3G25SP-1_5ESWP_MANUAL

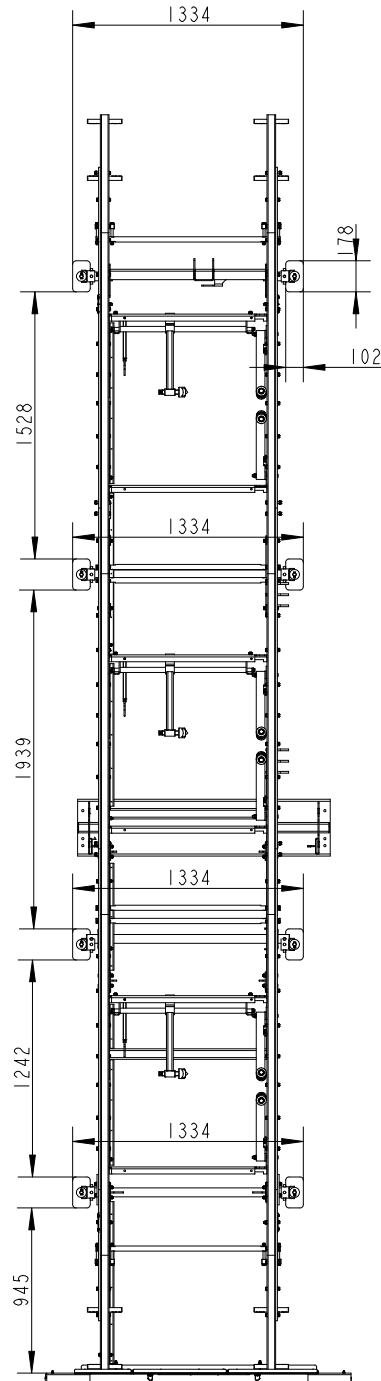


FIG. 4-18

9. Mount the axle to the previous mounted axle mount assembly, using M12x35 carriage bolts (recommended torque to tighten the bolts is 58 ft.-lbs (79 Nm), nylon lock nuts and washers. Use M12x25 bolts to install the wheels (torque recommended by manufacturer to tighten the wheels is 81ft.-lbs (110 Nm)



WARNING! For all bolted connections of the running elements (coupling head, drawbar, axle and its bracket) use nylon lock nuts. This type of nut is disposable. If it is necessary to unbolt and tighten them, use new nylon lock nuts!

4

Assembly - LT15 Wide O2 Trailer

LT15 Wide O2 Trailer Assembly

See figure 4-19. Axle assembly

LT15WC_MOBILE_OPER_008
LT15WCS3G25SP-1_5ESWP_MANUAL

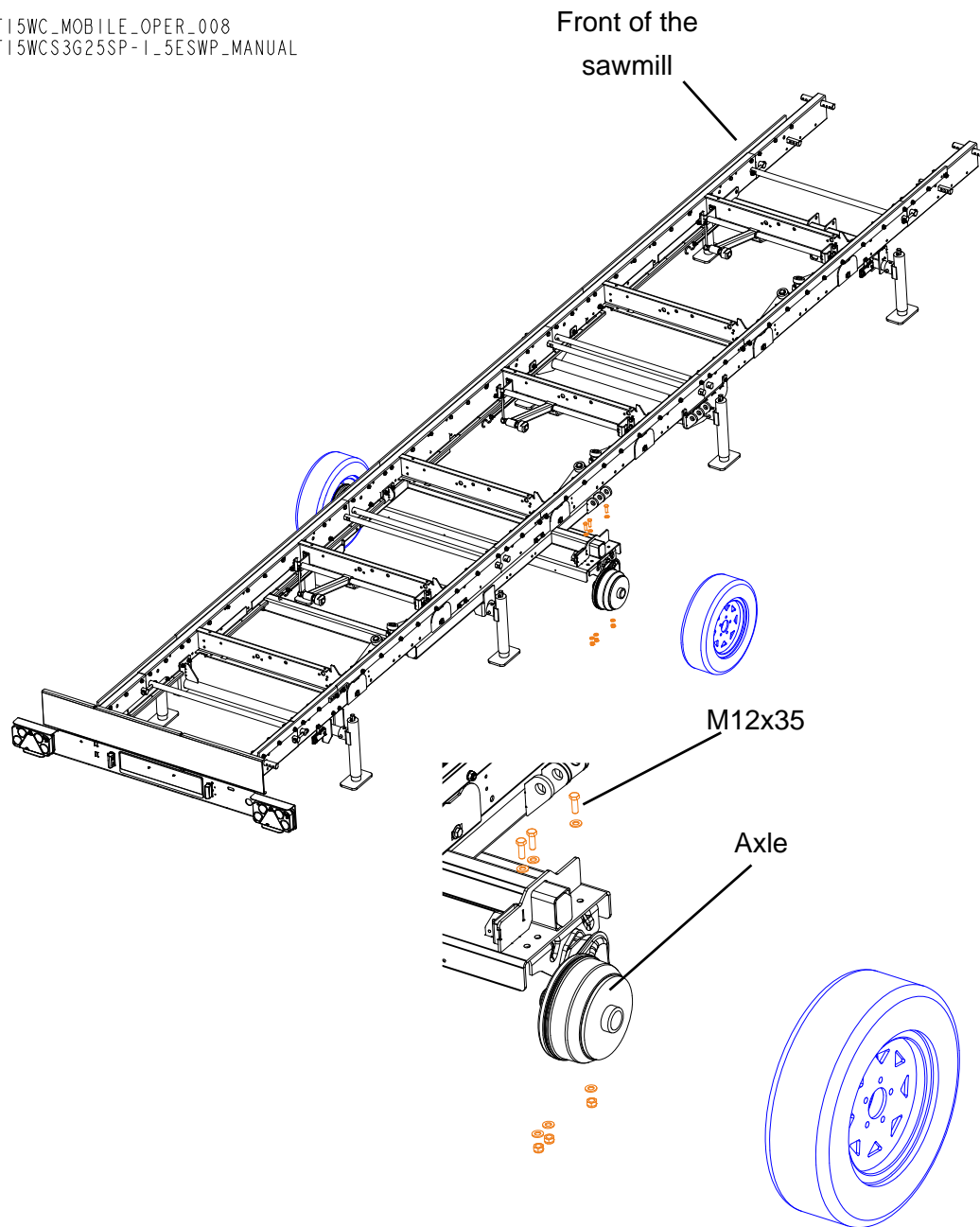


FIG. 4-19

See figure 4-20.

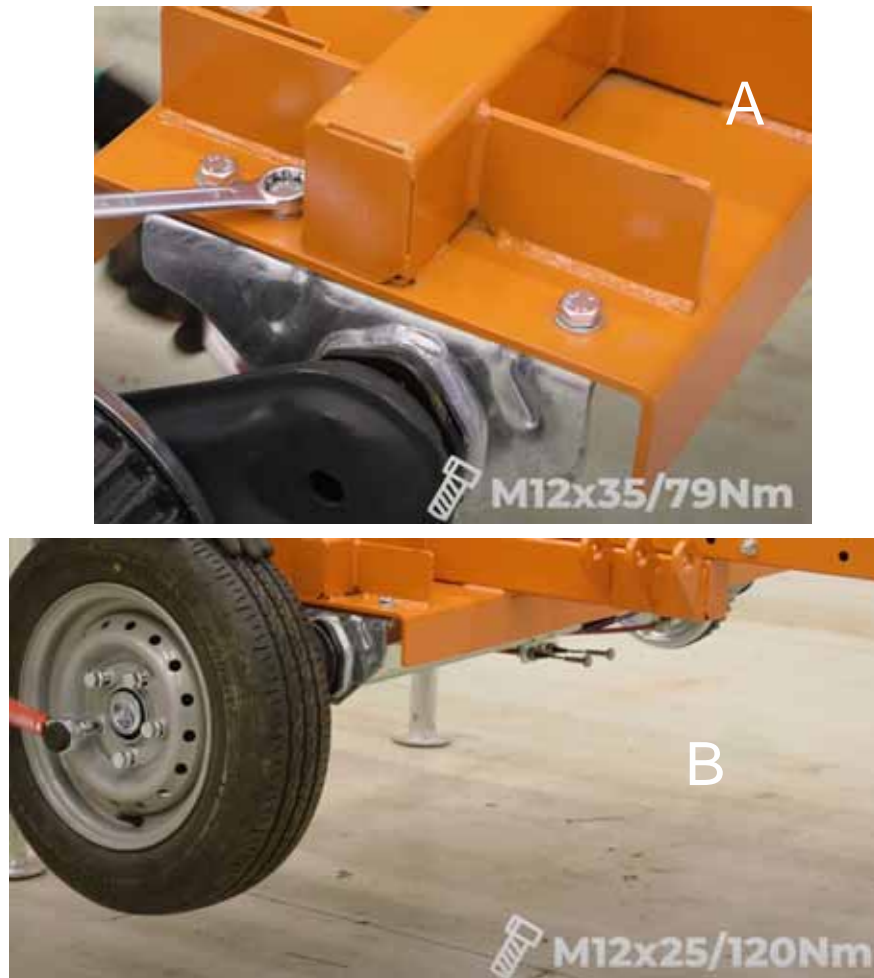


FIG. 4-20

4 Assembly - LT15 Wide O2 Trailer

LT15 Wide O2 Trailer Assembly

10. Install the mud flap to the fender with M4x20 bolts (marked in blue). Install the fender mount bracket to the fender with M8x30 bolts along with cable clamps (marked in green). Install the light mount bracket (A) with M8x30 bolts. Install both white (B) and orange (C) led marker lights to the light mount bracket with M4x20 bolts. Install the white-red marker light (D) to the light mount bracket with M6x25 bolts. Finally, mount the holder (M6x25 bolts) and the plate (F). Mount the wheel chock.

See figure 4-21.

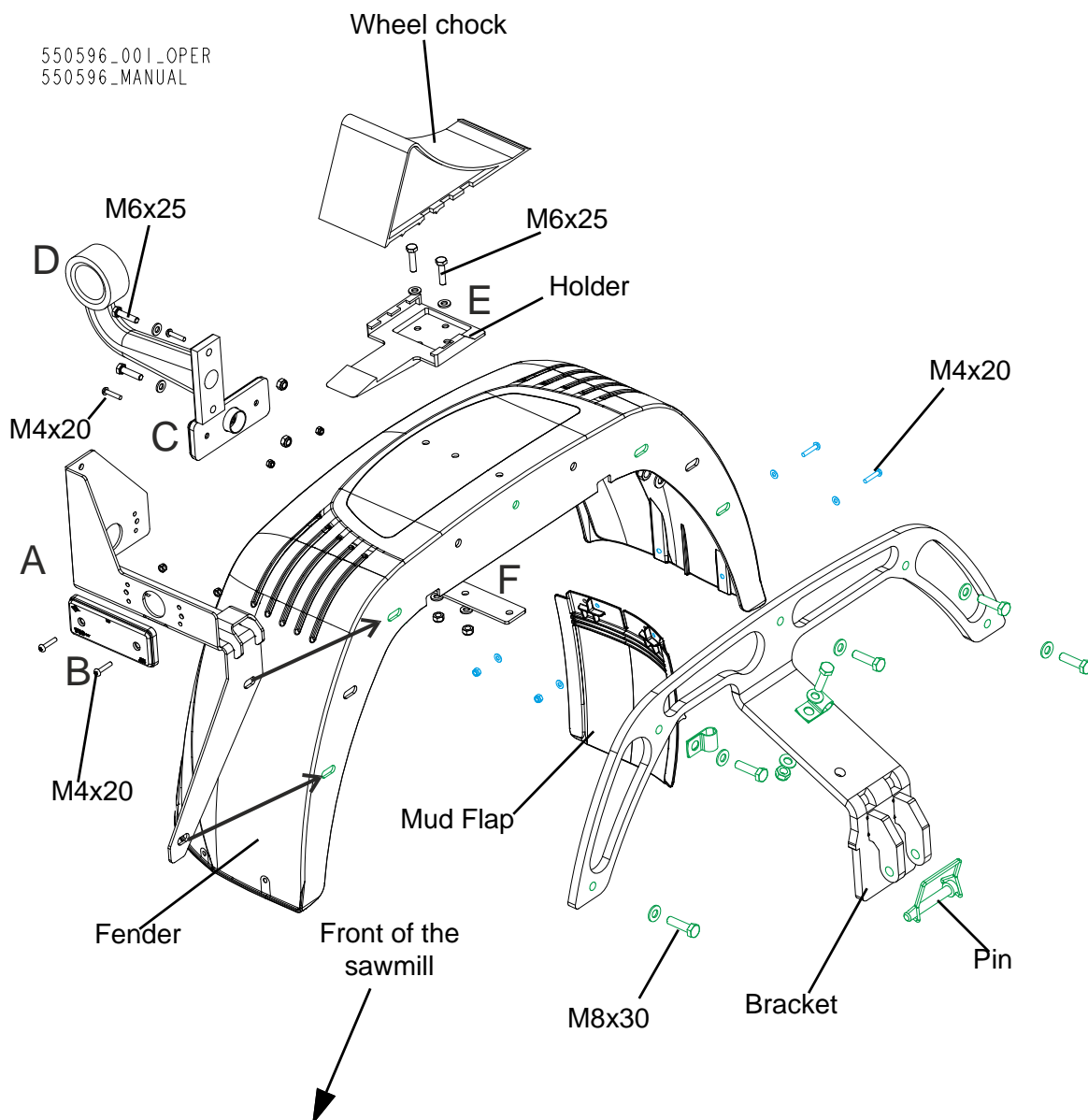


FIG. 4-21

See figure 4-22. Install the assembled fender in the axle mount slot (A) and secure with the pin (B). Secure the pin with steel cable. Plug the lighting cables into the socket. Repeat the process on the other side.

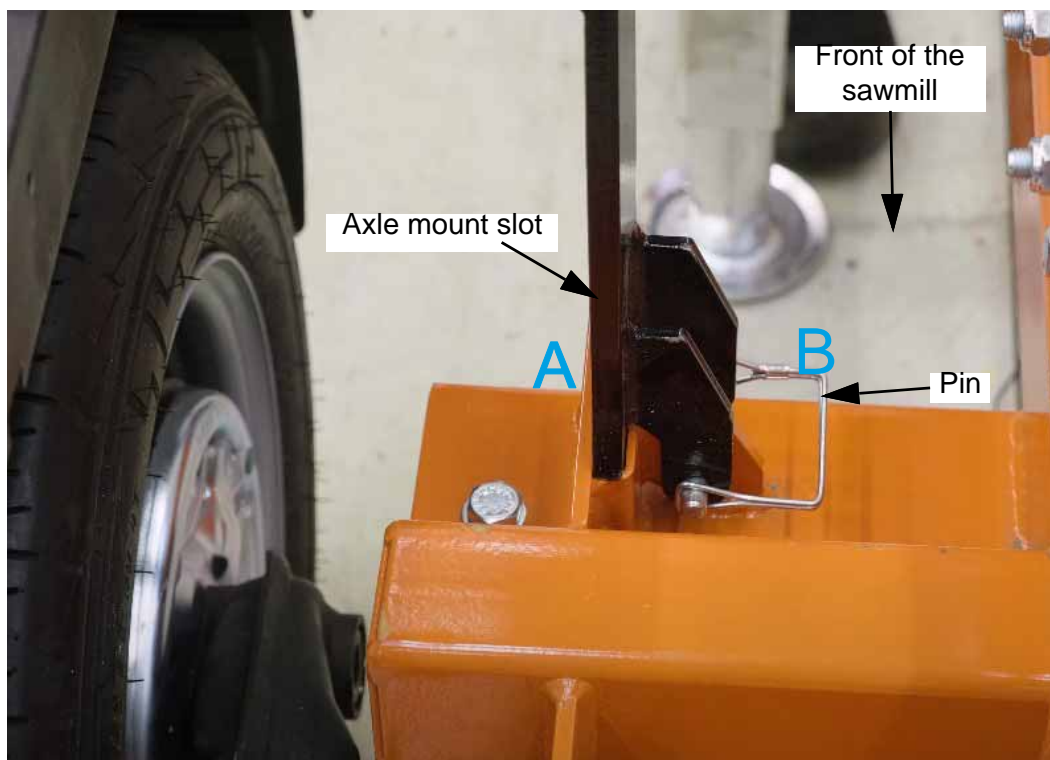


FIG. 4-22

4

Assembly - LT15 Wide O2 Trailer

LT15 Wide O2 Trailer Assembly

See figure 4-23.

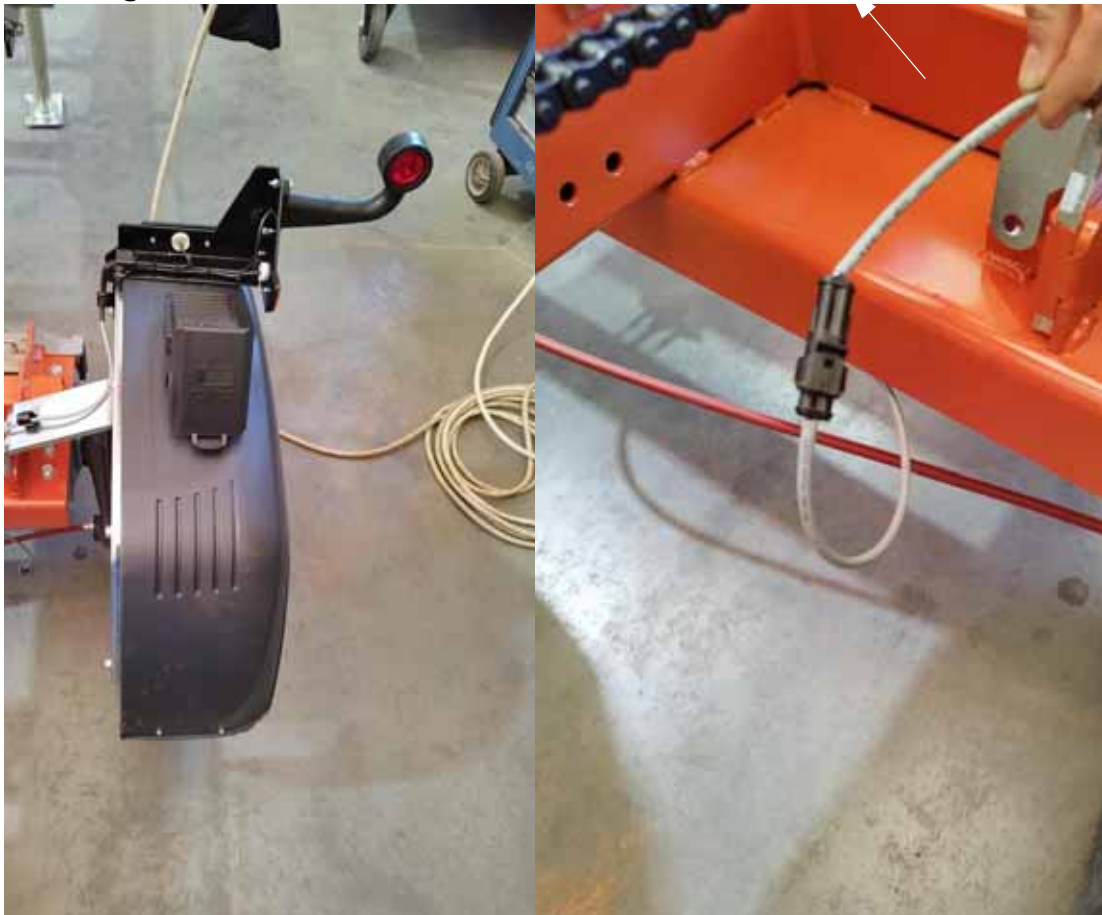


FIG. 4-23

11. Drawbar assembly

Install the drawbar support bracket (550498-1) with M10x70 bolts as shown below.

See figure 4-24.

LT15WC_MOBILE_OPER_010
LT15WCS3G25SP-1_5ESWP-MANUAL

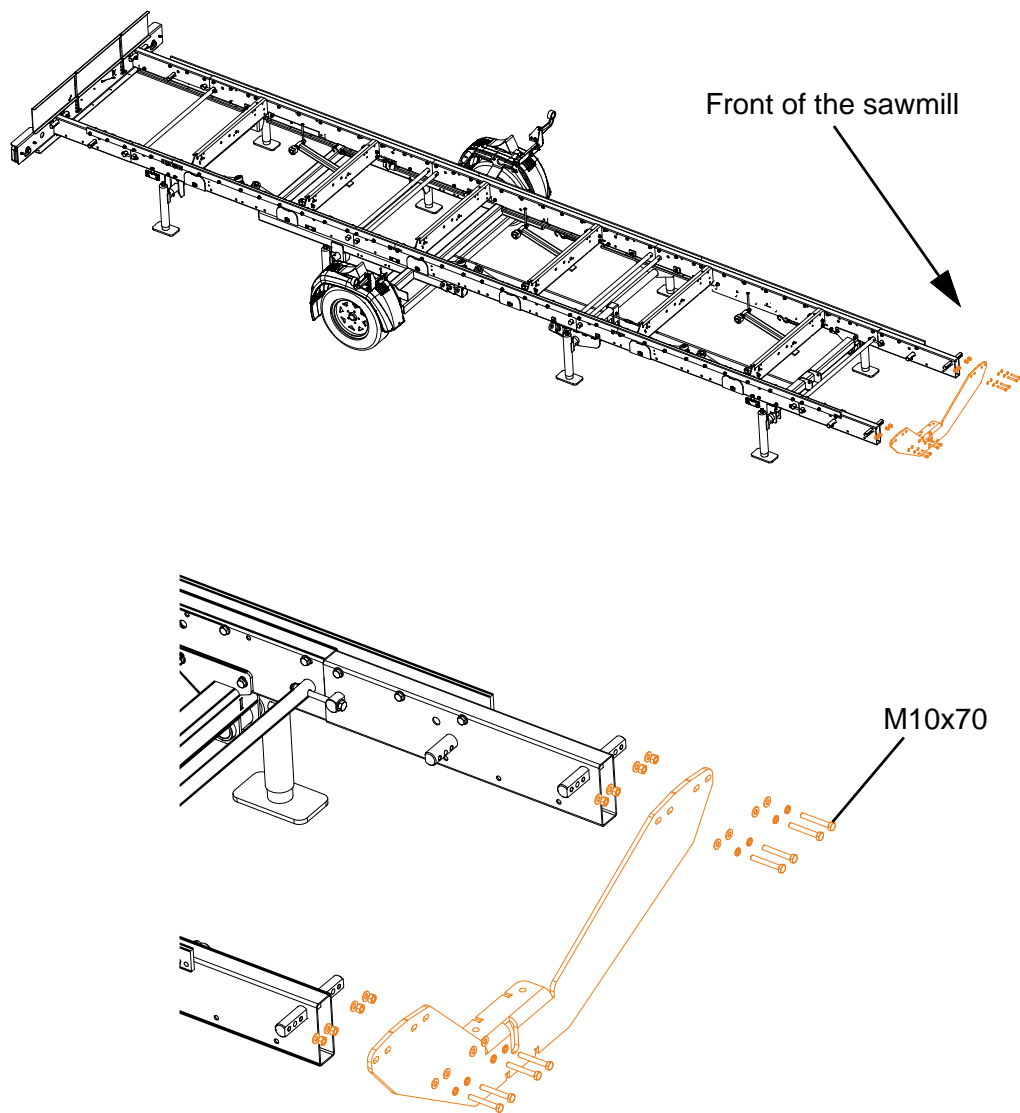


FIG. 4-24

4

Assembly - LT15 Wide O2 Trailer

LT15 Wide O2 Trailer Assembly

Mount the drawbar bracket (A) using M12x55 bolts (recommended torque to tighten the bolts is 58 ft.-lbs (79 Nm)). Next install the drawbar and secure it with M16x140 bolt as shown in the figure below (B) (recommended torque to tighten the bolts is 125.4 ft.-lbs (170 Nm)).

See figure 4-25.

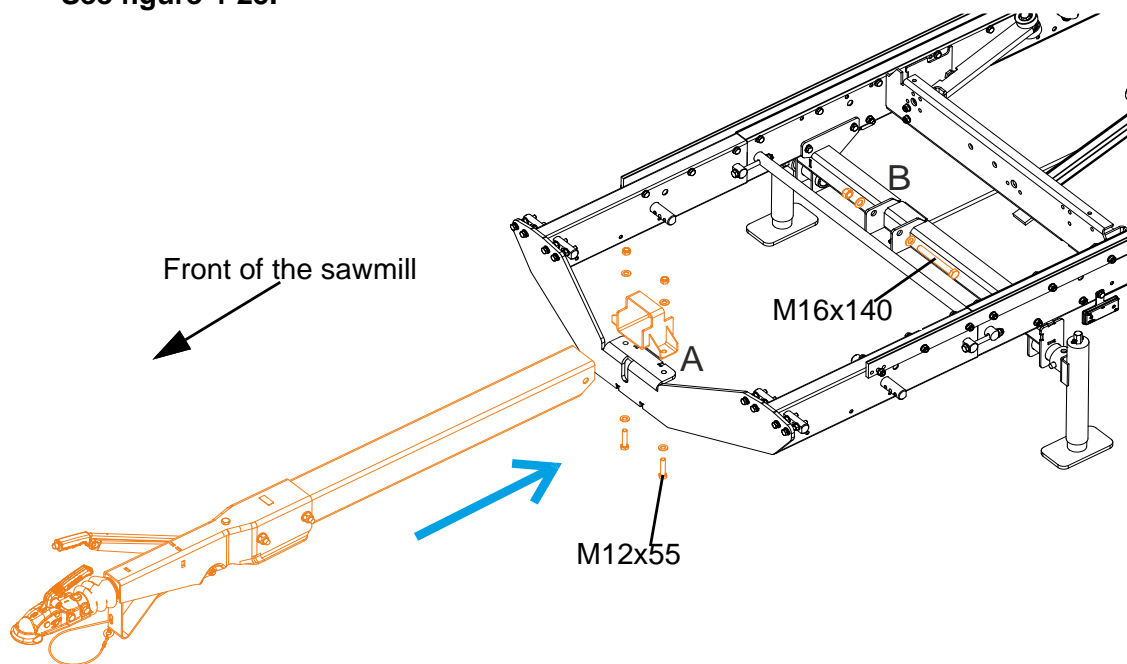


FIG. 4-25

See figure 4-26. Use M10x75 bolt to mount coupling head (A) to the drawbar. Bolt the cable duct to the drawbar with M10x75 bolt (D). Lighting cables should be routed under the cable duct (B). Bolt the cable duct to the drawbar mount bracket with M16x140 bolt (recommended torque to tighten the bolt is 125.4 ft-lbs. (170 Nm)) (C).

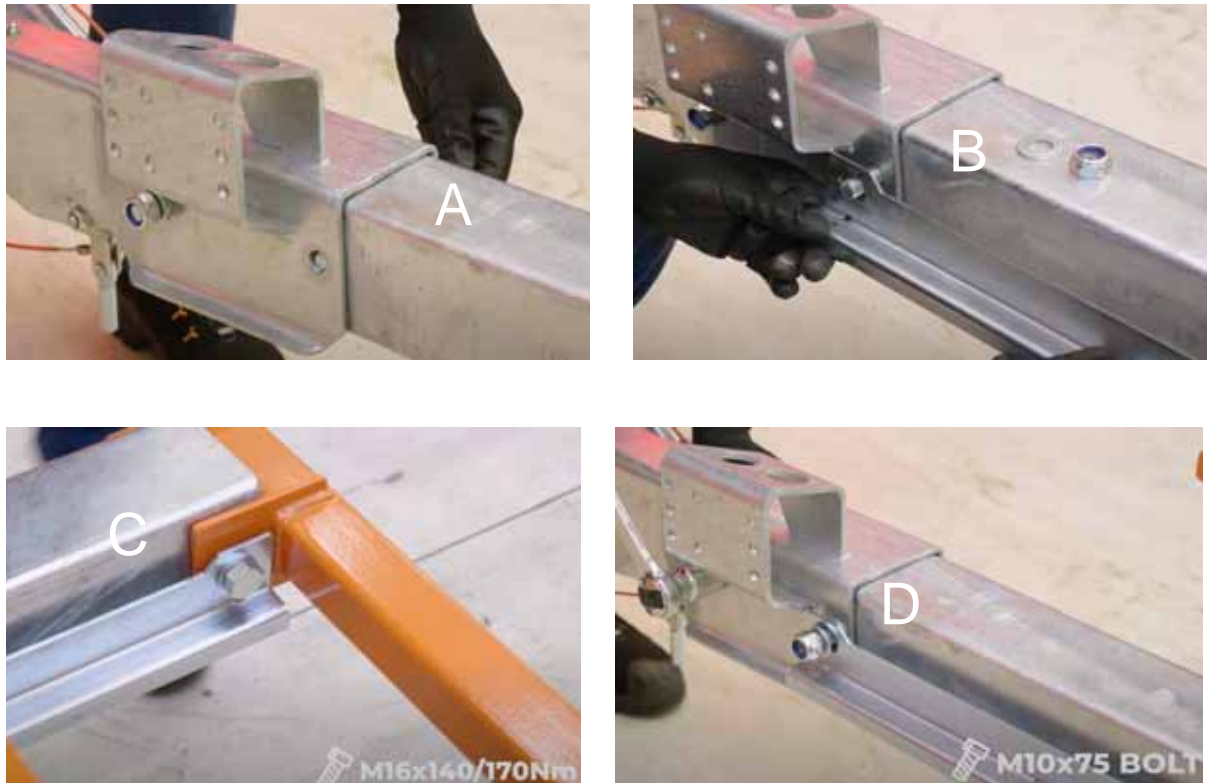


FIG. 4-26

4 Assembly - LT15 Wide O2 Trailer

LT15 Wide O2 Trailer Assembly

See figure 4-27. Install the jockey wheel with M10x30 bolts as shown below.

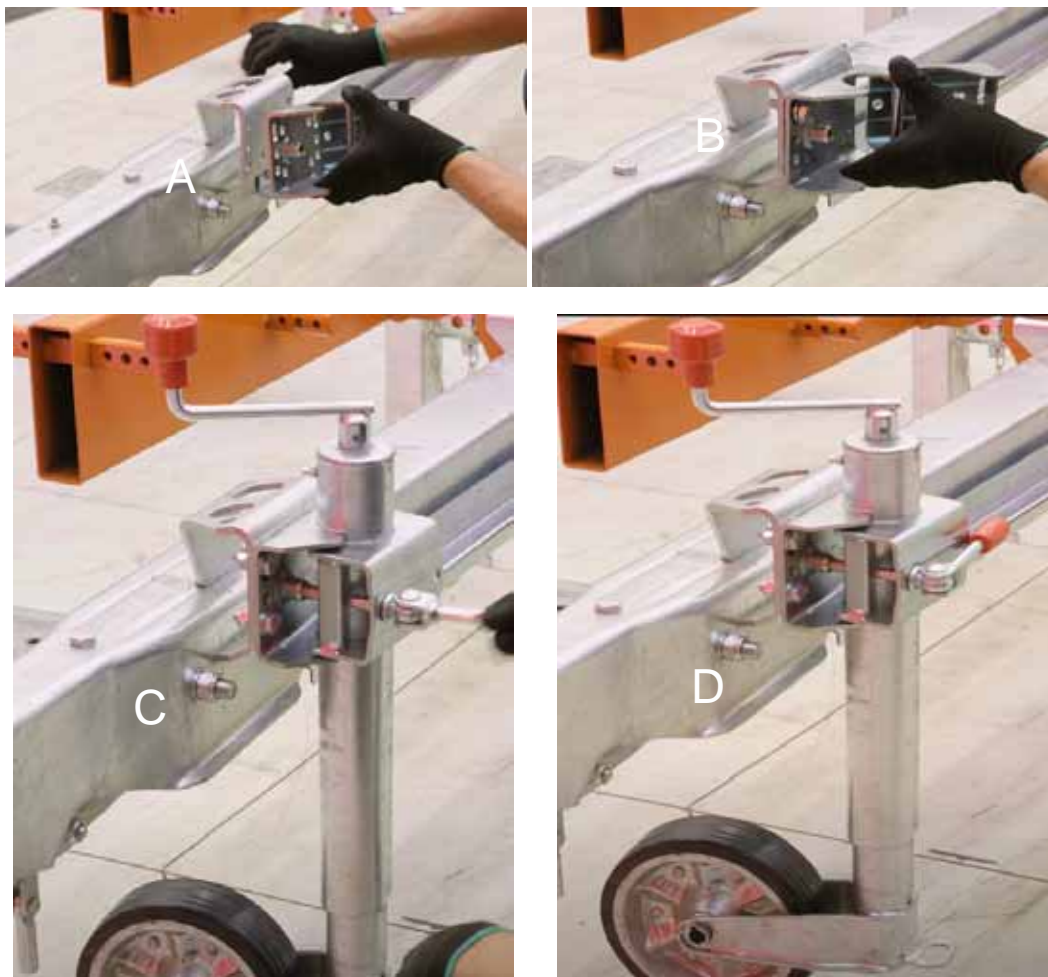


FIG. 4-27



WARNING! For all bolted connections of the running elements (coupling head, drawbar, unbraked axle and its bracket) use nylon lock nuts. This type of nut is disposable. If it is necessary to unbolt and tighten them, use new nylon lock nuts!

12. Brake cable (Bowden cable) installation.

Remove the cover cup (A) and top part (B).

See figure 4-28.



FIG. 4-28

4**Assembly - LT15 Wide O2 Trailer***LT15 Wide O2 Trailer Assembly*

Attach the brake cable to the bracket located inside the brake drum, as shown below.

See figure 4-29.



FIG. 4-29

Insert the top part (A), next slide the protective bushing (B).

See figure 4-30.



FIG. 4-30

Attach the other end of the brake cable to the bracket and secure it with a nut.

See figure 4-31.



FIG. 4-31

13. Installation and Setting Instructions on the AL-KO automatic reverse mechanical brake system.¹

Version without spring accumulator

Type RB 1637, RB 2051, RB 2361

1. Mount overrun device and axle on chassis.
2. Release handbrake lever completely.
3. Pull out the overrun device's drawbar tube fully towards the front.
4. Screw brake rod (2) at least 15 mm into the articulated head (1) of the overrun device and lock with hex nut (3).
5. Hook the Bowden cable (brake cable) into the wheel brake.
6. Connect Bowden cables (5) with adapter bracket (8) and lock with hex nut M12x1.5 (9).
7. Pass Bowden cables (8) into the compensation profile (7).
8. Insert brake rod (2) into compensation profile (4).
9. Put on the spacer (11).
10. Secure adapter bracket.
 - For brake rod M10 - Screw long nut (6) onto brake rod (2) and tighten by hand.
 - For brake rod M8 - Put washer (12) on brake rod (2). Screw nut (13) onto brake rod (2) and tighten by hand.
11. Firmly apply and release the handbrake lever 3 times.
12. Turn the wheel forwards, tightening the long nut (6) or nut (13) until brake resistance can be felt. **The wheel needs to be turnable by hand in the driving direction.**
13. Lock long nut (6) or nut (13) with hex nut (7) or alternatively use brake rod holder (10).

1. According to AL-KO: Comprehensive Catalogue Trailer Components

See figure 4-32.

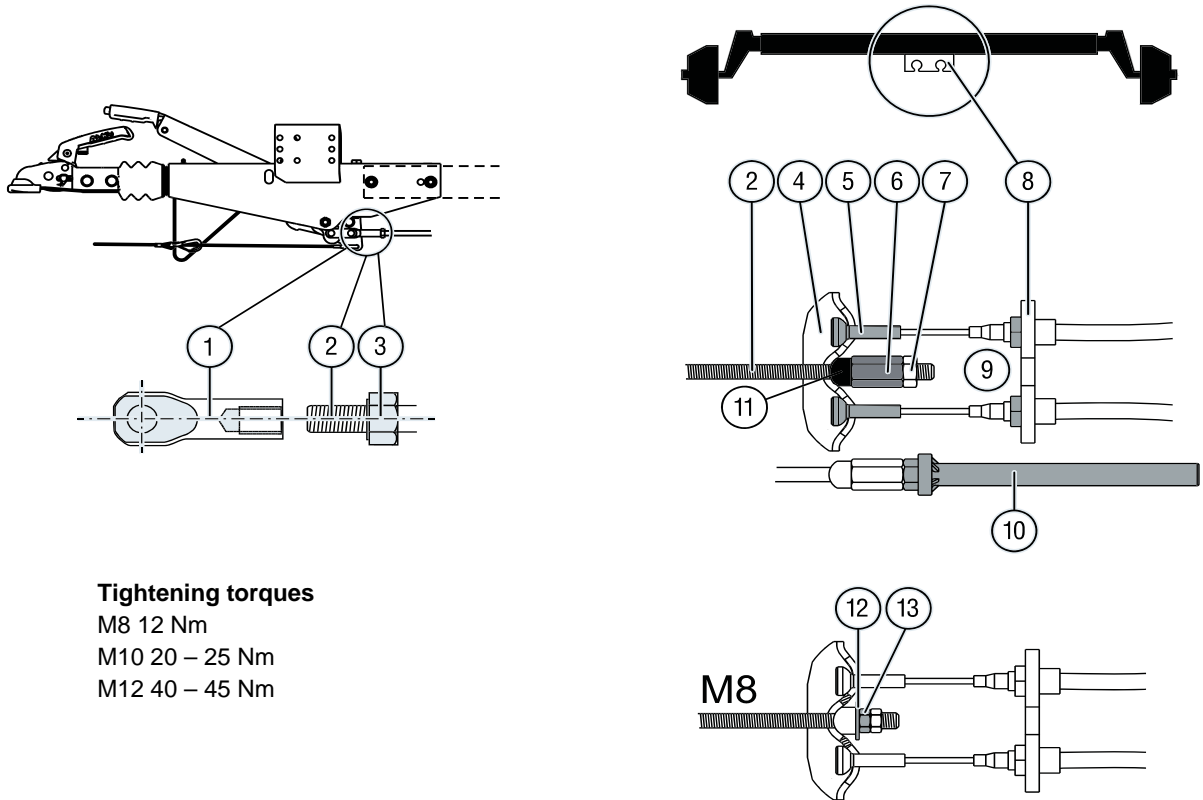


FIG. 4-32

4 Assembly - LT15 Wide O2 Trailer

LT15 Wide O2 Trailer Assembly

14. Winch

Install the winch crank. Use M10x35 bolts (marked in orange) to install the winch to its mount weldment. Install the entire winch assembly to the machine. Use the lock pin (A) and safety pins (B, C) to secure the winch assembly into the bracket.

See figure 4-33.

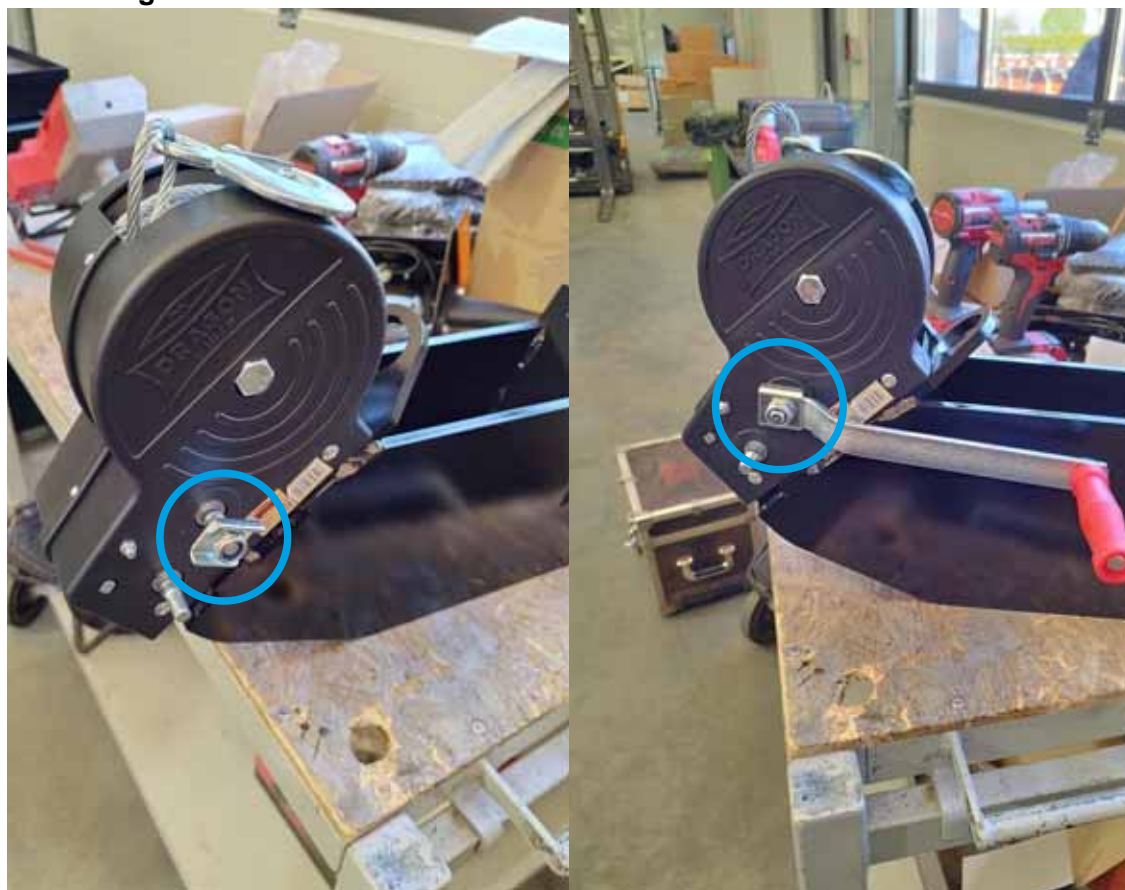


FIG. 4-33

See figure 4-34.

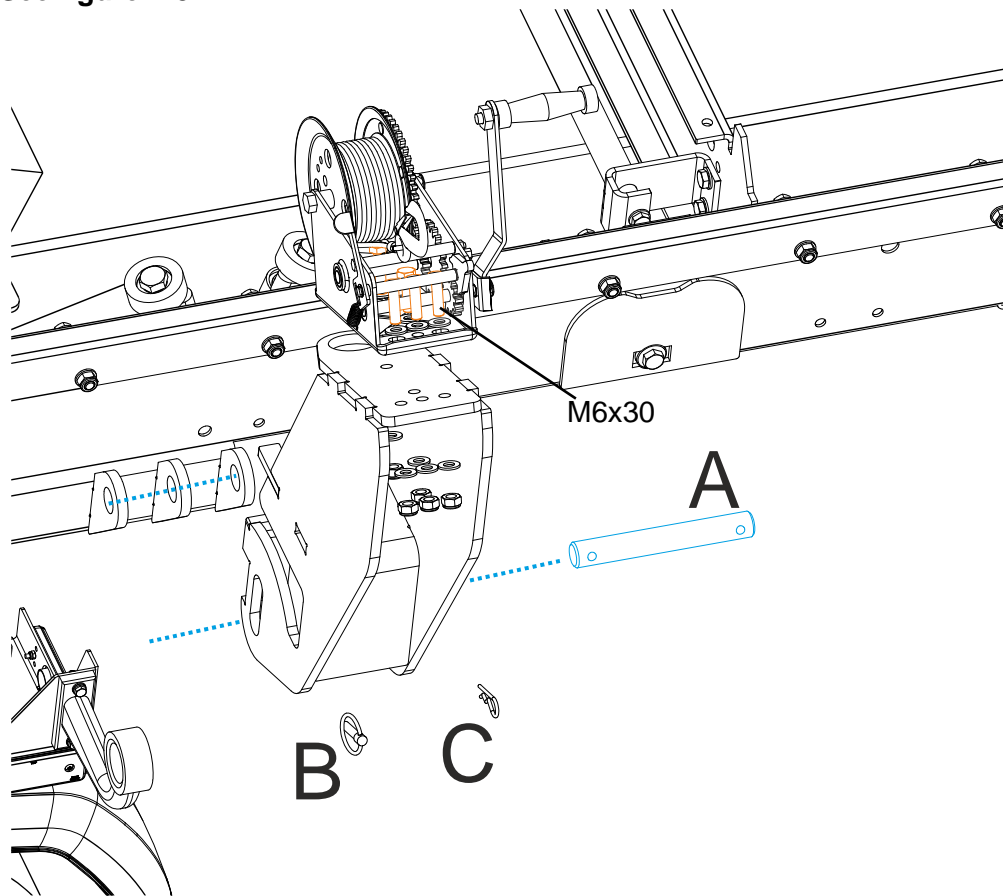


FIG. 4-34

4

Assembly - LT15 Wide O2 Trailer

LT15 Wide O2 Trailer Assembly

15. Log loading ramp

Install the log ramp mount assembly in places shown below and secure with the roll pin.

See figure 4-35.

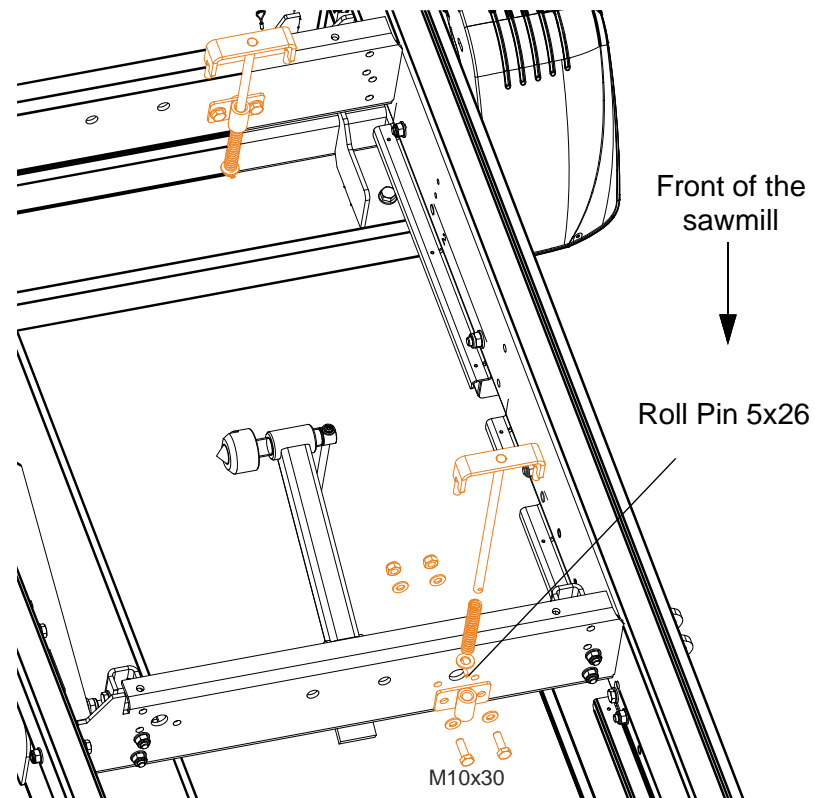


FIG. 4-35

Install the loading ramp brackets (2 pcs) using M10x75 bolts. The proper mounting holes are marked in blue on the figure below.

See figure 4-36.

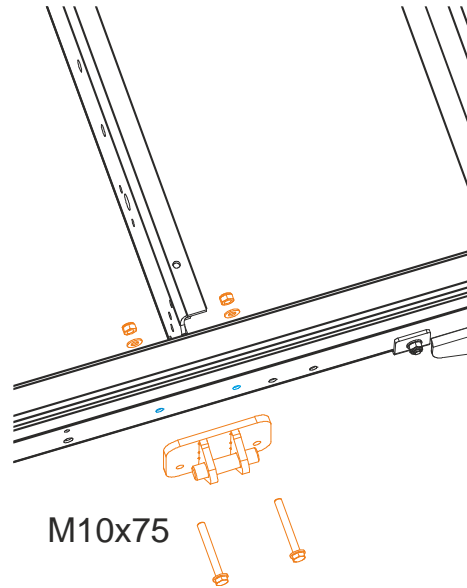


FIG. 4-36

See figure 4-37. Next, install loading ramp arms and the slide pad (A) - the rope of the winch should always go through the middle of the slide pad (as shown in the figure below).

4

Assembly - LT15 Wide O2 Trailer

LT15 Wide O2 Trailer Assembly

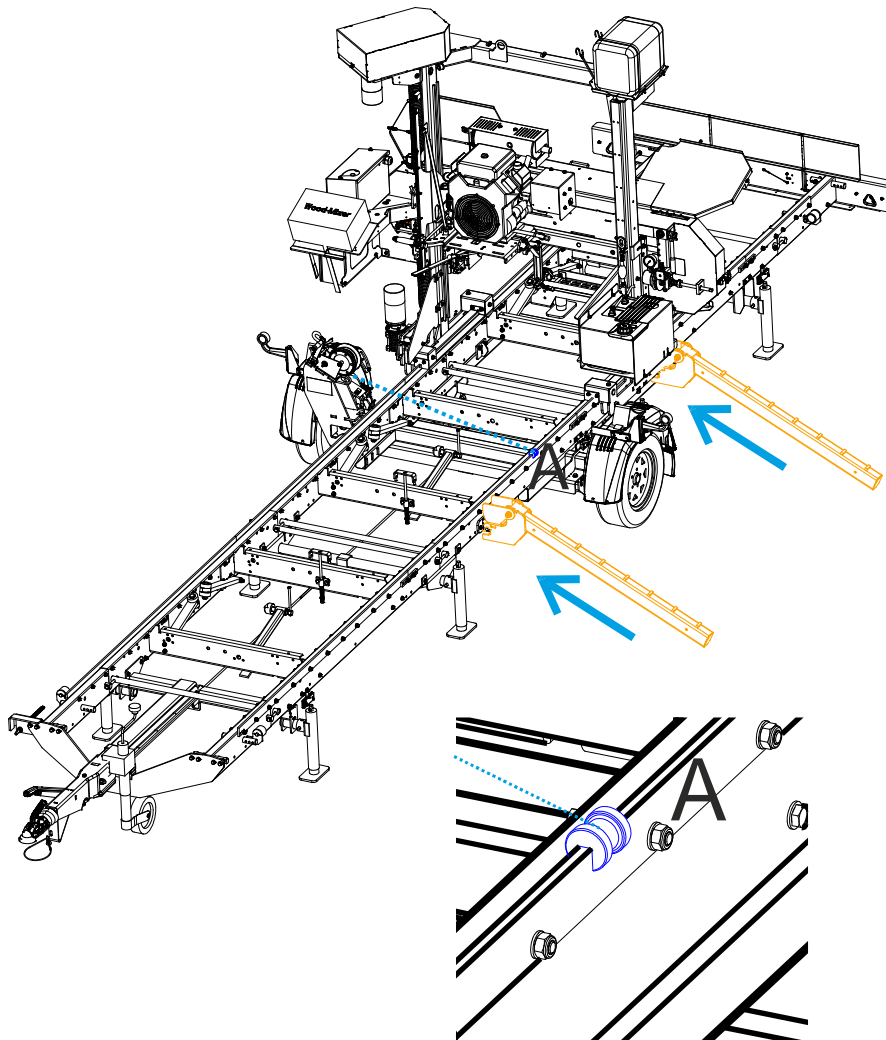


FIG. 4-37



CAUTION! Do not adjust the log position on the ramp. To do this, the log must be completely lowered on the ground, properly positioned and pulled back onto the sawmill bed using the loading ramp and the winch

16. Rubber strap with hooks

Use M6x30 bolt to install the rubber strap with hooks. Next, use this rubber strap to secure the log clamp.

See figure 4-38.

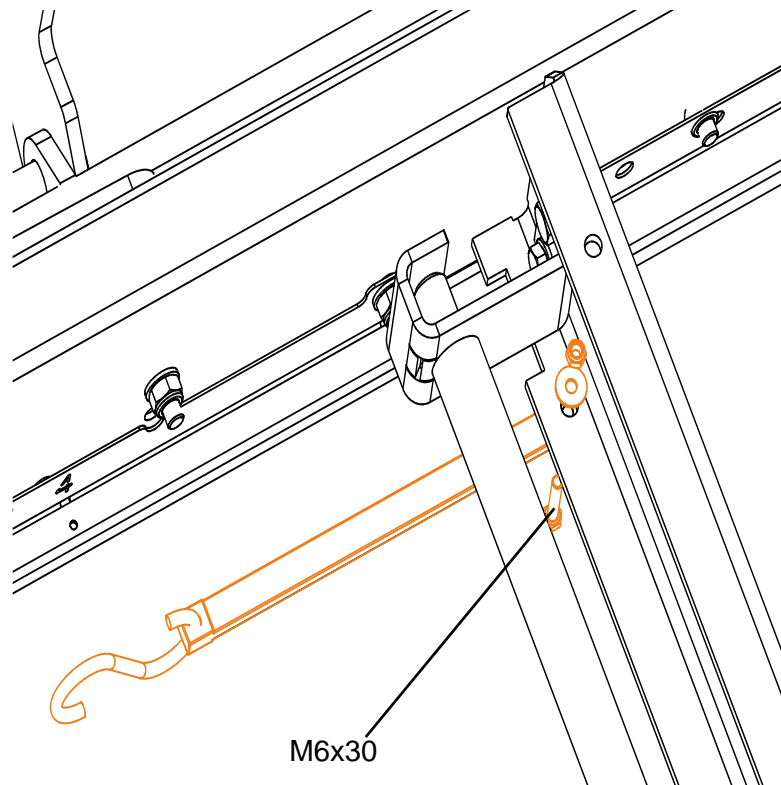


FIG. 4-38

4 Assembly - LT15 Wide O2 Trailer

LT15 Wide O2 Trailer Assembly

See figure 4-39.

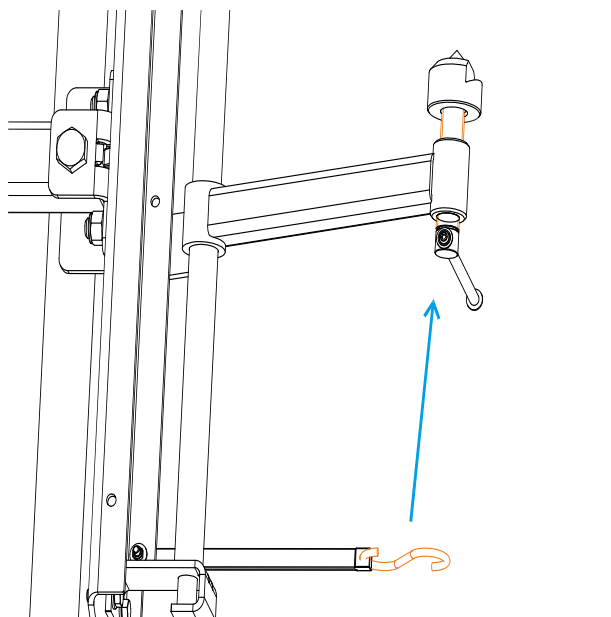


FIG. 4-39

17. Mount the sawdust chute with M8x16 wing screws.

See figure 4-40.



FIG. 4-40

18. Saw head safety chain

Mount the safety chain in the place shown below and secure it with the lock pin (A). Install the M16x80 bolt shown below, and secure the saw head with the chain in the place shown in the figure.

See figure 4-41.



FIG. 4-41

4**Assembly - LT15 Wide O2 Trailer***LT15 Wide O2 Trailer Assembly*

See figure 4-42.

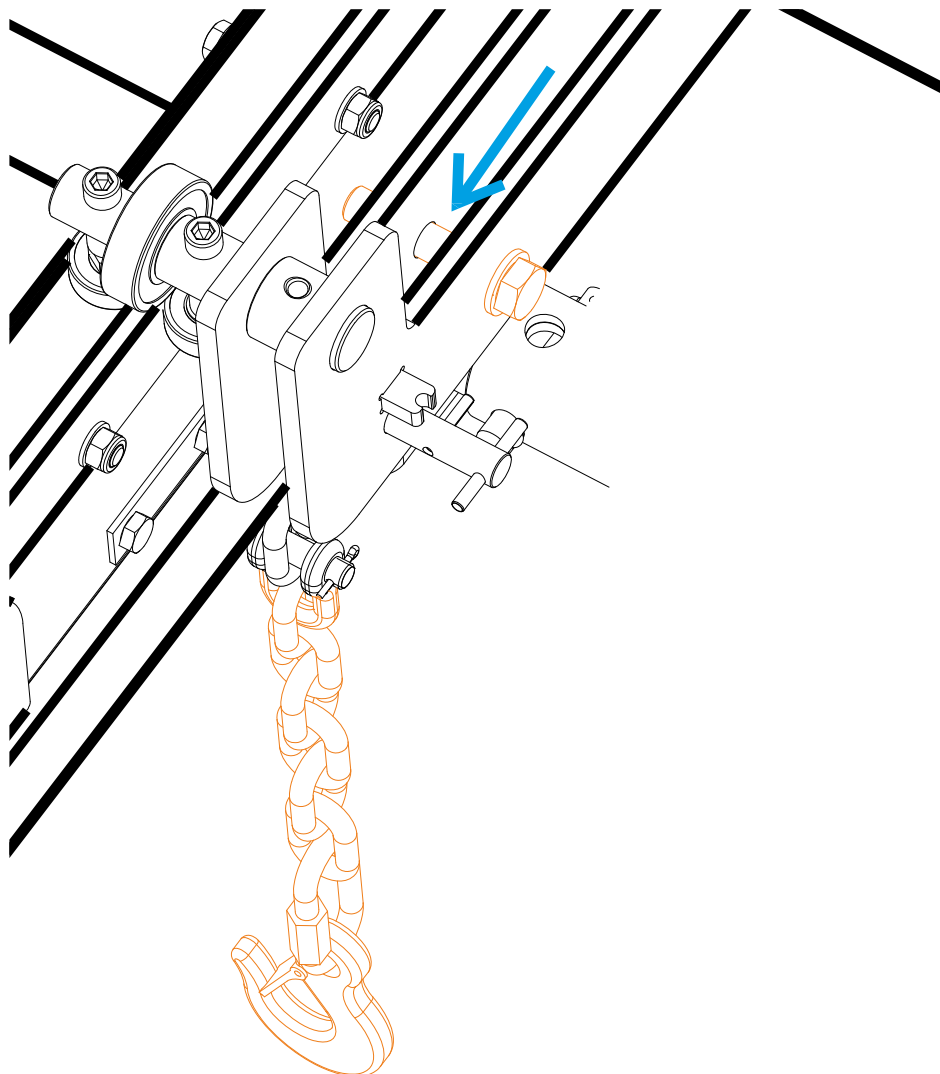


FIG. 4-42

19. Manual log turner (optional equipment)

Mount the manual log turner with 5 screws (M10x90) as shown below.

See figure 4-43.

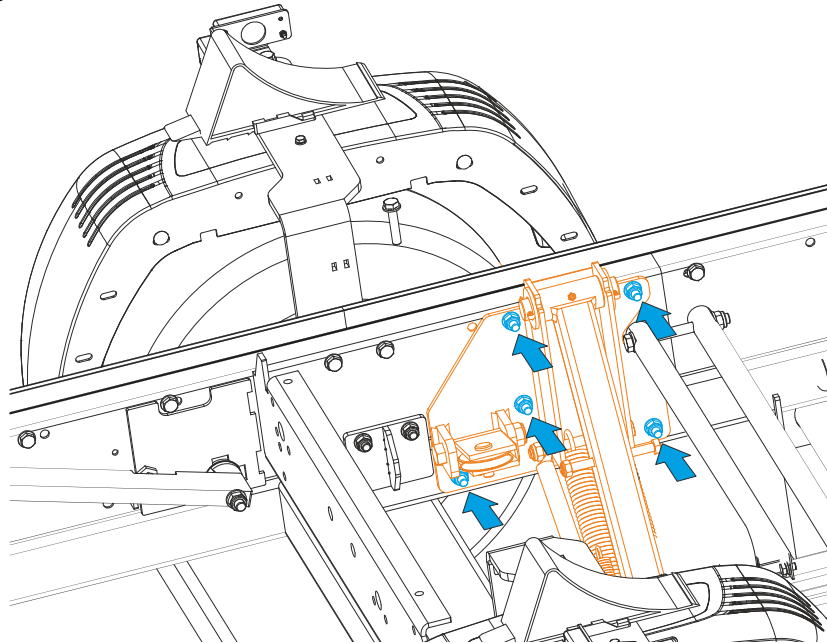


FIG. 4-43

20. Remove the cable duct by unscrewing the nuts (M10-8).

See figure 4-44.

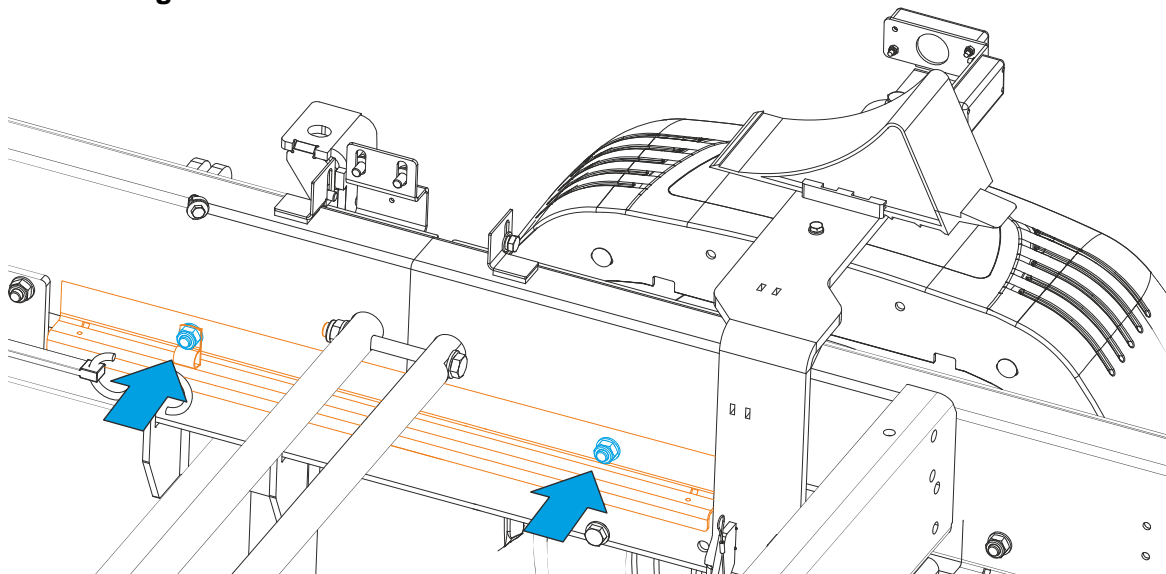


FIG. 4-44

21. Mount the manual log turner cable bracket.

See figure 4-45.

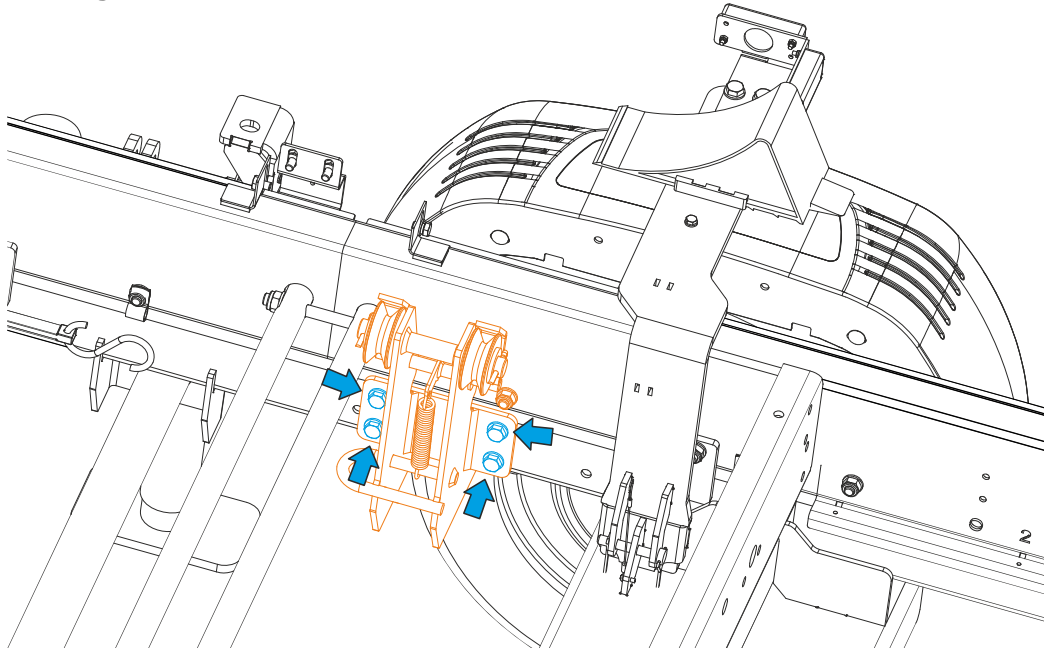


FIG. 4-45

22. Mount the cable guide pulley as shown below.

See figure 4-46.

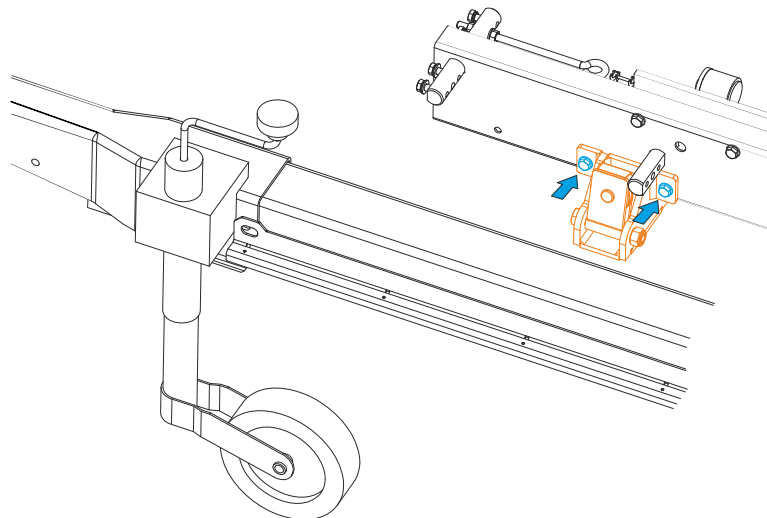


FIG. 4-46

23. Bolt the winch to the frame.

See figure 4-47.

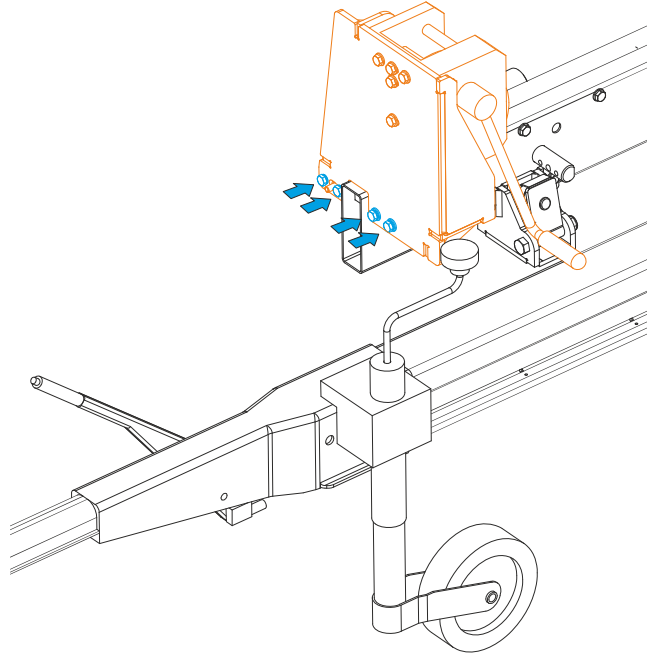


FIG. 4-47

SECTION 5 OPERATION - LT15 O1 TRAILER



CAUTION! Before towing the sawmill, remove the sawdust chute, secure the saw head in travel position, secure the log clamps with rubber bands, remove the winch and other elements that could fall out while driving, e.g. a leveling wedge.

5.1 Procedures that need to be performed before towing the sawmill

1. Secure the saw head in travel position.

See figure 5-1.



FIG. 5-1

See figure 5-2.

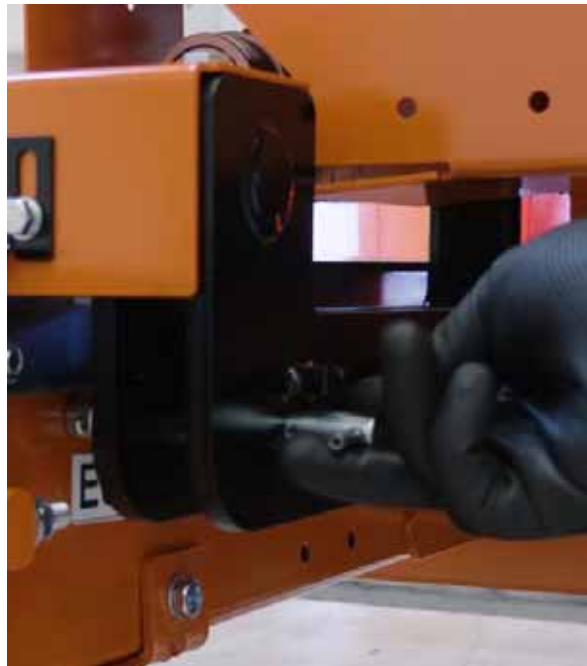


FIG. 5-2

5

Operation - LT15 O1 Trailer

Procedures that need to be performed before towing the sawmill

2. Remove the items shown in the figure below:

See figure 5-3.

LT15SA_O1TRAILER_TRANSPORT
LT15SAS3EH7SP-0_75_MANUAL_NOWY

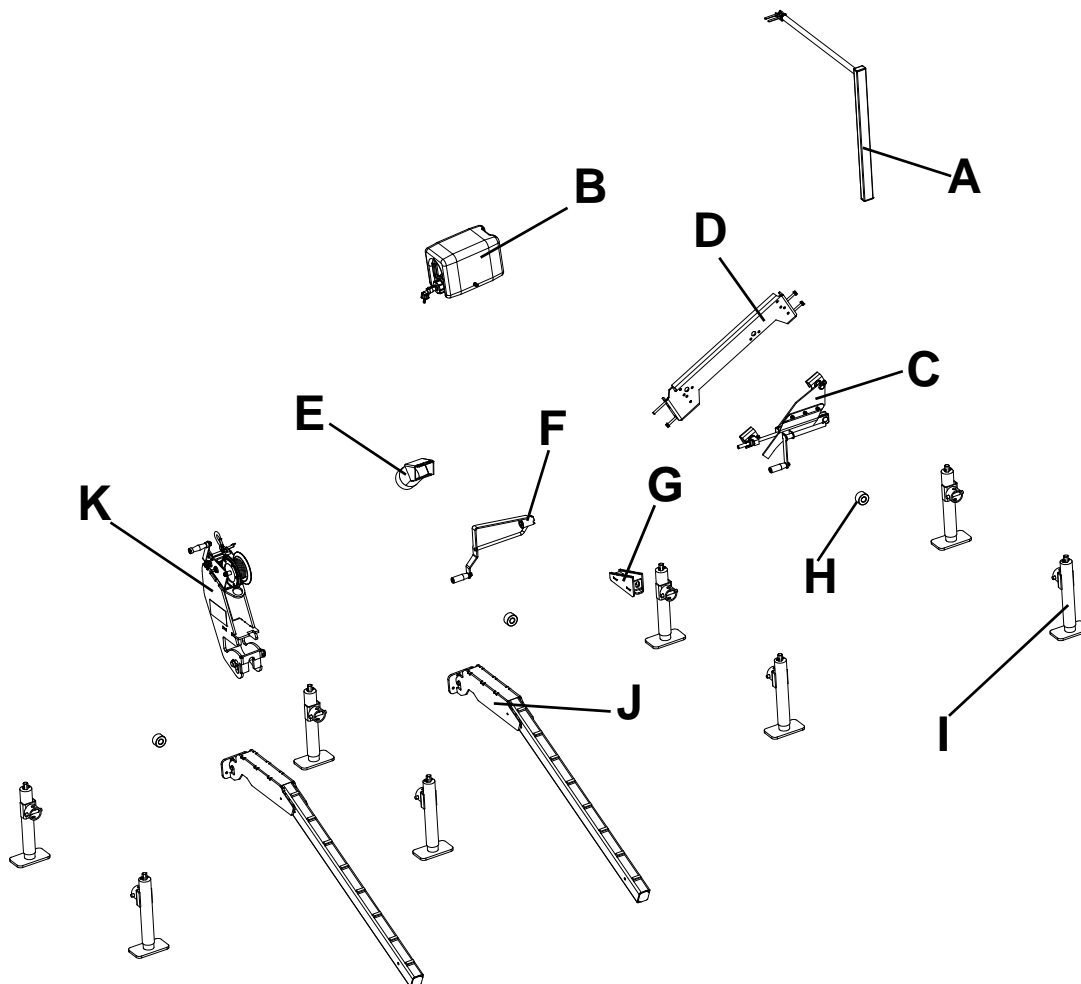


FIG. 5-3

Letter designation in the figure	Description	Quantity
A	Power cord bracket (only the machines equipped with electric motor)	1
B	Water tank	1
C	Manual toe board kit (option)	1
D	Additional bed rail (option)	1
E	Sawdust chute	1
F	Up/down feed crank assembly	1

TABLE 5-1

G	Wedge	1
H	M100 Clamp Cap	3
I	Support leg	8
J	Loading ramp arms	2
K	Winch	1

TABLE 5-1

5

Operation - LT15 O1 Trailer

Procedures that need to be performed before towing the sawmill

3. Before towing the sawmill, secure the saw head with a safety belt.

See figure 5-4.

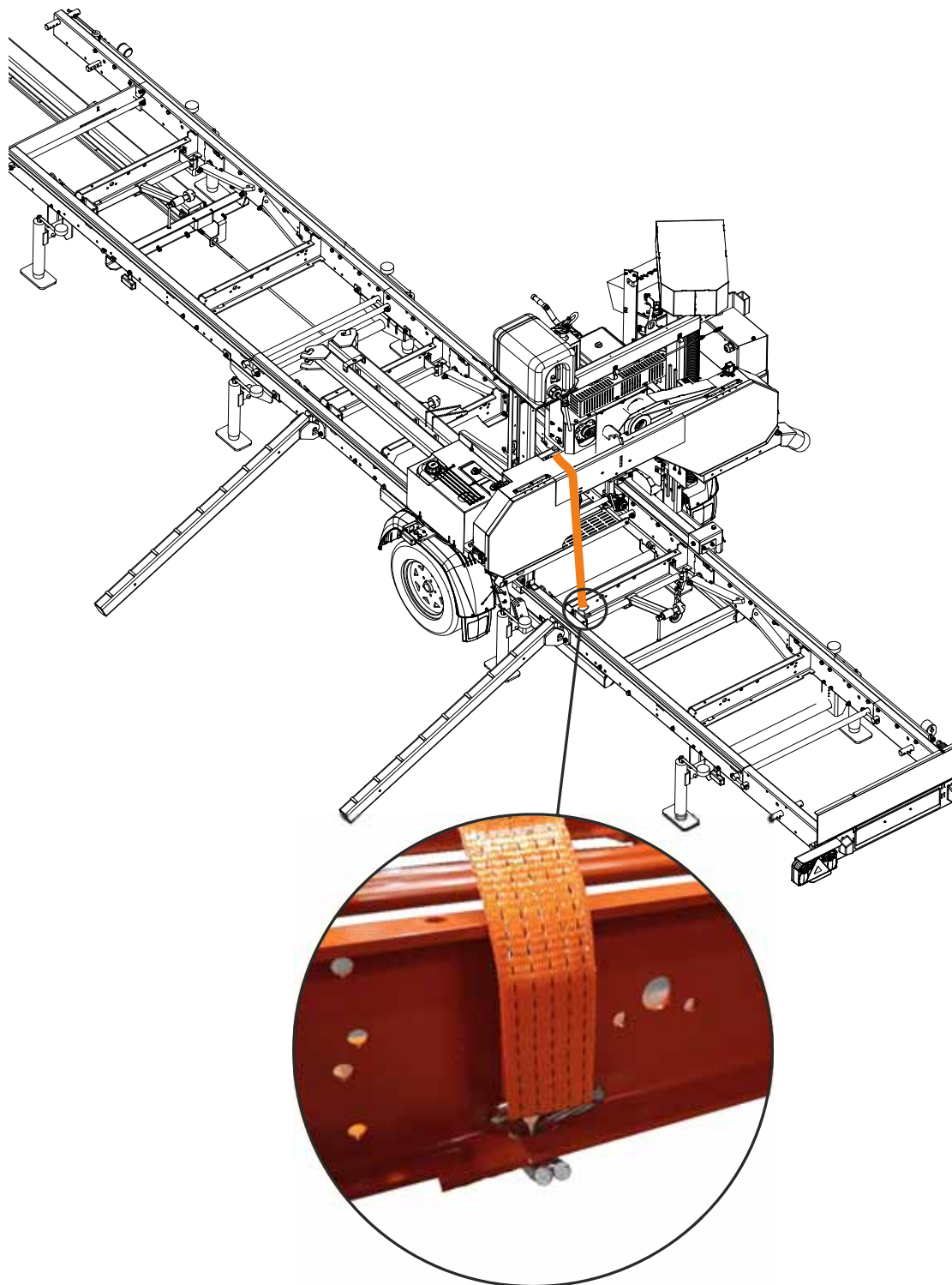


FIG. 5-4

See figure 5-5.

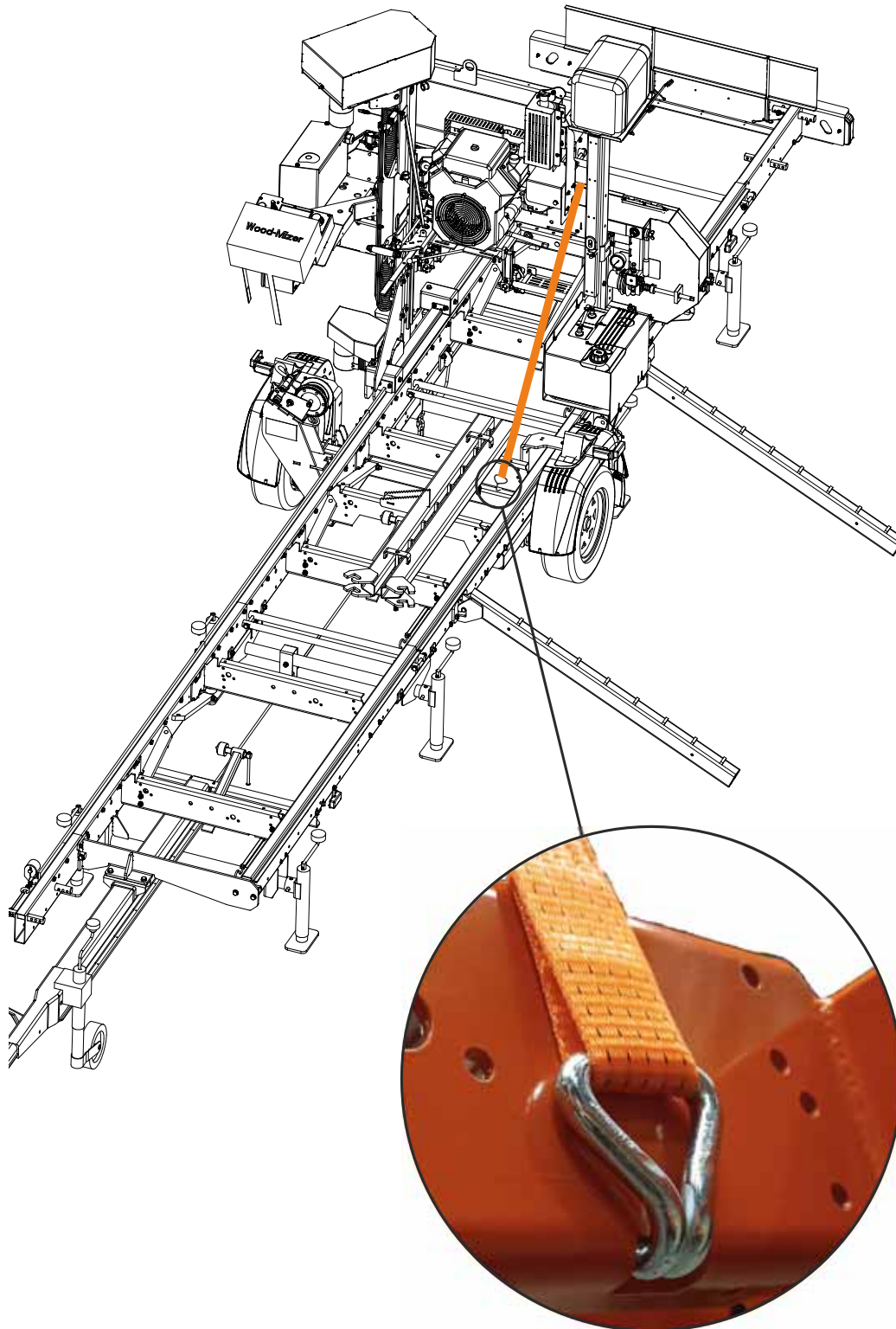


FIG. 5-5

5.2 Procedures that need to be performed before starting the work

1. Before starting to work take out the fender lock pin (014151) and fender. After finishing the work, install the fender and secure it with the lock pin to prepare the sawmill for towing.

See figure 5-6.



FIG. 5-6

See figure 5-7.

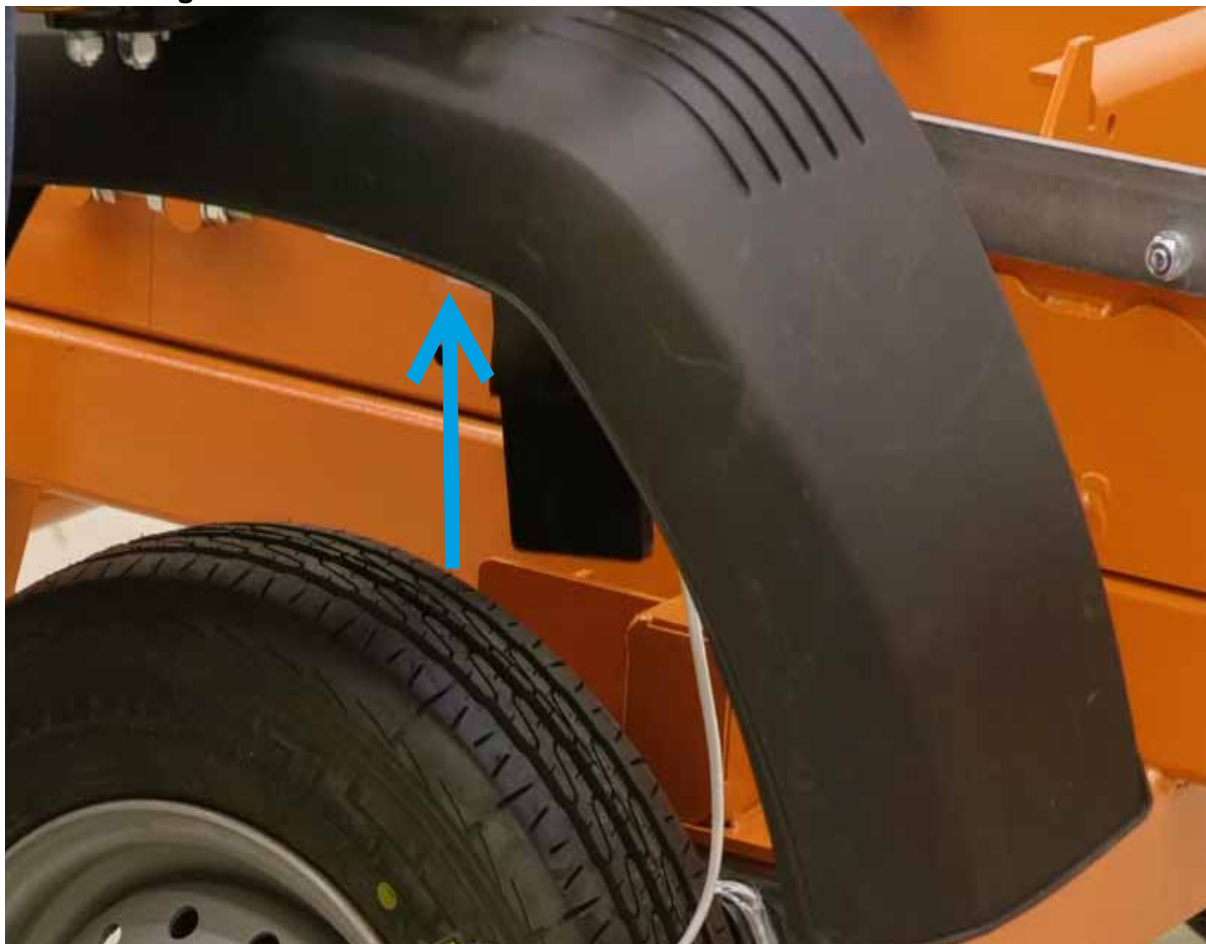


FIG. 5-7

SECTION 6 OPERATION - LT15 O2 TRAILER



CAUTION! Before towing the sawmill, remove the sawdust chute, secure the saw head in travel position, secure the log clamps with rubber bands, remove the winch and other elements that could fall out while driving, e.g. a leveling wedge.

6.1 Procedures that need to be performed before towing the sawmill

1. Secure the saw head in travel position.

See figure 6-1.



FIG. 6-1

- 2 Remove log loading ramp arms and install them to the sawmill bed using the mounting bracket.

See figure 6-2.



FIG. 6-2

6

Operation - LT15 O2 Trailer

Procedures that need to be performed before towing the sawmill

See figure 6-3.



FIG. 6-3

3. Roll up the winch rope and secure it in place shown below.

See figure 6-4.



FIG. 6-4

Prevent the rope from uncoiling by moving the winch lock up as shown in the figure below.

See figure 6-5.

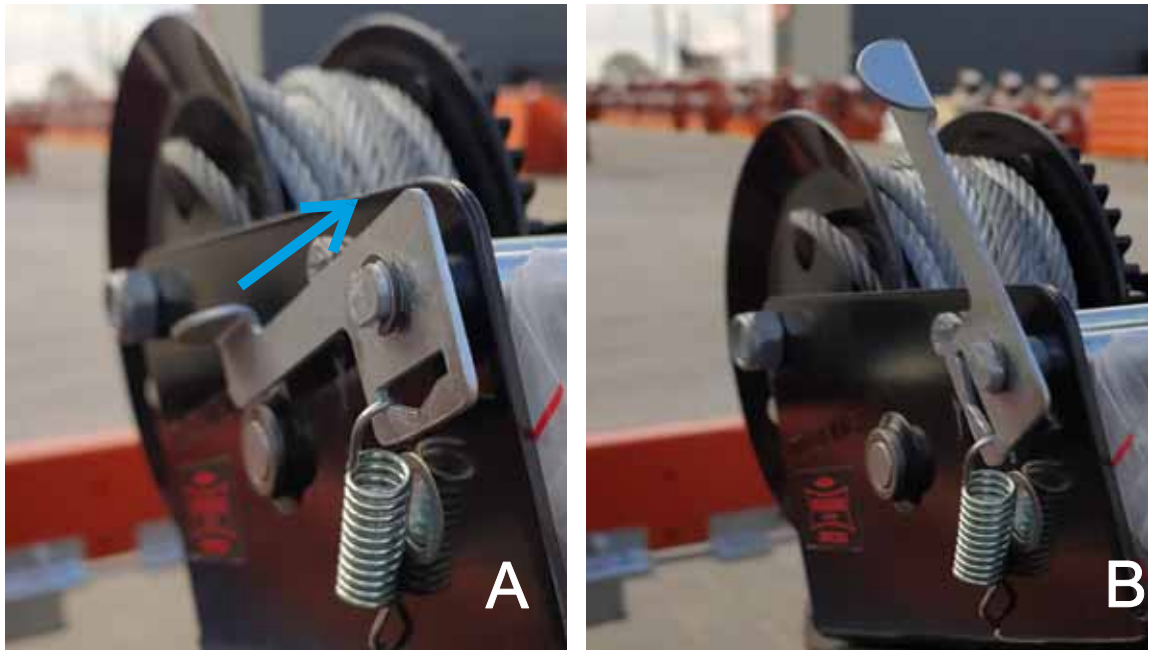


FIG. 6-5

6**Operation - LT15 O2 Trailer**

Procedures that need to be performed before towing the sawmill

4. Fold up the legs (550455). They should be directed towards the front of the sawmill.

See figure 6-6.

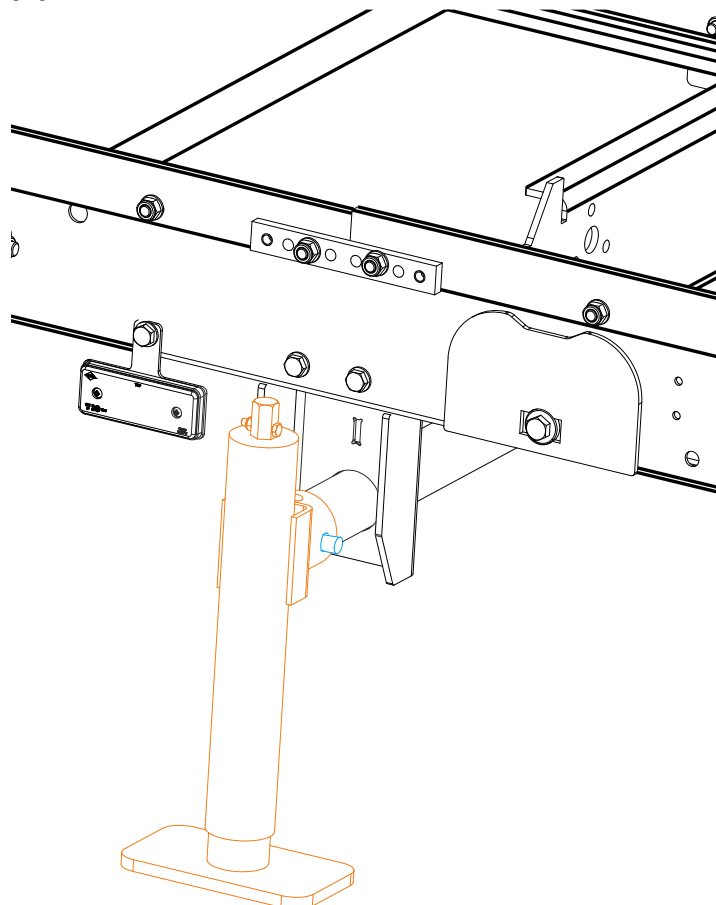


FIG. 6-6

See figure 6-7.

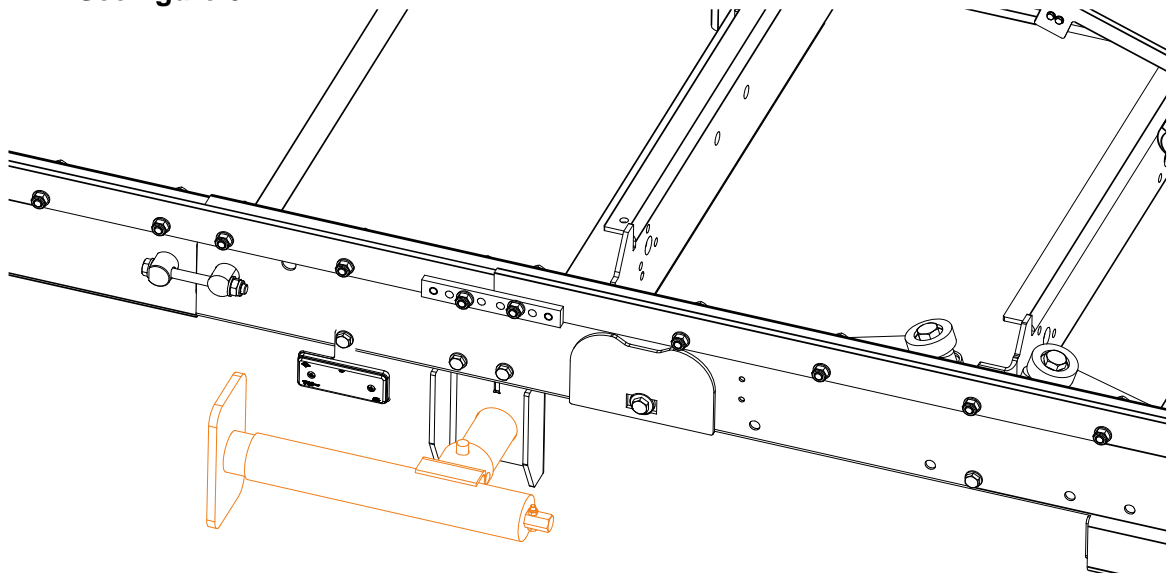


FIG. 6-7

6**Operation - LT15 O2 Trailer**

Procedures that need to be performed before towing the sawmill

5. Secure the saw head with the chain. Attach the chain to the M16x80 bolt shown below.

See figure 6-8.

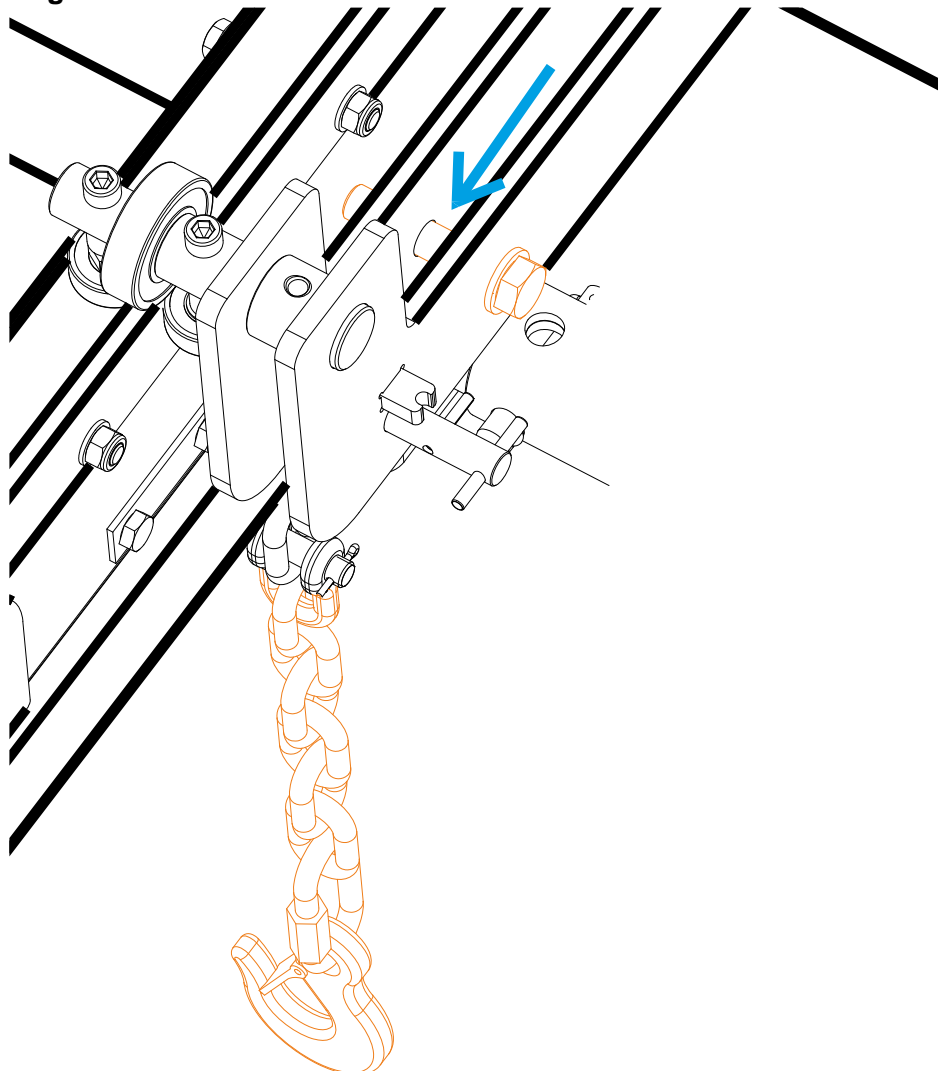


FIG. 6-8

6. Unbolt the M8x16 thumb screws to remove the sawdust chute.

See figure 6-9.



FIG. 6-9

6

Operation - LT15 O2 Trailer

Procedures that need to be performed before towing the sawmill

7. Before towing the sawmill, secure the sawhead with a safety belt.

See figure 6-10.

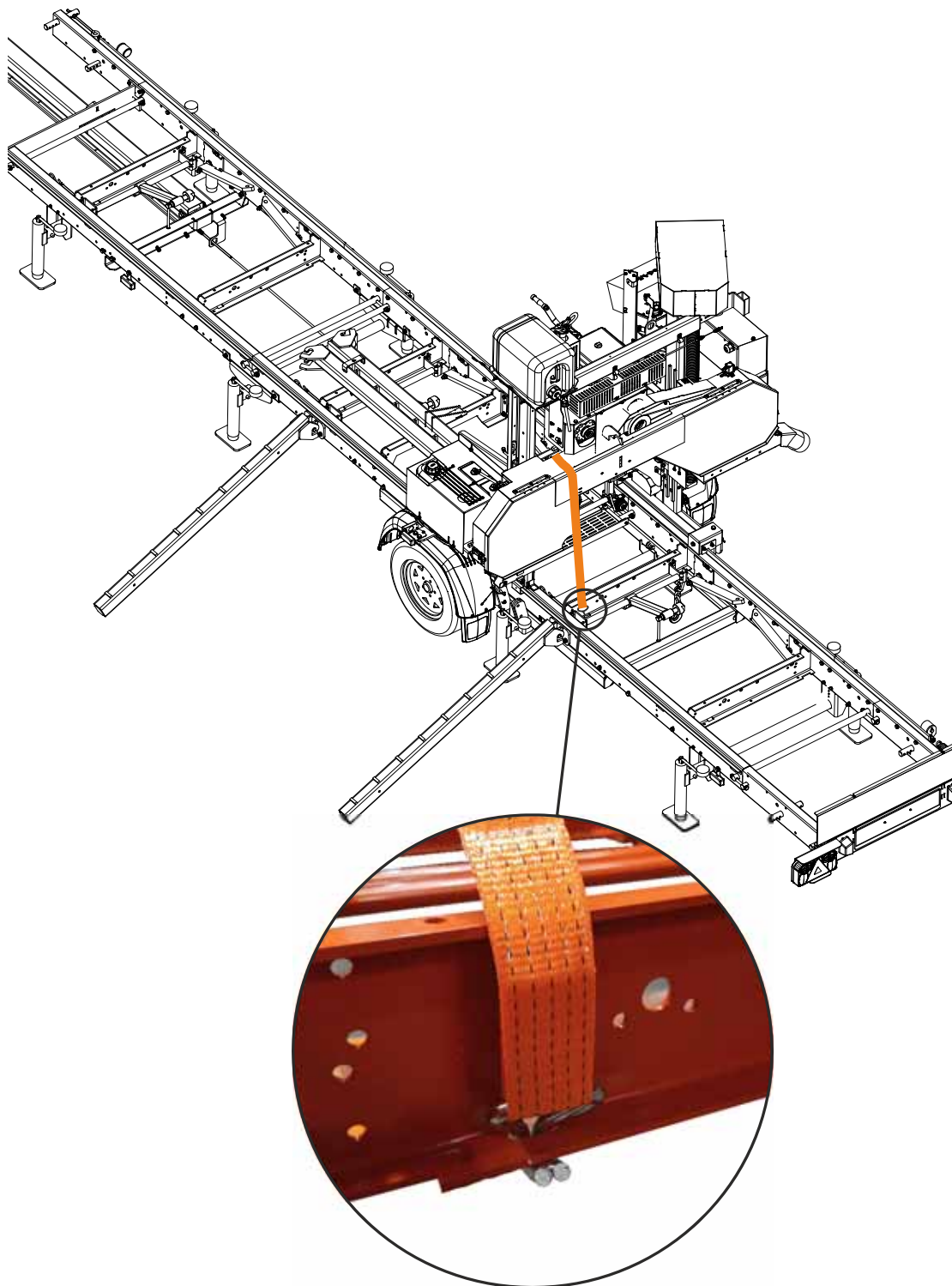


FIG. 6-10

See figure 6-11.

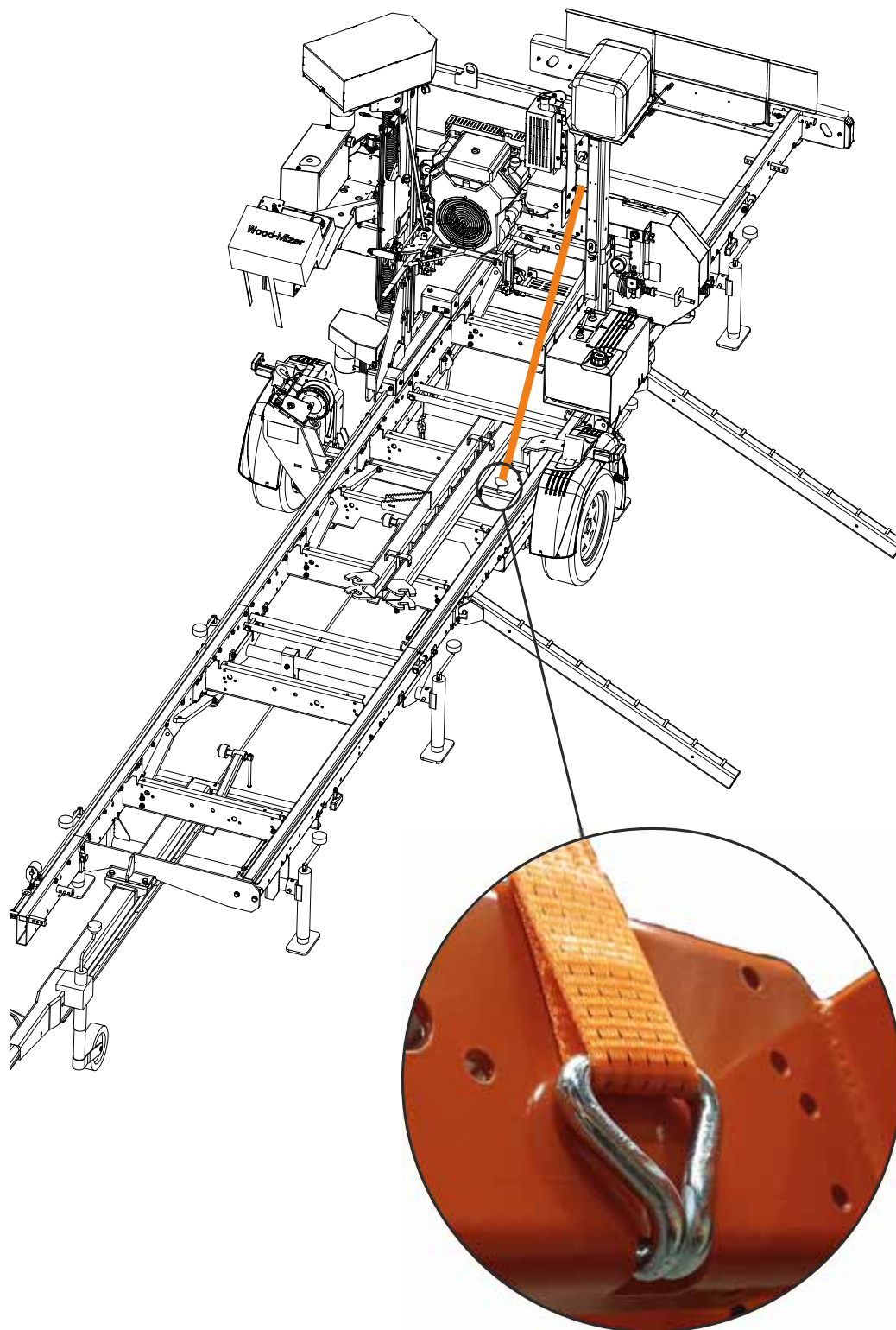


FIG. 6-11

6.2 Procedures that need to be performed before starting the work

1. Before starting to work take out the fender lock pin (014151) and fender. After finishing the work, install the fender and secure it with the lock pin to prepare the sawmill for towing.

See figure 6-12.



FIG. 6-12

See figure 6-13.



FIG. 6-13

2. Unfold the legs previously folded up for towing.

See figure 6-14.

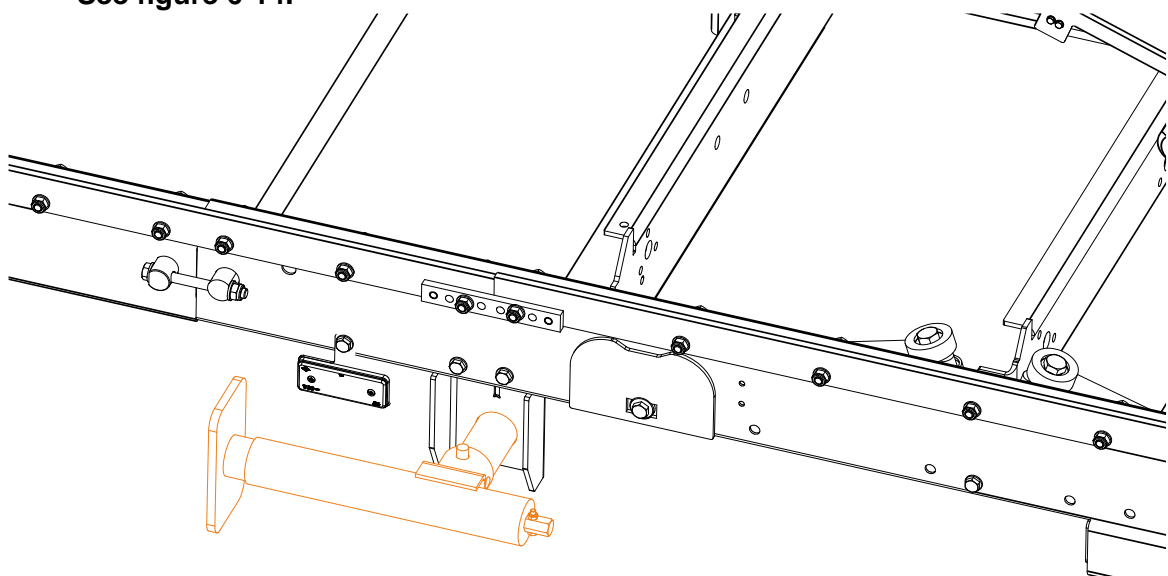


FIG. 6-14

6**Operation - LT15 O2 Trailer**

Procedures that need to be performed before starting the work

See figure 6-15.

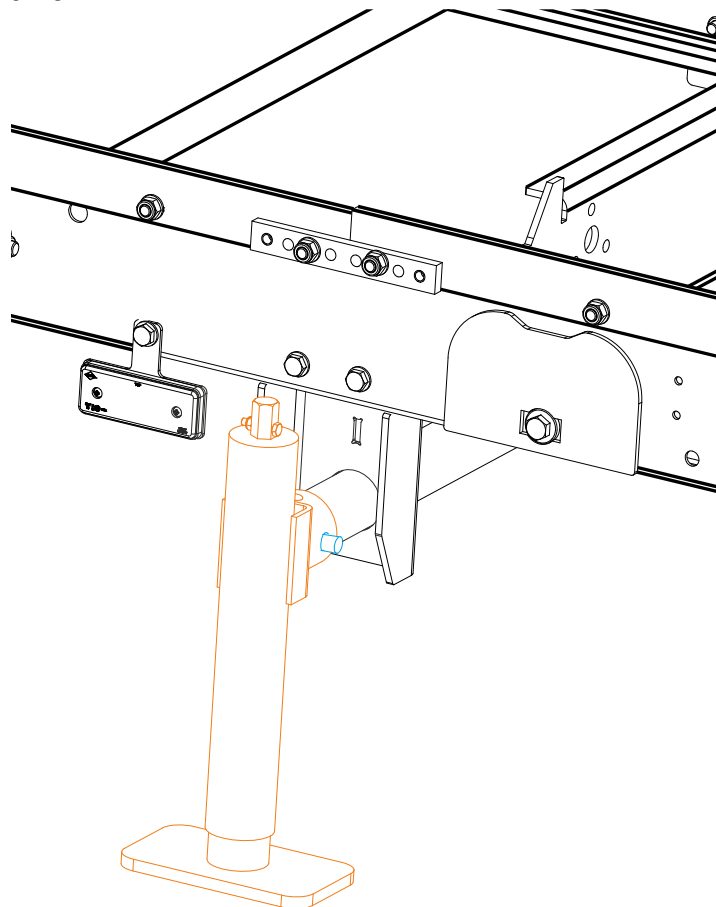


FIG. 6-15

3. Mount the sawdust chute with M8x16 thumb screws.

See figure 6-16.

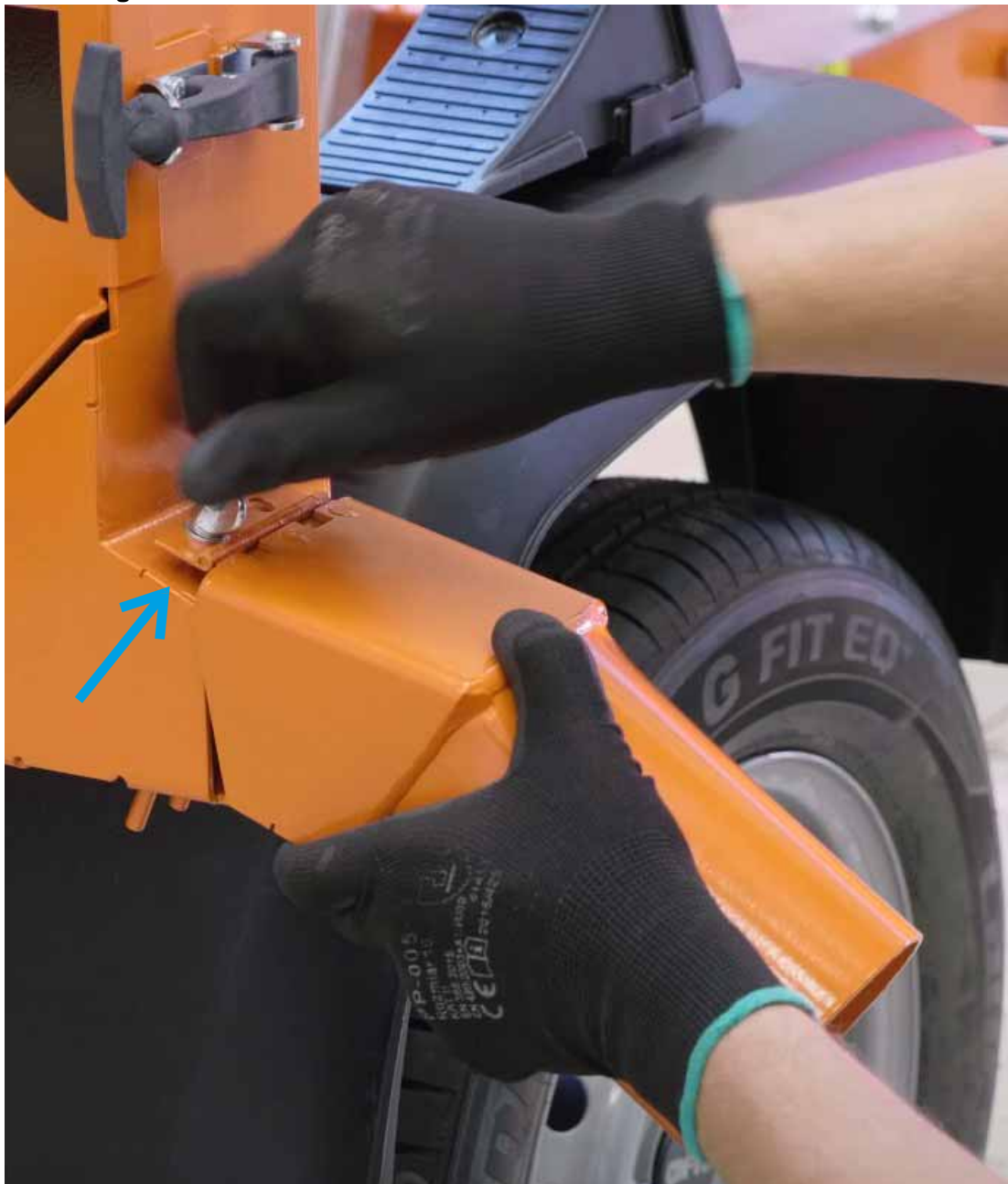


FIG. 6-16

SECTION 7 OPERATION - LT15 WIDE O2 TRAILER



CAUTION! Before towing the sawmill, remove the sawdust chute, secure the saw head in travel position, secure the log clamps with rubber bands, remove the winch and other elements that could fall out while driving, e.g. a leveling wedge.

7.1 Procedures that need to be performed before towing the sawmill

- 1 Remove log loading ramp arms and install them to the sawmill bed using the mounting bracket.

See figure 7-1.



FIG. 7-1

See figure 7-2.



FIG. 7-2

2. Roll up the winch rope and secure it in place shown below.

See figure 7-3.



FIG. 7-3

7**Operation - LT15 Wide O2 Trailer**

Procedures that need to be performed before towing the sawmill

Prevent the rope from uncoiling by moving the winch lock up as shown in the figure below.

See figure 7-4.

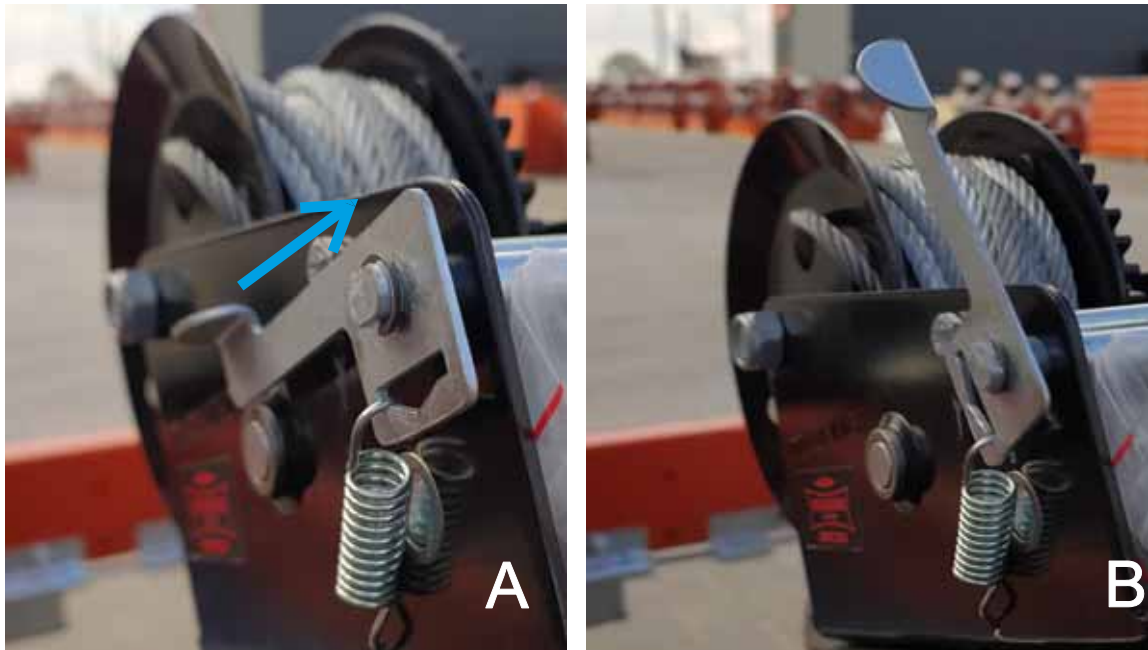


FIG. 7-4

3. Fold up the legs (550455). They should be directed towards the front of the sawmill.

See figure 7-5.

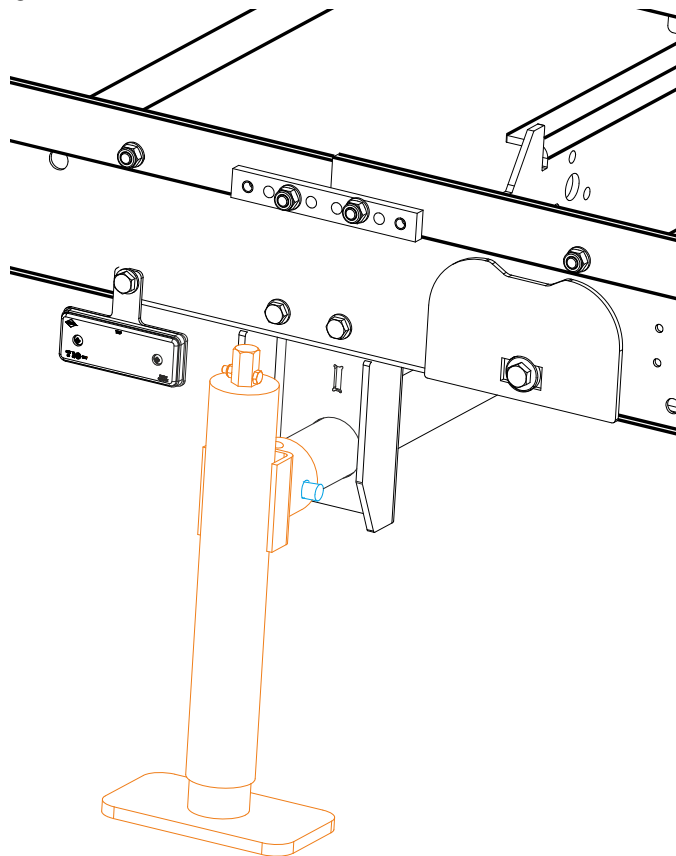


FIG. 7-5

See figure 7-6.

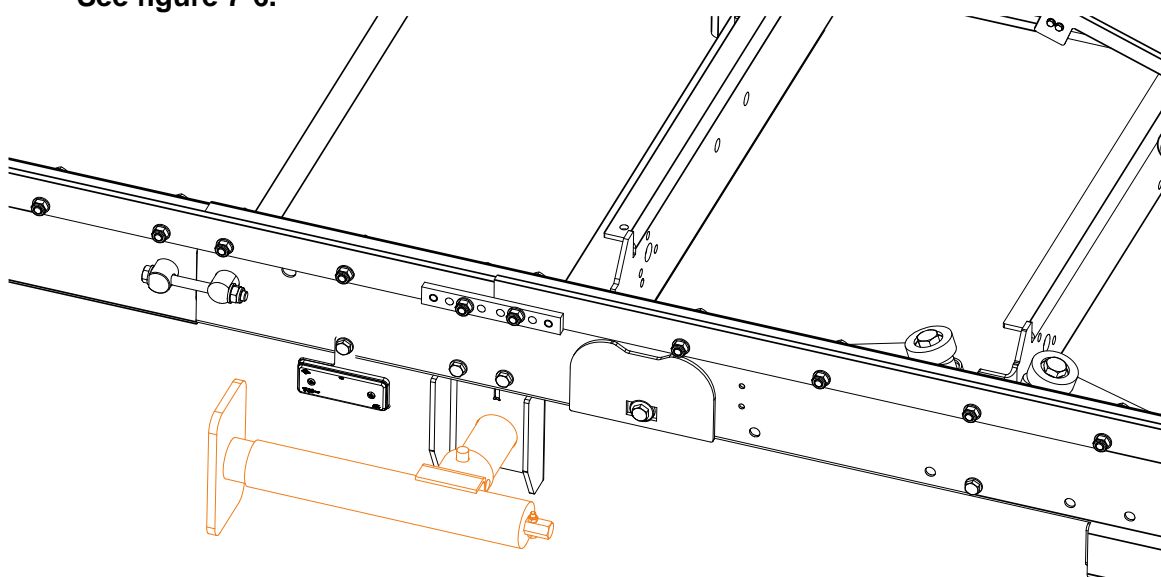


FIG. 7-6

7**Operation - LT15 Wide O2 Trailer**

Procedures that need to be performed before towing the sawmill

4. Secure the saw head with the chain. Attach the chain to the M16x80 bolt shown below.

See figure 7-7.

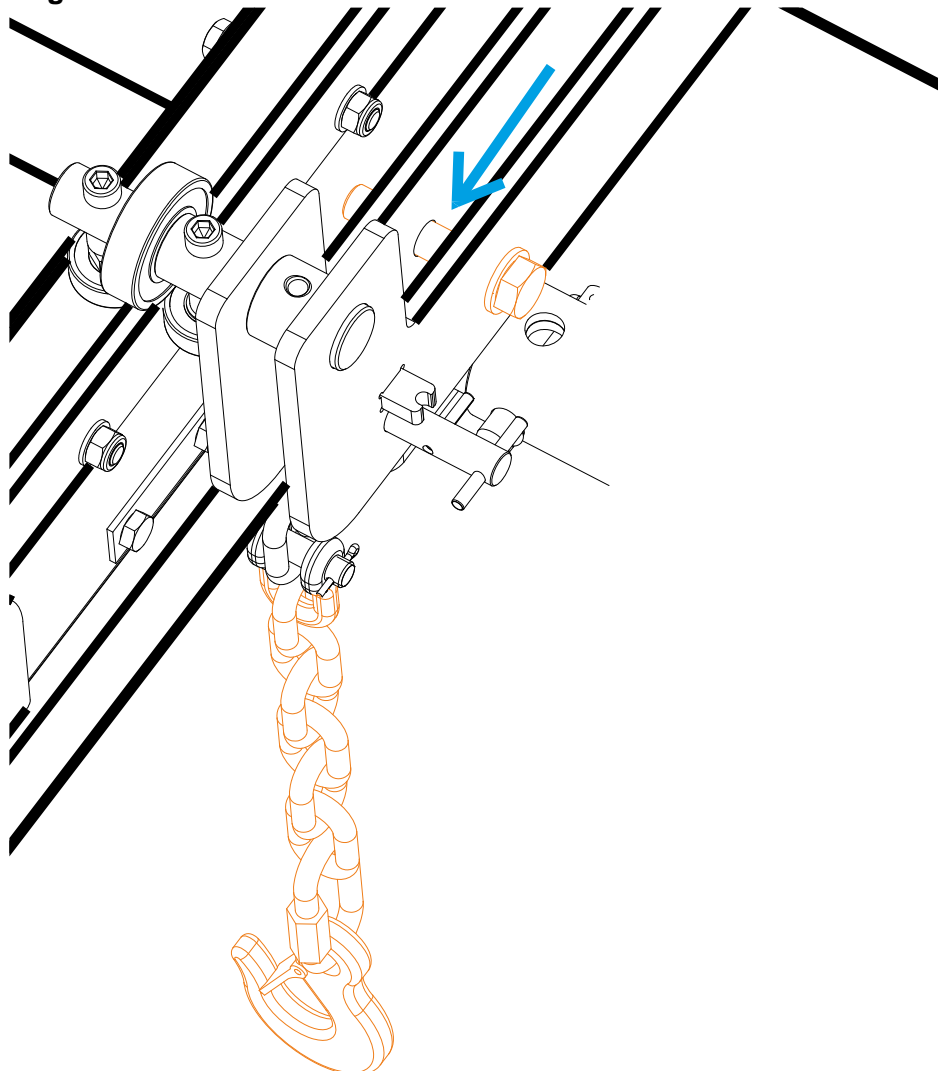


FIG. 7-7

5. Unbolt the M8x16 thumb screws to remove the sawdust chute.

See figure 7-8.

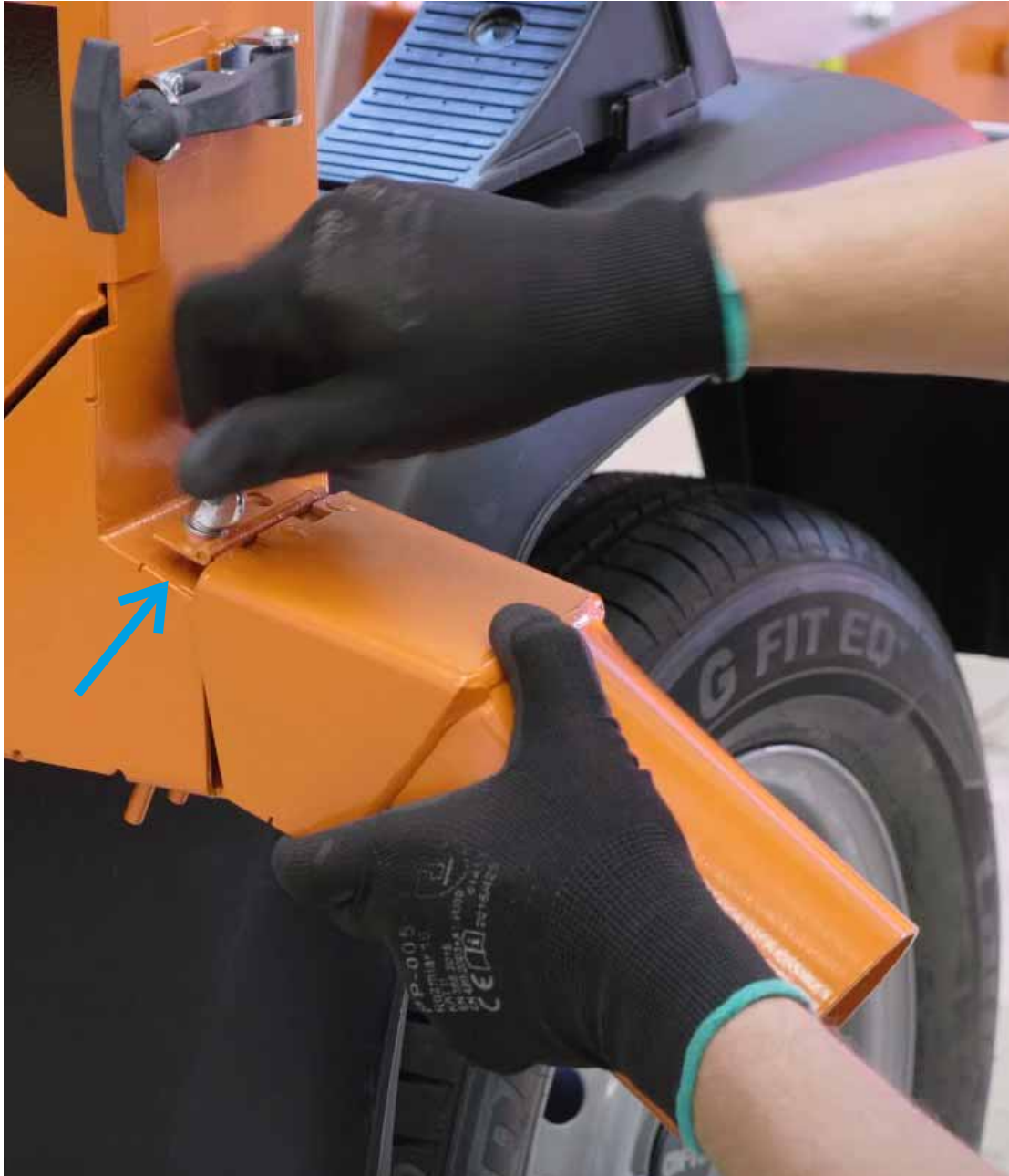


FIG. 7-8

7

Operation - LT15 Wide O2 Trailer

Procedures that need to be performed before towing the sawmill

6. Before towing the sawmill, secure the sawhead with a safety belt.

See figure 7-9.

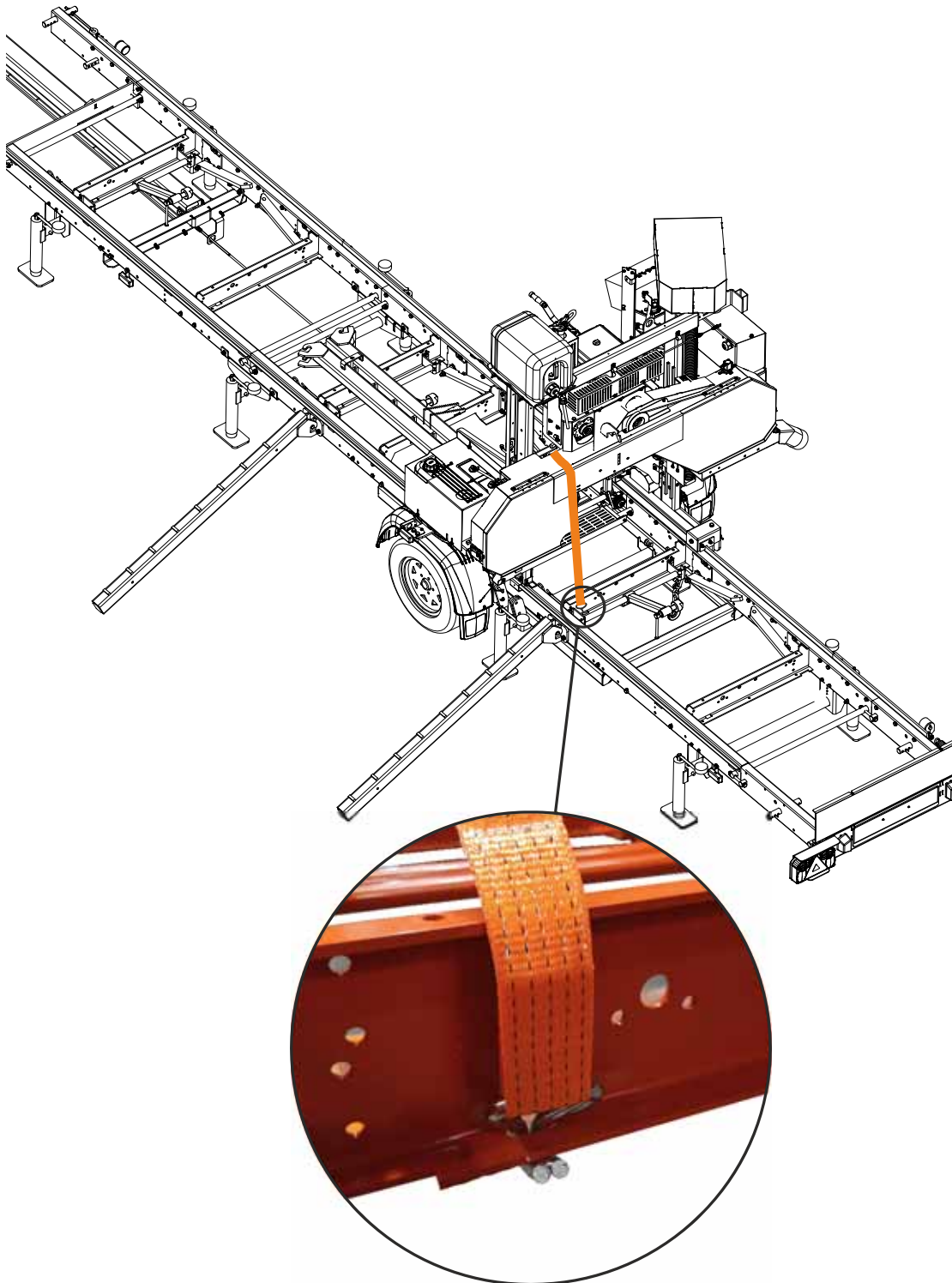


FIG. 7-9

See figure 7-10.

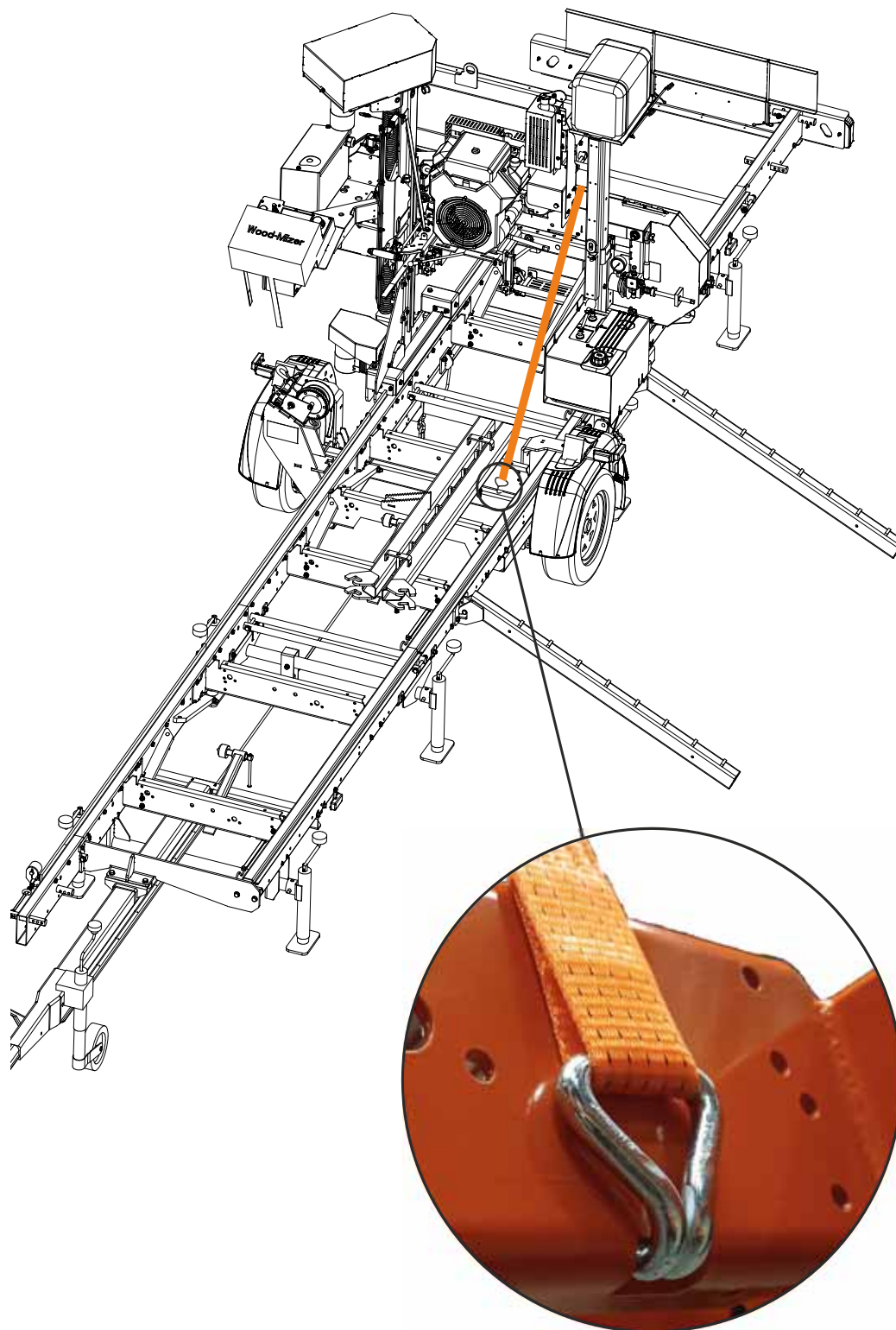


FIG. 7-10

7

Operation - LT15 Wide O2 Trailer

Procedures that need to be performed before starting the work

7.2 Procedures that need to be performed before starting the work

1. Before starting to work, take out the fender lock pin (014151) and the fender. After finishing the work, install the fender and secure it with the lock pin to prepare the sawmill for towing.

See figure 7-11.



FIG. 7-11

See figure 7-12.



FIG. 7-12

2. Unfold the legs previously folded up for towing.

See figure 7-13.

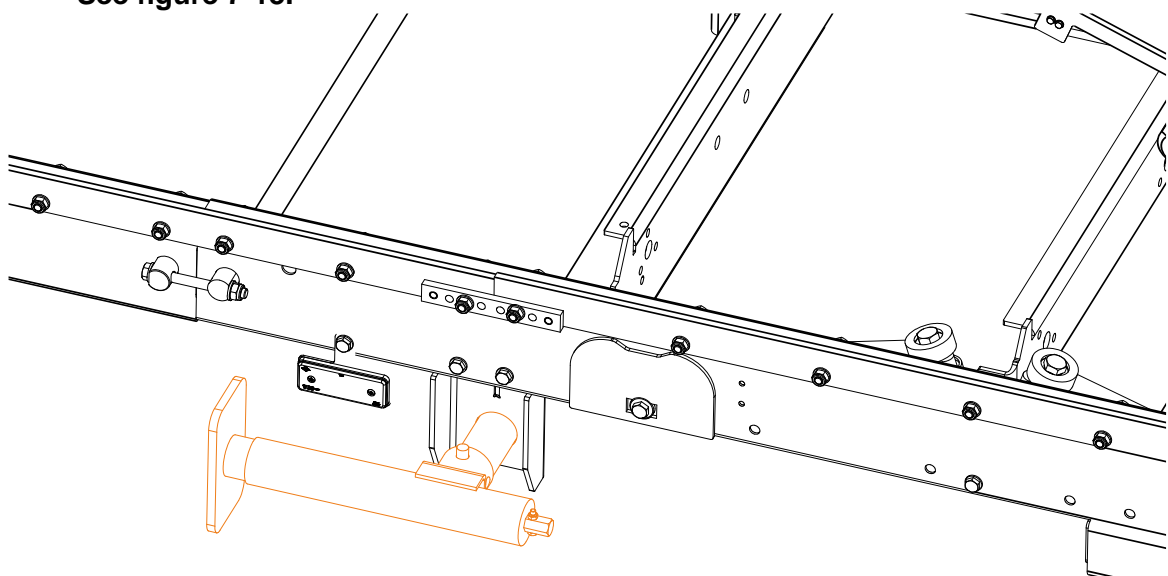


FIG. 7-13

7**Operation - LT15 Wide O2 Trailer**

Procedures that need to be performed before starting the work

See figure 7-14.

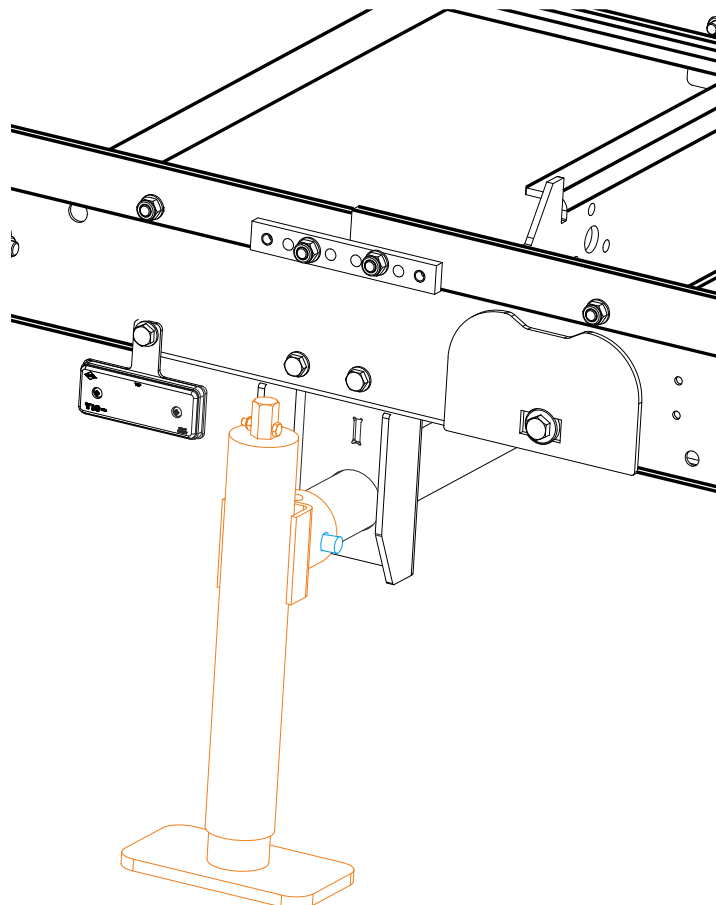


FIG. 7-14

3. Mount the sawdust chute with M8x16 thumb screws.

See figure 7-15.

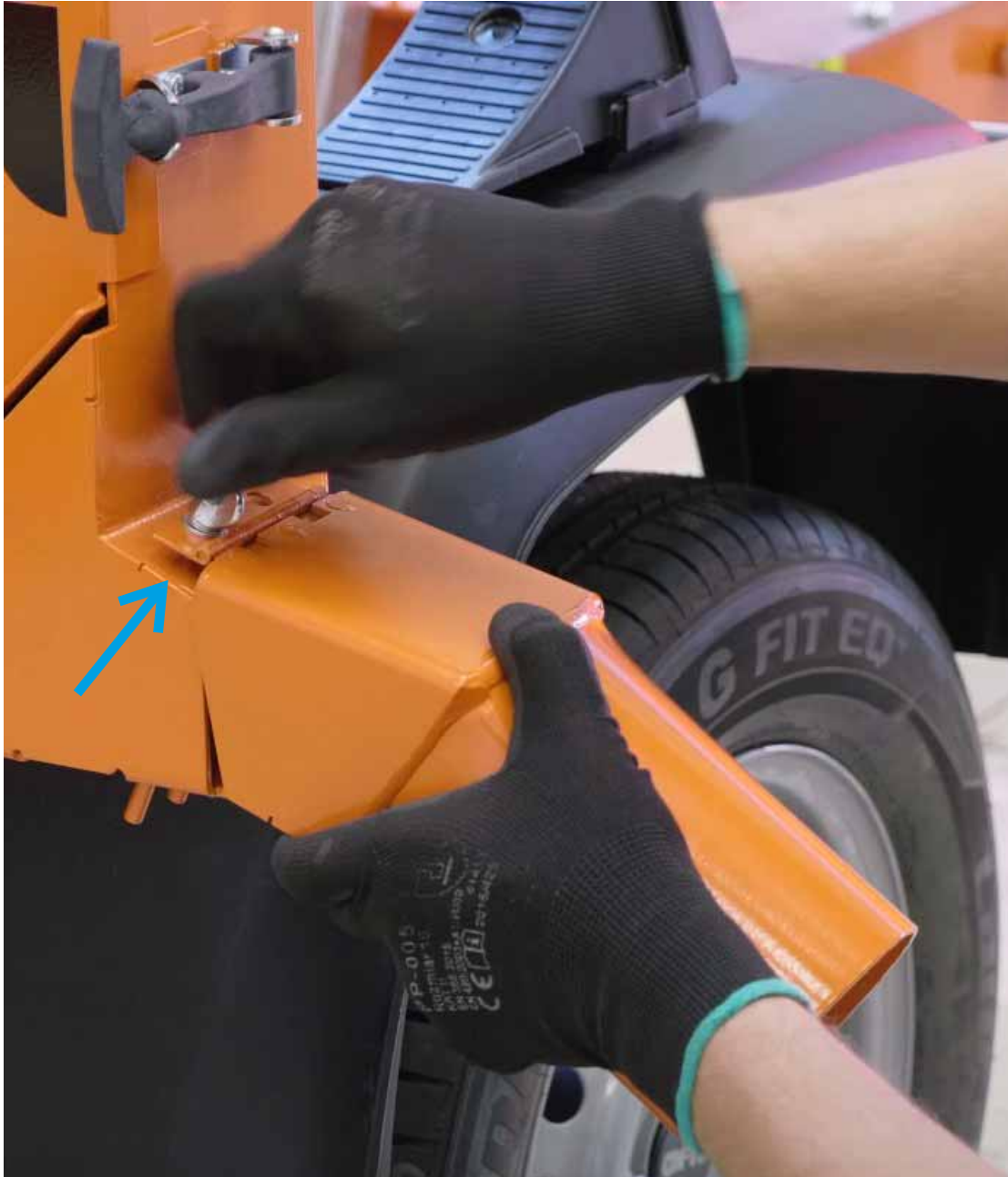


FIG. 7-15