

Wood-Mizer®

Parts Manual

MP260

rev. A1.02



Safety is our #1 concern! Read and understand all safety information and instructions before operating, setting up or maintaining this machine.

Form #2411

Table of Contents

Section-Page

SECTION 1	GENERAL INFORMATION	1-1
1.1	How To Use the Parts List.....	1-1
1.2	Sample Assembly	1-1
SECTION 2	MP260	2-1
2.1	MP260	2-1
2.2	MP260 Additional Part Kit	2-2
2.3	Knives	2-3
2.4	Castor wheels 535166	3-4
2.5	Castor wheel assembly 535163	3-5
SECTION 3	MECHANICAL ASSEMBLY	4-1
3.1	Covers, Knife Set.	4-1
3.2	Table MP260	4-2
3.3	Right Spindle Assembly	4-4
3.4	Bottom Cutter	4-5
3.5	Fence 1, 2	4-6
3.6	Feed Assembly	4-8
3.7	Drive Shaft (533580)	4-9
3.8	Bearing (533520)	4-10
3.9	Tension Plate (537535)	4-11
3.10	Main Shaft	4-12
3.11	Bearing Housing	4-13
3.12	Right Guard	4-14
3.13	Sawdust Outlet Guard	4-15
3.14	Side Guard	4-16
3.15	Left Guard	4-17
3.16	Sawdust Outlet Guard	4-18
3.17	Top Cover	4-19
3.18	Sawdust Outlet	4-21
3.19	V-belt Cover	4-22
3.20	Spindle Moving Assembly	4-23
3.21	Clamp Roller Assembly II	4-25
3.22	Lef Spindle	4-26
3.23	Clamp Roller Assembly	4-27
3.24	Trapezoidal Screw	4-28
3.25	Up/Down	4-29
3.26	Scale	4-31
3.27	Handle	4-32
3.28	Handle	4-33
3.29	Chain Tension	4-34
3.30	Chain Slide	4-35
3.31	Rod Set	4-36

Table of Contents

Section-Page

3.32	Moving Plate	4-37	
SECTION 4 MOTOR KITS			5-1
4.1	Motor Kit for MP260 EH 3x400V CE	5-1	
4.2	Side Cutter Drive	5-2	
4.3	Horizontal Upper Cutter Drive	5-3	
4.4	Horizontal Bottom Cutter Drive	5-4	
4.5	Feed Drive	5-6	
4.6	Electric Box Bracket	5-7	
4.7	Electrical Box MP260 3x400V CE	5-8	
SECTION 5 DECALS			6-1
5.1	Decals MP260	6-1	
SECTION 6 TABLE MP260			7-1
6.1	Table 265-000	7-1	

SECTION 1 GENERAL INFORMATION

1.1 How To Use the Parts List

- Use the index above to locate the assembly that contains the part you need.
- Go to the appropriate section and locate the part in the illustration.
- Use the number pointing to the part to locate the correct part number and description in the table.
- Parts shown indented under another part are included with that part.
- Parts marked with a diamond (◆) are only available in the assembly listed above the part.

See the sample table below. Sample Part #A01111 includes part F02222-2 and subassembly A03333. Subassembly A03333 includes part S04444-4 and subassembly K05555. The diamond (◆) indicates that S04444-4 is not available except in subassembly A03333. Subassembly K05555 includes parts M06666 and F07777-77. The diamond (◆) indicates M06666 is not available except in subassembly K05555.

1.2 Sample Assembly				
REF.	DESCRIPTION (◆ Indicates Parts Available In Assemblies Only)	PART #	QTY	
	Sample Assembly, Complete (Includes All Indented Parts Below)	A01111	1	
1	Sample Part	F02222-22	1	
	Sample Subassembly (Includes All Indented Parts Below)	A03333	1	
2	Sample Part (◆ Indicates Part Is Only Available With A03333)	S04444-4	1	◆
	Sample Subassembly (Includes All Indented Parts Below)	K05555	1	
3	Sample Part (◆ Indicates Part Is Only Available With K05555)	M06666	2	◆
4	Sample Part	F07777-77	1	

To Order Parts:

- From Europe call our European Headquarters and Manufacturing Facility in Kolo, Poland at **+48-63-2626000**. From the continental U.S., call our toll-free Parts hotline at **1-800-525-8100**. Have your customer number, vehicle identification number, and part numbers ready when you call. From other international locations, contact the Wood-Mizer distributor in your area for parts.

Office Hours:

Country	Monday - Friday	Saturday	Sunday
Poland	7-15	Closed	Closed
US	8 a.m.- 5 p.m.	8 a.m.- 12 p.m.	Closed

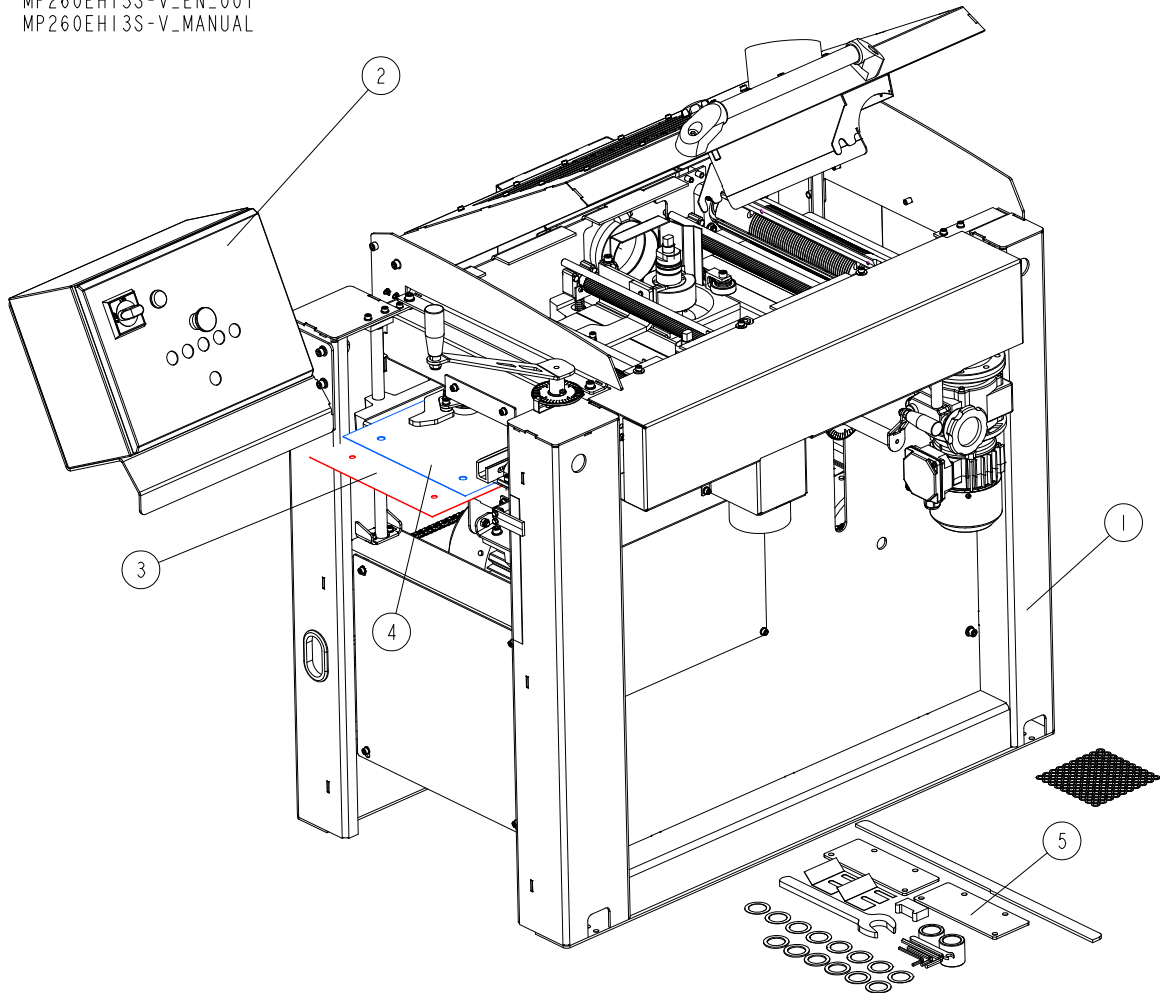


CAUTION! It is strongly recommended that only original spare parts be used.

SECTION 2 MP260

2.1 MP260

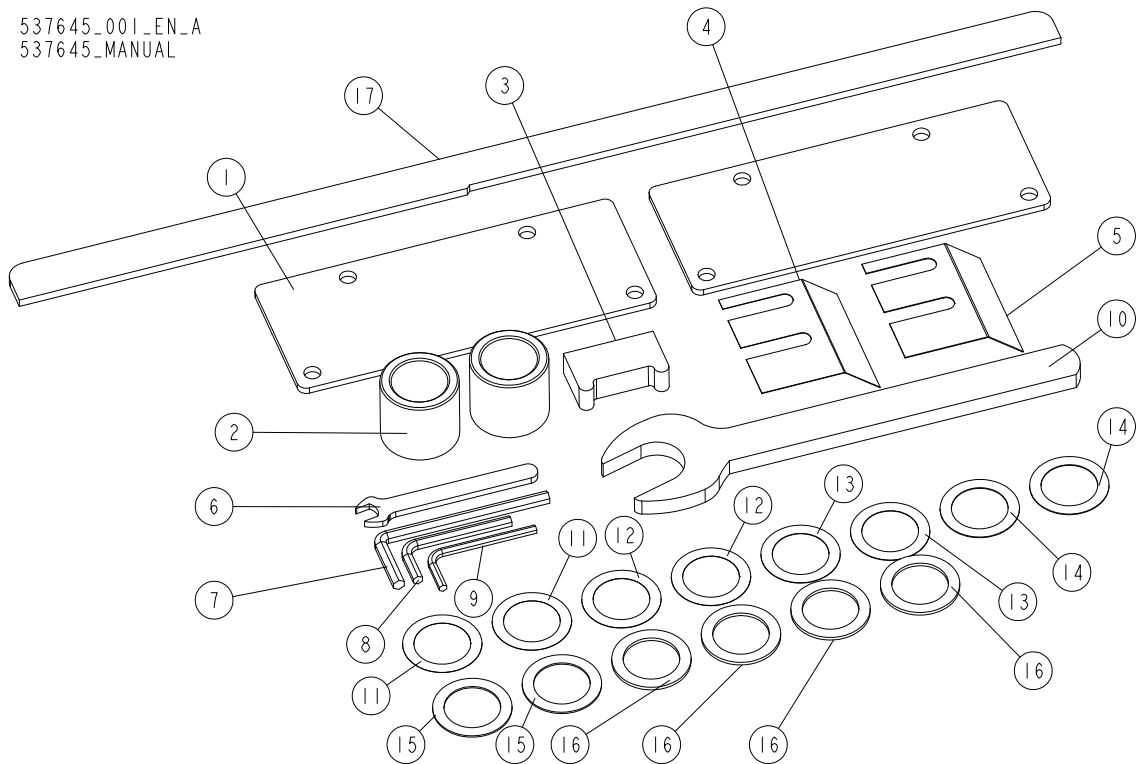
MP260EH13S-V_EN_001
MP260EH13S-V_MANUAL



REF	DESCRIPTION (* indicates parts available in assemblies only)	PART #	QTY	
-	PLANER MOULDER MP260EH13S-V	MP260EH13S-V	1	
1	MP260- MECHANICAL ASSEMBLY See Section 2.3	537000	1	
2	PRO MOTOR KIT FOR MP260EH 3X400V CE See Section 4.1	537021	1	
3	PLATE 1	537576-1	1	
4	PLATE 2	537577-1	1	
5	MP260 ADDITIONAL PART KIT See Section 2.2	537645	1	

2.2 MP260 Additional Part Kit

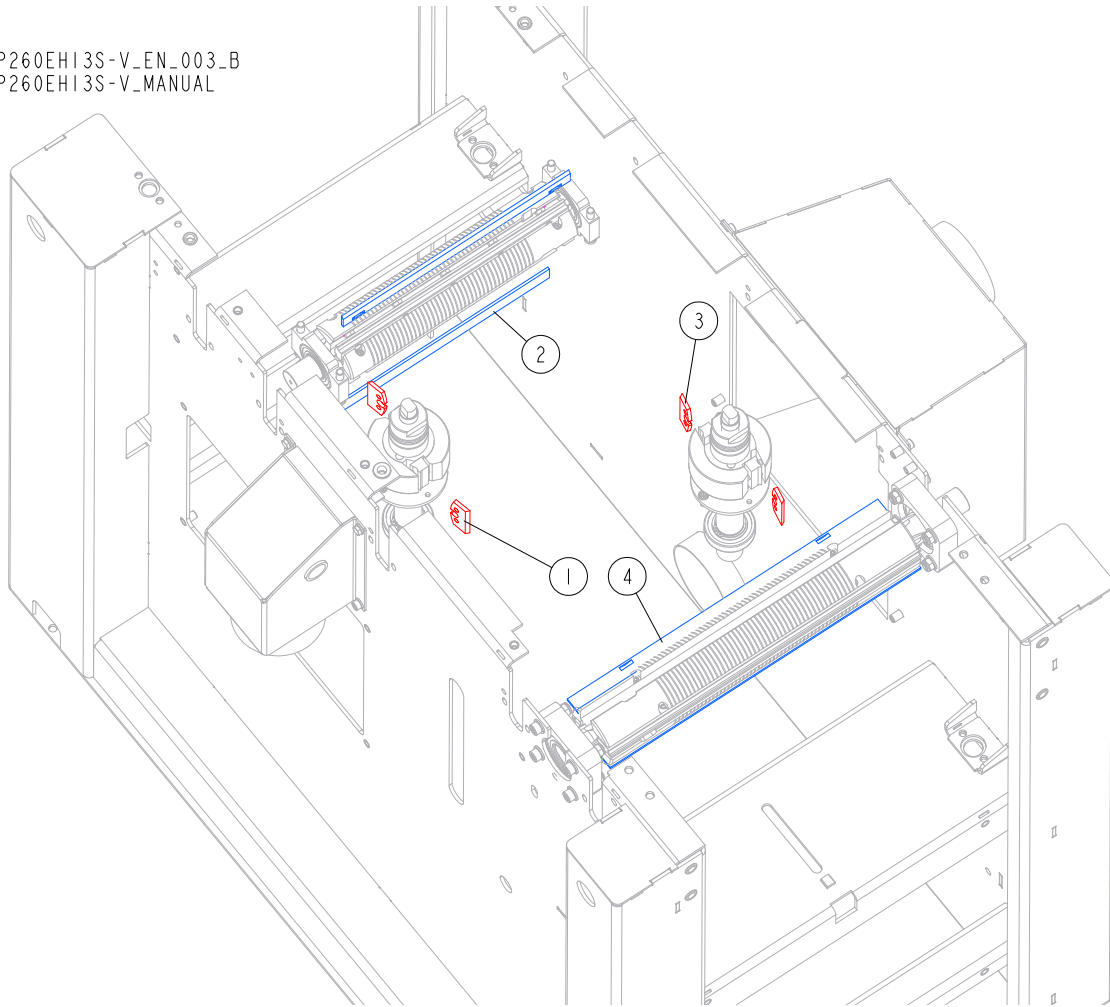
537645_001_EN_A
537645_MANUAL



Ref	DESCRIPTION (* indicates parts available in assemblies only)	PART #	QTY
-	MP260 ADDITIONAL PART KIT	537645	1
1	PLATE	537646-1	2
2	BUSHING 30/42-40.2 ZINC-PLATED	535848-1	2
3	KNIFE ALIGNMENT TOOL	534770	1
4	PLATE, 0.3 MM CUTTER GUARD	537648	1
5	PLATE, 0.5 MM CHIP BREAKER	533502	1
-	MP160 WRENCH KIT	535185	1
6	WRENCH, 10 FLAT	541315	1
7	WRENCH, 6MM ALLEN	535186	1
8	WRENCH, 5 ALLEN	092915	1
9	WRENCH, 4MM ALLEN	093368	1
10	WRENCH 30 DIN 894	537649	1
11	WASHER 30/42-0.1 ZC DIN 988	F81069-6	2
12	WASHER 30/42-0.2 ZC DIN 988	F81069-5	2
13	WASHER 30/42-0.3 ZC DIN 988	F81069-4	2
14	WASHER 30/42-0.5 ZC DIN 988	F81069-3	2
15	WASHER 30/42-1 ZC DIN 988	F81069-2	2
16	WASHER 30/42-2 ZC DIN 988	F81069-1	4
17	BAR, FENCE ADJUSTMENT	360-911	1

2.3 Knives

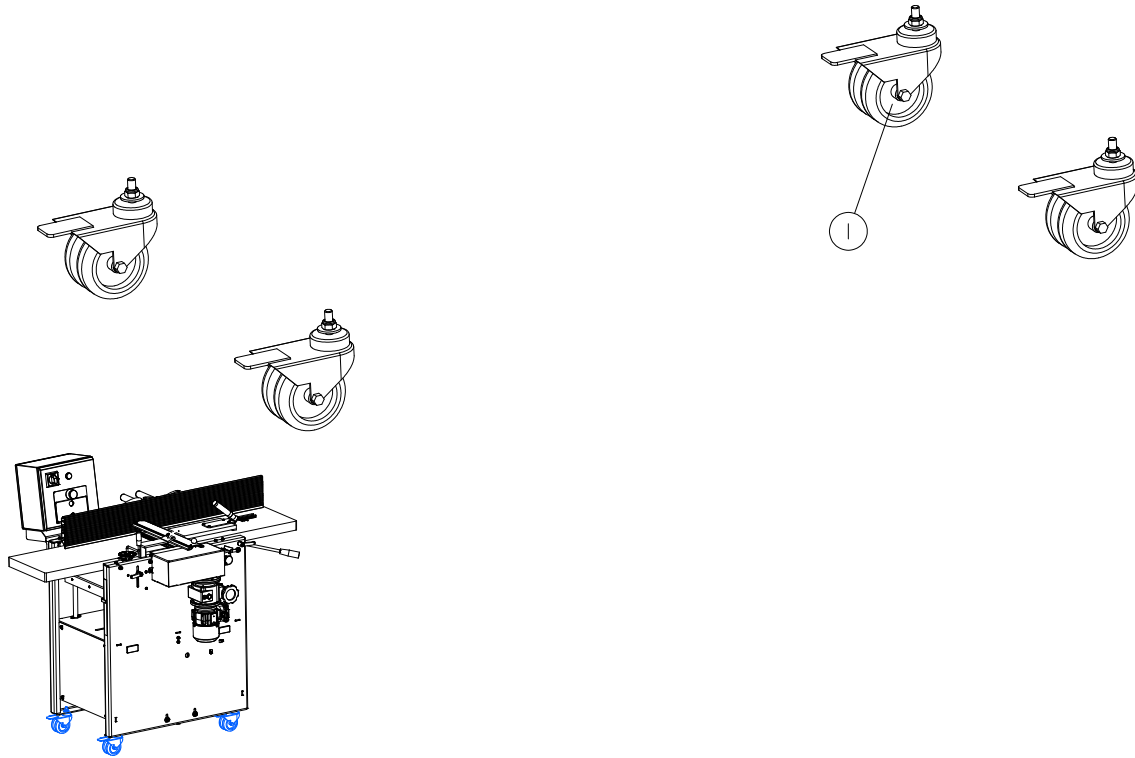
MP260EH13S-V_EN_003-B
MP260EH13S-V_MANUAL



Ref	DESCRIPTION (* indicates parts available in assemblies only)	PART #	QTY
1	KNIFE, CUTTER	533588	2
-	KNIFE SET, PLANING	260-030	1
2	PLANER BLADE	TPK30020MP	2
3	KNIFE, CUTTER	533588	2
-	KNIFE SET, PLANING	241-050	1
4	TPK410.20HS	TPK41020HS	2

2.4 Castor wheels 535166

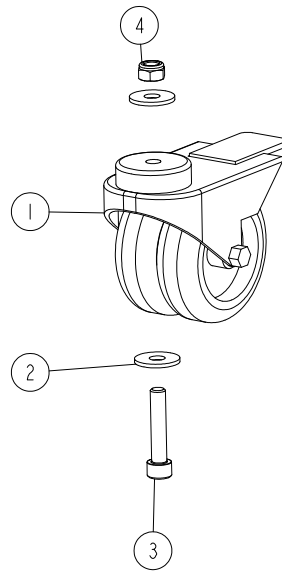
535166_001
535166_MANUAL



REF.	DESCRIPTION (* indicates parts available in assemblies only)	PART #	QTY
-	CASTOR WHEELS, 4 PCS. KIT	535166	1
1	CASTOR WHEEL ASSEMBLY See Section 2.5	535163	4

2.5 Castor wheel assembly 535163

535163_001
535163_MANUAL

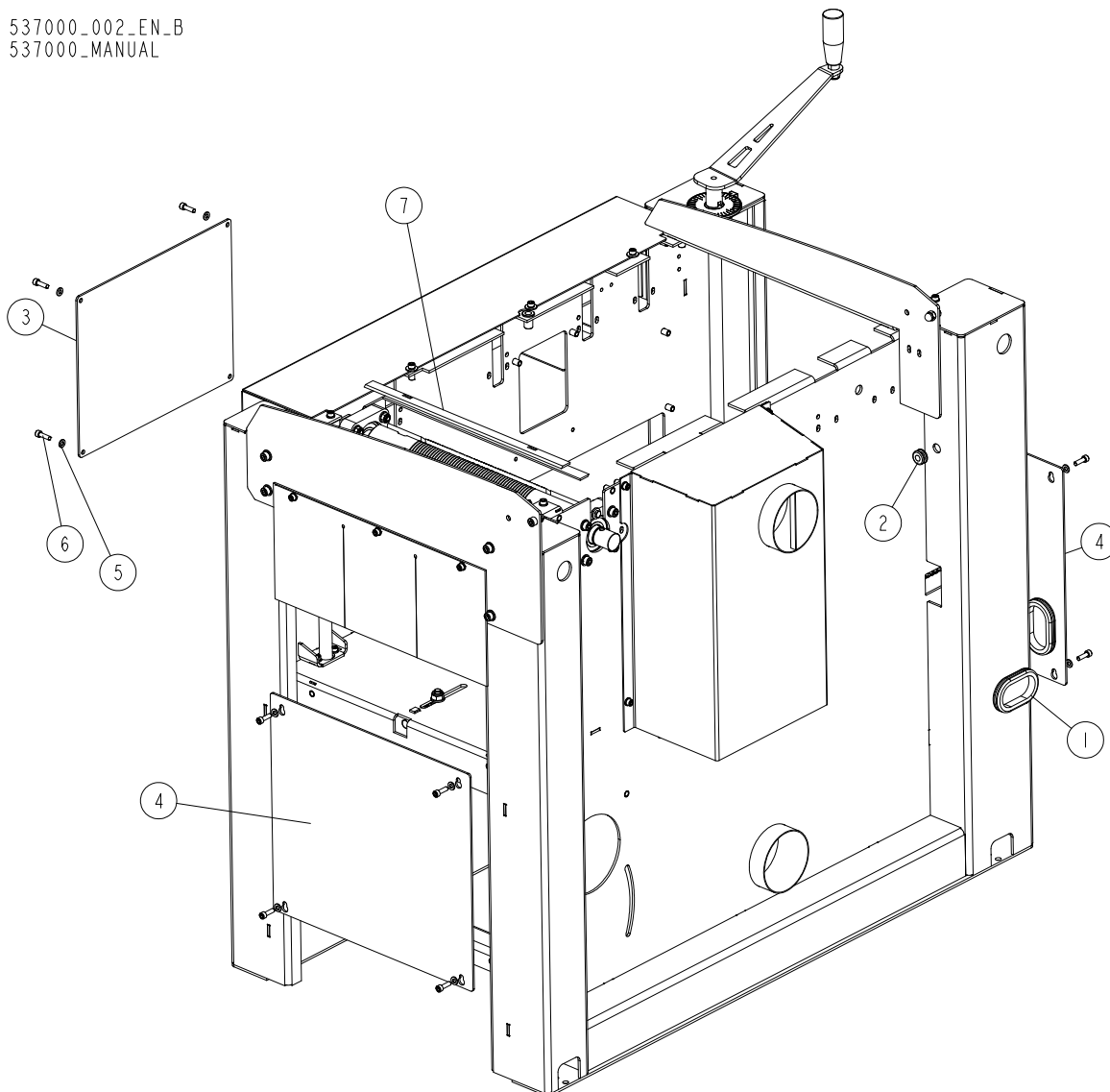


REF.	DESCRIPTION (* indicates parts available in assemblies only)	PART #	QTY	
-	CASTOR WHEEL ASSEMBLY	535163	1	
1	DUAL WHEEL CASTOR, KMDA-TPA 75S-HC	533510	1	
2	WASHER, ISO 7093-1-8-200 HV-A2E.	F81054-11	2	
3	SCREW, M8X40-8.8 HEX SOCKET HEAD CAP ZINC	F81002-29	1	
4	NUT, M8-8-B HEX NYLON ZINC LOCK	F81032-2	1	

SECTION 3 MECHANICAL ASSEMBLY

3.1 Covers, Knife Set.

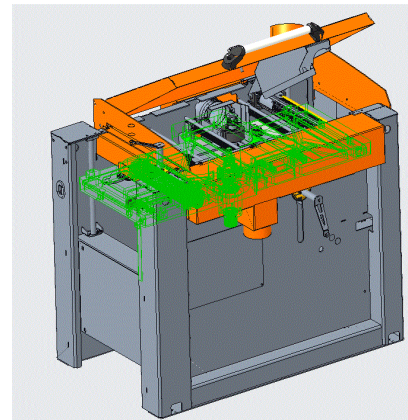
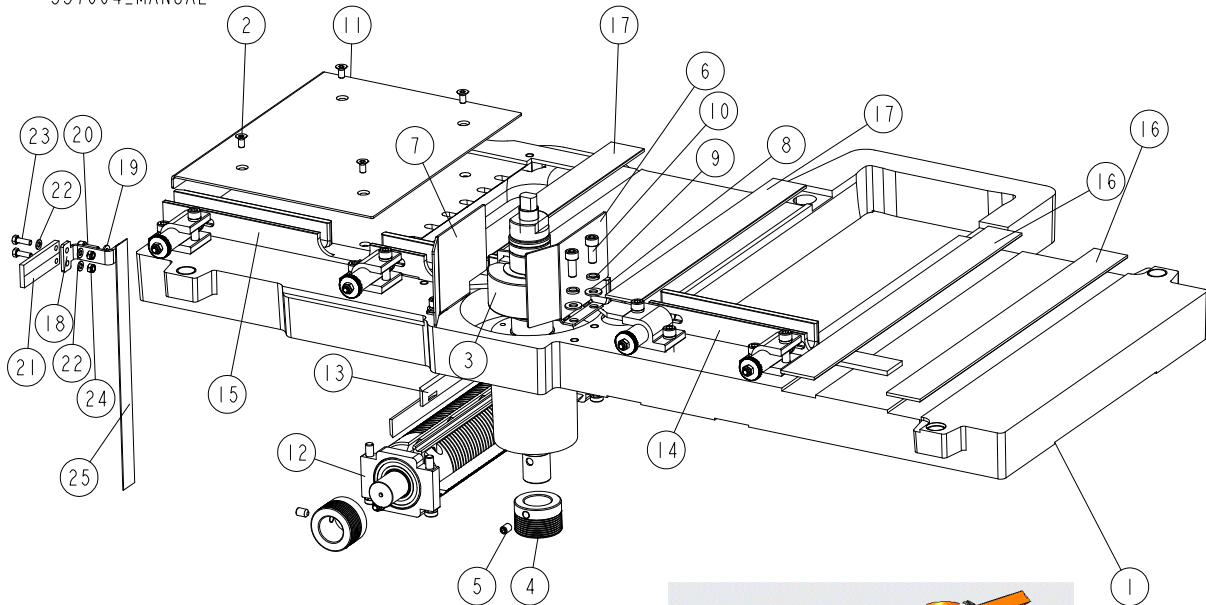
537000_002_EN_B
537000_MANUAL



Ref	DESCRIPTION (* indicates parts available in assemblies only)	PART #	QTY
1	Grommet, Rubber	087065	2
2	GROMMET, RUBBER 3/8 ID	025248	1
3	FRONT SMALL COVER	537567-1	1
4	PLATE, SIDE	533096-1	2
5	WASHER 6,4 ZC DIN 126 ISO 7091	F81053-1	12
6	SCREW M6X20 SHCS ZC 8.8 DIN 912 ISO 4762	F81001-22	12
7	KNIFE SET, PLANING	241-050	1

3.2 Table MP260

537004_001_EN_B
537004_MANUAL

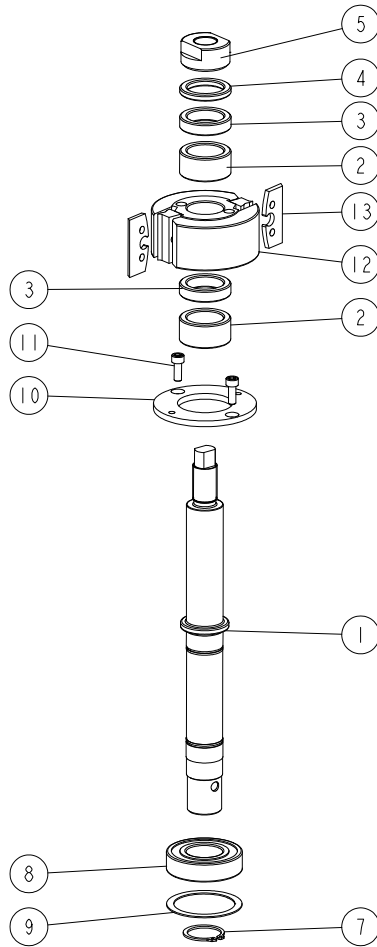


Ref	DESCRIPTION (* indicates parts available in assemblies only)	PART #	QTY
-	TABLE MP260 COMPLETE	537004	1
1	TABLE MP260	260-512B	1
2	SCREW M6X12 HSFH ZC 10.9 DIN 7991 ISO 10642	F81001-54	4
3	RIGHT SPINDLE ASSEMBLY See Section 3.3	537135	1
4	PULLEY, MULTI-GROOVE SMALL ALUMINIUM	533586	2
5	SCREW M8X12 HSS W/CONE POINT ZC 45H DIN 914	F81002-105	2
6	CUTTER GUARD 1	537006	1
7	CUTTER GUARD 2	537007	1
8	WASHER 8,4 ZC DIN 126 ISO 7091	F81054-1	4
9	WASHER 8,2 ZC SPRING LOCK DIN 127	F81054-4	4
10	SCREW M8X20 SHCS ZC 8.8 DIN 912 ISO 4762	F81002-30	4
11	TABLE PLATE 1	537563-1	1
12	BOTTOM CUTTER - ASSEMBLY See Section 3.4	537568	1
13	KNIFE SET, PLANING	260-030	1
14	FENCE 1, ASSEMBLY See Section 3.5	537570	1
15	FENCE 2, ASSEMBLY See Section 3.5	537572	1

Ref	DESCRIPTION (* indicates parts available in assemblies only)	PART #	QTY	
16	SLIDE PLATE 1	537573	2	
17	SLIDE PLATE 2	537574	2	
18	INDICATOR, SCALE	537559-1	1	
19	WASHER 6,4 ZC DIN 126 ISO 7091	F81053-1	1	
20	SCREW M6X16 SHCS ZC 8.8 DIN 912 ISO 4762	F81001-21	1	
21	TEFLON PLATE	094821	1	
22	WASHER 5,3 ZC DIN 126 ISO 7091	F81052-1	4	
23	BOLT M5X16 HH ZC FT 8.8 DIN 933	F81000-2	2	
24	NUT, M5-8-FE/ZN5 DIN985	F81030-2	2	
25	DECAL, VERTICAL SCALE	533579	1	

3.3 Right Spindle Assembly

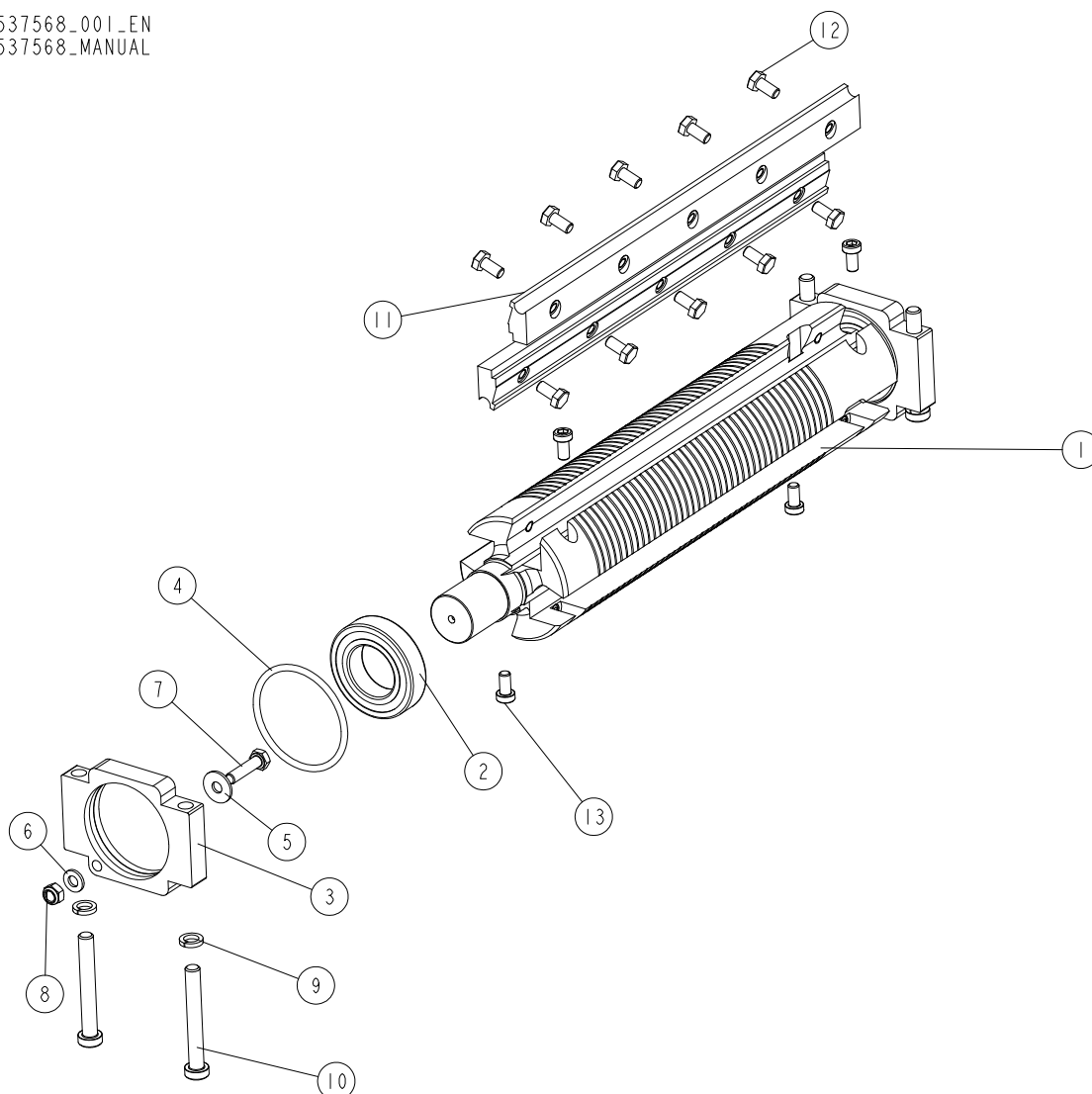
537135_001_EN
 537135_MANUAL



REF	DESCRIPTION (* indicates parts available in assemblies only)	PART #	QTY
-	RIGHT SPINDLE ASSEMBLY	537135	1
1	SHAFT	537134	1
2	BUSHING, 30/42-20.2 ZINC-PLATED	533541-1	2
3	BUSHING, 30/42-10 ZINC-PLATED	533539-1	2
4	BUSHING, 30/42-5.2 ZINC-PLATED	533540-1	1
5	NUT, M20X1.5	535886-1	1
6	BEARING, 6006 2RSR	096191	1
7	OUTSIDE RETAINING RING Z30 PN-M/85111 DIN 471	F81090-23	2
8	BEARING, 6206 2RSR P6 ROLLING (FAG, NSK, SKF)	100787	1
9	WASHER 50X61.6X1	533543	1
10	PLATE, CLAMPING	533542-1	1
11	SCREW M6X16 SHCS ZC 8.8 DIN 912 ISO 4762	F81001-21	2
-	CUTTERHEAD, TB90-92 STEEL	240-010	1
12	CUTTERHEAD	533587	1
13	KNIFE, CUTTER	533588	2

3.4 Bottom Cutter

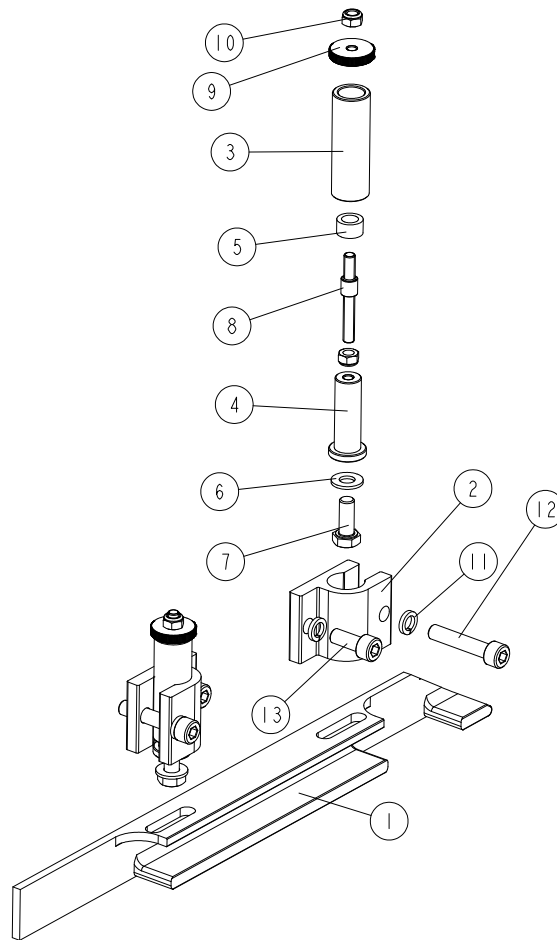
537568_001_EN
537568_MANUAL



REF	DESCRIPTION (* indicates parts available in assemblies only)	PART #	QTY
-	BOTTOM CUTTER - ASSEMBLY	537568	1
1	LOWER CUTTER	260-140-5	1
2	BEARING, 6006 2RSR	096191	2
3	BEARING HOUSING 1	536958-1	2
4	O-RING	536959	2
5	WASHER 6,5 ZC FENDER DIN 9021 ISO 7093	F81053-11	2
6	WASHER 6,4 ZC DIN 126 ISO 7091	F81053-1	2
7	BOLT M6X25 HH ZC FT 8.8 DIN 933	F81001-3	2
8	NUT M6 ZC 8 NYLOCK DIN 982 ISO 7040	F81031-2	2
9	WASHER 8,2 ZC SPRING LOCK DIN 127	F81054-4	4
10	SCREW M8X60 LHSCS 8.8 DIN 7984	F81002-41	4
11	SET OF FIXING WEDGES	241-061	1
12	BOLT M6X12 10.9 DIN 933 ISO 4017	083595	10
13	SCREW M6X12 LSHCS 10.9 DIN 7984	F81001-80	4

3.5 Fence 1, 2

537570_001_EN_A
537570_MANUAL



Ref	DESCRIPTION (* indicates parts available in assemblies only)	PART #	QTY	
-	FENCE 1, ASSEMBLY	537570	1	
-	FENCE 2, ASSEMBLY	537572	1	
1	FENCE 1	537569-1 ¹	1	
	FENCE 2	537571-1 ²	1	
	FENCE, 700 MM	542454-1 ³	1	
2	CLAMP	536966-1	2	
-	ADJUSTABLE KNOB	536965	2	
3	PIN GUIDE	537001-1	1	
4	KNOB PIN	536999-1	1	
5	INSERT	537002	1	
6	WASHER 8,4 ZC DIN 126 ISO 7091	F81054-1	1	
7	BOLT M8X20 HH ZC FT 8.8 DIN 933	F81002-4	1	
8	THREAD PIN M6	541455	1	
9	KNURLED NUT	541454	1	
10	NUT M6 ZC 8 NYLOCK DIN 982 ISO 7040	F81031-2	2	
11	WASHER 8,2 ZC SPRING LOCK DIN 127	F81054-4	4	
12	SCREW M8X40 SHCS ZC 8.8 DIN 912 ISO 4762	F81002-29	2	
13	SCREW M8X20 SHCS ZC 8.8 DIN 912 ISO 4762	F81002-30	2	

3 MECHANICAL ASSEMBLY

Fence 1, 2

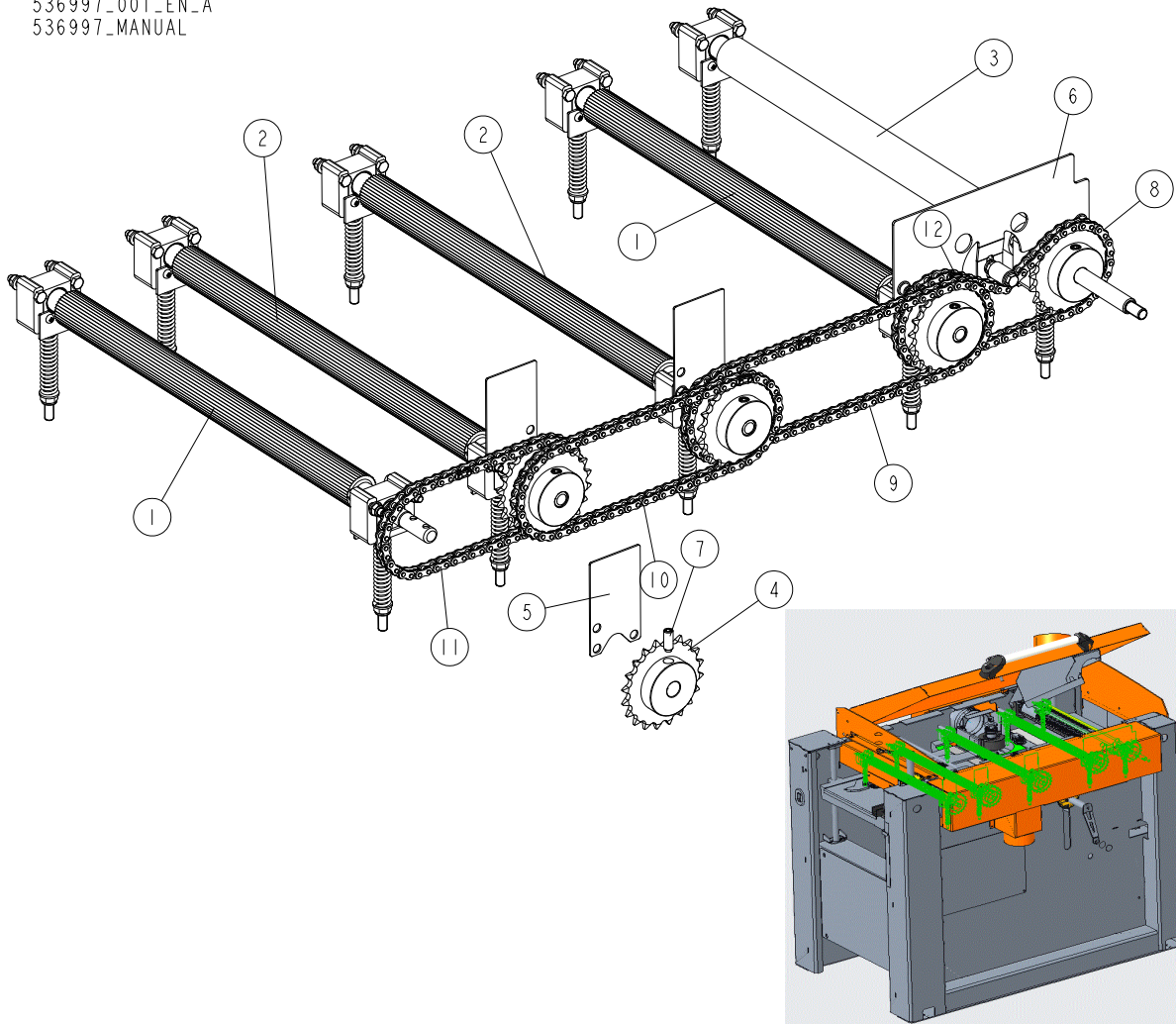
¹ Included in 537570

² Included in 537572

³ Long Fence - 700mm

3.6 Feed Assembly

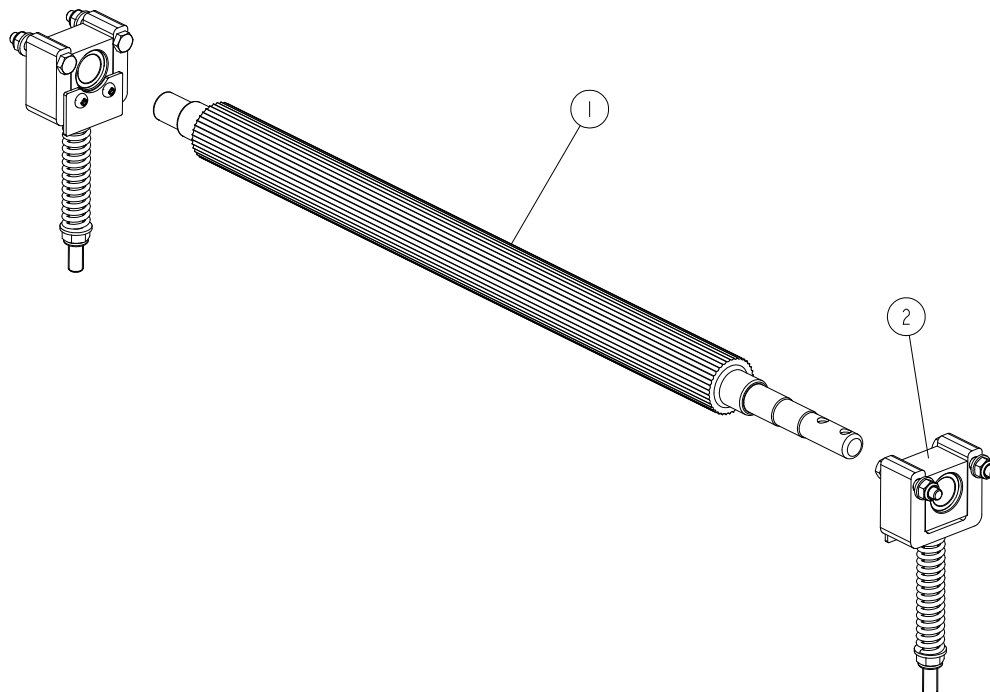
536997_001_EN_A
536997_MANUAL



Ref	DESCRIPTION (* indicates parts available in assemblies only)	PART #	QTY
-	FEED ASSEMBLY, MP260	536997	1
1	DRIVE SHAFT ASSEMBLY See Section 3.7	533580	2
2	DRIVE SHAFT ASSEMBLY See Section 3.7	537585	2
3	SHAFT ASSEMBLY, W/PROTECTIVE COVER See Section 3.7	533581	1
4	SPROCKET Z=20; 1/2"X 3/16" CHAIN 083-1)	533109	8
5	BUSHING HOUSING PLATE	536998-1	3
6	TENSION PLATE COMPLETE See Section 3.9	537535	1
7	SCREW M8X20 HSS W/DOG POINT ZC 45H DIN 915 ISO 4028	F81002-77	8
8	CHAIN 083-1; P=1/2"; LENGHT=0,5461M (43 LINKS)	537052	1
9	CHAIN 083-1; P=1/2"; LENGHT=0,7239M (57 LINKS)	537053	1
10	CHAIN 083-1; P=1/2"; LENGHT=0,6477M (51 LINKS)	537054	1
11	CHAIN 083-1; P=1/2"; LENGHT=0,4953M (39 LINKS)	537051	1
12	CONNECTING LINK FOR CHAIN 083-1	533128	4

3.7 Drive Shaft (533580)

533580-001-A
 533580-MANUAL



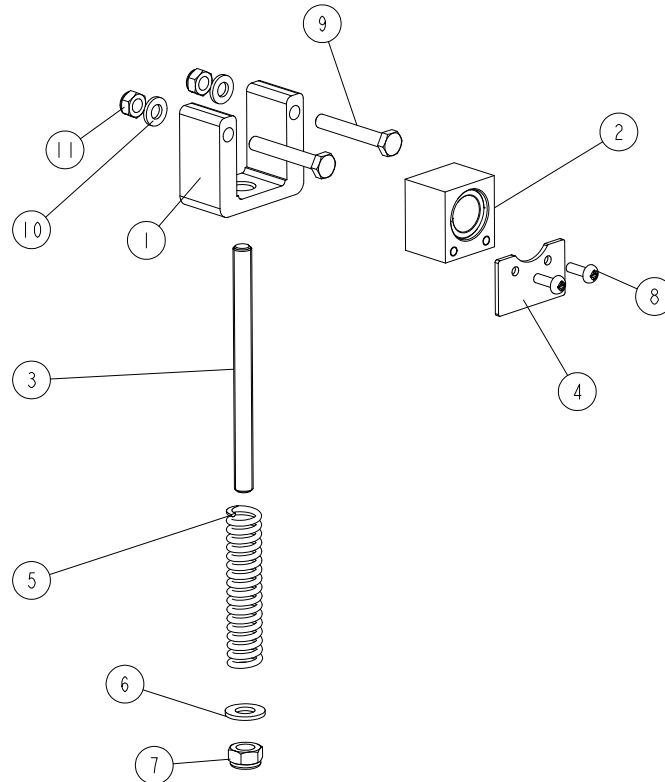
REF	DESCRIPTION (* indicates parts available in assemblies only)	PART #	QTY	
-	DRIVE SHAFT ASSEMBLY	533580	1	
-	DRIVE SHAFT ASSEMBLY	537585	1	
-	DRIVE SHAFT ASSEMBLY	533581	1	
1	SHAFT, STEEL DRIVE	533513-1 ¹	1	
	SHAFT, STEEL DRIVE	537586-1 ²	1	
	SHAFT W/PROTECTIVE COVER	533512 ³	1	
2	BEARING ASSEMBLY, SLIDE See Section 3.8	533520	2	

¹ Included in 533580

² Included in 537585

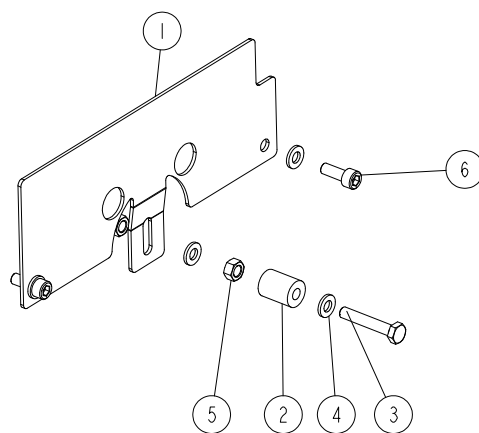
³ Included in 533581

3.8 Bearing (533520)

533520_001_A
533520_MANUAL

REF	DESCRIPTION (* indicates parts available in assemblies only)	PART #	QTY
-	BEARING ASSEMBLY, SLIDE	533520	1
1	HOUSING, SLIDE BEARING	533514	1
2	SLIDE BLOCK ASSEMBLY	537575	1
3	ROD, M8 THREADED	533518	1
4	COVER, RUBBER	533516	1
5	SPRING	533519	1
6	WASHER 8,4 ZC DIN 126 ISO 7091	F81054-1	1
7	NUT M8 ZC 8 NYLOCK DIN 982 ISO 7040	F81032-2	1
8	SCREW M4X12 PHILLIPS ZC 5.8 DIN 7985	F81011-43	2
9	BOLT M6X40 HH ZC FT 8.8 DIN 933	F81001-5	2
10	WASHER 6,4 ZC DIN 126 ISO 7091	F81053-1	2
11	NUT M6 ZC 8 NYLOCK DIN 982 ISO 7040	F81031-2	2

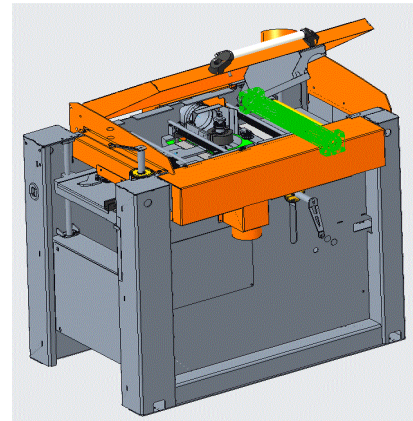
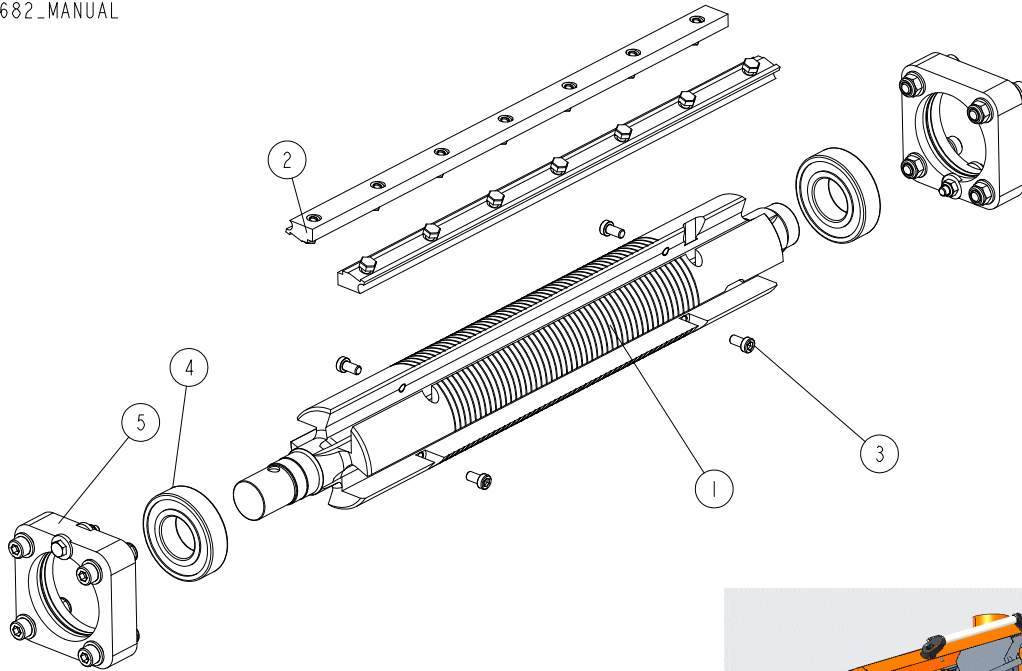
3.9 Tension Plate (537535)

537535_001_EN
537535_MANUAL

REF	DESCRIPTION (* indicates parts available in assemblies only)	PART #	QTY	
-	TENSION PLATE COMPLETE	537535	1	
1	TENSION PLATE	537534-1	1	
2	BUSHING, SPACER	R80671-6	1	
3	BOLT M6X35 HH ZC 8.8 PT DIN 931	F81001-71	1	
4	WASHER 6,4 ZC DIN 126 ISO 7091	F81053-1	4	
5	NUT M6 ZC 8 DIN 934	F81031-1	2	
6	SCREW M6X16 SHCS ZC 8.8 DIN 912 ISO 4762	F81001-21	2	

3.10 Main Shaft

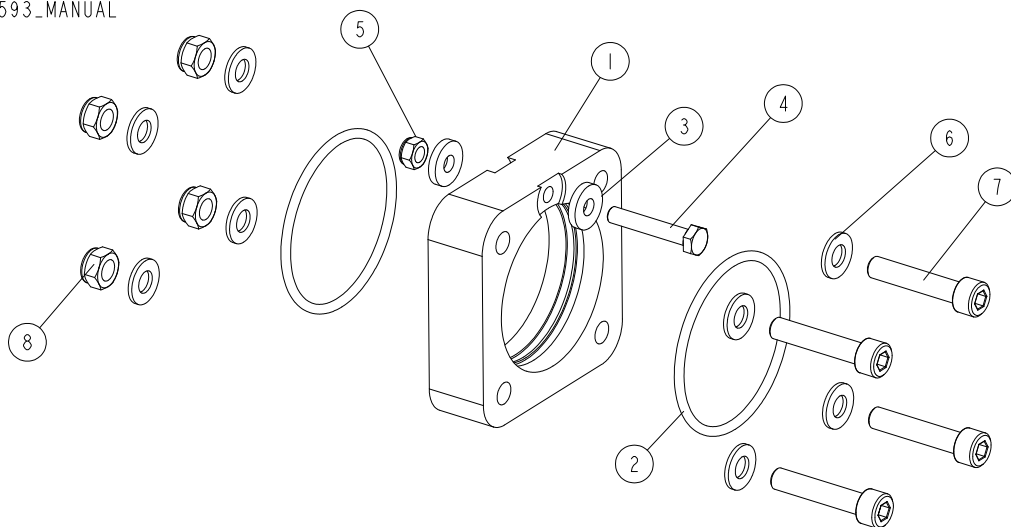
533682_001_B
533682_MANUAL



REF	DESCRIPTION (* indicates parts available in assemblies only)	PART #	QTY	
-	SHAFT ASSEMBLY, DRIVE	533682	1	
1	SHAFT, MAIN	260-138	1	
2	MOUNTING WEDGES	241-060	1	
3	SCREW M6X12 LSHCS 10.9 DIN 7984	F81001-80	4	
4	BEARING, 6206 2RSR P6 ROLLING (FAG, NSK, SKF)	100787	2	
5	HOUSING ASSEMBLY, BEARING See Section 3.11	533593	2	

3.11 Bearing Housing

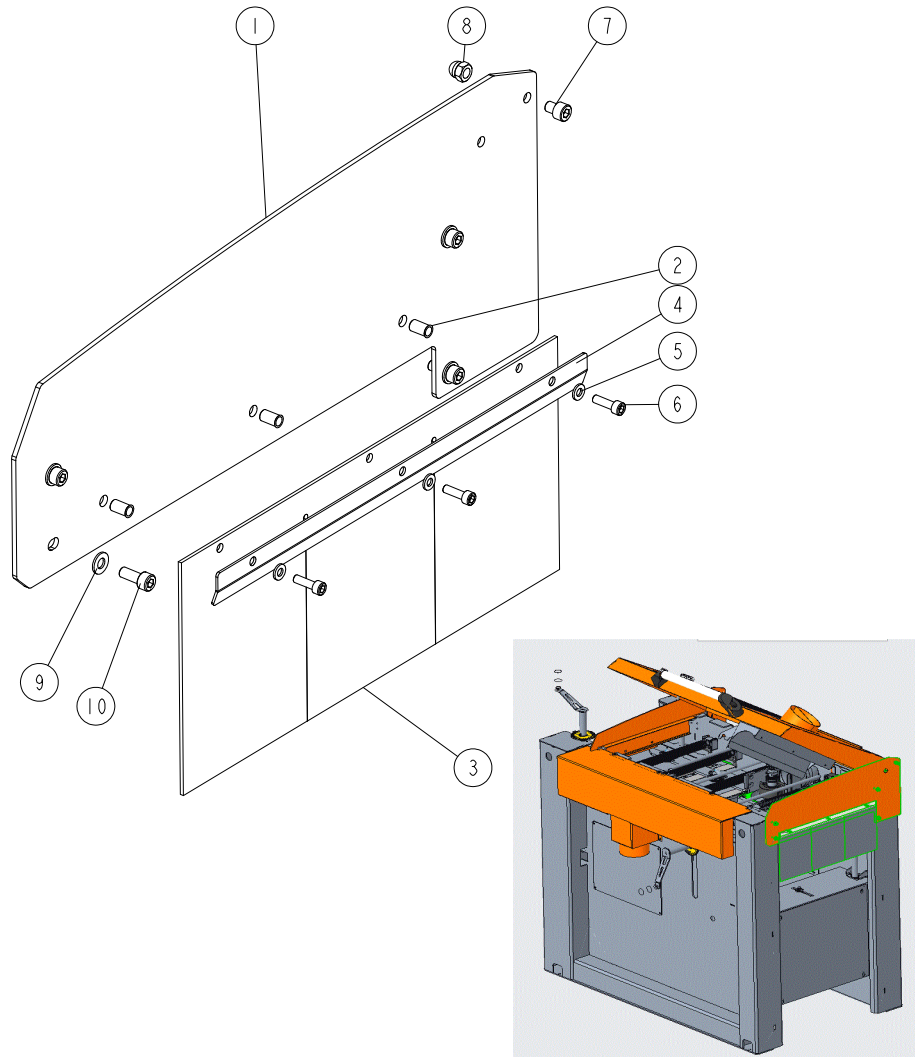
533593-001
 533593_MANUAL



REF	DESCRIPTION (* indicates parts available in assemblies only)	PART #	QTY
-	HOUSING ASSEMBLY, BEARING	533593	1
1	HOUSING, BEARING	533590-1	1
2	O-RING, BEARING HOUSING	533592	2
3	WASHER 6,4 ZC DIN 7349	F81053-13	2
4	BOLT M6X35 HH ZC 8.8 PT DIN 931	F81001-71	1
5	NUT M6 ZC 8 NYLOCK DIN 982 ISO 7040	F81031-2	1
6	WASHER 8,4 ZC DIN 126 ISO 7091	F81054-1	8
7	SCREW M8X40 SHCS ZC 8.8 DIN 912 ISO 4762	F81002-29	4
8	NUT M8 ZC 8 NYLOCK DIN 982 ISO 7040	F81032-2	4

3.12 Right Guard

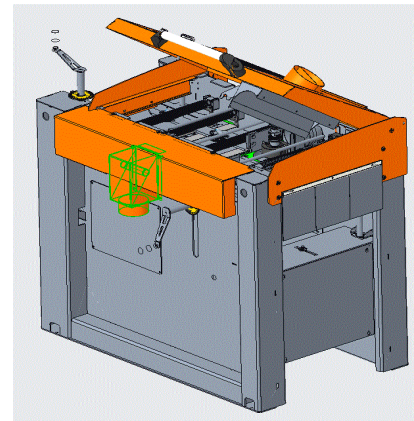
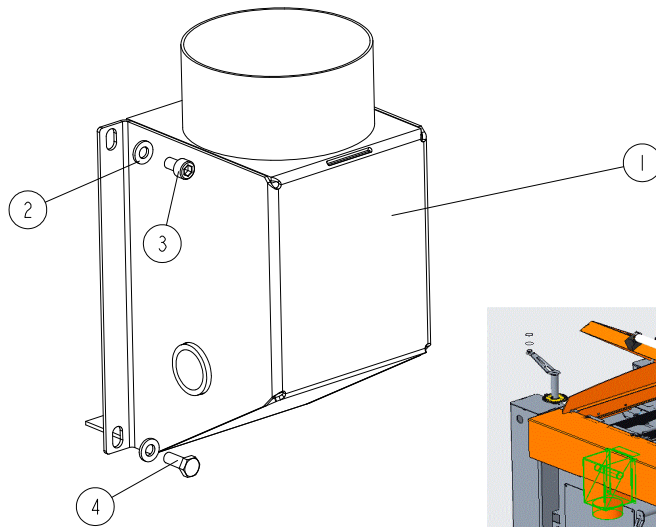
537550_001_EN
537550_MANUAL



REF	DESCRIPTION (* indicates parts available in assemblies only)	PART #	QTY
-	RIGHT GUARD COMPLETE	537550	1
1	RIGHT GUARD PLATE	537548-1	1
2	RIVET NUT M6 1.5-4.0 W/ COUNTERSUNK HEAD AND KNURLED SHANK	F81031-13	3
3	FLEXIBLE GUARD	533083	1
4	BRACKET, FLEXIBLE GUARD	537551-1	1
5	WASHER 6,4 ZC DIN 126 ISO 7091	F81053-1	3
6	SCREW M6X20 SHCS ZC 8.8 DIN 912 ISO 4762	F81001-22	3
7	BOLT M8X10 SHCS ZC PT 8.8 DIN 912 ISO 4762	F81002-32	1
8	ACORN NUT M8 ZC 6 DIN 1587	F81033-25	1
9	WASHER 8,4 ZC DIN 126 ISO 7091	F81054-1	4
10	SCREW M8X20 SHCS ZC 8.8 DIN 912 ISO 4762	F81002-30	4

3.13 Sawdust Outlet Guard

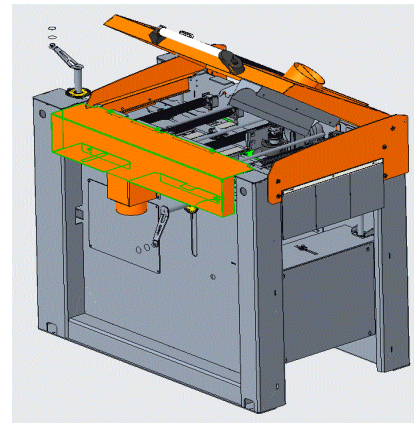
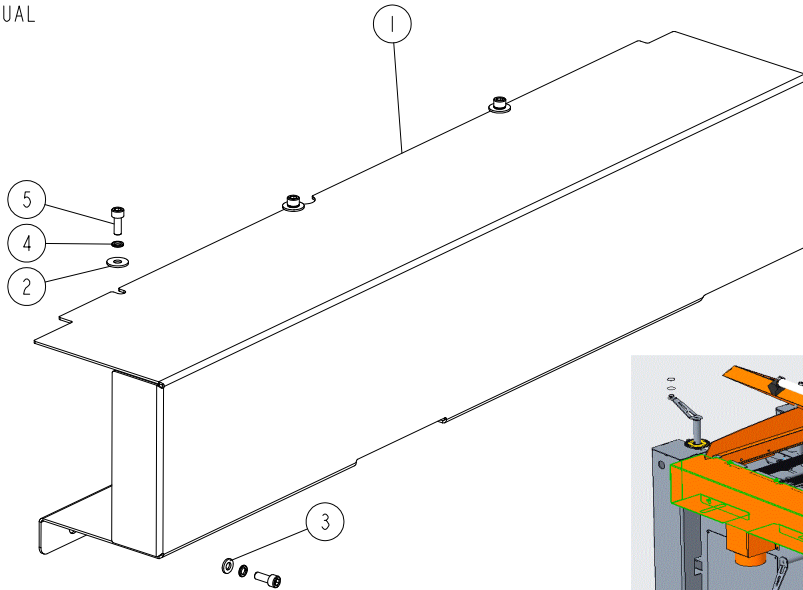
537533_001_EN_A
537533_MANUAL



REF	DESCRIPTION (* indicates parts available in assemblies only)	PART #	QTY	
-	SAWDUST OUTLET GUARD COMPLETE	537533	1	
1	SAWDUST OUTLET GUARD	537530-1	1	
2	WASHER 6,4 ZC DIN 126 ISO 7091	F81053-1	4	
3	BOLT M6X10 SHCS ZC PT 8.8 DIN 912 ISO 4762	F81001-12	2	
4	BOLT M6X16 HH ZC FT 8.8 DIN 933	F81001-15	2	

3.14 Side Guard

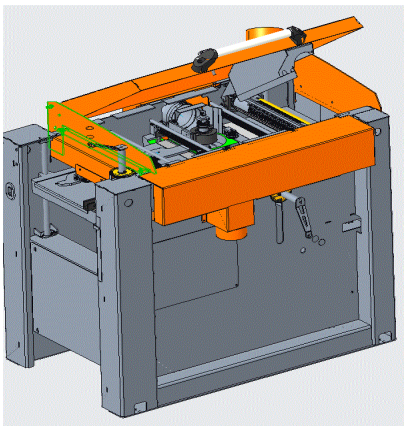
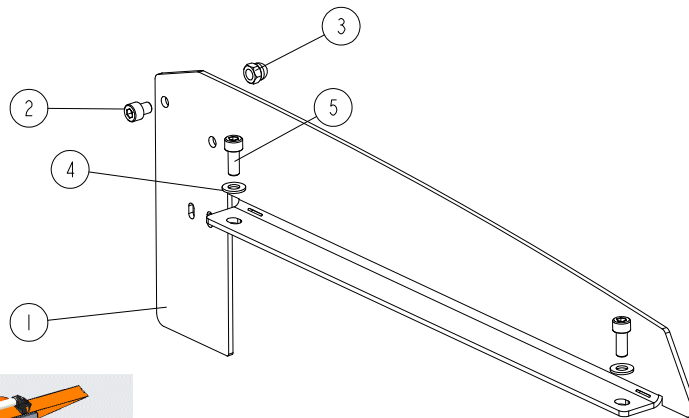
537525_001_EN
537525_MANUAL



REF	DESCRIPTION (* indicates parts available in assemblies only)	PART #	QTY	
-	SIDE GUARD COMPLETE	537525	1	
1	SIDE GUARD	537524-1	1	
2	WASHER 6,5 ZC FENDER DIN 9021 ISO 7093	F81053-11	3	
3	WASHER 6,4 ZC DIN 126 ISO 7091	F81053-1	2	
4	WASHER 6,1 ZC SPRING LOCK DIN 127	F81053-3	5	
5	SCREW M6X16 SHCS ZC 8.8 DIN 912 ISO 4762	F81001-21	5	

3.15 Left Guard

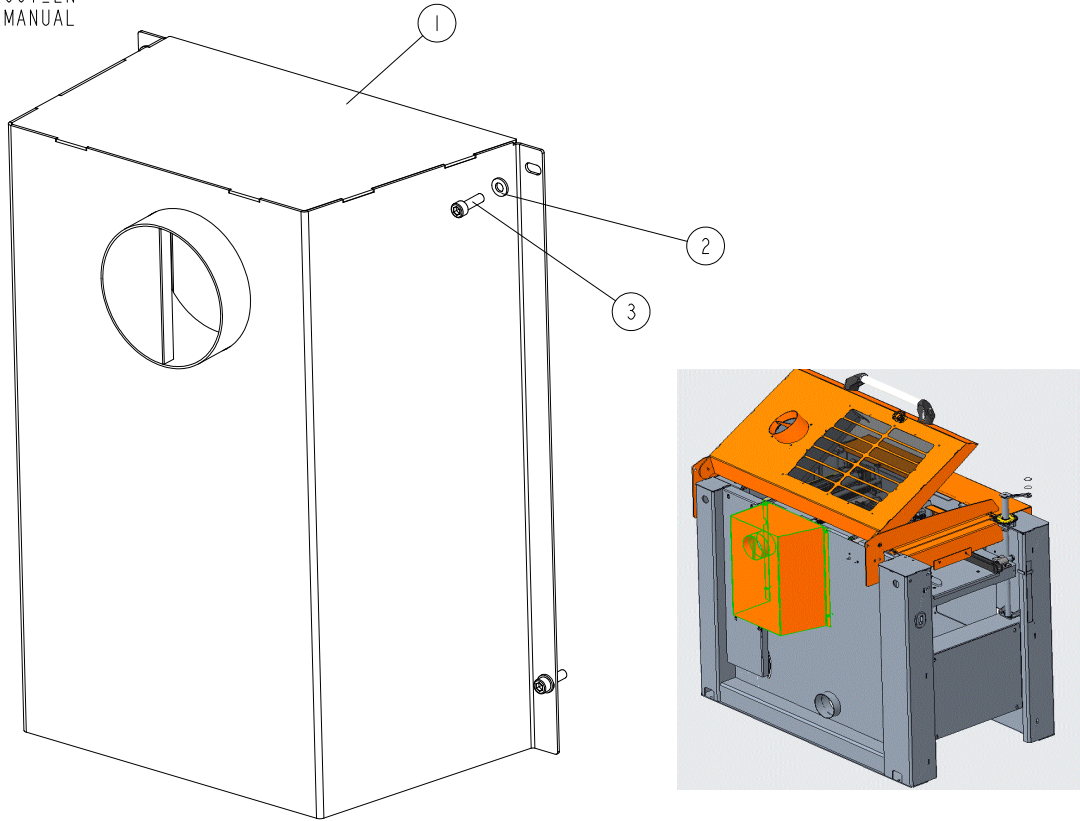
537553_001_EN
537553_MANUAL



REF	DESCRIPTION (* indicates parts available in assemblies only)	PART #	QTY
-	LEFT GUARD COMPLETE	537553	1
1	LEFT GUARD PLATE	537552-1	1
2	BOLT M8X10 SHCS ZC PT 8.8 DIN 912 ISO 4762	F81002-32	1
3	ACORN NUT M8 ZC 6 DIN 1587	F81033-25	1
4	WASHER 8,4 ZC DIN 126 ISO 7091	F81054-1	2
5	SCREW M8X20 SHCS ZC 8.8 DIN 912 ISO 4762	F81002-30	2

3.16 Sawdust Outlet Guard

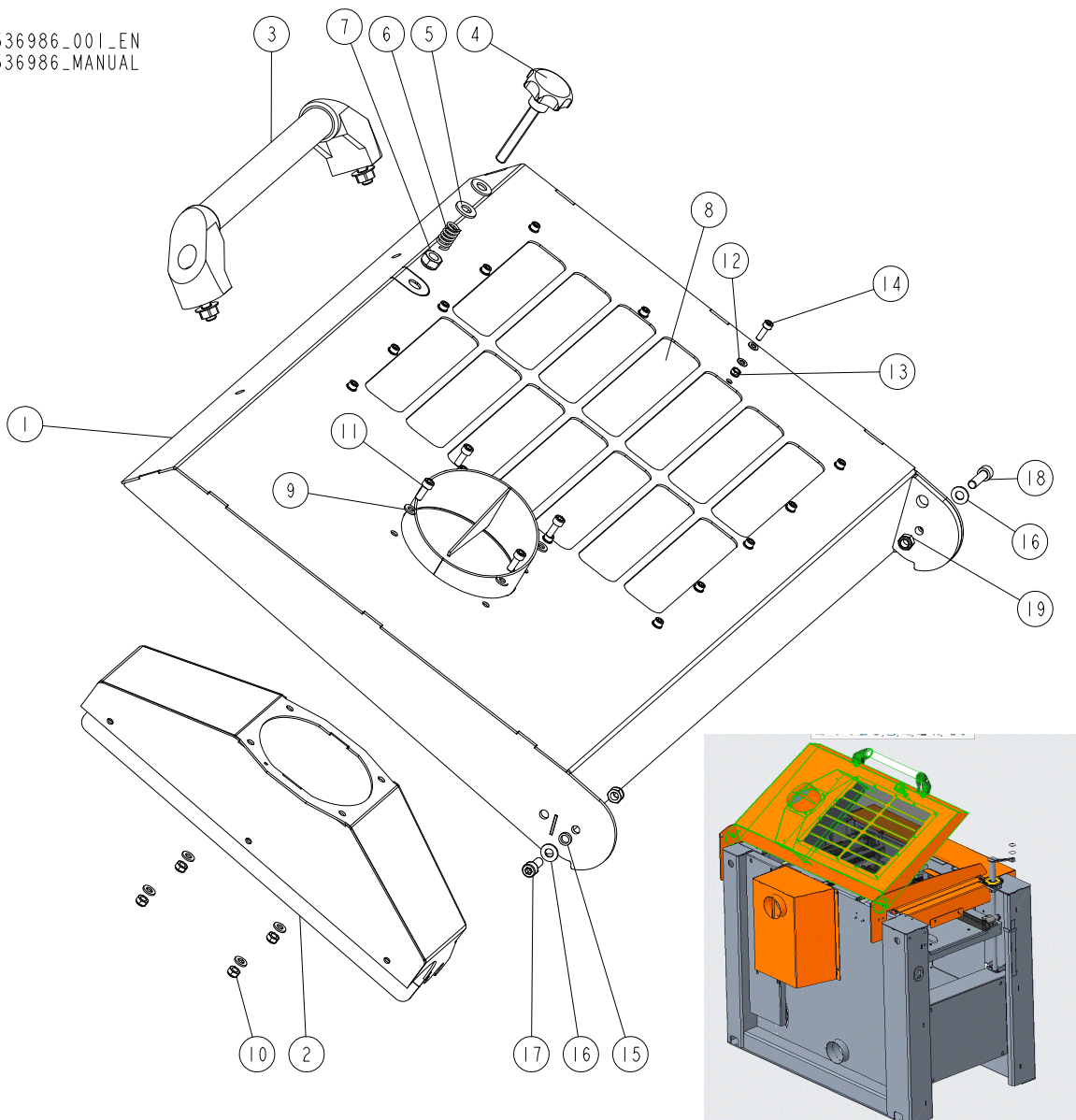
537523_001_EN
537523_MANUAL



REF	DESCRIPTION (* indicates parts available in assemblies only)	PART #	QTY
-	SAWDUST OUTLET GUARD COMPLETE	537523	1
1	SAWDUST OUTLET GUARD	537520-1	1
2	WASHER 6,4 ZC DIN 126 ISO 7091	F81053-1	4
3	SCREW M6X20 SHCS ZC 8.8 DIN 912 ISO 4762	F81001-22	4

3.17 Top Cover

536986_001_EN
536986_MANUAL

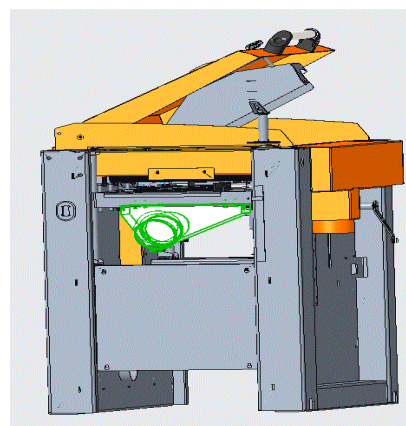
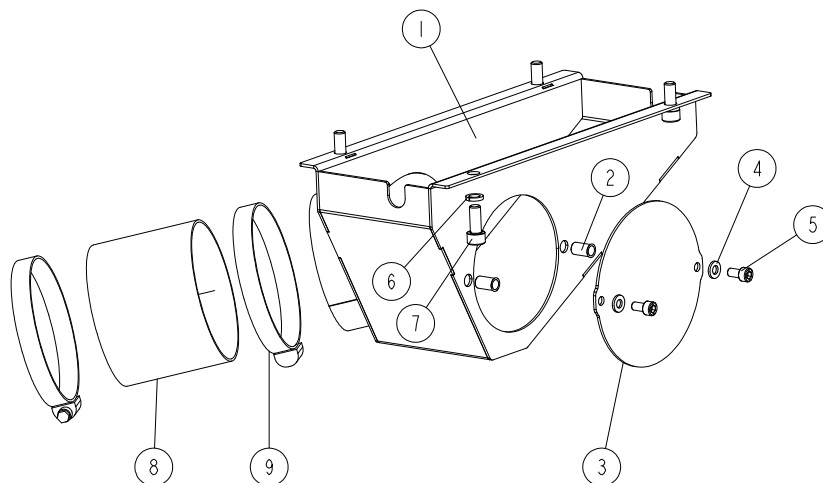


REF	DESCRIPTION (* indicates parts available in assemblies only)	PART #	QTY
-	TOP COVER ASSEMBLY	536986	1
1	TOP COVER WELDMENT	536985-1	1
2	SAWDUST OUTLET WELDMENT	537555-1	1
3	TUBULAR HANDLE	535614	1
-	STAR KNOB	533685	1
4	KNOB, STAR	533683	1
5	WASHER 10,5 ZC DIN 126 ISO 7091	F81055-1	2
6	SPRING	533677	1
7	NUT M10 ZC 8 NYLOCK DIN 982 ISO 7040	F81033-1	1
8	INSPECTION WINDOW PLATE	536987	1
9	WASHER 6,4 ZC DIN 126 ISO 7091	F81053-1	8
10	NUT M6 ZC 8 NYLOCK DIN 982 ISO 7040	F81031-2	4
11	SCREW M6X16 SHCS ZC 8.8 DIN 912 ISO 4762	F81001-21	4

REF	DESCRIPTION (* indicates parts available in assemblies only)	PART #	QTY	
12	WASHER 5,3 ZC DIN 126 ISO 7091	F81052-1	28	
13	NUT, M5-8-FE/ZN5 DIN985	F81030-2	14	
14	BOLT M5X16 SHCS ZC PT 8.8 DIN 912 ISO 4762	F81000-25	14	
15	BUSHING, SPACER	533674	2	
16	WASHER 8,4 ZC DIN 126 ISO 7091	F81054-1	2	
17	SCREW M8X20 SHCS ZC 8.8 DIN 912 ISO 4762	F81002-30	1	
18	SCREW M8X30 SHCS ZC 8.8 DIN 912 ISO 4762	F81002-31	1	
19	NUT M8 ZC 8 NYLOCK DIN 982 ISO 7040	F81032-2	2	

3.18 Sawdust Outlet

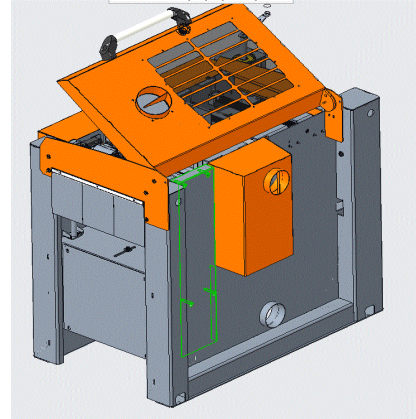
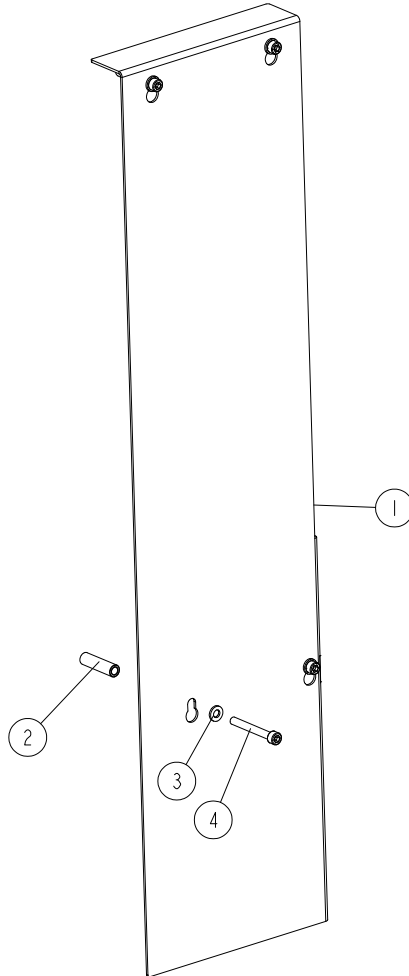
537547_001_EN
537547_MANUAL



REF	DESCRIPTION (* indicates parts available in assemblies only)	PART #	QTY
-	SAWDUST OUTLET COMPLETE	537547	1
1	SAWDUST OUTLET	537546-1	1
2	RIVET NUT M6 1.5-4.0 W/ COUNTERSUNK HEAD AND KNURLED SHANK	F81031-13	2
3	COVER	537543-1	1
4	WASHER 6,4 ZC DIN 126 ISO 7091	F81053-1	2
5	SCREW M6X12 SHCS ZC 8.8 DIN 912 ISO 4762	F81001-87	2
6	WASHER 8,2 ZC SPRING LOCK DIN 127	F81054-4	4
7	SCREW M8X20 SHCS ZC 8.8 DIN 912 ISO 4762	F81002-30	4
8	SAWDUST OUTLED HOSE, MASTER CLIP PUR DN100 L=800 [MM]	537389	1
9	WORM CLAMP 90-110	F81095-8	2

3.19 V-belt Cover

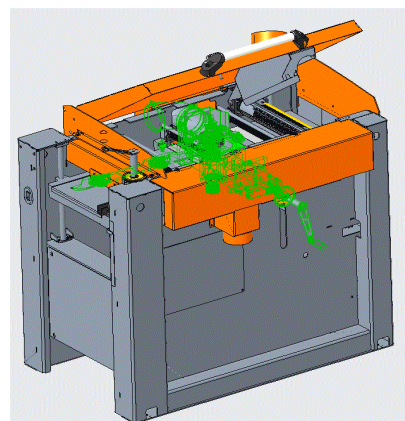
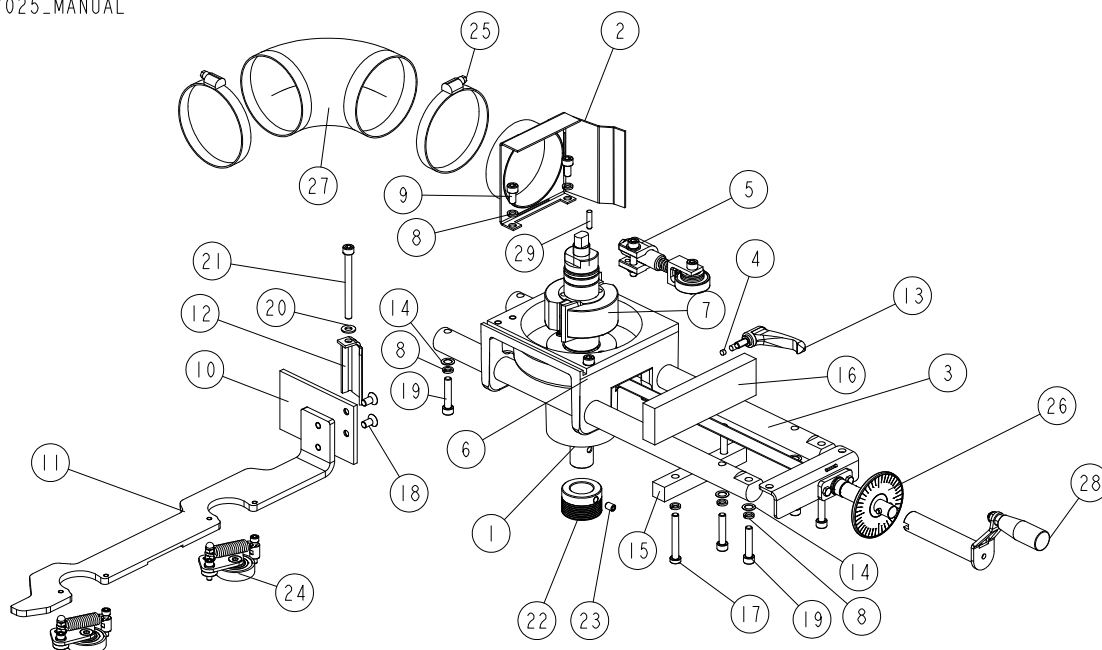
537566_001_EN
537566_MANUAL



REF	DESCRIPTION (* indicates parts available in assemblies only)	PART #	QTY
-	V-BELT COVER	537566	1
1	SIDE PLATE	537540-1	1
2	BUSHING 6.3/10-38	534209-1	4
3	WASHER 6,4 ZC DIN 126 ISO 7091	F81053-1	4
4	SCREW M6X60 SHCS 8.8; DIN 912 ISO 4762	F81001-83	4

3.20 Spindle Moving Assembly

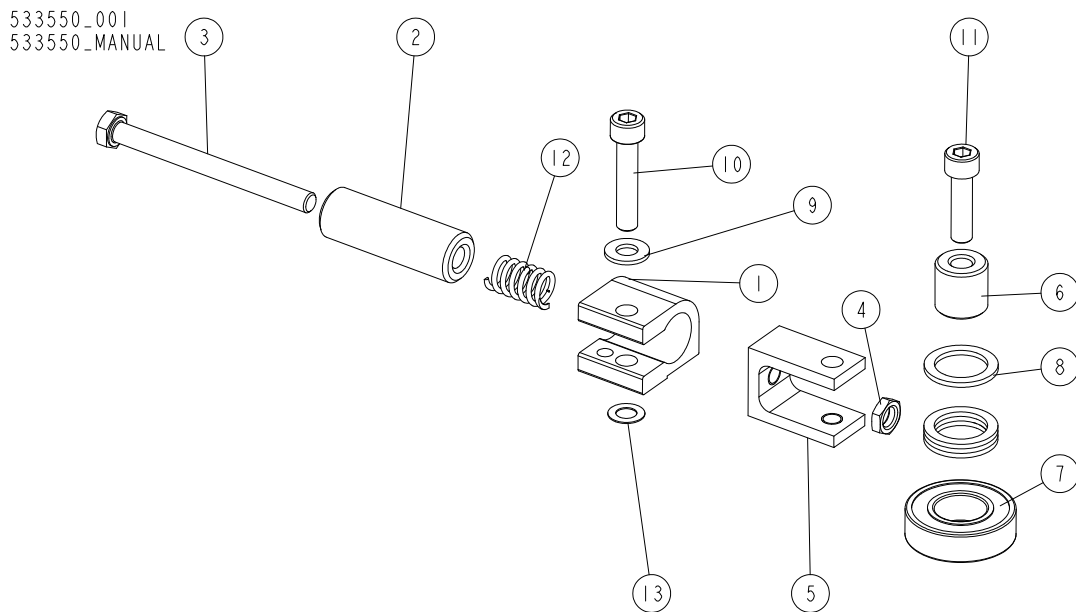
537025_001_EN_A
537025_MANUAL



Ref	DESCRIPTION (* indicates parts available in assemblies only)	PART #	QTY
-	SPINDLE MOVING ASSEMBLY	537025	1
1	SPINDLE MOUNT BASE	260-510B	1
2	SAWDUST OUTLET WELDMENT	537028-1	1
3	LEFT SPINDLE GUIDE	537041	2
4	SLIDE	535987	2
5	CLAMP ROLLER ASSEMBLY II See Section 3.21	533550	1
6	SCREW M8X35 SHCS ZC 8.8 DIN 912 ISO 4762	F81002-58	1
7	LEFT SPINDLE ASSEMBLY See Section 3.22	537005	1
8	WASHER 8,2 ZC SPRING LOCK DIN 127	F81054-4	10
9	SCREW M8X16 SHCS ZC 8.8 DIN 912 ISO 4762	F81002-39	2
10	MOUNT PLATE	537027-1	1
11	BOARD GUIDE FENCE	537026-1	1
12	GUIDE MOUNT BRACKET	535984-1	1

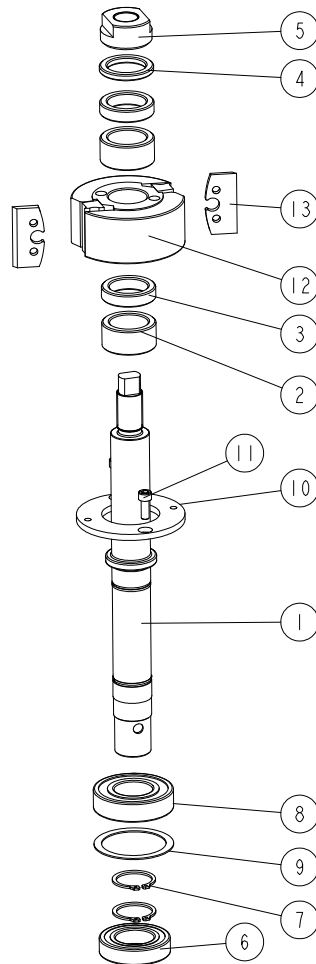
Ref	DESCRIPTION (* indicates parts available in assemblies only)	PART #	QTY	
13	ADJUSTABLE HANDLE ERZ.63 P-M8X16	535988	1	
14	THIN WASHER 10/16-0.5	535990	8	
15	GUIDE BLOCK 1	536956-1	1	
16	GUIDE BLOCK 2	536957-1	1	
17	SCREW M8X60 LHSCS 8.8 DIN 7984	F81002-41	2	
18	SCREW M8X16 HSFHS ZC 8.8 DIN7991 ISO10642	F81002-115	2	
19	SCREW M8X40 SHCS ZC 8.8 DIN 912 ISO 4762	F81002-29	6	
20	WASHER 8,4 ZC DIN 126 ISO 7091	F81054-1	1	
21	SCREW M8X90 SHCS ZC 8.8 DIN 912 ISO 4762	F81002-44	1	
22	PULLEY, MULTI-GROOVE SMALL ALUMINIUM	533586	1	
23	SCREW M8X12 HSS W/CONE POINT ZC 45H DIN 914	F81002-105	1	
24	CLAMP ROLLER COMPLETE See Section 3.23	536980	2	
25	WORM CLAMP 90-110	F81095-8	2	
26	TRAPEZOIDAL SCREW ASSEMBLY See Section 3.24	537042	1	
27	SAWDUST OUTLET HOSE MASTER CLIP PUR DN100 L=360 [MM]	537390	1	
28	HANDLE ASSEMBLY See Section 3.27	537810	1	
29	DOWEL PIN 6M6X12 DIN 7 ISO 2338	F81045-5	1	

3.21 Clamp Roller Assembly II



REF	DESCRIPTION (* indicates parts available in assemblies only)	PART #	QTY
-	CLAMP ROLLER ASSEMBLY II	533550	1
1	CONNECTOR, ALUMINIUM	533551-1	1
2	BUSHING, 8.5/20-60 ZINC-PLATED	533553-1	1
3	BOLT M8X90 HH ZC FT 8.8 DIN 933	F81002-16	1
4	NUT, M8-04-FE/ZN ISO4035 HEX THIN	F81032-8	1
5	CONNECTOR, ALUMINIUM	533552	1
6	BUSHING, 8.2/20-20	533554-1	1
7	BEARING, 6004 2RS CX ROLLING	093868	1
8	WASHER, 28/20-2	533555	4
9	WASHER 8,4 ZC DIN 126 ISO 7091	F81054-1	1
10	SCREW M8X40 SHCS ZC 8.8 DIN 912 ISO 4762	F81002-29	1
11	SCREW M8X30 SHCS ZC 8.8 DIN 912 ISO 4762	F81002-31	1
12	SPRING, 12X25XN2	533556	1
13	RING SHIM 14/8-05 DIN 988	F81055-16	1

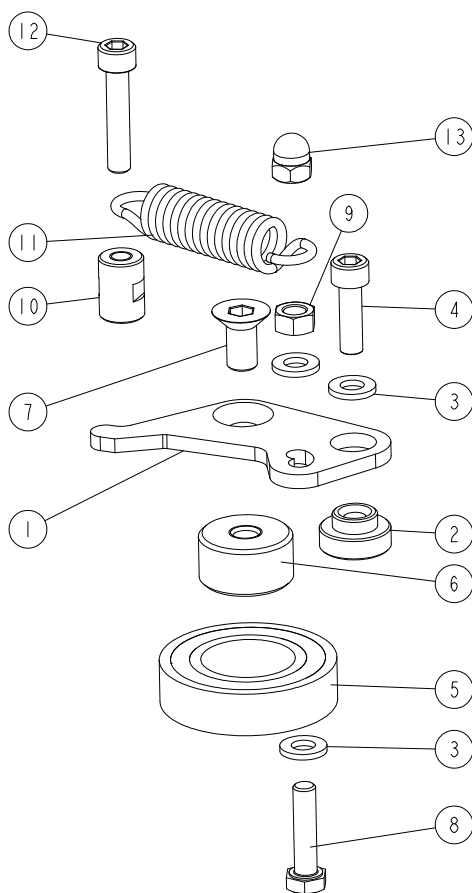
3.22 Lef Spindle

537005_001_EN
537005_MANUAL

REF	DESCRIPTION (* indicates parts available in assemblies only)	PART #	QTY
-	LEFT SPINDLE ASSEMBLY	537005	1
1	SHAFT	533537	1
2	BUSHING, 30/42-20.2 ZINC-PLATED	533541-1	2
3	BUSHING, 30/42-10 ZINC-PLATED	533539-1	2
4	BUSHING, 30/42-5.2 ZINC-PLATED	533540-1	1
5	NUT, M20X1.5 LEFT	533538-1	1
6	BEARING, 6006 2RSR	096191	1
7	OUTSIDE RETAINING RING Z30 PN-M/85111 DIN 471	F81090-23	2
8	BEARING, 6206 2RSR P6 ROLLING (FAG, NSK, SKF)	100787	1
9	WASHER 50X61.6X1	533543	1
10	PLATE, CLAMPING	533542-1	1
11	SCREW M6X16 SHCS ZC 8.8 DIN 912 ISO 4762	F81001-21	2
-	CUTTERHEAD, TB90-92 STEEL	240-010	1
12	CUTTERHEAD	533587	1
13	KNIFE, CUTTER	533588	2

3.23 Clamp Roller Assembly

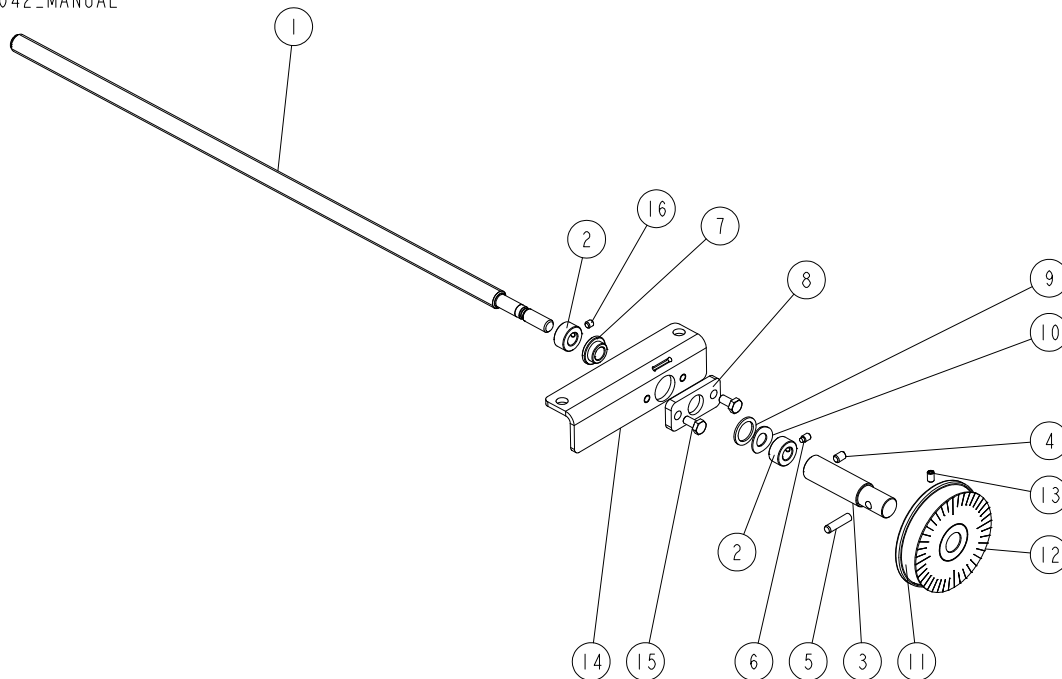
536980_001
 536980_MANUAL



REF	DESCRIPTION (* indicates parts available in assemblies only)	PART #	QTY
-	CLAMP ROLLER ASSEMBLY	536980	1
1	BRACKET, BEARING MOVABLE	533525-1	1
2	BUSHING, 6.2/12-10 FLANGED 19-6	533632	1
3	WASHER 6.4 ZC DIN 126 ISO 7091	F81053-1	3
4	SCREW M6X20 SHCS ZC 8.8 DIN 912 ISO 4762	F81001-22	1
5	BEARING 6005 2RS	089652	1
6	BUSHING, M8/25-13.5 ZINC-PLATED	533529-1	1
7	SCREW M8X16 HSFHS ZC 10.9 DIN7991 ISO 10642	F81002-82	1
8	BOLT M6X25 HH ZC FT 8.8 DIN 933	F81001-3	1
9	NUT M6 ZC 8 DIN 934	F81031-1	1
10	BUSHING, M6/12-17 ZINC-PLATED	533633-1	1
11	SPRING, 15X65X2.5	533571	1
12	SCREW M6X30 SHCS ZC 8.8 DIN 912 ISO 4762	F81001-42	1
13	HEX DOMED CAP NUT M6 ZC 6 DIN 1587	F81032-20	1

3.24 Trapezoidal Screw

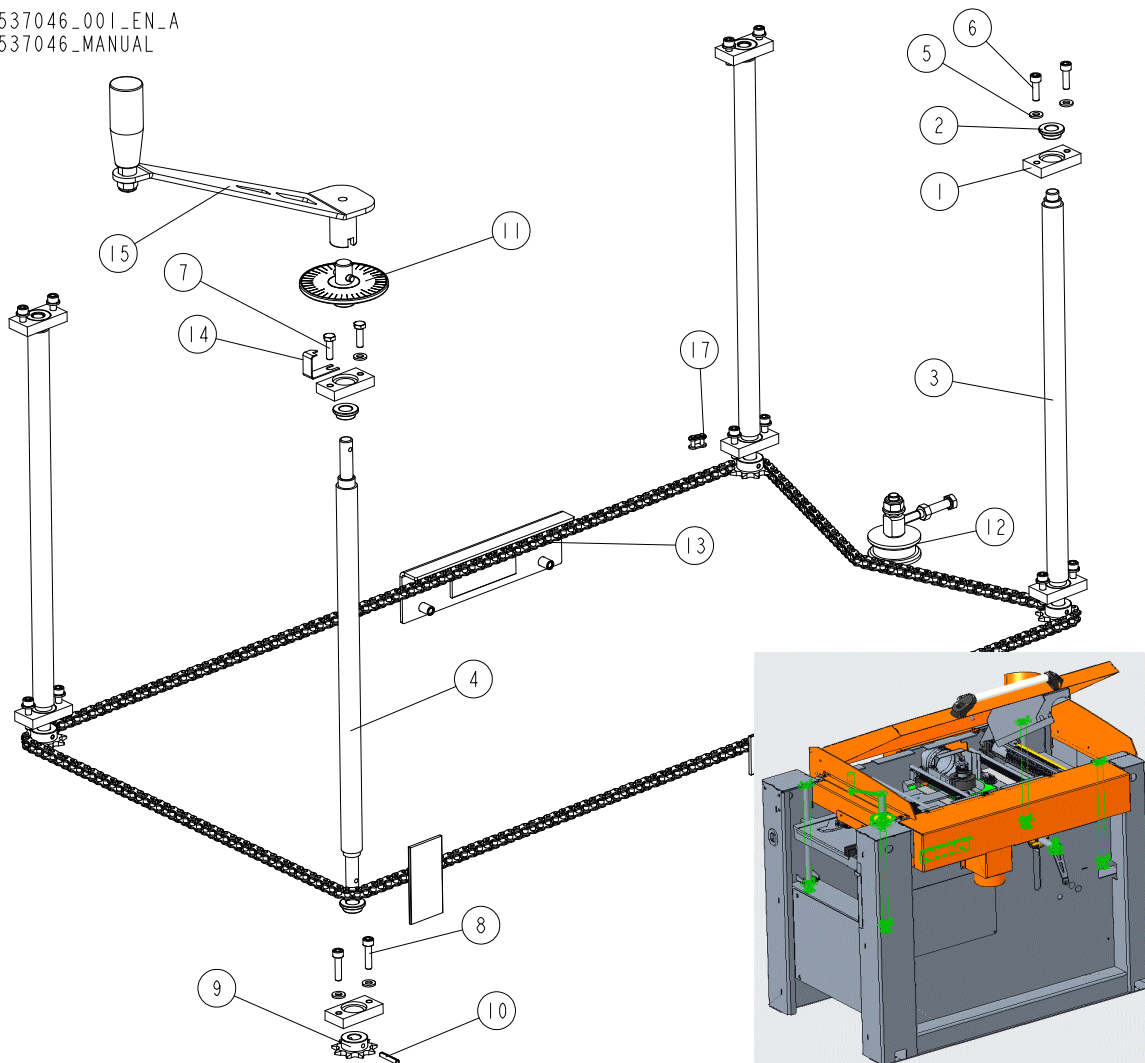
537042_001_EN_A
537042_MANUAL



Ref	DESCRIPTION (* indicates parts available in assemblies only)	PART #	QTY
-	TRAPEZOIDAL SCREW ASSEMBLY	537042	1
1	CUTTER TRAPEZOIDAL SCREW	535996	1
2	CONNECTOR 1	535997-1	2
3	CONNECTOR 2	537044-1	1
4	SCREW M6X8 45H HSS W/FLAT POINT ZC DIN913 ISO4026	F81013-1	1
5	DOWEL PIN 6M6X12 DIN 7 ISO 2338	F81045-5	1
6	SCREW M5X8 45H HSS W/DOG POINT ZC DIN 915 ISO4028	F81014-15	1
7	SELF LUBRICATING BEARING, AMES N10/N16/N22-8	541372	1
8	SLIDE BUSHING PLATE	535991-1	1
9	SPACER 16/22-1.5 DIN 988	F81055-19	1
10	DIN 137 B WAVE SPRING WASHER 10.5	F81055-18	1
11	DISK, ROUND SCALE	533594	1
12	DECAL, MP200 ROUND SCALE	533577	1
13	SCREW WITHOUT HEAD M5X8 45H DIN 913	F81014-7	1
14	SCREW MOUNTING PLATE	537045-1	1
15	BOLT M6X12 HH ZC FT 8.8 DIN 933	F81001-7	2
16	SCREW M5X5 45H W/FLAT POINT ZC DIN 913 ISO 4026	F81014-14	1

3.25 Up/Down

537046_001_EN_A
537046_MANUAL

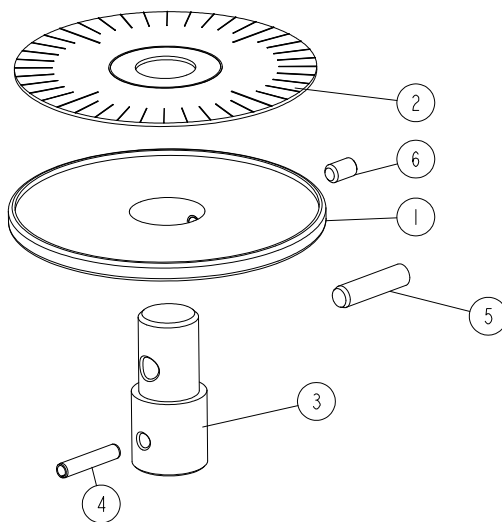


Ref	DESCRIPTION (* indicates parts available in assemblies only)	PART #	QTY
-	UP/DOWN FEED ASSEMBLY	537046	1
1	BLOCK	533113-1	8
2	BUSHING, 12.3/18-8 FLANGED 24-3	533114	8
3	TRAPEZOIDAL SCREW TR20X4	533116	3
4	ADJUSTTABLE TRAPEZOIDAL SCREW TR20X4	537047	1
5	WASHER 6,4 ZC DIN 126 ISO 7091	F81053-1	15
6	SCREW M6X20 SHCS ZC 8.8 DIN 912 ISO 4762	F81001-22	6
7	BOLT M6X20 HH ZC FT 8.8 DIN 933	F81001-2	2
8	BOLT M6X25 SHCS ZC PT 8.8 DIN 912 ISO 4762	F81001-41	8
9	SPROCKET, Z=9; 1/2"X 3/16"(CHAIN 083-1)	533111	4
10	PIN SPRING 4X24 ZC DIN 1481 ISO 8752	F81044-13	4
11	SCALE, ROUND COMPLETE See Section 3.26	533676	1
12	CHAIN TENSION, ASSEMBLY See Section 3.29	534390	1
13	CHAIN SLIDE ASSEMBLY See Section 3.30	537560	1
14	INDICATOR, SCALE	537558	1

Ref	DESCRIPTION (* indicates parts available in assemblies only)	PART #	QTY	
15	HANDLE ASSEMBLY See Section 3.28	535975	1	
16	CHAIN 083-1; P = 1/2 "; LENGT L = 2,7559 M (217 LINKS +1 HALF-LINK)	537050	1	
17	CONNECTING LINK FOR CHAIN 083-1	533128	1	

3.26 Scale

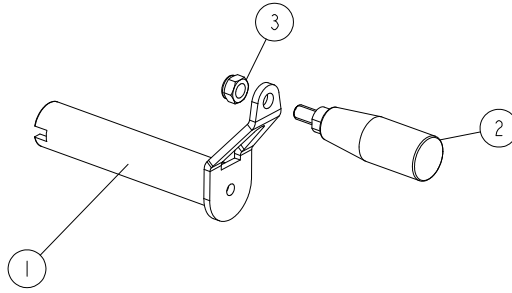
533676_001_A
533676_MANUAL



REF	DESCRIPTION (* indicates parts available in assemblies only)	PART #	QTY
-	SCALE, ROUND COMPLETE	533676	1
1	DISK, ROUND SCALE	533594	1
2	DECAL, MP200 ROUND SCALE	533577	1
3	PIN, SCALE DISK MOUNT	533595-1	1
4	COILED SPRING PIN 4X20, ISO 8752, STEEL.	F81044-11	1
5	DOWEL PIN 6M6X12 DIN 7 ISO 2338	F81045-5	1
6	SCREW WITHOUT HEAD M5X8 45H DIN 913	F81014-7	1

3.27 Handle

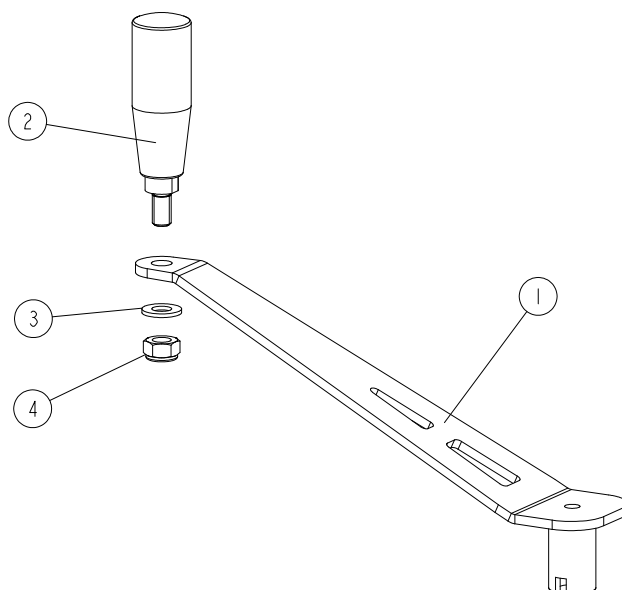
537810_001
 537810_MANUAL



Ref	DESCRIPTION (* indicates parts available in assemblies only)	PART #	QTY	
-	HANDLE ASSEMBLY	537810	1	
1	HANDLE WELDMENT	537811-1	1	
2	REVOLVING GRIP	533505	1	
3	NUT M8 ZC 8 NYLOCK DIN 982 ISO 7040	F81032-2	1	

3.28 Handle

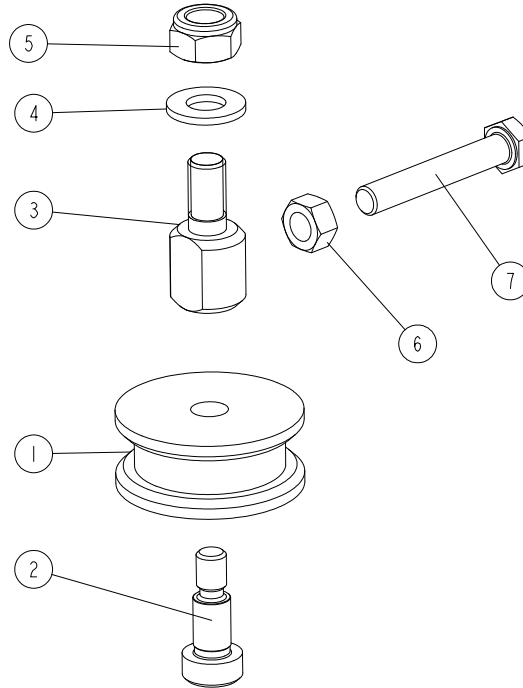
535975_001_EN
535975_MANUAL



Ref	DESCRIPTION (* indicates parts available in assemblies only)	PART #	QTY	
-	HANDLE ASSEMBLY	535975	1	
1	HANDLE WELDMENT	535973-1	1	
2	REVOLVING GRIP	535974	1	
3	WASHER 10,5 ZC DIN 126 ISO 7091	F81055-1	1	
4	NUT M10 ZC 8 NYLOCK DIN 982 ISO 7040	F81033-1	1	

3.29 Chain Tension

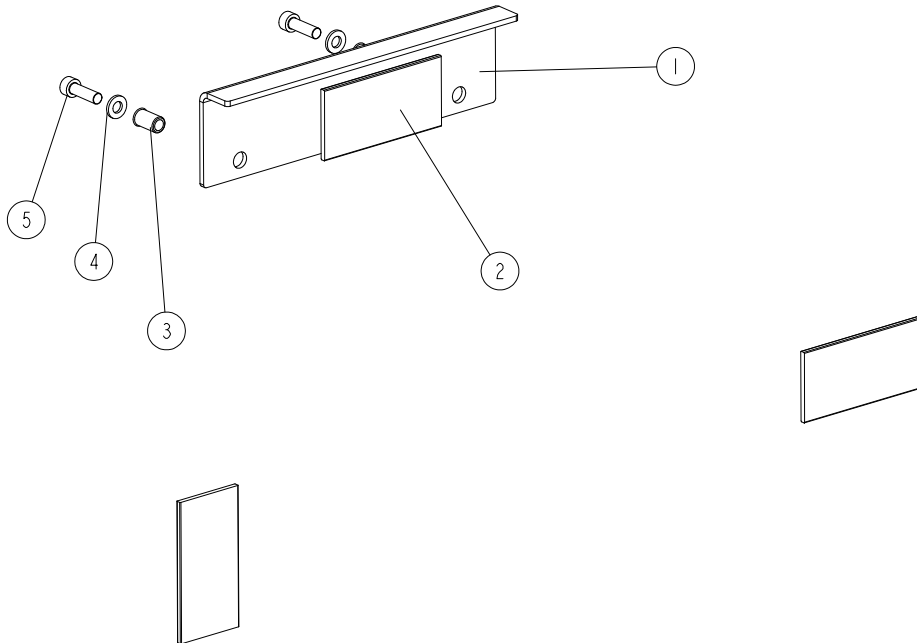
534390_001
534390_MANUAL



Ref	DESCRIPTION (* indicates parts available in assemblies only)	PART #	QTY	
-	CHAIN TENSION, ASSEMBLY	534390	1	
1	ROLLER, TENSIONER	533576	1	
2	SHOULDER SCREW HSH -10-M8-16; 12,9	F81003-139	1	
3	BOLT, MOUNTING	534388-1	1	
4	WASHER 10,5 ZC DIN 126 ISO 7091	F81055-1	1	
5	NUT M10 ZC 8 NYLOCK DIN 982 ISO 7040	F81033-1	1	
6	NUT M8 ZC 8 DIN 934	F81032-1	1	
7	SCREW M8X60 HH ZC 8.8 PT DIN 931	F81002-54	1	

3.30 Chain Slide

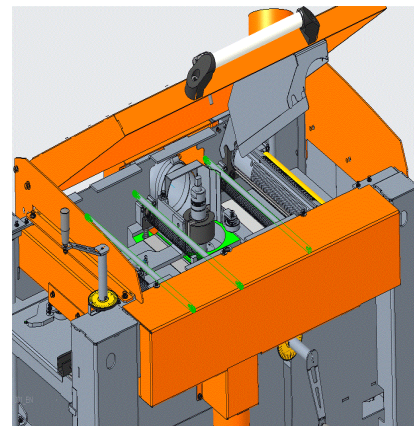
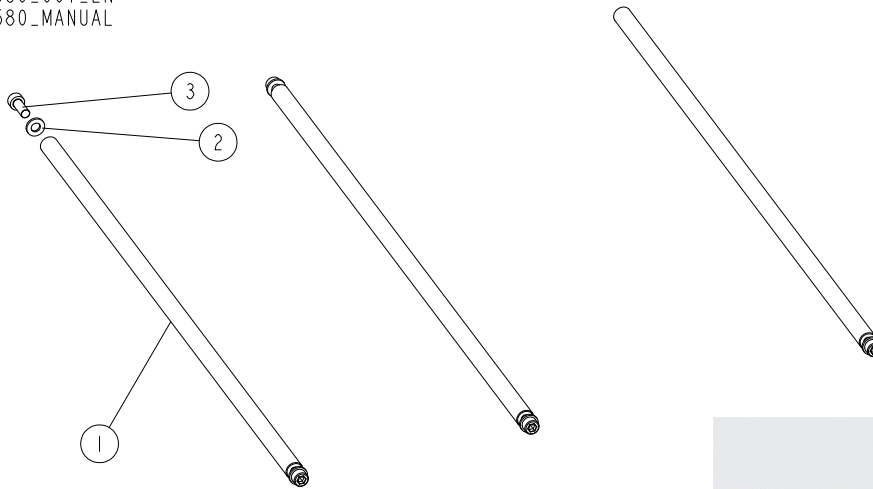
537560_001_EN_A
537560_MANUAL



REF	DESCRIPTION (* indicates parts available in assemblies only)	PART #	QTY	
-	CHAIN SLIDE ASSEMBLY	537560	1	
1	ANGLE SECTION	537561-1	1	
2	SLIDE TAPE	537562	1	
3	RIVET NUT M6 1.5-4.0 W/ COUNTERSUNK HEAD AND KNURLED SHANK	F81031-13	2	
4	WASHER 6,4 ZC DIN 126 ISO 7091	F81053-1	2	
5	SCREW M6X20 SHCS ZC 8.8 DIN 912 ISO 4762	F81001-22	2	

3.31 Rod Set

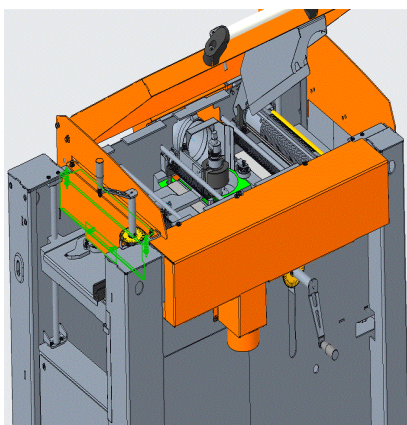
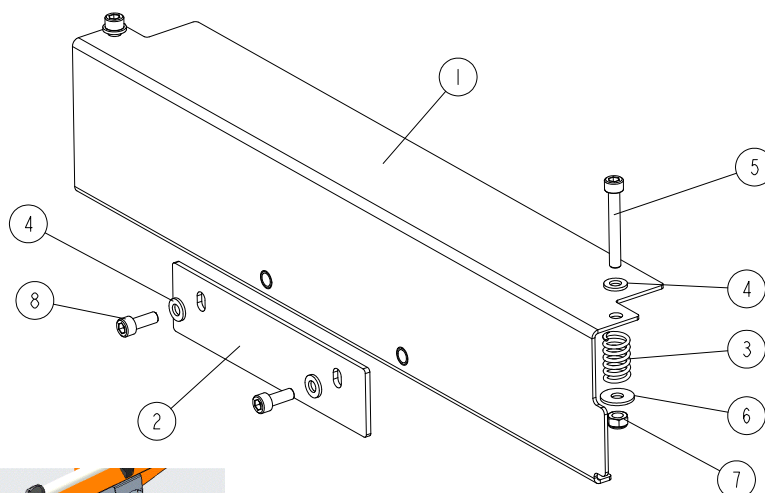
537580_001_EN
537580_MANUAL



REF	DESCRIPTION (* indicates parts available in assemblies only)	PART #	QTY
-	ROD SET	537580	1
1	SHAFT	533092-1	3
2	WASHER 6,4 ZC DIN 126 ISO 7091	F81053-1	5
3	SCREW M6X16 SHCS ZC 8.8 DIN 912 ISO 4762	F81001-21	5

3.32 Moving Plate

537584_001_EN
537584_MANUAL

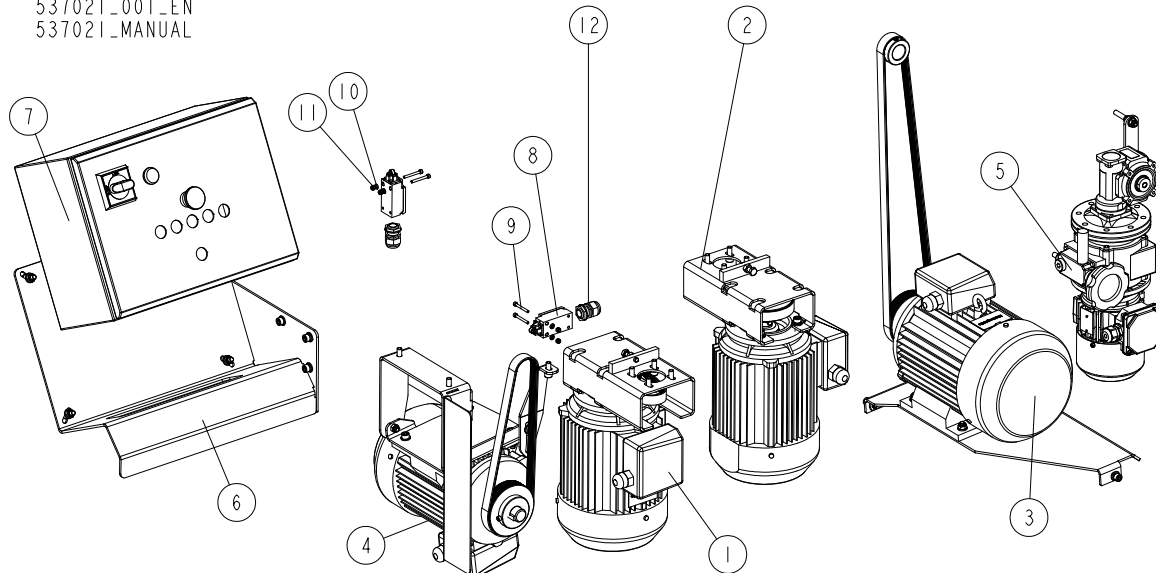


REF	DESCRIPTION (* indicates parts available in assemblies only)	PART #	QTY	
-	MOVING PLATE ASSEMBLY	537584	1	
1	MOVING PLATE	537583	1	
2	PLATE	537582-1	1	
3	SPRING	533677	2	
4	WASHER 6,4 ZC DIN 126 ISO 7091	F81053-1	4	
5	SCREW M6X45 SHC ZC 8.8 DIN 912 ISO 4762	F81001-86	2	
6	WASHER 6,5 ZC FENDER DIN 9021 ISO 7093	F81053-11	2	
7	NUT M6 ZC 8 NYLOCK DIN 982 ISO 7040	F81031-2	2	
8	SCREW M6X16 SHCS ZC 8.8 DIN 912 ISO 4762	F81001-21	2	

SECTION 4 MOTOR KITS

4.1 Motor Kit for MP260 EH 3x400V CE

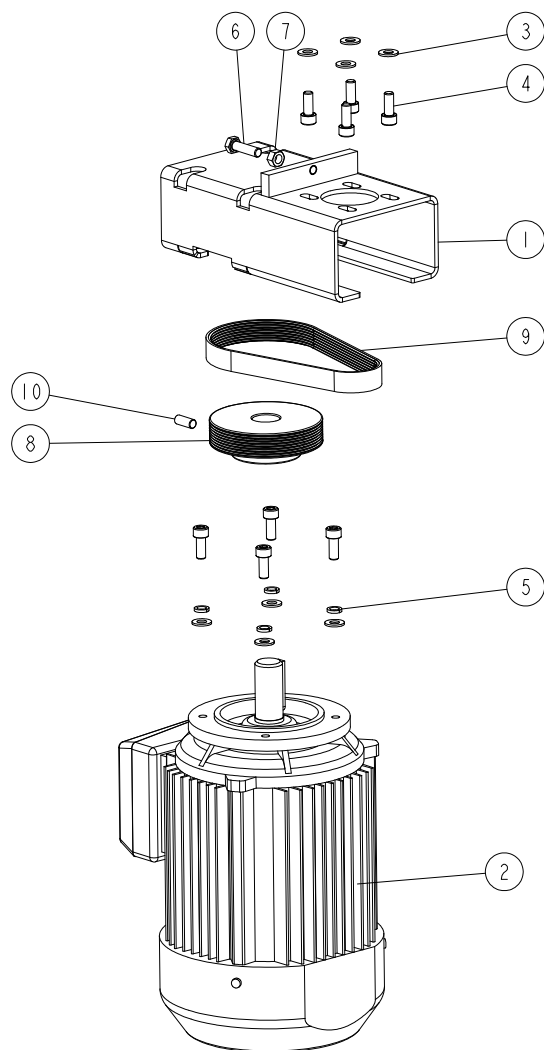
537021_001_EN
537021_MANUAL



REF	DESCRIPTION (* indicates parts available in assemblies only)	PART #	QTY
-	PRO MOTOR KIT FOR MP260EH 3x400V CE	537021	1
	PRO MOTOR KIT FOR MP260EB3x230V CE	537021-2	1
-	ECO MOTOR KIT FOR MP260EH 3x400V CE	537020	1
	ECO MOTOR KIT FOR MP260EB 3x230V CE	537020-2	1
1	SIDE CUTTER DRIVE See Section 4.2	533647	1
2	SIDE CUTTER DRIVE (SLIDING) See Section 4.2	541459	1
3	HORIZONTAL UPPER CUTTER PRO DRIVE See Section 4.3	537035	1
4	HORIZONTAL BOTTOM CUTTER DRIVE See Section 4.4	537031	1
5	MP260 PRO FEED DRIVE See Section 4.5	537036	1
6	ELECTRIC BOX BRACKET-COMplete See Section 4.6	537032	1
7	ELECTRICAL BOX MP260 3X400V CE COMPLETE See Section 4.7	532791	1
8	SAFETY SWITCH D4N-4132	537641	2
9	BOLT M4X35 SHCS ZC PT 8.8 DIN 912 ISO 4762	F81011-34	4
10	WASHER 4,3 ZC DIN 126 ISO 7091	F81051-2	4
11	NUT M4 ZC 8 NYLOCK DIN 982 ISO 7040	F81029-1	4
12	ELECTRICAL GLAND 20 HML	F81096-41	2

4.2 Side Cutter Drive

533647_001_A
533647_MANUAL



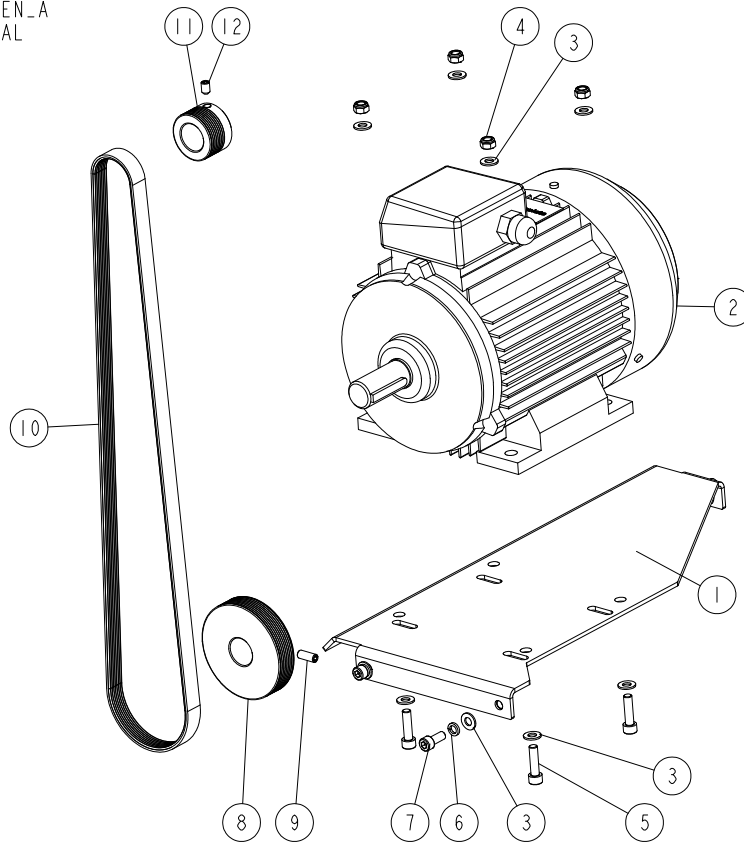
REF.	DESCRIPTION (* indicates parts available in assemblies only)	PART #	QTY
-	SIDE CUTTER DRIVE	533647	1
-	SIDE CUTTER DRIVE (SLIDING)	541459	1
1	PLATE WELDMENT, MOTOR MOUNT	533649-1	1
2	MOTOR, INDUKTA 3SIEK90L2A 3KW IMV19	537385 ¹	1
	MOTOR, 3SIEK90L2A IMV19/C140 (3kW; 2860 r.p.m.)	533646 ²	1
3	WASHER 8.4 ZC DIN 126 ISO 7091	F81054-1	8
4	SCREW M8X20 SHCS ZC 8.8 DIN 912 ISO 4762	F81002-30	8
5	WASHER 8.2 ZC SPRING LOCK DIN 127	F81054-4	4
6	BOLT M8X30 HH ZC FT 8.8 DIN 933	F81002-7	1
7	NUT M8 ZC 8 DIN 934	F81032-1	1
8	PULLEY, MULTI-GROOVE ALUMINIUM	533585	1
9	SCREW M8X20 HSS W/FLAT POINT ZC 45H DIN 913	F81002-103	1
10	BELT, 8 PJ 457 MULTI-RIBBED	533680	1

¹ Belongs to 533647

² Belongs to 541459

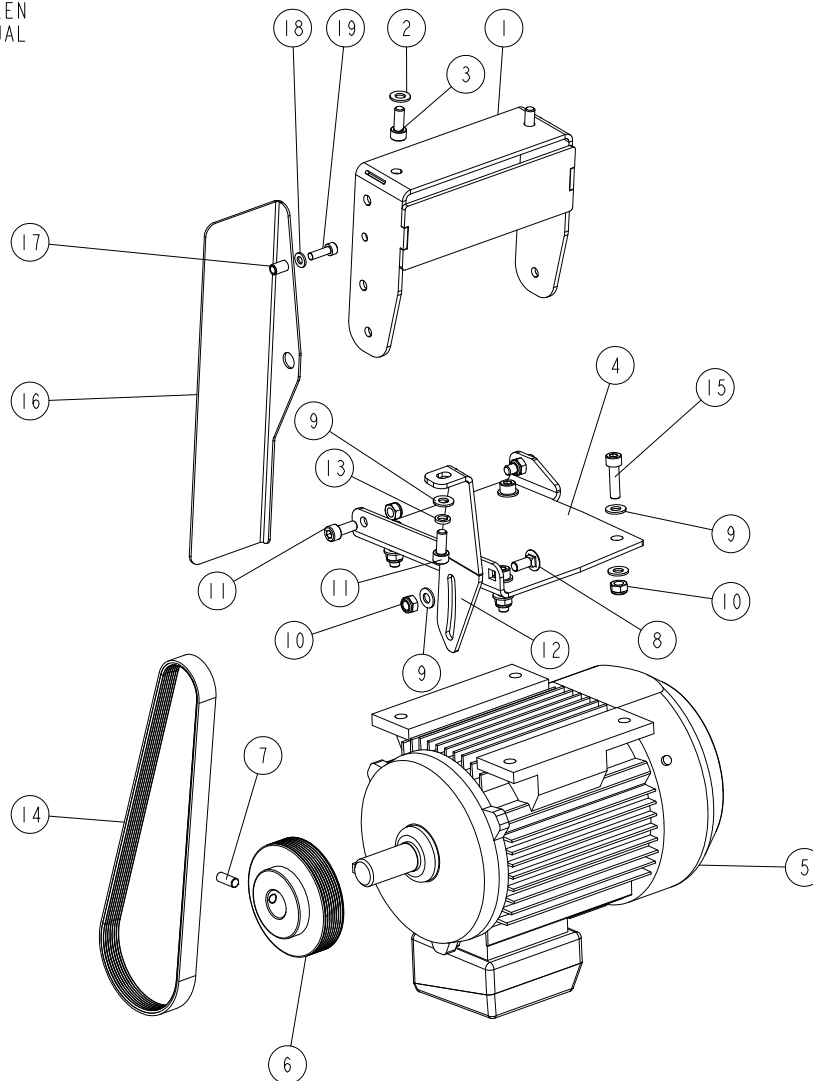
4.3 Horizontal Upper Cutter Drive

537035_001_EN_A
537035_MANUAL



REF	DESCRIPTION (* indicates parts available in assemblies only)	PART #	QTY
-	HORIZONTAL UPPER CUTTER PRO DRIVE	537035	1
1	MOTOR PLATE WELDMENT	535895-1	1
2	MOTOR, M100XL IMB3, 4KW, 2900 R.P.M, 50HZ	532811	1
3	WASHER 8,4 ZC DIN 126 ISO 7091	F81054-1	11
4	NUT M8 ZC 8 NYLOCK DIN 982 ISO 7040	F81032-2	4
5	SCREW M8X30 SHCS ZC 8.8 DIN 912 ISO 4762	F81002-31	4
6	WASHER 8,2 ZC SPRING LOCK DIN 127	F81054-4	3
7	SCREW M8X20 SHCS ZC 8.8 DIN 912 ISO 4762	F81002-30	3
8	PULLEY, MULTI-GROOVE ALUMINIUM MP200 PRO	533585-P	1
9	SCREW M8X20 HSS W/FLAT POINT ZC 45H DIN 913	F81002-103	1
10	BELT, 1321J MULTI-RIBBED	537022	1
11	PULLEY, MULTI-GROOVE SMALL ALUMINIUM	533586	1
12	SCREW M8X12 HSS W/CONE POINT ZC 45H DIN 914	F81002-105	1

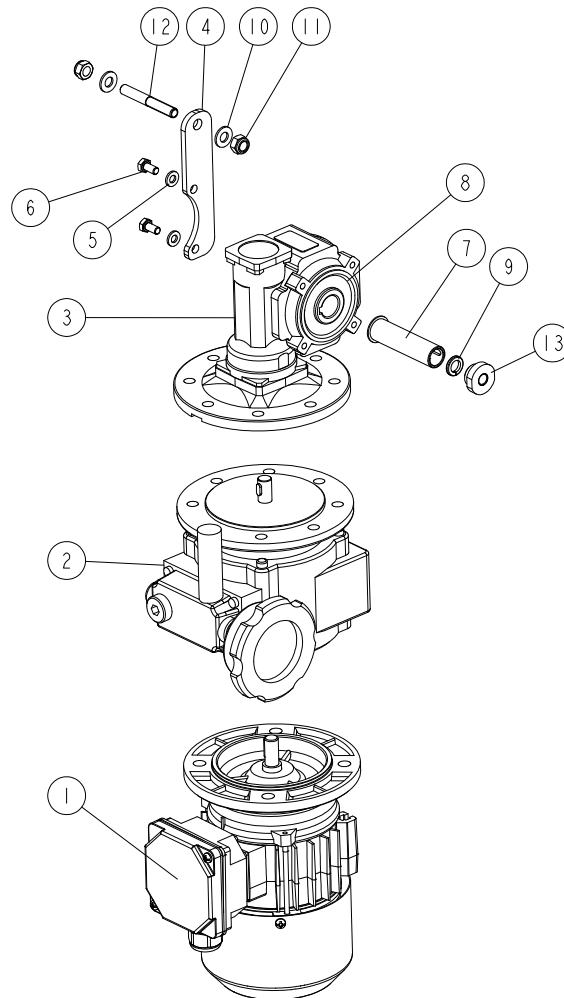
4.4 Horizontal Bottom Cutter Drive

537031_001_EN
537031_MANUAL

REF	DESCRIPTION (* indicates parts available in assemblies only)	PART #	QTY
-	HORIZONTAL BOTTOM CUTTER DRIVE	537031	1
-	MOTOR MOUNT ASSEMBLY	537539	1
1	MOTOR MOUNT WELDMENT	537538-1	1
2	WASHER 8,4 ZC DIN 126 ISO 7091	F81054-1	2
3	SCREW M8X20 SHCS ZC 8.8 DIN 912 ISO 4762	F81002-30	2
4	MOTOR PLATE	537023-1	1
5	MOTOR 3SIE90L2A, 3KW, 2900 R.P.M, 50HZ	537386	1
6	PULLEY, MULTI-GROOVE ALUMINIUM	533585	1
7	SCREW M8X20 HSS W/FLAT POINT ZC 45H DIN 913	F81002-103	1
8	BOLT M8X20 CARRIAGE ZC 8.8 DIN 603 ISO 8677	F81002-11	1
9	WASHER 8,4 ZC DIN 126 ISO 7091	F81054-1	10
10	NUT M8 ZC 8 NYLOCK DIN 982 ISO 7040	F81032-2	7
11	SCREW M8X20 SHCS ZC 8.8 DIN 912 ISO 4762	F81002-30	3
12	MOUNTING BRACKET	537024-1	1
13	WASHER 8,2 ZC SPRING LOCK DIN 127	F81054-4	1

REF	DESCRIPTION (* indicates parts available in assemblies only)	PART #	QTY	
14	BELT MULTI-RIBBED 8 PJ762	535803	1	
15	SCREW M8X30 SHCS ZC 8.8 DIN 912 ISO 4762	F81002-31	4	
-	BELT GUARD ASSEMBLY	537565	1	
16	GUARD PLATE	537564-1	1	
17	RIVET NUT M6 1.5-4.0 W/ COUNTERSUNK HEAD AND KNURLED SHANK	F81031-13	1	
18	WASHER 6,4 ZC DIN 126 ISO 7091	F81053-1	1	
19	SCREW M6X20 SHCS ZC 8.8 DIN 912 ISO 4762	F81001-22	1	

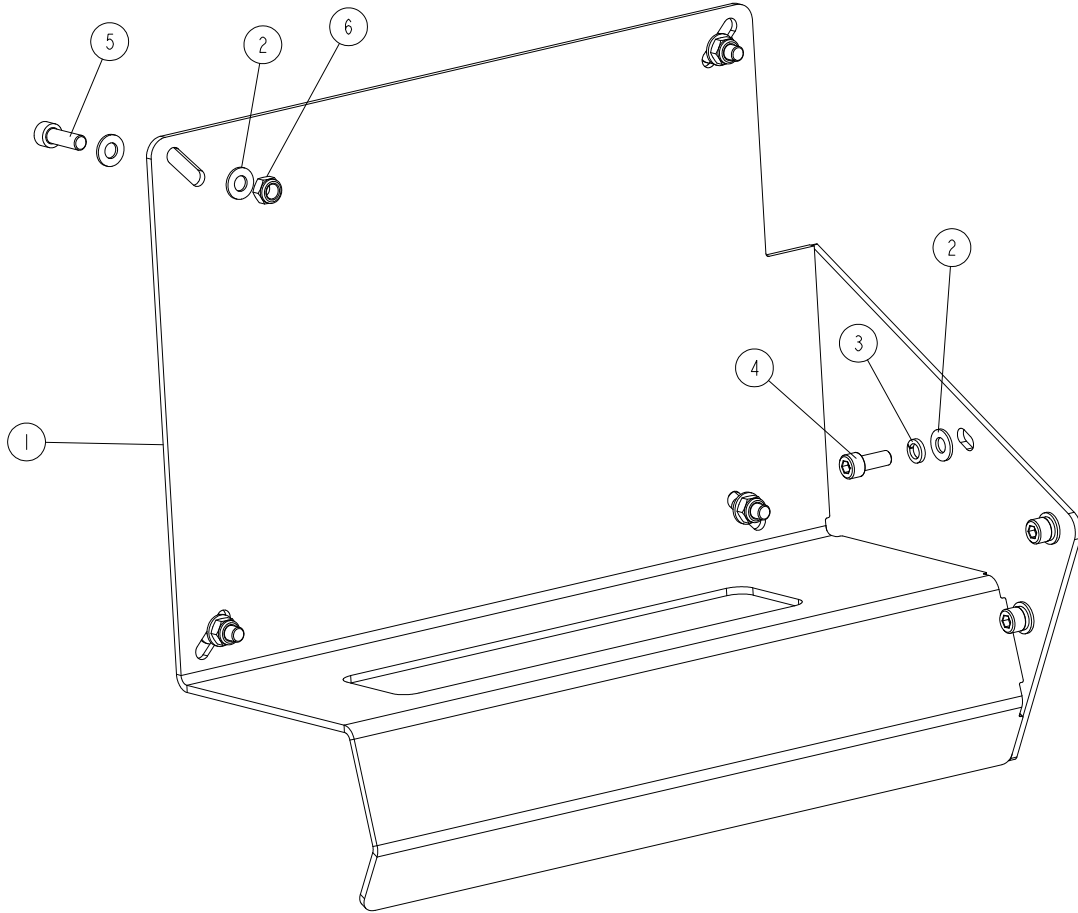
4.5 Feed Drive

537036_001_EN_B
537036_MANUAL

Ref	DESCRIPTION (* indicates parts available in assemblies only)	PART #	QTY
-	MP260 PRO FEED DRIVE	537036	1
-	REDUCER, PRO KC40/P15+NF003+SKH63-2C	533640	1
1	SKH63-2C	533642	1
2	NF003	533643	1
3	KC40/P15	533641	1
4	ARM, TORQUE	537037-1	1
5	WASHER 6,4 ZC DIN 126 ISO 7091	F81053-1	2
6	BOLT M6X12 HH ZC FT 8.8 DIN 933	F81001-7	2
7	BUSHING, REDUCER	533731	1
8	KEY	533732	2
9	WASHER 10,2 ZC SPRING LOCK DIN 127	F81055-2	1
10	WASHER 8,4 ZC DIN 126 ISO 7091	F81054-1	2
11	NUT M8 ZC 8 NYLOCK DIN 982 ISO 7040	F81032-2	2
12	BOLT, M8	533635-1	1
13	NUT, M10	533733-1	1

4.6 Electric Box Bracket

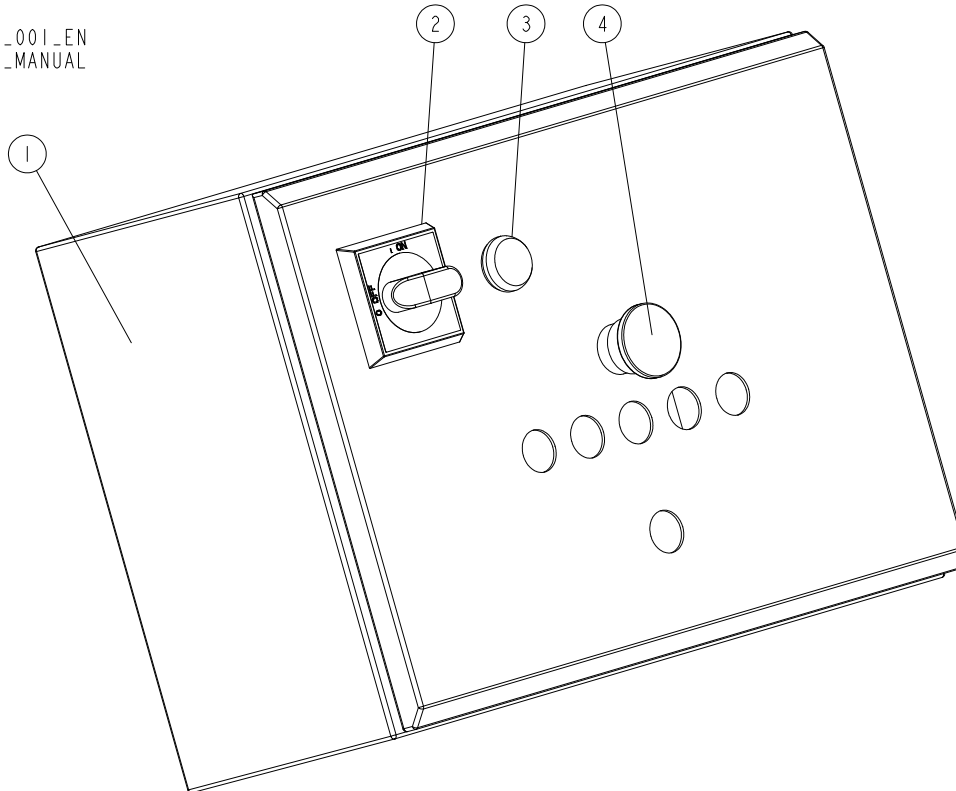
537032_001_EN
537032_MANUAL



REF	DESCRIPTION (* indicates parts available in assemblies only)	PART #	QTY
-	ELECTRIC BOX BRACKET-COMPLETE	537032	1
1	ELECTRIC BOX BRACKET WELDMENT	533619-1	1
2	WASHER 8,4 ZC DIN 126 ISO 7091	F81054-1	11
3	WASHER 8,2 ZC SPRING LOCK DIN 127	F81054-4	3
4	SCREW M8X20 SHCS ZC 8.8 DIN 912 ISO 4762	F81002-30	3
5	SCREW M8X25 SHCS ZC 8.8 DIN 912 ISO 4762	F81002-21	4
6	NUT M8 ZC 8 NYLOCK DIN 982 ISO 7040	F81032-2	4

4.7 Electrical Box MP260 3x400V CE

532791_001_EN
 532791_MANUAL



REF	DESCRIPTION (* indicates parts available in assemblies only)	PART #	QTY
-	ELECTRICAL BOX MP260H 3x400V CE COMPLETE	532791 ¹	1
-	ELECTRICAL BOX MP260B COMPLETE	532791-2 ²	1
1	ELECTRIC BOX	534148	1
2	HANDLE, OHB S2A1 ABB SWITCH	502312-1	1
3	LIGHT, XB7EV7BP WHITE CONTROL	519612	1
4	BUTTON, EMERGENCY STOP	502315	1

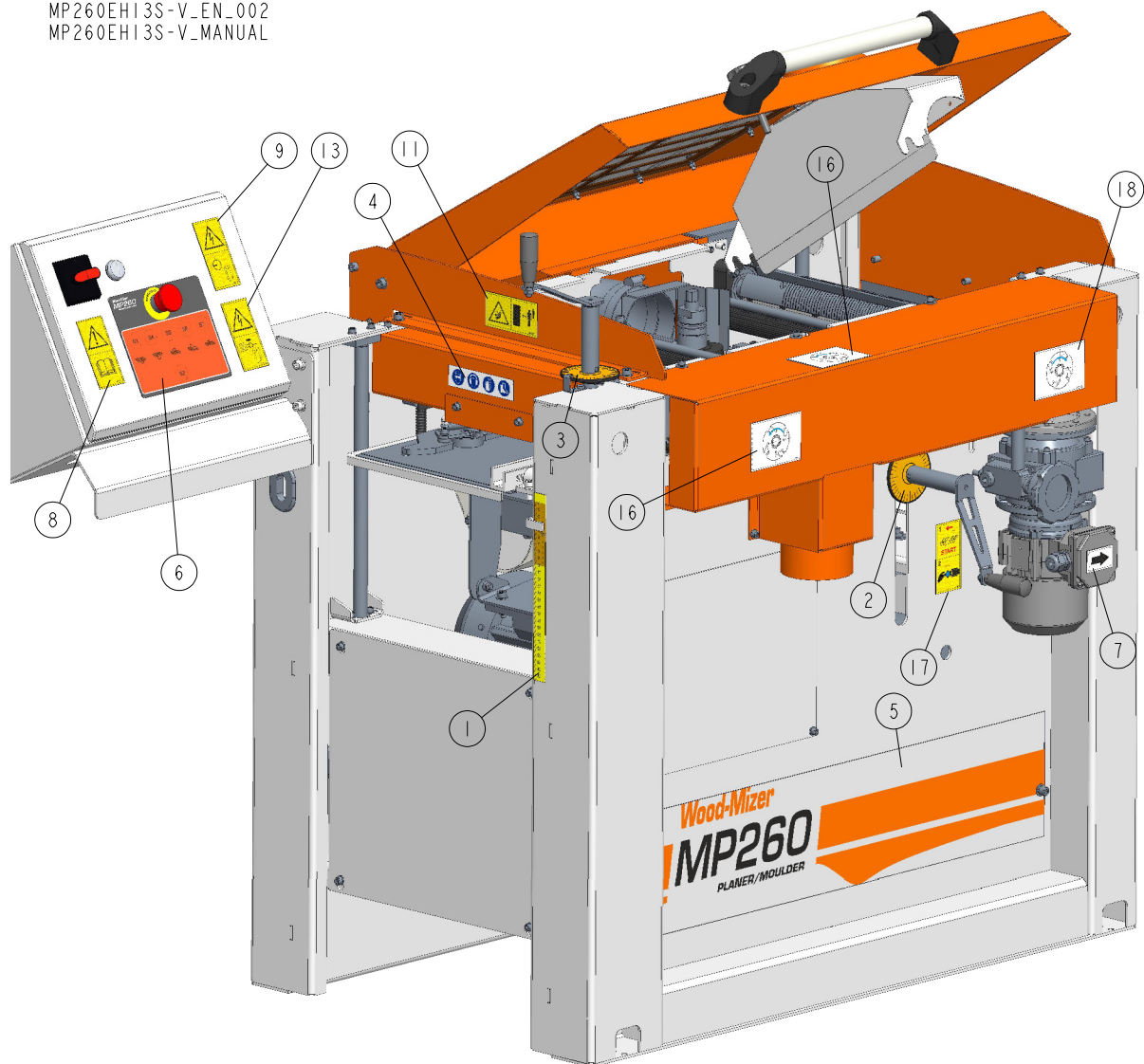
¹ Optional power supply kit (cable with plug) - 539809-3

² Optional power supply kit (cable with plug) - 539809-6

SECTION 5 DECALS

5.1 Decals MP260

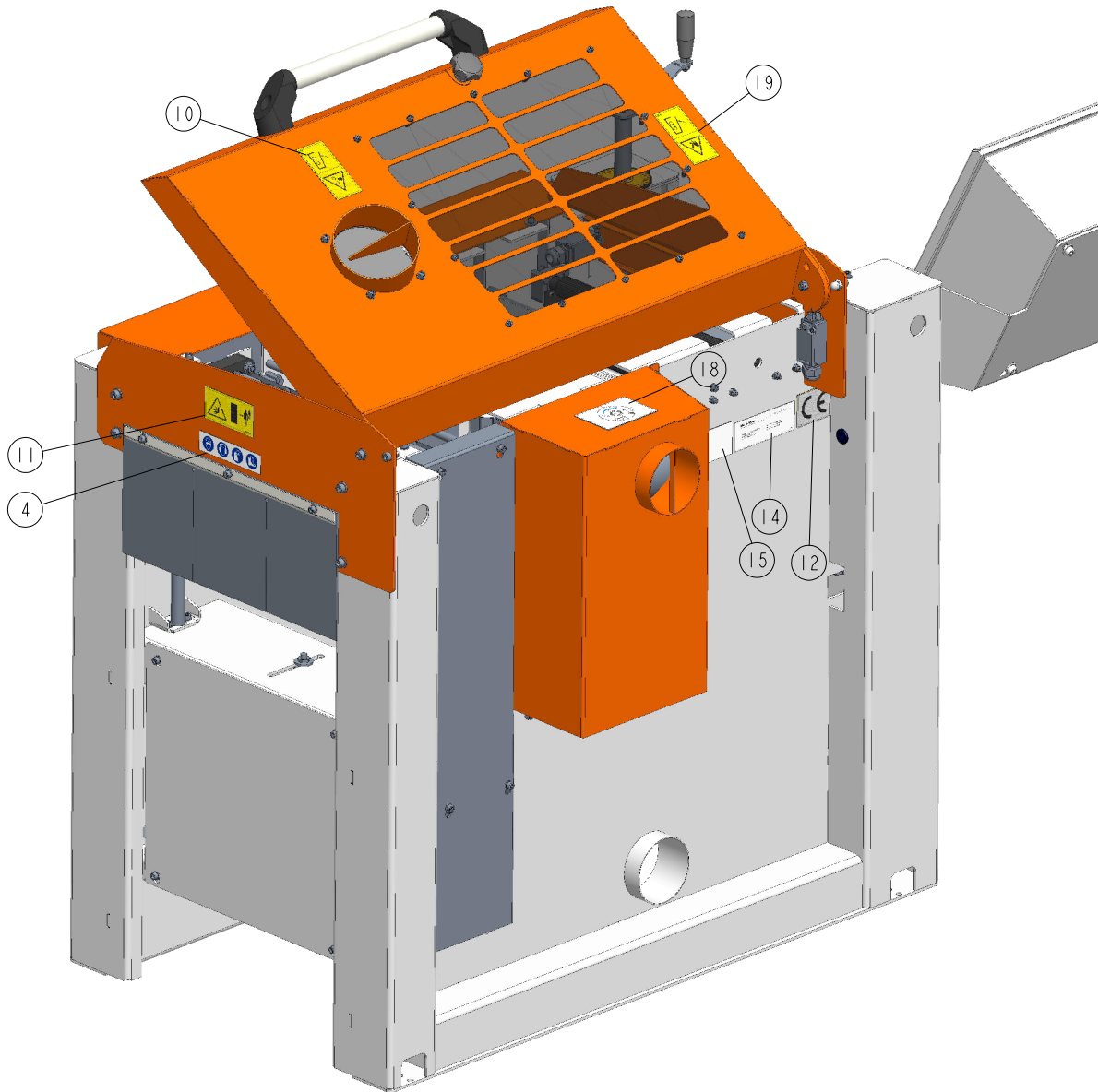
MP260EH13S-V_EN_002
 MP260EH13S-V_MANUAL



5 DECALS

Decals MP260

MP260EH13S-V_EN_002
MP260EH13S-V_MANUAL



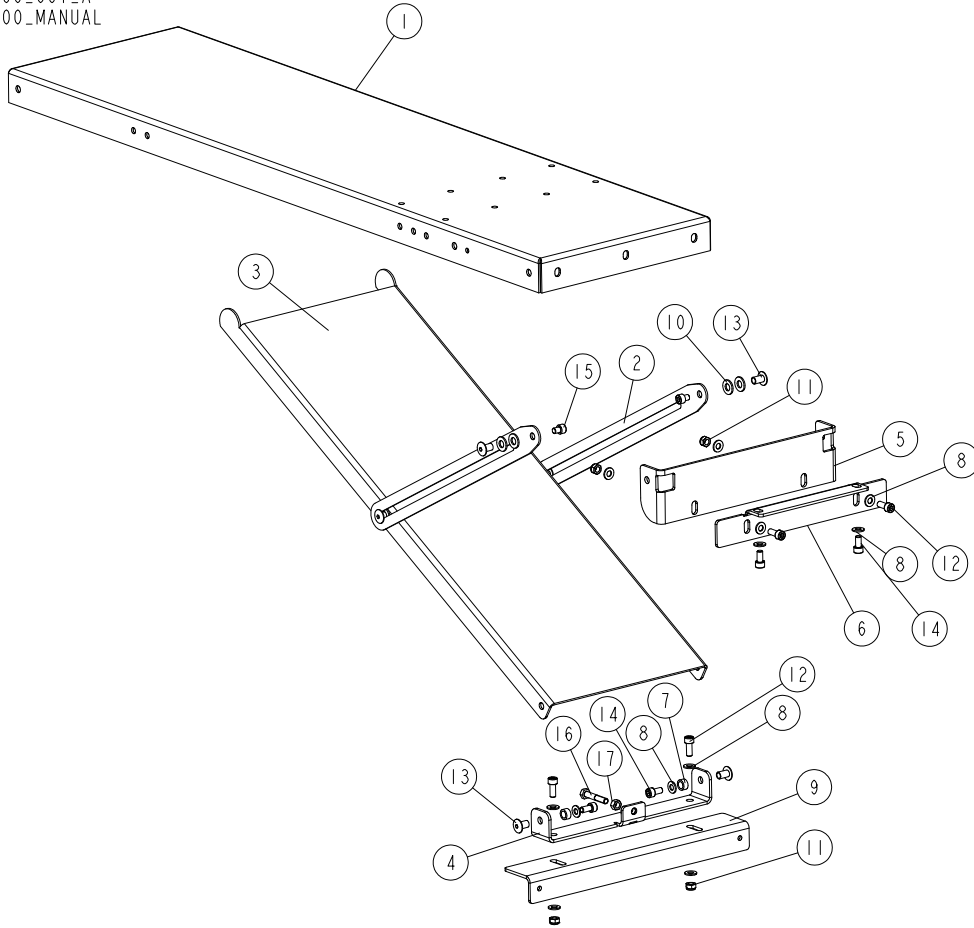
REF	DESCRIPTION (* indicates parts available in assemblies only)	PART #	QTY
-	DECAL KIT, MP260	541121	1
1	DECAL, VERTICAL SCALE	533579	1
2	DECAL, MP200 ROUND SCALE	533577	1
3	DECAL, MP200 ROUND SCALE	533577	1
4	DECAL - WARNING PICTOGRAMS	535402	2
5	DECAL MP260 PLANER TYPE	541122	1
6	DECAL CONTROL PANEL MP260	541123	1
7	DECAL, MOTOR DIRECTION	S20097	1

REF	DESCRIPTION (* indicates parts available in assemblies only)	PART #	QTY	
8	DECAL, READ THE OPERATOR MANUAL	096317	1	
9	DECAL, HAZARDOUS VOLTAGE INSIDE THE ELECTRIC BOX (PICTOGRAM)	096316	1	
10	DECAL, CLOSE GUARDS BEFORE OPERATING	099220	1	
11	DECAL, "KEEP A SAFE DISTANCE" PICTOGRAM	099221H	2	
12	DECAL, CE CERTIFIED SAWMILL - SMALL	P85070	1	
13	DECAL, REMOVE THE PLUG BEFORE OPENING THE ELECTRIC BOX (PIC-	096319	1	
14	DECAL, EUROPEAN HEADQUARTER ADDRESS	015841	1	
15	DECAL, VIN	VIN	1	
16	DECAL, SHAFT ROTATION DIRECTION.	539444	2	
17	DECAL, USE THE CONTINUOUSLY VARIABLE TRANSMISSION WHEN THE	535252	1	
18	DECAL, MP160 SHAFT ROTATION DIRECTION	536401	2	
19	DECAL, HAND INJURY HAZARD (PICTOGRAM)	524993	1	

SECTION 6 TABLE MP260

6.1 Table 265-000

265-000_001_A
265-000_MANUAL



REF.	DESCRIPTION (* indicates parts available in assemblies only)	PART #	QTY
-	TABLE, MP260	265-000	1
1	PLATE, TABLE 265	265-100-1	1
2	SLIDER, TABLE	533728-1	2
3	PLATE, TABLE SUPPORT 265-000	265-101-1	1
4	CHANNEL SECTION	265-103-1	1
5	BRACKET	265-106-2	1
6	BRACKET	265-102-1	1
7	BUSHING, 10.3/15-7.5	533724	4
8	WASHER, 8.4 FLAT ZINC	F81054-1	14
9	ANGLE SECTION	265-104-1	1
10	WASHER, 10,5 FLAT ZINC	F81055-1	6
11	NUT, M8-8-B-HEX NYLON ZINC LOCK	F81032-2	4
12	SCREW, M8X20-8.8-HEX SOCKET HEAD CAP ZINC	F81002-30	4
13	NUT, ERICSON M8 AN88 COLLAR ZINC	F81032-33	6
14	SCREW, M8X16-8.8-HEX SOCKET HEAD CAP ZINC	F81002-39	4
15	SCREW, M8X10- 8.8- HEX SOCKET HEAD CAP ZINC	F81002-32	4
16	BOLT M8X45-8.8	F81002-17	4

REF.	DESCRIPTION (* indicates parts available in assemblies only)	PART #	QTY	
17	NUT, M8 HEXAGON, GRADE 5.8 FREE ZINC	F81032-1	4	