

## Parts Manual

---

**WM4000**  
**WM3500-HD**

**rev. A1.02**  
**rev. A1.01**

---



**Safety is our #1 concern!** Read and understand all safety information and instructions before operating, setting up or maintaining this machine.

*Form #2015*

# Table of Contents

# Section-Page

<b>SECTION 1</b>	<b>GENERAL INFORMATION</b>	<b>1-1</b>
1.1	How To Use The Parts List .....	1-1
1.2	Sample Assembly .....	1-1
<b>SECTION 2</b>	<b>BLADE GUIDE ASSEMBLIES &amp; BLADE GUIDE ARM</b>	<b>2-1</b>
2.1	Blade Guide Assembly, Idle Side.....	2-2
2.2	Blade Guide Assembly, Idle Side (Optional).....	2-4
2.3	Blade Guide Assembly, Drive Side .....	2-6
2.4	Blade Guide Assembly - Drive Side (Optional).....	2-8
2.5	Blade Guide Arm.....	2-10
<b>SECTION 3</b>	<b>BLADE WHEELS &amp; TENSIONER</b>	<b>3-1</b>
3.1	Blade Wheel Shaft Assembly - Drive Side .....	3-1
3.2	Idle-Side Blade Wheel Shaft/Brake Drum .....	3-2
3.3	Belted Blade Wheel Kit (Standard).....	3-3
3.4	Crowned Blade Wheel Kit (Optional).....	3-5
3.5	Brake Actuator Assembly.....	3-7
3.6	Blade Motor Drive Assembly.....	3-9
<b>SECTION 4</b>	<b>SAW HEAD</b>	<b>4-1</b>
4.1	Board Return .....	4-1
4.2	Board Return Guide.....	4-2
4.3	Blade Housing & Sawdust Chute .....	4-3
4.4	Sawdust Blow-Off Assembly .....	4-5
4.5	Laser Assembly .....	4-6
4.6	Operator Seat Decals .....	4-7
4.7	Head/Air Box Assembly.....	4-8
<b>SECTION 5</b>	<b>UP/DOWN SYSTEM</b>	<b>5-1</b>
5.1	Mast Pads & Up/Down Rollers .....	5-1
5.2	Up/Down Bearing Rails .....	5-3
5.3	Up/Down Drive (WM3000/3500/3500-HD).....	5-4
5.4	Up/Down Ballscrew Drive (WM4000) .....	5-6
5.5	Ballscrew Mount (Middle) .....	5-8
5.6	Ballscrew Mount (Top) .....	5-10
5.7	Transducer & Head Stop (WM3000/3500/3500-HD).....	5-11
5.8	Transducer & Head Stop Block (WM4000).....	5-13
<b>SECTION 6</b>	<b>POWER FEED SYSTEM</b>	<b>6-1</b>
6.1	Upper Track Rollers .....	6-1
6.2	Lower Track Rollers.....	6-3

## Table of Contents

## Section-Page

6.3	Power Feed Drive Assembly .....	6-5
6.4	Power Feed Chain & Head Stops .....	6-7
6.5	Lower Cable Carrier .....	6-8
<b>SECTION 7 BED FRAME ASSEMBLY</b>		<b>7-1</b>
7.1	Front Hydraulic Hose Duct .....	7-1
7.2	Middle Hydraulic Hose Duct.....	7-2
7.3	Rear Hydraulic Hose Duct .....	7-3
7.4	Front Hydraulic Hose Duct .....	7-4
7.5	Bed Rail .....	7-5
7.6	Rear Bumper, WM4000 .....	7-6
7.7	Front Bumper, WM4000 .....	7-7
7.8	Side Support Sensor Guard .....	7-8
7.9	WM4000 Belt Conveyor .....	7-9
7.10	Adjustable Belt Conveyor, WM4000 .....	7-11
7.11	Support Assembly, WM4000 .....	7-12
7.12	Adjustable Belt Conveyor Table, WM4000 .....	7-13
7.13	Guide Plate, WM4000 .....	7-14
7.14	Drive Pulley Assembly, WM4000 .....	7-15
7.15	Wireway Kit (Option w/o Pantograph) .....	7-17
7.16	Cable Carrier .....	7-19
7.17	Stationary Leg Feet.....	7-20
7.18	Board Removal Bumper Assembly .....	7-21
7.19	Transport Bracket, WM4000.....	7-23
<b>SECTION 8 HYDRAULIC SYSTEM</b>		<b>8-1</b>
8.1	Hydraulic Valve, WM4000 .....	8-1
8.2	Hydraulic Box, WM4000 .....	8-3
8.3	Hydraulic Hoses, WM3500-HD .....	8-5
8.4	Hydraulic Hoses, WM4000 .....	8-7
8.5	Hydraulic Toe Board, WM4000 .....	8-8
8.6	Chain Log Turner .....	8-10
8.7	Chain Log Turner .....	8-12
8.8	Hydraulic Log Side Supports .....	8-14
8.9	Hydraulic Log Clamp .....	8-17
8.9	Boční podpěra (č. 508954) .....	8-1
8.10	Boční opěra kmene (Číslo 508630 a 508952) .....	8-2
8.11	Boční opěra kmene (č. 536103) .....	8-4
8.12	Main Log Clamp, WM4000 (No. 531970) .....	8-6
8.13	Steel Block w/Bushings (Part No. 521951) .....	8-8
<b>SECTION 9 DRIVEN LOG LEVELLING ROLLERS</b>		<b>9-1</b>
9.1	Driven Log Levelling Rollers (No. 528373 and 528375) .....	9-1

**Table of Contents**

**Section-Page**

9.2	Shaft w/Drive (No. 528374 and 528376) .....	9-3
9.3	Hydraulic Pump & Tank Assembly .....	9-5
<b>SECTION 10 MISCELLANEOUS</b>		<b>10-1</b>
10.1	Blade Lube System.....	10-1
10.2	Pressure Lube System (Optional).....	10-3
10.3	Tools .....	10-5
10.4	Manuals & Diagrams.....	10-6
10.5	Pantograph Assembly .....	10-7
10.6	Pantograph .....	10-9
<b>SECTION 11 OPERATOR STAND</b>		<b>11-1</b>
11.1	Frame, Rails & Ladder .....	11-1
11.2	Control Box Fence Assembly .....	11-3
11.3	Operator Seat & Joystick .....	11-5
11.4	Control Box .....	11-7
11.5	Air Supply Assembly .....	11-8
<b>SECTION 12 CAB OPTION</b>		<b>12-1</b>
12.1	Cab.....	12-1
12.2	Frame.....	12-2
12.3	Rear Panel.....	12-4
12.4	Right Panel .....	12-6
12.5	Front Panel.....	12-8
12.6	Left Panel.....	12-9
12.7	Roof.....	12-10

## SECTION 1 GENERAL INFORMATION

### 1.1 How To Use The Parts List

- Use the table of contents or index to locate the assembly that contains the part you need.
- Go to the appropriate section and locate the part in the illustration.
- Use the number pointing to the part to locate the correct part number and description in the table.
- Parts shown indented under another part are included with that part.
- Parts marked with a diamond (◆) are only available in the assembly listed above the part.

See the sample table below. Sample Part #A01111 includes part F02222-2 and subassembly A03333. Subassembly A03333 includes part S04444-4 and subassembly K05555. The diamond (◆) indicates that S04444-4 is not available except in subassembly A03333. Subassembly K05555 includes parts M06666 and F07777-77. The diamond (◆) indicates M06666 is not available except in subassembly K05555.

<b>1.2 Sample Assembly</b>				
REF.	DESCRIPTION (◆ Indicates Parts Available In Assemblies Only)	PART #	QTY	
	<b>SAMPLE ASSEMBLY, COMPLETE (INCLUDES ALL INDENTED PARTS BELOW)</b>	A01111	1	
1	Sample Part	F02222-22	1	
	Sample Subassembly (Includes All Indented Parts Below)	A03333	1	
2	Sample Part (◆ Indicates Part Is Only Available With A03333)	S04444-4	1	◆
	Sample Subassembly (Includes All Indented Parts Below)	K05555	1	
3	Sample Part (◆ Indicates Part Is Only Available With K05555)	M06666	2	◆
4	Sample Part	F07777-77	1	

#### To Order Parts:

- From Europe call your local distributor or our European Headquarters and Manufacturing Facility in Kolo - Poland, Nagórna 114 St at +48-63-2626000. From the continental U.S., call **1-800-448-7881** to order parts. Have your customer number, vehicle identification number, and part numbers ready when you call.

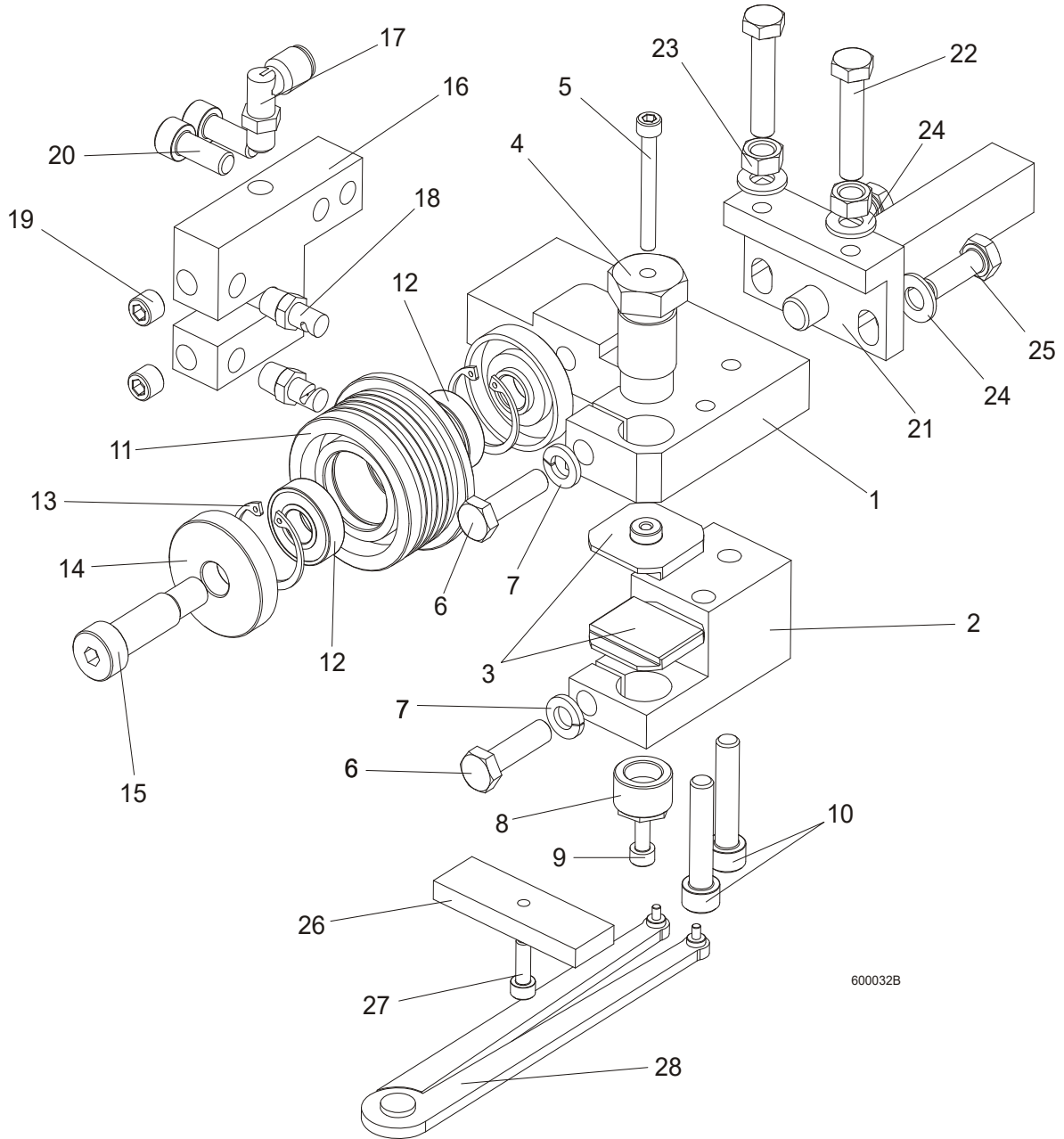


**CAUTION!** It is recommended that only original spare parts be used.



**SECTION 2 BLADE GUIDE ASSEMBLIES & BLADE GUIDE  
ARM**

2.1 Blade Guide Assembly, Idle Side



600032B



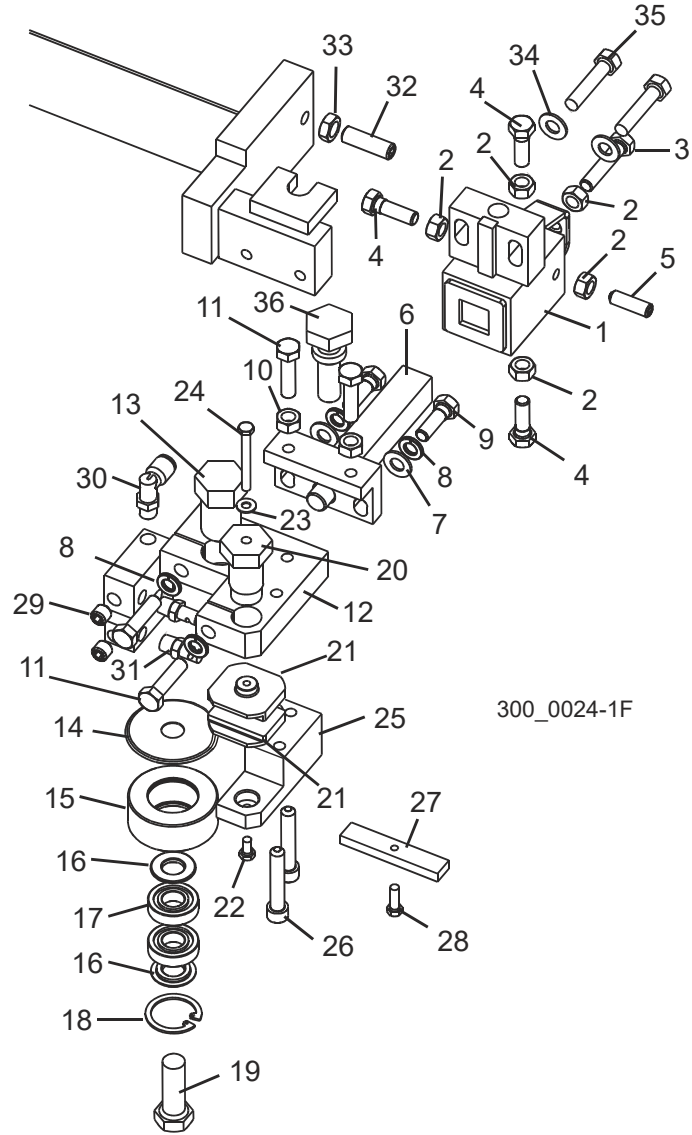
## Blade Guide Assemblies & Blade Guide Arm

### Blade Guide Assembly, Idle Side

REF.	DESCRIPTION (◆ Indicates Parts Available In Assemblies Only)	PART #	QTY	
	<b>BLADE GUIDE ASSEMBLY - IDLE SIDE, EXTENDED (FOR USE W/1 1/2" BLADES)</b>	092997	1	
1	Block, Blade Guide Mount Zinc-plated	090947-1	1	
2	Block, Lower Pad Mount Zinc-plated	090948-1	1	
3	Block, Blade Guide Zinc-plated	093430-1	2	
4	Bolt, Upper Pad Adjustment Zinc-plated	089515-1	1	
5	Screw, M5x45 DIN912 A2-70 Hex Socket Head Cap Stainless Steel	F81000-24	1	
6	Bolt, M8x30 DIN933 A2-70 Stainless Steel	F81002-27	2	
7	Washer, 8.2 Split Lock Zinc	F81054-4	2	
8	Screw, Lower Pad Adjuster Zinc-plated	516191-1	1	
9	Screw, M5x10 DIN912 A2-70 Hex Socket Head Cap Stainless Steel	F81000-23	1	
10	Screw, M8x40-8.8 Hex Socket Head Cap Zinc	F81002-29	2	
	Roller, Blade Guide w/Bearing - Extended	092939	1	
11	Roller, Blade Guide Extended	087890	1	
12	Bearing, 6001 2RSR NACHI	087893	2	
13	Ring, W28 Inside Retaining	F81090-9	2	
14	Washer, Blade Guide Roller Spacer Zinc-plated	087891-1	1	
	Washer, Blade Guide Roller Spacer Zinc-plated	087892-1	1	
15	Bolt, 12/M10x30 12.9 ISO 7379 Shoulder	F81003-70	1	
	Bolt, 12/M10x35 12.9 ISO 7379 Shoulder (used with the Extender Roller only)	F81003-48	1	
16	Block, Nozzle Mounting Zinc-plated	090487-1	1	
17	Fitting, 1/8NPTx1/4 Tube Elbow Swivel	P09736	1	
18	Nozzle, Blade Lube Spray	033479	2	
19	Plug, M10x1 DIN 906 BN40 "BOSSARD"	F81015-3	2	
20	Screw, M8x20-8.8 Hex Socket Head Cap Zinc	F81002-30	2	
21	Pivot Weldment, Blade Guide Zinc-plated	089509-1	1	
22	Bolt, M8x40 DIN933 A2-70 Stainless Steel	F81002-28	2	
23	Nut, M8 DIN934 A2-70 Stainless Steel	F81032-7	2	
24	Washer, 8.4 Flat Zinc	F81054-1	4	
25	Bolt, M8x25 DIN933 A2-70 Stainless Steel	F81002-26	2	
	Block, Blade Guide Alignment	090951	1	
26	Block, Blade Guide Alignment Zinc-plated	090805-1	1	
27	Screw, M5X16-8.8 Hex Socket Head Cap Zinc	F81000-25	1	
28	Tool, 62860-3 (PERSCHMAN) Lower Pad Adjustment	090949	1	



**2.2 Blade Guide Assembly, Idle Side (Optional)**



REF.	DESCRIPTION (◆ Indicates Parts Available In Assemblies Only)	PART #	QTY	
	<b>GUIDE ASSEMBLY, IDLE SIDE BLOCK/ROLLER</b>	035200	1	
	Block Assembly, Idle Side Blade Guide	036099	1	
<b>1</b>	Block Weldment, Guide Mounting	035219	1	◆
<b>2</b>	Nut, 5/16-18 Hex	F05010-17	5	
<b>3</b>	Bolt, 5/16-18 x 1 1/2" Hex Head Full Thread Stainless Steel	F05006-119	1	
<b>4</b>	Bolt, 5/16-18 x 1" Hex Head Stainless Steel	F05006-88	3	
<b>5</b>	Screw, 5/16-18 x 1" Stainless Steel Set Flat Point	F05006-122	1	
<b>6</b>	Pivot Weldment, Block Guide	035209	1	
<b>7</b>	Washer, 5/16" SAE Flat	F05011-17	2	

# 2

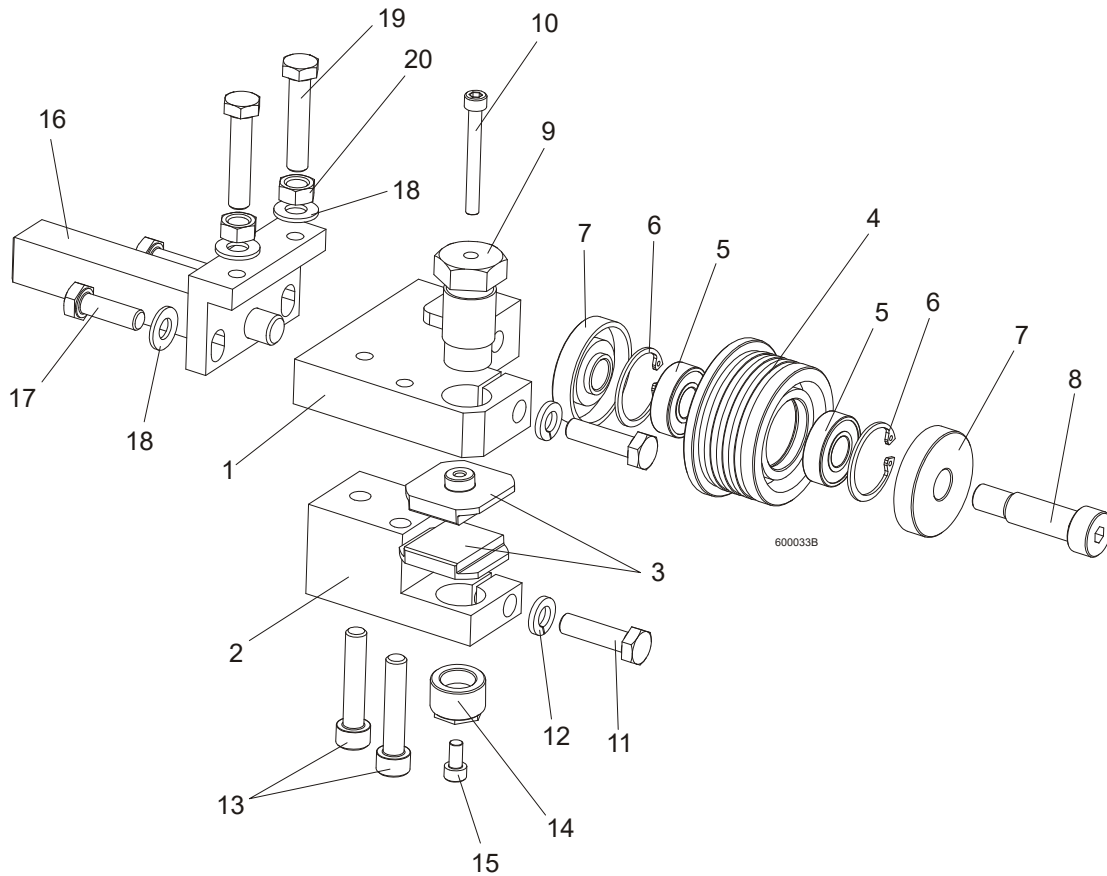
## Blade Guide Assemblies & Blade Guide Arm

### Blade Guide Assembly, Idle Side (Optional)

8	Washer, 5/16" Split Lock	F05011-13	4	
9	Bolt, 5/16-18 x 1" Hex Head Stainless Steel	F05006-88	2	
10	Nut, 5/16-18 Hex	F05010-17	2	
11	Bolt, 5/16-18 x 1 1/4" Hex Head Stainless Steel	F05006-118	4	
12	Guide Weldment, Idle Side	035206	1	
13	Shaft, Blade Roller	035215	1	
14	Hood, Blade Guide Back Roller	042848	1	
	Blade Guide Roller Assembly	023977	1	
15	Wheel, Blade Guide	017223	1	◆
16	Spacer, Blade Guide Roller	018948	2	
17	Bearing, R8-2RS Blade Guide	015975	2	
18	Ring, 1 1/8 IR 3000x112 Retaining	F04254-1	1	
19	Screw, 1/2-13x1 1/2 HHC	F05008-4	1	
20	Bolt, Carbide Mounting	035216	1	
21	Pad, Blade Guide (standard equipment, for use with 1 1/2" blades)	052309 <sup>1</sup>	2	
	Pad, Blade Guide (optional equipment, for use with 1 1/4" blades)	052355 <sup>1</sup>	2	
	Block, Blade Guide Zinc-plated	093430-1	2	
22	Bolt, #10-32 x 3/8" Hex Head Stainless Steel	F05004-171	1	
23	Washer, #10 Brass	042867	1	
24	Bolt, #10-32 x 1 3/4" Hex Head Stainless Steel	F05004-178	1	
25	Block, Lower Carbide Idle Side	035213	1	
26	Screw, 5/16-18 x 1 3/4" Hex Socket Head Cap	F05006-65	2	
27	Block, Blade Guide Alignment	035799	1	
28	Screw, #10-32 x 5/8" Hex Head	F05004-152	1	
29	Fitting, 1/8 NPT Socket Pipe Plug	P30127	2	
30	Fitting, 1/8MPTx1/4 Tube Elbow Swivel	P09736	1	
31	Nozzle, Blade Lube Spray	033479	2	
32	<b>BOLT, 3/8-16 X 1 1/2" HEX HEAD FULL THREAD</b>	F05007-17	1	
33	<b>NUT, 3/8-16 JAM</b>	F05010-29	1	
34	<b>WASHER, 5/16" SAE FLAT</b>	F05011-17	2	
35	<b>BOLT, 5/16-18 X 1 1/2" HEX HEAD</b>	F05008-96	2	
36	<b>BOLT, BLADE GUIDE VERTICAL ADJUSTER</b>	035656	1	

<sup>1</sup> 052309 blocks for use with 1 1/2" blades provided as standard equipment. 052355 blocks available for optional use with 1 1/4" blades.

### 2.3 Blade Guide Assembly, Drive Side



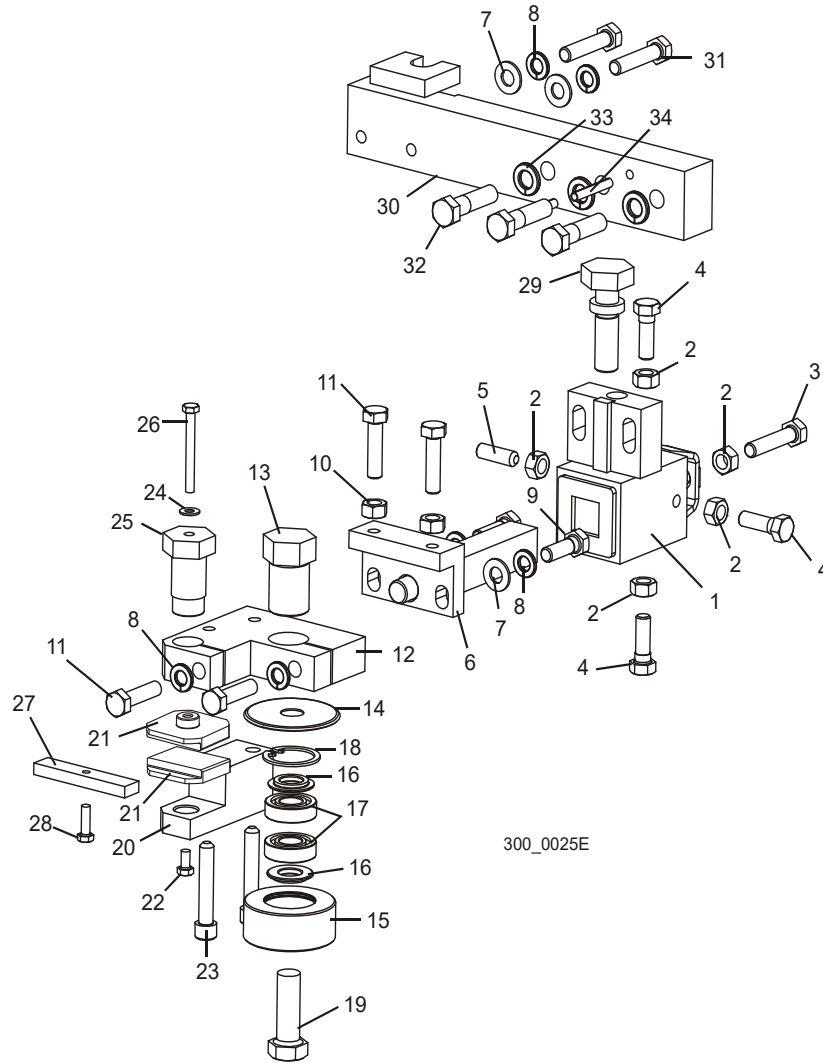
REF.	DESCRIPTION (◆ Indicates Parts Available In Assemblies Only)	PART #	QTY
	<b>COMPLETE BLADE GUIDE W/ROLLER - DRIVE SIDE (FOR USE W/1 1/2" BLADES)</b>	092998	1
1	Block, Blade Guide Mount Zinc-plated	090944-1	1
2	Block, Lower Pad Mount Zinc-plated	090946-1	1
3	Block, Blade Guide Zinc-plated	093430-1	2
	Roller, Blade Guide W/Bearing, Extended	092939	1
4	Roller, Blade Guide Extended	087890	1
5	Bearing, 6001 2RSR NACHI	087893	2
6	Ring, W28 Inside Retaining	F81090-9	2
7	Washer, Blade Guide Roller Spacer Zinc-plated	087891-1	1
	Washer, Blade Guide Roller Spacer Zinc-plated	087892-1	1
8	Bolt, 12/M10x30 12.9 ISO 7379 Shoulder	F81003-70	1
	Bolt, 12/M10x35 12.9 ISO 7379 Shoulder	F81003-48	1
9	Bolt, Upper Pad Adjustment	089515	1
10	Screw, M5x45 DIN912 A2-70 Hex Socket Head Cap Stainless Steel	F81000-24	1

**2****Blade Guide Assemblies & Blade Guide Arm***Blade Guide Assembly, Drive Side*

---

<b>11</b>	Bolt, M8x30 DIN933 A2-70 Stainless Steel	F81002-27	2	
<b>12</b>	Washer, 8.2 Split Lock Zinc	F81054-4	2	
<b>13</b>	Screw, M8x40-8.8 Hex Socket Head Cap Zinc	F81002-29	2	
<b>14</b>	Screw, Lower Pad Adjustment Zinc-plated	516191-1	1	
<b>15</b>	Screw, M5x10 DIN912 A2-70 Hex Socket Head Cap Stainless Steel	F81000-23	1	
<b>16</b>	Pivot Weldment, Blade Guide Zinc-plated	089509-1	1	
<b>17</b>	Bolt, M8x25 DIN933 A2-70 Stainless Steel	F81002-26	2	
<b>18</b>	Washer, 8.4 Flat Zinc	F81054-1	4	
<b>19</b>	Bolt, M8x40 DIN933 A2-70 Stainless Steel	F81002-28	2	
<b>20</b>	Nut, M8 DIN934 A2-70 Stainless Steel	F81032-7	2	

**2.4 Blade Guide Assembly - Drive Side (Optional)**



REF.	DESCRIPTION (◆ Indicates Parts Available In Assemblies Only)	PART #	QTY	
	<b>BLOCK GUIDE ASSEMBLY, DRIVE SIDE</b>	035201	1	
	Block Assembly, Drive Side Guide	036100	1	
1	Block Weldment, Guide Mounting	035219	1	◆
2	Nut, 5/16-18 Hex	F05010-17	5	
3	Bolt, 5/16-18 x 1 1/2" Hex Head Full Thread Stainless Steel	F05006-119	1	
4	Bolt, 5/16-18 x 1" Hex Head Stainless Steel	F05006-88	3	
5	Screw, 5/16-18 x 1" Stainless Steel Set Flat Point	F05006-122	1	
6	Pivot Weldment, Block Guide	035209	1	
7	Washer, 5/16" SAE Flat	F05011-17	2	
8	Washer, 5/16" Split Lock	F05011-13	4	

# 2

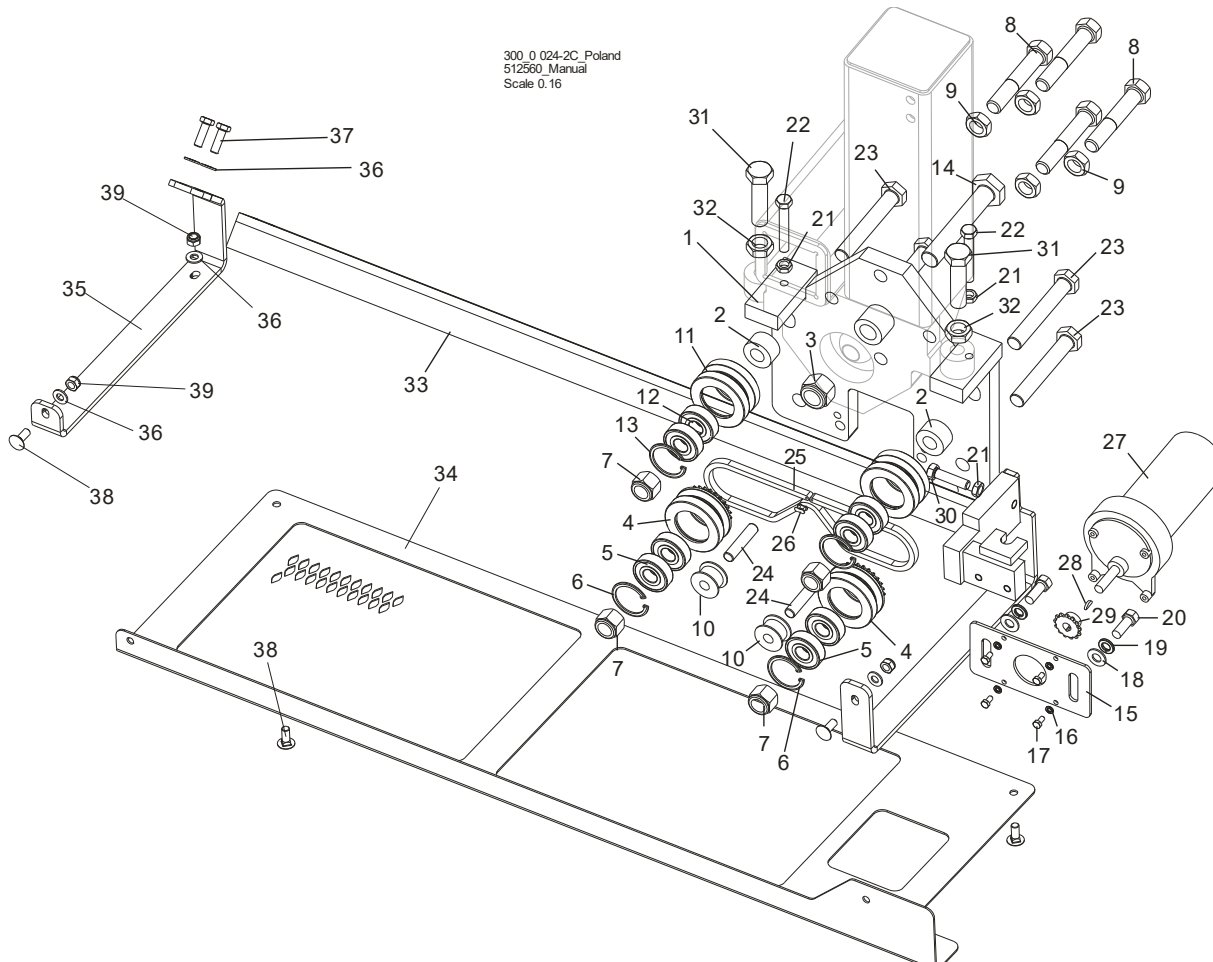
## Blade Guide Assemblies & Blade Guide Arm

### Blade Guide Assembly - Drive Side (Optional)

9	Bolt, 5/16-18 x 1" Hex Head Stainless Steel	F05006-88	2	
10	Nut, 5/16-18 Hex	F05010-17	2	
11	Bolt, 5/16-18 x 1 1/4" Hex Head Stainless Steel	F05006-118	4	
12	Block, Top Blade Guide Plated	035207	1	
13	Shaft, Blade Roller	035215	1	
14	Hood, Blade Guide Back Roller	042848	1	
	Blade Guide Roller Assembly	023977	1	
15	Wheel, Blade Guide	017223	1	◆
16	Spacer, Blade Guide Roller	018948	2	
17	Bearing, R8-2RS Blade Guide	015975	2	
18	Ring, 1 1/8" IR 3000x112 Retaining	F04254-1	1	
19	Screw, 1/2-13 x 1 1/2"	F05008-4	1	
20	Block, Lower Carbide Drive Side	035214	1	
21	Pad, Blade Guide (standard equipment, for use with 1 1/2" blades)	052309 <sup>1</sup>	2	
	Pad, Blade Guide (optional equipment, for use with 1 1/4" blades)	052355 <sup>3</sup>	2	
	Pad, Blade Guide Zinc-plated	093430-1	2	
22	Bolt, #10-32 x 3/8" Hex Head Stainless Steel	F05004-171	1	
23	Screw, 5/16-18 x 1 3/4" Socket Head Cap	F05006-65	2	
24	Washer, #10 Brass	042867	1	
25	Bolt, Carbide Mounting	035216	1	
26	Bolt, #10-32 x 1 3/4" Hex Head Stainless Steel	F05004-178	1	
27	Block, Blade Guide Alignment	035799	1	
28	Bolt, #10-32 x 5/8" Hex Head	F05004-152	1	
29	<b>BOLT, BLADE GUIDE VERTICAL ADJUSTER</b>	035656	1	
30	<b>ARM WELDMENT, BLADE GUIDE MOUNTING (DRIVE SIDE)</b>	035658	1	
31	<b>WASHER, 5/16" SAE FLAT</b>	F05011-17	2	
32	<b>WASHER, 5/16" SPLIT LOCK</b>	F05011-13	2	
33	<b>BOLT, 5/16-18 X 1 1/2" HEX HEAD FULL THREAD STAINLESS STEEL</b>	F05006-119	2	
34	<b>BOLT, 3/8-16 X 1 1/2" HEX HEAD GRADE 5</b>	F05007-78	3	
35	<b>WASHER, 3/8" SPLIT LOCK</b>	F05011-4	3	
36	<b>PIN, 3/16" X 1 1/4" ROLL</b>	F05012-16	2	

<sup>1</sup> 052309 blocks for use with 1 1/2" blades provided as standard equipment. 052355 blocks available for optional use with 1 1/4" blades.

## 2.5 Blade Guide Arm



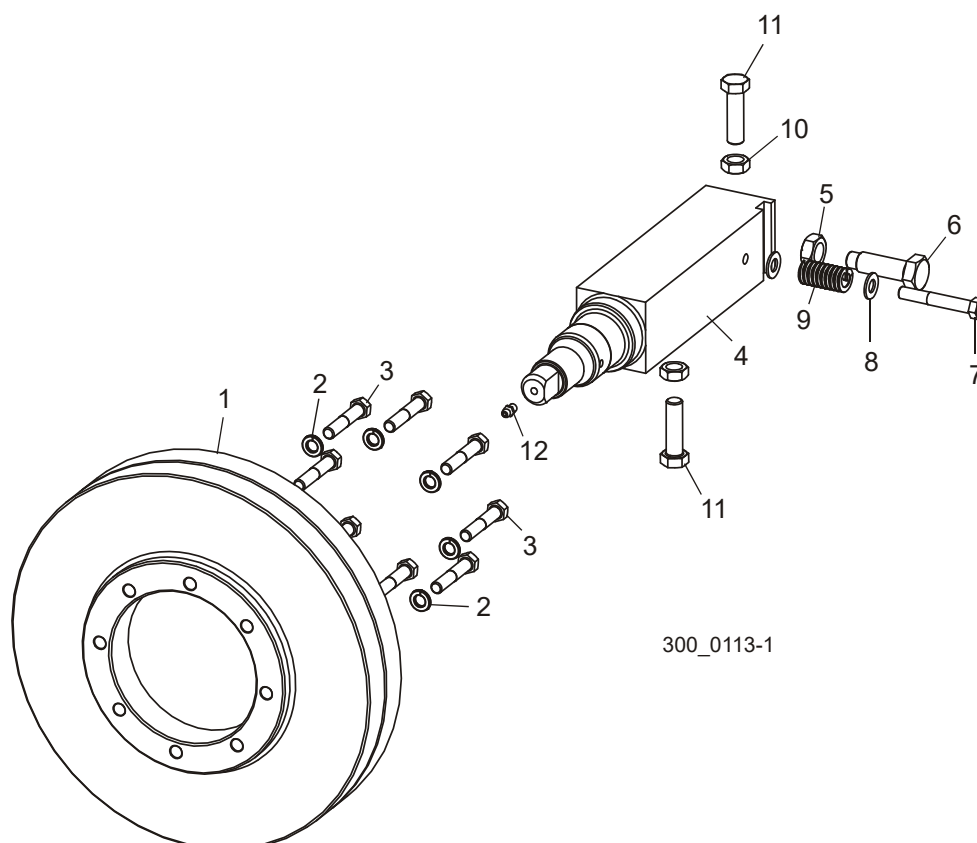
REF.	DESCRIPTION (◆ Indicates Parts Available In Assemblies Only)	PART #	QTY	
	<b>PLATE ASSEMBLY, BLADE GUIDE</b>	042540	1	
	Blade Guide Parts ( <a href="#">See Section 2.2</a> )			
1	Plate Weldment, Blade Guide	042539	1	
2	Spacer, 0.625" x 0.717" x 1 1/4"	042531	4	
3	Nut, 3/4-16 Hex Nylon Lock	F05010-157	1	
	Roller Assembly, Blade Guide Drive	042542	2	
4	Roller Assembly, Blade Guide Pressed Drive	042541	1	◆
5	Bearing, 5/8" x 1.5748" x 0.4724"	P06030-1	2	
6	Ring, 1.575 ID Beveled 5002-156 Retaining	F04254-8	1	
7	Nut, 5/8-18 Hex Nylon Lock	F05010-71	4	
8	Bolt, 5/8-16 x 3 1/2" Hex Head Full Thread	F05009-16	4	
9	Nut, 5/8-18 Hex	F05010-11	4	
10	Roller, Blade Guide Drive	S09999	2	

	Roller Assembly, Blade Guide Idler	042543	2	
11	Roller, 2 1/2" V-Groove	042536	1	◆
12	Bearing, 5/8" x 1.5748" x 0.4724"	P06030-1	2	
13	Ring, 1.575 Id Beveled 5002-156 Retaining	F04254-8	1	
14	Bolt, 3/4-16 x 4 1/2" Hex Head Grade 8	F05009-97	1	
15	Plate, Blade Guide Motor Mount	042519	1	
16	Washer, #10 Split Lock	F05011-20	4	
17	Bolt, #10-32 x 1/2" Hex Head	F05004-60	4	
18	Washer, 3/8" SAE Flat	F05011-3	2	
19	Washer, 3/8" Split Lock	F05011-4	2	
20	Bolt, 3/8-16 x 1" Hex Head	F05007-7	2	
21	Nut, 3/8-16 Hex	F05010-29	3	
22	Bolt, 3/8-16 x 2 1/2" Hex Head Full Thread Grade 2	F05007-157	2	
23	Bolt, 5/8-18 x 3 1/4" Hex Head Grade 5	F05009-98	4	
24	Pin, 7/16" x 2" Dowel	F05012-110	2	
25	Chain, #25 x 92	042443	1	
26	Link, 25 Master	P09983	1	
27	Motor Assembly, 24V 60 RPM Gear	035659	1	
	Motor, 24V 1/15 HP Gear	033119	1	
	Housing, Replacement Gear (Klauber)	P12756	1	
	Shaft, Blade Guide Arm Motor	036514	1	
	Gear Kit, Blade Guide Arm Motor	036515	1	
28	Key, #304 Woodruff Replacement	036203	1	
29	Sprocket, 25B13x3/8 W/Set Screw	033120	1	
30	Bolt, 3/8-16 x 1 1/2 Hex Head Full Thread	F05007-17	1	
31	Bolt, 5/8-18 x 2 1/2" Hex Head Full Thread Grade 5	F05009-99	2	
32	Nut, 5/8-18 Hex	F05010-11	2	
	<b>ARM, WM4000 BLADE GUIDE - COMPLETE</b>	<b>510710</b>	<b>1</b>	
33	ARM WELDMENT, WM400 BLADE GUIDE	510709-1	1	
34	GUARD WELDMENT, WM4000 BLADE GUIDE ARM	510715-1	1	
35	BRACKET, WM4000 BLADE GUIDE ARM	510713	1	
36	WASHER, 8.4 FLAT ZINC	F81054-1	6	
37	BOLT, M8x25-8.8-B HEX HEAD FULL THREAD ZINC	F81002-5	2	
38	BOLT, M8x20-8.8 MUSHROOM HEAD SQUARE NECK ZINC	F81002-11	4	
39	NUT, M8-8-B HEX NYLON ZINC LOCK	F81032-2	4	



## SECTION 3 BLADE WHEELS & TENSIONER

### 3.1 Blade Wheel Shaft Assembly - Drive Side

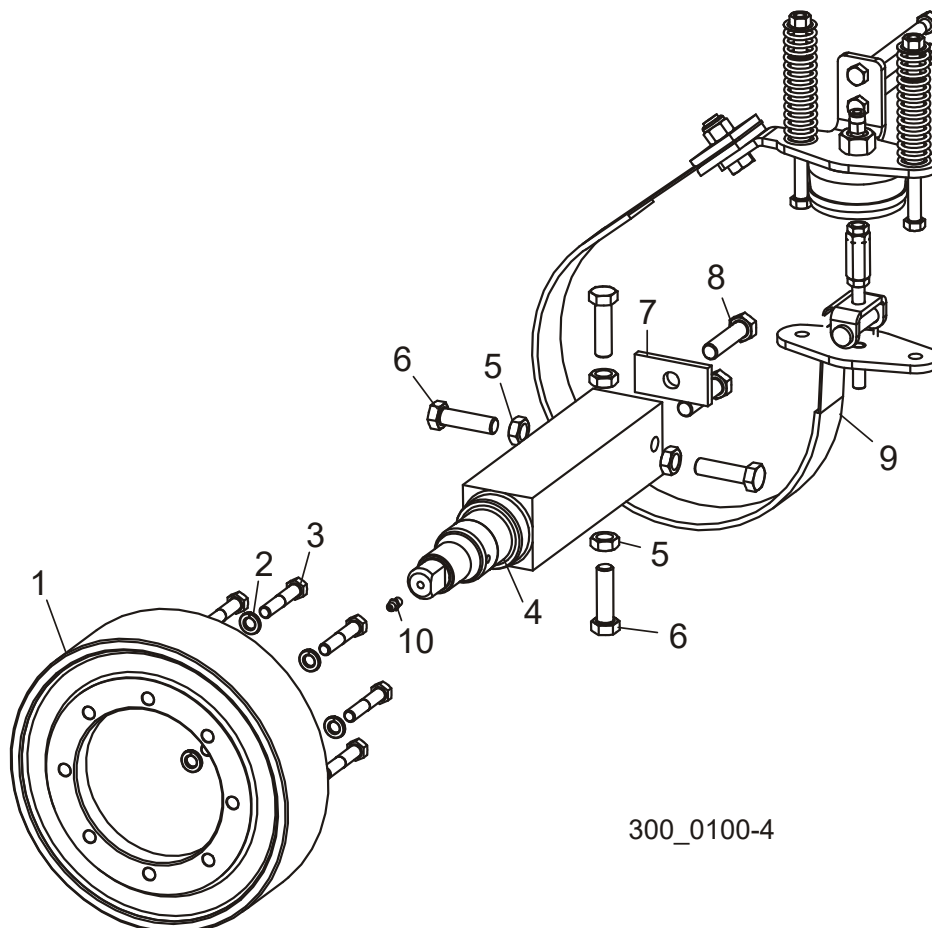


REF.	DESCRIPTION (◆ Indicates Parts Available In Assemblies Only)	PART #	QTY
1	SHEAVE, EAGLE PD DRIVEN	046897	1
2	WASHER, 3/8" SPLIT LOCK	F05011-4	8
3	BOLT, 3/8-16 X 2" HEX HEAD GRADE 5	F05007-124	8
4	SHAFT, DRIVE SPINDLE	017824	1
5	BOLT, DRIVE WHEEL RETAINING	034360	1
6	NUT, 5/8-18 HEX	F05010-11	1
7	BOLT, 3/8-16 X 2 1/2" HEX HEAD	F05007-47	1
8	WASHER, 3/8" SAE FLAT	F05011-3	2
9	SPRING, 3/4 O.D.X 1 1/2 DIE	034430	1
10	BOLT, 1/2-20 X 1 3/4" HEX HEAD FULL THREAD	F05008-127	2
11	NUT, 1/2-20 HEX	F05010-16	2
12	FITTING, 1/4-28 GREASE	P05060	1

### 3 Blade Wheels & Tensioner

Idle-Side Blade Wheel Shaft/Brake Drum

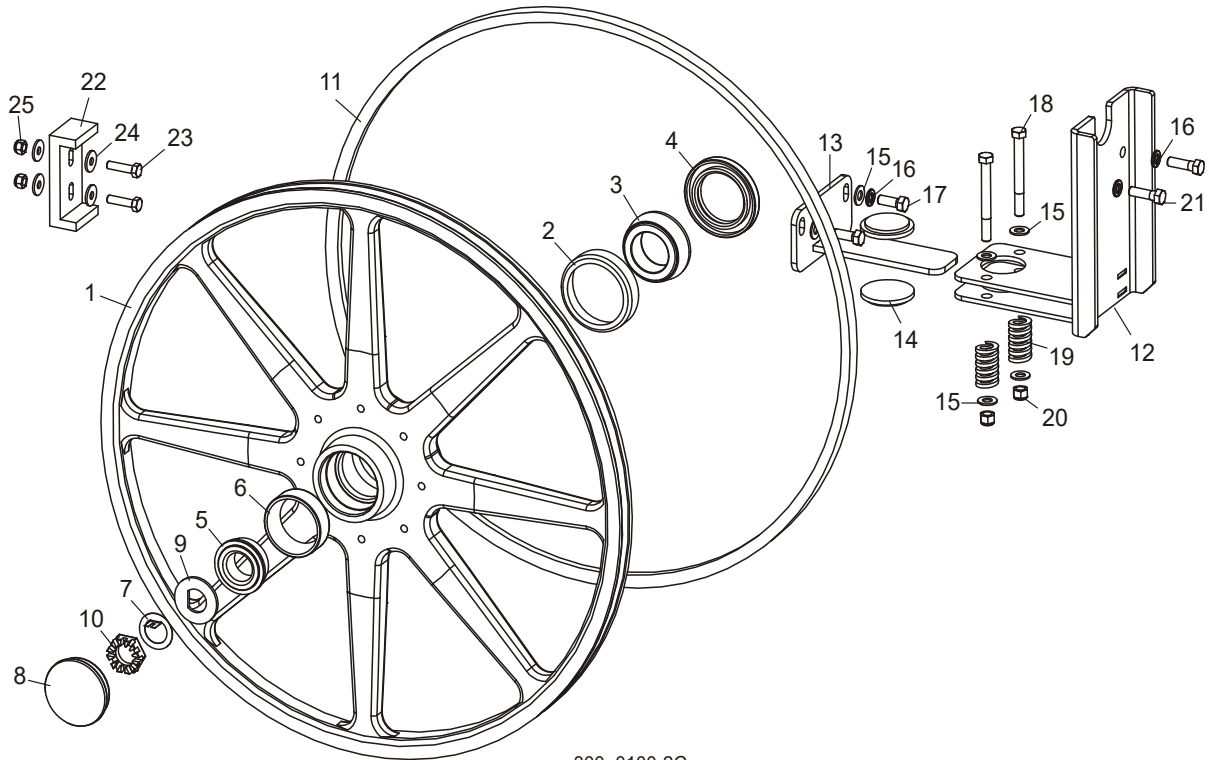
#### 3.2 Idle-Side Blade Wheel Shaft/Brake Drum



300\_0100-4

REF.	DESCRIPTION (◆ Indicates Parts Available In Assemblies Only)	PART #	QTY
1	DRUM, BRAKE	045004	1
2	WASHER, 3/8" SPLIT LOCK	F05011-4	8
3	BOLT, 3/8-16 X 2" HEX HEAD GRADE 5	F05007-124	8
4	SHAFT, SPINDLE	033244	1
5	NUT, 1/2-20 HEX	F05010-16	4
6	BOLT, 1/2-20 X 1 3/4" HEX HEAD FULL THREAD	F05008-127	4
7	WASHER PLATE, IDLE SPINDLE	042548	1
8	BOLT, 1/2-20 X 2" HEX HEAD FULL THREAD ZINC	F05008-126	2
9	BLADE BRAKE PARTS ( <a href="#">See Section 3.5</a> )		
10	FITTING, 1/4-28 GREASE	P05060	1

### 3.3 Belted Blade Wheel Kit (Standard)



300\_0100-2C

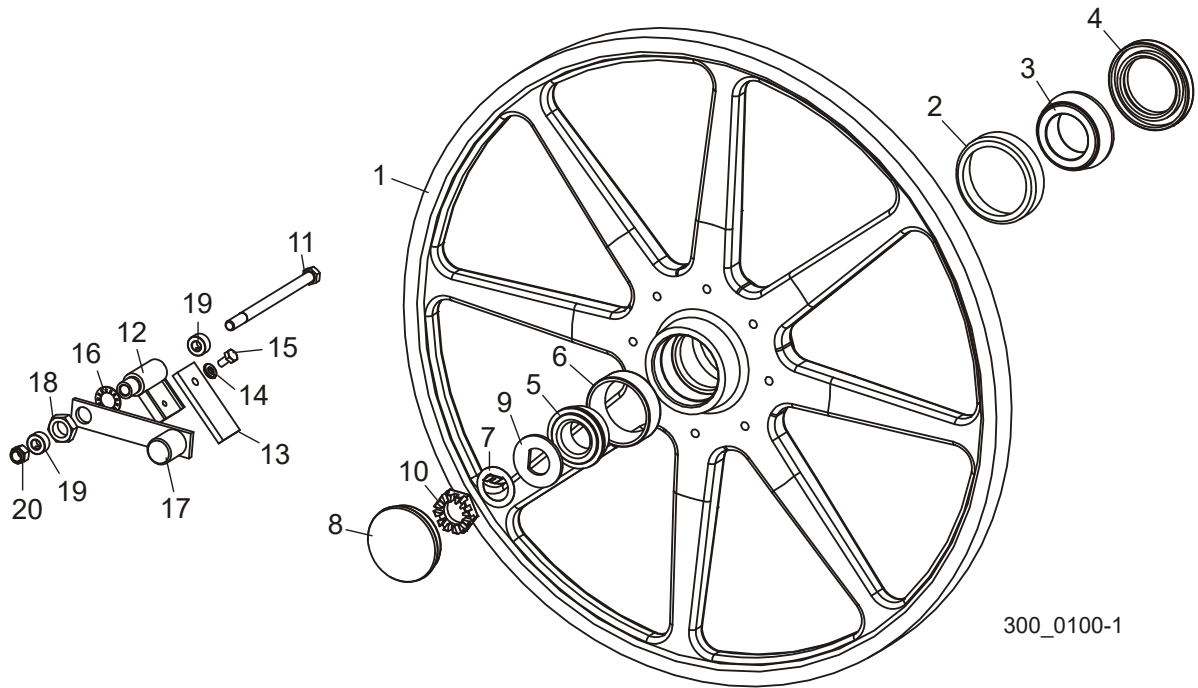
REF.	DESCRIPTION (◆ Indicates Parts Available In Assemblies Only)	PART #	QTY	
	<b>WHEEL KIT, BELTED</b>	036704 <sup>1</sup>	1	
	Wheel Assembly, Blade - Belted	036632	2	
1	Wheel, 25" Blade - Belted	036619	1	◆
2	Bearing, Inner	045208	1	
3	Race, Inner Bearing	045209	1	
4	Seal, Blade Wheel	045212	1	
5	Bearing, Outer	045210	1	
6	Race, Outer Bearing	045211	1	
7	Washer, Dexter #5-101 Tang	P22686	1	
8	Cap, 8 Lug Hub Dust	033238	1	
9	Washer, Spindle D	045214	1	
10	Nut, Spindle	045216	1	
11	Belt, B75.5	035953-1	1	
	Dampener, Motor Vibration	036840	1	
12	Dampener Weldment, Pad Mount	036838	1	
13	Dampener Weldment, Tab	036839	1	
14	Pad, Anti-Vibration	036833	2	
15	Washer, 3/8" SAE Flat	F05011-3	6	

**3****Blade Wheels & Tensioner**  
*Belted Blade Wheel Kit (Standard)*

16	Washer, 3/8" Split Lock	F05011-4	4	
17	Bolt, 3/8-16 x 1" Hex Head Grade 5	F05007-87	2	
18	Bolt, 3/8-16 x 3 1/2" Hex Head Grade 5	F05004-123	2	
19	Spring, Die 1ODx1/2IDx1 3/4 Heavy	036849	2	
20	Nut, 3/8-16 Hex Nylon Lock	F05010-10	2	
21	Bolt, 3/8-16 x 1 1/4" Hex Head Grade 5	F05007-123	2	
	Kit, Blade Support	038493	1	
22	Channel, Blade Support	038491	1	
23	Bolt, 5/16-18 x 1 1/4" Hex Head Stainless Steel	F05006-118	2	
24	Washer, 5/16" Flat	F05011-16	4	
25	Nut, 5/16-18 Hex Nylon Lock	F05010-58	2	

<sup>1</sup> Belted blade wheels and block/roller blade guides provided standard on WM3000 Rev. A8.00 [See Section 3.4](#) or optional crowned blade wheels used with blade guides w/support roller.

### 3.4 Crowned Blade Wheel Kit (Optional)



REF.	DESCRIPTION (◆ Indicates Parts Available In Assemblies Only)	PART #	QTY
	<b>WHEEL KIT, CROWNED, 300/WM3000/3500/4000 (TWO COMPLETE WHEELS)</b>	036703 <sup>1</sup>	1
	Wheel Assembly, Blade - Crowned	017814 <sup>2</sup>	2
	Wheel Assembly, Blade - Recrowned	017814-R <sup>3</sup>	1
<b>1</b>	Wheel, 25 Cast Blade	045000	1 ◆
	Wheel, 25 Cast Blade - Recrowned	045000-R <sup>3</sup>	1 ◆
<b>2</b>	Bearing, Inner	045208	1
<b>3</b>	Race, Inner Bearing	045209	1
<b>4</b>	Seal, Blade Wheel	045212	1
<b>5</b>	Bearing, Outer	045210	1
<b>6</b>	Race, Outer Bearing	045211	1
<b>7</b>	Washer, Dexter #5-101 Tang	P22686	1
<b>8</b>	Cap, 8 Lug Hub Dust	033238	1
<b>9</b>	Washer, Spindle D	045214	1
<b>10</b>	Nut, Spindle	045216	1
<b>11</b>	Bolt, 3/8-16 x 6" Hex Head	F05007-45	2
	Scraper Assembly, Drive Wheel	042247	2
<b>12</b>	Weldment, Wheel Scraper Pivot	042240	1
<b>13</b>	Scraper, Brass	042245	1
<b>14</b>	Washer, 1/4" Split Lock	F05011-14	1
<b>15</b>	Bolt, 1/4-20 x 1/2" Hex Head	F05005-15	1

## **3** Blade Wheels & Tensioner

### *Crowned Blade Wheel Kit (Optional)*

---

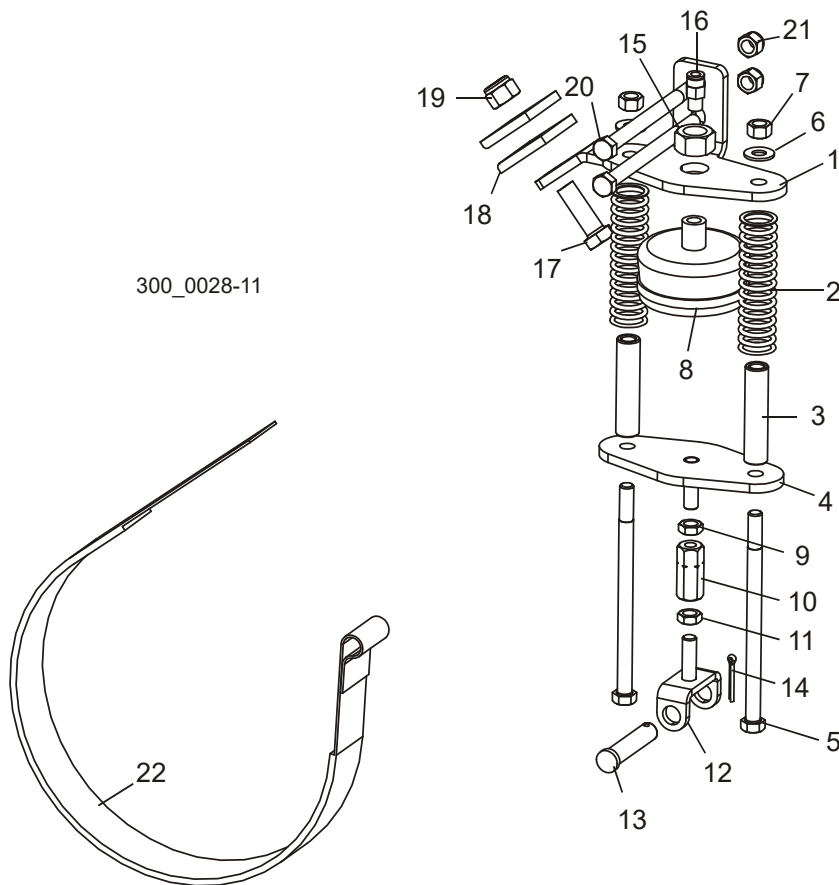
<b>16</b>	Washer, 5/8 Star IT	F05011-25	1	
<b>17</b>	Weldment, Scraper Weight	042248	1	
<b>18</b>	Nut, 5/8-11 Jam	F05010-82	1	
<b>19</b>	Collar, 3/8 ID Shaft	042249	4	
<b>20</b>	Nut, 3/8-16 Hex Nylon Lock	F05010-10	2	

<sup>1</sup> Belted blade wheels and block/roller blade guides provided standard on WM3000 Rev. A8.00 ([See Section 3.3](#) for standard belted blade wheels used with block/roller blade guides).

<sup>2</sup> Dust Cap 033238, D Washer 045214 and Spindle Nut 045216 added to assembly 017814 (11/04).

<sup>3</sup> Blade wheels may be recrowned at the factory for extended service life.

### 3.5 Brake Actuator Assembly



REF.	DESCRIPTION (◆ Indicates Parts Available In Assemblies Only)	PART #	QTY
	<b>ACTUATOR ASSEMBLY, WM3000 BRAKE</b>	<b>033170</b>	<b>1</b>
1	Plate, Brake Top	033166	1
2	Spring, Brake	033171	2
3	Spacer, Spring Travel	033169	2
4	Weldment, Bottom Brake Plate	033172	1
5	Screw, 3/8-16x6 Hex Head Cap	F05007-45	2
6	Washer, 3/8" SAE Flat	F05011-3	2
7	Nut, 3/8-16 Swaged Lock	F05010-25	2
8	Bag, Air Brake	033168	1
9	Nut, 3/8-24 LH Jam	F05010-166	1
10	Adjuster, Brake Link	033174	1
11	Nut, 3/8-24 Hex	F05010-22	1
12	Weldment, Brake Link	033175	1
13	Pin, 1/2x2 1/4 Clevis	F05012-81	1
14	Pin, 1/8x1 Cotter	F05012-1	1
15	Nut, 5/8-11 Hex	F05010-5	1

### **3** Blade Wheels & Tensioner

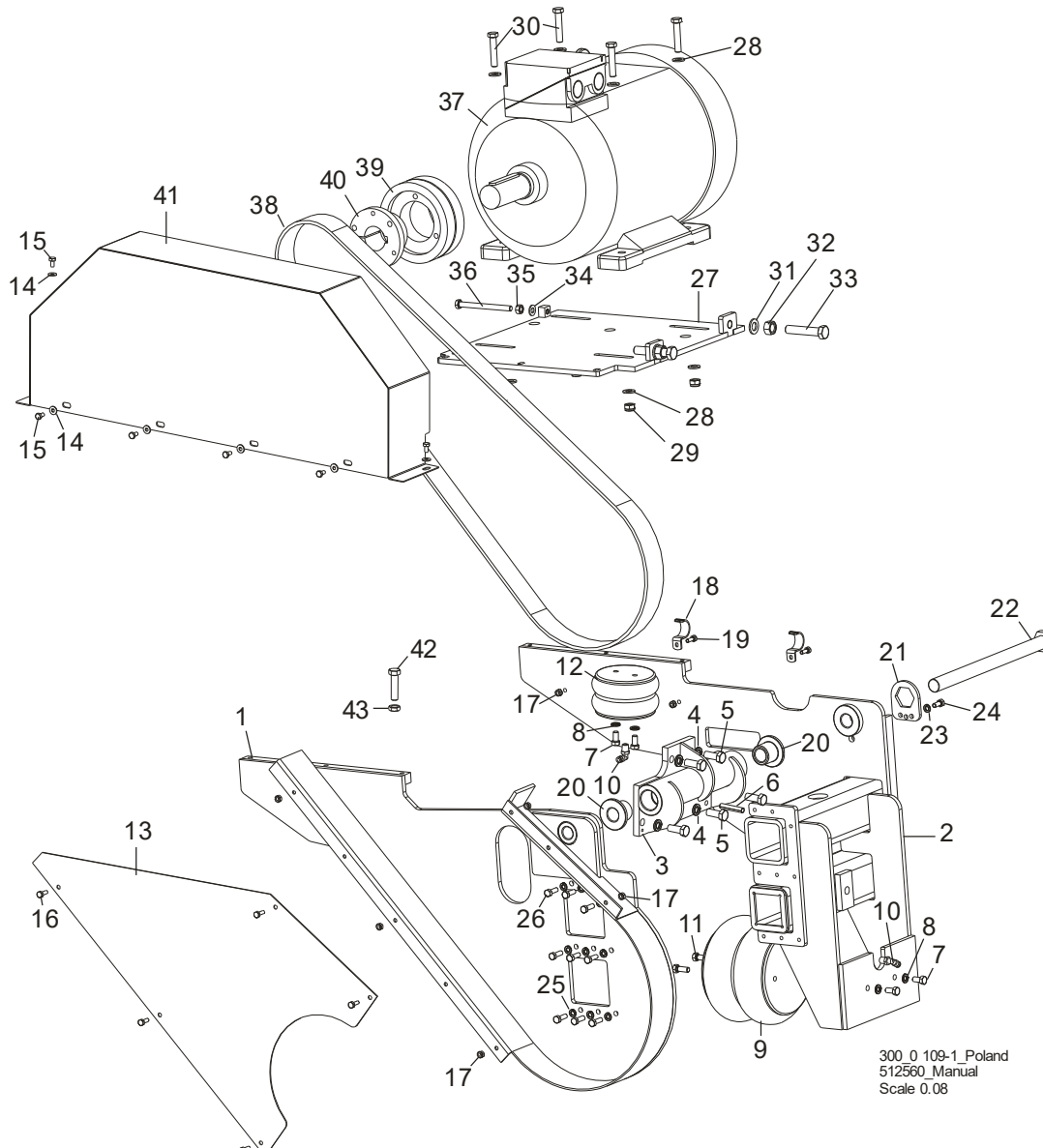
*Brake Actuator Assembly*

---

<b>16</b>	Fitting, 1/8NPTx1/4 Tube Straight	<b>P03078</b>	1	
<b>17</b>	Screw, 1/2-13x1 1/2 Hex Head Cap	<b>F05008-4</b>	1	
<b>18</b>	Plate, 1/4x1 3/4x1 3/4 Brake Strap	<b>S04195</b>	2	
<b>19</b>	Nut, 1/2-13 Hex Nylon Lock	<b>F05010-8</b>	1	
<b>20</b>	Bolt, 3/8-16x5 Hex Head	<b>F05007-5</b>	2	
<b>21</b>	Nut, 3/8-16 Hex Nylon Lock	<b>F05010-10</b>	2	
<b>22</b>	Band, 9 1/2 Dia. Brake	<b>033178</b>	1	



### 3.6 Blade Motor Drive Assembly



REF.	DESCRIPTION (◆ Indicates Parts Available In Assemblies Only)	PART #	QTY.
1	PLATE WELDMENT, FRONT MOTOR MOUNT	033211	1
2	PLATE WELDMENT, RIGHT MOTOR MOUNT	033216	1
3	PIVOT WELDMENT, MOTOR MOUNT	033206	1
4	WASHER, 1/2" SPLIT LOCK	F05011-9	5
5	BOLT, 1/2-13 X 1 1/4" HEX HEAD GRADE 5	F05008-37	5
6	PIN, 3/8" X 2" ROLL	F05012-42	2
7	BOLT, 3/8-16 X 3/4" HEX HEAD GRADE 2	F05007-27	4
8	WASHER, 3/8" SPLIT LOCK	F05011-4	4

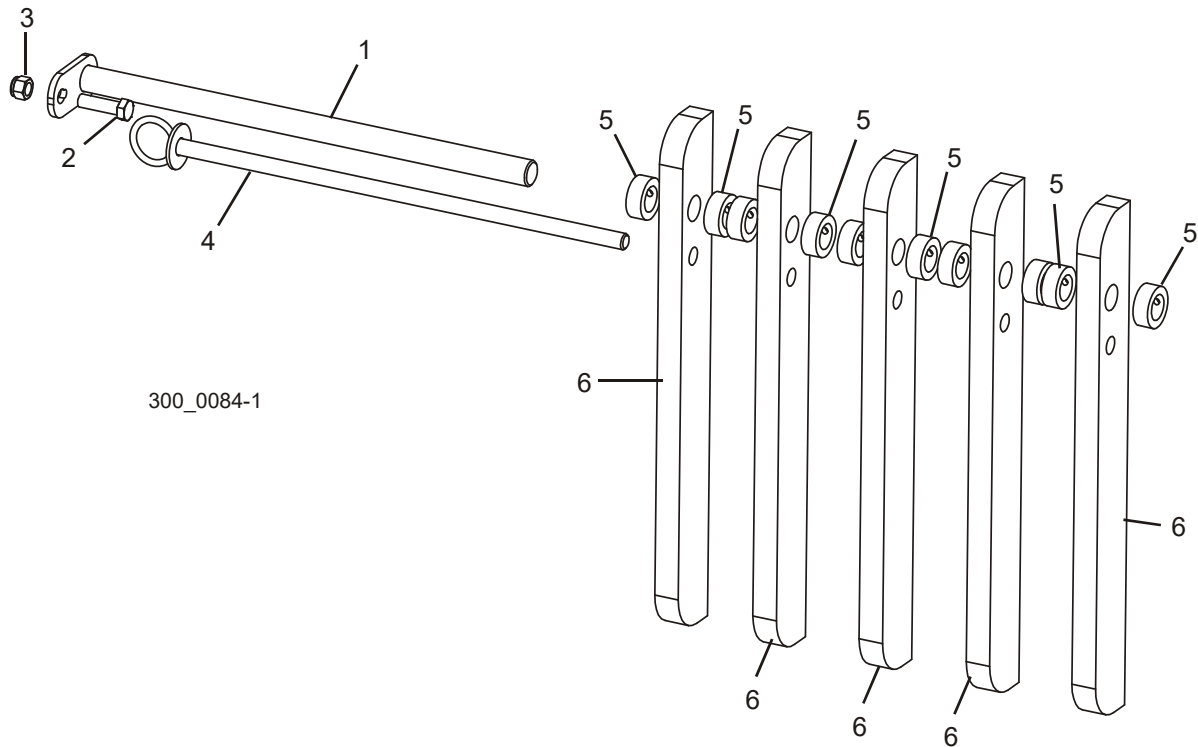
## 3

**Blade Wheels & Tensioner***Blade Motor Drive Assembly*

9	BAG, TENSIONER AIR	033229	1	
10	FITTING, 1/4 NPT X 1/4 AIR 90 DEG.	P21519	2	
11	BOLT, 3/8-16 X 1", HEX HEAD GRADE 5	F05007-87	2	
12	BAG, MOTOR LIFT AIR	033231	1	
13	COVER, LOWER BELT	036662	1	
14	BOLT, 1/4-20 X 1/2" HEX HEAD	F05005-15	5	
15	WASHER, 1/4" SAE FLAT	F05011-11	5	
16	BOLT, 1/4-20 X 3/4" HEX HEAD	F05005-129	5	
17	NUT, 1/4-20 KEPS	F05010-9	7	
18	CLAMP, 1" EMT	P05436	2	
19	BOLT, 1/4-20 X 3/4" HEX HEAD FULL THREAD	F05005-1	2	
20	BEARING, PIVOT	033210	2	
21	PLATE, BOLT LOCK	033230	1	
22	BOLT, PIVOT	033225	1	
23	WASHER, 5/16" SPLIT LOCK	F05011-13	1	
24	BOLT, 5/16-18 X 3/4" HEX HEAD	F05006-5	1	
25	WASHER, 5/16" SPLIT LOCK	F05011-13	9	
26	SCREW, 5/16-18X1 HHC GR2 ZINC	F05006-48	9	
27	PLATE, LT300 MOTOR MOUNTING	093705-1	1	
28	WASHER, 13 FLAT ZINC	F81056-1	8	
29	NUT, M12-8 HEX NYLON ZINC LOCK	F81034-2	4	
30	BOLT, M12X60-8.8 HEX HEAD ZINC	F81004-5	4	
31	WASHER, 17 FLAT ZINC	F81058-1	2	
32	NUT, M16-5.8 HEX ZINC	F81036-1	2	
33	BOLT, M16X80 8.8-B HEX HEAD FULL THREAD ZINC	F81006-11	2	
34	WASHER, 10.5 FLAT ZINC	F81055-1	1	
35	NUT, M10-8-B HEX ZINC	F81033-3	1	
36	BOLT, M10X120 8.8 HEX HEAD FULL THREAD ZINC	F81003-47	1	
37	MOTOR, SG 180L-4 22 KW	092610	1	
38	BELT, EAGLE PD G2380	036636	1	
39	SPROCKET, EAGLE PD G36SSF	036634	1	
	SPROCKET, EAGLE PD, G-43S-E (50HZ)	036635	1	
	PULLEY, (V=27.7M/S) WM3000 MOTOR (OPTION)	505313-S	1	
40	BUSHING, E-48MM	036709	1	
	BUSHING, SG180 MOTOR (FOR 505313-S PULLEY)	092644	1	
41	GUARD WELDMENT, TOP PULLEY	036678	1	
42	BOLT, 1/2-13 X 2" HEX HEAD FULL THREAD	F05008-8	1	
43	NUT, 1/2-13 JAM	F05010-31	1	

## SECTION 4 SAW HEAD

### 4.1 Board Return

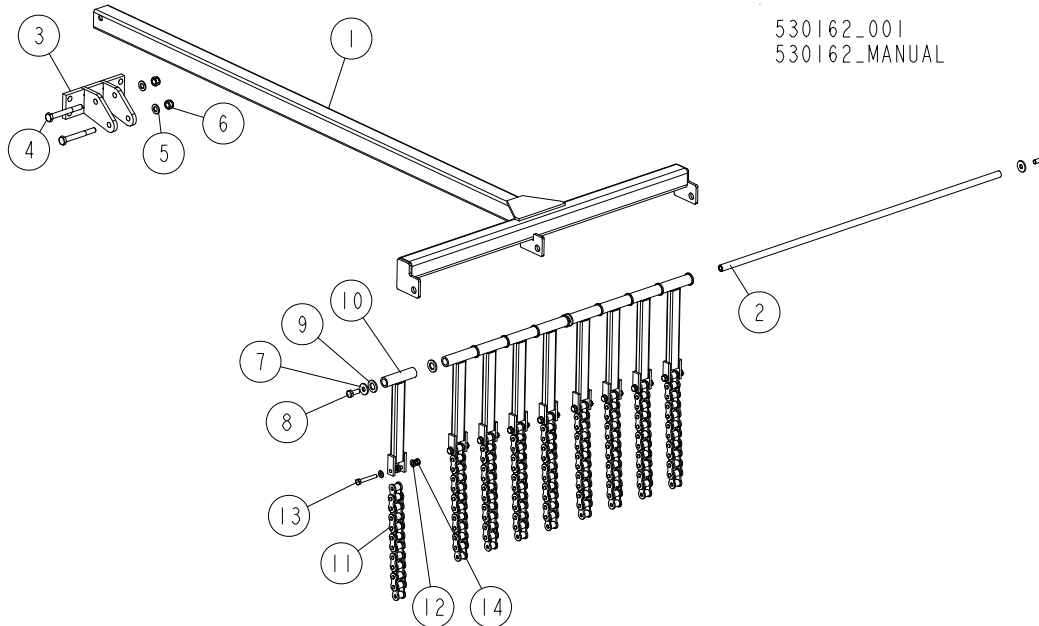


REF.	DESCRIPTION (◆ Indicates Parts Available In Assemblies Only)	PART #	QTY
1	PIN, BOARD RETURN PIVOT	042167	1
2	BOLT, 1/2-13 X 1 3/4" HEX HEAD FULL THREAD GRADE 5	F05008-88	1
3	NUT, 1/2-13 HEX NYLON LOCK	F05010-8	1
4	PIN WELDMENT, SUPPORT	042168	1
5	COLLAR, 1" LOCK	038090	2
6	ARM WELDMENT, BOARD RETURN - LEFT	003659	2
7	ARM WELDMENT, BOARD RETURN - RIGHT	003660	2
8	ARM WELDMENT, BOARD RETURN - MIDDLE	003661	12
9	FITTING, 1/4-28 GREASE	P05060	56

# 4 Saw Head

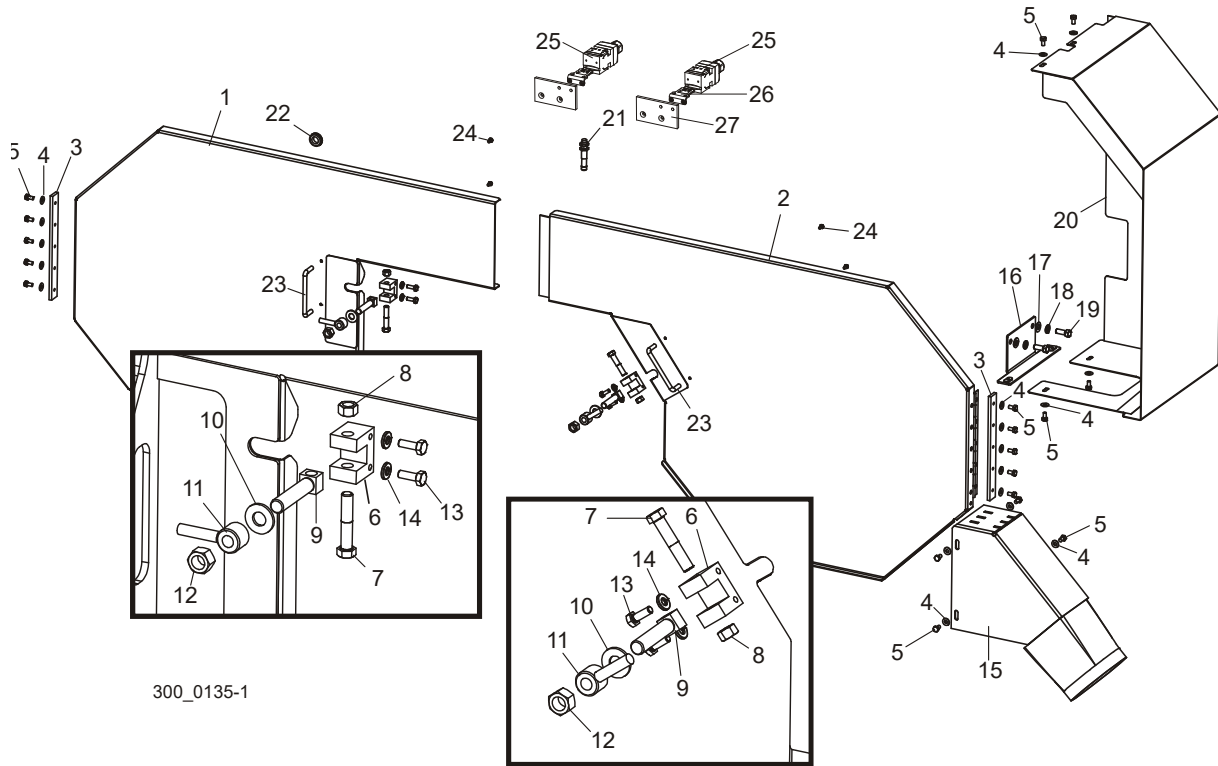
## Board Return Guide

### 4.2 Board Return Guide



REF.	DESCRIPTION (* indicates parts available in assemblies only)	PART NO.	QTY
-	<b>GUIDE ASSEMBLY, BOARD RETURN</b>	530162	1
1	GUIDE WELDMENT, BOARD RETURN	530163-1	1
2	ROD, BOARD RETURN GUIDE	519372-1	1
3	MOUNT WELDMENT, BOARD RETURN GUIDE	530166-1	1
4	BOLT, M12X100-8.8 HEX HEAD ZINC	F81004-3	2
5	WASHER, 13 FLAT ZINC	F81056-1	2
6	NUT, M12 8 HEX NYLON ZINC LOCK	F81034-2	2
7	WASHER, 10.5 SPECIAL FLAT ZINC	F81055-6	2
8	BOLT, M10X25 8.8 HEX HEAD FULL THREAD	F81003-31	2
9	WASHER, 17 SPLIT LOCK ZINC	F81058-1	12
10	ARM WELDMENT, BOARD RETURN GUIDE	091070-1	9
11	CHAIN, 16B-1 - 0.28M	514163	9
12	WASHER, 8.4 FLAT ZINC	F81054-1	36
13	BOLT, M8X55-8.8 HEX HEAD ZINC	F81002-8	9
14	NUT, M8-8-B HEX NYLON ZINC LOCK	F81032-2	9

### 4.3 Blade Housing & Sawdust Chute



300\_0135-1

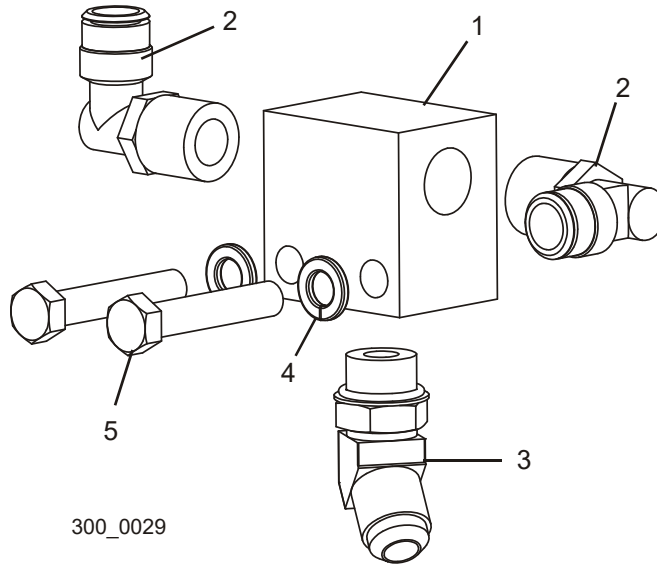
REF.	DESCRIPTION (◆ Indicates Parts Available In Assemblies Only)	PART #	QTY
1	COVER WELDMENT, IDLE-SIDE BLADE HOUSING	038982	1
2	COVER WELDMENT, DRIVE-SIDE BLADE HOUSING	006638	1
3	PLATE, COVER MOUNT	042435	2
4	WASHER, 1/4" SAE FLAT	F05011-11	18
5	BOLT, 1/4-20 X 1/2" HEX HEAD	F05005-15	18
	LATCH ASSEMBLY, BLADE HOUSING COVER	042440	2
6	Block, Cover Latch	042439	1
7	Bolt, 3/8-16 x 2" Hex Head	F05007-72	1
8	Nut, 3/8-16 Swaged Lock	F05010-25	1
9	Bolt, Cover Latch	042438	1
10	Washer, 1/2" SAE Flat	F05011-2	1
11	Nut Weldment, Cover	021145	1
12	Nut, 1/2-13 Swaged Hex	F05010-3	1
13	BOLT, 1/4-20 X 3/4" HEX HEAD FULL THREAD	F05005-1	7
14	WASHER, 1/4" SPLIT LOCK	F05011-14	4
15	TUBE WELDMENT, SAWDUST CHUTE	045005	1
16	BRACKET WELDMENT, SIDE GUARD MOUNT	036847	1
17	WASHER, 3/8" SAE FLAT	F05011-3	2

**4****Saw Head***Blade Housing & Sawdust Chute*

---

18	WASHER, 3/8" SPLIT LOCK	F05011-4	2	
19	BOLT, 3/8-16 X 1", HEX HEAD GRADE 5	F05007-87	2	
20	GUARD WELDMENT, SIDE	036845	1	
21	SENSOR, BES M12MI-PSH80B S04G PROXIMITY	093168	1	
22	GROMMET, 5/8" ID RUBBER	P11764	1	
23	HANDLE, 4" DOOR	P08065	2	
24	SCREW, #8-32 X 3/8" SELF-TAPPING	F05015-8	4	
25	SWITCH, SAFETY	094232	2	
26	KEY, AZ17/170-B5 SAFETY SWITCH	094422	2	
27	PLATE, SAFETY SWITCH MOUNT	097125-1	2	
28	BRACKET, WM3000 SAFETY SWITCH MOUNT	098584-1	1	

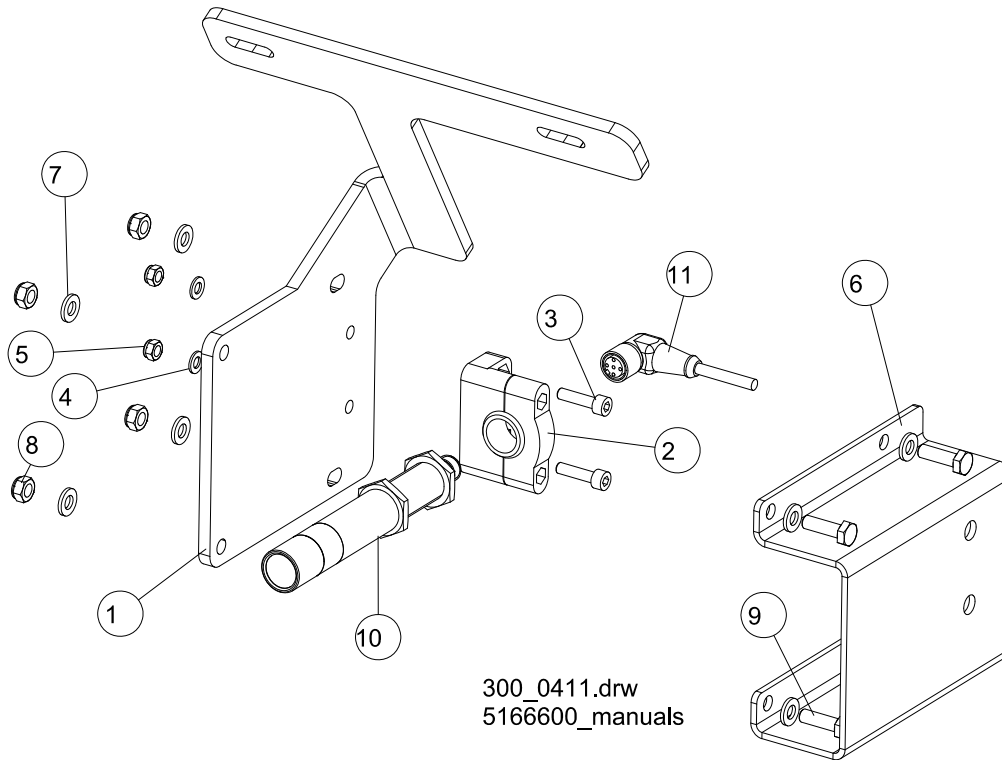
## 4.4 Sawdust Blow-Off Assembly



REF.	DESCRIPTION (◆ Indicates Parts Available In Assemblies Only)	PART #	QTY
	<b>BLOCK ASSEMBLY, BLOW-OFF</b>	<b>016882</b>	1
1	Block, Blow-Off	<b>016879</b>	1
2	Fitting, 1/2NPT-1/2In 90 Deg. Air	<b>016880</b>	1
3	Fitting, #8JIC - #8 SAE EL 45Deg.	<b>041161</b>	1
4	Fitting, 1/2NPT-1/2 Hose Barb 90Deg.	<b>015997</b>	1
5	Washer, 3/8" Split Lock	<b>F05011-4</b>	2
6	Bolt, 3/8-16 x 2" Hex Head Full Thread	<b>F05007-16</b>	2
	<b>LINE, 1/2" AIR</b>	<b>R01869-2</b>	18.9 m
	<b>LINE, 1/2" AIR</b>	<b>R01869-2</b>	1.2 m

# 4 Saw Head Laser Assembly

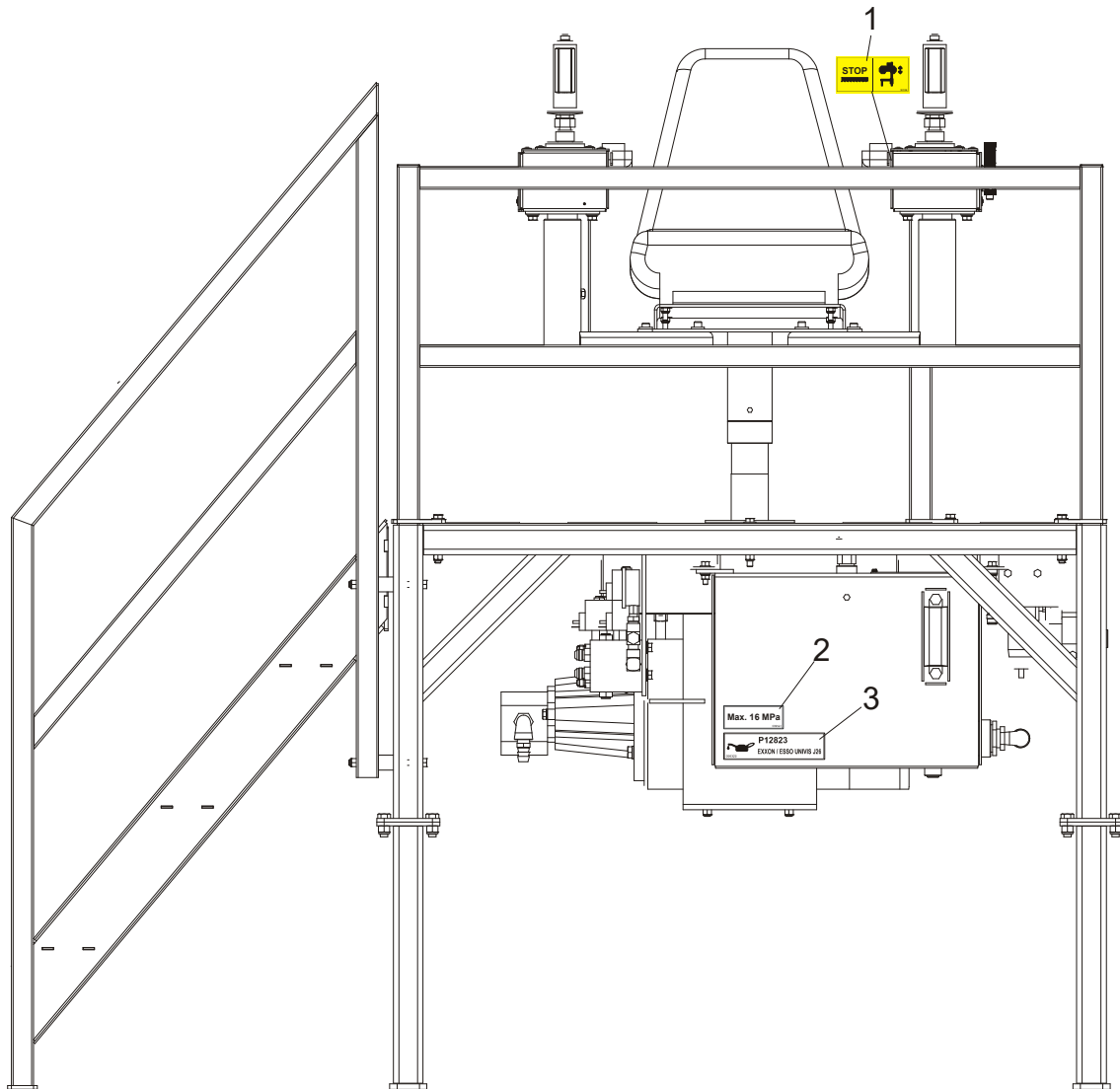
## 4.5 Laser Assembly



REF.	DESCRIPTION (* Indicates Parts Available In Assemblies Only)	PART #	QTY
	<b>LASER ASSEMBLY, WM3000/WM3500/WM4000</b>	<b>516600</b>	<b>1</b>
1	PLATE, LASER MOUNT	516402-1	1
2	GRIP, LASER MOUNT SMB 18SF	503469	1
3	SCREW, M5X20 8.8 HEX SOCKET HEAD CAP ZINC	F81000-72	2
4	WASHER, 5.3 FLAT ZINC	F81052-1	2
5	NUT, M5-8 DIN985 HEX NYLON ZINC LOCK	F81030-2	2
6	COVER, LASER	516598-1	1
7	WASHER, 6.4 FLAT ZINC	F81053-1	8
8	NUT, M6-8-B HEX NYLON LOCK ZINC	F81031-2	4
9	BOLT, M6X20-8.8 HEX HEAD FULL THREAD ZINC	F81001-2	4
10	LASER, Z5M18B-F-532-IG90 GREEN LINEAR	501025	1
11	CABLE, 5M 4-WIRE SENSOR	087652	1



## 4.6 Operator Seat Decals

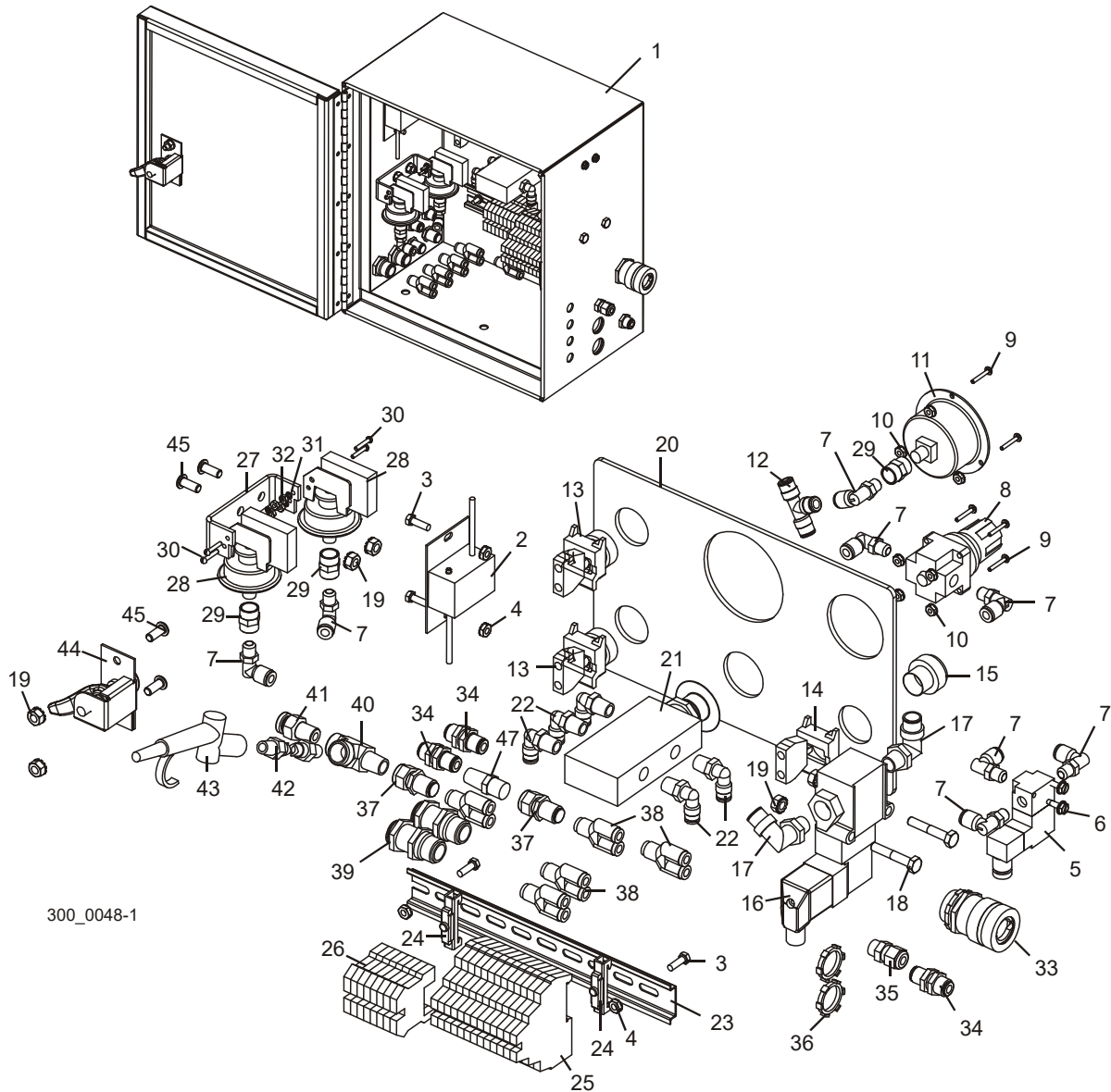


REF.	DESCRIPTION (◆ Indicates Parts Available In Assemblies Only)	PART #	QTY
1	Decal, Stop The Blade Before Adjusting The Saw Head (Pictogram)	101138	1
2	Decal, Maximum Working Pressure	099524	1
3	Decal, Hydraulic Oil	096323	1

# 4

## Saw Head Head/Air Box Assembly

### 4.7 Head/Air Box Assembly



300\_0048-1

REF.	DESCRIPTION (◆ Indicates Parts Available In Assemblies Only)	PART #	QTY
	<b>CONTROL ASSY, HEAD/AIR BOX</b>	<b>045244</b>	1
1	Box Weldment, Head Interface	035569	1
2	Power Supply Assembly, 10-24V Laser	052327	1
3	Screw, 10-24x5/8 Unsl Indent HH Machine	F05004-18	4
4	Nut, #10-24 Keps	F05010-14	4
5	Valve, Air 3-Way 1/8 NPT Din C Conn	045225	1
	Cable, 10M Form C Din 24VDC W/LED PUR	025233	1

<b>6</b>	Screw, #10-24 x 1/2" Self-Tapping	<b>F05015-7</b>	2	
<b>7</b>	Fitting, 1/8MPTx1/4 Tube Elbow Swivel	<b>P09736</b>	8	
<b>8</b>	Regulator Kit, Air	<b>045247</b>	1	
	Regulator, 1/8" NPT Air	052509	1	
	Nut, Air Regulator Mounting	<b>052510</b>	1	
<b>9</b>	Screw, 6-32x3/4 Socket Button Head Cap Stainless Steel	<b>F05004-93</b>	7	
<b>10</b>	Nut, #6-32 Keps	<b>F05010-59</b>	7	
<b>11</b>	Gauge, Air Pressure	<b>042342</b>	1	
<b>12</b>	Fitting, 1/4" Air Tee	<b>P21544</b>	1	
<b>13</b>	Pilot Light, Yellow 24V 22mm LED XB4	<b>024970-5</b>	2	
<b>14</b>	Switch Body, 1NO 22mm ZB4	<b>025242</b>	1	
<b>15</b>	Switch Head, 22mm Mom. Ext. LED Yellow ZB4	<b>025237-53</b>	1	
<b>16</b>	Valve Assembly, Air	<b>042659</b>	1	
	Cable, 5M Form A Din 24VDC W/LED PUR	<b>024923</b>	1	
<b>17</b>	Fitting, 1/2 Tube to 3/8 NPT Swivel Male	<b>034009</b>	2	
<b>18</b>	Bolt, 1/4-20 x 1 1/2" Hex Head	<b>F05005-31</b>	2	
<b>19</b>	Nut, 1/4-20 Keps	<b>F05010-9</b>	6	
<b>20</b>	Decal, LT300 2005 Head/Air Box	<b>052274</b>	1	
<b>21</b>	Valve, Push/Pull 4-Way 1/4 NPT	<b>025301</b>	1	
<b>22</b>	Fitting, 1/4 NPT X 1/4 Air 90 Deg.	<b>P21519</b>	5	
<b>23</b>	DIN Rail, 35mmx7.5mmx10" Steel Sym	<b>024474-10</b>	1	
<b>24</b>	Clamp, Plastic DIN Rail	<b>E22707</b>	2	
<b>25</b>	Terminal Block, 3-Tier	<b>024908</b>	13	
<b>26</b>	Terminal Block, 1-Tier Phoenix	<b>024893</b>	8	
<b>27</b>	Mount, Pressure Switch	<b>042256</b>	1	
<b>28</b>	Switch, Limit Pressure 60 PSI	<b>045207</b>	2	
<b>29</b>	Fitting, 1/8FPT Coupling	<b>P05748</b>	3	
<b>30</b>	Screw, #4-40x5/8 Slotted Round Head Machine	<b>F05004-49</b>	4	
<b>31</b>	Washer, #4 Split Lock	<b>F05011-21</b>	4	
<b>32</b>	Nut, #4-40 Hex	<b>F05010-43</b>	4	
<b>33</b>	Connector, Flex Strain .63-.75 Cord 3/4 Hub	<b>025186</b>	1	
	Nut, 3/4" Conduit Lock	<b>025198</b>	1	
<b>34</b>	Fitting, Bulkhead 1/4in -1/4in Tube	<b>025234</b>	1	
<b>35</b>	Connector, .5 Hole .064-.210 Cord	<b>E23494</b>	1	
<b>36</b>	Nut, 1/2 NPT Connector Lock	<b>E20461</b>	2	
<b>37</b>	Fitting, Bulkhead 1/4" Tube 1/4" Female NPT	<b>025235</b>	2	
<b>38</b>	Fitting, 1/4 Tube Y	<b>042546</b>	5	
<b>39</b>	Fitting, 1/2 Tube Bulkhead Union	<b>034010</b>	2	
<b>40</b>	Fitting, 1/4NPT Male Run Tee	<b>015486</b>	1	
<b>41</b>	Fitting, 1/4 NPT-3/8 Straight Air	<b>P21559</b>	1	
<b>42</b>	Hose, 1/4 x 6' Coiled Air	<b>042453</b>	1	
<b>43</b>	Nozzle, Coolant Spray	<b>P02714</b>	1	
<b>44</b>	Latch, Electric Box Door	<b>P20048</b>	1	

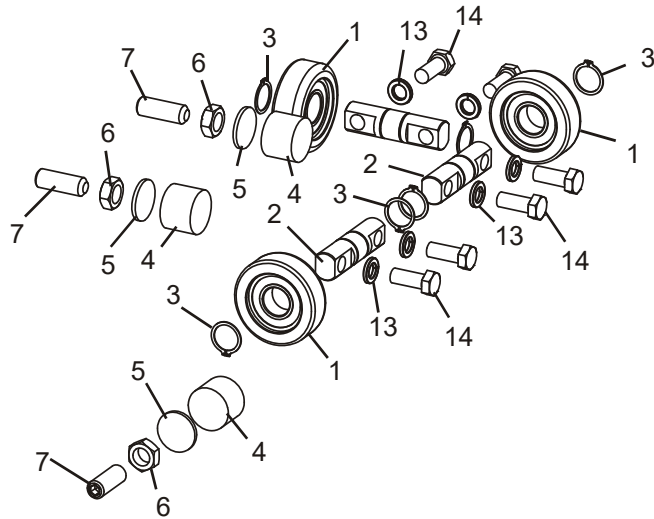
**4****Saw Head**  
*Head/Air Box Assembly*

---

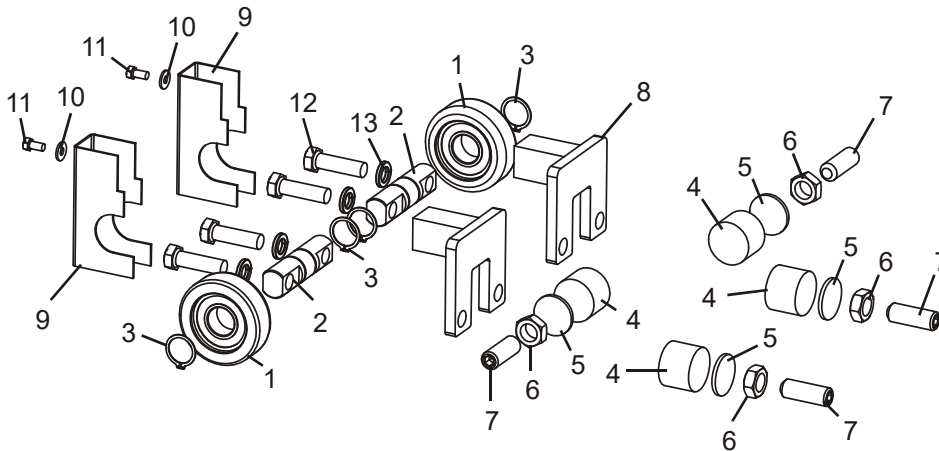
<b>45</b>	Screw, 1/4-20x5/8 Button Socket Head Cap SS Grade 2	<b>F05005-128</b>	4	
	Harness Assembly, Blade Guide	<b>025284</b>	1	
	Harness Assembly, Motor Prox	<b>025286</b>	1	
	Harness Assembly, Start Prox	<b>025287</b>	1	
	Harness Assembly, Slow Prox	<b>025288</b>	1	
	Harness Assembly, Stop Prox	<b>025289</b>	1	
	Line, 1/4 Air	<b>R01869</b>	472.4 cm	
	Line, 1/2 Air	<b>R01869-2</b>	147.3 cm	
	Cable, 10M Form C DIN24VDC W/LED PUR	<b>025233</b>	1	

## SECTION 5 UP/DOWN SYSTEM

### 5.1 Mast Pads & Up/Down Rollers



300\_0028-4



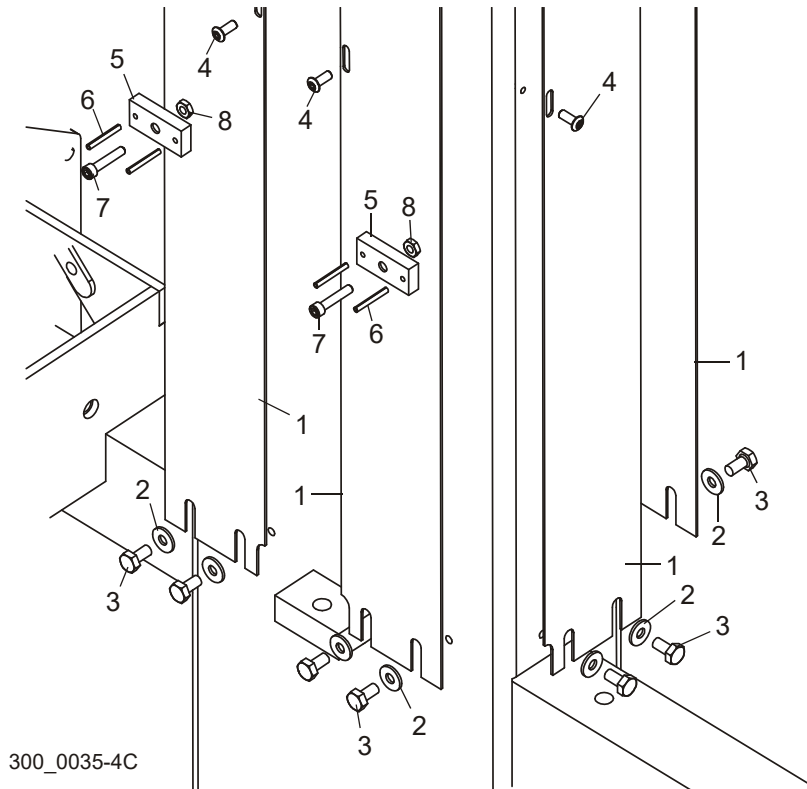
REF.	DESCRIPTION (◆ Indicates Parts Available In Assemblies Only)	PART #	QTY	
	<b>ASSEMBLY, RAIL BEARING/SHAFT</b>	023832	5	
1	Bearing, MG305DDA	023857	1	◆
2	Shaft, Top Roller Bearing	023858	1	
3	Ring, 1 OR 3100-100 Retaining	F04254-15	2	
4	<b>PAD, ROUND NYLON</b>	033098	7	
5	<b>PAD, NYLON BACKING</b>	042432	7	
6	<b>NUT, 5/8-18 HEX JAM</b>	F05010-11	7	
7	<b>SCREW, 5/8-18 X 1 3/4" SOCKET HEAD FLAT POINT SET</b>	F05009-27	7	
8	<b>WELDMENT, BEARING SPACER</b>	045048	2	

**5****Up/Down System***Mast Pads & Up/Down Rollers*

---

9	COVER, MAST BEARING	045047	2	
10	WASHER, 1/4" SAE FLAT	F05011-11	2	
11	BOLT, 1/4-20 X 1/2" HEX HEAD	F05005-15	2	
12	BOLT, 1/2-13 X 1 3/4" HEX HEAD FULL THREAD GRADE 5	F05008-88	4	
13	WASHER, 1/2" SPLIT LOCK	F05011-9	10	
14	BOLT, 1/2-13 X 1 1/4" HEX HEAD GRADE 5	F05008-37	6	

## 5.2 Up/Down Bearing Rails



REF.	DESCRIPTION (◆ Indicates Parts Available In Assemblies Only)	PART #	QTY
	<b>Rail Kit, Up/Down Bearing</b>	042788	1
1	Rail, Wide Bearing Surface	042773	6
2	Washer, 1/4" SAE Flat	F05011-11	24
3	Bolt, 1/4-20 x 1/2" Hex Head	F05005-15	24
4	Screw, 10-24x1/2 Socket Button Head Cap	F05004-35	18
5	<b>PAD, HEAD PLASTIC</b>	045056	2
6	<b>PIN, 1/8x1" ROLL</b>	F05012-34	4
7	<b>BOLT, 10-24X1" BLACK OXIDE SOCKET HEAD CAP</b>	F05004-2	2
8	<b>NUT, #10-24 HEX</b>	F05010-115	2





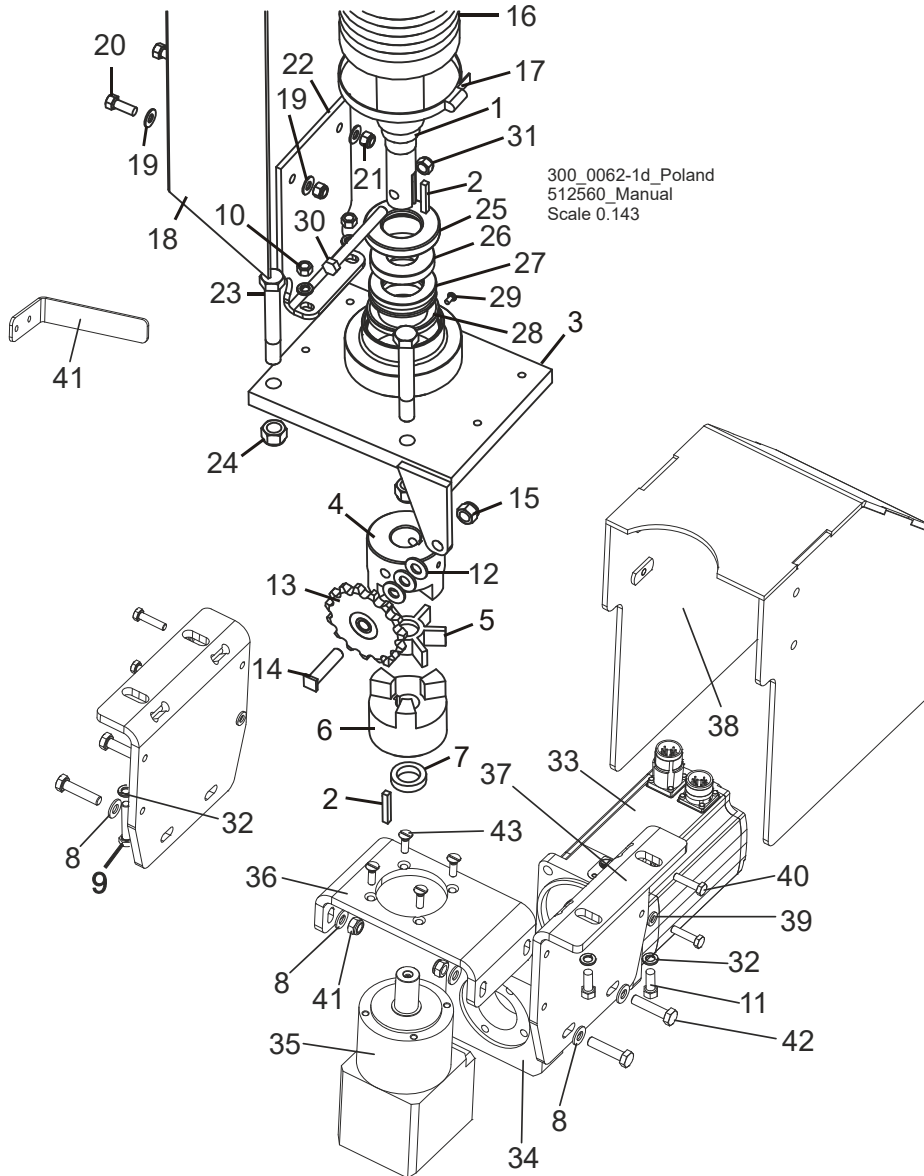
4	<b>COUPLING, MODIFIED L110 X 1 1/4" BODY</b>	017787	1	
5	<b>COUPLING, L110 SPIDER</b>	042809	1	
6	<b>COUPLING, L110 X 1" BODY</b>	042820	1	
7	<b>SPACER, 1" ID X 1 1/2" OD X .25" THICK</b>	042805 <sup>1</sup>	1	
	<b>RETROFIT KIT, WM3000 UP/DOWN DRIVE</b>	503410	1	
8	Shaft, WM3000 Up/Down Output	503408	1	
9	Motoreducer, SKISI63-IEC90-90L/4 BRE20	503411	1	
	Reducer, SK16/63 i=10 NORD	512504	1	
	Motor w/brake, SK90L/4 N=1,5kW n=1400RPM BRE20	512505	1	
10	Plate, WM3000 Up/Down Motoreducer	503381-1	2	
11	Bolt, M8x30mm, HH, Gr 5.8, Full Thrd, Zinc	F81002-2	8	
12	Nut, M8-8-B, Hex, Nylon Lock Zinc	F81032-2	8	
13	Washer, 8.4 Flat, Zinc	F81054-1	20	
14	<b>BOLT, 3/8-16 X 2" HEX HEAD FULL THREAD</b>	F05007-16	2	
15	<b>NUT, 3/8-16 HEX</b>	F05010-1	2	
16	<b>BOLT, 3/8-16 X 1" HEX HEAD</b>	F05007-7	2	
17	<b>WASHER, 1/2" SAE FLAT</b>	F05011-2	3	
18	<b>SPROCKET, IDLER</b>	042367	1	
19	<b>SHAFT, IDLER SPROCKET</b>	016828	1	
20	<b>NUT, 1/2-13 HEX NYLON LOCK</b>	F05010-8	1	
21	<b>BELLOWS, 5" ID X 45" BALLSCREW PROTECTIVE</b>	017777	1	
22	<b>CLAMP, BELLOWS WORM</b>	042419	1	
	<b>GUARD ASSEMBLY, UP/DOWN BELLOWS</b>	042416	1	
23	Guard Weldment, Up/Down Bellows	017647	1	
24	Washer, 3/8" SAE Flat	F05011-3	4	
25	Bolt, 3/8-16 x 1" Hex Head	F05007-7	2	
26	Nut, 3/8-16 Hex Nylon Lock	F05010-10	2	
27	Plate, Bellows Guard Bottom	042417	1	
28	<b>BOLT, 5/8-11 X 4 1/2" HEX HEAD GRADE 5</b>	F05009-10	2	
29	<b>NUT, 5/8-11 HEX NYLON LOCK</b>	F05010-34	2	
30	<b>SEAL, 1 5/8" ID THRUST BEARING</b>	042857	1	
31	<b>SPACER, SCREW/BEARING SUPPORT</b>	042856	1	
32	<b>BEARING, 45MM SELF-ALIGNING THRUST CONE</b>	042855-1	1	
33	<b>BEARING, 45MM SELF-ALIGNING THRUST CUP</b>	042855-2	1	
34	<b>SCREW, #10-24 X 3/8" PHILLIPS PAN HEAD</b>	F05004-3	1	
35	<b>BOLT, 7/16-14 X 4" HEX HEAD</b>	F05007-180	1	
36	<b>NUT, 7/16-14 HEX NYLON LOCK</b>	F05010-135	1	
	<b>MIDDLE BALLSCREW MOUNT PARTS (See Section 5.5)</b>			
	<b>TOP BALLSCREW MOUNT PARTS (See Section 5.6)</b>			

<sup>1</sup> 042805 spacer replaces 017778 .35" spacer originally supplied before 4/03. Thinner spacer provides proper clearance between gearbox and coupler.



**Up/Down System**  
Up/Down Ballscrew Drive (WM4000)

**5.4 Up/Down Ballscrew Drive (WM4000)**

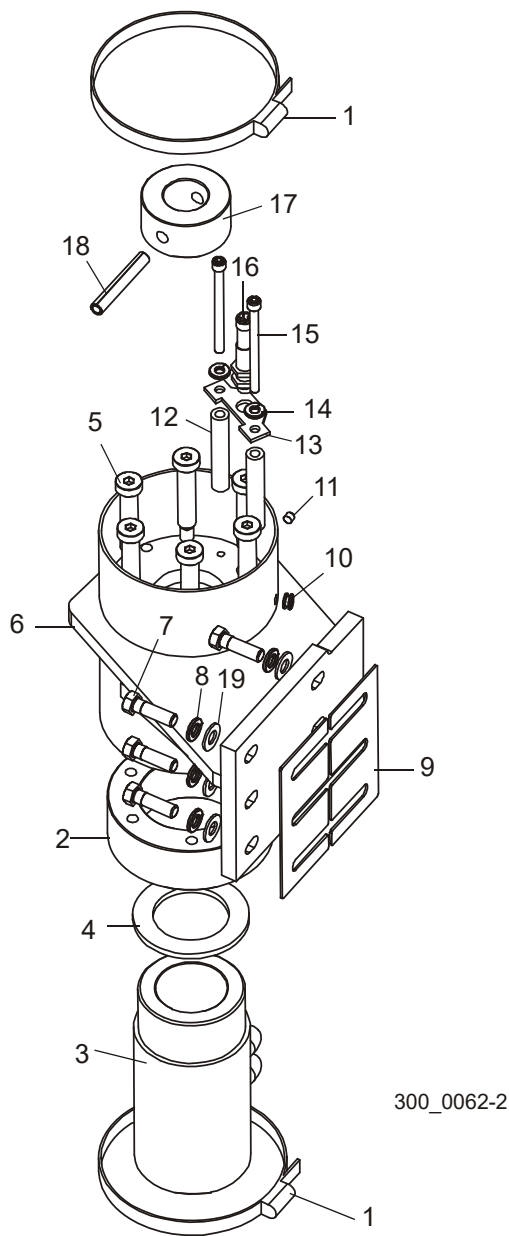


REF.	DESCRIPTION (◆ Indicates Parts Available In Assemblies Only)	PART #	QTY
	GREASE, BALLSCREW LUBE (10CM <sup>3</sup> IN A SYRINGE)	042399	1
1	BALLSCREW, 2INX.50 LEAD MACHINED	042858	1
2	KEY, 1/4SQX1 5/8	042810	1
3	MOUNT WELDMENT, 45MM UP/DOWN DRIVE	017790	1
4	BOLT, M6X25-5.8 HEX HEAD FULL THREAD ZINC	F81001-3	4
5	NUT, M8-8-B HEX NYLON ZINC LOCK	F81032-2	4
6	BOLT, M8X35-8.8 HEX HEAD FULL THREAD ZINC	F81002-13	4
7	SCREW, M6x20- 4.8-B SLOTTED COUNTERSUNK HEAD ZINC	F81001-31	4
8	WASHER, 8.4 FLAT ZINC	F81054-1	28

9	BOLT, 3/8-16X2 FT HH	F05007-16	2	
10	NUT, 3/8-16 HEX	F05010-1	2	
11	BOLT, 3/8-16X1 HHC	F05007-7	2	
12	WASHER, 1/2 SAE FLAT	F05011-2	3	
13	SPROCKET, P/F IDLER	042367	1	
14	SHAFT, P/F IDLER	016828	1	
15	NUT, 1/2-13 NYLON HEX LOCK	F05010-8	1	
16	BELLOWS, PROTECTIVE, 5 IDX45 LONG	017777	1	
17	CLAMP, BELLOWS WORM	042419	1	
	GUARD ASSEMBLY, BELLOWS	042416	1	
18	Guard Weldment, Bellows	017647	1	
19	Washer, 3/8 Flat SAE	F05011-3	4	
20	Bolt, 3/8-16x1 HHC	F05007-7	2	
21	Nut, 3/8-16 Hex Nylon Lock	F05010-10	2	
22	Plate, Bellows Guard Bottom	042417	1	
23	BOLT, 5/8-11X4 1/2 HEX HEAD GRADE 5	F05009-10	2	
24	NUT, 5/8-11 NYLON LOCK	F05010-34	2	
25	SEAL, 1 5/8 ID THRUST BEARING	042857	1	
26	SPACER, SCREW/BRG SUPPORT	042856	1	
27	THRUST BRG CONE, 45MM SELF-ALIGNING	042855-1	1	
28	THRUST BRG CUP, 45MM SELF-ALIGNING	042855-2	1	
29	SCREW, #10-24X3/8 PHILLIPS PH MACHINE	F05004-3	1	
30	BOLT, 7/16-14X4 GRADE 2 ZINC	F05007-180	1	
31	NUT, 7/16-14 NYLON LOCK	F05010-135	1	
32	WASHER, 3/8 SPLIT LOCK	F05011-4	6	
33	MOTOR, BMH1001P02F1A SERVO (ENCODER BRAKING)	510261	1	
34	PLATE, BMH1001 GBK0801003F ADAPTER	510262	1	
35	GEARBOX, 8:1 GBY080008K ANGULAR PLANETARY	510263	1	
36	PLATE, WM4000 CLUTCH/GEARBOX MOUNT	507650-1	1	
37	BRACKET, WM4000 SERVO DRIVE MOUNT	507683-1	2	
38	GUARD WELDMENT, WM4000 UP/DOWN DRIVE	510505-1	1	
39	WASHER, 6.4 FLAT ZINC	F81053-1	4	
40	CLUTCH, WM4000 ROTEX	510167	1	
41	BRACKET, GUARD ASSEMBLY, WM3500/WM4000	521955-1	1	
	BALLSCREW MOUNT (MIDDLE) ( <a href="#">See Section 5.5</a> )			
	BALLSCREW MOUNT (TOP) ( <a href="#">See Section 5.6</a> )			

**5** Up/Down System  
*Ballscrew Mount (Middle)*

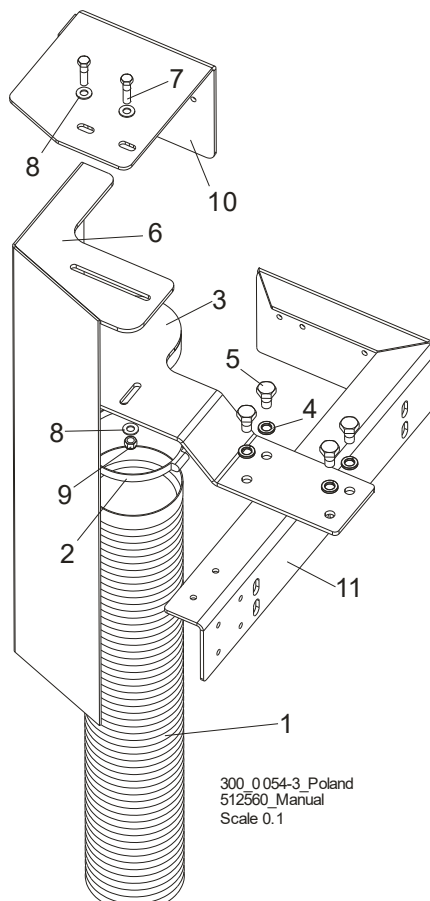
**5.5 Ballscrew Mount (Middle)**



REF.	DESCRIPTION (◆ Indicates Parts Available In Assemblies Only)	PART #	QTY
1	CLAMP, BALLSCREW BELLOWS WORM	042419	2
	UP/DOWN ASSEMBLY, 2" BALLSCREW SERVICE	036595	1
	Up/Down Assembly, 2" Ballscrew and Nut (only)	036596	1
	Ballscrew, 2inx.50 Lead Machined (Shown in Section 5.3 Up/Down Ballscrew Drive)	042858	1
2	Ballnut, 2"	042791	1

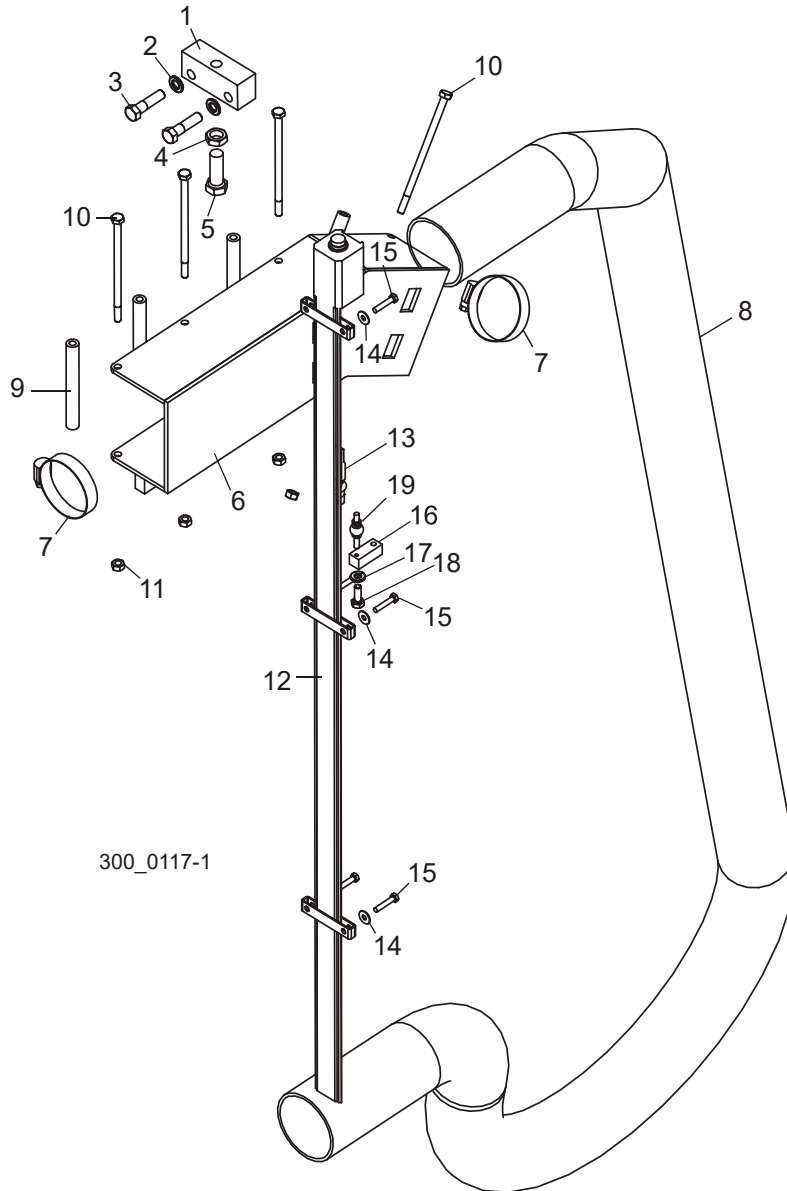
	Grease, Ballscrew Lube	042399	1	
	Lower Ballscrew Mount Parts ( <a href="#">See Section 5.3</a> )			
<b>3</b>	Flange, 2" BallScrew Nut	042792	1	
<b>4</b>	Plate, BallScrew Nut Wear	042816	1	
<b>5</b>	Bolt, 1/2" x 2 1/4" Shoulder	F05008-136	6	
<b>6</b>	Head Mnt, 2" Machined Ballnut	042819	1	
<b>7</b>	Bolt, 3/8-16 x 1 1/4" Hex Head Grade 5	F05007-123	6	
<b>8</b>	Washer, 3/8" Split Lock	F05011-4	6	
<b>9</b>	Shim, Ballnut Mount	016800	2	
<b>10</b>	Grommet, 9/32" Hole x 3/16" ID x 7/16" OD	042825	1	
<b>11</b>	Screw, 1/4-28 x 1/4" Socket Head Brass Tip Set	F05005-42	1	
<b>12</b>	Spacer, 17/64" ID x 1/2" OD x 2 3/4" Long	042821	2	
<b>13</b>	Plate, Ballnut Sensor	042815	1	
<b>14</b>	Washer. 1/4" Split Lock	F05011-14	2	
<b>15</b>	Bolt, 1/4-20 x 3 1/4" Socket Head	F05005-154	2	
<b>16</b>	Sensor, BES M12MI-PSH80B S04G Proximity	093168	1	
<b>17</b>	Collar, Top Stop	042822	1	
<b>18</b>	Pin, 3/8" x 2 1/2" Roll	F05012-114	1	
<b>19</b>	Washer, 3/8" SAE Flat	F05011-3	6	

### 5.6 Ballscrew Mount (Top)



REF.	DESCRIPTION (◆ Indicates Parts Available In Assemblies Only)	PART #	QTY	
1	BELLOWS, 5IDX62LONG PROTECTIVE	042823	1	
2	CLAMP, BELLOWS WORM	042419	1	
3	MOUNT WELDMENT, TOP BELLOWS	042814	1	
4	WASHER, 1/2" SPLIT LOCK	F05011-9	4	
5	BOLT, 1/2-13 X 1" HEX HEAD	F05008-50	4	
6	GUARD PARTS ( <a href="#">See Section 5.3</a> )			
7	BOLT, 3/8-16 X 1 1/2" HEX HEAD	F05007-3	2	
8	WASHER, 3/8" SAE FLAT	F05011-3	4	
9	NUT, 3/8-16 HEX NYLON LOCK	F05010-10	2	
10	BRACKET, WM4000 CABLE CARRIER UPPER MOUNT	510722-1	1	
11	BRACKET, WM4000 CABLE CARRIER LOWER MOUNT	510723-1	1	

### 5.7 Transducer & Head Stop (WM3000/3500/3500-HD)



REF.	DESCRIPTION (◆ Indicates Parts Available In Assemblies Only)	PART #	QTY
1	BLOCK, HEAD STOP	023886	1
2	WASHER, 3/8" SPLIT LOCK	F05011-4	5
3	BOLT, 3/8-16 X 1 1/2 HEX HEAD GRADE 5	F05007-78	5
4	NUT, 1/2-13 HEX JAM	F05010-31	1
5	BOLT, 1/2-13 X 1 1/2" HEX HEAD GRADE 5	F05008-33	1
6	BRACKET WELDMENT, TOP WIREWAY	042148	1



## Up/Down System

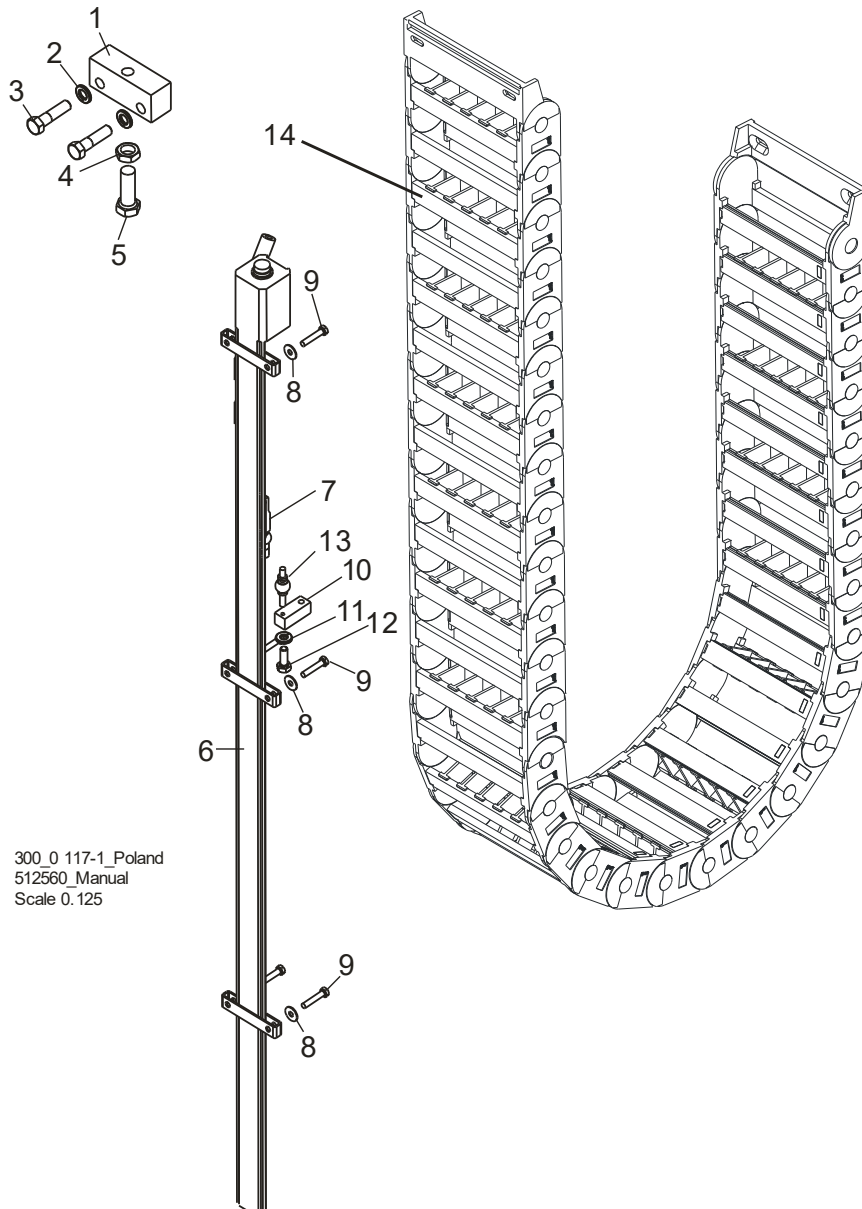
*Transducer & Head Stop (WM3000/3500/3500-HD)*

---

7	CLAMP, 2" WORM	P11633	2	
8	SLEEVE, WIRE HARNESS	042422	1	
9	SPACER, WIREWAY	042111	4	
10	BOLT, 1/4-20 X 5" HEX HEAD	F05005-146	4	
11	NUT, 1/4-20 HEX LOCK	F05010-21	4	
12	SENSOR, 36" 4-20MA CAPTIVE SLIDE TRANSDUCER	025042	1	
13	Magnet, Captive Sliding Transducer (Balluff)	052470	1	
	CABLE ASSEMBLY, WM3000 TRANSDUCER SENSOR	050974	1	
14	WASHER, #10 SAE FLAT	F05011-18	6	
15	BOLT, #10-24 X 1" UNSLOTTED HEX HEAD	F05004-156	6	
16	BLOCK, TRANSDUCER SLIDE	042436	1	
17	WASHER, 1/4" SPLIT LOCK	F05011-14	1	
18	BOLT, 1/4-20 X 3/4" HEX HEAD FULL THREAD	F05005-1	1	
19	PIVOT, BALL JOINTED ARM	025197	1	



### 5.8 Transducer & Head Stop Block (WM4000)



300\_0 117-1\_Poland  
 512560\_Manual  
 Scale 0.125

REF.	DESCRIPTION (◆ Indicates Parts Available In Assemblies Only)	PART #	QTY
1	BLOCK, HEAD STOP	023886	1
2	WASHER, 3/8" SPLIT LOCK	F05011-4	5
3	BOLT, 3/8-16 X 1 1/2 HEX HEAD GRADE 5	F05007-78	5
4	NUT, 1/2-13 JAM	F05010-31	1
5	BOLT, 1/2-13 X 1 1/2" HEX HEAD GRADE 5	F05008-33	1
6	TRANSDUCER, MAG. STRICKTIVE 4-20MA 36"	025042	1



## Up/Down System

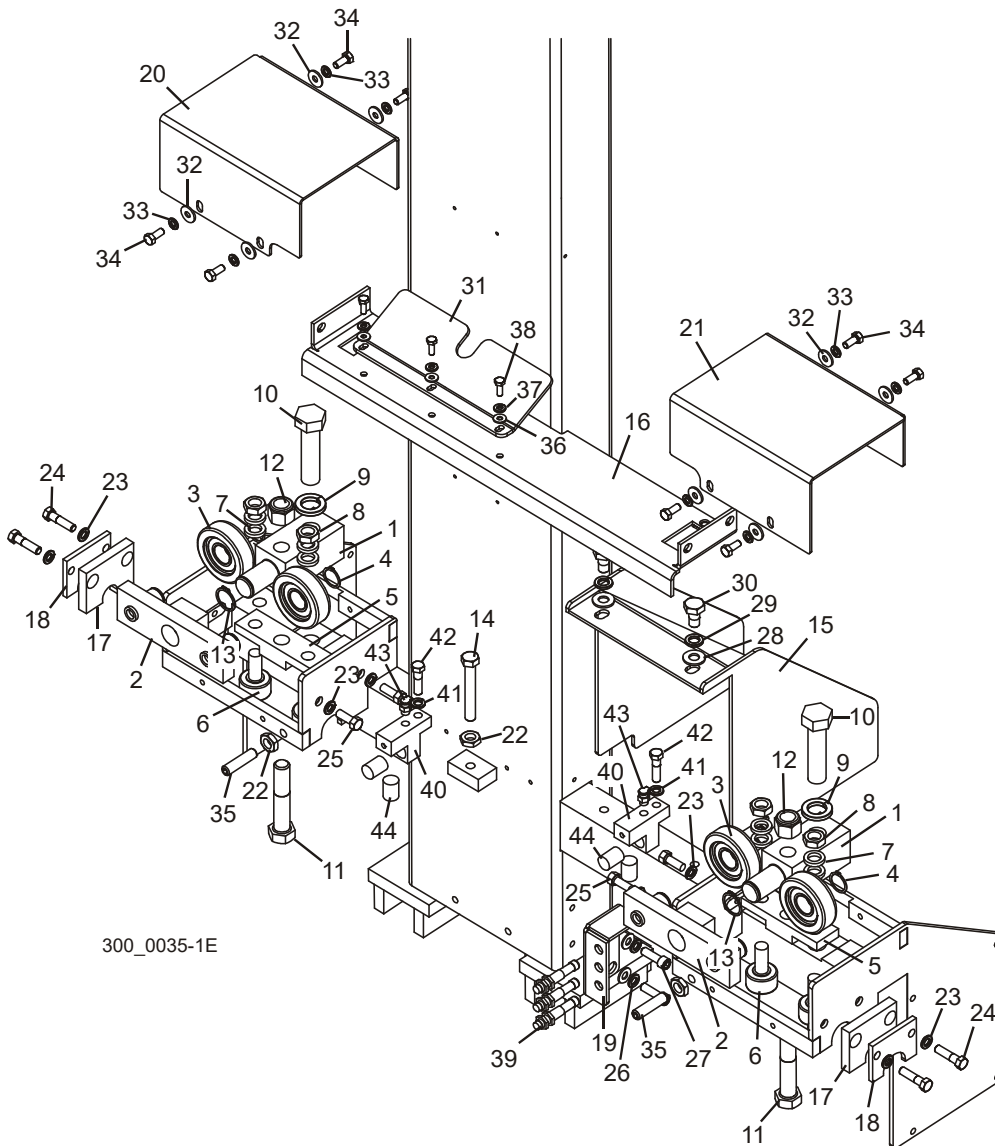
### Transducer & Head Stop Block (WM4000)

---

7	Magnet, Captive Sliding Transducer (Balluff)	052470	1	
	<b>CABLE ASSEMBLY, WM3000 TRANSDUCER SENSOR</b>	050974	1	
8	<b>WASHER, #10 SAE FLAT</b>	F05011-18	6	
9	<b>BOLT, #10-24 X 1" UNSLOTTED HEX HEAD</b>	F05004-156	6	
10	<b>BLOCK, TRANSDUCER SLIDE</b>	042436	1	
11	<b>WASHER, 1/4" SPLIT LOCK</b>	F05011-14	1	
12	<b>BOLT, 1/4-20 X 3/4" HEX HEAD FULL THREAD</b>	F05005-1	1	
13	<b>PIVOT, BALL JOINTED ARM</b>	025197	1	
14	<b>CARRIER, (22-LINK) 2500.100.075.0 CABLE</b>	510771	1	

## SECTION 6 POWER FEED SYSTEM

### 6.1 Upper Track Rollers



300\_0035-1E

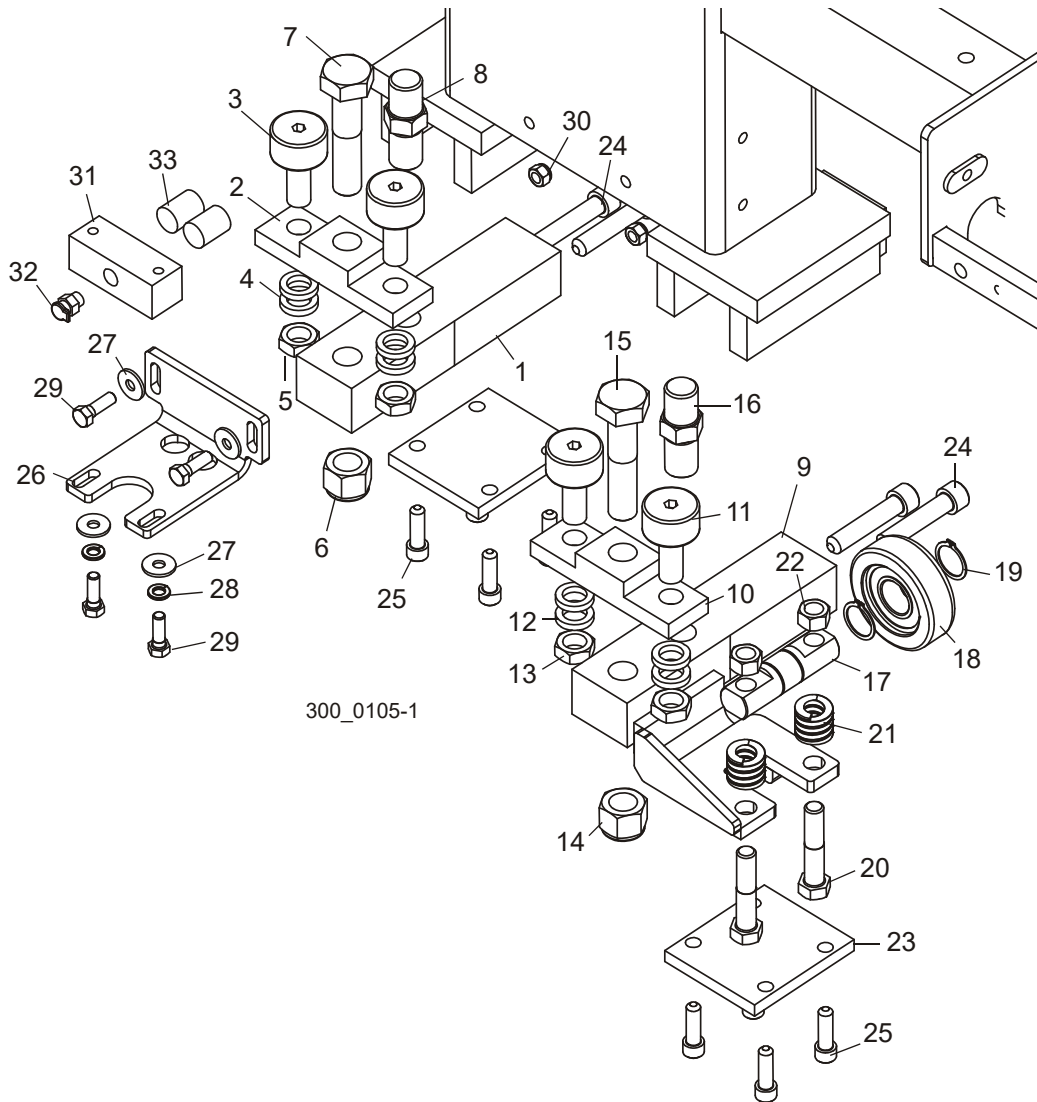
REF.	DESCRIPTION (◆ Indicates Parts Available In Assemblies Only)	PART #	QTY
	<b>BLOCK ASSEMBLY, UPPER ROLLER</b>	042506	2
1	Block, Upper Roller Mount	042505	1
2	Block Assembly, Upper Roller	042507	1
3	Bearing, MG305DDA	023857	2
4	Ring, 1 OR 3100-100 Retaining	F04254-15	2
5	Block, Cam Follower Mount	042500	1

# 6 Power Feed System

## Upper Track Rollers

6	Bearing, Cam Follower 1 1/2 (McGill)	012797	2	
7	Tube, 41/64x1x3/16	S12480	4	
8	Nut, 5/8-18 Hex Jam	F05010-11	2	
9	Washer, 7/8" Split Lock	F05011-46	1	
10	Bolt, 7/8-14 x 3 1/2" Hex Head Grade 5	F05014-1	1	
11	Bolt, 3/4-10 x 4" Hex Head Grade 5	F05013-3	1	
12	Nut, 3/4-10 Nylon Lock	F05010-103	1	
13	Ring, 1 1/8 External Retaining	F04254-36	1	
14	<b>BOLT, 1/2-13 X 3 1/2" FULL THREAD HEX HEAD TAP</b>	F05008-11	1	
15	<b>RAMP WELDMENT, SAWDUST</b>	042379	1	
16	<b>COVER WELDMENT, MIDDLE</b>	042391	1	
17	Wiper Pad, Plastic	045175	2	
18	Wiper Plate	045176	2	
19	Bracket, Proximity Sensor Mount	042112	1	
20	Cover, Top Right	042394	1	
21	Cover, Top Left	042368	1	
22	Nut, 1/2-13 Jam	F05010-31	3	
23	Washer, 3/8" Split Lock	F05011-4	10	
24	Bolt, 3/8-16 x 1 1/2" Hex Head	F05007-3	4	
25	Bolt, 3/8-16 x 1" Hex Head	F05007-7	4	
26	Washer, 3/8" SAE Flat	F05011-3	2	
27	Bolt, 3/8-16 x 1 1/4" Socket Head Cap	F05007-150	2	
28	Washer, 1/2" SAE Flat	F05011-2	2	
29	Washer, 1/2" Split Lock	F05011-9	2	
30	Bolt, 1/2-13 x 1" Hex Head	F05008-50	2	
31	Ramp, Sawdust	016801	1	
32	Washer, 5/16 Standard Flat	F05011-16	8	
33	Washer, 5/16" Split Lock	F05011-13	8	
34	Bolt, 5/16-18 x 3/4" Hex Head	F05006-5	8	
35	Screw, 1/2 -13x 2 FP BO SS	F05008-130	2	
36	Washer, 1/4" SAE Flat	F05011-11	3	
37	Washer, 1/4" Split Lock	F05011-14	3	
38	Bolt, 1/4-20 x 3/4" Hex Head	F05005-129	3	
39	Sensor, XS2D12PA14OD Inductive	093172	3	
40	<b>BLOCK, TOP OILER</b>	045045	2	
41	<b>WASHER, 3/8" SPLIT LOCK</b>	F05011-4	2	
42	<b>BOLT, 3/8-16 X 1 1/2" HEX HEAD</b>	F05007-3	2	
43	<b>FITTING, 1/8 NPT OIL HOLE COVER</b>	036333	2	
44	<b>WIPER, ROUND GRAY FELT</b>	033375	4	

## 6.2 Lower Track Rollers



REF.	DESCRIPTION (◆ Indicates Parts Available In Assemblies Only)	PART #	QTY
	<b>BLOCK ASSEMBLY, LOWER TRACK ROLLER</b>	036345	1
1	Block, Lower Roller	036326	1
2	Block, Cam Follower Mount	042500	1
3	Bearing, Cam Follower 1 1/2 (McGill)	012797	2
4	Tube, 41/64x1x3/16	S12480	4
5	Nut, 5/8-18 Hex Jam	F05010-11	2
6	Nut, 3/4-10 Nylon Lock	F05010-103	1
7	Bolt, 3/4-10x3 1/2 Hex Head Grade 5	F05009-54	1
8	Lock Pin, Head Safety Hex	036324	1

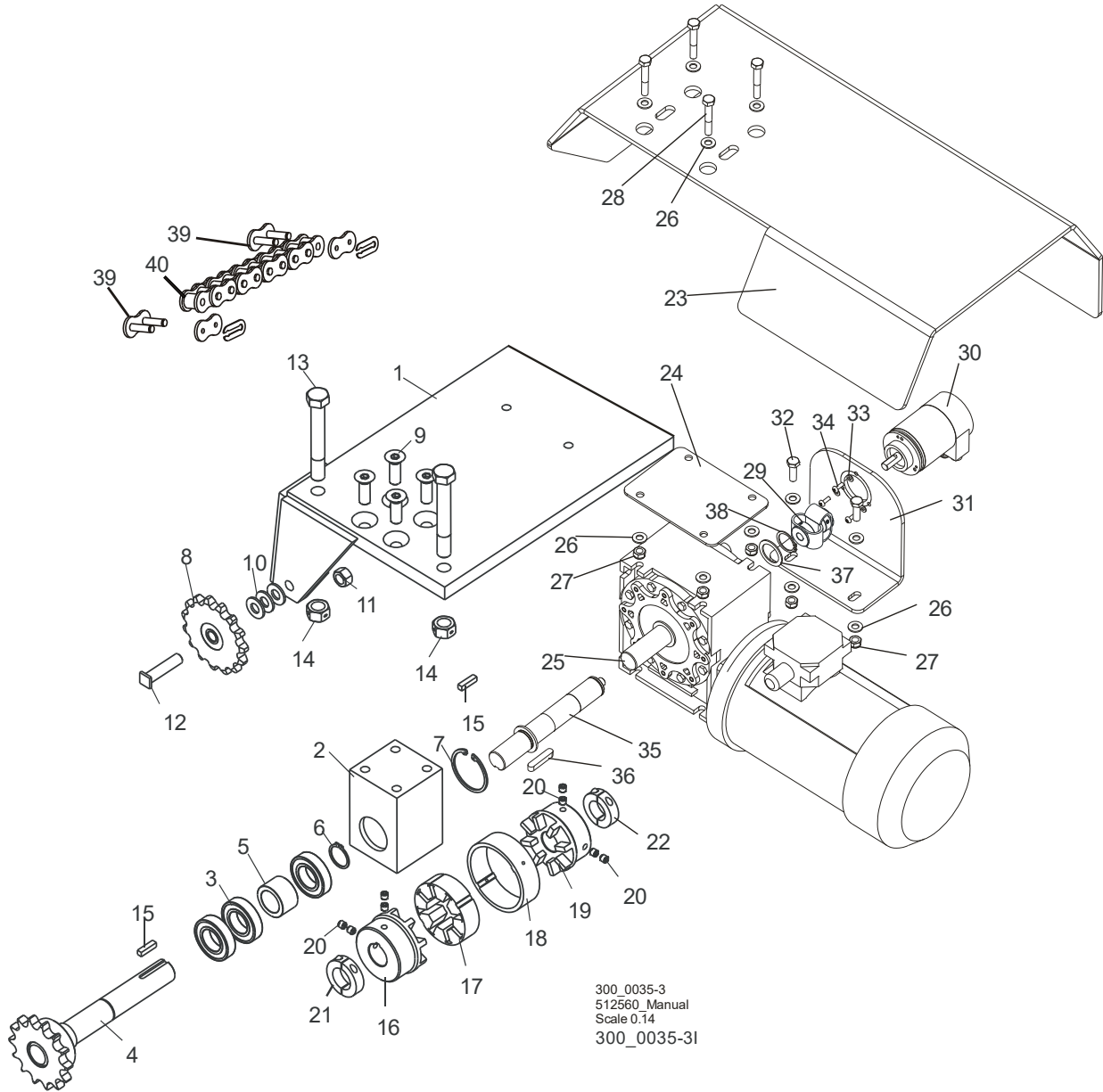
## 6

## Power Feed System

### Lower Track Rollers

	<b>ROLLER ASSEMBLY, LOWER W/BOTTOM ROLLER</b>	036701	1	
9	Roller Weldment, Lower w/Bottom Roller	036700	1	
10	Block, Cam Follower Mount	042500	1	
11	Bearing, Cam Follower 1 1/2 (McGill)	012797	2	
12	Tube, 41/64x1x3/16	S12480	4	
13	Nut, 5/8-18 Hex Jam	F05010-11	2	
14	Nut, 3/4-10 Nylon Lock	F05010-103	1	
15	Bolt, 3/4-10 x 3 1/2" Hex Head Grade 5	F05009-54	1	
16	Lock Pin, Head Safety Hex	036324	1	
17	Shaft, Top Roller Bearing	023858	1	
18	Bearing, MG305DDA	023857	1	
19	Ring, 1 OR 3100-100 Retaining	F04254-15	2	
20	Bolt, 1/2-13 x 2 1/2" Hex Head Grade 5	F05008-74	2	
21	Spring, Die, Heavy 1/2IDx1ODx1	036713	2	
22	Nut, 1/2-13 Swaged Hex	F05010-3	2	
23	<b>PLATE, LOWER ROLLER RETAINER</b>	045158	2	
24	<b>SCREW, 1/2-20 X 2 1/2" SOCKET HEAD CAP</b>	F05008-45	4	
25	<b>SCREW, 3/8-16 X 1 1/4" SOCKET HEAD CAP</b>	F05007-150	8	
26	<b>PLATE, BOTTOM OILER</b>	042415	1	
27	<b>WASHER, 5/16 STANDARD FLAT</b>	F05011-16	4	
28	<b>WASHER, 5/16" SPLIT LOCK</b>	F05011-13	2	
29	<b>BOLT, 5/16-18 X 1" HEX HEAD</b>	F05006-1	4	
30	<b>NUT, 5/16-18 HEX NYLON LOCK</b>	F05010-58	2	
31	<b>BLOCK, BOTTOM OILER</b>	036334	1	
32	<b>FITTING, 1/8 NPT OIL HOLE COVER</b>	036333	1	
33	<b>WIPER, ROUND GRAY FELT</b>	033375	2	

### 6.3 Power Feed Drive Assembly



REF.	DESCRIPTION (◆ Indicates Parts Available In Assemblies Only)	PART #	QTY
	<b>DRIVE ASSEMBLY, POWER FEED</b>	042382	1
1	Plate Weldment, Power Feed Drive Mount	042384	1
	Shaft Assembly, Power Feed Drive	042383	1
2	Block, Power Feed Bearing Housing	042381	1
3	Bearing, R-18	034380	3
4	Shaft Weldment, Power Feed Drive	042365	1
5	Spacer, Power Feed Bearing	042387	1

## 6

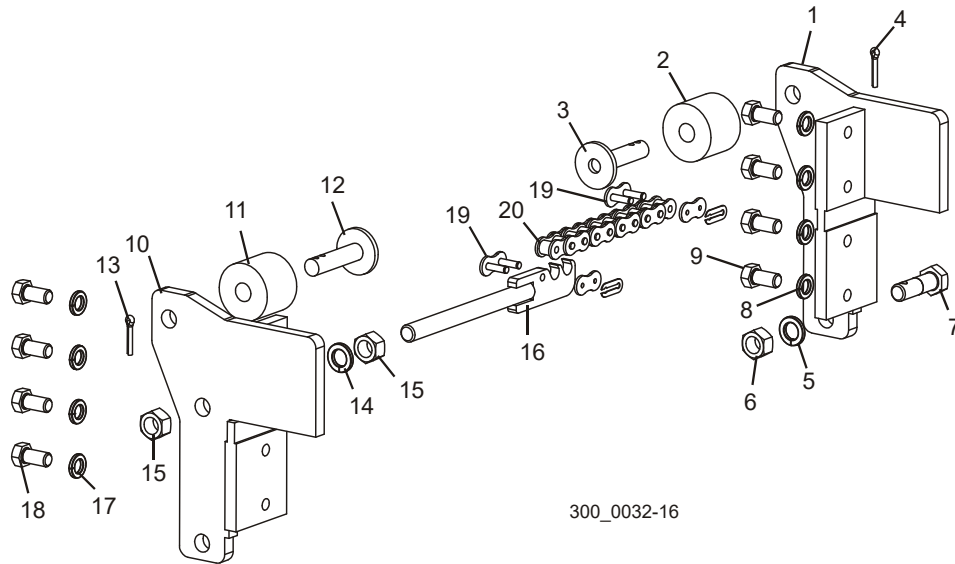
## Power Feed System

### Power Feed Drive Assembly

6	Ring, 1 1/8 External Retaining	F04254-36	1	
7	Ring, 2-1/8 Internal Retaining	F04254-38	1	
8	Sprocket, Power Feed Idler	042367	1	
9	Bolt, 1/2-13x1 1/2 FHS	F05008-80	4	
10	Washer, 1/2" SAE Flat	F05011-2	4	
11	Nut, 1/2-13 Swaged Hex	F05010-3	1	
12	Shaft, Power Feed Idler	016828	1	
13	Bolt, 5/8-11 x 4 1/2" Hex Head Grade 5	F05009-10	2	
14	Nut, 5/8-11 Swaged Hex	F05010-4	2	
15	Key, 1/4" x 1"	S21486	2	
	Coupling, 10Rx1x1-1/8 Power Feed	042655	1	
16	Coupling Body, 10Rx1-1/8	042655-4	1	
17	Coupling Spider, 10R Urethane	042655-2	1	
18	Coupling Ring, 10R Steel	042655-5	1	
19	Coupling Body, 10Rx1	042655-1	1	
20	Screw, M10x1.5x12mm Socket Head Set BO	F05004-189	8	
21	Collar, 1 1/8" Shaft, Clamp-On	038445	1	
22	Collar, 1" Shaft, Clamp-On	038444	1	
23	GUARD, WM4000 POWER FEED MOTOR	510502-1	1	
24	PLATE, LT300 POWER FEED DRIVE	503383-1	1	
25	MOTOREDUCER, SK1SI63-IEC90-90L/4 motor of IE1 class for operation in temp. -25 +45	503380	1	
26	WASHER, 8.4 FLAT ZINC	F81054-1	12	
27	NUT, M8-8-B HEX NYLON ZINC LOCK	F81032-2	6	
28	BOLT, M8x50-8.8 HEX HEAD ZINC	F81002-10	4	
29	COUPLING, 8.0000.1K01.1010 ENCODER	713247	1	
30	ENCODER, CANOPEN XCC3510PS84CBN ABSOLUTE	510264	1	
31	BRACKET, WM4000 ENCODER MOUNT	510704-1	1	
32	BOLT, M8x25-8.8-B HEX HEAD FULL THREAD ZINC	F81002-5	2	
33	WASHER, 4.3 FLAT ZINC	F81051-2	3	
34	SCREW, M4x12-5.8-B CROSS RECESSED PAN HEAD ZINC	F81011-43	3	
	<b>SHAFT ASSEMBLY, LT300 OUTPUT</b>	<b>503408</b>	<b>1</b>	
35	SHAFT, LT300 MOTOREDUCER OUTPUT	503405	1	
36	KEY, A 8X7X40	503407	1	
37	WASHER, LT300 MOTOREDUCER SHAFT	503406-1	1	
38	RING, Z25 OUTSIDE RETAINING	F81090-22	1	
39	LINK, #60 MASTER	042398	2	
40	CHAIN, #60 X 27" POWER FEED	036200	1	



## 6.4 Power Feed Chain & Head Stops

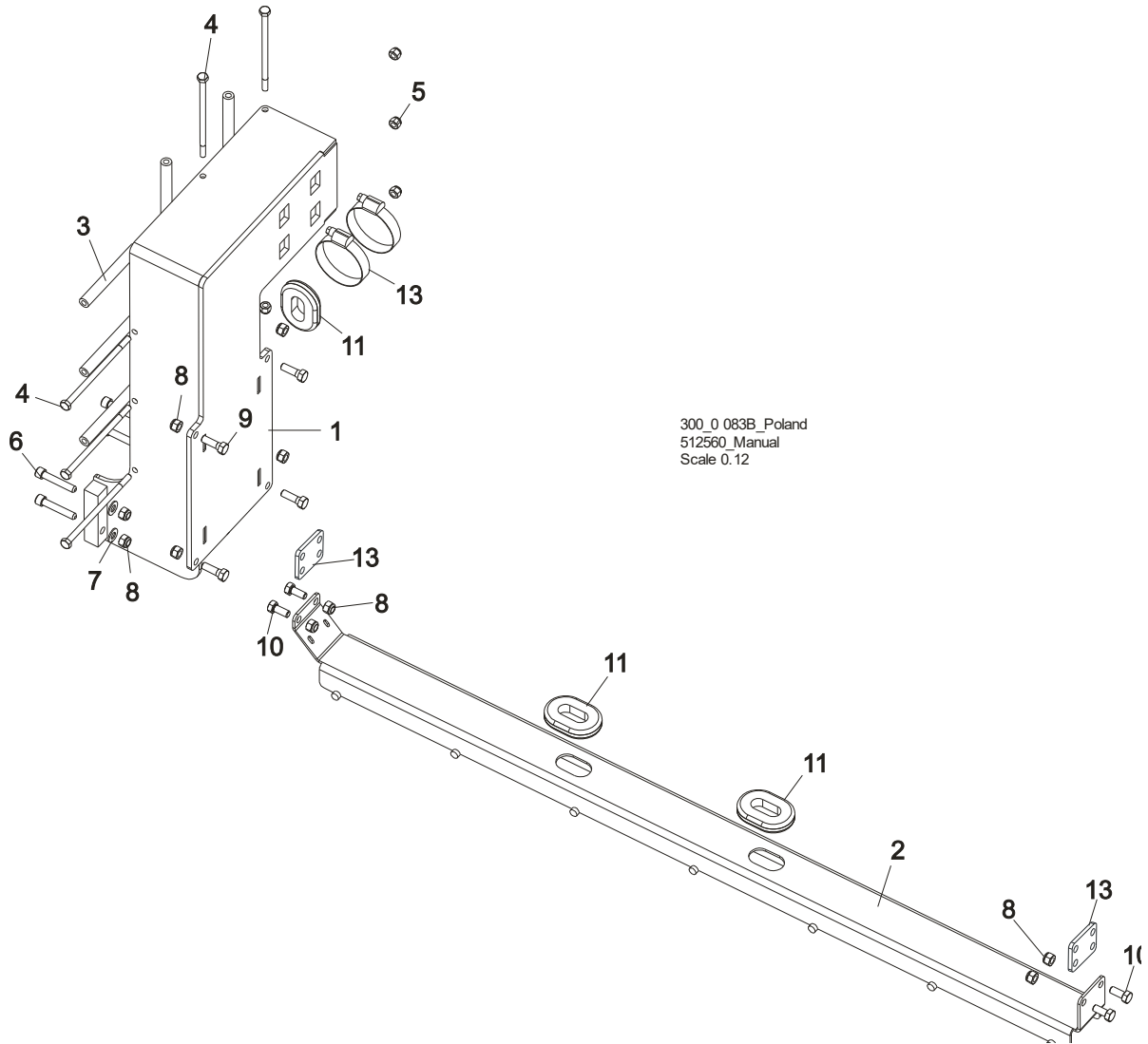


REF.	DESCRIPTION (◆ Indicates Parts Available In Assemblies Only)	PART #	QTY
	<b>STOP ASSEMBLY, HEAD FRONT</b>	035646	1
1	Stop Weldment, Left	042408	1
2	Bushing, 11/16x2 1/8x1 3/4 Rubber	P12165	1
3	Stop Weldment, Carriage Ptd	W09293	1
4	Pin, 3/16" x 1" Cotter	F05012-21	1
5	Washer, 5/8" Split Lock	F05011-27	1
6	Nut, 5/8-18 Hex	F05010-50	1
7	Bolt, #60 Feed Chain Tensioner	035653	1
8	Washer, 1/2" Split Lock	F05011-9	4
9	Bolt, 1/2-13 x 1 Hex Head Grade 8	F05008-128	4
	<b>HEAD STOP ASSY, BED REAR</b>	036199	1
10	Stop Weldment, Right	042411	1
11	Bushing, 11/16x2 1/8x1 3/4 Rubber	P12165	1
12	Stop Weldment, Carriage	W09293	1
13	Pin, 3/16" x 1" Cotter	F05012-21	1
14	Washer, 5/8" Split Lock	F05011-27	1
15	Nut, 5/8-18 Hex	F05010-50	2
16	Rod Weldment, #60 Feed Chain Tensioner	035652	1
17	Washer, 1/2" Split Lock	F05011-9	4
18	Bolt, 1/2-13 x 1 Hex Head Grade 8	F05008-128	4
19	Link, #60 CL	042398	2
20	Chain, #60x27' Power Feed	036200	1

# 6 Power Feed System

## Lower Cable Carrier

### 6.5 Lower Cable Carrier



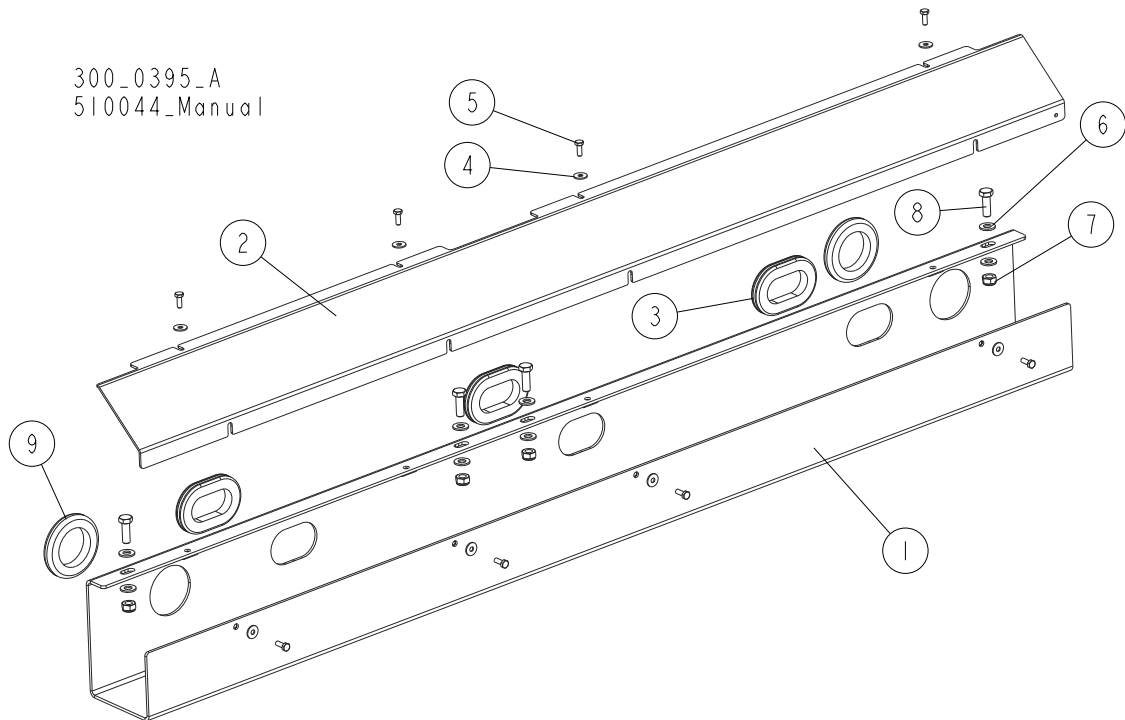
REF.	DESCRIPTION (◆ Indicates Parts Available In Assemblies Only)	PART #	QTY
	<b>LOWER CABLE CARRIER ASSEMBLY</b>	036342	1
1	Mount Weldment, Cable Carrier	036329	1
2	Cable Carrier, Lower	036341	1
3	Spacer, Wireway	042111	5
4	Bolt, 1/4-20 x 5" Hex Head	F05005-146	5
5	Nut, 1/4-20 Nylon Lock	F05010-69	5
6	Screw, 5/16-18 x 1 3/4" Socket Head Cap	F05006-65	4

---

<b>7</b>	Washer, 5/16 SAE Flat	F05011-17	4	
<b>8</b>	Nut, 5/16-18 Hex Nylon Lock	F05010-58	12	
<b>9</b>	Bolt, 5/16-18 x 1" Hex Head	F05006-1	4	
<b>10</b>	Bolt, 5/16-18 x 3/4" Hex Head	F05006-5	4	
<b>11</b>	Grommet, 1" x 1 3/4" Rubber (Oval)	085613	3	
<b>12</b>	Clamp, 2-1/2" Worm	P09895	2	
<b>13</b>	<b>PLATE, CABLE CARRIER MOUNTING</b>	510835-1	2	

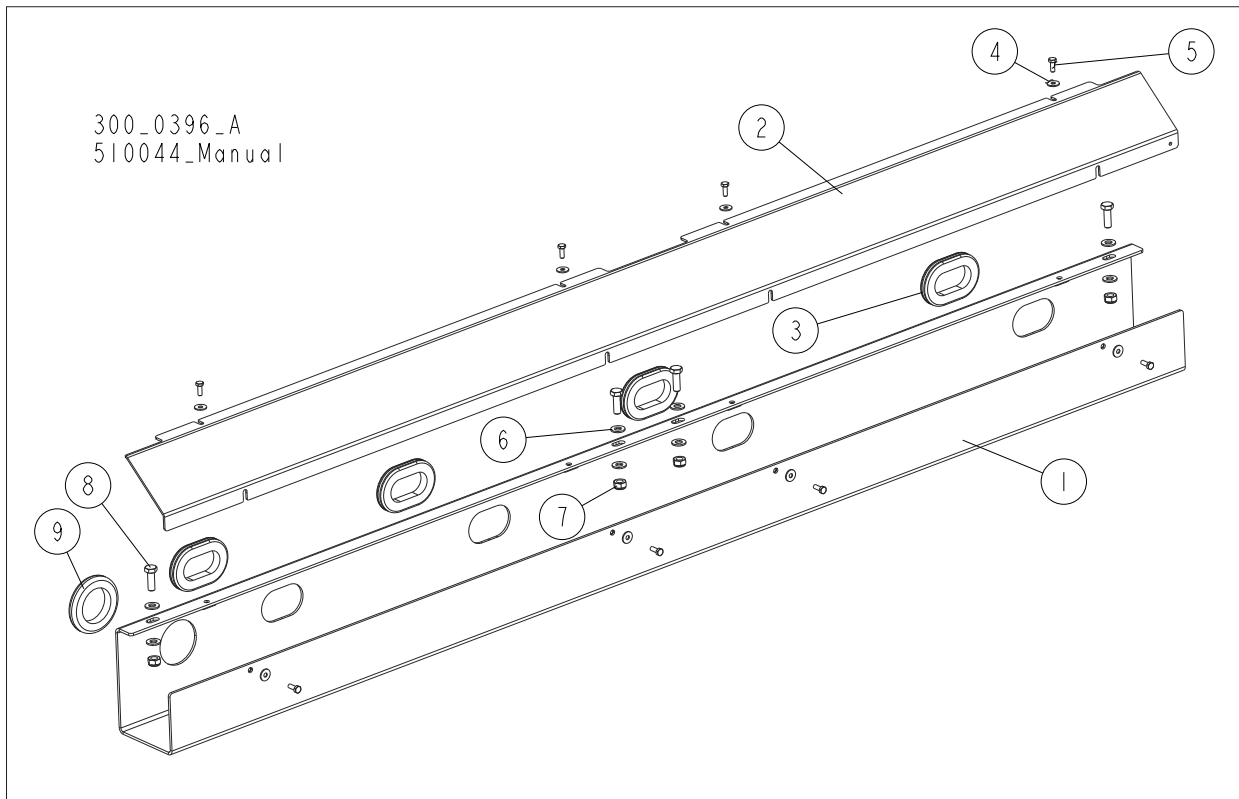
## SECTION 7 BED FRAME ASSEMBLY

### 7.1 Front Hydraulic Hose Duct



REF.	DESCRIPTION (◆ Indicates Parts Available In Assemblies Only)	PART NO.	QTY
	<b>DUCT, FRONT HYDRAULIC HOSE - COMPLETE</b>	<b>510240</b>	<b>1</b>
1	DUCT WELDMENT, FRONT HYDRAULIC HOSE	510237-1	1
2	COVER, FRONT HYDRAULIC HOSE DUCT	510239-1	1
3	GROMMET, 70x36x4 RUBBER	089532	3
4	WASHER, 6.5 SPECIAL FLAT ZINC	F81053-11	8
5	BOLT, M6x16 8.8 HEX HEAD FULL THREAD ZINC	F81001-15	8
6	WASHER, 10.5 FLAT ZINC	F81055-1	8
7	NUT, M10-8-B HEX NYLON ZINC LOCK	F81033-1	4
8	BOLT, M10x30-5.8 HEX HEAD FULL THREAD ZINC	F81003-2	4
9	SEAL RUBBER, WIRE	085614	2

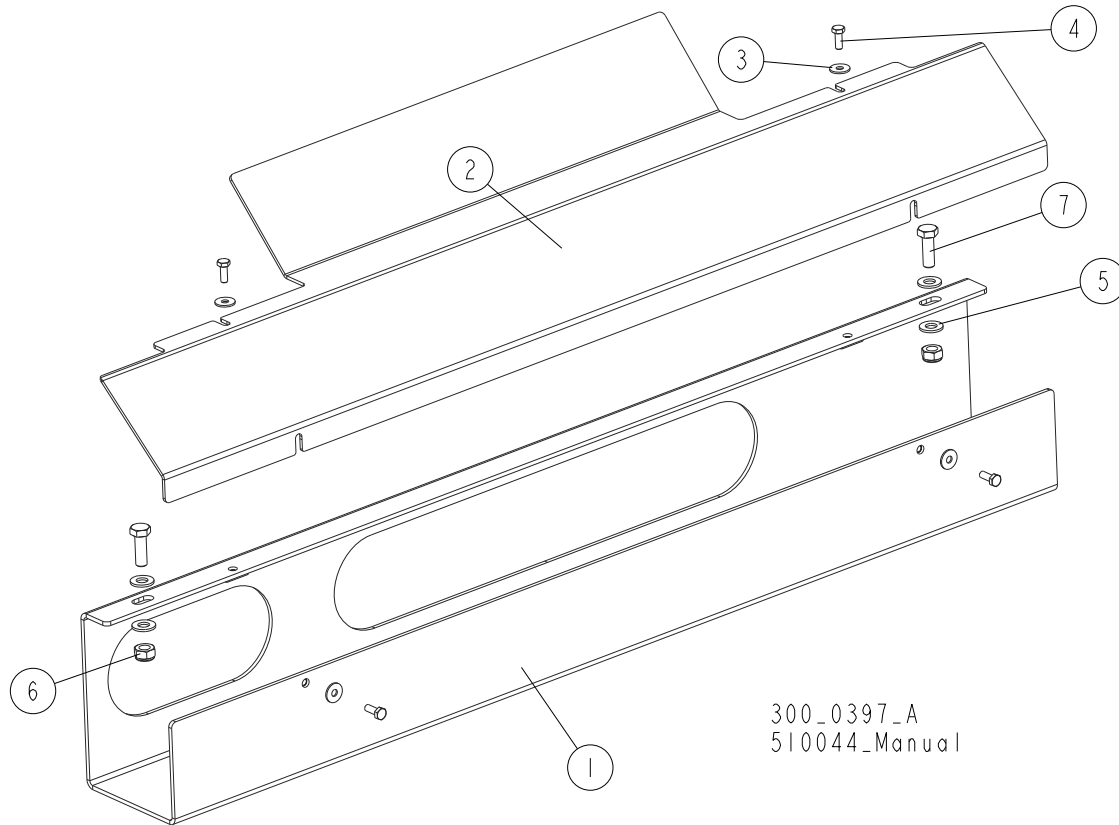
## 7.2 Middle Hydraulic Hose Duct



REF.	DESCRIPTION (◆ Indicates Parts Available In Assemblies Only)	PART NO.	QTY
	<b>DUCT, MIDDLE HYDRAULIC HOSE - COMPLETE</b>	<b>510235</b>	<b>1</b>
1	DUCT, MIDDLE HYDRAULIC HOSE	510234-1	1
2	COVER, MIDDLE HYDRAULIC HOSE DUCT	510238-1	1
3	GROMMET, 70x36x4 RUBBER	089532	4
4	WASHER, 6.5 SPECIAL FLAT ZINC	F81053-11	8
5	BOLT, M6x16 8.8 HEX HEAD FULL THREAD ZINC	F81001-15	8
6	WASHER, 10.5 FLAT ZINC	F81055-1	8
7	NUT, M10-8-B HEX NYLON ZINC LOCK	F81033-1	4
8	BOLT, M10x30-5.8 HEX HEAD FULL THREAD ZINC	F81003-2	4
9	SEAL RUBBER, WIRE	085614	1

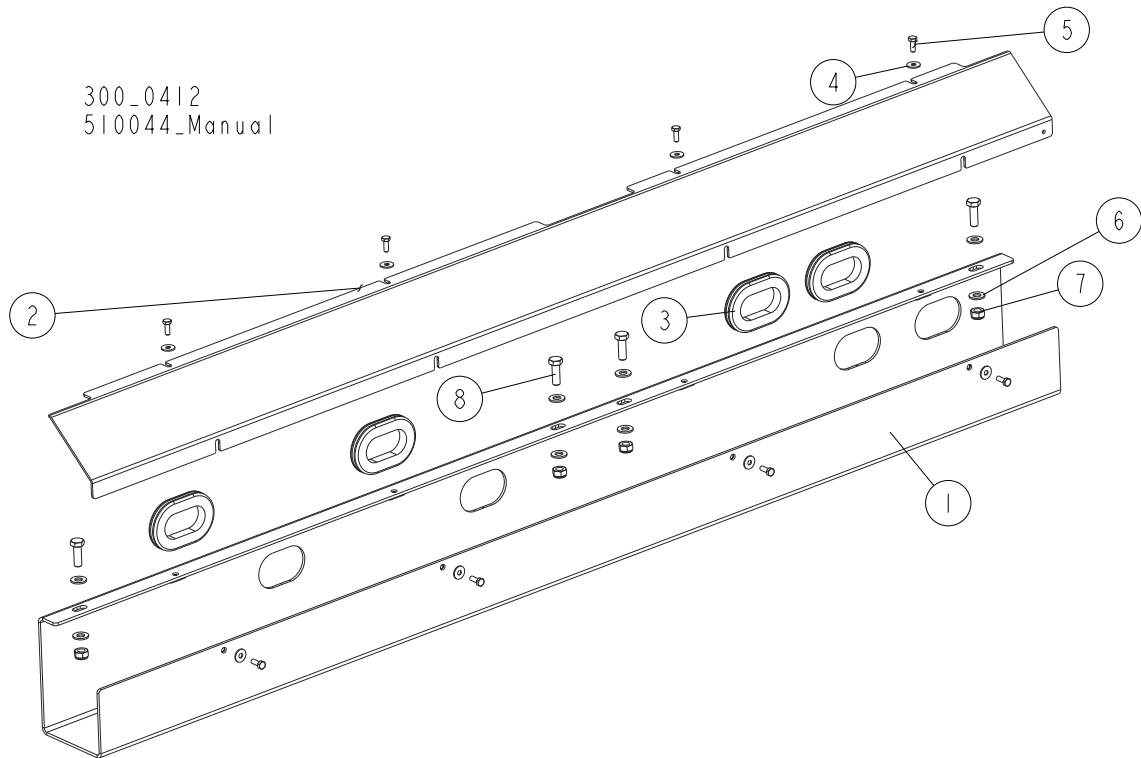
**7** **Bed Frame Assembly**  
Rear Hydraulic Hose Duct

**7.3 Rear Hydraulic Hose Duct**



REF.	DESCRIPTION (◆ Indicates Parts Available In Assemblies Only)	PART NO.	QTY
	<b>DUCT, REAR HYDRAULIC HOSE - COMPLETE</b>	<b>510510</b>	<b>1</b>
1	DUCT WELDMENT, REAR HYDRAULIC HOSE	510509-1	1
2	COVER, REAR HYDRAULIC HOSE DUCT	510511-1	1
3	WASHER, 6.5 SPECIAL FLAT ZINC	F81053-11	4
4	BOLT, M6x16 8.8 HEX HEAD FULL THREAD ZINC	F81001-15	4
5	WASHER, 10.5 FLAT ZINC	F81055-1	4
6	NUT, M10-8-B HEX NYLON ZINC LOCK	F81033-1	2
7	BOLT, M10x30-5.8 HEX HEAD FULL THREAD ZINC	F81003-2	2

### 7.4 Front Hydraulic Hose Duct

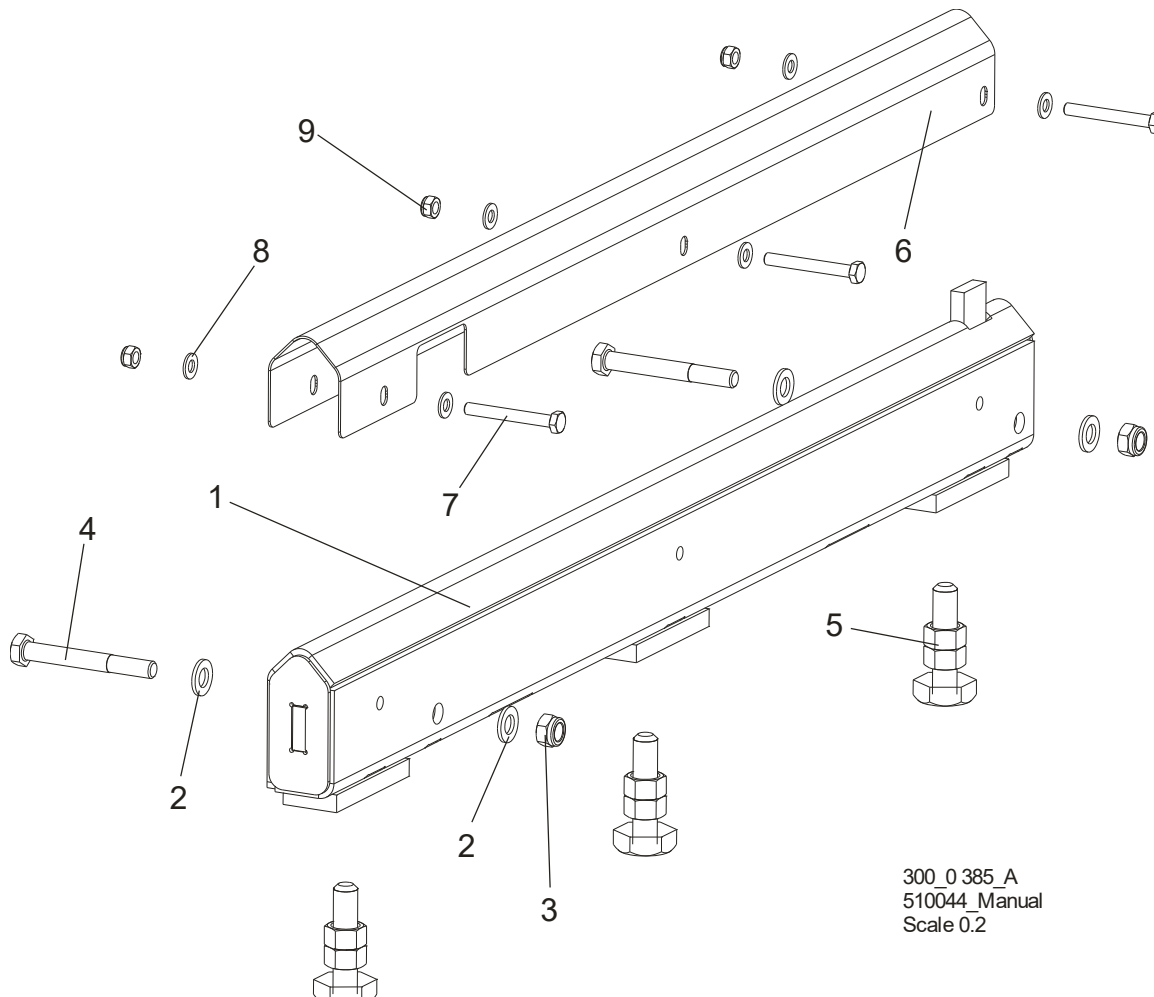


REF.	DESCRIPTION (◆ Indicates Parts Available In Assemblies Only)	PART NO.	QTY
	<b>DUCT, FRONT HYDRAULIC HOSE - COMPLETE</b>	<b>519000</b>	<b>1</b>
1	DUCT WELDMENT, FRONT HYDRAULIC HOSE	519003-1	1
2	COVER, FRONT HYDRAULIC HOSE DUCT	519001-1	1
3	GROMMET, RUBBER	089532	4
4	WASHER, FLAT ZINC	F81053-11	8
5	BOLT, M6 X 16 8.8 FE/ZN5 PN-M/82105	F81001-15	8
6	WASHER, 10.5 FLAT ZINC	F81055-1	8
7	NUT, M10-8-B HEX NYLON ZINC LOCK	F81033-1	4
8	BOLT, M10X30-5.8 HEX HEAD FULL THREAD ZI	F81003-2	4

# 7 Bed Frame Assembly

## Bed Rail

### 7.5 Bed Rail



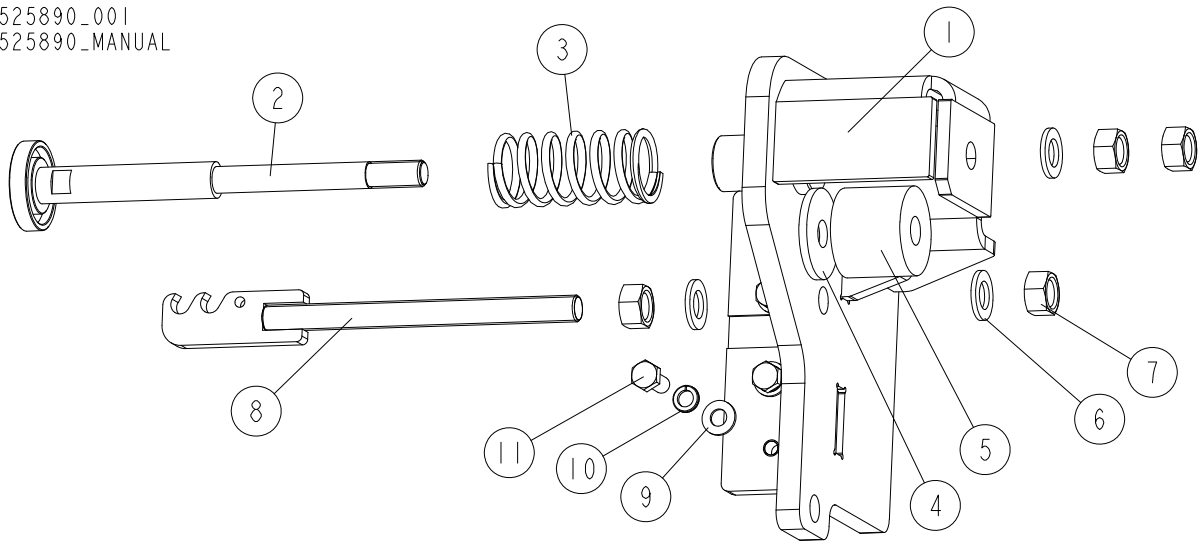
300\_0 385\_A  
510044\_Manual  
Scale 0.2

REF.	DESCRIPTION (◆ Indicates Parts Available In Assemblies Only)	PART NO.	PCS/ALL	
1	RAIL, WM4000 BED - ADJUSTABLE (SPECIAL)	509320	1	
2	WASHER, 13 FLAT ZINC	F81056-1	4	
3	NUT, M12-8 HEX NYLON ZINC LOCK	F81034-2	2	
4	BOLT, M8x65-5.8 HEX HEAD ZINC	F81004-29	2	
5	M16 BOLT & 2 NUTS	093710	3	
6	COVER, WM3500 BED RAIL	509850	1/7	
7	BOLT, M8x65 8.8 HEX HEAD FULL THREAD ZINC	F81002-9	3/21	
8	WASHER, 8.4 FLAT ZINC	F81054-1	6/42	
9	NUT, M8-8-B HEX NYLON ZINC LOCK	F81032-2	3/21	



## 7.6 Rear Bumper, WM4000

525890\_001  
525890\_MANUAL



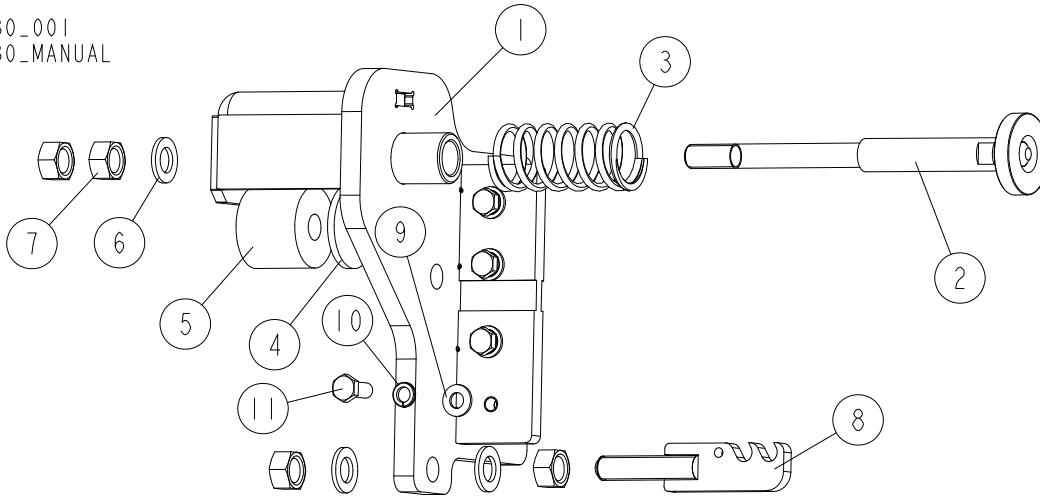
REF.	DESCRIPTION (◆ Indicates Parts Available In Assemblies Only)	PART NO.	QTY
-	<b>BUMPER, WM4000 REAR - COMPLETE</b>	525890	1
1	BRACKET, WM4000 REAR BUMPER - COMPLETE	525885-1	1
2	PIN, BUMPER SPRING - COMPLETE	525878-1	1
3	SPRING, 5X95.5X5 ALCOMEX D3890	525879	1
4	WASHER, 16.5/55-5	525881-1	1
5	BUSHING, 11/16X2 1/8X1 3/4 RUBBER	P12165	1
6	WASHER, 17 SPLIT LOCK ZINC	F81058-1	3
7	NUT, M16-8 HEX ZINC	F81036-1	4
8	BRACKET, LT300 FRONT ZINC-PLATED CHAIN HOOK	094021-1	1
9	WASHER, 10.5 FLAT ZINC	F81055-1	4
10	WASHER, 10.2 SPLIT LOCK ZINC	F81055-2	4
11	BOLT, M10X25 8.8 HEX HEAD FULL THREAD ZINC	F81003-11	4

# 7 Bed Frame Assembly

## Front Bumper, WM4000

### 7.7 Front Bumper, WM4000

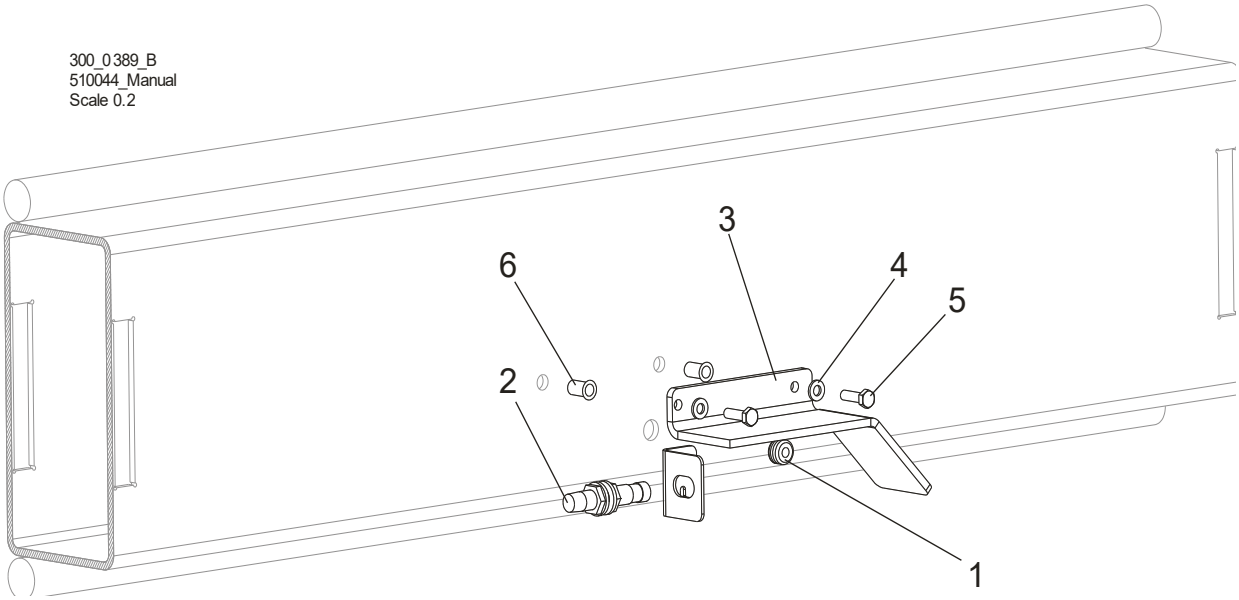
525880\_001  
525880\_MANUAL



REF.	DESCRIPTION (◆ Indicates Parts Available In Assemblies Only)	PART NO.	QTY
-	<b>BUMPER, WM4000 FRONT - COMPLETE</b>	525880	1
1	BRACKET, WM4000 FRONT BUMPER - COMPLETE	525884-1	1
2	PIN, BUMPER SPRING - COMPLETE	525878-1	1
3	SPRING, 45X95,5X5 ALCOMEX D3890	525879	1
4	WASHER, 16.5/55-5	525881-1	1
5	BUSHING, 11/16X2 1/8X1 3/4 RUBBER	P12165	1
6	WASHER, 17 SPLIT LOCK ZINC	F81058-1	3
7	NUT, M16-8 HEX ZINC	F81036-1	4
8	BRACKET, LT300 CHAIN HOOK ZINC-PLATED	094373-1	1
9	WASHER, 10.5 FLAT ZINC	F81055-1	4
10	WASHER, 10.2 SPLIT LOCK ZINC	F81055-2	4
11	BOLT, M10X25 8.8 HEX HEAD FULL THREAD ZINC	F81003-11	4

**7.8 Side Support Sensor Guard**

300\_0389\_B  
 510044\_Manual  
 Scale 0.2

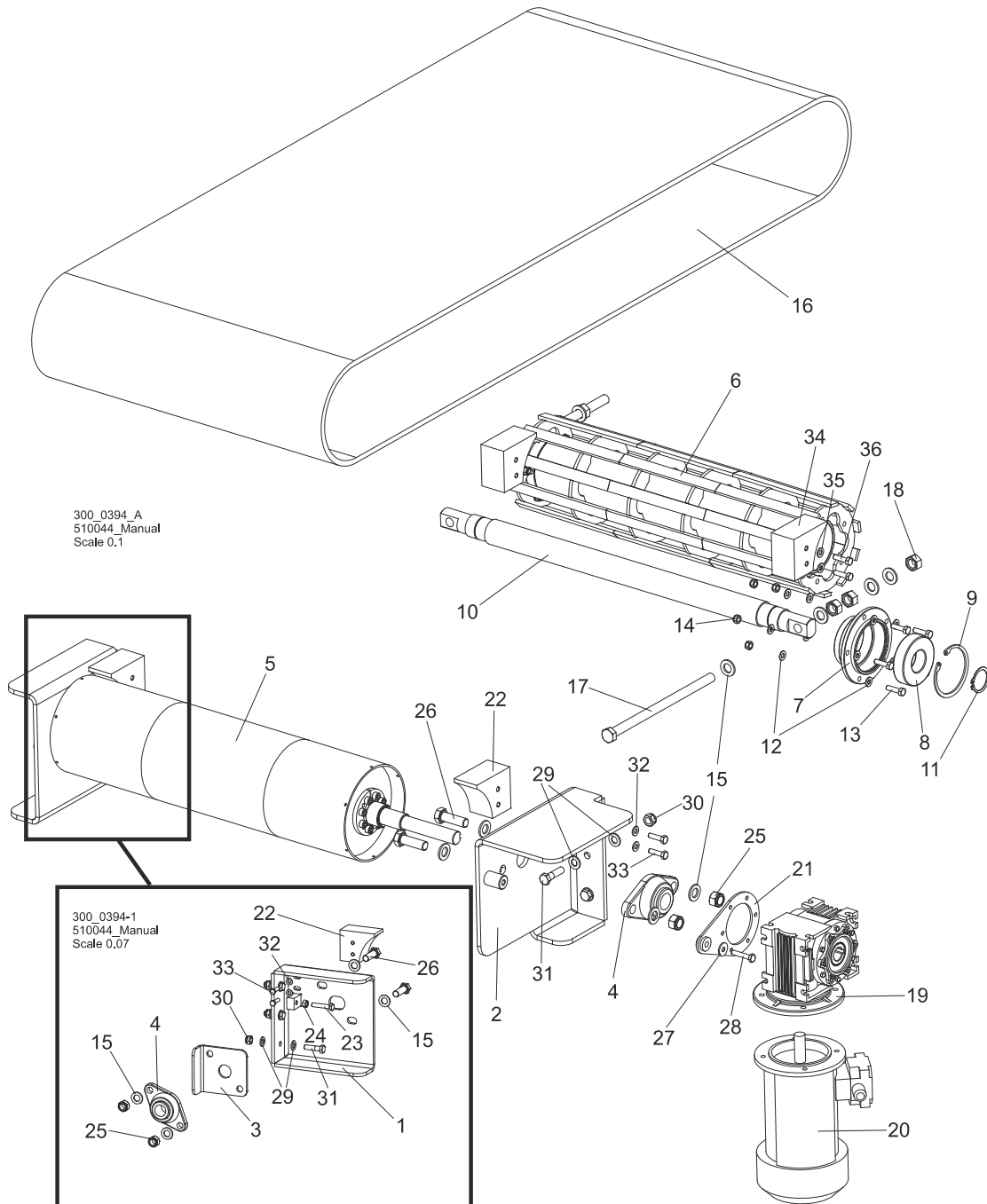


REF.	DESCRIPTION (◆ Indicates Parts Available In Assemblies Only)	PART NO.	QTY
1	GROMMET, GH6 RUBBER	085338	1
2	SENSOR, BES M12MG-PSC80F-S04G INDUCTIVE PROXIMITY	093168	1
3	GUARD, SIDE SUPPORT SENSOR	510507-1	1
4	WASHER, 6.4 FLAT ZINC	F81053-1	2
5	BOLT, M6x20-8.8 HEX HEAD FULL THREAD ZINC	F81001-2	2
6	NUT, M6/1.5-3.0 BLIND RIVET	F81031-8	2

# 7 Bed Frame Assembly

## WM4000 Belt Conveyor

### 7.9 WM4000 Belt Conveyor



REF.	DESCRIPTION (◆ Indicates Parts Available In Assemblies Only)	PART NO.	QTY
	<b>COMPLETE WM4000 BELT CONVEYOR</b>	<b>511280</b>	<b>1</b>
1	BRACKET WELDMENT, PULLEY MOUNT - LEFT	511296-1	1
2	BRACKET WELDMENT, PULLEY MOUNT - RIGHT	511293-1	1

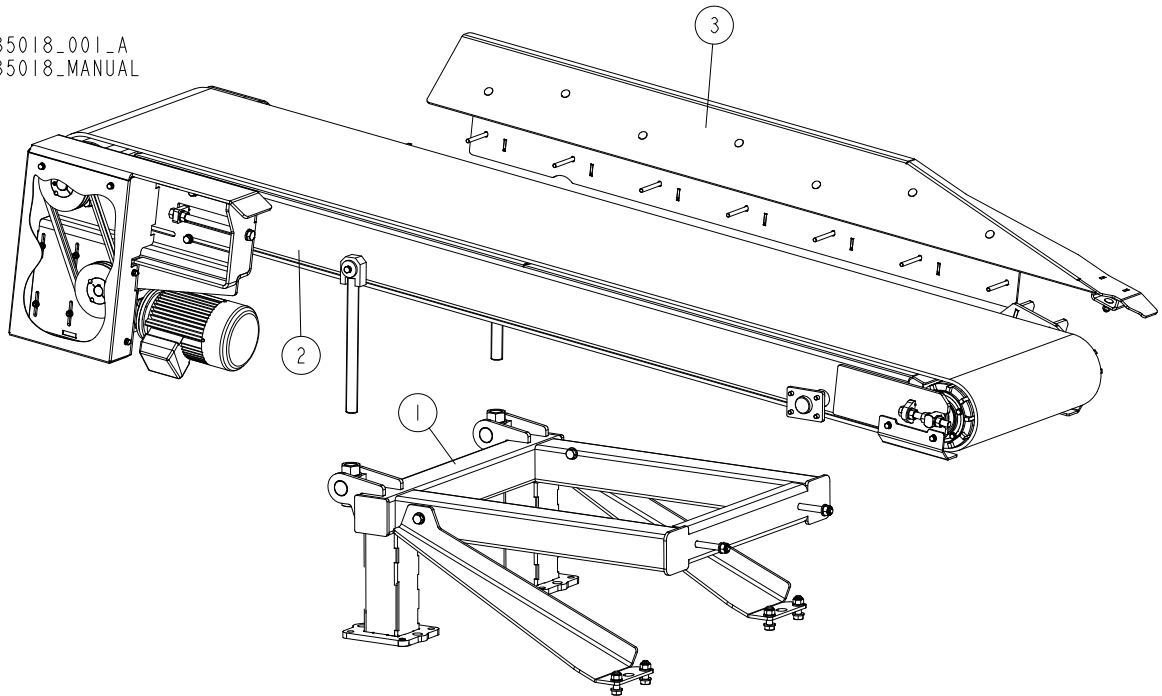
3	PLATE, BELT TENSION CORRECTION	511278-1	1	
4	BEARING, UCFL 206 CX W/HOUSING	090851	2	
5	PULLEY, BELT CONVEYOR	538054	1	
	<b>ROLLER, WM4000 IDLE SIDE - COMPLETE</b>	<b>511286</b>	<b>1</b>	
6	ROLLER, BELT SCRAPER	519965-1	1	
	<b>HUB, ROLLER BEARING - COMPLETE</b>	<b>511305</b>	<b>2</b>	
7	HUB, ROLLER BEARING	511304-1	1	
8	BEARING, 6308 2RS CX	504268	1	
9	RING, W90 INSIDE RETAINING	F81090-29	1	
10	SHAFT, IDLE SIDE ROLLER	511283	1	
11	RING, Z40 OUTSIDE RETAINING	F81090-33	2	
12	WASHER, 8.4 FLAT ZINC	F81054-1	20	
13	BOLT, M8x30-5.8 HEX HEAD FULL THREAD ZINC	F81002-2	10	
14	NUT, M8-8-B HEX NYLON ZINC LOCK	F81032-2	10	
15	WASHER, 17 FLAT ZINC	F81058-1	16	
16	BELT, 2M0P3 LG3216X600	511290	1	
17	BOLT, M16X290-8.8 -A2 FULL THREAD	F81006-27	2	
18	NUT, M16-5.8 HEX ZINC	F81036-1	6	
	<b>MOTOREDUCER, MR-50/7.5/1.1-1400/F3/V6</b>	<b>509560</b>	<b>1</b>	
19	REDUCER, MR-50/7.5/160	509557	1	
20	MOTOR, SKh80X-4C1 IMB14/1-162 INDUCTION	090104	1	
21	ARM, R50 TORQUE	509558	1	
22	BLOCK, SAFETY	511295	2	
23	BOLT, M10x50-8.8 HEX HEAD FULL THREAD ZINC	F81003-4	1	
24	NUT, M10-8-B HEX ZINC	F81033-3	1	
25	NUT, M16-8 HEX NYLON ZINC LOCK	F81036-2	4	
26	BOLT, M16x50-8.8 HEX HEAD FULL THREAD ZINC	F81006-38	4	
27	WASHER, 8.5 SPECIAL FLAT ZINC	F81054-11	1	
28	BOLT, M8x40-8.8 HEX HEAD FULL THREAD ZINC	F81002-15	1	
29	WASHER, 13 FLAT ZINC	F81056-1	12	
30	NUT, M12-8 HEX NYLON ZINC LOCK	F81034-2	6	
31	BOLT, M12x45-8.8 HEX HEAD ZINC	F81004-32	6	
32	WASHER, 8.4 FLAT ZINC	F81054-1	4	
33	BOLT, M8x30-5.8 HEX HEAD FULL THREAD ZINC	F81002-2	4	
34	<b>BLOCK, SAFETY</b>	<b>511295</b>	<b>2</b>	
35	<b>WASHER, 8.4 FLAT ZINC</b>	<b>F81054-1</b>	<b>4</b>	
36	<b>BOLT, M8x30-5.8 HEX HEAD FULL THREAD ZINC</b>	<b>F81002-2</b>	<b>4</b>	



**Bed Frame Assembly**  
Adjustable Belt Conveyor, WM4000

**7.10 Adjustable Belt Conveyor, WM4000**

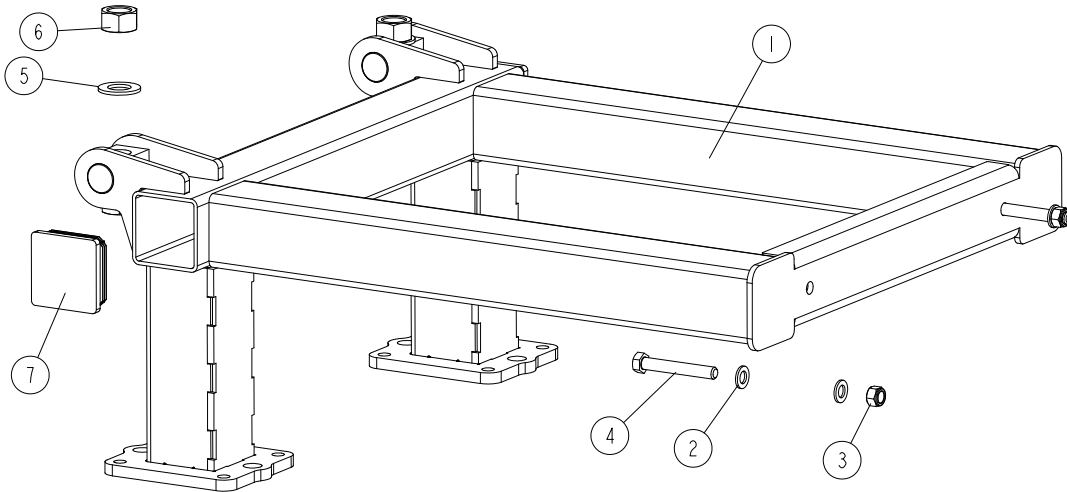
535018\_001\_A  
535018\_MANUAL



REF.	DESCRIPTION (◆ Indicates Parts Available In Assemblies Only)	PART NO.	QTY
-	<b>CONVEYOR, WM4000 ADJUSTABLE BELT</b>	535018	1
1	SUPPORT ASSEMBLY, ADJUSTABLE BELT CONVEYOR	535025	1
2	TABLE, ADJUSTABLE BELT CONVEYOR	533490	1
3	PLATE, GUIDE - COMPLETE	536594	1

**7.11 Support Assembly, WM4000**

535025\_001  
 535025\_MANUAL



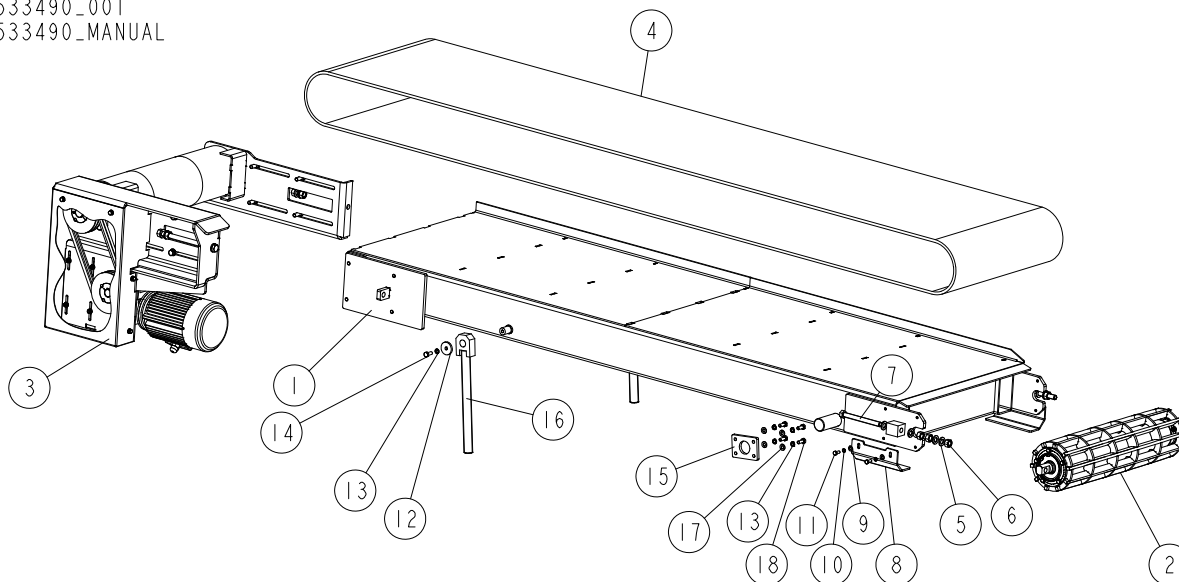
REF.	DESCRIPTION (◆ Indicates Parts Available In Assemblies Only)	PART NO.	QTY
-	<b>SUPPORT ASSEMBLY, ADJUSTABLE BELT CONVEYOR</b>	535025	1
1	FRAME, CONVEYOR SUPPORT	533478-1	1
2	WASHER, 17 SPLIT LOCK ZINC	F81058-1	4
3	NUT, M16-8 HEX NYLON ZINC LOCK	F81036-2	2
4	BOLT, M16X110-8.8-B HEX HEAD ZINC	F81006-24	2
5	WASHER, 31 FLAT ZINC	F81061-9	4
6	NUT, M30 HEX ZINC	F81038-3	4
7	CAP, 100X100 #199200 SQUARE TUBE END	090694	2

# 7 Bed Frame Assembly

## Adjustable Belt Conveyor Table, WM4000

### 7.12 Adjustable Belt Conveyor Table, WM4000

533490\_001  
533490\_MANUAL

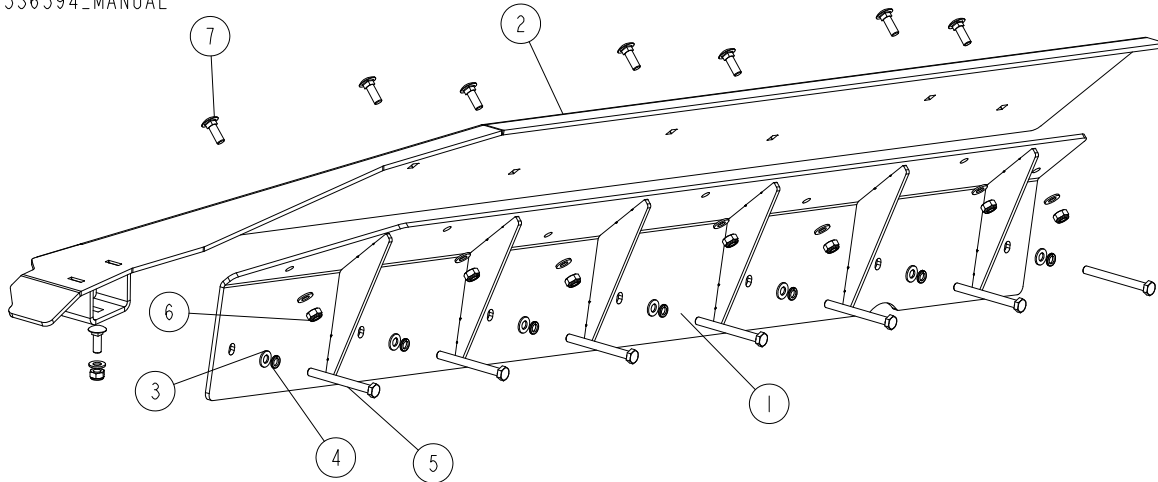


REF.	DESCRIPTION (◆ Indicates Parts Available In Assemblies Only)	PART NO.	QTY
-	<b>TABLE, ADJUSTABLE BELT CONVEYOR</b>	533490	1
1	TABLE WELDMENT, ADJUSTABLE BELT CONVEYOR	533489-1	1
2	PULLEY, IDLER	533494	1
3	PULLEY ASSEMBLY, DRIVE ( <a href="#">See Section 7.14</a> )	535079	1
4	BELT, 2MOP3 LG5950X600 CONVEYOR	533482	1
5	WASHER, 17 SPLIT LOCK ZINC	F81058-1	8
6	NUT, M16-8 HEX ZINC	F81036-1	6
7	BOLT, M16X160 8.8 HEX HEAD FULL THREAD ZINC	F81006-23	2
8	ANGLE, RETAINING	534302	2
9	WASHER, 8.4 FLAT ZINC	F81054-1	4
10	WASHER, 8.2 SPLIT LOCK ZINC	F81054-4	4
11	BOLT, M8X20 8.8 HEX HEAD FULL THREAD ZINC	F81002-4	4
12	WASHER, 10.5/45-6 ZINC-PLATED	086286-1	2
13	WASHER, Z 10.2 SPLIT LOCK ZINC	F81055-2	10
14	BOLT, M10X25 8.8 HEX HEAD FULL THREAD	F81003-31	2
15	PLATE, LOCKING	533464-1	2
16	ROD WELDMENT, CONVEYOR TILT ADJUSTMENT ZINC-PLATED	711773-1	2
17	WASHER, 10.5 FLAT ZINC	F81055-1	8
18	BOLT, M10X25 8.8 HEX HEAD FULL THREAD ZINC	F81003-11	8



7.13 Guide Plate, WM4000

536594\_001  
 536594\_MANUAL



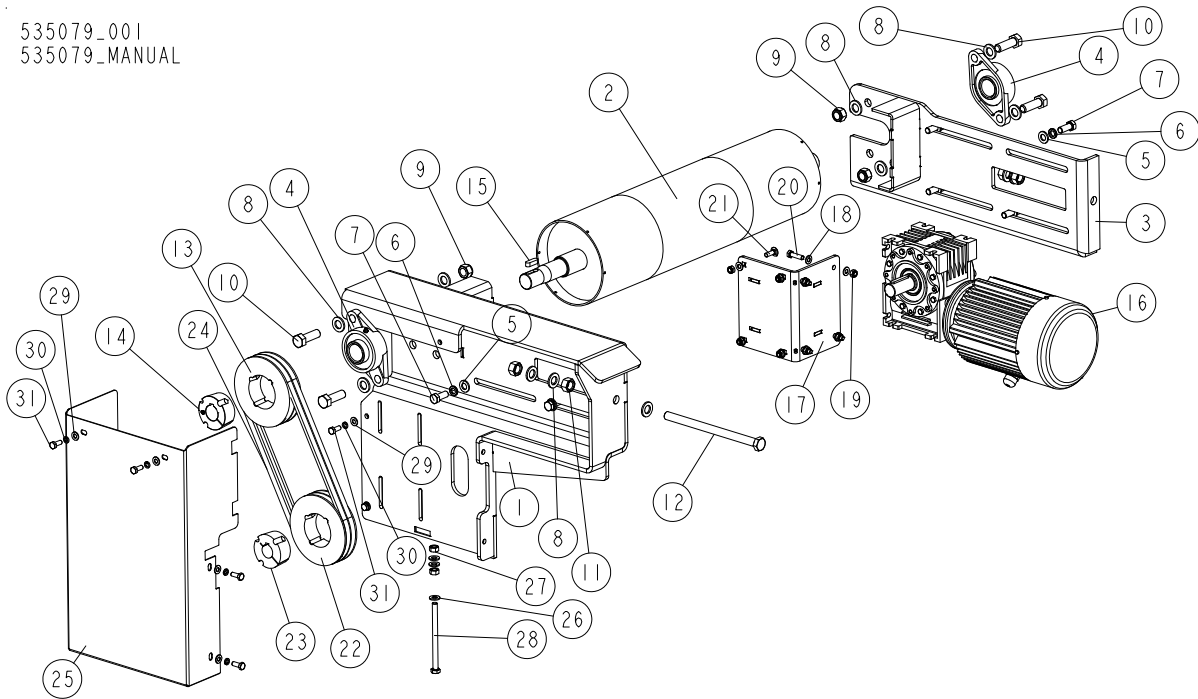
REF.	DESCRIPTION (◆ Indicates Parts Available In Assemblies Only)	PART NO.	QTY
-	PLATE, GUIDE - COMPLETE	536594	1
1	MOUNT WELDMENT	536595-1	1
2	PLATE, GUIDE	536599-1	1
3	WASHER, 10.5 FLAT ZINC	F81055-1	15
4	WASHER, Z 10.2 SPLIT LOCK ZINC	F81055-2	7
5	BOLT, M10X100-8.8 HEX HEAD ZINC	F81003-52	7
6	NUT, M10-8-B HEX NYLON ZINC LOCK	F81033-1	8
7	BOLT, M10X30-8.8 CARRIAGE ZINC	F81003-101	8

# 7 Bed Frame Assembly

## Drive Pulley Assembly, WM4000

### 7.14 Drive Pulley Assembly, WM4000

535079\_001  
535079\_MANUAL



REF.	DESCRIPTION (◆ Indicates Parts Available In Assemblies Only)	PART NO.	QTY
-	<b>PULLEY ASSEMBLY, DRIVE</b>	535079	1
1	BRACKET, PULLEY DRIVE MOUNT	535080-1	1
2	PULLEY, DRIVE - COMPLETE	535049	1
3	BRACKET, DRIVE PULLEY	534313-1	1
4	BEARING, UCFL 207 W/HOUSING	524021	2
5	WASHER, 13 FLAT ZINC	F81056-1	8
6	WASHER, Z12.2 SPLIT LOCK ZINC	F81056-2	8
7	BOLT, M12X30 8.8 HEX HEAD FULL THREAD ZINC	F81004-22	8
8	WASHER, 17 SPLIT LOCK ZINC	F81058-1	14
9	NUT, M16-8 HEX NYLON ZINC LOCK	F81036-2	4
10	BOLT, M16X50-8.8 HEX HEAD FULL THREAD ZINC	F81006-7	4
11	NUT, M16-8 HEX ZINC	F81036-1	4
12	BOLT, ISO 4017-M16X240-8.8-A2E HEX HEAD FULL THREAD	F81006-29	2
-	PULLEY, 2X SPA 140 X 32	535076	1
13	PULLEY, 2X SPA 140	535064	1
14	BUSHING, 2012X32 TAPER LOCK	535075	1
15	KEY, A10X8X32 PARALLEL	507591	1
-	MOTOREDUCER W/BRACKET	535062	1
16	MOTOREDUCER, MR-63/16[2,2-2800-140/24-PTC-IE2-[S3=60%]-G]WJ2/B3	535078	1

**Bed Frame Assembly**  
*Drive Pulley Assembly, WM4000*

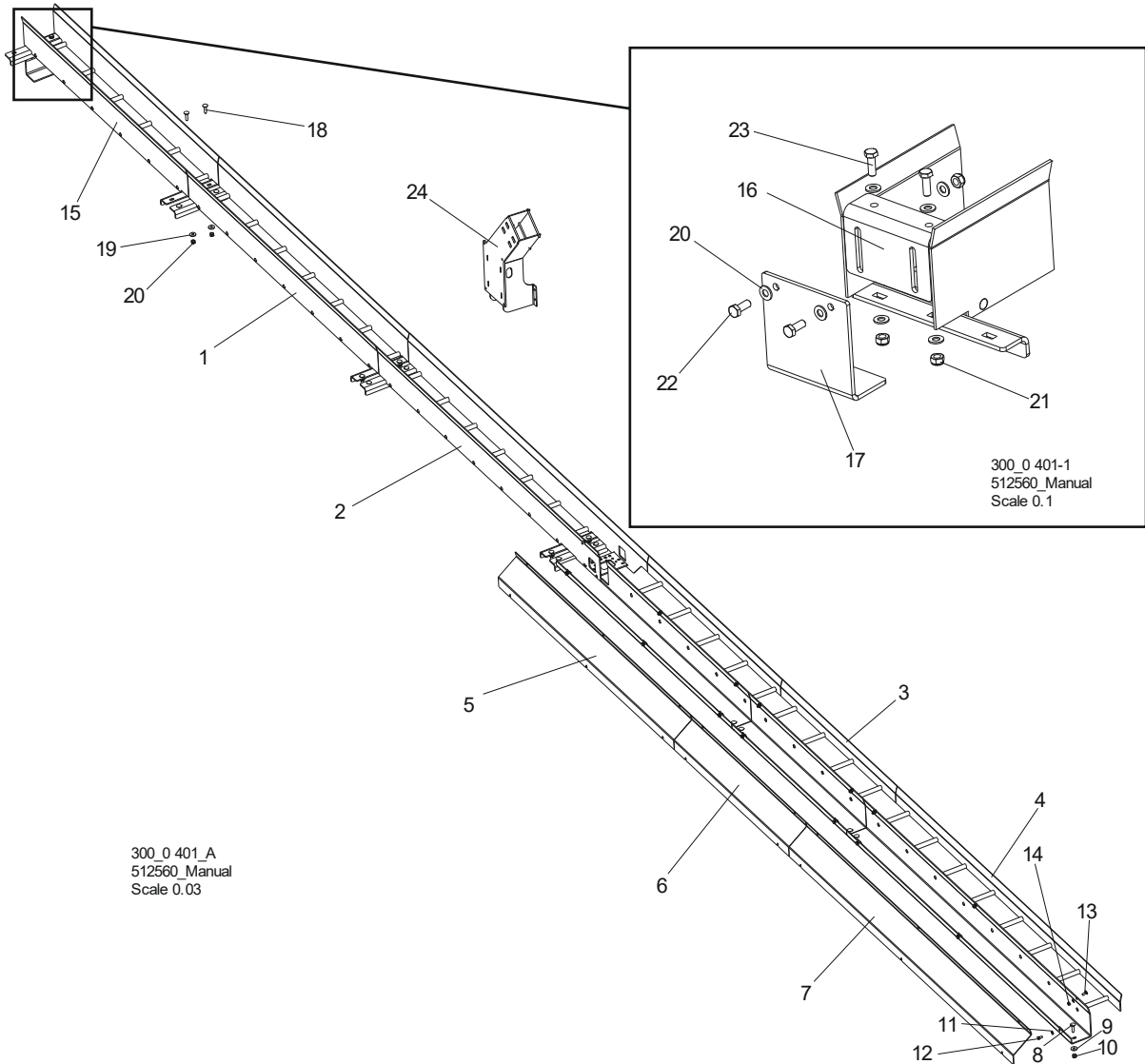


REF.	DESCRIPTION (◆ Indicates Parts Available In Assemblies Only)	PART NO.	QTY	
17	BRACKET, MOTOREDUCER	535071-1	1	
18	WASHER, 8.4 FLAT ZINC	F81054-1	12	
19	NUT, M8-8-B HEX NYLON ZINC LOCK	F81032-2	8	
20	BOLT, M8X30 8.8 HEX HEAD FULL THREAD ZINC	F81002-7	4	
21	BOLT, M8X25-8.8 CARRIAGE ZINC	F81002-59	4	
-	PULLEY, 2X SPA 140 X 28	535065	1	
22	PULLEY, 2X SPA 140	535064	1	
23	BUSHING, 2012X28 TAPER LOCK	535055	1	
24	V-BELT, XPA 1030	535083	2	
25	GUARD, PULLEY DRIVE	535082-1	1	
26	WASHER, 10.5 FLAT ZINC	F81055-1	3	
27	NUT, M10 8 HEX ZINC	F81033-3	2	
28	BOLT, M10X140-8.8 HEX HEAD FULL THREAD ZINC	F81003-39	1	
29	WASHER, 8.4 FLAT ZINC	F81054-1	6	
30	WASHER, 8.2 SPLIT LOCK ZINC	F81054-4	6	
31	BOLT, M8X20 8.8 HEX HEAD FULL THREAD ZINC	F81002-4	6	

# 7 Bed Frame Assembly

## Wireway Kit (Option w/o Pantograph)

### 7.15 Wireway Kit (Option w/o Pantograph)



REF.	DESCRIPTION (◆ Indicates Parts Available In Assemblies Only)	PART NO.	QTY
	<b>WIREWAY KIT WM3500-HD WITH CE HOSE DUCT - COMPLETE</b>	<b>513926</b>	<b>1</b>
	<b>WIREWAY KIT, WM4000 - COMPLETE</b>	<b>510515</b>	<b>1</b>
	<b>WIREWAY KIT, WM4000</b>	<b>510520</b>	<b>1</b>
1	WIREWAY WELDMENT, WM4000	510518-1	1
2	WIREWAY WELDMENT, WM4000	510521-1	1
3	WIREWAY WELDMENT, WM4000	510542-1	1
4	WIREWAY WELDMENT, WM4000	510546-1	1
5	COVER, WIREWAY	510545-1	1
6	COVER, WIREWAY	510549-1	1

## Bed Frame Assembly

*Wireway Kit (Option w/o Pantograph)*

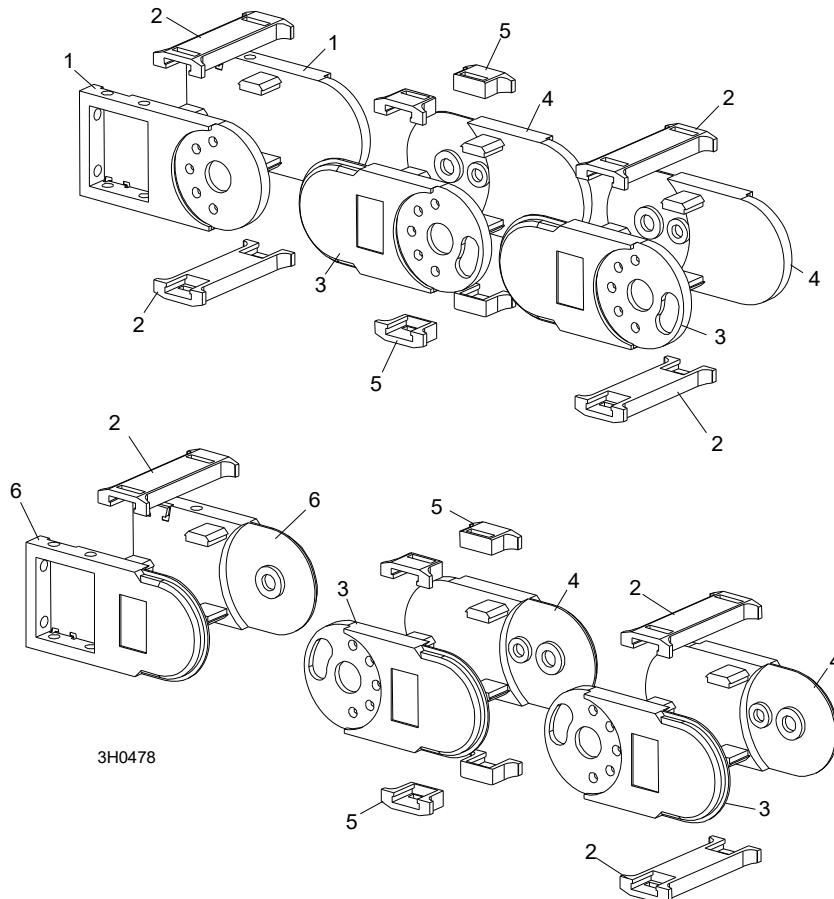
7

7	COVER, WIREWAY	510550-1	1	
8	BOLT, M10x40 -8.8 MUSHROOM HEAD SQUARE NECK ZINC	F81003-40	15	
9	WASHER, 10.5 SPECIAL FLAT ZINC	F81055-6	15	
10	NUT, M10-8-B HEX NYLON ZINC LOCK	F81033-1	15	
11	WASHER, 8.4 FLAT ZINC	F81054-1	16	
12	BOLT, M8x16 -8.8-B HEX HEAD FULL THREAD ZINC	F81002-20	8	
13	BOLT, M8x20-8.8 MUSHROOM HEAD SQUARE NECK ZINC	F81002-11	8	
14	NUT, M8-8-B HEX ZINC	F81032-1	8	
	<b>COMPLETE REAR WIREWAY</b>	<b>511276</b>	<b>1</b>	
15	WIREWAY, WM4000 REAR	511274-1	1	
16	BRACKET, LT70/300 WIREWAY SUPPORT ADJUSTMENT	099793-1	1	
17	SUPPORT, REAR WIREWAY	510517-1	1	
18	BOLT, M10x40-8.8 MUSHROOM HEAD SQUARE NECK ZINC	F81003-40	2	
19	WASHER, 10.5 SPECIAL FLAT ZINC	F81055-6	2	
20	WASHER, 10.5 FLAT ZINC	F81055-1	8	
21	NUT, M10-8-B HEX NYLON ZINC LOCK	F81033-1	6	
22	BOLT, M10x25-8.8 HEX HEAD FULL THREAD ZINC	F81003-11	2	
23	BOLT, M10x30-5.8 HEX HEAD FULL THREAD ZINC	F81003-2	2	
24	BRACKET, WIREWAY	503061-1	1	

# 7 Bed Frame Assembly

## Cable Carrier

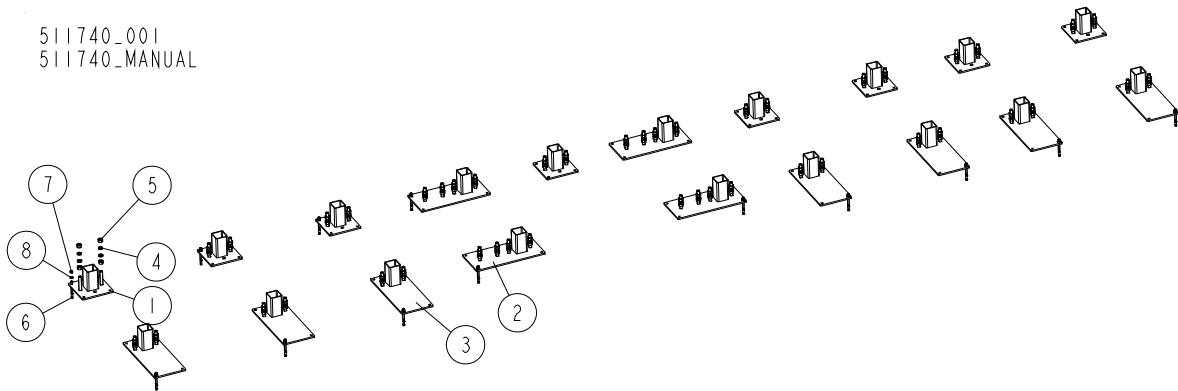
### 7.16 Cable Carrier



REF.	DESCRIPTION (◆ Indicates Parts Available In Assemblies Only)	PART NO.	QTY
	<b>CARRIER, LT70/300 CABLE</b>	094389	1
1	Link, Nylon Chain Top Mount (4040/4040B)	023612-3	2
2	Brace, Nylon Chain Long (4040/4040B)	023612-4	68
3	Link, Nylon Chain Right Side (4040AA)	036219	66
4	Link, Nylon Chain Left Side (4040AA)	036220	66
5	Brace, Nylon Chain Short (4040/4040B)	023612-5	136
6	Link, Nylon Chain Bottom Mount (4040/4040B)	023612-9	2

### 7.17 Stationary Leg Feet

511740\_001  
 511740\_MANUAL

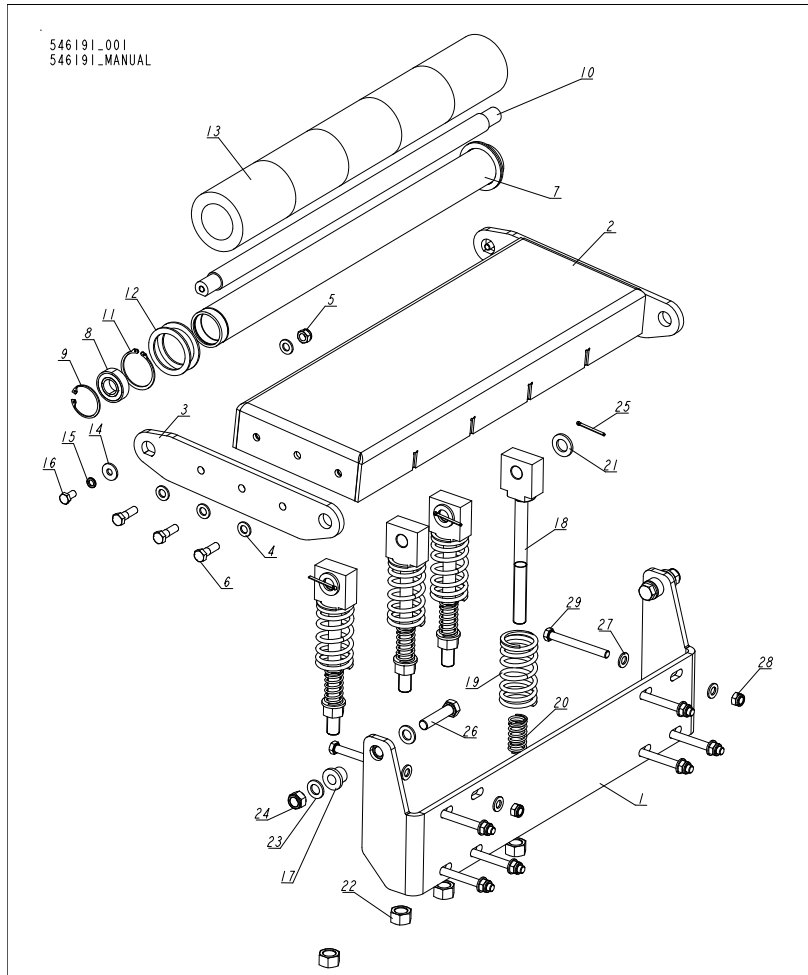


REF.	DESCRIPTION (◆ Indicates Parts Available In Assemblies Only)	PART NO.	QTY
	<b>FRAME LEG FOOT KIT, WM4000</b>	<b>511740</b>	1
1	FOOT WELDMENT, FRAME LEG - ADJUSTABLE	510897-1	8
2	FOOT, WM4000 FRAME LEG (CHAIN TURNER)	510016-1	4
3	FOOT WELDMENT, WM4000 ADJUSTABLE	510910-1	7
4	WASHER, 20.5 SPLIT LOCK ZINC	F81059-1	92
5	NUT, M20-8 HEX ZINC	F81037-1	92
-	ANCHOR, M12X140MM KMC EXPRES	084529	19
6	PIN, M12 140MM ANCHOR	084529	1
7	NUT, M12-8 HEX ZINC	F81034-1	1
8	WASHER,13-FLAT ZINC	F81056-1	1

# 7 Bed Frame Assembly

## Board Removal Bumper Assembly

### 7.18 Board Removal Bumper Assembly



REF.	DESCRIPTION (◆ Indicates Parts Available In Assemblies Only)	PART NO.	QTY
-	<b>BOARD REMOVAL BUMPER ASSEMBLY, WM4000 - COMPLETE</b>	546191	1
1	BRACKET, BOARD REMOVAL BUMPER PTD/WLDMT	534736-1	1
-	PLATE WITH BOARD REMOVAL BUMPER - COMPLETE	546192	1
2	PLATE WELDMENT, BOARD REMOVAL BUMPER	546193-1	1
3	ARM, BOARD REMOVAL BUMPER	546194-1	2
4	WASHER, 13-FLAT ZINC	F81056-1	12
5	NUT, M12- 8- HEX NYLON ZINC LOCK	F81034-2	6
6	BOLT, M12X40-8.8 HEX HEAD ZINC	F81004-1	6
-	ROLLER W/RUBBER BUSHING	534731	1
-	ROLLER, WM	534732	1
7	TUBE, LT70AHDE30S ROLLER	091781	1
8	BEARING, 6205 2RS BALL	091804	2
9	RING, W52 INSIDE RETAINING	F81090-6	2
10	SHAFT, ROLLER	534733	1



**Bed Frame Assembly**  
Board Removal Bumper Assembly

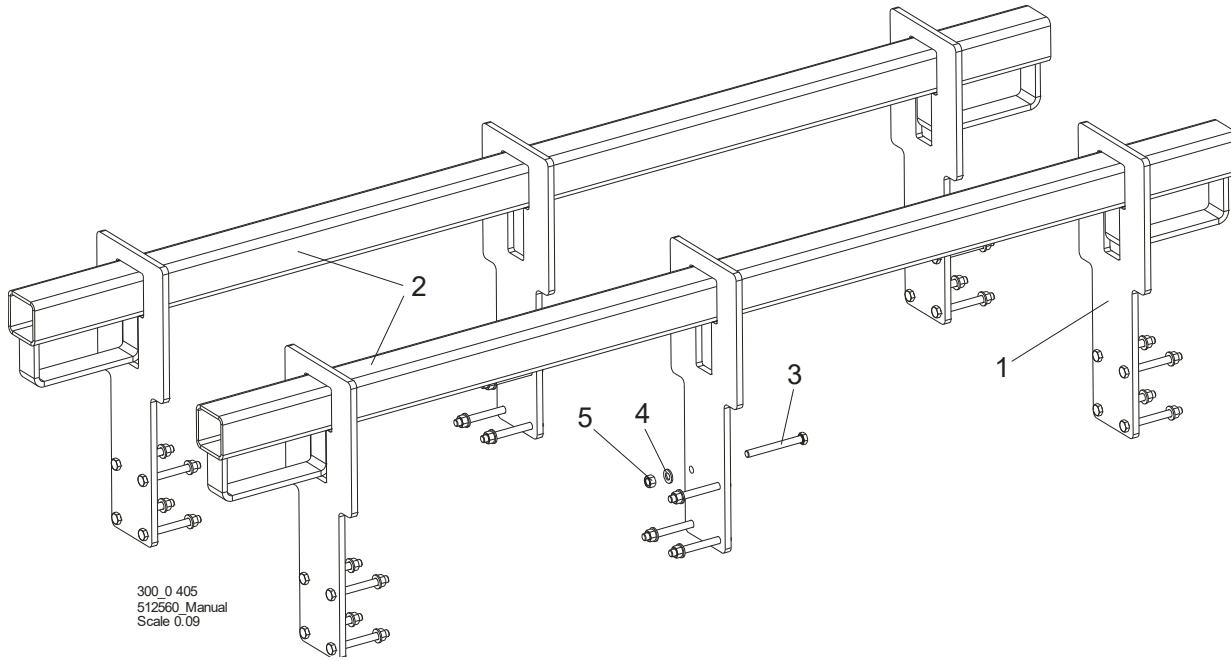
7

REF.	DESCRIPTION (◆ Indicates Parts Available In Assemblies Only)	PART NO.	QTY	
11	RING, Z60 OUTSIDE RETAINING	F81090-62	2	
12	RING, 61/80X3 SPACER	515895	4	
13	BUSHING, RUBBER	517493	5	
14	WASHER, 10.5 SPECIAL FLAT ZINC	F81055-6	2	
15	WASHER, Z 10.2 SPLIT LOCK ZINC	F81055-2	2	
16	BOLT, ISO 4017-M10X20-8.8-A2E HEX HEAD ZINC	F81003-53	2	
17	BUSHING, 16.2/24.5-25 FLANGE 35-5 ZINC	534742	2	
18	ROD WELDMENT, BUMPER SPRING PTD	510818-1	4	
19	SPRING, 110X46X6.5 CUSHION	510815	4	
20	SPRING, 60X23X3	088992	4	
21	WASHER, 21 FLAT ZINC	F81059-2	8	
22	NUT, M20-8- HEX ZINC	F81037-1	8	
23	WASHER, 17 FLAT ZINC	F81058-1	4	
24	NUT, M16 HEX NYLON ZINC LOCK	F81036-2	2	
25	PIN, S-ZN-4X45 COTTER	F81043-22	4	
26	BOLT, M16X70 HEX HEAD ZINC	F81006-16	2	
27	WASHER, 13-FLAT ZINC	F81056-1	16	
28	NUT, M12- 8- DIN 982 HEX NYLON ZINC LOCK	F81034-2	8	
29	BOLT, M12X110-8.8-B-HEX HEAD ZINC	F81004-47	8	



**Bed Frame Assembly**  
*Transport Bracket, WM4000*

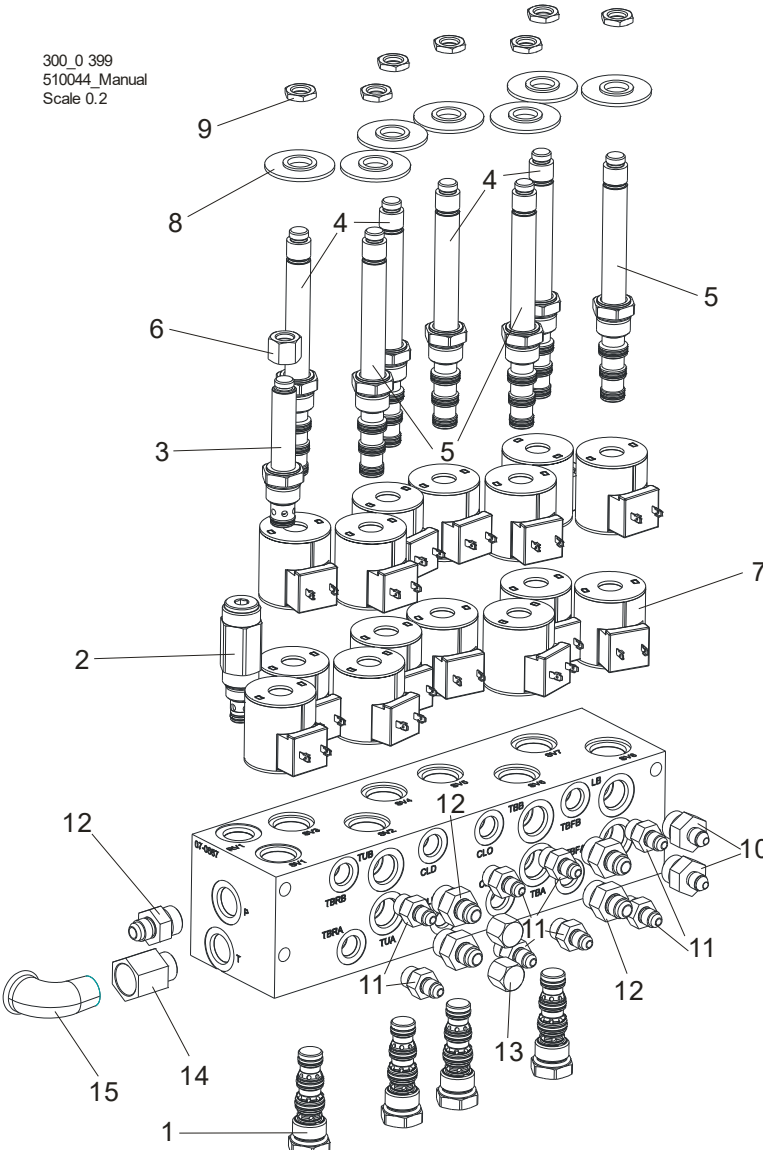
**7.19 Transport Bracket, WM4000**



REF.	DESCRIPTION (◆ Indicates Parts Available In Assemblies Only)	PART NO.	QTY
	<b>BRACKET, WM4000 TRANSPORT - COMPLETE</b>	<b>510880</b>	<b>1</b>
1	PLATE, WM4000 TRANSPORT BRACKET	510877-1	6
2	TUBE WELDMENT, TRANSPORT BRACKET	510879-1	6
3	BOLT, M12x110-8.8-B HEX HEAD ZINC	F81004-47	24
4	WASHER, 13 FLAT ZINC	F81056-1	24
5	NUT, M12-8-B HEX ZINC	F81034-1	24

SECTION 8 HYDRAULIC SYSTEM

8.1 Hydraulic Valve, WM4000



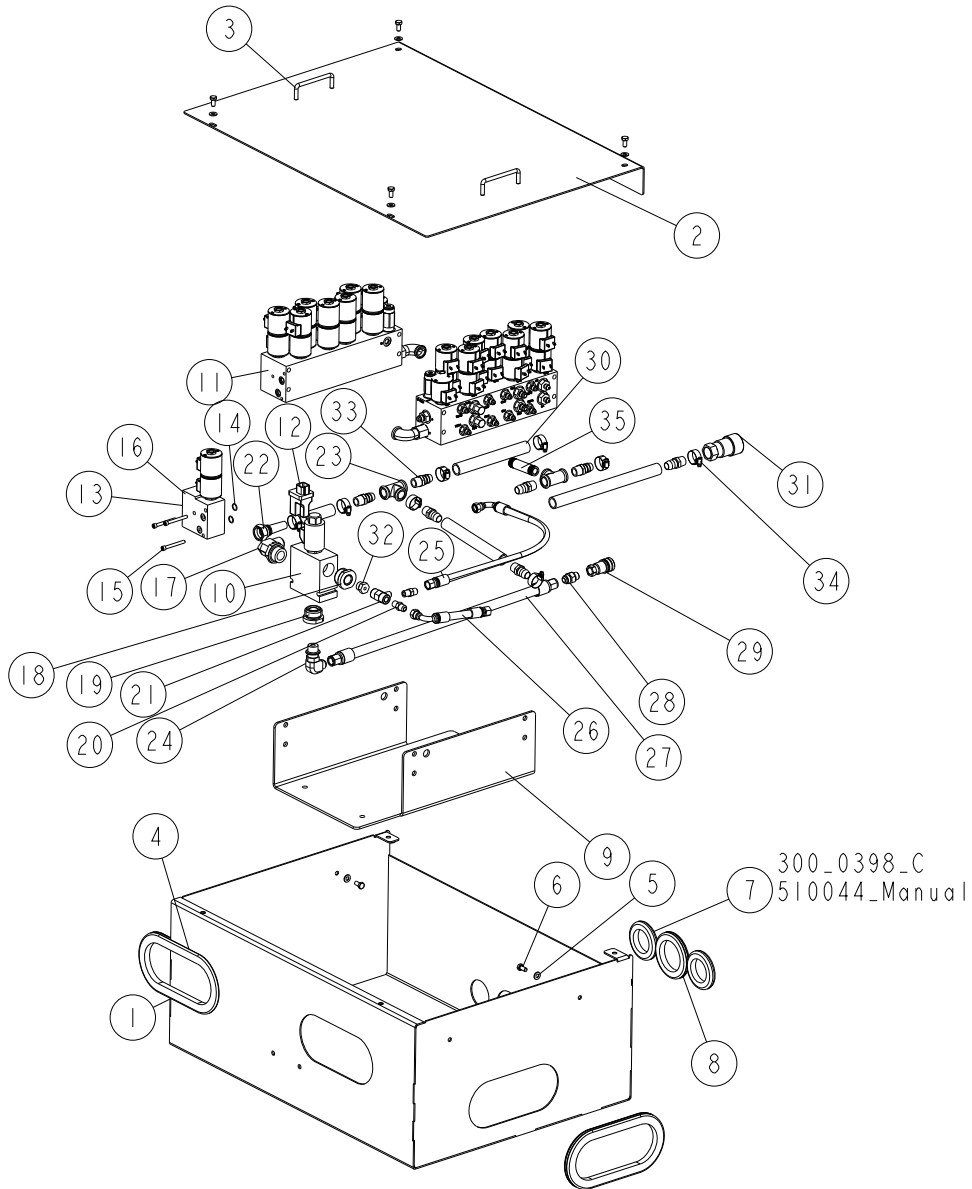
REF.	DESCRIPTION (◆ Indicates Parts Available In Assemblies Only)	PART NO.	QTY
	<b>VALVE, WM3500 HYDRAULIC - COMPLETE</b>	<b>512166</b>	
	<b>VALVE, 24V 7-STATION EXPANDABLE HYDRAULIC</b>	<b>025689</b>	<b>1</b>
1	Valve, Dual PO Check	025832	4
2	Valve, Relief	025833	1
3	Valve, SV10-21 (less coils)	025831	1
4	Valve, SV10-47D (less coils)	025829	4
5	Valve, SV10-47C (less coils)	025830	3

**8****Hydraulic System***Hydraulic Valve, WM4000*

---

<b>6</b>	Nut, Coil (for SV10-21 valve)	025836	1	
<b>7</b>	Coil, 24V DC	025835	15	
<b>8</b>	Spacer, Coil	025838	7	
<b>9</b>	Nut, Coil (SV10-47)	025837	7	
<b>10</b>	FITTING, #8SAE-1/4JIC	036759	2	
<b>11</b>	FITTING, 1/4JIC-3/8 O-RING	P26284	8	
<b>12</b>	FITTING, 8SAE-6JIC	P12703	5	
<b>13</b>	FITTING, 3/8JIC CAP	016816	2	
<b>14</b>	FITTING, #8SAE-1/2NPT FEMALE ADAPTER	035620	1	
<b>15</b>	ELBOW, A4 WZ 1/2" ZINC-PLATED	094749	1	

## 8.2 Hydraulic Box, WM4000



REF.	DESCRIPTION (◆ Indicates Parts Available In Assemblies Only)	PART NO.	QTY
-	BOX, WM4000 HYDRAULIC - COMPLETE	510245	1
1	BOX WELDMENT, WM4000 HYDRAULIC	510246-1	1
-	COVER, WM4000 HYDRAULIC BOX	510248	1
2	COVER, WM4000 HYDRAULIC BOX	510249-1	1
3	HANDLE, 4"	P08065	2
4	GROMMET, 4 3/8 X 10 OVAL RUBBER	085759	2
5	WASHER, 8.4 FLAT ZINC	F81054-1	8

## 8

## Hydraulic System

### Hydraulic Box, WM4000

REF.	DESCRIPTION (◆ Indicates Parts Available In Assemblies Only)	PART NO.	QTY	
6	BOLT, M8X16 -8.8-B HEX HEAD FULL THREAD ZINC	F81002-20	8	
7	GROMMET, 2 1/2 DIA. RUBBER	085614	2	
8	GROMMET, 80MM DIA. RUBBER	089293	1	
9	BRACKET, WM4000 HYDRAULIC VALVE MOUNT	510247-1	1	
10	VALVE, PROPORTIONAL PV72-30A	068273	1	
11	VALVE, WM3500 HYDRAULIC - COMPLETE <a href="#">See Section 8.1</a>	512166	2	
12	CONTROLLER, HYDRAFORCE PROPORTIONAL VALVE	069739	1	
-	VALVE ASSEMBLY, ADD-ON	036823	1	
13	VALVE, 24V HYDRAULIC ADD-ON CLOSED	025827	1	
14	O-RING, 1/16DIA. X 5/8OD	036806	2	
15	SCREW, 1/4-20X2 1/4 SOCKET HEAD CAP BO	F05005-170	3	
16	FITTING , 8 SAE-3/8 JIC	036759	2	
17	FITTING, 1.5/16" UNF - 1.1/16" JIC ELBOW W/JAM NUT	530192	1	
18	FITTING, 1 5/16" UNF MALE - 3/4" UNF FEMALE	510836	1	
19	FITTING, 1 5/16" MALE - 7/8" FEMALE	510837	1	
20	FITTING, 3/8JIC-1/4NPT STRAIGHT	015560	2	
21	FITTING, 1/4NPT BRANCH TEE	015486	1	
22	FITTING, 1.1/16"JIC HOSE 19 HYDRAULIC	530195	1	
23	FITTING, B1 1/2" ZINC-PLATED TEE	094750	2	
24	FITTING, #10SAE-1/2JIC 90 ELBOW	042784	1	
25	HOSE, 2T3/8X0.550 W9/16UNF-90W9/16UNF HYDRAULIC	512169	1	
26	HOSE, 2T3/8X0.125 W9/16UNF-90W9/16UNF HYDRAULIC	512170	1	
27	HOSE, 2G1/2X0.600 W3/4UNF-W3/4UNF HYDRAULIC	512171	1	
28	FITTING, 1/2-3/8 HYDRAULIC	512162	1	
29	FITTING, 3/8" ID BSP QUICK DISCONNECT	504965	1	
30	HOSE, 20MM DIA. OIL-RESISTANT	094790_1 <sup>1</sup>	1	
31	FITTING, 3/4" ID QUICK DISCONNECT	505064	1	
32	FITTING, 3/4" UNF 1/4"NPT GE 0 08 IN04 SCREW-ON	512746	1	
33	FITTING, 1/2NPT MALE-3/4 HOSE BARB	035621	7	
34	CLAMP, HI-GRIP 22-30 MM	F81095-3	8	
35	FITTING, 1/2" - 80MM THREADED ZINC-PLATED	511417	1	

<sup>1</sup> Total length L=1000 mm

### 8.3 Hydraulic Hoses, WM3500-HD

REF.	DESCRIPTION (* indicates parts available in assemblies only)	Function	PART NO.	QTY
-	<b>HOSE KIT, WM3500-HD HYDRAULIC</b>		536094	1
1	HOSE, PHD2G 1/4X 7.205 W7/16UNF-W7/16UNF HYDRAULIC	2nd log clamp (089545) UP/DOWN red/blue	506925	2
2	HOSE, PHD2G 1/4X 6.805 W7/16UNF-W7/16UNF HYDRAULIC	2nd log clamp (089545) IN/OUT white/orange	506926	2
3	HOSE, PHD2G 1/4X 7.405 W7/16UNF-W7/16UNF HYDRAULIC	Driven Log Levelling Roller (096040) - raising cherry/black	506927	2
4	HOSE, PHD2G 1/4X6.605 W7/16UNF-W7/16UNF HYDRAULIC		506928	1
5	HOSE, PHD2G 1/4X6.305 W7/16UNF-W7/16UNF HYDRAULIC		506929	1
6	HOSE, PHD2G 3/8X 5.105 W9/16UNF-W9/16UNF HYDRULIC	2-Plane Log Clamp (088658) - rear orange	506930	1
7	HOSE, PHD2G 3/8X 5.005 W9/16UNF-W9/16UNF HYDRAULIC	2-Plane Log Clamp (088658) - front white	506931	1
8	HOSE, PHD2G 1/4X2.905 W7/16UNF-W7/16UNF HYDRAULIC		506932	2
9	HOSE, PHD2G 1/4X3.71 W7/16UNF-W7/16UNF HYDRAULIC		506933	2
10	HOSE, PHD2G 1/4X 6.51 W7/16UNF-W7/16UNF HYDRAULIC	Driven Log Levelling Roller (096040) - rotations	506934	2
11	HOSE, PHD2G 3/8X 1.105 W9/16UNF-W9/16UNF HYDRAULIC	Hydraulic pump/quick disconnect fitting	506935	2
12	HOSE, PHD2G 3/8X 1.155 W9/16UNF-W9/16UNF HYDRAULIC	T-fitting, 2nd Vertical Side Support/raising	506936	2
13	HOSE, PHD2G 3/8X 4.105 W9/16UNF-W9/16UNF HYDRAULIC	Hydraulic box - Chain Log Turner (065480) brown	506937	1
14	HOSE, PHD2G 3/8X 5.705 W9/16UNF-W9/16UNF HYDRAULIC	Hydraulic box - Chain Log Turner - 2 (065480) black	506938	1
15	HOSE, PHD2G 3/8X 3.705 W9/16UNF-W9/16UNF HYDRAULIC	Hydraulic box - sequence valve/return green	506939	1
16	HOSE, PHD2G 3/8X 3.305 W9/16UNF-W9/16UNF HYDRAULIC	Hydraulic box - sequence valve - hydraulic oil supply pink	506940	1
17	HOSE, PHD2G 3/8X 0.305 W9/16UNF-W9/16UNF HYDRAULIC	Sequence valve - t-fitting/return (from turner)	506941	1
18	HOSE, PHD2G 3/8X 0.505 W9/16UNF-W9/16UNF HYDRAULIC	Chain Log Turner (1) - sequence valve/lowering	506943	2
19	HOSE, PHD2G 3/8X 0.655 W9/16UNF-W9/16UNF HYDRAULIC	Chain Log Turner (1) - sequence valve /raising	506944	1
20	HOSE, PHD2G 3/8X0.705 W9/16UNF-W9/16UNF HYDRAULIC		506945	1
21	HOSE, PHD2G 3/8X 2.405 W9/16UNF-W9/16UNF HYDRAULIC	Chain Log Turner (2) - sequence valve /raising	506946	1
22	HOSE, PHD2G 3/8X 2.205 W9/16UNF-W9/16UNF HYDRAULIC	Chain Log Turner (2) - sequence valve /lowering	506947	1

## 8

**Hydraulic System***Hydraulic Hoses, WM3500-HD*

REF.	DESCRIPTION (* indicates parts available in assemblies only)	Function	PART NO.	QTY
23	HOSE, PHD2G 3/8X 2.255 W9/16UNF-W9/16UNF HYDRAULIC	T-fitting - Vertical Side Support (1) - raising	506948	1
24	HOSE, PHD2G 3/8X 2.155 W9/16UNF-W9/16UNF HYDRAULIC	T-fitting - Vertical Side Support (1) - lowering	506949	1
25	HOSE, PHD2G 1/4X 3.51 W7/16UNF-W7/16UNF HYDRAULIC	1st Log Clamp (089545) UP/DOWN orange/white	506959	1
26	HOSE, PHD2G 3/8X 3.105 W9/16UNF-W9/16UNF HYDRAULIC	Log Turner 1 - Log Turner 2	506960	1
27	HOSE, PHD2G 3/8X 0.805 W9/16UNF-W9/16UNF HYDRAULIC	T-fitting - T-fitting (connection of side supports)	506961	2
28	HOSE, PHD2G 3/8X3.005 W9/16UNF-W9/16UNF HYDRAULIC		506962	1
29	HOSE, PHD2G 3/8X 1.855 W9/16UNF-W9/16UNF HYDRAULIC	T-fitting - 3rd Vertical Side Support /raising	506964	1
30	HOSE, PHD2G 3/8X 1.805 W9/16UNF-W9/16UNF HYDRAULIC	T-fitting - 3rd Vertical Side Support /lowering	506965	1
31	HOSE, 20MM (3/4") OIL	Length: 4.0 m	094790 _4_	1
32	HOSE, PHD2G 1/4X450 W7/16UNF-W7/16UNF HYDRAULIC		711466	1
33	HOSE, PHD2G 1/4X550 W7/16UNF-W7/16UNF HYDRAULIC		536095	1
34	T-FITTING, W7/16"UNF JIC-2XZ7/16"UNF JIC	Part No. ST.59.00.04	506098	2



## 8.4 Hydraulic Hoses, WM4000

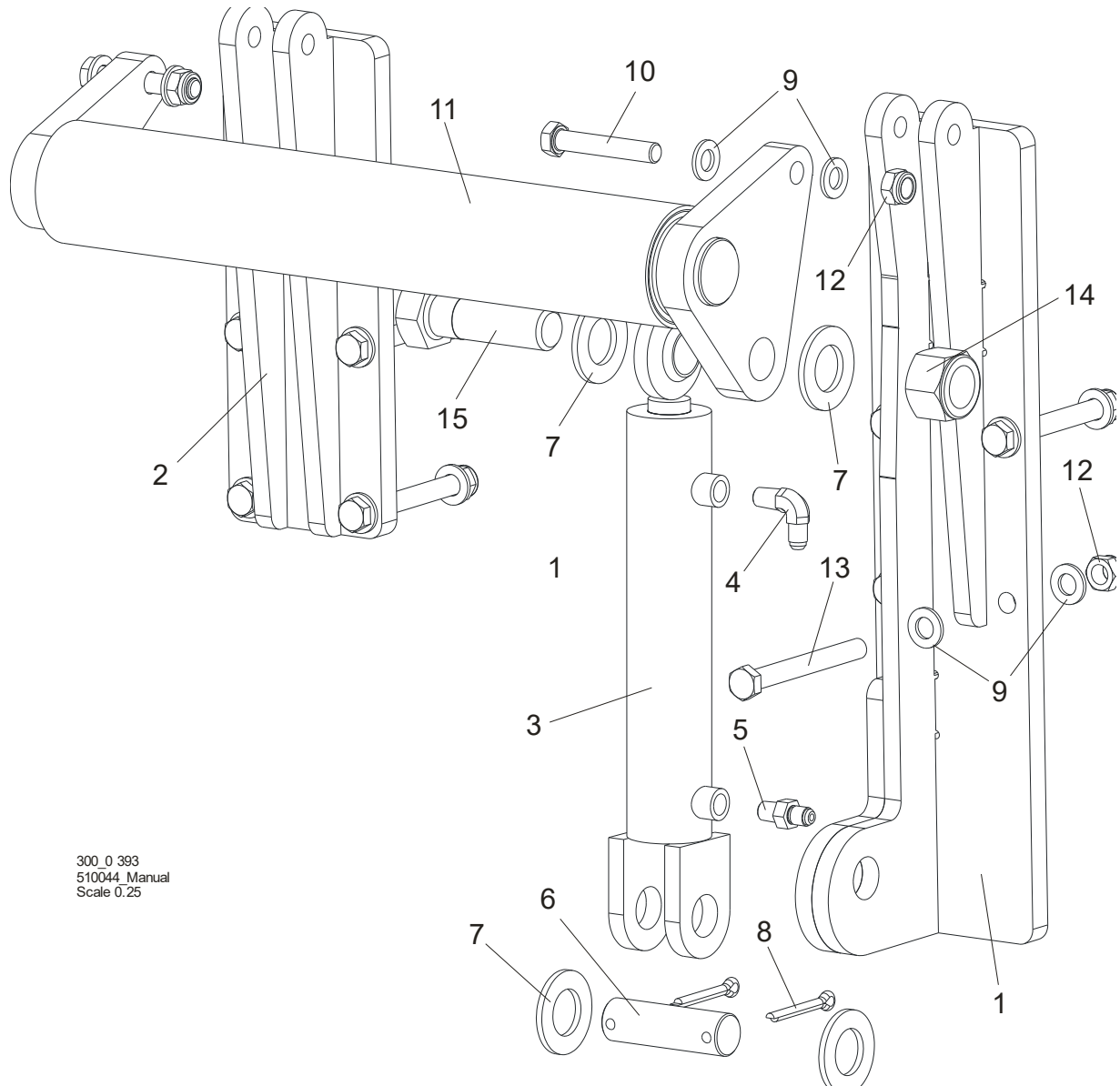
REF.	DESCRIPTION (◆ Indicates Parts Available In Assemblies Only)	PART #	QTY
	<b>HOSE KIT, WM4000 HYDRAULIC</b>	<b>512175</b>	<b>1</b>
1	HOSE, 2G3/8"X5.005 W9/16"UNF-W9/16"UNF HYDRAULIC	506931	4
2	HOSE, 2G3/8X3.005 W9/16UNF-WG/16UNF HYDRAULIC	506962	1
3	HOSE, 2G3/8X3.105 W9/16UNF-WG/16UNF HYDRAULIC	506960	1
4	HOSE, 2G1/4X4.580 W7/16UNF-W7/16UNF HYDRAULIC	087796	2
5	HOSE, 2G1/4"X2.905 W7/16"UNF-W7/16"UNF HYDRAULIC	506932	4
6	HOSE, 2G3/8x4.700 W9/16UNF-W9/16UNF HYDRAULIC	507225	1
7	HOSE, 2G1/4X6.005 W7/16UNF-W7/16UNF HYDRAULIC	512173	2
8	HOSE, 2G1/4"X6.305 W7/16"UNF-W7/16"UNF HYDRAULIC	506929	2
9	HOSE, 2G3/8"X2.405 W9/16"UNF-W9/16"UNF HYDRAULIC	506946	2
10	FITTING, 3/8JIC TEE	015487	4
11	HOSE, 2G3/8X5.200 W9/16UNF-W9/16UNF HYDRAULIC	097067	2
12	HOSE, 2G3/8X0.805 W9/16UNF-WG/16UNF HYDRAULIC	506961	2
13	HOSE, 2G3/8"X2.155 W9/16"UNF-W9/16"UNF HYDRAULIC	506949	1
14	HOSE, 2G3/8X1.805 W9/16UNF-WG/16UNF HYDRAULIC	506965	1
15	HOSE, 2G1/4X3.505 W7/16UNF-W7/16UNF HYDRAULIC	506959	2
16	HOSE, 2G1/4"X7.205 W7/16"UNF-W7/16"UNF HYDRAULIC	506925	2
17	HOSE, 2G3/8X4.000 W9/16UNF-W9/16UNF HYDRAULIC	087778	1
18	HOSE, 2G1/4"X6.805 W7/16"UNF-W7/16"UNF HYDRAULIC	506926	2
19	FITTING, 3/8JIC-1/4NPT 90L	015491	12
20	FITTING, 1/4NPTX1/4JIC MALE ELBOW	P09142	7
21	FITTING, 1/4NPTX1/4JIC MALE	P09143	9
22	HOSE, 2G3/8X0.950 W9/16UNF-W9/16UNF HYDRAULIC	094595	2
23	HOSE, 2G3/8X3.500 W9/16UNF-W9/16UNF HYDRAULIC	097615	1
24	FITTING, 7/8" UNF-3/4" JIC ADAPTER	094788	4
25	PHD2G 1/4X450 W7/16UNF-W7/16UNF	711466	1
26	PHD2G 1/4X550 W7/16UNF-W7/16UNF	536095	1
27	FITTING, W7/16"UNF JIC-2XZ7/16"UNF JIC	506098	2



# Hydraulic System

## Hydraulic Toe Board, WM4000

### 8.5 Hydraulic Toe Board, WM4000



300\_0 393  
510044 Manual  
Scale 0.25

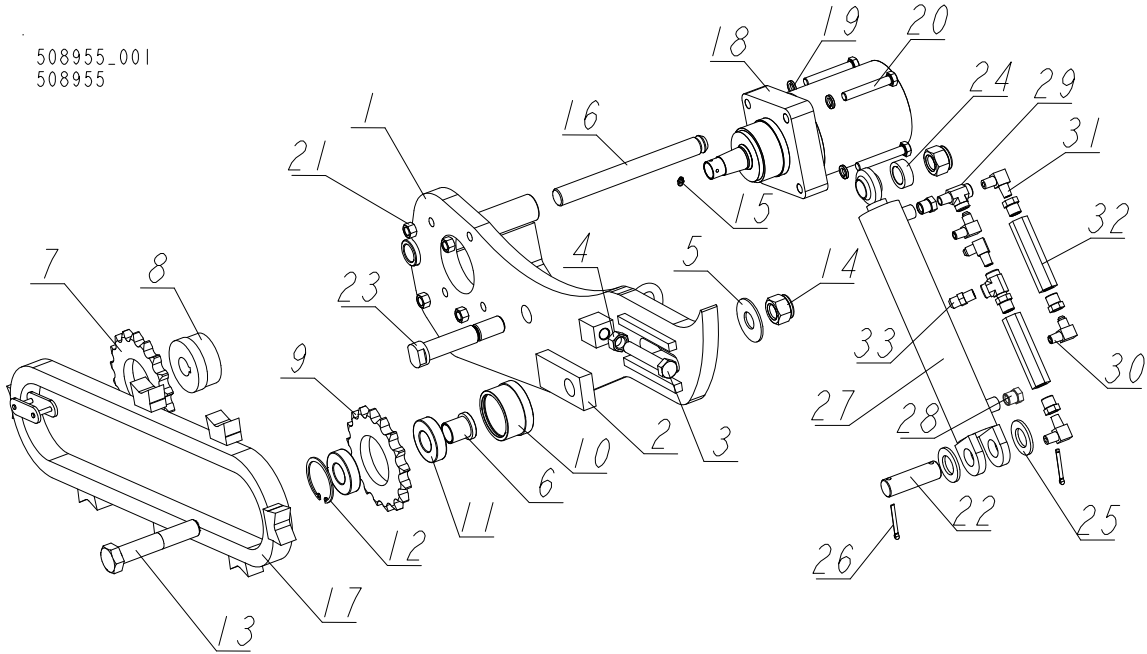
REF.	DESCRIPTION (◆ Indicates Parts Available In Assemblies Only)	PART #	QTY
	<b>WM4000 HYDRAULIC TOE BOARD</b>	<b>510250</b>	<b>1</b>
1	MOUNT WELDMENT, POWER ROLLER (ON MOTOR SIDE)	509935-1	1
	MOUNT WELDMENT, TOE ROLLER	513930-1 <sup>1</sup>	1
2	MOUNT WELDMENT, POWER ROLLER	509938-1	1
	MOUNT WELDMENT, ROLLER	513928-1 <sup>1</sup>	1
	HYDRAULIC CYLINDER	085937	1
3	CYLINDER, CJ-S170-16-40/25/152 HYDRAULIC	088681	1

<b>4</b>	FITTING, 1/4NPTX1/4JIC MALE ELBOW	P09142	1	
<b>5</b>	FITTING, 1/4NPTX1/4JIC MALE	P09143	1	
<b>6</b>	PIN, HYDRAULIC CYLINDER ZINC-PLATED	086979-1	1	
<b>7</b>	WASHER, 28 FLAT ZINC	F81061-1	4	
<b>8</b>	PIN, S-Zn 6.3x45 COTTER	F81045-2	2	
<b>9</b>	WASHER, 13 FLAT ZINC	F81056-1	20	
<b>10</b>	BOLT, M12x70 8.8 HEX HEAD ZINC	F81004-39	2	
<b>11</b>	ROLLER WELDMENT, TOE BOARD	086253-1	1	
<b>12</b>	NUT, M12-8 HEX NYLON ZINC LOCK	F81034-2	10	
<b>13</b>	BOLT, M12x110-8.8-B HEX HEAD ZINC	F81004-47	8	
<b>14</b>	NUT, 1-8 SELF LOCK	F05010-109	1	
<b>15</b>	BOLT, 1-8X3 1/4 HEX HEAD GRADE 5	F05009-51	1	

<sup>1</sup> Optional equipment - in case when hydraulic toe board is mounted on middle beds.

**8.6 Chain Log Turner**

508955-001  
508955



REF.	DESCRIPTION (◆ Indicates Parts Available In Assemblies Only)	PART #	QTY
-	<b>CHAIN LOG TURNER - COMPLETE</b>	508955	1
-	<b>CHAIN LOG TURNER - COMPLETE PAINTED</b>	508964-1	1
-	CHAIN LOG TURNER - COMPLETE	508964	1
1	ARM WELDMENT, CHAIN LOG TURNER	508950-1	1
2	PLATE, CHAIN TENSIONER	095664-1	1
3	BOLT, M16X100-8.8 HEX HEAD FULL THREAD ZINC	F81006-2	1
4	NUT, M16-8 HEX ZINC	F81036-1	1
5	WASHER, 25X63 ZINC-PLATED	088585-1	1
6	BUSHING, CHAIN TURNER	095663-1	1
7	SPROCKET, CHAIN TURNER	092339	1
-	SPROCKET, A17X1"	093287	1
8	BUSHING, TURNER SPROCKET	093293	1
-	COMPLETE SPROCKET	092399	1
-	SPROCKET W/HUB	093290	1
9	SPROCKET, A17X1"	093287	1
10	HUB, SPROCKET	093288	1
11	BEARING, 6206 25 IN IDLER	093292	2
12	RING, 62W INSIDE RETAINING	F81090-1	1
13	BOLT, M24X120-8.8 HEX HEAD	F81009-4	1
14	NUT, M24-8-A HEX NYLON ZINC LOCK	F81039-8	2
15	FITTING, M6 TYPE A STRAIGHT GREASE	086280	1
16	PIN, LOG TURNER ZINC-PLATED	508965-1	1

REF.	DESCRIPTION (◆ Indicates Parts Available In Assemblies Only)	PART #	QTY	
17	CHAIN, LOG TURNER - COMPLETE	508966-1	1	
18	MOTOR, TG0475US080AABP HYDRAULIC	007331	1	
19	WASHER, Z12.2 SPLIT LOCK ZINC	F81056-2	4	
20	BOLT, M12X75-8.8 HEX HEAD ZINC	F81004-21	4	
21	NUT, M12-8-B HEX ZINC	F81034-1	4	
22	PIN, HYDRAULIC CYLINDER ZINC-PLATED	086979-1	1	
23	PIN, LOG TURNER CYLINDER	538007-1	1	
24	BUSHING, 25.8/38-14 ZINC-PLATED	087315-1	1	
25	<b>WASHER, 28 FLAT ZINC</b>	F81061-1	2	
26	<b>PIN, S-FE 5X40 COTTER</b>	F81043-31	2	
-	<b>CYLINDER W/VALVE &amp; FITTINGS</b>	515892	1	
27	CYLINDER, 2X10 ROD END WELDED 16"	034267	1	
28	FITTING, 3/8NPT-1/4NPT REDUCER	015490	6	
29	FITTING, 1/4NPTX1/4JIC MALE RUN TEE	P09141	2	
30	FITTING, 3/8JIC-1/4NPT 90L	015491	3	
31	FITTING, 1/4NPT MALE PIPE ELBOW	P09140	2	
32	VALVE, SIDE SUPPORT SEQUENCE	015484	2	
33	FITTING, 3/8JIC-1/4NPT STRAIGHT	015560	1	

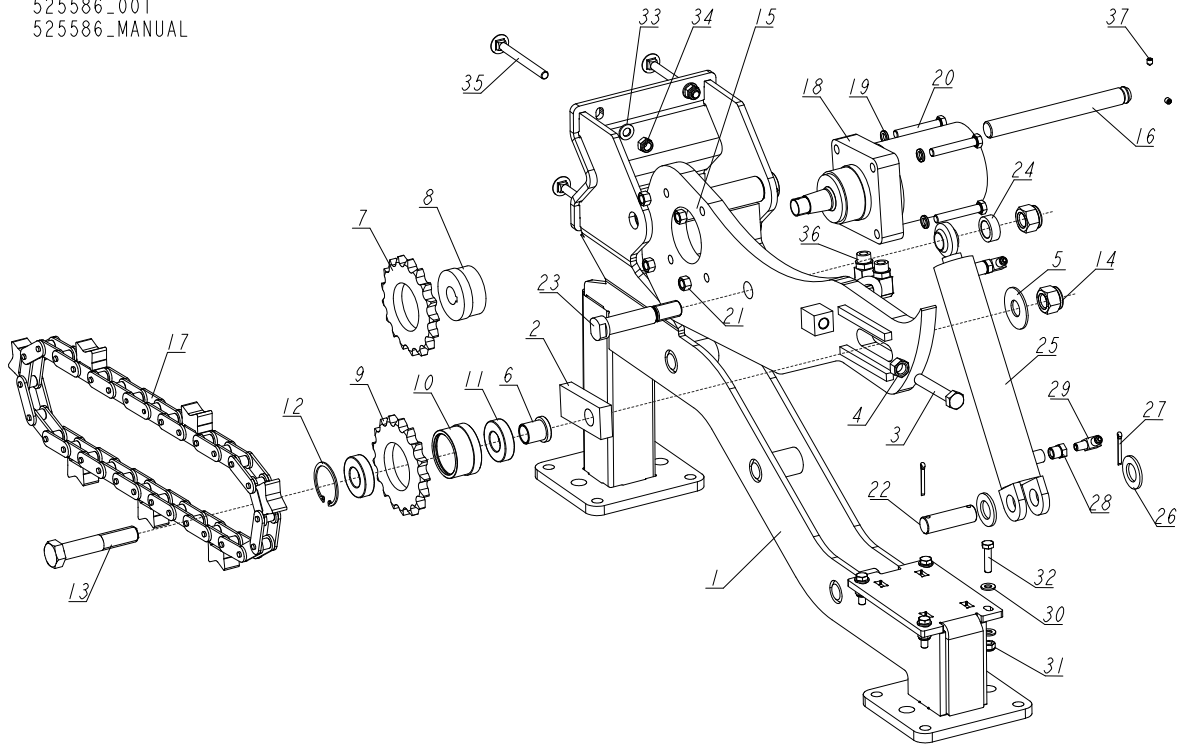


# Hydraulic System

## Chain Log Turner

### 8.7 Chain Log Turner

525586\_001  
525586\_MANUAL

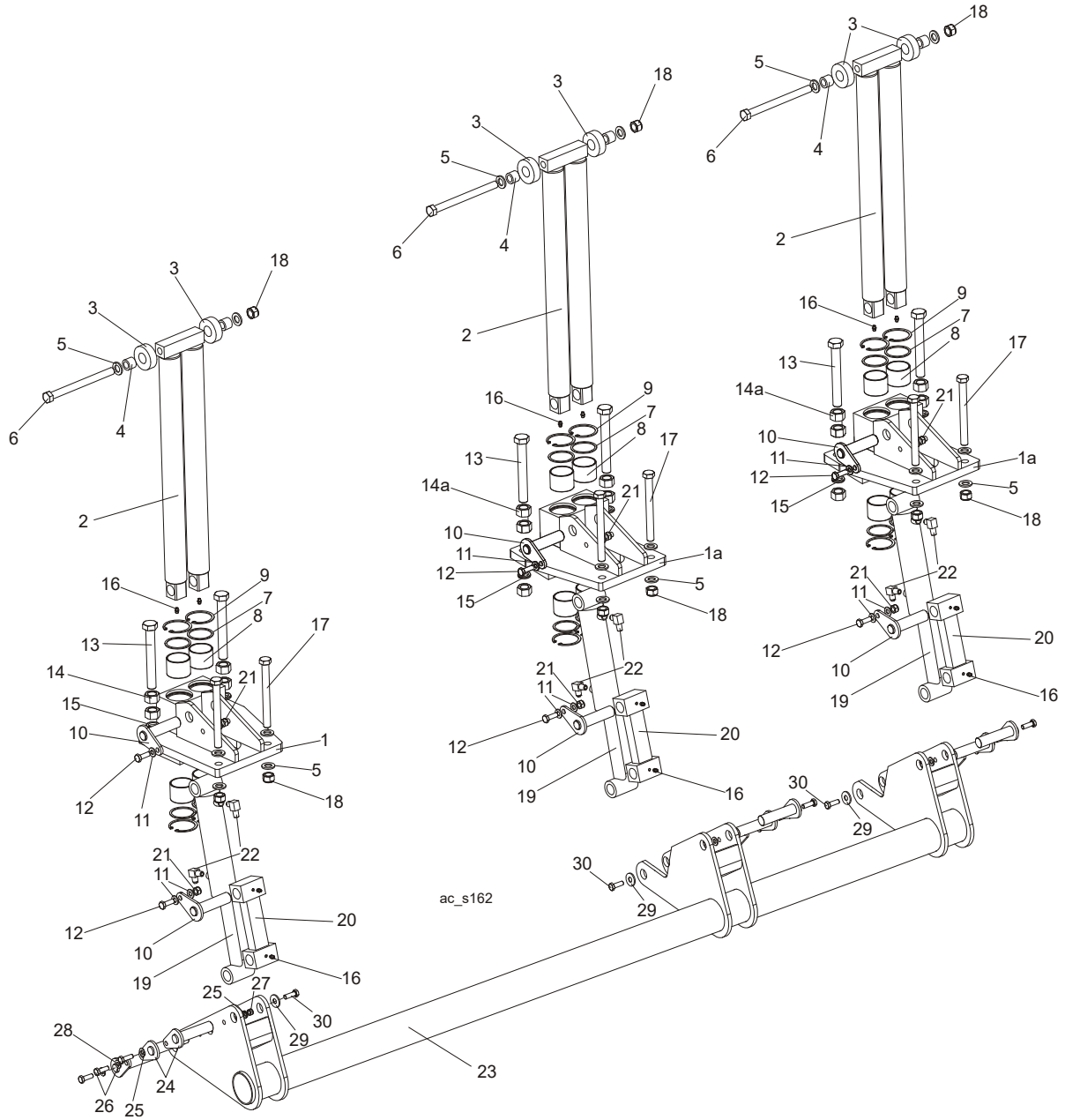


REF.	DESCRIPTION (◆ Indicates Parts Available In Assemblies Only)	PART #	QTY
-	<b>TURNER, WM4000 USA CHAIN LOG - COMPLETE</b>	525586	1
1	MOUNT WELDMENT, CHAIN LOG TURNER	525590-1	1
-	CHAIN LOG TURNER, PTD - COMPLETE	508964-1	1
-	TURNER, CHAIN LOG - COMPLETE	508964	1
2	PLATE, CHAIN TENSION	095664-1	1
3	BOLT, M16X100-8.8-HEX HEAD FULL THREAD ZINC	F81006-2	1
4	NUT, M16-8-HEX ZINC	F81036-1	1
5	WASHER, 25X63-ZINC-PLATED	088585-1	1
6	BUSHING, CHAIN TURNER	095663-1	1
-	SPROCKET, LOG TURNER	092339	1
7	SPROCKET. A17X1"	093287	1
8	BUSHING, LOG TURNER SPROCKET	093293	1
-	CHAIN TURNER SPROCKET ASSEMBLY	092399	1
-	SPROCKET W/HUB	093290	1
9	SPROCKET. A17X1"	093287	1
10	HUB, SPROCKET.	093288	1
11	BEARING, 6206 25 IN IDLER	093292	2
12	RING, 62W INSIDE RETAINING	F81090-1	1

REF.	DESCRIPTION (◆ Indicates Parts Available In Assemblies Only)	PART #	QTY
13	BOLT, M24X130 HEX HEAD	F81009-4	1
14	NUT, M24 HEX NYLON ZINC LOCK	F81039-8	2
15	FITTING, M6 WG. GREASE	086280	1
16	PIN, LOG TURNER-ZINCPLATED.	508965-1	1
17	CHAIN, LOG TURNER	508966-1	1
18	MOTOR, HYDRAULIC, TG0475US080AABP	007331	1
19	WASHER, Z12.2 SPLIT LOCK ZINC	F81056-2	4
20	BOLT, M12X75-8.8-HEX HEAD ZINC	F81004-21	4
21	NUT, M12-8 ZINC	F81034-1	4
22	PIN, CYLINDER HYDRAULIC ZINC-PLATED	086979-1	1
23	PIN, CYLINDER HYDRAULIC	538007-1	1
24	BUSHING, 25.8/38-14 ZINC-PLATED	087315-1	1
25	CYLINDER, 2X10 ROD END WELDED 16"	034267	1
26	WASHER, 28 FLAT ZINC	F81061-1	2
27	PIN, S-FE 5X40 COTTER	F81043-31	2
28	FITTING, 3/8NPT-1/4NPT REDUCER	015490	2
29	FITTING, 3/8JIC-1/4NPT 90L	015491	2
30	WASHER, 10,5 FLAT ZINC	F81055-1	8
31	NUT, M10 HEX NYLON ZINC LOCK	F81033-1	4
32	BOLT, M10X40-8.8 HEX HEAD FULL THREAD ZINC	F81003-16	4
33	WASHER, 13-FLAT ZINC	F81056-1	4
34	NUT, M12- 8- HEX NYLON ZINC LOCK	F81034-2	4
35	BOLT, M12X130 8.8 CARRIAGE ZINC	F81004-26	4
36	FITTING, #10SAE-3/8JIC 45 ELBOW	034538	2
37	SCREW, M8X10-45H ZINC SET	F81002-46	2



### 8.8 Hydraulic Log Side Supports



REF.	DESCRIPTION (◆ Indicates Parts Available In Assemblies Only)	PART #	QTY
	<b>SUPPORT KIT, WM3000/3500 SUPER SIDE SUPPORT (FOR STATIONARY FRAMES)</b>	<b>508954</b>	<b>1</b>
	<b>SUPPORT, WM3000/3500 SUPER VERTICAL SIDE</b>	<b>508952</b>	<b>1</b>
1	BLOCK WELDMENT, WM3000/3500 ROD GUIDE	508953-1	1
2	ROD WELDMENT, WM3000/3500 CHROMIUM PLATED	508623-1	1
3	ROLLER, LT70/300 VERTICAL SIDE SUPPORT ZINC-PLATED	094013-1	2
4	BUSHING, LT70/300 VERTICAL SIDE SUPPORT BRONZE	094012	2



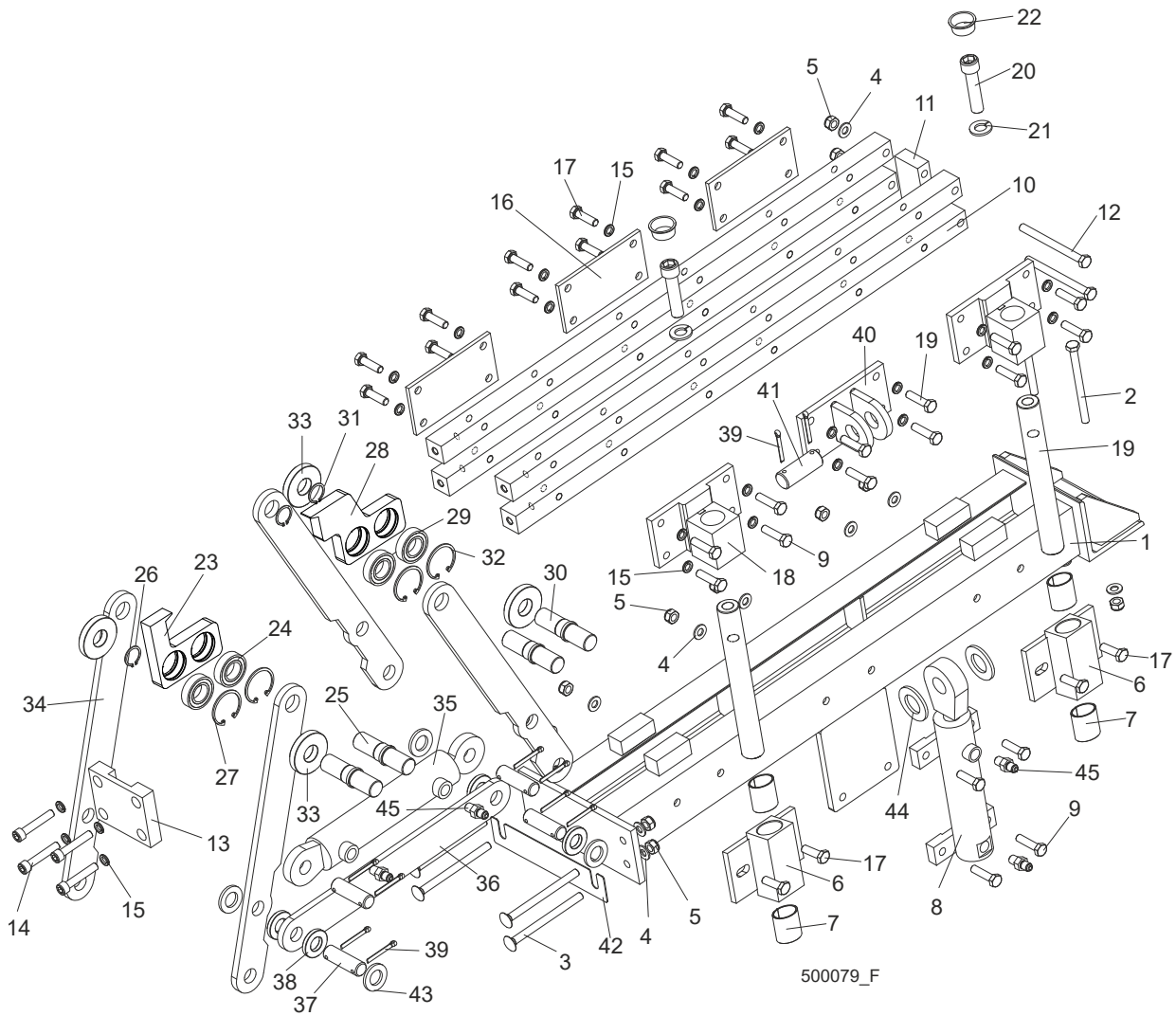
5	WASHER, 17 FLAT ZINC	F81058-1	6	
6	BOLT, M16X195 HEX HEAD ZINC	F81006-44	1	
7	RING, LT70/300 VERTICAL SIDE SUPPORT ZINC-PLATED	094004-1	4	
8	BUSHING, 5040BS SELF-LUBRICATING	088660	4	
9	RING, W62 INSIDE RETAINING	F81090-1	4	
10	PIN WELDMENT, VERTICAL SIDE SUPPORT ZINC-PLATED	091197-1	2	
11	WASHER, 10.5 FLAT ZINC	F81055-1	4	
12	BOLT DIN 933-M10X30 8.8-A2E	F81003-111	2	
13	BOLT, ISO 4017 M20X150 8.8 ZINC-PLATED	F81007-3	2	
14	NUT, M20-8 HEX ZINC	F81037-1	4	
15	WASHER, 20.5 SPLIT LOCK ZINC	F81059-1	2	
16	FITTING, M6 STRAIGHT GREASE	086280	4	
17	BOLT, M16X160-8.8 HEX HEAD ZINC	F81006-20	2	
18	NUT, M16-8 HEX NYLON ZINC LOCK	F81036-2	3	
19	CYLINDER, 28/150 1/4 NPT PORT HYDRAULIC	094002	1	
20	LINK WELDMENT, WM3000 VERTICAL SIDE SUPPORT	094016-1	1	
21	NUT, M10-8-B HEX NYLON ZINC LOCK	F81033-1	2	
22	FITTING, 3/8JIC-1/4NPT 90L	015491	2	
	<b>SUPPORT, WM3000/3500 SUPER VERTICAL SIDE</b>	<b>508630</b>	<b>2</b>	
1a	BLOCK WELDMENT, WM3000/3500 ROD GUIDE	508622-1	1	
2	ROD WELDMENT, WM3000/3500 CHROMIUM PLATED	508623-1	1	
3	ROLLER, LT70/300 VERTICAL SIDE SUPPORT ZINC-PLATED	094013-1	2	
4	BUSHING, LT70/300 VERTICAL SIDE SUPPORT BRONZE	094012	2	
5	WASHER, 17 FLAT ZINC	F81058-1	6	
6	BOLT, M16X195 HEX HEAD ZINC	F81006-44	1	
7	RING, LT70/300 VERTICAL SIDE SUPPORT ZINC-PLATED	094004-1	4	
8	BUSHING, 5040BS SELF-LUBRICATING	088660	4	
9	RING, W62 INSIDE RETAINING	F81090-1	4	
10	PIN WELDMENT, VERTICAL SIDE SUPPORT ZINC-PLATED	091197-1	2	
11	WASHER, 10.5 FLAT ZINC	F81055-1	4	
12	BOLT, M10X30-5.8 HEX HEAD FULL THREAD ZINC	F81003-2	2	
13	BOLT, ISO 4017 M20X150 8.8 ZINC-PLATED	F81007-3	2	
14a	NUT, M20-8 HEX ZINC	F81037-1	6	
15	WASHER, 20.5 SPLIT LOCK ZINC	F81059-1	2	
16	FITTING, M6 STRAIGHT GREASE	086280	4	
17	BOLT, M16X160-8.8 HEX HEAD ZINC	F81006-20	2	
18	NUT, M16-8 HEX NYLON ZINC LOCK	F81036-2	3	
19	CYLINDER, 28/150 1/4 NPT PORT HYDRAULIC	094002	1	
20	LINK WELDMENT, WM3000 VERTICAL SIDE SUPPORT	094016-1	1	
21	NUT, M10-8-B HEX NYLON ZINC LOCK	F81033-1	2	
22	FITTING, 3/8JIC-1/4NPT 90L	015491	2	
23	Side supports, double assembly (stationary frame)	531945-1	1	
24	PIN WELDMENT, VERTICAL SIDE SUPPORT ZINC-PLATED	091197-1	6	

**8****Hydraulic System***Hydraulic Log Side Supports*

---

<b>25</b>	WASHER, 10.5 FLAT ZINC	F81055-1	18	
<b>26</b>	BOLT, M10X30-5.8 HEX HEAD FULL THREAD ZINC	F81003-2	9	
<b>27</b>	NUT, M10-8-B HEX NYLON ZINC LOCK	F81033-1	9	
<b>28</b>	PIN WELDMENT, ZINC-PLATED LOCK	508624-1	3	
<b>29</b>	WASHER, 10.5 SPECIAL FLAT ZINC	F81055-6	3	
<b>30</b>	BOLT, ISO4017-M10X20-8.8-A2E HEX HEAD	F81003-53	3	

## 8.9 Hydraulic Log Clamp



REF.	DESCRIPTION (◆ Indicates Parts Available In Assemblies Only)	PART #	QTY
	<b>CLAMP ASSEMBLY, HYDRAULIC</b>	<b>089545</b>	<b>2</b>
1	Mount Weldment, Hydraulic Log Clamp	088654-1	1
2	Bolt, M10x125-8.8 Hex Head Zinc	F81003-18	2
3	Bolt, M10x130-8.8 Mushroom Head Square Neck Zinc	F81003-36	4
4	Washer, 10.5 Flat Zinc	F81055-1	18
5	Nut, M10-8-B Hex Nylon Zinc Lock	F81033-1	16
	<b>BLOCK WELDMENT, LOG CLAMP</b>	<b>089835</b>	<b>2</b>
6	Block Weldment, Log Clamp	088652-1	1
7	Bushing, 3040BS Self-lubricating	088676	2
8	Cylinder, CJ7F-16-40/22 + UE2-40W Hydraulic	088662	1

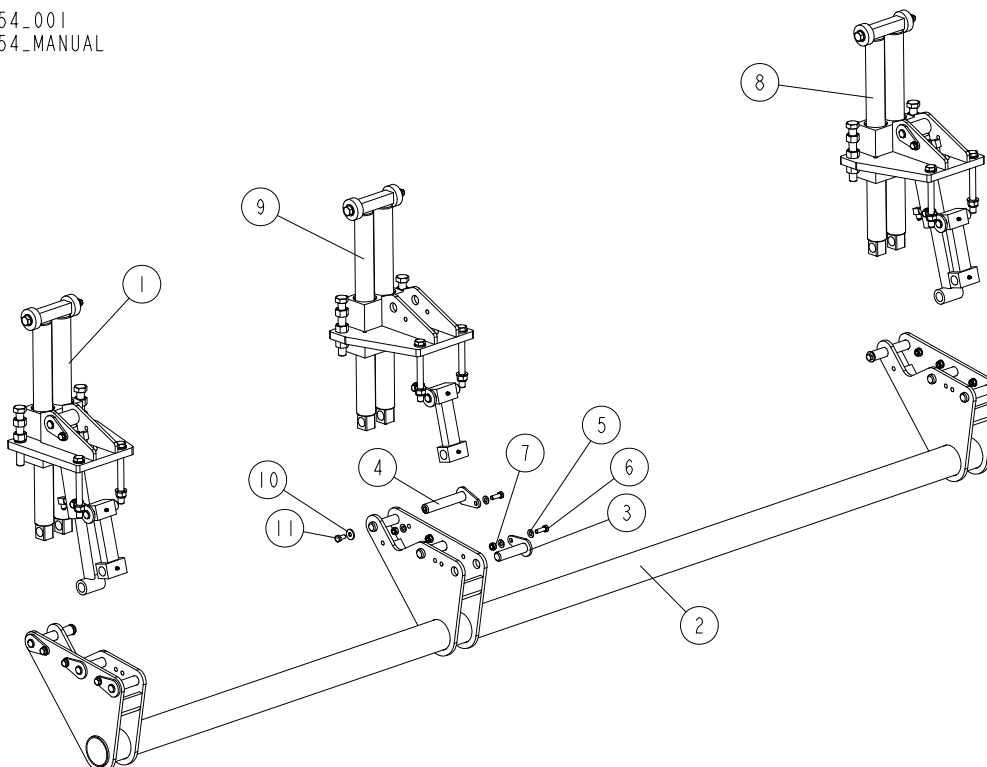
## 8

## Hydraulic System

### Hydraulic Log Clamp

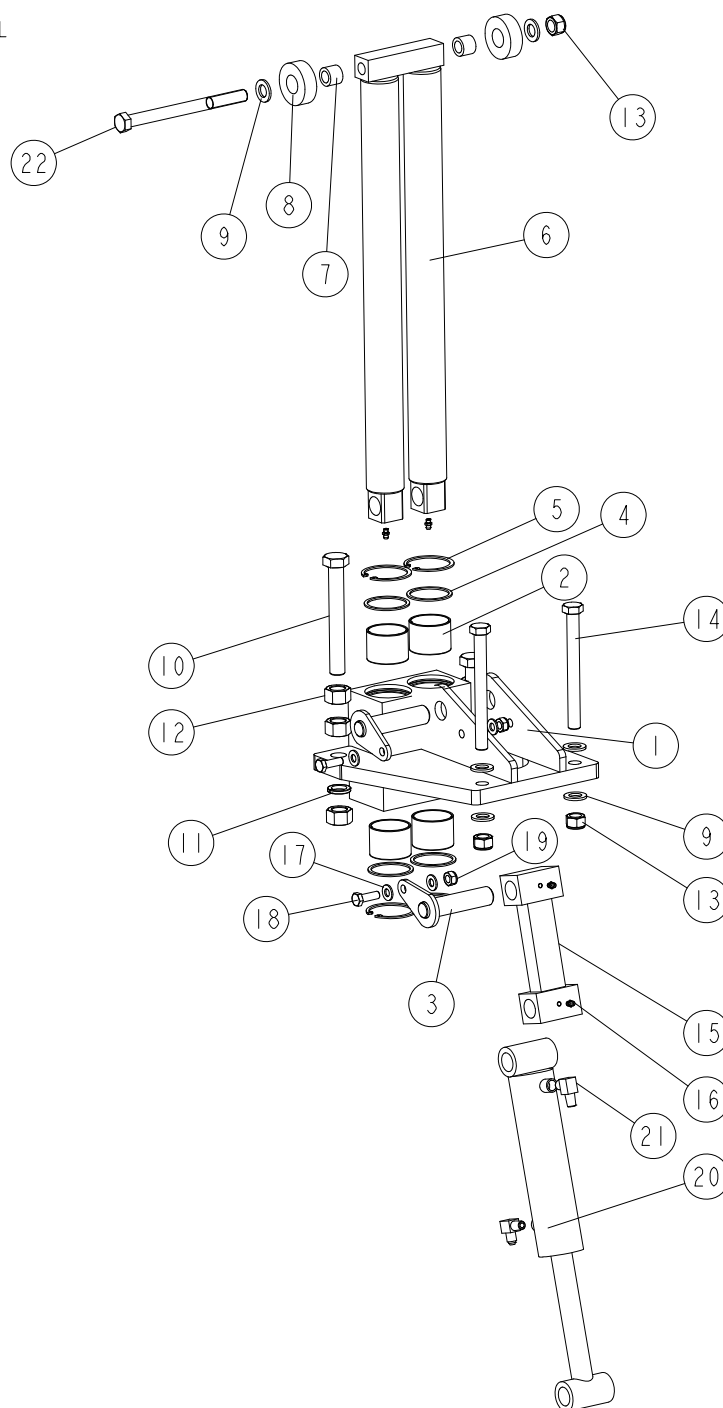
9	Bolt, M10x40-8.8 Hex Head Full Thread Zinc	F81003-16	14	
10	Bar, Clamp Up/Down	089537-1	4	
11	Plate, Connecting	088645-1	1	
12	Bolt, M10x140-8.8 Hex Head Zinc	F81003-5	2	
13	Plate, Connecting	089533-1	1	
14	Screw, M10x40-8.8 Hex Socket Head Cap Zinc	F81003-22	4	
15	Washer, 10.2 Split Lock Zinc	F81055-2	28	
16	Plate, Log Clamp Rear	089538-1	3	
17	Bolt, M10x35-8.8 Hex Head Full Thread Zinc	F81003-17	18	
18	Bracket, Guide Pin Mount	089536-1	2	
19	Pin, Clamp Up/Down Guide	088631	2	
20	Screw, M16x55-8.8 Hex Socket Head Cap Zinc	F81006-18	2	
21	Washer, 16.3 Split Lock Zinc	F81058-2	2	
22	Plug, M33 Thread	089839	2	
	<b>Jaw, Log Clamp Narrow - Complete</b>	<b>094700</b>	<b>1</b>	
23	Jaw, Log Clamp Narrow	093464-1	1	
24	Bearing, 6005 2RS CX	089652	4	
25	Shaft, Clamp Jaw Guide	088620-1	4	
26	Ring, Z24 Outside Retaining	089654	4	
27	Ring, W47 Inside Retaining	089653	4	
	<b>Jaw, Log Clamp Wide - Complete</b>	<b>094701</b>	<b>1</b>	
28	Jaw, Log Clamp Wide	093465-1	1	
29	Bearing, 6005 2RS CX	089652	4	
30	Shaft, Clamp Jaw Guide	088620-1	4	
31	Ring, Z24 Outside Retaining	089654	4	
32	Ring, W47 Inside Retaining	089653	4	
33	Washer, Clamp Jaw Spacer	089542	4	
34	Bar, Clamp In/Out Side	088622-1	4	
35	Cylinder, SJ2F-40/22/145 Hydraulic	088661	1	
36	Bar, Clamp In/Out Lower	088623-1	1	
37	Pin, 20X75	088657-1	4	
38	Spacer, Lower	089541	4	
39	Pin, S-Zn 5x40 Cotter	F81043-31	10	
40	Bracket, Vertical Cylinder Mount Upper	089540-1	1	
41	Pin, 25X75	088659-1	1	
42	Washer, Clamp Jaw Spacer	501843	1	
43	Washer, 21 Flat Zinc	F81059-2	8	
44	Washer, 28 Flat Zinc	F81061-1	2	
45	Fitting, 1/4NPTx1/4JIC Male	P09143	4	

## 8.9 Boční podpěra (č. 508954)

508954\_001  
508954\_MANUAL

OZN	POPIS (značí, že díly jsou k dispozici pouze v sestavách)	DÍL	POČET
.	.	.	.
-	<b>SADA BOČNÍ PODPĚRY (PRO STACIONÁRNÍ RÁMY)</b>	508954	1
1	SVISLÁ BOČNÍ PODPĚRA, WM3000/3500 <a href="#">See Section 8.10</a>	508952	1
2	SVAŘENEC DRŽÁKU SVISLÉ BOČNÍ PODPĚRY	531945-1	1
3	SVAŘENEC KOLÍKU SVISLÉ BOČNÍ PODPĚRY, POZINKOVANÝ – KOMPLETNÍ	091197-1	7
4	SVAŘENEC POJISTNÉHO KOLÍKU, POZINKOVANÝ - KOMPLETNÍ	508624-1	3
5	PLOCHÁ PODLOŽKA 10,5 POZINKOVANÁ	F81055-1	18
6	ŠROUB, DIN933-M10X30-8.8-A2E VÁLCOVÁ HLAVA S VNITŘNÍM ŠESTIHRANEM, PLNÝ ZÁVIT	F81003-111	9
7	MATICE ŠESTIHRANNÁ M10-8-B SAMOSVORNÁ S NYLONEM, POZINKOVANÁ	F81033-1	9
8	SVISLÁ BOČNÍ PODPĚRA, WM3000/3500 <a href="#">See Section 8.10</a>	508630	1
9	WM4000 SVISLÁ BOČNÍ PODPĚRA BEZ HYDRAULICKÉHO VÁLCE <a href="#">See Section 8.11</a>	536103	1
10	PLOCHÁ PODLOŽKA SPECIÁLNÍ 10,5 POZINKOVANÁ	F81055-6	3
11	ŠROUB, ISO 4017-M10X20-8.8-A2E, ŠESTIHRANNÁ HLAVA, ZÁVIT K HLAVĚ	F81003-53	3

## 8.10 Boční opěra kmene (Číslo 508630 a 508952)

508630\_001  
508630\_MANUAL

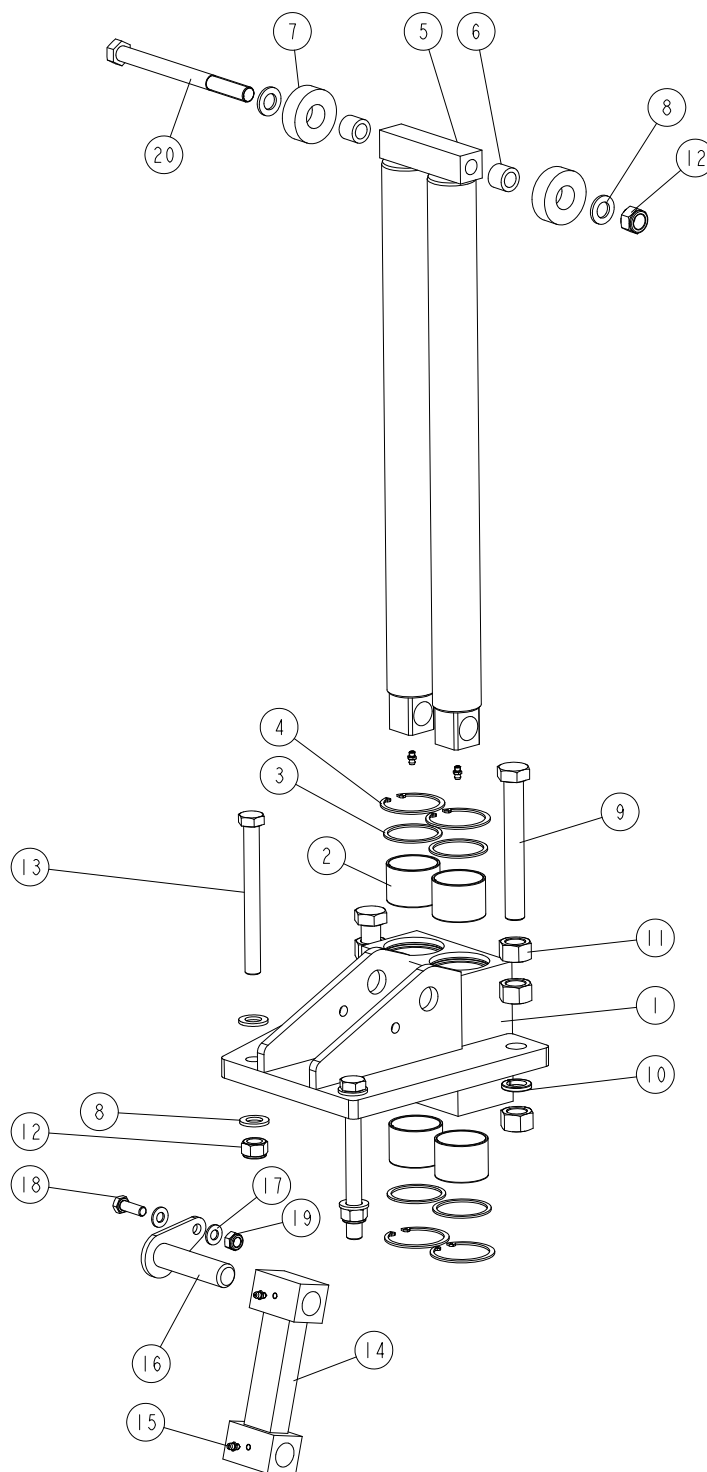
OZN	POPIS (značí, že díly jsou k dispozici pouze v sestavách)	DÍL	POČET
.			.
-	SVISLÁ BOČNÍ PODPĚRA, WM3000/3500	508630	1
-	SVISLÁ BOČNÍ PODPĚRA, WM3000/3500	508952	1
1	SVAŘENEC BLOKU VEDENÍ TYČE, WM3000/3500	508622-1 <sup>1</sup>	1
	SVAŘENEC BLOKU VEDENÍ TYČE, WM3000/3500	508953-1 <sup>2</sup>	1

OZN	POPIS (značí, že díly jsou k dispozici pouze v sestavách)	DÍL	POČET
2	SAMOMAZNÉ POUZDRO, 5040BS	088660	4
3	SVAŘENEC KOLÍKU SVISLÉ BOČNÍ PODPĚRY, POZINKOVANÝ – KOMPLETNÍ	091197-1	2
4	KROUŽEK SVISLÉ BOČNÍ PODPĚRY, LT70/300 POZINKOVANÝ	094004-1	4
5	VNITŘNÍ POJISTNÝ KROUŽEK 62W	F81090-1	4
6	SVAŘENEC CHROMOVANÉ TYČE, WM3000/3500	508623-1	1
7	POUZDRO, 16/25-20	094012	2
8	VÁLEČEK SVISLÉ BOČNÍ PODPĚRY, LT70/300 POZINKOVANÝ	094013-1	2
9	POJISTNÁ PÉROVÁ PODLOŽKA 17 POZINKOVANÁ	F81058-1	6
10	ŠROUB SE ŠESTIHRAN. HLAVOU, ISO 4017 M20X150 8.8 ÚPLNÝ ZÁVIT, POZINK.	F81007-3	2
11	POJISTNÁ PÉROVÁ PODLOŽKA 20,5 POZINKOVANÁ	F81059-1	2
12	MATICE ŠESTIHRANNÁ, M20-8 POZINKOVANÁ	F81037-1	6
13	MATICE ŠESTIHRANNÁ M16-8 SAMOSVORNÁ S NYLONEM, POZINKOVANÁ	F81036-2	3
14	ŠROUB SE ŠESTIHRANNOU HLAVOU M16X160 POZINKOVANÝ	F81006-20	2
15	SVAŘENEC SPOJKY, LT70/300 SVISLÁ BOČNÍ PODPĚRA	094016-1	1
16	MAZNICE M6	086280	4
17	PLOCHÁ PODLOŽKA 10,5 POZINKOVANÁ	F81055-1	4
18	ŠROUB SE ŠESTIHRAN. HLAVOU M10X30 -8,8 ÚPLNÝ ZÁVIT, POZINK	F81003-2	2
19	MATICE ŠESTIHRANNÁ M10-8-B SAMOSVORNÁ S NYLONEM, POZINKOVANÁ	F81033-1	2
20	HYDRAULICKÝ VÁLEC, 28/150 1/4 NPT PORT,	094002	1
21	ARMATURA, 3/8JIC-1/4NPT 90L	015491	2
22	ŠROUB SE ŠESTIHRANNOU HLAVOU, ISO4014-M16X195-8.8-A2E	F81006-44	1

<sup>1</sup> Obsaženo v sestavě č. 508630

<sup>2</sup> Obsaženo v sestavě č. 508952

## 8.11 Boční opěra kmene (č. 536103)

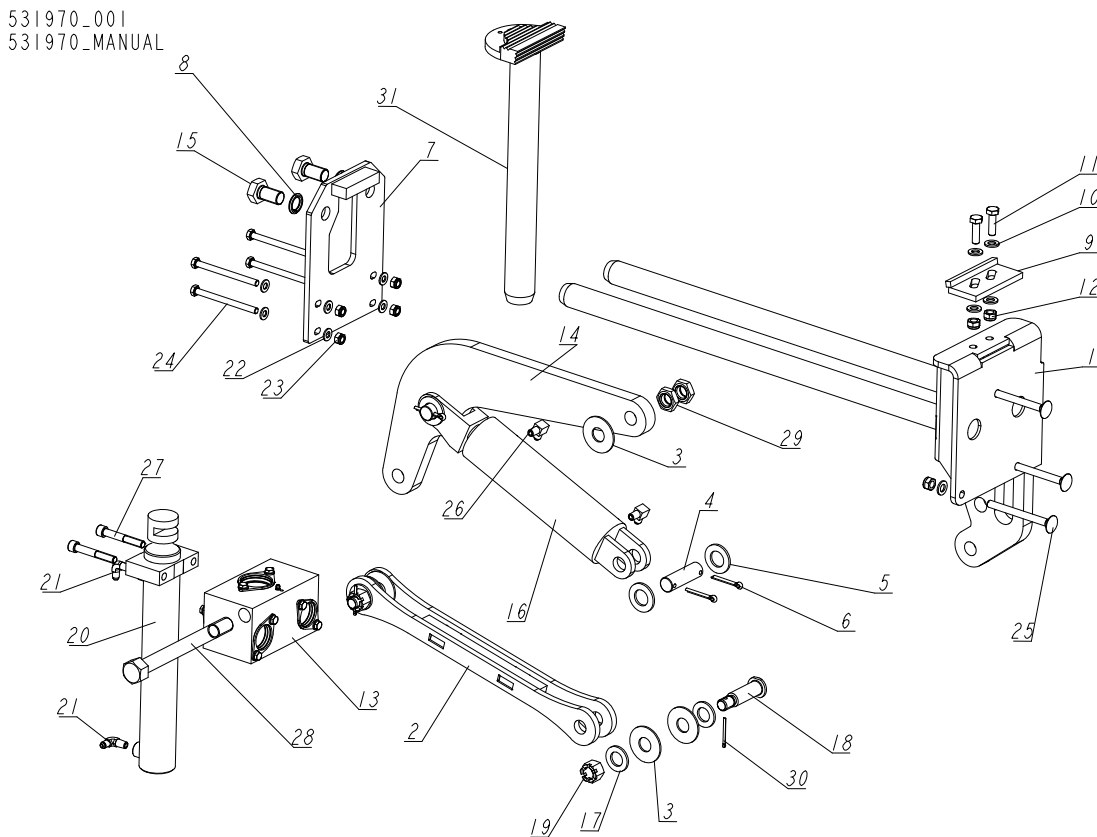
536103\_001  
536103\_MANUAL

OZN.	POPIS (značí, že díly jsou k dispozici pouze v sestavách)	DÍL	POČET.
-	<b>WM4000 SVISLÁ BOČNÍ PODPĚRA BEZ HYDRAULICKÉHO VÁLCE</b>	536103	1
1	SVAŘENEC BLOKU VEDENÍ TYČE, WM3000/3500	508622-1	1
2	SAMOMAZNÉ POUZDRO, 5040BS	088660	4
3	KROUŽEK SVISLÉ BOČNÍ PODPĚRY, LT70/300	094004-1	4
4	VNITŘNÍ POJISTNÝ KROUŽEK 62W	F81090-1	4



OZN.	POPIS (značí, že díly jsou k dispozici pouze v sestavách)	DÍL	POČET.
5	SVAŘENEC CHROMOVANÉ TYČE, WM3000/3500	508623-1	1
6	POUZDRO, 16/25-20	094012	2
7	VÁLEČEK SVISLÉ BOČNÍ PODPĚRY, LT70/300 POZINKOVANÝ	094013-1	2
8	POJISTNÁ PÉROVÁ PODLOŽKA 17 POZINKOVANÁ	F81058-1	6
9	ŠROUB SE ŠESTIHRAN. HLAVOU, ISO 4017 M20X150 8.8 ÚPLNÝ ZÁVIT, POZINK.	F81007-3	2
10	POJISTNÁ PÉROVÁ PODLOŽKA 20,5 POZINKOVANÁ	F81059-1	2
11	MATICE ŠESTIHRANNÁ, M20-8 POZINKOVANÁ	F81037-1	6
12	MATICE ŠESTIHRANNÁ M16-8 SAMOSVORNÁ S NYLONEM, POZINKOVANÁ	F81036-2	3
13	ŠROUB SE ŠESTIHRANNOU HLAVOU M16X160 POZINKOVANÝ	F81006-20	2
14	SVAŘENEC SPOJKY, LT70/300 SVISLÁ BOČNÍ PODPĚRA	094016-1	1
15	MAZNICE M6	086280	4
16	SVAŘENEC KOLÍKU SVISLÉ BOČNÍ PODPĚRY, POZINKOVANÝ – KOMPLETNÍ	091197-10	1
17	PLOCHÁ PODLOŽKA 10,5 POZINKOVANÁ	F81055-1	2
18	ŠROUB, DIN933-M10X30-8.8-A2E VÁLCOVÁ HLAVA S VNITŘNÍM ŠESTIHRANEM, PLNÝ ZÁVIT	F81003-111	1
19	MATICE ŠESTIHRANNÁ M10-8-B SAMOSVORNÁ S NYLONEM, POZINKOVANÁ	F81033-1	1
20	ŠROUB SE ŠESTIHRANNOU HLAVOU, ISO4014-M16X195-8.8-A2E	F81006-44	1

## 8.12 Main Log Clamp, WM4000 (No. 531970)

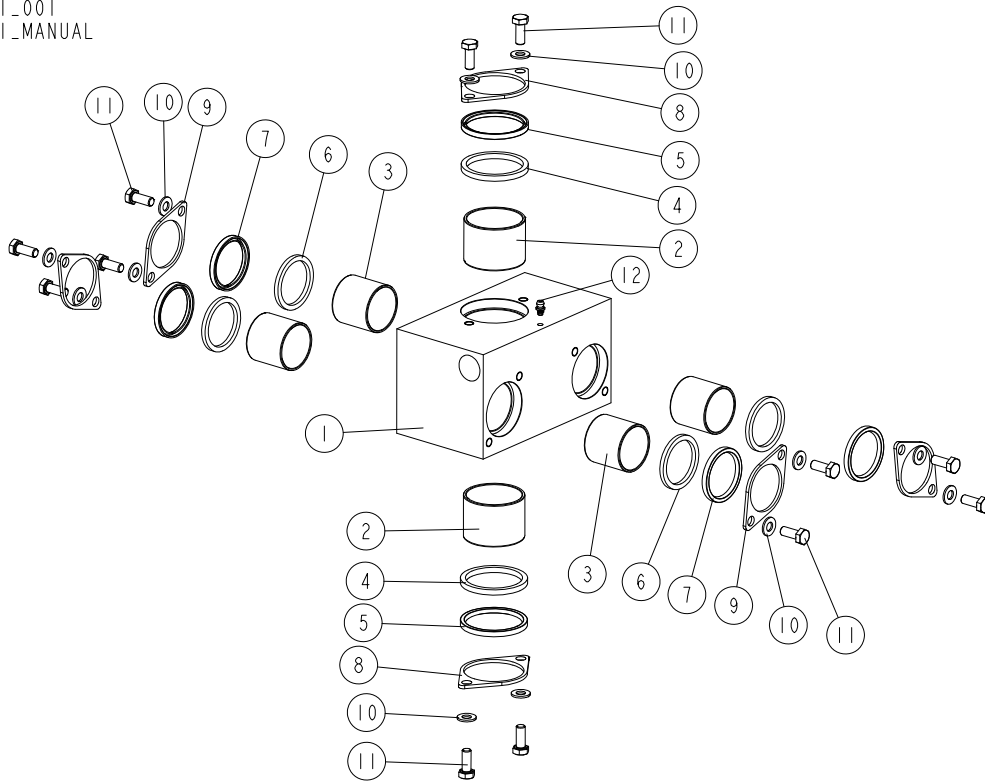


REF.	DESCRIPTION (* indicates parts available in assemblies only)	PART NO.	QTY
-	<b>CLAMP, WM4000 MAIN LOG</b>	531970	1
1	ROD ASSEMBLY, MAIN CLAMP HORIZONTAL	531969-1	1
2	ARM WELDMENT, HYDRAULIC CLAMP	086963-1	1
3	WASHER, 25X63 ZINC-PLATED	088585-1	5
4	PIN, HYDRAULIC CYLINDER ZINC-PLATED	086979-1	2
5	WASHER, 28 FLAT ZINC	F81061-1	4
6	PIN, S-ZN-6.3X45 COTTER	F81045-2	4
7	PLATE, SUPPORT - 2 RODS	531966-1	1
8	WASHER, Z22.5 SPLIT LOCK ZINC	F81059-4	2
9	STOP WELDMENT, HYDRAULIC LOG CLAMP	086980-1	1
10	WASHER, 13 FLAT ZINC	F81056-1	7
11	BOLT, M12X40-8.8 HEX HEAD FULL THREAD ZINC	F81004-4	2
12	NUT, M12 8 HEX NYLON ZINC LOCK	F81034-2	5
13	BLOCK, STEEL W/BUSHINGS - COMPLETE <a href="#">See Section 8.13</a>	521951	1
14	ARM, HYDRAULIC LOG CLAMP	086974-1	1
15	BOLT, M22X1.5X40-8.8-B HEX HEAD FULL THREAD ZINC	F81009-1	2
16	CYLINDER, CJ-S96-16-70/32/178 HYDRAULIC	088589	1
17	WASHER, 25 FLAT ZINC	F81061-3	4
18	PIN, B 24X95/85 ZINC-PLATED	F81049-2	2
19	NUT, Z M20-8-B SLOTTED CASTLE ZINC	F81037-3	2
20	CYLINDER, CJ-S582-16-50/35/300 HYDRAULIC	711617	1

REF.	DESCRIPTION (* indicates parts available in assemblies only)	PART NO.	QTY	
21	FITTING, 1/4NPTX1/4JIC MALE ELBOW	P09142	2	
22	WASHER, 10.5 FLAT ZINC	F81055-1	8	
23	NUT, M10-8-B HEX NYLON ZINC LOCK	F81033-1	4	
24	BOLT, M10X125 8.8 HEX HEAD ZINC	F81003-18	4	
25	BOLT, M12X130 8.8 CARRIAGE ZINC	F81004-26	3	
26	FITTING, 3/8JIC-1/4NPT 90L	015491	2	
27	SCREW, M12X80-8.8-B-FE/ZN5HEX SOCKET HEAD CAP ZINC	F81004-20	2	
28	BOLT, M24X240-8.8-B HEX HEAD ZINC	F81009-17	1	
29	NUT, M24-04-B HEX THIN ZINC	F81039-3	2	
30	PIN, S-ZN-4X45 COTTER	F81043-22	2	
31	ROD ASSEMBLY, VERTICAL	710735-1	1	

8.13 Steel Block w/Bushings (Part No. 521951)

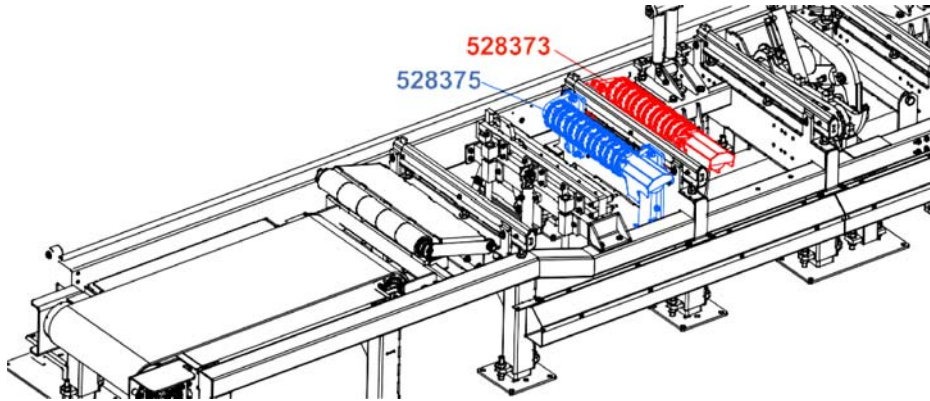
521951\_001  
521951\_MANUAL



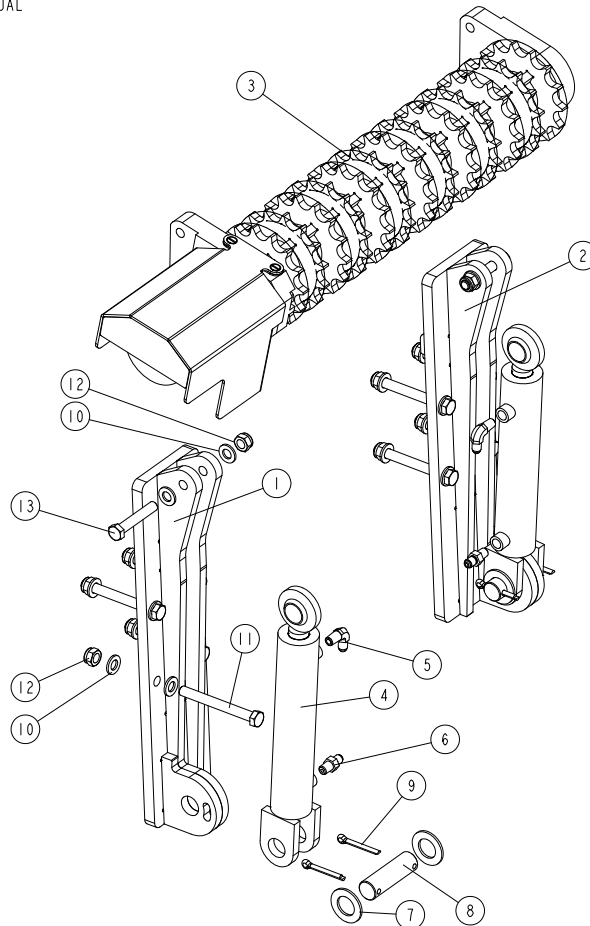
REF.	DESCRIPTION (* indicates parts available in assemblies only)	PART NO.	QTY
-	<b>BLOCK, STEEL W/BUSHINGS - COMPLETE</b>	521951	1
-	BLOCK, STEEL W/BUHINGS	521950-1	1
1	BLOCK, STEEL	521937	1
2	BUSHING, 5040BS SELF-LUBRICATING	088660	2
3	BUSHING, 4040BS SELF-LUBRICATING	525077	4
4	WASHER, 51/60-5	089324	2
5	WIPER, ZZ-50X60X7	088587	2
6	WASHER, WIPER - WIDE	525080	4
7	WIPER, ZZ-40X50X5/7	525079	4
8	FLANGE, CLAMP ROD WIPER	088887-1	2
9	FLANGE, WIPER	525081-1	4
10	WASHER, 8.4 FLAT ZINC	F81054-1	12
11	BOLT, M8X20 8.8 HEX HEAD FULL THREAD ZINC	F81002-4	12
12	FITTING, 3/16X3/16 STRAIGHT GREASE	P04107	1

## SECTION 9 DRIVEN LOG LEVELLING ROLLERS

### 9.1 Driven Log Levelling Rollers (No. 528373 and 528375)



528373\_001  
528373\_MANUAL



REF.	DESCRIPTION (* indicates parts available in assemblies only)	PART #	QTY
-	ROLLER, WM4000 DRIVEN LOG LEVELLING RIGHT - COMPLETE	528373	1
-	ROLLER, WM4000 DRIVEN LOG LEVELLING LEFT - COMPLETE	528375	1
1	MOUNT WELDMENT, WM4000 ROLLER LEFT	531962-1	1
2	MOUNT WELDMENT, WM4000 ROLLER RIGHT	531954-1	1

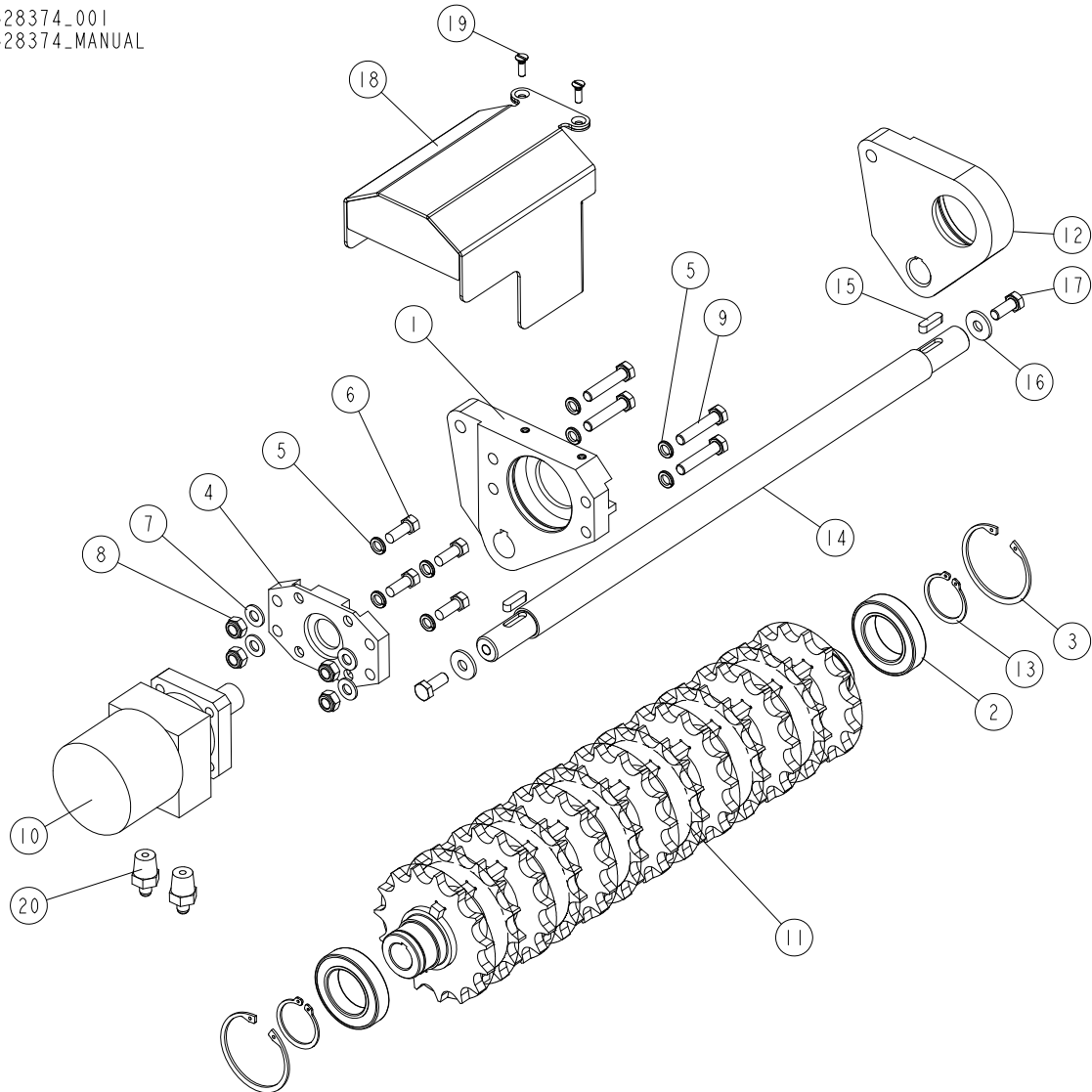
**Driven Log Levelling Rollers***Driven Log Levelling Rollers (No. 528373 and 528375)*

REF.	DESCRIPTION (* indicates parts available in assemblies only)	PART #	QTY
3	SHAFT, W/DRIVE - COMPLETE <a href="#">See Section 9.2</a>	528374 <sup>1</sup>	1
	SHAFT, W/DRIVE - COMPLETE <a href="#">See Section 9.2</a>	528376 <sup>2</sup>	1
-	CYLINDER, HYDRAULIC W/FITTINGS	535041	2
4	CYLINDER, CJ-S170-16-40/25/152 HYDRAULIC	088681	1
5	FITTING, 1/4NPTX1/4JIC MALE ELBOW	P09142	1
6	FITTING, 1/4NPTX1/4JIC MALE	P09143	1
7	WASHER, 26 ZINC-PLATED	088258-1 <sup>3</sup>	4
	WASHER, 28 FLAT ZINC	F81061-1 <sup>4</sup>	4
8	PIN, HYDRAULIC CYLINDER ZINC-PLATED	086979-1	2
9	PIN, S-ZN-6.3X45 COTTER	F81045-2	4
10	WASHER, 13 FLAT ZINC	F81056-1	20
11	BOLT, M12X110-8.8-B HEX HEAD ZINC	F81004-47	8
12	NUT, M12 8 HEX NYLON ZINC LOCK	F81034-2	10
13	BOLT, M12X70-8.8 HEX HEAD ZINC	F81004-39	2

<sup>1</sup> Included in 528373<sup>2</sup> Included in 528375<sup>3</sup> Included in 528373<sup>4</sup> Included in 528375

9.2 Shaft w/Drive (No. 528374 and 528376)

528374\_001  
528374\_MANUAL



REF.	DESCRIPTION (* indicates parts available in assemblies only)	PART #	QTY
-	SHAFT, W/DRIVE - COMPLETE	528374	1
-	SHAFT, W/DRIVE - COMPLETE (LEFT ROLLER)	528376	1
1	BRACKET, SIDE W/HYDRAULIC MOTOR CONNECTOR	096029-1 <sup>1</sup>	1
	BRACKET, SIDE W/HYDRAULIC MOTOR CONNECTOR	507684-1 <sup>2</sup>	1
2	BEARING, 6009.2RSR (FAG) ROLLING	096025	2
3	RING, W75 INSIDE RETAINING	F81090-41	2
4	PLATE, HYDRAULIC MOTOR MOUNT	096030-1	1
5	WASHER, 10.2 SPLIT LOCK ZINC	F81055-2	8
6	BOLT, 3/8-16X1 HEX HEAD	F05007-7	4
7	WASHER, 10.5 FLAT ZINC	F81055-1	4
8	NUT, M10-8-B HEX NYLON ZINC LOCK	F81033-1	4
9	BOLT, M10X50-8.8 HEX HEAD FULL THREAD ZINC	F81003-4	4
10	MOTOR, MG06-13-13AAAB HYDRAULIC	P21506	1
11	SHAFT, DRIVEN LOG LEVELLING ROLLER - COMPLETE	509944-1	1

REF.	DESCRIPTION (* indicates parts available in assemblies only)	PART #	QTY	
12	PLATE, SIDE MOUNT	096031-1 <sup>3</sup>	1	
	PLATE, SIDE MOUNT	507687-1 <sup>4</sup>	1	
13	RING, Z 45 OUTSIDE RETAINING	F81090-32	2	
14	ROD, SHAFT	520349-1	1	
15	KEY, A8X7X28 PARALLEL	096035	2	
16	WASHER, 10.5 SPECIAL FLAT ZINC	F81055-6	2	
17	BOLT, M10X25 8.8 HEX HEAD FULL THREAD ZINC	F81003-31	2	
18	GUARD, HYDRAULIC MOTOR	096037-1 <sup>5</sup>	1	
	GUARD, HYDRAULIC MOTOR	507690-1 <sup>6</sup>	1	
19	SCREW, M6X20-5.8-B SLOTTED COUNTERSUNK HEAD ZINC	F81001-31	2	
20	FITTING, EX. THREAD 1/2-14NPT/ 7/16-20UNF STRAIGHT	096919	2	

<sup>1</sup> Included in 528374

<sup>2</sup> Included in 528376

<sup>3</sup> Included in 528374

<sup>4</sup> Included in 528376

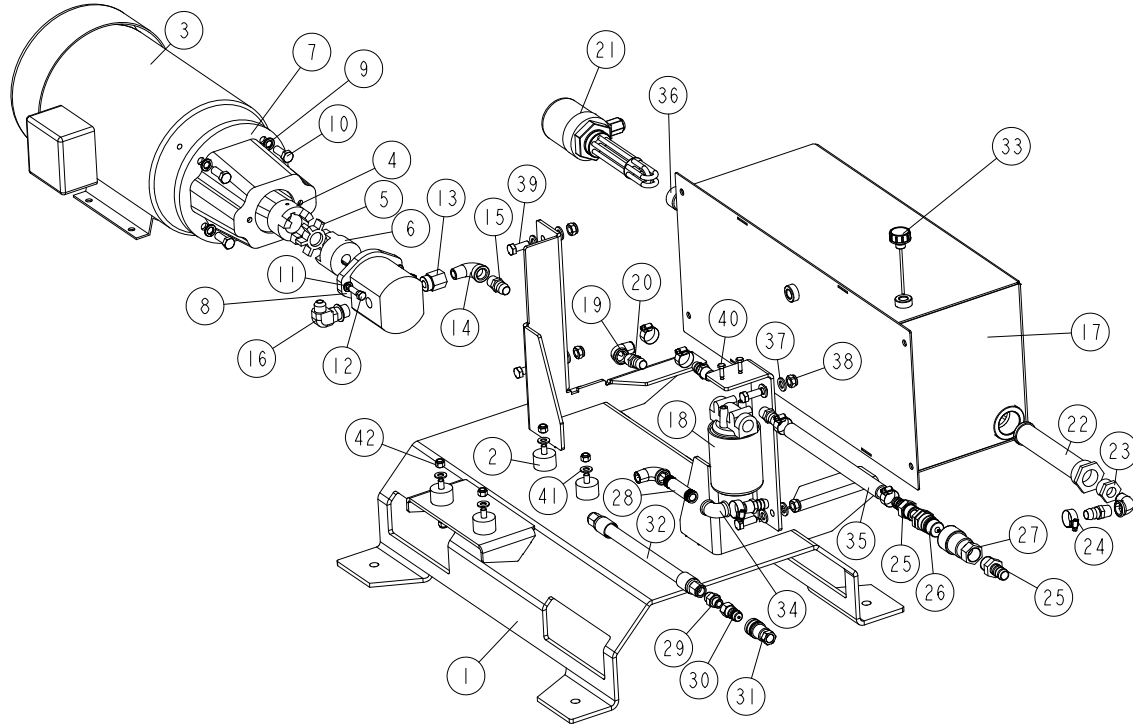
<sup>5</sup> Included in 528374

<sup>6</sup> Included in 528376



### 9.3 Hydraulic Pump & Tank Assembly

510630\_001  
510630\_MANUAL



REF.	DESCRIPTION (◆ Indicates Parts Available In Assemblies Only)	PART NO.	QTY
-	<b>HYDRAULIC PUMP &amp; TANK, WM4000 - COMPLETE</b>	510630	1
1	MOUNT WELDMENT, WM4000 HYDRAULIC PUMP & TANK	510624-1	1
2	MOUNT, HYDRAULIC MOTOR RUBBER	035546	4
-	PUMP, 7.5KW, N=2925, 32.5L/MIN HYDRAULIC W/MOTOR	533938	1
3	MOTOR, 10HP 3525RPM	008737	1
4	COUPLING BODY, L100X1 3/8	042777	1
5	COUPLING, L100 SPIDER	042779	1
6	COUPLING BODY, L100X3/4	042778	1
7	ADAPTER, 50HZ HYDRAULIC PUMP	042781	1
8	PUMP, HYDRAULIC 9GPM	008738	1
9	WASHER, 1/2 SPLIT LOCK	F05011-9	4
10	BOLT, 1/2-13X1 1/4 HEX HEAD GR5 ZINC	F05008-37	4
11	WASHER, 3/8 SPLIT LOCK	F05011-4	2
12	BOLT, 3/8-16X 1 1/4 HEX HEAD GR5	F05007-123	2
13	FITTING, #12SAE-1/2NPT FEMALE ADAPTER	042785	1
14	ELBOW, 1/2 NPT ST GALV.	P22684	1
15	FITTING, 1/2NPT MALE-3/4 HOSE BARB	035621	1

## 9

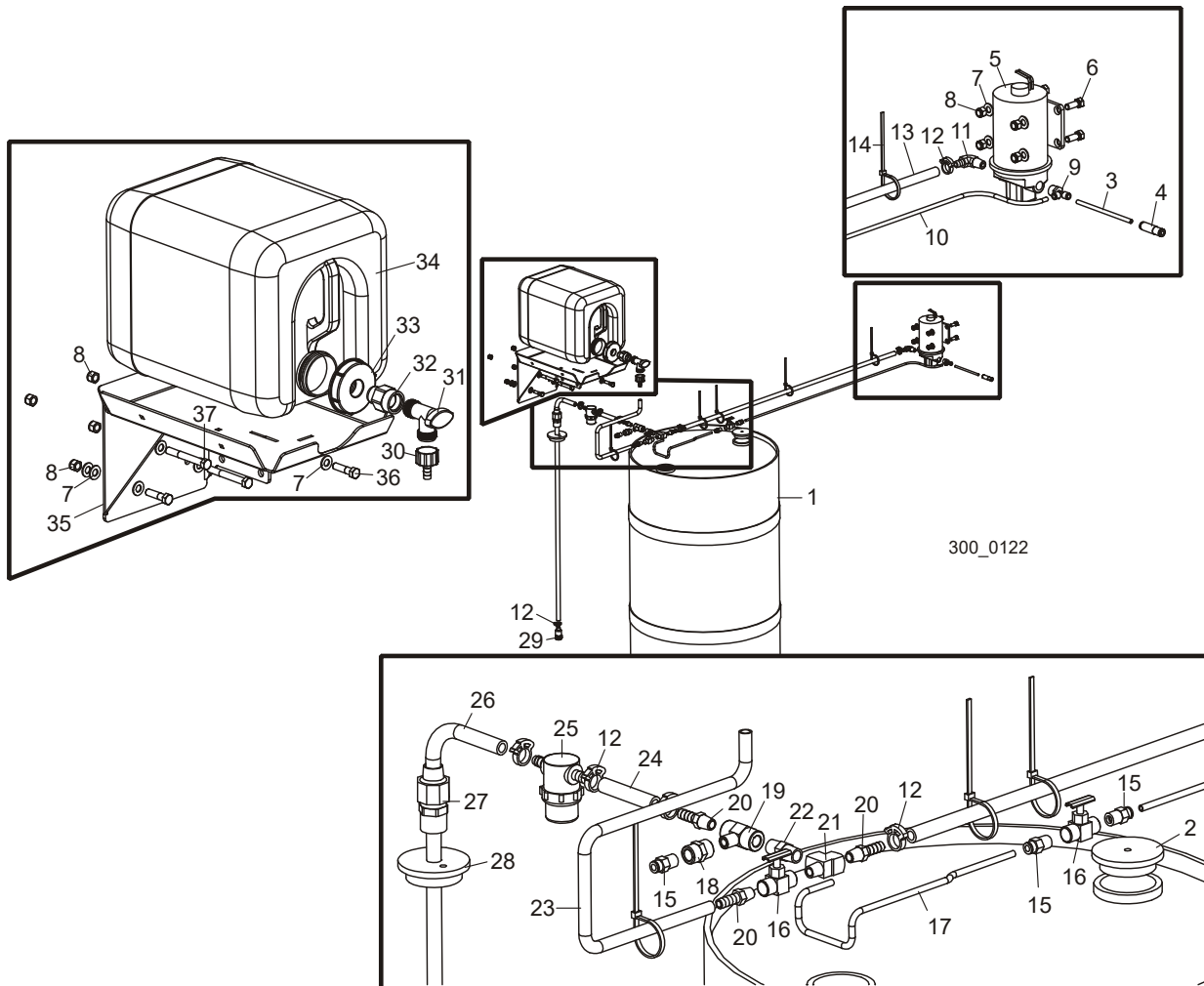
## Hydraulic System

### Hydraulic Pump & Tank Assembly

REF.	DESCRIPTION (◆ Indicates Parts Available In Assemblies Only)	PART NO.	QTY	
16	FITTING, #10SAE-1/2JIC 90 ELBOW	042784	1	
17	TANK, WM4000 (52L) OIL	517426-1	1	
18	MANIFOLD, W/FILTER	P22683	1	
19	A4-ELBOW, WZ 1/2" ZINC-PLATED	094749	3	
20	FITTING, 1/2NPT MALE-3/4 HOSE BARB	035621	5	
21	HEATER, EH-380-200-G11/2"-TA-2X400V TERMO	511737	1	
22	FILTER, RESAW TANK SUCTION	P20210	1	
23	BUSHING, 1/2 TO 1	P20239	1	
24	CLAMP, HI-GRIP 22-30 MM.	F81095-3	6	
25	FITTING, AGR DN20 3/4" STRAIGHT	505066	2	
26	FITTING, 3/4" ID BSP MALE QUICK DISCONNECT	505065	1	
27	FITTING, 3/4" ID BSP FEMALE QUICK DISCONNECT	505064	1	
28	FITTING, 1/2" -80MM THREAD ZINC-PLATED	511417	1	
29	FITTING, 1/2-3/8 BA.19.05.06 HYDRAULIC	512162	1	
30	FITTING, 3/8" INT. THREAD BSP MALE QUICK DISCONNECT	504966	1	
31	FITTING, 3/8" INT. THREAD BSP FEMALE QUICK DISCONNECT	504965	1	
32	HOSE, 2G1/2X0.30 W3/4UNF-W3/4UNF HYDRAULIC	512176	1	
33	CAP, 3/8" W/DIPSTICK	507166	1	
34	ELBOW, 1/2" ZINC-PLATED	511419	1	
35	HOSE, 3/4 L=0.86	094790_0-8	1	
36	PLUG, R 1 1/2 THREADED	512574	1	
37	WASHER, 13 FLAT ZINC	F81056-1	8	
38	NUT, M12- 8 DIN 982 NYLON ZINC	F81034-2	4	
39	BOLT, M12X30 8.8 HEX HEAD FULL THREAD ZINC	F81004-22	4	
40	BOLT, 1/4-20X3/4 FULL THREAD HEX HEAD	F05005-1	2	
41	WASHER, 10.5 FLAT ZINC	F81055-1	4	
42	NUT, 3/8-16 HEX NYLON LOCK	F05010-10	8	

## SECTION 10 MISCELLANEOUS

### 10.1 Blade Lube System



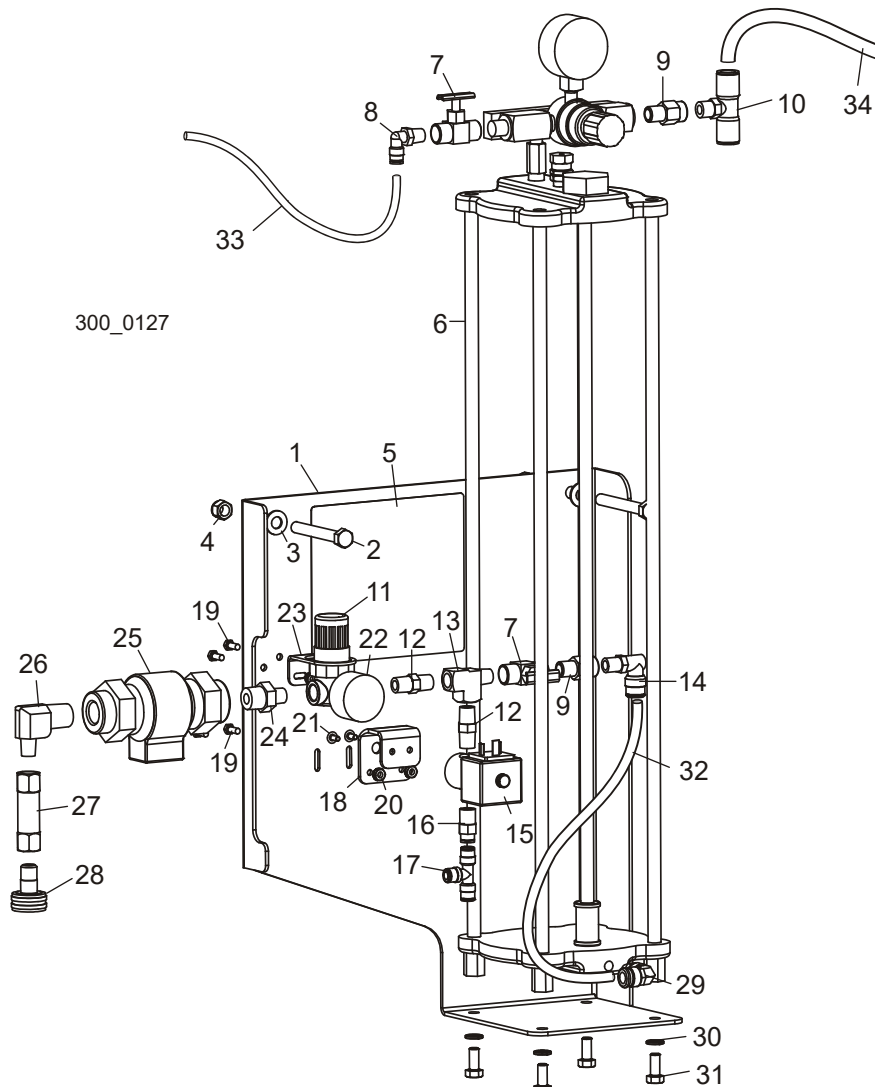
REF.	DESCRIPTION (◆ Indicates Parts Available In Assemblies Only)	PART #	QTY
	Lube #9, 5 Gallon	016853	1
	<b>LUBE SYSTEM, WM3000</b>	016926	1
1	Barrel, 55-Gallon Plastic	016784	1
2	Cap, Barrel With 1/4 Vent	016786	1
3	Tube, Pressure 1/4x107ft	016944	1
4	Valve, Check, 1/4Tube 6PSI	016827	1
	Cable Assembly, Lube System	025249	1
	Pump Assembly, Lube	016883	1
5	Pump Assembly, Lube	050029	1

# 10

## Miscellaneous Blade Lube System

6	Bolt, 3/8-16x1 Hex Head Grade 5	F05007-87	4	
7	Washer, 3/8 Flat SAE	F05011-3	10	
8	Nut, 3/8-16 Hex Nylon Lock	F05010-10	8	
9	Fitting, Tee 3/8NPT to 1/4Tube Male Run	016961	1	
10	Hose, Pressure 1/4x40	016885	1	
11	Fitting, 3/8" NPT x 3/8" Hose Barb Elbow	P12709	1	
12	Clamp, Single Snap Grip #38	016845	6	
13	Hose, Suction 3/8x44	016829	1	
14	OTie Wrap, 3/16 x 6 UV Black	F05089-3	6	
15	Fitting, 1/4 NPT - 1/4 Tube Straight	P20903	3	
16	Valve, Needle 1/4 NPT Female Brass	051392	2	
17	Hose, Pressure 1/4x24	016886	1	
18	Coupling, 1/4NPT	P03420	1	
19	Fitting, 1/4NPT Branch Tee	015486	1	
20	Fitting, 1/4NPT-3/8 Barb	014685	3	
21	Fitting, 1/4 FMF Tee	P05382	1	
22	Nipple, 1/4 NPT Hex	P21524	1	
23	Tube, 3/8IDx25 Tygothane	038495	1	
24	Hose, Suction 3/8x3	038494	1	
25	Filter, 3/8 Barb Lube	033447	1	
26	Hose, Suction 3/8x40	016884	1	
27	Coupler, 3/4NPT x 1/2 Poly Compression	016935	1	
28	Cap, Barrel Vent	016785	1	
29	Valve, Foot Check, 3/8 Barb	016939	1	
30	Reducer, 5/8NPT/3/8Barb Water Lube	014113	1	
31	Valve, 3/4 NPT Elbow 3/4 Male Outlet PVC	014100	1	
32	Fitting, 3/4FPTx3/4MPT	014636	1	
33	Cap, 63mm Water Bottle, Modified	036744	1	
34	Bottle, 5-Gallon Water	014637	1	
35	Tray Weldment, Lube System	038498	1	
36	Bolt, 3/8-16x1 1/2 Hex Head Grade 5	F05007-78	2	
37	Bolt, 3/8-16x3 Hex Head Grade 5	F05007-73	2	

## 10.2 Pressure Lube System (Optional)



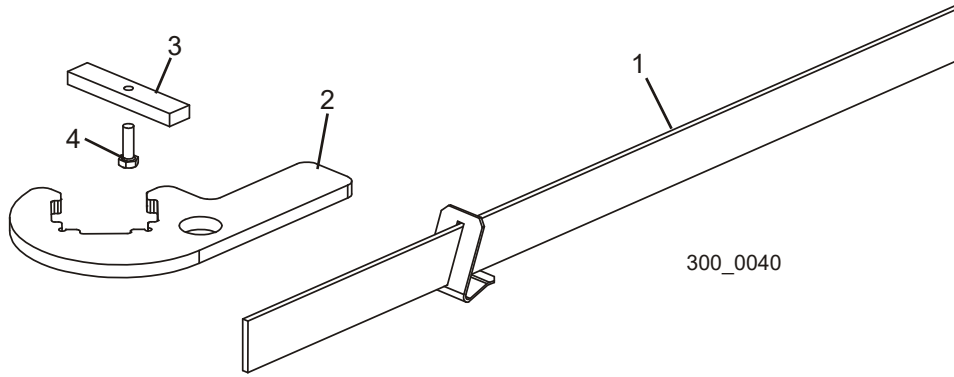
REF.	DESCRIPTION (◆ Indicates Parts Available In Assemblies Only)	PART #	QTY
	<b>LUBE SYSTEM, WM3000 OPTIONAL PRESSURE BLADE</b>	051431	1
1	Bracket, Pressure Lube Mount	036685	1
2	Bolt, 3/8-16 x 3" Hex Head Full Thread	F05007-1	2
3	Washer, 3/8" SAE Flat	F05011-3	2
4	Nut, 3/8-16 Hex Nylon Lock	F05010-10	2
5	Decal, Pressure Lube Layout	036747	1
6	Reservoir Assembly, Pressure Lube	051434	1
7	Valve, 1/4" NPT Brass Female Needle	051392	2
8	Fitting, 1/4" NPT x 1/4" Tube 90° Elbow Air	P21519	1
9	Valve, 1/4" NPT Male-Female Check	051394	2

# 10

## Miscellaneous Pressure Lube System (Optional)

10	Fitting, 1/4" NPT x 1/2" Tube Tee	038737	1	
11	Regulator, 1/4" NPT 125 PSI Water	051427	1	
12	Fitting, 1/4" NPT Hex Pipe Nipple	P05389	2	
13	Fitting, 1/4" NPT Female-Male-Female Tee	P05382	1	
14	Fitting, 1/4" NPT x 3/8" Tube 90° Elbow Air	P21521	1	
15	Valve, 1/4" NPT Water NC 2-Way Solenoid	051432	1	
	Cable Assembly, WM3000 Lube Pump	052222	1	
16	Fitting, 1/4" NPT x 1/4" Tube Straight Air	P20903	1	
17	Fitting, 1/4" Tube Air Tee	P21544	1	
18	Bracket, Solenoid Mount	036688	1	
19	Screw, #10-24 x 1/2" Unslotted Hex Stainless Steel	F05004-27	4	
20	Nut, #10-24 Self-Locking Hex	F05010-14	4	
21	Screw, #8-32 x 3/8" Round Head Grade 5	F05004-157	2	
22	Gauge, 160 PSI	P02766	1	
23	Bracket, Regulator Mount	051429	1	
24	Fitting, 1/2" NPT x 1/4" NPT Hex Nipple	038484	1	
25	Valve, 1/2" NPT Vacuum Break Dual Check	038483	1	
26	Fitting, 1/2" NPT x 1/4" NPT 90° Elbow	016881	1	
27	Strainer, 1/4" NPT 100 Mesh Inline	051882	1	
28	Fitting, 1/4" NPT x Female Water Hose	051433	1	
29	Fitting, 1/8" NPT x 3/8" Tube 90° Elbow	P21552	1	
30	Washer, 5/16" Split Lock	F05011-13	4	
31	Bolt, 5/16-24 x 3/4" Hex Head Grade 5 Full Thread	F05006-105	4	
32	Tubing, 1/4" Air	R01869	2 ft.	
33	Tubing, 3/8" Air	R01869-1	5.147 ft.	
34	Tubing, 1/2" Air	R01869-2	3 ft.	

### 10.3 Tools



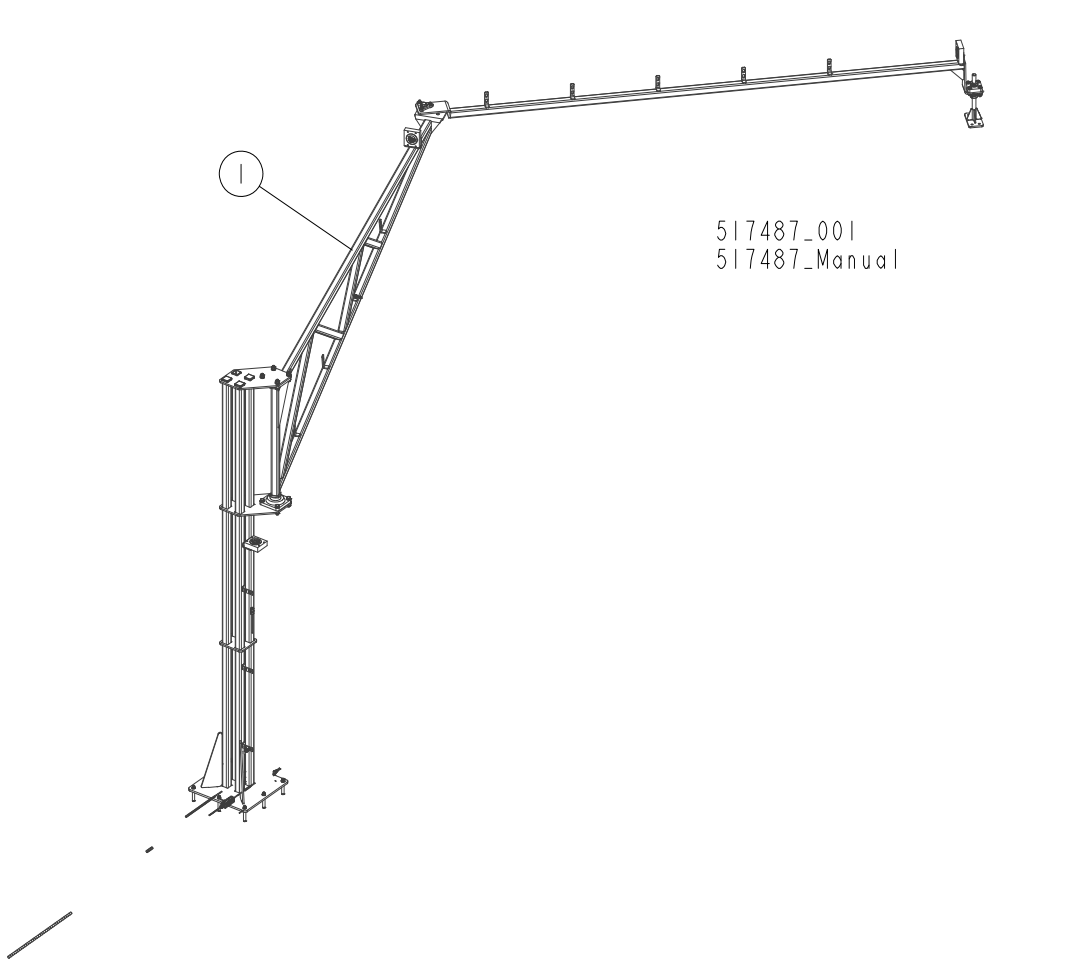
REF.	DESCRIPTION (◆ Indicates Parts Available In Assemblies Only)	PART #	QTY	
1	TOOL, BLADE GUIDE ADJUSTMENT	LTBGAT	1	
2	ALIGNMENT TOOL, BLADE GUIDE ARM	042700	1	
3	BLOCK, BLADE GUIDE ALIGNMENT	035799	2	
4	SCREW, 10-32X5/8 HEX HEAD MACHINE	F05004-152	2	
	HONE, 6" BENCH COARSE DIAMOND COARSE (NOT SHOWN)	017813	1	
	WRENCH S=32 (NOT SHOWN)	513927-1	1	

## 10.4 Manuals & Diagrams

	DESCRIPTION			
<b>WM3000/WM3500 Manuals</b>				
1	WM3000 Sawmill Operation Manual	988	1	
2	WM3500 Sawmill Operation Manual	990	1	
3	<b>WM3000 SAWMILL PARTS LIST</b>	991	1	
4	<b>WM3500 SAWMILL PARTS LIST</b>	992	1	
<b>WM3000 Sawmill Option Manuals</b>				
5	IC1 Incline Conveyor Manual	1121	1	
6	TD1 Transfer Deck Manual	1062	1	
7	LD12/LD20 Infeed Deck Manual	1024	1	
<b>Electrical Diagrams</b>				
8	<b>WM3000 SAWMILL ELECTRICAL DIAGRAM</b>	1014a	1	
9	<b>WM3500 SAWMILL ELECTRICAL DIAGRAM</b>	1016	1	



## 10.5 Pantograph Assembly



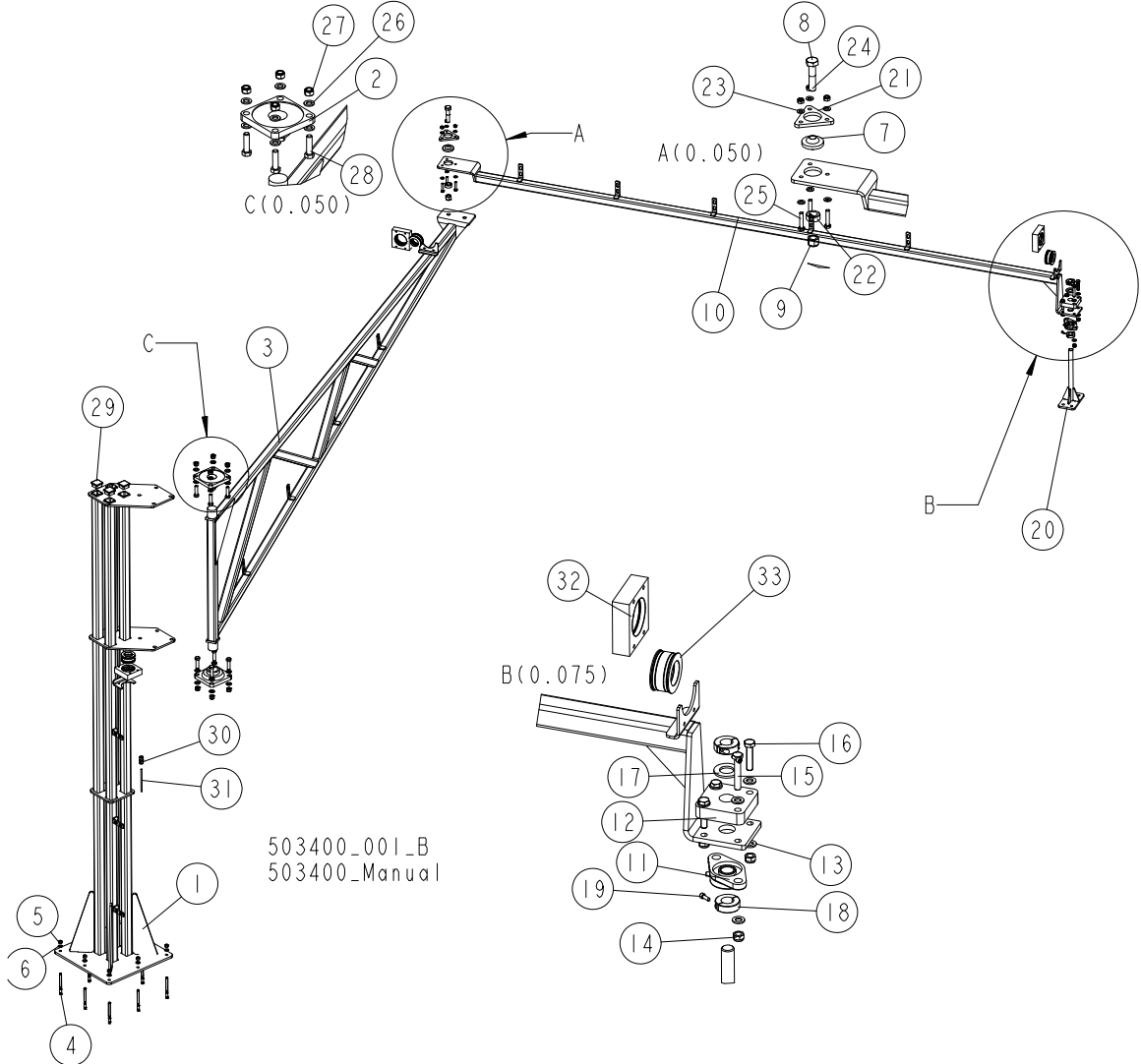
REF.	DESCRIPTION (◆ Indicates Parts Available in Assemblies Only)	PART#	QTY
1	<b>PANTOGRAPH W/CABLES - COMPLETE</b>	<b>517487</b>	<b>1</b>
1	PANTOGRAPH <a href="#">See Section 10.6</a>	503400	1
	CABLE, BCC M425-0000-1A-003-VX8434-050	087652	1
	VALVE, ASCO SCE238A002 24V AC SOLENOID	090927	1
	FITTING, 1/2" HOSE	092356	1
	BUSH, RK13/21 NR 13798 REDUCING	092886	2
	SENSOR, BES M12MG-PSC80F-S04G INDUCTIVE	093168	2
	SENSOR, BES M12MI-PSC40B-S04G INDUCTIVE	093172	3
	SWITCH, AZ17-11ZRK SAFETY	094232	2
	CABLE, BCC M425-0000-1A-003-VX8434-020	094290	1
	CABLE, BCC M425-0000-1A-003-VX8434-100	094291	3
	KEY, AZ17/170-B5	094422	2
	BRACKET, SAFETY SWITCH	097125-1	2
	BOX, LOG DECK CONTROL	092696	1
	TERMINAL, KO 16/10 RING	F81064-12	2

# 10

## Miscellaneous Pantograph Assembly

REF.	DESCRIPTION (◆ Indicates Parts Available in Assemblies Only)	PART#	QTY	
	TERMINAL, 1/4 14-16GA RING NI LOOSE	F81065-1	7	
	TERMINAL, KO6/8 RING	F81066-2	4	
	CASSETTE, MK8 BLACK RIBBON	F81081-34	1	
	PROFILE, 0.5 MM2 P0-03 YELLOW MARKING	F81081-35	1	
	PROFILE, 1MM2 P0-04 YELLOW MARKING	F81081-36	1	
	TERMINAL, HI 6/12	F81083-11	7	
	TERMINAL, HI 1.5/8	F81083-4	25	
	TERMINAL, HI 2X2.5/13	F81083-9	10	
	GLAND, DP 7/H CABLE	F81096-11	6	
	GLAND, DP9/H CABLE	F81096-2	1	
	GLAND, DP 25 HM CABLE	F81096-31	5	
	REDUCER, DR40MM25M CABLE GLAND	F81097-2	2	
	REDUCER, DR25M/16M CABLE GLAND	F81097-21	1	
	CABLE, UNITRONIC FD-CP PLUS 4X0.34	R80578-2	18	
	CABLE, OLFLEX 400P 2X1 1312902	R80583-5	8	
	CABLE, OLFLEX 400P 4G1 (DRUM)	R80583-6	20	
	CABLE, OLFLEX CLASIC 110 7G1	R80583-71	5	
	CABLE, OFLEX-FD 855P 25G1.5-DRUM	R80584-7	19	
	CABLE, OFLEX-FD 855P 2X1.5-DRUM	R80584-72	16	
	CABLE, OFLEX-FD 855CP 4G1.5-DRUM	R80584-74	32	
	CABLE, OFLEX CHAIN 896P 4G16-DRUM	R80585-7	36	
	CABLE, H07V-K 1X6MM2 GNYE	R80587-3	5	
	CABLE, OFLEX-FD 810P 1G16	R80594-4	5	
	HOSE, WSN24/S	R80620-3	10	
	WASHER, UUPE 40M CABLE GLAND SEALING (PACKAGE = 10 PCS)	R80682-3	1	

10.6 Pantograph



REF.	DESCRIPTION (◆ Indicates Parts Available in Assemblies Only)	PART#	QTY
-	<b>PANTOGRAPH WM3500</b>	503400	1
1	COLUMN, PNTOGRAPH	503575-1	1
2	BEARING, UCF 211 W/HOUSING	089889	2
3	TRUSS, PANTOGRAPH	503585-1	1
-	ANCHOR, M12X140MM KMC EXPRES	084529	8
4	BOLT, M12 140MM ANCHOR	084529	1
5	NUT, M12-8 ZINC	F81034-1	1
6	WASHER, 13-FLAT ZINC	F81056-1	1
7	BALL JOINT, 3/4IDX2 1/2OD	042538	1
8	BOLT, 3/4-10X3 1/2 HEX HEAD	F05009-54	1
9	NUT, 3/4-10 NYLON LOCK	F05010-103	1
10	ARM, PANTOGRAPH PIVOT	503597-1	1

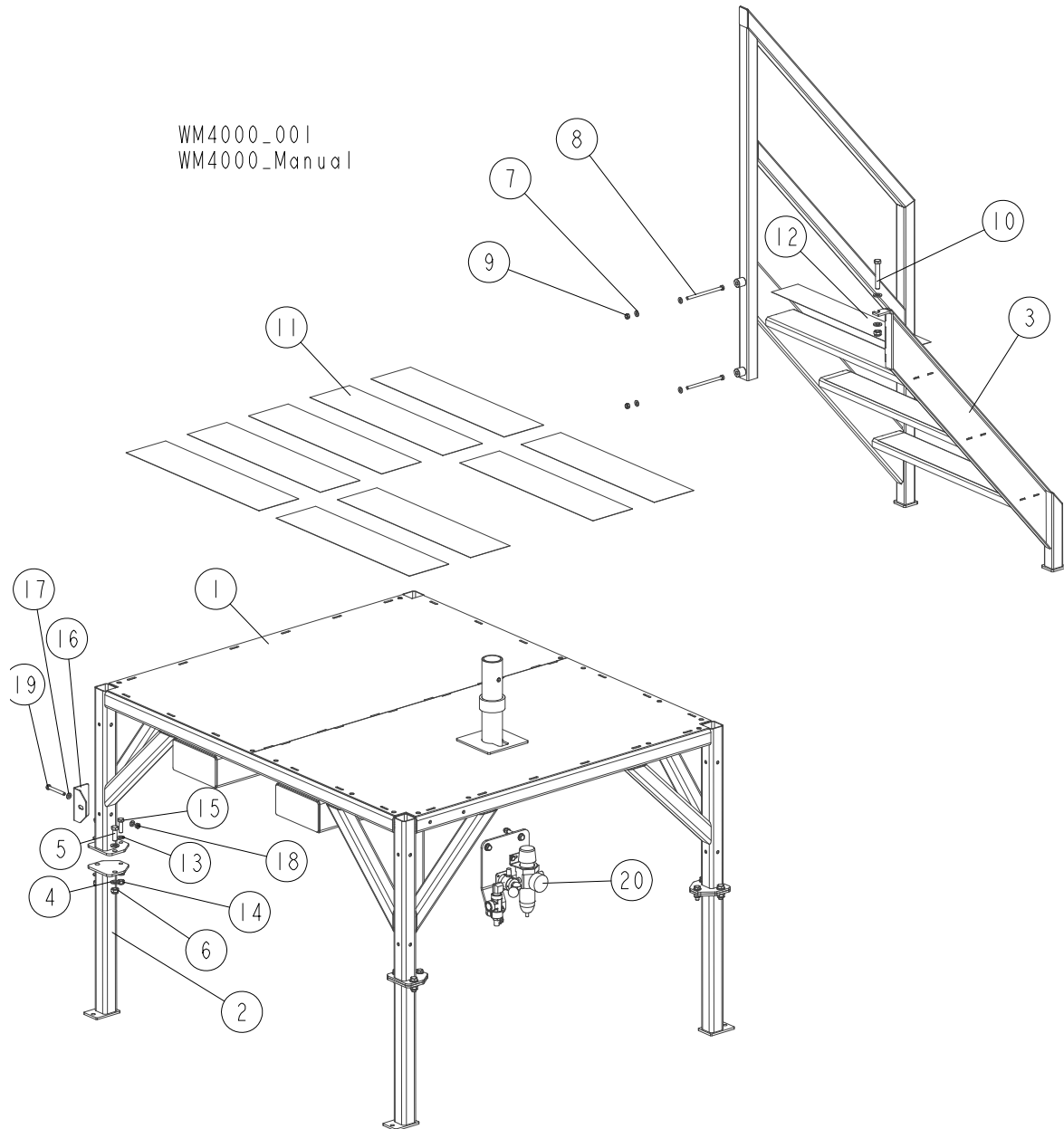
## 10

Miscellaneous  
Pantograph

REF.	DESCRIPTION (◆ Indicates Parts Available in Assemblies Only)	PART#	QTY	
11	BEARING, UCFL205, (COMPLEX). W/HOUSING	089124	1	
12	BLOCK, BEARING MOUNT	503601	1	
13	WASHER, 13-FLAT ZINC	F81056-1	8	
14	NUT, M12-8 HEX NYLON ZINC LOCK	F81034-2	4	
15	BOLT, M12X70-8.8-HEX HEAD ZINC	F81004-39	2	
16	BOLT, M12X55 8.8 HEX HEAD ZINC	F81004-43	2	
17	WASHER, 28 FLAT ZINC	F81061-1	1	
-	RING, FI25 SLOTTED	503602	2	
18	RING, FI25 SLOTTED	503602	1	
19	SCREW, M6X16 8.8 HEX SOCKET HEAD CAP ZINC	F81001-21	2	
20	BRACKET, PANTOGRAPH	503606-1	1	
21	PLATE, PANTOGRAPH ARM PIVOT	503607-1	1	
22	RING, 25 RETAINING	F81039-4	1	
23	WASHER, 10.5 FLAT ZINC	F81055-1	6	
24	NUT, M10-8-B HEX NYLON ZINC LOCK	F81033-1	3	
25	BOLT, M10X50-8.8-HEX HEAD FULL THREAD ZINC	F81003-4	3	
26	WASHER, 17 FLAT ZINC	F81058-1	16	
27	NUT, M16, HEX NYLON ZINC LOCK	F81036-2	8	
28	BOLT, M16X60-8.8-HEX HEAD FULL THREAD ZINC	F81006-12	8	
29	CAP, 50X50 (3-5MM THICK) (199274MOSS) TUBE END	095371	4	
30	FITTING, 1/2" (KQ2H13-00) SMC STRAIGHT	509962	1	
31	CABLE, 1/2" 3M	R01869-2_3	1	
32	HOUSING, KDL-JUMBO1 CABLE ENTRY SYSTEM	514715	3	
33	GROMMET, KDT/Z JUMBO	514716	3	

## SECTION 11 OPERATOR STAND

### 11.1 Frame, Rails & Ladder



REF.	DESCRIPTION (◆ Indicates Parts Available in Assemblies Only)	PART#	QTY
	<b>STAND, WM4000 OPERATOR - COMPLETE</b>	<b>516645</b>	<b>1</b>
	<b>STAND ASSEMBLY, OPERATOR</b>	<b>514741</b>	<b>1</b>
1	STAND WELDMENT, OPERATOR	513437-1	1
2	EXTENSION, OPERATOR STAND LEG	513886-1	4

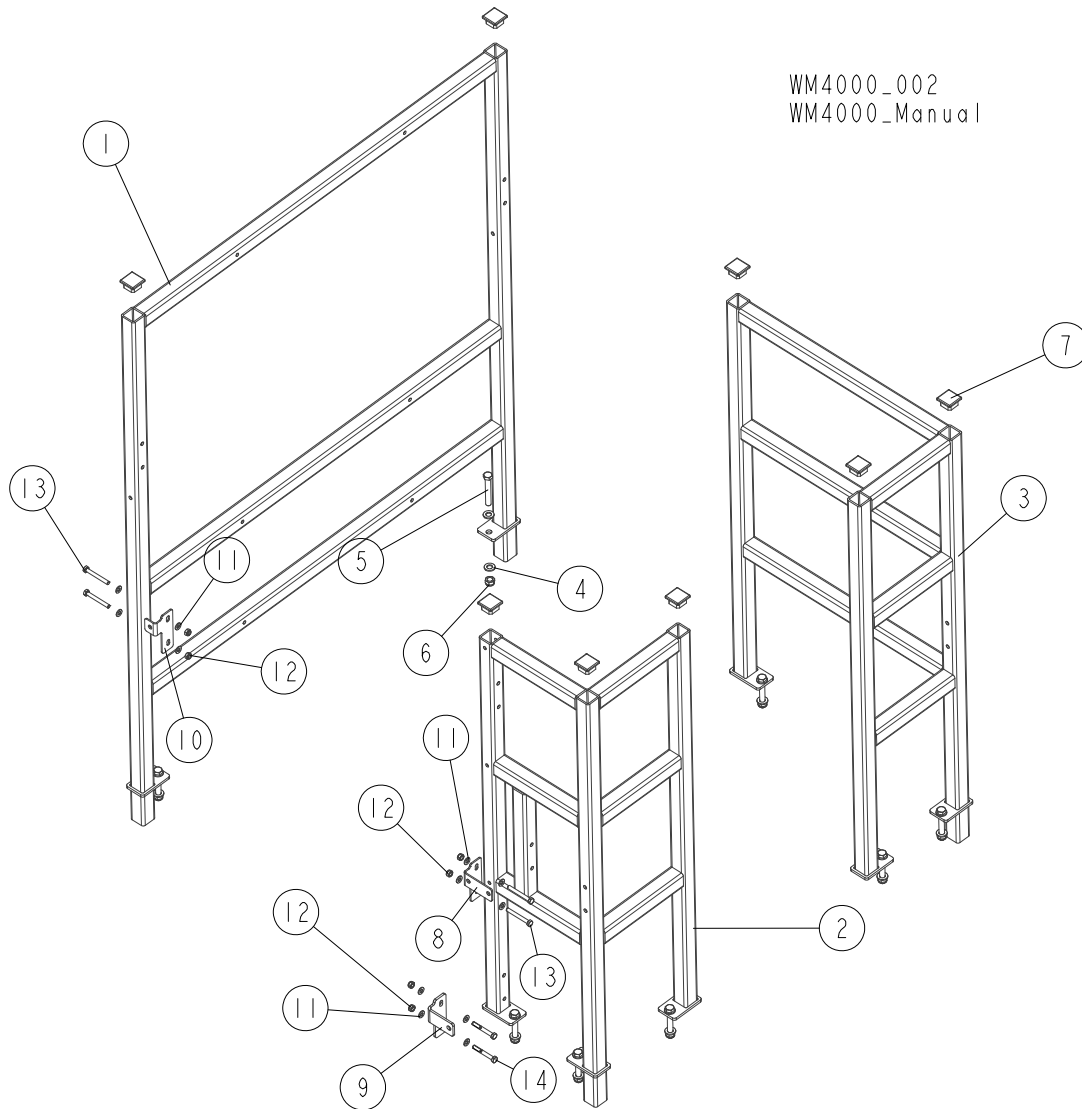


## OPERATOR STAND

### Frame, Rails & Ladder

REF.	DESCRIPTION (◆ Indicates Parts Available in Assemblies Only)	PART#	QTY	
3	LADDER W/RAILS	711478-1	1	
4	WASHER, 13 FLAT ZINC	F81056-1	18	
5	BOLT, M12X35 8.8 HEX HEAD FULL THREAD ZINC	F81004-24	8	
6	NUT, M12-8 HEX NYLON ZINC LOCK	F81034-2	9	
7	WASHER, 8.4 FLAT ZINC	F81054-1	4	
8	BOLT, M8X130-8.8 HEX HEAD ZINC	F81002-50	2	
9	NUT, M8 8 HEX NYLON ZINC LOCK	F81032-2	2	
10	BOLT, M12X80-8.8 HEX HEAD ZINC	F81004-46	1	
11	PAD, NON-SKID	711494	9	
12	PAD, NON-SKID STEP	711495	3	
13	WASHER, 10.5 FLAT ZINC	F81055-1	8	
14	NUT, M10-8-B HEX NYLON ZINC LOCK	F81033-1	4	
15	BOLT, M10X35 8.8 HEX HEAD FULL THREAD ZINC	F81003-17	4	
16	BRACKET WELDMENT, LT300 ELECTRIC BOX LOWER	092646-1	1	
17	WASHER, 8.4 FLAT ZINC	F81054-1	2	
18	NUT, M8 8 HEX NYLON ZINC LOCK	F81032-2	1	
19	BOLT, M8X70-8.8 HEX HEAD ZINC	F81002-71	1	
20	AIR SUPPLY ASSEMBLY, LT300 <a href="#">See Section 11.5</a>	016887	1	

## 11.2 Control Box Fence Assembly



WM4000\_002  
WM4000\_Manual

REF.	DESCRIPTION (◆ Indicates Parts Available in Assemblies Only)	PART#	QTY
1	FENCE, FRONT	514315-1	1
2	FENCE, LEFT REAR	514313-1	1
3	FENCE, RIGHT REAR	514311-1	1
4	WASHER, 13 FLAT ZINC	F81056-1	16
5	BOLT, M12X80-8.8 HEX HEAD ZINC	F81004-46	8
6	NUT, M12-8 HEX NYLON ZINC LOCK	F81034-2	8
7	CAP, 40x40x (3-4) TUBE END	097480	8
8	BRACKET, LT300 ELECTRIC BOX UPPER LEFT	092647-1	1
9	BRACKET, WB2000 ELECTRIC BOX UPPER LEFT	711459-1	1
10	BRACKET, LT300 ELECTRIC BOX UPPER RIGHT	092648-1	1



# OPERATOR STAND

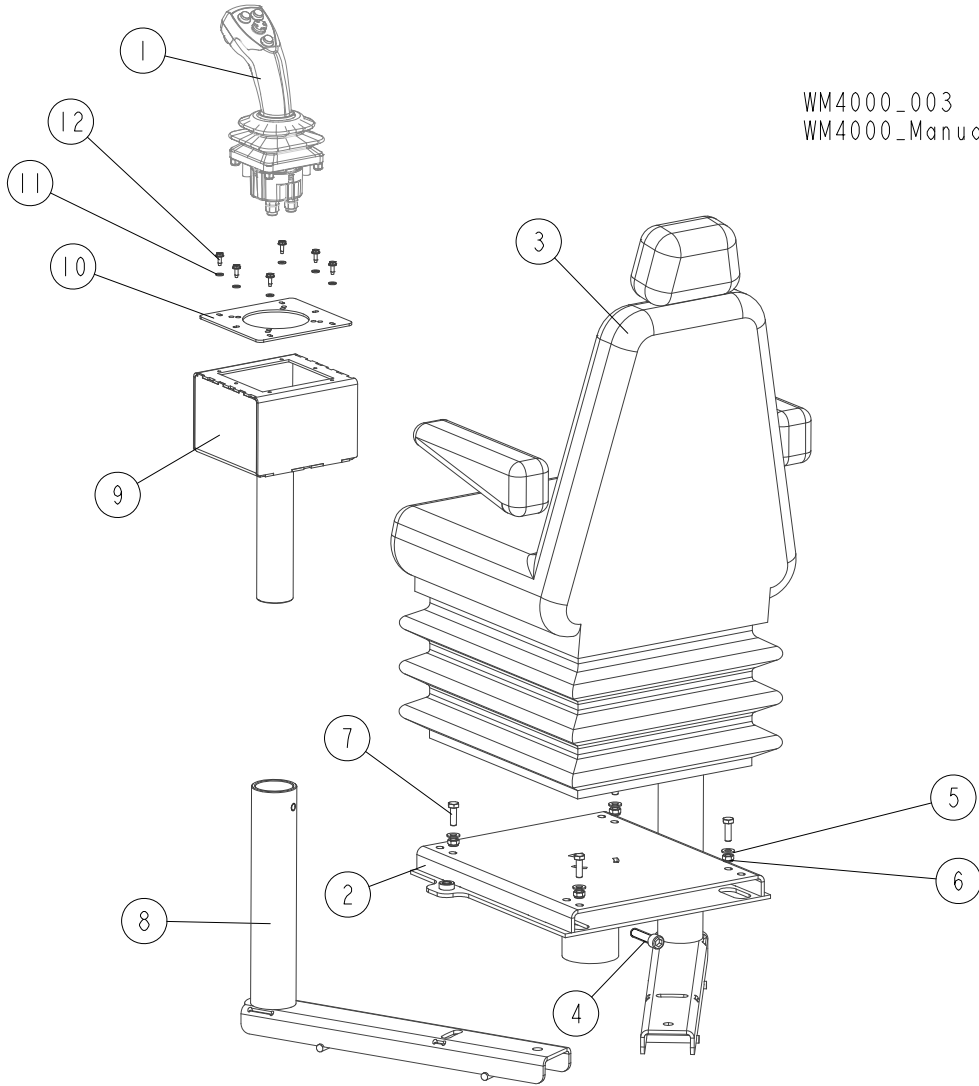
## *Control Box Fence Assembly*

---

REF.	DESCRIPTION (◆ Indicates Parts Available in Assemblies Only)	PART#	QTY	
11	WASHER, 8.4 FLAT ZINC	F81054-1	12	
12	NUT, M8 8 HEX NYLON ZINC LOCK	F81032-2	6	
13	BOLT, M8X65 8.8 HEX HEAD FULL THREAD ZINC	F81002-9	4	
14	BOLT, M8X60 8.8 HEX HEAD ZINC	F81002-54	2	



### 11.3 Operator Seat & Joystick



WM4000\_003  
WM4000\_Manual

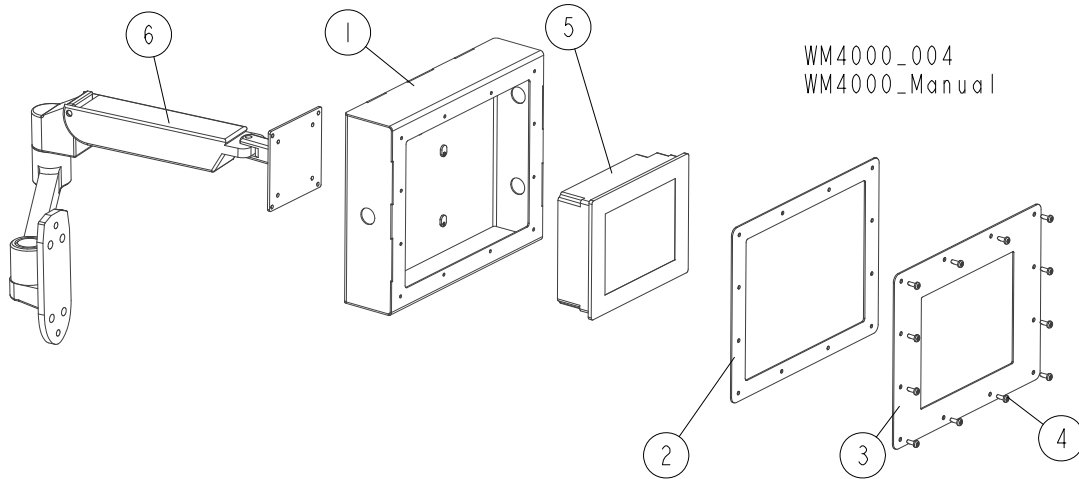
REF.	DESCRIPTION (◆ Indicates Parts Available in Assemblies Only)	PART#	QTY
1	JOYSTICK, HJMST-000004	078360	2
2	MOUNT WELDMENT, SEAT	711496-1	1
3	SEAT, CS85/C1 AR HD PVC OPERATOR	711482	1
4	SCREW, M12X45-8.8 HEX SOCKET HEAD CAP ZINC	F81004-93	1
5	WASHER, 8.4 FLAT ZINC	F81054-1	4
6	NUT, M8 8 HEX NYLON ZINC LOCK	F81032-2	4
7	BOLT, M8x25-8.8-B HEX HEAD FULL THREAD ZINC	F81002-5	4
8	ARM WELDMENT, JOYSTICK	711484	2
9	BOX WELDMENT, JOYSTICK MOUNT	711491-1	2
10	PLATE, MOUNTING	711492-1	2
11	WASHER, 5.3 FLAT ZINC	F81052-1	12

**11****Operator Stand***Operator Seat & Joystick*

---

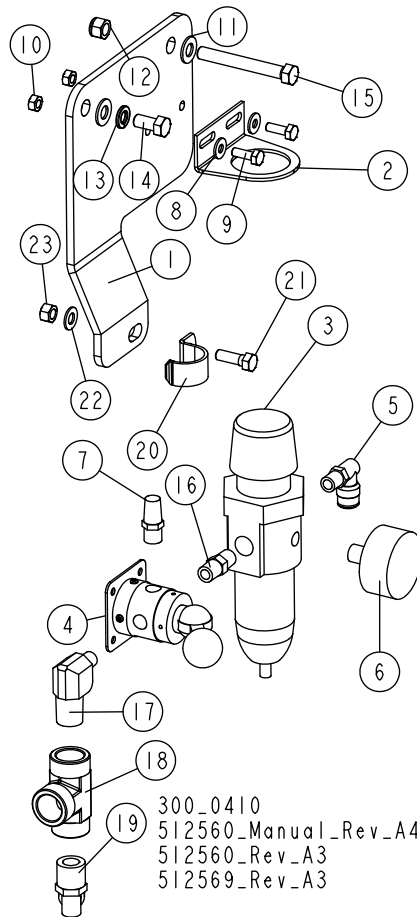
REF.	DESCRIPTION (◆ Indicates Parts Available in Assemblies Only)	PART#	QTY	
12	BOLT, #10-24X1/2 SELF-TAPPING	F05015-7	12	

### 11.4 Control Box



REF.	DESCRIPTION (◆ Indicates Parts Available in Assemblies Only)	PART#	QTY
	<b>BOX, WM4000 CONTROL</b>	<b>510215</b>	<b>1</b>
1	BOX WELDMENT, WM4000 CONTROL	510216-1	1
2	GASKET, WM4000 CONTROL BOX	510822	1
3	PANEL, WM4000 CONTROL BOX FRONT	510214-1	1
4	BOLT, #10-24X1/2 PH PAN HEAD TYPE 23	F05015-17	12
5	HMI, 7.5IN MAGELIS XBTGT4340	069954	1
6	<b>ARM, MONITOR/CONTROL</b>	063033	1

### 11.5 Air Supply Assembly

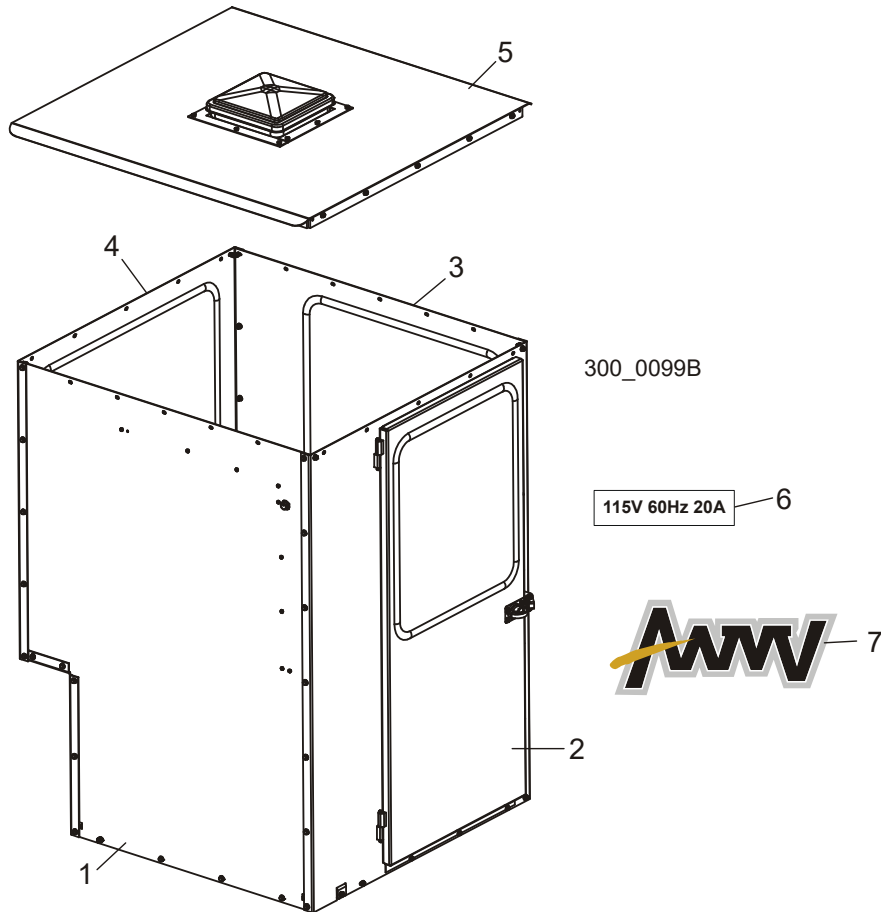


REF.	DESCRIPTION (◆ Indicates Parts Available In Assemblies Only)	PART#	QTY
	<b>AIR SUPPLY ASSEMBLY, WM3000</b>	016887	1
1	Plate, Air Mount	016888	1
2	Bracket, Filter Mounting	P21511	1
3	Filter / Regulator	P21510	1
4	Valve, Air	P21513	1
5	Fitting, 1/4" NPT-3/8" 90 Degrees Air	P21521	1
6	Gauge, 275Y160WS	P21512	1
7	Muffler, 1/4 in. NPT Air	P20904	1
8	Washer, 1/4 SAE Flat	F05011-11	2
9	Bolt, 1/4-20x3/4 FT HHC	F05005-1	2
10	Nut, 1/4-20 Swaged	F05010-21	2
11	Washer, 3/8 Flat SAE	F05011-3	2
12	Nut, 3/8-16 Hex Nylon Lock	F05010-10	1
13	Washer, 3/8 Split Lock	F05011-4	1
14	Bolt, 3/8-16x3/4 Hex Head Grade 5	F05007-118	1

<b>15</b>	Bolt, 3/8-16x3 Hex Head Full Thread	F05007-1	1	
<b>16</b>	Nipple, 1/4 Hex Pipe	P05389	1	
<b>17</b>	Fitting, 1/2NPT-1/4NPT 90 Degrees Elbow	016881	1	
<b>18</b>	Fitting, 1/2 NPT Female Tee	016793	1	
<b>19</b>	Fitting, 1/2NPT-1/2In 90 Degrees Air	016880	1	
<b>20</b>	Clamp, 1 EMT	P05436	1	
<b>21</b>	Bolt, 5/16-18x1 Hex Head	F05006-1	1	
<b>22</b>	Washer, 5/16 SAE Flat	F05011-17	1	
<b>23</b>	Nut, 5/16-18 Swaged Hex	F05010-6	1	

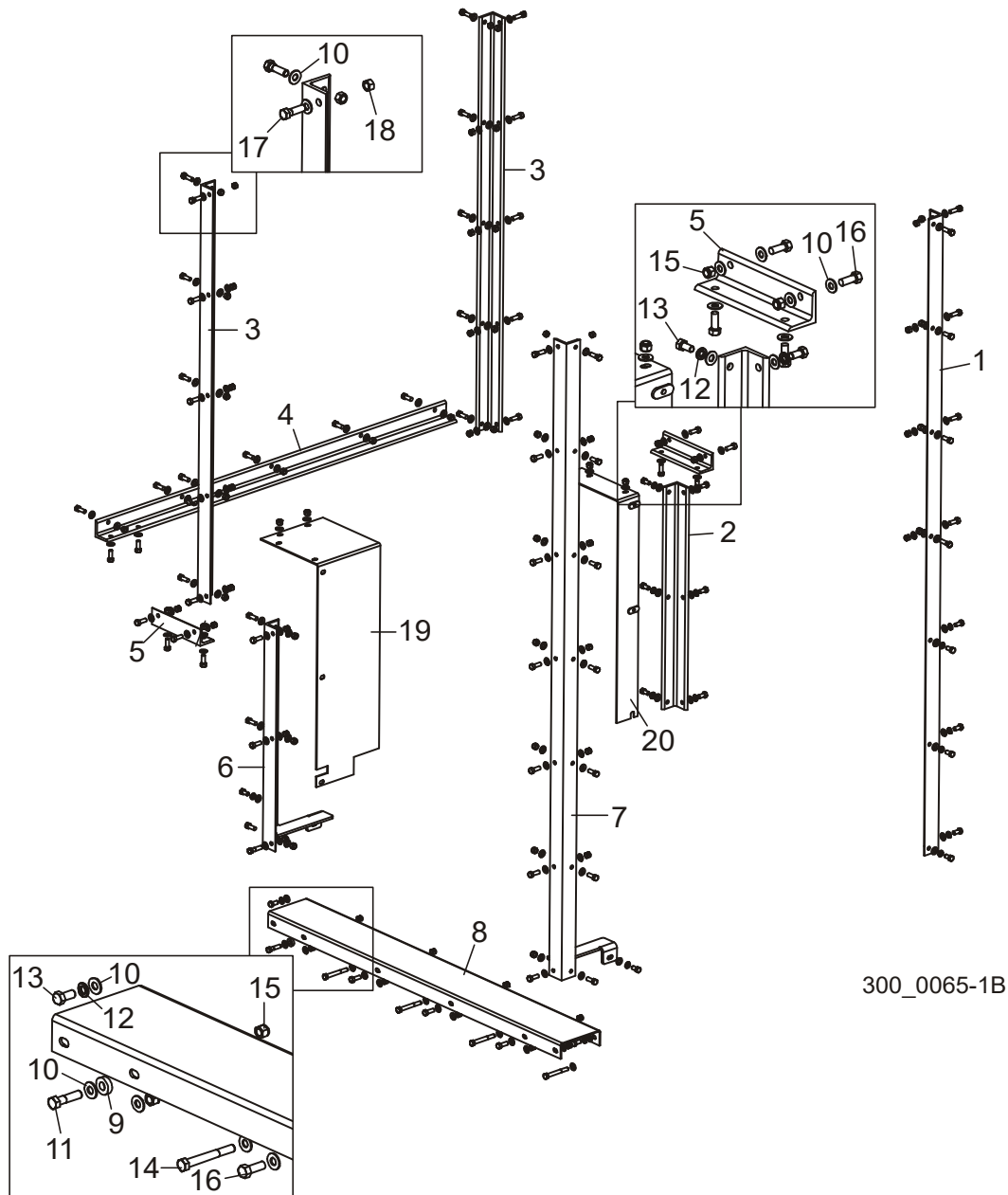
## SECTION 12 CAB OPTION

### 12.1 Cab



REF.	DESCRIPTION (◆ Indicates Parts Available In Assemblies Only)	PART #	QTY	
	<b>CAB OPTION, WM3000</b>	CAB1	1	
1	Rear Panel Parts ( <a href="#">See Section 12.3</a> )			
2	Right Panel Parts ( <a href="#">See Section 12.4</a> )			
3	Front Panel Parts ( <a href="#">See Section 12.5</a> )			
4	Left Panel Parts ( <a href="#">See Section 12.6</a> )			
5	Roof Parts ( <a href="#">See Section 12.7</a> )			
6	DECAL, CAB VOLTAGE	042676	1	
7	DECAL, CAB LOGO	016833	1	

## 12.2 Frame



300\_0065-1B

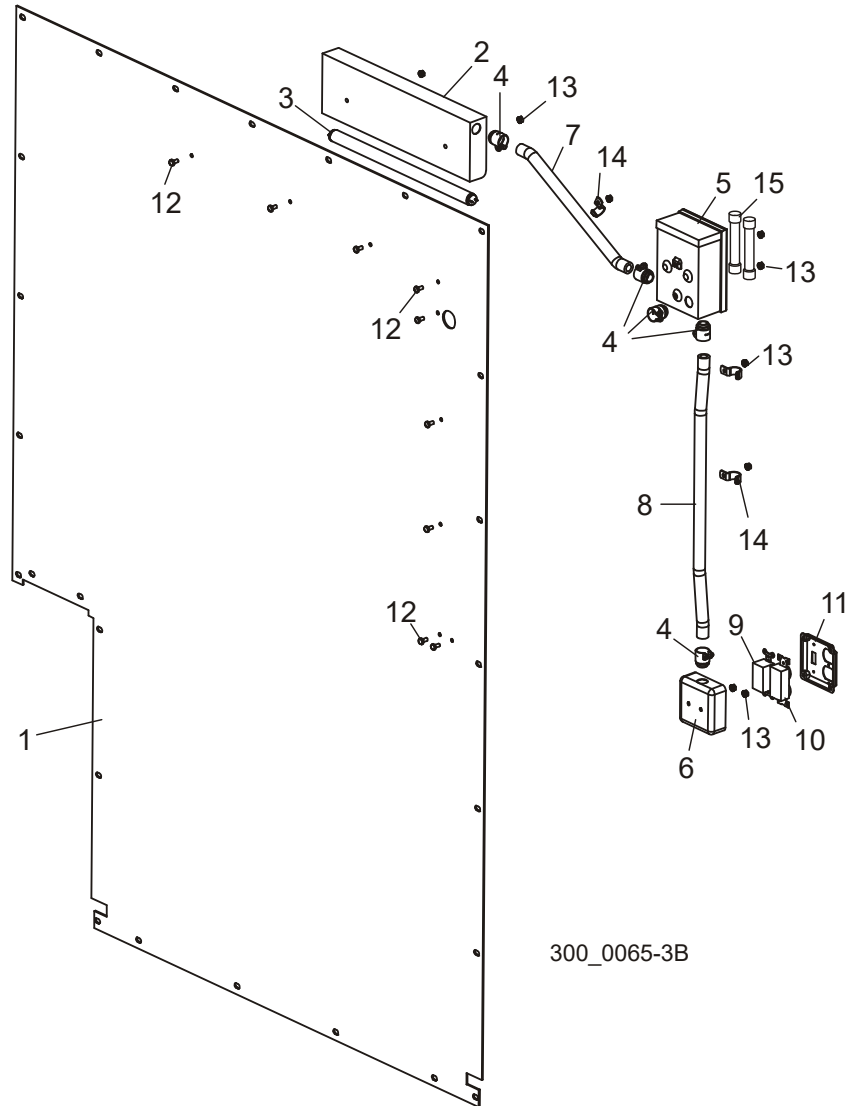
REF.	DESCRIPTION (◆ Indicates Parts Available In Assemblies Only)	PART #	QTY
	<b>FRAME ASSEMBLY, CAB</b>	042605	1
1	Angle, Front Right	042606	1
2	Angle, Front Left Lower	042607	1
3	Angle, Left Upper	042615	2
4	Angle, Left lower	042617	1

# 12 Cab Option Frame

5	Angle, Left Short	042618	2	
6	Angle Weldment, Left Rear Lower	042610	1	
7	Angle Weldment, Right Rear	042611	1	
8	Channel Weldment, Rear Floor	042628	1	
9	Tube, 7/8 Dia Electric Motor Spacer	S12284	1	
10	Washer, 3/8" SAE Flat	F05011-3	145	
11	Bolt, 3/8-16 x 1 1/2" Hex Head Grade 5	F05007-78	2	
12	Washer, 3/8" Split Lock	F05011-4	16	
13	Bolt, 3/8-16 x 3/4" Hex Head Grade 2	F05007-27	16	
14	Bolt, 3/8-16 x 3" Hex Head Grade 5	F05007-73	4	
15	Nut, 3/8-16 Hex Nylon Lock	F05010-10	63	
16	Bolt, 3/8-16 x 1" Hex Head	F05007-7	56	
17	Bolt, 3/8-16 x 1 1/4" Hex Head Grade 5	F05007-123	9	
18	Nut, 3/8-16 Swaged Lock	F05010-25	8	
19	<b>PLATE, LEFT LOWER</b>	042626	1	
20	<b>PLATE WELDMENT, LOWER RIGHT</b>	042642	1	
	<b>BULB SEAL, C POSITION PEBBLE FINISH</b>	041050	14.79 ft.	
	<b>FOAM, 1/2X1 ADHESIVE BACK</b>	R02306	17.5 ft.	



### 12.3 Rear Panel



300\_0065-3B

REF.	DESCRIPTION (◆ Indicates Parts Available In Assemblies Only)	PART #	QTY
	<b>PANEL ASSEMBLY, CAB BACK</b>	042604	1
1	Panel, Cab Rear	042613	1
2	Light, Flourescent Under-Cabinet	042590	1
3	Lamp, Flourescent Under-Cabinet 15Watt	016876	1
4	Clamp, 1/2 Flex Conduit, Steel	042595	5
5	Disconnect, Fusible 2Wire 240V 30A	042589	1
6	Box, 4" Electrical Utility	042591	1
7	Conduit, 1/2" x 16" Steel Flex	042597	1
8	Conduit, 1/2" x 25" Steel Flex	042596	1

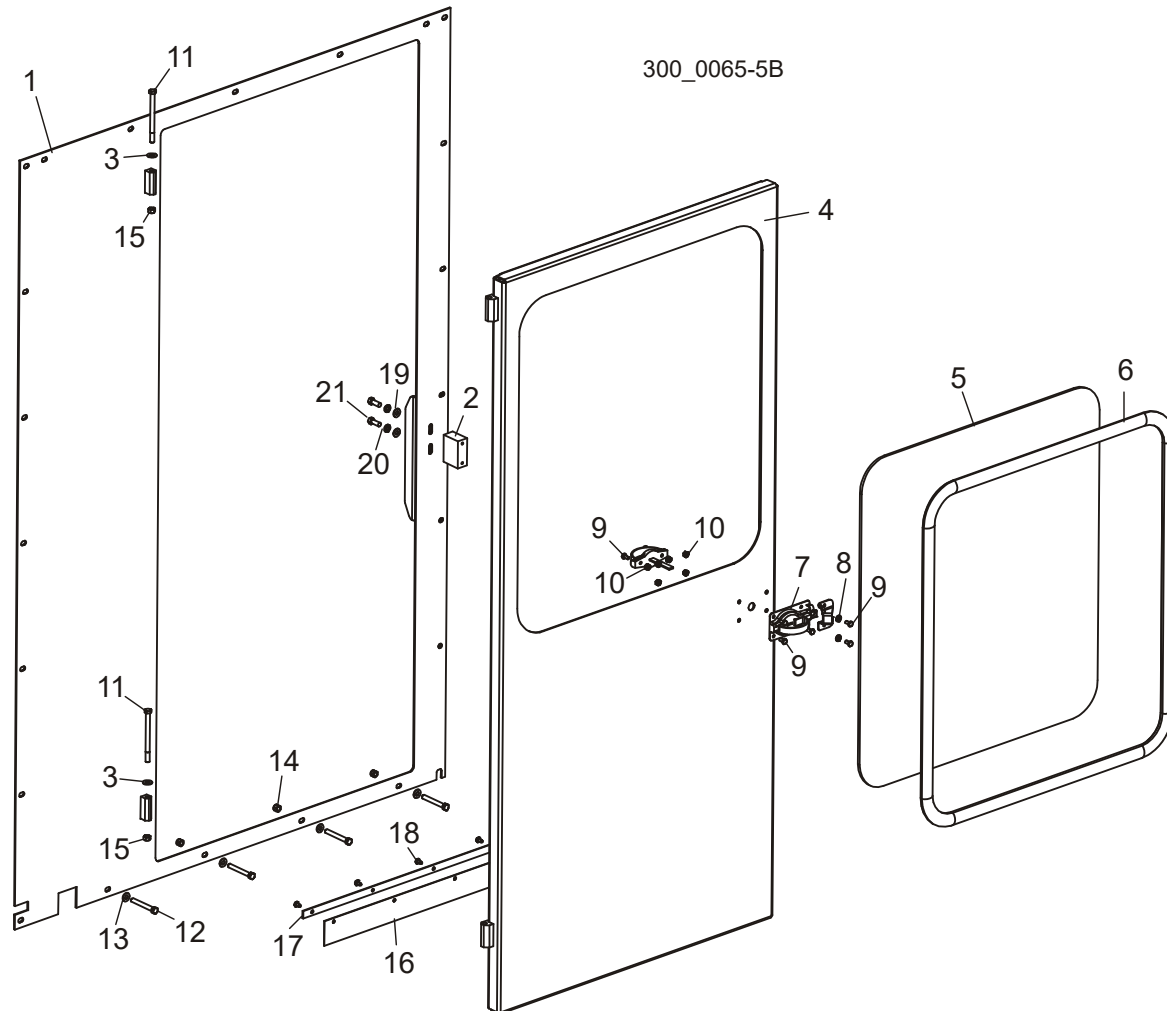
# 12 Cab Option

## Rear Panel

---

9	Switch, 120VAC 20 Amp Single Pole	042592	1	
10	Receptacle, 120VAC 20Amp Duplex	042593	1	
11	Cover, 4" Sq. Metal Switch/Plug Combo	042594	1	
12	Bolt, 1/4-20 x 1/2" Hex Head	F05005-15	9	
13	Nut, 1/4-20 Keps	F05010-9	9	
	Wire Nut, Yellow	016863	4	
14	Clamp, 3/4" EMT	P04851	3	
15	Fuse, 20 Amp 250 Volt	E03743	2	

## 12.4 Right Panel



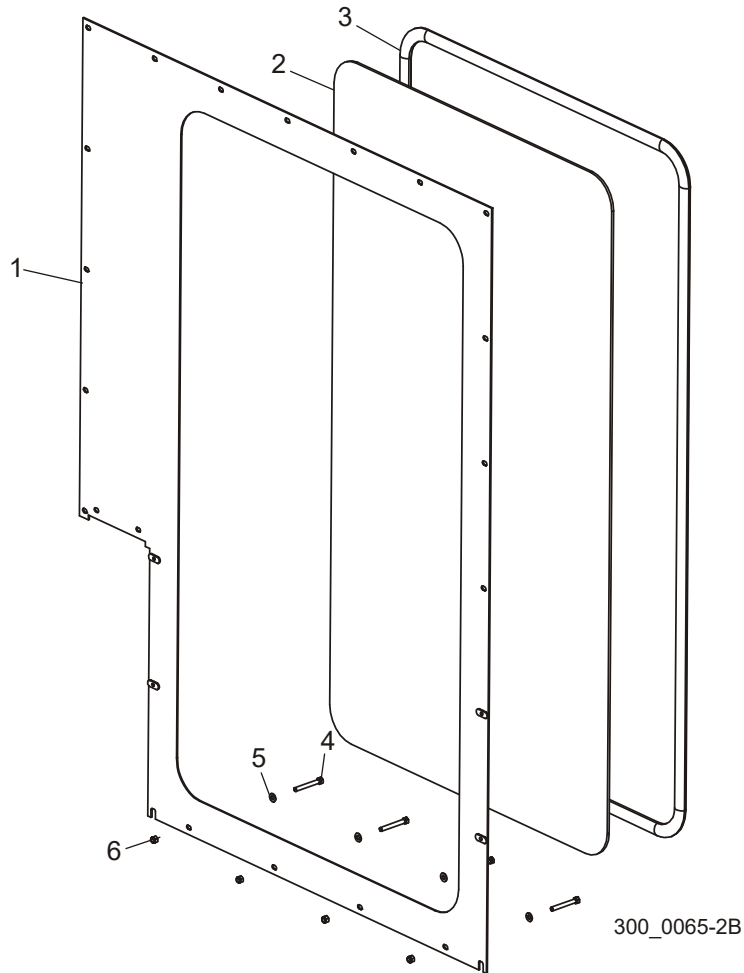
REF.	DESCRIPTION (◆ Indicates Parts Available In Assemblies Only)	PART #	QTY
	<b>PANEL ASSEMBLY, CAB RIGHT</b>	042602	1
1	Panel Weldment, Right	042633	1
2	Block, Latch Mount	042634	1
3	Bearing, Hinge	042578	1
4	Door Weldment, Cab	042632	1
5	Window, Cab Door	042576	1
6	Seal, Cab Door Window	042575	1
7	Latch, Door	042587	1
8	Washer, 1/4" Split Lock	F05011-14	2
9	Bolt, 1/4-20 x 1/2" Hex Head	F05005-15	8
10	Nut, 1/4-20 Keps	F05010-9	6

## 12 Cab Option Right Panel

---

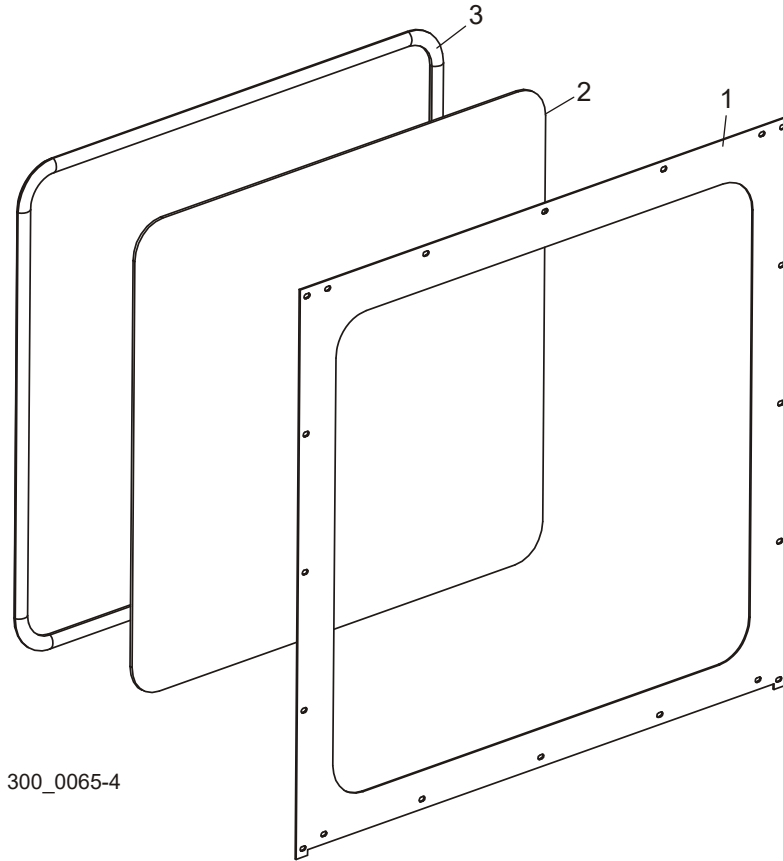
11	Bolt, 3/8-16 x 5" Hex Head Grade 5	F05007-86	2	
12	Bolt, 3/8-16x1 Hex Head	F05007-7	4	
13	Washer, 3/8 Flat SAE	F05011-3	4	
14	Nut, 3/8-16 Hex Nylon Lock	F05010-10	4	
15	Nut, 3/8-16 Swaged lock	F05010-25	2	
16	Flap, Rubber Door	042638	1	
17	Plate, Rubber Door Flap	042637	1	
18	Screw, 1/4-20 x 1/2" Self-Tapping	F05015-1	5	
19	Washer, 3/8" SAE Flat	F05011-3	2	
20	Washer, 3/8" Split Lock	F05011-4	2	
21	Bolt, 3/8-16 x 1" Hex Head	F05007-7	2	

## 12.5 Front Panel



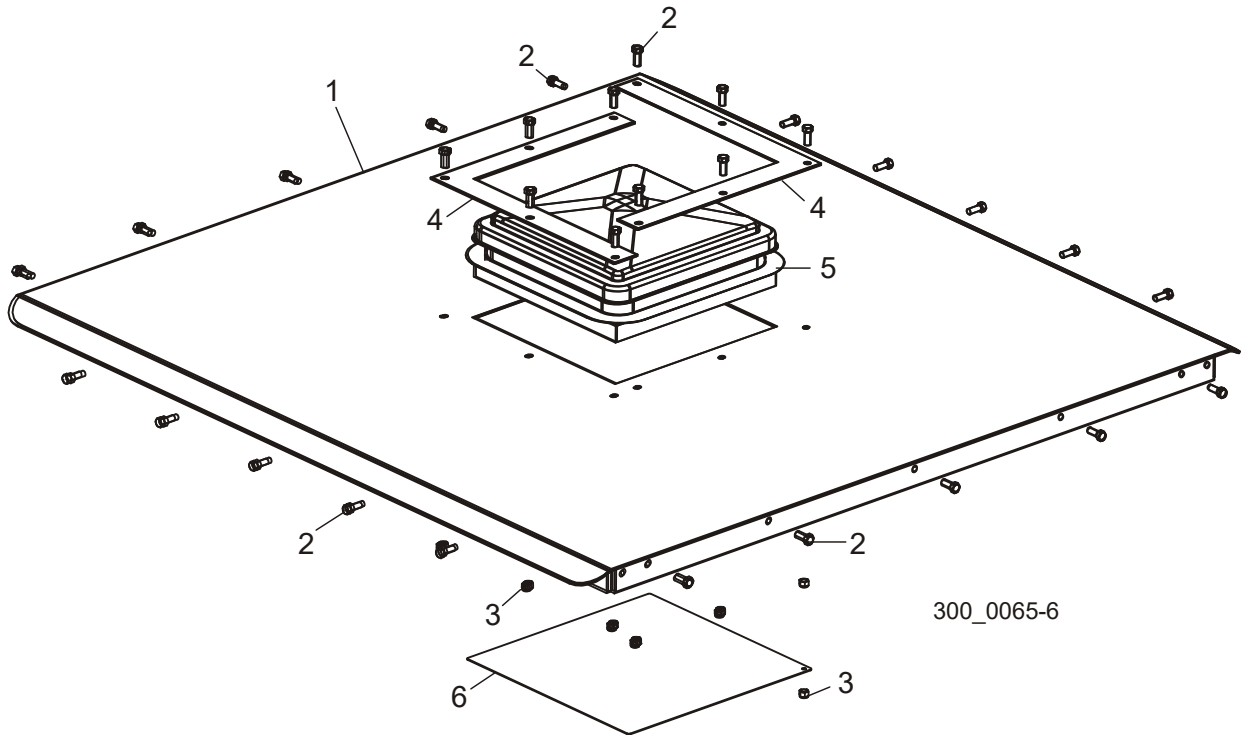
REF.	DESCRIPTION (◆ Indicates Parts Available In Assemblies Only)	PART #	QTY
	<b>PANEL ASSEMBLY, FRONT CAB</b>	042601	1
1	Panel Weldment, Front	042641	1
2	Window, Cab Front	042631	1
3	Seal, Cab Front Window	042630	1
4	Bolt, 3/8-16x1 Hex Head	F05007-7	4
5	Washer, 3/8" SAE Flat	F05011-3	4
6	Nut, 3/8-16 Hex Nylon Lock	F05010-10	4

**12.6 Left Panel**



REF.	DESCRIPTION (◆ Indicates Parts Available In Assemblies Only)	PART #	QTY
	<b>PANEL ASSEMBLY, LEFT</b>	042603	1
<b>1</b>	Panel, Left	042616	1
<b>2</b>	Window, Cab Side	042574	1
<b>3</b>	Seal, Cab Side Window	042573	1

## 12.7 Roof



REF.	DESCRIPTION (◆ Indicates Parts Available In Assemblies Only)	PART #	QTY
	<b>ROOF ASSEMBLY, CAB</b>	042635	1
1	Roof Weldment, Cab	042623	1
2	Bolt, 3/8-16x1 Hex Head	F05007-7	30
3	Nut, 3/8-16 Hex Nylon Lock	F05010-10	30
4	Plate, Vent Mount	016866	2
5	Vent, Plastic Dome	016867	1
6	Plate, Roof Cover	042629	1