

Parts Manual

WM4000
WM3500-HD

rev. A1.08
rev. A1.05



Safety is our #1 concern! Read and understand all safety information and instructions before operating, setting up or maintaining this machine.

Form #2015

Table of Contents

Section-Page

| | | |
|------------------|---|------------|
| SECTION 1 | GENERAL INFORMATION | 1-1 |
| 1.1 | How To Use The Parts List | 1-1 |
| 1.2 | Sample Assembly | 1-1 |
| SECTION 2 | BLADE GUIDE ASSEMBLIES & BLADE GUIDE ARM | 2-1 |
| 2.1 | Blade Guide Assembly, Idle Side..... | 2-2 |
| 2.2 | Blade Guide Assembly, Idle Side (Optional)..... | 2-4 |
| 2.3 | Blade Guide Assembly, Drive Side | 2-6 |
| 2.4 | Blade Guide Assembly - Drive Side (Optional)..... | 2-8 |
| 2.5 | Blade Guide Arm..... | 2-10 |
| SECTION 3 | BLADE WHEELS & TENSIONER | 3-1 |
| 3.1 | Blade Wheel Shaft Assembly - Drive Side | 3-1 |
| 3.2 | Idle-Side Blade Wheel Shaft/Brake Drum | 3-2 |
| 3.3 | Belted Blade Wheel Kit (Standard)..... | 3-3 |
| 3.4 | Crowned Blade Wheel Kit (Optional)..... | 3-5 |
| 3.5 | Brake Actuator Assembly..... | 3-7 |
| 3.6 | Blade Motor Drive Assembly..... | 3-9 |
| SECTION 4 | SAW HEAD | 4-1 |
| 4.1 | Board Return | 4-1 |
| 4.2 | Board Return Guide..... | 4-2 |
| 4.3 | Blade Housing & Sawdust Chute | 4-3 |
| 4.4 | Sawdust Blow-Off Assembly | 4-5 |
| 4.5 | Laser Assembly | 4-6 |
| 4.6 | Decals, WM4000 | 4-7 |
| 4.7 | Operator Seat Decals | 4-9 |
| 4.8 | Head/Air Box Assembly..... | 4-10 |
| SECTION 5 | UP/DOWN SYSTEM | 5-1 |
| 5.1 | Mast Pads & Up/Down Rollers | 5-1 |
| 5.2 | Up/Down Bearing Rails | 5-3 |
| 5.3 | Up/Down Drive (WM3000/3500/3500-HD)..... | 5-4 |
| 5.4 | Up/Down Ballscrew Drive (WM4000) | 5-6 |
| 5.5 | Ballscrew Mount (Middle) | 5-8 |
| 5.6 | Ballscrew Mount (Top) | 5-10 |
| 5.7 | Transducer & Head Stop (WM3000/3500/3500-HD)..... | 5-11 |
| 5.8 | Transducer & Head Stop Block (WM4000)..... | 5-13 |
| SECTION 6 | POWER FEED SYSTEM | 6-1 |
| 6.1 | Upper Track Rollers | 6-1 |

Table of Contents

Section-Page

| | | |
|-----|------------------------------------|-----|
| 6.2 | Lower Track Rollers..... | 6-3 |
| 6.3 | Power Feed Drive Assembly..... | 6-5 |
| 6.4 | Power Feed Chain & Head Stops..... | 6-7 |
| 6.5 | Lower Cable Carrier..... | 6-8 |

SECTION 7 BED FRAME ASSEMBLY

7-1

| | | |
|------|---|------|
| 7.1 | Front Hydraulic Hose Duct..... | 7-1 |
| 7.2 | Middle Hydraulic Hose Duct..... | 7-2 |
| 7.3 | Rear Hydraulic Hose Duct..... | 7-3 |
| 7.4 | Front Hydraulic Hose Duct..... | 7-4 |
| 7.5 | Rear Hydraulic Hose Duct..... | 7-5 |
| 7.6 | Bed Rail..... | 7-6 |
| 7.7 | Rear Bumper, WM4000..... | 7-7 |
| 7.8 | Front Bumper, WM4000..... | 7-8 |
| 7.9 | Side Support Sensor Guard..... | 7-9 |
| 7.10 | Adjustable Belt Conveyor, WM4000..... | 7-10 |
| 7.11 | Support Assembly, WM4000..... | 7-11 |
| 7.12 | Adjustable Belt Conveyor Table, WM4000..... | 7-12 |
| 7.13 | Guide Plate, WM4000..... | 7-13 |
| 7.14 | Long Adjustable Belt Conveyor, WM4500..... | 7-14 |
| 7.15 | Idle Pulley Assembly, WM4000..... | 7-16 |
| 7.16 | Drive Pulley Assembly, WM4000..... | 7-17 |
| 7.17 | Wireway Kit (Option w/o Pantograph)..... | 7-19 |
| 7.18 | Cable Carrier..... | 7-21 |
| 7.19 | Stationary Leg Foot, WM3500S-HD..... | 7-22 |
| 7.20 | Stationary Leg Foot, WM3500S-HD/SUPER & WM4000..... | 7-23 |
| 7.21 | Adjustable Bed Leg Foot..... | 7-24 |
| 7.22 | Adjustable Leg Foot, WM4000..... | 7-25 |
| 7.23 | Frame Leg Foot, WM4000..... | 7-26 |
| 7.24 | Support Leg Kit, WM3500S-HD..... | 7-27 |
| 7.25 | Support Leg Kit, WM3500S-HD/SUPER & WM4000..... | 7-28 |
| 7.26 | Bed Frame Support, WM4000..... | 7-29 |
| 7.27 | Bed Support, WM3500..... | 7-30 |
| 7.28 | Board Removal Bumper Assembly..... | 7-31 |
| 7.29 | Board Removal Bumper Plate W/ Roller..... | 7-33 |
| 7.30 | Rubber Coated Roller Assembly..... | 7-34 |
| 7.31 | Roller Tube..... | 7-35 |
| 7.32 | Cushion Spring Support Beam..... | 7-36 |
| 7.33 | Transport Bracket, WM4000..... | 7-37 |
| 7.34 | Adjustable Belt Conveyor (Part No. 535018)..... | 7-38 |
| 7.35 | Conveyor Support Assembly (No. 535025)..... | 7-39 |
| 7.36 | Adjustable Belt Conveyor Table (No. 533490)..... | 7-40 |
| 7.37 | Idler Pulley (No. 533494)..... | 7-41 |
| 7.38 | Conveyor Drive Pulley Assembly (No. 535079)..... | 7-42 |

Table of Contents

Section-Page

| | | |
|--|--|-------------|
| 7.39 | Motoreducer w/Bracket (No. 535062) | 7-44 |
| 7.40 | Steering Plate (No. 536594) | 7-45 |
| 7.41 | Left Bracket (No. 539455) | 7-46 |
| 7.42 | Right Bracket (No. 539457) | 7-47 |
| SECTION 8 HYDRAULIC SYSTEM | | 8-1 |
| 8.1 | Hydraulic Valve, WM4000 | 8-1 |
| 8.2 | Hydraulic Box, WM4000 | 8-3 |
| 8.3 | Hydraulic Hoses, WM3500-HD | 8-5 |
| 8.4 | Hydraulic Hoses, WM4000 | 8-7 |
| 8.5 | Hydraulic Toe Board, WM4000 | 8-8 |
| 8.6 | Chain Log Turner | 8-10 |
| 8.7 | Chain Log Turner | 8-12 |
| 8.8 | Hydraulic Log Side Supports | 8-14 |
| 8.9 | Hydraulic Log Clamp | 8-17 |
| 8.10 | Main Log Clamp, WM4000 (No. 531970) | 8-19 |
| 8.11 | Steel Block w/Bushings (Part No. 521951) | 8-21 |
| 8.9 | Side Supports (No. 508954) | 8-22 |
| 8.10 | Log Side Support (No. 508630 and 508952) | 8-23 |
| 8.11 | Log Side Support (No. 536103) | 8-25 |
| SECTION 9 DRIVEN LOG LEVELLING ROLLERS | | 9-1 |
| 9.1 | Driven Log Levelling Rollers (No. 528373 and 528375) | 9-1 |
| 9.2 | Shaft w/Drive (No. 528374 and 528376) | 10-3 |
| 9.3 | Hydraulic Pump & Tank Assembly | 10-5 |
| SECTION 10 MISCELLANEOUS | | 11-1 |
| 10.1 | Blade Lube System..... | 11-1 |
| 10.2 | Pressure Lube System (Optional)..... | 11-3 |
| 10.3 | Tools..... | 11-5 |
| 10.4 | Manuals & Diagrams..... | 11-6 |
| 10.5 | Pantograph Assembly | 11-7 |
| 10.6 | Pantograph - 503400 | 11-9 |
| 10.7 | Pantograph Platform - 584615 | 11-11 |
| SECTION 11 OPERATOR STAND | | 12-1 |
| 11.1 | Frame, Rails & Ladder | 12-1 |
| 11.2 | Control Box Fence Assembly | 12-3 |
| 11.3 | Operator Seat & Joystick | 12-5 |
| 11.4 | Control Box | 12-6 |
| 11.5 | Air Supply Assembly | 12-7 |

Table of Contents

Section-Page

SECTION 12 CAB OPTION

13-1

| | | |
|------|-------------------|-------|
| 12.1 | Cab..... | 13-1 |
| 12.2 | Frame..... | 13-2 |
| 12.3 | Rear Panel..... | 13-4 |
| 12.4 | Right Panel | 13-6 |
| 12.5 | Front Panel..... | 13-8 |
| 12.6 | Left Panel..... | 13-9 |
| 12.7 | Roof..... | 13-10 |

SECTION 1 GENERAL INFORMATION

1.1 How To Use The Parts List

- Use the table of contents or index to locate the assembly that contains the part you need.
- Go to the appropriate section and locate the part in the illustration.
- Use the number pointing to the part to locate the correct part number and description in the table.
- Parts shown indented under another part are included with that part.
- Parts marked with a diamond (◆) are only available in the assembly listed above the part.

See the sample table below. Sample Part #A01111 includes part F02222-2 and subassembly A03333. Subassembly A03333 includes part S04444-4 and subassembly K05555. The diamond (◆) indicates that S04444-4 is not available except in subassembly A03333. Subassembly K05555 includes parts M06666 and F07777-77. The diamond (◆) indicates M06666 is not available except in subassembly K05555.

| 1.2 Sample Assembly | | | | |
|----------------------------|--|-----------|-----|---|
| REF. | DESCRIPTION (◆ Indicates Parts Available In Assemblies Only) | PART # | QTY | |
| | SAMPLE ASSEMBLY, COMPLETE (INCLUDES ALL INDENTED PARTS BELOW) | A01111 | 1 | |
| 1 | Sample Part | F02222-22 | 1 | |
| | Sample Subassembly (Includes All Indented Parts Below) | A03333 | 1 | |
| 2 | Sample Part (◆ Indicates Part Is Only Available With A03333) | S04444-4 | 1 | ◆ |
| | Sample Subassembly (Includes All Indented Parts Below) | K05555 | 1 | |
| 3 | Sample Part (◆ Indicates Part Is Only Available With K05555) | M06666 | 2 | ◆ |
| 4 | Sample Part | F07777-77 | 1 | |

To Order Parts:

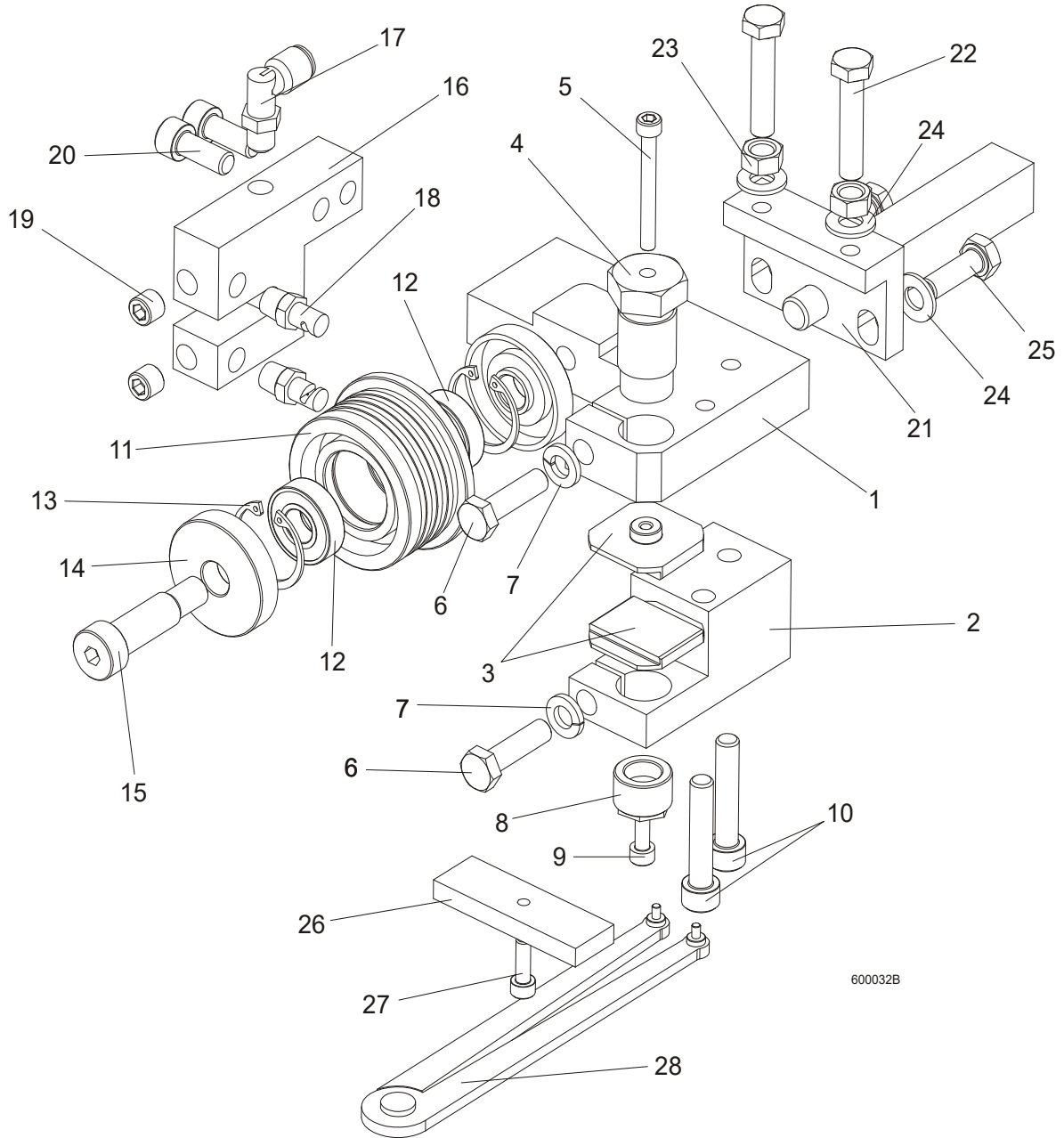
- From Europe call your local distributor or our European Headquarters and Manufacturing Facility in Kolo - Poland, Nagórna 114 St at +48-63-2626000. From the continental U.S., call **1-800-448-7881** to order parts. Have your customer number, vehicle identification number, and part numbers ready when you call.



CAUTION! It is recommended that only original spare parts be used.

**SECTION 2 BLADE GUIDE ASSEMBLIES & BLADE GUIDE
ARM**

2.1 Blade Guide Assembly, Idle Side



600032B

Blade Guide Assemblies & Blade Guide Arm

Blade Guide Assembly, Idle Side

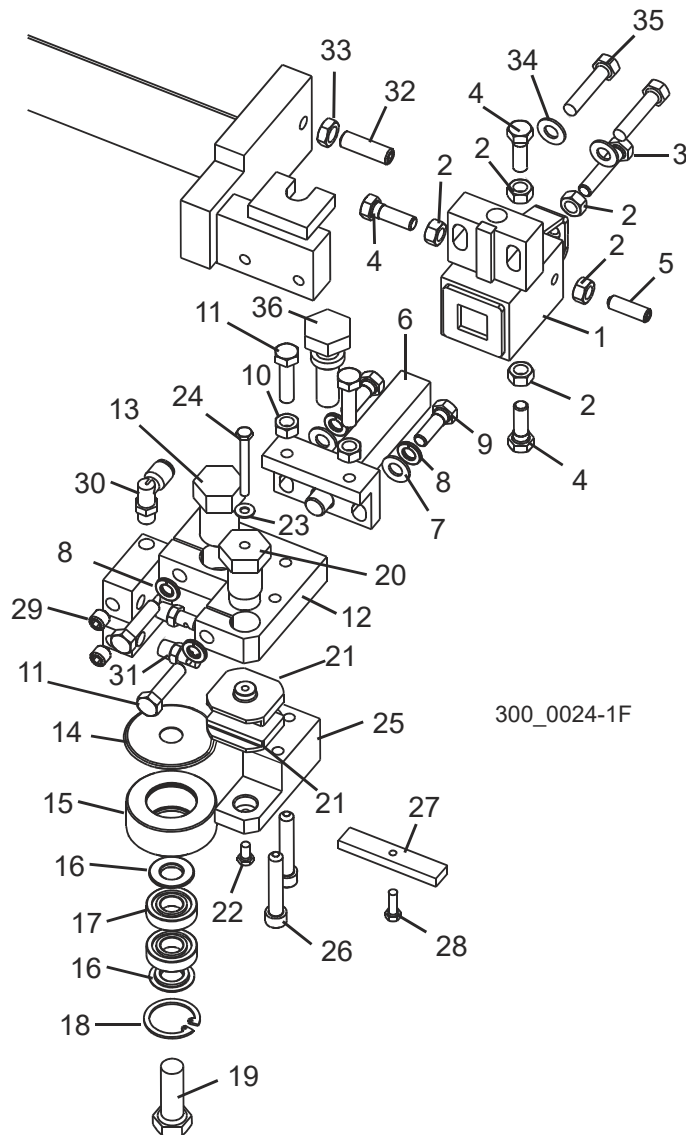
2

| REF. | DESCRIPTION (◆ Indicates Parts Available In Assemblies Only) | PART # | QTY |
|------|---|-----------|-----|
| | BLADE GUIDE ASSEMBLY - IDLE SIDE, EXTENDED (FOR USE W/1 1/2" BLADES) | 092997 | 1 |
| 1 | Block, Blade Guide Mount Zinc-plated | 090947-1 | 1 |
| 2 | Block, Lower Pad Mount Zinc-plated | 090948-1 | 1 |
| 3 | Block, Blade Guide Zinc-plated | 093430-1 | 2 |
| 4 | Bolt, Upper Pad Adjustment Zinc-plated | 089515-1 | 1 |
| 5 | Screw, M5x45 DIN912 A2-70 Hex Socket Head Cap Stainless Steel | F81000-24 | 1 |
| 6 | Bolt, M8x30 DIN933 A2-70 Stainless Steel | F81002-27 | 2 |
| 7 | Washer, 8.2 Split Lock Zinc | F81054-4 | 2 |
| 8 | Screw, Lower Pad Adjuster Zinc-plated | 516191-1 | 1 |
| 9 | Screw, M5x10 DIN912 A2-70 Hex Socket Head Cap Stainless Steel | F81000-23 | 1 |
| 10 | Screw, M8x40-8.8 Hex Socket Head Cap Zinc | F81002-29 | 2 |
| | Roller, Blade Guide w/Bearing - Extended | 092939 | 1 |
| 11 | Roller, Blade Guide Extended | 087890 | 1 |
| 12 | Bearing, 6001 2RSR NACHI | 087893 | 2 |
| 13 | Ring, W28 Inside Retaining | F81090-9 | 2 |
| 14 | Washer, Blade Guide Roller Spacer Zinc-plated | 087891-1 | 1 |
| | Washer, Blade Guide Roller Spacer Zinc-plated | 087892-1 | 1 |
| 15 | Bolt, 12/M10x30 12.9 ISO 7379 Shoulder | F81003-70 | 1 |
| | Bolt, 12/M10x35 12.9 ISO 7379 Shoulder (used with the Extender Roller only) | F81003-48 | 1 |
| 16 | Block, Nozzle Mounting Zinc-plated | 090487-1 | 1 |
| 17 | Fitting, 1/8NPTx1/4 Tube Elbow Swivel | P09736 | 1 |
| 18 | Nozzle, Blade Lube Spray | 033479 | 2 |
| 19 | Plug, M10x1 DIN 906 BN40 "BOSSARD" | F81015-3 | 2 |
| 20 | Screw, M8x20-8.8 Hex Socket Head Cap Zinc | F81002-30 | 2 |
| 21 | Pivot Weldment, Blade Guide Zinc-plated | 089509-1 | 1 |
| 22 | Bolt, M8x40 DIN933 A2-70 Stainless Steel | F81002-28 | 2 |
| 23 | Nut, M8 DIN934 A2-70 Stainless Steel | F81032-7 | 2 |
| 24 | Washer, 8.4 Flat Zinc | F81054-1 | 4 |
| 25 | Bolt, M8x25 DIN933 A2-70 Stainless Steel | F81002-26 | 2 |
| | Block, Blade Guide Alignment | 090951 | 1 |
| 26 | Block, Blade Guide Alignment Zinc-plated | 090805-1 | 1 |
| 27 | Screw, M5X16-8.8 Hex Socket Head Cap Zinc | F81000-25 | 1 |
| 28 | Tool, 62860-3 (PERSCHMAN) Lower Pad Adjustment | 090949 | 1 |

2 Blade Guide Assemblies & Blade Guide Arm

Blade Guide Assembly, Idle Side (Optional)

2.2 Blade Guide Assembly, Idle Side (Optional)



| REF. | DESCRIPTION (◆ Indicates Parts Available In Assemblies Only) | PART # | QTY | |
|------|--|------------|-----|---|
| | GUIDE ASSEMBLY, IDLE SIDE BLOCK/ROLLER | 035200 | 1 | |
| | Block Assembly, Idle Side Blade Guide | 036099 | 1 | |
| 1 | Block Weldment, Guide Mounting | 035219 | 1 | ◆ |
| 2 | Nut, 5/16-18 Hex | F05010-17 | 5 | |
| 3 | Bolt, 5/16-18 x 1 1/2" Hex Head Full Thread Stainless Steel | F05006-119 | 1 | |
| 4 | Bolt, 5/16-18 x 1" Hex Head Stainless Steel | F05006-88 | 3 | |
| 5 | Screw, 5/16-18 x 1" Stainless Steel Set Flat Point | F05006-122 | 1 | |
| 6 | Pivot Weldment, Block Guide | 035209 | 1 | |
| 7 | Washer, 5/16" SAE Flat | F05011-17 | 2 | |

Blade Guide Assemblies & Blade Guide Arm

Blade Guide Assembly, Idle Side (Optional)

2

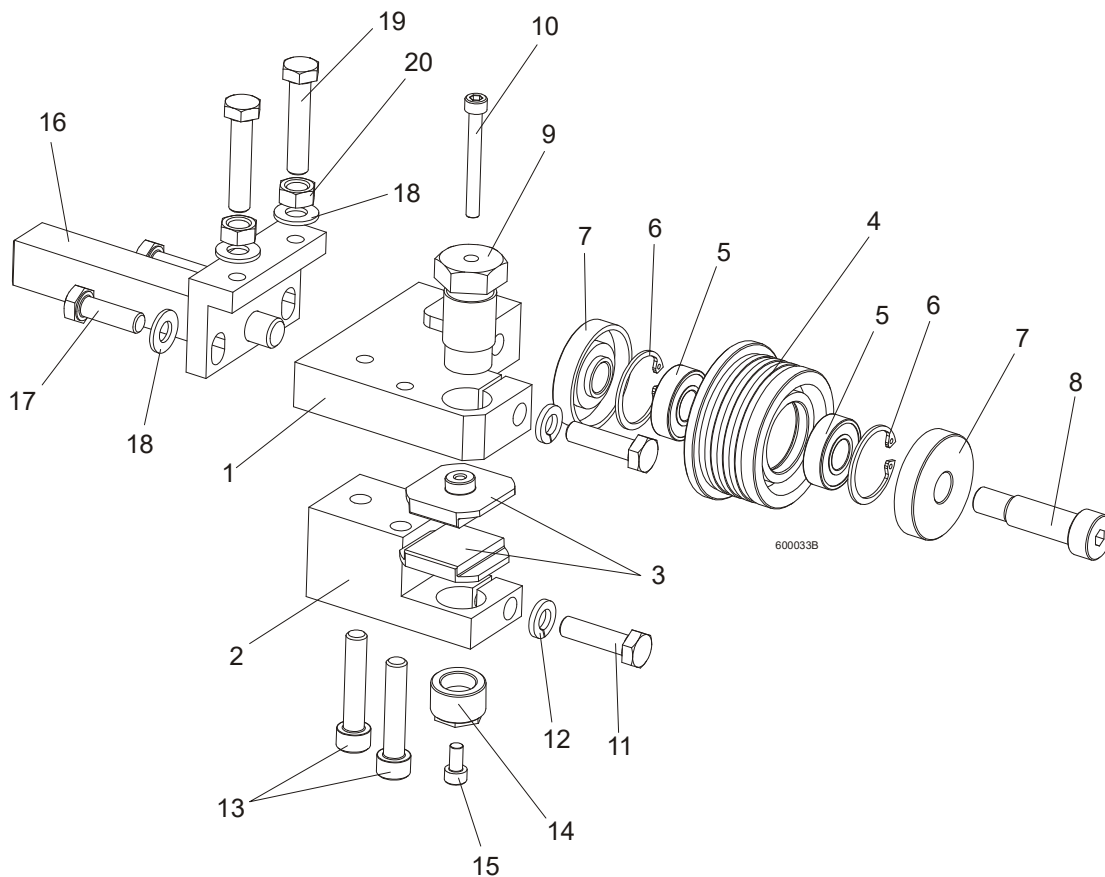
| | | | | |
|----|---|---------------------|---|---|
| 8 | Washer, 5/16" Split Lock | F05011-13 | 4 | |
| 9 | Bolt, 5/16-18 x 1" Hex Head Stainless Steel | F05006-88 | 2 | |
| 10 | Nut, 5/16-18 Hex | F05010-17 | 2 | |
| 11 | Bolt, 5/16-18 x 1 1/4" Hex Head Stainless Steel | F05006-118 | 4 | |
| 12 | Guide Weldment, Idle Side | 035206 | 1 | |
| 13 | Shaft, Blade Roller | 035215 | 1 | |
| 14 | Hood, Blade Guide Back Roller | 042848 | 1 | |
| | Blade Guide Roller Assembly | 023977 | 1 | |
| 15 | Wheel, Blade Guide | 017223 | 1 | ◆ |
| 16 | Spacer, Blade Guide Roller | 018948 | 2 | |
| 17 | Bearing, R8-2RS Blade Guide | 015975 | 2 | |
| 18 | Ring, 1 1/8 IR 3000x112 Retaining | F04254-1 | 1 | |
| 19 | Screw, 1/2-13x1 1/2 HHC | F05008-4 | 1 | |
| 20 | Bolt, Carbide Mounting | 035216 | 1 | |
| 21 | Pad, Blade Guide (standard equipment, for use with 1 1/2" blades) | 052309 ¹ | 2 | |
| | Pad, Blade Guide (optional equipment, for use with 1 1/4" blades) | 052355 ¹ | 2 | |
| | Block, Blade Guide Zinc-plated | 093430-1 | 2 | |
| 22 | Bolt, #10-32 x 3/8" Hex Head Stainless Steel | F05004-171 | 1 | |
| 23 | Washer, #10 Brass | 042867 | 1 | |
| 24 | Bolt, #10-32 x 1 3/4" Hex Head Stainless Steel | F05004-178 | 1 | |
| 25 | Block, Lower Carbide Idle Side | 035213 | 1 | |
| 26 | Screw, 5/16-18 x 1 3/4" Hex Socket Head Cap | F05006-65 | 2 | |
| 27 | Block, Blade Guide Alignment | 035799 | 1 | |
| 28 | Screw, #10-32 x 5/8" Hex Head | F05004-152 | 1 | |
| 29 | Fitting, 1/8 NPT Socket Pipe Plug | P30127 | 2 | |
| 30 | Fitting, 1/8MPTx1/4 Tube Elbow Swivel | P09736 | 1 | |
| 31 | Nozzle, Blade Lube Spray | 033479 | 2 | |
| 32 | BOLT, 3/8-16 X 1 1/2" HEX HEAD FULL THREAD | F05007-17 | 1 | |
| 33 | NUT, 3/8-16 JAM | F05010-29 | 1 | |
| 34 | WASHER, 5/16" SAE FLAT | F05011-17 | 2 | |
| 35 | BOLT, 5/16-18 X 1 1/2" HEX HEAD | F05008-96 | 2 | |
| 36 | BOLT, BLADE GUIDE VERTICAL ADJUSTER | 035656 | 1 | |

¹ 052309 blocks for use with 1 1/2" blades provided as standard equipment. 052355 blocks available for optional use with 1 1/4" blades.

2 Blade Guide Assemblies & Blade Guide Arm

Blade Guide Assembly, Drive Side

2.3 Blade Guide Assembly, Drive Side



| REF. | DESCRIPTION (◆ Indicates Parts Available In Assemblies Only) | PART # | QTY |
|------|---|-----------|-----|
| | COMPLETE BLADE GUIDE W/ROLLER - DRIVE SIDE (FOR USE W/1 1/2" BLADES) | 092998 | 1 |
| 1 | Block, Blade Guide Mount Zinc-plated | 090944-1 | 1 |
| 2 | Block, Lower Pad Mount Zinc-plated | 090946-1 | 1 |
| 3 | Block, Blade Guide Zinc-plated | 093430-1 | 2 |
| | Roller, Blade Guide W/Bearing, Extended | 092939 | 1 |
| 4 | Roller, Blade Guide Extended | 087890 | 1 |
| 5 | Bearing, 6001 2RSR NACHI | 087893 | 2 |
| 6 | Ring, W28 Inside Retaining | F81090-9 | 2 |
| 7 | Washer, Blade Guide Roller Spacer Zinc-plated | 087891-1 | 1 |
| | Washer, Blade Guide Roller Spacer Zinc-plated | 087892-1 | 1 |
| 8 | Bolt, 12/M10x30 12.9 ISO 7379 Shoulder | F81003-70 | 1 |
| | Bolt, 12/M10x35 12.9 ISO 7379 Shoulder | F81003-48 | 1 |
| 9 | Bolt, Upper Pad Adjustment | 089515 | 1 |
| 10 | Screw, M5x45 DIN912 A2-70 Hex Socket Head Cap Stainless Steel | F81000-24 | 1 |

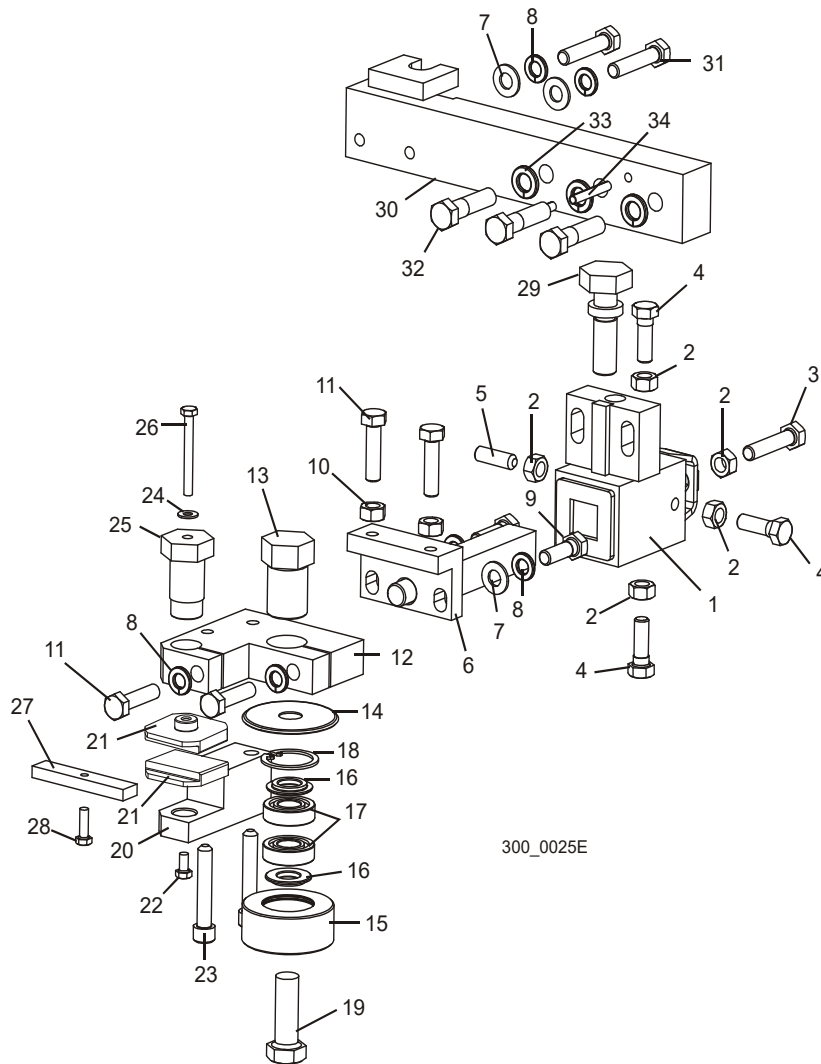
Blade Guide Assemblies & Blade Guide Arm

Blade Guide Assembly, Drive Side

2

| | | | | |
|----|---|-----------|---|--|
| 11 | Bolt, M8x30 DIN933 A2-70 Stainless Steel | F81002-27 | 2 | |
| 12 | Washer, 8.2 Split Lock Zinc | F81054-4 | 2 | |
| 13 | Screw, M8x40-8.8 Hex Socket Head Cap Zinc | F81002-29 | 2 | |
| 14 | Screw, Lower Pad Adjustment Zinc-plated | 516191-1 | 1 | |
| 15 | Screw, M5x10 DIN912 A2-70 Hex Socket Head Cap Stainless Steel | F81000-23 | 1 | |
| 16 | Pivot Weldment, Blade Guide Zinc-plated | 089509-1 | 1 | |
| 17 | Bolt, M8x25 DIN933 A2-70 Stainless Steel | F81002-26 | 2 | |
| 18 | Washer, 8.4 Flat Zinc | F81054-1 | 4 | |
| 19 | Bolt, M8x40 DIN933 A2-70 Stainless Steel | F81002-28 | 2 | |
| 20 | Nut, M8 DIN934 A2-70 Stainless Steel | F81032-7 | 2 | |

2.4 Blade Guide Assembly - Drive Side (Optional)



| REF. | DESCRIPTION (◆ Indicates Parts Available In Assemblies Only) | PART # | QTY | |
|------|--|------------|-----|---|
| | BLOCK GUIDE ASSEMBLY, DRIVE SIDE | 035201 | 1 | |
| | Block Assembly, Drive Side Guide | 036100 | 1 | |
| 1 | Block Weldment, Guide Mounting | 035219 | 1 | ◆ |
| 2 | Nut, 5/16-18 Hex | F05010-17 | 5 | |
| 3 | Bolt, 5/16-18 x 1 1/2" Hex Head Full Thread Stainless Steel | F05006-119 | 1 | |
| 4 | Bolt, 5/16-18 x 1" Hex Head Stainless Steel | F05006-88 | 3 | |
| 5 | Screw, 5/16-18 x 1" Stainless Steel Set Flat Point | F05006-122 | 1 | |
| 6 | Pivot Weldment, Block Guide | 035209 | 1 | |
| 7 | Washer, 5/16" SAE Flat | F05011-17 | 2 | |
| 8 | Washer, 5/16" Split Lock | F05011-13 | 4 | |

Blade Guide Assemblies & Blade Guide Arm

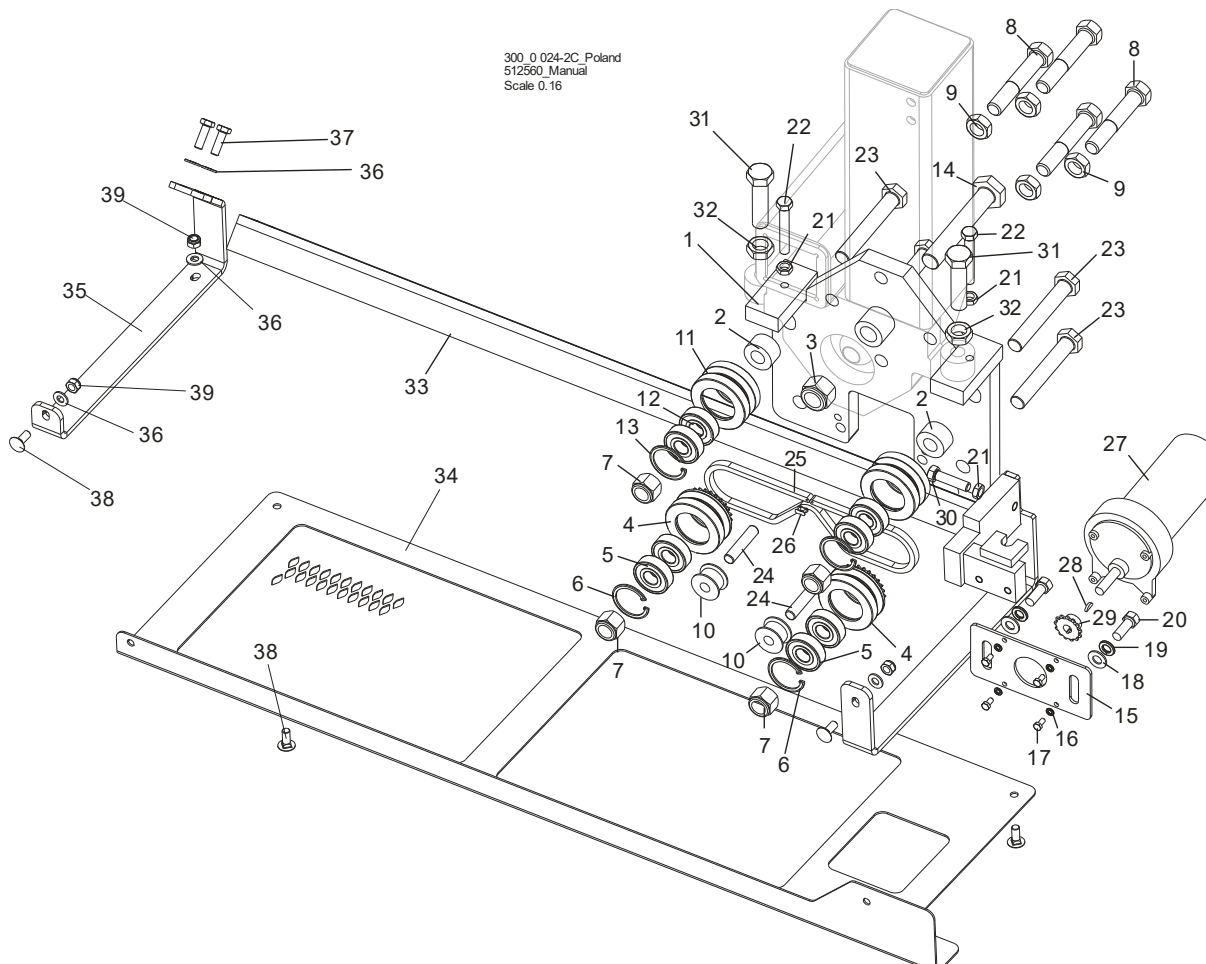
Blade Guide Assembly - Drive Side (Optional)

2

| | | | | |
|----|--|---------------------|---|---|
| 9 | Bolt, 5/16-18 x 1" Hex Head Stainless Steel | F05006-88 | 2 | |
| 10 | Nut, 5/16-18 Hex | F05010-17 | 2 | |
| 11 | Bolt, 5/16-18 x 1 1/4" Hex Head Stainless Steel | F05006-118 | 4 | |
| 12 | Block, Top Blade Guide Plated | 035207 | 1 | |
| 13 | Shaft, Blade Roller | 035215 | 1 | |
| 14 | Hood, Blade Guide Back Roller | 042848 | 1 | |
| | Blade Guide Roller Assembly | 023977 | 1 | |
| 15 | Wheel, Blade Guide | 017223 | 1 | ◆ |
| 16 | Spacer, Blade Guide Roller | 018948 | 2 | |
| 17 | Bearing, R8-2RS Blade Guide | 015975 | 2 | |
| 18 | Ring, 1 1/8" IR 3000x112 Retaining | F04254-1 | 1 | |
| 19 | Screw, 1/2-13 x 1 1/2" | F05008-4 | 1 | |
| 20 | Block, Lower Carbide Drive Side | 035214 | 1 | |
| 21 | Pad, Blade Guide (standard equipment, for use with 1 1/2" blades) | 052309 ¹ | 2 | |
| | Pad, Blade Guide (optional equipment, for use with 1 1/4" blades) | 052355 ³ | 2 | |
| | Pad, Blade Guide Zinc-plated | 093430-1 | 2 | |
| 22 | Bolt, #10-32 x 3/8" Hex Head Stainless Steel | F05004-171 | 1 | |
| 23 | Screw, 5/16-18 x 1 3/4" Socket Head Cap | F05006-65 | 2 | |
| 24 | Washer, #10 Brass | 042867 | 1 | |
| 25 | Bolt, Carbide Mounting | 035216 | 1 | |
| 26 | Bolt, #10-32 x 1 3/4" Hex Head Stainless Steel | F05004-178 | 1 | |
| 27 | Block, Blade Guide Alignment | 035799 | 1 | |
| 28 | Bolt, #10-32 x 5/8" Hex Head | F05004-152 | 1 | |
| 29 | BOLT, BLADE GUIDE VERTICAL ADJUSTER | 035656 | 1 | |
| 30 | ARM WELDMENT, BLADE GUIDE MOUNTING (DRIVE SIDE) | 035658 | 1 | |
| 31 | WASHER, 5/16" SAE FLAT | F05011-17 | 2 | |
| 32 | WASHER, 5/16" SPLIT LOCK | F05011-13 | 2 | |
| 33 | BOLT, 5/16-18 X 1 1/2" HEX HEAD FULL THREAD STAINLESS STEEL | F05006-119 | 2 | |
| 34 | BOLT, 3/8-16 X 1 1/2" HEX HEAD GRADE 5 | F05007-78 | 3 | |
| 35 | WASHER, 3/8" SPLIT LOCK | F05011-4 | 3 | |
| 36 | PIN, 3/16" X 1 1/4" ROLL | F05012-16 | 2 | |

¹ 052309 blocks for use with 1 1/2" blades provided as standard equipment. 052355 blocks available for optional use with 1 1/4" blades.

2.5 Blade Guide Arm

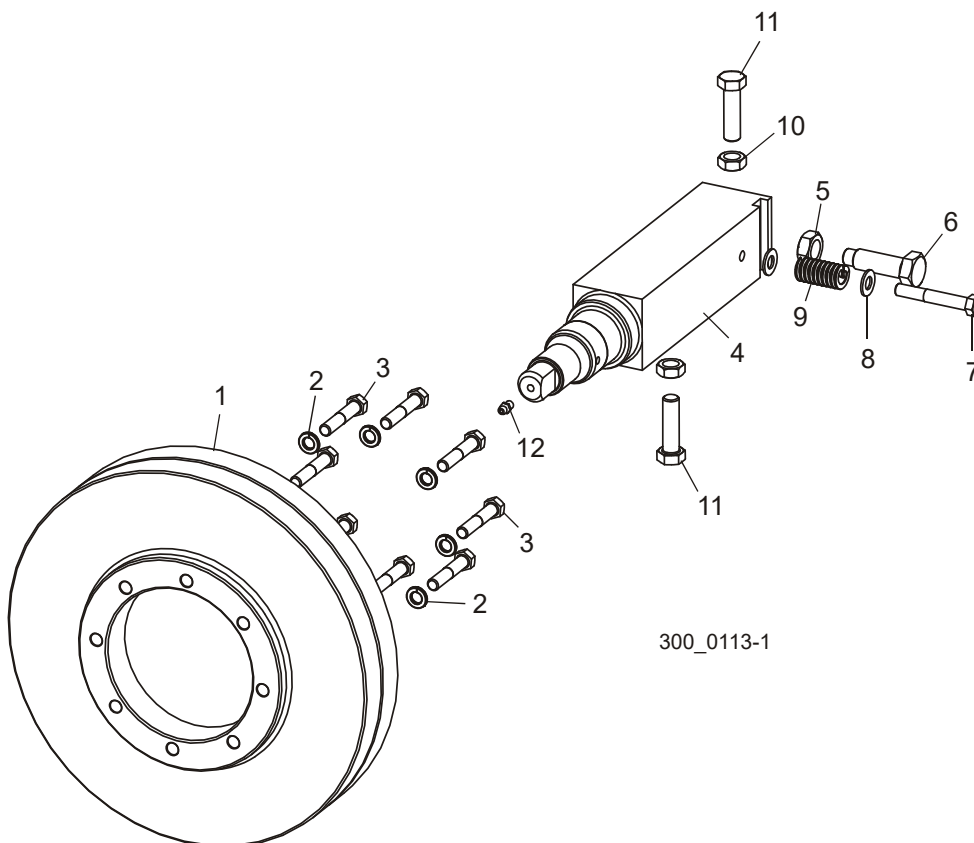


| REF. | DESCRIPTION (◆ Indicates Parts Available In Assemblies Only) | PART # | QTY | |
|------|--|------------|-----|---|
| | PLATE ASSEMBLY, BLADE GUIDE | 042540 | 1 | |
| | Blade Guide Parts (See Section 2.2) | | | |
| 1 | Plate Weldment, Blade Guide | 042539 | 1 | |
| 2 | Spacer, 0.625" x 0.717" x 1 1/4" | 042531 | 4 | |
| 3 | Nut, 3/4-16 Hex Nylon Lock | F05010-157 | 1 | |
| | Roller Assembly, Blade Guide Drive | 042542 | 2 | |
| 4 | Roller Assembly, Blade Guide Pressed Drive | 042541 | 1 | ◆ |
| 5 | Bearing, 5/8" x 1.5748" x 0.4724" | P06030-1 | 2 | |
| 6 | Ring, 1.575 ID Beveled 5002-156 Retaining | F04254-8 | 1 | |
| 7 | Nut, 5/8-18 Hex Nylon Lock | F05010-71 | 4 | |
| 8 | Bolt, 5/8-16 x 3 1/2" Hex Head Full Thread | F05009-16 | 4 | |
| 9 | Nut, 5/8-18 Hex | F05010-11 | 4 | |
| 10 | Roller, Blade Guide Drive | S09999 | 2 | |

| | | | | |
|----|--|---------------|----------|---|
| | Roller Assembly, Blade Guide Idler | 042543 | 2 | |
| 11 | Roller, 2 1/2" V-Groove | 042536 | 1 | ◆ |
| 12 | Bearing, 5/8" x 1.5748" x 0.4724" | P06030-1 | 2 | |
| 13 | Ring, 1.575 Id Beveled 5002-156 Retaining | F04254-8 | 1 | |
| 14 | Bolt, 3/4-16 x 4 1/2" Hex Head Grade 8 | F05009-97 | 1 | |
| 15 | Plate, Blade Guide Motor Mount | 042519 | 1 | |
| 16 | Washer, #10 Split Lock | F05011-20 | 4 | |
| 17 | Bolt, #10-32 x 1/2" Hex Head | F05004-60 | 4 | |
| 18 | Washer, 3/8" SAE Flat | F05011-3 | 2 | |
| 19 | Washer, 3/8" Split Lock | F05011-4 | 2 | |
| 20 | Bolt, 3/8-16 x 1" Hex Head | F05007-7 | 2 | |
| 21 | Nut, 3/8-16 Hex | F05010-29 | 3 | |
| 22 | Bolt, 3/8-16 x 2 1/2" Hex Head Full Thread Grade 2 | F05007-157 | 2 | |
| 23 | Bolt, 5/8-18 x 3 1/4" Hex Head Grade 5 | F05009-98 | 4 | |
| 24 | Pin, 7/16" x 2" Dowel | F05012-110 | 2 | |
| 25 | Chain, #25 x 92 | 042443 | 1 | |
| 26 | Link, 25 Master | P09983 | 1 | |
| 27 | Motor Assembly, 24V 60 RPM Gear | 035659 | 1 | |
| | Motor, 24V 1/15 HP Gear | 033119 | 1 | |
| | Housing, Replacement Gear (Klauber) | P12756 | 1 | |
| | Shaft, Blade Guide Arm Motor | 036514 | 1 | |
| | Gear Kit, Blade Guide Arm Motor | 036515 | 1 | |
| 28 | Key, #304 Woodruff Replacement | 036203 | 1 | |
| 29 | Sprocket, 25B13x3/8 W/Set Screw | 033120 | 1 | |
| 30 | Bolt, 3/8-16 x 1 1/2 Hex Head Full Thread | F05007-17 | 1 | |
| 31 | Bolt, 5/8-18 x 2 1/2" Hex Head Full Thread Grade 5 | F05009-99 | 2 | |
| 32 | Nut, 5/8-18 Hex | F05010-11 | 2 | |
| | ARM, WM4000 BLADE GUIDE - COMPLETE | 510710 | 1 | |
| 33 | ARM WELDMENT, WM400 BLADE GUIDE | 510709-1 | 1 | |
| 34 | GUARD WELDMENT, WM4000 BLADE GUIDE ARM | 510715-1 | 1 | |
| 35 | BRACKET, WM4000 BLADE GUIDE ARM | 510713 | 1 | |
| 36 | WASHER, 8.4 FLAT ZINC | F81054-1 | 6 | |
| 37 | BOLT, M8x25-8.8-B HEX HEAD FULL THREAD ZINC | F81002-5 | 2 | |
| 38 | BOLT, M8x20-8.8 MUSHROOM HEAD SQUARE NECK ZINC | F81002-11 | 4 | |
| 39 | NUT, M8-8-B HEX NYLON ZINC LOCK | F81032-2 | 4 | |

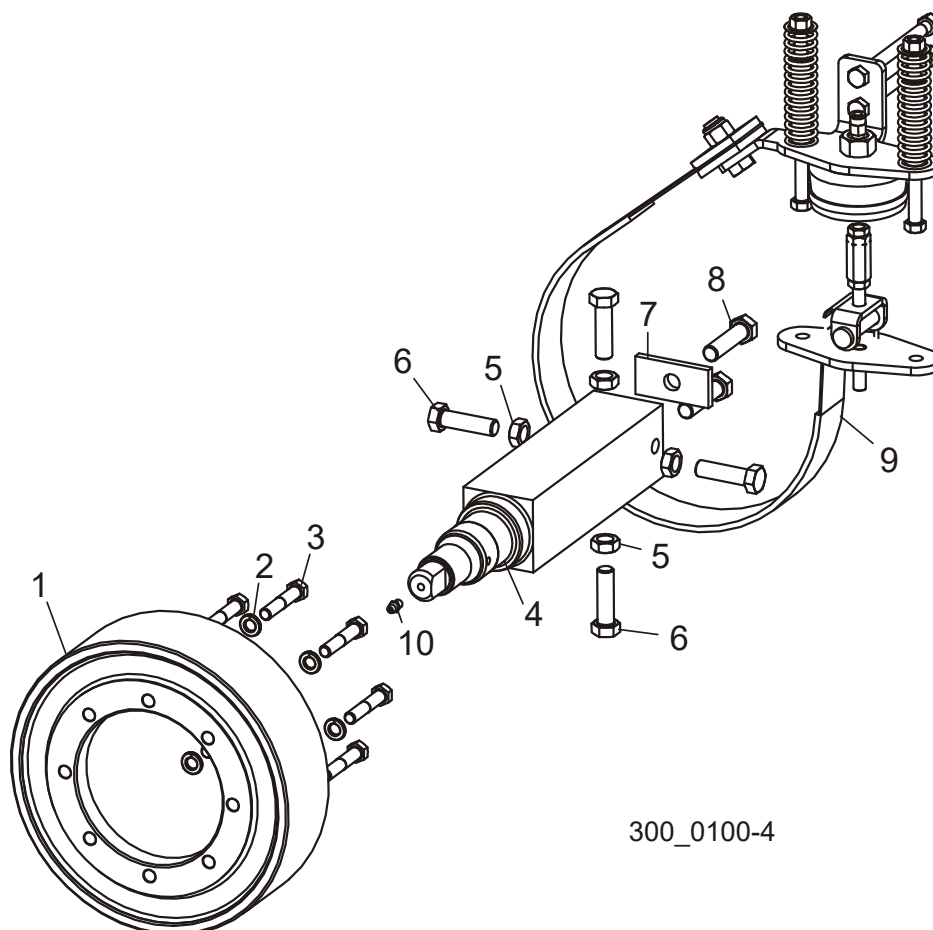
SECTION 3 BLADE WHEELS & TENSIONER

3.1 Blade Wheel Shaft Assembly - Drive Side



| REF. | DESCRIPTION (◆ Indicates Parts Available In Assemblies Only) | PART # | QTY |
|------|--|------------|-----|
| 1 | SHEAVE, EAGLE PD DRIVEN | 046897 | 1 |
| 2 | WASHER, 3/8" SPLIT LOCK | F05011-4 | 8 |
| 3 | BOLT, 3/8-16 X 2" HEX HEAD GRADE 5 | F05007-124 | 8 |
| 4 | SHAFT, DRIVE SPINDLE | 017824 | 1 |
| 5 | BOLT, DRIVE WHEEL RETAINING | 034360 | 1 |
| 6 | NUT, 5/8-18 HEX | F05010-11 | 1 |
| 7 | BOLT, 3/8-16 X 2 1/2" HEX HEAD | F05007-47 | 1 |
| 8 | WASHER, 3/8" SAE FLAT | F05011-3 | 2 |
| 9 | SPRING, 3/4 O.D.X 1 1/2 DIE | 034430 | 1 |
| 10 | BOLT, 1/2-20 X 1 3/4" HEX HEAD FULL THREAD | F05008-127 | 2 |
| 11 | NUT, 1/2-20 HEX | F05010-16 | 2 |
| 12 | FITTING, 1/4-28 GREASE | P05060 | 1 |

3.2 Idle-Side Blade Wheel Shaft/Brake Drum

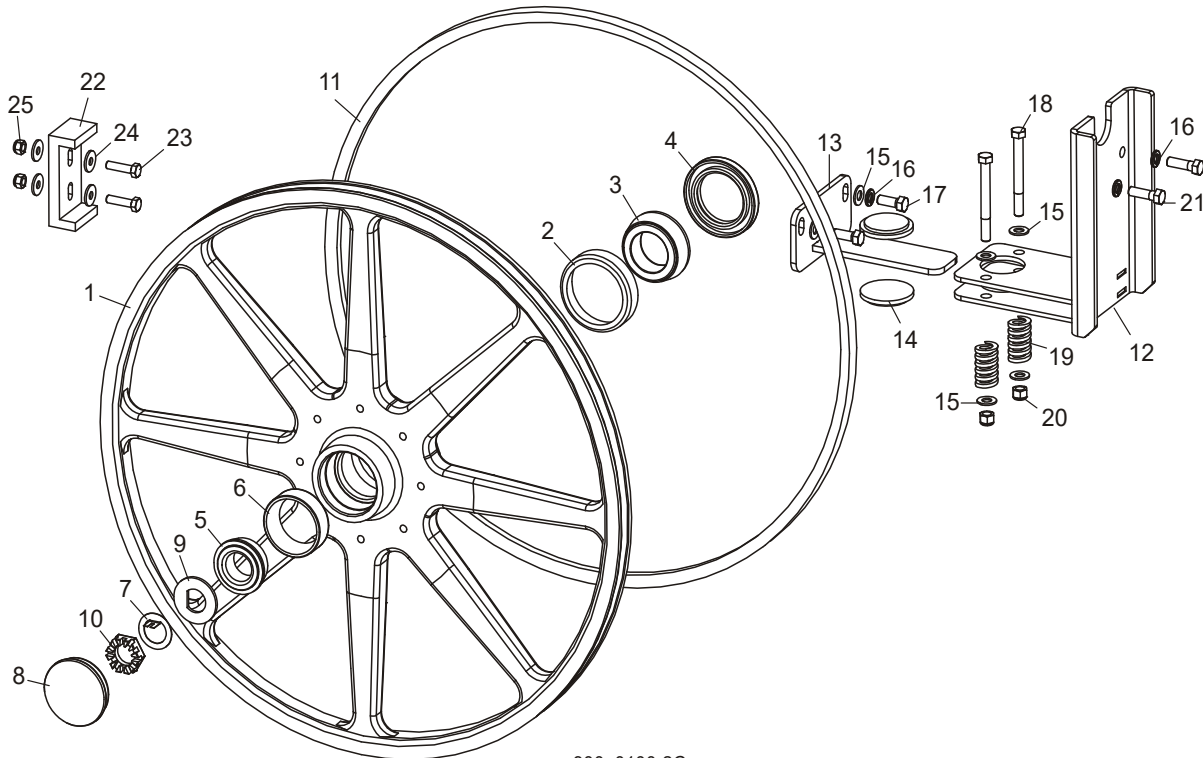


| REF. | DESCRIPTION (◆ Indicates Parts Available In Assemblies Only) | PART # | QTY |
|------|--|------------|-----|
| 1 | DRUM, BRAKE | 045004 | 1 |
| 2 | WASHER, 3/8" SPLIT LOCK | F05011-4 | 8 |
| 3 | BOLT, 3/8-16 X 2" HEX HEAD GRADE 5 | F05007-124 | 8 |
| 4 | SHAFT, SPINDLE | 033244 | 1 |
| 5 | NUT, 1/2-20 HEX | F05010-16 | 4 |
| 6 | BOLT, 1/2-20 X 1 3/4" HEX HEAD FULL THREAD | F05008-127 | 4 |
| 7 | WASHER PLATE, IDLE SPINDLE | 042548 | 1 |
| 8 | BOLT, 1/2-20 X 2" HEX HEAD FULL THREAD ZINC | F05008-126 | 2 |
| 9 | BLADE BRAKE PARTS (See Section 3.5) | | |
| 10 | FITTING, 1/4-28 GREASE | P05060 | 1 |

3 Blade Wheels & Tensioner

Belted Blade Wheel Kit (Standard)

3.3 Belted Blade Wheel Kit (Standard)



300_0100-2C

| REF. | DESCRIPTION (◆ Indicates Parts Available In Assemblies Only) | PART # | QTY | |
|------|--|---------------------|-----|---|
| | WHEEL KIT, BELTED | 036704 ¹ | 1 | |
| | Wheel Assembly, Blade - Belted | 036632 | 2 | |
| 1 | Wheel, 25" Blade - Belted | 036619 | 1 | ◆ |
| 2 | Bearing, Inner | 045208 | 1 | |
| 3 | Race, Inner Bearing | 045209 | 1 | |
| 4 | Seal, Blade Wheel | 045212 | 1 | |
| 5 | Bearing, Outer | 045210 | 1 | |
| 6 | Race, Outer Bearing | 045211 | 1 | |
| 7 | Washer, Dexter #5-101 Tang | P22686 | 1 | |
| 8 | Cap, 8 Lug Hub Dust | 033238 | 1 | |
| 9 | Washer, Spindle D | 045214 | 1 | |
| 10 | Nut, Spindle | 045216 | 1 | |
| 11 | Belt, B75.5 | 035953-1 | 1 | |
| | Dampener, Motor Vibration | 036840 | 1 | |
| 12 | Dampener Weldment, Pad Mount | 036838 | 1 | |
| 13 | Dampener Weldment, Tab | 036839 | 1 | |
| 14 | Pad, Anti-Vibration | 036833 | 2 | |
| 15 | Washer, 3/8" SAE Flat | F05011-3 | 6 | |

Blade Wheels & Tensioner

Belted Blade Wheel Kit (Standard)

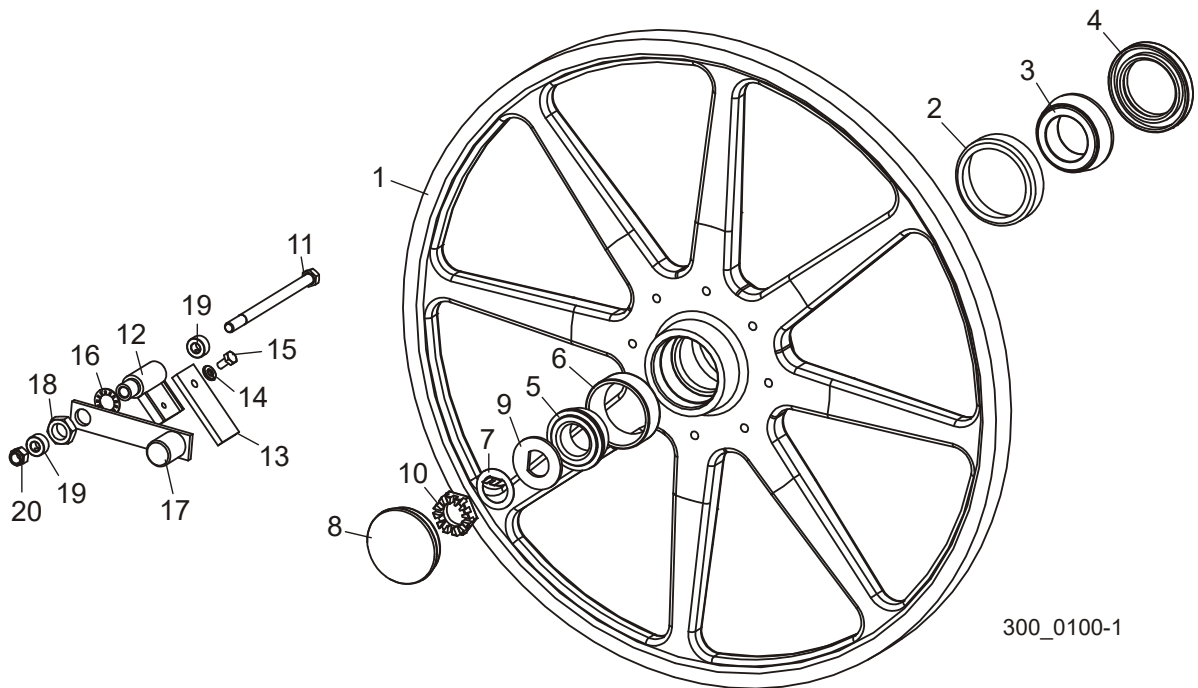
3

| | | | | |
|-----------|---|------------|---|--|
| 16 | Washer, 3/8" Split Lock | F05011-4 | 4 | |
| 17 | Bolt, 3/8-16 x 1" Hex Head Grade 5 | F05007-87 | 2 | |
| 18 | Bolt, 3/8-16 x 3 1/2" Hex Head Grade 5 | F05004-123 | 2 | |
| 19 | Spring, Die 1ODx1/2IDx1 3/4 Heavy | 036849 | 2 | |
| 20 | Nut, 3/8-16 Hex Nylon Lock | F05010-10 | 2 | |
| 21 | Bolt, 3/8-16 x 1 1/4" Hex Head Grade 5 | F05007-123 | 2 | |
| | Kit, Blade Support | 038493 | 1 | |
| 22 | Channel, Blade Support | 038491 | 1 | |
| 23 | Bolt, 5/16-18 x 1 1/4" Hex Head Stainless Steel | F05006-118 | 2 | |
| 24 | Washer, 5/16" Flat | F05011-16 | 4 | |
| 25 | Nut, 5/16-18 Hex Nylon Lock | F05010-58 | 2 | |

¹ Belted blade wheels and block/roller blade guides provided standard on WM3000 Rev. A8.00 [See Section 3.4](#) or optional crowned blade wheels used with blade guides w/support roller.

3 Blade Wheels & Tensioner Crowned Blade Wheel Kit (Optional)

3.4 Crowned Blade Wheel Kit (Optional)



300_0100-1

| REF. | DESCRIPTION (◆ Indicates Parts Available In Assemblies Only) | PART # | QTY |
|------|---|-----------------------|-----|
| | WHEEL KIT, CROWNED, 300/WM3000/3500/4000 (TWO COMPLETE WHEELS) | 036703 ¹ | 1 |
| | Wheel Assembly, Blade - Crowned | 017814 ² | 2 |
| | Wheel Assembly, Blade - Recrowned | 017814-R ³ | 1 |
| 1 | Wheel, 25 Cast Blade | 045000 | 1 ◆ |
| | Wheel, 25 Cast Blade - Recrowned | 045000-R ³ | 1 ◆ |
| 2 | Bearing, Inner | 045208 | 1 |
| 3 | Race, Inner Bearing | 045209 | 1 |
| 4 | Seal, Blade Wheel | 045212 | 1 |
| 5 | Bearing, Outer | 045210 | 1 |
| 6 | Race, Outer Bearing | 045211 | 1 |
| 7 | Washer, Dexter #5-101 Tang | P22686 | 1 |
| 8 | Cap, 8 Lug Hub Dust | 033238 | 1 |
| 9 | Washer, Spindle D | 045214 | 1 |
| 10 | Nut, Spindle | 045216 | 1 |
| 11 | Bolt, 3/8-16 x 6" Hex Head | F05007-45 | 2 |
| | Scraper Assembly, Drive Wheel | 042247 | 2 |
| 12 | Weldment, Wheel Scraper Pivot | 042240 | 1 |
| 13 | Scraper, Brass | 042245 | 1 |
| 14 | Washer, 1/4" Split Lock | F05011-14 | 1 |
| 15 | Bolt, 1/4-20 x 1/2" Hex Head | F05005-15 | 1 |

Blade Wheels & Tensioner

Crowned Blade Wheel Kit (Optional)

3

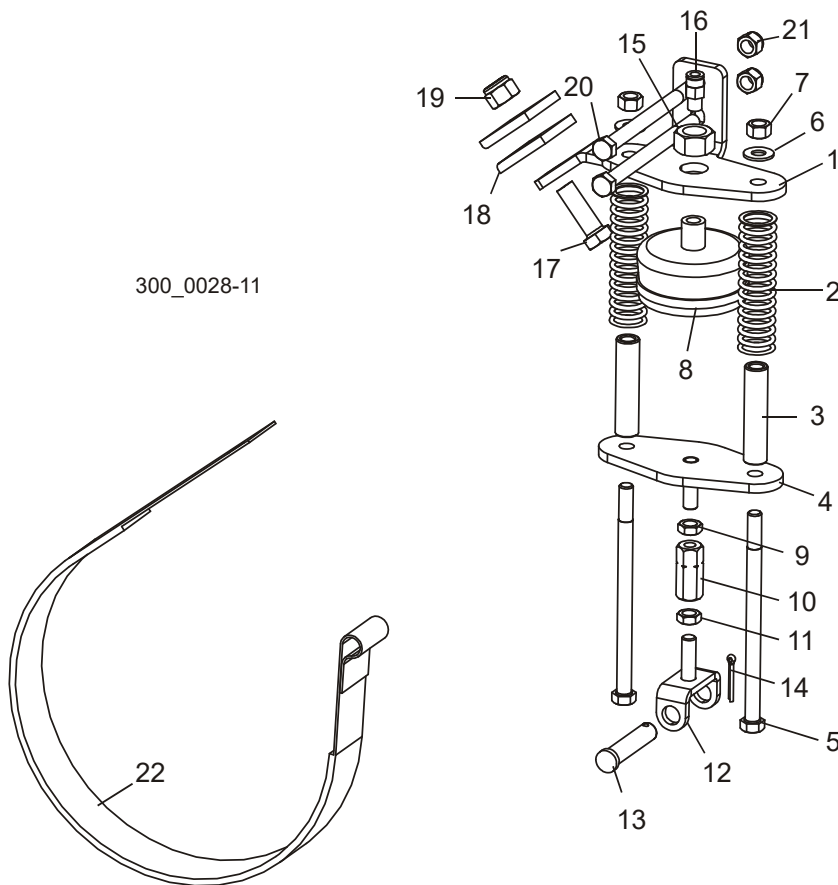
| | | | | |
|-----------|----------------------------|-----------|---|--|
| 16 | Washer, 5/8 Star IT | F05011-25 | 1 | |
| 17 | Weldment, Scraper Weight | 042248 | 1 | |
| 18 | Nut, 5/8-11 Jam | F05010-82 | 1 | |
| 19 | Collar, 3/8 ID Shaft | 042249 | 4 | |
| 20 | Nut, 3/8-16 Hex Nylon Lock | F05010-10 | 2 | |

¹ Belted blade wheels and block/roller blade guides provided standard on WM3000 Rev. A8.00 ([See Section 3.3](#) for standard belted blade wheels used with block/roller blade guides).

² Dust Cap 033238, D Washer 045214 and Spindle Nut 045216 added to assembly 017814 (11/04).

³ Blade wheels may be recrowned at the factory for extended service life.

3.5 Brake Actuator Assembly



| REF. | DESCRIPTION (◆ Indicates Parts Available In Assemblies Only) | PART # | QTY |
|------|--|---------------|----------|
| | ACTUATOR ASSEMBLY, WM3000 BRAKE | 033170 | 1 |
| 1 | Plate, Brake Top | 033166 | 1 |
| 2 | Spring, Brake | 033171 | 2 |
| 3 | Spacer, Spring Travel | 033169 | 2 |
| 4 | Weldment, Bottom Brake Plate | 033172 | 1 |
| 5 | Screw, 3/8-16x6 Hex Head Cap | F05007-45 | 2 |
| 6 | Washer, 3/8" SAE Flat | F05011-3 | 2 |
| 7 | Nut, 3/8-16 Swaged Lock | F05010-25 | 2 |
| 8 | Bag, Air Brake | 033168 | 1 |
| 9 | Nut, 3/8-24 LH Jam | F05010-166 | 1 |
| 10 | Adjuster, Brake Link | 033174 | 1 |
| 11 | Nut, 3/8-24 Hex | F05010-22 | 1 |
| 12 | Weldment, Brake Link | 033175 | 1 |
| 13 | Pin, 1/2x2 1/4 Clevis | F05012-81 | 1 |
| 14 | Pin, 1/8x1 Cotter | F05012-1 | 1 |
| 15 | Nut, 5/8-11 Hex | F05010-5 | 1 |

Blade Wheels & Tensioner
Brake Actuator Assembly

3

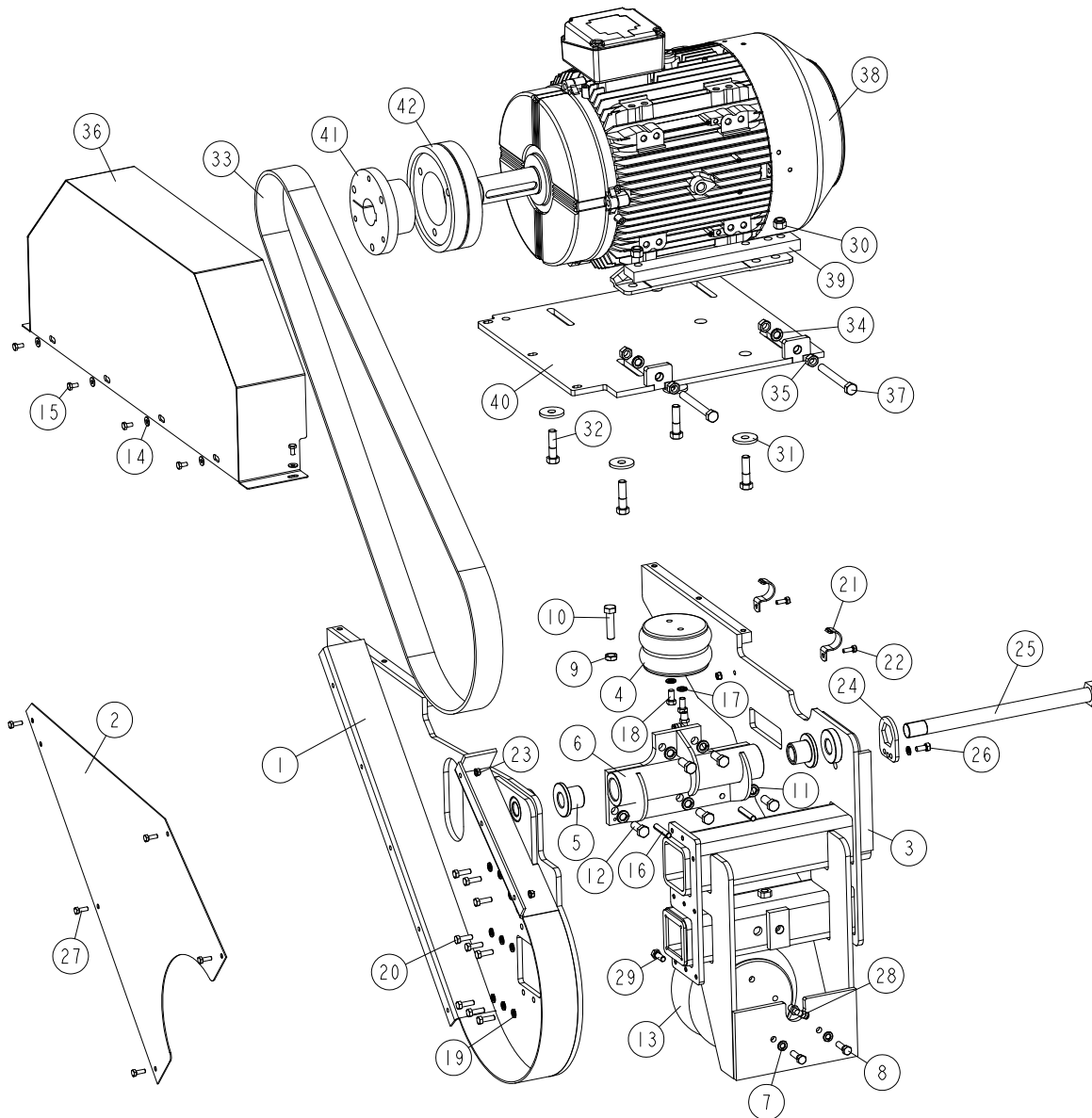
| | | | | |
|-----------|------------------------------------|------------------|---|--|
| 16 | Fitting, 1/8NPTx1/4 Tube Straight | P03078 | 1 | |
| 17 | Screw, 1/2-13x1 1/2 Hex Head Cap | F05008-4 | 1 | |
| 18 | Plate, 1/4x1 3/4x1 3/4 Brake Strap | S04195 | 2 | |
| 19 | Nut, 1/2-13 Hex Nylon Lock | F05010-8 | 1 | |
| 20 | Bolt, 3/8-16x5 Hex Head | F05007-5 | 2 | |
| 21 | Nut, 3/8-16 Hex Nylon Lock | F05010-10 | 2 | |
| 22 | Band, 9 1/2 Dia. Brake | 033178 | 1 | |

3 Blade Wheels & Tensioner

Blade Motor Drive Assembly

3.6 Blade Motor Drive Assembly

WM3500_001_A
WM3500-HD_MANUAL



| REF | DESCRIPTION (u indicates parts available in assemblies only) | PART # | QTY |
|-----|--|--------|-----|
| 1 | PLATE WELDMENT, FRONT MOTOR MOUNT | 033211 | 1 |
| 2 | COVER, LOWER BELT | 036662 | 1 |
| 3 | PLATE WELDMENT, RIGHT MOTOR MOUNT | 033216 | 1 |
| 4 | BAG, MOTOR LIFT AIR | 033231 | 1 |
| 5 | BEARING, PIVOT | 033210 | 2 |
| 6 | PIVOT WELDMENT, MOTOR MOUNT | 033206 | 1 |

Blade Wheels & Tensioner
Blade Motor Drive Assembly

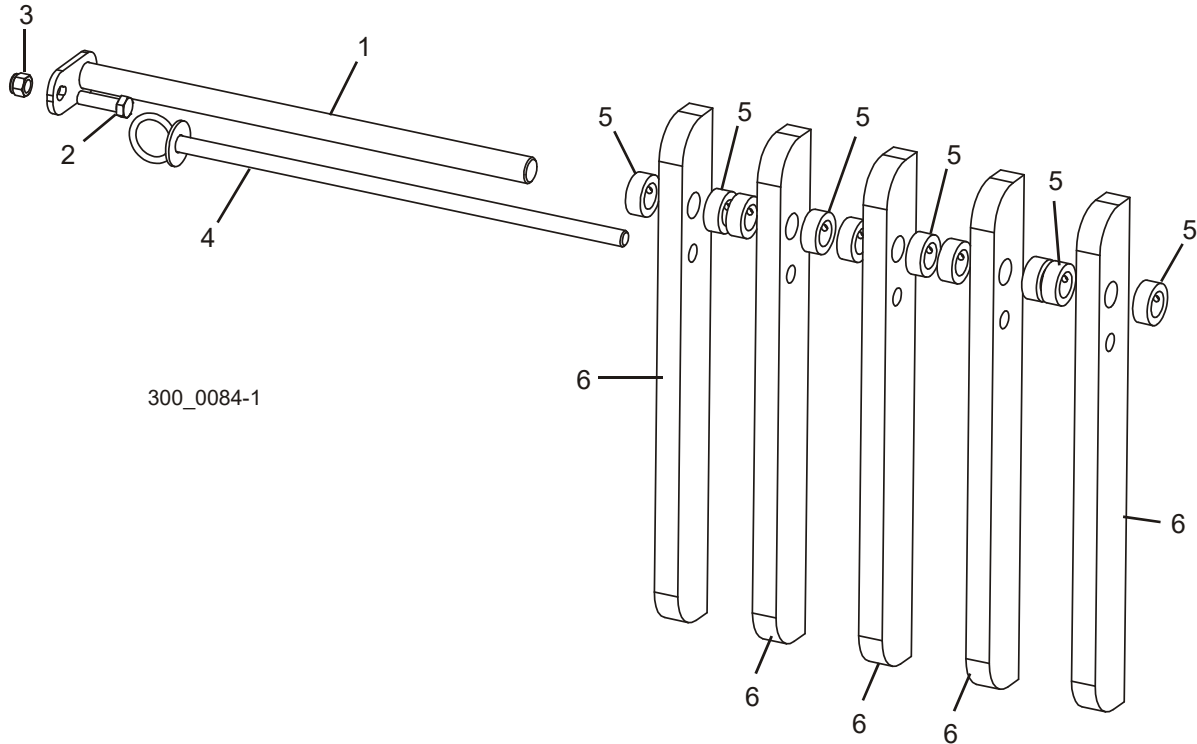
3

| REF | DESCRIPTION (u indicates parts available in assemblies only) | PART # | QTY | |
|-----|--|-----------------|-----|--|
| 7 | WASHER, 3/8" SPLIT LOCK | F05011-4 | 2 | |
| 8 | BOLT, 3/8-16 X 1 1/4" HEX HEAD GRADE 5 | F05007-123 | 2 | |
| 9 | NUT, 1/2-13 JAM | F05010-31 | 1 | |
| 10 | BOLT, 1/2-13 X 2" HEX HEAD FULL THREAD | F05008-8 | 1 | |
| 11 | WASHER, 1/2" SPLIT LOCK | F05011-9 | 5 | |
| 12 | BOLT, 1/2-13 X 1 1/4" HEX HEAD GRADE 5 | F05008-37 | 5 | |
| 13 | BAG, TENSIONER AIR | 033229 | 1 | |
| 14 | WASHER, 1/4" SAE FLAT | F05011-11 | 6 | |
| 15 | BOLT, 1/4-20X1/2 HH | F05005-15 | 6 | |
| 16 | PIN, 3/8" X 2" ROLL | F05012-42 | 2 | |
| 17 | WASHER, 3/8" SPLIT LOCK | F05011-4 | 2 | |
| 18 | BOLT, 3/8-16 X 3/4" HEX HEAD GRADE 2 | F05007-27 | 2 | |
| 19 | WASHER, 8.2 SPLIT LOCK | F05011-13 | 10 | |
| 20 | SCREW, 5/16-18X1 HHC GR2 ZINC | F05006-48 | 9 | |
| 21 | CLAMP, 1" EMT | P05436 | 2 | |
| 22 | BOLT, 1/4-20X3/4 FT HHC | F05005-1 | 2 | |
| 23 | NUT, 1/4-20 HEX SELF-LOCKING | F05010-9 | 7 | |
| 24 | PLATE, BOLT LOCK | 033230 | 1 | |
| 25 | BOLT, PIVOT | 033225 | 1 | |
| 26 | BOLT, 5/16-18 X 1" HEX HEAD | F05006-5 | 1 | |
| 27 | BOLT, 1/4-20 X 3/4" HEX HEAD | F05005-129 | 5 | |
| 28 | FITTING, 1/4" NPT X 1/4" TUBE 90° ELBOW | P21519 | 2 | |
| 29 | BOLT, 3/8-16 X 1" HEX HEAD GRADE 5 | F05007-87 | 2 | |
| - | DRIVE ASSY, PD, 30HP 480V/60HZ | 036638 | 1 | |
| 30 | NUT, 1/2-13 NYLON HEX LOCK | F05010-8 | 4 | |
| 31 | WASHER, .52" ID X 1.69" OD | 014632 | 4 | |
| 32 | BOLT, 1/2-13 X 2" HEX HEAD | F05008-76 | 4 | |
| 33 | BELT, EAGLE PD G2380 | 036636 | 1 | |
| 34 | WASHER, 1/2" SPLIT LOCK | F05011-9 | 2 | |
| 35 | NUT, 1/2-13 FREE HEX, ZINC | F05010-35 | 4 | |
| 36 | GUARD WELDMENT, TOP PULLEY | 036678 | 1 | |
| 37 | BOLT, 1/2-13 X 4 1/2" HEX HEAD FULL THRE | F05008-16 | 2 | |
| - | DRIVE ASSY, WM3000/3500 | 092858-3 | 1 | |
| - | MOTOR ASSEMBLY | 092610 | 1 | |
| 38 | MOTOR, TAMEL 22KW WP-DA180L B3 400/690V; 50HZ, 4P | 557148 | 1 | |
| 39 | PLATE, MILLED MOTOR | 557138-1 | 2 | |
| 40 | PLATE, LT300 MOTOR MOUNTING | 093705-1 | 1 | |
| 41 | BUSHING, E-48MM | 036709 | 1 | |
| | BUSHING, SG180 MOTOR (FOR 505313-S PULLEY) | 092644 | 1 | |
| 42 | SPROCKET, EAGLE PD G36SSF | 036634 | 1 | |
| | SPROCKET, EAGLE PD, G-43S-E (50HZ) | 036635 | 1 | |
| | PULLEY, (V=27.7M/S) WM3000 MOTOR (OPTION) | 505313-S | 1 | |

3 **Blade Wheels & Tensioner**
Blade Motor Drive Assembly

SECTION 4 SAW HEAD

4.1 Board Return

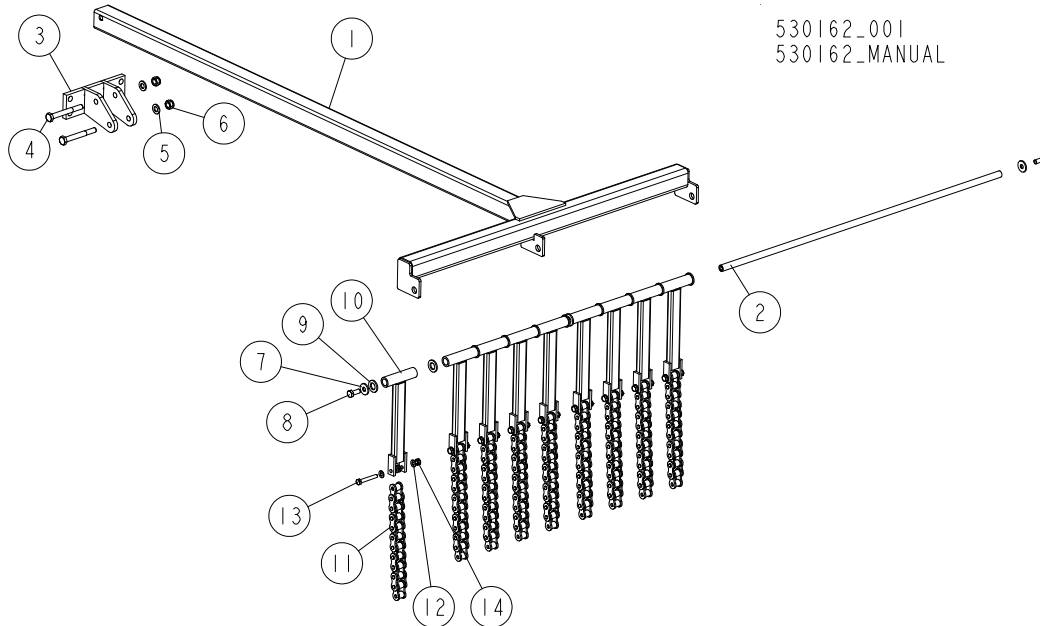


| REF. | DESCRIPTION (◆ Indicates Parts Available In Assemblies Only) | PART # | QTY | |
|------|--|-----------|-----|--|
| 1 | PIN, BOARD RETURN PIVOT | 042167 | 1 | |
| 2 | BOLT, 1/2-13 X 1 3/4" HEX HEAD FULL THREAD GRADE 5 | F05008-88 | 1 | |
| 3 | NUT, 1/2-13 HEX NYLON LOCK | F05010-8 | 1 | |
| 4 | PIN WELDMENT, SUPPORT | 042168 | 1 | |
| 5 | COLLAR, 1" LOCK | 038090 | 2 | |
| 6 | ARM WELDMENT, BOARD RETURN - LEFT | 003659 | 2 | |
| 7 | ARM WELDMENT, BOARD RETURN - RIGHT | 003660 | 2 | |
| 8 | ARM WELDMENT, BOARD RETURN - MIDDLE | 003661 | | |
| 9 | FITTING, 1/4-28 GREASE | P05060 | | |

4 Saw Head

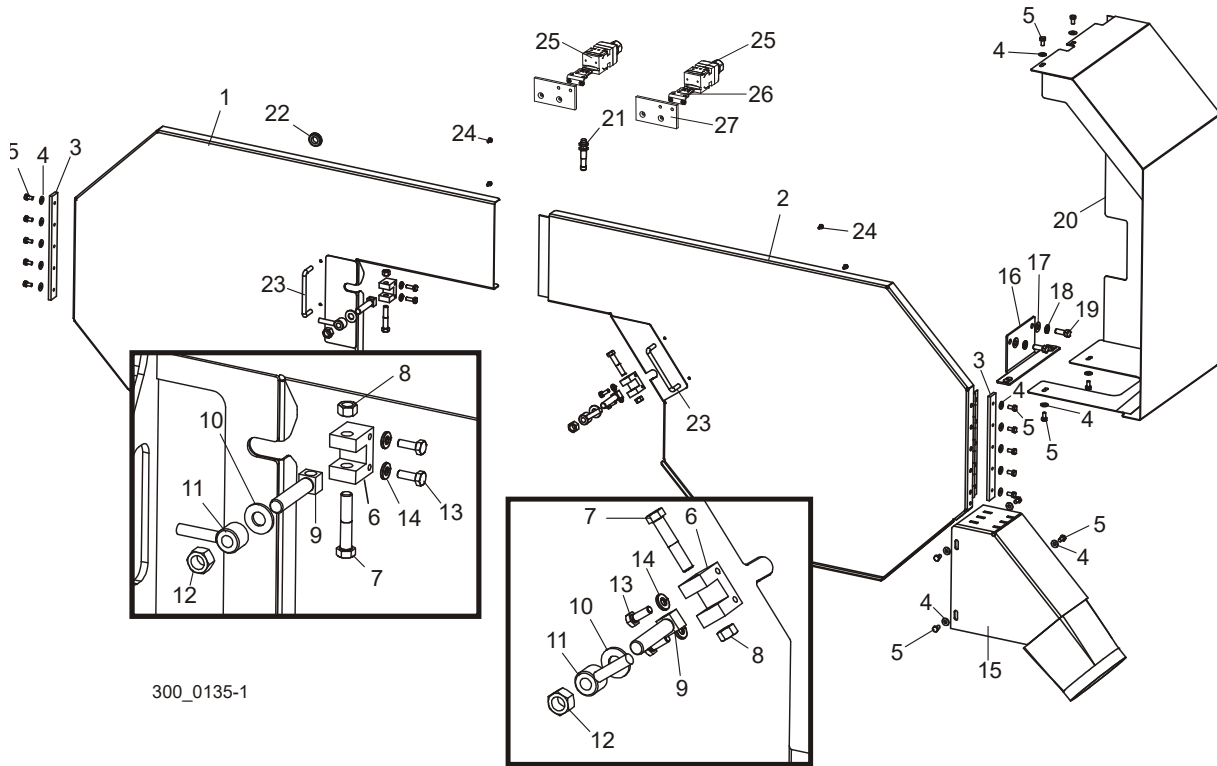
Board Return Guide

4.2 Board Return Guide



| REF. | DESCRIPTION (* indicates parts available in assemblies only) | PART NO. | QTY |
|------|--|-----------|-----|
| - | GUIDE ASSEMBLY, BOARD RETURN | 530162 | 1 |
| 1 | GUIDE WELDMENT, BOARD RETURN | 530163-1 | 1 |
| 2 | ROD, BOARD RETURN GUIDE | 519372-1 | 1 |
| 3 | MOUNT WELDMENT, BOARD RETURN GUIDE | 530166-1 | 1 |
| 4 | BOLT, M12X100-8.8 HEX HEAD ZINC | F81004-3 | 2 |
| 5 | WASHER, 13 FLAT ZINC | F81056-1 | 2 |
| 6 | NUT, M12 8 HEX NYLON ZINC LOCK | F81034-2 | 2 |
| 7 | WASHER, 10.5 SPECIAL FLAT ZINC | F81055-6 | 2 |
| 8 | BOLT, M10X25 8.8 HEX HEAD FULL THREAD | F81003-31 | 2 |
| 9 | WASHER, 17 SPLIT LOCK ZINC | F81058-1 | 12 |
| 10 | ARM WELDMENT, BOARD RETURN GUIDE | 091070-1 | 9 |
| 11 | CHAIN, 16B-1 - 0.28M | 514163 | 9 |
| 12 | WASHER, 8.4 FLAT ZINC | F81054-1 | 36 |
| 13 | BOLT, M8X55-8.8 HEX HEAD ZINC | F81002-8 | 9 |
| 14 | NUT, M8-8-B HEX NYLON ZINC LOCK | F81032-2 | 9 |

4.3 Blade Housing & Sawdust Chute



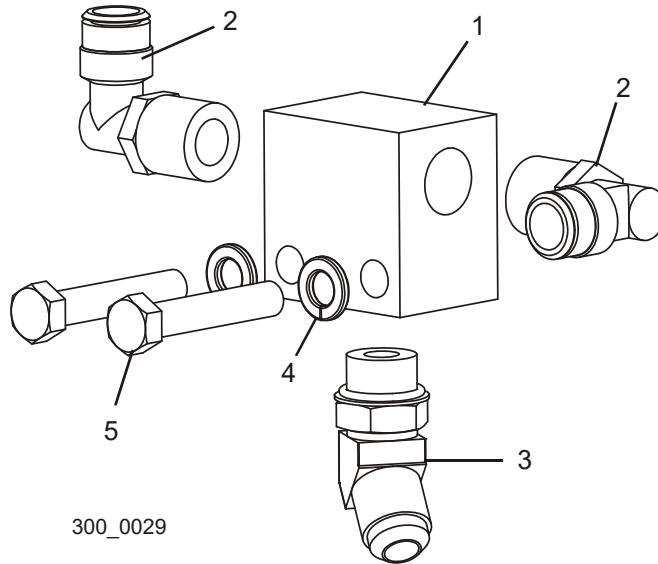
300_0135-1

| REF. | DESCRIPTION (◆ Indicates Parts Available In Assemblies Only) | PART # | QTY |
|------|--|-----------|-----|
| 1 | COVER WELDMENT, IDLE-SIDE BLADE HOUSING | 038982 | 1 |
| 2 | COVER WELDMENT, DRIVE-SIDE BLADE HOUSING | 006638 | 1 |
| 3 | PLATE, COVER MOUNT | 042435 | 2 |
| 4 | WASHER, 1/4" SAE FLAT | F05011-11 | 18 |
| 5 | BOLT, 1/4-20 X 1/2" HEX HEAD | F05005-15 | 18 |
| | LATCH ASSEMBLY, BLADE HOUSING COVER | 042440 | 2 |
| 6 | Block, Cover Latch | 042439 | 1 |
| 7 | Bolt, 3/8-16 x 2" Hex Head | F05007-72 | 1 |
| 8 | Nut, 3/8-16 Swaged Lock | F05010-25 | 1 |
| 9 | Bolt, Cover Latch | 042438 | 1 |
| 10 | Washer, 1/2" SAE Flat | F05011-2 | 1 |
| 11 | Nut Weldment, Cover | 021145 | 1 |
| 12 | Nut, 1/2-13 Swaged Hex | F05010-3 | 1 |
| 13 | BOLT, 1/4-20 X 3/4" HEX HEAD FULL THREAD | F05005-1 | 7 |
| 14 | WASHER, 1/4" SPLIT LOCK | F05011-14 | 4 |
| 15 | TUBE WELDMENT, SAWDUST CHUTE | 045005 | 1 |
| 16 | BRACKET WELDMENT, SIDE GUARD MOUNT | 036847 | 1 |
| 17 | WASHER, 3/8" SAE FLAT | F05011-3 | 2 |

4**Saw Head***Blade Housing & Sawdust Chute*

| | | | | |
|----|---|-----------|---|--|
| 18 | WASHER, 3/8" SPLIT LOCK | F05011-4 | 2 | |
| 19 | BOLT, 3/8-16 X 1", HEX HEAD GRADE 5 | F05007-87 | 2 | |
| 20 | GUARD WELDMENT, SIDE | 036845 | 1 | |
| 21 | SENSOR, BES M12MI-PSH80B S04G PROXIMITY | 093168 | 1 | |
| 22 | GROMMET, 5/8" ID RUBBER | P11764 | 1 | |
| 23 | HANDLE, 4" DOOR | P08065 | 2 | |
| 24 | SCREW, #8-32 X 3/8" SELF-TAPPING | F05015-8 | 4 | |
| 25 | SWITCH, SAFETY | 094232 | 2 | |
| 26 | KEY, AZ17/170-B5 SAFETY SWITCH | 094422 | 2 | |
| 27 | PLATE, SAFETY SWITCH MOUNT | 097125-1 | 2 | |
| 28 | BRACKET, WM3000 SAFETY SWITCH MOUNT | 098584-1 | 1 | |

4.4 Sawdust Blow-Off Assembly

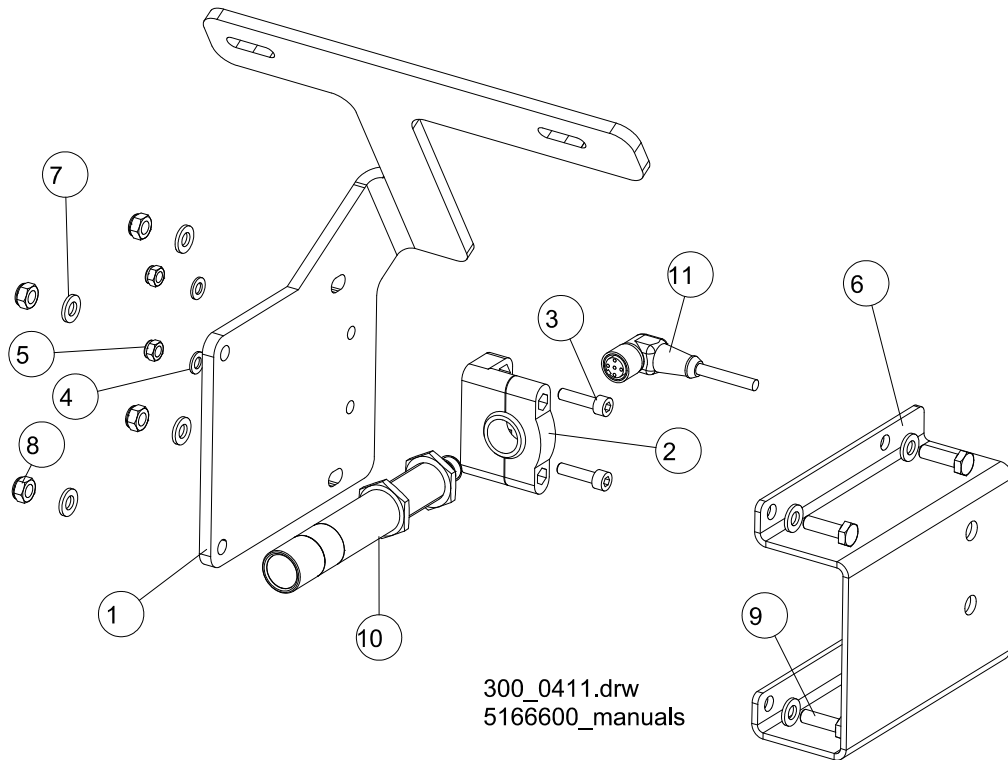


| REF. | DESCRIPTION (◆ Indicates Parts Available In Assemblies Only) | PART # | QTY |
|------|--|------------------|--------|
| | BLOCK ASSEMBLY, BLOW-OFF | 016882 | 1 |
| 1 | Block, Blow-Off | 016879 | 1 |
| 2 | Fitting, 1/2NPT-1/2In 90 Deg. Air | 016880 | 1 |
| 3 | Fitting, #8JIC - #8 SAE EL 45Deg. | 041161 | 1 |
| 4 | Fitting, 1/2NPT-1/2 Hose Barb 90Deg. | 015997 | 1 |
| 5 | Washer, 3/8" Split Lock | F05011-4 | 2 |
| 6 | Bolt, 3/8-16 x 2" Hex Head Full Thread | F05007-16 | 2 |
| | LINE, 1/2" AIR | R01869-2 | 18.9 m |
| | LINE, 1/2" AIR | R01869-2 | 1.2 m |

4 Saw Head

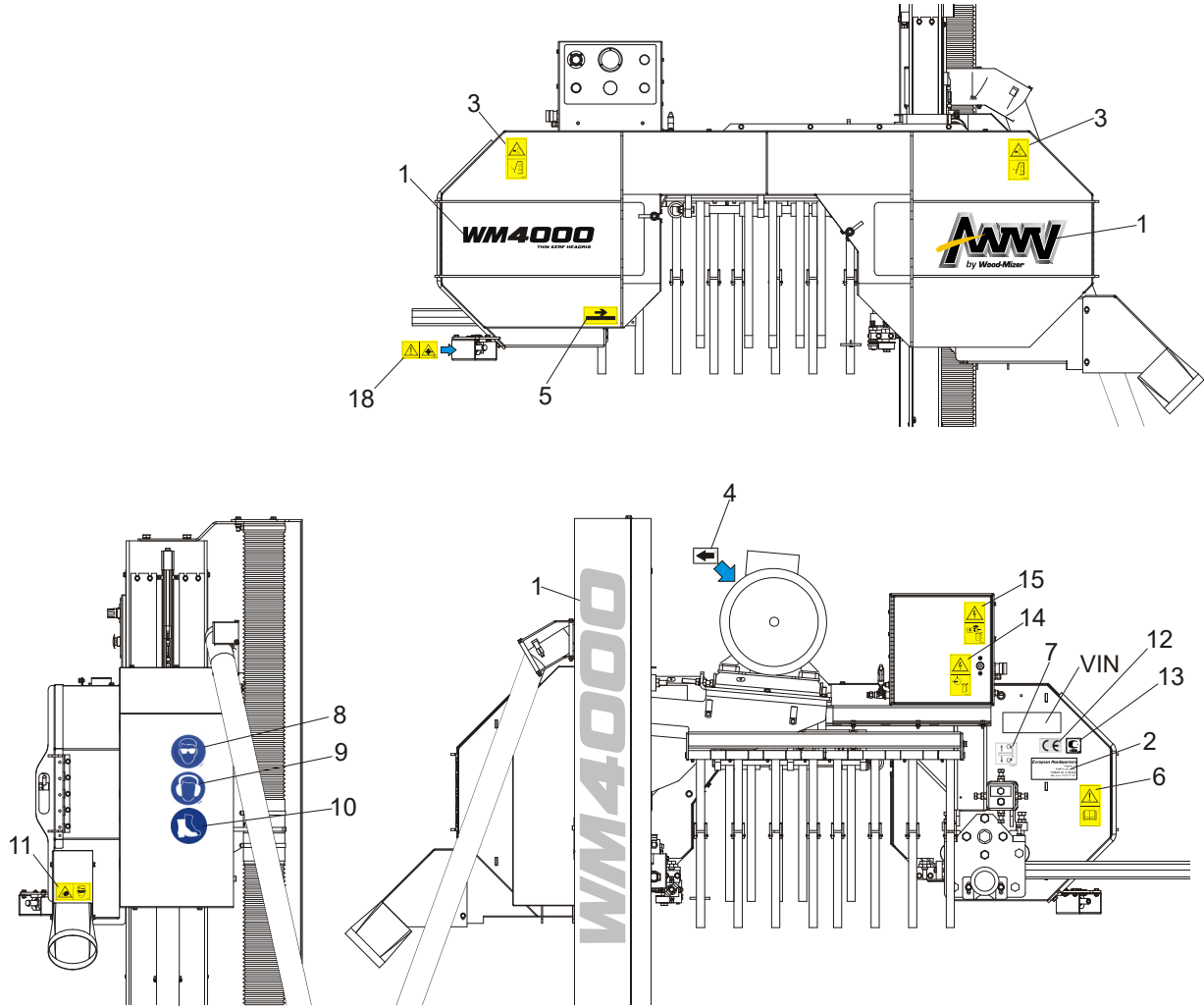
Laser Assembly

4.5 Laser Assembly

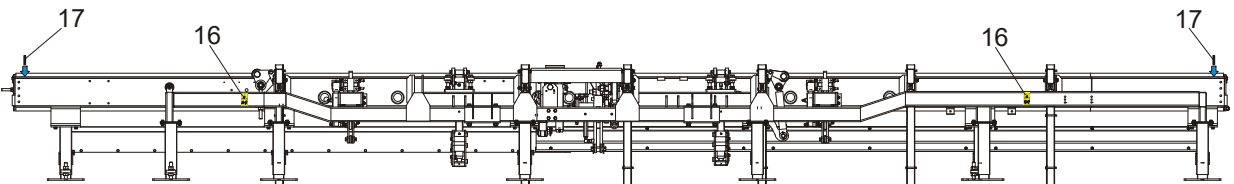


| REF. | DESCRIPTION (* Indicates Parts Available In Assemblies Only) | PART # | QTY |
|------|--|---------------|----------|
| | LASER ASSEMBLY, WM3000/WM3500/WM4000 | 516600 | 1 |
| 1 | PLATE, LASER MOUNT | 516402-1 | 1 |
| 2 | GRIP, LASER MOUNT SMB 18SF | 503469 | 1 |
| 3 | SCREW, M5X20 8.8 HEX SOCKET HEAD CAP ZINC | F81000-72 | 2 |
| 4 | WASHER, 5.3 FLAT ZINC | F81052-1 | 2 |
| 5 | NUT, M5-8 DIN985 HEX NYLON ZINC LOCK | F81030-2 | 2 |
| 6 | COVER, LASER | 516598-1 | 1 |
| 7 | WASHER, 6.4 FLAT ZINC | F81053-1 | 8 |
| 8 | NUT, M6-8-B HEX NYLON LOCK ZINC | F81031-2 | 4 |
| 9 | BOLT, M6X20-8.8 HEX HEAD FULL THREAD ZINC | F81001-2 | 4 |
| 10 | LASER, Z5M18B-F-532-IG90 GREEN LINEAR | 501025 | 1 |
| 11 | CABLE, 5M 4-WIRE SENSOR | 087652 | 1 |

4.6 Decals, WM4000



300_0139a



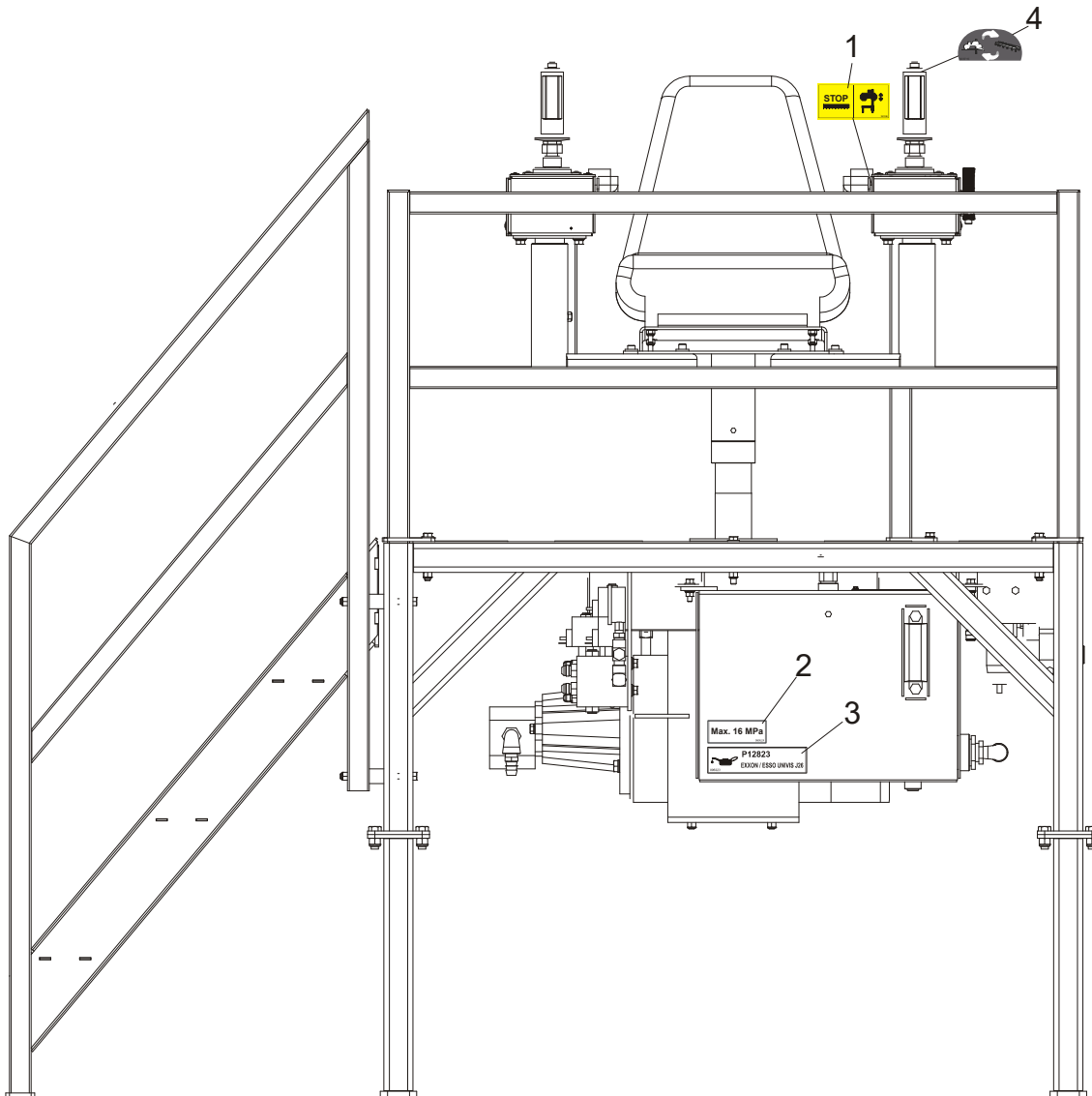
| REF. | DESCRIPTION (◆ Indicates Parts Available In Assemblies Only) | PART # | QTY. |
|------|--|---------|------|
| 1 | DECAL KIT, WM4000 SAWMILL NAME | 513596 | 1 |
| | PICTOGRAPHIC DECAL KIT, WM3000/3500/4000 | 101136 | 1 |
| 2 | Decal, European Headquarters Address | 015841 | 1 |
| 3 | Decal, Sawmill Covers Caution (Pictogram) | 099220 | 2 |
| 4 | Decal, Motor Revolutions Direction - 1465 r.p.m. | S200971 | 1 |
| 5 | Decal, Blade Movement Direction (Pictogram) | 096321 | 1 |

4

Saw Head*Decals, WM4000*

| | | | | |
|----|---|---------|---|--|
| 6 | Decal, Read Operator's Manual (Pictogram) | 096317 | 1 | |
| 7 | Decal, Blade Alignment (Pictogram) | P11789 | 1 | |
| 8 | Decal, Eye Protection Warning (Pictogram) | S12004G | 1 | |
| 9 | Decal, Ear Protection Warning (Pictogram) | S12005G | 1 | |
| 10 | Decal, Use Safety Boots (Pictogram) | 501465 | 1 | |
| 11 | Decal, Sawdust Chute Warning (Pictogram) | 099222 | 1 | |
| 12 | Decal, CE Certified Machine | P85070 | 1 | |
| 13 | Decal, Russian Safety Certification | 099401 | 1 | |
| 14 | Decal, High Voltage Inside The Electric Box (Pictogram) | 096316 | 1 | |
| 15 | Decal, Remove The Plug Before Opening The Box (Pictogram) | 096319 | 1 | |
| 16 | Decal, Keep Away Danger (Pictogram) | 099221 | 1 | |
| 17 | Decal, Log Length Limit | S12051 | 1 | |
| 18 | Decal, Laser Beam Warning (Pictogram) | 099504 | 1 | |
| | Decal, Debarker Blade Warning (Pictogram) | 098176 | 1 | |
| | Decal, Log Loader Warning | 099545 | 1 | |

4.7 Operator Seat Decals

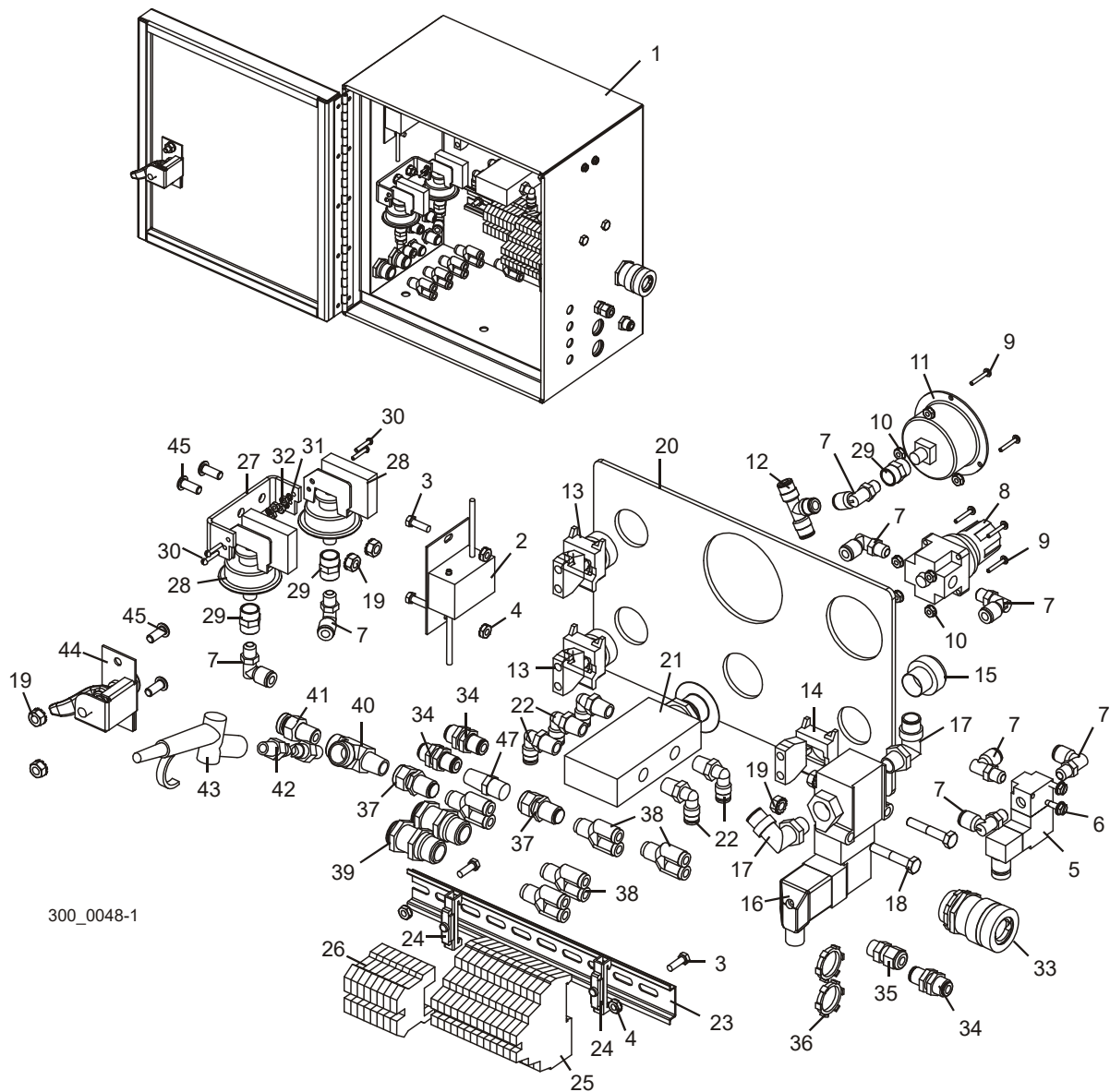


| REF. | DESCRIPTION (◆ Indicates Parts Available In Assemblies Only) | PART # | QTY |
|------|---|--------|-----|
| 1 | Decal, Stop The Blade Before Adjusting The Saw Head (Pictogram) | 101138 | 1 |
| 2 | Decal, Maximum Working Pressure | 099524 | 1 |
| 3 | Decal, Hydraulic Oil | 096323 | 1 |
| 4 | Decal, Toggle Between Head And Bed Modes | 603715 | 1 |

4 Saw Head

Head/Air Box Assembly

4.8 Head/Air Box Assembly



| REF. | DESCRIPTION (◆ Indicates Parts Available In Assemblies Only) | PART # | QTY |
|------|--|---------------|-----|
| | CONTROL ASSY, HEAD/AIR BOX | 045244 | 1 |
| 1 | Box Weldment, Head Interface | 035569 | 1 |
| 2 | Power Supply Assembly, 10-24V Laser | 052327 | 1 |
| 3 | Screw, 10-24x5/8 Unsl Indent HH Machine | F05004-18 | 4 |
| 4 | Nut, #10-24 Keps | F05010-14 | 4 |
| 5 | Valve, Air 3-Way 1/8 NPT Din C Conn | 045225 | 1 |
| | Cable, 10M Form C Din 24VDC W/LED PUR | 025233 | 1 |

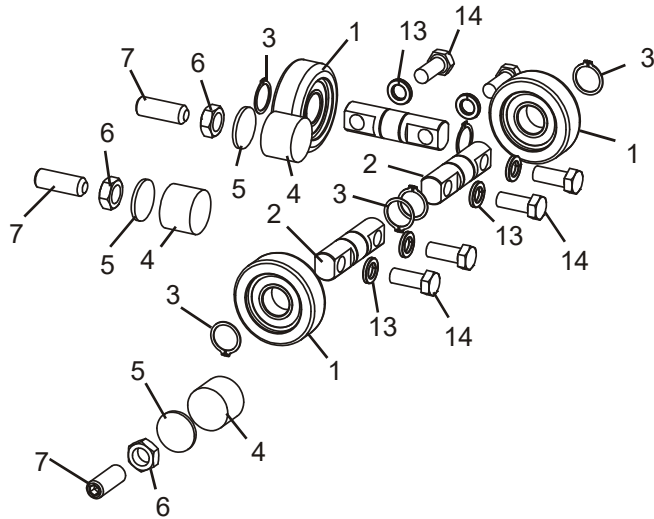
| | | | | |
|-----------|--|------------------|----|--|
| 6 | Screw, #10-24 x 1/2" Self-Tapping | F05015-7 | 2 | |
| 7 | Fitting, 1/8MPTx1/4 Tube Elbow Swivel | P09736 | 8 | |
| 8 | Regulator Kit, Air | 045247 | 1 | |
| | Regulator, 1/8" NPT Air | 052509 | 1 | |
| | Nut, Air Regulator Mounting | 052510 | 1 | |
| 9 | Screw, 6-32x3/4 Socket Button Head Cap Stainless Steel | F05004-93 | 7 | |
| 10 | Nut, #6-32 Keps | F05010-59 | 7 | |
| 11 | Gauge, Air Pressure | 042342 | 1 | |
| 12 | Fitting, 1/4" Air Tee | P21544 | 1 | |
| 13 | Pilot Light, Yellow 24V 22mm LED XB4 | 024970-5 | 2 | |
| 14 | Switch Body, 1NO 22mm ZB4 | 025242 | 1 | |
| 15 | Switch Head, 22mm Mom. Ext. LED Yellow ZB4 | 025237-53 | 1 | |
| 16 | Valve Assembly, Air | 042659 | 1 | |
| | Cable, 5M Form A Din 24VDC W/LED PUR | 024923 | 1 | |
| 17 | Fitting, 1/2 Tube to 3/8 NPT Swivel Male | 034009 | 2 | |
| 18 | Bolt, 1/4-20 x 1 1/2" Hex Head | F05005-31 | 2 | |
| 19 | Nut, 1/4-20 Keps | F05010-9 | 6 | |
| 20 | Decal, LT300 2005 Head/Air Box | 052274 | 1 | |
| 21 | Valve, Push/Pull 4-Way 1/4 NPT | 025301 | 1 | |
| 22 | Fitting, 1/4 NPT X 1/4 Air 90 Deg. | P21519 | 5 | |
| 23 | DIN Rail, 35mmx7.5mmx10" Steel Sym | 024474-10 | 1 | |
| 24 | Clamp, Plastic DIN Rail | E22707 | 2 | |
| 25 | Terminal Block, 3-Tier | 024908 | 13 | |
| 26 | Terminal Block, 1-Tier Phoenix | 024893 | 8 | |
| 27 | Mount, Pressure Switch | 042256 | 1 | |
| 28 | Switch, Limit Pressure 60 PSI | 045207 | 2 | |
| 29 | Fitting, 1/8FPT Coupling | P05748 | 3 | |
| 30 | Screw, #4-40x5/8 Slotted Round Head Machine | F05004-49 | 4 | |
| 31 | Washer, #4 Split Lock | F05011-21 | 4 | |
| 32 | Nut, #4-40 Hex | F05010-43 | 4 | |
| 33 | Connector, Flex Strain .63-.75 Cord 3/4 Hub | 025186 | 1 | |
| | Nut, 3/4" Conduit Lock | 025198 | 1 | |
| 34 | Fitting, Bulkhead 1/4in -1/4in Tube | 025234 | 1 | |
| 35 | Connector, .5 Hole .064-.210 Cord | E23494 | 1 | |
| 36 | Nut, 1/2 NPT Connector Lock | E20461 | 2 | |
| 37 | Fitting, Bulkhead 1/4" Tube 1/4" Female NPT | 025235 | 2 | |
| 38 | Fitting, 1/4 Tube Y | 042546 | 5 | |
| 39 | Fitting, 1/2 Tube Bulkhead Union | 034010 | 2 | |
| 40 | Fitting, 1/4NPT Male Run Tee | 015486 | 1 | |
| 41 | Fitting, 1/4 NPT-3/8 Straight Air | P21559 | 1 | |
| 42 | Hose, 1/4 x 6' Coiled Air | 042453 | 1 | |
| 43 | Nozzle, Coolant Spray | P02714 | 1 | |
| 44 | Latch, Electric Box Door | P20048 | 1 | |

4**Saw Head**
Head/Air Box Assembly

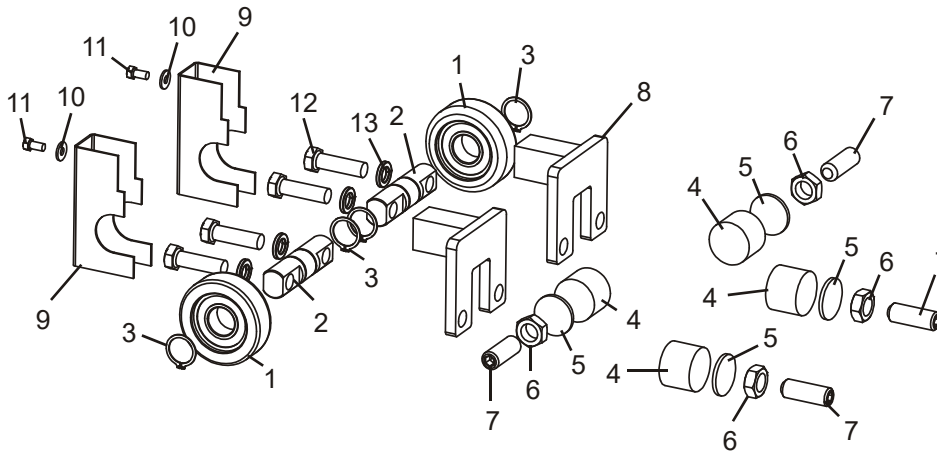
| | | | | |
|-----------|---|-------------------|----------|--|
| 45 | Screw, 1/4-20x5/8 Button Socket Head Cap SS Grade 2 | F05005-128 | 4 | |
| | Harness Assembly, Blade Guide | 025284 | 1 | |
| | Harness Assembly, Motor Prox | 025286 | 1 | |
| | Harness Assembly, Start Prox | 025287 | 1 | |
| | Harness Assembly, Slow Prox | 025288 | 1 | |
| | Harness Assembly, Stop Prox | 025289 | 1 | |
| | Line, 1/4 Air | R01869 | 472.4 cm | |
| | Line, 1/2 Air | R01869-2 | 147.3 cm | |
| | Cable, 10M Form C DIN24VDC W/LED PUR | 025233 | 1 | |

SECTION 5 UP/DOWN SYSTEM

5.1 Mast Pads & Up/Down Rollers



300_0028-4

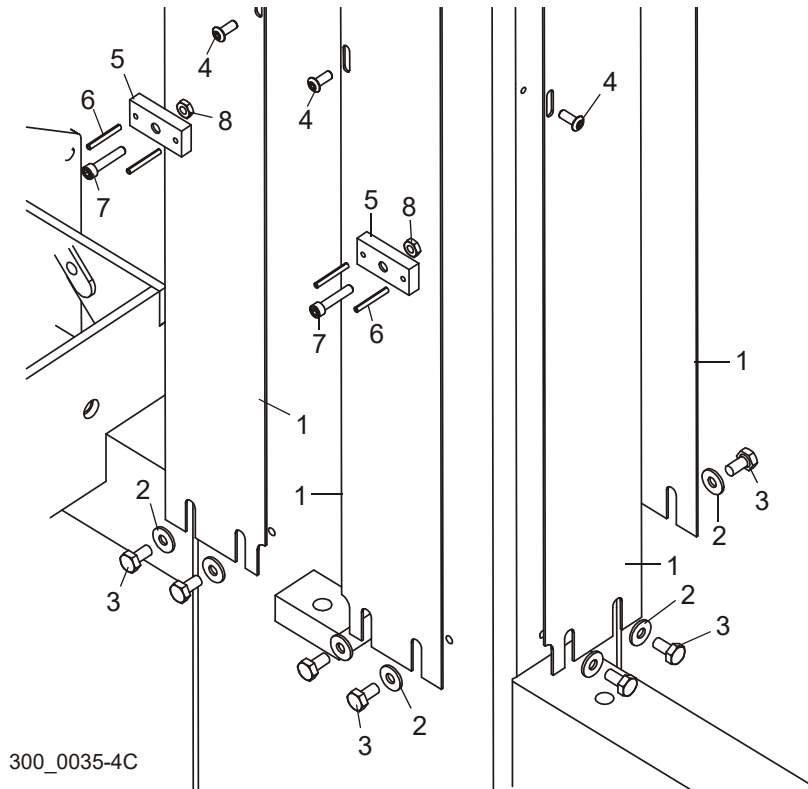


| REF. | DESCRIPTION (◆ Indicates Parts Available In Assemblies Only) | PART # | QTY | |
|------|--|-----------|-----|---|
| | ASSEMBLY, RAIL BEARING/SHAFT | 023832 | 5 | |
| 1 | Bearing, MG305DDA | 023857 | 1 | ◆ |
| 2 | Shaft, Top Roller Bearing | 023858 | 1 | |
| 3 | Ring, 1 OR 3100-100 Retaining | F04254-15 | 2 | |
| 4 | PAD, ROUND NYLON | 033098 | 7 | |
| 5 | PAD, NYLON BACKING | 042432 | 7 | |
| 6 | NUT, 5/8-18 HEX JAM | F05010-11 | 7 | |
| 7 | SCREW, 5/8-18 X 1 3/4" SOCKET HEAD FLAT POINT SET | F05009-27 | 7 | |
| 8 | WELDMENT, BEARING SPACER | 045048 | 2 | |

5**Up/Down System***Mast Pads & Up/Down Rollers*

| | | | | |
|----|--|-----------|----|--|
| 9 | COVER, MAST BEARING | 045047 | 2 | |
| 10 | WASHER, 1/4" SAE FLAT | F05011-11 | 2 | |
| 11 | BOLT, 1/4-20 X 1/2" HEX HEAD | F05005-15 | 2 | |
| 12 | BOLT, 1/2-13 X 1 3/4" HEX HEAD FULL THREAD GRADE 5 | F05008-88 | 4 | |
| 13 | WASHER, 1/2" SPLIT LOCK | F05011-9 | 10 | |
| 14 | BOLT, 1/2-13 X 1 1/4" HEX HEAD GRADE 5 | F05008-37 | 6 | |

5.2 Up/Down Bearing Rails

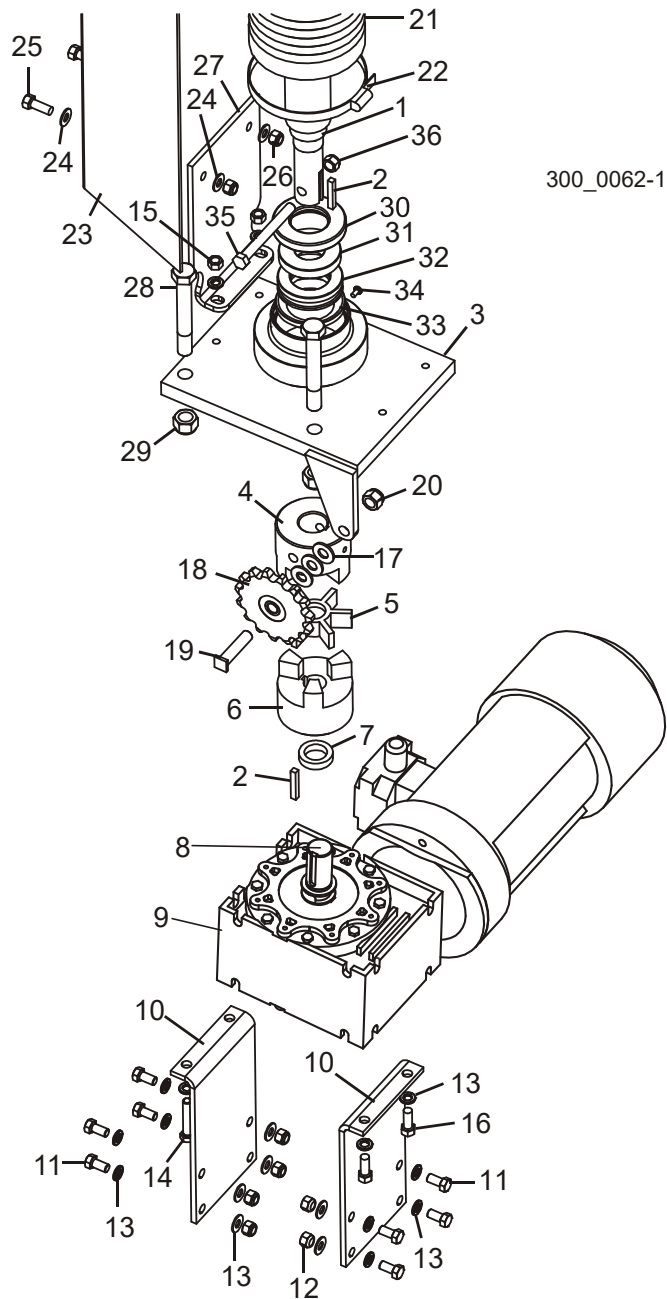


| REF. | DESCRIPTION (◆ Indicates Parts Available In Assemblies Only) | PART # | QTY |
|------|--|------------|-----|
| | Rail Kit, Up/Down Bearing | 042788 | 1 |
| 1 | Rail, Wide Bearing Surface | 042773 | 6 |
| 2 | Washer, 1/4" SAE Flat | F05011-11 | 24 |
| 3 | Bolt, 1/4-20 x 1/2" Hex Head | F05005-15 | 24 |
| 4 | Screw, 10-24x1/2 Socket Button Head Cap | F05004-35 | 18 |
| 5 | PAD, HEAD PLASTIC | 045056 | 2 |
| 6 | PIN, 1/8x1" ROLL | F05012-34 | 4 |
| 7 | BOLT, 10-24X1" BLACK OXIDE SOCKET HEAD CAP | F05004-2 | 2 |
| 8 | NUT, #10-24 HEX | F05010-115 | 2 |



Up/Down System
Up/Down Drive (WM3000/3500/3500-HD)

5.3 Up/Down Drive (WM3000/3500/3500-HD)



| REF | DESCRIPTION (◆ Indicates Parts Available In Assemblies Only) | PART # | QTY |
|----------|--|--------|-----|
| | GREASE, 10CC SYRINGE UP/DOWN BALLSCREW | 042399 | 1 |
| 1 | SHAFT, 2" X .5" BALLSCREW | 042858 | 1 |
| 2 | KEY, 1/4" SQUARE X 1 5/8" | 042810 | 2 |
| 3 | BRACKET WELDMENT, UP/DOWN 45MM BALLSCREW MOUNT | 017790 | 1 |

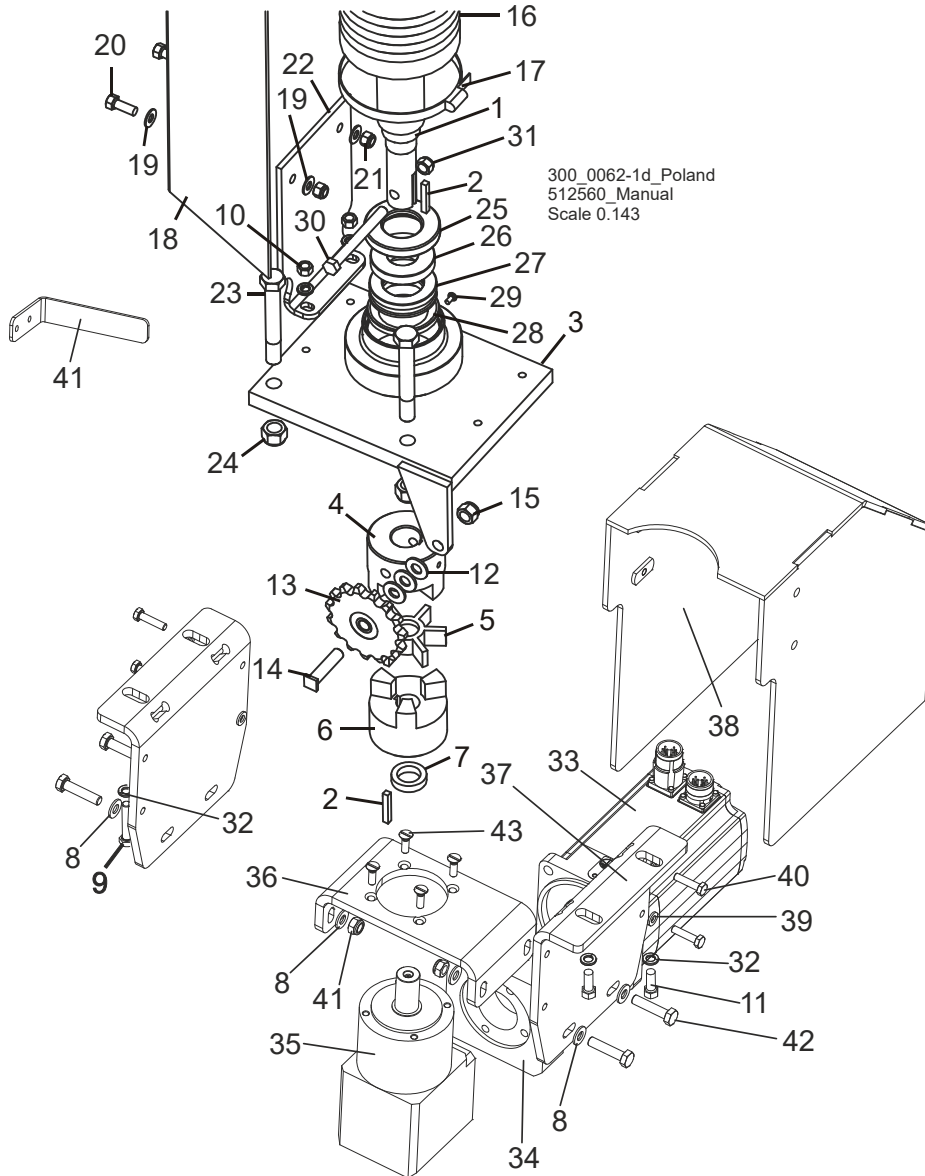
| | | | | |
|----|---|---------------------|----|--|
| 4 | COUPLING, MODIFIED L110 X 1 1/4" BODY | 017787 | 1 | |
| 5 | COUPLING, L110 SPIDER | 042809 | 1 | |
| 6 | COUPLING, L110 X 1" BODY | 042820 | 1 | |
| 7 | SPACER, 1" ID X 1 1/2" OD X .25" THICK | 042805 ¹ | 1 | |
| | RETROFIT KIT, WM3000 UP/DOWN DRIVE | 503410 | 1 | |
| 8 | Shaft, WM3000 Up/Down Output | 503408 | 1 | |
| 9 | Motoreducer, SKISI63-IEC90-90L/4 BRE20 | 503411 | 1 | |
| | Reducer, SK16/63 i=10 NORD | 512504 | 1 | |
| | Motor w/brake, SK90L/4 N=1,5kW n=1400RPM BRE20 | 512505 | 1 | |
| 10 | Plate, WM3000 Up/Down Motoreducer | 503381-1 | 2 | |
| 11 | Bolt, M8x30mm, HH, Gr 5.8, Full Thrd, Zinc | F81002-2 | 8 | |
| 12 | Nut, M8-8-B, Hex, Nylon Lock Zinc | F81032-2 | 8 | |
| 13 | Washer, 8.4 Flat, Zinc | F81054-1 | 20 | |
| 14 | BOLT, 3/8-16 X 2" HEX HEAD FULL THREAD | F05007-16 | 2 | |
| 15 | NUT, 3/8-16 HEX | F05010-1 | 2 | |
| 16 | BOLT, 3/8-16 X 1" HEX HEAD | F05007-7 | 2 | |
| 17 | WASHER, 1/2" SAE FLAT | F05011-2 | 3 | |
| 18 | SPROCKET, IDLER | 042367 | 1 | |
| 19 | SHAFT, IDLER SPROCKET | 016828 | 1 | |
| 20 | NUT, 1/2-13 HEX NYLON LOCK | F05010-8 | 1 | |
| 21 | BELLOWS, 5" ID X 45" BALLSCREW PROTECTIVE | 017777 | 1 | |
| 22 | CLAMP, BELLOWS WORM | 042419 | 1 | |
| | GUARD ASSEMBLY, UP/DOWN BELLOWS | 042416 | 1 | |
| 23 | Guard Weldment, Up/Down Bellows | 017647 | 1 | |
| 24 | Washer, 3/8" SAE Flat | F05011-3 | 4 | |
| 25 | Bolt, 3/8-16 x 1" Hex Head | F05007-7 | 2 | |
| 26 | Nut, 3/8-16 Hex Nylon Lock | F05010-10 | 2 | |
| 27 | Plate, Bellows Guard Bottom | 042417 | 1 | |
| 28 | BOLT, 5/8-11 X 4 1/2" HEX HEAD GRADE 5 | F05009-10 | 2 | |
| 29 | NUT, 5/8-11 HEX NYLON LOCK | F05010-34 | 2 | |
| 30 | SEAL, 1 5/8" ID THRUST BEARING | 042857 | 1 | |
| 31 | SPACER, SCREW/BEARING SUPPORT | 042856 | 1 | |
| 32 | BEARING, 45MM SELF-ALIGNING THRUST CONE | 042855-1 | 1 | |
| 33 | BEARING, 45MM SELF-ALIGNING THRUST CUP | 042855-2 | 1 | |
| 34 | SCREW, #10-24 X 3/8" PHILLIPS PAN HEAD | F05004-3 | 1 | |
| 35 | BOLT, 7/16-14 X 4" HEX HEAD | F05007-180 | 1 | |
| 36 | NUT, 7/16-14 HEX NYLON LOCK | F05010-135 | 1 | |
| | MIDDLE BALLSCREW MOUNT PARTS (See Section 5.5) | | | |
| | TOP BALLSCREW MOUNT PARTS (See Section 5.6) | | | |

¹ 042805 spacer replaces 017778 .35" spacer originally supplied before 4/03. Thinner spacer provides proper clearance between gearbox and coupler.



Up/Down System
Up/Down Ballscrew Drive (WM4000)

5.4 Up/Down Ballscrew Drive (WM4000)

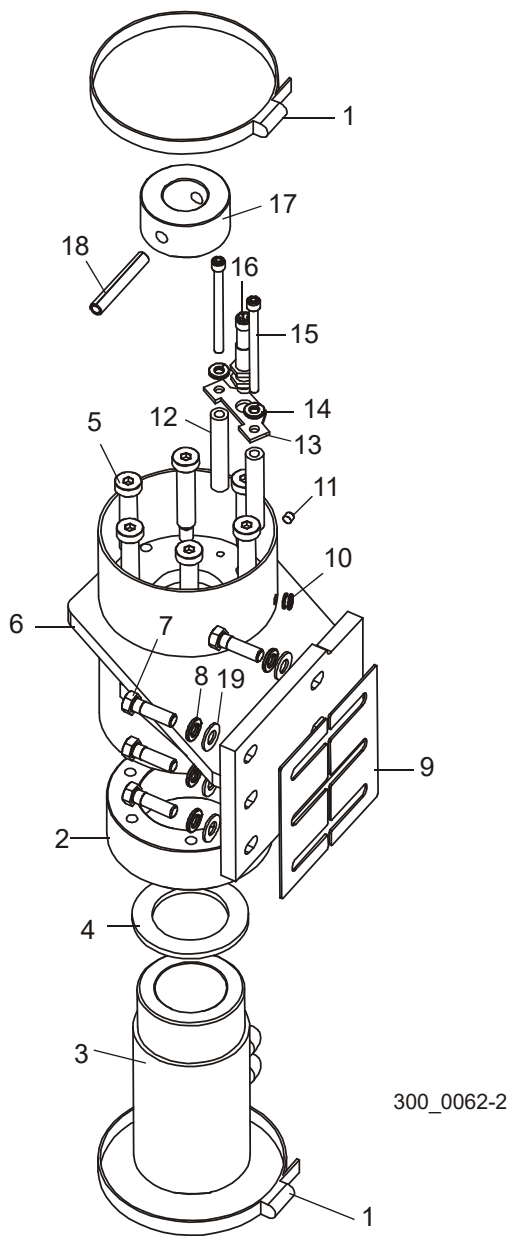


| REF. | DESCRIPTION (◆ Indicates Parts Available In Assemblies Only) | PART # | QTY |
|------|--|--------|-----|
| | GREASE, BALLSCREW LUBE (10CM ³ IN A SYRINGE) | 042399 | 1 |
| 1 | BALLSCREW, 2INX.50 LEAD MACHINED | 042858 | 1 |
| 2 | KEY, 1/4SQX1 5/8 | 042810 | 1 |
| 3 | MOUNT WELDMENT, 45MM UP/DOWN DRIVE | 017790 | 1 |
| | CLUTCH, WM4000 ROTEX | 510167 | 1 |
| 4 | HUB, COUPLING WM4000 1 1/4H7 | 084876 | 1 |
| 5 | CONNEC.ELEMENT, COUPLING | 084877 | 1 |
| 6 | HUB, COUPLING WM4000 20h7 | 084875 | 1 |
| 7 | SPACER, 1" ID X 1 1/2" OD X .25" THICK | 042805 | 4 |

| | | | | |
|----|--|------------|----|--|
| 8 | WASHER, 8.4 FLAT ZINC | F81054-1 | 28 | |
| 9 | BOLT, 3/8-16X2 FT HH | F05007-16 | 2 | |
| 10 | NUT, 3/8-16 HEX | F05010-1 | 2 | |
| 11 | BOLT, 3/8-16X1 HHC | F05007-7 | 2 | |
| 12 | WASHER, 1/2 SAE FLAT | F05011-2 | 3 | |
| 13 | SPROCKET, P/F IDLER | 042367 | 1 | |
| 14 | SHAFT, P/F IDLER | 016828 | 1 | |
| 15 | NUT, 1/2-13 NYLON HEX LOCK | F05010-8 | 1 | |
| 16 | BELLOWS, PROTECTIVE, 5 IDX45 LONG | 017777 | 1 | |
| 17 | CLAMP, BELLOWS WORM | 042419 | 1 | |
| 18 | GUARD ASSEMBLY, BELLOWS | 042416 | 1 | |
| 19 | Guard Weldment, Bellows | 017647 | 1 | |
| 20 | Washer, 3/8 Flat SAE | F05011-3 | 4 | |
| 21 | Bolt, 3/8-16x1 HHC | F05007-7 | 2 | |
| 22 | Nut, 3/8-16 Hex Nylon Lock | F05010-10 | 2 | |
| 23 | Plate, Bellows Guard Bottom | 042417 | 1 | |
| 24 | BOLT, 5/8-11X4 1/2 HEX HEAD GRADE 5 | F05009-10 | 2 | |
| 25 | NUT, 5/8-11 NYLON LOCK | F05010-34 | 2 | |
| 26 | SEAL, 1 5/8 ID THRUST BEARING | 042857 | 1 | |
| 27 | SPACER, SCREW/BRG SUPPORT | 042856 | 1 | |
| 28 | THRUST BRG CONE, 45MM SELF-ALIGNING | 042855-1 | 1 | |
| 29 | THRUST BRG CUP, 45MM SELF-ALIGNING | 042855-2 | 1 | |
| 30 | SCREW, #10-24X3/8 PHILLIPS PH MACHINE | F05004-3 | 1 | |
| 31 | BOLT, 7/16-14X4 GRADE 2 ZINC | F05007-180 | 1 | |
| 32 | NUT, 7/16-14 NYLON LOCK | F05010-135 | 1 | |
| 33 | WASHER, 3/8 SPLIT LOCK | F05011-4 | 6 | |
| 34 | MOTOR, BMH1001P02F1A SERVO (ENCODER BRAKING) | 510261 | 1 | |
| 35 | PLATE, BMH1001 GBK0801003F ADAPTER | 510262 | 1 | |
| 36 | GEARBOX, 8:1 GBY080008K ANGULAR PLANETARY | 510263 | 1 | |
| 37 | PLATE, WM4000 CLUTCH/GEARBOX MOUNT | 507650-1 | 1 | |
| 38 | BRACKET, WM4000 SERVO DRIVE MOUNT | 507683-1 | 2 | |
| 39 | GUARD WELDMENT, WM4000 UP/DOWN DRIVE | 510505-1 | 1 | |
| 40 | WASHER, 6.4 FLAT ZINC | F81053-1 | 4 | |
| 41 | BRACKET, GUARD ASSEMBLY, WM3500/WM4000 | 521955-1 | 1 | |
| | BALLSCREW MOUNT (MIDDLE) (See Section 5.5) | | | |
| | BALLSCREW MOUNT (TOP) (See Section 5.6) | | | |

5 Up/Down System
Ballscrew Mount (Middle)

5.5 Ballscrew Mount (Middle)

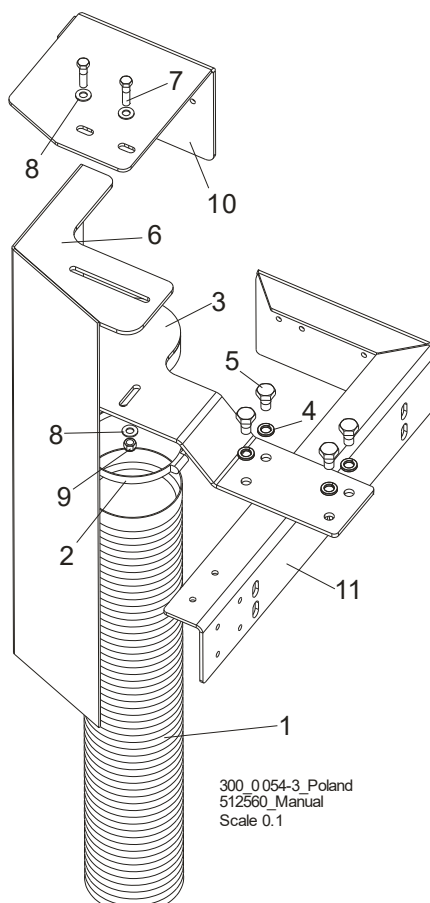


300_0062-2

| REF. | DESCRIPTION (◆ Indicates Parts Available In Assemblies Only) | PART # | QTY |
|------|---|--------|-----|
| 1 | CLAMP, BALLSCREW BELLOWS WORM | 042419 | 2 |
| | UP/DOWN ASSEMBLY, 2" BALLSCREW SERVICE | 036595 | 1 |
| | Up/Down Assembly, 2" Ballscrew and Nut (only) | 036596 | 1 |
| | Ballscrew, 2inx.50 Lead Machined (Shown in Section 5.3 Up/Down Ballscrew Drive) | 042858 | 1 |
| 2 | Ballnut, 2" | 042791 | 1 |

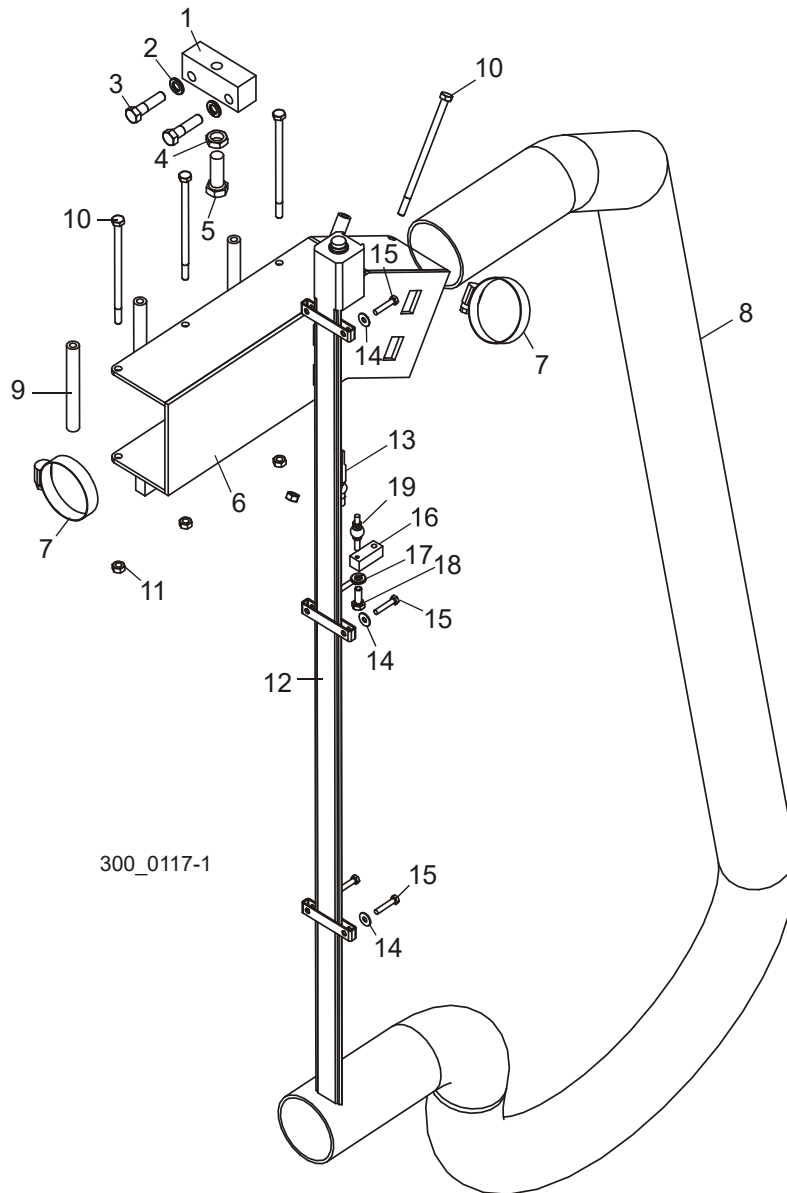
| | | | | |
|-----------|---|------------|---|--|
| | Grease, Ballscrew Lube | 042399 | 1 | |
| | Lower Ballscrew Mount Parts (See Section 5.3) | | | |
| 3 | Flange, 2" BallScrew Nut | 042792 | 1 | |
| 4 | Plate, BallScrew Nut Wear | 042816 | 1 | |
| 5 | Bolt, 1/2" x 2 1/4" Shoulder | F05008-136 | 6 | |
| 6 | Head Mnt, 2" Machined Ballnut | 042819 | 1 | |
| 7 | Bolt, 3/8-16 x 1 1/4" Hex Head Grade 5 | F05007-123 | 6 | |
| 8 | Washer, 3/8" Split Lock | F05011-4 | 6 | |
| 9 | Shim, Ballnut Mount | 016800 | 2 | |
| 10 | Grommet, 9/32" Hole x 3/16" ID x 7/16" OD | 042825 | 1 | |
| 11 | Screw, 1/4-28 x 1/4" Socket Head Brass Tip Set | F05005-42 | 1 | |
| 12 | Spacer, 17/64" ID x 1/2" OD x 2 3/4" Long | 042821 | 2 | |
| 13 | Plate, Ballnut Sensor | 042815 | 1 | |
| 14 | Washer. 1/4" Split Lock | F05011-14 | 2 | |
| 15 | Bolt, 1/4-20 x 3 1/4" Socket Head | F05005-154 | 2 | |
| 16 | Sensor, BES M12MI-PSH80B S04G Proximity | 093168 | 1 | |
| 17 | Collar, Top Stop | 042822 | 1 | |
| 18 | Pin, 3/8" x 2 1/2" Roll | F05012-114 | 1 | |
| 19 | Washer, 3/8" SAE Flat | F05011-3 | 6 | |

5.6 Ballscrew Mount (Top)



| REF. | DESCRIPTION (◆ Indicates Parts Available In Assemblies Only) | PART # | QTY | |
|------|--|-----------|-----|--|
| 1 | BELLOWS, 5IDX62LONG PROTECTIVE | 042823 | 1 | |
| 2 | CLAMP, BELLOWS WORM | 042419 | 1 | |
| 3 | MOUNT WELDMENT, TOP BELLOWS | 042814 | 1 | |
| 4 | WASHER, 1/2" SPLIT LOCK | F05011-9 | 4 | |
| 5 | BOLT, 1/2-13 X 1" HEX HEAD | F05008-50 | 4 | |
| 6 | GUARD PARTS (See Section 5.3) | | | |
| 7 | BOLT, 3/8-16 X 1 1/2" HEX HEAD | F05007-3 | 2 | |
| 8 | WASHER, 3/8" SAE FLAT | F05011-3 | 4 | |
| 9 | NUT, 3/8-16 HEX NYLON LOCK | F05010-10 | 2 | |
| 10 | BRACKET, WM4000 CABLE CARRIER UPPER MOUNT | 510722-1 | 1 | |
| 11 | BRACKET, WM4000 CABLE CARRIER LOWER MOUNT | 510723-1 | 1 | |

5.7 Transducer & Head Stop (WM3000/3500/3500-HD)



| REF. | DESCRIPTION (◆ Indicates Parts Available In Assemblies Only) | PART # | QTY |
|------|--|-----------|-----|
| 1 | BLOCK, HEAD STOP | 023886 | 1 |
| 2 | WASHER, 3/8" SPLIT LOCK | F05011-4 | 5 |
| 3 | BOLT, 3/8-16 X 1 1/2 HEX HEAD GRADE 5 | F05007-78 | 5 |
| 4 | NUT, 1/2-13 HEX JAM | F05010-31 | 1 |
| 5 | BOLT, 1/2-13 X 1 1/2" HEX HEAD GRADE 5 | F05008-33 | 1 |
| 6 | BRACKET WELDMENT, TOP WIREWAY | 042148 | 1 |

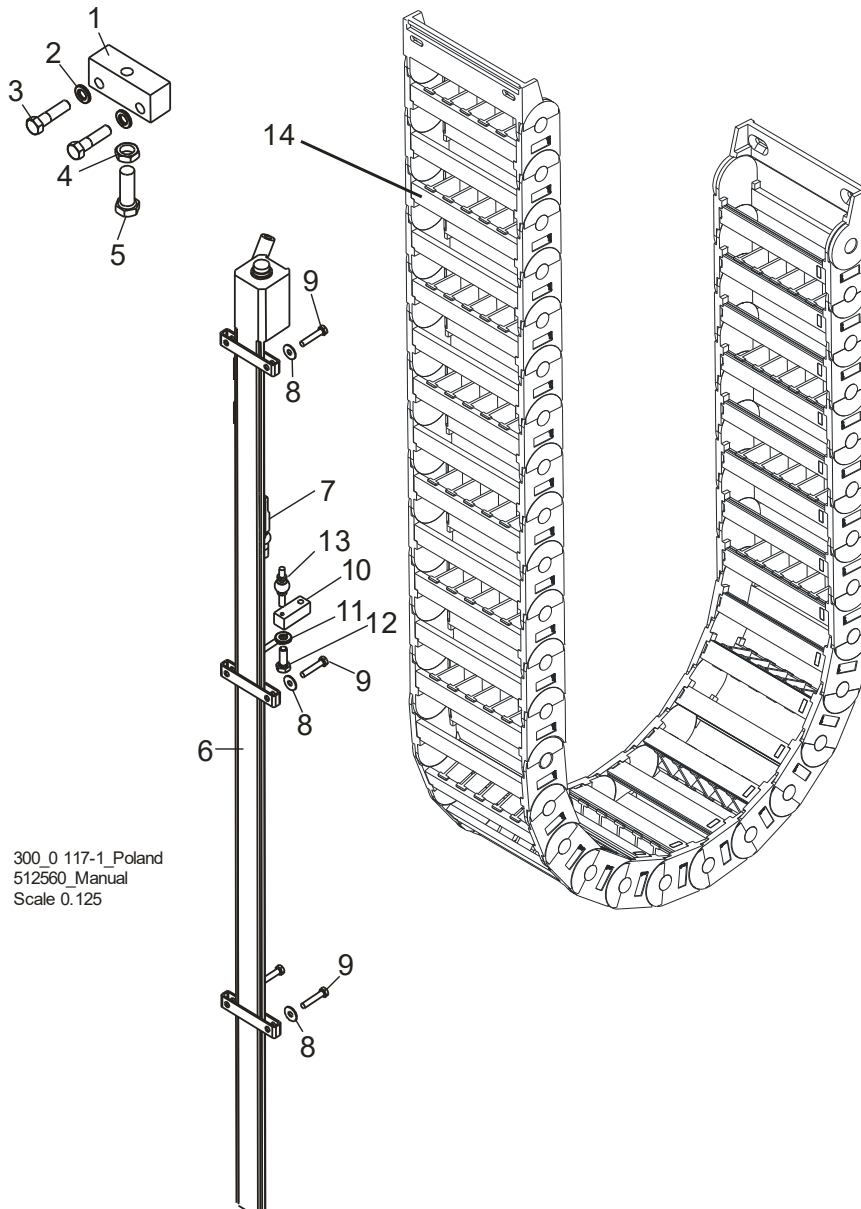


Up/Down System

Transducer & Head Stop (WM3000/3500/3500-HD)

| | | | | |
|----|--|------------|---|--|
| 7 | CLAMP, 2" WORM | P11633 | 2 | |
| 8 | SLEEVE, WIRE HARNESS | 042422 | 1 | |
| 9 | SPACER, WIREWAY | 042111 | 4 | |
| 10 | BOLT, 1/4-20 X 5" HEX HEAD | F05005-146 | 4 | |
| 11 | NUT, 1/4-20 HEX LOCK | F05010-21 | 4 | |
| 12 | SENSOR, 36" 4-20MA CAPTIVE SLIDE TRANSDUCER | 025042 | 1 | |
| 13 | Magnet, Captive Sliding Transducer (Balluff) | 052470 | 1 | |
| | CABLE ASSEMBLY, WM3000 TRANSDUCER SENSOR | 050974 | 1 | |
| 14 | WASHER, #10 SAE FLAT | F05011-18 | 6 | |
| 15 | BOLT, #10-24 X 1" UNSLOTTED HEX HEAD | F05004-156 | 6 | |
| 16 | BLOCK, TRANSDUCER SLIDE | 042436 | 1 | |
| 17 | WASHER, 1/4" SPLIT LOCK | F05011-14 | 1 | |
| 18 | BOLT, 1/4-20 X 3/4" HEX HEAD FULL THREAD | F05005-1 | 1 | |
| 19 | PIVOT, BALL JOINTED ARM | 025197 | 1 | |

5.8 Transducer & Head Stop Block (WM4000)



| REF. | DESCRIPTION (◆ Indicates Parts Available In Assemblies Only) | PART # | QTY |
|------|--|-----------|-----|
| 1 | BLOCK, HEAD STOP | 023886 | 1 |
| 2 | WASHER, 3/8" SPLIT LOCK | F05011-4 | 5 |
| 3 | BOLT, 3/8-16 X 1 1/2 HEX HEAD GRADE 5 | F05007-78 | 5 |
| 4 | NUT, 1/2-13 JAM | F05010-31 | 1 |
| 5 | BOLT, 1/2-13 X 1 1/2" HEX HEAD GRADE 5 | F05008-33 | 1 |
| 6 | TRANSDUCER, MAG. STRICKTIVE 4-20MA 36" | 025042 | 1 |



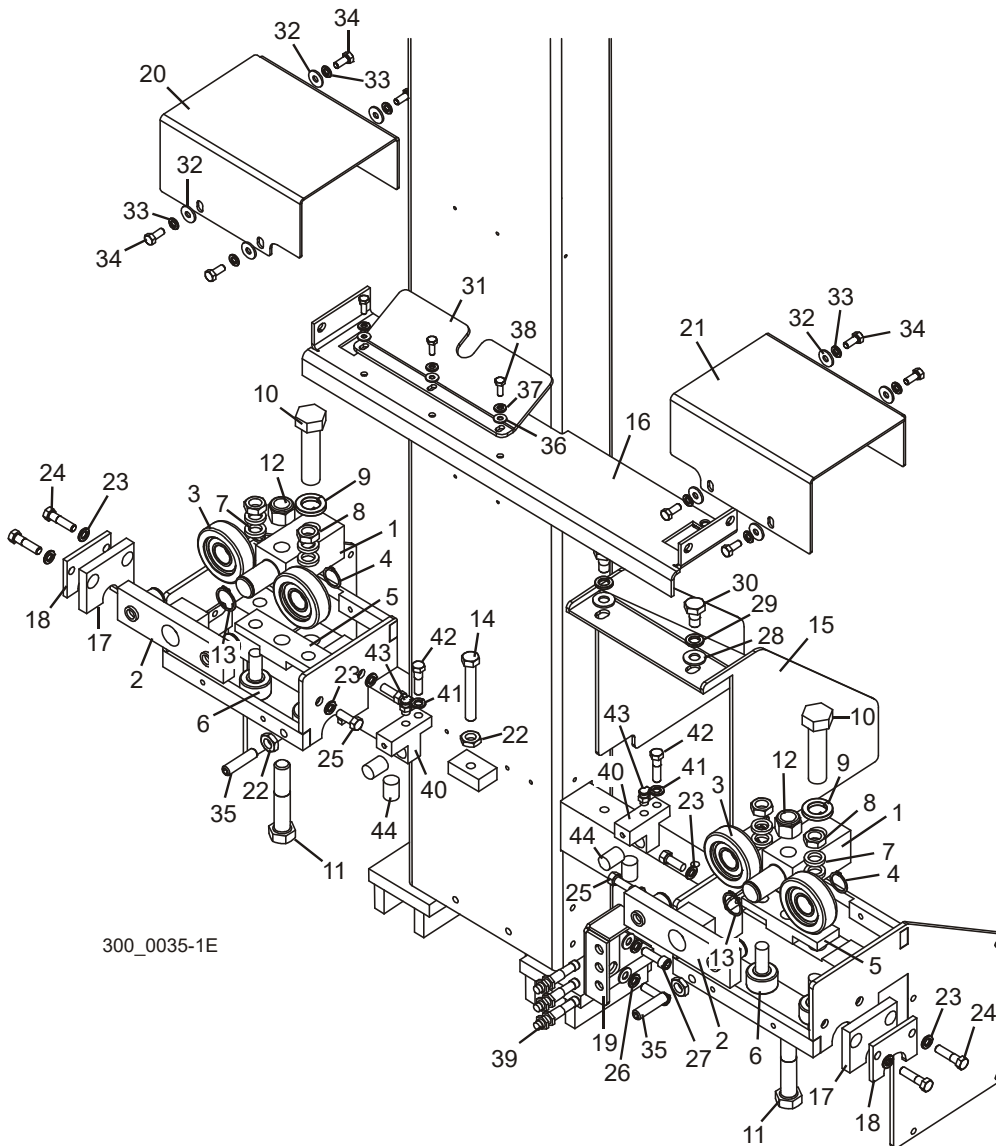
Up/Down System

Transducer & Head Stop Block (WM4000)

| | | | | |
|----|---|------------|---|--|
| 7 | Magnet, Captive Sliding Transducer (Balluff) | 052470 | 1 | |
| | CABLE ASSEMBLY, WM3000 TRANSDUCER SENSOR | 050974 | 1 | |
| 8 | WASHER, #10 SAE FLAT | F05011-18 | 6 | |
| 9 | BOLT, #10-24 X 1" UNSLOTTED HEX HEAD | F05004-156 | 6 | |
| 10 | BLOCK, TRANSDUCER SLIDE | 042436 | 1 | |
| 11 | WASHER, 1/4" SPLIT LOCK | F05011-14 | 1 | |
| 12 | BOLT, 1/4-20 X 3/4" HEX HEAD FULL THREAD | F05005-1 | 1 | |
| 13 | PIVOT, BALL JOINTED ARM | 025197 | 1 | |
| 14 | CARRIER, (22-LINK) 2500.100.075.0 CABLE | 510771 | 1 | |

SECTION 6 POWER FEED SYSTEM

6.1 Upper Track Rollers



300_0035-1E

| REF. | DESCRIPTION (◆ Indicates Parts Available In Assemblies Only) | PART # | QTY |
|------|--|-----------|-----|
| | BLOCK ASSEMBLY, UPPER ROLLER | 042506 | 2 |
| 1 | Block, Upper Roller Mount | 042505 | 1 |
| 2 | Block Assembly, Upper Roller | 042507 | 1 |
| 3 | Bearing, MG305DDA | 023857 | 2 |
| 4 | Ring, 1 OR 3100-100 Retaining | F04254-15 | 2 |
| 5 | Block, Cam Follower Mount | 042500 | 1 |

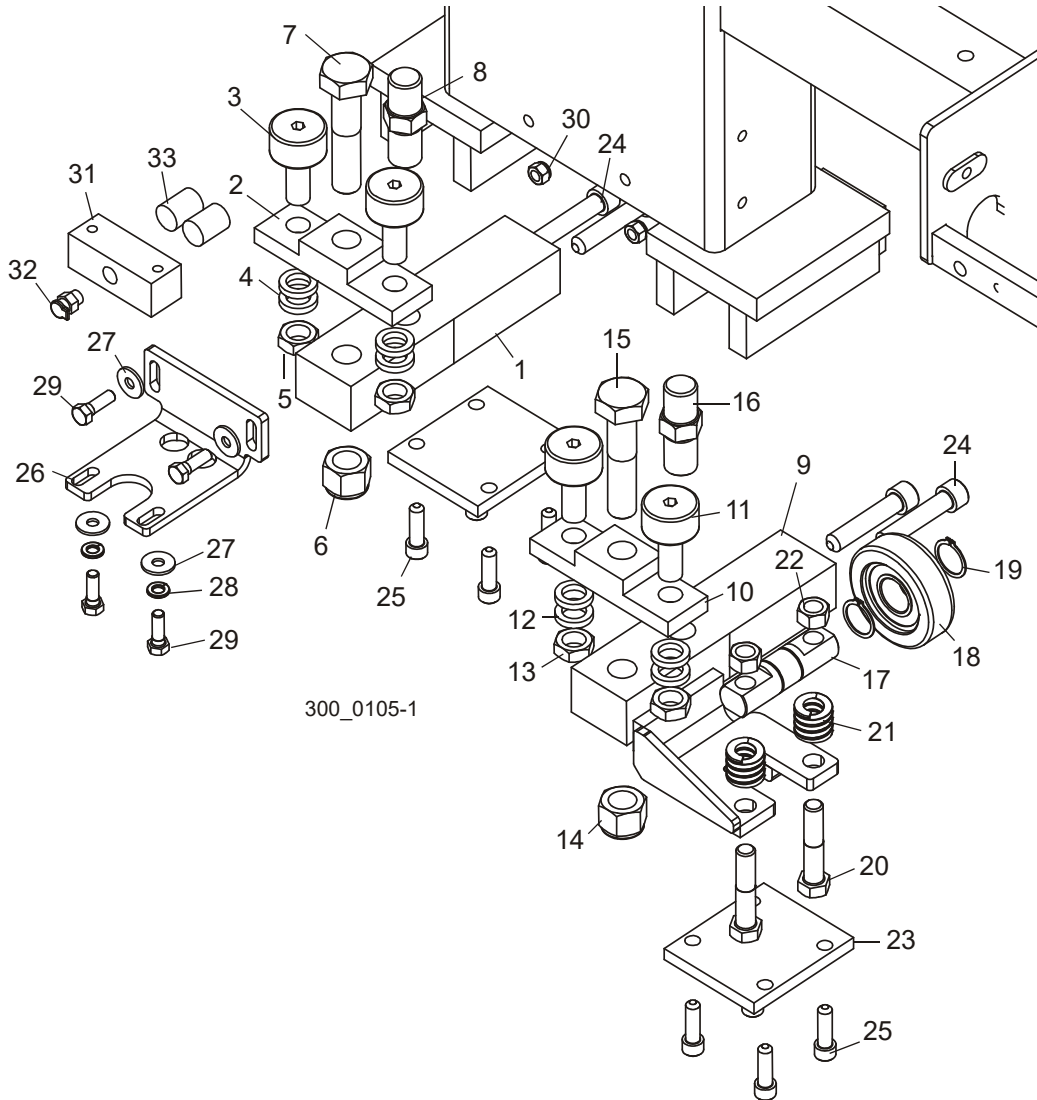


Power Feed System

Upper Track Rollers

| | | | | |
|----|---|------------|----|--|
| 6 | Bearing, Cam Follower 1 1/2 (McGill) | 012797 | 2 | |
| 7 | Tube, 41/64x1x3/16 | S12480 | 4 | |
| 8 | Nut, 5/8-18 Hex Jam | F05010-11 | 2 | |
| 9 | Washer, 7/8" Split Lock | F05011-46 | 1 | |
| 10 | Bolt, 7/8-14 x 3 1/2" Hex Head Grade 5 | F05014-1 | 1 | |
| 11 | Bolt, 3/4-10 x 4" Hex Head Grade 5 | F05013-3 | 1 | |
| 12 | Nut, 3/4-10 Nylon Lock | F05010-103 | 1 | |
| 13 | Ring, 1 1/8 External Retaining | F04254-36 | 1 | |
| 14 | BOLT, 1/2-13 X 3 1/2" FULL THREAD HEX HEAD TAP | F05008-11 | 1 | |
| 15 | RAMP WELDMENT, SAWDUST | 042379 | 1 | |
| 16 | COVER WELDMENT, MIDDLE | 042391 | 1 | |
| 17 | Wiper Pad, Plastic | 045175 | 2 | |
| 18 | Wiper Plate | 045176 | 2 | |
| 19 | Bracket, Proximity Sensor Mount | 042112 | 1 | |
| 20 | Cover, Top Right | 042394 | 1 | |
| 21 | Cover, Top Left | 042368 | 1 | |
| 22 | Nut, 1/2-13 Jam | F05010-31 | 3 | |
| 23 | Washer, 3/8" Split Lock | F05011-4 | 10 | |
| 24 | Bolt, 3/8-16 x 1 1/2" Hex Head | F05007-3 | 4 | |
| 25 | Bolt, 3/8-16 x 1" Hex Head | F05007-7 | 4 | |
| 26 | Washer, 3/8" SAE Flat | F05011-3 | 2 | |
| 27 | Bolt, 3/8-16 x 1 1/4" Socket Head Cap | F05007-150 | 2 | |
| 28 | Washer, 1/2" SAE Flat | F05011-2 | 2 | |
| 29 | Washer, 1/2" Split Lock | F05011-9 | 2 | |
| 30 | Bolt, 1/2-13 x 1" Hex Head | F05008-50 | 2 | |
| 31 | Ramp, Sawdust | 016801 | 1 | |
| 32 | Washer, 5/16 Standard Flat | F05011-16 | 8 | |
| 33 | Washer, 5/16" Split Lock | F05011-13 | 8 | |
| 34 | Bolt, 5/16-18 x 3/4" Hex Head | F05006-5 | 8 | |
| 35 | Screw, 1/2 -13x 2 FP BO SS | F05008-130 | 2 | |
| 36 | Washer, 1/4" SAE Flat | F05011-11 | 3 | |
| 37 | Washer, 1/4" Split Lock | F05011-14 | 3 | |
| 38 | Bolt, 1/4-20 x 3/4" Hex Head | F05005-129 | 3 | |
| 39 | Sensor, XS2D12PA14OD Inductive | 093172 | 3 | |
| 40 | BLOCK, TOP OILER | 045045 | 2 | |
| 41 | WASHER, 3/8" SPLIT LOCK | F05011-4 | 2 | |
| 42 | BOLT, 3/8-16 X 1 1/2" HEX HEAD | F05007-3 | 2 | |
| 43 | FITTING, 1/8 NPT OIL HOLE COVER | 036333 | 2 | |
| 44 | WIPER, ROUND GRAY FELT | 033375 | 4 | |

6.2 Lower Track Rollers



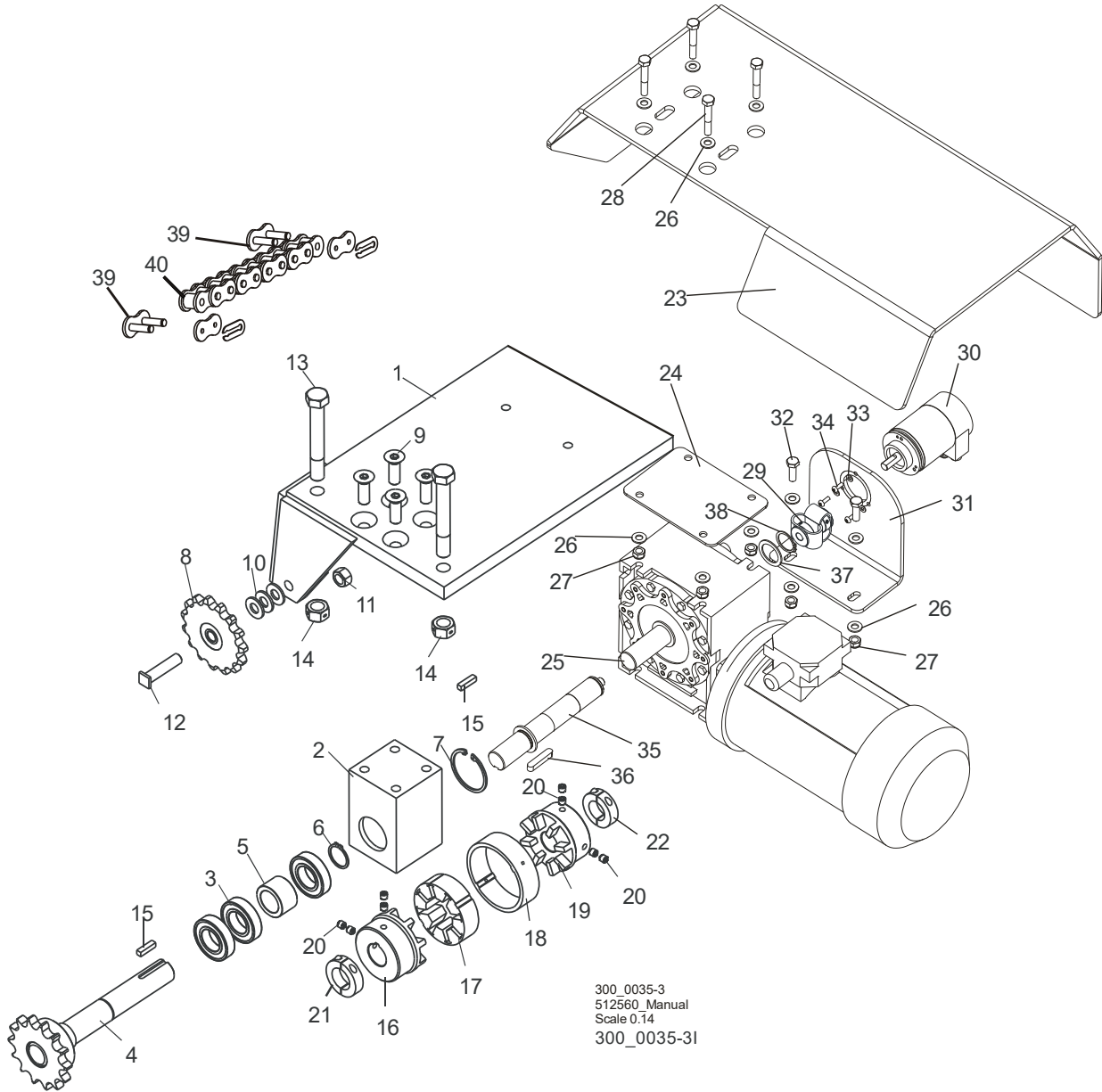
| REF. | DESCRIPTION (◆ Indicates Parts Available In Assemblies Only) | PART # | QTY |
|------|--|------------|-----|
| | BLOCK ASSEMBLY, LOWER TRACK ROLLER | 036345 | 1 |
| 1 | Block, Lower Roller | 036326 | 1 |
| 2 | Block, Cam Follower Mount | 042500 | 1 |
| 3 | Bearing, Cam Follower 1 1/2 (McGill) | 012797 | 2 |
| 4 | Tube, 41/64x1x3/16 | S12480 | 4 |
| 5 | Nut, 5/8-18 Hex Jam | F05010-11 | 2 |
| 6 | Nut, 3/4-10 Nylon Lock | F05010-103 | 1 |
| 7 | Bolt, 3/4-10x3 1/2 Hex Head Grade 5 | F05009-54 | 1 |
| 8 | Lock Pin, Head Safety Hex | 036324 | 1 |

6 Power Feed System

Lower Track Rollers

| | | | | |
|----|---|------------|---|--|
| | ROLLER ASSEMBLY, LOWER W/BOTTOM ROLLER | 036701 | 1 | |
| 9 | Roller Weldment, Lower w/Bottom Roller | 036700 | 1 | |
| 10 | Block, Cam Follower Mount | 042500 | 1 | |
| 11 | Bearing, Cam Follower 1 1/2 (McGill) | 012797 | 2 | |
| 12 | Tube, 41/64x1x3/16 | S12480 | 4 | |
| 13 | Nut, 5/8-18 Hex Jam | F05010-11 | 2 | |
| 14 | Nut, 3/4-10 Nylon Lock | F05010-103 | 1 | |
| 15 | Bolt, 3/4-10 x 3 1/2" Hex Head Grade 5 | F05009-54 | 1 | |
| 16 | Lock Pin, Head Safety Hex | 036324 | 1 | |
| 17 | Shaft, Top Roller Bearing | 023858 | 1 | |
| 18 | Bearing, MG305DDA | 023857 | 1 | |
| 19 | Ring, 1 OR 3100-100 Retaining | F04254-15 | 2 | |
| 20 | Bolt, 1/2-13 x 2 1/2" Hex Head Grade 5 | F05008-74 | 2 | |
| 21 | Spring, Die, Heavy 1/2IDx1ODx1 | 036713 | 2 | |
| 22 | Nut, 1/2-13 Swaged Hex | F05010-3 | 2 | |
| 23 | PLATE, LOWER ROLLER RETAINER | 045158 | 2 | |
| 24 | SCREW, 1/2-20 X 2 1/2" SOCKET HEAD CAP | F05008-45 | 4 | |
| 25 | SCREW, 3/8-16 X 1 1/4" SOCKET HEAD CAP | F05007-150 | 8 | |
| 26 | PLATE, BOTTOM OILER | 042415 | 1 | |
| 27 | WASHER, 5/16 STANDARD FLAT | F05011-16 | 4 | |
| 28 | WASHER, 5/16" SPLIT LOCK | F05011-13 | 2 | |
| 29 | BOLT, 5/16-18 X 1" HEX HEAD | F05006-1 | 4 | |
| 30 | NUT, 5/16-18 HEX NYLON LOCK | F05010-58 | 2 | |
| 31 | BLOCK, BOTTOM OILER | 036334 | 1 | |
| 32 | FITTING, 1/8 NPT OIL HOLE COVER | 036333 | 1 | |
| 33 | WIPER, ROUND GRAY FELT | 033375 | 2 | |

6.3 Power Feed Drive Assembly



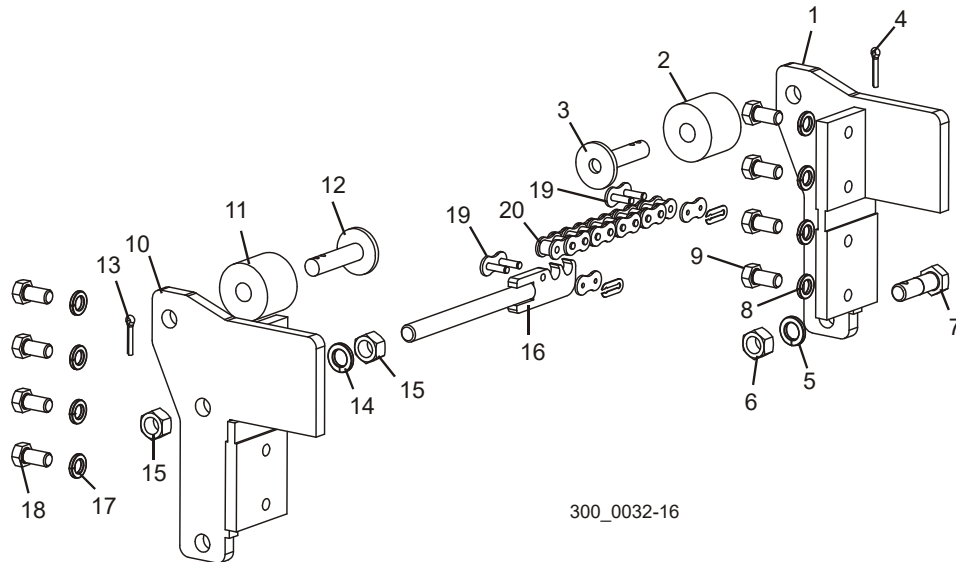
| REF. | DESCRIPTION (◆ Indicates Parts Available In Assemblies Only) | PART # | QTY |
|------|--|--------|-----|
| | DRIVE ASSEMBLY, POWER FEED | 042382 | 1 |
| 1 | Plate Weldment, Power Feed Drive Mount | 042384 | 1 |
| | Shaft Assembly, Power Feed Drive | 042383 | 1 |
| 2 | Block, Power Feed Bearing Housing | 042381 | 1 |
| 3 | Bearing, R-18 | 034380 | 3 |
| 4 | Shaft Weldment, Power Feed Drive | 042365 | 1 |
| 5 | Spacer, Power Feed Bearing | 042387 | 1 |

6 Power Feed System

Power Feed Drive Assembly

| | | | | |
|----|---|---------------|----------|--|
| 6 | Ring, 1 1/8 External Retaining | F04254-36 | 1 | |
| 7 | Ring, 2-1/8 Internal Retaining | F04254-38 | 1 | |
| 8 | Sprocket, Power Feed Idler | 042367 | 1 | |
| 9 | Bolt, 1/2-13x1 1/2 FHS | F05008-80 | 4 | |
| 10 | Washer, 1/2" SAE Flat | F05011-2 | 4 | |
| 11 | Nut, 1/2-13 Swaged Hex | F05010-3 | 1 | |
| 12 | Shaft, Power Feed Idler | 016828 | 1 | |
| 13 | Bolt, 5/8-11 x 4 1/2" Hex Head Grade 5 | F05009-10 | 2 | |
| 14 | Nut, 5/8-11 Swaged Hex | F05010-4 | 2 | |
| 15 | Key, 1/4" x 1" | S21486 | 2 | |
| | Coupling, 10Rx1x1-1/8 Power Feed | 042655 | 1 | |
| 16 | Coupling Body, 10Rx1-1/8 | 042655-4 | 1 | |
| 17 | Coupling Spider, 10R Urethane | 042655-2 | 1 | |
| 18 | Coupling Ring, 10R Steel | 042655-5 | 1 | |
| 19 | Coupling Body, 10Rx1 | 042655-1 | 1 | |
| 20 | Screw, M10x1.5x12mm Socket Head Set BO | F05004-189 | 8 | |
| 21 | Collar, 1 1/8" Shaft, Clamp-On | 038445 | 1 | |
| 22 | Collar, 1" Shaft, Clamp-On | 038444 | 1 | |
| 23 | GUARD, WM4000 POWER FEED MOTOR | 510502-1 | 1 | |
| 24 | PLATE, LT300 POWER FEED DRIVE | 503383-1 | 1 | |
| 25 | MOTOREDUCER, SK1SI63-IEC90-90L/4 motor of IE1 class for operation in temp. -25 +45 | 503380 | 1 | |
| 26 | WASHER, 8.4 FLAT ZINC | F81054-1 | 12 | |
| 27 | NUT, M8-8-B HEX NYLON ZINC LOCK | F81032-2 | 6 | |
| 28 | BOLT, M8x50-8.8 HEX HEAD ZINC | F81002-10 | 4 | |
| 29 | COUPLING, 8.0000.1K01.1010 ENCODER | 713247 | 1 | |
| 30 | ENCODER, CANOPEN XCC3510PS84CBN ABSOLUTE | 510264 | 1 | |
| 31 | BRACKET, WM4000 ENCODER MOUNT | 510704-1 | 1 | |
| 32 | BOLT, M8x25-8.8-B HEX HEAD FULL THREAD ZINC | F81002-5 | 2 | |
| 33 | WASHER, 4.3 FLAT ZINC | F81051-2 | 3 | |
| 34 | SCREW, M4x12-5.8-B CROSS RECESSED PAN HEAD ZINC | F81011-43 | 3 | |
| | SHAFT ASSEMBLY, LT300 OUTPUT | 503408 | 1 | |
| 35 | SHAFT, LT300 MOTOREDUCER OUTPUT | 503405 | 1 | |
| 36 | KEY, A 8X7X40 | 503407 | 1 | |
| 37 | WASHER, LT300 MOTOREDUCER SHAFT | 503406-1 | 1 | |
| 38 | RING, Z25 OUTSIDE RETAINING | F81090-22 | 1 | |
| 39 | LINK, #60 MASTER | 042398 | 2 | |
| 40 | CHAIN, #60 X 27" POWER FEED | 036200 | 1 | |

6.4 Power Feed Chain & Head Stops

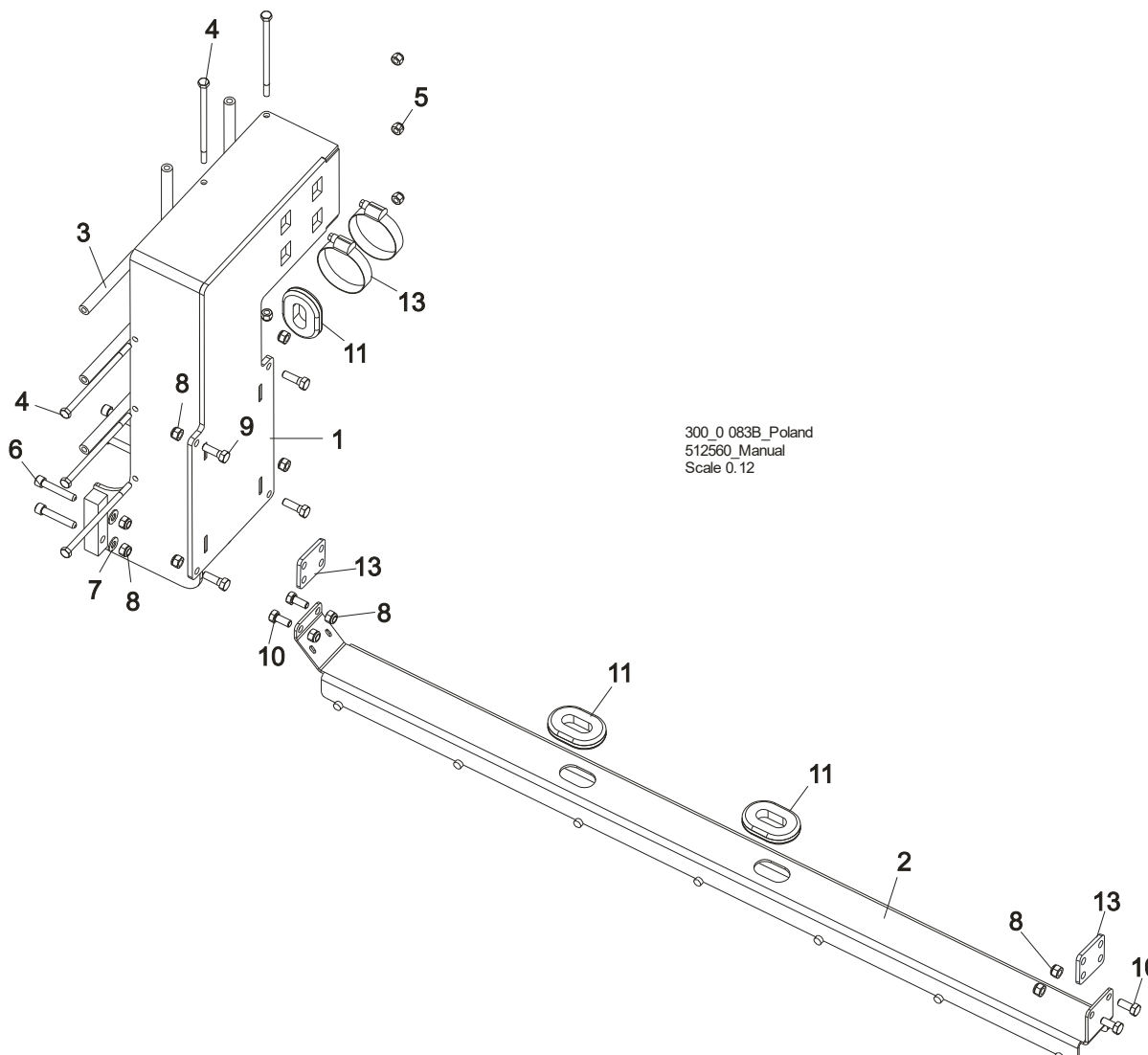


| REF. | DESCRIPTION (◆ Indicates Parts Available In Assemblies Only) | PART # | QTY |
|------|--|------------|-----|
| | STOP ASSEMBLY, HEAD FRONT | 035646 | 1 |
| 1 | Stop Weldment, Left | 042408 | 1 |
| 2 | Bushing, 11/16x2 1/8x1 3/4 Rubber | P12165 | 1 |
| 3 | Stop Weldment, Carriage Ptd | 086182-1 | 1 |
| 4 | Pin, 3/16" x 1" Cotter | F05012-21 | 1 |
| 5 | Washer, 5/8" Split Lock | F05011-27 | 1 |
| 6 | Nut, 5/8-18 Hex | F05010-50 | 1 |
| 7 | Bolt, #60 Feed Chain Tensioner | 035653 | 1 |
| 8 | Washer, 1/2" Split Lock | F05011-9 | 4 |
| 9 | Bolt, 1/2-13 x 1 Hex Head Grade 8 | F05008-128 | 4 |
| | HEAD STOP ASSY, BED REAR | 036199 | 1 |
| 10 | Stop Weldment, Right | 042411 | 1 |
| 11 | Bushing, 11/16x2 1/8x1 3/4 Rubber | P12165 | 1 |
| 12 | Stop Weldment, Carriage | 086182-1 | 1 |
| 13 | Pin, 3/16" x 1" Cotter | F05012-21 | 1 |
| 14 | Washer, 5/8" Split Lock | F05011-27 | 1 |
| 15 | Nut, 5/8-18 Hex | F05010-50 | 2 |
| 16 | Rod Weldment, #60 Feed Chain Tensioner | 035652 | 1 |
| 17 | Washer, 1/2" Split Lock | F05011-9 | 4 |
| 18 | Bolt, 1/2-13 x 1 Hex Head Grade 8 | F05008-128 | 4 |
| 19 | Link, #60 CL | 042398 | 2 |
| 20 | Chain, #60x27' Power Feed | 036200 | 1 |

6 Power Feed System

Lower Cable Carrier

6.5 Lower Cable Carrier

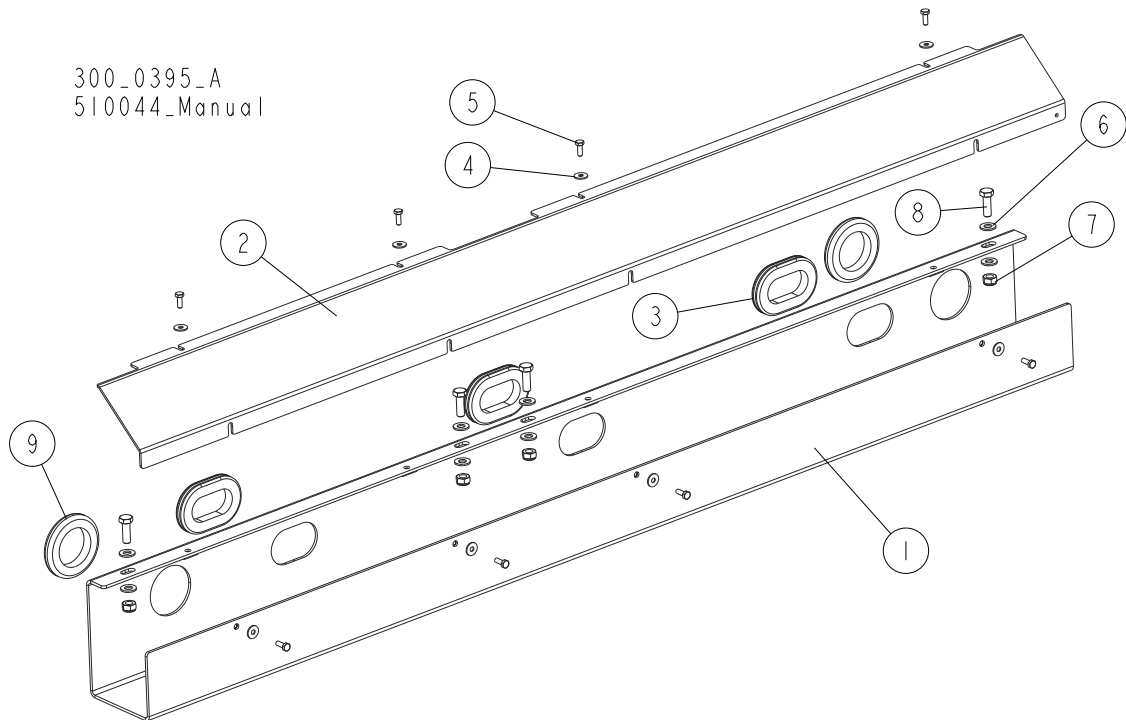


| REF. | DESCRIPTION (◆ Indicates Parts Available In Assemblies Only) | PART # | QTY |
|------|--|------------|-----|
| | LOWER CABLE CARRIER ASSEMBLY | 036342 | 1 |
| 1 | Mount Weldment, Cable Carrier | 036329 | 1 |
| 2 | Cable Carrier, Lower | 036341 | 1 |
| 3 | Spacer, Wireway | 042111 | 5 |
| 4 | Bolt, 1/4-20 x 5" Hex Head | F05005-146 | 5 |
| 5 | Nut, 1/4-20 Nylon Lock | F05010-69 | 5 |
| 6 | Screw, 5/16-18 x 1 3/4" Socket Head Cap | F05006-65 | 4 |

| | | | | |
|-----------|--------------------------------------|-----------|----|--|
| 7 | Washer, 5/16 SAE Flat | F05011-17 | 4 | |
| 8 | Nut, 5/16-18 Hex Nylon Lock | F05010-58 | 12 | |
| 9 | Bolt, 5/16-18 x 1" Hex Head | F05006-1 | 4 | |
| 10 | Bolt, 5/16-18 x 3/4" Hex Head | F05006-5 | 4 | |
| 11 | Grommet, 1" x 1 3/4" Rubber (Oval) | 085613 | 3 | |
| 12 | Clamp, 2-1/2" Worm | P09895 | 2 | |
| 13 | PLATE, CABLE CARRIER MOUNTING | 510835-1 | 2 | |

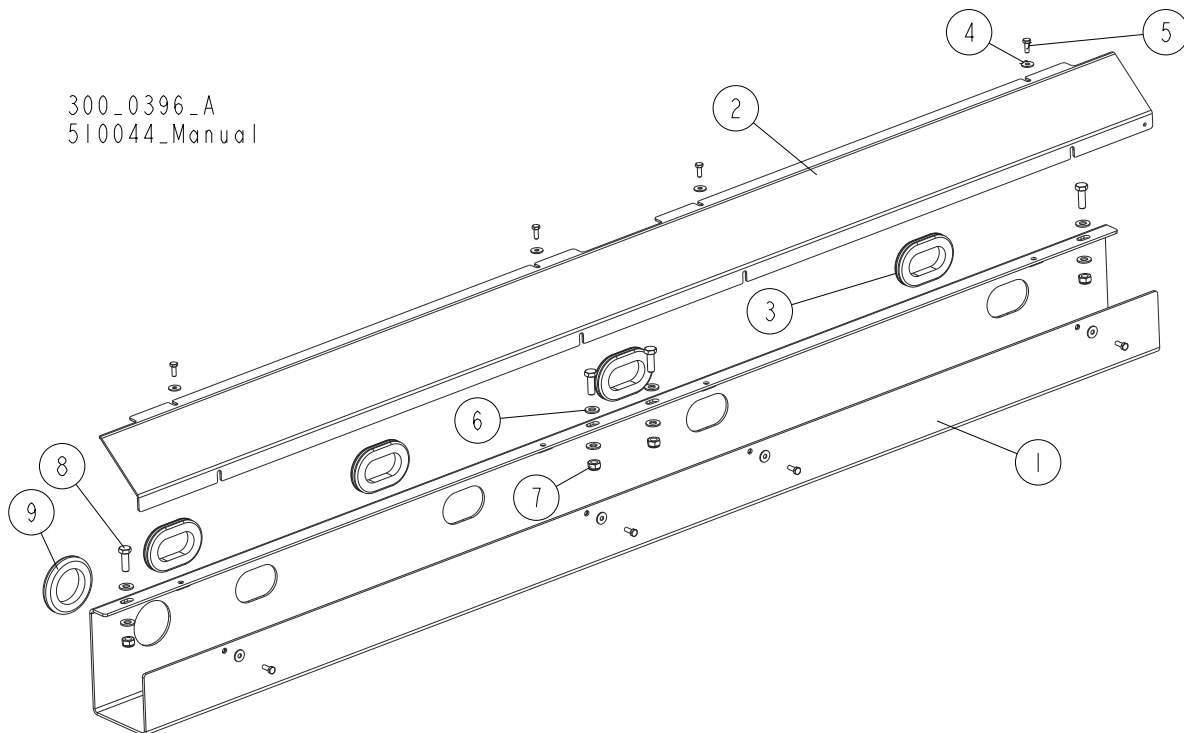
SECTION 7 BED FRAME ASSEMBLY

7.1 Front Hydraulic Hose Duct



| REF | DESCRIPTION (◆ indicates parts available in assemblies only) | PART # | QTY |
|-----|--|---------------|----------|
| | DUCT, FRONT HYDRAULIC HOSE - COMPLETE | 510240 | 1 |
| 1 | DUCT WELDMENT, FRONT HYDRAULIC HOSE | 510237-1 | 1 |
| 2 | COVER, FRONT HYDRAULIC HOSE DUCT | 510239-1 | 1 |
| 3 | GROMMET, RUBBER | 089532 | 3 |
| 4 | WASHER, 6.5 SPECIAL FLAT ZINC | F81053-11 | 8 |
| 5 | BOLT, M6x16 8.8 HEX HEAD FULL THREAD ZINC | F81001-15 | 8 |
| 6 | WASHER, 10.5 FLAT ZINC | F81055-1 | 8 |
| 7 | NUT, M10-8-B HEX NYLON ZINC LOCK | F81033-1 | 4 |
| 8 | BOLT, M10X30 5.8 HEX HEAD FULL THREAD ZI | F81003-2 | 4 |
| 9 | GROMMET, 55MM DIA. RUBBER | 085614 | 2 |

7.2 Middle Hydraulic Hose Duct

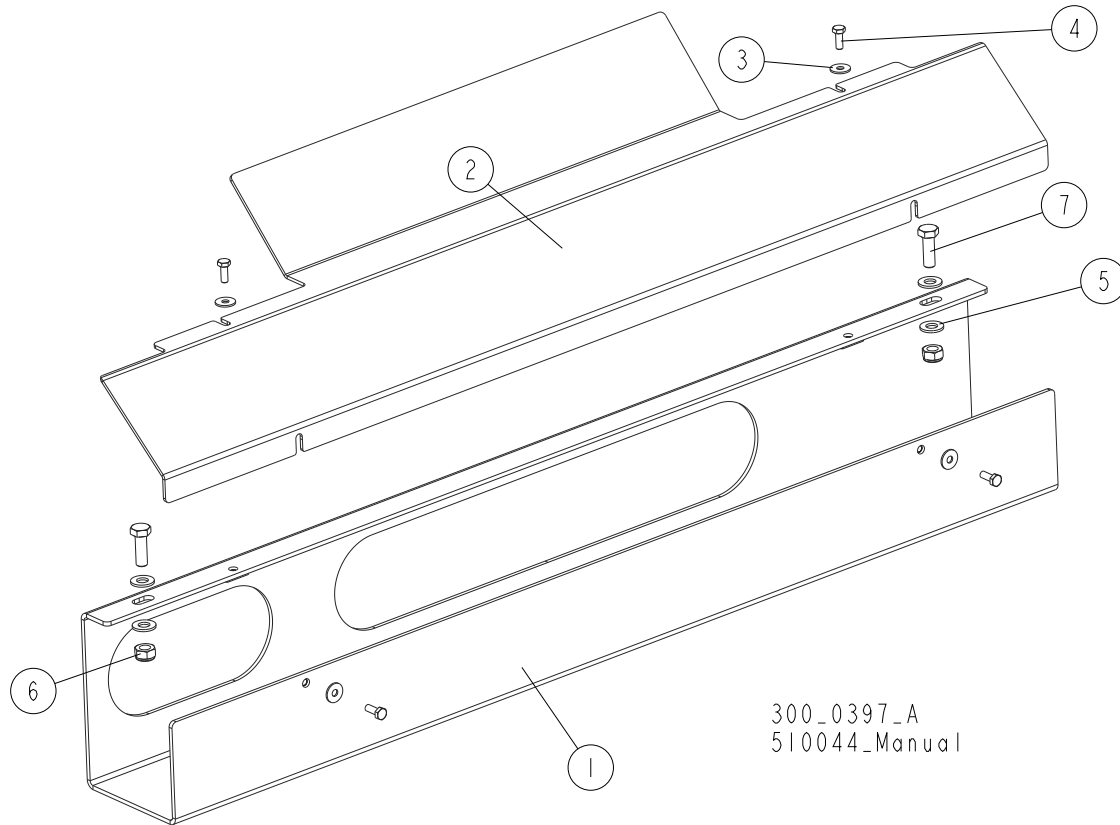


| REF | DESCRIPTION (◆ indicates parts available in assemblies only) | PART # | QTY |
|-----|--|---------------|----------|
| | DUCT, MIDDLE HYDRAULIC HOSE - COMPLETE | 510235 | 1 |
| 1 | DUCT, MIDDLE HYDRAULIC HOSE | 510234-1 | 1 |
| 2 | COVER, MIDDLE HYDRAULIC HOSE DUCT | 510238-1 | 1 |
| 3 | GROMMET, RUBBER | 089532 | 4 |
| 4 | WASHER, 6.5 SPECIAL FLAT ZINC | F81053-11 | 8 |
| 5 | BOLT, M6x16 8.8 HEX HEAD FULL THREAD ZINC | F81001-15 | 8 |
| 6 | WASHER, 10.5 FLAT ZINC | F81055-1 | 8 |
| 7 | NUT, M10-8-B HEX NYLON ZINC LOCK | F81033-1 | 4 |
| 8 | BOLT, M10X30 5.8 HEX HEAD FULL THREAD ZI | F81003-2 | 4 |
| 9 | GROMMET, 55MM DIA. RUBBER | 085614 | 1 |

7 Bed Frame Assembly

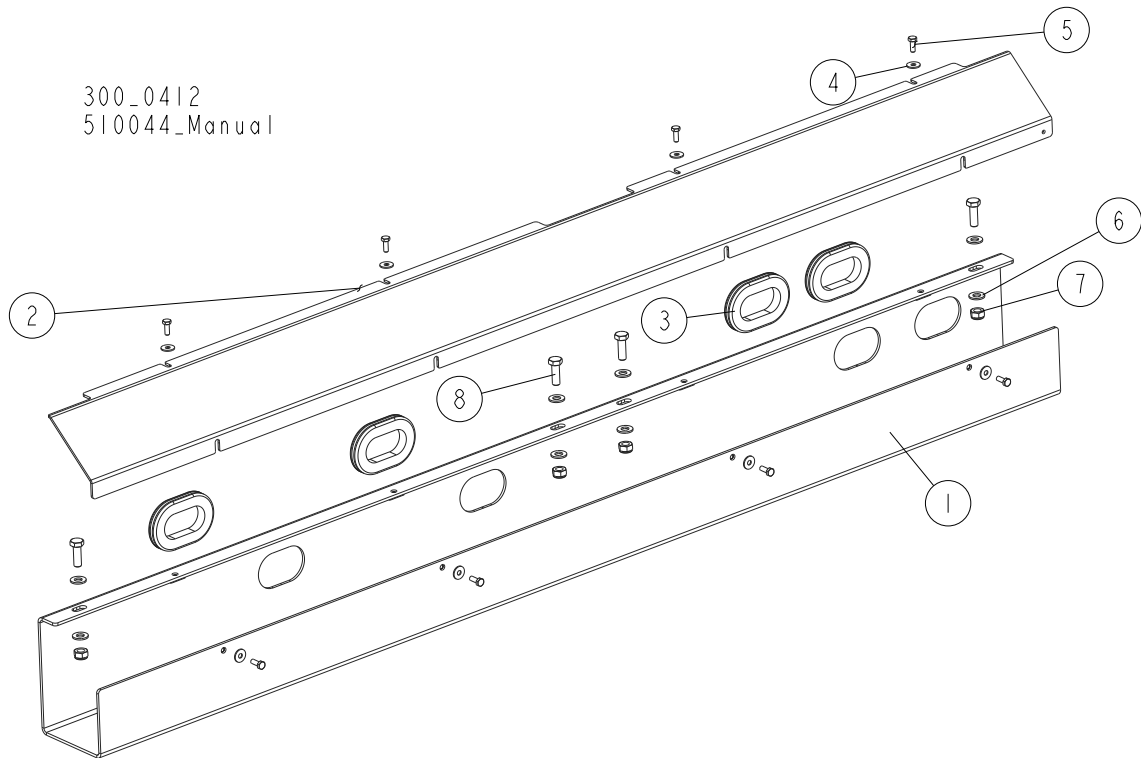
Rear Hydraulic Hose Duct

7.3 Rear Hydraulic Hose Duct



| REF | DESCRIPTION (◆ indicates parts available in assemblies only) | PART # | QTY |
|-----|--|---------------|----------|
| | DUCT, REAR HYDRAULIC HOSE - COMPLETE | 510510 | 1 |
| 1 | DUCT WELDMENT, REAR HYDRAULIC HOSE | 510509-1 | 1 |
| 2 | COVER, REAR HYDRAULIC HOSE DUCT | 510511-1 | 1 |
| 3 | WASHER, 6.5 SPECIAL FLAT ZINC | F81053-11 | 4 |
| 4 | BOLT, M6x16 8.8 HEX HEAD FULL THREAD ZINC | F81001-15 | 4 |
| 5 | WASHER, 10.5 FLAT ZINC | F81055-1 | 4 |
| 6 | NUT, M10-8-B HEX NYLON ZINC LOCK | F81033-1 | 2 |
| 7 | BOLT, M10X30 5.8 HEX HEAD FULL THREAD ZI | F81003-2 | 2 |

7.4 Front Hydraulic Hose Duct

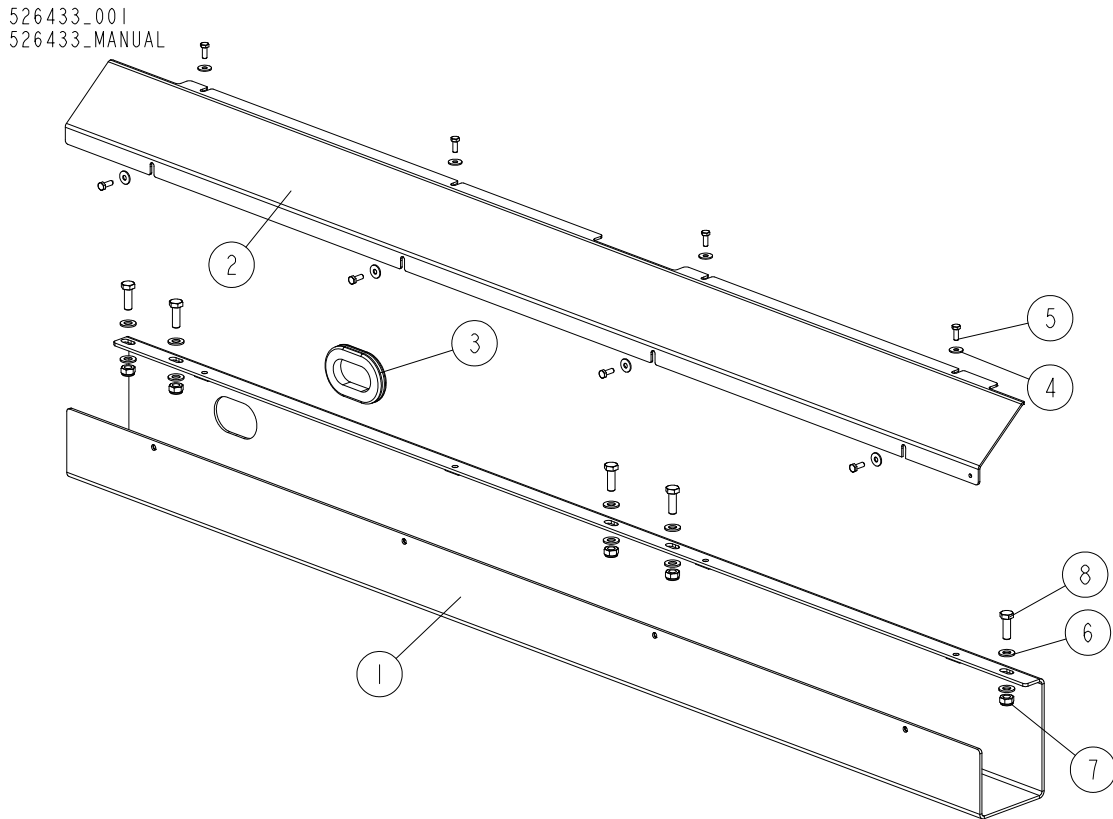


| REF | DESCRIPTION (◆ indicates parts available in assemblies only) | PART # | QTY |
|-----|--|---------------|----------|
| | DUCT, FRONT HYDRAULIC HOSE - COMPLETE | 519000 | 1 |
| 1 | DUCT WELDMENT, FRONT HYDRAULIC HOSE | 519003-1 | 1 |
| 2 | COVER, FRONT HYDRAULIC HOSE DUCT | 519001-1 | 1 |
| 3 | GROMMET, RUBBER | 089532 | 4 |
| 4 | WASHER, 6.5 SPECIAL FLAT ZINC | F81053-11 | 8 |
| 5 | BOLT, M6X16 8.8 HEX HEAD FULL THREAD ZIN | F81001-15 | 8 |
| 6 | WASHER, 10.5 FLAT ZINC | F81055-1 | 8 |
| 7 | NUT, M10-8-B HEX NYLON ZINC LOCK | F81033-1 | 4 |
| 8 | BOLT, M10X30 5.8 HEX HEAD FULL THREAD ZI | F81003-2 | 4 |

7 Bed Frame Assembly

Rear Hydraulic Hose Duct

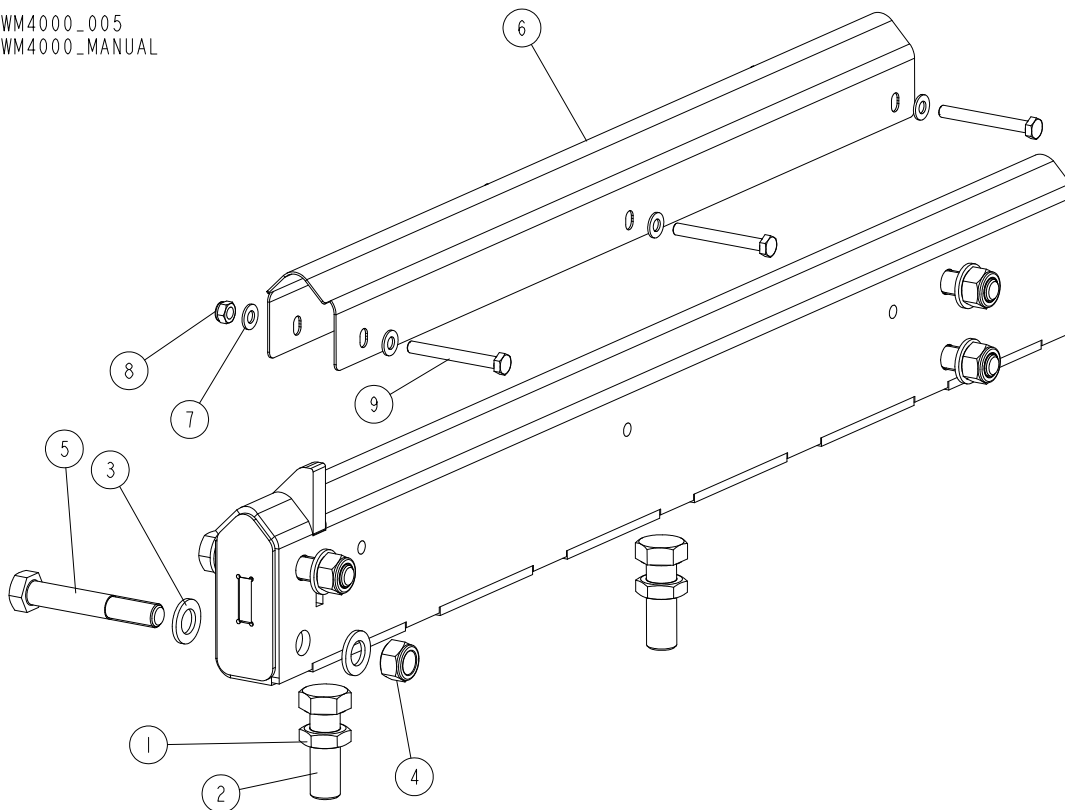
7.5 Rear Hydraulic Hose Duct



| REF | DESCRIPTION (u indicates parts available in assemblies only) | PART # | QTY |
|-----|--|-----------|-----|
| - | GUIDE, HYDRAULIC HOSE REAR - COMPLETE | 526433 | 1 |
| 1 | GUIDE WELDMENT, HYDRAULIC HOSE REAR | 526435-1 | 1 |
| 2 | COVER, REAR HYDRAULIC HOSE GUIDE | 526434-1 | 1 |
| 3 | GROMMET, RUBBER | 089532 | 1 |
| 4 | WASHER, 6.5 SPECIAL FLAT ZINC | F81053-11 | 8 |
| 5 | BOLT, M6X16-5.8 HEX HEAD FULL THREAD ZIN | F81001-15 | 8 |
| 6 | WASHER, 10.5 FLAT ZINC | F81055-1 | 10 |
| 7 | NUT, M10-8-B HEX NYLON ZINC LOCK | F81033-1 | 5 |
| 8 | BOLT, M10X30-5.8 HEX HEAD FULL THREAD ZI | F81003-2 | 5 |

7.6 Bed Rail

WM4000_005
WM4000_MANUAL



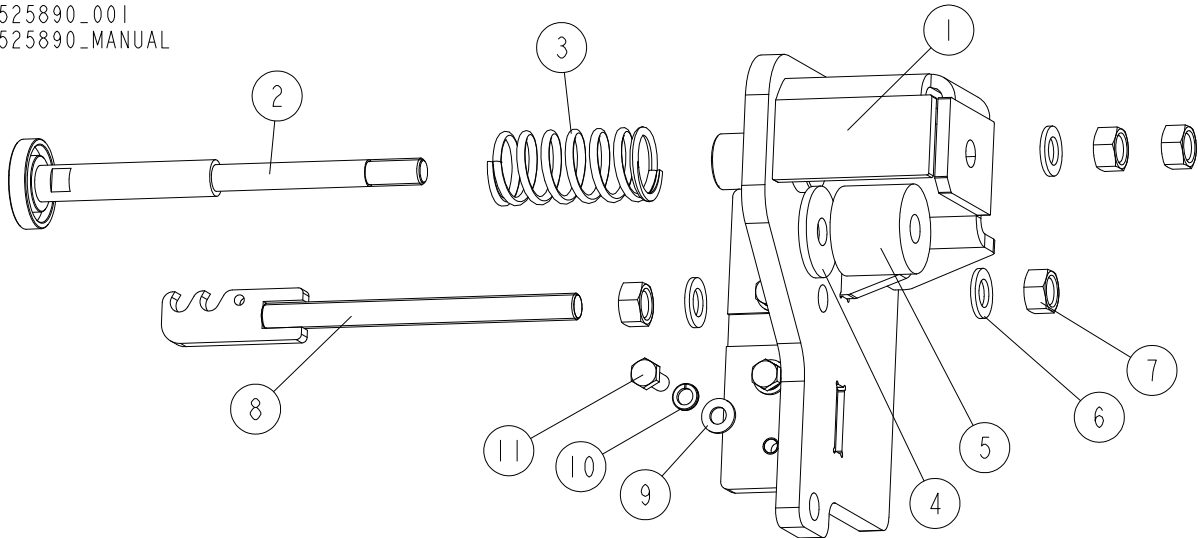
| REF | DESCRIPTION (◆ indicates parts available in assemblies only) | PART # | QTY |
|-----|--|-----------|-----|
| 1 | NUT, M20 FE/ZN5 ISO 4035 THIN ZINC | F81037-9 | 2 |
| 2 | BOLT, M20X60 8.8 HEX HEAD FULL THREAD ZI | F81007-5 | 2 |
| 3 | WASHER, 17 SPLIT LOCK ZINC | F81058-1 | 8 |
| 4 | NUT, M16-8 HEX NYLON ZINC LOCK | F81036-2 | 4 |
| 5 | BOLT, M16X100-8.8 HEX HEAD ZINC | F81006-60 | 4 |
| - | COVER, WM4000 BED RAIL - COMPLETE | 525563 | 1 |
| 6 | COVER, WM4000 BED RAIL | 525561 | 1 |
| 7 | WASHER, 8.4 FLAT ZINC | F81054-1 | 6 |
| 8 | NUT, M8 8 HEX NYLON ZINC LOCK | F81032-2 | 3 |
| 9 | BOLT, M8X70-8.8 HEX HEAD ZINC | F81002-71 | 3 |

7 Bed Frame Assembly

Rear Bumper, WM4000

7.7 Rear Bumper, WM4000

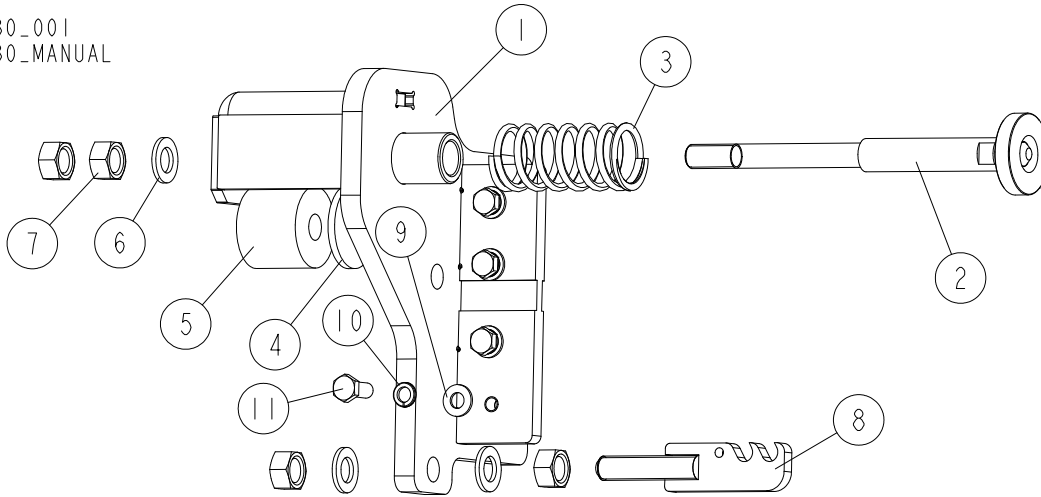
525890_001
525890_MANUAL



| REF | DESCRIPTION (◆ indicates parts available in assemblies only) | PART # | QTY |
|-----|--|-----------|-----|
| - | BUMPER, WM4000 REAR - COMPLETE | 525890 | 1 |
| 1 | BRACKET, WM4000 REAR BUMPER - COMPLETE | 525885-1 | 1 |
| 2 | PIN, BUMPER SPRING - COMPLETE | 525878-1 | 1 |
| 3 | SPRING, 45X95,5X5 ALCOMEX D3890 | 525879 | 1 |
| 4 | WASHER, 16.5/55-5 | 525881-1 | 1 |
| 5 | BUSHING, RUBBER STOP | P12165 | 1 |
| 6 | WASHER, 17 SPLIT LOCK ZINC | F81058-1 | 3 |
| 7 | NUT, M16-8 HEX ZINC | F81036-1 | 4 |
| 8 | BRACKET, LT300 FRONT ZINC-PLATED CHAIN HOOK | 094021-1 | 1 |
| 9 | WASHER, 10.5 FLAT ZINC | F81055-1 | 4 |
| 10 | WASHER, Z 10.2 SPLIT LOCK ZINC | F81055-2 | 4 |
| 11 | BOLT, M10X25-8.8-FE/ZN5 | F81003-11 | 4 |

7.8 Front Bumper, WM4000

525880_001
 525880_MANUAL



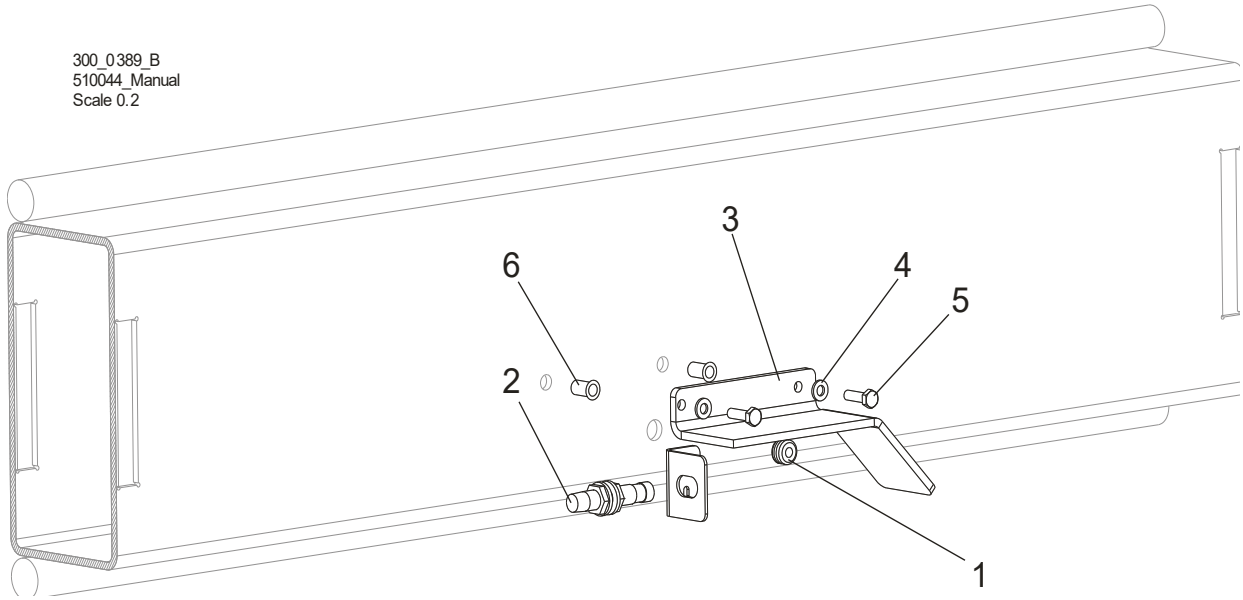
| REF | DESCRIPTION (◆ indicates parts available in assemblies only) | PART # | QTY |
|-----|--|-----------|-----|
| - | BUMPER, WM4000 FRONT - COMPLETE | 525880 | 1 |
| 1 | BRACKET, WM4000 FRONT BUMPER - COMPLETE | 525884-1 | 1 |
| 2 | PIN, BUMPER SPRING - COMPLETE | 525878-1 | 1 |
| 3 | SPRING, 45X95,5X5 ALCOMEX D3890 | 525879 | 1 |
| 4 | WASHER, 16.5/55-5 | 525881-1 | 1 |
| 5 | BUSHING, RUBBER STOP | P12165 | 1 |
| 6 | WASHER, 17 SPLIT LOCK ZINC | F81058-1 | 3 |
| 7 | NUT, M16-8 HEX ZINC | F81036-1 | 4 |
| 8 | BRACKET, LT300 CHAIN HOOK ZINC-PLATED | 094373-1 | 1 |
| 9 | WASHER, 10.5 FLAT ZINC | F81055-1 | 4 |
| 10 | WASHER, Z 10.2 SPLIT LOCK ZINC | F81055-2 | 4 |
| 11 | BOLT, M10X25-8.8-FE/ZN5 | F81003-11 | 4 |

7 Bed Frame Assembly

Side Support Sensor Guard

7.9 Side Support Sensor Guard

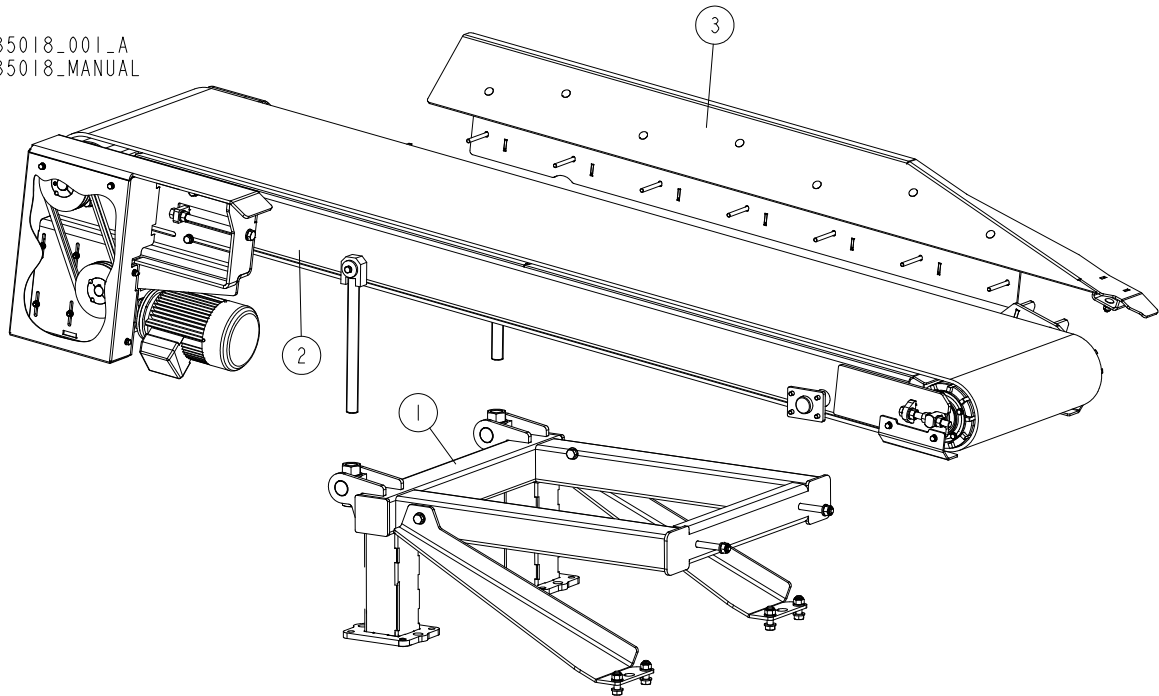
300_0389_B
510044_Manual
Scale 0.2



| REF | DESCRIPTION (◆ indicates parts available in assemblies only) | PART # | QTY |
|-----|--|----------|-----|
| 1 | SEAL WIRE, GH6 | 085338 | 1 |
| 2 | SENSOR, BES M12MG-PSC80F-S04G INDUCTIVE | 093168 | 1 |
| 3 | GUARD, SIDE SUPPORT SENSOR | 510507-1 | 1 |
| 4 | WASHER, 6.4 FLAT ZINC | F81053-1 | 2 |
| 5 | BOLT, M6x20-8.8 HEX HEAD FULL THREAD ZINC | F81001-2 | 2 |
| 6 | NUT, M6/1.5-3.0 BLIND RIVET | F81031-8 | 2 |

7.10 Adjustable Belt Conveyor, WM4000

535018_001_A
535018_MANUAL



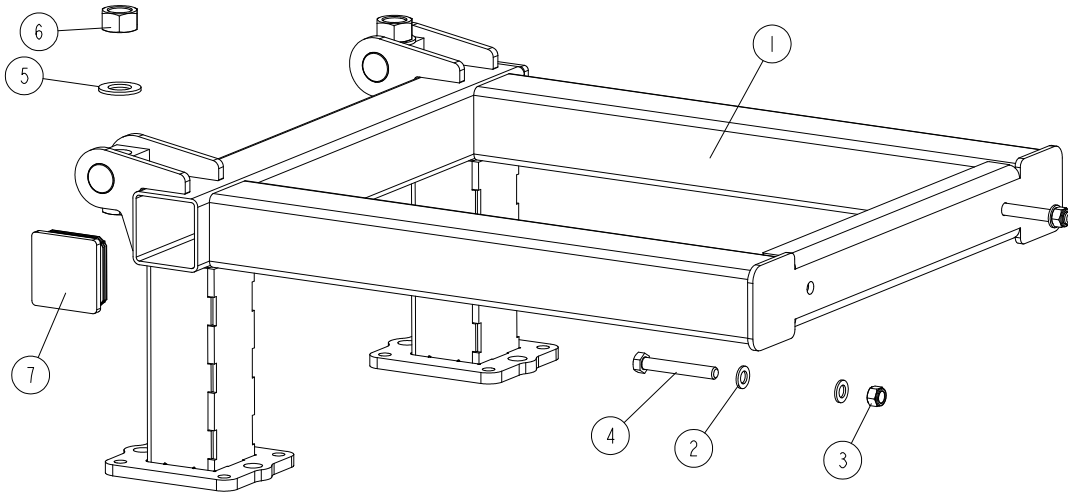
| REF | DESCRIPTION (◆ indicates parts available in assemblies only) | PART # | QTY |
|-----|--|--------|-----|
| - | CONVEYOR, WM4000 ADJUSTABLE BELT | 535018 | 1 |
| 1 | SUPPORT ASSEMBLY, ADJUSTABLE BELT CONVEYOR | 535025 | 1 |
| 2 | TABLE, ADJUSTABLE BELT CONVEYOR | 533490 | 1 |
| 3 | STEERING PLATE, COMPLETE | 536594 | 1 |

7

Bed Frame Assembly Support Assembly, WM4000

7.11 Support Assembly, WM4000

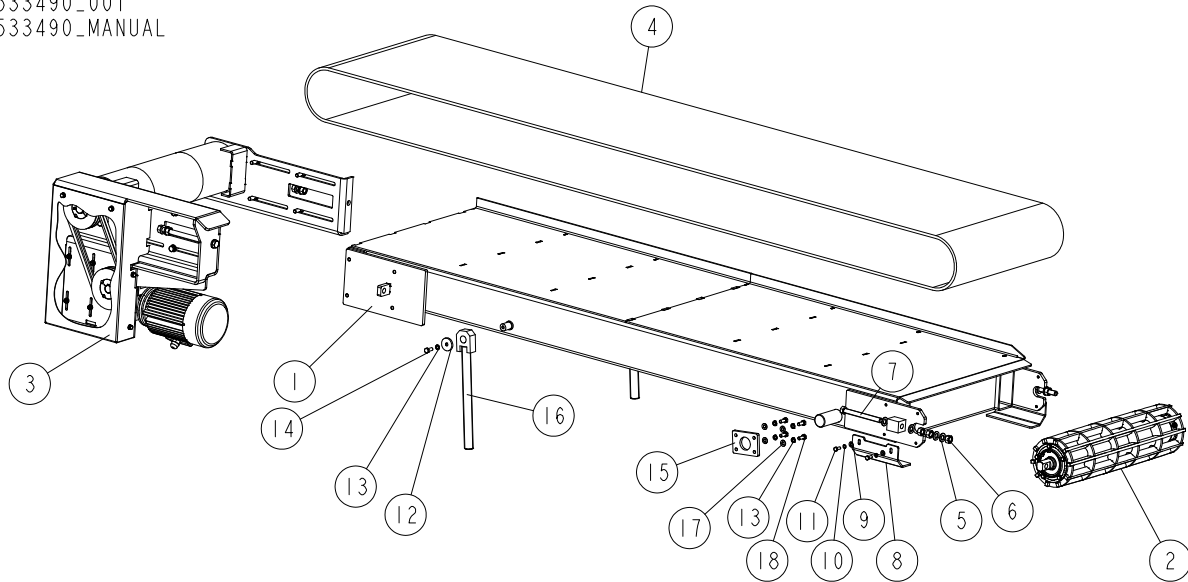
535025_001
535025_MANUAL



| REF | DESCRIPTION (◆ indicates parts available in assemblies only) | PART # | QTY |
|-----|--|-----------|-----|
| - | SUPPORT ASSEMBLY, ADJUSTABLE BELT CONVEYOR | 535025 | 1 |
| 1 | FRAME, CONVEYOR SUPPORT | 533478-1 | 1 |
| 2 | WASHER, 17 SPLIT LOCK ZINC | F81058-1 | 4 |
| 3 | NUT, M16-8 HEX NYLON ZINC LOCK | F81036-2 | 2 |
| 4 | BOLT, M16X110-8.8 HEX HEAD ZINC | F81006-24 | 2 |
| 5 | WASHER, 31 FLAT ZINC | F81061-9 | 4 |
| 6 | NUT, M30-HEX ZINC | F81038-3 | 4 |
| 7 | CAP, 100X100 #199200 SQUARE TUBE END | 090694 | 2 |

7.12 Adjustable Belt Conveyor Table, WM4000

533490_001
533490_MANUAL

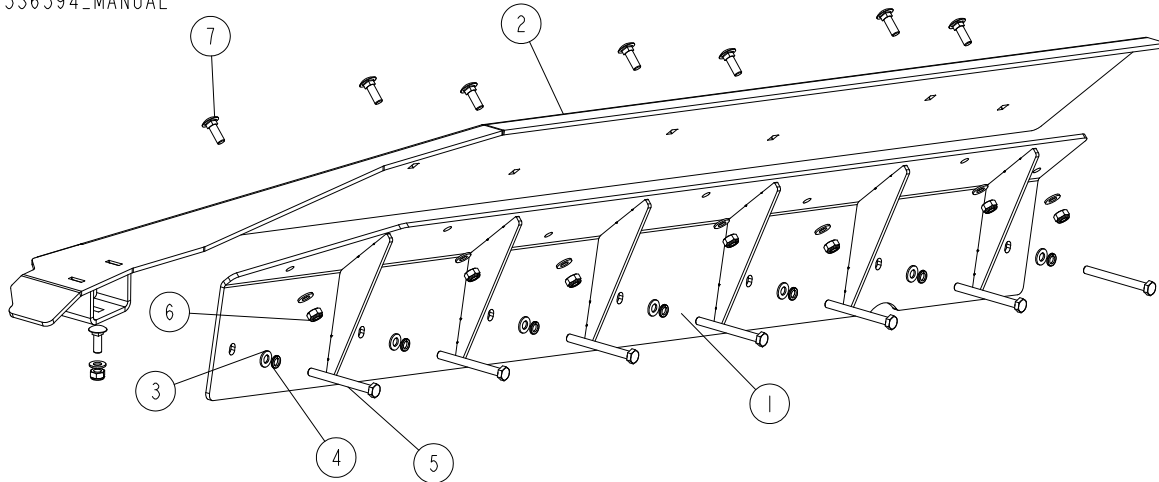


| REF | DESCRIPTION (◆ indicates parts available in assemblies only) | PART # | QTY |
|-----|--|-----------|-----|
| - | TABLE, ADJUSTABLE BELT CONVEYOR | 533490 | 1 |
| 1 | TABLE WELDMENT, ADJUSTABLE BELT CONVEYOR | 533489-1 | 1 |
| 2 | PULLEY, CONVEYOR IDLER | 533494 | 1 |
| 3 | PULLEY ASSEMBLY, DRIVE (See Section 7.14) | 535079 | 1 |
| 4 | BELT, 2MOP3 LG5950X600 CONVEYOR | 533482 | 1 |
| 5 | WASHER, 17 SPLIT LOCK ZINC | F81058-1 | 8 |
| 6 | NUT, M16-8 HEX ZINC | F81036-1 | 6 |
| 7 | BOLT, M16X160 8.8 HEX HEAD FULL THREAD ZINC | F81006-23 | 2 |
| 8 | ANGLE, RETAINING | 534302 | 2 |
| 9 | WASHER, 8.4 FLAT ZINC | F81054-1 | 4 |
| 10 | WASHER, 8.2 SPLIT LOCK ZINC | F81054-4 | 4 |
| 11 | BOLT, M8X20 8.8 HEX HEAD FULL THREAD ZINC | F81002-4 | 4 |
| 12 | WASHER, 10.5/45-6 ZINC-PLATED | 086286-1 | 2 |
| 13 | WASHER, Z 10.2 SPLIT LOCK ZINC | F81055-2 | 10 |
| 14 | BOLT, M10 X 25 8.8 FE/ZN5, PN-M/82105 | F81003-31 | 2 |
| 15 | PLATE, LOCKING | 533464-1 | 2 |
| 16 | ROD WELDMENT, CONVEYOR TILT ADJUSTMENT ZINC-PLATED | 711773-1 | 2 |
| 17 | WASHER, 10.5 FLAT ZINC | F81055-1 | 8 |
| 18 | BOLT, M10X25-8.8-FE/ZN5 | F81003-11 | 8 |

7 Bed Frame Assembly
 Guide Plate, WM4000

7.13 Guide Plate, WM4000

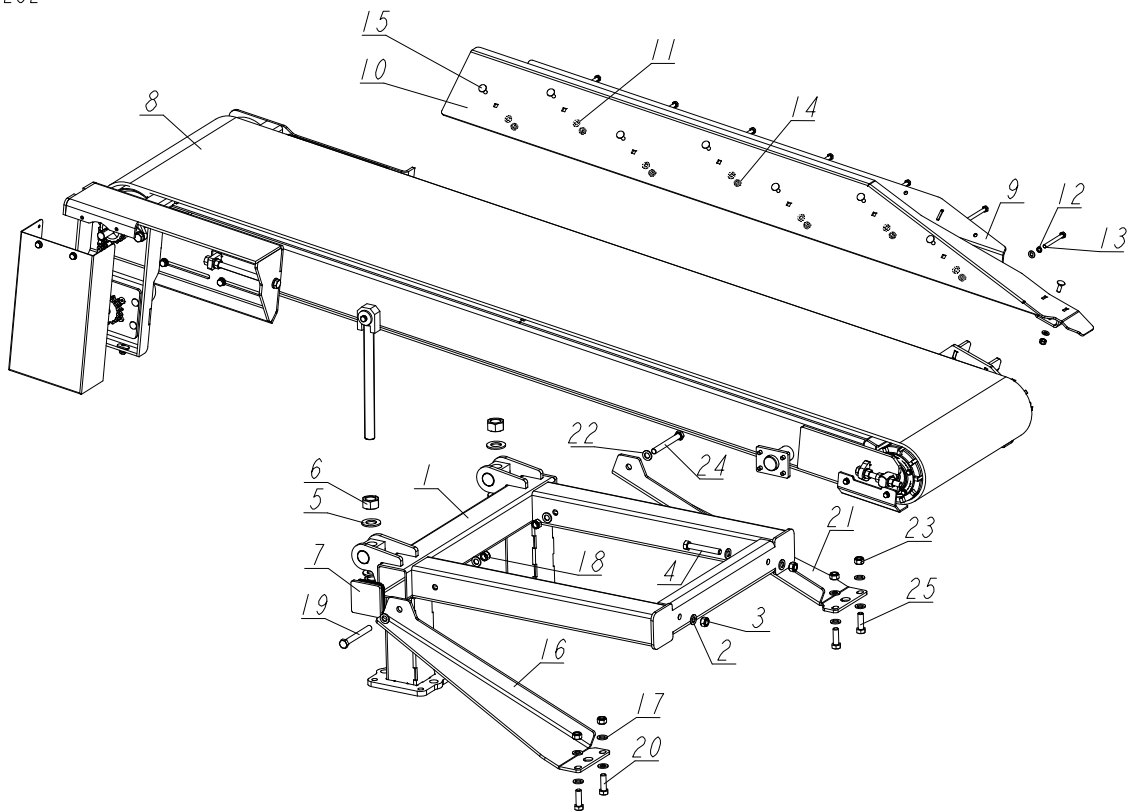
536594_001
 536594_MANUAL



| REF | DESCRIPTION (◆ indicates parts available in assemblies only) | PART # | QTY |
|-----|--|------------|-----|
| - | STEERING PLATE, COMPLETE | 536594 | 1 |
| 1 | MOUNTING PLATE | 536595-1 | 1 |
| 2 | STEERING PLATE | 600234-1 | 1 |
| 3 | WASHER, 10.5 FLAT ZINC | F81055-1 | 15 |
| 4 | WASHER, Z 10.2 SPLIT LOCK ZINC | F81055-2 | 7 |
| 5 | BOLT, M10X100-8.8 HEX HEAD ZINC | F81003-52 | 7 |
| 6 | NUT, M10-8-B HEX NYLON ZINC LOCK | F81033-1 | 8 |
| 7 | BOLT, M10X30-8.8 CARRIAGE ZINC | F81003-101 | 8 |

7.14 Long Adjustable Belt Conveyor, WM4500

568232_001
 568232



| REF | DESCRIPTION (◆ indicates parts available in assemblies only) | PART # | QTY |
|-----|--|-----------|-----|
| - | CONVEYOR, WM4500 LONG ADJUSTABLE BELT | 568232 | 1 |
| - | SUPPORT ASSEMBLY, ADJUSTABLE BELT CONVEY | 535025 | 1 |
| 1 | FRAME, CONVEYOR SUPPORT | 533478-1 | 1 |
| 2 | WASHER, 17 SPLIT LOCK ZINC | F81058-1 | 4 |
| 3 | NUT, M16-8 HEX NYLON ZINC LOCK | F81036-2 | 2 |
| 4 | BOLT, M16X110-8.8 HEX HEAD ZINC | F81006-24 | 2 |
| 5 | WASHER, 31 FLAT ZINC | F81061-9 | 4 |
| 6 | NUT, M30-HEX ZINC | F81038-3 | 4 |
| 7 | CAP, 100X100 #199200 SQUARE TUBE END | 090694 | 2 |
| 8 | TABLE, ADJUSTABLE BELT CONVEYOR | 568231 | 1 |
| - | STEERING PLATE, COMPLETE | 536594 | 1 |
| 9 | MOUNTING PLATE | 536595-1 | 1 |
| 10 | STEERING PLATE | 600234-1 | 1 |
| 11 | WASHER, 10.5 FLAT ZINC | F81055-1 | 15 |
| 12 | WASHER, Z 10.2 SPLIT LOCK ZINC | F81055-2 | 7 |
| 13 | BOLT, M10X100-8.8 HEX HEAD ZINC | F81003-52 | 7 |

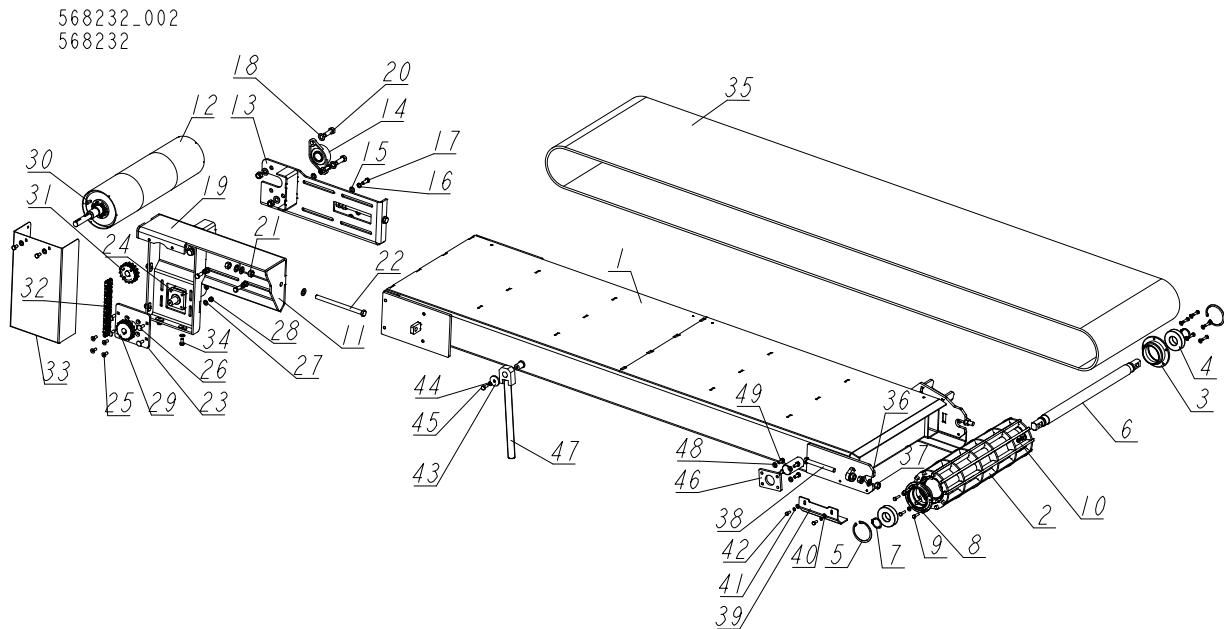


Bed Frame Assembly

Long Adjustable Belt Conveyor, WM4500

| REF | DESCRIPTION (◆ indicates parts available in assemblies only) | PART # | QTY | |
|-----|--|------------|-----|--|
| 14 | NUT, M10-8-B HEX NYLON ZINC LOCK | F81033-1 | 8 | |
| 15 | BOLT, M10X30-8.8 CARRIAGE ZINC | F81003-101 | 8 | |
| - | BRACKET, CONVEYOR SUPPORT - COMPLETE LEFT | 539455 | 1 | |
| 16 | BRACKET, CONVEYOR SUPPORT - LEFT | 539454-1 | 1 | |
| 17 | WASHER, 17 SPLIT LOCK ZINC | F81058-1 | 6 | |
| 18 | NUT, M16-8 HEX NYLON ZINC LOCK | F81036-2 | 3 | |
| 19 | BOLT, M16X140-8.8 HEX HEAD ZINC | F81006-4 | 1 | |
| 20 | BOLT, M16X50-8.8 HEX HEAD FULL THREAD ZINC | F81006-7 | 2 | |
| - | BRACKET, CONVEYOR SUPPORT - COMPLETE RIGHT | 539457 | 1 | |
| 21 | BRACKET, CONVEYOR SUPPORT - RIGHT | 539456-1 | 1 | |
| 22 | WASHER, 17 SPLIT LOCK ZINC | F81058-1 | 6 | |
| 23 | NUT, M16-8 HEX NYLON ZINC LOCK | F81036-2 | 3 | |
| 24 | BOLT, M16X140-8.8 HEX HEAD ZINC | F81006-4 | 1 | |
| 25 | BOLT, M16X50-8.8 HEX HEAD FULL THREAD ZINC | F81006-7 | 2 | |

7.15 Idle Pulley Assembly, WM4000



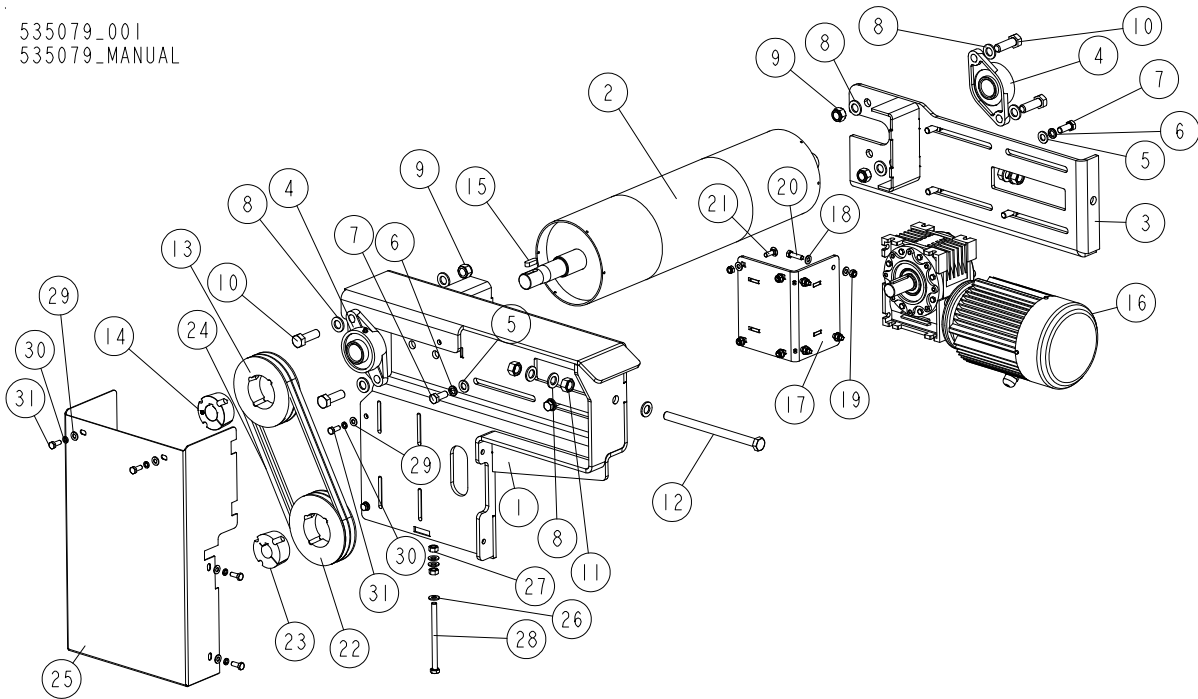
| REF | DESCRIPTION (◆ indicates parts available in assemblies only) | PART # | QTY |
|-----|--|-----------|-----|
| - | PULLEY, CONVEYOR IDLER | 533494 | 1 |
| 1 | ROLLER, BELT SCRAPER | 519965-1 | 1 |
| - | HUB, ROLLER BEARING - COMPLETE | 511305 | 2 |
| 2 | HUB, ROLLER BEARING | 511304-1 | 1 |
| 3 | BEARING, 6308 2RS CX BALL | 504268 | 1 |
| 4 | RING, W90 INSIDE RETAINING | F81090-29 | 1 |
| 5 | SHAFT, ROLLER | 533495 | 1 |
| 6 | RING, Z40 OUTSIDE RETAINING | F81090-33 | 2 |
| 7 | WASHER, 8.4 FLAT ZINC | F81054-1 | 20 |
| 8 | BOLT, M8X30-5.8-B HEX HEAD FULL THREAD ZINC | F81002-2 | 10 |
| 9 | NUT, M8 8 HEX NYLON ZINC LOCK | F81032-2 | 10 |

7 Bed Frame Assembly

Drive Pulley Assembly, WM4000

7.16 Drive Pulley Assembly, WM4000

535079_001
535079_MANUAL



| REF | DESCRIPTION (◆ indicates parts available in assemblies only) | PART # | QTY |
|-----|--|-----------|-----|
| - | PULLEY ASSEMBLY, DRIVE | 535079 | 1 |
| 1 | BRACKET, PULLEY DRIVE MOUNT | 535080-1 | 1 |
| 2 | PULLEY, DRIVE - COMPLETE | 535049 | 1 |
| 3 | BRACKET, DRIVE PULLEY | 534313-1 | 1 |
| 4 | BEARING, UCFL 207 BALL | 524021 | 2 |
| 5 | WASHER, 13 FLAT ZINC | F81056-1 | 8 |
| 6 | WASHER, Z12.2 SPLIT LOCK ZINC | F81056-2 | 8 |
| 7 | BOLT, M12X30 8.8 HEX HEAD FULL THREAD ZINC | F81004-22 | 8 |
| 8 | WASHER, 17 SPLIT LOCK ZINC | F81058-1 | 14 |
| 9 | NUT, M16-8 HEX NYLON ZINC LOCK | F81036-2 | 4 |
| 10 | BOLT, M16X50-8.8 HEX HEAD FULL THREAD ZINC | F81006-7 | 4 |
| 11 | NUT, M16-8 HEX ZINC | F81036-1 | 4 |
| 12 | BOLT, ISO 4017-M16X240-8.8-A2E HEX HEAD FULL THREAD | F81006-29 | 2 |
| - | PULLEY, 2X SPA 140 X 32 | 535076 | 1 |
| 13 | PULLEY, 2X SPA 140 | 535064 | 1 |
| 14 | BUSHING, 2012X32 TAPER LOCK | 535075 | 1 |
| 15 | KEY, A10X8X32, PARALLEL | 507591 | 1 |
| - | MOTOREDUCER W/BRACKET | 535062 | 1 |
| 16 | MOTOREDUCER, MR-63/16[2.2-2800-140/24-PT | 535078 | 1 |

Bed Frame Assembly
Drive Pulley Assembly, WM4000



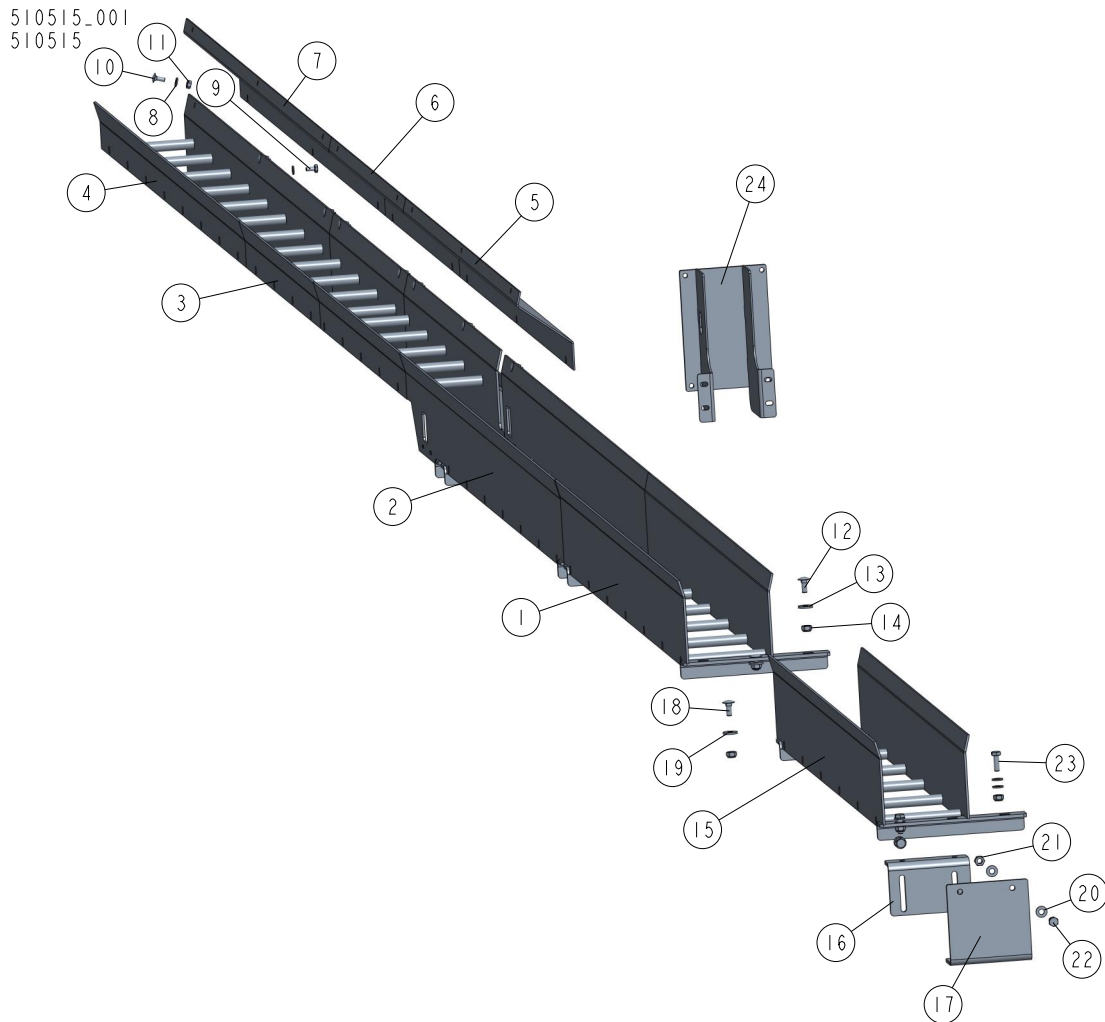
| REF | DESCRIPTION (◆ indicates parts available in assemblies only) | PART # | QTY | |
|-----|--|-----------|-----|--|
| 17 | BRACKET, MOTOREDUCER | 535071-1 | 1 | |
| 18 | WASHER, 8.4 FLAT ZINC | F81054-1 | 12 | |
| 19 | NUT, M8 8 HEX NYLON ZINC LOCK | F81032-2 | 8 | |
| 20 | BOLT, M8 X 30-8.8-B HEX HEAD FULL THREAD | F81002-7 | 4 | |
| 21 | BOLT, M8X25 8.8 CARRIAGE ZINC | F81002-59 | 4 | |
| - | PULLEY, 2X SPA 140 X 28 | 535065 | 1 | |
| 22 | PULLEY, 2X SPA 140 | 535064 | 1 | |
| 23 | BUSHING, 2012X28 TAPER LOCK | 535055 | 1 | |
| 24 | V-BELT, XPA 1030 | 535083 | 2 | |
| 25 | GUARD, PULLEY DRIVE | 535082-1 | 1 | |
| 26 | WASHER, 10.5 FLAT ZINC | F81055-1 | 3 | |
| 27 | NUT, M10 8 HEX ZINC | F81033-3 | 2 | |
| 28 | BOLT, M10X140-8.8 HEX HEAD FULL THREAD ZINC | F81003-39 | 1 | |
| 29 | WASHER, 8.4 FLAT ZINC | F81054-1 | 6 | |
| 30 | WASHER, 8.2 SPLIT LOCK ZINC | F81054-4 | 6 | |
| 31 | BOLT, M8X20 8.8 HEX HEAD FULL THREAD ZINC | F81002-4 | 6 | |



Bed Frame Assembly

Wireway Kit (Option w/o Pantograph)

7.17 Wireway Kit (Option w/o Pantograph)



| REF | DESCRIPTION (◆ indicates parts available in assemblies only) | PART # | QTY |
|-----|--|---------------|----------|
| | WIREWAY KIT WM3500-HD WITH CE HOSE DUCT - COMPLETE | 513926 | 1 |
| | WIREWAY KIT, WM4000 - COMPLETE | 510515 | 1 |
| | WIREWAY KIT, WM4000 | 510520 | 1 |
| 1 | WIREWAY WELDMENT, WM4000 | 510518-1 | 1 |
| 2 | WIREWAY WELDMENT, WM4000 (1) | 510521-1 | 1 |
| 3 | WIREWAY WELDMENT, WM4000 (2) | 510542-1 | 1 |
| 4 | WIREWAY WELDMENT, WM4000 | 510546-1 | 1 |
| 5 | COVER, WIREWAY (1) | 510545-1 | 1 |
| 6 | COVER, WIREWAY (2) | 510549-1 | 1 |
| 7 | COVER, WIREWAY (3) | 510550-1 | 1 |
| 8 | WASHER, 8.4 FLAT,ZINC | F81054-1 | 16 |

Bed Frame Assembly
Wireway Kit (Option w/o Pantograph)

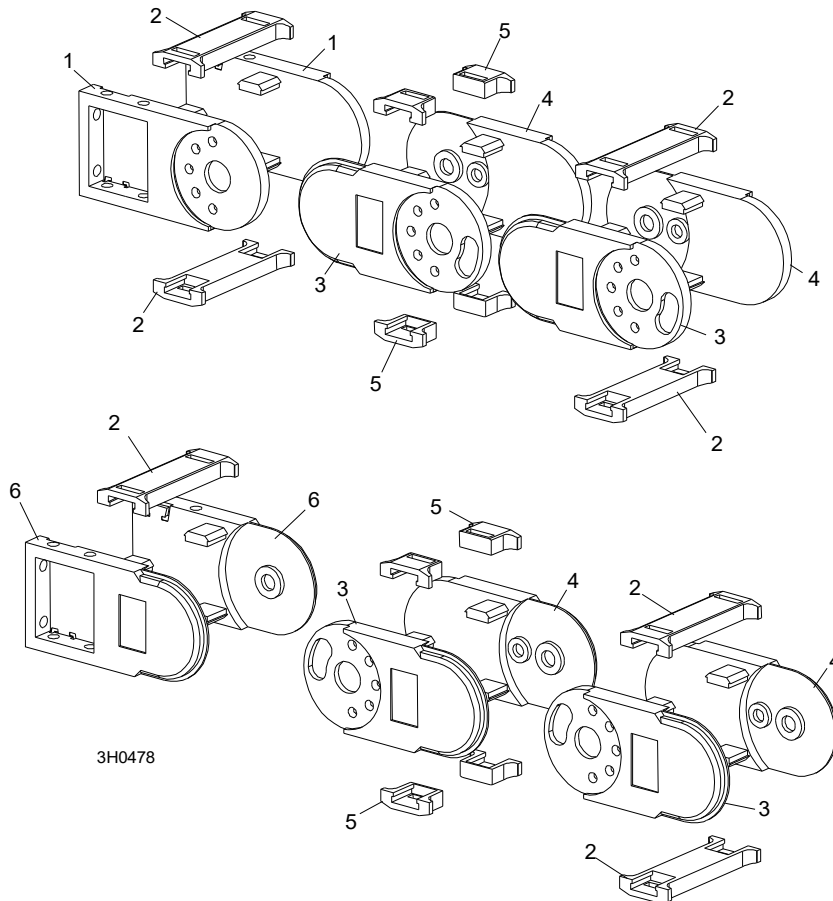
7

| | | | | |
|----|--|---------------|----------|--|
| 9 | BOLT M8X16 -8.8-B-FE/ZN5 PN-85/M-82105 | F81002-20 | 8 | |
| 10 | BOLT M8x20 CARRIAGE ZC 8.8 DIN 603 | F81002-11 | 8 | |
| 11 | NUT, M8-8-B HEX ZINC | F81032-1 | 8 | |
| 12 | BOLT, M10X25-8.8 CARRIAGE ZINC | F81003-59 | 16 | |
| 13 | WASHER, 10.5 SPECIAL FLAT ZINC | F81055-6 | 15 | |
| 14 | NUT, M10-8-B HEX NYLON ZINC LOCK | F81033-1 | 15 | |
| | COMPLETE REAR WIREWAY | 511276 | 1 | |
| 15 | WIREWAY, WM4000 REAR | 511274-1 | 1 | |
| 16 | BRACKET, LT70/300 WIREWAY SUPPORT ADJUSTMENT | 099793-1 | 1 | |
| 17 | SUPPORT, REAR WIREWAY | 510517-1 | 1 | |
| 18 | BOLT, M10X25-8.8 CARRIAGE ZINC | F81003-59 | 2 | |
| 19 | WASHER, 10.5 SPECIAL FLAT ZINC | F81055-6 | 2 | |
| 20 | WASHER, 10.5 FLAT ZINC | F81055-1 | 8 | |
| 21 | NUT, M10-8-B HEX NYLON ZINC LOCK | F81033-1 | 6 | |
| 22 | BOLT, M10X25-8.8-FE/ZN5 | F81003-11 | 2 | |
| 23 | BOLT, M10X30 5.8 HEX HEAD FULL THREAD ZI | F81003-2 | 2 | |
| 24 | BRACKET, CABLE | 592385-1 | 1 | |

7 Bed Frame Assembly

Cable Carrier

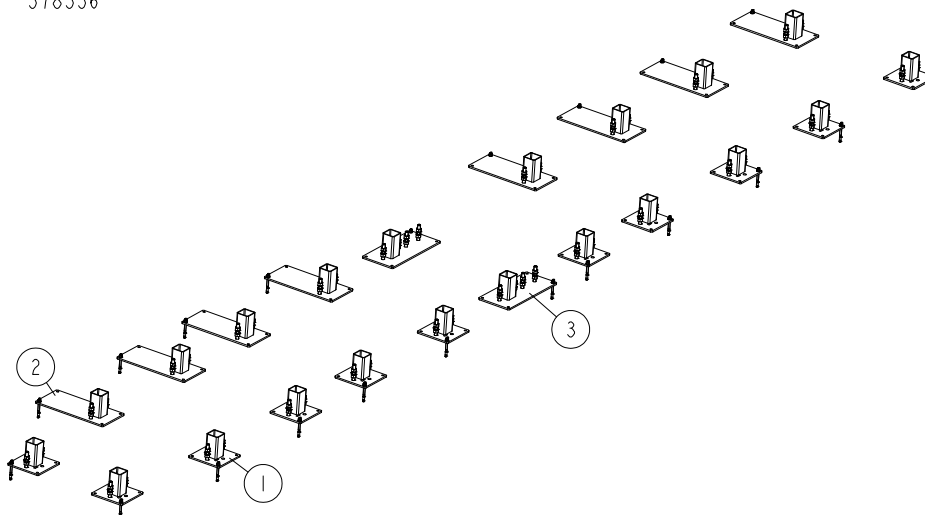
7.18 Cable Carrier



| REF | DESCRIPTION (◆ indicates parts available in assemblies only) | PART # | QTY |
|-----|--|----------|-----|
| | CARRIER, CABLE 4140-11-150AA 66 LINKS+MT | 094389 | 1 |
| 1 | Link, Nylon Chain Top Mount (4040/4040B) | 023612-3 | 2 |
| 2 | Brace, Nylon Chain Long (4040/4040B) | 023612-4 | 68 |
| 3 | Link, Nylon Chain Right Side (4040AA) | 036219 | 66 |
| 4 | Link, Nylon Chain Left Side (4040AA) | 036220 | 66 |
| 5 | Brace, Nylon Chain Short (4040/4040B) | 023612-5 | 136 |
| 6 | LINK, NYLON CHAIN BOTTOM MNT(4040/4040B) | 023612-9 | 2 |

7.19 Stationary Leg Foot, WM3500S-HD

578556_001
 578556



| REF | DESCRIPTION (u indicates parts available in assemblies only) | PART # | QTY | |
|-----|--|----------|-----|--|
| - | FRAME LEG FOOT KIT, WM4000 W. ADJUSTABLE CONVEYOR | 578556 | 1 | |
| 1 | FOOT WELDMENT, BED LEG (See Section 7.21) | 510897-1 | 11 | |
| 2 | FOOT WELDMENT, WM4000 ADJUSTABLE LEG (See Section 7.22) | 510910-1 | 8 | |
| 3 | FOOT, WM4000 FRAME LEG (CHAIN TURNER) (See Section 7.23) | 510016-1 | 2 | |

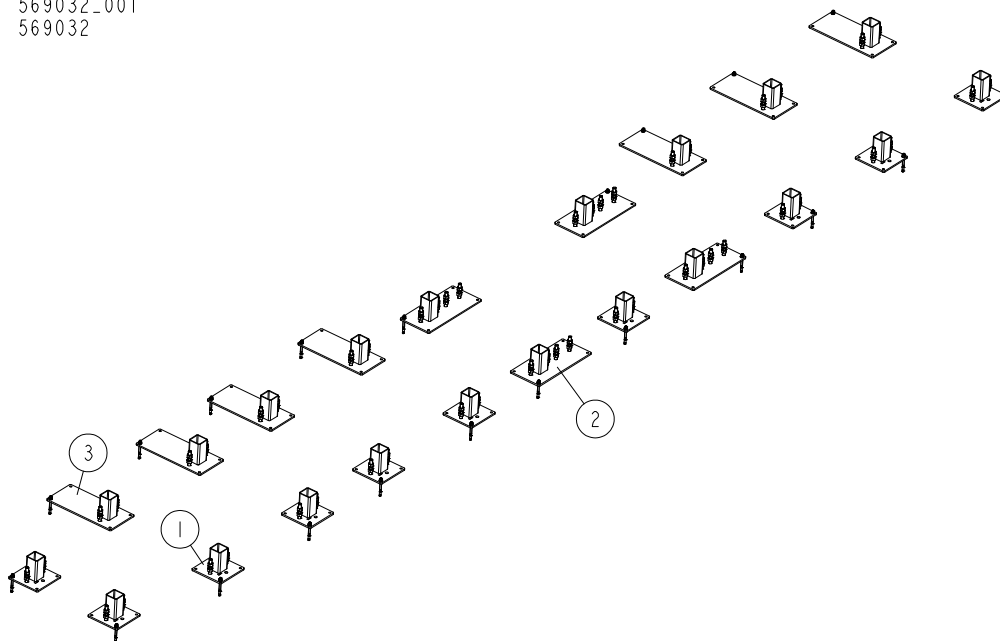
7

Bed Frame Assembly

Stationary Leg Foot, WM3500S-HD/SUPER & WM4000

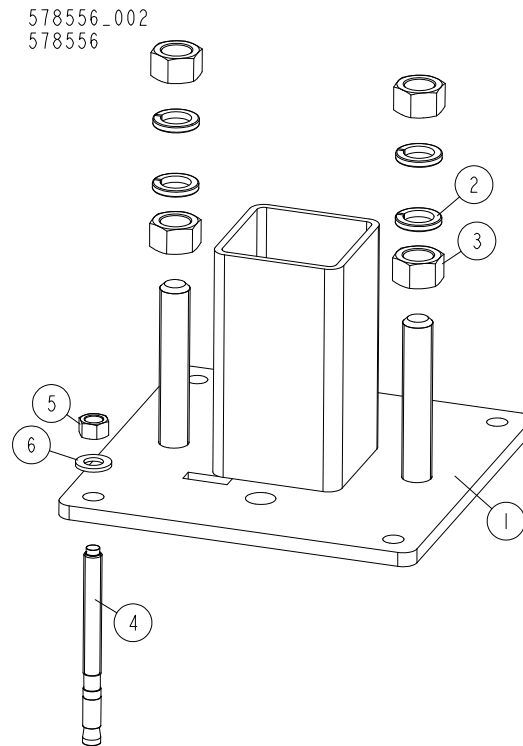
7.20 Stationary Leg Foot, WM3500S-HD/SUPER & WM4000

569032_001
569032



| REF | DESCRIPTION (u indicates parts available in assemblies only) | PART # | QTY | |
|-----|--|----------|-----|--|
| - | FRAME LEG FOOT KIT, WM3500-HD WM4000 W. ADJUSTABLE CONVEYOR | 569032 | 1 | |
| 1 | FOOT WELDMENT, BED LEG (See Section 7.21) | 510897-1 | 10 | |
| 2 | FOOT, WM4000 FRAME LEG (CHAIN TURNER) (See Section 7.23) | 510016-1 | 4 | |
| 3 | FOOT WELDMENT, WM4000 ADJUSTABLE LEG (See Section 7.22) | 510910-1 | 7 | |

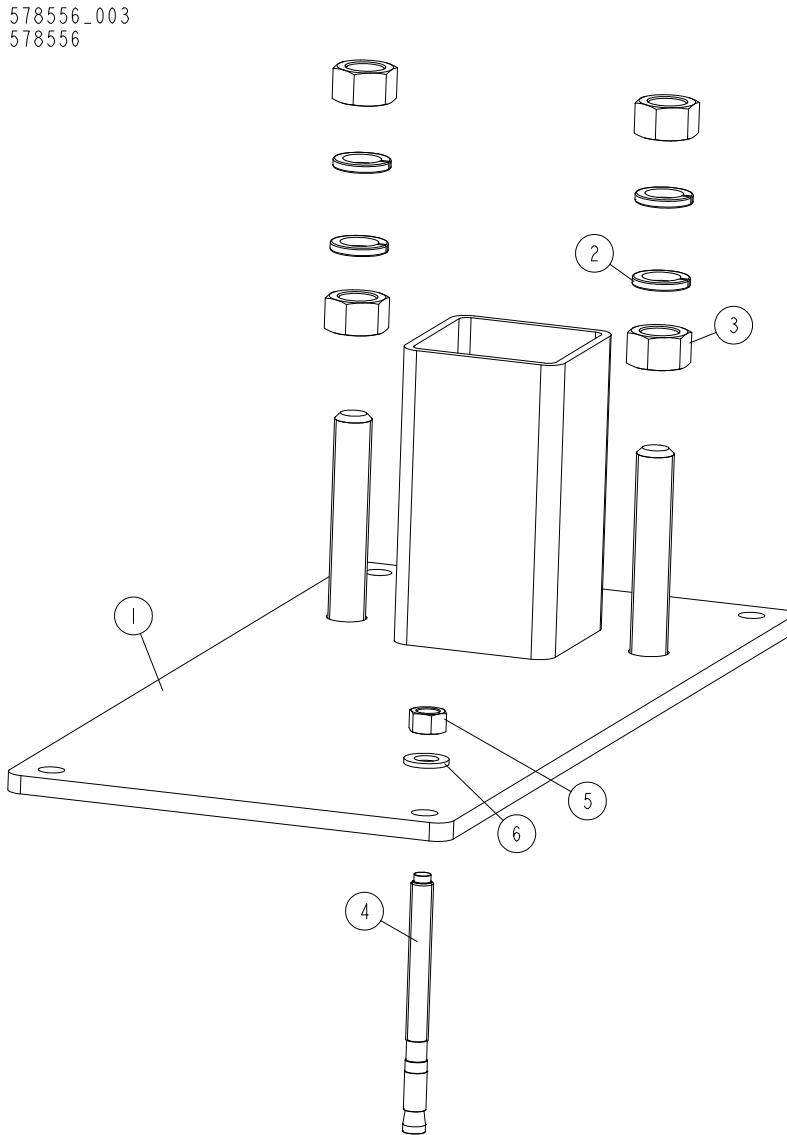
7.21 Adjustable Bed Leg Foot



| REF | DESCRIPTION (u indicates parts available in assemblies only) | PART # | QTY |
|-----|--|----------|-----|
| - | FRAME LEG FOOT KIT, WM4000 W. ADJUSTABLE CONVEYOR | 578556 | 1 |
| 1 | FOOT WELDMENT, BED LEG | 510897-1 | 1 |
| 2 | WASHER, 20.5 SPLIT LOCK ZINC | F81059-1 | 4 |
| 3 | NUT, M20-8 HEX ZINC | F81037-1 | 4 |
| - | ANCHOR, M12X140MM KMC | 084529 | 1 |
| 4 | ANCHOR, M12X140MM KMC | 084529 | 1 |
| 5 | NUT, M12-8-B HEX ZINC | F81034-1 | 1 |
| 6 | WASHER, 13 FLAT ZINC | F81056-1 | 1 |

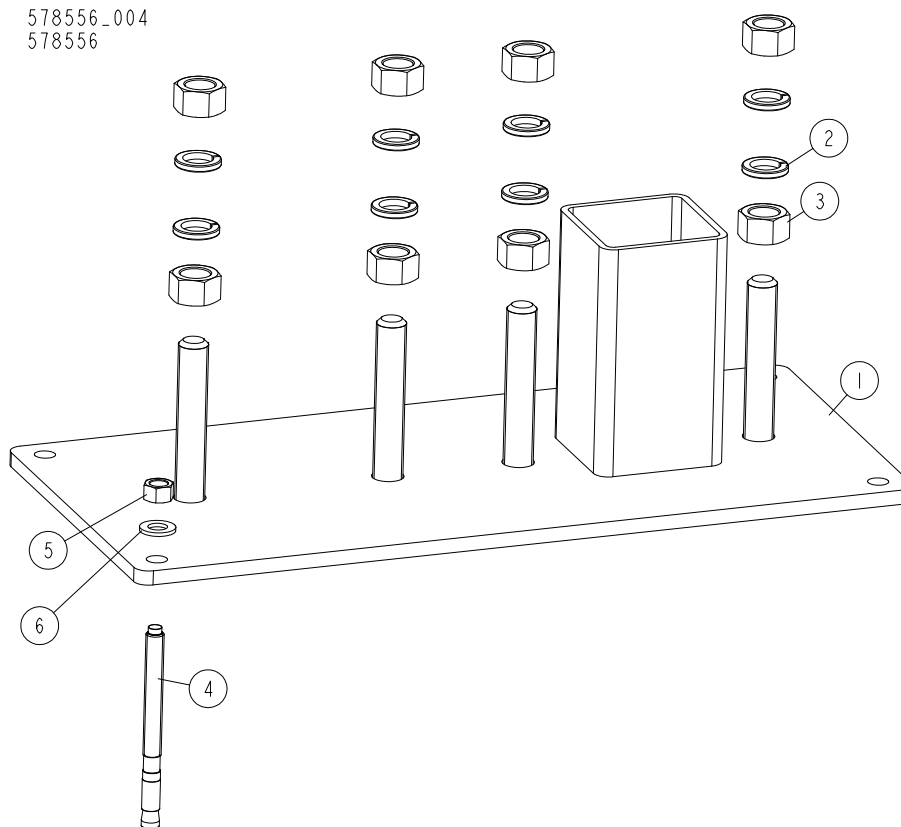
7 **Bed Frame Assembly**
Adjustable Leg Foot, WM4000

7.22 Adjustable Leg Foot, WM4000



| REF | DESCRIPTION (u indicates parts available in assemblies only) | PART # | QTY |
|-----|--|----------|-----|
| - | FRAME LEG FOOT KIT, WM4000 W. ADJUSTABLE CONVEYOR | 578556 | 1 |
| 1 | FOOT WELDMENT, WM4000 ADJUSTABLE LEG | 510910-1 | 1 |
| 2 | WASHER, 20.5 SPLIT LOCK ZINC | F81059-1 | 4 |
| 3 | NUT, M20-8 HEX ZINC | F81037-1 | 4 |
| - | ANCHOR, M12X140MM KMC | 084529 | 1 |
| 4 | ANCHOR, M12X140MM KMC | 084529 | 1 |
| 5 | NUT, M12-8-B HEX ZINC | F81034-1 | 1 |
| 6 | WASHER, 13 FLAT ZINC | F81056-1 | 1 |

7.23 Frame Leg Foot, WM4000

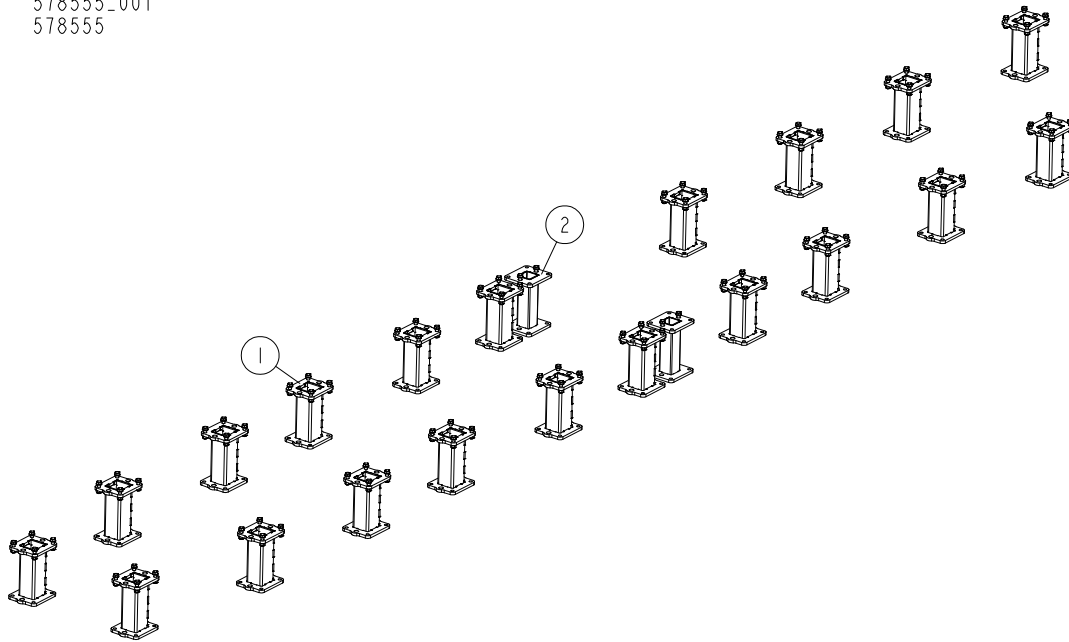


| REF | DESCRIPTION (u indicates parts available in assemblies only) | PART # | QTY |
|-----|--|----------|-----|
| - | FRAME LEG FOOT KIT, WM4000 W. ADJUSTABLE CONVEYOR | 578556 | 1 |
| 1 | FOOT, WM4000 FRAME LEG (CHAIN TURNER) | 510016-1 | 1 |
| 2 | WASHER, 20.5 SPLIT LOCK ZINC | F81059-1 | 8 |
| 3 | NUT, M20-8 HEX ZINC | F81037-1 | 8 |
| - | ANCHOR, M12X140MM KMC | 084529 | 1 |
| 4 | ANCHOR, M12X140MM KMC | 084529 | 1 |
| 5 | NUT, M12-8-B HEX ZINC | F81034-1 | 1 |
| 6 | WASHER, 13 FLAT ZINC | F81056-1 | 1 |

7 **Bed Frame Assembly**
Support Leg Kit, WM3500S-HD

7.24 Support Leg Kit, WM3500S-HD

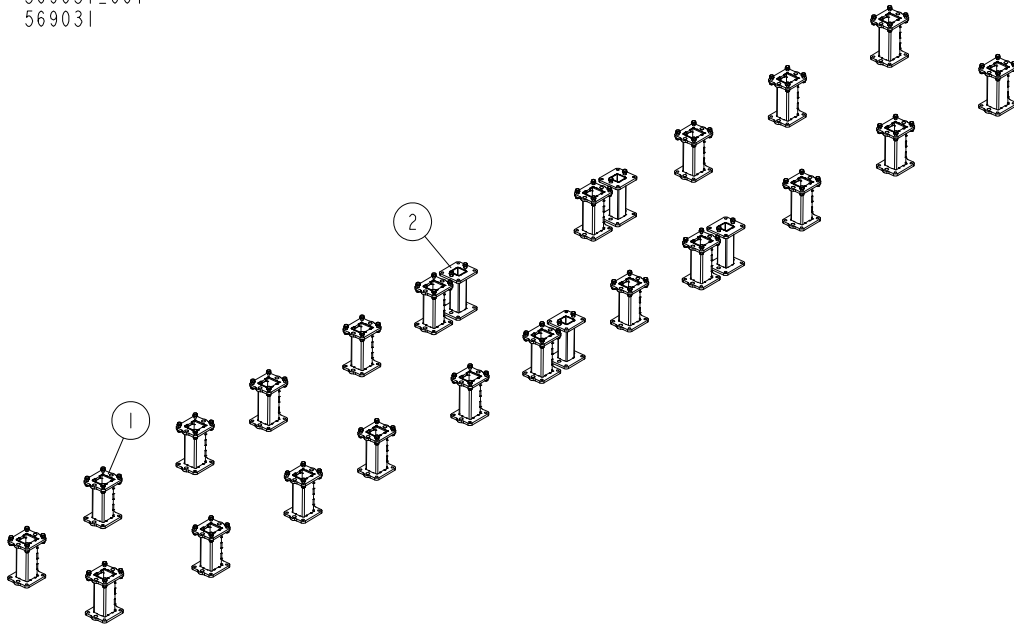
578555_001
 578555



| REF | DESCRIPTION (u indicates parts available in assemblies only) | PART # | QTY | |
|-----|---|--------|-----|--|
| - | SUPPORT LEG KIT, WM3500S-HD, WM4000 W. ADJUSTABLE CONVEYOR | 578555 | 1 | |
| 1 | SUPPORT, WM4000 BED FRAME - COMPLETE (See Section 7.26) | 534431 | 21 | |
| 2 | SUPPORT, WM3500HD BED (See Section 7.27) | 534427 | 2 | |

7.25 Support Leg Kit, WM3500S-HD/SUPER & WM4000

569031_001
569031



| REF | DESCRIPTION (u indicates parts available in assemblies only) | PART # | QTY | |
|-----|---|--------|-----|--|
| - | SUPPORT LEG KIT, WM3500S-HD, WM4000 W. ADJUSTABLE CONVEYOR | 569031 | 1 | |
| 1 | SUPPORT, WM4000 BED FRAME - COMPLETE (See Section 7.26) | 534431 | 21 | |
| 2 | SUPPORT, WM3500HD BED (See Section 7.27) | 534427 | 4 | |

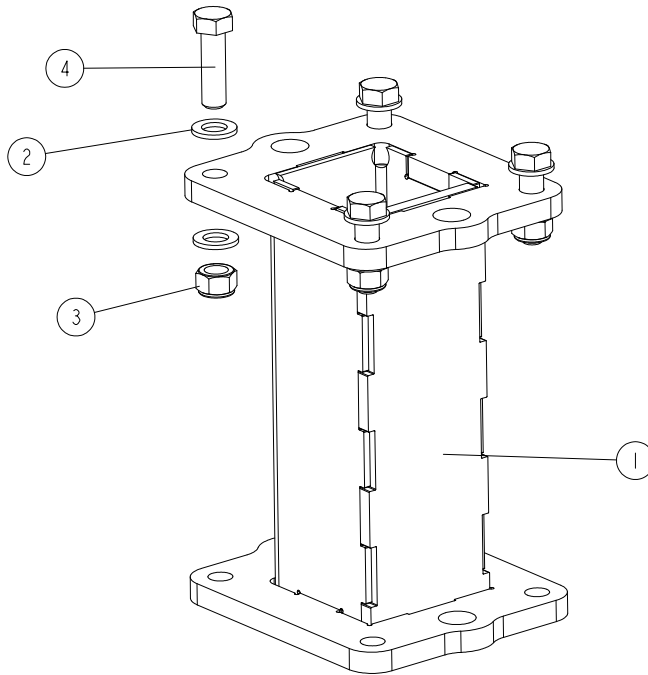


Bed Frame Assembly

Bed Frame Support, WM4000

7.26 Bed Frame Support, WM4000

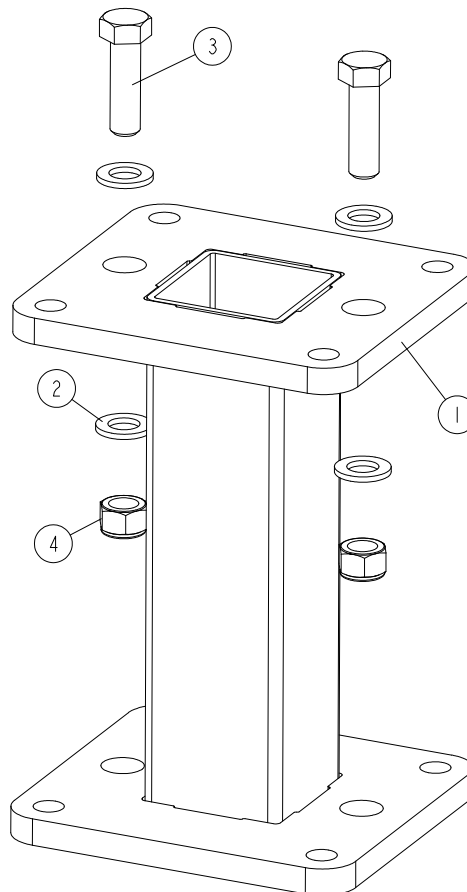
534431_001
534431_MANUAL



| REF | DESCRIPTION (u indicates parts available in assemblies only) | PART # | QTY | |
|-----|--|-----------|-----|--|
| - | SUPPORT, WM4000 BED FRAME - COMPLETE | 534431 | 1 | |
| 1 | SUPPORT, WM4000 BED FRAME | 534428-1 | 1 | |
| 2 | WASHER, 17 FLAT ZINC | F81058-1 | 8 | |
| 3 | NUT, M16-8 HEX NYLON ZINC LOCK | F81036-2 | 4 | |
| 4 | BOLT, M16X55-8.8 HEX HEAD FULL THREAD ZI | F81006-61 | 4 | |

7.27 Bed Support, WM3500

534427_001
 534427



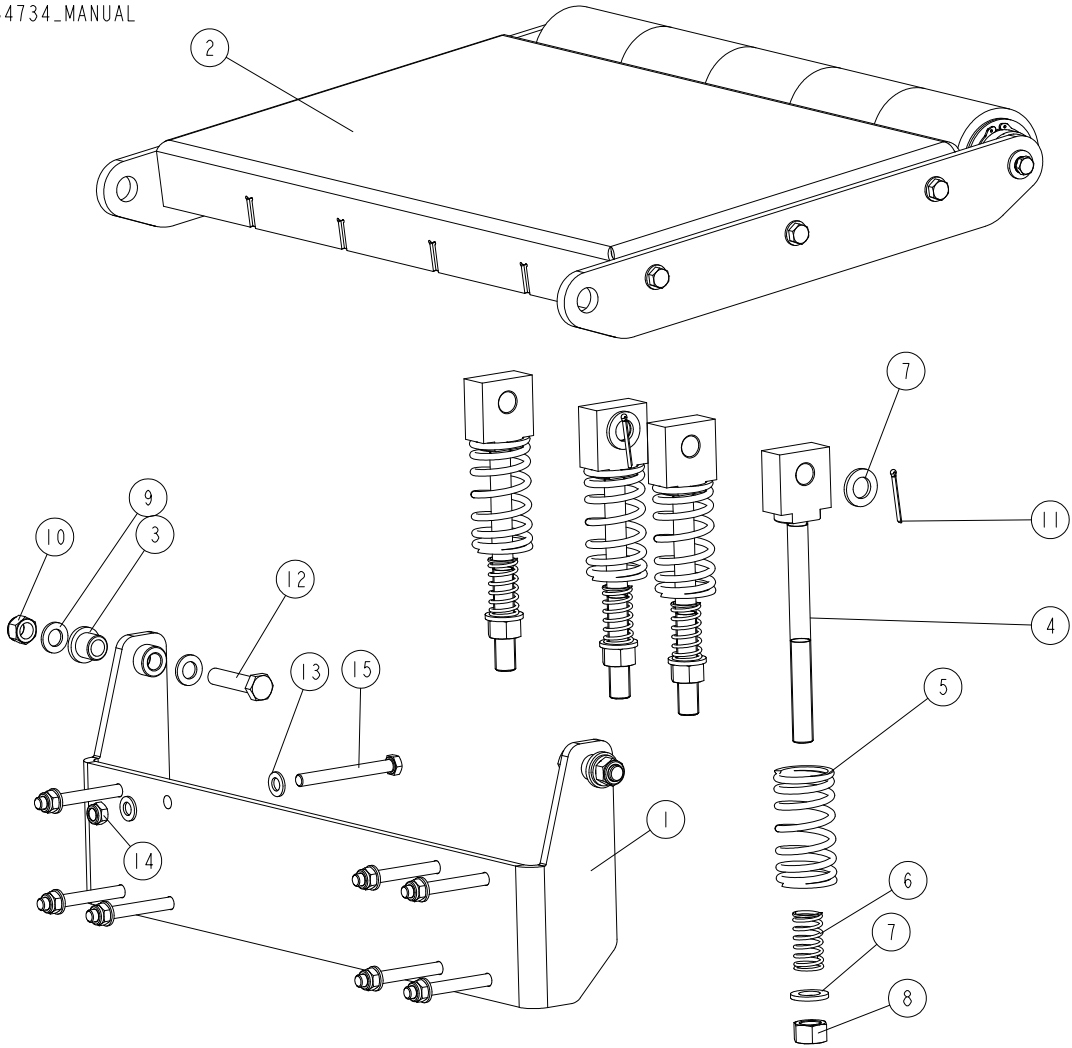
| REF | DESCRIPTION (u indicates parts available in assemblies only) | PART # | QTY | |
|-----|--|-----------|-----|--|
| - | SUPPORT, WM3500HD BED | 534427 | 1 | |
| 1 | SUPPORT, WM3500HD BED | 534426-1 | 1 | |
| 2 | WASHER, 17 FLAT ZINC | F81058-1 | 4 | |
| 3 | BOLT, M16X55-8.8 HEX HEAD FULL THREAD ZI | F81006-61 | 2 | |
| 4 | NUT, M16-8 HEX NYLON ZINC LOCK | F81036-2 | 2 | |

7 Bed Frame Assembly

Board Removal Bumper Assembly

7.28 Board Removal Bumper Assembly

534734_001
534734_MANUAL



| REF | DESCRIPTION (u indicates parts available in assemblies only) | PART # | QTY |
|-----|---|----------|-----|
| - | BUMPER ASSEMBLY, WM4000 BOARD REMOVAL | 534734 | 1 |
| 1 | BRACKET WELDMENT, BUMPER PLATE MOUNT | 534736-1 | 1 |
| 2 | PLATE W/ROLLER, BOARD REMOVAL BUMPER - C (See Section 7.29) | 534741 | 1 |
| 3 | BUSHING, 16.2/24.5-25 FLANGE 35-5 ZINC-P | 534742 | 2 |
| 4 | ROD WELDMENT, BUMPER SPRING | 510818-1 | 4 |
| 5 | SPRING, 110X46X6.5 CUSHION | 510815 | 4 |
| 6 | SPRING, 60X23X3 | 088992 | 4 |
| 7 | WASHER, 21 FLAT ZINC | F81059-2 | 8 |
| 8 | NUT, M20-8 HEX ZINC | F81037-1 | 4 |
| 9 | WASHER, 17 FLAT ZINC | F81058-1 | 4 |

Bed Frame Assembly
Board Removal Bumper Assembly

7

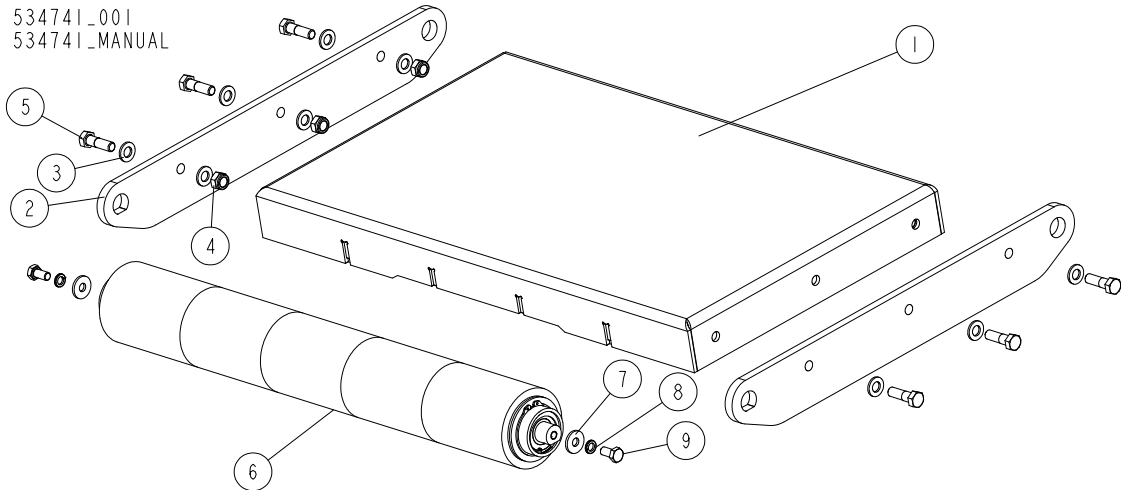
| REF | DESCRIPTION (u indicates parts available in assemblies only) | PART # | QTY | |
|-----|--|-----------|-----|--|
| 10 | NUT, M16-8 HEX NYLON ZINC LOCK | F81036-2 | 2 | |
| 11 | PIN, 4X30 COTTER ZINC-PLATED | F81043-22 | 4 | |
| 12 | BOLT, M16X70 HEX HEAD ZINC | F81006-16 | 2 | |
| 13 | WASHER, 13 FLAT ZINC | F81056-1 | 16 | |
| 14 | NUT, M12 8 HEX NYLON ZINC LOCK | F81034-2 | 8 | |
| 15 | BOLT, M12X110-8.8-B HEX HEAD ZINC | F81004-47 | 8 | |



Bed Frame Assembly

Board Removal Bumper Plate W/ Roller

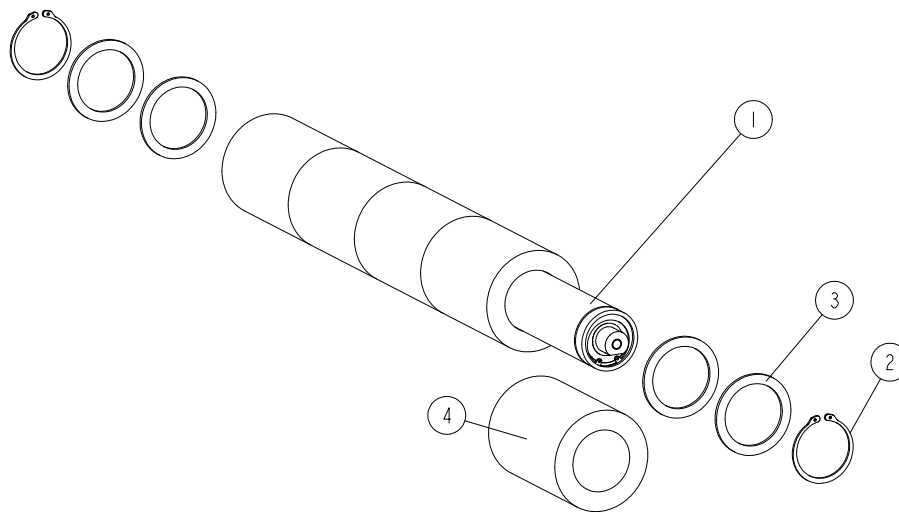
7.29 Board Removal Bumper Plate W/ Roller



| REF | DESCRIPTION (u indicates parts available in assemblies only) | PART # | QTY |
|-----|---|----------|-----|
| - | PLATE W/ROLLER, BOARD REMOVAL BUMPER - C | 534741 | 1 |
| 1 | PLATE WELDMENT, BOARD REMOVAL BUMPER | 534740-1 | 1 |
| 2 | PLATE, BUMPER ARM | 534738 | 2 |
| 3 | WASHER, 13 FLAT ZINC | F81056-1 | 12 |
| 4 | NUT, M12 8 HEX NYLON ZINC LOCK | F81034-2 | 6 |
| 5 | BOLT, M12X40-8.8 HEX HEAD ZINC | F81004-1 | 6 |
| 6 | ROLLER ASSEMBLY, RUBBER COATED (See Section 7.30) | 534731 | 1 |
| 7 | WASHER, 10.5 SPECIAL FLAT ZINC | F81055-6 | 2 |
| 8 | WASHER, Z 10.2 SPLIT LOCK ZINC | F81055-2 | 2 |
| 9 | BOLT, M10X20-5.8 HEX HEAD FULL THREAD ZI | F81003-1 | 2 |

7.30 Rubber Coated Roller Assembly

534731_001
 534731_MANUAL



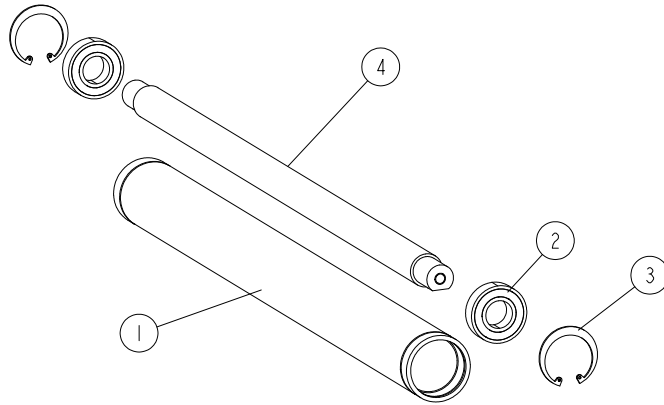
| REF | DESCRIPTION (u indicates parts available in assemblies only) | PART # | QTY | |
|-----|---|-----------|-----|--|
| - | ROLLER ASSEMBLY, RUBBER COATED | 534731 | 1 | |
| 1 | ROLLER, BOARD REMOVAL BUMPER (See Section 7.31) | 534732 | 1 | |
| 2 | RING, Z60 OUTSIDE RETAINING | F81090-62 | 2 | |
| 3 | RING, 61/80X3 SPACER | 515895 | 4 | |
| 4 | ROLLER, RUBBER | 517493 | 5 | |

7 Bed Frame Assembly

Roller Tube

7.31 Roller Tube

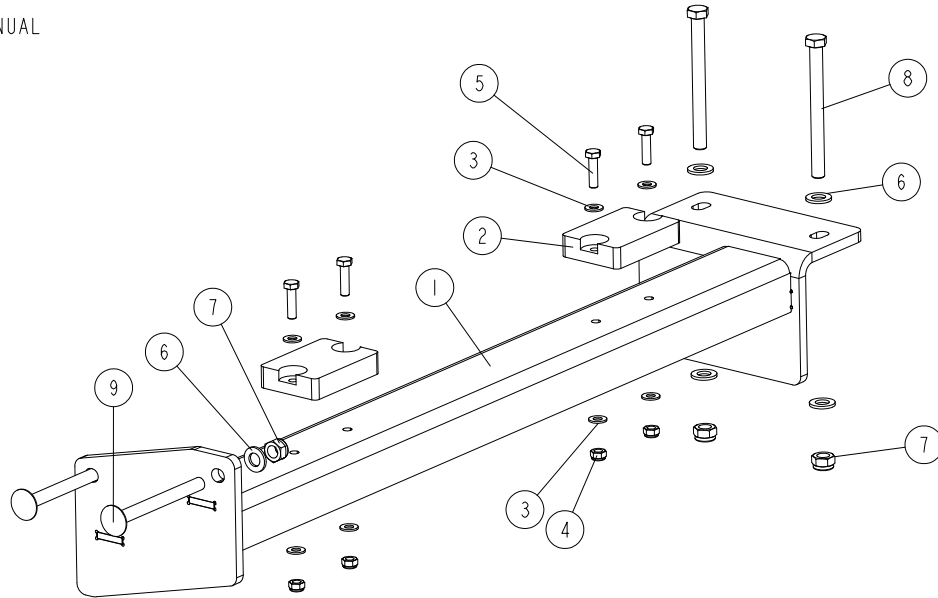
534732_001
534732_MANUAL



| REF | DESCRIPTION (u indicates parts available in assemblies only) | PART # | QTY | |
|-----|--|--------|-----|--|
| - | ROLLER, BOARD REMOVAL BUMPER | 534732 | 1 | |
| 1 | TUBE, LT70AHDE30S ROLLER | 091781 | 1 | |
| 2 | BEARING, 6205 2RS BALL | 091804 | 2 | |
| 3 | RING, W52 INSIDE RETAINING | 091805 | 2 | |
| 4 | SHAFT, ROLLER | 534733 | 1 | |

7.32 Cushion Spring Support Beam

534747_001
534747_MANUAL

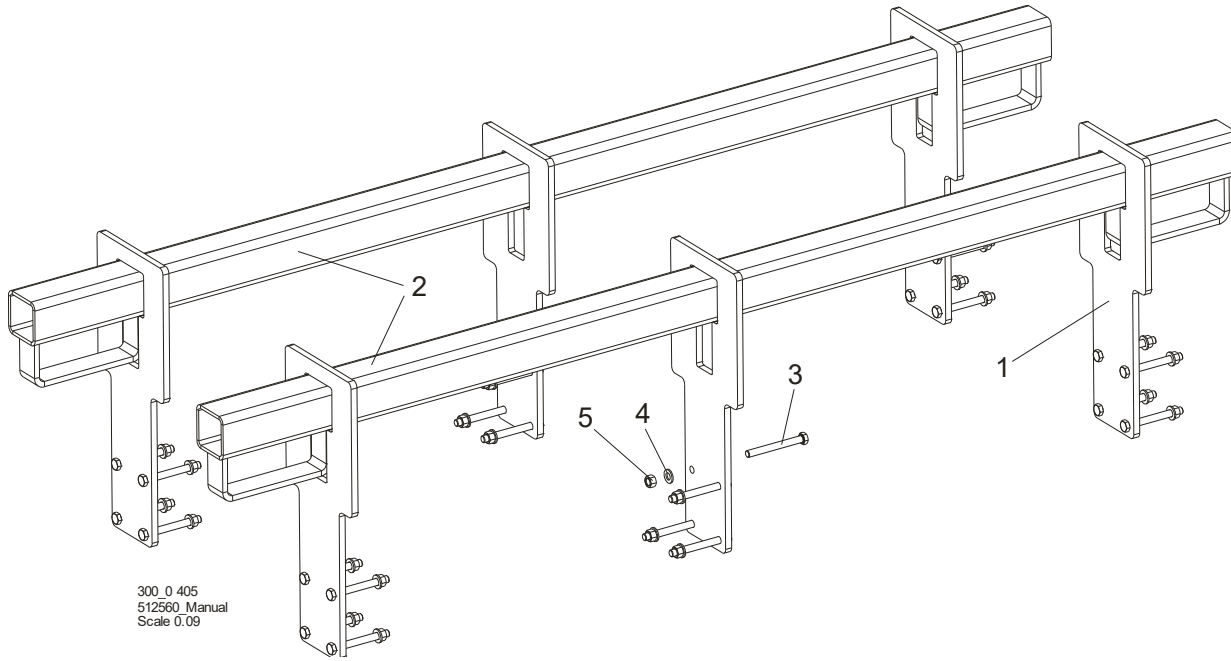


| REF | DESCRIPTION (u indicates parts available in assemblies only) | PART # | QTY |
|-----|--|-----------|-----|
| - | BEAM, CUSHION SPRING SUPPORT - COMPLETE | 534747 | 1 |
| 1 | BEAM WELDMENT, SPRING SUPPORT | 534746-1 | 1 |
| 2 | BUMPER, GRENE 70 3201 0010 RUBBER | 094969 | 2 |
| 3 | WASHER, 8.4 FLAT ZINC | F81054-1 | 8 |
| 4 | NUT, M8-8-B HEX NYLON ZINC LOCK | F81032-2 | 4 |
| 5 | BOLT, M8X30 8.8 HEX HEAD FULL THREAD ZIN | F81002-7 | 4 |
| 6 | WASHER, 13 FLAT ZINC | F81056-1 | 6 |
| 7 | NUT, M12 8 HEX NYLON ZINC LOCK | F81034-2 | 4 |
| 8 | BOLT, M12X130-8.8-HEX HEAD ZINC | F81004-36 | 2 |
| 9 | BOLT, M12X130-8.8 CARRIAGE HEAD ZINC | F81004-26 | 2 |



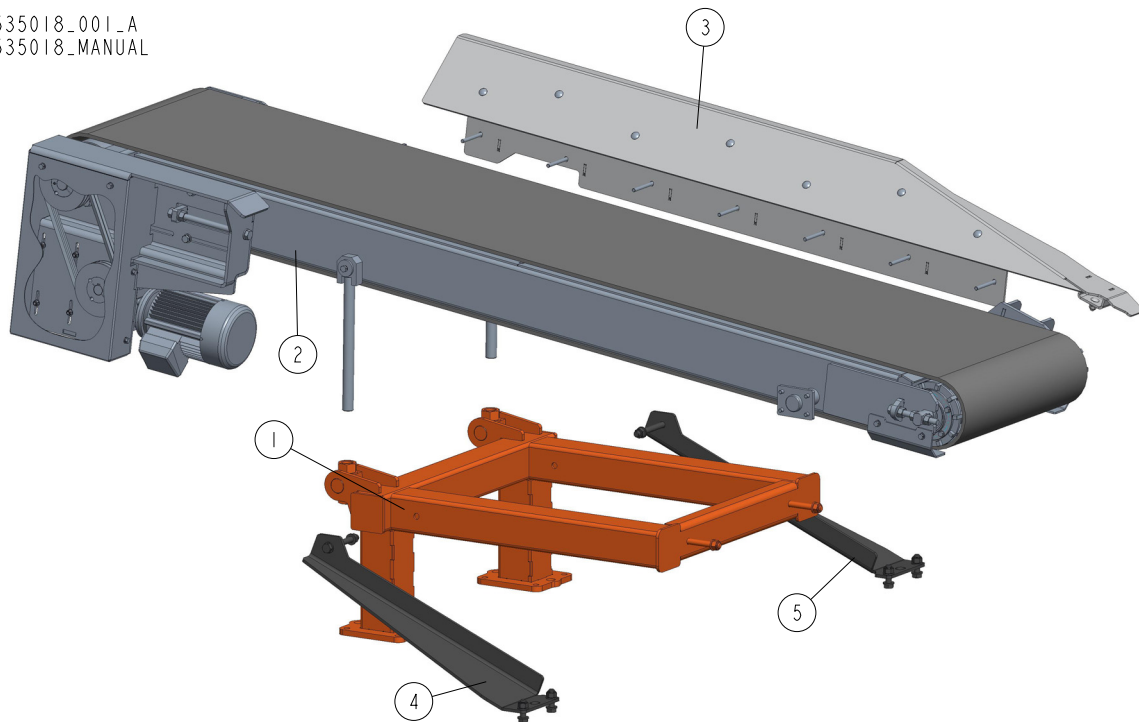
Bed Frame Assembly
Transport Bracket, WM4000

7.33 Transport Bracket, WM4000



| REF | DESCRIPTION (◆ indicates parts available in assemblies only) | PART # | QTY |
|-----|--|---------------|----------|
| | BRACKET, WM4000 TRANSPORT - COMPLETE | 510880 | 1 |
| 1 | PLATE, WM4000 TRANSPORT BRACKET | 510877-1 | 6 |
| 2 | TUBE WELDMENT, TRANSPORT BRACKET | 510879-1 | 6 |
| 3 | BOLT, M12x110-8.8-B HEX HEAD ZINC | F81004-47 | 24 |
| 4 | WASHER, 13 FLAT ZINC | F81056-1 | 24 |
| 5 | NUT, M12-8 HEX ZINC | F81034-1 | 24 |

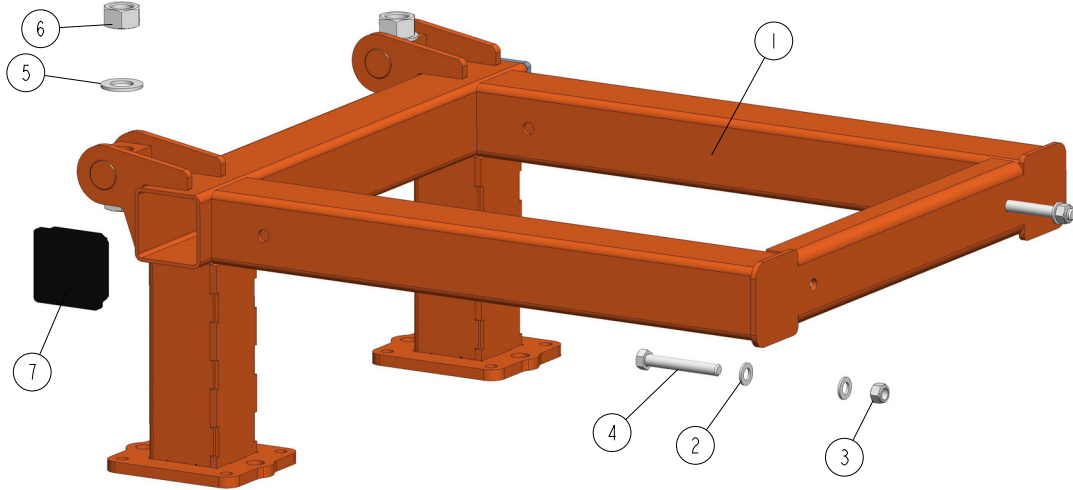
7.34 Adjustable Belt Conveyor (Part No. 535018)

535018_001_A
535018_MANUAL

| REF | DESCRIPTION (◆ indicates parts available in assemblies only) | PART # | QTY | |
|-----|--|--------|-----|--|
| - | CONVEYOR, WM4000 ADJUSTABLE BELT | 535018 | 1 | |
| 1 | SUPPORT ASSEMBLY, ADJUSTABLE BELT CONVEY See Section 7.35 | 535025 | 1 | |
| 2 | TABLE, ADJUSTABLE BELT CONVEYOR See Section 7.36 | 533490 | 1 | |
| 3 | STEERING PLATE, COMPLETE See Section 7.40 | 536594 | 1 | |
| 4 | BRACKET, CONVEYOR SUPPORT - COMPLETE LEFT See Section 7.41 | 539455 | 1 | |
| 5 | BRACKET, CONVEYOR SUPPORT - COMPLETE RIG See Section 7.42 | 539457 | 1 | |

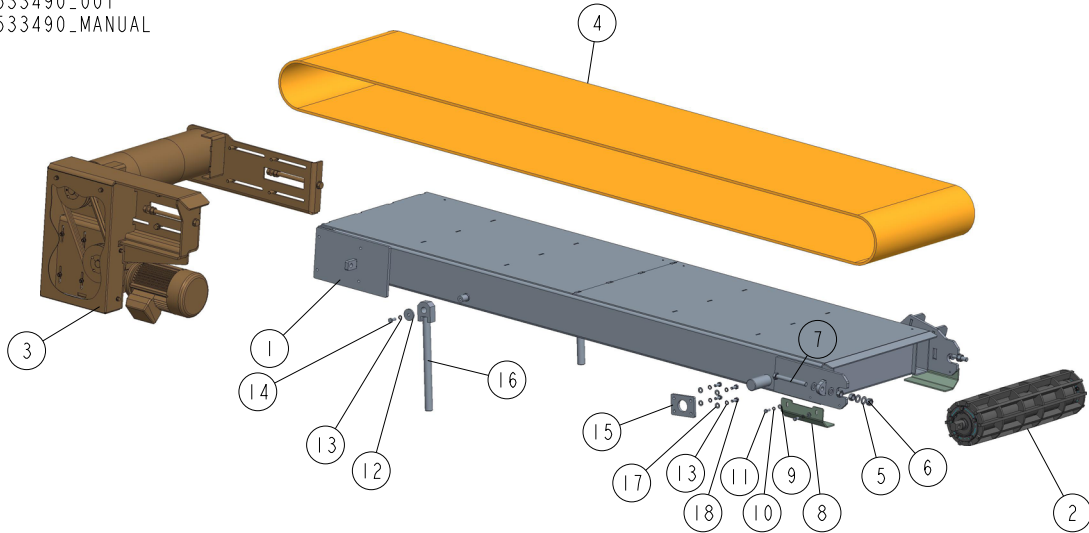
7.35 Conveyor Support Assembly (No. 535025)

535025_001
535025_MANUAL



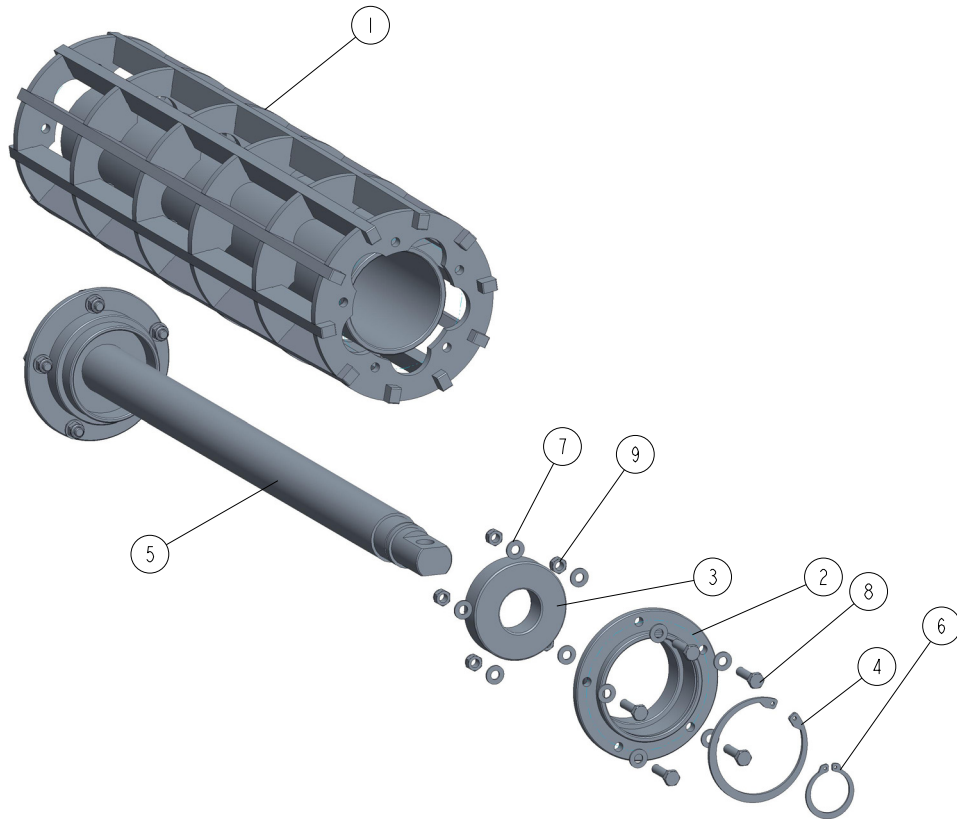
| REF. | DESCRIPTION (* indicates parts available in assemblies only) | PART NO. | QTY |
|------|--|-----------|-----|
| - | SUPPORT ASSEMBLY, ADJUSTABLE BELT CONVEYOR | 535025 | 1 |
| 1 | FRAME, CONVEYOR SUPPORT | 533478-1 | 1 |
| 2 | WASHER, 17 SPLIT LOCK ZINC | F81058-1 | 4 |
| 3 | NUT, M16-8 HEX NYLON ZINC LOCK | F81036-2 | 2 |
| 4 | BOLT, M16X110-8.8-B HEX HEAD ZINC | F81006-24 | 2 |
| 5 | WASHER, 31 FLAT ZINC | F81061-9 | 4 |
| 6 | NUT, M30 HEX ZINC | F81038-3 | 4 |
| 7 | CAP, 100X100 #199200 SQUARE TUBE END | 090694 | 2 |

7.36 Adjustable Belt Conveyor Table (No. 533490)

533490_001
533490_MANUAL

| REF | DESCRIPTION (u indicates parts available in assemblies only) | PART # | QTY |
|-----|--|-----------|-----|
| - | TABLE, ADJUSTABLE BELT CONVEYOR | 533490 | 1 |
| 1 | TABLE WELDMENT, ADJUSTABLE BELT CONVEYOR | 533489-1 | 1 |
| 2 | PULLEY, IDLER See Section 7.37 | 533494 | 1 |
| 3 | PULLEY ASSEMBLY, DRIVE See Section 7.38 | 535079 | 1 |
| 4 | BELT, 2MOP3 LG5950X600 CONVEYOR | 533482 | 1 |
| 5 | WASHER, 17 SPLIT LOCK ZINC | F81058-1 | 8 |
| 6 | NUT, M16-5.8 HEX ZINC | F81036-1 | 6 |
| 7 | BOLT, M16X160 8.8 HEX HEAD FULL THREAD Z | F81006-23 | 2 |
| 8 | ANGLE, RETAINING | 534302 | 2 |
| 9 | WASHER, 8,4-FLAT ZINC | F81054-1 | 4 |
| 10 | WASHER, 8,2 SPLIT LOCK ZINC | F81054-4 | 4 |
| 11 | BOLT, M8X20-8.8-B-HEX HEAD FULL THREAD Z | F81002-4 | 4 |
| 12 | WASHER, 10.5/45-6 ZINC-PLATED | 086286-1 | 2 |
| 13 | WASHER, Z 10.2 SPLIT LOCK ZINC | F81055-2 | 10 |
| 14 | BOLT, M10X25 8.8 HEX HEAD FULL THREAD | F81003-31 | 2 |
| 15 | PLATE, LOCKING | 533464-1 | 2 |
| 16 | ROD WELDMENT, CONVEYOR TILT ADJUSTMENT Z | 711773-1 | 2 |
| 17 | WASHER, 10.5 FLAT ZINC | F81055-1 | 8 |
| 18 | BOLT, M10X25 8.8 HEX HEAD FULL THREAD ZI | F81003-11 | 8 |

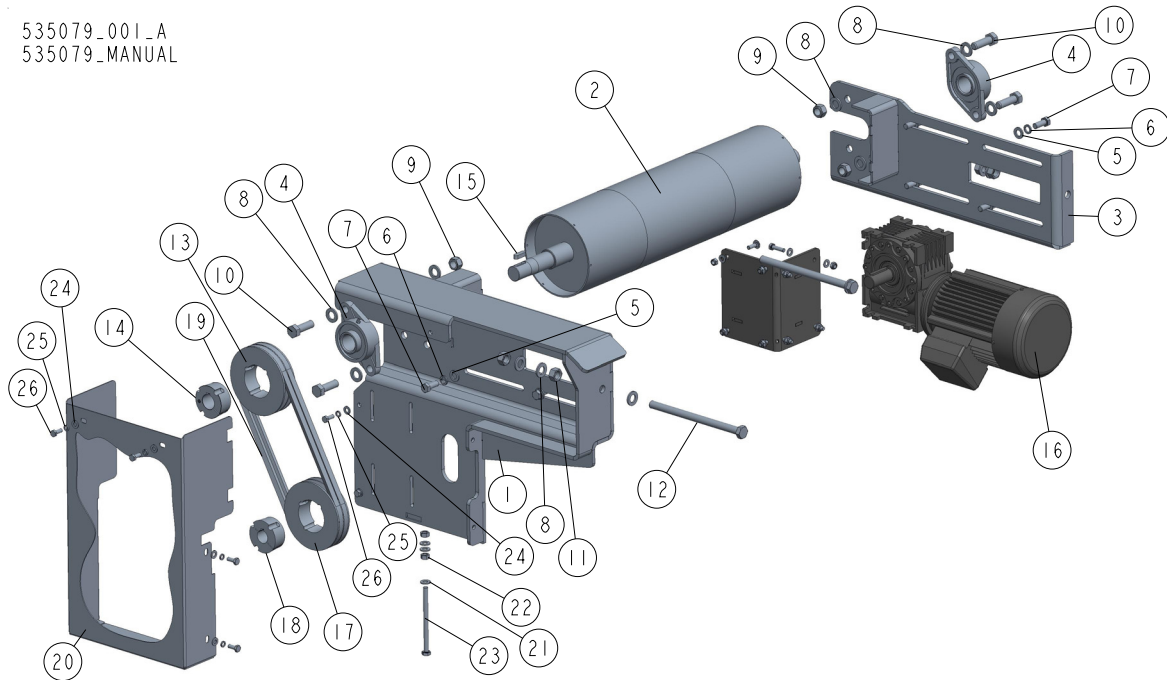
7.37 Idler Pulley (No. 533494)

533494_001_A
533494_MANUAL

| REF. | DESCRIPTION (◆ indicates parts available in assemblies only) | PART # | QTY |
|------|--|-----------|-----|
| - | PULLEY, CONVEYOR IDLER | 533494 | 1 |
| 1 | ROLLER, BELT SCRAPER | 519965-1 | 1 |
| - | HUB, ROLLER BEARING - COMPLETE | 511305 | 2 |
| 2 | HUB, ROLLER BEARING | 511304-1 | 1 |
| 3 | BEARING, 6308 2RS CX BALL | 504268 | 1 |
| 4 | RING, W90 INSIDE RETAINING | F81090-29 | 1 |
| 5 | SHAFT, ROLLER | 533495 | 1 |
| 6 | RING, Z40 OUTSIDE RETAINING | F81090-33 | 2 |
| 7 | WASHER, 8.4 FLAT ZINC | F81054-1 | 20 |
| 8 | BOLT M8X30 HH ZC FT 8.8 DIN 933 | F81002-7 | 10 |
| 9 | NUT, M8-8-B HEX NYLON ZINC LOCK | F81032-2 | 10 |

7.38 Conveyor Drive Pulley Assembly (No. 535079)

535079_001_A
535079_MANUAL



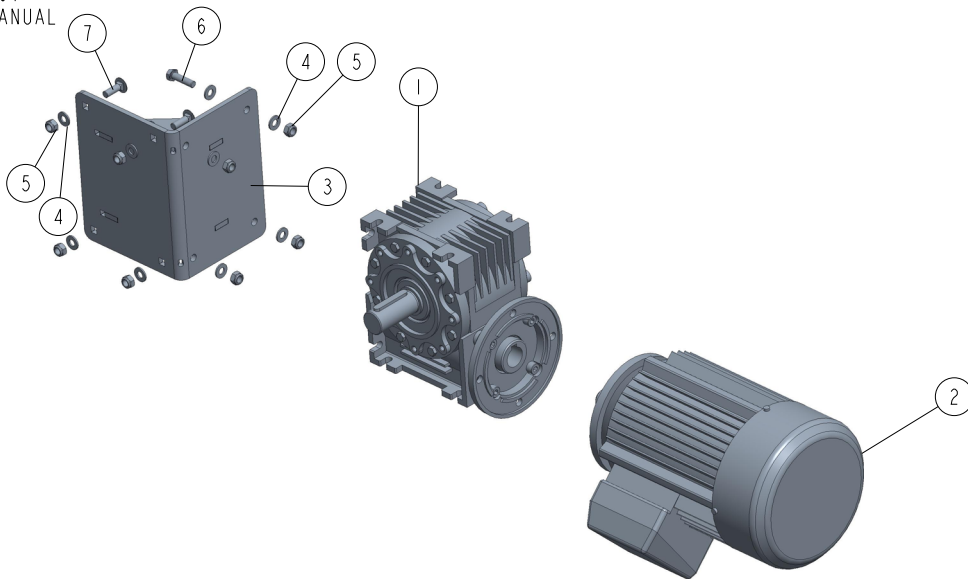
| REF | DESCRIPTION (◆ indicates parts available in assemblies only) | PART # | QTY |
|-----|--|-----------|-----|
| - | PULLEY ASSEMBLY, DRIVE | 535079 | 1 |
| 1 | BRACKET, PULLEY DRIVE MOUNT | 535080-1 | 1 |
| 2 | PULLEY, DRIVE - COMPLETE | 535049 | 1 |
| 3 | BRACKET, DRIVE PULLEY | 534313-1 | 1 |
| 4 | BEARING, UCFL 207 W/HOUSING | 524021 | 2 |
| 5 | WASHER, 13 FLAT ZINC | F81056-1 | 8 |
| 6 | WASHER, Z12.2 SPLIT LOCK ZINC | F81056-2 | 8 |
| 7 | BOLT, M12X30 8.8 HEX HEAD FULL THREAD ZI | F81004-22 | 8 |
| 8 | WASHER, 17 SPLIT LOCK ZINC | F81058-1 | 14 |
| 9 | NUT, M16-8 HEX NYLON ZINC LOCK | F81036-2 | 4 |
| 10 | BOLT, M16 X 50-8.8 HEX HEAD | F81006-7 | 4 |
| 11 | NUT, M16, HEXAGON, GRADE 5.8 PLAIN | F81036-1 | 4 |
| 12 | BOLT, ISO 4017-M16X240-8.8-A2E HEX HEAD | F81006-29 | 2 |
| - | PULLEY, 2X SPA 140 X 32 | 535076 | 1 |
| 13 | PULLEY, 2X SPA 140 | 535064 | 1 |
| 14 | BUSHING, 2012X32 TAPER LOCK | 535075 | 1 |
| 15 | KEY, A10X8X32 PARALLEL | 507591 | 1 |
| 16 | MOTOREDUCER W/BRACKET See Section 7.39 | 535062 | 1 |
| - | PULLEY, 2X SPA 140 X 28 | 535065 | 1 |
| 17 | PULLEY, 2X SPA 140 | 535064 | 1 |
| 18 | BUSHING, 2012X28 TAPER LOCK | 535055 | 1 |
| 19 | V-BELT, XPA 1030 | 535083 | 2 |
| 20 | GUARD, PULLEY DRIVE | 535082-1 | 1 |
| 21 | WASHER, 10.5 FLAT ZINC | F81055-1 | 3 |
| 22 | NUT, M10 8 HEX ZINC | F81033-3 | 2 |
| 23 | BOLT, M10X140-8.8 HEX HEAD FULL THREAD Z | F81003-39 | 1 |

7**Conveyor Drive Pulley Assembly (No. 535079)**

| REF | DESCRIPTION (◆ indicates parts available in assemblies only) | PART # | QTY | |
|-----|--|----------|-----|--|
| 24 | WASHER, 8,4-FLAT ZINC | F81054-1 | 6 | |
| 25 | WASHER, 8,2 SPLIT LOCK ZINC | F81054-4 | 6 | |
| 26 | BOLT, M8X20-8.8-B-HEX HEAD FULL THREAD Z | F81002-4 | 6 | |

7.39 Motoreducer w/Bracket (No. 535062)

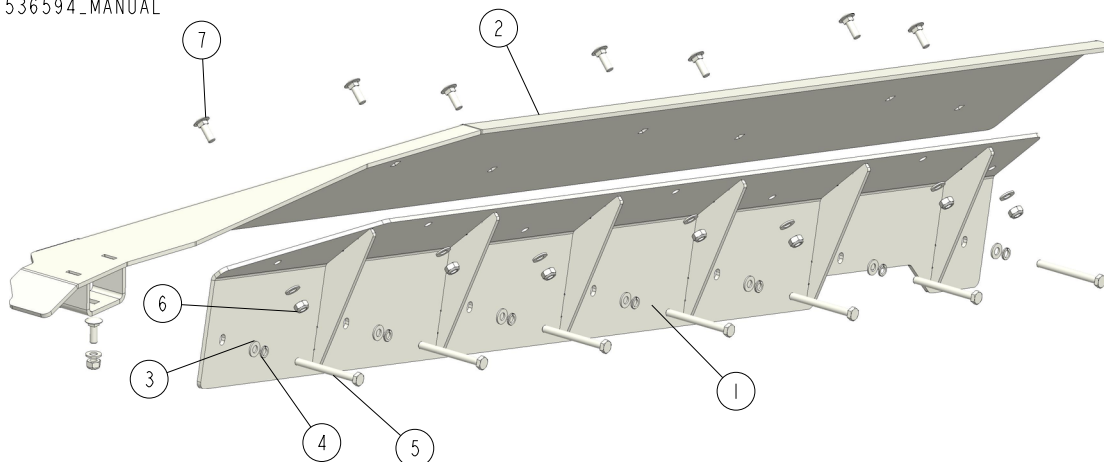
535062_001
535062_MANUAL



| REF. | DESCRIPTION (* indicates parts available in assemblies only) | PART # | QTY |
|------|---|-----------|-----|
| - | MOTOREDUCER, W/BACKET | 535062 | 1 |
| - | MOTOREDUCER, MR-63/16[2.2-2800-140/24-PTC-IE2-[S3=60%]-G]WJ2/B3 | 535078 | 1 |
| 1 | REDUCER, MR-63/16 [WBS] WJ/B3 | 535077 | 1 |
| 2 | MOTOR, 2.2 KW 2800 R.P.M. | 535061 | 1 |
| 3 | BRACKET, REDUCER MOUNT | 535071-1 | 1 |
| 4 | WASHER, 8.4 FLAT ZINC | F81054-1 | 12 |
| 5 | NUT, M8-8-B HEX NYLON ZINC LOCK | F81032-2 | 8 |
| 6 | BOLT, M8X30 8.8 HEX HEAD FULL THREAD ZINC | F81002-7 | 4 |
| 7 | BOLT, M8X25-8.8 CARRIAGE ZINC | F81002-59 | 4 |

7.40 Steering Plate (No. 536594)

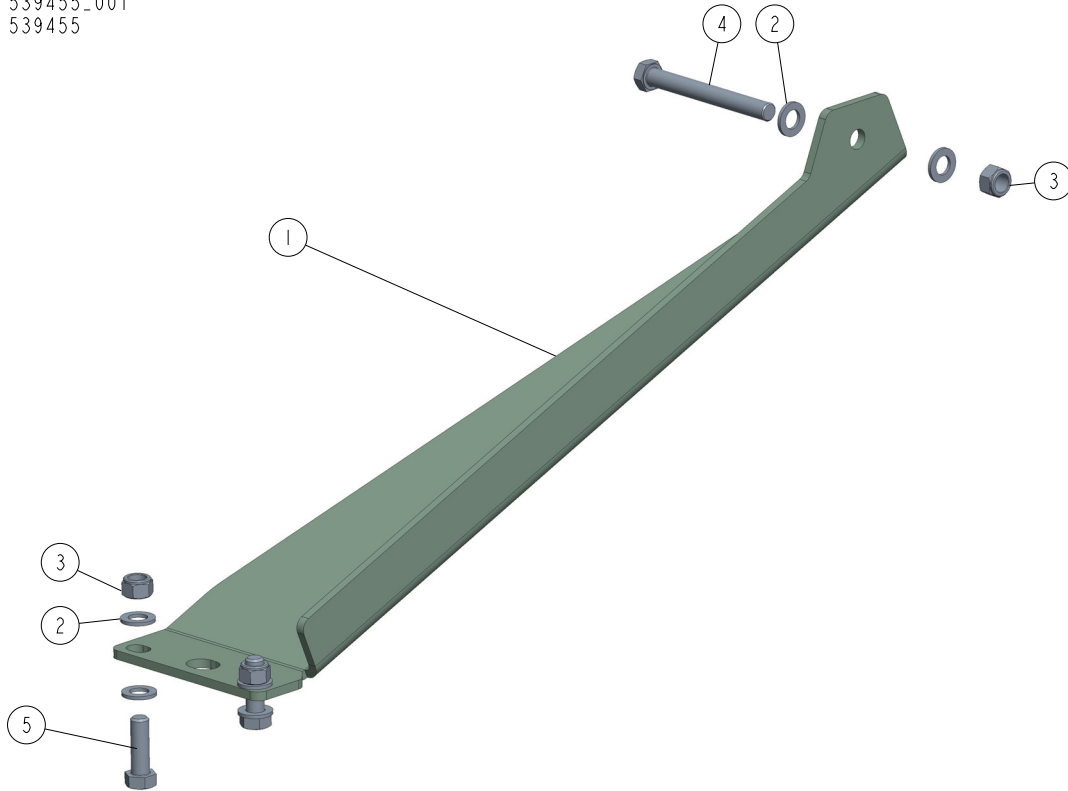
536594_001
536594_MANUAL



| REF. | DESCRIPTION (* indicates parts available in assemblies only) | PART NO. | QTY |
|------|--|------------|-----|
| - | STEERING PLATE, COMPLETE | 536594 | 1 |
| 1 | MOUNTING PLATE | 536595-1 | 1 |
| 2 | STEERING PLATE | 600234-1 | 1 |
| 3 | WASHER, 10.5 FLAT ZINC | F81055-1 | 15 |
| 4 | WASHER, 10.2 SPLIT LOCK ZINC | F81055-2 | 7 |
| 5 | BOLT, M10X100-8.8 HEX HEAD ZINC | F81003-52 | 7 |
| 6 | NUT, M10-8-B HEX NYLON ZINC LOCK | F81033-1 | 8 |
| 7 | BOLT, M10X30-8.8 CARRIAGE ZINC | F81003-101 | 8 |

7.41 Left Bracket (No. 539455)

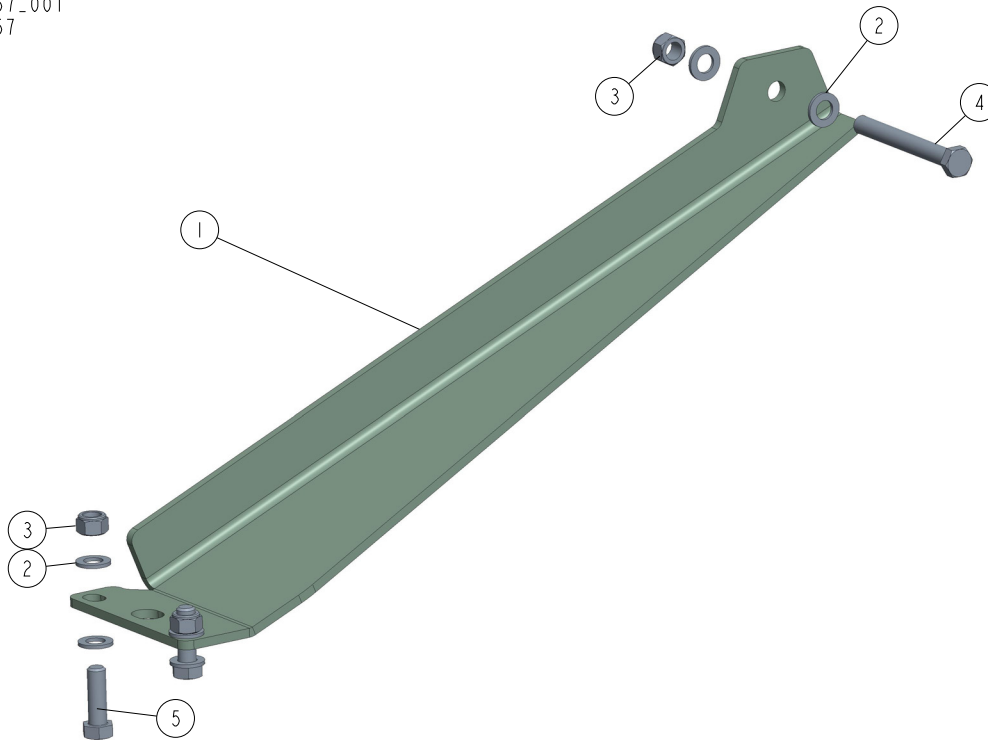
539455_001
539455



| REF | DESCRIPTION (◆ indicates parts available in assemblies only) | PART # | QTY |
|-----|--|----------|-----|
| - | BRACKET, CONVEYOR SUPPORT - COMPLETE LEFT | 539455 | 1 |
| 1 | BRACKET, CONVEYOR SUPPORT - LEFT | 539454-1 | 1 |
| 2 | WASHER, 17 SPLIT LOCK ZINC | F81058-1 | 6 |
| 3 | NUT, M16-8 HEX NYLON ZINC LOCK | F81036-2 | 3 |
| 4 | BOLT, M16X140 HEX HEAD ZINC GRADE 8.8 | F81006-4 | 1 |
| 5 | BOLT, M16 X 50-8.8 HEX HEAD | F81006-7 | 2 |

7.42 Right Bracket (No. 539457)

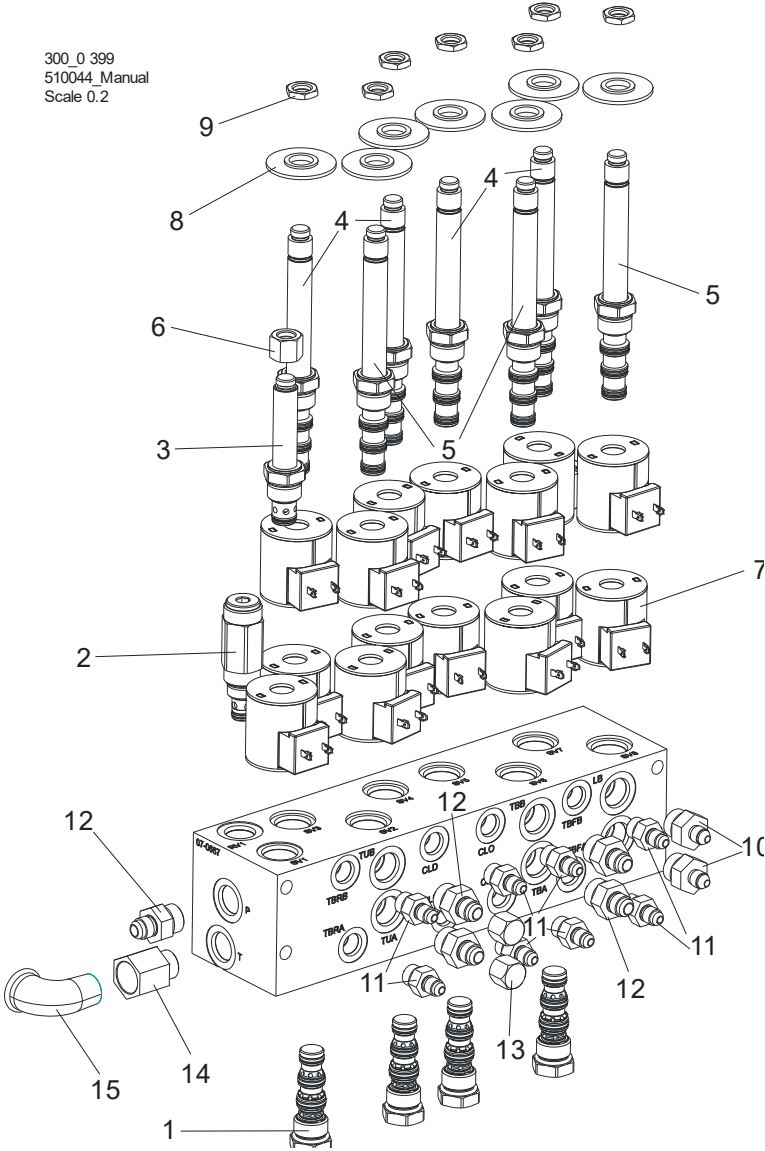
539457_001
539457



| REF | DESCRIPTION (◆ indicates parts available in assemblies only) | PART # | QTY | |
|-----|--|----------|-----|--|
| - | BRACKET, CONVEYOR SUPPORT - COMPLETE RIG | 539457 | 1 | |
| 1 | BRACKET, CONVEYOR SUPPORT - RIGHT | 539456-1 | 1 | |
| 2 | WASHER, 17 SPLIT LOCK ZINC | F81058-1 | 6 | |
| 3 | NUT, M16-8 HEX NYLON ZINC LOCK | F81036-2 | 3 | |
| 4 | BOLT, M16X140 HEX HEAD ZINC GRADE 8.8 | F81006-4 | 1 | |
| 5 | BOLT, M16 X 50-8.8 HEX HEAD | F81006-7 | 2 | |

SECTION 8 HYDRAULIC SYSTEM

8.1 Hydraulic Valve, WM4000

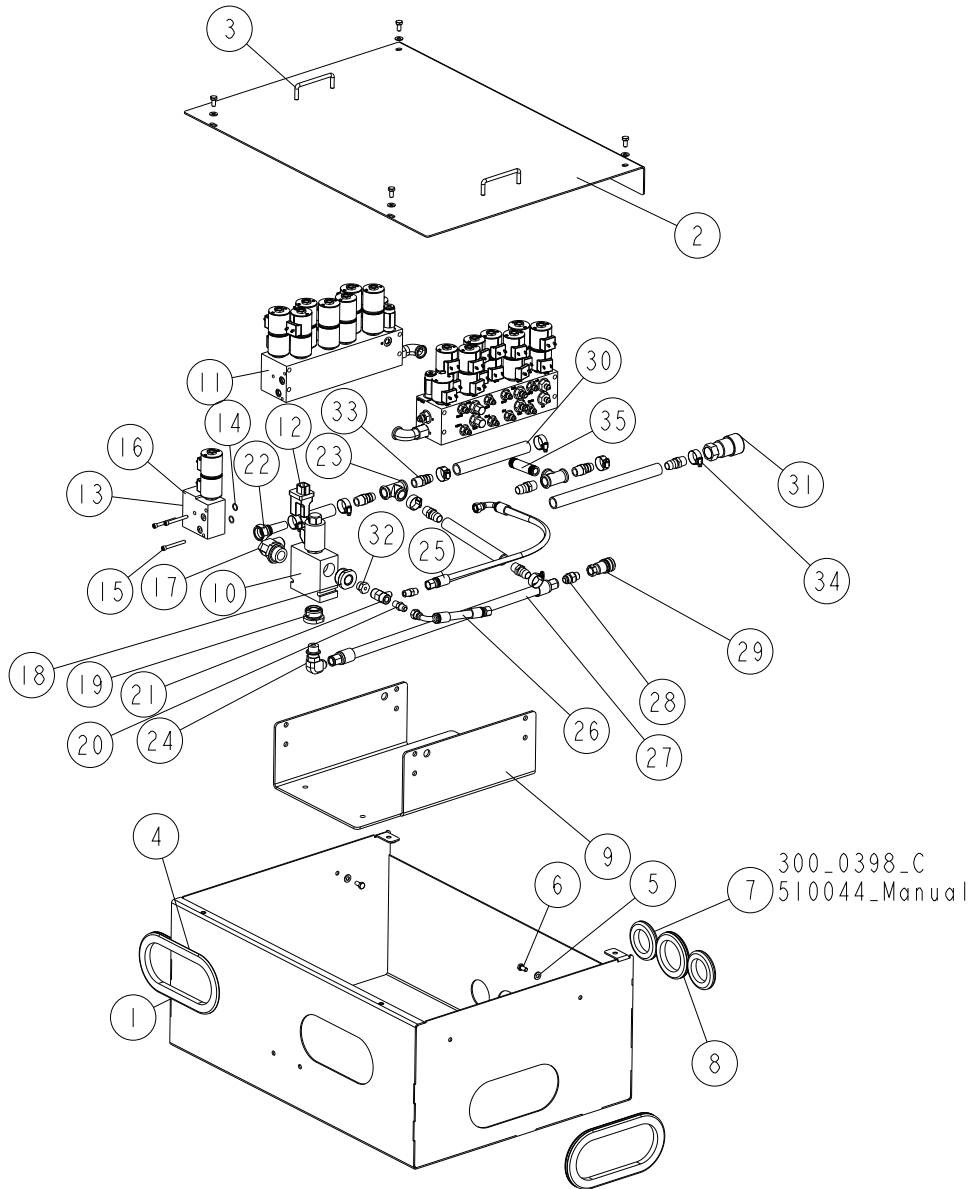


| REF. | DESCRIPTION (◆ Indicates Parts Available In Assemblies Only) | PART NO. | QTY |
|------|--|---------------|----------|
| | VALVE, WM3500 HYDRAULIC - COMPLETE | 512166 | |
| | VALVE, 24V 7-STATION EXPANDABLE HYDRAULIC | 025689 | 1 |
| 1 | Valve, Dual PO Check | 025832 | 4 |
| 2 | Valve, Relief | 025833 | 1 |
| 3 | Valve, SV10-21 (less coils) | 025831 | 1 |
| 4 | Valve, SV10-47D (less coils) | 025829 | 4 |
| 5 | Valve, SV10-47C (less coils) | 025830 | 3 |

8**Hydraulic System***Hydraulic Valve, WM4000*

| | | | | |
|-----------|--------------------------------------|--------|----|--|
| 6 | Nut, Coil (for SV10-21 valve) | 025836 | 1 | |
| 7 | Coil, 24V DC | 025835 | 15 | |
| 8 | Spacer, Coil | 025838 | 7 | |
| 9 | Nut, Coil (SV10-47) | 025837 | 7 | |
| 10 | FITTING, #8SAE-1/4JIC | 036759 | 2 | |
| 11 | FITTING, 1/4JIC-3/8 O-RING | P26284 | 8 | |
| 12 | FITTING, 8SAE-6JIC | P12703 | 5 | |
| 13 | FITTING, 3/8JIC CAP | 016816 | 2 | |
| 14 | FITTING, #8SAE-1/2NPT FEMALE ADAPTER | 035620 | 1 | |
| 15 | ELBOW, A4 WZ 1/2" ZINC-PLATED | 094749 | 1 | |

8.2 Hydraulic Box, WM4000



| REF. | DESCRIPTION (◆ Indicates Parts Available In Assemblies Only) | PART NO. | QTY |
|------|--|----------|-----|
| - | BOX, WM4000 HYDRAULIC - COMPLETE | 510245 | 1 |
| 1 | BOX WELDMENT, WM4000 HYDRAULIC | 510246-1 | 1 |
| - | COVER, WM4000 HYDRAULIC BOX | 510248 | 1 |
| 2 | COVER, WM4000 HYDRAULIC BOX | 510249-1 | 1 |
| 3 | HANDLE, 4" | P08065 | 2 |
| 4 | GROMMET, 4 3/8 X 10 OVAL RUBBER | 085759 | 2 |
| 5 | WASHER, 8.4 FLAT ZINC | F81054-1 | 8 |

8

Hydraulic System

Hydraulic Box, WM4000

| REF. | DESCRIPTION (◆ Indicates Parts Available In Assemblies Only) | PART NO. | QTY | |
|------|--|-----------------------|-----|--|
| 6 | BOLT, M8X16 -8.8-B HEX HEAD FULL THREAD ZINC | F81002-20 | 8 | |
| 7 | GROMMET, 2 1/2 DIA. RUBBER | 085614 | 2 | |
| 8 | GROMMET, 80MM DIA. RUBBER | 089293 | 1 | |
| 9 | BRACKET, WM4000 HYDRAULIC VALVE MOUNT | 510247-1 | 1 | |
| 10 | VALVE, PROPORTIONAL PV72-30A | 068273 | 1 | |
| 11 | VALVE, WM3500 HYDRAULIC - COMPLETE See Section 8.1 | 512166 | 2 | |
| 12 | CONTROLLER, HYDRAFORCE PROPORTIONAL VALVE | 069739 | 1 | |
| - | VALVE ASSEMBLY, ADD-ON | 036823 | 1 | |
| 13 | VALVE, 24V HYDRAULIC ADD-ON CLOSED | 025827 | 1 | |
| 14 | O-RING, 1/16DIA. X 5/8OD | 036806 | 2 | |
| 15 | SCREW, 1/4-20X2 1/4 SOCKET HEAD CAP BO | F05005-170 | 3 | |
| 16 | FITTING , 8 SAE-3/8 JIC | 036759 | 2 | |
| 17 | FITTING, 1.5/16" UNF - 1.1/16" JIC ELBOW W/JAM NUT | 530192 | 1 | |
| 18 | FITTING, 1 5/16" UNF MALE - 3/4" UNF FEMALE | 510836 | 1 | |
| 19 | FITTING, 1 5/16" MALE - 7/8" FEMALE | 510837 | 1 | |
| 20 | FITTING, 3/8JIC-1/4NPT STRAIGHT | 015560 | 2 | |
| 21 | FITTING, 1/4NPT BRANCH TEE | 015486 | 1 | |
| 22 | FITTING, 1.1/16"JIC HOSE 19 HYDRAULIC | 530195 | 1 | |
| 23 | FITTING, B1 1/2" ZINC-PLATED TEE | 094750 | 2 | |
| 24 | FITTING, #10SAE-1/2JIC 90 ELBOW | 042784 | 1 | |
| 25 | HOSE, 2T3/8X0.550 W9/16UNF-90W9/16UNF HYDRAULIC | 512169 | 1 | |
| 26 | HOSE, 2T3/8X0.125 W9/16UNF-90W9/16UNF HYDRAULIC | 512170 | 1 | |
| 27 | HOSE, 2G1/2X0.600 W3/4UNF-W3/4UNF HYDRAULIC | 512171 | 1 | |
| 28 | FITTING, 1/2-3/8 HYDRAULIC | 512162 | 1 | |
| 29 | FITTING, 3/8" ID BSP QUICK DISCONNECT | 504965 | 1 | |
| 30 | HOSE, 20MM DIA. OIL-RESISTANT | 094790_1 ¹ | 1 | |
| 31 | FITTING, 3/4" ID QUICK DISCONNECT | 505064 | 1 | |
| 32 | FITTING, 3/4" UNF 1/4"NPT GE 0 08 IN04 SCREW-ON | 512746 | 1 | |
| 33 | FITTING, 1/2NPT MALE-3/4 HOSE BARB | 035621 | 7 | |
| 34 | CLAMP, HI-GRIP 22-30 MM | F81095-3 | 8 | |
| 35 | FITTING, 1/2" - 80MM THREADED ZINC-PLATED | 511417 | 1 | |

¹ Total length L=1000 mm

8.3 Hydraulic Hoses, WM3500-HD

| REF. | DESCRIPTION (* indicates parts available in assemblies only) | Function | PART NO. | QTY |
|------|--|--|----------|-----|
| - | HOSE KIT, WM3500-HD HYDRAULIC | | 536094 | 1 |
| 1 | HOSE, PHD2G 1/4X 7.205 W7/16UNF-W7/16UNF HYDRAULIC | 2nd log clamp (089545) UP/DOWN red/blue | 506925 | 2 |
| 2 | HOSE, PHD2G 1/4X 6.805 W7/16UNF-W7/16UNF HYDRAULIC | 2nd log clamp (089545) IN/OUT white/orange | 506926 | 2 |
| 3 | HOSE, PHD2G 1/4X 7.405 W7/16UNF-W7/16UNF HYDRAULIC | Driven Log Levelling Roller (096040) - raising cherry/black | 506927 | 2 |
| 4 | HOSE, PHD2G 1/4X6.605 W7/16UNF-W7/16UNF HYDRAULIC | | 506928 | 1 |
| 5 | HOSE, PHD2G 1/4X6.305 W7/16UNF-W7/16UNF HYDRAULIC | | 506929 | 1 |
| 6 | HOSE, PHD2G 3/8X 5.105 W9/16UNF-W9/16UNF HYDRULIC | 2-Plane Log Clamp (088658) - rear orange | 506930 | 1 |
| 7 | HOSE, PHD2G 3/8X 5.005 W9/16UNF-W9/16UNF HYDRAULIC | 2-Plane Log Clamp (088658) - front white | 506931 | 1 |
| 8 | HOSE, PHD2G 1/4X2.905 W7/16UNF-W7/16UNF HYDRAULIC | | 506932 | 2 |
| 9 | HOSE, PHD2G 1/4X3.71 W7/16UNF-W7/16UNF HYDRAULIC | | 506933 | 2 |
| 10 | HOSE, PHD2G 1/4X 6.51 W7/16UNF-W7/16UNF HYDRAULIC | Driven Log Levelling Roller (096040) - rotations | 506934 | 2 |
| 11 | HOSE, PHD2G 3/8X 1.105 W9/16UNF-W9/16UNF HYDRAULIC | Hydraulic pump/quick disconnect fitting | 506935 | 2 |
| 12 | HOSE, PHD2G 3/8X 1.155 W9/16UNF-W9/16UNF HYDRAULIC | T-fitting, 2nd Vertical Side Support/raising | 506936 | 2 |
| 13 | HOSE, PHD2G 3/8X 4.105 W9/16UNF-W9/16UNF HYDRAULIC | Hydraulic box - Chain Log Turner (065480) brown | 506937 | 1 |
| 14 | HOSE, PHD2G 3/8X 5.705 W9/16UNF-W9/16UNF HYDRAULIC | Hydraulic box - Chain Log Turner - 2 (065480) black | 506938 | 1 |
| 15 | HOSE, PHD2G 3/8X 3.705 W9/16UNF-W9/16UNF HYDRAULIC | Hydraulic box - sequence valve/return green | 506939 | 1 |
| 16 | HOSE, PHD2G 3/8X 3.305 W9/16UNF-W9/16UNF HYDRAULIC | Hydraulic box - sequence valve - hydraulic oil supply pink | 506940 | 1 |
| 17 | HOSE, PHD2G 3/8X 0.305 W9/16UNF-W9/16UNF HYDRAULIC | Sequence valve - t-fitting/return (from turner) | 506941 | 1 |
| 18 | HOSE, PHD2G 3/8X 0.505 W9/16UNF-W9/16UNF HYDRAULIC | Chain Log Turner (1) - sequence valve/lowering | 506943 | 2 |
| 19 | HOSE, PHD2G 3/8X 0.655 W9/16UNF-W9/16UNF HYDRAULIC | Chain Log Turner (1) - sequence valve /raising | 506944 | 1 |
| 20 | HOSE, PHD2G 3/8X0.705 W9/16UNF-W9/16UNF HYDRAULIC | | 506945 | 1 |
| 21 | HOSE, PHD2G 3/8X 2.405 W9/16UNF-W9/16UNF HYDRAULIC | Chain Log Turner (2) - sequence valve /raising | 506946 | 1 |
| 22 | HOSE, PHD2G 3/8X 2.205 W9/16UNF-W9/16UNF HYDRAULIC | Chain Log Turner (2) - sequence valve /lowering | 506947 | 1 |

8

Hydraulic System*Hydraulic Hoses, WM3500-HD*

| REF. | DESCRIPTION (* indicates parts available in assemblies only) | Function | PART NO. | QTY |
|------|--|---|---------------|-----|
| 23 | HOSE, PHD2G 3/8X 2.255 W9/16UNF-W9/16UNF HYDRAULIC | T-fitting - Vertical Side Support (1) - raising | 506948 | 1 |
| 24 | HOSE, PHD2G 3/8X 2.155 W9/16UNF-W9/16UNF HYDRAULIC | T-fitting - Vertical Side Support (1) - lowering | 506949 | 1 |
| 25 | HOSE, PHD2G 1/4X 3.51 W7/16UNF-W7/16UNF HYDRAULIC | 1st Log Clamp (089545) UP/DOWN orange/white | 506959 | 1 |
| 26 | HOSE, PHD2G 3/8X 3.105 W9/16UNF-W9/16UNF HYDRAULIC | Log Turner 1 - Log Turner 2 | 506960 | 1 |
| 27 | HOSE, PHD2G 3/8X 0.805 W9/16UNF-W9/16UNF HYDRAULIC | T-fitting - T-fitting (connection of side supports) | 506961 | 2 |
| 28 | HOSE, PHD2G 3/8X3.005 W9/16UNF-W9/16UNF HYDRAULIC | | 506962 | 1 |
| 29 | HOSE, PHD2G 3/8X 1.855 W9/16UNF-W9/16UNF HYDRAULIC | T-fitting - 3rd Vertical Side Support /raising | 506964 | 1 |
| 30 | HOSE, PHD2G 3/8X 1.805 W9/16UNF-W9/16UNF HYDRAULIC | T-fitting - 3rd Vertical Side Support /lowering | 506965 | 1 |
| 31 | HOSE, 20MM (3/4") OIL | Length: 4.0 m | 094790 _4_ | 1 |
| 32 | HOSE, PHD2G 1/4X450 W7/16UNF-W7/16UNF HYDRAULIC | | 711466 | 1 |
| 33 | HOSE, PHD2G 1/4X550 W7/16UNF-W7/16UNF HYDRAULIC | | 536095 | 1 |
| 34 | T-FITTING, W7/16"UNF JIC-2XZ7/16"UNF JIC | Part No. ST.59.00.04 | 506098 | 2 |

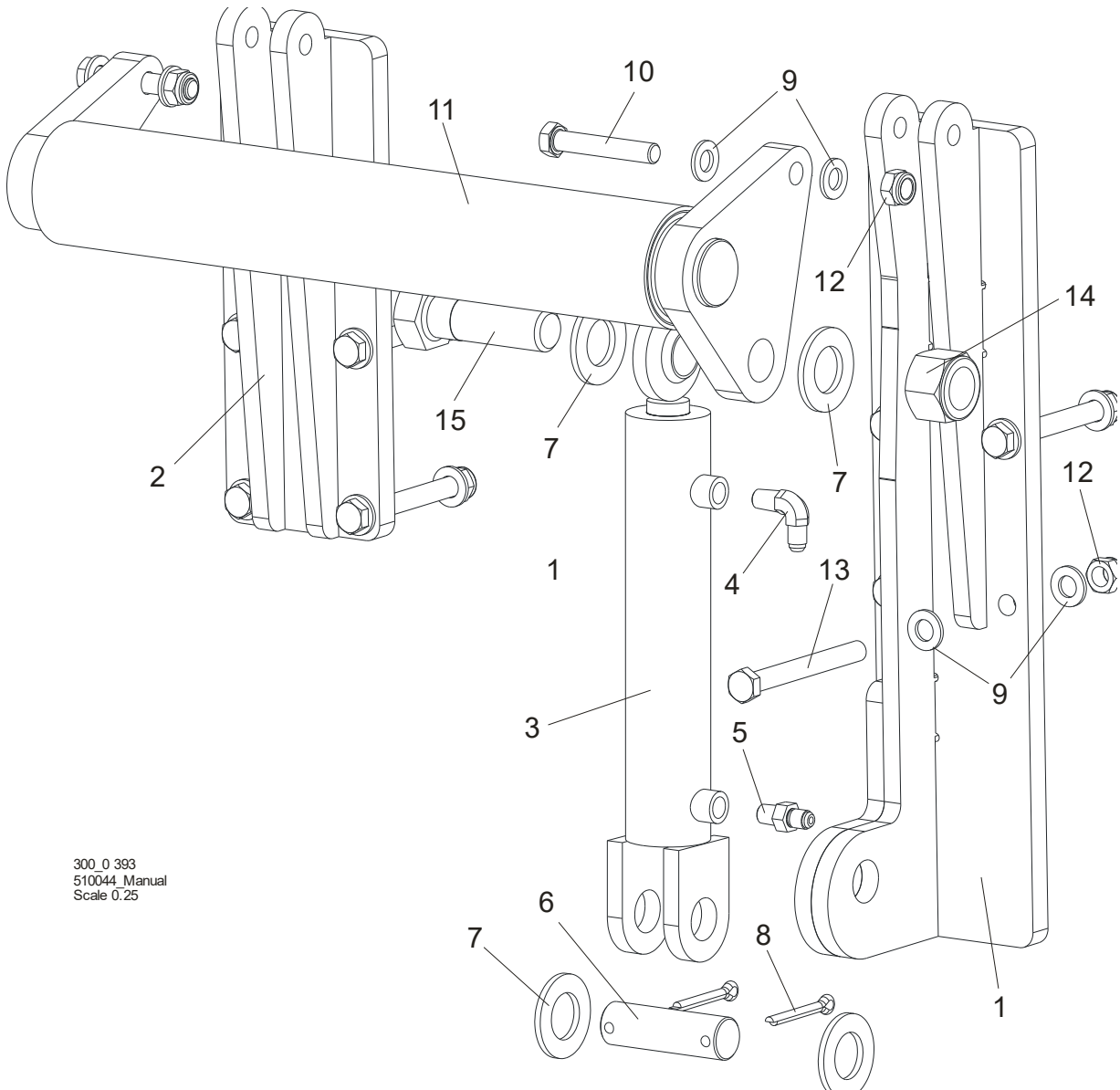
8.4 Hydraulic Hoses, WM4000

| REF. | DESCRIPTION (◆ Indicates Parts Available In Assemblies Only) | PART # | QTY |
|------|--|---------------|----------|
| | HOSE KIT, WM4000 HYDRAULIC | 512175 | 1 |
| 1 | HOSE, 2G3/8"X5.005 W9/16"UNF-W9/16"UNF HYDRAULIC | 506931 | 4 |
| 2 | HOSE, 2G3/8X3.005 W9/16UNF-WG/16UNF HYDRAULIC | 506962 | 1 |
| 3 | HOSE, 2G3/8X3.105 W9/16UNF-WG/16UNF HYDRAULIC | 506960 | 1 |
| 4 | HOSE, 2G1/4X4.580 W7/16UNF-W7/16UNF HYDRAULIC | 087796 | 2 |
| 5 | HOSE, 2G1/4"X2.905 W7/16"UNF-W7/16"UNF HYDRAULIC | 506932 | 4 |
| 6 | HOSE, 2G3/8x4.700 W9/16UNF-W9/16UNF HYDRAULIC | 507225 | 1 |
| 7 | HOSE, 2G1/4X6.005 W7/16UNF-W7/16UNF HYDRAULIC | 512173 | 2 |
| 8 | HOSE, 2G1/4"X6.305 W7/16"UNF-W7/16"UNF HYDRAULIC | 506929 | 2 |
| 9 | HOSE, 2G3/8"X2.405 W9/16"UNF-W9/16"UNF HYDRAULIC | 506946 | 2 |
| 10 | FITTING, 3/8JIC TEE | 015487 | 4 |
| 11 | HOSE, 2G3/8X5.200 W9/16UNF-W9/16UNF HYDRAULIC | 097067 | 2 |
| 12 | HOSE, 2G3/8X0.805 W9/16UNF-WG/16UNF HYDRAULIC | 506961 | 2 |
| 13 | HOSE, 2G3/8"X2.155 W9/16"UNF-W9/16"UNF HYDRAULIC | 506949 | 1 |
| 14 | HOSE, 2G3/8X1.805 W9/16UNF-WG/16UNF HYDRAULIC | 506965 | 1 |
| 15 | HOSE, 2G1/4X3.505 W7/16UNF-W7/16UNF HYDRAULIC | 506959 | 2 |
| 16 | HOSE, 2G1/4"X7.205 W7/16"UNF-W7/16"UNF HYDRAULIC | 506925 | 2 |
| 17 | HOSE, 2G3/8X4.000 W9/16UNF-W9/16UNF HYDRAULIC | 087778 | 1 |
| 18 | HOSE, 2G1/4"X6.805 W7/16"UNF-W7/16"UNF HYDRAULIC | 506926 | 2 |
| 19 | FITTING, 3/8JIC-1/4NPT 90L | 015491 | 12 |
| 20 | FITTING, 1/4NPTX1/4JIC MALE ELBOW | P09142 | 7 |
| 21 | FITTING, 1/4NPTX1/4JIC MALE | P09143 | 9 |
| 22 | HOSE, 2G3/8X0.950 W9/16UNF-W9/16UNF HYDRAULIC | 094595 | 2 |
| 23 | HOSE, 2G3/8X3.500 W9/16UNF-W9/16UNF HYDRAULIC | 097615 | 1 |
| 24 | FITTING, 7/8" UNF-3/4" JIC ADAPTER | 094788 | 4 |
| 25 | PHD2G 1/4X450 W7/16UNF-W7/16UNF | 711466 | 1 |
| 26 | PHD2G 1/4X550 W7/16UNF-W7/16UNF | 536095 | 1 |
| 27 | FITTING, W7/16"UNF JIC-2XZ7/16"UNF JIC | 506098 | 2 |



Hydraulic System
Hydraulic Toe Board, WM4000

8.5 Hydraulic Toe Board, WM4000



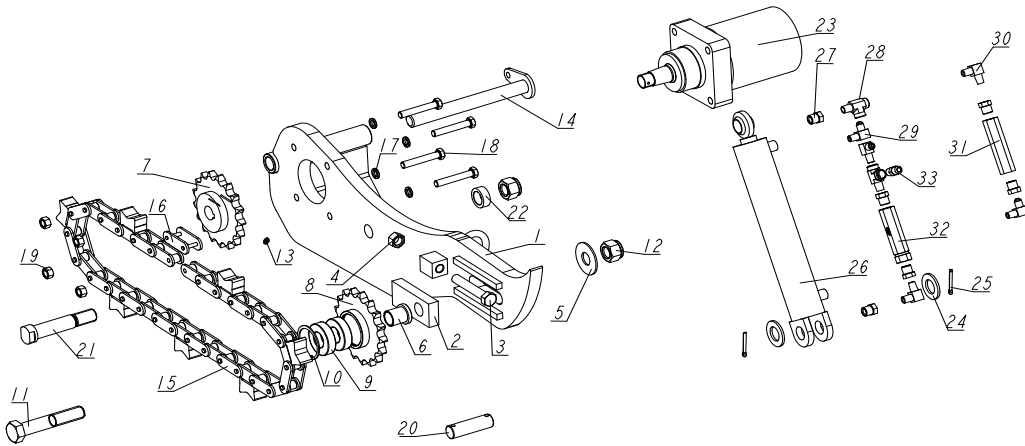
300_0 393
 510044 Manual
 Scale 0.25

| REF. | DESCRIPTION (◆ Indicates Parts Available In Assemblies Only) | PART # | QTY |
|------|--|-----------------------|----------|
| | WM4000 HYDRAULIC TOE BOARD | 510250 | 1 |
| 1 | MOUNT WELDMENT, POWER ROLLER (ON MOTOR SIDE) | 509935-1 | 1 |
| | MOUNT WELDMENT, TOE ROLLER | 513930-1 ¹ | 1 |
| 2 | MOUNT WELDMENT, POWER ROLLER | 509938-1 | 1 |
| | MOUNT WELDMENT, ROLLER | 513928-1 ¹ | 1 |
| | HYDRAULIC CYLINDER | 085937 | 1 |
| 3 | CYLINDER, CJ-S170-16-40/25/152 HYDRAULIC | 088681 | 1 |

| | | | | |
|-----------|-------------------------------------|------------|----|--|
| 4 | FITTING, 1/4NPTX1/4JIC MALE ELBOW | P09142 | 1 | |
| 5 | FITTING, 1/4NPTX1/4JIC MALE | P09143 | 1 | |
| 6 | PIN, HYDRAULIC CYLINDER ZINC-PLATED | 086979-1 | 1 | |
| 7 | WASHER, 28 FLAT ZINC | F81061-1 | 4 | |
| 8 | PIN, S-Zn 6.3x45 COTTER | F81045-2 | 2 | |
| 9 | WASHER, 13 FLAT ZINC | F81056-1 | 20 | |
| 10 | BOLT, M12x70 8.8 HEX HEAD ZINC | F81004-39 | 2 | |
| 11 | ROLLER WELDMENT, TOE BOARD | 086253-1 | 1 | |
| 12 | NUT, M12-8 HEX NYLON ZINC LOCK | F81034-2 | 10 | |
| 13 | BOLT, M12x110-8.8-B HEX HEAD ZINC | F81004-47 | 8 | |
| 14 | NUT, 1-8 SELF LOCK | F05010-109 | 1 | |
| 15 | BOLT, 1-8X3 1/4 HEX HEAD GRADE 5 | F05009-51 | 1 | |

¹ Optional equipment - in case when hydraulic toe board is mounted on middle beds.

8.6 Chain Log Turner

508955_001_B
508955_MANUAL

| REF. | DESCRIPTION (* indicates parts available in assemblies only) | PART # | QTY |
|------|--|-----------|-----|
| - | CHAIN LOG TURNER - COMPLETE | 508955 | 1 |
| - | CHAIN LOG TURNER, PTD - COMPLETE | 508964-1 | 1 |
| - | TURNER, CHAIN LOG - COMPLETE | 508964 | 1 |
| 1 | ARM WELDMENT, CHAIN LOG TURNER | 508950-1 | 1 |
| 2 | PLATE, CHAIN TENSION | 095664-1 | 1 |
| 3 | BOLT, M16X100-8.8 HEX HEAD FULL THREAD Z | F81006-2 | 1 |
| 4 | NUT, M16-5.8 HEX ZINC | F81036-1 | 1 |
| 5 | WASHER, 25 X 63 ZINC-PLATED | 088585-1 | 1 |
| 6 | BUSHING, CHAIN TURNER | 095663-1 | 1 |
| 7 | SPROCKET, CHAIN TURNER | 092339 | 1 |
| - | SPROCKET, CHAIN TURNER - COMPLETE | 092399 | 1 |
| 8 | SPROCKET W/HUB | 093290 | 1 |
| 9 | BEARING, 6206 25 IN IDLER | 093292 | 2 |
| 10 | RING, 62W INSIDE RETAINING | F81090-1 | 1 |
| 11 | BOLT, M24X120-8.8 HEX HEAD | F81009-4 | 1 |
| 12 | NUT, M24-8-A HEX NYLON ZINC LOCK | F81039-8 | 2 |
| 13 | FITTING, M6 GREASE | 086280 | 1 |
| 14 | PIN, 25X279 WITH ZINC PLATE | 568213-1 | 1 |
| 15 | CHAIN, LOG TURNER | 508966-1 | 1 |
| 16 | LINK, #2080H MASTER | 508969 | 1 |
| 17 | WASHER, Z12.2 SPLIT LOCK ZINC | F81056-2 | 4 |
| 18 | BOLT, M12X75-8.8 HEX HEAD ZINC | F81004-21 | 4 |
| 19 | NUT M12 ZC 8 DIN 934 | F81034-1 | 4 |
| 20 | PIN, HYDRAULIC CYLINDER ZINC-PLATED | 086979-1 | 1 |
| 21 | PIN, CHAIN LOG TURNER CYLINDER | 538007-1 | 1 |
| 22 | BUSHING, 25.8/38-14 ZINC | 087315-1 | 1 |
| 23 | MOTOR, TG0475US080AABP HYDRAULIC | 007331 | 1 |

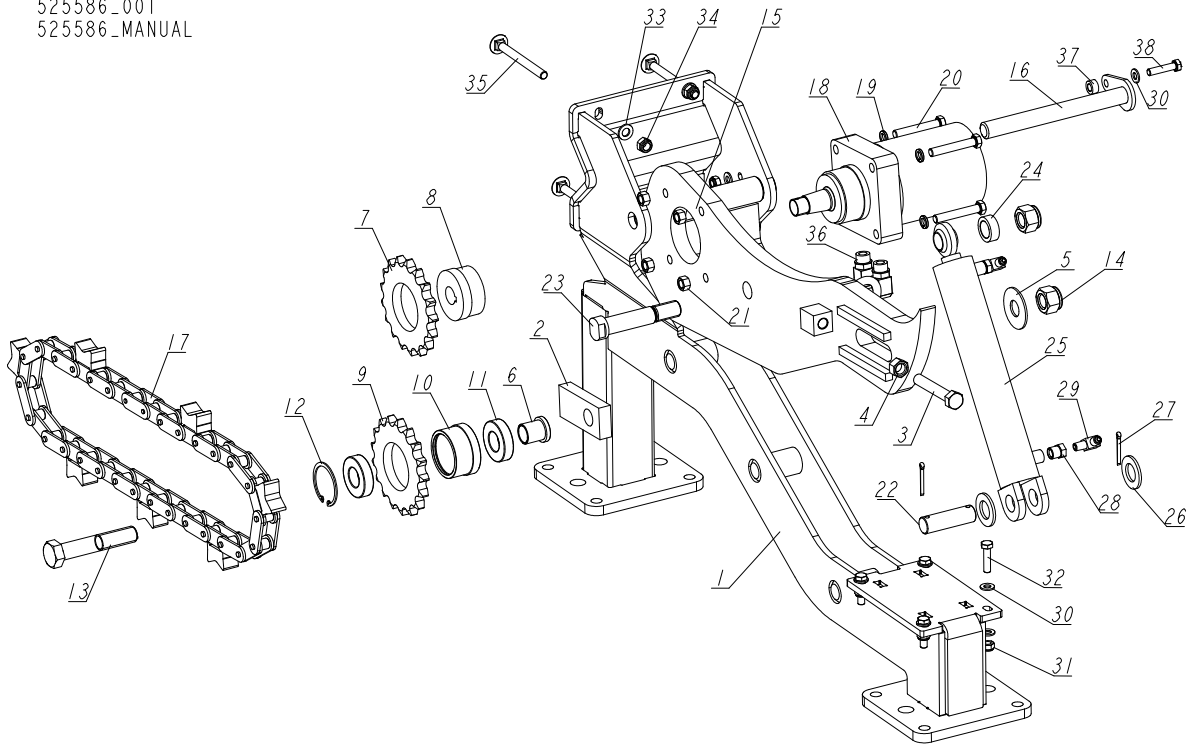
| REF. | DESCRIPTION (* indicates parts available in assemblies only) | PART # | QTY | |
|------|--|-----------|-----|--|
| 24 | WASHER, 28 FLAT ZINC | F81061-1 | 2 | |
| 25 | PIN, 5 X 40 COTTER | F81043-31 | 2 | |
| - | CYLINDER W/VALVE & FITTINGS | 515892 | 1 | |
| 26 | CYLINDER, 2X10 ROD END WELDED 16" | 034267 | 1 | |
| 27 | FITTING, 3/8" NPT X 1/4" NPT REDUCER | 015490 | 6 | |
| 28 | FITTING, C3759X4 MALE 'T' | P09141 | 2 | |
| 29 | FITTING, 3/8JIC-1/4NPT 90L | 015491 | 3 | |
| 30 | FITTING, 1/4NPT MALE PIPE ELBOW | P09140 | 2 | |
| 31 | VALVE, SIDE SUPPORT SEQUENCE | 015484 | 1 | |
| 32 | RELIEF VALVE 49005-1000 | 557900 | 1 | |
| 33 | FITTING, 3/8JIC-1/4NPT STRAIGHT | 015560 | 1 | |

8 Hydraulic System

Chain Log Turner

8.7 Chain Log Turner

525586_001
525586_MANUAL

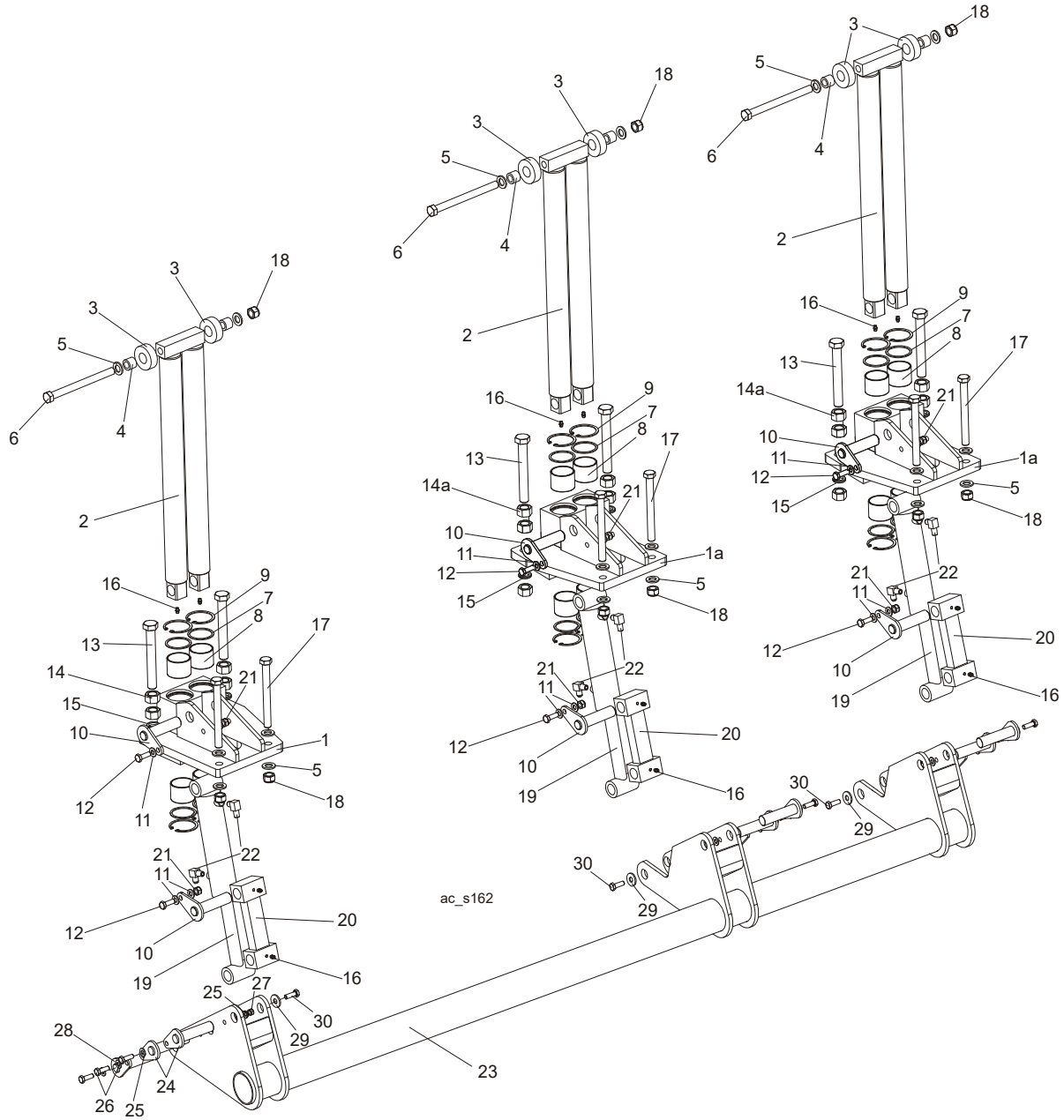


| REF | DESCRIPTION (u indicates parts available in assemblies only) | PART # | QTY |
|-----|--|----------|-----|
| - | TURNER, WM4000 USA CHAIN LOG - COMPLETE | 525586 | 1 |
| 1 | MOUNT WELDMENT, CHAIN LOG TURNER | 525590-1 | 1 |
| - | CHAIN LOG TURNER, PTD - COMPLETE | 508964-1 | 1 |
| - | TURNER, CHAIN LOG - COMPLETE | 508964 | 1 |
| 2 | PLATE, CHAIN TENSION | 095664-1 | 1 |
| 3 | BOLT, M16X100-8.8 HEX HEAD FULL THREAD Z | F81006-2 | 1 |
| 4 | NUT, M16-5.8 HEX ZINC | F81036-1 | 1 |
| 5 | WASHER, 25 X 63 ZINC-PLATED | 088585-1 | 1 |
| 6 | BUSHING, CHAIN TURNER | 095663-1 | 1 |
| - | SPROCKET, CHAIN TURNER | 092339 | 1 |
| 7 | SPROCKET. A17X1" | 093287 | 1 |
| 8 | BUSHING, LOG TURNER SPROCKET | 093293 | 1 |
| - | CHAIN TURNER SPROCKET ASSEMBLY | 092399 | 1 |
| - | SPROCKET W/HUB | 093290 | 1 |
| 9 | SPROCKET. A17X1" | 093287 | 1 |
| 10 | HUB, SPROCKET. | 093288 | 1 |
| 11 | BEARING, 6206 25 IN IDLER | 093292 | 2 |
| 12 | RING, 62W INSIDE RETAINING | F81090-1 | 1 |

| REF | DESCRIPTION (u indicates parts available in assemblies only) | PART # | QTY | |
|-----|--|-----------|-----|--|
| 13 | BOLT, M24X130 HEX HEAD | F81009-4 | 1 | |
| 14 | NUT, M24 HEX NYLON ZINC LOCK | F81039-8 | 2 | |
| 15 | FITTING, M6 WG. GREASE | 086280 | 1 | |
| 16 | PIN, LOG TURNER-ZINCPLATED. | 508965-1 | 1 | |
| 17 | CHAIN, LOG TURNER | 508966-1 | 1 | |
| 18 | MOTOR, HYDRAULIC, TG0475US080AABP | 007331 | 1 | |
| 19 | WASHER, Z12.2 SPLIT LOCK ZINC | F81056-2 | 4 | |
| 20 | BOLT, M12X75-8.8-HEX HEAD ZINC | F81004-21 | 4 | |
| 21 | NUT, M12-8 ZINC | F81034-1 | 4 | |
| 22 | PIN, CYLINDER HYDRAULIC ZINC-PLATED | 086979-1 | 1 | |
| 23 | PIN, CYLINDER HYDRAULIC | 538007-1 | 1 | |
| 24 | BUSHING, 25.8/38-14 ZINC-PLATED | 087315-1 | 1 | |
| 25 | CYLINDER, 2X10 ROD END WELDED 16" | 034267 | 1 | |
| 26 | WASHER, 28 FLAT ZINC | F81061-1 | 2 | |
| 27 | PIN, S-ZN 5X40 COTTER | F81043-31 | 2 | |
| 28 | FITTING, 3/8" NPT - 1/4" NPT REDUCER | 015490 | 2 | |
| 29 | FITTING, 3/8JIC-1/4NPT 90L | 015491 | 2 | |
| 30 | WASHER, 10.5 FLAT ZINC | F81055-1 | 10 | |
| 31 | NUT, M10-8-B NYLON HEX ZINC LOCK | F81033-1 | 5 | |
| 32 | BOLT, M10X40-8.8 HEX HEAD FULL THREAD ZI | F81003-16 | 4 | |
| 33 | WASHER, 13 FLAT ZINC | F81056-1 | 4 | |
| 34 | NUT, M12-8 HEX NYLON ZINC LOCK | F81034-2 | 4 | |
| 35 | BOLT, M12X130-8.8 CARRIAGE HEAD ZINC | F81004-26 | 4 | |
| 36 | Fitting, #10SAE-3/8JIC 45 Elbow | 034538 | 2 | |
| 37 | BUSHING, 11/20-10 ZINC | 090936-1 | 1 | |
| 38 | BOLT, M10X45-8.8 HEX HEAD FULL THREAD ZI | F81003-3 | 1 | |



8.8 Hydraulic Log Side Supports



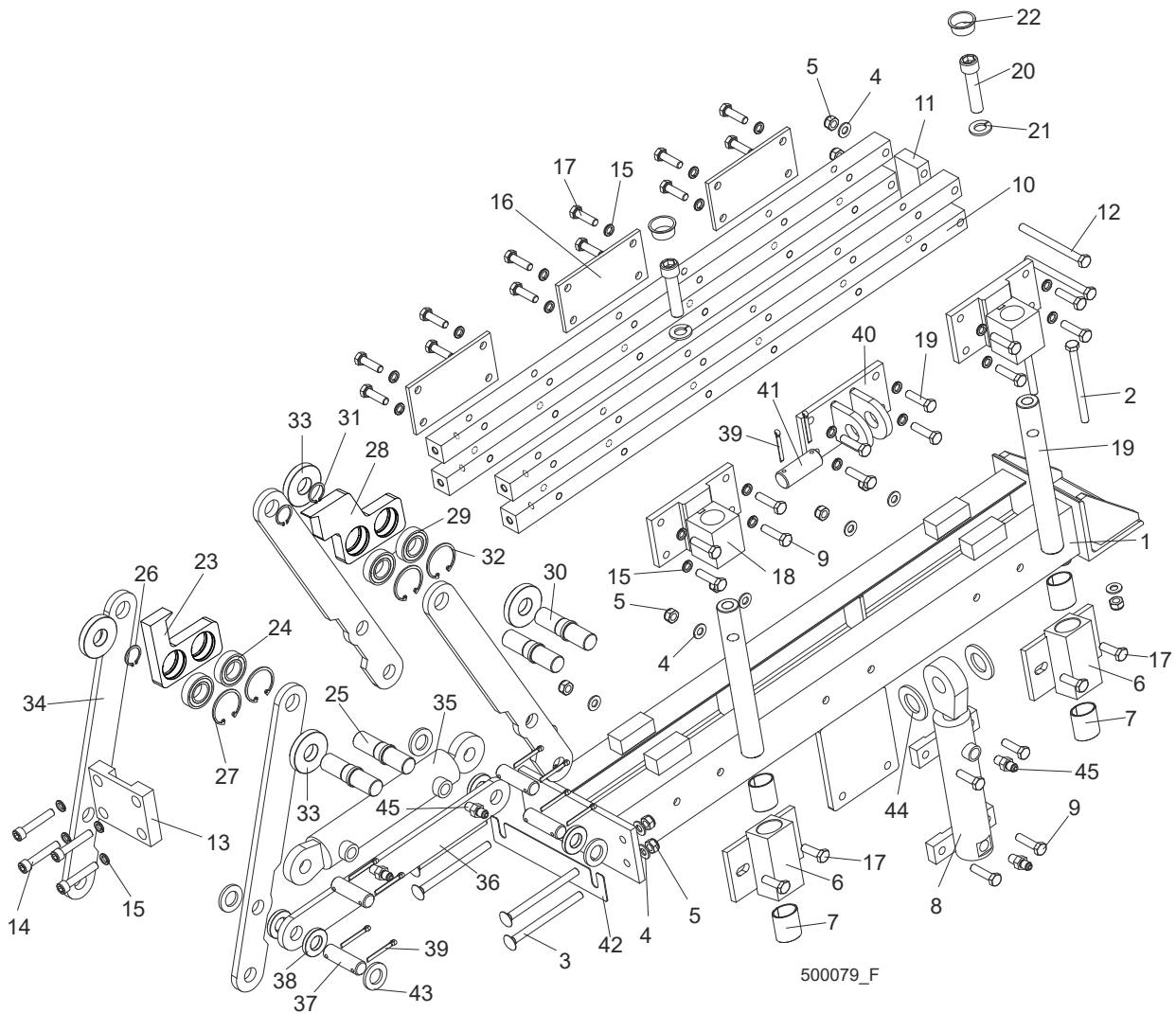
| REF. | DESCRIPTION (◆ Indicates Parts Available In Assemblies Only) | PART # | QTY |
|------|--|---------------|----------|
| | SUPPORT KIT, WM3000/3500 SUPER SIDE SUPPORT (FOR STATIONARY FRAMES) | 508954 | 1 |
| | SUPPORT, WM3000/3500 SUPER VERTICAL SIDE | 508952 | 1 |
| 1 | BLOCK WELDMENT, WM3000/3500 ROD GUIDE | 508953-1 | 1 |
| 2 | ROD WELDMENT, WM3000/3500 CHROMIUM PLATED | 508623-1 | 1 |
| 3 | ROLLER, LT70/300 VERTICAL SIDE SUPPORT ZINC-PLATED | 094013-1 | 2 |
| 4 | BUSHING, LT70/300 VERTICAL SIDE SUPPORT BRONZE | 094012 | 2 |

| | | | | |
|-----|--|---------------|----------|--|
| 5 | WASHER, 17 FLAT ZINC | F81058-1 | 6 | |
| 6 | BOLT, M16X195 HEX HEAD ZINC | F81006-44 | 1 | |
| 7 | RING, LT70/300 VERTICAL SIDE SUPPORT ZINC-PLATED | 094004-1 | 4 | |
| 8 | BUSHING, 5040BS SELF-LUBRICATING | 088660 | 4 | |
| 9 | RING, W62 INSIDE RETAINING | F81090-1 | 4 | |
| 10 | PIN WELDMENT, VERTICAL SIDE SUPPORT ZINC-PLATED | 091197-1 | 2 | |
| 11 | WASHER, 10.5 FLAT ZINC | F81055-1 | 4 | |
| 12 | BOLT DIN 933-M10X30 8.8-A2E | F81003-111 | 2 | |
| 13 | BOLT, ISO 4017 M20X150 8.8 ZINC-PLATED | F81007-3 | 2 | |
| 14 | NUT, M20-8 HEX ZINC | F81037-1 | 4 | |
| 15 | WASHER, 20.5 SPLIT LOCK ZINC | F81059-1 | 2 | |
| 16 | FITTING, M6 STRAIGHT GREASE | 086280 | 4 | |
| 17 | BOLT, M16X160-8.8 HEX HEAD ZINC | F81006-20 | 2 | |
| 18 | NUT, M16-8 HEX NYLON ZINC LOCK | F81036-2 | 3 | |
| 19 | CYLINDER, 28/150 1/4 NPT PORT HYDRAULIC | 094002 | 1 | |
| 20 | LINK WELDMENT, WM3000 VERTICAL SIDE SUPPORT | 094016-1 | 1 | |
| 21 | NUT, M10-8-B HEX NYLON ZINC LOCK | F81033-1 | 2 | |
| 22 | FITTING, 3/8JIC-1/4NPT 90L | 015491 | 2 | |
| | SUPPORT, WM3000/3500 SUPER VERTICAL SIDE | 508630 | 2 | |
| 1a | BLOCK WELDMENT, WM3000/3500 ROD GUIDE | 508622-1 | 1 | |
| 2 | ROD WELDMENT, WM3000/3500 CHROMIUM PLATED | 508623-1 | 1 | |
| 3 | ROLLER, LT70/300 VERTICAL SIDE SUPPORT ZINC-PLATED | 094013-1 | 2 | |
| 4 | BUSHING, LT70/300 VERTICAL SIDE SUPPORT BRONZE | 094012 | 2 | |
| 5 | WASHER, 17 FLAT ZINC | F81058-1 | 6 | |
| 6 | BOLT, M16X195 HEX HEAD ZINC | F81006-44 | 1 | |
| 7 | RING, LT70/300 VERTICAL SIDE SUPPORT ZINC-PLATED | 094004-1 | 4 | |
| 8 | BUSHING, 5040BS SELF-LUBRICATING | 088660 | 4 | |
| 9 | RING, W62 INSIDE RETAINING | F81090-1 | 4 | |
| 10 | PIN WELDMENT, VERTICAL SIDE SUPPORT ZINC-PLATED | 091197-1 | 2 | |
| 11 | WASHER, 10.5 FLAT ZINC | F81055-1 | 4 | |
| 12 | BOLT, M10X30-5.8 HEX HEAD FULL THREAD ZINC | F81003-2 | 2 | |
| 13 | BOLT, ISO 4017 M20X150 8.8 ZINC-PLATED | F81007-3 | 2 | |
| 14a | NUT, M20-8 HEX ZINC | F81037-1 | 6 | |
| 15 | WASHER, 20.5 SPLIT LOCK ZINC | F81059-1 | 2 | |
| 16 | FITTING, M6 STRAIGHT GREASE | 086280 | 4 | |
| 17 | BOLT, M16X160-8.8 HEX HEAD ZINC | F81006-20 | 2 | |
| 18 | NUT, M16-8 HEX NYLON ZINC LOCK | F81036-2 | 3 | |
| 19 | CYLINDER, 28/150 1/4 NPT PORT HYDRAULIC | 094002 | 1 | |
| 20 | LINK WELDMENT, WM3000 VERTICAL SIDE SUPPORT | 094016-1 | 1 | |
| 21 | NUT, M10-8-B HEX NYLON ZINC LOCK | F81033-1 | 2 | |
| 22 | FITTING, 3/8JIC-1/4NPT 90L | 015491 | 2 | |
| 23 | Side supports, double assembly (stationary frame) | 531945-1 | 1 | |
| 24 | PIN WELDMENT, VERTICAL SIDE SUPPORT ZINC-PLATED | 091197-1 | 6 | |

8**Hydraulic System***Hydraulic Log Side Supports*

| | | | | |
|-----------|--|-----------|----|--|
| 25 | WASHER, 10.5 FLAT ZINC | F81055-1 | 18 | |
| 26 | BOLT, M10X30-5.8 HEX HEAD FULL THREAD ZINC | F81003-2 | 9 | |
| 27 | NUT, M10-8-B HEX NYLON ZINC LOCK | F81033-1 | 9 | |
| 28 | PIN WELDMENT, ZINC-PLATED LOCK | 508624-1 | 3 | |
| 29 | WASHER, 10.5 SPECIAL FLAT ZINC | F81055-6 | 3 | |
| 30 | BOLT, ISO4017-M10X20-8.8-A2E HEX HEAD | F81003-53 | 3 | |

8.9 Hydraulic Log Clamp



| REF. | DESCRIPTION (◆ Indicates Parts Available In Assemblies Only) | PART # | QTY |
|------|--|---------------|----------|
| | CLAMP ASSEMBLY, HYDRAULIC | 089545 | 2 |
| 1 | Mount Weldment, Hydraulic Log Clamp | 088654-1 | 1 |
| 2 | Bolt, M10x125-8.8 Hex Head Zinc | F81003-18 | 2 |
| 3 | Bolt, M10x130-8.8 Mushroom Head Square Neck Zinc | F81003-36 | 4 |
| 4 | Washer, 10.5 Flat Zinc | F81055-1 | 18 |
| 5 | Nut, M10-8-B Hex Nylon Zinc Lock | F81033-1 | 16 |
| | BLOCK WELDMENT, LOG CLAMP | 089835 | 2 |
| 6 | Block Weldment, Log Clamp | 088652-1 | 1 |
| 7 | Bushing, 3040BS Self-lubricating | 088676 | 2 |
| 8 | Cylinder, CJ7F-16-40/22 + UE2-40W Hydraulic | 088662 | 1 |

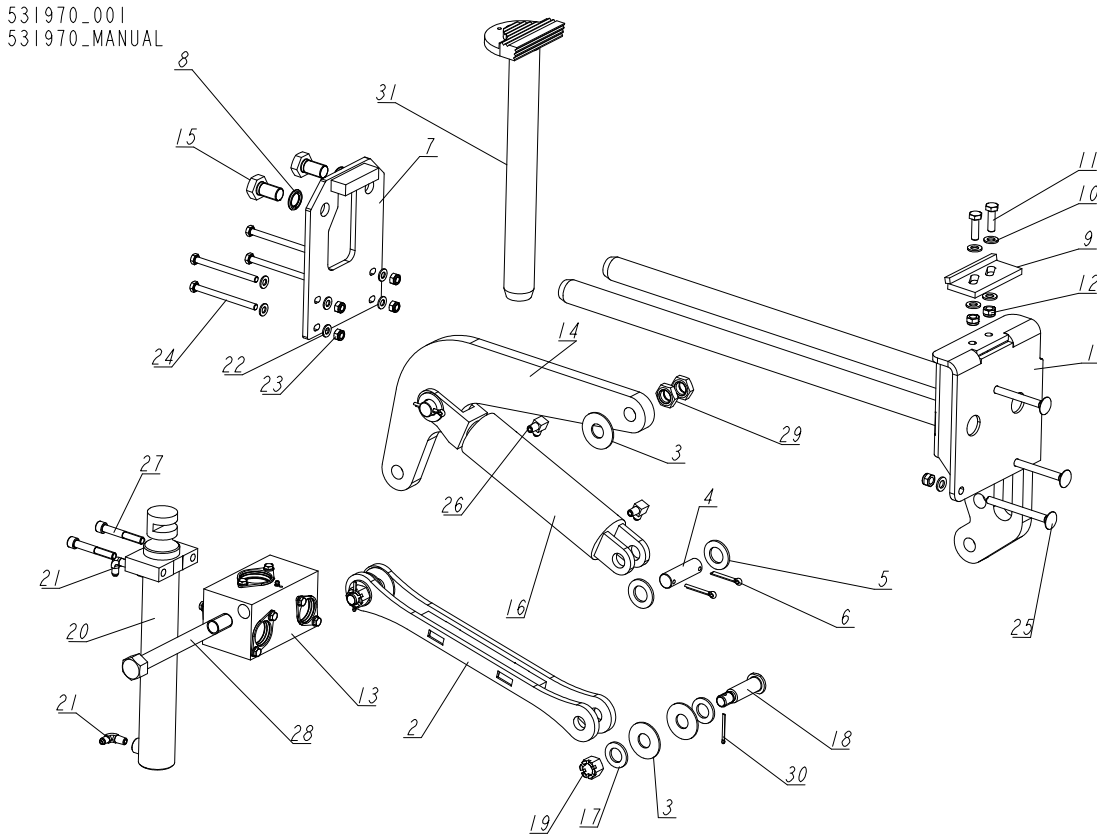
8

Hydraulic System

Hydraulic Log Clamp

| | | | | |
|----|--|---------------|----------|--|
| 9 | Bolt, M10x40-8.8 Hex Head Full Thread Zinc | F81003-16 | 14 | |
| 10 | Bar, Clamp Up/Down | 089537-1 | 4 | |
| 11 | Plate, Connecting | 088645-1 | 1 | |
| 12 | Bolt, M10x140-8.8 Hex Head Zinc | F81003-5 | 2 | |
| 13 | Plate, Connecting | 089533-1 | 1 | |
| 14 | Screw, M10x40-8.8 Hex Socket Head Cap Zinc | F81003-22 | 4 | |
| 15 | Washer, 10.2 Split Lock Zinc | F81055-2 | 28 | |
| 16 | Plate, Log Clamp Rear | 089538-1 | 3 | |
| 17 | Bolt, M10x35-8.8 Hex Head Full Thread Zinc | F81003-17 | 18 | |
| 18 | Bracket, Guide Pin Mount | 089536-1 | 2 | |
| 19 | Pin, Clamp Up/Down Guide | 088631 | 2 | |
| 20 | Screw, M16x55-8.8 Hex Socket Head Cap Zinc | F81006-18 | 2 | |
| 21 | Washer, 16.3 Split Lock Zinc | F81058-2 | 2 | |
| 22 | Plug, M33 Thread | 089839 | 2 | |
| | Jaw, Log Clamp Narrow - Complete | 094700 | 1 | |
| 23 | Jaw, Log Clamp Narrow | 093464-1 | 1 | |
| 24 | Bearing, 6005 2RS CX | 089652 | 4 | |
| 25 | Shaft, Clamp Jaw Guide | 088620-1 | 4 | |
| 26 | Ring, Z24 Outside Retaining | 089654 | 4 | |
| 27 | Ring, W47 Inside Retaining | 089653 | 4 | |
| | Jaw, Log Clamp Wide - Complete | 094701 | 1 | |
| 28 | Jaw, Log Clamp Wide | 093465-1 | 1 | |
| 29 | Bearing, 6005 2RS CX | 089652 | 4 | |
| 30 | Shaft, Clamp Jaw Guide | 088620-1 | 4 | |
| 31 | Ring, Z24 Outside Retaining | 089654 | 4 | |
| 32 | Ring, W47 Inside Retaining | 089653 | 4 | |
| 33 | Washer, Clamp Jaw Spacer | 089542 | 4 | |
| 34 | Bar, Clamp In/Out Side | 088622-1 | 4 | |
| 35 | Cylinder, SJ2F-40/22/145 Hydraulic | 088661 | 1 | |
| 36 | Bar, Clamp In/Out Lower | 088623-1 | 1 | |
| 37 | Pin, 20X75 | 088657-1 | 4 | |
| 38 | Spacer, Lower | 089541 | 4 | |
| 39 | Pin, S-Zn 5x40 Cotter | F81043-31 | 10 | |
| 40 | Bracket, Vertical Cylinder Mount Upper | 089540-1 | 1 | |
| 41 | Pin, 25X75 | 088659-1 | 1 | |
| 42 | Washer, Clamp Jaw Spacer | 501843 | 1 | |
| 43 | Washer, 21 Flat Zinc | F81059-2 | 8 | |
| 44 | Washer, 28 Flat Zinc | F81061-1 | 2 | |
| 45 | Fitting, 1/4NPTx1/4JIC Male | P09143 | 4 | |

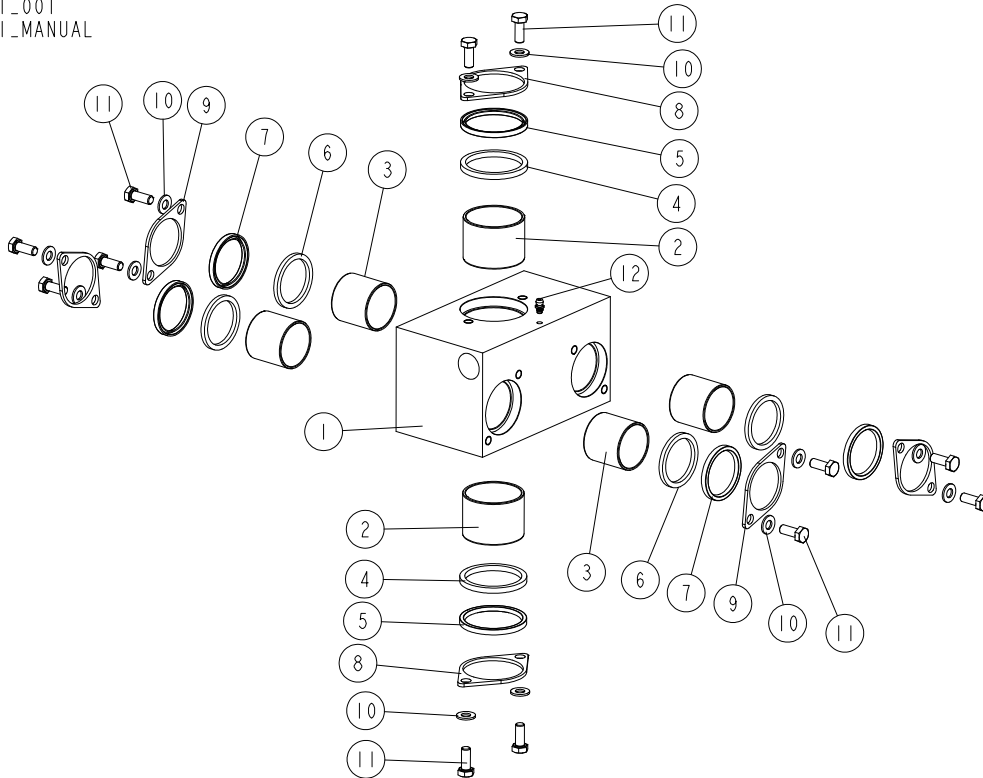
8.10 Main Log Clamp, WM4000 (No. 531970)



| REF. | DESCRIPTION (* indicates parts available in assemblies only) | PART NO. | QTY | |
|------|---|----------|-----|--|
| - | CLAMP, WM4000 MAIN LOG | 531970 | 1 | |
| 1 | ROD ASSEMBLY, MAIN CLAMP HORIZONTAL | 531969-1 | 1 | |
| 2 | ARM WELDMENT, HYDRAULIC CLAMP | 086963-1 | 1 | |
| 3 | WASHER, 25X63 ZINC-PLATED | 088585-1 | 5 | |
| 4 | PIN, HYDRAULIC CYLINDER ZINC-PLATED | 086979-1 | 2 | |
| 5 | WASHER, 28 FLAT ZINC | F81061-1 | 4 | |
| 6 | PIN, S-ZN-6.3X45 COTTER | F81045-2 | 4 | |
| 7 | PLATE, SUPPORT - 2 RODS | 531966-1 | 1 | |
| 8 | WASHER, Z22.5 SPLIT LOCK ZINC | F81059-4 | 2 | |
| 9 | STOP WELDMENT, HYDRAULIC LOG CLAMP | 086980-1 | 1 | |
| 10 | WASHER, 13 FLAT ZINC | F81056-1 | 7 | |
| 11 | BOLT, M12X40-8.8 HEX HEAD FULL THREAD ZINC | F81004-4 | 2 | |
| 12 | NUT, M12 8 HEX NYLON ZINC LOCK | F81034-2 | 5 | |
| 13 | BLOCK, STEEL W/BUSHINGS - COMPLETE See Section 8.11 | 521951 | 1 | |
| 14 | ARM, HYDRAULIC LOG CLAMP | 086974-1 | 1 | |
| 15 | BOLT, M22X1.5X40-8.8-B HEX HEAD FULL THREAD ZINC | F81009-1 | 2 | |
| 16 | CYLINDER, CJ-S96-16-70/32/178 HYDRAULIC | 088589 | 1 | |
| | GASKET, WM 70/32H178AU(088589)(088680) | 589503-S | 1 | |
| 17 | WASHER, 25 FLAT ZINC | F81061-3 | 4 | |
| 18 | PIN, B 24X95/85 ZINC-PLATED | F81049-2 | 2 | |
| 19 | NUT, Z M20-8-B SLOTTED CASTLE ZINC | F81037-3 | 2 | |

| REF. | DESCRIPTION (* indicates parts available in assemblies only) | PART NO. | QTY | |
|------|--|-----------|-----|--|
| 20 | CYLINDER, CJ-S582-16-50/35/300 HYDRAULIC | 711617 | 1 | |
| 21 | FITTING, 1/4NPTX1/4JIC MALE ELBOW | P09142 | 2 | |
| 22 | WASHER, 10.5 FLAT ZINC | F81055-1 | 8 | |
| 23 | NUT, M10-8-B HEX NYLON ZINC LOCK | F81033-1 | 4 | |
| 24 | BOLT, M10X125 8.8 HEX HEAD ZINC | F81003-18 | 4 | |
| 25 | BOLT, M12X130 8.8 CARRIAGE ZINC | F81004-26 | 3 | |
| 26 | FITTING, 3/8JIC-1/4NPT 90L | 015491 | 2 | |
| 27 | SCREW, M12X80-8.8-B-FE/ZN5HEX SOCKET HEAD CAP ZINC | F81004-20 | 2 | |
| 28 | BOLT, M24X240-8.8-B HEX HEAD ZINC | F81009-17 | 1 | |
| 29 | NUT, M24-04-B HEX THIN ZINC | F81039-3 | 2 | |
| 30 | PIN, S-ZN-4X45 COTTER | F81043-22 | 2 | |
| 31 | ROD ASSEMBLY, VERTICAL | 710735-1 | 1 | |

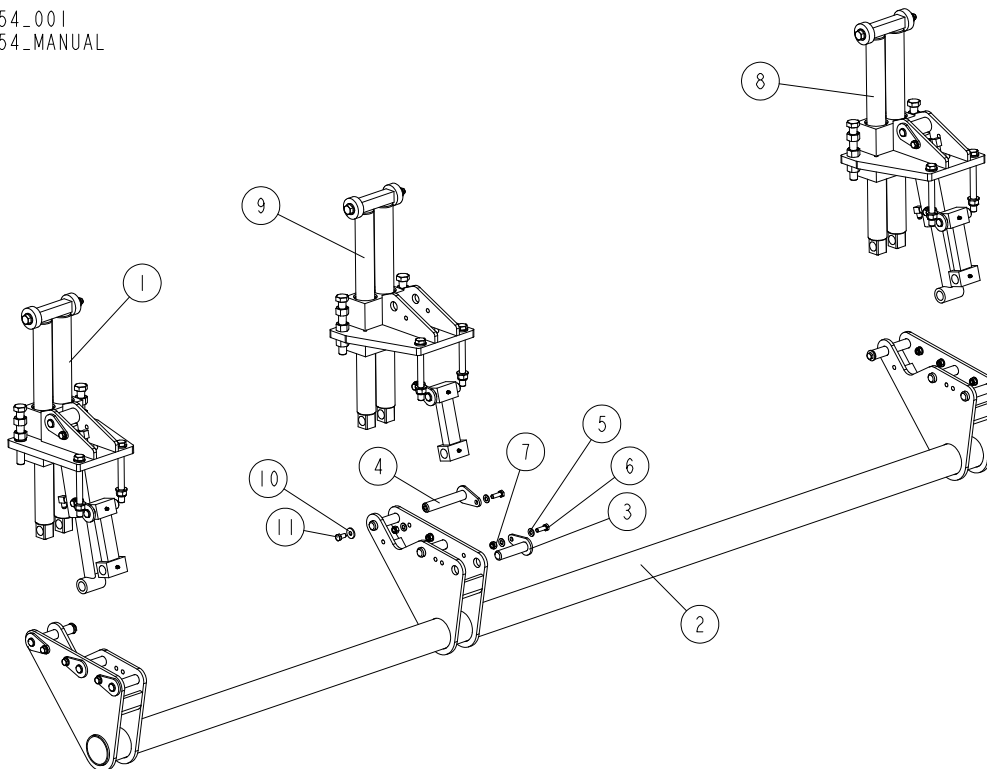
8.11 Steel Block w/Bushings (Part No. 521951)

521951_001
521951_MANUAL

| REF. | DESCRIPTION (* indicates parts available in assemblies only) | PART NO. | QTY | |
|------|--|----------|-----|--|
| - | BLOCK, STEEL W/BUSHINGS - COMPLETE | 521951 | 1 | |
| - | BLOCK, STEEL W/BUHINGS | 521950-1 | 1 | |
| 1 | BLOCK, STEEL | 521937 | 1 | |
| 2 | BUSHING, 5040BS SELF-LUBRICATING | 088660 | 2 | |
| 3 | BUSHING, 4040BS SELF-LUBRICATING | 525077 | 4 | |
| 4 | WASHER, 51/60-5 | 089324 | 2 | |
| 5 | WIPER, ZZ-50X60X7 | 088587 | 2 | |
| 6 | WASHER, WIPER - WIDE | 525080 | 4 | |
| 7 | WIPER, ZZ-40X50X5/7 | 525079 | 4 | |
| 8 | FLANGE, CLAMP ROD WIPER | 088887-1 | 2 | |
| 9 | FLANGE, WIPER | 525081-1 | 4 | |
| 10 | WASHER, 8.4 FLAT ZINC | F81054-1 | 12 | |
| 11 | BOLT, M8X20 8.8 HEX HEAD FULL THREAD ZINC | F81002-4 | 12 | |
| 12 | FITTING, 3/16X3/16 STRAIGHT GREASE | P04107 | 1 | |

8.9 Side Supports (No. 508954)

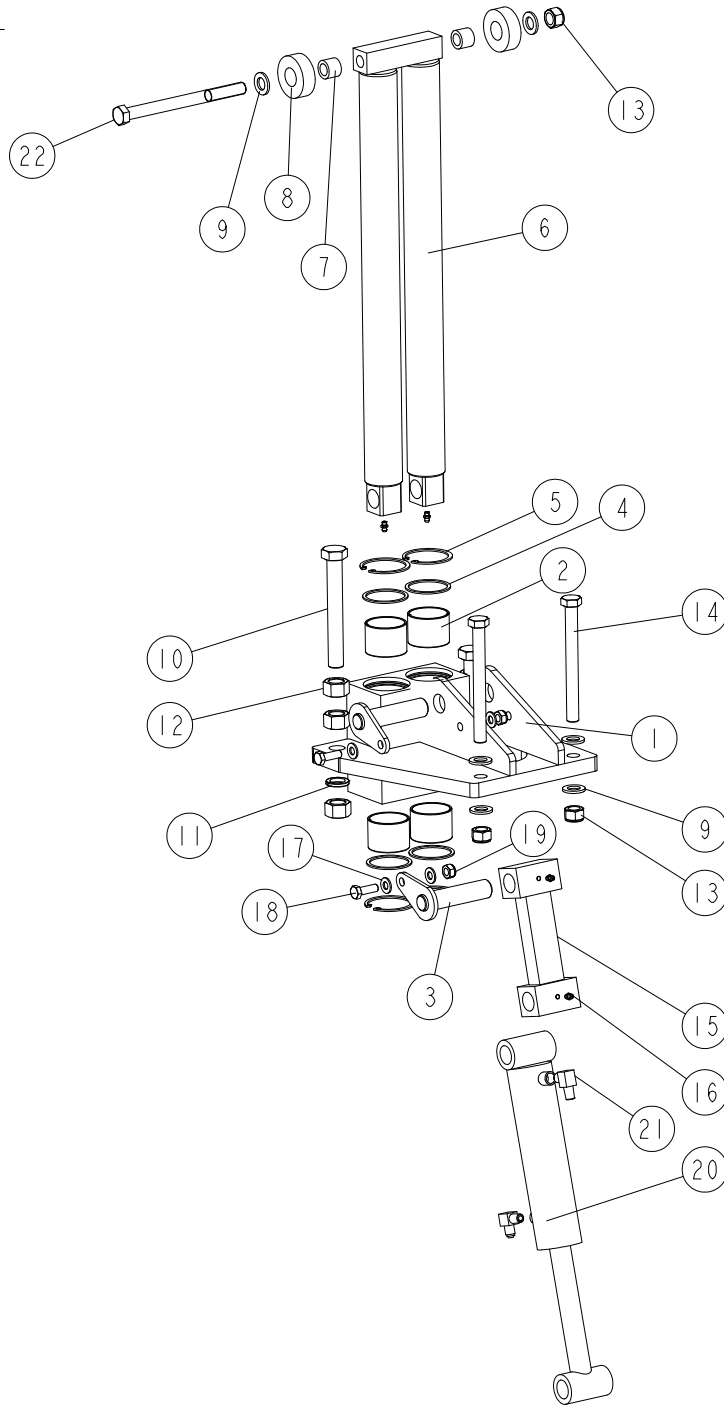
508954_001
508954_MANUAL



| REF. | DESCRIPTION (* indicates parts available in assemblies only) | PART # | QTY |
|------|---|------------|-----|
| - | SUPPORT KIT, SIDE (FOR STATIONARY FRAMES) | 508954 | 1 |
| 1 | SUPPORT, WM3000/3500 VERTICAL SIDE See Section 8.10 | 508952 | 1 |
| 2 | MOUNT WELDMENT, VERTICAL SIDE SUPPORT | 531945-1 | 1 |
| 3 | PIN WELDMENT, VERTICAL SIDE SUPPORT ZINC-PLATED - COMPLETE | 091197-1 | 7 |
| 4 | PIN WELDMENT, ZINC-PLATED LOCK - COMPLETE | 508624-1 | 3 |
| 5 | WASHER, 10.5 FLAT ZINC | F81055-1 | 18 |
| 6 | SCREW, DIN933-M10X30-8.8-A2E HEX CAP FULL THREAD | F81003-111 | 9 |
| 7 | NUT, M10-8-B HEX NYLON ZINC LOCK | F81033-1 | 9 |
| 8 | SUPPORT, WM3000/3500 VERTICAL SIDE See Section 8.10 | 508630 | 1 |
| 9 | SUPPORT, WM4000 VERTICAL SIDE W/O HYDRAULIC CYLINDER See Section 8.11 | 536103 | 1 |
| 10 | WASHER, 10.5 SPECIAL FLAT ZINC | F81055-6 | 3 |
| 11 | BOLT, ISO 4017-M10X20-8.8-A2E HEX HEAD FULL THREAD | F81003-53 | 3 |

8.10 Log Side Support (No. 508630 and 508952)

508630_001
508630_MANUAL



| REF. | DESCRIPTION (* indicates parts available in assemblies only) | PART # | QTY | |
|------|--|-----------------------|-----|--|
| - | SUPPORT, WM3000/3500 VERTICAL SIDE | 508630 | 1 | |
| - | SUPPORT, WM3000/3500 VERTICAL SIDE | 508952 | 1 | |
| 1 | BLOCK WELDMENT, WM3000/3500 ROD GUIDE | 508622-1 ¹ | 1 | |
| | BLOCK WELDMENT, WM3000/3500 ROD GUIDE | 508953-1 ² | 1 | |
| 2 | BUSHING, 5040BS SELF-LUBRICATING | 088660 | 4 | |
| 3 | PIN WELDMENT, VERTICAL SIDE SUPPORT ZINC-PLATED - COMPLETE | 091197-1 | 2 | |

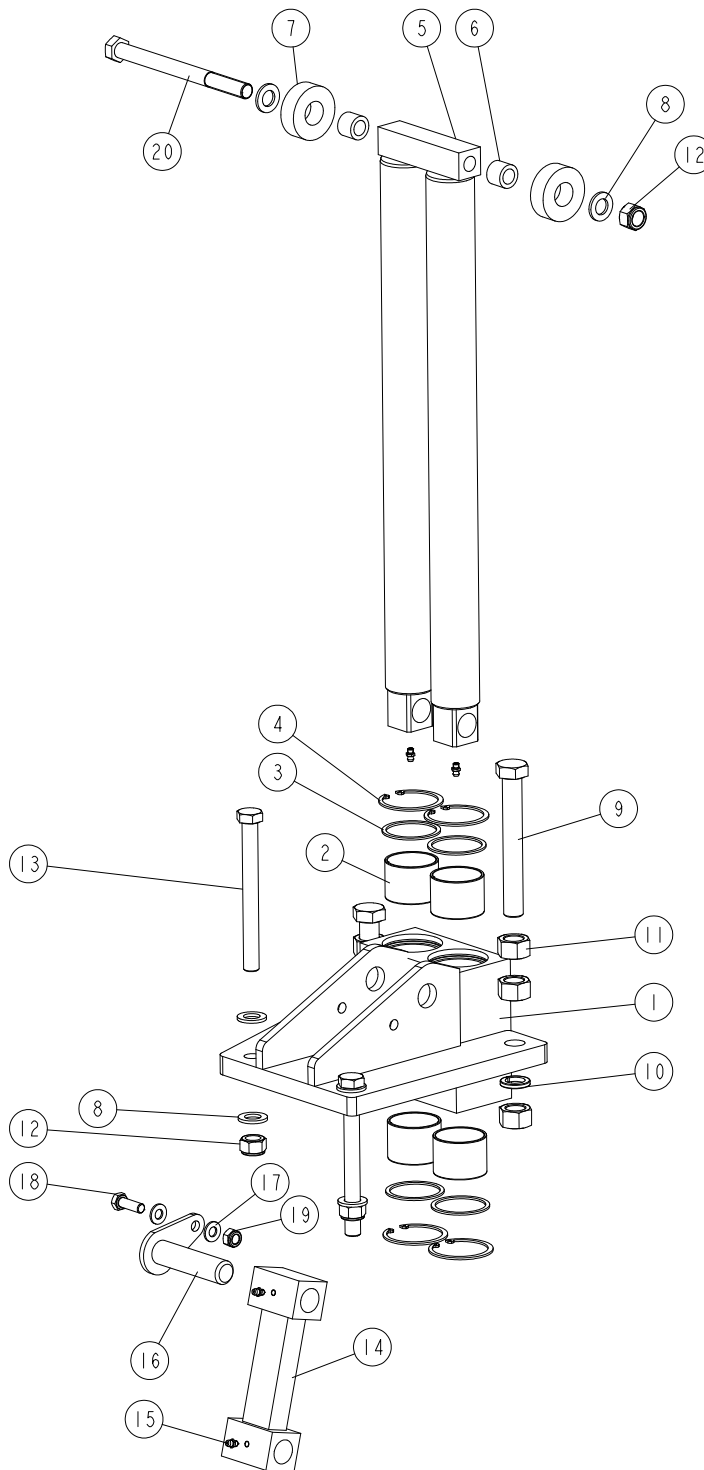
| REF. | DESCRIPTION (* indicates parts available in assemblies only) | PART # | QTY |
|------|--|-----------|-----|
| 4 | RING, LT70/300 VERTICAL SIDE SUPPORT ZINC-PLATED | 094004-1 | 4 |
| 5 | RING, 62W INSIDE RETAINING | F81090-1 | 4 |
| 6 | ROD WELDMENT, WM3000/3500 CHROMIUM PLATED | 508623-1 | 1 |
| 7 | BUSHING, 16/25-20 | 094012 | 2 |
| 8 | ROLLER, LT70/300 VERTICAL SIDE SUPPORT ZINC-PLATED | 094013-1 | 2 |
| 9 | WASHER, 17 SPLIT LOCK ZINC | F81058-1 | 6 |
| 10 | BOLT, ISO 4017 M20X150 8.8 HEX HEAD FULL THREAD ZINC | F81007-3 | 2 |
| 11 | WASHER, 20.5 SPLIT LOCK ZINC | F81059-1 | 2 |
| 12 | NUT, M20-8- HEX ZINC | F81037-1 | 6 |
| 13 | NUT, M16-8 HEX NYLON ZINC LOCK | F81036-2 | 3 |
| 14 | BOLT, M16X160 HEX HEAD ZINC | F81006-20 | 2 |
| 15 | LINK WELDMENT, LT70/300 VERTICAL SIDE SUPPORT | 094016-1 | 1 |
| 16 | FITTING, M6 GREASE | 086280 | 4 |
| 17 | WASHER, 10.5 FLAT ZINC | F81055-1 | 4 |
| 18 | BOLT, M10X30-8.8 HEX HEAD FULL THREAD ZINC | F81003-2 | 2 |
| 19 | NUT, M10-8-B HEX NYLON ZINC LOCK | F81033-1 | 2 |
| 20 | CYLINDER, 28/150 1/4 NPT PORT HYDRAULIC | 094002 | 1 |
| 21 | FITTING, 3/8JIC-1/4NPT 90L | 015491 | 2 |
| 22 | BOLT, ISO4014 M16X195-8.8-A2E HEX HEAD | F81006-44 | 1 |

¹ Included in assy # 508630

² Included in assy # 508952

8.11 Log Side Support (No. 536103)

536103_001
536103_MANUAL

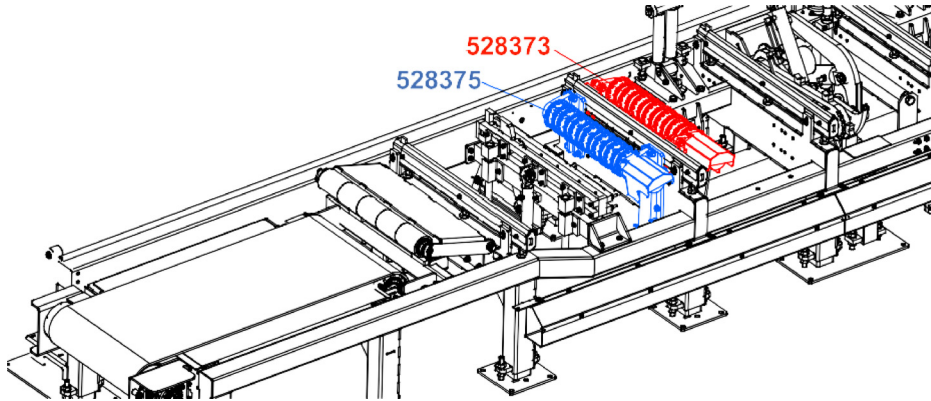


| REF. | DESCRIPTION (* indicates parts available in assemblies only) | PART # | QTY |
|------|--|----------|-----|
| - | SUPPORT, WM4000 VERTICAL SIDE W/O HYDRAULIC CYLINDER | 536103 | 1 |
| 1 | BLOCK WELDMENT, WM3000/3500 ROD GUIDE | 508622-1 | 1 |
| 2 | BUSHING, 5040BS SELF-LUBRICATING | 088660 | 4 |
| 3 | RING, LT70/300 VERTICAL SIDE SUPPORT | 094004-1 | 4 |
| 4 | RING, 62W INSIDE RETAINING | F81090-1 | 4 |

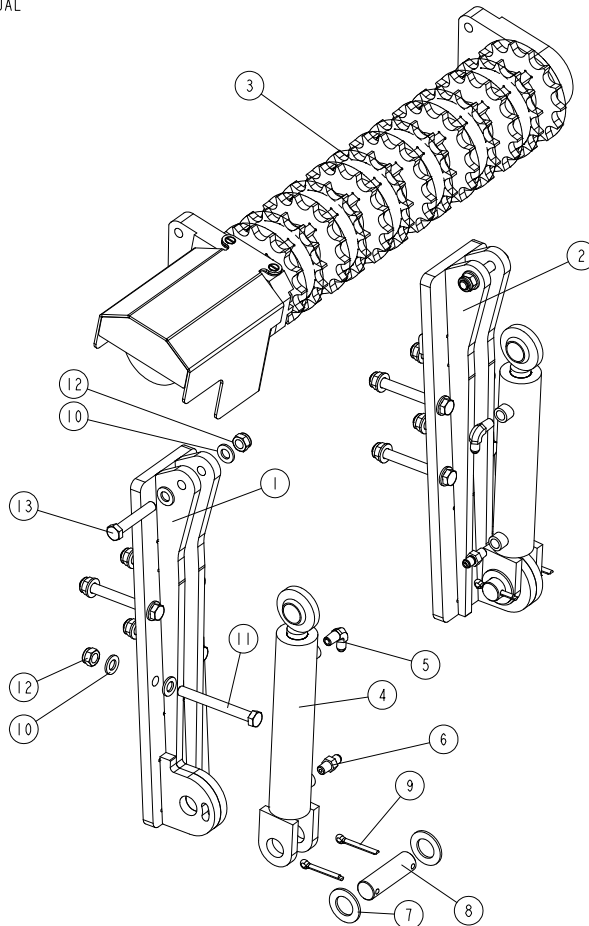
| REF. | DESCRIPTION (* indicates parts available in assemblies only) | PART # | QTY |
|------|--|------------|-----|
| 5 | ROD WELDMENT, WM3000/3500 CHROMIUM PLATED | 508623-1 | 1 |
| 6 | BUSHING, 16/25-20 | 094012 | 2 |
| 7 | ROLLER, LT70/300 VERTICAL SIDE SUPPORT ZINC-PLATED | 094013-1 | 2 |
| 8 | WASHER, 17 SPLIT LOCK ZINC | F81058-1 | 6 |
| 9 | BOLT, ISO 4017 M20X150 8.8 HEX HEAD FULL THREAD ZINC | F81007-3 | 2 |
| 10 | WASHER, 20.5 SPLIT LOCK ZINC | F81059-1 | 2 |
| 11 | NUT, M20-8- HEX ZINC | F81037-1 | 6 |
| 12 | NUT, M16-8 HEX NYLON ZINC LOCK | F81036-2 | 3 |
| 13 | BOLT, M16X160 HEX HEAD ZINC | F81006-20 | 2 |
| 14 | LINK WELDMENT, LT70/300 VERTICAL SIDE SUPPORT | 094016-1 | 1 |
| 15 | FITTING, M6 GREASE | 086280 | 4 |
| 16 | PIN WELDMENT, VERTICAL SIDE SUPPORT ZINC-PLATED - COMPLETE | 091197-10 | 1 |
| 17 | WASHER, 10.5 FLAT ZINC | F81055-1 | 2 |
| 18 | SCREW, DIN933-M10X30-8.8-A2E HEX CAP FULL THREAD | F81003-111 | 1 |
| 19 | NUT, M10-8-B HEX NYLON ZINC LOCK | F81033-1 | 1 |
| 20 | BOLT, ISO4014 M16X195-8.8-A2E HEX HEAD | F81006-44 | 1 |

SECTION 9 DRIVEN LOG LEVELLING ROLLERS

9.1 Driven Log Levelling Rollers (No. 528373 and 528375)



528373_001
528373_MANUAL



| REF. | DESCRIPTION (* indicates parts available in assemblies only) | PART # | QTY |
|------|--|----------|-----|
| - | ROLLER, WM4000 DRIVEN LOG LEVELLING RIGHT - COMPLETE | 528373 | 1 |
| - | ROLLER, WM4000 DRIVEN LOG LEVELLING LEFT - COMPLETE | 528375 | 1 |
| 1 | MOUNT WELDMNT, WM4000 ROLLER LEFT | 531962-1 | 1 |
| 2 | MOUNT WELDMNT, WM4000 ROLLER RIGHT | 531954-1 | 1 |

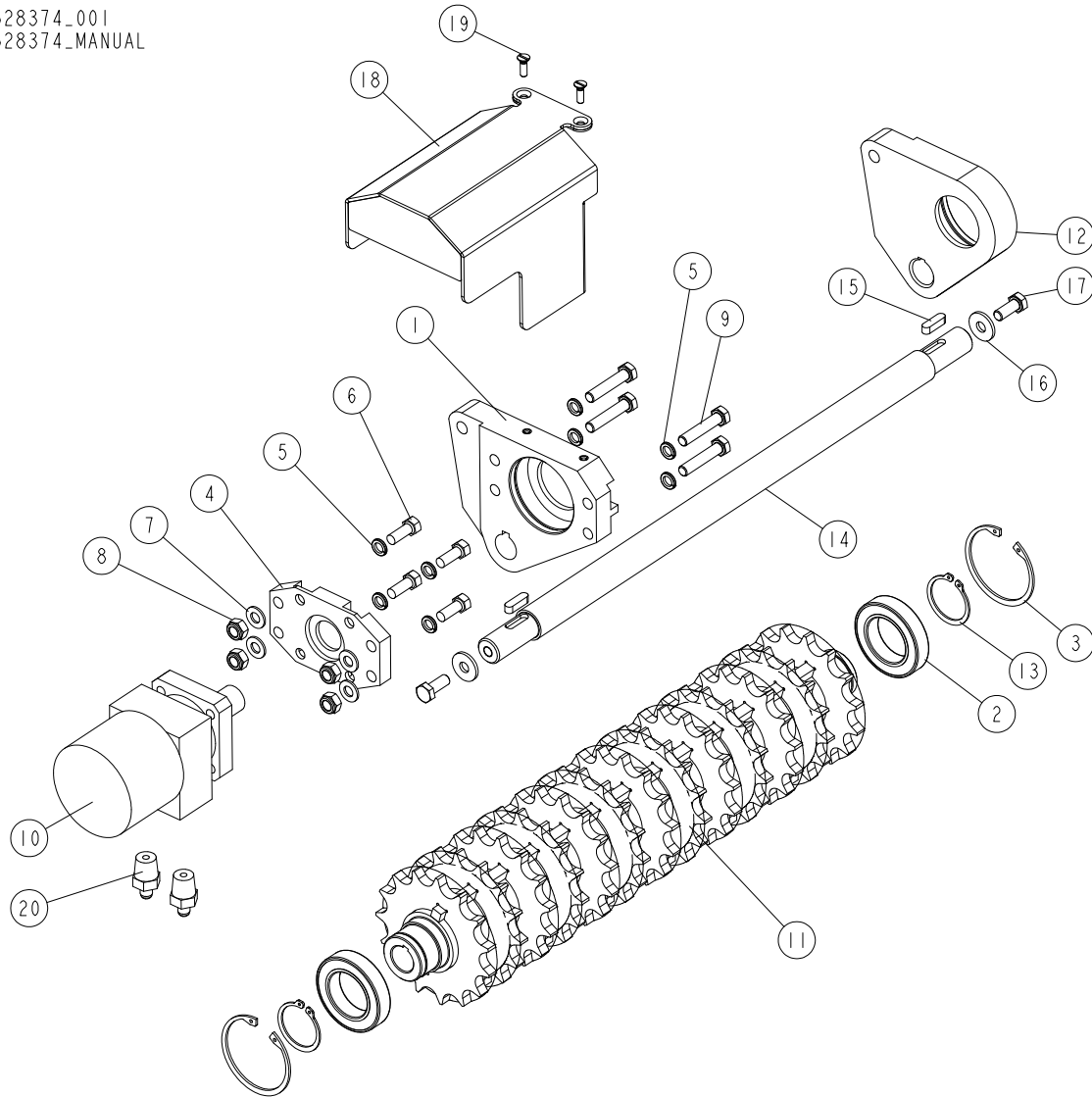
Driven Log Levelling Rollers*Driven Log Levelling Rollers (No. 528373 and 528375)*

| REF. | DESCRIPTION (* indicates parts available in assemblies only) | PART # | QTY | |
|------|--|-----------------------|-----|--|
| 3 | SHAFT, W/DRIVE - COMPLETE See Section 9.2 | 528374 ¹ | 1 | |
| | SHAFT, W/DRIVE - COMPLETE See Section 9.2 | 528376 ² | 1 | |
| - | CYLINDER, HYDRAULIC W/FITTINGS | 535041 | 2 | |
| 4 | CYLINDER, CJ-S170-16-40/25/152 HYDRAULIC | 088681 | 1 | |
| 5 | FITTING, 1/4NPTX1/4JIC MALE ELBOW | P09142 | 1 | |
| 6 | FITTING, 1/4NPTX1/4JIC MALE | P09143 | 1 | |
| 7 | WASHER, 26 ZINC-PLATED | 088258-1 ³ | 4 | |
| | WASHER, 28 FLAT ZINC | F81061-1 ⁴ | 4 | |
| 8 | PIN, HYDRAULIC CYLINDER ZINC-PLATED | 086979-1 | 2 | |
| 9 | PIN, S-ZN-6.3X45 COTTER | F81045-2 | 4 | |
| 10 | WASHER, 13 FLAT ZINC | F81056-1 | 20 | |
| 11 | BOLT, M12X110-8.8-B HEX HEAD ZINC | F81004-47 | 8 | |
| 12 | NUT, M12 8 HEX NYLON ZINC LOCK | F81034-2 | 10 | |
| 13 | BOLT, M12X70-8.8 HEX HEAD ZINC | F81004-39 | 2 | |

¹ Included in 528373² Included in 528375³ Included in 528373⁴ Included in 528375

9.2 Shaft w/Drive (No. 528374 and 528376)

528374_001
528374_MANUAL



| REF. | DESCRIPTION (* indicates parts available in assemblies only) | PART # | QTY |
|------|--|-----------------------|-----|
| - | SHAFT, W/DRIVE - COMPLETE | 528374 | 1 |
| - | SHAFT, W/DRIVE - COMPLETE (LEFT ROLLER) | 528376 | 1 |
| 1 | BRACKET, SIDE W/HYDRAULIC MOTOR CONNECTOR | 096029-1 ¹ | 1 |
| | BRACKET, SIDE W/HYDRAULIC MOTOR CONNECTOR | 507684-1 ² | 1 |
| 2 | BEARING, 6009.2RSR (FAG) ROLLING | 096025 | 2 |
| 3 | RING, W75 INSIDE RETAINING | F81090-41 | 2 |
| 4 | PLATE, HYDRAULIC MOTOR MOUNT | 096030-1 | 1 |
| 5 | WASHER, 10.2 SPLIT LOCK ZINC | F81055-2 | 8 |
| 6 | BOLT, 3/8-16X1 HEX HEAD | F05007-7 | 4 |
| 7 | WASHER, 10.5 FLAT ZINC | F81055-1 | 4 |
| 8 | NUT, M10-8-B HEX NYLON ZINC LOCK | F81033-1 | 4 |
| 9 | BOLT, M10X50-8.8 HEX HEAD FULL THREAD ZINC | F81003-4 | 4 |
| 10 | MOTOR, MG06-13-13AAAB HYDRAULIC | P21506 | 1 |
| 11 | SHAFT, DRIVEN LOG LEVELLING ROLLER - COMPLETE | 509944-1 | 1 |

1**Shaft w/Drive (No. 528374 and 528376)**

| REF. | DESCRIPTION (* indicates parts available in assemblies only) | PART # | QTY | |
|------|--|-----------------------|-----|--|
| 12 | PLATE, SIDE MOUNT | 096031-1 ³ | 1 | |
| | PLATE, SIDE MOUNT | 507687-1 ⁴ | 1 | |
| 13 | RING, Z 45 OUTSIDE RETAINING | F81090-32 | 2 | |
| 14 | ROD, SHAFT | 520349-1 | 1 | |
| 15 | KEY, A8X7X28 PARALLEL | 096035 | 2 | |
| 16 | WASHER, 10.5 SPECIAL FLAT ZINC | F81055-6 | 2 | |
| 17 | BOLT, M10X25 8.8 HEX HEAD FULL THREAD ZINC | F81003-31 | 2 | |
| 18 | GUARD, HYDRAULIC MOTOR | 096037-1 ⁵ | 1 | |
| | GUARD, HYDRAULIC MOTOR | 507690-1 ⁶ | 1 | |
| 19 | SCREW, M6X20-5.8-B SLOTTED COUNTERSUNK HEAD ZINC | F81001-31 | 2 | |
| 20 | FITTING, EX. THREAD 1/2-14NPT/ 7/16-20UNF STRAIGHT | 096919 | 2 | |

¹ Included in 528374

² Included in 528376

³ Included in 528374

⁴ Included in 528376

⁵ Included in 528374

⁶ Included in 528376

9.3 Hydraulic Pump & Tank Assembly

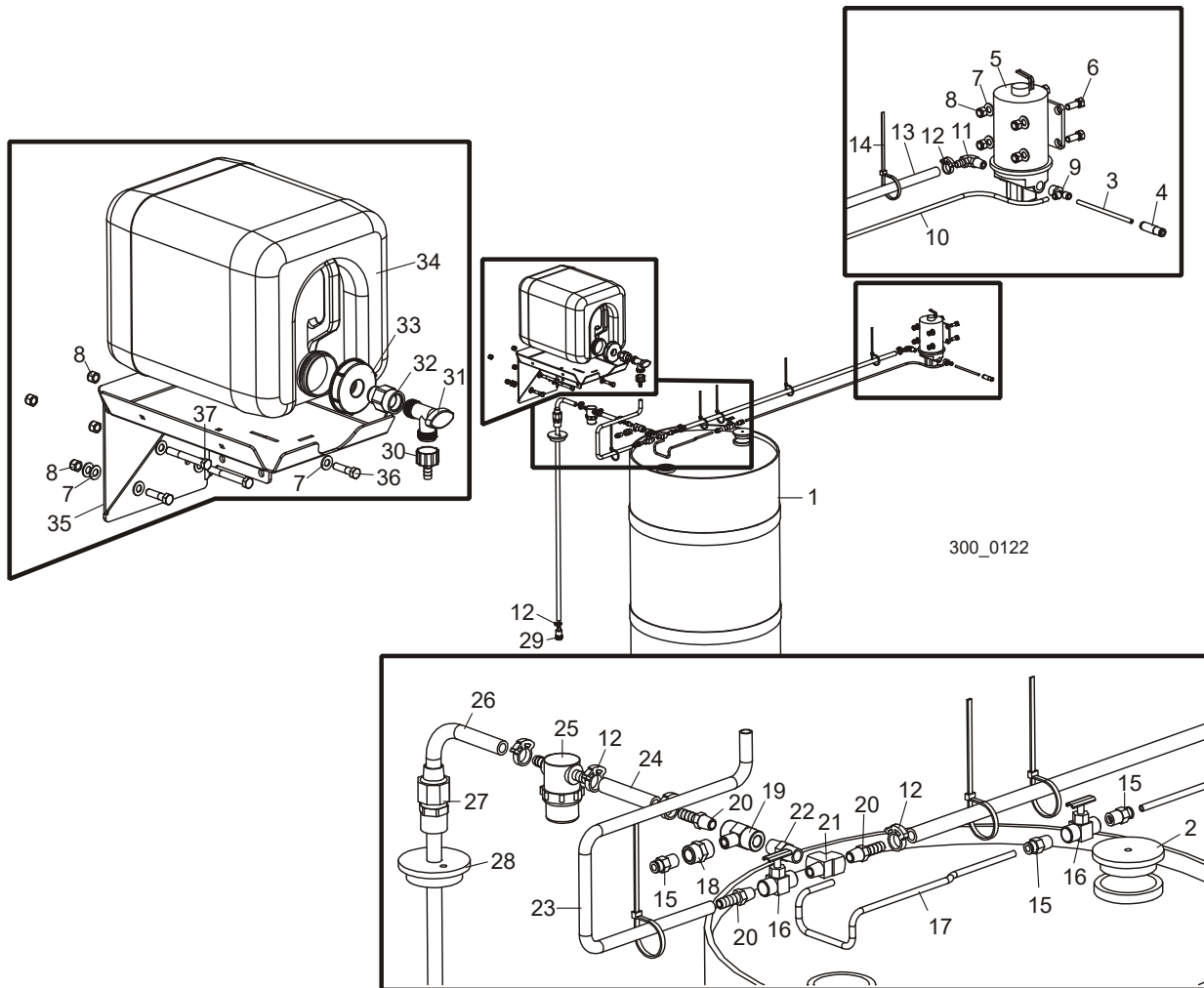
| REF. | DESCRIPTION (◆ Indicates Parts Available In Assemblies Only) | PART NO. | QTY |
|------|--|------------|-----|
| - | HYDRAULIC PUMP & TANK, WM4000 - COMPLETE | 510630 | 1 |
| 1 | MOUNT WELDMENT, WM4000 HYDRAULIC PUMP & TANK | 510624-1 | 1 |
| 2 | MOUNT, HYDRAULIC MOTOR RUBBER | 035546 | 4 |
| - | PUMP, 7.5KW, N=2925, 32.5L/MIN HYDRAULIC W/MOTOR | 533938 | 1 |
| 3 | MOTOR | 084591 | 1 |
| 4 | COUPLING, MOTOR | 084592 | 1 |
| 5 | COUPLER, COUPLINGS | 084593 | 1 |
| 6 | COUPLING, PUMP | 084594 | 1 |
| 7 | COUPLER, ADAPTER | 084595 | 1 |
| 8 | PUMP PLP20 | 084597 | 1 |
| 9 | WASHER, ADAPTER - MOTOR | 084596 | 4 |
| 10 | BOLT, ADAPTER - MOTOR | 084599 | 4 |
| 11 | WASHER, PUMP - ADAPTER | 084598 | 2 |
| 12 | BOLT PUMP - ADAPTER | 084599-1 | 2 |
| 13 | FITTING, #12SAE-1/2NPT FEMALE ADAPTER | 042785 | 1 |
| 14 | ELBOW, 1/2 NPT ST GALV. | P22684 | 1 |
| 15 | FITTING, 1/2NPT MALE-3/4 HOSE BARB | 035621 | 1 |
| 16 | FITTING, #10SAE-1/2JIC 90 ELBOW | 042784 | 1 |
| 17 | TANK, WM4000 (52L) OIL | 517426-1 | 1 |
| 18 | MANIFOLD, W/FILTER | P22683 | 1 |
| 19 | A4-ELBOW, WZ 1/2" ZINC-PLATED | 094749 | 3 |
| 20 | FITTING, 1/2NPT MALE-3/4 HOSE BARB | 035621 | 5 |
| 21 | HEATER, EH-380-200-G11/2"-TA-2X400V TERMO | 511737 | 1 |
| 22 | FILTER, RESAW TANK SUCTION | P20210 | 1 |
| 23 | BUSHING, 1/2 TO 1 | P20239 | 1 |
| 24 | CLAMP, HI-GRIP 22-30 MM. | F81095-3 | 6 |
| 25 | FITTING, AGR DN20 3/4" STRAIGHT | 505066 | 2 |
| 26 | FITTING, 3/4" ID BSP MALE QUICK DISCONNECT | 505065 | 1 |
| 27 | FITTING, 3/4" ID BSP FEMALE QUICK DISCONNECT | 505064 | 1 |
| 28 | FITTING, 1/2" -80MM THREAD ZINC-PLATED | 511417 | 1 |
| 29 | FITTING, 1/2-3/8 BA.19.05.06 HYDRAULIC | 512162 | 1 |
| 30 | FITTING, 3/8" INT. THREAD BSP MALE QUICK DISCONNECT | 504966 | 1 |
| 31 | FITTING, 3/8" INT. THREAD BSP FEMALE QUICK DISCONNECT | 504965 | 1 |
| 32 | HOSE, 2G1/2X0.30 W3/4UNF-W3/4UNF HYDRAULIC | 512176 | 1 |
| 33 | CAP, 3/8" W/DIPSTICK | 507166 | 1 |
| 34 | ELBOW, 1/2" ZINC-PLATED | 511419 | 1 |
| 35 | HOSE, 3/4 L=0.86 | 094790_0-8 | 1 |
| 36 | PLUG, R 1 1/2 THREADED | 512574 | 1 |
| 37 | WASHER, 13 FLAT ZINC | F81056-1 | 8 |
| 38 | NUT, M12- 8 DIN 982 NYLON ZINC | F81034-2 | 4 |

10**Hydraulic System**
Hydraulic Pump & Tank Assembly

| REF. | DESCRIPTION (◆ Indicates Parts Available In Assemblies Only) | PART NO. | QTY | |
|------|--|-----------|-----|--|
| 39 | BOLT, M12X30 8.8 HEX HEAD FULL THREAD ZINC | F81004-22 | 4 | |
| 40 | BOLT, 1/4-20X3/4 FULL THREAD HEX HEAD | F05005-1 | 2 | |
| 41 | WASHER, 10.5 FLAT ZINC | F81055-1 | 4 | |
| 42 | NUT, 3/8-16 HEX NYLON LOCK | F05010-10 | 8 | |

SECTION 10 MISCELLANEOUS

10.1 Blade Lube System



300_0122

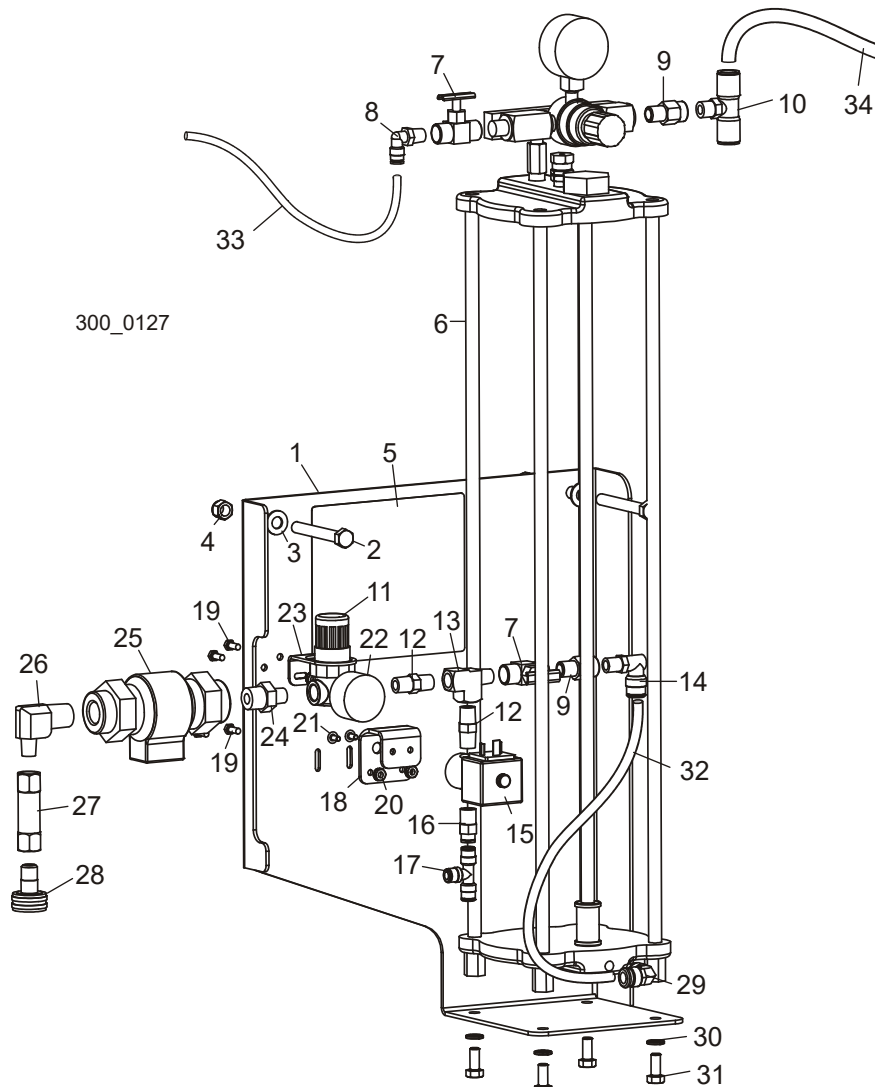
| REF. | DESCRIPTION (◆ Indicates Parts Available In Assemblies Only) | PART # | QTY |
|------|--|--------|-----|
| | Lube #9, 5 Gallon | 016853 | 1 |
| | LUBE SYSTEM, WM3000 | 016926 | 1 |
| 1 | Barrel, 55-Gallon Plastic | 016784 | 1 |
| 2 | Cap, Barrel With 1/4 Vent | 016786 | 1 |
| 3 | Tube, Pressure 1/4x107ft | 016944 | 1 |
| 4 | Valve, Check, 1/4Tube 6PSI | 016827 | 1 |
| | Cable Assembly, Lube System | 025249 | 1 |
| | Pump Assembly, Lube | 016883 | 1 |
| 5 | Pump Assembly, Lube | 050029 | 1 |

10

Miscellaneous Blade Lube System

| | | | | |
|----|--|-----------|----|--|
| 6 | Bolt, 3/8-16x1 Hex Head Grade 5 | F05007-87 | 4 | |
| 7 | Washer, 3/8 Flat SAE | F05011-3 | 10 | |
| 8 | Nut, 3/8-16 Hex Nylon Lock | F05010-10 | 8 | |
| 9 | Fitting, Tee 3/8NPT to 1/4Tube Male Run | 016961 | 1 | |
| 10 | Hose, Pressure 1/4x40 | 016885 | 1 | |
| 11 | Fitting, 3/8" NPT x 3/8" Hose Barb Elbow | P12709 | 1 | |
| 12 | Clamp, Single Snap Grip #38 | 016845 | 6 | |
| 13 | Hose, Suction 3/8x44 | 016829 | 1 | |
| 14 | OTie Wrap, 3/16 x 6 UV Black | F05089-3 | 6 | |
| 15 | Fitting, 1/4 NPT - 1/4 Tube Straight | P20903 | 3 | |
| 16 | Valve, Needle 1/4 NPT Female Brass | 051392 | 2 | |
| 17 | Hose, Pressure 1/4x24 | 016886 | 1 | |
| 18 | Coupling, 1/4NPT | P03420 | 1 | |
| 19 | Fitting, 1/4NPT Branch Tee | 015486 | 1 | |
| 20 | Fitting, 1/4NPT-3/8 Barb | 014685 | 3 | |
| 21 | Fitting, 1/4 FMF Tee | P05382 | 1 | |
| 22 | Nipple, 1/4 NPT Hex | P21524 | 1 | |
| 23 | Tube, 3/8IDx25 Tygothane | 038495 | 1 | |
| 24 | Hose, Suction 3/8x3 | 038494 | 1 | |
| 25 | Filter, 3/8 Barb Lube | 033447 | 1 | |
| 26 | Hose, Suction 3/8x40 | 016884 | 1 | |
| 27 | Coupler, 3/4NPT x 1/2 Poly Compression | 016935 | 1 | |
| 28 | Cap, Barrel Vent | 016785 | 1 | |
| 29 | Valve, Foot Check, 3/8 Barb | 016939 | 1 | |
| 30 | Reducer, 5/8NPT/3/8Barb Water Lube | 014113 | 1 | |
| 31 | Valve, 3/4 NPT Elbow 3/4 Male Outlet PVC | 014100 | 1 | |
| 32 | Fitting, 3/4FPTx3/4MPT | 014636 | 1 | |
| 33 | Cap, 63mm Water Bottle, Modified | 036744 | 1 | |
| 34 | Bottle, 5-Gallon Water | 014637 | 1 | |
| 35 | Tray Weldment, Lube System | 038498 | 1 | |
| 36 | Bolt, 3/8-16x1 1/2 Hex Head Grade 5 | F05007-78 | 2 | |
| 37 | Bolt, 3/8-16x3 Hex Head Grade 5 | F05007-73 | 2 | |

10.2 Pressure Lube System (Optional)



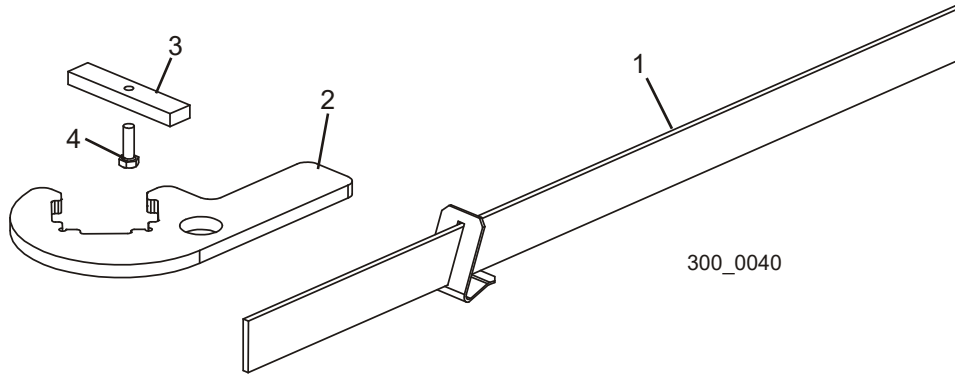
| REF. | DESCRIPTION (◆ Indicates Parts Available In Assemblies Only) | PART # | QTY |
|------|--|-----------|-----|
| | LUBE SYSTEM, WM3000 OPTIONAL PRESSURE BLADE | 051431 | 1 |
| 1 | Bracket, Pressure Lube Mount | 036685 | 1 |
| 2 | Bolt, 3/8-16 x 3" Hex Head Full Thread | F05007-1 | 2 |
| 3 | Washer, 3/8" SAE Flat | F05011-3 | 2 |
| 4 | Nut, 3/8-16 Hex Nylon Lock | F05010-10 | 2 |
| 5 | Decal, Pressure Lube Layout | 036747 | 1 |
| 6 | Reservoir Assembly, Pressure Lube | 051434 | 1 |
| 7 | Valve, 1/4" NPT Brass Female Needle | 051392 | 2 |
| 8 | Fitting, 1/4" NPT x 1/4" Tube 90° Elbow Air | P21519 | 1 |
| 9 | Valve, 1/4" NPT Male-Female Check | 051394 | 2 |

10

Miscellaneous Pressure Lube System (Optional)

| | | | | |
|----|--|------------|-----------|--|
| 10 | Fitting, 1/4" NPT x 1/2" Tube Tee | 038737 | 1 | |
| 11 | Regulator, 1/4" NPT 125 PSI Water | 051427 | 1 | |
| 12 | Fitting, 1/4" NPT Hex Pipe Nipple | P05389 | 2 | |
| 13 | Fitting, 1/4" NPT Female-Male-Female Tee | P05382 | 1 | |
| 14 | Fitting, 1/4" NPT x 3/8" Tube 90° Elbow Air | P21521 | 1 | |
| 15 | Valve, 1/4" NPT Water NC 2-Way Solenoid | 051432 | 1 | |
| | Cable Assembly, WM3000 Lube Pump | 052222 | 1 | |
| 16 | Fitting, 1/4" NPT x 1/4" Tube Straight Air | P20903 | 1 | |
| 17 | Fitting, 1/4" Tube Air Tee | P21544 | 1 | |
| 18 | Bracket, Solenoid Mount | 036688 | 1 | |
| 19 | Screw, #10-24 x 1/2" Unslotted Hex Stainless Steel | F05004-27 | 4 | |
| 20 | Nut, #10-24 Self-Locking Hex | F05010-14 | 4 | |
| 21 | Screw, #8-32 x 3/8" Round Head Grade 5 | F05004-157 | 2 | |
| 22 | Gauge, 160 PSI | P02766 | 1 | |
| 23 | Bracket, Regulator Mount | 051429 | 1 | |
| 24 | Fitting, 1/2" NPT x 1/4" NPT Hex Nipple | 038484 | 1 | |
| 25 | Valve, 1/2" NPT Vacuum Break Dual Check | 038483 | 1 | |
| 26 | Fitting, 1/2" NPT x 1/4" NPT 90° Elbow | 016881 | 1 | |
| 27 | Strainer, 1/4" NPT 100 Mesh Inline | 051882 | 1 | |
| 28 | Fitting, 1/4" NPT x Female Water Hose | 051433 | 1 | |
| 29 | Fitting, 1/8" NPT x 3/8" Tube 90° Elbow | P21552 | 1 | |
| 30 | Washer, 5/16" Split Lock | F05011-13 | 4 | |
| 31 | Bolt, 5/16-24 x 3/4" Hex Head Grade 5 Full Thread | F05006-105 | 4 | |
| 32 | Tubing, 1/4" Air | R01869 | 2 ft. | |
| 33 | Tubing, 3/8" Air | R01869-1 | 5.147 ft. | |
| 34 | Tubing, 1/2" Air | R01869-2 | 3 ft. | |

10.3 Tools

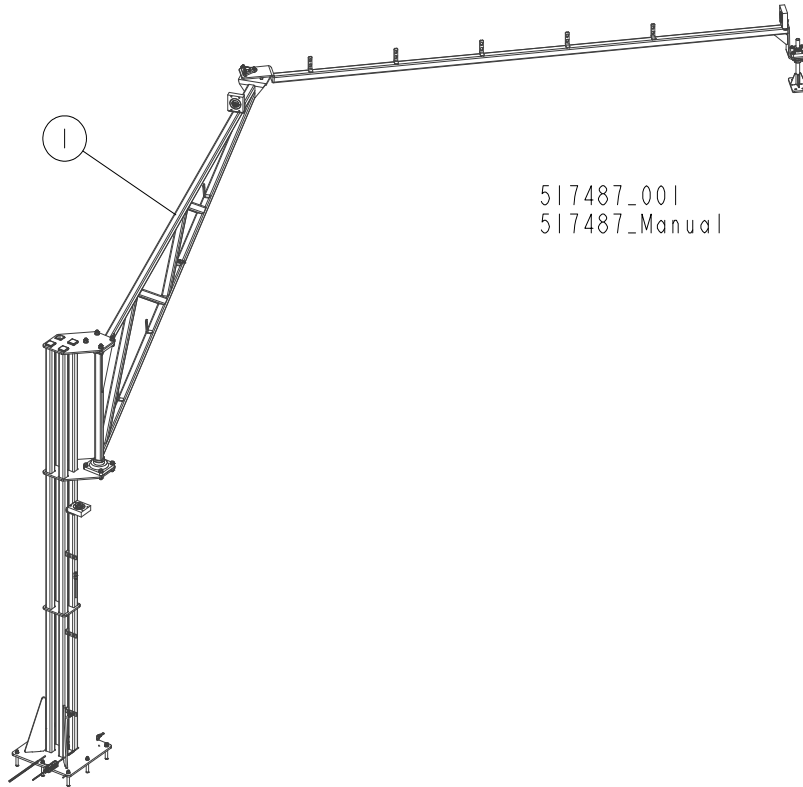


| REF. | DESCRIPTION (◆ Indicates Parts Available In Assemblies Only) | PART # | QTY | |
|------|--|------------|-----|--|
| 1 | TOOL, BLADE GUIDE ADJUSTMENT | LTBGAT | 1 | |
| 2 | ALIGNMENT TOOL, BLADE GUIDE ARM | 042700 | 1 | |
| 3 | BLOCK, BLADE GUIDE ALIGNMENT | 035799 | 2 | |
| 4 | SCREW, 10-32X5/8 HEX HEAD MACHINE | F05004-152 | 2 | |
| | HONE, 6" BENCH COARSE DIAMOND COARSE (NOT SHOWN) | 017813 | 1 | |
| | WRENCH S=32 (NOT SHOWN) | 513927-1 | 1 | |

10.4 Manuals & Diagrams

| DESCRIPTION | | | | |
|--------------------------------------|--|-------|---|--|
| WM3000/WM3500 Manuals | | | | |
| 1 | WM3000 Sawmill Operation Manual | 988 | 1 | |
| 2 | WM3500 Sawmill Operation Manual | 990 | 1 | |
| 3 | WM3000 SAWMILL PARTS LIST | 991 | 1 | |
| 4 | WM3500 SAWMILL PARTS LIST | 992 | 1 | |
| WM3000 Sawmill Option Manuals | | | | |
| 5 | IC1 Incline Conveyor Manual | 1121 | 1 | |
| 6 | TD1 Transfer Deck Manual | 1062 | 1 | |
| 7 | LD12/LD20 Infeed Deck Manual | 1024 | 1 | |
| Electrical Diagrams | | | | |
| 8 | WM3000 SAWMILL ELECTRICAL DIAGRAM | 1014a | 1 | |
| 9 | WM3500 SAWMILL ELECTRICAL DIAGRAM | 1016 | 1 | |

10.5 Pantograph Assembly



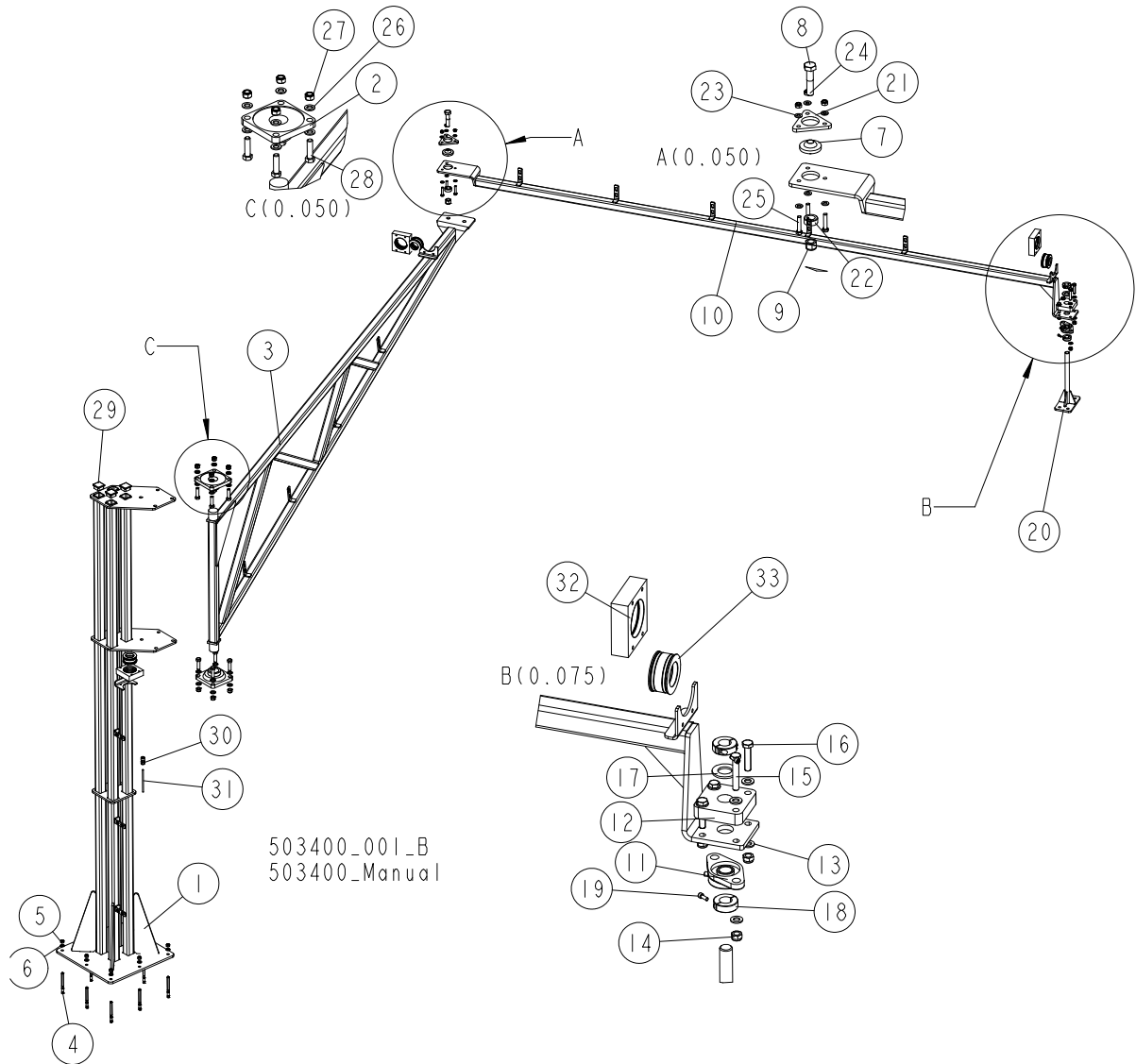
| REF. | DESCRIPTION (◆ Indicates Parts Available in Assemblies Only) | PART# | QTY | |
|------|--|---------------|----------|--|
| 1 | PANTOGRAPH W/CABLES - COMPLETE | 517487 | 1 | |
| 1 | PANTOGRAPH See Section 10.6 | 503400 | 1 | |
| | CABLE, BCC M425-0000-1A-003-VX8434-050 | 087652 | 1 | |
| | VALVE, ASCO SCE238A002 24V AC SOLENOID | 090927 | 1 | |
| | FITTING, 1/2" HOSE | 092356 | 1 | |
| | BUSH, RK13/21 NR 13798 REDUCING | 092886 | 2 | |
| | SENSOR, BES M12MG-PSC80F-S04G INDUCTIVE | 093168 | 2 | |
| | SENSOR, BES M12MI-PSC40B-S04G INDUCTIVE | 093172 | 3 | |
| | SWITCH, AZ17-11ZRK SAFETY | 094232 | 2 | |
| | CABLE, BCC M425-0000-1A-003-VX8434-020 | 094290 | 1 | |
| | CABLE, BCC M425-0000-1A-003-VX8434-100 | 094291 | 3 | |
| | KEY, AZ17/170-B5 | 094422 | 2 | |
| | BRACKET, SAFETY SWITCH | 097125-1 | 2 | |
| | BOX, LOG DECK CONTROL | 092696 | 1 | |
| | TERMINAL, KO 16/10 RING | F81064-12 | 2 | |

11

Miscellaneous
Pantograph Assembly

| REF. | DESCRIPTION (◆ Indicates Parts Available in Assemblies Only) | PART# | QTY | |
|------|--|-----------|-----|--|
| | TERMINAL, 1/4 14-16GA RING NI LOOSE | F81065-1 | 7 | |
| | TERMINAL, KO6/8 RING | F81066-2 | 4 | |
| | CASSETTE, MK8 BLACK RIBBON | F81081-34 | 1 | |
| | PROFILE, 0.5 MM2 P0-03 YELLOW MARKING | F81081-35 | 1 | |
| | PROFILE, 1MM2 P0-04 YELLOW MARKING | F81081-36 | 1 | |
| | TERMINAL, HI 6/12 | F81083-11 | 7 | |
| | TERMINAL, HI 1.5/8 | F81083-4 | 25 | |
| | TERMINAL, HI 2X2.5/13 | F81083-9 | 10 | |
| | GLAND, DP 7/H CABLE | F81096-11 | 6 | |
| | GLAND, DP9/H CABLE | F81096-2 | 1 | |
| | GLAND, DP 25 HM CABLE | F81096-31 | 5 | |
| | REDUCER, DR40MM25M CABLE GLAND | F81097-2 | 2 | |
| | REDUCER, DR25M/16M CABLE GLAND | F81097-21 | 1 | |
| | CABLE, UNITRONIC FD-CP PLUS 4X0.34 | R80578-2 | 18 | |
| | CABLE, OLFLEX 400P 2X1 1312902 | R80583-5 | 8 | |
| | CABLE, OLFLEX 400P 4G1 (DRUM) | R80583-6 | 20 | |
| | CABLE, OLFLEX CLASIC 110 7G1 | R80583-71 | 5 | |
| | CABLE, OFLEX-FD 855P 25G1.5-DRUM | R80584-7 | 19 | |
| | CABLE, OFLEX-FD 855P 2X1.5-DRUM | R80584-72 | 16 | |
| | CABLE, OFLEX-FD 855CP 4G1.5-DRUM | R80584-74 | 32 | |
| | CABLE, OFLEX CHAIN 896P 4G16-DRUM | R80585-7 | 36 | |
| | CABLE, H07V-K 1X6MM2 GNYE | R80587-3 | 5 | |
| | CABLE, OFLEX-FD 810P 1G16 | R80594-4 | 5 | |
| | HOSE, WSN24/S | R80620-3 | 10 | |
| | WASHER, UUPE 40M CABLE GLAND SEALING (PACKAGE = 10 PCS) | R80682-3 | 1 | |

10.6 Pantograph - 503400

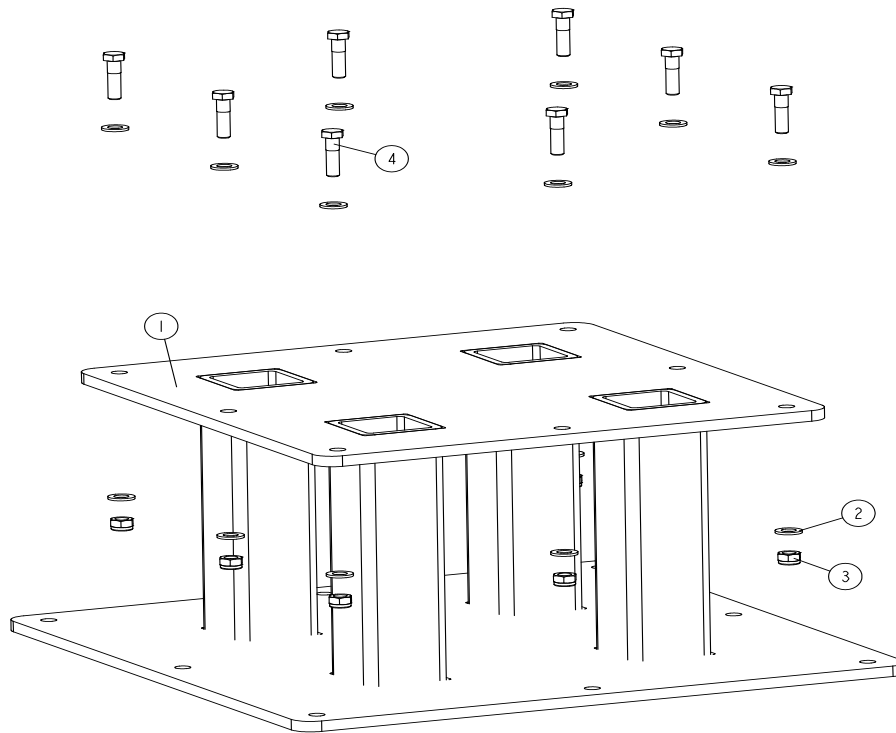


| REF | DESCRIPTION (◆ indicates parts available in assemblies only) | PART # | QTY |
|-----|--|------------|-----|
| - | PANTOGRAPH WM3500 | 503400 | 1 |
| 1 | COLUMN, PNTOGRAPH | 503575-1 | 1 |
| 2 | BEARING, UCF 211 W/HOUSING | 089889 | 2 |
| 3 | TRUSS, PANTOGRAPH | 503585-1 | 1 |
| - | BOLT, M12 140MM ANCHOR | 084529 | 8 |
| 4 | BOLT, M12 140MM ANCHOR | 084529 | 1 |
| 5 | NUT, M12-8 ZINC | F81034-1 | 1 |
| 6 | WASHER, 13 FLAT ZINC | F81056-1 | 1 |
| 7 | BALL JOINT, 3/4IDX2 1/2OD | 042538 | 1 |
| 8 | BOLT, 3/4-10X3 1/2 HEX HEAD | F05009-54 | 1 |
| 9 | NUT, 3/4-10 NYLON LOCK | F05010-103 | 1 |
| 10 | ARM, PANTOGRAPH PIVOT | 503597-1 | 1 |
| 11 | BEARING, UCFL205, (COMPLEX). W/HOUSING | 089124 | 1 |
| 12 | BLOCK, BEARING MOUNT | 503601 | 1 |
| 13 | WASHER, 13 FLAT ZINC | F81056-1 | 8 |
| 14 | NUT, M12 8 HEX NYLON ZINC LOCK | F81034-2 | 4 |

| REF | DESCRIPTION (◆ indicates parts available in assemblies only) | PART # | QTY | |
|-----|--|------------|-----|--|
| 15 | BOLT, M12X70-8.8-HEX HEAD ZINC | F81004-39 | 2 | |
| 16 | BOLT, M12X55 8.8 HEX HEAD ZINC | F81004-43 | 2 | |
| 17 | WASHER, 28 FLAT ZINC | F81061-1 | 1 | |
| - | RING, FI25 SLOTTED | 503602 | 2 | |
| 18 | RING, FI25 SLOTTED | 503602 | 1 | |
| 19 | SCREW, M6X16 8.8 HEX SOCKET HEAD CAP ZIN | F81001-21 | 2 | |
| 20 | BRACKET, PANTOGRAPH | 503606-1 | 1 | |
| 21 | PLATE, PANTOGRAPH ARM PIVOT | 503607-1 | 1 | |
| 22 | RING, 25 RETAINING | F81039-4 | 1 | |
| 23 | WASHER, 10.5 FLAT ZINC | F81055-1 | 6 | |
| 24 | NUT, M10-8-B HEX NYLON ZINC LOCK | F81033-1 | 3 | |
| 25 | BOLT, M10X50-8.8-HEX HEAD FULL THREAD ZI | F81003-4 | 3 | |
| 26 | WASHER, 17 FLAT ZINC | F81058-1 | 16 | |
| 27 | NUT, M16, HEX NYLON ZINC LOCK | F81036-2 | 8 | |
| 28 | BOLT, M16X60-8.8-HEX HEAD FULL THREAD ZI | F81006-12 | 8 | |
| 29 | CAP, 50X50 (3-5MM THICK) (199274MOSS) TU | 095371 | 4 | |
| 30 | FITTING, 1/2" (KQ2H13-00) SMC STRAIGHT | 509962 | 1 | |
| 31 | HOSE 1/2" 3M | R01869-2_3 | 1 | |
| 32 | HOUSING, KDL-JUMBO1 CABLE ENTRY SYSTEM | 514715 | 3 | |
| 33 | GROMMET, KDT/Z JUMBO | 514716 | 3 | |

10.7 Pantograph Platform - 584615

584615_001
584615_MANUAL



| REF. | DESCRIPTION (* indicates parts available in assemblies only) | PART # | QTY |
|------|--|-----------|-----|
| - | PANTOGRAPH PLATFORM - COMPLETE | 584615 | 1 |
| 1 | PANTOGRAPH PLATFORM | 534434-1 | 1 |
| 2 | WASHER, 13 FLAT ZINC | F81056-1 | 16 |
| 3 | NUT, M12 8 HEX NYLON ZINC LOCK | F81034-2 | 8 |
| 4 | BOLT, M12X45-8.8 HEX HEAD ZINC | F81004-32 | 8 |

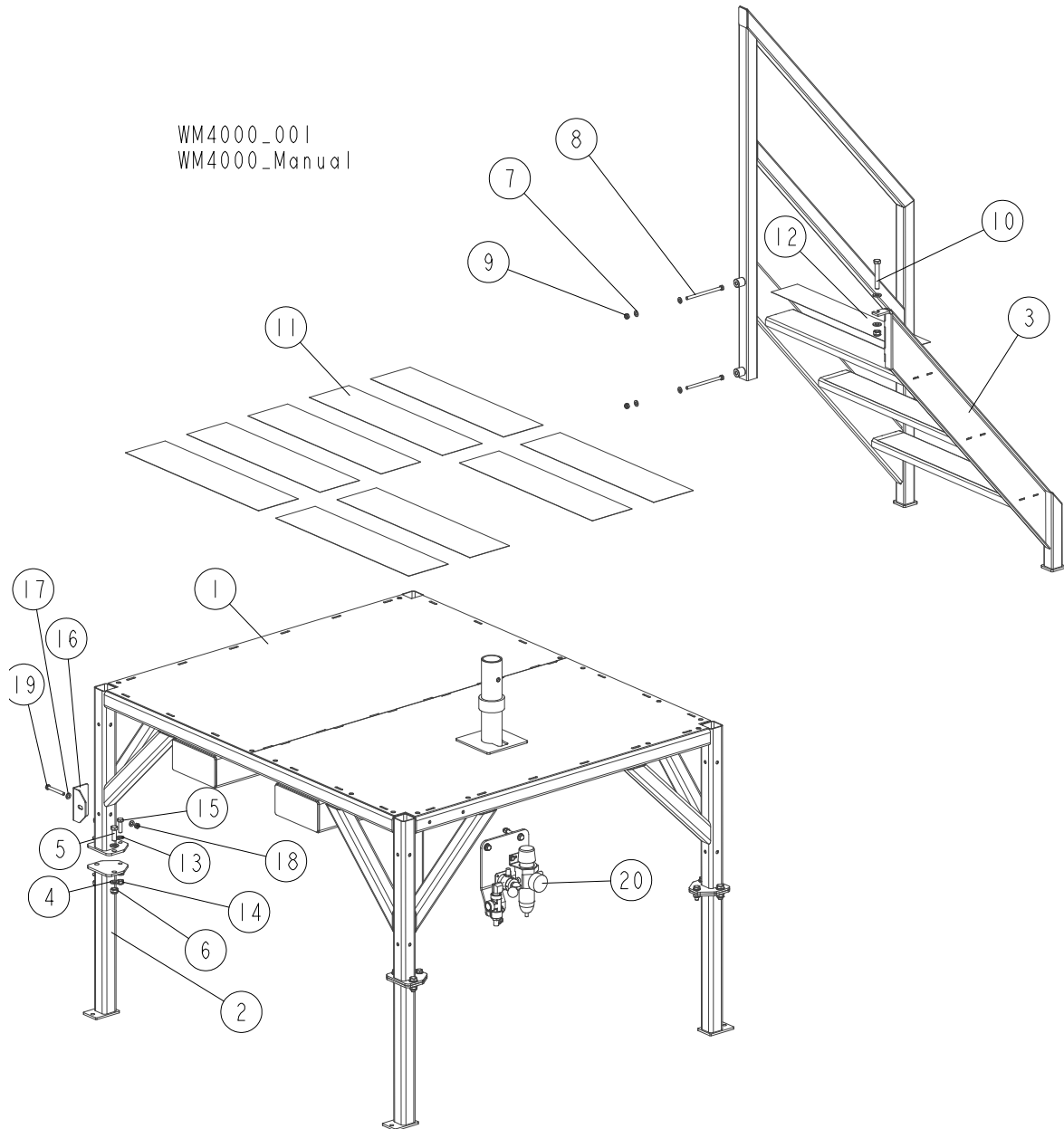
11

OPERATOR STAND

Frame, Rails & Ladder

SECTION 11 OPERATOR STAND

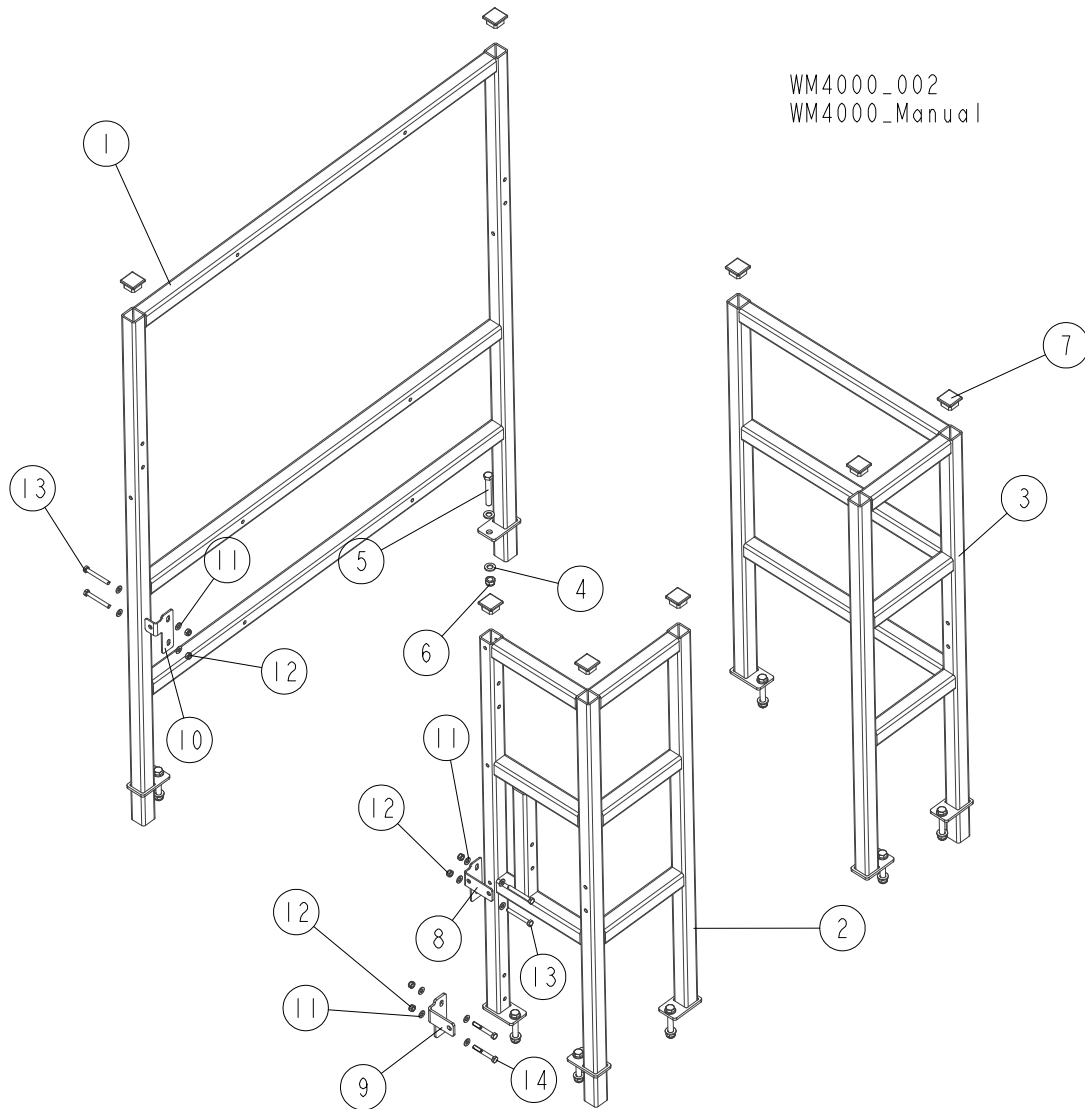
11.1 Frame, Rails & Ladder



| REF. | DESCRIPTION (◆ Indicates Parts Available in Assemblies Only) | PART# | QTY |
|------|--|---------------|----------|
| | STAND, WM4000 OPERATOR - COMPLETE | 516645 | 1 |
| | STAND ASSEMBLY, OPERATOR | 514741 | 1 |
| 1 | STAND WELDMENT, OPERATOR | 513437-1 | 1 |
| 2 | EXTENSION, OPERATOR STAND LEG | 513886-1 | 4 |

| REF. | DESCRIPTION (◆ Indicates Parts Available in Assemblies Only) | PART# | QTY | |
|------|--|-----------|-----|--|
| 3 | LADDER W/RAILS | 711478-1 | 1 | |
| 4 | WASHER, 13 FLAT ZINC | F81056-1 | 18 | |
| 5 | BOLT, M12X35 8.8 HEX HEAD FULL THREAD ZINC | F81004-24 | 8 | |
| 6 | NUT, M12-8 HEX NYLON ZINC LOCK | F81034-2 | 9 | |
| 7 | WASHER, 8.4 FLAT ZINC | F81054-1 | 4 | |
| 8 | BOLT, M8X130-8.8 HEX HEAD ZINC | F81002-50 | 2 | |
| 9 | NUT, M8 8 HEX NYLON ZINC LOCK | F81032-2 | 2 | |
| 10 | BOLT, M12X80-8.8 HEX HEAD ZINC | F81004-46 | 1 | |
| 11 | PAD, NON-SKID | 711494 | 9 | |
| 12 | PAD, NON-SKID STEP | 711495 | 3 | |
| 13 | WASHER, 10.5 FLAT ZINC | F81055-1 | 8 | |
| 14 | NUT, M10-8-B HEX NYLON ZINC LOCK | F81033-1 | 4 | |
| 15 | BOLT, M10X35 8.8 HEX HEAD FULL THREAD ZINC | F81003-17 | 4 | |
| 16 | BRACKET WELDMENT, LT300 ELECTRIC BOX LOWER | 092646-1 | 1 | |
| 17 | WASHER, 8.4 FLAT ZINC | F81054-1 | 2 | |
| 18 | NUT, M8 8 HEX NYLON ZINC LOCK | F81032-2 | 1 | |
| 19 | BOLT, M8X70-8.8 HEX HEAD ZINC | F81002-71 | 1 | |
| 20 | AIR SUPPLY ASSEMBLY, LT300 See Section 11.5 | 016887 | 1 | |

11.2 Control Box Fence Assembly



WM4000_002
WM4000_Manual

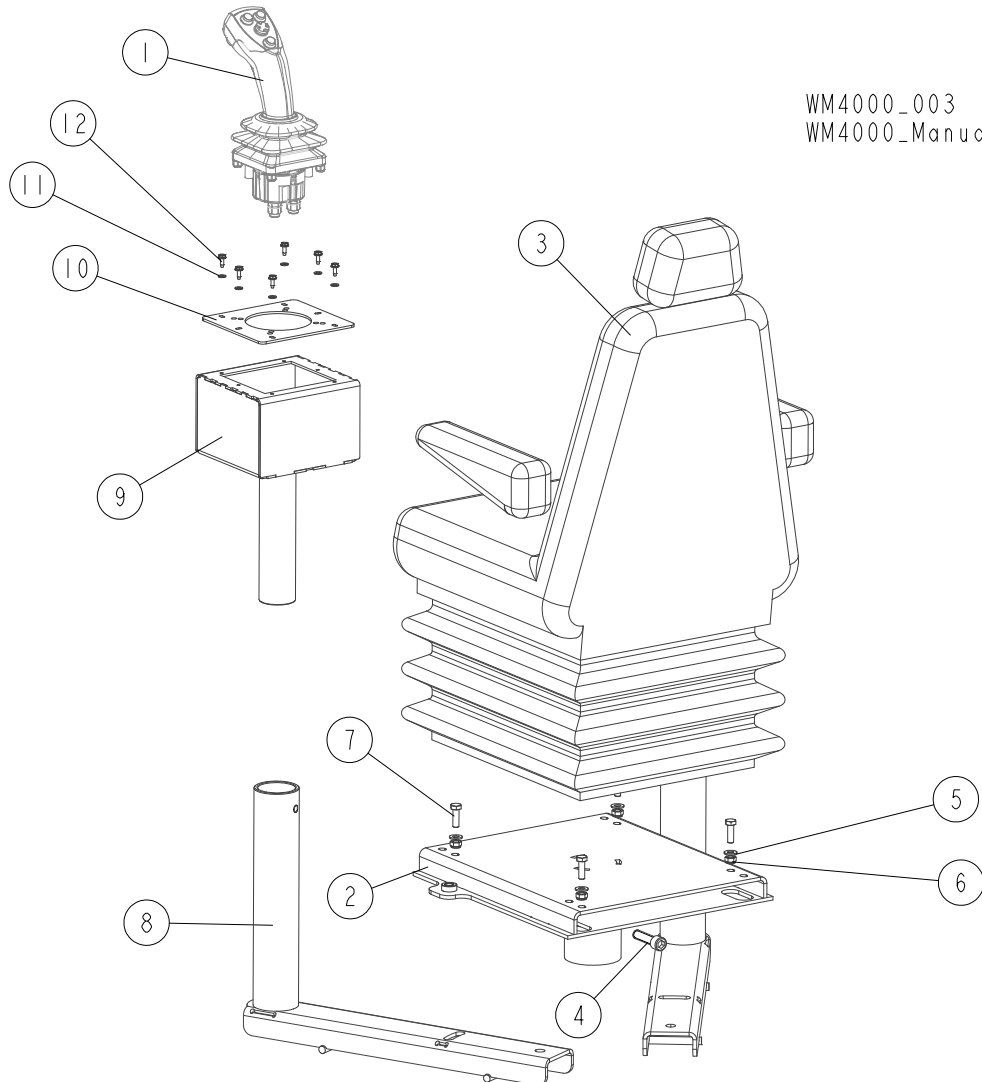
| REF. | DESCRIPTION (◆ Indicates Parts Available in Assemblies Only) | PART# | QTY |
|------|--|-----------|-----|
| 1 | FENCE, FRONT | 514315-1 | 1 |
| 2 | FENCE, LEFT REAR | 514313-1 | 1 |
| 3 | FENCE, RIGHT REAR | 514311-1 | 1 |
| 4 | WASHER, 13 FLAT ZINC | F81056-1 | 16 |
| 5 | BOLT, M12X80-8.8 HEX HEAD ZINC | F81004-46 | 8 |
| 6 | NUT, M12-8 HEX NYLON ZINC LOCK | F81034-2 | 8 |
| 7 | CAP, 40x40x (3-4) TUBE END | 097480 | 8 |
| 8 | BRACKET, LT300 ELECTRIC BOX UPPER LEFT | 092647-1 | 1 |
| 9 | BRACKET, WB2000 ELECTRIC BOX UPPER LEFT | 711459-1 | 1 |
| 10 | BRACKET, LT300 ELECTRIC BOX UPPER RIGHT | 092648-1 | 1 |

| REF. | DESCRIPTION (◆ Indicates Parts Available in Assemblies Only) | PART# | QTY | |
|------|--|-----------|-----|--|
| 11 | WASHER, 8.4 FLAT ZINC | F81054-1 | 12 | |
| 12 | NUT, M8 8 HEX NYLON ZINC LOCK | F81032-2 | 6 | |
| 13 | BOLT, M8X65 8.8 HEX HEAD FULL THREAD ZINC | F81002-9 | 4 | |
| 14 | BOLT, M8X60 8.8 HEX HEAD ZINC | F81002-54 | 2 | |

12 Operator Stand

Operator Seat & Joystick

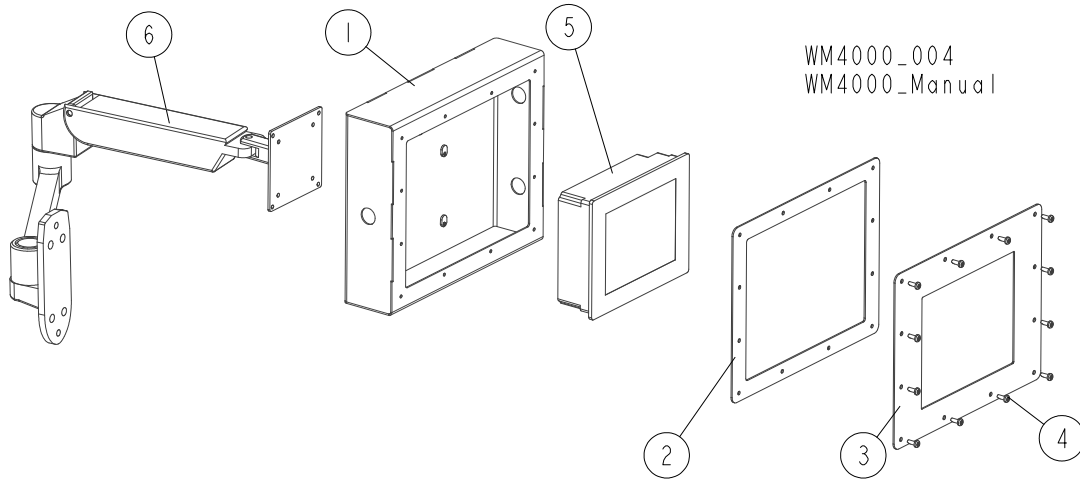
11.3 Operator Seat & Joystick



WM4000_003
WM4000_Manual

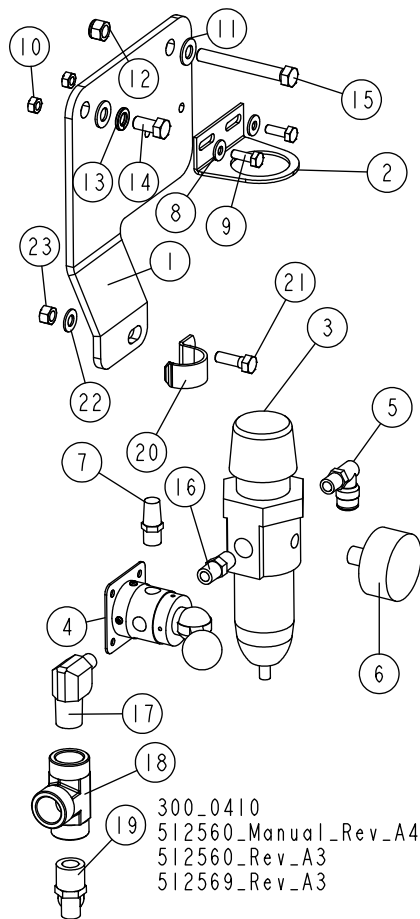
| REF. | DESCRIPTION (◆ Indicates Parts Available in Assemblies Only) | PART# | QTY |
|------|--|-----------|-----|
| 1 | JOYSTICK, HJMST-000004 | 078360 | 2 |
| 2 | MOUNT WELDMENT, SEAT | 711496-1 | 1 |
| 3 | SEAT, CS85/C1 AR HD PVC OPERATOR | 711482 | 1 |
| 4 | SCREW, M12X45-8.8 HEX SOCKET HEAD CAP ZINC | F81004-93 | 1 |
| 5 | WASHER, 8.4 FLAT ZINC | F81054-1 | 4 |
| 6 | NUT, M8 8 HEX NYLON ZINC LOCK | F81032-2 | 4 |
| 7 | BOLT, M8x25-8.8-B HEX HEAD FULL THREAD ZINC | F81002-5 | 4 |
| 8 | ARM WELDMENT, JOYSTICK | 711484 | 2 |
| 9 | BOX WELDMENT, JOYSTICK MOUNT | 711491-1 | 2 |
| 10 | PLATE, MOUNTING | 711492-1 | 2 |
| 11 | WASHER, 5.3 FLAT ZINC | F81052-1 | 12 |
| 12 | BOLT, #10-24X1/2 SELF-TAPPING | F05015-7 | 12 |

11.4 Control Box



| REF. | DESCRIPTION (◆ Indicates Parts Available in Assemblies Only) | PART# | QTY |
|------|--|---------------|----------|
| | BOX, WM4000 CONTROL | 510215 | 1 |
| 1 | BOX WELDMENT, WM4000 CONTROL | 510216-1 | 1 |
| 2 | GASKET, WM4000 CONTROL BOX | 510822 | 1 |
| 3 | PANEL, WM4000 CONTROL BOX FRONT | 510214-1 | 1 |
| 4 | BOLT, #10-24X1/2 PH PAN HEAD TYPE 23 | F05015-17 | 12 |
| 5 | HMI, 7.5IN MAGELIS XBTGT4340 | 069954 | 1 |
| 6 | ARM, MONITOR/CONTROL | 063033 | 1 |

11.5 Air Supply Assembly



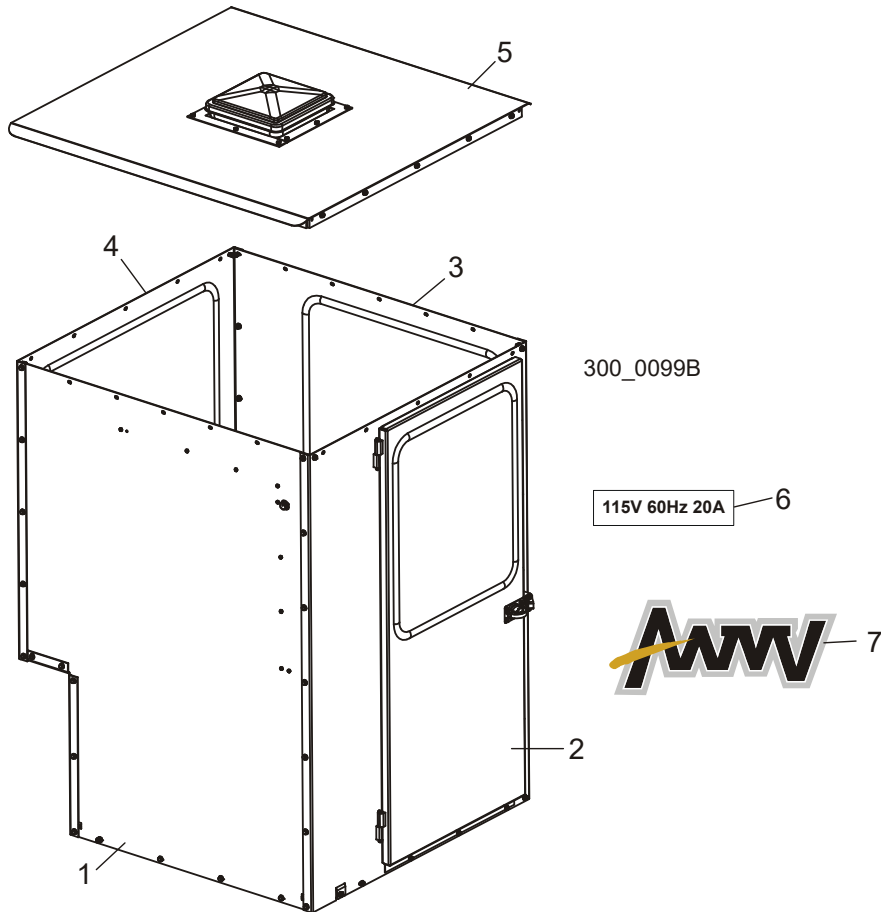
| REF. | DESCRIPTION (◆ Indicates Parts Available In Assemblies Only) | PART# | QTY |
|------|--|------------|-----|
| | AIR SUPPLY ASSEMBLY, WM3000 | 016887 | 1 |
| 1 | Plate, Air Mount | 016888 | 1 |
| 2 | Bracket, Filter Mounting | P21511 | 1 |
| 3 | Filter / Regulator | P21510 | 1 |
| 4 | Valve, Air | P21513 | 1 |
| 5 | Fitting, 1/4" NPT-3/8" 90 Degrees Air | P21521 | 1 |
| 6 | Gauge, 275Y160WS | P21512 | 1 |
| 7 | Muffler, 1/4 in. NPT Air | P20904 | 1 |
| 8 | Washer, 1/4 SAE Flat | F05011-11 | 2 |
| 9 | Bolt, 1/4-20x3/4 FT HHC | F05005-1 | 2 |
| 10 | Nut, 1/4-20 Swaged | F05010-21 | 2 |
| 11 | Washer, 3/8 Flat SAE | F05011-3 | 2 |
| 12 | Nut, 3/8-16 Hex Nylon Lock | F05010-10 | 1 |
| 13 | Washer, 3/8 Split Lock | F05011-4 | 1 |
| 14 | Bolt, 3/8-16x3/4 Hex Head Grade 5 | F05007-118 | 1 |

| | | | | |
|-----------|---|-----------|---|--|
| 15 | Bolt, 3/8-16x3 Hex Head Full Thread | F05007-1 | 1 | |
| 16 | Nipple, 1/4 Hex Pipe | P05389 | 1 | |
| 17 | Fitting, 1/2NPT-1/4NPT 90 Degrees Elbow | 016881 | 1 | |
| 18 | Fitting, 1/2 NPT Female Tee | 016793 | 1 | |
| 19 | Fitting, 1/2NPT-1/2In 90 Degrees Air | 016880 | 1 | |
| 20 | Clamp, 1 EMT | P05436 | 1 | |
| 21 | Bolt, 5/16-18x1 Hex Head | F05006-1 | 1 | |
| 22 | Washer, 5/16 SAE Flat | F05011-17 | 1 | |
| 23 | Nut, 5/16-18 Swaged Hex | F05010-6 | 1 | |

12 Cab Option

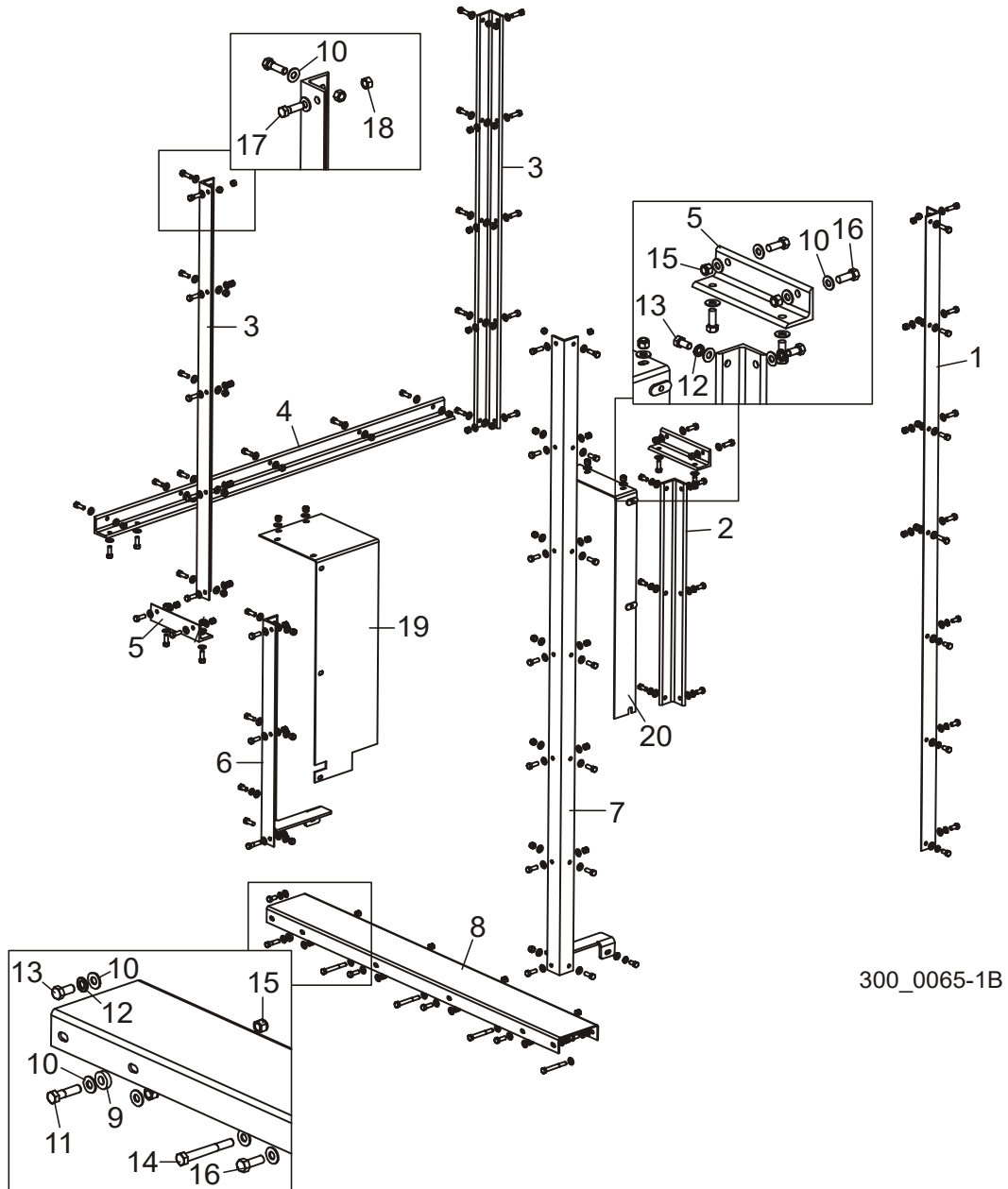
SECTION 12 CAB OPTION

12.1 Cab



| REF. | DESCRIPTION (◆ Indicates Parts Available In Assemblies Only) | PART # | QTY | |
|------|--|--------|-----|--|
| | CAB OPTION, WM3000 | CAB1 | 1 | |
| 1 | Rear Panel Parts (See Section 12.3) | | | |
| 2 | Right Panel Parts (See Section 12.4) | | | |
| 3 | Front Panel Parts (See Section 12.5) | | | |
| 4 | Left Panel Parts (See Section 12.6) | | | |
| 5 | Roof Parts (See Section 12.7) | | | |
| 6 | DECAL, CAB VOLTAGE | 042676 | 1 | |
| 7 | DECAL, CAB LOGO | 016833 | 1 | |

12.2 Frame



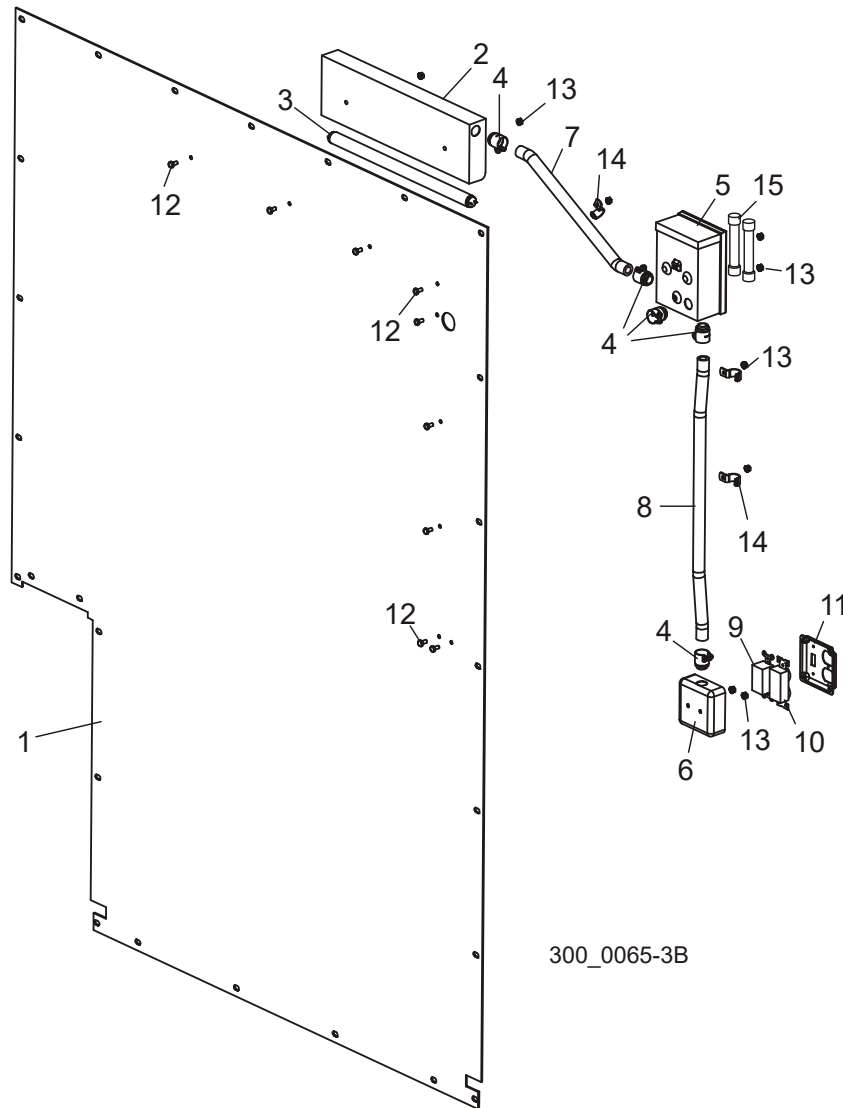
300_0065-1B

| REF. | DESCRIPTION (◆ Indicates Parts Available In Assemblies Only) | PART # | QTY |
|------|--|--------|-----|
| | FRAME ASSEMBLY, CAB | 042605 | 1 |
| 1 | Angle, Front Right | 042606 | 1 |
| 2 | Angle, Front Left Lower | 042607 | 1 |
| 3 | Angle, Left Upper | 042615 | 2 |
| 4 | Angle, Left lower | 042617 | 1 |

13 Cab Option Frame

| | | | | |
|----|--|------------|-----------|--|
| 5 | Angle, Left Short | 042618 | 2 | |
| 6 | Angle Weldment, Left Rear Lower | 042610 | 1 | |
| 7 | Angle Weldment, Right Rear | 042611 | 1 | |
| 8 | Channel Weldment, Rear Floor | 042628 | 1 | |
| 9 | Tube, 7/8 Dia Electric Motor Spacer | S12284 | 1 | |
| 10 | Washer, 3/8" SAE Flat | F05011-3 | 145 | |
| 11 | Bolt, 3/8-16 x 1 1/2" Hex Head Grade 5 | F05007-78 | 2 | |
| 12 | Washer, 3/8" Split Lock | F05011-4 | 16 | |
| 13 | Bolt, 3/8-16 x 3/4" Hex Head Grade 2 | F05007-27 | 16 | |
| 14 | Bolt, 3/8-16 x 3" Hex Head Grade 5 | F05007-73 | 4 | |
| 15 | Nut, 3/8-16 Hex Nylon Lock | F05010-10 | 63 | |
| 16 | Bolt, 3/8-16 x 1" Hex Head | F05007-7 | 56 | |
| 17 | Bolt, 3/8-16 x 1 1/4" Hex Head Grade 5 | F05007-123 | 9 | |
| 18 | Nut, 3/8-16 Swaged Lock | F05010-25 | 8 | |
| 19 | PLATE, LEFT LOWER | 042626 | 1 | |
| 20 | PLATE WELDMENT, LOWER RIGHT | 042642 | 1 | |
| | BULB SEAL, C POSITION PEBBLE FINISH | 041050 | 14.79 ft. | |
| | FOAM, 1/2X1 ADHESIVE BACK | R02306 | 17.5 ft. | |

12.3 Rear Panel



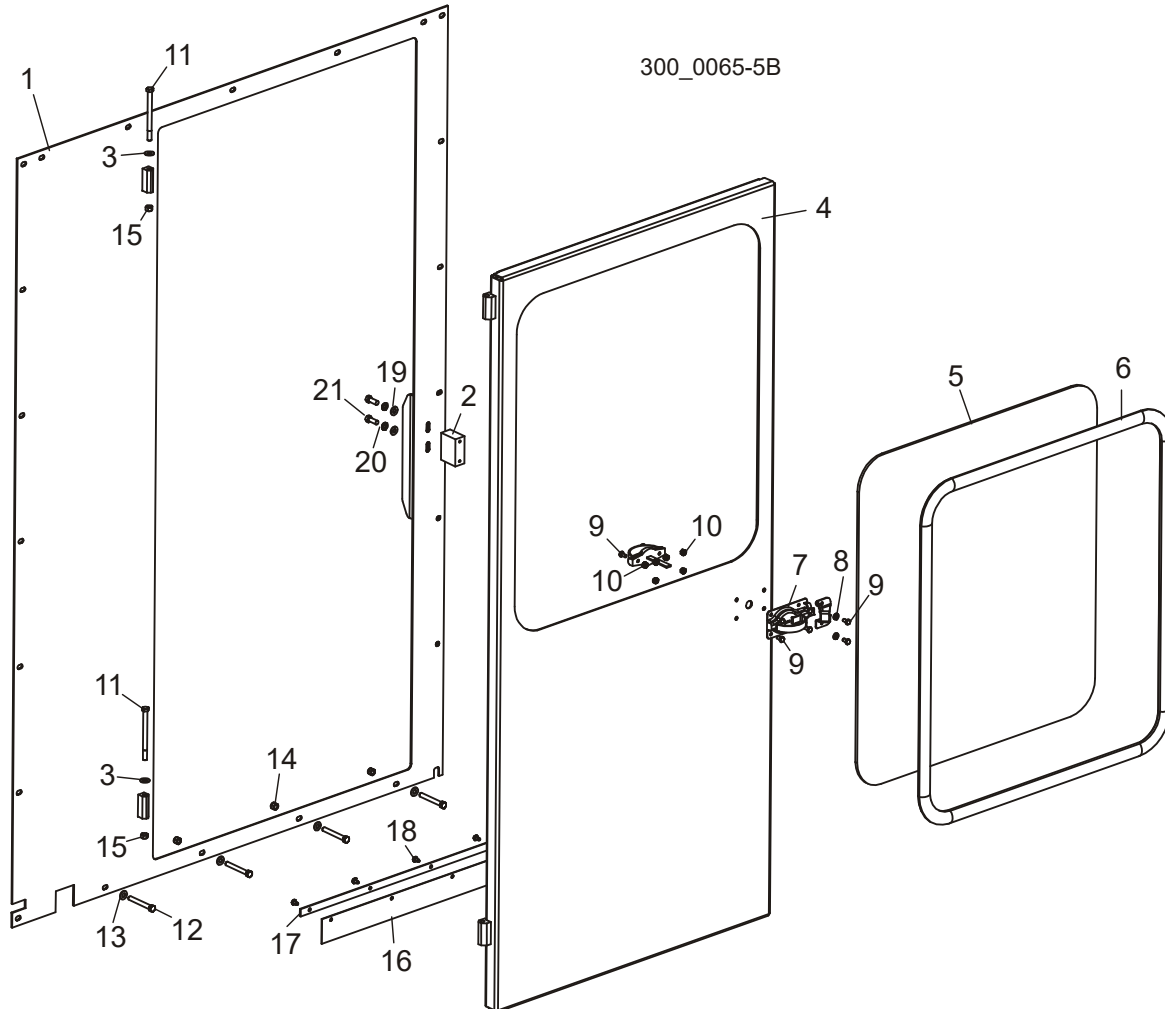
300_0065-3B

| REF. | DESCRIPTION (◆ Indicates Parts Available In Assemblies Only) | PART # | QTY |
|------|--|--------|-----|
| | PANEL ASSEMBLY, CAB BACK | 042604 | 1 |
| 1 | Panel, Cab Rear | 042613 | 1 |
| 2 | Light, Flourescent Under-Cabinet | 042590 | 1 |
| 3 | Lamp, Flourescent Under-Cabinet 15Watt | 016876 | 1 |
| 4 | Clamp, 1/2 Flex Conduit, Steel | 042595 | 5 |
| 5 | Disconnect, Fusible 2Wire 240V 30A | 042589 | 1 |
| 6 | Box, 4" Electrical Utility | 042591 | 1 |
| 7 | Conduit, 1/2" x 16" Steel Flex | 042597 | 1 |
| 8 | Conduit, 1/2" x 25" Steel Flex | 042596 | 1 |

13**Cab Option**
Rear Panel

| | | | | |
|-----------|---------------------------------------|-----------|---|--|
| 9 | Switch, 120VAC 20 Amp Single Pole | 042592 | 1 | |
| 10 | Receptacle, 120VAC 20Amp Duplex | 042593 | 1 | |
| 11 | Cover, 4" Sq. Metal Switch/Plug Combo | 042594 | 1 | |
| 12 | Bolt, 1/4-20 x 1/2" Hex Head | F05005-15 | 9 | |
| 13 | Nut, 1/4-20 Keps | F05010-9 | 9 | |
| | Wire Nut, Yellow | 016863 | 4 | |
| 14 | Clamp, 3/4" EMT | P04851 | 3 | |
| 15 | Fuse, 20 Amp 250 Volt | E03743 | 2 | |

12.4 Right Panel

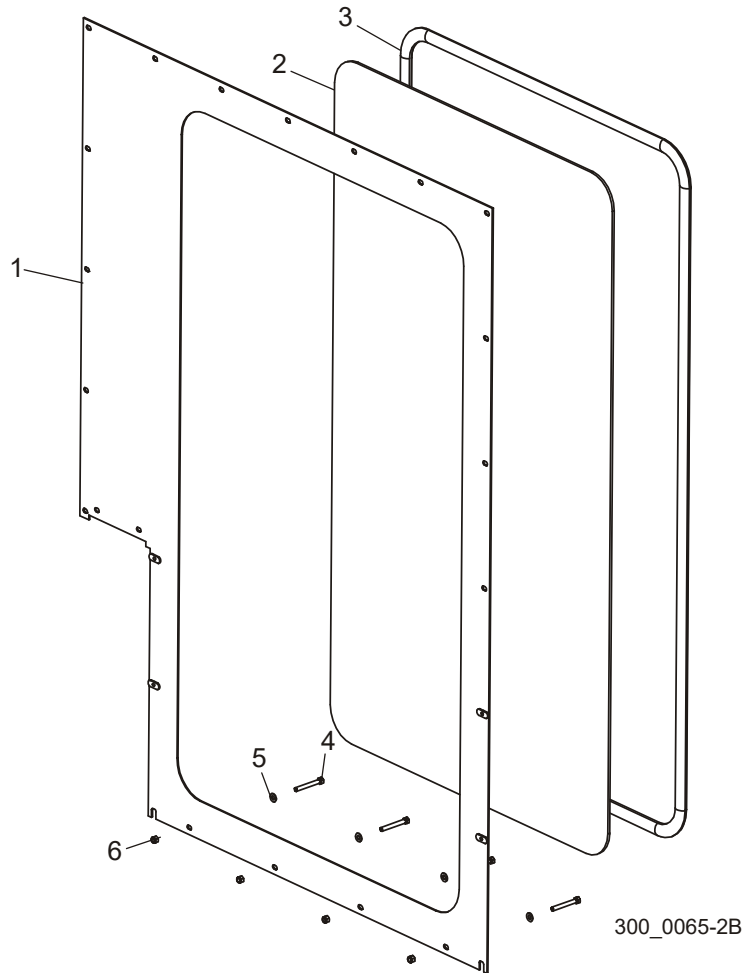


| REF. | DESCRIPTION (◆ Indicates Parts Available In Assemblies Only) | PART # | QTY |
|------|--|-----------|-----|
| | PANEL ASSEMBLY, CAB RIGHT | 042602 | 1 |
| 1 | Panel Weldment, Right | 042633 | 1 |
| 2 | Block, Latch Mount | 042634 | 1 |
| 3 | Bearing, Hinge | 042578 | 1 |
| 4 | Door Weldment, Cab | 042632 | 1 |
| 5 | Window, Cab Door | 042576 | 1 |
| 6 | Seal, Cab Door Window | 042575 | 1 |
| 7 | Latch, Door | 042587 | 1 |
| 8 | Washer, 1/4" Split Lock | F05011-14 | 2 |
| 9 | Bolt, 1/4-20 x 1/2" Hex Head | F05005-15 | 8 |
| 10 | Nut, 1/4-20 Keps | F05010-9 | 6 |

13**Cab Option**
Right Panel

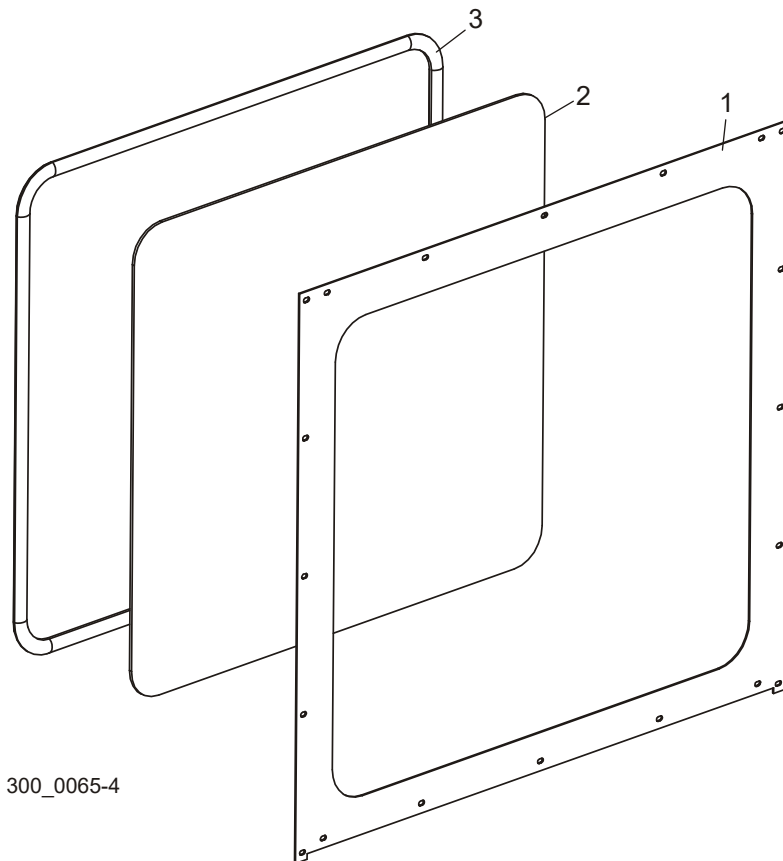
| | | | | |
|----|------------------------------------|-----------|---|--|
| 11 | Bolt, 3/8-16 x 5" Hex Head Grade 5 | F05007-86 | 2 | |
| 12 | Bolt, 3/8-16x1 Hex Head | F05007-7 | 4 | |
| 13 | Washer, 3/8 Flat SAE | F05011-3 | 4 | |
| 14 | Nut, 3/8-16 Hex Nylon Lock | F05010-10 | 4 | |
| 15 | Nut, 3/8-16 Swaged lock | F05010-25 | 2 | |
| 16 | Flap, Rubber Door | 042638 | 1 | |
| 17 | Plate, Rubber Door Flap | 042637 | 1 | |
| 18 | Screw, 1/4-20 x 1/2" Self-Tapping | F05015-1 | 5 | |
| 19 | Washer, 3/8" SAE Flat | F05011-3 | 2 | |
| 20 | Washer, 3/8" Split Lock | F05011-4 | 2 | |
| 21 | Bolt, 3/8-16 x 1" Hex Head | F05007-7 | 2 | |

12.5 Front Panel



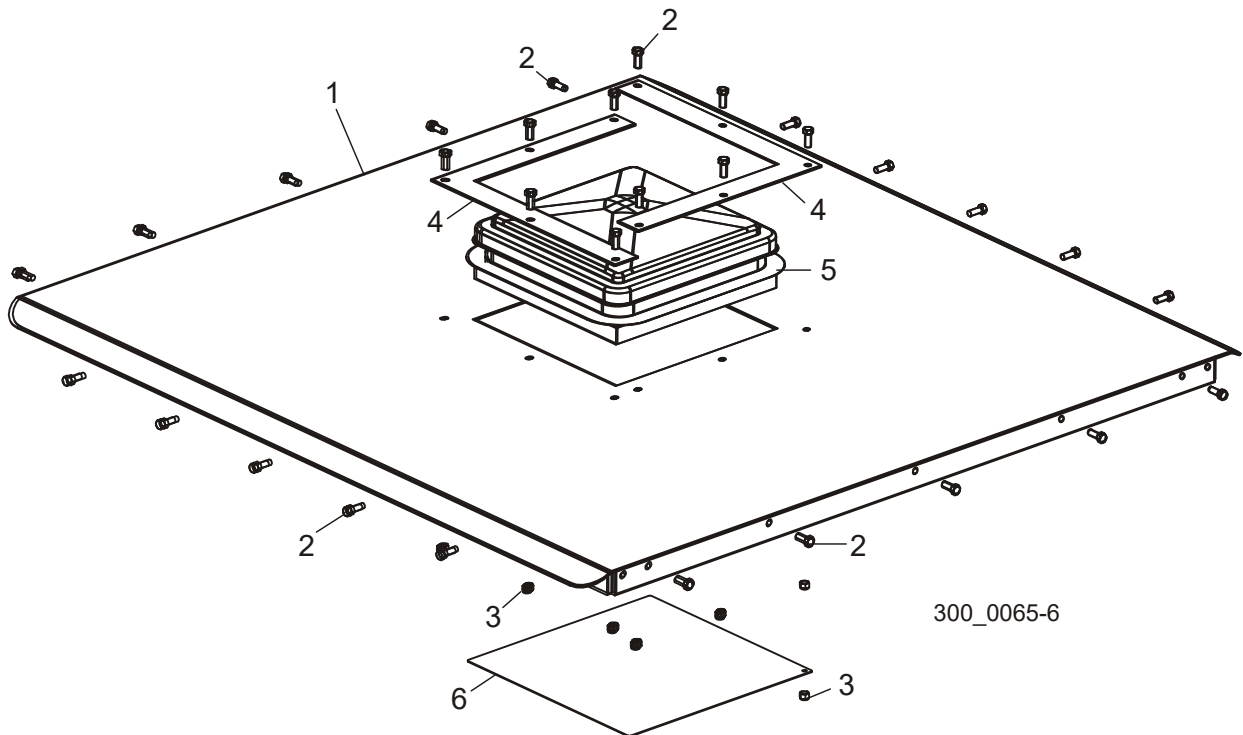
| REF. | DESCRIPTION (◆ Indicates Parts Available In Assemblies Only) | PART # | QTY |
|------|--|-----------|-----|
| | PANEL ASSEMBLY, FRONT CAB | 042601 | 1 |
| 1 | Panel Weldment, Front | 042641 | 1 |
| 2 | Window, Cab Front | 042631 | 1 |
| 3 | Seal, Cab Front Window | 042630 | 1 |
| 4 | Bolt, 3/8-16x1 Hex Head | F05007-7 | 4 |
| 5 | Washer, 3/8" SAE Flat | F05011-3 | 4 |
| 6 | Nut, 3/8-16 Hex Nylon Lock | F05010-10 | 4 |

12.6 Left Panel



| REF. | DESCRIPTION (◆ Indicates Parts Available In Assemblies Only) | PART # | QTY |
|----------|--|--------|-----|
| | PANEL ASSEMBLY, LEFT | 042603 | 1 |
| 1 | Panel, Left | 042616 | 1 |
| 2 | Window, Cab Side | 042574 | 1 |
| 3 | Seal, Cab Side Window | 042573 | 1 |

12.7 Roof



| REF. | DESCRIPTION (◆ Indicates Parts Available In Assemblies Only) | PART # | QTY |
|------|--|-----------|-----|
| | ROOF ASSEMBLY, CAB | 042635 | 1 |
| 1 | Roof Weldment, Cab | 042623 | 1 |
| 2 | Bolt, 3/8-16x1 Hex Head | F05007-7 | 30 |
| 3 | Nut, 3/8-16 Hex Nylon Lock | F05010-10 | 30 |
| 4 | Plate, Vent Mount | 016866 | 2 |
| 5 | Vent, Plastic Dome | 016867 | 1 |
| 6 | Plate, Roof Cover | 042629 | 1 |