

Wood-Mizer®

Parts Manual

LT70M AH Super

rev. B1.00



Safety is our #1 concern! Read and understand all safety information and instructions before operating, setting up or maintaining this machine.

Form #1060

Table of Contents

Section-Page

General Contact Information

Branches & Authorized Sales Centers Wood-Mizer Locations (North and South America)

| | | |
|------------------|--|------------|
| SECTION 1 | GENERAL INFORMATION | 1-1 |
| 1.1 | How To Use The Parts List | 1-1 |
| 1.2 | Sample Assembly | 1-1 |
| SECTION 2 | BLADE GUIDE ROLLERS & ARM | 2-1 |
| 2.1 | Blade Guide Assembly, Idle Side | 2-1 |
| 2.2 | Blade Guide Assembly, Drive Side | 2-2 |
| 2.3 | Blade Guide Arm Drive Assembly..... | 2-4 |
| 2.4 | Blade Guide Mount Assembly, Drive Side | 2-6 |
| SECTION 3 | BLADE WHEELS & TENSIONER | 3-1 |
| 3.1 | Blade Drive Assembly..... | 3-1 |
| 3.2 | Idle Blade Wheel Assembly | 3-2 |
| 3.3 | Hydraulic Blade Tensioner Assembly..... | 3-4 |
| 3.4 | Sawdust Flow Guide..... | 3-6 |
| SECTION 4 | SAW HEAD | 4-1 |
| 4.1 | Middle Throat Screw | 4-1 |
| 4.2 | Drive Belt Tensioner (AC) | 4-2 |
| 4.3 | Board Return Assembly (Optional) | 4-3 |
| 4.4 | Water Lube Assembly | 4-5 |
| 4.5 | LT70AC Saw Head Decals | 4-6 |
| 4.6 | Blade Housing Covers..... | 4-8 |
| 4.7 | Sawdust Chute | 4-9 |
| 4.8 | Saw Head Protection Kit, LT70M Mobile | 4-10 |
| SECTION 5 | CONTROL BOXES | 5-1 |
| 5.1 | Control Assembly, LT70 AH | 5-1 |
| 5.2 | Drum Switches | 5-3 |
| 5.3 | Circuit Breakers..... | 5-4 |
| 5.4 | Front Panel Assembly & Harnesses | 5-5 |
| 5.5 | Solenoids | 5-6 |
| SECTION 6 | UP/DOWN SYSTEM | 6-1 |
| 6.1 | Up/Down Rollers & Covers | 6-1 |
| 6.2 | Blade Height Scale | 6-2 |
| 6.3 | Up/Down Chain & Sprockets..... | 6-3 |
| 6.4 | Up/Down Drive Assembly | 6-4 |
| 6.5 | Safety Switches | 6-6 |

Table of Contents

Section-Page

| | | |
|------------------|--|------------|
| SECTION 7 | FEED SYSTEM & TRACK ROLLERS | 7-1 |
| 7.1 | Upper Track Rollers And Wipers..... | 7-1 |
| 7.2 | Power Feed Assembly | 7-3 |
| 7.3 | Feed Chain/Stop, LT70 S/M | 7-5 |
| 7.4 | Lower Track Rollers..... | 7-6 |
| SECTION 8 | BED FRAME ASSEMBLY | 8-1 |
| 8.1 | Bed Rail Assembly, Front (LT40/70M Super)..... | 8-1 |
| 8.2 | Bed Rail Assembly, Middle (LT40/70M Super)..... | 8-2 |
| 8.3 | Board Removal Assembly, "Super" Series Stationary Sawmills w/"M" Frame | 8-3 |
| 8.4 | Board Removal Assembly, Portable "Super" Series Sawmills w/"M" Frame | 8-5 |
| 8.5 | Board Return Assembly - (LT40M Super Option) | 8-7 |
| 8.6 | Board Return Assembly - (LT70M Super Option) | 8-8 |
| 8.7 | Long Table | 8-9 |
| 8.8 | Stationary Leg Kit, M Super Frame | 8-11 |
| 8.9 | Outrigger Leg Kit, M Super Frame | 8-12 |
| 8.10 | LT40/70M Saw Head Rest Pin Assembly | 8-13 |
| 8.11 | Tie Down Chain Assembly | 8-14 |
| 8.12 | Blockade Control Box LT40 | 8-15 |
| 8.13 | Remote Equipment for Installation on a Wall (Cutting Length of 6.5 m) | 8-16 |
| 8.14 | Remote Equipment for Installation on a Wall (Cutting Length of 6.5-10 m) | 8-17 |
| 8.15 | Guide Rail Support Post..... | 8-18 |
| 8.16 | 4-Post Remote Set | 8-20 |
| 8.17 | 5-Post Remote Set | 8-21 |
| SECTION 9 | HYDRAULIC SYSTEM | 9-1 |
| 9.1 | Hydraulic Hoses, LT40/70M Super | 9-1 |
| | <i>Protective Conduits, LT40/70M Super Hydraulic Hoses</i> | |
| 9.2 | Hydraulic Control Box, LT40/70M Super (AC) | 9-3 |
| 9.3 | Hydraulic & Wireless Control Box | 9-5 |
| 9.4 | Wireless Control Assembly (Option) | 9-7 |
| 9.5 | Hydraulic Log Loader, S/M Frame | 9-8 |
| 9.6 | Hydraulic Log Loader for "M" Super Frames | 9-10 |
| 9.7 | Hydraulic Log Loader, Extended for "M" Super Frames with 2.5 t. trailer | 9-12 |
| 9.7 | | 9-12 |
| 9.7 | | 9-12 |
| 9.8 | Hydraulic Log Turner..... | 9-14 |
| 9.9 | Hydraulic Log Side Supports (for Stationary Sawmills)..... | 9-16 |
| 9.10 | Hydraulic Log Side Supports (for Mobile Sawmills)..... | 9-18 |
| 9.11 | Hydraulic Pull-Down Clamp..... | 9-20 |
| 9.12 | Hydraulic Log Clamp - main..... | 9-22 |
| 9.13 | Hydraulic Log Side Supports (Super Version)..... | 9-24 |
| 9.14 | Hydraulic Toe Board | 9-26 |
| 9.15 | Power Toe Roller..... | 9-27 |

Getting Service

Wood-Mizer is committed to providing you with the latest technology, best quality and strongest customer service available on the market today. We continually evaluate our customers' needs to ensure we're meeting current wood-processing demands. Your comments and suggestions are welcome.

General Contact Information

From Europe call your local distributor or our European Headquarters and Manufacturing Facility in Koło, Nagórna 114 St, Poland at **+48-63-2626000**. From the continental U.S., call our U.S. Headquarter 8180 West 10th St. Indianapolis, IN 46214, toll-free at **1-800-525-8100**. Ask to speak with a Customer Service Representative. Please have your machine identification number and your customer number ready when you call. The Service Representative can help you with questions about the operation and maintenance of your machine. He also can schedule you for a service call.

Office Hours:

| Country | Monday - Friday | Saturday | Sunday |
|---------|-----------------|----------------|--------|
| Poland | 7 a.m.- 3 p.m. | Closed | Closed |
| US | 8 a.m.- 5 p.m. | 8 a.m.- 12 p.m | Closed |

Please have your vehicle identification number and your customer number ready when you call.

Wood-Mizer will accept these methods of payment:

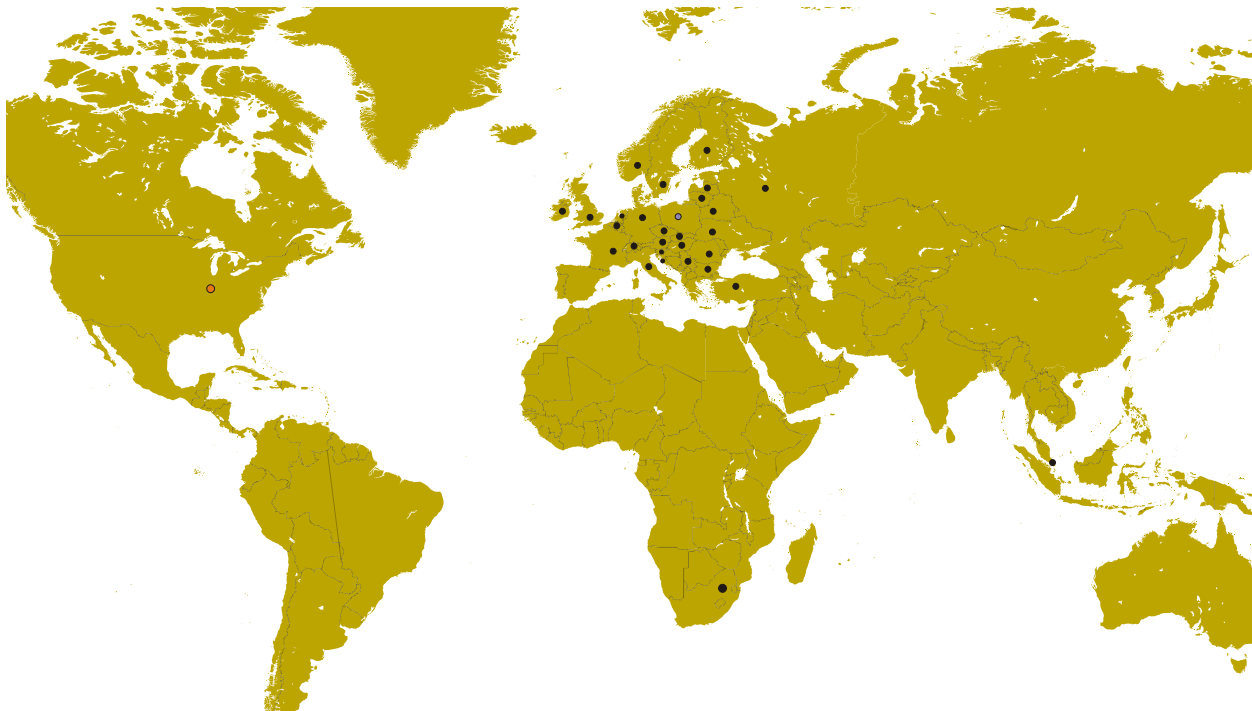
- Visa, Mastercard, or Discover
- COD
- Prepayment
- Net 15 (with approved credit)

Be aware that shipping and handling charges may apply. Handling charges are based on size and quantity of order.

Technical data are subject to change without prior notice.

Actual product may differ from product images. Some illustrations show machines with optional equipment.

Branches & Authorized Sales Centers Wood-Mizer Locations (North and South America)



| EUROPE | | UNITED STATES |
|--|--|--|
| <p> European Headquarters Wood-Mizer Industries Sp. z o.o. Nagórna 114, 62-600 Kolo, Poland Tel.: +48-63-26-26-000 Fax: +48-63-27-22-327 www.woodmizer.eu</p> | | <p> World Headquarters Wood-Mizer LLC 8180 West 10th Street Indianapolis, Indiana 46214-2400, USA Tel.: +1-317-271-1542 Fax: +1-317-273-1011 www.woodmizer.com</p> |
| <p>BELARUS MOST-GRUPP Siemashko 15, k.3 Minsk 2200116 Tel.: +375-17-270-90-08 Fax: +375-17-270-90-08 GSM: +375-29-649-90-80 e-mail: most-by@mail.ru</p> | <p>SWITZERLAND Stefan Wespil Maschinen u. Geräte Spezialarbeiten GmbH Eichstraße 4 6353 Weggis Tel.: +41-(0)41 - 3900312 GSM: +41-(0)79 - 9643594 info@mobilsaegen.ch</p> | <p>RUSSIA Dariusz Mikołajewski OOO WOOD-MIZER INDUSTRIES 141031, Moscow Reg., Mytishenski raj., pos. Veshki, Zavodskaja str., 3B Tel.Fax: +7(495) 788-72-35 Tel.Fax: +7(495) 641-51-60 e-mail: dariuszm@woodmizer-moscow.ru</p> |
| <p>BULGARIA Kalin Simeonov Ecotechproduct 38 Star Lozenski pat str. Sofia 1186 Tel.: +359-2-462-7035 Tel.: +359-2-963-1656 Tel./Fax : +359-2-979-1710 Kalin Simeonov GSM: +3592-963-2559 e-mail: office@ecotechproduct.com</p> | <p>HUNGARY Wiktor Turoczy Wood-Mizer Hungary K.F.T. Szonyi Ut 67., 2921 Komárom Tel./Fax: +36-34-346-255 e-mail: woodmizer@woodmizer.hu</p> | <p>RUSSIA Far East Wladimir Glazaczew "WM Service" Krasnoretschenskaya Str.111 680006 Khabarovsk Tel./Fax: +7-914-541-1183 e-mail: wms-khv@mail.ru</p> |

| | | |
|---|--|---|
| <p>CROATIA Krešimir Pregernik Pregimex d.o.o. S. Batušića 31, 10090 Zagreb Tel./Fax: +3851-38-94-668 Krešimir Pregernik GSM: +3851-98-207-106 e-mail: Kresimir.Pregernik@gmail.com</p> | <p>ITALY Pasquale Felice Wood-Mizer Italia Srl Cda. Capoiaccio SN 86012 Cercemaggiore Campobasso Tel./Fax: +39-0874-798-357 GSM: +39-333-281-03-79 e-mail: wmitaliasrl@gmail.com</p> | <p>SERBIA Dragan Markov Wood-Mizer Balkan d.o.o. Svetosavska GA 3/3; P. Fah 25 23 300 Kikinda Tel./Fax: +381-230-25-754 Tel./Fax: +381-230-23-567 GSM: +381-63-568-658 e-mail: office@woodmizer.co.yu</p> |
| <p>CZECH REPUBLIC Miroslav Greill Wood-Mizer CZ s.r.o. Osvaldova 91 339 01 Klatovy-Luby Tel./Fax: +420-376-312-220 Fax: +420-376-319-011 Miroslav Greill GSM: +420-723-580-799 e-mail: greill@woodmizer.cz</p> | | <p>SLOVAKIA Wiktor Turoczy Wood-Mizer Danubia s.r.o. Hadovce 5, 94501 Komárno Tel.: +421-35-77-40-316 Fax: +421-35-7740-326 GSM: +421-905-930-972 e-mail: woodmizer@woodmizer.sk</p> |
| <p>CZECH REPUBLIC Lubomir Kudlik Wood-Mizer Moravia Sovadinova 6 69002 Breclav Tel./Fax: +420-519-322-443 Lubomir Kudlik GSM: +420-602-734-792 e-mail: info@wood-mizer.net</p> | <p>LATVIA Vilmars Jansons OBERTS Ltd Gaujas str. 32/2 LV-2167 Marupe, Rigas Raj. Tel.: +371-7-810-666 Fax: +371-7-810-655 Vilmars Jansons GSM: +371-92-06-966 Andris Orols GSM: +371-28-33-07-90 e-mail: andris@oberts.lv</p> | <p>TURKEY Er-Ka Ahsap Profil Kerestecilik San. ve Tic. Ltd. Sti. Adana Keresteciler Sitesi 191 sk No.41 ADANA Tel.: +90-322-346-15-86 Fax: +90-322-345-17-07 GSM: +90-533-363-18-44 e-mail: info@erkaahsap.com.tr</p> |
| <p>FINLAND Howard Blackbourn Oy Falkberg Jordbruk Ab Falkintie 220 25610 Ylonkyla Tel.: +358-2732-2253 Fax: +358-2732-2263 Howard Blackbourn GSM: +358-440-424-339 e-mail: falkberg@woodmizer.fi</p> | <p>LITHUANIA Andrius Zuzevicius UAB Singlis Savanoriu pr. 187, 2053 Vilnius Tel.: +370-5-2-32-22-44 Fax: +370-5-2-64-84-15 GSM: +370-620-28-645 e-mail: andrius.z@singlis.lt</p> <p>Dmitrij Gaiduk GSM: +370-69-84-51-91 e-mail: dmitrijus.g@singlis.lt</p> | <p>UKRAINE Ivan Vinnicki MOST UKRAINA bul. Myru 3, Bajkivtsi Ternoplskyj r-j Ternopolska oblast 47711 Ukraine Tel/Fax: +38 (0352) 52 37 74 GSM: +38 (067) 352 54 34 GSM: +38 (067) 674 50 68 E-mail: most-ukraina@ukr.net</p> |
| <p>FRANCE Tizoc Chavez Wood-Mizer France 556 chemin des Embouffus, ZAC des Basses Echarrieres 38440 SAINT JEAN DE BOURNAY Tel: +33-4 74 84 84 44 GSM: +33-607 52 02 82 Mail: tchavez@woodmizer.fr</p> | <p>NORWAY Odd Edvoll Wood-Mizer Nordic AS Vardelia 17, 2020 Skedsmokorset Tel.: +47-63-87-49-89 Fax: +47-63-87-37-66 GSM: +47-930-42-335 e-mail: odd.edvoll@woodmizer.no</p> <p>e-mail: firmapost@woodmizer.no</p> | <p>UNITED KINGDOM & IRELAND Wood-Mizer UK Hopfield Barn Kenward Road, Yalding Kent ME18 6JP, UK Tel.: +44-1622-813-201 Fax: +44-1622-815-534 e-mail: info@woodmizer.co.uk</p> |
| <p>SLOVENIA Jan Fale FAMTEH d.o.o. Gacnikova pot 2, 2390 Ravne na Koroskem Tel.: +386-2-62-04-232 Fax: +386-2-62-04-231 Jan Fale GSM: +386-2-62-04-230 e-mail: jan.fale@famteh.si</p> <p>Matjaz Kolar Tel.: +386-2-62-04-232 GSM: +386-31-775-999 e-mail: matjaz.kolar@famteh.si</p> | | |

| | | |
|--|---|--|
| <p>GERMANY Klaus Longmuss Wood-Mizer Sägewerke GmbH Dorfstraße 5, 29485 Schletau Tel.: +49-5883-9880-10 Fax: +49-5883-9880-20 e-mail: info@woodmizer.de</p> <p>Klaus Longmuss Tel.: +49-5883-9880-12 GSM: +49-17-298-55-892 e-mail: KLongmuss@woodmizer.de</p> | <p>Subagent: SWEDEN Kjell Larsson Mekwood AB Slingan 14, 812 41 Gästrike-Hammarby Tel.: +46-290-515-65 Kjell Larsson GSM: +46-706-797-965 e-mail: kjell.larsson@mekwood.se</p> | <p>IRELAND Wood-Mizer Ireland Stephen Brennan Cum Lahardane Ballina County Mayo Tel:+353 96 51345</p> <p>E-mail: brennanmill@ericom.net</p> |
| <p>Subagents: DENMARK Brian Jensen Arnborgvej 9, 7330 Brande- Fasterholt Tel.: +45-971-88-265 Fax: +45-971-88-266</p> <p>Brian Jensen GSM: +45-23-49-5828 e-mail: Fasterholt-Savvaerk@Mail.Tele.dk</p> | <p>ROMANIA Adrian Echert SC WOOD-MIZER RO SRL TRANSILVANIEI Nr. 5 Sibiu, Cisnădie 555300 Tel./Fax: : +40-369-405-433 GSM: +40-745-707-323 e-mail: aechert@woodmizer.ro</p> | <p>Regional Manager - Asia Wood-Mizer Asia Pte Ltd. James Wong Tel: +65 81216910 Fax: +65 6283 8636 WWW: www.woodmizerasia.com E-mail: jwong@woodmizerasia.com</p> |
| <p>Netherlands Chris Dragt Lange Brink 77d, 7317 BD Apeldoorn Tel.: +31-55312-1833 Fax: +31-55312-2042 e-mail: Info@dragtbosbouw.nl</p> | <p>Subagent: ROMANIA M. Echert S.C. Echert Comprod s.r.l Str. Schitului Nr. 6, Apt.7 etajul-1 725 70 Vatra Dornei, Romania Tel./Fax: +40-230-374-235 Tel. : +40-740-35-35-74</p> | <p>Regional Manager - Africa Wood-Mizer Africa Jean-Jacques Oelofse UNIT 3, LEADER PARK, NO: 20 CHARIOT ROAD STORMILL, EXT 5, Roodepoort, Johannesburg Tel: +27 011 473 1313 Fax: +27 011 473 2005 Jean-Jacques Oelofse E-mail: jjoelofse@woodmizerafrika.com Jean-Jacques Oelofse Skype:jean.jacques.pierre.oelofse</p> |

USA World Headquarters

Serving North & South America, Oceania, East Asia

Wood-Mizer LLC
8180 West 10th Street
Indianapolis, IN 46214

Phone: 317.271.1542 or 800.553.0182
Customer Service: 800.525.8100
Fax: 317.273.1011
Email: infocenter@woodmizer.com

Canadian Headquarters

Serving Canada

Wood-Mizer Canada
396 County Road 36, Unit B
Lindsay, ON K9V 4R3

Phone: 705.878.5255 or 877.357.3373
Fax: 705.878.5355
Email: ContactCanada@woodmizer.com

Brazil Headquarters

Serving Brazil

Wood-Mizer do Brasil
Rua Dom Pedro 1, No: 205 Bairro: Sao Jose
Ivoti/RS CEP:93.900-000

Tel: +55 51 9894-6461/ +55 21 8030-3338/ +55 51
3563-4784
Email: info@woodmizer.com.br

Europe Headquarters

Serving Europe, Africa, West Asia

Wood-Mizer Industries Sp z o.o.
Nagorna 114
62-600 Kolo, Poland

Phone: +48.63.26.26.000
Fax: +48.63.27.22.327

Branches & Authorized Sales Centers

For a complete list of dealers, visit www.woodmizer.com

SECTION 1 GENERAL INFORMATION

1.1 How To Use The Parts List

- Use the index above to locate the assembly that contains the part you need.
- Go to the appropriate section and locate the part in the illustration.
- Use the number pointing to the part to locate the correct part number and description in the table.
- Parts shown indented under another part are included with that part.
- Parts marked with a diamond (◆) are only available in the assembly listed above the part.

See the sample table below. Sample Part #A01111 includes part F02222-2 and subassembly A03333. Subassembly A03333 includes part S04444-4 and subassembly K05555. The diamond (◆) indicates that S04444-4 is not available except in subassembly A03333. Subassembly K05555 includes parts M06666 and F07777-77. The diamond (◆) indicates M06666 is not available except in subassembly K05555.

| 1.2 Sample Assembly | | | | |
|---------------------|---|-----------|-----|---|
| REF. | DESCRIPTION (◆ Indicates Parts Available In Assemblies Only) | PART # | QTY | |
| | Sample Assembly, Complete (Includes All Indented Parts Below) | A01111 | 1 | |
| 1 | Sample Part | F02222-22 | 1 | |
| | Sample Subassembly (Includes All Indented Parts Below) | A03333 | 1 | |
| 2 | Sample Part (◆ Indicates Part Is Only Available With A03333) | S04444-4 | 1 | ◆ |
| | Sample Subassembly (Includes All Indented Parts Below) | K05555 | 1 | |
| 3 | Sample Part (◆ Indicates Part Is Only Available With K05555) | M06666 | 2 | ◆ |
| 4 | Sample Part | F07777-77 | 1 | |

To Order Parts:

- From Europe call our European Headquarters and Manufacturing Facility in Kolo, Poland at **+48-63-2626000**. From the continental U.S., call our toll-free Parts hotline at **1-800-525-8100**. Have your customer number, vehicle identification number, and part numbers ready when you call. From other international locations, contact the Wood-Mizer distributor in your area for parts.

Office Hours:

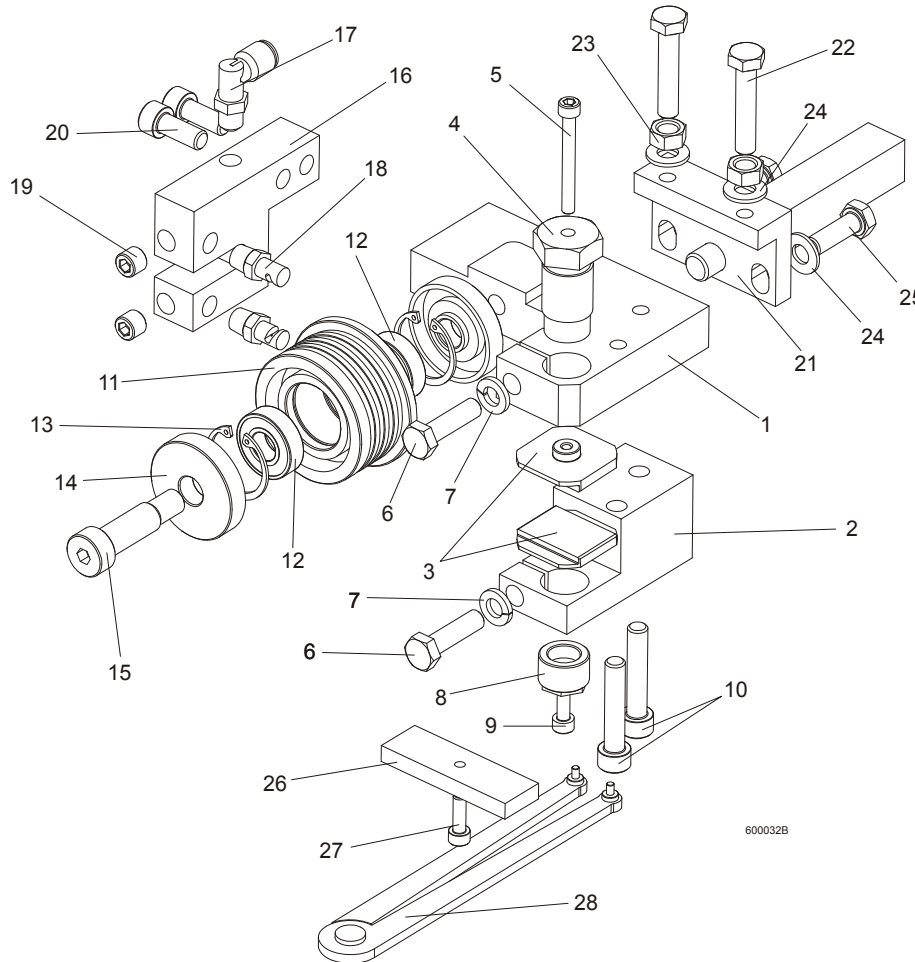
| Country | Monday - Friday | Saturday | Sunday |
|---------|-----------------|-----------------|--------|
| Poland | 7-15 | Closed | Closed |
| US | 8 a.m.- 5 a.m. | 8 a.m.- 12 p.m. | Closed |



CAUTION! It is strongly recommended that only original spare parts be used.

SECTION 2 BLADE GUIDE ROLLERS & ARM

2.1 Blade Guide Assembly, Idle Side



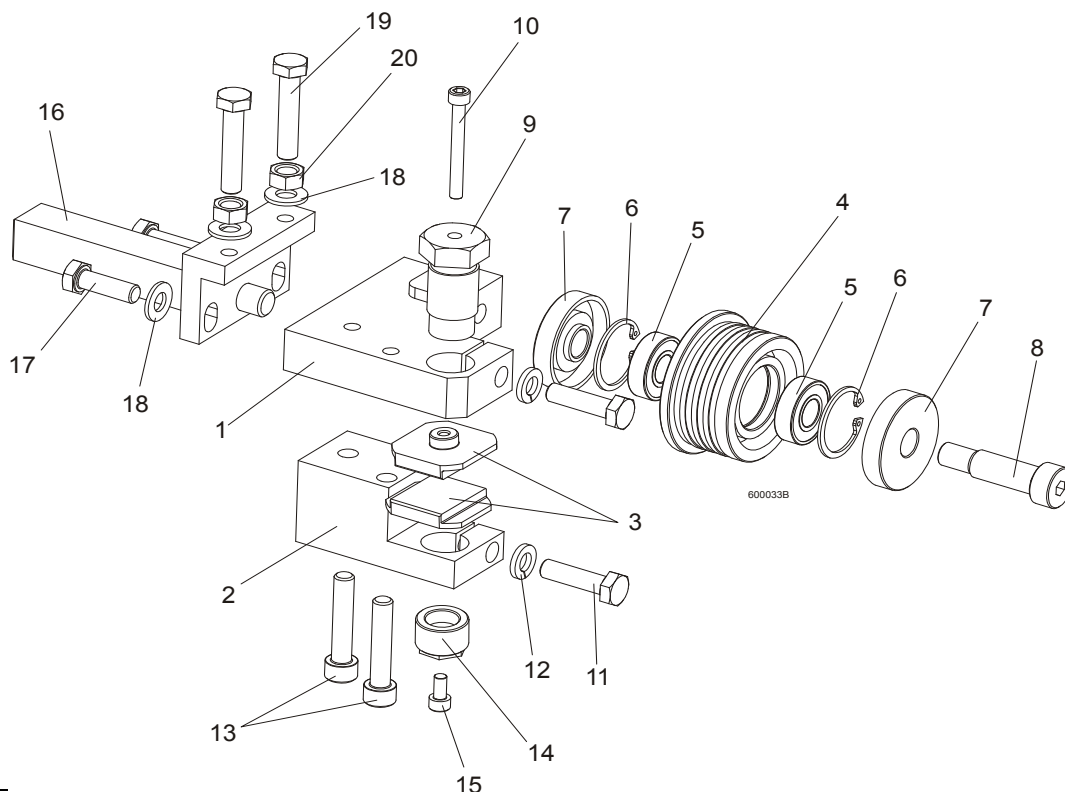
| REF. | DESCRIPTION (◆ Indicates Parts Available In Assemblies Only) | PART# | QTY. |
|------|--|-----------|------|
| | BLADE GUIDE ASSEMBLY, IDLE SIDE, EXTENDED (for optional use with 1 1/2" blades) | 092997 | 1 |
| 1 | Block, Blade Guide Mount Zinc-plated | 090947-1 | 1 |
| 2 | Block, Lower Ceramic Pad Mount Zinc-plated | 090948-1 | 1 |
| 3 | Block, Blade Guide Zinc | 093430-1 | 2 |
| 4 | Bolt, Upper Pad Adjustment Zinc-plated | 089515-1 | 1 |
| 5 | Screw, M5x45 DIN912 A2-70 Hex Socket Head Cap Stainless Steel | F81000-24 | 1 |
| 6 | Bolt, M8x30 DIN933 A2-70 Stainless Steel | F81002-27 | 2 |
| 7 | Washer, 8.2 Split Lock Zinc | F81054-4 | 2 |
| 8 | Screw, Lower Pad Adjuster Zinc-plated | 516191-1 | 1 |
| 9 | Screw, M5x10 DIN912 A2-70 Hex Socket Head Cap Stainless Steel | F81000-23 | 1 |
| 10 | Screw, M8x40-8.8 Hex Socket Head Cap Zinc | F81002-29 | 2 |
| | Roller, Blade Guide W/Bearing, Extended | 092939 | 1 |
| 11 | Roller, Blade Guide Extended | 087890 | 1 |
| 12 | Bearing, 6001 2RSR NACHI | 087893 | 2 |
| 13 | Ring, W28 Inside Retaining | F81090-9 | 2 |

2 BLADE GUIDE ROLLERS & ARM

Blade Guide Assembly, Drive Side

| | | | | |
|----|---|-----------|---|--|
| 14 | Washer, Blade Guide Roller Spacer Zinc-plated | 087891-1 | 1 | |
| | Washer, Blade Guide Roller Spacer Zinc-plated | 087892-1 | 1 | |
| 15 | Screw, 12/M10x30 12.9 ISO 7379 Socket Head Shoulder | F81003-70 | 1 | |
| | Screw, 12/M10x35 12.9 ISO 7379 Socket Head Shoulder, (used with the Extended Roller only) | F81003-48 | 1 | |
| 16 | Block, Nozzle Mounting Zinc-plated | 090487-1 | 1 | |
| 17 | Fitting, 90° Elbow 1/8NPT-1/4 Tube Swivel | P09736 | 1 | |
| 18 | Nozzle, Blade Lube Spray | 033479 | 2 | |
| 19 | Plug, M10x1 DIN 906 BN40 "BOSSARD" | F81015-3 | 2 | |
| 20 | Screw, M8x20-8.8 Hex Socket Head Cap Zinc | F81002-30 | 2 | |
| 21 | Pivot Weldment, Blade Guide Zinc-plated | 089509-1 | 1 | |
| 22 | Bolt, M8x40 DIN933 A2-70 Stainless Steel | F81002-28 | 2 | |
| 23 | Nut, M8 DIN934 A2-70 Stainless Steel | F81032-7 | 2 | |
| 24 | Washer, 8.4 Zinc Flat | F81054-1 | 4 | |
| 25 | Bolt, M8x25 DIN933 A2-70 Stainless Steel | F81002-26 | 2 | |
| | Block, Blade Guide Alignment | 090951 | 1 | |
| 26 | Block, Blade Guide Alignment Zinc-plated | 090805-1 | 1 | |
| 27 | Screw, M5x16-8.8 Hex Socket Head Cap Zinc | F81000-25 | 1 | |
| 28 | Tool, 62860-3 (PERSCHMAN) Lower Pad Adjustment | 090949 | 1 | |

2.2 Blade Guide Assembly, Drive Side



| REF. | DESCRIPTION (◆ Indicates Parts Available In Assemblies Only) | PART# | QTY. | |
|------|---|----------|------|--|
| | BLADE GUIDE ASSEMBLY, DRIVE SIDE, EXTENDED (for optional use with 1 1/2" blades) | 092998 | 1 | |
| 1 | Block, Blade Guide Mount Zinc-plated | 090944-1 | 1 | |
| 2 | Block, Lower Ceramic Pad Mount Zinc-plated | 090946-1 | 1 | |

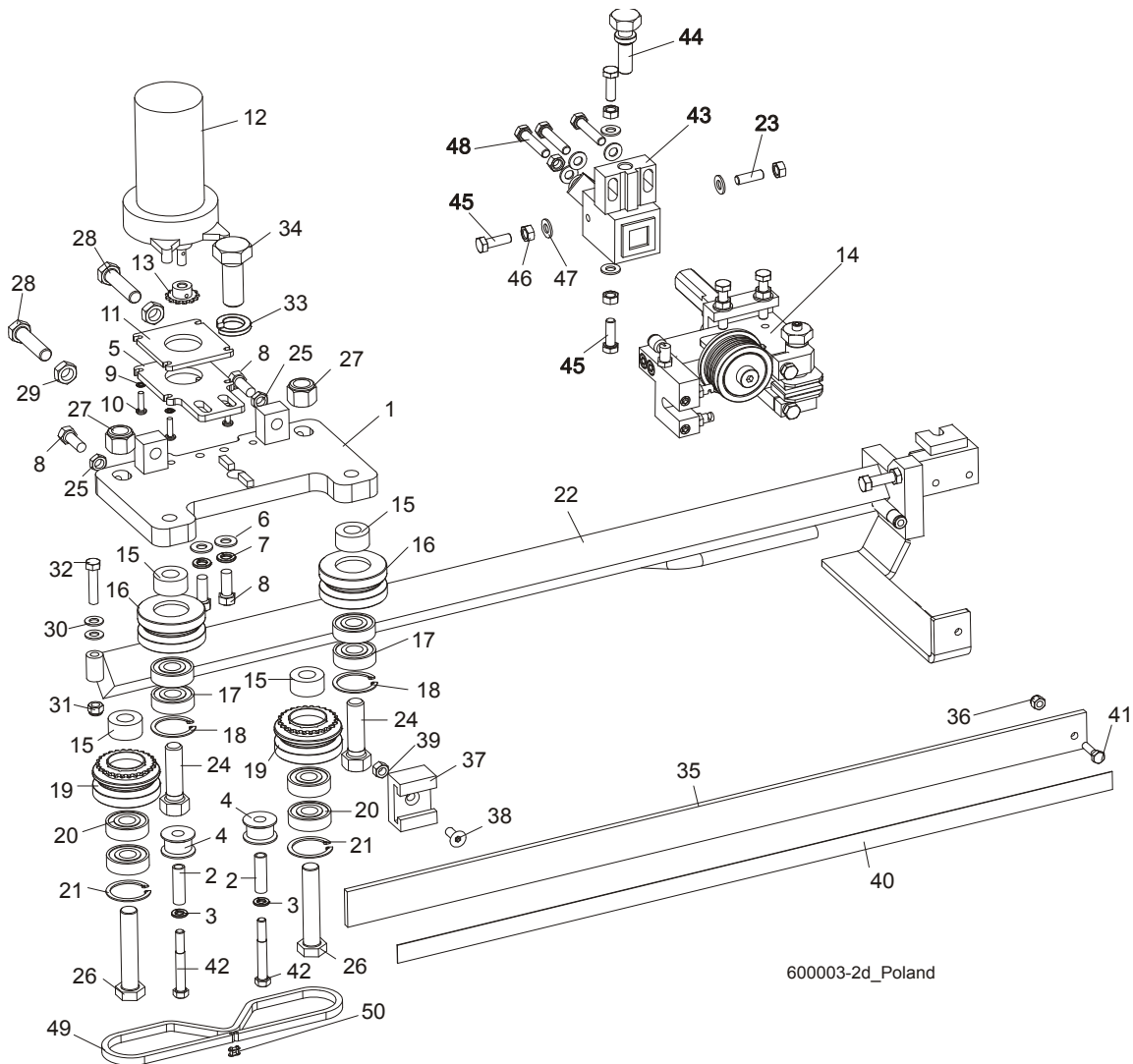
BLADE GUIDE ROLLERS & ARM

Blade Guide Assembly, Drive Side

2

| | | | | |
|----|--|-----------|---|---|
| 3 | Block, Blade Guide Zinc | 093430-1 | 2 | |
| | Roller, Blade Guide W/Bearing, Extended | 092939 | 1 | |
| 4 | Roller, Blade Guide Extended | 087890 | 1 | |
| 5 | Bearing, 6001 2RSR NACHI | 087893 | 2 | ◆ |
| 6 | Ring, W28 Inside Retaining | F81090-9 | 2 | |
| 7 | Washer, Blade Guide Roller Spacer Zinc-plated | 087891-1 | 1 | |
| | Washer, Blade Guide Roller Spacer Zinc-plated | 087892-1 | 1 | |
| 8 | Screw, 12/M10x30 12.9 ISO 7379 Socket Head Shoulder | F81003-70 | 1 | |
| | Screw, 12/M10x35 12.9 ISO 7379 Socket Head Shoulder (used with the Extended Roller only) | F81003-48 | 1 | |
| 9 | Bolt, Upper Pad Adjustment | 089515 | 1 | |
| 10 | Screw, M5x45 DIN912 A2-70 Hex Socket Head Cap Stainless Steel | F81000-24 | 1 | |
| 11 | Bolt, M8x30 DIN933 A2-70 Stainless Steel | F81002-27 | 2 | |
| 12 | Washer, 8.2 Split Lock Zinc | F81054-4 | 2 | |
| 13 | Screw, M8x40-8.8 Hex Socket Head Cap Zinc | F81002-29 | 2 | |
| 14 | Screw, Lower Pad Adjustment Zinc-plated | 516191-1 | 1 | |
| 15 | Screw, M5x10 DIN912 A2-70 Hex Socket Head Cap Stainless Steel | F81000-23 | 1 | |
| 16 | Pivot Weldment, Blade Guide Zinc-plated | 089509-1 | 1 | |
| 17 | Bolt, M8x25 DIN933 A2-70 Stainless Steel | F81002-26 | 2 | |
| 18 | Washer, 8.4 Zinc Flat | F81054-1 | 4 | |
| 19 | Bolt, M8x40 DIN933 A2-70 Stainless Steel | F81002-28 | 2 | |
| 20 | Nut, M8 DIN934 A2-70 Stainless Steel | F81032-7 | 2 | |

2.3 Blade Guide Arm Drive Assembly



600003-2d_Poland

| REF. | DESCRIPTION (◆ Indicates Parts Available In Assemblies Only) | PART# | QTY. |
|------|--|-----------|------|
| | BLADE GUIDE ARM ASSEMBLY | 090950 | 1 |
| 1 | Plate Weldment, Blade Guide Arm Zinc-plated | 090800-1 | 1 |
| 2 | Bushing, 0.322 x 0.44 x 1 1/2" Spacer | S09996 | 2 |
| 3 | Washer, 5/16" Split Lock Zinc | F05011-13 | 2 |
| 4 | Roller, Chain Guide | 090801 | 2 |
| 5 | Plate, Blade Guide Motor Mount Ptd | 090803-1 | 1 |
| 6 | Washer, 10.5 Zinc Flat | F81055-1 | 2 |
| 7 | Washer, 3/8" Zinc Flat | F05011-4 | 2 |
| 8 | Bolt, M10 x 25 8.8 Hex Head Full Thread | F81003-31 | 4 |
| 9 | Washer, 5.3 Zinc Flat | F81052-1 | 4 |
| 10 | Screw, #10-32 x 3/4 CrS1 Phillips Head | F05004-38 | 4 |
| 11 | Plate, Spacer Ptd | 090802-1 | 1 |
| 12 | Motor, 53:1 Gear ASA Blade Guide Arm | P09698-1 | 1 |
| 13 | Sprocket, 25B13 x .3130 | P09970 | 1 |
| 14 | Pin, 3 x 14 Zinc Roll | F81044-4 | 1 |

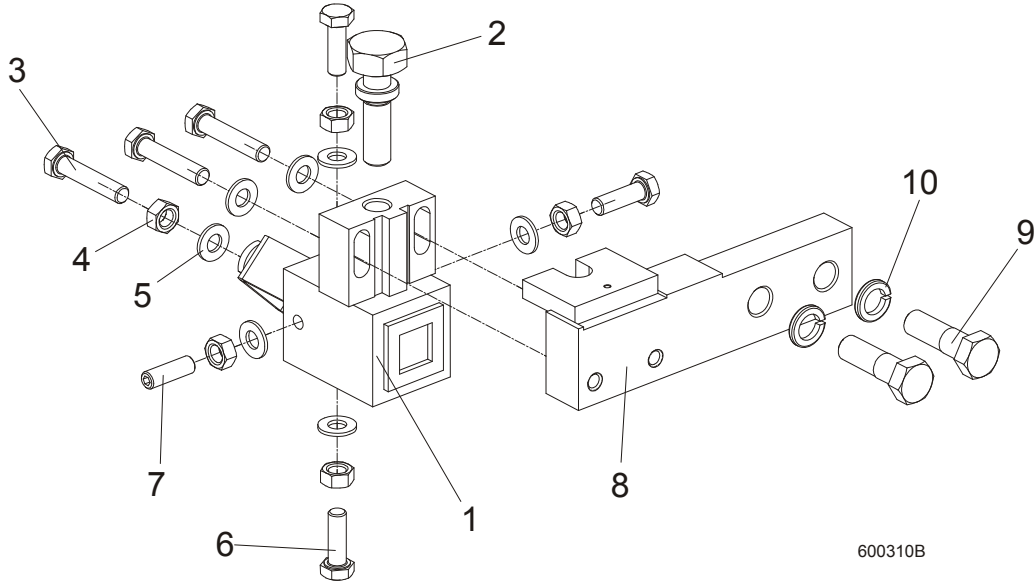
BLADE GUIDE ROLLERS & ARM

Blade Guide Arm Drive Assembly

2

| | | | | |
|----|---|---------------|----------|--|
| 15 | Spacer, Drive Roller Zinc-plated | 090804-1 | 4 | |
| | ROLLER ASSEMBLY, BLADE GUIDE ARM IDLER | 042543 | 2 | |
| 16 | Housing, 2 1/2" V-Groove | 042536 | 1 | |
| 17 | Bearing, 6203 2RSP6-5/8 CX | 095087 | 2 | |
| 18 | Ring, 1.575" ID 5002-156 Retaining | F04254-8 | 1 | |
| | ROLLER ASSEMBLY, BLADE GUIDE ARM DRIVE | 042542 | 2 | |
| 19 | Housing, 2 1/2" V-Groove W/Sprocket | 042541 | 1 | |
| 20 | Bearing, 6203 2RSP6-5/8 CX | 095087 | 2 | |
| 21 | Ring, 1.575" ID 5002-156 Retaining | F04254-8 | 1 | |
| 22 | Arm Weldment, Blade Guide Zinc-plated | 090479-1 | 1 | |
| 23 | Screw, Set, M8x8-33H FE/ZN Hex Socket Head, Stainless | F81014-3 | 1 | |
| 24 | Bolt, 5/8-18 x 2 1/4 Hex Head Grade 5 | F05009-80 | 2 | |
| 25 | Nut, M10-04-W Zinc Hex Thin | F81033-6 | 2 | |
| 26 | Bolt, 5/8-18 x 3 1/4 Hex Head Grade 5 | F05009-80 | 2 | |
| 27 | Nut, 5/8-18 Hex Nylon Lock | F05010-71 | 2 | |
| 28 | Screw, M12 x 1.25 x 60-33H Zinc Hex Set W/Full Dog Point | F81004-52 | 2 | |
| 29 | Nut, M12 x 1.25 8.8 Zinc Hex Thin | F81034-5 | 2 | |
| 30 | Washer, 8.4 Zinc Flat | F81054-1 | 1 | |
| 31 | Nut, M8-8-B Hex Nylon Zinc Lock | F81032-2 | 1 | |
| 32 | Bolt, M8 x 40-8.8 Hex Head Full Thread Zinc | F81002-15 | 1 | |
| 33 | Washer, DIN 6319-21C Spherical | F81059-6 | 1 | |
| 34 | Bolt, M20 x 1.5 x 50-8.8-B Hex Head Full Thread Zinc | F81007-2 | 1 | |
| 35 | Guard, Blade | 088306 | 1 | |
| 36 | Nut, M6-8-B Hex Nylon Zinc LOK | F81031-2 | 1 | |
| 37 | Guide, Blade Guard | 088305 | 1 | |
| 38 | Screw, M8 x 25 Cross Recessed Countersunk Head Zinc | F81002-51 | 1 | |
| 39 | Nut, M8-8-B Hex Nylon Zinc Lock | F81032-2 | 1 | |
| 40 | Decal, Warning | 015849 | 1 | |
| 41 | Bolt, M6 x 20-8.8 Hex Head Full Thread Zinc | F81001-2 | 2 | |
| 42 | Screw, 12/M10 x 20 12.9 ISO7379(BOSSARD) Socket Head Shoulder | F81003-68 | 2 | |
| 43 | Mounting Block, LT70 Blade Guide, zinc | 089503-1 | 1 | |
| 44 | Bolt, Blade Guide Adjustment, zinc | 506552-1 | 1 | |
| 45 | Bolt, M8x25 DIN933 A2-70, Stainless | F81002-26 | 3 | |
| 46 | Nut, M8 DIN934 A2-70, Stainless | F81032-7 | 5 | |
| 47 | Washer, 8.4 FLAT,ZINC | F81054-1 | 7 | |
| 48 | Bolt M8x40 DIN933 A2-70, Stainless | F81002-28 | 3 | |
| 49 | Blade Guide Parts (See Section 2.1) | 092997 | 1 | |
| | Chain, #25 x 92 PITCHES B/G | 093805 | 1 | |
| 50 | Chain, #25 x 92 Pitches B/G | 042443 | 1 | |
| 51 | KETTENGLIED #25 | P09983 | 1 | |

2.4 Blade Guide Mount Assembly, Drive Side

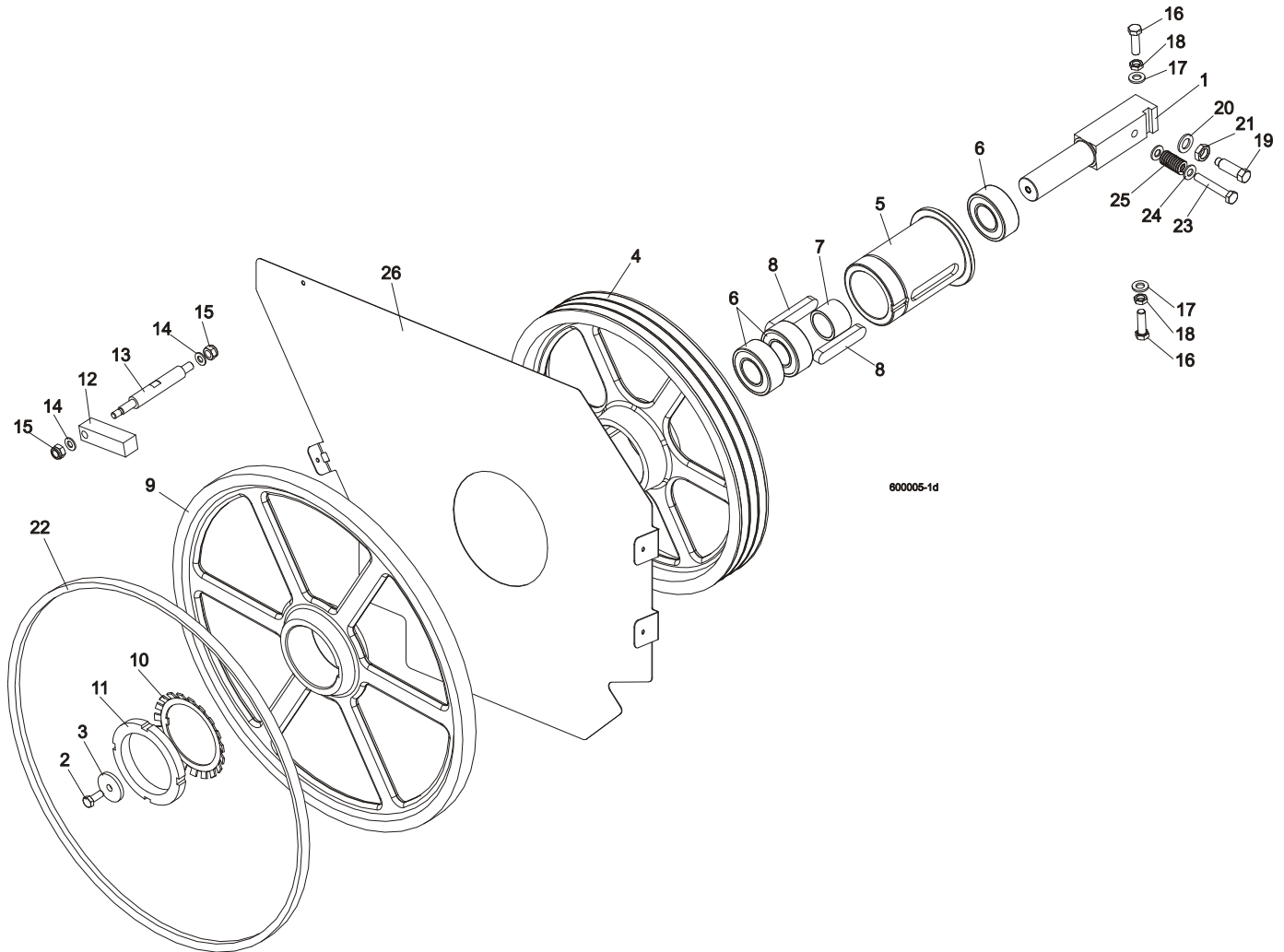


600310B

| REF. | DESCRIPTION (◆ Indicates Parts Available In Assemblies Only) | PART# | QTY. |
|------|---|-----------|------|
| | MOUNTING BLOCK, DRIVE SIDE | 091338 | 1 |
| 1 | MOUNTING BLOCK, BLADE GUIDE, DRIVE SIDE, ZINC | 089503-1 | 1 |
| 2 | BOLT, BLADE GUIDE ADJUSTMENT, ZINC | 506552-1 | 1 |
| 3 | BOLT, M8X40 DIN933 A2-70, STAINLESS | F81002-28 | 3 |
| 4 | NUT, M8 DIN934 A2-70, STAINLESS | F81032-7 | 5 |
| 5 | WASHER, 8.4 FLAT,ZINC | F81054-1 | 7 |
| 6 | BOLT, M8X25 DIN933 A2-70, STAINLESS | F81002-26 | 3 |
| 7 | SCREW, BLADE GUIDE ADJUSTMENT, M8X25 A2-70 DIN 913, STAINLESS | F81014-3 | 1 |
| 8 | BAR, BLADE GUIDE MOUNT, ZINC | 089501-1 | 1 |
| 9 | BOLT,M12X40-8.8 HEX HEAD ZINC | F81004-1 | 2 |
| 10 | WASHER, M12 SPLIT LOCK ZINC | F81056-2 | 2 |

SECTION 3 BLADE WHEELS & TENSIONER

3.1 Blade Drive Assembly



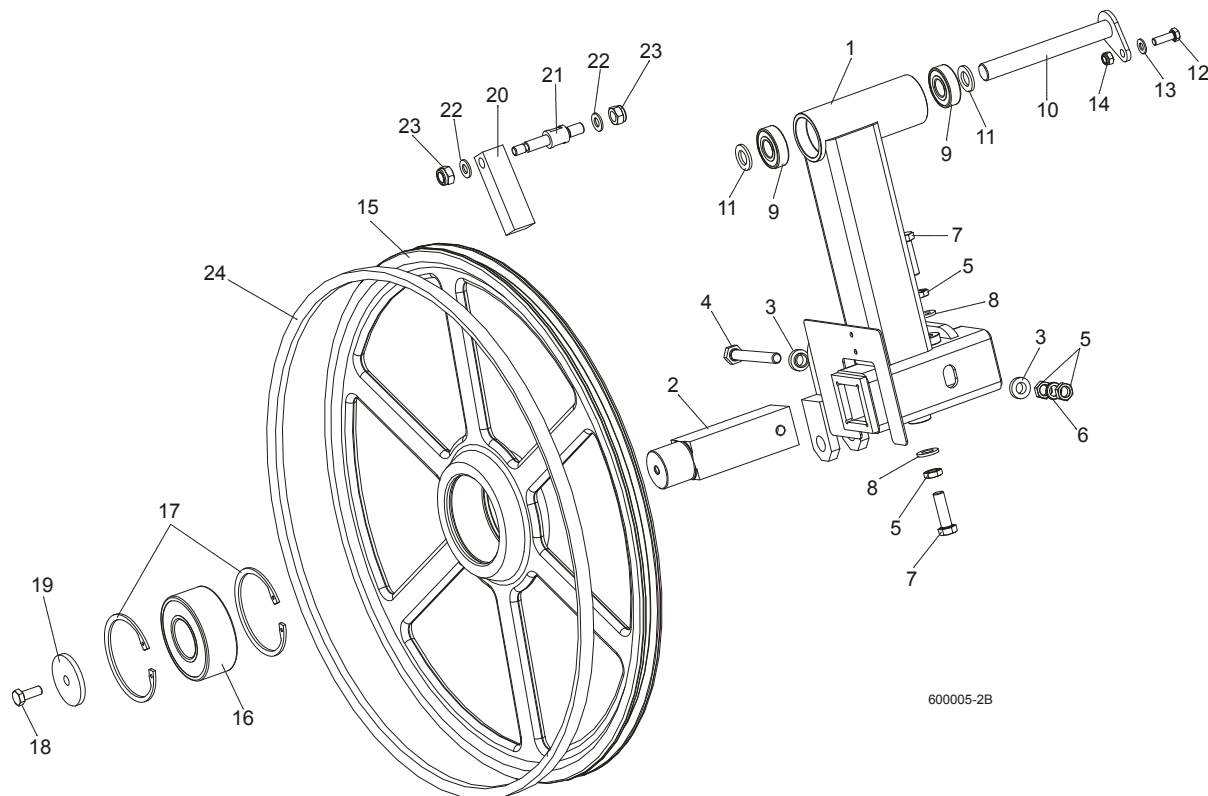
| REF | DESCRIPTION (◆ Indicates Parts Available In Assemblies Only) | PART # | QTY. |
|-----|--|-----------|------|
| 1 | SHAFT, BLADE DRIVE WHEEL | 088475 | 1 |
| 2 | BOLT, M10x25 8.8 HEX HEAD FULL THREAD | F81003-31 | 1 |
| 3 | WASHER, BLADE DRIVE WHEEL | 088956-1 | 1 |
| | PULLEY ASSEMBLY, BLADE DRIVE | 504808 | 1 |
| 4 | Pulley, 3-Groove 484 mm Diameter | 089457-1 | 1 |
| 5 | Bushing, Blade Drive Wheel | 504809 | 1 |
| 6 | Bearing, 3208.2rsr.tvh (FAG) Rolling | 088449 | 3 |
| 7 | Spacer, 51x41x36.3 Drive Bearing | 504810 | 1 |
| 8 | Key, A20x12x100 Parallel | 088477 | 2 |
| 9 | WHEEL, BLADE DRIVE | 090811 | 1 |
| 10 | WASHER, MB21 (FAG) LOCK | 088451 | 1 |
| 11 | NUT, KM21(M105X2) (FAG) LOCK | 088450 | 1 |
| 12 | BAR, WHEEL SCRAPER | 088781 | 1 |
| 13 | SHAFT, WHEEL SCRAPER | 088780-1 | 1 |

3 Blade Wheels & Tensioner

Idle Blade Wheel Assembly

| | | | | |
|----|--|-----------|---|--|
| 14 | WASHER, 10.5 ZINC FLAT | F81055-1 | 2 | |
| 15 | NUT, M12-8 HEX NYLON ZINC LOCK | F81034-2 | 2 | |
| 16 | BOLT, M12X1.25X40 HEX HEAD | F81004-42 | 3 | |
| 17 | WASHER, 13 FLAT ZINC | F81056-1 | 3 | |
| 18 | NUT, M12X1.25 8.8 THIN ZINC | F81034-5 | 3 | |
| 19 | SCREW, M16X1.5X50-33H HEX HEAD FULL DOG POINT SET ZINC | F81006-14 | 1 | |
| 20 | WASHER, 17 ZINC FLAT | F81058-1 | 1 | |
| 21 | NUT, M16x1.5-08-B ZINC THIN | F81036-6 | 1 | |
| 22 | BELT, BLADE WHEEL B72.5 | 017922-1 | 1 | |
| 23 | BOLT M10X65 | F81003-67 | 1 | |
| 24 | WASHER, 10.5 ZINC FLAT | F81055-1 | 2 | |
| 25 | SPRING19X38 | 034430 | 1 | |
| 26 | PLATE, LT70AC SAW HEAD (OPTION) | 100897-1 | 1 | |
| | BELT 3B/HB2462 La | 089464 | 1 | |

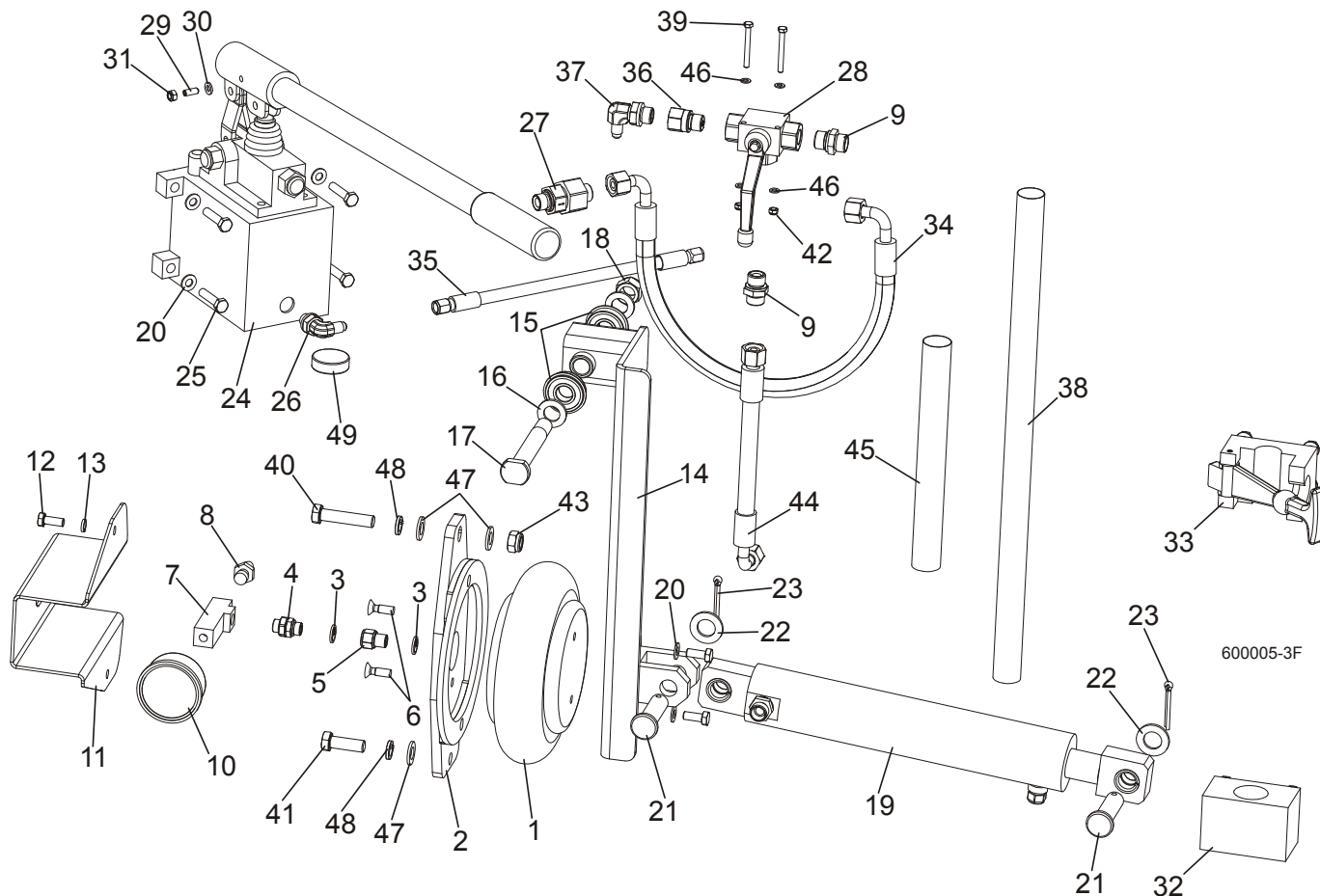
3.2 Idle Blade Wheel Assembly



| REF | DESCRIPTION (◆ Indicates Parts Available In Assemblies Only) | PART # | QTY. | |
|-----|--|-----------|------|--|
| | TUBE, LT70 IDLE SIDE BLADE WHEEL W/LEVER COMPLETE | 092791 | 1 | |
| 1 | Tube Weldment, LT70 Idle Blade Wheel w/Lever | 092780-1 | 1 | |
| 2 | Shaft, Idle Blade Wheel | 088474 | 1 | |
| 3 | Washer, Zinc Special | 086769-1 | 2 | |
| 4 | Bolt, M12x1.25x100-8.8 Hex Head Zinc | F81004-41 | 1 | |
| 5 | Nut, M12x1.25 8.8 Hex ZincThin | F81034-5 | 4 | |
| 6 | Washer, Z12.2 Split Zinc Lock | F81056-2 | 1 | |
| 7 | Bolt, M12x1.25x40 Hex Head | F81004-42 | 2 | |
| 8 | Washer, 13 Zinc Flat | F81056-1 | 2 | |

| | | | | |
|----|--|-----------|---|--|
| 9 | Bearing, 6204 2RS-CX Rolling | 088447 | 2 | |
| 10 | PIN WELDMENT, PIVOT | 088759-1 | 1 | |
| 11 | WASHER, 17 ZINC FLAT | F81058-1 | 2 | |
| 12 | BOLT, M8X25-8.8-B HEX HEAD FULL THREAD ZINC | F81002-5 | 1 | |
| 13 | WASHER, 8.4 ZINC FLAT | F81054-1 | 1 | |
| 14 | NUT, M8-8-B HEX NYLON ZINC LOCK | F81032-2 | 1 | |
| | WHEEL ASSEMBLY, IDLE SIDE | 088764 | 1 | |
| 15 | Wheel, Blade Idle Side | 090810 | 1 | |
| 16 | Bearing, 3309B.2RSR.TVH-P66 FAG | 086428 | 1 | |
| 17 | Ring, W100 Spring Retaining | F81090-10 | 2 | |
| 18 | BOLT, M10X25 8.8 HEX HEAD FULL THREAD | F81003-31 | 1 | |
| 19 | WASHER, IDLE BLADE WHEEL RETAINING | 088957-1 | 1 | |
| 20 | SCRAPER, IDLE BLADE WHEEL | 088781 | 1 | |
| 21 | SHAFT, SHORT ZINC WHEEL SCRAPER | 088779-1 | 1 | |
| 22 | WASHER, 10.5 ZINC FLAT | F81055-1 | 2 | |
| 23 | NUT, M12-8 HEX NYLON ZINC LOCK | F81034-2 | 2 | |
| 24 | BELT, BLADE WHEEL B72.5 | 017922-1 | 1 | |

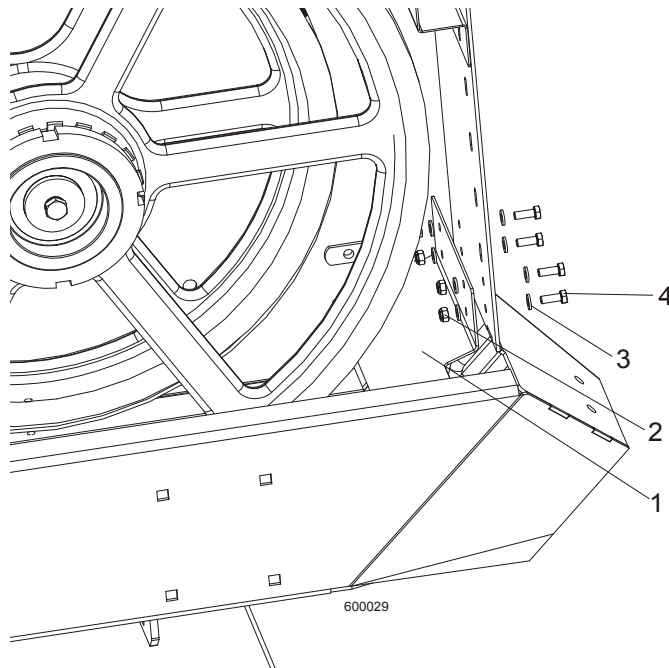
3.3 Hydraulic Blade Tensioner Assembly



| REF | DESCRIPTION (◆ Indicates Parts Available In Assemblies Only) | PART # | QTY. |
|-----|--|-----------|------|
| | HYDRAULIC BLADE TENSIONER, COMPLETE | 504801 | 1 |
| 1 | BAG, POJ 192 308 100 0 AIR | 088576 | 1 |
| 2 | BRACKET, AIR BAG MOUNT | 088798-1 | 1 |
| 3 | SEAL, G1/4 866-014-000-0 | 090809 | 4 |
| 4 | NIPPLE, 1/4 8632141400)BOSCH | 097703 | 1 |
| 5 | FITTING, 1/4 THREAD/1/4 THREAD 2521 | 097704 | 1 |
| 6 | BOLT, M8X25 PAN HEAD ZINC | F81002-51 | 2 |
| 7 | TEE CONNECTOR, SPECIAL | 097702-1 | 1 |
| 8 | FITTING, 1/4" THREAD 390 004 004 0 (REXROTH) AIR TANK VALVE | 088575 | 1 |
| 9 | FITTING, HD-GE-12L-BE-06 STRAIGHT | 094561 | 2 |
| 10 | GAUGE, M63T-2,5/20G G 1/8 0-0,6 MPA/PSI AIR PRESSURE | 088568 | 1 |
| 11 | GUARD, AIR PRESSURE GAUGE | 088924-1 | 1 |
| 12 | SCREW, M8X25 CROSS RECESSED COUNTERSUNK HEAD ZINC | F81002-4 | 4 |
| 13 | WASHER 8.2 ZINC SPLIT | F81054-4 | 2 |
| 14 | ARM, AIR CYLINDER PAINTED | 092779-1 | 1 |
| 15 | BEARING W/SNAP RING 6203-2RS | 086395 | 2 |
| 16 | WASHER, 17 FLAT ZINC | F81058-1 | 2 |
| 17 | PIN, IDLER ARM MOUNT | 086404 | 1 |
| 18 | NUT, M16, HEX, NYLON ZINC LOCK | F81036-2 | 2 |

| | | | | |
|----|--|-----------|---|--|
| 19 | CYLINDER, HYDRAULIC COMPLETE | 092788 | 1 | |
| | CYLINDER, SHDJ050/030X80 HYDRAULIC | 092787-1 | 1 | |
| | BUSHING, TUF1 18x120 CX | 500106 | 4 | |
| | FITTING, HD-GE-12L-BE-06 STRAIGHT | 094561 | 1 | |
| | VALVE, 2901-14-17 AIR VENT | 090794 | 1 | |
| 20 | WASHER, 8.4 ZINC FLAT | F81054-1 | 6 | |
| 21 | PIN, PN-EN 22341-B-18X65X57-A2 | F81049-4 | 2 | |
| 22 | WASHER, 19 FLAT ZINC | F81060-1 | 2 | |
| 23 | PIN, S-ZN 5X40 PN-M/82001 | F81043-31 | 2 | |
| 24 | PUMP,PMS12/TNK1 MANUAL W/TANK 1L | 092789 | 1 | |
| 25 | BOLT, 8MM X 1.25X35MM HH ZINC | F81002-13 | 4 | |
| 26 | ELBOW, CA-204410-3 | 094562 | 1 | |
| 27 | VALVE, RHV12LREDA3C CHECK | 094559 | 1 | |
| 28 | VALVE, BALL 3-WAY RSAP3 VOL2L G3/8" | 504803 | 1 | |
| 29 | LATCH, GN615.3-M6-KN BALL THREADED | 096874 | 1 | |
| 30 | WASHER, M6, FLAT, ZINC | F81053-1 | 1 | |
| 31 | NUT, M6, HEX, NYLON LOCK ZINC | F81031-2 | 1 | |
| 32 | BRACKET, TENSIONER PUMP HANDLE BOTTOM | 096951 | 1 | |
| 33 | BRACKET, TENSIONER PUMP HANDLE UPPER | 092800 | 1 | |
| 34 | HOSE, DN10 W/FITTING 10AOL 90 M18X1.5 | 504804 | 1 | |
| 35 | HOSE, 1/4 W/FITTING JIC 7/16-20 | 504805 | 1 | |
| 36 | FITTING, G 3/8 THROTTLE | 096849 | 1 | |
| 37 | ELBOW, CA-204411-3 | 094563 | 1 | |
| 38 | HOSE PROTECTION | 505178 | 1 | |
| 39 | BOLT, M5X45 DIN933 A2-70 STAINLESS STEEL | F81000-22 | 2 | |
| 40 | BOLT, M12X55-8.8 HEX HEAD ZINC | F81004-12 | 1 | |
| 41 | BOLT, M12 X 35-8.8-FE/ZN5 HEX HEAD FULL | F81004-24 | 1 | |
| 42 | NUT, M5-8-FE/ZN5 DIN985 | F81030-2 | 2 | |
| 43 | NUT, M12-8 HEX NYLON ZINC LOCK | F81034-2 | 1 | |
| 44 | HOSE, DN12 W/FITTINGS PN10AOL90 I PN10AOL M1.5 | 096964 | 1 | |
| 45 | HOSE PROTECTION | 098489 | 1 | |
| 46 | WASHER, 5.3 FLAT ZINC | F81052-1 | 4 | |
| 47 | WASHER, 13 FLAT ZINC | F81056-1 | 3 | |
| 48 | WASHER, Z12.2 SPLIT LOCK ZINC | F81056-2 | 2 | |
| 49 | MAGNET, MW.38X12/N38 NEODYMIUM | 500022 | 1 | |

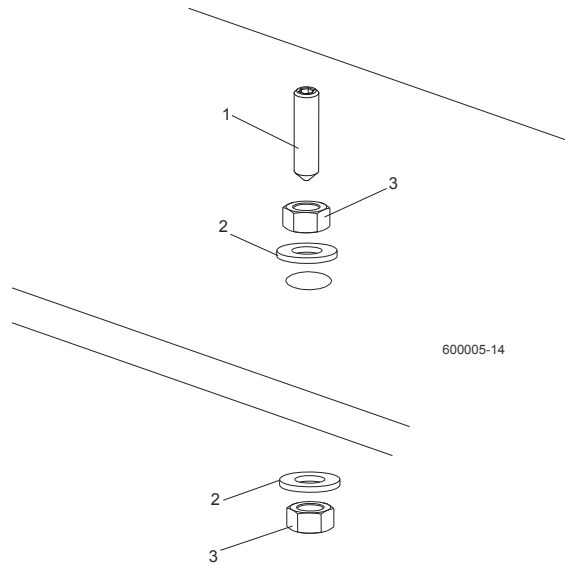
3.4 Sawdust Flow Guide



| REF | DESCRIPTION (◆ Indicates Parts Available In Assemblies Only) | PART # | QTY. |
|-----|--|-----------|------|
| 1 | GUIDE, SAWDUST FLOW PAINTED | 090506 | 1 |
| 2 | NUT, M6-8-B HEX NYLON ZINC LOCK | F81031-2 | 4 |
| 3 | WASHER 6.4 ZINC FLAT | F81053-1 | 8 |
| 4 | BOLT, M6 X 16 8.8 FE/ZN5 PN-M/82105 | F81001-15 | 4 |

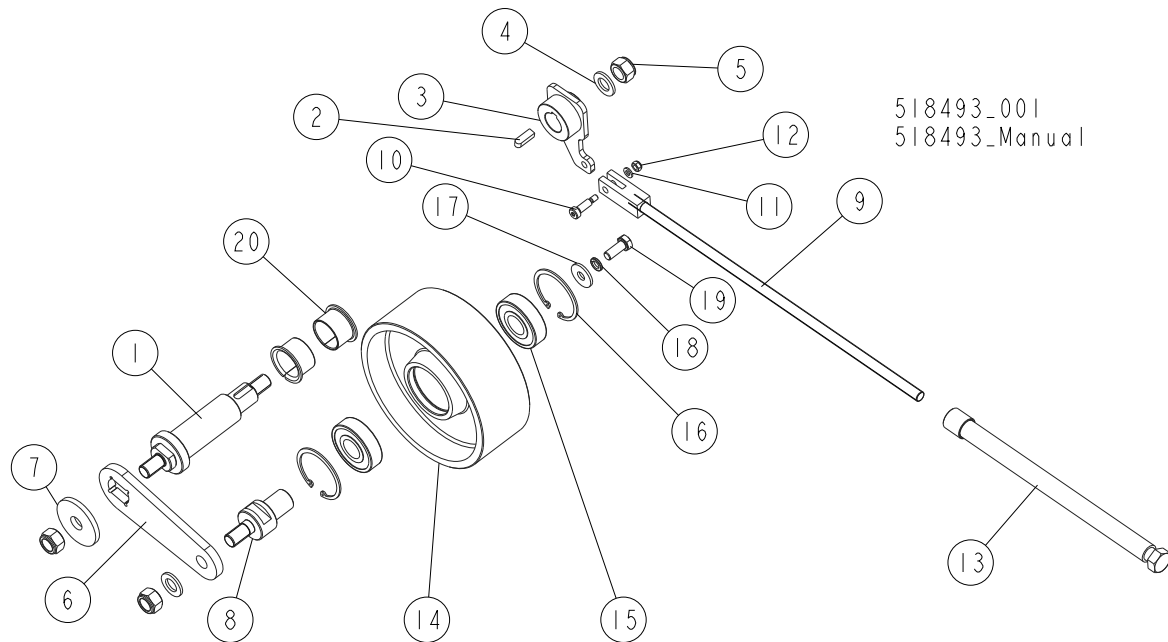
SECTION 4 SAW HEAD

4.1 Middle Throat Screw



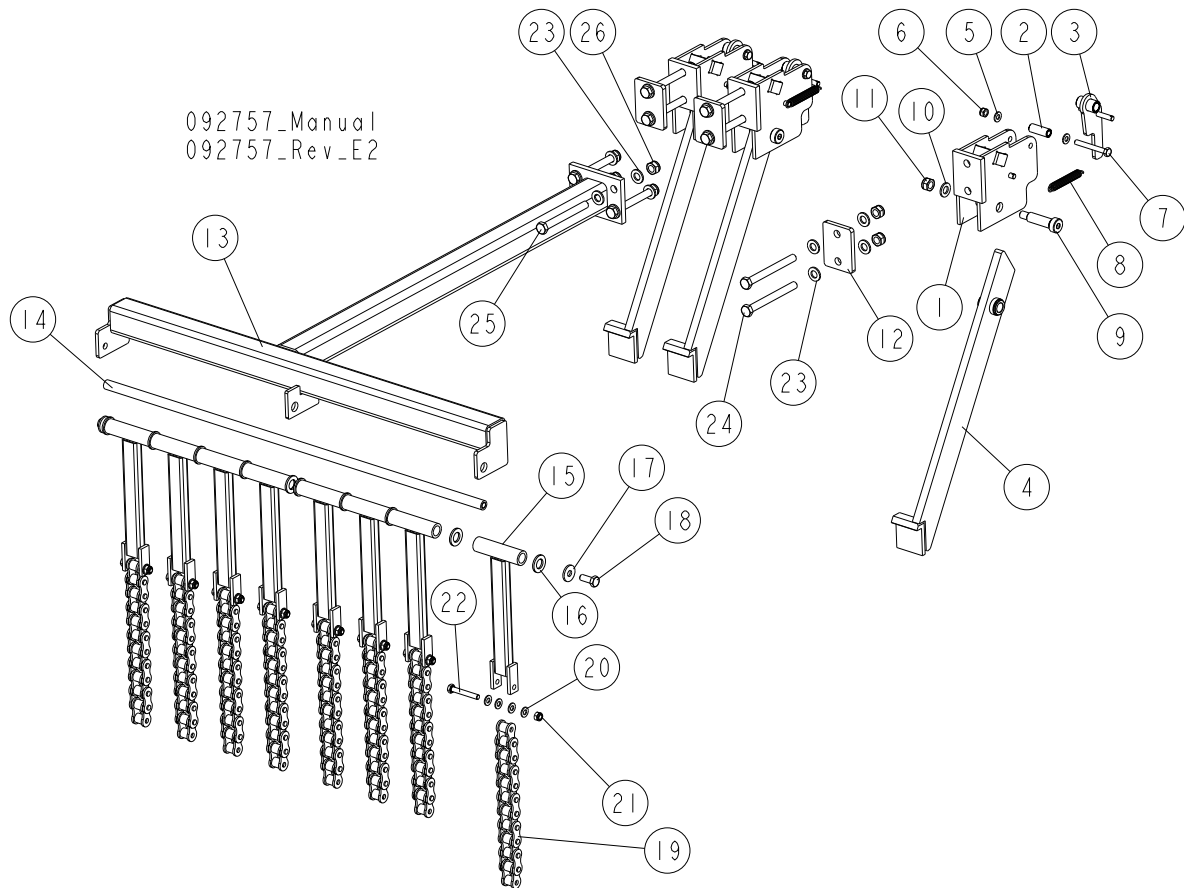
| REF. | DESCRIPTION (◆ Indicates Parts Available In Assemblies Only) | PART # | QTY | |
|------|--|-----------|-----|--|
| 1 | SCREW, M10X40-45H HEX SOCKET SET CONE POINT ZINC | F81003-61 | 1 | |
| 2 | WASHER, 10.5 ZINC FLAT | F81055-1 | 2 | |
| 3 | NUT, M10-8-B ZINC HEX | F81033-3 | 2 | |

4.2 Drive Belt Tensioner (AC)



| REF. | DESCRIPTION (◆ Indicates Parts Available In Assemblies Only) | PART # | QTY |
|------|--|---------------|----------|
| | TENSIONER, LT70 AC DRIVE BELT - COMPLETE | 518493 | 1 |
| 1 | SHAFT, BLADE TENSIONER ZINC-PLATED | 518495-1 | 1 |
| 2 | KEY, AB 8X7X25 PARALLEL | 099848 | 1 |
| 3 | ARM WELDMENT, BELT TENSIONER | 518496-1 | 1 |
| 4 | WASHER, 17 SPLIT LOCK ZINC | F81058-1 | 2 |
| 5 | NUT, M16-8 HEX NYLON ZINC LOCK | F81036-2 | 3 |
| 6 | ARM, TENSION WHEEL ZINC-PLATED | 518051-1 | 1 |
| 7 | WASHER, 17.5/60-6 ZINC-PLATED | 098012-1 | 1 |
| 8 | SHAFT, TENSION WHEEL ZINC-PLATED | 518052-1 | 1 |
| 9 | ROD WELDMENT, THREADED ZINC-PLATED | 088789-1 | 1 |
| 10 | BOLT, 8/M6X20-12.9 ISO 7379 SHOULDER | F81001-25 | 1 |
| 11 | WASHER, 6.4 FLAT ZINC | F81053-1 | 1 |
| 12 | NUT, M6-8-B HEX NYLON ZINC LOCK | F81031-2 | 1 |
| 13 | TUBE WELDMENT, THREADED ZINC-PLATED | 088782-1 | 1 |
| | WHEEL, LT70AC TENSION - COMPLETE | 514842 | 1 |
| 14 | WHEEL, BELT TENSION | 508762 | 1 |
| 15 | BEARING, .9843X2.4409X.6693 | P08066 | 2 |
| 16 | RING, 62W INSIDE RETAINING | F81090-1 | 2 |
| 17 | WASHER, 11/30-3 ZINC-PLATED | 088787-1 | 1 |
| 18 | WASHER, Z 10.2 SPLIT LOCK ZINC | F81055-2 | 1 |
| 19 | BOLT, M10X25 8.8 HEX HEAD FULL THREAD ZINC | F81003-11 | 1 |
| 20 | BEARING, PCMF 353926E SKF SLIDE | 518043 | 2 |

4.3 Board Return Assembly (Optional)



| REF. | DESCRIPTION (◆ Indicates Parts Available In Assemblies Only) | PART # | QTY |
|------|--|---------------|----------|
| | BOARD RETURN ASSEMBLY | 092757 | 1 |
| | BOARD, RETURN ASSEMBLY | 090120 | 3 |
| 1 | MOUNT WELDMENT, BOARD RETURN ARM | 090109-1 | 1 |
| 2 | SPACER, ZINC | 090115-1 | 1 |
| 3 | LATCH WELDMENT, BOARD RETURN ARM | 090118-1 | 1 |
| 4 | ARM, BOARD RETURN | 090112-1 | 1 |
| 5 | WASHER, 8.4 FLAT ZINC | F81054-1 | 2 |
| 6 | NUT, M8-8-B HEX NYLON ZINC LOCK | F81032-2 | 1 |
| 7 | BOLT, M8 X 65MM,HH,GRADE 5.8, ZINC | F81002-3 | 1 |
| 8 | SPRING, EXT 1/2X2 1/4X.06 | 014817 | 2 |
| 9 | BOLT, 16/M12X50-12.9 ISO7379-BOSSARD SOCKET HEAD | F81004-25 | 1 |
| 10 | WASHER, 13 FLAT ZINC | F81056-1 | 1 |
| 11 | NUT, M12-8 HEX NYLON ZINC LOCK | F81034-2 | 1 |
| 12 | WASHER, SPECIAL | 092756-1 | 3 |
| | GUIDE, BOARD RETURN | 514162 | 1 |
| 13 | GUIDE WELDMENT, BOARD RETURN | 091067-1 | 1 |
| 14 | ROD, BOARD RETURN GUIDE | 091074 | 1 |
| 15 | BAR WELDMENT, BOARD GUIDE UPPER | 091070-1 | 8 |
| 16 | WASHER, 17 FLAT ZINC | F81058-1 | 10 |
| 17 | WASHER,10.5 ZINC FLAT SPECIAL | F81055-6 | 2 |
| 18 | BOLT, M10 X 25 8.8 FE/ZN5, PN-M/82105 | F81003-31 | 2 |

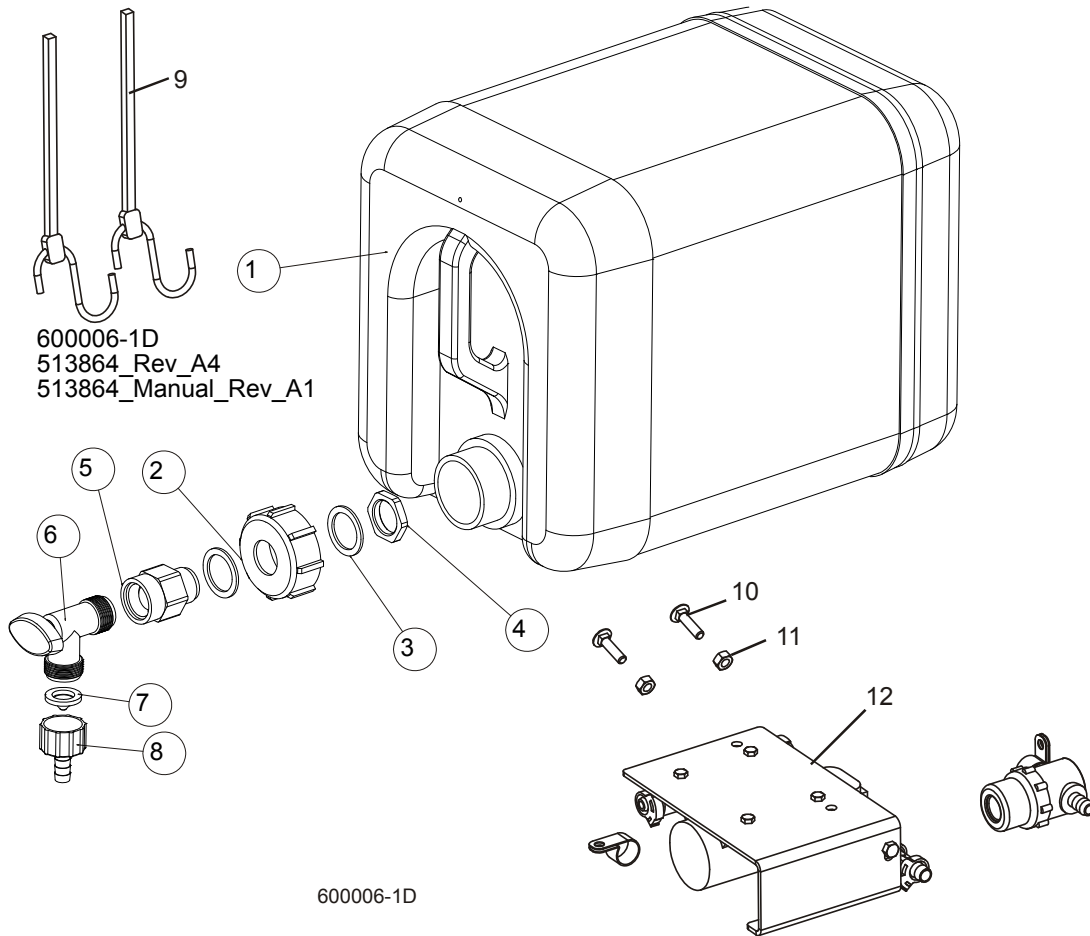
4

SAW HEAD

Board Return Assembly (Optional)

| REF. | DESCRIPTION (◆ Indicates Parts Available In Assemblies Only) | PART # | QTY | |
|------|--|-----------|-----|--|
| 19 | CHAIN 16B-1 - 0.28M | 514163 | 8 | |
| 20 | WASHER, 8.4 FLAT ZINC | F81054-1 | 32 | |
| 21 | NUT, M8-8-B HEX NYLON ZINC LOCK | F81032-2 | 8 | |
| 22 | BOLT, M8 X 55 8.8 FE/ZN5, PN-M/82101 | F81002-8 | 8 | |
| 23 | WASHER, 13 FLAT ZINC | F81056-1 | 20 | |
| 24 | BOLT M12X120 8.8 FE/ZN5 | F81004-38 | 6 | |
| 25 | BOLT,M12X110-8.8-B-FE/ZN5 PN-85/M82101 | F81004-47 | 4 | |
| 26 | NUT, M12-8 HEX NYLON ZINC LOCK | F81034-2 | 10 | |

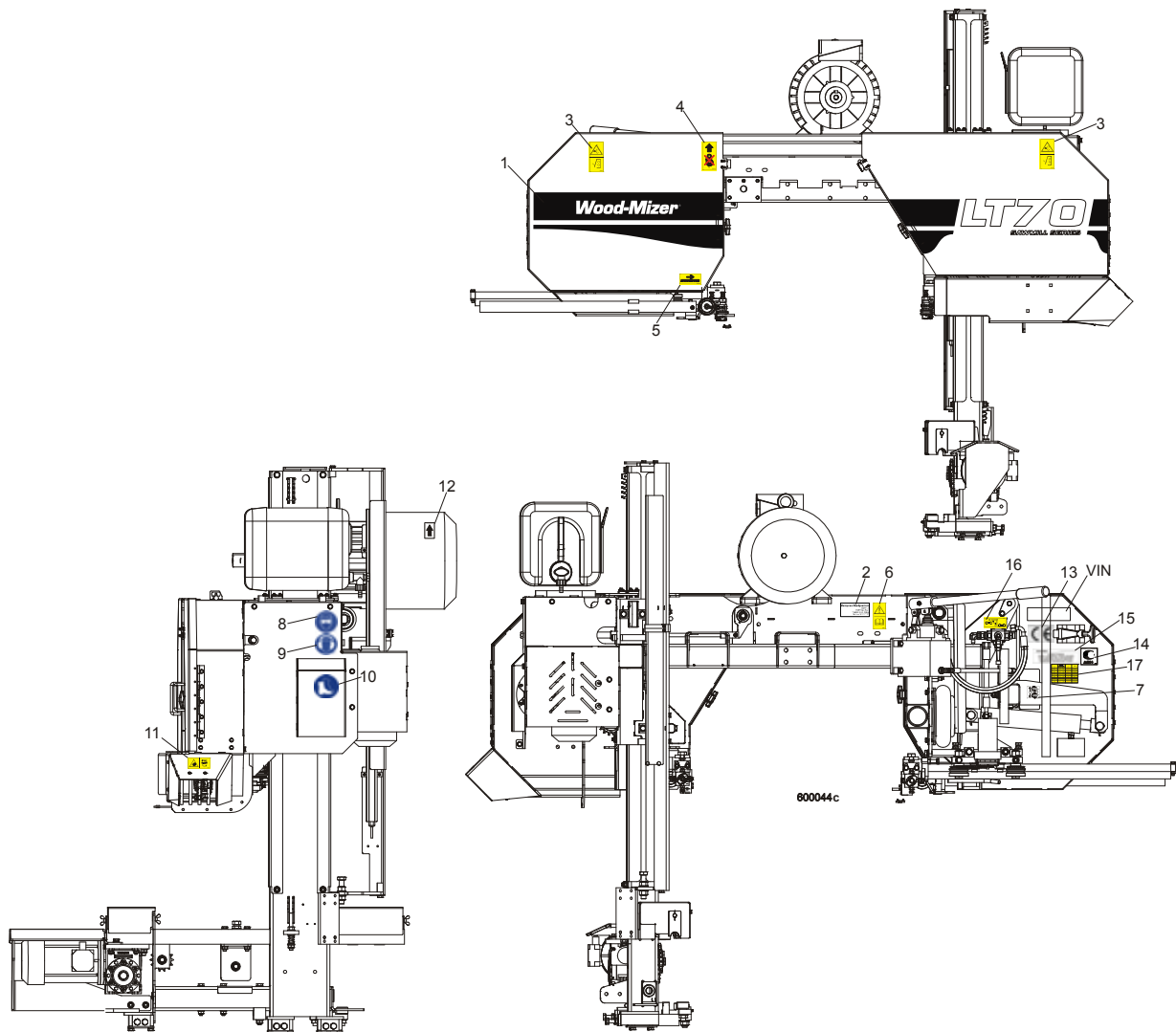
4.4 Water Lube Assembly



| REF. | DESCRIPTION (◆ Indicates Parts Available In Assemblies Only) | PART # | QTY |
|------|--|---------------------------|----------|
| | BOTTLE, WATER, COMPLETE. | 513864 | 1 |
| | BOTTLE, WATER, WITH NUT. | 513865¹ | 1 |
| 1 | BOTTLE, WATER | 513866 | 1 |
| 2 | NUT, BOTTLE. | 513867 | 1 |
| 3 | SEAL, RUBBER 35x26x2. | 513869 | 2 |
| 4 | NUT, PACKING 3/4 NPT. | 513868 | 1 |
| 5 | Fitting, 3/4FPT x 3/4MPT Reducer | 014636 | 1 |
| 6 | Fitting, Water Lube Shutoff Valve | 014100 | 1 |
| 7 | Filtr NUT | 016086 | 1 |
| 8 | FITTING, 5/8" NPT TO 3/8" HOSE BARB | 014113 | 1 |
| 9 | STRAP, 20" RUBBER | P11668 | 2 |
| 10 | BOLT, 1/4-20 X 1" CARRIAGE HEAD | F05005-34 | 2 |
| 11 | NUT, 1/4-20 HEX LOCK | F05010-21 | 2 |
| 12 | LUBEMIZER PARTS/HOSES (SEE LUBEMIZER OPTION MANUAL) | | |

¹ The service number 513865-S includes: 513865, 513869, 513868

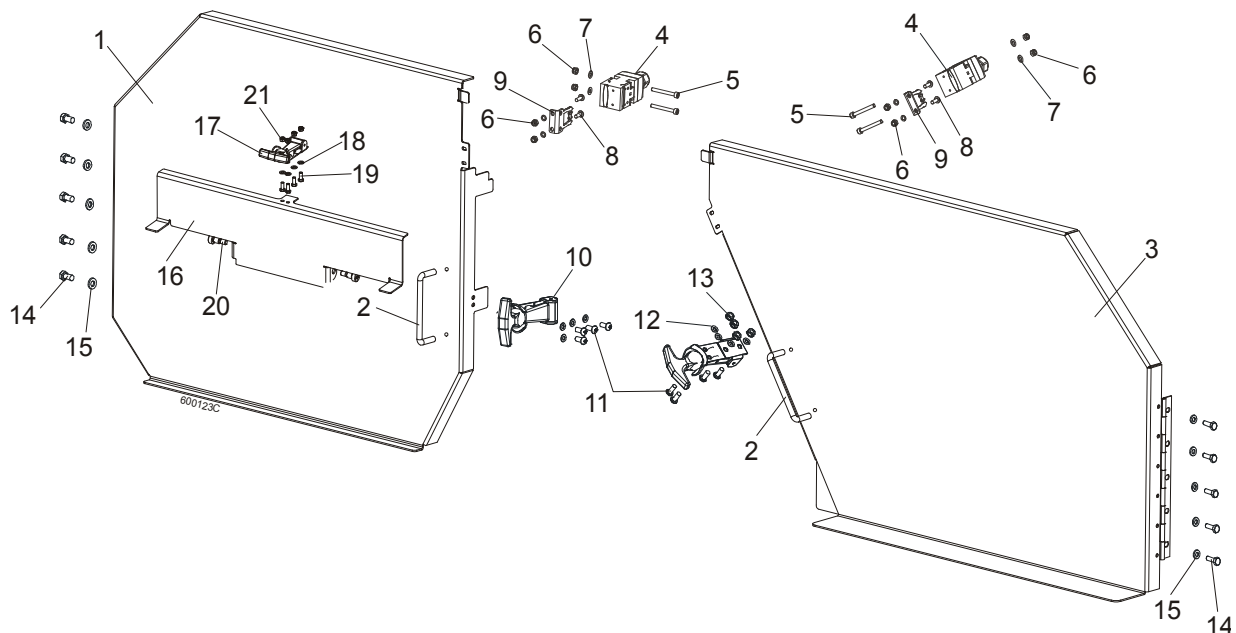
4.5 LT70AC Saw Head Decals



| REF. | DESCRIPTION (◆ Indicates Parts Available In Assemblies Only) | PART # | QTY |
|------|--|-----------|-----|
| 1 | DECAL, LT70 SERIES SAWMILL | 092764 | 1 |
| | PICTOGRAPHIC DECAL KIT, LT70AC | 099518 | 1 |
| 2 | DECAL, EUROPEAN HEADQUARTERS ADDRESS | 015841 | 1 |
| 3 | DECAL, SAWMILL COVERS CAUTION (PICTOGRAM) | 099220 | 2 |
| 4 | DECAL, PICTOGRAM (BLACK ARROW & HOOK) | 085977B | 1 |
| 5 | DECAL, BLADE MOVEMENT DIRECTION (PICTOGRAM) | 096321 | 1 |
| 6 | DECAL, READ OPERATOR'S MANUAL (PICTOGRAM) | 096317 | 1 |
| 7 | DECAL, BLADE ALIGNMENT (PICTOGRAM) | P11789-70 | 1 |
| 8 | DECAL, EYE PROTECTION WARNING (PICTOGRAM) | S12004G | 1 |
| 9 | DECAL, EAR PROTECTION WARNING (PICTOGRAM) | S12005G | 1 |
| 10 | DECAL, USE SAFETY BOOTS (PICTOGRAM) | 501465 | 1 |
| 11 | DECAL, SAWDUST CHUTE WARNING (PICTOGRAM) | 099222 | 1 |
| 12 | DECAL, MOTOR ROTATION DIRECTION | S20097 | 1 |
| 13 | DECAL, CE CERTIFIED SAWMILL | P85070 | 2 |
| 14 | DECAL, RUSSIAN SAFETY CERTIFICATION | 099401 | 1 |

| | | | | |
|-----------|--|-----------|---|--|
| 15 | DECAL, INTERNATIONAL SAWMILL NAME | 501466 | 1 | |
| 16 | DECAL, LEVER OF TENSIONER'S BALL VALVE | 505189 | 1 | |
| 17 | DECAL, BLADE TENSION VALUES | 518439 | 1 | |
| | DECAL, HIGH VOLTAGE INSIDE THE ELECTRIC BOX (PICTOGRAM) | 096316 | 2 | |
| | DECAL, REMOVE THE PLUG BEFORE OPENING THE BOX (PICTOGRAM) | 096319 | 2 | |
| | DECAL, STAY A SAFE DISTANCE FROM THE BLADE (FOR DEBARKERS) | 098176 | 1 | |
| | DECAL, BLADE SETTING | P85066-70 | 1 | |
| | DECAL, KEEP AWAY DANGER, PICTOGRAM | 099221 | 1 | |
| | DECAL, MAX. OIL PRESSURE, PICTOGRAM | 099524 | 1 | |

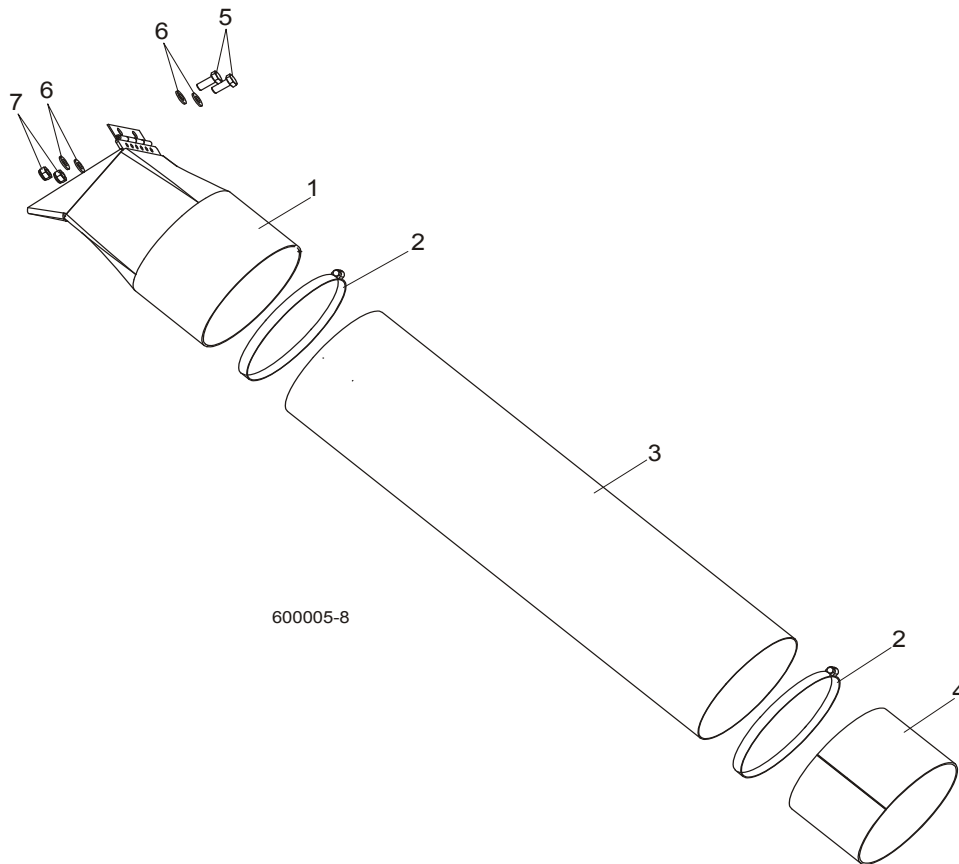
4.6 Blade Housing Covers



| REF. | DESCRIPTION (◆ Indicates Parts Available In Assemblies Only) | PART # | QTY |
|------|--|---------------------------|----------|
| | COVER ASSEMBLY, IDLE SIDE BLADE HOUSING | 088920 | 1 |
| 1 | Cover Assembly, Idle Side Blade Housing, Ptd | 088915-1 | 1 |
| 2 | Handle, Blade Housing Cover | P08065 | 1 |
| | COVER ASSEMBLY, DRIVE SIDE BLADE HOUSING | 088921 | 1 |
| 3 | Cover Assembly, Drive Side Blade Housing, Ptd | 088917-1 | 1 |
| 2 | Handle, Blade Housing Cover | P08065 | 1 |
| 4 | SAFETY SWITCH, AZ17-11ZRK | 094232 | 2 |
| 5 | BOLT, M4 X 35-8.8 SOCKET HEAD | F81011-34 | 4 |
| 6 | NUT, M4-B HEX NYLON ZIN | F81028-2 | 8 |
| 7 | WASHER 4,3 ZINC, FLAT | F81051-2 | 8 |
| 8 | SCREW, M4 X 12-5.8 | F81011-41 | 4 |
| 9 | KEY, AZ17/170-B5 SAFETY SWITCH | 094422 | 4 |
| 10 | LATCH, FLEXIBLE DRAW | 014829 | 2 |
| 11 | BOLT, M5X12-5.8 | F81000-5 | 8 |
| 12 | WASHER 5,3 ZINC FLAT | F81052-1 | 8 |
| 13 | NUT M5-8 DIN 985 ZINC | F81030-2 | 8 |
| 14 | BOLT, M6X16 8.8 HEX HEAD FULL THREAD ZINC | F81001-15 | 10 |
| 15 | WASHER 6.4 ZINC FLAT | F81053-1 | 10 |
| | COVER BLADE UP LT70, COMPLETE | 511536¹ | 1 |
| 16 | PLATE UP COVER LT70, PAINTED | 511802-1 | 1 |
| 17 | Latch, Flexible Draw | 014829 | 1 |
| 18 | WASHER 5.3 FE/ZN5 PN-78/M-82005 | F81052-1 | 2 |
| 19 | BOLT, M5 X 12-5.8-Fe/Zn5, PN-M/82105 | F81000-5 | 4 |
| 20 | BOLT, 10/M8 X 12-12.9 ISO-7379 | F81003-62 | 2 |
| 21 | NUT, M5-8-Fe/Zn5 DIN985 | F81030-2 | 2 |

¹ Belongs to 088771 and 88770

4.7 Sawdust Chute



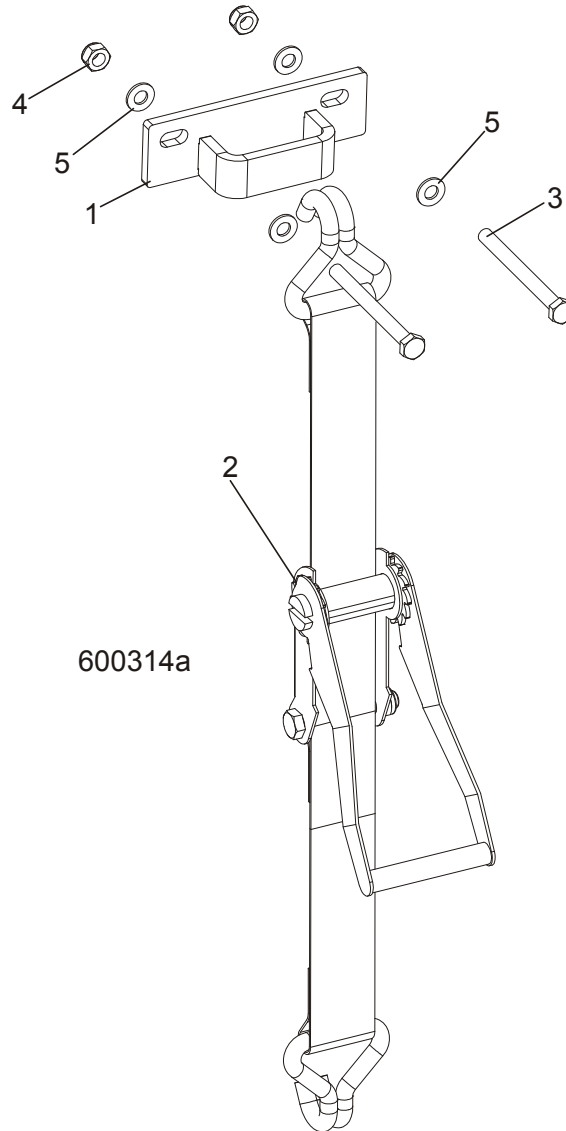
| REF. | DESCRIPTION (◆ Indicates Parts Available In Assemblies Only) | PART # | QTY | |
|------|--|----------|-----|--|
| 1 | CHUTE WELDMENT, SAWDUST | 089352-1 | 1 | |
| 2 | CLAMP, 152 MM | 089358 | 2 | |
| 3 | TUBE, SAWDUST CHUTE | 090153 | 1 | |
| 4 | TUBE, CHUTE END | 090126-1 | 1 | |
| 5 | BOLT, M8X20-8.8-B HEX HEAD FULL THREAD ZINC | F81002-4 | 2 | |
| 6 | WASHER 8.4 ZINC FLAT | F81054-1 | 4 | |
| 7 | NUT, M8-8-B HEX NYLON ZINC LOCK | F81032-2 | 2 | |

4

SAW HEAD

Saw Head Protection Kit, LT70M Mobile

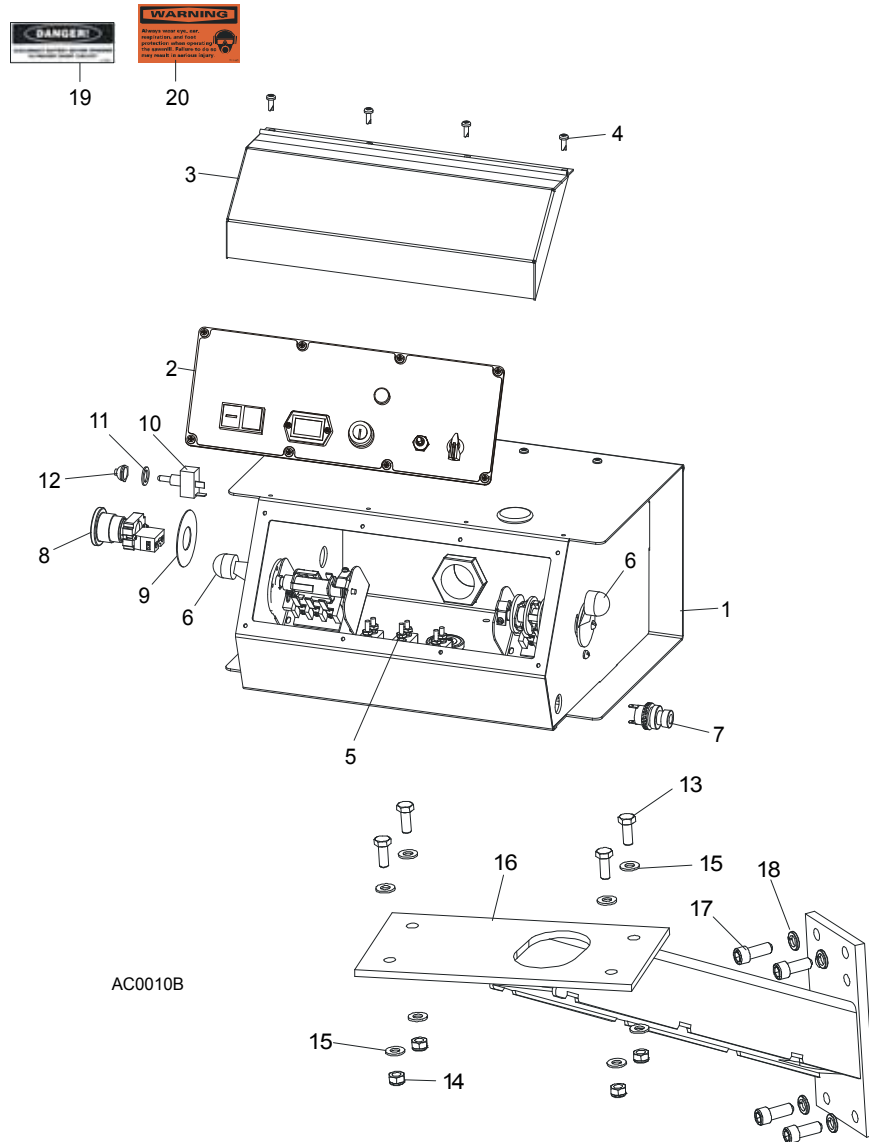
4.8 Saw Head Protection Kit, LT70M Mobile



| REF. | DESCRIPTION (◆ Indicates Parts Available In Assemblies Only) | PART # | QTY |
|------|--|-----------|-----|
| | SAW HEAD PROTECTION KIT, LT70M MOBILE | 505564 | 1 |
| 1 | BRACKET, PROTECTION BELT | 505364-1 | 1 |
| 2 | BELT, LT70 SAW HEAD PROTECTION | 505563 | 1 |
| 3 | BOLT, M10x75-8.8 HEX HEAD ZINC | F81003-15 | 2 |
| 4 | NUT, M10-8-B NYLON HEX ZINC LOCK | F81033-1 | 2 |
| 5 | WASHER, 10.5 FLAT ZINC | F81055-1 | 4 |

SECTION 5 CONTROL BOXES

5.1 Control Assembly, LT70 AH

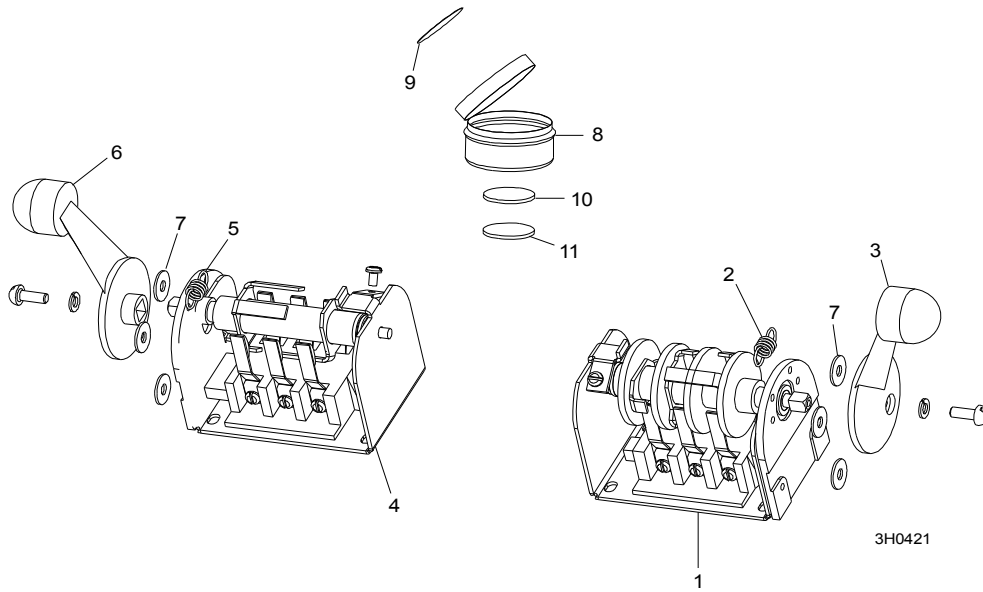


| REF | DESCRIPTION (◆ Indicates Parts Available In Assemblies Only) | PART # | QTY. | |
|-----------|--|-----------|------|---|
| | CONTROL BOX ASSEMBLY, AC SUPER (EA20, EA25) | 093022 | 1 | |
| 1 | HOUSING, AC SUPER CONTROL BOX ASSEMBLY (EA20, EA25) | 086546-1 | 1 | ◆ |
| 2 | Front Control Panel & Wiring Harnesses (Section 5.4) | | | |
| 3 | Cover, Control Box Hinged | 015304 | 1 | |
| 4 | Screw, #10-24 x 1/2" | F05015-17 | 12 | |
| 5 | Circuit Breakers (Section 5.3) | | | |
| 6 | Drum Switches (Section 5.2) | | | |
| 7 | Switch, Horn | E85118 | 1 | |
| 8 | Switch, XB2 BS542 Emergency Stop | 086556 | 1 | |
| 9 | Washer, Emergency Stop Switch | 086561 | 1 | |
| 10 | Switch, Speed Control | 086773 | 1 | |

5**Control Boxes****Control Assembly, LT70 AH**

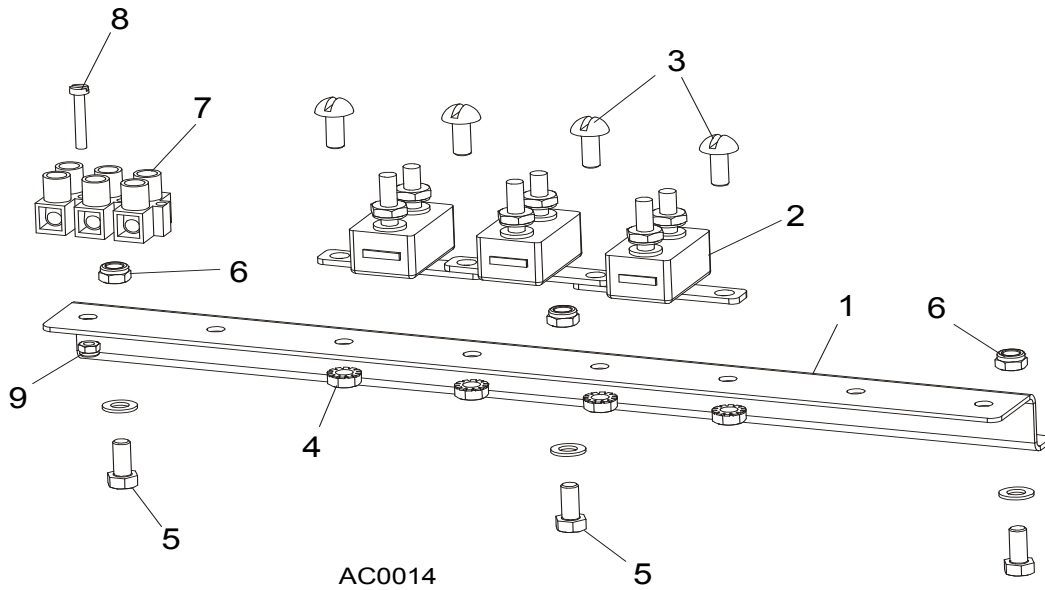
| | | | | |
|----|---|-----------|---|--|
| 11 | Washer, 1/2" x 3/4" x 5/8" Nylon | P05251-1 | 1 | |
| 12 | Boot, Speed Control Switch | P02575 | 1 | |
| 13 | BOLT, M8 X 20-8.8-B HEX HEAD | F81002-4 | 4 | |
| 14 | NUT, M8-8-B HEX | F81032-2 | 4 | |
| 15 | WASHER, 8.4 FLAT | F81054-1 | 8 | |
| 16 | MOUNT WELDMENT, STANDARD CONTROL BOX | 086732-1 | 1 | |
| 17 | BOLT,, 3/8-16 X 1" SOCKET HEAD | F05007-52 | 4 | |
| 18 | WASHER, 10.2 SPLIT LOCK | F81055-2 | 4 | |
| 19 | DECAL, FRONT OUTRIGGER WARNING | 015400-4 | 1 | |
| 20 | DECAL, EAR/EYE PROTECTION WARNING | S11753-4 | 1 | |

5.2 Drum Switches



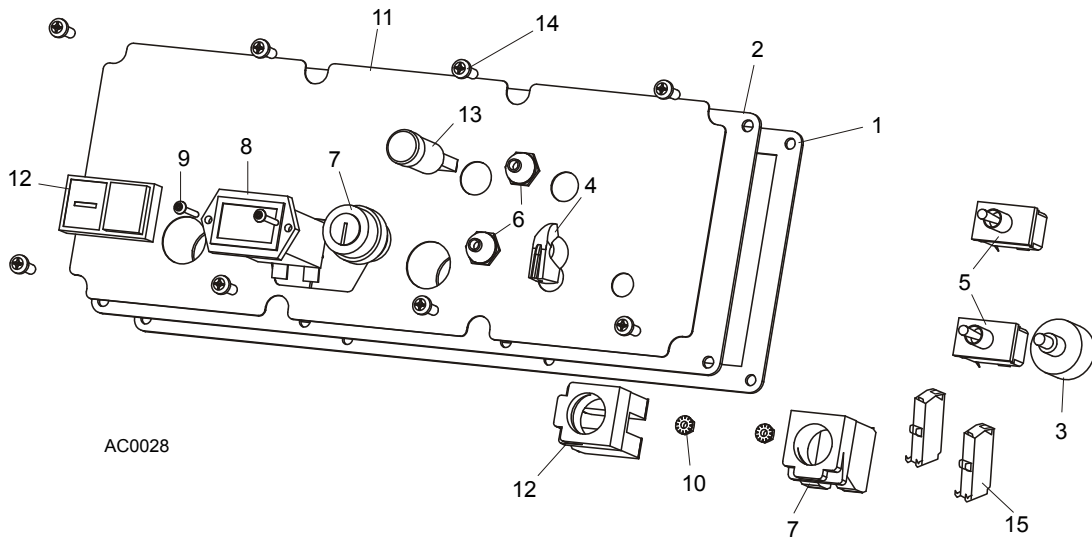
| REF | DESCRIPTION (◆ Indicates Parts Available In Assemblies Only) | PART # | QTY. | |
|-----|--|-----------|--------|---|
| | SWITCH ASSEMBLY, UP/DOWN DRUM | E20440 | 1 | |
| 1 | Switch, S12 Bulk Drum | E20440-B | 1 | ◆ |
| 2 | Spring, Drum Switch | P12570 | 1 | |
| 3 | Handle, Drum Switch Replacement | P12500 | 1 | |
| | SWITCH ASSEMBLY, POWER FEED DRUM | E20438 | 1 | |
| 4 | Switch, S10 Bulk Drum | E20438-B | 1 | ◆ |
| 5 | Spring, Drum Switch | P12570 | 1 | |
| 6 | Handle, Drum Switch Replacement | P12500 | 1 | |
| 7 | WASHER, #8 SAE FLAT | F05011-41 | 6 | |
| | CUP ASSEMBLY, DRUM SWITCH GREASE | A20463 | 1 | |
| 8 | Cup, Plastic Container | P20464 | 1 | ◆ |
| 9 | Decal, Grease Cup Label | P20467 | 1 | |
| 10 | Pad, Velcro Loop | P20466 | 1 | ◆ |
| 11 | Pad, Velcro Hook | P20465 | 1 | ◆ |
| | Grease, High Temp Drum Switch | P20468 | .011ml | ◆ |

5.3 Circuit Breakers



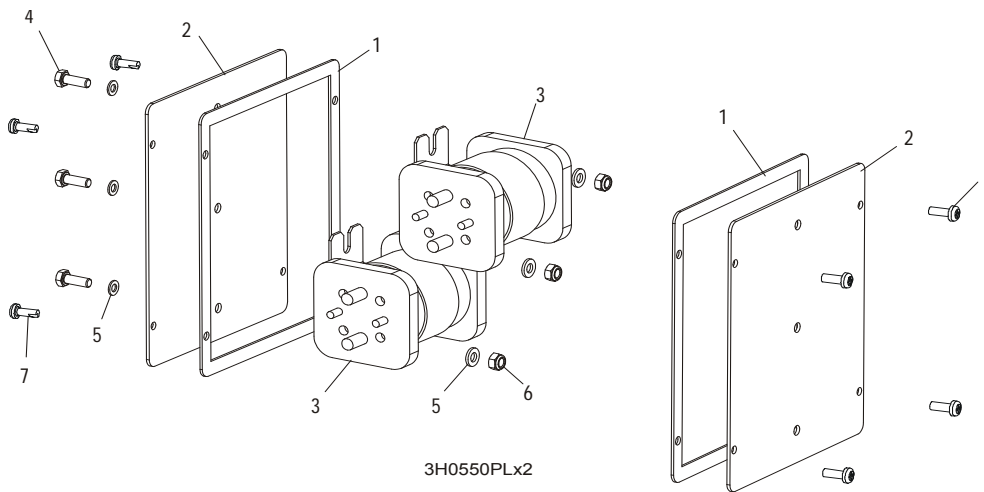
| REF | DESCRIPTION (◆ Indicates Parts Available In Assemblies Only) | PART # | QTY. |
|-----|--|-----------|------|
| | BREAKER ASSEMBLY, SAWMILL CONTROL CIRCUIT | 015621 | 1 |
| 1 | Rail, Circuit Breaker | 015310 | 1 |
| 2 | Breaker, 15 Amp Manual Reset | E20430 | 5 |
| 3 | Screw, #8-32 X 1/2" Slotted Head | F05004-12 | 6 |
| 4 | Nut, #8-32 Hex Self-Locking | F05010-41 | 6 |
| 5 | BREAKER, 70 AMP MANUAL RESET PANEL MOUNT | 015527 | 1 |
| 6 | BREAKER, 50 AMP MANUAL RESET PANEL MOUNT | 021256 | 1 |
| 7 | BOOT, CIRCUIT BREAKER | 021253 | 2 |
| 8 | SCREW, #10-24 X 3/8" PHILLIPS PAN HEAD | F05004-3 | 3 |
| 9 | NUT, #10-24 SELF LOCKING | F05010-14 | 3 |

5.4 Front Panel Assembly & Harnesses



| REF | DESCRIPTION (◆ Indicates Parts Available In Assemblies Only) | PART # | QTY. |
|-----|--|-----------|------|
| | PANEL ASSEMBLY, AC SUPER CONTROL FRONT (EA20, EA25) | 087387 | 1 |
| 1 | Gasket, Front Panel | 088387 | 1 |
| 2 | Panel Weldment, Control | 087316 | 1 |
| 3 | Switch Assembly, Feed Rate | E20519 | 1 |
| 4 | Knob, Feed Rate With Set Screw | P06257 | 1 |
| 5 | Switch, Toggle | 024200 | 2 |
| 6 | Boot, Toggle Switch Rubber | P02575 | 2 |
| 7 | Switch, Key | 087350 | 1 |
| 8 | Meter, Hour | 015401 | 1 |
| 9 | Screw, 6-32 x 3/4" Socket Button Head Cap Stainless Steel | F05004-93 | 2 |
| 10 | Nut, # 6-32 Keps | F05010-59 | 2 |
| 11 | Decal, Control Pane | 087351 | 1 |
| 12 | Switch, START-STOP | 087349 | 1 |
| 13 | Lamp, Control | 087348 | 1 |
| | HARNESS ASSEMBLY, UPPER WIRING | 093167 | 1 |
| 14 | Screw, #10-24 x 1/2" Pan Head | F05015-17 | 8 |

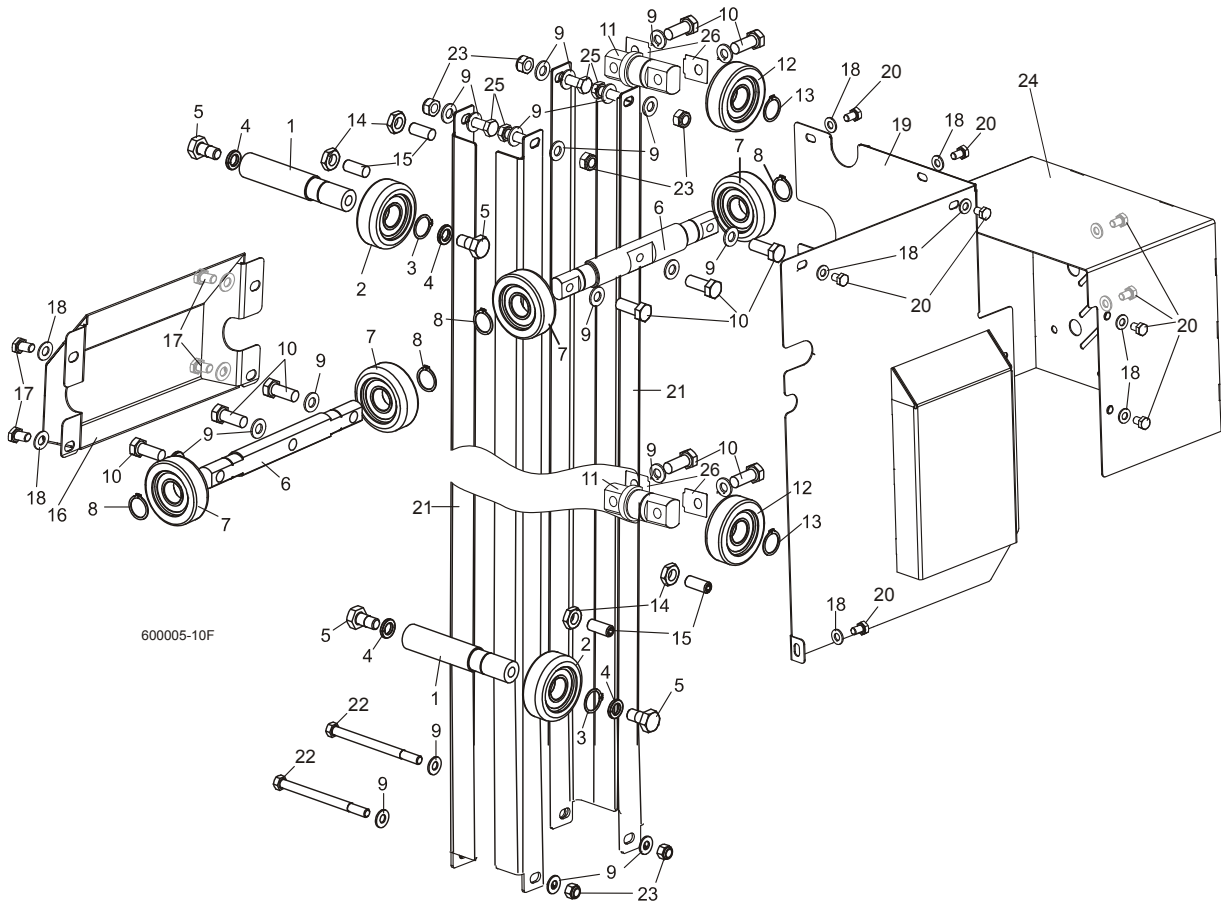
5.5 Solenoids



| REF | DESCRIPTION (◆ Indicates Parts Available In Assemblies Only) | PART # | QTY. |
|-----|--|-----------|------|
| 1 | GASKET, SIDE PANEL | 015274 | 2 |
| 2 | PANEL WELDMENT, SIDE | 015307 | 2 |
| 3 | SOLENOID, 200A 12V SPST HYDRAULIC PUMP | 015470 | 2 |
| 4 | BOLT, M6 X 16 8.8 FE/ZN5 PN-M/82105 | F81001-15 | 3 |
| 5 | WASHER, 6.4 FLAT ZINC | F81053-1 | 6 |
| 6 | NUT, M6-8-B HEX NYLON ZINC LOCK | F81031-2 | 3 |
| | DIODE ASSEMBLY, SOLENOID COIL CHASSIS GND | 087496 | 4 |
| 7 | BOLT, #10-24 X 1/2 PHILLIPS PAN HEAD TYPE 23 | F05015-17 | 8 |

SECTION 6 UP/DOWN SYSTEM

6.1 Up/Down Rollers & Covers



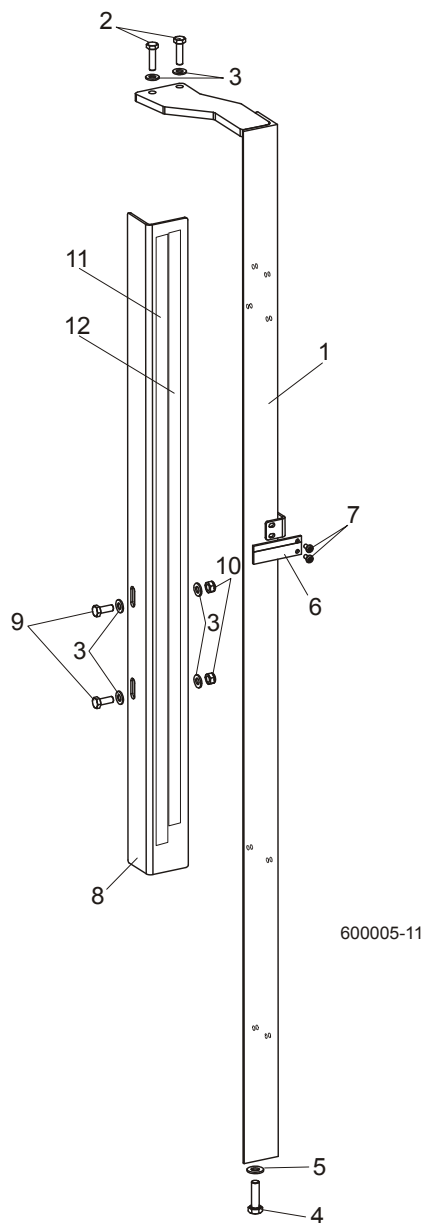
| REF | DESCRIPTION (◆ Indicates Parts Available In Assemblies Only) | PART # | QTY. |
|-----|--|-----------|------|
| | ROLLER ASSEMBLY, INSIDE UP/DOWN | 089456 | 2 |
| 1 | Shaft, Inside Up/Down Roller | 088817-1 | 1 |
| 2 | Bearing, CBK-468 Rolling | 088433 | 1 |
| 3 | Ring, Z30 Spring Retaining | F81090-23 | 1 |
| 4 | Washer, 13 Zinc Flat | F81056-1 | 2 |
| 5 | Bolt, M12x25-8.8 Hex Head Full Thread Zinc | F81004-31 | 2 |
| | ROLLER ASSEMBLY, OUTSIDE UP/DOWN | 089454 | 2 |
| 6 | Shaft, Long Up/Down Roller | 088815-1 | 1 |
| 7 | Bearing, CBK-468 Rolling | 088433 | 2 |
| 8 | Ring, Z30 Spring Retaining | F81090-23 | 2 |
| 9 | Washer, 10.5 Zinc Flat | F81055-1 | 22 |
| 10 | Bolt, M10x35-8.8 Hex Head Full Thread Zinc | F81003-17 | 10 |
| | ROLLER ASSEMBLY, SHORT UP/DOWN | 089455 | 2 |
| 11 | Shaft, Short Up/Down Roller | 088816-1 | 1 |
| 12 | Bearing, CBK-468 Rolling | 088433 | 1 |
| 13 | Ring, Z30 Spring Retaining | F81090-23 | 1 |
| 14 | NUT, M10-04-W HEX ZINC THIN | F81033-6 | 4 |
| 15 | SCREW, GN 913.3-M10-40-MS SET | F81003-65 | 4 |
| 16 | COVER WELDMENT, UP/DOWN ROLLER | 507056-1 | 1 |

6 Up/Down System

Blade Height Scale

| | | | | |
|----|---|-----------|----|--|
| 17 | BOLT, M8X16-8.8-B HEX HEAD FULL THREAD ZINC | F81002-20 | 4 | |
| 18 | WASHER, 8.4 ZINC FLAT | F81054-1 | 13 | |
| 19 | GUARD WELDMENT, RA-08 UP/DOWN GEAR BOX SIDE PTD | 091319-1 | 1 | |
| 20 | BOLT, M8X12-8.8 HEX HEAD FULL THREAD ZINC | F81002-6 | 9 | |
| 21 | ANGLE, MAST TUBE STAINLESS | 088492 | 4 | |
| 22 | BOLT, M10X125-8.8 HEX HEAD ZINC | F81003-18 | 2 | |
| 23 | NUT, M10-8-B HEX NYLON ZINC LOCK | F81033-1 | 6 | |
| 24 | GUARD, UP/DOWN MOTOR PAINTED | 090501-1 | 1 | |
| 25 | BOLT, M10X30-5.8 HEX HEAD FULL THREAD | F81003-2 | 4 | |
| 26 | SPACER, ROLLER ASSEMBLY, SHORT UP/DOWN | 510616 | - | |

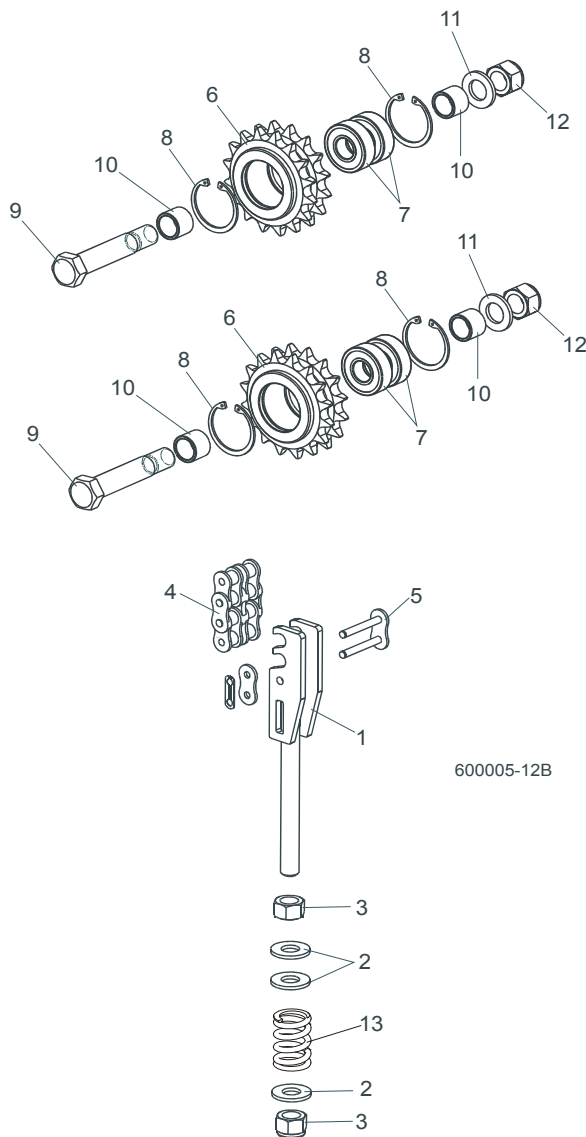
6.2 Blade Height Scale



| REF | DESCRIPTION (◆ Indicates Parts Available In Assemblies Only) | PART # | QTY. | |
|-----|--|----------|------|--|
| 1 | MOUNT WELDMENT, SCALE PAINTED | 088554-1 | 1 | |

| | | | | |
|----|---|-----------|---|--|
| 2 | BOLT, M8 x 30-8.8-B HEX HEAD FULL THREAD ZINC | F81002-7 | 2 | |
| 3 | WASHER, 8.4 ZINC FLAT | F81054-1 | 6 | |
| 4 | BOLT, M10 x 35-8.8 HEX HEAD FULL THREAD ZINC | F81003-17 | 1 | |
| 5 | WASHER, 10.5 ZINC FLAT | F81055-1 | 1 | |
| 6 | INDICATOR, BLADE HEIGHT SCALE | 094821 | 1 | |
| 7 | SCREW, #10-24 X 3/8 PHILLIPS PAN HEAD ZINC | F05004-3 | 2 | |
| 8 | ANGLE, SCALE MOUNT | 088785-1 | 1 | |
| 9 | BOLT, M8 X 20-8.8-B HEX HEAD FULL THREAD ZINC | F81002-4 | 2 | |
| 10 | NUT, M8-8-B HEX NYLON ZINC LOCK | F81032-2 | 2 | |
| 11 | DECAL, METRIC SCALE | S11711 | 1 | |
| 12 | DECAL, 16-40 MM METRIC SCALE | P12040-1 | 1 | |

6.3 Up/Down Chain & Sprockets



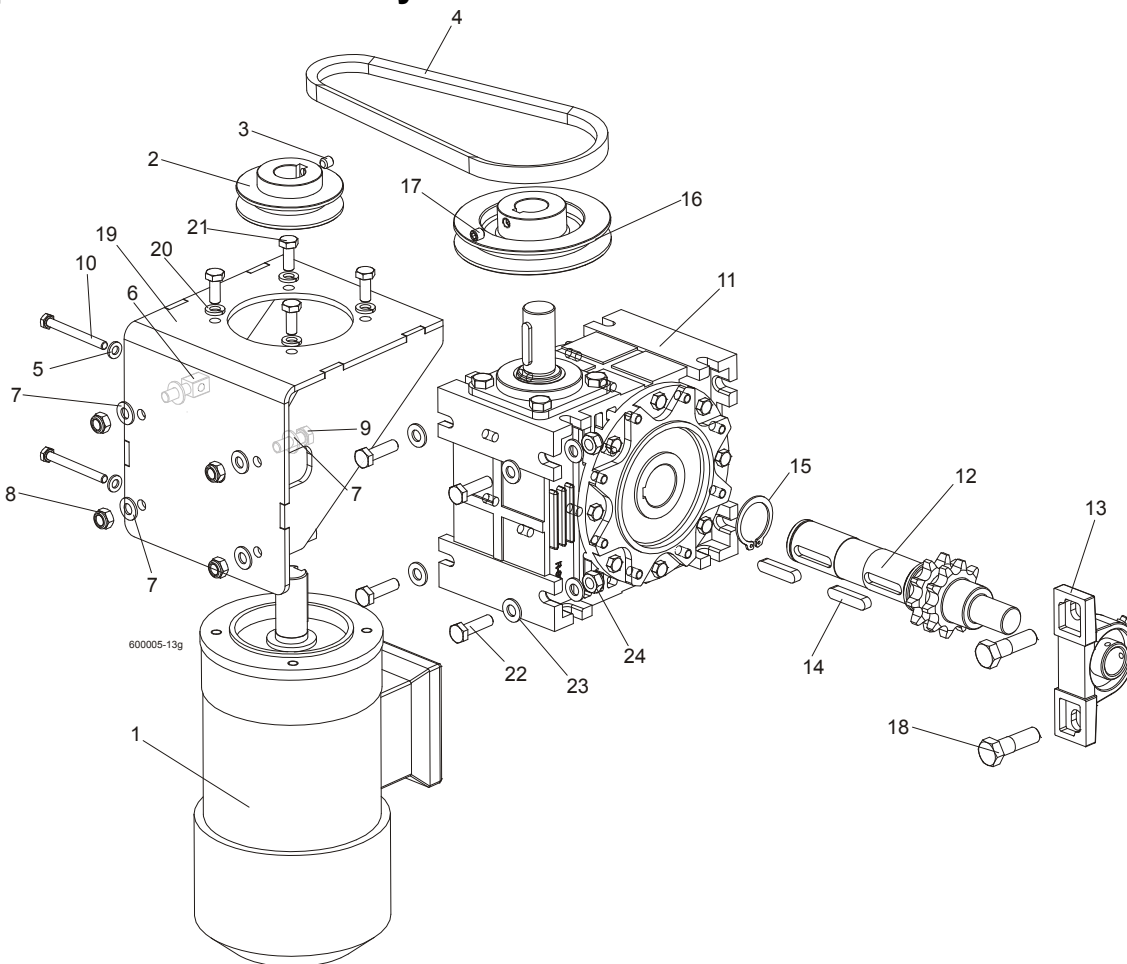
| REF | DESCRIPTION (◆ Indicates Parts Available In Assemblies Only) | PART # | QTY. | |
|-----|--|----------|------|--|
| 1 | TENSIONER WELDMENT, UP/DOWN CHAIN ZINC | 512181-1 | 1 | |
| 2 | WASHER, 13 ZINC FLAT | F81056-1 | 3 | |
| 3 | NUT, M12-8 HEX NYLON ZINC LOCK | F81034-2 | 2 | |

6 Up/Down System

Up/Down Drive Assembly

| | | | | |
|----|--|---------------|----------|--|
| 4 | CHAIN, 12B-2 97-LINK | 512197 | 1 | |
| 5 | LINK, 12B-2Pz MASTER | 099249 | 1 | |
| | SPROCKET ASSEMBLY, UP/DOWN IDLER | 512180 | 2 | |
| 6 | Sprocket, Zinc-plated | 512179-1 | 1 | |
| 7 | Bearing, 6203-2RS FLT Rolling | 086114 | 2 | |
| 8 | Ring, W40 Spring Retaining | F81090-3 | 2 | |
| 9 | Bolt, M16D1F6 x 90-8.8 Hex Fit Short Thread Zinc | F81006-15 | 1 | |
| 10 | Spacer, Idler Zinc | 088792-1 | 2 | |
| 11 | Washer, 17 Zinc Flat | F81058-1 | 1 | |
| 12 | Nut, M16-8 Hex Nylon Zinc Lock | F81036-2 | 1 | |
| 13 | Spring, 14x30x3,2 | 090797 | 1 | |

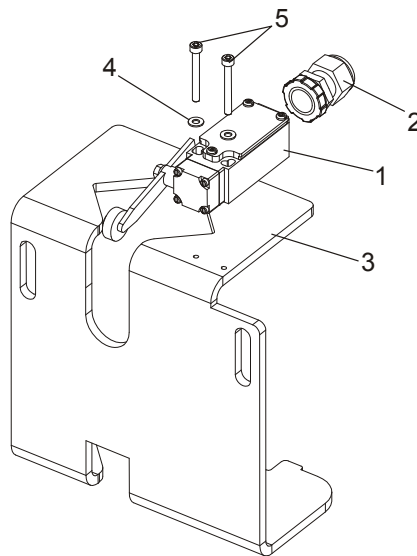
6.4 Up/Down Drive Assembly



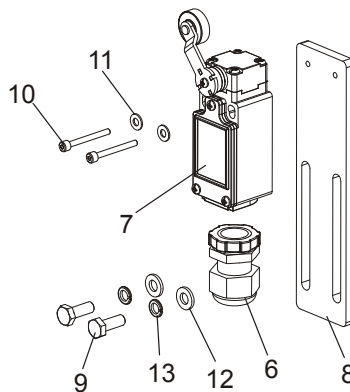
| REF | DESCRIPTION (◆ Indicates Parts Available In Assemblies Only) | PART # | QTY. | |
|-----|--|---------------|----------|--|
| | MOTOR W/MOUNT BRACKET, AC UP/DOWN | 090493 | 1 | |
| 1 | AC Motor, 2 gear STKg90 6/4L2 IMB14/162 | 086530 | 1 | |
| 2 | Pulley, AC Motor Painted | 090497-1 | 1 | |
| 3 | Screw, M8x8-33H Hex Socket Set Flat Point Zinc | F81014-1 | 1 | |
| 4 | V-Belt, HA-670 | 091328 | 1 | |
| 5 | Washer, 6.4 Zinc Flat | F81053-1 | 2 | |

| | | | | |
|----|---|---------------|----------|--|
| 6 | Bolt, Special - Zinc Plated | 088962-1 | 2 | |
| 7 | Washer, 8.4 Zinc Flat | F81054-1 | 8 | |
| 8 | Nut, M8-8-B Hex Nylon Zinc Lock | F81032-2 | 4 | |
| 9 | Bolt, M8X25-8.8-B Hex Head Full Thread Zinc | F81002-5 | 2 | |
| 10 | Bolt, M6x60-8.8 Hex Head Full Thread Zinc | F81001-9 | 2 | |
| | GEAR BOX ASSEMBLY, UP/DOWN DRIVE | 091310 | 1 | |
| 11 | Gear Box, R80/64/WBS/D1,N+S,V5 | 097701 | 1 | |
| 12 | Output Shaft W/Sprocket, Up/Down Drive | 517320-1 | 1 | |
| 13 | Bearing Assembly, UCP205 CX | 088468 | 1 | |
| 14 | KEY, . A10x8x45 PN-91/M-85005 PARALLEL | 091312 | 1 | |
| 15 | Ring, Outside Retaining Z38 | F81090-26 | 1 | |
| 16 | PULLEY, UP/DOWN GEAR PAINTED | 091308-1 | 1 | |
| 17 | SCREW, M8X8-33H HEX SOCKET SET FLAT POINT ZINC | F81014-1 | 1 | |
| 18 | BOLT, M12 X 40-8.8 HEX HEAD ZINC | F81004-1 | 1 | |
| 19 | BRACKET, AC UP/DOWN MOTOR MOUNT PTD | 090494-1 | 1 | |
| 20 | WASHER 8.2 SPLIT LOCK ZINC | F81054-4 | 4 | |
| 21 | BOLT, M8 X 20-8.8-B HEX HEAD FULL THREAD ZINC | F81002-4 | 4 | |
| 22 | BOLT M10x35-8.8 HEX HEAD FULL THREAD ZINC | F81003-17 | 4 | |
| 23 | WASHER 10,5Fe/Zn5, SPECIAL | F81055-4 | 8 | |
| 24 | NUT,M10-8-B NYLON HEX ZINC LOCK | F81033-1 | 4 | |

6.5 Safety Switches



600045B



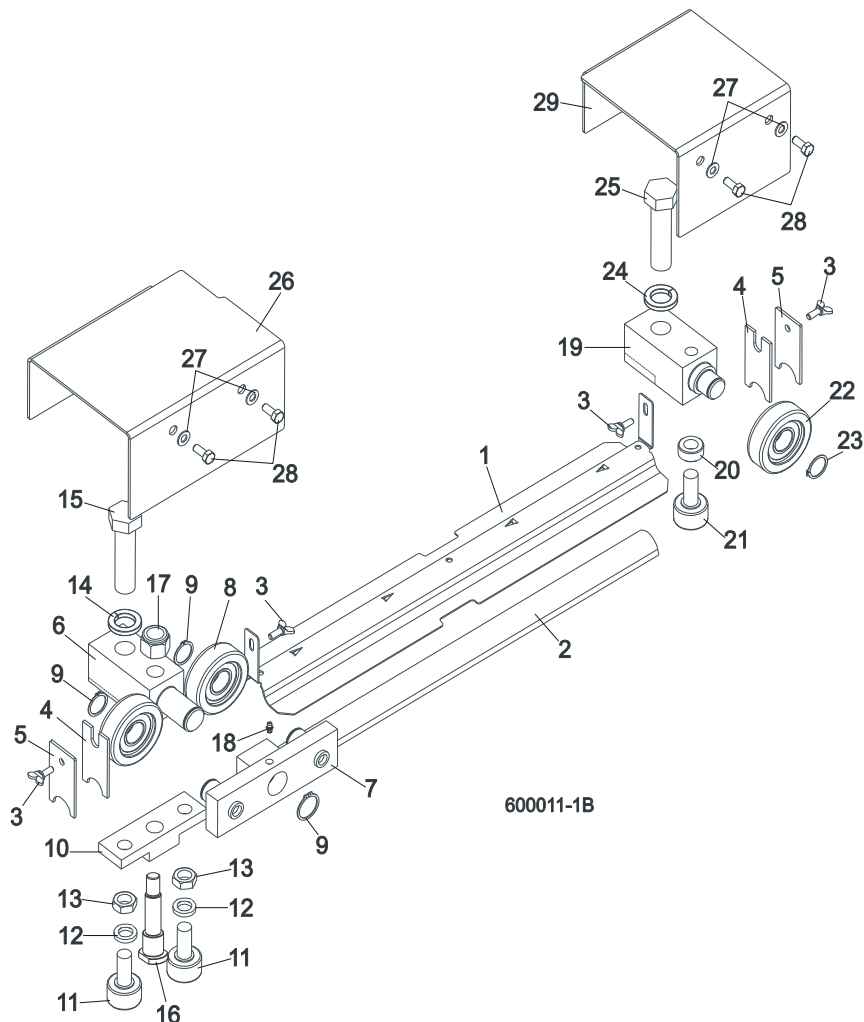
| REF | DESCRIPTION (◆ Indicates Parts Available In Assemblies Only) | PART # | QTY. |
|-----|--|-----------------------|------|
| 1 | SWITCH , GLCB01A2B SAFETY | 086469 | 2 |
| 2 | STUFFING-BOX, SKINTOP PG 13,5 | 086524 | 2 |
| 3 | SUPPORT, POWER CORD BRACKET | 090460-1 ¹ | 1 |
| 4 | WASHER 4,3 FE/ZN5 PN-M/82005 | F81051-2 | 4 |
| 5 | SCREW, M4x35-8.8 HEX SOCKET HEAD CAP ZINC | F81011-34 | 4 |
| | KIT, LT70 SAFETY SWITCH LOWER | 505711 | 1 |
| 6 | STUFFING-BOX, SKINTOP PG 13,5 | 086524 | 1 |
| 7 | LIMIT SWITCH, GLCB01A1B | 100931 | 1 |
| 8 | BAR, SAFETY SWITCH MOUNT | 505125-1 | 1 |
| 9 | BOLT, M6 x 16 8.8 Fe/Zn5 PN-M/82105 | F81001-15 | 2 |
| 10 | BOLT, M3X30 8.8 SOCKET HEAD ZINC | F81011-38 | 2 |
| 11 | WASHER 4,3 FE/ZN5 PN-M/82005 | F81051-2 | 2 |
| 12 | WASHER, M6, FLAT,ZINC | F81053-1 | 2 |

| | | | | |
|----|----------------------------|----------|---|--|
| 13 | WASHER, M6 SPLIT LOCK ZINC | F81053-3 | 2 | |
|----|----------------------------|----------|---|--|

¹ LT70DC version only.

SECTION 7 FEED SYSTEM & TRACK ROLLERS

7.1 Upper Track Rollers And Wipers

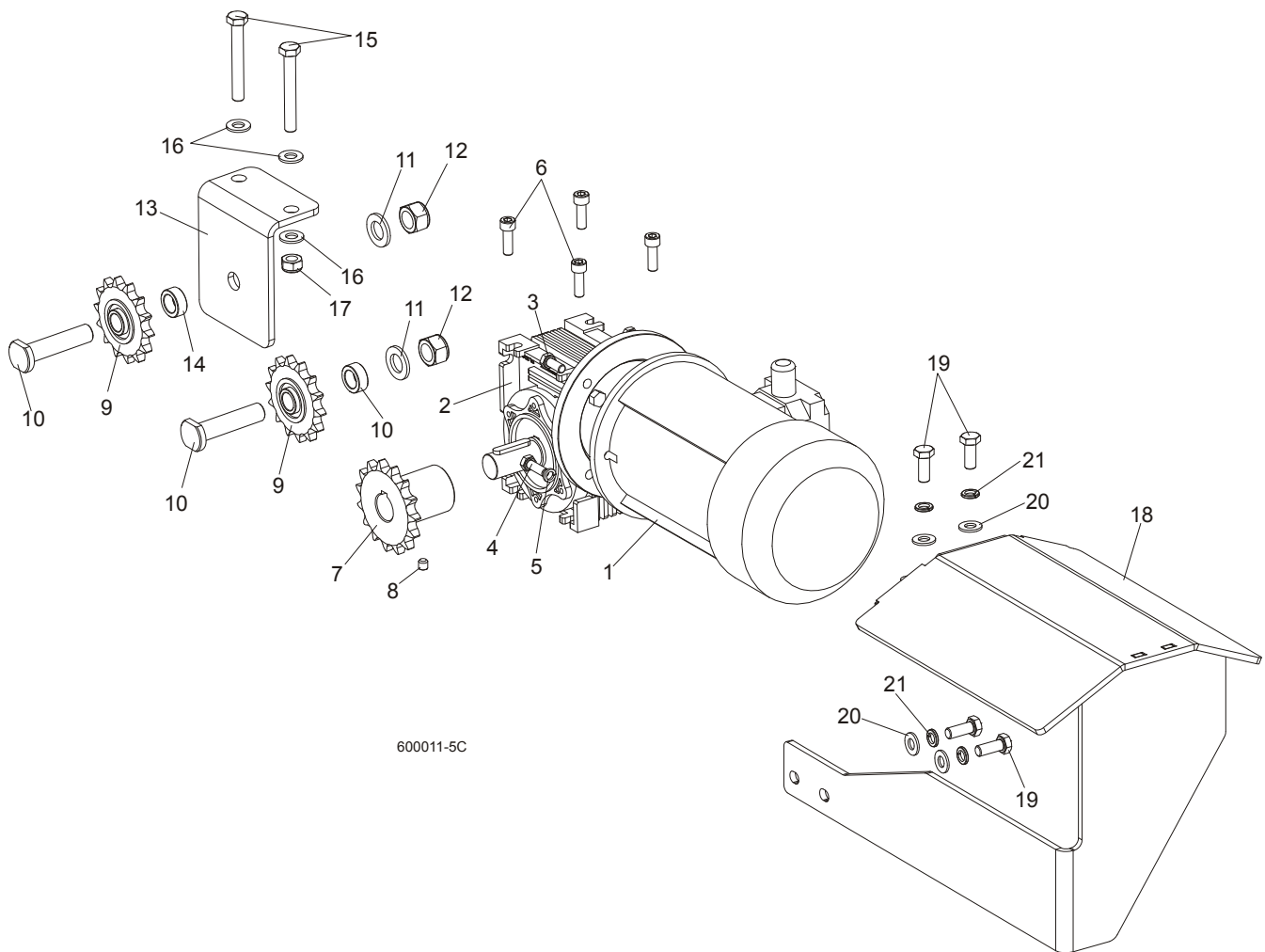


600011-1B

| REF | DESCRIPTION (◆ Indicates Parts Available In Assemblies Only) | PART # | QTY. |
|-----|--|-----------|------|
| 1 | COVER, LT40/70 MIDDLE TRACK - SERVICE | 092868-S | 1 |
| | Cover, LT40/70 Middle Track Ptd | 092868-1 | 1 |
| 2 | Strip, 3/16 X 2 X 23 Felt | S09915 | 1 |
| 3 | SCREW, M6X20 DIN 316 WING | F81001-58 | 4 |
| 4 | WIPER, TOP RAIL | M04113 | 2 |
| 5 | PLATE, TRACK WIPER | 088559-1 | 2 |
| | ROLLER ASSEMBLY, UPPER TANDEM TRACK | 088530 | 1 |
| 6 | Block, Tandem Roller Mount | 088532 | 1 |
| 7 | Block Assembly, Tandem Roller | 088535 | 1 |
| 8 | Bearing, CBK-468 Rolling | 088433 | 2 |
| 9 | Ring, Z30 Spring Retaining | F81090-23 | 2 |
| 10 | Block, Cam Follower Mount | 088520 | 1 |
| 11 | Bearing, Cam Follower (McGill) | 012797 | 2 |
| 12 | Washer, 16.3 Split Zinc Lock | F81058-2 | 2 |
| 13 | Nut, 5/8"-18 Zinc | F05010-11 | 2 |

| | | | | |
|----|--|-----------|---|--|
| 14 | Washer, Z24.5 Split Zinc Lock | F81061-4 | 1 | |
| 15 | Bolt, M24 x 2 x 90-8.8 Hex Head Full Thread Zinc | F81009-2 | 1 | |
| 16 | Pin, Cam Follower Mount | 088531 | 1 | |
| 17 | Nut, M16-8 Hex Nylon Zinc Lock | F81036-2 | 1 | |
| 18 | Fitting, M6 Straight Grease | 086280 | 1 | |
| | ROLLER ASSEMBLY, REAR UPPER TRACK | 088529 | 1 | |
| 19 | Block, Rear Upper Roller Mount | 088528 | 1 | |
| 20 | Spacer, Cam Follower | 088536 | 1 | |
| 21 | Bearing, Cam Follower (McGill) | 012797 | 1 | |
| 22 | Roller, CBK-468 | 088433 | 1 | |
| 23 | Ring, Z30 Spring Retaining | F81090-23 | 1 | |
| 24 | Washer, Z24.5 Split Zinc Lock | F81061-4 | 1 | |
| 25 | Bolt, M24x2x90-8.8 Hex Head Full Thread Zinc | F81009-2 | 1 | |
| 26 | COVER, TANDEM ROLLER | 088526-1 | 1 | |
| 27 | WASHER, 6.4 ZINC FLAT | F81053-1 | 4 | |
| 28 | BOLT, M6X16 8.8 HEX HEAD FULL THREAD ZINC | F81001-15 | 4 | |
| 29 | COVER, REAR UPPER ROLLER | 088527-1 | 1 | |

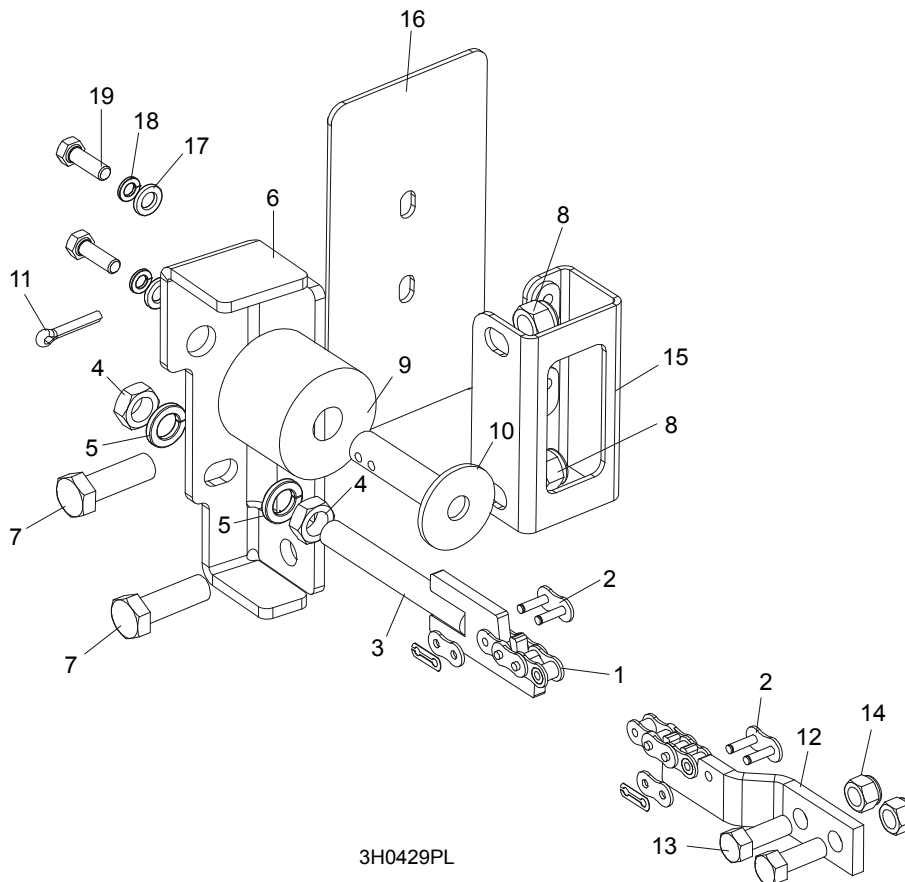
7.2 Power Feed Assembly



| REF | DESCRIPTION (◆ Indicates Parts Available In Assemblies Only) | PART # | QTY. |
|-----|--|-----------|------|
| | MOTOREDUCER MR-50/7.5/1.1-1380/K3/B8 | 100936 | 1 |
| 1 | Electric motor 1,1kW AC | 090104 | 1 |
| 2 | MOTOREDUCER, MR-50/7.5/DO SILN/K3,N+S,B8 | 100935 | 1 |
| 3 | BOLT, M8X20MM, HEX HEAD,GR 5.8 ZINC | F81002-4 | 2 |
| 4 | BOLT,M8X25-8.8-B HEX HEAD FULL THREAD | F81002-5 | 2 |
| 5 | WASHER 8,2 FE/ZN9 | F81054-4 | 2 |
| 6 | SCREW, M8x25 -8.8 HEX SOCKET HEAD CAP | F81002-21 | 4 |
| 7 | SPROCKET, 10B Z15 ZINC | 088541-1 | 1 |
| 8 | SCREW, M8x8-33H HEX SOCKET SET FLAT POINT ZINC | F81014-1 | 2 |
| 9 | SPROCKET, KSR 16.L0.10.10.14.08 W/BEARING | 088867 | 2 |
| 10 | PIN, ZINC SPROCKET MOUNT | 088994-1 | 2 |
| 11 | WASHER, 17 ZINC FLAT | F81058-1 | 2 |
| 12 | NUT, M16-8 HEX NYLON ZINC LOCK | F81036-2 | 2 |
| 13 | BRACKET, POWER FEED SPROCKET MOUNT | 088507-1 | 1 |
| 14 | SPACER, POWER FEED SPROCKET | 088550-1 | 1 |

| | | | | |
|-----------|--|-----------|---|--|
| 15 | BOLT, M10x75-8.8 HEX HEAD ZINC | F81003-15 | 2 | |
| 16 | WASHER, 10.5 ZINC FLAT | F81055-1 | 4 | |
| 17 | NUT, M10-8-B HEX NYLON ZINC LOCK | F81033-1 | 2 | |
| | GUARD, LT70AC POWER FEED MOTOR COMPLETE | 504651 | 1 | |
| 18 | GUARD, LT70AC POWER FEED MOTOR | 504652-1 | 1 | |
| 19 | BOLT, M10-1.5X25MM HH GR8.8 | F81003-11 | 4 | |
| 20 | WASHER, 10.5 ZINC FLAT | F81055-1 | 4 | |
| 21 | WASHER,10.2 SPLIT LOCK ZINC | F81055-2 | 4 | |

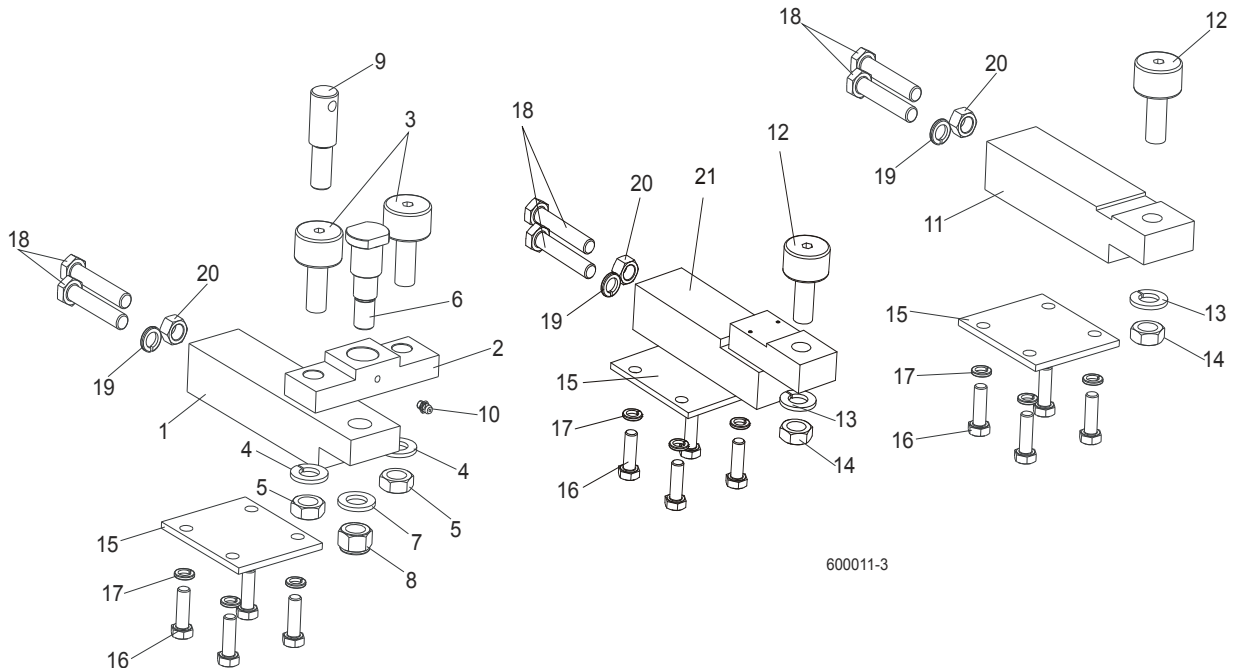
7.3 Feed Chain/Stop, LT70 S/M



3H0429PL

| REF | DESCRIPTION (◆ Indicates Parts Available In Assemblies Only) | PART # | QTY. |
|-----|--|-----------|------|
| 1 | CHAIN, 10B-1-375 (5.95M) LT70S FEED | 090427 | 1 |
| | CHAIN, 10B-1-457 (7.25M) LT70M FEED | 090370 | 1 |
| 2 | LINK, 10B-1Pz MASTER | 088671 | 2 |
| 3 | TENSIONER WELDMENT, POWER FEED CHAIN ZINC-PLATED | 086818-1 | 1 |
| 4 | NUT, M12-5 HEX JAM | F81034-4 | 2 |
| 5 | WASHER, 12.2 SPLIT LOCK | F81056-2 | 2 |
| 6 | BRACKET, FEED CHAIN REAR MOUNT | 087628-1 | 1 |
| 7 | BOLT, M12 X 40 8.8 HEX HEAD GRADE 5 | F81004-4 | 2 |
| 8 | NUT, M12-8 HEX NYLON LOCK | F81034-2 | 2 |
| | STOP KIT, RUBBER CARRIAGE | K09630 | 2 |
| 9 | Stop, Rubber Carriage | P12165 | 1 |
| 10 | Pin, Rubber Carriage Stop | W09293 | 1 |
| 11 | Pin, 3/16" X 1" Cotter | F05012-21 | 1 |
| 12 | BRACKET, FRONT FEED CHAIN MOUNT | 015008 | 1 |
| 13 | BOLT, 3/8-16 X 1" HEX HEAD | F05007-7 | 2 |
| 14 | NUT, 3/8-16 HEX NYLON LOCK | F05010-10 | 2 |
| 15 | BRACKET WELDMENT, REAR MAIN TUBE COVER MOUNT | 087105-1 | 1 |
| 16 | COVER, REAR MAIN TUBE | 015023 | 1 |
| 17 | WASHER, 8.4 FLAT | F81054-1 | 2 |
| 18 | WASHER, 8.2 SPLIT LOCK | F81054-4 | 2 |
| 19 | BOLT, 5/16-18 X 1" HEX HEAD | F05006-1 | 2 |

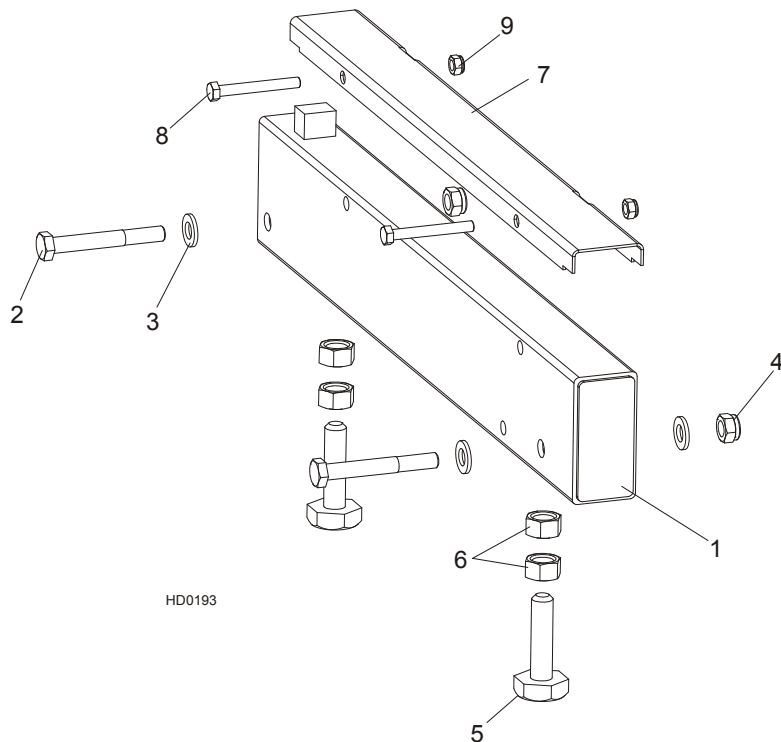
7.4 Lower Track Rollers



| REF | DESCRIPTION (◆ Indicates Parts Available In Assemblies Only) | PART # | QTY. |
|-----|--|-----------|------|
| | BLOCK ASSEMBLY, VERTICAL MAST ALIGNMENT DOUBLE | 088523 | 1 |
| 1 | Block, Vertical Mast Alignment Double | 088517 | 1 |
| 2 | Block, Cam Follower Mount | 088520 | 1 |
| 3 | Bearing, Cam Follower (McGill) | 012797 | 2 |
| 4 | Washer, 16.3 Split Zinc Lock | F81058-2 | 2 |
| 5 | Nut, 5/8"-18 Zinc | F05010-11 | 2 |
| 6 | Pin, Cam Follower Mount | 088521 | 1 |
| 7 | Washer, 17 Zinc Flat | F81058-1 | 1 |
| 8 | Nut, M16-8 Hex Nylon Zinc Lock | F81036-2 | 1 |
| 9 | Pin, Safety Lock | 088519 | 1 |
| 10 | Fitting, M6 Straight Grease | 086280 | 1 |
| | BLOCK ASSEMBLY, VERTICAL MAST ALIGNMENT SINGLE | 088524 | 1 |
| 11 | Block, Vertical Mast Alignment Single | 088518 | 1 |
| 12 | Bearing, Cam Follower (McGill) | 012797 | 1 |
| 13 | Washer, 16.3 Split Zinc Lock | F81058-2 | 1 |
| 14 | Nut, 5/8"-18 Zinc | F05010-11 | 1 |
| 15 | PLATE, LOWER TRACK ROLLER RETAINER | 088516 | 3 |
| 16 | BOLT, M10X30-5.8 HEX HEAD FULL THREAD ZINC | F81003-2 | 12 |
| 17 | WASHER, 10.2 SPLIT ZINC LOCK | F81055-2 | 12 |
| 18 | BOLT, M12X1.25X65-8.8 HEX HEAD FULL THREAD ZINC | F81004-40 | 6 |
| 19 | WASHER, Z12.2 SPLIT ZINC LOCK | F81056-2 | 3 |
| 20 | NUT, M12X1.25-8 ZINC HEX | F81034-8 | 3 |
| 21 | BLOCK WELDMENT, LOWER TRACK ROLLER MOUNT | 091425 | 1 |

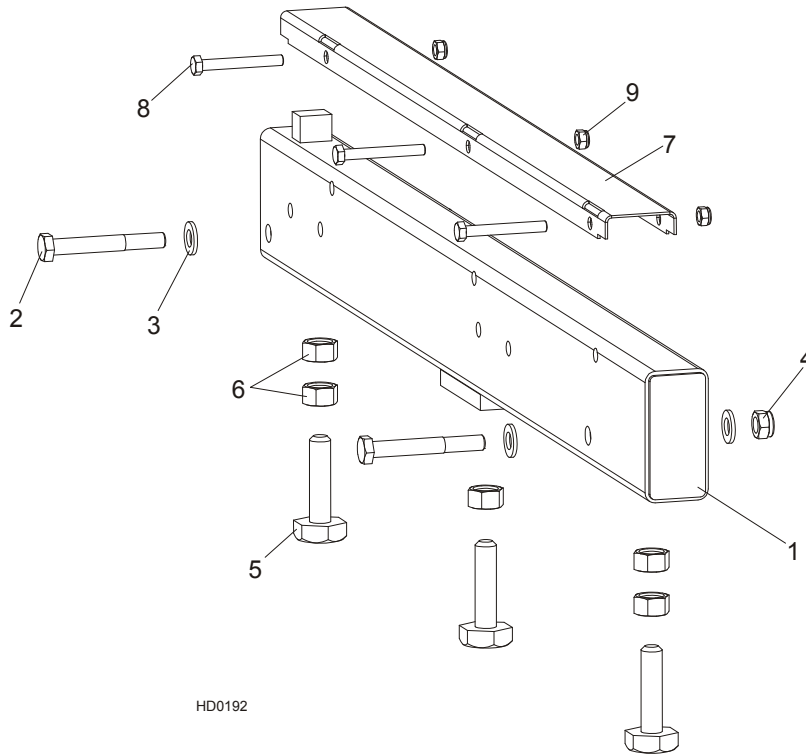
SECTION 8 BED FRAME ASSEMBLY

8.1 Bed Rail Assembly, Front (LT40/70M Super)



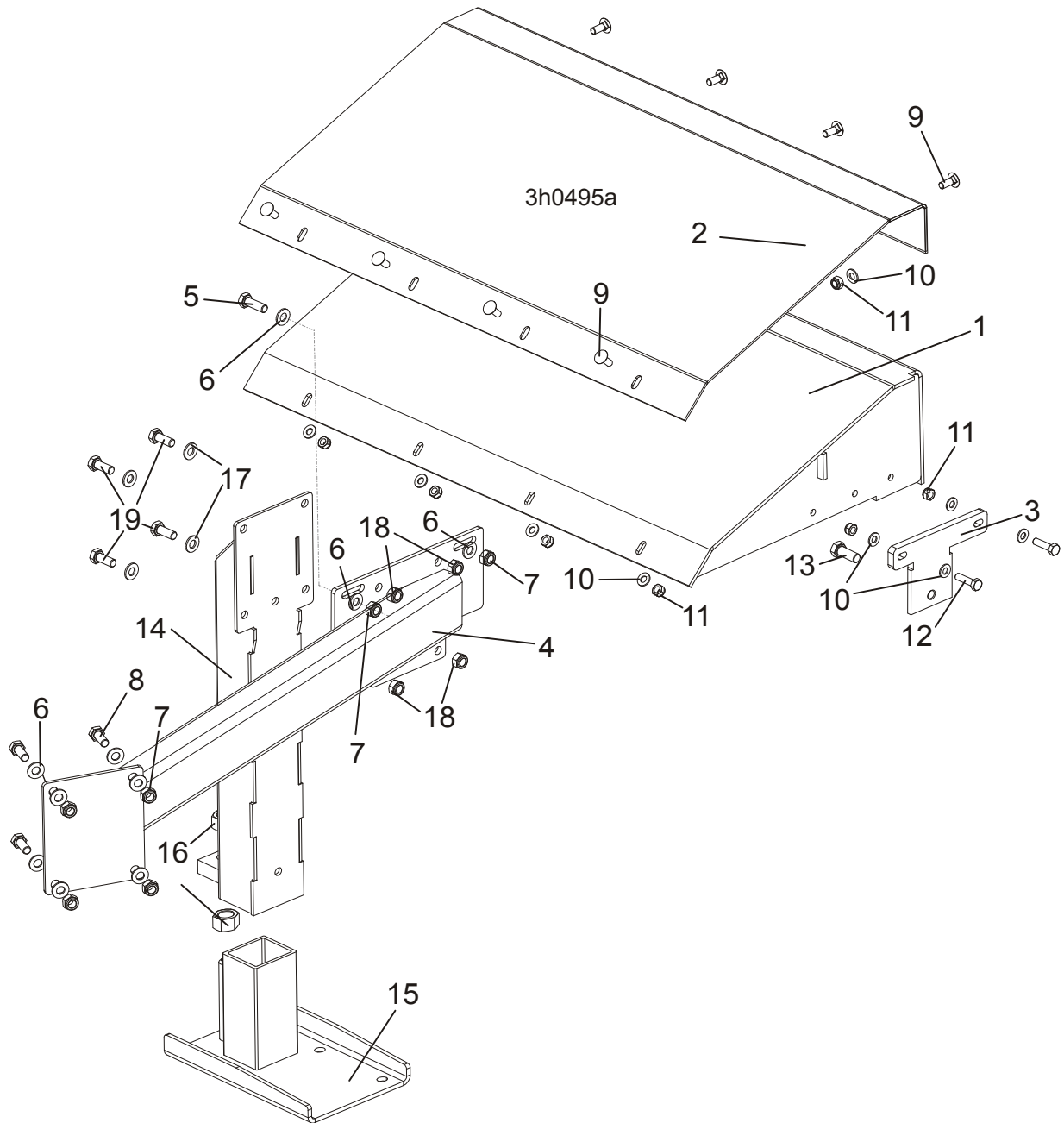
| REF | DESCRIPTION (◆ Indicates Parts Available In Assemblies Only) | PART# | QTY. |
|-----|--|----------|------|
| 1 | BED RAIL ASSEMBLY, FRONT - LT70M SUPER | 095646 | 1 |
| 2 | Bolt, M12 x 90-8.8 Hex Head | F81004-2 | 2 |
| 3 | Washer, 13 SAE Flat | F81056-1 | 4 |
| 4 | Nut, M12-8 Hex Nylon Lock | F81034-2 | 2 |
| 5 | Bolt, M16 Bed Rail Adjustment | 505006 | 2 |
| 6 | Nut, M16-5-B Hex Head Zinc | F81036-5 | 4 |
| 7 | COVER, 22.75 SS LT50 PIVOT | S13012 | 1 |
| 8 | BOLT, M8X65-5.8 ZINC HEX HEAD | F81002-3 | 2 |
| 9 | NUT, M8-8-B HEX NYLON ZINC LOCK | F81032-2 | 2 |

8.2 Bed Rail Assembly, Middle (LT40/70M Super)



| REF | DESCRIPTION (◆ Indicates Parts Available In Assemblies Only) | PART# | QTY. |
|-----|---|----------|------|
| 1 | BED RAIL ASSEMBLY, MIDDLE - LT70M SUPER | 096478 | 1(4) |
| | BED RAIL ASSEMBLY, MIDDLE W/HOLE - LT70M SUPER | 096993 | 1 |
| | BED RAIL ASSEMBLY, MIDDLE (POWER ROLLER) - LT70M SUPER | 095650 | 1 |
| 2 | Bolt, M12 x 90-8.8 Hex Head | F81004-2 | 2 |
| 3 | Washer, 13 SAE Flat | F81056-1 | 4 |
| 4 | Nut, M12-8 Hex Nylon Lock | F81034-2 | 2 |
| 5 | Bolt, M16 Bed Rail Adjustment | 505006 | 3 |
| 6 | Nut, M16-5-B Hex Head Zinc | F81036-5 | 5 |
| 7 | COVER, STAINLESS STEEL BED RAIL | S09944 | 1 |
| 8 | BOLT, M8X65-5.8 ZINC HEX HEAD | F81002-3 | 3 |
| 9 | NUT, M8-8-B HEX NYLON ZINC LOCK | F81032-2 | 3 |

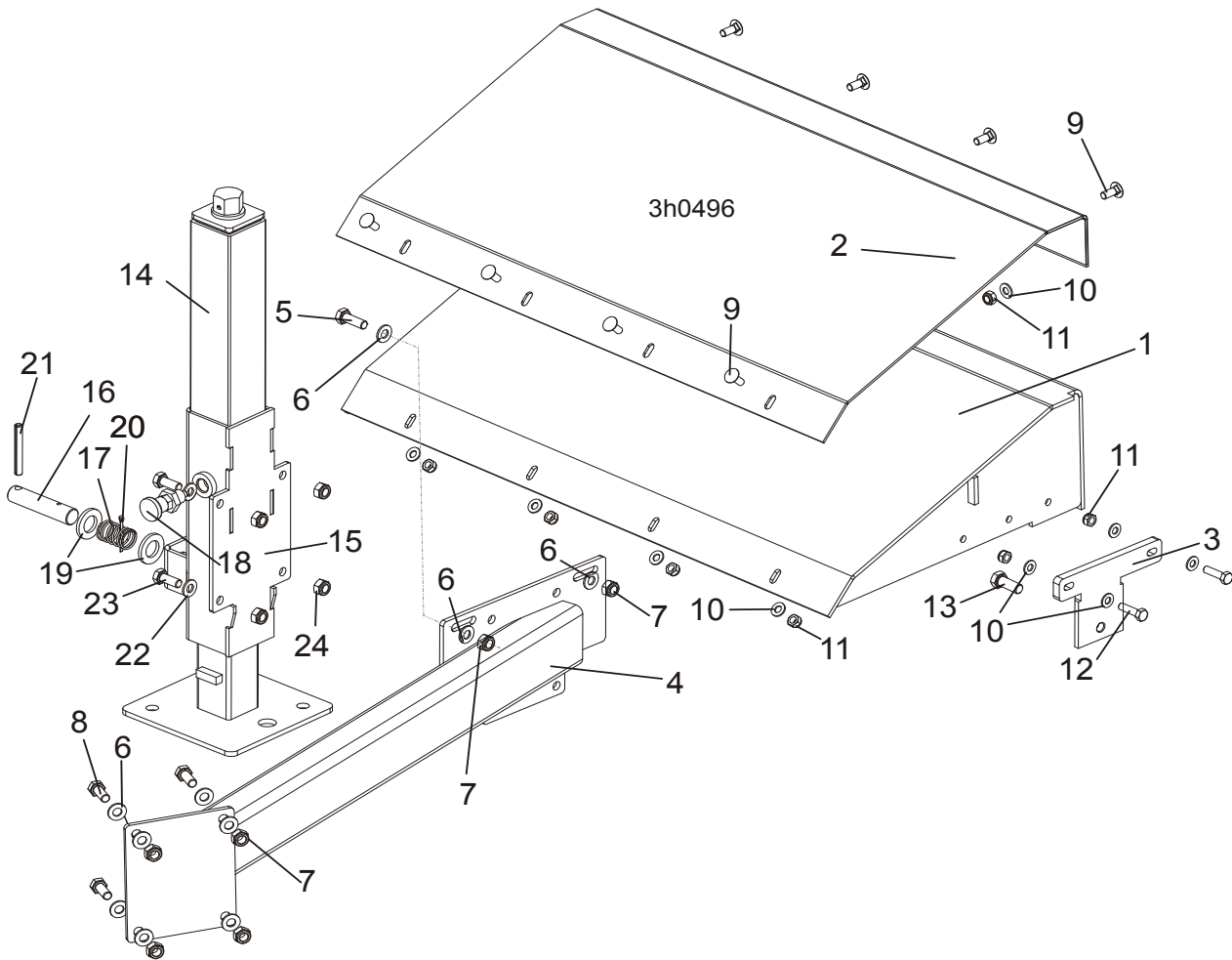
8.3 Board Removal Assembly, "Super" Series Stationary Sawmills w/"M" Frame



| REF. | DESCRIPTION (◆ Indicates Parts Available In Assemblies Only) | PART# | QTY. |
|----------|--|---------------|----------|
| | BOARD REMOVAL ASSEMBLY, LT40" M AH/DH2-7 SUPER | 100662 | 1 |
| | BOARD REMOVAL ASSEMBLY, LT70" M AH/DH2-7 SUPER | 100663 | 1 |
| | BOARD REMOVAL ASSEMBLY See Section 4.3 | 087839-1 | 1 |
| | BOARD REMOVAL ASSEMBLY See Section 4.3 (FOR LT70 SAWMILLS) | 092757 | 1 |
| | TABLE, "M" FRAME SUPER COMPLETE | 100674 | 1 |
| 1 | Table, "M" Frame | 100672-1 | 1 |
| 2 | Plate, Table Top | 099946 | 1 |
| 3 | Plate, "M" Frame Super Leg Mount | 100675-1 | 1 |

BED FRAME ASSEMBLY*Board Removal Assembly, "Super" Series Stationary Sawmills w/"M" Frame***8**

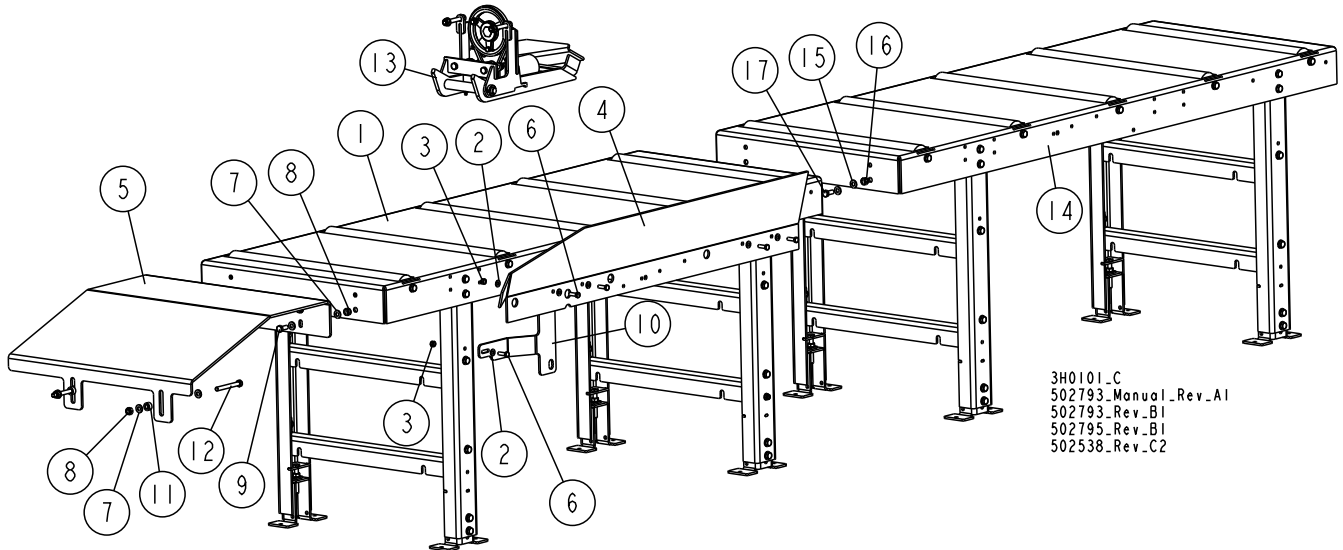
| | | | | |
|-----------|--|---------------|----------|--|
| 4 | Tube Weldment, "M" Frame Super Table Support | 100670-1 | 1 | |
| 5 | Bolt, M10x30-5.8 Hex Head Full Thread Zinc | F81003-2 | 2 | |
| 6 | Washer, 10.5 Flat Zinc | F81055-1 | 12 | |
| 7 | Nut, M10-8-B Hex Nylon Zinc Lock | F81033-1 | 6 | |
| 8 | Bolt, M10x25-8.8 Hex Head Full Thread Zinc | F81003-11 | 4 | |
| 9 | Bolt, M8x20-8.8 Carriage Head Zinc | F81002-11 | 8 | |
| 10 | Washer, 8.4 Flat Zinc | F81054-1 | 13 | |
| 11 | Nut, M8-8-B Hex Nylon Zinc Lock | F81032-2 | 10 | |
| 12 | Bolt, M8x30-5.8 Hex Head Full Thread Zinc | F81002-2 | 2 | |
| 13 | Bolt, M12x30-8.8 Hex Head Full Thread Zinc | F81004-22 | 1 | |
| | LEG, LEFT STATIONARY ADJUSTABLE | 501639 | 1 | |
| 14 | Leg Weldment - Upper Part | 500545-1 | 1 | |
| 15 | Wide Foot - Adjustable Legs | 501084-1 | 1 | |
| 16 | Nut, M20-8 Hex Zinc | F81037-1 | 2 | |
| 17 | Washer, 10.5 Flat Zinc | F81055-1 | 4 | |
| 18 | Nut, M10-8-B Hex Nylon Zinc Lock | F81033-1 | 4 | |
| 19 | Bolt, M10x25-8.8 Hex Head Full Thread Zinc | F81003-11 | 4 | |

8.4 Board Removal Assembly, Portable "Super" Series Sawmills w/"M" Frame

| REF. | DESCRIPTION (◆ Indicates Parts Available In Assemblies Only) | PART# | QTY. |
|------|--|---------------|----------|
| | BOARD REMOVAL ASSEMBLY, LT40MAH/DHS2-7SUPER PORTABLE | 506532 | 1 |
| | BOARD REMOVAL ASSEMBLY, LT70MAH/DHS2-7SUPER PORTABLE | 506533 | 1 |
| | BOARD REMOVAL ASSEMBLY See Section 4.3 | 087839-1 | 1 |
| | BOARD REMOVAL ASSEMBLY See Section 4.3 (FOR LT70 SAWMILLS) | 092757 | 1 |
| | TABLE ASSEMBLY, "M" FRAME SUPER PORTABLE | 506534 | 1 |
| 1 | Table, "M" Frame | 100672-1 | 1 |
| 2 | Plate, Table Top | 099946 | 1 |
| 3 | Plate, "M" Frame SUPER Leg Mount | 100675-1 | 1 |
| 4 | Tube Weldment, "M" Frame Super Table Support | 100670-1 | 1 |
| 5 | Bolt, M10x30-5.8 Hex Head Full Thread Zinc | F81003-2 | 2 |
| 6 | Washer, 10.5 Flat Zinc | F81055-1 | 12 |
| 7 | Nut, M10-8-B Hex Nylon Zinc Lock | F81033-1 | 6 |
| 8 | Bolt, M10x25-8.8 Hex Head Full Thread Zinc | F81003-11 | 4 |
| 9 | Bolt, M8x20-8.8 Carriage Head Zinc | F81002-11 | 8 |
| 10 | Washer, 8.4 Flat Zinc | F81054-1 | 13 |
| 11 | Nut, M8-8-B Hex Nylon Zinc Lock | F81032-2 | 10 |
| 12 | Bolt, M8x30-5.8 Hex Head Full Thread Zinc | F81002-2 | 2 |

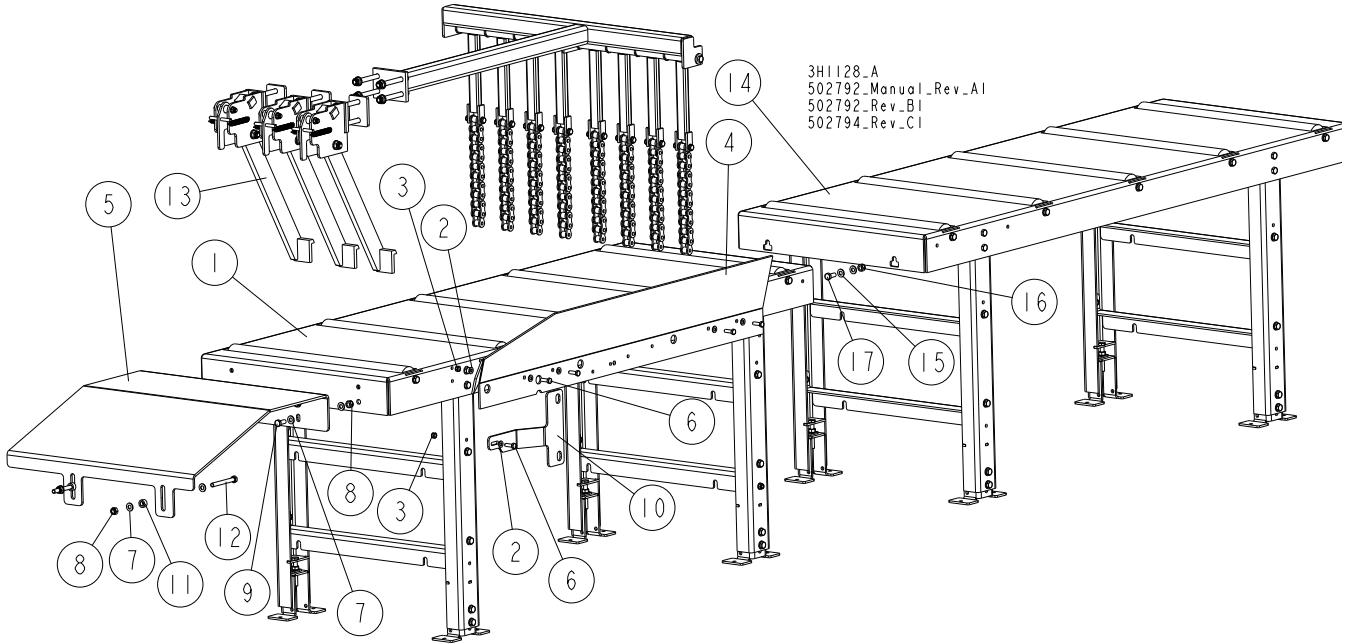
BED FRAME ASSEMBLY*Board Removal Assembly, Portable "Super" Series Sawmills w/"M" Frame***8**

| | | | | |
|-----------|--|---------------|----------|--|
| 13 | Bolt, M12x30-8.8 Hex Head Full Thread Zinc | F81004-22 | 1 | |
| | LEG, COMPLETE SIDE FAO | 094583 | 1 | |
| 14 | BASE WELDMENT, FINE ADJUST OUTRIGGER LEG | 093589 | 1 | |
| 15 | GUIDE WELDMENT, SIDE FAO LEG | 504243-1 | 1 | |
| 16 | PIN, OUTRIGGER ZINC-PLATED | 087012-1 | 1 | |
| 17 | SPRING, 21 DIA.x38x2 ZINC-PLATED | 087040 | 1 | |
| 18 | PIN, DETENT | 090197 | 1 | |
| 19 | WASHER, 21 FLAT ZINC | F81059-2 | 2 | |
| 20 | PIN, S-Zn 4x25 COTTER | F81043-2 | 1 | |
| 21 | PIN, 8x65 ROLL ZINC | F81046-1 | 1 | |
| 22 | WASHER, 10.5 FLAT ZINC | F81055-1 | 4 | |
| 23 | BOLT, M10x25-8.8 HEX HEAD FULL THREAD ZINC | F81003-11 | 4 | |
| 24 | NUT, M10-8-B HEX NYLON ZINC LOCK | F81033-1 | 4 | |

8.5 Board Return Assembly - (LT40M Super Option)

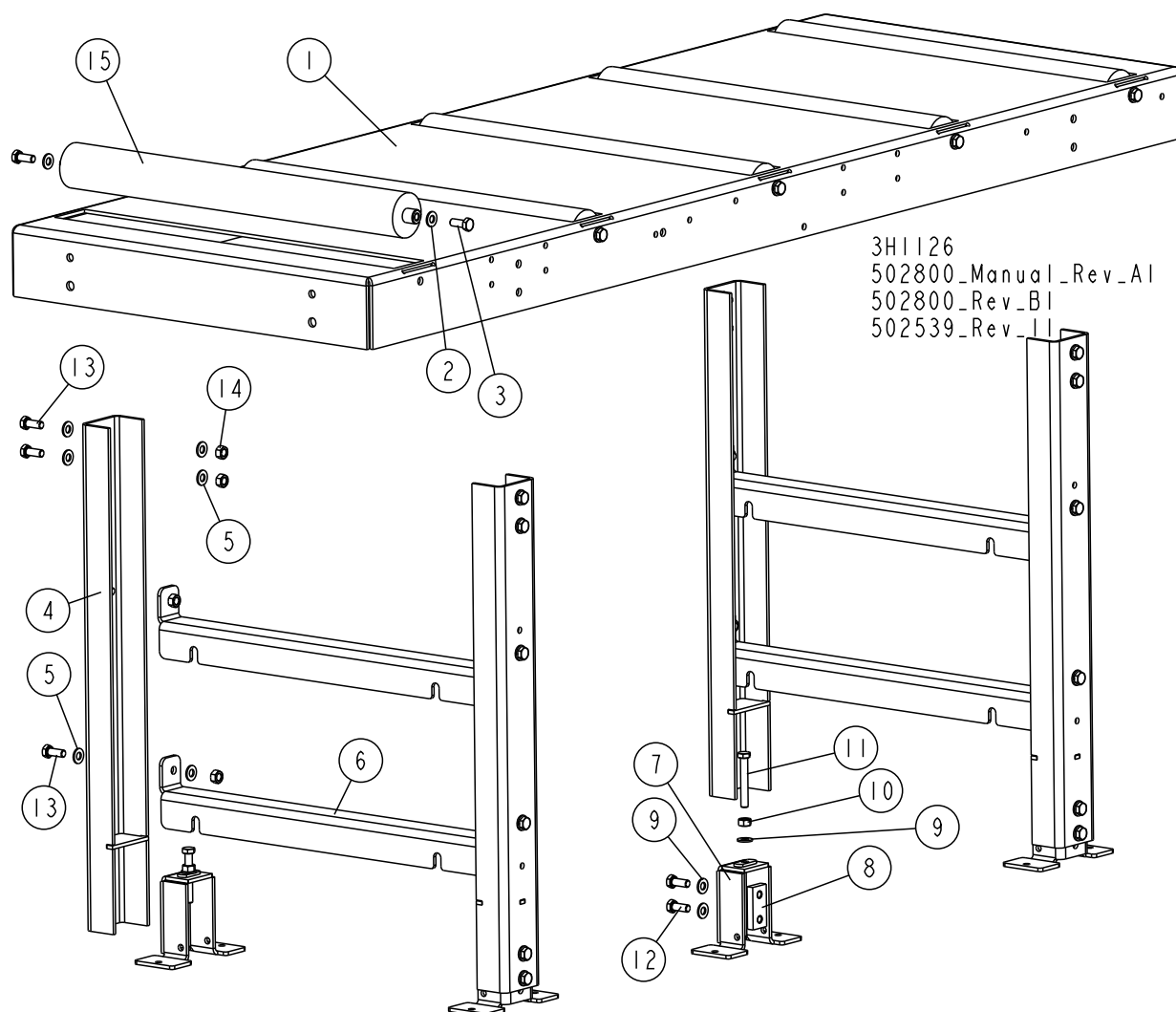
| REF | DESCRIPTION (◆ Indicates Parts Available In Assemblies Only) | PART # | QTY. |
|-----|--|---------------|----------|
| | TABLE, LT40M SUPER DOUBLE | 502793 | 1 |
| | TABLE, LT40M SUPER LONG | 502795 | 1 |
| | TABLE, M FRAME MODULE REAR | 502538 | 1 |
| 1 | TABLE, M FRAME MODULE REAR See Section 8.7 | 502539 | 1 |
| 2 | WASHER, 8.4 FLAT ZINC | F81054-1 | 13 |
| 3 | NUT, M8-8-B HEX NYLON ZINC LOCK | F81032-2 | 8 |
| 4 | BRACKET, BOARD RETURN TABLE | 501978-1 | 1 |
| 5 | PLATE, FRONT, BOARD RETURN TABLE | 502811-1 | 1 |
| 6 | BOLT, M8X25-8.8-B HEX HEAD FULL THREAD | F81002-5 | 5 |
| 7 | WASHER, 10.5 FLAT ZINC | F81055-1 | 12 |
| 8 | NUT, M10-8-B NYLON HEX ZINC LOCK | F81033-1 | 6 |
| 9 | BOLT, M10x25-8.8-Fe/Zn5 PN-M/82101 | F81003-11 | 4 |
| 10 | CONNECTOR M-SUPER FRAME- TABLE | 511685-1 | 1 |
| 11 | BUSHING, ZINC-PLATED SPACER | 090936-1 | 2 |
| 12 | BOLT, M10X90-8.8-B HEX HEAD ZINC | F81003-66 | 2 |
| 13 | BOARD RETURN ASSEMBLY See Section 4.3 | 087839-1 | 1 |
| 14 | WASHER, 10.5 FLAT ZINC | F81055-1 | 4 |
| 15 | NUT, M10-8-B NYLON HEX ZINC LOCK | F81033-1 | 2 |
| 16 | BOLT, M10x25-8.8-Fe/Zn5 PN-M/82101 | F81003-11 | 2 |

8.6 Board Return Assembly - (LT70M Super Option)



| REF | DESCRIPTION (◆ Indicates Parts Available In Assemblies Only) | PART # | QTY. |
|-----|--|---------------|----------|
| | TABLE, LT70M SUPER DOUBLE | 502792 | 1 |
| | TABLE, LT40M SUPER LONG | 502794 | 1 |
| | TABLE, M FRAME MODULE REAR | 502538 | 1 |
| 1 | TABLE, M FRAME MODULE REAR See Section 8.7 | 502539 | 1 |
| 2 | WASHER, 8.4 FLAT ZINC | F81054-1 | 13 |
| 3 | NUT, M8-8-B HEX NYLON ZINC LOCK | F81032-2 | 8 |
| 4 | BRACKET, BOARD RETURN TABLE | 501978-1 | 1 |
| 5 | PLATE, FRONT, BOARD RETURN TABLE | 502811-1 | 1 |
| 6 | BOLT, M8X25-8.8-B HEX HEAD FULL THREAD | F81002-5 | 5 |
| 7 | WASHER, 10.5 FLAT ZINC | F81055-1 | 12 |
| 8 | NUT, M10-8-B NYLON HEX ZINC LOCK | F81033-1 | 6 |
| 9 | BOLT, M10x25-8.8-Fe/Zn5 PN-M/82101 | F81003-11 | 4 |
| 10 | CONNECTOR M-SUPER FRAME- TABLE | 511685-1 | 1 |
| 11 | BUSHING, ZINC-PLATED SPACER | 090936-1 | 2 |
| 12 | BOLT, M10X90-8.8-B HEX HEAD ZINC | F81003-66 | 2 |
| 13 | BOARD RETURN ASSEMBLY See Section 4.5 | 092757 | 1 |
| 14 | TABLE, M FRAME MODULE REAR | 502539 | 1 |
| 15 | WASHER, 10.5 FLAT ZINC | F81055-1 | 4 |
| 16 | NUT, M10-8-B NYLON HEX ZINC LOCK | F81033-1 | 2 |
| 17 | BOLT, M10x25-8.8-Fe/Zn5 PN-M/82101 | F81003-11 | 2 |

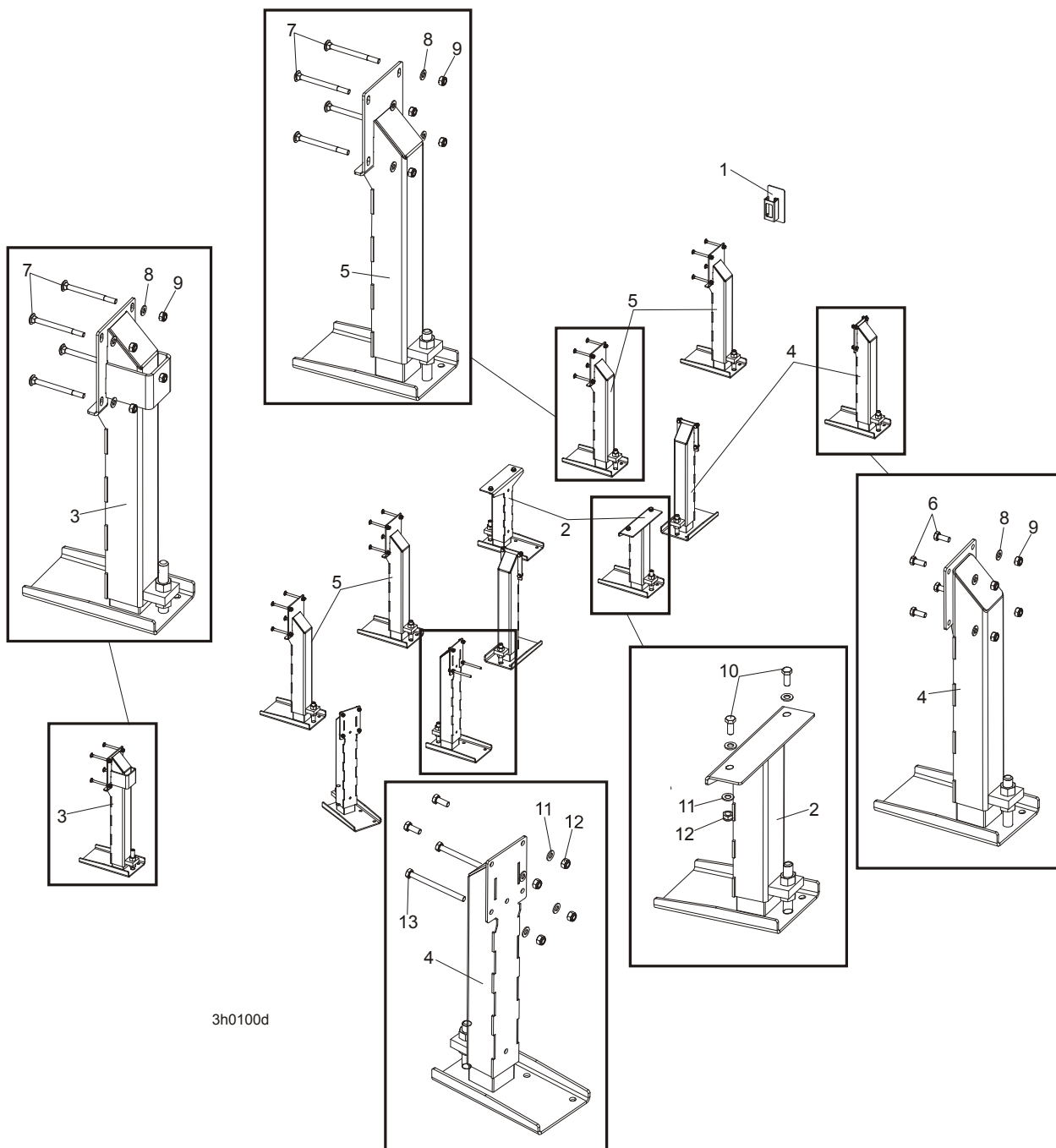
8.7 Long Table



| L.P. | OPIS (♦ wskazuje części dostępne jedynie w zespołach) | NUMER KAT. | SZT. |
|------|---|---------------|----------|
| | LONG TABLE, "M" FRAME | 502539 | 1 |
| 1 | TABLE WLDMT, BOARD RETURN | 512488-1 | 1 |
| 2 | Washer, 10.5 Flat | F81055-1 | 10 |
| 3 | BOLT, M10-1.5X25MM HH GR8.8 | F81003-11 | 10 |
| | LEG, TABLE COMPLETE | 501974 | 2 |
| 4 | LEG, TABLE | 501976 | 2 |
| 5 | Washer, 10.5 Flat | F81055-1 | 15 |
| 6 | CROSS-BAR, TABLE | 500074-1 | 2 |
| | COMPLETE, ADJUSTABLE LEG FOOT | 101014 | 2 |
| 7 | FOOT, LEG ADJUSTABLE | 101022-1 | 1 |
| 8 | PLATE, M10 CLAMPING ZINC-PLATED | 101242-1 | 1 |
| 9 | Washer, 10.5 Flat | F81055-1 | 3 |
| 10 | NUT, M10-8-B-HEX ZINC | F81033-3 | 1 |
| 11 | BOLT, M10x70-8.8-HEX HEAD FULL THREAD ZINC | F81003-20 | 1 |

| L.P. | OPIS (◆ wskazuje części dostępne jedynie w zespołach) | NUMER KAT. | SZT. | |
|------|---|------------|------|--|
| 12 | BOLT, M10x25-8.8-HEX HEAD FULL THREAD ZINC | F81003-11 | 2 | |
| 13 | BOLT, M10x25-8.8-HEX HEAD FULL THREAD ZINC | F81003-11 | 8 | |
| 14 | NUT, M10-8-B-HEX ZINC | F81033-3 | 8 | |
| 15 | ROLLER 63.5/20X590 | 501090-1 | 5 | |

8.8 Stationary Leg Kit, M Super Frame

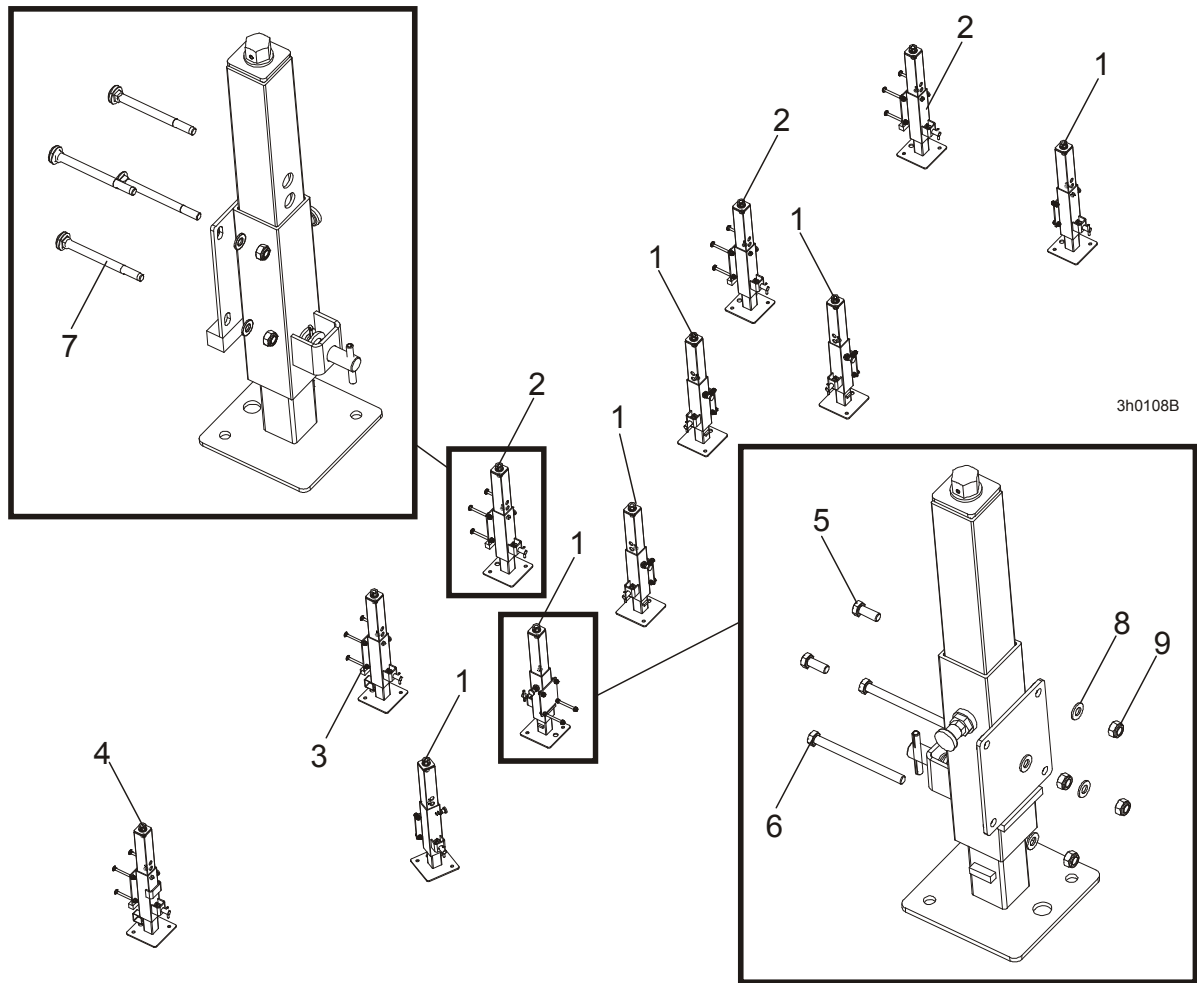


3h0100d

| REF | DESCRIPTION (◆ Indicates Parts Available In Assemblies Only) | PART # | QTY. |
|-----|--|---------------|----------|
| | STATIONARY LEG KIT, M SUPER FRAME | 097299 | 1 |
| 1 | COVER ASSEMBLY, MAIN TUBE | 093052 | 1 |
| 2 | LEG, OUTRIGGER STATIONARY MIDDLE | 501637 | 2 |
| 3 | LEG, OUTRIGGER STATIONARY W/BOARD RETURN TABLE BRACKET | 501638 | 1 |
| 4 | LEG, OUTRIGGER STATIONARY LEFT | 501639 | 5 |
| 5 | LEG, OUTRIGGER STATIONARY RIGHT | 501640 | 4 |
| 6 | Bolt, M10-1.5x25mm HH Gr8.8 | F81003-11 | 20 |

| | | | | |
|----|--|-----------|----|--|
| 7 | BOLT, M10X120 8.8 FE/ZN5 | F81003-33 | 20 | |
| 8 | WASHER, 10.5 FLAT ZINC | F81055-1 | 40 | |
| 9 | NUT, M10-8-B HEX NYLON ZINC LOCK | F81033-1 | 40 | |
| 10 | BOLT, M12X30-8.8 HEX HEAD FULL THREAD ZINC | F81004-22 | 4 | |
| 11 | WASHER, 13 FLAT ZINC | F81056-1 | 8 | |
| 12 | NUT, M12-8 HEX NYLON ZINC LOCK | F81034-2 | 4 | |
| 13 | BOLT, M10x125-8.8 HEX HEAD ZINC | F81003-18 | 2 | |

8.9 Outrigger Leg Kit, M Super Frame



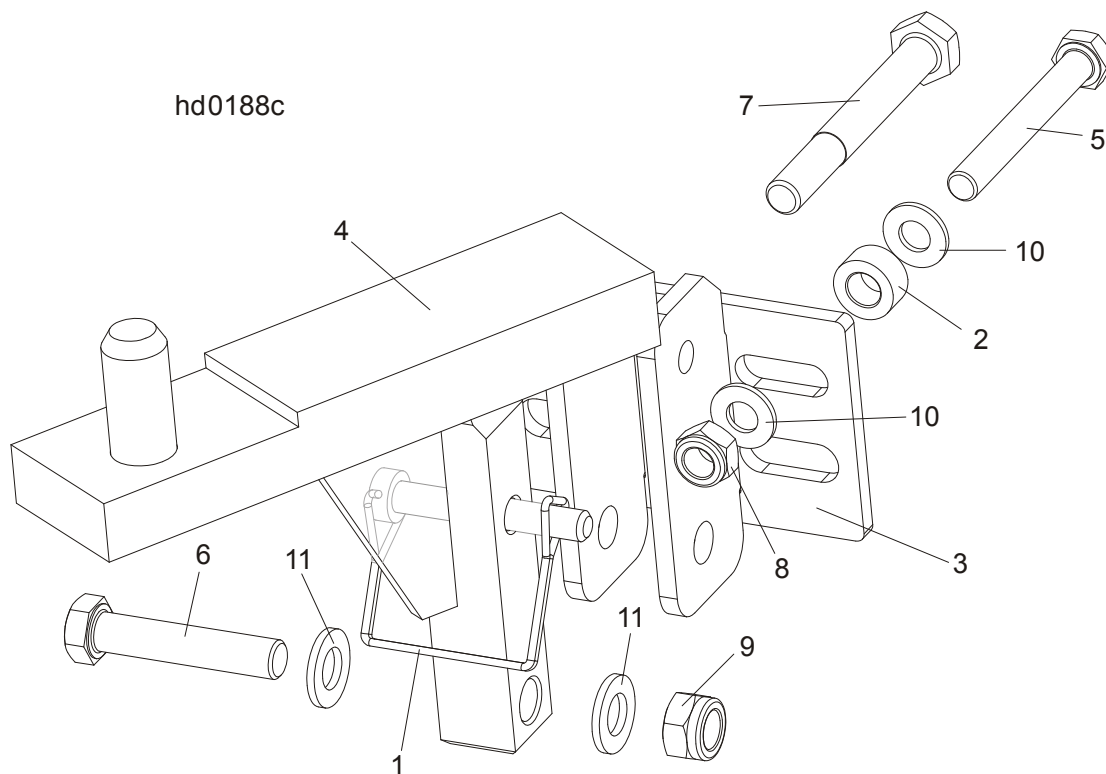
| REF | DESCRIPTION (◆ Indicates Parts Available In Assemblies Only) | PART# | QTY. | |
|-----|--|-----------|------|--|
| | OUTRIGGER LEG KIT, M SUPER FRAME | 095707 | 1 | |
| 1 | FINE ADJUST OUTRIGGER ASSEMBLY, SIDE | 094583 | 6 | |
| 2 | FINE ADJUST OUTRIGGER ASSEMBLY, MIDDLE AND REAR | 094584 | 3 | |
| 3 | FINE ADJUST OUTRIGGER ASSEMBLY, S & M FRAME | 094586 | 1 | |
| 4 | FINE ADJUST OUTRIGGER ASSEMBLY, FRONT | 094587 | 1 | |
| 5 | BOLT, M10-1.5X25MM HH GR8.8 | F81003-11 | 18 | |
| 6 | BOLT, M10x125-8.8 HEX HEAD ZINC | F81003-18 | 2 | |
| 7 | BOLT, M10X120 8.8 FE/ZN5 | F81003-33 | 16 | |
| 8 | WASHER, 10.5 FLAT ZINC | F81055-1 | 36 | |

8 BED FRAME ASSEMBLY

LT40/70M Saw Head Rest Pin Assembly

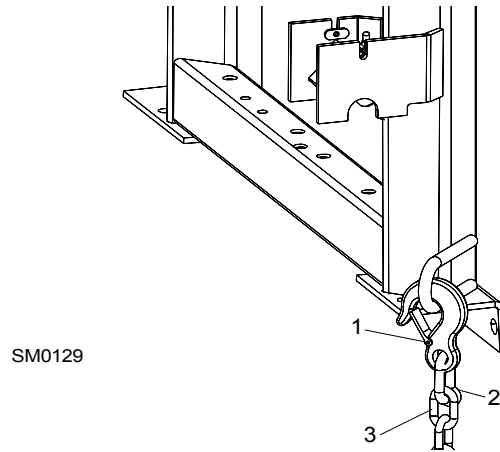
| | | | |
|---|----------------------------------|----------|----|
| 9 | NUT, M10-8-B HEX NYLON ZINC LOCK | F81033-1 | 36 |
|---|----------------------------------|----------|----|

8.10 LT40/70M Saw Head Rest Pin Assembly



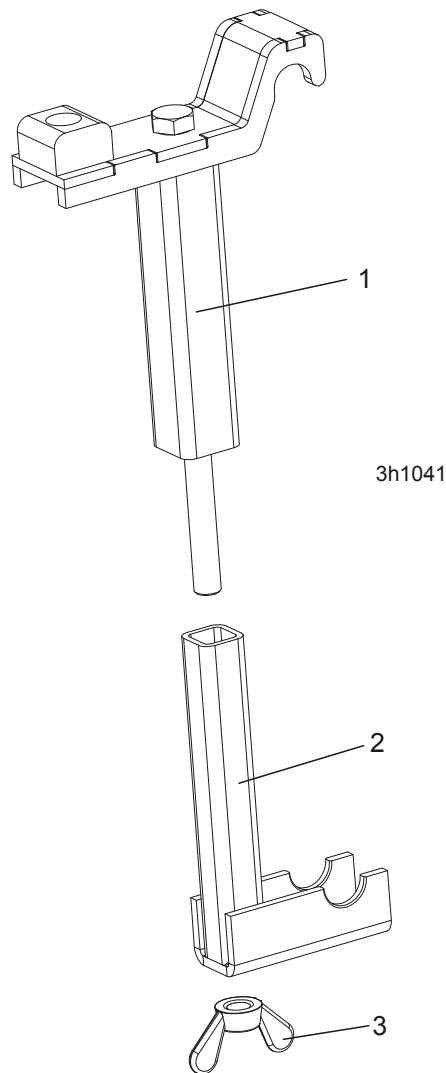
| REF | DESCRIPTION (◆ Indicates Parts Available In Assemblies Only) | PART# | QTY. |
|-----|--|-----------|------|
| | SAW HEAD REST PIN W/LATCH CLAMP, LT70S/M | 094660 | 1 |
| 1 | PIN, 3/8 x 2 1/4 SQ WIRE LOCK | 014151 | 1 |
| 2 | BUSHING, ZINC-PLATED SPACER | 090936-1 | 1 |
| 3 | BRACKET, LT40 SAW HEAD REST PIN MOUNT | 092765-1 | 1 |
| 4 | PIN WLDMT, LT70S/M SAW HEAD REST | 094658-1 | 1 |
| 5 | BOLT, M10 X 80 -8.8- FE/ZN5 HEX HEAD | F81003-50 | 1 |
| 6 | BOLT, M12X60MM, HEX HEAD GR 8.8 | F81004-5 | 1 |
| 7 | BOLT, M12x95 -8.8- HEX HEAD ZINC-PLATED | F81004-29 | 1 |
| 8 | NUT, M10-8-B HEX NYLON ZINC LOCK | F81033-1 | 1 |
| 9 | NUT, M12-8 HEX NYLON ZINC LOCK | F81034-2 | 1 |
| 10 | WASHER, 10.5 FLAT ZINC | F81055-1 | 2 |
| 11 | WASHER, 13 FLAT ZINC | F81056-1 | 2 |

8.11 Tie Down Chain Assembly



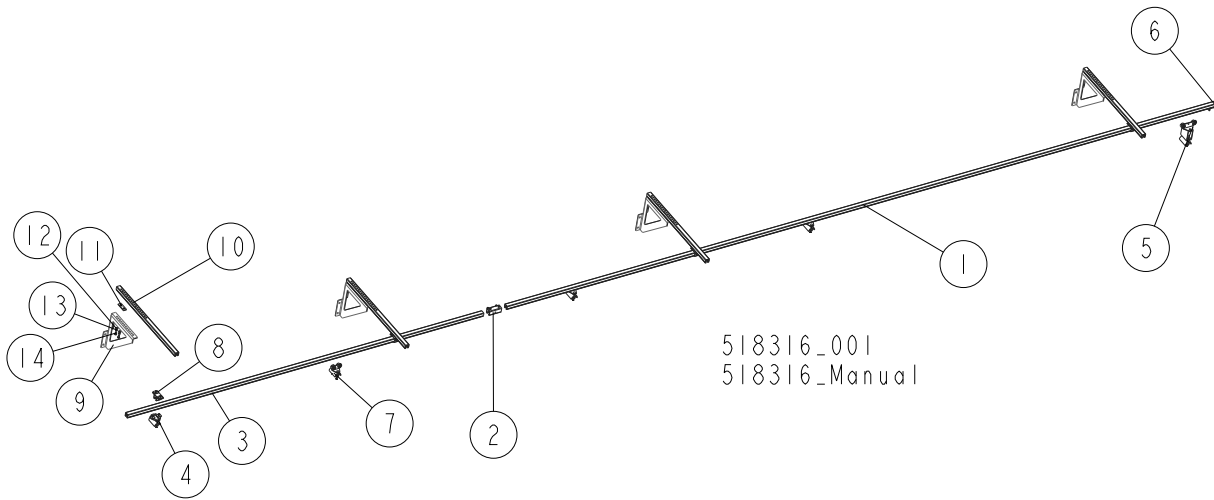
| REF | DESCRIPTION (◆ Indicates Parts Available In Assemblies Only) | PART # | QTY. |
|----------|--|----------|------|
| | CHAIN ASSEMBLY, TIE DOWN | A04376-1 | 1 |
| 1 | Hook, 5/8" Safety Chain | P12075 | 1 |
| 2 | Screw Closed Chain Link, 10 | 100767 | 1 |
| 3 | Chain, N-10 x 35, 6 Links | 100951 | 1 |

8.12 Blockade Control Box LT40

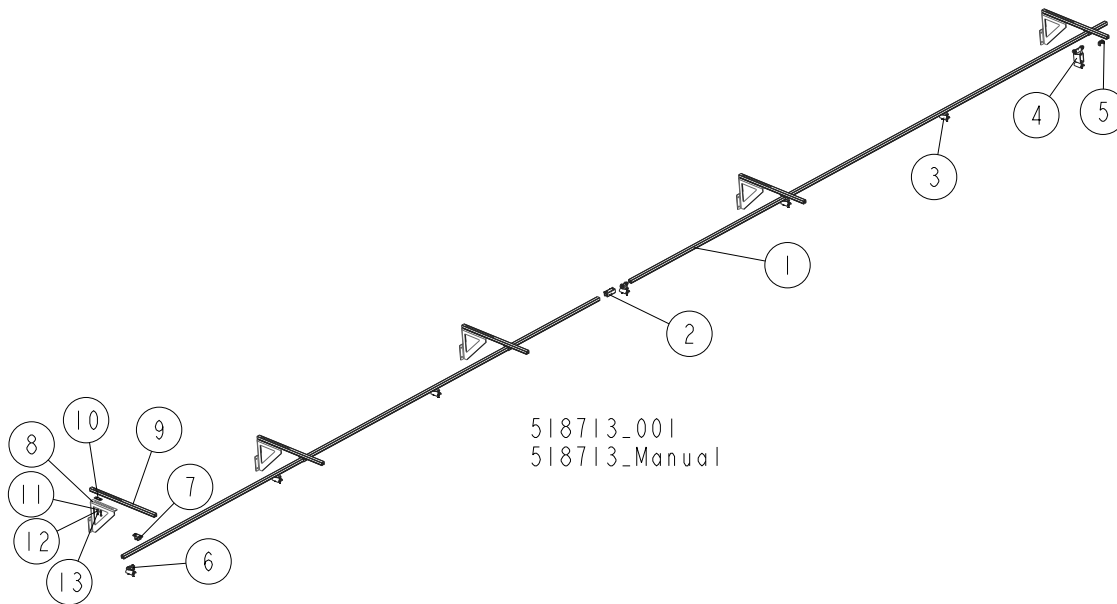


| REF | DESCRIPTION (◆ Indicates Parts Available In Assemblies Only) | PART # | QTY. | |
|-----|--|---------------|----------|--|
| | BLOCKADE CONTROL BOX LT40/70 (M SUPER FRAME) | 506987 | 1 | |
| 1 | UPPER CONTROL BOX BLOCKADE | 506983-1 | 1 | |
| 2 | LOWER CONTROL BOX BLOCKADE | 506985-1 | 1 | |
| 3 | NUT, M16 WING | F81036-3 | 1 | |

8.13 Remote Equipment for Installation on a Wall (Cutting Length of 6.5 m)

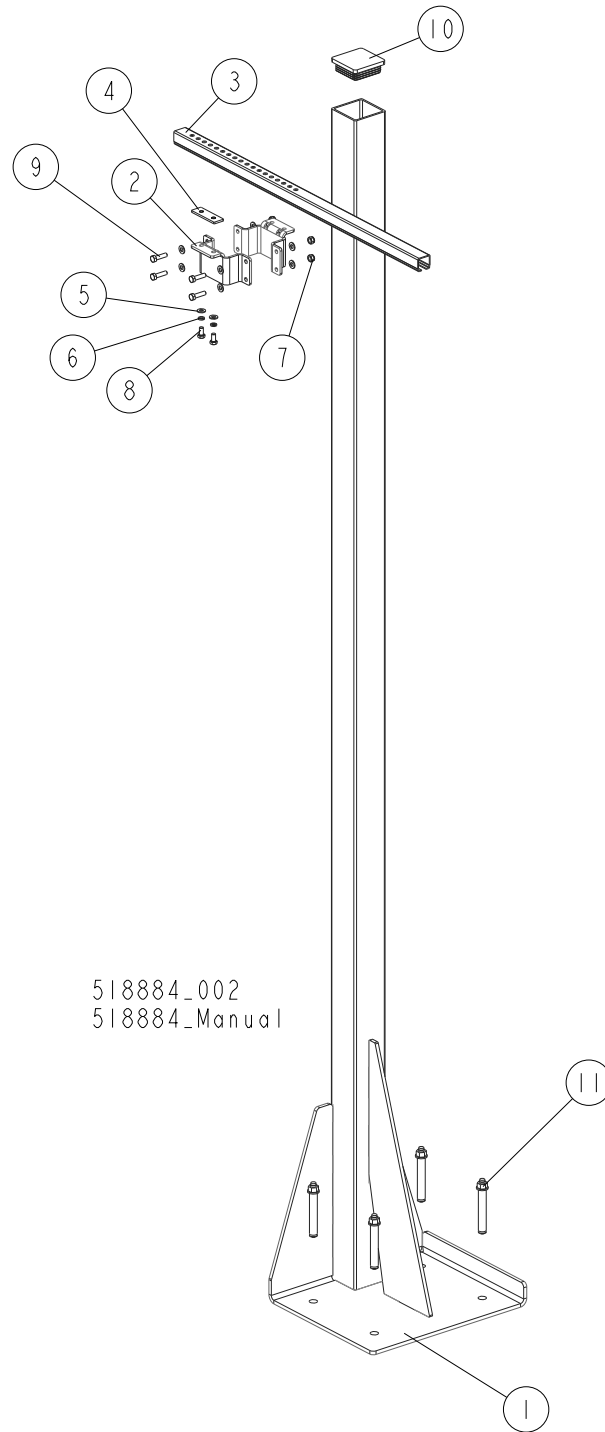


| REF. | DESCRIPTION (◆ Indicates Parts Available In Assemblies Only) | PART # | QTY |
|------|--|---------------|----------|
| | REMOTE EQUIPMENT (CUTTING LENGTH OF 6.5 M) | 518316 | 1 |
| | RAIL, COMPLETE GUIDE (CUTTING LENGTH OF 6.5M) | 518315 | 1 |
| 1 | RAIL, 6 M C-PROFILE | 518332 | 1 |
| 2 | COUPLER, TRACK | 518705 | 1 |
| 3 | RAIL, 3 M C-PROFILE | 518313 | 1 |
| 4 | CLAMP, FLAT CABLE - END | 518701 | 1 |
| 5 | TROLLEY, TOWING | 518334 | 1 |
| 6 | STOP, END | 518700 | 1 |
| 7 | TROLLEY, CABLE MOVING | 518333 | 3 |
| 8 | BRACKET, BOLT-ON | 518702 | 4 |
| | RAIL BRACKET KIT FOR WALL MOUNTING | 518724 | 4 |
| 9 | BRACKET, GUIDE RAIL (FOR WALL MOUNTING) | 518728-1 | 1 |
| 10 | ARM, RAIL BRACKET | 518709 | 1 |
| 11 | PLATE, ARM CLAMPING | 518885-1 | 1 |
| 12 | WASHER, 8.4 FLAT ZINC | F81054-1 | 2 |
| 13 | WASHER, 8.2 SPLIT LOCK ZINC | F81054-4 | 2 |
| 14 | BOLT, M8x16-8.8-B HEX HEAD FULL THREAD ZINC | F81002-20 | 2 |

8.14 Remote Equipment for Installation on a Wall (Cutting Length of 6.5-10 m)

| REF. | DESCRIPTION (◆ Indicates Parts Available In Assemblies Only) | PART # | QTY |
|------|--|----------|-----|
| | REMOTE EQUIPMENT (CUTTING LENGTH OF 6.5-10 M) | 518713 | 1 |
| | RAIL, COMPLETE GUIDE (CUTTING LENGTH OF 6.5-10 M) | 518704 | 1 |
| 1 | RAIL, 6 M C-PROFILE | 518332 | 2 |
| 2 | COUPLER, TRACK | 518705 | 1 |
| 3 | TROLLEY, CABLE MOVING | 518333 | 5 |
| 4 | TROLLEY, TOWING | 518334 | 1 |
| 5 | STOP, END | 518700 | 1 |
| 6 | CLAMP, FLAT CABLE - END | 518701 | 1 |
| 7 | BRACKET, BOLT-ON | 518702 | 5 |
| 8 | RAIL BRACKET KIT FOR WALL MOUNTING | 518724 | 5 |
| 9 | BRACKET, GUIDE RAIL (FOR WALL MOUNTING) | 518728-1 | 1 |
| 10 | ARM, RAIL BRACKET | 518709 | 1 |
| 11 | PLATE, ARM CLAMPING | 518885-1 | 1 |
| 12 | WASHER, 8.4 FLAT ZINC | F81054-1 | 2 |
| 13 | WASHER, 8.2 SPLIT LOCK ZINC | F81054-4 | 2 |

8.15 Guide Rail Support Post



518884_002
 518884_Manual

| REF. | DESCRIPTION (◆ Indicates Parts Available In Assemblies Only) | PART # | QTY |
|------|--|---------------|----------|
| | POST, GUIDE RAIL SUPPORT - COMPLETE | 518736 | 1 |
| 1 | POST, GUIDE RAIL SUPPORT | 518707-1 | 1 |
| 2 | BRACKET, 80X80 TUBE WRAP | 518725-1 | 2 |
| 3 | ARM, RAIL BRACKET | 518709 | 1 |
| 4 | PLATE, ARM CLAMPING | 518885-1 | 1 |

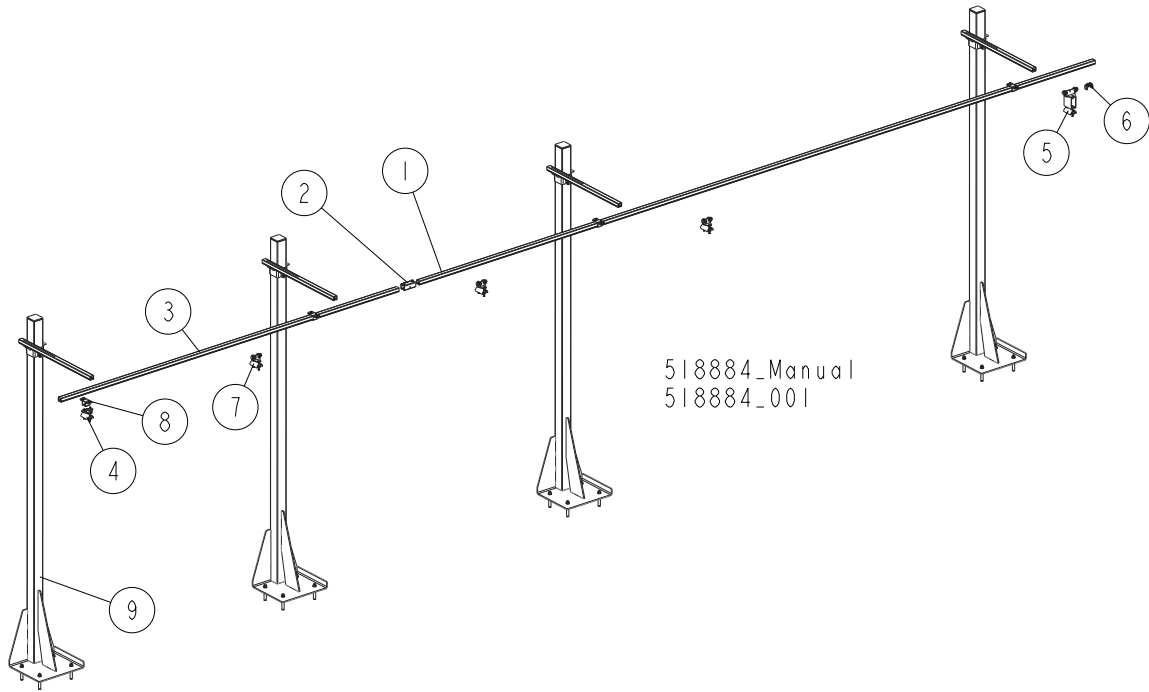


BED FRAME ASSEMBLY

Guide Rail Support Post

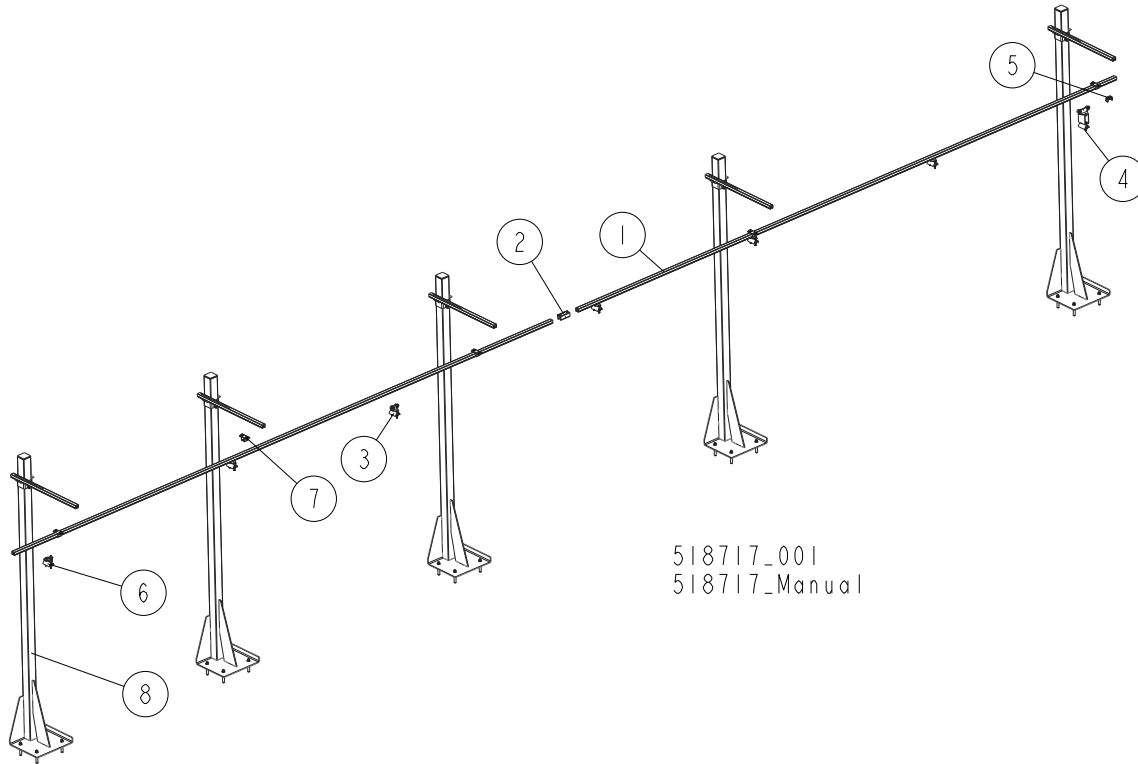
| REF. | DESCRIPTION (◆ Indicates Parts Available In Assemblies Only) | PART # | QTY |
|------|--|-----------|-----|
| 5 | WASHER, 8.4 FLAT ZINC | F81054-1 | 10 |
| 6 | WASHER, 8.2 SPLIT LOCK ZINC | F81054-4 | 2 |
| 7 | NUT, M8 8 HEX NYLON ZINC LOCK | F81032-2 | 4 |
| 8 | BOLT, M8X16-8.8-B HEX HEAD FULL THREAD ZINC | F81002-20 | 2 |
| 9 | BOLT, M8X30-5.8-B HEX HEAD FULL THREAD ZINC | F81002-2 | 4 |
| 10 | CAP, 80X80 2-4 #111227 TUBE END | 089644 | 1 |
| 11 | PIN, LT 16X120 | 501877 | 4 |

8.16 4-Post Remote Set



| REF. | DESCRIPTION (◆ Indicates Parts Available In Assemblies Only) | PART # | QTY |
|----------|--|---------------|----------|
| | REMOTE SET, 4-POST | 518884 | 1 |
| | RAIL, COMPLETE GUIDE (CUTTING LENGTH OF 6.5M) | 518315 | 1 |
| 1 | RAIL, 6 M C-PROFILE | 518332 | 1 |
| 2 | COUPLER, TRACK | 518705 | 1 |
| 3 | RAIL, 3 M C-PROFILE | 518313 | 1 |
| 4 | CLAMP, FLAT CABLE - END | 518701 | 1 |
| 5 | TROLLEY, TOWING | 518334 | 1 |
| 6 | STOP, END | 518700 | 1 |
| 7 | TROLLEY, CABLE MOVING | 518333 | 3 |
| 8 | BRACKET, BOLT-ON | 518702 | 4 |
| 9 | POST, GUIDE RAIL SUPPORT | 518736 | 4 |

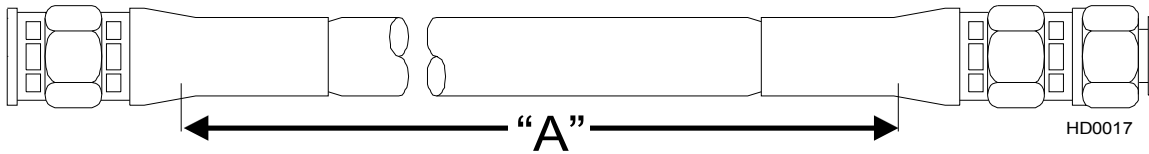
8.17 5-Post Remote Set



| REF. | DESCRIPTION (◆ Indicates Parts Available In Assemblies Only) | PART # | QTY |
|------|--|---------------|----------|
| | REMOTE SET, 5-POST | 518717 | 1 |
| | RAIL, COMPLETE GUIDE (CUTTING LENGTH OF 6.5-10 M) | 518704 | 1 |
| 1 | RAIL, 6 M C-PROFILE | 518332 | 2 |
| 2 | COUPLER, TRACK | 518705 | 1 |
| 3 | TROLLEY, CABLE MOVING | 518333 | 5 |
| 4 | TROLLEY, TOWING | 518334 | 1 |
| 5 | STOP, END | 518700 | 1 |
| 6 | CLAMP, FLAT CABLE - END | 518701 | 1 |
| 7 | BRACKET, BOLT-ON | 518702 | 5 |
| 8 | POST, GUIDE RAIL SUPPORT | 518736 | 5 |

SECTION 9 HYDRAULIC SYSTEM

9.1 Hydraulic Hoses, LT40/70M Super



| Part | Color Code | LENGTH "A" [m] | Application | Wood-Mizer Part No. |
|-----------|------------|----------------|---|---------------------|
| | | | I Section (from filter) according to designations from right to left | |
| A1 | White | 3.5 | 3/8" 2-Plane Clamp, In/Out | 097614 |
| B1 | Orange | 3.5 | 3/8" 2-Plane Clamp, In/Out | 097615 |
| A2 | Pink | 3.6 | 3/8" Raising the turner and side supports | 097622 |
| B2 | Plain | 3.6 | 3/8" Raising the turner and side supports | 097622 |
| A3 | Red | 5.6 | 1/4" III Clamp (middle), Up/Down | 097545 |
| B3 | Blue | 5.6 | 1/4" III Clamp (middle), Up/Down | 097545 |
| A4 | Silver | 4.9 | 1/4" I Toe Board | 097620 |
| B4 | Brown | 4.9 | 1/4" I Toe Board | 097620 |
| A5 | Black | 3.3 | 3/8" Chain Turner Hydraulic Motor | 097619 |
| B5 | Brown | 3.3 | 3/8" Chain Turner Hydraulic Motor | 097619 |
| A6 | Orange | 5.0 | 1/4" III Clamp (middle), In/Out | 097545 |
| B6 | White | 5.0 | 1/4" III Clamp (middle), In/Out | 097545 |
| A7 | Red | 1.8 | 3/8" Log Loader | 097623 |
| B7 | Blue | 1.8 | 3/8" Log Loader | 097623 |
| | | | II Section according to designations from right to left | |
| A1 | Purple | 4.8 | 1/4" I Toe Board Drive | 097621 |
| B1 | Purple | 4.8 | 1/4" I Toe Board Drive | 097621 |
| A2 | Black | 2.0 | 1/4" II Toe Board | 097617 |
| B2 | Purple | 2.0 | 1/4" II Toe Board | 097617 |
| A3 | Red | 6.2 | 1/4" I Clamp, Up/Down | 097616 |
| B3 | Blue | 6.2 | 1/4" I Clamp, Up/Down | 097616 |
| A4 | Orange | 5.5 | 1/4" I Clamp, In/Out | 097616 |
| B4 | White | 5.5 | 1/4" I Clamp, In/Out | 097616 |
| A5 | Yellow | 4.4 | 1/4" 2-Plane Clamp, Up/Down | 097613 |
| B5 | Green | 4.4 | 1/4" 2-Plane Clamp, Up/Down | 097613 |
| A6 | Red | 1.0 | 1/4" II Clamp, Up/Down | 097618 |
| B6 | Blue | 1.0 | 1/4" II Clamp, Up/Down | 097618 |
| A7 | Orange | 2.0 | 1/4" II Clamp, In/Out | 097617 |

TABLE 0-0

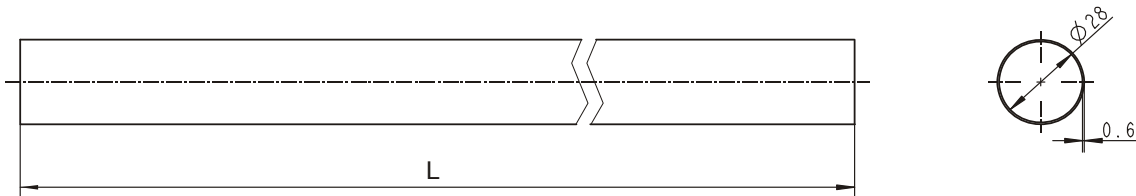
HYDRAULIC SYSTEM

Hydraulic Hoses, LT40/70M Super

| | | | | |
|-----------|--------|------|---|--------|
| B7 | White | 2.0 | 1/4" II Clamp, In/Out | 097617 |
| | Green | 2.1 | 3/8" tee connector to log loader cylinder | 097624 |
| | Yellow | 2.2 | 3/8" tee connector to log loader cylinder | 097624 |
| | Green | 0.8 | 3/8" tee connector to log loader cylinder | 097625 |
| | Yellow | 0.95 | 3/8" tee connector to log loader cylinder | 097625 |
| | | 0.65 | 3/8" turner hose | 094597 |
| | | 0.65 | 3/8" turner hose | 094597 |
| | | 0.75 | 3/8" left side support hose | 094596 |
| | | 1.0 | 3/8" right side support hose | 094593 |
| | | 1.0 | 3/8" right side support hose | 094593 |
| | | 1.2 | 3/8" cylinder instrumentation | 097625 |

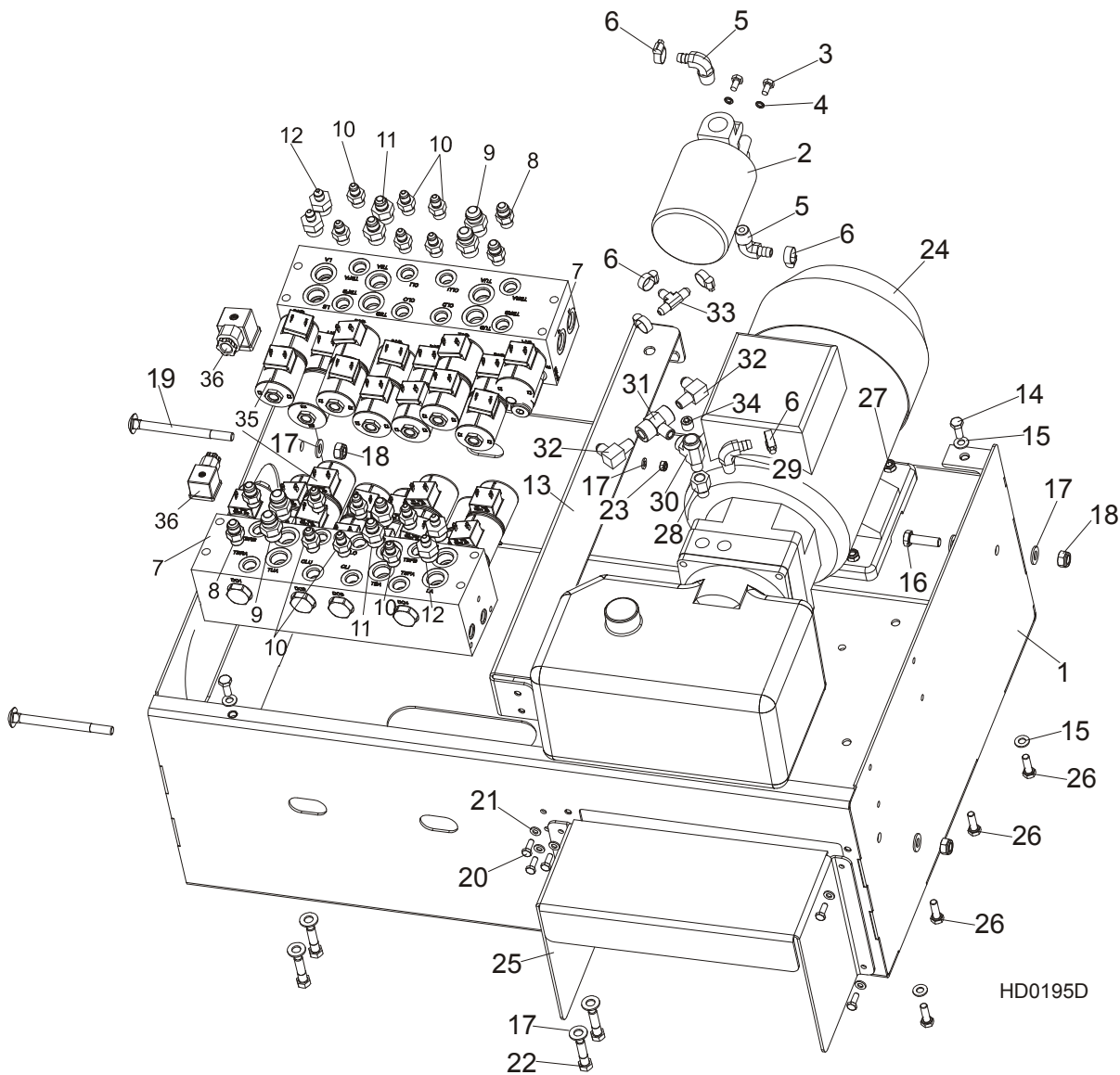
TABLE 0-0

Protective Conduits, LT40/70M Super Hydraulic Hoses



| LENGTH "L" | DESCRIPTION (◆ Indicates Parts Available In Assemblies Only) | PART # | QTY. |
|-------------------|---|---------------|-------------|
| 0,85 | PROTECTIVE CONDUIT, HYDRAULIC MOTOR HOSE | 100127 | 2 |
| 1,00 | PROTECTIVE CONDUIT, SIDE SUPPORT HOSE | 100128 | 4 |
| 0,70 | PROTECTIVE CONDUIT, LOG TURNER HOSE | 099761 | 3 |
| 0,45 | PROTECTIVE CONDUIT, IN/OUT CYLINDER HOSE - TOP | 099763 | 1 |

9.2 Hydraulic Control Box, LT40/70M Super (AC)



| REF. | DESCRIPTION (◆ Indicates Parts Available In Assemblies Only) | PART# | QTY. |
|------|--|-----------|------|
| | HYDRAULIC CONTROL BOX - LT70M SUPER (AC) | 097529 | 1 |
| 1 | Box, LT70M Super Hydraulic Control | 095690-1 | 1 |
| 2 | Manifold, W/Filter | P22683 | 1 |
| 3 | Bolt, 1/4-20x1/2 HH | F05005-15 | 2 |
| 4 | Washer, M6 Split Lock Zinc | F81053-3 | 2 |
| 5 | Fitting, 1/2NPT-3/8 Barb Elbow | P12707 | 2 |
| 6 | Clamp, 11/16 Worm | P12739 | 6 |
| 7 | Valve, hydr508958-1. 7 Station Exp.12V | 025688 | 2 |
| 8 | Fitting, 3/8" O-Ring 3/8 JIC | 014687 | 2 |
| 9 | Fitting, #8SAE- #8JIC | 028076 | 2 |
| 10 | Fitting, 1/4JIC-3/8 O-Ring | P26284 | 6 |
| 11 | Fitting, 8SAE-6JIC | P12703 | 2 |

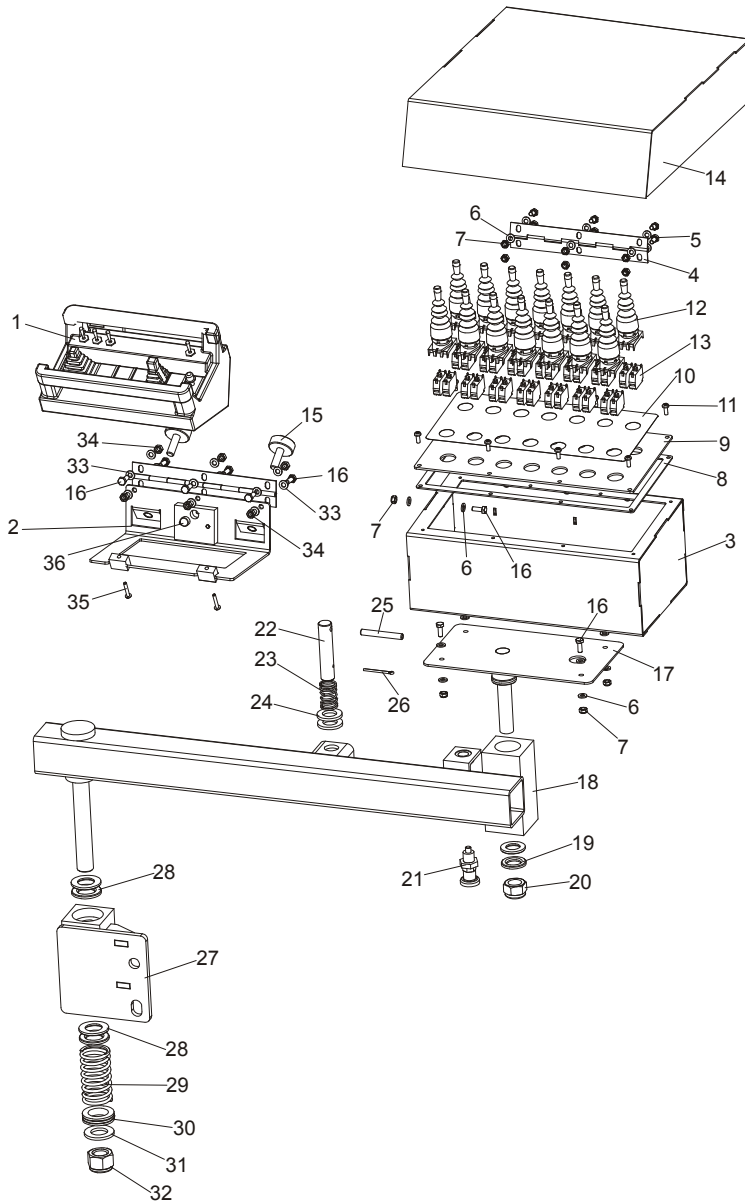


HYDRAULIC SYSTEM

Hydraulic Control Box, LT40/70M Super (AC)

| | | | | |
|----|--|-----------|----|--|
| 12 | Fitting , 8 SAE-3/8 JIC | 036759 | 2 | |
| 13 | Bar, LT70M Super Hydraulic Valve Station | 095686-1 | 1 | |
| 14 | Bolt, M8x20mm, Hex Head,Gr 5.8 Zinc | F81002-4 | 4 | |
| 15 | Washer, M8, Flat, Zinc | F81054-1 | 8 | |
| 16 | Bolt, M10x35-8.8 Fe/Zn5 PN-M/82105 | F81003-17 | 2 | |
| 17 | Washer, M10, Flat, Zinc | F81055-1 | 14 | |
| 18 | Nut, M10, Nylon Hex Zinc Lock | F81033-1 | 4 | |
| 19 | Bolt, M10x120 8.8 Carriage | F81003-33 | 2 | |
| 20 | Bolt, M6x16 8.8 Fe/Zn5 PN-M/82105 | F81001-15 | 8 | |
| 21 | Washer, M6, Flat, Zinc | F81053-1 | 10 | |
| 22 | Bolt, 3/8-16x1 1/2 HH | F05007-3 | 8 | |
| 23 | Nut, M6, Nylon Hex Zinc Lock | F81031-2 | 2 | |
| 24 | Hydraulic pump w/motor, 4KW 14.5 l/min. AC | 500958 | 1 | |
| | Motor, AC-4kW Hydraulic Pump | 092258 | 1 | |
| | Pump, AC-4kW Hydraulic | 097782 | 1 | |
| | Plate, AC-4kW Hydraulic Connecting | 097783 | 1 | |
| | Seal, AC-4kW Hydraulic Complete | 097784 | 1 | |
| 25 | Cover, MSuper Hydraulic Box | 501434-1 | 1 | |
| 26 | Bolt, M8x30mm Hex Head Gr 5.8 Zinc | F81002-7 | 3 | |
| 27 | Nut, M8, Hexagon, Nylon Lock Zinc | F81032-2 | 3 | |
| 28 | Fitting, 6SAE Male-1/4NPT Female | 014686 | 1 | |
| 29 | Fitting, 3/8NPT-3/8 Barb Elbow | P12708 | 1 | |
| 30 | Fitting, 1/4NPT Male Run Tee | P09141 | 1 | |
| 31 | Fitting, 1/4NPT Branch Tee | 015486 | 1 | |
| 32 | Fitting, 3/8JIC-1/4NPT 90L | 015491 | 2 | |
| 33 | Fitting, 3/8 Barb Tee | 015485 | 1 | |
| 34 | Fitting, 1/4 NPT Socket Pipe Plug | 096221 | 1 | |
| 35 | Coil, Hydraulic Valve | 025835 | 30 | |
| 36 | VALVE CONNECTOR, WITH BUILT-IN LED | 094556 | 30 | |
| | COVER, LT70M SUPER HYDRAULIC BOX | 097528-1 | 1 | |

9.3 Hydraulic & Wireless Control Box



| REF. | DESCRIPTION (◆ Indicates Parts Available In Assemblies Only) | PART# | QTY. |
|------|--|----------|------|
| | BOX ASSEMBLY, LT70M SUPER HYDRAULIC CONTROL | 096485 | 1 |
| 1 | Box, LT70MAC Super Wireless Control | 098917 | 1 |
| 1 | Box, LT70MDC Super Wireless Control | 097314 | 1 |
| 2 | Box, Super Remote Control Box | 099187-1 | 1 |
| | Box, LT70M Super Hydraulic Control Complete | 096999 | 1 |
| 3 | Box, LT70M Super Hydraulic Control Box | 097005-1 | 1 |
| 4 | Hinge, Cover Zinc | 088257-1 | 1 |
| 5 | Bolt, M6x12mm Hex Head Zinc | F81001-7 | 6 |
| 6 | Washer, M6, Flat, Zinc | F81053-1 | 23 |
| 7 | Nut, M6, Nylon Hex Zinc Lock | F81031-2 | 13 |
| 8 | Gasket, 9.5m Front Panel | 089998 | 1 |
| 9 | Panel Assembly, Hydraulic 9.5m Front | 090356-1 | 1 |
| 10 | Decal, Front Panel | 095692 | 1 |

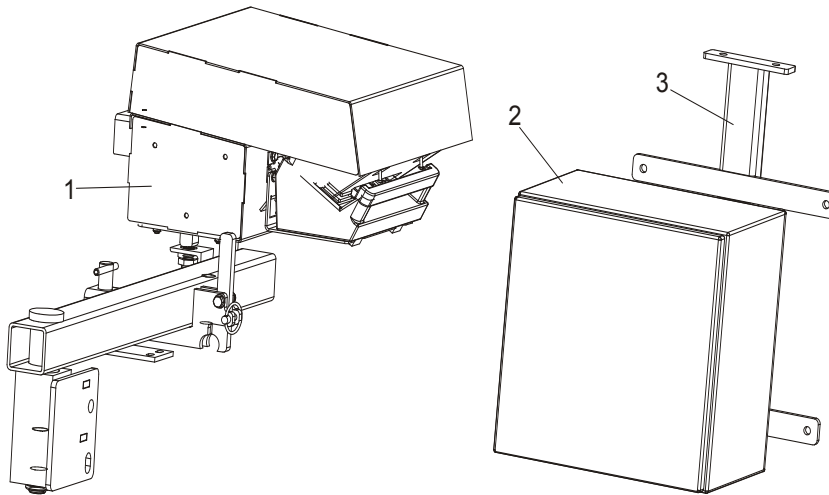


HYDRAULIC SYSTEM

Hydraulic & Wireless Control Box

| | | | | |
|----|---|-----------|----|--|
| 11 | Bolt, #10-24x1/2 Ph Pan Hd, Type 23 | F05015-17 | 8 | |
| 12 | Joystick, PMJN8T3, 2-position | 096928 | 14 | |
| 13 | Contact, ZBE 101 | 087817 | 28 | |
| 14 | Cover, LT70M Super Hydraulic & Wireless Control Box | 096941-1 | 1 | |
| 15 | Bumper | 092839 | 1 | |
| 16 | Bolt, M6x16-5.8 Hex Head Full Thread Zinc | F81001-15 | 13 | |
| 17 | Support, LT70M Super Control Box | 096489-1 | 1 | |
| 18 | Arm, Control Box | 096480-1 | 1 | |
| 19 | Washer, 21 PN-83/M-82039 | F81059-21 | 4 | |
| 20 | Nut, M20, Nylon Hex Zinc Lock | F81037-2 | 1 | |
| 21 | Pin, Outrigger Detent | 090197 | 1 | |
| 22 | Pin, Outrigger Pull | 087012-1 | 1 | |
| 23 | Spring, 21x38x2 Zinc | 087040 | 1 | |
| 24 | Washer, 21 Flat Zinc | F81059-2 | 2 | |
| 25 | Pin, 8x65 Roll Zinc | F81046-1 | 1 | |
| 26 | Pin, 4x25 Cotter | F81043-2 | 1 | |
| 27 | Bracket, Control Box | 096690-1 | 1 | |
| 28 | Washer, 25 PN-83/M-82039 | F81059-22 | 4 | |
| 29 | Spring, 40x80x4,5 Zinc | 093435 | 1 | |
| 30 | Bearing, 51106 Thrust | 097274 | 1 | |
| 31 | Washer, 25 Flat Zinc | F81061-3 | 1 | |
| 32 | Nut, M24-8 Zinc Lock | F81039-8 | 1 | |
| 33 | Washer, 6.4 Flat Zinc | F81053-1 | 12 | |
| 34 | Nut, M6-8 Hex Zinc | F81031-1 | 6 | |
| 35 | Magnet, Orange Painted | S10519-1 | 1 | |

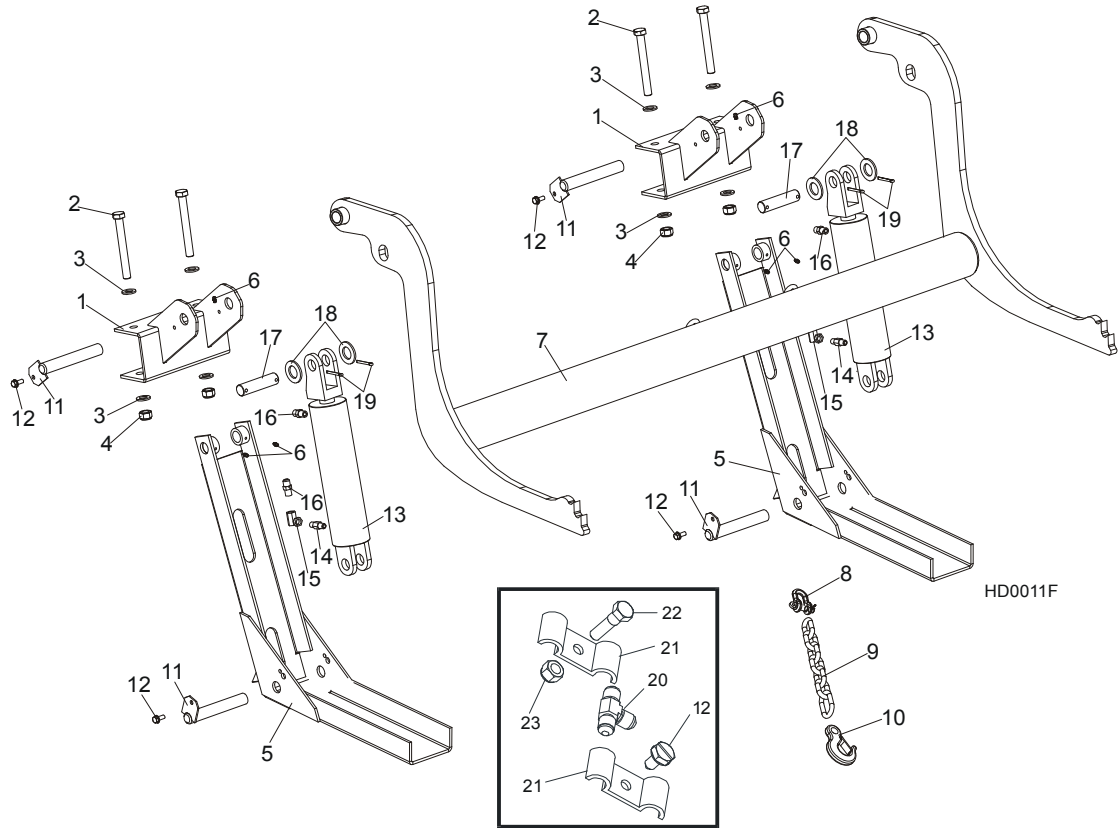
9.4 Wireless Control Assembly (Option)



70_007a

| REF. | DESCRIPTION (◆ Indicates Parts Available In Assemblies Only) | PART# | QTY. |
|------|--|----------|------|
| 1 | BOX ASSEMBLY, LT70M SUPER HYDRAULIC CONTROL | 096999 | 1 |
| 2 | ELECTRIC BOX, WIRELESS CONTROL | 096989 | 1 |
| 3 | BRACKET, WIRELESS CONTROL ELECTRIC BOX | 096930-1 | 1 |

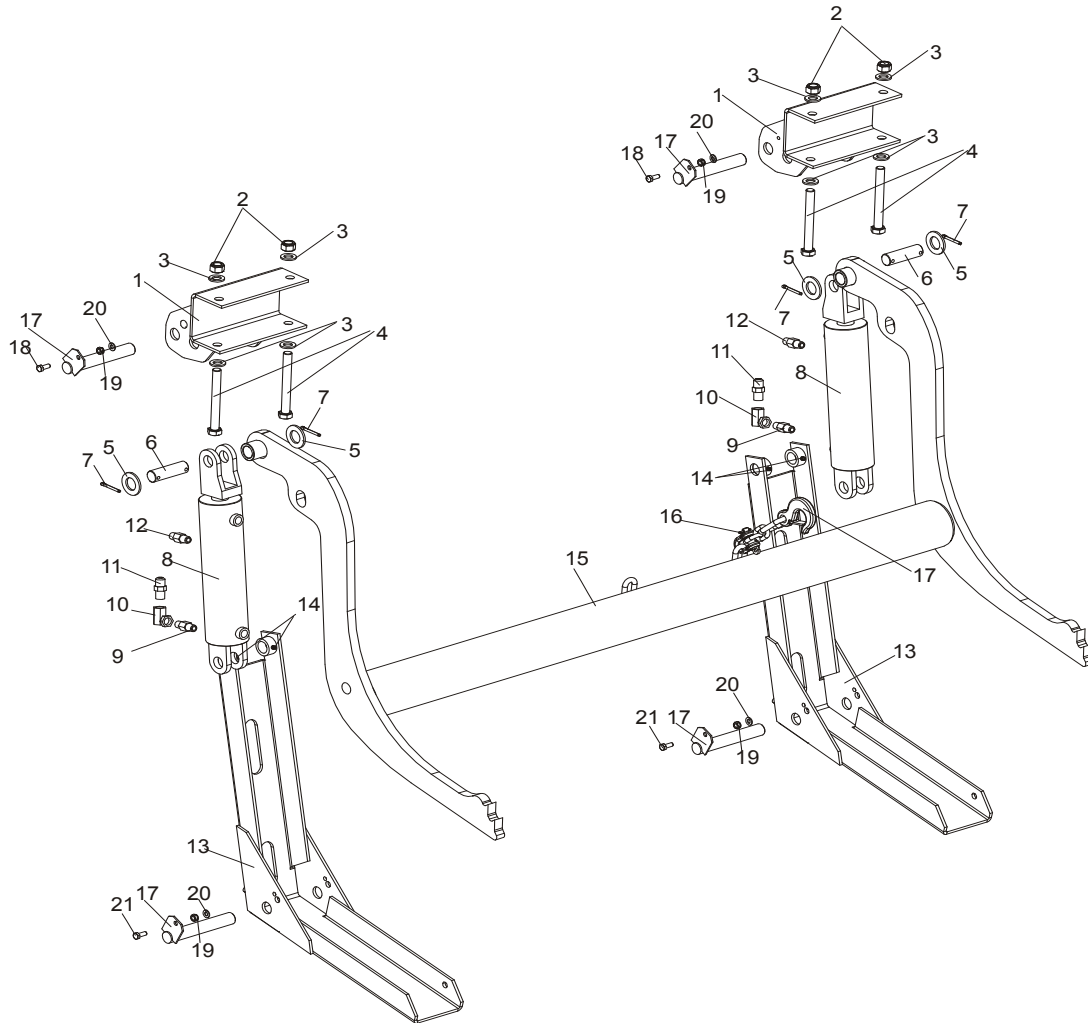
9.5 Hydraulic Log Loader, S/M Frame



| REF. | DESCRIPTION (◆ Indicates Parts Available In Assemblies Only) | PART # | QTY. |
|------|--|---------------|----------|
| | LOADER KIT, HYDRAULIC LOG, S/M FRAME | 092863 | 1 |
| 1 | Bracket, Hydraulic Log Loader | 087938-1 | 1 |
| 2 | Bolt, M16x140-8.8 Hex Head Zinc | F81006-4 | 4 |
| 3 | Washer, 17 Flat Zinc | F81058-1 | 8 |
| 4 | Nut, M16-8 Hex Nylon Zinc Lock | F81036-2 | 4 |
| | Channel, Hydraulic Log Loading Foot Complete | 090049 | 2 |
| 5 | Channel, Hydraulic Log Loading Foot | 090048-1 | 2 |
| 6 | Fitting, 3/16x3/16 Straight Grease | P04107 | 6 |
| | Arm, Hydraulic Log Loading Complete | 090044 | 1 |
| 7 | Arm, Hydraulic Log Loading | 090006-1 | 1 |
| 8 | Shackle, M-WL. .63 | 086540 | 1 |
| 9 | Chain, Hydraulic Log Loader Safety | A04376 | 1 |
| 10 | Hook, 5/8 Safety Chain | P12075 | 1 |
| 11 | Pin, Turner Arm | W09446-1 | 4 |
| 12 | Screw, 5/16-18x3/4 Self-Tapping | F05015-30 | 4 |
| | Cylinder Assy, Log Loading Super | 015562 | 2 |
| 13 | CYLINDER, CJ-S95-16-70/32/203 HYDRAULIC | 088680 | 1 |
| 14 | Fitting, 1/4NPT Velocity Fuse 5.0GPM | 015750 | 2 |
| 15 | Fitting, 1/4NPT-1/4JIC Swivel Elbow | P12199 | 2 |
| 16 | Fitting, 3/8JIC-1/4NPT Straight | 015560 | 4 |
| 17 | Pin, Cylinder Hydraulic | 086979-1 | 2 |
| 18 | Washer, 28 Flat Zinc | F81061-1 | 4 |

| | | | | |
|-----------|---------------------------------------|-----------|---|--|
| 19 | Pin, 5x40 Cotter | F81043-31 | 4 | |
| 20 | Fitting, 3/8 Barb Tee | 015485 | 1 | |
| 21 | Clamp, 3/8 Hose | 016041 | 2 | |
| 22 | Bolt, 5/16-18x1 Hex Head Zinc Grade 2 | F05006-1 | 1 | |
| 23 | Nut, 5/16-18 Nylon Zinc Lock | F05010-58 | 1 | |

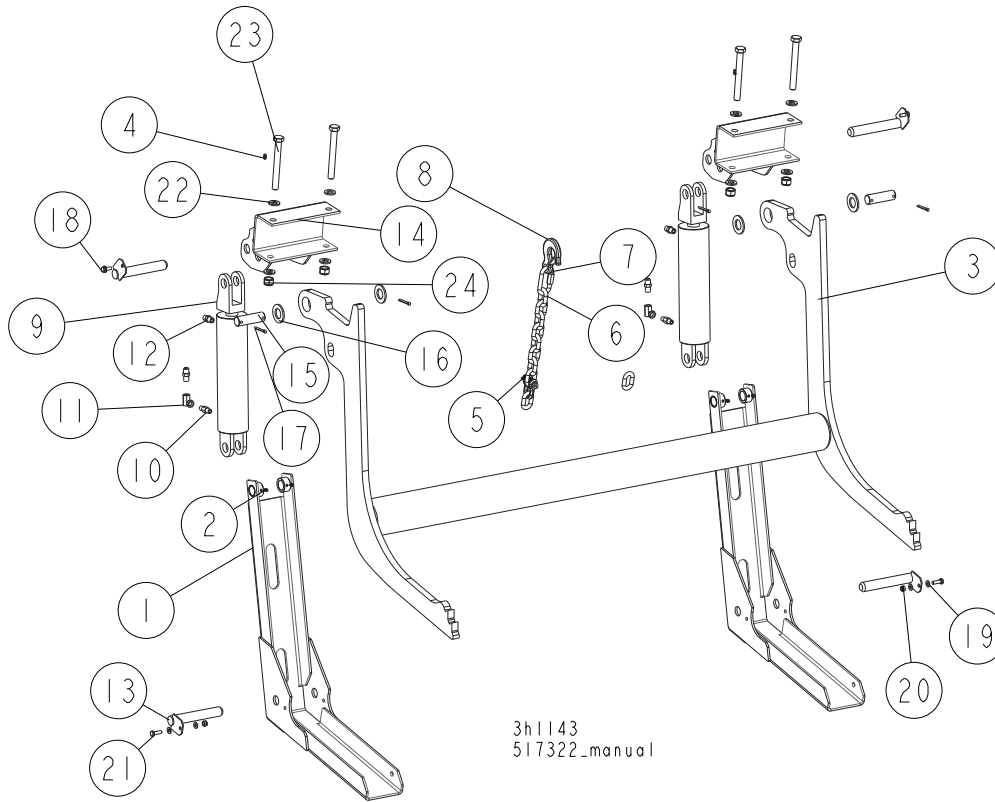
9.6 Hydraulic Log Loader for "M" Super Frames



| REF. | DESCRIPTION (◆ Indicates Parts Available In Assemblies Only) | PART # | QTY. |
|------|--|-----------|------|
| | LOG LOADER, "M" SUPER FRAME | 500750 | 1 |
| 1 | BRACKET, LOG LOADER ("M" SUPER FRAME) | 500747-1 | 2 |
| 2 | NUT, M16-8 HEX NYLON ZINC LOCK | F81036-2 | 4 |
| 3 | WASHER, 17 SPLIT LOCK ZINC | F81058-1 | 8 |
| 4 | BOLT, M16X140 HEX HEAD ZINC | F81006-4 | 4 |
| 5 | WASHER, 28 FLAT ZINC | F81061-1 | 4 |
| 6 | PIN, HYDRAULIC CYLINDER ZINC-PLATED | 086979-1 | 2 |
| 7 | PIN, S-Fe 5x40 PN-M/82001 COTTER | F81043-31 | 4 |
| | LOG LOADER CYLINDER | 015562 | 2 |
| 8 | CYLINDER, CJ-S95-16-70/32/203 HYDRAULIC | 088680 | 1 |
| 9 | FITTING, 1/4NPT VELOCITY FUSE 4.0GPM | 015750 | 2 |
| 10 | FITTING, 1/4NPT-1/4JIC SWIVEL ELBOW | P12199 | 2 |
| 11 | FITTING, 3/8JIC-1/4NPT STRAIGHT | 015560 | 2 |
| 12 | FITTING, 3/8JIC-1/4NPT STRAIGHT | 015560 | 2 |
| | COMPLETE LOG LOADER FOOT, 9.5 M FRAME | 090049 | 2 |
| 13 | FOOT WELDMENT, LOG LOADER PTD (9.5 M FRAME) | 090048-1 | 2 |

| | | | | |
|-----------|---|-----------|---|--|
| 14 | FITTING, 3/16X3/16 STRAIGHT GREASE | P04107 | 4 | |
| | LOG LOADER ARM, "M" SUPER FRAME | 500758 | 1 | |
| 15 | LOG LOADER WELDMENT, 9.5 M FRAME | 090006-1 | 1 | |
| 16 | SHACKLE, M-D .63 PN-92/W-89180 | 086540 | 1 | |
| 17 | CHAIN W/HOOK | 500756 | 1 | |
| 18 | SCREW, 5/16-18 x 3/4 SELF-TAPPING | F05015-30 | 2 | |
| 19 | WASHER, 8.4 FLAT ZINC | F81054-1 | 4 | |
| 20 | NUT, M8 8 HEX NYLON ZINC LOCK | F81032-2 | 4 | |
| 21 | BOLT, M8X20 8.8 HEX HEAD FULL THREAD ZINC | F81002-4 | 2 | |

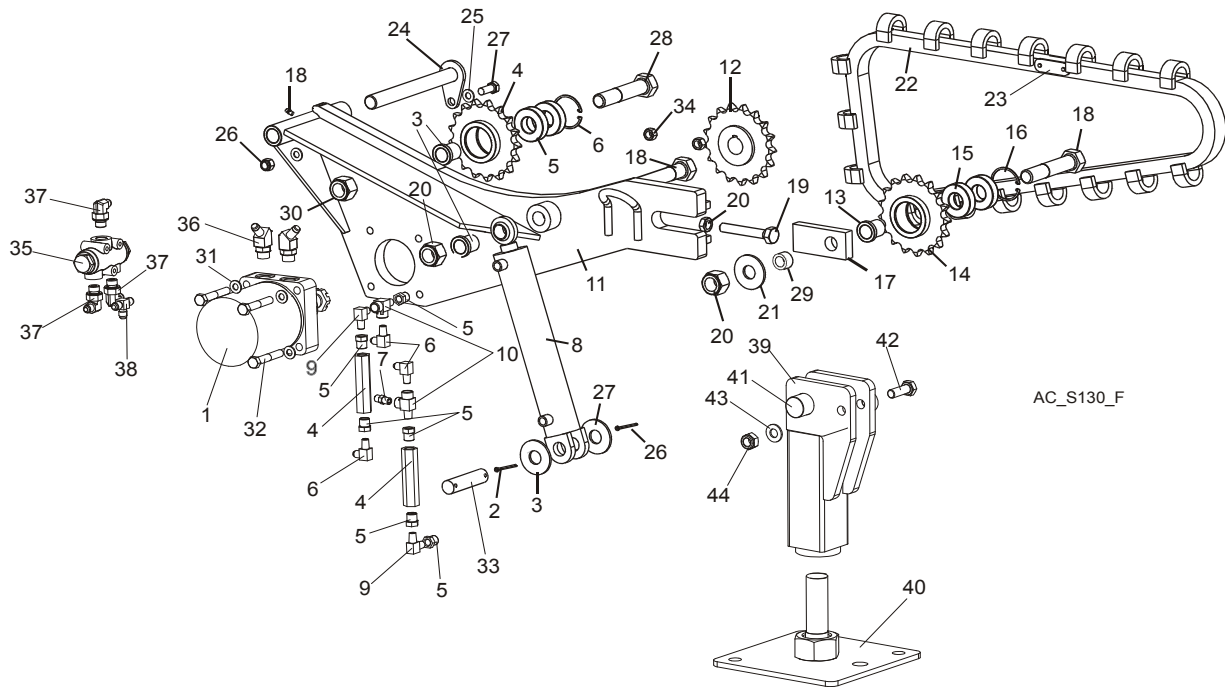
9.7 Hydraulic Log Loader, Extended for "M" Super Frames with 2.5 t. trailer



| REF | DESCRIPTION (◆ Indicates Parts Available In Assemblies Only) | PART # | QTY. |
|-----------|--|---------------|----------|
| . | LOG LOADER, "M" "S" SUPER FRAME, EXTENDED, COMPLETE | 517322 | 1 |
| | LOG LOADER, EXTENDED, COMPLETE | 517326 | 2 |
| 1 | LOG LOADER, EXTENDED, PTD. | 517323-1 | 1 |
| 2 | FITTING, 3/16X3/16 STRAIGHT GREASE | P04107 | 2 |
| | LOG LOADER, EXTENDED, COMPLETE | 517327 | 1 |
| 3 | LOG LOADER, EXTENDED, PTD. 517322* | 517329-1 | 1 |
| 4 | FITTING, 3/16X3/16 STRAIGHT GREASE | P04107 | 2 |
| 5 | SHACKLE, M-D .63 | 086540 | 1 |
| | CHAIN, TRANSPORT, EXTENDED LOG LOADER, COMPLETE | 517332 | 1 |
| 6 | CHAIN, LINKS N-10X35 - 8 LINKS, PTD | 517333-1 | 1 |
| 7 | CARABINER 10 | 100767 | 1 |
| 8 | HOOK, 5/8 SAFTEY CHAIN | P12075 | 1 |
| | CYLINDER ASSY, LOG LOADING SUPER | 015562 | 2 |
| 9 | CYLINDER, CJ-S95-16-70/32/203 HYDRAULIC | 088680 | 1 |
| 10 | FITTING, 1/4NPT VELOCITY FUSE 5.0GPM | 015750 | 1 |
| 11 | FITTING, 1/4NPT-1/4JIC SWIVEL ELBOW | P12199 | 1 |
| 12 | FITTING, 3/8JIC-1/4NPT STR | 015560 | 2 |
| 13 | PIN WELDMENT, LOADER PTD | 099127-1 | 4 |

| REF | DESCRIPTION (◆ Indicates Parts Available In Assemblies Only) | PART # | QTY. | |
|-----|--|-----------|------|--|
| 14 | BRACKET, LOG LOADER, FRAME S/M/SUPER | 500747-70 | 2 | |
| 15 | PIN, HYDRAULIC CYLINDER ZINC-PLATED | 086979-1 | 2 | |
| 16 | WASHER 28 FE/ZN5 | F81061-1 | 4 | |
| 17 | PIN, 5 X 40 COTTER | F81043-31 | 4 | |
| 18 | BOLT, 5/16-18 X 3/4 SELF TAP | F05015-30 | 2 | |
| 19 | WASHER, 8.4 FLAT ZINC | F81054-1 | 4 | |
| 20 | NUT, M8-8-B HEX NYLON ZINC LOCK | F81032-2 | 2 | |
| 21 | BOLT, M8X25-8.8-B HEX HEAD FULL THREAD Z | F81002-5 | 2 | |
| 22 | WASHER, 17 FLAT ZINC | F81058-1 | 8 | |
| 23 | BOLT, M16X140MM,HEX HEAD,GRADE 8.8 ZINC | F81006-4 | 4 | |
| 24 | NUT, M16,HEX, NYLON ZINC LOCK | F81036-2 | 4 | |

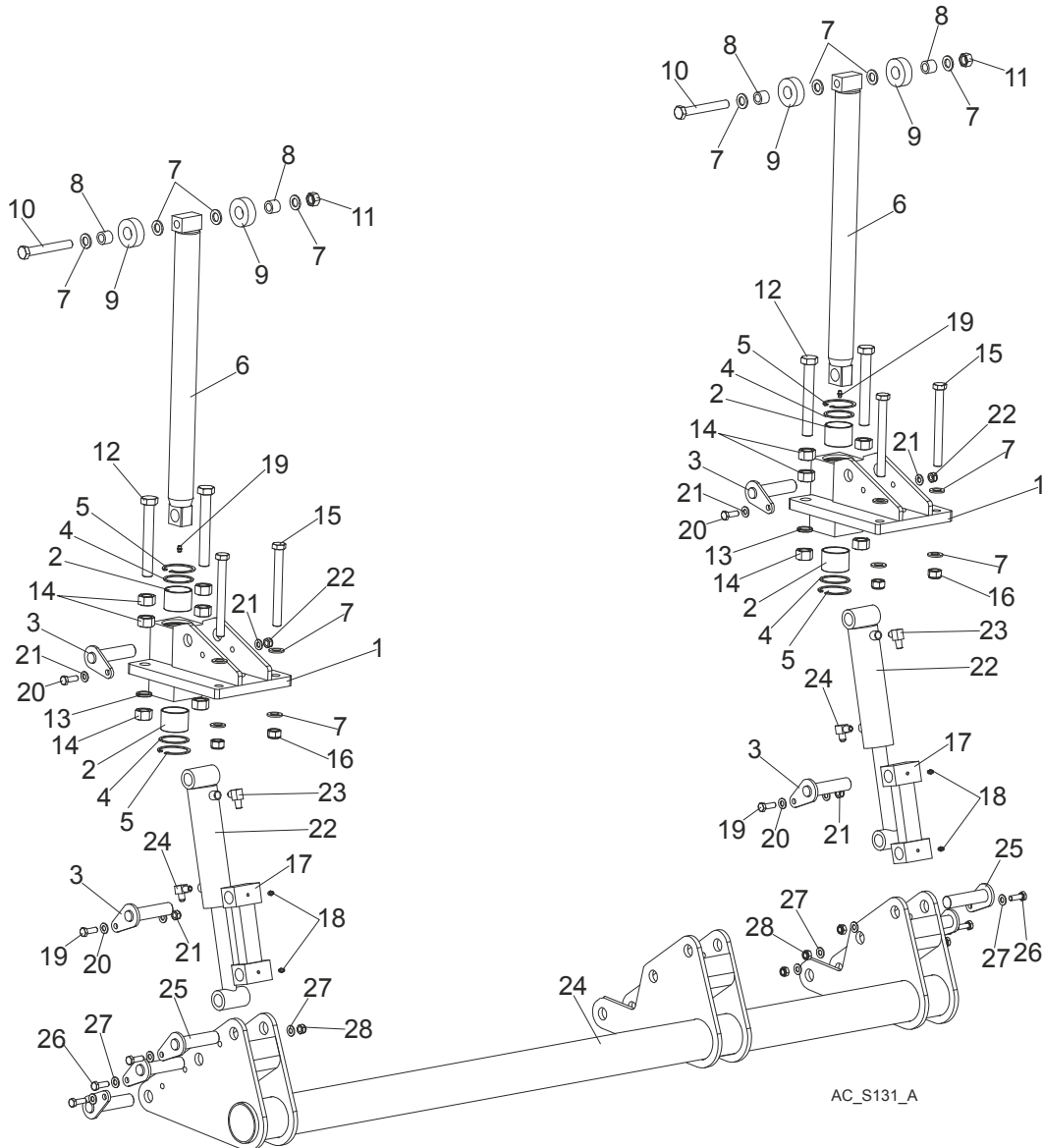
9.8 Hydraulic Log Turner



| REF. | DESCRIPTION (◆ Indicates Parts Available In Assemblies Only) | PART # | QTY. |
|------|--|---------------|----------|
| | CHAIN LOG TURNER - COMPLETE | 505614 | 1 |
| 1 | MOTOR, TG0475US080AABP HYDRAULIC | 007331 | 1 |
| 2 | PIN, S-Fe 5x40 COTTER | F81043-31 | 2 |
| 3 | WASHER, 28 FLAT ZINC | F81061-1 | 2 |
| | CYLINDER W/VALVE & FITTINGS | 515892 | 1 |
| 4 | VALVE, SIDE SUPPORT SEQUENCE | 015484 | 2 |
| 5 | FITTING, 3/8" NPT X 1/4" NPT REDUCER | 015490 | 6 |
| 6 | FITTING, 3/8JIC-1/4NPT 90L | 015491 | 3 |
| 7 | FITTING, 3/8JIC-1/4NPT STRAIGHT | 015560 | 1 |
| 8 | CYLINDER, 2X10 ROD END WELDED 16" | 034267 | 1 |
| 9 | FITTING, 1/4NPT MALE PIPE ELBOW | P09140 | 2 |
| 10 | FITTING, 1/4NPT MALE RUN TEE | 015486 | 2 |
| | CHAIN TURNER - METRIC | 095660 | 1 |
| 11 | PLATE WELDMENT, CHAIN LOG TURNER | 095662-1 | 1 |
| 12 | SPROCKET, CHAIN TURNER | 092339 | 1 |
| 13 | BUSHING, CHAIN TURNER | 095663-1 | 3 |
| | SPROCKET, CHAIN TURNER - COMPLETE | 092399 | 2 |
| 14 | SPROCKET W/HUB | 093290 | 1 |
| 15 | BEARING, 6206 25 | 093292 | 2 |
| 16 | RING, W62 INSIDE RETAINING | F81090-1 | 1 |
| 17 | PLATE, CHAIN TENSION | 095664-1 | 1 |
| 18 | FITTING, M6 TYPE A STRAIGHT GREASE | 086280 | 1 |
| 19 | BOLT, M16x100-8.8 HEX HEAD FULL THREAD ZINC | F81006-2 | 1 |
| 20 | NUT, M16-5.8 HEX ZINC | F81036-1 | 1 |

| | | | | |
|----|--|---------------|----------|--|
| 21 | WASHER, 25X63 ZINC-PLATED | 088585-1 | 1 | |
| 22 | CHAIN, LOG TURNER | 093423 | 1 | |
| 23 | LINK, MASTER | 093427 | 1 | |
| 24 | PIN WELDMENT, TURNER MOUNT - COMPLETE | 095666-1 | 1 | |
| 25 | WASHER, 10.5 FLAT ZINC | F81055-1 | 2 | |
| 26 | NUT, M10-8-B HEX NYLON ZINC LOCK | F81033-1 | 1 | |
| 27 | BOLT, M10x35-8.8 HEX HEAD FULL THREAD ZINC | F81003-17 | 1 | |
| 28 | BOLT, M24x120-8.8 HEX HEAD | F81009-4 | 3 | |
| 29 | BUSHING, CHAIN TURNER | 095643-1 | 1 | |
| 30 | NUT, M24-8-A HEX NYLON ZINC LOCK | F81039-8 | 3 | |
| 31 | WASHER, Z12.2 SPLIT LOCK ZINC | F81056-2 | 4 | |
| 32 | BOLT, M12x75-8.8 HEX HEAD ZINC | F81004-21 | 4 | |
| 33 | PIN, HYDRAULIC CYLINDER ZINC-PLATED | 086979-1 | 1 | |
| 34 | NUT, M12-8-B HEX ZINC | F81034-1 | 4 | |
| | OIL FLOW DIVIDER W/FITTINGS | 094383 | 1 | |
| 35 | DIVIDER, MTD A 08-016M 1/2 / 1/2 OIL FLOW | 088191 | 1 | |
| 36 | FITTING, #10SAE-3/8JIC 45 ELBOW | 034538 | 2 | |
| 37 | FITTING, 90 18X1.5 9/16-18 JIC ELBOW | 089992 | 3 | |
| 38 | FITTING, 3/8JIC TEE | 015487 | 1 | |
| | SUPPORT, LOG TURNER - COMPLETE | 099975 | 1 | |
| 39 | TURNER SUPPORT UPPER PART | 099932-1 | 1 | |
| 40 | TURNER SUPPORT LOWER PART (ZINC-PLATED) | 099969-1 | 1 | |
| 41 | PIN WELDMENT, TURNER SUPPORT MOUNT (ZINC-PLATED) | 099970-1 | 1 | |
| 42 | BOLT, M10x30-5.8 HEX HEAD FULL THREAD ZINC | F81003-2 | 1 | |
| 43 | WASHER, 10.5 FLAT ZINC | F81055-1 | 1 | |
| 44 | NUT, M10-8-B HEX NYLON ZINC LOCK | F81033-1 | 1 | |

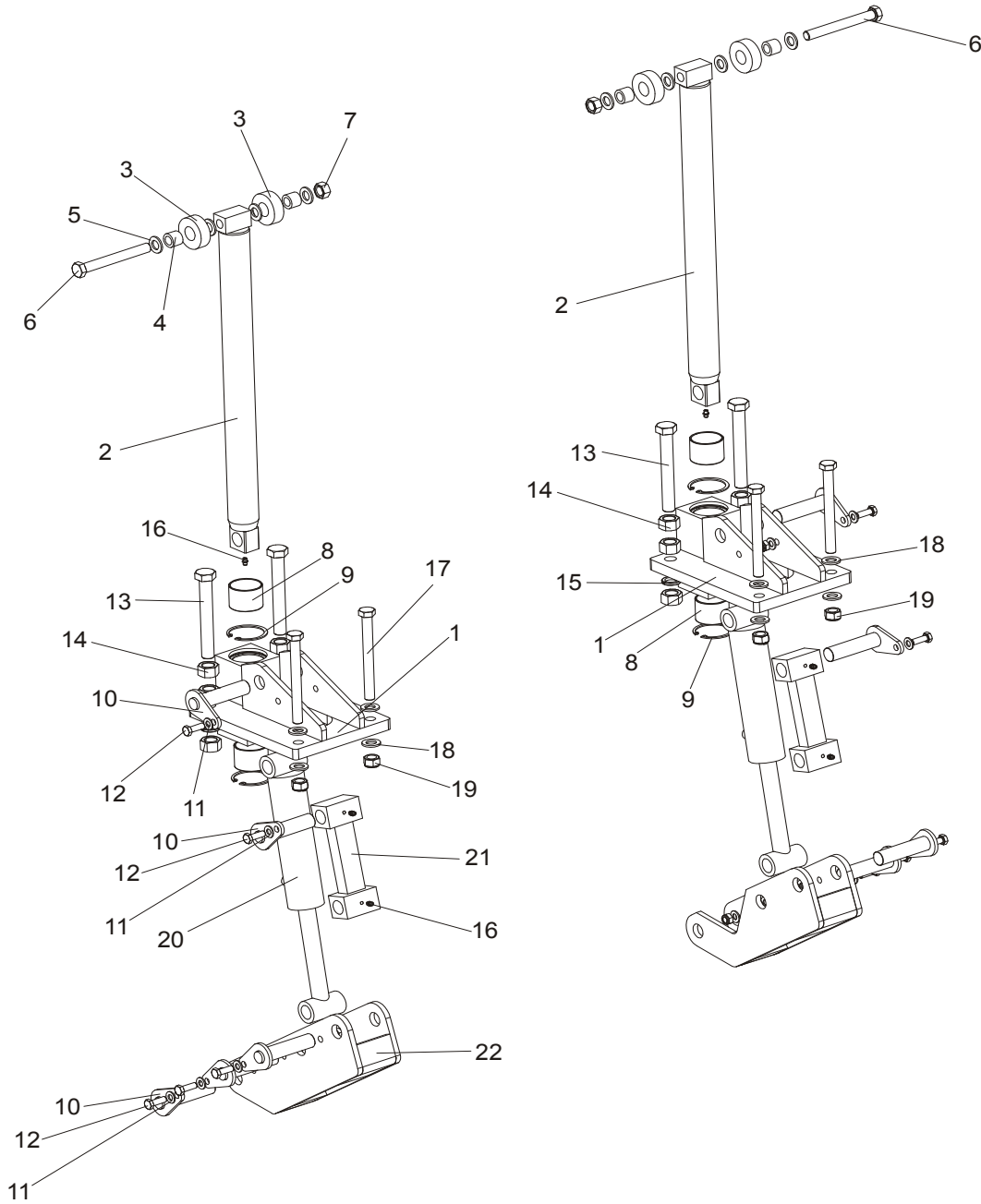
9.9 Hydraulic Log Side Supports (for Stationary Sawmills)



| REF. | DESCRIPTION (◆ Indicates Parts Available In Assemblies Only) | PART# | QTY. |
|------|--|---------------|----------|
| | SUPPORT, AHS/DHS STATIONARY VERTICAL SIDE COMPLETE | 519258 | 1 |
| | SUPPORT, STATIONARY VERTICAL LOG SIDE | 508957 | 2 |
| 1 | Mount Weldment, LT70/300 Vertical Side Support Upper | 508958-1 | 1 |
| 2 | Bushing, 5040BS Non-Greasable | 088660 | 2 |
| 3 | Pin Weldment, Vertical Side Support Zinc-Plated | 091197-1 | 2 |
| 4 | Ring, LT70/300 Vertical Side Support Zinc-Plated | 094004-1 | 2 |
| 5 | Ring, 62W Inside Retaining | F81090-1 | 2 |
| 6 | Rod Weldment, LT70/300 Vertical Side Support Complete | 094011-1 | 1 |
| 7 | Washer, 17 Flat Zinc | F81058-1 | 12 |
| 8 | Bushing, LT70/300 Vertical Side Support Bronze | 094012 | 2 |
| 9 | Roller, LT70/300 Vertical Side Support Zinc-Plated | 094013-1 | 2 |
| 10 | Bolt, M16x120 -8.8 Hex Head Zinc | F81006-25 | 1 |
| 11 | Nut, M16-5.8 Hex Zinc | F81036-1 | 1 |

| | | | | |
|-----------|---|-----------|----|--|
| 12 | Bolt, ISO 4017 M20x150 8.8 Zinc-Plated | F81007-3 | 2 | |
| 13 | Washer, 20.5 Split Lock Zinc | F81059-1 | 2 | |
| 14 | Nut, M20-8 Hex Zinc | F81037-1 | 6 | |
| 15 | Bolt, M16x160 -8.8 Hex Head Zinc | F81006-20 | 2 | |
| 16 | Nut, M16-8 Hex Nylon Zinc Lock | F81036-2 | 2 | |
| 17 | Link Weldment, LT300 Vertical Side Support | 094016-1 | 1 | |
| 18 | Fitting, M6 Grease | 086280 | 3 | |
| 19 | Bolt, M10x30-5.8 Hex Head Full Thread Zinc | F81003-2 | 2 | |
| 20 | Washer, 10.5 Flat Zinc | F81055-1 | 4 | |
| 21 | Nut, M10-8-B Nylon Hex Zinc Lock | F81033-1 | 2 | |
| 22 | Cylinder, 28/150 1/4 NPT Port Hydraulic | 094002 | 1 | |
| 23 | Fitting, 3/8JIC-1/4NPT 90L | 015491 | 2 | |
| 24 | Mount Weldment, AHS/DHS Vertical Side Support Lower | 519257-1 | 1 | |
| 25 | Pin Weldment, Vertical Side Support Zinc-Plated | 091197-1 | 6 | |
| 26 | Bolt, M10x30-5.8 Hex Head Full Thread Zinc | F81003-2 | 6 | |
| 27 | Washer, 10.5 Flat Zinc | F81055-1 | 12 | |
| 28 | Nut, M10-8-B Nylon Hex Zinc Lock | F81033-1 | 6 | |

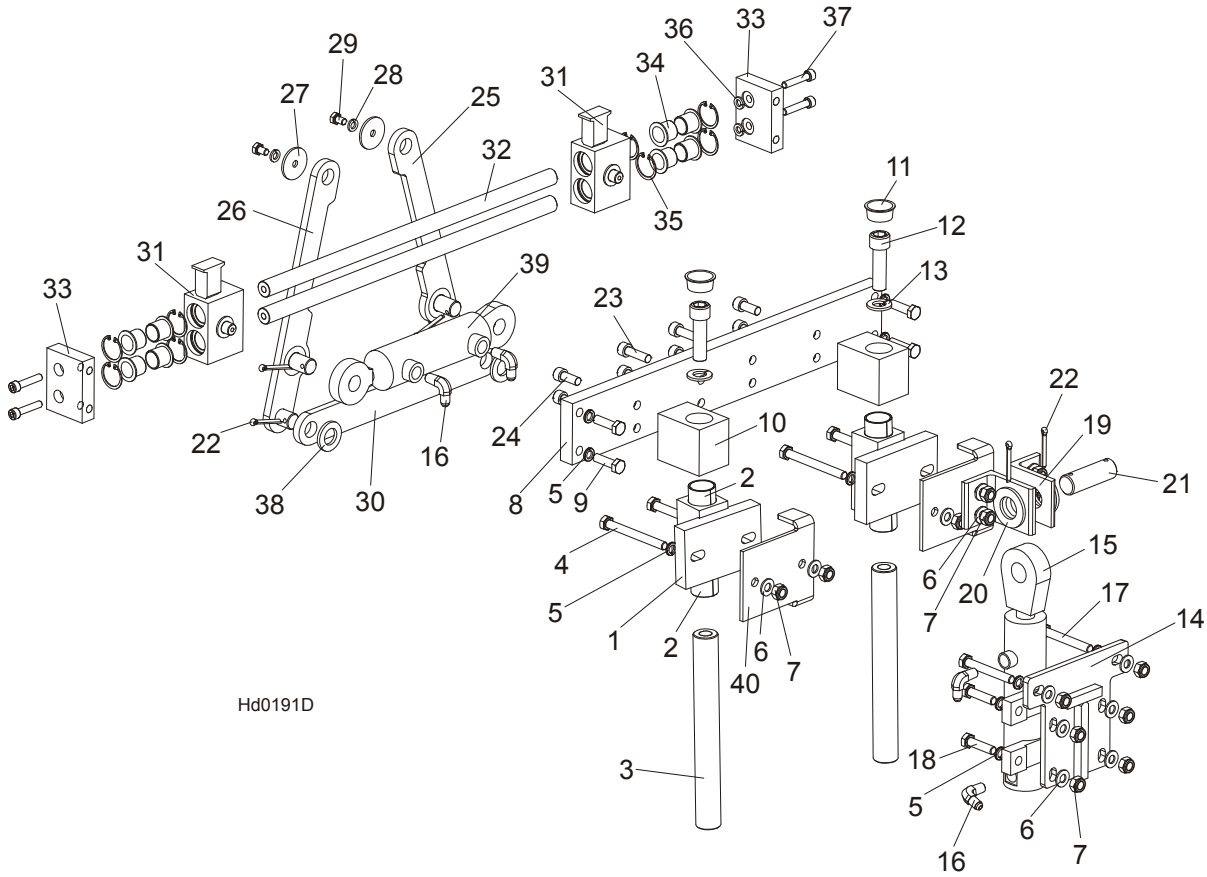
9.10 Hydraulic Log Side Supports (for Mobile Sawmills)



| REF. | DESCRIPTION (◆ Indicates Parts Available In Assemblies Only) | PART # | QTY. |
|------|--|----------|------|
| | SUPPORT, LT70/300 VERTICAL LOG SIDE (2) | 094388 | |
| 1 | Mount Weldment, LT70/300 Vertical Side Support Upper | 508958-1 | 1 |
| 2 | Rod Weldment, LT70/300 Vertical Side Support Complete | 094011-1 | 1 |
| 3 | Roller, LT70/300 Vertical Side Support Zinc-Plated | 094013-1 | 2 |
| 4 | Bushing, LT70/300 Vertical Side Support Bronze | 094012 | 2 |
| 5 | Washer, 17 Flat Zinc | F81058-1 | 4 |
| 6 | Bolt, M16x140-8.8 Hex Head Zinc | F81006-4 | 1 |
| 7 | Nut, M16-5.8 Hex Zinc | F81036-1 | 1 |
| 8 | Bushing, 5040BS Non-Greasable | 088660 | 1 |
| 9 | Ring, 62W Inside Retaining | F81090-1 | 2 |

| | | | | |
|----|---|-----------|---|--|
| 10 | Pin Weldment, Vertical Side Support Zinc-Plated | 091197-1 | 5 | |
| 11 | Washer, 10.5 Flat Zinc | F81055-1 | 5 | |
| 12 | Bolt, M10x30-5.8 Hex Head Full Thread Zinc | F81003-2 | 5 | |
| 13 | Bolt, ISO 4017 M20x150 8.8 Zinc-Plated | F81007-3 | 2 | |
| 14 | Nut, M20-8 Hex Zinc | F81037-1 | 6 | |
| 15 | Washer, 20.5 Split Lock Zinc | F81059-1 | 2 | |
| 16 | Fitting, M6 Grease | 086280 | 2 | |
| 17 | Bolt, M16x160 -8.8 Hex Head Zinc | F81006-20 | 2 | |
| 18 | Washer, 17 Flat Zinc | F81058-1 | 4 | |
| 19 | Nut, M16-8 Hex Nylon Zinc Lock | F81036-2 | 2 | |
| 20 | Cylinder, 28/150 1/4 NPT Port Hydraulic | 094002 | 1 | |
| 21 | Link Weldment, LT300 Vertical Side Support | 094016-1 | 1 | |
| 22 | Mount Weldment, LT300 Vertical Side Support Lower | 094387-1 | 1 | |
| | SUPPORT, LT70/300 VERTICAL LOG SIDE | 094010 | | |
| 1 | Mount Weldment, LT70/300 Vertical Side Support Upper | 508958-1 | 1 | |
| 2 | Rod Weldment, LT70/300 Vertical Side Support Complete | 094011-1 | 1 | |
| 3 | Roller, LT70/300 Vertical Side Support Zinc-Plated | 094013-1 | 2 | |
| 4 | Bushing, LT70/300 Vertical Side Support Bronze | 094012 | 2 | |
| 5 | Washer, 17 Flat Zinc | F81058-1 | 4 | |
| 6 | Bolt, M16x140-8.8 Hex Head Zinc | F81006-4 | 1 | |
| 7 | Nut, M16-5.8 Hex Zinc | F81036-1 | 1 | |
| 8 | Bushing, 5040BS Non-Greasable | 088660 | 1 | |
| 9 | Ring, 62W Inside Retaining | F81090-1 | 2 | |
| 10 | Pin Weldment, Vertical Side Support Zinc-Plated | 091197-1 | 5 | |
| 11 | Washer, 10.5 Flat Zinc | F81055-1 | 5 | |
| 12 | Bolt, M10x30-5.8 Hex Head Full Thread Zinc | F81003-2 | 5 | |
| 13 | Bolt, ISO 4017 M20x150 8.8 Zinc-Plated | F81007-3 | 2 | |
| 14 | Nut, M20-8 Hex Zinc | F81037-1 | 6 | |
| 15 | Washer, 20.5 Split Lock Zinc | F81059-1 | 2 | |
| 16 | Fitting, M6 Grease | 086280 | 2 | |
| 17 | Bolt, M16x160 -8.8 Hex Head Zinc | F81006-20 | 2 | |
| 18 | Washer, 17 Flat Zinc | F81058-1 | 4 | |
| 19 | Nut, M16-8 Hex Nylon Zinc Lock | F81036-2 | 2 | |
| 20 | Cylinder, 28/150 1/4 NPT Port Hydraulic | 094002 | 1 | |
| 21 | Link Weldment, LT70/300 Vertical Side Support | 094016-1 | 1 | |
| 22 | Mount Weldment, LT70/300 Vertical Side Support Lower | 094387-1 | 1 | |

9.11 Hydraulic Pull-Down Clamp

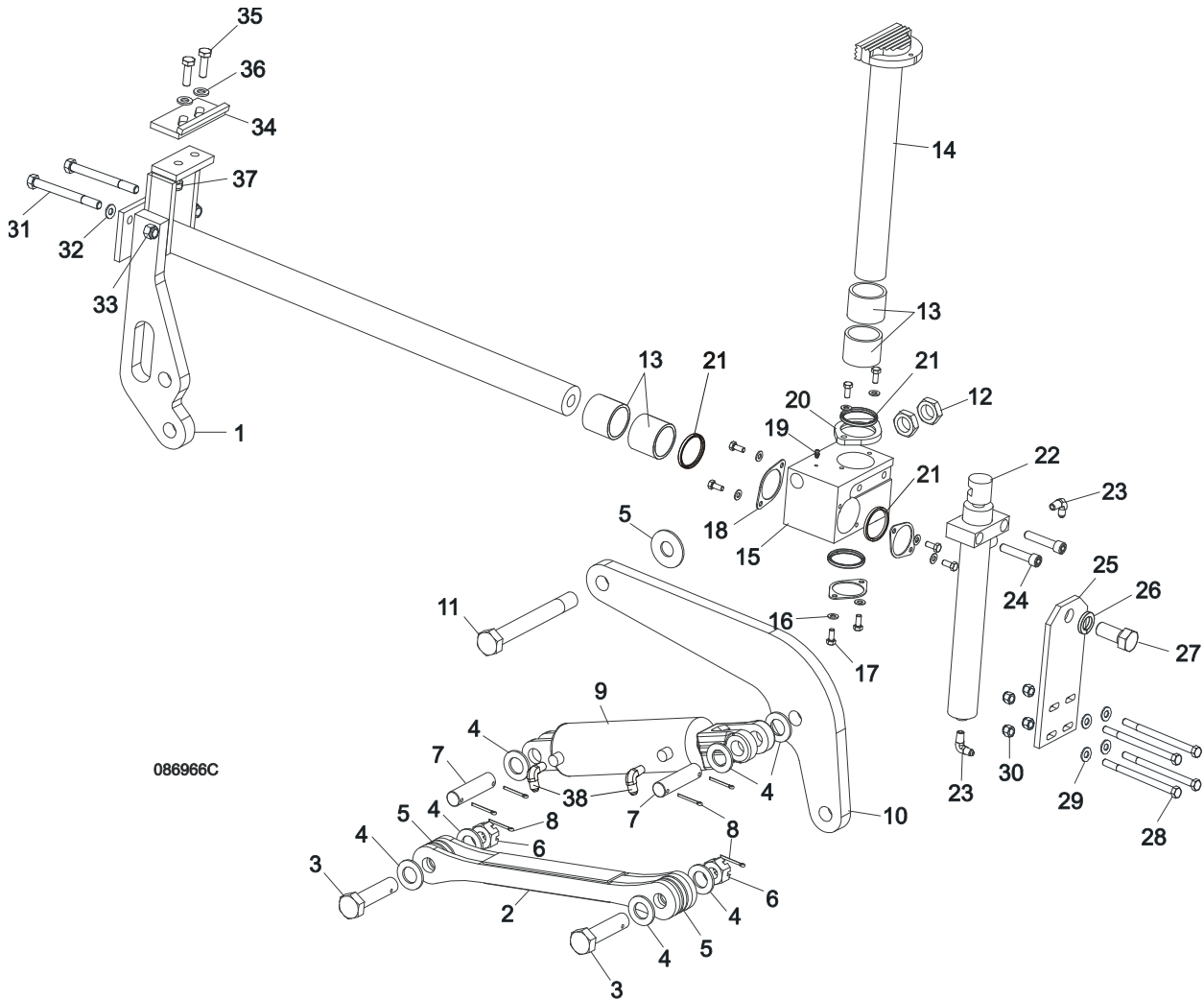


Hd0191D

| REF. | DESCRIPTION (◆ Indicates Parts Available In Assemblies Only) | PART # | QTY. |
|------|--|---------------|----------|
| | LEFT HYDRAULIC LOG CLAMP ASSEMBLY, COMPLETE | 094129 | 1 |
| | GUIDE BLOCK W/SELF-LUBRICATING BUSHINGS | 090544 | 2 |
| 1 | Block Weldment, Log Clamp Guide Ptd | 090543-1 | 2 |
| 2 | Bushing, 3040BS Self-lubricating | 088676 | 2 |
| 3 | Pin, Log Clamp Up/Down | 088631 | 2 |
| 4 | Bolt, M10x95-8.8-B Hex Head Zinc | F81003-71 | 4 |
| 5 | Washer, 10.2 Split Lock Zinc | F81055-2 | 14 |
| 6 | Washer, 10.5 Flat Zinc | F81055-1 | 14 |
| 7 | Nut, M10-8-B Hex Nylon Zinc Lock | F81033-1 | 14 |
| 8 | Beam, Log Clamp Main Zinc-plated | 094115-1 | 1 |
| 9 | Bolt, M10x35-8.8 Hex Head Full Thread Zinc | F81003-17 | 4 |
| 10 | Block, Log Clamp Up/Down Painted | 094124-1 | 2 |
| 11 | Plug, M33 Thread #12428 | 089839 | 2 |
| 12 | Screw, M16x55-8.8 Hex Socket Head Cap Zinc | F81006-18 | 2 |
| 13 | Washer, 16.3 Split Lock Zinc | F81058-2 | 2 |
| 14 | Plate Weldment, Hydraulic Cylinder Mounting Painted | 094094-1 | 1 |
| 15 | Cylinder, CJ7F-16/40/22 + UE2-40W Hydraulic | 091346 | 1 |
| 16 | Fitting, 90° Male Elbow | P09142 | 2 |
| 17 | Bolt, M10x75-8.8 Hex Head Zinc | F81003-15 | 2 |

| | | | | |
|-----------|--|-----------|---|--|
| 18 | Bolt, M10x40-8.8 Hex Head Full Thread Zinc | F81003-16 | 4 | |
| 19 | Bracket, Hydraulic Cylinder Mounting Painted | 094127-1 | 2 | |
| 20 | Washer, 28 Flat Zinc | F81061-1 | 2 | |
| 21 | Pin, 25x75 Zinc-plated | 088659-1 | 1 | |
| 22 | Pin, S-Zn 5x40 Cotter Zinc | F81043-31 | 4 | |
| 23 | Screw, M10x35 8.8 Hex Socket Head Cap Zinc | F81003-56 | 4 | |
| 24 | Screw, M10x25 8.8 Hex Socket Head Cap Zinc | F81003-32 | 4 | |
| 25 | Link, Log Clamp In/Out Side Zinc-plated (1) | 094097-1 | 1 | |
| 26 | Link, Log Clamp In/Out Side Zinc-plated (2) | 094099-1 | 1 | |
| 27 | Washer, Zinc-plated Spacer | 094128-1 | 1 | |
| 28 | Washer, 8.2 Split Lock Zinc | F81054-4 | 2 | |
| 29 | Bolt, M8x12-8.8 Hex Head Full Thread Zinc | F81002-6 | 2 | |
| 30 | Arm, Log Clamp In/Out Zinc-plated | 094092-1 | 1 | |
| 31 | Jaw Weldment, Log Clamp Zinc-plated | 094120-1 | 2 | |
| 32 | Rod, Log Clamp Jaw Guide | 094116 | 2 | |
| 33 | Plate, Locking Zinc-plated | 094117-1 | 2 | |
| 34 | Bushing, JFM-2023-21 Flanged | 094113 | 8 | |
| 35 | Ring, W 31 Inside Retaining | F81090-15 | 8 | |
| 36 | Washer, 8.2 Split Lock Zinc | F81054-4 | 4 | |
| 37 | Screw, M8x40-8.8 Hex Socket Head Cap Zinc | F81002-29 | 4 | |
| 38 | Washer, 21 Flat Zinc | F81059-2 | 2 | |
| 39 | Cylinder SJ2F-16-40/22/80 Hydraulic | 093880 | 1 | |
| 40 | Bracket, Log Clamp Mount Painted | 094098-1 | 2 | |

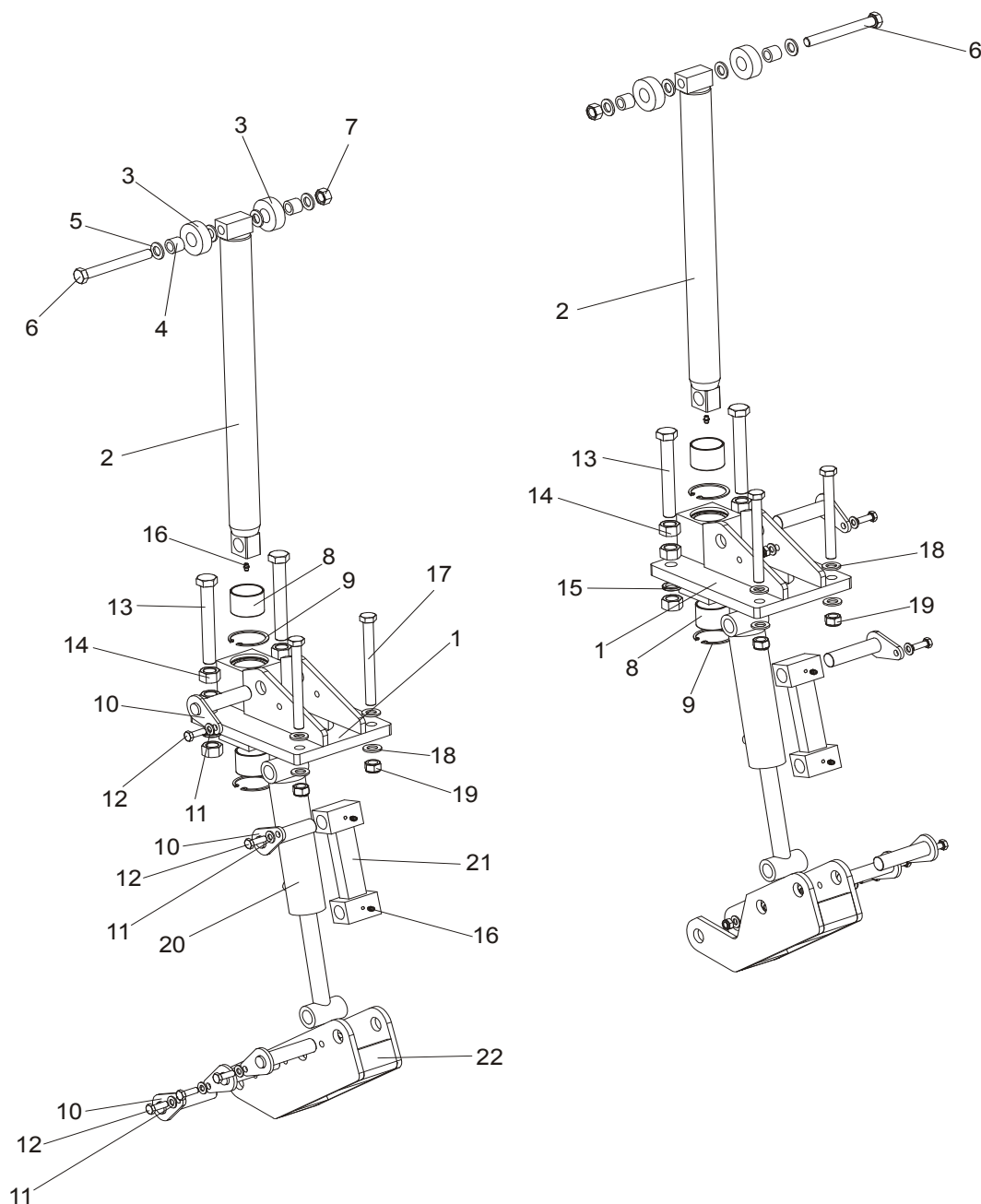
9.12 Hydraulic Log Clamp - Main



| REF. | DESCRIPTION (◆ Indicates Parts Available In Assemblies Only) | PART # | QTY. |
|------|--|----------|------|
| | HYDRAULIC LOG CLAMP ASSEMBLY | 088658 | 1 |
| 1 | Rod Weldment, Log Clamp Slide Ptd | 086967-1 | 1 |
| 2 | Arm Weldment, Hydraulic Clamp Link Ptd | 086963-1 | 1 |
| 3 | Pin, B 24x95/85-Clevis Zinc | F81049-2 | 1 |
| 4 | Washer, 25 Flat Zinc | F81061-3 | 8 |
| 5 | Washer, 25X63 Zinc-Plated | 088585-1 | 5 |
| 6 | Nut, Z M20-8-B-Slotted Castle Zinc | F81037-3 | 2 |
| 7 | Pin, Hydraulic Cylinder Zinc-Plated | 086979-1 | 2 |
| 8 | Pin, S-Zn 6,3x45 Cotter | F81045-2 | 6 |
| 9 | Cylinder, CJ-S96-16-70/32/178 Hydraulic | 088589 | 1 |
| 10 | Arm, Hydraulic Log Clamp Link Ptd | 086974-1 | 1 |
| 11 | Bolt, M24x217/39 -8.8-B- Hex Head Zinc | 088586-1 | 1 |
| 12 | Nut, M24 -04-B- Hex Thin Zinc | F81039-3 | 2 |

| | | | | |
|----|---|-----------|---|--|
| 13 | Bushing, 5040BS Self-Lubricating | 088660 | 2 | |
| 14 | Rod Weldment, Log Clamp Vertical Painted | 088582-1 | 1 | |
| 15 | Block, Log Clamp Steel Ptd | 088591-1 | 1 | |
| 16 | Washer, 8.4 Flat Zinc | F81054-1 | 8 | |
| 17 | Bolt, M8x20-8.8-B-Hex Head Full Thread Zinc | F81002-4 | 8 | |
| 18 | Flange, Clamp Rod Wiper Ptd | 088887-1 | 3 | |
| 19 | Fitting, 3/16" Straight Grease | P04107 | 1 | |
| 20 | Flange, Clamp Rod Wiper Ptd | 088887-1 | 1 | |
| 21 | Wiper, ZZ 50x60x7 Log Clamp Rod | 088587 | 1 | |
| 22 | Cylinder, CJ-S169-16-40/22/254 Hydraulic | 088590 | 1 | |
| 23 | Fitting, 1/4" NPT - 1/4" JIC Male Elbow | P09142 | 2 | |
| 24 | Screw, M12x55 -8.8-B-Hex Socked Head Cap Zinc | F81004-23 | 2 | |
| 25 | Plate, Log Clamp Mount Ptd | 086975-1 | 1 | |
| 26 | Washer, Z 22,5 Split Lock | F81059-4 | 1 | |
| 27 | Bolt, M22x1,5x40 -8.8-B-Hex Head Full Thread Zinc | F81009-1 | 1 | |
| 28 | Bolt, M10 x 125-8.8 Hex Head Zinc | F81003-18 | 4 | |
| 29 | Washer, 10.5 Flat Zinc | F81055-1 | 8 | |
| 30 | Nut, M10-8-B Hex Nylon Zinc Lock | F81033-1 | 4 | |
| 31 | Bolt, M12x130-8.8-Hex Head Zinc | F81004-36 | 2 | |
| 32 | Washer, 13 Flat Zinc | F81056-1 | 2 | |
| 33 | Nut, M12-8 Hex Zinc | F81034-1 | 2 | |
| | STOP KIT, CLAMP | K09485 | 1 | |
| 34 | Stop Wldmt, Hydraulic Log Clamp Ptd | 086980-1 | 1 | |
| 35 | Bolt, M12 x 40 8.8 Hex Head Full Thread Zinc | F81004-4 | 2 | |
| 36 | Washer, 13 Flat Zinc | F81056-1 | 2 | |
| 37 | NUT, M12-8 HEX NYLON ZINC LOCK | F81034-2 | 4 | |
| 38 | FITTING, 3/8JIC-1/4NPT 90L | 015491 | 2 | |

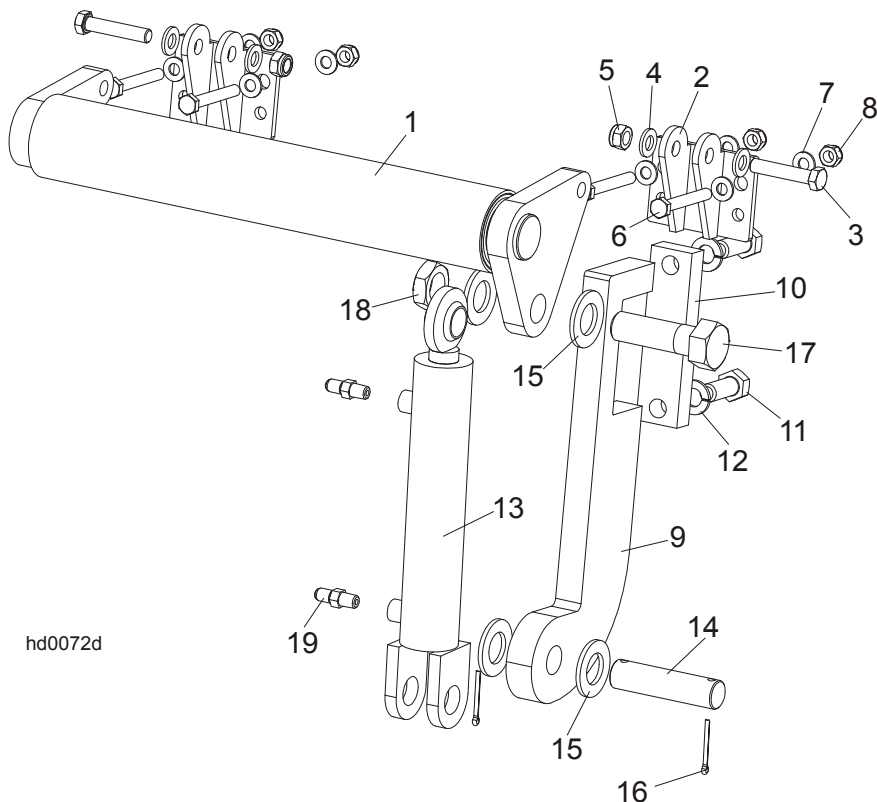
9.13 Hydraulic Log Side Supports (Super Version)



| REF. | DESCRIPTION (◆ Indicates Parts Available In Assemblies Only) | PART # | QTY. |
|------|--|----------|------|
| | SUPPORT, LT70/300 VERTICAL LOG SIDE (2) | 094388 | |
| 1 | Mount Weldment, LT70/300 Vertical Side Support Upper | 508958-1 | 1 |
| 2 | Rod Weldment, LT70/300 Vertical Side Support Complete | 094011-1 | 1 |
| 3 | Roller, LT70/300 Vertical Side Support Zinc-Plated | 094013-1 | 2 |
| 4 | Bushing, LT70/300 Vertical Side Support Bronze | 094012 | 2 |
| 5 | Washer, 17 Flat Zinc | F81058-1 | 4 |
| 6 | Bolt, M16x140-8.8 Hex Head Zinc | F81006-4 | 1 |
| 7 | Nut, M16-5.8 Hex Zinc | F81036-1 | 1 |
| 8 | Bushing, 5040BS Non-Greasable | 088660 | 1 |
| 9 | Ring, 62W Inside Retaining | F81090-1 | 2 |

| | | | | |
|----|---|-----------|---|--|
| 10 | Pin Weldment, Vertical Side Support Zinc-Plated | 091197-1 | 5 | |
| 11 | Washer, 10.5 Flat Zinc | F81055-1 | 5 | |
| 12 | Bolt, M10x30-5.8 Hex Head Full Thread Zinc | F81003-2 | 5 | |
| 13 | Bolt, ISO 4017 M20x150 8.8 Zinc-Plated | F81007-3 | 2 | |
| 14 | Nut, M20-8 Hex Zinc | F81037-1 | 6 | |
| 15 | Washer, 20.5 Split Lock Zinc | F81059-1 | 2 | |
| 16 | Fitting, M6 Grease | 086280 | 2 | |
| 17 | Bolt, M16x160 -8.8 Hex Head Zinc | F81006-20 | 2 | |
| 18 | Washer, 17 Flat Zinc | F81058-1 | 4 | |
| 19 | Nut, M16-8 Hex Nylon Zinc Lock | F81036-2 | 2 | |
| 20 | Cylinder, 28/150 1/4 NPT Port Hydraulic | 094002 | 1 | |
| 21 | Link Weldment, LT300 Vertical Side Support | 094016-1 | 1 | |
| 22 | Mount Weldment, LT300 Vertical Side Support Lower | 094387-1 | 1 | |
| | SUPPORT, LT70/300 VERTICAL LOG SIDE | 094010 | | |
| 1 | Mount Weldment, LT70/300 Vertical Side Support Upper | 508958-1 | 1 | |
| 2 | Rod Weldment, LT70/300 Vertical Side Support Complete | 094011-1 | 1 | |
| 3 | Roller, LT70/300 Vertical Side Support Zinc-Plated | 094013-1 | 2 | |
| 4 | Bushing, LT70/300 Vertical Side Support Bronze | 094012 | 2 | |
| 5 | Washer, 17 Flat Zinc | F81058-1 | 4 | |
| 6 | Bolt, M16x140-8.8 Hex Head Zinc | F81006-4 | 1 | |
| 7 | Nut, M16-5.8 Hex Zinc | F81036-1 | 1 | |
| 8 | Bushing, 5040BS Non-Greasable | 088660 | 1 | |
| 9 | Ring, 62W Inside Retaining | F81090-1 | 2 | |
| 10 | Pin Weldment, Vertical Side Support Zinc-Plated | 091197-1 | 5 | |
| 11 | Washer, 10.5 Flat Zinc | F81055-1 | 5 | |
| 12 | Bolt, M10x30-5.8 Hex Head Full Thread Zinc | F81003-2 | 5 | |
| 13 | Bolt, ISO 4017 M20x150 8.8 Zinc-Plated | F81007-3 | 2 | |
| 14 | Nut, M20-8 Hex Zinc | F81037-1 | 6 | |
| 15 | Washer, 20.5 Split Lock Zinc | F81059-1 | 2 | |
| 16 | Fitting, M6 Grease | 086280 | 2 | |
| 17 | Bolt, M16x160 -8.8 Hex Head Zinc | F81006-20 | 2 | |
| 18 | Washer, 17 Flat Zinc | F81058-1 | 4 | |
| 19 | Nut, M16-8 Hex Nylon Zinc Lock | F81036-2 | 2 | |
| 20 | Cylinder, 28/150 1/4 NPT Port Hydraulic | 094002 | 1 | |
| 21 | Link Weldment, LT70/300 Vertical Side Support | 094016-1 | 1 | |
| 22 | Mount Weldment, LT70/300 Vertical Side Support Lower | 094387-1 | 1 | |

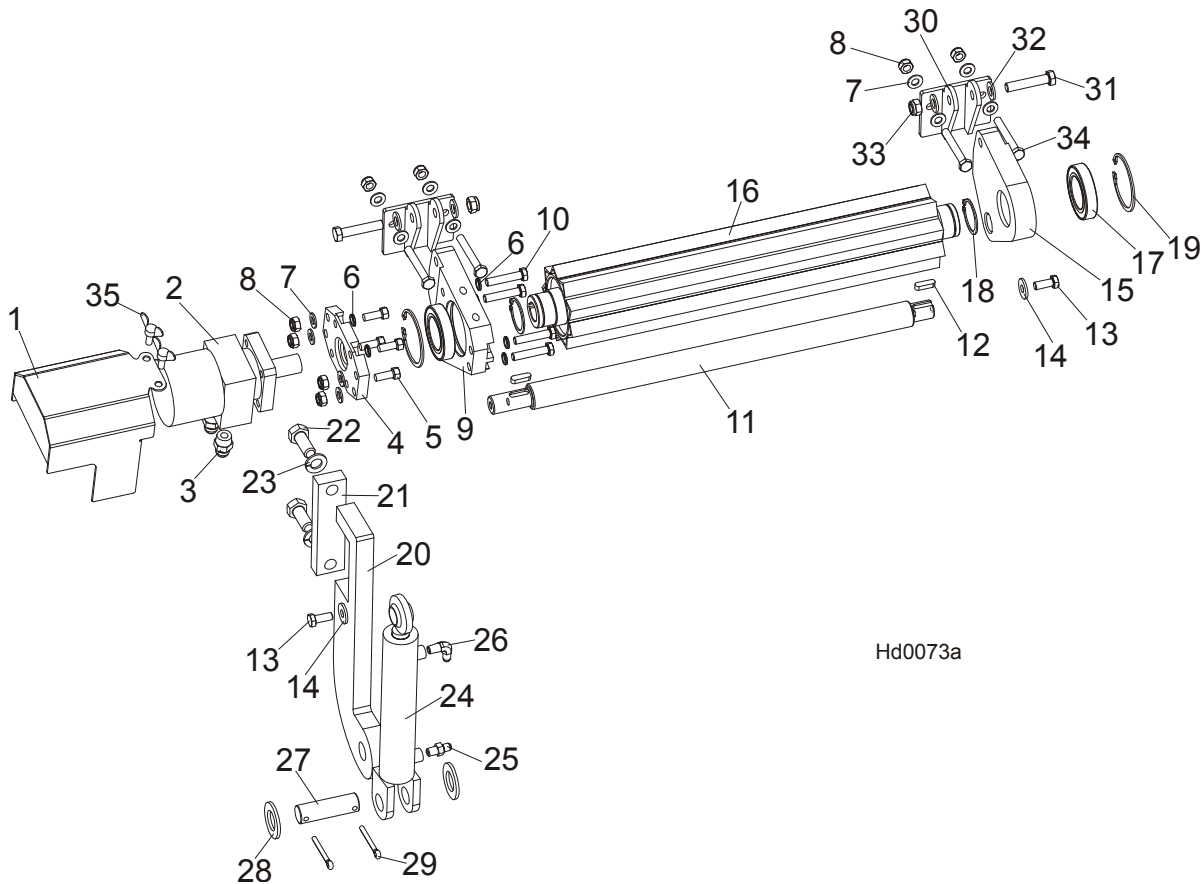
9.14 Hydraulic Toe Board



hd0072d

| REF. | DESCRIPTION (◆ Indicates Parts Available In Assemblies Only) | PART# | QTY. |
|------|--|------------|------|
| | HYDRAULIC TOE BOARD - REAR | 092634 | 1 |
| 1 | Toe Board Weldment, Hydraulic - Rear | 086253-1 | 1 |
| 2 | Bracket, Hydraulic Toe Board | 087903-1 | 4 |
| 3 | Bolt, M12x60mm Hex Head Zinc Grade 8.8 | F81004-5 | 4 |
| 4 | Washer, M12 Flat Zinc | F81056-1 | 8 |
| 5 | Nut, M12 Hex Nylon Zinc Lock | F81034-2 | 4 |
| 6 | Bolt, M10x75-8.8 Hex Head Zinc | F81003-15 | 8 |
| 7 | Washer, M10 Flat Zinc | F81055-1 | 16 |
| 8 | Nut, M10 Hex Nylon Zinc Lock | F81033-1 | 8 |
| 9 | Bracket, Hydraulic Toeboard Mount | 087729-1 | 2 |
| 10 | Plate, Hydraulic Toeboard Mount | 090086-1 | 2 |
| 11 | Bolt, M16x40mm Hex Head Full Thread Zinc Grade 5.8 | F81006-13 | 4 |
| 12 | Washer, 16.3 Split Lock Zinc | F81058-2 | 4 |
| 13 | Cylinder, CJ-S170-16-40/25/152 Hydraulic | 088681 | 2 |
| 14 | Pin, Cylinder Mount | 086979-1 | 2 |
| 15 | Washer, 28 Flat Zinc | F81061-1 | 8 |
| 16 | Pin, 3/16x1.5 Cotter Zinc | F05012-23 | 4 |
| 17 | Bolt, 1-8x3 1/4 Hex Head Grade 5 | F05009-51 | 2 |
| 18 | Nut, 1-14 Hex Jam Unplated | F05010-117 | 2 |
| 19 | Fitting, 1/4NPTx1/4JIC Male | P09143 | 4 |

9.15 Power Toe Roller



| REF. | DESCRIPTION (◆ Indicates Parts Available In Assemblies Only) | PART# | QTY. |
|------|--|-----------|------|
| | POWER ROLLER | 096040 | 1 |
| 1 | Cover, Hydraulic Motor | 096037-1 | 1 |
| 2 | Motor, MG06-13-13AAAB Hyd | P21506 | 1 |
| 3 | Fitting, 1/2-14NPT/ 7/16-20UNF | 096919 | 2 |
| 4 | Plate, Hydraulic Motor Mount | 096030-1 | 1 |
| 5 | Screw, 3/8-16x1, HHC | F05007-7 | 4 |
| 6 | Washer, 10.2 Split Lock Zinc | F81055-2 | 4 |
| 7 | Washer, 10,5 Flat Zinc | F81055-1 | 12 |
| 8 | Nut, M10-8-B Nylon Hex Zinc Lock | F81033-1 | 8 |
| 9 | Bracket, Side w/HydroMotor Connector | 096029-1 | 1 |
| 10 | Bolt, M10x50-8.8-Hex Head Full Thread Zinc | F81003-4 | 4 |
| 11 | Rod | 096034 | 1 |
| 12 | Key, A8x7x28 Parallel | 096035 | 2 |
| 13 | Bolt, M10x25 8.8 Hex Head Full Thread Zinc | F81003-31 | 2 |
| 14 | Washer, 10,5 Zinc Flat Special | F81055-6 | 2 |
| 15 | Bracket | 096031-1 | 1 |
| 16 | Roller, Pivot - Wldmt | 096028-1 | 1 |
| 17 | Bearing, 6009.2RSR | 096025 | 2 |
| 18 | Ring, Z 45 Spring Retaining | F81090-32 | 2 |
| 19 | Ring, W 75 Spring Retaining | F81090-41 | 2 |
| 20 | Plate, Toe Board Cylinder Mount | 087729-1 | 1 |



HYDRAULIC SYSTEM

Power Toe Roller

| | | | | |
|----|--|-----------|---|--|
| 21 | Plate, Hydraulic Toe Board Mount | 090086-1 | 1 | |
| 22 | Bolt, M16x40-8.8 Hex Head Full Thread Zinc | F81006-13 | 2 | |
| 23 | Washer, 16,3 Split Lock Zinc | F81058-2 | 2 | |
| | Cylinder, Hydraulic Toe Boards | 085937 | 1 | |
| 24 | Cylinder, CJ-S170-16-40/25/152 Hydraulic | 088681 | 1 | |
| 25 | Fitting, C5205x4x4 Male | P09143 | 1 | |
| 26 | Fitting, 1/4NPTx1/4JIC Male Elbow | P09142 | 1 | |
| 27 | Pin, Hydraulic Cylinder Zinc | 086979-1 | 1 | |
| 28 | Washer, 28 Flat Zinc | F81061-1 | 2 | |
| 29 | Pin, S-Zn 6,3x45 | F81045-2 | 2 | |
| 30 | Bracket, Toe Board Roller Mount | 087903-1 | 2 | |
| 31 | Bolt, M12x60-8.8 Hex Head Zinc | F81004-5 | 2 | |
| 32 | Washer, 13 Zinc Flat | F81056-1 | 4 | |
| 33 | Nut, M12-8 Hex Nylon Zinc Lock | F81034-2 | 2 | |
| 34 | Bolt, M10x75-8.8-Hex Head Zinc | F81003-15 | 4 | |
| 35 | Stud, M6x16 Wing | F81001-16 | 2 | |