

# **Wood-Mizer®**

## **Parts Manual**

---

**LT70M AH Super**

**rev. A5.01**

---



**Safety is our #1 concern!** Read and understand all safety information and instructions before operating, setting up or maintaining this machine.

*August 2006*

*Form #1060*

# Table of Contents

# Section-Page

|                  |  |            |
|------------------|--|------------|
| <b>SECTION 1</b> | <b>GENERAL INFORMATION</b>                   | <b>1-1</b> |
| 1.1              | How To Use The Parts List .....              | 1-1        |
| 1.2              | Sample Assembly .....                        | 1-1        |
| <b>SECTION 2</b> | <b>BLADE GUIDE ROLLERS &amp; ARM</b>         | <b>2-1</b> |
| 2.1              | Blade Guide Assembly, Idle Side .....        | 2-1        |
| 2.2              | Blade Guide Assembly, Drive Side .....       | 2-2        |
| 2.3              | Blade Guide Arm Drive Assembly.....          | 2-4        |
| 2.4              | Blade Guide Mount Assembly, Drive Side ..... | 2-6        |
| <b>SECTION 3</b> | <b>BLADE WHEELS &amp; TENSIONER</b>          | <b>3-1</b> |
| 3.2              | Idle Blade Wheel Assembly .....              | 3-2        |
| 3.3              | Hydraulic Blade Tensioner Assembly.....      | 3-3        |
| 3.4              | Sawdust Flow Guide.....                      | 3-5        |
| <b>SECTION 4</b> | <b>SAW HEAD</b>                              | <b>4-1</b> |
| 4.2              | Drive Belt Tensioner .....                   | 4-1        |
| 4.3              | Board Return Assembly (optional).....        | 4-2        |
| 4.4              | Water Lube Assembly .....                    | 4-4        |
| 4.5              | LT70AC Saw Head Decals .....                 | 4-5        |
| 4.6              | Blade Housing Covers.....                    | 4-7        |
| 4.7              | Sawdust Chute .....                          | 4-8        |
| <b>SECTION 5</b> | <b>CONTROL BOXES</b>                         | <b>5-1</b> |
| 5.1              | Control Assembly, LT70 AH .....              | 5-1        |
| 5.2              | Drum Switches .....                          | 5-2        |
| 5.3              | Circuit Breakers.....                        | 5-3        |
| 5.4              | Front Panel Assembly & Harnesses .....       | 5-4        |
| 5.5              | Solenoids .....                              | 5-5        |
| <b>SECTION 6</b> | <b>UP/DOWN SYSTEM</b>                        | <b>6-1</b> |
| 6.2              | Blade Height Scale .....                     | 6-2        |
| 6.3              | Up/Down Chain & Sprockets.....               | 6-3        |
| 6.4              | Up/Down Drive Assembly .....                 | 6-4        |
| <b>SECTION 7</b> | <b>FEED SYSTEM &amp; TRACK ROLLERS</b>       | <b>7-1</b> |
| 7.1              | Upper Track Rollers And Wipers.....          | 7-1        |
| 7.2              | Power Feed Assembly .....                    | 7-3        |
| 7.3              | Feed Chain/Stop, LT70 S/M .....              | 7-4        |
| 7.4              | Lower Track Rollers.....                     | 7-5        |

## Table of Contents

## Section-Page

|                  |  |            |
|------------------|--|------------|
| <b>SECTION 8</b> | <b>BED FRAME ASSEMBLY</b>                                  | <b>8-1</b> |
| 8.1              | Bed Rail Assembly, Front (LT40/70M Super).....             | 8-1        |
| 8.2              | Bed Rail Assembly, Middle (LT40/70M Super).....            | 8-2        |
| 8.3              | Table, M Super Frame.....                                  | 8-3        |
| 8.4              | Board Return Assembly - (LT40M Super Option).....          | 8-4        |
| 8.5              | Board Return Assembly - (LT70M Super Option).....          | 8-5        |
| 8.6              | Stationary Leg Kit, M Super Frame.....                     | 8-6        |
| 8.7              | Outrigger Leg Kit, M Super Frame.....                      | 8-8        |
| 8.8              | LT40/70M Super Saw Head Rest Pin Assembly.....             | 8-9        |
| 8.9              | Tie Down Chain Assembly.....                               | 8-10       |
| <br>             |  |            |
| <b>SECTION 9</b> | <b>HYDRAULIC SYSTEM</b>                                    | <b>9-1</b> |
| 9.1              | Hydraulic Hoses, LT40/70M Super.....                       | 9-1        |
| 9.2              | Hydraulic Control Box, LT40/70M Super (AC).....            | 9-3        |
| 9.3              | Hydraulic & Wireless Control Box.....                      | 9-5        |
| 9.4              | Wireless Control Assembly (Option).....                    | 9-7        |
| 9.5              | Hydraulic Log Loader.....                                  | 9-8        |
| 9.6              | Hydraulic Log Turner.....                                  | 9-9        |
| 9.7              | Hydraulic Log Side Supports (for Stationary Sawmills)..... | 9-11       |
| 9.8              | Hydraulic Log Side Supports (for Mobile Sawmills).....     | 9-13       |
| 9.9              | Hydraulic Pull Down Clamp.....                             | 9-15       |
| 9.10             | Hydraulic Log Clamp - main.....                            | 9-17       |
| 9.11             | Hydraulic Log Side Supports (Super version).....           | 9-19       |
| 9.12             | Hydraulic Toe Board.....                                   | 9-21       |
| 9.13             | Power Toe Roller.....                                      | 9-22       |

## SECTION 1 GENERAL INFORMATION

### 1.1 How To Use The Parts List

- Use the index above to locate the assembly that contains the part you need.
- Go to the appropriate section and locate the part in the illustration.
- Use the number pointing to the part to locate the correct part number and description in the table.
- Parts shown indented under another part are included with that part.
- Parts marked with a diamond (◆) are only available in the assembly listed above the part.

See the sample table below. Sample Part #A01111 includes part F02222-2 and subassembly A03333. Subassembly A03333 includes part S04444-4 and subassembly K05555. The diamond (◆) indicates that S04444-4 is not available except in subassembly A03333. Subassembly K05555 includes parts M06666 and F07777-77. The diamond (◆) indicates M06666 is not available except in subassembly K05555.

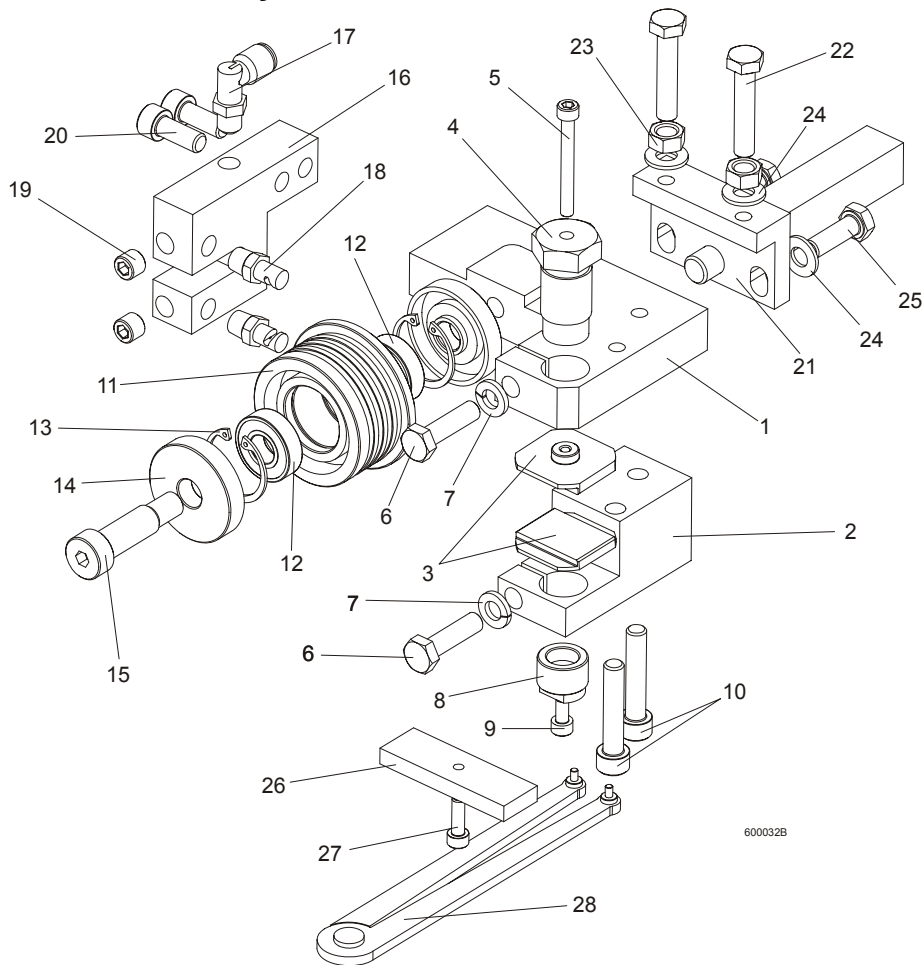
| <b>1.2 Sample Assembly</b> |   |           |      |   |
|----------------------------|---|-----------|------|---|
| REF                        | DESCRIPTION (◆ Indicates Parts Available In Assemblies Only)  | PART #    | QTY. |   |
|                            | Sample Assembly, Complete (Includes All Indented Parts Below) | A01111    | 1    |   |
| 1                          | Sample Part   | F02222-22 | 1    |   |
|                            | Sample Subassembly (Includes All Indented Parts Below)        | A03333    | 1    |   |
| 2                          | Sample Part (◆ Indicates Part Is Only Available With A03333)  | S04444-4  | 1    | ◆ |
|                            | Sample Subassembly (Includes All Indented Parts Below)        | K05555    | 1    |   |
| 3                          | Sample Part (◆ Indicates Part Is Only Available With K05555)  | M06666    | 2    | ◆ |
| 4                          | Sample Part   | F07777-77 | 1    |   |

#### **To Order Parts:**

- From Europe call our European Headquarters and Manufacturing Facility in Kolo, Poland at **+48-63-2626000**. From the continental U.S., call our toll-free Parts hotline at **1-800-448-7881**. Have your customer number, vehicle identification number, and part numbers ready when you call.
- From other international locations, contact the Wood-Mizer distributor in your area for parts.

**SECTION 2 BLADE GUIDE ROLLERS & ARM**

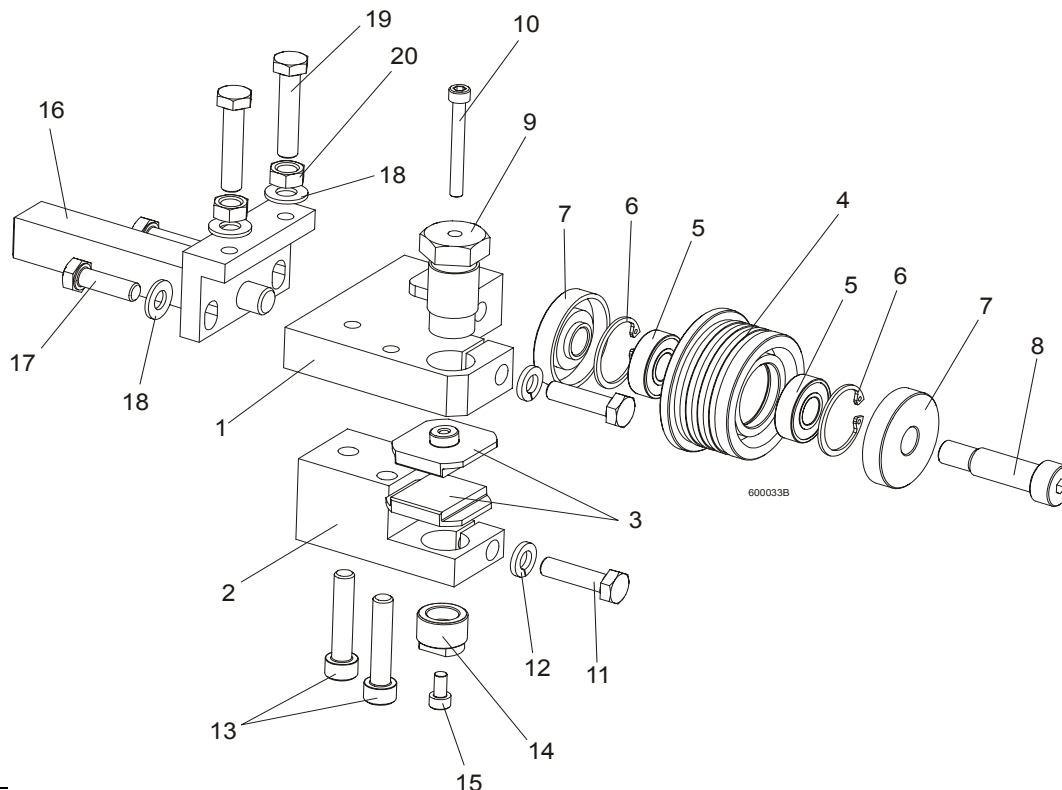
**2.1 Blade Guide Assembly, Idle Side**



| REF | DESCRIPTION (u Indicates Parts Available In Assemblies Only)                           | PART#     | QTY. |
|-----|--|-----------|------|
|     | <b>BLADE GUIDE ASSEMBLY, IDLE SIDE</b>   | 090943    | 1    |
|     | <b>BLADE GUIDE ASSEMBLY, IDLE SIDE, EXTENDED</b> (for optional use with 1 1/2" blades) | 092997    | 1    |
| 1   | Block, Blade Guide Mount Zinc-plated   | 090947-1  | 1    |
| 2   | Block, Lower Ceramic Pad Mount Zinc-plated   | 090948-1  | 1    |
| 3   | Block, Blade Guide Zinc  | 093430-1  | 2    |
| 4   | Bolt, Upper Pad Adjustment Zinc-plated   | 089515-1  | 1    |
| 5   | Screw, M5x45 DIN912 A2-70 Hex Socket Head Cap Stainless Steel                          | F81000-24 | 1    |
| 6   | Bolt, M8x30 DIN933 A2-70 Stainless Steel   | F81002-27 | 2    |
| 7   | Washer, 8.2 Split Lock Zinc  | F81054-4  | 2    |
| 8   | Screw, Lower Pad Adjuster Zinc-plated  | 090945-1  | 1    |
| 9   | Screw, M5x10 DIN912 A2-70 Hex Socket Head Cap Stainless Steel                          | F81000-23 | 1    |
| 10  | Screw, M8x40-8.8 Hex Socket Head Cap Zinc  | F81002-29 | 2    |
|     | Roller, Blade Guide Narrow W/Bearing   | 088261    | 1    |
|     | Roller, Blade Guide W/Bearing, Extended  | 092939    | 1    |
| 11  | Roller, Blade Guide Narrow   | 087889    | 1    |
| 12  | Bearing, 6001 2RSR NACHI   | 087893    | 2    |
| 13  | Ring, W28 Inside Retaining   | F81090-9  | 2    |

|    |   |           |   |  |
|----|---|-----------|---|--|
| 14 | Washer, Blade Guide Roller Spacer Zinc-plated   | 087891-1  | 2 |  |
| 15 | Screw, 12/M10x30 12.9 ISO 7379 Socket Head Shoulder                                       | F81003-70 | 1 |  |
|    | Screw, 12/M10x35 12.9 ISO 7379 Socket Head Shoulder, (used with the Extended Roller only) | F81003-48 | 1 |  |
| 16 | Block, Nozzle Mounting Zinc-plated  | 090487-1  | 1 |  |
| 17 | Fitting, 90° Elbow 1/8NPT-1/4 Tube Swivel   | P09736    | 1 |  |
| 18 | Nozzle, Blade Lube Spray  | 033479    | 2 |  |
| 19 | Plug, M10x1 DIN 906 BN40 "BOSSARD"  | F81015-3  | 2 |  |
| 20 | Screw, M8x20-8.8 Hex Socket Head Cap Zinc   | F81002-30 | 2 |  |
| 21 | Pivot Weldment, Blade Guide Zinc-plated   | 089509-1  | 1 |  |
| 22 | Bolt, M8x40 DIN933 A2-70 Stainless Steel  | F81002-28 | 2 |  |
| 23 | Nut, M8 DIN934 A2-70 Stainless Steel  | F81032-7  | 2 |  |
| 24 | Washer, 8.4 Zinc Flat   | F81054-1  | 4 |  |
| 25 | Bolt, M8x25 DIN933 A2-70 Stainless Steel  | F81002-26 | 2 |  |
|    | Block, Blade Guide Alignment  | 090951    | 1 |  |
| 26 | Block, Blade Guide Alignment Zinc-plated  | 090805-1  | 1 |  |
| 27 | Screw, M5x16-8.8 Hex Socket Head Cap Zinc   | F81000-25 | 1 |  |
| 28 | Tool, 62860-3 (PERSCHMAN) Lower Pad Adjustment  | 090949    | 1 |  |

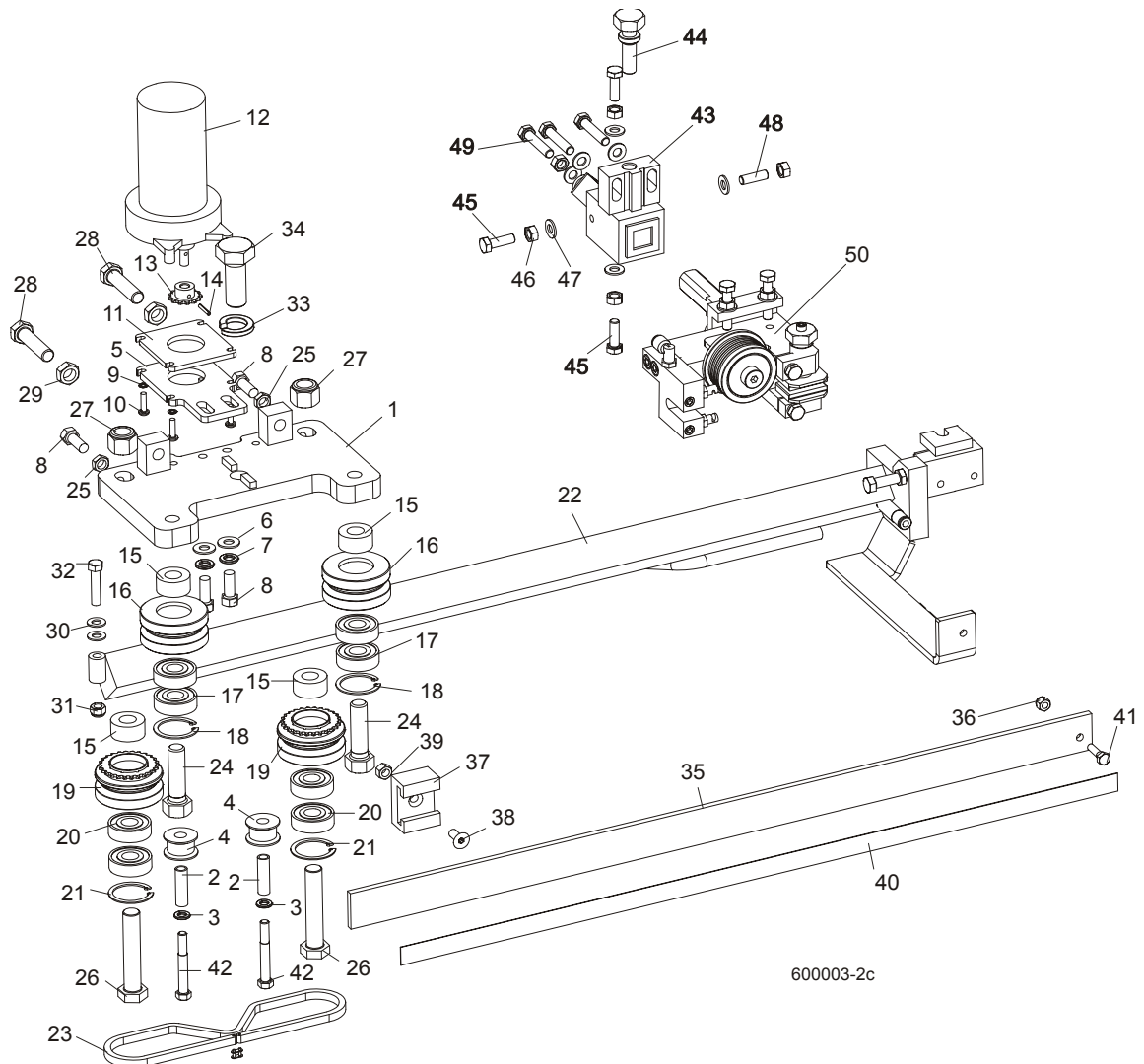
## 2.2 Blade Guide Assembly, Drive Side



| REF | DESCRIPTION (u Indicates Parts Available In Assemblies Only)                            | PART #   | QTY. |
|-----|---|----------|------|
|     | <b>BLADE GUIDE ASSEMBLY, DRIVE SIDE</b>   | 090942   | 1    |
|     | <b>BLADE GUIDE ASSEMBLY, DRIVE SIDE, EXTENDED</b> (for optional use with 1 1/2" blades) | 092998   | 1    |
| 1   | Block, Blade Guide Mount Zinc-plated  | 090944-1 | 1    |
| 2   | Block, Lower Ceramic Pad Mount Zinc-plated  | 090946-1 | 1    |
| 3   | Block, Blade Guide Zinc   | 093430-1 | 2    |

|    |  |           |   |   |
|----|--|-----------|---|---|
|    | Roller, Blade Guide Narrow W/Bearing   | 088261    | 1 |   |
|    | Roller, Blade Guide W/Bearing, Extended  | 092939    | 1 |   |
| 4  | Roller, Blade Guide Narrow   | 087889    | 1 |   |
| 5  | Bearing, 6001 2RSR NACHI   | 087893    | 2 | ◆ |
| 6  | Ring, W28 Inside Retaining   | F81090-9  | 2 |   |
| 7  | Washer, Blade Guide Roller Spacer Zinc-plated  | 087891    | 2 |   |
| 8  | Screw, 12/M10x30 12.9 ISO 7379 Socket Head Shoulder                                      | F81003-70 | 1 |   |
|    | Screw, 12/M10x35 12.9 ISO 7379 Socket Head Shoulder (used with the Extended Roller only) | F81003-48 | 1 |   |
| 9  | Bolt, Upper Pad Adjustment   | 089515    | 1 |   |
| 10 | Screw, M5x45 DIN912 A2-70 Hex Socket Head Cap Stainless Steel                            | F81000-24 | 1 |   |
| 11 | Bolt, M8x30 DIN933 A2-70 Stainless Steel   | F81002-27 | 2 |   |
| 12 | Washer, 8.2 Split Lock Zinc  | F81054-4  | 2 |   |
| 13 | Screw, M8x40-8.8 Hex Socket Head Cap Zinc  | F81002-29 | 2 |   |
| 14 | Screw, Lower Pad Adjustment Zinc-plated  | 090945-1  | 1 |   |
| 15 | Screw, M5x10 DIN912 A2-70 Hex Socket Head Cap Stainless Steel                            | F81000-23 | 1 |   |
| 16 | Pivot Weldment, Blade Guide Zinc-plated  | 089509-1  | 1 |   |
| 17 | Bolt, M8x25 DIN933 A2-70 Stainless Steel   | F81002-26 | 2 |   |
| 18 | Washer, 8.4 Zinc Flat  | F81054-1  | 4 |   |
| 19 | Bolt, M8x40 DIN933 A2-70 Stainless Steel   | F81002-28 | 2 |   |
| 20 | Nut, M8 DIN934 A2-70 Stainless Steel   | F81032-7  | 2 |   |

**2.3 Blade Guide Arm Drive Assembly**

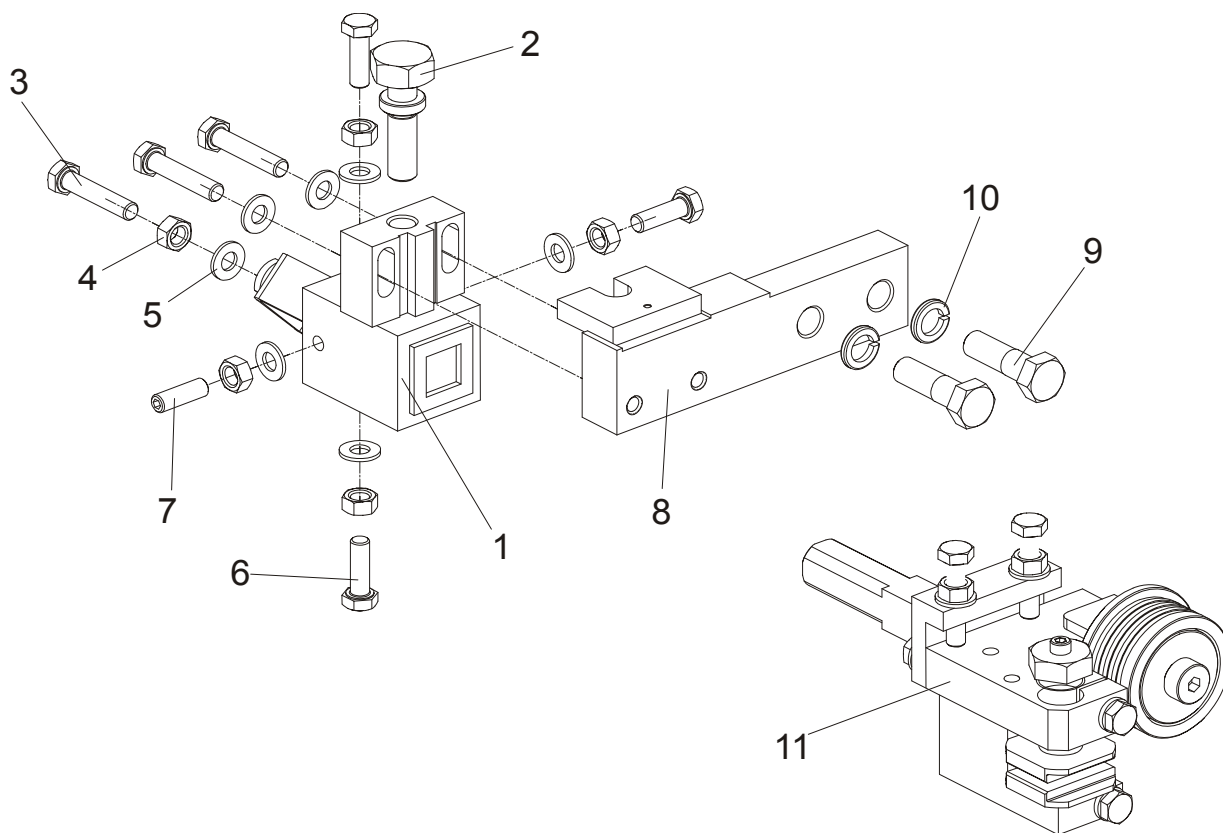


| REF | DESCRIPTION (u Indicates Parts Available In Assemblies Only) | PART#     | QTY. |
|-----|--|-----------|------|
|     | <b>BLADE GUIDE ARM ASSEMBLY</b>                              | 090950    | 1    |
| 1   | Plate Weldment, Blade Guide Arm Zinc-plated                  | 090800-1  | 1    |
| 2   | Bushing, 0.322 x 0.44 x 1 1/2" Spacer                        | S09996    | 2    |
| 3   | Washer, 5/16" Split Lock Zinc                                | F05011-13 | 2    |
| 4   | Roller, Chain Guide  | 090801    | 2    |
| 5   | Plate, Blade Guide Motor Mount Ptd                           | 090803-1  | 1    |
| 6   | Washer, 10.5 Zinc Flat                                       | F81055-1  | 2    |
| 7   | Washer, 3/8" Zinc Flat                                       | F05011-4  | 2    |
| 8   | Bolt, M10 x 25 8.8 Hex Head Full Thread                      | F81003-31 | 4    |
| 9   | Washer, 5.3 Zinc Flat  | F81052-1  | 4    |
| 10  | Screw, #10-32 x 3/4 CrS1 Phillips Head                       | F05004-38 | 4    |
| 11  | Plate, Spacer Ptd  | 090802-1  | 1    |
| 12  | Motor, 53:1 Gear ASA Blade Guide Arm                         | P09698-1  | 1    |
| 13  | Sprocket, 25B13 x .3130                                      | P09970    | 1    |
| 14  | Pin, 3 x 14 Zinc Roll  | F81044-4  | 1    |
| 15  | Spacer, Drive Roller Zinc-plated                             | 090804-1  | 4    |



|           |   |           |   |  |
|-----------|---|-----------|---|--|
|           | <b>ROLLER ASSEMBLY, BLADE GUIDE ARM IDLER</b>                 | 042543    | 2 |  |
| <b>16</b> | Housing, 2 1/2" V-Groove                                      | 042536    | 1 |  |
| <b>17</b> | Bearing, 6203 2RSP6-5/8 CX                                    | 095087    | 2 |  |
| <b>18</b> | Ring, 1.575" ID 5002-156 Retaining                            | F04254-8  | 1 |  |
|           | <b>ROLLER ASSEMBLY, BLADE GUIDE ARM DRIVE</b>                 | 042542    | 2 |  |
| <b>19</b> | Housing, 2 1/2" V-Groove W/Sprocket                           | 042541    | 1 |  |
| <b>20</b> | Bearing, 6203 2RSP6-5/8 CX                                    | 095087    | 2 |  |
| <b>21</b> | Ring, 1.575" ID 5002-156 Retaining                            | F04254-8  | 1 |  |
| <b>22</b> | Arm Weldment, Blade Guide Zinc-plated                         | 090479-1  | 1 |  |
| <b>23</b> | Chain, #25 x 92 PITCHES B/G                                   | 093805    | 1 |  |
| <b>24</b> | Bolt, 5/8-18 x 2 1/4 Hex Head Grade 5                         | F05009-80 | 2 |  |
| <b>25</b> | Nut, M10-04-W Zinc Hex Thin                                   | F81033-6  | 2 |  |
| <b>26</b> | Bolt, 5/8-18 x 3 1/4 Hex Head Grade 5                         | F05009-80 | 2 |  |
| <b>27</b> | Nut, 5/8-18 Hex Nylon Lock                                    | F05010-71 | 2 |  |
| <b>28</b> | Screw, M12 x 1.25 x 60-33H Zinc Hex Set W/Full Dog Point      | F81004-52 | 2 |  |
| <b>29</b> | Nut, M12 x 1.25 8.8 Zinc Hex Thin                             | F81034-5  | 2 |  |
| <b>30</b> | Washer, 8.4 Zinc Flat   | F81054-1  | 1 |  |
| <b>31</b> | Nut, M8-8-B Hex Nylon Zinc Lock                               | F81032-2  | 1 |  |
| <b>32</b> | Bolt, M8 x 40-8.8 Hex Head Full Thread Zinc                   | F81002-15 | 1 |  |
| <b>33</b> | Washer, DIN 6319-21C Spherical                                | F81059-6  | 1 |  |
| <b>34</b> | Bolt, M20 x 1.5 x 50-8.8-B Hex Head Full Thread Zinc          | F81007-2  | 1 |  |
| <b>35</b> | Guard, Blade  | 088306    | 1 |  |
| <b>36</b> | Nut, M6-8-B Hex Nylon Zinc Lock                               | F81031-2  | 1 |  |
| <b>37</b> | Guide, Blade Guard  | 088305    | 1 |  |
| <b>38</b> | Screw, M8 x 25 Cross Recessed Countersunk Head Zinc           | F81002-51 | 1 |  |
| <b>39</b> | Nut, M8-8-B Hex Nylon Zinc Lock                               | F81032-2  | 1 |  |
| <b>40</b> | Decal, Warning  | 015849    | 1 |  |
| <b>41</b> | Bolt, M6 x 20-8.8 Hex Head Full Thread Zinc                   | F81001-2  | 2 |  |
| <b>42</b> | Screw, 12/M10 x 20 12.9 ISO7379(BOSSARD) Socket Head Shoulder | F81003-68 | 2 |  |
| <b>43</b> | Mounting Block, LT70 Blade Guide, zinc                        | 089503-1  | 1 |  |
| <b>44</b> | Bolt, Blade Guide Adjustment, zinc                            | 089502-1  | 1 |  |
| <b>45</b> | Bolt, M8x25 DIN933 A2-70, Stainless                           | F81002-26 | 3 |  |
| <b>46</b> | Nut, M8 DIN934 A2-70, Stainless                               | F81032-7  | 5 |  |
| <b>47</b> | Washer, 8.4 FLAT,ZINC   | F81054-1  | 7 |  |
| <b>48</b> | Screw, Set, M8x8-33H FE/ZN Hex Socket Head, Stainless         | F81014-3  | 1 |  |
| <b>49</b> | Bolt M8x40 DIN933 A2-70, Stainless                            | F81002-28 | 3 |  |
| <b>50</b> | Blade Guide Parts ( <a href="#">See Section 2.1</a> )         | 093805    | 1 |  |

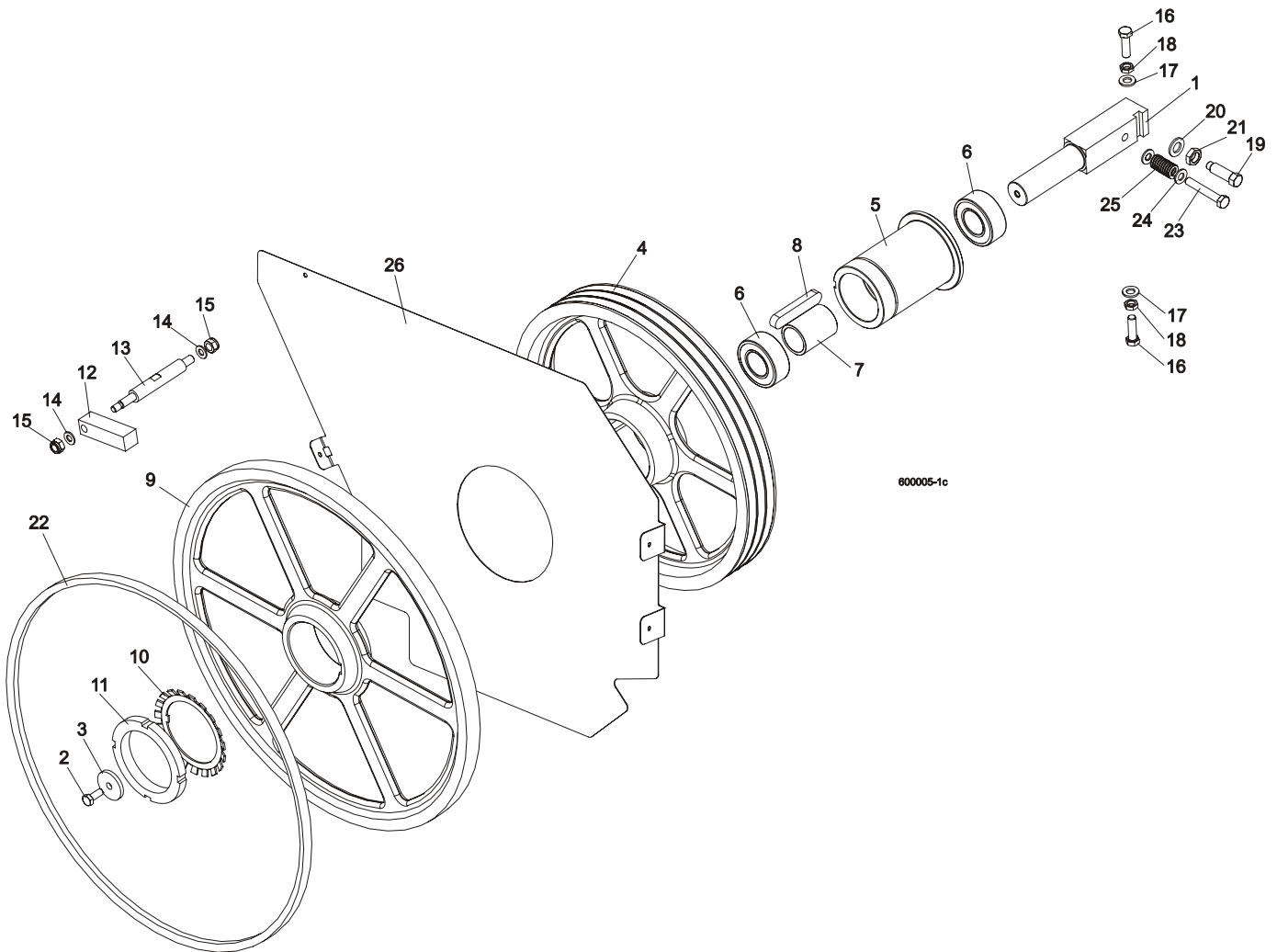
**2.4 Blade Guide Mount Assembly, Drive Side**



| L.P. | OPIS (♦ wskazuje części dostępne jedynie w zespołach)                           | NUMER KAT. | SZT. |  |
|------|---|------------|------|--|
|      | <b>MOUNTING BLOCK, DRIVE SIDE</b>   | 091338     | 1    |  |
| 1    | MOUNTING BLOCK, BLADE GUIDE, DRIVE SIDE, ZINC                                   | 089503-1   | 1    |  |
| 2    | BOLT, BLADE GUIDE ADJUSTMENT, ZINC  | 089502-1   | 1    |  |
| 3    | BOLT, M8X40 DIN933 A2-70, STAINLESS   | F81002-28  | 3    |  |
| 4    | NUT, M8 DIN934 A2-70, STAINLESS   | F81032-7   | 5    |  |
| 5    | WASHER, 8.4 FLAT,ZINC   | F81054-1   | 7    |  |
| 6    | BOLT, M8X25 DIN933 A2-70, STAINLESS   | F81002-26  | 3    |  |
| 7    | SCREW, BLADE GUIDE ADJUSTMENT, M8X25 A2-70 DIN 913, STAINLESS                   | F81014-3   | 1    |  |
| 8    | BAR, BLADE GUIDE MOUNT, ZINC  | 089501-1   | 1    |  |
| 9    | BOLT,M12X40-8.8 HEX HEAD ZINC   | F81004-1   | 2    |  |
| 10   | WASHER, M12 SPLIT LOCK ZINC   | F81056-2   | 2    |  |
| 11   | <b>BLADE GUIDE, DRIVE SIDE, COMPLETE (LT70)</b> <a href="#">See Section 2.2</a> | 090942     | 1    |  |

## SECTION 3 BLADE WHEELS & TENSIONER

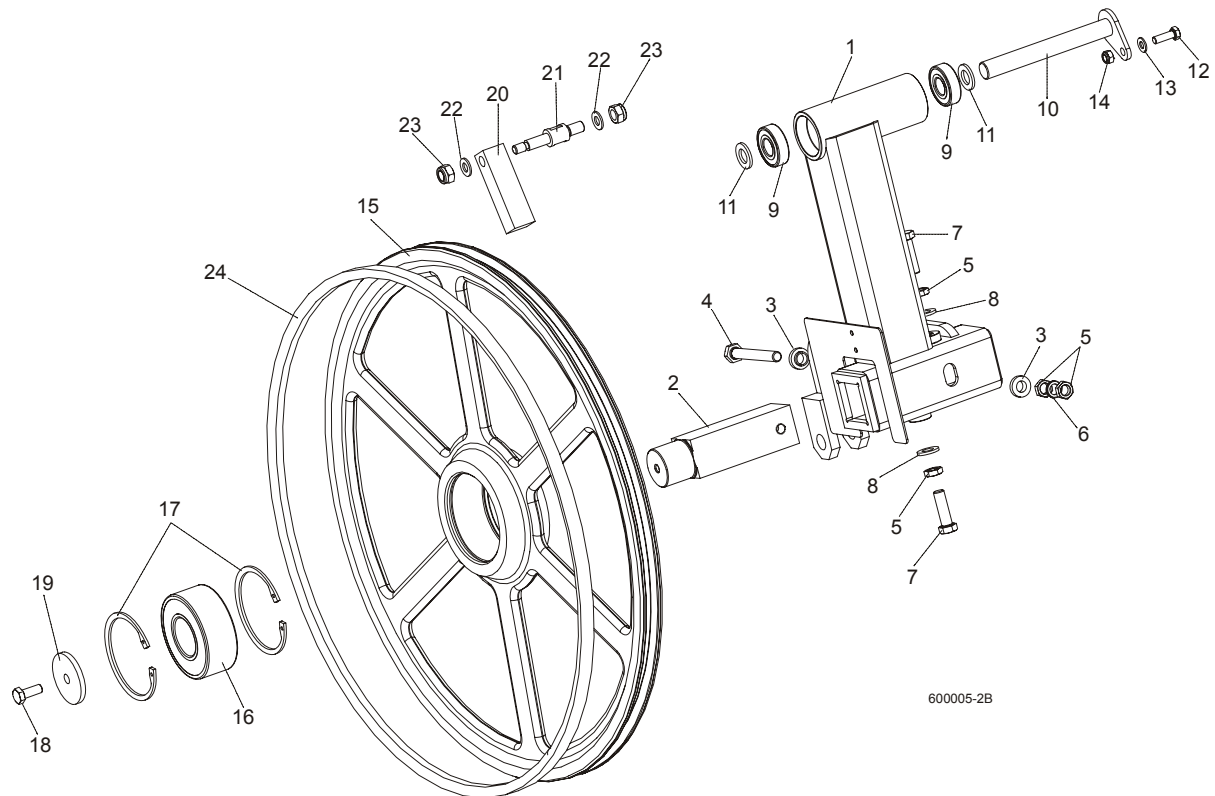
### 3.1 Blade Drive Assembly



| REF | DESCRIPTION (◆ Indicates Parts Available In Assemblies Only) | PART #    | QTY. |
|-----|--|-----------|------|
| 1   | SHAFT, BLADE DRIVE WHEEL                                     | 088475    | 1    |
| 2   | BOLT, M10x25 8.8 HEX HEAD FULL THREAD                        | F81003-31 | 1    |
| 3   | WASHER, BLADE DRIVE WHEEL                                    | 088956-1  | 1    |
|     | <b>PULLEY ASSEMBLY, BLADE DRIVE</b>                          | 088561    | 1    |
| 4   | Pulley, 3-Groove 484 mm Diameter                             | 089457-1  | 1    |
| 5   | Bushing, Blade Drive Wheel                                   | 088476    | 1    |
| 6   | Bearing, 3208.2rsr.tvh (FAG) Rolling                         | 088449    | 2    |
| 7   | Spacer, Drive Bearing  | 088478    | 1    |
| 8   | Key, A20x12x100 Parallel                                     | 088477    | 1    |
| 9   | <b>WHEEL, BLADE DRIVE</b>                                    | 090811    | 1    |
| 10  | WASHER, MB21 (FAG) LOCK                                      | 088451    | 1    |
| 11  | NUT, KM21(M105X2) (FAG) LOCK                                 | 088450    | 1    |
| 12  | BAR, WHEEL SCRAPER   | 088781    | 1    |
| 13  | SHAFT, WHEEL SCRAPER   | 088780-1  | 1    |

|    |  |           |   |  |
|----|--|-----------|---|--|
| 14 | WASHER, 10.5 ZINC FLAT                                 | F81055-1  | 2 |  |
| 15 | NUT, M12-8 HEX NYLON ZINC LOCK                         | F81034-2  | 2 |  |
| 16 | BOLT, M12X1.25X40 HEX HEAD                             | F81004-42 | 3 |  |
| 17 | WASHER, 13 FLAT ZINC                                   | F81056-1  | 3 |  |
| 18 | NUT, M12X1.25 8.8 THIN ZINC                            | F81034-5  | 3 |  |
| 19 | SCREW, M16X1.5X50-33H HEX HEAD FULL DOG POINT SET ZINC | F81006-14 | 1 |  |
| 20 | WASHER, 17 ZINC FLAT                                   | F81058-1  | 1 |  |
| 21 | NUT, M16x1.5-08-B ZINC THIN                            | F81036-6  | 1 |  |
| 22 | BELT, BLADE WHEEL B72.5                                | 017922    | 1 |  |
| 23 | BOLT M10X65  | F81003-67 | 1 |  |
| 24 | WASHER, 10.5 ZINC FLAT                                 | F81055-1  | 2 |  |
| 25 | SPRING19X38  | 034430    | 1 |  |
| 26 | PLATE, LT70AC SAW HEAD (OPTION)                        | 100897-1  | 1 |  |
|    | BELT 3B/HB2462 La                                      | 089464    | 1 |  |

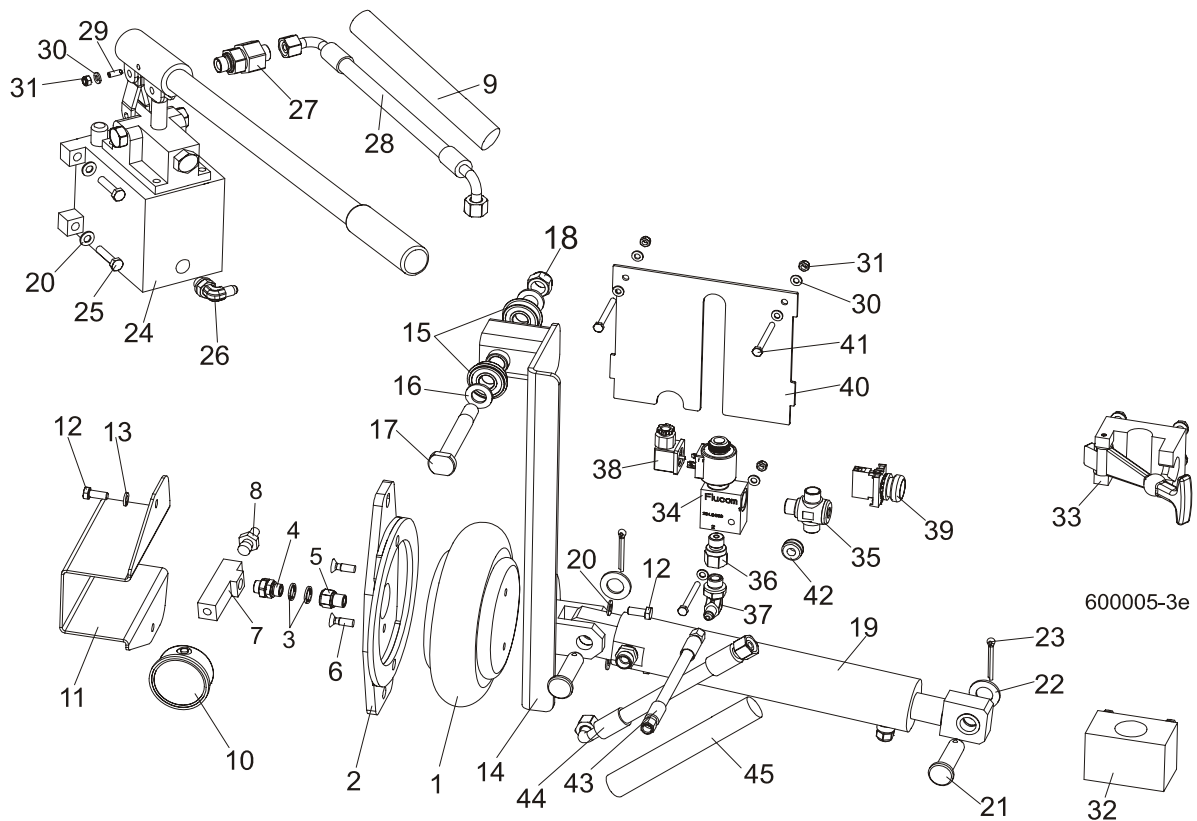
**3.2 Idle Blade Wheel Assembly**



| REF | DESCRIPTION (◆ Indicates Parts Available In Assemblies Only) | PART #    | QTY. |
|-----|--|-----------|------|
|     | <b>TUBE, LT70 IDLE SIDE BLADE WHEEL W/LEVER COMPLETE</b>     | 092791    | 1    |
| 1   | Tube Weldment, LT70 Idle Blade Wheel w/Lever                 | 092780-1  | 1    |
| 2   | Shaft, Idle Blade Wheel                                      | 088474    | 1    |
| 3   | Washer, Zinc Special   | 086769-1  | 2    |
| 4   | Bolt, M12x1.25x100-8.8 Hex Head Zinc                         | F81004-41 | 1    |
| 5   | Nut, M12x1.25 8.8 Hex ZincThin                               | F81034-5  | 4    |
| 6   | Washer, Z12.2 Split Zinc Lock                                | F81056-2  | 1    |
| 7   | Bolt, M12x1.25x40 Hex Head                                   | F81004-42 | 2    |
| 8   | Washer, 13 Zinc Flat   | F81056-1  | 2    |
| 9   | Bearing, 6204 2RS-CX Rolling                                 | 088447    | 2    |

|    |   |           |   |  |
|----|---|-----------|---|--|
| 10 | PIN WELDMENT, PIVOT                         | 088759-1  | 1 |  |
| 11 | WASHER, 17 ZINC FLAT                        | F81058-1  | 2 |  |
| 12 | BOLT, M8X25-8.8-B HEX HEAD FULL THREAD ZINC | F81002-5  | 1 |  |
| 13 | WASHER, 8.4 ZINC FLAT                       | F81054-1  | 1 |  |
| 14 | NUT, M8-8-B HEX NYLON ZINC LOCK             | F81032-2  | 1 |  |
|    | <b>WHEEL ASSEMBLY, IDLE SIDE</b>            | 088764    | 1 |  |
| 15 | Wheel, Blade Idle Side                      | 090810    | 1 |  |
| 16 | Bearing, 3309B.2RSR.TVH-P66 FAG             | 086428    | 1 |  |
| 17 | Ring, W100 Spring Retaining                 | F81090-10 | 2 |  |
| 18 | BOLT, M10X25 8.8 HEX HEAD FULL THREAD       | F81003-31 | 1 |  |
| 19 | WASHER, IDLE BLADE WHEEL RETAINING          | 088957-1  | 1 |  |
| 20 | SCRAPER, IDLE BLADE WHEEL                   | 088781    | 1 |  |
| 21 | SHAFT, SHORT ZINC WHEEL SCRAPER             | 088779-1  | 1 |  |
| 22 | WASHER, 10.5 ZINC FLAT                      | F81055-1  | 2 |  |
| 23 | NUT, M12-8 HEX NYLON ZINC LOCK              | F81034-2  | 2 |  |
| 24 | BELT, BLADE WHEEL B72.5                     | 017922    | 1 |  |

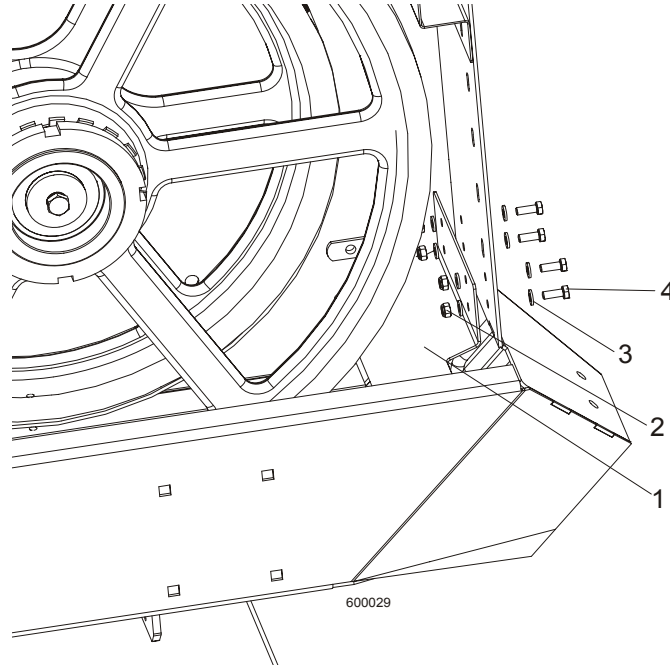
### 3.3 Hydraulic Blade Tensioner Assembly



| REF | DESCRIPTION (◆ Indicates Parts Available In Assemblies Only) | PART #    | QTY. |  |
|-----|--|-----------|------|--|
|     | <b>HYDRAULIC BLADE TENSIONER, COMPLETE</b>                   | 092775    | 1    |  |
| 1   | Bag, POJ 192 308 100 0 Air                                   | 088576    | 1    |  |
| 2   | Bracket, Air Bag Mount                                       | 088798-1  | 1    |  |
| 3   | Seal, G1/4 866-014-000-0                                     | 090809    | 4    |  |
| 4   | Nipple, 1/4 8632141400)BOSCH                                 | 097703    | 1    |  |
| 5   | Fitting, 1/4 Thread/1/4 Thread 2521                          | 097704    | 1    |  |
| 6   | Bolt, M8x25 Pan Head Zinc                                    | F81002-51 | 2    |  |

|    |   |           |   |  |
|----|---|-----------|---|--|
| 7  | Tee Connector, Special                                      | 097702-1  | 1 |  |
| 8  | Fitting, 1/4" Thread 390 004 004 0 (REXROTH) Air Tank Valve | 088575    | 1 |  |
| 9  | Hose Protection   | 098488    | 1 |  |
| 10 | Gauge, M63T-2,5/20G G 1/8 0-0,6 MPa/PSI Air Pressure        | 088568    | 1 |  |
| 11 | Guard, Air Pressure Gauge                                   | 088924-1  | 1 |  |
| 12 | Screw, M8x25 Cross Recessed Countersunk Head Zinc           | F81002-4  | 4 |  |
| 13 | Washer 8.2 Zinc Split                                       | F81054-4  | 2 |  |
| 14 | Arm, Air Cylinder Painted                                   | 092779-1  | 1 |  |
| 15 | Bearing w/Snap Ring 6203-2RS                                | 086395    | 2 |  |
| 16 | Washer, 17 Flat Zinc  | F81058-1  | 2 |  |
| 17 | Pin, Idler Arm Mount  | 086404    | 1 |  |
| 18 | Nut, M16, Hex, Nylon Zinc Lock                              | F81036-2  | 2 |  |
| 19 | CYLINDER, HYDRAULIC COMPLETE                                | 092788    | 1 |  |
|    | CYLINDER, SHDJ050/030X80 HYDRAULIC                          | 092787-1  | 1 |  |
|    | BUSHING, TUF1 18x120 CX                                     | 500106    | 4 |  |
|    | FITTING, HD-GE-12L-BE-06 STRAIGHT                           | 094561    | 1 |  |
|    | VALVE, 2901-14-17 AIR VENT                                  | 090794    | 1 |  |
| 20 | Washer, 8.4 Zinc Flat                                       | F81054-1  | 6 |  |
| 21 | Pin, PN-EN 22341-B-18x65x57-A2                              | F81049-4  | 2 |  |
| 22 | Washer, 19 Flat Zinc  | F81060-1  | 2 |  |
| 23 | Pin, S-Zn 5x40 PN-M/82001                                   | F81043-31 | 2 |  |
| 24 | Pump,PMS12/TNK1 Manual w/Tank 1l                            | 092789    | 1 |  |
|    | Magnet, MW.38X12/N38 Neodymium                              | 500022    | 1 |  |
| 25 | Bolt, 8mm x 1.25x35mm HH Zinc                               | F81002-13 | 4 |  |
| 26 | Elbow, CA-204410-3  | 094562    | 1 |  |
| 27 | Valve, RHV12LREDA3C Check                                   | 094559    | 1 |  |
| 28 | Hose, DN12 w/fittings PN10AOL90 M18x1,5                     | 094565    | 1 |  |
| 29 | Latch, GN615.3-M6-KN Ball Threaded                          | 096874    | 1 |  |
| 30 | Washer, M6, Flat, Zinc                                      | F81053-1  | 7 |  |
| 31 | Nut, M6, Hex, Nylon Lock Zinc                               | F81031-2  | 4 |  |
| 32 | Bracket, Tensioner Pump Handle Bottom                       | 096951    | 1 |  |
| 33 | Bracket, Tensioner Pump Handle Upper                        | 092800    | 1 |  |
| 34 | Valve, ECP 20/22B2  | 094564    | 1 |  |
| 35 | T-connection, HD-TH-12L-BE-06                               | 094560    | 1 |  |
| 36 | Fitting, G 3/8 Throttle                                     | 096849    | 1 |  |
| 37 | Elbow, CA-204411-3  | 094563    | 1 |  |
| 38 | Connector, 300.11.00 Solenoid                               | 094555    | 1 |  |
| 39 | Pushbutton, M22 momentary, flat green                       | 094581    | 1 |  |
| 40 | Cover, Solenoid Painted                                     | 094569-1  | 1 |  |
| 41 | Bolt, M6x60mm Hex Head, Zinc                                | F81001-9  | 3 |  |
| 42 | Grommet, Rubber 3/8 ID                                      | 025248    | 1 |  |
| 43 | Hose, 1/4 w/fittings JIC 7/16-20                            | 092806    | 1 |  |
| 44 | Hose, DN12 w/fittings PN10AOL90 i PN10AOL M1.5              | 096964    | 1 |  |
| 45 | Hose Protection   | 098489    | 1 |  |

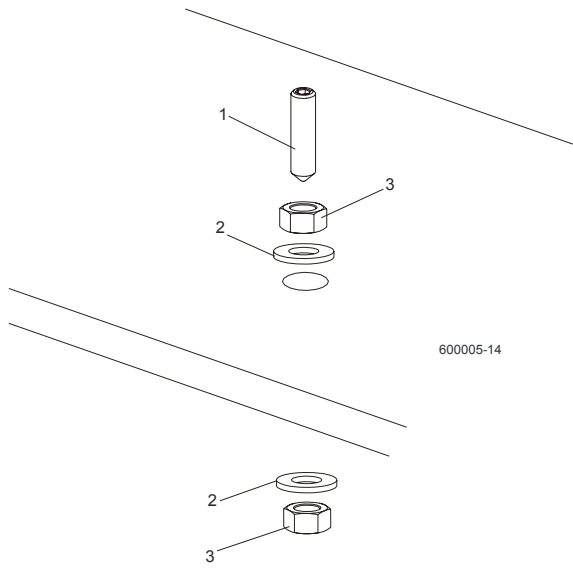
### 3.4 Sawdust Flow Guide



| REF | DESCRIPTION (◆ Indicates Parts Available In Assemblies Only) | PART #    | QTY. |  |
|-----|--|-----------|------|--|
| 1   | Guide, Sawdust Flow Painted                                  | 090506    | 1    |  |
| 2   | Nut, M6-8-B Hex Nylon Zinc Lock                              | F81031-2  | 4    |  |
| 3   | Washer 6.4 Zinc Flat   | F81053-1  | 8    |  |
| 4   | Bolt, M6x16-8.8, Hex Head Full Thred, Zinc                   | F81001-32 | 4    |  |

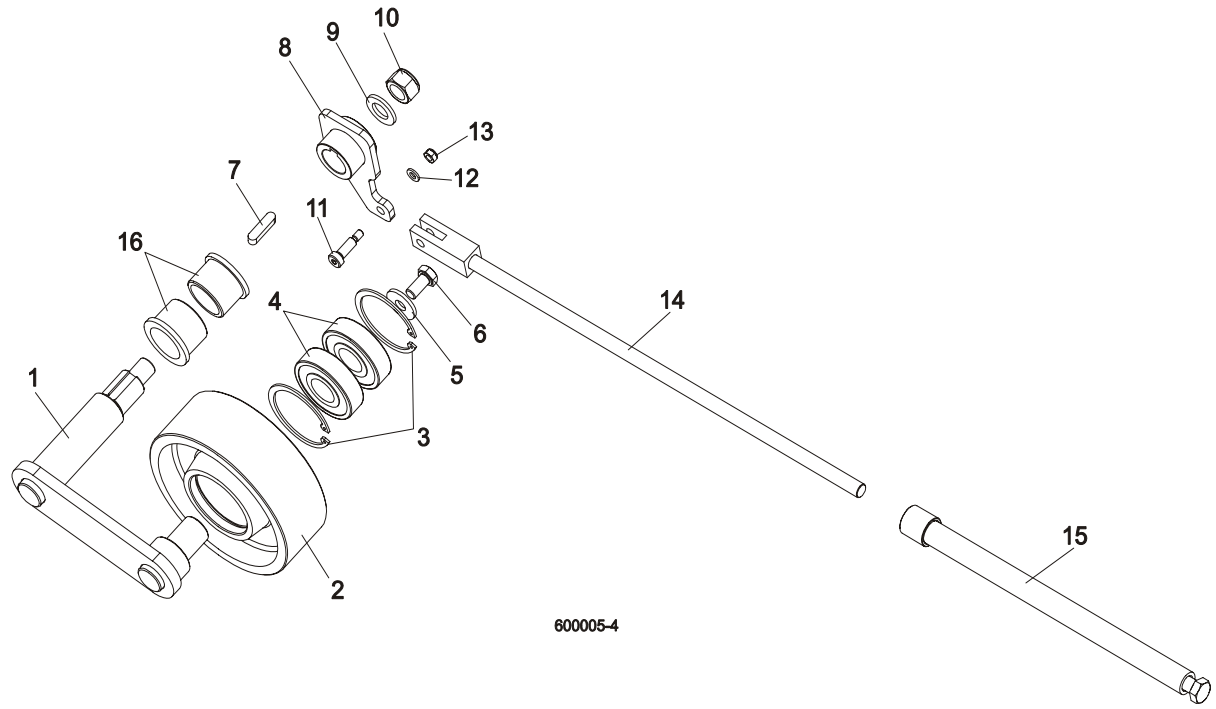
## SECTION 4 SAW HEAD

### 4.1 Middle Throat Screw



| REF | DESCRIPTION (◆ Indicates Parts Available In Assemblies Only) | PART #    | QTY. |  |
|-----|--|-----------|------|--|
| 1   | SCREW, M10X40-45H HEX SOCKET SET CONE POINT ZINC             | F81003-61 | 1    |  |
| 2   | WASHER, 10.5 ZINC FLAT                                       | F81055-1  | 2    |  |
| 3   | NUT, M10-8-B ZINC HEX  | F81033-3  | 2    |  |

### 4.2 Drive Belt Tensioner

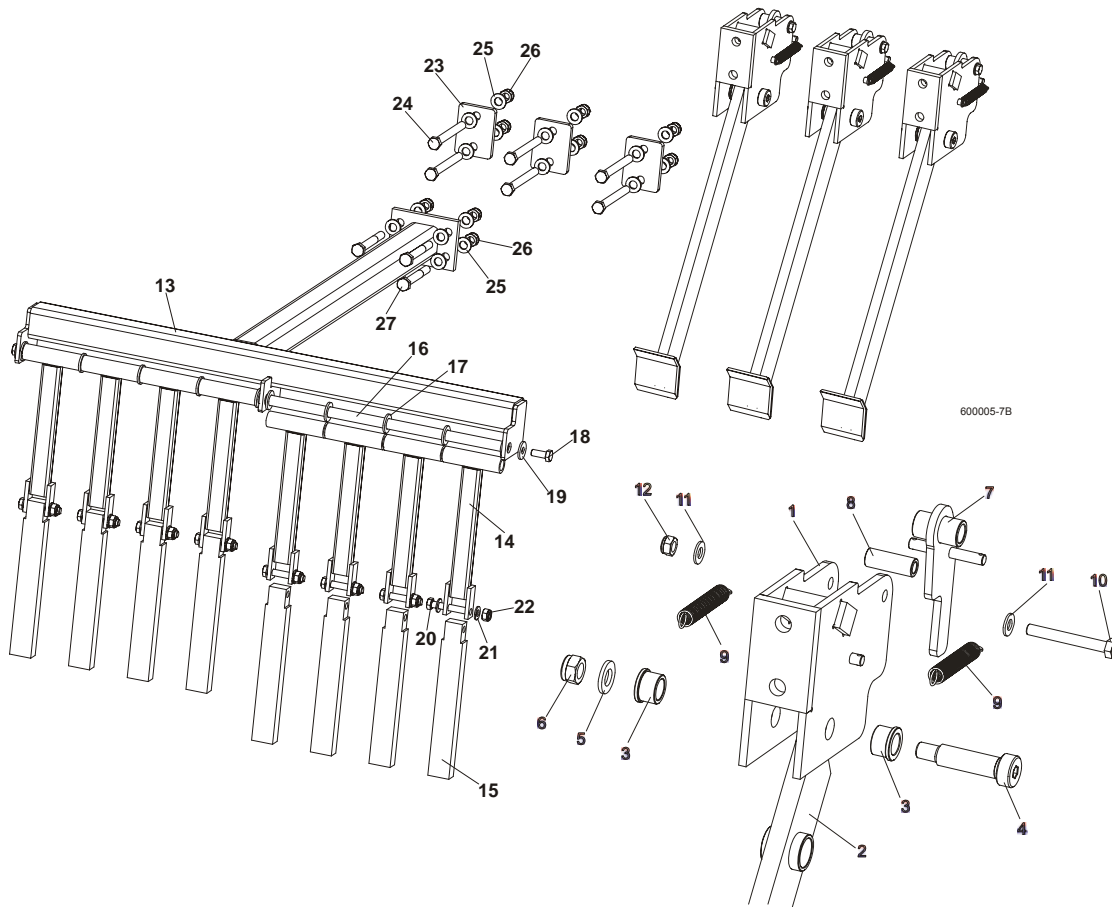


| REF | DESCRIPTION (◆ Indicates Parts Available In Assemblies Only) | PART #   | QTY. |  |
|-----|--|----------|------|--|
|     | TENSIONER ASSEMBLY, DRIVE BELT                               | 088786   | 1    |  |
| 1   | Pivot Weldment, Drive Belt Tensioner                         | 088810-1 | 1    |  |



|    |  |           |   |  |
|----|--|-----------|---|--|
| 2  | Wheel, Belt Tension                        | 088814    | 1 |  |
| 3  | Ring, 62 mm Inside Spring Retaining        | F81090-1  | 2 |  |
| 4  | Bearing, 6305 2RS NSK                      | P08066    | 2 |  |
| 5  | Washer, 11 Dia. Zinc Flat Special          | 088787-1  | 1 |  |
| 6  | Bolt, M10x20-5.8 Hex Head Full Thread Zinc | F81003-1  | 1 |  |
| 7  | Key, A8X7X32 Parallel                      | 088564    | 1 |  |
| 8  | Arm Weldment, Drive Belt Tensioner         | 088807-1  | 1 |  |
| 9  | Washer, 17 Zinc Flat                       | F81058-1  | 1 |  |
| 10 | Nut, M16-5.8 Zinc Hex                      | F81036-2  | 1 |  |
| 11 | Bolt, 8/M6X20 12.9 ISO 7379 BOSSARD        | F81001-25 | 1 |  |
| 12 | Washer 6.4 Zinc Flat                       | F81053-1  | 1 |  |
| 13 | Nut, M6-8-B Hex Nylon Zinc Lock            | F81031-2  | 1 |  |
| 14 | Rod Weldment, Threaded Zinc-Plated         | 088789-1  | 1 |  |
| 15 | Tube Weldment, Threaded Zinc-Plated        | 088782-1  | 1 |  |
| 16 | <b>BUSHING, MFM-3240-30</b>                | 088461    | 2 |  |

### 4.3 Board Return Assembly (optional)



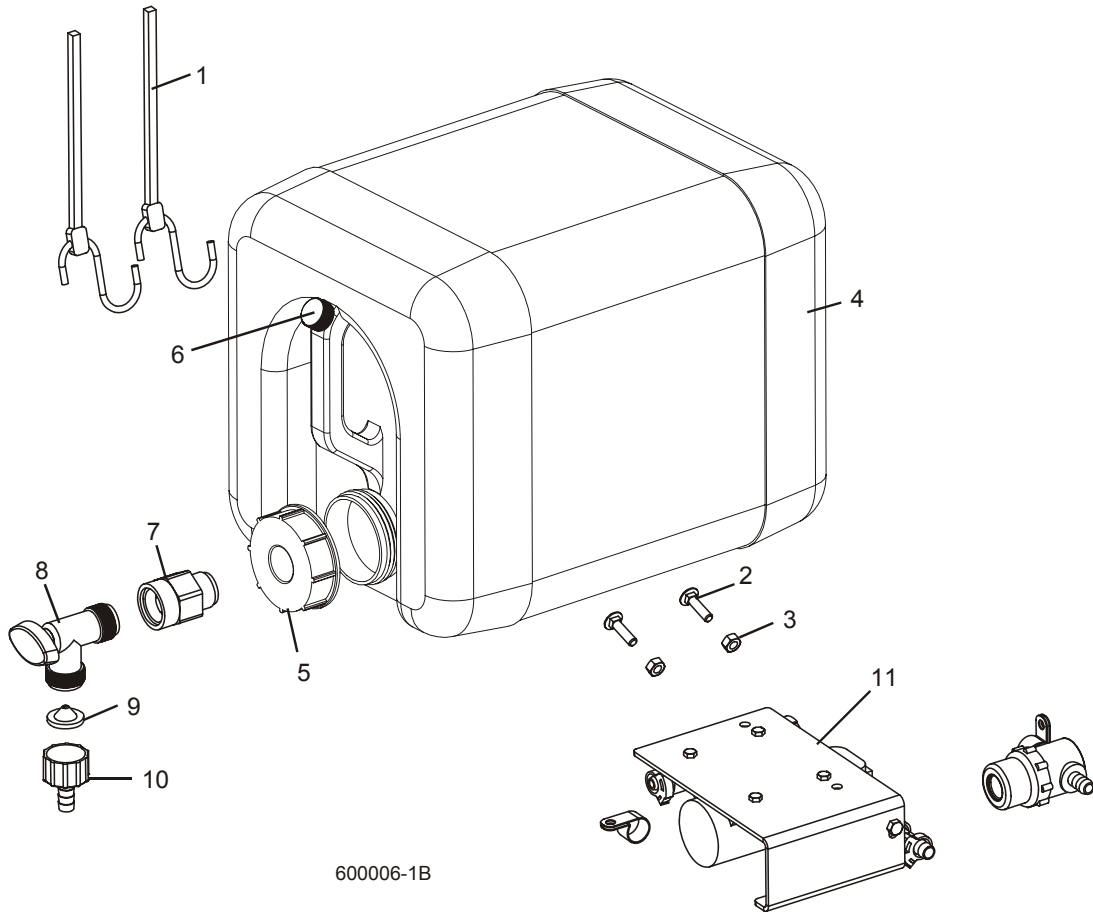
| REF | DESCRIPTION (◆ Indicates Parts Available In Assemblies Only) | PART #    | QTY. |
|-----|--|-----------|------|
|     | <b>BOARD RETURN ASSEMBLY, LT70</b>                           | 092757    | 1    |
|     | Board Return Assembly  | 090120    | 3    |
| 1   | Mount Weldment, Board Return Arm                             | 090109-1  | 3    |
| 2   | Arm, Board Return  | 090112-1  | 3    |
| 3   | Bushing, Bronze  | 086676    | 6    |
| 4   | Bolt, 16/M12x50-12.9 ISO7379-BOSSARD Socket Head             | F81004-25 | 3    |

## 4

**Saw Head***Board Return Assembly (optional)*

|    |  |           |    |  |
|----|--|-----------|----|--|
| 5  | Washer, 13 Zinc Flat                         | F81056-1  | 3  |  |
| 6  | Nut, M12-8 Hex Nylon Zinc Lock               | F81034-2  | 6  |  |
| 7  | Latch Weldment, Board Return Arm             | 090118-1  | 3  |  |
| 8  | Spacer, Zinc                                 | 090115-1  | 3  |  |
| 9  | Spring, 1/2 x 2 1/4 x 0,06 Extension         | 014817    | 6  |  |
| 10 | Bolt, M8 x 65-5.8 Hex Head Zinc              | F81002-3  | 3  |  |
| 11 | Washer, 8.4 Zinc Flat                        | F81054-1  | 6  |  |
| 12 | Nut, M8-8-B Hex Nylon Zinc Lock              | F81032-2  | 3  |  |
|    | Guide, Board Return                          | 091076    | 1  |  |
| 13 | Guide Weldment, Board Return                 | 091067-1  | 1  |  |
| 14 | Bar Weldment, Board Guide Upper              | 091070-1  | 8  |  |
| 15 | Bar, Board Guide Lower Aluminium             | 091071    | 8  |  |
| 16 | Rod, Board Return Guide                      | 091074    | 1  |  |
| 17 | Washer, M16, Flat Zinc                       | F81058-1  | 10 |  |
| 18 | Bolt, M10x25 8.8, Hex Head, Full Thrd, Zinc  | F81003-31 | 2  |  |
| 19 | Washer, 10,5 Fe/Zn5                          | F81055-6  | 2  |  |
| 20 | Bolt, M10x60 -8.8, Hex Head, Full Thrd, Zinc | F81003-10 | 8  |  |
| 21 | Washer, M10, Flat Zinc                       | F81055-1  | 16 |  |
| 22 | Nut, M10, Nylon Hex Zinc Lock                | F81033-1  | 8  |  |
| 23 | Washer, Special                              | 092756-1  | 3  |  |
| 24 | Bolt, M12x120, Hex Head, Full Thrd, Zinc     | F81004-38 | 6  |  |
| 25 | Washer, 13 Zinc                              | F81056-1  | 20 |  |
| 26 | Nut, M12 Hex Nylon Zinc Lock                 | F81034-2  | 10 |  |
| 27 | Bolt, M12x100, Hex Head, Full Thrd, Zinc     | F81004-3  | 4  |  |

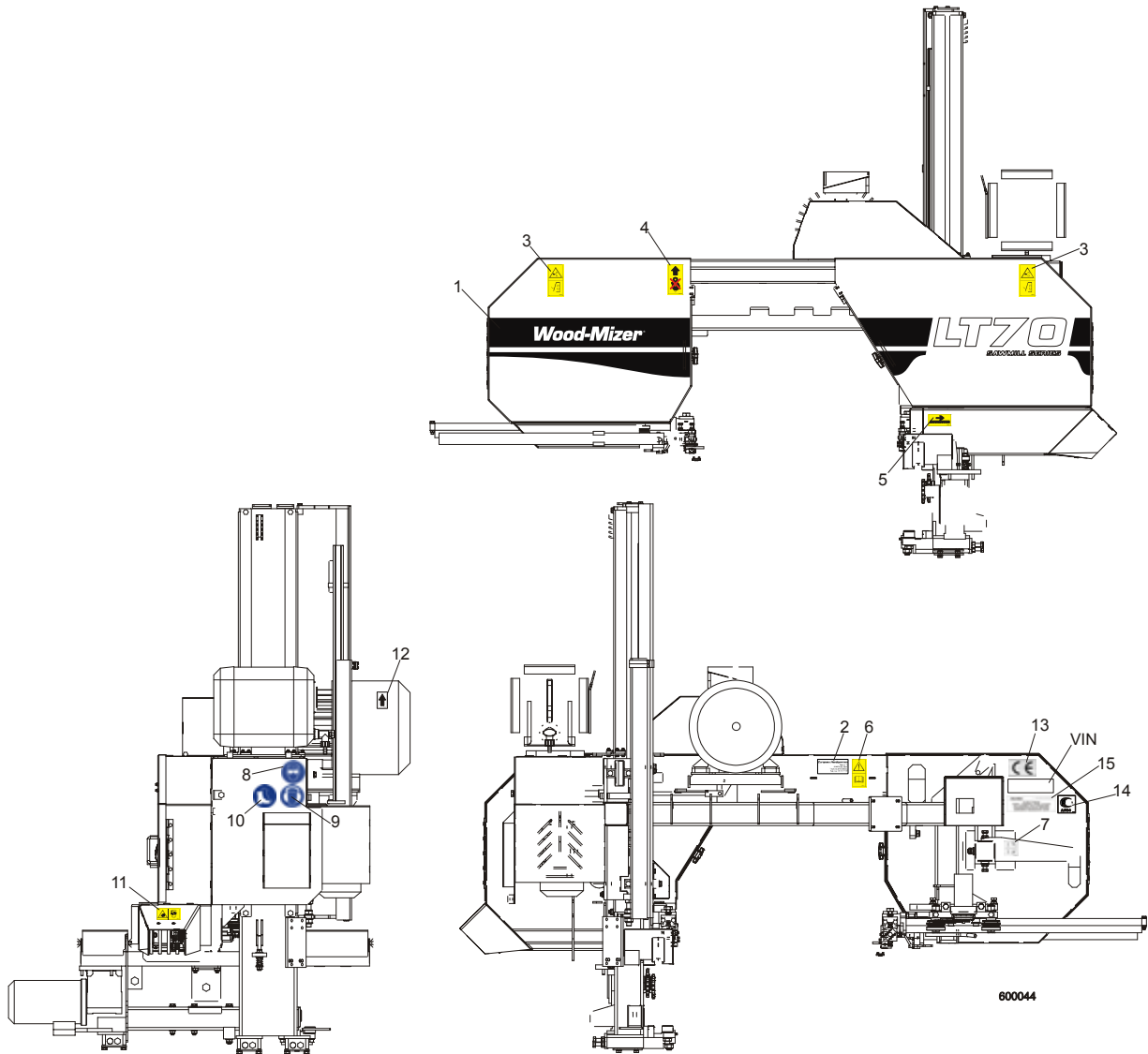
### 4.4 Water Lube Assembly



600006-1B

| REF | DESCRIPTION (◆ Indicates Parts Available In Assemblies Only) | PART #    | QTY. |
|-----|--|-----------|------|
| 1   | STRAP, 20" RUBBER  | P11668    | 2    |
| 2   | BOLT, 1/4-20 X 1" CARRIAGE HEAD                              | F05005-34 | 2    |
| 3   | NUT, 1/4-20 HEX LOCK   | F05010-21 | 2    |
|     | BOTTLE, 5-GALLON WATER COMPLETE                              | 014637-1  | 1    |
| 4   | BOTTLE, 5-GALLON WATER                                       | 101295    | 1    |
| 5   | CAP, 5-GALLON WATER BOTTLE                                   | 036745    | 1    |
| 6   | CAP, VENT VALVE  | 061742    | 1    |
| 7   | CAP, WATER LUBE BOTTLE BUTTRESS THREAD                       | 016123    | 1    |
| 8   | FITTING, 3/4FPT X 3/4MPT                                     | 014636    | 1    |
| 9   | FITTING, WATER LUBE SHUTOFF VALVE                            | 014100    | 1    |
| 10  | FILTER, WATER LUBE   | 016086    | 1    |
| 11  | FITTING, 5/8" NPT TO 3/8" HOSE BARB                          | 014113    | 1    |
| 12  | LUBEMIZER PARTS/HOSES (SEE LUBEMIZER OPTION MANUAL)          |           |      |

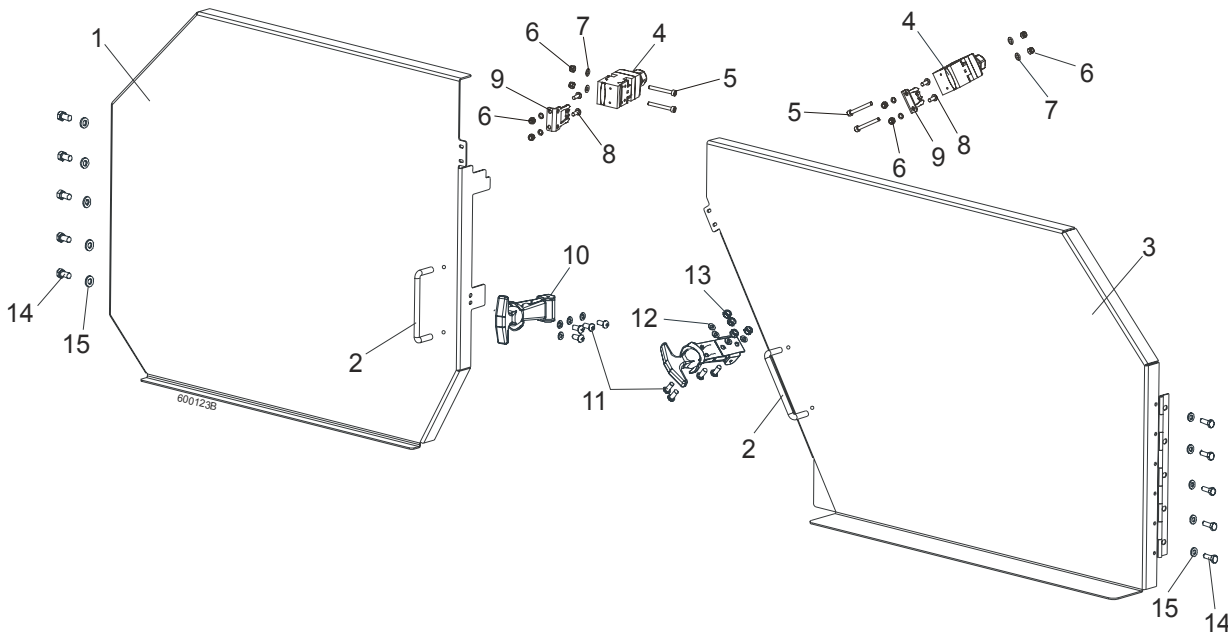
**4.5 LT70AC Saw Head Decals**



| REF | DESCRIPTION (◆ Indicates Parts Available In Assemblies Only) | PART #  | QTY. |
|-----|--|---------|------|
| 1   | DECAL, LT70 SERIES SAWMILL                                   | 092764  | 1    |
|     | <b>PICTOGRAPHIC DECAL KIT, LT70AC</b>                        | 099518  | 1    |
| 2   | DECAL, EUROPEAN HEADQUARTERS ADDRESS                         | 015841  | 1    |
| 3   | DECAL, SAWMILL COVERS CAUTION (PICTOGRAM)                    | 099220  | 2    |
| 4   | DECAL, PICTOGRAM (BLACK ARROW & HOOK)                        | 085977B | 1    |
| 5   | DECAL, BLADE MOVEMENT DIRECTION (PICTOGRAM)                  | 096321  | 1    |
| 6   | DECAL, READ OPERATOR'S MANUAL (PICTOGRAM)                    | 096317  | 1    |
| 7   | DECAL, BLADE ALIGNMENT (PICTOGRAM)                           | P11789  | 1    |
| 8   | DECAL, EYE PROTECTION WARNING (PICTOGRAM)                    | S12004G | 1    |
| 9   | DECAL, EAR PROTECTION WARNING (PICTOGRAM)                    | S12005G | 1    |
| 10  | DECAL, USE SAFETY BOOTS (PICTOGRAM)                          | 501465  | 1    |
| 11  | DECAL, SAWDUST CHUTE WARNING (PICTOGRAM)                     | 099222  | 1    |
| 12  | DECAL, MOTOR ROTATION DIRECTION                              | S20097  | 1    |
| 13  | DECAL, CE CERTIFIED SAWMILL                                  | P85070  | 1    |

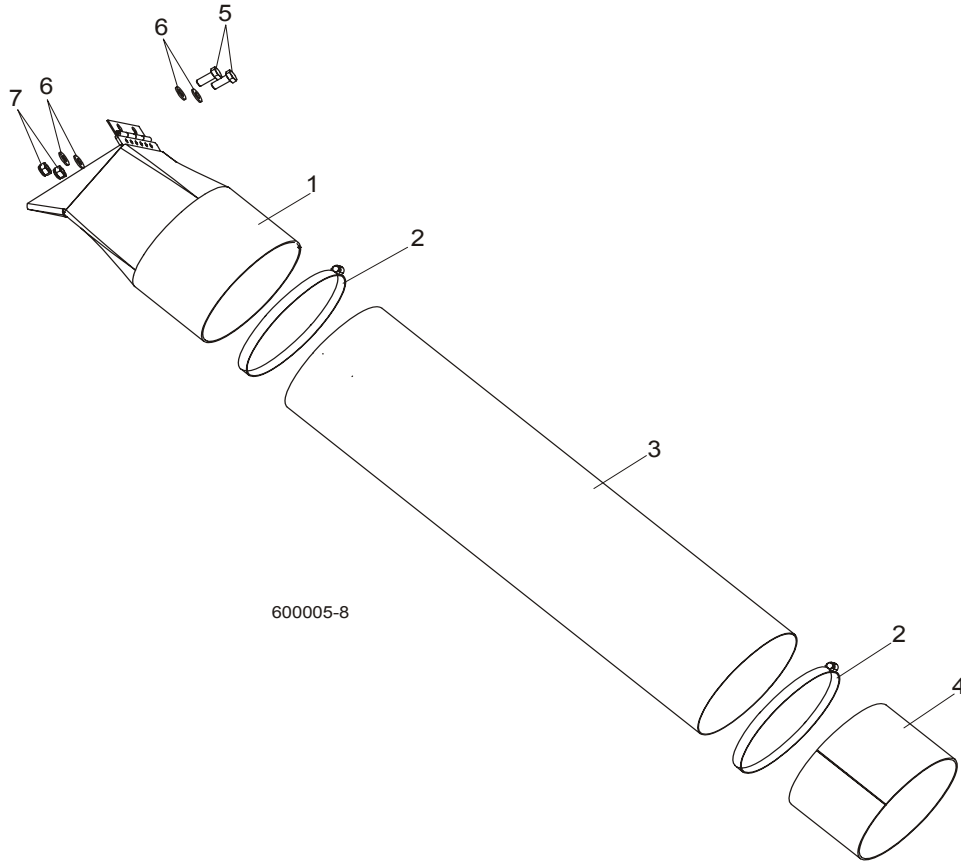
|    |  |           |   |  |
|----|--|-----------|---|--|
| 14 | DECAL, RUSSIAN SAFETY CERTIFICATION                        | 099401    | 1 |  |
| 15 | DECAL, INTERNATIONAL SAWMILL NAME                          | 501466    | 1 |  |
|    | DECAL, HIGH VOLTAGE INSIDE THE ELECTRIC BOX (PICTOGRAM)    | 096316    | 2 |  |
|    | DECAL, REMOVE THE PLUG BEFORE OPENING THE BOX (PICTOGRAM)  | 096319    | 2 |  |
|    | DECAL, STAY A SAFE DISTANCE FROM THE BLADE (FOR DEBARKERS) | 098176    | 1 |  |
|    | DECAL, BLADE SETTING                                       | P85066-70 | 1 |  |

### 4.6 Blade Housing Covers



| REF | DESCRIPTION (◆ Indicates Parts Available In Assemblies Only) | PART #    | QTY. |
|-----|--|-----------|------|
|     | <b>COVER ASSEMBLY, IDLE SIDE BLADE HOUSING</b>               | 088920    | 1    |
| 1   | Cover Assembly, Idle Side Blade Housing, Ptd                 | 088915-1  | 1    |
| 2   | Handle, Blade Housing Cover                                  | P08065    | 1    |
|     | <b>COVER ASSEMBLY, DRIVE SIDE BLADE HOUSING</b>              | 088921    | 1    |
| 3   | Cover Assembly, Drive Side Blade Housing, Ptd                | 088917-1  | 1    |
| 2   | Handle, Blade Housing Cover                                  | P08065    | 1    |
| 4   | LIMIT SWITCH, HONEYWELL GKMB 23W2                            | 086681    | 2    |
| 5   | BOLT, M4 X 35-8.8 SOCKET HEAD                                | F81011-34 | 4    |
| 6   | NUT, M4-B HEX NYLON ZIN                                      | F81028-2  | 8    |
| 7   | WASHER 4,3 ZINC, FLAT  | F81051-2  | 8    |
| 8   | SCREW, M4 X 12-5.8   | F81011-41 | 4    |
| 9   | KEY, AZ17/170-B5 SAFETY SWITCH                               | 094422    | 4    |
| 10  | LATCH, FLEXIBLE DRAW   | 014829    | 2    |
| 11  | BOLT, M5X12-5.8  | F81000-5  | 8    |
| 12  | WASHER 5,3 ZINC FLAT   | F81052-1  | 8    |
| 13  | NUT M5-8 DIN 985 ZINC  | F81030-2  | 8    |
| 14  | BOLT, M6X16 8.8 HEX HEAD FULL THREAD ZINC                    | F81001-15 | 10   |
| 15  | WASHER 6.4 ZINC FLAT   | F81053-1  | 10   |

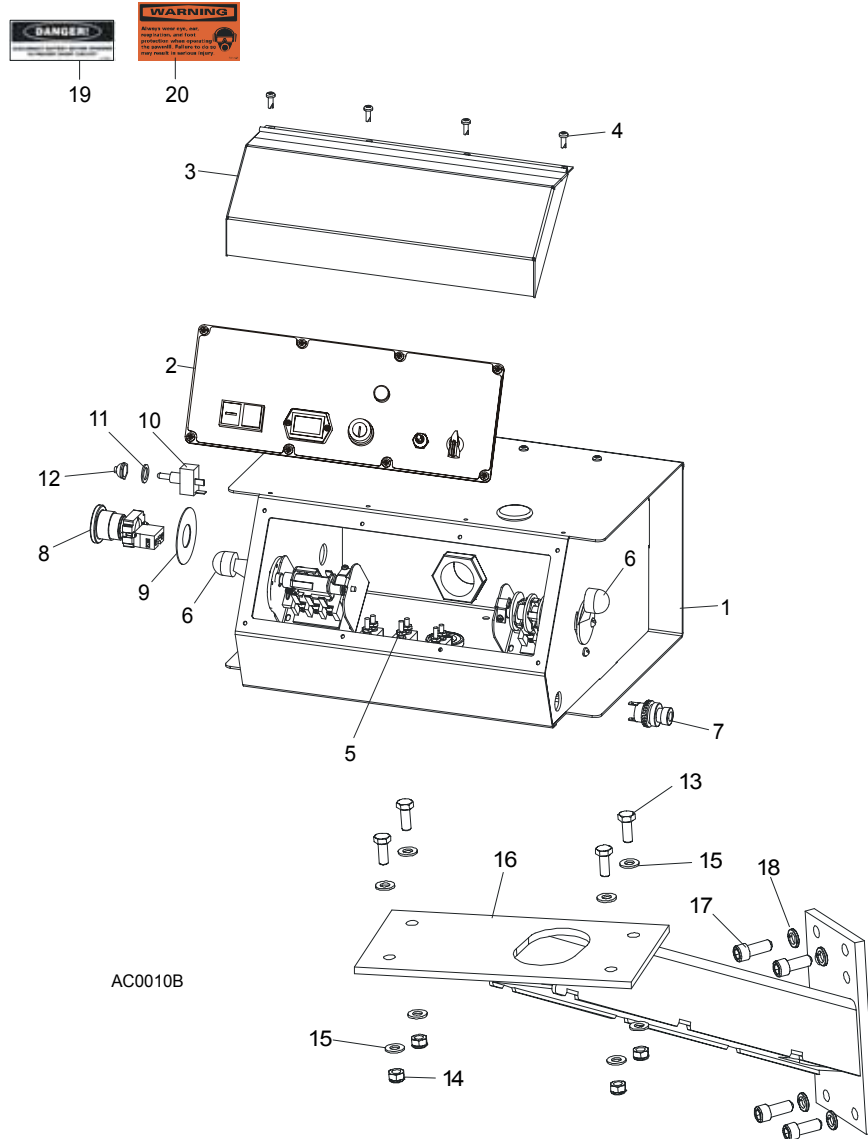
## 4.7 Sawdust Chute



| REF | DESCRIPTION (◆ Indicates Parts Available In Assemblies Only) | PART #   | QTY. |  |
|-----|--|----------|------|--|
| 1   | CHUTE WELDMENT, SAWDUST                                      | 089352-1 | 1    |  |
| 2   | CLAMP, 152 MM  | 089358   | 2    |  |
| 3   | TUBE, SAWDUST CHUTE  | 090153   | 1    |  |
| 4   | TUBE, CHUTE END  | 090126-1 | 1    |  |
| 5   | BOLT, M8X20-8.8-B HEX HEAD FULL THREAD ZINC                  | F81002-4 | 2    |  |
| 6   | WASHER 8.4 ZINC FLAT   | F81054-1 | 4    |  |
| 7   | NUT, M8-8-B HEX NYLON ZINC LOCK                              | F81032-2 | 2    |  |

# SECTION 5 CONTROL BOXES

## 5.1 Control Assembly, LT70 AH

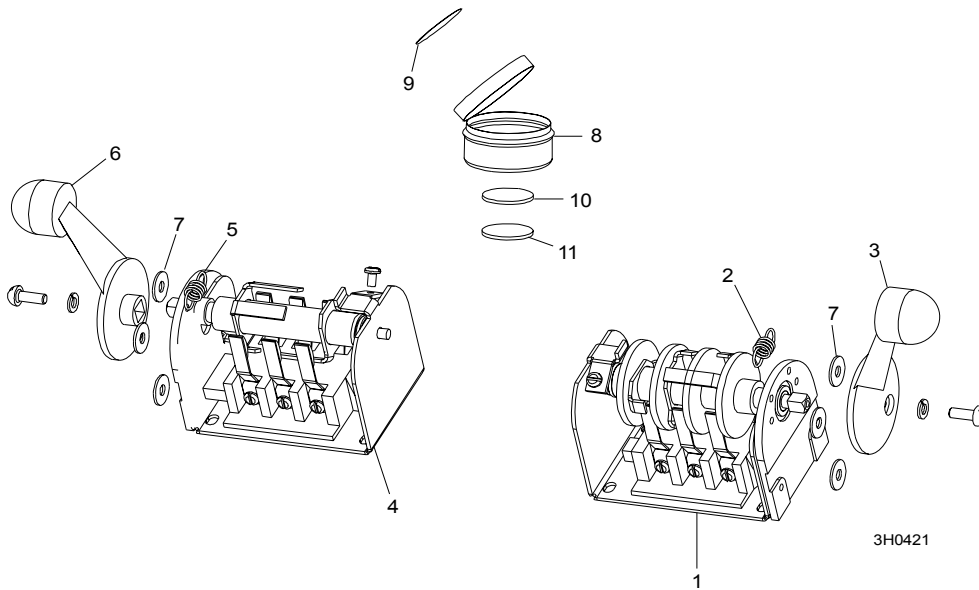


| REF       | DESCRIPTION (◆ Indicates Parts Available In Assemblies Only)           | PART #    | QTY. |   |
|-----------|--|-----------|------|---|
|           | <b>CONTROL BOX ASSEMBLY, AC SUPER (EA20, EA25)</b>                     | 093022    | 1    |   |
| <b>1</b>  | <b>HOUSING, AC SUPER CONTROL BOX ASSEMBLY (EA20, EA25)</b>             | 086546-1  | 1    | ◆ |
| <b>2</b>  | Front Control Panel & Wiring Harnesses ( <a href="#">Section 5.4</a> ) |           |      |   |
| <b>3</b>  | Cover, Control Box Hinged  | 015304    | 1    |   |
| <b>4</b>  | Screw, #10-24 x 1/2"   | F05015-17 | 12   |   |
| <b>5</b>  | Circuit Breakers ( <a href="#">Section 5.3</a> )                       |           |      |   |
| <b>6</b>  | Drum Switches ( <a href="#">Section 5.2</a> )                          |           |      |   |
| <b>7</b>  | Switch, Horn   | E85118    | 1    |   |
| <b>8</b>  | Switch, XB2 BS542 Emergency Stop                                       | 086556    | 1    |   |
| <b>9</b>  | Washer, Emergency Stop Switch  | 086561    | 1    |   |
| <b>10</b> | Switch, Speed Control  | 086773    | 1    |   |
| <b>11</b> | Washer, 1/2" x 3/4" x 5/8" Nylon                                       | P05251-1  | 1    |   |



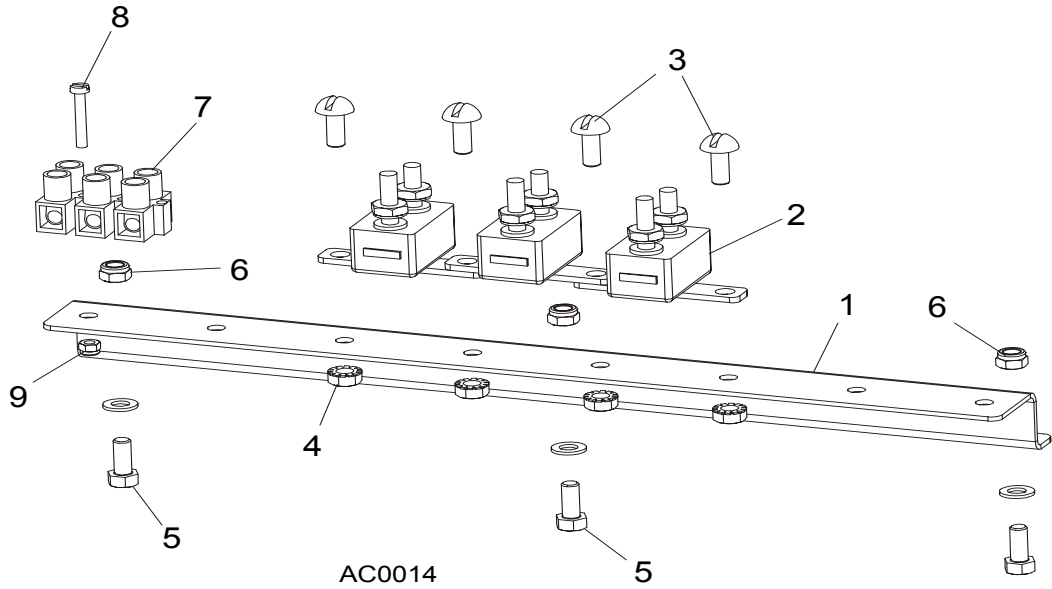
|    |   |           |   |  |
|----|---|-----------|---|--|
| 12 | Boot, Speed Control Switch                  | P02575    | 1 |  |
| 13 | <b>BOLT, M8 X 20-8.8-B HEX HEAD</b>         | F81002-4  | 4 |  |
| 14 | <b>NUT, M8-8-B HEX</b>                      | F81032-2  | 4 |  |
| 15 | <b>WASHER, 8.4 FLAT</b>                     | F81054-1  | 8 |  |
| 16 | <b>MOUNT WELDMENT, STANDARD CONTROL BOX</b> | 086732-1  | 1 |  |
| 17 | <b>BOLT,, 3/8-16 X 1" SOCKET HEAD</b>       | F05007-52 | 4 |  |
| 18 | <b>WASHER, 10.2 SPLIT LOCK</b>              | F81055-2  | 4 |  |
| 19 | <b>DECAL, FRONT OUTRIGGER WARNING</b>       | 015400-4  | 1 |  |
| 20 | <b>DECAL, EAR/EYE PROTECTION WARNING</b>    | S11753-4  | 1 |  |

## 5.2 Drum Switches



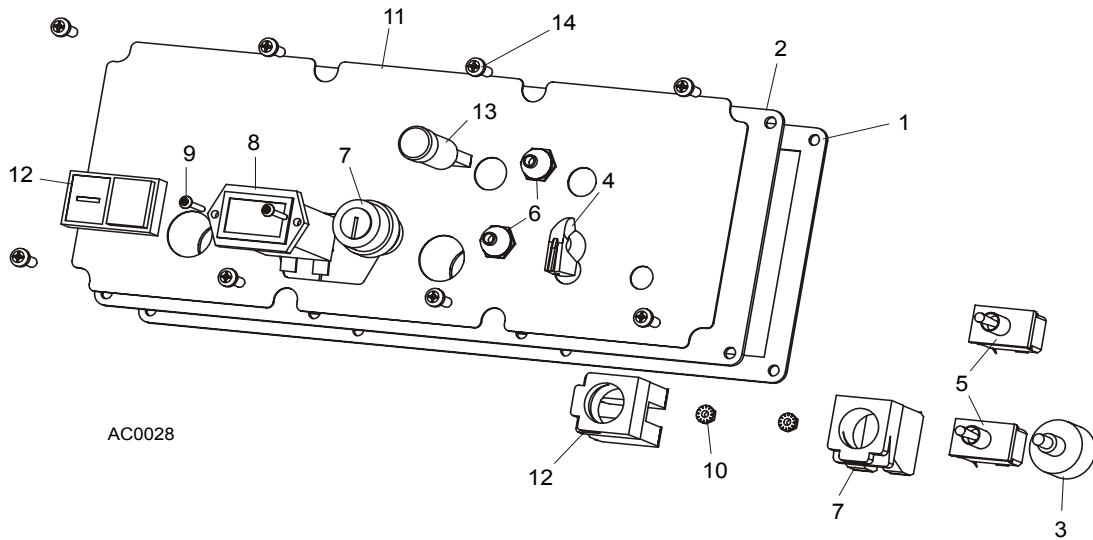
| REF | DESCRIPTION (◆ Indicates Parts Available In Assemblies Only) | PART #    | QTY.   |   |
|-----|--|-----------|--------|---|
|     | <b>SWITCH ASSEMBLY, UP/DOWN DRUM</b>                         | E20440    | 1      |   |
| 1   | Switch, S12 Bulk Drum  | E20440-B  | 1      | ◆ |
| 2   | Spring, Drum Switch  | P12570    | 1      |   |
| 3   | Handle, Drum Switch Replacement                              | P12500    | 1      |   |
|     | <b>SWITCH ASSEMBLY, POWER FEED DRUM</b>                      | E20438    | 1      |   |
| 4   | Switch, S10 Bulk Drum  | E20438-B  | 1      | ◆ |
| 5   | Spring, Drum Switch  | P12570    | 1      |   |
| 6   | Handle, Drum Switch Replacement                              | P12500    | 1      |   |
| 7   | <b>WASHER, #8 SAE FLAT</b>                                   | F05011-41 | 6      |   |
|     | <b>CUP ASSEMBLY, DRUM SWITCH GREASE</b>                      | A20463    | 1      |   |
| 8   | Cup, Plastic Container                                       | P20464    | 1      | ◆ |
| 9   | Decal, Grease Cup Label                                      | P20467    | 1      |   |
| 10  | Pad, Velcro Loop   | P20466    | 1      | ◆ |
| 11  | Pad, Velcro Hook   | P20465    | 1      | ◆ |
|     | Grease, High Temp Drum Switch                                | P20468    | .011ml | ◆ |

### 5.3 Circuit Breakers



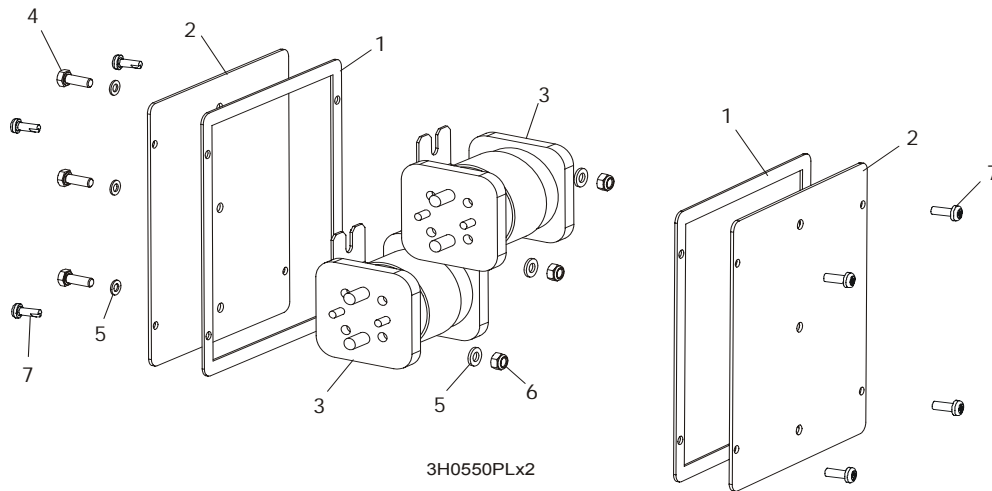
| REF | DESCRIPTION (◆ Indicates Parts Available In Assemblies Only) | PART #    | QTY. |
|-----|--|-----------|------|
|     | <b>BREAKER ASSEMBLY, SAWMILL CONTROL CIRCUIT</b>             | 015621    | 1    |
| 1   | Rail, Circuit Breaker  | 015310    | 1    |
| 2   | Breaker, 15 Amp Manual Reset                                 | E20430    | 5    |
| 3   | Screw, #8-32 X 1/2" Slotted Head                             | F05004-12 | 6    |
| 4   | Nut, #8-32 Hex Self-Locking                                  | F05010-41 | 6    |
| 5   | <b>BREAKER, 70 AMP MANUAL RESET PANEL MOUNT</b>              | 015527    | 1    |
| 6   | <b>BREAKER, 50 AMP MANUAL RESET PANEL MOUNT</b>              | 021256    | 1    |
| 7   | <b>BOOT, CIRCUIT BREAKER</b>                                 | 021253    | 2    |
| 8   | <b>SCREW, #10-24 X 3/8" PHILLIPS PAN HEAD</b>                | F05004-3  | 3    |
| 9   | <b>NUT, #10-24 SELF LOCKING</b>                              | F05010-14 | 3    |

## 5.4 Front Panel Assembly & Harnesses



| REF | DESCRIPTION (◆ Indicates Parts Available In Assemblies Only) | PART #    | QTY. |
|-----|--|-----------|------|
|     | <b>PANEL ASSEMBLY, AC SUPER CONTROL FRONT (EA20, EA25)</b>   | 087387    | 1    |
| 1   | Gasket, Front Panel  | 088387    | 1    |
| 2   | Panel Weldment, Control                                      | 087316    | 1    |
| 3   | Switch Assembly, Feed Rate                                   | E20519    | 1    |
| 4   | Knob, Feed Rate With Set Screw                               | P06257    | 1    |
| 5   | Switch, Toggle   | 024200    | 2    |
| 6   | Boot, Toggle Switch Rubber                                   | P02575    | 2    |
| 7   | Switch, Key  | 087350    | 1    |
| 8   | Meter, Hour  | 015401    | 1    |
| 9   | Screw, 6-32 x 3/4" Socket Button Head Cap Stainless Steel    | F05004-93 | 2    |
| 10  | Nut, # 6-32 Keps   | F05010-59 | 2    |
| 11  | Decal, Control Pane  | 087351    | 1    |
| 12  | Switch, START-STOP   | 087349    | 1    |
| 13  | Lamp, Control  | 087348    | 1    |
|     | <b>HARNESS ASSEMBLY, UPPER WIRING</b>                        | 093167    | 1    |
| 14  | Screw, #10-24 x 1/2" Pan Head                                | F05015-17 | 8    |

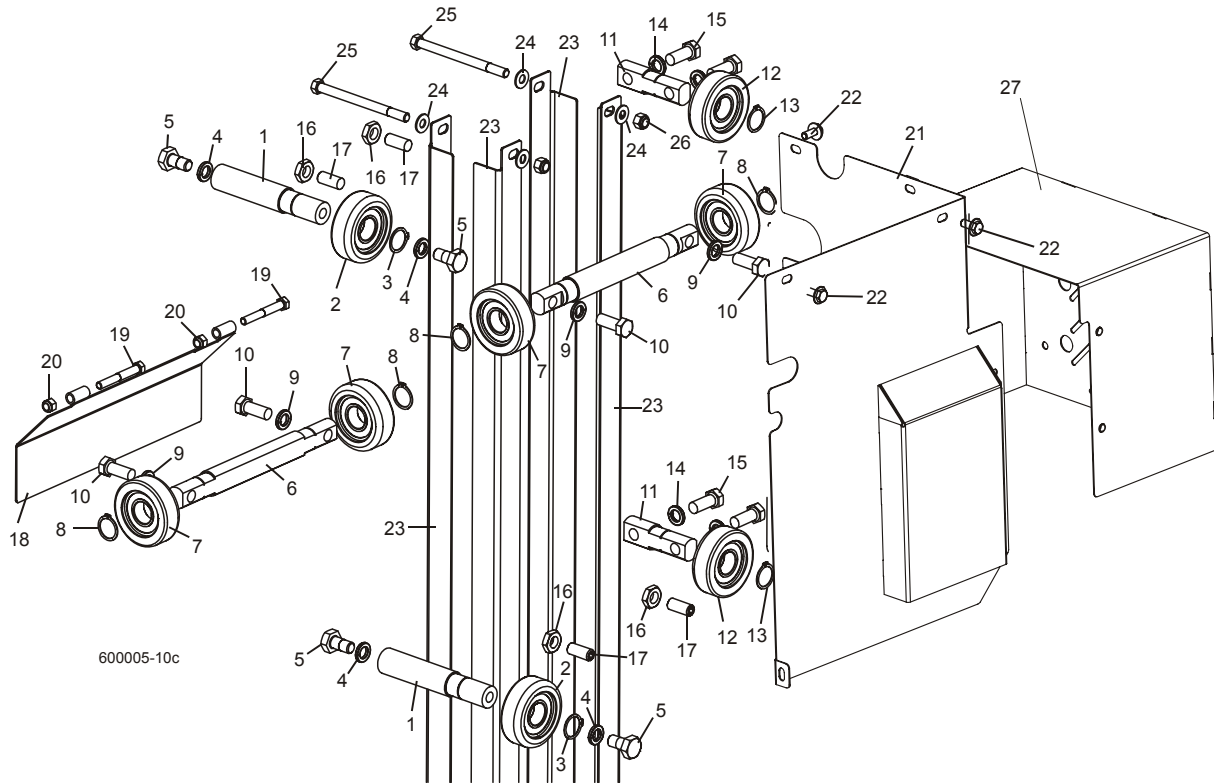
**5.5 Solenoids**



| REF | DESCRIPTION (◆ Indicates Parts Available In Assemblies Only) | PART #    | QTY. |  |
|-----|--|-----------|------|--|
| 1   | GASKET, SIDE PANEL   | 015274    | 2    |  |
| 2   | PANEL WELDMENT, SIDE   | 015307    | 2    |  |
| 3   | SOLENOID, 200A 12V SPST HYDRAULIC PUMP                       | 015470    | 2    |  |
| 4   | BOLT, M6X16 5.8 HEX HEAD FULL THREAD ZINC                    | F81001-14 | 3    |  |
| 5   | WASHER, 6.4 FLAT ZINC  | F81053-1  | 6    |  |
| 6   | NUT, M6-8-B HEX NYLON ZINC LOCK                              | F81031-2  | 3    |  |
|     | DIODE ASSEMBLY, SOLENOID COIL CHASSIS GND                    | 087496    | 4    |  |
| 7   | BOLT, #10-24 X 1/2 PHILLIPS PAN HEAD TYPE 23                 | F05015-17 | 8    |  |

## SECTION 6 UP/DOWN SYSTEM

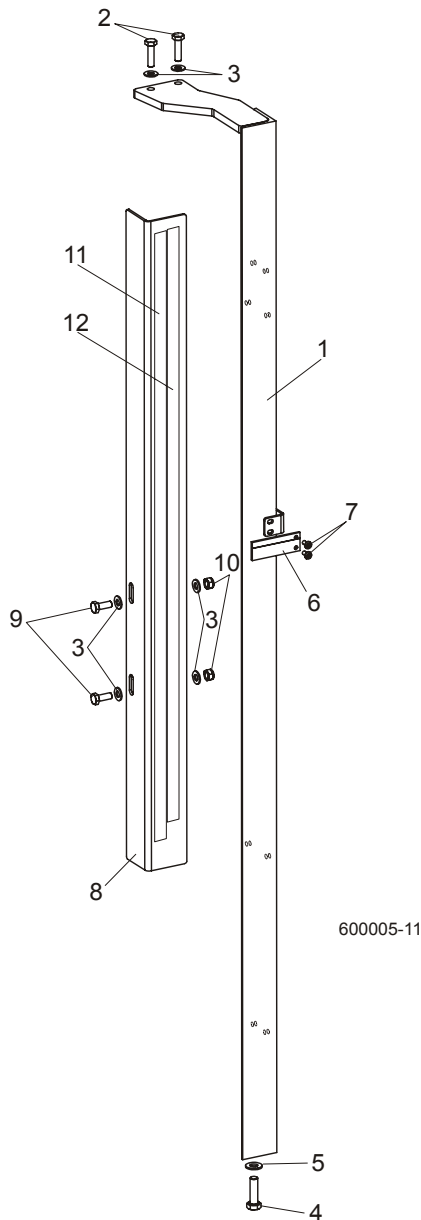
### 6.1 Up/Down Rollers & Covers



| REF | DESCRIPTION (◆ Indicates Parts Available in Assemblies Only) | PART #    | QTY. |
|-----|--|-----------|------|
|     | <b>ROLLER ASSEMBLY, INSIDE UP/DOWN</b>                       | 089456    | 2    |
| 1   | Shaft, Inside Up/Down Roller                                 | 088817-1  | 1    |
| 2   | Bearing, CBK-468 Rolling                                     | 088433    | 1    |
| 3   | Ring, Z30 Spring Retaining                                   | F81090-23 | 1    |
| 4   | Washer, 13 Zinc Flat   | F81056-1  | 2    |
| 5   | Bolt, M12x25-8.8 Hex Head Full Thread Zinc                   | F81004-31 | 2    |
|     | <b>ROLLER ASSEMBLY, OUTSIDE UP/DOWN</b>                      | 089454    | 2    |
| 6   | Shaft, Long Up/Down Roller                                   | 088815-1  | 1    |
| 7   | Bearing, CBK-468 Rolling                                     | 088433    | 2    |
| 8   | Ring, Z30 Spring Retaining                                   | F81090-23 | 2    |
| 9   | Washer, 10.5 Zinc Flat                                       | F81055-1  | 3    |
| 10  | Bolt, M10x35-8.8 Hex Head Full Thread Zinc                   | F81003-17 | 3    |
|     | <b>ROLLER ASSEMBLY, SHORT UP/DOWN</b>                        | 089455    | 2    |
| 11  | Shaft, Short Up/Down Roller                                  | 088816-1  | 1    |
| 12  | Bearing, CBK-468 Rolling                                     | 088433    | 1    |
| 13  | Ring, Z30 Spring Retaining                                   | F81090-23 | 1    |
| 14  | Washer, 10.5 Zinc Flat                                       | F81055-1  | 2    |
| 15  | Bolt, M10x35-8.8 Hex Head Full Thread Zinc                   | F81003-17 | 2    |
| 16  | <b>NUT, M10-04-W HEX ZINC THIN</b>                           | F81033-6  | 4    |
| 17  | <b>SCREW, GN 913.3-M10-40-MS SET</b>                         | F81003-65 | 4    |
| 18  | <b>COVER WELDMENT, UP/DOWN ROLLER</b>                        | 089483-1  | 1    |
| 19  | <b>BOLT, M8X16-8.8-B HEX HEAD FULL THREAD ZINC</b>           | F81002-20 | 4    |
| 20  | <b>WASHER, 8.4 ZINC FLAT</b>                                 | F81054-1  | 9    |

|    |   |           |    |  |
|----|---|-----------|----|--|
| 21 | GUARD WELDMENT, RA-08 UP/DOWN GEAR BOX SIDE PTD | 091319-1  | 1  |  |
| 22 | BOLT, M8X12-8.8 HEX HEAD FULL THREAD ZINC       | F81002-6  | 5  |  |
| 23 | ANGLE, MAST TUBE STAINLESS                      | 088492    | 4  |  |
| 24 | WASHER, 10.5 ZINC FLAT                          | F81055-1  | 12 |  |
| 25 | BOLT, M10X125-8.8 HEX HEAD ZINC                 | F81003-18 | 4  |  |
| 26 | NUT, M10-8-B HEX NYLON ZINC LOCK                | F81033-1  | 4  |  |
| 27 | GUARD, UP/DOWN MOTOR PAINTED                    | 090501-1  | 1  |  |

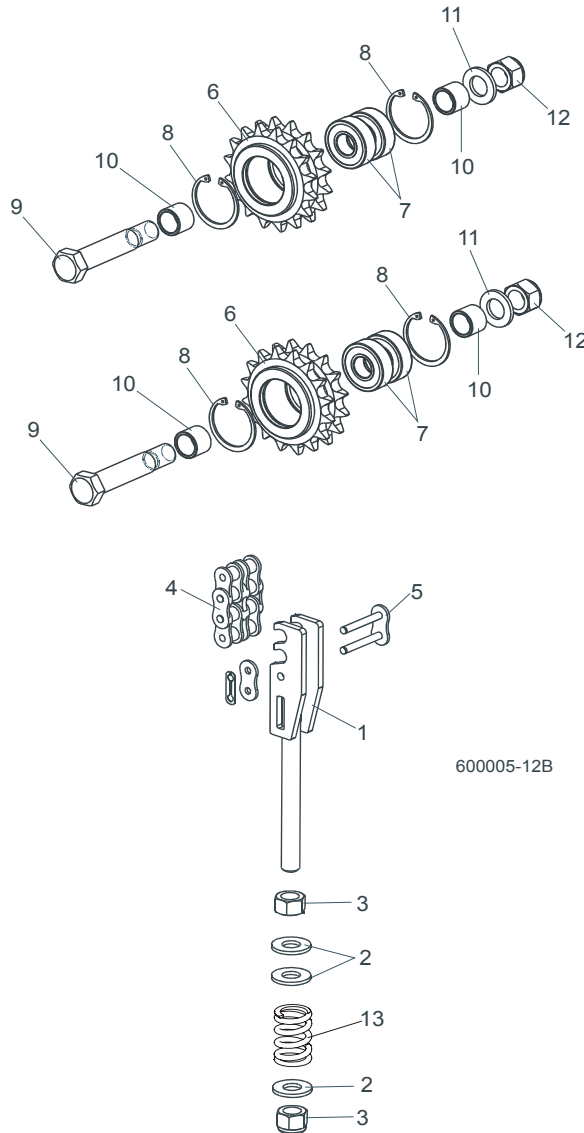
## 6.2 Blade Height Scale



| REF | DESCRIPTION (◆ Indicates Parts Available In Assemblies Only) | PART #    | QTY. |  |
|-----|--|-----------|------|--|
| 1   | MOUNT WELDMENT, SCALE PAINTED                                | 088554-1  | 1    |  |
| 2   | BOLT, M8 x 30-8.8-B HEX HEAD FULL THREAD ZINC                | F81002-7  | 2    |  |
| 3   | WASHER, 8.4 ZINC FLAT  | F81054-1  | 6    |  |
| 4   | BOLT, M10 x 35-8.8 HEX HEAD FULL THREAD ZINC                 | F81003-17 | 1    |  |
| 5   | WASHER, 10.5 ZINC FLAT                                       | F81055-1  | 1    |  |

|    |   |          |   |  |
|----|---|----------|---|--|
| 6  | INDICATOR, BLADE HEIGHT SCALE                 | 094821   | 1 |  |
| 7  | SCREW, #10-24 X 3/8 PHILLIPS PAN HEAD ZINC    | F05004-3 | 2 |  |
| 8  | ANGLE, SCALE MOUNT                            | 088785-1 | 1 |  |
| 9  | BOLT, M8 X 20-8.8-B HEX HEAD FULL THREAD ZINC | F81002-4 | 2 |  |
| 10 | NUT, M8-8-B HEX NYLON ZINC LOCK               | F81032-2 | 2 |  |
| 11 | DECAL, METRIC SCALE                           | S11711   | 1 |  |
| 12 | DECAL, 16-40 MM METRIC SCALE                  | P12040-1 | 1 |  |

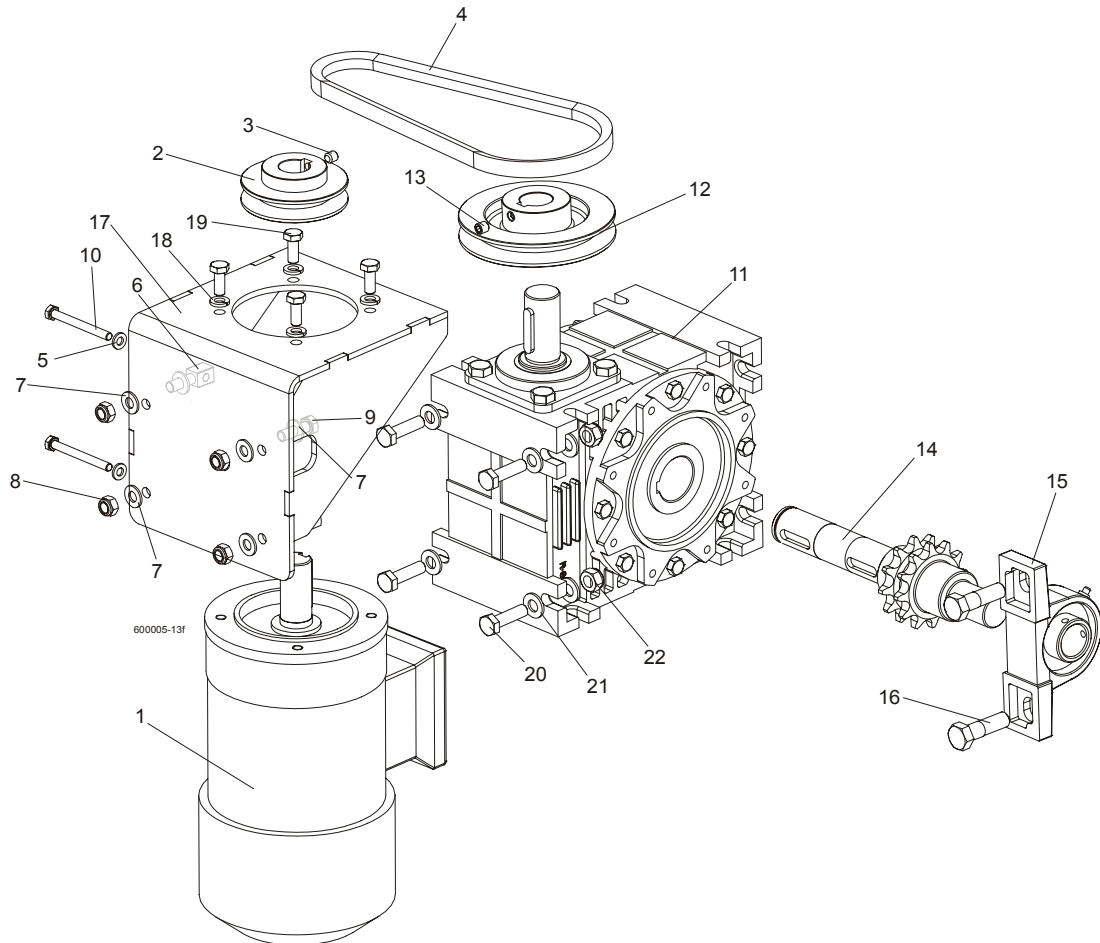
### 6.3 Up/Down Chain & Sprockets



| REF | DESCRIPTION (◆ Indicates Parts Available In Assemblies Only) | PART #   | QTY. |  |
|-----|--|----------|------|--|
| 1   | TENSIONER WELDMENT, UP/DOWN CHAIN ZINC                       | 088551-1 | 1    |  |
| 2   | WASHER, 13 ZINC FLAT   | F81056-1 | 3    |  |
| 3   | NUT, M12-8 HEX NYLON ZINC LOCK                               | F81034-2 | 2    |  |
| 4   | CHAIN, 10B-2 113-LINK UP/DOWN                                | 088672   | 1    |  |
| 5   | LINK, 10B-2Pz MASTER   | 088673   | 1    |  |
|     | <b>SPROCKET ASSEMBLY, UP/DOWN IDLER</b>                      | 088470   | 2    |  |
| 6   | Sprocket, Zinc   | 088471-1 | 1    |  |
| 7   | Bearing, 6203-2RS FLT Rolling                                | 086114   | 2    |  |

|    |  |           |   |  |
|----|--|-----------|---|--|
| 8  | Ring, W40 Spring Retaining                       | F81090-3  | 2 |  |
| 9  | Bolt, M16D1F6 x 90-8.8 Hex Fit Short Thread Zinc | F81006-15 | 1 |  |
| 10 | Spacer, Idler Zinc                               | 088792-1  | 2 |  |
| 11 | Washer, 17 Zinc Flat                             | F81058-1  | 1 |  |
| 12 | Nut, M16-8 Hex Nylon Zinc Lock                   | F81036-2  | 1 |  |
| 13 | Spring, 14x30x3,2                                | 090797    | 1 |  |

## 6.4 Up/Down Drive Assembly



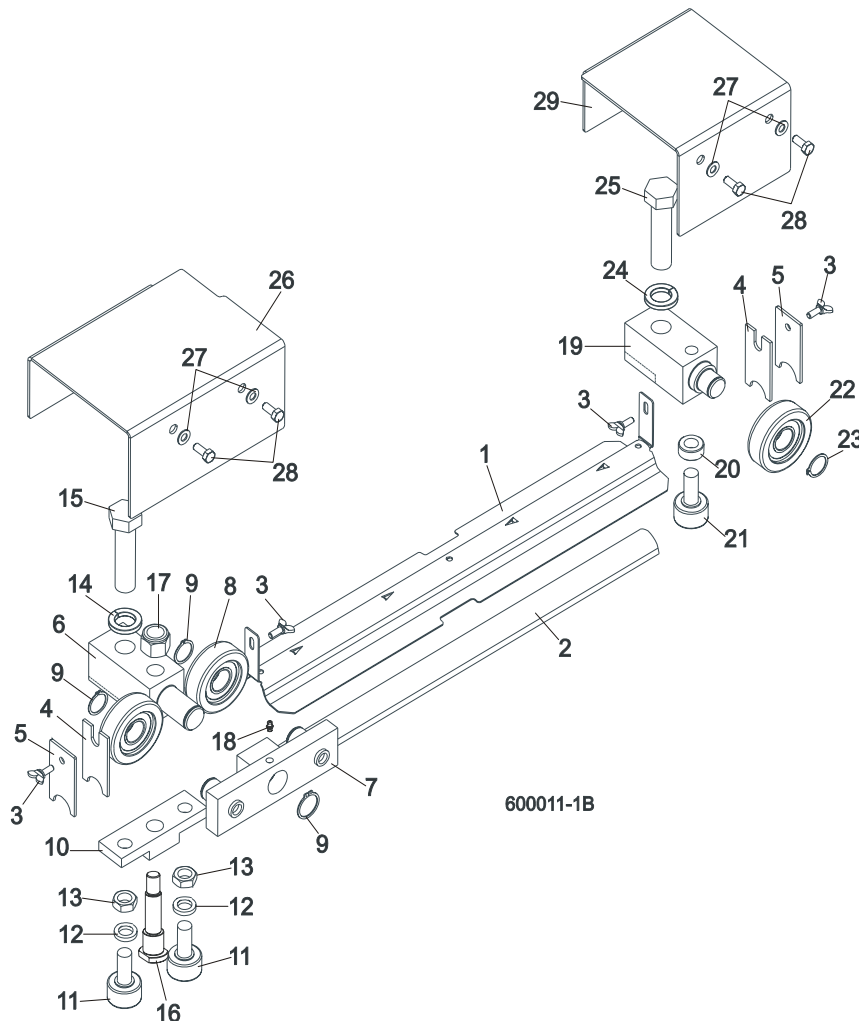
| REF | DESCRIPTION (◆ Indicates Parts Available In Assemblies Only) | PART #   | QTY. |  |
|-----|--|----------|------|--|
|     | <b>MOTOR W/MOUNT BRACKET, AC UP/DOWN</b>                     | 090493   | 1    |  |
| 1   | AC Motor, 2 gear STKg90 6/4L2 IMB14/162                      | 086530   | 1    |  |
| 2   | Pulley, AC Motor Painted                                     | 090497-1 | 1    |  |
| 3   | Screw, M8x8-33H Hex Socket Set Flat Point Zinc               | F81014-1 | 1    |  |
| 4   | V-Belt, HA-670   | 091328   | 1    |  |
| 5   | Washer, 6.4 Zinc Flat  | F81053-1 | 2    |  |
| 6   | Bolt, Special - Zinc Plated                                  | 088962-1 | 2    |  |
| 7   | Washer, 8.4 Zinc Flat  | F81054-1 | 8    |  |
| 8   | Nut, M8-8-B Hex Nylon Zinc Lock                              | F81032-2 | 4    |  |
| 9   | Bolt, M8X25-8.8-B Hex Head Full Thread Zinc                  | F81002-5 | 2    |  |
| 10  | Bolt, M6x60-8.8 Hex Head Full Thread Zinc                    | F81001-9 | 2    |  |
|     | <b>GEAR BOX ASSEMBLY, UP/DOWN DRIVE</b>                      | 091310   | 1    |  |
| 11  | Gear Box, R80/64/WBS/D1,N+S,V5                               | 097701   | 1    |  |
| 12  | Pulley, Up/Down Gear Painted                                 | 091308-1 | 1    |  |



|    |  |           |   |  |
|----|--|-----------|---|--|
| 13 | Screw, M8x8-33H Hex Socket Set Flat Point Zinc       | F81014-1  | 1 |  |
| 14 | Output Shaft W/Sprocket, Up/Down Drive               | 091311    | 1 |  |
| 15 | Bearing Assembly, UCP205 CX                          | 088468    | 1 |  |
| 16 | Bolt, M12 x 40-8.8 Hex Head Zinc                     | F81004-1  | 1 |  |
| 17 | BRACKET, AC UP/DOWN MOTOR MOUNT PTD                  | 090494-1  | 1 |  |
| 18 | WASHER 8.2 SPLIT LOCK ZINC                           | F81054-4  | 4 |  |
| 19 | <b>BOLT, M8 X 20-8.8-B HEX HEAD FULL THREAD ZINC</b> | F81002-4  | 4 |  |
| 20 | <b>BOLT M10x35-8.8 HEX HEAD FULL THREAD ZINC</b>     | F81003-17 | 4 |  |
| 21 | WASHER 10,5Fe/Zn5, SPECIAL                           | F81055-4  | 8 |  |
| 22 | NUT,M10-8-B NYLON HEX ZINC LOCK                      | F81033-1  | 4 |  |

## SECTION 7 FEED SYSTEM & TRACK ROLLERS

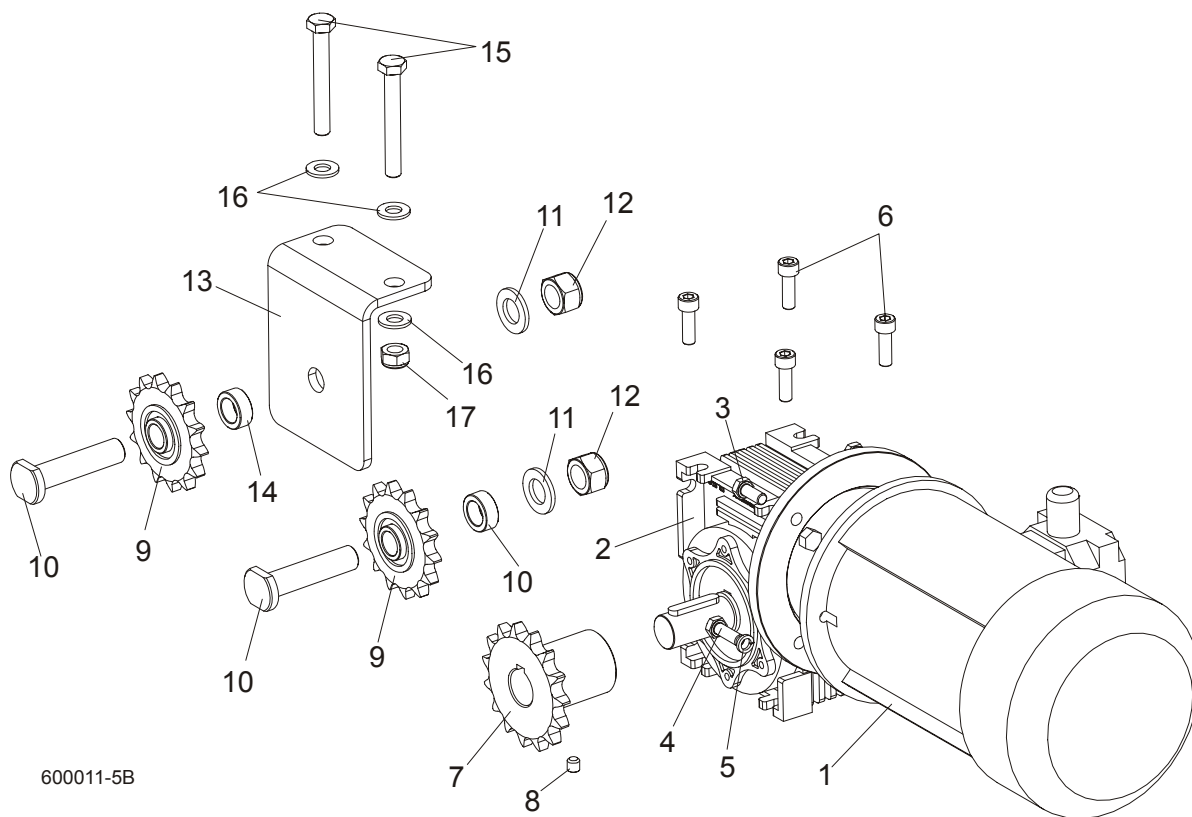
### 7.1 Upper Track Rollers And Wipers



| REF | DESCRIPTION (◆ Indicates Parts Available In Assemblies Only) | PART #    | QTY. |
|-----|--|-----------|------|
| 1   | <b>COVER, LT40/70 MIDDLE TRACK - SERVICE</b>                 | 092868-S  | 1    |
|     | Cover, LT40/70 Middle Track Ptd                              | 092868-1  | 1    |
| 2   | Strip, 3/16 X 2 X 23 Felt                                    | S09915    | 1    |
| 3   | <b>SCREW, M6X16 DIN 316 WING</b>                             | F81001-16 | 4    |
| 4   | <b>WIPER, TOP RAIL</b>                                       | M04113    | 2    |
| 5   | <b>PLATE, TRACK WIPER</b>                                    | 088559-1  | 2    |
|     | <b>ROLLER ASSEMBLY, UPPER TANDEM TRACK</b>                   | 088530    | 1    |
| 6   | Block, Tandem Roller Mount                                   | 088532    | 1    |
| 7   | Block Assembly, Tandem Roller                                | 088535    | 1    |
| 8   | Bearing, CBK-468 Rolling                                     | 088433    | 2    |
| 9   | Ring, Z30 Spring Retaining                                   | F81090-23 | 2    |
| 10  | Block, Cam Follower Mount                                    | 088520    | 1    |
| 11  | Bearing, Cam Follower (McGill)                               | 012797    | 2    |
| 12  | Washer, 16.3 Split Zinc Lock                                 | F81058-2  | 2    |
| 13  | Nut, 5/8"-18 Zinc  | F05010-11 | 2    |
| 14  | Washer, Z24.5 Split Zinc Lock                                | F81061-4  | 1    |
| 15  | Bolt, M24 x 2 x 90-8.8 Hex Head Full Thread Zinc             | F81009-2  | 1    |

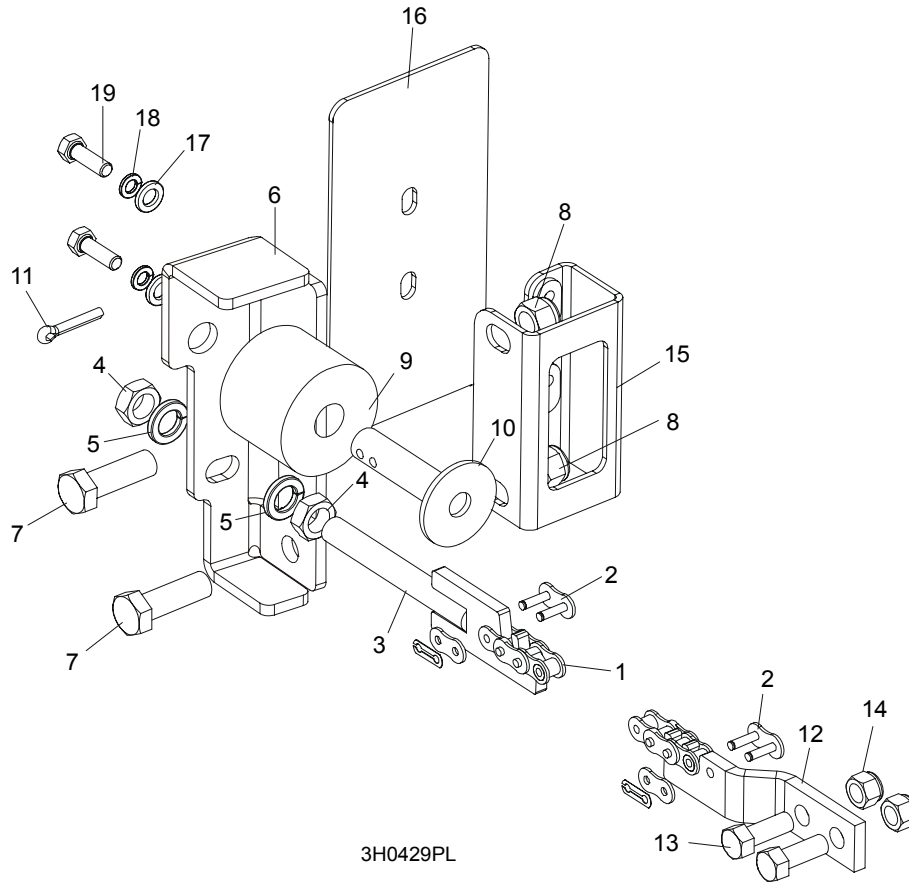
|    |  |           |   |  |
|----|--|-----------|---|--|
| 16 | Pin, Cam Follower Mount                          | 088531    | 1 |  |
| 17 | Nut, M16-8 Hex Nylon Zinc Lock                   | F81036-2  | 1 |  |
| 18 | Fitting, M6 Straight Grease                      | 086280    | 1 |  |
|    | <b>ROLLER ASSEMBLY, REAR UPPER TRACK</b>         | 088529    | 1 |  |
| 19 | Block, Rear Upper Roller Mount                   | 088528    | 1 |  |
| 20 | Spacer, Cam Follower                             | 088536    | 1 |  |
| 21 | Bearing, Cam Follower (McGill)                   | 012797    | 1 |  |
| 22 | Roller, CBK-468                                  | 088433    | 1 |  |
| 23 | Ring, Z30 Spring Retaining                       | F81090-23 | 1 |  |
| 24 | Washer, Z24.5 Split Zinc Lock                    | F81061-4  | 1 |  |
| 25 | Bolt, M24x2x90-8.8 Hex Head Full Thread Zinc     | F81009-2  | 1 |  |
| 26 | <b>COVER, TANDEM ROLLER</b>                      | 088526-1  | 1 |  |
| 27 | <b>WASHER, 6.4 ZINC FLAT</b>                     | F81053-1  | 4 |  |
| 28 | <b>BOLT, M6X16 8.8 HEX HEAD FULL THREAD ZINC</b> | F81001-15 | 4 |  |
| 29 | <b>COVER, REAR UPPER ROLLER</b>                  | 088527-1  | 1 |  |

## 7.2 Power Feed Assembly



| REF | DESCRIPTION (◆ Indicates Parts Available In Assemblies Only) | PART #    | QTY. |
|-----|--|-----------|------|
|     | <b>MOTOREDUCER MR-50/7.5/1.1-1380/K3/B8</b>                  | 100936    | 1    |
| 1   | Electric motor 1,1kW AC                                      | 090104    | 1    |
| 2   | RA-0,5/7,5/D3/S/B8 I.3 koln.160/19 B14/1                     | 100935    | 1    |
| 3   | BOLT, M8X20MM, HEX HEAD,GR 5.8 ZINC                          | F81002-4  | 2    |
| 4   | BOLT,M8X25-8.8-B HEX HEAD FULL THREAD                        | F81002-5  | 2    |
| 5   | WASHER 8,2 FE/ZN9  | F81054-4  | 2    |
| 6   | SCREW, M8x25 -8.8 HEX SOCKET HEAD CAP                        | F81002-21 | 4    |
| 7   | SPROCKET, 10B Z15 ZINC                                       | 088541-1  | 1    |
| 8   | SCREW, M8x8-33H HEX SOCKET SET FLAT POINT ZINC               | F81014-1  | 2    |
| 9   | SPROCKET, KSR 16.L0.10.10.14.08 W/BEARING                    | 088867    | 2    |
| 10  | PIN, ZINC SPROCKET MOUNT                                     | 088994-1  | 2    |
| 11  | WASHER, 17 ZINC FLAT   | F81058-1  | 2    |
| 12  | NUT, M16-8 HEX NYLON ZINC LOCK                               | F81036-2  | 2    |
| 13  | BRACKET, POWER FEED SPROCKET MOUNT                           | 088507-1  | 1    |
| 14  | SPACER, POWER FEED SPROCKET                                  | 088550-1  | 1    |
| 15  | BOLT, M10x75-8.8 HEX HEAD ZINC                               | F81003-15 | 2    |
| 16  | WASHER, 10.5 ZINC FLAT                                       | F81055-1  | 4    |
| 17  | NUT, M10-8-B HEX NYLON ZINC LOCK                             | F81033-1  | 2    |

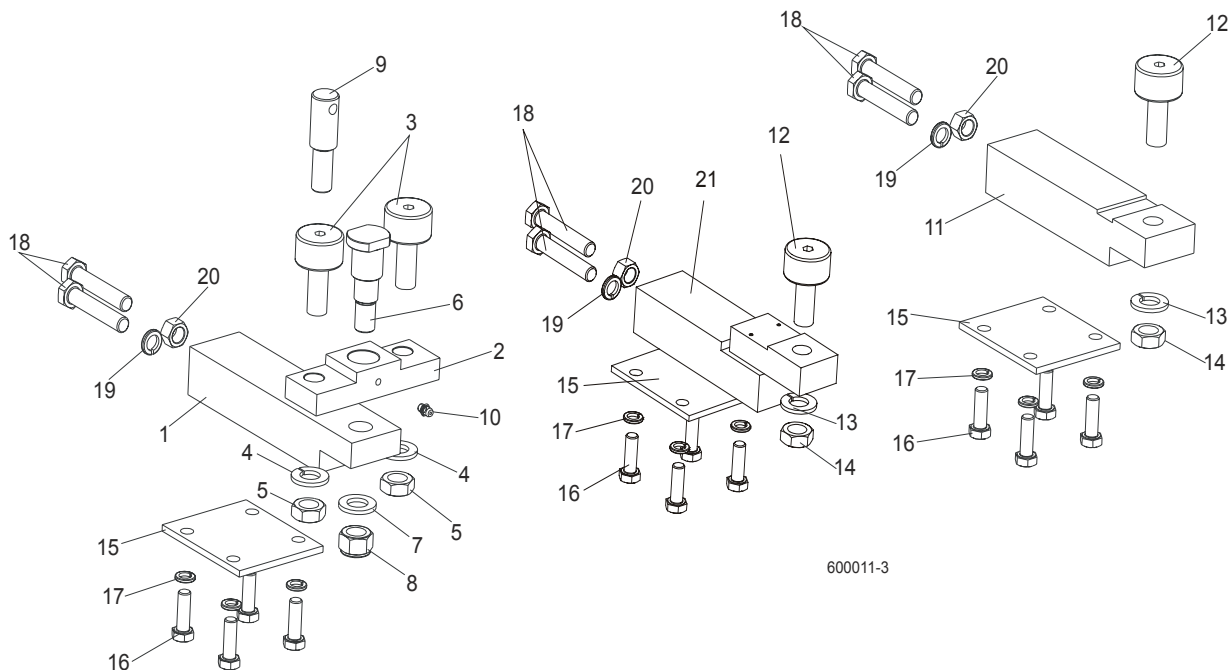
### 7.3 Feed Chain/Stop, LT70 S/M



3H0429PL

| REF | DESCRIPTION (◆ Indicates Parts Available In Assemblies Only) | PART #    | QTY. |
|-----|--|-----------|------|
| 1   | CHAIN, 10B-1-375 (5.95M) LT70S FEED                          | 090427    | 1    |
|     | CHAIN, 10B-1-457 (7.25M) LT70M FEED                          | 090370    | 1    |
| 2   | LINK, 10B-1Pz MASTER   | 088671    | 2    |
| 3   | TENSIONER WELDMENT, POWER FEED CHAIN ZINC-PLATED             | 086818-1  | 1    |
| 4   | NUT, M12-5 HEX JAM   | F81034-4  | 2    |
| 5   | WASHER, 12.2 SPLIT LOCK                                      | F81056-2  | 2    |
| 6   | BRACKET, FEED CHAIN REAR MOUNT                               | 087628-1  | 1    |
| 7   | BOLT, M12 X 40 8.8 HEX HEAD GRADE 5                          | F81004-4  | 2    |
| 8   | NUT, M12-8 HEX NYLON LOCK                                    | F81034-2  | 2    |
|     | STOP KIT, RUBBER CARRIAGE                                    | K09630    | 2    |
| 9   | Stop, Rubber Carriage  | P12165    | 1    |
| 10  | Pin, Rubber Carriage Stop                                    | W09293    | 1    |
| 11  | Pin, 3/16" X 1" Cotter                                       | F05012-21 | 1    |
| 12  | BRACKET, FRONT FEED CHAIN MOUNT                              | 015008    | 1    |
| 13  | BOLT, 3/8-16 X 1" HEX HEAD                                   | F05007-7  | 2    |
| 14  | NUT, 3/8-16 HEX NYLON LOCK                                   | F05010-10 | 2    |
| 15  | BRACKET WELDMENT, REAR MAIN TUBE COVER MOUNT                 | 087105-1  | 1    |
| 16  | COVER, REAR MAIN TUBE  | 015023    | 1    |
| 17  | WASHER, 8.4 FLAT   | F81054-1  | 2    |
| 18  | WASHER, 8.2 SPLIT LOCK                                       | F81054-4  | 2    |
| 19  | BOLT, 5/16-18 X 1" HEX HEAD                                  | F05006-1  | 2    |

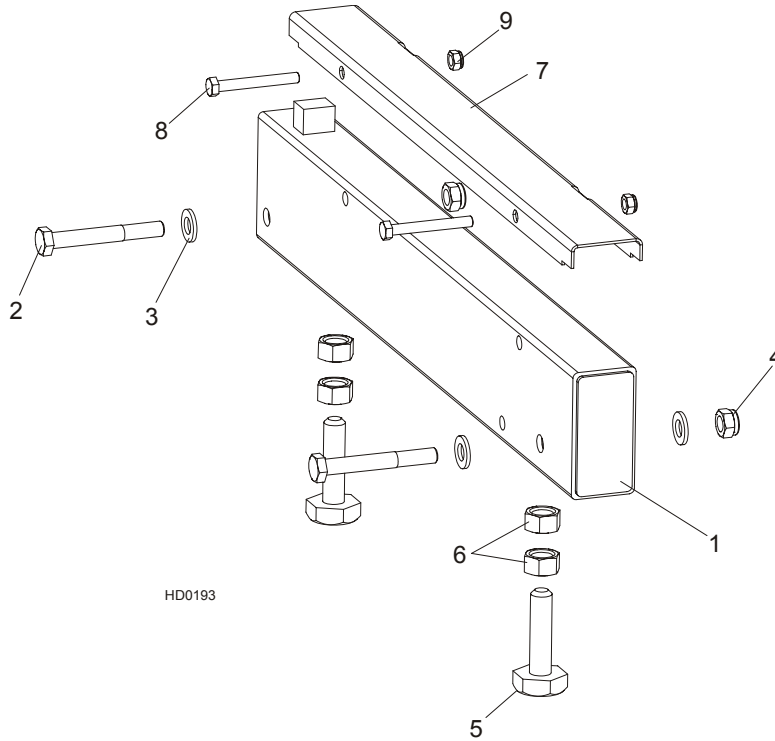
## 7.4 Lower Track Rollers



| REF | DESCRIPTION (◆ Indicates Parts Available In Assemblies Only) | PART #    | QTY. |
|-----|--|-----------|------|
|     | <b>BLOCK ASSEMBLY, VERTICAL MAST ALIGNMENT DOUBLE</b>        | 088523    | 1    |
| 1   | Block, Vertical Mast Alignment Double                        | 088517    | 1    |
| 2   | Block, Cam Follower Mount                                    | 088520    | 1    |
| 3   | Bearing, Cam Follower (McGill)                               | 012797    | 2    |
| 4   | Washer, 16.3 Split Zinc Lock                                 | F81058-2  | 2    |
| 5   | Nut, 5/8"-18 Zinc  | F05010-11 | 2    |
| 6   | Pin, Cam Follower Mount                                      | 088521    | 1    |
| 7   | Washer, 17 Zinc Flat   | F81058-1  | 1    |
| 8   | Nut, M16-8 Hex Nylon Zinc Lock                               | F81036-2  | 1    |
| 9   | Pin, Safety Lock   | 088519    | 1    |
| 10  | Fitting, M6 Straight Grease                                  | 086280    | 1    |
|     | <b>BLOCK ASSEMBLY, VERTICAL MAST ALIGNMENT SINGLE</b>        | 088524    | 1    |
| 11  | Block, Vertical Mast Alignment Single                        | 088518    | 1    |
| 12  | Bearing, Cam Follower (McGill)                               | 012797    | 1    |
| 13  | Washer, 16.3 Split Zinc Lock                                 | F81058-2  | 1    |
| 14  | Nut, 5/8"-18 Zinc  | F05010-11 | 1    |
| 15  | <b>PLATE, LOWER TRACK ROLLER RETAINER</b>                    | 088516    | 3    |
| 16  | <b>BOLT, M10X30-5.8 HEX HEAD FULL THREAD ZINC</b>            | F81003-2  | 12   |
| 17  | <b>WASHER, 10.2 SPLIT ZINC LOCK</b>                          | F81055-2  | 12   |
| 18  | <b>BOLT, M12X1.25X65-8.8 HEX HEAD FULL THREAD ZINC</b>       | F81004-40 | 6    |
| 19  | <b>WASHER, Z12.2 SPLIT ZINC LOCK</b>                         | F81056-2  | 3    |
| 20  | <b>NUT, M12X1.25-8 ZINC HEX</b>                              | F81034-8  | 3    |
| 21  | <b>BLOCK WELDMENT, LOWER TRACK ROLLER MOUNT</b>              | 091425    | 1    |

**SECTION 8 BED FRAME ASSEMBLY**

**8.1 Bed Rail Assembly, Front (LT40/70M Super)**

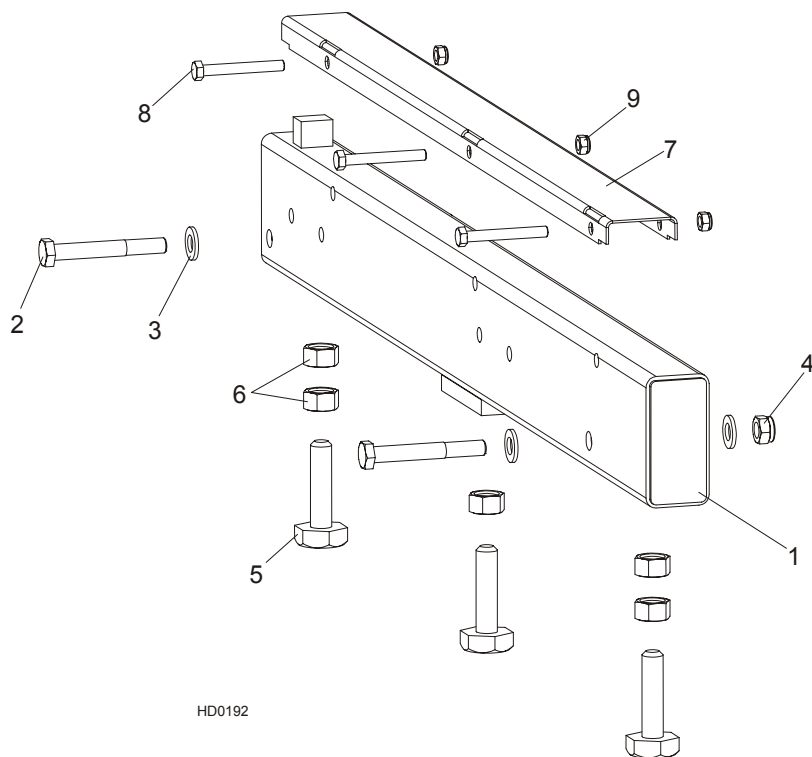


| REF | DESCRIPTION (◆ Indicates Parts Available In Assemblies Only) | PART#    | QTY. |  |
|-----|--|----------|------|--|
| 1   | <b>BED RAIL ASSEMBLY, FRONT - LT70M SUPER</b>                | 095646   | 1    |  |
| 2   | Bolt, M12 x 90-8.8 Hex Head                                  | F81004-2 | 2    |  |
| 3   | Washer, 13 SAE Flat  | F81056-1 | 4    |  |
| 4   | Nut, M12-8 Hex Nylon Lock                                    | F81034-2 | 2    |  |
| 5   | Bolt, M16 Bed Rail Adjustment                                | 086809   | 2    |  |
| 6   | Nut, M16-5-B Hex Head Zinc                                   | F81036-5 | 4    |  |
| 7   | <b>COVER, 22.75 SS LT50 PIVOT</b>                            | S13012   | 1    |  |
| 8   | <b>BOLT, M8X65-5.8 ZINC HEX HEAD</b>                         | F81002-3 | 2    |  |
| 9   | <b>NUT, M8-8-B HEX NYLON ZINC LOCK</b>                       | F81032-2 | 2    |  |

# 8 BED FRAME ASSEMBLY

Bed Rail Assembly, Middle (LT40/70M Super)

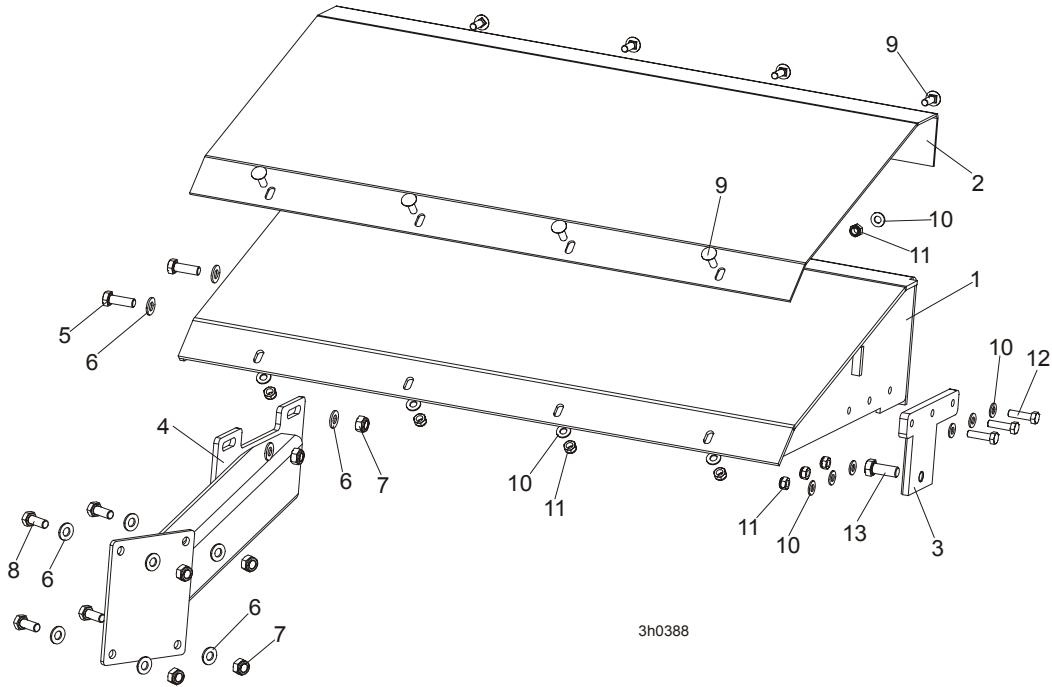
## 8.2 Bed Rail Assembly, Middle (LT40/70M Super)



| REF | DESCRIPTION (◆ Indicates Parts Available In Assemblies Only) | PART#    | QTY. |
|-----|--|----------|------|
| 1   | BED RAIL ASSEMBLY, MIDDLE - LT70M SUPER                      | 096478   | 1(4) |
|     | BED RAIL ASSEMBLY, MIDDLE W/HOLE - LT70M SUPER               | 096993   | 1    |
|     | BED RAIL ASSEMBLY, MIDDLE (POWER ROLLER) - LT70M SUPER       | 095650   | 1    |
| 2   | Bolt, M12 x 90-8.8 Hex Head                                  | F81004-2 | 2    |
| 3   | Washer, 13 SAE Flat  | F81056-1 | 4    |
| 4   | Nut, M12-8 Hex Nylon Lock                                    | F81034-2 | 2    |
| 5   | Bolt, M16 Bed Rail Adjustment                                | 086809   | 3    |
| 6   | Nut, M16-5-B Hex Head Zinc                                   | F81036-5 | 5    |
| 7   | COVER, STAINLESS STEEL BED RAIL                              | S09944   | 1    |
| 8   | BOLT, M8X65-5.8 ZINC HEX HEAD                                | F81002-3 | 3    |
| 9   | NUT, M8-8-B HEX NYLON ZINC LOCK                              | F81032-2 | 3    |



**8.3 Table, M Super Frame**

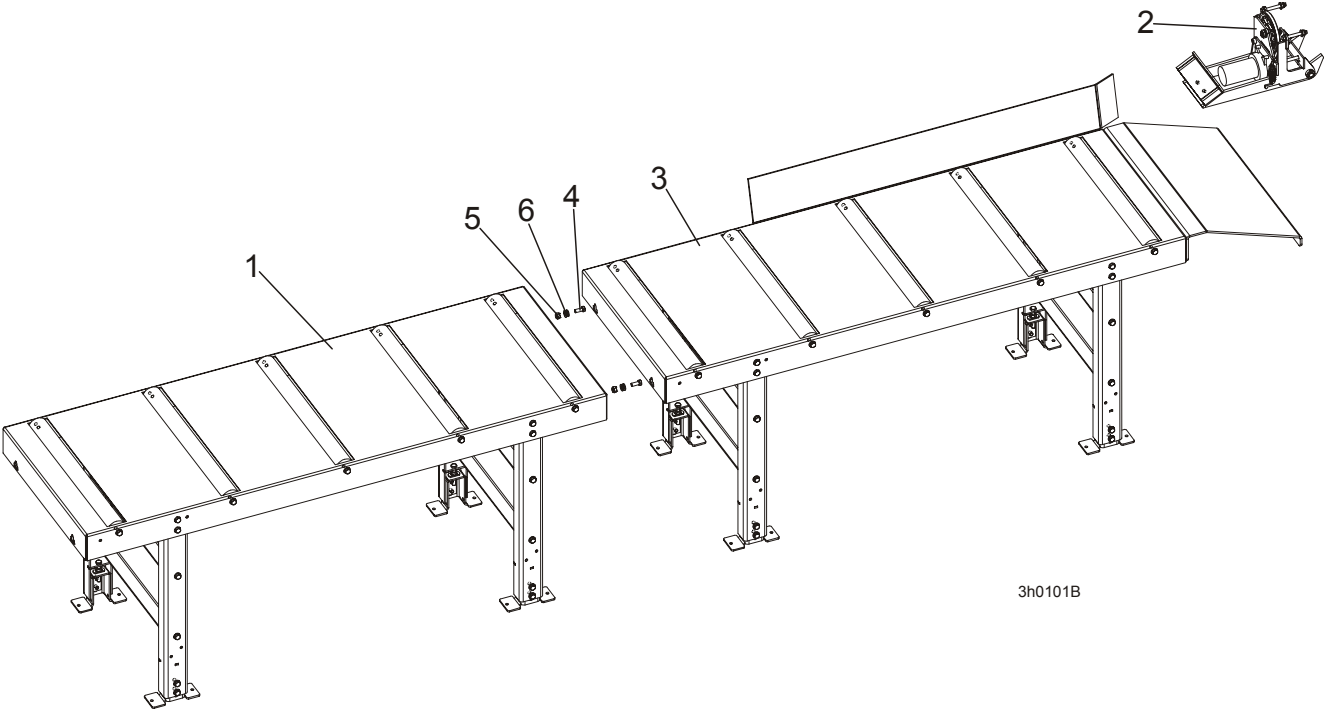


| REF | DESCRIPTION (◆ Indicates Parts Available In Assemblies Only) | PART #    | QTY. |
|-----|--|-----------|------|
|     | <b>TABLE, M SUPER FRAME COMPLETE</b>                         | 100674    | 1    |
| 1   | TABLE, M FRAME   | 100672-1  | 1    |
| 2   | PLATE, M FRAME TABLE   | 099946    | 1    |
| 3   | BRACKET, M SUPER FRAME                                       | 100675-1  | 1    |
| 4   | BRACKET, M SUPER FRAME TABLE SUPPORT                         | 100670-1  | 1    |
| 5   | BOLT, M10X30-5.8 HEX HEAD FULL THREAD                        | F81003-2  | 2    |
| 6   | WASHER, 10.5 FLAT ZINC                                       | F81055-1  | 12   |
| 7   | NUT, M10-8-B NYLON HEX ZINC LOCK                             | F81033-1  | 6    |
| 8   | BOLT, M10-1.5X25MM HH GR8.8                                  | F81003-11 | 4    |
| 9   | BOLT, M8X20MM HH GR8.8                                       | F81002-11 | 8    |
| 10  | WASHER, 8.4 FLAT, ZINC                                       | F81054-1  | 14   |
| 11  | NUT, M8-8-B, HEX, NYLON LOCK ZINC                            | F81032-2  | 11   |
| 12  | BOLT, M8X30MM, HH, GR 5.8, FULL THRD, ZINC                   | F81002-2  | 1    |
| 13  | BOLT M12X30-8.8  | F81004-22 | 1    |

# 8 BED FRAME ASSEMBLY

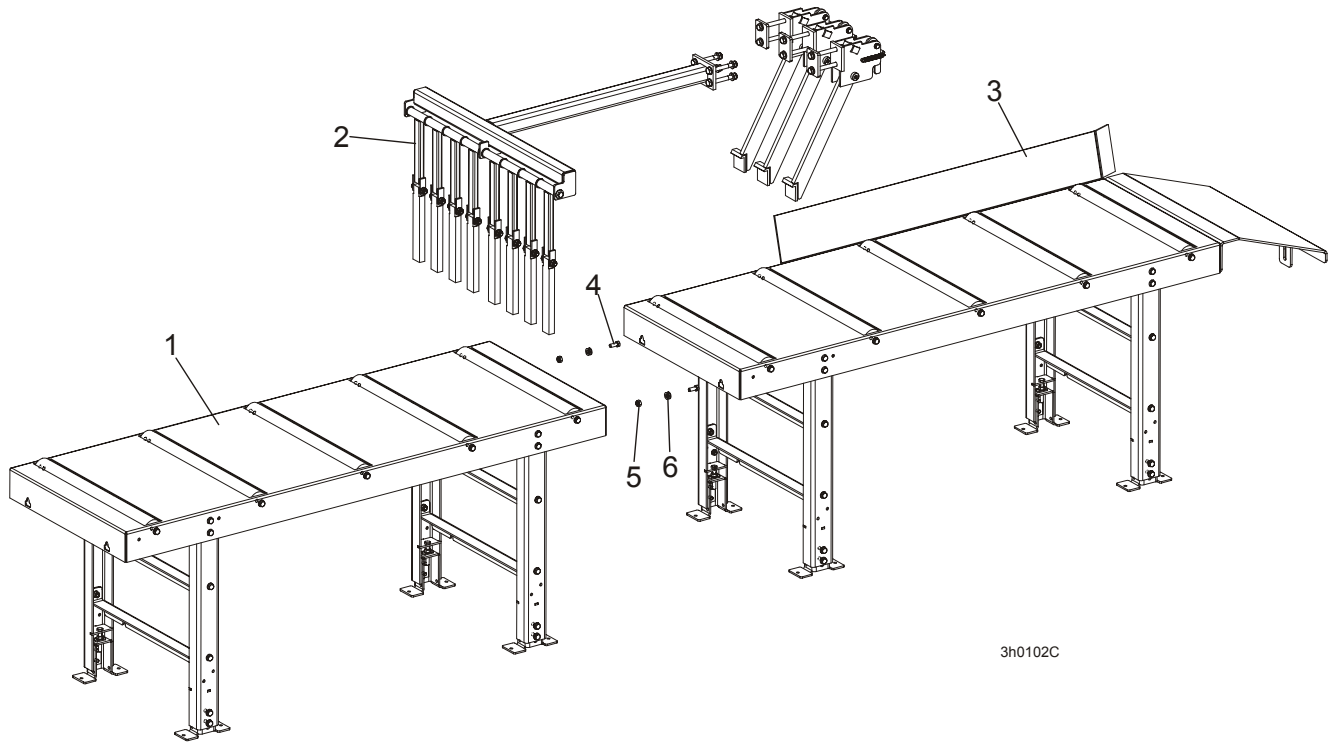
Board Return Assembly - (LT40M Super Option)

## 8.4 Board Return Assembly - (LT40M Super Option)



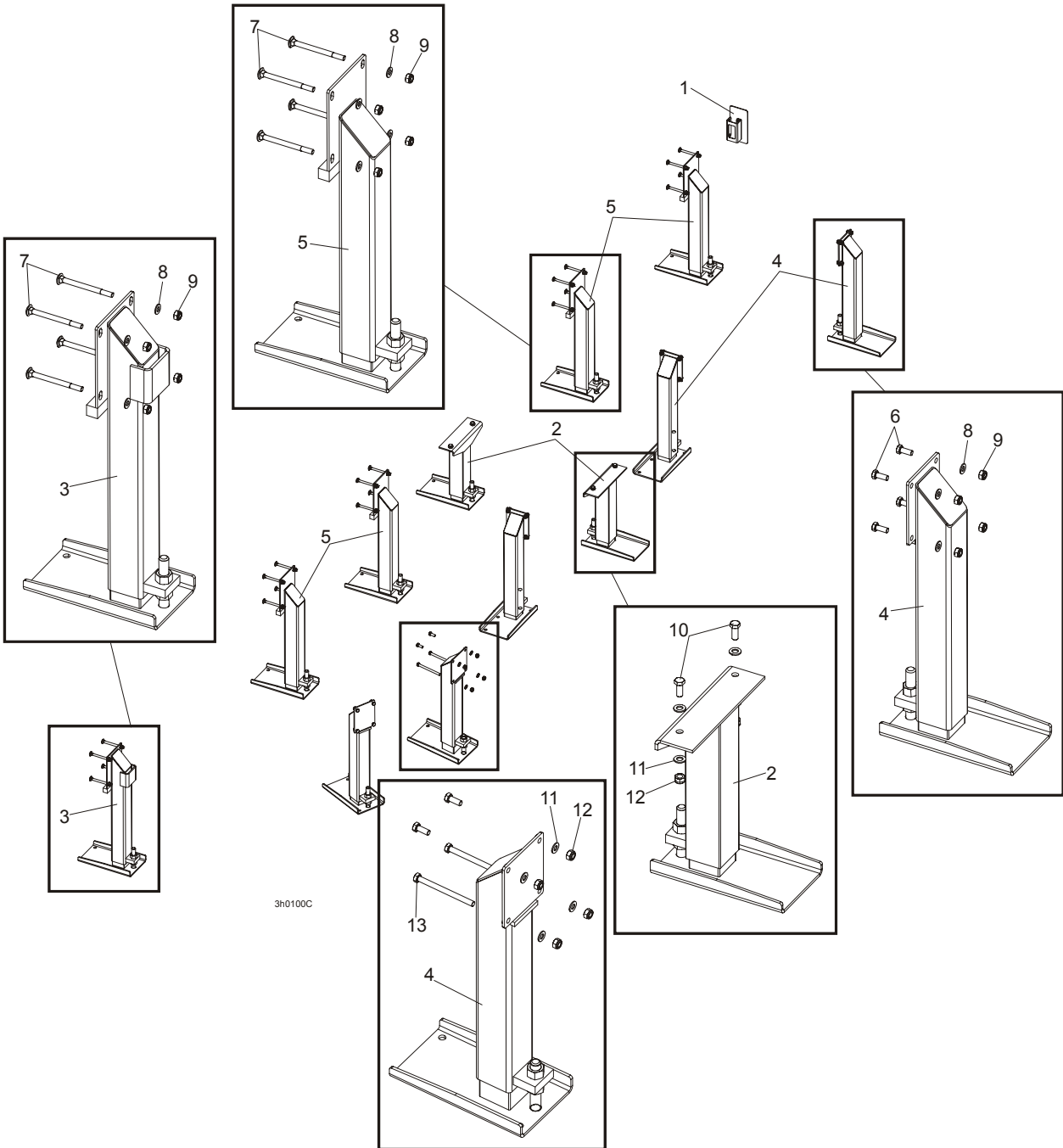
| REF | DESCRIPTION (◆ Indicates Parts Available In Assemblies Only) | PART #    | QTY. |
|-----|--|-----------|------|
|     | <b>TABLE, LT40M SUPER DOUBLE</b>                             | 502793    | 1    |
| 1   | TABLE, M FRAME MODULE REAR                                   | 502539    | 1    |
|     | TABLE, LT40M SUPER LONG                                      | 502795    | 1    |
| 2   | BOARD RETURN ASSEMBLY <a href="#">See Section 4.5</a>        | 087839-1  | 1    |
| 3   | TABLE, M FRAME MODULE REAR                                   | 502538    | 1    |
| 4   | BOLT, M10x25-8.8-Fe/Zn5 PN-M/82101                           | F81003-11 | 2    |
| 5   | NUT, M10-8-B NYLON HEX ZINC LOCK                             | F81033-1  | 2    |
| 6   | WASHER, 10.5 FLAT ZINC                                       | F81055-1  | 4    |

**8.5 Board Return Assembly - (LT70M Super Option)**



| REF | DESCRIPTION (◆ Indicates Parts Available In Assemblies Only) | PART #    | QTY. |
|-----|--|-----------|------|
|     | <b>TABLE, LT70M SUPER DOUBLE</b>                             | 502792    | 1    |
| 1   | TABLE, M FRAME MODULE REAR                                   | 502539    | 1    |
|     | TABLE, LT40M SUPER LONG                                      | 502794    | 1    |
| 2   | BOARD RETURN ASSEMBLY <a href="#">See Section 4.5</a>        | 092757    | 1    |
| 3   | TABLE, M FRAME MODULE REAR                                   | 502538    | 1    |
| 4   | BOLT, M10x25-8.8-Fe/Zn5 PN-M/82101                           | F81003-11 | 2    |
| 5   | NUT, M10-8-B NYLON HEX ZINC LOCK                             | F81033-1  | 2    |
| 6   | WASHER, 10.5 FLAT ZINC                                       | F81055-1  | 4    |

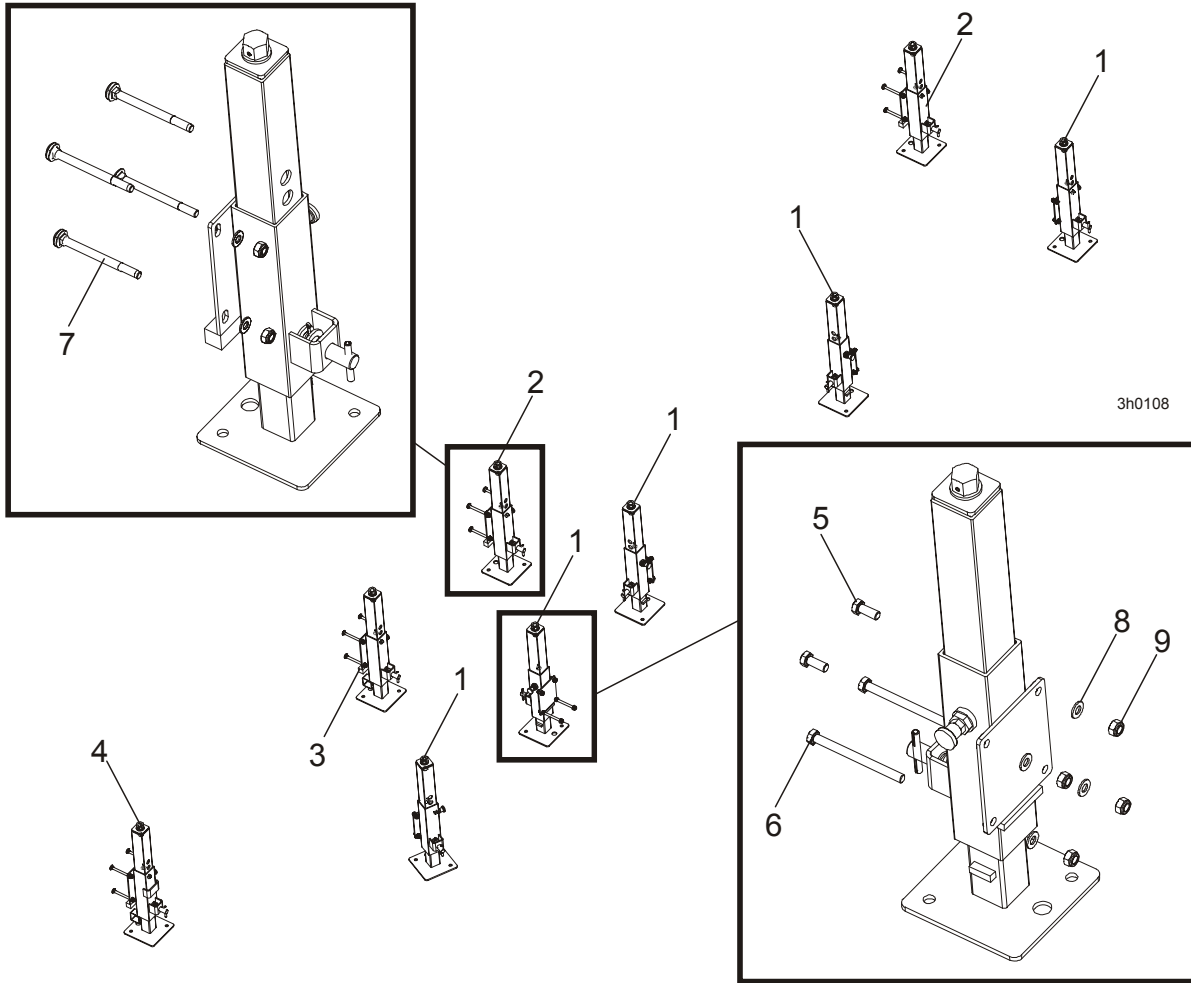
**8.6 Stationary Leg Kit, M Super Frame**



| REF | DESCRIPTION (◆ Indicates Parts Available In Assemblies Only) | PART # | QTY. |
|-----|--|--------|------|
|     | <b>STATIONARY LEG KIT, M SUPER FRAME</b>                     | 097299 | 1    |
| 1   | COVER ASSEMBLY, MAIN TUBE                                    | 093052 | 1    |
| 2   | LEG, OUTRIGGER STATIONARY MIDDLE                             | 501637 | 2    |
| 3   | LEG, OUTRIGGER STATIONARY W/BOARD RETURN TABLE BRACKET       | 501638 | 1    |
| 4   | LEG, OUTRIGGER STATIONARY LEFT                               | 501639 | 5    |

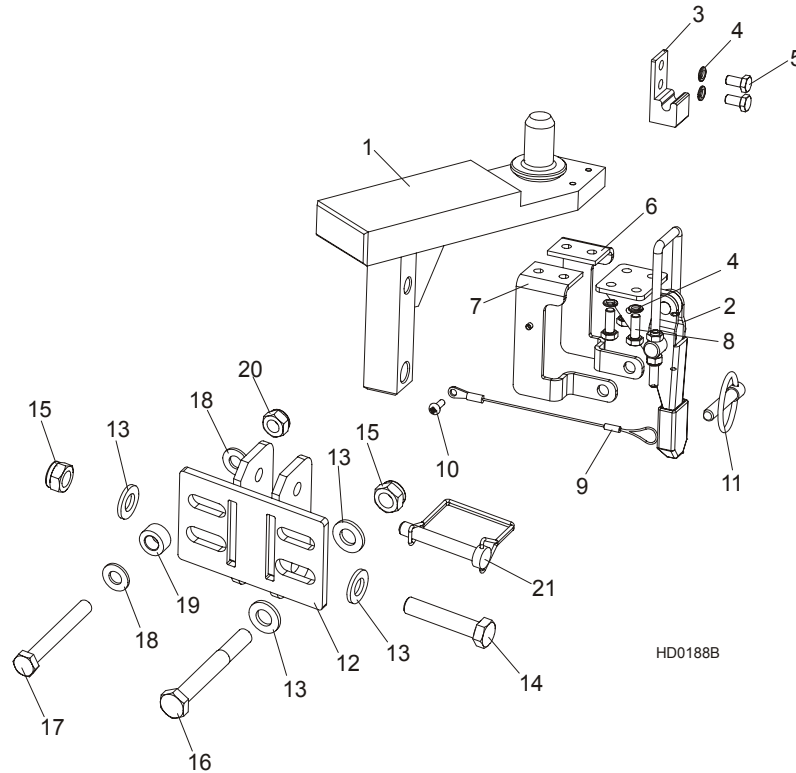
|           |  |           |    |  |
|-----------|--|-----------|----|--|
| <b>5</b>  | LEG, OUTRIGGER STATIONARY RIGHT            | 501640    | 4  |  |
| <b>6</b>  | BOLT, M10-1.5X25MM HH GR8.8                | F81003-11 | 18 |  |
| <b>7</b>  | BOLT, M10X120 8.8 FE/ZN5                   | F81003-33 | 20 |  |
| <b>8</b>  | WASHER, 10.5 FLAT ZINC                     | F81055-1  | 40 |  |
| <b>9</b>  | NUT, M10-8-B HEX NYLON ZINC LOCK           | F81033-1  | 40 |  |
| <b>10</b> | BOLT, M12X30-8.8 HEX HEAD FULL THREAD ZINC | F81004-22 | 4  |  |
| <b>11</b> | WASHER, 13 FLAT ZINC                       | F81056-1  | 8  |  |
| <b>12</b> | NUT, M12-8 HEX NYLON ZINC LOCK             | F81034-2  | 4  |  |
| <b>13</b> | BOLT, M10x125-8.8 HEX HEAD ZINC            | F81003-18 | 2  |  |

**8.7** **Outrigger Leg Kit, M Super Frame**



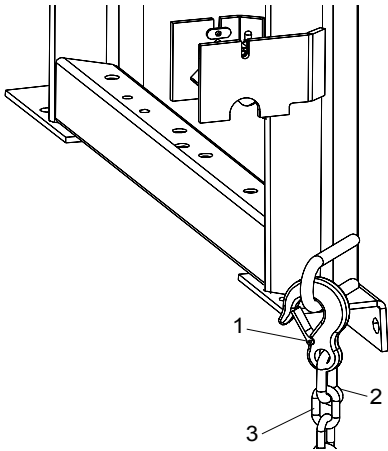
| REF | DESCRIPTION (◆ Indicates Parts Available In Assemblies Only) | PART#     | QTY. |
|-----|--|-----------|------|
|     | <b>OUTRIGGER LEG KIT, M SUPER FRAME</b>                      | 095707    | 1    |
| 1   | FINE ADJUST OUTRIGGER ASSEMBLY, SIDE                         | 094583    | 5    |
| 2   | FINE ADJUST OUTRIGGER ASSEMBLY, MIDDLE AND REAR              | 094584    | 2    |
| 3   | FINE ADJUST OUTRIGGER ASSEMBLY, S & M FRAME                  | 094586    | 1    |
| 4   | FINE ADJUST OUTRIGGER ASSEMBLY, FRONT                        | 094587    | 1    |
| 5   | BOLT, M10-1.5X25MM HH GR8.8                                  | F81003-11 | 18   |
| 6   | BOLT, M10x125-8.8 HEX HEAD ZINC                              | F81003-18 | 2    |
| 7   | BOLT, M10X120 8.8 FE/ZN5                                     | F81003-33 | 16   |
| 8   | WASHER, 10.5 FLAT ZINC                                       | F81055-1  | 36   |
| 9   | NUT, M10-8-B HEX NYLON ZINC LOCK                             | F81033-1  | 36   |

**8.8 LT40/70M Super Saw Head Rest Pin Assembly**



| REF | DESCRIPTION (◆ Indicates Parts Available In Assemblies Only) | PART#     | QTY. |
|-----|--|-----------|------|
|     | <b>SAW HEAD REST PIN W/LATCH CLAMP, LT70S/M</b>              | 094660    | 1    |
| 1   | Pin Weldment, LT70S/M Saw Head Rest                          | 094658-1  | 1    |
| 2   | Clamp, GN851.2-320-T4 Latch                                  | 094656    | 1    |
| 3   | Latch Bracket, GN851.2-320-T4 Zinc-plated                    | 094659-1  | 1    |
| 4   | Washer, Z 6.1 Split Lock Zinc                                | F81053-3  | 6    |
| 5   | Bolt, M6x12-8.8 Hex Head Full Thread Zinc                    | F81001-7  | 6    |
| 6   | Bracket, Locking Right                                       | 097102-1  | 1    |
| 7   | Bracket, Locking Left  | 097103-1  | 1    |
| 8   | Bolt, M6x16-8.8-Fe/Zn5 PN-85/M-82105                         | F81001-32 | 4    |
| 9   | Lanyard, 3/64x6"   | 016030    | 1    |
| 10  | Screw, M4x12 -5,8-B- Fe/Zn5 PN-M/82202                       | F81011-43 | 1    |
| 11  | Pin, 8 BN914 (BOSSARD 1364650) Clamp Lock                    | F81046-2  | 1    |
| 12  | <b>BRACKET, LT40 SAW HEAD REST PIN MOUNT PAINTED</b>         | 092765-1  | 1    |
| 13  | <b>WASHER, 13 FLAT ZINC</b>                                  | F81056-1  | 4    |
| 14  | <b>BOLT, M12 X 60-8.8 HEX HEAD ZINC</b>                      | F81004-5  | 1    |
| 15  | <b>NUT, M12-8 HEX NYLON ZINC LOCK</b>                        | F81034-2  | 2    |
| 16  | <b>BOLT, M12x95-8.8 HEX HEAD ZINC</b>                        | F81004-29 | 1    |
| 17  | <b>BOLT, M10x80-8.8 HEX HEAD ZINC</b>                        | F81003-50 | 1    |
| 18  | <b>WASHER, 10.5 FLAT ZINC</b>                                | F81055-1  | 2    |
| 19  | <b>BUSHING, ZINC-PLATED SPACER</b>                           | 090936-1  | 1    |
| 20  | <b>NUT, M10-8-B HEX NYLON ZINC LOCK</b>                      | F81033-1  | 1    |
| 21  | <b>PIN, 3/8" X 2 1/4" SNAP RETAINER</b>                      | 014151    | 1    |

**8.9 Tie Down Chain Assembly**



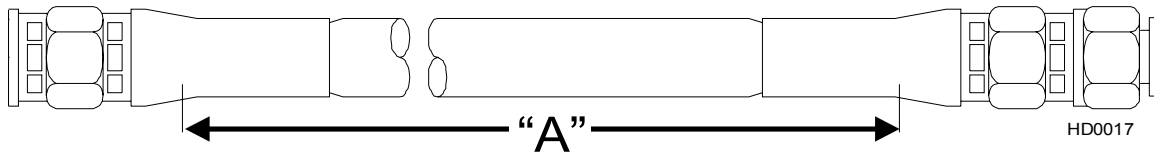
SM0129

| REF | DESCRIPTION (◆ Indicates Parts Available In Assemblies Only) | PART #   | QTY. |
|-----|--|----------|------|
|     | <b>CHAIN ASSEMBLY, TIE DOWN</b>                              | A04376-1 | 1    |
| 1   | Hook, 5/8" Safety Chain                                      | P12075   | 1    |
| 2   | Screw Closed Chain Link, 10                                  | 100767   | 1    |
| 3   | Chain, N-10 x 35, 6 Links                                    | 100951   | 1    |



## SECTION 9 HYDRAULIC SYSTEM

### 9.1 Hydraulic Hoses, LT40/70M Super



| Part | Color Code | LENGTH "A" [m] | Application   | Wood-Mizer Part No. |
|------|------------|----------------|---|---------------------|
|      |            |                | <b>I Section (from filter)<br/>according to designations from right to left</b> |                     |
| A1   | White      | 3,2            | 3/8" 2-Plane Clamp, In/Out  | 097614              |
| B1   | Orange     | 3,2            | 3/8" 2-Plane Clamp, In/Out  | 097615              |
| A2   | Pink       | 3,3            | 3/8" Raising the turner and side supports                                       | 097622              |
| B2   | Plain      | 3,3            | 3/8" Raising the turner and side supports                                       | 097622              |
| A3   | Red        | 5,6            | 1/4" III Camp (middle), Up/Down   | 097545              |
| B3   | Blue       | 5,6            | 1/4" III Camp (middle), Up/Down   | 097545              |
| A4   | Silver     | 4,7            | 1/4" I Toe Board  | 097620              |
| B4   | Brown      | 4,7            | 1/4" I Toe Board  | 097620              |
| A5   | Black      | 3,3            | 3/8" Chain Turner Hydraulic Motor   | 097619              |
| B5   | Brown      | 3,3            | 3/8" Chain Turner Hydraulic Motor   | 097619              |
| A6   | Orange     | 5,0            | 1/4" III Clamp (middle), In/Out   | 097545              |
| B6   | White      | 5,0            | 1/4" III Clamp (middle), In/Out   | 097545              |
| A7   | Red        | 3,9            | 3/8" Log Loader   | 097623              |
| B7   | Blue       | 3,9            | 3/8" Log Loader   | 097623              |
|      |            |                | <b>II Section<br/>according to designations from right to left</b>              |                     |
| A1   | Purple     | 4,8            | 1/4" I Toe Board Drive  | 097621              |
| B1   | Purple     | 4,8            | 1/4" I Toe Board Drive  | 097621              |
| A2   | Black      | 2,0            | 1/4" II Toe Board   | 097617              |
| B2   | Purple     | 2,0            | 1/4" II Toe Board   | 097617              |
| A3   | Red        | 6,2            | 1/4" I Clamp, Up/Down   | 097616              |
| B3   | Blue       | 6,2            | 1/4" I Clamp, Up/Down   | 097616              |
| A4   | Orange     | 5,5            | 1/4" I Clamp, In/Out  | 097616              |
| B4   | White      | 5,5            | 1/4" I Clamp, In/Out  | 097616              |
| A5   | Yellow     | 4,1            | 1/4" 2-Plane Clamp, Up/Down   | 097613              |

**TABLE 0-0**

# 9

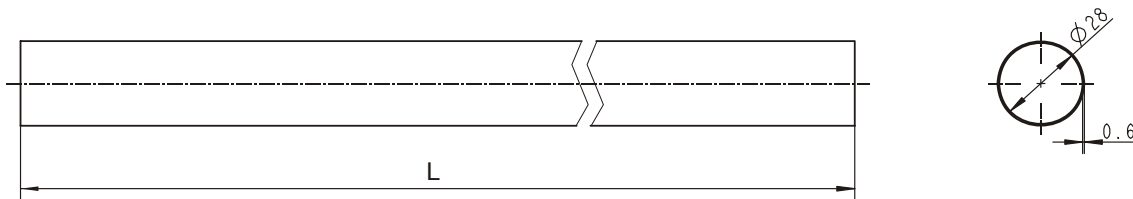
## HYDRAULIC SYSTEM

Hydraulic Hoses, LT40/70M Super

|    |        |      |   |        |
|----|--------|------|---|--------|
| B5 | Green  | 4,1  | 1/4" 2-Plane Clamp, Up/Down               | 097613 |
| A6 | Red    | 1,0  | 1/4" II Clamp, Up/Down                    | 097618 |
| B6 | Blue   | 1,0  | 1/4" II Clamp, Up/Down                    | 097618 |
| A7 | Orange | 2,0  | 1/4" II Clamp, In/Out                     | 097617 |
| B7 | White  | 2,0  | 1/4" II Clamp, In/Out                     | 097617 |
|    | Green  | 2,3  | 3/8" tee connector to log loader cylinder | 097624 |
|    | Yellow | 2,3  | 3/8" tee connector to log loader cylinder | 097624 |
|    | Green  | 1,2  | 3/8" tee connector to log loader cylinder | 097625 |
|    | Yellow | 1,2  | 3/8" tee connector to log loader cylinder | 097625 |
|    |        | 0,65 | 3/8" turner hose                          | 094597 |
|    |        | 0,65 | 3/8" turner hose                          | 094597 |
|    |        | 0,75 | 3/8" left side support hose               | 094596 |
|    |        | 1,0  | 3/8" right side support hose              | 094593 |
|    |        | 1,0  | 3/8" right side support hose              | 094593 |
|    |        | 1,2  | 3/8" cylinder instrumentation             | 097625 |

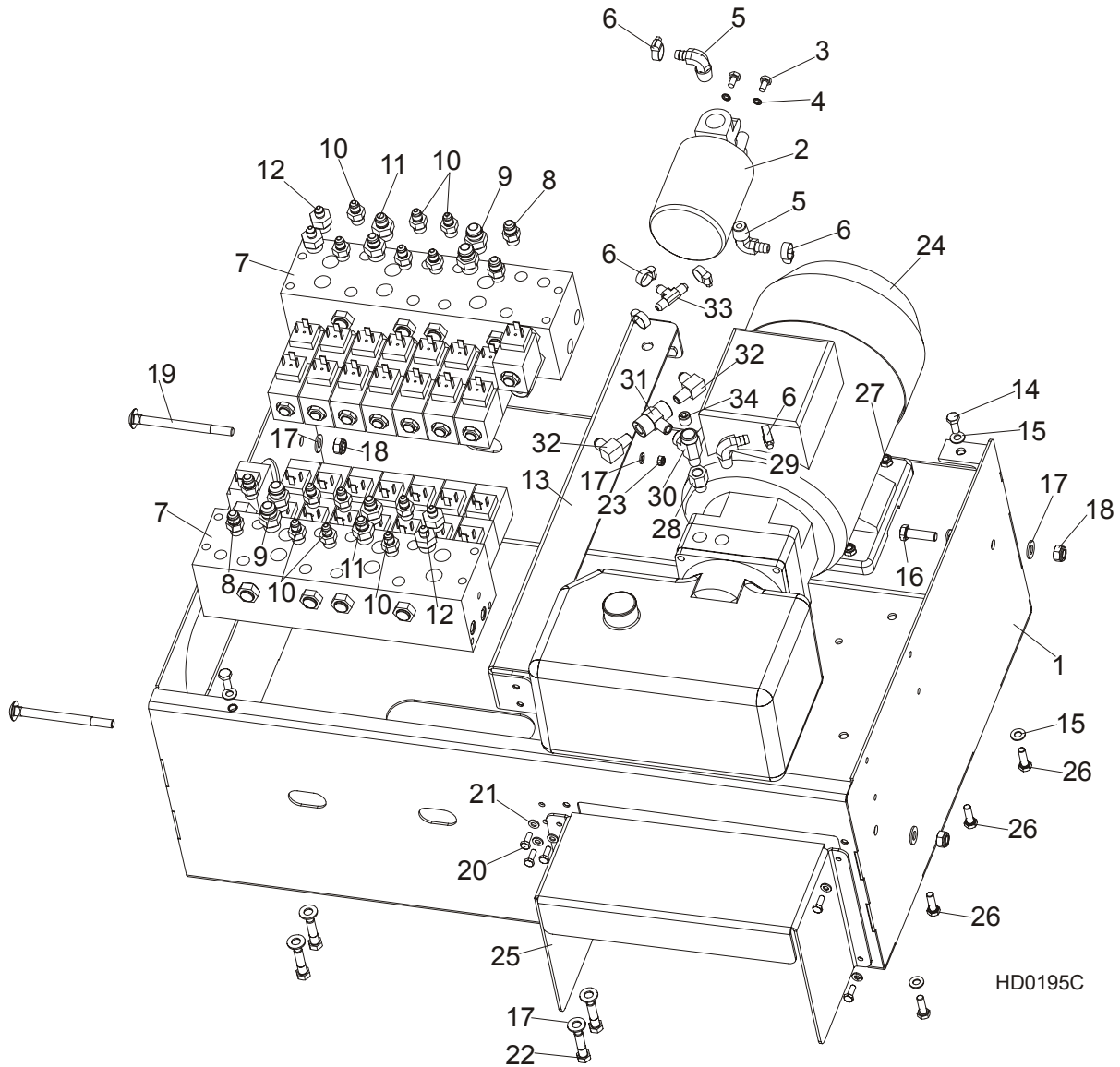
TABLE 0-0

### Protective Conduits, LT40/70M Super Hydraulic Hoses



| LENGTH "L" | DESCRIPTION (◆ Indicates Parts Available In Assemblies Only) | PART # | QTY. |
|------------|--|--------|------|
| 0,85       | PROTECTIVE CONDUIT, HYDRAULIC MOTOR HOSE                     | 100127 | 2    |
| 1,00       | PROTECTIVE CONDUIT, SIDE SUPPORT HOSE                        | 100128 | 4    |
| 0,70       | PROTECTIVE CONDUIT, LOG TURNER HOSE                          | 099761 | 3    |
| 0,45       | PROTECTIVE CONDUIT, IN/OUT CYLINDER HOSE - TOP               | 099763 | 1    |

9.2 Hydraulic Control Box, LT40/70M Super (AC)



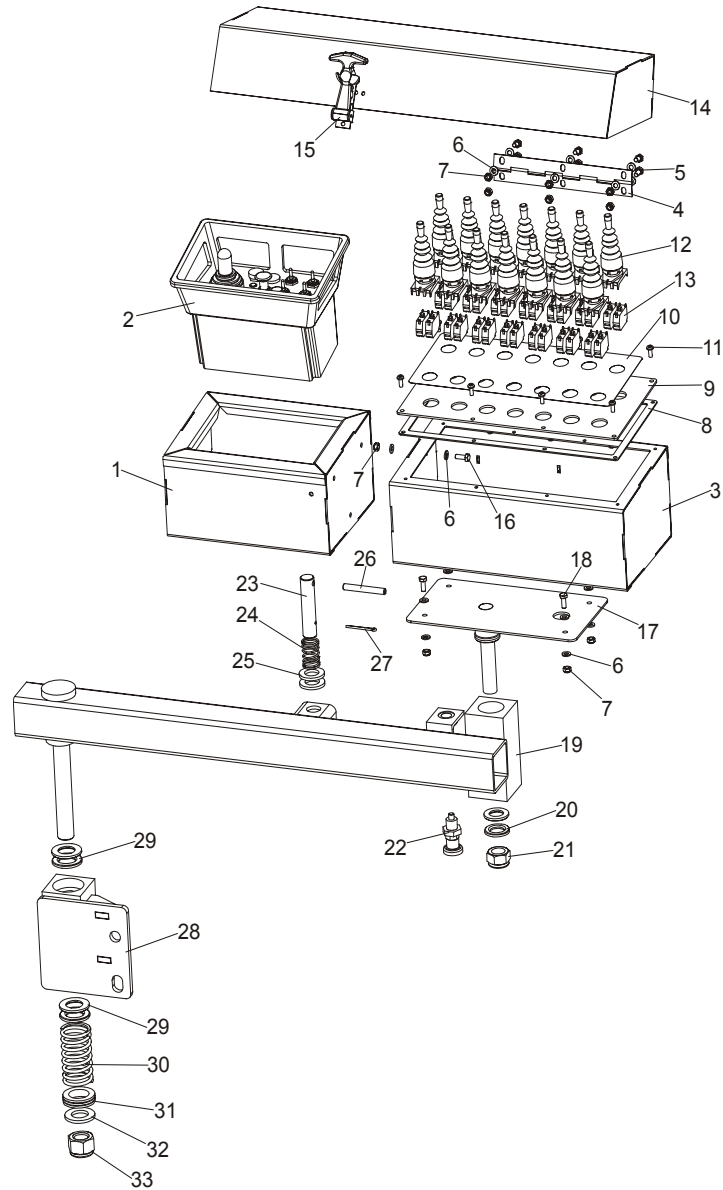
| REF | DESCRIPTION (◆ Indicates Parts Available In Assemblies Only) | PART#     | QTY. |
|-----|--|-----------|------|
|     | <b>HYDRAULIC CONTROL BOX - LT70M SUPER (AC)</b>              | 097529    | 1    |
| 1   | Box, LT70M Super Hydraulic Control                           | 095690-1  | 1    |
| 2   | Manifold, W/Filter   | P22683    | 1    |
| 3   | Bolt, 1/4-20x1/2 HH  | F05005-15 | 2    |
| 4   | Washer, M6 Split Lock Zinc                                   | F81053-3  | 2    |
| 5   | Fitting, 1/2NPT-3/8 Barb Elbow                               | P12707    | 2    |
| 6   | Clamp, 11/16 Worm  | P12739    | 6    |

## 9

**HYDRAULIC SYSTEM***Hydraulic Control Box, LT40/70M Super (AC)*

|    |  |           |    |  |
|----|--|-----------|----|--|
| 7  | Valve, hydr. 7 Station Exp.12V             | 036730    | 2  |  |
| 8  | Fitting, 3/8" O-Ring 3/8 JIC               | 014687    | 2  |  |
| 9  | Fitting, #8SAE- #8JIC                      | 028076    | 2  |  |
| 10 | Fitting, 1/4JIC-3/8 O-Ring                 | P26284    | 6  |  |
| 11 | Fitting, 8SAE-6JIC                         | P12703    | 2  |  |
| 12 | Fitting , 8 SAE-3/8 JIC                    | 036759    | 2  |  |
| 13 | Bar, LT70M Super Hydraulic Valve Station   | 095686-1  | 1  |  |
| 14 | Bolt, M8x20mm, Hex Head,Gr 5.8 Zinc        | F81002-4  | 4  |  |
| 15 | Washer, M8, Flat, Zinc                     | F81054-1  | 8  |  |
| 16 | Bolt, M10x35-8.8 Fe/Zn5 PN-M/82105         | F81003-17 | 2  |  |
| 17 | Washer, M10, Flat, Zinc                    | F81055-1  | 14 |  |
| 18 | Nut, M10, Nylon Hex Zinc Lock              | F81033-1  | 4  |  |
| 19 | Bolt, M10x120 8.8 Carriage                 | F81003-33 | 2  |  |
| 20 | Bolt, M6x16 8.8 Fe/Zn5 PN-M/82105          | F81001-15 | 8  |  |
| 21 | Washer, M6, Flat, Zinc                     | F81053-1  | 10 |  |
| 22 | Bolt, 3/8-16x1 1/2 HH                      | F05007-3  | 8  |  |
| 23 | Nut, M6, Nylon Hex Zinc Lock               | F81031-2  | 2  |  |
| 24 | Hydraulic pump w/motor, 4KW 14.5 l/min. AC | 500958    | 1  |  |
| 25 | Cover, MSuper Hydraulic Box                | 501434-1  | 1  |  |
| 26 | Bolt, M8x30mm Hex Head Gr 5.8 Zinc         | F81002-7  | 3  |  |
| 27 | Nut, M8, Hexagon, Nylon Lock Zinc          | F81032-2  | 3  |  |
| 28 | Fitting, 6SAE Male-1/4NPT Female           | 014686    | 1  |  |
| 29 | Fitting, 3/8NPT-3/8 Barb Elbow             | P12708    | 1  |  |
| 30 | Fitting, 1/4NPT Male Run Tee               | P09141    | 1  |  |
| 31 | Fitting, 1/4NPT Branch Tee                 | 015486    | 1  |  |
| 32 | Fitting, 3/8JIC-1/4NPT 90L                 | 015491    | 2  |  |
| 33 | Fitting, 3/8 Barb Tee                      | 015485    | 1  |  |
| 34 | Fitting, 1/4 NPT Socket Pipe Plug          | 096221    | 1  |  |
|    | <b>COVER, LT70M SUPER HYDRAULIC BOX</b>    | 097528-1  | 1  |  |

### 9.3 Hydraulic & Wireless Control Box



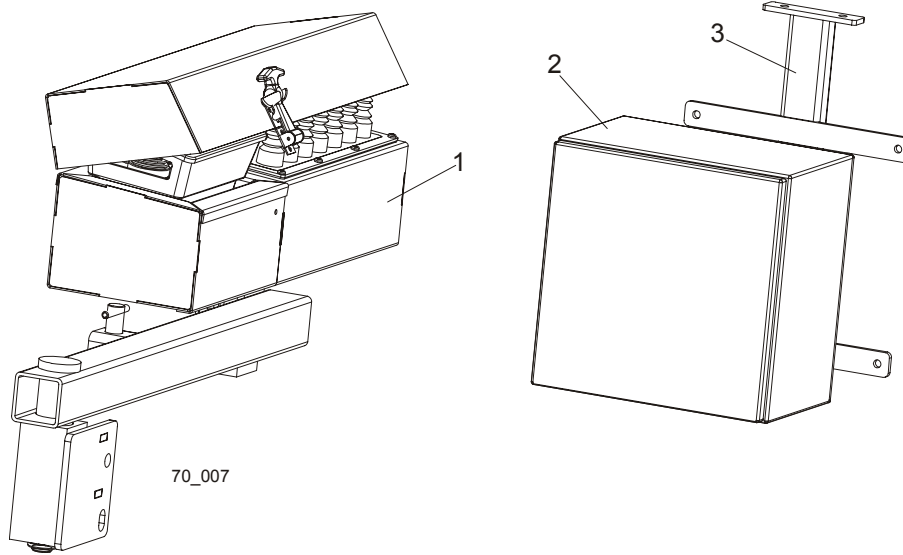
| REF | DESCRIPTION (◆ Indicates Parts Available In Assemblies Only) | PART#    | QTY. |
|-----|--|----------|------|
|     | <b>BOX ASSEMBLY, LT70M SUPER HYDRAULIC CONTROL</b>           | 096485   | 1    |
|     | <b>BOX ASSEMBLY, REMOTE CONTROL</b>                          | 096938   | 1    |
| 1   | Box, LT70M Super Remote Control Box                          | 096942-1 | 1    |
| 2   | Box, Wireless Control  | 096681   | 1    |
|     | Box, LT70M Super Hydraulic Control Complete                  | 096999   | 1    |
| 3   | Box, LT70M Super Hydraulic Control Box                       | 097005-1 | 1    |
| 4   | Hinge, Cover Zinc  | 088257-1 | 1    |
| 5   | Bolt, M6x12mm Hex Head Zinc                                  | F81001-7 | 6    |

## 9

**HYDRAULIC SYSTEM***Hydraulic & Wireless Control Box*

|    |   |           |    |  |
|----|---|-----------|----|--|
| 6  | Washer, M6, Flat, Zinc                              | F81053-1  | 23 |  |
| 7  | Nut, M6, Nylon Hex Zinc Lock                        | F81031-2  | 13 |  |
| 8  | Gasket, 9.5m Front Panel                            | 089998    | 1  |  |
| 9  | Panel Assembly, Hydraulic 9.5m Front                | 090356-1  | 1  |  |
| 10 | Decal, Front Panel                                  | 095692    | 1  |  |
| 11 | Bolt, #10-24x1/2 Ph Pan Hd, Type 23                 | F05015-17 | 8  |  |
| 12 | Joystick, PMJN8T3, 2-position                       | 096928    | 14 |  |
| 13 | Contact, ZBE 101                                    | 087817    | 28 |  |
| 14 | Cover, LT70M Super Hydraulic & Wireless Control Box | 096941-1  | 1  |  |
| 15 | Latch, Flexible Draw                                | 014829    | 1  |  |
| 16 | Bolt, M6x16-5.8-Fe/Zn5 PN-M/82105                   | F81001-14 | 3  |  |
| 17 | Support, LT70M Super Control Box                    | 096489-1  | 1  |  |
| 18 | Bolt, M6x16 8.8 Fe/Zn5 PN-M/82105                   | F81001-15 | 4  |  |
| 19 | Arm, Control Box                                    | 096480-1  | 1  |  |
| 20 | Washer, 21 PN-83/M-82039                            | F81059-21 | 4  |  |
| 21 | Nut, M20, Nylon Hex Zinc Lock                       | F81037-2  | 1  |  |
| 22 | Pin, Outrigger Detent                               | 090197    | 1  |  |
| 23 | Pin, Outrigger Pull                                 | 087012-1  | 1  |  |
| 24 | Spring, 21x38x2 Zinc                                | 087040    | 1  |  |
| 25 | Washer, 21 Fe/Zn5 PN-M/82005                        | F81059-2  | 2  |  |
| 26 | Pin, 8x65 Roll Zinc                                 | F81046-1  | 1  |  |
| 27 | Pin, 4x25 Cotter                                    | F81043-2  | 1  |  |
| 28 | Bracket, Control Box                                | 096690-1  | 1  |  |
| 29 | Washer, 25 PN-83/M-82039                            | F81059-22 | 4  |  |
| 30 | Spring, 40x80x4,5 Zinc                              | 093435    | 1  |  |
| 31 | Bearing, 51106 Thrust                               | 097274    | 1  |  |
| 32 | Washer, 25 Fe/Zn5 PN-78/M-82005                     | F81061-3  | 1  |  |
| 33 | Nut, M24-8 Zinc Lock                                | F81039-8  | 1  |  |

**9.4 Wireless Control Assembly (Option)**

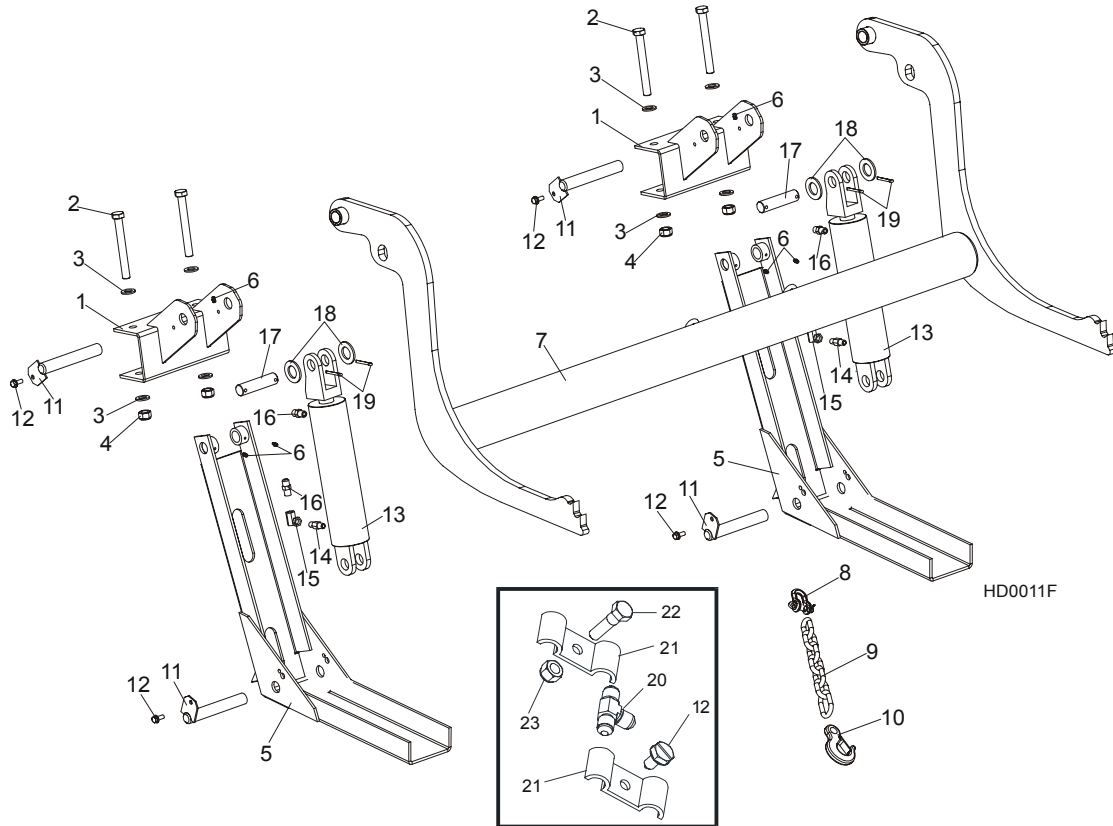


| REF | DESCRIPTION (◆ Indicates Parts Available In Assemblies Only) | PART#    | QTY. |
|-----|--|----------|------|
|     | <b>Wireless Control Assembly, LT70M Super</b>                | 097714   | 1    |
| 1   | BOX ASSEMBLY, LT70M SUPER HYDRAULIC CONTROL                  | 096485   | 1    |
| 2   | Electric Box, Wireless Control                               | 096989   | 1    |
| 3   | Bracket, wireless control electric box                       | 096930-1 | 1    |

# 9 HYDRAULIC SYSTEM

## Hydraulic Log Loader

### 9.5 Hydraulic Log Loader

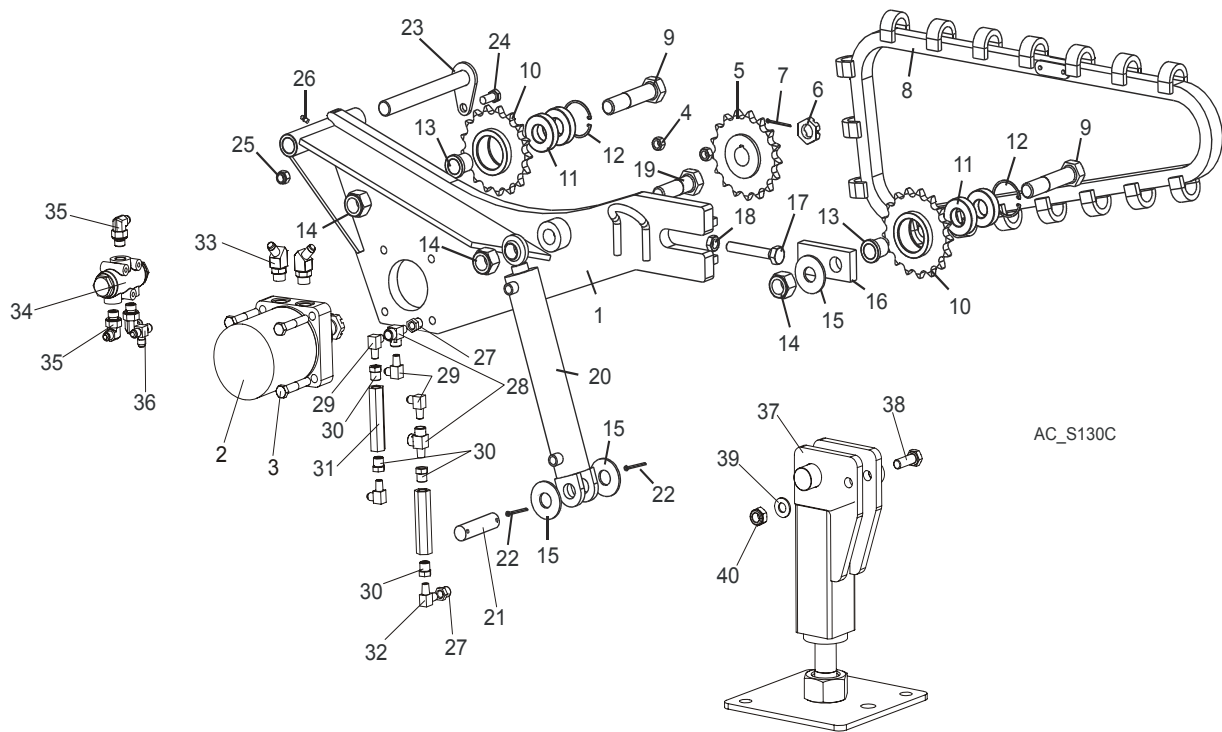


| REF | DESCRIPTION (◆ Indicates Parts Available In Assemblies Only) | PART #    | QTY. |
|-----|--|-----------|------|
|     | <b>LOADER KIT, HYDRAULIC LOG</b>                             | 092863    | 1    |
| 1   | Bracket, Hydraulic Log Loader                                | 087938-1  | 1    |
| 2   | Bolt, M16x140mm Hex Head Zinc Grade 8.8                      | F81006-4  | 4    |
| 3   | Washer, M16 Flat Zinc  | F81058-1  | 8    |
| 4   | Nut, M16 Hex Nylon Zinc Lock                                 | F81036-2  | 4    |
|     | Channel, Hydraulic Log Loading Foot Complete                 | 090049    | 2    |
| 5   | Channel, Hydraulic Log Loading Foot                          | 090048-1  | 2    |
| 6   | Fitting, 3/16x3/16 Straight Grease                           | P04107    | 6    |
|     | Arm, Hydraulic Log Loading Complete                          | 090044    | 1    |
| 7   | Arm, Hydraulic Log Loading                                   | 090006-1  | 1    |
| 8   | Shackle, M-WL .63  | 086540    | 1    |
| 9   | Chain, Hydraulic Log Loader Safety                           | A04376    | 1    |
| 10  | Hook, 5/8 Safety Chain                                       | P12075    | 1    |
| 11  | Pin, Turner Arm  | W09446-1  | 4    |
| 12  | Screw, 5/16-18x3/4 Self-Tapping                              | F05015-30 | 4    |
| 13  | Cylinder Assy, Log Loading Super                             | 015562    | 2    |
| 14  | Fitting, 1/4NPT Velocity Fuse 5.0GPM                         | 015750    | 2    |
| 15  | Fitting, 1/4NPT-1/4JIC Swivel Elbow                          | P12199    | 2    |



|    |                                       |           |   |
|----|---------------------------------------|-----------|---|
| 16 | Fitting, 3/8JIC-1/4NPT Straight       | 015560    | 4 |
| 17 | Pin, Cylinder Hydraulic               | 086979-1  | 2 |
| 18 | Washer, 28 Flat Zinc                  | F81061-1  | 4 |
| 19 | Pin, 5x40 Cotter                      | F81043-31 | 4 |
| 20 | Fitting, 3/8 Barb Tee                 | 015485    | 1 |
| 21 | Clamp, 3/8 Hose                       | 016041    | 2 |
| 22 | Bolt, 5/16-18x1 Hex Head Zinc Grade 2 | F05006-1  | 1 |
| 23 | Nut, 5/16-18 Nylon Zinc Lock          | F05010-58 | 1 |

### 9.6 Hydraulic Log Turner



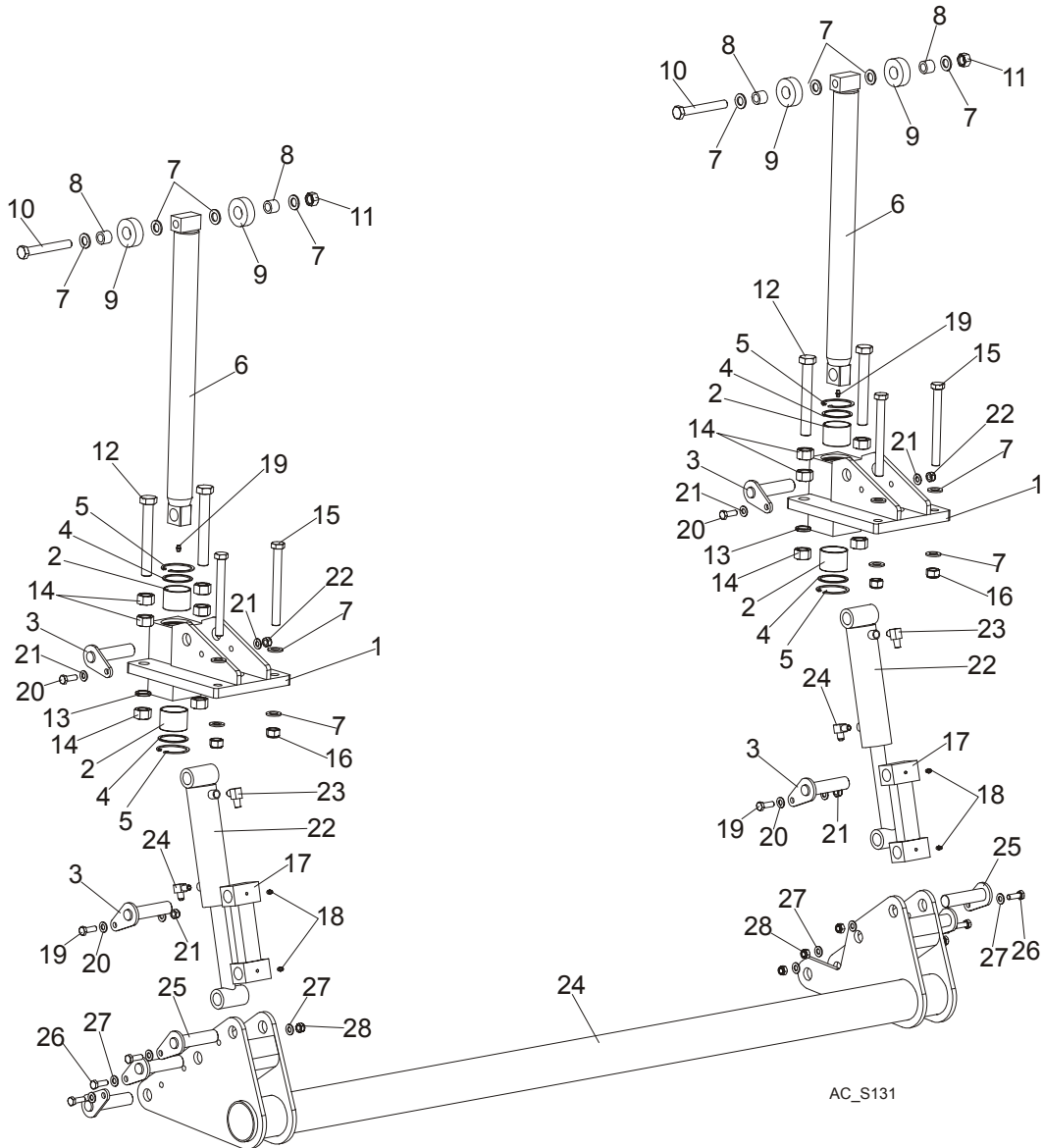
| REF | DESCRIPTION (◆ Indicates Parts Available In Assemblies Only) | PART#     | QTY. |
|-----|--|-----------|------|
|     | <b>TURNER ASSEMBLY, HYDRAULIC LOG</b>                        | 034537    | 1    |
| 1   | Arm Weldment, Hydraulic Log Turner                           | 016873    | 1    |
| 2   | Motor, Hydraulic MB29-02-08-AABP                             | 018741    | 1    |
| 3   | Bolt, 1/2-13 x 3" Hex Head Grade 5                           | F05008-23 | 4    |
| 4   | Nut, 1/2-13 Hex Lock   | F05010-3  | 4    |
| 5   | Sprocket Weldment, Log Turner Drive                          | 042192    | 1    |
| 6   | Nut, Hydraulic Motor Castle                                  | 018741-2  | 1    |
| 7   | Pin, 1/8" x 1 3/4" Cotter                                    | F05012-43 | 2    |

## 9

**HYDRAULIC SYSTEM***Hydraulic Log Turner*

|    |  |            |    |  |
|----|--|------------|----|--|
| 8  | Chain Weldment, Log Turner                     | 042196     | 1  |  |
|    | Cog, Log Turner                                | 042194     | 17 |  |
|    | Chain, #2080 Log Turner                        | 042195     | 1  |  |
|    | Link, #2080H Master                            | 016796     | 1  |  |
| 9  | Bolt, 1-8 x 5" Hex Head Grade 8                | F05004-132 | 2  |  |
|    | Sprocket Assembly, Idler                       | 042193     | 2  |  |
| 10 | Sprocket Weldment, Idler                       | 042191     | 1  |  |
| 11 | Bearing, 6206 25 Idler                         | P11035     | 2  |  |
| 12 | Ring, 62mm #472 DIN Inside Retaining           | F04254-12  | 1  |  |
| 13 | Spacer, Idler Sprocket                         | 042187     | 3  |  |
| 14 | Nut, 1-8 Hex Lock                              | F05010-109 | 3  |  |
| 15 | Washer, 1" SAE Flat                            | F05011-28  | 3  |  |
| 16 | Plate, Log Turner Chain Tensioner              | 042188     | 1  |  |
| 17 | Bolt, 5/8-11 x 4" Hex Head Full Thread Grade 5 | F05009-31  | 1  |  |
| 18 | Nut, 5/8-11 Hex Jam                            | F05010-82  | 1  |  |
| 19 | Bolt, 1-8 x 3 1/2" Hex Head Grade 5            | F05009-50  | 1  |  |
| 20 | Cylinder, 2" x 10" Welded Rod End Hydraulic    | 034267     | 1  |  |
| 21 | Pin, 1" x 3.88" Hydraulic Cylinder             | S09251     | 1  |  |
| 22 | Pin, 3/16" x 1 1/2" Cotter                     | F05012-23  | 2  |  |
| 23 | Pin Weldment, Log Turner Mount                 | 042331     | 1  |  |
| 24 | Bolt, 1/2-13 x 1 1/4" Hex Head Grade 5         | F05008-37  | 1  |  |
| 25 | Nut, 1/2-13 Hex Nylon Lock                     | F05010-8   | 1  |  |
| 26 | Fitting, 1/4-28 Grease                         | P05060     | 1  |  |
|    | Hydraulic Cylinder Connection Parts            | 094383     | 1  |  |
| 27 | Fitting, 3/8NPT - 1/4NPT Reducer               | 015490     | 2  |  |
| 28 | Fitting, C3759X4 Male Run Tee                  | P09141     | 2  |  |
| 29 | Fitting, 3/8JIC-1/4NPT 90L                     | 015491     | 4  |  |
| 30 | Fitting, 3/8NPT - 1/4NPT Reducer               | 015490     | 6  |  |
| 31 | Valve, Log Side Support Sequence               | 015484     | 2  |  |
| 32 | Fitting, 90° #C3529X4 Male Pipe Elbow          | P09140     | 1  |  |
| 33 | Fitting, #10SAE - 1/2JIC 45 Elbow              | 016807     | 2  |  |
| 34 | Divider, MTDA O8-016M 1/2 / 1/2 Oil Flow       | 088191     | 1  |  |
| 35 | Fitting, 90 18x1.5 9/16-18 JIC Elbow           | 089992     | 3  |  |
| 36 | Fitting, 3/8JIC Tee                            | 015487     | 1  |  |
| 37 | <b>LEG, LT300 TURNER COMPLETE</b>              | 099975     | 1  |  |
| 38 | Bolt, M10X30-5.8 Hex Head Full Threat          | F81003-2   | 1  |  |
| 39 | Washer, 10.5 Flat Zinc                         | F81055-1   | 1  |  |
| 40 | Nut, M10-8-B Nylon Hex Zinc Lock               | F81033-1   | 1  |  |

9.7 Hydraulic Log Side Supports (for Stationary Sawmills)



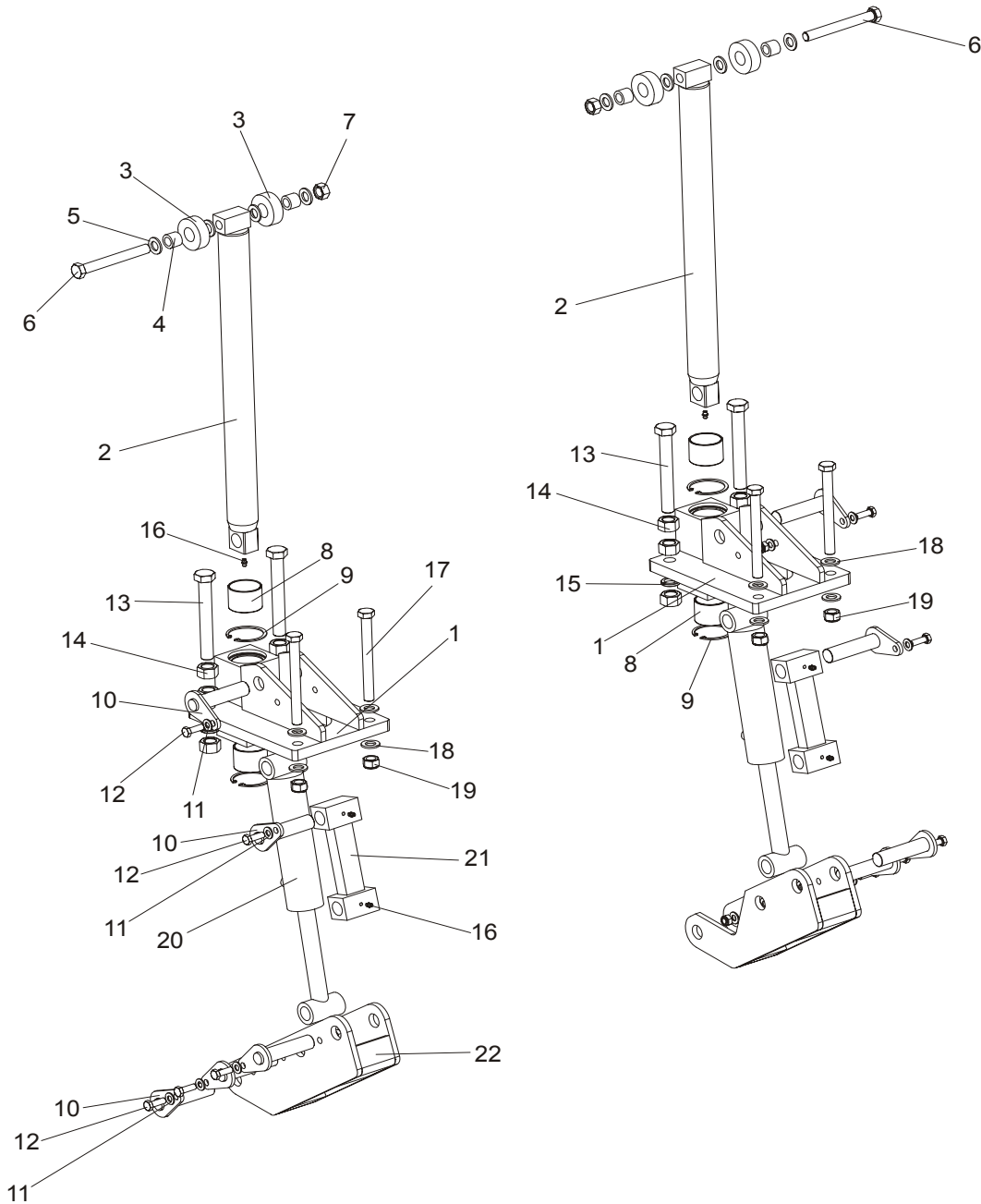
| L.P. | OPIS (◆ wskazuje części dostępne jedynie w zespołach)     | NR KAT.  | SZT. |
|------|---|----------|------|
|      | <b>SUPPORT, AHS/DHS STATIONARY VERTICAL SIDE COMPLETE</b> | 098864   | 1    |
|      | SUPPORT, STATIONARY VERTICAL LOG SIDE                     | 097519   | 2    |
| 1    | Mount Weldment, LT70/300 Vertical Side Support Upper      | 094003-1 | 1    |
| 2    | Bushing, 5040BS Non-Greasable                             | 088660   | 2    |
| 3    | Pin Weldment, Vertical Side Support Zinc-Plated           | 091197-1 | 2    |
| 4    | Ring, LT70/300 Vertical Side Support Zinc-Plated          | 094004-1 | 2    |
| 5    | Ring, 62W Inside Retaining                                | F81090-1 | 2    |
| 6    | Rod Weldment, LT70/300 Vertical Side Support Complete     | 094011-1 | 1    |

## 9

**HYDRAULIC SYSTEM***Hydraulic Log Side Supports (for Stationary Sawmills)*

|    |   |           |    |  |
|----|---|-----------|----|--|
| 7  | Washer, 17 Flat Zinc                                | F81058-1  | 12 |  |
| 8  | Bushing, LT70/300 Vertical Side Support Bronze      | 094012    | 2  |  |
| 9  | Roller, LT70/300 Vertical Side Support Zinc-Plated  | 094013-1  | 2  |  |
| 10 | Bolt, M16x120 -8.8 Hex Head Zinc                    | F81006-25 | 1  |  |
| 11 | Nut, M16-5.8 Hex Zinc                               | F81036-1  | 1  |  |
| 12 | Bolt, ISO 4017 M20x150 8.8 Zinc-Plated              | F81007-3  | 2  |  |
| 13 | Washer, 20.5 Split Lock Zinc                        | F81059-1  | 2  |  |
| 14 | Nut, M20-8 Hex Zinc                                 | F81037-1  | 6  |  |
| 15 | Bolt, M16x160 -8.8 Hex Head Zinc                    | F81006-20 | 2  |  |
| 16 | Nut, M16-8 Hex Nylon Zinc Lock                      | F81036-2  | 2  |  |
| 17 | Link Weldment, LT300 Vertical Side Support          | 094016-1  | 1  |  |
| 18 | Fitting, M6 Grease                                  | 086280    | 3  |  |
| 19 | Bolt, M10x30-5.8 Hex Head Full Thread Zinc          | F81003-2  | 2  |  |
| 20 | Washer, 10.5 Flat Zinc                              | F81055-1  | 4  |  |
| 21 | Nut, M10-8-B Nylon Hex Zinc Lock                    | F81033-1  | 2  |  |
| 22 | Cylinder, 28/150 1/4 NPT Port Hydraulic             | 094002    | 1  |  |
| 23 | Fitting, 3/8JIC-1/4NPT 90L                          | 015491    | 2  |  |
| 24 | Mount Weldment, AHS/DHS Vertical Side Support Lower | 098865-1  | 1  |  |
| 25 | Pin Weldment, Vertical Side Support Zinc-Plated     | 091197-1  | 6  |  |
| 26 | Bolt, M10x30-5.8 Hex Head Full Thread Zinc          | F81003-2  | 6  |  |
| 27 | Washer, 10.5 Flat Zinc                              | F81055-1  | 12 |  |
| 28 | Nut, M10-8-B Nylon Hex Zinc Lock                    | F81033-1  | 6  |  |

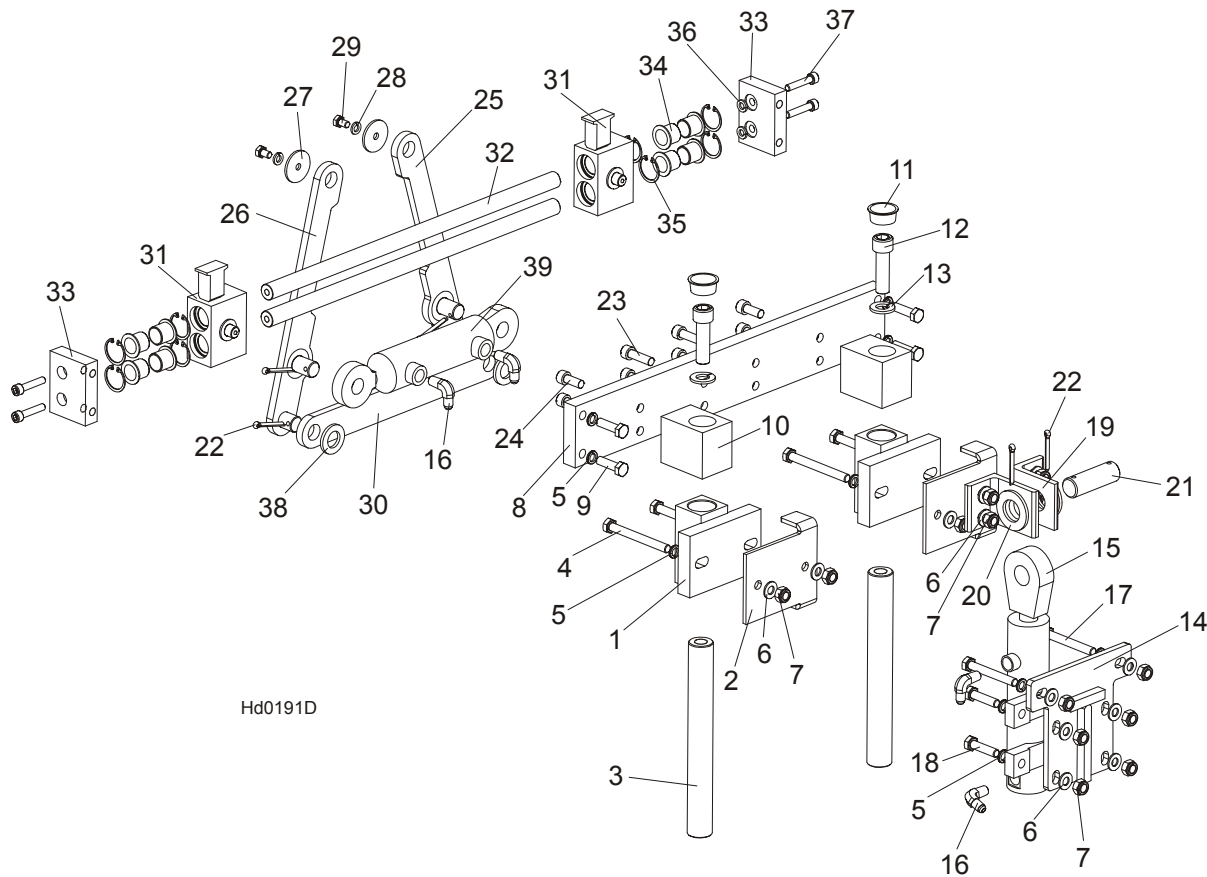
**9.8 Hydraulic Log Side Supports (for Mobile Sawmills)**



| REF | DESCRIPTION (◆ Indicates Parts Available In Assemblies Only) | PART #   | QTY. |
|-----|--|----------|------|
|     | <b>SUPPORT, LT70/300 VERTICAL LOG SIDE (2)</b>               | 094388   |      |
| 1   | Mount Weldment, LT70/300 Vertical Side Support Upper         | 094003-1 | 1    |
| 2   | Rod Weldment, LT70/300 Vertical Side Support Complete        | 094011-1 | 1    |
| 3   | Roller, LT70/300 Vertical Side Support Zinc-Plated           | 094013-1 | 2    |
| 4   | Bushing, LT70/300 Vertical Side Support Bronze               | 094012   | 2    |

|    |   |           |   |  |
|----|---|-----------|---|--|
| 5  | Washer, 17 Flat Zinc                                  | F81058-1  | 4 |  |
| 6  | Bolt, M16x140-8.8 Hex Head Zinc                       | F81006-4  | 1 |  |
| 7  | Nut, M16-5.8 Hex Zinc                                 | F81036-1  | 1 |  |
| 8  | Bushing, 5040BS Non-Greasable                         | 088660    | 1 |  |
| 9  | Ring, 62W Inside Retaining                            | F81090-1  | 2 |  |
| 10 | Pin Weldment, Vertical Side Support Zinc-Plated       | 091197-1  | 5 |  |
| 11 | Washer, 10.5 Flat Zinc                                | F81055-1  | 5 |  |
| 12 | Bolt, M10x30-5.8 Hex Head Full Thread Zinc            | F81003-2  | 5 |  |
| 13 | Bolt, ISO 4017 M20x150 8.8 Zinc-Plated                | F81007-3  | 2 |  |
| 14 | Nut, M20-8 Hex Zinc                                   | F81037-1  | 6 |  |
| 15 | Washer, 20.5 Split Lock Zinc                          | F81059-1  | 2 |  |
| 16 | Fitting, M6 Grease                                    | 086280    | 2 |  |
| 17 | Bolt, M16x160 -8.8 Hex Head Zinc                      | F81006-20 | 2 |  |
| 18 | Washer, 17 Flat Zinc                                  | F81058-1  | 4 |  |
| 19 | Nut, M16-8 Hex Nylon Zinc Lock                        | F81036-2  | 2 |  |
| 20 | Cylinder, 28/150 1/4 NPT Port Hydraulic               | 094002    | 1 |  |
| 21 | Link Weldment, LT300 Vertical Side Support            | 094016-1  | 1 |  |
| 22 | Mount Weldment, LT300 Vertical Side Support Lower     | 094387-1  | 1 |  |
|    | <b>SUPPORT, LT70/300 VERTICAL LOG SIDE</b>            | 094010    |   |  |
| 1  | Mount Weldment, LT70/300 Vertical Side Support Upper  | 094003-1  | 1 |  |
| 2  | Rod Weldment, LT70/300 Vertical Side Support Complete | 094011-1  | 1 |  |
| 3  | Roller, LT70/300 Vertical Side Support Zinc-Plated    | 094013-1  | 2 |  |
| 4  | Bushing, LT70/300 Vertical Side Support Bronze        | 094012    | 2 |  |
| 5  | Washer, 17 Flat Zinc                                  | F81058-1  | 4 |  |
| 6  | Bolt, M16x140-8.8 Hex Head Zinc                       | F81006-4  | 1 |  |
| 7  | Nut, M16-5.8 Hex Zinc                                 | F81036-1  | 1 |  |
| 8  | Bushing, 5040BS Non-Greasable                         | 088660    | 1 |  |
| 9  | Ring, 62W Inside Retaining                            | F81090-1  | 2 |  |
| 10 | Pin Weldment, Vertical Side Support Zinc-Plated       | 091197-1  | 5 |  |
| 11 | Washer, 10.5 Flat Zinc                                | F81055-1  | 5 |  |
| 12 | Bolt, M10x30-5.8 Hex Head Full Thread Zinc            | F81003-2  | 5 |  |
| 13 | Bolt, ISO 4017 M20x150 8.8 Zinc-Plated                | F81007-3  | 2 |  |
| 14 | Nut, M20-8 Hex Zinc                                   | F81037-1  | 6 |  |
| 15 | Washer, 20.5 Split Lock Zinc                          | F81059-1  | 2 |  |
| 16 | Fitting, M6 Grease                                    | 086280    | 2 |  |
| 17 | Bolt, M16x160 -8.8 Hex Head Zinc                      | F81006-20 | 2 |  |
| 18 | Washer, 17 Flat Zinc                                  | F81058-1  | 4 |  |
| 19 | Nut, M16-8 Hex Nylon Zinc Lock                        | F81036-2  | 2 |  |
| 20 | Cylinder, 28/150 1/4 NPT Port Hydraulic               | 094002    | 1 |  |
| 21 | Link Weldment, LT70/300 Vertical Side Support         | 094016-1  | 1 |  |
| 22 | Mount Weldment, LT70/300 Vertical Side Support Lower  | 094387-1  | 1 |  |

### 9.9 Hydraulic Pull Down Clamp



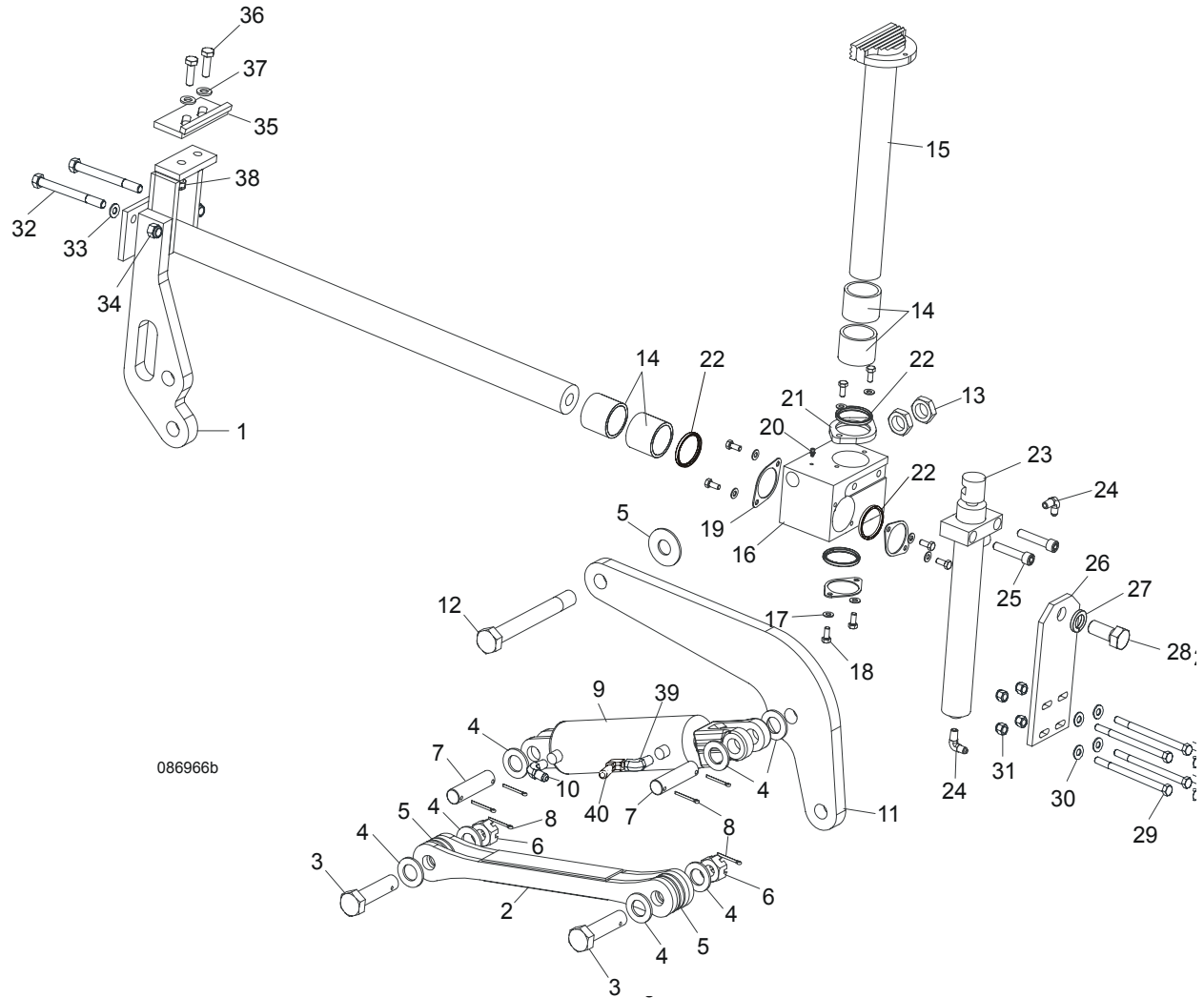
Hd0191D

| REF | DESCRIPTION (◆ Indicates Parts Available In Assemblies Only) | PART #    | QTY. |
|-----|--|-----------|------|
|     | <b>LEFT HYDRAULIC LOG CLAMP ASSEMBLY, COMPLETE</b>           | 094129    | 1    |
| 1   | Block Weldment, Log Clamp Up/Down Painted                    | 090545-1  | 2    |
| 2   | Bracket, Log Clamp Mount Painted                             | 094098-1  | 2    |
| 3   | Pin, Log Clamp Up/Down                                       | 088631    | 2    |
| 4   | Bolt, M10x95-8.8-B Hex Head Zinc                             | F81003-71 | 4    |
| 5   | Washer, 10.2 Split Lock Zinc                                 | F81055-2  | 14   |
| 6   | Washer, 10.5 Flat Zinc                                       | F81055-1  | 14   |
| 7   | Nut, M10-8-B Hex Nylon Zinc Lock                             | F81033-1  | 14   |
| 8   | Beam, Log Clamp Main Zinc-plated                             | 094115-1  | 1    |
| 9   | Bolt, M10x35-8.8 Hex Head Full Thread Zinc                   | F81003-17 | 4    |
| 10  | Block, Log Clamp Up/Down Painted                             | 094124-1  | 2    |
| 11  | Plug, M33 Thread #12428                                      | 089839    | 2    |
| 12  | Screw, M16x55-8.8 Hex Socket Head Cap Zinc                   | F81006-18 | 2    |
| 13  | Washer, 16.3 Split Lock Zinc                                 | F81058-2  | 2    |
| 14  | Plate Weldment, Hydraulic Cylinder Mounting Painted          | 094094-1  | 1    |

|    |  |           |   |  |
|----|--|-----------|---|--|
| 15 | Cylinder, CJ7F-16/40/22 + UE2-40W Hydraulic  | 091346    | 1 |  |
| 16 | Fitting, 90° Male Elbow                      | P09142    | 2 |  |
| 17 | Bolt, M10x75-8.8 Hex Head Zinc               | F81003-15 | 2 |  |
| 18 | Bolt, M10x40-8.8 Hex Head Full Thread Zinc   | F81003-16 | 4 |  |
| 19 | Bracket, Hydraulic Cylinder Mounting Painted | 094127-1  | 2 |  |
| 20 | Washer, 28 Flat Zinc                         | F81061-1  | 2 |  |
| 21 | Pin, 25x75 Zinc-plated                       | 088659-1  | 1 |  |
| 22 | Pin, S-Zn 5x40 Cotter Zinc                   | F81043-31 | 4 |  |
| 23 | Screw, M10x35 8.8 Hex Socket Head Cap Zinc   | F81003-56 | 4 |  |
| 24 | Screw, M10x25 8.8 Hex Socket Head Cap Zinc   | F81003-32 | 4 |  |
| 25 | Link, Log Clamp In/Out Side Zinc-plated (1)  | 094097-1  | 1 |  |
| 26 | Link, Log Clamp In/Out Side Zinc-plated (2)  | 094099-1  | 1 |  |
| 27 | Washer, Zinc-plated Spacer                   | 094128-1  | 1 |  |
| 28 | Washer, 8.2 Split Lock Zinc                  | F81054-4  | 2 |  |
| 29 | Bolt, M8x12-8.8 Hex Head Full Thread Zinc    | F81002-6  | 2 |  |
| 30 | Arm, Log Clamp In/Out Zinc-plated            | 094092-1  | 1 |  |
| 31 | Jaw Weldment, Log Clamp Zinc-plated          | 094120-1  | 2 |  |
| 32 | Rod, Log Clamp Jaw Guide                     | 094116    | 2 |  |
| 33 | Plate, Locking Zinc-plated                   | 094117-1  | 2 |  |
| 34 | Bushing, JFM-2023-21 Flanged                 | 094113    | 8 |  |
| 35 | Ring, W 31 Inside Retaining                  | F81090-15 | 8 |  |
| 36 | Washer, 8.2 Split Lock Zinc                  | F81054-4  | 4 |  |
| 37 | Screw, M8x40-8.8 Hex Socket Head Cap Zinc    | F81002-29 | 4 |  |
| 38 | Washer, 21 Flat Zinc                         | F81059-2  | 2 |  |
| 39 | Cylinder SJ2F-16-40/22/80 Hydraulic          | 093880    | 1 |  |



### 9.10 Hydraulic Log Clamp - main



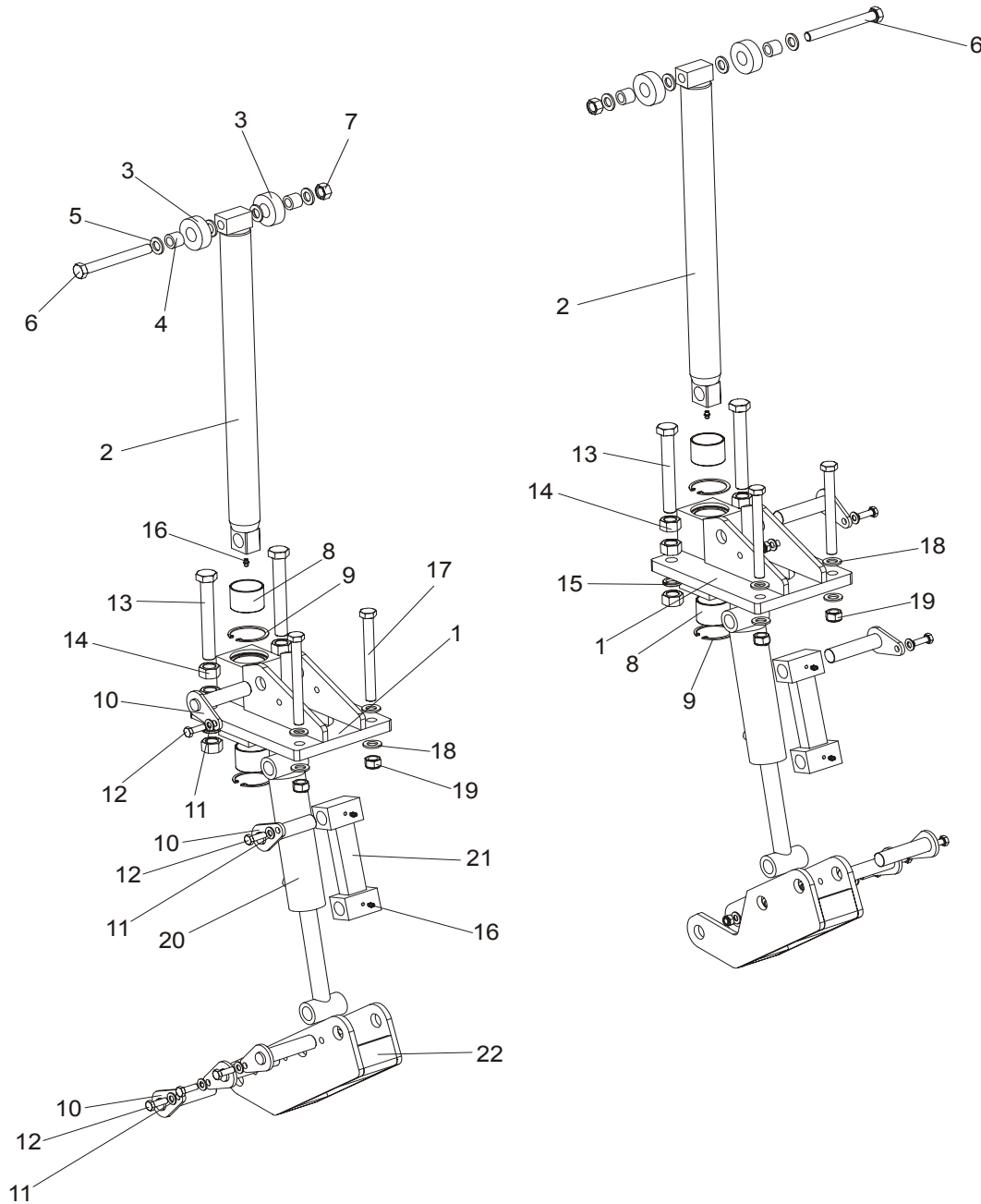
| L.P. | OPIS (♦ wskazuje części dostępne jedynie w zespołach) | NUMER KAT. | SZT. |
|------|---|------------|------|
|      | <b>HYDRAULIC LOG CLAMP ASSEMBLY</b>                   | 088658     | 1    |
| 1    | Rod Weldment, Log Clamp Slide Ptd                     | 086967-1   | 1    |
| 2    | Arm Weldment, Hydraulic Clamp Link Ptd                | 086963-1   | 1    |
| 3    | Pin, B 24x95/85-Clevis Zinc                           | F81049-2   | 1    |
| 4    | Washer, 25 Flat Zinc                                  | F81061-3   | 8    |
| 5    | Washer, 25X63 Zinc-Plated                             | 088585-1   | 5    |
| 6    | Nut, Z M20-8-B-Slotted Castle Zinc                    | F81037-3   | 2    |
| 7    | Pin, Hydraulic Cylinder Zinc-Plated                   | 086979-1   | 2    |
| 8    | Pin, S-Zn 6,3x45 Cotter                               | F81045-2   | 6    |

## 9

**HYDRAULIC SYSTEM***Hydraulic Log Clamp - main*

|    |   |           |   |  |
|----|---|-----------|---|--|
| 9  | Cylinder, CJ-S96-16-70/32/178 Hydraulic           | 088589    | 1 |  |
| 10 | FITTING, 3/8JIC-1/4 NPT STR                       | 015560    | 1 |  |
| 11 | Arm, Hydraulic Log Clamp Link Ptd                 | 086974-1  | 1 |  |
| 12 | Bolt, M24x217/39 -8.8-B- Hex Head Zinc            | 088586-1  | 1 |  |
| 13 | Nut, M24 -04-B- Hex Thin Zinc                     | F81039-3  | 2 |  |
| 14 | Bushing, 5040BS Self-Lubricating                  | 088660    | 2 |  |
| 15 | Rod Weldment, Log Clamp Vertical Painted          | 088582-1  | 1 |  |
| 16 | Block, Log Clamp Steel Ptd                        | 088591-1  | 1 |  |
| 17 | Washer, 8.4 Flat Zinc                             | F81054-1  | 8 |  |
| 18 | Bolt, M8x20-8.8-B-Hex Head Full Thread Zinc       | F81002-4  | 8 |  |
| 19 | Flange, Clamp Rod Wiper Ptd                       | 088887-1  | 3 |  |
| 20 | Fitting, 3/16" Straight Grease                    | P04107    | 1 |  |
| 21 | Flange, Clamp Rod Wiper Ptd                       | 088887-1  | 1 |  |
| 22 | Wiper, ZZ 50x60x7 Log Clamp Rod                   | 088587    | 1 |  |
| 23 | Cylinder, CJ-S169-16-40/22/254 Hydraulic          | 088590    | 1 |  |
| 24 | Fitting, 1/4" NPT - 1/4" JIC Male Elbow           | P09142    | 2 |  |
| 25 | Screw, M12x55 -8.8-B-Hex Socked Head Cap Zinc     | F81004-23 | 2 |  |
| 26 | Plate, Log Clamp Mount Ptd                        | 086975-1  | 1 |  |
| 27 | Washer, Z 22,5 Split Lock                         | F81059-4  | 1 |  |
| 28 | Bolt, M22x1,5x40 -8.8-B-Hex Head Full Thread Zinc | F81009-1  | 1 |  |
| 29 | Bolt, M10 x 125-8.8 Hex Head Zinc                 | F81003-18 | 4 |  |
| 30 | Washer, 10.5 Flat Zinc                            | F81055-1  | 8 |  |
| 31 | Nut, M10-8-B Hex Nylon Zinc Lock                  | F81033-1  | 4 |  |
| 32 | Bolt, M12x130-8.8-Hex Head Zinc                   | F81004-36 | 2 |  |
| 33 | Washer, 13 Flat Zinc                              | F81056-1  | 2 |  |
| 34 | Nut, M12-8 Hex Zinc                               | F81034-1  | 2 |  |
|    | <b>STOP KIT, CLAMP</b>                            | K09485    | 1 |  |
| 35 | Stop Wldmt, Hydraulic Log Clamp Ptd               | 086980-1  | 1 |  |
| 36 | Bolt, M12 x 40 8.8 Hex Head Full Thread Zinc      | F81004-4  | 2 |  |
| 37 | Washer, 13 Flat Zinc                              | F81056-1  | 2 |  |
| 38 | NUT, M12-8 HEX NYLON ZINC LOCK                    | F81034-2  | 4 |  |
| 39 | FITTING, M/F-90-9/16 JIC ELBOW                    | 500597    | 1 |  |
| 40 | FITTING, 3/8JIC-1/4NPT 90L                        | 015491    | 1 |  |

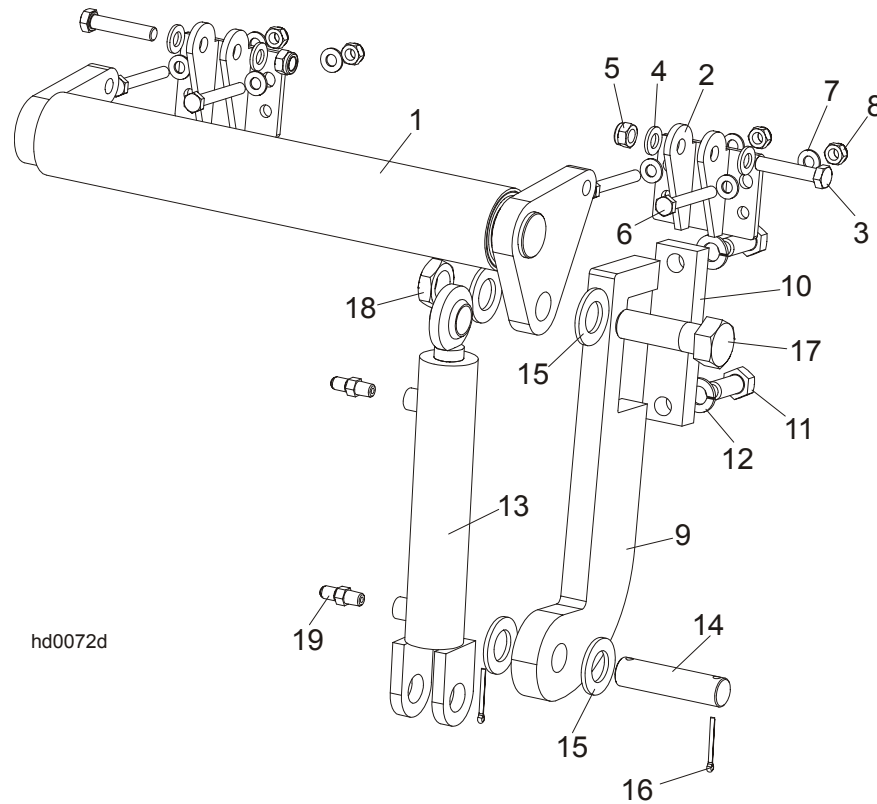
9.11 Hydraulic Log Side Supports (Super version)



| REF | DESCRIPTION (◆ Indicates Parts Available In Assemblies Only) | PART #   | QTY. |
|-----|--|----------|------|
|     | <b>SUPPORT, LT70/300 VERTICAL LOG SIDE (2)</b>               | 094388   |      |
| 1   | Mount Weldment, LT70/300 Vertical Side Support Upper         | 094003-1 | 1    |
| 2   | Rod Weldment, LT70/300 Vertical Side Support Complete        | 094011-1 | 1    |
| 3   | Roller, LT70/300 Vertical Side Support Zinc-Plated           | 094013-1 | 2    |
| 4   | Bushing, LT70/300 Vertical Side Support Bronze               | 094012   | 2    |

|    |   |           |   |  |
|----|---|-----------|---|--|
| 5  | Washer, 17 Flat Zinc                                  | F81058-1  | 4 |  |
| 6  | Bolt, M16x140-8.8 Hex Head Zinc                       | F81006-4  | 1 |  |
| 7  | Nut, M16-5.8 Hex Zinc                                 | F81036-1  | 1 |  |
| 8  | Bushing, 5040BS Non-Greasable                         | 088660    | 1 |  |
| 9  | Ring, 62W Inside Retaining                            | F81090-1  | 2 |  |
| 10 | Pin Weldment, Vertical Side Support Zinc-Plated       | 091197-1  | 5 |  |
| 11 | Washer, 10.5 Flat Zinc                                | F81055-1  | 5 |  |
| 12 | Bolt, M10x30-5.8 Hex Head Full Thread Zinc            | F81003-2  | 5 |  |
| 13 | Bolt, ISO 4017 M20x150 8.8 Zinc-Plated                | F81007-3  | 2 |  |
| 14 | Nut, M20-8 Hex Zinc                                   | F81037-1  | 6 |  |
| 15 | Washer, 20.5 Split Lock Zinc                          | F81059-1  | 2 |  |
| 16 | Fitting, M6 Grease                                    | 086280    | 2 |  |
| 17 | Bolt, M16x160 -8.8 Hex Head Zinc                      | F81006-20 | 2 |  |
| 18 | Washer, 17 Flat Zinc                                  | F81058-1  | 4 |  |
| 19 | Nut, M16-8 Hex Nylon Zinc Lock                        | F81036-2  | 2 |  |
| 20 | Cylinder, 28/150 1/4 NPT Port Hydraulic               | 094002    | 1 |  |
| 21 | Link Weldment, LT300 Vertical Side Support            | 094016-1  | 1 |  |
| 22 | Mount Weldment, LT300 Vertical Side Support Lower     | 094387-1  | 1 |  |
|    | <b>SUPPORT, LT70/300 VERTICAL LOG SIDE</b>            | 094010    |   |  |
| 1  | Mount Weldment, LT70/300 Vertical Side Support Upper  | 094003-1  | 1 |  |
| 2  | Rod Weldment, LT70/300 Vertical Side Support Complete | 094011-1  | 1 |  |
| 3  | Roller, LT70/300 Vertical Side Support Zinc-Plated    | 094013-1  | 2 |  |
| 4  | Bushing, LT70/300 Vertical Side Support Bronze        | 094012    | 2 |  |
| 5  | Washer, 17 Flat Zinc                                  | F81058-1  | 4 |  |
| 6  | Bolt, M16x140-8.8 Hex Head Zinc                       | F81006-4  | 1 |  |
| 7  | Nut, M16-5.8 Hex Zinc                                 | F81036-1  | 1 |  |
| 8  | Bushing, 5040BS Non-Greasable                         | 088660    | 1 |  |
| 9  | Ring, 62W Inside Retaining                            | F81090-1  | 2 |  |
| 10 | Pin Weldment, Vertical Side Support Zinc-Plated       | 091197-1  | 5 |  |
| 11 | Washer, 10.5 Flat Zinc                                | F81055-1  | 5 |  |
| 12 | Bolt, M10x30-5.8 Hex Head Full Thread Zinc            | F81003-2  | 5 |  |
| 13 | Bolt, ISO 4017 M20x150 8.8 Zinc-Plated                | F81007-3  | 2 |  |
| 14 | Nut, M20-8 Hex Zinc                                   | F81037-1  | 6 |  |
| 15 | Washer, 20.5 Split Lock Zinc                          | F81059-1  | 2 |  |
| 16 | Fitting, M6 Grease                                    | 086280    | 2 |  |
| 17 | Bolt, M16x160 -8.8 Hex Head Zinc                      | F81006-20 | 2 |  |
| 18 | Washer, 17 Flat Zinc                                  | F81058-1  | 4 |  |
| 19 | Nut, M16-8 Hex Nylon Zinc Lock                        | F81036-2  | 2 |  |
| 20 | Cylinder, 28/150 1/4 NPT Port Hydraulic               | 094002    | 1 |  |
| 21 | Link Weldment, LT70/300 Vertical Side Support         | 094016-1  | 1 |  |
| 22 | Mount Weldment, LT70/300 Vertical Side Support Lower  | 094387-1  | 1 |  |

### 9.12 Hydraulic Toe Board

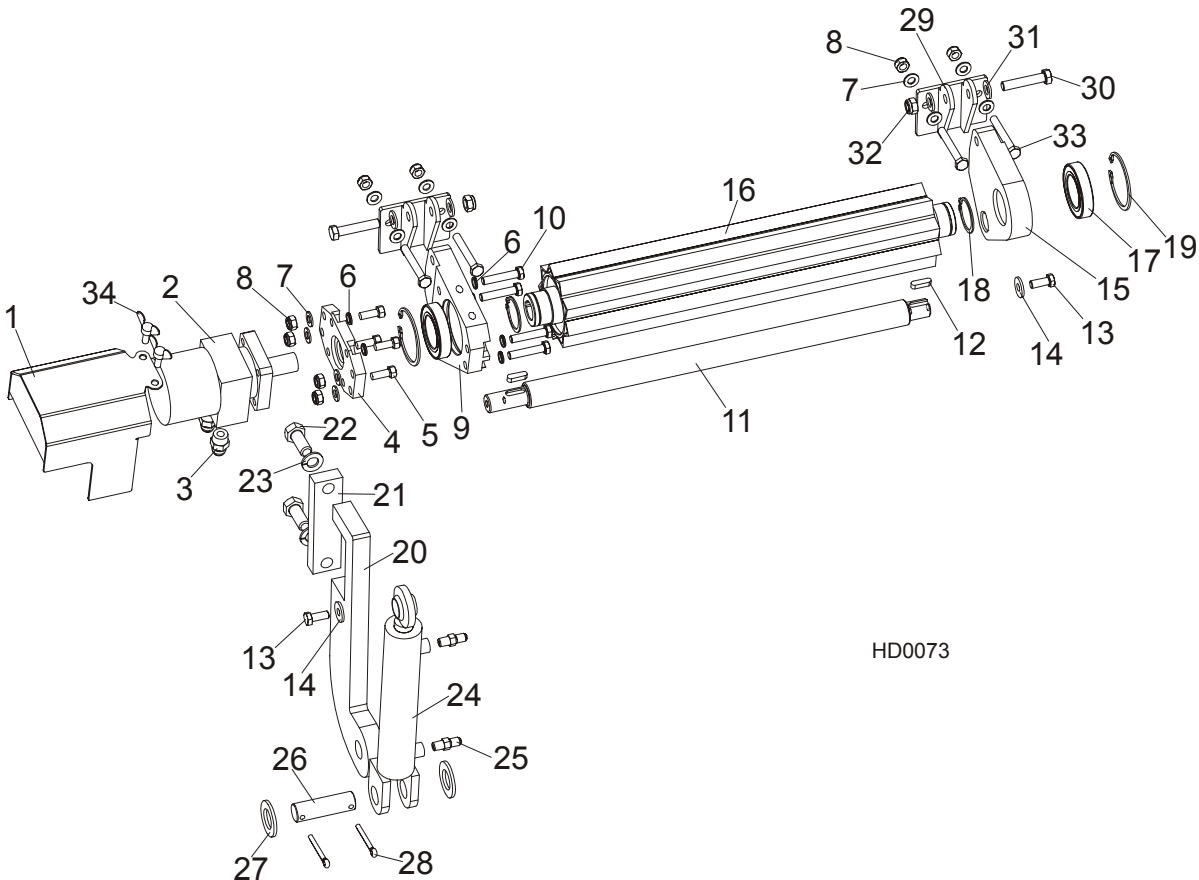


hd0072d

| REF | DESCRIPTION (◆ Indicates Parts Available In Assemblies Only) | PART#      | QTY. |
|-----|--|------------|------|
|     | <b>HYDRAULIC TOE BOARD - REAR</b>                            | 092634     | 1    |
| 1   | Toe Board Weldment, Hydraulic - Rear                         | 086253-1   | 1    |
| 2   | Bracket, Hydraulic Toe Board                                 | 087903-1   | 4    |
| 3   | Bolt, M12x60mm Hex Head Zinc Grade 8.8                       | F81004-5   | 4    |
| 4   | Washer, M12 Flat Zinc  | F81056-1   | 8    |
| 5   | Nut, M12 Hex Nylon Zinc Lock                                 | F81034-2   | 4    |
| 6   | Bolt, M10x75-8.8 Hex Head Zinc                               | F81003-15  | 8    |
| 7   | Washer, M10 Flat Zinc  | F81055-1   | 16   |
| 8   | Nut, M10 Hex Nylon Zinc Lock                                 | F81033-1   | 8    |
| 9   | Bracket, Hydraulic Toeboard Mount                            | 087729-1   | 2    |
| 10  | Plate, Hydraulic Toeboard Mount                              | 090086-1   | 2    |
| 11  | Bolt, M16x40mm Hex Head Full Thread Zinc Grade 5.8           | F81006-13  | 4    |
| 12  | Washer, 16.3 Split Lock Zinc                                 | F81058-2   | 4    |
| 13  | Cylinder, CJ-S170-16-40/25/152 Hydraulic                     | 088681     | 2    |
| 14  | Pin, Cylinder Mount  | 086979-1   | 2    |
| 15  | Washer, 28 Flat Zinc   | F81061-1   | 8    |
| 16  | Pin, 3/16x1.5 Cotter Zinc                                    | F05012-23  | 4    |
| 17  | Bolt, 1-8x3 1/4 Hex Head Grade 5                             | F05009-51  | 2    |
| 18  | Nut, 1-14 Hex Jam Unplated                                   | F05010-117 | 2    |

|    |                             |        |   |  |
|----|-----------------------------|--------|---|--|
| 19 | Fitting, 1/4NPTx1/4JIC Male | P09143 | 4 |  |
|----|-----------------------------|--------|---|--|

### 9.13 Power Toe Roller



| REF | DESCRIPTION (◆ Indicates Parts Available In Assemblies Only) | PART#     | QTY. |
|-----|--|-----------|------|
|     | <b>POWER ROLLER</b>  | 096040    | 1    |
| 1   | Cover, Hydraulic Motor                                       | 096037-1  | 1    |
| 2   | Motor, MG06-13-13AAAB Hyd                                    | P21506    | 1    |
| 3   | Fitting, 1/2-14NPT/ 7/16-20UNF                               | 096919    | 2    |
| 4   | Plate, Hydraulic Motor Mount                                 | 096030-1  | 1    |
| 5   | Screw, 3/8-16x1, HHC   | F05007-7  | 4    |
| 6   | Washer, 10.2 Split Lock Zinc                                 | F81055-2  | 4    |
| 7   | Washer, 10,5 Flat Zinc                                       | F81055-1  | 12   |
| 8   | Nut, M10-8-B Nylon Hex Zinc Lock                             | F81033-1  | 8    |
| 9   | Bracket, Side w/HydroMotor Connector                         | 096029-1  | 1    |
| 10  | Bolt, M10x50-8.8-Hex Head Full Thread Zinc                   | F81003-4  | 4    |
| 11  | Rod  | 096034    | 1    |
| 12  | Key, A8x7x28 Parallel  | 096035    | 2    |
| 13  | Bolt, M10x25 8.8 Hex Head Full Thread Zinc                   | F81003-31 | 2    |

|    |  |           |   |  |
|----|--|-----------|---|--|
| 14 | Washer, 10,5 Zinc Flat Special             | F81055-6  | 2 |  |
| 15 | Bracket                                    | 096031-1  | 1 |  |
| 16 | Roller, Pivot - Wldmt                      | 096028-1  | 1 |  |
| 17 | Bearing, 6009.2RSR                         | 096025    | 2 |  |
| 18 | Ring, Z 45 Spring Retaining                | F81090-32 | 2 |  |
| 19 | Ring, W 75 Spring Retaining                | F81090-41 | 2 |  |
| 20 | Plate, Toe Board Cylinder Mount            | 087729-1  | 1 |  |
| 21 | Plate, Hydraulic Toe Board Mount           | 090086-1  | 1 |  |
| 22 | Bolt, M16x40-8.8 Hex Head Full Thread Zinc | F81006-13 | 2 |  |
| 23 | Washer, 16,3 Split Lock Zinc               | F81058-2  | 2 |  |
|    | Cylinder, Hydraulic Toe Boards             | 085937    | 1 |  |
| 24 | Cylinder, CJ-S170-16-40/25/152 Hydraulic   | 088681    | 1 |  |
| 25 | Fitting, C5205x4x4 Male                    | P09143    | 2 |  |
| 26 | Pin, Hydraulic Cylinder Zinc               | 086979-1  | 1 |  |
| 27 | Washer, 28 Flat Zinc                       | F81061-1  | 2 |  |
| 28 | Pin, S-Zn 6,3x45                           | F81045-2  | 2 |  |
| 29 | Bracket, Toe Board Roller Mount            | 087903-1  | 2 |  |
| 30 | Bolt, M12x60-8.8 Hex Head Zinc             | F81004-5  | 2 |  |
| 31 | Washer, 13 Zinc Flat                       | F81056-1  | 4 |  |
| 32 | Nut, M12-8 Hex Nylon Zinc Lock             | F81034-2  | 2 |  |
| 33 | Bolt, M10x75-8.8-Hex Head Zinc             | F81003-15 | 4 |  |
| 34 | Stud, M6x16 Wing                           | F81001-16 | 2 |  |