

Wood-Mizer®

Parts Manual

LT40M AH Super

rev. A1.02



Safety is our #1 concern! Read and understand all safety information and instructions before operating, setting up or maintaining this machine.

February 2008

Form #1056

Table of Contents

Section-Page

| | | |
|------------------|-------------------------------------------------------|------------|
| SECTION 1 | GENERAL INFORMATION | 1-1 |
| 1.1 | How To Use The Parts List | 1-1 |
| 1.2 | Sample Assembly | 1-1 |
| SECTION 2 | BLADE GUIDE ROLLERS & ARM | 2-1 |
| 2.1 | Blade Guide Assembly, Idle Side (Standard)..... | 2-1 |
| 2.2 | Idle Side Blade Guide Assembly, Optional (LMS)..... | 2-3 |
| 2.3 | Blade Guide Assembly, Drive Side..... | 2-5 |
| 2.4 | Blade Guide Arm & Rollers | 2-7 |
| 2.5 | Blade Guide Arm Drive Assembly..... | 2-8 |
| SECTION 3 | BLADE WHEELS & TENSIONER | 3-1 |
| 3.1 | Blade Drive Assembly, LT40 Series AH | 3-1 |
| 3.2 | Idle Blade Wheel Assembly | 3-3 |
| 3.3 | Hydraulic Blade Tensioner Assembly..... | 3-4 |
| SECTION 4 | SAW HEAD | 4-1 |
| 4.1 | Middle Throat Screw | 4-1 |
| 4.2 | Water Lube Solenoid Valve | 4-2 |
| 4.3 | Board Return Assembly | 4-3 |
| 4.4 | Water Lube Assembly | 4-5 |
| 4.5 | LT40AC Saw Head Decals | 4-7 |
| 4.6 | Blade Housing Covers..... | 4-9 |
| 4.7 | Drive Belt Covers | 4-11 |
| 4.8 | Sawdust Chute | 4-12 |
| SECTION 5 | CONTROL & BATTERY BOXES | 5-1 |
| 5.1 | Control Assembly, LT40 Series AH | 5-1 |
| 5.2 | Drum Switches | 5-3 |
| 5.3 | Circuit Breakers..... | 5-4 |
| SECTION 6 | UP/DOWN SYSTEM | 6-1 |
| 6.1 | Saw Head V-Brace Mount..... | 6-1 |
| 6.2 | Blade Height Scale | 6-2 |
| 6.3 | Up/Down Chain & Sprockets..... | 6-4 |
| 6.4 | Up/Down Motor Assembly, LT40 Series AH..... | 6-6 |
| 6.5 | Up/Down Drive Assembly | 6-7 |
| SECTION 7 | POWER FEED & TRACK ROLLERS | 7-1 |
| 7.1 | Upper Track Rollers And Wipers..... | 7-1 |
| 7.2 | Power Feed Assembly, LT40 Series AH..... | 7-2 |
| 7.3 | Feed Chain/Stop | 7-4 |
| 7.4 | Lower Track Rollers | 7-6 |

Table of Contents

Section-Page

SECTION 8 BED FRAME ASSEMBLY

8-1

| | | |
|-----|-------------------------------------------------|-----|
| 8.1 | Bed Rail Assembly, Front (LT40/70M Super)..... | 8-1 |
| 8.2 | Bed Rail Assembly, Middle (LT40/70M Super)..... | 8-2 |
| 8.3 | Table, M Super Frame..... | 8-3 |
| 8.4 | Stationary Leg Kit, M Super Frame | 8-4 |
| 8.5 | LT40/70M Super Saw Head Rest Pin Assembly | 8-5 |
| 8.6 | Tie Down Chain Assembly | 8-7 |

SECTION 9 HYDRAULIC SYSTEM

9-1

| | | |
|------|------------------------------------------------------------|------|
| 9.1 | Hydraulic Hoses, LT40/70M Super | 9-1 |
| 9.2 | Hydraulic Control Box, LT40/70M Super (AC) | 9-3 |
| 9.3 | Hydraulic & Wireless Control Box | 9-5 |
| 9.4 | Wireless Control Assembly (Option) | 9-7 |
| 9.5 | Hydraulic Log Loader | 9-8 |
| 9.6 | Hydraulic Log Turner..... | 9-10 |
| 9.7 | Hydraulic Log Side Supports (for Stationary Sawmills)..... | 9-12 |
| 9.8 | Hydraulic Log Side Supports (for Mobile Sawmills)..... | 9-14 |
| 9.9 | Hydraulic Log Clamp | 9-16 |
| 9.10 | Hydraulic Pull Down Clamp | 9-18 |
| 9.11 | Hydraulic Log Side Supports (Super version)..... | 9-20 |
| 9.12 | Hydraulic Toe Board | 9-22 |
| 9.13 | Power Toe Roller..... | 9-24 |

Table of Contents

Section-Page

| | | |
|------------------|-------------------------------------------------------|------------|
| SECTION 1 | GENERAL INFORMATION | 1-1 |
| 1.1 | How To Use The Parts List | 1-1 |
| 1.2 | Sample Assembly | 1-1 |
| SECTION 2 | BLADE GUIDE ROLLERS & ARM | 2-1 |
| 2.1 | Blade Guide Assembly, Idle Side (Standard)..... | 2-1 |
| 2.2 | Idle Side Blade Guide Assembly, Optional (LMS)..... | 2-3 |
| 2.3 | Blade Guide Assembly, Drive Side..... | 2-5 |
| 2.4 | Blade Guide Arm & Rollers | 2-7 |
| 2.5 | Blade Guide Arm Drive Assembly..... | 2-8 |
| SECTION 3 | BLADE WHEELS & TENSIONER | 3-1 |
| 3.1 | Blade Drive Assembly, LT40 Series AH | 3-1 |
| 3.2 | Idle Blade Wheel Assembly | 3-3 |
| 3.3 | Hydraulic Blade Tensioner Assembly..... | 3-4 |
| SECTION 4 | SAW HEAD | 4-1 |
| 4.1 | Middle Throat Screw | 4-1 |
| 4.2 | Water Lube Solenoid Valve | 4-2 |
| 4.3 | Board Return Assembly | 4-3 |
| 4.4 | Water Lube Assembly | 4-5 |
| 4.5 | LT40AC Saw Head Decals | 4-7 |
| 4.6 | Blade Housing Covers..... | 4-9 |
| 4.7 | Drive Belt Covers | 4-11 |
| 4.8 | Sawdust Chute | 4-12 |
| SECTION 5 | CONTROL & BATTERY BOXES | 5-1 |
| 5.1 | Control Assembly, LT40 Series AH | 5-1 |
| 5.2 | Drum Switches | 5-3 |
| 5.3 | Circuit Breakers..... | 5-4 |
| SECTION 6 | UP/DOWN SYSTEM | 6-1 |
| 6.1 | Saw Head V-Brace Mount..... | 6-1 |
| 6.2 | Blade Height Scale | 6-2 |
| 6.3 | Up/Down Chain & Sprockets..... | 6-4 |
| 6.4 | Up/Down Motor Assembly, LT40 Series AH..... | 6-6 |
| 6.5 | Up/Down Drive Assembly | 6-7 |
| SECTION 7 | POWER FEED & TRACK ROLLERS | 7-1 |
| 7.1 | Upper Track Rollers And Wipers..... | 7-1 |
| 7.2 | Power Feed Assembly, LT40 Series AH..... | 7-2 |
| 7.3 | Feed Chain/Stop | 7-4 |
| 7.4 | Lower Track Rollers | 7-6 |

Table of Contents

Section-Page

SECTION 8 BED FRAME ASSEMBLY

8-1

- 8.1 Bed Rail Assembly, Front (LT40/70M Super).....8-1
- 8.2 Bed Rail Assembly, Middle (LT40/70M Super).....8-2
- 8.3 Board Return w/Outrigger Leg Assembly.....8-3
- 8.4 LT40/70M Super Saw Head Rest Pin Assembly8-5

SECTION 9 HYDRAULIC SYSTEM

9-1

- 9.1 Hydraulic Hoses, LT40/70M Super9-1
- 9.2 Hydraulic Control Box, LT40/70M Super (AC).....9-3
- 9.3 Hydraulic Control Box, LT40/70M Super (DC).....9-5
- 9.4 Hydraulic & Wireless Control Box9-7
- 9.5 Wireless Control Assembly (Option)9-9
- 9.6 Hydraulic Log Loader9-10
- 9.7 Hydraulic Log Turner.....9-12
- 9.8 Hydraulic Log Side Supports (for Stationary Sawmills).....9-14
- 9.9 Hydraulic Log Side Supports (for Mobile Sawmills).....9-16
- 9.10 Hydraulic Log Clamp, Front9-18
- 9.11 Hydraulic Log Clamp9-20
- 9.12 Hydraulic Log Clamp, Rear9-22
- 9.13 Hydraulic Toe Board9-24
- 9.14 Power Toe Roller.....9-26

SECTION 1 GENERAL INFORMATION

1.1 How To Use The Parts List

- Use the index above to locate the assembly that contains the part you need.
- Go to the appropriate section and locate the part in the illustration.
- Use the number pointing to the part to locate the correct part number and description in the table.
- Parts shown indented under another part are included with that part.
- Parts marked with a diamond (◆) are only available in the assembly listed above the part.

See the sample table below. Sample Part #A01111 includes part F02222-2 and subassembly A03333. Subassembly A03333 includes part S04444-4 and subassembly K05555. The diamond (◆) indicates that S04444-4 is not available except in subassembly A03333. Subassembly K05555 includes parts M06666 and F07777-77. The diamond (◆) indicates M06666 is not available except in subassembly K05555.

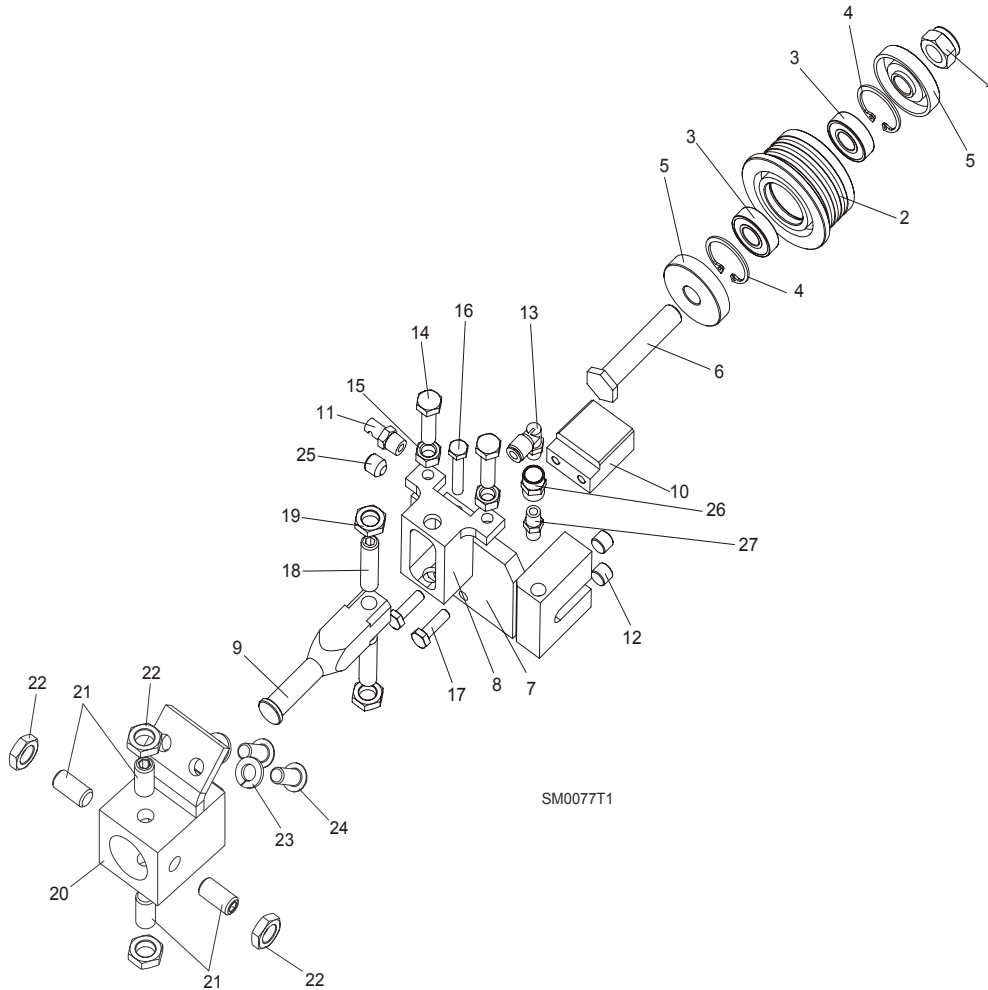
| 1.2 Sample Assembly | | | | |
|----------------------------|---------------------------------------------------------------|-----------|------|---|
| REF | DESCRIPTION (◆ Indicates Parts Available In Assemblies Only) | PART # | QTY. | |
| | Sample Assembly, Complete (Includes All Indented Parts Below) | A01111 | 1 | |
| 1 | Sample Part | F02222-22 | 1 | |
| | Sample Subassembly (Includes All Indented Parts Below) | A03333 | 1 | |
| 2 | Sample Part (◆ Indicates Part Is Only Available With A03333) | S04444-4 | 1 | ◆ |
| | Sample Subassembly (Includes All Indented Parts Below) | K05555 | 1 | |
| 3 | Sample Part (◆ Indicates Part Is Only Available With K05555) | M06666 | 2 | ◆ |
| 4 | Sample Part | F07777-77 | 1 | |

To Order Parts:

- From Europe call our European Headquarters and Manufacturing Facility in Kolo, Poland at **+48-63-2626000**. From the continental U.S., call our toll-free Parts hotline at **1-800-448-7881**. Have your customer number, vehicle identification number, and part numbers ready when you call.
- From other international locations, contact the Wood-Mizer distributor in your area for parts.

SECTION 2 BLADE GUIDE ROLLERS & ARM

2.1 Blade Guide Assembly, Idle Side (Standard)



| REF | DESCRIPTION (◆ Indicates Parts Available In Assemblies Only) | PART# | QTY. |
|-----|-------------------------------------------------------------------------------|----------|-------|
| | BLADE GUIDE ASSEMBLY, IDLE SIDE | 092523 | 1 |
| | Roller, Blade Guide Narrow W/Bearings | 088261 | 1 |
| | Roller, Blade Guide W/Bearings Extended (for optional use with 1 1/2" blades) | 092939 | 1 |
| 1 | Nut, M12-8 Hex Nylon Zinc Lock | F81034-2 | 1 |
| 2 | Roller, Blade Guide Narrow | 087889 | 1 |
| | Roller, Blade Guide Extended (for optional use with 1 1/2" blades) | 087890 | 1 |
| 3 | Bearing, 6001 2RSR NACHI | 087893 | 2 |
| 4 | Ring, W28 Inside Retaining | F81090-9 | 2 |
| 5 | Washer, Spacer | 087891 | 2 (1) |
| | Washer, Spacer (used with the Extended Roller only) ¹ | 087892-1 | 1 |
| 6 | Bolt, Blade Guide Roller Zinc-Plated | 087761-1 | 1 |
| | Bolt, Blade Guide Roller Zinc Plated (used with the Extended Roller only) | 092940-1 | 1 |

2

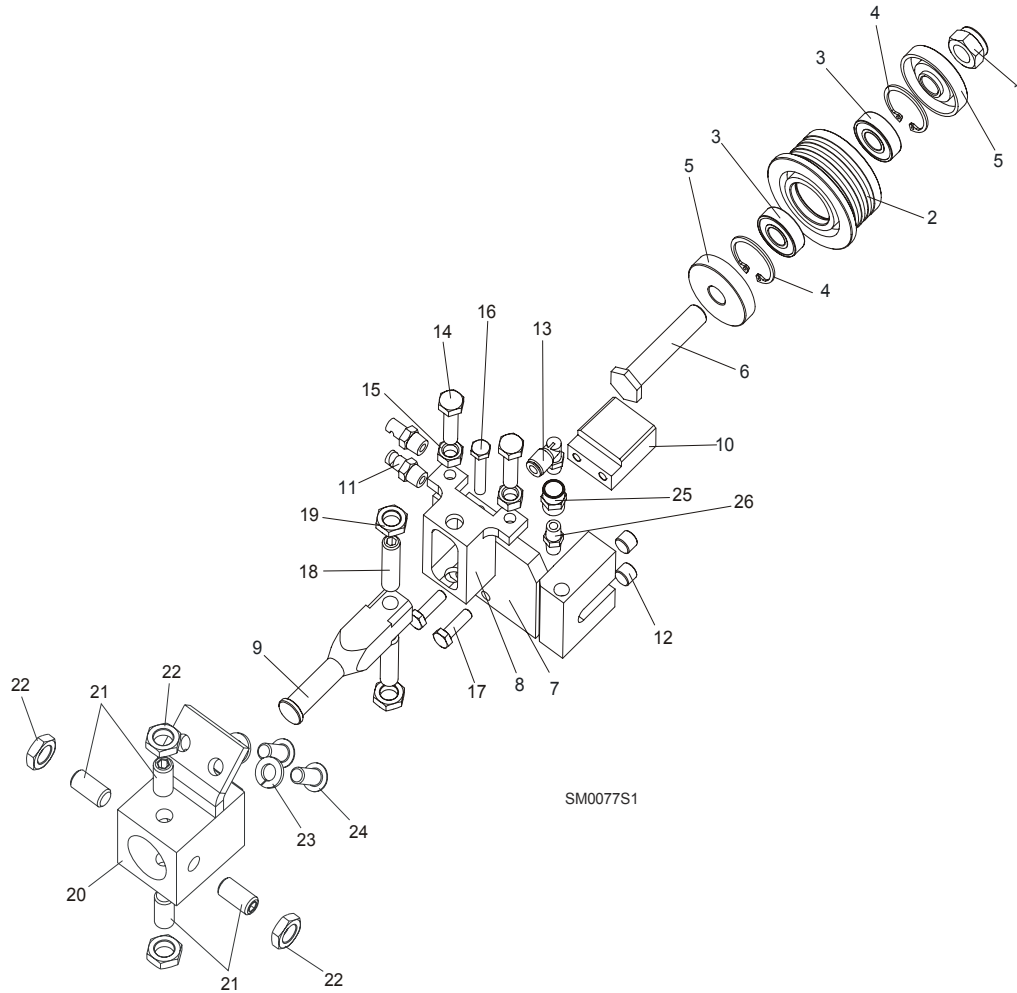
Blade Guide Rollers & Arm

Blade Guide Assembly, Idle Side (Standard)

| | | | | |
|----|---------------------------------------------------|------------|---|--|
| 7 | Block Weldment, Nozzle Zinc-Plated | 087750-1 | 1 | |
| 8 | Block, Zinc-Plated Roller Guide Adjuster | 087756-1 | 1 | |
| 9 | Shaft, Zinc-Plated Blade Guide Mount | 088255-1 | 1 | |
| 10 | Block, Blade Guide Zinc | 096956-1 | 1 | |
| 11 | Nozzle, Blade Water Lube Spray | 016637 | 1 | |
| 12 | Plug, M10x1 DIN 906 BN40 "BOSSARD" | F81015-3 | 2 | |
| 13 | Fitting, 90° Elbow 1/8NPT-1/4 Tube Swivel | P09736 | 1 | |
| 14 | Bolt, M8x30 DIN933 A2-70 Stainless Steel | F81002-27 | 2 | |
| 15 | Nut, M8 DIN934 A2-70 Stainless Steel | F81032-7 | 2 | |
| 16 | Bolt, M6x30 DIN933 A2-70 Stainless Steel | F81001-37 | 1 | |
| 17 | Bolt, M6x20-8.8 Hex Head Full Thread Zinc | F81001-2 | 2 | |
| 18 | Screw, M10x1x40 DIN913 Stainless Steel Set | F81015-2 | 2 | |
| 19 | Nut, M10x1-04-ST-A2 ISO 8675 Thin | F81033-10 | 2 | |
| 20 | BLOCK WELDMENT, PAINTED BLADE GUIDE MOUNT | 088292-1 | 1 | |
| 21 | SCREW, M10X1X20 DIN913 STAINLESS STEEL SET | F81015-1 | 4 | |
| 22 | NUT, M10x1-04-ST-A2 ISO 8675 THIN | F81033-10 | 4 | |
| 23 | WASHER, 8.2 SPLIT LOCK ZINC | F81054-4 | 2 | |
| 24 | BOLT, 5/16-18X3/4 SOCKET HEAD | F05006-102 | 2 | |
| 25 | FITTING, 1/8 NPT SOCKET PIPE PLUG | P30127 | 1 | |
| 26 | FITTING, 1/8FPT COUPLING | P05748 | 1 | |
| 27 | NIPPLE, 1/8 DRY SEAL | P02764 | 1 | |

¹ Used only from the flanged side of the roller

2.2 Idle Side Blade Guide Assembly, Optional (LMS)



| REF | DESCRIPTION (◆ Indicates Parts Available In Assemblies Only) | PART# | QTY. |
|-----|-------------------------------------------------------------------------------|----------|-------|
| | BLADE GUIDE ASSEMBLY, IDLE SIDE | 087749 | 1 |
| | Roller, Blade Guide Narrow W/Bearings | 088261 | 1 |
| | Roller, Blade Guide W/Bearings Extended (for optional use with 1 1/2" blades) | 092939 | 1 |
| 1 | Nut, M12-8 Hex Nylon Zinc Lock | F81034-2 | 1 |
| 2 | Roller, Blade Guide Narrow | 087889 | 1 |
| | Roller, Blade Guide Extended (for optional use with 1 1/2" blades) | 087890 | 1 |
| 3 | Bearing, 6001 2RSR NACHI | 087893 | 2 |
| 4 | Ring, W28 Inside Retaining | F81090-9 | 2 |
| 5 | Washer, Spacer | 087891 | 2 (1) |
| | Washer, Spacer (used with the Extended Roller only) ¹ | 087892-1 | 1 |
| 6 | Bolt, Blade Guide Roller Zinc-Plated | 087761-1 | 1 |
| | Bolt, Blade Guide Roller Zinc Plated (used with the Extended Roller only) | 092940-1 | 1 |
| 7 | Block Weldment, Nozzle Zinc-Plated | 087750-1 | 1 |

2

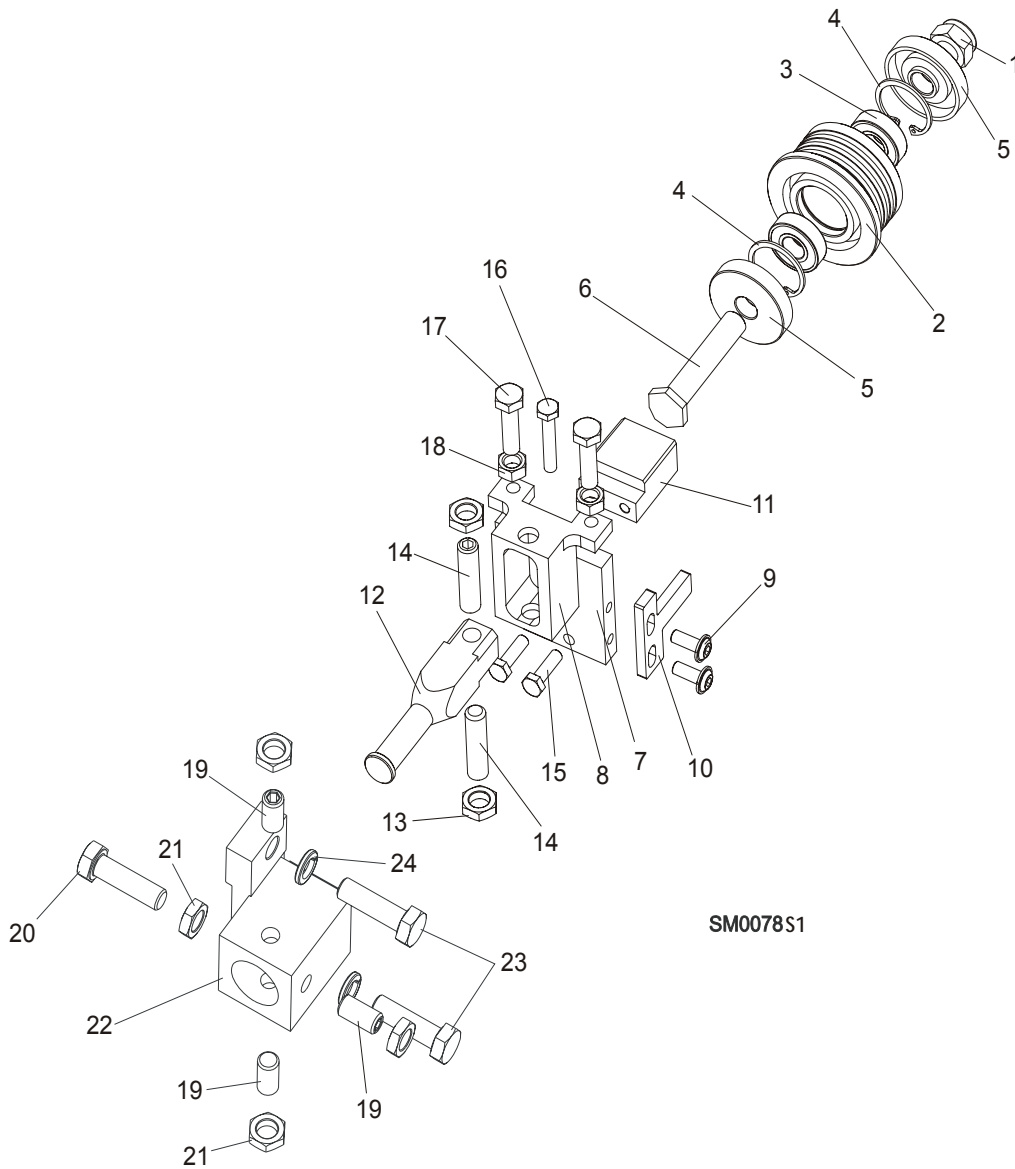
Blade Guide Rollers & Arm

Idle Side Blade Guide Assembly, Optional (LMS)

| | | | | |
|----|---------------------------------------------------|------------|---|--|
| 8 | Block, Zinc-Plated Roller Guide Adjuster | 087756-1 | 1 | |
| 9 | Shaft, Zinc-Plated Blade Guide Mount | 088255-1 | 1 | |
| 10 | Block, Blade Guide Zinc | 096956-1 | 1 | |
| 11 | Nozzle, Blade Lube Spray | 033479 | 2 | |
| 12 | Plug, M10x1 DIN 906 BN40 "BOSSARD" | F81015-3 | 2 | |
| 13 | Fitting, 90° Elbow 1/8NPT-1/4 Tube Swivel | P09736 | 1 | |
| 14 | Bolt, M8x30 DIN933 A2-70 Stainless Steel | F81002-27 | 2 | |
| 15 | Nut, M8 DIN934 A2-70 Stainless Steel | F81032-7 | 2 | |
| 16 | Bolt, M6x30 DIN933 A2-70 Stainless Steel | F81001-37 | 1 | |
| 17 | Bolt, M6x20-8.8 Hex Head Full Thread Zinc | F81001-2 | 2 | |
| 18 | Screw, M10x1x40 DIN913 Stainless Steel Set | F81015-2 | 2 | |
| 19 | Nut, M10x1-04-ST-A2 ISO 8675 Thin | F81033-10 | 2 | |
| 20 | BLOCK WELDMENT, PAINTED BLADE GUIDE MOUNT | 088292-1 | 1 | |
| 21 | SCREW, M10X1X20 DIN913 STAINLESS STEEL SET | F81015-1 | 4 | |
| 22 | NUT, M10x1-04-ST-A2 ISO 8675 THIN | F81033-10 | 4 | |
| 23 | WASHER, 8.2 SPLIT LOCK ZINC | F81054-4 | 2 | |
| 24 | BOLT, 5/16-18X3/4 SOCKET HEAD | F05006-102 | 2 | |
| 25 | FITTING, 1/8FPT COUPLING | P05748 | 1 | |
| 26 | NIPPLE, 1/8 DRY SEAL | P02764 | 1 | |

¹ Used only from the flanged side of the roller

2.3 Blade Guide Assembly, Drive Side



| REF | DESCRIPTION (◆ Indicates Parts Available In Assemblies Only) | PART# | QTY. |
|-----|-------------------------------------------------------------------------------|----------|------|
| | BLADE GUIDE ASSEMBLY, DRIVE SIDE | 087748 | 1 |
| | Roller, Blade Guide Narrow W/Bearings | 088261 | 1 |
| | Roller, Blade Guide W/Bearings Extended (for optional use with 1 1/2" blades) | 092939 | 1 |
| 1 | Nut, M12-8 Hex Nylon Zinc Lock | F81034-2 | 1 |
| 2 | Roller, Blade Guide Narrow | 087889 | 1 |
| | Roller, Blade Guide Extended (for optional use with 1 1/2" blades) | 087890 | 1 |
| 3 | Bearing, 6001 2RSR NACHI | 087893 | 2 |
| 4 | Ring, W28 Inside Retaining | F81090-9 | 1 |

2

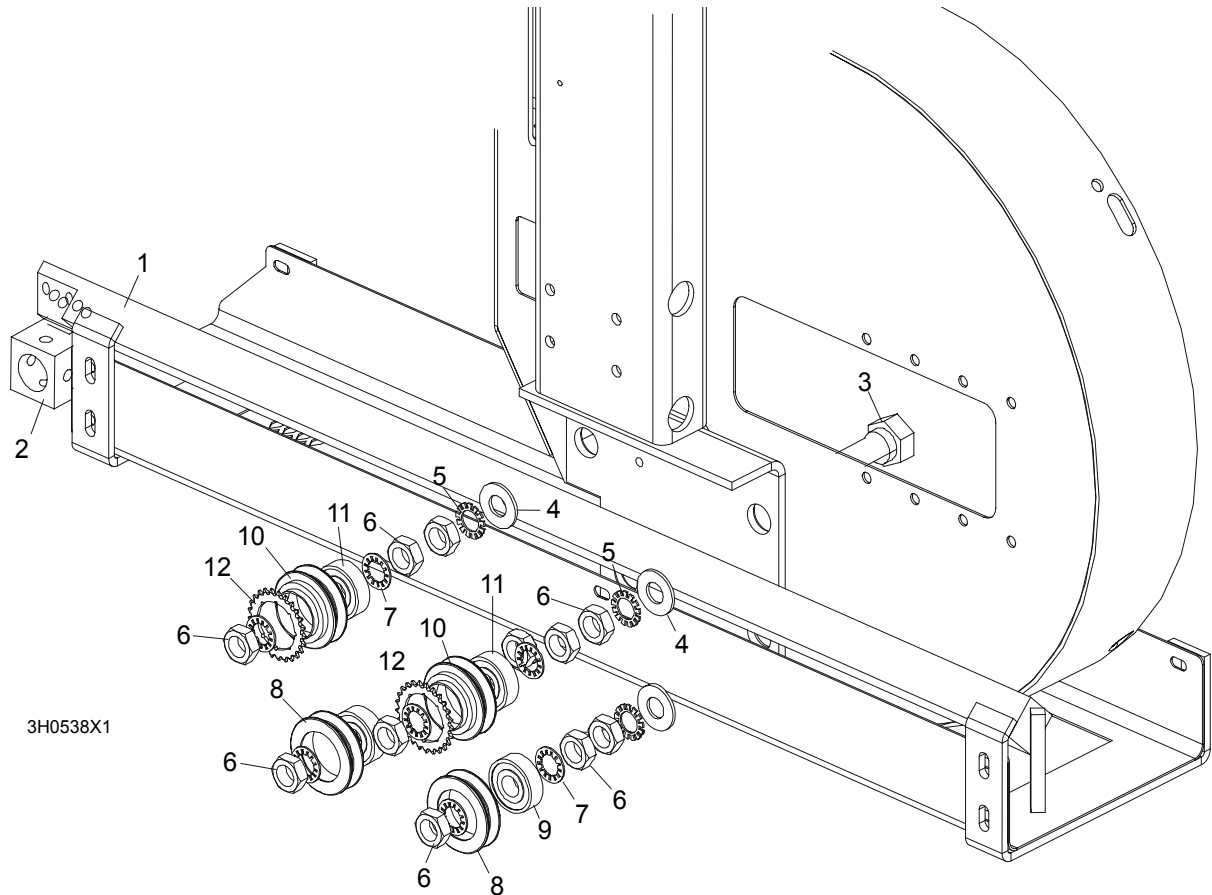
Blade Guide Rollers & Arm

Blade Guide Assembly, Drive Side

| | | | | |
|----|---------------------------------------------------------------------------|-----------|-------|--|
| 5 | Washer, Spacer | 087891 | 2 (1) | |
| | Washer, Spacer (used with the Extended Roller only) ¹ | 087892-1 | 1 | |
| 6 | Bolt, Blade Guide Roller Zinc-Plated | 087761-1 | 1 | |
| | Bolt, Blade Guide Roller Zinc Plated (used with the Extended Roller only) | 092940-1 | 1 | |
| 7 | Plate, Zinc-Plated Blade Guide Mounting | 087753-1 | 1 | |
| 8 | Block, Zinc-Plated Roller Guide Adjuster | 087756-1 | 1 | |
| 9 | Screw, M6x16 BN 11252 "BOSSARD" | F81001-24 | 2 | |
| 10 | Wiper, Blade Zinc-Plated | 087757-1 | 1 | |
| 11 | Block, Blade Guide Zinc | 096956-1 | 1 | |
| 12 | Shaft, Zinc-Plated Blade Guide Mount | 088255-1 | 1 | |
| 13 | Nut, M10x1-04-ST-A2 ISO 8675 Thin | F81033-10 | 2 | |
| 14 | Screw, M10x1x40 DIN913 Stainless Steel Set | F81015-2 | 2 | |
| 15 | Bolt, M6x20-8.8 Hex Head Full Thread Zinc | F81001-2 | 2 | |
| 16 | Bolt, M6x30 DIN933 A2-70 Stainless Steel | F81001-37 | 1 | |
| 17 | Bolt, M8x30 DIN933 A2-70 Stainless Steel | F81002-27 | 2 | |
| 18 | Nut, M8 DIN934 A2-70 Stainless Steel | F81032-7 | 2 | |
| 19 | Screw, M10X1X20 DIN913 Stainless Steel Set | F81015-1 | 3 | |
| 20 | BOLT, M10X1X25 DIN 933 STAINLESS STEEL | F81003-28 | 1 | |
| 21 | NUT, M10x1-04-ST-A2 ISO 8675 THIN | F81033-10 | 4 | |
| 22 | BLOCK WELDMENT, BLADE GUIDE MOUNT | 087744 | 1 | |
| 23 | BOLT, M10X35-8.8 HEX HEAD FULL THREAD ZINC | F81003-17 | 2 | |
| 24 | WASHER, 10.2 SPLIT LOCK ZINC | F81055-2 | 2 | |

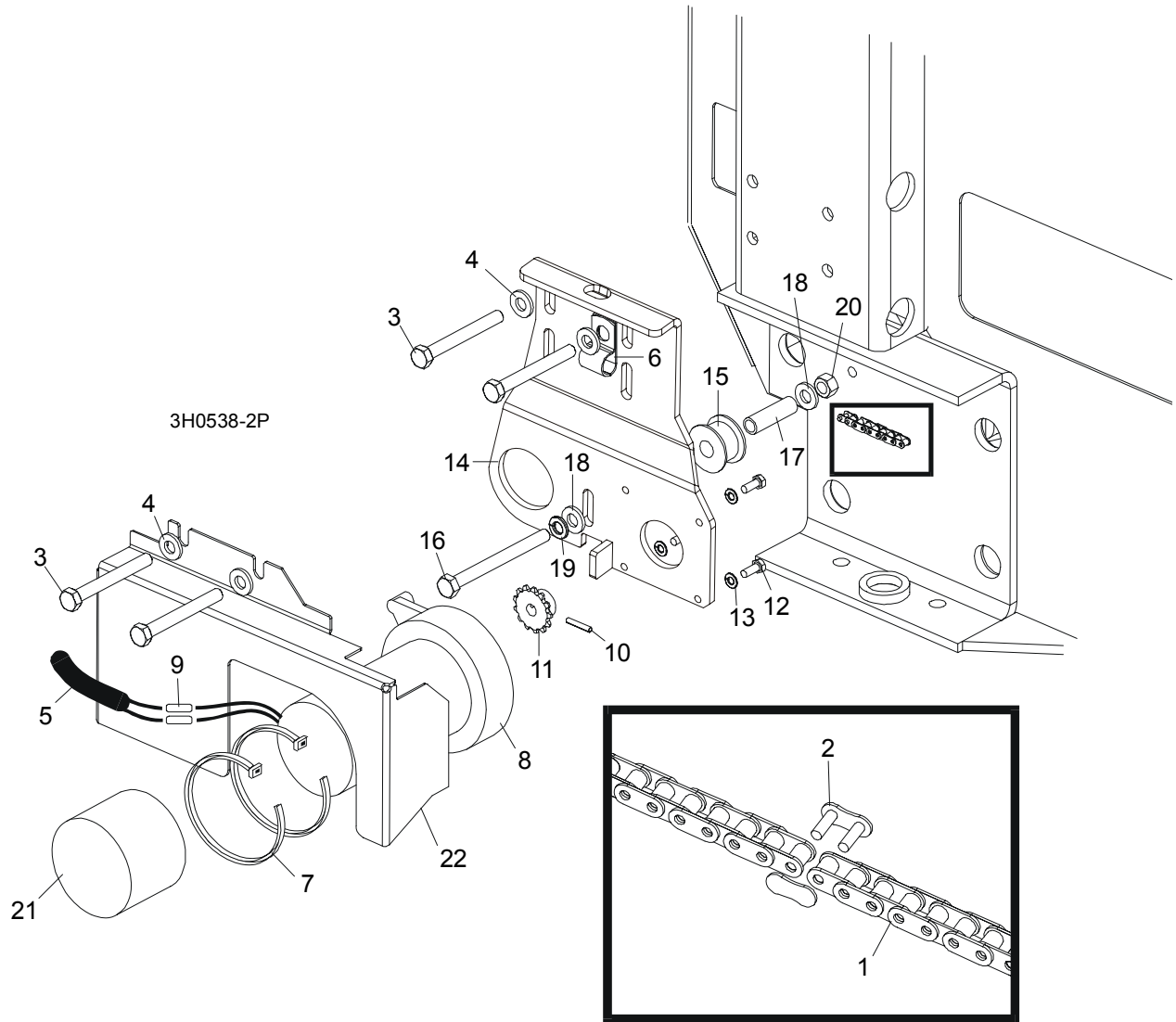
¹ Used only from the flanged side of the roller

2.4 Blade Guide Arm & Rollers



| REF | DESCRIPTION (◆ Indicates Parts Available In Assemblies Only) | PART # | QTY. | |
|-----|--------------------------------------------------------------|-----------|------|---|
| 1 | BLADE GUIDE ARM WELDMENT | 087018-1 | 1 | |
| 2 | BLOCK WELDMENT, PAINTED BLADE GUIDE MOUNT | 088292-1 | 1 | |
| 3 | BOLT, BLADE GUIDE ARM ROLLER CAM | 086508-1 | 4 | |
| 4 | WASHER, 17 FLAT | F81058-1 | 4 | |
| 5 | WASHER, 5/8" EXTERNAL STAR | F05011-26 | 4 | |
| 6 | NUT, 5/8-18 HEX JAM | F05010-11 | 12 | |
| 7 | WASHER, 5/8" INTERNAL STAR | F05011-25 | 8 | |
| | ROLLER ASSEMBLY, BLADE GUIDE ARM WITH BEARING | A09059 | 2 | |
| 8 | Roller, Blade Guide Arm V-Groove | S07989-W | 1 | ◆ |
| 9 | Bearing, 6203-2RSP6-5/8 CX | 095087 | 1 | |
| | ROLLER ASSEMBLY, BLADE GUIDE ARM WITH BEARING AND SPROCKET | A09932 | 2 | |
| 10 | Roller, Blade Guide Arm Drive | S09930-W | 1 | ◆ |
| 11 | Bearing, 6203-2RSP6-5/8 CX | 095087 | 1 | |
| 12 | Sprocket, #25 26-Tooth | 015939 | 1 | ◆ |

2.5 Blade Guide Arm Drive Assembly

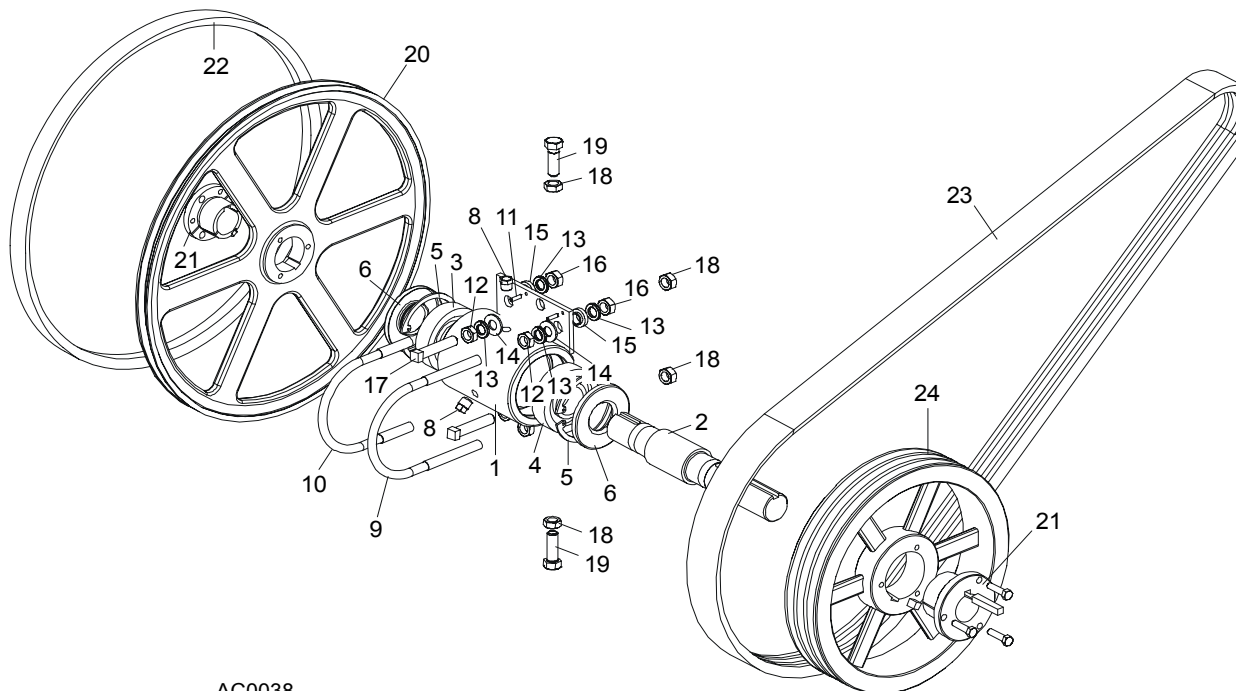


| REF | DESCRIPTION (◆ Indicates Parts Available In Assemblies Only) | PART # | QTY. |
|-----|--------------------------------------------------------------|-----------|--------|
| 1 | CHAIN, #25 X 20 1/4" | P09984 | 1 |
| 2 | LINK, #25 MASTER | P09983 | 1 |
| 3 | BOLT, 5/16-18 X 2 3/4" HEX HEAD GRADE 5 | F05006-28 | 4 |
| 4 | WASHER, 8.4 FLAT | F81054-1 | 4 |
| 5 | TUBE, 3/8" X 1/2" NEOPRENE | R01897 | 0,75 m |
| 6 | CLAMP, 1/2" COATED EMT | P07584 | 2 |
| 7 | WRAP, 1/4" X 6" TIE | F05089-1 | 2 |
| | DRIVE ASSEMBLY, BLADE GUIDE ARM | 091005 | 1 |
| | Motor Assembly, Blade Guide Arm Replacement | A10365 | 1 |
| 8 | Motor, Blade Guide Arm 53:1 Gear | P09698-1 | 1 |
| | Housing, Klauber Motor End | P12756 | 1 |

| | | | | |
|-----------|---------------------------------------------|------------|---|--|
| | Gear Kit, Klauber Motor Replacement | P12569 | 1 | |
| | Brush Kit, Gear Motor Replacement | P12800 | 1 | |
| | Shaft Kit, Klauber Gear Motor Replacement | 009695 | 1 | |
| 9 | Connector, 14 Gauge Butt | F04875-1 | 2 | |
| 10 | Pin, 1/8" X 3/4" Roll | F05012-6 | 1 | |
| 11 | Sprocket, Gear Motor #25 14-Tooth | P09970 | 1 | |
| 12 | Screw, #10-32 x 1/2" Hex Head | F05004-60 | 4 | |
| 13 | Washer, 4.1 Split Lock | F81051-4 | 4 | |
| | Instruction Sheet, Blade Guide Arm Motor | A10353-296 | 1 | |
| 14 | Bracket, Blade Guide Arm Motor Mount | 087994-1 | 1 | |
| 15 | Roller, Blade Guide Arm Chain Idler | S09999 | 1 | |
| 16 | Bolt, 5/16-18 X 3 1/2" Hex Head Full Thread | F05006-3 | 1 | |
| 17 | Spacer, 5/16" I.D. X 1 1/2" | S09996 | 1 | |
| 18 | Washer, 5/16" SAE Flat | F81054-1 | 2 | |
| 19 | Washer, 8.4 Split Lock | F05011-13 | 1 | |
| 20 | Nut, 8.2 Hex Lock | F81054-4 | 1 | |
| 21 | Boot, Gear Motor Weather | 023720 | 1 | |
| 22 | COVER, BLADE GUIDE ARM MOTOR | 093460-1 | 1 | |

SECTION 3 BLADE WHEELS & TENSIONER

3.1 Blade Drive Assembly, LT40 Series AH



AC0038

| REF | DESCRIPTION (◆ Indicates Parts Available In Assemblies Only) | PART # | QTY. |
|-----|--------------------------------------------------------------|-----------|------|
| | BEARING ASSEMBLY, BLADE WHEEL DRIVE | 086291 | 1 |
| 1 | Housing, Blade Wheel Drive Bearing | 086293 | 1 |
| 2 | Shaft, Blade Wheel Drive | 086292 | 1 |
| 3 | Bearing, Blade Wheel Drive NJ308 | 085939 | 1 |
| 4 | Bearing, Blade Wheel Drive #6308 | 085940 | 1 |
| 5 | Ring, 90mm Interior Retaining #117 | F04254-17 | 2 |
| 6 | Seal, Drive Bearing #CR15890 | P10206 | 2 |
| 7 | Plug, 1/4" NPT Square Head | P05498 | 1 |
| 8 | Plug, 1/4" NPT Vented | P12868 | 1 |
| 9 | Bolt, 1/2-13 Long U | S10207-1P | 1 |
| 10 | Bolt, 1/2-13 Short U | S10207-2P | 1 |
| 11 | Pin, 3/16" X 5/8" Roll | F05012-22 | 2 |
| 12 | Nut, 1/2-20 Hex Jam | F05010-16 | 4 |
| 13 | Washer, 12.2 Split Lock | F81056-2 | 8 |
| 14 | Washer, 13 SAE Flat | F81056-1 | 4 |
| 15 | Spacer, .510" x .937" x .34" | S04253 | 4 |

Blade Wheels & Tensioner
Blade Drive Assembly, LT40 Series AH

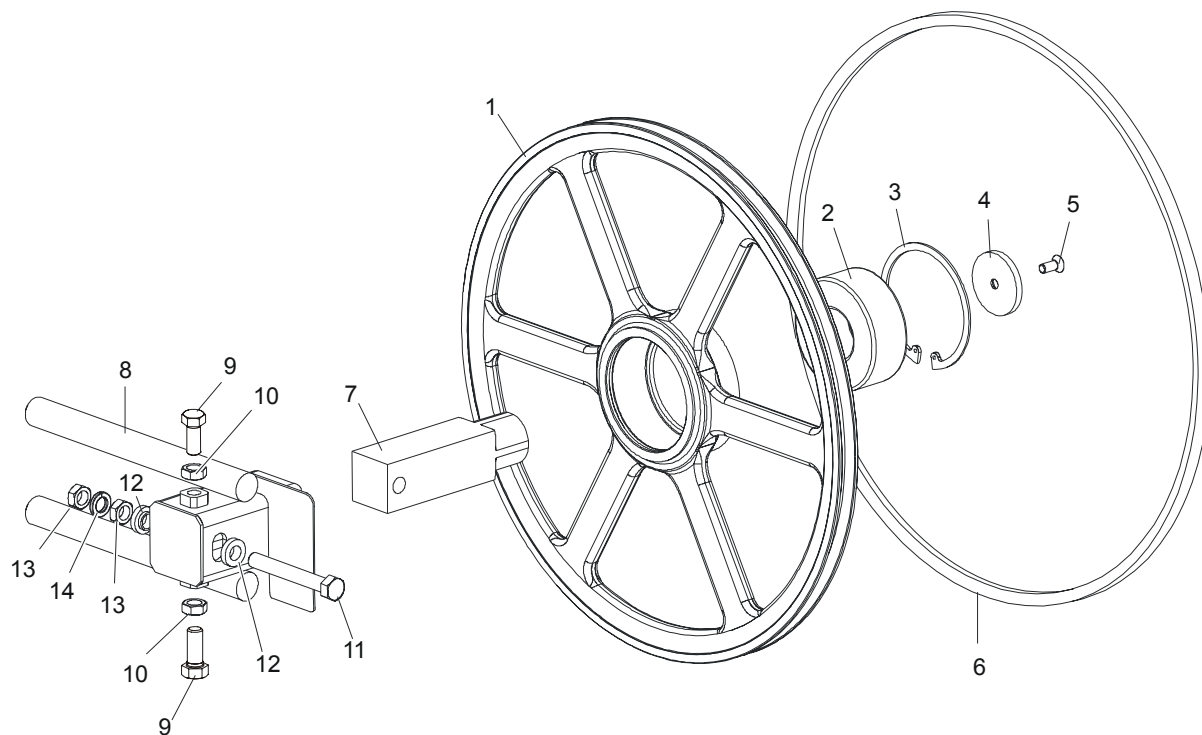
3

| | | | | |
|-----------|-------------------------------------------------------|------------|---|--|
| 16 | Nut, 1/2-13 Hex | F05010-35 | 4 | |
| 17 | Screw, 1/2-20 x 2 1/2" Square Head Full Thread Set | F05008-110 | 2 | |
| 18 | Nut, M12-8 Hex Nylon Lock | F81034-2 | 4 | |
| 19 | Bolt, 1/2-20 x 1 1/2" Hex Head Grade 5 | F05008-53 | 2 | |
| | Decal, Bearing End-Play | S12750 | 1 | |
| | Instruction Sheet, Bearing Retrofit | K10200-275 | 1 | |
| | WHEEL KIT, DRIVE SIDE BLADE | 014562 | 1 | |
| 20 | Wheel, Drive Side Blade | 016284 | 1 | |
| 21 | Bushing, Modified 1 9/16" P1 | 087214 | 1 | |
| | Instruction Sheet, Drive Side Blade Wheel Replacement | K12987-488 | 1 | |
| 22 | BELT, BLADE WHEEL B57 | P04185 | 1 | |
| 23 | BELT, 3BX72 DRIVE (EA20, EA25) | 014249 | 1 | |
| 24 | PULLEY, 3B124 SK SPECIAL (EA20, EA25) | 087203-1 | 1 | |

3 Blade Wheels & Tensioner

Idle Blade Wheel Assembly

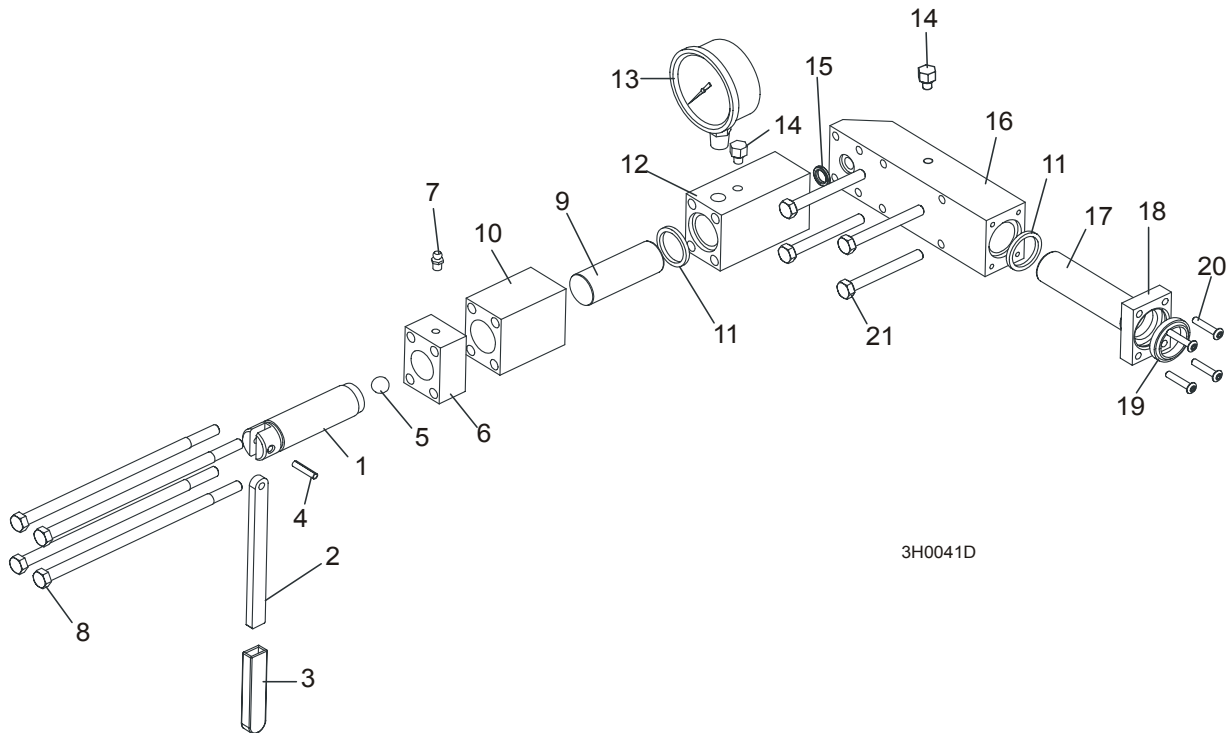
3.2 Idle Blade Wheel Assembly



SM0241C

| REF | DESCRIPTION (◆ Indicates Parts Available In Assemblies Only) | PART # | QTY. | |
|-----|--------------------------------------------------------------|-----------|------|---|
| | WHEEL ASSEMBLY, IDLE SIDE BLADE | 016120 | 1 | |
| 1 | Wheel, Idle Side Blade | 016013 | 1 | ◆ |
| 2 | Bearing, Idle Side Blade Wheel 3309 B.2RSR TVH FAQ | 086428 | 1 | |
| 3 | Ring, 100mm Internal Retaining Beveled | F04254-28 | 1 | |
| 4 | RETAINER, ZINC | 095929-1 | 1 | |
| 5 | BOLT, M10x25 -10.9- Fe/Zn5 DIN 7991 | F81003-82 | 1 | |
| 6 | BELT, BLADE WHEEL B57 | P04185 | 1 | |
| 7 | SHAFT, IDLE BLADE WHEEL | 095732 | 1 | |
| 8 | HOUSING, IDLE BLADE WHEEL SHAFT | 016103 | 1 | |
| 9 | BOLT, 1/2-20 X 1 1/2" HEX HEAD GRADE 5 | F05008-53 | 2 | |
| 10 | NUT, 1/2-20 HEX JAM | F05010-16 | 2 | |
| 11 | BOLT, M12x1,25x100-8.8 HEX HEAD FULL THREAD GRADE 2 | F81004-41 | 1 | |
| 12 | SPACER, 1/2" I.D. FLANGED | 086769-1 | 2 | |
| 13 | NUT, M12x1,25 8.8 HEX JAM | F81034-5 | 2 | |
| 14 | WASHER, 12.2 SPLIT LOCK | F81056-2 | 1 | |

3.3 Hydraulic Blade Tensioner Assembly



3H0041D

| REF | DESCRIPTION (◆ Indicates Parts Available In Assemblies Only) | PART # | QTY. |
|-----|--------------------------------------------------------------|------------|------|
| | HYDRAULIC BLADE TENSIONER ASSEMBLY | A10054 | 1 |
| | Handle Assembly, Hydraulic Blade Tensioner Screw | A12294 | 1 |
| 1 | Screw, Hydraulic Blade Tensioner | S10056 | 1 |
| 2 | Handle, Hydraulic Tensioner Screw | 095930 | 1 |
| 3 | Sleeve, Plastic Handle | P08072 | 1 |
| 4 | Pin, 3/16" x 7/8" Roll | F05012-19 | 1 |
| 5 | Ball, 1/2" Steel | P02720 | 1 |
| 6 | Block, Threaded Tensioner End | S10062 | 1 |
| 7 | Fitting, 1/4-28 Grease | P05060 | 1 |
| | Instruction Sheet, Tensioner Screw | A12294-518 | 1 |
| 8 | Bolt, 5/16-18 X 7 1/2" Hex Head Grade 5 | F05006-43 | 4 |
| 9 | Piston, Hydraulic Tensioner Front 2 3/4" Long | S10060 | 1 |
| 10 | Block, Piston Guide | S10061 | 1 |
| 11 | Seal, 1" Diameter | P10051 | 2 |
| 12 | Block, Hydraulic Tensioner Gauge Mounting | S10140 | 1 |
| 13 | Gauge, 3000 PSI | 090552 | 1 |
| 14 | Plug, Hydraulic Tensioner Fill | P10065 | 1 |
| 15 | Ring, 5/8" X 3/32" Square "O" | P10377 | 1 |
| 16 | Block, Rear Tensioner Piston | S10142 | 1 |

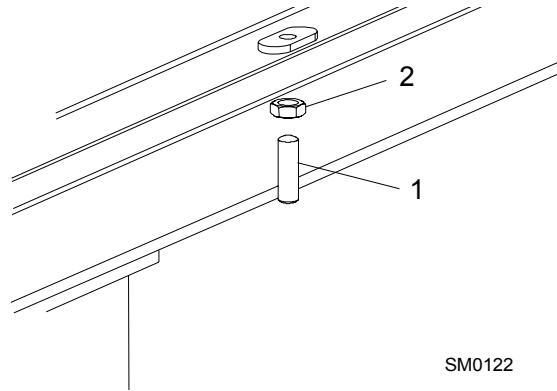
3 Blade Wheels & Tensioner

Hydraulic Blade Tensioner Assembly

| | | | | |
|-----------|-----------------------------------------------------|------------|---|--|
| 17 | Piston, Hydraulic Tensioner Rear 3 5/8" Long | S10059 | 1 | |
| 18 | Block, Rear Piston End | S10089 | 1 | |
| 19 | Wiper, 1" Diameter | P10053 | 1 | |
| 20 | Bolt, #10-24 X 1" Socket Button Head | F05004-43 | 4 | |
| 21 | Bolt, 5/16-18 X 2 3/4" Hex Head Grade 5 | F05006-28 | 4 | |
| | Instruction Sheet, Hydraulic Tensioner Installation | A10136-272 | 1 | |

SECTION 4 SAW HEAD

4.1 Middle Throat Screw

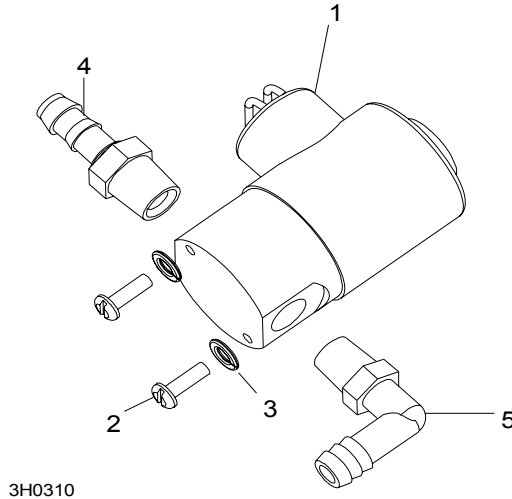


| REF | DESCRIPTION (◆ Indicates Parts Available In Assemblies Only) | PART # | QTY. | |
|-----|--------------------------------------------------------------|-----------|------|--|
| 1 | SCREW, 3/8-16 X 1 1/4" OVAL POINT SOCKET SET | F05007-18 | 1 | |
| 2 | NUT, 3/8-16 HEX JAM | F05010-29 | 1 | |

4 Saw Head

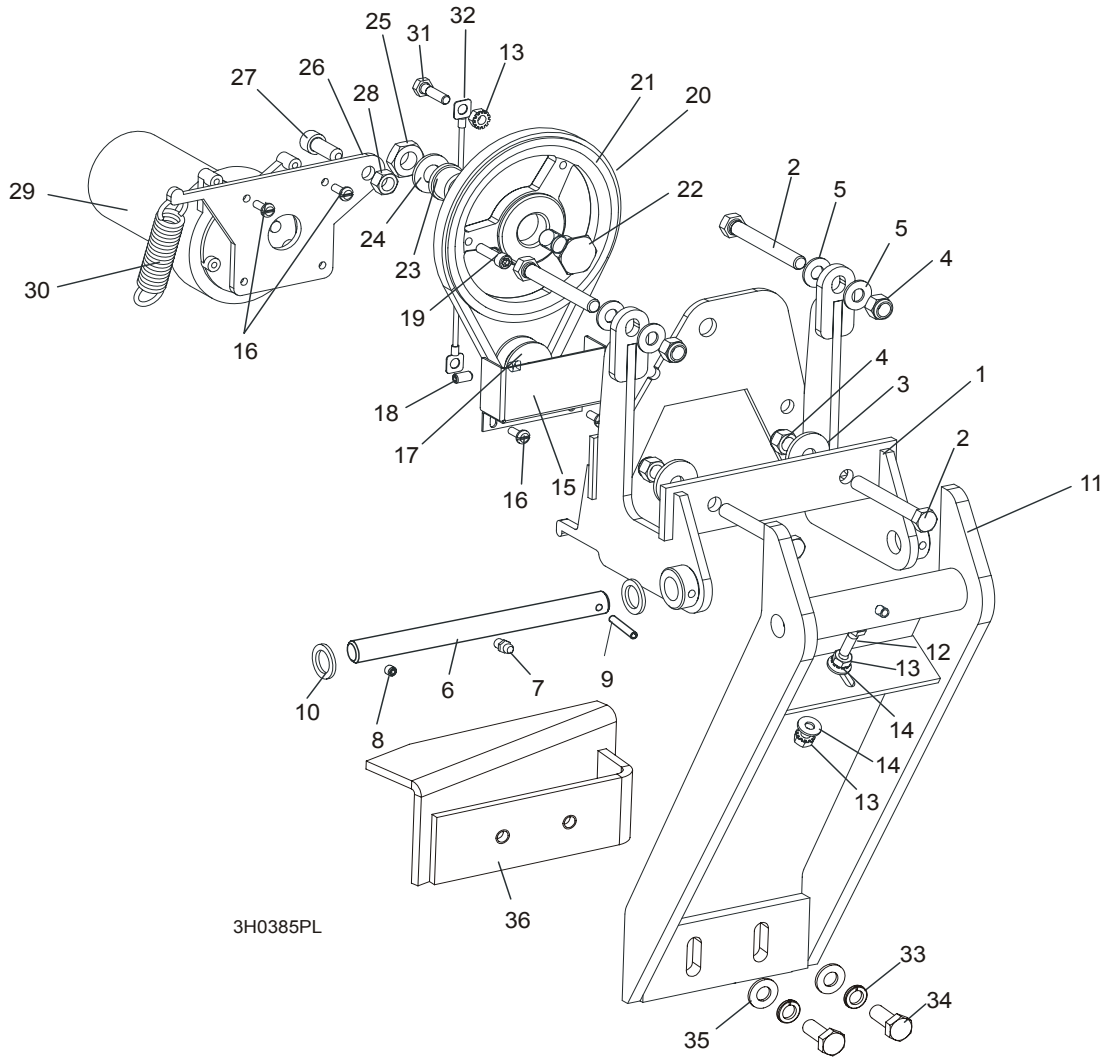
Water Lube Solenoid Valve

4.2 Water Lube Solenoid Valve



| REF | DESCRIPTION (◆ Indicates Parts Available In Assemblies Only) | PART # | QTY. |
|-----|--------------------------------------------------------------|-----------|------|
| 1 | VALVE, WATER LUBE SOLENOID | 016140 | 1 |
| 2 | SCREW, 4MM X 12 CROSS SLOT ROUND HEAD | F05004-74 | 2 |
| 3 | WASHER, 4MM SPLIT LOCK | F05011-57 | 2 |
| 4 | FITTING, 1/4" MALE NPT 3/8" HOSE BARB | P04682 | 1 |
| 5 | FITTING, 1/4" MALE NPT 3/8" HOSE BARB ELBOW | P04730 | 1 |

4.3 Board Return Assembly



| REF | DESCRIPTION (◆ Indicates Parts Available In Assemblies Only) | PART # | QTY. |
|-----|--------------------------------------------------------------|-----------|------|
| | RETURN ASSEMBLY, BOARD | 087839-1 | 1 |
| 1 | Mount Weldment, Board Return | 087788-1 | 1 |
| 2 | Bolt, 3/8-16 x 3" Full Thread Hex Head | F05007-1 | 4 |
| 3 | Washer, 1/8" x 1 1/4" | 015336 | 2 |
| 4 | Nut, 3/8-16 Hex Nylon Lock | F05010-10 | 4 |
| 5 | Washer, 10.5 Flat | F81055-1 | 4 |
| 6 | Pin Kit, Board Return Replacement Pivot | 087837 | 1 |
| 7 | Fitting, M6 Grease | 086280 | 1 |
| 8 | Screw, M6 X 8 Black Oxide Socket Head Set Cup Point | F81013-1 | 1 |
| 9 | Pin, 5 X 30 Roll | F81044-21 | 1 |
| 10 | Washer, 5/8" x 15/16" x .094 Nylon | F05011-19 | 2 |
| 11 | Arm Weldment, Board Return | 087838-1 | 1 |

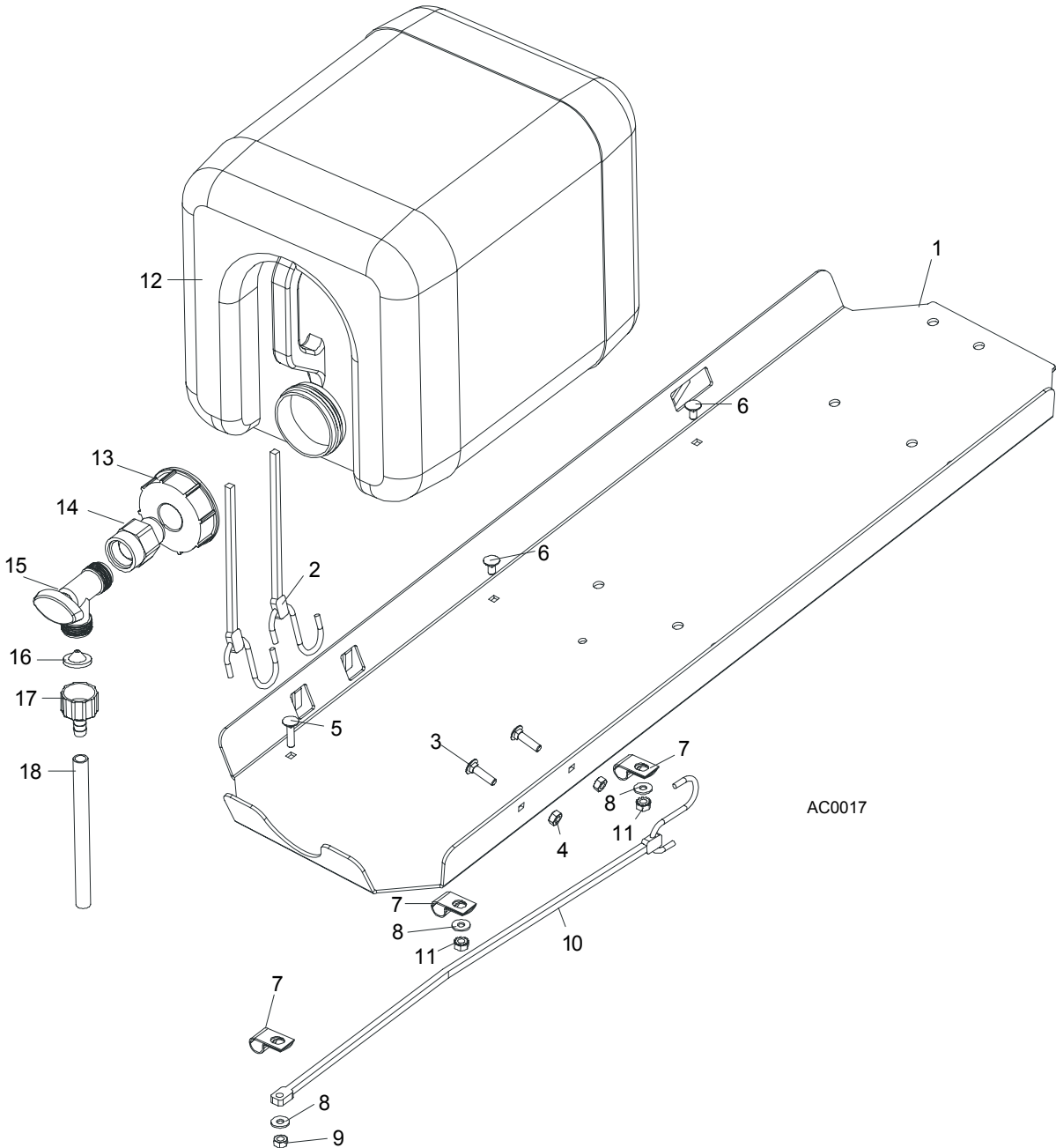
4

Saw Head

Board Return Assembly

| | | | | |
|----|-------------------------------------------------|------------|---|--|
| 12 | Screw, 1/4-20 x 3/4" Full Thread Hex Head Cap | F05005-101 | 1 | |
| 13 | Nut, 1/4-20 Self Locking | F05010-9 | 3 | |
| 14 | Washer, 7.4 Flat | F81056-11 | 2 | |
| 15 | Guard, Board Return Belt | 015007 | 1 | |
| 16 | Screw, 10-32 x 1/2" Hex Head Machine | F05004-55 | 4 | |
| 17 | Sheave, 1.42 x .32 | 015074 | 1 | |
| 18 | Screw, 1/4-20 Socket Head Set Cup Point Nylon | F05005-55 | 1 | |
| 19 | Screw, 1/4-20 x 1" Socket Head Cap | F05005-89 | 1 | |
| 20 | Belt, 3L190 | 015477 | 1 | |
| 21 | Sheave, OK50 x 1/2" Modified | 015224 | 1 | |
| 22 | Bolt, Idler Pulley Pivot | 015221 | 1 | |
| 23 | Bushing, 5/8" x 7/8" x 1/2" Bronze | P05135 | 1 | |
| 24 | Washer, 13 Flat | F81056-1 | 1 | |
| 25 | Nut, 1/2-20 Jam Nylon Lock | F05010-79 | 1 | |
| 26 | Plate, Motor Pivot | 087871 | 1 | |
| 27 | Screw, M10 x 25-8.8 Black Oxide Socket Head Cap | F81003-32 | 1 | |
| 28 | Nut, 3/8-16 Self Locking | F05010-25 | 1 | |
| 29 | Motor, 53:1 ASA Gear | P09698-1 | 1 | |
| 30 | Spring, 3/4" x 2 7/8" x 12 Gauge | 015479 | 1 | |
| 31 | Bolt, 1/4-20 x 1" Hex Head Grade 5 | F05005-101 | 1 | |
| 32 | Cable, Board Return | 016090 | 1 | |
| 33 | Washer, 10.2 Split | F81055-2 | 2 | |
| 34 | Bolt, 3/8-16 x 3/4" Hex Head | F81003-1 | 2 | |
| 35 | Washer, 10.5 Flat | F81055-1 | 2 | |
| 36 | Angle, Board Return | 087835-1 | 1 | |

4.4 Water Lube Assembly



| REF | DESCRIPTION (◆ Indicates Parts Available In Assemblies Only) | PART # | QTY. | |
|-----|--------------------------------------------------------------|-----------|------|---|
| 1 | TRAY, ELECTRIC BOX/WATER BOTTLE | 086528-1 | 1 | ◆ |
| 2 | STRAP, 20" RUBBER | P11668 | 2 | |
| 3 | BOLT, 1/4-20 X 1" CARRIAGE HEAD | F05005-34 | 4 | |
| 4 | NUT, 1/4-20 HEX LOCK | F05010-21 | 4 | |
| 5 | BOLT, 1/4-20 X 1" CARRIAGE HEAD | F05005-34 | 1 | |
| 6 | BOLT, 1/4-20 X 1/2" CARRIAGE HEAD | F05005-33 | 2 | |
| 7 | CLAMP, 1/2" EMT HOSE | P07584 | 3 | |

4

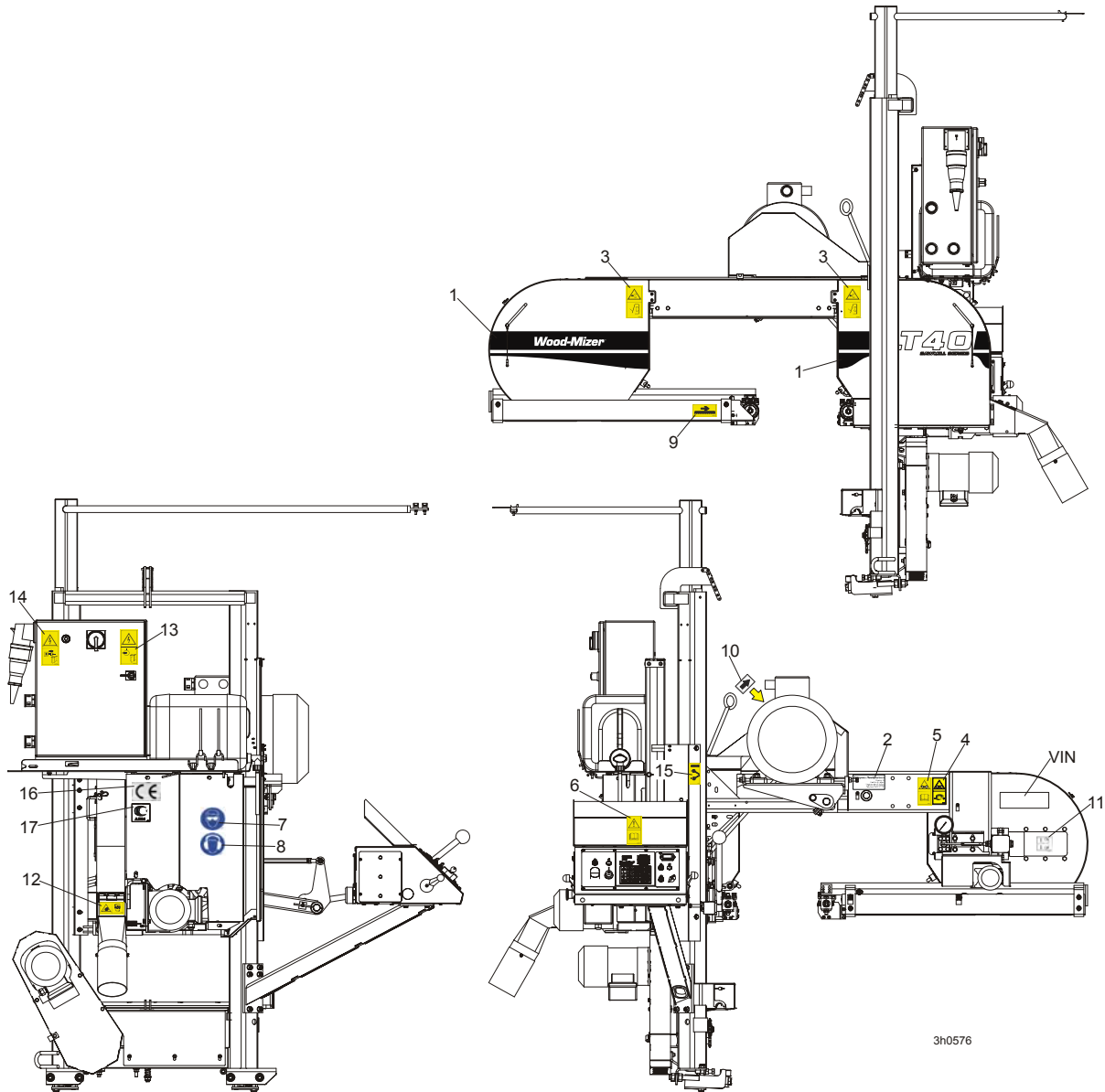
Saw Head

Water Lube Assembly

| | | | | |
|----|----------------------------------------|---------------------|-------|--|
| 8 | WASHER, 7.4 FLAT | F81056-11 | 3 | |
| 9 | NUT, 1/4-20 HEX LOCK | F05010-21 | 1 | |
| 10 | STRAP, 15" RUBBER | P07461 | 1 | |
| 11 | NUT, 1/4-20 SELF-LOCKING | F05010-9 | 2 | |
| | BOTTLE ASSY, WATER LUBE | 014642 | 1 | |
| 12 | Bottle, 5-Gallon Water Lube | 014637 | 1 | |
| 13 | Cap, Water Lube Bottle Buttress Thread | 014773 | 1 | |
| 14 | FITTING, 3/4FPT X 3/4MPT | 014636 | 1 | |
| 15 | FITTING, WATER LUBE SHUTOFF VALVE | 014100 | 1 | |
| 16 | FILTER, WATER LUBE | 016086 ¹ | 1 | |
| 17 | FITTING, 5/8" NPT TO 3/8" HOSE BARB | 014113 | 1 | |
| 18 | TUBING, WATER LUBE 3/8" I.D. | R01885 | 2,1 m | |

¹ Filter recommended for Super models to prevent debris from entering water lube solenoid valve.

4.5 LT40AC Saw Head Decals



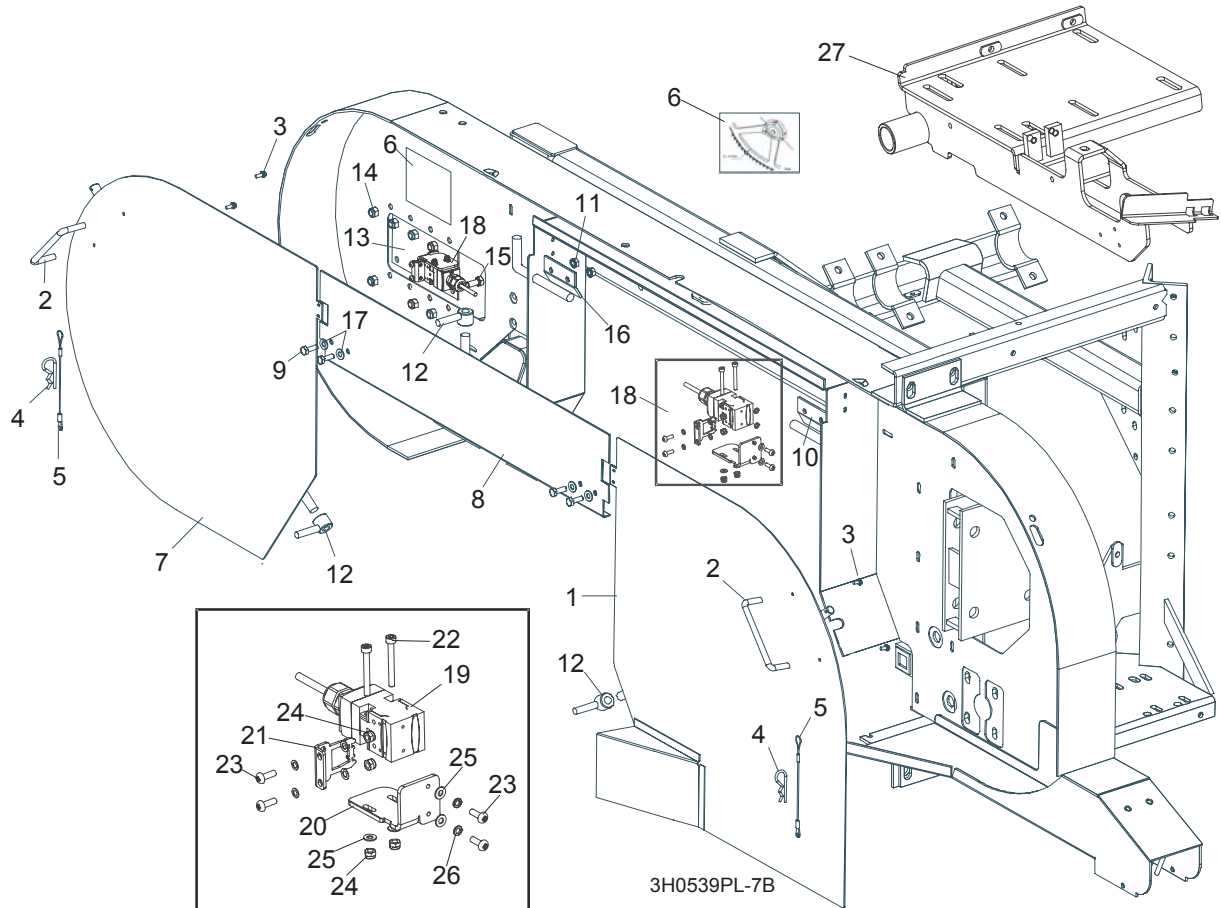
3h0576

| REF | DESCRIPTION (◆ Indicates Parts Available In Assemblies Only) | PART # | QTY. |
|-----|--------------------------------------------------------------|---------|------|
| 1 | DECAL, LT40 SERIES SAWMILL | 092763 | 1 |
| | PICTOGRAPHIC DECAL KIT, LT40AC | 099516 | 1 |
| 2 | DECAL, EUROPEAN HEADQUARTERS ADDRESS | 015841 | 1 |
| 3 | DECAL, SAWMILL COVERS CAUTION | 099220 | 2 |
| 4 | DECAL, BLADE TENSION (PICTOGRAM) | 099219 | 1 |
| 5 | DECAL, BLADE TENSION - INSTRUCTIONS (PICTOGRAM) | 099223 | 1 |
| 6 | DECAL, READ OPERATOR'S MANUAL (PICTOGRAM) | 096317 | 1 |
| 7 | DECAL, EYE PROTECTION WARNING (PICTOGRAM) | S12004G | 1 |
| 8 | DECAL, EAR PROTECTION WARNING (PICTOGRAM) | S12005G | 1 |

4**Saw Head***LT40AC Saw Head Decals*

| | | | | |
|----|-----------------------------------------------------------|--------|---|--|
| 9 | DECAL, BLADE MOVEMENT DIRECTION (PICTOGRAM) | 096321 | 1 | |
| 10 | DECAL, MOTOR ROTATION DIRECTION | S20097 | 1 | |
| 11 | DECAL, BLADE ALIGNMENT | P11789 | 1 | |
| 12 | DECAL, SAWDUST CHUTE WARNING (PICTOGRAM) | 099222 | 1 | |
| 13 | DECAL, HIGH VOLTAGE INSIDE THE ELECTRIC BOX (PICTOGRAM) | 096316 | 1 | |
| 14 | DECAL, REMOVE THE PLUG BEFORE OPENING THE BOX (PICTOGRAM) | 096319 | 1 | |
| 15 | DECAL, BLADE DRIVE WARNING (PICTOGRAM) | 096315 | 1 | |
| 16 | DECAL, CE CERTIFIED SAWMILL (SMALL) | P85070 | 1 | |
| 17 | DECAL, RUSSIAN SAFETY CERTIFICATION | 099401 | 1 | |

4.6 Blade Housing Covers



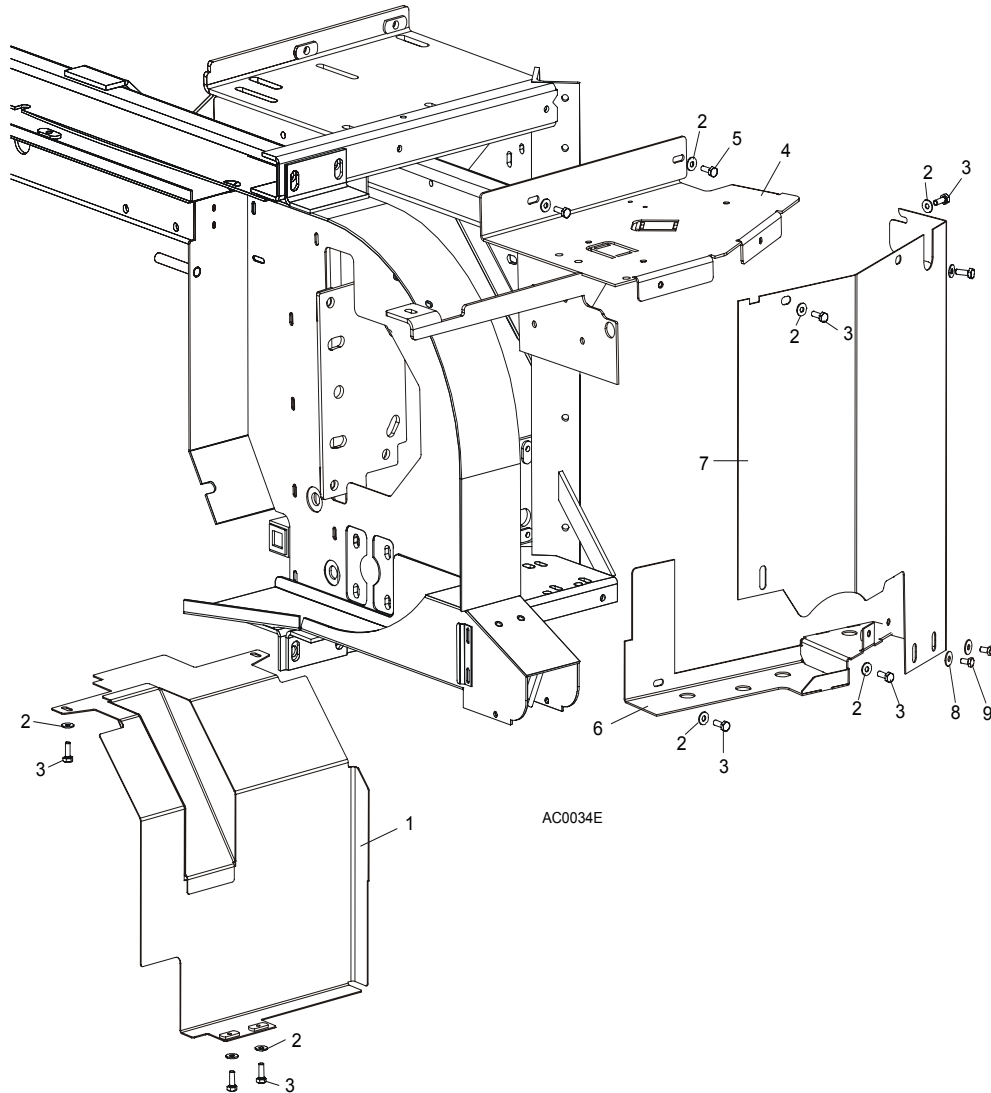
| REF | DESCRIPTION (◆ Indicates Parts Available In Assemblies Only) | PART # | QTY. | |
|-----|--------------------------------------------------------------|----------|------|---|
| | COVER ASSEMBLY, DRIVE SIDE BLADE HOUSING WITH HANDLE | 087165 | 1 | |
| 1 | Cover Weldment, Drive Side Blade Housing | 087159-1 | 1 | ◆ |
| 2 | Handle, Blade Housing Cover | P08065 | 1 | |
| 3 | Screw, #8-32 x 3/8" | F05015-8 | 2 | |
| | Pin Assembly, Cover Retainer | A11881 | 1 | |
| 4 | Pin, Safety Retainer | N/A | 1 | |
| 5 | Cable, 3/64" x 6" Lanyard | N/A | 1 | |
| 6 | DECAL, BLADE SETTING | P85066 | 1 | |
| | COVER, IDLE SIDE BLADE HOUSING WITH HANDLE | 086431 | 1 | |
| 7 | Cover, Idle Side Blade Housing | 086430-1 | 1 | ◆ |
| 2 | Handle, Blade Housing Cover | P08065 | 1 | |
| 3 | Screw, #8-32 X 3/8" Self-Tap | F05015-8 | 2 | |
| | Pin Assembly, Cover Retainer | A11881 | 1 | |
| 4 | Pin, Safety Retainer | N/A | 1 | |
| 5 | Cable, 3/64" x 6" Lanyard | N/A | 1 | |

4

Saw Head*Blade Housing Covers*

| | | | | |
|----|----------------------------------------------|-----------|---|--|
| 8 | COVER, MIDDLE BLADE HOUSING | 087326-1 | 1 | |
| 9 | BOLT, 1/4-20 X 3/4" HEX HEAD | F05005-1 | 4 | |
| 10 | HINGE, MIDDLE BLADE HOUSING COVER | S07522 | 1 | |
| 11 | NUT, 1/4-20 SELF-LOCKING HEX | F05010-9 | 4 | |
| 12 | NUT, COVER TURN | 086365-1 | 2 | |
| 13 | PLATE, IDLE BLADE WHEEL GUARD | 086230 | 1 | |
| 14 | NUT, 5/16-18 HEX NYLON LOCK | F05010-58 | 6 | |
| 15 | BOLT, 5/16-18 X 3/4" HEX HEAD GRADE 2 | F05006-5 | 6 | |
| 16 | HINGE, MIDDLE BLADE HOUSING COVER | 085336-1 | 1 | |
| 17 | WASHER 6.4 ZINC | F81053-1 | 4 | |
| 18 | SWITCH ASSEMBLY, SAFETY SHUT-OFF | 094301 | 2 | |
| 19 | Safety Switch, AZ17-11ZRK | 094232 | 2 | |
| 20 | Bracket, Safety Switch Mount Painted | 094300-1 | 2 | |
| 21 | Key, AZ17/170-B5 Safety Switch | 094422 | 2 | |
| 22 | Bolt, M4 x 35-8.8 Socket Head | F81011-34 | 4 | |
| 23 | Screw, M4 x 12-5.8 | F81011-43 | 8 | |
| 24 | Nut, M4 Hex | F81029-1 | 8 | |
| 25 | Washer, M4 Split Lock Zinc | F81051-1 | 4 | |
| 26 | Washer, 4.3 | F81051-2 | 8 | |
| 27 | MOUNT WELDMENT E15,E20,E25 | 087736-1 | 1 | |

4.7 Drive Belt Covers



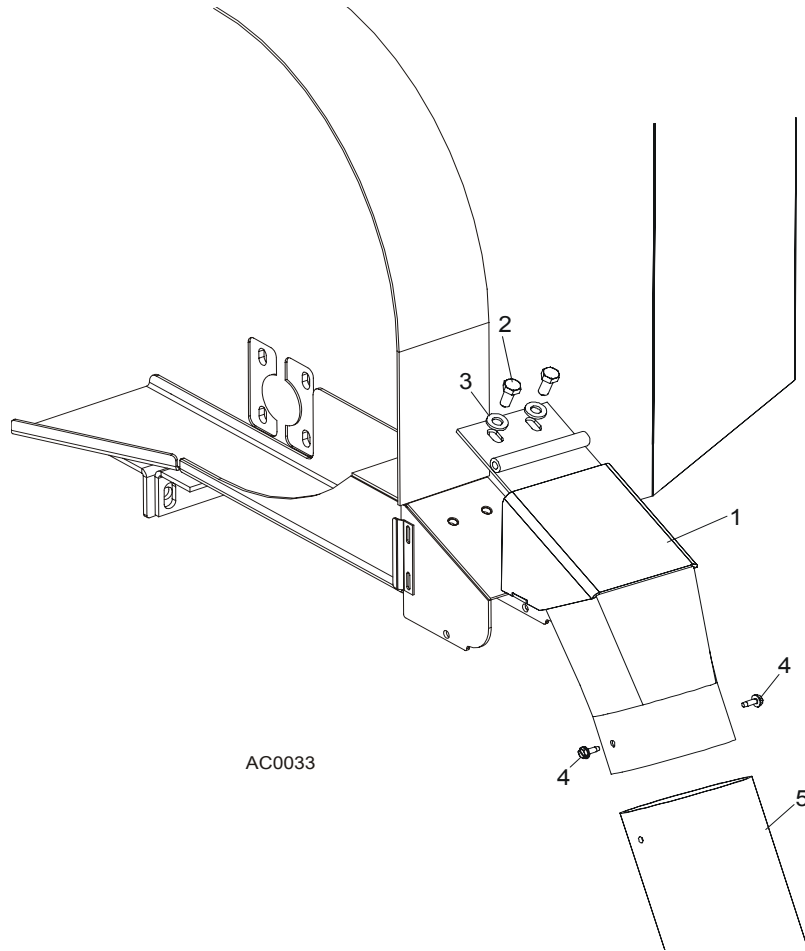
AC0034E

| REF | DESCRIPTION (◆ Indicates Parts Available In Assemblies Only) | PART # | QTY. |
|-----|--------------------------------------------------------------|-----------|------|
| 1 | GUARD, E15/E20/E25 BELT LOWER PAINTED | 087660-1 | 1 |
| 2 | WASHER, 6.5 SPECIAL FLAT ZINC | F81053-11 | 11 |
| 3 | BOLT, M6 X 20-8.8 HEX HEAD FULL THREAD ZINC | F81001-2 | 9 |
| 4 | GUARD WELDMENT, AC SAW HEAD UPPER PAINTED | 086621-1 | 1 |
| 5 | BOLT, M6 X 12-8.8 HEX HEAD FULL THREAD ZINC | F81001-7 | 2 |
| | GUARD, AC SIDE PAINTED COMPLETE (WITHOUT BRAKE) | 100621 | 1 |
| | GUARD, AC SIDE PAINTED COMPLETE (WITH BRAKE) | 100622 | 1 |
| 6 | GUARD, AC LOWER | 087525-1 | 1 |
| 7 | GUARD, AC SIDE PAINTED (WITHOUT BRAKE) | 086420-1 | 1 |
| | GUARD, AC SIDE PAINTED (WITH BRAKE) | 087333-1 | 1 |
| 8 | WASHER, 6.5 SPECIAL FLAT ZINC | F81053-11 | 2 |
| 9 | BOLT, M6 X 12-8.8 HEX HEAD FULL THREAD ZINC | F81001-7 | 2 |

4 Saw Head

Sawdust Chute

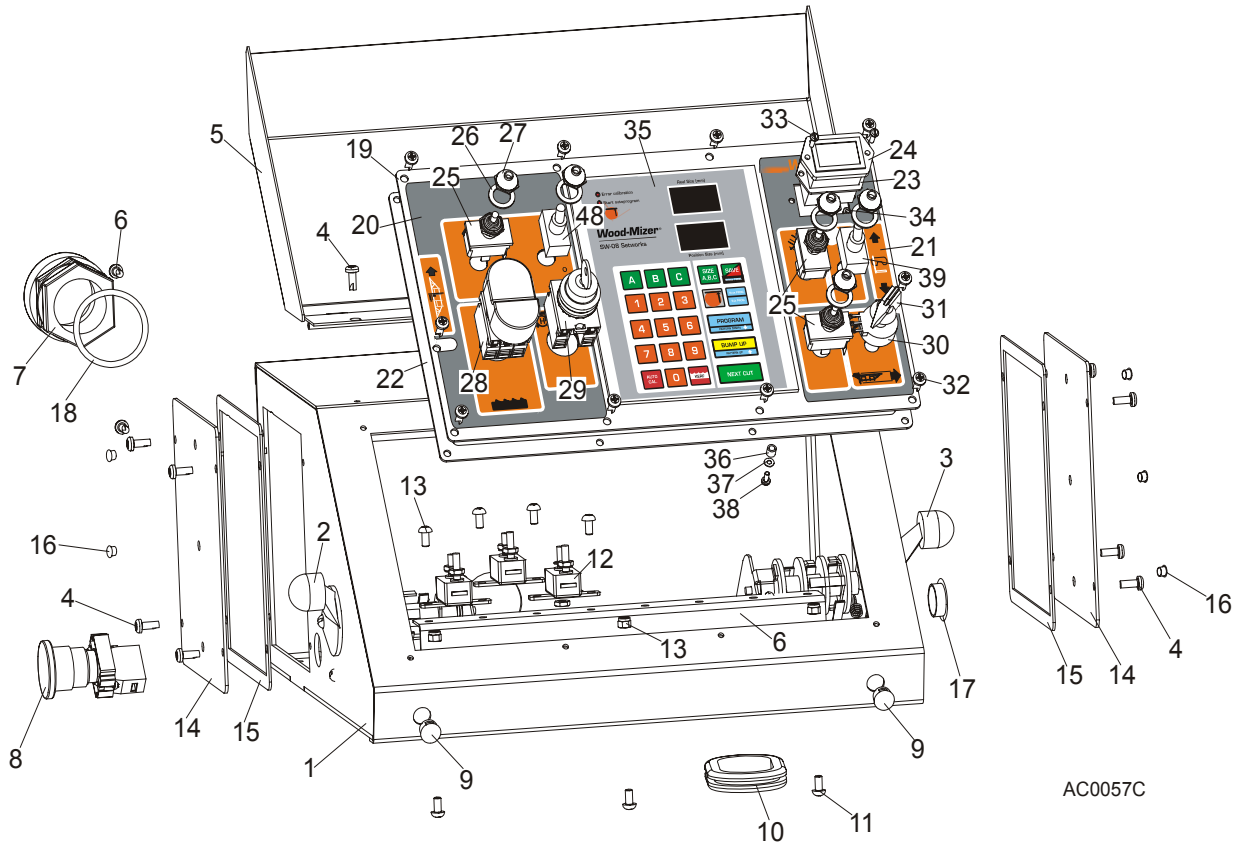
4.8 Sawdust Chute



| REF | DESCRIPTION (◆ Indicates Parts Available In Assemblies Only) | PART # | QTY. |
|-----|--------------------------------------------------------------|-----------|-------|
| 1 | CHUTE WELDMENT, SAWDUST | 092460-1 | 1 |
| 2 | BOLT, M8x16 | F81002-20 | 2 |
| 3 | WASHER, 8.4 FLAT | F81054-1 | 2 |
| 4 | BOLT, #10-24 X 1/2" SELF-TAPPING | F05015-7 | 2 |
| 5 | TUBING, 4" I.D. RUBBER | 086364 | 0.6 m |
| | STRAP, 20" RUBBER W/HOOK | P11668 | 1 |
| | BOLT, 1/4-20 X 1 1/4" HEX HEAD FULL THREAD | F05005-3 | 1 |
| | WASHER, 7.4 FLAT | F81056-11 | 1 |
| | NUT, 1/4-20 LOCK | F05010-21 | 1 |

SECTION 5 CONTROL & BATTERY BOXES

5.1 Control Assembly, LT40 Series AH



| REF | DESCRIPTION (◆ Indicates Parts Available In Assemblies Only) | PART # | QTY. |
|--------------------------------------|--------------------------------------------------------------|-----------|------|
| CONTROL BOX ASSEMBLY, LT40 AC | | 098690 | 1 |
| 1 | Control Box, LT40AC | 099622-1 | 1 |
| 2 | Switch, 1992GS Pwr/Feed (Service Package) | E20438 | 1 |
| 3 | Switch, 1992 Up/Down (Service Package) | E20440 | 1 |
| 4 | Bolt, #10-24x1/2 Ph Pan Hd, Type 23 | F05015-17 | 12 |
| 5 | Cover Weldment, LT20/40 Complete | 097135-1 | 1 |
| 6 | Rail, Circuit Breaker | 015310 | 1 |
| 7 | Connector, 1 1/4 Straight Metal Conduit | 024402 | 1 |
| 8 | Switch, XB2 BS542 Emergency | 086556 | 1 |
| 9 | Switch, Speed Control | 086773 | 2 |
| 10 | Grommet, Rubber | 087065 | 1 |

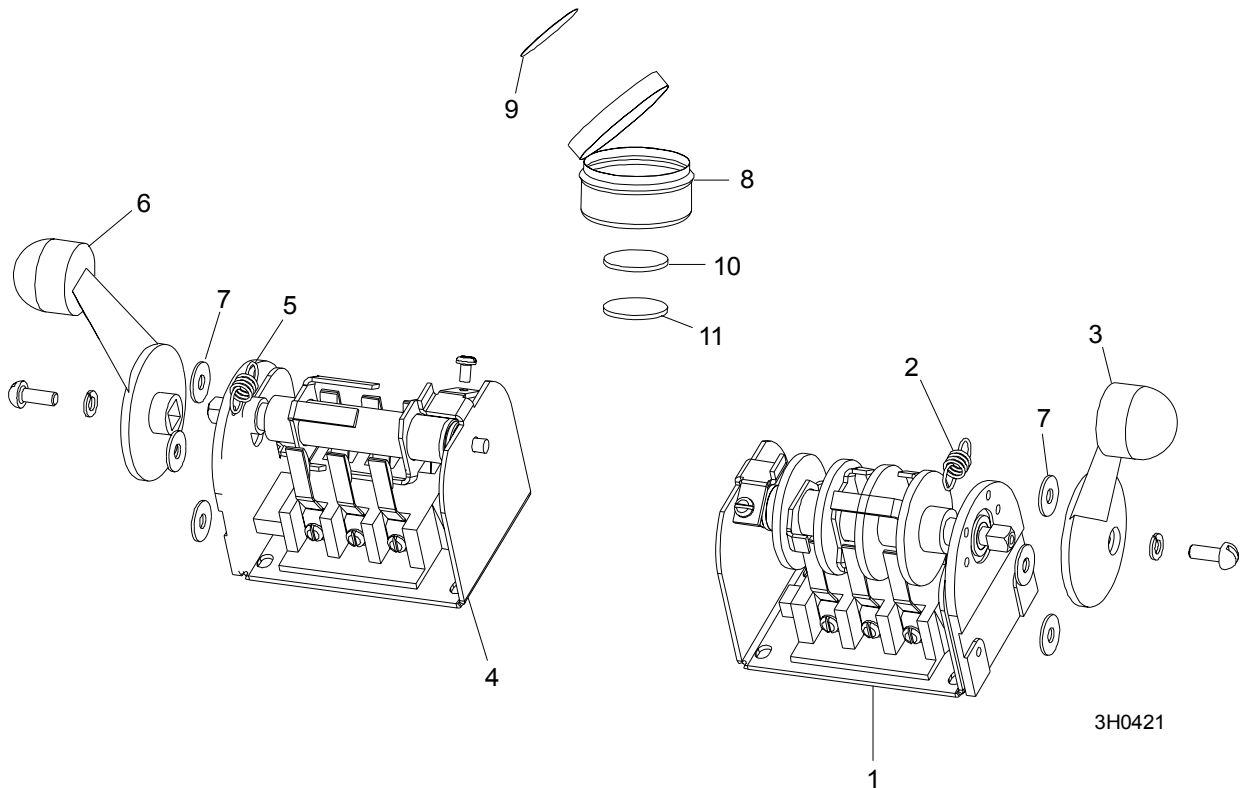
5 Control & Battery Boxes

Control Assembly, LT40 Series AH

| | | | | |
|----|-----------------------------------------|-----------------------|----|--|
| 11 | Screw, H M5x10 8.8 Zinc | F81000-13 | 7 | |
| 12 | Breaker, 15A Manual Reset | E20430 | 3 | |
| 13 | Nut, M5-8 Zinc | F81030-2 | 3 | |
| | Cover, Control Box Side Complete | 086700 | 2 | |
| 14 | Cover, Control Box Side | 086699-1 | 1 | |
| 15 | Gasket, Control Box Side | 015274 | 1 | |
| 16 | Cap, SR1086 6.4 Dia. Hole | 099700 | 6 | |
| 17 | Cap, SR1086 22.2 Dia. Hole | 093544 | 1 | |
| 18 | Seal, 1 1/4 Ring LQTI w/Retainer | 015430 | 1 | |
| | Panel, LT40 AC Front Control Complete | 098689 | 1 | |
| 19 | Panel, LT20/40 AC Front Control | 100572-1 | 1 | |
| | Panel, LT40 AC Front Control | 098586-1 ¹ | 1 | |
| 20 | Decal, LT20/40 AC Control Box Left | 099594 | 1 | |
| 21 | Decal, LT40 DC Control Box Right | 099596 | 1 | |
| 22 | Gasket, LT20/40 Control Box | 097132 | 1 | |
| 23 | Gasket, Hour Meter | 093346 | 1 | |
| 24 | Meter, Hour | 093166 | 1 | |
| 25 | Switch, Toggle | 024000 | 3 | |
| 26 | Washer, 1/2x3/4x1/16 Nylon | P05251-1 | 5 | |
| 27 | Boot, Toggle Switch | P02575 | 5 | |
| 28 | Button, 24V Start/Stop | 090452 | 1 | |
| | Membrane M22-T-DD | 090462 | 1 | |
| 29 | Switch, M22 3-position Key | 091361 | 1 | |
| 30 | Potentiometer, 1k Feed Rate | E20519 | 1 | |
| 31 | Knob, Speed Control | P06257 | 1 | |
| 32 | Bolt, #10-24x1/2 Ph Pan Hd, Type 23 | F05015-17 | 10 | |
| 33 | Bolt, M3x12-8.8 Zinc | F81000-12 | 2 | |
| 34 | Nut, M3-6 Nylon Zinc Lock | F81028-2 | 2 | |
| 35 | Controller, SW-08 Setworks | 100570 | 1 | |
| | Frame, SW08 Setworks Rear | 100909 | 1 | |
| 36 | Spacer, 4.2x6mm Idler | R80671-4 | 6 | |
| 37 | Washer, 3.2 Flat Zinc | F81050-2 | 6 | |
| 38 | Screw, M3x8-4.8 Zinc | F81000-83 | 6 | |
| 39 | Switch, SPST On/Off 15A .25 TABS Toggle | P03027 | 2 | |

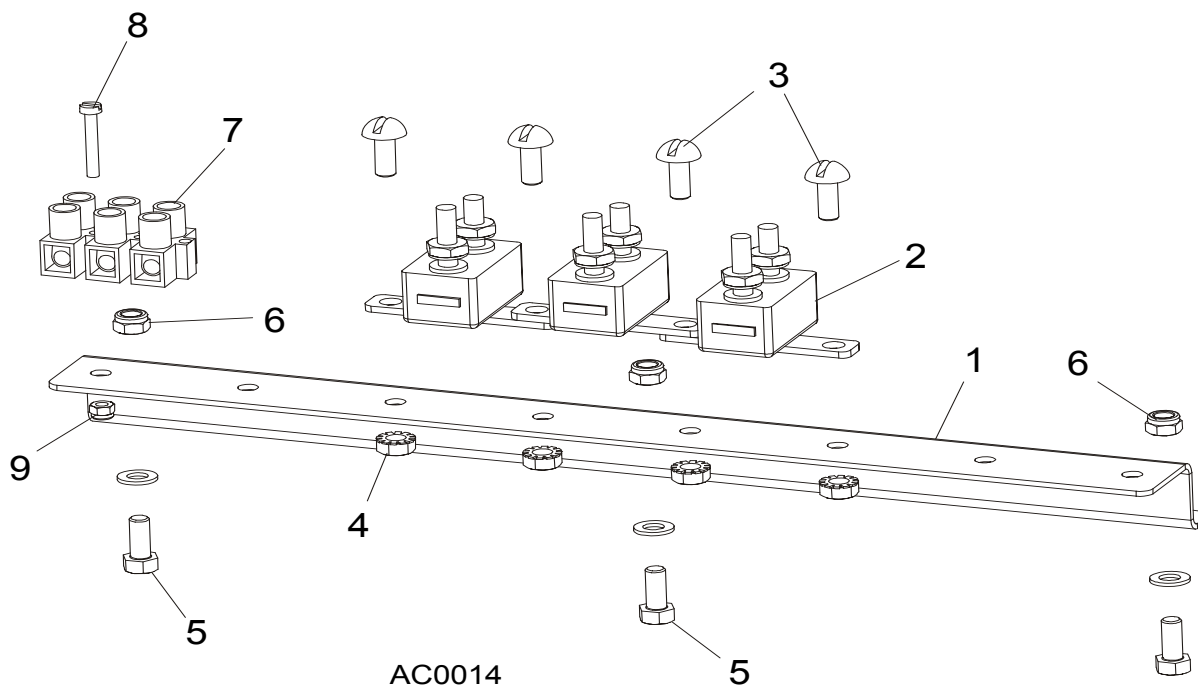
¹ Use in African version only.

5.2 Drum Switches



| REF | DESCRIPTION (◆ Indicates Parts Available In Assemblies Only) | PART # | QTY. | |
|-----|--------------------------------------------------------------|-----------|--------|---|
| | SWITCH ASSEMBLY, UP/DOWN DRUM | E20440 | 1 | |
| 1 | Switch, S12 Bulk Drum | E20440-B | 1 | ◆ |
| 2 | Spring, Drum Switch | P12570 | 1 | |
| 3 | Handle, Drum Switch Replacement | P12500 | 1 | |
| | SWITCH ASSEMBLY, POWER FEED DRUM | E20438 | 1 | |
| 4 | Switch, S10 Bulk Drum | E20438-B | 1 | ◆ |
| 5 | Spring, Drum Switch | P12570 | 1 | |
| 6 | Handle, Drum Switch Replacement | P12500 | 1 | |
| 7 | WASHER, #8 SAE FLAT | F05011-41 | 6 | |
| | CUP ASSEMBLY, DRUM SWITCH GREASE | A20463 | 1 | |
| 8 | Cup, Plastic Container | P20464 | 1 | ◆ |
| 9 | Decal, Grease Cup Label | P20467 | 1 | |
| 10 | Pad, Velcro Loop | P20466 | 1 | ◆ |
| 11 | Pad, Velcro Hook | P20465 | 1 | ◆ |
| | Grease, High Temp Drum Switch | P20468 | .011ml | ◆ |

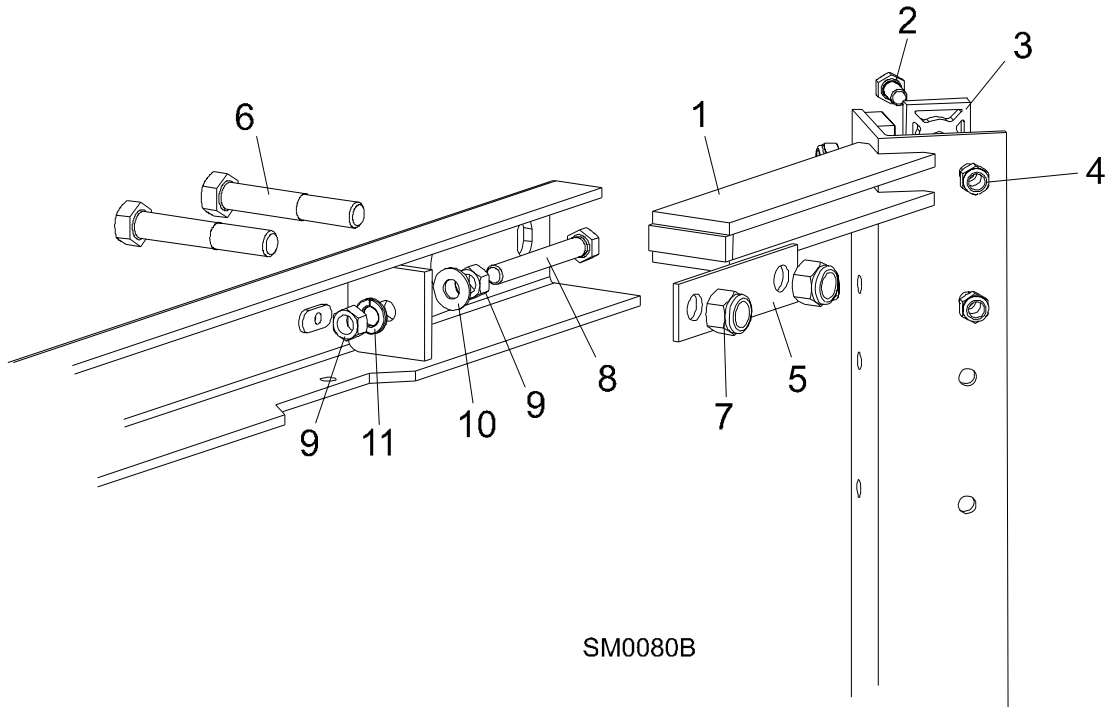
5.3 Circuit Breakers



| REF | DESCRIPTION (◆ Indicates Parts Available In Assemblies Only) | PART # | QTY. |
|-----|--------------------------------------------------------------|-----------|------|
| 1 | RAIL, CIRCUIT BREAKER | 015310 | 1 |
| 2 | BREAKER, 15 AMP MANUAL RESET | E20430 | 5 |
| 3 | SCREW, H M5X10 8.8 ZINC | F81000-13 | 4 |
| 4 | NUT, M5-8 ZINC HEX SELF-LOCKING | F81030-2 | 4 |
| 5 | SCREW, M5X12-5.8 ZINC | F81000-5 | 3 |
| 6 | NUT, M5-8 ZINC HEX SELF-LOCKING | F81030-2 | 3 |
| 7 | STRIP, ELECTRIC WIRE | F81086-1 | 1 |
| 8 | SCREW, M3 X 20-5.8 | F81000-8 | 1 |
| 9 | NUT, M3 | F81028-2 | 1 |

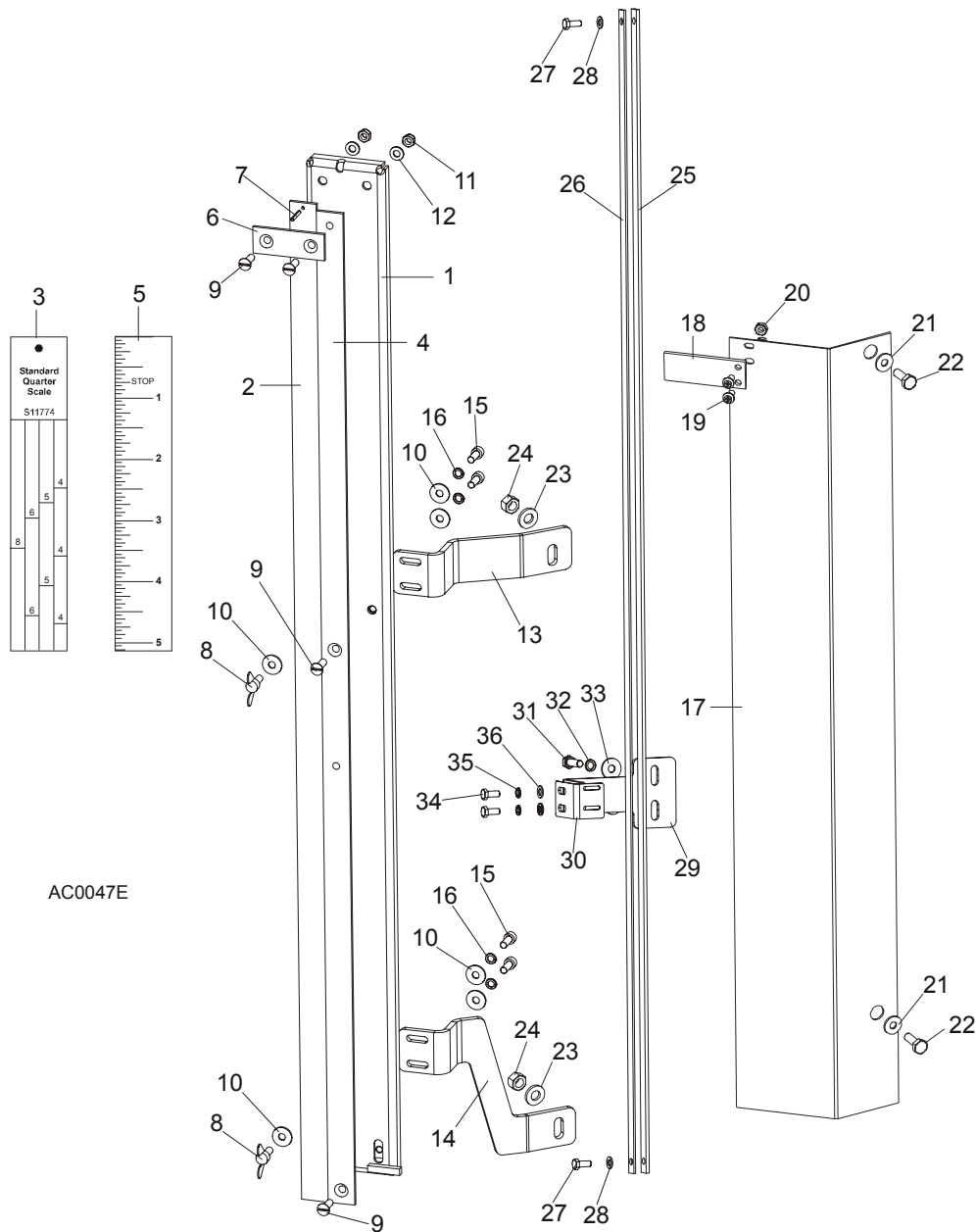
SECTION 6 UP/DOWN SYSTEM

6.1 Saw Head V-Brace Mount



| REF | DESCRIPTION (◆ Indicates Parts Available In Assemblies Only) | PART # | QTY. | |
|-----|--------------------------------------------------------------|-----------|------|--|
| 1 | V-BRACE, SAW HEAD MOUNT | 086308 | 1 | |
| 2 | BOLT, 5/16-18 X 3/4" HEX HEAD GRADE 5 | F05006-5 | 19 | |
| | BOLT, 5/16-18 X 1 1/4" HEX HEAD FULL THREAD | F05006-18 | 5 | |
| 3 | PAD, PLASTIC SLIDE | M04096 | 12 | |
| 4 | NUT, 5/16-18 NYLON LOCK | F05010-58 | 19 | |
| | NUT, 5/16-18 HEX | F05010-17 | 5 | |
| 5 | PLATE, V-BRACE WASHER | 091247 | 4 | |
| 6 | BOLT, M12 X 40 - 8.8 HEX HEAD | F81004-1 | 4 | |
| 7 | NUT, M12 - 8 NYLON LOCK | F81034-2 | 4 | |
| 8 | BOLT, 3/8-16 X 3" FULL THREAD | F05007-1 | 2 | |
| 9 | NUT, 3/8-16 HEX | F05010-1 | 4 | |
| 10 | WASHER, 10.5 FLAT | F81055-1 | 2 | |
| 11 | WASHER, 10.2 SPLIT LOCK | F81055-2 | 2 | |

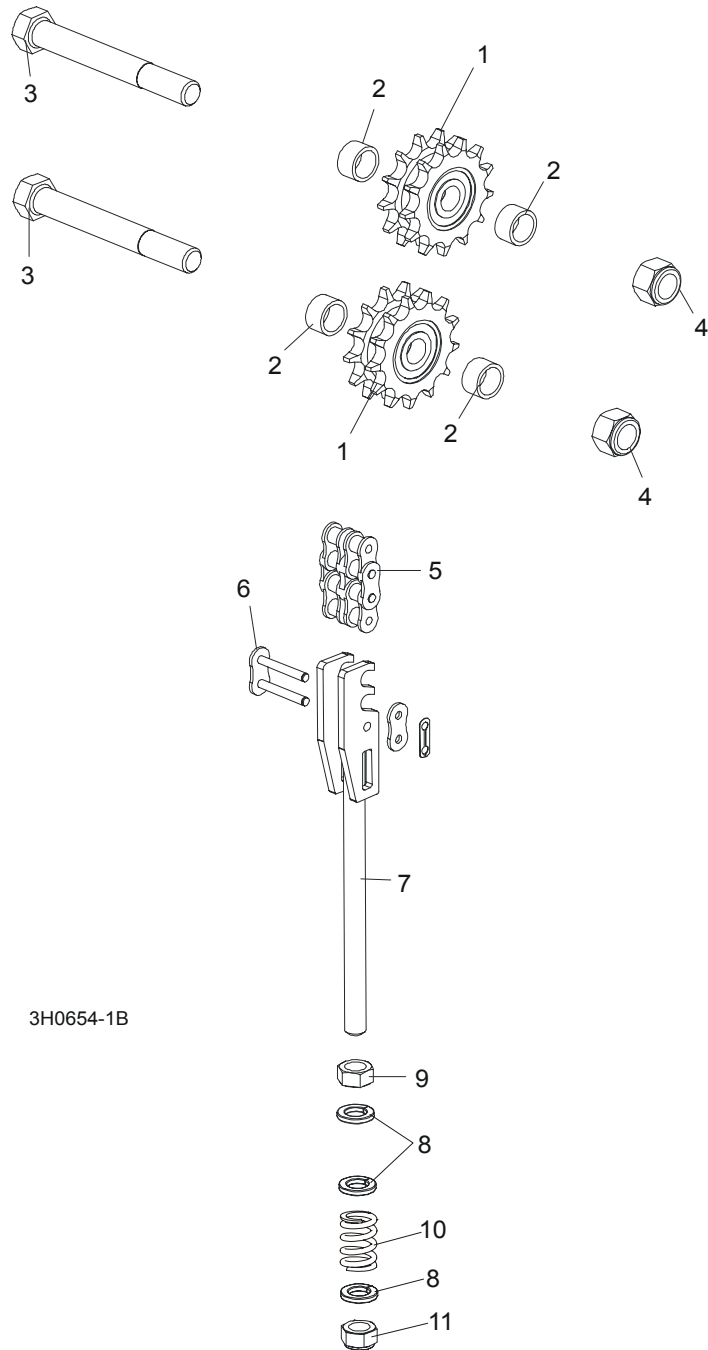
6.2 Blade Height Scale



| REF | DESCRIPTION (◆ Indicates Parts Available In Assemblies Only) | PART # | QTY. |
|-----|--------------------------------------------------------------|----------|------|
| | SCALE, BLADE HEIGHT W/SCANNER | 098882 | 1 |
| 1 | Bracket, Scale Mounting | 098890-1 | 1 |
| 2 | Scale, 35" Quarter | 093342 | 1 |
| 3 | Decal, 35" Standard Quarter Scale | 090716 | 1 |
| | Decal, 35" Grade Hardwood Quarter Scale | 090717 | 1 |

| | | | | |
|----|-------------------------------------------|-----------|---|---|
| 4 | Scale, 35" Inch | 093341 | 1 | |
| 5 | Decal, 35" Inch | 090709 | 1 | |
| 6 | Strap, Scale Hold-Down | 093134 | 1 | |
| 7 | Pin, 3x20 Roll | F81044-5 | 1 | |
| 8 | Screw, M6x16 Wing | F81001-16 | 2 | |
| 9 | Screw, M6x20- 4.8-B | F81001-31 | 4 | |
| 10 | Washer, 6.5 Flat | F81053-11 | 7 | |
| 11 | Nut, M6, Hex, Nylon Lock Zinc | F81031-2 | 2 | |
| 12 | Washer, M6, Flat, Zinc | F81053-1 | 2 | |
| 13 | Bracket, Scale Upper | 098880-1 | 1 | |
| 14 | Bracket, Scale Lower | 098881-1 | 1 | |
| 15 | Bolt, M6x16-8.8 Socket Head | F81001-21 | 4 | |
| 16 | Washer, M6 Split Lock Zinc | F81053-3 | 4 | |
| | Pointer Assembly, Fixed Scale | A12023 | 1 | |
| 17 | Bracket, Fixed Scale Pointer Mount | 087044-1 | 1 | ◆ |
| 18 | Indicator, Blade Height Scale | 094821 | 1 | |
| 19 | Screw, M4x12 -5.8-B- Fe/Zn5 | F81011-43 | 2 | |
| 20 | Nut, M4-B Fe/Zn5 | F81029-1 | 2 | |
| 21 | Washer, 6.5 Flat | F81053-11 | 2 | |
| 22 | Bolt, M6x12-8.8-Zinc | F81001-7 | 2 | |
| 23 | Washer, 8.4 Flat | F81054-1 | 2 | |
| 24 | Nut, M8-8-B Hex Lock | F81032-2 | 2 | |
| | MAGNETIC STRIP ASSY | 097774 | 1 | |
| | Bar with Magnetic Strip | 098173-1 | 1 | |
| 25 | Magnetic Strip MB320 (1m) | 096014-1 | 1 | |
| 26 | Bar, Magnetic Strip | 098173 | 1 | |
| 27 | Bolt, M5 X 12-5.8-Fe/Zn5 | F81000-5 | 2 | |
| 28 | Washer, M5, Flat zinc | F81052-1 | 2 | |
| | BRACKET, SENSOR COMPLETE | 100620 | 1 | |
| 29 | Bracket, Sensor | 100599-1 | 1 | |
| 30 | Bracket, Sensor | 100619-1 | 1 | |
| 31 | Bolt, M6x20-8.8 Hex Head Full Thread Zinc | F81001-2 | 2 | |
| 32 | Washer, Z6.1 Split Lock Zinc | F81053-3 | 2 | |
| 33 | Washer, 6.5 Flat Zinc | F81053-11 | 2 | |
| 34 | Bolt, M5 X 12-5.8-Fe/Zn5, PN-M/82105 | F81000-5 | 2 | |
| 35 | Washer, 5.1 Split Lock Zinc | F81052-2 | 2 | |
| 36 | Washer, 5.3 Flat Zinc | F81052-1 | 2 | |
| | DECAL KIT, METRIC SCALE | K12064 | 1 | |
| | Decal, Metric | S11711 | 1 | |
| | Decal, Metric 16-40mm | P12040-1 | 1 | |
| | Decal, Metric 45-63mm | P12040-2 | 1 | |

6.3 Up/Down Chain & Sprockets



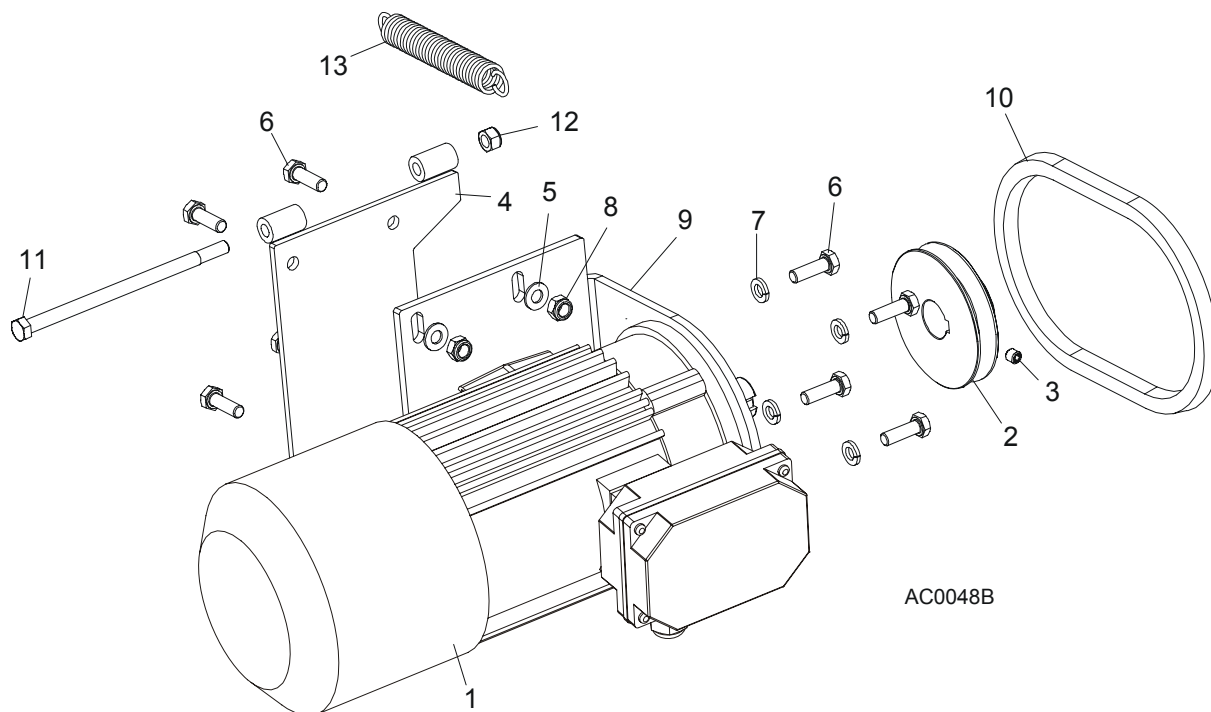
| REF | DESCRIPTION (◆ Indicates Parts Available In Assemblies Only) | PART # | QTY. | |
|----------|--------------------------------------------------------------|----------|------|--|
| | SPROCKET KIT, UP/DOWN IDLER #50-2 | 016020 | 1 | |
| 1 | Sprocket, Up/Down Idler '98 | 016019 | 2 | |
| 2 | Washer, Sprocket Spacer | 095927-1 | 4 | |

| | | | | |
|-----------|-------------------------------------------|------------|---|---|
| | Instruction Sheet, Up/Down Idler Retrofit | 016020-541 | 1 | |
| 3 | BOLT, 5/8-11 X 5" HEX HEAD GRADE 2 | F05009-6 | 2 | |
| 4 | NUT, 5/8-11 HEX NYLON LOCK | F05010-34 | 2 | |
| 5 | CHAIN, #50-2 X 75.625" UP/DOWN | 015259 | 1 | |
| 6 | LINK, #50-2 MASTER | 015258 | 2 | |
| | TENSIONER ASSEMBLY, UP/DOWN CHAIN | 094283 | 1 | |
| 7 | Bracket, Up/Down Chain Tensioner | 094281-1 | 1 | ◆ |
| 8 | Washer, M12, Flat, Zinc | F81056-1 | 3 | |
| 9 | Nut, M12-8-B Hex | F81034-1 | 1 | |
| 10 | Spring, 14x30x3.2 | 090797 | 1 | |
| 11 | Nut, M12, Hexagon, Nylon, Zinc, Lock | F81034-2 | 1 | |

6 Up/Down System

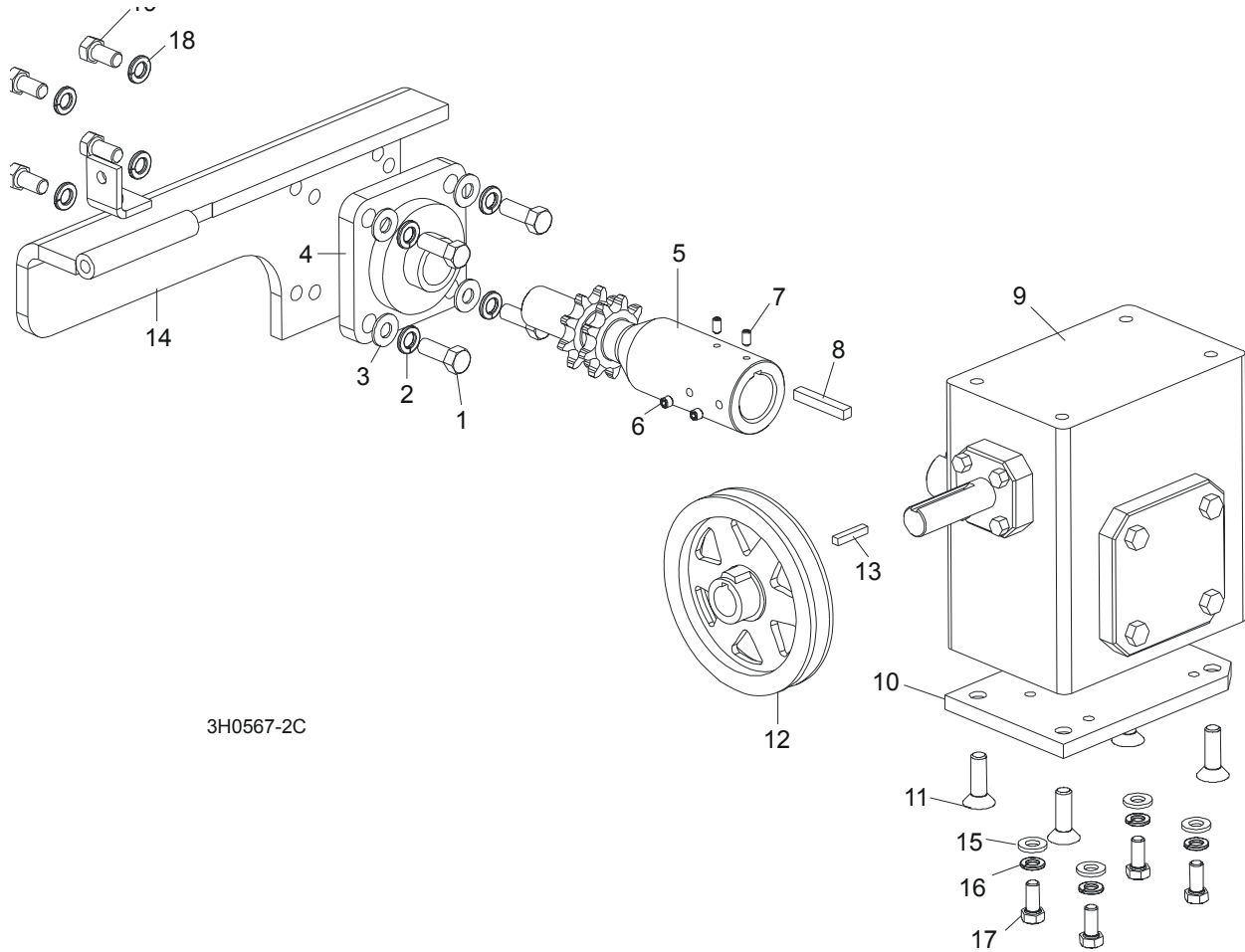
Up/Down Motor Assembly, LT40 Series AH

6.4 Up/Down Motor Assembly, LT40 Series AH



| REF | DESCRIPTION (◆ Indicates Parts Available In Assemblies Only) | PART # | QTY. |
|-----|--------------------------------------------------------------|-----------|------|
| | UP/DOWN MOTOR ASSEMBLY, LT40AC | 093023 | 1 |
| 1 | Motor, SKh90-4S2 HPS 1,1kW, 1380obr./min 400V (w/brake) | 098901 | 1 |
| 2 | Pulley, AC Up/Down Motor Painted | 086378-1 | 1 |
| 3 | Screw, M8 x 8-33H Hex Socket Set Flat Point Zinc | F81014-1 | 1 |
| 4 | Bracket Wdmt, Up/Down Motor | 095738-1 | 1 |
| 5 | Washer, 8.4 Split Lock | F81054-1 | 4 |
| 6 | Bolt, M8 x 25 8.8 B Hex Head | F81002-4 | 8 |
| 7 | Washer, 8.2 Split Lock | F81054-4 | 4 |
| 8 | Nut, M8 8 B Hex | F81032-2 | 4 |
| 9 | Bracket, AC Up/Down Motor Mount | 086376-1 | 1 |
| 10 | BELT, AX23 | 015257 | 1 |
| 11 | BOLT, M8X160-8.8-B ZINC | F81002-22 | 1 |
| 12 | NUT, M8-8-B NYLON LOCK HEX ZINC | F81032-2 | 1 |
| 13 | SPRING, 3/4x 5x.095 EXTENSION | 015569 | 1 |

6.5 Up/Down Drive Assembly



| REF | DESCRIPTION (◆ Indicates Parts Available In Assemblies Only) | PART # | QTY. |
|-----|--------------------------------------------------------------|------------|------|
| | UP/DOWN DRIVE ASSEMBLY | 092817 | 1 |
| 1 | Bolt, 3/8-16 x 1" Hex Head | F05007-7 | 4 |
| 2 | Washer, 10.2 Split Lock | F81055-2 | 4 |
| 3 | Washer, 10.5 Flat | F81055-1 | 4 |
| 4 | Bearing, Flanged Up/Down | 014090 | 1 |
| 5 | Shaft, Up/Down Sprocket | 092816-1 | 1 |
| 6 | Screw, M8 x 8-33H | F81014-1 | 2 |
| 7 | Key, 1/4" Square x 1 11/16" Long | S04124 | 1 |
| 8 | Spacer, Up/Down Shaft | 016032 | 1 |
| 9 | Reducer, Gear Box | 014074 | 1 |
| 10 | Plate, Gear Box Spacer | 095894-1 | 1 |
| 11 | Bolt, 3/8-16 x 1" Flat Socket Head | F05007-110 | 4 |

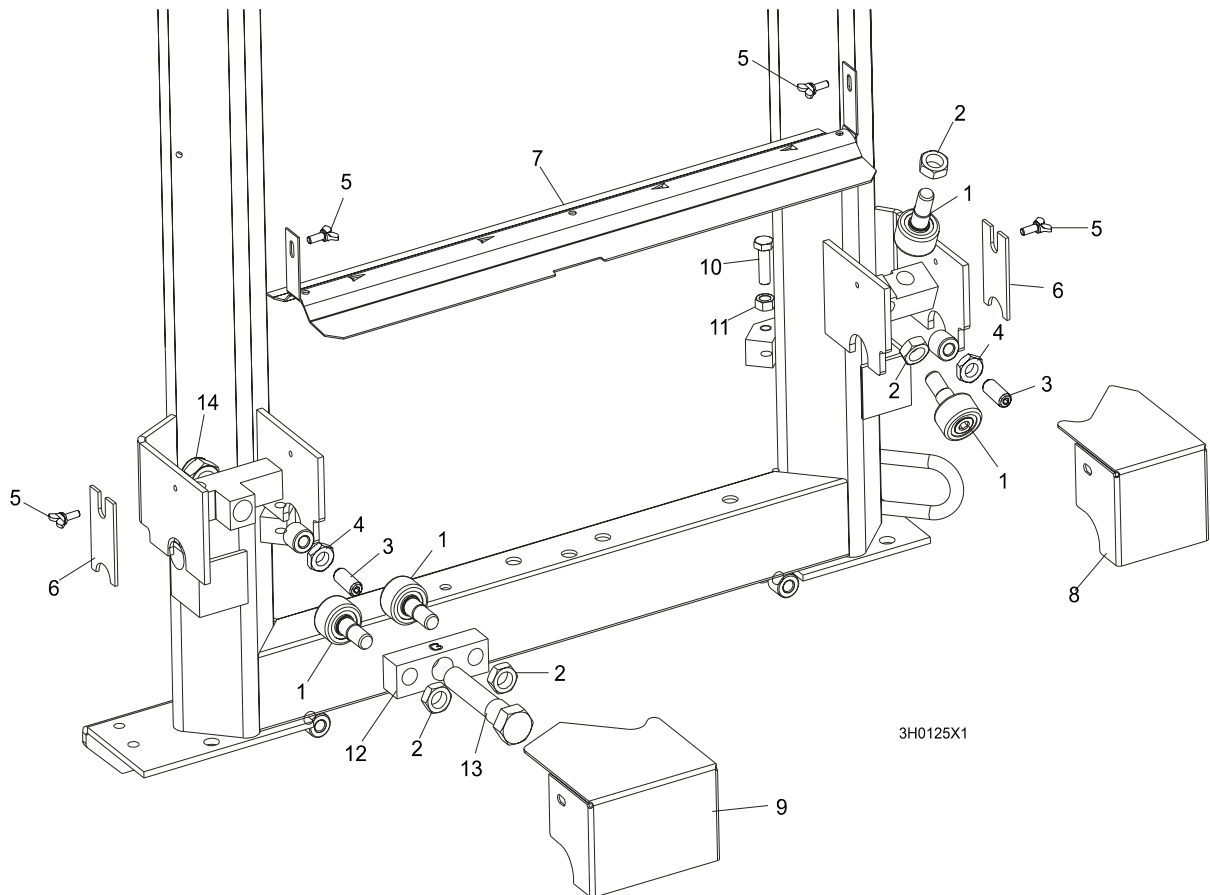
6 Up/Down System

Up/Down Drive Assembly

| | | | | |
|----|-------------------------------------------------------|-----------|---|--|
| 12 | Pulley,Up/Down | 015256 | 1 | |
| 13 | Key, 3/16" Square x 1" Long | S31027 | 1 | |
| 14 | Bracket Wdmt, Up/Down Bearing | 095893-1 | 1 | |
| 15 | WASHER, 8.4 FLAT | F81054-1 | 4 | |
| 16 | WASHER, 8.2 SPLIT LOCK | F81054-4 | 4 | |
| 17 | BOLT, 5/16-18 X 1" HEX HEAD | F05006-5 | 4 | |
| 18 | WASHER, 10.2 SPLIT LOCK | F81055-2 | 4 | |
| 19 | BOLT, 3/8-16 X 3/4" HEX HEAD | F05007-27 | 4 | |
| | OIL, 8 OZ. MOBIL SHC634 BOTTLED SYNTHETIC GEAR | L04869-4 | 1 | |

SECTION 7 POWER FEED & TRACK ROLLERS

7.1 Upper Track Rollers And Wipers

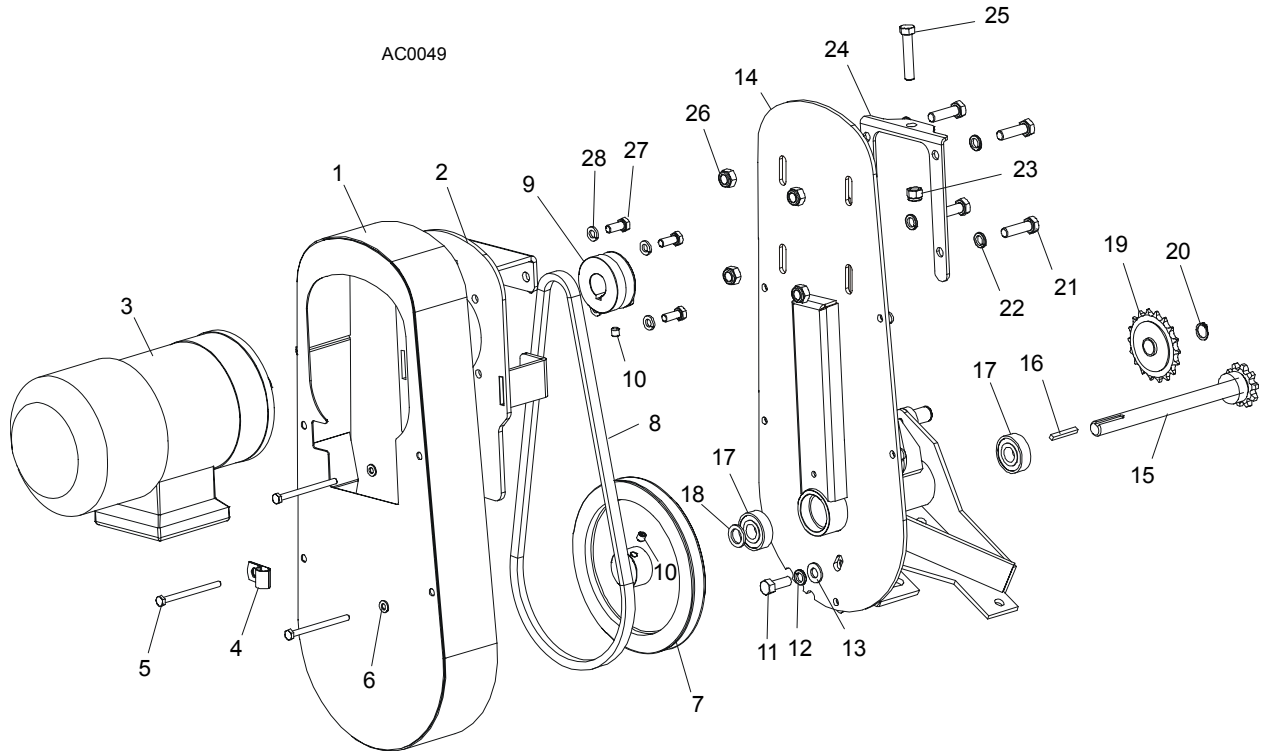


| REF | DESCRIPTION (◆ Indicates Parts Available In Assemblies Only) | PART # | QTY. |
|-----|--------------------------------------------------------------|-----------|------|
| 1 | ROLLER, TRACK CAM BEARING | P12843 | 4 |
| 2 | NUT, 5/8-18 HEX JAM | F05010-11 | 4 |
| 3 | SCREW, M12 X 30 OVAL POINT SET | F81004-14 | 2 |
| 4 | NUT, M12-8-B HEX JAM | F81034-1 | 2 |
| 5 | SCREW, M6 X 16 THUMB | F81001-16 | 4 |
| 6 | WIPER, PLASTIC TRACK | M04113 | 2 |
| 7 | COVER, MIDDLE TRACK OILER | S09917 | 1 |
| | Wiper, Middle Track Felt | S09915 | 1 |
| 8 | HOUSING, UPPER TRACK ROLLER REAR | 086913-1 | 1 |
| 9 | HOUSING, UPPER TRACK ROLLER FRONT | 086914-1 | 1 |
| 10 | BOLT, M10 X 35-8.8 HEX HEAD | F81003-17 | 2 |
| 11 | NUT, M10-8 HEX JAM | F81033-3 | 2 |
| 12 | BRACKET, UPPER TRACK ROLLER | 086859-1 | 1 |
| 13 | BOLT, HEX HEAD | 086911 | 1 |
| 14 | NUT, M20-8 HEX | F81037-2 | 1 |

7 Power Feed & Track Rollers

Power Feed Assembly, LT40 Series AH

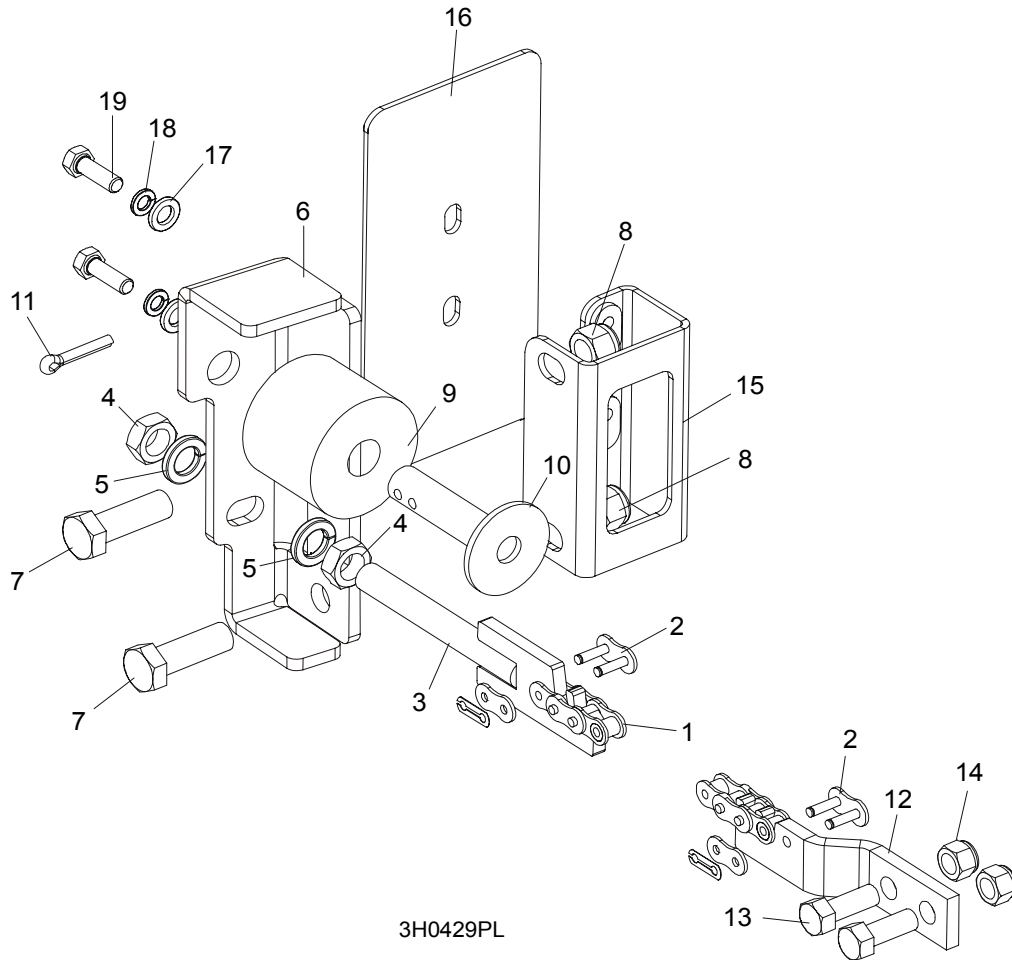
7.2 Power Feed Assembly, LT40 Series AH



| REF | DESCRIPTION (◆ Indicates Parts Available In Assemblies Only) | PART # | QTY. |
|-----|--------------------------------------------------------------|-----------|------|
| | POWER FEED ASSEMBLY, AC SUPER | 086522 | 1 |
| 1 | Cover Weldment, Top Power Feed | 015128 | 1 |
| 2 | Plate, Power Feed Motor | 086390 | 1 |
| 3 | Motor, 1100 W Power Feed Painted,AC Super | 086530 | 1 |
| 4 | Clamp, 1/2" EMT Coated | P07584 | 1 |
| 5 | Bolt, M6 x 80 5.8 Hex Head Grade | F81001-61 | 4 |
| 6 | Washer, 6.4 Flat | F81053-1 | 4 |
| 7 | Sheave, Power Feed | 086410-1 | 1 |
| 8 | Belt, Power Feed | 086532 | 1 |
| 9 | Sheave, Feed Motor | 086388-1 | 1 |
| 10 | Screw, M8 X 8-33H Hex Socket Set Flat Point Zinc | F81014-1 | 2 |
| 11 | Bolt, 3/8-16 x 1" Hex Head | F05007-7 | 1 |
| 12 | Washer, 3/8" Split Lock | F05011-4 | 5 |
| 13 | Washer, 3/8" Flat | F05011-3 | 5 |
| 14 | Bracket, Power Feed Mount | 015162 | 1 |
| 15 | Shaft Weldment, Power Feed | 015129 | 1 |
| 16 | Key, 3/16" Square x 1 3/8" Long | 016108 | 1 |
| 17 | Bearing, 6203-2RSP6-5/8 CX | 095087 | 2 |
| 18 | Washer, 5/8" x 15/16" x .094" Nylon | F05011-19 | 1 |
| 19 | Sprocket, 40 Idler 18T 5/8" ID | P04333 | 1 |
| 20 | Ring, Z15 | F81090-2 | 1 |

| | | | | |
|-----------|---------------------------------------------|-----------|---|---|
| 21 | Bolt, M10x35-8.8Hex Head Full Thread Zinc | F81003-17 | 4 | |
| 22 | Washer, 10.2 Split Lock Zinc | F81055-2 | 1 | ◆ |
| 23 | Nut, 3/8-16 Hex Nylon Lock | F05010-10 | 1 | |
| 24 | Bracket, Power Feed Mount | 015162-1 | 1 | |
| 25 | Bolt, 3/8-16 x 2" Hex Head Full Thread Zinc | F05007-16 | 1 | |
| 26 | Nut, M10-8-B Hex Nylon Zinc Lock | F81033-1 | 1 | |
| 27 | Bolt, M8x20-8.8-B Hex Head Full Thread Zinc | F81002-4 | 4 | |
| 28 | Washer, 8.2 Split Lock Zinc | F81054-4 | 4 | |

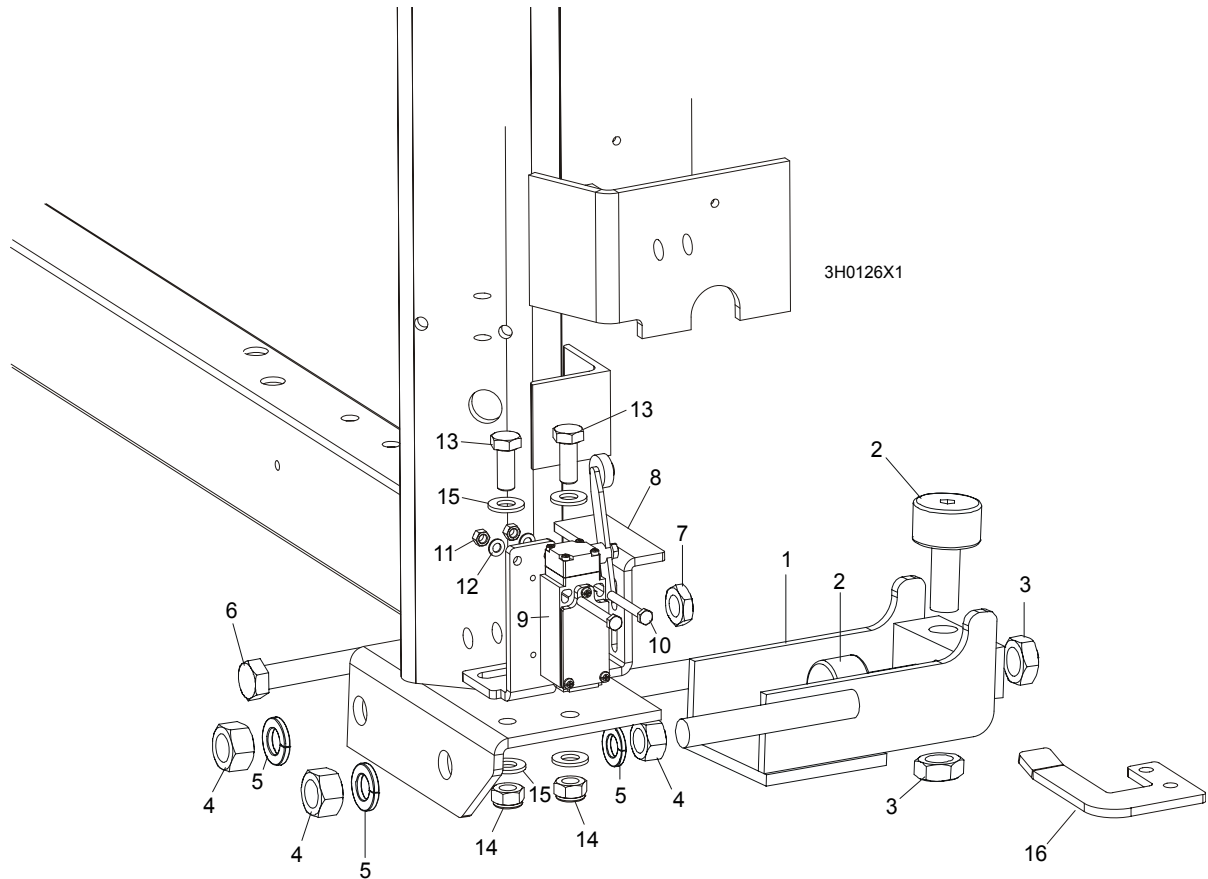
7.3 Feed Chain/Stop



| REF | DESCRIPTION (◆ Indicates Parts Available In Assemblies Only) | PART # | QTY. |
|-----|--------------------------------------------------------------|--------------------------|------|
| | CHAIN KIT, LT30 FEED | K10408 | 1 |
| | CHAIN KIT, LT40 FEED | K10410 | 1 |
| 1 | Chain, #40 X 215" LT30 Feed | 014744 | 1 |
| | Chain, #40 X 267.5" LT40 Feed | 014475 | 1 |
| 2 | Link, #40 Master | P04200 | 2 |
| 3 | Tensioner Weldment, Power Feed Chain | 086818-1 | 1 |
| 4 | Nut, M12-5 Hex Jam | F81034-4 | 2 |
| 5 | Washer, 12.2 Split Lock | F81056-2 | 2 |
| 6 | BRACKET, FEED CHAIN REAR MOUNT | 087628-1 | 1 |
| 7 | BOLT, M12 X 40 8.8 HEX HEAD GRADE 5 | F81004-4 | 2 |
| 8 | NUT, M12-8 HEX NYLON LOCK | F81034-2 | 2 |
| | STOP KIT, RUBBER CARRIAGE | K09630 | 2 |
| 9 | Stop, Rubber Carriage | P12165 | 1 |
| 10 | Pin, Rubber Carriage Stop | W09293 | 1 |
| 11 | Pin, 3/16" X 1" Cotter | F05012-21 | 1 |
| 12 | BRACKET, FRONT FEED CHAIN MOUNT | 095733-1 | 1 |

| | | | | |
|----|----------------------------------------------|-----------|---|--|
| 13 | BOLT, 3/8-16 X 1" HEX HEAD | F05007-7 | 2 | |
| 14 | NUT, 3/8-16 HEX NYLON LOCK | F05010-10 | 2 | |
| 15 | BRACKET WELDMENT, REAR MAIN TUBE COVER MOUNT | 087105-1 | 1 | |
| 16 | COVER, REAR MAIN TUBE | 015023 | 1 | |
| 17 | WASHER, 8.4 FLAT | F81054-1 | 2 | |
| 18 | WASHER, 8.2 SPLIT LOCK | F81054-4 | 2 | |
| 19 | BOLT, 5/16-18 X 1" HEX HEAD | F05006-1 | 2 | |

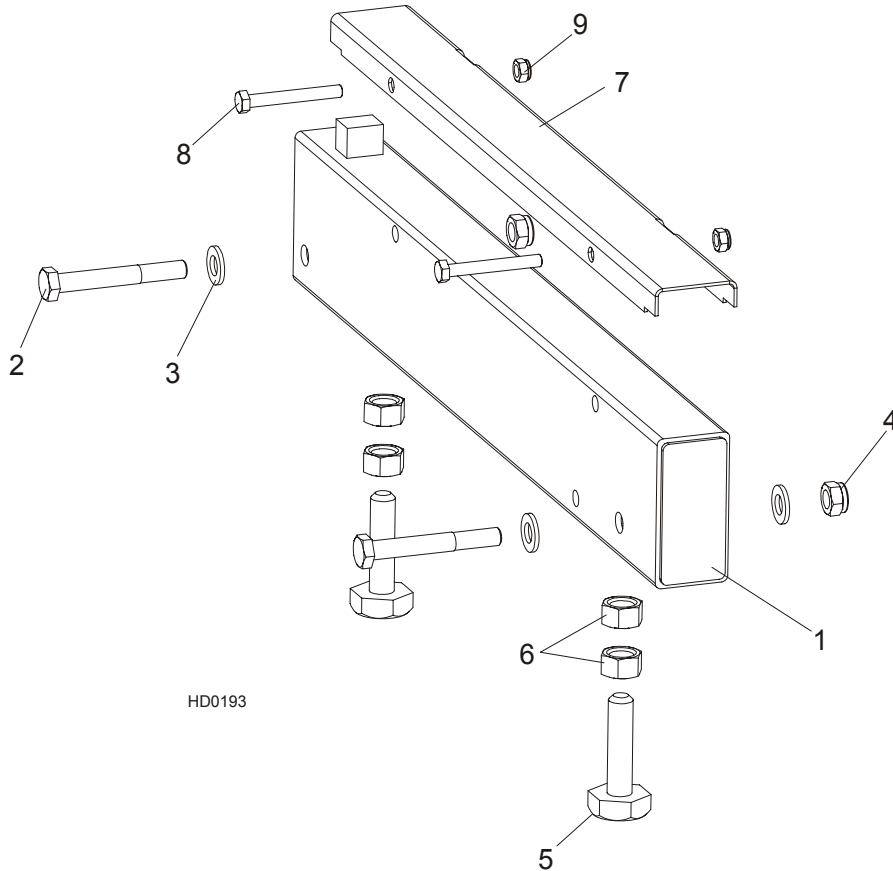
7.4 Lower Track Rollers



| REF | DESCRIPTION (◆ Indicates Parts Available In Assemblies Only) | PART # | QTY. |
|-----|--------------------------------------------------------------|------------|------|
| | ROLLER ASSEMBLY, LOWER TRACK | 098741 | 2 |
| 1 | Bracket, Lower Track Roller Mounting | 098740-1 | 1 |
| 2 | Roller, Track Cam Bearing (McGill) | 012797 | 2 |
| 3 | Nut, 5/8-18 Hex Jam | F05010-11 | 2 |
| 4 | Nut, M16, Hexagon, Grade 5.8 Plain | F81036-1 | 4 |
| 5 | Washer, 16.3 Split Lock | F81058-2 | 4 |
| 6 | BOLT, M12 X 55-8.8 HEX HEAD FULL THREAD | F81004-12 | 2 |
| 7 | NUT, M12-8-B HEX JAM | F81034-1 | 2 |
| 8 | BRACKET, POWER SUPPLY STRIP AND LIMIT SWITCH | 086380-1 | 1 |
| 9 | SWITCH, GLCB01A2B LIMIT | 086469 | 1 |
| 10 | BOLT, M5 X 40 8.8 HEX HEAD | F810000-11 | 2 |
| 11 | NUT, M5-8 | F81030-1 | 2 |
| 12 | WASHER, 5.3 FLAT | F81052-1 | 2 |
| 13 | BOLT, M10 X 25 8.8 | F81003-11 | 2 |
| 14 | NUT, M10 NYLON | F81033-1 | 2 |
| 15 | WASHER, 10.5 FLAT | F81055-1 | 2 |
| 16 | BRACKET, LIMIT SWITCH | 091852-1 | 1 |

SECTION 8 BED FRAME ASSEMBLY

8.1 Bed Rail Assembly, Front (LT40/70M Super)

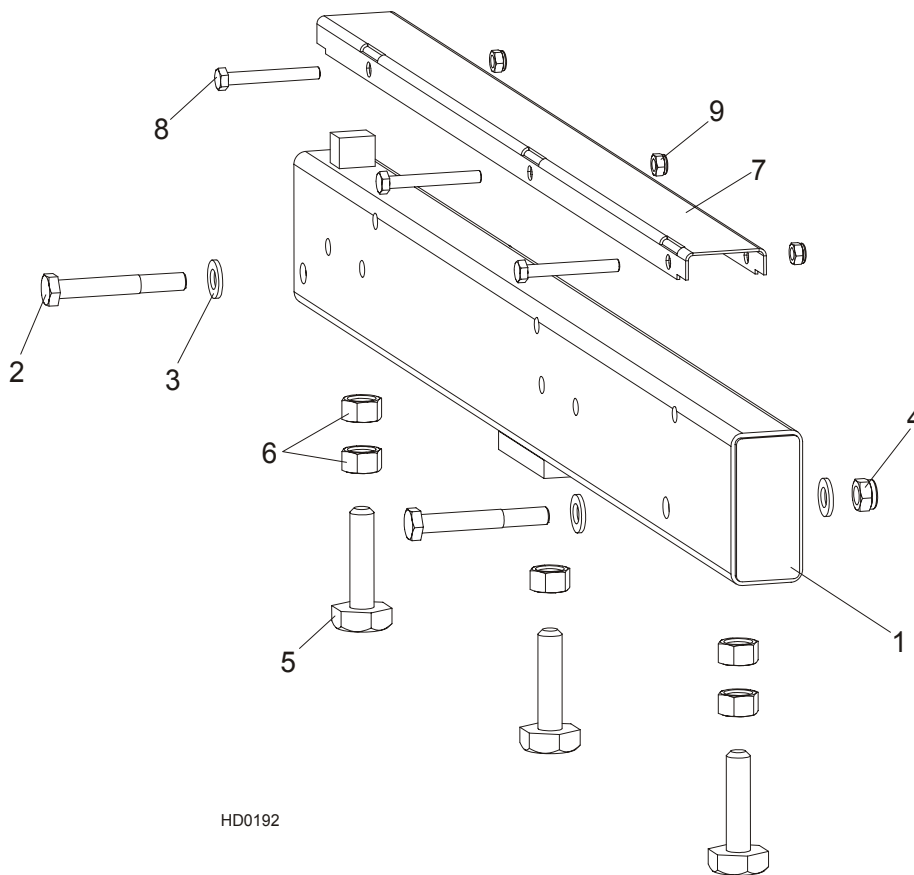


| REF | DESCRIPTION (◆ Indicates Parts Available In Assemblies Only) | PART# | QTY. |
|-----|--------------------------------------------------------------|----------|------|
| 1 | BED RAIL ASSEMBLY, FRONT - LT70M SUPER | 095646 | 1 |
| 2 | Bolt, M12 x 90-8.8 Hex Head | F81004-2 | 2 |
| 3 | Washer, 13 SAE Flat | F81056-1 | 4 |
| 4 | Nut, M12-8 Hex Nylon Lock | F81034-2 | 2 |
| 5 | Bolt, M16 Bed Rail Adjustment | 086809 | 2 |
| 6 | Nut, M16-5-B Hex Head Zinc | F81036-5 | 4 |
| 7 | COVER, 22.75 SS LT50 PIVOT | S13012 | 1 |
| 8 | BOLT, M8X65-5.8 ZINC HEX HEAD | F81002-3 | 2 |
| 9 | NUT, M8-8-B HEX NYLON ZINC LOCK | F81032-2 | 2 |

8 BED FRAME ASSEMBLY

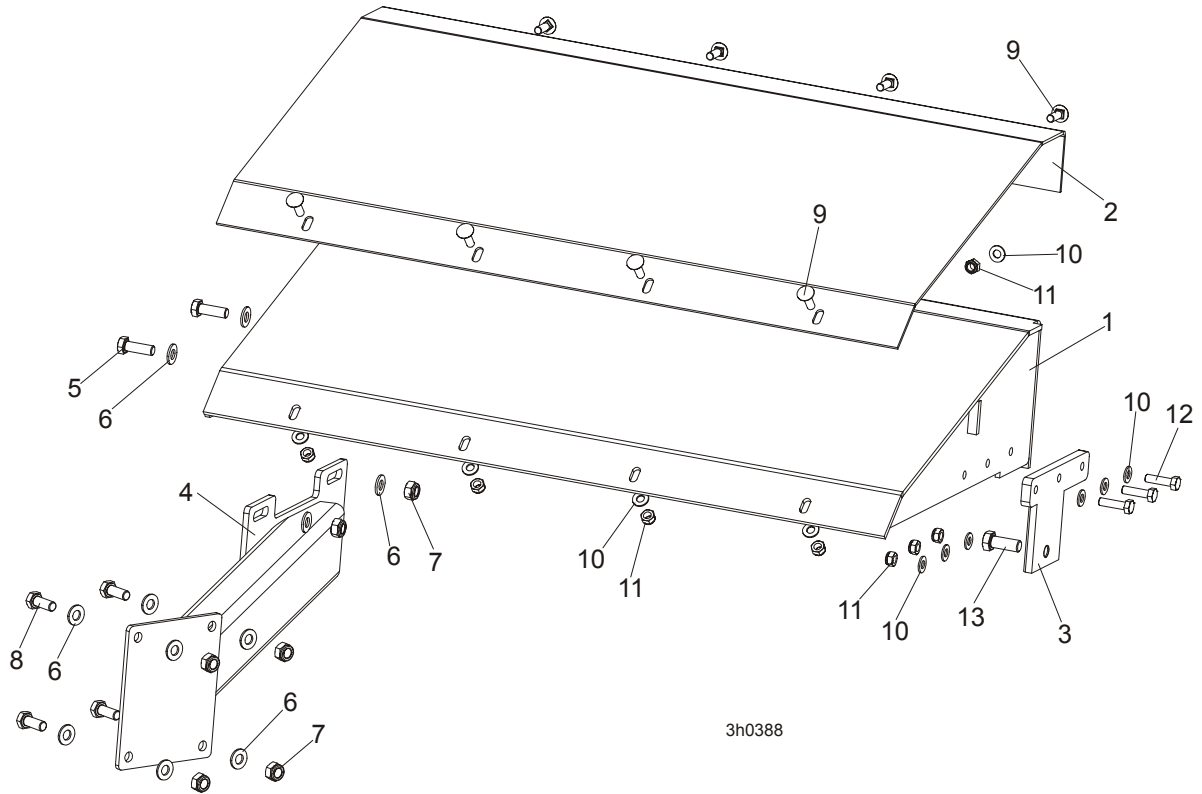
Bed Rail Assembly, Middle (LT40/70M Super)

8.2 Bed Rail Assembly, Middle (LT40/70M Super)



| REF | DESCRIPTION (◆ Indicates Parts Available In Assemblies Only) | PART# | QTY. |
|-----|---------------------------------------------------------------|----------|------|
| 1 | BED RAIL ASSEMBLY, MIDDLE - LT70M SUPER | 096478 | 1(4) |
| | BED RAIL ASSEMBLY, MIDDLE W/HOLE - LT70M SUPER | 096993 | 1 |
| | BED RAIL ASSEMBLY, MIDDLE (POWER ROLLER) - LT70M SUPER | 095650 | 1 |
| 2 | Bolt, M12 x 90-8.8 Hex Head | F81004-2 | 2 |
| 3 | Washer, 13 SAE Flat | F81056-1 | 4 |
| 4 | Nut, M12-8 Hex Nylon Lock | F81034-2 | 2 |
| 5 | Bolt, M16 Bed Rail Adjustment | 086809 | 3 |
| 6 | Nut, M16-5-B Hex Head Zinc | F81036-5 | 5 |
| 7 | COVER, STAINLESS STEEL BED RAIL | S09944 | 1 |
| 8 | BOLT, M8X65-5.8 ZINC HEX HEAD | F81002-3 | 3 |
| 9 | NUT, M8-8-B HEX NYLON ZINC LOCK | F81032-2 | 3 |

8.3 Table, M Super Frame

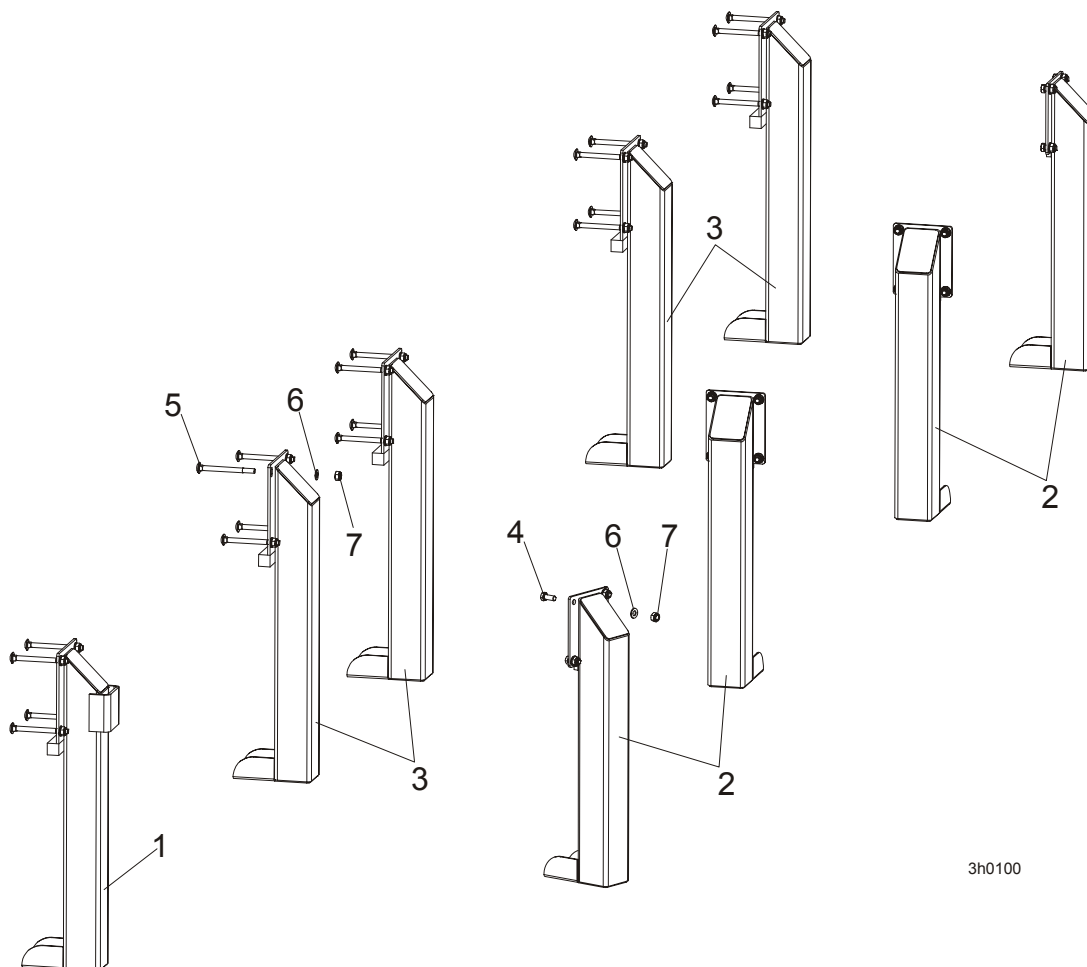


| REF | DESCRIPTION (◆ Indicates Parts Available In Assemblies Only) | PART # | QTY. | |
|-----------|--------------------------------------------------------------|-----------|------|--|
| | TABLE, M SUPER FRAME COMPLETE | 100674 | 1 | |
| 1 | TABLE, M FRAME | 100672-1 | 1 | |
| 2 | PLATE, M FRAME TABLE | 099946 | 1 | |
| 3 | BRACKET, M SUPER FRAME | 100675-1 | 1 | |
| 4 | BRACKET, M SUPER FRAME TABLE SUPPORT | 100670-1 | 1 | |
| 5 | BOLT, M10X30-5.8 HEX HEAD FULL THREAD | F81003-2 | 2 | |
| 6 | WASHER, 10.5 FLAT ZINC | F81055-1 | 12 | |
| 7 | NUT, M10-8-B NYLON HEX ZINC LOCK | F81033-1 | 6 | |
| 8 | BOLT, M10-1.5X25MM HH GR8.8 | F81003-11 | 4 | |
| 9 | BOLT, M8X20MM HH GR8.8 | F81002-11 | 8 | |
| 10 | WASHER, 8.4 FLAT, ZINC | F81054-1 | 14 | |
| 11 | NUT, M8-8-B, HEX, NYLON LOCK ZINC | F81032-2 | 11 | |
| 12 | BOLT, M8X30MM, HH, GR 5.8, FULL THRD, ZINC | F81002-2 | 1 | |
| 13 | BOLT M12X30-8.8 | F81004-22 | 1 | |

8 BED FRAME ASSEMBLY

Stationary Leg Kit, M Super Frame

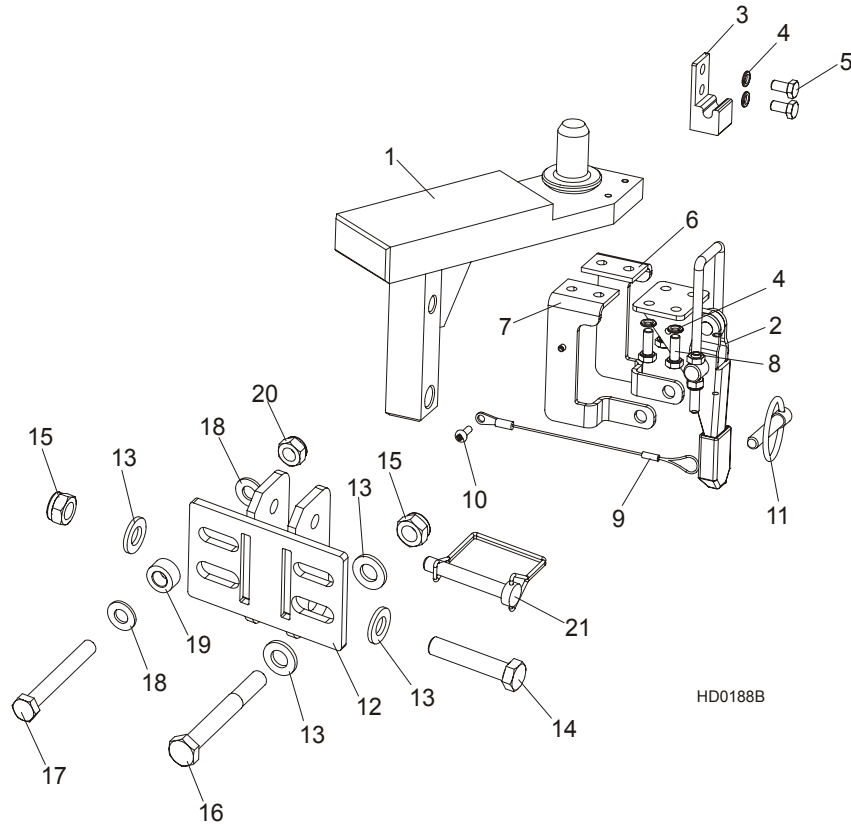
8.4 Stationary Leg Kit, M Super Frame



3h0100

| L.P. | OPIS (◆ wskazuje części dostępne jedynie w zespołach) | NUMER KAT. | SZT. |
|------|-------------------------------------------------------|------------|------|
| | STATIONARY LEG KIT, M SUPER FRAME | 097299 | 1 |
| 1 | LEG, LONG STATIONARY W/BOARD RETURN TABLE | 087449-1 | 1 |
| 2 | LEG, STATIONARY LEFT | 087450-1 | 4 |
| 3 | LEG, STATIONARY RIGHT | 087451-1 | 4 |
| 4 | BOLT, M10X25-8.8-FE/ZN5 | F81003-11 | 16 |
| 5 | BOLT, M10X120 8.8 FE/ZN5 | F81003-33 | 20 |
| 6 | WASHER, 10.5 FLAT ZINC | F81055-1 | 36 |
| 7 | NUT, M10-8-B HEX NYLON ZINC LOCK | F81033-1 | 36 |

8.5 LT40/70M Super Saw Head Rest Pin Assembly

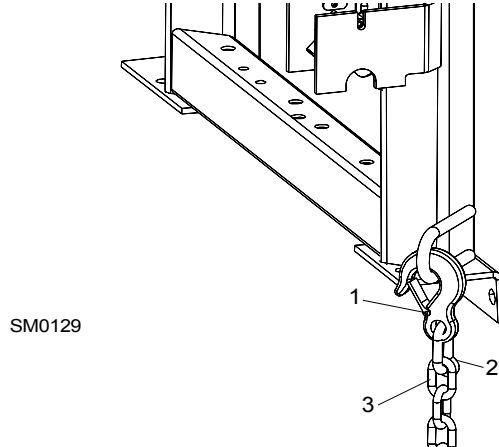


| REF | DESCRIPTION (◆ Indicates Parts Available In Assemblies Only) | PART# | QTY. |
|-----|--------------------------------------------------------------|-----------|------|
| | SAW HEAD REST PIN W/LATCH CLAMP, LT70S/M | 094660 | 1 |
| 1 | Pin Weldment, LT70S/M Saw Head Rest | 094658-1 | 1 |
| 2 | Clamp, GN851.2-320-T4 Latch | 094656 | 1 |
| 3 | Latch Bracket, GN851.2-320-T4 Zinc-plated | 094659-1 | 1 |
| 4 | Washer, Z 6.1 Split Lock Zinc | F81053-3 | 6 |
| 5 | Bolt, M6x12-8.8 Hex Head Full Thread Zinc | F81001-7 | 6 |
| 6 | Bracket, Locking Right | 097102-1 | 1 |
| 7 | Bracket, Locking Left | 097103-1 | 1 |
| 8 | Bolt, M6x16-8.8-Fe/Zn5 PN-85/M-82105 | F81001-32 | 4 |
| 9 | Lanyard, 3/64x6" | 016030 | 1 |
| 10 | Screw, M4x12 -5,8-B- Fe/Zn5 PN-M/82202 | F81011-43 | 1 |
| 11 | Pin, 8 BN914 (BOSSARD 1364650) Clamp Lock | F81046-2 | 1 |
| 12 | BRACKET, LT40 SAW HEAD REST PIN MOUNT PAINTED | 092765-1 | 1 |
| 13 | WASHER, 13 FLAT ZINC | F81056-1 | 4 |
| 14 | BOLT, M12 X 60-8.8 HEX HEAD ZINC | F81004-5 | 1 |
| 15 | NUT, M12-8 HEX NYLON ZINC LOCK | F81034-2 | 2 |

8**BED FRAME ASSEMBLY***LT40/70M Super Saw Head Rest Pin Assembly*

| | | | | |
|----|-----------------------------------------|-----------|---|--|
| 16 | BOLT, M12x95-8.8 HEX HEAD ZINC | F81004-29 | 1 | |
| 17 | BOLT, M10x80-8.8 HEX HEAD ZINC | F81003-50 | 1 | |
| 18 | WASHER, 10.5 FLAT ZINC | F81055-1 | 2 | |
| 19 | BUSHING, ZINC-PLATED SPACER | 090936-1 | 1 | |
| 20 | NUT, M10-8-B HEX NYLON ZINC LOCK | F81033-1 | 1 | |
| 21 | PIN, 3/8" X 2 1/4" SNAP RETAINER | 014151 | 1 | |

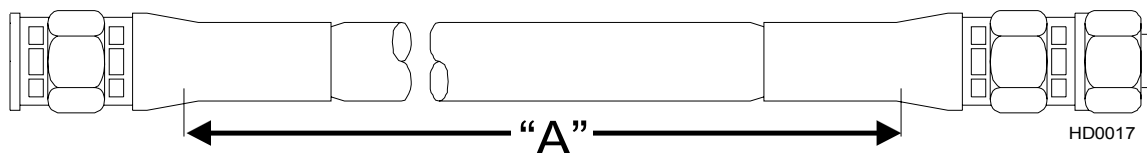
8.6 Tie Down Chain Assembly



| REF | DESCRIPTION (◆ Indicates Parts Available In Assemblies Only) | PART # | QTY. |
|----------|--------------------------------------------------------------|----------|------|
| | CHAIN ASSEMBLY, TIE DOWN | A04376-1 | 1 |
| 1 | Hook, 5/8" Safety Chain | P12075 | 1 |
| 2 | Screw Closed Chain Link, 10 | 100767 | 1 |
| 3 | Chain, N-10 x 35, 6 Links | 100951 | 1 |

SECTION 9 HYDRAULIC SYSTEM

9.1 Hydraulic Hoses, LT40/70M Super



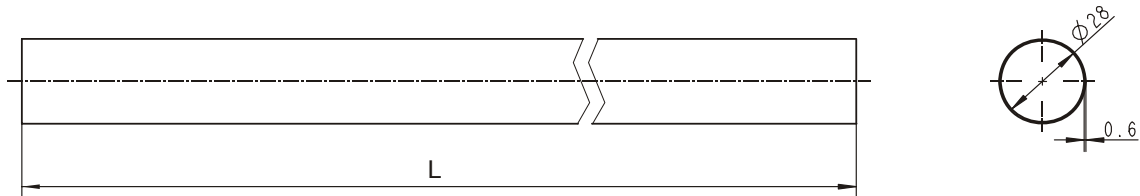
| Part | Color Code | LENGTH "A" [m] | Application | Wood-Mizer Part No. |
|-----------|------------|----------------|---------------------------------------------------------------------------------|---------------------|
| | | | I Section (from filter) according to designations from right to left | |
| A1 | White | 3,2 | 3/8" 2-Plane Clamp, In/Out | 097614 |
| B1 | Orange | 3,2 | 3/8" 2-Plane Clamp, In/Out | 097615 |
| A2 | Pink | 3,3 | 3/8" Raising the turner and side supports | 097622 |
| B2 | Plain | 3,3 | 3/8" Raising the turner and side supports | 097622 |
| A3 | Red | 5,6 | 1/4" III Camp (middle), Up/Down | 097545 |
| B3 | Blue | 5,6 | 1/4" III Camp (middle), Up/Down | 097545 |
| A4 | Silver | 4,7 | 1/4" I Toe Board | 097620 |
| B4 | Brown | 4,7 | 1/4" I Toe Board | 097620 |
| A5 | Black | 3,3 | 3/8" Chain Turner Hydraulic Motor | 097619 |
| B5 | Brown | 3,3 | 3/8" Chain Turner Hydraulic Motor | 097619 |
| A6 | Orange | 5,0 | 1/4" III Clamp (middle), In/Out | 097545 |
| B6 | White | 5,0 | 1/4" III Clamp (middle), In/Out | 097545 |
| A7 | Red | 3,9 | 3/8" Log Loader | 097623 |
| B7 | Blue | 3,9 | 3/8" Log Loader | 097623 |
| | | | II Section according to designations from right to left | |
| A1 | Purple | 4,8 | 1/4" I Toe Board Drive | 097621 |
| B1 | Purple | 4,8 | 1/4" I Toe Board Drive | 097621 |
| A2 | Black | 2,0 | 1/4" II Toe Board | 097617 |
| B2 | Purple | 2,0 | 1/4" II Toe Board | 097617 |
| A3 | Red | 6,2 | 1/4" I Clamp, Up/Down | 097616 |
| B3 | Blue | 6,2 | 1/4" I Clamp, Up/Down | 097616 |
| A4 | Orange | 5,5 | 1/4" I Clamp, In/Out | 097616 |
| B4 | White | 5,5 | 1/4" I Clamp, In/Out | 097616 |

TABLE 0-0

| | | | | |
|-----------|--------|------|-------------------------------------------|--------|
| A5 | Yellow | 4,1 | 1/4" 2-Plane Clamp, Up/Down | 097613 |
| B5 | Green | 4,1 | 1/4" 2-Plane Clamp, Up/Down | 097613 |
| A6 | Red | 1,0 | 1/4" II Clamp, Up/Down | 097618 |
| B6 | Blue | 1,0 | 1/4" II Clamp, Up/Down | 097618 |
| A7 | Orange | 2,0 | 1/4" II Clamp, In/Out | 097617 |
| B7 | White | 2,0 | 1/4" II Clamp, In/Out | 097617 |
| | Green | 2,3 | 3/8" tee connector to log loader cylinder | 097624 |
| | Yellow | 2,3 | 3/8" tee connector to log loader cylinder | 097624 |
| | Green | 1,2 | 3/8" tee connector to log loader cylinder | 097625 |
| | Yellow | 1,2 | 3/8" tee connector to log loader cylinder | 097625 |
| | | 0,65 | 3/8" turner hose | 094597 |
| | | 0,65 | 3/8" turner hose | 094597 |
| | | 0,75 | 3/8" left side support hose | 094596 |
| | | 1,0 | 3/8" right side support hose | 094593 |
| | | 1,0 | 3/8" right side support hose | 094593 |
| | | 1,2 | 3/8" cylinder instrumentation | 097625 |

TABLE 0-0

Protective Conduits, LT40/70M Super Hydraulic Hoses



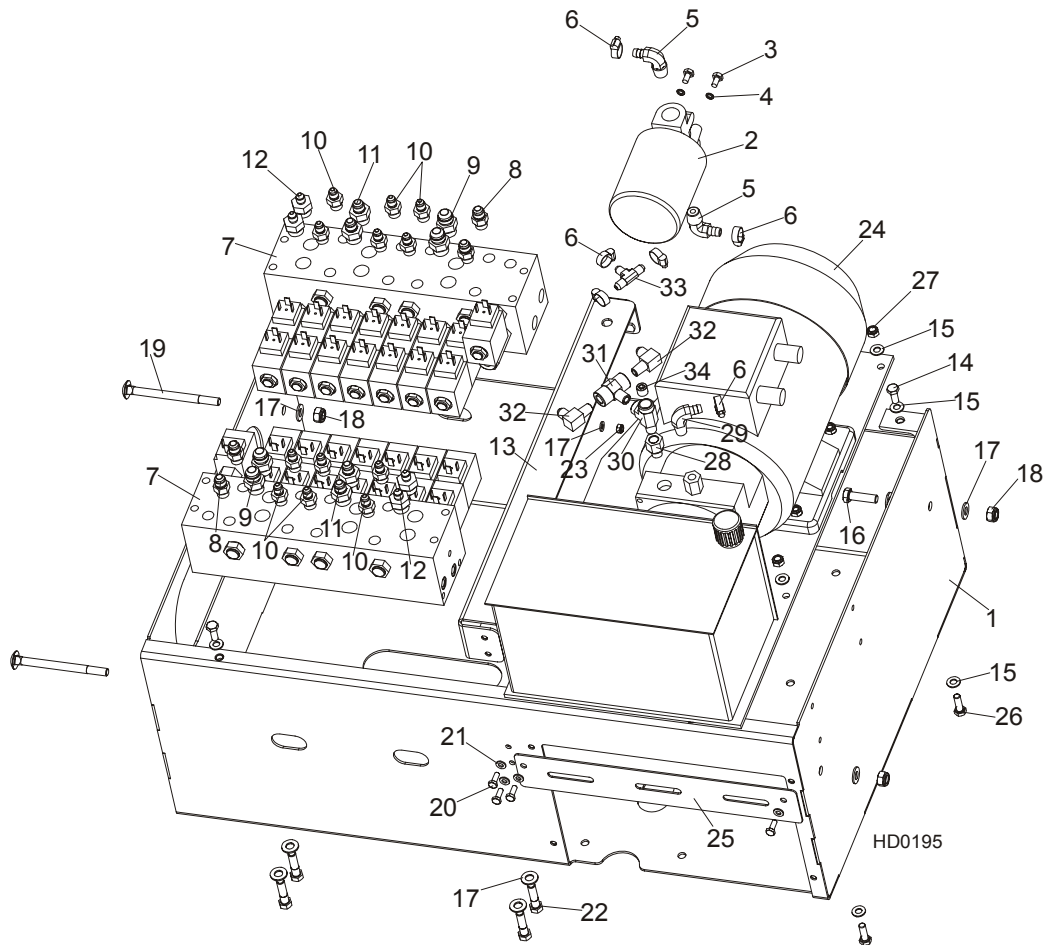
| LENGTH "L" | DESCRIPTION (◆ Indicates Parts Available In Assemblies Only) | PART # | QTY. |
|------------|--------------------------------------------------------------|--------|------|
| 0,85 | PROTECTIVE CONDUIT, HYDRAULIC MOTOR HOSE | 100127 | 2 |
| 1,00 | PROTECTIVE CONDUIT, SIDE SUPPORT HOSE | 100128 | 4 |
| 0,70 | PROTECTIVE CONDUIT, LOG TURNER HOSE | 099761 | 3 |
| 0,45 | PROTECTIVE CONDUIT, IN/OUT CYLINDER HOSE - TOP | 099763 | 1 |

9

HYDRAULIC SYSTEM

Hydraulic Control Box, LT40/70M Super (AC)

9.2 Hydraulic Control Box, LT40/70M Super (AC)

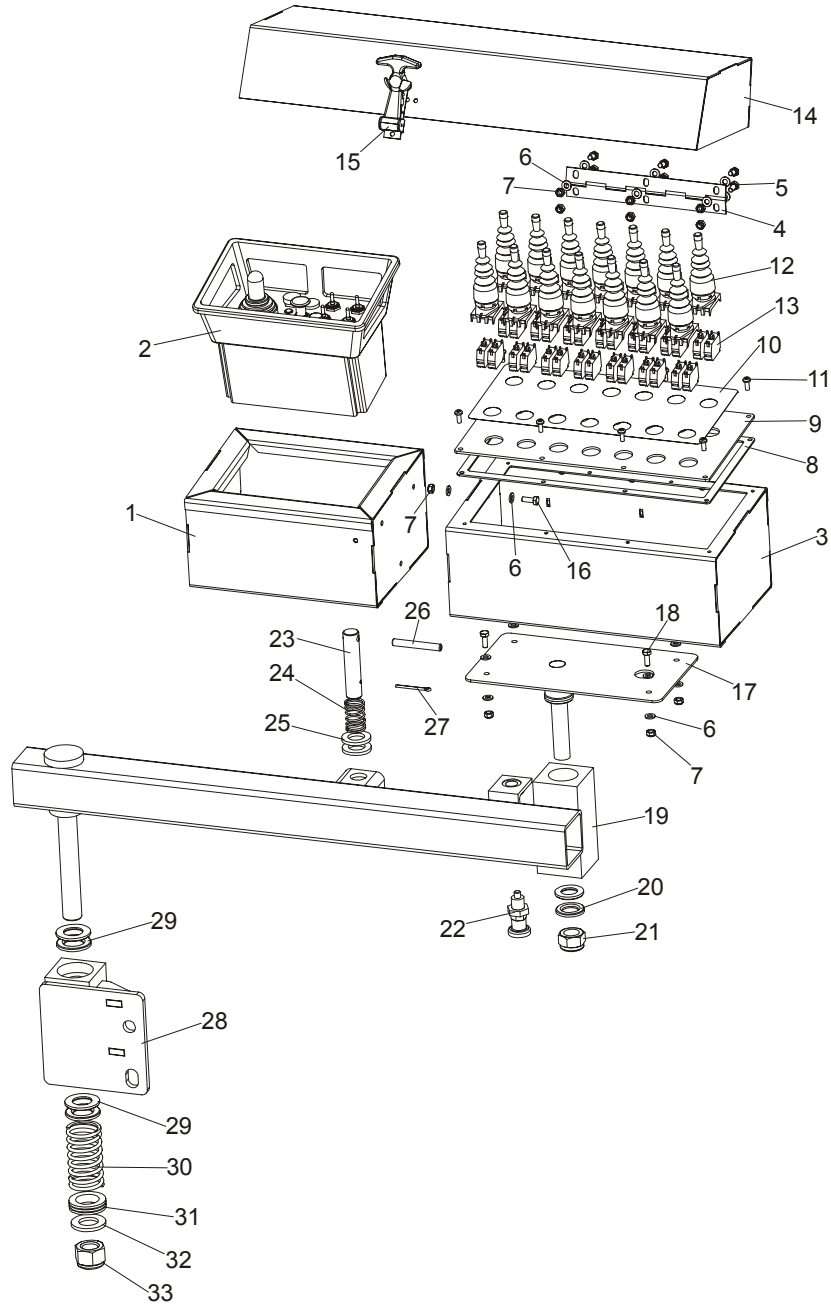


| REF | DESCRIPTION (◆ Indicates Parts Available In Assemblies Only) | PART# | QTY. |
|-----|--------------------------------------------------------------|-----------|------|
| | HYDRAULIC CONTROL BOX - LT70M SUPER (AC) | 097529 | 1 |
| 1 | Box, LT70M Super Hydraulic Control | 095690-1 | 1 |
| 2 | Manifold, W/Filter | P22683 | 1 |
| 3 | Bolt, 1/4-20x1/2 HH | F05005-15 | 2 |
| 4 | Washer, M6 Split Lock Zinc | F81053-3 | 2 |
| 5 | Fitting, 1/2NPT-3/8 Barb Elbow | P12707 | 2 |
| 6 | Clamp, 11/16 Worm | P12739 | 6 |
| | Valve, hydr. 7 Station Exp.12V | 036730 | 2 |
| 7 | Valve hyd, 7 Station Exp. 24V | 036731 | 1 |
| 8 | Fitting, 3/8" O-Ring 3/8 JIC | 014687 | 2 |

HYDRAULIC SYSTEM**9***Hydraulic Control Box, LT40/70M Super (AC)*

| | | | | |
|-----------|------------------------------------------|-----------|----|--|
| 9 | Fitting, #8SAE- #8JIC | 028076 | 2 | |
| 10 | Fitting, 1/4JIC-3/8 O-Ring | P26284 | 6 | |
| 11 | Fitting, 8SAE-6JIC | P12703 | 2 | |
| 12 | Fitting , 8 SAE-3/8 JIC | 036759 | 2 | |
| 13 | Bar, LT70M Super Hydraulic Valve Station | 095686-1 | 1 | |
| 14 | Bolt, M8x20mm, Hex Head,Gr 5.8 Zinc | F81002-4 | 4 | |
| 15 | Washer, M8, Flat, Zinc | F81054-1 | 10 | |
| 16 | Bolt, M10x35-8.8 Fe/Zn5 PN-M/82105 | F81003-17 | 2 | |
| 17 | Washer, M10, Flat, Zinc | F81055-1 | 14 | |
| 18 | Nut, M10, Nylon Hex Zinc Lock | F81033-1 | 4 | |
| 19 | Bolt, M10x120 8.8 Carriage | F81003-33 | 2 | |
| 20 | Bolt, M6x16 8.8 Fe/Zn5 PN-M/82105 | F81001-15 | 6 | |
| 21 | Washer, M6, Flat, Zinc | F81053-1 | 8 | |
| 22 | Bolt, 3/8-16x1 1/2 HH | F05007-3 | 8 | |
| 23 | Nut, M6, Nylon Hex Zinc Lock | F81031-2 | 2 | |
| 24 | Pump Assy, AC 4KW 14,5 l/min Hydraulic | 093459 | 1 | |
| 25 | Cover, LT70M Super Hydraulic Box (AC) | 096988-1 | 1 | |
| 26 | Bolt, M8x25mm Hex Head Gr 5.8 Zinc | F81002-5 | 3 | |
| 27 | Nut, M8, Hexagon, Nylon Lock Zinc | F81032-2 | 3 | |
| 28 | Fitting, 6SAE Male-1/4NPT Female | 014686 | 1 | |
| 29 | Fitting, 3/8NPT-3/8 Barb Elbow | P12708 | 1 | |
| 30 | Fitting, 1/4NPT Male Run Tee | P09141 | 1 | |
| 31 | Fitting, 1/4NPT Branch Tee | 015486 | 1 | |
| 32 | Fitting, 3/8JIC-1/4NPT 90L | 015491 | 2 | |
| 33 | Fitting, 3/8 Barb Tee | 015485 | 1 | |
| 34 | Fitting, 1/4 NPT Socket Pipe Plug | 096221 | 1 | |
| | COVER, LT70M SUPER HYDRAULIC BOX | 097528-1 | 1 | |

9.3 Hydraulic & Wireless Control Box

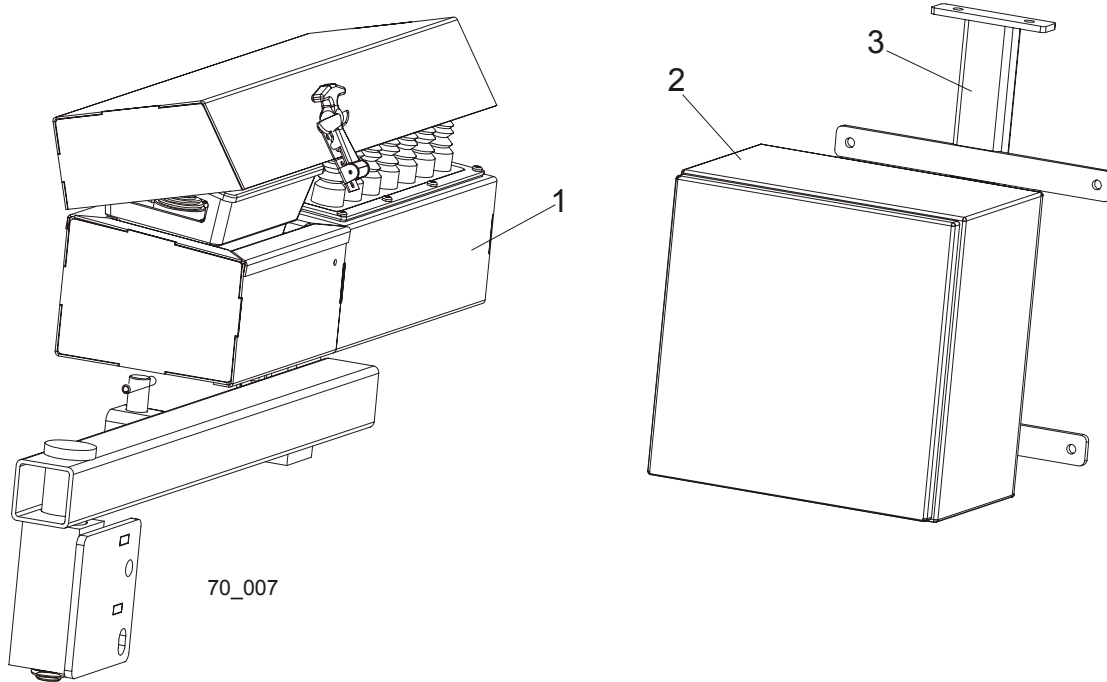


| REF | DESCRIPTION (◆ Indicates Parts Available In Assemblies Only) | PART# | QTY. |
|-----|--------------------------------------------------------------|----------|------|
| | BOX ASSEMBLY, LT70M SUPER HYDRAULIC CONTROL | 096485 | 1 |
| | BOX ASSEMBLY, REMOTE CONTROL | 096938 | 1 |
| 1 | Box, LT70M Super Remote Control Box | 096942-1 | 1 |
| 2 | Box, Wireless Control | 096681 | 1 |

| | | | | |
|-----------|-----------------------------------------------------|-----------|----|--|
| | Box, LT70M Super Hydraulic Control Complete | 096999 | 1 | |
| 3 | Box, LT70M Super Hydraulic Control Box | 097005-1 | 1 | |
| 4 | Hinge, Cover Zinc | 088257-1 | 1 | |
| 5 | Bolt, M6x12mm Hex Head Zinc | F81001-7 | 6 | |
| 6 | Washer, M6, Flat, Zinc | F81053-1 | 23 | |
| 7 | Nut, M6, Nylon Hex Zinc Lock | F81031-2 | 13 | |
| 8 | Gasket, 9.5m Front Panel | 089998 | 1 | |
| 9 | Panel Assembly, Hydraulic 9.5m Front | 090356-1 | 1 | |
| 10 | Decal, Front Panel | 095692 | 1 | |
| 11 | Bolt, #10-24x1/2 Ph Pan Hd, Type 23 | F05015-17 | 8 | |
| 12 | Joystick, PMJN8T3, 2-position | 096928 | 14 | |
| 13 | Contact, ZBE 101 | 087817 | 28 | |
| 14 | Cover, LT70M Super Hydraulic & Wireless Control Box | 096941-1 | 1 | |
| 15 | Latch, Flexible Draw | 014829 | 1 | |
| 16 | Bolt, M6x16-5.8-Fe/Zn5 PN-M/82105 | F81001-14 | 3 | |
| 17 | Support, LT70M Super Control Box | 096489-1 | 1 | |
| 18 | Bolt, M6x16 8.8 Fe/Zn5 PN-M/82105 | F81001-15 | 4 | |
| 19 | Arm, Control Box | 096480-1 | 1 | |
| 20 | Washer, 21 PN-83/M-82039 | F81059-21 | 4 | |
| 21 | Nut, M20, Nylon Hex Zinc Lock | F81037-2 | 1 | |
| 22 | Pin, Outrigger Detent | 090197 | 1 | |
| 23 | Pin, Outrigger Pull | 087012-1 | 1 | |
| 24 | Spring, 21x38x2 Zinc | 087040 | 1 | |
| 25 | Washer, 21 Fe/Zn5 PN-M/82005 | F81059-2 | 2 | |
| 26 | Pin, 8x65 Roll Zinc | F81046-1 | 1 | |
| 27 | Pin, 4x25 Cotter | F81043-2 | 1 | |
| 28 | Bracket, Control Box | 096690-1 | 1 | |
| 29 | Washer, 25 PN-83/M-82039 | F81059-22 | 4 | |
| 30 | Spring, 40x80x4,5 Zinc | 093435 | 1 | |
| 31 | Bearing, 51106 Thrust | 097274 | 1 | |
| 32 | Washer, 25 Fe/Zn5 PN-78/M-82005 | F81061-3 | 1 | |
| 33 | Nut, M24-8 Zinc Lock | F81039-8 | 1 | |

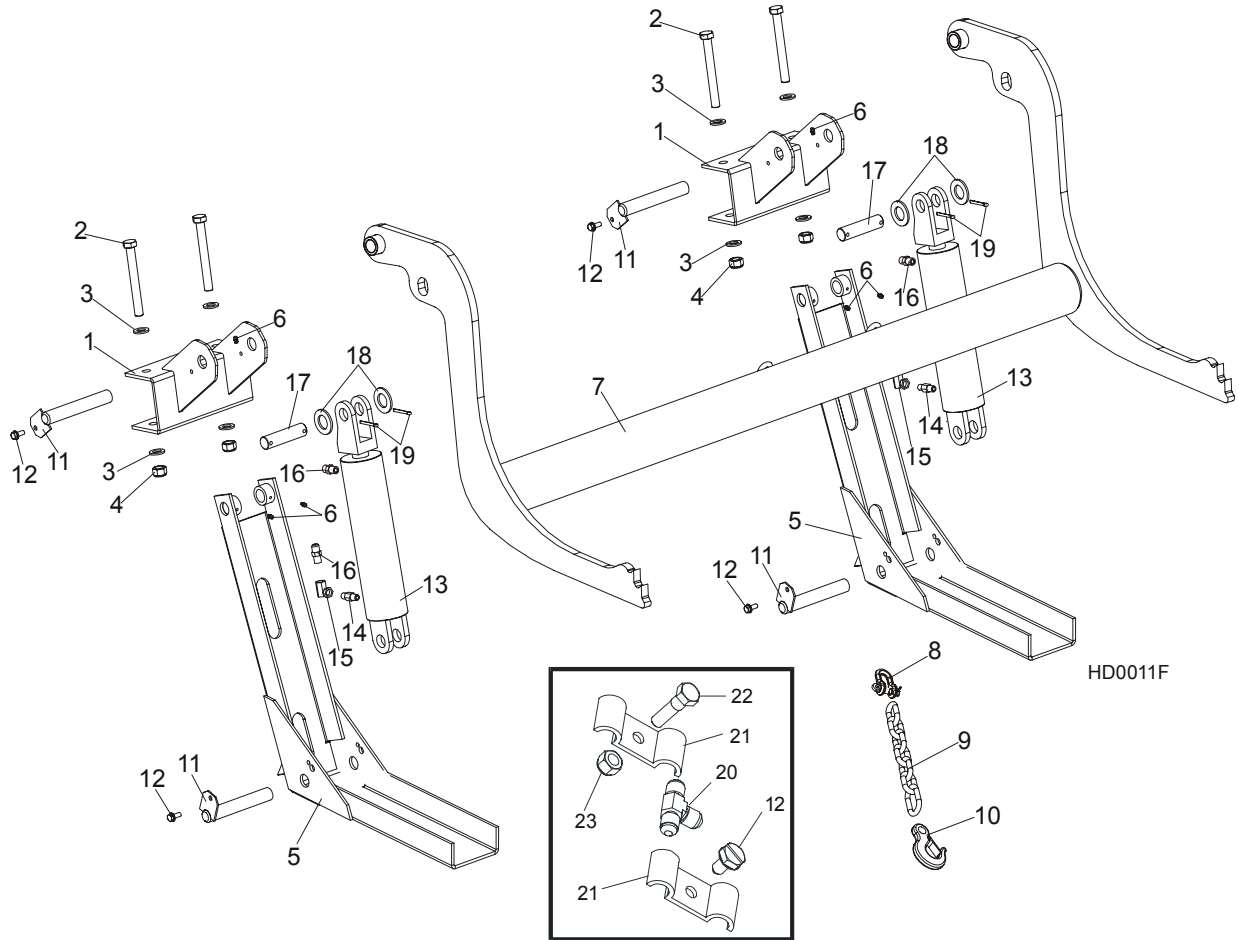
9 **HYDRAULIC SYSTEM**
Wireless Control Assembly (Option)

9.4 Wireless Control Assembly (Option)



| REF | DESCRIPTION (◆ Indicates Parts Available In Assemblies Only) | PART# | QTY. |
|----------|--------------------------------------------------------------|----------|------|
| | Wireless Control Assembly, LT70M Super | 097714 | 1 |
| 1 | BOX ASSEMBLY, LT70M SUPER HYDRAULIC CONTROL | 096485 | 1 |
| 2 | Electric Box, Wireless Control | 096989 | 1 |
| 3 | Bracket, wireless control electric box | 096930-1 | 1 |

9.5 Hydraulic Log Loader



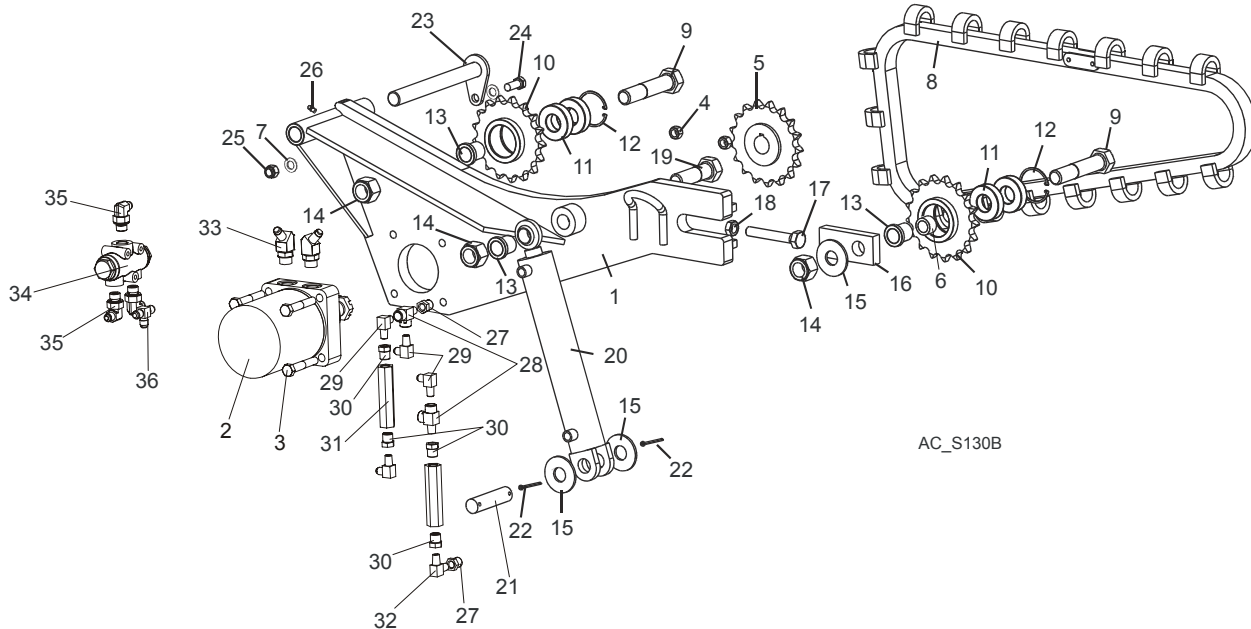
| REF | DESCRIPTION (◆ Indicates Parts Available In Assemblies Only) | PART # | QTY. |
|-----|--------------------------------------------------------------|----------|------|
| | LOADER KIT, HYDRAULIC LOG | 092863 | 1 |
| 1 | Bracket, Hydraulic Log Loader | 087938-1 | 1 |
| 2 | Bolt, M16x140mm Hex Head Zinc Grade 8.8 | F81006-4 | 4 |
| 3 | Washer, M16 Flat Zinc | F81058-1 | 8 |
| 4 | Nut, M16 Hex Nylon Zinc Lock | F81036-2 | 4 |
| | Channel, Hydraulic Log Loading Foot Complete | 090049 | 2 |
| 5 | Channel, Hydraulic Log Loading Foot | 090048-1 | 2 |
| 6 | Fitting, 3/16x3/16 Straight Grease | P04107 | 6 |
| | Arm, Hydraulic Log Loading Complete | 090044 | 1 |
| 7 | Arm, Hydraulic Log Loading | 090006-1 | 1 |
| 8 | Shackle, M-WL. .63 | 086540 | 1 |
| 9 | Chain, Hydraulic Log Loader Safety | A04376 | 1 |

9

HYDRAULIC SYSTEM*Hydraulic Log Loader*

| | | | | |
|----|---------------------------------------|-----------|---|--|
| 10 | Hook, 5/8 Safety Chain | P12075 | 1 | |
| 11 | Pin, Turner Arm | W09446-1 | 4 | |
| 12 | Screw, 5/16-18x3/4 Self-Tapping | F05015-30 | 4 | |
| 13 | Cylinder Assy, Log Loading Super | 015562 | 2 | |
| 14 | Fitting, 1/4NPT Velocity Fuse 5.0GPM | 015750 | 2 | |
| 15 | Fitting, 1/4NPT-1/4JIC Swivel Elbow | P12199 | 2 | |
| 16 | Fitting, 3/8JIC-1/4NPT Straight | 015560 | 4 | |
| 17 | Pin, Cylinder Hydraulic | 086979-1 | 2 | |
| 18 | Washer, 28 Flat Zinc | F81061-1 | 4 | |
| 19 | Pin, 5x40 Cotter | F81043-31 | 4 | |
| 20 | Fitting, 3/8 Barb Tee | 015485 | 1 | |
| 21 | Clamp, 3/8 Hose | 016041 | 2 | |
| 22 | Bolt, 5/16-18x1 Hex Head Zinc Grade 2 | F05006-1 | 1 | |
| 23 | Nut, 5/16-18 Nylon Zinc Lock | F05010-58 | 1 | |

9.6 Hydraulic Log Turner



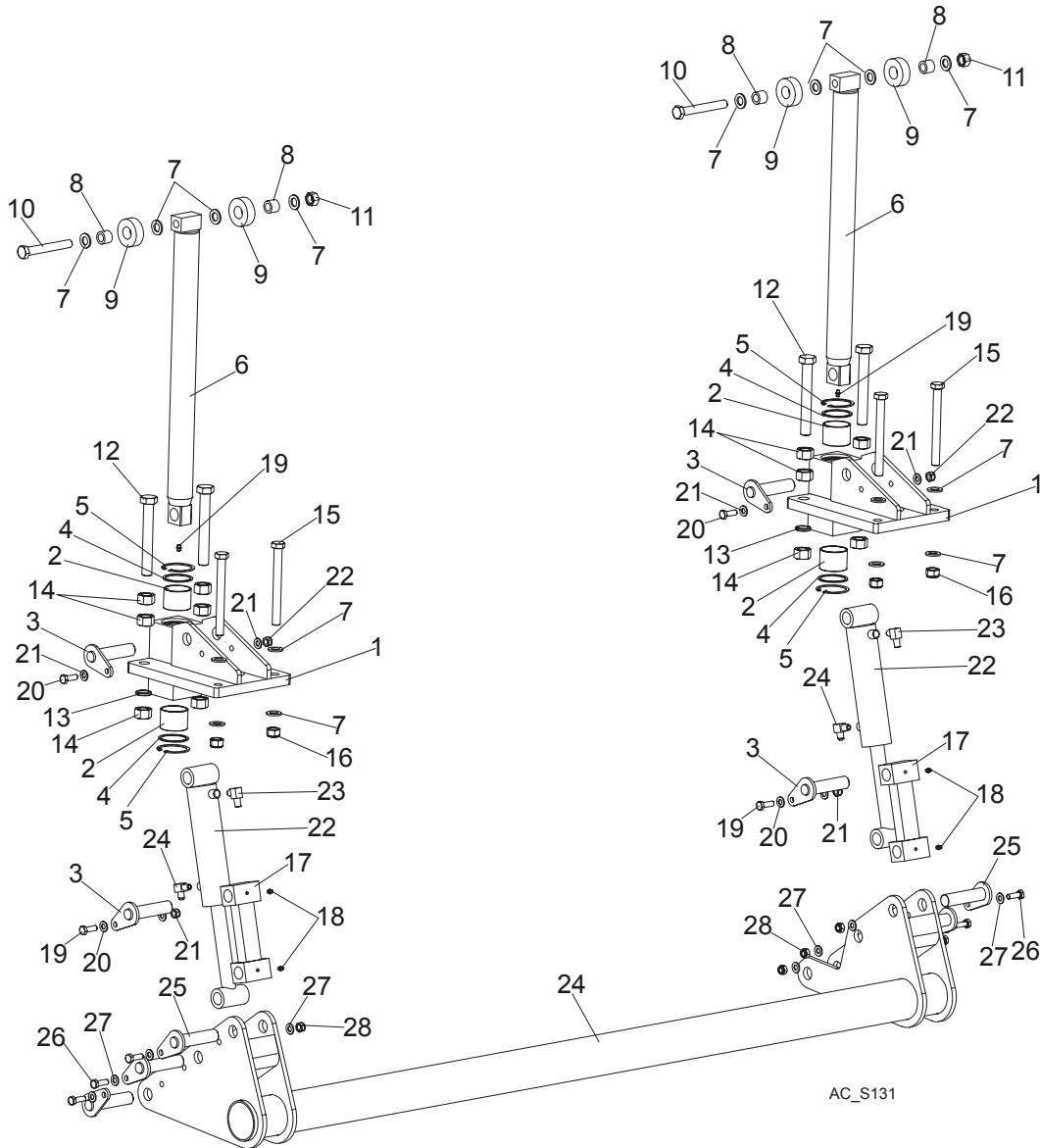
| REF | DESCRIPTION (◆ Indicates Parts Available In Assemblies Only) | PART# | QTY. |
|-----|--------------------------------------------------------------|-----------|------|
| | TURNER, CHAIN LOG - COMPLETE | 095660 | 1 |
| 1 | Arm Weldment, Hydraulic Log Turner | 095662-1 | 1 |
| 2 | Motor, Hydraulic MB29-02-08-AABP | 018741 | 1 |
| 3 | BOLT, M12x75-8.8 HEX HEAD ZINC | F81004-21 | 4 |
| 4 | Nut, M12-8-B Hex Zinc | F81034-1 | 4 |
| 5 | Sprocket, Turner Drive (Weldment) | 092339 | 1 |
| 6 | Bushing | 095643-1 | 1 |
| 7 | Washer, 10.5 Flat Zinc | F81055-1 | 2 |
| 8 | Chain Weldment, Hydraulic Log Turner | 093423 | 1 |
| | Spline, Hydraulic Turner Weldment Chain | 093425 | 17 |
| | Turner Chain, #2080 | 093412 | 1 |
| | Master Link, #2080H | 093427 | 1 |
| 9 | Bolt, M24x120-8.8 | F81009-4 | 2 |
| | Sprocket, Chain Tension Assembly | 092399 | 2 |
| 10 | Sprocket, Chain Tension Weldment | 093290 | 1 |
| 11 | Bearing, 6206 25 | 093292 | 2 |
| 12 | Ring, 62W Inside Spring Retaining | F81090-1 | 1 |
| 13 | Spacer, Chain Tension Sprocket | 095663-1 | 3 |
| 14 | Nut, M24-8-A Hex Nylon Zinc Lock | F81039-8 | 3 |
| 15 | Washer, 25x63 - zinc | 088585-1 | 3 |
| 16 | Plate, Turner Chain Tensioner | 095664-1 | 1 |

9

HYDRAULIC SYSTEM*Hydraulic Log Turner*

| | | | | |
|----|---------------------------------------------|-----------|---|--|
| 17 | Bolt, M16x100-8.8 Hex Head Full Thread Zinc | F81006-2 | 1 | |
| 18 | Nut, M16-5.8 Hex Zinc | F81036-1 | 1 | |
| 19 | Bolt, M24x120 -8.8 | F81009-4 | 1 | |
| 20 | Cylinder, CJ-S389-16-50/2 Hydraulic | 095665 | 1 | |
| 21 | Pin, Hydraulic Cylinder | 086979-1 | 1 | |
| 22 | Pin, S-Zn 5x40 Cotter | F81043-31 | 2 | |
| 23 | Pin, Turner Mounting Weldment | 095666-1 | 1 | |
| 24 | Bolt, M10x35-8.8 Hex Head Full Thread Zinc | F81003-17 | 1 | |
| 25 | Nut, M10-8-B Hex Nylon Zinc Lock | F81033-1 | 1 | |
| 26 | Fitting, M6 A Grease | 086280 | 1 | |
| | Instrumentation, chain turner cylinder | 094383 | 1 | |
| 27 | Fitting, 3/8NPT - 1/4NPT Reducer | 015490 | 2 | |
| 28 | Fitting, C3759X4 MALE RUN TEE | P09141 | 2 | |
| 29 | Fitting, 3/8JIC-1/4NPT 90L | 015491 | 4 | |
| 30 | Fitting, 3/8NPT - 1/4NPT Reducer | 015490 | 6 | |
| 31 | Valve, side support sequence | 015484 | 2 | |
| 32 | Fitting, 90° No C3529X4 Elbow | P09140 | 1 | |
| 33 | Fitting, 3/8" Elbow | 034538 | 2 | |
| 34 | Divider, MTDA O8-016M 1/2 / 1/2 Oil Flow | 088191 | 1 | |
| 35 | Fitting, 90 18x1.5 9/16-18 JIC Elbow | 089992 | 3 | |
| 36 | Fitting, 3/8JIC Tee | 015487 | 1 | |

9.7 Hydraulic Log Side Supports (for Stationary Sawmills)



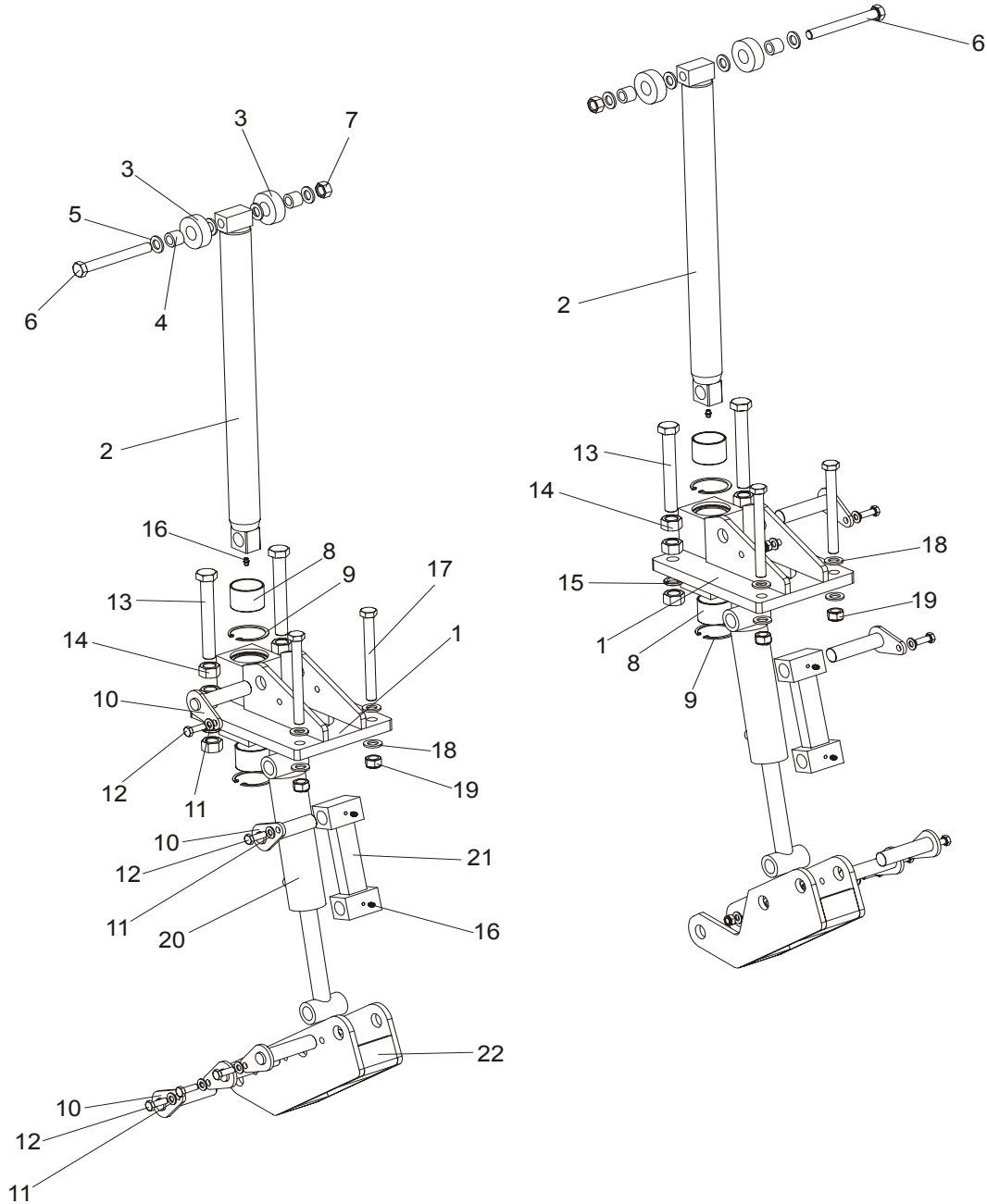
| L.P. | OPIS (◆ wskazuje części dostępne jedynie w zespołach) | NR KAT. | SZT. |
|------|-----------------------------------------------------------|----------|------|
| | SUPPORT, AHS/DHS STATIONARY VERTICAL SIDE COMPLETE | 098864 | 1 |
| | SUPPORT, STATIONARY VERTICAL LOG SIDE | 097519 | 2 |
| 1 | Mount Weldment, LT70/300 Vertical Side Support Upper | 094003-1 | 1 |
| 2 | Bushing, 5040BS Non-Greasable | 088660 | 2 |
| 3 | Pin Weldment, Vertical Side Support Zinc-Plated | 091197-1 | 2 |
| 4 | Ring, LT70/300 Vertical Side Support Zinc-Plated | 094004-1 | 2 |
| 5 | Ring, 62W Inside Retaining | F81090-1 | 2 |

9

HYDRAULIC SYSTEM*Hydraulic Log Side Supports (for Stationary Sawmills)*

| | | | | |
|----|-------------------------------------------------------|-----------|----|--|
| 6 | Rod Weldment, LT70/300 Vertical Side Support Complete | 094011-1 | 1 | |
| 7 | Washer, 17 Flat Zinc | F81058-1 | 12 | |
| 8 | Bushing, LT70/300 Vertical Side Support Bronze | 094012 | 2 | |
| 9 | Roller, LT70/300 Vertical Side Support Zinc-Plated | 094013-1 | 2 | |
| 10 | Bolt, M16x120 -8.8 Hex Head Zinc | F81006-25 | 1 | |
| 11 | Nut, M16-5.8 Hex Zinc | F81036-1 | 1 | |
| 12 | Bolt, ISO 4017 M20x150 8.8 Zinc-Plated | F81007-3 | 2 | |
| 13 | Washer, 20.5 Split Lock Zinc | F81059-1 | 2 | |
| 14 | Nut, M20-8 Hex Zinc | F81037-1 | 6 | |
| 15 | Bolt, M16x160 -8.8 Hex Head Zinc | F81006-20 | 2 | |
| 16 | Nut, M16-8 Hex Nylon Zinc Lock | F81036-2 | 2 | |
| 17 | Link Weldment, LT300 Vertical Side Support | 094016-1 | 1 | |
| 18 | Fitting, M6 Grease | 086280 | 3 | |
| 19 | Bolt, M10x30-5.8 Hex Head Full Thread Zinc | F81003-2 | 2 | |
| 20 | Washer, 10.5 Flat Zinc | F81055-1 | 4 | |
| 21 | Nut, M10-8-B Nylon Hex Zinc Lock | F81033-1 | 2 | |
| 22 | Cylinder, 28/150 1/4 NPT Port Hydraulic | 094002 | 1 | |
| 23 | Fitting, 3/8JIC-1/4NPT 90L | 015491 | 2 | |
| 24 | Mount Weldment, AHS/DHS Vertical Side Support Lower | 098865-1 | 1 | |
| 25 | Pin Weldment, Vertical Side Support Zinc-Plated | 091197-1 | 6 | |
| 26 | Bolt, M10x30-5.8 Hex Head Full Thread Zinc | F81003-2 | 6 | |
| 27 | Washer, 10.5 Flat Zinc | F81055-1 | 12 | |
| 28 | Nut, M10-8-B Nylon Hex Zinc Lock | F81033-1 | 6 | |

9.8 Hydraulic Log Side Supports (for Mobile Sawmills)



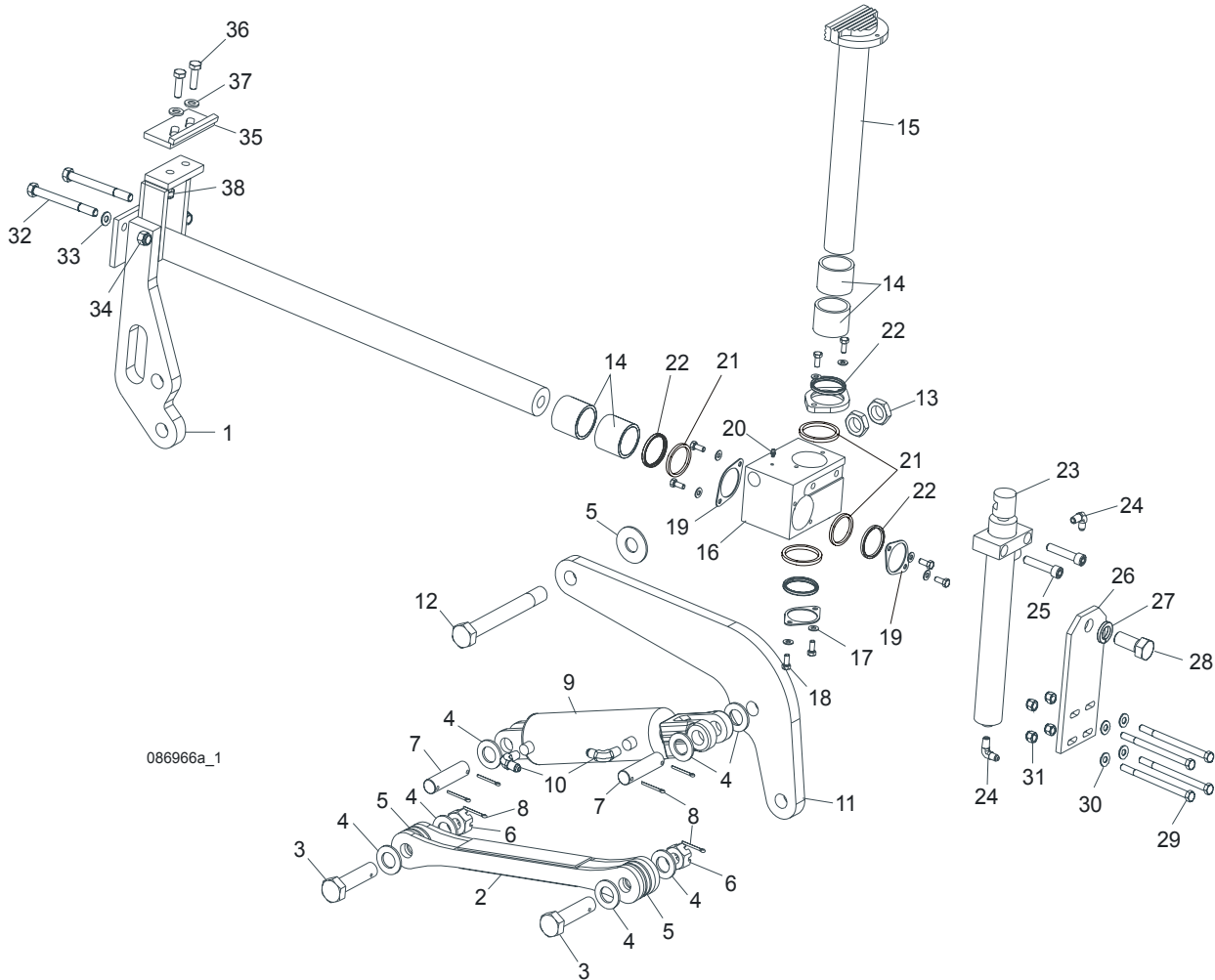
| REF | DESCRIPTION (◆ Indicates Parts Available In Assemblies Only) | PART # | QTY. |
|-----|--------------------------------------------------------------|----------|------|
| | SUPPORT, LT70/300 VERTICAL LOG SIDE (2) | 094388 | |
| 1 | Mount Weldment, LT70/300 Vertical Side Support Upper | 094003-1 | 1 |
| 2 | Rod Weldment, LT70/300 Vertical Side Support Complete | 094011-1 | 1 |
| 3 | Roller, LT70/300 Vertical Side Support Zinc-Plated | 094013-1 | 2 |

9

HYDRAULIC SYSTEM*Hydraulic Log Side Supports (for Mobile Sawmills)*

| | | | | |
|----|-------------------------------------------------------|-----------|---|--|
| 4 | Bushing, LT70/300 Verical Side Support Bronze | 094012 | 2 | |
| 5 | Washer, 17 Flat Zinc | F81058-1 | 4 | |
| 6 | Bolt, M16x140-8.8 Hex Head Zinc | F81006-4 | 1 | |
| 7 | Nut, M16-5.8 Hex Zinc | F81036-1 | 1 | |
| 8 | Bushing, 5040BS Non-Greasable | 088660 | 1 | |
| 9 | Ring, 62W Inside Retaining | F81090-1 | 2 | |
| 10 | Pin Weldment, Vertical Side Support Zinc-Plated | 091197-1 | 5 | |
| 11 | Washer, 10.5 Flat Zinc | F81055-1 | 5 | |
| 12 | Bolt, M10x30-5.8 Hex Head Full Thread Zinc | F81003-2 | 5 | |
| 13 | Bolt, ISO 4017 M20x150 8.8 Zinc-Plated | F81007-3 | 2 | |
| 14 | Nut, M20-8 Hex Zinc | F81037-1 | 6 | |
| 15 | Washer, 20.5 Split Lock Zinc | F81059-1 | 2 | |
| 16 | Fitting, M6 Grease | 086280 | 2 | |
| 17 | Bolt, M16x160 -8.8 Hex Head Zinc | F81006-20 | 2 | |
| 18 | Washer, 17 Flat Zinc | F81058-1 | 4 | |
| 19 | Nut, M16-8 Hex Nylon Zinc Lock | F81036-2 | 2 | |
| 20 | Cylinder, 28/150 1/4 NPT Port Hydraulic | 094002 | 1 | |
| 21 | Link Weldment, LT300 Vertical Side Support | 094016-1 | 1 | |
| 22 | Mount Weldment, LT300 Vertical Side Support Lower | 094387-1 | 1 | |
| | SUPPORT, LT70/300 VERTICAL LOG SIDE | 094010 | | |
| 1 | Mount Weldment, LT70/300 Vertical Side Support Upper | 094003-1 | 1 | |
| 2 | Rod Weldment, LT70/300 Vertical Side Support Complete | 094011-1 | 1 | |
| 3 | Roller, LT70/300 Vertical Side Support Zinc-Plated | 094013-1 | 2 | |
| 4 | Bushing, LT70/300 Verical Side Support Bronze | 094012 | 2 | |
| 5 | Washer, 17 Flat Zinc | F81058-1 | 4 | |
| 6 | Bolt, M16x140-8.8 Hex Head Zinc | F81006-4 | 1 | |
| 7 | Nut, M16-5.8 Hex Zinc | F81036-1 | 1 | |
| 8 | Bushing, 5040BS Non-Greasable | 088660 | 1 | |
| 9 | Ring, 62W Inside Retaining | F81090-1 | 2 | |
| 10 | Pin Weldment, Vertical Side Support Zinc-Plated | 091197-1 | 5 | |
| 11 | Washer, 10.5 Flat Zinc | F81055-1 | 5 | |
| 12 | Bolt, M10x30-5.8 Hex Head Full Thread Zinc | F81003-2 | 5 | |
| 13 | Bolt, ISO 4017 M20x150 8.8 Zinc-Plated | F81007-3 | 2 | |
| 14 | Nut, M20-8 Hex Zinc | F81037-1 | 6 | |
| 15 | Washer, 20.5 Split Lock Zinc | F81059-1 | 2 | |
| 16 | Fitting, M6 Grease | 086280 | 2 | |
| 17 | Bolt, M16x160 -8.8 Hex Head Zinc | F81006-20 | 2 | |
| 18 | Washer, 17 Flat Zinc | F81058-1 | 4 | |
| 19 | Nut, M16-8 Hex Nylon Zinc Lock | F81036-2 | 2 | |
| 20 | Cylinder, 28/150 1/4 NPT Port Hydraulic | 094002 | 1 | |
| 21 | Link Weldment, LT70/300 Vertical Side Support | 094016-1 | 1 | |
| 22 | Mount Weldment, LT70/300 Vertical Side Support Lower | 094387-1 | 1 | |

9.9 Hydraulic Log Clamp



086966a_1

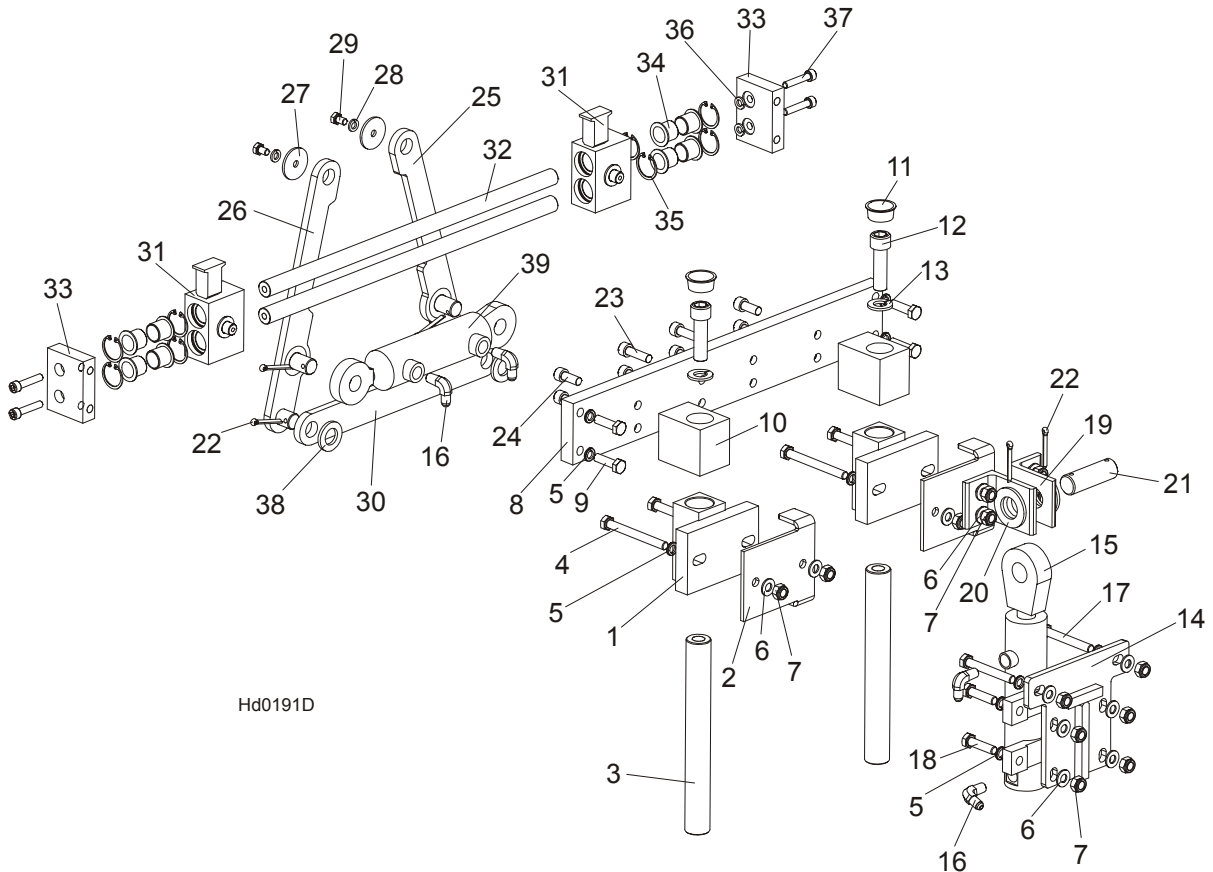
| REF | DESCRIPTION (◆ Indicates Parts Available In Assemblies Only) | PART # | QTY. |
|-----|--------------------------------------------------------------|----------|------|
| | LOG CLAMP ASSEMBLY, TWO-PLANE | 088658 | 1 |
| 1 | Rod Weldment, Log Clamp Slide Painted | 086967-1 | 1 |
| 2 | Arm Weldment, Hydraulic Clamp Link Painted | 086963-1 | 1 |
| 3 | Pin, B 24x95/85 Clevis Zinc | F81049-2 | 1 |
| 4 | Washer, 25 Flat Zinc | F81061-3 | 8 |
| 5 | Washer, 25x63 Zinc-Plated | 088585-1 | 5 |
| 6 | Nut, M20-8-3 Hex Slotted Castle Zinc | F81037-3 | 2 |
| 7 | Pin, Hydraulic Cylinder Zinc-Plated | 086979-1 | 2 |
| 8 | Pin, 6.3x45 Cotter Zinc | F81045-2 | 6 |

9

HYDRAULIC SYSTEM*Hydraulic Log Clamp*

| | | | | |
|----|--------------------------------------------------|-----------|---|--|
| 9 | Cylinder, CJ-S96-16-70/32/178 Hydraulic | 088589 | 1 | |
| 10 | Fitting, 90° Male Elbow | P09142 | 2 | |
| 11 | Arm, Hydraulic Log Clamp Link Painted | 086974-1 | 1 | |
| 12 | Bolt, M24x217/39 -8.8-B Hex Head Zinc | 088586-1 | 1 | |
| 13 | Nut, M24 -04-B Hex Thin Zinc | F81039-3 | 2 | |
| 14 | Bushing, 5040BS Self-Lubricating | 088660 | 2 | |
| 15 | Rod Weldment, Log Clamp Vertical Painted | 088582-1 | 1 | |
| 16 | Block, Log Clamp Painted Steel | 088591-1 | 1 | |
| 17 | Washer, 8.4 Flat Zinc | F81054-1 | 8 | |
| 18 | Bolt, M8x20-8.8-B Hex Head Full Thread Zinc | F81002-4 | 8 | |
| 19 | Flange, Clamp Rod Wiper Painted | 088887-1 | 3 | |
| 20 | Fitting, 3/16" Straight Grease | P04107 | 1 | |
| 21 | Spacer, Log Clamp | 089324 | 1 | |
| 22 | Wiper, ZZ 50x60x7 INCO Log Clamp Rod | 088587 | 1 | |
| 23 | Cylinder, CJ-S169-16-40/22/254 Hydraulic | 088590 | 1 | |
| 24 | Fitting, 90° Male Elbow | P09142 | 2 | |
| 25 | Screw, M12x55-8.8-B Hex Socket Head Cap Zinc | F81004-23 | 2 | |
| 26 | Plate, Log Clamp Mount Painted | 086975-1 | 1 | |
| 27 | Washer, Z 22.5 Split Lock Zinc | F81059-4 | 1 | |
| 28 | Bolt, M22x1.5x40-8.8-B Hex Head Full Thread Zinc | F81009-1 | 1 | |
| 29 | Bolt, M10 x 125-8.8 Hex Head Zinc | F81003-18 | 4 | |
| 30 | Washer, 10.5 Flat Zinc | F81055-1 | 4 | |
| 31 | Nut, M10-8-B Hex Nylon Zinc Lock | F81033-1 | 4 | |
| 32 | Bolt, M12 x 140 8.8 Hex Head Zinc | F81004-37 | 2 | |
| 33 | Washer, 13 Flat Zinc | F81056-1 | 2 | |
| 34 | Nut, M12-8-B Hex Zinc | F81034-1 | 2 | |
| | STOP ASSEMBLY, LOG CLAMP | K09485 | 1 | |
| 35 | Stop Weldment, Hydraulic Log Clamp Painted | 086980-1 | 1 | |
| 36 | Bolt, M12 x 40 8.8 Hex Head Full Thread Zinc | F81004-4 | 2 | |
| 37 | Washer, 13 Flat Zinc | F81056-1 | 2 | |
| 38 | Nut, M12-8 Hex Nylon Zinc Lock | F81034-2 | 2 | |

9.10 Hydraulic Pull Down Clamp



Hd0191D

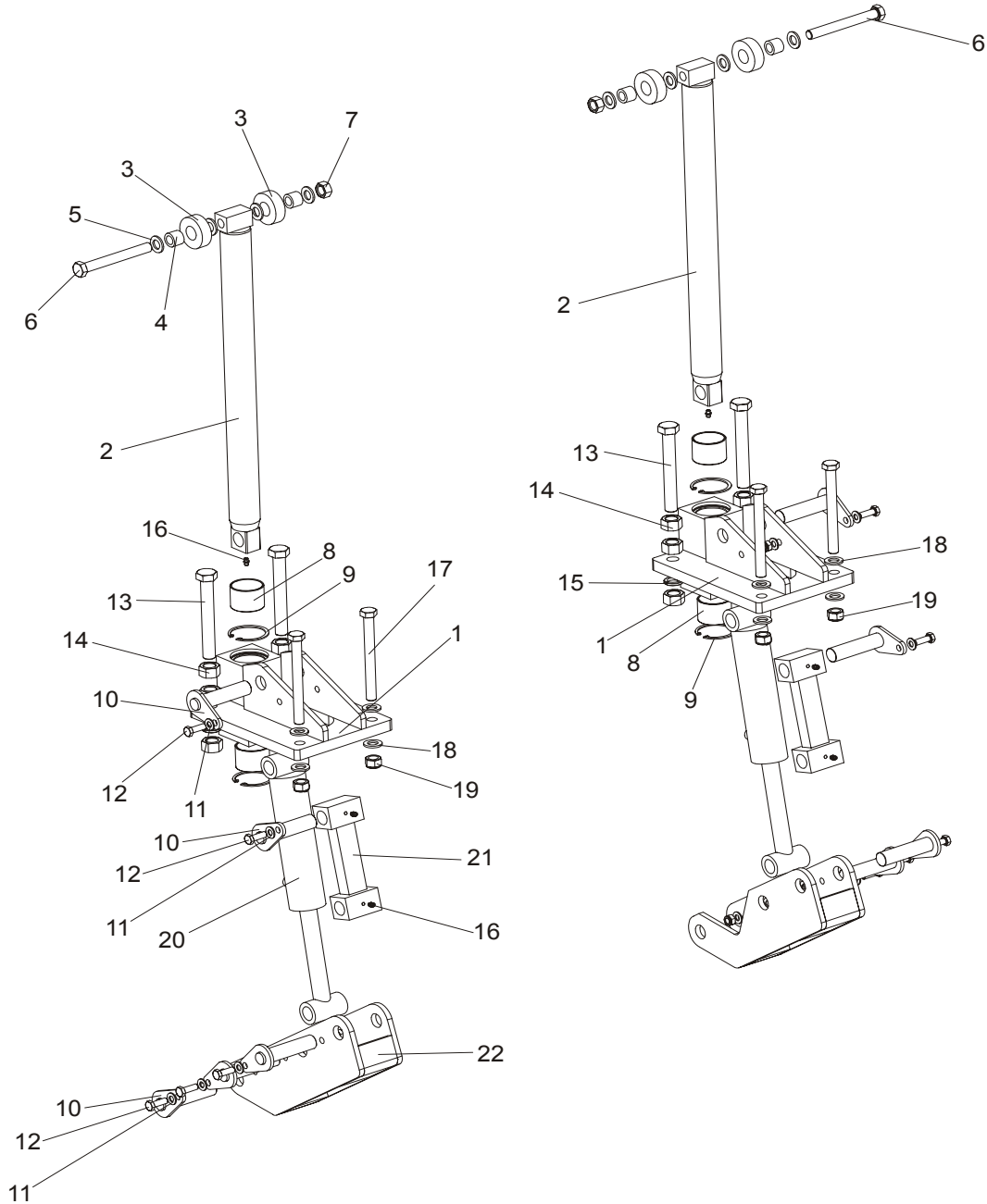
| REF | DESCRIPTION (◆ Indicates Parts Available In Assemblies Only) | PART # | QTY. |
|-----|--------------------------------------------------------------|-----------|------|
| | LEFT HYDRAULIC LOG CLAMP ASSEMBLY, COMPLETE | 094129 | 1 |
| 1 | Block Weldment, Log Clamp Up/Down Painted | 090545-1 | 2 |
| 2 | Bracket, Log Clamp Mount Painted | 094098-1 | 2 |
| 3 | Pin, Log Clamp Up/Down | 088631 | 2 |
| 4 | Bolt, M10x95-8.8-B Hex Head Zinc | F81003-71 | 4 |
| 5 | Washer, 10.2 Split Lock Zinc | F81055-2 | 14 |
| 6 | Washer, 10.5 Flat Zinc | F81055-1 | 14 |
| 7 | Nut, M10-8-B Hex Nylon Zinc Lock | F81033-1 | 14 |
| 8 | Beam, Log Clamp Main Zinc-plated | 094115-1 | 1 |
| 9 | Bolt, M10x35-8.8 Hex Head Full Thread Zinc | F81003-17 | 4 |
| 10 | Block, Log Clamp Up/Down Painted | 094124-1 | 2 |
| 11 | Plug, M33 Thread #12428 | 089839 | 2 |
| 12 | Screw, M16x55-8.8 Hex Socket Head Cap Zinc | F81006-18 | 2 |

9

HYDRAULIC SYSTEM*Hydraulic Pull Down Clamp*

| | | | | |
|----|-----------------------------------------------------|-----------|---|--|
| 13 | Washer, 16.3 Split Lock Zinc | F81058-2 | 2 | |
| 14 | Plate Weldment, Hydraulic Cylinder Mounting Painted | 094094-1 | 1 | |
| 15 | Cylinder, CJ7F-16/40/22 + UE2-40W Hydraulic | 091346 | 1 | |
| 16 | Fitting, 90° Male Elbow | P09142 | 2 | |
| 17 | Bolt, M10x75-8.8 Hex Head Zinc | F81003-15 | 2 | |
| 18 | Bolt, M10x40-8.8 Hex Head Full Thread Zinc | F81003-16 | 4 | |
| 19 | Bracket, Hydraulic Cylinder Mounting Painted | 094127-1 | 2 | |
| 20 | Washer, 28 Flat Zinc | F81061-1 | 2 | |
| 21 | Pin, 25x75 Zinc-plated | 088659-1 | 1 | |
| 22 | Pin, S-Zn 5x40 Cotter Zinc | F81043-31 | 4 | |
| 23 | Screw, M10x35 8.8 Hex Socket Head Cap Zinc | F81003-56 | 4 | |
| 24 | Screw, M10x25 8.8 Hex Socket Head Cap Zinc | F81003-32 | 4 | |
| 25 | Link, Log Clamp In/Out Side Zinc-plated (1) | 094097-1 | 1 | |
| 26 | Link, Log Clamp In/Out Side Zinc-plated (2) | 094099-1 | 1 | |
| 27 | Washer, Zinc-plated Spacer | 094128-1 | 1 | |
| 28 | Washer, 8.2 Split Lock Zinc | F81054-4 | 2 | |
| 29 | Bolt, M8x12-8.8 Hex Head Full Thread Zinc | F81002-6 | 2 | |
| 30 | Arm, Log Clamp In/Out Zinc-plated | 094092-1 | 1 | |
| 31 | Jaw Weldment, Log Clamp Zinc-plated | 094120-1 | 2 | |
| 32 | Rod, Log Clamp Jaw Guide | 094116 | 2 | |
| 33 | Plate, Locking Zinc-plated | 094117-1 | 2 | |
| 34 | Bushing, JFM-2023-21 Flanged | 094113 | 8 | |
| 35 | Ring, W 31 Inside Retaining | F81090-15 | 8 | |
| 36 | Washer, 8.2 Split Lock Zinc | F81054-4 | 4 | |
| 37 | Screw, M8x40-8.8 Hex Socket Head Cap Zinc | F81002-29 | 4 | |
| 38 | Washer, 21 Flat Zinc | F81059-2 | 2 | |
| 39 | Cylinder SJ2F-16-40/22/80 Hydraulic | 093880 | 1 | |

9.11 Hydraulic Log Side Supports (Super version)



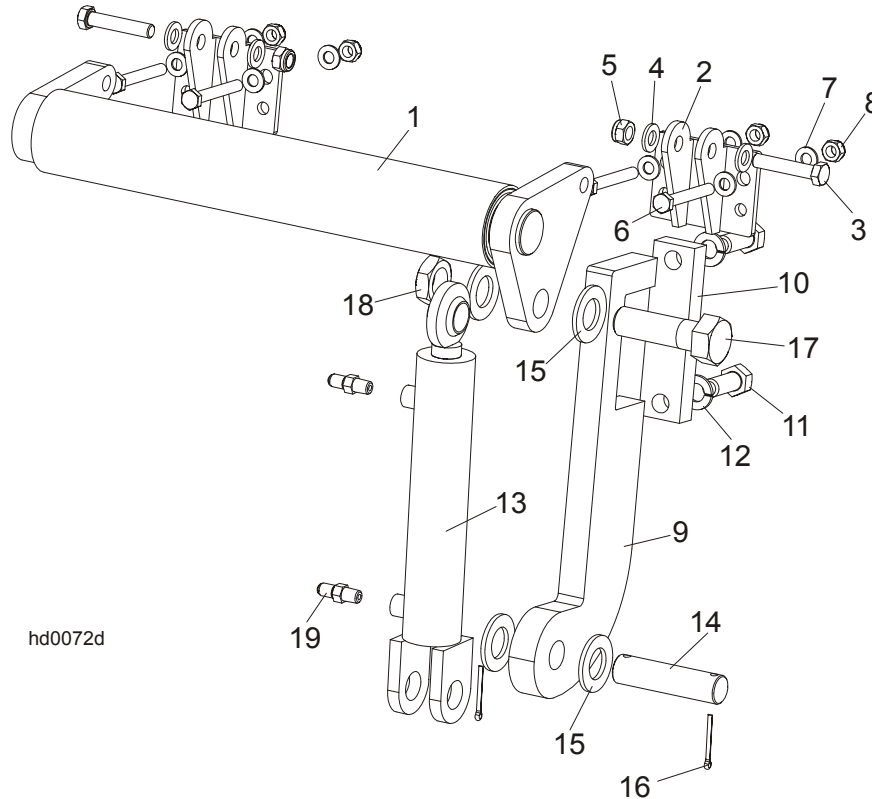
| REF | DESCRIPTION (◆ Indicates Parts Available In Assemblies Only) | PART # | QTY. |
|-----|--------------------------------------------------------------|----------|------|
| | SUPPORT, LT70/300 VERTICAL LOG SIDE (2) | 094388 | |
| 1 | Mount Weldment, LT70/300 Vertical Side Support Upper | 094003-1 | 1 |
| 2 | Rod Weldment, LT70/300 Vertical Side Support Complete | 094011-1 | 1 |
| 3 | Roller, LT70/300 Vertical Side Support Zinc-Plated | 094013-1 | 2 |

9

HYDRAULIC SYSTEM*Hydraulic Log Side Supports (Super version)*

| | | | | |
|----|-------------------------------------------------------|-----------|---|--|
| 4 | Bushing, LT70/300 Verical Side Support Bronze | 094012 | 2 | |
| 5 | Washer, 17 Flat Zinc | F81058-1 | 4 | |
| 6 | Bolt, M16x140-8.8 Hex Head Zinc | F81006-4 | 1 | |
| 7 | Nut, M16-5.8 Hex Zinc | F81036-1 | 1 | |
| 8 | Bushing, 5040BS Non-Greasable | 088660 | 1 | |
| 9 | Ring, 62W Inside Retaining | F81090-1 | 2 | |
| 10 | Pin Weldment, Vertical Side Support Zinc-Plated | 091197-1 | 5 | |
| 11 | Washer, 10.5 Flat Zinc | F81055-1 | 5 | |
| 12 | Bolt, M10x30-5.8 Hex Head Full Thread Zinc | F81003-2 | 5 | |
| 13 | Bolt, ISO 4017 M20x150 8.8 Zinc-Plated | F81007-3 | 2 | |
| 14 | Nut, M20-8 Hex Zinc | F81037-1 | 6 | |
| 15 | Washer, 20.5 Split Lock Zinc | F81059-1 | 2 | |
| 16 | Fitting, M6 Grease | 086280 | 2 | |
| 17 | Bolt, M16x160 -8.8 Hex Head Zinc | F81006-20 | 2 | |
| 18 | Washer, 17 Flat Zinc | F81058-1 | 4 | |
| 19 | Nut, M16-8 Hex Nylon Zinc Lock | F81036-2 | 2 | |
| 20 | Cylinder, 28/150 1/4 NPT Port Hydraulic | 094002 | 1 | |
| 21 | Link Weldment, LT300 Vertical Side Support | 094016-1 | 1 | |
| 22 | Mount Weldment, LT300 Vertical Side Support Lower | 094387-1 | 1 | |
| | SUPPORT, LT70/300 VERTICAL LOG SIDE | 094010 | | |
| 1 | Mount Weldment, LT70/300 Vertical Side Support Upper | 094003-1 | 1 | |
| 2 | Rod Weldment, LT70/300 Vertical Side Support Complete | 094011-1 | 1 | |
| 3 | Roller, LT70/300 Vertical Side Support Zinc-Plated | 094013-1 | 2 | |
| 4 | Bushing, LT70/300 Verical Side Support Bronze | 094012 | 2 | |
| 5 | Washer, 17 Flat Zinc | F81058-1 | 4 | |
| 6 | Bolt, M16x140-8.8 Hex Head Zinc | F81006-4 | 1 | |
| 7 | Nut, M16-5.8 Hex Zinc | F81036-1 | 1 | |
| 8 | Bushing, 5040BS Non-Greasable | 088660 | 1 | |
| 9 | Ring, 62W Inside Retaining | F81090-1 | 2 | |
| 10 | Pin Weldment, Vertical Side Support Zinc-Plated | 091197-1 | 5 | |
| 11 | Washer, 10.5 Flat Zinc | F81055-1 | 5 | |
| 12 | Bolt, M10x30-5.8 Hex Head Full Thread Zinc | F81003-2 | 5 | |
| 13 | Bolt, ISO 4017 M20x150 8.8 Zinc-Plated | F81007-3 | 2 | |
| 14 | Nut, M20-8 Hex Zinc | F81037-1 | 6 | |
| 15 | Washer, 20.5 Split Lock Zinc | F81059-1 | 2 | |
| 16 | Fitting, M6 Grease | 086280 | 2 | |
| 17 | Bolt, M16x160 -8.8 Hex Head Zinc | F81006-20 | 2 | |
| 18 | Washer, 17 Flat Zinc | F81058-1 | 4 | |
| 19 | Nut, M16-8 Hex Nylon Zinc Lock | F81036-2 | 2 | |
| 20 | Cylinder, 28/150 1/4 NPT Port Hydraulic | 094002 | 1 | |
| 21 | Link Weldment, LT70/300 Vertical Side Support | 094016-1 | 1 | |
| 22 | Mount Weldment, LT70/300 Vertical Side Support Lower | 094387-1 | 1 | |

9.12 Hydraulic Toe Board



hd0072d

| REF | DESCRIPTION (◆ Indicates Parts Available In Assemblies Only) | PART# | QTY. |
|-----|--------------------------------------------------------------|-----------|------|
| | HYDRAULIC TOE BOARD - REAR | 092634 | 1 |
| 1 | Toe Board Weldment, Hydraulic - Rear | 086253-1 | 1 |
| 2 | Bracket, Hydraulic Toe Board | 087903-1 | 4 |
| 3 | Bolt, M12x60mm Hex Head Zinc Grade 8.8 | F81004-5 | 4 |
| 4 | Washer, M12 Flat Zinc | F81056-1 | 8 |
| 5 | Nut, M12 Hex Nylon Zinc Lock | F81034-2 | 4 |
| 6 | Bolt, M10x75-8.8 Hex Head Zinc | F81003-15 | 8 |
| 7 | Washer, M10 Flat Zinc | F81055-1 | 16 |
| 8 | Nut, M10 Hex Nylon Zinc Lock | F81033-1 | 8 |
| 9 | Bracket, Hydraulic Toeboard Mount | 087729-1 | 2 |
| 10 | Plate, Hydraulic Toeboard Mount | 090086-1 | 2 |
| 11 | Bolt, M16x40mm Hex Head Full Thread Zinc Grade 5.8 | F81006-13 | 4 |
| 12 | Washer, 16.3 Split Lock Zinc | F81058-2 | 4 |
| 13 | Cylinder, CJ-S170-16-40/25/152 Hydraulic | 088681 | 2 |
| 14 | Pin, Cylinder Mount | 086979-1 | 2 |
| 15 | Washer, 28 Flat Zinc | F81061-1 | 8 |
| 16 | Pin, 3/16x1.5 Cotter Zinc | F05012-23 | 4 |
| 17 | Bolt, 1-8x3 1/4 Hex Head Grade 5 | F05009-51 | 2 |

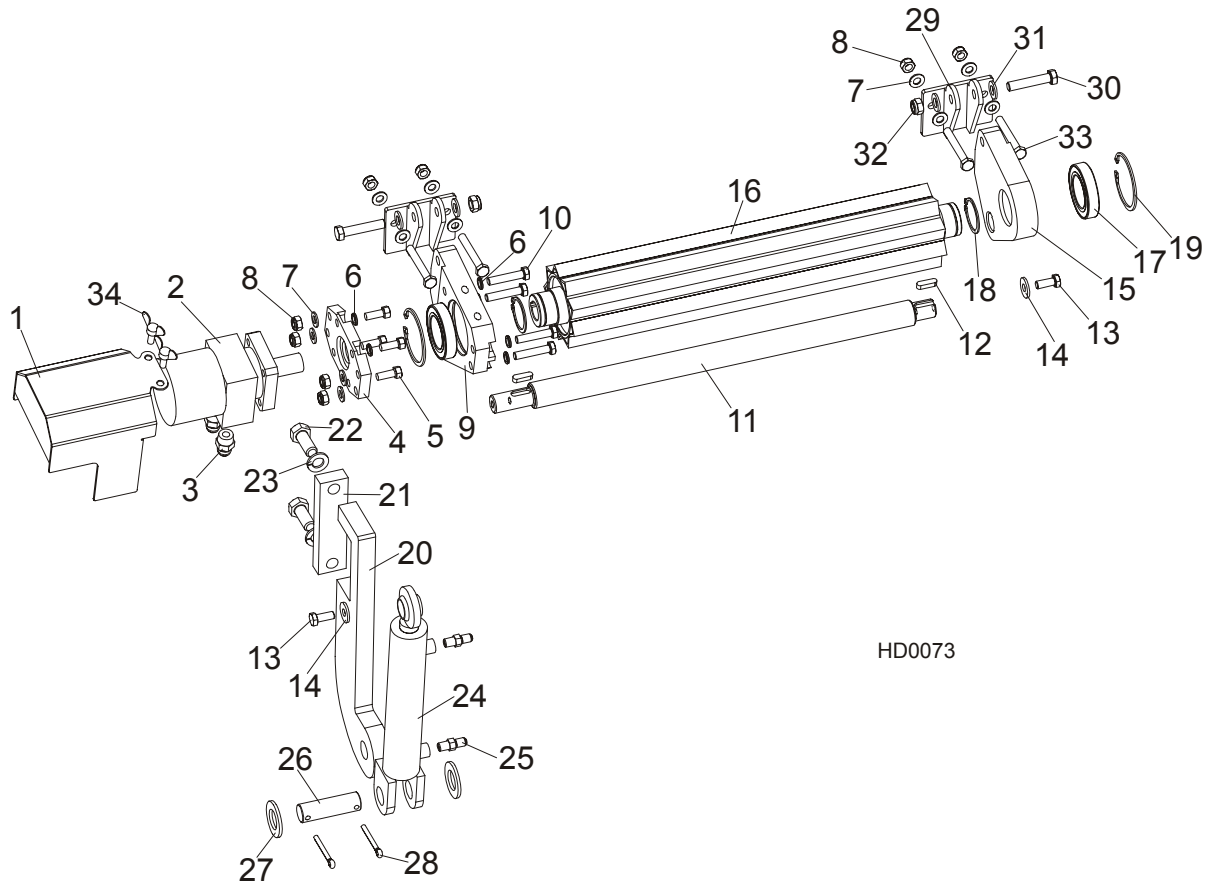
9

HYDRAULIC SYSTEM

Hydraulic Toe Board

| | | | | |
|----|-----------------------------|------------|---|--|
| 18 | Nut, 1-14 Hex Jam Unplated | F05010-117 | 2 | |
| 19 | Fitting, 1/4NPTx1/4JIC Male | P09143 | 4 | |

9.13 Power Toe Roller



HD0073

| REF | DESCRIPTION (◆ Indicates Parts Available In Assemblies Only) | PART# | QTY. |
|-----|--------------------------------------------------------------|-----------|------|
| | POWER ROLLER | 096040 | 1 |
| 1 | Cover, Hydraulic Motor | 096037-1 | 1 |
| 2 | Motor, MG06-13-13AAAB Hyd | P21506 | 1 |
| 3 | Fitting, 1/2-14NPT/ 7/16-20UNF | 096919 | 2 |
| 4 | Plate, Hydraulic Motor Mount | 096030-1 | 1 |
| 5 | Screw, 3/8-16x1, HHC | F05007-7 | 4 |
| 6 | Washer, 10.2 Split Lock Zinc | F81055-2 | 4 |
| 7 | Washer, 10,5 Flat Zinc | F81055-1 | 12 |
| 8 | Nut, M10-8-B Nylon Hex Zinc Lock | F81033-1 | 8 |
| 9 | Bracket, Side w/HydroMotor Connector | 096029-1 | 1 |
| 10 | Bolt, M10x50-8.8-Hex Head Full Thread Zinc | F81003-4 | 4 |
| 11 | Rod | 096034 | 1 |
| 12 | Key, A8x7x28 Parallel | 096035 | 2 |
| 13 | Bolt, M10x25 8.8 Hex Head Full Thread Zinc | F81003-31 | 2 |
| 14 | Washer, 10,5 Zinc Flat Special | F81055-6 | 2 |

9

HYDRAULIC SYSTEM*Power Toe Roller*

| | | | | |
|----|--------------------------------------------|-----------|---|--|
| 15 | Bracket | 096031-1 | 1 | |
| 16 | Roller, Pivot - Wldmt | 096028-1 | 1 | |
| 17 | Bearing, 6009.2RSR | 096025 | 2 | |
| 18 | Ring, Z 45 Spring Retaining | F81090-32 | 2 | |
| 19 | Ring, W 75 Spring Retaining | F81090-41 | 2 | |
| 20 | Plate, Toe Board Cylinder Mount | 087729-1 | 1 | |
| 21 | Plate, Hydraulic Toe Board Mount | 090086-1 | 1 | |
| 22 | Bolt, M16x40-8.8 Hex Head Full Thread Zinc | F81006-13 | 2 | |
| 23 | Washer, 16,3 Split Lock Zinc | F81058-2 | 2 | |
| | Cylinder, Hydraulic Toe Boards | 085937 | 1 | |
| 24 | Cylinder, CJ-S170-16-40/25/152 Hydraulic | 088681 | 1 | |
| 25 | Fitting, C5205x4x4 Male | P09143 | 2 | |
| 26 | Pin, Hydraulic Cylinder Zinc | 086979-1 | 1 | |
| 27 | Washer, 28 Flat Zinc | F81061-1 | 2 | |
| 28 | Pin, S-Zn 6,3x45 | F81045-2 | 2 | |
| 29 | Bracket, Toe Board Roller Mount | 087903-1 | 2 | |
| 30 | Bolt, M12x60-8.8 Hex Head Zinc | F81004-5 | 2 | |
| 31 | Washer, 13 Zinc Flat | F81056-1 | 4 | |
| 32 | Nut, M12-8 Hex Nylon Zinc Lock | F81034-2 | 2 | |
| 33 | Bolt, M10x75-8.8-Hex Head Zinc | F81003-15 | 4 | |
| 34 | Stud, M6x16 Wing | F81001-16 | 2 | |